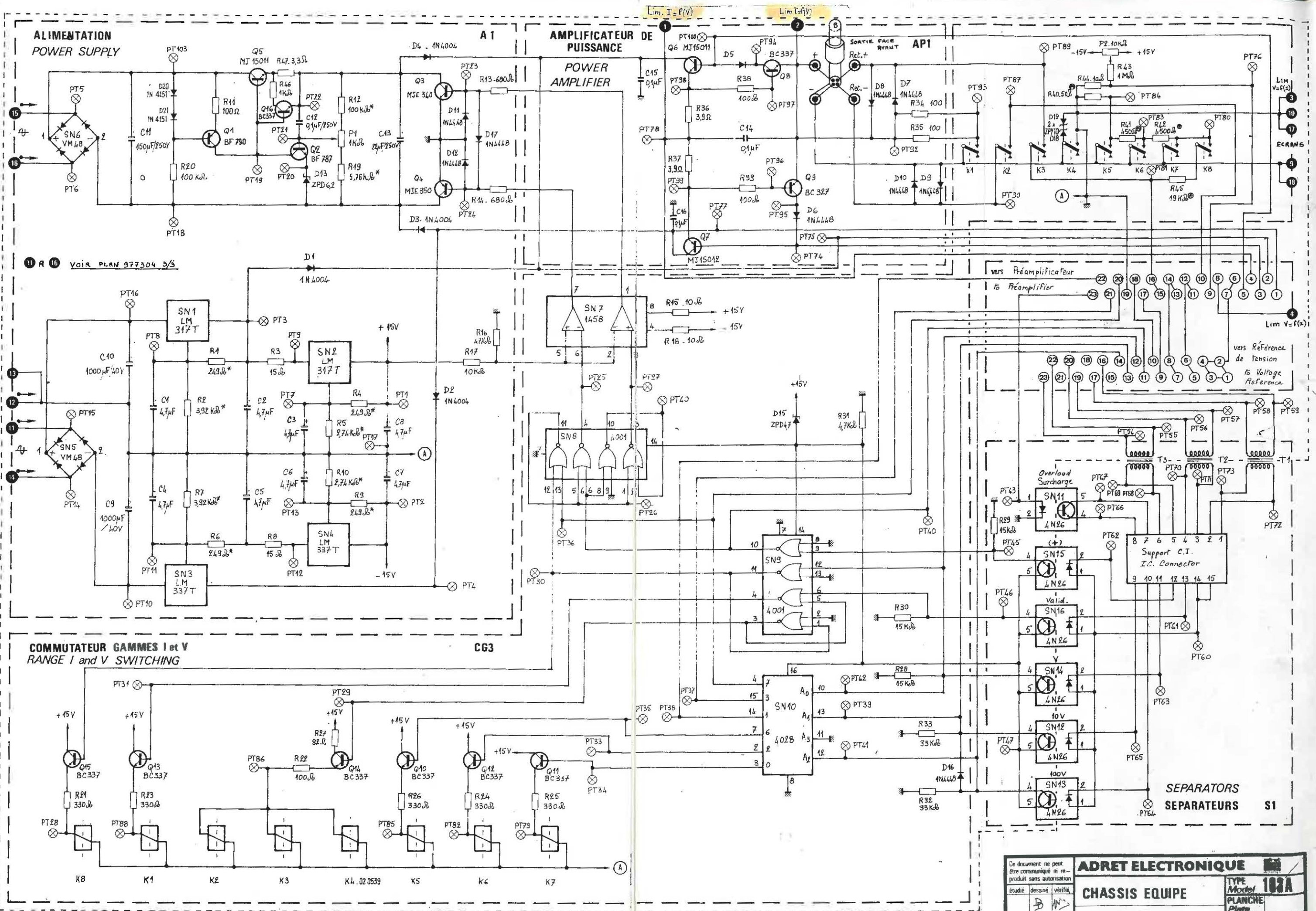


CARTE MICROPROCESSEUR  
 MICROPROCESSOR BOARD

|  |                           |  |                        |
|--|---------------------------|--|------------------------|
| Ce document ne peut être communiqué ni reproduit sans autorisation.<br>étudié, dessiné, vérifié<br>WJ JB B<br>DATE 16/2/80 | <b>ADRET ELECTRONIQUE</b> |  |                        |
|  | <b>SYNOPTIQUE</b>         |  | TYPE Model <b>103A</b> |
|  | <b>FLOW CHART</b>         |  | PLANCHE Plate          |
|  | 970103B                   |  |                        |

| REPERE | REF. | ADRET      | DESCRIPTION                                      | QTE |
|--------|------|------------|--|-----|
| Z1     | 001  | 0273630000 | 08 CHASSIS EQUIPE . . . . . 103A P921260.C977363 | 1   |
| Z6     |      | 1401023900 | SHUNT . . . . . REF 4578 STOCKLY                 | 2   |
| Z6     |      | 6103040800 | ACF 4 X 8 CYLIND 6 PANS CREUX SAGIC              | 4   |
| Z6     |      | 6105040600 | ACF 4 X 6 'POELIERS' CRUCIF SAGIC                | 8   |
| Z6     |      | 6200040000 | ACI 4 HEXAGONAL USUEL '4' SAGIC                  | 4   |
| Z6     |      | 6400670000 | RIVET POP 3,2 L 4 ALU ABS 41 MFOM                | 2   |
| Z6     |      | 6800360000 | PIED 'AVANT' . . . . . REF 10603-023 SCHROFF     | 2   |
| Z8     |      | 6800370000 | PIED 'ARRIERE' . . . . . REF 10603-024 SCHROFF   | 2   |
| Z8     |      | 0280077430 | ECRAN AFFICHEUR 21X104MM. 103A ADRET             | 1   |
| Z8     |      | 8000090000 | ETIQUETTE SIGNALETIQUE . ADRET 940006A           | 1   |
| Z8     |      | 8007702200 | COUVERCLE PROF.279 . . . . . 103A A921218        | 1   |
| Z8     |      | 8007702300 | FOND PROF.279 . . . . . 103A A932915             | 1   |
| Z8     |      | 8007799900 | PAN.AVANT 80077024-025 103A ADRET                | 1   |

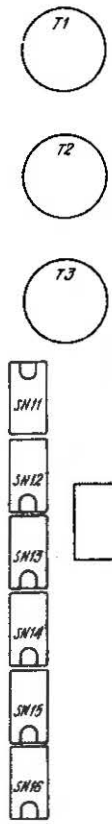
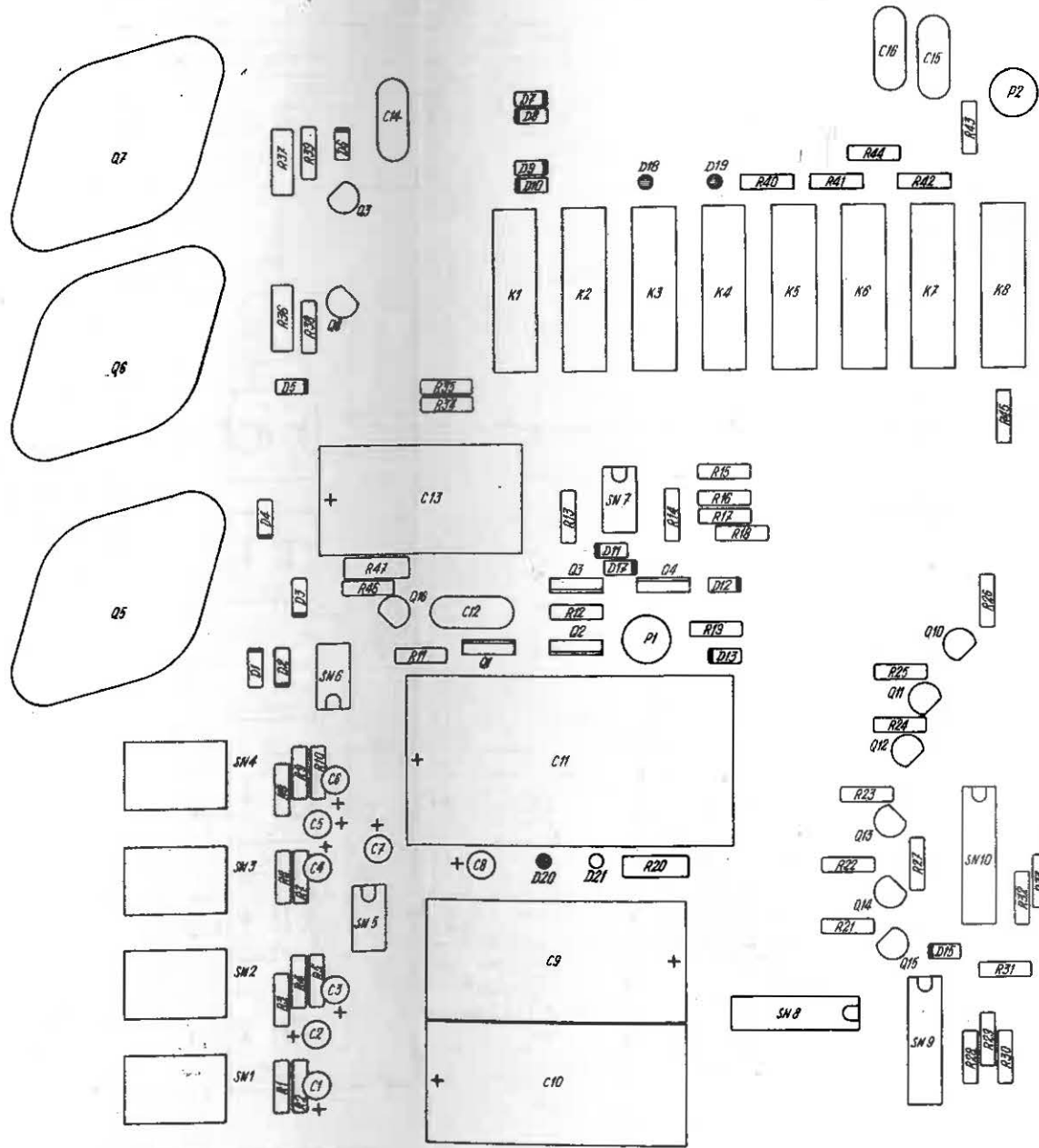




11 R 16 Voir PLAN 977304 3/3

|  |         |                           |                        |
|--|---------|---------------------------|------------------------|
| Ce document ne peut être communiqué ni reproduit sans autorisation |         | <b>ADRET ELECTRONIQUE</b> |                        |
| étudié   | dessiné | vérifié                   | TYPE Model <b>103A</b> |
| DATE <b>05/09/80</b>   |         |                           | PLANCHE <b>112</b>     |
| <b>CHASSIS EQUIPE</b>  |         |                           | <b>FITTED CHASSIS</b>  |
| <b>112 977304 3C</b>   |         |                           |                        |



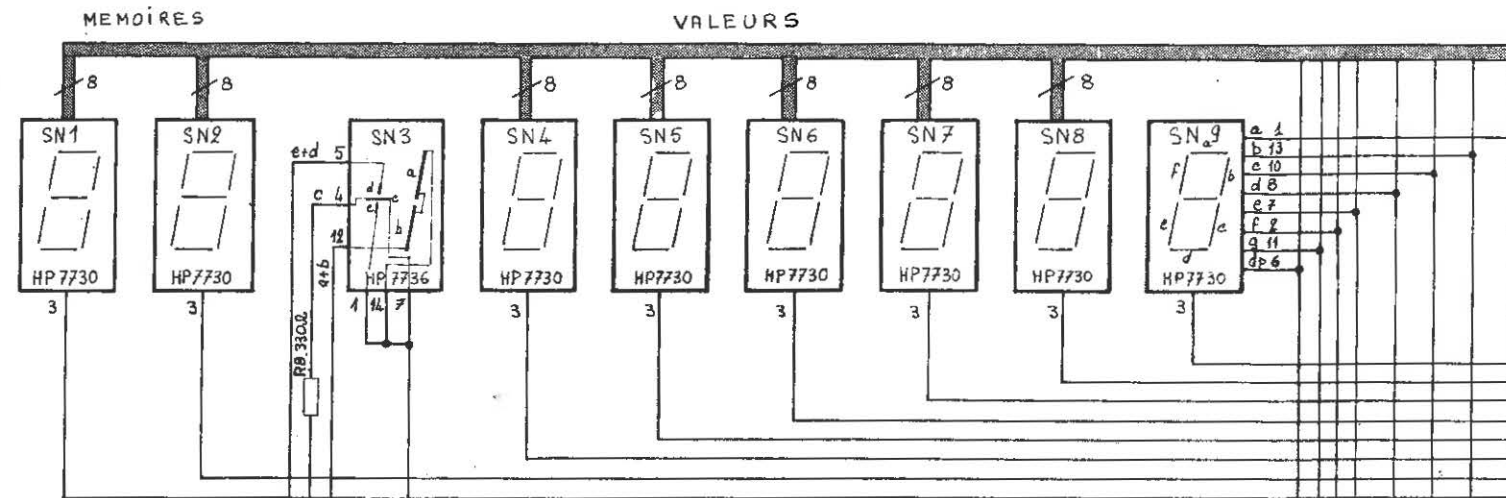


|  |  |                        |  |
|--|--|------------------------|--|
| Traitement: _____  |  | Méthode: _____         |  |
| Production: _____  |  | Total gén.: _____      |  |
| Etabli: _____  |  | Echelle: _____         |  |
| Designé: <u>10</u>   |  | Date: <u>M. 11. 80</u> |  |
| Vérifié: _____   |  | Date: _____            |  |
| Ce document ne peut être communiqué ni reproduit sans autorisation |  |                        |  |
| Ensemble: <u>103.A</u>   |  | DZ 7304                |  |
| CARTE PORTEUR AMPLI.   |  | 9 2 1 2 5 6 10         |  |

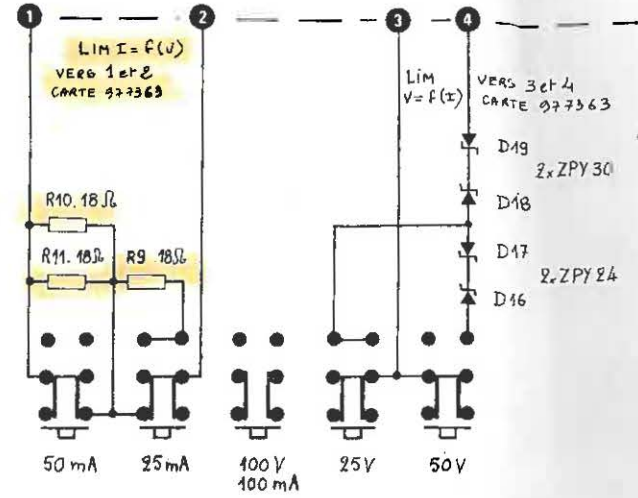
12-14 Av. Vladimir KOMAROV  
92100 THIAMPS, FRANCE  
Tél. 01.20.72  
S.C. VERMILLES  
Électronique



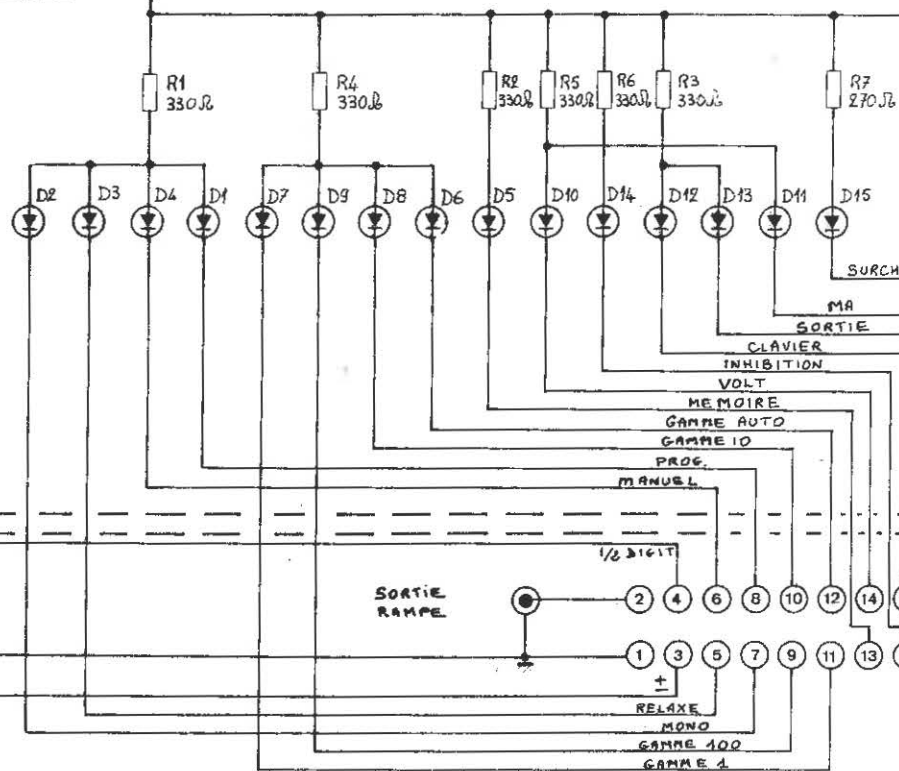
**VISUALISATION  
PARAMETER DISPLAY**



**FONCTIONS LIMITEES  
LIMIT FUNCTIONS**



**VISUALISATION DES FONCTIONS  
FUNCTIONS DISPLAY**

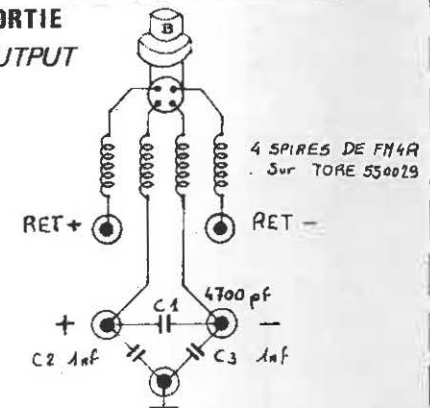


**CLAVIER  
KEYBOARD**

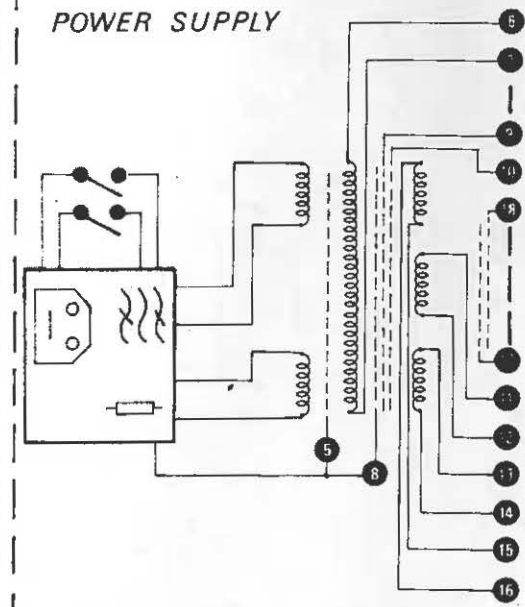
|       |          |    |         |       |     |
|-------|----------|----|---------|-------|-----|
| gamme | M        | I  | Execute | +     | INC |
| 10    | balayage | V  | INH.    | gamme | -   |
| +INC  | FIN      | 8  | 5       | 2     | .   |
| -INC  | DEBUT    | 7  | 4       | 1     | 0   |
|       | Mémoire  | mA | MA      | %     | XY  |
| x10   | balayage | 9  | 6       | 3     | CE  |

97733Z  
VERS PRO. 682A  
VERS PAL. 6821. 97733Z  
VERS PAL. 6821. CARTE 97733Z  
VERS PAS. 6821. CARTE 97733Z  
VERS PAL. 6821. CARTE 97733Z  
VERS PAS. 6821. CARTE 97733Z

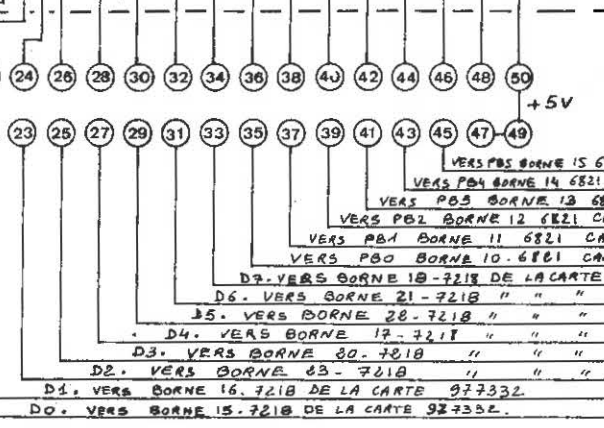
**SORTIE  
OUTPUT**



**ALIMENTATION  
POWER SUPPLY**



**CONNECTEUR  
PLUG-IN**



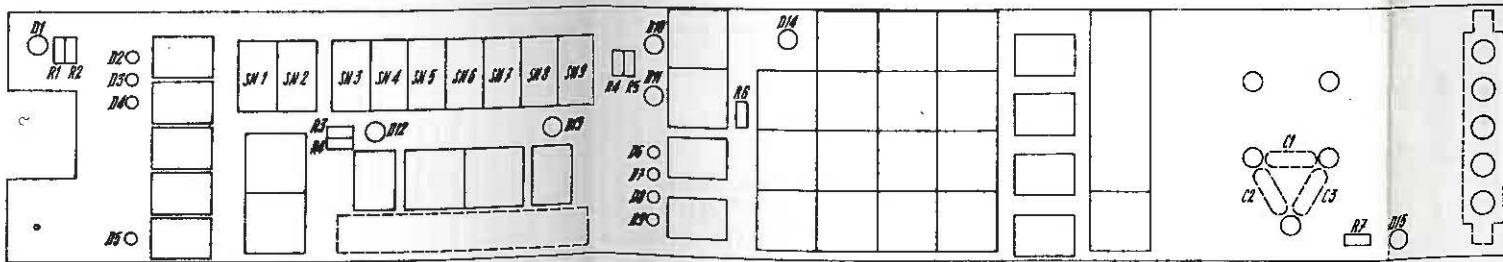
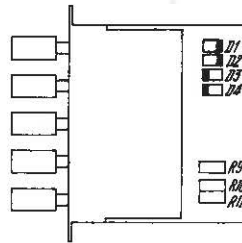
Ce document ne peut être communiqué ni reproduit sans autorisation  
étudié dessiné vérifié

**ADRET ELECTRONIQUE**

TYPE Model **103A**

CHASSIS EQUIPE  
PLANCHE Plate

DATE 05/12/80  
FITTED CHASSIS 212 **9773363C**



| Ind | Modifications | Nom | Verif | Date |
|-----|---------------|-----|-------|------|
|     |               |     |       |      |
|     |               |     |       |      |
|     |               |     |       |      |

|   |                   |                |               |
|---|-------------------|----------------|---------------|
| Traitement  |                   | Matiere        |               |
| Protection  |                   | Tol gen        | Echelle       |
| Etude   | Dessine <i>AS</i> | Verifie        | Date 23.03.81 |
| <small>Ce document ne peut être communiqué ni reproduit sans autorisation</small> |                   |                |               |
| <b>PANNEAU AV.</b>  |                   | <b>REPÈRES</b> |               |

|                           |  |
|---------------------------|--|
| <b>Э</b><br>electronique. | 12-14 Av. Vladimir KOMAROV<br>29100 VANDRES (France)<br>Tel 051 95 72<br>R.C. versailles<br>SIREN 312 914 17 A |
|                           | Ensemble<br>103 A <b>82 7327</b>   |

91312191417A



| REPERE | REF.       | ADRET   | DESCRIPTION                                | QTE |
|--------|------------|---------|--|-----|
| 001    | 0273040000 | 08      | PORTEUR/AMPLI ..... 103A L921232.....      | 1   |
| 001    | 0273230000 | 06      | CARTE REFERENCE ..... 103A H932874.E977323 | 1   |
| 001    | 0273240000 | 06      | CARTE PREAMPLI ..... 103A F932873.D977324  | 1   |
| 001    | 0273270000 | 04      | PANNEAU AVANT ..... 103A D921257.....      | 1   |
| 001    | 0273320000 | 07      | CARTE LOGIQUE ..... 103A E910191.D977332   | 1   |
| 001    | 0275060000 | 00      | CARTE DE SAUVEGARDE .. 103A A932992.....   | 1   |
| Z0     | 0207690000 | 01      | NATTE EQUIP.16C L 90 .. 942016 .....       | 1   |
| Z1     | 1001030000 |         | ALIMENTATION ..... 103A A932977            | 1   |
| Z1     | 1100010000 |         | FIL NOIR ..... KY30-02 FILECA              | 0   |
| Z1     | 1100020000 |         | FIL MARRON ..... KY30-02 FILECA            | 0   |
| Z1     | 1100030000 |         | FIL ROUGE ..... KY30-02 FILECA             | 0   |
| Z1     | 1100040000 |         | FIL ORANGE ..... KY30-02 FILECA            | 0   |
| Z1     | 1100050000 |         | FIL JAUNE ..... KY30-02 FILECA             | 0   |
| Z1     | 1100060000 |         | FIL VERT ..... KY30-02 FILECA              | 0   |
| Z1     | 1100070000 |         | FIL BLEU ..... KY30-02 FILECA              | 0   |
| Z1     | 1100100000 |         | FIL BLANC ..... KY30-02 FILECA             | 0   |
| Z1     | 1100110000 |         | FIL ROSE ..... KY30-02 FILECA              | 0   |
| Z1     | 1100280000 |         | FIL VIOLET ..... KY33A02 FILECA            | 0   |
| Z1     | 1100450000 |         | CABLE H/U500/SU/10/OH 'EX FM4R             | 0   |
| Z1     | 1100950000 |         | FIL VERT/JAUNE SOUPLE 1,5MM2 .             | 0   |
| Z1     | 1300440000 |         | GAINÉ F3,2 ..... FP301 1/8                 | 0   |
| Z1     | 1300450000 |         | GAINÉ F4,8 ..... FP301 3/16                | 0   |
| Z1     | 1300610000 |         | PASSE.FIL ..... REF 751                    | 0   |
| Z1     | 1300810000 |         | TY-RAP ..... REF SST 1M                    | 13  |
| Z1     | 1720005700 |         | FST 315MA ..... REF 034-3412               | 1   |
| Z1     | 1750004500 |         | FILTRE SECT.SANS SELECTEUR 6J4             | 1   |
| Z1     | 1750005500 |         | SELECTEUR TENSION REF 70-1495              | 1   |
| Z4     | 4900090000 |         | CANON EPAULE ..... REF 94                  | 2   |
| Z5     | 5500290000 |         | 3E2 TORE 14X9X5 3E2 .....                  | 1   |
| Z6     | 6100030600 | ACF     | 3 X 6 CYLINDRIQUE CRUCIF SAGIC             | 5   |
| Z6     | 6100031000 | ACF     | 3 X 10 CYLINDRIQUE CRUCIF SAGIC            | 3   |
| Z6     | 6100031200 | ACF     | 3 X 12 CYLINDRIQUE CRUCIF SAGIC            | 3   |
| Z6     | 6100040600 | ACF     | 4 X 6 CYLINDRIQUE CRUCIF SAGIC             | 2   |
| Z6     | 6100040800 | ACF     | 4 X 8 CYLINDRIQUE CRUCIF SAGIC             | 2   |
| Z6     | 6100041200 | ACF     | 4 X 12 CYLINDRIQUE CRUCIF SAGIC            | 2   |
| Z6     | 6100044000 | ACF     | 4 X 40 CYLINDRIQUE CRUCIF SAGIC            | 4   |
| Z6     | 6101040600 | ACF     | 4 X 6 FRAISEE F/90' CRUCIF SAGIC           | 4   |
| Z6     | 6105040600 | ACF     | 4 X 6 'POELIERS' CRUCIF SAGIC              | 4   |
| Z6     | 6108001200 | ACF     | 3,5X12 BOMBE TAPTIP CRUCIF                 | 25  |
| Z6     | 6108101500 | ACF     | 3,5X15 F/90' TAPTIP CRUSIF                 | 12  |
| Z6     | 6200040000 | ACI     | 4 HEXAGONAL USUEL '4' SAGIC                | 6   |
| Z6     | 6206040000 | NYLSTOP | M4 ..... MP 30/104 SAGIC                   | 4   |
| Z6     | 6303030000 | ACI     | 3 ONDUFLÉX ..... REF 52030132              | 2   |
| Z6     | 6305030000 | ACI     | 3 CONTACT ..... REF 55-03-01               | 8   |
| Z6     | 6305040000 | ACI     | 4 CONTACT 4,1X8,2X0,8 ..                   | 6   |
| Z6     | 6305040100 | ACI     | 4 CONTACT 4,1X10,2X1 ..                    | 4   |
| Z6     | 6400540000 | RIVET   | POP 2,4 L 5 ALU ABS 32 MFOM                | 2   |
| Z6     | 6401000000 | COSSE   | A SERTIR ..... EIR 3458F                   | 4   |
| Z6     | 6700270000 | ENMET   | 2 L=25 ..... ACCEL                         | 2   |
| Z6     | 6700270000 | ENMET   | 2 L 35 ..... ACCEL                         | 1   |
| Z6     | 6700730000 | ENINT   | 6 L 8 ACI M3X0,50 ..... ACCEL              | 2   |
| Z6     | 6701340100 | ENLIS   | 3 L 5 EX 8 INT 4,2 ..... ACCEL             | 2   |
| Z8     | 0280077020 |         | GAINÉ POIGNEE ..... 103A A942765           | 2   |
| Z8     | 0280077120 |         | FLASQUE '2U' ..... 103A A932861            | 2   |
| Z8     | 0280077132 |         | SUPPORT GUIDE CARTE SAUV. 103A             | 1   |
| Z8     | 0280077133 |         | SUPPORT FIXE CARTE SAUV. 103A              | 1   |
| Z8     | 0280077213 |         | CADRE '2U' ..... 103A C921217              | 1   |
| Z8     | 0280077214 |         | BARREAU 8X12 ..... 103A A932863            | 1   |
| Z8     | 0280077218 |         | PROFILE 'HAUT' ..... 103A A932906          | 2   |
| Z8     | 0280077231 |         | PROFILE 'PIED' ..... 103A A932974          | 2   |
| Z8     | 0280078202 |         | BARREAU INFÉRIEUR ..... 104A A932870       | 1   |
| Z8     | 8006733100 |         | FIXATION STANDARD IEC ..... 2230A C942347  | 2   |
| Z8     | 8007701200 |         | COUVERCLE PORTEUR AMPLI . 103A             | 1   |
| Z8     | 8007701900 |         | PANNEAU ARRIERE ..... 103A H932864         | 1   |
| Z8     | 8007702600 |         | PIED ARRIERE 2U ..... 103A A942796         | 1   |
| Z8     | 8007711600 |         | RESSORT DE POINGNEE ..... 103A D942766     | 2   |
| Z8     | 8007712100 |         | CACHE/ATTACHE POINGNEE ... 103A            | 4   |



| REPERE | REF. | ADRET       | DESCRIPTION                    | QTE             |
|--------|------|-------------|--------------------------------|-----------------|
| B      | -001 | 1423000600  | TM 23 FCIDG FEMELLE*PORTEUR    | TRELEC 1        |
| B      | -002 | 1423000600  | TM 23 FCIDG FEMELLE*PORTEUR    | TRELEC 1        |
| B      | -003 | 4900150000  | 16 SUPPORT NATTE 'S'CA-16S-TDS | EUROPAVIA 1     |
| C      | -001 | 3700100000  | 4,7MMF/35V 5,08 T395           | UNION CARBIDE 1 |
| C      | -002 | 3700100000  | 4,7MMF/35V 5,08 T395           | UNION CARBIDE 1 |
| C      | -003 | 3700100000  | 4,7MMF/35V 5,08 T395           | UNION CARBIDE 1 |
| C      | -004 | 3700100000  | 4,7MMF/35V 5,08 T395           | UNION CARBIDE 1 |
| C      | -005 | 3700100000  | 4,7MMF/35V 5,08 T395           | UNION CARBIDE 1 |
| C      | -006 | 3700100000  | 4,7MMF/35V 5,08 T395           | UNION CARBIDE 1 |
| C      | -007 | 3700100000  | 4,7MMF/35V 5,08 T395           | UNION CARBIDE 1 |
| C      | -008 | 3700100000  | 4,7MMF/35V 5,08 T395           | UNION CARBIDE 1 |
| C      | -009 | 3500520000  | 1000MMF 40V RELSIC 033         | SIC SAFCO 1     |
| C      | -010 | 3500520000  | 1000MMF 40V RELSIC 033         | SIC SAFCO 1     |
| C      | -011 | 3500530000  | 150MMF 250V RELSIC 033         | SIC SAFCO 1     |
| C      | -012 | 3234100000  | 0,1MMF 10(10X250V)222235245104 | COGECO 1        |
| C      | -013 | 3500540000  | 22MMF 250V RELSIC 033          | SIC SAFCO 1     |
| C      | -014 | 3234100000  | 0,1MMF 10(10X250V)222235245104 | COGECO 1        |
| C      | -015 | 3234100000  | 0,1MMF 10(10X250V)222235245104 | COGECO 1        |
| C      | -016 | 3234100000  | 0,1MMF 10(10X250V)222235245104 | COGECO 1        |
| D      | -001 | 4500040000  | 1N4004                         | ITT 1           |
| D      | -002 | 4500040000  | 1N4004                         | ITT 1           |
| D      | -003 | 4500040000  | 1N4004                         | ITT 1           |
| D      | -004 | 4500040000  | 1N4004                         | ITT 1           |
| D      | -005 | 4500310000  | 1 N 4448                       | ITT 1           |
| D      | -006 | 4500310000  | 1 N 4448                       | ITT 1           |
| D      | -007 | 4500310000  | 1 N 4448                       | ITT 1           |
| D      | -008 | 4500310000  | 1 N 4448                       | ITT 1           |
| D      | -009 | 4500310000  | 1 N 4448                       | ITT 1           |
| D      | -010 | 4500310000  | 1 N 4448                       | ITT 1           |
| D      | -011 | 4500310000  | 1 N 4448                       | ITT 1           |
| D      | -012 | 4500310000  | 1 N 4448                       | ITT 1           |
| D      | -013 | 4600050000  | ZPD 6,2                        | ITT 1           |
| D      | -015 | 4600010000  | ZPD 4,7                        | ITT 1           |
| D      | -016 | 4500310000  | 1 N 4448                       | ITT 1           |
| D      | -017 | 4500310000  | 1 N 4448                       | ITT 1           |
| D      | -018 | 0205240000  | 01 D18&D19 ZPD 10 TRIEES 103A  | 980524 1        |
| D      | -019 | 0205240000  | 01 D18&D19 ZPD 10 TRIEES 103A  | 980524 1        |
| D      | -020 | 4500020000  | 1N4151                         | ITT 1           |
| D      | -021 | 4500020000  | 1N4151                         | ITT 1           |
| D      | -022 | 4500470000  | PONT REDRESSEUR VM 48          | VARO 1          |
| D      | -023 | 4500470000  | PONT REDRESSEUR VM 48          | VARO 1          |
| K      | -001 | 1600150000  | RELAIS RA 314-41051            | ELECTROL 1      |
| K      | -002 | 1600150000  | RELAIS RA 314-41051            | ELECTROL 1      |
| K      | -003 | 1600150000  | RELAIS RA 314-41051            | ELECTROL 1      |
| K      | -004 | 1600150000  | RELAIS RA 314-41051            | ELECTROL 1      |
| K      | -005 | 1600150000  | RELAIS RA 314-41051            | ELECTROL 1      |
| K      | -006 | 1600150000  | RELAIS RA 314-41051            | ELECTROL 1      |
| K      | -007 | 1600150000  | RELAIS RA 314-41051            | ELECTROL 1      |
| K      | -008 | 1600150000  | RELAIS RA 314-41051            | ELECTROL 1      |
| P      | -001 | 2152100000  | 1 K T05 CERMET T 7 YA          | SFERNICE 1      |
| P      | -002 | 2153100000  | 10K T05 CERMET T 7 YA          | SFERNICE 1      |
| Q      | -001 | 4300510000  | BF 790 TO 202                  | MOTOROLA 1      |
| Q      | -002 | 4300520000  | BF 787 TO 202                  | MOTOROLA 1      |
| Q      | -003 | 4300530000  | MJE 340 TO 126                 | MOTOROLA 1      |
| Q      | -004 | 4300540000  | MJE 350 TO 126                 | MOTOROLA 1      |
| Q      | -005 | 4300550000  | MJ 15011 T003                  | MOTOROLA 1      |
| Q      | -006 | 4300550000  | MJ 15011 T003                  | MOTOROLA 1      |
| Q      | -007 | 4300560000  | MJ 15012 TO 3                  | MOTOROLA 1      |
| Q      | -008 | 4300580000  | BC 337-25 TO 92                | ITT 1           |
| Q      | -009 | 4300570000  | BC 327-25 TO 92                | ITT 1           |
| Q      | -010 | 4300580000  | BC 337-25 TO 92                | ITT 1           |
| Q      | -011 | 4300580000  | BC 337-25 TO 92                | ITT 1           |
| Q      | -012 | 4300580000  | BC 337-25 TO 92                | ITT 1           |
| Q      | -013 | 4300580000  | BC 337-25 TO 92                | ITT 1           |
| Q      | -014 | 4300580000  | BC 337-25 TO 92                | ITT 1           |
| Q      | -015 | 4300580000  | BC 337-25 TO 92                | ITT 1           |
| Q      | -016 | 4300580000  | BC 337-25 TO 92                | ITT 1           |
| R      | -001 | 2500024900  | 249R * 1% 0,3 W SMA207         | DRALORIC 1      |
| R      | -002 | 2500139200  | 3K92 * 1% 0,3 W SMA207         | DRALORIC 1      |
| R      | -003 | 2210001500  | 15R 5% N4                      | SOVCOR 1        |
| R      | -004 | 2500024900  | 249R * 1% 0,3 W SMA207         | DRALORIC 1      |
| R      | -005 | 2500127400  | 2K74 * 1% 0,3 W SMA207         | DRALORIC 1      |
| R      | -006 | 2500024900  | 249R * 1% 0,3 W SMA207         | DRALORIC 1      |
| R      | -007 | 2500139200  | 3K92 * 1% 0,3 W SMA207         | DRALORIC 1      |
| R      | -008 | 2210001500  | 15R 5% N4                      | SOVCOR 1        |
| R      | -009 | 2500024900  | 249R * 1% 0,3 W SMA207         | DRALORIC 1      |
| R      | -010 | 2500127400  | 2K74 * 1% 0,3 W SMA207         | DRALORIC 1      |
| R      | -011 | 2210011000  | 100R 5% N4                     | SOVCOR 1        |
| R      | -012 | 25000310000 | 100K * 1% 0,3 W SMA207         | DRALORIC 1      |
| R      | -013 | 2210016800  | 680R 5% N4                     | SOVCOR 1        |



| REPERE | REF. | ADRET      | DESCRIPTION                    | QTE             |
|--------|------|------------|--------------------------------|-----------------|
| R      | -014 | 2210016800 | 68OR                           | 5% N4 SOVCOR    |
| RR     | -015 | 2210001000 | 10R                            | 5% N4 SOVCOR    |
| RR     | -016 | 2210024700 | 4K7                            | 5% N4 SOVCOR    |
| RR     | -017 | 2210031000 | 10K                            | 5% N4 SOVCOR    |
| RR     | -018 | 2210001000 | 10R                            | 5% N4 SOVCOR    |
| RR     | -019 | 2500157600 | 5K76 * 1% 0,3 W                | SMA207 DRALORIC |
| RR     | -020 | 2400041000 | 100K                           | 5% N5 SOVCOR    |
| RR     | -021 | 2210013300 | 330R                           | 5% N4 SOVCOR    |
| RR     | -022 | 2210011000 | 100R                           | 5% N4 SOVCOR    |
| RR     | -023 | 2210013300 | 330R                           | 5% N4 SOVCOR    |
| RR     | -024 | 2210013300 | 330R                           | 5% N4 SOVCOR    |
| RR     | -025 | 2210013300 | 330R                           | 5% N4 SOVCOR    |
| RR     | -026 | 2210013300 | 330R                           | 5% N4 SOVCOR    |
| RR     | -027 | 2210008200 | 82R                            | 5% N4 SOVCOR    |
| RR     | -028 | 2210031500 | 15K                            | 5% N4 SOVCOR    |
| RR     | -029 | 2210031500 | 15K                            | 5% N4 SOVCOR    |
| RR     | -030 | 2210031500 | 15K                            | 5% N4 SOVCOR    |
| RR     | -031 | 2210024700 | 4K7                            | 5% N4 SOVCOR    |
| RR     | -032 | 2210033300 | 33K                            | 5% N4 SOVCOR    |
| RR     | -033 | 2210033300 | 33K                            | 5% N4 SOVCOR    |
| RR     | -034 | 2210011000 | 100R                           | 5% N4 SOVCOR    |
| RR     | -035 | 2210011000 | 100R                           | 5% N4 SOVCOR    |
| RR     | -036 | 2300093900 | 3R9                            | 5% B3 BEYSCHLAG |
| RR     | -037 | 2300093900 | 3R9                            | 5% B3 BEYSCHLAG |
| RR     | -038 | 2210011000 | 100R                           | 5% N4 SOVCOR    |
| RR     | -039 | 2210011000 | 100R                           | 5% N4 SOVCOR    |
| RR     | -040 | 2700850000 | 50R 0,05%                      | RCK05 SFERNICE  |
| RR     | -041 | 2700945000 | 450R 0,05%                     | RCK02 SFERNICE  |
| RR     | -042 | 2700145000 | 4K50 0,05%                     | RCK02 SFERNICE  |
| RR     | -043 | 2210051000 | 1M                             | 5% N4 SOVCOR    |
| RR     | -044 | 2210001000 | 10R                            | 5% N4 SOVCOR    |
| RR     | -045 | 2700219000 | 19K00 0,05%                    | RCK02 SFERNICE  |
| RR     | -046 | 2210021000 | 1K0                            | 5% N4 SOVCOR    |
| R      | -047 | 2300093300 | 3R3                            | 5% B3 BEYSCHLAG |
| SN     | -001 | 4200480000 | LM 317 T REGUL POSITIVE TO 220 | NS              |
| SN     | -002 | 4200480000 | LM 317 T REGUL POSITIVE TO 220 | NS              |
| SN     | -003 | 4200460000 | LM 337 T REGUL NEGAT TO220     | NS              |
| SN     | -004 | 4200460000 | LM 337 T REGUL NEGAT TO220     | NS              |
| SN     | -007 | 4200180000 | LM 1458 N B+ DIP 8 PATTES      | NS              |
| SN     | -008 | 4160400100 | C-MOS 4001                     | RTC             |
| SN     | -009 | 4160400100 | C-MOS 4001                     | RTC             |
| SN     | -010 | 4160402800 | C-MOS 4028                     | RTC             |
| SN     | -011 | 4000200000 | COUPLEUR OPTO 4N26             | MOTOROLA        |
| SN     | -012 | 4000200000 | COUPLEUR OPTO 4N26             | MOTOROLA        |
| SN     | -013 | 4000200000 | COUPLEUR OPTO 4N26             | MOTOROLA        |
| SN     | -014 | 4000200000 | COUPLEUR OPTO 4N26             | MOTOROLA        |
| SN     | -015 | 4000200000 | COUPLEUR OPTO 4N26             | MOTOROLA        |
| SN     | -016 | 4000200000 | COUPLEUR OPTO 4N26             | MOTOROLA        |
| T      | -001 | 0219080000 | 00 TORE ISOLEMENT 103A         | ADRET           |
| T      | -002 | 0219080000 | 00 TORE ISOLEMENT 103A         | ADRET           |
| T      | -003 | 0219080000 | 00 TORE ISOLEMENT 103A         | ADRET           |
| Z1     |      | 1273040500 | CI PORTEUR AMPLI 103A          | E997304         |
| Z1     |      | 1300600000 | SOUPLISSO SPAGETTI JAUNE F 1   | HABIA           |
| Z1     |      | 1900180000 | GUIDE CARTE ANTIVIBR. REF R221 | TRELEC          |
| Z4     |      | 4900040000 | RONDELLE T03 SE 3 C            | JERMYN          |
| Z4     |      | 4900050000 | RONDELLE 83                    | MFOM            |
| Z4     |      | 4900090000 | CANON EPAULE REF 94            | MFOM            |
| Z4     |      | 4900130000 | ROMDELLE T0220 SE 220          | JERMYN          |
| Z4     |      | 4900140000 | CANON ISOLANT POUR TIP41A-42A  | TEXAS           |
| Z4     |      | 4900270000 | CANNON ISOLANT L4 REF 2311     | FONDEX          |
| Z4     |      | 4900280000 | CANNON ISOLANT L5 REF 2314     | FONDEX          |
| Z6     |      | 6100031200 | ACF 3 X 12 CYLINDRIQUE CRUCIF  | SAGIC           |
| Z6     |      | 6100040800 | ACF 4 X 8 CYLINDRIQUE CRUCIF   | SAGIC           |
| Z6     |      | 6102130600 | ACF 3 X 6 HEXAGONALE 'H'       | SAGIC           |
| Z6     |      | 6108001200 | ACF 3,5X12 BOMBE TAPTIP CRUCIF | GOBIN DAUDE     |
| Z6     |      | 6108010400 | ACF 2,5X4 BOMBEE TAPTIP CRUCIF | SAGIC           |
| Z6     |      | 6143031200 | INO 3 X12 CYLIND 6 PANS CREUX  | SAGIC           |
| Z6     |      | 6152031500 | NYL 3 X15 HEXAGONALE FENDUE    | SAGIC           |
| Z6     |      | 6200030000 | ACI 3 HEXAGONAL USUEL 'H'      | SAGIC           |
| Z6     |      | 6300031000 | ACI 3,2X 7X 1 PLATE REF 2D     | MFOM            |
| Z6     |      | 6300280000 | RONDELLE EVENT. 3,5 DI         | SAGIC           |
| Z6     |      | 6305030000 | ACI 3 CONTACT REF 55-03-01     | NOMEL           |
| Z6     |      | 6305040000 | ACI 4 CONTACT 4,1XB,2X0,8      | NOMEL           |
| Z6     |      | 6360031100 | BAK 3,2X 8X 1 PLATE 103        | MFOM            |
| Z6     |      | 6400020000 | EQUERRE D 2,2 L 3,7 2237.2035  | MFOM            |
| Z6     |      | 6400510000 | RIVET 10X10 LARG 10 EP 1       | A943051         |
| Z6     |      | 6400930000 | RIVET POP 3 L 4,5 A/C YA3X4,5  | FACOM           |
| Z6     |      | 6900140000 | COLLE ARALDITE                 | SODIEMA         |
| Z6     |      | 6900480000 | RHODORSIL SILICONES PATE 340   | RHONE POULENC   |
| Z6     |      | 6900530000 | SCOTCHMOUNT REF 4016 LARG 50MM | 3M              |

99  
K  
4

istr  
ogi  
ogi

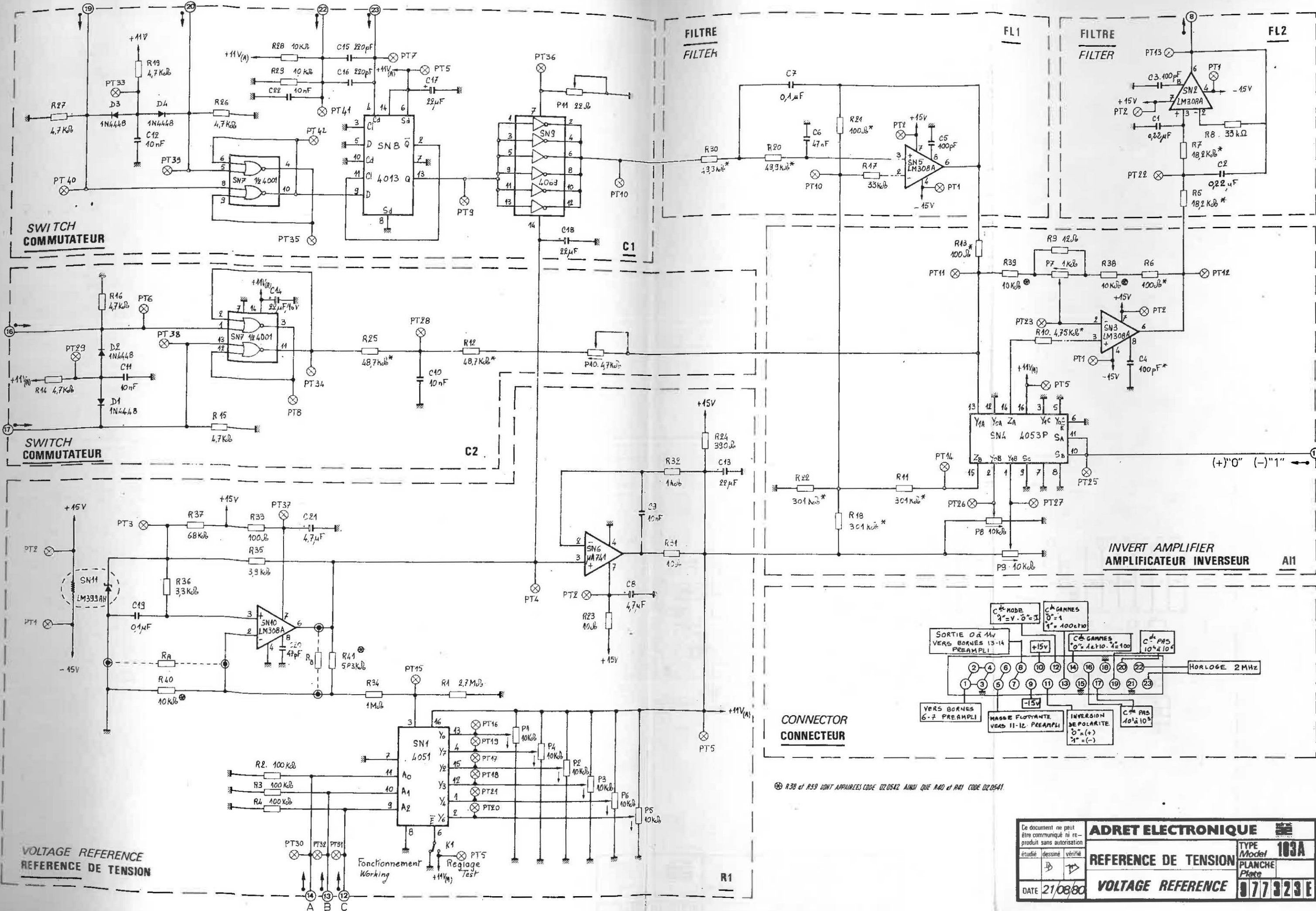


Vladimir KOMAROV  
LAPRES FRANCE  
10 72  
LAPRES

MA

| REPERE | REF.       | ADRET | DESCRIPTION                            | QTE |
|--------|------------|-------|--|-----|
| Z8     | 0280077205 |       | EQUERRE RADIATEUR PORTEUR 103A A942752 | 1   |
| Z8     | 0280077206 |       | RADIATEUR ..... 103A A942751           | 1   |
| Z8     | 0280077228 |       | PORTE TRANSISTOR P ARR .. 103A A942763 | 2   |
| Z8     | 0280077403 |       | ISOLANT EQUERRE PORTEUR . 103A A942754 | 1   |
| Z8     | 0280077404 |       | ISOLANT RADIATEUR PORTEUR 103A A942753 | 1   |
| Z8     | 8007710700 |       | BLINDAGE PORTEUR N'2 PETI 103A D921220 | 1   |
| Z8     | 8007710800 |       | BLINDAGE PORTEUR N'1 GRAN 103A D921220 | 1   |
| Z8     | 8007711100 |       | OREILLE DE FIXATION RADIA 103A A942729 | 1   |
| Z8     | 8107730900 |       | COLONNETTE A SERTIR M3 L6 STD A943053  | 2   |





FILTRE  
FILTER

FL1

FILTRE  
FILTER

FL2

SWITCH  
COMMUTEUR

SWITCH  
COMMUTEUR

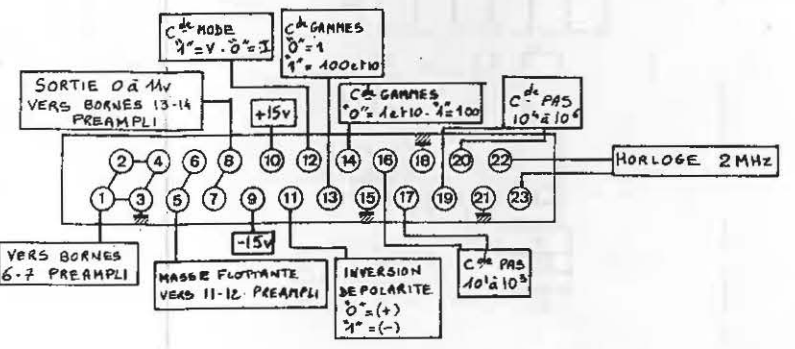
INVERT AMPLIFIER  
AMPLIFICATEUR INVERSEUR A11

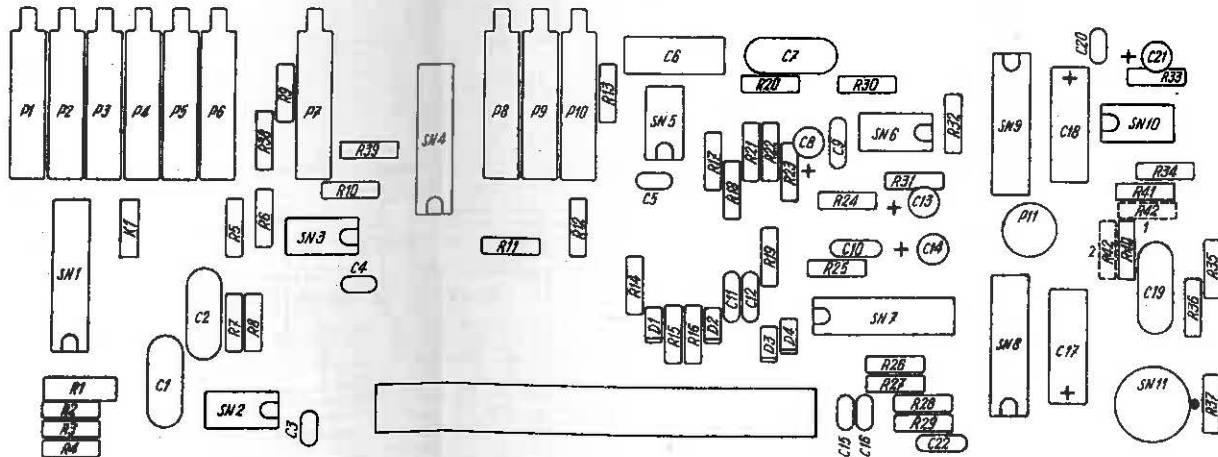
CONNECTEUR  
CONNECTEUR

VOLTAGE REFERENCE  
REFERENCE DE TENSION

R38 et R39 SONT APPARUES CODE 020542 AINSI QUE R40 et R41 CODE 020541.

|   |          |                           |                                |
|---|----------|---------------------------|--------------------------------|
| Ce document ne peut être communiqué ni reproduit sans autorisation étudié dessiné vérifié |          | <b>ADRET ELECTRONIQUE</b> |                                |
| DATE  | 21/08/80 | REFERENCE DE TENSION      | <b>103A</b>                    |
|   |          | VOLTAGE REFERENCE         | <b>977323E</b>                 |
|   |          |                           | TYPE Model<br>PLANCHE<br>Plate |





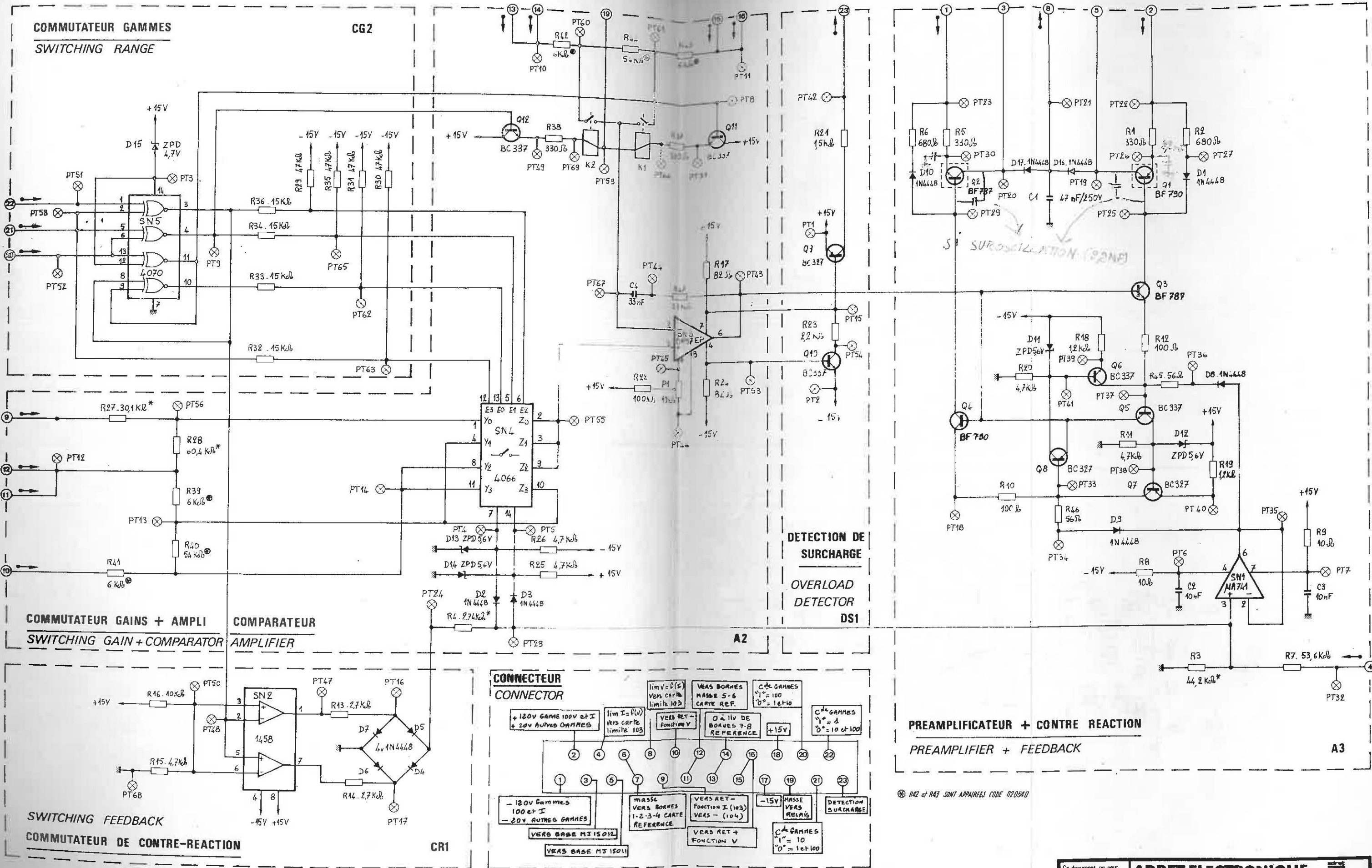
|  |         |                        |          |                 |         |      |
|--|---------|------------------------|----------|-----------------|---------|------|
| Titre  |         | Méthode de fabrication |          | N°              | Version | Date |
| Traitement   |         |                        | Matériau |                 |         |      |
| Protection   |         |                        | Tol. µm  | F. feuille      |         |      |
| Etude  | Dessine | AS                     | Vérifié  | Date 13. 11. 80 |         |      |
| 1/10 document non géométrique ni respectant les normes géométriques<br>Proselec 103 A 02 7323<br>12-14 Av. Vladimir KOMAROV<br>78150 TRAPPES FRANCE<br>Tél 01 39 72<br>A.C. VERRILLIS<br>B 674 00071<br>électronique |         |                        |          |                 |         |      |
| <b>CARTE REFERENCE REPERES</b>   |         |                        |          | 913121910191A1  |         |      |



| REPERE | REF. | ADRET      | DESCRIPTION                            | QTE |
|--------|------|------------|--|-----|
| B      | -001 | 1423000400 | TM 23 MCIG                             | 1   |
| CC     | -001 | 3224220200 | 0,22MMF 10,2 10% POLYC                 | 1   |
| CC     | -002 | 3224220200 | 0,22MMF 10,2 10% POLYC                 | 1   |
| CC     | -003 | 3120011000 | 100PF 2,5 'N10'2222 632 58 101         | 1   |
| CC     | -004 | 3120011000 | 100PF 2,5 'N10'2222 632 58 101         | 1   |
| CC     | -005 | 3120011000 | 100PF 2,5 'N10'2222 632 58 101         | 1   |
| CC     | -006 | 3233470000 | 47NF 10(10%250V)222235245473           | 1   |
| CC     | -007 | 3234100000 | 0,1MMF 10(10%250V)222235245104         | 1   |
| CC     | -008 | 3700100000 | 4,7MMF/35V 5,08 ..... T395             | 1   |
| CC     | -009 | 3150031000 | 10NF 5,08 63V GOX 767 14               | 1   |
| CC     | -010 | 3150031000 | 10NF 5,08 63V GOX 767 14               | 1   |
| CC     | -011 | 3150031000 | 10NF 5,08 63V GOX 767 14               | 1   |
| CC     | -012 | 3150031000 | 10NF 5,08 63V GOX 767 14               | 1   |
| CC     | -013 | 3700180000 | 22MMF/16V 5,08 T395                    | 1   |
| CC     | -014 | 3700180000 | 22MMF/16V 5,08 T395                    | 1   |
| CC     | -015 | 3120012200 | 220PF 2,5 'N22'2222 632 58 221         | 1   |
| CC     | -016 | 3120012200 | 220PF 2,5 'N22'2222 632 58 221         | 1   |
| CC     | -017 | 3700170000 | 22MMF/15V L14 CTS13                    | 1   |
| CC     | -018 | 3700170000 | 22MMF/15V L14 CTS13                    | 1   |
| CC     | -019 | 3234100000 | 0,1MMF 10(10%250V)222235245104         | 1   |
| CC     | -020 | 3120004700 | 47PF 2,5 ..... 2222 632 10 479         | 1   |
| CC     | -021 | 3700100000 | 4,7MMF/35V 5,08 ..... T395             | 1   |
| CC     | -022 | 3150031000 | 10NF 5,08 63V GOX 767 14               | 1   |
| DD     | -001 | 4500310000 | 1 N 4448                               | 1   |
| DD     | -002 | 4500310000 | 1 N 4448                               | 1   |
| DD     | -003 | 4500310000 | 1 N 4448                               | 1   |
| DD     | -004 | 4500310000 | 1 N 4448                               | 1   |
| FF     | -001 | 2133100000 | 10K 3/4" 15T CERMET                    | 1   |
| FF     | -002 | 2133100000 | 10K 3/4" 15T CERMET                    | 1   |
| FF     | -003 | 2133100000 | 10K 3/4" 15T CERMET                    | 1   |
| FF     | -004 | 2133100000 | 10K 3/4" 15T CERMET                    | 1   |
| FF     | -005 | 2133100000 | 10K 3/4" 15T CERMET                    | 1   |
| FF     | -006 | 2133100000 | 10K 3/4" 15T CERMET                    | 1   |
| FF     | -007 | 2132100000 | 1 K 3/4" 15T CERMET                    | 1   |
| FF     | -008 | 2133100000 | 10K 3/4" 15T CERMET                    | 1   |
| FF     | -009 | 2133100000 | 10K 3/4" 15T CERMET                    | 1   |
| FF     | -010 | 2132470000 | 4K7 3/4" 15T CERMET                    | 1   |
| FF     | -011 | 2160220000 | 22R 20%                                | 1   |
| RR     | -001 | 2200052700 | 2M7 5% LCA 05 V OHMIC                  | 1   |
| RR     | -002 | 2210041000 | 100K                                   | 1   |
| RR     | -003 | 2210041000 | 100K                                   | 1   |
| RR     | -004 | 2210041000 | 100K                                   | 1   |
| RR     | -005 | 2500218200 | 18K2 * 1% 0,3 W SMA207 DRALORIC        | 1   |
| RR     | -006 | 2500010000 | 100R * 1% 0,3 W SMA207 DRALORIC        | 1   |
| RR     | -007 | 2500218200 | 18K2 * 1% 0,3 W SMA207 DRALORIC        | 1   |
| RR     | -008 | 2210033300 | 33K 5% N4 SOVCOR                       | 1   |
| RR     | -009 | 2210001200 | 12R 5% N4 SOVCOR                       | 1   |
| RR     | -010 | 2500147500 | 4K75 * 1% 0,3 W SMA207 DRALORIC        | 1   |
| RR     | -011 | 2500330100 | 301K * 1% 0,3 W SMA207 DRALORIC        | 1   |
| RR     | -012 | 2500248700 | 48K7 * 1% 0,3 W SMA207 DRALORIC        | 1   |
| RR     | -013 | 2210011000 | 100R 5% N4 SOVCOR                      | 1   |
| RR     | -014 | 2210024700 | 4K7 5% N4 SOVCOR                       | 1   |
| RR     | -015 | 2210024700 | 4K7 5% N4 SOVCOR                       | 1   |
| RR     | -016 | 2210024700 | 4K7 5% N4 SOVCOR                       | 1   |
| RR     | -017 | 2210033300 | 33K 5% N4 SOVCOR                       | 1   |
| RR     | -018 | 2500330100 | 301K * 1% 0,3 W SMA207 DRALORIC        | 1   |
| RR     | -019 | 2210024700 | 4K7 5% N4 SOVCOR                       | 1   |
| RR     | -020 | 2500249900 | 49K9 * 1% 0,3 W SMA207 DRALORIC        | 1   |
| RR     | -021 | 2500010000 | 100R * 1% 0,3 W SMA207 DRALORIC        | 1   |
| RR     | -022 | 2500330100 | 301K * 1% 0,3 W SMA207 DRALORIC        | 1   |
| RR     | -023 | 2210001000 | 10R 5% N4 SOVCOR                       | 1   |
| RR     | -024 | 2210013900 | 390R 5% N4 SOVCOR                      | 1   |
| RR     | -025 | 2500248700 | 48K7 * 1% 0,3 W SMA207 DRALORIC        | 1   |
| RR     | -026 | 2210024700 | 4K7 5% N4 SOVCOR                       | 1   |
| RR     | -027 | 2210024700 | 4K7 5% N4 SOVCOR                       | 1   |
| RR     | -028 | 2210031000 | 10K 5% N4 SOVCOR                       | 1   |
| RR     | -029 | 2210031000 | 10K 5% N4 SOVCOR                       | 1   |
| RR     | -030 | 2500249900 | 49K9 * 1% 0,3 W SMA207 DRALORIC        | 1   |
| RR     | -031 | 2210001000 | 10R 5% N4 SOVCOR                       | 1   |
| RR     | -032 | 2210021000 | 1K0 5% N4 SOVCOR                       | 1   |
| RR     | -033 | 2210011000 | 100R 5% N4 SOVCOR                      | 1   |
| RR     | -034 | 2210051000 | 1M 5% N4 SOVCOR                        | 1   |
| RR     | -035 | 2210023900 | 3K9 5% N4 SOVCOR                       | 1   |
| RR     | -036 | 2210023300 | 3K3 5% N4 SOVCOR                       | 1   |
| RR     | -037 | 2210036800 | 68K 5% N4 SOVCOR                       | 1   |
| RR     | -038 | 0205420000 | R39/R38 TRIEES REFERENCE 103A 980540   | 1   |
| RR     | -040 | 0205410000 | R40/R41 TRIEES REFERENCE 103A 980540   | 1   |
| R      | -042 | 2500000000 | RESISTANCE 1% C. METAL SMA207 DRALORIC | 1   |
| SN     | -001 | 4160405100 | C-MOS 4051                             | 1   |
| SN     | -002 | 4200530000 | MLM308 POINT 'ORANGE' ADRET            | 1   |

| REFERE | REF.       | ADRET | DESCRIPTION                 | ADRET    | ADRET         | QTE |
|--------|------------|-------|-----------------------------|----------|---------------|-----|
| SN-003 | 4200520000 |       | MLM308 POINT 'ROUGE'        | ADRET    | ADRET         | 1   |
| SN-004 | 4160405300 |       | C-MOS 4053                  |          | RTC           | 1   |
| SN-005 | 4200530000 |       | MLM308 POINT 'ORANGE'       | ADRET    | ADRET         | 1   |
| SN-006 | 4200090000 |       | LM 741 CN B+ . DIP 8 PATTES | ADRET    | ADRET         | 1   |
| SN-007 | 4160400100 |       | C-MOS 4001                  |          | NS            | 1   |
| SN-008 | 4160401300 |       | C-MOS 4013                  |          | RTC           | 1   |
| SN-009 | 4160406900 |       | C-MOS 4069                  |          | RTC           | 1   |
| SN-010 | 4200510000 |       | MLM 308 AP1                 |          | RTC           | 1   |
| SN-011 | 4200540000 |       | LM399AH VIEILLI             | ADRET    | ADRET         | 1   |
| Z1     | 1273230300 |       | CI GENERATION REFERENCE     |          | 980549        | 1   |
| Z1     | 1402023800 |       | SHUNT                       |          | E997323       | 1   |
| Z1     | 1403023700 |       | BARRETTE                    | 141      | 767-1         | 1   |
| Z4     | 4900310000 |       | 16 SUPPORT C.I. DIL         | SB3      | 2,54 L14      | 1   |
| Z6     | 6400260000 |       | PLOT LAITON ETAME PC12,7    | J23-5016 | JERMYN FONDEX | 2   |





\* R42 et R43 SONT APPAREES CODE 020540

|  |         |                           |                        |
|--|---------|---------------------------|------------------------|
| Ce document ne peut être communiqué ni reproduit sans autorisation |         | <b>ADRET ELECTRONIQUE</b> |                        |
| étudié   | dessiné | <b>PREAMPLIFICATEUR</b>   | TYPE Model <b>103A</b> |
| DATE <b>26/08/80</b>   |         | <b>PREAMPLIFIER</b>       | PLANCHE Plate          |
|  |         |                           | <b>977324D</b>         |





| REFERE | REF. | ADRET      | DESCRIPTION              | QTE               |
|--------|------|------------|--------------------------|-------------------|
| B      | -001 | 1423000400 | TM 23 MCIG MALE*CARTE*   | TRELEC 1          |
| CC     | -001 | 3233470000 | 47NF 10(10%250V)         | COGECO 1          |
| CC     | -002 | 3150031000 | 10NF 5,08 63V GOX 767 14 | LCC 1             |
| CC     | -003 | 3150031000 | 10NF 5,08 63V GOX 767 14 | LCC 1             |
| CC     | -004 | 3233330000 | 33NF 10(10%250V)         | COGECO 1          |
| D      | -001 | 4500310000 | 1 N 4448                 | ITT 1             |
| D      | -002 | 4500310000 | 1 N 4448                 | ITT 1             |
| D      | -003 | 4500310000 | 1 N 4448                 | ITT 1             |
| D      | -004 | 4500310000 | 1 N 4448                 | ITT 1             |
| D      | -005 | 4500310000 | 1 N 4448                 | ITT 1             |
| D      | -006 | 4500310000 | 1 N 4448                 | ITT 1             |
| D      | -007 | 4500310000 | 1 N 4448                 | ITT 1             |
| D      | -008 | 4500310000 | 1 N 4448                 | ITT 1             |
| D      | -009 | 4500310000 | 1 N 4448                 | ITT 1             |
| D      | -010 | 4500310000 | 1 N 4448                 | ITT 1             |
| D      | -011 | 4600040000 | ZPD5,6                   | ITT 1             |
| D      | -012 | 4600040000 | ZPD5,6                   | ITT 1             |
| D      | -013 | 4600040000 | ZPD5,6                   | ITT 1             |
| D      | -014 | 4600040000 | ZPD5,6                   | ITT 1             |
| D      | -015 | 4600040000 | ZPD 4,7                  | ITT 1             |
| D      | -016 | 4500310000 | 1 N 4448                 | ITT 1             |
| D      | -017 | 4500310000 | 1 N 4448                 | ITT 1             |
| KK     | -001 | 1600150000 | RELAIS RA 314-41051      | ELECTROL 1        |
| KK     | -002 | 1600150000 | RELAIS RA 314-41051      | ELECTROL 1        |
| F      | -001 | 2133100000 | 10K 3/4" 15T CERMET 43 P | SPECTROL 1        |
| Q      | -001 | 4300510000 | BF 790 TO 202            | MOTOROLA 1        |
| Q      | -002 | 4300520000 | BF 787 TO 202            | MOTOROLA 1        |
| Q      | -003 | 4300520000 | BF 787 TO 202            | MOTOROLA 1        |
| Q      | -004 | 4300510000 | BF 790 TO 202            | MOTOROLA 1        |
| Q      | -005 | 4300580000 | BC 337-25 TO 92          | ITT 1             |
| Q      | -006 | 4300580000 | BC 337-25 TO 92          | ITT 1             |
| Q      | -007 | 4300570000 | BC 327-25 TO 92          | ITT 1             |
| Q      | -008 | 4300570000 | BC 327-25 TO 92          | ITT 1             |
| Q      | -009 | 4300570000 | BC 327-25 TO 92          | ITT 1             |
| Q      | -010 | 4300580000 | BC 337-25 TO 92          | ITT 1             |
| Q      | -011 | 4300580000 | BC 337-25 TO 92          | ITT 1             |
| Q      | -012 | 4300580000 | BC 337-25 TO 92          | ITT 1             |
| R      | -001 | 2210013300 | 330R                     | SOVCOR 1          |
| R      | -002 | 2210016800 | 680R                     | SOVCOR 1          |
| R      | -003 | 2500244200 | 44K2 * 1% 0,3 W          | SMA207 DRALORIC 1 |
| R      | -004 | 2500127400 | 2K74 * 1% 0,3 W          | SMA207 DRALORIC 1 |
| R      | -005 | 2210013300 | 330R                     | SOVCOR 1          |
| R      | -006 | 2210016800 | 680R                     | SOVCOR 1          |
| R      | -007 | 2500253600 | 53K6 * 1% 0,3 W          | SMA207 DRALORIC 1 |
| R      | -008 | 2210001000 | 10R                      | SOVCOR 1          |
| R      | -009 | 2210001000 | 10R                      | SOVCOR 1          |
| R      | -010 | 2210011000 | 100R                     | SOVCOR 1          |
| R      | -011 | 2210024700 | 4K7                      | SOVCOR 1          |
| R      | -012 | 2210011000 | 100R                     | SOVCOR 1          |
| R      | -013 | 2210022700 | 2K7                      | SOVCOR 1          |
| R      | -014 | 2210022700 | 2K7                      | SOVCOR 1          |
| R      | -015 | 2210024700 | 4K7                      | SOVCOR 1          |
| R      | -016 | 2210031000 | 10K                      | SOVCOR 1          |
| R      | -017 | 2210008200 | 82R                      | SOVCOR 1          |
| R      | -018 | 2210021200 | 1K2                      | SOVCOR 1          |
| R      | -019 | 2210021200 | 1K2                      | SOVCOR 1          |
| R      | -020 | 2210024700 | 4K7                      | SOVCOR 1          |
| R      | -021 | 2210021500 | 1K5                      | SOVCOR 1          |
| R      | -022 | 2210041000 | 100K                     | SOVCOR 1          |
| R      | -023 | 2210022200 | 2K2                      | SOVCOR 1          |
| R      | -024 | 2210008200 | 82R                      | SOVCOR 1          |
| R      | -025 | 2210024700 | 4K7                      | SOVCOR 1          |
| R      | -026 | 2210024700 | 4K7                      | SOVCOR 1          |
| R      | -027 | 2500230100 | 30K1 * 1% 0,3 W          | SMA207 DRALORIC 1 |
| R      | -028 | 2500260400 | 60K4 * 1% 0,3 W          | SMA207 DRALORIC 1 |
| R      | -029 | 2210034700 | 47K                      | SOVCOR 1          |
| R      | -030 | 2210034700 | 47K                      | SOVCOR 1          |
| R      | -031 | 2210034700 | 47K                      | SOVCOR 1          |
| R      | -032 | 2210031500 | 15K                      | SOVCOR 1          |
| R      | -033 | 2210031500 | 15K                      | SOVCOR 1          |
| R      | -034 | 2210031500 | 15K                      | SOVCOR 1          |
| R      | -035 | 2210034700 | 47K                      | SOVCOR 1          |
| R      | -036 | 2210031500 | 15K                      | SOVCOR 1          |
| R      | -037 | 2210013300 | 330R                     | SOVCOR 1          |
| R      | -038 | 2210013300 | 330R                     | SOVCOR 1          |
| R      | -039 | 2700160000 | 6K00 0,05%               | RCK02 SFERNICE 1  |
| R      | -040 | 2700254000 | 54K0 0,05%               | RCK02 SFERNICE 1  |
| R      | -041 | 2700160000 | 6K00 0,05%               | RCK02 SFERNICE 1  |
| R      | -042 | 0205400000 | R42/R43 TRIEES           | PREAMPLI . 103A 1 |
| R      | -044 | 2701254000 | 54K0 0,05%               | RCK05 SFERNICE 1  |

| REPERE | REF.       | ADRET                              | DESCRIPTION  | QTE |
|--------|------------|------------------------------------|--------------|-----|
| R -045 | 2210005600 |                                    | 56R          |     |
| R -046 | 2210005600 |                                    | 56R          |     |
| R -047 | 2210023300 |                                    | 5X N4 SOVCOR | 1   |
| SN-001 | 4200090000 |                                    | 5X N4 SOVCOR | 1   |
| SN-002 | 4200180000 | LM 741 CN B+ . DIP 8 PATTES ..     | 5X N4 SOVCOR | 1   |
| SN-003 | 4200550000 | LM 1458 N B+ DIP 8 PATTES ..       | NS           | 1   |
| SN-004 | 4160406600 | OP 07 EP POINT 'ROUGE' ADRET       | NS           | 1   |
| SN-005 | 4160407000 | C-MOS 4066 .....                   | 9842005      | 1   |
| Z1     | 1273240400 | C-MOS 4070 .....                   | RTC          | 1   |
| Z4     | 4900120000 | CI CARTE PREAMPLI ..... 103A       | RTC          | 1   |
| Z4     | 4900290000 | 14 SUPPORT C.I. DIL ..... J23-5014 | D997324      | 1   |
| Z4     | 6100031000 | DISSIPATEUR T0220 DS 102 GED       | JERMYN       | 1   |
| Z6     | 6200030000 | ACF 3 X 10 CYLINDRIQUE CRUCIF      | GED          | 1   |
| Z6     | 6305030000 | ACI 3 HEXAGONAL USUEL 'H'          | SAGIC        | 1   |
| Z6     | 6800580000 | ACI 3 CONTACT REF 55-03-01         | SAGIC        | 1   |
| Z6     | 6900140000 | BOITE C30 X 20 X 15 X E 0,8        | NOMEL        | 2   |
|        |            | COLLE ARALDITE .....               | OHMNITRON    | 1   |
|        |            |                                    | SODIEMA      | 0   |

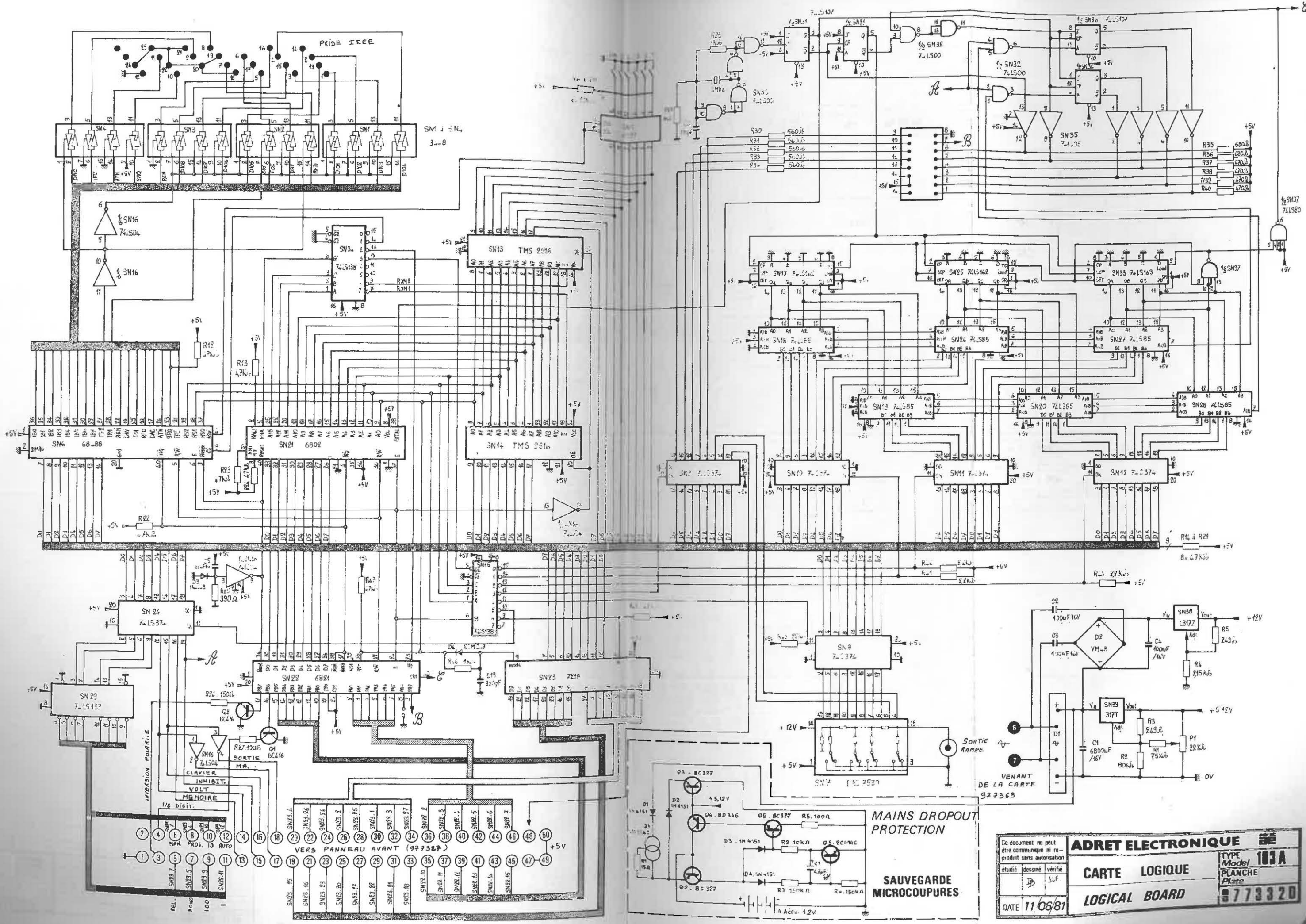


| REPERE | REF. | ADRET      | DESCRIPTION                           | QTE                  |
|--------|------|------------|---------------------------------------|----------------------|
| C      | -001 | 3100550000 | 4700PF DISQUE 1500V 7,5 GAX615        | LCC 1                |
| C      | -002 | 3100400000 | 1000PF DISQUE 400V 7,5 GKO 615        | LCC 1                |
| C      | -003 | 3100400000 | 1000PF DISQUE 400V 7,5 GKO 615        | LCC 1                |
| D      | -001 | 4000010000 | LD 41 II '5' ROUGE                    | SIEMENS 1            |
| D      | -002 | 4000160000 | LD 3,17 ROUGE                         | 5082-4494 HP 1       |
| D      | -003 | 4000160000 | LD 3,17 ROUGE                         | 5082-4494 HP 1       |
| D      | -004 | 4000160000 | LD 3,17 ROUGE                         | 5082-4494 HP 1       |
| D      | -005 | 4000160000 | LD 3,17 ROUGE                         | 5082-4494 HP 1       |
| D      | -006 | 4000160000 | LD 3,17 ROUGE                         | 5082-4494 HP 1       |
| D      | -007 | 4000160000 | LD 3,17 ROUGE                         | 5082-4494 HP 1       |
| D      | -008 | 4000160000 | LD 3,17 ROUGE                         | 5082-4494 HP 1       |
| D      | -009 | 4000160000 | LD 3,17 ROUGE                         | 5082-4494 HP 1       |
| D      | -010 | 4000070000 | LD 56 II '5' JAUNE                    | SIEMENS 1            |
| D      | -011 | 4000060000 | LD 57 II '5' VERTE                    | SIEMENS 1            |
| D      | -012 | 4000010000 | LD 41 II '5' ROUGE                    | SIEMENS 1            |
| D      | -013 | 4000010000 | LD 41 II '5' ROUGE                    | SIEMENS 1            |
| D      | -014 | 4000010000 | LD 41 II '5' ROUGE                    | SIEMENS 1            |
| D      | -015 | 4000010000 | LD 41 II '5' ROUGE                    | SIEMENS 1            |
| D      | -016 | 4600410000 | ZPY 24                                | ITT 1                |
| D      | -017 | 4600410000 | ZPY 24                                | ITT 1                |
| D      | -018 | 4600400000 | ZPY 30                                | ITT 1                |
| D      | -019 | 4600400000 | ZPY 30                                | ITT 1                |
| R      | -001 | 2210013300 | 330R                                  | 5% N4 SOVCOR 1       |
| R      | -002 | 2210013300 | 330R                                  | 5% N4 SOVCOR 1       |
| R      | -003 | 2210013300 | 330R                                  | 5% N4 SOVCOR 1       |
| R      | -004 | 2210013300 | 330R                                  | 5% N4 SOVCOR 1       |
| R      | -005 | 2210013300 | 330R                                  | 5% N4 SOVCOR 1       |
| R      | -006 | 2210013300 | 330R                                  | 5% N4 SOVCOR 1       |
| R      | -007 | 2210012700 | 270R                                  | 5% N4 SOVCOR 1       |
| R      | -008 | 2210013300 | 330R                                  | 5% N4 SOVCOR 1       |
| R      | -009 | 2210001800 | 18R                                   | 5% N4 SOVCOR 1       |
| R      | -010 | 2210001800 | 18R                                   | 5% N4 SOVCOR 1       |
| R      | -011 | 2210001800 | 18R                                   | 5% N4 SOVCOR 1       |
| SN     | -001 | 4000260000 | AFFICHEUR 0/9                         | REF 7730 HP 1        |
| SN     | -002 | 4000260000 | AFFICHEUR 0/9                         | REF 7730 HP 1        |
| SN     | -003 | 4000270000 | AFFICHEUR +/-1                        | REF 7736 HP 1        |
| SN     | -004 | 4000260000 | AFFICHEUR 0/9                         | REF 7730 HP 1        |
| SN     | -005 | 4000260000 | AFFICHEUR 0/9                         | REF 7730 HP 1        |
| SN     | -006 | 4000260000 | AFFICHEUR 0/9                         | REF 7730 HP 1        |
| SN     | -007 | 4000260000 | AFFICHEUR 0/9                         | REF 7730 HP 1        |
| SN     | -008 | 4000260000 | AFFICHEUR 0/9                         | REF 7730 HP 1        |
| SN     | -009 | 4000260000 | AFFICHEUR 0/9                         | REF 7730 HP 1        |
| Z0     |      | 0205500000 | 00 NATTE PANNEAU AVANT . . . . . 103A | ADRET 1              |
| Z1     |      | 1100530000 | FIL.NU.ETAME.6/10                     | ELECTROFIL 0         |
| Z1     |      | 1273270400 | CI AFFICHAGE . . . . . 103A           | H997327 1            |
| Z1     |      | 1273470000 | CI COMMUTEUR FONCTION . . . . . 103A  | A997347 1            |
| Z1     |      | 1400101900 | BORNE ROUGE FEMEL REF 58/31/12        | STOCKLY 2            |
| Z1     |      | 1400102000 | BORNE BLEU FEMEL REF 58/31/16         | STOCKLY 2            |
| Z1     |      | 1400102100 | BORNE METAL FEMEL REF 58/31/101       | STOCKLY 1            |
| Z1     |      | 1400215800 | BNC EMBASE ECROU FEMEL R141559        | RADIALL 1            |
| Z1     |      | 1520516300 | 05 TOUCHES ORE 10 'LIMITE' 103A       | A932820 1            |
| Z1     |      | 1530216200 | INTER 220V REF 1852-1102              | MARQUART 1           |
| Z1     |      | 1550810100 | 16X8 GRIS CLAIR                       | 6450-0001 MARQUART 3 |
| Z1     |      | 1550810200 | 16X8 GR/CLAIR 'FLECHE'                | A942718 MARQUAR 6    |
| Z1     |      | 1550830100 | 08X16 GRIS FONCE                      | 6450-0003 MARQUART 4 |
| Z1     |      | 1551610100 | 16X16 GR/CLAIR                        | 6401-0001 MARQUART 1 |
| Z1     |      | 1551610200 | 16X16 GR/CLAIR '+'                    | 6401-0321 MARQUART 2 |
| Z1     |      | 1551610300 | 16X16 GR/CLAIR '-'                    | 6401-0331 MARQUART 2 |
| Z1     |      | 1551630100 | 16X16 GR/FONCE '1'                    | 6401-0013 MARQUART 1 |
| Z1     |      | 1551630200 | 16X16 GR/FONCE '2'                    | 6401-0023 MARQUART 1 |
| Z1     |      | 1551630300 | 16X16 GR/FONCE '3'                    | 6401-0033 MARQUART 1 |
| Z1     |      | 1551630400 | 16X16 GR/FONCE '4'                    | 6401-0043 MARQUART 1 |
| Z1     |      | 1551630500 | 16X16 GR/FONCE '5'                    | 6401-0053 MARQUART 1 |
| Z1     |      | 1551630600 | 16X16 GR/FONCE '6'                    | 6401-0063 MARQUART 1 |
| Z1     |      | 1551630700 | 16X16 GR/FONCE '7'                    | 6401-0073 MARQUART 1 |
| Z1     |      | 1551630800 | 16X16 GR/FONCE '8'                    | 6401-0083 MARQUART 1 |
| Z1     |      | 1551630900 | 16X16 GR/FONCE '9'                    | 6401-0093 MARQUART 1 |
| Z1     |      | 1551631000 | 16X16 GR/FONCE '0'                    | 6401-0103 MARQUART 1 |
| Z1     |      | 1551631100 | 16X16 GR/FONCE 'C'                    | 6401-0313 MARQUART 1 |
| Z1     |      | 1551631200 | 16X16 GR/FONCE 'M'                    | 6401-0533 MARQUART 1 |
| Z1     |      | 1551632400 | 16X16 GR FONCE 'R'                    | 6401-0633 MARQUART 1 |
| Z1     |      | 1551632500 | 16X16 GR-FONCE 'R'                    | 6401-0683 MARQUART 1 |
| Z1     |      | 1551650200 | 16X16 ANTHRACITE 'V'                  | 6401-0725 MARQUART 1 |
| Z1     |      | 1551650300 | 16X16 ANTHRACITE 'I'                  | 6401-0595 MARQUART 1 |
| Z1     |      | 1551650400 | 16X16 ANTHRACITE 'INC'                | A942713 MARQUAR 1    |
| Z1     |      | 1554850200 | 16X48 ANTHRACITE 'EXECUTE'            | A942711 MARQUAR 1    |
| Z6     |      | 6101031600 | ACF 3 X16 FRAISEE F/90 'CRUCIF        | SAGIC 4              |
| Z6     |      | 6101032000 | ACF 3 X20 FRAISEE F/90 'CRUCIF        | SAGIC 4              |
| Z6     |      | 6108101500 | ACF 3,5X15 F/90 'TAPTIP CRUSIF        | GOBIN DAUDE 4        |
| Z6     |      | 6130110500 | LAD 2,5X 5 CYLINDRIQUE FENDUE         | SAGIC 12             |



| REPERE | REF.       | ADRET        | DESCRIPTION                | QTE |
|--------|------------|--------------|----------------------------|-----|
| Z6     | 6200010000 | ACI 2,5      | HEXAGONAL USUEL 'H' SAGIC  | 2   |
| Z6     | 6200030000 | ACI 3        | HEXAGONAL USUEL 'H' SAGIC  | 8   |
| Z6     | 6200040000 | ACI 4        | HEXAGONAL USUEL '4' SAGIC  | 4   |
| Z6     | 6206030000 | ACI 3        | ECROU FREIN HEXAGONA SAGIC | 8   |
| Z6     | 6300040000 | ACI 4 X      | 8X0,8 PLATE ETROITE SAGIC  | 4   |
| Z6     | 6301010000 | ACI 2,5      | EVENTAIL 'DI' SAGIC        | 2   |
| Z6     | 6305030000 | ACI 3        | CONTACT REF 55-03-01 NOMEL | 8   |
| Z6     | 6305040000 | ACI 4        | CONTACT 4,1X8,2X0,8 NOMEL  | 4   |
| Z6     | 6400350000 | COSSE A      | SOUDER 2003E MFOM          | 1   |
| Z6     | 6701250100 | ENLIS 2      | L=2 ACCEL                  | 8   |
| Z6     | 6701260100 | ENLIS 2      | L=5 ACCEL                  | 4   |
| Z8     | 0280077213 | CADRE '2U'   | ..... 103A C921217         | 1   |
| Z8     | 0280077214 | BARREAU 8X12 | ..... 103A A932863         | 1   |
| Z8     | 0280077215 | BARREAU 8X30 | ..... 103A A932865         | 1   |
| Z8     | 8006733000 | RONDELLE BNC | 12X10X2 2230A 942291A      | 2   |
| Z8     | 8006763200 | TOUCHE GRISE | D6H11 OREOR 2230A 942431A  | 5   |
| Z8     | 8007710100 | PLAQUE AVANT | ..... 103A G921192         | 1   |
| Z8     | 8007740200 | PLAQUE EPOXY | 'FIXE BORNES' 103A B942771 | 1   |





**MAINS DROPOUT PROTECTION**

**SAUVEGARDE MICROCOUPURES**

ADRET ELECTRONIQUE

TYPE Model 103A

DATE 11/05/81

LOGICAL BOARD

9773320

Ca document ne peut être communiqué ni reproduit sans autorisation

etudié dessiné vérifié

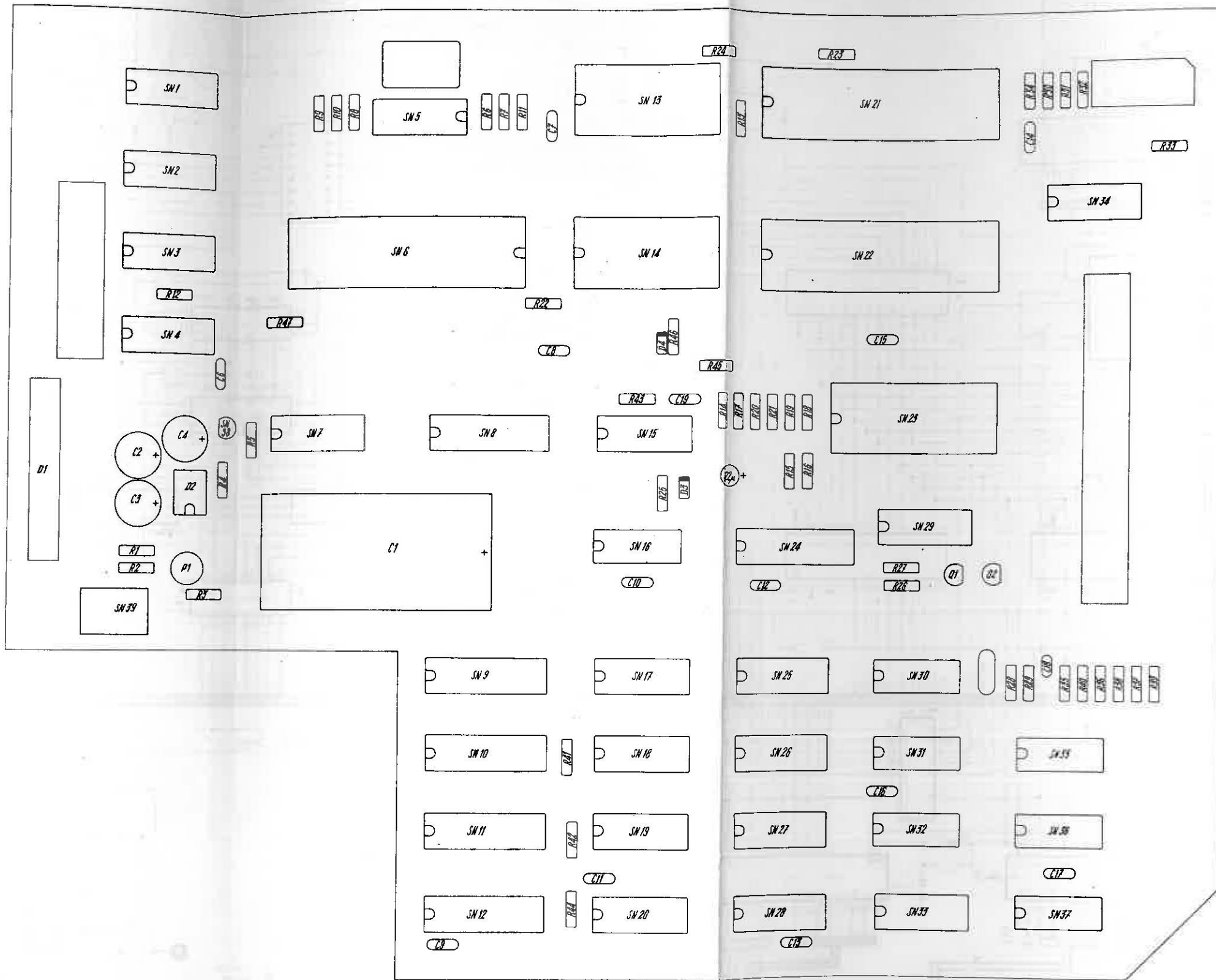
DP SLF

INVERSION POLARITE  
1/2 DIGIT.

VERS PANNEAU AVANT (9773327)

VENANT DE LA CARTE 927363

SORTIE RANGE



|  |               |                    |          |                         |
|--|---------------|--------------------|----------|-------------------------|
| Ind.   | Modifications | Nom                | Vérit.   | Date                    |
| Traitement:  |               | Matière:           |          |                         |
| Protection:  |               | Tol. gén.          | Echelle: |                         |
| Etudé:   |               | Dessiné: <i>AS</i> | Vérifié: | Date: <i>1. 11. 61.</i> |
| Ce document ne peut être communiqué ni reproduit sans autorisation |               |                    |          |                         |
| CARTE LOGIQUE  |               | REPERES            |          | 91101119121A1           |

12 - 14 Av. Youlou ROMANOV  
20100 TRAPPES - FRANCE  
TÉL. 01 1 20 72  
R.C. VERSAILLES  
9 67000077

Équipement  
**BSA** *12 7 207*



| REPERE | REF. | ADRET      | DESCRIPTION                              | QTE |
|--------|------|------------|--|-----|
| B      | -001 | 1450019800 | 50 PTS MALE CI REF 2-87586-1 AMP         | 1   |
| BB     | -002 | 4900150000 | 16 SUPPORT NATTE 'S'CA-16S-TDS EUROPAVIA | 1   |
| BB     | -003 | 0205450000 | 01 NATTE IEEE (A SOUDER) 103A ADRET      | 1   |
| CC     | -001 | 3500430000 | 6800MMF 16V RELSIC 033 SIC SAFCO         | 1   |
| CC     | -002 | 3500550000 | 100MMF 16V 034 TYPE 2 RTC                | 1   |
| CC     | -003 | 3500550000 | 100MMF 16V 034 TYPE 2 RTC                | 1   |
| CC     | -004 | 3500550000 | 100MMF 16V 034 TYPE 2 RTC                | 1   |
| CC     | -005 | 3700180000 | 22MMF/16V 5,08 T395 UNION CARBIDE        | 1   |
| CC     | -006 | 3150042200 | 0,22MMF 5,08 AVX 3439050 E224M AVX       | 1   |
| CC     | -007 | 3150042200 | 0,22MMF 5,08 AVX 3439050 E224M AVX       | 1   |
| CC     | -008 | 3150042200 | 0,22MMF 5,08 AVX 3439050 E224M AVX       | 1   |
| CC     | -009 | 3150042200 | 0,22MMF 5,08 AVX 3439050 E224M AVX       | 1   |
| CC     | -010 | 3150042200 | 0,22MMF 5,08 AVX 3439050 E224M AVX       | 1   |
| CC     | -011 | 3150042200 | 0,22MMF 5,08 AVX 3439050 E224M AVX       | 1   |
| CC     | -012 | 3150042200 | 0,22MMF 5,08 AVX 3439050 E224M AVX       | 1   |
| CC     | -013 | 3150042200 | 0,22MMF 5,08 AVX 3439050 E224M AVX       | 1   |
| CC     | -014 | 3150042200 | 0,22MMF 5,08 AVX 3439050 E224M AVX       | 1   |
| CC     | -015 | 3150042200 | 0,22MMF 5,08 AVX 3439050 E224M AVX       | 1   |
| CC     | -016 | 3150042200 | 0,22MMF 5,08 AVX 3439050 E224M AVX       | 1   |
| CC     | -017 | 3150042200 | 0,22MMF 5,08 AVX 3439050 E224M AVX       | 1   |
| CC     | -018 | 3120011000 | 100PF 2,5 'N10'2222 632 5B 101 COGECO    | 1   |
| CC     | -019 | 3120011300 | 330PF 2,5 'N33'2222 632 5B 331 COGECO    | 1   |
| DD     | -001 | 4500480000 | PONT REDRESSEUR B40C3700/2200 GE         | 1   |
| DD     | -002 | 4500470000 | PONT REDRESSEUR VM 48 VARO               | 1   |
| DD     | -003 | 4500310000 | 1 N 4448 ITT                             | 1   |
| DD     | -004 | 4500300000 | MBD 102 (ESM 247) VOIR IN6263 MOTOROLA   | 1   |
| KK     | -001 | 1530216600 | 6 INTER REF 06-8000-01 LITTON            | 1   |
| FF     | -001 | 2153220000 | 22K T05 CERMET T 7 YA SIFERNICE          | 1   |
| QQ     | -001 | 4300110000 | BC 416 C (BC214C) ITT                    | 1   |
| QQ     | -002 | 4300110000 | BC 416 C (BC214C) ITT                    | 1   |
| RR     | -001 | 2500175000 | 7K50 * 1% 0,3 W SMA207 DRALORIC          | 1   |
| RR     | -002 | 2500080600 | 806R * 1% 0,3 W SMA207 DRALORIC          | 1   |
| RR     | -003 | 2500024900 | 249R * 1% 0,3 W SMA207 DRALORIC          | 1   |
| RR     | -004 | 2500121500 | 2K15 * 1% 0,3 W SMA207 DRALORIC          | 1   |
| RR     | -005 | 2500024900 | 249R * 1% 0,3 W SMA207 DRALORIC          | 1   |
| RR     | -006 | 2210031000 | 10K 5% N4 SOVCOR                         | 1   |
| RR     | -007 | 2210031000 | 10K 5% N4 SOVCOR                         | 1   |
| RR     | -008 | 2210031000 | 10K 5% N4 SOVCOR                         | 1   |
| RR     | -009 | 2210031000 | 10K 5% N4 SOVCOR                         | 1   |
| RR     | -010 | 2210031000 | 10K 5% N4 SOVCOR                         | 1   |
| RR     | -011 | 2210031000 | 10K 5% N4 SOVCOR                         | 1   |
| RR     | -012 | 2210024700 | 4K7 5% N4 SOVCOR                         | 1   |
| RR     | -013 | 2210024700 | 4K7 5% N4 SOVCOR                         | 1   |
| RR     | -014 | 2210024700 | 4K7 5% N4 SOVCOR                         | 1   |
| RR     | -015 | 2210024700 | 4K7 5% N4 SOVCOR                         | 1   |
| RR     | -016 | 2210024700 | 4K7 5% N4 SOVCOR                         | 1   |
| RR     | -017 | 2210024700 | 4K7 5% N4 SOVCOR                         | 1   |
| RR     | -018 | 2210024700 | 4K7 5% N4 SOVCOR                         | 1   |
| RR     | -019 | 2210024700 | 4K7 5% N4 SOVCOR                         | 1   |
| RR     | -020 | 2210024700 | 4K7 5% N4 SOVCOR                         | 1   |
| RR     | -021 | 2210024700 | 4K7 5% N4 SOVCOR                         | 1   |
| RR     | -022 | 2210024700 | 4K7 5% N4 SOVCOR                         | 1   |
| RR     | -023 | 2210024700 | 4K7 5% N4 SOVCOR                         | 1   |
| RR     | -024 | 2210024700 | 4K7 5% N4 SOVCOR                         | 1   |
| RR     | -025 | 2210013900 | 390R 5% N4 SOVCOR                        | 1   |
| RR     | -026 | 2210011500 | 150R 5% N4 SOVCOR                        | 1   |
| RR     | -027 | 2210011000 | 100R 5% N4 SOVCOR                        | 1   |
| RR     | -028 | 2210021000 | 1K0 5% N4 SOVCOR                         | 1   |
| RR     | -029 | 2210021000 | 1K0 5% N4 SOVCOR                         | 1   |
| RR     | -030 | 2210015600 | 560R 5% N4 SOVCOR                        | 1   |
| RR     | -031 | 2210015600 | 560R 5% N4 SOVCOR                        | 1   |
| RR     | -032 | 2210015600 | 560R 5% N4 SOVCOR                        | 1   |
| RR     | -033 | 2210015600 | 560R 5% N4 SOVCOR                        | 1   |
| RR     | -034 | 2210015600 | 560R 5% N4 SOVCOR                        | 1   |
| RR     | -035 | 2210016800 | 680R 5% N4 SOVCOR                        | 1   |
| RR     | -036 | 2210016800 | 680R 5% N4 SOVCOR                        | 1   |
| RR     | -037 | 2210014700 | 470R 5% N4 SOVCOR                        | 1   |
| RR     | -038 | 2210014700 | 470R 5% N4 SOVCOR                        | 1   |
| RR     | -039 | 2210014700 | 470R 5% N4 SOVCOR                        | 1   |
| RR     | -040 | 2210014700 | 470R 5% N4 SOVCOR                        | 1   |
| RR     | -041 | 2210022200 | 2K2 5% N4 SOVCOR                         | 1   |
| RR     | -042 | 2210022200 | 2K2 5% N4 SOVCOR                         | 1   |
| RR     | -043 | 2210022200 | 2K2 5% N4 SOVCOR                         | 1   |
| RR     | -044 | 2210022200 | 2K2 5% N4 SOVCOR                         | 1   |
| RR     | -045 | 2210024700 | 4K7 5% N4 SOVCOR                         | 1   |
| RR     | -046 | 2210021000 | 1K0 5% N4 SOVCOR                         | 1   |
| RR     | -047 | 2210024700 | 4K7 5% N4 SOVCOR                         | 1   |
| NN     | -001 | 4100344800 | MC 344B AP MOTOROLA                      | 1   |
| NN     | -002 | 4100344800 | MC 344B AP MOTOROLA                      | 1   |
| NN     | -003 | 4100344800 | MC 344B AP MOTOROLA                      | 1   |

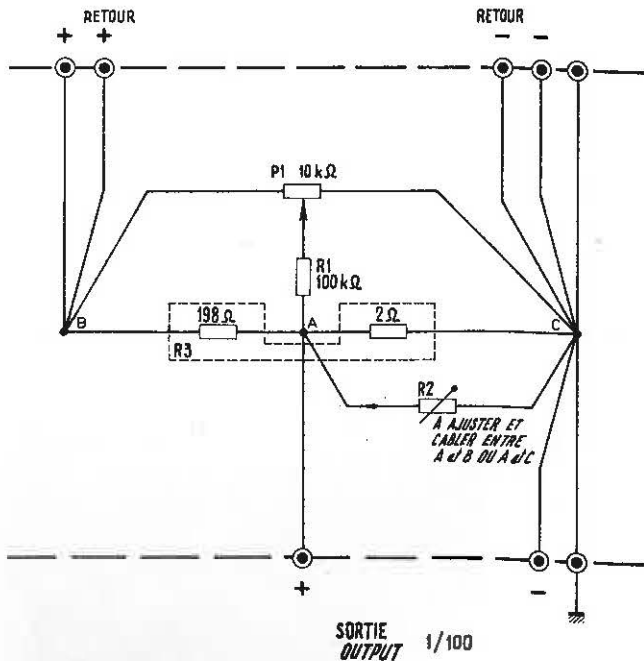


| REFERE | REF.       | ADRET                          | DESCRIPTION | QTE |
|--------|------------|--------------------------------|-------------|-----|
| SN-004 | 4100344800 | MC 3448 AP                     | MOTOROLA    | 1   |
| SN-005 | 4164009700 | C-MOS 40097                    | RTC         | 1   |
| SN-006 | 4176848800 | N-MOS MC 68488P 9W             | MOTOROLA    | 1   |
| SN-007 | 4260753300 | DAC AD7533JN DAC1022LCN        | NS          | 1   |
| SN-008 | 4167437400 | C-MOS 74 C 374 N               | NS          | 1   |
| SN-009 | 4157437400 | SN 74 LS 374 N 3               | TEXAS       | 1   |
| SN-010 | 4167437400 | C-MOS 74 C 374 N               | NS          | 1   |
| SN-011 | 4167437400 | C-MOS 74 C 374 N               | NS          | 1   |
| SN-012 | 4167437400 | C-MOS 74 C 374 N               | NS          | 1   |
| SN-013 | 0274860000 | 00 ROM 1                       | 103A ADRET  | 1   |
| SN-014 | 0274870000 | 00 ROM 2                       | 103A ADRET  | 1   |
| SN-015 | 4157413800 | SN 74 LS 138 N 3               | TEXAS       | 1   |
| SN-016 | 4150740400 | SN 74 LS 04 N 3                | TEXAS       | 1   |
| SN-017 | 4157416200 | SN 74 LS 162 N 3               | TEXAS       | 1   |
| SN-018 | 4150748500 | SN 74 LS 85 N 3                | TEXAS       | 1   |
| SN-019 | 4150748500 | SN 74 LS 85 N 3                | TEXAS       | 1   |
| SN-020 | 4150748500 | SN 74 LS 85 N 3                | TEXAS       | 1   |
| SN-021 | 4170680200 | N-MOS MC 6802 P                | MOTOROLA    | 1   |
| SN-022 | 4170682100 | N-MOS MC 6821 P PIA            | MOTOROLA    | 1   |
| SN-023 | 4167218100 | C-MOS ICM 7218 AIJI            | INTERFIL    | 1   |
| SN-024 | 4157437400 | SN 74 LS 374 N 3               | TEXAS       | 1   |
| SN-025 | 4157416200 | SN 74 LS 162 N 3               | TEXAS       | 1   |
| SN-026 | 4150748500 | SN 74 LS 85 N 3                | TEXAS       | 1   |
| SN-027 | 4150748500 | SN 74 LS 85 N 3                | TEXAS       | 1   |
| SN-028 | 4150748500 | SN 74 LS 85 N 3                | TEXAS       | 1   |
| SN-029 | 4157413900 | SN 74 LS 139 N 3               | TEXAS       | 1   |
| SN-030 | 4150740000 | SN 74 LS 00 N 3                | TEXAS       | 1   |
| SN-031 | 4157410700 | SN 74 LS 107 AN 3              | TEXAS       | 1   |
| SN-032 | 4150740000 | SN 74 LS 00 N 3                | TEXAS       | 1   |
| SN-033 | 4157416300 | SN 74 LS 163 N 3               | TEXAS       | 1   |
| SN-034 | 4157413800 | SN 74 LS 138 N 3               | TEXAS       | 1   |
| SN-035 | 4150740500 | SN 74 LS 05 N 3                | TEXAS       | 1   |
| SN-036 | 4157410700 | SN 74 LS 107 AN 3              | TEXAS       | 1   |
| SN-037 | 4150742000 | SN 74 LS 20 N 3                | TEXAS       | 1   |
| SN-038 | 4200470000 | LM 317 LZ REGUL POSITIVE TO92  | MOTOROLA    | 1   |
| SN-039 | 4200480000 | LM 317 T REGUL POSITIVE TO 220 | NS          | 1   |
| Y-001  | 5100520000 | QUARTZ 4MHZ REF Q 1430409      | RTC         | 1   |
| Z1     | 1100550000 | FIL.NU.ETAME.10/10             | ELECTROFIL  | 0   |
| Z1     | 1273320300 | CI LOGIQUE ..... 103A          | D997332     | 1   |
| Z4     | 4900130000 | ROMDELLE TO220 ..... SE 220    | JERMYN      | 1   |
| Z4     | 4900220000 | CANON ISOLANT TO 220 EPAUL.3,5 | MOTOROLA    | 1   |
| Z4     | 4900300000 | 20 SUPPORT C.I. DIL J23-5020   | JERMYN      | 4   |
| Z4     | 4900320000 | 24 SUPPORT C.I. DIL J23-5024   | JERMYN      | 2   |
| Z4     | 4900330000 | 28 SUPPORT C.I. DIL J23-5028   | JERMYN      | 1   |
| Z4     | 4900340000 | 40 SUPPORT C.I. DIL J23.5040   | JERMYN      | 3   |
| Z6     | 6100031600 | ACF 3 X 16 CYLINDRIQUE CRUCIF  | SAGIC       | 1   |
| Z6     | 6200030000 | ACI 3 HEXAGONAL USUEL 'H'      | SAGIC       | 1   |
| Z6     | 6305030000 | ACI 3 CONTACT REF 55-03-01     | NOMEL       | 1   |
| Z8     | 0280077228 | PORTE TRANSISTOR P ARR .. 103A | A942763     | 1   |



| REPERE | REF. | ADRET      | DESCRIPTION                            | QTE |
|--------|------|------------|--|-----|
| C      | -001 | 3700080000 | 4,7MMF/10V L9 ..... CTS13 SPRAGUE      | 1   |
| D      | -001 | 4500020000 | 1N4151 ..... ITT                       | 1   |
| D      | -002 | 4500020000 | 1N4151 ..... ITT                       | 1   |
| D      | -003 | 4500020000 | 1N4151 ..... ITT                       | 1   |
| D      | -004 | 4500020000 | 1N4151 ..... ITT                       | 1   |
| Q      | -001 | 4300650000 | LM 334 Z 'TO 92' ..... NS              | 1   |
| Q      | -002 | 4300570000 | BC 327-25 TO 92 ..... ITT              | 1   |
| Q      | -003 | 4300570000 | BC 327-25 TO 92 ..... ITT              | 1   |
| Q      | -004 | 4300640000 | BD 436 ..... MOTOROLA                  | 1   |
| Q      | -005 | 4300190000 | BC 414 C (BC184C) ..... ITT            | 1   |
| Q      | -006 | 4300570000 | BC 327-25 TO 92 ..... ITT              | 1   |
| R      | -001 | 2210001500 | 15R 5% N4 SOVCOR                       | 1   |
| R      | -002 | 2210031000 | 10K 5% N4 SOVCOR                       | 1   |
| R      | -003 | 2210041500 | 150K 5% N4 SOVCOR                      | 1   |
| R      | -004 | 2210041500 | 150K 5% N4 SOVCOR                      | 1   |
| R      | -005 | 2210011000 | 100R 5% N4 SOVCOR                      | 1   |
| Z1     |      | 1100210000 | FIL NOIR ..... KY33A02 FILECA          | 0   |
| Z1     |      | 1100230000 | FIL ROUGE ..... KY33A02 FILECA         | 0   |
| Z1     |      | 1100260000 | FIL VERT ..... KY33A02 FILECA          | 0   |
| Z1     |      | 1100540000 | FIL NU.ETAME.8/10 ..... ELECTROFIL     | 0   |
| Z1     |      | 1275060100 | CI CARTE SAUVEGARDE ..... 103A A997506 | 1   |
| Z5     |      | 5700030000 | ACCUMULATEUR 1V2 REF N450AA SANYO      | 4   |
| Z5     |      | 5700050000 | SUPPORT ACCU. R6 400-2802-01 CAMBION   | 4   |
| Z6     |      | 6100030800 | ACF 3 X 8 CYLINDRIQUE CRUCIF SAGIC     | 1   |
| Z6     |      | 6200030000 | ACI 3 HEXAGONAL USUEL 'H' SAGIC        | 1   |
| Z6     |      | 6300030000 | ACI 3 X 6X0,8 PLATE ETROITE SAGIC      | 8   |
| Z6     |      | 6300030100 | ACI 3 X 8X0,8 PLATE MOYENNE SAGIC      | 8   |
| Z6     |      | 6305030000 | ACI 3 CONTACT REF 55-03-01 NOMEL       | 1   |
| Z6     |      | 6400110000 | RIVET D 3 L 10 REF C30X10 MFOM         | 8   |

**SORTIE** 103 104  
**OUTPUT**



|  |          |             |                           |  |  |
|--|----------|-------------|---------------------------|--|--|
| Ce document ne peut être communiqué ni reproduit sans autorisation |          |             | <b>ADRET ELECTRONIQUE</b> |  | <small>adret</small><br><b>EE</b><br><small>ÉLECTRONIQUE</small> |
| étudié   | dessiné  | vérifié     | <b>DIVISEUR</b>           |  | TYPE Model <b>133A</b>   |
|  | S        | [Signature] | 1/100                     |  | PLANCHE Plate  |
| DATE   | 01/06/81 |             | <b>970133A</b>            |  |  |



| REPERE     | REF. | ADRET | DESCRIPTION                            | QTE |
|------------|------|-------|--|-----|
| 0280078408 |      |       | BOITIER DIVISEUR 1/100E 104A C932956   | 1   |
| 1101080000 |      |       | 6/10E MONO BRIN ..... SODIMATEL        | 0   |
| 1300480000 |      |       | GAINÉ F12,7 ..... FP301 1/2 HELLERMAN  | 0   |
| 1300590000 |      |       | SOUPLISSO SPAGETTI JAUNE FO,6 HABIA    | 0   |
| 1400101900 |      |       | BORNE ROUGE FEMEL REF 58/31/12 STOCKLY | 1   |
| 1400102000 |      |       | BORNE BLEU FEMEL REF 58/31/16 STOCKLY  | 1   |
| 1400102100 |      |       | BORNE METAL FEMEL REF58/31/101 STOCKLY | 1   |
| 2123100900 |      |       | 10K 10XLIN 10T 43 P103 T601 TEKELEC    | 1   |
| 2200041000 |      |       | 100K 5% N4 SOVCOR                      | 1   |
| 2500000000 |      |       | RESISTANCE 1% C. METAL SMA207 DRALORIC | 1   |
| 2810360000 |      |       | R1=198R/R2=2R N°311710 VISHAY          | 1   |
| 6200040000 |      |       | ACI 4 HEXAGONAL USUEL '4' SAGIC        | 5   |
| 6301050000 |      |       | ACI 5 EVENTAIL 'DI' SAGIC              | 1   |
| 6303040000 |      |       | ACI 4 ONDUFLEX 52040132 NOMEL          | 10  |
| 6900140000 |      |       | COLLE ARALDITE SODIEMA                 | 0   |
| 6900620000 |      |       | ADHESIF TRANSFERT LARGEUR 6 MM 3M      | 0   |
| 8000090000 |      |       | ETIQUETTE SIGNALETIQUE ADRET 940006A   | 1   |
| 8107820900 |      |       | FICHE BANANE ..... 103A/104A ADRET     | 5   |