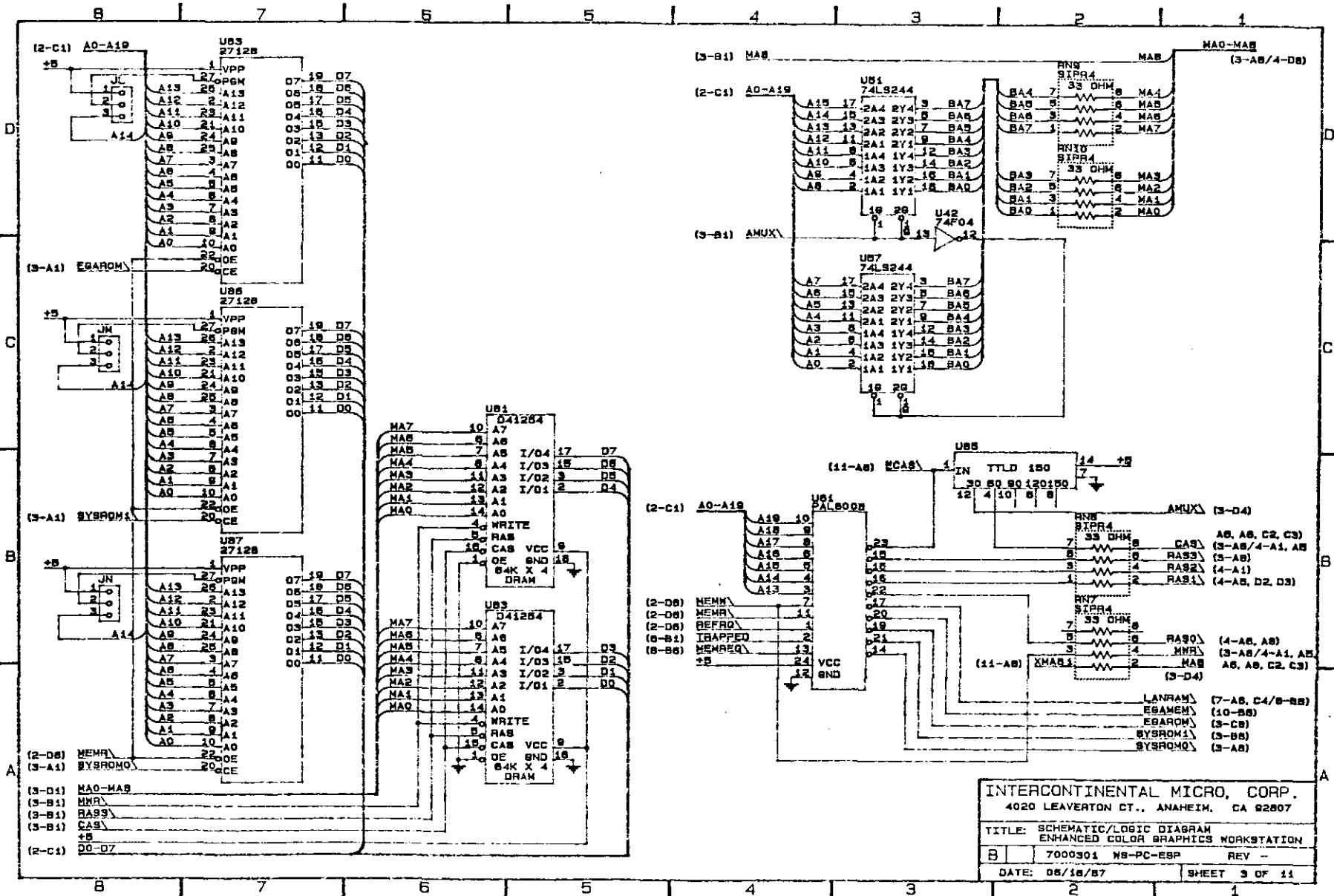


INTERCONTINENTAL MICRO, CORP.
 4020 LEAVERTON CT., ANAHEIM, CA 92807

TITLE: SCHEMATIC/LOGIC DIAGRAM
 ENHANCED COLOR GRAPHICS WORKSTATION

B 7000301 MS-PC-ESP REV -

DATE: 06/16/87 SHEET 2 OF 11

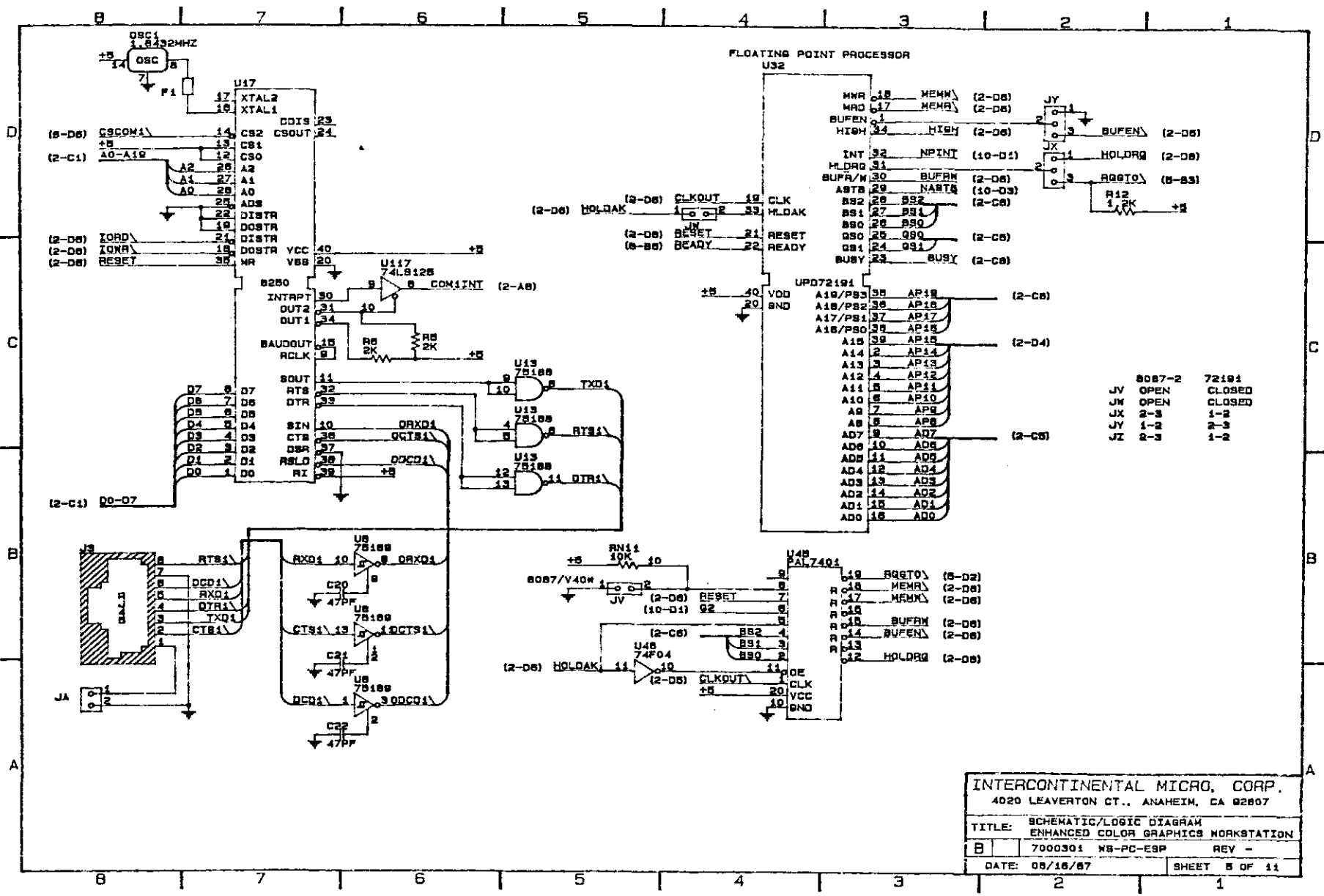


INTERCONTINENTAL MICRO, CORP.
 4020 LEAVERTON CT., ANAHEIM, CA 92807

TITLE: SCHEMATIC/LOGIC DIAGRAM
 ENHANCED COLOR GRAPHICS WORKSTATION

7000301 W8-PC-ESP REV -

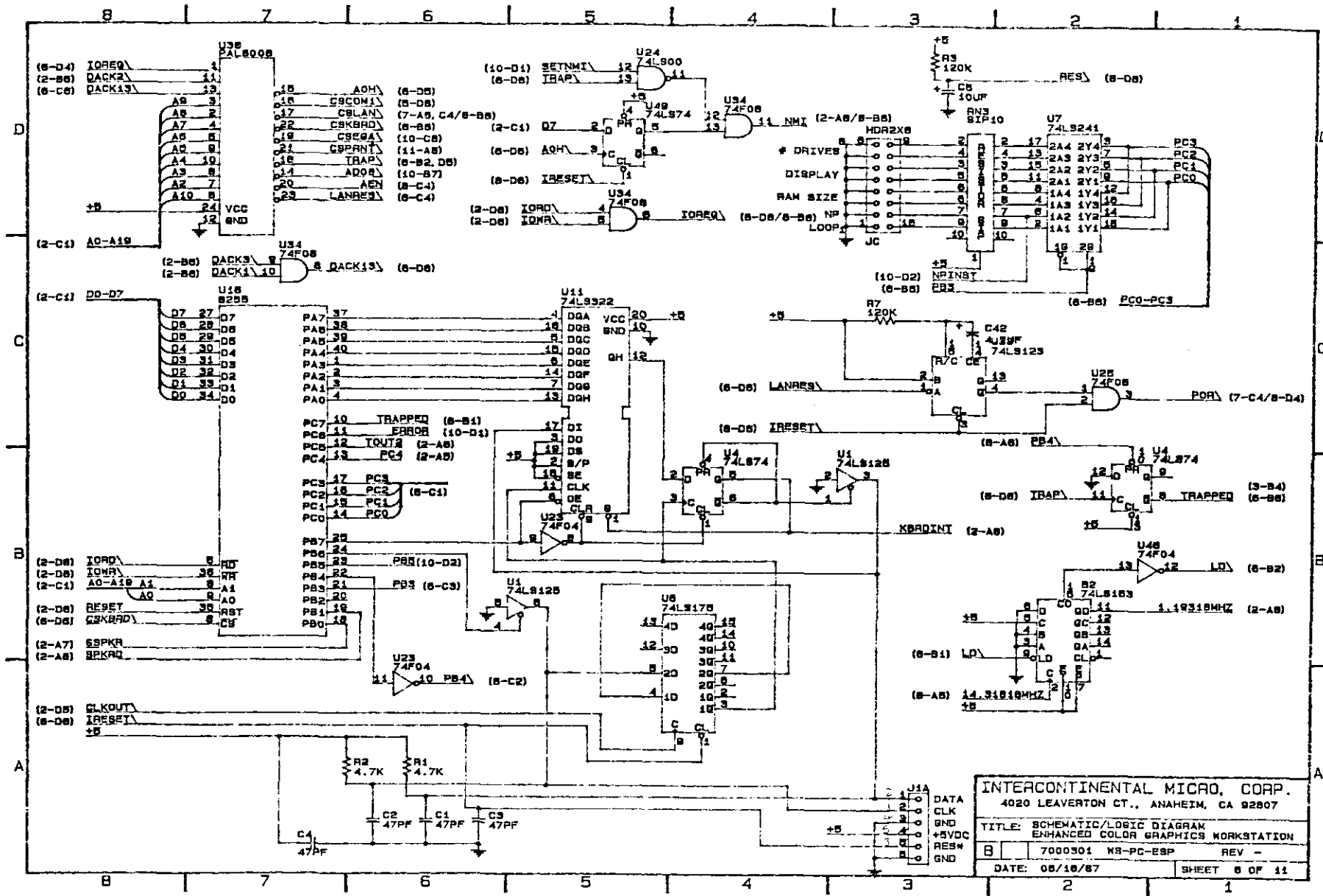
DATE: 06/18/87 SHEET 3 OF 11



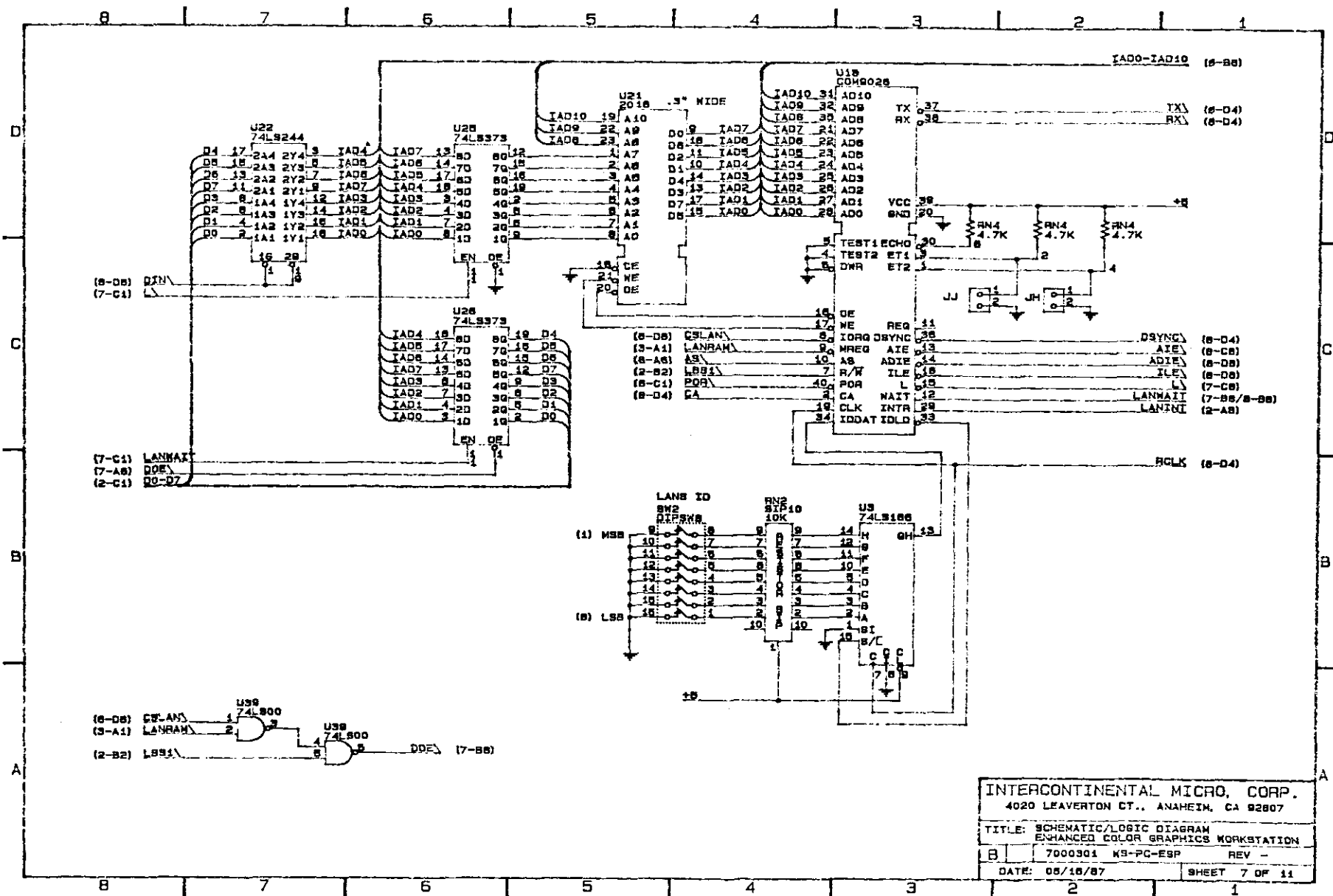
INTERCONTINENTAL MICRO, CORP.
 4020 LEAVERTON CT., ANAHEIM, CA 92807

TITLE: SCHEMATIC/LOGIC DIAGRAM
 ENHANCED COLOR GRAPHICS WORKSTATION

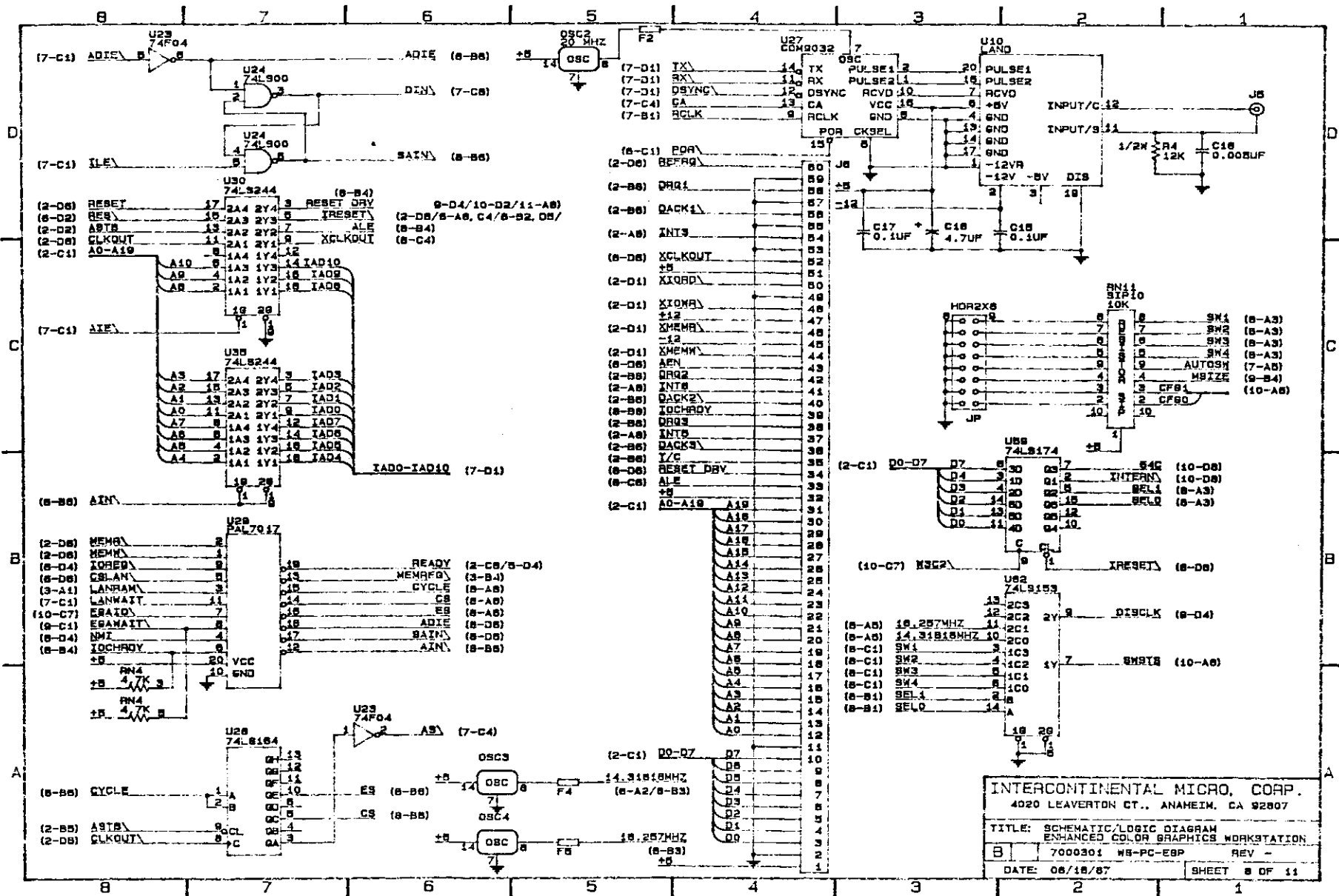
B 7000301 WB-PC-ESP REV -
 DATE: 05/16/87 SHEET 5 OF 11



INTERCONTINENTAL MICRO, CORP.
 4020 LEAVERTON CT., ANAHEIM, CA 92807
 TITLE: SCHEMATIC/LOGIC DIAGRAM
 ENHANCED COLOR GRAPHICS WORKSTATION
 B 7000301 MS-PC-ESP REV -
 DATE: 05/16/87 SHEET 6 OF 11



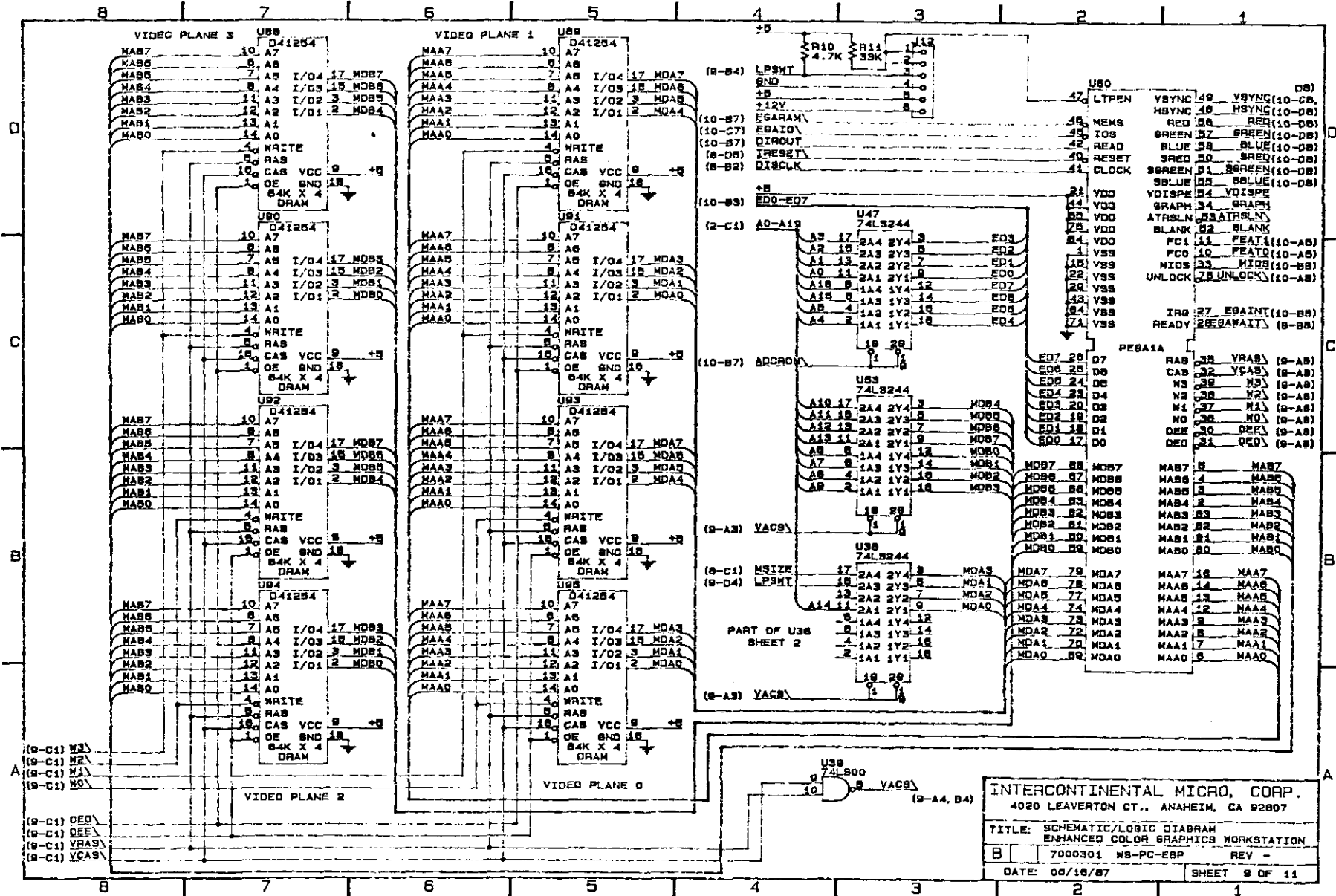
INTERCONTINENTAL MICRO, CORP.
 4020 LEAVERTON CT., ANAHEIM, CA 92807
 TITLE: SCHEMATIC/LOGIC DIAGRAM
 ENHANCED COLOR GRAPHICS WORKSTATION
 B 7000301 K3-PC-ESP REV -
 DATE: 05/18/87 SHEET 7 OF 11



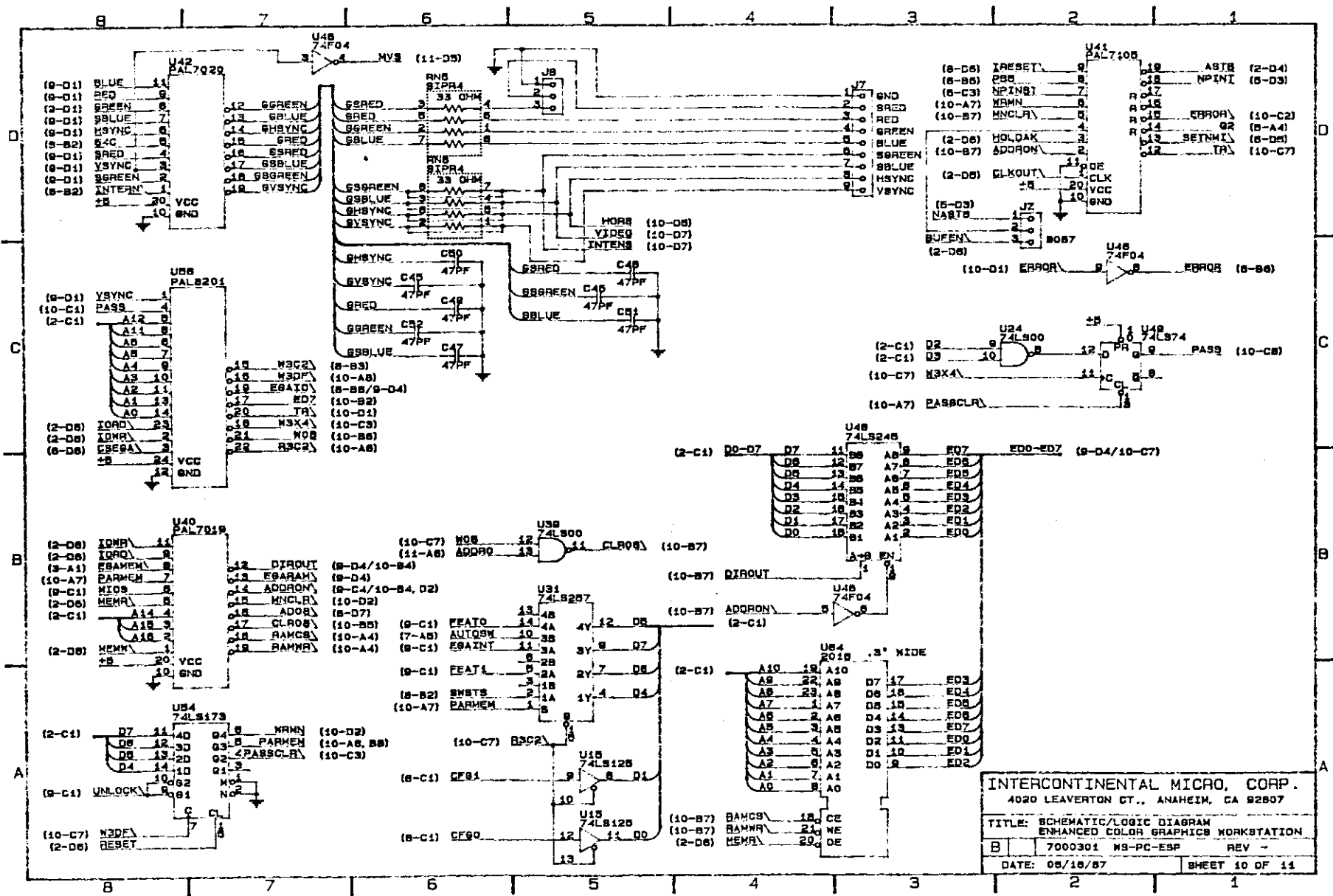
Microprocessor Pinout (U27 68030):

(7-D1)	TX	14	TX	20
(7-D1)	RX	11	RX	16
(7-D1)	DSYNG	12	DSYNG	10
(7-C4)	CA	13	CA	18
(7-B1)	RCLK	9	RCLK	8
(6-C1)	POW	15	POW	15
(2-D0)	BEFRQ	60	BEFRQ	60
(2-B0)	DRR1	68	DRR1	68
(2-B0)	DACK1	67	DACK1	67
(2-A0)	INT0	68	INT0	68
(6-D0)	XCLKOUT	54	XCLKOUT	54
(2-D1)	XIQRD	51	XIQRD	51
(2-D1)	XIQWR	50	XIQWR	50
(2-D1)	XMEMR	48	XMEMR	48
(2-D1)	XMEMW	47	XMEMW	47
(6-D0)	AM	44	AM	44
(2-B0)	DRR2	43	DRR2	43
(2-A0)	INT0	42	INT0	42
(2-B0)	DACK2	41	DACK2	41
(6-B0)	IOCHRDY	40	IOCHRDY	40
(2-B0)	DRR3	38	DRR3	38
(2-A0)	INT0	37	INT0	37
(2-B0)	DACK3	36	DACK3	36
(2-B0)	Y/C	35	Y/C	35
(6-D0)	RESET DRV	34	RESET DRV	34
(6-C0)	ALE	33	ALE	33
(2-C1)	A0-A19	32	A0-A19	32
(2-C1)	D0-D7	31	D0-D7	31
	A19	30	A19	30
	A18	29	A18	29
	A17	28	A17	28
	A16	27	A16	27
	A15	26	A15	26
	A14	25	A14	25
	A13	24	A13	24
	A12	23	A12	23
	A11	22	A11	22
	A10	21	A10	21
	A9	20	A9	20
	A8	19	A8	19
	A7	18	A7	18
	A6	17	A6	17
	A5	16	A5	16
	A4	15	A4	15
	A3	14	A3	14
	A2	13	A2	13
	A1	12	A1	12
	A0	11	A0	11
	D7	10	D7	10
	D6	9	D6	9
	D5	8	D5	8
	D4	7	D4	7
	D3	6	D3	6
	D2	5	D2	5
	D1	4	D1	4
	D0	3	D0	3
		2		2
		1		1

INTERCONTINENTAL MICRO, CORP.
 4020 LEAVERTON CT., ANAHEIM, CA 92807
 TITLE: SCHEMATIC/LOGIC DIAGRAM
 ENHANCED COLOR GRAPHICS WORKSTATION
 B 7000301 WS-PC-ESP REV -
 DATE: 06/18/87 SHEET 8 OF 11



INTERCONTINENTAL MICRO, CORP.
 4020 LEAVERTON CT., ANAHEIM, CA 92807
 TITLE: SCHEMATIC/LOGIC DIAGRAM
 ENHANCED COLOR GRAPHICS WORKSTATION
 B 7000301 WS-PC-ESP REV -
 DATE: 08/18/87 SHEET 8 OF 11



INTERCONTINENTAL MICRO, CORP.
 4020 LEAVERTON CT., ANAHEIM, CA 92807
 TITLE: SCHEMATIC/LOGIC DIAGRAM
 ENHANCED COLOR GRAPHICS WORKSTATION
 B 7000301 MS-PC-ESP REV -
 DATE: 08/18/87 SHEET 10 OF 11

