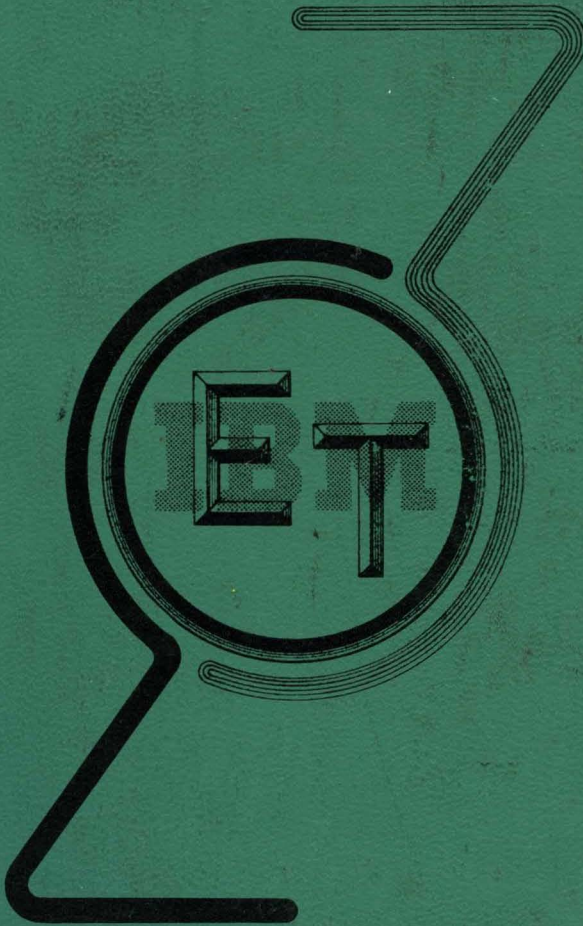


1960

PARTS MANUAL



ELECTRIC TYPEWRITER DIVISION

THESE ADJECTIVES TO BE USED ONLY BY REPORTING OFFICES

- | | | | |
|----|--|----|---|
| 01 | Bent | 23 | Re-adjust/Left/Out (Tab Rack, K. O. Screws, etc.) |
| 02 | Binding/Sticking | 24 | Re-adjust/Right/In (Tab Rack, K. O. Screws, etc.) |
| 03 | Broken | 25 | Re-align/Left |
| 04 | Burned/Pitted | 26 | Re-align/Right |
| 05 | Burred/Nicked | 27 | Re-align/Up |
| 06 | Card Jam | 28 | Re-align/Down |
| 07 | Chipped/Cracked | 29 | Re-align/Ring Light/Cylinder Heavy |
| 08 | Corroded/Dirty | 30 | Re-align/Cylinder Light/Ring Heavy |
| 09 | Defective Tube or Pluggable Unit | 31 | Re-solder |
| 10 | Hard/Heavy | 32 | Reversed |
| 11 | Intermittent | 33 | Shorted/Grounded |
| 12 | Lubrication | 34 | Stripped |
| 13 | Marking/Identification | 35 | Timing |
| 14 | Noisy | 36 | Voltage High |
| 15 | Off/Off Registration (Punch, Mylar Tape, Sensing Unit) | 37 | Voltage Low |
| 16 | Open | 38 | Weak |
| 17 | Overheated | 39 | Wiring Error |
| 18 | Printing (Over) | 40 | Worn |
| 19 | Printing (Under) | 41 | Wrong Specifications |
| 20 | Random Error | 42 | No trouble found |
| 21 | Re-adjust/Tighten/Shorter (Links, Feed Rolls, etc.) | | |
| 22 | Re-adjust/Loosen/Longer (Links, Feed Rolls, etc.) | | |

TO: ET CUSTOMER ENGINEERS

SUBJECT: 1960 ET PARTS MANUAL

HERE IS YOUR 1960 EDITION OF THE ET PARTS MANUAL. THE 1959 SMALL PARTS CATALOG AND PRICE LIST SHOULD IMMEDIATELY BE DESTROYED.

THIS 1960 EDITION OF THE ET PARTS MANUAL INCLUDES MODELS "A", "B", AND "C" PARTS SECTIONS AND PRICE LISTING PLUS A NEW SERVICE INFORMATION SECTION. THIS SECTION CONTAINS GENERAL REFERENCE MATERIAL SO NECESSARY TO SMOOTH TERRITORIAL OPERATIONS AS WELL AS MODEL 01-04 PARTS LIST.

JUST AS THE EQUIPMENT WE SERVICE REQUIRES MAINTENANCE TO INSURE MAXIMUM UTILIZATION SO DOES THE ET PARTS MANUAL. WITH THIS THOUGHT IN MIND, YOUR PARTS MANUAL WILL BE REPLACED ANNUALLY WITH A COMPLETELY REVISED EDITION.

YOUR SUGGESTIONS FOR IMPROVEMENT HAVE RESULTED IN AN IMPROVED PARTS MANUAL. A CONTINUED EFFORT IS REQUIRED TO ASSURE A SATISFACTORY PUBLICATION FOR THE FUTURE.



R. M. GROSZ

CE TECHNICAL SERVICES MANAGER
903

CODE INDEX

MODEL A - B

MODEL C

STD. CODE	EXEC. CODE	SECTION	STD. CODE	EXEC. CODE
401	501	Backspace	201	301
402	502	Carriage & Rails	202	302
403	503	Carriage Return	203	303
404	504	Covers	204	304
405	505	Gov., Dec.	205	305
406	506	Escapement	206	306
--	507	Esc. Control	--	307
408	508	Frames	208	308
409	509	KeyBd. Lock&Bell	209	309
410	510	Margin	210	310
411	511	Motor & Drive	211	311
412	512	Platens	212	312
413	513	Ribbon Fabric-	213	313
414	514	Ribbon Carbon	214	314
--	--	Ribbon Dual	215	315
416	516	Shift	216	316
417	517	Spacebar	217	317
418	518	Tab	218	318
419	519	Typebar	219	319

SPECIAL MACHINES & ATTACHMENTS

SECTION	A - B CODES	C CODE
Dec. Tab	430	230
Hektowriter	431	--
I/O Writer	432	--
LP Formswriter	433	233
Par. Carr. Ret.	434	--
Toll Biller	435	--
Card Holding	440	240
Checkwriter	441	241
Way Bill	442	242
Dual Pur.	443	243
Elec. Tab	444	--
Formline Sel.	445	--
Formscarrier	446	246
L. Edge Gauge	447	247
Palm Tab	448	248
Pin Feed	449	249
Pin Feed Lift	450	250
Stroke Counter	451	251
IVI	452	252

DSR SAMPLE CALLS TO BE FOLLOWED
BY REPORTING OFFICES

STANDARD

Model	Serial Number
11 thru 18 51 thru 56 81, 82 and 85, 86	1,000,000 and above

Sample Coded Information

Mechanism	Part	Cause
1. 219 Type Bar Operating	030 K. O. Screw	24 Re-Adjust/In
2. 205 Escapement Mechanism	012 Link	21 Re-Adjust/Shorter

EXECUTIVE

Model	Serial Number
41 thru 48	2,000,000 and above

Sample Coded Information

Mechanism	Part	Cause
1. 301 Backspace	027 Pawl Assembly	23 Re-Adjust/Left

E T CUSTOMER ENGINEERING

SERVICE INFORMATION

NAME _____

BRANCH OFFICE _____

PHONE _____

ADDRESS _____

IF THIS BOOKLET IS FOUND PLEASE
RETURN TO THE ABOVE ADDRESS

IBM ELECTRIC TYPEWRITER DIVISION

PRINTED IN U.S.A.

JANUARY 1960

INDEX

SERVICE INFORMATION SECTION

SECTION	PAGES
Model 01 - 04 Parts List	1 - 12
Model Codes	13 - 15
Operational Cam Chart	16
Tools & Supplies	17 - 24
IBM Type Available Chart	25
Labor Charges	26
Federal Government Labor Charges	27
5 Point Machine Check	28
Cycle Inspection	29
Maintenance Agreement Information	30

MODEL OI-10 PARTS LIST

PART NO.	ELECTRICAL	PART NO.	IBM MOTOR PARTS CONTINUED
1000490	Switch Assembly Complete	1024091	Cap, Motor Brush
1019258	Switch Lever Assembly	1024024	Bearing, Motor Shaft
1091169	Spring, Switch	1024305	Governor Control Assembly - Backplate
1019001	Switch Contact Roller	1024160	Washer, Shim
1017767	Lead, Switch		
1017761	Resistor, 110V (New-Style Short Leads)		PARTS NEEDED TO INSTALL MOTOR
1017762	Resistor, 220V (New-Style Short Leads)	1023352	Bracket, (1) Front Mounting
1024187	Tapped Resistor 110V (for Microswitch)	1092046	Screw, (2) Front Mounting Bracket
1017759	Condenser 110V (New-Style Short Leads)	1024309	Rubber Mounting (1) Front
1017760	Condenser 220V (New-Style Short Leads)	1024310	Rubber Mounting (2) Rear
1024186	Resistor Condenser Terminal & Micro-switch Assembly 115V	1024311	Screw, (2) Rear Mounting
1000434	Terminal Block Cover (Old-Style)	6318	Washer, (2) for #1024311
1091347	Screw, Terminal Connector (Brass)	1024308	Plate, (1) Rear Mounting
1024461	Microswitch Assembly		
1024182	Microswitch Actuator		
	MOTORS		FILTER FOR IBM MOTOR (MECHANICAL GOVERNOR ONLY)
1001285	Motor Coupling		(Reduces radio interference, excessive burning of points and feed back on DC)
1000814	Coupling Pin		
1090017	Screw to Mount All Motors	1024564	Radio Filter and Terminal Block Asm.
1090479	Eyellet, for Terminal	1024526	Governor Control Assembly with Choke Coil (IBM) Motor
1001442	Governor AC (New)	1024520	Governor Control Assembly with Choke Coil (G. E. Motor)
1001443	Governor DC (New)	125930	Nut
1024300	Motor IBM 115V AC (New)	1024565	Plastic Cover, Terminal Block
1024342	Motor IBM 115V DC (New)		
1024345	Motor IBM 230V DC (New)		CARRIAGE RETURN AND LINE SPACE CLUTCH AND WORM HOUSING
1024346	Motor IBM 230V AC (New)		
1024350	Motor IBM 65V AC (New)		
	WESTINGHOUSE MOTOR PARTS		
1001249	Brush, Motor	1000806	Adjustable Screw, Thrust Bearing
1001545	Washer, Shim, .005"	1016715	Worm Wheel 12-1
1001446	Screw & Spider, Governor Adjustment	1001309	Worm Wheel 11-1 (Serial #23,000 to #47,800)
1105939	Cord, Extension - 2 Conductor	1090640	Washer, Thrust (Next to Worm Wheel)
1070247	Block, Terminal	1091186	Washer, Shim
205773	Brush, Governor Assembly	1015094	Lever, Clutch Operating
1090037	Nut, Terminal Post	1090010	Screw, to Mount #1015094
		1090594	Screw, to Adjust #1015094
		1015098	Bearing, Small Bronze Thrust
		1001323	End Plate
		1001320	Spider Spring (Old Style)
		1015086	Spider Spring and Retainer (New Style)
		1015080	Clutch Plate and Spring Assembly (New Style)
		1000794	Clutch Pulley Spring (Old Style)
		1015356	Clutch Pulley 12", 16", 20" (New Style - Standard)
		1015357	Clutch Pulley 24" and 30" (New Style - Standard)
		1014882	Friction Disc, Clutch
		1091089	Pin Friction Disc Drive
		1090890	Pin Power Roll Drive
		1090644	Set screw, Power Roll Drive Pin
	G. E. MOTOR PARTS		
1001241	Brush, Governor (Short Back)		LINE SPACE PARTS
1001360	Brush, Governor (Long Back)	1014988	Hook Lever Assembly (New Style)
1001294	Brush, Motor	1091149	Spring, Hook Lever (New Style)
1001296	Cap, Motor Brush	1090364	Screw to Mount Hook Lever
1001357	Washer, Bronze Shim .015"		
1001359	Washer, Bronze Shim .007"		
1001387	Grommet Motor Mounting		
1001428	Screw, Governor Adjustment		
131542	Shim .010"		
	IBM MOTOR PARTS		
1024515	Governor Assembly		
1024080	Contact Spring Assembly		
1024078	Contact Support Assembly		
1024090	Brush, Motor (without Spring)		
1024102	Spring, Motor Brush		

MODEL OI-10 PARTS LIST

	BACKSPACE MECHANISM CONTINUED		SPACE BAR MECHANISM
PART NO.		PART NO.	
1000551	Bell Crank, Backspace	1000030	Space Bar Asm.
1090193	Leather Stop, Bell Crank	1000048	Equalizing Rod
1061724	Keybutton, Backspace	1013841	Bellcrank Asm., Escapement
		1013845	Link Asm., Escapement
		1016704	Governor Asm., Friction
	SHIFT MECHANISM		
1000403	Bracket, Basket Shift Stop LH	1064391	Pawl, Ribbon Feed RH
1000404	Bracket, Basket Shift Stop RH	1064392	Pawl, Ribbon Feed LH
1090024	Screw, Hex Head to mount Stops	1091386	Spring, Ribbon Feed Pawl (long)
1000410	Guide, Segment Lower	1090401	Spring, Ribbon Feed Pawl (short)
1000411	Guide, Segment Upper	1015833	Check Pawl and Bracket Asm. LH
1090026	Screw, Segment Guide Plate	1015834	Check Pawl and Bracket Asm. RH
1090047	Washer, for Guide Mounting	1061210	Bar, Ribbon Reverse (New Style)
1000402	Screw, Basket Shift Stop	1091787	Spring, Hairpin, for #1061210
1090619	Washer, Fibre and Rubber	1000153	Spring, Hairpin, (Old Style)
1000123	Spring, Shift Toggle, Lower	1061208	Link, Manual Ribbon Reverse (New Style)
1000126	Spring, Shift Toggle, Upper (Offset)	1000135	Knob, Manual Ribbon Reverse
1061723	Keybutton, Shift	1000143	Ribbon, Reverse Spring Arm Asm. RH
1019045	Bracket Shift Stop LH (Steel Basket)	1000142	Ribbon, Reverse Spring Arm Asm. LH
1019046	Bracket Shift Stop RH (Steel Basket)	1000140	Ribbon, Reverse Lever Asm. LH
1019047	Segment Guide, Upper (Steel Basket)	1000141	Ribbon, Reverse Lever Asm. RH
1019048	Segment Guide, Lower (Steel Basket)	1090165	Spring (long) Ribbon Reverse Lever
		1090589	Spring (Short) Ribbon Reverse Lever
		186849	Nut, Self-Locking for #1000142, -3
		1090222	Washer, for #1000142, -3
		1000159	Spring (flat) Spool Retaining
		1000177	Lever, Ribbon Feed RH
		1000178	Lever, Ribbon Feed LH
		1014918	Guide, Ribbon Lift
		1000168	Ribbon Corner Guide LH
		1000169	Ribbon Corner Guide RH
		1090003	Screw, to Mount Guides
		1018478	Push Rod, Color Control (New Style)
		1000045	Button, Ribbon Control
	TABULAR MECHANISM		
1073439	Tabular Lever Asm. (8, 9, 10, 12P)	1017066	Rack, Short Tooth Escapement 12" 12P
1016658	Spring Plate, to mount Tab Lever	1016683	Rack, Short Tooth Escapement 12" 10P
1091227	Stud, for #1016658	1066230	Truck Asm., 10" Without Rollers
1000292	Screw, Hex Head, for #1015282	1066231	Truck Asm., 12" Without Rollers
1013844	Link Asm., Tab Lever to Bell Crank	1066232	Truck Asm., 16" Without Rollers
1018479	Latch, Tab Lever	1066233	Truck Asm., 20" Without Rollers
1091403	Stud, Eccentric, Tab Latch	1018782	Roller, Steel, Carriage Truck
1090037	Nut, for #1091403	1000382	Bail Roll Assembly
1000235	Spring, Tab Latch	1090015	Screw, for Old Style Bail Shaft
1000237	Stop, Tab Latch	1090159	Spring, Coil, for Old Style Bail
1090050	Spacer, Tab Latch	1000676	Deflector, 12"
1000249	Latch, Short (Below Serial #61600)	1090604	Screw, to Mount Feed Rolls
1000248	Latch, Long (Below Serial #61600)	1090605	Nut, to Lock #1090604
1000236	Latch, Medium (Below Serial #61600)	1014959	Paper Table Complete With Gage 12"
1012405	Lever, Rebound Check	1090171	Spring, Paper Table
1090629	Screw, Rebound Check Lever	1090020	Stud, LH, (to Fulcrum Paper Table)
1090627	Bushing, Eccentric, Rebound Check	1090021	Stud, RH, (to Fulcrum Paper Table)
1090626	Spring, Rebound Check	1090034	Nut, for Studs #1090020 and #1090021
1012500	Connecting Link, Tab Clear Key	1018306	Margin Rack, 10" 12 Pitch
1012501	Connecting Link, Tab Set Key	1011424	Margin Rack, 12" 12 Pitch
1013840	Bellcrank, Tab (includes leather strap)	1001207	Margin Rack, 12" 10 Pitch
1000223	Connecting Link, Tab Bellcrank to Cam	186393	Screw, for new Style Bail Shaft
1061721	Keybutton, Tabular	1090550	Nut, to Mount Margin and Tab Rack
1014864	Main Spring and Holder Asm.	1090240	Washer, for #1090550
1090603	Stud, to mount Spring Drum (below serial #48,500)	1090534	Spacer, for Margin Rack
1091230	Stud, to mount Spring Drum (above serial #48,500)		
1000711	Plate, Friction Governor		
1000714	Felt, Friction Facing (Spring Drum)		
1090453	Nut, to adjust Friction Governor		
1000703	Pawl Asm., Friction Governor		
1090530	Stud, to mount #1000703		
1000282	Link, to operate #1000703		
1000044	Button, Margin Release		

MODEL OI-10 PARTS LIST

CARRIAGE - STANDARD CONTINUED

BASE PARTS CONTINUED

PART NO.

PART NO.

1000346 Spring, Margin Stop
1065231 Stop Asm., Margin 12P Without Spring
1065232 Margin Stop Asm., 10P Without Spring
1065233 Margin Stop Asm., 9P Without Spring
1065234 Margin Stop Asm., 8P Without Spring
1017861 Actuating Shaft Assembly 10"
1000306 Actuating Shaft Assembly 12"
1002420 Actuating Shaft Assembly 16"
1000374 Spring for Platen Latch LH
1000375 Spring for Platen Latch RH
1091420 Eccentric Stud to Adjust Ring and
Cylinder (above Serial #100,000)
1090036 Nut with Shoulder to Lock Eccentric
Studs
1002526 End Plate, Carriage Final Stop
1090007 Screw to Mount #1002526
1000307 Feed Roll Release Lever Asm.
1011427 Tab Rack, 2nd Stage, 12" 12P
1012524 Tab Rack, 2nd Stage, 12" 10P
1015100 Tab Stop
1064810 Feed Roll Asm., Front 12", 20" & 30"
1072669 Feed Roll Asm., Rear 12", 20" & 30"
1064812 Feed Roll Asm., Front 16" and 24"
1072670 Feed Roll Asm., Rear 16" and 24"
1090049 Washer, for Tie Rod
1260159 Bail Spring, RH
1260160 Bail Spring, LH

RAILS

1017503 Escapement Pawl Asm. 12P
1011431 Escapement Pawl Asm. 12P, Long Tooth
1016691 Escapement Pawl Asm. 10P
1014247 Escapement Pawl Asm. 10P, Long Tooth
1012644 Escapement Pawl Asm. 9P
1014248 Escapement Pawl Asm. 8P
1016679 Escapement Trip Lever and Hub Asm.
1090160 Spring, Escapement Pawl
1090600 Screw, to Adjust Rails
1090012 Screw, to Mount Rails
1000574 Bell Clapper
1061413 Spring Tab Stop 12P 4 1/2"
1061414 Spring Tab Stop 12P 4"
1061411 Spring Tab Stop 10P 4 1/2"
1061412 Spring Tab Stop 10P 4"
1090037 Nut, for Tie Rod
1090090 Stud, to Mount #1000574
1015325 Rail Support
1090047 Washer, for Rail Support LH
1091159 Washer, for Rail Support RH
1090799 Screw, for Rail Support
1090000 Screw, for Rail Support, Eccentric Side
1091302 Eccentric Nut for Adjusting Rail Support

BASE PARTS

1018592 Top Cover Plate
1062944 Retaining Spring LH Top Cover
1062945 Retaining Spring RH Top Cover
1000189 Pin, to position Top Cover
1091421 Pin, to position Ribbon Spool
1090013 Screw, to Mount Base Plate
1000199 Base Foot, Rubber

1090746 Pin, Desk Mounting
1011150 Line Gage Card Holder 12P
1000088 Line Gage Card Holder 10P
1090630 Washer, for #1091068

PLATENS - NEW - NO EXCHANGE

1017855 Platen Asm. 10" Std. No. 1
1002382 Platen Asm. 12" Std. No. 1
1002386 Platen Asm. 16" Std. No. 1
1002881 Platen Asm. 20" Std. No. 1
1002882 Platen Asm. 24" Std. No. 1
1002883 Platen Asm. 30" Std. No. 1
1017690 Platen Asm. 12" Std. No. 2
1017691 Platen Asm. 16" Std. No. 2
1017692 Platen Asm. 20" Std. No. 2
1017693 Platen Asm. 24" Std. No. 2
1017694 Platen Asm. 30" Std. No. 2
1014335 Platen Asm. 12" Std. No. 3
1014340 Platen Asm. 16" Std. No. 3
1014348 Platen Asm. 20" Std. No. 3
1014352 Platen Asm. 24" Std. No. 3
1015864 Platen Asm. 30" Std. No. 3
1065094 Pin, Top Cover Retaining Spring
186393 Screw, to mount Card Holder
1014336 Platen Asm. 12" Std. No. 4
1014341 Platen Asm. 16" Std. No. 4
1014349 Platen Asm. 20" Std. No. 4
1015868 Platen Asm. 12" Std. No. 6
1014339 Platen Asm. 12" Std. No. 7
1014366 Platen Asm. 12" LP No. 4
1014372 Platen Asm. 16" LP No. 4
1014885 Platen Asm. 12" LP No. 6
1014889 Platen Asm. 16" LP No. 6
1014368 Platen Asm. 12" LP No. 7
1013241 Platen Asm. 12" Hekto No. 1
1014208 Platen Asm. 16" Hekto No. 1
1001333 Platen Asm. 12" Lockout Variable No. 1
1018501 Platen Asm. 10" Toll Biller No. 1
1067644 Platen Asm. 12" Stencil Resistant
1067645 Platen Asm. 16" Stencil Resistant
1067646 Platen Asm. 20" Stencil Resistant
1067647 Platen Asm. 24" Stencil Resistant
1067648 Platen Asm. 30" Stencil Resistant

PLATEN PARTS

1002335 Platen Knob Asm. LH
1002338 Platen Knob Asm. RH
1090620 Screw, Platen Knob RH
1002337 Button, Platen Release
1090524 Screw, to mount Clutch Cover
1061419 Driver, Platen Ratchet, new style
1090592 Pin, for Release Shaft
1076796 Screw, Platen Knob
1065943 Shaft, Platen Ratchet Release, Std.
1065937 Sleeve Asm., Platen Clutch Cover,
Toll Biller and Hektowriter
1071741 Sleeve Asm., Platen Clutch Cover, Std.
1065945 Shaft, Platen Ratchet Release, Toll
Biller and Hektowriter
1065935 Sleeve Asm., Platen Clutch Cover -
Lift Platen and Manifest

MODEL 01-10 PARTS LIST

PART NO.	PLATEN PARTS CONTINUED	PART NO.	HEKTOWRITER PARTS CONTINUED
1065944	Shaft, Platen Ratchet Release - Lift Platen and Manifest	1014088	Shaft Asm. Supply Spool
		1014815	Spool Flange
		1014816	Spool Asm.
	CARRIAGE - LIFT PLATEN	1090864	Knob for Hektowriter Spool Asm.
1013350	Platen Latch LH	1019543	Check Pawl for Rewind
1013353	Platen Latch RH	1091504	Shim for Rewind Check Pawl
1013335	Latch Keeper LH	1014799	Tape Asm. for Feed
1013334	Latch Keeper RH	1090768	Spring for #1014799
1090688	Nut for Latch	1014041	Guide Asm., for Ribbon Front RH
1090041	Nut for Keeper	1014042	Guide Asm., for Ribbon Front LH
1090795	Spring for Latch and Trigger	1014807	Guide Asm., for Ribbon Rear RH
1013331	Release Lever Asm.	1014390	Pulley, Flanged
1091189	Pin for Paper Release Lever		TOLL BILLER
1013327	Actuating Shaft 12"		
1013556	Actuating Shaft 16"		
1012755	Deflector 12"	1017422	Feed Roll Asm., Rear
1012785	Spring, Deflector Retainer	1017249	Feed Roll Asm., Front
1090822	Spring for Platen Lift Arm	1018510	Tab Rack 10" 12P
1090670	Nut, Tie Rod	1016550	Tab Stop Asm.
1012800	Margin Rack, 12" 10P	1064437	Blank Tab Rack 10" 10P or 12P
1014992	Hook Lever Asm.	1063608	Gang Stop 12P
1012723	Index Pawl Carrier Asm. 33T	1017213	Keybutton Carriage Return 1" Diameter
1002286	Index Pawl Carrier Asm. 44T-55T	1017220	Keybutton Tab 1" Diameter
1012726	Spring, Index Pawl	1061353	Typebar Rest, 92 Character
	PARTS FOR TEAR-OFF ASSEMBLY		EXECUTIVE
1010049	Shaft, Paper Bail and Knife 12"	1063478	Typebar Rest
1012812	Shaft, Paper Bail and Knife 16"	1016281	Margin Rack
1012974	Bail Arm and Latch Asm. LH	1016286	Tab Rack Asm.
1012740	Bail Arm and Latch Asm. RH	1019833	Tab Stop Asm.
1012743	Spring for Bail Latch LH	1016337	Tape, Carriage Tension
1012746	Spring for Bail Latch RH	1016361	Tape, Carriage Return
1012749	Paper Guide for Paper Bail RH	1016202	Letter Cam, Front Double Lobe
1012752	Paper Guide for Paper Bail LH	1016205	Letter Cam, Rear Double Lobe
1090668	Thumb Screw for Guides	1016165	Selector Bar Asm., Short
1090015	Screw for Tear-Off Knife	1016103	Selector Bar Asm., Long
	HEKTOWRITER PARTS	1014536	Link, Selector Bar to Cam
1014752	Rear Frame Asm.	1016182	Connecting Link for Backspacer, Rear
1014800	Spring Belt	1016236	Segment Guide, Upper LH
1018034	Feed Pulley Asm.	1019551	Link to Trip Unlatching Cam
1090955	Ball Bearing for Feed Pulley	1016381	Link to Unlatch Tab Lever
1071691	Spring - Extension	1016167	Link, Tab to Carriage Release Pawl Lever
1090466	Pin for Paper Bail Shaft	1016383	Link, 2-Unit, Bell Crank to Shaft
81140	Ball Bearing for Feed Pulley	1013845	Link, 3-Unit, Bell Crank to Shaft
1014761	Check Pawl	1016211	Space Bar, 2-Unit
1090911	Spring for Check Pawl LH	1016369	Space Bar, 3-Unit
1090910	Spring for Check Pawl RH	1016248	Ribbon Lift Guide
1014764	Pawl Asm., LH	1016124	Guide Asm. Ribbon Corner LH
1017881	Pawl Asm., RH	1016123	Guide Asm. Ribbon Corner RH
1017883	Plate Asm. to actuate Pawl	1091040	Hairpin Spring, Bail Lever
1090343	Spring for RH Pawl	1016168	Link, Toggle Knockout to Pawl Release
1091061	Washer for RH Pawl Asm.	1016042	Escapement Pawl, Front or Rear
1091358	Stud to mount Pawl Actuating Asm.	1016048	Escapement Pawl, Center
1091357	Stud to connect #1090343 Spring	1016184	Link, Toggle Knockout, Rear
1014772	Pressure Roll Asm.	1017568	Line Gage Card Holder
1014781	Lockout Cam Follower Asm.	1000474	Rail Shim
1014783	Snubber for Follower	1016423	Governor Shoe, Tabular
1016342	Shaft Asm. for Rewind Spool	1065228	Margin Stop Asm. without Spring - Executive
		1098465	Interlock Roller

MODEL 01-10 PARTS LIST

EXECUTIVE CONTINUED

PART NO.

81140 Ball Bearing, Large
82118 Ball Bearing, Small
186393 Screw to attach Carriage Return Tape

AUTOMATIC FORMSWRITER

1014910 V Belt
1014913 Cord, Operating, Rear (Short)
1014909 Cord, Stop, Long
1015450 Auxiliary Spring Tube Asm. RH
1017341 Spring to assist Carriage
1015474 Spring for Cord Take Up Reel
1014734 Block to Hold Truck
1014687 Spring to mount Front Guide Tube
1015498 Paper Clamp Asm.
1016856 Coupling, Rubber for Margin Rack
1015464 Cam and Tube Asm.

PARTS FOR ATTACHMENTS

1090751 Knob for Paper Stop
1090732 Screw, Paper Plate, LH or RH
1090728 Knob, to fasten Paper LH or RH
1091159 Washer, for #1090728
1090034 Nut, to mount Tie Rod
1012989 Paper Stop

CARBON RIBBON FEED ATTACHMENT

1012699 Spring Belt
1090751 Knob, for Rewind Spool
1090683 Spring, for Feed Pawl
1090650 Spring, for Tension Arm (Supply Spool)
1090650 Spring, for Pawl and Bell Crank Asm.
1090404 Spring, Extension, for Feed Link
1000282 Feed Link
1012685 Push Rod
1090656 Spring, Idle Roll Lever

FORMSCARRIER ASSEMBLY

1018657 Track Asm., 1st stage
1013380 Guide Asm., Front LH
1013382 Guide Asm., Front RH
1012864 Nut (insert) for Guides
1090718 Clamp Screw (to lock Guides)
1018662 Spring, Flat, (to mount Front Guide Tubes)
1013884 Grooved Wheel, Ball Bearing
1090712 Screw, to mount #1013884
1090222 Washer, for #1090712
1090268 Nut, for #1090712
1012875 Handle Asm., 12" Formscarrrier
1019518 Operating Cord

TYPEBARS AND KEYBUTTONS

Typebar assemblies and keybuttons which are not available under the standard part numbers shown on pages 7 and 8 may be ordered using the blanket numbers below, accompanied by proper description.

Part No.

1018250 Typebar Assem. (Models 01-10)
1019474 Complete Set of Type without Segment (Models 01-10, except Model 04)
1067632 Complete Set of Type without Segment (Model 04)
1018251 Complete Set of Type with Segment (Models 01-10, except Model 04)
1067633 Complete Set of Type with Segment (Model 04)
1000046 Keybutton, Black (Models 01-10)
1260238 Changeable Typebar

MODEL 01-10 PARTS LIST

TYPE AND TYPE BAR ASSEMBLIES AND BUTTON PART NUMBERS - STD. TYPES - MODEL 01

POS	CHAR	ELITE	ELITE GOTHIC S-C-GE	ELITE GOTHIC DC-F	LARGE ELITE LE	PICA	PICA GOTHIC S-C-G	PICA GOTHIC DC-H	BF ACADEMIC BA	DUAL BASIC DB	KEY BUTTONS
1	Q	1066726	1067576	1260836	1260862	1066782	1066869	1260958	1260782	1260904	1061516
2	A	1066727	1067577	1260837	1260863	1066783	1066870	1260959	1260783	1260905	1061500
3	*1/	1066728	1067578			1066784	1066871		1260784	1260906	1061542
3	@/2	1066767	1067579		1260864	1066855	1066911		1260785	1260907	1061526
4	Z	1066729	1067580	1260838	1260865	1066785	1066872	1260960	1260786	1260908	1061525
5	W	1066730	1067581	1260839	1260866	1066786	1066873	1260961	1260787	1260909	1061522
6	S	1066731	1067582	1260840	1260867	1066787	1066874	1260962	1260788	1260910	1061518
7	@/2	1066732	1067583			1066788	1066875		1260789	1260911	1061526
7	1/3	1066768	1067584		1260868	1066856	1066912		1260790	1260912	1061527
8	X	1066733	1067585	1260841	1260869	1066789	1066876	1260963	1260791	1260913	1061523
9	E	1066734	1067586	1260842	1260870	1066790	1066877	1260964	1260792	1260914	1061504
10	D	1066735	1067587	1260843	1260871	1066791	1066878	1260965	1260793	1260915	1061503
11	1/3	1066736	1067588			1066792	1066879		1260794	1260916	1061527
11	\$/4	1066769	1067589		1260872	1066857	1066913		1260795	1260917	1061528
12	C	1066737	1067590	1260844	1260873	1066793	1066880	1260966	1260796	1260918	1061502
13	R	1066738	1067591	1260845	1260874	1066794	1066881	1260967	1260797	1260919	1061517
14	F	1066739	1067592	1260846	1260875	1066795	1066882	1260968	1260798	1260920	1061505
15	\$/4	1066740	1067593			1066796	1066883		1260799	1260921	1061528
15	%/5	1066770	1067594		1260876	1066858	1066914		1260800	1260922	1061529
16	V	1066741	1067595	1260847	1260877	1066797	1066884	1260969	1260801	1260923	1061521
17	T	1066742	1067596	1260848	1260878	1066798	1066885	1260970	1260802	1260924	1061519
18	G	1066743	1067597	1260849	1260879	1066799	1066886	1260971	1260803	1260925	1061506
19	%/5	1066744	1067598			1066831	1066887		1260804	1260926	1061529
19	¢/6	1066771	1067599		1260880	1066859	1066915		1260805	1260927	1061530
20	B	1066745	1067600	1260850	1260881	1066832	1066888	1260972	1260806	1260928	1061501
21	Y	1066746	1067601	1260851	1260882	1066833	1066889	1260973	1260807	1260929	1061524
22	H	1066747	1067602	1260852	1260883	1066834	1066890	1260974	1260808	1260930	1061507
23	¢/6	1066748	1067603			1066835	1066891		1260809	1260931	1061530
23	&/7	1066772	1067604		1260884	1066860	1066916		1260810	1260932	1061531
24	N	1066749	1067605	1260853	1260885	1066836	1066892	1260975	1260811	1260933	1061513
25	U	1066750	1067606	1260854	1260886	1066837	1066893	1260976	1260812	1260934	1061520
26	J	1066751	1067607	1260855	1260887	1066838	1066894	1260977	1260813	1260935	1061509
27	&/7	1066752	1067608			1066839	1066895		1260814	1260936	1061531
27	*1/8	1066773	1067609		1260888	1066861	1066917		1260815	1260937	1061532
27	1/2/8	1066925	1067610			1066867	1066923				1061543
28	M	1066753	1067611	1260856	1260889	1066840	1066896	1260979	1260816	1260938	1061512
29	I	1066754	1067612	1260857	1260890	1066841	1066897	1260980	1260817	1260939	1061508
30	K	1066755	1067613	1260858	1260891	1066842	1066898	1260981	1260818	1260940	1061510
31	1/2/8	1066756	1067614			1066843	1066899		1260819	1260941	1061543
31	1/9	1066774	1067615		1260892	1066862	1066918		1260820	1260942	1061533
32		1066757	1067616		1260893	1066844	1066900	1260982	1260821	1260943	1061539
33	O	1066758	1067617	1260859	1260894	1066845	1066901	1260983	1260822	1260944	1061514
34	L	1066759	1067618	1260860	1260895	1066846	1066902	1260984	1260823	1260945	1061511
35	1/9	1066760	1067619			1066847	1066903		1260824	1260946	1061533
35	1/0	1066775	1067620		1260896	1066863	1066919		1260825	1260947	1061534
36		1066761	1067621		1260897	1066848	1066904	1260985	1260826	1260948	1061540
37	P	1066762	1067622	1260861	1260898	1066849	1066905	1260986	1260827	1260949	1061515
38	:/	1066763	1067623		1260899	1066850	1066906		1260828	1260950	1061537
39	1/0	1066764	1067624			1066851	1066907		1260829	1260951	1061534
39	-/	1066776	1067625		1260900	1066864	1066920		1260830	1260952	1061535
39	*1/	1066779	1067626			1066868	1066924				1061542
40	?/	1066765	1067627		1260901	1066852	1066908		1260831	1260953	1061541
41	"/	1066766	1067628			1066853	1066909		1260832	1260954	1061538
41	1/4/1/2	1066777	1067629		1260902	1066854	1066921		1260833	1260955	1061536
42	-/	1066682	1067630			1066854	1066910		1260834	1260956	1061535
42	"/	1066778	1067631		1260905	1066866	1066922		1260835	1260957	1061538

Numerals and other characters
not shown are same as Elite
Gothic S.C.

Numerals and other characters
not shown are same as Pica -
Gothic S.C.

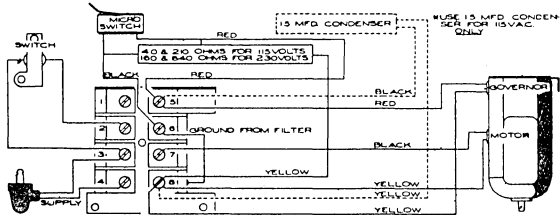
MODEL OI - 10 PARTS LIST

TYPE AND TYPE BAR ASSEMBLIES AND BUTTON PART NUMBERS - EXECUTIVE TYPES - MODEL O4

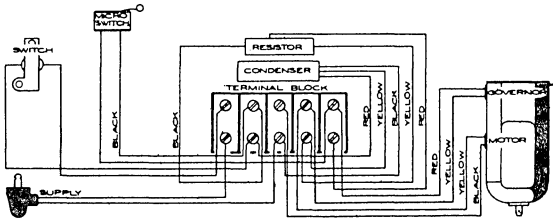
POS	CHAR.	EXEC. MODERN PM	EXEC. DOC. PE.	EXEC. SEC. P.S.	EXEC. BOLDFACE P.O.	KEY BUT TONS
0	/I	1066251	1066280	1067353	1067515	1061683
1	Q	1066685	1066281	1067354	1067516	1061516
2	A	1066686	1066282	1067355	1067517	1061500
3	*1	1066252	1066283	1067356	1067518	1061542
3	Q/2	1066687	1066956	1067357	1067519	1061526
4	Z	1066688	1066957	1067358	1067520	1061525
5	W	1066689	1066958	1067359	1067521	1061522
6	S	1066690	1066959	1067360	1067522	1061518
7	/3	1066691	1066960	1067361	1067523	1061527
7	1/2	1066253	1066961	1067362	1067524	1061684
8	X	1066692	1066962	1067363	1067525	1061523
9	E	1066693	1066963	1067364	1067526	1061504
10	D	1066694	1066964	1067365	1067527	1061503
11	\$/4	1066695	1066965	1067366	1067528	1061528
11	//3	1066254	1066966	1067367	1067529	1061685
12	C	1066696	1066967	1067368	1067530	1061502
13	R	1066697	1066968	1067369	1067531	1061517
14	F	1066698	1066969	1067370	1067532	1061505
15	\$/4	1066255	1066970	1067371	1067533	1061528
15	%/5	1066699	1066971	1067372	1067534	1061529
16	V	1066700	1066972	1067373	1067535	1061521
17	T	1066701	1066973	1067374	1067536	1061519
18	G	1066702	1066974	1067375	1067537	1061506
19	\$/6	1066703	1066975	1067376	1067538	1061530
19	/5	1066256	1066976	1067377	1067539	1061686
20	B	1066704	1066977	1067381	1067540	1061501
21	Y	1066705	1066978	1067382	1067541	1061524
22	H	1066706	1066979	1067383	1067542	1061507
23	&/7	1066707	1066980	1067396	1067543	1061531
23	?/6	1066257	1066981	1067397	1067544	1061574
24	N	1066708	1066982	1067398	1067545	1061513
25	U	1066709	1066983	1067399	1067546	1061520
26	J	1066710	1066984	1067400	1067547	1061509
27	*/8	1066711	1066985	1067424	1067548	1061532
27	1/7	1066258	1066986	1067425	1067549	1061583
28	M	1066712	1066987	1067431	1067550	1061512
29	I	1066713	1066988	1067432	1067551	1061508
30	K	1066714	1066989	1067433	1067552	1061510
31	(/9	1066715	1066990	1067455	1067553	1061533
31	\$/8	1066259	1066991	1067456	1067554	1061687
32	.	1066716	1066992	1067457	1067555	1061539
32	:/	1066270	1066993	1067458	1067556	1061716
33	O	1066717	1066994	1067459	1067557	1061514
34	L	1066718	1066995	1067460	1067558	1061511
35	(/9	1066271	1066996	1067461	1067559	1061533
35)/0	1066719	1066997	1067462	1067560	1061534
36	.	1066720	1066998	1067463	1067561	1061540
36	:/	1066272	1066999	1067501	1067562	1061631
37	P	1066721	1067001	1067502	1067563	1061515
38	:/	1066722	1067002	1067503	1067564	1061537
38	'/	1066273	1067003	1067504	1067565	1061717
39)/0	1066274	1067004	1067505	1067566	1061534
39	-/	1066723	1067093	1067506	1067567	1061535
40	-/	1066275	1067133	1067507	1067568	1061535
40	?//	1066274	1067134	1067508	1067569	1061541
41	1/1	1066725	1067271	1067509	1067570	1061557
41	&/4	1066276	1067347	1067510	1067571	1061689
42	'/	1066780	1067348	1067511	1067572	1061717
42	+/=	1066277	1067349	1067512	1067573	1061578
43	Q/%	1066279	1067351	1067513	1067574	1061688
43	+/=	1066781	1067352	1067514	1067575	1061578

MODEL 01-10 PARTS LIST

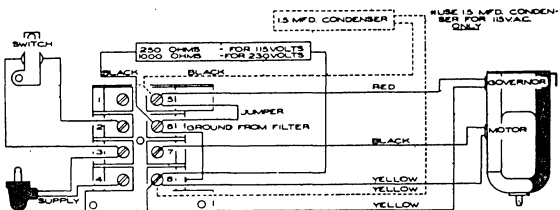
MICRO SWITCH, WITH / WITHOUT 1.5 MFD. CONDENSER STD TYPEWRITER



D. C. HOOKUP WITH MICRO SWITCH - EXECUTIVE TYPEWRITER

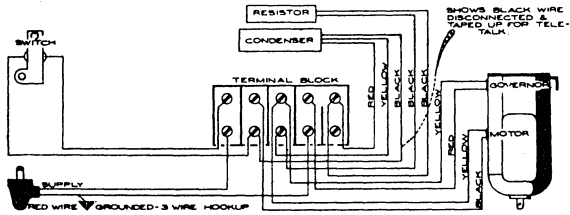


STANDARD TYPEWRITER - WITHOUT MICRO SWITCH

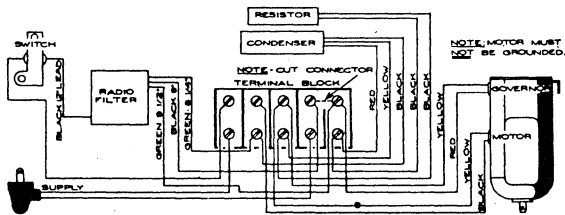


MODEL 01-10 PARTS LIST

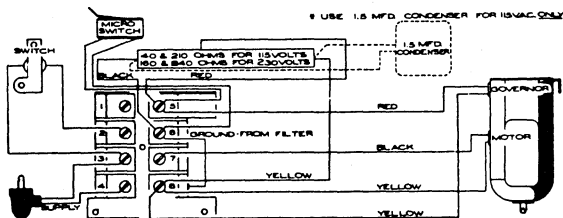
TELETALK AND 3-WIRE VARIATIONS.



RADIO FILTER #1018405 HOOKUP - STANDARD TYPEWRITER

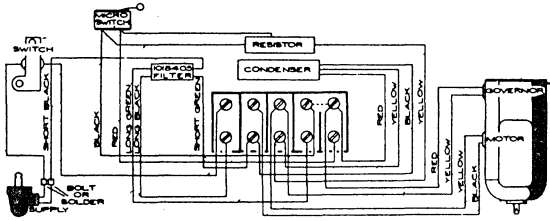


MICRO SWITCH - 115-230 VOLT - A.C. OR D.C., EXECUTIVE TYPEWRITER

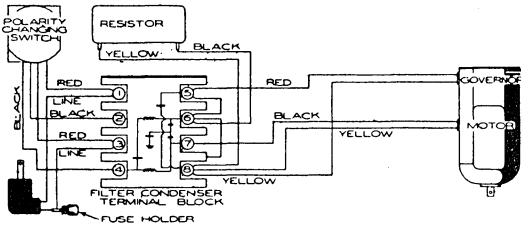


MODEL OI-10 PARTS LIST

MICRO SWITCH AND RADIO FILTER #1018405



D. C. GOVERNOR CONTROLLED MOTOR - MODEL A TYPEWRITER



MACHINE IDENTIFICATION CODE
Model Code (1st & 2nd Digit)
(Machine Features)

Model
Code

For STANDARD Typewriters Only

- 11 *84 Character Keyboard without Partial Carr. Return, Decimal Tab or Electronic Tab
- 12 88 Character Keyboard without Partial Carr. Return, Decimal Tab or Electronic Tab
- 13 84 Character Keyboard with Partial Carr. Return
- 14 88 Character Keyboard with Partial Carr. Return
- 15 *84 Character Keyboard with Decimal Tabulation
- 16 88 Character Keyboard with Decimal Tabulation
- 17 84 Character Keyboard with Electronic Tabulation
- 18 88 Character Keyboard with Electronic Tabulation

For OUTPUT WRITER Only

- 21 84 Character Keyboard with 12 positions of output
- 22 88 Character Keyboard with 12 positions of output
- 23 84 Character Keyboard with 42 positions of output
- 24 88 Character Keyboard with 44 positions of output

For INPUT WRITER Only

- 25 84 Character Keyboard with 42 positions of input
- 26 88 Character Keyboard with 44 positions of input
- 27 84 Character Keyboard with 84 positions of input
- 28 88 Character Keyboard with 88 positions of input

For INPUT/OUTPUT WRITER Only

- 31 84 Character Keyboard with 12 positions output and 42 positions input
- 32 88 Character Keyboard with 12 positions output and 44 positions input
- 33 84 Character Keyboard with 12 positions output and 84 positions input
- 34 88 Character Keyboard with 12 positions output and 88 positions input
- 35 84 Character Keyboard with 42 positions output and 42 positions input
- 36 88 Character Keyboard with 44 positions output and 44 positions input
- 37 84 Character Keyboard with 42 positions output and 84 positions input
- 38 88 Character Keyboard with 44 positions output and 88 positions input
*86 Character Keyboard on Model C Machine.

Model
Code

For EXECUTIVE Typewriters Only

- 41 *84 Character Keyboard with Carbon Ribbon and with other than 1/45 unit escapement
- 42 88 Character Keyboard with Carbon Ribbon and with other than 1/45 unit escapement
- 43 *84 Character Keyboard with Carbon Ribbon and with 1/45 unit escapement
- 44 88 Character Keyboard with Carbon Ribbon and with 1/45 unit escapement
- 45 *84 Character Keyboard with Fabric Ribbon and with other than 1/45 escapement
- 46 88 Character Keyboard with Fabric Ribbon and with other than 1/45 escapement
- 47 *84 Character Keyboard with Fabric Ribbon and with 1/45 unit escapement
- 48 88 Character Keyboard with Fabric Ribbon and with 1/45 unit escapement

For FORMSWRITERS Only

- 51 *84 Character Keyboard without Partial Carr. Return or Decimal Tabulation
- 52 88 Character Keyboard without Partial Carr. Return or Decimal Tabulation
- 53 84 Character Keyboard with Partial Carr. Return
- 54 88 Character Keyboard with Partial Carr. Return
- 55 84 Character Keyboard with Decimal Tabulation
- 56 88 Character Keyboard with Decimal Tabulation

For TOLL BILLER Only

- 57 86 Character Keyboard
- 58 88 Character Keyboard

STANDARD Model C Typewriters With Carbon Ribbon

- 81 86 Character Keyboard without Decimal Tab.
- 82 88 Character Keyboard without Decimal Tab.
- 85 86 Character Keyboard with Decimal Tab.
- 86 88 Character Keyboard with Decimal Tab.

*86 Character Keyboard on Model C Machine.

Carriage Length (3rd Digit)		Pitch Code (4th Digit)	
Code		Code	
1	12" or 13" Carriage	1	12 Pitch
2	16" or 17" Carriage	2	10 Pitch
3	20" Carriage	3	9 Pitch
4	24" Carriage	4	8 Pitch
5	30" Carriage	5	6 2/5 Pitch
		6	14 Pitch
		7	1/45 Unit (Executive)
		8	1/32 Unit (Executive)
		9	1/36 Unit (Executive)

632 MODEL CODES

(Model and Serial of Arithmetic Unit should always be used)

Model Code	
630	Without Card Punch
634	With Card Punch — Non-Printing
636	With Card Punch — Printing

MODELS A, B, C OPERATIONAL CAM CHART

MODEL - A -

MACH. MODEL	CARR. RET.	SHIFT	BACKSPACE	SPACE BAR	TABULAR	RIBBON FEED
STANDARD	1119187	1119204	1119187	1119191	○1119191	1119186**
EXECUTIVE	1119187	1119204	1119187	1119188	○1119191	1119186**
DECIMAL TAB	1119187	1119204	1119187	1119191	1119194	1119186**
FORMSWRITER	1119187	1119204	1119187	1119191	○1119191	1119186**
FORMSWRITER with DEC. TAB	1119187	1119204	1119187	1119191	1119194	1119186**
FORMSWRITER with PART. CARR. RET.	1100946	1119204	1119187	1119191	1119187	1119186**
PART. CARR. RET.	1100946	1119204	1119187	1119191	1119187	1119186**
TOLL BILLER	1119187	1119204	1119187	1119191	1119188*	1119186**

* Use cam asm. 1119195 for skip tab operation

** Use cam asm. 1072871 when a pin in the cam release lever is required

○ Use cam asm. 1119187 on Std. ET's below serial #106,000 and Exec. ET's below serial #26,000

MODEL-B-

MACH. MODEL	CARR. RET.	SHIFT	BACKSPACE	SPACE BAR	TABULAR	RIBBON FEED
STANDARD	1119189	1119204	1119189 Typematic 1119187 Non Repeat	1119192	1119191	1119186
EXECUTIVE	1119189	1119204	1119187	1119188 Non Repeat 1119159 Typematic	1119191	1119186
DECIMAL TAB	1119189	1119204	1119189 Typematic 1119187 Non Repeat	1119192	1119194	1119186
FORMSWRITER	1119189	1119204	1119189 Typematic 1119187 Non Repeat	1119192	1119191	1119186
FORMSWRITER with DEC. TAB	1119189	1119204	1119189 Typematic 1119187 Non Repeat	1119192	1119194	1119186
FORMSWRITER with PART. CARR. RET.	1100946	1119204	1119187	1119192	1119187	1119186
PART. CARR. RET.	1100946	1119204	1119187	1119192	1119187	1119186
TOLL BILLER - Model A only						

MODEL-C-

MACH. MODEL	CARR. RET.	SHIFT	BACKSPACE	SPACE BAR	TABULAR	RIBBON FEED
STANDARD	1119189	1119204	1119189	1115852	1119191	1119186
EXECUTIVE	1119189	1119204	1119187	1119159	1119191	1119186
DECIMAL TAB	1119189	1119204	1119189	1115852	1119194	1119186
FORMSWRITER	1119189	1119204	1119189	1115852	1119191	1119186

MODEL A-B CONNECTING LINKS

	BACKSPACE Part No.	TAB Part No.
CONNECTING LINK with WELDED PIN TYPE CLEVIS	1110499	1110806
CONNECTING LINK with WELDED HOLE TYPE CLEVIS	1110526	1107376

MODEL-C-CONNECTING LINKS

	BACKSPACE Part No.	TAB Part No.
CONNECTING LINK with WELDED PIN TYPE CLEVIS	1115154	1115749
CONNECTING LINK with WELDED HOLE TYPE CLEVIS	1115159	1117416

MODEL A-B PART. CARR. RET. & DEC. TAB CONNECTING LINKS

	BACKSPACE Part No.	TAB Part No.
CONNECTING LINK with WELDED PIN TYPE CLEVIS	1110498	1095344
CONNECTING LINK with WELDED HOLE TYPE CLEVIS	1100910	1095344

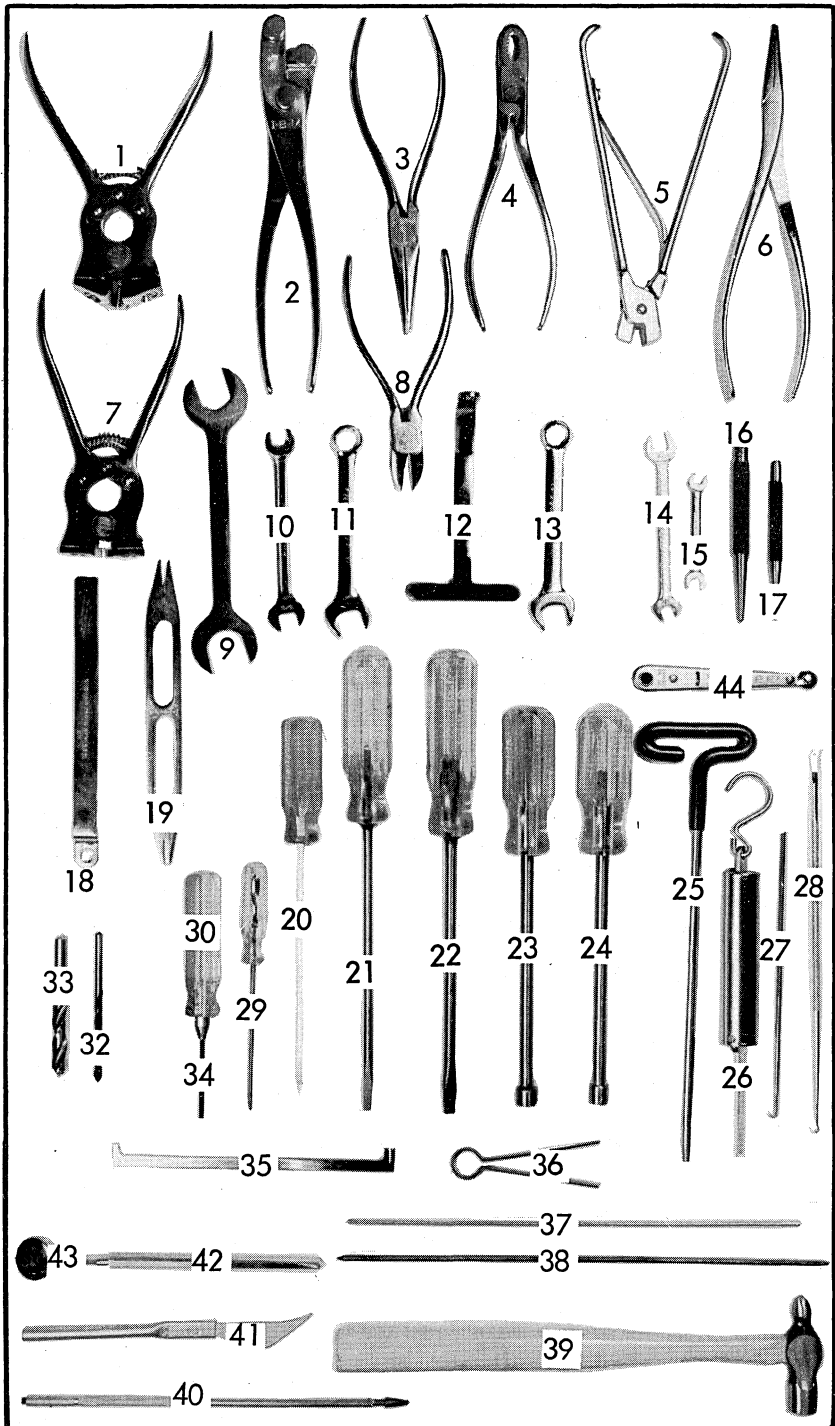
CLEVISES USED

Part Number	Description
1070020	Pin Clevis (Small)
1110529	Pin Clevis (Large)
1012703	Hole Clevis (Small)
1110533	Hole Clevis (Large)

E T
CUSTOMER ENGINEERING
TOOLS
AND
SUPPLIES



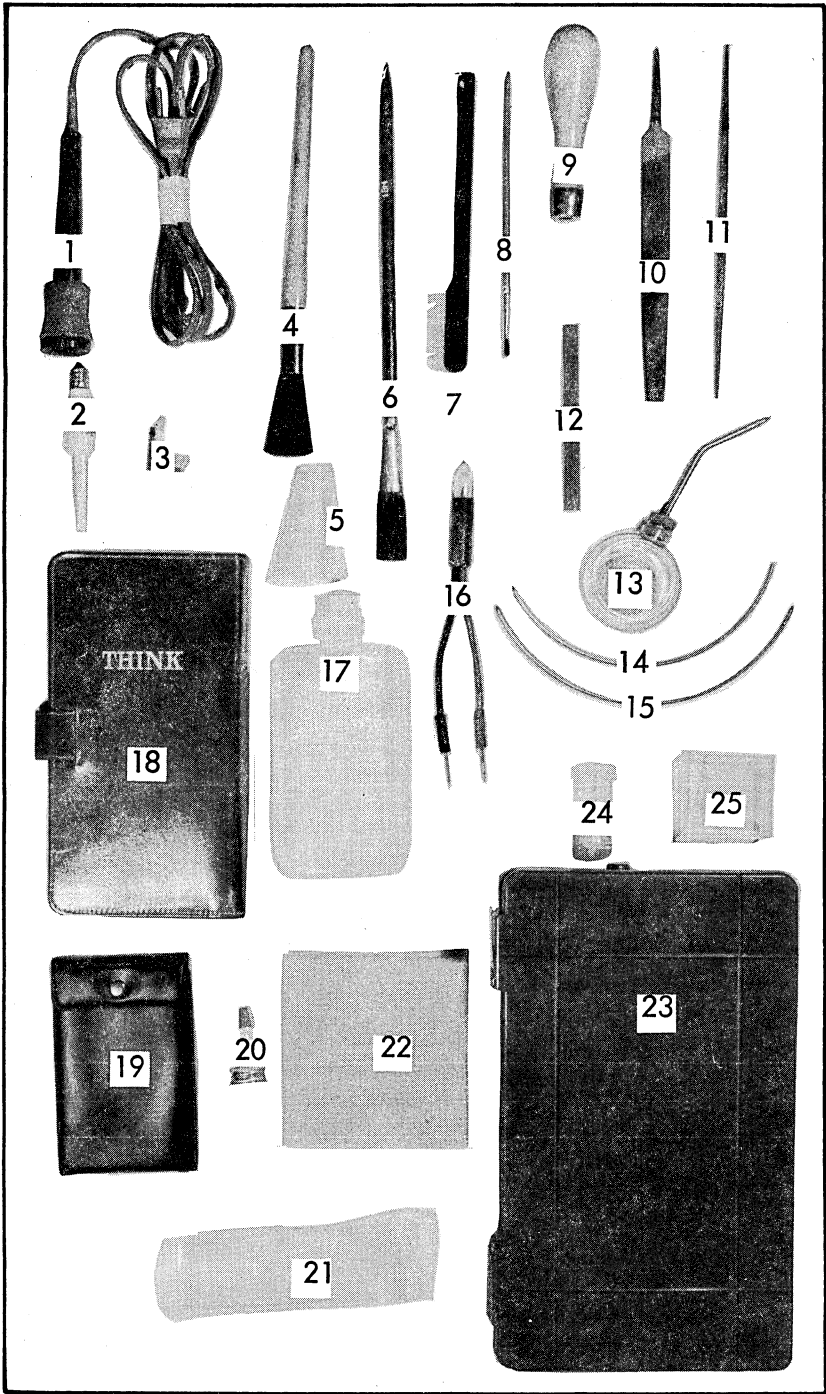
**PARTS THAT ARE NOT ILLUSTRATED CAN
BE FOUND ON PAGE 24 OF THIS SECTION**



E.T. TOOLS & SUPPLIES

REF. PART NO.	DESCRIPTION	REF. PART NO.	DESCRIPTION	REF. PART NO.	DESCRIPTION	
1	9900099	Typebar Knockovers (SC,ST)	19	9900093	Type Aligning Wrench (SC, ST)	
2	9900096	5-6 Typebar Bender (SC,ST)	20	9900079	5" Square Shank Screwdriver (SC, ST)	
3	9900104	Long Nose Pliers (SC,ST)Ins.	21	9900069	6" Medium Screwdriver (SC, ST)	
4	9900064	Gas Pliers (SC,ST)	22	9900068	6" Heavy Screwdriver (SC, ST)	
5	9900098	Three Prong Aligning Pliers (SC, ST)	23	9900061	5/16" Socket Wrench (SC, ST)	
6	9900021	Duck Bill Pliers (SC, ST)	24	9900063	1/4" Socket Driver Wrench (SC, ST)	
7	9900097	Typebar Mauler (SC,ST)	25	9900094	1/4" Stock T-Bender (SC, ST)	
8	9900075	Pliers, Side cut (SC,ST)Ins.	26	9900012	Push Pull Scale (SP)	
9	9900090	3/4" x 5/8" O. E. Wrench (2) (SC, ST)	27	9900105	Spring Hook, Small (SC, ST)	
10	9900013	3/8" x 11/32" O. E. Wrench (SC, ST)	28	9900059	Spring Hook, Large (SC, ST)	
11	9900091	1/2" O. E. x 7/16 B. E. Wrench (SC, ST)	29	9900070	3" Light Screwdriver (SC, ST)	
12	9900022	5/16" Obstruction B. E. Wrench (SC, ST)	30	9900040	6" fluted Bristo Wrench with handle (SC, ST)	
13	9900095	1/2" O. E. x 3/8" B. E. Wrench (SC,ST)	32	450265	Number 22 Drill Bit (SC, ST)	
14	9900005	1/4" x 5/16" O. E. Wrench (SC, ST)				
15	9900006	3/16" x 7/32" O. E. Wrench (SC, ST)				
16	9900065	CenterPunch 4" (SC, ST)				
17	9900084	Pin Punch (SC, ST)				
18	9900100	1/4" 12 Point Socket Wrench (SC, ST)				
				33	9900077	5/16" Drill Bit (SC, ST)
				34	9900041	6" fluted Bit only (SC, ST)
				35	9900092	T. K. O. Tip Bender (SC, ST)
				36	9900080	Platen Variable Button Tool (SC, ST)
				37	1012444	Tab Stop, Fulcrum Wire (SC, ST)
				38	1000502	Cam Unit Fulcrum Wire (SC, ST)
				39	9900076	Ballpeen Hammer (SC, ST)
				40	9900060	Spring Screw Starter (SC, ST)
				41	9900004	Segment Pick (SC, ST)
				42	450126	Mirror and Handle (SC, ST)
				43	454323	Mirror without Handle (SP)
				44	9900045	Screwdriver, Yankee (SC, ST)

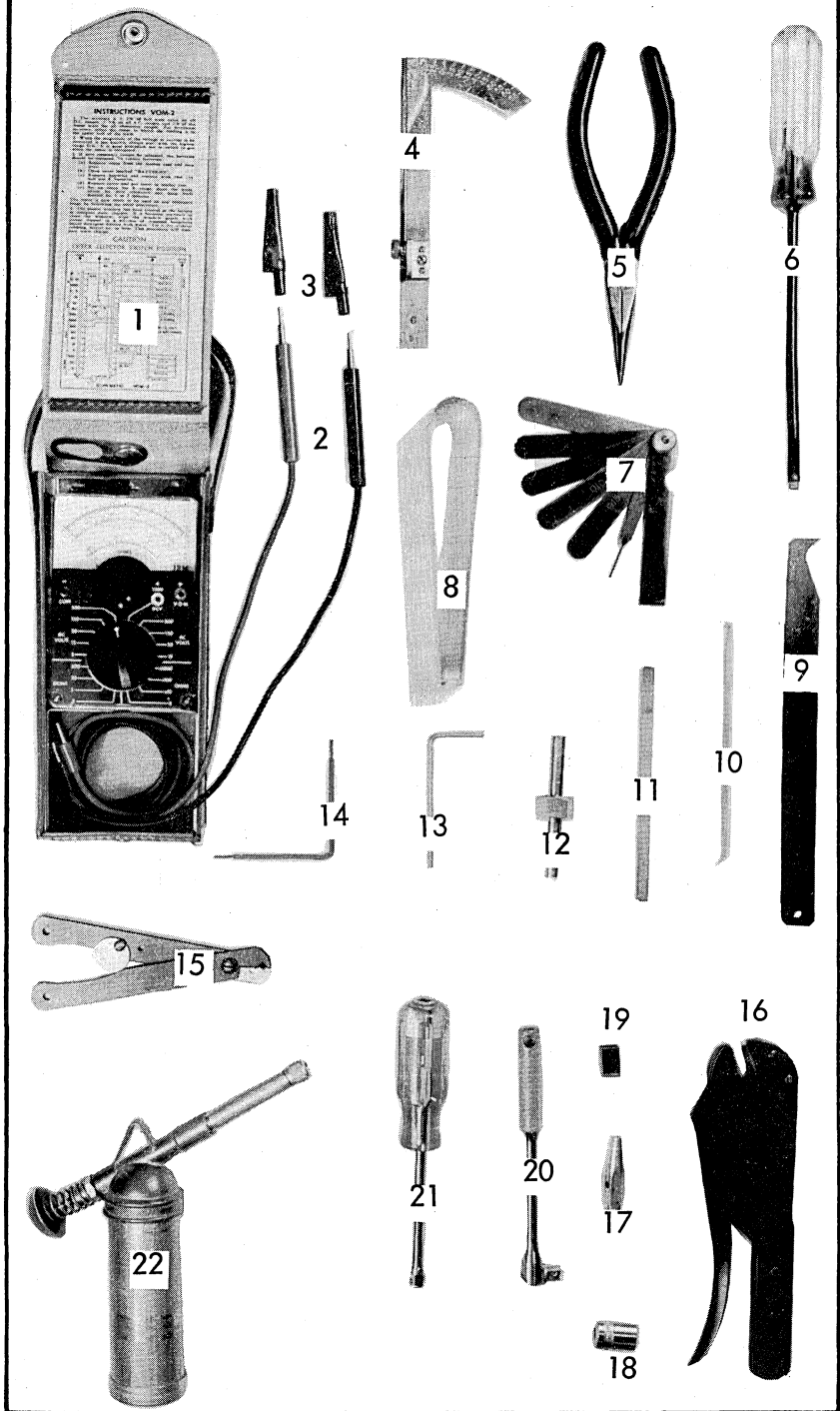
Revised - January 1960



E.T. TOOLS & SUPPLIES

REF. PART NO.	DESCRIPTION	REF. PART NO.	DESCRIPTION	REF. PART NO.	DESCRIPTION
1	9900015 Soldering Handle (SC, ST)	11	9900071 6" Round File (SC, ST)	20	9900052 Cap, IBM Cleaning
2	9900016 Soldering Tip (SC, ST)	12	9900082 Flexstone (SC, ST)		Fluid Can (SC)
3	9900104 Typebar Soldering Gage (SC, ST)	13	9900034 Valvespout Oiler (SC, ST)	21	9900048 Parts Bag, (plastic) (SC)
4	9900086 Sash Tool Brush (SP)	14	1016718 Typebar Fulcrum Wire (SC, ST)	22	9900050 Sponge (SC)
5	9900018 Brush Head Sleeve (SP)	15	1000038 Toggle Fulcrum Wire (SC, ST)	23	9900046 Kit, Plastic Parts (SC)
6	3701 Red Handle Cleaning Brush (SC, ST)	16	9900072 Current Tester (SC, ST)	24	9900047 Vial (including cap)(SC)
7	1018992 Type Cleaning Brush (SC, ST)	17	9900049 Cleaner Bottle (SC)	25	9900051 Box, Plastic (1 3/4" x 1 3/4" x 5/8") (SC)
8	9900014 Oil Brush (SC, ST)	18	9900085 Call Report Folder (SC)		
9	9900007 File Handle (SP)	19	9900027 Wrench Kit (does not include wrenches)(SC, ST)		
10	9900078 6" Flat File (SC, ST)				

Revised - January 1960



E.T. TOOLS & SUPPLIES

REF. PART NO.	DESCRIPTION	REF. PART NO.	DESCRIPTION	REF. PART NO.	DESCRIPTION
1	450486 IBM Volt-Ohm Meter (EL)	8	454045 Relay Puller (EL)	18	153702 7/32" Socket Wrench(EL)
2	9900036 Leads, Volt Meter (in pairs only) (EL)	9	3339 Chute Blade Cleaner (EL)		153703 1/4" Socket Wrench (EL)
3	9900037 Clips, Alligator (in pairs only) (SP)	10	450660 Relay Contact Bender (EL)		153704 5/16" Socket Wrench(EL)
4	450459 Gram Gage (EL)	11	450567 Burnishing Blade (EL)		153705 3/8" Socket Wrench (EL)
5	460808 Long Nose Pliers (Insulated) (EL)	12	21213 Keypunch Socket (EL)		153706 1/2" Socket Wrench (EL)
6	9900055 6" Screwdriver (Insulated) (EL)	13	460028 Code Plate Aligner (EL)		158766 7/16" Socket Wrench (EL)
7	9900024 Feeler Gage Set (EL)	14	450458 Wire Contact Relay Test Prod (EL)		450429 9/16" Socket Wrench (EL)
		15	450694 Wire Stripper (EL)	19	10480 Go No/Go Gage (EL)
		16	9900087 Vise Pliers (SP)	20	158765 Handle, Swivel (EL)
		17	450054 Dowel Puller (EL)	21	450069 Handle, Socket Driver (EL)
				22	158645 Grease Gun (EL)

Revised - January 1960

E.T. TOOLS & SUPPLIES

REF. PART NO.	DESCRIPTION	REF. PART NO.	DESCRIPTION	REF. PART NO.	DESCRIPTION
THE FOLLOWING SYMBOLS ARE SET UP FOR IDENTIFICATION OF TOOLS IN THEIR RESPECTIVE LOTS. HOWEVER, ALL TOOLS AND SUPPLIES MAY BE ORDERED SEPARATELY.					
(ST)	Tools used in a complete set of tools Part #9900025	15	9900043 Cleaner, Power (includes muffler) (SC)	33	450841 Oscilloscope and Leads (requires ETCE District Mgrs. approval before ordering) (SP)
(SC)	Tools used to make up a complete service case Part #9900008	16	1280000 Compound, Ston-N-Def. Insulating (qt.) (SP)	34	450861 Oscilloscope Carrying Case (requires ETCE Dist. Mgrs. approval before ordering) (SP)
(EL)	Tools used for special set of 632 tools Part #9900056	b/18	1067683 Decal, Reconditioned (SP)	35	9900032 Plug, Adapter (for Electric Drill) (SP)
(SP)	Tools and supplies that are available, but must be ordered separately.	19	9900017 Divider, Auto. Chest Fiber (SP)	36	9900073 Roll, Typebar (SC)
THE FOLLOWING TOOLS, OR EXPENDABLE TOOL SUPPLY ITEMS, ARE AVAILABLE BUT NOT ILLUSTRATED.					
1	9900025 COMPLETE SET OF ET TOOLS (does not include service case)	20	9900083 Drill, Electric (SP)	37	9900020 Saw, Circular Hole (SP)
2	9900008 SERVICE CASE AND TOOLS	21	450608 Fluid, IBM Cleaning (6 oz can) shipped in lots of 24 cans only (SP)	38	9900026 Solder, Plastic Dispenser (EL)
3	9900056 SET OF 632 TOOLS	c/22	1280017 Fluid, IBM Cleaning (1 Gallon can) (SP)	39	450692 Tape, Vinyl (SP)
4	9900044 SERVICE CASE ONLY (includes pallet)	23	450556 Grease #17 (1 lb. Can)(SP)	39b	734009 Tape, Polyken Packing
5	9900089 Abrasive, Durite (SP)	24	260781 Grease #22 (1 lb. Can)(SP)	40	9900067 Template, Md. O1BC(SP)
6	7340059 Bag, Accessory (SC)	25	265390 Grease, Silicon 1/4 oz. tube	41	450701 Wax, emulsion Cleaner (SP)
7	450639 Bottle, Square Plastic (SP)	26	450700 IBM Cover Stain Remover (4 oz can) (SP)	42	9900033 Wrench, Electric Drill Chuck (SP)
8	454352 Box, Plastic Parts (SP) (3" x 4 5/8" x 1 1/8")	27	9900003 Indicator, Speed (SP)	43	9900058 Wrench #8 Allen (used on Model O1 G. E. and Westinghouse old style Governor set screws, Model A, V Belt Motor Pulley Set Screws)(ST,SC)
9	450658 Cap, Square Plastic Bottle (SP)	28	9900081 Kit, IBM First Aid	44	9900062 Wrench #4 Allen (used on proportional ribbon feed roll shaft collar set screw. Justowrite Motor Governor collar set screw) (ST, SC)
10	454328 Can, 1/4 Pint Empty (SP)	29	1280018 Molykote, Tube (SP)	45	9900066 Wrench Bristo 4 fluted (used on pin feed form guide set screw & Toll Biller Platen, page and cam ring set screw)(ST,SC)
11	9900053 Carton, Power Roll (SP)	30	460052 Oil, ET#6 (4 oz can) (SP)		
12	450476 Cement, Decal (4oz can) (SP)	31	1019498 Oil, ET Non-Fluid (1 lb. Can) (SP)		
13	261096 Cement, Tube (SP)	32	450838 Oscilloscope Fan Base (requires ETCE District Mgrs. approval before ordering) (SP)		
14	701329 Chest, Automobile Trunk(SP)				

a/ Includes Power Cleaner. b/ This is an ET Part, Account Code 981. c/ Shipped in Standard Packages of Four.

REF. PART NO.	DESCRIPTION	REF. PART NO.	DESCRIPTION	REF. PART NO.	DESCRIPTION
46	9900101 Wrench Bristo 4 fluted (used on centrifugal governor collar. Cam K. O. bar screw)(ST, SC)	51	9900029 Wrench Bristo 6 fluted (used on Tab Set Finger Screw) (ST, SC)	64	450504 Pliers, Duckbill (Insulated)
47	9900102 Wrench Bristo 6 fluted (used on motor pulley, platen knobs, power roll pulley set screws)(ST, SC)	THE FOLLOWING TOOLS ARE AVAILABLE FOR CE'S SERVICING TIME EQUIPMENT. TOOLS CAN BE ORDERED BY INDIVIDUAL PART NUMBER ONLY.			
48	9900103 Wrench Bristo 6 fluted (used on clutch bracket, form line selector stop and roll set screws) (ST, SC)	52	4032 Punch	65	450567 Blade, Burnishing
49	9900019 Wrench Bristo 6 fluted (used on form line selector gear set screw) (ST, SC)	53	4045 Wrench, Crescent 6"	66	450935 Puller, Fuse
50	9900028 Wrench Bristo 6 fluted (used on Model "C" ribbon spool shaft collar set screw. #257957) (ST, SC)	54	4047 Rod, Brass	67	450486 V-O Meter
		55	4050 Hammer, Ballpeen (8 oz.)	68	173995 Box, Wrench
		56	55833 Chisel, Cold	69	450407 Pin Punch
		57	74738 Rod, Insulated	70	18974 Pillar File
		58	74745 Segment, Dial Contact Adj.	71	4013 Half Round File
		59	97926 Wrench, Contact Cam	72	178397 3/16" Allen Wrench
		60	153778 Pliers, Oiler	73	460948 5/32" Allen Wrench
		61	450391 Punch, Pin Med.	74	116574 1/8" Allen Wrench
		62	460808 Pliers, Long Nose Insulated	75	450814 .060 Six Fluted Wrench
		63	9900055 6" Insulated Screwdriver	76	450815 5/64 Four Fluted Wrench

IBM TYPE AVAILABLE CHART

STANDARD GOTHIC TYPES					STANDARD ROMAN TYPES				
TYPE NAME	TYPE MARK	TYPE CODE	PITCH	CAP. HEIGHT	TYPE NAME	TYPE MARK	TYPE CODE	PITCH	CAP. HEIGHT
Pica Gothic (S. C.)	G	03	10	.100	Pica	P	01	10	.096
Pica Gothic (D. C.)	H	04	10	.100	Pica Inverted	PI	30	10	.096
Pica Gothic Inverted	HI	38	10	.100	Elite	E	02	12	.086
Elite Gothic (D. C.)	F	05	12	.090	Pica Book	A	11	9	.114
Elite Gothic (S. C.)	GE	06	12	.090	Large Pica	B	15	10	.104
Elite Gothic Inverted	FI	19	12	.090	Multigraph Elite	ME	17	12	.084
*Modern Gothic	L	07	9	.114	Elite Back Slant	EB	18	12	.084
*Medium Roman Gothic	XG	08	9	.125	Bookface Academic	BA	21	10	.091
Pin Point Gothic	GP	09	10	.104	Cloister Elite	BE	23	12	.086
Facsimile Gothic	O	14	6 2/5	.100	Micro Elite	BM	24	14	.068
Facsimile Gothic Inverted	OI	44	6 2/5	.100	*Great Primer	BP	25	9	.120
Facsimile Gothic No. 2	OT	58	6 2/5	.100	Large Elite	LE	31	12	.090
*Special Gothic	DC	20	10	.120	*Large Bookface	LB	43	9	.115
*Large Roman Gothic	T	28	8	.142	Diplomat	B2	67	12	.078
Federal Slant	FS	29	6 2/5	.100	Prestige Elite	SE	76	12	.082
Elite Wedding Gothic	EW	35	6 2/5	.062	Prestige Pica	SP	77	10	.098
Dual Basic	DB	36	12	.089	Courier	SM	87	10	.085
Regent Gothic	RG	37	10	.105					
Micro Gothic (S. C.)	FD	41	14	.070	EXECUTIVE TYPES				
Micro Gothic (D. C.)	FF	42	14	.070	Executive Boldface No. 1	PO	16	32	.108
Elite Gothic Bold	FB	45	12	.090	Executive Secretarial	PS	26	32	.106
*Accounting Gothic	M	48	10	.0905	Executive Modern	PM	32	32	.091
Micro Gothic Condensed	FC	54	16	.070	Executive Documentary	PE	40	32	.096
Manifold No. 12	H2	72	12	.090	Executive Copperplate	PG	46	36	.092
Manifold No. 10	H3	73	10	.104	Executive Text	PH	47	45	.074
*Manifold No. 9	H4	74	9	.125	*Executive Mid-Century	PF	50	36	.105
*Manifold No. 8	H5	75	8	.1425	Executive Charter	PR	51	45	.074
Artisan No. 12	G2	85	12	.090	Executive Boldface No. 2	PB	57	36	.093
Artisan No. 10	G3	86	10	.104	Executive Boldface Italic	PT	59	32	.108
					Executive Heritage	PJ	61	36	.096
STANDARD SCRIPT TYPES					*Executive Registry	PN	65	36	.115
*Corinthian Script	FE	80	10	.148	*Executive Directory	PK	66	32	.150
					Executive Testimonial	PV	71	32	.110
					Executive Arcadia	JM	79	32	.095
					DISCONTINUED TYPES				
					Bulletin	BU	10		
					Roman Book	D	12		
					Large Pica Book	LP	13		
					Cloister Pica	BC	22		
					Gothic Bulletin	GB	27		
					Miniature Gothic	MG	33		
					Alternate Gothic	AG	52		

*These types require a shift motion of .300". All other types require a shift motion of .265".

REFERENCE TABLE FOR LABOR CHARGES

PAGE · 26

Hours	.0	.1	.2	.3	.4	.5	.6	.7	.8	.9
0	Minimum Charge Per Call - \$8.50 (Less Than One Full Hour)									
1	7.50	8.25	9.00	9.75	10.50	11.25	12.00	12.75	13.50	14.25
2	15.00	15.75	16.50	17.25	18.00	18.75	19.50	20.25	21.00	21.75
3	22.50	23.25	24.00	24.75	25.50	26.25	27.00	27.75	28.50	29.25
4	30.00	30.75	31.50	32.25	33.00	33.75	34.50	35.25	36.00	36.75
5	37.50	38.25	39.00	39.75	40.50	41.25	42.00	42.75	43.50	44.25
6	45.00	45.75	46.50	47.25	48.00	48.75	49.50	50.25	51.00	51.75
7	52.50	53.25	54.00	54.75	55.50	56.25	57.00	57.75	58.50	59.25
8	60.00	60.75	61.50	62.25	63.00	63.75	64.50	65.25	66.00	66.75
9	67.50	68.25	69.00	69.75	70.50	71.25	72.00	72.75	73.50	74.25
10	75.00	75.75	76.50	77.25	78.00	78.75	79.50	80.25	81.00	81.75

FEDERAL GOVERNMENT LABOR CHARGES

FOLLOWING INFORMATION CAN BE FOUND IN AUTHORIZED FEDERAL SUPPLY SCHEDULE PRICE LIST, CONTRACT NUMBER G. S. - 005. - 22209, PERIOD JULY 1, 1959 THROUGH JUNE 30, 1960.

ITEM NUMBER 47-16

SHOP WORK AND RECONDITIONING SERVICE

(Work to be performed in contractor's shop)

Work will be started on a machine within 48 hours after receipt of an acceptable order and the machine. Reconditioning work is guaranteed for 30 days from date of re-installation. New parts and attachments will be furnished at contractor's commercial price list in effect at time service is rendered. Shop work other than reconditioning is guaranteed for ten days from date of re-installation.

	Per Serviceman
1. First full hour	\$7.50*
2. Each additional 1/10 hour or fraction thereof, after one or more full hours	.75
*If contractor is required to transport machine, first full hour	\$12.50

ITEM NUMBER 47-17

REPAIR SERVICE

(Work to be performed in Government Office)

Repair work will be started on a machine within one to five hours after receipt of order. Repair work is guaranteed for 10 days. Repair parts and attachments will be furnished at contractor's commercial price list in effect at time service is rendered. Service will be rendered within 15-mile radius of the contractor's service location at the following prices:

	Unit	Regular rate for service during contractor's normal hours*.
1. Less than full hour (min. charge)	1 call	\$7.00
2. First full hour, per serviceman	1 hour	8.75
3. Each add'l. full hour, per serviceman	1 hour	7.50
4. Each add'l. 1/10 hour or fraction thereof, after one or more full hours, per serviceman	1/10 hour	.75

*8:30 AM to 5:15 PM, Monday through Friday, except holidays, subject to change in local service areas.

Overtime service when requested and available will be furnished on an open market order basis and at contractor's commercial charges for such service. Where repairs are ordered on two or more machines located in one or more buildings within walking distance of each other, the charges will be computed from the time the serviceman commences work on the first machine until the work is completed on the last machine. The reasonable time required to go from one machine to another, or one building to another, shall be considered actual work performed and chargeable to the Government. Actual time shall include time required to obtain necessary clearance in security areas. Repair work will be rendered on machines beyond the 15-mile radius of contractor's service location on an open market order basis.

ITEM NUMBER 47-15

DIRECT PURCHASE OF REPAIR PARTS WHEN NO LABOR IS INVOLVED

IBM typewriter parts may be procured at 6% discount from contractor's commercial price list in effect on date of delivery.

5 POINT MACHINE CHECK

1. CARRIAGE & RAILS

- a. Levers (operation - loose setscrews)
- b. Trucks (carriage movement)
- c. Feed rolls (binds - endplay)
- d. Racks (loose nuts & screws)
- e. Rear rail (loose screws)
- f. Repositioning indicator & expand (Exec.)

2. UNDER MACHINE

- a. Cam clearance (all cams)
- b. Decelerator cam arms (binds)
- c. Governor pinion (should have same backlash)

3. FUNCTIONAL FEATURES

- a. Tab - short & long (listen for deceleration)
check set & clear.
- b. Shift (insure that basket restores reliably upward -
check lock)
- c. Spacebar(s) (binds - "power off" check for
escapement trip)
- d. Carriage return (unlatching point, tension - is
it sufficient for indexing?)
- e. Backspace
- f. Backspace - Carriage return & tab - carriage
return (simultaneous)
- g. Margin set & release
- h. Line lock
- i. Escapement trip (typebar)

4. RIBBON

- a. Feed
- b. Tracking (characters on ribbon)
- c. Guides (alignment)
- d. Fabric rewind & reverse (check for backlash)

5. TYPEBAR OPERATING (4-way simultaneous check)

- a. Type strike-up and simultaneously check for:
 - (1) Binding keylevers or keybuttons
 - (2) "Bottoming-out" & triplever reset
 - (3) Catching of adjacent typebars or camlevers
 - (4) Alignment, impression & motion problems

CYCLE INSPECTION

Basic Maintenance: Every inspection will include ---

1. Power Cleaning
2. Cleaning the Platen, Bail Rolls, Type & Guide and the Rails.
3. Offering to change the Ribbon
4. 5 Point machine check
5. And one of the following
 - A. APPLICATIONS (Special Machines)
Service the machine for its application or special function.
 - B. ADJUSTMENTS (Power Roll)
Check all adjustment sequences with the "power off"
Every two years replace the power roll. Check part fatigue.
 - C. ALIGNMENT-IMPRESSION
Drop and wipe the type and flush the segment.
Lubricate the fulcrum wire only. Check alignment and impression.
 - D. LUBRICATION & COVERS
Lubricate all points - Clean the covers.

MAINTENANCE AGREEMENT SERVICE RATES

BASIC RATES:

All standard models, all carriage lengths, with or without attachments (except optional features listed below), per typewriter per year. \$35.00

Executive, Formswriter, Front Feed Lift Platen, and Manifest, all carriage lengths, with or without attachments (except optional features listed below), per typewriter, per year. 39.50

Toll Biller, Other Charges & Credits, Stencil Writer (Model 07), and Hektowriter (Model 03), all carriage lengths, with or without attachments (except optional features listed below), per typewriter, per year. 44.50

Add to the above for typewriters equipped with the following optional features, per typewriter, per year:

Changeable Typebars	4.50
IBM Form Line Selector	5.00
Formscarrier	5.00
Decimal Tabulation	9.50
Partial Carriage Return	9.50
Electronic Tabulation	9.50
Hektowriter Attachment	9.50

Add for Automatic Operation (Robotyper, Auto-typist) per typewriter, per year. 25.00

The basic rates for Maintenance Agreement Service include four periodic inspections per year, and all emergency calls during our normal business hours.

Additional charges for extra shift operation, Zone Charges beyond 15-mile radius, Trip Rate Charges, etc., may be found in ET Customer Engineering Service Section of ET Sales Manual.

MAINTENANCE AGREEMENT DISCOUNTS

The following discounts from basic Maintenance Agreement prices are offered to customers having 10 or more typewriters installed in one building or in adjacent buildings.

<u>Number of ET's</u>	<u>Discount</u>
10 to 49	.5%
50 to 99	10%
100 to 199	15%
200 or more	20%

MODELS A - B

PARTS CATALOG SECTION



REVISED - JANUARY 1960

MODEL A & B

INDEX

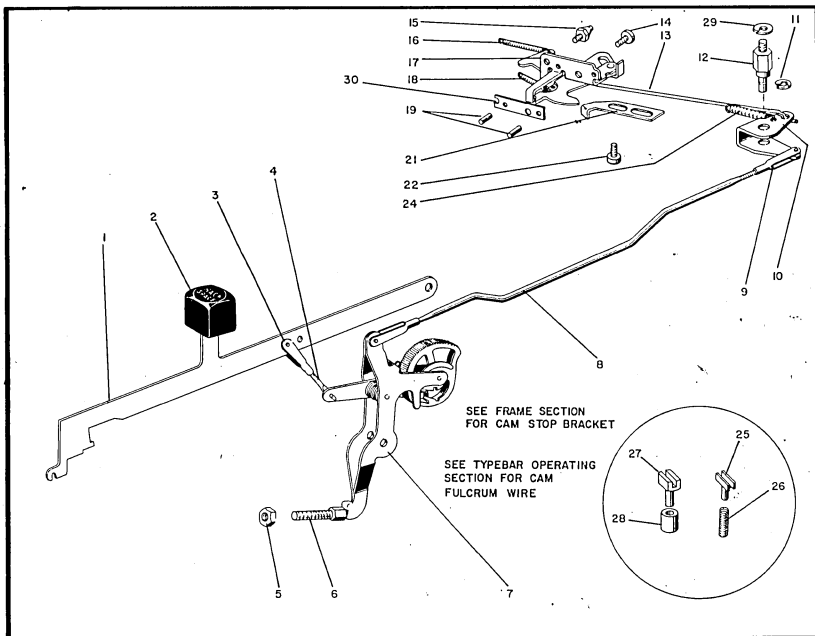
STD. PAGE	SECTION	EXEC. PAGE
1	Backspace	37
2	B - Carriage & Rails	38
5	A - Carriage & Rails	40
9	B - Carriage Return	43
11	A - Carriage Return	44
12	Covers	45
14	Escapement	47
—	Escapement Control	49
15	Frames	50
16	Governor & Carriage Tension	51
17	Keyboard Lock & Bell	52
18	Margin	53
20	Motor & Drive	54
23	Platens	57
25	Ribbon (Fabric)	59
26	Ribbon (Carbon)	60
27	Shift	62
28	Spacebar	63
29	Tabular	64
32	Typebar Operating	66

SPECIAL MACHINES

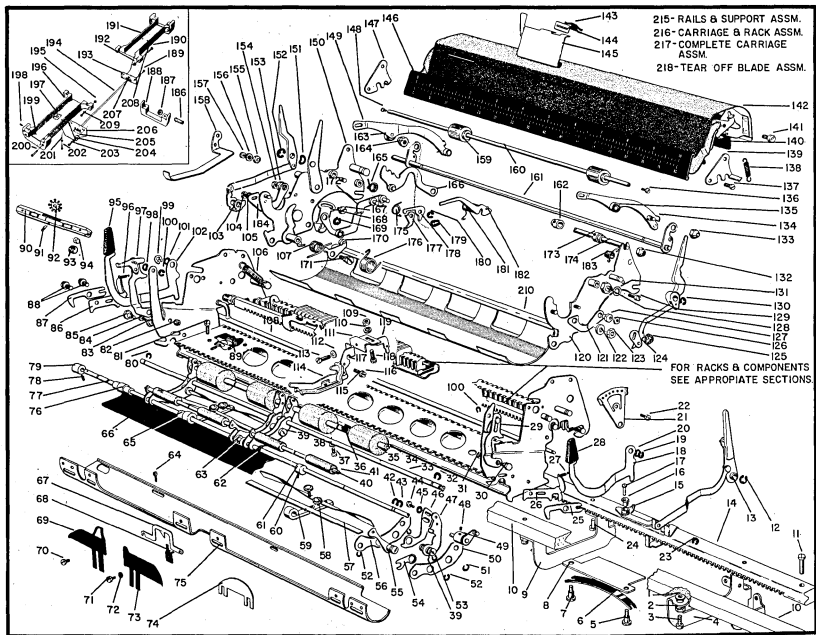
SECTION	PAGE
Dec. Tab	70
Hektowriter	76
Input/Output Writer	78
LP Formswriter	81
Partial Carr. Return	84
Toll Biller	86

ATTACHMENTS

SECTION	PAGE
Card Holding Platen	88
B Checkwriter	89
A Checkwriter	90
Clamp Type Way Bill	91
Dual Purpose	92
Elec. Tab	93
Formsline Selector	96
Formscarrier	97
Leading Edge Gage	99
Palm Tab	100
Pin Feed Platen	101
Pin Feed Lifter	104
Stroke Counter	106
Visible Index	107



REF. PART NO.	DESCRIPTION	REF. PART NO.	DESCRIPTION	REF. PART NO.	DESCRIPTION
1	1072279 Keylever, B. S., 84 Char.	12	1108497 Stud, B. S. Bellcrank Assem. (On Model "A" and Model "B's" prior to Std. approx. serial #672958, order reference #10, #11 and #29 to convert to present style.)	17	1015721 Backspace Pawl and Bracket Assembly (8 P. Model A)
	1072280 Keylever, Backspace 88 Char. (Offset)	13	1000559 Link, B. S. Pawl =	1013991	Backspace Pawl and Bracket Assembly (6 2/5 P. Model A)
2	1106380 Button, Backspace (Gray)	14	139650 Screw, B. S. Pawl Bkt.	18	45119 Spring, Backspace Pawl Model B
	1072308 Button, Backspace (Blue)	15	1000564 Stud, B. S. Pawl Bkt.	1091074	Spring, Backspace Pawl Model A.
3	1070020 Clevis, Adjustable	16	1090341 Spring, B. S. Interlock	19	1090142 Pin Dowel, Backspace Pawl Bracket
4	1014536 Link Trip Lever	17	1108173 Backspace Pawl and Bracket Assembly (All Pitches Model B)	21	1000565 Stop, Backspace Pawl
5	7341 Nut, Cam Stop Screw	1014615	Backspace Pawl and Bracket Assembly (14 P. Model A)	22	1090799 Screw, Backspace Pawl Stop
6	1091666 Screw, Cam Stop	1017489	Backspace Pawl and Bracket Assembly (12 P. Model A)	24	1090435 Spring, Backspace Bellcrank
7	1119189 Cam, Backspace (Typomatic)	1016692	Backspace Pawl and Bracket Assembly (10 P. Model A)	25	1105512 Plunger
	1119187 Cam, Backspace (Non-Repeat)	1012551	Backspace Pawl and Bracket Assembly (9 P. Model A)	26	1105514 Spring, Compression
8	1110526 Link Assembly, B. S.			27	1106595 Plunger (used to cripple repeat feature Model B)
	1100910 Link Assembly, B. S. (Dec. Tab and Partial Carriage Return)			28	1108862 Bushing, (used to cripple repeat feature Model B)
9	1110529 Clevis, Pin Adjusting			29	55901 Washer, Backspace Stud
	1110533 Clevis, Hole Adjusting			30	1073013 Shim, Backspace Pawl Bracket
10	1103504 Bellcrank, B. S. 10 & 12 P.				
	1073241 Bellcrank, Backspace 8, 9, 5/32 Pitch				
	1070394 Bellcrank, Backspace 14 Pitch				
11	264641 Retainer, "C" Clip Backspace Bellcrank				



REF. PART NO.	DESCRIPTION	REF. PART NO.	DESCRIPTION	REF. PART NO.	DESCRIPTION
1	1090047 Washer, Rail Support RH	33	1108844* F.R. Rel. Cam Shaft 16"	66	1103902 Front Paper Gd. 12" 14P
2	1091159 Washer, Rail Support LH	34	1108845 F.R. Rel. Cam Shaft 20"	1103904	Front Paper Gd. 16" 62/5P LH
3	1091302 Eccentric Nut, Rail Supp.	35	1108846 F. R. Rel. Cam Shaft 24"	1103911	Front Paper Guide 16" 6 2/5P RH
4	1105661 Rail Support RH	36	1108847 F. R. Rel. Cam Shaft 30" *Used on 12" and 16" Std. E.T.'s below Serial #305447	1103905	Front Paper Guide 16" 8 P LH
5	1091326 Stud, Final Stop	37	1110094 Solid FR Shaft, Rear	1103912	Front Paper Guide 16" 8 P RH
6	1103861 Spring, Final Stop	38	1108827 Feed Roll Assm., Rear	1103906	Front Paper Guide 16" 9 P LH
7	1091326 Stud, Final Stop	39	1110093 Retainer, "C" Clip	1103913	Front Paper Guide 16" 9 P RH
8	1103920 Stop, Carriage Final	40	1109022 Screw, Center Supp. Mtg.	1103907	Front Paper Guide 16" 10 P LH
9	1105640 Rail Support LH	41	62031 Washer, Cen. Supp. Screw	1103914	Front Paper Guide 16" 10 P RH
10	1103518 Rail, Front 12"	42	110228 Hub, F.R. Lever	1103908	Front Paper Guide 16" 12 P LH
11	1103520 Rail, Front 16"	43	1108825 Feed Roll Assm., Front	1103915	Front Paper Guide 16" 12 P RH
12	1103522 Rail, Front 20"	44	1108867 Shaft Assm., FR Front	1103909	Front Paper Guide 16" 14 P LH
13	1103524 Rail, Front 24"	45	1103695 Retainer, "C" Clip	1103916	Front Paper Guide 16" 14 P RH
14	1103526 Rail, Front 30"	46	1103695 Retainer, "C" Clip	1104075	Front Paper Guide 20" 6 2/5 P LH
15	1090012 Screw, Rail Mounting	47	1091026 Screw	1104030	Front Paper Guide 20" 8 2/5 P RH
16	60489 Retainer, "C" Clip	48	150209 Lock Washer, FR Lever	1104076	Front Paper Guide 20" 8 P LH
17	1103748 Platen Guide Lever Assm.	49	1108828 Feed Roll Adj. Lever	1104026	Front Paper Guide 20" 8 P RH
18	1103519 Rail, Rear 12"	50	1109049 CRadle, Paper FR	1104077	Front Paper Guide 20" 9 P LH
19	1103523 Rail, Rear 16"	51	1103702 Retainer, "C" Clip	1104025	Front Paper Guide 20" 9 P RH
20	1103525 Rail, Rear 20"	52	1103695 Retainer, "C" Clip	1104074	Front Paper Guide 20" 10 P LH
21	1103527 Rail, Rear 24"	53	1103695 Retainer, "C" Clip	1104024	Front Paper Guide 20" 10 P RH
22	1103527 Rail, Rear 30"	54	1108819 Spacer, Front	1104069	Front Paper Guide 20" 12 P LH
23	1106587 Lever, Pawl Release	55	1108836 FR Pressure Lever, Front	1103910	Front Paper Guide 20" 12 P RH
24	1106589 Nut, Pawl Rel. Lev. Ecc.	56	1103702 Cradle, Paper Feed Roll		
25	1106588 Stud, Pawl Rel. Lever	57	1108823 Spring, FR Pressure		
26	1103732 Carriage Rel. Lever RH	58	1079999 Screw, Feed Roll Pressure		
27	1092125 Retainer, Carr. Rel. Lev.	59	1103701 Screw Plate		
28	1072477 Spring Washer, Carriage Release Lever	60	1071657 Screw, Platen Gd. Ecc.		
29	1103747 Platen Guide Detent	61	1103713 Bushing, Platen Gd. Shaft		
30	1091471 Spring, Platen Guide Detent	62	1103713 Spring, Front Paper Guide		
31	147297 Retainer, Spring Clip	63	1108820 Platen Gd. Ecc., Center		
32	1090799 Screw, Rail Support	64	1090007 Screw, Rail Dust Cover		
33	1103729 Plate, Platen Ecc. Ret.	65	1103713 Bushing, Platen Gd. Shaft		
34	1103728 Adjusting Platen, RH	66	1103897 Front Paper Gd. 12" 62/5P		
35	107743 Spring, Carriage U Bar		1103898 Front Paper Gd. 12" 8P		
36	1103733 Button, Carr. Rel. Lever		1103899 Front Paper Gd. 12" 9P		
37	1103734 Platen Latch Assm. RH		1103900 Front Paper Gd. 12" 10P		
38	1108938 Eccentric Stud, Platen Latch		1103901 Front Paper Gd. 12" 12P		
39	1109842 Nut, Platen Latch Ecc. stud				
40	1103695 Retainer, "C" Clip				
41	1108839 Feed Roll Rel. Cam Shaft 12"				
42	1104453 Feed Roll Rel. Cam Shaft 12"				
43	1104454* F.R. Rel. Cam Shaft 16"				

Model B Std. Carriage & Rails

REF. PART NO.	DESCRIPTION	REF. PART NO.	DESCRIPTION	REF. PART NO.	DESCRIPTION
66 1104067	Front Paper Guide 20" 14 P LH	66 1104028	Front Paper Guide 30" 12 P RH	82 1109842	Nut, Platen Latch Stud
1103903	Front Paper Guide 20" 14 P RH	1107895	Front Paper Guide 30" 14 P LH	83 1072305	Eccentric Nut, Platen Adj. Plate
1103904	Front Paper Guide 24" 6 2/5 P LH	1107898	Front Paper Guide 30" 14 P Center	84 1090003	Screw
1103911	Front Paper Guide 24" 6 2/5 P Center	1104029	Front Paper Guide 30" 14 P RH	85 1108938	Eccentric Stud, Platen Latch
1104068	Front Paper Guide 24" 6 2/5 P RH	67 1107934	Pointer, Scale Index	86 1103727	Adjusting Plate LH
1103906	Front Paper Guide 24" 9 P LH	68 1107933	Locator, Card Holder	87 1103729	Plate, Platen Ecc. Ret.
1103913	Front Paper Guide 24" 9 P Center	69 1070864	Card Holder LH 8 P	89 1103756	Screw, Platen Ecc. Plate
1104070	Front Paper Guide 24" 9 P RH	70 1070638	Card Holder LH 9 P	90 1103853	Truck, Carriage
1103907	Front Paper Guide 24" 10 P LH	70 1070569	Card Holder LH 10 P	91 1091161	Pin, Star Wheel
1103914	Front Paper Guide 24" 10 P Center	70 1070298	Card Holder LH 12 P	92 1093646	Wheel, Star
1104071	Front Paper Guide 24" 10 P RH	70 1070905	Card Holder LH 14 P	93 1018782	Roller, Steel
1103908	Front Paper Guide 24" 12 P LH	70 1070907	Card Holder LH 6 2/5 P	94 1103858	Retainer, Steel Roller
1103915	Front Paper Guide 24" 12 P Center	70 186393	Screw, Card Holder	95 1103733	Button, Carr. Rel. Lever
1104072	Front Paper Guide 24" 12 P RH	71 186393	Screw, Card Holder	96 1107743	Spring, Carr. U. Bar
1103909	Front Paper Guide 24" 14 P LH	72 1070630	Washer, Card Holder	97 1103740	Platen Latch Assm. LH
1103916	Front Paper Guide 24" 14 P Center	73 1070865	Card Holder RH 8 P	98 1103744	Spring Washer, platen latch
1104073	Front Paper Guide 24" 14 P RH	73 1070637	Card Holder RH 9 P	99 1092125	Retainer, Carr. Rel. Lever
1107893	Front Paper Guide 30" 10 LH	70 1070570	Card Holder RH 10 P	100 147297	Retainer
1107896	Front Paper Guide 30" 10 P Center	70 1070299	Card Holder RH 12 P	101 1072477	Washer, Spring
1104027	Front Paper Guide 30" 10 P RH	70 1070906	Card Holder RH 14 P	102 1103731	Carriage Rel. Lever LH
1107894	Front Paper Guide 30" 12 P LH	74 1260385	Card Holder RH 6 2/5 P	103 1104211	Actuating Assm., Platen Detent Release
1107897	Front Paper Guide 30" 12 P Center	75 1101198	Shield, Underprinting (Used with Ref. 647)	104 1090037	Nut
		76 1103713	Front Rail Dust Cover	105 1090049	Washer
		77 1107798	Bushing, Platen Guide Shaft	106 1104457	Spring, Platen Gd. Plate
		1107799	Platen Guide Arm and Shaft Assembly 12"	107 1103633	Spring, Index Lever
		1107800	Platen Guide Arm and Shaft Assembly 16"	108 1103762	Carriage U Bar Assm. 12"
		1107801	Platen Guide Arm and Shaft Assembly 20"	110 1103763	Carriage U Bar Assm. 16"
		1107802	Platen Guide Arm and Shaft Assembly 24"	111 103764	Carriage U Bar Assm. 24"
		78 1071657	Platen Guide Arm and Shaft Assembly 30"	112 1103766	Carriage U Bar Assm. 30"
		79 1103716	Screw, Platen Gd. Shaft	109 184849	Nut
		80 1103695	Eccentric, Platen Guide Retainer, "C" Clip	110 62031	Washer
		81 1090003	Screw, Carriage Ret. Pulley	111 1105929	Tab Rack Center Support
				112 1091111	Washer
				113 1103978	Screw
				114 1108852	Center Supp. 12", 16" carr
				1108841	Center Supp. 20", 24"
					30" Carriages
				115 1090222	Washer
				116 2650	Screw

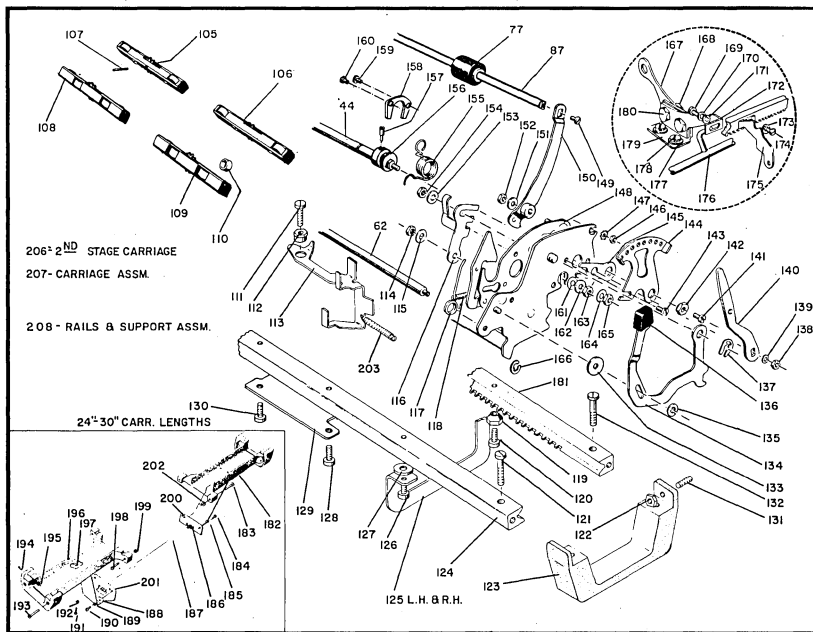
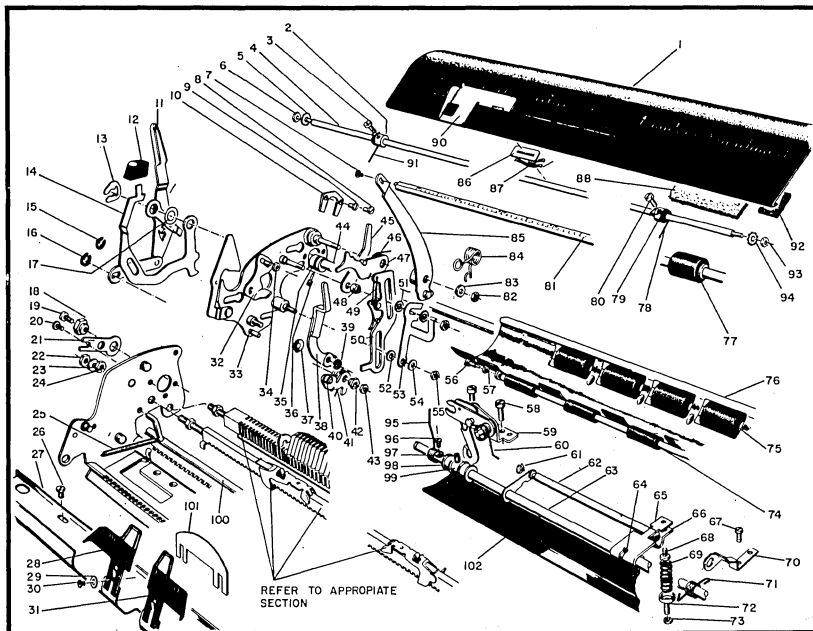
REF. PART NO.	DESCRIPTION	REF. PART NO.	DESCRIPTION	REF. PART NO.	DESCRIPTION
117 1103774	Margin Rack Cen. Supp. 16"	142 1108964	Paper Table Assm. 30"	Serial No. 324973	
1107861	Margin Rack Cen. Supp. 2650	143 1072853	Spring, Paper Tbl. Gage Plate, Friction	158 1107445	Stop, Front Paper Guide
1100811	Screw Supp. 8, 10, 14, 6 2/5 P	144 1071666	Gage, Paper Table	159 1000382	Paper Ball Roll
1100950	Center Support 9 & 12P	145 1103791	Fr. Paper Tbl. 12" 6 2/5 P	1093848	Bushing for 1000382
1103573	Platen Gd. Plate Assm. RH	1108982	Fr. Paper Tbl. 12" 8P	1079088	Spring for 1000382
1261017	Platen Gd. Plate Assm. RH (above S/N 322004)	1108984	Fr. Paper Tbl. 12" 9P	1104409	Rubber Cover for 1000382
1107805	Platen Control Yoke (LH or RH)	1108985	Fr. Paper Tbl. 12" 10P	1103999	Bail Roll Shaft 16"
122 1090049	Washer	1108986	Fr. Paper Tbl. 12" 12P	1104000	Bail Roll Shaft 16"
122 1090037	Nut	1108987	Fr. Paper Tbl. 12" 14P	1104001	Bail Roll Shaft 20"
124 1108794	Paper Rel. Lever Assm. *	1108991	Fr. Paper Tbl. 16" 6 2/5 P	1104002	Bail Roll Shaft 24"
*1103760	Paper Rel. Lever Assm. *	1108992	Fr. Paper Tbl. 16" 8P	1104003	Bail Roll Shaft 30"
*Used on 12" and 16" Std. ET's below Serial Number 305447		1108993	Fr. Paper Tbl. 16" 9P	161 1103646	Paper Ball Pivot Assm. 12"
125 60489	Retainer, FR Rel. Lever	1108994	Fr. Paper Tbl. 16" 10P	1103647	Paper Ball Pivot Assm. 16"
126 1090037	Nut	1108995	Fr. Paper Tbl. 16" 12P	1103649	Paper Ball Pivot Assm. 24"
127 1090879	Eccentric Nut, Platen Yoke	1108996	Fr. Paper Tbl. 16" 14P	1103650	Paper Ball Pivot Assm. 30"
128 *1103745	Retainer Nut	1109000	Fr. Paper Tbl. 20" 6 2/5 P	162 1072855	Collar, Pap. Tab. Locating
129 * 3520	Screw, "C" Clip	1109001	Fr. Paper Tbl. 20" 8P	163 1106619	Ring, Front Paper Bail
130 * 109125	Washer, "C" Clip	1109002	Fr. Paper Tbl. 20" 9P	164 103372	Nut
131 *1107986	Washer	1109003	Fr. Paper Tbl. 20" 10P	165 1103640	Spring, Upper Index Pawl Stop
*Used on Std. Typewriters below approximate Serial Number 324793		1109004	Fr. Paper Tbl. 20" 12P	166 1103614	Upper Index Pawl Stop 29T (123), 62T (246) Ratchets
132 1107414	Nut, Tie Rod	1109005	Fr. Paper Tbl. 24" 6 2/5 P	1103609	Upper Index Pawl Stop 66T (234) Ratchets
133 103372	Nut	1109010	Fr. Paper Tbl. 24" 9P	1103613	Upper Index Pawl Stop 29T (123), 62T (246) Ratchets
134 1103659	Bail Arm Assm. RH	1109011	Fr. Paper Tbl. 24" 10P	1103615	Upper Index Pawl Stop 38T (123) Ratchets
135 1106619	Tie, Front Paper Bail	1109012	Fr. Paper Tbl. 24" 12P	1103604	Upper Index Pawl Stop 44T (234) Ratchets
136 186393	Screw, Bail Roll Shaft	1109013	Fr. Paper Tbl. 24" 14P	1103606	Upper Index Pawl Stop 55T (234) Ratchets
137 196299	Screw, Mtg. Plate	1109014	Fr. Paper Tbl. 30" 10P	1109845	Screw, Lower pawl stop
138 1071991	Spring, Paper Table	1109015	Fr. Paper Tbl. 30" 12P	1103632	Index Pawl Stop, Lower Retainer, Index Pawl Carrier
139 1108965	Plate, Paper Tbl. Adj. RH	1109016	Fr. Paper Tbl. 30" 14P	170 1103670	Detent Arm Assm. 29T through 49T Ratchets
140 1103786	Paper Table Lining 12"	147 1108966	Plate, Paper Tbl. Adj. LH	1103634	Detent Arm Assm. 50T through 66T Ratchets
1103787	Paper Table Lining 16"	148 186393	Screw, Bail Roll Shaft	171 1103636	Stud, Platen Detent
1103788	Paper Table Lining 20"	149 1103658	Bail Arm Assm. LH	172 1103592	Index Pawl Carrier Assm.
1103789	Paper Table Lining 24"	150 1103577	Platen Gd. Plate Assm. LH	173 1078469	Screw, Paper Tbl. Collar
1108953	Paper Table Lining 30"	151 1261018	Platen Gd. Plate Assm. LH (Above S/N 322004)	174 1103793	Carriage Tie Rod 12"
1108967	Screw, Paper Table	152 60489	Spring Washer, Detent Release Lever		
1108890	Paper Table Assm. 12"	153 1090897	Retainer		
1108898	Paper Table Assm. 16"	154 1090037	Ecc. Nut, Platen Yoke		
1108899	Paper Table Assm. 20"	155 1103745	Nut, Platen Yoke		
1108963	Paper Table Assm. 24"	156 *1103745	Eccentric Nut		
		157 * 37986	Washer		
			Screw		
			*Used on Std. ET's below approximate		

Model B Std. Carriage & Rails

REF. PART NO.	DESCRIPTION	REF. PART NO.	DESCRIPTION	REF. PART NO.	DESCRIPTION
174	1103794 Carriage Tie Rod 16"	209	38389 Screw, Rail Bracket	216	1099309 Carr. & Rack 16" 14P
	1103795 Carriage Tie Rod 20"	210	1108833 Deflector Assm. FR 12"		1099311 Carr. & Rack 20" 6 2/5P
	1103796 Carriage Tie Rod 24"		1109964 Deflector Assm. FR 16"		1099313 Carr. & Rack 20" 8P
	1103797 Carriage Tie Rod 30"		1108435 Deflector Assm. Single Piece 16"		1099315 Carr. & Rack 20" 9P
175	1103598 Spring, Index Pawl		1109965 Deflector Assm. FR 20"		1099317 Carr. & Rack 20" 10P
176	1108928 Spring, Platen Defent 29 - 49T Ratchets		1109966 Deflector Assm. FR 24"		1099319 Carr. & Rack 20" 12P
	1103637 Spring, Platen Defent 50 - 66T Ratchets	215	1109967 Deflector Assm. FR 30"		1099321 Carr. & Rack 20" 14P
177	1103599 Index Pawl 29T thru 49T		1261141 Rails & Supp. Assm. 12" 6 2/5P		1099323 Carr. & Rack 24" 6 2/5P
	1107452 Index Pawl 50T thru 66T		1261142 Rails & Supp. Assm. 12" 8P		1099329 Carr. & Rack 24" 9P
178	1103596 Index Pawl K. O. Lever		1261144 Rails & Supp. Assm. 12" 10P		1099331 Carr. & Rack 24" 10P
179	147297 Retainer, Index Pawl		1261145 Rails & Supp. Assm. 12" 12P		1099341 Carr. & Rack 24" 14P
180	123206 Retainer, Return Tape		1261146 Rails & Supp. Assm. 12" 14P		1099343 Carr. & Rack 30" 10P
181	1103668 Spring, Cam Lever LH		1261147 Rails & Supp. Assm. 12" 16P		1099345 Carr. & Rack 30" 12P
182	1103667 Spring, Cam Lever LH Cam Lever		1261148 Rails & Supp. Assm. 16" 8P	217	1261115 Carr. Assem. 12" 6 2/5P
183	1103669 Spring, Cam Lever RH		1261149 Rails & Supp. Assm. 16" 9P		1261116 Carr. Assem. 12" 8P
184	1107805 Yoke, Platen Control (LH or RH)		1261150 Rails & Supp. Assm. 16" 10P		1261117 Carr. Assem. 12" 9P
186	134986 Screw, Rail Lock		1261151 Rails & Supp. Assm. 16" 12P		1261118 Carr. Assem. 12" 10P
187	1090034 Nut, Rail Lock		1261152 Rails & Supp. Assm. 16" 14P		1261119 Carr. Assem. 12" 12P
188	1072967 Brace, Rail 20" and 24" machines (Specify Color)		1261153 Rails & Supp. Assm. 20" 6 2/5P		1261120 Carr. Assem. 12" 14P
			1261154 Rails & Supp. Assm. 20" 8P		1261121 Carr. Assem. 16" 6 2/5P
189	38383 Screw, Rail Bracket		1261155 Rails & Supp. Assm. 20" 9P		1261122 Carr. Assem. 16" 8P
190	38389 Screw, Rail Bracket		1261156 Rails & Supp. Assm. 20" 10P		1261123 Carr. Assem. 16" 9P
191	1077111 Bracket, Carriage Rail LH (Specify Color)		1261157 Rails & Supp. Assm. 20" 12P		1261124 Carr. Assem. 16" 10P
			1261158 Rails & Supp. Assm. 20" 14P		1261125 Carr. Assem. 16" 12P
192	1090888 Nut, Rail Bracket		1261159 Rails & Supp. Assm. 24" 6 2/5P		1261126 Carr. Assem. 16" 14P
193	1077109 Support LH (Specify Col.)		1261160 Rails & Supp. Assm. 24" 9P		1261127 Carr. Assem. 20" 6 2/5P
194	1077108 Tie Rod		1261161 Rails & Supp. Assm. 24" 10P		1261128 Carr. Assem. 20" 8P
195	1090888 Nut, Rail Bracket		1261162 Rails & Supp. Assm. 24" 12P		1261129 Carr. Assem. 20" 9P
196	1077112 Bracket, Carriage Rail RH (Specify Color)		1261163 Rails & Supp. Assm. 24" 14P		1261130 Carr. Assem. 20" 10P
197	1090254 Washer		1261164 Rails & Supp. Assm. 30" 10P		1261131 Carr. Assem. 20" 12P
198	134986 Screw, Rail Lock	216	1261165 Rails & Supp. Assm. 30" 12P		1261132 Carr. Assem. 20" 14P
199	1090034 Nut, Rail Lock		1099283 Carr. & Rack 12" 6 2/5P		1261133 Carr. Assem. 24" 6 2/5P
200	38389 Screw, Rail Bracket		1099285 Carr. & Rack 12" 8P		1261134 Carr. Assem. 24" 9P
201	6318 Lock Washer		1099287 Carr. & Rack 12" 9P		1261135 Carr. Assem. 24" 10P
202	24752 Screw		1099289 Carr. & Rack 12" 10P		1261136 Carr. Assem. 24" 12P
203	38383 Screw, Rail Mtg.		1099291 Carr. & Rack 12" 12P		1261137 Carr. Assem. 24" 14P
204	9092 Washer, Rail Mtg.		1099293 Carr. & Rack 12" 14P		1261138 Carr. Assem. 30" 10P
205	53370 Spacer, RH Mtg.		1099295 Carr. & Rack 16" 6 2/5P		1261139 Carr. Assem. 30" 12P
206	1105933 Support, RH (spec. color)		1099297 Carr. & Rack 16" 8P		1261140 Carr. Assem. 30" 14P
207	1090669 Nut, Tie Rod		1099299 Carr. & Rack 16" 9P		Carr. Assm's do not include Paper Table or Platens, Carriage & Rack Assm's include Carr. Frame & Escapement Rack only.
208	9092 Washer, Rail Mtg.		1099305 Carr. & Rack 16" 10P	218	1270857 Tear off Blade Assm. 12"
			1099307 Carr. & Rack 16" 12P		1270858 Tear off Blade Assm. 16"

Figure 1

January 1960



Model A Std. Carriage & Rails

REF. PART NO.	DESCRIPTION	REF. PART NO.	DESCRIPTION	REF. PART NO.	DESCRIPTION
1 1073665	Paper Table Assm. 12" (Wrinkle Finish)	22 20	See Margin Section	1076880	Detent Arm Assm. (Used with 30T, 31T, 36T, 39T, 40T and 45T)
1077477	Paper Table Assm. 12" (Satin Finish)	25 1090404	Spring, Carr. Rel. Bar		
1073669	Paper Table Assm. 16" (Wrinkle Finish)	26 1090007	Screw, Front Rail Dust Cover	1076864	Detent Arm Assm. (29T, 33T, 38T, 44T and 49T)
1077478	Paper Table Assm. 16" (Satin Finish)	27 1070297	Cover, Front Rail Dust	1076884	Detent Arm Assm. (50T thru 53T, 56T, 57T, 61T thru 66T)
1073670	Paper Table Assm. 20" (Wrinkle Finish)	28 1070905	Card Holder, LH 14 P		
1077479	Paper Table Assm. 20" (Satin Finish)	1070298	Card Holder, LH 12 P	1076882	Detent Arm Assm. (34T and 41T)
1073671	Paper Table Assm. 24" (Wrinkle Finish)	1260038	Card Holder, LH 12 P (Offset)	1076886	Detent Arm Assm. (55T, 58T through 60T)
1078447	Paper Table Assm. 24" (Satin Finish)	1070569	Card Holder, LH 10 P		
1073672	Paper Table Assm. 30" (Wrinkle Finish)	1260036	Card Holder, LH 10 P (Offset)	1072880	Detent Arm Assm. (46T)
1078602	Paper Table Assm. 30" (Satin Finish)	1070638	Card Holder, LH 9 P	41 1072479	Spring, Detent
2 1072855	Collar, Carr. Tie Rod	1070864	Card Holder, LH 8 P	42 1090383	Eccentric Nut
3 1078469	Screw, Tie Rod Collar	1070907	Card Holder, LH 5/32 P	43 1090307	Nut, Platen Detent
4 1071648	Carriage Tie Rod 12"	29 1090630	Washer, Card Holder	44 1077908	12" Platen Adj. Shaft
1071851	Carriage Tie Rod 16"	30 1090007	Screw, Card Holder	1077909	16" Platen Adj. Shaft
1071852	Carriage Tie Rod 20"	1070906	Card Holder, RH 14 P	1077910	20" Platen Adj. Shaft
1071853	Carriage Tie Rod 24"	1070299	Card Holder, RH 12 P	1077911	24" Platen Adj. Shaft
1071854	Carriage Tie Rod 30"	1260039	Card Holder, RH 12 P (Offset)	1077345	30" Platen Adj. Shaft
5 56722	Washer, Tie Rod	1070637	Card Holder, RH 10 P (Offset)	45 1071627	Line Space Lever
6 1090037	Nut, Tie Rod	1070637	Card Holder, RH 10 P (Offset)	46 1000377	Spring, Index Pawl
7 186393	Screw, Paper Bail Shaft	1070637	Card Holder, RH 9 P	47 1076865	Upper Index Pawl Stop (24T thru 30T (Except 29T))
8 38277	Screw, Reinforcing Plate	1070865	Card Holder, RH 8 P	1000325	Upper Index Pawl Stop (29T thru 44T, also 49T)
9 38277	Screw, Reinforcing Plate	1070906	Card Holder, RH 5/32 P	1002272	Upper Index Pawl Stop (50T thru 58T)
10 1077904	Reinforcing Plate	1071496	Index, Pawl Stop	1002273	Upper Index Pawl Stop (59T thru 66T)
11 1071629	Feed Roll Release Lever	1078643	Platen Guide Plate LH	48 1071617	Spring, Index Pawl
12 1071651	Burton, Carriage Release	1071486	Platen Guide Plate LH (Used on machines below Serial No. 36000)	49 1090529	Spring, Index Pawl
13 60488	Retainer, "C" Clip	1090037	Screw (Used on Machines below Serial No. 30000)	50 1073401	Index Pawl Carrier (Used with all ratchets from 24 to and including 49)
14 1071650	Rel. Lever LH, Carriage	1090845	Screw (Used on Machines below Serial No. 30000)	1076862	Index Pawl Carrier (Used with all ratchets 50T and up)
15 60489	Retainer, "C" Clip	1077905	Eccentric, Platen Guide		
16 60489	Retainer, "C" Clip	1071657	Screw, Platen Guide		
17 1071223	Spring, Washer	1072477	Eccentric		
18 1072305	Eccentric, Platen Guide	1072476	Spring, Washer		
19 1072370	Screw, Guide Shaft Plate	25282	Lever, Platen Detent Rel.		
20 1090845	Screw, Guide Shaft Plate	1072875	Retainer, "C" Clip		
21 1072303	Plate, Guide Shaft		Detent Arm Assembly (Used with 24T, 27T, 32T, 35T, 43T and 48T Ratchets)		

REF. PART NO.	DESCRIPTION	REF. PART NO.	DESCRIPTION	REF. PART NO.	DESCRIPTION
51 1074145	Washer, Paper Tbl. Stop	1073291	Retaining Plate (Used with former style Lift Arm 1074049)	1077214	30" Paper Bail Shaft scaled 12 P
52 1074145	Washer, Paper Tbl. Stop			1077213	30" Paper Bail Shaft scaled 10 P
53 1072849	Stop, Paper Table L.H.	67 1090022	Screw, Deflector Support	82 1090037	Nut
54 1074145	Washer, Paper Tbl. Stop	68 1070015	Screw	83 1074145	Washer
55 1090037	Nut, Paper Table Stop	69 1073292	Spring	84 1105742	Bail Spring
56 1090604	Screw, Deflector	70 1079980	Support, FR Act. Shaft	1077335	Bail Spring (Used on Decimal Tab. Carr. only)
57 1090605	Nut, Deflector	71 1092009	Holder, Adj. Screw	1072437	Bail Spring (Coil)
58 443	Screw, Platen Indexing Lever	72 1073288	Nut, Adj. Screw	85 1078646	Bail Lever Assm., LH
59 1014992	Platen Indexing Lever Assembly	73 1090037	Feed Roll Assembly - front - 16" and 24"	1077338	Bail Lever LH (Used with 1071486 Platen Guide Plate and 1071515 spacer below Serial No. 36000)
60 1091149	Spring, Platen Indexing Lever	74 1064812	Feed Roll Assembly - rear - 12", 20" and 30"	1071512	Bail Lever LH (Used with coil spring)
61 1092125	Washer and 1092068 Nut (Used with former style Equalizing Shaft)	1064810	Deflector Assembly 12"	86 1071666	Plate, Paper Tab. Gage
1090269	Equalizing Shaft 12", 20" and 30"	1072670	Deflector Assm. 16", 24" and 30"	87 1072853	Spring, Paper Tab. Gage
62 1000698	Equalizing Shaft 12", 20" and 30"	1072669	Deflector Assm. 20", 30" and 36"	88 1073805	12" Felt Lining
1002498	Equalizing Shaft 16" and 24"	1070380	Paper Bail Roll Assembly	1073806	16" Felt Lining
63 1077740	12" Actuating Shaft	1070585	Spring	1073807	20" Felt Lining
1077741	16" Actuating Shaft	1070595	Callar	1073808	24" Felt Lining
1077742	20" Actuating Shaft	1070382	Screw	1073809	30" Felt Lining
1077743	24" Actuating Shaft	1072859	12" Paper Bail Shaft	90 1072851	Gage, Paper Table
1077744	30" Actuating Shaft	1072855	12" Paper Bail Shaft scaled 12 P	91 1072858	Spring
1076919	12" Actuating Shaft (Used on machines below Serial No. 30000)	1072856	12" Paper Bail Shaft scaled 10 P	92 1072848	Pad, Paper Table
1071859	16" Actuating Shaft (Used on machines below Serial No. 30000)	1072205	16" Paper Bail Shaft scaled 12 P	93 1090037	Nut, Carriage Tie Rod
1071860	20" Actuating Shaft (Used on machines below Serial No. 30000)	1071863	16" Paper Bail Shaft scaled 10 P	94 56722	Washer, Carr. Tie Rod
1071861	24" Actuating Shaft (Used on machines below Serial No. 30000)	1077208	16" Paper Bail Shaft scaled 12 P	95 1072484	Spring LH (Hooks on actuating shaft)
1071862	30" Actuating Shaft (Used on machines below Serial No. 30000)	1077207	16" Paper Bail Shaft scaled 10 P	1076950	Spring LH (Hooks on carriage frame)
64 1077739	Pin, Actuating Shaft	1071864	20" Paper Bail Shaft scaled 12 P	96 1090817	Screw, Set
65 1100503	Arm, Actuating Shaft	1077210	20" Paper Bail Shaft scaled 10 P	97 1078469	Grommet
66 1100504	Retaining Plate	1077209	20" Paper Bail Shaft scaled 12 P	98 1070545	Spring
		1071865	24" Paper Bail Shaft scaled 10 P	99 1090417	Collar
		1077212	24" Paper Bail Shaft scaled 12 P	100 1078301	12" Carr. Rel. Bar Assm.
		1077211	24" Paper Bail Shaft scaled 10 P	1078302	16" Carr. Rel. Bar Assm.
				1078303	20" Carr. Rel. Bar Assm.
				1078304	24" Carr. Rel. Bar Assm.
				1078305	30" Carr. Rel. Bar Assm.
				1100385	Type Shield (Underprint)

Model A Std. Carriage & Rails

REF. PART NO.	DESCRIPTION	REF. PART NO.	DESCRIPTION	REF. PART NO.	DESCRIPTION		
102	1077980	12" Front Paper Gd. 14P	1077974	20" LH Front Paper Gd. 8P	123	1072967	Rail Brace LH & RH (20" and 24" Machines)
	1077981	16" LH Front Paper Gd. 14P	1077979	20" RH Front Paper Gd. 8P	124	1071664	12" Front Rail
	1077982	16" RH Front Paper Gd. 14P	1077996	12" Front Paper Gd. 6 2/5P		1072634	16" Front Rail
	1077983	20" LH Front Paper Gd. 14P	1077997	16" LH Front Paper Gd. 6 2/5 P		1072636	20" Front Rail
	1077984	20" RH Front Paper Gd. 14P	1077998	16" RH Front Paper Gd. 6 2/5 P		1072638	24" Front Rail
	1077985	24" CT Front Paper Gd. 14P		6 2/5 P		1072640	30" Front Rail
	1077986	24" RH Front Paper Gd. 14P	1077999	20" LH Front Paper Gd. 6 2/5 P	125	1073255	Rail Support, LH & RH
	1077987	30" LH Front Paper Gd. 14P		6 2/5 P	126		Refer to Backspace
	1077987	30" CT Front Paper Gd. 14P	1078000	20" RH Front Paper Gd. 6 2/5P	127	1090047	Spacer, Rail Support
	1077988	30" RH Front Paper Gd. 14P		6 2/5P	128	1090003	Screw, Final Stop
	1077956	12" Front Paper Gd. 12P	1077997	24" LH Front Paper Gd. 6 2/5 P	129	1071663	Stop, Carriage Final
	1077959	16" Front Paper Gd. LH 12P		6 2/5 P	130	1090003	Screw, Final Stop
	1077960	16" RH Front Paper Gd. 12P	1078001	24" CT Front Paper Gd. 6 2/5 P	131	134986	Screw, Rail Lock
	1077964	20" LH Front Paper Gd. 12P		6 2/5 P	132	1090012	Screw, Rail Mounting
	1077963	20" RH Front Paper Gd. 12P	1078002	24" RH Front Paper Gd. 6 2/5 P	133	1071723	Washer, Spring
	1077959	24" LH Front Paper Gd. 12P		6 2/5 P	134	1071653	Carriage Rel. Lever RH
	1077965	24" CT Front Paper Gd. 12P			135	60489	Retainer, "C" Clip
	1077966	24" RH Front Paper Gd. 12P			136	1071651	Button, Carr. Rel. Lever
	1077964	30" LH Front Paper Gd. 12P			137	60489	Retainer, "C" Clip
	1077967	30" CT Front Paper Gd. 12P			138	1090037	Nut
	1077968	30" RH Front Paper Gd. 12P	105	1072022	139	62031	Washer
	1077955	12" Front Paper Gd. 10P	106	1071507	140	1072302	Arm, Platen Guide
	1077957	16" LH Front Paper Gd. 10P	107	1091161	141	1072370	Screw
	1077958	16" RH Front Paper Gd. 10P	108	1071507	142	1072305	Centric, Platen Guide
	1077969	20" LH Front Paper Gd. 10P	109	1071507			Shaft
	1077970	20" RH Front Paper Gd. 10P	110	1018782			
	1077957	24" LH Front Paper Gd. 10P	111	1090594	143	1090845	Screw
	1077971	24" CT Front Paper Gd. 10P	112	1090879	144	1072304	Defent Platen Guide
	1077972	24" RH Front Paper Gd. 10P			145	1072303	Plate, Platen Gd. Shaft
	1077969	30" LH Front Paper Gd. 10P	113	1070384	146	1090037	Nut
	1077973	30" CT Front Paper Gd. 10P	114	1090037	147	56722	Lockwasher
	1077974	30" RH Front Paper Gd. 10P	115	1071415	148	1078656	Platen Gd. Plate Assm. RH
	1077989	12" Front Paper Guide 9P	116	1072850	149	1071498	Platen Guide Plate Assm. RH (Used on machines below Serial No. 36000)
	1077990	16" LH Front Paper Gd. 9P	117	1076951	150	186393	Screw
	1077991	16" RH Front Paper Gd. 9P				1078647	Rail Lever Assm. RH
	1077992	20" LH Front Paper Gd. 9P				1077337	(Used with No. 1071498)
	1077993	20" RH Front Paper Gd. 9P					Platen Guide Plate Assm. below Serial No. 36000)
	1077990	24" LH Front Paper Gd. 9P	118	1090337			Screw
	1077994	24" CT Front Paper Gd. 9P	119	1091302			Ball Lever Assm. RH
	1077995	24" RH Front Paper Gd. 9P	120	1090000			(Used with No. 1071498)
	1077975	12" Front Paper Guide 8P	121	1090012			Platen Guide Plate Assm. below Serial No. 36000)
	1077978	16" LH Front Paper Gd. 8P	122	1090034	151	1074145	Washer (Ball Arm)
	1077977	16" RH Front Paper Gd. 8P				1091391	Washer (Ball Arm) (Used on machines below Serial No. 36000)

REF. PART NO.	DESCRIPTION	REF. PART NO.	DESCRIPTION	REF. PART NO.	DESCRIPTION		
151	1072477	Washer (Spring) (Used on machines below Serial No. 36000)	1074351	16" Rear Rail (Without Dowel Holes for Escape-ment Pawl Bracket)	1079216	Carr. & Rack 12" 12P	
152	1090037	Nut	1074352	20" Rear Rail (Without Dowel Holes for Escape-ment Pawl Bracket)	1079222	Carr. & Rack 16" 12P	
153	1074145	Washer			1079228	Carr. & Rack 20" 12P	
154	1090037	Nut			1079233	Carr. & Rack 24" 12P	
155	1105743	Ball Spring	1074353	24" Rear Rail (Without Dowel Holes for Escape-ment Pawl Bracket)	1079236	Carr. & Rack 30" 12P	
	1072437	Ball Spring (Coil)			1079215	Carr. & Rack 12" 10P	
	1100054	Ball Spring (Used on Decimel Tab Carr. only)	1074354	30" Rear Rail (Without Dowel Holes for Escape-ment Pawl Bracket)	1079221	Carr. & Rack 16" 10P	
156	1077906	Platen Guide Eccentric			1079227	Carr. & Rack 20" 10P	
157	1071657	Screw			1079232	Carr. & Rack 24" 10P	
158	1077904	Plate, Platen Guide	182	1077111	1079214	Carr. & Rack 12" 14P	
159	38346	Screw, Platen Guide Plate			1079220	Carr. & Rack 16" 9P	
160	38346	Screw, Platen Guide Plate	183	38389	1079226	Carr. & Rack 20" 9P	
161 to 165		Refer to appropriate sect.	184	38383	1079231	Carr. & Rack 24" 9P	
166	60489	Retainer, "C" Clip	185	5092	1079213	Carr. & Rack 24" 8P	
167	1073276	Support, Center	186	1090669	1079219	Carr. & Rack 16" 8P	
168	1090041	Nut, Center Supp. Screw	187	1077108	1079225	Carr. & Rack 20" 6 2/5P	
169	2650	Screw, Center Support	188	53370	1079224	Carr. & Rack 20" 6 2/5P	
170	1091111	Lockwasher	189	5092	1079230	Carr. & Rack 24" 6 2/5P	
171	1090269	Washer, Center Support	190	38383			
172	1078322	Support, Center	191	24752			
173	1091111	Lockwasher	192	6318			
174	186393	Screw, Tab Rack Cen. Supp.	193	38389			
175	1077332	Cen. Supp., Tab Rack 12P	194	134986			
	1077331	Cen. Supp., Tab Rack 12P	195	1090034			
176	1078301	Carriage Release Bar 12"	196	1077112	207	1071663	Carr. Assm. 12" 14P
	1078302	Carriage Release Bar 16"				1071171	Carr. Assm. 16" 14P
	1078303	Carriage Release Bar 20"	197	1090254		1071717	Carr. Assm. 20" 14P
	1078304	Carriage Release Bar 24"	198	38389		1071882	Carr. Assm. 24" 14P
	1078305	Carriage Release Bar 30"	199	1090888		1071885	Carr. Assm. 30" 14P
177	1090058	Washer, Cen. Supp. Mtg.	200	1077109		1077164	Carr. Assm. 12" 12P
178	38364	Screw, Cen. Supp. Mtg.	201	1105933		1071710	Carr. Assm. 16" 12P
179	1065952	Bracket, Center Support	202	1090888		1071716	Carr. Assm. 20" 12P
180	1091035	Screw, Center Support	203	1091074		1071818	Carr. Assm. 24" 12P
181	1071665	12" Rear Rail				1071784	Carr. Assm. 30" 12P
	1072635	16" Rear Rail				1071663	Carr. Assm. 12" 10P
	1072637	20" Rear Rail				1071769	Carr. Assm. 16" 10P
	1072639	24" Rear Rail				1071775	Carr. Assm. 20" 10P
	1072641	30" Rear Rail	206	1079217		1071880	Carr. Assm. 24" 10P
	1074350	12" Rear Rail (Without Dowel Holes for Escape-ment Pawl Bracket)				1071883	Carr. Assm. 30" 10P
						1071662	Carr. Assm. 12" 9P
						1071668	Carr. Assm. 16" 9P
						1071774	Carr. Assm. 20" 9P

Note: Carriage Assemblies as listed are not equipped with the Paper Table and Shaft Assembly, Platen or Deflector and Feed Roll Assembly. These parts must be ordered in addition to the Carriage Assembly.

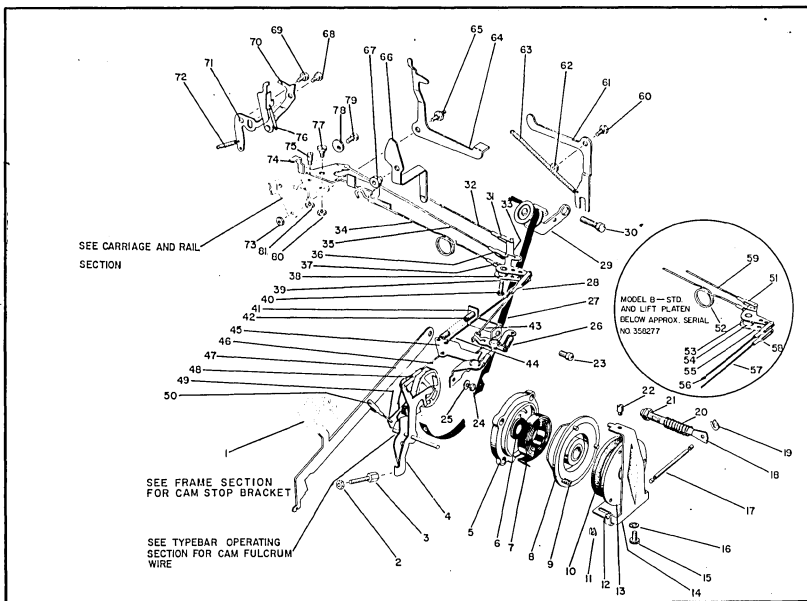
Model A Std. Carriage & Rails

REF. PART NO.	DESCRIPTION	REF. PART NO.	DESCRIPTION	REF. PART NO.	DESCRIPTION
1077179	Carr. Assm. 24" 9P				
1077161	Carr. Assm. 12" 8P				
1077167	Carr. Assm. 16" 8P				
1077173	Carr. Assm. 20" 8P				
1077160	Carr. Assm. 12" 6 2/5P				
1077166	Carr. Assm. 16" 6 2/5P				
1077172	Carr. Assm. 20" 6 2/5P				
1077178	Carr. Assm. 24" 6 2/5P				
208 1077131	Rails & Supp. Assm. 12" 6 2/5P				
1077132	Rails & Supp. Assm. 12" 8P				
1077133	Rails & Supp. Assm. 12" 9P				
1077134	Rails & Supp. Assm. 12" 10P				
1077135	Rails & Supp. Assm. 12" 12P				
1077136	Rails & Supp. Assm. 12" 14P				
1077137	Rails & Supp. Assm. 16" 6 2/5P				
1077138	Rails & Supp. Assm. 16" 8P				
1077139	Rails & Supp. Assm. 16" 9P				
1077140	Rails & Supp. Assm. 16" 10P				
1077141	Rails & Supp. Assm. 16" 12P				
1077142	Rails & Supp. Assm. 16" 14P				
1077143	Rails & Supp. Assm. 20" 6 2/5P				
1077144	Rails & Supp. Assm. 20" 8P				
1077145	Rails & Supp. Assm. 20" 9P				
1077146	Rails & Supp. Assm. 20" 10P				
1077147	Rails & Supp. Assm. 20" 12P				
1077148	Rails & Supp. Assm. 20" 14P				
1077149	Rails & Supp. Assm. 24" 6 2/5P				
1077150	Rails & Supp. Assm. 24" 9P				
1077151	Rails & Supp. Assm. 24" 10P				
1077152	Rails & Supp. Assm. 24" 12P				
1077153	Rails & Supp. Assm. 24" 14P				
1077154	Rails & Supp. Assm. 30" 10P				
1077155	Rails & Supp. Assm. 30" 12P				
1077156	Rails & Supp. Assm. 30" 14P				

January 1960

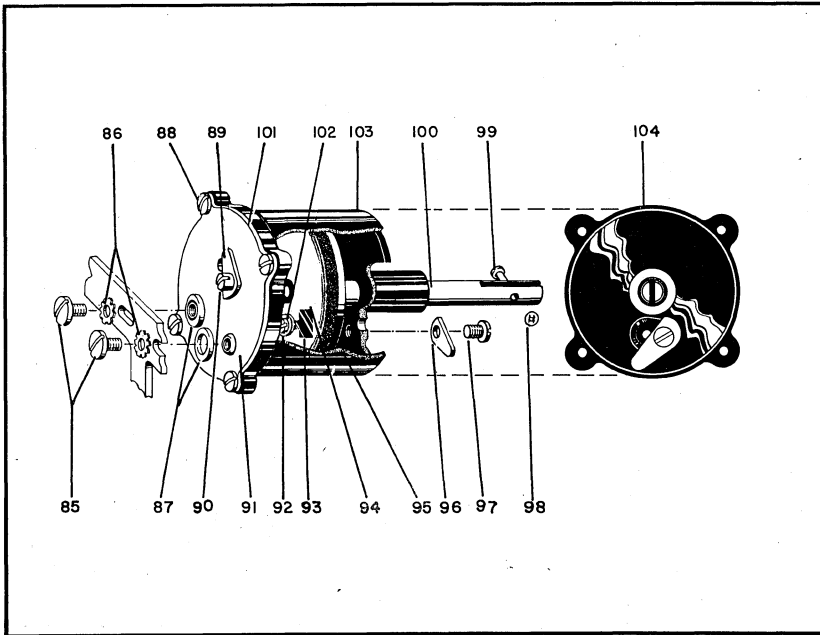
Figure 1

Model B Std. Carriage Return. CODE -403

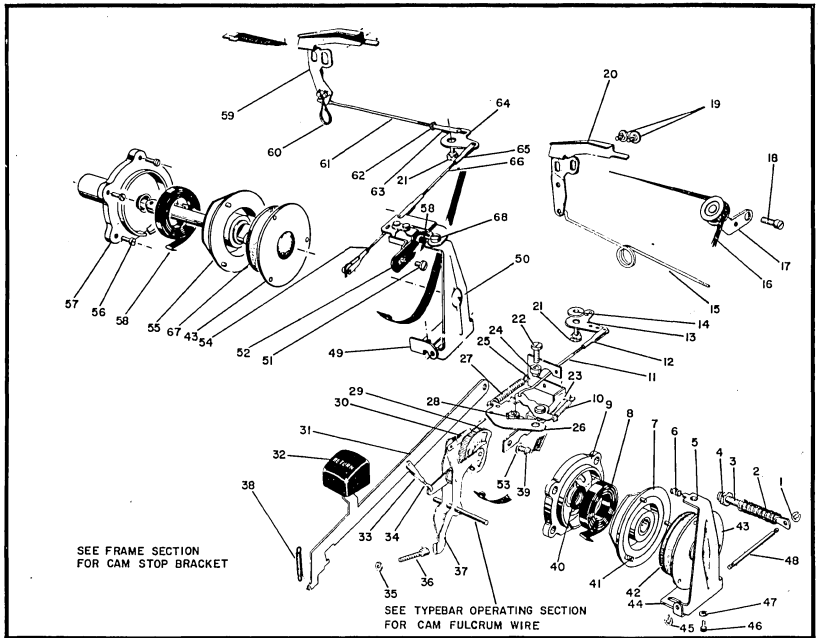


REF. PART NO.	DESCRIPTION	REF. PART NO.	DESCRIPTION	REF. PART NO.	DESCRIPTION
1	1106369 Keybutton, Carr. Return (Gray)	27	1103677 Carr. Return Tape 24" Model B	52	1105507 Connecting Link, Pawl Rel.
	1072309 Keybutton, Carr. Return (Blue)		1103678 Carr. Return Tape 30" Model B	53	1107374 Bellcrank, Int. Pawl Release
2	7341 Nut, Stop Screw		1014419 Carr. Return Tape 12" Model A	54	1077877 Spacer, Clutch Bellcrank
3	1091666 Screw, Cam Stop		1014420 Carr. Return Tape 16" Model A	55	1107374 Bellcrank, Pawl Unlatching
4	1119189 Carr. Return Cam (Typomatic)		1014421 Carr. Return Tape 20" Model A	56	1077880 Connecting Link, Clutch Latch
	1119187 Carr. Return Cam (Non-Repeat)		1014422 Carr. Return Tape 24" Model A	57	1077879 Connecting Link, Clutch Lever
5	1078488 Housing, Clutch Spring		1014423 Carr. Return Tape 30" Model A	58	1070020 Adjusting Clevis
6	1078495 Washer, Clutch Thrust	28	1070020 Adjusting Clevis	59	1104438 Connecting Link, Clutch Unlatching
7	1070079 Spring, Clutch Pulley	29	1072925 Carr. Ret. Pulley Assm.	60	1105663 Screw, Air cylinder bellcrank
8	1078503 Clutch Pulley Assm. (12", 16" and 20" Std.)	30	10408 Screw, Pulley Mtg.	61	1105662 Air Cylinder, Bellcrank Nut
	1078507 Clutch Pulley Assm. (24", 30" Std. and L.P. Carr's)	31	1070020 Adjusting Clevis	62	1090037 Spring, Air Cylinder
9	1091632 Compression Spring	32	1071962 Connecting Link, Carr. Return Interlock	63	1105664 Bellcrank
10	1078509 Clutch Friction Disc Assm.	33	1109038 Clutch Unlatching Bellcrank	64	1105641 Margin Control Bellcrank
11	1091662 Retainer, Clutch Lev. Shaft			65	1105642 Screw, Margin Control Bellcrank
12	1074495 Clutch Lever Bracket, Operating Arm	34	1105507 Connecting Link, Pawl Rel.	66	1109043 Lever, Rebound Check Interlock
13	1071425 Clutch Plate & Insert Assm.	35	1104438 Connecting Link, Clutch Unlatching, Standard	67	1109035 Spacer, Interlock Lever
14	1071363 Clutch Operating Arm	36	1070020 Adjusting Clevis	68	1105646 Screw, Pawl Release Bellcrank
15	1090003 Screw, Clutch Bracket	37	1070020 Adjusting Clevis	69	1105646 Screw, Pawl Release Bellcrank
16	62031 Lockwasher, Clutch Brkt.	38	1077877 Bellcrank, Int. Pawl Rel.	70	1107306 Bellcrank, Int. Pawl Rel.
17	1071419 Shaft, Clutch Lever Pivot Bolt, Clutch Lever Ret.	39	1107374 Bellcrank, Int. Pawl Rel.	71	1105644 Bellcrank, Pawl Release
18	1070145 Retainer, Clutch Lever Bolt	40	1091006 Spring, Clutch Lever	72	1106650 Spring, Pawl Release Bellcrank
19	1091662 Retainer, Clutch Lev. Shaft	41	1107416 Spring, Clutch Lever		
20	1100441 Spring, Clutch Lever Bolt	42	1090435 Spring, Clutch Lever	73	1090037 Nut
21	167052 Locknut, Clutch Lever Bolt	43	1077880 Connecting Link, Clutch Latch	74	1110505 Interlock, Tab Carr. Ret.
22	1091621 Locknut, Clutch Lever Bolt	44	1077879 Connecting Link, Clutch Lever to Bellcrank	75	1012466 Eccentric Stop Spring, Pawl Release Bellcrank
23	1077875 Screw, Clutch Arm	45	1077888 Clutch Bracket Assm.	76	1091069 Spring, Pawl Release Bellcrank
24	38279 Screw, Spring Supp. Mtg.	46	1000223 Connecting Link, Clutch Lever to Cam	77	1107379 Stud, Carr. Ret. & Tab Interlock Mtg.
25	38281 Screw, Clutch Brkt. Mtg.	47	1072283 Key Lever, Carr. Return	78	1102081 Bellcrank, Pawl Release Washer, Bellcrank Stop Eccentric
26	62031 Lockwasher, Clutch Brkt.	48	1012703 Adjusting Clevis	79	38279 Screw, Bellcrank Stop Eccentric
27	45119 Spring, Clutch Latch Assm. Standard	49	1073037 Connecting Link	80	1090037 Nut
	1103674 Carr. Return Tape 12" Model B	50	1070020 Adjusting Clevis	81	1090037 Nut
	1103675 Carr. Return Tape 16" Model B	51	1070020 Adjusting Clevis		
	1103676 Carr. Return Tape 20" Model B				

CODE-403 Model B Std. Carriage Return

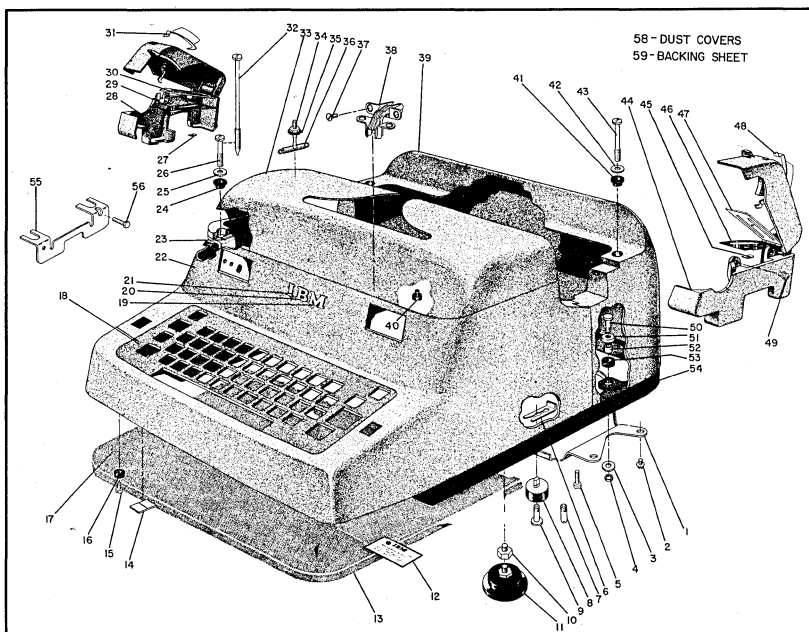


REF. PART NO.	DESCRIPTION	REF. PART NO.	DESCRIPTION	REF. PART NO.	DESCRIPTION
85	58207	Screw, Mtg.			
86	55901	Lockwasher, Mtg.			
87	1107854	Spacer, Mtg.			
88	10170	Screw, Air Cyl. Cover			
89	1018477	Plate, Air Cyl. Part			
90	1091471	Screw			
91	1100845	Cover, Air Cyl.			
92	1105627	Screw, Piston			
93	1100839	Valve, Air Cyl.			
94	1109626	Plate, Air Cyl. Gasket			
95	1109625	Gasket, Air Cyl.			
96	1018477	Plate, Air Cyl. Part			
97	38348	Screw, Air Cyl. Part			
98	1106027	Speed Clip			
	1100846	Pin, Air Cyl.			
100	1109622	Piston Assembly, Air Cyl.			
	1109624	Piston Assembly, Air Cyl. (Decimal Tab - Partial Carriage Return)			
101	1108842	Cork Gasket			
102	22478	Washer, Air Cyl. Valve			
103	1108813	Housing, Air Cyl.			
104	1105791	Complete Air Cyl. Assm.			
	1100848	Complete Air Cyl. Assm. (Dec. Tab - Partial Carr. Return)			



REF. PART NO.	DESCRIPTION	REF. PART NO.	DESCRIPTION	REF. PART NO.	DESCRIPTION
1	1091662 "C" Clip, Clutch Lever Shaft	16	1014423 30" Carriage Return Tape	32	1072309 Keybutton, Carr. Ret. (blue)
2	1100441 Spring, Clutch Lever Ret. Bolt	17	1072925 Carr. Ret. Pulley Assm.	33	1106369 Adjusting Clevis
*	167052 Spring, Clutch Lever Ret. Bolt - Model 6 L.P.	18	1090026 Screw, Carr. Ret. Pulley	34	1014536 Connecting Link
3	1070145 Clutch Lever Ret. Bolt	19	1090438 Shoulder Screw, Clutch KO Lever	35	7341 Nut, Stop Screw
4	1091421 Locknut, Clutch Lev. Bolt	1077855	Shoulder Screw (Used on machines without dowel holes for Escapement Pawl Bracket.)	36	1091666 Adjustable Stop
5	1071363 Clutch Operating Arm	20	1078555 Clutch Knockout Lever	37	1119187 Operating Cam Assm.
6	1072207 Compression Spring, Clutch Operating Arm	21	1091627 Stud, Clutch Latch Bellcrank	38	1074242 Spring, Key Lever
7	1078503 Clutch Pulley Assm., Model 1, 12", 16", 20" carr. (Used with 1117828 Power Roll)	22	1072820 Screw, Clutch Arm	39	38281 Screw, Clutch Bracket
1078507	Clutch Pulley Assm., Model 1, 24", 30" and all Model 4 carriages (Used with 1117828 Power Roll)	23	1073040 Clutch Bracket Assm. (used with single link #1073016)	40	1078495 Washer, Clutch Thrust
8	1070079 Spring, Clutch Pulley	1074577	Clutch Bracket Assm., Adj. Clutch Brkt. Spring (Used on machines between approx. Ser. #2139 & 54800)	41	1078509 Compression Spring
9	1078488 Clutch Spring Housing	24	1074494 Clutch Lever Spacer	42	1078509 Clutch Friction Disc Assm.
10	1091073 Spring, Clutch Brkt. Assm.	1078435	Clutch Lever Spacer (Use with No. 1071364 Clutch Lever Brkt.) (Below approx. Mach. Serial #48500)	43	1071425 Clutch Plate Assm.
11	1073016 Single Link, Clutch Latch (Above approx. machine Serial No. 54800)	25	1077876 Guide, Line Lock Push	44	1074495 Clutch Lever Bracket
1016364	Connecting Link, Latch to Bellcrank (approx. mach. Serial Nos. 22139 to 54800)	26	1078436 Clutch Lever	1071364	Clutch Lever Bracket (Use with 1078435 spacer) (below approx. mach. Ser. #48500)
1000223	Connecting Link, Clutch Lever to Cam (approx. mach. Serial No. 22139 to 54800)	27	32337 Spring, Clutch Lever	45	1091662 C Clip, Clutch Lever Shaft
12	1070020 Adjusting Clevis, Latch	28	1078432 Clutch Roller	46	1090003 Screw, Bracket Mtg.
13	1073026 Clutch Latch Bellcrank	38279	Screw, Line Lock Push Rod Guide	47	62031 Lockwasher
14	1074145 Washer	29	1073016 Single Link, Clutch Latch (Above approx. machine Serial No. 54800)	48	1071419 Clutch Lev. Pivot Shaft
15	1105507 Spring Link, Clutch KO Lever	1016364	Connecting Link, Latch to Bellcrank (approx. mach. Serial No. 22139 to 54800)	49	1071364 Clutch Lever
1078438	Connecting Link, Clutch KO Lever (approx. mach. Serial #22139 to 54800)	1000223	Connecting Link, Clutch Lever to Cam (approx. mach. Serial No. 22139 to 54800)	50	1071363 Clutch Operating Arm
16	1014419 12" Carriage Return Tape	30	1070020 Clevis, Pin Adjusting	51	1093003 Screw
1014420	14" Carriage Return Tape	1012703	Clevis, Hole Adjusting	52	1077328 Clutch Toggle & Stop Assm
1014421	20" Carriage Return Tape	1072283	Keylever, Carr. Return	53	62031 Lockwasher, Clutch Bracket
1014422	24" Carriage Return Tape			54	1000260 Adjusting Link
				55	1070495 Clutch Pulley Assm. 12" 16" and 20"
				1070780	Clutch Pulley Assm. 24", 30"
				1090524	Screw
				56	1071351 Clutch Spring Housing
				57	1072207 Spring, Clutch
				58	1014243 Toggle, Knockout Lever
				60	1013053 Spring, Toggle Lever
				61	1000739 Link
				62	1091057 Nut
				63	1070020 Adjustable Pin Clevis
				64	1070071 T. K. O. Bellcrank
				65	1070020 Adjustable Pin Clevis
				66	1070937 Link Assembly
				67	1070083 Clutch Disc
				68	1091691 Screw, Operating Arm

CODE-404 Model A - B Std. Covers



REF. PART NO.	DESCRIPTION	REF. PART NO.	DESCRIPTION	REF. PART NO.	DESCRIPTION
1	1072217 Plate, Rear Bottom A & B	1107678	Letter "B" (Green)	1100791	Rear Case 30" Carr. A & B (Specify Color)
	1077080 Plate, Rear Bottom 30" Carr. A & B	1108180	Letter "B" (White)	40	1104007 Bumper, Top Cover
2	39281 Screw, Rear Bottom Plate	1107669	Letter "I" (Blue)	41	1107980 Grommet, Cover Mtg.
3	1071644 Washer	1107673	Letter "I" (Green)	42	22478 Washer, Cover Mtg.
4	1090034 Nut	1107577	Letter "I" (White)	43	1100742 Screw, Case Mtg.
5	1090000 Screw	1108177	Front Case & Top Cover A & B (Specify Color)	44	1103875 Cover Assm., Carr. End RH Mod. B (Spec. color)
6	1100743 Clip, Fastener Lockwasher (Used with 1077190)	1261603	Front Case & Top Cover 30" A & B (Specify Color)	1073675	Cover Assm., Carr. End RH Mod. A (Spec. color)
	3960 Nut (Used with 1077190)	23	1100740 Speed Nut, Case Mtg.	45	308196 Nut, Speed Carr. End Cov.
7	1108612 Pin, TW Positioning(short)	24	1107980 Grommet, Cover Mtg.	46	1104083 Retainer, End Cover
	1090746 Pin, TW Positioning (long)	25	22478 Washer, Steel (Used with 1108520 front case mtg.)	47	1108949 Lining, Carr. End Cover RH Model B
8	1108796 Stud, Mounting Mount., Desk Rubber	26	1100741 Screw, Front Case Mtg.	1072124	Lining, Carr. End Cover RH Model A
9	1090031 Screw, 5/8" long	27	308196 Nut, Carr. End Cov. Screw	1108874	Bumper, Carr. End Cov. RH
	38688 Screw, 3/4" long	28	1103879 Cover Assm., Carr. End LH Mod. B (specify color)	49	1104086 Screw, Carr. End Cover Model B
	59647 Screw, 1" long	1073676	Cover Assm., Carr. End LH Mod. A (specify color)	1105503	Screw, Carr. End Cover Rear Model A
	36112 Screw, 1 1/2" long	29	1104084 Retainer, End Cov. Lining	1105504	Screw, Carr. End Cover Front Model A
	59648 Screw, 1 3/4" long	30	1108948 Lining, Carr. End Cover LH Model B	50	1071738 Screw, Adapter
	59649 Screw, 2" long	1072119	Lining, Carr. End Cover LH Model A	51	1107981 Retainer, Mtg. Grommet
	59652 Screw, 3" long	31	1108875 Bumper, Carr. End Cover LH	52	1071644 Washer, Model A
10	1096741 Extension, Base Foot	32	1108520 Screw, Front Case Mtg. (Long)	53	1071740 Sleeve, Adapter Mtg.
11	1077201 Foot, Base	33	1108795 Top Cover, only (Top Mtg. Specify Color)	54	1071739 Grommet, Adapter Mtg.
12	1077870 Plate, Patent Model A	34	1071688 Stud, Top Cover	1071836	Adapter Bracket A & B
	1077871 Plate, Patent Model B	35	1107442 Washer, Top Cover Stud	1077115	Adapter Cover (Cut for 30" A & B)
13	1072824 Desk Pad	36	1071991 Spring, Top Cover	55	1077723 Bracket, Keyplate L.H.
14	1106155 Window, Indicator	37	163 Screw, Top Cover Hinge Model B	1106395	Dust Cover 12" gray A & B
15	1077721 Screw, Keyplate	1090729	Screw, Top Cover Hinge Model A	1106396	Dust Cover 16" gray A & B
16	1077722 Grommet, Keyplate	38	1108577 Hinge, Top Cover Mod. B	1106398	Dust Cover 24" gray A & B
17	1105848 Grommet, Keyplate (Hard)	1071837	Hinge, Top Cover Mod. A	1106399	Dust Cover 30" gray A & B
18	1260153 Screw, Keyplate (Used with Hard Grommet)	39	1100794 Rear Case A & B (Specify Color)	1102082	Backing Sheet 8 1/2 x 11
19	1107725 Keyplate, 84 char. A & B (Specify Color)			1102083	Backing Sheet 10 x 16
	1100191 Keyplate, 88 char. A & B (Specify Color)			1102084	Backing Sheet 20 x 16
	1107671 Letter "M" (Blue)				
	1107675 Letter "M" (Brown)				
	1107679 Letter "M" (Green)				
	1108181 Letter "M" (White)				
20	1107670 Letter "B" (Blue)				
	1107674 Letter "B" (Brown)				

Model A - B Std. Covers

REF. PART NO. DESCRIPTION

The following COLOR CONVERSION BILLS OF MATERIAL are for MODEL A & B Standard Typewriters only.

1270838	12" Fiesta Red (608)
1270639	12" Woodland Green (592)
1270633	12" Dove Gray (603)
1270786	12" Yellow Jasmine (604)
1270635	12" Midnight Blue (582)
1270636	12" Larkspur Blue (583)
1270637	12" Tropic Tan (584)
1270638	12" Cascade Green (591)
1270790	12" Titian Glow (606)
1270839	16" Fiesta Red (608)
1270722	16" Woodland Green (592)
1270640	16" Dove Gray (603)
1270787	16" Yellow Jasmine (604)
1270642	16" Midnight Blue (582)
1270643	16" Larkspur Blue (583)
1270644	16" Tropic Tan (584)
1270721	16" Cascade Green (591)
1270791	16" Titian Glow (606)

NOTE: For conversion to Midnight Blue, also select Blue plastic parts Bill of Material from the "Model A Keybuttons and Plastic Parts" Listing. COMPLETE BILLS OF MATERIAL for Opal Gray are no longer available. Color Conversion parts for 20", 24" and 30" carriages are not furnished as a Bill of Material but must be ordered individually as required.

SETS OF KEYBUTTONS AND PLASTIC PARTS - STANDARD

1270681	Dull Gray - Model B
1073115	Brown - Model A
1073116	Gray - Model A
1073117	Green - Model A
*1270094	Blue

*May be used with Model A and B Typewriters.

NOTE: Model A colored Keybuttons can not be used on Model B as carriage release buttons are different specifications and will not operate on Model B Carriages.

ADAPTER BRACKETS, KEY PLATES, PAPER TABLES

Color Desired	Primer Only (Quarts)	Bake-on Wrinkle Finish Paint (Quarts) for Adapter Brackets, Key Plates and Paper Tables	Smooth Bake-on Enamel (Pints for Paper Tables only)	Air Dry Touch-up Lacquer (1/4 pint)
Charcoal Gray (661)	Pt. No. 460119	Pt. No. 460121	Pt. No. 460130	Pt. No. 1280001
Dark Gray (662)	460072	460122	460131	1280003
Slate Blue (663)	460120	460123	460132	1280004
Navy Blue (664)	460120	460124	460133	460066
Brown (670)	460115	460125	460134	1280005
Green (671)	460116	460126	460135	1280006
Dark Green (672)	460116	460127	460136	1280007

CASES, END COVERS, MAGAZINE COVERS, RAIL SUPPORTS, FORMSCARRIER ASSM.

Color Desired	Primer Only (Quarts)	Bake-on Wrinkle Finish Paint (Qts.)	Air Dry Touch-up Lacquer (1/4 Pints)
Dove Gray (603)	Pt. No. 460120	Pt. No. 460129	Pt. No. 1280002
Opal Gray (581)	460072	460109	460071
Larkspur Blue (583)	460120	460113	460067
Midnight Blue (582)	460120	460114	460066
Tropic Tan (584)	460115	460110	460070
Cascade Green (591)	460116	460111	460069
Woodland Green (592)	460116	460112	460068
Yellow Jasmine (604)	1261614	1261618	1261617
Titian Glow (606)	1280009	1280008	1280010
Fiesta Red (608)	1280009	1280015	1280016

MODEL B COLOR SCHEMES

The following list contains available color schemes with the names and paint spec. numbers of the Model B typewriter painted parts. When ordering painted parts always specify part number and paint spec. number.

Color Scheme	Sales Name	Adapter Brackets Key Plate	Front Paper Table Paper Table	Cases, End Covers, Mag. Covers, Rail Supports, Forms Carrier Assembly
Standard	Dove Gray	Spec. 602 Charcoal Gray	Spec. 661 Charcoal Gray	Dove Gray
#1	Titian Glow	Spec. 662 Dark Gray	Spec. 662 Dark Gray	Spec. 606 Titian Glow
#2	Larkspur Blue	Spec. 663 Slate Blue	Spec. 663 Slate Blue	Spec. 583 Larkspur Blue
#3	Midnight Blue	Spec. 664 Navy Blue	Spec. 664 Navy Blue	Spec. 582 Midnight Blue
#4	Tropic Tan	Spec. 670 Brown	Spec. 670 Brown	Spec. 584 Tropic Tan
#5	Cascade Green	Spec. 671 Green	Spec. 671 Green	Spec. 591 Cascade Green
#6	Woodland Green	Spec. 672 Dark Green	Spec. 672 Dark Green	Spec. 592 Woodland Green
#8	Yellow Jasmine	Spec. 662 Dark Gray	Spec. 662 Dark Gray	Spec. 604 Yellow Jasmine
#9	Fiesta Red	Spec. 662 Dark Gray	Spec. 662 Dark Gray	Spec. 608 Fiesta Red
	Opal Gray	Dark Gray(662)	Dark Gray(662)	Opal Gray (581)

All front paper guides are Charcoal Gray, Spec. No. 661, regardless of color scheme and may be ordered by part number only.

MODEL A PAINTS & NAME PLATES (cont.)

460111	1 Qt. lt. green wrinkle paint
460112	1 Qt. med. green wrinkle paint
460113	1 Qt. lt. blue wrinkle paint
460114	1 Qt. navy blue wrinkle paint
460115	1 Qt. brown primer paint
460116	1 Qt. green primer paint
1105885	Std. Name Plate IBM Brown
1079692	Std. Name Plate IBM Gray
1093867	Std. Name Plate IBM Green
1073891	Std. Name Plate IBM Blue

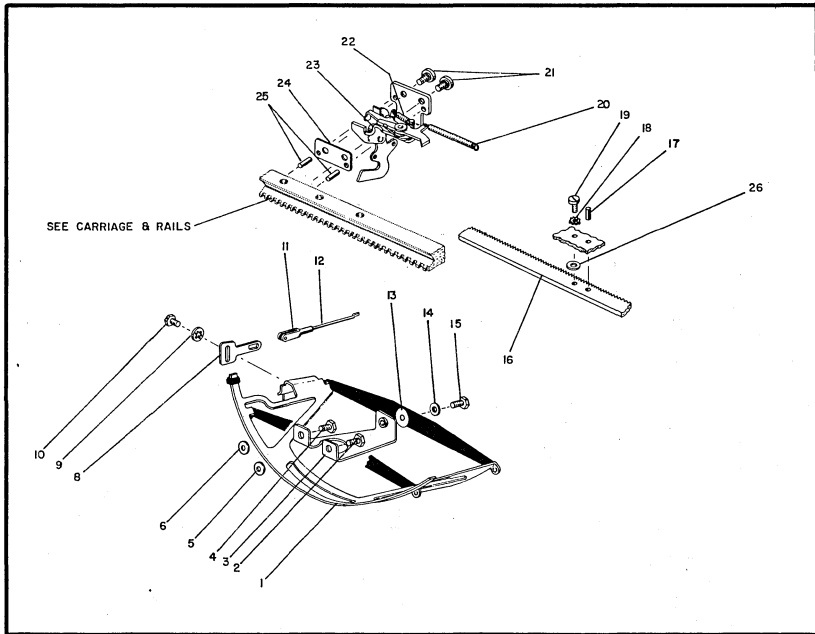
SOUND DEADENING MATERIAL BILLS OF MATERIAL

1270815	Foam Plastic 12"
1270816	Foam Plastic 16"
1270817	Foam Plastic 20"
1270818	Foam Plastic 24"
1270819	Foam Plastic 30"
1270820	Foam Plastic 12" Lift Platen
1270821	Foam Plastic 16" Lift Platen
1103786	Lining, Paper Table 12"
1103787	Lining, Paper Table 16"
1103788	Lining, Paper Table 20"
1103789	Lining, Paper Table 24"
1103790	Lining, Paper Table 30"
1104246	Lining, Front Paper Table 12"
1104254	Lining, Front Paper Table 16"
1108509	Lining, Front Paper Table 20"
1108510	Lining, Front Paper Table 24"
1108511	Lining, Front Paper Table 30"
1108464	Lining, Top Cover Center Pad
1093999	Lining, Top Cover Side Pads-LH, RH
1095060	Lining, Paper Table 12" Lift Platen
	Lining, Paper Table 16" Lift Platen

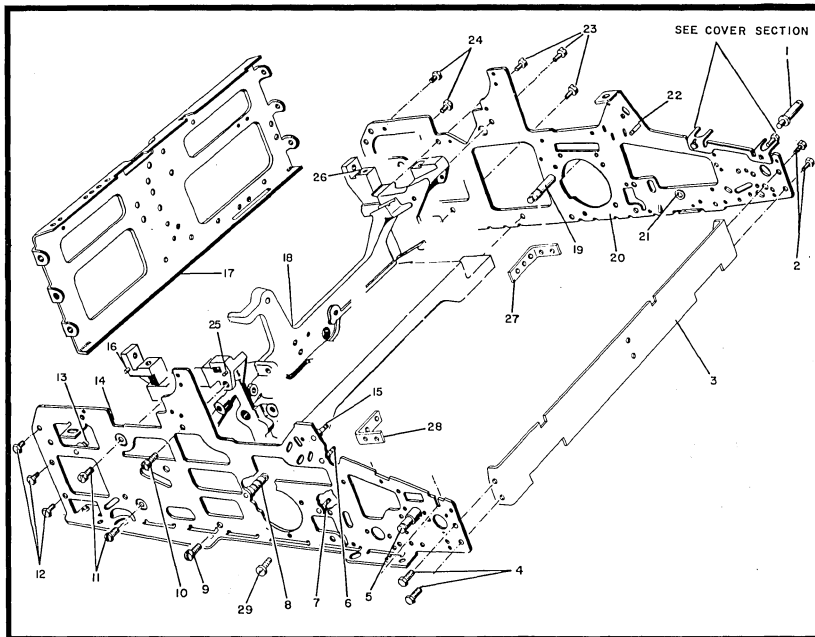
MODEL A PAINTS & NAME PLATES

450406	1 Qt. Roxalin S-W Black Paint	460069	1/4 pt. lt. green touch-up lacquer
450469	1 Qt. Gray Lacquer	460071	1/4 pt. tan touch-up lacquer
450480	1 Qt. Black Wrinkle Paint	460072	1/4 pt. lt.-gray touch-up lacquer
460066	1/4 pt. dark blue touch-up lacquer	460073	1 Qt. gray primer wrinkle paint
460067	1/4 pt. blue touch-up lacquer	460074	1 Qt. blue-gray wrinkle paint
460068	1/4 pt. med. green touch-up lacquer	460109	1 Qt. light gray wrinkle paint
		460110	1 Qt. Tan wrinkle paint

CODE-406 Model A - B Std. Escapement

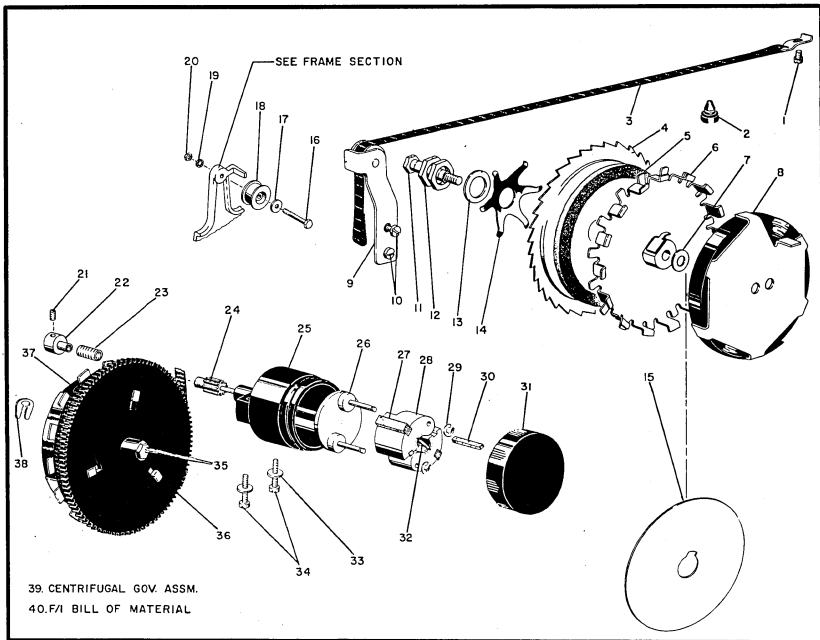


REF. PART NO.	DESCRIPTION	REF. PART NO.	DESCRIPTION	REF. PART NO.	DESCRIPTION
1	1260199 F1/BM - Adj. U Bar Assm.	21	1077855 Stud (Used with No. 1077854 Esc. Pawl Brkt. not doweled to rail)		
2	1074063 U Bar Assm., Adjustable	22	1090343 Spring, Esc. Pawl Spacer		
3	1019264 Screw, U Bar Support	23	1261047 Escapement Pawl Brkt. Assm. 8, 9, 10, 12 Pitch (Floating)		
4	1074048 Support, U Bar	1260208	Escapement Pawl Brkt. Assm. 14P, 6 2/5 & Dec Tab (Non Floating)		
5	1074048 Screw, U Bar Support	24	1092181 Shim		
6	1090047 Washer, U Bar Support	25	1090142 Pin Dowel, Esc. Pawl Brkt.		
6	1090047 Washer, U Bar Support	26	1091508 Spacer, Escapement Rack		
8	1107812 Plate, U Bar Adjusting				
9	150209 Lockwasher, U Bar Plate				
10	1100951 Screw, U Bar - Adj. Plate				
11	1070020 Clevis, Pin				
12	1104417 Link, Escapement Trip				
13	1091243 Washer, U Bar				
14	1090254 Washer, U Bar				
15	1090449 Screw, U Bar				
16	1072176 Rack, Escapement 12" 14P				
	1071485 Rack, Escapement 12" 12P				
	1072175 Rack, Escapement 12" 10P				
	1072174 Rack, Escapement 12" 9P				
	1072173 Rack, Escapement 12" 8P				
	1072172 Rack, Escapement 12" 6 2/5P				
	1072171 Rack, Escapement 10" 14P				
	1072170 Rack, Escapement 10" 12P				
	1072169 Rack, Escapement 10" 10P				
	1072168 Rack, Escapement 10" 9P				
	1072167 Rack, Escapement 10" 8P				
	1072166 Rack, Escapement 10" 6 2/5P				
	1072165 Rack, Escapement 8" 14P				
	1072164 Rack, Escapement 8" 12P				
	1072163 Rack, Escapement 8" 10P				
	1072162 Rack, Escapement 8" 9P				
	1072161 Rack, Escapement 8" 8P				
	1072160 Rack, Escapement 8" 6 2/5P				
17	1090139 Pin, Dowel, Esc. Rack				
18	1091220 Washer, Escapement Rack				
19	38381 Screw, Escapement Rack				
20	150814 Spring, Escapement Pawl				
	1090160 Spring, Esc. Pawl 6 2/5 and 14 Pitch				
21	1090438 Stud, Esc. Pawl Brkt. Assm.				



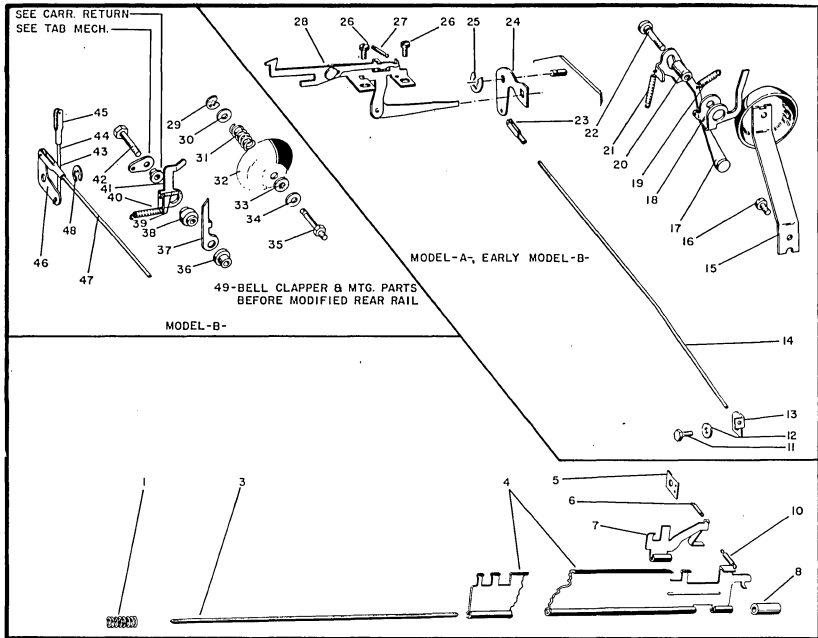
REF. PART NO.	DESCRIPTION	REF. PART NO.	DESCRIPTION	REF. PART NO.	DESCRIPTION
1	1077498 Stud, Switch Lever				
2	1090680 Screw, Front Frame Mtg.				
3	1110123 Frame, Front				
4	1090680 Screw, Front Frame Mtg.				
5	1071535 Stud, Impression Control				
6	1072702 Stud, Ribbon Rewind Lever Mtg.				
7	1076967 Stud, Spring Anchor				
8	1071461 Stud, Shift Toggle Spring LH				
9	1090026 Screw, Side Frame				
10	1090026 Screw, Side Frame				
11	1071459 Screw				
12	1090680 Screw, Side Frame				
13	1078557 Stud, Line Lock Bellcrank				
14	1100681 Frame Assembly, L.H.				
15	1102076 Stud, Ribbon Rewind Lever				
16	1090395 Pin, Straight Dowel				
17	1071536 Frame, Rear				
18	1115178 Power Frame Assm. (includes shift toggle shaft assembly)				
19	1071462 Stud, Shift Toggle Spring RH				
20	1078510 Frame Assembly, R.H.				
21	1077820 Bushing, Shaft Assembly				
22	1071424 Stud, Ribbon Reverse				
23	1090026 Screw, Side Frame				
24	1090680 Screw, Side Frame				
25	1090395 Pin, Straight Dowel				
26	1090129 Pin, Dowel				
27	1071326 Bracket, Cam Stop R.H.				
28	1071325 Bracket, Cam Stop L.H.				
29	4236 Screw, Cam Stop Bracket				

CODE-405 Model A - B Std. Governor & Carr. Tension

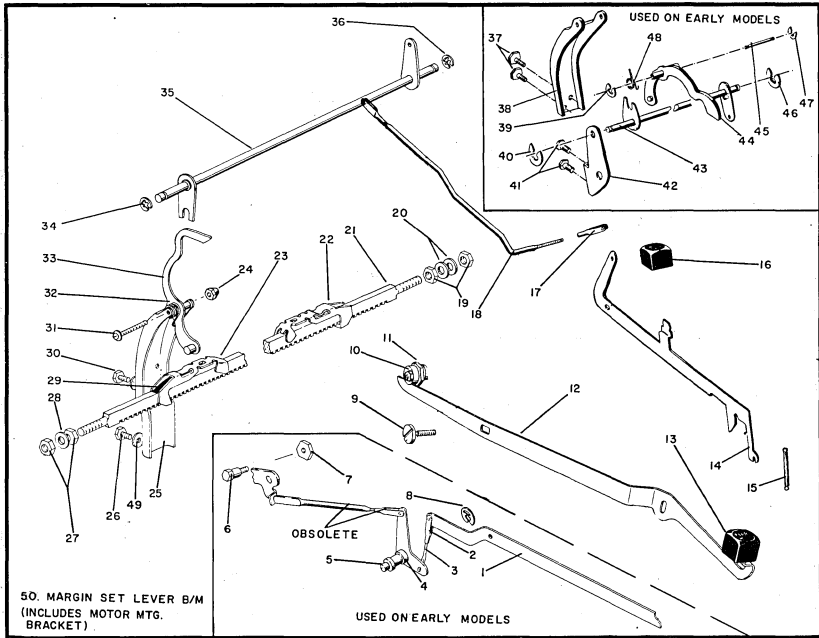


REF. PART NO.	DESCRIPTION	REF. PART NO.	DESCRIPTION	REF. PART NO.	DESCRIPTION
1	38279 Screw, Tension Tape	16	*1110106 Stud		
2	1108881 Rubber Plug, Tension Tape End	17	*1090386 Washer		
3	1104278 Tape, Carr. Tension 12" Model B Old Style	18	*1000540 Pulley, Tension Tape		
1104317	Tape, Carr. Tension 16" Model B Old Style	19	* 62031 Lockwasher		
1071211	12" Carr. Tension Tape	20	* 7341 Nut		
1073033	16" Carr. Tension Tape	21	75553 Screw, Set		
1073034	20" Carr. Tension Tape	22	1110790 Collar, Governor Clutch		
1073035	24" Carr. Tension Tape	23	1110789 Spring, Governor Clutch		
1073036	30" Carr. Tension Tape	24	1110199 Pinion Gear Governor (12 Tooth)		
4	1000711 Plate, Friction Governor	1110788	Pinion Gear Governor (10 Tooth)		
5	1000714 Felt Ring	25	1110778 Housing, Governor		
6	1110501 Drum Assembly (16" to 30" Std. & L.P. ET's above approx. Serial #368640)	26	1110780 Shaft Ass., Governor		
1071203	Drum Assembly (Used on ET's previous to Drum Assm. Part #1110501)	27	1110785 Shoe, Governor Arm		
7	1090254 Spacer	28	1110784 Arm, Governor		
8	1109998 Main Spring & Holder Assm. (16" to 30" Std. and L.P. ET's above approx. Serial #368640)	29	1092125 Retainer, Governor Arm		
1014864	Main Spring & Holder Assm. (Used on ET's previous to Cross Curve Spring 1109998) NOTE: (2) Washers Part #1090047 and (2) Screws Part #1090003 are used to fasten Main Spring Part #1014864 to Power Frame.	30	1110786 Bumper, Felt, Gov. Arm		
9	1071209 Pulley Assembly	31	1110779 Cover, Gov. Housing (Includes Gasket)		
10	38364 Screw, Carr. Tension Tape	32	1110792 Spring, Governor		
11	1091230 Stud	33	1090199 Washer, Governor Housing Mtg.		
12	1090453 Nut	34	38287 Screw, Governor		
13	1090426 Washer	35	1091230 Stud		
14	1001320 Spring	36	1110777 Gear Assembly, Drum		
15	1110502 Disc (For Field Installation Only) (Used when adapting previous mech. to Cross Curve Spring)	37	1110597 Main Spring & Holder Assembly		
		38	1092125 Retainer, "C" Clip		
		39	1261707 Centrifugal Gov. Assm. (All models except toll biller)		
		1261706	Centrifugal Gov. Assm. (Toll Biller)		
		40	1270789 F/I Bill of Material for Centrifugal Gov. & Drive Mech. (all models except Toll Biller)		
		1270788	F/I Bill of Material for Centrifugal Gov. & Drive Mech. (Toll Biller)		

*Used on Std. ET's above Serial #714758.



REF. PART NO.	DESCRIPTION	REF. PART NO.	DESCRIPTION	REF. PART NO.	DESCRIPTION
1	151405 Spring, Lock Bar Thrust	34	1090199 Washer		
3	1077494 Locking Bar Rod	35	1109673 Stud, Bell Mounting		
	1072957 Locking Bar Rod (Used on machines below Serial No. 34750)	36	1105752 Spacer, Bell Clapper		
		37	1109604 Actuator, Bell Clapper		
4	1095476 Key Lever Locking Bar (Used on all Model A and B ET's)	38	1104439 Spacer, Bell Clapper Pivot		
		39	1091647 Spring, Bell Clapper Actuator		
		40	43373 Spring, Bell Clapper		
		41	1104442 Clapper, Bell		
5	1077499 Key Lock Spring Anchor	42	1109610 Screw, Bell Clapper		
6	1091647 Spring	43	1070020 Clevis, Pin Adjusting		
7	1077488 Carriage Return Key Lock	44	1000282 Link		
	1076786 Carriage Return Key Lock (Used on Std. ET's below Serial No. 34750)	45	1070020 Clevis, Pin Adjusting		
		46	1095215 Link Lock, Bellcrank		
		47	1095221 Line Lock Push Rod		
8	1077489 Spacer, Lock Bar Thrust	48	60489 Retainer, "C" Clip		
10	1072703 Spring	49	Bell Clapper & Mtg. Parts (before modified rear rail)		
11	38279 Screw		1105665 Bell Clapper		
12	1090254 Washer		1105666 Stud, Bell Clapper Mtg.		
13	1076733 Line Lock Push Rod Guide		1090268 Nut, Bell Clapper Stud		
14	1076731 Line Lock Push Rod				
15	1270469 Load Bell B/M				
	1078004 Bell Assembly				
	38281 Screw, Bell Mtg.				
16	1076738 Bell Clapper Assm.				
17	1077398 Trigger, Bell Clapper				
18	1091069 Spring				
19	1077397 Spacer, Bell Clapper				
20	1071691 Spring				
21	1076741 Stud				
22	1070020 Clevis, Pin Adjusting				
23	1078556 Line Lock Bellcrank				
24	60489 "C" Clip				
25	42026 Screw				
26	1071687 Spring				
27	1077413 Line Lock Brkt. Assm. (above approx. Serial No. 35000)				
28	1073247 Line Lock Brkt. Assm. (below approx. Serial No. 35000)				
	60489 Clip, Bell Stud				
29	1090970 Washer, Bell Spring				
30	1109044 Spring, Bell				
31	1105753 Bell				
32	1035 Washer, Bell Stud				
33					



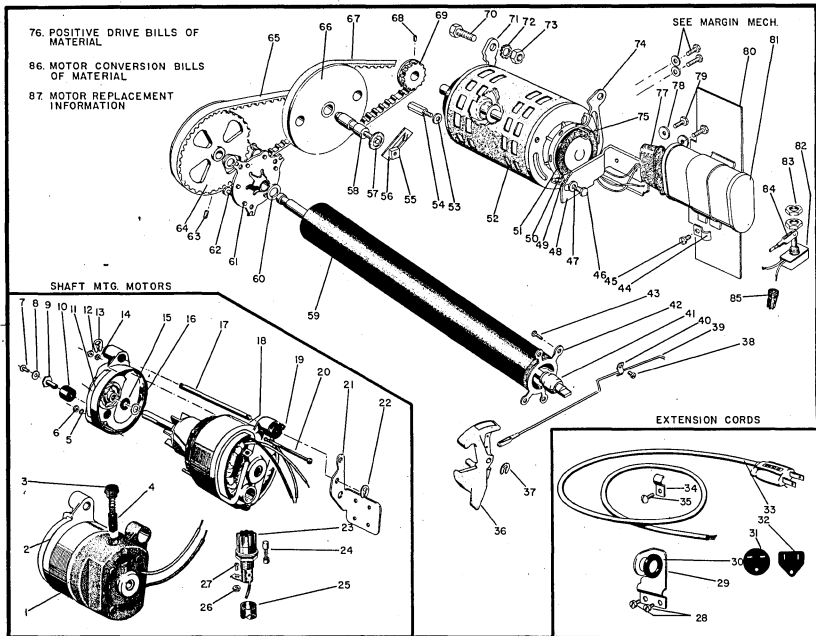
REF. PART NO.	DESCRIPTION	REF. PART NO.	DESCRIPTION	REF. PART NO.	DESCRIPTION
1	1098622	19	1090550 Nut	21	1072148 Margin Rack 24" 6 2/5P Model A
		20	1090240 Spacer		
		21	1072135 Margin Rack 12" 14P Model A	1072159	Margin Rack 30" 14P Model A
				1072158	Margin Rack 30" 12P Model A
1077299	Margin Release Keylever Std. and Lift Platen ET's below approx. Serial No. #334603	1072134	Margin Rack 12" 12P Model A	1072157	Margin Rack 30" 10P Model A
		1072133	Margin Rack 12" 10P Model A	1103926	Margin Rack 12" 6 2/5P Model A
2	1070020 Clevis, Pin Adjusting	1072132	Margin Rack 12" 9P Model A	1103930	Margin Rack 12" 8P Model B
3	1000282 Link, Margin Rel. Lever	1072131	Margin Rack 12" 8P Model A	1103933	Margin Rack 12" 9P Model B
4	1074557 Margin Release Lever	1072130	Margin Rack 12" 6 2/5P Model A	1103937	Margin Rack 12" 10P Model B
1076778	Margin Rel. Lever (Used on Std. ET's below approx. Serial #75,000)	1072141	Margin Rack 16" 14P Model A	1103942	Margin Rack 12" 12P Model B
5	1077861 Stud, Rel. Lever Mtg.	1072140	Margin Rack 16" 12P Model A	1103947	Margin Rack 12" 14P Model B
6	1090234 Stud	1072139	Margin Rack 16" 10P Model A	1103927	Margin Rack 16" 6 2/5P Model B
7	1090432 Nut	1072138	Margin Rack 16" 9P Model A	1103931	Margin Rack 16" 8P Model B
8	50489 Retainer	1072137	Margin Rack 16" 8P Model A	1103934	Margin Rack 16" 9P Model B
9	1107717 Screw, Pivot Margin Rel.	1072136	Margin Rack 16" 6 2/5P Model A	1103938	Margin Rack 16" 10P Model B
10	1090037 Nut, Margin Release	1072146	Margin Rack 20" 12P Model A	1103943	Margin Rack 16" 12P Model B
11	1105699 Eccentric, Margin Release	1072145	Margin Rack 20" 10P Model A	1103948	Margin Rack 16" 14P Model B
12	1105831 Margin Release Keylever 84 Char. Std. and L.P. ET's above approx. Serial #401569	1072144	Margin Rack 20" 9P Model A	1103928	Margin Rack 20" 6 2/5P Model B
		1072143	Margin Rack 20" 8P Model A	1103932	Margin Rack 20" 8P Model B
1106019	Margin Release Keylever 88 Char. Std. and L.P. ET's above approx. Serial #401569	1072142	Margin Rack 20" 6 2/5P Model A	1103935	Margin Rack 20" 9P Model B
		1072153	Margin Rack 24" 14P Model A	1103939	Margin Rack 20" 10P Model B
13	1106207 Margin Rel. Keybutton Model B (Gray)	1072152	Margin Rack 24" 12P Model A	1103944	Margin Rack 20" 12P Model B
1072307	Margin Rel. Keybutton Model A (Blue)	1072151	Margin Rack 24" 10P Model A	1103949	Margin Rack 20" 14P Model B
14	1073864 Margin Set Keylever (Solid Locking Bar)	1072150	Margin Rack 24" 9P Model A	1103929	Margin Rack 24" 6 2/5P Model B
15	1072126 Spring				
16	1106205 Margin Set Keybutton (Gray)				
1072306	Margin Set Keybutton (Blue)				
17	1070020 Clevis, Pin Adjusting				
18	1100444 Margin Set Conn. Link (Used on Std. Machines below Serial #66,700)				
1072464					

Model A - B Std. Margin

REF. PART NO.	DESCRIPTION	REF. PART NO.	DESCRIPTION	REF. PART NO.	DESCRIPTION
21 1103936	Margin Rack 24" 9P Model B	22 1073694	Margin Stop & Filler Assm. R.H. 6 2/5P (Model A) (Used on machines below Serial #35000)		L.H. 8P (Model A)(Used on machines below Serial #35000)
1103940	Margin Rack 24" 10P Model B	1106225	Margin Stop Assm. 8P RH (Model B)	23 1073688	Margin Stop & Filler Assm. L.H. 6 2/5P (Model A) (Used on machines below Serial #35000)
1103945	Margin Rack 24" 12P Model B	1106226	Margin Stop Assm. 9P RH (Model B)	1105673	Margin Stop Assm. 8P L.H. (Model B)
1103950	Margin Rack 24" 14P Model B	1106227	Margin Stop Assm. 10P RH (Model B)	1105674	Margin Stop Assm. 9P L.H. (Model B)
1103941	Margin Rack 30" 10P Model B	1106228	Margin Stop Assm. 12P RH (Model B)	1105675	Margin Stop Assm. 10P L.H. (Model B)
1103946	Margin Rack 30" 12P Model B	1106229	Margin Stop Assm. 14P RH (Model B)	1105676	Margin Stop Assm. 12P L.H. (Model B)
1103951	Margin Rack 30" 14P Model B	1106224	Margin Stop Assm. 6 2/5P RH (Model B)	1105677	Margin Stop Assm. 14P L.H. (Model B)
22 1077229	Margin Stop & Filler Assm. R.H. 14P (Model A)	23 1077222	Margin Stop & Filler Assm. L.H. 14P (Model A)	1105672	Margin Stop Assm. 6 2/5P L.H. (Model B)
1077228	Margin Stop & Filler Assm. R.H. 12P (Model A)	1077221	Margin Stop & Filler Assm. L.H. 12P (Model A)	24 *	103372 Nut, Margin Set Bracket
1077227	Margin Stop & Filler Assm. R.H. 10P (Model A)	1077220	Margin Stop & Filler Assm. L.H. 10P (Model A)	25 *	1100916 Bracket, Margin Set
1077226	Margin Stop & Filler Assm. R.H. 9P (Model A)	1077219	Margin Stop & Filler Assm. L.H. 9P (Model A)	26 *	1073025 Screw, Motor Bracket
1077225	Margin Stop & Filler Assm. R.H. 8P (Model A)	1077218	Margin Stop & Filler Assm. L.H. 8P (Model A)	27	1090550 Nut
1077224	Margin Stop & Filler Assm. R.H. 6 2/5P (Model A)	1077217	Margin Stop & Filler Assm. L.H. 6 2/5P (Model A)	28	1090240 Spacer
1073699	Margin Stop & Filler Assm. R.H. 14P (Model A)(Used on machines below Serial #35000)	1073693	Margin Stop & Filler Assm. L.H. 14P (Model A)(Used on mchs. below Serial #35000)	29	1072796 Spring, Margin Stop
1073698	Margin Stop & Filler Assm. R.H. 12P (Model A)(Used on machines below Serial #35000)	1073692	Margin Stop & Filler Assm. L.H. 12P (Model A)(Used on machines below Serial #35000)	30 *	1073025 Screw, Motor Bracket
1073697	Margin Stop & Filler Assm. R.H. 10P (Model A)(Used on machines below Serial #35000)	1073691	Margin Stop & Filler Assm. L.H. 10P (Model A)(Used on machines below Serial #35000)	31 *	173214 Screw, Margin Set Brkt.
1073696	Margin Stop & Filler Assm. R.H. 9P (Model A)(Used on machines below Serial #35000)	1073690	Margin Stop & Filler Assm. L.H. 9P (Model A)(Used on machines below Serial #35000)	32	1098495 Spring
1073695	Margin Stop & Filler Assm. R.H. 8P (Model A)(Used on machines below Serial #35000)	1073689	Margin Stop & Filler Assm.	33 *	1072458 Lever Assm. Margin Set Standard
				*1072349	Lever Assm. Margin Set L.P.
				*1100914	Lever Assm. Margin Set Partial Carriage Return Retainer, "C" Clip
				34	60489 Margin Set Shaft
				35	1073030 Margin Set Shaft Retainer, "C" Clip
				36	60489 Retainer, "C" Clip
				37	1073025 Screw
				38	1072285 Margin Set Brkt. (Use with 1072461 Clamp Plate)
				39	1091662 Retainer, "C" Clip
				40	60489 Retainer, "C" Clip
				41	1073025 Screw
				42	1079946 Bracket
				43	1073030 Margin Set Shaft

REF. PART NO.	DESCRIPTION	REF. PART NO.	DESCRIPTION	REF. PART NO.	DESCRIPTION
44 1072458	Margin Set Lever Std.				
1074349	Margin Set Lever L.P.				
45 1072289	Pin (Replace with B/M 1270684)				
46 60489	Retainer, "C" Clip				
47 1091662	"C" Clip (Replace with B/M 1270684)				
48 1098495	Spring				
49 *1091504	Washer				
50 1270684	Margin Set Lever B/M (All Model B) (Includes all margin set parts marked with an asterisk and Motor Mtg. Bracket 60 Cycle)				

CODE-411 Model A - B Std. Motor & Drive

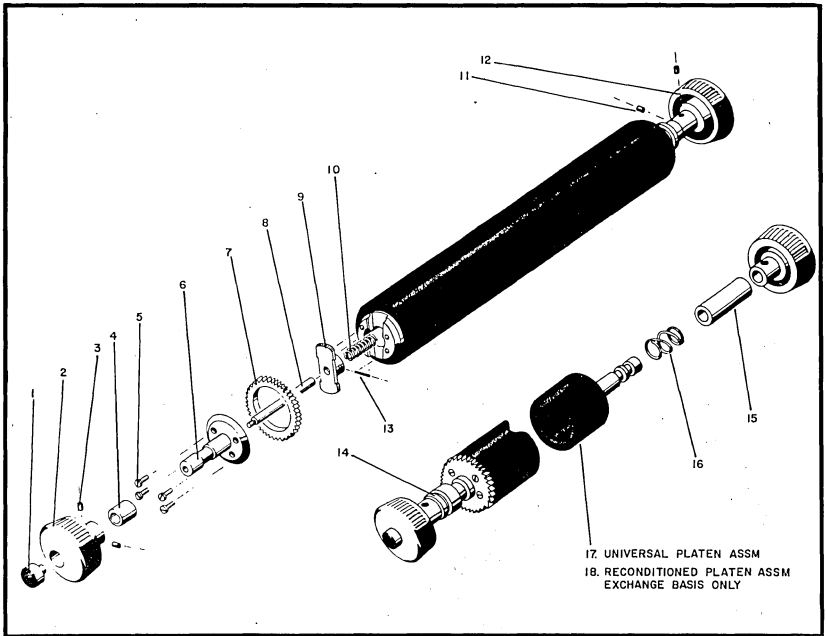


REF. PART NO.	DESCRIPTION	REF. PART NO.	DESCRIPTION	REF. PART NO.	DESCRIPTION
1	1100038 65 Volt D.C. Motor (R & M)	18	1071798 230 Volt AC - 25 Cycle	37	60488 Retainer
	1100036 115 Volt D.C. Motor (R & M)		1073282 250 Volt AC - 50 Cycle	38	38279 Screw
	1100040 200 Volt D.C. Motor (R & M)	19	1072974 Static Eliminator	39	1072190 Link, (Adj. pin clevis welded on front end)
	1100039 130 Volt D.C. Motor (R & M)	20	Motor Bolt 8-32, 4 1/2" Long (Not Available)	40	75944 Cable Clamp
	1100037 230 Volt D.C. Motor (R & M)	21	1100917 Motor Bracket (Use with Marg.-Set Brkt. - 1100916)	41	1078493 Bearing, Power Roll
2	1098588 Shield		1109068 Motor Bracket (25 and 50 Cycle Motors)	42	1078491 Retainer, Right Bearing
3	1280061 Brush Cap		1079946 Motor Bracket (Use with 1072285 Marg.-Set Brkt.) (Replaced by 1100917)	43	1090968 Screw, Clutch Spring
4	1260043 Motor Brush (Spring Included)			44	75944 Cable Clamp
5	1078440 Washer			45	38364 Screw
6	2899 Nut			46	1074048 Screw, Support Bracket
7	12132 Screw	22	60488 Retainer	47	1090254 Washer, Ring Mtg. Supp.
8	1090254 Washer	23	1077864 Fuse Holder Assm. (Includes Cap, Nut and Washers)	48	1110759 Bracket, Ring Mtg. Supp. (all models except Dec. Tab)
9	1076795 Stud	24	3344 Fuse (2amp) for 65V - D.C.		1110798 Bracket, Ring Mtg. Supp. (Dec Tab)
10	1071938 Rubber Mounting, Lower		6325 Fuse (1 amp) for 115V D.C. Motor	49	150209 Lockwasher, Ring Clamp
11	1098588 Shield		53436 Fuse (.2 amp) for 230 V D.C. Motor	50	38262 Screw, Ring Clamp
12	2899 Nut		78999 Fuse (.5 amp) for 130 V D.C. Motor	51	1108512 Clamp Ring
13	60488 Retainer		78998 Fuse (.3 amp) for 200 V D.C. Motor	52	1110742 Motor, 230 V 60 Cy (includes rubber ring mts.)
14	1078440 Washer		78952 Fuse (.8 amp) for 65 V D.C. Motor		1010921 Motor, 115 V 60 Cy (includes 2 rubber mtg. rings)
15	180843 Fiber Washer	25	1077401 Insulator Tubing (Plastic)	53	1090254 Washer
16	1091518 Washer	26	103372 Nut	54	12132 Screw
17	1079945 Motor Mtg. Shaft	27	92 Screw		1117593 Screw (as used on Model C)
	1071940 Motor Mtg. Shaft (With Tapped Holes)	28	38364 Screw, D.C. Fuse Brkt.	55	160899 Nut, L.H. Thread (Use with 1106171 Intermediate Shaft)
18	1095163 115 Volt AC - 60 Cycle Motor	29	110130 Bracket, D.C. Fuse		1090688 Nut, R.H. Thread (Use with former style R.H. Thread Shafts)
	1095226 100 Volt AC - 50 Cycle Motor	30	1103773 Fiber Washer, D.C. Fuse	56	1100678 Retaining Plate
	1071797 115 Volt AC - 25 Cycle Motor	31	1106001 Extension Cord, 3 Cond.	57	1106172 Thrust Washer (Use with recessed Intermediate Pulley, former style)
	1071795 115 Volt AC - 50 Cycle Motor	32	1106000 Extension Cord, 3 Cond.	58	1106171 Intermediate Shaft (Use with 1160899 Nut, L.H. Thread, for replacement on all Models)
	1071793 115 Volt AC - 60 Cycle Motor	33	1105939 Extension Cord, 2 Cond.		
	1073280 130 Volt AC - 50 Cycle Motor	34	130989 Clamp, Power Cord		
	1077126 150 Volt AC - 60 Cycle Motor	35	38364 Screw, Power Cord Clamp		
	1073281 150 Volt AC - 50 Cycle Motor	36	1106237 Switch Lever Indicator Model B (Gray)		
	1078313 200 Volt AC - 50 Cycle Motor		1106143 Switch Lever Indicator Model A (Blue)		
	1071796 230 Volt AC - 50 Cycle Motor		1072940 Switch Lever Assm. (Used on machines below Serial #34750)		
	1071794 230 Volt AC - 60 Cycle Motor				

Model A - B Std. Motor & Drive

REF.	PART NO.	DESCRIPTION	REF.	PART NO.	DESCRIPTION	REF.	PART NO.	DESCRIPTION
59	1117828	Power Roll (Solid Shaft)	78	1090254	Washer, Ring Mtg. Supp.	86	1270063	Justo D.C. to 50 Cycle
60	1078497	Washer	79	1072684	Screw, Ring Mtg. Supp.			A. C.
61	1078501	Bearing Ret. Assm. L.H.					1270064	Justo D. C. to 25 Cycle
62	38281	Screw						A. C.
63	112055	Set Screw		1110799	Screw, Ring Mtg. Supp.			
64	1100537	Power Roll Pulley			Brkt. (Dec Tab)			
	1108432	Pulley, Power Roll Pos. Dr.	80	*1105834	Condenser Guard (Wrap			
	1100553	Pulley, Power Roll (C.R. Spring Drive)		*1261096	Around) 2 MFD Cond.			
	1104102	Pulley, Power Roll (Used in V Belt Conversion)	81	1107025	Condenser Guard (Wrap Around) 3 MFD Cond.			
65	1100436	Belt, Driven			Condenser 2 MFD (Use with 115 V Red nameplate motors only)			
66	1100552	Intermediate Pulley, 60 Cycles and D. C.		1072125	Condenser 6 MFD (Use with all 25 Cycle motors and also 65 V 60 Cy motor)			
	1100543	Intermediate Pulley, 25 and 50 Cycles		1106594	Condenser 3 MFD (Use with 230 V Red Nameplates and all Black Nameplate motors other than those specified for use with Condenser #1072125)			
	1100544	Intermediate Pulley, 45 Cy.			Condenser 3 MFD (Use with 230 V Red Nameplates and all Black Nameplate motors other than those specified for use with Condenser #1072125)			
	1100548	Intermediate Pulley, 42 Cycles			Switch & Lead Assm. (Includes Ring)			
67	1100435	Drive Belt 15-16, 60 Cy. and D.C. (Green)	82	1072088	Hex Nut			
	1100630	Drive Belt 13-14, 60 Cy. and D.C. (Yellow)			Clevis, Pin Adjusting			
	1100539	Drive Belt 15-16, 25-50 Cycles (Red)	83	179743	Solderless Connector			
	1100540	Drive Belt 13-14, 25-50 Cycles (White)	85	64288	MOTOR CONVERSION B/M's (order motor separately)			
68	112055	Set Screw	86	1270873	From 115V D.C. to 115V 50 Cy. A.C.			
69	1118797	Motor Pulley 14T			From 115V 60 Cy. A.C. to 115V 60 Cy. D.C.			
	1118798	Motor Pulley 15T		1270874	Justowriter D.C. to R & M D.C.			
70	38686	Screw Ring Mtg. Brkt.			25/50 Cy. A.C. to R & M D.C.			
71	1108513	Bracket, Ring Mtg. L.H.		1270056	60 Cy. A.C. to R & M D.C.			
72	76574	Lockwasher		1270058	R & M D.C. to 60 Cy. A.C.			
73	3960	Nut, Ring Mtg. Brkt. Screw		1270059	R & M D.C. to 50 Cy. A.C.			
74	1108514	Bracket, Ring Mtg. R.H.		1270060	R & M D.C. to 25 Cy. A.C.			
75	1110643	Static Eliminator		1270062	Justo D.C. to 60 Cy. A.C.			
76		Conversion B/M from V Belt to Positive Drive			*NOTE: When grounding an ET with a 3 Cond. Card, remove insulator.			
		Refer to Figure 2 Motor and Drive V Belt						
77	1100197	Condenser Guard						
	1108113	Shield, Capacitor Model C Type						

REF. PART NO.	DESCRIPTION	REF. PART NO.	DESCRIPTION	REF. PART NO.	DESCRIPTION
87	Information for replacing obsolete motors				
	Replacement of the motor listed in the left hand column below with the 3" R. & M. or G. E. motors, necessitates replacement parts as shown in the right hand column.				
	<u>MOTOR REQUIRING REPLACEMENT</u>		<u>REPLACEMENT PARTS TO INSTALL 3" MOTOR</u>		
	* R & M Red Nameplate (#1110740) 115V 60 cycle ring mounted motor used in Standard ET's serial #391500 - #716845. Used in Executive ET's serial #127900 - #199244.	<u>QUAN.</u>	<u>PT. NO.</u>	<u>DESCRIPTION</u>	
		1	1010921	3" 115V 60 cycle motor (includes 2 ring mounts)	
		1	1106594	3 mfd condenser	
		1	1110759	Ring mount support (All Models except Dec Tab)	
		(or)			
		1	1110798	Ring Mount Support (For Dec Tab)	
	R & M Red Nameplate (#1107011) 115V 60 cycle shaft mounted motor used in Standard ET's serial #197000 - #391500. Used in Executive ET's serial #52000 - #127900.	1	1010921	3" 115V 60 cycle motor (includes 2 ring mounts)	
		1 B/M	1270202	Motor conversion to 115V 60 cycle positive drive	
				On Dec Tab ET's the following parts will also be required.	
		1	1110798	Bracket, ring mounting support	
		2	1110799	Screw, bracket ring mounting support.	
	R & M Black Nameplate (#1071793) 115V 60 cycle shaft mounted motor used in Standard ET's serial #1-52000. Used in Executive ET's serial #1-52000.			Order the appropriate B/M to convert to positive belt drive plus the following:	
		1	1010921	3" 115V 60 cycle motor (includes 2 ring mounts)	
		1 B/M	1270202	Motor conversion to 115V 60 cycle positive drive	
				On Dec Tab ET's the following parts will also be required.	
		1	1110798	Bracket, ring mounting support	
		2	1110799	Screw, bracket ring mounting support	
	<u>NOTE: The Black Nameplate shaft mounted motor (#1071793) remains available for field replacement.</u>				
	*Same as stencil labeled motor.				



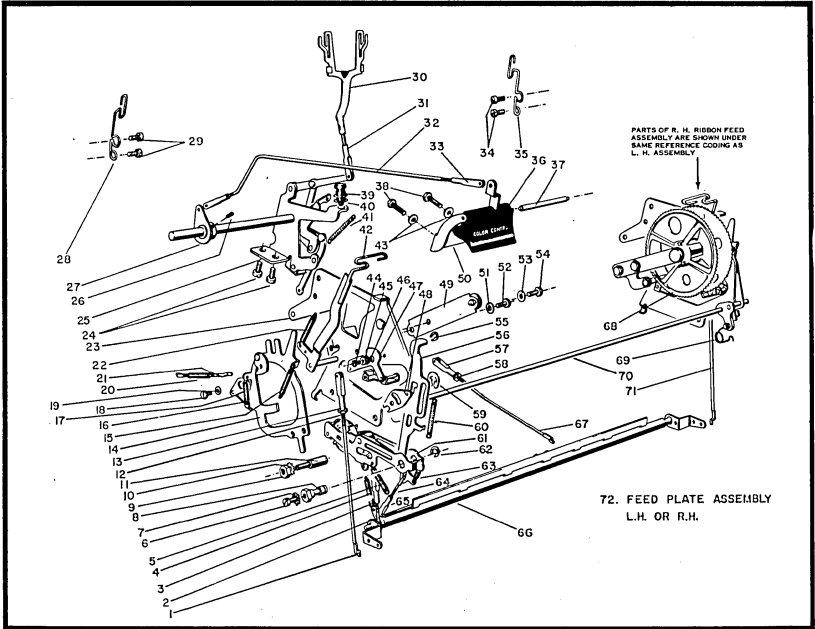
REF. PART NO.	DESCRIPTION	REF. PART NO.	DESCRIPTION	REF. PART NO.	DESCRIPTION
1	1106239 Button, Platen Variable (Gray)	7	1104055 Ratchet 55 T	12	1072212 Knob Assembly, Platen R.H. (Blue)
	1070848 Button, Platen Variable (Blue)		1261936 Ratchet 56 T	13	1090592 Pin, Platen Shaft
2	1106243 Knob Assembly, Platen L.H. (Gray)		1104057 Ratchet 57 T	14	1110577 Bushing, LH (Universal Platen)
	1072211 Knob Assembly, Platen L.H. (Blue)		1104058 Ratchet 58 T	15	1110735 Bushing, RH (Universal Platen)
3	1076796 Screw, Platen Knob		1104059 Ratchet 59 T	16	1110578 Spring, Compression UNIVERSAL STD. PLATEN ASSM. (For Models A, B & O1)
4	1103917 Bushing, Platen Sleeve L.H. (Model B)		1104060 Ratchet 60 T	17	1107129 12" No. 1
	1002334 Bushing, Platen Sleeve L.H. (Model A)		1104061 Ratchet 61 T		1107093 12" No. 2
5	1073027 Screw		1104062 Ratchet 62 T		1107101 12" No. 3
6	1103918 Platen Clutch Cover Model B & Universal		1104066 Ratchet 66 T		1107110 12" No. 4
	1071741 Platen Clutch Cover Model A				1107114 12" No. 6
7	PLATEN RATCHETS (narrow ratchets)				1107116 12" No. 7
	1261928 Ratchet 28 T		1002224 Ratchet 24 T		1107119 12" No. 8
	1107229 Ratchet 29 T		1002227 Ratchet 27 T		1107129 16" No. 1
	1110231 Ratchet 31 T		1002229 Ratchet 29 T		1107136 16" No. 2
	1109832 Ratchet 32 T		1002231 Ratchet 31 T		1107144 16" No. 3
	1107233 Ratchet 33 T		1002232 Ratchet 32 T		1107152 16" No. 4
	1104034 Ratchet 34 T		1002233 Ratchet 33 T		1107155 16" No. 7
	1104035 Ratchet 35 T		1002236 Ratchet 36 T		1107157 16" No. 8
	1104036 Ratchet 36 T		1002239 Ratchet 39 T		1107165 20" No. 1
	1110237 Ratchet 37 T		1002240 Ratchet 40 T		1107172 20" No. 2
	1104038 Ratchet 38 T		1002244 Ratchet 44 T		1107180 20" No. 3
	1104039 Ratchet 39 T		1002245 Ratchet 45 T		1107188 20" No. 4
	1104040 Ratchet 40 T		1002248 Ratchet 48 T		1107190 20" No. 7
	1104041 Ratchet 41 T		1002249 Ratchet 49 T		1107192 20" No. 8
	1110243 Ratchet 43 T		1002250 Ratchet 50 T		1107200 24" No. 1
	1104044 Ratchet 44 T		1002251 Ratchet 51 T		1107208 24" No. 2
	1104045 Ratchet 45 T		1002253 Ratchet 53 T		1107215 24" No. 3
	1104046 Ratchet 46 T		1002255 Ratchet 55 T		1107222 24" No. 4
	1110247 Ratchet 47 T		1002256 Ratchet 56 T		1107224 24" No. 7
	1104048 Ratchet 48 T		1002257 Ratchet 57 T		1107226 24" No. 8
	1104049 Ratchet 49 T		1002258 Ratchet 58 T		1107236 30" No. 1
	1104050 Ratchet 50 T		1002259 Ratchet 59 T		1107243 30" No. 2
	1104051 Ratchet 51 T		1002260 Ratchet 60 T		1107250 30" No. 3
	1104052 Ratchet 52 T		1002261 Ratchet 61 T		1107315 30" No. 4
	1104053 Ratchet 53 T		1002262 Ratchet 62 T		1107316 30" No. 7
	1104054 Ratchet 54 T		1002266 Ratchet 66 T		1107318 30" No. 8
		8	1103891 Shaft, Platen Release Std. (Model B and Universal)		UNIVERSAL STENCIL PLATEN ASSM. (For Models A, B & O1)
			1065943 Shaft, Platen Release Std. (Model A)	1107127	12" No. 9
		9	1061419 Driver, Platen Ratchet	1107163	16" No. 9
		10	1090593 Spring, Platen Driver		
		11	1073027 Screw		
		12	1106244 Knob Assembly, Platen R.H. (Gray)		

Model A - B Std. Platens

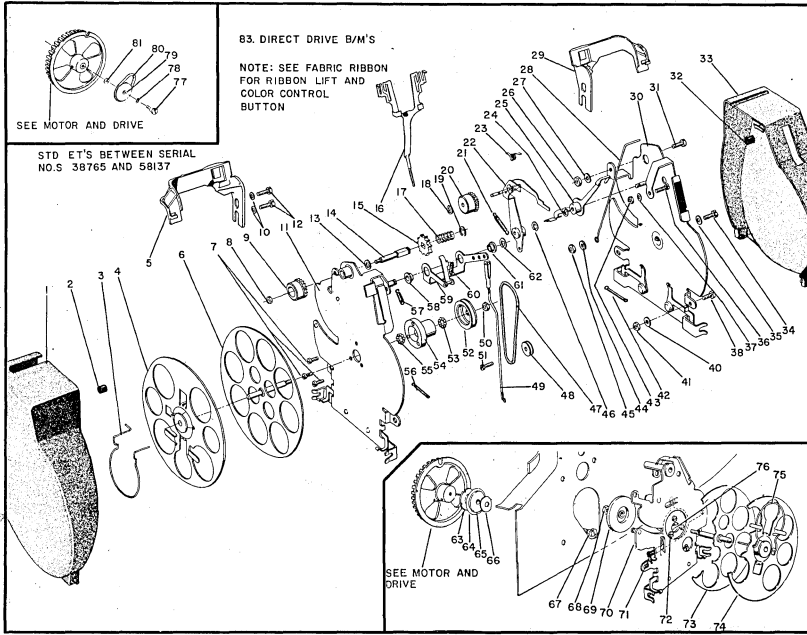
REF. PART NO.	DESCRIPTION	REF. PART NO.	DESCRIPTION	REF. PART NO.	DESCRIPTION																														
17	1107198 20" 1107234 24" 1107324 30"	No. 9 No. 9 No. 9	18	1078343 24" 1079734 30"																															
18 RECONDITIONED STENCIL PLATEN ASSEMBLY (For Model A)		RECONDITIONED STANDARD PLATEN ASSEMBLY (For Model B)																																	
1073614 12"	No. 1	1270209 12"	No. 1	<table border="1" style="width: 100%; border-collapse: collapse;"> <thead> <tr> <th colspan="3" style="text-align: center;">PLATEN RUBBER HARDNESS</th> </tr> <tr> <th style="text-align: center;">Platen No.</th> <th style="text-align: center;">Hardness</th> <th style="text-align: center;">Undercut</th> </tr> </thead> <tbody> <tr> <td style="text-align: center;">1</td> <td style="text-align: center;">Soft</td> <td style="text-align: center;">No</td> </tr> <tr> <td style="text-align: center;">2</td> <td style="text-align: center;">Medium</td> <td style="text-align: center;">No</td> </tr> <tr> <td style="text-align: center;">3</td> <td style="text-align: center;">Hard</td> <td style="text-align: center;">No</td> </tr> <tr> <td style="text-align: center;">4</td> <td style="text-align: center;">Hard</td> <td style="text-align: center;">1/32"</td> </tr> <tr> <td style="text-align: center;">6</td> <td style="text-align: center;">Medium</td> <td style="text-align: center;">1/32"</td> </tr> <tr> <td style="text-align: center;">7</td> <td style="text-align: center;">Hard</td> <td style="text-align: center;">1/16"</td> </tr> <tr> <td style="text-align: center;">8</td> <td style="text-align: center;">Medium Hard</td> <td style="text-align: center;">No</td> </tr> <tr> <td style="text-align: center;">9 (Stencil)</td> <td style="text-align: center;">Soft</td> <td style="text-align: center;">No</td> </tr> </tbody> </table>		PLATEN RUBBER HARDNESS			Platen No.	Hardness	Undercut	1	Soft	No	2	Medium	No	3	Hard	No	4	Hard	1/32"	6	Medium	1/32"	7	Hard	1/16"	8	Medium Hard	No	9 (Stencil)	Soft	No
PLATEN RUBBER HARDNESS																																			
Platen No.	Hardness	Undercut																																	
1	Soft	No																																	
2	Medium	No																																	
3	Hard	No																																	
4	Hard	1/32"																																	
6	Medium	1/32"																																	
7	Hard	1/16"																																	
8	Medium Hard	No																																	
9 (Stencil)	Soft	No																																	
1073620 12"	No. 2	1270218 12"	No. 2																																
1073622 12"	No. 3	1270226 12"	No. 3																																
1077281 12"	No. 4	1270235 12"	No. 4																																
1074240 12"	No. 6	1270285 12"	No. 6																																
1077285 12"	No. 7	1270287 12"	No. 7																																
1073627 12"	No. 8	1270290 12"	No. 8																																
1073630 16"	No. 1	1270300 16"	No. 1																																
1073635 16"	No. 2	1270308 16"	No. 2																																
1073637 16"	No. 3	1270316 16"	No. 3																																
1077287 16"	No. 4	1270324 16"	No. 4																																
1077289 16"	No. 7	1270327 16"	No. 7																																
1076849 16"	No. 8	1270329 16"	No. 8																																
1073641 20"	No. 1	1270337 20"	No. 1																																
1073645 20"	No. 2	1270345 20"	No. 2																																
1073647 20"	No. 3	1270353 20"	No. 3																																
1077291 20"	No. 4	1270361 20"	No. 4																																
1077292 20"	No. 7	1270363 20"	No. 7																																
1076853 20"	No. 8	1270365 20"	No. 8																																
1073650 24"	No. 1	1270373 24"	No. 1																																
1073652 24"	No. 2	1270382 24"	No. 2																																
1073653 24"	No. 3	1270389 24"	No. 3																																
1077293 24"	No. 4	1270396 24"	No. 4																																
1077295 24"	No. 7	1270398 24"	No. 7																																
1076855 24"	No. 8	1270400 24"	No. 8																																
1073656 30"	No. 1	1270408 30"	No. 1																																
1073659 30"	No. 2	1270416 30"	No. 2																																
1073660 30"	No. 3	1270423 30"	No. 3																																
1077296 30"	No. 4	1270430 30"	No. 4																																
1077297 30"	No. 7	1270431 30"	No. 7																																
1076858 30"	No. 8	1270433 30"	No. 8																																
RECONDITIONED STENCIL PLATEN ASSEMBLY (For Model A)		RECONDITIONED STENCIL PLATEN ASSEMBLY (For Model B)																																	
1078340 12"		1270298 12"	No. 9																																
1078341 16"		1270335 16"	No. 9																																
1078342 20"		1270371 20"	No. 9																																
		1270406 24"	No. 9																																
		1270439 30"	No. 9																																

January 1960

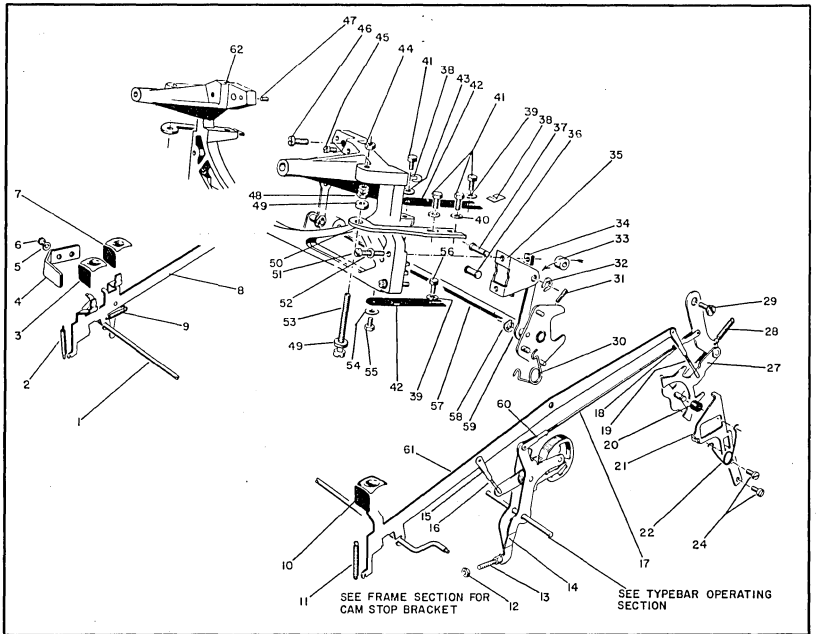
Figure 1



REF. PART NO.	DESCRIPTION	REF. PART NO.	DESCRIPTION	REF. PART NO.	DESCRIPTION
1	1070340 Link, Ribbon Feed	33	1070020 Adjusting Pin Clevis	61	1119186 Ribbon Feed Cam Assm.
2	1000223 Connecting Link	34	1079999 Screw	1072871	Ribbon Feed Cam Assm.
3	1070020 Adjustable Clevis	1090015	Screw (Use to mount Corner Gds. for combination Fabric & Carbon Ribbon)		(In Model A ET's requiring a pin in the cam release lever for the ribbon rewind lever to contact)
4	1071687 Spring	35	1100752 Ribbon Corner Guide, RH	62	1092125 "C" Clip
5	1102139 Spring	1106140	Ribbon Corner Guide, RH	63	1072703 Spring
6	38281 Screw		Ribbon Guide - C.R.A.)	64	1072842 Adjusting Link
7	55901 Washer	36	1072436 Button, Color Control-blue	65	1070020 Clevis, Pin Adjusting
8	1071420 Ribbon Feed Cam Frame Stud	1106235	Button, Color Control-gray	66	1104468 Ribbon Lift Bail Assm.
9	1090041 Nut	37	1071701 Shaft	67	1076717 Connecting Link, Ribbon
10	55901 Washer	38	1090988 Screw	68	1019908 Ribbon Spool
11	1100076 Eccentric Stud	39	1070160 Ribbon Lift Gd. Lever Stop	69	1091787 Ribbon Reverse Rod Spring
12	1091057 Nut	40	25282 Clip, Retaining	70	1072872 Ribbon Reverse Rod Assm.
13	1070020 Adjustable Pin Clevis	41	1091618 Spring	71	1070340 Link, Ribbon Feed
14	1071339 Reverse Brkt. Assm. L.H.	42	1100749 Ribbon Reverse Lever and Stud, L.H.	72	1096898 Ribbon Feed Assm. L.H.
15	1071344 Reverse Brkt. Assm. R.H.	1100746	Ribbon Reverse Lever and Stud, R.H.	1096899	Ribbon Feed Assm. R.H.
16	46831 Feed Pawl Spring	43	1090199 Washer		
17	1091647 Check Pawl Spring	44	186712 Screw		
18	1070239 Check Pawl & Arm Assm.LH	45	1100379 Bushing (Use with 1096698 Washer, 186712 Screw)		
19	1070226 Check Pawl & Arm Assm.RH	46	1096698 Fish Paper Washer (Use with 1100379 Bushing, 186712 Screw)		
20	186393 Screw	47	1070236 Ribbon Feed Bellcrank & Pawl Assm. L.H.		
21	1090472 Washer	1070225	Ribbon Feed Bellcrank & Pawl Assm. R.H.		
22	1091644 Spring	48	1102079 Ribbon Rewind Trip Lever Assembly		
23	1000282 Link	49	1000159 Spool Ret. Spring Assm.		
24	1091670 Spring	50	1071667 Bracket		
25	1071337 Ribbon Feed Plate Assm.LH	51	1090199 Washer		
26	1071342 Ribbon Feed Plate Assm.RH	52	1091515 Screw		
27	1090799 Screw	53	1090199 Washer		
28	1070022 Ribbon Lift Mechanism	54	1091515 Screw		
29	112055 Set Screw	55	1091662 "C" Clip		
30	1071935 Ribbon Control Lever	56	1072701 Ribbon Rewind Lever		
31	1100753 Ribbon Corner Guide, LH	57	1070020 Clevis, Pin Adjusting		
32	1106139 Ribbon Corner Guide, LH	58	1091057 Locking Nut		
	Offset (Use with Carbon Ribbon Guide - C.R.A.)	59	1091662 "C" Clip		
	29 1079999 Screw	60	1090404 Spring		
	1090015 Screw (Use to mount Corner Gds. for combination Fabric and Carbon Ribbon)				
	30 1110492 Ribbon Lift Gd. Assm. - Cloth Ribbon				
	1078561 Ribbon Lift Guide Assm.- Cloth and Carbon Ribbon				
	31 1070020 Clevis, Pin Adjusting,				
	32 1073240 Adj. Link & Pin Clevis Assm.				

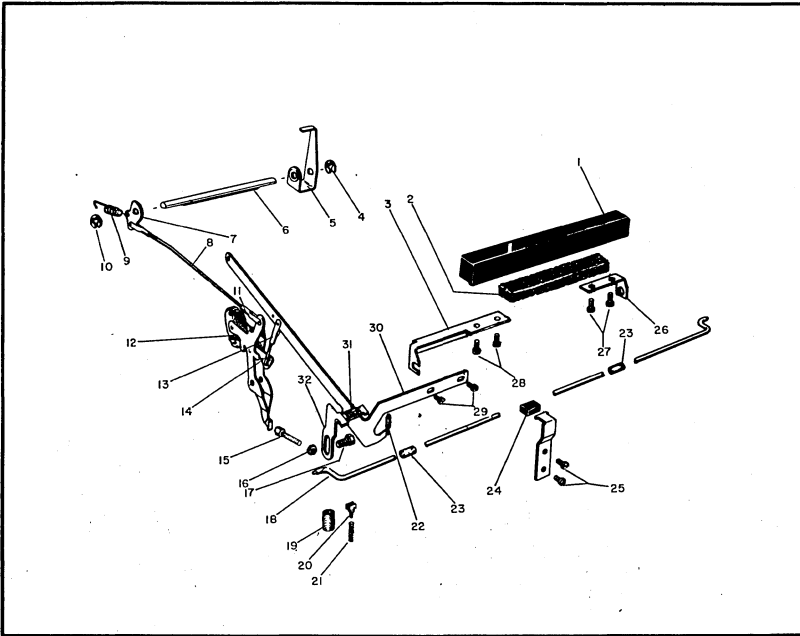


REF. PART NO.	DESCRIPTION	REF. PART NO.	DESCRIPTION	REF. PART NO.	DESCRIPTION
1	1078055 Cover Assem., Magazine L.H. (Specify Color)	31	1090594 Screw, Magazine Plate Mtg.	*74	1110107 Flange Assembly
2	1090193 Stop, Magazine Cover	32	1090193 Stop, Magazine Cover	*75	1108430 Spring, Collapsible Rewind
3	1095001 Spring, Collapsible	33	1078056 Cover Assem., Magazine R.H. (Specify Color)	*76	1108433 Housing, Bearing
4	1110107 Spool Flange Assembly	34	1090594 Screw, Magazine Plate Mtg.	*Used on Std. ET's above approx. serial no. 581357 Model B & A (new installation)	
5	1079729 Ribbon Corner Guide L.H.	35	1090199 Washer, Magazine Plate	MODEL B QUIETIZED TAKE UP MECHANISM	
6	1093880 Shaft & Spool Flange Assem.	36	1090594 Screw, Magazine Plate Mtg.	ISM	
7	1090524 Screw, Bearing Housing	37	1090199 Washer, Magazine Plate	*77	1108436 Screw, Rewind Pulley
8	1090037 Nut	38	1090594 Screw, Magazine Plate Mtg.	*78	1072477 Washer, Spring
9	1074394 Feed Roller Assembly	40	1090199 Washer, Magazine Plate	*79	1110091 Pulley, Rewind
10	1073423 Feed Roller Assem., Obsolete (For Replacement use (1) 1074394 Feed Roller Assem. (1) 1074395 Pressure Roller Assem. (1) 1093694 Pressure Roller Arm Assem., (1) 147297 Clip	41	1090037 Nut, Magazine Plate	*80	1109958 Spring, Carbon Ribbon Drive
11	1078060 Magazine Plate Assem., LH	42	6755 Spring, Magazine Plate	*81	1090386 Washer, Rewind Pulley
12	1090449 Screw, Corner Guide Mtg.	43	1090037 Nut, Magazine Plate	**Model B Std. ET's between serial #38765 and 581357	
13	1091207 Washer	44	1090199 Washer, Magazine Plate	83	BILLS OF MATERIAL FOR CRA
14	1073425 Shaft, Escapement Wheel	45	1092125 Spring Belt	1270774	CRA - Dove Gray (Cog Belt)
15	1073860 Escapement Wheel 10P	46	1077235 Retainer, "C" Clip	1270836	CRA - (cog belt) for colors other than dove gray (specify color)
16	1073861 Escapement Wheel 12, 14P	47	1077235 Retainer, "C" Clip	1270822	CRA - Dove Gray (V Belt)
17	1078537 Spring Assem., Carbon Ribbon	48	1077234 Rewind Pulley	1270665	CRA - Removable Power Roll (orders for this B/M must include color, pitch and V Belt driven or Positive Belt driven)
18	1078561 Guide Assem., Cloth and Carbon Ribbon	49	1073431 Connecting Link, Ribbon Feed	84	BILLS OF MATERIAL FOR DIRECT DRIVE
19	1073299 Spring	50	1090037 Feed	1270825	CRA - Spring Belt to Direct Pulley Drive (V Belt)
20	147297 Retainer, "C" Clip	51	23854 Screw, Rewind Pulley	1270826	CRA - Spring Belt to Direct Pulley Drive (Cog Belt)
21	1092125 Retainer, "C" Clip	52	1073421 Pulley, Rewind Spool	1261732	L.H. Magazine Plate and Spool Assem. (CRA) Direct Drive
22	1074395 Pressure Roller Assembly	53	39953 Ball Bearing	1261751	Pulley Assem., Power Roll, Direct Drive (Cog Belt) (Includes all parts assembled to Power Roll Pulley)
23	6936 Spring, Pressure Roller Assem.	54	1108433 Bearing Housing	1261752	Pulley Assem., Power Roll, Direct Drive (V Belt) (Includes all parts assembled to Power Roll Pulley)
24	1093694 Pressure Roller Arm Assem.	55	39953 Ball Bearing		
25	1093486 Spring, Ribbon Latch	56	6755 Spring, Magazine Plate		
26	1091662 Retainer, "C" Clip	57	1090794 Spring, Ribbon Feed Lockout		
27	1093665 Indicator & Hub Assembly	58	1073412 Bushing, Bellcrank		
28	1090037 Nut, Magazine Plate	59	1073407 Pawl Assem., Ribbon Feed		
29	1090199 Washer, Magazine Plate	60	1091647 Spring, Feed Pawl		
30	1100485 Spring, Ribbon Take Up	61	1073412 Bushing, Bellcrank		
	1079730 Ribbon Corner Guide RH	62	1092125 Retainer, "C" Clip		
	1078061 Magazine Plate Assem. RH	63	1108399 Lock Plate, Rewind Screw		
		64	1108398 O Ring, Rubber		
		65	1110091 Nylon Pulley		
		66	1072377 Washer, Spring		
		67	1108436 Screw, Rewind Pulley		
		68	1090037 Nut, Rewind Pulley		
		69	1108397 Pulley, Rewind Spool		
		70	1108428 Plate Assem., Magazine LH		
		71	58414 Spring		
		72	1090524 Screw, Bearing Housing		
		73	1093880 Shaft & Spool Flange Assem.		
		74			

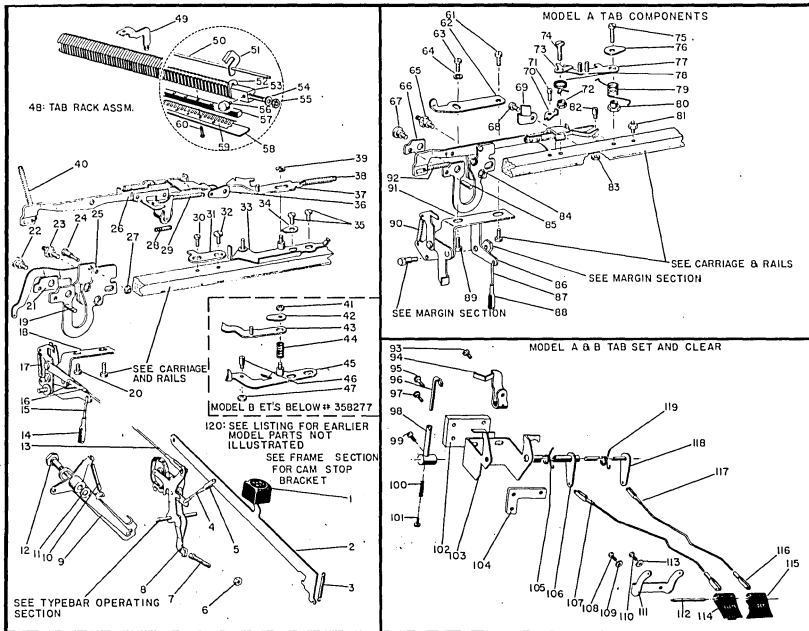


REF. PART NO.	DESCRIPTION	REF. PART NO.	DESCRIPTION	REF. PART NO.	DESCRIPTION
1	1071356 Equalizing Rod	39	1090047 Washer	60	1070020 Clevis, Pin Adjusting (Used with Cam #1119204)
2	1072126 Spring, Keylever	40	1090058 Washer		
3	1070699 Keybutton, Shift (Model A) (Blue)	41	1091035 Screw	61	1071452 Shift Lever R.H.
1106371	Keybutton, Shift (Model B) (Gray)	42	1107959 Segment Guide Spring, Std. and L.P. (Upper and Lower) Above Serial No. 169156	62	1100065 Segment Support
4	1071458 Shift Lock Bracket	1071718	Segment Guide Spring, Upper and Lower (Std. and L.P. between Serial Nos. 169156 and 90000)	1071368	Segment Support (Std. and L.P. between Serial #174600 and 90000)
5	1090058 Washer	1072934	Spring, Segment Guide Lower, Cast Segment Supp. (Std. below Ser. #90000)		
6	1090449 Screw	1073870	Spring, Segment Guide Upper, Cast or Steel Seg. Support (Std. below Serial #90000)		
7	1071839 Keybutton, Shift Lock (Model A) (Blue)	1071719	Spring, Segment Guide Lower (Steel Seg. Support)		
1106381	Keybutton, Shift Lock (Model B) (Gray)	43	1090047 Washer		
8	1072300 Keylever Assm. 84, 88 Char.	44	1090034 Nut		
1072301	Keylever Assm. 88 Char.	45	38282 Screw		
9	1071449 Spring	46	38383 Screw		
10	1070699 Keybutton, Shift (Model A) (Blue)	47	104696 Pin		
1106371	Keybutton, Shift (Model B) (Gray)	48	1090034 Nut		
11	1072126 Spring, Keylever	49	1090619 Washer, Bumper		
12	7341 Nut	50	1072935 Shift Stop Bracket		
13	1091666 Adjustable Stop	1070053	Shift Stop Bracket L.H. (Steel Segment Support)		
14	1119204 Cam Assembly	1070054	Shift Stop Bracket R.H. (Steel Segment Support)		
15	1070020 Clevis, Pin Adjusting	51	1078021 Screw		
16	1070307 Connecting Link	52	62031 Lockwasher		
17	1070356 Connecting Link	53	1077823 Screw, Brkt. Shift Stop (Steel Segment Support)		
18	1070020 Clevis, Pin Adjusting	1071546	Screw, Brkt. Shift Stop (Steel Segment Support)		
19	1070307 Connecting Link	54	1090047 Washer		
20	1091607 Sleeve	55	1105690 Screw		
21	1078044 Retainer	56	1105690 Screw		
22	1070017 Spring	57	1073251 Shift Toggle Lever & Shaft Assembly - Complete		
24	38281 Screw	58	60489 Retainer, "C" Clip		
27	1078047 Pusher & Lever Assembly	59	1070289 Link		
28	131946 Spring	60	1012703 Clevis, Hole Adjusting		
29	1091619 Stud				
30	1078049 Spring, Shift				
31	1106201 Pin				
32	60489 Retainer, "C" Clip				
33	1090069 Spacer				
34	1090039 Nut				
35	1001531 Toggle Link Bracket				
36	1090242 Pin				
37	1060556 Stud				
38	1077799 Shim, Rear				
1104493	Shim, Front				

CODE-417 Model A - B Std. Spacebar



REF. PART NO.	DESCRIPTION	REF. PART NO.	DESCRIPTION	REF. PART NO.	DESCRIPTION
1	1261535 Spacebar, Model B (Includes Rubber)				
	1071441 Spacebar, Model A (Blue)				
	1105886 Spacebar, Model A (Brown)				
	1096905 Spacebar, Model A (Green)				
2	1110574 Insert, Spacebar				
3	1071442 Bracket, Spacebar L.H.				
4	1095160 Retainer, "C" Clip				
5	1070043 Lever				
6	1070042 Shaft				
7	1070041 Plate, Esc. Operating				
8	1070365 Link, Esc. Connecting				
9	1072818 Spring, Esc. Operating				
10	1095160 Retainer, "C" Clip				
11	1110533 Clevis, Hole Adjusting				
	1110529 Clevis, Pin Adjusting				
12	1119191 Cam Assembly, Spacebar (Model A)				
	1119192 Cam Assembly, Spacebar (Model B)				
13	1070020 Clevis, Pin Adjusting				
14	1070307 Link, Connecting Cam to Keylever				
15	1091666 Screw, Cam Stop				
16	7341 Nut, Cam Stop Screw				
17	1090680 Screw, Stop Bracket				
18	1108626 Equalizing Rod, Keylever				
19	1108362 Bushing, Crippling				
20	1108572 Plunger, Repeat <i>1106595</i>				
21	1105514 Spring, Repeat Plunger				
22	1072703 Spring, Spacebar Keylever				
23	1073866 Bushing, Equalizing Rod				
24	1071881 Stop, Spacebar (Model A)				
25	38279 Screw, Spacebar Stop Bracket (Model A)				
26	1071443 Bracket, Spacebar R.H.				
27	1090807 Screw, Spacebar Mtg.				
28	1090807 Screw, Spacebar Mtg.				
29	38562 Screw, Spacebar Bracket L.H. (Model B)				
30	1077798 Keylever, Spacebar				
31	1073866 Spacebar Stop, Vinyl				
32	1106076 Stop, Spacebar (Model B)				



REF. PART NO.	DESCRIPTION	REF. PART NO.	DESCRIPTION	REF. PART NO.	DESCRIPTION
1	1070697 Tab. Keyputton Model A (Blue)	18	1105500 Governor Control Lever Brkt. Assm. (Model B ET's with One Piece Margin Release Std. and L.P. ET's above approx. Ser. #401569)	32	(cont'd) Below Serial #358277
	1106372 Tab. Keyputton Model B (Gray)			42027	Screw, Tab Keeper Mtg. Model B Std. and L.P. (Above Serial #358277)
2	1072278 Tab. Keylever 84 and 88 Char. Model A and Initial Model B Std. and L.P. below approx. Serial No. 334603	1100408	Friction Gov. Cont. Lev. Model B (below Serial No. 401569)	33	1109040 Mtg. Bracket, Tab Rebound Check
	1098442 Tab. Keylever 88 Char. Std. and L.P. above approx. Serial No. 334603	19	1090395 Dowel, Plate Adjusting	34	1109890 Washer
3	1072126 Spring, Keylever	20	1090799 Screw	35	1090007 Screw, Rebound Check Mtg. Bracket (2)
4	1070307 Connecting Link, Cam to Keylever	21	1016658 Plate, Spring	36	1013363 Link, Tab Check Spring Anchor
5	1070020 Clevis, Pin Adjusting	22	1091227 Stud	37	1109042 Check, Tab Rebound Assm
6	1091085 Nut	23	1000292 Screw, Tab Lever Brkt.	38	1090435 Spring, Tab Rebound Check
7	1091666 Adjustable Stop Screw	24	1102122 Stud, Tab Lever Mtg.	39	25282 Clip
8	1119191 Tab. Cam Assembly	25	1105671 Tab. Lever Guide Bracket Assembly	40	150655 Spring, Tab Lever
9	1100410 Pawl Assm., Friction Gov. Pawl Assm., Friction Gov. Non Magnetic	26	1105628 Tab. Lever Brkt. Assm. 8, 9, 10P (Model B Std. and L.P. below Serial #358277)	41	*1090037 Nut
10	1090175 Spring	1105638	Tab. Lever Brkt. Assm. 12P Model B Std. and L.P. below Serial #358277)	42	*1018477 Support, Rebound Check Lever
11	1090448 Washer	1107791	Tab. Lever Brkt. Assm. 14, 5/32P (below Ser. #358277)	43	*1071761 Tubular, Rebound Check Lever
12	1071545 Stud, Friction Gov. Pawl	1104444	Lever, Tab Assm. 8, 9, 10P	44	*1071901 Spring, Tabular Rebound Check
13	1107376 Tab., Connecting Link (with 1119191 Cam)	1104445	Lever, Tab Assm. 12P	45	*1108872 Tubular Rebound Check Mounting Bracket
	1261070 Tabular Operating Link, Std. (To replace tabular connecting links 1074250) For use with old style governor control brackets to facilitate field replacement only	1104446	Lever, Tab Assm. 5/32, 14P	46	*1012466 Eccentric Stop
14	1012703 Clevis, Hole Adjusting	27	103372 Nut, Tab Lever Mtg. Stud	47	*1090037 Nut
	1070020 Clevis, Pin Adjusting	28	1072941 Spring, Tab Lever Brkt.	48	*Tab Rebound Check for Model B below Serial No. 358277
15	1070307 Connecting Link, Friction Gov. Pawl	29	1100936 Spring, Tab Check Lever (Model B below Serial No. 358277)		MODEL A TAB RACK ASSEMBLIES
16	1070020 Clevis, Pin Adjusting	27	103372 Nut, Tab Lever Mtg. Stud	1079191	12" 14P
17	1090162 Spring	28	1072941 Spring, Tab Lever Brkt.	1079190	12" 12P
18	1107963 Governor Control Lever Brkt. Assm. (Model B Std. and L.P. ET's below Serial No. 401569)	29	1100936 Spring, Tab Check Lever (Model B below Serial No. 358277)	1079189	12" 10P
		1090175	Spring, Tab Check Lever (Model B above Serial No. 358277)	1079188	12" 9P
		30	42027 Screw, Tab Latch Keeper (Model B Std. and L.P. below Serial #358277)	1079187	12" 8P
		1107956	Screw, Tab Latch Keeper (Model B Std. and L.P. above Serial # 358277)	1079186	12" 5/32P
		31	1071949 Keeper, Tab Latch (Std.)	1079197	16" 14P
		32	1090524 Screw, Tab Keeper Mtg. Model B Std. and L.P.	1079196	16" 12P
				1079195	16" 10P
				1079194	16" 9P
				1079193	16" 8P
				1079192	16" 5/32P
				1079203	20" 14P
				1079202	20" 12P
				1079201	20" 10P
				1079200	20" 9P
				1079199	20" 8P

Model A - B Std. Tabular

REF. PART NO.	DESCRIPTION	REF. PART NO.	DESCRIPTION	REF. PART NO.	DESCRIPTION
48 1079198	20" 5/32P	50 1103830	Tabular Rack Fulcrum Wire 12" Model B	53 1103827	30" 12P
1079208	24" 14P			1103828	30" 14P
1079207	24" 12P	1103831	Tabular Rack Fulcrum Wire 16" Model B	53 MODEL A	TAB RACKS ONLY
1079206	24" 10P			1072805	12" 14P
1079205	24" 9P	1103832	Tabular Rack Fulcrum Wire 20" Model B	1071530	12" 12P
1079204	24" 5/32P			1072604	12" 10P
1079211	30" 14P	1103833	Tabular Rack Fulcrum Wire 24" Model B	1072603	12" 9P
1079210	30" 12P			1072602	12" 8P
1079209	30" 10P	1103834	Tabular Rack Fulcrum Wire 30" Model B	1072601	12" 5/32P
48 MODEL B	TAB RACK ASSEMBLIES			1072611	16" 14P
1099284	12" 5/32P	1077807	Fulcrum Wire 12" Model A	1072610	16" 12P
1099286	12" 8P	1077808	Fulcrum Wire 16" Model A	1072609	16" 10P
1099288	12" 10P	1077809	Fulcrum Wire 20" Model A	1072608	16" 9P
1099290	12" 10P	1079947	Fulcrum Wire 24" Model A	1072607	16" 8P
1099292	12" 12P	1079948	Fulcrum Wire 30" Model A	1072606	16" 5/32P
1099294	12" 14P	51 1015100	Tabular Stop	1072617	20" 14P
1099296	16" 5/32P	52 1103869	Fulcrum Wire Stop R.H. Model B	1072616	20" 12P
1099298	16" 8P			1072615	20" 10P
1099304	16" 9P	1012458	Fulcrum Wire Stop L.H. end R.H. Model A	1072614	20" 9P
1099306	16" 10P			1072613	20" 8P
1099308	16" 12P	53 MODEL B	TABULAR RACKS ONLY	1072612	20" 5/32P
1099310	16" 14P	1103803	12" 5/32P	1072623	24" 14P
1099312	20" 5/32P	1103804	12" 8P	1072622	24" 12P
1099314	20" 8P	1103805	12" 9P	1072621	24" 10P
1099316	20" 9P	1103806	12" 10P	1072620	24" 9P
1099318	20" 10P	1103807	12" 12P	1072618	24" 5/32P
1099320	20" 12P	1103808	12" 14P	1072629	30" 14P
1099322	20" 14P	1103809	16" 5/32P	1072628	30" 12P
1099324	24" 5/32P	1103810	16" 8P	1072627	30" 10P
1099326	24" 9P	1103811	16" 9P	54 090240	Spacer, Tab Rack
1099328	24" 10P	1103812	16" 10P	55 090550	Nut, Tab Rack
1099330	24" 12P	1103813	16" 12P	56 1073749	Final K. O. Pin Model A
1099332	24" 14P	1103814	16" 14P	57 1103835	Spacer, Stop Spring 12" Model B
1099342	30" 10P	1103815	20" 5/32P	1103836	Spacer, Stop Spring 16" Model B
1099344	30" 12P	1103816	20" 8P	1103837	Spacer, Stop Spring 20" Model B
1099346	30" 14P	1103817	20" 9P	1103838	Spacer, Stop Spring 24" Model B
49 1100811	Center Support 8-10-14-5/32P Model B	1103818	20" 10P	1103839	Spacer, Stop Spring 30" Model B
1100950	Center Support 9 and 12P Model B	1103819	20" 12P	1012425	Spacer, Stop Spring 12" Model A
1077332	Center Support, Tab Rack 10P Model A	1103820	20" 14P		
1077331	Center Support, Tab Rack 12P Model A	1103821	24" 5/32P		
		1103822	24" 9P		
		1103823	24" 10P		
		1103824	24" 12P		
		1103825	24" 14P		
		1103826	30" 10P		

REF. PART NO.	DESCRIPTION	REF. PART NO.	DESCRIPTION	REF. PART NO.	DESCRIPTION
57 1012426	Spacer, Stop Spring 16" Model A	59 1103845	Spring, Tab Stop 5/32P Model B	71 1090003	Screw, Stop Mtg.
1012427	Spacer, Stop Spring 20" Model A	1103840	Spring, Tab Stop 8P Model B	72 1074142	Spacer, Eccentric
1012428	Spacer, Stop Spring 24" Model A	1103841	Spring, Tab Stop 9P Model B	1090050	Spacer (Used on machines below Serial #44150)
1012429	Spacer, Stop Spring 30" Model A	1103842	Spring, Tab Stop 10P Model B	73 1018479	Latch
58 1103868	Guard, Stop Spring 11" Model B (1 req'd for 12" Rack)	1103843	Spring, Tab Stop 12P Model B	74 1074144	Screw
1100661	Guard, Stop Spring 7" Model B (1 required for 16" Rack)	1103844	Spring, Tab Stop 14P Model B	1091403	Screw (Used on Machines below Serial #44150)
1103867	Guard, Stop Spring 8" Model B (1 required for 16" Rack)	1061413	Spring, Tab Stop 12P 4 1/2" Model A	75 38287	Screw
1103868	Guard, Stop Spring 11" Model B (1 required for 20" Rack)	1061414	Spring, Tab Stop 12P 4" Model A	76 1018477	Support, Rebound Check
1103867	Guard, Stop Spring 8" Model B (1 required for 20" Rack)	1061411	Spring, Tab Stop 10P 4 1/2" Model A	77 1093652	Lever, Tab Rebound Check
1103867	Guard, Stop Spring 8" Model B (2 required for 24" Rack)	1061412	Spring, Tab Stop 10P 4" Model A	1077895	Lever, Tab Rebound Check (Used on machines below Serial No. 65000)
1100661	Guard, Stop Spring 7" Model B (1 required for 24" Rack)	1012620	Spring, Tab Stop 9P 5" Model A	78 1000235	Spring
1103868	Guard, Stop Spring 11" Model B (2 required for 30" Rack)	1073018	Spring, Tab Stop 8P 4 1/2" Model A	79 1090626	Spring
1100661	Guard, Stop Spring 7" Model B (1 required for 30" Rack)	1073017	Spring, Tab Stop 8P 4" Model A	80 1090627	Nut, Eccentric
1012420	Guard, Stop Spring 12" Model A	1013751	Spring, Tab Stop 5/32P 5" Model A	81 1090625	Stop, Spring Stud
1012421	Guard, Stop Spring 16" Model A	60 1103978	Screw, Spring Guard Mtg.	82 1012466	Stop
1012422	Guard, Stop Spring 20" Model A	61 2300	Screw, Tab Lever	83 1090037	Nut
1012423	Guard, Stop Spring 24" Model A	62 1014473	Stop, Tab Lever	84 1093655	Tab Lever Brkt. (Used with 14 and 5/32 P
1012424	Guard, Stop Spring 30" Model A	63 2300	Screw, Tab Lever	1073457	Tab Lever Brkt. (Used with 12, 10, 9, and 8P
		64 1090873	Lockwasher, Tab Lever	1073439	Tab Lever Brkt. (Used with 14 and 5/32P machines below Serial #65000)
		65 1000292	Stop, Spring		
		66 1014658	Plate, Spring		
		67 1091227	Stud		
		68 139650	Screw	85 1090395	Dowel, Plate Adjusting
		69 1018472	Stop	86 1100408	Lever
		70 1074143	Stop, Tab Lever Latch	87 1073037	Connecting Link
		1000237	Stop, Tab Lever Latch (Used on machines below Serial No. 44150)	88 1090799	Clevis, Pin Adjusting
				89 1090799	Screw
				90 1090162	Spring
				91 1100409	Gov. Control Lever Brkt. (Model A Std. and L.P. ET's)
				92 1071691	Spring
				93 1072433	Screw
				94 1071717	Tabular Clear Lever
				95 1091006	Screw (for use with 1102069 Spacer)

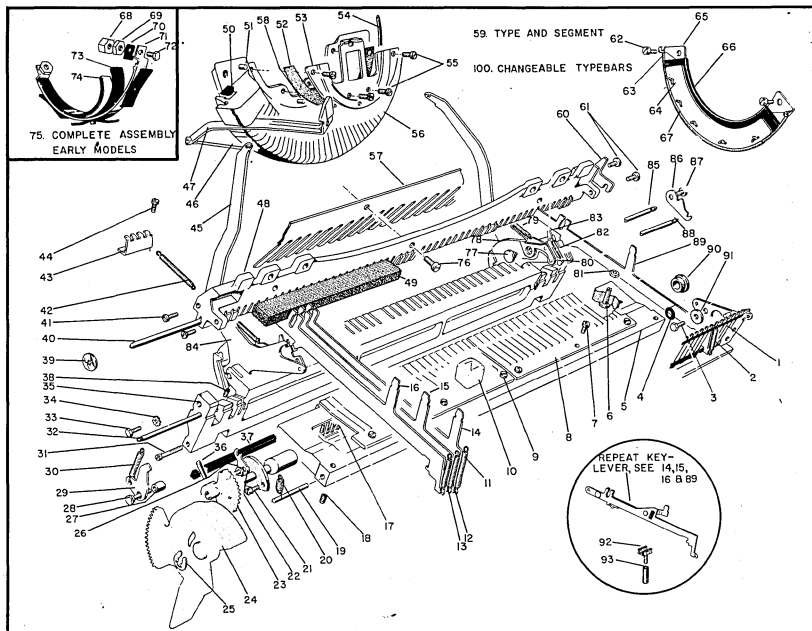
Model A - B Std. Tabular

REF. PART NO.	DESCRIPTION	REF. PART NO.	DESCRIPTION	REF. PART NO.	DESCRIPTION
96	1072927	Tab Stop Set Finger	120	NOTE: Parts available for Intermediate Tab Lever & Linkage used on Std. ET's below approx. Serial No. 106000 as follows: (1) 1072955 Intermediate Tab Lever, (1) 1071962 Adj. Link Front, (1) 1072965 Adj. Link, Rear, (1) 45171 Spring, Act. Lever	
	Model A				
	1107992	Tab Stop Set Finger			
	Model B				
97	1091006	Screw			
98	1107991	Tab Stop Lever Assembly			
	Model B				
	1070217	Tab Stop Lever Assembly			
	Model A				
99	38279	Screw			
100	1090568	Compression Spring			
101	1090567	Screw Model A			
	1108326	Screw Model B			
102	1102099	Spacer			
103	1095140	Bracket			
104	1072809	Plate			
	1091672	Plate (Used with former Tab Set & Clear Bracket 1071197)			
105	1098495	Spring			
106	1070213	Tab Clear Lever and Support Assm.			
107	1073236	Tab Set or Clear Link			
	1071242	Tab Set or Clear Link (Steel Basket)			
108	1090968	Screw			
109	1090199	Washer			
110	1090968	Screw			
111	1071667	Bracket			
112	1071701	Shaft			
113	1090199	Washer			
114	1071672	Tab Clear Button (Blue)			
	1106233	Tab Clear Button (Gray)			
115	1071674	Tab Set Button (Blue)			
	1106234	Tab Set Button (Gray)			
116	1070020	Clevis, Pin Adjusting			
117	1073236	Tab Set or Clear Link			
	1071242	Tab Set or Clear Link (Steel Basket)			
118	1070210	Tab Set Bellcrank and Shaft Assembly - Model A			
	1107994	Tab Set Bellcrank and Shaft Assembly - Model B			
119	1098495	Spring			

January 1960

Figure 1

CODE-419 Model A - B Std. Typebar Operating



REF. PART NO.	DESCRIPTION	REF. PART NO.	DESCRIPTION	REF. PART NO.	DESCRIPTION
1	1105877 Front Guide Comb Assm. (Note: Guide Comb Slots must be opened as required for Typomatic Keys)	21	38281 Screw, Impression Control Shaft Bearing	44	38364 Screw, Bracket Mtg.
2	1107794 Spring, Key Lever, first row	22	1102097 Impression Control, Gear Sector, Cams & Shaft Assm. (must be ordered as an Assembly)	45	1100396 Cam Lever Assm. (Set of 42, Steel Cam)
3	1090680 Screw, Front Guide Comb	23	1077822 Impression Control, Cam Lever Assm. (must be ordered as an Assembly)	1072010	Cam Lever Assm. No. 0 left
4	1090887 Shim Washer K. O. Bar RH	24	1106236 Impression Control Indicator - Gray, 0 - 10	1072011	Cam Lever Assm. No. 1 left
5	1079107 Cam Knockout Bar Assm.	25	60488 Impression Control Indicator - Blue, 0 - 10	1072012	Cam Lever Assm. No. 2 left
6	1071557 Cam Knockout Bar	26	1090199 Washer	1072013	Cam Lever Assm. No. 3 left
7	1073488 Screw, Cam K. O. Bar	27	1071689 Spacer, Impression Control Pawl	1072014	Cam Lever Assm. No. 4 left
8	38235 Screw, Adj. Cam Stop	28	1071565 Stud, Impression Control Pawl	1072015	Cam Lever Assm. No. 5 left
9	1108816 Stop, Cam K. O. Bar	29	1071564 Impression Control Pawl	1072016	Cam Lever Assm. No. 6 left
10	1108816 Stop, Cam K. O. Bar	30	1090162 Spring, Impression Control Pawl	1072017	Cam Lever Assm. No. 7 left
11	1105000 Keybutton, Gray (Blanket Keybutton, Blue Number)	31	1072474 Dowel Screw	1072018	Cam Lever Assm. No. 8 left
12	1070653 Spring, Key Lever, fourth row	32	1071833 Fulcrum Wire, Operational Cams	1072019	Cam Lever Assm. No. 9 left
13	46831 Spring, Key Lever, third row	33	1079784 Screw, Cam Lever Support	1072020	Cam Lever Assm. No. 10 left
14	1107794 Spring, Key Levers, second row	34	9092 Lockwasher, Cam Lever Bearing Support Screw	1072021	Cam Lever Assm. No. 11 left
15	1071317 Key Lever, Fourth Row	35	1074284 Cam Lever Bearing Support - Standard	1072022	Cam Lever Assm. No. 12 left
16	1105511 Key Lever - Repeat - Non Repeat - 4th Row (Model B only)	36	1077815 Pin (Used on machines below approx. Serial No. 15000)	1072023	Cam Lever Assm. No. 13 left
17	1260052 Key Lever - Repeat - Non Repeat - 4th Row (includes spring #1105513 - A & B)	37	1071555 Locking Strip, Cam K. O. Bar Stud	1072024	Cam Lever Assm. No. 14 left
18	1071316 Key Lever, Repeat - Non Repeat - 3rd Row (Mod. B Only)	38	1073462 Set Screw (used on std. typewriters below approx. Serial #347627)	1072025	Cam Lever Assm. No. 15 left
19	1260051 Key Lever, Repeat - Non Repeat - 3rd Row (includes Spring #1105513 - Models A or B)	39	1072821 Speed Clip, Fulcrum Wire	1072026	Cam Lever Assm. No. 16 left
20	1071315 Key Lever - Second Row	40	1072819 Wire, Key Lever Fulcrum	1072027	Cam Lever Assm. No. 17 left
21	1260050 Key Lever, Repeat - Non Repeat - 2nd Row (includes Spring #1105513 - Models A or B)	41	1072820 Screw, Key Lever Bearing Support	1072028	Cam Lever Assm. No. 18 left
22	1107619 Spring, Cam K. O. Bar (Below approx. Serial No. 356117 Std. and L.P.)	42	1071318 Spring, Cam Lever	1072029	Cam Lever Assm. No. 19 left
23		43	1071439 Bracket, Cam Lever Spring	1072030	Cam Lever Assm. No. 20 left

Model A - B Std. Typebar Operating

REF. PART NO.	DESCRIPTION	REF. PART NO.	DESCRIPTION	REF. PART NO.	DESCRIPTION
45 1072031	Cam Lever Assm. No. 21 left	46 1070499	Connecting Link Typebar	65 1104139	Frame, Type Rest Pad
1072032	Cam Lever Assm. No. 22 right	1107865	Typebar Link Assm. L.H. (Changeable Typebar)	66 1105692	Type Rest Pad
1072033	Cam Lever Assm. No. 23 right	1107866	Typebar Link Assm. R.H. (Changeable Typebar)	67 1105693	Sleeve Spring
1072034	Cam Lever Assm. No. 24 right	47 Refer to 1078508	Typebar Listing Support, Key Lever Bearing	68 1093672	Nut, Large Hex
1072035	Cam Lever Assm. No. 25 right	49 1109798	Stabilizer, Key Lever	69 1093671	Nut, Small Hex
1072036	Cam Lever Assm. No. 26 right	50 1105881	Vinyl Stop, Typebar U-Bar	70 1093670	Clip, Retaining
1072037	Cam Lever Assm. No. 27 right	51 104696	Dowel Pin, Typebar Segment	71 1093676	Frame Assembly
1072038	Cam Lever Assm. No. 28 right	52 1070290	Shim, Segment	72 1073025	Screw
1072039	Cam Lever Assm. No. 29 right	53 1103855	Type Guide, Model B	73 1093675	Strip, Rubber
1072040	Cam Lever Assm. No. 30 right	54 1070277	Type Guide, Model A	74 1073542	Pad & Shim Assm., Type Rest
1072041	Cam Lever Assm. No. 31 right	55 1016718	Fulcrum Wire, Typebar	75 1093882	Pad Assm., Type Rest 84 char.
1072042	Cam Lever Assm. No. 32 right	56 1091229	Screw, Typebar Guide	76 1093883	Pad Assm., Type Rest 88 char.
1072043	Cam Lever Assm. No. 33 right	57 1073067	84 Character Segment	77 38281	Screw, Cam Lever Guide
1072044	Cam Lever Assm. No. 34 right	58 1073550	88 Character Segment	78 1102147	Stud, Letter Cam Steel
1072045	Cam Lever Assm. No. 35 right	59 1071355	Guide, Cam Lever	79 1102148	Cam - Letter Steel R.H.
1072046	Cam Lever Assm. No. 36 right	60 1091161	Dowel, Typebar Guide	80 1079952	Cam - Letter, Nylon RH
1072047	Cam Lever Assm. No. 37 right	61 1261104	Complete Set of type with Segment (Model B - specify)	81 38051	Spring
1072048	Cam Lever Assm. No. 38 right	1077094	Complete set of type without Segment (Model A or B - specify)	82 1105906	Strip, Trip Lever
1072049	Cam Lever Assm. No. 39 right	1072396	Complete Set of type with Segment (Model A - specify)	83 1093922	Trip Lever - Left
1072050	Cam Lever Assm. No. 40 right	1073823	Typebar Assm. (For char- acters other than listed in the table at the end of this section - Specify)	84 1102147	Trip Lever - Right
1072051	Cam Lever Assm. No. 41 right	1260238	Changeable Typebar Assm. (specify character and Posi- tion)	85 1072998	Cam - Letter, Nylon LH
1072052	Cam Lever Assm. No. 42 right	60 1078463	Screw, Keylever Bearing	86 1102098	Fulcrum Rod, Cam Lever
1072053	Cam Lever Assm. No. 43 right	61 1072820	Support	87 63324	Bearing Support
		62 1093749	Screw, Rest Pad Frame	88 1071833	Clip, Fulcrum Wire R.H.
		1105696	Stud(2) Use with #1105695	89 1071314	Screw, Fulcrum Wire
		63 1105694	Spacer(2) to install the cur- rent style Type Rest on typewriters equipped with the Spring Mtd. Type Rest Assembly	90 1077820	Fulcrum Wire, Operation- al Cams
		64 1104140	Spring, Type Rest Pad Front Frame	91 1090047	Key Lever - First Row
				92 1105512	Key Lever, Repeat - Non Repeat - 1st Row (includes Spring #1105513 - A or B)
				93 1105514	Key Lever, Repeat - Non Repeat - 1st Row (Mod. B)
				1110249	Washing, Cam & Shaft Assr
					Washer, Front Guide Comb Plunger - Type Bar Oper- ating Key Lever
					Compression Spring, Light Rows 1 and 2
					Compression Spring, Heavy Rows 3 and 4.

REF. PART NO.	DESCRIPTION	REF. PART NO.	DESCRIPTION	REF. PART NO.	DESCRIPTION
100	CHANGEABLE TYPEBARS				
<p>The following are blanket Part Numbers and the regular procedure for ordering special type must be followed.</p>					
1100300	Changeable Typebar Pos.0				
1100303	Changeable Typebar Pos. 3				
1100307	Changeable Typebar Pos. 7				
1100311	Changeable Typebar Pos.11				
1100315	Changeable Typebar Pos.15				
1100319	Changeable Typebar Pos.19				
1100323	Changeable Typebar Pos.23				
1100327	Changeable Typebar Pos.27				
1100331	Changeable Typebar Pos.31				
1100332	Changeable Typebar Pos.32				
1100335	Changeable Typebar Pos.35				
1100336	Changeable Typebar Pos.36				
1100339	Changeable Typebar Pos.39				
1100340	Changeable Typebar Pos.40				
1100341	Changeable Typebar Pos.41				
1100342	Changeable Typebar Pos.42				
1100343	Changeable Typebar Pos.43				

Model A - B Std. Typebars & Keybuttons

POS	CHAR	ELITE	ELITE GOTHIC SC-GE	ELITE GOTHIC DC-F	LARGE ELITE LE	PICA	PICA GOTHIC SC-G	PICA GOTHIC D.C.-H	B F ACADEMIC BA	DUAL BASIC DB	DIPLOMAT B2
1	Q	1076543	1078231	1260508	1260534	1076599	1076655	1260630	1260400	1260576	1260454
2	A	1076544	1078232	1260509	1260535	1076600	1076656	1260631	1260401	1260577	1260455
3	*1	1076545	1078233			1076601	1076657		1260402	1260578	1260456
3	®/2	1076546	1078234		1260536	1076602	1076658		1260403	1260579	1260457
4	Z	1076547	1078235	1260510	1260537	1076603	1076659	1260632	1260404	1260580	1260458
4	W	1076548	1078236	1260511	1260538	1076604	1076660	1260633	1260405	1260581	1260459
6	S	1076549	1078237	1260512	1260539	1076605	1076661	1260634	1260406	1260582	1260460
7	®/2	1076550	1078238			1076606	1076662		1260407	1260583	1260461
7	1/3	1076551	1078239		1260540	1076607	1076663		1260408	1260584	1260462
8	X	1076552	1078240	1260513	1260541	1076608	1076664	1260635	1260409	1260585	1260463
9	E	1076553	1078241	1260514	1260542	1076609	1076665	1260636	1260410	1260586	1260464
10	D	1076554	1078242	1260515	1260543	1076610	1076666	1260637	1260411	1260587	1260465
11	1/3	1076555	1078243			1076611	1076667		1260412	1260588	1260466
11	5/4	1076556	1078244		1260544	1076612	1076668		1260413	1260589	1260467
12	C	1076557	1078245	1260516	1260545	1076613	1076669	1260638	1260414	1260590	1260468
13	R	1076558	1078246	1260517	1260546	1076614	1076670	1260639	1260415	1260591	1260469
14	F	1076559	1078247	1260518	1260547	1076615	1076671	1260640	1260416	1260592	1260470
15	5/4	1076560	1078248			1076616	1076672		1260417	1260593	1260471
15	%/5	1076561	1078249		1260548	1076617	1076673		1260418	1260594	1260472
16	V	1076562	1078250	1260519	1260549	1076618	1076674	1260641	1260419	1260595	1260473
17	T	1076563	1078251	1260520	1260550	1076619	1076675	1260642	1260420	1260596	1260474
18	G	1076564	1078252	1260521	1260551	1076620	1076676	1260643	1260421	1260597	1260475
19	%/5	1076565	1078253			1076621	1076677		1260422	1260598	1260476
19	c/6	1076566	1078254		1260552	1076622	1076678		1260423	1260599	1260477
20	B	1076567	1078255	1260522	1260553	1076623	1076679	1260644	1260424	1260600	1260478
21	Y	1076568	1078256	1260523	1260554	1076624	1076680	1260645	1260425	1260601	1260479
22	H	1076569	1078257	1260524	1260555	1076625	1076681	1260646	1260426	1260602	1260480
23	c/6	1076570	1078258			1076626	1076682		1260427	1260603	1260481
23	®/7	1076571	1078259		1260556	1076627	1076683		1260428	1260604	1260482
24	N	1076572	1078260	1260525	1260557	1076628	1076684	1260647	1260429	1260605	1260483
25	U	1076573	1078261	1260526	1260558	1076629	1076685		1260430	1260606	1260484
26	J	1076574	1078262	1260527	1260559	1076630	1076686	1260649	1260431	1260607	1260485
27	®/7	1076575	1078263			1076631	1076687		1260432	1260608	1260486
27	*1/8	1076576	1078264		1260560	1076632	1076688		1260433	1260609	1260487
28	M	1076578	1078266	1260528	1260561	1076634	1076690	1260650	1260434	1260610	1260488
29	I	1076579	1078267	1260529	1260562	1076635	1076691	1260651	1260435	1260611	1260489
30	K	1076580	1078268	1260530	1260563	1076636	1076692	1260652	1260436	1260612	1260490
31	1/2/8	1076581	1078269			1076637	1076693		1260437	1260613	1260491
31	1/9	1076582	1078270		1260564	1076638	1076694		1260438	1260614	1260492
32	.	1076583	1078271		1260565	1076639	1076695	1260653	1260439	1260615	1260493
33	O	1076584	1078272	1260531	1260566	1076640	1076696	1260654	1260440	1260616	1260494
34	L	1076585	1078273	1260532	1260567	1076641	1076697	1260655	1260441	1260617	1260495
35	1/9	1076586	1078274			1076642	1076698		1260442	1260618	1260496
35	1/0	1076587	1078275		1260568	1076643	1076699		1260443	1260619	1260497
36		1076588	1078276		1260569	1076644	1076700	1260656	1260444	1260620	1260498
37	P	1076589	1078277	1260533	1260570	1076645	1076701	1260657	1260445	1260621	1260499
38	:/;	1076590	1078278		1260571	1076646	1076702		1260446	1260622	1260500
39	1/0	1076591	1078279			1076647	1076703		1260447	1260623	1260501
39	-/	1076592	1078280		1260572	1076648	1076704		1260448	1260624	1260502
39	*1	1076593	1078281			1076649	1076705				
40	??	1076594	1078282		1260573	1076650	1076706		1260449	1260625	1260503
41	1/1	1076595	1078283			1076651	1076707		1260450	1260626	1260504
41	1/2	1076596	1078284		1260574	1076652	1076708		1260451	1260627	1260505
42	-/2	1076597	1078285			1076653	1076709		1260452	1260628	1260506
42	/	1076598	1078286		1260575	1076654	1076710		1260453	1260629	1260507

Numerals and other characters
not shown are same as Elite
Gothic S. C

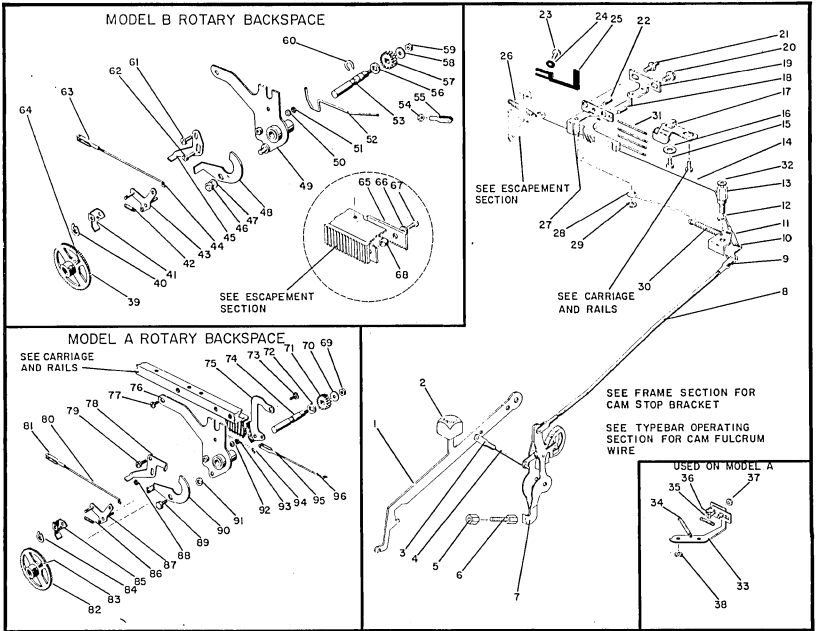
Numerals and other characters
not shown are same as Pica
Gothic S. C.

Model A-B Std. Typebars & Keybuttons

Pos	Char	Pres Elite	Pres Pica	Courier	Artisan 12	Manifold 10	KEY BUTTONS GRAY (MODEL 401)	KEY BUTTONS BLUE
		SE	SP	SM	G2	H3		
1	Q	1261294	1261350	1262222	1262279	1262335	1105017	1075017
2	A	1261299	1261351	1262223	1262280	1262336	1105001	1075001
3	* /1	1261296	1261352	1262224	1262281	1262337	1105043	1075043
3	@ /2	1261297	1261353	1262225	1262282	1262338	1105027	1075027
4	Z	1261298	1261354	1262226	1262283	1262339	1105026	1075026
5	W	1261299	1261355	1262227	1262284	1262340	1105023	1075023
6	S	1261300	1261356	1262228	1262285	1262341	1105019	1075019
7	@ /2	1261301	1261357	1262229	1262286	1262342	1105027	1075027
7	# /3	1261302	1261358	1262230	1262287	1262343	1105028	1075028
7	1 /2			-----	-----	-----	1105046	1075046
8	X	1261303	1261359	1262231	1262288	1262344	1105024	1075024
9	E	1261304	1261360	1262232	1262289	1262345	1105005	1075005
10	D	1261305	1261361	1262233	1262290	1262346	1105004	1075004
11	# /3	1261306	1261362	1262234	1262291	1262347	1105028	1075028
11	% /4	1261307	1261363	1262235	1262292	1262348	1105029	1075029
11	/ /3			-----	-----	-----	1105047	1075047
12	C	1261308	1261364	1262236	1262293	1262349	1105003	1075003
13	R	1261309	1261365	1262237	1262294	1262350	1105018	1075018
14	F	1261310	1261366	1262238	1262295	1262351	1105006	1075006
15	% /4	1261311	1261367	1262239	1262296	1262352	1105029	1075029
15	% /5	1261312	1261368	1262240	1262297	1262353	1105030	1075030
16	V	1261313	1261369	1262241	1262298	1262354	1105022	1075022
17	T	1261314	1261370	1262242	1262299	1262355	1105020	1075020
18	G	1261315	1261371	1262243	1262300	1262356	1105007	1075007
19	% /5	1261316	1261372	1262244	1262301	1262357	1105030	1075030
19	c /6	1261317	1261373	1262245	1262302	1262358	1105031	1075031
19	1 /5			-----	-----	-----	1105048	1075048
20	B	1261318	1261374	1262246	1262303	1262359	1105002	1075002
21	Y	1261319	1261375	1262247	1262304	1262360	1105025	1075025
22	H	1261320	1261376	1262248	1262305	1262361	1105008	1075008
23	c /6	1261321	1261377	1262249	1262306	1262362	1105031	1075031
23	8 /7	1261322	1261378	1262250	1262307	1262363	1105032	1075032
23	7 /6			-----	-----	-----	1105049	
24	N	1261323	1261379	1262251	1262308	1262364	1105014	1075014
25	U	1261324	1261380	1262252	1262309	1262365	1105021	1075021
26	J	1261325	1261381	1262253	1262310	1262366	1105010	1075010
27	8 /7	1261326	1261382	1262254	1262311	1262367	1105032	1075032
27	* /8	1261327	1261383	1262255	1262312	1262368	1105033	1075033
27	1 /8	1261328	1261384	1262256	1262313	1262369	1105044	1075044
27	1 /7			-----	-----	-----	1105051	1075051
28	M	1261329	1261385	1262257	1262314	1262370	1105013	1075013
29	I	1261330	1261386	1262258	1262315	1262371	1105009	1075009
30	K	1261331	1261387	1262259	1262316	1262372	1105011	1075011
31	1 /8	1261332	1261388	1262260	1262317	1262373	1105044	1075044
31	/ /9	1261333	1261389	1262261	1262318	1262374	1105034	1075034
31	c /8			-----	-----	-----	1105052	1075052
32	./ /	1261334	1261390	1262262	1262319	1262375	1105040	1075040
32	./ /			-----	-----	-----	1105059	1075059
33	O	1261335	1261391	1262263	1262320	1262376	1105015	1075015
34	L	1261336	1261392	1262264	1262321	1262377	1105012	1075012
35	/ /9	1261337	1261393	1262265	1262322	1262378	1105034	1075034
35	/ /0	1261338	1261394	1262266	1262323	1262379	1105035	1075035
36	./ /	1261339	1261395	1262267	1262324	1262380	1105041	1075041
36	./ /			-----	-----	-----	1105060	1075060
37	P	1261340	1261396	1262268	1262325	1262381	1105016	1075016
38	./ /	1261341	1261397	1262269	1262326	1262382	1105038	1075038
38	./ /			-----	-----	-----	1105054	1075054
39	/ /0	1261342	1261398	1262270	1262327	1262383	1105035	1075035
39	./ /	1261343	1261399	1262271	1262328	1262384	1105036	1075036
39	* /1	1261344	1261400	1262272	1262329	1262385	1105043	1075043
40	./ /			-----	-----	-----	1105036	1075036
40	7 / /	1261345	1261401	1262273	1262330	1262386	1105042	1075042
41	1 /1			-----	-----	-----		
41	* /1	1261346	1261402	1262274	1262331	1262387	1105039	1075039
41	1 /1			-----	-----	-----	1105045	1075045
41	1 /2	1261347	1261403	1262275	1262332	1262388	1105037	1075037
41	+ /	1261901		1262276	-----	-----	1105055	1075055
42	./ /			-----	-----	-----	1105054	1075054
42	./ /	1261348	1261404	1262277	1262333	1262390	1105036	1075036
42	+ /			-----	-----	-----	1105055	1075055
42	* /1	1261349	1261405	1262278	1262334	1262391	1105039	1075039

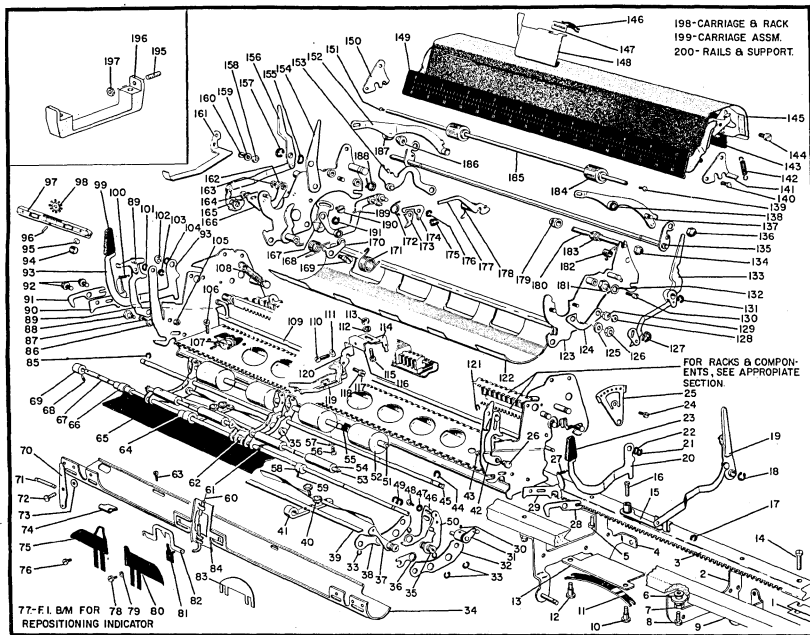
Model A - B Special Typebars & Keybuttons

Pos	Char	Elite	Pica	Elite Gothic GE or F	Prestige Elite SE	Prestige Pica SP	Bookface Academic BA	Keybuttons Model B Only
3	+ / 2	1261816	1261850		1261893			1105327
3	o / 2	1261817	1261851			1261896		1105451
3	± / 2	1261818						1105395
3	+ / 2	1261819	1261852					1105093
3	± / 2	1261820						1075291
3	§ / 2		1261853					1105120
19	= / 6	1261821	1261854		1261894			1105089
19	+ / 6	1261822	1261855					1105358
19	o / 6	1261823	1261856		1261895			1105236
19	± / 6	1261824						1105335
19	§ / 6		1261857			1261897		1105372
27	1 / 8		1261858					1105102
31	8			1261876				1105295
32	÷ /	1261826		1261826				1105098
32	o /	1261827	1261859	1261827	1261898			1105123
32	= /	1261828	1261860	1261828				1105350
32	+ /	1261829	1261861	1261829				1105376
35	9			1261877				1105296
36	+ /	1261830	1261862	1261830	1261899			1105099
36	= /	1261831		1261831				1105390
36	o /	1261832	1261863	1261832				1105328
39	≡ /	1261833	1261864	1261833				1105280
39	- / =	1261834	1261865	1261834	1261900			1108052
39	0			1261878				1105297
40	// ?		1261866					1105100 1074746
41	+ / 2	1261835		1261835				1105090
41	+ / =	1261836		1261836				1105096
41	+ / <	1261837		1261837				1105147
41	o / +	1261838	1261867	1261838				1105125
41	= / +	1261839	1261868	1261839				1105055
41	+ / o	1261840	1261869	1261840				1105125
41	+ / =	1261841	1261870	1261841	1261901		1261904	1105055
41	o / =	1261842	1261871	1261842				1105107
41	+ / ±	1261843	1261872	1261843				1105271
41	[/]	1261844	1261873	1261844		1261902		1105196
41	± / +	1261845	1261874	1261845				1105312
41	- / =	1261846		1261846				1108052
41	> / <	1261847		1261847				1108030
41	= / o	1261848		1261848				1105107
41	± / o	1261849		1261849				1105118
41] / [1261875				1261903	1105347
41	o / 1							1105270
41	1 / 1							1105045
41	± / 1							1076462
41	= / 1							1075289
41	+ / 1							1075156



REF. PART NO.	DESCRIPTION	REF. PART NO.	DESCRIPTION	REF. PART NO.	DESCRIPTION
1	1072279 Key Lever, Back Space	23	186393 Screw, B.S. Interlock	61	139650 Screw, B.S. Brkt. Mtg.
	1072280 Key Lever, Back Space - B8 Character (For replacement use below Serial No. 109925)	24	1096030 Washer, B.S. Interlock	62	38279 Screw, B.S. Pawl Stop
		25	1105782 Interlock, Backspace	63	1070020 Clevis, Pin Adjusting
		26	1071318 Spring, Aligning Lever	64	173937 Set Screw, Ratchet
		27	1079900 Backspace Pawl Bracket Assm., 1/32 Pitch	65	1104290 Rack, Backspace 12"
2	1106380 Button, Back Space (Gray)	1074066	Backspace Pawl Bracket Assm., 1/36 Pitch	1104296	Rack, Backspace 16"
3	1072308 Button, Back Space (Blue)	28	1077395 Link, Backspace Pawl Retainer, B.S. Pawl Link	1104297	Rack, Backspace 20"
4	1070020 Clevis, Pin Adjusting	29	147297 Retainer, B.S. Pawl Link	66	55722 Lockwasher, Backspace
5	1070307 Link, Cam Trip	30	1090171 Spring, B.S. Bellcrank	67	1090449 Screw, B.S. Rack Mtg. 12" Carriage
6	7341 Nut, Cam Stop	31	1072195 Spring, Backspace Pawl	1108666	Screw, B.S. Rack Mtg. 16" and 20" Carriages
7	1091656 Screw, Cam Stop	32	55901 Washer, Backspace Stud	68	1104286 Spacer, Backspace Rack 12" Carriage
	1119189 Cam Assm., Back Space Typamatic	33	1077452 Interlock, Pawl Assm.		1108667 Spacer, Backspace Rack 16" and 20" Carriages
	1119187 Cam Assm., Back Space Non Repeat	34	6351 Spring, B.S. Interlock		
8	1110499 Connecting Link, Pin clevis	35	1090794 Spring, B.S. Interlock		
	1110526 Connecting Link, Hole Type Clevis	36	1077736 Stud, B.S. Interlock		
		37	1091057 Nut, B.S. Interlock		
9	1110529 Pin Clevis	38	1090037 Nut, Grouping Lever		
	1110533 Hole Clevis				
	1091959 Bellcrank, Back Space 1/32 1/36 Pitch	39	1093714 Ratchet Assm., Backspace	69	1090041 Nut, Backspace Shaft
	1093727 Bellcrank, Back Space 1/45 Pitch	40	147297 Retainer, B.S. Pawl	70	1091388 Washer, Backspace Shaft
11	1070020 Clevis, Pin Adjusting	41	1093712 Pawl, Backspace	71	1093729 Backspace Pinion
12	264641 Retainer, "C" Clip	42	1091069 Spring, B.S. Pawl	72	1098557 Washer, Backspace Shaft
13	1108497 Stud, Backspace Bellcrank (Use with Retainer 264641 for replacement on all models)	43	1093709 Link, B.S. Pawl Carrier	73	1091627 Stud, Backspace Shaft
		44	1071962 Stop, B.S. Pawl (Upper)	74	1093717 Backspace Shaft
		45	1105823 Nut, B.S. Pawl Lower Stop	75	1093720 Backspace Interlock Lever
		46	1090041 Nut, B.S. Pawl Lower Stop	76	1093704 Backspace Bracket Assm.
		47	1091388 Washer, Backspace Pawl Lower Stop Stud	77	1090007 Screw, B.S. Brkt. Assm.
14	1071960 Link, Pawl Aligning	48	1093719 Stop, B.S. Pawl (Lower)	78	1093718 Backspace Pawl Stop
15	1090799 Screw, Backspace Pawl Stop Screw	49	1105822 Bracket Assm., Rotary B.S.	79	1090799 Screw, Stop (Upper)
16	1090448 Washer, Backspace Pawl Stop Screw	50	1090222 Washer, Pawl Carrier Assm.	80	1093722 Connecting Link
17	1078421 Stop, Backspace Pawl	51	1090268 Nut, Pawl Carrier Assm.	81	1070020 Clevis, Pin Adjusting
18	1091310 Dowel Pin, Backspace Pawl Bracket	52	1105824 Link, B.S. Interlock	82	1093714 Backspace Ratchet Assm.
19	1077448 Guide Assm., Backspace Pawl	53	1104287 Shaft, Rotary B.S. Mech.	83	112055 Set Screw, B.S. Ratchet
		54	1091057 Nut, Rotary B.S. Mech.	84	1091662 Retainer Clip
20	1115732 Screw, Backspace Pawl Guide and Bracket	55	1070020 Clevis, Pin Adjusting	85	1093712 Backspace Pawl
		56	1098557 Washer, Rotary B.S. Shaft	86	1091069 Spring, Backspace Pawl
21	1117426 Stud, Backspace Pawl Cd. and Bracket	57	1093729 Pinion, Rotary B.S. Mech.	87	1093709 Pawl Carrier Assembly
		58	1091388 Washer, Rotary B.S. Shaft	88	1090037 Nut, B.S. Interlock Stud
22	1091310 Dowel Pin, Backspace Pawl Bracket	59	1090041 Nut, Rotary B.S. Shaft	89	1091972 Stop (Lower)
		60	1105829 Retainer, Rotary B.S. Shaft	90	1093719 Backspace Pawl Stop
				91	1091388 Washer, Stop Stud
				92	1090222 Washer, B.S. Pawl Carr
				93	1090268 Nut, B.S. Pawl Carrier
				94	1093722 Connecting Link
				95	1070020 Clevis, Pin Adjusting
				96	1093723 Connecting Link

CODE-502 Model B Exec. Carriage & Rails



REF. PART NO.	DESCRIPTION	REF. PART NO.	DESCRIPTION	REF. PART NO.	DESCRIPTION
1	1000474 Shim, Rail	39	1108823 Spring, FR Pressure	65	1104197 Front Paper Scale 16"
2	1105756 Support, Rail RH	40	1079999 Screw, FR Pressure		1/45 P LH
3	1103980 Rail, Rear 12"	41	1103701 Screw, Plate	1104198	Front Paper Scale 16"
	1103982 Rail, Rear 16"	42	1103734 Latch, Platen RH		1/45 P RH
	1103984 Rail, Rear 20"	43	1109842 Nut, Platen Latch	1104076	Front Paper Scale 20"
4	1105769 Support, Rail LH (for Support and Interposer Assm., refer to Exc. Control Section)	44	147297 Retainer, "C" Clip	1104026	Front Paper Scale 20"
		45	1104453 Shaft, FR Release 12"		1/32 P RH
5	1090799 Screw, Rail Support		*1108839 Shaft, FR Release 12"	1104077	Front Paper Scale 20"
6	1090448 Spacer, Rail Support		*1104454 Shaft, FR Release 16"		1/36 P LH
7	1090000 Ecc. Nut, Rail Support		*1108844 Shaft, FR Release 16"	1104025	Front Paper Scale 20"
8	1090000 Screw, Rail Support		*1108845 Shaft, FR Release 20"		1/36 P RH
9	1103979 Rail, Front 12"	46	1108828 Lever, FR Adjusting	1104199	Front Paper Scale 20"
	1103981 Rail, Front 16"	47	152029 Lockwasher, FR Lever		1/45 P LH
	1103983 Rail, Front 20"	48	1091026 Screw, FR Lever	1104200	Front Paper Scale 20"
10	1091326 Stud, Final Stop	49	1103695 Retainer, "C" Clip		1/45 P RH
11	1103861 Spring, Final Stop	50	1109049 Lever, FR Pressure Rear LH	The following Paper Scales are for use on Executive ET's above S/N 169461.	
12	1091326 Stud, Final Stop	51	1109048 Lever, FR Pressure Rear RH		
13	1103920 Stop, Carriage Final	51	1110094 Shaft Assm., FR Rear	1108351	Front Paper Scale 12"
14	1090012 Screw, Rail Mfg.	52	1108827 Feed Roll Assm., Rear		1/32 P
15	1105784 Lever, Pawl Release	53	1108857 Shaft Assm., FR Front	1108352	Front Paper Scale 12"
16	1078455 Stud, Pawl Rel. Lever	54	1108825 Feed Roll Assm., Front		1/36 P
17	147297 Retainer, "C" Clip	55	1110093 Clip, Retainer	1108353	Front Paper Scale 12"
18	60489 Retainer, "C" Clip	56	1090022 Screw, Center Support		1/45 P
19	1103748 Lever, Platen Guide	57	62031 Washer, Center Support	1108354	Front Paper Scale 16"
20	1103732 Rail, Carr. Rel. RH	58	1103713 Bushing, Platen Gd. Shaft		1/32 P LH
21	1092125 Retainer, "C" Clip	59	1071657 Screw, Platen Gd. Shaft	1108355	Front Paper Scale 16"
22	1072477 Spring Washer	60	1110239 Wire, Repositioning Ind.		1/32 P RH
23	1103733 Button, Carr. Rel. Lever	61	1103719 Shaft Assm., FR Front	1108356	Front Paper Scale 16"
24	1091471 Lever, Pawl Release	62	1108820 Eccentric, Platen Guide		1/36 P LH
25	1103747 Detent, Platen Guide	63	1090007 Screw, Rail Dust Cover	1108357	Front Paper Scale 16"
26	1108938 Ecc. Stud, Platen Latch	64	1103713 Bushing, Platen Gd. Shaft		1/36 P RH
27	1107743 Spring, Carriage U Bar	65	1103898 Front Paper Scale 12" 1/32P	1108358	Front Paper Scale 16"
28	1103729 Plate, Platen Retaining		1103899 Front Paper Scale 12" 1/36P		1/45 P LH
29	1103728 Plate, Platen Adj. RH		1104196 Front Paper Scale 12" 1/45P	1108359	Front Paper Scale 16"
30	1071657 Screw, Platen Gd. Shaft		1103905 Front Paper Scale 16"		1/45 P RH
31	1103713 Bushing, Platen Gd. Shaft		1103912 Front Paper Scale 16"	1108360	Front Paper Scale 20"
32	1103702 Cradle, Paper FR		1/32P LH		1/32 P LH
33	1103695 Retainer, "C" Clip		1103912 Front Paper Scale 16"	1108361	Front Paper Scale 20"
34	1110198 Cover, Front Rail Dust		1/32P RH		1/32 P RH
35	1110228 Hub, FR Lever		1103906 Front Paper Scale 16"	1108362	Front Paper Scale 20"
36	1108819 Spacer, FR Lever		1/36P LH		1/36 P LH
37	1108836 Lever FR Pressure Front	1103913	Front Paper Scale 16"	1108363	Front Paper Scale 20"
38	1103702 Cradle, Paper FR		1/36P RH		1/36 P RH

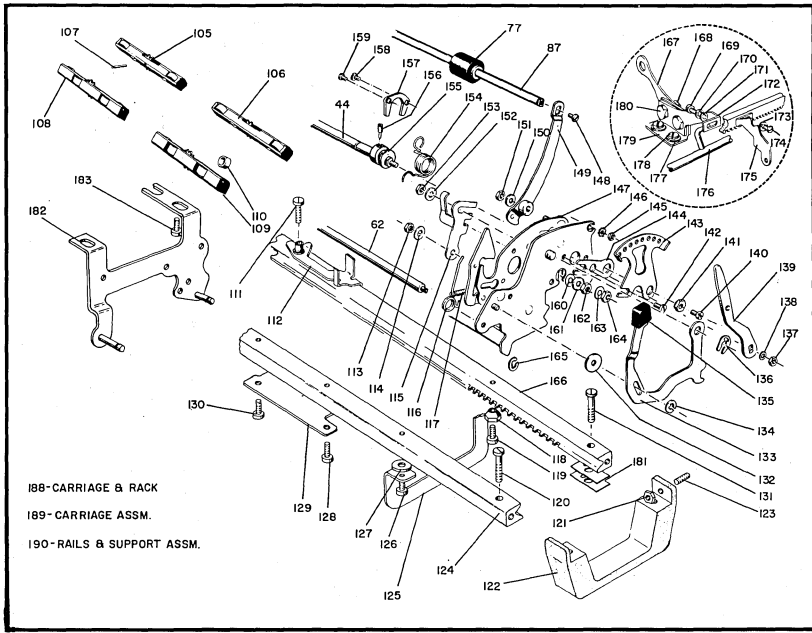
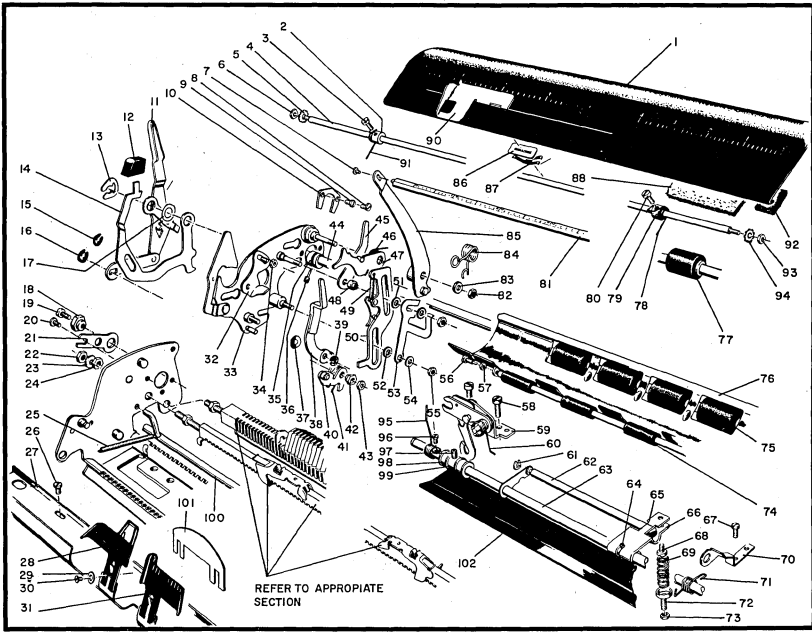
Model B Exec. Carriage & Rails

REF. PART NO.	DESCRIPTION	REF. PART NO.	DESCRIPTION	REF. PART NO.	DESCRIPTION
65 1108364	Front Paper Scale 20" 1/45 P LH	85 1103695	Retainer, "C" Clip	122 1109964	Deflector Assm. FR 16"
1108365	Front Paper Scale 20" 1/45 P RH	86 1072305	Ecc. Nut, Platen Adj. Plate	1108435	Deflector Assm. FR 16" Single Piece
		87 1090003	Screw, Platen Adj. Plate	1109965	Deflector Assm. FR 20"
		88 1108938	Ecc. Stud, Platen Latch	123 1103573	Plate, Platen Gd. RH
		89 1103740	Latch Assm., Platen LH	1261017	Plate, Platen Gd. RH (Use on ET's above 105990)
		90 1103727	Plate, Platen Ref. LH	124 1107805	Yoke, Platen Control
		91 1103729	Plate, Platen Ref. LH	125 1109049	Washer
		92 1079999	Screw, Platen Ret. Plate	126 1090037	Nut
		93 1103731	Lever, Carr. Release LH	127 60489	Retainer, "C" Clip
		94 1018782	Steel Roller	128 1090037	Nut
		95 1103858	Retainer, Steel Roller	129 1090879	Nut, Platen Yoke
		96 1091161	Pin, Star Wheel	*130 3550	Screw
		97 1103853	Truck, Carriage	131 1092125	Retainer, "C" Clip
		98 1093646	Star Wheel	*132 1107986	Washer
		99 1103733	Button, Carr. Rel. Lever	*Used on ET's below 5/N 106962	
		100 1103729	Spring, Carriage U Bar	133 1108794	Lever, Paper Release
		101 1103744	Spring Washer	1103760	Lever, Paper Release (Used on 12" and 16" ET's below 5/N 101331)
		102 1092125	Retainer, "C" Clip	134 1107414	Nut, Tie Rod
		103 147297	Retainer, "C" Clip	135 1103646	Pivot, Paper Ball 12"
		104 1072477	Spring Washer	1103647	Pivot, Paper Ball 16"
		105 1109842	Nut, Platen Latch Stud	1103648	Pivot, Paper Ball 20"
		106 1090003	Screw, Carr. Ret. Pulley	136 103372	Nut
		107 1103679	Pulley, Carriage Return	137 1103659	Ball Arm Assm. RH
		108 1104457	Spring, Platen Gd. Plate	138 1106621	Tire, Paper Ball Arm
		109 1103683	U Bar, Carriage 12"	139 186393	Screw, Ball Shaft
		110 1103763	U Bar, Carriage 16"	140 196299	Screw, Mtg. Plate
		111 1103764	U Bar, Carriage 20"	141 1108965	Plate, Paper Tbl. Adj. RH
		112 1103978	Screw, Center Support	142 1072853	Spring, Paper Table
		113 1109222	Washer, Center Support	143 1103786	Lining, Paper Table 12"
		114 62031	Lockwasher	1103787	Lining, Paper Table 16"
		115 8506	Nut, Center Support	1103788	Lining, Paper Table 20"
		116 1100811	Support, Tab Rack Center 1/32 P	144 1108967	Screw, Ft. Paper Table
		117 1100950	Support, Tab Rack Center 1/36 P and 1/45 P	145 1108890	Paper Table Assm. 12"
		118 2650	Screw	1108898	Paper Table Assm. 16"
		119 1105929	Center Support	1108899	Paper Table Assm. 20"
		120 2650	Screw	146 1072853	Spring, Paper Tbl. Gage
		121 1090222	Washer	147 1071666	Plate, Friction
		122 1108841	Center Support 20" Carr.	148 1103791	Gage, Paper Table
		123 1108852	Center Supp. 12, 16" Carr.	149 1108983	Ff. Paper Tbl. 12" 1/32P
		124 1107861	Center Supp., Mar. Rack	1108984	Ff. Paper Tbl. 12" 1/36P
		125 147297	Retainer, "C" Clip		
		126 1108883	Deflector Assm. FR 12"		

REF. PART NO.	DESCRIPTION	REF. PART NO.	DESCRIPTION	REF. PART NO.	DESCRIPTION
149 1108990	Fr. Paper Tbl. 12" 1/45P	171 1103637	Spring, Platen Detent	198 1098368	Carr. & Rack 20" 1/45P
1108992	Fr. Paper Tbl. 16" 1/32P	172 1103598	Spring, Index Pawl	199 1261169	Carr. Assm. 12" 1/32P
1108993	Fr. Paper Tbl. 16" 1/36P	173 1103599	Index Pawl 29T thru 49T	1261170	Carr. Assm. 12" 1/36P
1108999	Fr. Paper Tbl. 16" 1/45P	174 1107452	Index Pawl 50T thru 66T	1261171	Carr. Assm. 12" 1/45P
1109001	Fr. Paper Tbl. 20" 1/32P	175 1103596	Index Pawl KO Lever	1261172	Carr. Assm. 16" 1/32P
1109002	Fr. Paper Tbl. 20" 1/36P	176 147297	Retainer, "C" Clip	1261173	Carr. Assm. 16" 1/45P
1109008	Fr. Paper Tbl. 20" 1/45P	177 122306	Retainer, "C" Clip	1261174	Carr. Assm. 20" 1/32P
150 1108966	Plate, Pap. Tbl. Adj. RH	178 1103667	Lever, Cam	1261175	Carr. Assm. 20" 1/36P
151 186393	Screw, Ball Roll Shaft	179 1103668	Spring, Cam Lever	1261176	Carr. Assm. 20" 1/45P
152 1103658	Ball Arm Assm. LH	179 1078469	Screw, Paper Tbl. Collar	1261177	Carr. Assm. 20" 1/36P
153 1103609	Upper Index Pawl Stop 66T (234)	180 1103793	Carriage Tie Rod 12"	200 1261178	Rails & Support Assembly 12" 1/32P
		1103794	Carriage Tie Rod 16"		
		1103795	Carriage Tie Rod 20"	1261179	Rails & Support Assembly 12" 1/36P
1103614	Upper Index Pawl Stop 33T (123) & 66T (246)	181 1103745	Eccentric Nut (Used on ET's below 5/N 106962)	1261180	Rails & Support Assembly 12" 1/45P
1103613	Upper Index Pawl Stop 29T (123) & 62T (246)	182 1103669	Spring, Cam Lever RH	1261181	Rails & Support Assembly 16" 1/32P
1103615	Upper Index Pawl Stop 38T (123)	183 1072855	Collar, Paper Table	1261182	Rails & Support Assembly 16" 1/36P
1103604	Upper Index Pawl Stop 44T (234)	184 1000382	Paper Ball Roller	1261183	Rails & Support Assembly 16" 1/45P
1103605	Upper Index Pawl Stop 55T (234)	1093684	Bushing for 1000382	1261184	Rails & Support Assembly 20" 1/32P
		1079088	Spring for 1000382	1261185	Rails & Support Assembly 20" 1/36P
		1104409	Rubber Cover for 1000382	1261186	Rails & Support Assembly 20" 1/45P
154 1103577	Plate, Platen Guide LH	185 1103999	Shaft, Ball Roll 12"		
1261018	Plate, Platen Guide LH	1104000	Shaft, Ball Roll 16"		
		1104001	Shaft, Ball Roll 20"		
		186 1103372	Nut		
		187 1106619	Tire, Paper Ball Arm		
155 1072477	Spring Washer, Detent Rel.	188 1103640	Spring, Upper Index Pawl Stop		
156 1104211	Actuating Assm., Platen Release	189 1103592	Carrier, Index Pawl		
157 60489	Retainer, "C" Clip	190 1090845	Screw, Pawl Stop		
158 *1103745	Eccentric Nut	191 1092125	Retainer, "C" Clip		
159 *1107986	Washer				
160 *3500	Screw				
	*Used on ET's below 5/N 106962.				
161 1107445	Stop, Paper Guide	195 134986	Screw, Rail Brace		
162 1090879	Ecc. Nut, Platen Yoke	196 1072967	Brace, Rail (Specify Color)		
163 1090037	Nut, Platen Yoke	197 1090034	Nut, Rail Adjusting		
164 1090037	Nut, Platen Yoke	198 1098360	Carr. & Rack 12" 1/32P		
165 1090049	Washer	1098361	Carr. & Rack 12" 1/36P		
166 1107805	Yoke, Platen Control	1098362	Carr. & Rack 12" 1/45P		
167 1103632	Stop, Index Pawl (Lower)	1098363	Carr. & Rack 16" 1/32P		
168 1103633	Spring, Index Lever	1098364	Carr. & Rack 16" 1/36P		
169 1103636	Stud, Platen Detent	1098365	Carr. & Rack 16" 1/45P		
170 1103670	Detent Arm, 29 thru 49T	1098366	Carr. & Rack 20" 1/32P		
1103634	Detent Arm, 50 thru 66T	1098367	Carr. & Rack 20" 1/36P		

NOTE: EXECUTIVE CARRIAGE ASSEMBLIES AS LISTED INCLUDE FEED ROLL DEFLECTOR ASSEMBLIES BUT DO NOT INCLUDE PAPER TABLE ASSEMBLIES OR PLATEN ASSEMBLY. CARRIAGE & RACK ASSEMBLIES INCLUDE CARRIAGE FRAME AND ESCAPEMENT RACK ONLY.

CODE-502 Model A Exec. Carriage & Rails



Model A Exec. Carriage & Rails

REF. PART NO.	DESCRIPTION	REF. PART NO.	DESCRIPTION	REF. PART NO.	DESCRIPTION
1	1073665 Paper Table 12" Wrinkle Finish	31	1072092 Line Gage Card Holder RH 1/32P	50	1076862 Index Pawl Carrier (All ratschets 50T and up)
	1077477 Paper Table Assembly 12" Satin Finish		1074089 Line Gage Card Holder RH 1/36P	51	1074145 Washer
	1073669 Paper Table Assembly 16" Wrinkle Finish	1093771	Line Gage Card Holder RH 1/45P	52	1074145 Washer
	1077478 Paper Table Assembly 16" Satin Finish		1071496 Index Pawl Stop	53	1072849 Paper Table Stop LH
	1073670 Paper Table Assembly 20" Wrinkle Finish	33	1078643 Platen Guide Plate LH *1071486	54	1074145 Washer
	1077479 Paper Table Assembly 20" Satin Finish		*(Used on machines below 5/N 36000)	55	1090037 Nut
2	1072855 Collar, Carriage Tie Rod	32	1071496 Index Pawl Stop	56	1090604 Screw
3	1078469 Screw, Carriage Tie Rod		1071486 Index Pawl Stop	57	1090605 Nut
4	1071648 Carriage Tie Rod 12"	35	1077905 Platen Guide Eccentric Screw	58	443 Screw, Hook Lever
	1071851 Carriage Tie Rod 16"	37	1072477 Spring Washer	59	1014992 Hook Lever Assembly
	1071852 Carriage Tie Rod 20"	38	1072476 Washer, Carriage Tie Rod Nut, Carriage Tie Rod	60	1091149 Spring
5	55722 Washer, Carriage Tie Rod	39	1072875 Nut	61	1092125 Clip
6	1090008 Nut, Carriage Tie Rod		1076880 Detent Arm Assm. (30T, 31T, 36T, 39T, 40T, & 45T)	*1090269 Washer	
7	186393 Screw, Bail Shaft		1076882 Detent Arm Assm. (34T, 41T)	*1090268 Nut *(Used with former style Equalizing Shaft.)	
8	38277 Screw, Reinforcing Plate		1076884 Detent Arm Assm. (50T thru 53T, 56T, 57T, 61T thru 66T)	62	1000698 Equalizing Shaft 12", 20"
9	38277 Screw, Reinforcing Plate		1076886 Detent Arm Assm. (55T, 58T thru 60T)	63	1002498 Equalizing Shaft 16"
10	1077904 Reinforcing Plate		1072880 Detent Arm Assm. (46T)	64	1077741 12" Actuating Shaft
11	1071629 FR Release Lever Assm.		1072479 Spring	65	1077742 20" Actuating Shaft
12	1071651 Carriage Release Button		1090383 Eccentric Nut	66	1076719 12" Actuating Shaft *Used on machines below 30000
13	60468 Retainer, "C" Clip LH	41	1072479 Spring	*1071859 16" Actuating Shaft *Used on machines below 30000	
14	1071650 Retainer, "C" Clip LH	42	1090383 Eccentric Nut	64	1077739 Pin, Actuating Shaft
15	60489 Retainer, "C" Clip	43	1090037 Nut	65	1100503 Arm, Actuating Shaft
16	60489 Retainer, "C" Clip	44	1077908 12" Platen Adjusting Shaft	66	1100504 Retaining Plate
17	1071723 Spring Washer		1077909 16" Platen Adjusting Shaft		*1073291 Retaining Plate *(Used with former style Lift Arm 1074049)
18	1072305 Platen Gd. Shaft Ecc.	41	1077910 20" Platen Adjusting Shaft	67	1090022 Screw
19	1072370 Platen Guide Shaft Bearing Plate Screw	42	1071627 Linespace Gage Lev. Assm.	68	1090015 Screw
20	1090845 Screw	46	1000377 Spring	69	1073292 Spring
21	1072303 Platen Guide Shaft Bearing Plate	47	1076865 Upper Index Pawl Stop (24T thru 30T)(except 29T)	70	1099980 Support, FR Act. Shaft
22-23-24	See Margin Section	45	1071627 Linespace Gage Lev. Assm.	71	1092009 Spring
25	1090404 Spring	46	1000377 Spring	72	1092009 Holder
26	1090007 Screw	47	1076865 Upper Index Pawl Stop (24T thru 30T)(except 29T) & 31T thru 44T, also 49T)	73	1090037 Spring
27	1070297 Front Rail Dust Cover		1000325 Upper Index Pawl Stop (29T & 31T thru 44T, also 49T)	74	1064812 Feed Roll Assm., Front 16"
28	1077101 Line Gage Card Holder LH - All Pitches	48	1071617 Spacer	1064810 Feed Roll Assm., Front 12" and 20"	
29	1090630 Washer, Card Holder	49	1090529 Spring	75	1072670 Feed Roll Assm., Rear, 16"
30	186393 Screw, Card Holder	50	1073401 Index Pawl Carrier (29T Thru 49T)	76	1072669 Feed Roll Assm., Rear, 12" and 20"
				1070380 Deflector Assembly 12"	
				1070385 Deflector Assembly 16"	

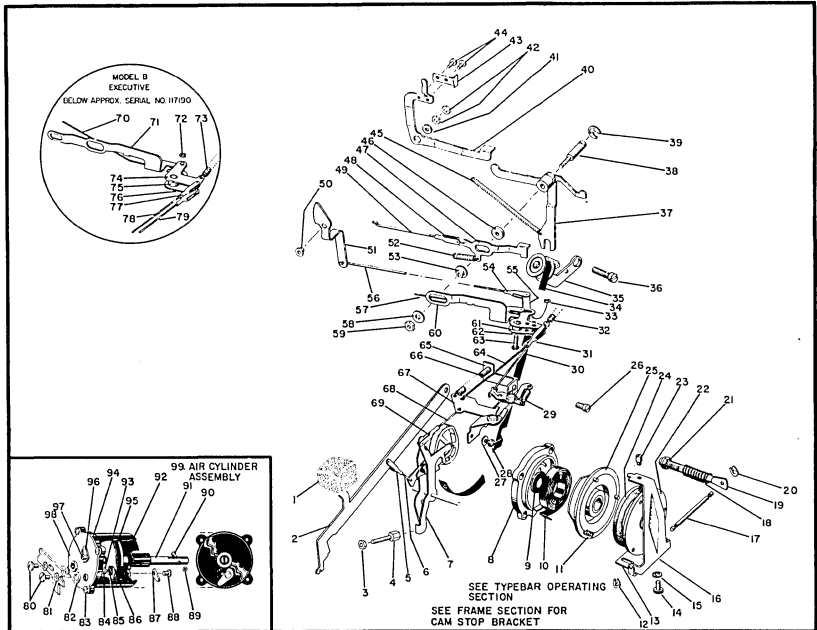
REF. PART NO.	DESCRIPTION	REF. PART NO.	DESCRIPTION	REF. PART NO.	DESCRIPTION
76	1070595 Deflector Assembly 20"	101	1260385 Type Shield, Underprint	123	134986 Screw, Rail Adj.
77	1000382 Paper Bail Roll Assembly	102	1078038 Fr. Paper Gd. 12" 1/32P	124	1071990 12" Front Rail
	1093684 Bushing for 1000382		1074075 Fr. Paper Gd. 12" 1/36P	125	1072644 16" Front Rail
	1090088 Spring for 1000382		1093781 Fr. Paper Gd. 12" 1/45P	126	1072646 20" Front Rail
	1104409 Rubber Cover for 1000382		1078039 Fr. Paper Gd. 16"RH 1/32P	127	1073745 Nut *Front Rail RH
78	1072859 Spring, Carr. Tie Rod		1078040 Fr. Paper Gd. 16"RH 1/32P	128	1090799 Screw, Rail Support Mtg.
79	1072855 Collar, Carr. Tie Rod		1074076 Fr. Paper Gd. 16"RH 1/36P	129	1090448 Washer, Rail Support
80	1078469 Screw, Carr. Tie Rod		1074077 Fr. Paper Gd. 16"RH 1/36P	129	1090003 Screw, Final Stop
81	1077949 12" Paper Bail Shaft, Sealed		1093782 Fr. Paper Gd. 16"RH 1/45P	128	1091663 Stop, Carriage Final
	1079950 16" Paper Bail Shaft, Sealed		1093783 Fr. Paper Gd. 16"RH 1/45P	130	1090003 Screw, Final Stop
	1079951 20" Paper Bail Shaft, Sealed		1078041 Fr. Paper Gd. 20"RH 1/32P	131	1090012 Screw, Rail Mtg.
82	1090037 Nut		1078042 Fr. Paper Gd. 20"RH 1/32P	132	1071723 Washer, Spring
83	1074145 Washer		1074078 Fr. Paper Gd. 20"RH 1/36P	133	1071655 Carr. Release Lever RH
84	1105742 Bail Spring LH (Used on Dec. Tab only)		1074079 Fr. Paper Gd. 20"RH 1/36P	134	60489 Retainer, "C" Clip
	1077335 Dec. Tab only)		1093784 Fr. Paper Gd. 20"RH 1/45P	135	1071651 Carr. Rel. Lever Button
	1072437 Bail Spring (Coil)		1093785 Fr. Paper Gd. 20"RH 1/45P	136	60488 Nut
85	1078646 Bail Lever Assembly LH			137	1090037 Nut
	1077338 Bail Lever LH (Used with 1071486 Platen Guide Plate and 1071515Spacer)	105	1093646 Star Wheel, Carr. Truck	138	62031 Washer
	1071512 Bail Lever LH (Used with Coil Spring)	106	1071507 Carriage Truck	139	1072302 Platen Guide Arm
86	1071666 Paper Table Gage Friction Plate	107	1091161 Pin, Star Wheel	140	1072370 Screw
	1072853 Paper Table Gage Spring	108	1071507 Carriage Truck	141	1072305 Platen Gd. Shaft Ecc.
87	1073805 12" Felt Lining	109	1071507 Carriage Truck	142	1090845 Platen Guide Detent
88	1073806 16" Felt Lining	110	1018782 Steel Roller	143	1072303 Platen Guide Shaft Bearing Plate
89	1073807 20" Felt Lining	111	1078455 Stud, Pawl Rel. Lev. Assm. (Use with 1078454)	144	1090037 Platen Guide
90	1072851 Paper Table Gage Spring	112	1078454 Pawl Rel. Lever Assm. (Use with 1078455)	145	1090037 Nut
91	1072858 Spring, Carr. Tie Rod			146	56722 Lockwasher
92	1072848 Paper Table Bumper Pad			147	1078645 Platen Guide Plate Assm. RH (Used on machines below Serial #36000)
93	1090008 Nut, Carr. Tie Rod	113	1090037 Nut		
94	56722 Washer, Carr. Tie Rod	114	1074145 Washer	148	186393 Screw
95	1072484 Spring LH (Hooks on Actuating Shaft)	115	1072850 Paper Table Stop RH	149	1078647 Spring, Platen Latch RH
	1076950 Spring LH (Hooks on Carr. Frame)	116	1076951 Spring, Platen Latch RH (Hooks on Carr. Frame)		1077337 Spring, Platen Latch RH (Hooks on Actuating Shaft)
96	1091817 Screw	117	1090337 Spring, Carr. Release Bar		1090337 Eccentric Nut
97	1078469 Set Screw	118	1091302 Eccentric Nut	150	1074145 Washer, Bail Arm
98	1090417 Collar	119	1090000 Screw, Rail Support Mtg.	1072477 Washer, Spring (Used on machines below #36000)	
99	1070545 Grommet	120	1090012 Spring, Rail Mtg.		
100	1078301 Carr. Rel. Bar Assm. 12"	121	1090034 Nut, Rail Adjusting	151	1090037 Nut
	1078302 Carr. Rel. Bar Assm. 16"	122	1072967 Rail Bracket, LH & RH (Used on 20" mach.) (Spec. Col.)	152	1074145 Washer
	1078303 Carr. Rel. Bar Assm. 20"			153	1090037 Nut
				154	1105743 Bail Spring, RH

Model A Exec. Carriage & Rails

REF. PART NO.	DESCRIPTION	REF. PART NO.	DESCRIPTION	REF. PART NO.	DESCRIPTION
154	1072437 Bail Spring, Coil	188	1078416 Carriage & Rack 16" 1/32P		
	1100054 Bail Spring, (Used on Dec. Tab Carriages only)		1074237 Carriage & Rack 16" 1/36P		
155	1077906 Platen Guide Eccentric		1093789 Carriage & Rack 16" 1/45P		
156	1071657 Screw		1078417 Carriage & Rack 20" 1/32P		
157	1077904 Reinforcing Plate, Platen Guide		1074238 Carriage & Rack 20" 1/36P		
158	38346 Screw		1093790 Carriage & Rack 20" 1/45P		
159	38346 Screw	189	1077186 Carriage Assm. 12" 1/32P		
160 to 164	Refer to Appropriate Sect.		1074191 Carriage Assm. 12" 1/36P		
165	60489 Retainer, "C" Clip		1074291 Carriage Assm. 12" 1/45P		
166	1071989 12" Rear Rail (1/32, 1/36P)		1077187 Carriage Assm. 16" 1/32P		
	1093744 12" Rear Rail (1/45P)		1074192 Carriage Assm. 16" 1/36P		
	1072645 16" Rear Rail (1/32, 1/36P)		1074292 Carriage Assm. 16" 1/45P		
	1093745 16" Rear Rail (1/45P)		1077188 Carriage Assm. 20" 1/32P		
	1072647 20" Rear Rail (1/32, 1/36P)		1074193 Carriage Assm. 20" 1/36P		
	1093746 20" Rear Rail (1/45P)	190	1074293 Carriage Assm. 20" 1/45P		
167	1073276 Center Support, Front		1077157 Rails & Supp. Assm. 12" 1/32P		
168	1090041 Nut, Center Supp. 1091035		1074185 Rails & Supp. Assm. 12" 1/36P		
	1091302 Eccentric Nut		1074285 Rails & Supp. Assm. 12" 1/45P		
169	2650 Screw, Center Support		1077158 Rails & Supp. Assm. 16" 1/32P		
170	1090269 Washer, Center Support		1074186 Rails & Support Assm. 16" 1/36P		
171	1091111 Lockwasher, Center Supp.		1074286 Rails & Supp. Assm. 16" 1/45P		
172	1073278 Center Support, Rear Lockwasher		1077159 Rails & Supp. Assm. 20" 1/32P		
173	1091111 Screw, Center Support		1074187 Rails & Supp. Assm. 20" 1/36P		
174	186393 Center Support, Tab Rack		1074287 Rails & Supp. Assm. 20" 1/45P		
175	1077333 12" Carr. Rel. Bar Asm.				
176	1071770 16" Carr. Rel. Bar Asm.				
	1078411 20" Carr. Rel. Bar Asm.				
	1078395 Washer, Cen. Supp. Screw				
177	1090058 Screw, Center Support				
178	38364 Bracket, Center Support				
179	1065962 Screw, Center Support				
180	1091035 Shim, Rail				
181	1000474 Rail Support, LH				
182	1077447 Screw, Rail Supp. Mtg.				
183	1090000				
188	1078415 Carriage & Rack 12" 1/32P				
	1074236 Carriage & Rack 12" 1/36P				
	1093788 Carriage & Rack 12" 1/45P				

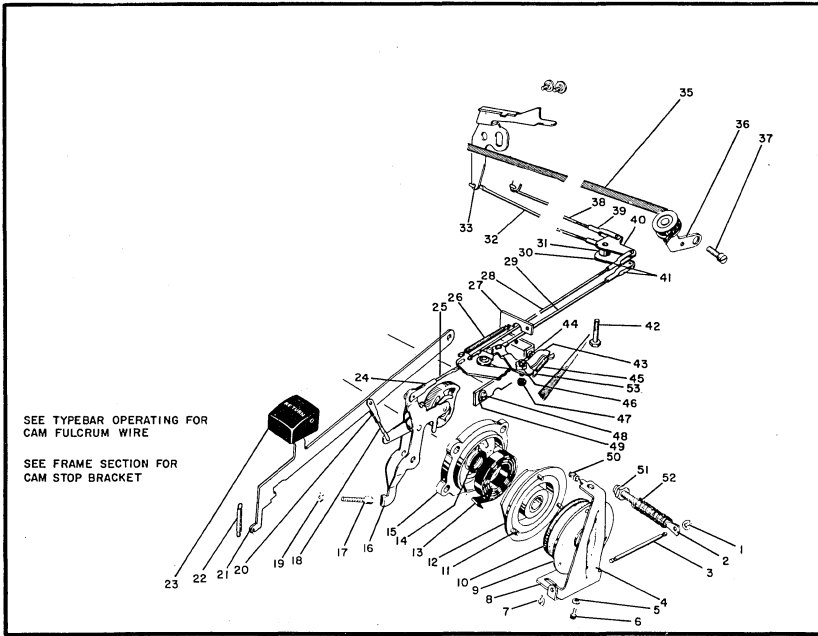
Figure 1

January 1960



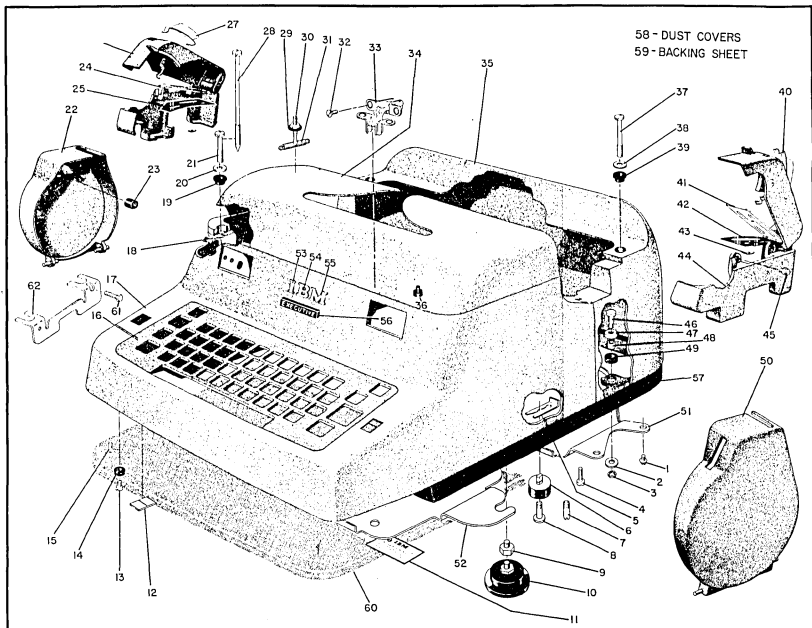
REF. PART NO.	DESCRIPTION	REF. PART NO.	DESCRIPTION	REF. PART NO.	DESCRIPTION
1	1106369	Keybutton, Carr. Return (Model B)	40	1105773	Lever, Margin Control
2	1072283	Keylever, Carr. Return	41	125145	Washer, Margin Control
3	7341	Nut, Stop Screw	42	1090037	Nut, Margin Cont. Lever
4	1091666	Screw, Stop	43	1105779	Plate, Margin Cont. Lever
5	1070020	Clevis, Pin Adjusting	44	186712	Screw, Margin Control Lever Plate
6	1070307	Link, Keylever Trip	45	1105781	Spring, Air Cyl. Bellcrank
7	1119189	Cam, Carr. Return(Repeat)	46	1105760	Spacer, Pawl Rel. Lever
	1119187	Cam, Carriage Return (Non-Repeat)	47	1105768	Lever, Pawl Release
8	1078488	Housing, Clutch Spring	48	1070020	Clevis, Pin Adjusting
9	1078495	Washer, Clutch Thrust	49	1093722	Link, Pawl Release
10	1070079	Spring, Clutch Pulley	50	1109035	Spring, Interlock Lever
11	1091632	Spring, Compression	51	1109043	Lever, Rebound Check Interlock
12	147297	Retainer, "C" Clip	52	1091073	Spring, Pawl Rel. Lever
13	1074495	Bracket, Clutch	53	1105759	Spacer, Group Act. Lever
14	1090003	Screw, Clutch Oper. Brkt.	54	1070020	Clevis, Pin Adjusting
15	62031	Washer, Lock Clutch Brkt.	55	1109038	Bellcrank, Clutch Unlatching
16	1071363	Arm, Clutch Operating	56	1093722	Link, Carr. Ret. Interlock
17	1071419	Shaft, Clutch Lever Pivot	57	1104440	Link, Clutch Unlatching
18	1100441	Spring, Clutch Lever Bolt	58	22478	Washer, Air Cyl. Bellcrank
19	1070145	Bolt, Clutch Lever	59	1090041	Nut, Air Cyl. Bellcrank
20	147297	Retainer, "C" Clip	60	1109036	Lever, Act. Grouping
21	1091621	Nut, Clutch Lever Bolt	61	1077877	Spacer, Clutch Latch Bellcrank
22	1071425	Plate & Insert, Clutch	62	1105794	Screw, Bellcrank
23	1077875	Screw, Clutch Arm	63	1091006	Screw, Bellcrank
24	1078509	Disc Assembly, Friction	64	1077879	Link, Clutch Lev. Bellcrank
25	1078507	Pulley Assembly, Clutch	65	1107416	Bracket, Clutch Lever
26	38279	Screw, Spring Support	66	1090435	Spring, Clutch Lever
27	62031	Washer, Clutch Brkt. Screw	67	1077888	Bracket Assm., Clutch
28	38281	Screw, Clutch Bracket	68	1000223	Link, Clutch Connecting
29	55678	Spring, Clutch Latch	69	1012703	Clevis, Hole Adjusting
30	1077880	Link, Connecting Clutch Latch	70	1070020	Clevis, Pin Adjusting
31	1070020	Clevis, Pin Adjusting	71	*1105802	Link, Clutch Unlatching
32	56149	Spring, Clutch Bellcrank	72	*1105745	Lever Assm., Group Act.
33	123204	Retainer, "C" Clip	73	* 123206	Retainer, "C" Clip
34	1104234	Tape, Carr. Tension 12"	74	* 56149	Spring, Clutch Bellcrank
	1104235	Tape, Carr. Tension 16"	75	*1105794	Bellcrank, C.R. Clutch
	1104236	Tape, Carr. Tension 20"	76	*1077877	Spacer, Clutch Bellcrank
35	1072925	Pulley Assm., Carr. Ret.	77	*1105789	Bellcrank, Clutch Latch
36	10408	Screw, Pulley Bracket	78	*1070020	Clevis, Pin Adjusting
37	1105762	Bellcrank Assm., Air Cyl.		*1077879	Link, Clutch Lever
38	1105761	Stud, Air Cyl. Bellcrank			
39	60488	Retainer, "C" Clip			
			79	*1077880	Link, Clutch Latch
			80	58207	Screw, Air Cyl. Mtg.
			81	55901	Lockwasher, Air Cyl. Mtg.
			82	1107864	Spacer, Air Cyl. Mtg.
			83	10170	Screw, Air Cylinder
			84	1105627	Screw, Piston
			85	1100839	Valve, Air Cylinder
			86	1109626	Plate, Air Cylinder
			87	1018477	Plate, Air Cylinder
			88	38348	Screw, Air Cylinder Port
			89	1106027	Speed Clip
			90	1100846	Pin, Air Cylinder
			91	1109622	Piston Assm., Air Cyl.
			92	1108813	Housing, Air Cylinder
			93	22478	Washer, Air Cyl. Valve
			94	1108842	Gasket, Cork
			95	1109625	Gasket, Air Cylinder
			96	1018477	Plate, Air Cylinder
			97	1091471	Screw, Air Cyl. Plate
			98	1100845	Cover, Air Cylinder
			99	1105791	Complete Air Cylinder Assm. (Exec. Only)

* Used on Exec. ET's below Serial No. 117190



REF. PART NO.	DESCRIPTION	REF. PART NO.	DESCRIPTION	REF. PART NO.	DESCRIPTION
1	147297	C Clip	37	1090026	Screw
2	1070145	Clutch Lever Ret. Bolt	38	1077881	Connecting Link, Inter-mediate Pawl Release
3	1071419	Clutch Lever Pivot Shaft	39	1070020	Clevis, Pin Adjusting
4	1071363	Clutch Operating Arm	40	1070071	Bellcrank, Clutch Lever
5	1090199	Washer	41	1070020	Clevis, Pin Adjusting
6	1090003	Screw	42	1091006	Stud, Bellcrank Mtg.
7	147297	C Clip	43	1078434	Clutch Brkt. Assm.
8	1071364	Clutch Lever Bracket	44	38281	Screw, Clutch Latch
9	1071425	Clutch Plate & Insert Assm.	45	1091073	Spring, Clutch Latch
10	1070083	Clutch Disc Assembly	46	1090379	Eccentric Nut
11	1091632	Spring	47	1090037	Nut
12	1070495	Clutch Pulley Assm., 12" and 20"	48	38281	Screw, Clutch Bracket
	1070780	Clutch Pulley Assm., 24" and 30"	49	1090358	Lockwasher, Clutch Brkt.
13	1071361	Spring, Carr. Ret.	50	1072207	Compression Spring
14	139929	Spacer	51	1091621	Locknut
15	1071351	Clutch Spring Housing	52	1100441	Spring
16	1119187	Operating Cam	53	1078437	Clutch Latch
17	1091666	Adjustable Stop			
18	1014536	Adjusting Link			
19	7341	Nut			
20	1070020	Clevis, Pin Adjusting			
21	1072283	Carr. Ret. Keylever			
22	1074242	Spring			
23	1072309	Carr. Return Keybutton			
24	1012703	Clevis, Hole Adjusting Link, Pin Adjusting			
25	1000260	Link, Clutch Connecting			
26	1072207	Spring			
27	1077876	Line Lock Push Rod Guide			
28	1077879	Connecting Link, Clutch Lever			
29	1016364	Connecting Link, Clutch Latch			
30	1077878	Bellcrank, Clutch Latch			
31	1077877	Spacer, Clutch Bellcrank			
32	1078438	Connecting Link, Clutch K. O. Lever			
33	1078439	Clutch K. O. Lever			
34	1071965	Stud, K. O. Lever Mtg.			
35	1014419	12" Carr. Return Tape			
	1014420	16" Carr. Return Tape			
	1014421	20" Carr. Return Tape			
36	1072925	Carr. Ret. Pulley Assm.			

Model A - B Exec. Covers CODE-504

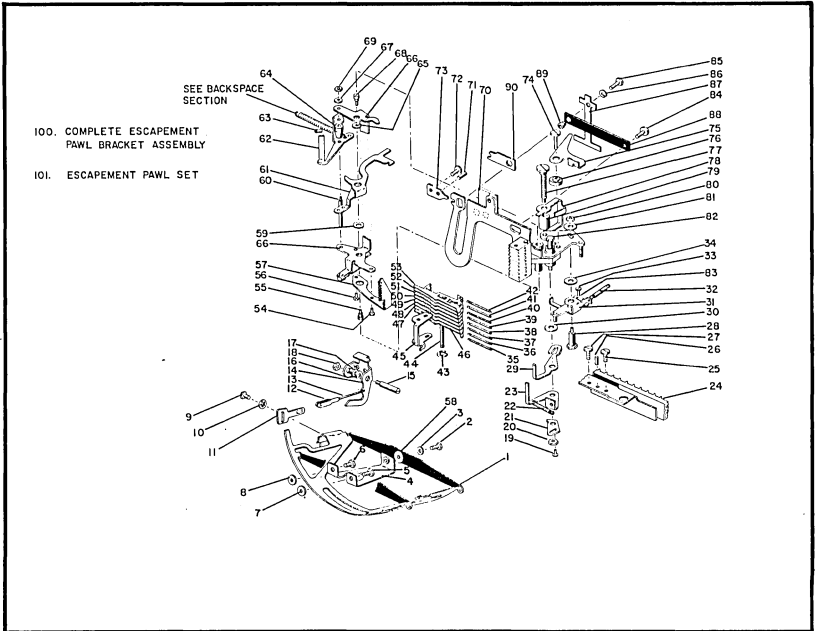


REF. PART NO.	DESCRIPTION	REF. PART NO.	DESCRIPTION	REF. PART NO.	DESCRIPTION
1	38281 Screw, Rear Bottom Plate		Specify Color)	40	1108874 Bumper, Carr. End Cov. RH
2	1071644 Washer		NOTE: Front Case & Top Cover Assm. for Fabric Ribbon Exec., order Std. Front Case & Top Cover and specify Name Plate to be Executive.	41	1108949 Lining, Carr. End Cover LH Model B
3	1090034 Nut				1072124 RH Model A, Carr. End Cover RH Model A
4	1090000 Screw				1104083 Retainer, Carr. End Cov. Lining, RH
5	1100743 Fastener Clip				308196 Cover Assm., Carr. End RH Mod. B (Spec. Col.)
	65756 Lockwasher (Used with 1077190 Mtg.)	18	1100740 Speed Nut, Case Mtg.	42	1104083 Retainer, Carr. End Cov. Lining, RH
	3960 Nut (Used with 1077190 Mtg.)	19	1107980 Washer, Cover Mtg. (with grommet).	43	308196 Cover Assm., Carr. End RH Mod. B (Spec. Col.)
6	1108796 Stud, Mounting	20	22478 Grommet, Cover Mtg.	44	1103875 Cover Assm., Carr. End RH Mod. A (Spec. Col.)
	1077190 Desk Mtg., Rubber		1108155 Washer, Steel (Used with 1108520 fr. case mtg. screw)		1104086 Screw, Carr. End Cover Model B
7	1108612 Pin, Typewriter Positioning (Short)	21	1100741 Screw, Fr. Case Mtg.	45	1104086 Screw, Carr. End Cover Model B
	1090746 Pin, Typewriter Positioning (Long)	22	1078055 Cover Assm., Magazine LH (A or B, Specify Color)		1105503 Screw, Carr. End Cover Rear (Model A)
8	1090031 Screw, 5/8" Long	23	1090193 Stop, Mag. Cover		1105504 Screw, Carr. End Cover Front (Model A)
	38688 Screw, 3/4" Long	24	1108948 Lining, Carr. End Cover LH Model B	46	1071738 Screw, Adapter
	59647 Screw, 1" Long		1072119 Retainer, End Cover Lining LH	47	1107981 Retainer, Mtg. Grommet Washer, Model A Exec.
	36112 Screw, 1 1/2" Long	25	1104084 Retainer, End Cover Lining LH	48	53370 Sleeve, Adapter Mtg.
	59648 Screw, 1 3/4" Long	26	1103879 Carr. End Cover Assm. LH Model B (Specify Color)	49	1071739 Grommet, Adapter Mtg.
	59649 Screw, 2" Long		1073678 Carr. End Cover Assm. LH Model A (Specify Color)	50	1078056 Cover Assm., Mag., RH A & B (Specify Color)
	59652 Screw, 3" Long		1108875 Bumper, Carr. End Cov. LH	51	1072217 Rear Bottom Plate (A or B)
9	1096741 Extension, Base Foot		1108520 Screw, Front Case Mtg. (Long)	52	1079255 Front Bottom Plate (Exec.)
10	1077201 Base Foot		1107442 Washer, Top Cover Stud	53	1107669 Letter "M" Blue
11	1077870 Patent Plate, Model A		1071688 Stud, Top Cover		1108177 Letter "M" Brown
	1077871 Patent Plate (Self adhering Model B, used when making current changes)	27	11071991 Spring, Top Cover		1108177 Letter "M" Green
12	1106155 Window, Indicator	29	1107442 Washer, Top Cover Stud		1108177 Letter "M" White
13	1077721 Screw, Keyplate	30	163 Screw, Top Cover Hinge	54	1107670 Letter "M" Blue
14	1077722 Grommet, Keyplate	31	1108577 Hinge, Top Cover (Mod. B)		1107674 Letter "M" Brown
	1103848 Grommet, Keyplate (Hard)	32	1071837 Hinge, Top Cover (Mod. A)		1107678 Letter "M" Green
15	1260153 Patent Plate (Used with 1105848 hard grommet only)	34	1108795 Top Cover Only (Top mounted cases, spec. col.)		1108180 Letter "M" White
16	1077726 Keyplate 84 Char., Exec. (A or B, Specify Color)		NOTE: When matching of color to contour may be difficult, complete case and top cover must be ordered.	55	1107671 Letter "M" Blue
	1107762 Keyplate 88 Char., Exec. (A or B, Specify Color)	35	1100794 Rear Case - Exec. (Mod. A & B, Specify Color)		1107675 Letter "M" Brown
	NOTE: If zero position character is in the 4th row of keyboard instead of 1st (numerical row) order 1107727 Exec.	36	1104007 Bumper, Top Cover		1107679 Letter "M" Green
17	1261010 Front Case & Top Cover Assm. (Exec. A or B -	37	1100742 Screw, Case Mtg. Rear		1108181 Letter "M" White
		38	22478 Washer, Cover Mtg.	56	1107672 Name Plate "Executive" Blue
		39	1107980 Grommet, Cover Mtg.		1107676 Name Plate "Executive" Brown
					1107680 Name Plate "Executive" Green

Model A - B Exec. Covers

REF. PART NO.	DESCRIPTION	REF. PART NO.	DESCRIPTION
56	1108178 Name Plate "Executive" White		
57	1071836 Adapter Bracket (A & B) (Specify Color)		
58	1106395 Dust Cover 12" Gray		
	1106396 Dust Cover 16" Gray		
	1106397 Dust Cover 20" Gray		
59	1102082 Backing Sheet 8 1/2 x 11"		
	1102083 Backing Sheet 10 x 16"		
	1102084 Backing Sheet 20" x 16"		
60	1072824 Desk Pad		
61	1072684 Screw, Keyplate Mtg.		
62	1077723 Bracket, Keyplate L.H.		
	1077724 Bracket, Keyplate R.H.		
			SETS OF KEYBUTTONS & PLASTIC PARTS
		1270680	Dull Gray - Model B
		1073118	Brown - Model A
		1073259	Gray - Model A
		1073263	Green - Model A
		*1270095	Blue
			*May be used with Mod. A & B
			NOTE: Model A colored Keybuttons cannot be used on Model B as carriage release buttons are different specifications and will not operate on Model B carriages.
			MODEL A PAINTS & NAME PLATES
		450406	1 Qt. Rosalins S-W Black Paint
		450469	1 Qt. Gray Lacquer
		450480	1 Qt. Black Wrinkle Paint
		460066	1/4 Pt. dark blue touch-up lacquer
		460067	1/4 Pt. Lt. blue touch-up lacquer
		460068	1/4 Pt. med. green touch-up lacquer
		460069	1/4 Pt. Lt. green touch-up lacquer
		460070	1/4 Pt. Tan Touch-up Lacquer
		460071	1/4 Pt. Lt. gray touch-up lacquer
		460072	1 Qt. Gray Primer Wrinkle Paint
		460073	1 Qt. blue-gray wrinkle paint
		460109	1 Qt. light gray wrinkle paint
		460110	1 Qt. Tan Wrinkle Paint
		460111	1 Qt. Lt. Green Wrinkle Paint
		460112	1 Qt. med. green wrinkle paint
		460113	1 Qt. Lt. Blue Wrinkle Paint
		460114	1 Qt. navy blue wrinkle paint
		460115	1 Qt. Brown Primer Paint
		460116	1 Qt. Green Primer Paint
		1105885	Exec. Name Plate IBM Brown
		1079692	Exec. Name Plate IBM Gray
		1093867	Exec. Name Plate IBM Green
		1073891	Exec. Name Plate IBM Blue
<p>The following B/M's are for Model A & B Executive Typewriters only.</p> <p>1270723 12" Dove Gray (603)</p> <p>1270785 12" Yellow Jasmine (604)</p> <p>*1270725 12" Midnight Blue (582)</p> <p>1270726 12" Larkspur Blue (583)</p> <p>1270727 12" Tropic Tan (584)</p> <p>1270728 12" Cascade Green (591)</p> <p>1270792 12" Titian Glow (606)</p> <p>1270840 12" Fiesta Red (608)</p> <p>1270694 16" Dove Gray (603)</p> <p>1270783 16" Yellow Jasmine (604)</p> <p>*1270696 16" Midnight Blue (582)</p> <p>1270697 16" Larkspur Blue (583)</p> <p>1270698 16" Tropic Tan (584)</p> <p>1270699 16" Cascade Green (591)</p> <p>1270793 16" Titian Glow (606)</p> <p>1270841 16" Fiesta Red (608)</p> <p>NOTE: For Conversion to Midnight Blue, also select Blue plastic parts Bill of Materials from the "Model A Keybuttons and Plastic Parts" Listing.</p> <p>Complete B/M's for Woodland Green and Opal Gray are no longer available. Color conversion parts for 20" carriages are not furnished as a B/M but must be ordered individually as required.</p>			

REF. PART NO.	DESCRIPTION	REF. PART NO.	DESCRIPTION
ADAPTER BRACKETS, KEY PLATES, PAPER TABLES			
Color Desired	Primer Only (Quarts)	Bake-on Wrinkle Finish Paint (Quarts) for Adapter Brackets	Smooth Bake-on Enamel (Pints for Paper Tables only)
	Part No.	Part No.	Part No.
Charcoal Gray (661)	460119	460121	460130
Dark Gray (662)	460072	460122	460131
Slate Blue (663)	460120	460123	460132
Navy Blue (664)	460120	460124	460133
Brown (670)	460115	460125	460134
Green (671)	460116	460126	460135
Dark Green (672)	460116	460127	460136
	Part No.	Part No.	Part No.
Dove Gray (603)	460120	460129	1280002
Opal Gray (581)	460072	460109	460071
Larkspur Blue (583)	460120	460113	460067
Midnight Blue (582)	460120	460114	460066
Tropic Tan (584)	460115	460110	460070
Cascade Green (591)	460116	460111	460069
Woodland Green (592)	460116	460112	460068
Yellow Jasmine (604)	1261614	1261618	1261617
Titian Glow (606)	1280009	1280008	1280010
Fiesta Red (608)	1280009	1280015	1280016
CASES, END COVERS, MAGAZINE COVERS, RAIL SUPPORTS, FORMSCARRIER ASSM.			
Color Desired	Primer Only (Quarts)	Bake-on Wrinkle Finish Paint (Qrs.)	Air Dry Touch-Up Lacquer (1/4 Pints)
	Part No.	Part No.	Part No.
Dove Gray (603)	460120	460129	1280002
Opal Gray (581)	460072	460109	460071
Larkspur Blue (583)	460120	460113	460067
Midnight Blue (582)	460120	460114	460066
Tropic Tan (584)	460115	460110	460070
Cascade Green (591)	460116	460111	460069
Woodland Green (592)	460116	460112	460068
Yellow Jasmine (604)	1261614	1261618	1261617
Titian Glow (606)	1280009	1280008	1280010
Fiesta Red (608)	1280009	1280015	1280016



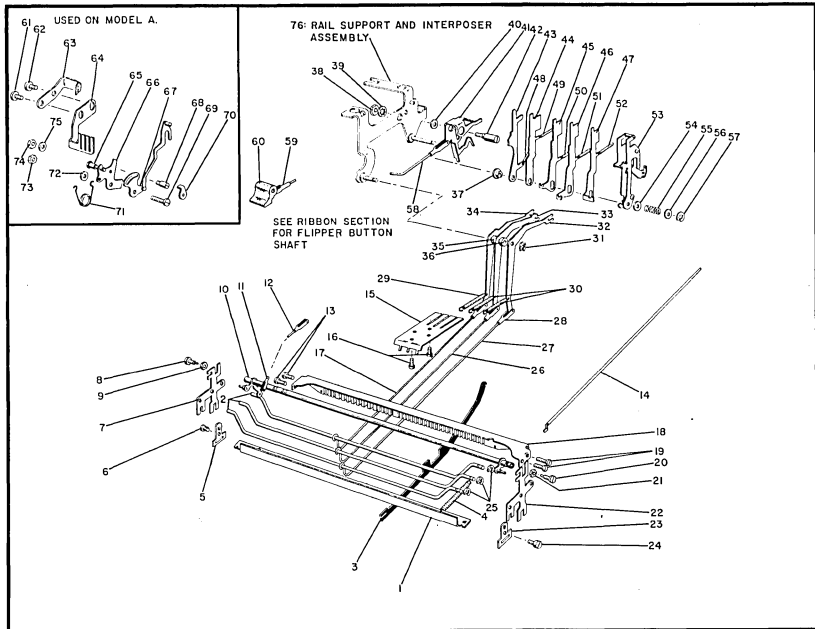
REF. PART NO.	DESCRIPTION	REF. PART NO.	DESCRIPTION	REF. PART NO.	DESCRIPTION
1	1072870 Universal Bar Assembly	29	1109872 Lever, Latch Rel. Model B	53	1079918 Pawl, Esc. 1/32P No. 8
2	1260200 Universal Bar Assm. Fl B/M	29	1077708 Lever, Latch Rel. Model A	54	1074058 Pawl, Esc. 1/36P No. 8
3	1070449 Screw, U Bar Support	29	1071994 Lever, Latch Rel. Model A (below approx. Ser. #4000)	55	1093758 Pawl, Esc. 1/45P No. 8
3	1090199 Washer, U Bar	30	1078578 Spacer, Latch Rel. Lever	54	186393 Screw, Spring Bracket
4	1019264 Support, U Bar	31	*1100071 Lever, Grouping Latch	55	1076788 Screw, Dowel
5	1074048 Screw, U Bar Support	31	1072080 Lever, Grouping Latch Model A (Below approx. Serial # 5000)	56	186393 Screw, Spring Bracket
6	1074048 Screw, U Bar Support			57	1079899 Bracket, Spring
7	1100688 Washer, U Bar Mtg.			58	1091243 Washer, U Bar Support
8	1100688 Washer, U Bar Mtg.			59	1090657 Washer, Int. Pawl Rel. Lever
9	1109951 Screw, Adjusting Plate			60	1071996 Stud, Pawl Aligning Lever
10	150209 Washer, Lock Adj. Plate			61	1105785 Lever, Intermediate Grouping Model B
11	1108610 Plate, Adjusting			1077334 Lever, Intermediate Grouping Model A	
12	1070020 Clevis, Pin Adjusting			62	1072079 Lever, Pawl Aligning
13	1000223 Link, Adj. Esc. Connecting	32	123552 Spring, Grouping Latch Lever	63	1078469 Set Screw, Grouping Cone
14	1104400 Lever, Trip Assm. Esc.	34	125145 Washer	64	1107958 Cone, Pawl Grouping Model B
15	1077370 Stud, Escapement Trip Lever	33	186393 Screw, Latch Adj. Plate	62	1072079 Lever, Pawl Aligning
16	1090199 Washer, Esc. Trip Lever	34	125145 Washer	63	1078469 Set Screw, Grouping Cone
17	1073060 Spacer, Trip Lever	35	1077710 Spring, Escapement Pawl	64	1107958 Cone, Pawl Grouping Model B
18	1090037 Nut, Trip Lever Stud	36	through 42 Retainer, "C" Clip	65	1072077 Cone, Pawl Grouping Model A
19	186393 Screw	43	1091662 Retainer, "C" Clip	65	1091504 Washer, Int. Pawl Rel. Lever
20	1090037 Nut, Grouping Lever Stud	44	1074057 Pin, Escapement Pawl	66	1078354 Lever, Int. Pawl Release
21	1109643 Arm, B5 Grouping Act.	45	1079728 Stop, Esc. Pawl 1/32 P	67	1090222 Washer, Pawl Aligning Lever
22	1071687 Spring, Backspace Interlock	45	1074058 Stop, Esc. Pawl 1/36 P	66	1090222 Washer, Pawl Aligning Lever
23	1105780 Lever, Pawl Grouping 1/32 Pitch Model B	46	1093767 Stop, Esc. Pawl 1/45 P	68	1076788 Screw, Dowel
1093725	Lever, Pawl Grouping 1/45 Pitch Model B	46	1079911 Pawl, Esc. 1/32P No. 1	69	1090268 Nut, Pawl Aligning Lever
1078576	Lever, Pawl Grouping Model A	47	1074081 Pawl, Esc. 1/36P No. 1	70	1074056 Pawl, Tabular Bracket (All pitches - Model A)
1072067	Lever, Pawl Grouping Model A (Used on machines below approx Ser. #4000)	47	1093751 Pawl, Esc. 1/32P No. 1	1078582	Lever, Tabular Bracket (All pitches - Model A below serial #5000)
24	1104230 Rack, Esc. 12" 1/32P	48	1079912 Pawl, Esc. 1/32P No. 2	1110090	Lever, Tabular Bracket (Model B)
1104243	Rack, Esc. 12" 1/36P	48	1074082 Pawl, Esc. 1/36P No. 2	71	1090395 Dowel, Tab Adj. Plate
1104294	Rack, Esc. 12" 1/45P	49	1093752 Pawl, Esc. 1/45P No. 2	72	63324 Screw, Adjusting Plate
1108651	Rack, Esc. 16" 1/32P	50	1079913 Pawl, Esc. 1/32P No. 3	73	1078007 Plate, Tab Adjusting
1108654	Rack, Esc. 16" 1/36P	50	1074083 Pawl, Esc. 1/36P No. 3	74	1090429 Screw, Tab Interlock
1108657	Rack, Esc. 16" 1/45P	51	1093753 Pawl, Esc. 1/45P No. 3	75	1105777 Interlock, Tabular
1108652	Rack, Esc. 20" 1/32P	51	1093754 Pawl, Esc. 1/45P No. 4	76	1105778 Spacer, Tab Interlock
1108655	Rack, Esc. 20" 1/36P	51	1079914 Pawl, Esc. 1/36P No. 4	77	1105775 Stud, Automatic Grouping Lever Model B
1108658	Rack, Esc. 20" 1/45P	51	1074084 Pawl, Esc. 1/36P No. 4	1078577	Stud, Automatic Grouping Lever Model A
25	1107956 Screw, Esc. Rack Mtg.	52	1093755 Pawl, Esc. 1/45P No. 5	78	1105774 Lever, Automatic Grouping
26	1090139 Dowel, Escapement Rack	52	1079915 Pawl, Esc. 1/32P No. 5		
27	1079956 Screw, Esc. Rack Mtg.	52	1074085 Pawl, Esc. 1/36P No. 5		
28	1091259 Stud, Grouping Lever Latch	52	1093756 Pawl, Esc. 1/45P No. 6		
			1074086 Pawl, Esc. 1/36P No. 6		
			1093756 Pawl, Esc. 1/45P No. 6		
			1079917 Pawl, Esc. 1/32P No. 7		
			1074086 Pawl, Esc. 1/36P No. 7		
			1093757 Pawl, Esc. 1/45P No. 7		

Model A - B Exec. Escapement

REF. PART NO.	DESCRIPTION	REF. PART NO.	DESCRIPTION	REF. PART NO.	DESCRIPTION
79	1105776		Spacer, Automatic Grouping Lever		
80	1090037		Nut, Grouping Lever Stud		
81	125145		Washer, Grouping Lever Stud		
82	1078577		Stud, Grouping Lever		
83	1100072		Plate, Adj. Latch Release		
84	1104430		Stud, Esc. Pawl Block Mounting Model B		
85	1090024		Screw, Esc. Pawl Block Mounting - Model A		
	1110088		Stud, Esc. Pawl Block Mounting - Model B		
86	1090873		Washer Lock, Escapement Pawl Block Mounting		
87	1104088		Locking Plate, Esc. Pawl Block Mounting		
88	1104431		Shim, Tabular Bracket		
	1110087		Shim, Tabular Bracket		
89	1078008		Bushing, Tab Lever Brkt.		
90	1071831		Plate, Spring		
		100	NEW TABULAR BRACKET MOUNTING - FLOATING INTERPOSER DESIGN 1261243 Pawl Block Assm. 1/32P 1261244 Pawl Block Assm. 1/36P 1261245 Pawl Block Assm. 1/45P		
			FORMER TAB BRACKET MOUNTING FLOATING INTERPOSER DESIGN 1261539 Pawl Block Assm. 1/32P 1261540 Pawl Block Assm. 1/36P 1261541 Pawl Block Assm. 1/45P		
			NON FLOATING INTERPOSER DESIGN 1261536 Pawl Block Assm. 1/32P 1261537 Pawl Block Assm. 1/36P 1261538 Pawl Block Assm. 1/45P		
		101	BILLS OF MATERIAL 1270778 Pawl Set 1/32 Pitch 1270779 Pawl Set 1/36 Pitch 1270780 Pawl Set 1/45 Pitch		

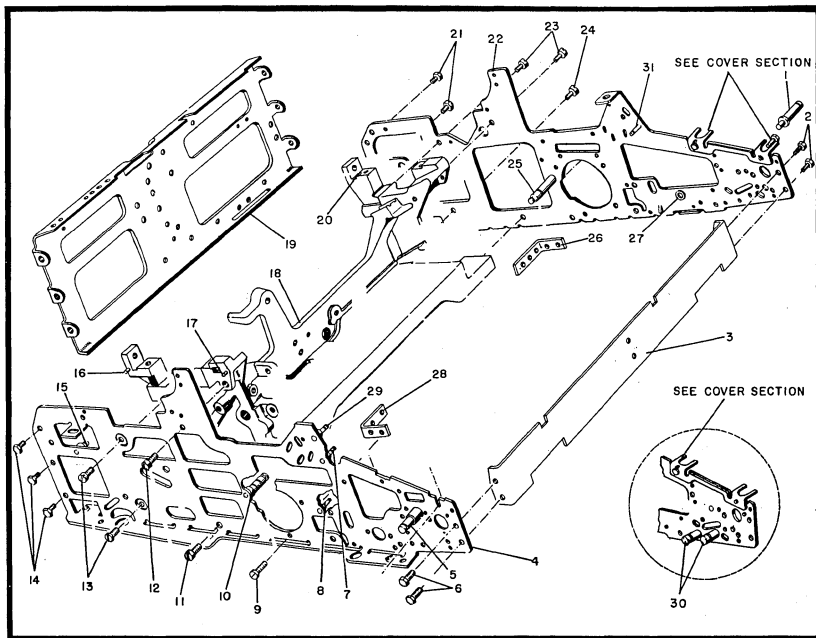
Figure 1

January 1960

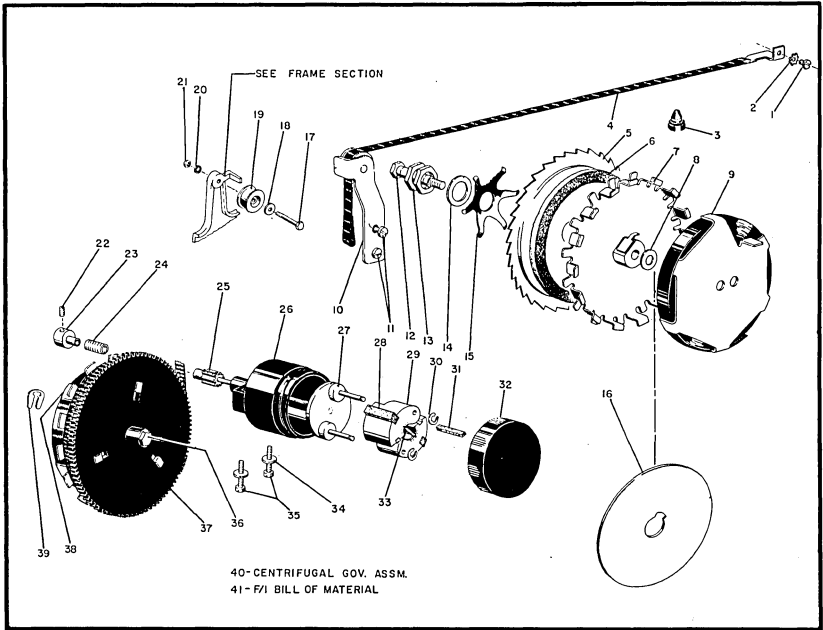


REF. PART NO.	DESCRIPTION	REF. PART NO.	DESCRIPTION	REF. PART NO.	DESCRIPTION
1	1071927 Support Selector Bar	32	1071985 Bellcrank, 5 Unit	52	* 129649 Spring, Interposer 5 Unit
2	1072260 Ball, Selector	33	1071984 Bellcrank, 4 Unit	**1072832 Spring, Interposer 5 Unit	
3	1071911 Bar Selector, UC 2 LC 3	34	1071983 Bellcrank, 3 Unit	53	**1104378 Cage, Interposer 1/32
	1071912 Bar Selector, UC 2 LC 4	35	1071981 Spacer, Interposer Bellcrank	**1104388 Cage, Interposer 1/32	
	1071913 Bar Selector, UC 2 LC 5	36	1071981 Spacer, Interposer Bellcrank	**1104398 Cage, Interposer 1/45	
	1071914 Bar Selector, UC 3 LC 2	37	1104377 Bushing, Interposer Pivot 1/32	**1074051 Cage, Interposer 1/32	
	1071915 Bar Selector, UC 3 LC 3	1104387	Bushing, Interposer Pivot 1/36	**1074052 Cage, Interposer 1/36	
	1071916 Bar Selector, UC 3 LC 4	1104397	Bushing, Interposer Pivot 1/45	**1093747 Cage, Interposer 1/45	
	1071917 Bar Selector, UC 3 LC 5	38	1090037 Nut, Expand Cam	54	1090657 Washer, Interposer Pivot
	1071918 Bar Selector, UC 4 LC 2	39	56722 Washer, Expand Cam	55	1072191 Spring, Interposer Pivot
	1071919 Bar Selector, UC 4 LC 3	40	1090199 Washer, Expand Cam	56	1090657 Washer, Interposer Pivot
	1071920 Bar Selector, UC 4 LC 4	41	1104389 Cam, Expand 1/32, 1/36, 1/45	57	147287 Retainer, "C" Clip
	1071921 Bar Selector, UC 4 LC 5	42	1104402 Stud, Expand Cam	58	**1115182 Link, Expand
	1071922 Bar Selector, UC 5 LC 2	43	**1104371 Interposer, Expand 1/32	**1077801 Link, Expand	
	1071923 Bar Selector, UC 5 LC 3	**1104381	Interposer, Expand 1/36	59	1070020 Clevis, Pin Adjusting
	1071924 Bar Selector, UC 5 LC 4	**1104391	Interposer, Expand 1/45	60	1072438 Button, Expand - Blue
	1071925 Bar Selector, UC 5 LC 5	**1104372	Interposer, 2 Unit 1/32	1079626	Link, Expand - Gray
4	1090164 Spring, Selector Bar	**1104382	Interposer, 2 Unit 1/36	61	1090003 Screw, Spring Bracket
5	1071909 Plate, Selector Bar	**1104392	Interposer, 2 Unit 1/45	62	1090741 Screw, Spring Bracket
6	38281 Screw, Selector Bar	**1071972	Interposer, 2 Unit (all pitches)	63	1105772 Bracket, Interposer Spring
7	1072261 Plate, Selector Ball	45	**1104372 Interposer, 3 Unit 1/32	64	1071987 Bracket, Interposer Spring
8	1090604 Screw, Shaft	**1104383	Interposer, 3 Unit 1/36	65	1107284 Spring, Expander
9	1090037 Nut, Shaft Screw	**1104393	Interposer, 3 Unit 1/45	66	1077446 Expander Cam 1/32, 1/36
10	1078325 Shaft, Ball Control	**1071973	Interposer, 3 Unit 1/32	1079372	Expander Cam 1/45
11	1070020 Clevis, Pin Adjusting	**1074063	Interposer, 3 Unit 1/36	67	1077445 Arm & Bellcrank Assm.
12	1071902 Link, Ball Control Shaft	**1093773	Interposer, 3 Unit 1/45	68	1074099 Spring, Expander Stop 1/32
13	38281 Screw, Selector Bar Gd.	46	**1104374 Interposer, 4 Unit 1/32	1072007	Screw, Expander Stop 1/36
14	1071653 Link, Intermediate	**1104384	Interposer, 4 Unit 1/36	1093749	Screw, Expander Stop 1/45
15	1073482 Guide Bracket	**1104394	Interposer, 4 Unit 1/45	69	1077372 Stud, Expander Arm Assm.
16	1090524 Screw, Guide	**1071974	Interposer, 4 Unit 1/32	70	1077374 Spring, Exp. Bellcrank
17	1110467 Link, 3 Unit	**1074064	Interposer, 4 Unit 1/36	71	1000153 Nut, Expand Arm
18	1071926 Guide, Selector Bar	**1093774	Interposer, 4 Unit 1/45	72	37066 Washer, Expander Screw
19	38281 Screw, Guide	**1104375	Interposer, 5 Unit 1/32	73	1090199 Washer, Expander Assm.
20	1090604 Screw, Ball Control Shaft	**1104385	Interposer, 5 Unit 1/36	74	1090037 Nut, Overthrow Stop
21	1090037 Nut, Screw	**1104395	Interposer, 5 Unit 1/45	75	1090199 Washer, Expander Arm Assm.
22	1072261 Plate, Selector Ball	**1071975	Interposer, 5 Unit 1/32	76	**1261517 1/32 Supp. & Inter. Assm.
23	1071909 Support, Selector Bar	**1074065	Interposer, 5 Unit 1/36	**1261518 1/36 Supp. & Inter. Assm.	
24	38281 Screw, Selector Bar	**1093775	Interposer, 5 Unit 1/45	**1261519 1/45 Supp. & Inter. Assm.	
25	25282 Retainer, "C" Clip	48	* 129649 Spring, Interposer Expand	**1261514 1/32 Supp. & Inter. Assm.	
26	1110468 Link, 4 Unit	49	* 129649 Spring, Interposer 2 Unit	**1261515 1/36 Supp. & Inter. Assm.	
27	1110469 Link, 5 Unit	**1072832	Spring, Interposer 2 Unit	**1261516 1/45 Supp. & Inter. Assm.	
28	1070020 Clevis, Pin Adjusting	**1109670	Spring, Interposer 3 Unit	**1074054 1/32 Supp. & Inter. Assm. A	
29	110956 Spring, 3 Unit	**1072832	Spring, Interposer 3 Unit	1074097 1/36 Supp. & Inter. Assm. A	
30	1071691 Spring, 4 and 5 Unit	51	* 129649 Spring, Interposer 4 Unit	1074288 1/45 Supp. & Inter. Assm. A	
31	147297 Retainer, "C" Clip	**1072832	Spring, Interposer 4 Unit	Note: *Above Serial #129400 (Floating) **Below Serial #129400 (Non-Floating)	

CODE-508 Model A - B Exec. Frames

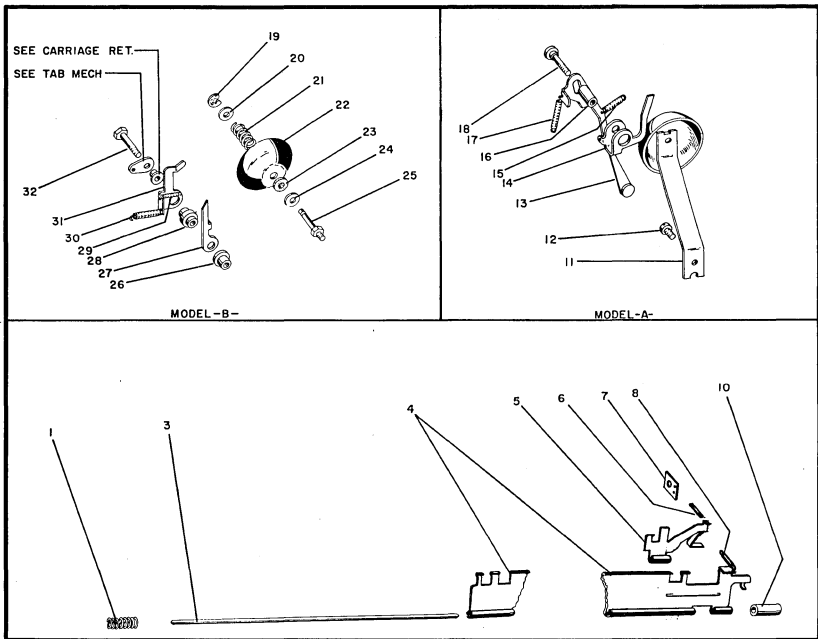


REF. PART NO.	DESCRIPTION	REF. PART NO.	DESCRIPTION	REF. PART NO.	DESCRIPTION
1	1077498 Stud, Switch Lever				
2	1090680 Screw, Front Frame Mtg.				
3	1072672 Frame, Front (Exec., five finger LH keyboard #29 & five finger RH keyboard #30)				
4	1100682 Frame Assm., LH Side				
5	1071535 Stud, Impression Control				
6	1090680 Screw, Front Frame Mtg.				
7	1072702 Stud, Ribbon Rewind Lever Mtg.				
8	1076967 Stud, Spring Anchor				
9	4236 Screw, Cam Stop Bracket				
10	1071461 Stud, Shift Toggle Spring L.H.				
11	1090026 Screw, Side Frame				
12	1090026 Screw, Side Frame				
13	1071459 Screw, Side Frame				
14	1090680 Screw, Side Frame				
15	1078557 Stud, Line Lock Bellcrank				
16	1090395 Pin, Straight Dowel				
17	1090395 Pin, Straight Dowel				
18	1115178 Power Frame Assm., (includes Shift Toggle Shaft Assm.)				
19	1071536 Frame, Rear				
20	1090129 Pin, Dowel				
21	1071459 Screw, Side Frame				
22	1078512 Frame Assm, Side RH				
23	1090026 Screw, Side Frame				
24	1090026 Screw, Side Frame				
25	1071462 Stud, Shift Toggle Spring R.H.				
26	1071326 Bracket, Cam Stop R.H.				
27	1077820 Bushing, Shaft Assm.				
28	1071325 Bracket, Cam Stop L.H.				
29	1102076 Stud, Ribbon Rewind Lever				
30	1071933 Stud, Selector Bail Mtg.				
31	1071424 Stud, Ribbon Reverse				



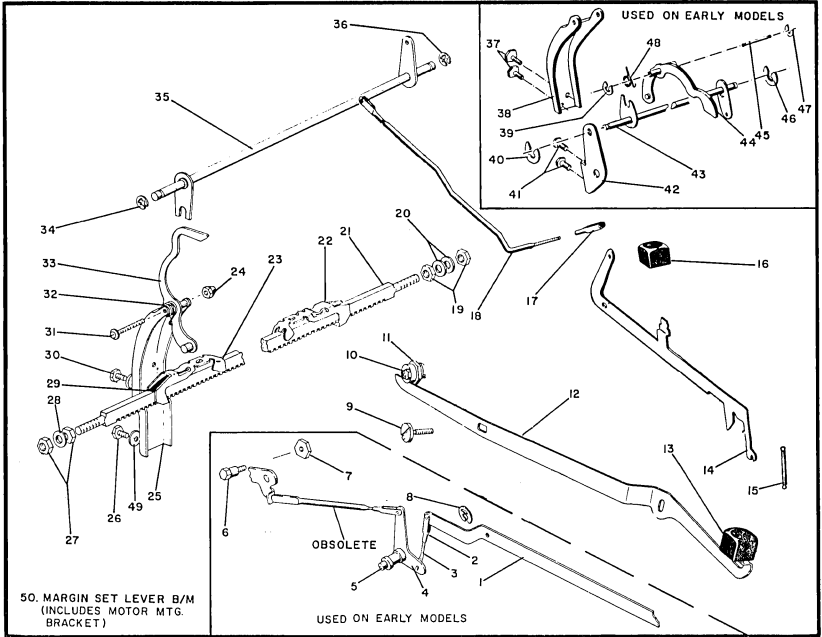
REF. PART NO.	DESCRIPTION	REF. PART NO.	DESCRIPTION	REF. PART NO.	DESCRIPTION
1	63324 Screw, Tension Tape	14	1090426 Washer		
2	56722 Lockwasher, Tension Tape Hook	15	1001320 Spring		
3	1108881 Rubber Plug, Tension Tape End	16	1110502 Disc (For F/I Only) (Used when adapting previous mech. to Cross Curve Spring)		
4	1104234 Tape, Carr. Tension 12" Model B	17	*1110106 Stud		
	1104235 Tape, Carr. Tension 16" Model B	18	*1090386 Washer		
	1104236 Tape, Carr. Tension 20" Model B	19	*1000540 Pulley, Tension Tape		
	1071524 Carr. Tension Tape 12" Model A and B	20	* 62031 Lockwasher		
	1072835 Carr. Tension Tape 16" Model A and B	21	* 7341 Nut		
	1072836 Carr. Tension Tape 20" Model A and B	22	* 75553 Screw, Set		
5	1000711 Plate, Friction Gov.	23	1110790 Collar, Gov. Clutch		
	1093726 Plate, Friction Gov. (1/45 Escapement Only)	24	1110789 Spring		
6	1000714 Felt Ring	25	1110788 Pinion Gear, Gov., 10T		
7	1110501 Drum Assm. (16" & 20" ET's above approx. Serial #121004)		1110199 Pinion Gear, Gov., 12T		
	1071203 Drum Assm. (Used on ET's previous to Drum Assm. Part #1110501)	26	1110778 Housing, Governor		
8	1090254 Spacer	27	1110780 Shaft Assembly, Gov.		
9	1109998 Main Spring & Holder Assm. (6" & 20" ET's above approx. Serial #121004)	28	1110785 Shoe, Gov. Arm		
	1014864 Main Spring & Holder Assm. (Used on ET's previous to Cross Curve Spring 1109998)	29	1110784 Arm, Governor		
	NOTE: (2) Washers Part #1090047 and (2) Screws Part #1090003 are used to fasten Main Spring Part #1014864 to Power Frame.	30	1092125 Retainer, Gov. Arm		
10	1071209 Pulley Assembly	31	1110786 Bumper, Felt, Gov. Arm		
	11 38364 Screw, Carr. Tension Tape	32	1110779 Cover, Gov. Housing (includes gasket)		
	12 1091230 Pulley	33	1110792 Spring, Governor		
	13 1090453 Stud Nut	34	1090199 Washer, Gov. Housing Mtg.		
		35	38287 Screw, Governor		
		36	1091230 Stud		
		37	1110777 Gear Assm., Drum		
		38	1110597 Main Spring & Holder Assm.		
		39	1092125 Retainer		
		40	1261707 Complete Gov. Assm.(Exec.)		
			1261706 Complete Gov. Assm. (Toll Biller)		
		41	1270789 F/I B/M (Includes Gov. Assm. & Drum Gear Drive Mech.) (Exec.)		
			1270788 F/I B/M (Includes Gov. Assm. & Drum Gear Drive Mech.) (Toll Biller)		
			*Used on Executive ET's above Serial No. 198715.		

CODE-509 Model A - B Exec. Keyboard Lock & Bell



REF. PART NO.	DESCRIPTION	REF. PART NO.	DESCRIPTION	REF. PART NO.	DESCRIPTION
1	151407 Spring, Lock Bar Thrust	28	1104439 Spacer, Bell Clapper (after modified rear rail)		
3	1077494 Locking Bar Rod		1105751 Spacer, Bell Clapper (before modified rear rail)		
	1072957 Locking Bar Rod (Used on Machines below Serial No. 34750)	29	1091647 Spring, Bell Clapper		
4	1095476 Key Lever Locking Bar	30	43373 Spring, Bell Clapper		
5	1077488 Carriage Return Key Lock	31	1104442 Clapper Bell (after modified rear rail)		
	1076786 Carriage Return Key Lock (Used on Exec Machs. below Serial No. 8901)		1105754 Clapper Bell (before modified rear rail)		
6	1091647 Spring	32	1109610 Stud, Clapper Mtg. (after modified rear rail)		
7	1077499 Key Lock Spring Anchor		38287 Stud, Clapper Mtg. (before modified rear rail)		
8	1091647 Spring				
10	1077489 Spacer, Lock Bar Thrust				
11	1078004 Bell Assembly				
	1270469 Loud Bell B/M				
12	38281 Screw				
13	1076738 Bell Clapper Assm.				
14	1077398 Bell Clapper Trigger				
15	1091069 Spring, Bell Clapper Trigger				
16	1076742 Spacer, Bell Clapper				
17	1091074 Spring, Bell Clapper				
18	1076741 Stud, Bell Clapper				
19	60489 Retainer, Bell Mtg. Stud				
20	1090970 Washer, Bell Mtg.				
21	1109044 Spring, Bell (after modified rear rail)				
	1090462 Spring, Bell (before modified rear rail)				
22	1105753 Bell				
23	1035 Washer, Bell Mtg.				
24	1090199 Washer, Bell Mtg. (after modified rear rail)				
	1090622 Washer, Bell Mtg. (before modified rear rail)				
25	1109673 Stud, Bell Mtg. (after modified rear rail)				
	1105750 Stud, Bell Mtg. (before modified rear rail)				
26	1105752 Spacer, Bell Clapper				
27	1109604 Actuator Bell Clapper (after modified rear rail)				
	1105755 Actuator Bell Clapper (before modified rear rail)				

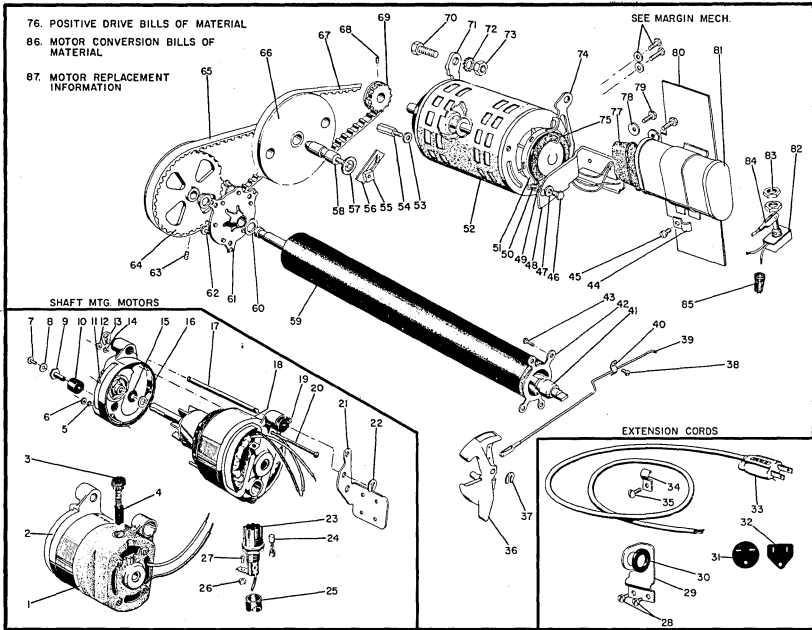
Model A - B Exec. Margin CODE-510



REF. PART NO.	DESCRIPTION	REF. PART NO.	DESCRIPTION	REF. PART NO.	DESCRIPTION
1 1078622	Margin Release Keylever 88 Char. (Above approx. Serial #109925)	17 1070020	Clevis, Pin Adjusting	23 1077310	Margin Stop L.H. 1/32P (Model A)
1077299	Margin Release Keylever (Exec. ET's below approx. Serial #109925)	18 1100444	Margin Set Conn. Link	1074094,	Margin Stop L.H. 1/36P (Model A)
2 1070020	Clevis, Pin Adjusting	1092464	Margin Set Conn. Link (Used on Exec. machines below Serial #17,500)	1093760	Margin Stop L.H. 1/45P (Model A)
3 1000282	Connecting Link, Margin Release Lever	19 1090550	Nut.	1105790	Margin Stop L.H. 1/32P (Model B)
4 1074557	Margin Release Lever	20 1090240	Spacer, Margin Rack	1105818	Margin Stop L.H. 1/36P (Model B)
1076778	Margin Release Lever (Used on Exec. ET's below approx. Serial #22000) NOTE: Parts available for intermediate tab lever and link-age used on Exec. ET's below approx. Serial No. 26000 as follows: (1) 1072995 Intermediate Tab Lever, (1) 1071962 Adj. Link Front, (1) 1072965 Adj. Link, Rear, (1) 45171 Spring, Act. Lever	21 1077357	12" Margin Rack Assm. 1/32P (Model A)	1105819	Margin Stop L.H. 1/45P (Model B)
5 1077861	Stud	1074091	12" Margin Rack Assm. 1/36P (Model A)	24 * 103372	Nut, Margin Set Bracket
6 1090234	Stud	1093764	12" Margin Rack Assm. 1/45P (Model A)	25 * 1100916	Bracket, Margin Set
7 1090452	Nut	1077460	16" Margin Rack Assm. 1/32P (Model A)	26 * 1073025	Screw, Motor Bracket
8 60489	Retainer	1074092	16" Margin Rack Assm. 1/36P (Model A)	27 1090550	Nut
9 1107717	Screw, Pivot Margin Rel.	1093765	16" Margin Rack Assm. 1/45P (Model A)	28 1090240	Spacer, Margin Rack
10 1090037	Nut, Margin Release	1077461	20" Margin Rack Assm. 1/32P (Model A)	29 1072796	Margin Stop Spring
11 1105699	Eccentric, Margin Rel.	1074093	20" Margin Rack Assm. 1/36P (Model A)	30 * 1073025	Screw, Motor Bracket
12 1105831	Margin Release Keylever (84 Char. ET's above approx. Serial #130300)	1093766	20" Margin Rack Assm. 1/45P (Model A)	31 * 173214	Screw, Margin Set Brkt.
1106019	Margin Release Keylever (88 Char., Exec. above approx. Serial #130300)	1103930	12" Margin Rack Assm. 1/32P (Model B)	32 1098495	Spring
13 1072307	Margin Release Keyputton (Blue)	1104204	12" Margin Rack Assm. 1/45P (Model B)	33 * 1072458	Lever Assm. Margin Set
1106207	Margin Release Keyputton (Gray)	1103931	16" Margin Rack Assm. 1/32P (Model B)	34 60489	Retainer, "C" Clip
14 1073864	Margin Set Keylever	1103934	16" Margin Rack Assm. 1/36P (Model B)	35 1073030	Margin Set Shaft
15 1072126	Spring	1104205	16" Margin Rack Assm. 1/45P (Model B)	36 60489	Retainer, "C" Clip
16 1072306	Margin Set Keyputton (Blue)	1103932	20" Margin Rack Assm. 1/36P (Model B)	37 1073025	Screw
1106205	Margin Set Keyputton (gray)	1103935	20" Margin Rack Assm. 1/32P (Model B)	38 1072285	Margin Set Bracket
		1104206	20" Margin Rack Assm. 1/45P (Model B)	39 1091662	Retainer, "C" Clip
		22 1078009	Bell Clapper Act. Assm.	40 60489	Retainer, "C" Clip
				41 1073025	Screw
				42 1079946	Bracket
				43 1073030	Margin Set Shaft
				44 1072458	Margin Set Lever
				45 1072289	Pin (Replace with B/M 1270684)
				46 60489	Retainer, "C" Clip
				47 1091662	Retainer, "C" Clip
				48 1098495	Spring
				49 * 1091504	Washer
				50 1270684	Margin Set B/M

(Includes all parts indicated with an asterisk plus (1) 1100917 Motor Brkt., 60 Cycle necessary to install the new style Margin Set Brkt. on the Model B Exec. ET's not so equipped)

CODE-511 Model A - B Exec. Motor & Drive



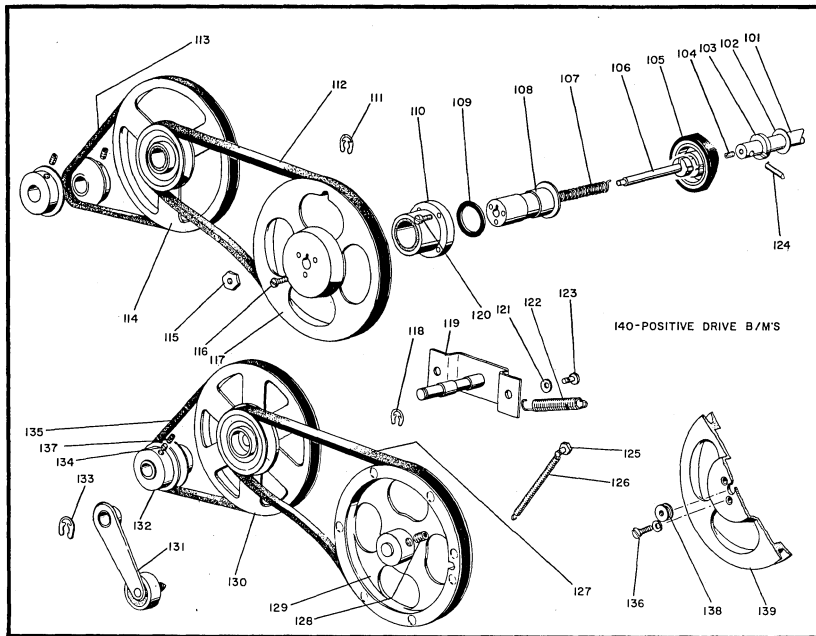
REF. PART NO.	DESCRIPTION	REF. PART NO.	DESCRIPTION	REF. PART NO.	DESCRIPTION
1	1100038 65 Volt D.C. Motor (R & M)	18	1071798 230 Volt AC - 25 Cycle	37	60488 Retainer
	1100036 115 Volt D.C. Motor (R & M)		1073282 250 Volt AC - 50 Cycle	38	38279 Screw
	100040 200 Volt D.C. Motor (R & M)	19	1072974 Static Eliminator	39	1072190 Link, (Adj. pin clevis welded on front end)
	1100039 130 Volt D.C. Motor (R & M)	20	Motor Bolt 8-32, 4 1/2" Long (Not Available)	40	75944 Cable Clamp
	1100037 230 Volt D.C. Motor (R & M)	21	1100917 Motor Bracket (Use with Marg. Set Brkt. # 1100916)	41	1078493 Bearing, Power Roll
2	1098588 Shield		1109068 Motor Bracket (25 and 50 Cycle Motors)	42	1078491 Retainer, Right Bearing
3	1260061 Brush Cap		1079946 Motor Bracket (Use with 1072285 Marg. Set Brkt.) (Replaced by 1100917)	43	1090968 Screw, Clutch Spring Housing
4	1260063 Motor Brush (Spring Included)			44	75944 Cable Clamp
5	1078440 Washer			45	38364 Screw
6	2899 Nut	22	60488 Retainer	46	1074048 Screw, Support Bracket
7	12132 Screw	23	1077864 Fuse Holder Assm. (Includes Cap, Nut and Washers)	47	1090254 Washer, Ring Mtg. Supp.
8	1090254 Washer			48	1107599 Bracket, Ring Mtg. Supp. (all models except Dec. Tab)
9	1076795 Stud	24	3344 Fuse (2 amp) for 65V - D.C.	1110798	Bracket, Ring Mtg. Supp. (Dec Tab)
10	1071938 Rubber Mounting, Lower		6325 Fuse (1 amp) for 115V D.C. Motor	49	150209 Lockwasher, Ring Clamp
11	1098588 Shield		53436 Fuse (.2 amp) for 230 V D.C. Motor	50	38262 Screw, Ring Clamp
12	2899 Nut		78999 Fuse (.5 amp) for 130 V D.C. Motor	51	1108512 Clamp Ring
13	60488 Retainer		78998 Fuse (.3 amp) for 200 V D.C. Motor	52	110742 Motor, 230 V 60 Cy (includes rubber ring mts. 3" Motor, 115 V 60 Cy (includes 2 rubber mtg. rings))
14	1078440 Washer		78952 Fuse (.8 amp) for 65 V D.C. Motor	1010921	Washer, Ring Mtg. Supp. (all models except Dec. Tab)
15	180843 Fiber Washer	25	1077401 Insulator Tubing (Plastic)	53	1090254 Washer
16	1091518 Washer	26	103372 Nut	54	12132 Screw
17	1079945 Motor Mtg. Shaft	27	92 Screw	1117593	Screw (as used on Model C)
	1071940 Motor Mtg. Shaft (With Tapped Holes)	28	38364 Screw, D.C. Fuse Brkt. Bracket, D.C. Fuse	55	160899 Nut, L.H. Thread (Use with 1106171 Intermediate Shaft)
18	1095163 115 Volt AC - 60 Cycle Motor - 1/35 H.P.	29	1110130 Fiber Washer, D.C. Fuse Extension Cord, 3 Cond.		
	1095226 100 Volt AC - 50 Cycle Motor	31	1106000 Extension Cord, 3 Cond.		
	1071797 115 Volt AC - 25 Cycle Motor	32	1106000 Extension Cord, 2 Cond.		
	1071795 115 Volt AC - 50 Cycle Motor	33	130989 Clamp, Power Cord		
	1071793 115 Volt AC - 60 Cycle Motor	34	38364 Screw, Power Cord Clamp	56	1100678 Retaining Plate
	1073280 130 Volt AC - 50 Cycle Motor	35	1106237 Switch Lever Indicator Model B (Gray)	57	1106172 Thrust Washer (Use with recessed Intermediate Pulley, former style)
	1077126 150 Volt AC - 60 Cycle Motor	36	1106143 Switch Lever Indicator Model A (Blue)	58	1106171 Intermediate Shaft (Use with #160899 Nut, L.H. Thread, for replacement on all Models)
	1073281 150 Volt AC - 50 Cycle Motor		1072940 Switch Lever Assm. (Used on machines below Serial #34750)		
	1078313 200 Volt AC - 50 Cycle Motor				
	1071796 230 Volt AC - 50 Cycle Motor				
	1071794 230 Volt AC - 60 Cycle Motor				

Model A - B Exec. Motor & Drive

REF. PART NO.	DESCRIPTION	REF. PART NO.	DESCRIPTION	REF. PART NO.	DESCRIPTION
59	1117828 Power Roll (Solid Shaft)	78	1090254 Washer, Ring Mtg. Supp.	86	1270063 Justo D.C. to 50 Cycle A. C.
60	1078497 Washer	79	1072684 Screw, Ring Mtg. Supp. (All models except Dec Tab)	1270064	Justo D. C. to 25 Cycle A. C.
61	1078501 Bearing Ret. Assm. L.H.				
62	38281 Screw				
63	112055 Set Screw	1110799	Screw, Ring Mtg. Supp. Brkt. (Dec Tab)		
64	1100537 Power Roll Pulley				
1108432	Pulley, Power Roll Pos.Dr.	80	*1105834 Condenser Guard (Wrap Around) 2 MFD Cond.		
1100553	Spring Drive		*1261096 Condenser Guard (Wrap Around) 3 MFD Cond.		
1104102	Pulley, Power Roll (Used in V Belt Conversion)	81	1107025 Condenser 2 MFD (Use with 115 V Red nameplate motors only)		
65	1100436 Belt, Driven				
66	1100552 Intermediate Pulley, 60 Cycles and D.C.	1072125	Condenser 6 MFD (Use with all 25 Cycle motors and also 65 V 60 Cy motor)		
1100543	Intermediate Pulley, 25 and 50 Cycles				
1100544	Intermediate Pulley 45 Cy.	1106594	Condenser 3 MFD (Use with 230 V Red Nameplates and all Black Nameplate motors other than those specified for use with Condenser #1072125)		
1100548	Intermediate Pulley, 42 Cycles				
67	1100435 Drive Belt 15-16, 60 Cy. and D.C. (Green)	82	1072088 Switch & Lead Assm. (Includes Ring)		
1100630	Drive Belt 13-14, 60 Cy. and D.C. (Yellow)				
1100539	Drive Belt 15-16, 25-50 Cycles (Red)	83	179743 Hex Nut		
1100540	Drive Belt 13-14, 25-50 Cycles (White)	85	1070020 Clevis, Pin Adjusting		
		84	64288 Solderless Connector		
68	112055 Set Screw	86	MOTOR CONVERSION B/M's (order motor separately)		
69	1118797 Motor Pulley 14T	1270873	From 115V D.C. to 115V 50 Cy. A.C.		
1118798	Motor Pulley 15T	1270874	From 115V 60 Cy. A.C. to 115V 60 Cy. D.C.		
70	38686 Screw Ring Mtg. Brkt.	1270061	Justewriter D.C. to R & M D.C.		
71	1108513 Bracket, Ring Mtg. L.H.	1270057	25/50 Cy. A.C. to R & M D.C.		
72	76574 Lockwasher	1270056	60 Cy. A.C. to R & M D.C.		
73	3960 Nut, Ring Mtg. Brkt. Screw	1270058	R & M D.C. to 60 Cy. A.C.		
74	1108514 Bracket, Ring Mtg. R.H.	1270059	R & M D.C. to 50 Cy. A.C.		
75	1110643 Static Eliminator	1270060	R & M D.C. to 25 Cy. A.C.		
76	Conversion B/M from V Belt to Positive Drive Refer to Figure 2, Motor and Drive V Belt	1270062	Justo D.C. to 60 Cy. A.C.		
77	1100197 Condenser Guard		*NOTE: When grounding an ET with a 3 Cond. Cord, remove insulator.		
1108113	Shield, Capacitor Model C Type				

REF. PART NO.	DESCRIPTION	REF. PART NO.	DESCRIPTION	REF. PART NO.	DESCRIPTION
87	Information for replacing obsolete motors Replacement of the motor listed in the left hand column below with the 3" R. & M. or G. E. motors, necessitates replacement parts as shown in the right hand column.				
	<u>MOTOR REQUIRING REPLACEMENT</u>		<u>REPLACEMENT PARTS TO INSTALL 3" MOTOR</u>		
	* R & M Red Nameplate (#1110740) 115V 60 cycle ring mounted motor used in Standard ET's serial #391500 - #716845. Used in Executive ET's serial #127900 - #199244.	<u>QUAN.</u>	<u>P.T. NO.</u>	<u>DESCRIPTION</u>	
		1	1010921	3" 115V 60 cycle motor (Includes 2 ring mounts)	
		1	1106594	3 mfd condenser	
		1	1110759	Ring mount support (All Models except Dec Tab)	
		(or)			
		1	1110798	Ring Mount Support (For Dec Tab)	
	R & M Red Nameplate (#1107011) 115V 60 cycle shaft mounted motor used in Standard ET's serial #197000 - #391500. Used in Executive ET's serial #52000 - #127900.	1	1010921	3" 115V 60 cycle motor (Includes 2 ring mounts)	
		1 B/M	1270202	Motor conversion to 115V 60 cycle positive drive	
		On Dec	Tab ET's	the following parts will also be required.	
		1	1110798	Bracket, ring mounting support	
		2	1110799	Screw, bracket ring mounting support.	
	R & M Black Nameplate (#1071793) 115V 60 cycle shaft mounted motor used in Standard ET's serial #1-197000. Used in Executive ET's serial #1-52000.				
	<u>NOTE: The Black Nameplate shaft mounted motor (#1071793) remains available for field replacement.</u>				
	*Same as stencil labeled motor.				
			Order the appropriate B/M to convert to positive belt drive plus the following:		
		1	1010921	3" 115V 60 cycle motor (Includes 2 ring mounts)	
		1 B/M	1270202	Motor conversion to 115V 60 cycle positive drive	
		On Dec	Tab ET's	the following parts will also be required.	
		1	1110798	Bracket, ring mounting support	
		2	1110799	Screw, bracket ring mounting support	

CODE-511 Model A - B Exec. Motor & Drive V Belt



REF. PART NO.	DESCRIPTION	REF. PART NO.	DESCRIPTION	REF. PART NO.	DESCRIPTION
101	1071361 Clutch Shaft	135	1078660 V Belt Drive (60 Cycle)		
102	139929 Washer		1073558 V Belt Drive(25 & 50 Cycle)		
103	1071362 Collar	136	1090926 Screw, Power Roll Pulley Mtg. (C.R.A.)		
104	1090213 Set Screw				
105	1071300 Removable Power Roll	137	173937 Set Screw		
106	1071305 Drive Shaft, Power Roll	138	1077234 Rewind Pulley, Nylon		
107	1073817 Spring, Torsion	139	1071313 Pulley, Power Roll		
108	1071311 Shaft, Driven	140	The following Bills of Material include the parts necessary to install the Positive Belt Drive on Typewriters equipped with either the Solid Shaft Power Roll or the Removable Power Roll.		
109	1091507 Spacer, Fibre				
110	1071308 Housing, Drive Bearing				
111	60489 Retainer				
112	1071561 Belt, Driven				
113	1078660 Belt, Drive				
114	1071450 Pulley, Intermediate				
115	1071735 Nut, Drive Shaft Release				
116	2650 Screw, Power Roll Pulley Mts.				
117	1071313 Pulley, Power Roll				
118	60469 Retainer				
119	1093919 Bracket Assm., Intermediate Pulley				
	1260202 Bracket Assm., Intermediate (Used for conversion from V Belt Drive to Positive Belt)				
120	2629 Screw	1270483	Positive Belt Drive - DC & 60 cycle AC Solid Shaft Power Roll		
121	1072477 Spring Washer				
122	1093904 Extension Spring, Pulley Brkt.				
123	1077719 Stud, Bracket				
124	1073498 Driving Pin	1104102	Power Roll Pulley should be used with above B/M for Removable Power Roll		
125	1079972 Stud, Spring				
126	118238 Extension Spring, Idler Arm				
127	1071561 V Belt, Driven				
128	112055 Set Screw				
129	1078489 Pulley, Power Roll				
130	1079963 Pulley, Intermediate				
131	1074184 Idler Arm & Pulley Assm.				
132	1079751 Adjustable Motor Pulley Threaded (Outside Section) 25 and 50 Cycle				
	1079753 Adjustable Motor Pulley Threaded (Outside Section) 60 Cycle				
133	60488 Retainer				
134	1079777 Shoe				

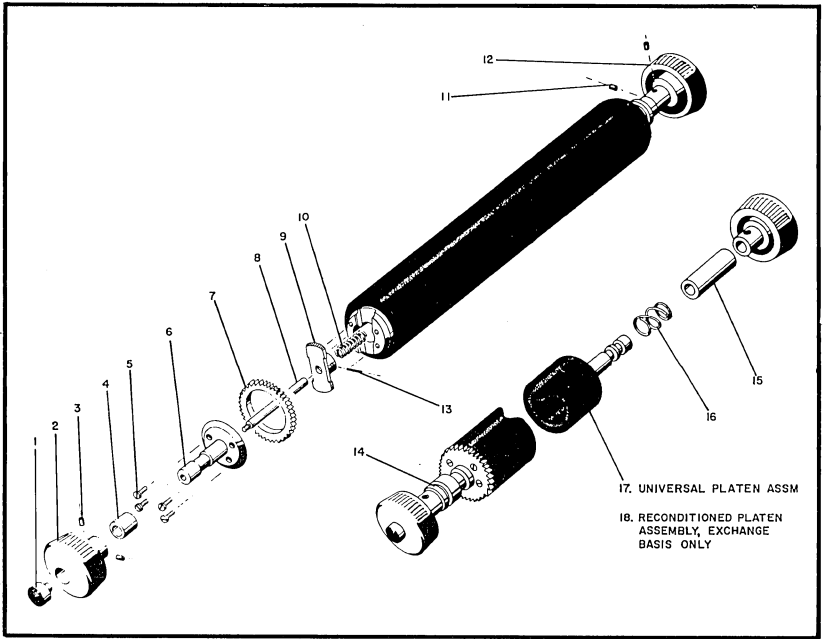
B/M

DESCRIPTION

The following Bill of Material includes the parts necessary to install the Positive Belt Drive on typewriters equipped with either the Solid Shaft Power Roll or the Removable Power Roll:

1270483 Positive Belt Drive - DC & 60 cycle AC Solid Shaft Power Roll

1104102 Power Roll Pulley should be used with above B/M for Removable Power Roll



REF. PART NO.	DESCRIPTION	REF. PART NO.	DESCRIPTION	REF. PART NO.	DESCRIPTION
1	1106239 Button, Platen Variable (Gray)	7	1104055 Ratchet 55 T	12	1072212 Knob Assembly, Platen R.H. (Blue)
	1070848 Button, Platen Variable (Blue)		1261956 Ratchet 56 T		
2	1106243 Knob Assembly, Platen L.H. (Gray)		1104057 Ratchet 57 T	13	1090592 Pin, Platen Shaft
	1072211 Knob Assembly, Platen L.H. (Blue)		1104058 Ratchet 58 T	14	1110577 Platen Bushing, LH (Universal)
3	1076796 Screw, Platen Knob		1104059 Ratchet 59 T	15	1110735 Bushing, RH (Universal)
4	1103917 Bushing, Platen Sleeve L.H. (Model B)		1104060 Ratchet 60 T		Platen
	1002334 Bushing, Platen Sleeve L.H. (Model A)		1104061 Ratchet 61 T	16	1110578 Spring, Compression
5	1073027 Screw		1104062 Ratchet 62 T	17	UNIVERSAL EXEC. PLATEN ASSM. (For Models A, B and O1)
6	1103918 Platen Clutch Cover (Model B & Universal)		1104066 Ratchet 66 T		1107085 12" No. 1
	1071741 Platen Clutch Cover (Model A)		PLATEN RATCHETS		1107093 12" No. 2
7	PLATEN RATCHETS		(Wide Ratchets)		1107101 12" No. 3
	(Narrow Ratchets)		1002224 Ratchet 24 T		1107110 12" No. 4
	1261928 Ratchet 28 T		1002227 Ratchet 27 T		1107114 12" No. 6
	1107229 Ratchet 29 T		1002229 Ratchet 29 T		1107116 12" No. 7
	1110231 Ratchet 31 T		1002231 Ratchet 31 T		1107119 12" No. 8
	1109832 Ratchet 32 T		1002232 Ratchet 32 T		1107129 16" No. 1
	1107233 Ratchet 33 T		1002233 Ratchet 33 T		1107136 16" No. 2
	1104034 Ratchet 34 T		1002236 Ratchet 36 T		1107144 16" No. 3
	1104035 Ratchet 35 T		1002240 Ratchet 40 T		1107152 16" No. 4
	1104036 Ratchet 36 T		1002244 Ratchet 44 T		1107155 16" No. 7
	1110237 Ratchet 37 T		1002245 Ratchet 45 T		1107157 16" No. 8
	1104038 Ratchet 38 T		1002248 Ratchet 48 T		1107165 20" No. 1
	1104039 Ratchet 39 T		1002249 Ratchet 49 T		1107172 20" No. 2
	1104040 Ratchet 40 T		1002250 Ratchet 50 T		1107180 20" No. 3
	1104041 Ratchet 41 T		1002251 Ratchet 51 T		1107188 20" No. 4
	1110243 Ratchet 43 T		1002253 Ratchet 53 T		1107190 20" No. 7
	1104044 Ratchet 44 T		1002255 Ratchet 55 T		1107192 20" No. 8
	1104045 Ratchet 45 T		1002256 Ratchet 56 T		
	1104046 Ratchet 46 T		1002257 Ratchet 57 T		UNIVERSAL STENCIL PLATEN ASSM.
	1110247 Ratchet 47 T		1002258 Ratchet 58 T		(For Models A, B and O1)
	1104048 Ratchet 48 T		1002259 Ratchet 59 T		1107127 12" No. 9
	1104049 Ratchet 49 T		1002260 Ratchet 60 T		1107163 16" No. 9
	1104050 Ratchet 50 T		1002261 Ratchet 61 T		1107198 20" No. 9
	1104051 Ratchet 51 T	8	1103891 Shaft, Platen Release Std. (Model B and Universal)	18	RECONDITIONED EXEC. PLATEN ASSEMBLY (For Model A)
	1104052 Ratchet 52 T		1065943 Shaft, Platen Release Std. (Model A)		1073614 12" No. 1
	1104053 Ratchet 53 T		9 1061419 Driver, Platen Ratchet		1073620 12" No. 2
	1104054 Ratchet 54 T		10 1090593 Spring, Platen Driver		1073622 12" No. 3
			11 1073027 Screw		1077281 12" No. 4
			12 1106244 Knob Assembly, Platen R.H. (Gray)		1074240 12" No. 6
					1077285 12" No. 7
					1073627 12" No. 8

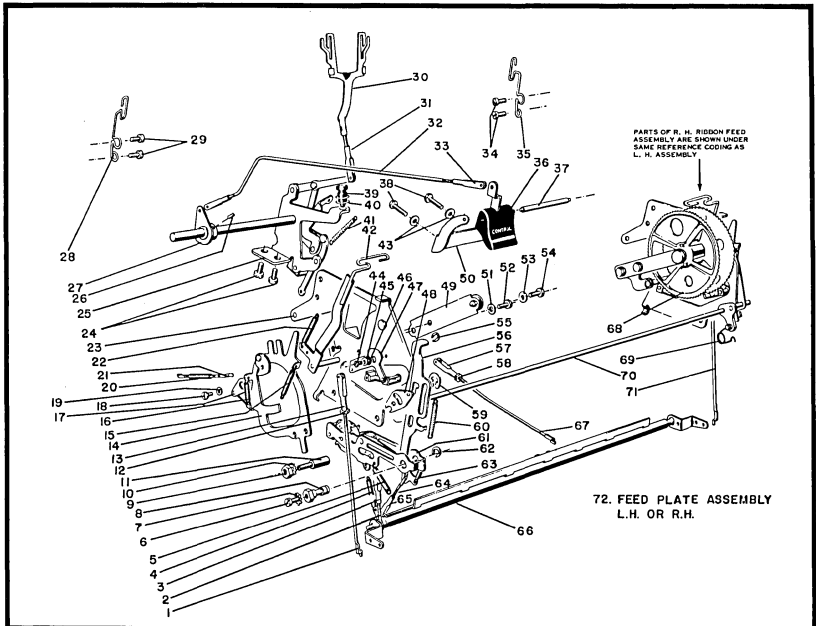
Model A - B Exec. Platens

REF. PART NO.	DESCRIPTION	REF. PART NO.	DESCRIPTION	REF. PART NO.	DESCRIPTION
18 1073630	16" No. 1	18	RECONDITIONED STENCIL PLATEN ASSEMBLY (For Model B)		
1073635	16" No. 2				
1073637	16" No. 3				
1077287	16" No. 4				
1077289	16" No. 7	1270298	12" No. 9		
1076849	16" No. 8	1270335	16" No. 9		
1073641	20" No. 1	1270371	20" No. 9		
1073645	20" No. 2				
1073647	20" No. 3				
1077291	20" No. 4				
1077292	20" No. 7				
1076853	20" No. 8				
RECONDITIONED STENCIL PLATEN ASSEMBLY (For Model A)					
1078340	12"				
1078341	16"				
1078342	20"				
RECONDITIONED EXECUTIVE PLATEN ASSEMBLY (For Model B)					
1270209	12" No. 1				
1270218	12" No. 2				
1270226	12" No. 3				
1270235	12" No. 4				
1270285	12" No. 6				
1270287	12" No. 7				
1270290	12" No. 8				
1270300	16" No. 1				
1270308	16" No. 2				
1270316	16" No. 3				
1270324	16" No. 4				
1270327	16" No. 7				
1270329	16" No. 8				
1270337	20" No. 1				
1270345	20" No. 2				
1270353	20" No. 3				
1270361	20" No. 4				
1270363	20" No. 7				
1270365	20" No. 8				

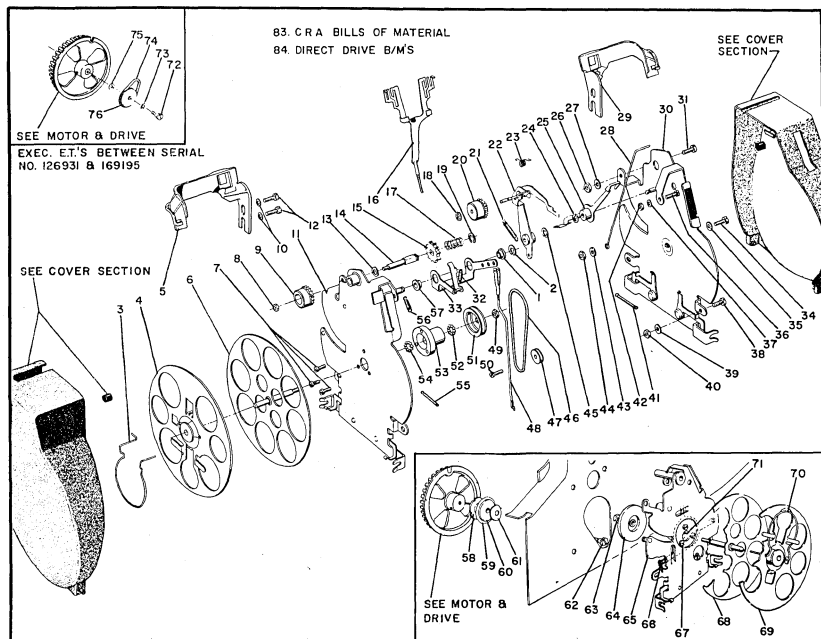
PLATEN RUBBER HARDNESS		
Platen No.	Hardness	Undercut
1	Soft	No
2	Medium	No
3	Hard	No
4	Hard	1/32"
6	Medium	1/32"
7	Hard	1/16"
8	Medium Hard	No
9 (Stencil)	Soft	No

Figure 1

January 1960



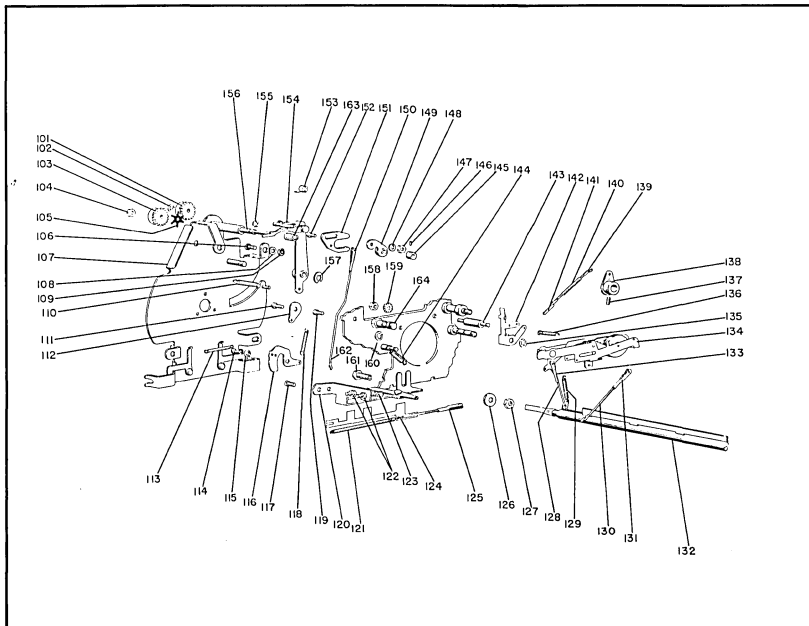
REF. PART NO.	DESCRIPTION	REF. PART NO.	DESCRIPTION	REF. PART NO.	DESCRIPTION
1	1070340 Link, Ribbon Feed	33	1070020 Clevis, Pin Adjusting	60	1090404 Spring
2	1000223 Connecting Link	34	1079999 Screw (Use to mount Corner Gds. for combination Fabric & Carbon Ribbon)	61	1119186 Ribbon Feed Cam Assm. (In Model A ET's requiring a pin in the cam release lever for the ribbon rewind lever to contact)
3	1070020 Clevis, Pin Adjusting	1090015	Ribbon Corner Guide, RH	1072871	Ribbon Feed Cam Assm.
4	1071687 Spring	35	1100752 Ribbon Corner Guide, RH Offset (Use with Carbon Ribbon Guide - C.R.A.)		
5	1102139 Spring	1106140	Button, Ribbon Control (Blue)	62	1092125 "C" Clip
6	38.81 Screw	36	1071670 Button, Ribbon Control (Gray)	63	1072703 Adjusting Link
7	55901 Washer	1106232	Shaft	64	1072842 Clevis, Pin Adjusting
8	1071420 Ribbon Feed Cam Frame Stud	37	1071701 Screw	65	1070020 Ribbon Lift Bail Assm.
9	1090041 Nut	38	1090968 Ribbon Lift Gd. Lever Stop	66	1104468 Connecting Link, Ribbon Lift
10	55901 Washer	39	1070160 Clip, Retaining	67	1019908 Ribbon Spool,
11	1100076 Eccentric Stud	40	25282 Spring	68	1091787 Ribbon Reverse Rod Spring
12	1091057 Nut	41	1091618 Spring	69	1072872 Ribbon Reverse Rod Assm.
13	1070020 Clevis, Pin Adjusting	42	1100749 Ribbon Reverse Lever and Stud, L.H.	70	1070340 Link, Ribbon Feed
14	1071339 Reverse Brkt. Assm. L.H.	1100746	Ribbon Reverse Lever and Stud, R.H.	71	1070340 Link, Ribbon Feed
15	46831 Feed Pawl Spring	43	1090199 Washer	72	1096898 Ribbon Feed Assm. L.H.
16	1091647 Check Pawl Spring	44	186712 Screw	1096899	Ribbon Feed Assm. R.H.
17	1070239 Check Pawl & Arm Assm. LH	45	1100379 Bushing (Use with 1096698 Washer, 186712 Screw)		
18	186393 Screw	46	1096698 Fish Paper Washer (Use with 1100379 Bushing, 186712 Screw)		
19	1090472 Washer	47	1070236 Ribbon Feed Bellcrank and Pawl Assm. L.H.		
20	1091646 Spring	1070225	Ribbon Feed Bellcrank and Pawl Assm. R.H.		
21	1000282 Link	48	1102079 Ribbon Rewind Trip Lev. Assm.		
22	1091670 Spring	49	1000159 Spool Ret. Spring Assm.		
23	1071337 Ribbon Feed Plate Assm. LH	50	1071667 Bracket		
24	1071342 Ribbon Feed Plate Assm. RH	51	1090199 Washer		
25	1090799 Screw	52	1091515 Screw		
26	1070022 Ribbon Lift Mechanism	53	1090199 Washer		
27	1120555 Set Screw	54	1091515 Screw		
28	1071935 Ribbon Control Lever	55	1091662 "C" Clip		
29	1100753 Ribbon Corner Guide, LH	56	1072701 Ribbon Rewind Lever		
30	1110492 Ribbon Lift Guide Assm. - Cloth Ribbon	57	1070020 Clevis, Pin Adjusting		
1078561	Ribbon Lift Guide Assm. - Cloth and Carbon Ribbon	58	1091057 Locking Nut		
31	1070020 Clevis, Pin Adjusting	59	1091662 "C" Clip		
32	1073240 Adj. Link & Pin Clevis Assm.				



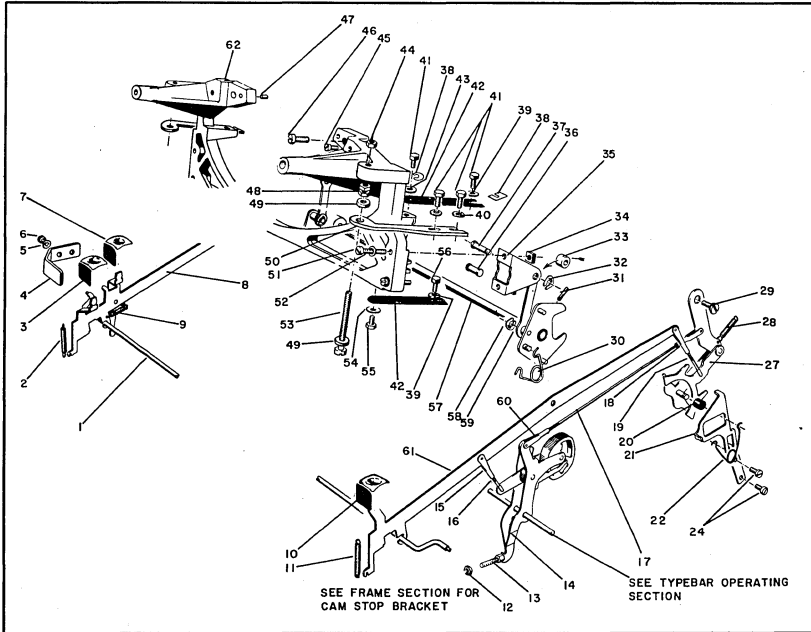
REF. PART NO.	DESCRIPTION	REF. PART NO.	DESCRIPTION	REF. PART NO.	DESCRIPTION
1	1073412	Bushing, Bellcrank	43	1090199	Washer
2	1092125	Retainer	44	1090037	Nut
3	1095001	Spring, Collapsible	45	1092125	Retainer
4	1110107	Spool Flange Assm.	46	1077235	Spring Belt
5	1079729	Ribbon Corner Guide LH	47	1077234	Rewind Pulley
6	1093800	Shaft & Spool Flange Assm.	48	1073431	Link, Ribbon Feed
7	1090524	Screw, Bearing Housing	49	1090037	Nut
8	1090037	Nut	50	23854	Screw, Rewind Pulley
9	1074394	Feed Roller Assembly	51	1073421	Pulley, Rewind Spool
10	1090970	Washer, Corner Guide Mtg.	52	39953	Ball Bearing
11	1078060	Magazine Plate L.H.	53	1108433	Bearing Housing
12	1090449	Screw, Corner Gd. Mtg.	54	39953	Ball Bearing
13	1091207	Washer	55	6755	Spring, Magazine Plate
14	1073425	Shaft, Escapement Wheel	56	1090794	Spring, Ribbon Feed
15	1073424	Escapement Wheel (All Pitches)	57	1073412	Bushing, Bellcrank
16	1078561	Guide, Cloth and Carbon	58	*1108399	Plate, Lock
17	1078537	Guide, Carbon Ribbon	59	*1108398	O-Ring, Rubber
18	1073299	Spring	60	*1110091	Pulley, Nylon
19	147297	Retainer	61	*1072377	Washer, Spring
20	1092125	Retainer	62	*1108436	Screw, Rewind Pulley
21	1074395	Pressure Roller Assm.	63	*1090037	Nut
22	6936	Spring, Pressure Roller	64	*1108397	Pulley, Rewind Spool
23	1093694	Arm, Pressure Roll	65	*1108429	Plate Assm., Mag. LH(Exec.)
24	1103486	Spring, Ribbon Latch	66	58414	Spring
25	1091662	Retainer	67	*1090524	Screw, Bearing Housing
26	1093665	Indicator & Hub Assm.	68	*1093880	Shaft & Spool Flange
27	1090037	Nut	69	*1110107	Flange Assembly
28	1100485	Spring, Ribbon Take Up	70	*1108430	Spring, Collapsible Rewind
29	1079730	Ribbon Corner Guide RH	71	*1108433	Housing, Bearing
30	1078061	Magazine Plate Assm. RH	72	**1110092	Screw
31	1090594	Screw	73	**1072477	Washer
32	1091647	Spring, Feed Pawl	74	**1109958	Spring
33	1073407	Pawl, Ribbon Feed	75	**1090386	Washer
34	1090594	Screw	76	**1110091	Pulley
35	1090199	Washer			
36	1090594	Screw			
37	1090199	Washer			
38	1090594	Screw			
39	1090199	Washer			
40	1090037	Nut			
41	6755	Spring, Mag. Plate			
42	1090037	Nut			
43	1090199	Washer			
44	1090037	Nut			
45	1092125	Retainer			
46	1077235	Spring Belt			
47	1077234	Rewind Pulley			
48	1073431	Link, Ribbon Feed			
49	1090037	Nut			
50	23854	Screw, Rewind Pulley			
51	1073421	Pulley, Rewind Spool			
52	39953	Ball Bearing			
53	1108433	Bearing Housing			
54	39953	Ball Bearing			
55	6755	Spring, Magazine Plate			
56	1090794	Spring, Ribbon Feed			
57	1073412	Bushing, Bellcrank			
58	*1108399	Plate, Lock			
59	*1108398	O-Ring, Rubber			
60	*1110091	Pulley, Nylon			
61	*1072377	Washer, Spring			
62	*1108436	Screw, Rewind Pulley			
63	*1090037	Nut			
64	*1108397	Pulley, Rewind Spool			
65	*1108429	Plate Assm., Mag. LH(Exec.)			
66	58414	Spring			
67	*1090524	Screw, Bearing Housing			
68	*1093880	Shaft & Spool Flange			
69	*1110107	Flange Assembly			
70	*1108430	Spring, Collapsible Rewind			
71	*1108433	Housing, Bearing			
72	**1110092	Screw			
73	**1072477	Washer			
74	**1109958	Spring			
75	**1090386	Washer			
76	**1110091	Pulley			
83	BILLS OF MATERIAL FOR C R A				
	1270774	CRA - Dove Gray (Cog Belt)			
1270836	CRA - (Cog Belt) for colors other than dove gray (Specify Color)				
1270822	CRA-Dove Gray (V Belt)				
1270665	CRA - Removable Power Roll (Orders for this B/M must include color, pitch and V Belt Driver or Positive Belt Driver)				
84	BILLS OF MATERIAL FOR DIRECT DRIVE				
1270823	Proportional Ribbon Feed Spring Belt Drive to Direct Drive Conversion (V Belt)				
1270824	Proportional Ribbon Feed Spring Belt Drive to Direct Drive Conversion(Cog Belt)				
1270825	CRA - Spring Belt to Direct Drive Conversion (V Belt)				
1270826	CRA - Spring Belt to Direct Drive Conversion (Cog Belt)				
1261732	L.H. Magazine Plate and Spool Assm. (CRA) Direct Drive				
1261733	L.H. Magazine Plate and Spool Assm. (Proportional Ribbon Feed) Direct Drive Pulley Assm., Power Roll Direct Drive (Cog Belt) (Includes all parts assembled to Power Roll Pulley)				
1261751	L.H. Magazine Plate and Spool Assm., Power Roll Direct Drive (Cog Belt) (Includes all parts assembled to Power Roll Pulley)				
1261752	L.H. Magazine Plate and Spool Assm., Power Roll Direct Drive (V Belt) (Includes all parts assembled to Power Roll Pulley)				

*Used on Exec. ET's above Serial #169195

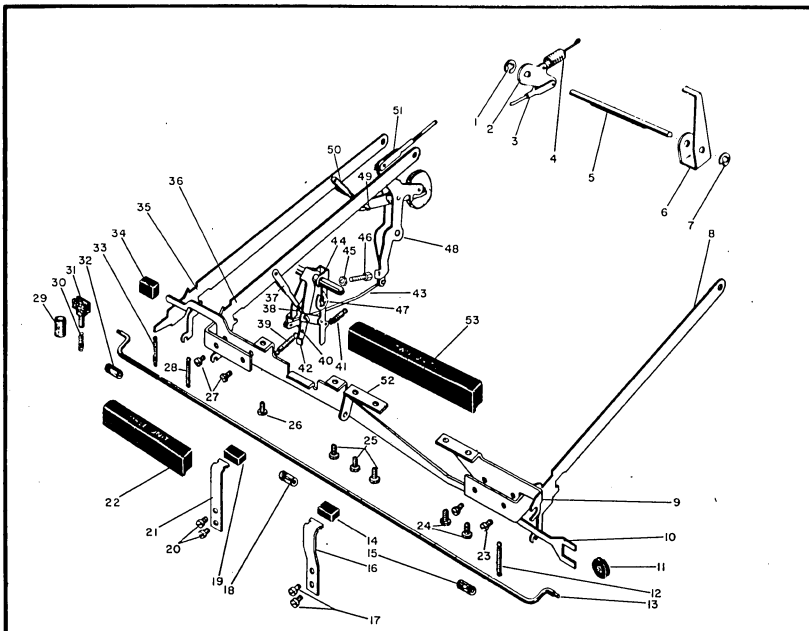
**Used on Exec. ET's between Serial #126931 and 169195



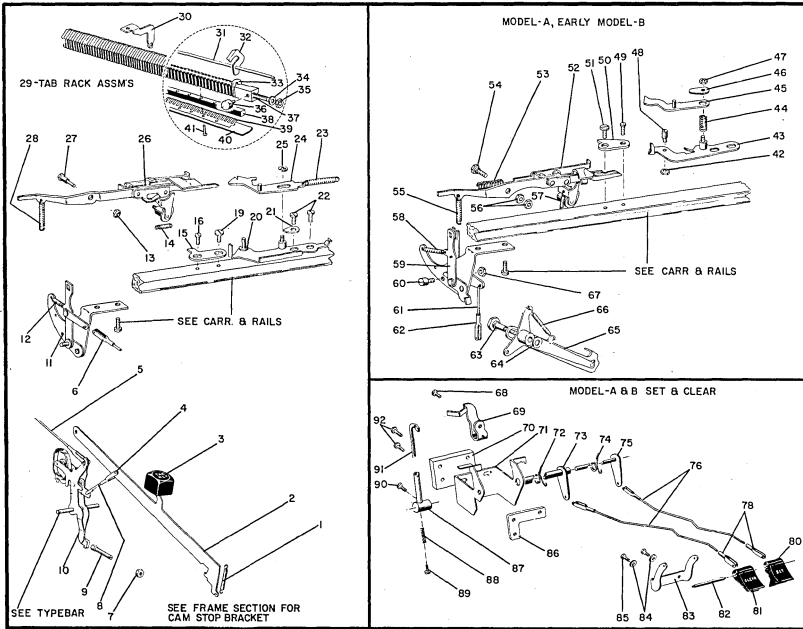
REF. PART NO.	DESCRIPTION	REF. PART NO.	DESCRIPTION	REF. PART NO.	DESCRIPTION
101	1074395 Pressure Roller Assembly	141	1100487 Link, Connecting		
102	1091662 Clip	142	1074243 Stencil Control Lever		
103	1074395 Feed Roller Assembly	143	1100486 Stud, Ribbon Feed Cam Ecc.		
104	1090037 Nut	144	1102139 Spring, Ribbon Feed Cam		
105	1100533 Spider Spring	145	1105930 Collar, Feed Roll Shaft		
106	1090594 Screw, Magazine Plate Mtg.	146	1092177 Set Screw, Feed Roll Shaft		
107	1108429 Magazine Plate Assm. L.H.	147	7341 Nut, Upper Arm		
108	1090199 Washer, Magazine Plate Mtg.	148	163899 Lockwasher, Upper Arm		
109	1090037 Nut, Magazine Plate Mtg.	149	1100530 Upper Arm Assembly		
110	141052 Spring, Pressure Arm	150	1070020 Clevis, Pin Adjusting		
111	1090003 Screw, Spring Anchor Link	151	1100555 Upper Arm, Adjusting		
112	1013363 Link, Spring Anchor	152	196299 Screw, Upper Arm		
113	6755 Spring, Magazine Plate LH	153	1260151 Spring, Pressure Arm Stop		
114	186712 Screw, Lower Arm	154	1100554 Arm Assm., Pressure Roller		
115	1100519 Bushing, Lower Arm	155	25282 Clip		
116	1106571 Lower Arm, Ribbon Feed	156	1100527 Shaft, Upper Arm		
117	4236 Screw, Ribbon Selector Bracket Assembly	157	1091662 Clip, Pressure Arm		
118	1090435 Spring, Lower Arm	158	1090041 Nut, Ribbon Feed Cam		
119	38281 Screw, Stud				
120	1100518 Ribbon Selector Brkt. Assm.	159	55901 Lockwasher, Ribbon Feed		
121	1090341 Spring, Selector Bar Assm.	160	1092125 Cam Eccentric Stud		
122	7341 Nut, Stop	161	1100520 Screw, Bail Pivot		
123	1091666 Adjustable Stop	162	1073431 Link, Ribbon Feed		
124	1100541 Selector Bar Assembly	163	1100532 Spring, Ribbon Feed Drive		
125	1070020 Clevis, Pin Adjusting	164	1071420 Stud, Ribbon Feed Cam		
126	1090254 Washer, Ribbon Selector Bracket				
127	1090034 Nut, Ribbon Selector Brkt.				
128	1000223 Adjusting Link				
129	1071687 Spring, Ribbon Bail				
130	1072842 Adjusting Link				
131	1070020 Clevis, Pin Adjusting				
132	1100526 Ribbon Lift Bail Shaft Assm.				
133	1070020 Clevis, Pin Adjusting				
134	1119186 Cam Unit Assm., Ribbon Feed				
135	1092125 Clip				
136	1090175 Spring, Stencil Control Lever				
137	117481 Set Screw, Ribbon Control Lever				
138	1071935 Ribbon Control Lever Assm.				
139	1000282 Link, Connecting				
140	1091646 Spring				



REF. PART NO.	DESCRIPTION	REF. PART NO.	DESCRIPTION	REF. PART NO.	DESCRIPTION
1	1071356 Equalizing Rod	42	1100980 Segment Guide Spring, Upper and Lower	62	1071368 Segment Support, Cast (Used on Exec below Serial #22,300)
2	1072126 Spring, Keylever	1072934	Spring, Segment Guide Lower, Cast Segment Support (Exec. below Serial No. 22,300)		
3	1106371 Keybutton, Shift (Gray)	1071719	Spring, Segment Guide Lower, Steel Segment Support		
4	1070699 Keybutton, Shift (Blue)	1073870	Spring, Segment Guide Upper, Cast or Steel Segment Support, (Exec. below Serial No. 22,300)		
5	1071458 Shift Lock Bracket				
6	1090058 Washer	43	1090058 Washer		
7	1090449 Screw	44	1090034 Nut		
8	1106381 Keybutton, Shift Lock (Gray)	45	38282 Screw		
9	1071839 Keybutton, Shift Lock (Blue)	46	38383 Screw		
10	1072300 Key Lever Assembly - 84 and 86 Character	47	104696 Pin		
11	1072301 Key Lever Assembly - 88 Character	48	1090034 Nut		
12	1071449 Spring	49	1090619 Washer, Bumper		
13	1106371 Keybutton, Shift (Gray)	50	1072935 Shift Stop Bracket		
14	1070699 Keybutton, Shift (Blue)	1070053	Shift Stop Bracket, L.H. (Steel Segment Support)		
15	1072126 Spring, Keylever	1070054	Shift Stop Bracket, R.H. (Steel Segment Support)		
16	7341 Nut, Cam Stop	51	1078021 Screw		
17	1091666 Screw, Adjustable Stop	52	62031 Lock Washer		
18	1119204 Cam Assembly	53	1077823 Screw, Bracket Shift Stop		
19	1070020 Clevis, Pin Adjusting	1071546	Screw, Bracket Shift Stop (Steel Segment Support)		
20	1070307 Connecting Link	54	1090047 Washer		
21	1070356 Connecting Link	55	1105690 Screw		
22	1070020 Clevis, Pin Adjusting	56	1105690 Screw		
23	1070307 Connecting Link	57	1073251 Shift Toggle Lever and Shaft Assm. (Complete)		
24	1091607 Sleeve	58	60489 Retainer, "C" Clip		
25	1078044 Retainer	59	1070289 Link		
26	1070017 Spring, Shift Toggle	60	1012703 Clevis, Hole Adjusting		
27	38281 Screw, Retainer Mtg.	61	1070020 Clevis, Pin Adjusting		
28	1078047 Pusher and Lever Assm.	62	1071452 Shift, Keylever R.H.		
29	131946 Spring		1100066 Segment Support, Exec. between Serial #47,350 and #22,300		
30	1091619 Stud				
31	1078049 Spring, Shift				
32	1106201 Pin				
33	60489 Retainer, "C" Clip				
34	1090069 Spacer				
35	1090039 Nut				
36	1001531 Toggle Link Bracket				
37	1090242 Pin				
38	1060556 Stud				
39	1077799 Shim, Rear				
40	1104923 Shim, Front				
41	1090047 Washer				
	1090058 Washer				
	1091035 Screw				



REF. PART NO.	DESCRIPTION	REF. PART NO.	DESCRIPTION	REF. PART NO.	DESCRIPTION
1	1095160 Retainer, "C" Clip	36	1072948 Lever, Spacebar 3 Unit		
2	1070041 Plate, Esc. Operating	37	1070020 Clevis, Pin Adjusting		
3	1070355 Link, Esc. Connecting	38	1014536 Link, Keylever 3 Unit		
4	1072818 Spring, Esc. Operating Lever	39	1071691 Spring, Actuating Lever 3 Unit		
5	1070042 Shaft, Esc. Operating	40	1070020 Clevis, Pin Adjusting		
6	1070043 Lever, Esc. Operating	41	1072949 Spring, Interposer Support		
7	1095160 Retainer, "C" Clip	42	1072946 Lever, Esc. Actuating		
8	1072862 Lever, Spacebar 2 Unit	43	1072642 Link, Escapement Cam Act.		
9	1072865 Bracket, Spacebar 2 Unit R.H.	44	1072945 Support, Spacebar Interposer		
10	1073450 Support, Spacebar 3 Unit	45	7341 Nut, Cam Stop Screw		
11	1077722 Grommet, Spacebar Bracket 3 Unit	46	1091666 Screw, Cam Stop		
12	1091069 Spring, 2 Unit Keylever	47	60488 Retainer, "C" Clip		
13	1108626 Rod, Spacebar Equalizer	48	1119159 Cam, Spacebar(Typomatic)		
14	1071881 Stop, Spacebar	49	1014536 Link, Spacebar Cam Act.		
15	1073866 Bushing, Spacebar Equalizing Rod	50	1070020 Clevis, Pin Adjusting		
16	1071880 Bracket, Spacebar Stop RH	51	1110533 Clevis, Hole Adjusting		
17	38279 Screw, Spacebar Stop	52	1072864 Bracket, Spacebar 2 Unit L.H.		
18	1073866 Bushing, Spacebar Equalizing Rod	53	1106242 Button, Spacebar 2 Unit (Gray)		
19	1071881 Stop, Spacebar	1106069	1106069 Button, Spacebar 2 Unit (Blue)		
20	38279 Screw, Spacebar Stop				
21	1110465 Bracket, Spacebar Stop LH				
22	1106241 Button, Spacebar 3 Unit (Gray)				
	1106070 Button, Spacebar 3 Unit (Blue)				
23	38562 Screw, Spacebar Bracket				
24	1090807 Screw, Spacebar Button				
25	1090807 Screw, Spacebar Button				
26	1090807 Screw, Spacebar Button				
27	38562 Screw, Spacebar Bracket				
28	1074242 Spring, Esc. Keylever				
29	1108862 Bushing, Crippling				
30	1110249 Spring, Repeat Plunger				
31	1106595 Plunger, Repeat				
32	1073866 Bushing, Spacebar Equalizing Rod				
33	1072126 Spring, Esc. Keylever				
34	1073014 Bushing, Spacebar 3 Unit				
35	1072867 Lever, Spacebar Cam				



REF. PART NO.	DESCRIPTION	REF. PART NO.	DESCRIPTION	REF. PART NO.	DESCRIPTION
1	1072126 Spring, Keylever	12	1090162 Spring, Actuating Lever	31	1077808 16" Model A
2	1072278 Tab Keylever 84 & 88 Char. Model A & Initial Model B Exec's below approx. Serial #109925	13	1090037 Nut, Stud Mtg.	1103832	20" Model B
		14	1072941 Spring, Latch	1077809	20" Model A
		15	1107979 Keeper, Tab Latch, Exec. (above approx. Ser. #17190)	32	1015100 Tabular Stop
1098442	Tab Keylever 88 Char. ET's above approx. Ser. #109925	16	42027 Screw, Tab Latch Keeper Mtg.	33	1103869 Fulcrum Wire Stop Model B R.H.
3	1070697 Tab Keybutton, Model A (Blue)	19	1090524 Screw, Tab Latch Keeper Mtg.	1012458	Fulcrum Wire Stop Model A and B, L.H.
		20	1109040 Mtg. Bracket, Tab Rebound Check	34	1090240 Spacer
1106372	Tab Keybutton, Model B (Gray)	21	1109890 Washer, Rebound Check Mtg. Brkt.	35	1090550 Nut
4	1070020 Clevis, Pin Adjusting	22	1090007 Screw, Rebound Check Lev.	36	1072250 Final K.O. Pin
5	1106614 Link Assm., Tab Connecting (Short Link used on Exec. ET's below approx. Serial #130300 above approx. Serial #46800)	23	1090435 Spring, Tab Rebound Check	37	
		24	1109042 Check, Tab Rebound Assm.		TABULAR RACK
		25	25282 Clip	1072602	12" 1/32P Model A
		26	1104443 Lever, Tab Assm. (Exec.)	1103804	12" 1/32P Model B
1106615	Tabular Act. Lever Link Exec. (Fasten to Gov. Cont. Lever Assm. with (1) No. 147297 C Clip)	27	1071953 Tab Lever Mtg. Stud	1072607	16" 1/32P Model B
		28	1090435 Spring, Tabular Lever	1103810	16" 1/32P Model B
		29	TABULAR RACK ASSMS.	1072613	20" 1/32P Model A
			1074429 12" 1/32P Model A	1103816	20" 1/32P Model A
			1079238 12" 1/32P Model A	1072603	12" 1/36P Model A
			1093797 12" 1/45P Model A	1103805	12" 1/36P Model B
			1074430 16" 1/32P Model A	1072508	16" 1/36P Model A
			1079239 16" 1/36P Model A	1072614	20" 1/36P Model A
			1093798 16" 1/45P Model A	1103817	20" 1/36P Model B
			1074431 20" 1/32P Model A	1093768	12" 1/45P Model A
			1079240 20" 1/36P Model A	1104189	12" 1/45P Model B
			1093799 20" 1/45P Model A	1093769	16" 1/45P Model A
			1099286 12" 1/32P Model B	1104190	16" 1/45P Model B
			1099288 12" 1/36P Model B	1093770	20" 1/45P Model A
			1098357 12" 1/45P Model B	1104191	20" 1/45P Model B
			1099298 16" 1/32P Model B	38	TAB STOP SPRING SPACER
			1099304 16" 1/36P Model B	1101245	12" Model A
			1098358 16" 1/45P Model B	1103835	12" Model B
			1099314 20" 1/32P Model B	1101246	16" Model A
			1099316 20" 1/36P Model B	1103836	16" Model B
			1098359 20" 1/45P Model B	1101247	20" Model A
			1077333 Center Support (A) all pitches	1103837	20" Model B
			1100311 Center Support (B) 1/32P	39	TABULAR STOP SPRING
			1100950 Center Support (B) 1/36 and 1/45P	1073017	1/32P 4" Long Model A
			1103830 TABULAR RACK FULCRUM WIRE	1073018	1/32P 4 1/2 Long Model A
			1103830 12" Model B	1103840	1/32P Model B
			1077807 12" Model A	1101260	1/36P 5" Long Model A
			1103831 16" Model B	1103841	1/36P Model B
				1093786	1/45P 4" Long Model A
				1093787	1/45P 5" Long Model A

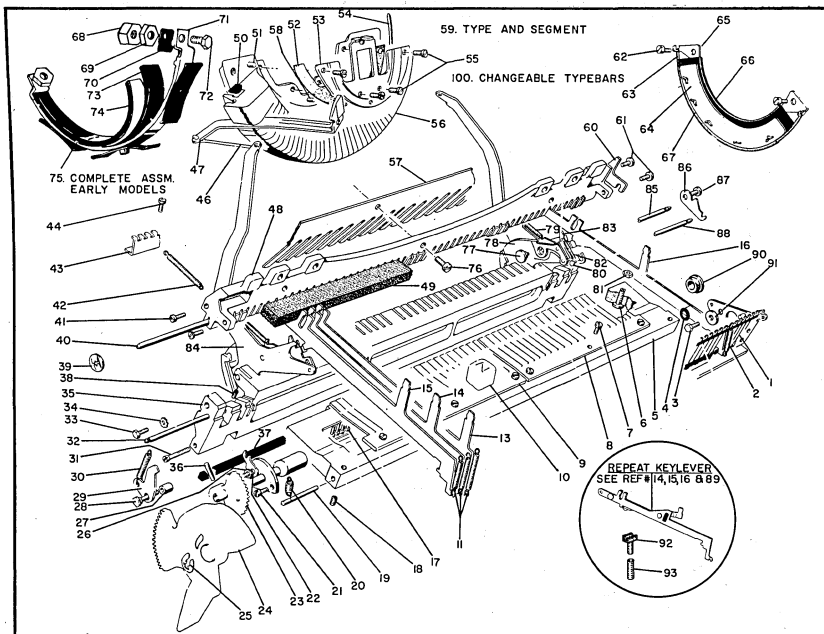
Model A - B Exec. Tabular

REF. PART NO.	DESCRIPTION	REF. PART NO.	DESCRIPTION	REF. PART NO.	DESCRIPTION
39	TABULAR STOP SPRING (Cont'd)	63	1071545 Stud, Friction Gov. Pawl		
	1103846 1/4SP Model B	64	1090448 Washer		
40	TABULAR STOP SPRING GUARD	65	1077751 Friction Gov. Pawl Assm.		
	1012420 12" Model A	1106436	Friction Gov. Pawl Assm. (Non Magnetic)		
	1100661 16" (2 req'd) Model A	66	1090175 Spring		
	1100660 20" (3 req'd) Model A	67	1090037 Nut, Eccentric Stud		
	1103868 11" (1 req'd for 12" Rack) Model B	68	1072433 Screw		
	1100661 7" (1 req'd for 16" Rack) Model B	69	1071717 Tab Clearing Lever		
	1103867 8" (1 req'd for 16" Rack) Model B	70	1102069 Spacer		
	1103867 8" (1 req'd for 16" Rack) Model B	71	1095140 Bracket (Used with all AC & DC R & M Motors)		
	1103868 11" (1 req'd for 20" Rack) Model B	72	1098495 Spring		
	1103867 8" (1 req'd for 20" Rack) Model B	73	1070213 Tab Clear Lever & Support Assm.		
	1103867 8" (1 req'd for 20" Rack) Model B	74	1098495 Spring		
41	1103978 Screw, Spring Guard Mtg. Models A and B	75	1070210 Tab Set B.C. & Shaft Assm. Model A		
42	1090037 Nut, Rebound check Lev. Stop	1107994	Tab Set B.C. & Shaft Assm. Model B		
43	1072086 Rebound Check Mtg. Brkt. Assm.	76	1073236 Tab Set or Clear Link		
	1090007 Screw (to mount 1072086)	78	1070020 Clevis, Pin Adjusting		
44	1071901 Spring, Rebound Check Mtg. Brkt.	80	1071674 Button, Tab Set (Blue)		
	1071901 Spring, Rebound Check Mtg. Brkt.	1106234	Button, Tab Set (Gray)		
45	1071761 Tab Rebound Check & Pin Assm.	81	1071672 Button, Tab Clear (Blue)		
	1071761 Tab Rebound Check & Pin Assm.	1106233	Button, Tab Clear (Gray)		
46	1018477 Support, Rebound Check Lever Adj.	82	1071701 Shaft		
	1018477 Support, Rebound Check Lever Adj.	83	1071667 Bracket		
47	1090037 Nut	84	1090199 Washer		
48	1012466 Tab Rebound Check Stop	85	1090968 Screw		
49	1090524 Screw, Tab Latch Keeper Mtg.	86	1072809 Plate		
50	1071949 Tabular Latch Keeper	1091672	Plate (Used with former Tab Set & Clear Brkt. 1071197)		
51	42027 Screw, Tab Latch Keeper Mtg.				
52	1072095 Tabular Lever Assembly	87	1070217 Tab Stop Lever Assm. (A)		
53	1072222 Spring, Tabular Lever	1107991	Tab Stop Lever Assm. (B)		
54	1071953 Tab Lever Mtg. Stud	88	1090568 Compression Spring		
55	1090435 Spring, Tabular Lever	89	1090567 Screw (Used with 1070927)		
56	1090037 Nut, Stud Mtg.	1108326	Screw (Used with 1107992)		
57	1072941 Spring, Latch	90	38279 Screw		
58	1090162 Spring, Actuating Lever	91	1070927 Tab Stop Set Finger (A)		
59	1077451 Gov. Cont. Lever Assm.	1107992	Tab Stop Set Finger (B)		
60	1090734 Eccentric Stud	92	1093611 Screw		
61	1072780 Connecting Link, Friction Gov. Pawl (Exec.)				
62	1070020 Clevis, Pin Adjusting				

January 1960

Figure 1

CODE-519 Model A - B Exec. Typebar Operating



REF. PART NO.	DESCRIPTION	REF. PART NO.	DESCRIPTION	REF. PART NO.	DESCRIPTION
1	1105877 Front Guide Comb Assm. NOTE: Guide Comb slots must be opened as required for Typomatic Keys.	16	1071314 Keylever - First Row 1105508 Keylever - Repeat - Non Repeat - 1st Row (Model B Only)	37	1071555 approx. Serial #15000 Locking Strip, Cam K.O. Bar Stud
2	1107794 Spring, Keylever, Rows 1 and 2 46831 Spring, Keylever, Rows 3 and 4	1260049	Keylever - Repeat - Non Repeat - 1st Row (Includes Spring #1105513)(Models A or B)	38	1073462 Set Screw (Used on Exec. ET's below approx. Serial #113814)
3	1090680 Screw, Front Guide Comb Mtg.	17	1107435 Screw, Cam K.O. Bar	39	1072821 Speed Clip, Fulcrum wire
4	1090887 Shim Washer K.O. Bar RH	18	1100523 Dowel, Cam K.O. Bar	40	1072819 Fulcrum Wire, Bearing Support
5	1079107 Cam K.O. Bar Assm. 1071557 Cam K.O. Bar	19	1090151 Spring, Cam K.O. Bar	41	1072820 Screw, Bearing Support
6	1073488 Screw, Adj., Cam K.O. Bar	20	1106639 Spring, Cam K.O. Bar	42	1071318 Spring, Cam Lever
7	38235 Screw, Adj. Cam Stop	1071619	Spring, Cam K.O. Bar (Below approx. Serial #117190 Executive)	43	1071439 Bracket, Cam Lever Spring
8	1108916 Stop, Cam K.O. Bar	21	38281 Screw, Impression Control Shaft Bearing	44	38364 Screw, Bracket Mtg.
9	1108916 Stop, Cam K.O. Bar	22	1102097 Clip, Fulcrum Wire L.H.	46	1070499 Connecting Link, Typebar
10	1105000 Keybutton, Model B-Gray	23	1077822 Impression Control, Gear Sector, Cams and Shaft Assm. (Must be ordered as an Assembly)	47	1107865 Typebar Link Assm. L.H. (Changeable Typebar)
11	1070653 Keybutton, Model A-Blue	24	1106236 Impression Control Indicator, Gray, 0 - 10	1107866	Typebar Link Assm. R.H. (Changeable Typebar)
11	1107794 Spring, Keylever Rows 1 and 2 46831 Spring, Keylever Rows 3 and 4	25	1071540 Impression Control Indicator, Blue, 0 - 10	1073823	Typebar Assm. (For characters other than listed by Part No. - specify)
13	1071317 Keylever - Fourth Row 1105511 Keylever - Repeat - Non Repeat - 4th Row (Model B Only)	26	60488 Clip	1260238	Changeable Typebar Assm. (Specify character and Position)
14	1260052 Keylever - Repeat - Non Repeat - 4th Row (Includes Spring #1105513)(Models A or B)	27	1090199 Washer	48	1078508 Keylever Bearing Support
14	1071316 Keylever - Third Row 1105510 Keylever - Repeat - Non Repeat - 3rd Row (Model B Only)	28	1071565 Stud, Impression Cont. Pawl	49	1109798 Keylever Stabilizer
15	1260051 Keylever - Repeat - Non Repeat - 3rd Row (Includes Spring #1105513)(Models A or B)	29	1071564 Impression Control Pawl	50	1105881 Vinyl Strip, Typebar U Bar
15	1071315 Keylever - Second Row 1260050 Keylever - Repeat - Non Repeat - 2nd Row (Includes Spring #1105513)(Models A or B)	30	1090162 Spring, Impression Control Pawl	51	104696 Dowel Pin, Typebar Segment
		31	1072474 Dowel Screw	52	1070290 Shim, Segment
		32	1071833 Fulcrum Wire, Operational Cams	53	1103855 Type Guide, Model B
		33	1079784 Screw, Cam Lever Bearing Support	54	1070277 Type Guide, Model A
		34	9092 Lockwasher, Cam Lever Bearing Support Screw	55	1016718 Fulcrum Wire, Typebar
		35	1074307 Cam Lever Bearing Support - Executive	56	1091229 Screw, Typebar Guide
		36	1077815 Pin (Used on Machs. below)	57	1073500 84 Char. Segment Exec.
				58	1072975 88 Char. Segment Exec.
				59	1071355 Cam Lever Guide
				59	1091161 Dowel, Typebar Guide
				59	1261105 Complete Set of Type with Segment (Model B Executive - Specify)
				1077788	Complete Set of Type without Seg. (Model A or B - Executive - Specify)

Model A - B Exec. Typebar Operating

REF. PART NO.	DESCRIPTION	REF. PART NO.	DESCRIPTION	REF. PART NO.	DESCRIPTION
59	1077789	Complete Set of Type with Segment (Model A Executive - Specify)	84	1072014	No. 4 Left
60	1078463	Shim (Model A)		1072015	No. 5 Left
61	1072820	Screw, Keylever Bearing Support		1072016	No. 6 Left
62	1093749	Screw, Rest Pad Frame		1072017	No. 7 Left
63	1105694	Spring, Type Rest Pad		1072018	No. 8 Left
64	1104140	Front Frame		1072019	No. 9 Left
65	1104139	Frame, Type Rest Pad		1072020	No. 10 Left
66	1105692	Type Rest Pad		1072021	No. 11 Left
67	1105693	Sleeve Spring		1072022	No. 12 Left
68	1093672	Hex Nut, Large		1072023	No. 13 Left
69	1093671	Hex Nut, Small		1072024	No. 14 Left
70	1093670	Retainer, "C" Clip		1072025	No. 15 Left
71	1093676	Frame Assembly		1072026	No. 16 Left
72	1073025	Screw		1072027	No. 17 Left
73	1093675	Rubber Strip		1072028	No. 18 Left
74	1073542	Type Rest Pad and Shim Assembly		1072029	No. 19 Left
75	1093882	Type Rest Pad - 84 Char. Parts to Install		1072030	No. 20 Left
	1093883	Type Rest Pad - 88 Char. Parts to Install		1072031	No. 21 Left
76	38281	Screw, Cam Lever Guide		1072032	No. 22 Right
77	1100562	Stud, Letter Cam, Steel		1072033	No. 23 Right
	1092010	Stud, Letter Cam, Nylon		1072034	No. 24 Right
78	1102148	Cam, Right Letter, Steel		1072035	No. 25 Right
	1102147	Cam, Left Letter, Steel		1072036	No. 26 Right
	1079952	Cam, Right Letter, Nylon		1072037	No. 27 Right
	1079953	Cam, Left Letter, Nylon		1072038	No. 28 Right
79	1107995	Spring		1072039	No. 29 Right
80	1091649	Stud, Trip Lever		1072040	No. 30 Right
81	38051	Nut, Cam K.O. Bar Stop		1072041	No. 31 Right
82	1105906	Spring, Trip Lever		1072042	No. 32 Right
83	1093922	Trip Lever - Left		1072043	No. 33 Right
	1093923	Trip Lever - Right		1072044	No. 34 Right
84	1100396	Cam Lever Assm. (Set of 42, Steel Cam)		1072045	No. 35 Right
	1072010	Individual Cam Lever Assm.		1072046	No. 36 Right
	1072011	No. 0 Left	85	1072998	Fulcrum Rod, Bearing Supp.
	1072012	No. 2 Left	86	1102098	Clip, Fulcrum Wire R.H.
	1072013	No. 3 Left	87	63324	Screw (Fulcrum Wire Ret.)
			88	1071833	Fulcrum Wire, Oper. Cams
			90	1077820	Bushing, Cam and Shaft Assm.
			91	1090047	Washer, Front Guide
			92	1105512	Comb Mtg. Plunger, Typebar Operating Keylever
			93	1105514	Compression Spring, light Rows 1 and 2
			1110249	Compression Spring, heavy Rows 3 and 4	
			100	Changeable Typebars (Cat. Nos. for the Type face desired must be specified)	
				1100300	Position 0
				1100303	Position 3
				1100307	Position 7
				1100311	Position 11
				1100315	Position 15
				1100319	Position 19
				1100323	Position 23
				1100327	Position 27
				1100331	Position 31
				1100332	Position 32
				1100335	Position 35
				1100336	Position 36
				1100339	Position 39
				1100340	Position 40
				1100341	Position 41
				1100342	Position 42
				1100343	Position 43

January 1960

Figure 1

Model A - B Exec. Typebars & Keybuttons

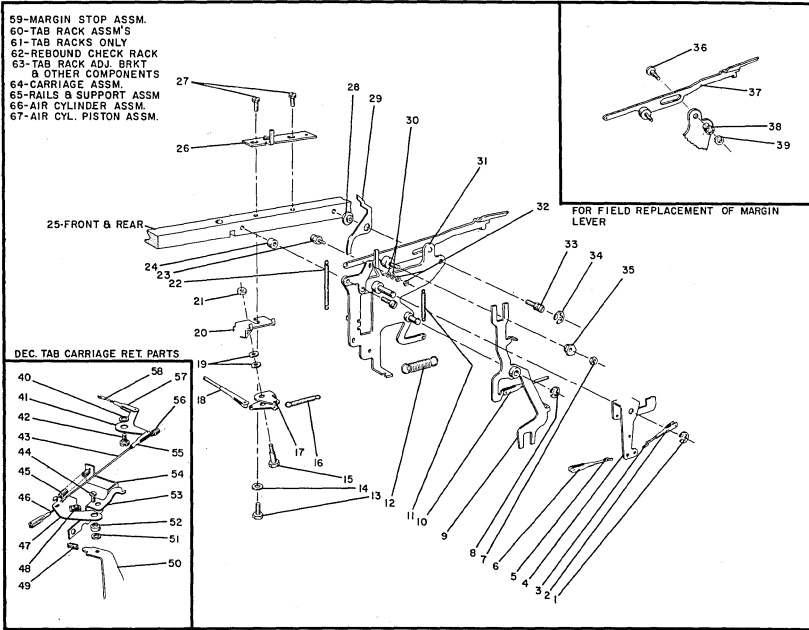
POS	CHAR	EXEC. MODERN PM	EXEC. DOC. PE	EXEC. SEC. PS.	EXEC. BOLD PO	EXEC. MID CENTURY P.F.	EXEC. BOLDFACE 2 PB	KEY BUTTONS (GRAY (NO. 94) L)	KEY BUTTONS BLUE
0	1/5	1078023	1074153	1078106	1078169	1260658	1260720	1105057	1075057
0	1/5	1078022	1074152	1078105	1078168	1260659	1260721	1105056	1075056
1	Q	1076501	1074154	1078107	1078170	1260660	1260722	1105017	1075017
2	A	1076502	1074155	1078108	1078171	1260661	1260723	1105001	1075001
3	*1	1078024	1074156	1078109	1078172	1260662	1260724	1105043	1075043
3	@/2	1076503	1074157	1078110	1078173	1260663	1260725	1105027	1075027
4	Z	1076504	1074158	1078111	1078174	1260664	1260726	1105026	1075026
5	W	1076505	1074159	1078112	1078175	1260665	1260727	1105023	1075023
6	S	1076506	1074160	1078113	1078176	1260666	1260728	1105019	1075019
7	1/2	1078025	1074162	1078115	1078178	1260667	1260729	1105046	1075046
8	1/3	1074507	1074161	1078114	1078177	1260668	1260730	1105028	1075028
8	X	1076508	1074163	1078116	1078179	1260669	1260731	1105024	1075024
9	E	1076509	1074164	1078117	1078180	1260670	1260732	1105005	1075005
10	D	1076510	1074165	1078118	1078181	1260671	1260733	1105004	1075004
11	/3	1078026	1074167	1078120	1078183	1260672	1260734	1105047	1075047
11	\$/4	1076511	1074166	1078119	1078182	1260673	1260735	1105029	1075029
12	C	1076512	1074168	1078121	1078184	1260674	1260736	1105003	1075003
13	R	1076513	1074169	1078122	1078185	1260675	1260737	1105018	1075018
14	F	1076514	1074170	1078123	1078186	1260676	1260738	1105006	1075006
15	\$/4	1078027	1074171	1078124	1078187	1260677	1260739	1105029	1075029
15	%/5	1076515	1074172	1078125	1078188	1260678	1260740	1105030	1075030
16	V	1076516	1074173	1078126	1078189	1260679	1260741	1105022	1075022
17	T	1076517	1074174	1078127	1078190	1260680	1260742	1105020	1075020
18	G	1076518	1074175	1078128	1078191	1260681	1260743	1105007	1075007
19	+5	1078028	1074177	1078130	1078193	1260682	1260744	1105048	1075048
19	\$/6	1076519	1074176	1078129	1078192	1260683	1260745	1105031	1075031
20	B	1076520	1074178	1078131	1078194	1260684	1260746	1105002	1075002
21	Y	1076521	1074179	1078132	1078195	1260685	1260747	1105025	1075025
22	H	1076522	1074180	1078133	1078196	1260686	1260748	1105008	1075008
23	?/6	1078029	1079995	1078135	1078198	1260687	1260749	1105049	1075049
23	\$/7	1076523	1074181	1078134	1078197	1260688	1260750	1105032	1075032
24	N	1076524	1079996	1078136	1078199	1260689	1260751	1105014	1075014
25	U	1076525	1078074	1078137	1078200	1260690	1260752	1105021	1075021
26	J	1076526	1078075	1078138	1078201	1260691	1260753	1105010	1075010
27	1/7	1078030	1079997	1078140	1078203	1260692	1260754	1105051	1075051
27	*/8	1076527	1078076	1078139	1078202	1260693	1260755	1105033	1075033
27	1/2/8							1105044	1075044
28	M	1076528	1078078	1078141	1078204	1260694	1260756	1105013	1075013
29	I	1076529	1078079	1078142	1078205	1260695	1260757	1105009	1075009
30	K	1076530	1078080	1078143	1078206	1260696	1260758	1105011	1075011
31	\$/8	1078031	1078082	1078145	1078208	1260697	1260759	1105052	1075052
31	1/9	1076531	1078081	1078144	1078207	1260698	1260760	1105034	1075034
32	./	1078032	1078084	1078146	1078210	1260699	1260761	1105059	1075059
32	1/10	1076532	1078083	1078147	1078209	1260700	1260762	1105040	1075040
33	O	1076533	1078085	1078148	1078211	1260701	1260763	1105015	1075015
34	L	1076534	1078086	1078149	1078212	1260702	1260764	1105012	1075012
35	1/9	1078033	1078087	1078150	1078213	1260703	1260765	1105034	1075034
35	1/0	1076535	1078088	1078151	1078214	1260704	1260766	1105035	1075035
36	1/1	1078034	1078090	1078153	1078216	1260705	1260767	1105060	1075060
36	.	1076536	1078089	1078152	1078215	1260706	1260768	1105041	1075041
37	P	1076537	1078091	1078154	1078217	1260707	1260769	1105016	1075016
38	1/1	1078035	1078093	1078156	1078219	1260708	1260770	1105054	1075054
38	./	1076538	1078092	1078155	1078218	1260709	1260771	1105038	1075038
39	1/0	1078036	1078094	1078157	1078220	1260710	1260772	1105035	1075035
39	-/	1076539	1078095	1078158	1078221	1260711	1260773	1105036	1075036
40	-/	1078037	1078096	1078159	1078222	1260712	1260774	1105036	1075036
40	?/1	1076540	1078097	1078160	1078223	1260713	1260775	1105042	1075042
41	\$/1	1074148	1078099	1078162	1078225	1260714	1260776	1105053	1075053
41	1/1	1076541	1078098	1078161	1078224	1260715	1260777	1105061	1075061
41	1/4/1/2							1105037	1075037
41	1/2/1							1105045	1075045
42	+/-	1074149	1078101	1078164	1078227	1260716	1260778	1105055	1075055
42	1/1	1076542	1078102	1078165	1078228	1260717	1260779	1105039	1075039
42	./	1076718	1078100	1078163	1078226	1260718	1260780	1105054	1075054
43	@/1	1074150	1078103	1078166	1078229	1260718	1260780	1105058	1075058
43	+/-	1074151	1078104	1078167	1078230	1260719	1260781	1105055	1075055

Model A - B Exec. Typebars & Keybuttons

		EXECUTIVE	
		Arcadio	Heritage
Pos	Char	JM	PJ
1	Q	1262104	1262163
2	A	1262105	1262164
3	* / 1	1262106	1262165
3	@ / 2	1262107	1262166
4	Z	1262108	1262167
5	W	1262109	1262168
6	S	1262110	1262169
7	@ / 2	-----	-----
7	# / 3	1262111	1262170
7	† / 2	1262112	1262171
8	X	1262113	1262172
9	E	1262114	1262173
10	D	1262115	1262174
11	# / 3	-----	-----
11	\$ / 4	1262116	1262175
11	/ / 3	1262117	1262176
12	C	1262118	1262177
13	R	1262119	1262178
14	F	1262120	1262179
15	\$ / 4	1262121	1262180
15	% / 5	1262122	1262181
16	V	1262123	1262182
17	T	1262124	1262183
18	G	1262125	1262184
19	% / 5	-----	-----
19	c / 6	1262126	1262185
19	t / 5	1262127	1262186
20	B	1262128	1262187
21	Y	1262129	1262188
22	H	1262130	1262189
23	c / 6	-----	-----
23	8 / 7	1262131	1262190
23	? / 6	1262132	1262191
24	N	1262133	1262192
25	U	1262134	1262193
26	J	1262135	1262194
27	8 / 7	-----	-----
27	* / 8	1262136	1262195
27	‡ / 8	-----	-----
27	1 / 7	1262137	1262196
28	M	1262138	1262197
29	I	1262139	1262198
30	K	1262140	1262199
31	‡ / 8	-----	-----
31	U / 9	1262141	1262200
31	c / 8	1262142	1262201
32	/ / 1	1262143	1262202
32	∕ / 1	1262144	1262203
33	O	1262145	1262204
34	L	1262146	1262205
35	U / 9	1262147	1262206
35) / 0	1262148	1262207
36	/ / 1	1262149	1262208
36	∕ / 1	1262150	1262209
37	P	1262151	1262210
38	∕ / 1	1262152	1262211
38	∕ / 1	1262153	1262212
39) / 0	1262154	1262213
39	∕ / 1	1262155	1262214
39	* / 1	-----	-----
40	∕ / 1	1262156	1262215
40	∕ / 1	1262157	1262216
41	1 / 1	1262158	1262217
41	" / 1	-----	-----
41	‡ / 1	1262159	1262218
41	‡ / 1	-----	-----
42	+ / 1	-----	-----
42	∕ / 1	1262160	1262219
42	∕ / 1	-----	-----
42	+ / 1	1262161	1262220
42	" / 1	1262162	1262221

Model A - B Special Typebars & Keybuttons

Pos	Char	Exec Modern PM	Keybuttons Model B Only
3	+ / 2	1261881	1105327
3	o / 2		1105451
3	1 / 2		1105395
3	≠ / 2		1105093
3	± / 2		1075291
3	§ / 2		1105120
19	= / 6	1261883	1105089
19	+ / 6	1261882	1105358
19	o / 6		1105236
19	± / 6		1105335
19	§ / 6		1105372
27	' / 8		1105102
31	8		1105295
32	+ / ,		1105098
32	o / ,	1261885	1105123
32	= / ,	1261884	1105350
32	+ / ,		1105376
35	9		1105296
36	+ / .		1261886
36	= / .	1261887	1105390
36	o / .		1105328
39	≡ / —		1105280
39	— / ≡		1108052
39	0		1105297
40	// ?		1105100
			1074746
41	+ / 1/2		1105090
41	+ / ≡		1105096
41	+ / —		1105147
41	o / +		1105125
41	= / +		1105055
41	+ / o		1105125
41	+ / =		1105055
41	o / =		1105107
41	+ / ±	1105271	
41	[/]	1105196	
41	± / +	1105312	
41	— / ≡	1108052	
41	> / <	1108030	
41	= / o	1105107	
41	± / o	1105118	
41] / [1261888	1105347
41	o / 1	1261889	1105270
41	1 / 1	1261890	1105045
41	± / 1	1261891	1076462
41	= / 1	1261891	1075289
41	+ / 1	1261892	1075156



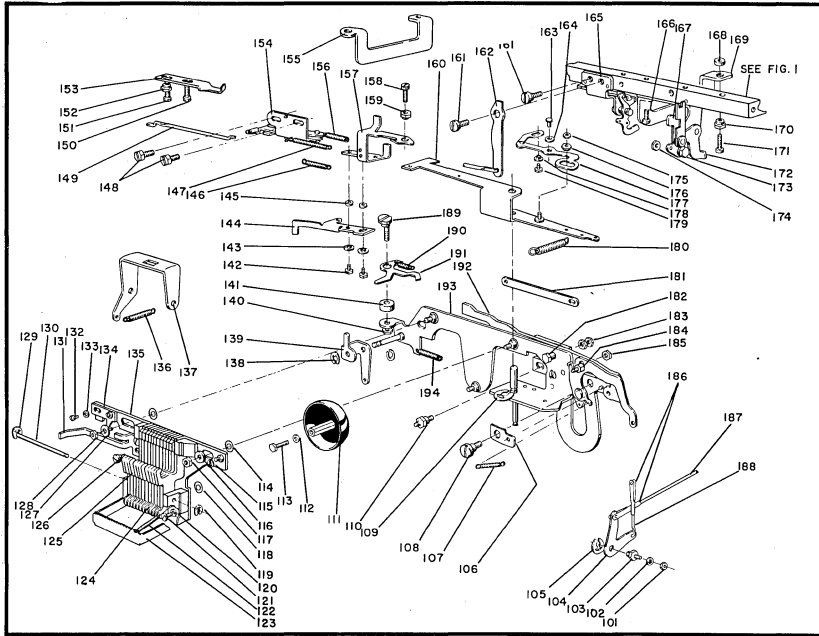
REF. PART NO.	DESCRIPTION	REF. PART NO.	DESCRIPTION	REF. PART NO.	DESCRIPTION
1	1092125 Retainer, Air Cyl. Latch	35	1100862 Nut, Ecc., Margin Lever	60	1098398 30" 12 Pitch
2	1070020 Clevis, Pin Adjusting	36	1108937 Stud, Margin Lever Mtg.	1098399	30" 14 Pitch
3	1000282 Link, Rebound Check Rel.	37	1106364 Lever, Margin	61 TABULAR RACK ONLY	
4	1100857 Latch, Air Cylinder	38	105047 Washer	1106178	12" 10 Pitch
5	1000282 Link, Rebound Check Rel.	39	7341 Nut, Margin Lever Stud	1106179	12" 12 Pitch
6	1070020 Clevis, Pin Adjusting	40	1074145 Washer, Clutch Latch B.C.	1106180	12" 14 Pitch
7	1090037 Nut, B.S. B.C. Assm.	41	1100925 Clutch, Bellcrank	1106181	16" 10 Pitch
8	1092125 Retain er, Air Cyl. Latch	42	1091627 Stud, Clutch Bellcrank	1106182	16" 12 Pitch
9	1100854 Bellcrank, Air Cylinder	43	1077879 Link, Clutch Lever	1106183	16" 14 Pitch
10	1100931 Link, Pawl Release B.C.	44	1072820 Screw, Clutch Arm	1106184	20" 10 Pitch
11	4612 Spring Bell Clapper	45	32337 Spring, Clutch Lever	1106185	20" 12 Pitch
12	1100922 Spring	46	1000223 Link, Clutch Lever	1106186	20" 14 Pitch
13	1091035 Screw, B.S. B.C. Brkt.	47	1078436 Roller, Clutch	1106187	20" 10 Pitch
14	1090254 Washer, B.S. B.C. Brkt.	48	1078432 Roller, Clutch	1106188	24" 12 Pitch
15	1091299 Screw, B.S. B.C. Assm.	49	1072207 Spring, Clutch Arm	1106189	24" 14 Pitch
16	1090435 Spring, B.S. Bellcrank	50	Refer to Standard Section	1106190	30" 10 Pitch
17	1100923 Bellcrank, Backspace	51	1090199 Spacer	1106191	30" 12 Pitch
18	1100910 Link Assm. Connecting, B.S.	52	1074494 Spacer, Clutch Lever	1106192	30" 14 Pitch
19	1090199 Washer, B.S. B.C. Assm.	53	1078434 Clutch Bracket	62 REBOUND CHECK RACK	
20	1100973 Bracket, B.S. Bellcrank	54	1107416 Support, Clutch Lever	1098207	12" 10 P
21	1090037 Nut, B.S. B.C. Assm.	55	1070020 Clevis, Pin Adjusting	1098213	12" 12 P
22	1090341 Spring	56	1071318 Spring, Clutch B.C.	1098219	12" 14 P
23	1100974 Roller Assembly	57	1070020 Clevis, Pin Adjusting	1098211	16" 10 P L.H.
24	1100912 Spacer, Mtg. Plate	58	1000282 Link, Latch	1098209	16" 10 P R.H.
25	1103518 Rail, Front 12"	59	MARGIN STOP ASSEMBLY	1098217	16" 12 P L.H.
	1103519 Rail, Rear 12"		1105675 10 Pitch L.H.	1098215	16" 12 P R.H.
	1103520 Rail, Front 16"		1105676 12 Pitch L.H.	1098223	16" 14 P L.H.
	1103521 Rail, Rear 16"		1105677 14 Pitch L.H.	1098221	16" 14 P R.H.
	1103522 Rail, Front 20"		1106437 10 Pitch R.H.	1098211	20" 10 P L.H.
	1103523 Rail, Rear 20"		1106438 12 Pitch R.H.	1098210	20" 10 P Center
	1103524 Rail, Front 24"		1106439 14 Pitch R.H.	1098209	20" 10 P R.H.
	1103525 Rail, Rear 24"			1098217	20" 12 P L.H.
	1103526 Rail, Front 30"	60	TABULAR RACK ASSEMBLY	1098216	20" 12 P Center
	1103527 Rail, Rear 30"		1098385 12" 10 Pitch	1098215	20" 12 P R.H.
26	1100895 Guide, Margin Lever Brkt.		1098386 12" 12 Pitch	1098214	20" 14 P L.H.
27	42026 Screw, Margin Lever Gd.		1098387 12" 14 Pitch	1098222	20" 14 P Center
28	1100913 Spacer, Shoulder, Plate Mtg.		1098388 16" 10 Pitch	1098221	20" 14 P R.H.
			1098389 16" 12 Pitch	1098211	24" 10 P L.H.
29	1100911 Check, Rebound		1098390 16" 14 Pitch	1098211	24" 10 P Center
30	1090472 Washer, Roller Assm.		1098391 20" 10 Pitch	1098211	24" 10 P Center
31	1106175 Bracket Assm. (includes Margin Lever)		1098392 20" 12 Pitch	1098209	24" 10 P R.H.
			1098393 20" 14 Pitch	1098217	24" 12 P L.H.
32	1090268 Nut, Roller Assm.		1098394 24" 10 Pitch	1098217	24" 12 P Center
33	1102118 Screw, Supp. Brkt. Assm. Mtg.		1098395 24" 12 Pitch	1098215	24" 12 P R.H.
34	192049 Clip, Spring Plate Mtg. Stud		1098396 24" 14 Pitch	1098223	24" 14 P L.H.
			1098397 30" 10 Pitch	1098223	24" 14 P Center

Model B Decimal Tab

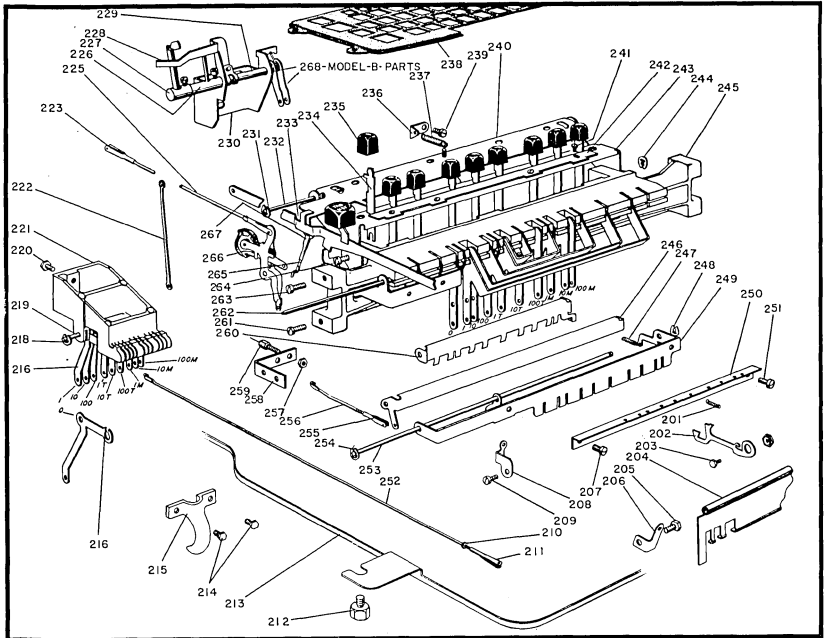
REF. PART NO.	DESCRIPTION	REF. PART NO.	DESCRIPTION	REF. PART NO.	DESCRIPTION
62	Rebound Check Rack (continued)	64	1099317 20" 10P		
1098221	24" 14 P R.H.	1099319	20" 12P		
1098211	30" 10 P L.H.	1099321	20" 14P		
1098211	30" 10 P Center (L.H.)	1099327	24" 10P		
1098212	30" 10 P Center (R.H.)	1099329	24" 12P		
1098209	30" 10 P R.H.	1099331	24" 14P		
1098217	30" 12 P L.H.	1099341	30" 10P		
1098217	30" 12 P Center (L.H.)	1099343	30" 12P		
1098218	30" 12 P Center (R.H.)	1099345	30" 14P		
1098215	30" 12 P R.H.	65	RAILS & SUPPORT ASSEMBLY		
1098228	30" 14 P L.H.	1261218	12" 10P		
1098228	30" 14P Center (L.H.)	1261219	12" 12P		
1098224	30" 14 P Center (R.H.)	1261220	12" 14P		
1098221	30" 14 P R.H.	1261221	16" 10P		
63	1095324 Tab Rack Adj. Brkt. L.H.	1261222	16" 12P		
1108946	Tab Rack Adj. Brkt. R.H.	1261223	16" 14P		
1090968	Screw, Tab Rack Adj. Brkt. Mtg.	1261224	20" 10P		
1090622	Washer, Tab Rack Adj. Brkt. Mtg.	1261225	20" 12P		
1096939	Final K.O., Dec. Tab Std.	1261226	20" 14P		
1096940	Final K.O., Dec. Tab L.P.	1261227	24" 10P		
64	CARRIAGE ASSEMBLY	1261228	24" 12P		
1261203	12" 10P	1261229	24" 14P		
1261204	12" 12P	1261230	30" 10P		
1261205	12" 14P	1261231	30" 12P		
1261206	16" 10P	1261232	30" 14P		
1261207	16" 12P				
1261208	16" 14P				
1261209	20" 10P				
1261210	20" 12P				
1261211	20" 14P	66	1100848 Air Cylinder Assembly		
1261212	24" 10P	67	1109624 Piston, Air Cylinder		
1261213	24" 12P				
1261214	24" 14P				
1261215	30" 10P				
1261216	30" 12P				
1261217	30" 14P				
	CARRIAGE ASSM. SECOND STAGE				
1099289	12" 10P				
1099291	12" 12P				
1099293	12" 14P				
1099305	16" 10P				
1099307	16" 12P				
1099309	16" 14P				

January 1960

Figure 1

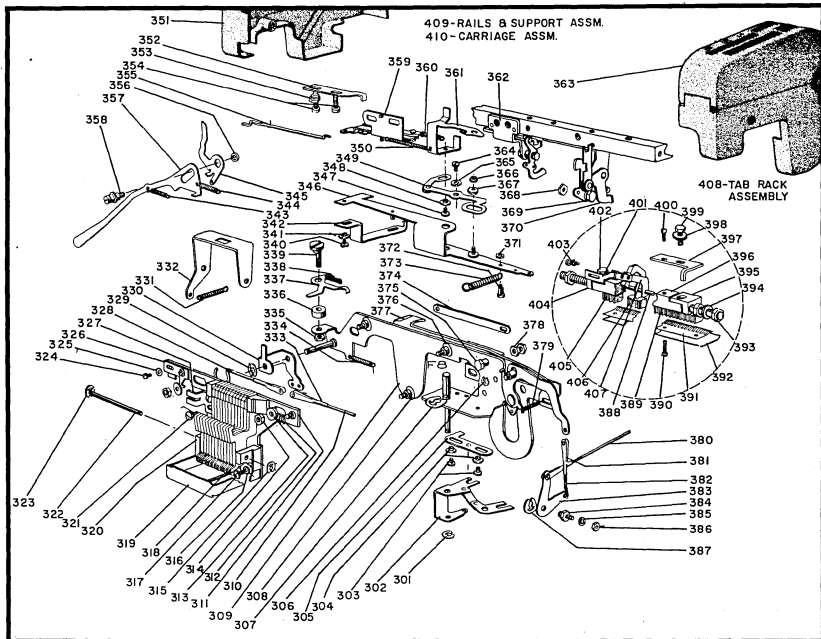


REF. PART NO.	DESCRIPTION	REF. PART NO.	DESCRIPTION	REF. PART NO.	DESCRIPTION
101	7341 Nut, Line Lock Oper. Stud	138	25282 Retainer, Rebound Check	178	1070286 Spacer, Release Link
102	1090358 Washer				Lever Assm.
103	1096742 Stud, Bellcrank Mtg.	139	1106391 Release Lever	179	1000123 Screw, Rel. Link Lev. Assm.
104	1095215 Bellcrank, Line Lock	140	1090037 Lever Rebound Check Rel.		Spring, Tab Operating
105	60489 Retainer, "C" Clip	141	1096943 Nut, Tab Rebound Check Pawl	180	1098596 Spring, Tab Operating
106	1016658 Plate, Spring				Lever Assembly
107	1100936 Spring, Line Lock Oper. Arm	142	1100951 Check Pawl	181	1095132 Link, Unlatching
108	1091227 Stud, Mar. Lev. Brkt. Assm.	143	1070286 Screw, B. S. Interlock	182	1102122 Stud, Margin Lev. Assm.
109	60488 Retainer, Tab Oper. Lever	144	1105926 Spacer, B. S. Interlock	183	7341 Nut, Margin Lev. Assm.
110	1000292 Screw, Mar. Lev. Brkt. Assm.	145	1090269 Interlock, Backspace	184	1106035 Stud, Line Lock Operating
111	1105753 Support Assm. and Bell	146	120710 Spacer, B. S. Interlock	185	1090037 Nut, Tab Rebound Check
112	22066 Washer, Interposer Spring	147	1072126 Spring, Interlock		Pawl
		148	139650 Spring, B. S. Slide	186	1070020 Washer, Pin Adjusting
		149	1096744 Screw, B. S. Pawl Brkt.	187	1095221 Link
113	5061 Screw, Bell Mtg.	150	1090799 Link, B. S. Pawl	188	1000282 Link, Line Lock
114	1090687 Spacer, Interposer Gd. Assm.	151	1090000 Screw, B. S. Pawl Stop	189	1096944 Stud, Tab Rebound
115	147297 Retainer, "C" Clip	152	1091302 Screw, Air Cyl. Brkt. Mtg.		Check Pawl
116	1090622 Washer, Interposer Bail	153	1106090 Nut, Ecc. Rail Supp. R.H.	190	1090343 Spring, Escapement Pawl
117	1090037 Nut, Tab Rebound Check Pawl	154	1100814 Stop, B. S. Pawl	191	1096942 Pawl, Tab Rebound
118	1090687 Spacer, Interposer Gd. Assm.	155	1100816 Bracket Assm., B. S. Pawl		Check
119	147297 Retainer, "C" Clip	156	10910814 Support, Rail R.H.	192	1106394 Lever, Margin Release
120	22066 Washer, Interposer Spring	157	1091069 Spring, B. S. Pawl	193	1096732 Bracket Assembly Margin
		158	1095498 Lever, Esc. Pawl Release		Spring
121	196298 Screw, Oper. Lever Latch	159	1090594 Screw, Pawl Rel. Lever	194	1098595 Spring, Interposer Guide
122	1098594 Spring, Interposer	160	1090879 Nut, Ecc. Pawl Rel. Lever		Assembly
123	1095214 Bracket, Interposer Spring	161	1096747 Lever Assm. Tab Operating		
124	1095181 10P Interposer Separator	162	1100935 Stud, Esc. Pawl Assm.		
		163	1100123 Bellcrank, Pawl Release		
		164	1070286 Screw, Rel. Link Lev. Assm.		
125	1095179 10P Interposer				
		165	1070386 Spacer, Interlock Front		
		166	1090799 Pawl Assm., Escapement		
		167	1095193 Screw, Rail Support		
126	196298 Screw, Oper. Lever Latch	168	1090047 Bellcrank, Gov. Control		
127	1090622 Washer, Interposer Bail	169	1073255 Washer, Rail Support		
128	1090037 Nut, Tab Rebound Check Pawl	170	1091302 Support, Rail L.H.		
129	1090622 Washer, Interposer Bail	171	1090000 Nut, Ecc. Rail Supp. L.H.		
130	1095170 Shaft, Interposer Bail	172	1095192 Screw, Rail Supp. L.H.		
131	1103829 Lever, Latch Operating	173	1095234 Lever Assm. Gov. Control		
132	1091068 Screw, Engaging Arm	174	1090234 Stud, Gov. Control B.C.		
133	1090472 Spring, Engaging Arm	175	1090452 Nut, Gov. Control B.C.		
134	1098251 Arm, Rebound Engaging	176	1090268 Nut, Rel. Link Lev. Assm.		
135	1096707 10P Interposer Gd. Assm.	177	1095209 Eccentric, Release Link		
136	1096713 12P Interposer Gd. Assm.				Lever Assembly
137	1096700 14P Interposer Gd. Assm.				Lever Assm. Rel. Link
138	1091074 Spring, Interposer Bail				
139	1096746 Bail, Interposer				



REF. PART NO.	DESCRIPTION	REF. PART NO.	DESCRIPTION	REF. PART NO.	DESCRIPTION
201	1091647 Spring (for Front Latch)	223	1070020 Adjusting Link	248	147297 C Clip
202	1100124 Front Bellcrank Latch	225	1095344 Tab. Oper. Conn. Link	249	1100127 Latch Bracket
203	1100123 Screw (for Adjusting Latch)	226	1095122 Tab. Set Spacer Assem.	250	1098270 Front Spring Bracket
204	1095476 Locking Bar Assembly	227	1095125 Tabular Set Lever Assem.	251	1072820 Screw (Latch Bracket)
205	1090680 Screw (to mount Line Lock Guide)	228	1095143 Tabular Clear Lever Assem.	252	1095212 Bellcrank Link
206	1095272 Line Lock Guide, Front	229	1106585 Tab. Set Shaft Assem.	253	1100122 Bail Shaft (Latch)
207	1072820 Screw (for Latch Bracket)	230	1095140 Tab. Set & Clear Brkt. C Clip	254	147297 C Clip
208	1095271 Line Lock Guide, Center	231	147297 C Clip	255	1070020 Adjusting Clevis
209	1072820 Screw (to mount Line Lock Guide)	232	1095149 Operating Bail Shaft	256	1014536 Connecting Link (Latch Bail)
210	1091057 Nut (to lock clevis)	233	1096936 Tab Keylever, 84 Char.	257	7341 Nut (Stop)
211	1070020 Adjustable Pin Clevis	234	1095136 Key Lever	258	1071325 Cam Stop Brkt (L. H.)
212	1096741 Foot Spacer	235	1095190 Keybutton, 100M (Blue)	259	1100052 Adjustable Cam Stop
213	1100130 Bottom Plate	1095189	Keybutton, 10M (Blue)	260	1100125 Bellcrank Latch
214	2300 Screw (to mount Brkt)	1095188	Keybutton, 1M (Blue)	261	1090741 Screw (Front Bellcrank Support)
215	1095130 Extension Cord Bracket	1095187	Keybutton, 100T (Blue)	262	1095147 Front Bellcrank Shaft
216	1095305 Rear Bellcrank, 0	1095186	Keybutton, 10T (Blue)	263	1090741 Screw (Front Bellcrank Support)
	1095306 Rear Bellcrank, 1	1095185	Keybutton, 1T (Blue)		
	1095307 Rear Bellcrank, 10	1095184	Keybutton, 100 (Blue)		
	1095308 Rear Bellcrank, 100	1095183	Keybutton, 10 (Blue)		
	1095309 Rear Bellcrank, 1T	1095177	Keybutton, 1 (Blue)	264	1090741 Screw (Key Guide)
	1095310 Rear Bellcrank, 10T	1105263	Keybutton, 1 (Gray)	265	1000223 Connecting Link (Cam Operating Bail)
	1095311 Rear Bellcrank, 100T	1105266	Keybutton, 10 (Gray)	266	1119194 Tab Cam Assembly
	1095312 Rear Bellcrank, 1M	1105267	Keybutton, 100 (Gray)	267	1070020 Adjustable Pin Clevis
	1095313 Rear Bellcrank, 10M	1105268	Keybutton, 1T (Gray)	268	The following Model B parts differ from those shown under Decimal Tabulation for the Model A Type-writer.
	1095314 Rear Bellcrank, 100M	1105269	Keybutton, 10T (Gray)	1105596	Tab Set Spacer Assem.
218	147297 C Clip	1105272	Keybutton, 100T (Gray)	1107991	Tabular Clearing Lever
219	1095170 Rear Bellcrank Shaft	1105273	Keybutton, 1M (Gray)	1107991	Tabular Set Lever
220	1091035 Screw (for Rear Bellcrank Support Bracket)	1105274	Keybutton, 10M (Gray)	1106585	Tab Set Shaft Assembly
221	1095346 Rear Bellcrank Support Bracket, 10P	1105276	Keybutton, 100M (Gray)	1093611	Screw (Mount Tab Set Brkt - 3 required)
1095347	Rear Bellcrank Support Bracket, 12P	236	1096941 Operating Bail Spring Sp.	1108648	Screw, Tab Set Lever
1095348	Rear Bellcrank Support Bracket, 14P	237	1090435 Spring (Operating Bail)	1107992	Tab Stop Set Finger 10 and 12P
222	1095273 Interposer Link, 0	238	1095267 Key Plate, Dec Tab, 84 Character, Spec Color	1106566	Tab Stop Set Finger 14P
	1095274 Interposer Link, 1	1095198	Key Plate, Dec Tab, 88 Character, Spec Color	1108916	Margin Release Push Rod
	1095275 Interposer Link, 10	239	1090741 Screw (support)	1100910	Backspace Link Assembly
	1095276 Interposer Link, 100, 1T	240	1096934 Operating Bail Assembly	1100848	Air Cylinder Assembly
	1095277 Interposer Link, 10T	241	186393 Screw (Key Retainer)	1093726	Friction Governor Ratchet Plate Assembly
	1095278 Interposer Link, 100T, 1M	242	1095178 Key Retainer		
	1095279 Interposer Link, 10M	243	1095316 Key Guide		
	1095304 Interposer Link, 100M	244	147297 C Clip (Bellcrank Shaft)		
		245	1095175 Front Bellcrank Support		
		246	1100126 Latch Bail		
		247	1073863 Spring (Latch Bracket)		

CODE-430 Model A - Decimal Tab



REF. PART NO	DESCRIPTION	REF. PART. NO.	DESCRIPTION	REF. PART NO.	DESCRIPTION	
301	25282	Clip (Carriage Return Interlock Assembly)	336	1096943	Spacer (Tab Reb. Ch. Pawl)	
302	1095493	Carr. Ret. Interlock Ass.	337	1096942	Tab. Rebound Check Pawl	
303	1091068	Spacer (Interlock Assm)	338	1090343	Spring (Reb. Eng. Arm)	
304	1070286	Interlock & Stud Assm.	339	1096944	Stud (Tab Reb. Check Pawl)	
305	1098262	Interlock & Stud Assm.	340	186393	Screw (Backspace Int.)	
306	147297	Clip (Unlatching Link)	341	1070286	Spacer (B. S. Interlock)	
307	60488	Clip, Retainer	342	1096733	Backspace Interlock	
308	1090687	Spacer (Interposer Guide Assembly)	343	1073863	Spring (Bell Clapper to Trigger)	
309	1096732	Margin Lever Brkt Assm	344	1091069	Spring (Bell Clapper to Backspace Bracket)	
310	1100051	Connecting Link (Rebound Check Release Lever)	345	1095176	Bell Clapper Trigger	
311	INTERPOSER GUIDE ASSEMBLY			346	1096747	Tab. Opr. Lever Assm
	1096707	10 Pitch	347	186393	Screw	
	1096713	12 Pitch	348	1070286	Spacer	
	1096700	14 Pitch	349	1095209	Release Link Lever Assm.	
312	147297	Clip (Unlatching Link)	350	1072126	Backspace Slide Spring	
313	1096622	Washer (Interposer Guide Assembly)	351	1098259	Cover, Carr. End RH	
314	1090037	Nut (Int Guide Assm)	352	1095205	Backspace Pawl Stop	
315	147297	Clip (Int. Bail Shaft)	353	1091302	Eccentric Nut	
316	22066	Washer (Int. Spring Brkt)	354	1090799	Screw (B. S. Pawl Stop)	
317	186636	Screw (Int. Spring Brkt)	355	1096744	Backspace Pawl Link	
318	1098594	Interposer Spring	356	1091795	Spacer (Bell Clapper Tr.)	
319	1095214	Interposer Spring Brkt.	357	1096731	Bell Clapper Assembly	
320	1095179	Interposer 10 Pitch	358	1095146	Stud (Bell Clapper & Tr.)	
	1095182	Interposer 12 Pitch	359	1096820	Backspace Pawl Brkt Assm	
	1095350	Interposer 14 Pitch	360	1091069	Spring B. S. Pawl	
321	186636	Screw (Lstch Op. Lever.)	361	1095498	Escapement Pawl Release Lever	
322	1095170	Interposer Bail Shaft	362	1070386	Escapement Pawl Bracket	
323	147297	Clip (Int. Bail Shaft)	363	1095139	Escapement Pawl Link	
324	1100123	Screw (Rebound Eng. Arm)			Cover, Carr End LH	
325	1090472	Spacer (Rebound Eng Arm)	364	186393	Screw (Release Link Lever Assembly)	
326	1098251	Rebound Engaging Arm	365	1070286	Spacer (Release Link Lever Assembly)	
327	1095135	Latch Operating Lever	366	1090268	Nut (Release Link Lever Assembly)	
328	1100050	Connecting Link (Toggle Knockout)	367	1095129	Eccentric (Rel. Link Lever)	
329	25282	C Clip	368	1090452	Nut (Governor Control Bellcrank)	
330	1100129	Rebound Check Rel Lever	369	1090234	Eccentric Stud (Governor Control Bellcrank)	
331	1091074	Spring (Int Bail Assm)	370	1095192	Gov. Control Lev. Assm.	
332	1096746	Interposer Bail	371	1090268	Nut (for D3)	
333	1070020	Adjusting Clevis	372	1095216	Stud (Car. Ret. Interlock)	
334	1098595	Interposer Guide Spring	373	1095596	Spring (Tab Opr. Lev Ass)	
335	1090037	Nut (Tab Reb. Ch. Stud)	374	1095132	Spring (Margin Lever)	
			375	1102122	Stud (Margin Lever)	
			376	1090687	Spacer (Int. Guide Assm)	
			377	1096726	Margin Lever	
			378	7341	Nut (Margin Lever)	
			379	1100936	Spring (Margin Lever As)	
			380	1095221	Line Lock Rod	
			381	1070020	Adjusting Clevis	
			382	1000282	Connecting Link (Line Lock Bellcrank)	
			383	1095215	Line Lock Bellcrank	
			384	1096742	Stud (Line Lock Bellcrank)	
			385	62031	Lock Washer	
			386	7341	Nut (Line Lock Bellcrank Stud)	
			387	60489	Retainer (Line Lock Bellcrank)	
			388	TABULAR STOP FULCRUM WIRE		
			389	1095317	12"	
				1095318	16"	
				1095319	20"	
				1095320	24"	
				1095321	30"	
				REBOUND CHECK RACK		
				16", 20", 24", & 30"		
			389	1098209	10 Pitch R H	
				1098215	12 Pitch R H	
				1098221	14 Pitch R H	
			390	1103978	Screw (Tabular Guard)	
				TABULAR STOP SPRING		
			391	1014609	14 Pitch 5"	
				1061413	12 Pitch, 4 1/2"	
				1061414	12 Pitch, 4"	
				1061411	10 Pitch, 4 1/2"	
				1061412	10 Pitch, 4"	
				TABULAR STOP SPRING GUARD		
			392	1012420	12"	
				1100561	16"	
				1100561	20"	
				1100660	24"	
				1100661	30"	
			393	Refer to Standard Section		

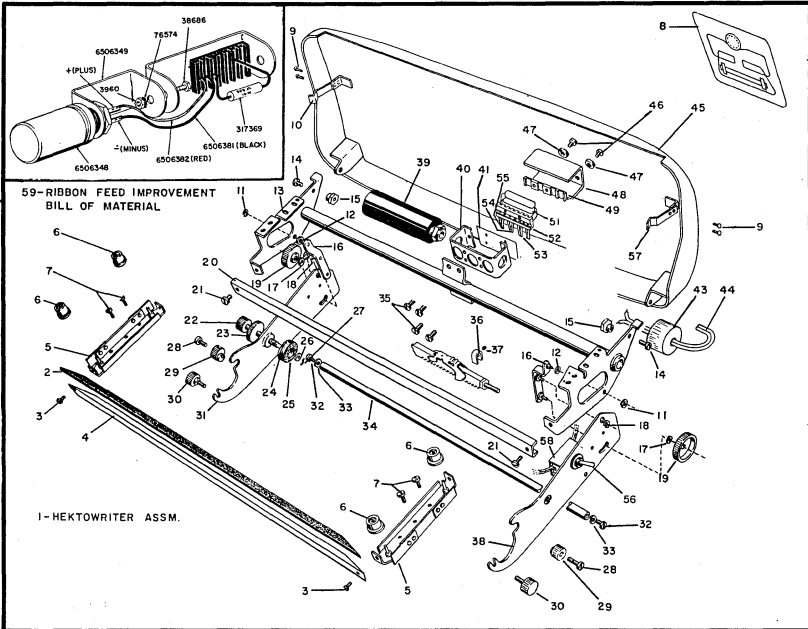
MODEL A DEC TAB

REF. PART NO.	DESCRIPTION	REF. PART NO.	DESCRIPTION	REF. PART NO.	DESCRIPTION
394	Refer to Standard Section	REBOUND	CHECK RACK		RAILS AND SUPPORT ASSEMBLY
395	1095325 Tabular Rack Adjusting Bracket RH	406 1098211	24" & 30", 10 Pitch Center 8"	409	1270050 30" 12 Pitch
	TABULAR RACK	1098217	24" & 30", 12 Pitch		1270051 30" 14 Pitch
396	1096385 12" 10 Pitch	1098223	24" & 30", 14 Pitch	410	1270022 12" 10 Pitch
	1096840 12" 12 Pitch		Center, 8"		1270023 12" 12 Pitch
	1096845 12" 14 Pitch	1098212	30" 10 Pitch Center, 6"		1270024 12" 14 Pitch
	1096836 16" 10 Pitch	1098218	30" 12 Pitch Center, 6"		1270025 16" 10 Pitch
	1096841 16" 12 Pitch	1098224	30" 14 Pitch Center, 6"		1270026 16" 12 Pitch
	1096846 16" 14 Pitch	407 1096739	Tab. Rack Center Support		1270027 16" 14 Pitch
	1096837 20" 10 Pitch		Lower 12 & 14 Pitch		1270028 20" 10 Pitch
	1096842 20" 12 Pitch	1096740	Tab. Rack Center Support		1270029 20" 12 Pitch
	1096847 20" 14 Pitch		Lower 10 Pitch		1270030 20" 14 Pitch
	1096838 24" 10 Pitch				1270031 24" 10 Pitch
	1096843 24" 12 Pitch		TABULAR RACK ASSEMBLY		1270032 24" 12 Pitch
	1096848 24" 14 Pitch	408	1098019 12" 10 Pitch		1270033 24" 14 Pitch
	1096839 30" 10 Pitch		1098014 12" 12 Pitch		1270034 30" 10 Pitch
	1096844 30" 12 Pitch		1098015 12" 14 Pitch		
	1096849 30" 14 Pitch		1098016 16" 10 Pitch		
397	1096939 Final Knockout		1098017 16" 12 Pitch		
398	1090622 Washer (Tabular Rack Adjusting Bracket)		1098018 16" 14 Pitch		
399	1090968 Screw (Tabular Rack Adjusting Bracket)		1098009 20" 10 Pitch		
400	250 Screw (Final Knockout)		1098008 20" 12 Pitch		
401	1096738 Tab. Rack Center Sup.		1098010 20" 14 Pitch		
402	1090968 Screw (Tab. Rack Adjusting Bracket)		1098011 24" 10 Pitch		
403	38245 Screw (Tabular Rack Center Support Assem.)		1098012 24" 12 Pitch		
404	1095324 Tabular Rack Adjusting Bracket LH		1098013 24" 14 Pitch		
	REBOUND CHECK RACK	409	1098020 30" 10 Pitch		
405	1098207 12" 10 Pitch		1098021 30" 12 Pitch		
	1098213 12" 12 Pitch		1098022 30" 14 Pitch		
	1098219 12" 14 Pitch		RAILS AND SUPPORT ASSEMBLY		
	1098208 16", 20", 24", & 30" - 10 Pitch LH		1270037 12" 10 Pitch		
	1098217 16", 20", 24", & 30" - 12 Pitch, LH		1270038 12" 12 Pitch		
	1098223 16", 20", 24", & 30" - 14 Pitch, LH		1270039 12" 14 Pitch		
			1270040 16" 10 Pitch		
			1270041 16" 12 Pitch		
			1270042 16" 14 Pitch		
			1270043 20" 10 Pitch		
			1270044 20" 12 Pitch		
			1270045 20" 14 Pitch		
			1270046 24" 10 Pitch		
406	1098210 20" 10 Pitch Center		1270047 24" 12 Pitch		
	1098216 20" 12 Pitch Center		1270048 24" 14 Pitch		
	1098222 20" 14 Pitch Center		1270049 30" 10 Pitch		

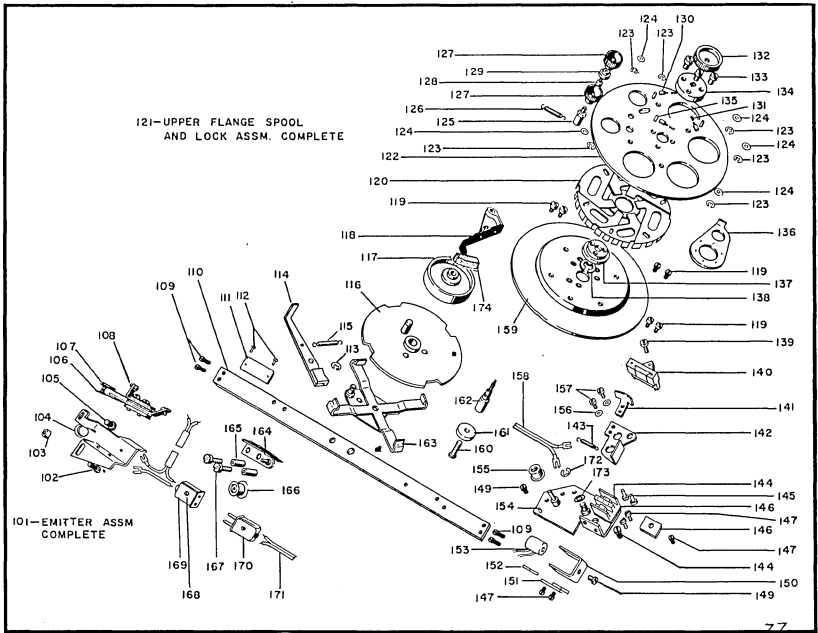
January 1960

Figure 4

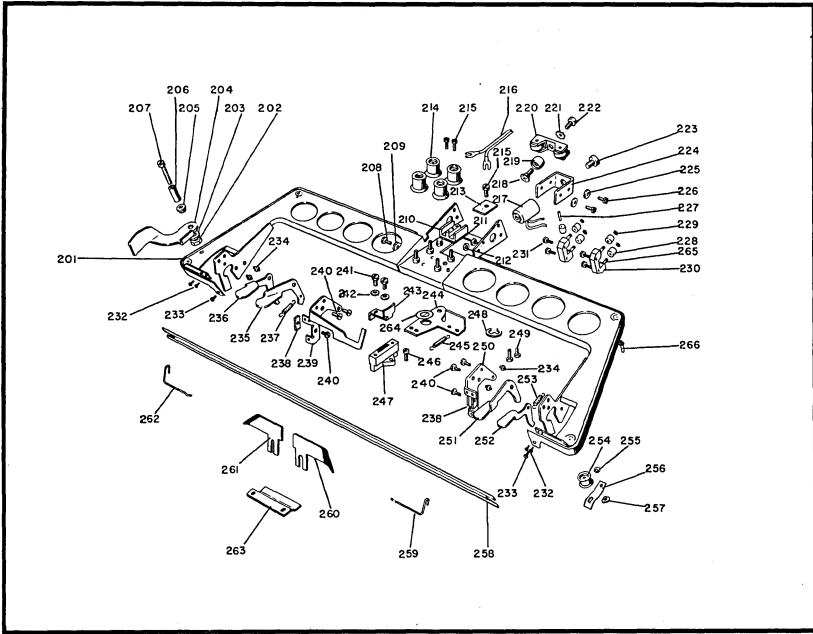
CODE-43 | Model B Hektowriter



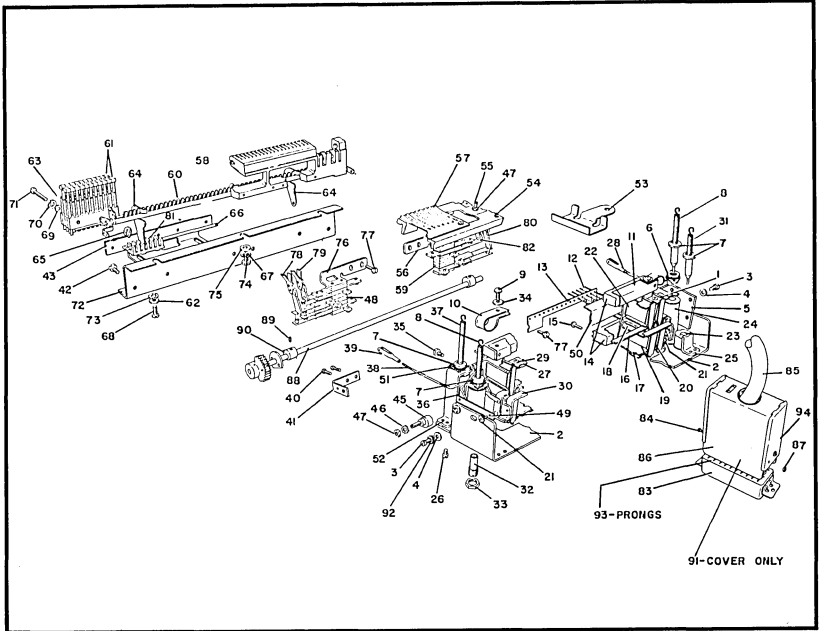
REF. PART NO.	DESCRIPTION	REF. PART NO.	DESCRIPTION	REF. PART NO.	DESCRIPTION
1	1110233 Hektowriter Assm., Complete	40	6505171 Chassis, Power Unit Square End		
2	6505191 Lining, Felt	41	6505172 Plate, Insulating		
3	186636 Screw, Rail Cover	43	6505358 Cap, Capacitor 24 MFD 110-130V AC		
4	6505150 Cover, Rail	44	6505374 Cable, Connecting 110-130V AC		
5	6505165 Bar Assm., Lateral Roller	45	6505352 Cover, Top		
6	6505102 Roller Assm., Ribbon Guide	46	186636 Screw		
7	196298 Screw, Lateral Roller Bar Assm.	47	1866 Washer		
8	6505347 Diagram, Ribbon Threading	48	6505153 Cover, Power Unit Square End		
9	9905 Rivet		6505532 Cover, Power Unit Half Round End		
10	6505421 Bracket Assm., L.H.	49	6505175 Strip, Connecting		
11	192049 Clip, Spring	51	6505361 Resistor, 50 Ohms 5W 110-130V AC		
12	130870 Washer	52	6505174 Block Assm., Terminal		
13	6505147 Frame Assm., Upper	53	6505024 Cable Assm., Connecting (Cut to Length)		
14	196299 Screw, Cover	54	6505689 Cable, Connecting		
15	6505187 Nut, Shoulder	55	6505024 Cable Assm., Connecting		
16	6505667 Lever Assm., Adj.	56	118463 Switch, Toggle Assm.		
17	45671 Washer	57	6505424 Bracket Assm., R.H.		
18	192049 Clip, Spring	58	6505837 Cap, Switch		
19	6505043 Nut, Knurled Retaining	59	1271090 Hektowriter Ribbon Feed Improvement (Includes all parts shown under Ribbon Feed Improvement plus (2) 6505916 Bracket, Spring and (2) 6505919 Shoe, Friction		
20	6505149 Rail, Auxiliary Carriage				
21	196298 Screw, Rail				
22	6505474 Screw, Knurled Head				
23	6505475 Nut, Knurled				
24	6505476 Washer				
25	6505477 Ring, Felt				
26	1090430 Washer				
27	185093 Pin, Cotter				
28	845 Screw				
29	6505154 Knob Bearing, Knurled				
30	6505155 Screw Bearing, Knurled Head				
31	6505471 Bracket, Mounting L.H.				
32	12584 Screw, Tie Rod				
33	1090873 Lockwasher				
34	6505669 Rod, Tie				
35	294 Screw, Chassis Power Unit				
36	6505643 Stop, Margin Auxiliary Final				
37	22352 Screw, Set, Margin Stop				
38	6505844 Bracket, Mounting R.H.				
39	6505355 Rectifier 110-130V AC				
40	6505526 Chassis, Power Unit Half Round End				



REF. PART NO.	DESCRIPTION	REF. PART NO.	DESCRIPTION	REF. PART NO.	DESCRIPTION
101	6505637	142	6505133	145	4097405
102	11931	143	13507	146	6505134
103	6505836	144	6505134	147	196299
104	6505636	145	4097405	148	6505132
105	12584	146	6505131	149	38380
106	107070	147	196299	150	6505076
107	106988	148	6505132	151	6505130
108	6505639	149	38380	152	6505128
109	196299	150	6505076	153	6505366
110	6505148	151	6505130	154	6505135
111	6505393	152	6505128	155	6505101
112	60937	153	6505366	156	1866
113	192049	154	6505135	157	23787
114	6505182	155	6505101	158	6505024
115	1072240	156	1866	159	6505051
116	6505059	157	23787	160	38457
117	6505042	158	6505024	161	6505111
118	6505916	159	6505051	162	6505041
119	196298	160	38457	163	6505178
120	6505039	161	6505111	164	6505163
121	6505068	162	6505041	165	6505161
122	6505030	163	6505178	166	6505102
123	25282	164	6505163	167	11118
124	6502	165	6505161	168	673
125	6505047	166	6505102	169	6505209
126	128393	167	11118	170	6505208
127	6505046	168	673	171	6505689
128	196299	169	6505209	172	192049
129	6505033	170	6505208	173	196712
130	6505048	171	6505689	174	6506064
131	155043	172	192049	175	6506070
132	6505043	173	196712	176	6505919
133	186712	174	6506064	177	6505919
134	6505061	175	6506064		
135	6505049	176	6506070		
136	6505035	177	6505919		
137	6505036				
138	4097934				
139	1090799				
140	6505077				
141	6505129				

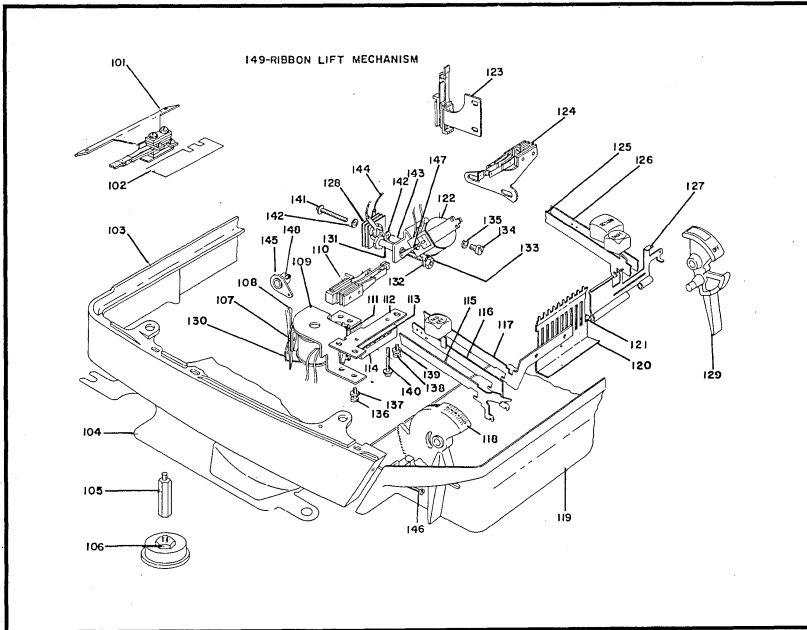


REF. PART NO.	DESCRIPTION	REF. PART NO.	DESCRIPTION	REF. PART NO.	DESCRIPTION
201	6505659	Carriage Assm., Auxiliary	245	11260	Spring, Armature without Shield
202	7341	Nut	24480	Spring, Armature with Shield	
203	45639	Washer	246	1090799	Screw, Brake Pad
204	6505686	Lever, Platen Variable	247	6505077	Pad Brake & Holder Assm.
205	1073060	Bushing, Spacer	248	192049	Clip, Spring
206	6505687	Spacer	249	4097405	Rivet, Insulator (Item 10)
207	24915	Screw	250	6505654	Plate, Support R.H.
208	13776	Screw, Amature Adj.	251	6505085	Lever Detent, Upper R.H.
209	8506	Nut, Hex	252	6505088	Lever Detent, Lower R.H.
210	6505134	Insulator	253	6505139	Spring, Tension
211	6505131	Plate, Insulating	254	6505101	Roller Assm., Ribbon Gd.
212	114201	Washer	255	123206	Clip, Retaining
213	6505132	Plate, Insulating	256	6505097	Spring, Retaining
214	6505101	Roller Assm., Ribbon Gd.	257	6505094	Stud, Spring
215	196299	Screw, Terminal Block	258	6505684	Guide, Ribbon
216	6505024	Cable Assm., Connecting	259	6505651	Spacer R.H.
217	6505366	Coil Magnet 210 Ohms 110-130V AC	260	1073976	Holder, Card R.H. 10P
218	6505119	Bushing	261	1073983	Holder, Card R.H. 12P
219	6505115	Roller	261	1073975	Holder, Card L.H. 10P
220	6505118	Roller & Mtg. Assm.	261	1073982	Holder, Card L.H. 12P
221	56313	Lockwasher	262	6505650	Spacer L.H.
222	196398	Screw	263	6505647	Stop, Carriage
223	38380	Screw	264	6506064	Shim, Amature (Approx. .004)
224	6505076	Yoke, Magnet	6506070	Shim, Amature (Approx. .008)	
225	1092017	Washer	265	6505110	Stud
226	151633	Screw, Hex	266	6505099	Stud
227	104697	Pin, Dowel			
228	6505109	Roller			
229	147297	Clip, Spring			
230	6505112	Mounting Roller			
231	9685	Screw			
232	2627	Screw			
233	1091068	Screw	6505108	ACCESSORIES	
234	6505095	Stud, Lock Lever Pivot		Cover, Dust	
235	6505084	Lever Detent, Upper L.H.			
236	6505087	Lever Detent, Lower L.H.			
237	6505139	Spring, Tension			
238	6505535	Holder Grip Ribbon Guide			
239	6505685	Plate, Support L.H.			
240	1858	Screw			
241	23787	Screw, Brake Shoe			
242	1866	Washer, Brake Shoe			
243	6505075	Shoe, Brake			
244	6505793	Armature			

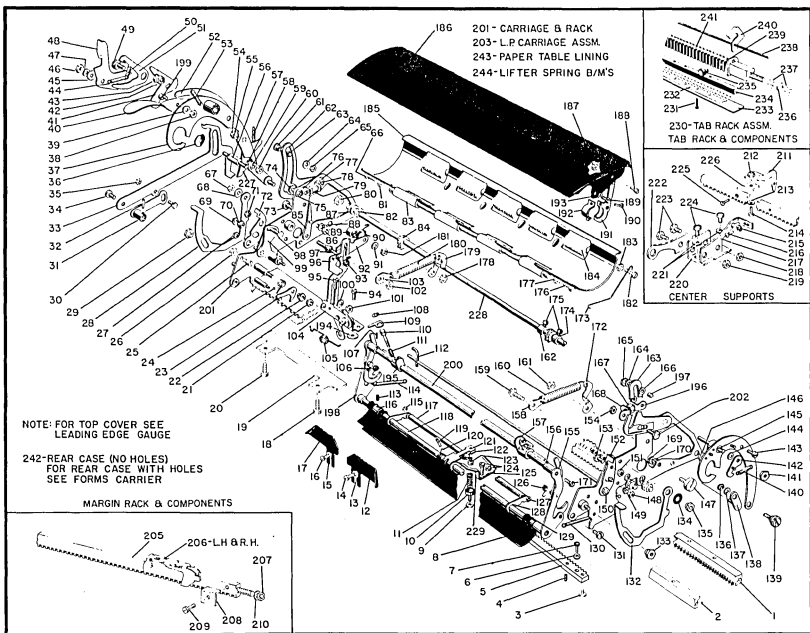


REF. PART NO.	DESCRIPTION	REF. PART NO.	DESCRIPTION	REF. PART NO.	DESCRIPTION
1	177939 Spring, Extension	43	339186 Bracket, Selector Contact Mtg.	83	1108480 Connector, Female - 39 Point (Pin Position #8)
2	343767 Bracket, Solenoid Mtg.	45	312475 Stop, Magnet Unit Eccentric		
3	24752 Screw, Solenoid Mtg. Brkt.	46	6364 Lockwasher	1010918	Connector, Female - 39 Point (Pin Position #22)
4	22478 Washer	47	38051 Nut	316511	Connector, Female - 39 Point (Pin Position #6)
5	304127 Bracket, RH Magnet Mtg.	48	1108450 Contact Assm., Oper. Cams LH	316512	Connector, Female - 39 Point (Pin Position #10)
6	343758 Guide Assembly	49	312476 Strip, Locating	316513	Connector, Female - 39 Point (Pin Position #14)
7	343755 Plunger	50	304125 Guard, Magnet Lead	84	316495 Screw, Long - 39 Point
8	325017 Spring, Carriage Return & Space Solenoid Plunger	51	28760 Screw, Plunger Guide	85	1108366 Cable Assm., 12, 42 or 44 Pos. (Used alone or in conjunction with #1108367)
9	173205 Screw	52	343750 Yoke, Tab, Carriage Return and Space Solenoid	1108368	Cable Assm., 44 or 88 Selector Cont. (used alone)
10	183720 Clamp, L.H. and R.H.	53	325623 Guard, Cable	1108369	Cable Assm., 88 Selector Cont. (used only with #1108368)
11	304121 Cover, Terminal	54	1099172 Bar, Cam Knockoff	1108479	Connector, Male, 39 point (pin pos. #8) (Incl. Cover)
12	304131 Push Rod	55	1073488 Screw	1010917	Connector, Male, 39 point (pin pos. #22) (Incl. Cover)
13	340068 Plate, Push Rod Gd. R.H.	56	340070 Bracket, Contact R.H.	316501	Connector, Male, 39 point (pin pos. #6) (Incl. Cover)
14	340069 Plate, Push Rod Gd. L.H.	57	1108816 Stop, Cam Knockoff	316502	Connector, Male, 39 point (pin pos. #10) (Incl. Cover)
15	325590 Block Assm., Terminal Conn.	58	1098716 Support, Cam Bearing	316503	Connector, Male, 39 point (pin pos. #14) (Incl. Cover)
16	24915 Screw, Terminal Block	59	1108444 Contact Assm., Oper. Cams RH	87	47987 Nut
17	304128 Bail Assm., K.O. Arm	60	1099186 Bail Assm., Ribbon Lift, Out-put (non-transmitting ET)	88	1098687 Shaft
18	304116 Yoke Assm., Magnet	1098714	Bail Assm., Ribbon Lift, In-put (Transmitting ET)	89	1077919 Set Screw
19	16558 Spring	61	1099826 Contact & Moulding Assm. Inner	90	1098686 Cam, Impression Control
20	304020 Magnet Coil, Lower	62	22066 Washer	91	316598 Cover, U Shaped
21	304133 Armature	63	1099824 Contact Assm., Outer	92	6318 Lockwasher
22	196298 Screw	64	339021 Screw, Contact Actuating	93	316491 Prong, Elco Conn., Female
23	304120 Magnet Coil, Upper	65	147297 Retainer, "C" Clip	94	316490 Prong, Elco Conn., Male
24	343762 Coil Assm., Shift Solenoid	66	339026 Fulcrum Wire		
25	343761 Coil Assm., Carriage Return	67	105047 Lockwasher		
26	343751 Yoke, Shift Solenoid	68	120044 Screw		
27	38271 Screw, Yoke	69	52393 Washer		
28	304161 Link, Connecting R.H.	70	37066 Lockwasher		
29	103895 Screw, Armature Pivot	71	58284 Screw, Selector Contact (88)		
30	304134 Bail, Armature Stop	72	52612 Screw, Selector Contact (44)		
31	325015 Spring, Plunger	73	339187 Bracket, Act. Lever Assm.		
32	343752 Core, Solenoid	74	56313 Lockwasher		
33	215150 Nut, Core	75	9685 Screw		
34	45690 Washer	76	22066 Washer		
35	2300 Screw	77	340071 Bracket, Contact Assm. LH		
36	304126 Bracket, LH Magnet Mtg.	77	325624 Screw, Mounting		
37	325018 Spring, Plunger	78	1119185 Cam Assm., Space		
38	304162 Link, Connecting R.H.	79	1119191 Cam Assm., Tab		
39	1070020 Clevis, Pin Adjusting	80	1119183 Cam Assm., Carriage Return		
40	1099189 Screw, Adj. Cam Stop	81	339188 Bearing, Cont. Lever, LH, RH		
41	1099175 Bracket, Cam Frame Stop	82	1119180 Cam Assm., Shift		
42	28760 Screw, Fulcrum Wire Stop				

CODE-432 In Put/Out Put Writer



REF. PART NO.	DESCRIPTION	REF. PART NO.	DESCRIPTION	REF. PART NO.	DESCRIPTION
101	1108441	138	2300	101	1108441
102	1108439	139	6318	102	1108439
103	325094	140	673	103	325094
104	1108452			104	1108452
105	339083	141	173218	105	339083
106	1077201	142	105047	106	1077201
107	1014536	143	1106361	107	1014536
108	1070020	144	335239	108	1070020
109	325969	145	340428	109	325969
110	1108447	146	24752	110	1108447
111	115070	147	1014536	111	115070
112	340130	148	151720	112	340130
113	324463	149	1110229	113	324463
114	324458			114	324458
115	1099185			115	1099185
116	1098442			116	1098442
	1261580				1261580
117	1099174			117	1099174
118	1108337			118	1108337
119	325093			119	325093
120	1098462			120	1098462
121	1098465			121	1098465
122	325970			122	325970
123	1108199			123	1108199
124	339032			124	339032
125	1071452			125	1071452
126	1099173			126	1099173
127	1095476			127	1095476
128	313641			128	313641
129	1108338			129	1108338
130	325960			130	325960
131	325965			131	325965
132	56121			132	56121
133	221			133	221
134	38282			134	38282
135	1090358			135	1090358
136	38281			136	38281
137	6364			137	6364

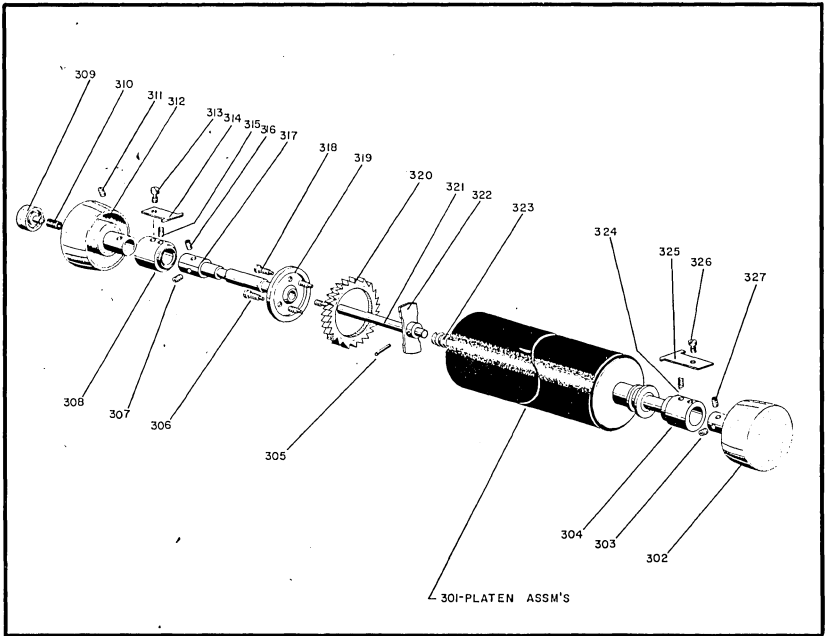


REF. PART NO.	DESCRIPTION	REF. PART NO.	DESCRIPTION	REF. PART NO.	DESCRIPTION
1	1104469 Rail, Rear 12"	1093874	Card Holder 9P (R.H.)	48	1072429 Cam, F.R. Release
	1104470 Rail, Rear 16"	1073976	Card Holder 10P (R.H.)	49	1092818 Stud, Latch
2	1071664 Rail, Front 12"	1073983	Card Holder 12P (R.H.)	50	1097974 Spring, Latch
	1072634 Rail, Front 16"	13	1090630 Washer, Card Holder	51	1013344 Catch Assm.
3	1073025 Screw, Tension Tape	14	186393 Screw, Card Holder	52	1013460 Lever, Assm.
4	1090139 Dowel Pin	15	1090630 Washer, Card Holder	53	1071991 Spring, Lever
5	1102058 Rack, Escapement 12" 8P	16	186393 Screw, Card Holder	54	1100034 Nut, Latch
	1102059 Rack, Escapement 12" 9P	17	1100248 Card Holder 8P (L.H.)	55	1090625 Washer, Lever
	1102060 Rack, Escapement 12" 10P		1093875 Card Holder 9P (L.H.)	56	1072683 Stud, Arm Assm.
	1102061 Rack, Escapement 12" 12P		1073975 Card Holder 10P (L.H.)	57	1091073 Spring, Arm Assm.
	1072161 Rack, Escapement 16" 8P R.H.	18	1093982 Card Holder 12P (L.H.)	58	1093930 Screw, Pivot Link
	1102062 Rack, Escapement 16" 8P L.H.	18	1090594 Stop, Final	59	1090625 Washer, Pivot Link
	1072162 Rack, Escapement 16" 9P R.H.	19	1093983 Stop, Final	60	1090054 Nut, Pivot Link
	1102063 Rack, Escapement 16" 9P L.H.	20	1090594 Screw, Final Stop	61	1090826 Roller, Guide
	1072163 Rack, Escapement 16" 10P R.H.	21	1090037 Nut, Detent Arm	62	1072987 Guide Assm. (L.H.)
	1102064 Rack, Escapement 16" 10P L.H.	22	1090383 Eccentric, Detent Arm	63	1090825 Bushing, Guide Roller
	1072164 Rack, Escapement 16" 12P R.H.	23	1002281 Detent Arm (29T, 44T)	64	2903 Washer, Guide
	1102065 Rack, Escapement 16" 12P L.H.		1000305 Detent Arm (33T, 38T)	65	1090041 Nut, Guide
	1093691 Washer, Esc. Rack		1002285 Detent Arm (55T, 62T, 65T)	66	1090604 Screw, Feed Roll
6	38381 Screw, Esc. Rack	24	1000364 Spring, Detent Arm	67	1090036 Nut, Carr. Rel. Lever
7	1100236 Paper Guide 12" 8P	25	1107654 Stop	68	1090887 Shim (.005)
8	1100237 Paper Guide 12" 9P	26	7341 Nut, Stop Screw	69	1090687 Shim (.010)
	1093986 Paper Guide 12" 10P	27	1090041 Nut, Keeper	70	1090037 Nut, Keeper
	1100238 Paper Guide 12" 12P	28	1090041 Nut, Keeper	70	1090779 Eccentric Nut
	1100239 Paper Guide 16" 8P (L.H.)	28	1072624 Lever, Carr. Rel. (L.H.)	71	1090041 Nut, Keeper
	1100240 Paper Guide 16" 8P (R.H.)	29	1090663 Nut, Carr. Rel. Lever	72	1072694 Keeper (L.H.)
	1100241 Paper Guide 16" 9P (L.H.)	30	1090680 Screw, Arm	73	1107507 Screw, Stop
	1100242 Paper Guide 16" 9P (R.H.)	31	1074434 Arm Assm.	74	1091110 Spring, Guide Bracket
	1095068 Paper Guide 16" 10P (L.H.)	32	1091189 Pin, Arm	75	1090034 Nut, Guide Bracket
	1095069 Paper Guide 16" 10P (R.H.)	33	1093985 Arm Assm.	76	1013872 Bracket (L.H.)
	1100243 Paper Guide 16" 12P (L.H.)	34	1090015 Screw, Arm Assm.	77	1013871 Bracket (R.H.)
	1100244 Paper Guide 16" 12P (R.H.)	35	1090688 Nut, Arm Assm. Screw	78	1090034 Nut, Guide Bracket
9	1090037 Nut, Adj. Screw	36	1072377 Washer, Spring	79	1013870 Spring, Double End
10	1073288 Adjusting Screw	37	1093944 Lift Arm Assm.	80	1090670 Nut, Tie Rod
11	1100507 Spring, Adj. Screw	38	1090037 Nut, Lifter Arm	81	1090605 Nut, Feed Roll Screw
12	1100249 Card Holder 8P (R.H.)	39	62031 Washer, Lifter Arm	82	1090670 Nut, Tie Rod
		40	1074311 Lever, Platen Lift	83	1064810 Feed Rolls, Front 12"
		41	1013350 Latch Assm. (L.H.)	84	1064812 Feed Rolls, Front 16"
		42	1090687 Washer, Latch Assm.	84	1100036 Bushing (L.H.)
		43	1090688 Nut, Latch Assm.	85	1072619 Lever, Line Spring
		44	1090795 Spring, Latch Assm.	86	1090688 Nut, Stop Screw
		45	1090254 Washer, Cam	87	65756 Washer, Tie Rod
		46	1090688 Nut, Cam	88	56121 Washer, Stop Screw
		47	1090622 Washer, Cam	89	1072989 Spring Pawl Stop

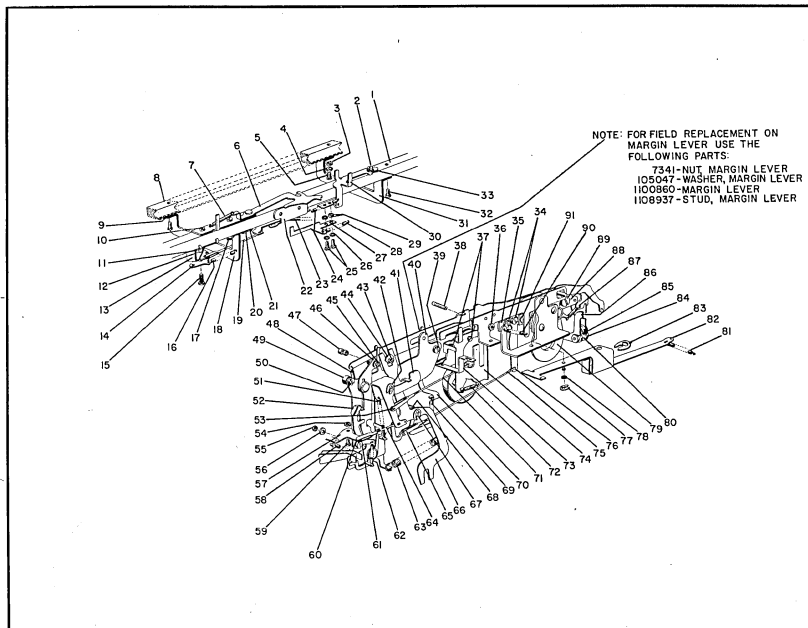
Model A - B L.P. Formswriter

REF. PART NO.	DESCRIPTION	REF. PART NO.	DESCRIPTION	REF. PART NO.	DESCRIPTION			
90	1095115	Spring, Pawl Stop	127	147297	Retainer, Shaft	169	1090034	Nut, Stop Screw
91	1090047	Washer, Pawl Stop	128	1000332	Arm, Aligning	170	56121	Washer, Stop Screw
92	1012729	Stop Index Pawl (29T thru 55T)	129	1070545	Grommet, Paper Guide	171	1090015	Screw, Knife Shaft
	1013596	Stop Index Pawl (62T, 66T)	130	150814	Spring, Latch	172	1109028	Bracket, Spring (R.H.)
93	1012726	Spring, Index Pawl	131	1090015	Screw, Latch	173	1012785	Spring, Deflector
94	443	Index, Platen Index	132	1072625	Lever, Carr. Rel. (R.H.)	174	1090417	Collar, Tie Rod
95	443	Screw, Platen Index	133	1090036	Nut, Carr. Rel. Lever	175	1090022	Screw, Collar
96	1012723	Screw, Platen Index	134	1090887	Shim (.005)	176	1090604	Screw, Feed Roll
	1002286	Index Pawl (44, 55, 62, 66T)	135	1090663	Nut, Carr. Rel. Lever	177	1090605	Nut, Feed Roll
			136	1090034	Nut, Pivot Link	178	1090034	Nut, Spring Bracket
97	1003040	Stud, Index Pawl	137	56121	Washer, Pivotal Link	179	1109027	Bracket, Spring
98	1090671	Screw, Stop	138	1109024	Pivotal Link	180	1103686	Spring, Lifter
99	1012801	Stop, Index Pawl	139	1093930	Stud, Pivotal	181	1090034	Nut, Pawl Stop
100	1074145	Washer, Index Pawl	140	1090795	Spring, Latch	182	1090604	Screw, Feed Roll
101	1090037	Nut, Index Pawl	141	1090688	Nut, Latch	183	1090605	Nut, Feed Roll
102	1090034	Nut, Bracket	142	101335	Lat. Assm. (R.H.)	184	1072669	Feed Roll, Rear 12"
103	1109026	Bracket, Spring	143	1090824	Screw, Guide Roller	185	1072671	Def. & F.R. Assm. 12"
104	1014992	Platen Index	144	1090687	Washer, Latch		1072668	Def. & F.R. Assm. 16"
105	1091149	Spring, Platen Index	145	1093934	Shaft, Latch 12"		1070380	Deflector 12"
106	1012746	Spring (L.H.)		1095235	Shaft, Latch 16"		1070585	Deflector 16"
107	1090466	Pin, Knife Shaft	146	1090670	Nut, Tie Rod	186	1093899	Paper Table Assm. 12"
108	1095160	Spring Clip	147	1107507	Stop, Screw		1095062	Paper Table Assm. 16"
109	1095151	Lever, Paper Guide	148	1090037	Nut, Keeper	187	8506	Nut, Paper Table
110	1095152	Screw, Paper Guide	149	1090779	Eccentric Nut	188	2650	Screw, Paper Table
111	1074321	Spring, Paper Guide	150	1090041	Nut, Keeper	189	1090297	Screw, Paper Table
112	1074283	Bar Assembly 12"	151	1090041	Nut, Keeper	190	1090003	Screw, Clamp
	1095075	Bar Assembly 16"	152	1072695	Keeper (R.H.)	191	1093911	Support Paper Table (L.H.)
113	1077919	Screw, Collar	153	1090671	Screw, Keeper		1093992	Support Paper Table (R.H.)
114	1107874	Spring, Latch	154	1090034	Nut, Guide Bracket	192	1093993	Clamp, Paper Table
115	147297	Retainer, Shaft	155	1076712	Arm & Latch Assm. (R.H.)	193	1091111	Washer, Paper Table
116	1090417	Collar, Paper Guide	156	1090466	Pin, Knife Shaft	194	1093691	Spacer, Ec. Rack
117	1000698	Shaft Assm. 12"	157	1074313	Pin, Guide (R.H.)	195	1074312	Spacer, Paper Guide (L.H.)
	1002498	Shaft Assm. 16"	158	1013464	Bracket, Spring	196	1013871	Pin, Paper Table
118	1073981	Shaft Actuating 12"	159	1090401	Screw, Spring Brkt.	197	1090825	Bushing, Roller
	1095063	Shaft Actuating 16"	160	1103486	Spring, Lifter	198	1076711	Bail Arm Assm. (L.H.)
119	1077739	Pin, Actuating Shaft	161	1090034	Nut, Spring Bracket	199	1090734	Eccentric Stud
120	1092009	Spring, Actuating Shaft	162	1090417	Collar, Tie Rod	200	1093981	Bail & Knife Shaft 12"
121	1100503	Arm, F. R. Lift	163	1073987	Arm Assm. (R.H.)	201	1095066	Bail & Knife Shaft 16"
122	1100504	Retainer, F. R. Lift	164	2903	Washer, Arm		1093869	Model B 2nd Stage Carriage
123	1090771	Screw, F. R. Lift	165	1090041	Nut, Arm		1098371	12" 9P
124	1090022	Screw, Screw Support	166	1090826	Roller, Guide			
125	1260163	Support, Deflector	167	1013870	Screw, Double End bracket (L.H.)			
126	1012743	Spring (R.H.)	168	1013872				

REF. PART NO.	DESCRIPTION	REF. PART NO.	DESCRIPTION	REF. PART NO.	DESCRIPTION			
1098373	12" 10P	1106228	Margin Stop 12P (R.H.)		Model A Tab Rack Assemblies			
1098375	12" 12P		Model A Margin Stops	1098914	12" 8P			
1098377	16" 8P	1077218	10P (L.H.)	1098916	12" 9P			
1098379	16" 9P	1077219	9P (L.H.)	1098912	12" 10P			
1098381	16" 10P	1077220	10P (L.H.)	1098918	12" 12P			
1098383	16" 12P	1077221	12P (L.H.)	1098920	16" 8P			
202	1091110	Screw, Guide	1077225	8P (R.H.)	1098922	16" 9P		
203	Model B Lift	Platen Carriage Assemblies (include all parts except platens)	1077226	9P (R.H.)	1098926	16" 10P		
	1261187	12" 8P	1077227	10P (R.H.)	1098924	16" 12P		
	1261188	12" 9P	1077228	12P (R.H.)	231	1103978	Screw 8P	
	1261189	12" 10P	207	1090550	Nut, Margin Rack	232	1073018	Spring 8P (1)
	1261190	12" 12P	208	1100272	Plate, Stop	1012620	Spring 9P	
	1261191	16" 8P	209	4236	Screw, Plate	1061411	Spring 10P (2)	
	1261192	16" 9P	210	1090240	Washer, Margin Rack	1061412	Spring 10P (1)	
	1261193	16" 10P	211	1100950	Support, Center 8, 9, 12P	1061413	Spring 12P	
	1261194	16" 12P	1100811	Support, Center 10P	1061414	Spring 12P (1)		
			212	186849	Nut, Tab Rack Support	233	1012420	Guard 12"
			213	1090269	Washer, Tab Rack Support	1100661	Guard 16"	
			214	2650	Screw, Tab Rack Support	234	1012425	Spacer 12"
205	Model B Margin Racks	1091111	Washer, Margin Rack Support	1012426	Spacer 16"			
	1109647	12" 8P	216	1103879	Screw, Margin Rack Support	235	1073749	Stop, Final
	1109648	12" 9P	217	1078322	Support, Mar. Rack	236	1090240	Washer, Tab Rack
	1109649	12" 10P	218	1090041	Nut, Support Screw	237	1090550	Nut, Tab Rack
	1109650	12" 12P	219	1090041	Nut, Support Screw	238	1077807	Fulcrum Wire 12"
	1109652	16" 8P	220	1065962	Support, Center	1077808	Fulcrum Wire 16"	
	1109653	16" 9P	221	1090558	Washer, Center Support	239	1102458	Fulcrum Wire Stop
	1109654	16" 10P	222	1073277	Support, Act. Shaft	240	1115100	Stop, Tab
	1109655	16" 12P	223	1091035	Screw, Support	241	Model A-B	Tab Rack Only
	Model A Margin Racks	224	38364	Screw, Center Support	1100263	12" 8P		
	1100251	12" 8P	225	1288	Screw, Margin Rack	1100264	12" 9P	
	1100252	12" 9P	226	1105929	Support, Center Cross Over	1100265	12" 10P	
	1100253	12" 10P	227	1074282	Trigger Assembly	1100266	12" 12P	
	1100254	12" 12P	228	1093519	Tie Rod (12")	1100267	16" 8P	
	1100255	16" 8P	229	1095072	Tie Rod (16")	1100268	16" 9P	
	1100256	16" 9P	229	1079980	Support, Actuating Shaft	1100269	16" 10P	
	1100257	16" 10P	230	Model B	Tab Rack Assemblies	1100270	16" 12P	
	1100258	16" 12P		1098368	12" 8P	242	1100798	Rear Case (Spec. Color)
206	Model B Margin Stops		1098370	12" 9P	243	1093994	Lining, Paper Table 12"	
	1107758	Margin Stop 8P (L.H.)	1098372	12" 10P		1095060	Lining, Paper Table 16"	
	1106225	Margin Stop 8P (R.H.)	1098374	12" 12P	244	1270672	F. I. B/M for L.P. Lifter Springs, install on ET's below Serial #320808	
	1107759	Margin Stop 9P (L.H.)	1098376	16" 8P				
	1106226	Margin Stop 9P (R.H.)	1098378	16" 9P				
	1107760	Margin Stop 10P (L.H.)	1098380	16" 10P				
	1106227	Margin Stop 10P (R.H.)	1098382	16" 12P				
	1107761	Margin Stop 12P (L.H.)						

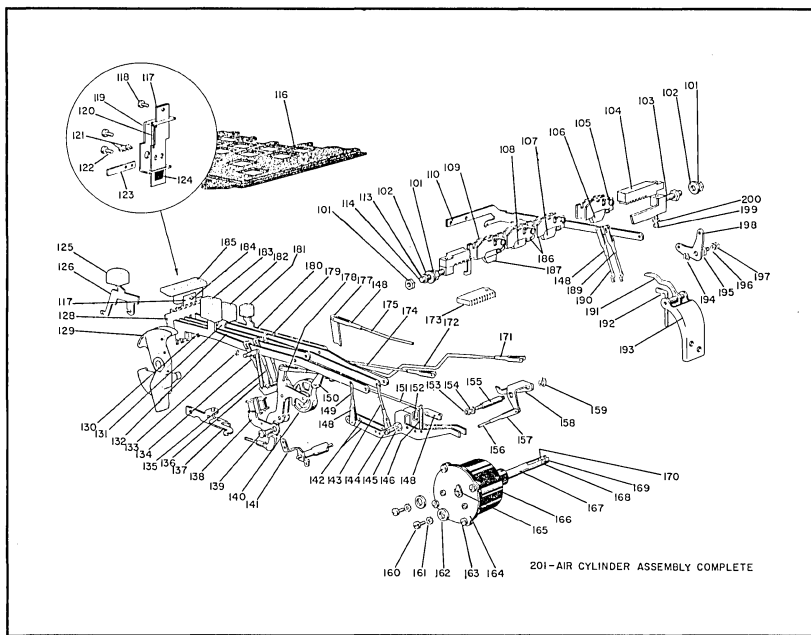


REF. PART NO.	DESCRIPTION	REF. PART NO.	DESCRIPTION	REF. PART NO.	DESCRIPTION
301	LIFT PLATEN ASSEMBLY (For Models A and B)	311	1076796 Screw, Platen Knob		
1107325	12" #1	312	1106243 Platen Knob Assembly L.H. Model B		
1107327	12" #4	1072211	Platen Knob Assembly L.H. Model A		
1107334	12" #6	313	1090291 Locking Screw		
1107341	12" #7	314	1013305 Bushing Lock		
1107348	16" #1	315	1090770 Spring		
1107350	16" #4	316	1076796 Set Screw		
1107357	16" #6	317	1093938 Collar		
1107364	16" #7	318	1073027 Screw		
	RECONDITIONED LIFT PLATEN ASSM. (For Model A)	319	1093943 Platen Clutch Cover L.P. (Used with wide ratchet)		
1100170	12" #1	1108149	Platen Clutch Cover L.P. (Used with narrow ratchet)		
1077035	12" #4	320	Refer to Std. Model A & B Platen Ratchet Section for Part Numbers.		
1095097	12" #6	321	1093936 Platen Release Shaft, L.P. (Models A and B)		
1077051	12" #7	322	1061419 Platen Ratchet Driver		
1100173	16" #1	323	1090593 Compression Spring		
1077067	16" #4	324	1090770 Spring		
1095098	16" #6	325	1013305 Bushing Lock		
1077084	16" #7	326	1090291 Locking Screw		
	RECONDITIONED LIFT PLATEN ASSM. (For Model B)	327	1076796 Screw Platen Knob		
1270238	12" #1				
1270240	12" #4				
1270247	12" #6				
1270254	12" #7				
1270261	16" #1				
1270263	16" #4				
1270270	16" #6				
1270277	16" #7				
302	1106244 Platen Knob Assm., R.H. Model B				
1072212	Platen Knob Assm., R.H. Model A				
303	1076796 Screw, Platen Knob				
304	1013304 Platen Bushing				
305	1090592 Pin				
306	1073027 Screw				
307	1076796 Set Screw				
308	1013304 Platen Bushing				
309	1106239 Button Assm., Platen Clutch Release (Model B)				
1070848	Button Assm., Platen Clutch Release (Model A)				
310	1104130 Bushing, Plastic				

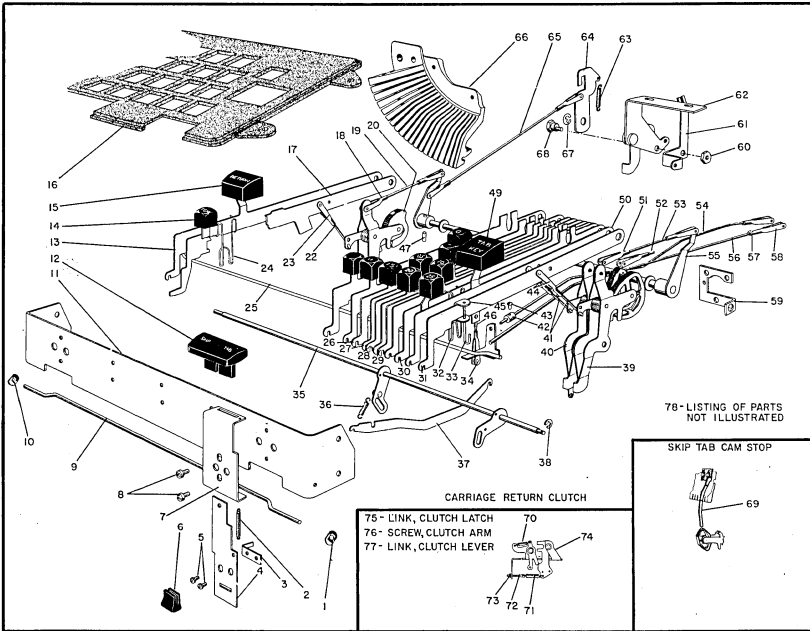


REF. PART NO.	DESCRIPTION	REF. PART NO.	DESCRIPTION	REF. PART NO.	DESCRIPTION
1	1103519 Rail, Rear 12"	37	130562 Screw, B.S. Pawl	82	1100885 Tab Oper. Lever Assm.
	1103521 Rail, Rear 16"	38	1100888 Stop	83	60488 Retainer, Tab Oper. Lever
	1103523 Rail, Rear 20"	39	1109693 Screw, Selector Assm.	84	1090234 Stud, Control Lever
	1103525 Rail, Rear 24"	40	1100873 Selector Assm.	85	1090452 Nut, Control Lever
	1103527 Rail, Rear 30"	41	1100857 Air Cylinder Latch	86	1095193 Gov. Control Bellcrank
2	1090594 Screw	42	1092125 Retainer, "C" Clip	87	1100936 Spring, Line Lock Operating Arm
3	1091159 Washer, Rail Support	43	1090037 Nut, M.C. Bellcrank	88	1016658 Spring Plate
4	1091302 Nut, Ecc. Rail Supp. R.H.	44	1100862 Eccentric Nut	89	1091227 Stud, Margin Lever
5	1090000 Screw, Rail Support Mtg.	45	1090268 Nut		
6	1100894 Tab Rebound Assm.	46	1090472 Washer		
7	1100938 Spring, Tab Rebound	47	1100974 Roller Assm.	90	1100937 Spring, Tab Lever
8	1103518 Rail, Front 12"	48	1090341 Spring, Selector Assm.	91	1000292 Screw, Margin Lever and Brkt. Assm.
	1103520 Rail, Front 16"	49	1100912 Spacer, Support Brkt.		
	1103522 Rail, Front 20"	50	1090000 Screw, Selector Assm.		
	1103524 Rail, Front 24"	51	130487 Spring		
	1103526 Rail, Front 30"	52	1100855 Latch, Selector Lever		
9	1090047 Washer, Rail Support	53	1070020 Clevis, Pin Adjusting		
10	42027 Screw, Tab Rebound	54	1074145 Washer, Air Cyl. B.C.		
11	1091035 Screw, B.S. Bellcrank	55	7341 Nut		
12	1090199 Washer, B.S. Bellcrank Mtg.	56	1090386 Washer		
13	1100973 Bracket, B.S. Bellcrank	57	1100925 Bellcrank, Air Cyl.		
14	1100923 Backspace Bellcrank	58	34821 Spring, Air Cyl.		
15	1091299 Stud, B.S. Bellcrank	59	1091627 Stud, Air Cyl. B.C.		
16	1090435 Spring, B.S. Bellcrank	60	45638 Washer		
17	1090000 Screw, Rail Support Mtg.	61	1100856 Selector Latch Stud		
18	1073255 Rail Support	62	1090175 Spring		
19	1096744 Link, B.S. Pawl	63	1100922 Spring		
20	1090799 Screw, Pawl Stop Mtg.	64	1014536 Connecting Link		
21	1106090 Stop, Backspace Pawl	65	1070020 Clevis, Pin Adjusting		
22	1100816 B.S. Pawl Bracket	66	1100854 Lever, Air Cyl.		
23	1091069 Spring, B.S. Pawl	67	1092125 Retainer, "C" Clip		
24	1072126 Spring, B.S. Slide	68	1100913 Spacer, Support Brkt.		
25	1100951 Screw, B.S. Interlock	69	4612 Spring, Bell Clapper		
26	1070286 Washer, Interlock	70	1100911 Bell Clapper		
27	1105926 Backspace Interlock	71	1100934 Link, Tab Interlock		
28	1091074 Spring, Interlock	72	120710 Spring, Interlock		
29	1090269 Spacer, Interlock	73	1100939 Interlock		
30	1100837 Lever, Pawl Release	74	1100889 Tab Interlock Bracket		
31	1100814 Rail Support, L.H.	75	1100931 Pawl Release Link		
32	1090799 Screw, Rail Support, L.H.	76	1100935 Pawl Release Bellcrank		
33	1090879 Nut, Eccentric	77	147297 Retainer		
34	1090438 Stud, Esc. Pawl Bracket	78	1090657 Washer		
35	1260208 Esc.Pawl Brkt.(Includes Spring #1090343)	79	1109987 Tab Bracket Assm.		
36	1090037 Nut	80	1095192 Lever Assm. Gov. Cont.		
		81	1095596 Spring		

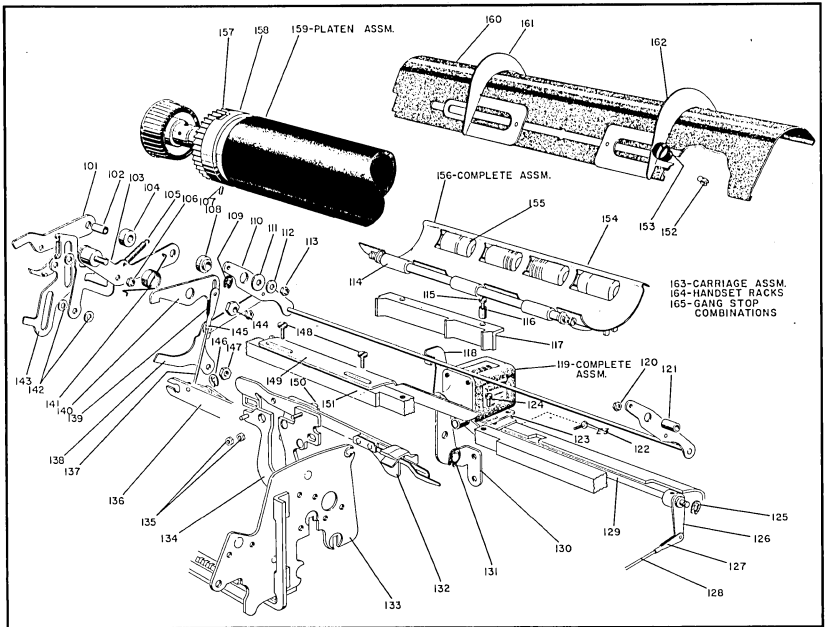
Model A - B Partial Carriage Return CODE-434



REF. PART NO.	DESCRIPTION	REF. PART NO.	DESCRIPTION	REF. PART NO.	DESCRIPTION			
101	1090550	Nut, Margin Rack	129	1106237	Switch Indicator - Model B	174	1070356	Link, Shift
102	1107864	Washer, Margin Rack		1106143	Switch Indicator - Model A	175	1100920	Link, Margin Set
103	1106433	Support, Margin Rack L.H.	130	1100805	Key Lever (#2 Return)	177	1073864	Margin Set Key Lever
104	1106414	Margin Rack 12" 10P	131	1100806	Key Lever (#1 Return)	178	1100928	Adjusting Clevis
	1106419	Margin Rack 12" 12P	132	1100809	Key Lever (Full Return)	179	1072300	Shift Key Lever Assm.
	1106415	Margin Rack 16" 10P	133	219633	Retainer, "C" Clip	180	1100810	Key Lever, Backspace
	1106421	Margin Rack 20" 12P	134	1100928	Adjusting Clevis	181	1106380	Key Button, Backspace (Gray)
105	1100953	Spring, Margin Stop	135	1107877	Link, C.R. Cam		1072308	Key Button, Backspace (Blue)
106	1107177	Filler & Gd. 8P Full Ret.	136	1071691	Spring, C.R. Key Lever		1106374	Button, #1 Ret. (Gray)
	1107179	Filler & Gd. 9P Full Ret.	137	1100947	Clutch Latch Bracket		1095281	Button, #1 Ret. (Blue)
	1100960	Filler & Gd. 10P Full Ret.	138	1100918	Pulley Assm., C.R.	182	1106372	Button, #2 Ret. (Gray)
	1104179	Filler & Gd. 12P Full Ret.	139	10418	Screw, C.R. Pulley Check		1106376	Button, #2 Ret. (Blue)
	1104180	Filler & Gd. 14P Full Ret.	140	1100946	Cam Assm., C. R.	183	1095280	Button, #2 Ret. (Blue)
107	1104185	Filler & Gd. 8P #2 Ret.	141	1100898	Ribbon Lift Bal	184	1091229	Screw, Full Ret. Button
	1104186	Filler & Gd. 9P #2 Ret.	142	1100927	Transfer Levers	185	1106367	Button, Full Ret. (Gray)
	1100962	Filler & Gd. 10P #2 Ret.	143	1070307	Connecting Link #1 Ret.		1095281	Button, Full Ret. (Blue)
	1104187	Filler & Gd. 12P #2 Ret.	144	1090594	Screw, Transfer Lever	186	1100956	Margin Stop L.H.
	1104188	Filler & Gd. 14P #2 Ret.	145	1100926	Stud, Transfer Lever	187	1104173	Filler & Gd. 8P R.H.
108	1104181	Filler & Gd. 8P #1 Ret.	146	1071449	Spring, Transfer Lever	1104174	Filler & Gd. 9P R.H.	
	1104182	Filler & Gd. 9P #1 Ret.	148	1070020	Clevis, Pin Adjusting	1100963	Filler & Gd. 10P R.H.	
	1100961	Filler & Gd. 10P #1 Ret.	149	1070307	Connecting Link #2 Ret.	1104175	Filler & Gd. 12P R.H.	
	1104183	Filler & Gd. 12P #1 Ret.	150	1078436	Clutch Lever	1104176	Filler & Gd. 14P R.H.	
	1104184	Filler & Gd. 14P #1 Ret.	151	1077879	Connecting Link, Air Cyl.	189	1100928	Adjusting Clevis
109	1100957	Margin Stop, R.H.	152	60488	Retainer, Transfer Lever	190	1070307	Connecting Link
110	1100812	Spacer Key Lever	153	7341	Nut, Stud	191	1100914	Margin Set Lever
113	1092040	Washer, Margin Rack	154	62031	Lockwasher, Stud	192	1106566	Tab Stop Set Finger
114	1106431	Support, Margin Rack R.H.	155	1100930	Stud, Unlatching Bellcrank	193	1100916	Margin Set Bracket
116	1100903	Keypate (84 Char.) (Specify Color)	156	1100933	Unlatching Link Assm.	194	60489	Retainer
	1109884	Keypate (88 Char.)	157	1070020	Clevis, Pin Adjusting	195	1096742	Stud, Line Lock B.C.
	1109886	Keypate (88 Char.) with L.H. Palm Tab (Spec. Color)	158	1100929	Unlatching Bellcrank	196	62031	Nut
			159	60489	Retainer, Unlatching B.C.	197	7341	Washer
			160	58207	Screw, Mtg.	198	1095215	Line Lock Bellcrank
			161	55901	Lockwasher, Mtg.	199	38286	Screw, Margin Rack
117	1095014	Key Lever, Full Ret.	162	1107864	Spacer, Mtg.	200	150209	Washer, Lock, Margin Rack
118	1091229	Screw, Full Ret. Button	163	38235	Screw, Air Cyl. Cover	201	1100848	Air Cylinder Assembly
119	1095015	Guide, Full Return	164	1100845	Cover, Air Cylinder			
120	1073863	Spring, Palm Key Lever	165	1108477	Plate, Air Cyl. Port			
121	186393	Screw, Key Extension	166	1108813	Air Cylinder			
122	1091471	Screw, Key Guide	167	1109624	Piston, Air Cylinder			
123	1095013	Extension, Key Lever	168	1100846	Stud, Air Cyl. Piston			
124	1095101	Bumper, Rubber	169	1106027	Speed Nut			
125	1106371	Button Shift, Grey	170	1100844	Roller, Air Cyl. Piston			
126	1070599	Button Shift, Blue	171	1012703	Clevis, Hole Adjusting			
128	Obsolete		172	1100910	Backspace Link Assm.			
128	1105879	Front Gd. Comb, 84 Char.	173		Refer to Std. Escapement Section			

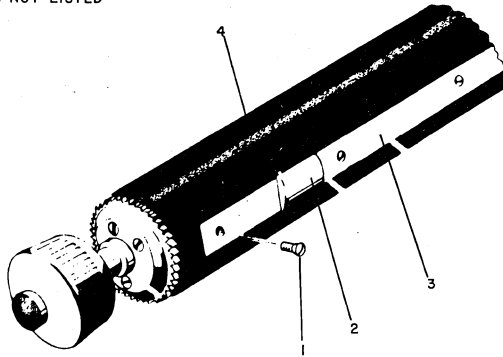


REF. PART NO.	DESCRIPTION	REF. PART NO.	DESCRIPTION	REF. PART NO.	DESCRIPTION
1	1072821 Retainer, Speed Clip	23	1070020 Clevis, Pin Adjusting	66	1100624 Segment (88 Char.)
2	1095012 Spring, Palm Tab	24	1103204 Actuator	1105727	Segment (86 Char.) 12P
3	1260019 Bracket, Tab Bail Oper.	25	1103206 Equalizer Rod Assm.	67	25282 Clip
4	1095014 Key, Palm Tab	26	1071317 Key Lever (4th Row)	68	1090234 Stud, Eccentric
5	1091480 Screw, Bracket	27	1071316 Key Lever (3rd Row)	69	1109999 Stop, Skip Tab Cam
6	1095101 Bumper	28	1071314 Key Lever (1st Row)	70	1108175 Spring, Clutch Brkt.
7	1095015 Guide, Palm Tab Key	29	1071315 Key Lever (2nd Row)	71	151044 Spring, Clutch Lever
8	1090022 Screw, Guide	30	1105725 Key Lever Assm. (No. 43)	72	1108176 Link, Clutch Lever Spg.
9	1260020 Bail, Tabular	31	1105723 Key Lever, C.R.	73	1091057 Nut, Clutch Lever Link
10	1072821 Retainer, Speed Clip	32	1103204 Actuator	74	1077888 Clutch Brkt. Assm.
11	1260021 Frame Assm., Front	33	1108614 Hook, C.R.	75	1077880 Link, Clutch Latch
12	1107487 Key Button, Skip Tab	34	1070020 Clevis, Pin Adjusting	76	1077875 Screw, Clutch Arm
13	1072283 Key Lever, Return	35	1107483 Shaft Assembly	77	1000223 Link, Connecting Clutch Lever
14	1072517 Keybutton (1)	36	1090343 Spring	78	Parts not illustrated are listed below.
	1072518 Keybutton (2)	37	1107480 Link, Tab Key Operating		
	1072519 Keybutton (3)	38	123206 Clip		
	1072520 Keybutton (4)	39	1119189 Cam Assm., C.R.	1100253	Rack, Margin 12" 10P
	1072521 Keybutton (5)	40	1119188 Cam Assm., Tabular	1100254	Rack, Margin 12" 12P
	1072522 Keybutton (6)	41	1014536 Connecting Link	1106451	Cover, Carriage End R.H. Specify Color
	1072523 Keybutton (7)	42	1103208 Collar, Push Rod	1107471	Cover, Carriage End L.H. Specify Color
	1072524 Keybutton (8)	43	52684 Screw, Push Rod Collar	1270606	Front Case & Top Cover Assm. (Specify Color)
	1072525 Keybutton (9)	44	1070020 Clevis, Pin Adjusting	1100801	Rear Case (Specify Color)
	1072526 Keybutton (0)	45	1108613 Bracket, Hook	1261706	Gov. Assm. Complete (Toll Biller)
	1072531 Keybutton (Quote)	46	1000282 Connecting Link	1270788	F/I B/M for Tab Governor & Drum Gear Drive
	1072533 Keybutton (Hyphen)	47	1106201 Pin		
	1072538 Keybutton (10)	49	1107462 Key Button, Tabular		
	1072539 Keybutton (15)	50	1107463 Key Lever Assm., Skip Tab		
	1072540 Keybutton (20)	51	1012703 Clevis, Hole Adjusting		
	1072541 Keybutton (25)	52	1070020 Clevis, Pin Adjusting		
	1104531 Keybutton (30)	53	1073016 Connecting Link		
	1104626 Keybutton (Tgm)	54	1107453 Link Assm.		
	1104744 Keybutton (FWD)	54	1107474 Link, C.R. Push Rod		
15	1072309 Keybutton, Return	55	1107282 Lever & Shaft Assembly,		
16	1107493 Keyplate (86 Char. ("O" Pos.) (Specify Color)	56	1107258 Skip Tab Link, Keyboard Lock		
	1107466 Keyplate (86 Char. ("43" Pos.) (Specify Color)	57	1091057 Nut, Locking		
	1107491 Keyplate (88 Char. (Specify Color)	58	1070020 Clevis, Pin Adjusting		
17	1105721 Key Lever	59	1107468 Push Rod Guide		
18	1012703 Clevis, Hole Adjusting	60	1090452 Nut		
19	1070020 Clevis, Pin Adjusting	61	1100408 Lever		
20	1107453 Connecting Link Assm.	62	1107467 Gov. Cont. Lever Brkt. Assm.		
21	1119195 Cam Assm., Skip Tab	63	Osolote		
22	1014536 Connecting Link	64	1107459 Tab Act. Lever Assm.		
		65	1107455 Connecting Link Assm.		
		66	1105905 Segment (86 Char.) 10P		

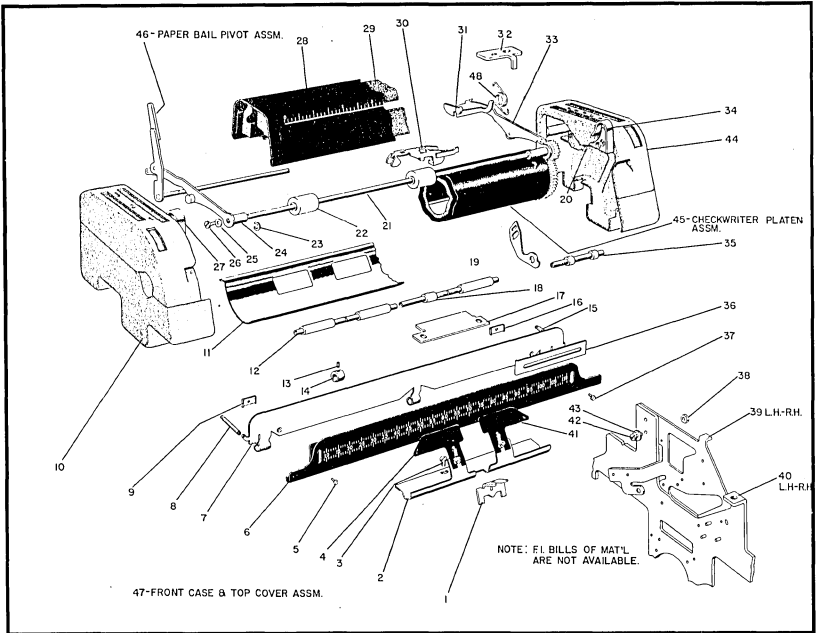


REF. PART NO.	DESCRIPTION	REF. PART NO.	DESCRIPTION	REF. PART NO.	DESCRIPTION
101	1107485 Stop, Index Pawl	140	1107270 Pawl, Line Finder Stop	165	Stop Spacing
102	1107486 Sleeve	141	1107275 Spring, Line Finder Pawl	1064984	19-10
103	1107272 Stop, Pawl Bracket	142	1090199 Washer	1064985	21-4
104	1107276 Spacer	143	1073401 Index Pawl Carrier Assm.	1064986	21-6-4
105	43373 Spring	144	1090383 Nut, Eccentric	1064987	23-6
106	1090037 Nut	145	1091057 Locknut	1064988	23-8
107	165556 Set Screw	146	147297 Retainer, "C" Clip	1064989	27
108	1107277 Collar, Lever & Bail Assm	147	1091279 Nut, Bellcrank Assm.	1064990	27-2
109	147297 Retainer, "C" Clip	148	4236 Screw, Counter Cam Mtg.	1064991	29
110	1107265 Bail Lever Assm.	149	1107492 Cam, Counter	1064992	31
111	1090047 Washer	150	1107490 Stud	1065026	16-7-6
112	1090622 Washer	151	1107869 Tabular Rack	1065028	10-11-8
113	1090037 Nut	152	1103201 Screw	1064994	19-10-2
114	1017249 Feed Rolls Assm., Front	153	1090728 Thumbnut Knob	1065966	14-11
115	1500 Screw, Stop Mtg.	154	1070585 Deflector Assm.	1065973	14-13
116	10760 Bushing, Screw	155	1017422 Feed Rolls Assm., Rear	1066165	Special
117	Refer to reference #165	156	1093620 Deflector & Feed Rolls Assm.	1066184	5-6
118	1107262 Lever & Shaft Assm.			1066203	17-8
119	1108582 Line Counter Assm.	157	1107280 Platen Ratchet	1066204	16-5-6
120	1090037 Nut	158	1107279 Ring, Page End Cam	1066306	6-10-7-8
121	1107479 Spacer	159	1107469 Platen Assembly	1066342	19-8
122	1072684 Screw, Brkt. Mtg.	1270440	Platen Assm.(Reconditioned)	1066445	25
123	1093624 Bracket	160	1093615 Paper Table Assembly	1066446	14-5-6
124	38277 Screw, Mounting	161	1093616 Form Guide Assm., L.H.	1066485	10-13-8
125	60488 Retainer	162	1093618 Form Guide Assm., R.H.		
	25282 Retainer, with Ring Mtg. Motor	163	NOTE: Toll Biller Carriages as listed do not include Paper Table & Form Guide Assemblies, or Deflector & Feed Roll Assemblies.	1260024	13-8
126	1107259 Arm Assm., Lock			1108950	19-4-8
127	1070020 Clevis, Pin Adjusting				Available Gang Stop Combinations (10 Pitch)
128	1107258 Link, Keyboard Lock	1270602	Carriage Assm. 12" 12P	1063480	13-5-7
129	1107262 Lever & Shaft Assm.	1270603	Carriage Assm. 12" 10P	1063605	13-5-5
130	1100917 Motor Bracket	164	1260185 Rack, Handset 12" 12P	1064976	10-5
131	60489 Retainer	1270514	Rack, Handset 12" 10P	1064977	18-5
132	1107494 Tabular Lever Assm.	1016550	Stop, Handset Rack	1064978	18-7
133	1270604 Carriage Assm. 12" 12P	165	Available Gang Stop Combinations (12 Pitch)	1065030	13-3-4-5
	1270605 Carriage Assm. 12" 10P			1065032	23
	1270605 Carriage Assm. 12" 10P			1066343	16-7
134	1107437 Bracket Assm.		Part No. Stop Spacing		
135	103372 Nut	1063482	21-8		
136	1107495 Platen Indexing Assm.	1063608	21-8-2		
137	1107271 Connecting Link	1064800	21-10		
138	1107266 Bellcrank Assm., Page End Lock	1064979	10-7		
		1064980	15		
		1064981	15-8		
		1064982	16-5-2		
		1064983	17-10		
139	1070020 Clevis, Pin Adjusting				

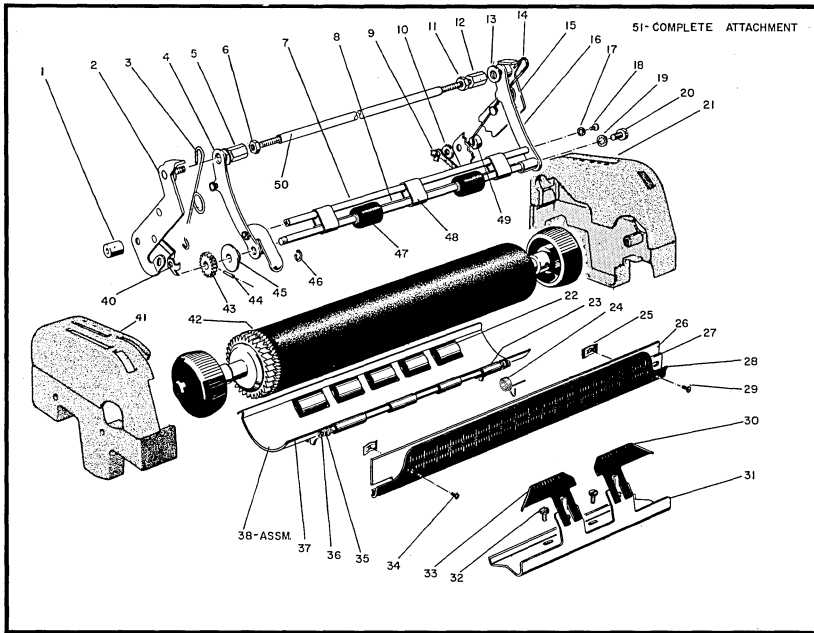
NOTE: SEE STD SECTION FOR
COMPONENTS NOT LISTED



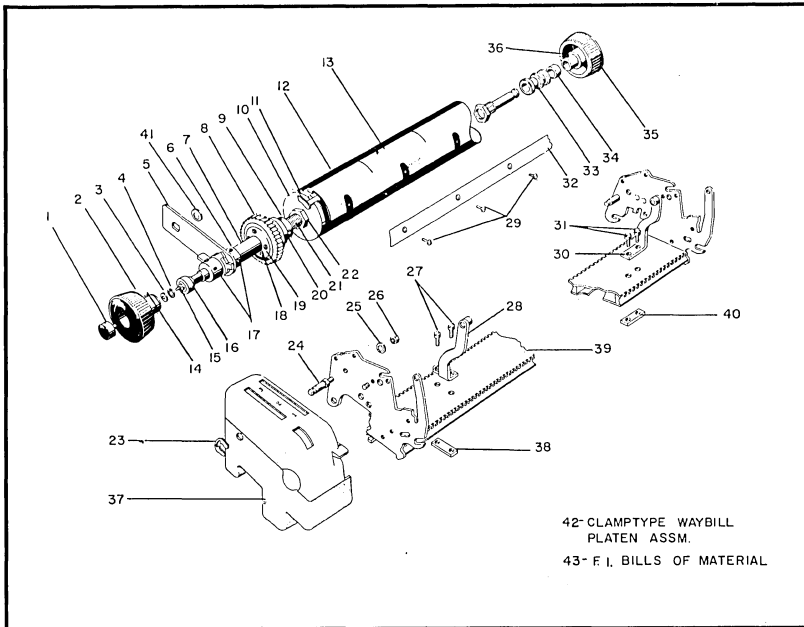
REF. PART NO.	DESCRIPTION	REF. PART NO.	DESCRIPTION	REF. PART NO.	DESCRIPTION
1	1090926	Screw			
2	1096823	Card Stop			
3	1015369	Blade, 12" Card Holding Platen			
	1016623	Blade, R.H. 16" Card Holding Platen			
	1016624	Blade, L.H. 16" Card Holding Platen			
	1015953	Blade, R.H. 20" Card Holding Platen			
	1015954	Blade, L.H. 20" Card Holding Platen			
	1016623	Blade R.H. & L.H. 24" Card Holding Platen			
	1015954	Blade, Center 24" Card Holding Platen			
4	UNIVERSAL CARD HOLDING PLATEN ASSEMBLY (For Models A, B, and 01)				
	1106196	12" #1 Universal Card Holding Platen			
	1106198	12" #3 Universal Card Holding Platen			
	1106200	16" #1 Universal Card Holding Platen			
	1106202	16" #3 Universal Card Holding Platen			
	1106204	20" #1 Universal Card Holding Platen			
	1106206	20" #3 Universal Card Holding Platen			
	1260345	24" #1 Universal Card Holding Platen			



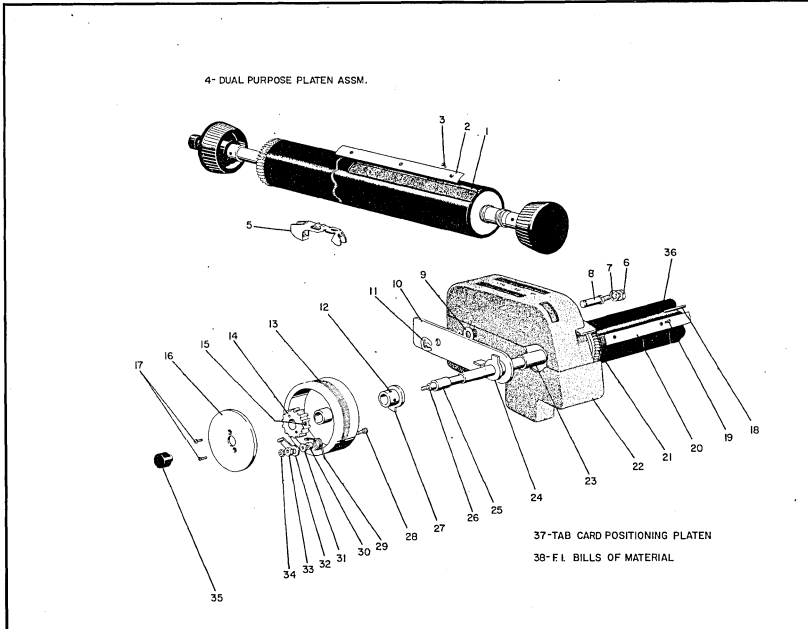
REF. PART NO.	DESCRIPTION	REF. PART NO.	DESCRIPTION	REF. PART NO.	DESCRIPTION
1	1070277	Type Guide	16	1106011	Nut, Checkstop
2	1109899	Bracket, Line Gauge	17	1107831	Carriage Stop
3	1091515	Screw, Bracket	18	1104101	Feed Roll Front (1) for 12", (1) for 16", (2) for 20"
4	1073975	Card Holder L.H. 10P	19	1106008	Lever, Feed Roll Adjusting (4) for 12", (6) for 16", (8) for 20"
5	1073982	Card Holder L.H. 12P	20	186712	Screw, Power Bail Cam (#3-48 Tap)
6	4224	Screw, Checkholder Assembly	21	1107824	12" Power Bail Shaft Assm.
6	1106557	12" 10P. Checkholder Assembly	21	1107835	16" Power Bail Shaft Assm.
6	1106556	12" 12P. Checkholder Assembly	21	1107837	20" Power Bail Shaft Assm.
6	1107813	16" 10P. Checkholder Assembly	22	1107822	Bail Roller Assm. (2) for 12", (3) for 16", (3) for 20"
6	1106558	16" 12P. Checkholder Assembly	23	1103695	Retainer, Bail Shaft
6	1107815	20" 10P. Checkholder Assembly	24	1107841	Bail Arm Assm. L.H.
6	1107814	20" 12P. Checkholder Assembly	25	1091061	Washer, Bail Shaft
7	1106535	12" Front Paper Guide	26	55459	Screw, Bail Shaft
7	1106539	16" Front Paper Guide	27	1104434	Cam & Guide Assm. L.H.
7	1106540	20" Front Paper Guide	28	1108958	12" Paper Table Assm.
8	1090404	Spring, Front Paper Guide	28	1108959	16" Paper Table Assm.
9	1106011	Nut, Checkstop	29	1108960	20" Paper Table Assm.
10	1110554	Carriage End Cover L.H.	29	1103786	12" Paper Table Lining
11	1109857	12" Deflector Assembly	29	1103787	16" Paper Table Lining
11	1109862	16" Deflector Assembly	30	1103788	20" Paper Table Lining
11	1109983	20" Deflector Assembly	30	1107757	Margin Stop Assm. R.H. 10P
12	1106007	Feed Roll Front (3) for 12", (4) for 16", (5) for 20"	30	1105683	Margin Stop Assm. R.H. 12P
13	123639	Screw, Bushing	31	1106584	Lever, Paper Bail Cam
14	1103713	Bushing, Front Paper Guide	32	1109898	Final Knockout (Dec. Tab Models only)
15	1090404	Spring, Front Paper Guide	33	1107839	Bail Arm Assm. R.H.
			34	1104436	Cam & Guide Assm. R.H.
			35	1104406	Feed Roll Front (1) for 16", (1) for 20"
			36	1077832	Checkstop
			37	186399	Screw, Checkstop
			38	1090037	Nut, Ribbon Plate Screw
			39	1078539	Ribbon Feed Plate Assm. L.H.
			39	1078541	Ribbon Feed Plate Assm. R.H.
			40	1100684	Side Frame Assm. L.H.
			40	1077844	Side Frame Assm. R.H.
			41	1073976	Card Holder R.H. 10P
			41	1073983	Card Holder R.H. 12P
			42	1070594	Screw, Ribbon Feed Plate
			43	1090970	Washer, Rib Feed Plate
			44	1110565	Screw
			44	1107828	Carriage End Cover R.H. 12" Checkwriter Platen Assm. 33T
			45	1107829	16" Checkwriter Platen Assm. 33T
			45	1107830	20" Checkwriter Platen Assm. 33T
			46	1107843	16" Checkwriter Platen Assm. 33T
			46	1107844	Paper Bail Assm. 12"
			46	1107845	Paper Bail Assm. 16"
			47	1107785	Paper Bail Assm. 20"
			47	1107785	Front Case & Top Cover (Checkwriter)
			48	1110242	Spring-Paper Bail Cam
					(NOTE: The Checkwriter Attachment is not available for Field installation.)



REF. PART NO.	DESCRIPTION	REF. PART NO.	DESCRIPTION	REF. PART NO.	DESCRIPTION
1 1078652	Spacer (for Bail Arm Bracket L.H.)	25 1106011	Speed Nut	40 1105516	Lockwasher (for L.H. Bracket)
2 1105916	Bail Arm Bracket Assm. L.H.	26 1077833	12" Front Paper Guide	41 1078543	Carriage End Cover L.H.
3 1110128	Bail Spring L.H.	1096853	16" Front Paper Guide	1104090	Carriage End Cover L.H. Dec. Tab.
4 1105914	Bail Arm Assm. L.H.	1096868	20" Front Paper Guide	42 1066466	Platen Ratchet Wheel, Power Bail 33T
5 65625	Nut, Tie Rod	27 1077832	Check Stop	43 1078520	Gear
6 1090034	Nut	28 1106557	12" 10 Pitch Check Holder	44 1078531	Pin
7 1078518	12" Bail Arm Support Shaft	1106556	12" 12 Pitch Check Holder	45 1078525	Hub
1096934	16" Bail Arm Support Shaft	1107813	16" 10 Pitch Check Holder	46 25282	"C" Clip
1096900	20" Bail Arm Support Shaft	1106558	16" 12 Pitch Check Holder	47 1078553	Bail Roll Assembly
8 1078523	12" Bail Roll Shaft Assm.	1107815	20" 10 Pitch Check Holder	48 1078524	Deflector, Bail
1096699	16" Bail Roll Shaft Assm.	1107814	20" 12 Pitch Check Holder	49 1078653	Spacer (for Bail Arm Bracket R.H.)
1096901	20" Bail Roll Shaft Assm.	29 186399	Screw (to mount Check Stop)	50 1105517	Tie Rod 12"
9 1105515	Lockwasher (for R.H. Bracket)	30 1073976	10 Pitch Line Gauge Card Holder R.H.	1105518	Tie Rod 16"
10 1074145	Washer	1073983	12 Pitch Line Gauge Card Holder R.H.	1105519	Tie Rod 20"
11 1090034	Nut	31 1109899	Line Gauge Card Holder Bracket	51 F. I. Bills of Material for Model A Checkwriting Attachment (with Power Bail)	
12 65625	Nut, Tie Rod	32 1090003	Screw (to mount Line Gauge Bracket)	1078589	12" 10P
13 1090254	Washer	33 1073975	10 Pitch Line Gauge Card Holder L.H.	1078588	12" 12P
14 1110129	Bail Spring R.H.	1073982	12 Pitch Line Gauge Card Holder L.H.	1100391	16" 10P
15 1105917	Bail Arm Bracket Assm. R.H.	1073982	12 Pitch Line Gauge Card Holder L.H.	1100390	16" 12P
16 1105915	Bail Arm Assm. R.H.	34 4224	Screw (to mount Check Holder)	1100395	20" 10P
17 1091111	Lock Washer	35 1090605	Nut	1100394	20" 12P
18 186393	Screw	36 1090604	Screw	F. I. Bills of Material for Model A Checkwriting Attachment (without Power Bail)	
19 62031	Lock Washer	37 1077834	12" Deflector	1077830	12" 10P
20 1090015	Screw	1096866	16" Deflector	1078590	12" 12P
21 1078549	Carriage End Cover R.H.	1096881	20" Deflector	1100389	16" 10P
1104091	Carriage End Cover R.H. Dec. Tab.	38 1077840	12" Deflector & Feed Roll Assm.	1100387	16" 12P
22 1072669	12" Rear Feed Roll Assm.	1096865	16" Deflector & Feed Roll Assm.	1100388	16" 12P
1072670	16" Rear Feed Roll Assm.	1096880	20" Deflector & Feed Roll Assm.	1100393	20" 10P
1072669	20" Rear Feed Roll Assm.	1096880	20" Deflector & Feed Roll Assm.	1100392	20" 12P
23 1064810	12" Front Feed Roll Assm.				
1260009	16" Front Feed Roll Assm.				
1064810	20" Front Feed Roll Assm.				
24 1090490	Spring (for Front Paper Guide)				

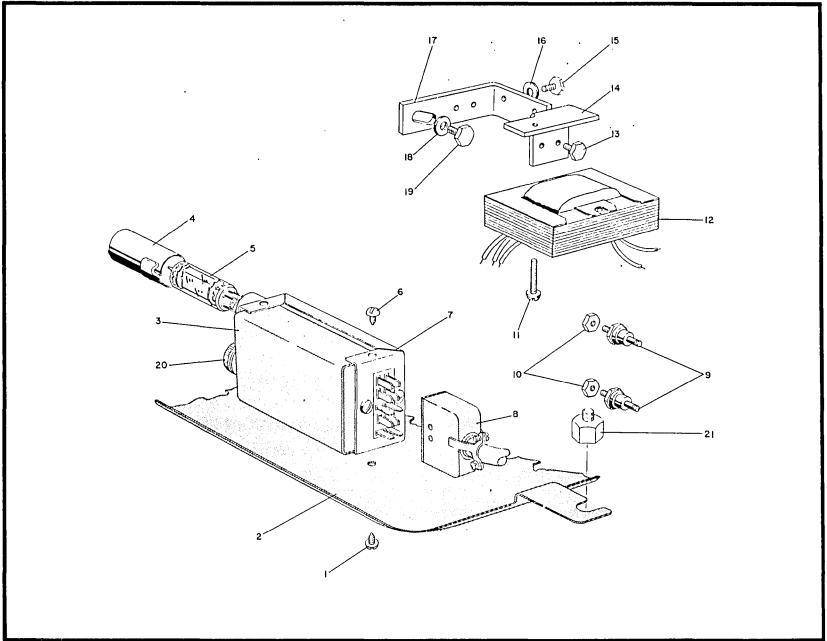


REF. PART NO.	DESCRIPTION	REF. PART NO.	DESCRIPTION	REF. PART NO.	DESCRIPTION
1	1106239 Button, Platen Variable (Grey)	19	1109740 Cover, Platen Clutch	40	1261031 Retaining Strip
2	1106243 Knob, Platen L.H. (Grey)	20	1106344 Ratchet Housing	41	130539 Shim, Final Stop
3	45639 Washer, Platen Variable	21	1106347 Platen Shaft	42	Clamp Type Waybill Platen Assm. NOT F. I. B/M
4	1090240 Washer, Platen Variable	22	308459 Nut, Platen End Plug	1261029	#2 Rubber
5	1104047 Stop, Final	23	60488 Retainer, Final Stop	1108438	#4 Rubber
6	1090620 Screw, Set Adjustable Stop	24	1104472 Stud, Final Stop	43	F. I. Bills of Material, for complete field installation of clamp type waybill platen, 33T Ratchet, Grey Knobs and 12" only.
7	1103917 Bushing, Platen Shaft L.H.	25	56121 Lock Washer	1270732	#2 Rubber
8	1107233 Ratchet, Platen 33T	26	221 Nut, Final Stop Stud	1270828	#4 Rubber
9	1090620 Screw, Ratchet Housing	27	24752 Screw, Bracket Mtg.		
10	1260398 Platen End Plug Asm., L.H. & R.H.	28	1261033 Cam Bracket Assm. L.H.		
11	1260395 Cam Bar	29	1090926 Blade Screw		
12	1260335 #2 Core & Rubber Asm.	30	1261035 Cam Bracket Assm. R.H.		
13	1260396 #4 Core & Rubber Asm.	31	24752 Screw, Bracket Mtg.		
14	1260397 Card Blade	32	1261020 Blade, Card Holding		
15	1076796 Screw, Platen Knob	33	1103889 Bushing, Platen Shaft R.H.		
16	1109758 Shaft, Ratchet Release	34	306907 Spacer, Platen Knob		
17	306807 Spacer, Platen Knob	35	1106244 Knob, Platen R.H. (Grey)		
18	1104042 Stop, Adjustable	36	1076796 Screw, Sat Platen Knob		
		37	1104474 Carriage End Cover L.H. (Grey)		
		38	1261031 Retaining Strip		
		39	1261630 Carriage Frame Assm. Only		



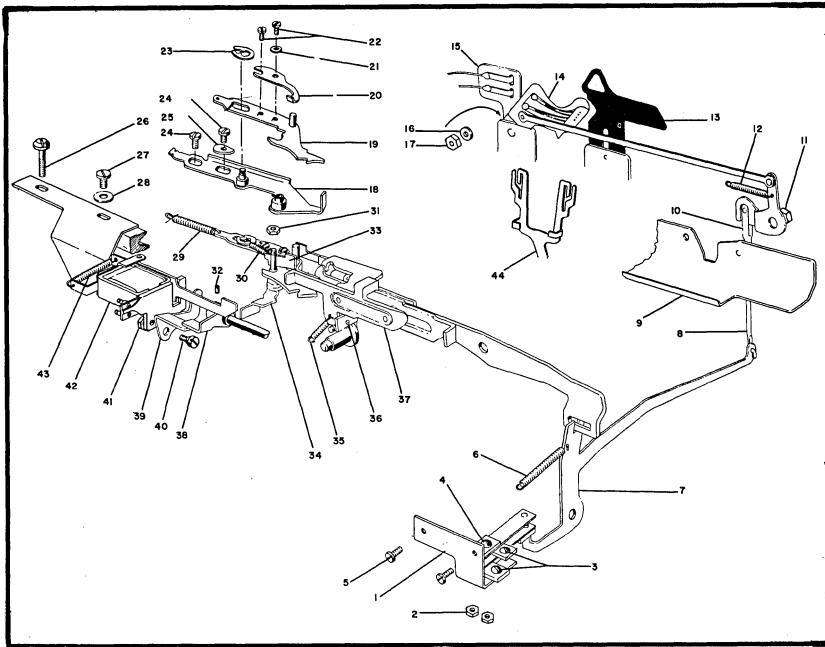
REF. PART NO.	DESCRIPTION	REF. PART NO.	DESCRIPTION	REF. PART NO.	DESCRIPTION
1	1260169 Pin, Stop	1105790	Margin Stop Assem. L.H. 1/32 Esc.	19	1090926 Screw
2	1260381 Blade, Card Holder			20	1260175 Blade, Card Holding
3	1090926 Screw, to mount blade	1105818	Margin Stop Assem. L.H. 1/36 Esc.	21	1104044 Ratchet, 44 Tooth
4	1260382 16" No. 1 Dual Purpose Platen Assem. 33T Model B, Std. or Exec.	1105819	Margin Stop Assem. L.H. 1/45 Esc.	22	1104474 Cover Assem., Carriage End L.H.
1110097	16" No. 1 Dual Purpose Platen Assem. 29 T Model B, Std. or Exec.	6	221 Nut, Final Stop Stud	23	1103917 Bushing, Platen
5	1105672 Margin Stop Assem. L.H. 5/32 P.	7	56121 Lockwasher, Stop Stud	24	1104042 Stop Assem.
		8	1104472 Stud, Final Stop	25	1109740 Cover and Sleeve
1105677	Margin Stop Assem. L.H. 14 P.	9	130539 Shim, Final Stop	26	1109758 Shaft, Platen Release
1107758	Margin Stop Assem. L.H. 8 P.	10	1104047 Stop Assem., Final	27	1104042 Stop Assem.
1107759	Margin Stop Assem. L.H. 9 P.	11	60488 Retainer, Stop Stud	28	38281 Screw
1107760	Margin Stop Assem. L.H. 10 P.	12	1090620 Setscrew, for Stop	29	1103637 Spring, Detent 50 - 66T
1107761	Margin Stop Assem. L.H. 12 P.	13	1260352 Knob Asm. (Includes Ref. #28 thru #34)	30	1000363 Spacer
		14	1104478 Knob, Platen	31	1090199 Washer
		15	1260348 Ratchet, Platen Knob	32	1260350 Detent Arm
		16	1260349 Cover Assem., Platen Ratchet Knob	33	1090383 Nut, Eccentric
		17	38429 Screw, Cover	34	1090037 Nut
		18	1260169 Pin, Stop	35	1106239 Button, Platen Clutch
				36	1270689 F.I. Rubber & Core Assm. (12" No. 1 Card Positioning Platen)
				37	1104488 12" 44T Tab Card Positioning Platen Assem.
				38	1270674 Field Installation B/M for 12" 44T Tab Card Positioning Platen Assem.
					1270675 Field Installation B/M for 16" 33T Dual Purpose Platen Assem. Std or Exec. (State Pitch)
					1270683 Field Installation B/M for 16" 29T Dual Purpose Platen Assem. Std or Exec. (State Pitch)

Model B Electronic Tab



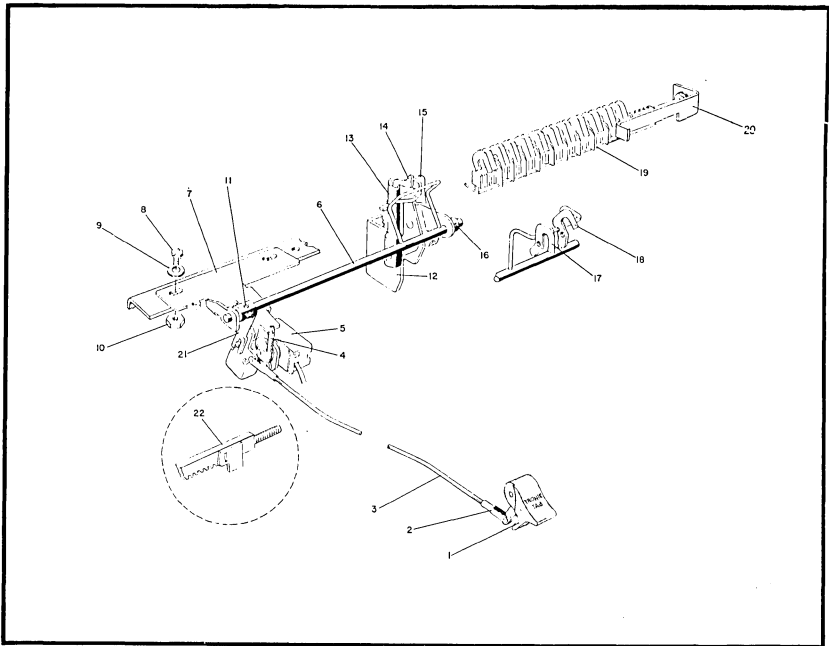
REF. PART NO.	DESCRIPTION	REF. PART NO.	DESCRIPTION	REF. PART NO.	DESCRIPTION
1	70078 Self Tapping Screw				
2	1108307 Bottom Plate				
3	1108302 Cover, Chassis Assembly				
4	501939 Tube Shield				
5	300704 Tube (2-D-21)				
6	70078 Self Tapping Screw				
7	1108300 Chassis Assembly Complete				
8	1108299 Cable Assembly Complete (includes plug)				
9	1108299 Binding Post				
10	38051 Nut, for Binding Post				
11	173207 -Screw, Transformer				
12	1108297 Transformer				
13	1090449 Screw, Transformer Mtg. Brkt. (2 required)				
14	1108296 Transformer Mounting Brkt.				
15	1072684 Screw, Motor Mtg. Brkt. (2 required)				
16	1090254 Washer, Motor Mtg. Brkt. (2 required)				
17	1108295 Motor Mounting Bracket (Electronic Tab Mechanism)				
18	1090254 Washer, Motor Mtg. Brkt.				
19	1074048 Screw, Motor Mtg. Brkt.				
20	179946 Fuse Holder Assembly Note: Fuse No. 6325 used with this mechanism				
21	1096741 Base Foot Extension				

Model B Electronic Tab



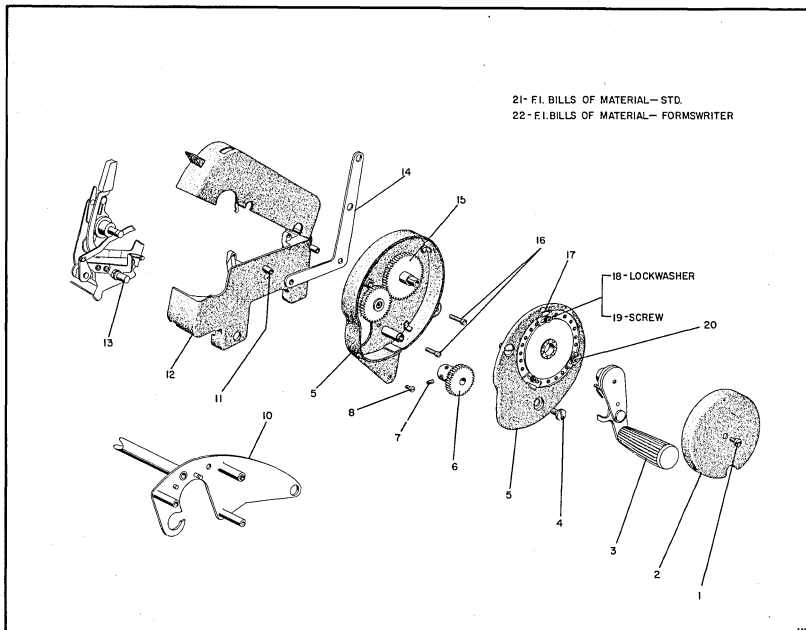
REF. PART NO.	DESCRIPTION	REF. PART NO.	DESCRIPTION	REF. PART NO.	DESCRIPTION
1	1108293 Contact Assembly	39	1108230 Armature Interlock Lever		
2	22339 Nut, Contact Screw (2)	40	1090438 Screw		
3	18491 Screw, Contact Terminal (2)	41	1091276 Nut		
4	173207 Screw, Contact (2)	42	1108221 Magnet and Bracket Assem.		
5	106298 Screw, Contact Assembly Mtg. (2)	43	32340 Spring		
6	1090589 Spring	44	1108271 Ribbon Guide		
7	1108251 Tab Actuating Lever & Bracket Assem. (Complete Lever & Brkt. are riveted as a unit)				
8	1000223 Link, Connecting				
9	1108253 Front Rail Dust Cover Assem.				
10	1070020 Adjustable Clevis				
11	103372 Elastic Stop Nut				
12	1106650 Spring				
13	1108291 Line Gage Card Holder				
14	1108258 Sensing Finger Assembly complete (includes link & bellcrank)				
15	1108268 Contact Plate Assembly				
16	1090630 Spacer Washer (3 required)				
17	1090268 Nut				
18	1108208 Rebound Check Mounting Bracket Assembly				
19	1108216 Tab Rebound Check Assem.				
20	1108218 Stop, Rebound Check				
21	1090222 Washer, Rebound Check				
22	186712 Screw, Rebound Check (2)				
23	25282 Clip, Retainer				
24	1090007 Screw (2 required)				
25	1109890 Washer				
26	1090012 Screw				
27	1090007 Screw				
28	22478 Washer				
29	1090435 Spring				
30	120710 Spring				
31	1091057 Nut, Latch Plate				
32	1078469 Set Screw				
33	1108215 Latch Plate				
34	1108212 Tab Latch Assem.				
35	1100936 Spring				
36	1072941 Spring				
37	1108201 Tabular Lever Assem. 10 Pitch				
38	1108240 Armature Actuating Lever Assem.				

Model B Electronic Tab

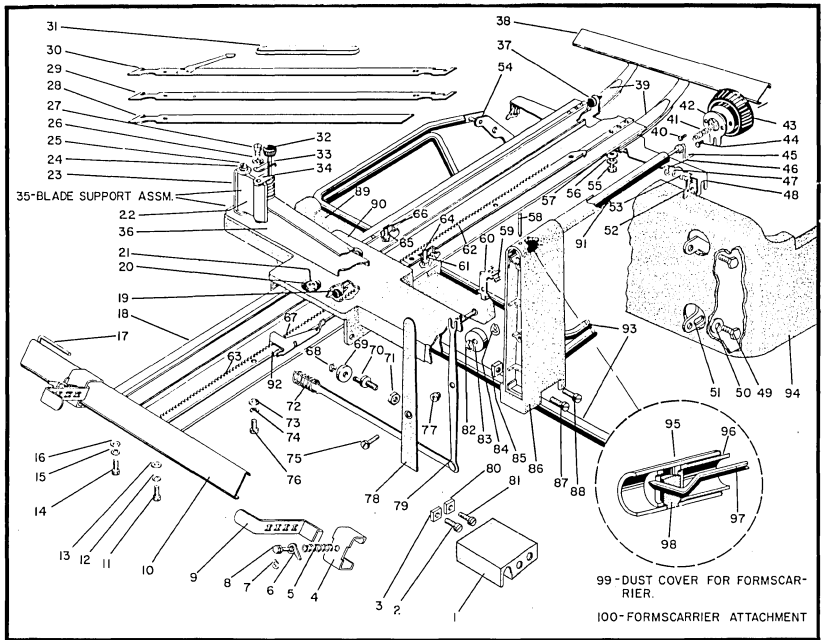


REF. PART NO.	DESCRIPTION	REF. PART NO.	DESCRIPTION	REF. PART NO.	DESCRIPTION
1	1108276	Keybutton, Tronic Tab			
2	1070020	Adjustable Clevis			
3	1108278	Control Link Assembly			
4	120710	Spring			
5	1072088	Switch Assembly			
6	1108237	Cam Assem., Auto Tab Set			
7	1108231	Mounting Bracket Assem. EL. Tab.			
8	7039	Screw, Mounting Bracket (2)			
9	1090386	Washer, Mounting Bracket (2)			
10	7341	Nut, (2)			
11	1078469	Set Screw			
12	1108242	Tab Set & Clear Brkt. Assem.			
13	1107991	Tab Stop Lever Assem.			
14	1108246	Tab Set Finger			
15	1108245	Tab Clear Lever Assem.			
16	1078469	Set Screw			
17	1015100	Tab Stop (Standard)			
18	1108248	Tab Stop, Electronic Tab (Grooved)			
19	1108247	12" 10 Pitch Tabular Rack Assem. (other pitches and lengths to be re- leased later)			
20	1108268	Final Stop R. H.			
21	1108235	Actuating Lever Assem.			
22	1108249	12" 10 Pitch Margin Rack Assem. (other pitches and lengths to be re- leased later)			

21- F.I. BILLS OF MATERIAL - STD.
22- F.I. BILLS OF MATERIAL - FORMWRITER



REF. PART NO.	DESCRIPTION	REF. PART NO.	DESCRIPTION	REF. PART NO.	DESCRIPTION
1	186759 Screw, Act. Stop Cover	1261709	Drive Gear, 72 T	1270715	42 T Drive Gear 16"
2	1106046 Cover, Act., Stop	16	1078021 Screw, Mtg.	1270716	44 T Drive Gear 16"
3	1106871 Crank Assm.	17	1106869 Stop, Activator	1270717	48 T Drive Gear 16"
4	186759 Screw, Act. Stop Cover	18	56727 Lockwasher	1270718	51 T Drive Gear 16"
5	Main Frame Includes, Both Sections & Reference #s 9, 17, 20	19	1090003 Screw, (Knurled Head)	1270719	60 T Drive Gear 16"
1110124	Standard Carriages	20	1106047 Stop, Activator	1270720	66 T Drive Gear 16"
1110126	Formwriter Carriages	21	Formline Selector Field Installation Bills of Material for Standard Carriages 12" & 16" Models	1270796	72 T Drive Gear 16"
6	1106873 Gear, Platen Shaft (Std. Models) 1/4" Shaft	1270700	36 T Drive Gear		
1109844	1109844 Gear, Platen Shaft (Formwriter) 1/4" Shaft	1270701	42 T Drive Gear		
1108506	1108506 Gear Platen Shaft (Std. Models) 3/8" Shaft	1270702	44 T Drive Gear		
7	1076796 Set Screw	1270703	48 T Drive Gear		
8	1104086 Screw, Mtg.	1270704	51 T Drive Gear		
10	1106028 Lift Arm Assm. 12"	1270705	60 T Drive Gear		
1106029	Lift Arm Assm. 16"	1270706	66 T Drive Gear		
11	1106361 Spacer, Guide	1270794	72 T Drive Gear		
12	1106872 Cover, Carriage End (R.H.)	22	Formline Selector Field Installation Bills of Material for Formwriter Machines.		
13	1106870 Spacer, Hex Head	1270707	36 T Drive Gear 12"		
14	1106350 Guide, Upright	1270708	42 T Drive Gear 12"		
15	1261022 Drive Gear, 36 T	1270709	44 T Drive Gear 12"		
1261023	Drive Gear, 42 T	1270710	48 T Drive Gear 12"		
1261024	Drive Gear, 44 T	1270711	51 T Drive Gear 12"		
1261025	Drive Gear, 48 T	1270712	60 T Drive Gear 12"		
1261026	Drive Gear, 51 T	1270795	66 T Drive Gear 12"		
1261027	Drive Gear, 60 T	1270713	72 T Drive Gear 12"		
1261028	Drive Gear, 66 T	1270714	36 T Drive Gear 16"		



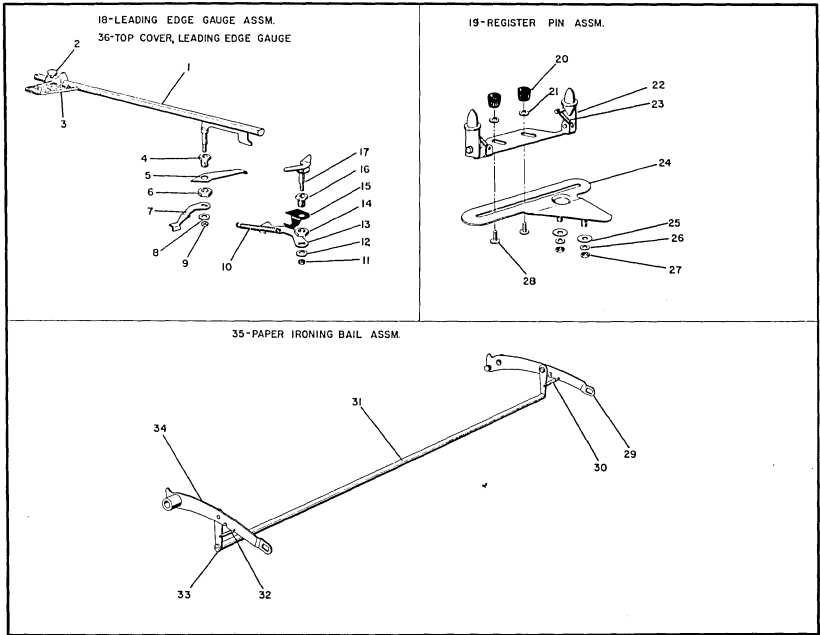
REF. PART NO.	DESCRIPTION	REF. PART NO.	DESCRIPTION	REF. PART NO.	DESCRIPTION
1	1095085 Truck Extension	1095301	Includes Form Width's 5" thru 8 3/8"	1107295	Knob & Pin Assm. (16 Blade)
2	1090026 Screw, Truck Extension	1093596	8 1/2" Form Width Only	33	1093602 Spring, Blade Post
3	1091423 Nut, Screw	1095287	Includes Form Width's 8 5/8" thru 10 7/8"	34	1093603 Stop, Blade Post
4	1093518 Clamps, Forms Guide	1095105	11" Form Width Only	35	1093600 Blade Support Assm. 8
5	1074321 Spring, Locking Lever	1095303	Includes Form Width's 11 1/8" thru 13 1/8"	1093601	Blade (Forms up to 9 1/4")
6	1095151 Lever, Locking	1095287	13 1/4" Form Width Only	1093601	Blade Support Assm. 16
7	1095160 Ring, Locking	29	OPEN WEB BLADES, when ordering SPECIFY FORM WIDTH along with Part Number. Rivet is inserted to your Specified Form Width.	1095103	Blade (Forms up to 9 1/4")
8	1095152 Stud, Forms Guide	1095293	Includes Form Width's 5" thru 9 1/4" (Except 8 1/2" Forms) (See Following P/N)	1095103	Blade Support Assm. 8
9	1093512 Guide, Forms	1095292	8 1/2" Forms Width Only	1095108	Blade (Forms up to 13 1/4")
10	Forms Guide Assm's, Include Ref. #s 4 thru 9 (L.H. & R.H.)	1095295	Includes Form Widths 9 1/2" thru 13 1/4" (Except 11" Form Width) (See Following P/N)	1095108	Blade Support Assm. 16
1093581	Forms Guide Assm. 12"	30	SLITTER BLADES, when ordering SPECIFY FORM WIDTH along with Part Number, Slitter is installed to your Specified Form Width.	1095108	Blade (Forms up to 13 1/4")
1095096	Forms Guide Assm. 16"	1095294	11" Form Width Only	36	1093579 Support, Blade (Forms up to 9 1/4")
11	1095011 Screw, Rack Mt.	1095294	11" Form Width Only	1095102	Support, Blade (Forms up to 13 1/4")
12	60646 Lock Washer	1095292	8 1/2" Forms Width Only	1095102	Support, Blade (Forms up to 13 1/4")
13	22478 Spacer	1095295	Includes Form Widths 9 1/2" thru 13 1/4" (Except 11" Form Width) (See Following P/N)	37	1070160 Stop, Rubber
14	24752 Screw, Forms Guide Mt.	1095294	11" Form Width Only	38	1093542 Forms Guide Assm. 12"
15	60646 Lock Washer	30	SLITTER BLADES, when ordering SPECIFY FORM WIDTH along with Part Number, Slitter is installed to your Specified Form Width.	38	1093542 Forms Guide Assm. 16"
16	22478 Spacer	1095290	Includes Form Widths 5" thru 9 1/4" (Except 8 1/2" Form Width) (See P/N Below)	39	1107292 Leaf Spring
17	1095109 Clamp, Forms	1095294	11" Form Width Only	40	1091042 Screw, Locking Plate
18	1093608 Track	1095290	Includes Form Widths 5" thru 9 1/4" (Except 8 1/2" Form Width) (See P/N Below)	41	1093591 Spring, Trigger Rod
19	1070160 Stop, Rubber	1095294	11" Form Width Only	42	1093590 Plate, Locking
20	221 Nut, Eccentric Stud	30	SLITTER BLADES, when ordering SPECIFY FORM WIDTH along with Part Number, Slitter is installed to your Specified Form Width.	43	1107296 Knob Assm.
21	1093517 Stud, Eccentric	1095290	Includes Form Widths 5" thru 9 1/4" (Except 8 1/2" Form Width) (See P/N Below)	44	1091042 Screw, Locking Plate
22	1093599 Post 8 Blade (L.H. & R.H.)	1093606	8 1/2" Form Width Only	45	1093564 Rod Assm.
22	1093598 Post 16 Blade (L.H. & R.H.)	1095291	Includes Form Widths 9 1/2" thru 13 1/4" (Except 11" Form Width) (See P/N Below)	46	147297 Retainer, "C" Clip
23	1109981 Positioner 8 Blade (L.H. & R.H.)	1095291	Includes Form Widths 9 1/2" thru 13 1/4" (Except 11" Form Width) (See P/N Below)	47	45639 Washer
1109982	Positioner 16 Blade (L.H. & R.H.)	1093606	8 1/2" Form Width Only	48	1093568 Support Assm.
24	1090199 Washer, Screw	1095291	Includes Form Widths 9 1/2" thru 13 1/4" (Except 11" Form Width) (See P/N Below)	49	1105690 Screw, Brk. Mtg.
25	1090741 Screw, Positioner	1095107	11" Form Width Only	50	45690 Washer, Brk. Mtg. Screw
26	1090199 Washer, Screw	1093593	Clip, Carbon Paper	51	1076932 Bracket, Carrier, Support
27	1090741 Screw	1107294	Knob & Pin Assm. (8 Blade)	52	1093607 FormscARRIER Latch (L.H. & R.H.)
28	FANFOLD FORM BLADES, When ordering SPECIFY FORM WIDTH along with Part Number. Blades are cut to your Specified Form Width.	1095107	11" Form Width Only	53	5895 Spring, Latch
		31	1093593 Clip, Carbon Paper	54	1076932 Bracket, Carrier, Support
		32	1107294 Knob & Pin Assm. (8 Blade)	55	337 Screw, Forms Guide Mtg.
				56	60646 Washer, Mtg. Screw
				57	22478 Spacer, Mtg. Screw

MODEL A-B FORMSCARRIER

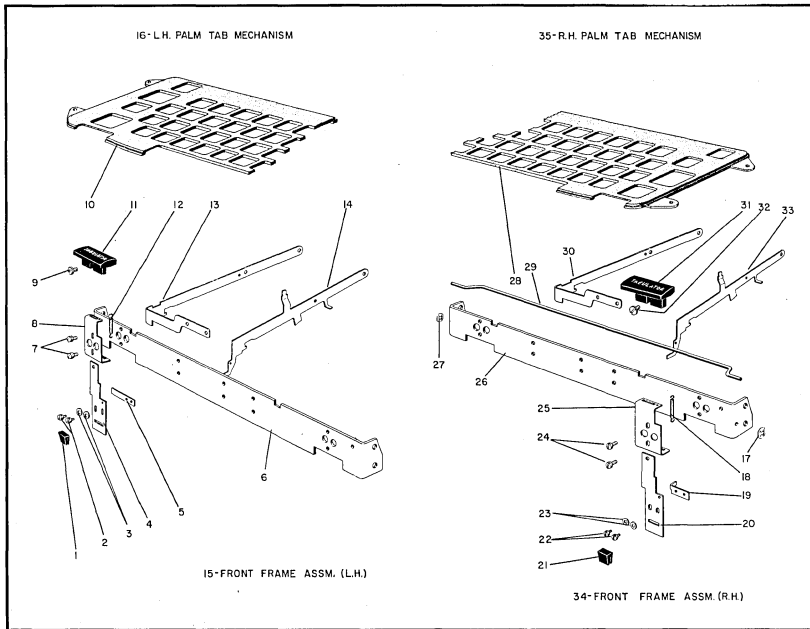
REF. PART NO.	DESCRIPTION	REF. PART NO.	DESCRIPTION	REF. PART NO.	DESCRIPTION
58	1093582	Pin, Handle Support	80	1091423	Nut, Truck Extension
59	1073462	Set Screw	81	1090026	Screw, Truck Extension
60	1093583	Insert, Handle Tube	82	60489	Spring Clip
61	60646	Washer	83	1093540	Wheel Assm.
62	1093555	Rack, Front	84	60489	Spring Clip
63	1093548	Rack, Rear	85	1091423	Nut, Handle Screw
64	1090000	Screw, Wheel, Brk., Mtg.	86	1093546	Cover, Handle Support (Specify Color)
65	60646	Washer	87	1090026	Screw, Handle Mtg.
66	1090000	Screw, Wheel Brk. Mtg.	88	1090026	Screw, Handle Mtg.
67	1093533	Truck Stop Assm.	89	1093547	Wheel Mtg. Bracket (Specify Color)
68	147297	Retainer "C" Clip	90	1093544	Truck & Pin Assm. (Specify Color)
69	1093525	Wheel	91	1093589	Shaft Assm.
70	1093516	Stud, Eccentric	92	1093535	Spring, Truck Stop
71	221	Nut, Eccentric Stud	93	1093529	Formscarrrier Support Assm. 12"
72	1090593	Spring, Plunger Lever		1095110	Formscarrrier Support Assm. 16"
73	22478	Spacer	94	1100799	Cover, Rear (Specify Color)
74	60646	Lock Washer	95	1093573	Tube & Stop Assm.
75	1090629	Screw, Support Cover	96	1093589	Shaft Assm.
76	1095011	Screw, Rack Mtg.			
77	1093585	Bushing, Lever Handle			
78	1093584	Cover, Handle (Specify Color)			
79	1093572	Plunger Lever Assm. 12"			
	1095094	Plunger Lever Assm. 16"			
					97 1093564 Rod Assm.
					98 1093586 Handle Locating Pin
					99 1106400 Dust Cover 12"
					1106401 Dust Cover 16"
				100	F. I. Bills of Material, Includes all parts necessary to install a Forms- carrier on Formwriter Machines. Specify form width and color.
				1270761	Model B Formscarrrier 12"
				1270762	Model B Formscarrrier 16"
				1270441	Model A Formscarrrier 12"
				1270442	Model A Formscarrrier 16"

January 1960

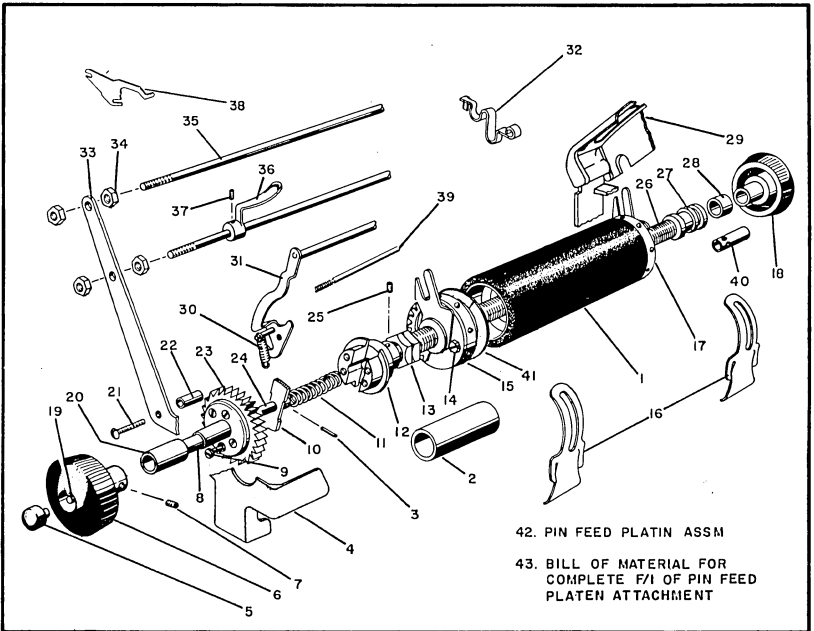
Figure 1



REF. PART NO.	DESCRIPTION	REF. PART NO.	DESCRIPTION	REF. PART NO.	DESCRIPTION				
1	1095039	Leading Edge Gauge	17	1095035	Latch Assembly	25	2903	Washer	
		Assm., 8" (Gauge Only)	18	F. I. Bills of Material	26	1090731	Lockwasher		
	1100730	Leading Edge Gauge		1260157	Front Case & Cover	27	1090041	Nut	
		Assm., 11" (Gauge Only)			Assem., -Leading edge	28	1091340	Screw	
2	1090668	Set Screw		1260158	Front Case & Cover	29	1260006	Bail Lever Assem. R.H.	
3	1074314	Finger Stop			Assem., Leading edge	30	1071687	Spring	
4	1095043	Bushing			Assem., Leading edge	31	1260002	Ironing Rod, 12"	
5	1095042	Stop		19	1100732	Register Pin Assembly	32	1071687	Spring
6	1095044	Nut			1/4" Hole	33	1260000	Screw	
7	1102019	Lever, Gauge		1100733	Register Pin Assembly	34	1260007	Bail Lever Assem. L.H.	
8	1090622	Washer			5/16" Hole	35	1270000	Paper Ironing Bail Assm. 12"	
9	1090037	Nut		1074320	Register Pin Assembly		1270001	Paper Ironing Bail Assm 16"	
10	1091074	Spring			3/8" Hole		36	1108579	Top Cover, (holes drilled for leading edge gage) Specify Color
11	1090037	Nut		20	1074315	Knob			
12	1090622	Washer		21	1090970	Washer			
13	1095040	Lever, Latch		22	1074319	Register Pin Bracket			
14	1095044	Nut		23	1090794	Spring			
15	1095041	Detent Spring		24	1102005	Base Assembly			
16	1095043	Bushing							



REF. PART NO.	DESCRIPTION	REF. PART NO.	DESCRIPTION	REF. PART NO.	DESCRIPTION
1	1095101 Rubber Bumper	16	1270093 L.H. Palm Tabular Mechanism 88 Character, Parts to install Model A F. I.	30	1095012 Keylever, Spacebar Palm Tab
2	1091480 Screw, to Mount Extension (2)	1270653	L.H. Palm Tabular Mechanism 84 Character, Parts to install Model B F. I.	31	1106230 Keybutton, Palm Tab R.H. Gray
3	1000389 Washer, to Mount Extension (2)	1270654	L.H. Palm Tabular Mechanism 88 Character, Parts to install Model B F. I.	1260018	Keybutton, Palm Tab R.H. Blue
4	1095014 Key, Palm Tab	17	1072821 Speed Clip (2)	32	196298 Screw, to Mount Keybutton
5	1095013 Extension, Palm Tab Key	18	1073863 Spring, Palm Tab Key	33	1095018 Keylever, Palm Tab
6	1073455 Front Frame (Only) L.H. 84 & 88 Character Models A & B	19	1260019 Bracket, Tab Bail Opening	34	1260149 Front Frame Assm. R.H. (Complete with all Palm Tab Parts Assembled) Model B
7	1091817 Screw, Key Guide (2)	20	1095014 Key, Palm Tab	35	Field Installation Bills of Material, for R. H. Palm Tab. Specify 84 or 88 Character.
8	1095015 Guide, Palm Tab Key	21	1095101 Rubber Bumper	1270652	R.H. Palm Tab, Model B
9	196298 Screw, to Mount Keybutton	22	1091480 Screw, to Mount Bracket (2)	1270496	R.H. Palm Tab, Model A
10	1095019 Keyplate, Palm Tab L.H. 84 Character (Specify Model A or B)	23	1000389 Washer, to Mount Bracket (2)		
1095077	Keyplate, Palm Tab L.H. 88 Character (Specify Model A or B)	24	1091817 Screw, Key Guide (2)		
11	1106378 Keybutton, Palm Tab, L.H. Gray	25	1095015 Guide, Palm Tab Key		
1095016	Keybutton, Palm Tab, L.H. Blue	26	1260021 Front Frame		
12	1073863 Spring Palm Tab	27	1072821 Speed Clip (2)		
13	1095012 Keylever, Spacebar, Palm Tab, Model A & B	28	1260022 Keyplate, Palm Tab, R.H. (Specify Model A or B) (84 Character)		
14	1095018 Keylever, Palm Tab	1108434	Keyplate, Palm Tab, R.H. (Specify Model A or B) (88 Character)		
15	1261290 Front Frame Assm. L. H. (Complete with all Palm Tab Parts Assembled) Model B F. I.	29	1260020 Tabular Bail		
1261520	Front Frame Assm. L. H. (Complete with all Palm Tab Parts Assembled) Model A F. I.				



42. PIN FEED PLATEN ASSM
43. BILL OF MATERIAL FOR COMPLETE F/I OF PIN FEED PLATEN ATTACHMENT

REF. PART NO.	DESCRIPTION	REF. PART NO.	DESCRIPTION	REF. PART NO.	DESCRIPTION
1	12" CARRIAGE LENGTH	12	1106344 Ratchet Housing (Mod. B)	17	304781 Pinwheel Assembly, R.H. Model B
		13	1102195 Ratchet Housing (Mod. A)	18	1106244 Platen Knob Assm., R.H. Model B
		14	308459 Nut	19	1072212 Platen Knob Assm., R.H. Model A
		15	1100951 Screw	20	1104130 Bushing, Plastic
		16	304782 Pinwheel Assm., L.H.	21	1103917 Bushing, LH (Model B)
		17	1108179 Feed Finger (Model B)	22	1002334 Bushing, LH (Model A)
		18	304786 Feed Finger (Model A)	23	43525 Spacer, Cover Mounting
		19	1106244 Platen Knob Assm., R.H. Model B	24	1106361 Screw, Upright Guide
		20	1106244 Platen Knob Assm., R.H. Model B	25	Refer to Std. or Exec. Platen Sect.
		21	1106244 Platen Knob Assm., R.H. Model B	26	1103891 Platen Rel. Shaft (Mod. B)
		22	1106244 Platen Knob Assm., R.H. Model B	27	1065943 Platen Rel. Shaft (Mod. A)
		23	1106244 Platen Knob Assm., R.H. Model B	28	1090620 Set Screw
		24	1106244 Platen Knob Assm., R.H. Model B	29	1106347 12" Platen Shaft (Mod. B)
		25	1106244 Platen Knob Assm., R.H. Model B	30	1106346 16" Platen Shaft (Mod. B)
		26	1106244 Platen Knob Assm., R.H. Model B	31	1106345 20" Platen Shaft (Mod. B)
		27	1106244 Platen Knob Assm., R.H. Model B	32	1102196 12" Platen Shaft (Mod. A)
		28	1106244 Platen Knob Assm., R.H. Model B	33	1102197 16" Platen Shaft (Mod. A)
		29	1106244 Platen Knob Assm., R.H. Model B	34	1102198 20" Platen Shaft (Mod. A)
		30	1106244 Platen Knob Assm., R.H. Model B	35	1103889 Bushing, Platen Shaft R.H. Model B
		31	1106244 Platen Knob Assm., R.H. Model B	36	1071694 Bushing, Platen Shaft R.H. Model A
		32	1106244 Platen Knob Assm., R.H. Model B	37	304784 Bushing, Platen Shaft R.H. Early Model A, small diameter platen shaft
		33	1106244 Platen Knob Assm., R.H. Model B	38	306807 Spacer, Platen Knob R.H. Model B
		34	1106244 Platen Knob Assm., R.H. Model B	39	150758 Spacer, Platen Knob R.H. Model A
		35	1106244 Platen Knob Assm., R.H. Model B	40	1106362 R.H. Carriage End Cover (Specify Color)
		36	1106244 Platen Knob Assm., R.H. Model B	41	NOTE: Refer to CE Manual of Instruction Page 154 for cam anchor rod hole location in Model A Carriage End Cover.
		37	1106244 Platen Knob Assm., R.H. Model B	42	NOTE: Refer to CE Manual of Instruction Page 154 for cam anchor rod hole location in Model A Carriage End Cover.
		38	1106244 Platen Knob Assm., R.H. Model B	43	NOTE: Refer to CE Manual of Instruction Page 154 for cam anchor rod hole location in Model A Carriage End Cover.
		39	1106244 Platen Knob Assm., R.H. Model B		
		40	1106244 Platen Knob Assm., R.H. Model B		
		41	1106244 Platen Knob Assm., R.H. Model B		
		42	1106244 Platen Knob Assm., R.H. Model B		
		43	1106244 Platen Knob Assm., R.H. Model B		

PLATEN HARDNESS					
#1	#2	#4	#6	Pin to Pin	Writing Line
304638	1110881	304636	304637	5 - 1/4"	4 - 3/4"
304772	1110882	304639	304640	6"	5 - 1/2"
308455	1110883	308453	308454	7 - 1/2"	7"
304643	1110884	304641	304642	8"	7 - 1/2"
1109663	1110889	1109661	1109662	9"	8 - 1/2"
304645	1110885	304644	304773	9 - 3/8"	8 - 7/8"
16" CARRIAGE LENGTH					
304645	1110885	304644	304773	9 - 3/8"	8 - 7/8"
304648	1110886	304646	304647	9 - 7/8"	9 - 3/8"
314131	1110887	314133	314132	10 - 1/8"	9 - 5/8"
305216	1110888	305218	305217	11 - 1/4"	10 - 3/4"
314134	1110889	305290	314135	13 - 1/8"	12 - 5/8"
20" CARRIAGE LENGTH					
314134	1110889	305290	314135	13 - 1/8"	12 - 5/8"
305221	1110890	305219	305220	14 - 3/8"	13 - 7/8"
314136	1110892	314138	314137	15 - 1/2"	15"
305224	1110891	305222	305223	16 - 1/4"	15 - 3/4"
314139	1110893	314141	314140	17 - 11/32"	16 - 27/32"

REF. PART NO.	DESCRIPTION	REF. PART NO.	DESCRIPTION
2	304802 2" Spacer	5	1070848 Blue Button-Platen Clutch Release (Model A)
3	1090592 Pin	6	1106243 Platen Knob, LH (Mod. B)
4	1106363 L.H. Carriage End Cover (Model B Specify Color)	7	1076796 Screw, Platen Knob
	NOTE: Refer to CE Manual of Instruction Page 154 for cam anchor rod hole location in Model A Carriage End Cover.	8	1103918 Cover & Sleeve Assm. (Mod. B)
5	1106239 Gray Button - Platen Clutch Rel. (Model B)	9	1071741 Cover & Sleeve Assm. (Mod. A)
		10	1073027 Screw
		11	1061419 Platen Ratchet Driver Compression Spring
		12	1106344 Ratchet Housing (Mod. B)
		13	1102195 Ratchet Housing (Mod. A)
		14	308459 Nut
		15	1100951 Screw
		16	304782 Pinwheel Assm., L.H.
		17	1108179 Feed Finger (Model B)
		18	304786 Feed Finger (Model A)
		19	1106244 Platen Knob Assm., R.H. Model B
		20	1106244 Platen Knob Assm., R.H. Model B
		21	1106244 Platen Knob Assm., R.H. Model B
		22	1106244 Platen Knob Assm., R.H. Model B
		23	Refer to Std. or Exec. Platen Sect.
		24	1103891 Platen Rel. Shaft (Mod. B)
		25	1065943 Platen Rel. Shaft (Mod. A)
		26	1090620 Set Screw
		27	1106347 12" Platen Shaft (Mod. B)
		28	1106346 16" Platen Shaft (Mod. B)
		29	1106345 20" Platen Shaft (Mod. B)
		30	1102196 12" Platen Shaft (Mod. A)
			1102197 16" Platen Shaft (Mod. A)
			1102198 20" Platen Shaft (Mod. A)
			1103889 Bushing, Platen Shaft R.H. Model B
			1071694 Bushing, Platen Shaft R.H. Model A
			304784 Bushing, Platen Shaft R.H. Early Model A, small diameter platen shaft
			306807 Spacer, Platen Knob R.H. Model B
			150758 Spacer, Platen Knob R.H. Model A
			1106362 R.H. Carriage End Cover (Specify Color)
			NOTE: Refer to CE Manual of Instruction Page 154 for cam anchor rod hole location in Model A Carriage End Cover.
			1071991 Spring, Cam Anchor Rod

Model A - B Pin Feed Platen

REF. PART NO.	DESCRIPTION	REF. PART NO.	DESCRIPTION	REF. PART NO.	DESCRIPTION	
31	1108919		Cam Anchor Rod 12" Model B	1106269	12" #6 33T 8"	
	1108920		Cam Anchor Rod 16" Model B	1106270	12" #6 44T 8"	
	1108921		Cam Anchor Rod 20" Model B	1109659	12" #6 33T 9"	
				1106271	12" #6 33T 9 3/8"	
				1106272	12" #6 44T 9 3/8"	
12" MODEL B PIN FEED PLATEN ASSM.						
32	1109870		Paper Release Lever Spring Model B	Pin to Pin		
33	1106350		Upright, Form Guide Model B	16" MODEL B PIN FEED PLATEN ASSM.		
	304796		Upright, Form Guide Model A	42	1106287	16" #1 33T Pin to Pin
34	304089		Nut, Form Guide Rod		1106288	16" #1 44T 9 3/8"
35	1106353		Rod, Form Guide 12" Model B		1106289	16" #1 33T 9 7/8"
	1106352		Rod, Form Guide 16" Model B		1106290	16" #1 44T 9 7/8"
	1106351		Rod, Form Guide 20" Model B		1106295	16" #1 33T 10 1/8"
	304797		Rod, Form Guide 12" Model A		1106296	16" #1 44T 10 1/8"
	304811		Rod, Form Guide 16" Model A		1106291	16" #1 33T 11 1/4"
	304803		Rod, Form Guide 20" Model A		1106292	16" #1 44T 11 1/4"
36	301002		Form Guide (Includes Set Screw)		1106293	16" #1 33T 13 1/4"
37	165556		Set Screw, Form Guide		1106294	16" #1 44T 13 1/8"
38	1100033		Paper Rel. Lever Spring Model A		1098823	16" #2 33T 9 3/8"
	304779		Cam Anchor Rod, 12" Model A		1098824	16" #2 44T 9 3/8"
	304799		Cam Anchor Rod, 16" Model A		1098825	16" #2 33T 9 7/8"
	304780		Cam Anchor Rod, 20" Model A		1098826	16" #2 44T 9 7/8"
40	304186		Adapter, Platen Knob		1098827	16" #2 33T 10 1/8"
41	314404		.003" Shim		1098828	16" #2 44T 10 1/8"
	1314405		.010" Shim		1098829	16" #2 33T 11 1/4"
	314406		.015" Shim		1098830	16" #2 44T 11 1/4"
					1098831	16" #2 33T 13 1/8"
					1098832	16" #2 44T 13 1/8"
					1106307	16" #4 33T 9 3/8"
					1106308	16" #4 44T 9 3/8"
					1106309	16" #4 33T 9 7/8"
					1106310	16" #4 44T 9 7/8"
					1106315	16" #4 33T 10 1/8"
					1106316	16" #4 44T 10 1/8"
					1106311	16" #4 33T 11 1/4"
					1106312	16" #4 44T 11 1/4"
					1106313	16" #4 33T 13 1/8"
					1106314	16" #4 44T 13 1/8"
					1106297	16" #6 33T 9 3/8"
					1106298	16" #6 44T 9 3/8"
					1106299	16" #6 33T 9 7/8"
					1106300	16" #6 44T 9 7/8"
					1106305	16" #6 33T 10 1/8"
					1106306	16" #6 44T 10 1/8"
					1106301	16" #6 33T 11 1/4"

REF. PART NO.	DESCRIPTION	REF. PART NO.	DESCRIPTION	REF. PART NO.	DESCRIPTION	
16" Model B Pin Feed Platen Assm. (Cont'd)						
	1106302	16" #6 44T	11 1/4"	1106328	20" #6 44T 16 1/4"	
	1106303	16" #6 33T	13 1/8"	1106331	20" #6 33T 17 11/32"	
	1106304	16" #6 44T	13 1/8"	1106332	20" #6 44T 17 11/32"	
20" MODEL B PIN FEED PLATEN ASSM.						
42	1108800	20" #1 33T	Pin to Pin	Individual Pin Feed Platen Assemblies (not complete attachments) for Model A ET's are available under the following part numbers.		
	1108801	20" #1 44T	13 1/8"	12" MODEL A PIN FEED PLATEN ASSM.		
	1106317	20" #1 33T	14 3/8"	42	1104120	12" #1 33T Pin to Pin
	1106318	20" #1 44T	14 3/8"		1103212	12" #1 33T 5 1/4"
	1106321	20" #1 33T	15 1/2"		1103214	12" #1 33T 6"
	1106322	20" #1 44T	15 1/2"		1103216	12" #1 44T 6"
	1106319	20" #1 33T	16 1/4"		1103218	12" #1 33T 7 1/2"
	1106320	20" #1 44T	16 1/4"		1103220	12" #1 44T 7 1/2"
	1106323	20" #1 33T	17 11/32"		1103222	12" #1 33T 8"
	1106324	20" #1 44T	17 11/32"		1103224	12" #1 44T 8"
	1099161	20" #2 33T	13 1/8"		1103226	12" #1 33T 9 3/8"
	1099162	20" #2 44T	13 1/8"		1103228	12" #1 44T 9 3/8"
	1099163	20" #3 33T	14 3/8"		1103230	12" #1 33T 9 7/8"
	1099164	20" #2 44T	14 3/8"		1103232	12" #1 44T 9 7/8"
	1099167	20" #2 33T	15 1/2"		1103258	12" #4 33T 5 1/4"
	1099168	20" #2 44T	15 1/2"		1103260	12" #4 44T 5 1/4"
	1099165	20" #2 33T	16 1/4"		1103262	12" #4 33T 6"
	1099166	20" #2 44T	16 1/4"		1103264	12" #4 44T 6"
	1099169	20" #2 33T	17 11/32"		1103266	12" #4 33T 7 1/2"
	1099170	20" #2 44T	17 11/32"		1103268	12" #4 44T 7 1/2"
	1106333	20" #4 33T	13 1/8"		1103270	12" #4 33T 8"
	1106334	20" #4 44T	13 1/8"		1103272	12" #4 44T 8"
	1106335	20" #4 33T	14 3/8"		1103274	12" #4 33T 9 3/8"
	1106336	20" #4 44T	14 3/8"		1103276	12" #4 44T 9 3/8"
	1106339	20" #4 33T	15 1/2"		1103278	12" #4 33T 9 7/8"
	1106340	20" #4 44T	15 1/2"		1103280	12" #4 44T 9 7/8"
	1106337	20" #4 33T	16 1/4"		1103234	12" #3 33T 5 1/4"
	1106338	20" #4 44T	16 1/4"		1103236	12" #6 44T 5 1/4"
	1106341	20" #4 33T	17 11/32"		1103238	12" #6 33T 6"
	1106342	20" #4 44T	17 11/32"		1103240	12" #6 44T 6"
	1108802	20" #6 33T	13 1/8"		1103242	12" #6 33T 7 1/2"
	1108803	20" #6 44T	13 1/8"		1103244	12" #6 44T 7 1/2"
	1106325	20" #6 33T	14 3/8"		1103246	12" #6 33T 8"
	1106326	20" #6 44T	14 3/8"		1103248	12" #6 44T 8"
	1106329	20" #6 33T	15 1/2"		1103250	12" #6 33T 9 3/8"
	1106330	20" #6 44T	15 1/2"		1103252	12" #6 44T 9 3/8"
	1106327	20" #6 33T	16 1/4"			
16" MODEL A PIN FEED PLATEN ASSM.						
	1103254	12" #6 33T	9 7/8"			
	1103256	12" #6 44T	9 7/8"			
20" MODEL A PIN FEED PLATEN ASSM.						
42	1103282	16" #1 33T	Pin to Pin			
	1103284	16" #1 44T	9 3/8"			
	1103286	16" #1 33T	9 7/8"			
	1103288	16" #1 44T	9 7/8"			
	1103298	16" #1 33T	10 1/8"			
	1103300	16" #1 44T	10 1/8"			
	1103290	16" #1 33T	11 1/4"			
	1103292	16" #1 44T	11 1/4"			
	1103294	16" #1 33T	13 1/8"			
	1103296	16" #1 44T	13 1/8"			
	1103322	16" #4 33T	9 3/8"			
	1103324	16" #4 44T	9 3/8"			
	1103326	16" #4 33T	9 7/8"			
	1103328	16" #4 44T	9 7/8"			
	1103338	16" #4 33T	10 1/8"			
	1103340	16" #4 44T	10 1/8"			
	1103330	16" #4 33T	11 1/4"			
	1103332	16" #4 44T	11 1/4"			
	1103334	16" #4 33T	13 1/8"			
	1103336	16" #4 44T	13 1/8"			
	1103302	16" #6 33T	9 3/8"			
	1103304	16" #6 44T	9 3/8"			
	1103306	16" #6 33T	9 7/8"			
	1103308	16" #6 44T	9 7/8"			
	1103318	16" #6 33T	10 1/8"			
	1103320	16" #6 44T	10 1/8"			
	1103310	16" #6 33T	11 1/4"			
	1103312	16" #6 44T	11 1/4"			
	1103314	16" #6 33T	13 1/8"			
	1103316	16" #6 44T	13 1/8"			
20" MODEL A PIN FEED PLATEN ASSM.						
42	1103342	20" #1 33T	Pin to Pin			
	1103344	20" #1 44T	14 3/8"			
	1103350	20" #1 33T	15 1/2"			
	1103352	20" #1 44T	15 1/2"			
	1103346	20" #1 33T	16 1/4"			

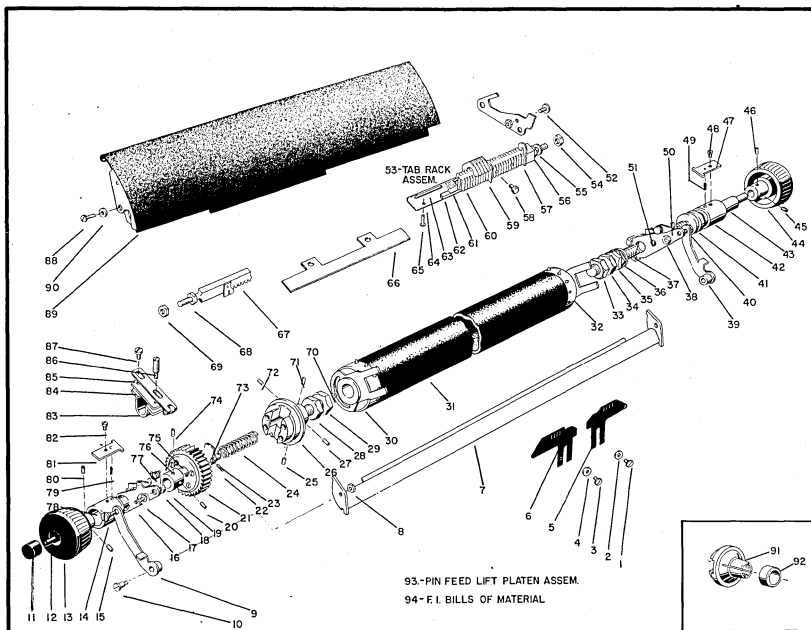
Model A - B Pin Feed Platen

REF. PART NO.	DESCRIPTION	REF. PART NO.	DESCRIPTION	REF. PART NO.	DESCRIPTION
20"	Model A Pin Feed Platen Assm.(Cont'd)	BILLS OF MATERIAL FOR MODEL A PIN FEED PLATEN ATTACHMENT			
42		43	1270196	F/1 B/M for 12" Pin Feed Platen Attachment	
1103348	20" #1 44T 16 1/4"		1270199	F/1 B/M for 16" Pin Feed Platen Attachment	
1103354	20" #1 33T 17 11/32"		1270200	F/1 B/M for 20" Pin Feed Platen Attachment	
1103356	20" #1 44T 17 11/32"				
1103374	20" #4 33T 13 1/8"				
1103376	20" #4 44T 13 1/8"				
1103378	20" #4 33T 14 3/8"				
1103380	20" #4 44T 14 3/8"				
1103386	20" #4 33T 15 1/2"				
1103388	20" #4 44T 15 1/2"				
1103382	20" #4 33T 16 1/4"				
1103384	20" #4 44T 16 1/4"				
1103390	20" #4 33T 17 11/32"				
1103392	20" #4 44T 17 11/32"				
1103358	20" #6 33T 14 3/8"				
1103366	20" #6 33T 15 1/2"				
1103362	20" #6 33T 16 1/4"				
1103370	20" #6 33T 17 11/32"				
<p>The following B/M's include all parts necessary to install the Pin Feed Platen Attachment on Model A and B ET's with Standard Carriages. One platen cylinder is furnished with each B/M. However, it is necessary to specify the desired platen cylinder by part number and pin to pin dimension. Platen cylinders for 12" carriages may be installed on longer length carriages by installing the 2" spacer Part #304802 - Reference #2.</p>					
BILLS OF MATERIAL FOR MODEL B PIN FEED PLATEN ATTACHMENT					
43	1270677	F/1 B/M for 12" Pin Feed Platen Attachment			
	1270678	F/1 B/M for 16" Pin Feed Platen Attachment			
	1270679	F/1 B/M for 20" Pin Feed Platen Attachment			

January 1960

Figure 1

CODE-450 Model A - B Pin Feed Lift Platen



REF. PART NO.	DESCRIPTION	REF. PART NO.	DESCRIPTION	REF. PART NO.	DESCRIPTION
1	186393 Screw	32	1107538 Pin Wheel (R.H.)	54	1090550 Nut
2	1090630 Washer	33	308459 Nut	55	1090240 Washer
3	186393 Screw	34	308459 Nut	56	1090550 Nut
4	1090630 Washer	35	308459 Nut	57	1012458 Stop
5	1108883 Card Holder R.H. 8P	36	1013302 Nut	58	1073749 Stop
	1108885 Card Holder R.H. 9P	37	1107540 Shaft, 12"	59	1015100 Stop
	1108887 Card Holder R.H. 10P		1107541 Shaft, 16"	60	MODEL A-B TAB RACK ONLY
	1108889 Card Holder R.H. 12P	38	7341 Nut	1100263	12" 8P
6	1108882 Card Holder L.H. 8P	39	1107528 Arm (R.H.)	1100264	12" 9P
	1108884 Card Holder L.H. 9P	40	1107524 Stud	1100265	12" 10P
	1108886 Card Holder L.H. 10P	41	1013302 Bushing (R.H.)	1100266	12" 12P
	1108888 Card Holder L.H. 12P	42	1013304 Bushing (R.H.)	1100267	16" 8P
7	1107533 Knife Assm. 12"	43	1107539 Bushing, inner (R.H.)	1100268	16" 9P
	1107534 Knife Assm. 16"	44	1106244 Knob (R.H.) (Grey) Model B	1100269	16" 10P
8	7341 Nut		1072212 Knob (R.H.) (Blue) Model A	1100270	16" 12P
9	1107527 Arm (L.H.)	45	1090620 Screw	61	1073017 Spring, 4" 8P
10	1107524 Stud	46	1090620 Screw	1073018	Spring, 4 1/2" 8P
11	1105239 Button (Gray) Model B	47	1013305 Lock	1012620	Spring, 5" 9P
	1070848 Button (Blue) Model A	48	1090291 Screw	1061411	Spring, 4 1/2" 10P
12	1104130 Bushing	49	1090770 Spring	1061412	Spring, 4" 10P
13	1106243 Knob (L.H.) Model B	50	1107521 Arm Assm. (R.H.)	1061413	Spring, 4 1/2" 12P
	1072211 Knob (L.H.) Model A	51	1655556 Screw	1061414	Spring, 4" 12P
14	1107524 Stud	52	1107507 Stud (Replaces 1109078)	62	1012425 Spacer, 12"
15	1076796 Screw	53	MODEL B TAB RACK ASSM'S	1012426	Spacer, 16"
16	1107520 Arm Assm. (L.H.)	1098369	12" 8P	63	1077807 Fulcrum Wire 12"
17	1655556 Screw	1098370	12" 9P	1077808	Fulcrum Wire 16"
18	7341 Nut	1098372	12" 10P	64	1012420 Guard, 12"
19	1093938 Bushing	1098374	12" 12P	1100651	Guard, 16"
20	1076796 Screw	1098376	16" 8P	65	1103978 Screw
21	----- (Ref to Pin Feed Platen Section)	1098378	16" 9P	66	1108589 Final Stop
22	1090592 Pin	1098380	16" 10P	67	MODEL B MARGIN RACKS
23	1073936 Shaft	1098382	16" 12P	1108466	12" 8P
24	1090593 Spring	MODEL A TAB RACK ASSM'S		1108467	12" 9P
25	1090620 Screw	1098914	12" 8P	1108468	12" 10P
26	1102195 Ratchet Housing	1098916	12" 9P	1108469	12" 12P
27	1090620 Screw	1098918	12" 10P	1108470	16" 8P
28	308459 Nut	1098920	16" 8P	1108471	16" 9P
29	308459 Nut	1098922	16" 9P	1108472	16" 10P
30	1107537 Pin Wheel (Left)	1098926	16" 10P	1108473	16" 12P
31	----- (Ref to Pin Feed Section for Cores)	1098924	16" 12P	67	MODEL A MARGIN RACKS
				1108585	12" 8P
				1108586	12" 9P

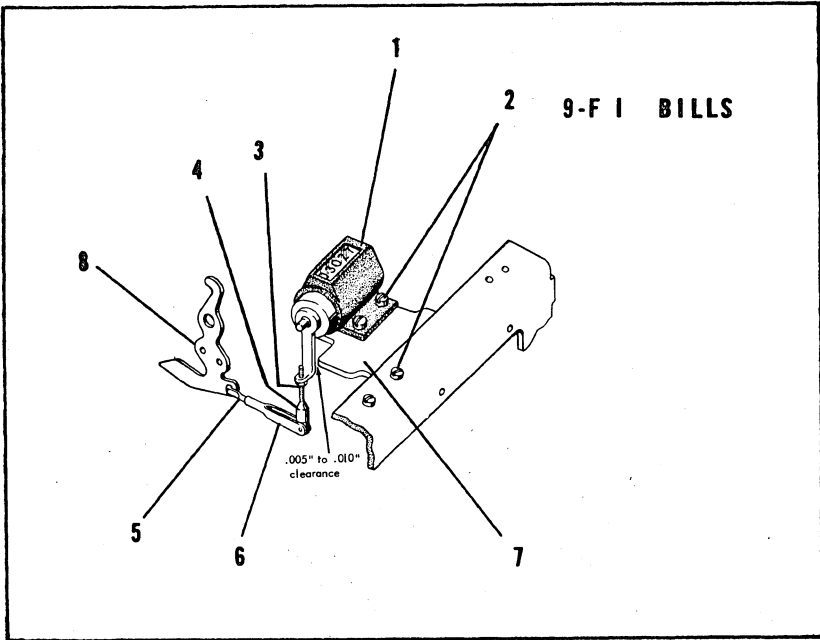
Model A - B Pin Feed Lift Platen

REF. PART NO. DESCRIPTION		12" PIN FEED LIFT PLATEN ASSM'S					16" PIN FEED LIFT PLATEN ASSM'S.				
REF. PART NO.	DESCRIPTION	Ref. Part No.	Hard-ness	Rat-chet	Pin to Pin	Ref. Part No.	Hard-ness	Rat-chet	Pin to Pin		
1108587	12" 10P	93 1107542	1	33	5 1/4	93 1107579	6	44	9 7/8		
1108588	12" 12P	93 1107543	1	44	5 1/4	93 1107580	6	33	10 1/8		
1108608	16" 8P	93 1107544	1	33	6	93 1107581	6	44	10 1/8		
1108615	16" 9P	93 1107545	1	44	6	93 1107582	6	33	11 1/4		
1108616	16" 10P	93 1107546	1	33	7 1/2	93 1107583	6	44	11 1/4		
1108617	16" 12P	93 1107547	1	44	7 1/2	93 1107584	6	33	13 1/8		
68 1090550	Nut	93 1107548	1	44	8	93 1107585	6	44	13 1/8		
69 1090550	Nut	93 1107549	1	44	8	93 1107586	4	33	9 3/8		
70 1100951	Screw	93 1107550	6	33	5 1/4	93 1107587	4	44	9 3/8		
71 1090620	Screw	93 1107551	6	44	5 1/4	93 1107588	4	33	9 7/8		
72 1090620	Screw	93 1107552	6	33	6	93 1107589	4	44	9 7/8		
73 1061419	Ratchet Driver	93 1107553	6	44	6	93 1107590	4	33	10 1/8		
74 1076796	Screw	93 1107554	6	33	7 1/2	93 1107591	4	44	10 1/8		
75 1093943	Cover Assm.	93 1107555	6	44	7 1/2	93 1107592	4	33	11 1/4		
76 1073027	Screw	93 1107556	6	33	8	93 1107593	4	44	11 1/4		
77 1107516	Spring	93 1107557	6	44	8	93 1107594	4	33	13 1/8		
78 1013304	Bushing	93 1107558	4	33	5 1/4	93 1107595	4	44	13 1/8		
79 1090770	Spring	93 1107559	4	44	5 1/4						
80 1076796	Screw	93 1107560	4	33	6						
81 1013305	Lock	93 1107561	4	44	6						
82 1090291	Screw	93 1107562	4	33	7 1/2						
83 1107500	Detent Clamp	93 1107563	4	44	7 1/2						
84 1107499	Strap	93 1107564	4	33	8						
85 1107503	Det. Spring 29, 33, 44 T	93 1107565	4	44	8						
86 1107497	Stud	93 110138	6	33	9						
87 63324	Screw	93 110188	4	33	9						
88 1090297	Screw	93 1110203	1	33	9						
89 1107656	Paper Table Assm. 12"	16" PIN FEED LIFT PLATEN ASSM'S	1	33	9 3/8						
90 1107655	Paper Table Assm. 16"	93 1107566	1	33	9 3/8						
*91 1090394	Washer	93 1107567	1	44	9 3/8						
*92 1099886	Housing, Ratchet Collar	93 1107568	1	33	9 7/8						
		93 1107569	1	44	9 7/8						
		93 1107570	1	33	10 1/8						
		93 1107571	1	44	10 1/8						
		93 1107572	1	33	11 1/4						
		93 1107573	1	44	11 1/4						
		93 1107574	1	33	13 1/8						
		93 1107575	1	44	13 1/8						
		93 1107576	6	33	9 3/8						
		93 1107577	6	44	9 3/8						
		93 1107578	6	33	9 7/8						

	<p>94 F.I. BILLS OF MATERIAL</p> <p>Notes: The following B/M's contain all necessary parts for Field Installation of the PIN FEED LIFT PLATEN on MODEL A or B Lift Platen Carriage ET's. A platen cylinder is furnished with each B/M, however, it is necessary to specify the PART NO. and PIN TO PIN DIMENSION of the required platen cylinder, color of KNOBS, and MODEL A or B MARGIN and TAB RACKS.</p>
	<p>1270538 33 T Ratchet, 12" 10P</p> <p>1270539 33 T Ratchet, 12" 12P</p> <p>1270537 33 T Ratchet, 12" 9P</p> <p>1270471 33 T Ratchet, 12" 8P</p> <p>1270541 33 T Ratchet, 16" 10P</p> <p>1270542 33 T Ratchet, 16" 12P</p> <p>1270540 33 T Ratchet, 16" 9P</p>

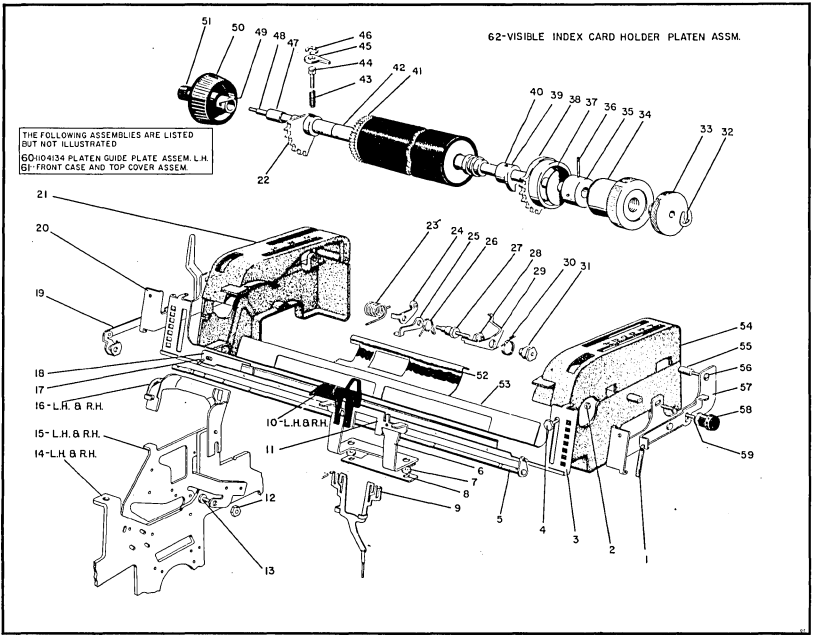
January 1960

Figure 1



9-F 1 BILLS

REF. PART NO.	DESCRIPTION	REF. PART NO.	DESCRIPTION	REF. PART NO.	DESCRIPTION
1	1110177 Counter 10:1 (Adjustable Arm)				
	1110178 Counter 100:1 (Adjustable Arm)				
	1110179 Counter 240:1 (Adjustable Arm)				
2	4236 Screw, Mounting				
3	1091057 Nut, Keystroke Arm Stud Locking				
4	1110185 Stud, Keystroke Arm				
5	1000282 Link, Counter Connecting				
6	1070020 Clevis, Pin Adjusting				
7	1110184 Bracket, Keystroke Counter Mounting				
8	1110180 Bracket Asm., Escapement Pawl 8, 9, 10, 12 P				
	1110181 Bracket Asm., Escapement Pawl 14, 6 2/5 P				
9	The following Bills of Material include all parts, instructions, and templates necessary for Field Installation:				
	B/M No. Description				
	1270758	Keystroke Counter Installation 10:1 - 8, 9, 10, 12P			
	1270759	Keystroke Counter Installation 100:1 - 8, 9, 10, 12P			
	1270760	Keystroke Counter Installation 240:1 - 8, 9, 10, 12P			
	(For 14 P or 6 2/5 P, order individual parts from the list above.)				



REF. PART NO.	DESCRIPTION	REF. PART NO.	DESCRIPTION	REF. PART NO.	DESCRIPTION
1	1109717 Spring, Carriage Assm.	21	1109778 Cover, Carriage End L.H. (Grey)	57	1109766 Bracket, Assm.
2	186849 Nut, Carriage Assm. Mtg.	22	1109757 Sector Assm. (L.H.)	58	1090751 Knob, Bracket Assm.
3	1109772 Card Carrier Assm. 12"	23	1108928 Spring, Index Lever	59	56722 Washer, Bracket Assm.
	1109773 Card Carrier Assm. 16"	24	1108171 Detent Arm Assm.	60	1104134 Platen Guide Plate Assm.
	1109774 Card Carrier Assm. 20"	25	1109742 Actuator, Latch Pawl	61	1103572 Cover Assm. Front Case & Top Sid.
4	1109712 Stud, Carriage Assm. Mtg.	26	1116878 Spring Platen Detent		1103571 Cover Assm. Front Case & Top Excc.
5	1109747 Shaft Assm. 12"	27	1109745 Stud, Platen Detent Arm	62	Visible index card holder platen assembly. Not F.I. B/Ms. F.I. Bills of Material are not available.
	1109748 Shaft Assm. 16"	28	1109723 Pawl, Platen Latch	1109694	No. 1 Platen, 29T 12"
	1109749 Shaft Assm. 20"	29	1109743 Spring, Latch Pawl	1109695	No. 1 Platen, 33T 12"
6	1109738 Support, Center	30	1109746 Spring, Latch Pawl	1109696	No. 2 Platen, 29T 12"
7	1090622 Spacer, Center Support	31	1109741 Nut, Latch Pawl	1109697	No. 2 Platen, 33T 12"
8	1103685 Stop, Carriage Final	32	60488 Retainer, Platen Shaft	1109698	No. 8 Platen, 29T 16"
9	1104342 Guide, Ribbon Std.	33	1109735 Driver, Clutch Sector	1109699	No. 8 Platen, 33T 12"
	1104344 Guide, Ribbon Excc.	34	1109736 Knob, Platen Clutch Sector	1109700	No. 1 Platen, 29T 16"
10	1109721 Card Holder Exec., L.H. Std.	35	1109734 Adapter Assm. Shaft	1109701	No. 1 Platen, 33T 16"
	1109720 Card Holder R.H. Std.	36	1109824 Roll Pin, Adapter Assm.	1109702	No. 2 Platen, 29T 16"
	1109799 Card Holder L.H. Exec. 1/32 Exc. Exec.	37	1109727 Washer, Spring	1109703	No. 2 Platen, 33T 16"
	1109804 Card Holder R.H. 1/32 Exc. Exec.	38	1109755 Sector Assm. R.H.	1109704	No. 8 Platen, 29T 16"
	1109805 Card Holder R.H. Exec. 1/32 Exc. Exec.	39	1109724 Stop Assm., Platen	1109705	No. 8 Platen, 33T 16"
	1109806 Card Holder R.H. Exec. 1/45 Exc. Std.	40	1076796 Ratchet, 29 T	1109706	No. 1 Platen, 29T 20"
11	1109732 Bracket, Card Holder	41	1107229 Ratchet, 33 T	1109707	No. 1 Platen, 33T 20"
12	1090037 Nut, Ribbon Feed Plate	42	1103917 Bushing, Platen Shaft	1109708	No. 2 Platen, 29T 20"
13	1090594 Screw, Ribbon Feed Plate	43	1074321 Spring, Sector Lock	1109709	No. 2 Platen, 33T 20"
14	1100684 Side Frame Assm. (L.H. Std.)	44	1095152 Stud, Sector Lock	1109710	No. 2 Platen, 29T 20"
	1077844 Side Frame Assm. (R.H. Std.)	45	1095151 Lever, Sector Lock	1109711	No. 8 Platen, 29T 20"
		46	1095160 Ring, Sector Lock		
		47	1109740 Clutch Cover Assm. Shaft, Ratchet Release		
		48	109758 Screw, Ratchet Release		
		49	1076796 Shaft, Ratchet Release		
		50	1106243 Knob, Platen L.H. (Grey)		
		51	1106239 Button, Platen Release		
		52	1104131 Deflector Assm. 12"		
			110879 Deflector Assm. 16"		
			1110880 Deflector Assm. 20"		
15	1078539 Ribbon Feed Plate (L.H.)	53	1109760 Guide, Front Paper 12"		
	1078541 Ribbon Feed Plate (R.H.)		1109761 Guide, Front Paper 16"		
16	1109718 Guide, Ribbon (L.H.)		1109762 Guide, Front Paper 20"		
	1109719 Guide, Ribbon (R.H.)	54	1109779 Cover, Carriage End R.H. (Grey)		
17	186393 Screw, Card Stop	55	1109764 Spacer, Bracket		
18	1109771 Card Stop, Adj.	56	1108165 Screw, Bracket Mtg.		
19	1102119 Actuating Assm., Det. Rel.				
20	1109767 Bracket (L.H.)				

Reconditioned I.V.I. Platens, 33 T Ratchets		
Part No.	Hardness	Length
1270615	1	12"
1270617	2	12"
1270619	8	12"
1270621	1	16"
1270623	2	16"
1270625	8	16"
1270627	1	20"
1270629	2	20"
1270631	8	20"

NOTE: Field Installation B/Ms for visible index card holder are not available.

MODEL C
PARTS CATALOG SECTION



REVISED JANUARY 1960

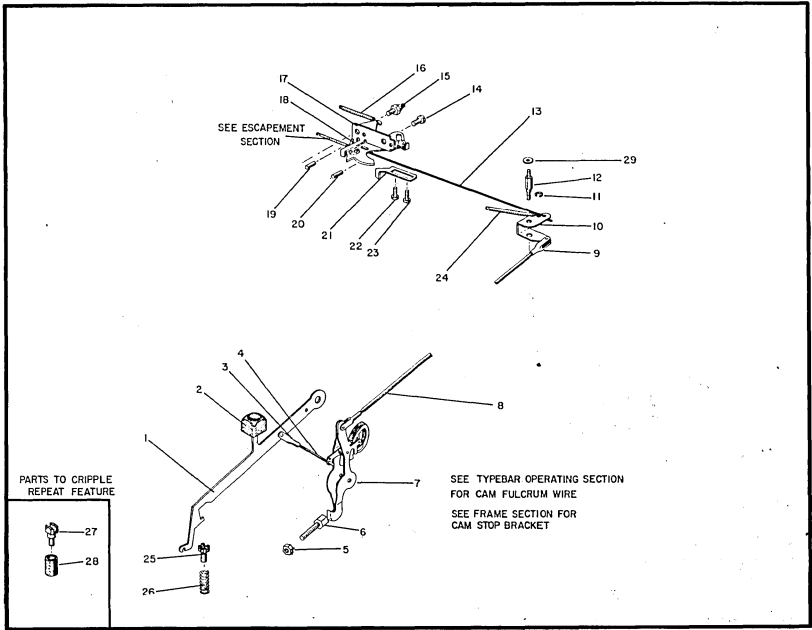
MODEL 'C'

INDEX

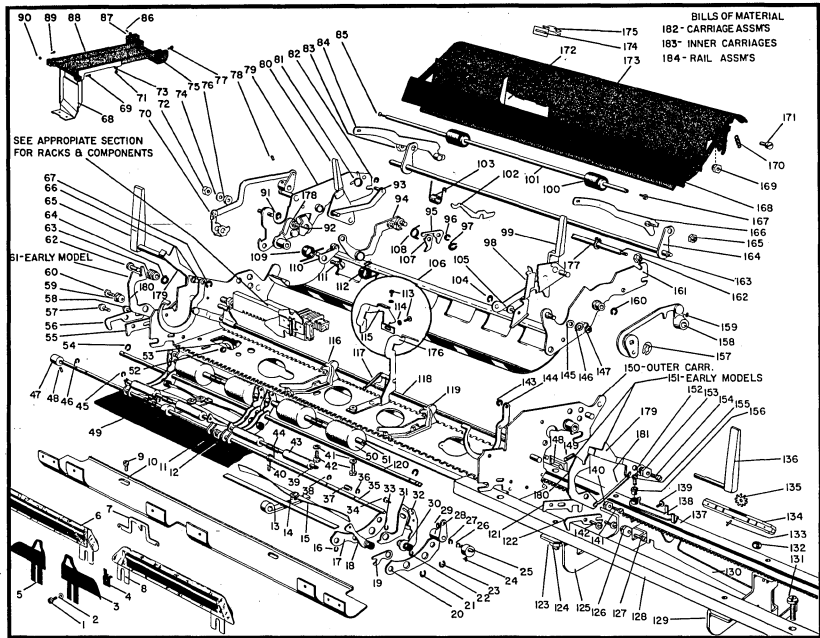
STD. PAGE	SECTION	EXEC. PAGE
1	Backspace	29
2	Carriage and Rails	30
5	Carriage Return	32
6	Covers	33
8	Decel., Gov. Carr. Tens.	35
9	Escapement	36
-	Escapement, Cont.	37
10	Frames	38
11	Keyboard Lock & Bell	39
12	Margin	40
13	Motor & Drive	41
15	Platens	43
16	Ribbon, Fabric	44
18	Ribbon, Carbon	45
19	Ribbon, Dual	--
21	Shift	47
22	Spacebar	48
23	Tabular	49
24	Typebar Operating	50

SPECIAL MACHINES ATTACHMENTS

SECTION	PAGE	SECTION	PAGE
Dec. Tab	54	Card Holding P.	62
L.P. Formswriter	58	Checkwriter	63
		C. T. Waybill	64
		Tab Card Pos.	65
		Formscarrier	66
		L. Edge gage	68
		Palm Tab	69
		Pin Feed P.	70
		Pin Feed L.P.	72
		Stroke Counter	74
		Visible Index P.	75



REF. PART NO.	DESCRIPTION	REF. PART NO.	DESCRIPTION	REF. PART NO.	DESCRIPTION
1	1115027 Keylever, Backspace (B4, B6 and B8 Character)	10	1070394 Bellcrank, Backspace 14 P.	20	1090142 Pin, Dowel - Backspace Pawl Bracket
2	1118682 Keybutton, Backspace (Tan)	11	264641 Retainer Clip, Backspace Bellcrank	21	1117964 Stop, Backspace Pawl
	1072308 Keybutton, Backspace (Blue)	12	1108497 Stud, B. S. Bellcrank Assem.	22	1090799 Screw, Backspace Stop
3	1070020 Clevis, Pin Adjusting	13	1000559 Link, Backspace Pawl	23	1090799 Screw, Backspace Stop
4	1070307 Link, Cam Trip Lever	14	38364 Screw, Backspace Pawl Bkt.	24	1090435 Spring, Backspace Bellcrank
5	7341 Nut, Cam Stop Screw	15	1117426 Stud, Backspace Pawl Bkt. Mounting	25	1105512 Plunger, Repeat
6	1091666 Screw, Cam Stop	16	1090341 Spring, Interlock	26	1105514 Spring, Repeat Plunger
7	1119189 Cam Assembly, Backspace	17	1117959 Backspace pawl and bracket Assembly	27	1106595 Plunger (Used for crippling repeat feature)
8	1115154 Link, Backspace	18	45119 Spring, Backspace Pawl	28	1108862 Bushing, (Used with Reference # 27)
9	1110529 Clevis, Pin Adjusting	19	1090142 Pin, Dowel - Backspace Pawl Bracket	29	55901 Washer, B. S. Stud
10	1103504 Bellcrank, Backspace 10 11 and 12 Pitch				
	1073241 Bellcrank, Backspace 8, 9, 5/32 P.				



REF. PART NO.	DESCRIPTION	REF. PART NO.	DESCRIPTION	REF. PART NO.	DESCRIPTION
1	186393 Screw, Card Holder	22	1103695 Retainer, "C" Clip	49	1116051 Scale, Fr. Paper L.H. 20" 11P
2	1090630 Washer, Card Holder	23	1103695 Retainer, "C" Clip	50	1115630 Scale, Fr. Paper R.H. 20" 10P
3	1070865 Card Holder, R.H. 8P	24	1071657 Screw, Platen Eccentric	51	1115427 Scale, Fr. Paper L.H. 20" 9P
4	1070637 Card Holder, R.H. 9P	25	1115242 Eccentric, Platen Guide	52	1115426 Scale, Fr. Paper L.H. 20" 8P
5	1070570 Card Holder, R.H. 10P	26	1103695 Retainer, "C" Clip	53	1115425 Scale, Fr. Paper L.H. 20" 6 & 2/S P
6	1070299 Card Holder, R.H. 12P	27	1103695 Retainer, "C" Clip	54	1115437 Scale, Fr. Paper R.H. 20" 14P
7	1070906 Card Holder, R.H. 14P	28	1115246 Bellcrank, Platen Guide	55	1115436 Scale, Fr. Paper R.H. 20" 12P
8	1070908 Card Holder, R.H. 6 & 2/S P	29	1071657 Screw, Copy Control	56	1116052 Scale, Fr. Paper R.H. 20" 11P
9	1107933 Locator, Card Holder	30	1110228 Hub, Feed Roll Lever	57	1115425 Scale, Fr. Paper R.H. 20" 10P
10	1070864 Card Holder, L.H. 8P	31	1108828 Lever, Rear, F.R., R.H.	58	1115433 Scale, Fr. Paper R.H. 20" 8P
11	1070638 Card Holder, L.H. 9P	32	1109048 Lever, Rear, F.R., L.H.	59	1115432 Scale, Fr. Paper R.H. 20" 6 & 2/S P
12	1070569 Card Holder, L.H. 10P	33	1103695 Retainer, "C" Clip	60	1115430 Scale, Fr. Paper L.H. 24" 14P
13	1070298 Card Holder, L.H. 12P	34	1091026 Screw, Feed Roll Lever	61	1115429 Scale, Fr. Paper L.H. 24" 12P
14	1070905 Card Holder, L.H. 14P	35	1115251 Shaft, 13" Platen Guide	62	1115428 Scale, Fr. Paper L.H. 24" 10P
15	1070907 Card Holder, L.H. 6 & 2/S P	36	1115252 Shaft, 17" Platen Guide	63	1115427 Scale, Fr. Paper L.H. 24" 9P
16	1117661 Card Holder, L.H. 14P	37	1115253 Shaft, 20" Platen Guide	64	1115425 Scale, Fr. Paper L.H. 24" 6 & 2/S P
17	1117659 Card Holder, L.H. 12P	38	1115255 Shaft, 30" Platen Guide	65	1115417 Scale, Fr. Paper R.H. 24" 14P
18	1116032 Card Holder, L.H. 11P (Fabric Ribbon)	39	1103695 Retainer, "C" Clip	66	1115416 Scale, Fr. Paper R.H. 24" 12P
19	1116066 Card Holder, L.H. 11P (Carbon Ribbon)	40	1115344 Clip, Front Paper Guide	67	1115415 Scale, Fr. Paper R.H. 24" 10P
20	1117657 Card Holder, L.H. 10P	41	1108867 Shaft, Feed Roll Front	68	1115413 Scale, Fr. Paper R.H. 24" 9P
21	1117655 Card Holder, L.H. 9P	42	1103719 Spring, Front Paper Guide	69	1115410 Scale, Fr. Paper R.H. 24" 6 & 2/S P
22	1117653 Card Holder, L.H. 8P	43	1090003 Washer, Center Support	70	1115630 Scale, Fr. Paper L.H. 30" 14P
23	1117651 Card Holder, L.H. 6 & 2/S P	44	1108825 Roll, Feed Front	71	1115629 Scale, Fr. Paper L.H. 30" 12P
24	1107934 Pointer, Index Scale	45	1110093 Clip, Feed Roll Retainer	72	1115628 Scale, Fr. Paper L.H. 30" 10P
25	1117662 Card Holder, R.H. 14P	46	1103695 Retainer, "C" Clip	73	1115441 Scale, Fr. Paper R.H. 30" 14P
26	1117660 Card Holder, R.H. 12P	47	1103695 Retainer, "C" Clip	74	1115440 Scale, Fr. Paper R.H. 30" 12P
27	1116034 Card Holder, R.H. 11P (Fabric Ribbon)	48	1115242 Eccentric, Platen Guide	75	1115439 Scale, Fr. Paper R.H. 30" 10P
28	1116067 Card Holder, R.H. 11P (Carbon Ribbon)	49	1071657 Screw, Set	76	1108827 Roll, Feed Rear
29	1117658 Card Holder, R.H. 10P	50	1115411 Scale, Fr. Paper 13" 14P	77	1115630 Scale, Fr. Paper L.H. 30" 12P
30	1117656 Card Holder, R.H. 9P	51	1115410 Scale, Fr. Paper 13" 11P	78	1115629 Scale, Fr. Paper L.H. 30" 10P
31	1117652 Card Holder, R.H. 6 & 2/S P	52	1115408 Scale, Fr. Paper 13" 10P	79	1115628 Scale, Fr. Paper L.H. 30" 8P
32	1090907 Screw, Roll Dust Cover	53	1115407 Scale, Fr. Paper 13" 9P	80	1115441 Scale, Fr. Paper R.H. 30" 14P
33	1110198 Cover, FrontRollDust	54	1115406 Scale, Fr. Paper 13" 8P	81	1115440 Scale, Fr. Paper R.H. 30" 12P
34	1115241 Eccentric, Platen Guide	55	1115405 Scale, Fr. Paper 13" 6 & 2/S P	82	1115439 Scale, Fr. Paper R.H. 30" 10P
35	1071657 Screw, Set	56	1115423 Scale, Fr. Paper 17" 14P	83	1108827 Roll, Feed Rear
36	1103701 Plate, Screw	57	1115422 Scale, Fr. Paper 17" 12P	84	1115630 Scale, Fr. Paper L.H. 30" 12P
37	1079999 Screw, Feed Roll Pressure	58	1114650 Scale, Fr. Paper 17" 11P	85	1115629 Scale, Fr. Paper L.H. 30" 10P
38	1108823 Spring, Feed Roll Pressure	59	1115421 Scale, Fr. Paper 17" 10P	86	1115441 Scale, Fr. Paper R.H. 30" 14P
39	1103695 Retainer, "C" Clip	60	1115420 Scale, Fr. Paper 17" 9P	87	1115440 Scale, Fr. Paper R.H. 30" 12P
40	1103702 Cradle, Paper Feed Roll Lever, Front Feed Roll	61	1115419 Scale, Fr. Paper 17" 8P	88	1115388 Ecc. Platen Adj. Plate
41	1108819 Sprocket, FrontFeed Roll	62	1115418 Scale, Fr. Paper 17" 6 & 2/S P	89	151633 Screw, Platen Adjusting
42	1103702 Cradle, Paper Feed Roll Retainer, "C" Clip	63	1115430 Scale, Fr. Paper L.H. 20" 14P	90	1115350 Latch & Lever Assm L. H.
43	1103695 Retainer, "C" Clip	64	1115429 Scale, Fr. Paper L.H. 20" 12P	91	7040 Screw, Eccentric
44	1103695 Retainer, "C" Clip	65	1115448 Scale, Fr. Paper L.H. 20" 12P	92	1115448 Eccentric, Platen Lat. Lev.

* On Model 81 ET (Standard with Carbon Ribbon) use Card Holders listed in Executive Section except on 11P Machines.

Model C Std. Carriage & Rails

REF. PART NO.	DESCRIPTION	REF. PART NO.	DESCRIPTION	REF. PART NO.	DESCRIPTION
64	1115349 Washer, Spring	88	1115793 Brkt, Carriage L.H. Carbon Ribbon (Specify Color)	118	1115290 Bar, 30" Carriage U. Assm.
65	1115356 Lever, Detent Release			119	1108852 Support, Center
66	1115383 Lever, Carriage Release	89	358 Screw, Mount Brkt Rear	120	1115256 Shaft, 13" F. R. Release
67	1073418 Retainer, "C" Clip	90	1090034 Nut, Mount Brkt Rear	111	1115257 Shaft, 17" F. R. Release
68	1115782 Support, L.H. Carriage	91	123229 Retainer, "C" Clip	112	1115258 Shaft, 20" F. R. Release
69	38389 Support, L.H. Carriage	92	1115640 Step, Lower Index Pawl	113	1115259 Shaft, 24" F. R. Release
70	38399 Screw, Mount Bracket	93	1115653 Arm, Carrier Index Stop	114	1115260 Shaft, 30" F. R. Release
60	1115377 Release, Detent	94	1115655 Carrier, Index Pawl	121	1115396 Plate, Platen Adjusting
71	24752 Screw, Bracket Mounting	95	1115661 Lever, Index Pawl	122	1115395 Plate, Ecc. Retainer
72	1090037 Nut, Platen Pressure	96	123206 Retainer, "C" Clip	123	1100996 Eccentric Rail Support
73	6318 Washer, Brack Mtg. Screw	97	147297 Retainer, "C" Clip	124	1090000 Screw, Rail Support Front
74	1090049 Washer, Platen Pressure	98	1115243 Spring, Platen Detent	125	1090799 Screw, Rail Support Rear
75	1115798 Support, Rail (Spec. Color)	99	1115250 Detent, Platen	126	1117631 Support, Rail L. H.
76	1115392 Washer, Platen Pressure	100	1000362 Bolt, Paper Bail		(includes trip lever)
77	38391 Screw, Mount End Support	101	1115262 Shaft, 13" Paper Bail	127	1072305 Eccentric, Platen Adj., Pbate
78	151720 Screw, Set	111	1115267 Shaft, 17" Paper Bail	128	1090524 Screw, Platen Adjusting
79	1115372 Plate, Platen Guide	112	1115268 Shaft, 20" Paper Bail		
	LEVER LINE SPACE	113	1115269 Shaft, 24" Paper Bail	117	1117508 Rail, Front 17"
80	1115681 29T (123) 30T (246)	114	1115270 Shaft, 30" Paper Bail	118	1117509 Rail, Front 20"
1115682	32T (123) 33T (123) 34T (123)	102	1115311 Cam, Paper Bail Arm	117	1117510 Rail, Front 24"
1115683	35T (123) 36T (123) 44T (123)	103	1115312 Spring, Paper Bail Cam	119	1117511 Rail, Front 30"
1115684	38T (123) 39T (123) 40T (123)	104	1073418 Retainer, "C" Clip	129	1117444 Support, Rail R. H.
1115685	41T (234)	105	1090845 Screw, Copy Contr. Spring	130	1117445 Brkt, Rail Support
1115686	44T (234)	106	1115233 Deflector 13"	131	1090012 Screw, Rail Mounting
1115687	45T (24) 46T (124)	111	1115234 Deflector 17"	132	1117632 Collar, Stag
1115688	48T (235) 49T (235)	105	1115235 Deflector 20"	133	1091161 Pin, Star Wheel
1115689	50T (234) 51T (234) 52T (234)	109	109966 Deflector 24"	134	1103853 Truck, Carriage
1115690	53T (234) 55T (234)	107	109967 Deflector 30"	135	1093466 Wheel, Star
1115691	54T (246) 62T (246)	107	1103599 Pawl, Index 29-49 Tooth	136	1115357 Lever, F. R. Release
1115692	57T (234) 58T (234) 59T (234)	108	1117452 Pawl, Index 50-66 Tooth	137	1117621 Rail, 13" Rear
1115694	60T (234) 61T (234) 62T (234)	109	1115645 Spring, Index Pawl Carrier	117	1117622 Rail, 17" Rear
1115695	66T (234)	110	1115644 Arm, Detent Assm. 29-49 T.	118	1117623 Rail, 20" Rear
81	1115647 Spring, Index Pawl Stop Up.	111	1115658 Arm, Detent Assm. 50-66 T.	119	1117625 Rail, 24" Rear
82	1073418 Retainer, "C" Clip	111	1103636 Stud, Platen Detent	138	1117635 Lever, Pawl Release
83	103372 Nut, Bail Arm	112	1115646 Spring, Platen Detent	139	2031 Screw, Follower
84	1115329 Arm, Paper Bail	113	1090022 Screw, Center Support	140	1115838 Eccentric, Platen Latch R.H.
85	186393 Screw, Bail Shaft	114	62031 Washer, Center Support	141	151633 Screw, Platen Latch Lock
86	134986 Nut, Bail Brace	115	1115345 Support, Center	142	1079999 Screw, Adjusting Plate
87	1090034 Nut, Adjusting Screw	116	1108852 Spring, U. Bar Assm.	143	1073418 Retainer, "C" Clip
88	1115791 Bracket, Carriage R. H.	117	1071499 Fabric & Carbon Ribbon	144	1115374 Lever, Carriage Release
		118	1115286 Bar, 13" Carriage U. Assm.	145	1115374 Washer, Plastic Pressure
		111	1115287 Bar, 17" Carriage U. Assm.	146	1090049 Washer, Platen Pressure
1115792	Brkt, Carriage L.H. Fabric Ribbon (Specify Color)	112	1115288 Bar, 20" Carriage U. Assm.	147	1090037 Nut, Platen Pressure
		112	1115289 Bar, 24" Carriage U. Assm.	148	1090034 Nut, Locking Rail Adj.

REF. PART NO.	DESCRIPTION	REF. PART NO.	DESCRIPTION	REF. PART NO.	DESCRIPTION
149	55711 Screw, Rail Adj. Lock	163	1115261 Rod, 13" Carriage Tie	1115493	Table, 12P 30" Fr. Paper
150	1115801 Carr. & Rack 13" 6/25P	1115262	Rod, 17" Carriage Tie	1115494	Table, 4P 30" Fr. Paper
1115802	Carr. & Rack 13" 8P	1115263	Rod, 20" Carriage Tie	169	103372 Nut, Paper Table
1115803	Carr. & Rack 13" 9P	1115264	Rod, 24" Carriage Tie	170	1115382 Spring, Paper Table
1115804	Carr. & Rack 13" 10P	1115265	Rod, 30" Carriage Tie	171	1108967 Screw, Fr. Paper Table
1116071	Carr. & Rack 13" 11P	164	1115276 Shaft, 13" Paper Bail	172	1115321 Guide, Paper Table
1115805	Carr. & Rack 13" 12P	1115277	Shaft, 17" Paper Bail	*173	1115306 Table, 13" Paper
1115806	Carr. & Rack 13" 14P	1115278	Shaft, 20" Paper Bail		(Specify color)
1115807	Carr. & Rack 17" 6/25P	1115279	Shaft, 24" Paper Bail	1115307	Table, 17" Paper
1115808	Carr. & Rack 17" 8P	1115280	Shaft, 30" Paper Bail		(Specify color)
1115809	Carr. & Rack 17" 9P	165	103372 Nut, Bail Arm	1115308	Table, 20" Paper
1115810	Carr. & Rack 17" 10P	166	1115330 Arm, Paper Bail		(Specify color)
1116072	Carr. & Rack 17" 11P	167	186393 Screw, Bail Shaft	1115309	Table, 24" Paper
1115811	Carr. & Rack 17" 12P	168	1115466 Table, 6/25P 13"		(Specify color)
1115812	Carr. & Rack 17" 14P		Front Paper	1115310	Table, 30" Paper
1115813	Carr. & Rack 20" 6/25P	1115467	Table, 8P 13" Fr. Paper		(Specify color)
1115814	Carr. & Rack 20" 8P	1115468	Table, 9P 13" Fr. Paper	174	1071666 Plate, Paper Gage
1115815	Carr. & Rack 20" 9P	1115469	Table, 10P 13" Fr. Paper	175	1072853 Spring, Paper Table Gage
1115816	Carr. & Rack 20" 10P	1115470	Table, 11P 13" Fr. Paper	176	1115346 Table, 11P 13" Fr. Paper
1116073	Carr. & Rack 20" 11P	1115471	Table, 12P 13" Fr. Paper	177	1115633 Grip Clip, Carr. Tie Rod
1115817	Carr. & Rack 20" 12P	1115472	Table, 14P 13" Fr. Paper	178	1117940 Screw, Hex
1115818	Carr. & Rack 20" 14P	1115473	Table, 6/25P 17"	179	1115354 Latch Platen LH
1115819	Carr. & Rack 24" 6/25P		Front Paper	1115355	Latch Platen RH
1115820	Carr. & Rack 24" 9P	1115474	Table, 8P 17" Fr. Paper	180	1115352 Lever, Platen Latch LH
1115821	Carr. & Rack 24" 10P	1115475	Table, 9P 17" Fr. Paper	1115353	Platen Latch RH
1115822	Carr. & Rack 24" 12P	1115476	Table, 10P 17" Fr. Paper	181	1115367 Link, Platen Latch LH-RH
1115823	Carr. & Rack 24" 14P	1116058	Table, 11P 17" Fr. Paper		
1115824	Carr. & Rack 30" 10P	1115477	Table, 12P 17" Fr. Paper	182	1262500 Carr. Assm. 13" 6/25P
1115825	Carr. & Rack 30" 12P	1115478	Table, 14P 17" Fr. Paper	1262051	Carr. Assm. 13" 8P
1115826	Carr. & Rack 30" 14P	1115480	Table, 6/25P 20"	1262052	Carr. Assm. 13" 9P
1115351	Latch & Lever Assm R. H.		Front Paper	1262053	Carr. Assm. 13" 10P
151	1115349 Washer, Spring	1115481	Table, 8P 20" Fr. Paper	1263691	Carr. Assm. 13" 11P
152	1115448 Eccentric, Platen Lock Lev.	1115482	Table, 9P 20" Fr. Paper	1262054	Carr. Assm. 13" 12P
154	7040 Screw, Pawl Release	1115483	Table, 10P 20" Fr. Paper	1262055	Carr. Assm. 13" 14P
155	1115737 Lever, Eccentric	1116060	Table, 11P 20" Fr. Paper	1262056	Carr. Assm. 17" 6/25P
156	1106589 Eccentric, Pawl Release	1115484	Table, 12P 20" Fr. Paper	1262057	Carr. Assm. 17" 8P
	Lever	1115485	Table, 14P 20" Fr. Paper	1262058	Carr. Assm. 17" 9P
		1115487	Table, 6/25P 24"	1262059	Carr. Assm. 17" 10P
157	60489 Retainer, "C" Clip		Front Paper	1263692	Carr. Assm. 17" 11P
158	1115364 Link, F. R. Release	1115488	Table, 9P 24" Fr. Paper	1262060	Carr. Assm. 17" 12P
159	151720 Screw, Set	1115489	Table, 10P 24" Fr. Paper	1262061	Carr. Assm. 17" 14P
160	1092125 Retainer, "C" Clip	1115490	Table, 12P 24" Fr. Paper	1262062	Carr. Assm. 20" 6/25P
161	1115373 Plate, Platen Guide R.H.	1115491	Table, 14P 24" Fr. Paper	1262063	Carr. Assm. 20" 8P
162	1107414 Nut, Tie Rod	1115492	Table, 10P 30" Fr. Paper		

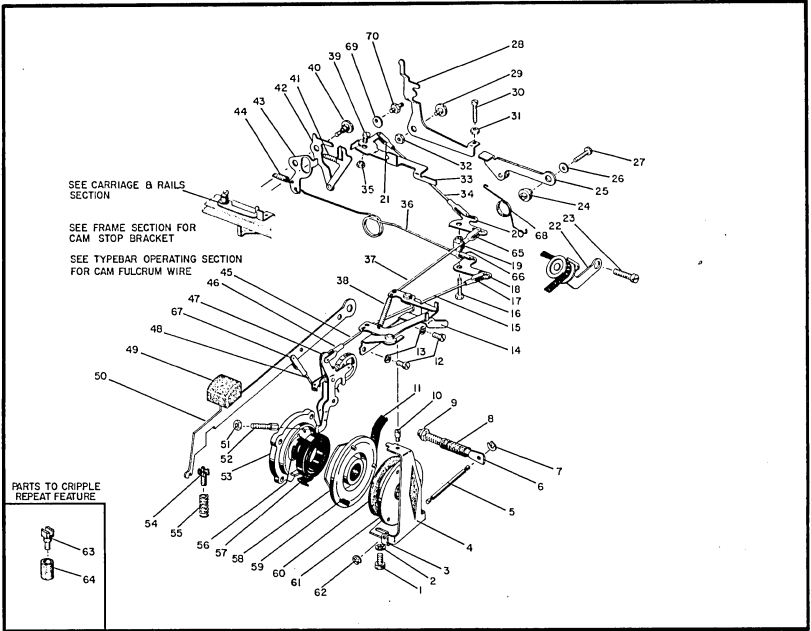
*Refer to Cover Section for Paint Colors and Specifications.

Model C Std. Carriage & Rails

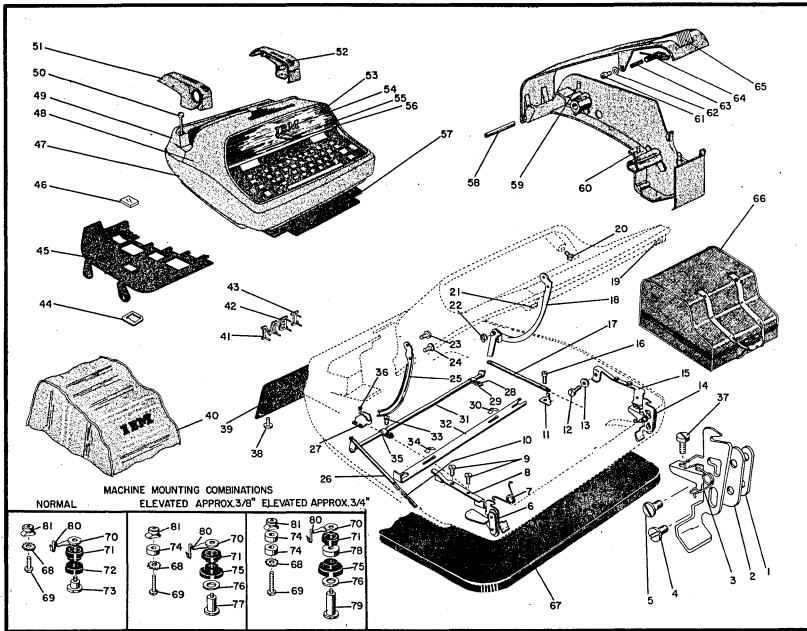
REF. PART NO.	DESCRIPTION	REF. PART NO.	DESCRIPTION	REF. PART NO.	DESCRIPTION
182	1262064	Carriage Assm.	20" 9P		
	1262065	Carriage Assm.	20" 10P		
	1263693	Carriage Assm.	20" 11P		
	1262066	Carriage Assm.	20" 12P		
	1262067	Carriage Assm.	20" 14P		
	1262068	Carriage Assm.	24" 6 2/5P		
	1262069	Carriage Assm.	24" 9P		
	1262070	Carriage Assm.	24" 10P		
	1262071	Carriage Assm.	24" 12P		
	1262072	Carriage Assm.	24" 14P		
	1262073	Carriage Assm.	30" 10P		
	1262074	Carriage Assm.	30" 12P		
	1262075	Carriage Assm.	30" 14P		
183	1261987	Inner Carriage	13"		
	1261988	Inner Carriage	17"		
	1261989	Inner Carriage	20"		
	1261990	Inner Carriage	24"		
	1261991	Inner Carriage	30"		
184	NOTE: When ordering Rail & Support Assemblies, it will be necessary to order the Backspace Bellcrank desired separately, if it is needed, as it is no longer contained in these Bills of Material.				
	1263068	Rail & Support Assm.	13" 6 2/5 and 14P		
	1263079	Rail & Support Assm.	13" 8, 9, 10, 11, 12P		
	1263084	Rail & Support Assm.	17" 6 2/5 and 14P		
	1263085	Rail & Support Assm.	17" 8, 9, 10, 11 and 12P		
	1263090	Rail & Support Assm.	20" 6 2/5 and 14P		
	1263091	Rail & Support Assm.	20" 8, 9, 10, 11, and 12P		
	1263096	Rail & Support Assm.	24" 6 2/5 and 14P		
	1263097	Rail & Support Assm.	24" 9, 10, 11 and 12P		
	1263101	Rail & Support Assm.	30" 10 and 12P		
	1263103	Rail & Supp. Assm.	30" 14P		

January 1960

Figure 1



REF. PART NO.	DESCRIPTION	REF. PART NO.	DESCRIPTION	REF. PART NO.	DESCRIPTION
1	1090003 Screw, Clutch Bracket	23	1071459 Screw, C. R. Pulley	44	1106650 Spring, Pawl Release BC
2	1090199 Washer, Clutch Bkt. Screw	24	1117432 Spacer, Carriage Cam	45	1000223 Link, C. R. Cam Connecting
3	1074495 Bracket Clutch Lever	25	1117574 Follower, C. R. Cam	46	1070020 Clevis, Pin Adjusting
4	1071363 Arm Clutch Operating	26	1090254 Washer, C. R. Follower	47	1119189 Cam, Carriage Return
5	1071419 Shaft, Clutch Lever Pivot	27	641 Mounting Screw	48	1070307 Link, C. R. Cam Trip
6	1070145 Bolt, Clutch Lever Adjust.	28	1117433 Bellcrank, Margin Control	49	1118681 Keybutton, C. R. (Tan)
7	147297 Retainer, "C" Clip	29	1117434 Bellcrank Mounting	50	1115867 Keybutton, C. R. (Blue)
8	1100441 Spring, Clutch Lever Bolt	30	641 Bellcrank Adjusting	51	1115232 Nut, Cam Stop Screw
9	1091621 Locknut, Clutch Lever Bolt	31	1090041 Nut, Margin Control	52	1091666 Screw, Adjustable Stop
10	1077875 Screw, Clutch Arm	32	1090037 Nut, Margin Control	53	1078488 Housing, Clutch Spring
11	1103674 Tape, Carriage Return 13" Carriage	33	1117637 Interlock, Tab C. R.	54	1105512 Plunger, Repeat
1103675	Tape, Carriage Return 17" Carriage	34	1117564 Link Assem. Clutch Unlatching	55	1105514 Spring, Repeat Plunger
1103676	Tape, Carriage Return 20" Carriage	35	1090037 Nut, Tab C. R. Interlock	56	1078495 Washer, Clutch Thrust
1103677	Tape, Carriage Return 24" Carriage	36	1105507 Link, Pawl Release	57	1070079 Spring, Clutch Pulley Assem.
1103678	Tape, Carriage Return 30" Carriage	37	1117488 Link, Clutch Latch	58	1078503 Clutch Pulley Assem. 13, 17, 20" Machine
12	38279 Screw, Clutch Bkt. Mount.	38	1117589 Spring, Clutch Latch	1078507	Clutch Pulley Assem. 24, 30" Machine
13	62031 Washer, Clutch Bracket Mounting Screw	39	1107379 Screw, Tab C. R. Interlock Mounting	59	1091632 Spring, Clutch Compress
14	1117481 Clutch Lever Assembly	40	1117617 Stud, Intermediate Pawl Release Lever	60	1078509 Disc, Clutch Friction
15	1077879 Link, Clutch Lever to Bellcrank	41	46831 Spring, Intermediate Pawl Release Lever	61	1071425 Clutch Plate & Insert Assm
16	1091006 Screw, Carriage Return Bellcrank Mounting	42	1107306 Intermediate Pawl Release Lever Assembly	62	147297 Retainer, "C" Clip
17	1070020 Clevis, Pin Adjusting	43	1117630 Bellcrank, Pawl Release	63	1106595 Plunger, (used for crippling repeat feature)
18	1117485 Bellcrank, Clutch Lever			64	1108862 Bushing (used with #63)
19	1077877 Spacer, C. R. Bellcrank			65	1070020 Clevis, Pin Adjusting
20	1117620 Bellcrank, Clutch Unlatching			66	1070020 Clevis, Pin Adjusting
21	1110529 Clevis, Pin Adjusting			67	1070020 Clevis, Pin Adjusting
22	1072925 C. R. Pulley Assembly			68	1117440 Spring, C. R. Cam Follower
				69	1102081 Stop, Margin Control
				70	1117425 Screw, Margin Control BC Stop



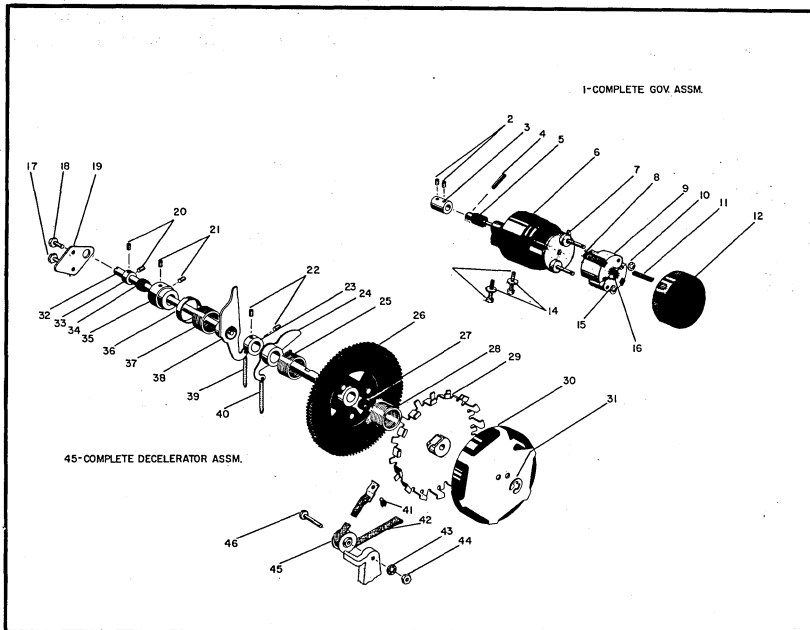
REF. PART NO.	DESCRIPTION	REF. PART NO.	DESCRIPTION	REF. PART NO.	DESCRIPTION
1	1117398 Plate, Cover Latch R.H. and L.H.	36	58207 Screw, Top Cover Hinge Bracket	50	1117337 Screw, Rear Cover Mtg. End Cover, Carri. L.H. Includes Carri. Rel. Button (Specify Color)
2	1117369 Bracket, Cover Latch, R.H.	37	38235 Screw, Cover Latch Brkt Mtg.	51	1263137 End Cover, Carri. R.H. Includes Carri. Rel. Button (Specify Color)
3	1117361 Bracket, Cover Latch, L.H.	38	186759 Screw, Rear Panel Mounting	52	1263136 End Cover, Carri. R.H. Includes Carri. Rel. Button (Specify Color)
4	1117322 Spring, Cover Latch	39	1263148 Panel, Rear - Gray (Includes IBM Letters)	53	1263138 Panel, Front - Gray (Includes IBM Letters)
4	1117392 Screw, Cover Latch		1263150 Panel, Rear - Green (Includes IBM Letters)	1263139	Panel, Front - Brown (Includes IBM letters)
5	1117399 Screw, Cover Latch		1263151 Panel, Rear - Light Blue (Includes IBM Letters)	1263140	Panel, Front - Green (Includes IBM letters)
6	1117363 Latch, Cover L.H. (Does not include Brkt or plate)		1263152 Panel, Rear - Dark Blue (Includes IBM Letters)	1263141	Panel, Front - Light Blue (Includes IBM Letters)
7	1117322 Spring, Cover Latch	40	1118776 Dust Cover, 13" Machine	1263142	Panel, Front - Dark Blue (Includes IBM Letters)
8	1117358 Bracket, Keyplate Mtg L.H.		1118777 Dust Cover, 17" Machine		
9	10170 Screw, Keylever Bracket		1118778 Dust Cover, 20" Machine		
10	1118775 Filler, Front Cover Spring		1118779 Dust Cover, 24" Machine	54	1117388 Letter "M", Front Panel
11	1118773 Bracket, Cover Spring	41	1117388 Letter, "M" Rear Panel	55	1117387 Letter "B", Front Panel
12	38261 Screw, Keyplate Mtg.	42	1117387 Letter, "B" Rear Panel	57	1117338 Bottom Panel
13	150209 Washer, Keyplate Mtg. Screw	43	1117386 Retainer, Indicator Window	58	1103878 Pin, Carriage End Covers
14	1117362 Latch, Cover R.H. (Does not include Bracket or Plate)	44	1118715 Retainer, Indicator Window	59	1120555 Set Screw, Carri. End Cover
15	1117359 Bracket, Keyplate Mtg. R.H.	45	1115097 Keyplate, 84 char. (Specify color) See Panel Colors	60	1120555 Set Screw, Carri. End Cover
16	38352 Screw, Cover Spring Bracket		1117370 Keyplate, 86 char. (Specify color) See Panel Colors	61	1115387 Stop Screw, Carri. End Cover
17	1118769 Spring, Top Cover		1117371 Keyplate, 88 char. (Specify color) See Panel Colors	62	1090049 Washer, Stop Screw
18	1118724 Hinge Arm, Cover R.H.		Note: Above Keyplates do not include Retainers or Indicator Windows.	63	1117309 Pin, Carri. Rel. Button Hinge
19	1117346 Keeper, Front Cover	46	1117321 Window, Indicator	64	1117308 Hinge, Carri. Release Button
20	186759 Screw, Front Panel	47	1117340 Bottom Case - All Carriage Lengths (Specify Color)	65	1115895 Button, Carri. Release - Blue Carrying Case 13"
21	1117366 Keeper, Front Cover		1117340 Hinges & Hardware not included	66	7340116 Carrying Case 17"
22	192049 Retainer, "C" Clip	48	1118728 Cover, Front-All Carriage Lengths, Except 30" (Specify Color)	67	1072824 Desk Pad
23	1115952 Screw, Top Cover Mounting		1118728 Cover, Front-All Carriage Lengths, Except 30" (Specify Color)	68	76574 Washer, Machine Mtg. Screw
24	1115952 Screw, Top Cover Mounting	49	1118792 Cover, Rear-All Carri. Lengths Except 30" (Specify Color)	69	1090031 Screw 1/4 x 20-5/8" Long
25	1118737 Hinge Arm, Cover L.H.		1118792 Cover, Rear-All Carri. Lengths Except 30" (Specify Color)		38688 Screw 1/4 x 20-3/4" Long
26	1118769 Spring, Top Cover		1115785 Cover, Rear-30" Carriage (Specify Color)	59647	Screw 1/4 x 20-1" Long
27	1118725 Top Cover Hinge Bracket Assm. L.H.			36112	Screw 1/4 x 20-1 1/2" Long
				59648	Screw 1/4 x 20-1 3/4" Long
28	10170 Screw, Cover Hinge Arm Ret.			59649	Screw 1/4 x 20-2" Long
29	1117325 Retainer, Cover Arm and Shaft Assembly			70	1118710 Spacer, Base Foot
30	1117360 Retainer, Locking Bar			71	1117391 Base Foot Assembly
31	1117328 Retainer, Locking Bar			72	1117393 Pad, Foot
32	1117355 Screw, Cover Hinge Arm			73	1118774 Stud, Foot Pad Mtg.
33	10170 Retainer				
34	1117360 Retainer, Locking Bar				
35	1117325 Retainer, Cover Arm & Shaft Assembly				

Model C Std. Covers

REF. PART NO.	DESCRIPTION	REF. PART NO.	DESCRIPTION	REF. PART NO.	DESCRIPTION
74	1118787 Spacer, Machine Mounting				
75	1118784 Pad, Foot (Large)				
76	1117394 Washer, Foot Pad Mounting Stud				
77	1118785 Stud, Foot Pad Mounting				
78	1118788 Spacer, Machine Mounting				
79	1118786 Stud, Foot Pad Mounting				
80	1118345 Ground Clip				
81	1117356 Nut Desk Mounting				
COLOR CONVERSION BILLS OF MATERIAL					
1270891	Opal Gray (Spec 678)	13"	Carriage		
1270894	Sapphire Blue (Spec 674)	13"	Carriage		
1270892	Topaz Bronze (Spec 668)	13"	Carriage		
1270893	Emerald Green (Spec 669)	13"	Carriage		
1270895	Garnet Rose (Spec 635)	13"	Carriage		
1270896	Onyx Blue (Spec 679)	13"	Carriage		
1271104	Opal Gray (Spec 678)	17"	Carriage		
1271105	Topaz Bronze (Spec 668)	17"	Carriage		
1271106	Emerald Green (Spec 669)	17"	Carriage		
1271107	Sapphire Blue (Spec 674)	17"	Carriage		
1271108	Garnet Rose (Spec 635)	17"	Carriage		
1271109	Onyx Blue (Spec 679)	17"	Carriage		
<p>NOTE: These Bills of Material include all case sections, keyplate, front and rear panels, carriage end covers, front and rear paper tables, platen knobs, and cover hinges, latches and associated hardware.</p> <p>SPECIFY FOLLOWING when ordering above Bills:</p> <ol style="list-style-type: none"> 1. Pitch 2. Keyboard Arrangement (84, 86, or 88 character). <p>When converting LONGER CARRIAGE MACHINES, order individual painted parts.</p>					
COVER PRIMERS, PAINTS, AND TOUCH-UP LACQUERS					
		Primers (Qts)	Paints (Qts)	Lacquers (1/4 pts)	
Opal Gray	(Spec 678)	460120	1280019	1280025	
Topaz Bronze	(Spec 668)	460115	1280020	1280026	
Emerald Green	(Spec 669)	460116	1280021	1280027	
Sapphire Blue	(Spec 675)	460120	1280022	1280028	
Garnet Rose	(Spec 635)	1280009	1280023	1280029	
Onyx Blue	(Spec 679)	460120	1280024	1280030	
KEYPLATE PAINTS (QUARTS) ULTRA FINE WRINKLE					
1280031	Dark Gray			(Spec 636)	
1280032	Dark Green			(Spec 637)	
1280033	Dark Brown			(Spec 638)	
1280034	Dark Blue			(Spec 639)	
TOUCH-UP LACQUER (1/4 PINTS)					
1280035	Dark Gray			(Spec 636)	
1280036	Dark Green			(Spec 637)	
1280037	Dark Brown			(Spec 638)	
1280038	Dark Blue			(Spec 639)	
PAINTS FOR BASE (1/4 PINTS)					
1280039	Charcoal Gray			(Spec 517)	

January 1960

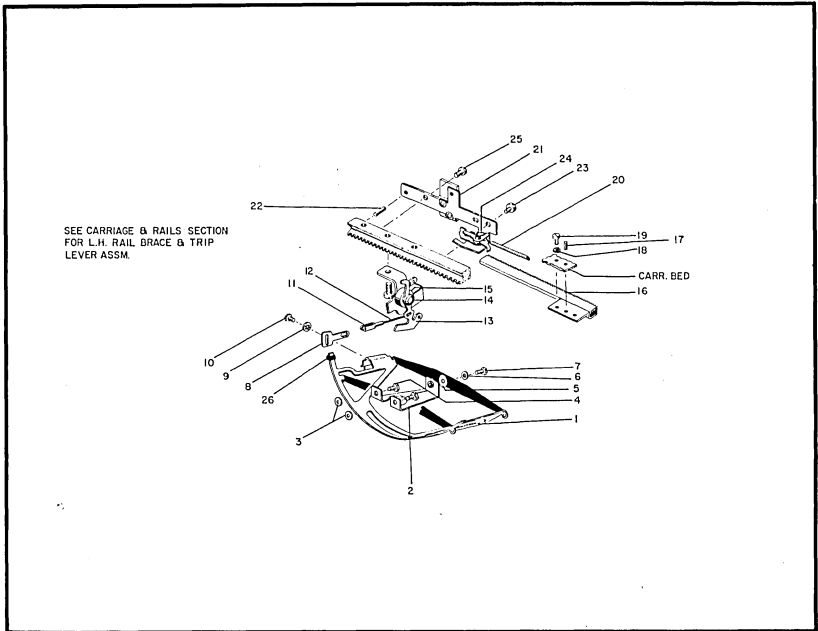
Figure 1



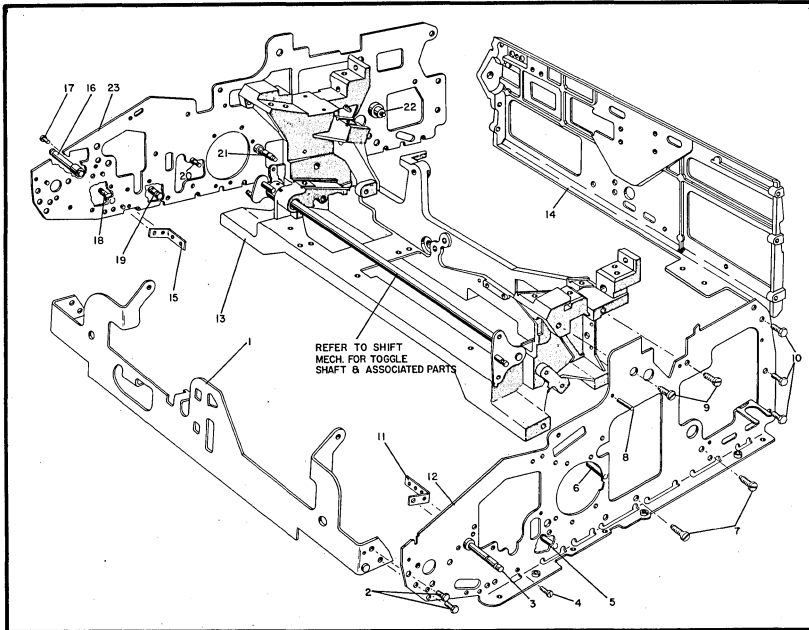
REF. PART NO.	DESCRIPTION	REF. PART NO.	DESCRIPTION	REF. PART NO.	DESCRIPTION
1	1117598 Centrifugal Governor Assembly	17	1072684 Screw, Decelerator Mounting Plate	33	1117476 Collar, Decelerator Shaft
*2	257969 Set Screw, Centrifugal Governor Collar	18	1072684 Screw, Decelerator Mounting Plate	34	1117475 Bearing, Decelerator Sleeve
*3	1117506 Collar, Centrifugal Governor Shaft	19	1117478 Plate, Decelerator Mounting	35	1117570 Hub Assm, Decelerator
*4	1115951 Pin, Centrifugal Governor Shaft	20	257969 Set Screw, Decelerator Shaft Collar	36	1117571 Clamp, Decelerator Spring
5	1110788 Pinion Gear, Governor	21	257969 Set Screw, Decelerator Hub	37	1117557 Spring, Carriage Return Clutch
6	1110778 Housing, Governor	22	257969 Set Screw, Decelerator Shaft Collar	38	1117568 Cam Arm Assembly, Carriage Return
7	1110780 Shaft Assembly, Governor	23	1117472 Collar, Decelerator Sleeve	39	1117699 Spring, C. R. Cam Arm
8	1110785 Shoe, Governor Arm	24	1117565 Cam Arm Assembly, Tab	40	1117699 Spring, Tab Cam Arm
9	1110784 Arm, Governor	25	1117558 Spring, Tab Clutch	41	63324 Screw, Tension Tape
10	1092125 Clip, Retainer-Governor Arm	26	1117559 Drum Gear and Sleeve Assembly	42	1071211 Tension Tape, 13"
11	1110786 Bumper, Governor Arm	27	1117475 Bearing, Drum Gear	43	1073033 Tension Tape, 17"
12	1110779 Cover, Governor Housing	28	1117557 Spring, Drum Gear Clutch**	44	1073034 Tension Tape, 20"
13	1090023 Screw, Centrifugal Governor Mounting	29	1117555 Drum Assembly	45	1073035 Tension Tape, 24"
14	1090199 Washer, Governor Support	30	1110597 Main Spring and Holder Assembly	46	1073036 Tension Tape, 30"
15	1092125 Clip, Retainer-Governor Arm	31	1092125 Retainer, "C" Clip	62031	Lockwasher, Tension Tape
16	1110792 Spring, Governor Arm	32	1117554 Shaft, Decelerator	1090037	Pulley Screw
				1115936	Nut, Tension Tape Pulley
				1115939	Screw, Tension Tape Pulley
				1117576	Decelerator Assembly (includes Main Spring)

*Note: Reference #4, 1115951 Pin, Centrifugal Governor Shaft replaced Reference #2 257969 Set Screw, Centrifugal Governor Collar and Reference #3, 1117506 Collar, Centrifugal Governor Shaft. Reference #2 and #3 are available as field replacement parts. Governor Shaft and Pinion Gear have been altered but part numbers remain the same.

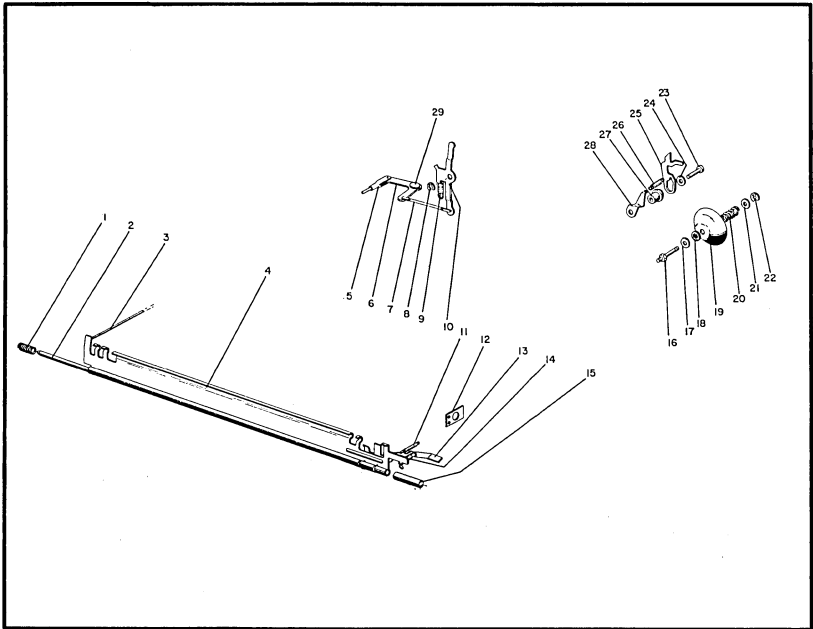
**On early model ET's where Tension Tape Pulley Part #1000540 is used, use #1110106 Pulley Screw and #7341 Pulley Nut.



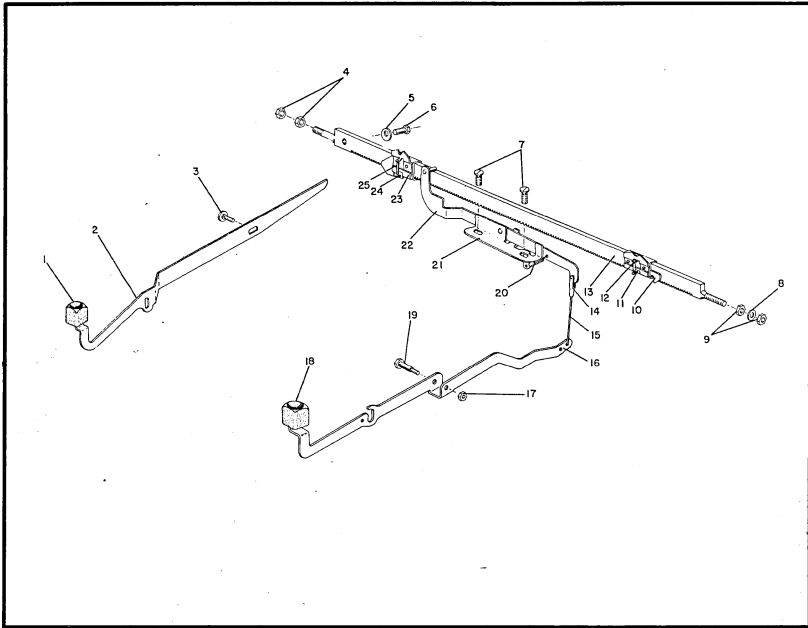
REF. PART NO.	DESCRIPTION	REF. PART NO.	DESCRIPTION	REF. PART NO.	DESCRIPTION
1	1070063 Universal Bar Assembly	16	1116208 Rack, Esc. 17" 10P	16	1115560 Rack, Esc. 30" R. H. 10P
2	1019264 Support, Universal Bar		1116056 Rack, Esc. 17" 11 P		1115540 Rack, Esc. 30" L. H. 10P
3	1090047 Washer, Universal Bar Support		1116209 Rack, Esc. 17" 12P		1115561 Rack, Esc. 30" R. H. 12P
4	1074048 Screw, Universal Bar Support		1116210 Rack, Esc. 17" 14P		1115541 Rack, Esc. 30" L. H. 12P
5	1091243 Washer, Universal Bar		1115549 Rack, Esc. 20" R. H. 6 2/5 P		1115562 Rack, Esc. 30" R. H. 14P
6	1090254 Washer, Universal Bar		1115537 Rack, Esc. 20" L. H. 6 2/5 P	17	1090139 Pin, Escapement Rack Dowel
7	1090449 Screw, Universal Bar	1115550	Rack, Esc. 20" R. H. 8 P	18	56722 Washer, Esc. Rack
8	1107812 Plate Univ. Bar Adjusting	1115538	Rack, Esc. 20" L. H. 8 P	19	10170 Screw, Esc. Rack
9	150209 Lockwasher, Univ. Bar Plate Screw	1115551	Rack, Esc. 20" R. H. 9 P	20	150814 Spring, Esc. Pawl 8, 9, 10, 11, and 12 P.
10	1100951 Screw, Universal Bar-Adjusting Plate	1115539	Rack, Esc. 20" L. H. 9 P	1090160	Spring, Esc. Pawl 6 2/5 and 14 P.
11	1070020 Clevis, Pin Adjusting	1115552	Rack, Esc. 20" R. H. 10 P	21	1117961 Escapement Pawl Brkt Assembly (8, 9, 10, 11, 12P)
12	1070307 Link, Esc. Trip	1116043	Rack, Esc. 20" R. H. 11 P	1117962	Escapement Pawl Brkt Assembly (6 2/5 and 14P)
13	1070387 Trip Lever, Escapement	1115553	Rack, Esc. 20" R. H. 12 P	22	1090395 Pin Dowel, Escapement Pawl Bracket
14	1117634 Rivet, Trip Lever Mounting	1115541	Rack, Esc. 20" L. H. 12 P	23	1117618 Screw, Escapement Pawl Bracket Assembly
15	1117632 Bearing, Trip Lever	1115554	Rack, Esc. 20" R. H. 14 P	24	1090343 Spring, Escapement Pawl Spacer
16	1115961 Rack, Esc. 13" 6 2/5 P.	1115542	Rack, Esc. 20" L. H. 14 P	25	2300 Screw, Escapement Pawl Bracket Assembly
	1115962 Rack, Esc. 13" 8 P.	1115555	Rack, Esc. 24" R. H. 6 2/5 P	26	1118848 Snubber, Plastic
	1115963 Rack, Esc. 13" 9 P.	1115537	Rack, Esc. 24" L. H. 6 2/5 P		
	1115964 Rack, Esc. 13" 10 P.	1115556	Rack, Esc. 24" R. H. 9P		
	1116054 Rack, Esc. 13" 11 P	1115539	Rack, Esc. 24" L. H. 9P		
	1115965 Rack, Esc. 13" 12 P.	1115557	Rack, Esc. 24" R. H. 10P		
	1115966 Rack, Esc. 13" 14 P.	1115540	Rack, Esc. 24" L. H. 10P		
	1116205 Rack, Esc. 17" 6 2/5 P.	1115558	Rack, Esc. 24" R. H. 12P		
	1116206 Rack, Esc. 17" 8 P.	1115541	Rack, Esc. 24" L. H. 12P		
	1116207 Rack, Esc. 17" 9P	1115559	Rack, Esc. 24" R. H. 14P		
		1115542	Rack, Esc. 24" L. H. 14P		



REF. PART NO.	DESCRIPTION	REF. PART NO.	DESCRIPTION	REF. PART NO.	DESCRIPTION
1	1115005 Frame, Front	10	1090680 Screw, Rear Frame	17	4236 Screw, Cam Stop Bracket
2	1090680 Screw, Front Frame	11	1071326 Bracket, Cam Stop R. H.	18	1118280 Stud, Transfer Wheel Spring
3	1117291 Stud, Switch Indicator	12	1115141 Side Frame Assembly, R. H. (Includes all studs)	19	1118260 Stud, Transfer Wheel Bracket
4	4236 Screw, Cam Stop Bracket	1263486	Frame, Side (Dual Ribbon) R. H.	20	1076967 Stud, Ribbon Cam and Vane Spring Mounting
5	1118219 Stud, Ribbon Vane	13	1115178 Power Frame Assembly, (Includes shift toggle shaft assembly)	21	1115183 Stud, Shift Toggle Spring L. H.
6	1115142 Stud, Shift Toggle Spring R. H.	14	1115169 Frame, Rear	22	1117415 Stud, Tab Actuating Lever Pivot
7	1071459 Screw, Side Frame Mounting	15	1071325 Bracket, Cam Stop L. H.	23	1115163 Side Frame Assem. L. H. (Includes all studs)
8	1090395 Dowel, Side Frames	16	1115176 Stud, Impression and Resilient Keyboard Controls	1263485	Frame, Side (Dual Ribbon) L. H.
9	1071459 Screw, Side Frame Mounting				

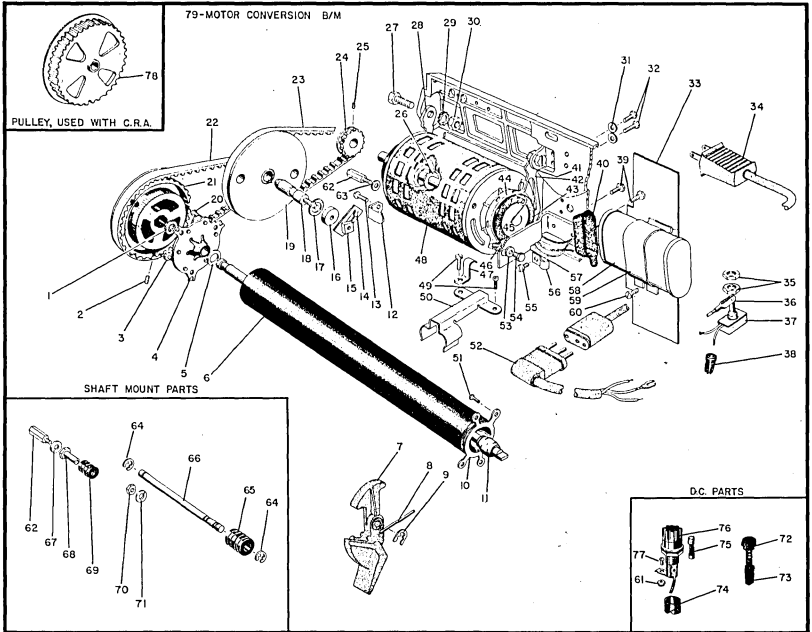


REF. PART NO.	DESCRIPTION	REF. PART NO.	DESCRIPTION	REF. PART NO.	DESCRIPTION
1	1072938 Spring, Locking Bar	10	1117448 Linelock Operating Arm	20	1109044 Spring, Bell Mounting
2	1077494 Fulcrum Wire, Linelock Bar	11	1091647 Spring, C. R. Lock	21	1090970 Washer, Bell Mounting
3	1115189 Rod, Linelock Actuating	12	1077499 Anchor, Spring	22	60489 Retainer, "C" Clip
4	1095476 Bar, Linelock	13	1077488 Lock, Carriage Return	23	5644 Screw, Bellclapper mount.
5	1070020 Clevis, Pin Adjusting	14	1072703 Spring, Linelock Bar	24	1090622 Washer, Bellclapper
6	1117452 Bellcrank, Linelock	15	1117922 Bushing, Linelock	25	1115399 Clapper, Bell
7	1117450 Link, Linelock Bellcrank	16	1115739 Stud, Bell Mounting	26	1090343 Spring, Bellclapper
8	1092125 Retainer, "C" Clip	17	1090199 Washer, Bell Mounting	27	1115397 Bushing, Bellclapper
9	1106650 Spring, Linelock Operating Arm	18	1035 Washer, Leather	28	1115398 Bracket, Bellclapper
		19	1115400 Bell	29	1095220 Rivet Linelock Bellcrank



REF. PART NO.	DESCRIPTION	REF. PART NO.	DESCRIPTION	REF. PART NO.	DESCRIPTION	
1	1117689 Keybutton, Margin Release (Tan)	13	1116039 Rack, Margin 17" 11 Pitch	22	1115569 Pin Assembly Margin Set Lever	
	1115861 Keybutton, Margin Release (Blue)		1115517 Rack, Margin 17" 12 Pitch	23	1115580 Stop, Margin L.H., 8, 9, 10, 11, & 12 Pitch; 13", 17", & 20" (14 Pitch 24" & 30")	
2	1117546 Keylever, Margin Release 84 & 86 Character		1115521 Rack, Margin 20" 8 Pitch		1115500 Stop, Margin L.H. 6 2/5 & 14 Pitch (13", 17", & 20")	
	1117547 Keylever, Margin Release 88 Character		1115522 Rack, Margin 20" 9 Pitch		*1116009 Stop, Margin L.H. 10 Pitch 24"-& 30"	
3	1105717 Screw, Margin Release Keylever		1115523 Rack, Margin 20" 10 Pitch		*1116010 Stop, Margin L.H. 12 Pitch 24"-& 30"	
4	1090550 Nut, Margin Rack		1116040 Rack, Margin 20" 11 Pitch	24	1115590 Pin & Slider Assembly, Margin Stop L.H., Single Pin for all Pitches and Lengths	
5	1102081 Washer, Eccentric Stop		1115524 Rack, Margin 20" 12 Pitch		1116007 Pin & Slider Assembly, Margin Stop L.H., 12 Pitch, 24" & 30" used with 1116010 Margin Stop	
6	1072684 Screw, Eccentric Stop		1115525 Rack, Margin 20" 14 Pitch		1116008 Pin & Slider Assembly, Margin Stop L.H., 10 Pitch, 24" & 30" used with 1116009 Margin Stop	
7	1090007 Screw, Margin Set		1115527 Rack, Margin 24" 6 2/5 Pitch		25	1115748 Spring, Margin Stop
8	1090240 Bracket Assembly		1115528 Rack, Margin 24" 9 Pitch			
9	1090550 Washer, Margin Rack		1115529 Rack, Margin 24" 10 Pitch			
10	1090550 Nut, Margin Rack		1115530 Rack, Margin 24" 12 Pitch			
11	1115585 Stop, Margin R. H. (All Pitches)		1115531 Rack, Margin 24" 14 Pitch			
12	1115748 Spring, Margin Stop		1115532 Rack, Margin 30" 10 Pitch			
13	1115506 Rack, Margin 13" 6 2/5 Pitch		1115533 Rack, Margin 30" 12 Pitch			
	1115507 Rack, Margin 13" 8 Pitch		1115534 Rack, Margin 30" 14 Pitch			
	1115508 Rack, Margin 13" 9 Pitch	14	1070020 Clevis, Pin Adjusting			
	1115509 Rack, Margin 13" 10 Pitch	15	1093722 Link, Margin Set Lever Connecting			
	1116038 Rack, Margin 13" 11 Pitch	16	1115566 Lever, Margin Reset 84, 86, 88 Character			
	1115510 Rack, Margin 13" 12 Pitch	17	1090037 Nut, Margin Reset Lever Stud			
	1115511 Rack, Margin 13" 14 Pitch	18	1117690 Keybutton, Margin Reset (Tan)			
	1115513 Rack, Margin 17" 6 2/5 Pitch		1115862 Keybutton, Margin Reset (Blue)			
	1115514 Rack, Margin 17" 8 Pitch	19	1115573 Stud, Margin Reset Lever Mounting			
	1115515 Rack, Margin 17" 9 Pitch	20	1091073 Spring, Margin Set Lever			
	1115516 Rack, Margin 17" 10 Pitch	21	1115572 Bracket Assembly, Margin Set			

* Used with new three tooth pin and slider.



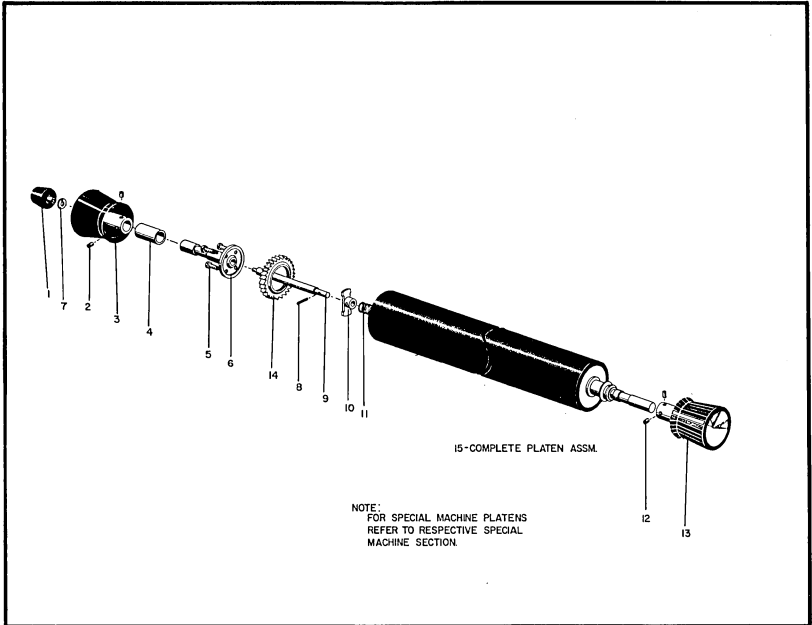
REF. PART NO.	DESCRIPTION	REF. PART NO.	DESCRIPTION	REF. PART NO.	DESCRIPTION	
1	1078497 Washer, Power Roll	32	1073025 Screw, Motor Mtg. Brkt.	48	1073282 Motor, 250V - 50CPS	
2	112055 Screw, Pulley	33	1261096 Insulation, Capacitor (if necessary cut to proper size)	49	1095025 Motor, 125V - 45CPS	
3	1090023 Screw, Power Roll Bearing Retainer	34	1117598 Cord, Motor Extension (2 Conductor)	50	1095026 Motor, 150V - 45CPS	
4	1078501 Bearing Retainer Assm. LH		1261975 Cord, Motor Extension (2 Conductor, 13ft)	51	1095027 Motor, 115V - 42CPS	
5	1078497 Washer, Power Roll			52	1095024 Motor, 160V - 42CPS	
6	1117828 Power Roll			53	1100038 Motor, 65V D.C.	
7	1117350 Indicator, Switch Lever			54	1100036 Motor, 115V D.C.	
8	1117348 Link, Switch Operating			55	1100040 Motor, 200V D.C.	
9	60488 Retainer, "C" Clip			56	1100039 Motor, 130V D.C.	
10	1078491 Retainer, Bearing R.H.	1117595	Cord, Motor Extension (3 Conductor)	57	1100037 Motor, 230V D.C.	
11	1078493 Retainer, Power Roll			58	63324 Screw, Cord Clamp	
12	1263006 Clip (For R & M Motor)	1117594	Cord, Motor Extension (3 Conductor)	59	1117599 Bracket, Plug Mtg.	
13	1928 Screw, Clip			60	1090968 Screw, Bearing Retainer	
14	1100678 Plate, Inter. Pulley Shaft			61	1117600 Plug & Cord Assembly	
15	1110234 Nut, Pulley Shaft			62	1116031 Plug & Cord Assembly (includes rubber hood)	
16	45709 Spacer, Pulley Shaft (Used with Fabric Ribbon Only)	179743	Nut, Switch	63	1090254 Washer, Motor Adj. Screw	
17	1106172 Washer, Intermediate Shaft	36	1110529 Clevis, Switch Operating	64	1074048 Screw, Motor Adjusting	
18	1106171 Shaft, Intermediate Pulley	37	1072088 Switch	65	38364 Screw, Wire Clamp	
19	1100552 Pulley, Inter. (60 CPS & DC)	38	64288 Solderless Connector	66	75944 Clamp, Wire	
20	1100543 Pulley, Inter. (25 & 50 CPS)	39	1072684 Screw, Ring Clamp Supp. Brkt.	67	1107159 Bracket, Ring Clamp Supp.	
21	1100544 Pulley, Inter. (45 CPS)	40	1108113 Shield, Capacitor	68	1107025 Capacitor - 2MFD (Use with 150 and 230V, 60 CPS Motors)	
22	1100548 Pulley, Inter. (42 CPS)	41	1115175 Bracket, Motor Mtg.	69	1106594 Capacitor - 3MFD (Use with 3" 115V 60CPS Motor, 115 and 160V 42CPS Motors, 125 and 150V 45 CPS Motors, and 100, 115 130, 150, 200, 230, and 250V 50CPS Motors)	
23	38281 Screw, Bearing Retainer	42	1108514 Bracket, Ring Mtg. R.H.	70	1072125 Capacitor - 6MFD (Use with 65V 60CPS Motor and 115V and 230V 25CPS Motors)	
24	1118299 Pulley, Power Roll	43	1260156 Rubber Ring (R&M Motors)	71	1107027 Bracket, Capacitor (2 & 3 MFD)	
25	1100438 Bell, Driven	44	1261760 Rubber Ring (G.E. Motors)	72	1108931 Bracket, Capacitor (6MFD)	
26	1100435 Bell, Drive (Green, all 60cy & DC Motors)	45	1108512 Clamp, Ring	73	38364 Screw, Capacitor Brkt.	
27	1100539 Belt, Drive (Red, 25 to 50cy motors as reqd. by type style)	46	38262 Screw, Ring Clamp	74	103372 Nut, Fuse Holder	
28	1100540 Belt, Drive (White, 25 to 50cy motors as reqd. by type style)	47	1117586 Clamp, Motor Cord	75	1117593 Stud, Motor Adjusting	
29	1118797 Pulley, Motor 14 T	48	1010921 Motor, 3" 115V - 60CPS Includes Rubber Mts.	76	63	1092524 Washer, Motor Adj. Screw
30	1118798 Pulley, Motor 15 T	110742	110742 Motor, 230V - 60CPS Includes Rubber Mts.	77	64	60488 Retainer, "C" Clip
31	112055 Screw, Motor Pulley	1095226	1095226 Motor, 100V - 50CPS	78	65	1071937 Motor, Mount - Upper
32	1100543 Pulley, Inter. (25 & 50 CPS)	1071797	1071797 Motor, 115V - 25CPS		66	1079945 Shaft (all shaft mtd. motors)
33	1090023 Screw, Power Roll Bearing Retainer	1071795	1071795 Motor, 115V - 50CPS			
34	1078501 Bearing Retainer Assm. LH	1077838	1077838 Motor, 65V - 60CPS			
35	1078497 Washer, Power Roll	1073280	1073280 Motor, 130V - 50 CPS			
36	1117828 Power Roll	1077126	1077126 Motor, 150V - 60CPS			
37	1117350 Indicator, Switch Lever	1073281	1073281 Motor, 150V - 50CPS			
38	1117348 Link, Switch Operating	1078313	1078313 Motor, 200V - 50CPS			
39	60488 Retainer, "C" Clip	1071796	1071796 Motor, 230V - 50CPS			
40	1078491 Retainer, Bearing R.H.	1071798	1071798 Motor, 230V - 25CPS			
41	1078493 Retainer, Power Roll					
42	1263006 Clip (For R & M Motor)					
43	1928 Screw, Clip					
44	1100678 Plate, Inter. Pulley Shaft					
45	1110234 Nut, Pulley Shaft					
46	45709 Spacer, Pulley Shaft (Used with Fabric Ribbon Only)					
47	1106172 Washer, Intermediate Shaft					
48	1106171 Shaft, Intermediate Pulley					
49	1100552 Pulley, Inter. (60 CPS & DC)					
50	1100543 Pulley, Inter. (25 & 50 CPS)					
51	1100544 Pulley, Inter. (45 CPS)					
52	1100548 Pulley, Inter. (42 CPS)					
53	38281 Screw, Bearing Retainer					
54	1118299 Pulley, Power Roll					
55	1100438 Bell, Driven					
56	1100435 Bell, Drive (Green, all 60cy & DC Motors)					
57	1100539 Belt, Drive (Red, 25 to 50cy motors as reqd. by type style)					
58	1100540 Belt, Drive (White, 25 to 50cy motors as reqd. by type style)					
59	1118797 Pulley, Motor 14 T					
60	1118798 Pulley, Motor 15 T					
61	112055 Screw, Motor Pulley					
62	1090023 Screw, Power Roll Bearing Retainer					
63	1078501 Bearing Retainer Assm. LH					
64	1078497 Washer, Power Roll					
65	1117828 Power Roll					
66	1117350 Indicator, Switch Lever					
67	1117348 Link, Switch Operating					
68	60488 Retainer, "C" Clip					
69	1078491 Retainer, Bearing R.H.					
70	1078493 Retainer, Power Roll					
71	1263006 Clip (For R & M Motor)					
72	1928 Screw, Clip					
73	1100678 Plate, Inter. Pulley Shaft					
74	1110234 Nut, Pulley Shaft					
75	45709 Spacer, Pulley Shaft (Used with Fabric Ribbon Only)					
76	1106172 Washer, Intermediate Shaft					
77	1106171 Shaft, Intermediate Pulley					
78	1100552 Pulley, Inter. (60 CPS & DC)					

Model C Std. Motor & Drive

REF. PART NO.	DESCRIPTION	REF. PART NO.	DESCRIPTION	REF. PART NO.	DESCRIPTION
67	1115973		Spacer, Motor Mtg. Shaft		
68	1076795		Stud, Lower Motor Mtg.		
69	1071938		Motor Mount - Lower		
70	2899		Nut, Motor Screw		
71	1078440		Lockwasher, Motor Screw		
72	1260061		Cap, Brush		
73	1260063		Brush & Spring Assembly		
74	1077401		Tubing, Insulating		
75	1099517		.4 amp 115V D.C. Fuse		
	78999		.5 amp 130V D.C. Fuse		
	53436		.2 amp 230V D.C. Fuse		
	78998		.3 amp 200V D.C. Fuse		
	78952		.8 amp 65V D.C. Fuse		
76	1077864		Fuse Holder Assm. (Includes cap, nut and washers)		
77	92		Screw, Fuse Holder		
78	1117827		Pulley, Power Roll (Used with Carbon Ribbon Only)		
79	MOTOR CONVERSION B/M				
	* 1270873		From 115V D.C. to 115V A.C. 50 Cycle		
	* 1270874		From 115V A.C. to 115V D.C. 60 Cycle		
<p>NOTE: When grounding an ET with one of the 3-Conductor Cards, remove the Capacitor Insulator #1261096 and install static eliminator #1110643.</p> <p style="margin-left: 40px;">* Order Motors Separately</p>					

January 1960

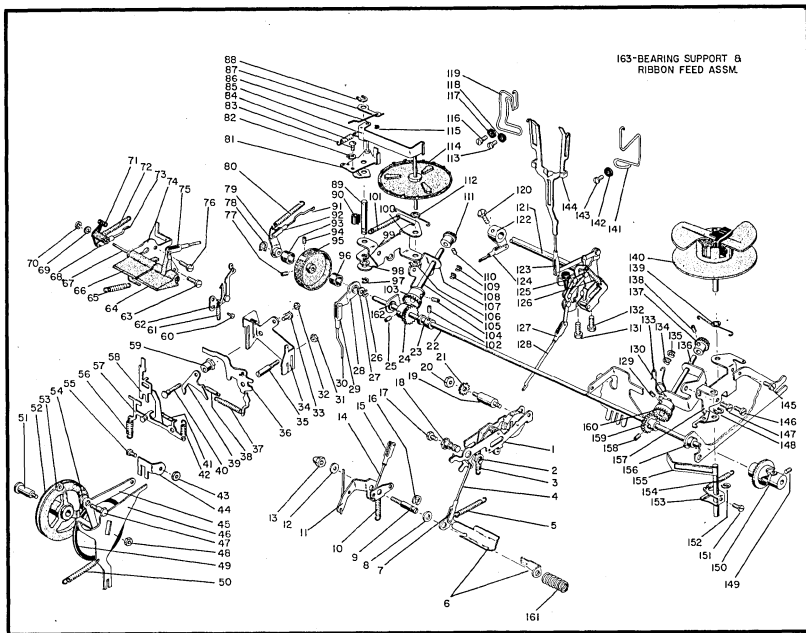
Figure 1



REF. PART NO.	DESCRIPTION	REF. PART NO.	DESCRIPTION	REF. PART NO.	DESCRIPTION
1	1116263 Button, Platen Vari. Tan	14	1117129 Ratchet, 29 T *	15	COMPLETE PLATEN ASSEMBLIES
	1116368 Button, Platen Vari. Light Blue		1117132 Ratchet, 32 T		Include Gray Knobs and 33 Tooth Ratchets
	1116369 Button, Platen Vari. Brown		1117133 Ratchet, 33 T *		
	1116370 Button, Platen Vari. Green		1117134 Ratchet, 34 T	13"	#1 1263158
	1115886 Button, Platen Vari. Dark Blue		1117135 Ratchet, 35 T		#2 1263159
2	1076796 Screw, Platen Knob		1117136 Ratchet, 36 T		#3 1263160
3	1117191 Knob, Platen L. H. Tan		1117138 Ratchet, 38 T *		#4 1263161
	1117198 Knob, Platen L. H. Light Blue		1117139 Ratchet, 39 T		#6 1263162
	1117199 Knob, Platen L. H. Brown		1117141 Ratchet, 41 T *		#7 1263163
	1117103 Knob, Platen L. H. Green		1117144 Ratchet, 44 T *		#8 1263164
	1115887 Knob, Platen L. H. Dark Blue		1117145 Ratchet, 45 T		#9 1263165
4	1116258 Bushing, Platen Sleeve L. H.		1117146 Ratchet, 46 T	17"	#1 1263198
5	1116257 Screw, Platen Clutch Cover		1111748 Ratchet, 48 T		#2 1263199
6	1116254 Platen Clutch Cover		1117149 Ratchet, 49 T		#3 1263200
7	1116023 Washer, Platen Vari. Button		1117150 Ratchet, 50 T		#4 1263201
8	1116259 Pin, Platen Shaft		1117151 Ratchet, 51 T		#6 1263202
9	1116260 Shaft, Platen Release		1117152 Ratchet, 52 T		#7 1263203
10	1116261 Driver, Platen Ratchet		1117153 Ratchet, 53 T		#8 1263204
11	1109044 Spring, Platen Driver		1117155 Ratchet, 55 T *		#9 1263205
12	1076796 Screw, Platen Knob		1117156 Ratchet, 56 T	20"	#1 1263238
13	1116242 Knob, Platen R. H. Tan		1117157 Ratchet, 57 T		#2 1263239
	1116269 Knob, Platen R. H. Light Blue		1117158 Ratchet, 58 T *		#3 1263240
	1116270 Knob, Platen R. H. Brown		1117159 Ratchet, 59 T		#4 1263241
	1116299 Knob, Platen R. H. Green		1117160 Ratchet, 60 T		#7 1263242
	1115890 Knob, Platen R. H. Dark Blue		1117161 Ratchet, 61 T		#8 1263243
			1117162 Ratchet, 62 T		#9 1263244
			1117166 Ratchet, 66 T *	24"	#1 1263273
					#2 1263274
					#3 1263275
					#4 1263276
					#7 1263277
					#8 1263278
					#9 1263279
				30"	#1 1263308
					#2 1263309
					#3 1263310
					#4 1263311
					#7 1263312
					#8 1263313
					#9 1263314

Note: For platens with 29 tooth ratchets, refer to Executive Platen Section. For platens with other than 29 or 33 tooth ratchets, use Part No. for corresponding platens equipped with 33 tooth ratchet and specify ratchet desired on P. & S. requisition along with customer's name.

* Note: Ratchets shown with asterisk are considered standard. Others listed can be had at additional cost. (See price listing)



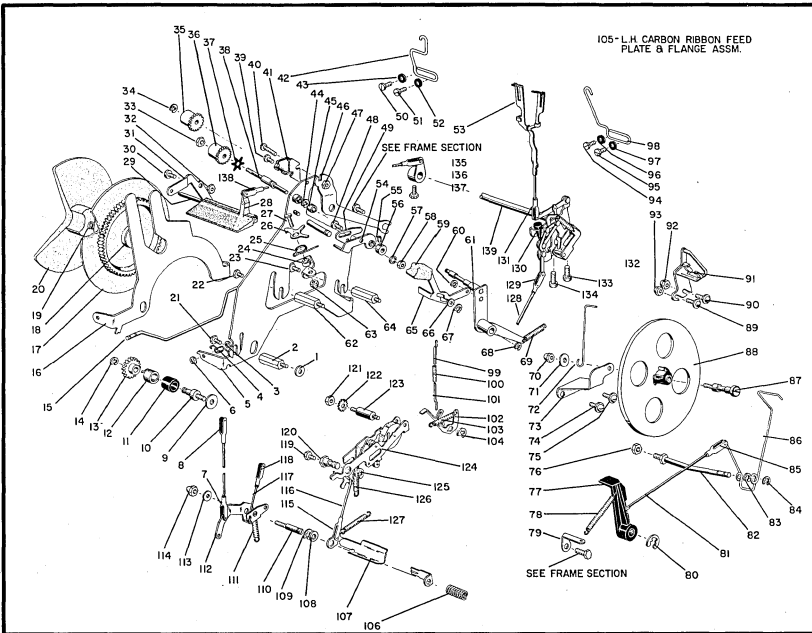
REF. PART NO.	DESCRIPTION	REF. PART NO.	DESCRIPTION	REF. PART NO.	DESCRIPTION			
1	1119186	Cam, Ribbon Feed	36	1118310	Lever, Reversing	67	1118332	Shaft, Keybutton
2	1092125	Retainer, "C" Clip	37	231361	Spring, Reverse Lever	68	1070020	Clevis, Pin Adjusting
3	1102139	Spring, Ribbon Cam Tension	38	166623	Spring, Rewind Latch	69	1090269	Washer, Cover Interlock
4	1072842	Link, Ribbon Cam Trip	39	1118303	Latch, Rewind			Actuator
5	1071637	Spring, Ribbon Lift Bail	40	1118293	Stud, Rewind Latch	70	219633	Retainer, "C" Clip
6	1118216	Bail, Ribbon Lift	41	1091647	Spring, Latch	71	1118331	Lever, Actuating Cover
7	1070020	Clevis, Pin Adjusting	42	10514	Spring, Rewind Lever			Interlock
8	1117831	Spacer, Ribbon Lift Bail	43	38051	Nut, Transfer Wheel Guide	72	1090589	Spring, Actuating Lever
		Stud	44	1118261	Guide, Transfer Wheel	73	1118333	Link, Follower Arm L.H.
9	1117281	Stud, Ribbon Lift Bail			Bracket	74	1118329	Bracket, Rewind
10	1118276	Spring, Ribbon Feed Lever	45	1118264	Bellcrank, Transfer Wheel			Mechanism L.H.
11	1118266	Lever, Ribbon Link Drive	46	1118265	Bracket, Transfer Wheel	75	1110529	Clevis, Pin Adjusting
12	1090336	Spacer, Ribbon Lift Bail Stud	47	1118262	Stud, Transfer Wheel	76	196298	Screw, Ribbon Rewind
13	7341	Nut, Ribbon Lift Bail Stud			Bellcrank			Mechanism Bracket
14	1000223	Link, Ribbon Feed (Cam to Feed Lever)	48	38051	Nut, Transfer Wheel Stud	77	1077919	Screw, Bristo
15	1012703	Clevis, Pin Adjusting	49	1118288	Ring, Transfer Wheel	78	1118362	Retainer, Grip Type
16	1092125	Retainer, "C" Clip	50	1071318	Spring, Transfer Wheel	79	1118274	Lever, Clutch Stop
17	1090499	Screw, Cam Mounting			Bracket	80	1090589	Spring, Clutch Stop Lever
18	1071420	Stud, RibbonFeed Cam Pivot	51	1118263	Stud, Transfer Wheel	81	1118324	Bracket, L.H. Sensing
19	1100076	Stop, Ribbon Cam	52	1118298	Wheel, Transfer			Finger
20	1090041	Nut, Cam Stop	53	1090037	Nut, Transfer Wheel	82	1118338	Washer, Unlatching
21	55901	Washer, Cam Stop			Bellcrank Stud	83	103895	Screw, Unlatching Washer
22	1118270	Shaft, Ribbon Feed & Reverse	54	1090970	Washer, Transfer Wheel	84	1091073	Spring, L.H. Sensing
23	1118292	Collar, Ribbon Shaft			Guide			Finger
24	1118312	Gear, Ribbon Drive and Reverse	55	10170	Screw, Transfer Wheel	85	1118320	Finger, L.H. Sensing
25	1077919	Screw, Bristo	56	1118346	Spring, Transfer Wheel	86	1118318	Link, L.H. Sensing Arm
26	264641	Retainer, "C" Clip			Bellcrank	87	1118315	Arm, L.H. Sensing Finger
27	1090394	Washer, Drive Clutch	57	1118300	Lever, Rewind	88	1118361	Retainer, Grip Type
28	1118274	Arm, Ribbon Feed Clutch	58	1118287	Link, Ribbon Button	89	1118317	Shaft, L.H. Sensing Finger
29	1070020	Clevis, Pin Adjusting	59	1118289	Stop, Reverse Lever			Bracket
30	1070020	Link, Ribbon Feed	60	307759	Screw, Reverse Latch	90	1110093	Clip, Sensing Finger Shaft
31	7341	Nut, Ribbon Rewind Mechanism	61	1091647	Spring, Latch	91	1000223	Link, Clutch Lever
32	1090268	Nut, Rewind Latch Stud	62	1118278	Latch, Reversing	92	1070020	Clevis, Pin Adjusting
33	196299	Screw, Ribbon Rewind Mechanism Bracket	63	196298	Screw, Ribbon Rewind Mechanism Bracket	93	1118296	Spring, Ribbon Holding
34	1118325	Bracket, Rewind Control	64	1117715	Button, Ribbon Control (Tan)			Clutch
35	1117281	Stud, Ribbon Lift Bail	65	1115871	Button, Ribbon Control (Blue)	94	1077919	Screw, Bristo
			66	166623	Spring, Rewind Button	95	1118268	Wheel, Rapid Rewind
			67	1117714	Button, Rewind (Tan)	96	119295	Spring, Ribbon Drive Clutch
			1115875	Button, Rewind (Blue)	97	1073418	Retainer, "C" Clip	
					98	1092017	Washer, Sensing Finger Shaft	

Model C Std. Fabric Ribbon

REF. PART NO.	DESCRIPTION	REF. PART NO.	DESCRIPTION	REF. PART NO.	DESCRIPTION
99	1073418 Retainer, "C" Clip	122	1071935 Lever, Ribbon Control	143	186712 Screw, Ribbon Corner
100	1118322 Bracket, L.H. Ribbon	123	1070020 Clevis, Pin Adjusting		Guide
		124	1115180 Link Assembly, Ribbon	144	1110492 Ribbon Lift Guide
101	1107794 Spring, Sensing Finger				Assembly
102	1078469 Screw, Bristo	125	1070160 Stop, Ribbon Lift	145	196298 Screw, Ribbon Spool
103	1118311 Gear, Ribbon Drive Shaft				Mounting Bracket
104	1077919 Screw, Bristo	126	1091618 Spring, Ribbon Lift	146	196298 Screw, Ribbon Spool
105	1118185 Shaft, Ribbon Gear Drive				Mounting Bracket
106	1118361 Retainer, Grip Type	127	1070020 Clevis, Pin Adjusting	147	196298 Screw, Ribbon Spool
107	1118214 Bracket, Ribbon Spool	128	1076717 Link, Ribbon Lift		Mounting Bracket
	Drive Shaft L.H.			148	1118361 Retainer, Grip Type
108	264641 Retainer, "C" Clip	129	1077919 Connecting	149	1078469 Screw, Bristo
109	264641 Retainer, "C" Clip	130	1118255 Screw, Bristo	150	1261963 Bracket, R.H. Ribbon
110	1078469 Screw, Bristo			151	196299 Spool Drive Shaft
111	1118187 Gear, Ribbon Spool Drive	131	1090799 Screw, Ribbon Lift		Assembly
112	1118340 Spring, Ribbon Spool			151	196299 Screw, Ribbon Reverse
	Tension	132	1090799 Screw, Ribbon Lift	152	1073418 Pawl Cam
113	186712 Screw, Ribbon Corner			152	1073418 Retainer, "C" Clip
	Guide	133	1118257 Mechanism	153	1118256 Cam, Ribbon Reverse
114	1118341 Plate, Ribbon Spool			154	1107794 Pawl
	Drive, L.H.	134	264641 Spring, R.H. Ribbon	154	1107794 Spring, Sensing Finger
115	219633 Retainer, "C" Clip	135	264641 Retainer, "C" Clip	155	1118204 Finger, R.H. Sensing
116	186712 Screw, Ribbon Corner	136	1118185 Shaft, Ribbon Gear Drive	156	1118253 Bushing, Ribbon Drive
	Guide	137	1118187 Gear, Ribbon Spool Drive		and Shaft Reverse
117	1090269 Washer, Ribbon Corner	138	1078469 Gear, Ribbon Spool Drive	157	1118363 Bracket Assembly
	Guide Screw	139	1118340 Spring, Ribbon Spool		(Includes Pawl)
118	1090269 Washer, Ribbon Corner			158	1078469 Screw, Bristo
	Guide Screw	140	1118359 Spring, Ribbon Spool	159	1118312 Gear, Ribbon Drive and
119	1118227 Guide, Ribbon Corner L.H.				Reverse Shaft
120	130562 Screw, Ribbon Control Lever	141	1118228 Spool Assembly (Includes	160	1118311 Gear, Ribbon Drive Shaft
121	1070022 Ribbon Lift Mechanism	142	1090269 gate and clip)	161	1074321 Spring, Ribbon Lift Bail
				162	1118191 Washer, Ribbon Corner
					Guide Screw
				163	1118354 Bearing Support and
					Ribbon Feed Assembly

January 1960

Figure 1

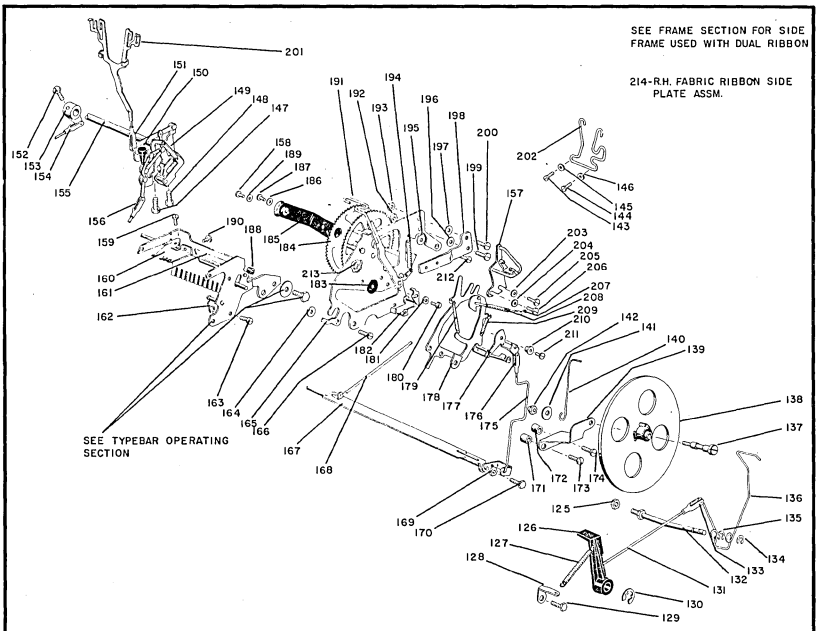
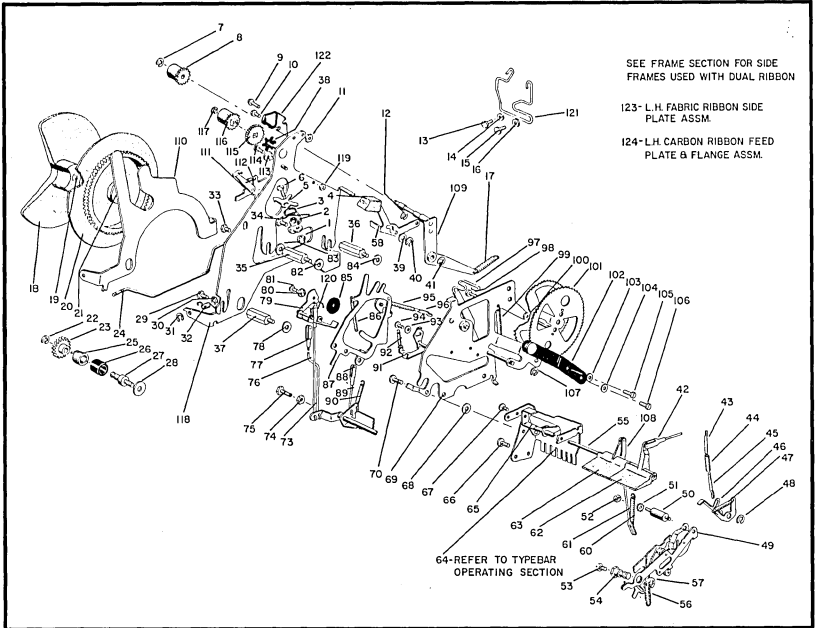


REF. PART NO.	DESCRIPTION	REF. PART NO.	DESCRIPTION	REF. PART NO.	DESCRIPTION
1	1104286 Washer, Stud Mounting	40	2650 Screw, L.H. Lower	83	264641 Retainer, "C" Clip
2	1117814 Stud, Lined Front Mtg.	41	1117825 Guide, L. H. Lower	84	264641 Retainer, "C" Clip
3	219633 Retainer, "C" Clip	42	1117841 Guide, L. H. Corner	85	1070020 Clevis, Pin Adjusting
4	1117822 Spring, Rewind Release	43	1090269 Washer, L. H. Corner	86	1117780 Follower, Carbon Ribbon
5	1117805 Plate, Rewind Release	44	25282 Retainer, "C" Clip	87	1117782 Shaft, Supply Spool
6	219633 Retainer, "C" Clip	45	1100532 Spring, Ribbon Feed	88	1117783 Spool, Carbon Ribbon
7	1117816 Link Assembly, Ribbon	46	1117843 Support, Mounting Plate	89	1091745 Screw, Corner Guide
8	1110529 Clevis, Pin Adjusting	47	1090268 Nut, Mtg. Plate Support	90	1091745 Screw, Corner Guide
9	125145 Washer, Adapter Gear	48	196299 Screw, Upper Arm	91	1117824 Guide, Lower R. H.
10	1117832 Adapter, Gear Take-Up	49	1100555 Arm, Upper Adjusting	92	7341 Nut, R.H. Lower Guide
11	1117835 Cover, Friction Spring	50	186712 Screw, L. H. Corner	93	7341 Nut, R.H. Lower Guide
12	1117834 Spring, Friction Take-Up	51	186712 Screw, L. H. Corner	94	186712 Screw, Upper R.H.
13	1117833 Gear, Spur Take-Up	52	1090269 Washer, L.H. Corner	95	186712 Screw, Upper R.H.
14	1092125 Retainer, "C" Clip	53	1117845 Guide, Carbon Ribbon	96	1090269 Washer, R. H. Guide
15	1117821 Shaft, Rewind Pivot	54	1117809 Arm, Upper	97	1090269 Washer, R. H. Guide
16	1117815 Hinge, Rewind Spool	55	1092177 Screw, Feed Roll Collar	98	1117787 Guide, R. H. Corner
17	1117819 Flange, Inner Rewind Spool (Does not include shaft #1117838)	56	1105930 Collar, Feed Roll Shaft	99	1000282 Link, Stencil Control
18	1117838 Shaft, Rewind Spool	57	163899 Washer, Upper Arm	100	1091646 Spring, Stencil Control
19	1073418 Retainer, "C" Clip	58	7341 Nut, Upper Arm	101	1100487 Link, Stencil Control
20	1117820 Flange, Outer Rewind	59	1117692 Button, Ribbon Release	102	1074243 Lever, Stencil Control
21	1072684 Screw, Rewind Mounting	60	264641 Retainer, "C" Clip	103	1091715 Spring, Stencil Control
22	1072684 Screw, Rewind Mounting	61	1117794 Arm, Pressure Roller	104	1092125 Retainer, "C" Clip
23	1072684 Screw, Rewind Mounting	62	1117812 Stud, Rewind Plate Mtg.	105	1261998 L.H. Carbon Ribbon Feed Plate and Flange (Include L.H. Plate and all parts except Ribbon Take-Up Spool)
24	1117790 Bushing, Rewind Release	63	7341 Nut, Rewind Latch	106 to 138	Refer to Fabric Ribbon Mechanism for description and Part Numbers.
25	1117791 Spring, Rewind Release	64	1117813 Stud, Rewind Plate Mtg.		
26	1117789 Latch, Rewind Release	65	1117793 Arm, Carbon Ribbon Rel.		
27	7039 Screw, Rewind Latch	66	126195 Washer, Carbon Ribbon		
28	1117720 Button, Ribbon Position (Tan)	67	147297 Retainer, "C" Clip		
		68	264641 Retainer, "C" Clip		
		69	1090435 Spring, Pressure Arm		
		70	103372 Nut, Supply Spool Shaft		
		71	2903 Washer, Supply Spool		
29	1117693 Shaft, Flipper Button	72	1117844 Spring, Ribbon Tension Bracket, Supply Spool		
30	196299 Screw, Flipper Bracket	73	1117781 Spring, Supply Spool		
31	1118330 Bracket, L.H. Flipper	74	1079999 Screw, Supply Spool		
32	7341 Nut, Flipper Bracket	75	1079999 Screw, Supply Spool		
33	1090037 Nut, Feed Roll Shaft	76	1090037 Nut, Mtg. Shaft Stud	1271009	From Carbon Ribbon to Fabric Ribbon
34	264641 Retainer, "C" Clip	77	1117778 Indicator, Carbon Ribbon	1270860	From Fabric Ribbon to Carbon Ribbon
35	1117840 Roller, Carbon Ribbon	78	1117826 Spring, Carbon Ribbon		
36	1117840 Roller, Carbon Ribbon	79	1117811 Bracket, Spring Mount		
37	1100533 Spring, Spider Ribbon	80	60488 Retainer, "C" Clip		
38	1117792 Shaft, Carbon Ribbon	81	1076717 Link, Supply Indicator		
39	186712 Screw, L.H. Lower	82	1117779 Stud, Follower Mtg.		

CONVERSION BILLS OF MATERIAL
(Specify color of Buttons)

- 1271009 From Carbon Ribbon to Fabric Ribbon
- 1270860 From Fabric Ribbon to Carbon Ribbon

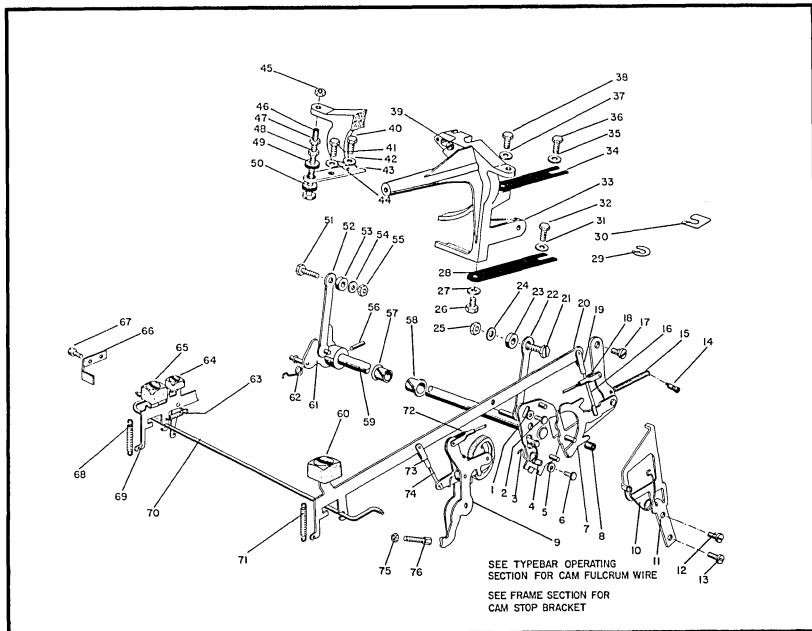
NOTE: These conversion Bills of Material are for standard machines only. For executive conversion Bills of Material, refer to executive ribbon section.



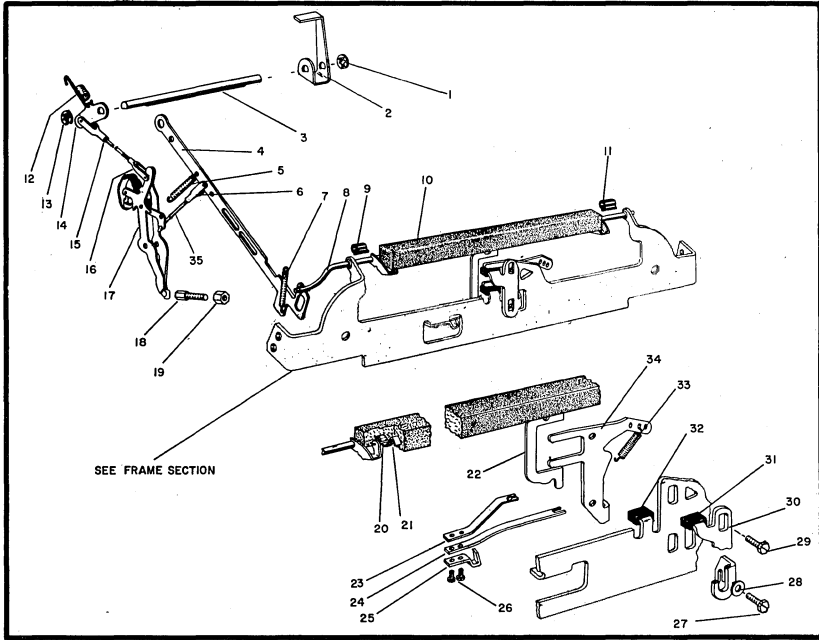
Model C Std. Dual Ribbon

REF. PART NO.	DESCRIPTION	REF. PART NO.	DESCRIPTION	REF. PART NO.	DESCRIPTION
1	7341 Nut, Rewind Latch	45	1000282 Link, Stencil Control	90	1071687 Spring, Ribbon Ball
2	1117790 Bushing, Rewind Release	46	1074243 Lever, Stencil Control	91	1072039 Ribbon check pawl L.H.
3	1117791 Spring, Rewind Release	47	1090175 Spring, Stencil Control	92	1091647 Spring, Check Pawl
4	1117692 Button, Ribbon Release	48	1092125 Retainer, C Clip	93	1090472 Washer, Check Pawl
5	1117789 Latch, Rewind Release	49	1118186 Cam, Ribbon Feed	94	186393 Screw, Check Pawl
6	7339 Screw, Rewind Latch	50	1100076 Stop, Ribbon Cam	95	1091646 Spring, Link
7	264641 Retainer, C Clip	51	55901 Washer, Cam Stop	96	1000282 Link, Ribbon Guide
8	1117840 Roller, Carbon Rib. Pres.	52	1090041 Nut, Cam Stop	97	1100749 Guide, fabric ribbon feed
9	2650 Screw, Guide LH Lower	53	1090449 Screw, Ribbon Feed Cam	98	38348 Screw, feed plate rear
10	186712 Screw, Guide LH Lower	54	1071420 Stud, Ribbon Feed Cam	99	1091670 Spring, Ribbon Guide
11	1090268 Nut, Mounting Plate	55	1117693 Shaft, Flipper Button	100	1091388 Spacer, upper rewind
12	264641 Retainer, C Clip	56	1102139 Spring, Ribbon Cam		Mounting Stud
13	186712 Screw, Corner Guide	57	1092125 Retainer, C Clip	101	1019908 Spool, Fabric Ribbon
14	1090269 Washer, Corner Guide	58	1263545 Arm Assem., C. R. Rel.	102	1000159 Spring, ribbon spool ret.
15	186712 Screw, Corner Guide	60	1115016 Spg, Rewind button	103	1090199 Washer, Ribbon Feed
16	1090269 Washer, Corner Guide	61	1263560 Link, Ribbon Rewind	104	1090199 Washer, Ribbon Feed
17	1090435 Spring, Pressure Arm	62	1117715 Button, ribbon control tan	105	1091515 Screw, ribbon spool spg.
18	1117820 Flange, outer rewind spool	63	1115871 Button, ribbon control blue	106	1091515 Screw, ribbon spool spg.
19	1073418 Retainer, C Clip	63	1263573 Button, ribbon rewind tan	107	1073418 Retainer, C Clip
20	1117819 Flange, inner rewind spool	64	See typebar operating section	108	1070020 Clevis, Pin Adjusting
21	1117838 Shaft, Rewind Spool	65	1263469 Stop, Ribbon Rewind	109	1263477 Arm Assem. pressure roll
22	1092125 Retainer, C Clip	66	101170 Screw, Support Mtg.	110	1263481 Hinge, ribbon rewind spool
23	1117833 Screw, Spur take-up	67	1091515 Screw, Bracket Mtg.	111	1263550 Ratchet Assem., carbon
24	1117821 Shaft, Rewind Spool	68	1090049 Spacer		Ribbon Drive
25	1117834 Spring, friction take-up	69	1263551 Plate, Ribbon Feed(LH)	112	129649 Spring, Ratchet Assem.
26	1117835 Cover, Dust Friction Spg.	70	101070 Screw	113	1263471 Eccentric, Ratchet Assem.
27	1117832 Adapter, Gear take-up	73	1070340 Link, fabric rib. feed LH	114	11103978 Screw, Ratchet Assem.
28	125145 Washer, Adapter Gear	74	1090034 Nut, Bail Pivot Screw	115	1073424 Wheel Esc. 6, 8, 9P
29	1072684 Screw, Rewind Mtg. Plate	75	1076787 Screw, Bail Pivot	107	1073860 Wheel Esc. 10, 11, 12, 14P
30	219633 Retainer, C Clip	76	1263575 Link, Ribbon Feed	116	1263480 Roller Assembly, Feed
31	219633 Retainer, C Clip	77	1070020 Clevis, Pin Adjusting	117	1263481 Retainer, C Clip
32	1117822 Spring, Ribbon Flange	78	1104286 Spacer, CRA plate mtg stud	118	1263483 Plate Assembly, Ribbon
33	1072684 Screw, Rewind Mtg. Plate	79	1070236 Ribbon Feed Bellcrank		L.H. Mounting
34	1072684 Screw, Rewind Mtg. Plate			119	1090268 Nut, Ratchet Assem. Screw
35	1117812 Stud, C. R. Mtg.	80	1100379 Bushing, Bellcrank	120	1070020 Clevis, Pin Adjusting
36	1117813 Stud, Lower Rear Mtg.	81	186712 Screw, Ribbon Pawl	121	1263472 Guide, LH corner comb
37	1117814 Stud, Lower Front Mtg.	82	1104286 Spacer, CRA plate mtg stud	122	1263484 Guide, Lower L. H.
38	1100533 Spring, spider rib. feed	83	24327 Spacer, CRA plate mtg stud	123	1263555 Fabric Ribbon Side Plate
39	125195 Washer	84	1091388 Spacer, CRA plate mtg stud		Assembly L.H.
40	147297 Retainer, C Clip	85	1096598 Washer, ribbon feed pawl	124	1263576 Carbon Ribbon Feed Plate
41	264641 Retainer, C Clip	86	46831 Spring, Feed Pawl		& Flange Assem. L. H.
42	1070020 Clevis, Pin Adjusting	87	1263553 Reverse brkt (LH) assembly	125	1090037 Nut
43	1000282 Link, Stencil Control	88	1070020 Clevis, Pin Adjusting	126	1117728 Nut Indicator, Carbon Ribbon
44	1091646 Spring, Stencil Control	89	1072842 Link, Cam Release		Supply

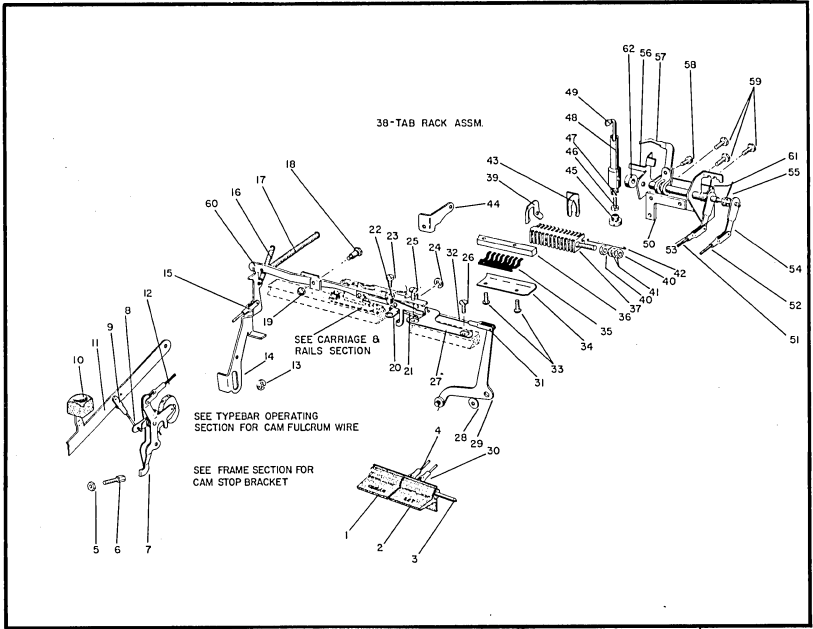
REF. PART NO.	DESCRIPTION	REF. PART NO.	DESCRIPTION	REF. PART NO.	DESCRIPTION
127	1117826 Spring, Carbon Ribbon Supply Indicator	165	1263552 Plate Assembly, Ribbon Feed R. H.	197	1090199 Washer, Ribbon Feed Bracket, R.H.
128	1117811 Bracket, Spring Mount	166	1071459 Screw	198	1263474 Bracket, Mounting Ribbon Guide, R. H.
129	See Frame Section	167	1118849 Ball Ribbon Lift		
130	60488 Retainer, C Clip	168	1076717 Link, Ribbon Lift Conn.	199	38350 Screw, Mounting Brkt.
131	1070717 Link, Supply Indicator	169	1090034 Nut	200	38350 Screw, Mounting Brkt.
132	1117779 Stud, Follower Mounting	170	1076787 Screw, ribbon lift ball	201	1078561 Guide, Fabric and Carbon Ribbon
133	1070020 Clevis, Pin Adjusting	171	1091452 Spacer, supply spool brkt		
134	264641 Retainer, C Clip	172	1091452 Spacer, supply spool brkt	202	1263473 Washer, R.H. Corner
135	264641 Retainer, C Clip	173	1072820 Screw	203	1090269 Washer
136	1263540 Follower, Carbon Ribbon Supply	174	1072820 Screw	204	1090269 Washer
137	1117782 Shaft, Supply Spool	175	1263487 Link, Connecting	205	186712 Screw
138	1117783 Spool, Carbon Ribbon Supply	176	1070020 Clevis, Pin Adjustable	206	186712 Screw
		177	1070225 Pawl Assembly Ribbon Feed R. H.	207	1000282 Link
139	1117781 Bracket, Supply Spool Mtg	178	1263554 Bracket Assembly,	208	1091646 Spring
140	1117844 Spring, Ribbon Tension			209	1091647 Check Pawl Spring
141	2903 Washer, Supply Spool	179	46831 Spring, R.H.	210	1100379 Bushing, Bellcrank
		180	186393 Screw, check pawl mtg.	211	186712 Screw
142	103372 Nut, Supply spool shaft	181	1090472 Washer, Check Pawl	212	38348 Screw, Feed Plate, Rear
143	186712 Screw, Corner Guide Mounting R.H.	182	1070226 Arm Assembly, R.H.	213	1091662 C.R.H. Fabric Ribbon Feed
144	186712 Screw, Corner Guide Mounting R.H.	183	1096698 Check Pawl Washer, Ribbon Feed Pawl R. H.	214	1263556 Plate
145	1090269 Washer, R.H. Guide				
146	1090269 Washer, R.H. Guide	184	1019908 Spool Assembly, Ribbon		
147	1090799 Screw, Ribbon Lift Mech.	185	1000159 Spring, Ribbon Feed		
148	1090799 Screw, Ribbon Lift Mech.				
149	1091618 Spring, ribbon lift mech.	186	1090199 Washer		
150	1070160 Stop, Ribbon Lift Mech.	187	1090515 Screw		
151	1070020 Clevis, Pin Adjusting	188	1263562 Retainer, Ribbon Reverse Rod		
152	130562 Screw, Ribbon Con. Lever				
153	1071935 Lever, Ribbon Control	189	1090199 Washer		
154	1115180 Link Assem. ribbon control	190	186712 Screw, Spring Support		
155	1070020 Ribbon Lift Mech Asm				
156	1070020 Clevis, Pin Adjusting	191	1100746 Reverse Lever, R. H.		
157	1117824 R.H. corner guide, lower	192	38051 Nut		
158	1091515 Screw	193	38051 Nut		
159	186712 Screw, spring support brkt.	194	1091670 Spring, Reverse Lever		
160	1263574 Bracket, Spring Support				
161	1263561 Rod Assembly, ribbon rev.	195	1091388 Spacer, Upper Rewind		
162	1091787 Spring, ribbon reverse rod				
163	101710 Screw	196	1090199 Mounting Stud		
164	1090049 Spacer				



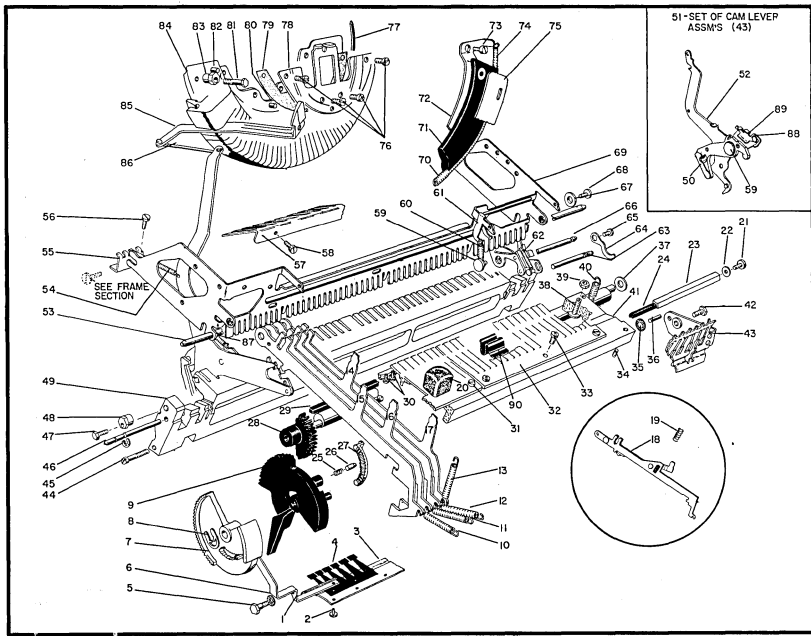
REF. PART NO.	DESCRIPTION	REF. PART NO.	DESCRIPTION	REF. PART NO.	DESCRIPTION
1	1090058 Washer, Shift Plate Screw	28	1107959 Spring, Segment Guide Shim, Segment Front	56	1106201 Roll Pin, Shift Toggle Shaft
2	1074048 Screw, Shift Plate, RH	29	1104493 Shim, Segment Rear	57	1115144 Bearing, Shift Toggle Shaft
3	1078049 Spring, Shift Toggle	30	1077799 Washer, Segment Guide Spring	58	1115144 Bearing, Shift Toggle Shaft
4	1115134 Plate Assembly, Shift RH	31	1090047 Spring, Segment Guide Screw	59	1115125 Shift Toggle Shaft Assembly
5	1090058 Washer, Shift Plate Screw	32	1105690 Casting, Segment Support	60	1118684 Keybutton, Shift (Tan)
6	1074048 Screw, Shift Plate, RH	33	1115101 Spring, Segment Guide Washer	1115864	Keybutton, Shift (Blue)
7	1078047 Pusher and Lever Assem.	34	1107959 Spring, Segment Guide	61	1115131 Plate Assembly, Shift Toggle LH
8	1091607 Sleeve, Shift Buffer	35	1090047 Spring, Segment Guide	62	1078049 Spring, Shift Toggle
9	1119204 Shift Cam Assembly	36	1105690 Spring, Segment Guide	63	1071449 Spring, Shift Lock
10	1070017 Spring, Buffer	37	1090047 Spring, Segment Guide	64	1118683 Keybutton Shift Lock (Tan)
11	1078044 Retainer, Buffer	38	1105690 Spring, Fulcrum Wire Stop Screw	1071839	Keybutton, Shift Lock (Blue)
12	38281 Screw, Shift Buffer Retainer	39	1090010 Spring, Shift Stop Bracket	65	1118684 Keybutton, Shift (Tan)
13	38281 Screw, Shift Buffer Retainer	40	1091035 Screw, Shift Stop Bracket	1115864	Keybutton, Shift (Blue)
14	1091651 Pin, Pusher Spring Supp.	41	1091035 Washer, Shift Stop Bracket Screw	66	1071458 Bracket, Shift Lock
15	1098149 Spring, Pusher and Lever Assembly	42	1090058 Bracket, Shift Stop Washer	67	1090449 Screw, Shift Lock Support
16	1070307 Connecting Link, Shift Buffer	43	1115105 Washer, Shift Stop Bracket Screw	68	1072126 Spring, Shift Keylever
17	1091619 Stud, Pusher and Lever Assembly	44	1090058 Nut, Shift Stop Screw	69	1115028 Shift Keylever Assembly (84, 86 and 88 character)
18	1115184 Connecting Link Assembly, Shift Pusher	45	1090034 Screw, Shift Stop	70	1071356 Equalizing Rod, Shift Spring, Shift Keylever
19	1070020 Clevis, Pin Adjusting	46	1077823 Nut, Shift Stop Screw	71	1072126 Clevis, Pin Adjusting
20	1115034 Shift Keylever Assembly (86 and 88 character)	47	1090034 Washer, Shift Bumper	72	1110529 Stud, Segment Support Link
21	1115121 Stud, Segment Supp. Link	48	1090034 Washer, Shift Bumper	73	1070020 Link, Shift Toggle
22	1070289 Link, Shift Toggle	49	1090619 Stud, Segment Support Link	74	1070307 Stud, Segment Support Link
23	303386 Spacer, Shift Toggle Link	50	1090619 Link, Shift Toggle	75	7341 Nut, Cam Stop Screw
24	1090622 Washer, Shift Toggle Link Stud	51	1115121 Washer, Shift Toggle Link Stud	76	1091666 Screw, Cam Stop
25	1090037 Nut, Shift Toggle Link Stud	52	1070289 Washer, Shift Toggle Link Stud		
26	1105690 Spring, Segment Guide	53	303386 Nut, Shift Toggle Link Stud		
27	1090047 Washer, Segment Guide Spring	54	1090622 Nut, Shift Toggle Link Stud		
		55	1090037 Nut, Shift Toggle Link Stud		



REF. PART NO.	DESCRIPTION	REF. PART NO.	DESCRIPTION	REF. PART NO.	DESCRIPTION
1	1095160 Retainer "C" Clip	13	1095160 Retainer "C" Clip	26	91373 Screw, Spacebar Spring Mounting
2	1070043 Lever, Esc. Operating	14	1070041 Plate, Esc. Operating	27	116079 Screw, Spacebar Stop
3	1070042 Shaft, Esc. Operating	15	1070365 Link Assm. Esc. Operating	28	1090240 Washer, Spacebar Stop Screw (used to cripple Spacebar)
4	1115958 Lever, Spacebar Key	16	1110529 Clevis, Pin Adjusting	29	116079 Screw, Spacebar Stop
5	1115019 Spring, Spacebar Cam	17	1115852 Cam, Spacebar	30	1117917 Stop, Spacebar Repeat
6	1070020 Clevis, Pin Adjusting	18	1091666 Screw, Cam Stop	31	1071881 Stop, Spacebar Repeat Slide
7	120710 Spring, Spacebar Keylever	19	1115232 Nut, Cam Stop Screw	32	1117920 Spring, Spacebar Repeat Stop, Spacebar
8	1117906 Shaft Assm. Spacebar	20	1117911 Pin, Spacebar	33	1117933 Spring, Spacebar Repeat Slide 18 oz.
9	1110093 Clip, Spacebar Shaft	21	1117912 Retainer, Spacebar Pin		1102139 Spring, Spacebar Repeat Slide, 24 oz.
10	1117914 Spacebar, Tan	22	1117913 Stem, Spacebar		
		23	1115079 Guide, Spacebar Stem		
11	1110093 Clip, Spacebar Shaft	24	1117915 Spring, Spacebar		
12	1072818 Spring, Esc. Oper. Lever	25	1117916 Support, Spacebar Spring		
				34	1117919 Bracket, Spacebar Stop
				35	1070307 Link, Spacebar Cam



REF. PART NO.	DESCRIPTION	REF. PART NO.	DESCRIPTION	REF. PART NO.	DESCRIPTION
1	111717 Button, Tab Clear (Tan)	35	1103843 Spring, Tab Rack 12P	38	1116069 Tab Rack Assm, 17" 11P
2	1115883 Button, Tab Clear (Blue)		1103844 Spring, Tab Rack 14P		1118812 Tab Rack Assm, 17" 12P
3	1117694 Button, Tab Set (Tan)	36	1115753 Spacer, Tab Rack Spring 13"		1118813 Tab Rack Assm, 17" 14P
4	1115885 Button, Tab Set (Blue)		1115754 Spacer, Tab Rack Spring 17"		1118815 Tab Rack Assm, 20" 6 2/5 P
5	1117694 Shaft, Flipper Buttons		1103837 Spacer, Tab Rack Spring 20"		1118816 Tab Rack Assm, 20" 8P
6	1110529 Clevis, Pin Adjusting		1103838 Spacer, Tab Rack Spring 24"		1118817 Tab Rack Assm, 20" 9P
7	7341 Nut, Cam Stop Screw		1103839 Spacer, Tab Rack Spring 30"		1118818 Tab Rack Assm, 20" 10P
8	1091666 Screw, Cam Stop	37	1117517 Tab Rack 13" 6 2/5 P		1116070 Tab Rack Assm, 20" 11P
9	1119191 Cam, Tab		1117518 Tab Rack 13" 8 P		1118819 Tab Rack Assm, 20" 12P
10	1070307 Link, Cam Trip Lever		1117519 Tab Rack 13" 9 P		1118820 Tab Rack Assm, 20" 14P
11	1117044 Clevis, Pin Adjusting		1117520 Tab Rack 13" 10 P		1118822 Tab Rack Assm, 24" 6 2/5 P
12	1117704 Keybutton, Tab (Tan)		1116044 Tab Rack 13" 11 P		1118823 Tab Rack Assm, 24" 9P
13	1115865 Keybutton, Tab (Blue)		1117521 Tab Rack 13" 12 P		1118824 Tab Rack Assm, 24" 10P
14	1115025 Keylever, Tab (84, 86 char)		1117522 Tab Rack 13" 14 P		1118825 Tab Rack Assm, 24" 12P
15	1115031 Keylever, Tab (88 char)		1117524 Tab Rack 17" 6 2/5 P		1118826 Tab Rack Assm, 24" 14P
16	1115749 Link Assem, Tab Oper.		1117525 Tab Rack 17" 8 P		1118827 Tab Rack Assm, 30" 10P
17	1092125 Retainer "C" Clip		1117526 Tab Rack 17" 9 P		1118828 Tab Rack Assm, 30" 12P
18	1117413 Lever, Tab Actuating		1117527 Tab Rack 17" 10 P		1118829 Tab Rack Assm, 30" 14P
19	1110529 Clevis, Pin Adjusting		1117528 Tab Rack 17" 11 P	39	1015100 Stop, Tab Rack
20	150655 Spring, Tab Act. Lever		1117528 Tab Rack 17" 12 P	40	1090550 Nut, Tab Rack
21	1117590 Spring, Tab Lever		1117529 Tab Rack 17" 14 P	41	1090240 Washer, Tab Rack
22	1102122 Stud, Tab Lever Mtg.		1117531 Tab Rack 20" 6 2/5 P	42	1117549 Fulcrum Wire, Tab Rack 13"
23	103372 Nut, Tab Lever Mtg.		1117532 Tab Rack 20" 8 P		1117579 Fulcrum Wire, Tab Rack 17"
24	1117423 Latch, Tab Lever		1117533 Tab Rack 20" 9 P		1103832 Fulcrum Wire, Tab Rack 20"
25	120710 Spring, Tab Lever Latch		1117534 Tab Rack 20" 10 P		1103833 Fulcrum Wire, Tab Rack 24"
26	1117424 Eccentric, Tab Lever Latch		1116047 Tab Rack 20" 11 P		1103834 Fulcrum Wire, Tab Rack 30"
27	1115736 Screw, Tab Lever Latch		1117535 Tab Rack 20" 12 P	43	1117551 Stop, Tab Rack Final
28	1117577 Retainer, "C" Clip		1117536 Tab Rack 20" 14 P	44	1117553 Center Support, Tab Rack 6 2/5, 8, 10, 14 P
29	1115735 Screw, Keeper L.H.		1117538 Tab Rack 24" 6 2/5 P		
30	1090007 Link Assem, Tab Oper.		1117539 Tab Rack 24" 9 P		
31	1117503 Keeper, Tab Check Lever		1117540 Tab Rack 24" 10 P	45	1108326 Screw, Tab Stop Set Lever
32	1102081 Spacer, Tab Bellcrank		1117541 Tab Rack 24" 12 P	46	1090567 Screw, Tab Stop Set Finger
33	1117428 Bellcrank, Tab Decelerator		1117542 Tab Rack 24" 14 P	47	1090568 Spring, Tab Stop Set Finger
34	1110529 Clevis, Pin Adjusting		1117543 Tab Rack 30" 10 P	48	1107991 Tab Stop Set Lever
35	1107020 Clevis, Pin Adjusting		1117544 Tab Rack 30" 12 P	49	1107992 Tab Stop Set Finger
36	1117504 Link, Tab B. C. Oper.		1117545 Tab Rack 30" 14 P	50	1072809 Plate, Bracket Mounting
37	103978 Screw, Tab Rack Guard	38	1118801 Tab Rack Assm, 13" 6 2/5 P	51	1115166 Link Assem, Tab Clear
38	1117494 Guard, Tab Rack Spring 13"		1118802 Tab Rack Assm, 13" 8P	52	1115165 Link Assem, Tab Set
39	1117495 Guard, Tab Rack Spring 17"		1118803 Tab Rack Assm, 13" 9P	53	1070213 Clear Lever, Shaft Assm.
40	1117496 Guard, Tab Rack Spring 20"		1118804 Tab Rack Assm, 13" 10P	54	1107994 Set Lever, Shaft Assm.
41	1117497 Guard, Tab Rack Spring 24"		1116068 Tab Rack Assm, 13" 11P	55	1098495 Spring, Tab Set Lever
42	1117498 Guard, Tab Rack Spring 30"		1118805 Tab Rack Assm, 13" 12P	56	1117344 Brkt., Tab Set & Clear
43	1103845 Spring, Tab Rack 6 2/5 P		1118806 Tab Rack Assm, 13" 14P	57	1117343 Tab Clear Finger
44	1103840 Spring, Tab Rack 9 P		1118808 Tab Rack Assm, 17" 6 2/5 P	58	2300 Screw, Tab Clear Finger
45	1103841 Spring, Tab Rack 10 P		1118809 Tab Rack Assm, 17" 8P	59	1093611 Screw, Set & Clear Brkt.
46	1116037 Spring, Tab Rack 11P		1118810 Tab Rack Assm, 17" 9P	60	1117401 Brkt. Assm. (All Pitches)
			1118811 Tab Rack Assm, 17" 10P	61	1098495 Spring, Tab Clear Lever
				62	1108649 Spacer, Tab Set Lever



REF. PART NO.	DESCRIPTION	REF. PART NO.	DESCRIPTION	REF. PART NO.	DESCRIPTION
1	1115055 Resilient Keyboard Control Bar	19	1104418 Spring, Repeat Keylever (2 Piece) 4th Row	33	38235 Screw, K. O. Bar Spring Plate
2	186712 Screw, Resilient Keyboard Spring Mounting	20	Keybutton-Refer to listing of individual Part Numbers following this Section.	34	1100523 Set Screw, K. O. Bar
3	1115010 Plate, Spring Retaining		Note: If part number cannot be located in this section use blank keybutton part number 1118400 tan or 1070653 blue and include this information.	35	1090887 Spacer, K. O. Bar (As Req.)
4	1115008 Spring Plate, Resilient Keyboard Mechanism		Example	36	1090151 Fulcrum Pin, K. O. Bar
5	1115012 Screw, Resilient Keyboard Bar	a.	Quantity Required: 2	37	1090511 Spacer, K. O. Bar Camshaft
6	1072477 Washer, Resilient Keyboard Bar Screw	b.	Number of Part: Keybutton	38	1073488 Screw, K. O. Bar Adjusting Nut, K. O. Bar Adj. Screw
7	1115060 Indicator, Resilient Keyboard	c.	Character to be engraved: +	39	1115747 Spring, K. O. Bar
8	60488 Retainer, "C" Clip	d.	Catalog number of corresponding typeslug shown in type available catalog	40	1071557 K. O. Bar
9	1117339 Indicator, Impression Control		1084475	41	1079107 K. O. Bar Assembly
10	1115017 Spring, Keylever 2nd Row		1270897 Set of keybuttons & plastic parts (Blue) Specify keyboard arrangement	42	1072684 Screw, Front Keylever Guide
11	1115018 Spring, Keylever 3rd Row		Note: These sets include spacebar, flipper buttons, carriage release buttons, and all keybuttons.	43	1115039 Guide, Front Keylever
12	1115016 Spring, Keylever 1st Row	21	38235 Screw, Keylever Upper Stop	44	1072474 Screw, Dowel-Camlever Bearing Support
13	1115019 Spring, Keylever 4th Row	22	63031 Washer, Keylever Stop Screw	45	1073418 Retainer, "C" Clip
14	1115020 Keylever, 1st Row (Except "0" Position)	23	1115087 Stop, Keylever Upper	46	1118294 Fulcrum Wire, Oper. Cam.
	1115051 Keylever, 1st Row ("0" Position)	24	1115088 Insert, Keylever Upper Stop	47	1110186 Screw, Camlever Bearing Support Adjusting
	1115043 Keylever, 1st Row Repeat	25	1090770 Spring, Impression Indicator Detent	48	1107284 Eccentric, Camlever Adjusting
15	1115021 Keylever, 2nd Row	26	1117396 Plunger, Impression Indicator Detent	49	1115037 Camlever Bearing Support
	1115044 Keylever, 2nd Row Repeat (1 Piece)	27	1117397 Insert, Impression Indicator Detent	50	1115037 Cam, L. H.
16	1115022 Keylever, 3rd Row	28	1115080 Cam Shaft Assm. Impression Control	51	1115035 Cam, R. H.
	1115045 Keylever, 3rd Row, Repeat (1 Piece)	29	1071555 Locking Strip, Cam K. O. Bar Screws	52	1270879 Camlever Assemblies Set of 43
17	1115023 Keylever, 4th Row	30	1107435 Screw, Cam K. O. Bar	1263019	Camlever Assm., Position 0
18	1115054 Keylever, Repeat (2 Piece) 1st Row (Except "0" Position) (Includes Spring)	31	1108816 Plate, K. O. Bar Spring Finger	1263020	Camlever Assm., Position 1
	1117670 Keylever, Repeat (2 Piece) 1st Row ("0" Position) (Includes Spring)	32	1108816 Plate, K. O. Bar Spring Finger	1263021	Camlever Assm., Position 2
	1115064 Keylever, Repeat (2 Piece) 2nd Row (Includes Spring)			1263022	Camlever Assm., Position 3
	1115067 Keylever, Repeat (2 Piece) 3rd Row (Includes Spring)			1263023	Camlever Assm., Position 4
	1115040 Keylever, Repeat (2 Piece) 4th Row (Includes Spring)			1263024	Camlever Assm., Position 5
19	1110249 Spring, Repeat Keylever (2 Piece) 1st, 2nd, 3rd Rows			1263025	Camlever Assm., Position 6

Model C Std. Typebar Operating

REF. PART NO.	DESCRIPTION	REF. PART NO.	DESCRIPTION	REF. PART NO.	DESCRIPTION
52	1263036 Camlever Assm., Position 17	68	58207 Screw, Keylever Bearing Support (Front)	85	To obtain "hardened" Individual typebars (fulcrum and link holes hardened additionally for heavy use) Specify "hardened" for each one ordered.
	1263037 Camlever Assm., Position 18	69	1118217 Bearing Support, Keylever	1271102	Set of type with Segment See Note
	1263038 Camlever Assm., Position 19		1263546 Bearing Support Keylever, Dual Ribbon	1077094	Set of type without Segment - See Note
	1263039 Camlever Assm., Position 20	70	1105693 Sleeve, Type Rest Spring		Note: Specify Machine Model, Type Style, Keyboard Arrangement and Number of Characters (86 or 88)
	1263041 Camlever Assm., Position 21	71	1105692 Pad, Type Rest		Hardened sets of type can be procured by so specifying. If only certain typebars are to be hardened in the set, indicate these by typebar position number.
	1263042 Camlever Assm., Position 22	72	1115140 Frame, Type Rest Pad-Rear		When lightened typebars are desired for positions normally not lightened and vice versa, follow same procedure used in procuring hardened bars.
	1263043 Camlever Assm., Position 24	73	1093749 Screw, Type Rest Assem.		
	1263044 Camlever Assm., Position 25	74	1105694 Spring, Type Rest		
	1263045 Camlever Assm., Position 26	75	1104140 Frame, Type Rest-Front		
	1263046 Camlever Assm., Position 27	76	1091229 Screw, Type Guide		
	1263047 Camlever Assm., Position 28	77	1016718 Fulcrum Wire, Typebar		
	1263048 Camlever Assm., Position 29	78	1103855 Guide, Typebar		
	1263049 Camlever Assm., Position 30	79	1070290 Shim, Type Guide		
	1263050 Camlever Assm., Position 31	80	1091161 Pin, Dowel		
	1263051 Camlever Assm., Position 32	81	1115151 Stud, Segment		
	1263052 Camlever Assm., Position 33	82	1115104 Pin, Dowel		
	1263053 Camlever Assm., Position 34	83	1115102 Eccentric, Segment Adj.		
	1263054 Camlever Assm., Position 35	84	1115081 Segment, 86 Character		
	1263055 Camlever Assm., Position 36		1073550 Segment, 88 Character		
	1263056 Camlever Assm., Position 37		1110589 Segment, 84 Character		
	1263057 Camlever Assm., Position 38	85	Typebar-Refer to listing of individual typebar numbers following this page.		
	1263058 Camlever Assm., Position 39		NOTE: If part number cannot be located in this section, use blanket typebar, P. N. 1073823 and include the following information.		
	1263059 Camlever Assm., Position 40		Example		
	1263060 Camlever Assm., Position 41		a. Quantity Required: 1	86	1070499 Link, Removeable
	1263061 Camlever Assm., Position 42		b. Typebar Position: 2	1107866	Typebar R. H.
	1263062 Camlever Assm., Position 43		c. Type Style: Regent Gothic	1107865	Link, Removeable
53	1118213 Fulcrum Wire, Keylevers		d. Type Character (upper and lower case) A/a		Typebar L. H.
54	1071318 Spring, Camlevers		a. Catalog Number found in type availability catalog 1088466	87	1107795 Spring, Cam
55	1071439 Bracket, Camlever Springs			88	1091649 Stud, Triplever Mounting
56	38364 Screw, Camlever Spr. Brkt. Guide, Camlever			89	1263501 Lever, Trip L. H.
57	1118182 Screw, Camlever Guide			90	1263502 Lever, Trip R. H.
58	38261 Rivet, Letter Cam				1118847 Clip, Spring Type
59	1100562 Spring, Keylever Repeat (Positions 39 and 43)				
60	43373 Bracket, Keylever Spring Support				
61	1118250 Spring, Trip Lever				
62	1105906 Fulcrum Wire, Oper. Cams				
63	1118294 Retainer, Fulcrum Wire				
64	1102098 Screw, Fulcrum Wire Retainer				
65	63324 Fulcrum Wire, Letter Cam				
66	1072998 Washer, Fulcrum Wire Ret.				
67	1090511				

January 1960

Figure 1

Typebars & Keybuttons

Pos	Char	Pres Elite	Pres Pica	Courier	Artisan 12	Manifold 10	KEY BUTTONS	KEY BUTTONS
		SE	SP	SM	G2	H3	T A N	BLUE
1	Q	1261294	1261350	1262222	1262279	1262335	1118417	1075017
2	A	1261295	1261351	1262223	1262280	1262336	1118401	1075001
3	1	1261296	1261352	1262224	1262281	1262337	1118443	1075043
3	@/2	1261297	1261353	1262225	1262282	1262338	1118427	1075027
4	Z	1261298	1261354	1262226	1262283	1262339	1118426	1075026
5	W	1261299	1261355	1262227	1262284	1262340	1118423	1075023
6	S	1261300	1261356	1262228	1262285	1262341	1118419	1075019
7	@/2	1261301	1261357	1262229	1262286	1262342	1118427	1075027
7	#/3	1261302	1261358	1262230	1262287	1262343	1118428	1075028
7	1/2						1118446	1075046
8	X	1261303	1261359	1262231	1262288	1262344	1118424	1075024
9	E	1261304	1261360	1262232	1262289	1262345	1118405	1075005
10	D	1261305	1261361	1262233	1262290	1262346	1118404	1075004
11	#/3	1261306	1261362	1262234	1262291	1262347	1118428	1075028
11	\$/4	1261307	1261363	1262235	1262292	1262348	1118429	1075029
11	/3						1118447	1075047
12	C	1261308	1261364	1262236	1262293	1262349	1118403	1075003
13	R	1261309	1261365	1262237	1262294	1262350	1118418	1075018
14	F	1261310	1261366	1262238	1262295	1262351	1118406	1075006
15	\$/4	1261311	1261367	1262239	1262296	1262352	1118429	1075029
15	%/5	1261312	1261368	1262240	1262297	1262353	1118430	1075030
16	V	1261313	1261369	1262241	1262298	1262354	1118422	1075022
17	T	1261314	1261370	1262242	1262299	1262355	1118420	1075020
18	G	1261315	1261371	1262243	1262300	1262356	1118407	1075007
19	%/5	1261316	1261372	1262244	1262301	1262357	1118430	1075030
19	c/6	1261317	1261373	1262245	1262302	1262358	1118431	1075031
19	1/5						1118448	1075048
20	B	1261318	1261374	1262246	1262303	1262359	1118402	1075002
21	Y	1261319	1261375	1262247	1262304	1262360	1118425	1075025
22	H	1261320	1261376	1262248	1262305	1262361	1118408	1075008
23	c/6	1261321	1261377	1262249	1262306	1262362	1118431	1075031
23	8/7	1261322	1261378	1262250	1262307	1262363	1118432	1075032
23	?/6						1118449	
24	N	1261323	1261379	1262251	1262308	1262364	1118414	1075014
25	U	1261324	1261380	1262252	1262309	1262365	1118421	1075021
26	J	1261325	1261381	1262253	1262310	1262366	1118410	1075010
27	8/7	1261326	1261382	1262254	1262311	1262367	1118432	1075032
27	*/8	1261327	1261383	1262255	1262312	1262368	1118433	1075033
27	1/8	1261328	1261384	1262256	1262313	1262369	1118444	1075044
27	1/7						1118450	1075051
28	M	1261329	1261385	1262257	1262314	1262370	1118413	1075013
29	I	1261330	1261386	1262258	1262315	1262371	1118409	1075009
30	K	1261331	1261387	1262259	1262316	1262372	1118411	1075011
31	1/8	1261332	1261388	1262260	1262317	1262373	1118444	1075044
31	/9	1261333	1261389	1262261	1262318	1262374	1118434	1075034
31	c/8						1118451	1075052
32	./.	1261334	1261390	1262262	1262319	1262375	1118440	1075040
32	./.						1118458	1075059
33	O	1261335	1261391	1262263	1262320	1262376	1118415	1075015
34	L	1261336	1261392	1262264	1262321	1262377	1118412	1075012
35	/9	1261337	1261393	1262265	1262322	1262378	1118434	1075034
35	/0	1261338	1261394	1262266	1262323	1262379	1118435	1075035
36	./.	1261339	1261395	1262267	1262324	1262380	1118441	1075041
36	./.						1118459	1075060
37	P	1261340	1261396	1262268	1262325	1262381	1118416	1075016
38	./.	1261341	1261397	1262269	1262326	1262382	1118438	1075038
38	./.						1118453	1075054
39	/0	1261342	1261398	1262270	1262327	1262383	1118435	1075035
39	/-	1261343	1261399	1262271	1262328	1262384	1118436	1075036
39	7/1	1261344	1261400	1262272	1262329	1262385	1118443	1075043
40	/-						1118436	1075036
40	7//	1261345	1261401	1262273	1262330	1262386	1118442	1075042
41	1/1						1118460	
41	*/	1261346	1261402	1262274	1262331	1262387	1118439	1075039
41	1/1							1075045
41	1/2	1261347	1261403	1262275	1262332	1262388	1118437	1075037
41	+/-	1261901		1262276		1262389	1118454	1075055
42	./.						1118453	1075054
42	/-	1261348	1261404	1262277	1262333	1262390	1118436	1075036
42	+/-						1118454	1075055
42	*/	1261349	1261405	1262278	1262334	1262391	1118439	1075039

Typebars & Keybuttons

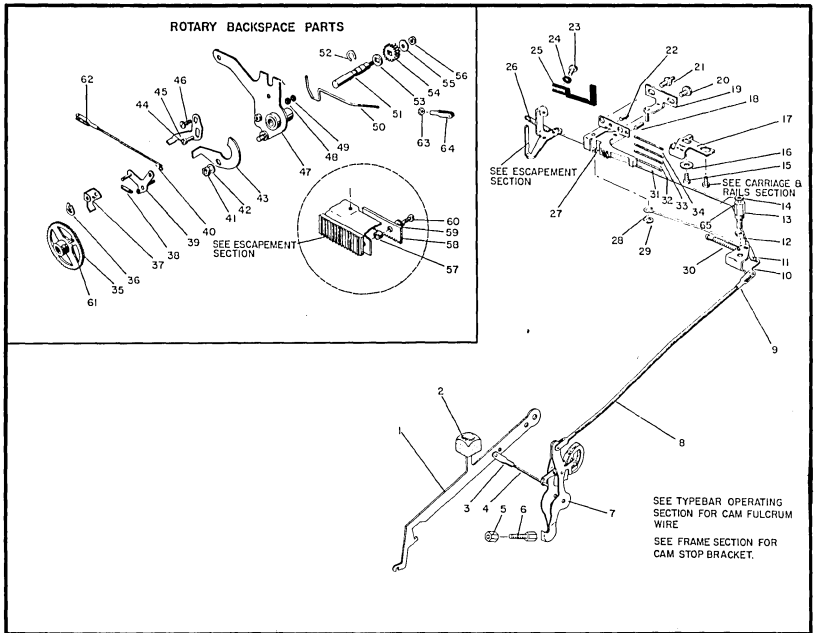
POS	CHAR	ELITE	ELITE GOTHIC S.C.-GE	ELITE GOTHIC D.C.-F	LARGE ELITE LE	PICA	PICA GOTHIC S.C.-G	PICA GOTHIC D.C.-H	B.F. ACADEMIC BA	DUAL BASIC DB	DIPLOMAT B2
1	Q	1076543	1078231	1260508	1260534	1076599	1076655	1260630	1260400	1260576	1260454
2	A	1076544	1078232	1260509	1260535	1076600	1076656	1260631	1260401	1260577	1260455
3	* / 1	1076545	1078233			1076601	1076657		1260402	1260578	1260456
3	@ / 2	1076546	1078234		1260536	1076602	1076658		1260403	1260579	1260457
4	Z	1076547	1078235	1260510	1260537	1076603	1076659	1260632	1260404	1260580	1260458
5	W	1076548	1078236	1260511	1260538	1076604	1076660	1260633	1260405	1260581	1260459
6	S	1076549	1078237	1260512	1260539	1076605	1076661	1260634	1260406	1260582	1260460
7	@ / 2	1076550	1078238			1076606	1076662		1260407	1260583	1260461
7	/ / 3	1076551	1078239		1260540	1076607	1076663		1260408	1260584	1260462
8	X	1076552	1078240	1260513	1260541	1076608	1076664	1260635	1260409	1260585	1260463
9	E	1076553	1078241	1260514	1260542	1076609	1076665	1260636	1260410	1260586	1260464
10	D	1076554	1078242	1260515	1260543	1076610	1076666	1260637	1260411	1260587	1260465
11	/ / 3	1076555	1078243			1076611	1076667		1260412	1260588	1260466
11	\$/4	1076556	1078244		1260544	1076612	1076668		1260413	1260589	1260467
12	C	1076557	1078245	1260516	1260545	1076613	1076669	1260638	1260414	1260590	1260468
13	R	1076558	1078246	1260517	1260546	1076614	1076670	1260639	1260415	1260591	1260469
14	F	1076559	1078247	1260518	1260547	1076615	1076671	1260640	1260416	1260592	1260470
15	\$/4	1076560	1078248			1076616	1076672		1260417	1260593	1260471
15	%/5	1076561	1078249		1260548	1076617	1076673		1260418	1260594	1260472
16	V	1076562	1078250	1260519	1260549	1076618	1076674	1260641	1260419	1260595	1260473
17	T	1076563	1078251	1260520	1260550	1076619	1076675	1260642	1260420	1260596	1260474
18	G	1076564	1078252	1260521	1260551	1076620	1076676	1260643	1260421	1260597	1260475
19	%/5	1076565	1078253			1076621	1076677		1260422	1260598	1260476
20	c/6	1076566	1078254		1260552	1076622	1076678		1260423	1260599	1260477
20	B	1076567	1078255	1260522	1260553	1076623	1076679	1260644	1260424	1260600	1260478
21	Y	1076568	1078256	1260523	1260554	1076624	1076680	1260645	1260425	1260601	1260479
22	H	1076569	1078257	1260524	1260555	1076625	1076681	1260646	1260426	1260602	1260480
23	c/6	1076570	1078258			1076626	1076682		1260427	1260603	1260481
23	&/7	1076571	1078259		1260556	1076627	1076683		1260428	1260604	1260482
24	N	1076572	1078260	1260525	1260557	1076628	1076684	1260647	1260429	1260605	1260483
25	U	1076573	1078261	1260526	1260558	1076629	1076685	1260648	1260430	1260606	1260484
26	J	1076574	1078262	1260527	1260559	1076630	1076686	1260649	1260431	1260607	1260485
27	&/7	1076575	1078263			1076631	1076687		1260432	1260608	1260486
27	* / 8	1076576	1078264		1260560	1076632	1076688		1260433	1260609	1260487
28	1 / 2 / 8	1076577	1078265			1076633	1076689				
28	M	1076578	1078266	1260528	1260561	1076634	1076690	1260650	1260434	1260610	1260488
29	I	1076579	1078267	1260529	1260562	1076635	1076691	1260651	1260435	1260611	1260489
30	K	1076580	1078268	1260530	1260563	1076636	1076692	1260652	1260436	1260612	1260490
31	1 / 2 / 8	1076581	1078269			1076637	1076693		1260437	1260613	1260491
31	L / 9	1076582	1078270		1260564	1076638	1076694		1260438	1260614	1260492
32	.	1076583	1078271		1260565	1076639	1076695	1260653	1260439	1260615	1260493
33	O	1076584	1078272	1260531	1260566	1076640	1076696	1260654	1260440	1260616	1260494
34	L	1076585	1078273	1260532	1260567	1076641	1076697	1260655	1260441	1260617	1260495
35	(/ 9	1076586	1078274			1076642	1076698		1260442	1260618	1260496
35) / 0	1076587	1078275		1260568	1076643	1076699		1260443	1260619	1260497
36	.	1076588	1078276		1260569	1076644	1076700	1260656	1260444	1260620	1260498
37	P	1076589	1078277	1260533	1260570	1076645	1076701	1260657	1260445	1260621	1260499
38	/ / 1	1076590	1078278		1260571	1076646	1076702		1260446	1260622	1260500
39	/ / 0	1076591	1078279			1076647	1076703		1260447	1260623	1260501
39	- / -	1076592	1078280		1260572	1076648	1076704		1260448	1260624	1260502
39	* / 1	1076593	1078281			1076649	1076705				
40	? / /	1076594	1078282		1260573	1076650	1076706		1260449	1260625	1260503
41	1 / 1	1076595	1078283			1076651	1076707		1260450	1260626	1260504
41	1 / 4 / 2	1076596	1078284		1260574	1076652	1076708		1260451	1260627	1260505
42	- / -	1076597	1078285			1076653	1076709		1260452	1260628	1260506
42	/ /	1076598	1078286		1260575	1076654	1076710		1260453	1260629	1260507

Numerals and other characters
not shown are same as Elite
Gothic S.C.

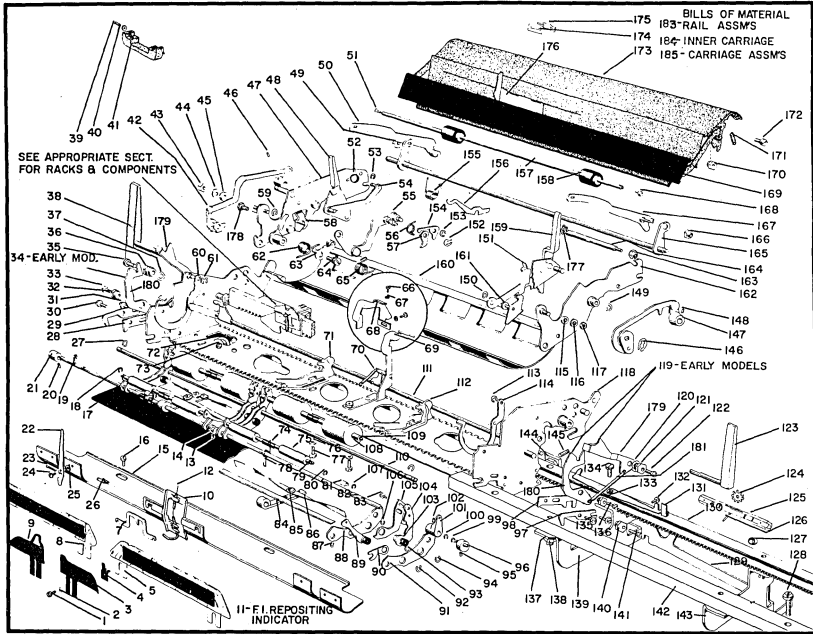
Numerals and other characters
not shown are same as Pica
Gothic S.C.

Special Typebars & Keybuttons

Pos	Char	Elite	Pica	Elite Gothic GE or F	Prestige Elite SE	Prestige Pica SP	Bookface Academic BA	Keybuttons Model C Tan
3	+ / 2	1261816	1261850		1261893			1118597
3	o / 2	1261817	1261851			1261896		1118674
3	1 / 2	1261818						1118628
3	n / 2	1261819	1261852					1118468
3	± / 2	1261820						1126971
3	§ / 2		1261853					1118486
19	= / 6	1261821	1261854		1261894			1118465
19	+ / 6	1261822	1261855					1118605
19	o / 6	1261823	1261856		1261895			1118532
19	± / 6	1261824						1118599
19	§ / 6		1261857			1261897		1118613
27	' / 8		1261858					1118476
31	8			1261876				1118576
32	÷ / ,	1261826		1261826				1118472
32	o / ,	1261827	1261859	1261827	1261898			1118488
32	= / ,	1261828	1261860	1261828				1118602
32	+ / ,	1261829	1261861	1261829				1118617
35	9			1261877				1118574
36	+ / .	1261830	1261862	1261830	1261899			1118473
36	= / .	1261831		1261831				1118623
36	o / .	1261832	1261863	1261832				1118598
39	≡ / —	1261833	1261864	1261833				1118566
39	≡ / =	1261834	1261865	1261834	1261900			1116182
39	0			1261878				1118577
40	// ?		1261866					1118474
41	+ / 1/2	1261835		1261835				1118466
41	+ / =	1261836		1261836				1118470
41	+ / -	1261837		1261837				1118495
41	o / +	1261838	1261867	1261838				1118489
41	= / +	1261839	1261868	1261839				1118454
41	+ / o	1261840	1261869	1261840				1118489
41	+ / =	1261841	1261870	1261841	1261901		1261904	1118454
41	o / =	1261842	1261871	1261842				1118480
41	+ / ±	1261843	1261872	1261843				1118561
41	[/]	1261844	1261873	1261844		1261902		1118516
41	± / +	1261845	1261874	1261845				1118588
41	— / =	1261846		1261846				1116182
41	> / <	1261847		1261847				1126972
41	= / o	1261848		1261848				1118480
41	± / o	1261849		1261849				1118485
41] / [1261875				1261903	1118600
41	o / 1							1118560
41	1 / 1							1118445
41	± / 1							1126973
41	= / 1							1126974
41	+ / 1							1126975



REF. PART NO.	DESCRIPTION	REF. PART NO.	DESCRIPTION	REF. PART NO.	DESCRIPTION
1	1115027 Keylever (86 & 88 char)	26	166623 Spring, Aligning Lever	48	1090222 Washer, Pawl Carrier Assembly
2	1118682 Keybutton, Backspace (Tan)	27	1105826 Backspace Pawl Bracket Assembly 1/32 Pitch	49	1090268 Nut, Pawl Carrier Assembly
3	1072308 Keybutton, Backspace (Blue)		1105827 Backspace Pawl Bracket Assembly 1/36 Pitch	50	1105824 Interlock Backspace Shaft, Rotary Backspace Mechanism
4	1070020 Clevis, Pin Adjusting Link, Cam Trip	28	1077395 Link, Backspace Pawl Retainer, Aligning Link	51	1104287 Retainer, Rotary Backspace Shaft
5	1070307 Nut, Cam Stop Screw	29	147297 Retainer, Aligning Link	52	105829 Retainer, Rotary Backspace Shaft
6	7341 Screw, Cam Stop	30	1090171 Spring, Backspace Bellcrank	53	1098557 Washer, Rotary Backspace Shaft
7	1119189 Cam Assembly, Backspace Link, Backspace Clevis, Pin Adjusting	31	1072195 Spring, B. S. Pawl	54	1093729 Washer, Rotary Backspace Shaft
8	1115154 Link, Backspace	32 through 34	Same as Reference #31	55	1091388 Pinion, Rotary Backspace Mechanism
9	1110529 Clevis, Pin Adjusting		ROTARY BACKSPACE PARTS	56	1090041 Washer, Rotary Backspace Shaft
10	1071959 Bellcrank, Backspace 1/32, & 1/36 Pitch	35	1093714 Ratchet Assembly, Backspace	57	1104286 Nut, Rotary Backspace Shaft
	1093727 Bellcrank, Backspace 1/45 Pitch	36	147297 Retainer, Backspace Pawl	58	1108667 Spacer, Backspace Rack 13" Carriage
11	1070020 Clevis, Pin Adjusting	37	1093712 Pawl, Backspace	59	1115613 Spacer, Backspace Rack 17" & 20" Carriage
12	264641 Retainer, "C" Clip	38	1091069 Spring, Backspace Pawl Carrier, Backspace Pawl Link, Backspace Pawl Stop Screw	60	1115614 Rack, Backspace 17" Carriage
13	1108497 Stud, Backspace Bellcrank	39	1093709 Link, Backspace Pawl Carrier	61	1115615 Rack, Backspace 20" Carriage
14	1117505 Link, Pawl Aligning	40	1071962 Link, Backspace Pawl Carrier	62	56722 Lockwasher, Backspace Rack Mounting Screw
15	1090799 Screw, Backspace Pawl Stop	41	1090041 Nut, Backspace Pawl Lower Stop Stud	63	1090449 Screw, Backspace Rack Mounting 13" Carriage
16	1090448 Washer, Backspace Pawl Stop Screw	42	1091388 Washer, Backspace Pawl Lower Stop Stud	64	1108666 Screw, Backspace Rack Mounting 17" & 20" Carriages
17	1078421 Stop, Backspace Pawl	43	1093719 Stop, Backspace Pawl (Lower)	65	173937 Set Screw, Ratchet
18	1091310 Dowel Pin, Backspace Pawl Bracket	44	38279 Screw, Backspace Pawl Stop (Upper)	66	1070020 Clevis, Pin Adjusting
19	1077448 Guide Assembly, Backspace Pawl	45	1105823 Stop, Backspace Pawl (Upper)	67	1091057 Nut, Interlock
20	1115732 Screw, Backspace Pawl Guide and Bracket	46	139650 Screw, Backspace Bracket Mounting	68	1070020 Clevis, Pin Adjusting
21	1117426 Stud, Backspace Pawl Guide and Bracket	47	1105822 Bracket Assembly, Rotary Backspace	69	1070020 Washer, Backspace Interlock
22	1091310 Dowel Pin, Backspace Pawl Bracket			70	1105782 Washer, Backspace Interlock
23	186393 Screw, Backspace Interlock				
24	1090630 Washer, Backspace Interlock				
25	1105782 Washer, Backspace Interlock				

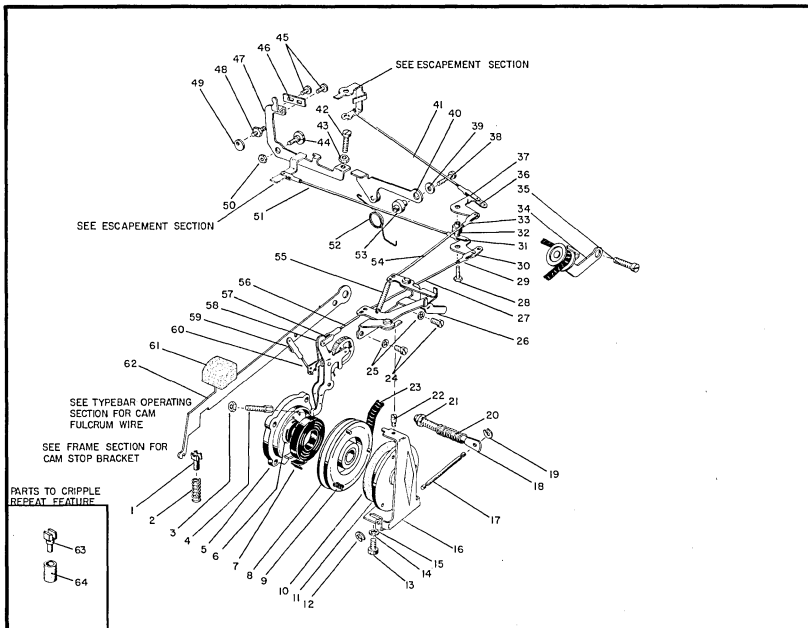


REF. PART NO.	DESCRIPTION	REF. PART NO.	DESCRIPTION	REF. PART NO.	DESCRIPTION
1	186393	Screw, Line Gage Card Holder	21	1115242	Eccentric, Platen Guide
2	1090630	Washer, Line Gage Card	22	1110240	Lever, Repositioning Indicator
3	1072092	Card Holder, Line Gage R. H. 1/32P	23	1090346	Spring, Repositioning Indicator
	1074089	Card Holder, Line Gage R. H. 1/36P	24	1110241	Screw, Repositioning Indicator
	1093771	Card Holder, Line Gage R. H. 1/45P	25	1090269	Washer, Repositioning Indicator
4	1107933	Locator, Line Gage Card Holder	26	1110453	Clip, Repositioning Indicator
5	1117664	Card Holder, Line Gage R. H. 1/32P	27	1103695	Retainer, "C" Clip
	1117665	Card Holder, Line Gage R. H. 1/36P	28	1115396	Plate, Platen Adjusting
	1117666	Card Holder, Line Gage R. H. 1/45P	29	1115395	Lever, Platen Eccentric Retainer
7	1107934	Pointer, Index Scale	30	1079999	Screw, Platen Eccentric Retaining Plate
8	1117663	Card Holder, Line Gage L. H.	31	1079999	Lever, Platen Eccentric Retaining Plate
9	1077101	Card Holder, Line Gage L. H.	32	1115388	Eccentric, Platen Adjusting Plate
10	1117695	Bracket, (Includes both cables)	33	151633	Screw, Platen Adjusting Latch & Lever Assm L. H.
11	1270835	Wire, Repositioning Indicator	34	1115350	Screw, Platen Latch Lock
12	1110239	Screw, Platen Guide	35	7040	Eccentric, Platen Latch Lever
13	1071657	Eccentric, Platen Guide	36	1115448	Eccentric, Platen Latch Lever
14	1115241	Cover Front Rail Dust	37	1115349	Washer, Spring Platen Latch Eccentric
15	1110198	Screw, Rail Dust Cover	38	1115356	Lever, Detent Release
16	1090007	Scale, 13" 1/32 Front	39	134986	Screw, Rail Brace
17	1115621	Scale, 13" 1/36 Front	40	1090034	Nut, Rail Lock Adjusting
	1115412	Scale, 13" 1/45 Front	41	1072967	Support, Carriage Rail (Specify Color)
	1115622	Scale, 17" 1/32 Front	42	1115377	Release, Detent
	1115623	Scale, 17" 1/36 Front	43	1090037	Nut, Platen Pressure
	1115424	Scale, 17" 1/45 Front	44	1090049	Washer, Platen Pressure
	1115624	Scale, R. H. 20" 1/32 Fr.	45	1115392	Washer, Plastic Platen Pressure
	1115626	Scale, R. H. 20" 1/32 Fr.	46	151720	Screw, Set
	1115625	Scale, R. H. 20" 1/36 Fr.	47	1115372	Plate, Platen Guide
	1115627	Scale, R. H. 20" 1/36 Fr.	48	1115681	29 T (123) 60T (246)
	1115431	Scale, R. H. 20" 1/45 Fr.		1115682	32 T (123) 33T (123) 34T (123)
	1115438	Scale, R. H. 20" 1/45 Fr.			
18	1103695	Retainer, "C" Clip	48	1115683	Lever, Linespace 35T (123) 36T (123) 44T (123)
19	1103695	Retainer, "C" Clip	49	1115684	Lever, Linespace 38T (123) 39T (123) 40T (123)
20	1071657	Screw, Eccentric Platen Guide	50	1115685	Lever, Linespace 41T (234)
			51	1115686	Lever, Linespace 44T (234)
			52	1115687	Lever, Linespace 45T (124) 46T (124)
			53	1115688	Lever, Linespace 48T (235) 49T (235)
			54	1115689	Lever, Linespace 50T (234) 51T (234) 52T (234)
			55	1115690	Lever, Linespace 53T (234) 55T (234)
			56	1115691	Lever, Linespace 54T (246) 62T (246)
			57	1115692	Lever, Linespace 57T (234) 58T (234) 59T (234)
			58	1115693	Lever, Linespace 58T (246) 66T (246)
			59	1115694	Lever, Linespace 60T (234) 61T (234) 62T (234)
			60	103372	Nut, Ball Arm
			61	1115329	Arm, Paper Ball
			62	186393	Screw, Ball Shaft
			63	1115647	Spring, Index Pawl Stop Upper
			64	1073418	Retainer, "C" Clip
			65	1115653	Arm, Carrier Index Pawl
			66	1115655	Carrier, Index Pawl
			67	1115648	Spring, Index Pawl
			68	1103599	Arm, Paper Ball
			69	1107452	Pawl, Index 29-49 Tooth
			70	1115640	Stop, Lower Index Pawl
			71	264641	Retainer, "C" Clip
			72	1115383	Lever, Carriage Release
			73	1073418	Retainer, "C" Clip
			74	1115645	Spring, Index Pawl Carrier
			75	1115644	Arm, Detent Assembly 29-49 Tooth
			76	1115658	Arm, Detent Assembly 50-66 Tooth
			77	1103636	Stud, Platen Detent
			78	1115646	Spring, Platen Detent

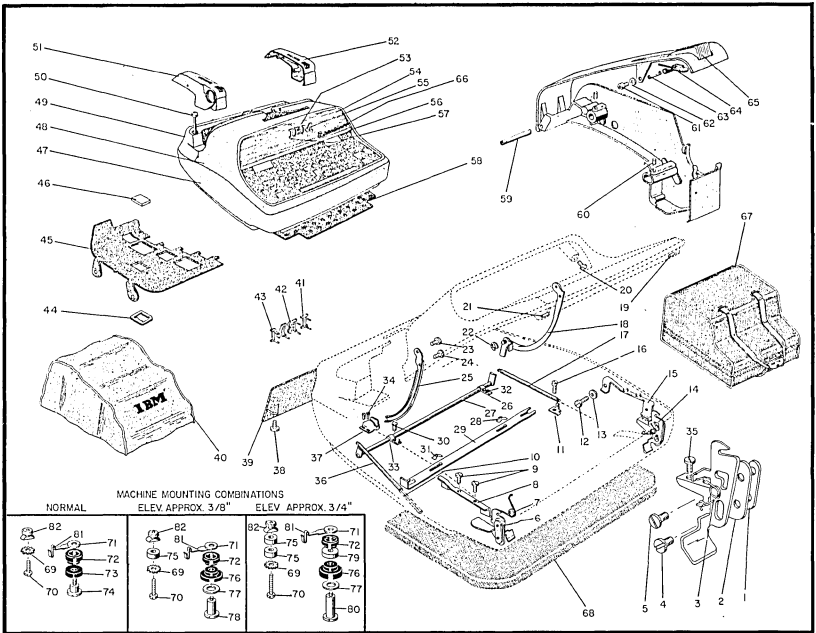
Model C Exec. Carriage & Rails

REF. PART NO.	DESCRIPTION	REF. PART NO.	DESCRIPTION	REF. PART NO.	DESCRIPTION
66	1090022 Screw, Center Support	104	1109048 Lever, Rear Feed Roll R. H.	118	1115835 Carriage and Rack 20" 1/45 P
67	62031 Washer, Center Support			119	1115351 Latch & Lever Assm. R. H.
68	1115345 Support, Margin Rack Center	110	1109049 Lever, Rear Feed Roll L. H.	120	1115349 Washer, Spring
69	1115346 Support, Universal Bar Assembly	105	1108828 Lever, Adjusting Feed Roll	121	1115448 Eccentric, Platen Lock Lever
70	1090175 Spring, Universal Bar Support, Center	106	1103695 Retainer, "C" Clip	122	7040 Screw, Platen Latch Lock Eccentric
71	1108852 Pulley, Carriage Return	107	1103695 Retainer, "C" Clip	123	1115357 Lever, Feed Roll Release
72	1103679 Screw, Carriage Return Pulley	108	1108827 Shaft, Feed Roll	124	1093646 Wheel, Star
73	1090003 Shaft, Feed Roll Retainer Clip, Feed Front	109	1110094 Shaft, Feed Roll Release	125	1103853 Truck, Carriage
74	1110093 Shaft, Feed Roll Retainer	110	1115256 Shaft, 17" Feed Roll Release	126	1091161 Pin, Star Wheel
75	1108825 Washer, Center Support			127	1018782 Roller, Steel
76	1091220 Screw, Center Support	111	1115257 Shaft, 20" Feed Roll Release	128	1090012 Screw, Rail Mounting Bracket, Rail Support
77	1090003 Spring, Front Paper Guide			129	1117447 Rail, 13" Rear
78	1103719 Shaft, Feed Roll Front Retainer, "C" Clip	111	1115286 Bar, 13" Carriage Universal Assembly	130	1117935 Rail, 17" Rear
79	1108867 Retainer, "C" Clip			131	1117419 Lever, Pawl Release
80	1103695 Clip, Front Paper Guide			132	2031 Screw, Tab and Carriage Follower
81	1115344 Shaft, 13" Platen Guide	111	1115287 Bar, 17" Carriage Universal Assembly	133	1115388 Eccentric, Platen Latch R. H.
82	1115252 Shaft, 17" Platen Guide			134	1117422 Screw, Pawl Release Lever
83	1091026 Screw, Feed Roll Lever	112	1108852 Support, Center Retainer, "C" Clip	135	1079999 Screw, Adjusting Plate
84	1103701 Plate, Screw	113	1073418 Lever, Carriage Release R. H.	136	151633 Screw, Platen Latch Lock Eccentric, Rail Support
85	1079999 Screw, Feed Roll Pressure	114	1115374 Lever, Carriage Release R. H.	137	1109693 Screw, Rail Support Rear
86	1108823 Spring, Feed Roll Pressure			138	1090000 Screw, Rail Support Front
87	1103695 Retainer, "C" Clip	115	1115392 Washer, Plastic Pressure	139	1117441 Support, Rail L. H.
88	1103702 Lever, Paper Feed Roll	116	1090049 Washer, Plastic Pressure	140	1072305 Eccentric, Platen Adjusting Plate
89	1108835 Nut, Plastic Pressure	117	1090037 Carriage and Rack 13" 1/32 P	141	1090524 Screw, Platen Adjusting Rail, Front 13"
90	1108819 Spacer, Front Feed Roll	118	1115827 Carriage and Rack 13" 1/36 P	142	1117507 Rail, Front 17"
91	1103702 Cradle, Paper Feed Roll			143	1117509 Rail, Front 20"
92	1103695 Retainer, "C" Clip	1115828	Carriage and Rack 13" 1/36 P	144	1117444 Support, Rail R. H.
93	1103695 Retainer, "C" Clip			144	1090034 Nut, Locking Rail Adjusting
94	1103695 Retainer, "C" Clip	1115829	Carriage and Rack 13" 1/45 P	145	55711 Screw, Rail Adjusting Lock
95	1071657 Screw, Platen Eccentric			146	60489 Retainer, "C" Clip
96	1115242 Eccentric, Platen Guide	1115830	Carriage and Rack 17" 1/32 P		
97	1115395 Retainer, Eccentric	1115831	Carriage and Rack 17" 1/36 P		
98	1115396 Plate, Platen Adjusting	1115832	Carriage and Rack 17" 1/45 P		
99	1103695 Retainer, "C" Clip				
100	1103695 Retainer, "C" Clip	1115833	Carriage and Rack 20" 1/32 P		
101	1115246 Bellcrank, Platen Guide				
102	1071657 Screw, Copy Control	1115834	Carriage and Rack 20" 1/36 P		
103	1110228 Hub, Feed Roll Lever				

REF. PART NO.	DESCRIPTION	REF. PART NO.	DESCRIPTION	REF. PART NO.	DESCRIPTION
147	1115364 Link, Feed Roll Release	168	186393 Screw, Bail Shaft	183	1263105 Rail and Support Assembly 13" 1/36P
148	123639 Screw, Set	169	1115741 Table, 1/32P 13" Front Paper	1263106	Rail and Support Assembly 13" 1/45P
149	264641 Retainer, "C" Clip			1263107	Rail and Support Assembly 17" 1/32P
150	1073418 Retainer, "C" Clip	1115742	Table, 1/36P 13" Front Paper	1263108	Rail and Support Assembly 17" 1/36P
151	1115243 Spring, Platen Detent			1263109	Rail and Support Assembly 17" 1/45P
152	147297 Retainer, "C" Clip Index Pawl	1115742	Table, 1/45P 13" Front Paper	1263110	Rail and Support Assembly 20" 1/32P
153	123206 Retainer, "C" Clip Pawl Carrier	1115743	Table, 1/32P 17" Front Paper	1263111	Rail and Support Assembly 20" 1/36P
154	1115641 Lever, Index Pawl	1115744	Table, 1/36P 17" Front Paper	1263112	Rail and Support Assembly 20" 1/45P
155	1115312 Spring, Paper Bail Cam			184	1261987 Inner Carriage 13"
156	1115311 Cam, Paper, Bail Arm	1115479	Table, 1/45P 17" Front Paper	1261988	Inner Carriage 17"
157	1115266 Shaft, 13" Paper Bail Pivot	1115745	Table, 1/32P 20" Front Paper	1261989	Inner Carriage 20"
		1115746	Table, 1/36P 20" Front Paper	185	1262075 Carriage Assembly 13" 1/32P
		1115486	Table, 1/45P 20" Front Paper	1262076	Carriage Assembly 13" 1/36P
158	1000382 Roll, Paper Bail	170	103372 Nut, Paper Table	1262078	Carriage Assembly 13" 1/45 P
159	1115250 Detent, Platen Guide	171	1115382 Spring, Paper Table	1262079	Carriage Assembly 17" 1/32P
160	1115233 Deflector, 13"	172	1108967 Screw, Front Paper Table	1262080	Carriage Assembly 17" 1/36P
		173	1115306 Table, 13" Paper (Specify Color)	1262081	Carriage Assembly 17" 1/45P
161	1090845 Screw, Copy Control Spring			1262082	Carriage Assembly 20" 1/32P
162	1115373 Plate, Platen Guide	174	1071666 Plate, Paper Gage Friction	1262083	Carriage Assembly 20" 78
163	1107414 Nut, Tie Rod			1262084	Carriage Assembly 20" 1/45P
164	1115261 Rod, 13" Carriage Tie	175	1072853 Spring, Paper Table Gage		
		176	1115321 Guide, Paper Table		
		177	1115638 Clip, Grip Type		
165	1115276 Shaft, 13" Paper Bail	178	1117940 Screw, Hex		
		179	1115354 Platen Latch L. H.		
166	103372 Shaft, 20" Paper Bail				
167	1115330 Arm, Paper Bail	180	1115355 Platen Latch R. H.		
		181	1115352 Platen Latch Lever L. H.		
		181	1115353 Platen Latch Lever R. H.		
		181	1115367 Link, Platen Latch, L. H. & R. H.		
		183	1263014 Rail & Support Assembly 13" 1/32P		



REF. PART NO.	DESCRIPTION	REF. PART NO.	DESCRIPTION	REF. PART NO.	DESCRIPTION
1	1105512 Plunger, Repeat	27	1077879 Link, Clutch Lever to Bellcrank	47	1117435 Bellcrank, Margin Control
2	1105514 Spring, Repeat Plunger	28	1091006 Screw, Carriage Return Bellcrank Mounting	48	1117425 Screw, Margin Control Bellcrank Stop
3	1115232 Nut, Cam Stop Screw	29	1070020 Clevis, Pin Adjusting Bellcrank, Clutch Lever	49	1102081 Stop, Margin Control Bellcrank
4	1091666 Screw, Adjustable Stop	30	1117486 Clevis, Pin Adjusting Spacer, Carriage Return Bellcrank	50	1090037 Nut, Margin Control bellcrank Mounting Stud
5	1078488 Housing, Clutch Spring	31	1070020 Clevis, Pin Adjusting Bellcrank	51	1104438 Link, Pawl Release Spring, C. R. Cam Follower
6	1078495 Washer, Clutch Thrust	32	1077877 Clevis, Pin Adjusting Carriage Return Pulley Assembly	52	1117440 Spacer, Carriage Cam Follower
7	1070029 Spring, Clutch Pulley	33	1070020 Clevis, Pin Adjusting Carriage Return Pulley Assembly	53	1117432 Spacer, Carriage Cam Follower
8	1078507 Clutch Pulley Assembly	34	1072925 Screw, Carriage Return Pulley Bracket	54	1117488 Link, Clutch Latch Connecting
9	1091632 Spring, Clutch Compression	35	1071459 Bellcrank, Clutch Latch Clevis, Pin Adjusting	55	1117589 Spring, Clutch Latch Link, Carriage Return Cam Connecting
10	1078509 Disc, Clutch Friction	36	1117487 Clevis, Pin Adjusting Follower Mounting	56	1000223 Washer, Carriage Return Cam Connecting
11	1071425 Clutch Plate and Insert Assembly	37	1070020 Follower, Carriage Return Cam	57	1070020 Clevis, Pin Adjusting Cam, Carriage Return Link, Pin Adjusting
12	147297 Retainer, "C" Clip	38	641 Follower, Carriage Return Cam	58	1119189 Clevis, Pin Adjusting Link, Carriage Return Cam Trip
13	1090003 Washer, Clutch Bracket screw	39	1090254 Link, Clutch Unlatching Screw, Margin Control Bellcrank Adjusting	59	1070020 Nut, Margin Control Bellcrank Adjusting Screw
14	1090199 Bracket, Clutch Lever	40	1117574 Link, Clutch Unlatching Screw, Margin Control Bellcrank Adjusting	60	1070307 Link, Carriage Return Cam Trip
15	1074495 Bracket, Clutch Lever	41	1117490 Nut, Margin Control Bellcrank Adjusting	61	1118681 Keybutton, Carriage Return (Ton)
16	1071363 Arm, Clutch Operating	42	641 Bellcrank Adjusting Screw	62	1115867 Keybutton, Carriage Return (Blue)
17	1071419 Shaft, Clutch Lever Pivot	43	1090041 Stud, Margin Control Bellcrank Mounting	63	1106595 Keylever, C. R. 86 and 88 character Plunger, (used for crippling repeat feature)
18	1070145 Bolt, Clutch Lever Adjusting	44	1117434 Bellcrank Mounting Screw, Margin Control Bellcrank Plate	64	1108862 Bushing (used with #63)
19	147297 Retainer, "C" Clip	45	186712 Bellcrank Plate		
20	1100441 Spring, Clutch Lever Bolt	46	1117436 Plate, Margin Control Bellcrank		
21	1091621 Locknut, Clutch Lever Bolt				
22	1077875 Screw, Clutch Arm				
23	1103674 Tape Carri. Return 13" Carri.				
	1103675 Tape Carri. Return 17" Carri.				
	1103676 Tape Carri. Return 20" Carri.				
24	38229 Screw, Clutch Bracket Mounting				
25	62031 Washer, Clutch Bracket Mounting Screw				
26	1117481 Clutch Lever Assembly-				



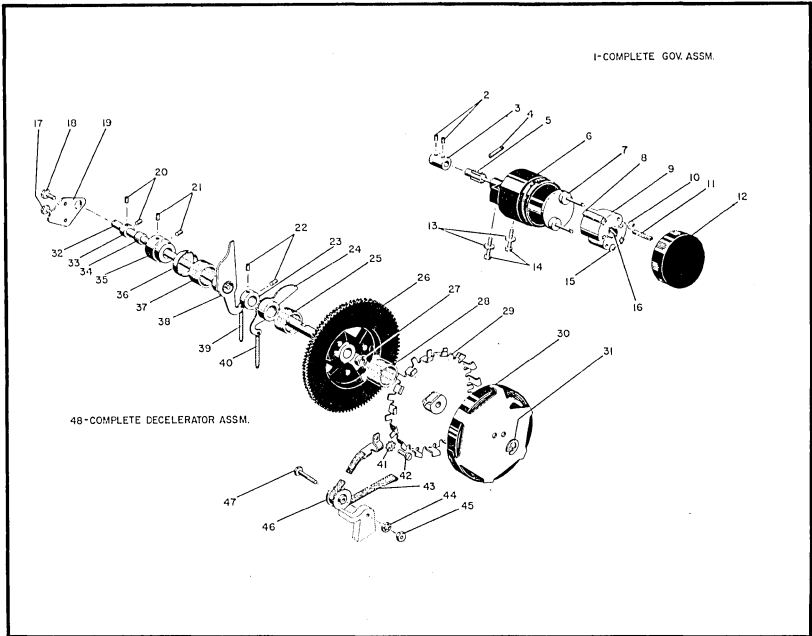
REF. PART NO.	DESCRIPTION	REF. PART NO.	DESCRIPTION	REF. PART NO.	DESCRIPTION	
1	1117398 Plate, Cover Latch R. H. and L. H.	35	38235 Screw, Cover Latch Bracket Mounting	53	1118795 Letter "B" Front Panel	
2	1117349 Bracket, Cover Latch, R. H.	36	1118769 Spring, Top Cover	54	1263143 Panel, Front Gray (Includes IBM letters)	
3	1117361 Bracket, Cover Latch, L. H.	37	1118725 Top Cover Hinge Bracket Assembly L. H.	1263144	Panel, Front Brown (Includes IBM letters)	
4	1117322 Spring, Cover Latch		1117335 Top Cover Hinge Bracket Assembly R. H.	1263145	Panel, Front Green (Includes IBM letters)	
5	1117399 Screw, Cover Latch		38	186759 Screw, Rear Panel Mtg. Panel, Rear Gray (Includes IBM letters)	1263146	Panel, Front Light Blue (Includes IBM letters)
6	1117363 Latch, Cover L. H. (Does not include Bracket or plate)	39	1263153 Panel, Rear Gray (Includes IBM letters)	1263147	Panel, Front Dark Blue (Includes IBM letters)	
7	1117322 Spring, Cover Latch		1263154 Panel, Rear Brown (Includes IBM letters)	55	1118796 Letter "M" Front Panel	
8	1117358 Bracket, Keyplate Mtg. L. H.		1263155 Panel, Rear Green (Includes IBM letters)	56	1117349 Chrome Strip, Front Panel	
9	10170 Screw, Keylever Bracket		1263156 Panel, Rear Light Blue (Includes IBM letters)	57	1118794 Letter "H" Front Panel	
10	1118775 Filler, Front Cover Spring		1263157 Panel, Rear Dark Blue (Includes IBM letters)	58	1117338 Bottom Panel (Includes Sound Def. Material)	
11	1118773 Bracket, Cover Spring		40	1118776 Dust Cover, 13" Machine	59	1117307 Pin, Carriage End Cover
12	38261 Screw, Keyplate Mounting		41	1118777 Dust Cover, 17" Machine	60	112055 Set Screw, Carri. End Cover
13	150209 Washer, Keyplate Mtg. Screw		42	1118778 Dust Cover, 20" Machine	61	1115387 Stop Screw, Carriage
14	1117362 Latch, Cover RH (Does not include Bracket or Plate)		43	1118794 Letter "H" Rear Panel	62	1090049 Washer, Stop Screw
15	1117359 Bracket, Keyplate Mtg. R. H.	40	41	1118795 Letter "B" Rear Panel	63	1117309 Pin, Carriage End Cover
16	38352 Screw, Cover Spring Bklt.		42	1118795 Letter "B" Rear Panel	64	1117310 Hinge, Carriage Release Button
17	1118769 Spring, Top Cover		43	1118796 Letter "M" Rear Panel	65	1117308 Button, Carriage Release (Tan)
18	1118724 Hinge Arm, Cover R. H.	41	44	1118715 Retainer, Indicator Window	1115895	Button, Carriage Release (Blue)
19	1118366 Keeper, Front Cover	42	45	1117370 Keyplate, B6 char. (Specify Color) See Panel Colors	66	1117389 Name Plate, "Executive"
20	186759 Screw, Front Panel	43	1117371 Keyplate, B8 char. (Specify Color) See Panel Colors	67	7340116 Carrying Case 13"	
21	1117366 Keeper, Front Cover			68	7340117 Carrying Case 17"	
22	192049 Retainer, "C" Clip			69	76574 Desk Pad	
23	1115952 Screw, Top Cover Mtg.			70	1090031 Washer, Machine Mounting Screw	
24	1115952 Screw, Top Cover Mtg.					
25	1118737 Hinge Arm, Cover L. H.					
26	1117325 Retainer, Cover Arm and Shaft Assembly					
27	1117328 Arm and Shaft Assembly	46	46	1117321 Window, Indicator		
28	1117360 Retainer, Locking Bar	47	47	1117340 Bottom Case (Specify Color)		
29	1117355 Locking Bar					
30	10170 Screw, Cover Hinge Arm Retainer	48	48	1118728 Cover, Front (Specify Color)		
31	1117360 Retainer, Locking Bar	49	49	1117342 Cover, Rear (Specify Color)		
32	10170 Screw, Cover Hinge Arm Retainer	50	50	1117327 Screw, Rear Cover Mtg. End Cover, Carriage L. H. (Specify Color) Includes carriage release button.		
33	1117325 Retainer, Cover Arm and Shaft Assembly	51	51	1263137 End Cover, Carriage R. H. (Specify Color) Includes carriage release button.		
34	58207 Screw, Top Cover Hinge Bracket	52	52	1263136 End Cover, Carriage R. H. (Specify Color) Includes carriage release button.		
				71	1118710 Spacer, Base Foot	
				72	1117391 Base Foot Assembly	
				73	1117393 Pad, Foot	

Model C Exec. Covers

REF. PART NO.	DESCRIPTION	REF. PART NO.	DESCRIPTION
74	1118774 Stud, Foot Pad Mounting		
75	1118787 Spacer, Machine Mounting		
76	1118784 Pad, Foot (Large)		
77	1117394 Washer, Foot Pad Mounting Stud		
78	1118785 Stud, Foot Pad Mounting		
79	1118788 Spacer, Machine Mounting		
80	1118786 Stud, Foot Pad Mounting		
81	1118345 Ground Clip		
82	1117356 Nut, Desk Mounting		
COVER PRIMERS, PAINTS, AND TOUCH-UP LACQUERS			
		Primers	Paints
		(Qts)	(Qts)
		(1/4 pts)	(1/4 pts)
		Opal Gray (Spec. 678)	460120 1280019 1280025
		Topaz Bronze (Spec. 668)	460115 1280020 1280026
		Emerald Green (Spec. 669)	460116 1280021 1280027
		Sapphire Blue (Spec. 675)	460120 1280022 1280028
		Garnet Rose (Spec. 635)	1280009 1280023 1280029
		Onyx Blue (Spec. 679)	460120 1280024 1280030
COLOR CONVERSION BILLS OF MATERIAL			
1271110	Opal Gray (Spec. 678)	13" Carriage	
1271111	Sapphire Blue (Spec. 674)	13" Carriage	
1271112	Topaz Bronze (Spec. 668)	13" Carriage	
1271113	Emerald Green (Spec. 669)	13" Carriage	
1271114	Garnet Rose (Spec. 635)	13" Carriage	
1271115	Onyx Blue (Spec. 679)	13" Carriage	
1271116	Opal Gray (Spec. 678)	17" Carriage	
1271117	Sapphire Blue (Spec. 674)	17" Carriage	
1271118	Topaz Bronze (Spec. 668)	17" Carriage	
1271119	Emerald Green (Spec. 669)	17" Carriage	
1271120	Garnet Rose (Spec. 635)	17" Carriage	
1271121	Onyx Blue (Spec. 679)	17" Carriage	
NOTE: These Bills of Material include all case sections, keyplate, front and rear panels, carriage end covers, front and rear paper tables, platen knobs, and cover hinges, latches and associated hardware.			
SPECIFY FOLLOWING when ordering above Bills.			
1. Pitch			
2. Keyboard Arrangement (86 or 88 character)			
When converting LONGER CARRIAGE MACHINES, order in original painted parts.			
KEYPLATE PAINTS (QUARTS) ULTRA FINE WRINKLE			
1280031	Dark Gray	(Spec. 636)	
1280032	Dark Green	(Spec. 637)	
1280033	Dark Brown	(Spec. 638)	
1280034	Dark Blue	(Spec. 639)	
TOUCH-UP LACQUER (1/4 PINTS)			
1280035	Dark Gray	(Spec. 636)	
1280036	Dark Green	(Spec. 637)	
1280037	Dark Brown	(Spec. 638)	
1280038	Dark Blue	(Spec. 639)	
PAINTS FOR BASE (1/4 PINTS)			
1280039	Charcoal Gray	(Spec. 517)	

January 1960

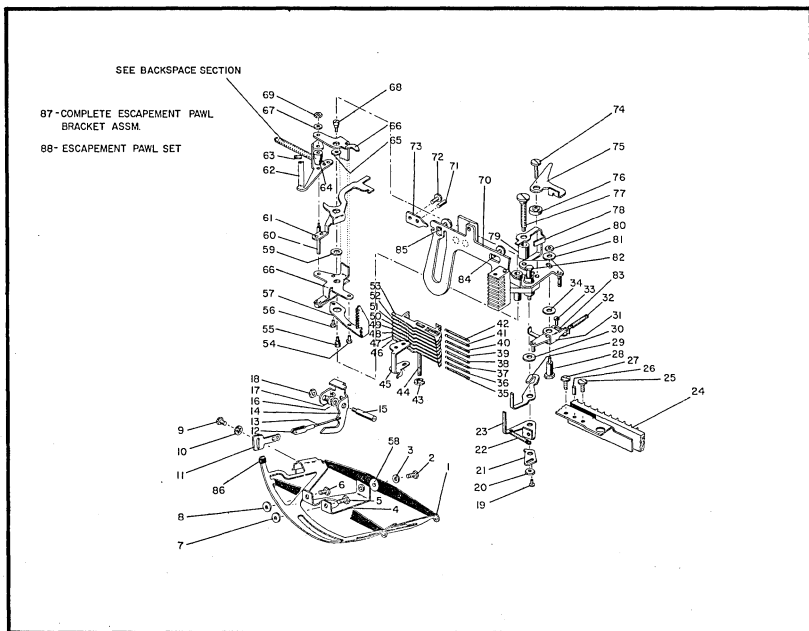
Figure 1



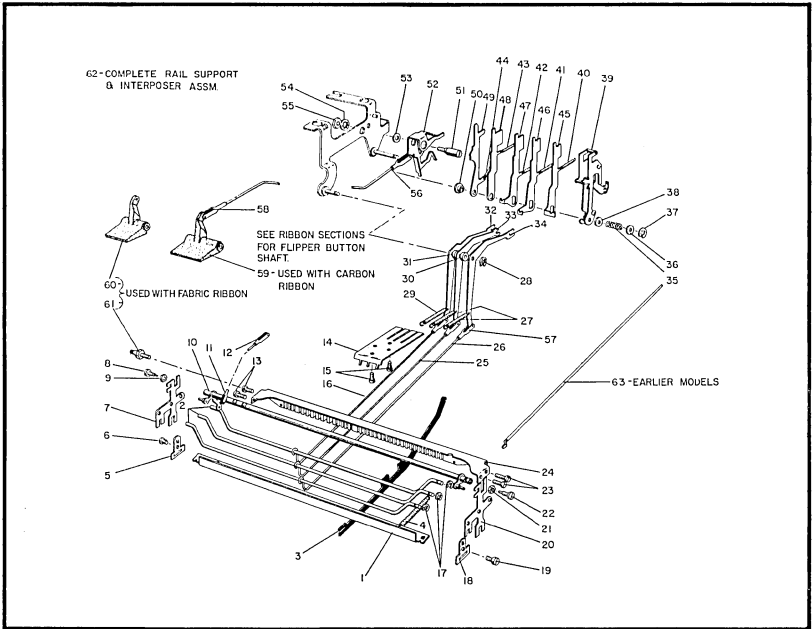
REF. PART NO.	DESCRIPTION	REF. PART NO.	DESCRIPTION	REF. PART NO.	DESCRIPTION
1	1117588 Centrifugal Governor Assembly	17	1072634 Screw, Decelerator Mounting Plate	33	1117476 Collar, Decelerator Shaft Bearing, Decelerator Sleeve
*2	257969 Set Screw, Centrifugal Governor Collar	18	1072684 Screw, Decelerator Mounting Plate	34	1117475 Hub Asm., Decelerator Clamp, Decelerator Spring, C. R. Clutch
*3	1117506 Collar, Centrifugal Governor Shaft	19	1117478 Plate, Decelerator Mounting	35	1117570 Spring, C. R. Clutch
*4	1115951 Pin, Centrifugal Governor Shaft	20	257969 Set Screw, Decelerator Shaft Collar	36	1117571 Cam Arm Assembly, C. R.
5	1110788 Pinion Gear, Governor	21	257969 Set Screw, Decelerator Hub	37	1117699 Spring, C. R. Cam Arm
6	1110778 Housing, Governor	22	257969 Set Screw, Decelerator Shaft Collar	38	1117699 Spring, Tab Cam Arm
7	1110780 Shaft Assembly, Governor	23	1117472 Collar, Decelerator Sleeve	39	1117699 Lockwasher, Tension Tape Screw
8	1110785 Shoe, Governor Arm	24	1117565 Cam Arm Assembly, Tab	40	63324 Screw, Tension Tape
9	1110784 Arm, Governor	25	1117558 Spring, Tab Clutch	41	1115969 Tension Tape, 13"
10	1092125 Clip, Retainer-Governor Arm	26	1117559 Drum Gear and Sleeve Assembly	42	1115970 Tension Tape, 17"
11	1110786 Bumper, Governor Arm	27	1117475 Bearing, Drum Gear	43	1115971 Tension Tape, 20"
12	1110779 Cover, Governor Housing	28	1117557 Spring, Drum Gear Clutch	44	62031 Lockwasher, Tension Tape Pulley Screw
13	1090199 Washer, Governor Support	29	1117555 Drum Assembly	** 45	1090037 Nut, Tension Tape Pulley Screw
14	1090023 Screw, Centrifugal Governor Mounting	30	1110597 Main Spring and Holder Assembly	** 46	1115936 Pulley, Carriage Tension Tape
15	1092125 Clip, Retainer-Governor Arm	31	1092125 Retainer, "C" Clip	** 47	1115939 Screw, Tension Tape Pulley
16	1110792 Spring, Governor Arm	32	1117554 Shaft, Decelerator	48	1117576 Decelerator Assembly (includes Main Spring)

*Note: Reference #4, 1115951 Pin, Centrifugal Governor Shaft replaced Reference #2 257969 Set Screw, Centrifugal Governor Collar and Reference #3, 1117506 Collar, Centrifugal Governor Shaft. Reference #2 and #3 are available as field replacement parts. Governor Shaft and Pinion Gear have been altered but part numbers remain the same.

**On early model ET's where Tension Tape Pulley Part #1000540 is used, use #1110106 Pulley Screw and #7341 Pulley Nut.



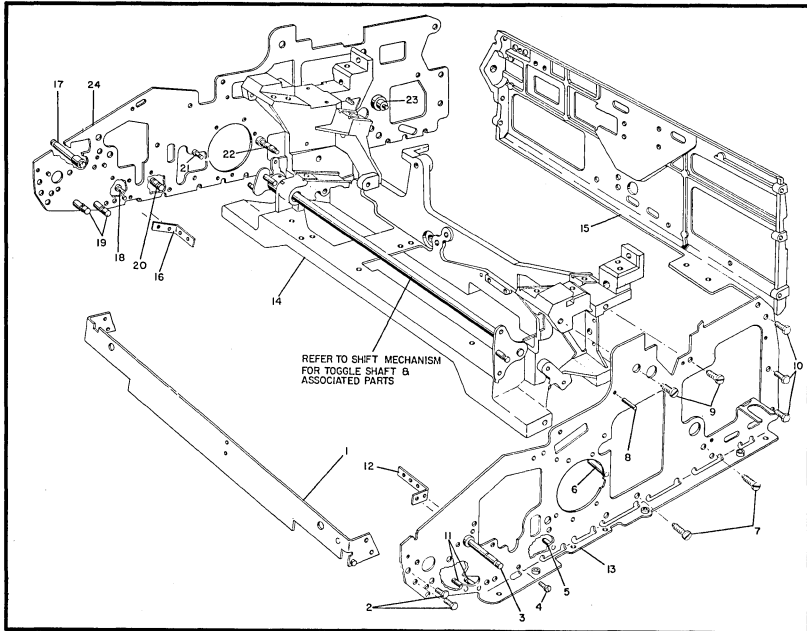
REF. PART NO.	DESCRIPTION	REF. PART NO.	DESCRIPTION	REF. PART NO.	DESCRIPTION
1	1072870 Universal Bar Assembly (Executive Models)	33	186393 Screw, Latch Adj. Plate	62	1072079 Lever, Pawl Aligning
2	1090449 Screw, Univ. Bar Support	34	125145 Washer	63	1078469 Screw Set, Grouping Cone
3	1091199 Washer, Univ. Bar Support	35	1077710 Spring, Esc. Pawl	64	1107958 Cone, Pawl Grouping
4	1091284 Support, Universal Bar	36 through 42	Same as 35	65	1091504 Washer, Intermediate
5	1074048 Screw, Univ. Bar Support	43	1091662 Retainer, "C" Clip	66	1117491 Pawl Release Lever, Intermediate
6	1074048 Screw, Univ. Bar Support	44	1074057 Pin, Esc. Pawl	67	1090222 Washer, Pawl Aligning
7	1100688 Washer, Univ. Bar Mounting	45	1079728 Stop, Esc. Pawl 1/32"	68	1076788 Screw, Dowel
8	1100688 Washer, Univ. Bar Mounting	45	1074058 Stop, Esc. Pawl 1/36"	69	1090268 Nut, Pawl Aligning Lever
9	1100951 Screw, Adjusting Plate	46	1093767 Stop, Esc. Pawl 1/45"	70	1117945 Esc. Pawl Block 1/32, 1/36, 1/45
10	150209 Washer, Lock, Adj. Plate	46	1079911 Pawl 1/32 #1 Esc.	71	1090395 Dowel, Tab. Adj. Plate
11	1108610 Plate, Adjusting	46	1074081 Pawl 1/36 #1 Esc.	72	63324 Screw, Adjusting Plate
12	1070020 Clevis, Adj. Pin Type	47	1079912 Pawl 1/45 #1 Esc.	73	1078007 Plate, Tabular Adj.
13	1000223 Link, Adj. Esc. Connecting	47	1074082 Pawl 1/36 #2 Esc.	74	1090629 Screw, Tab Interlock
14	1104400 Lever, Trip Assem. Esc.	47	1093752 Pawl 1/45 #2 Esc.	75	1105777 Interlock, Tabular
15	1077370 Stud, Esc. Trip Lever	48	1079913 Pawl 1/32 #3 Esc.	76	1105778 Spacer, Tab. Interlock
16	1090199 Washer, Esc. Trip Lever	48	1074083 Pawl 1/36 #3 Esc.	77	1105775 Stud, Auto. Grouping Lev.
17	1073060 Spacer, Trip Lever	48	1093753 Pawl 1/45 #3 Esc.	78	1105774 Lever, Auto. Grouping
18	1090037 Nut, Trip Lever Stud	49	1079914 Pawl 1/32 #4 Esc.	79	1105776 Spacer, Auto. Grouping Lev.
19	186393 Screw	49	1074084 Pawl 1/36 #4 Esc.	80	1090037 Nut, Grouping Lever Stud
20	1090037 Nut, Grouping Lever Stud	49	1093754 Pawl 1/45 #4 Esc.	81	125145 Washer, Grouping Lever Stud
21	1109643 Arm, Backspace Grouping Actuating	50	1079915 Pawl 1/32 #5 Esc.	82	1078577 Stud, Grouping Lever
22	1071687 Spring, Backspace Interlock	50	1074085 Pawl 1/36 #5 Esc.	83	1100072 Plate, Adj. Latch Release
23	1105780 Lever, Pawl Grouping 1/32" 1/36"	51	1079916 Pawl 1/45 #5 Esc.	84	1117955 Screw, Esc. Pawl Block Mounting
24	1093725 Lever, Pawl Grouping 1/45"	51	1079914 Pawl 1/32 #6 Esc.	85	1117955 Screw, Esc. Pawl Block
25	1115604 Rack, 13", 1/32 P Esc.	52	1074086 Pawl 1/36 #6 Esc.	86	1118848 Snubber, Plastic
26	1115605 Rack, 13", 1/36 P Esc.	52	1079917 Pawl 1/45 #6 Esc.	BILLS OF MATERIAL	
27	1115606 Rack, 13", 1/45 P Esc.	53	1079918 Pawl 1/32 #7 Esc.	87	Esc. Pawl Bracket Assemblies
28	1115607 Rack, 17", 1/32 P Esc.	53	1074087 Pawl 1/36 #7 Esc.	(Includes all parts mounted to the Esc. Pawl Block Assembly-including backspace interlock for 1/32 and 1/36 pitch units.)	
29	1115608 Rack, 17", 1/36 P Esc.	53	1093759 Pawl 1/45 #8 Esc.	1261957	Pawl Block Assm. 1/32P
30	1115609 Rack, 17", 1/45 P Esc.	54	186393 Screw, Spring Bracket	1261959	Pawl Block Assm. 1/36P
31	1115610 Rack, 20", 1/32 P Esc.	55	1079788 Screw, Dowel	1261961	Pawl Block Assm. 1/45P
32	1115612 Rack, 20", 1/45 P Esc.	56	186393 Screw, Spring Bracket	88	Escapement Pawl Sets
25	1090845 Screw, Esc. Rack Mounting	57	1079899 Washer, Spring	1270778	Esc. Pawl Set 1/32P
26	1090139 Dowel, Esc. Rack	58	1091243 Washer, Universal Bar Support	1270779	Esc. Pawl Set 1/36P
27	1090845 Screw, Esc. Rack Mounting	59	1090222 Washer, Intermediate	1270780	Esc. Pawl Set 1/45P
28	1091299 Stud, Grouping Lever Latch	60	1071996 Pawl Release Lever		
29	109872 Lever, Latch Release	61	1105785 Lever, Intermediate		
30	1078578 Spacer, Latch Release Lever				
31	1100071 Lever, Grouping Latch				
32	58414 Spring, Grouping Latch Lever				



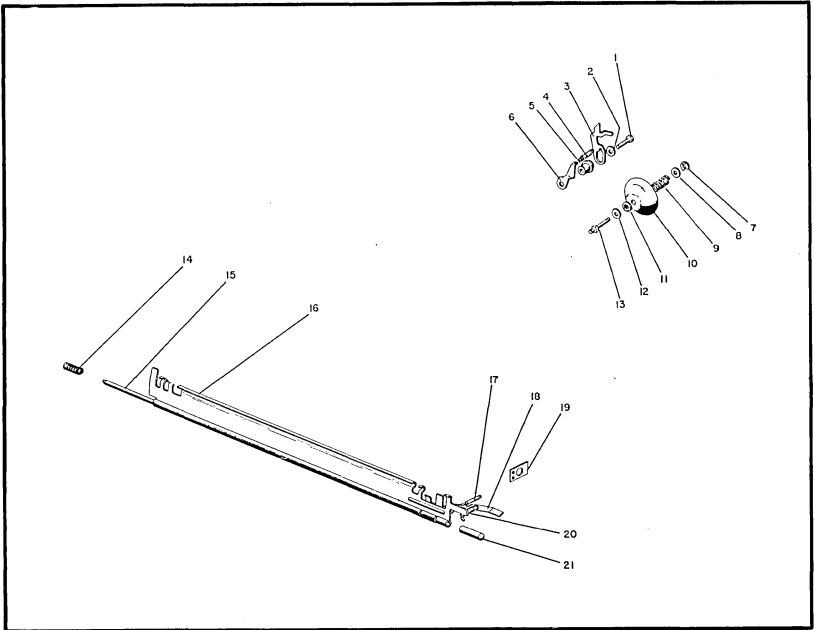
REF. PART NO.	DESCRIPTION	REF. PART NO.	DESCRIPTION	REF. PART NO.	DESCRIPTION	
1	1071927 Support, Selector Bar	23	38281 Screw, Selector Bar Guide	49	1104361 Interposer, Expand 1/36	
2	107260 Ball, Selector	24	1071926 Guide, Selector Bar		1104391 Interposer, Expand 1/45	
3	1071911 Bar Selector, UC 2, LC 3	25	1110468 Link, Interposer Connecting	50	1104377 Bushing, Interposer 1/32	
	1071912 Bar Selector, UC 2, LC 4	26	1110469 Link, Interposer Connecting		1104387 Bushing, Interposer 1/36	
	1071913 Bar Selector, UC 2, LC 5	27	1071691 Spring, 4 & 5 Unit Interposer		1104397 Bushing, Interposer 1/45	
	1071914 Bar Selector, UC 3, LC 2	28	147297 Retainer, "C" Clip	51	1104402 Stud, Expand Cam	
	1071915 Bar Selector, UC 3, LC 3	29	110956 Spring, 3 Unit Interposer B.C	52	1104389 Cam, Expand (1/32, 1/36 and 1/45 Escapement)	
	1071916 Bar Selector, UC 3, LC 4	30	1071981 Spacer, Interposer B.C	53	1090199 Washer, Expand Cam Stud	
	1071917 Bar Selector, UC 3, LC 5	31	1071981 Spacer, Interposer B.C	54	56722 Washer, Expand Cam	
	1071918 Bar Selector, UC 4, LC 2	32	1071983 3 Unit, Interposer B.C	55	1090037 Nut, Expand Cam	
	1071919 Bar Selector, UC 4, LC 3	33	1071984 4 Unit, Interposer B.C	56	1115182 Link Assembly	
	1071920 Bar Selector, UC 4, LC 4	34	1071985 5 Unit, Interposer B.C	57	1070020 Clevis, Pin Adjusting	
	1071921 Bar Selector, UC 4, LC 5	35	1072191 Spring, Interposer Pivot	58	1070020 Clevis, Pin Adjusting	
	1071922 Bar Selector, UC 5, LC 2	36	1090657 Washer, Interposer Pivot	59	1117718 Button, Expand (Tan)	
	1071923 Bar Selector, UC 5, LC 3	37	147297 Retainer, "C" Clip	60	1117721 Button, Expand (Tan)	
	1071924 Bar Selector, UC 5, LC 4	38	1090657 Washer, Interposer Pivot		1115881 Button, Expand (Blue)	
	1071925 Bar Selector, UC 5, LC 5	39	1104378 Cage, Interposer 1/32		1115881 Button, Expand (Blue)	
4	1090164 Spring, Selector Bar Support		1104388 Cage, Interposer 1/36		1117425 Stud, Spring Mounting	
5	1071909 Support, Selector Bar		1104398 Cage, Interposer 1/45		BILLS OF MATERIAL	
6	38281 Screw, Mounting Plate	40	129649 Spring, Interposer 5 Unit	*61	1261976 1/32 Rail Support and Interposer Assembly	
7	107261 Plate, Selector Bail	41	129649 Spring, Interposer 4 Unit	62	1261977 1/36 Rail Support and Interposer Assembly	
8	1090604 Screw, Bail Control Shaft	42	1109670 Spring, Interposer 3 Unit		1261978 1/45 Rail Support and Interposer Assembly	
9	1090037 Nut, Bail Control Shaft	43	129649 Spring, Interposer 2 Unit		63	Parts used on earlier Model Exec. ET's approximate serial #2019400, 1071633 Link, Interposer Bellcrank.
10	1078325 Shaft Assm. Bail Control	44	129649 Spring, Interposer Expand			
11	1070020 Clevis, Pin Adjusting	45	1104375 Interposer, 5 Unit 1/32			
12	1071902 Link Assm. Bail Control Shaft		1104385 Interposer, 5 Unit 1/36			
			1104395 Interposer, 5 Unit 1/45			
13	38281 Screw, Selector Bar Guide	46	1104374 Interposer, 4 Unit 1/32			
14	1073682 Screw, Interposer Guide		1104384 Interposer, 4 Unit 1/36			
15	1090524 Screw, Interposer Guide		1104394 Interposer, 4 Unit 1/45			
16	1110467 Link, Interposer Connecting	47	1104373 Interposer, 3 Unit 1/32			
17	25282 Retainer, "C" Clip		1104383 Interposer, 3 Unit 1/36			
18	1071909 Support, Selector Bar		1104393 Interposer, 3 Unit 1/45			
19	38281 Screw, Brkt. Mounting	48	1104372 Interposer, 2 Unit 1/32			
20	107261 Plate, Selector Bail		1104382 Interposer, 2 Unit 1/36			
21	1090037 Nut, Bail Control Shaft		1104392 Interposer, 2 Unit 1/45			
22	1090604 Screw, Bail Control Shaft	49	1104371 Interposer, Expand 1/32			

*Note: Used in place of Reference #13 for anchoring spring, transfer wheel bracket (Fabric Ribbon)

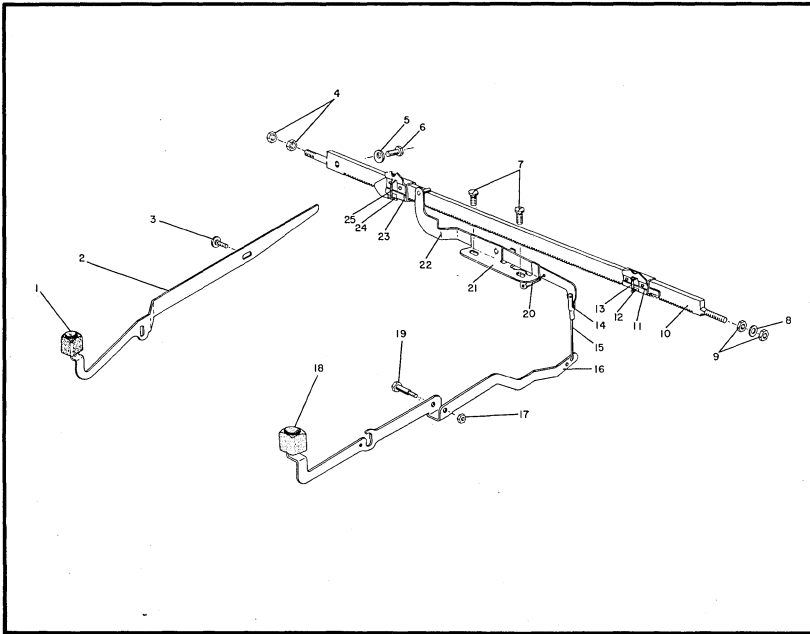
The following parts are no longer available:
 1071928 Lever, 3 Unit Actuating
 1071929 Lever, 4 Unit Actuating
 1071930 Lever, 5 Unit Actuating



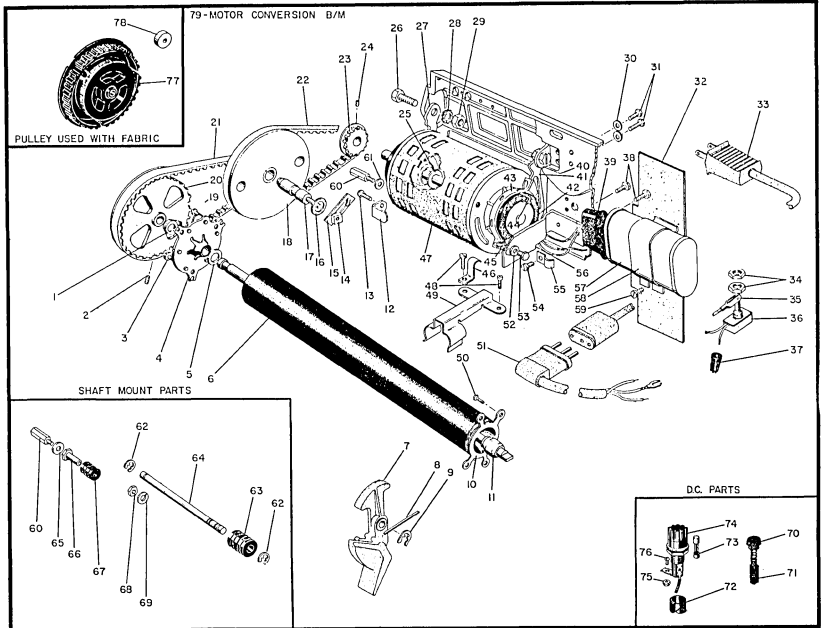
REF. PART NO.	DESCRIPTION	REF. PART NO.	DESCRIPTION	REF. PART NO.	DESCRIPTION
1	1115003	Frame, Front	10	1090680	Screw, Rear Frame
2	1090680	Screw, Front Frame	11	1071933	Stud, Selector Bail Mounting Plate
3	1117291	Stud, Switch Indicator	12	1071326	Bracket, Cam Stop R. H.
4	4236	Screw, CamStop Bracket	13	1115157	Side Frame R. H. (Includes all studs)
5	1118219	Stud, Ribbon Vane	14	1115178	Power Frame Assembly (Includes Shift Toggle Shaft Assembly)
6	1115142	Stud, Shift Toggle Spring R. H.	15	1115169	Frame, Rear
7	1071459	Screw, Side Frame Mounting	16	1071325	Bracket, Cam Stop L. H.
8	1090395	Dowel, Side Frame	17	1115176	Stud, Impression and Resilient Keyboard Controls
9	1071459	Screw, Side Frame Mounting	18	4236	Screw, Cam Stop Bracket
			19	1071933	Stud, Selector Bail Mounting Plate
			20	1118260	Stud, Transfer Wheel Bracket
			21	1076967	Stud, Ribbon Cam and Vane Spring Mounting
			22	1115183	Stud, Shift Toggle Spring L. H.
			23	1117415	Stud, Tab Actuating Lever Pivot
			24	1115164	Side Frame, L. H. (Includes all studs)



REF. PART NO.	DESCRIPTION	REF. PART NO.	DESCRIPTION	REF. PART NO.	DESCRIPTION
1	5644 Screw, Bell Clapper Mounting	8	1109044 Washer, Bell Mounting (Rear)	14	1072938 Spring, Line Lock Bar
2	1090622 Washer, Bell Clapper	9	1090444 Spring, Bell Mounting	15	1077494 Fulcrum Wire, Line Lock Bar
3	1115399 Clapper, Bell	10	1115400 Bell	16	1095476 Bar, Line Lock
4	1090343 Spring, Bell Clapper	11	1035 Washer, Leather	17	1091647 Spring, C. R. Lock
5	1115397 Bushing, Bell Clapper	12	1090199 Washer, Bell Mounting	18	1077488 Lock, Carriage Return
6	1115398 Bracket, Bell Clapper	13	1115739 Stud Bell Mtg (Except 1/45P)	19	1077499 Anchor, Springs
7	60489 Retainer, "C" Clip		1115740 Stud Bell Mtg 1/45P	20	1072703 Spring, Line Lock Bar
				21	1117922 Bushing, Line Lock



REF. PART NO.	DESCRIPTION	REF. PART NO.	DESCRIPTION	REF. PART NO.	DESCRIPTION
1	1117689 Keybutton, Margin Release (Tan)	21	1115572 Bracket Assembly		
	1115861 Keybutton, Margin Release (Blue)	22	1115569 Pin Assm., Margin Set Lever		
2	1117546 Keylever, Margin Release B6 Character	23	1115581 Stop, Margin LH 1/32P		
	1117547 Keylever, Margin Release B8 Character		1115582 Stop, Margin LH 1/36P		
			1115583 Stop, Margin LH 1/45P		
3	1105717 Screw, Margin Release Keylever	24	1115590 Pin & Slider Assm., Margin Stop		
		25	1115748 Spring, Margin Stop		
4	1090550 Nut, Margin Rack				
5	1102081 Washer, Eccentric Stop				
6	1072684 Screw, Eccentric Stop				
7	1090007 Screw, Margin Set Bracket Assembly				
8	1090240 Washer, Margin Rack				
9	1090550 Nut, Margin Rack				
10	1115507 Rack, Margin 13" 1/32P				
	1115508 Rack, Margin 13" 1/36P				
	1115512 Rack, Margin 13" 1/45P				
	1115514 Rack, Margin 17" 1/32P				
	1115515 Rack, Margin 17" 1/36P				
	1115519 Rack, Margin 17" 1/45P				
	1115521 Rack, Margin 20" 1/32P				
	1115522 Rack, Margin 20" 1/36P				
	1115526 Rack, Margin 20" 1/45P				
11	1115584 Bell Clapper Actuator Assm. (All Pitches)				
12	1115590 Pin & Slider Assm.				
13	1115748 Spring, Bell Clapper Act.				
14	1070020 Clevis, Pin Adjusting				
15	1093722 Link, Margin Set Lever Connecting				
16	1115566 Lever, Margin Reset - B6 and B8 Character				
17	1090037 Nut, Margin Reset Lever Stud				
18	1117690 Keybutton, Margin Reset (Tan)				
	1115862 Keybutton, Margin Reset (Blue)				
19	1115573 Stud, Margin Reset Lever Mounting				
20	1091073 Spring, Margin Set Lever				



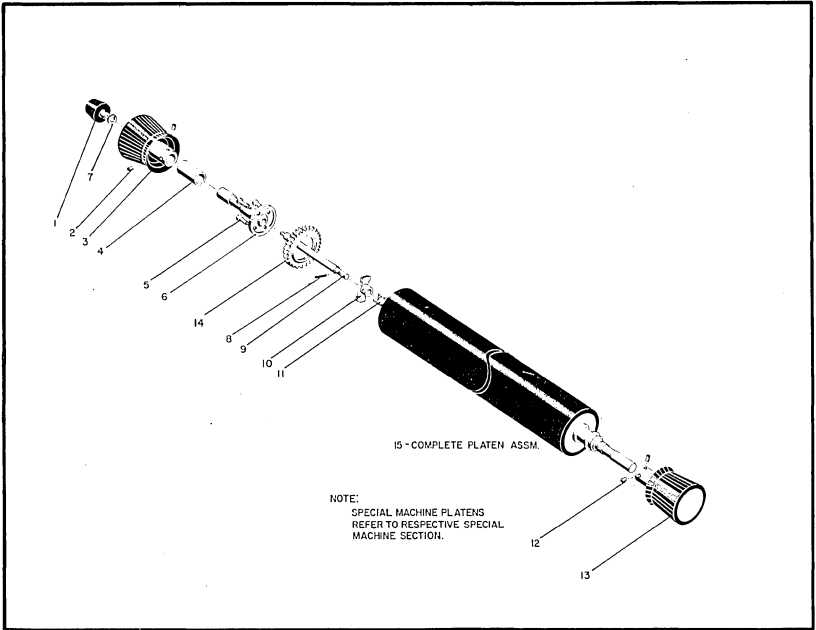
REF. PART NO.	DESCRIPTION	REF. PART NO.	DESCRIPTION	REF. PART NO.	DESCRIPTION
1	1078497 Washer, Power Roll	25	1091518 Washer, Steel Thrust .010" Thick (All Motors)	45	38262 Screw, Ring Clamp
2	112055 Set Screw, Power Roll Pulley	26	38686 Stud, Motor Mounting Bracket	46	1117586 Clamp, Motor Cord
3	1090023 Screw, Power Roll Bearing Retainer	27	1108513 Bracket, Ring Mount .L.H.	47	1010921 Motor 3" 115V-60 CPS Includes rubber mounts
4	1078501 Bearing Retainer Assm. Power Roll L.H.	28	76574 Washer, Motor Mtg. Stud Nut, Motor Mounting Bracket Stud	1110742	Motor, 230V - 60 CPS Includes rubber mounts
5	1078497 Washer, Power Roll	29	3960 Washer, Motor Mtg. Brkt.	1095226	Motor, 100V - 50 CPS
6	1117828 Power Roll	30	1090254 Washer, Motor Mtg. Brkt.	1071797	Motor, 115V - 25CPS
7	1117350 Indicator, Switch Lever	31	1073025 Screw, Motor Mtg. Brkt.	1077838	Motor, 65V - 60 CPS
8	1117348 Link, Switch Operating Retainer, C Clip, Switch Lever	32	1261096 Insulation, Capacitor (if necessary cut to proper size)	1073280	Motor, 130V 50 CPS
9	60488 Retainer, Power Roll Bearing R. H.	33	1117598 Cord, Motor Extension (2 Conductor)	1077126	Motor, 150V - 60 CPS
10	1078491 Bearing, Power Roll Clip (For R & M Motor)	1261975	Cord, Motor Extension (2 Conductor - 13 ft)	1073281	Motor, 150V - 50CPS
11	1078493 Clip (For R & M Motor)			1078313	Motor, 200V - 50 CPS
12	1263006 Screw, Clip			1071796	Motor, 230V - 50CPS
13	1928 Nut, Intermediate Pulley Shaft			1071978	Motor, 230V - 25 CPS
14	1110234 Plate, Intermediate Pulley Shaft			1073282	Motor 250V - 50CPS
15	1100678 Washer, Intermediate Shaft			1095025	Motor 125V - 45 CPS
16	1106172 Shaft, Intermediate Pulley			1095026	Motor, 150V - 45CPS
17	1106171 Shaft, Intermediate Pulley			1095027	Motor, 115V - 42CPS
18	1100552 INTERMEDIATE 60 CPS & DC	1117595	Cord, Motor Extension (3 conductor)	1095024	Motor, 160V - 42 CPS
19	1100543 25 & 50 CPS			1100038	Motor, 65V D.C.
20	1100544 45 CPS			1100336	Motor, 115V D.C.
21	1100548 42 CPS			1100440	Motor, 200V D.C.
22	38281 Screw, Power Roll Bearing Retainer	1117594	Cord, Motor Extension (3 conductor)	1100039	Motor, 130V D.C.
23	1117827 Pulley, Power Roll	34	179743 Nut, Switch	1100037	Motor, 230V D.C.
24	1100438 Belt, Drive - Green - all 60 cy & DC Motors	35	1110529 Clevis, Switch Opr. Link	48	63324 Screw, Cord Clamp and Bracket
25	1100435 Belt, Drive - Red - 25 to 50 cy Motors as required by type style	36	1072088 Switch	49	1117599 Bracket, Plug Mounting
26	1100540 Belt, Drive - White - 25 to 50 cy Motors as required by type style.	37	64288 Solderless Connector	50	1090968 Screw, Power Roll Bearing Retainer
27	1118797 Pulley, Motor 14 T	38	1072684 Screw, Ring Clamp Support Bracket	51	1117600 Plug and Cord Assembly
28	1118798 Pulley, Motor 15 T	39	1108113 Shield, Capacitor	52	1090254 Washer, Motor Adj. Screw
29	112055 Screw, Motor Pulley	40	1115175 Bracket, Motor Mounting	53	1074048 Screw, Motor Adjusting
		41	1108514 Bracket, Ring Mtg. R.H.	54	38364 Screw, Wire Clamp
		42	1260156 Rubber Ring (R & M ring mounted motors)	55	75944 Clamp, Wire
		43	1261760 Rubber Ring (G.E. Ring Mounted motors)	56	1110759 Bracket, Ring Clamp Spt.
		44	1108512 Clamp, Ring		
			1110643 Static Eliminator (use with any motor)		

Model C Exec. Motor & Drive

REF. PART NO.	DESCRIPTION	REF. PART NO.	DESCRIPTION	REF. PART NO.	DESCRIPTION
57	1107025	Capacitor -2MFD (Use with 150 & 230V, 60CPS Motors,			
	1106594	Capacitor 3MFD (use with 3" 115V 60Cps Motor, 115 & 160 volt 42 CPS Motors, 125 & 150 volts 45CPS Motors, and 100, 115, 130 150, 200, 230, & 250 V 50 CPS motors)	79	MOTOR CONVERSION B/M	
	1072125	Capacitor 6 MFD (use with 65 volt 60 CPS motor and 115V & 230V 25 CPS motor	1270873	115V D.C. to 115V A.C. 50 cycle	
58	1107027	Bracket, Capacitor (2 & 3 MFD)	1270874	115V A.C. to 115V D.C. 60 cycle	
59	1108931	Bracket, Capacitor (6MFD			
60	38364	Screw, Capacitor Bracket	NOTE:		When grounding an ET with one of the 3-Conductor Cords remove the Capacitor Insulator #1261096 and install static eliminator #1110774.
61	1117593	Stud, Motor Adjusting			
62	1090254	Washer, Motor Adj. Screw			
63	60488	Retainer, C Clip			
64	1071937	Motor Mount - Upper			
	1079945	Shaft (all shaft mounted motors)			
65	1115973	Spacer, motor mtg shaft			
66	1076795	Stud, Lower Motor Mtg.			
67	1071938	Motor Mount - Lower			
68	2899	Nut, Motor Screw			
69	1078440	Lockwasher, Motor Screw			
70	1260061	Cap, Brush			
71	1260063	Brush & Spring Assembly			
72	1077401	Tubing, Insulating			
73	1099517	.4 amp 115V D.C. Fuse			
	78999	.5 amp 130V D.C. Fuse			
	53436	.2 amp 230V D.C. Fuse			
	78998	.3 amp 200V D.C. Fuse			
	78952	.8 amp 65V D.C. Fuse			
74	1077864	Fuse Holder Assembly (Includes cap nut & washers			
75	103372	Nut, Fuse Holder			
76	92	Screw, Fuse Holder			
77	1118299	Pulley, power roll (used with fabric ribbon only)			
78	45709	Spacer, Intermediate Pulley Shaft (used with fabric ribbon only).			

January 1960

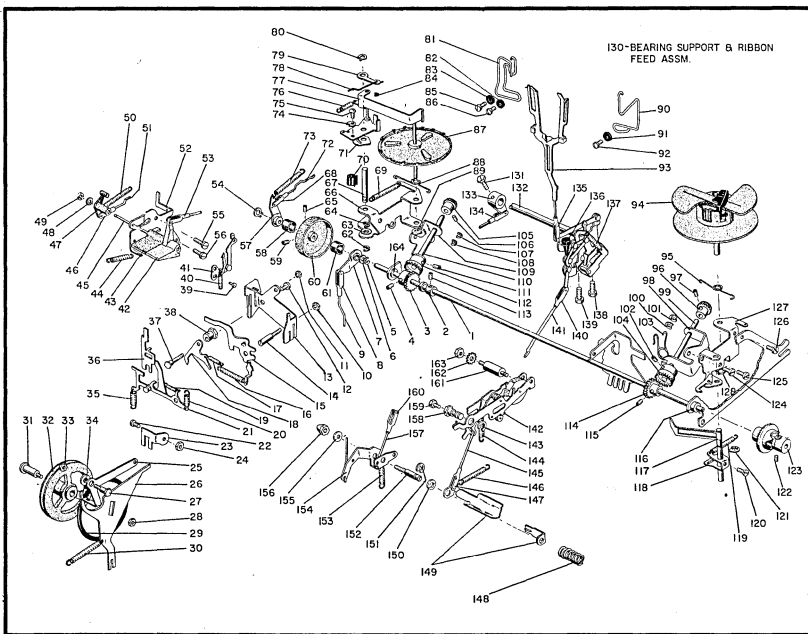
Figure 1



REF. PART NO.	DESCRIPTION	REF. PART NO.	DESCRIPTION	REF. PART NO.	DESCRIPTION
1	1116263 Button, Platen Vari. Tan	14	1117129 Ratchet, 29 T*	15	COMPLETE PLATEN ASSEMBLIES
	1116368 Button, Platen Vari. Light Blue		1117132 Ratchet, 32 T		Include Gray Knobs and 29 Tooth Ratchets
	1116369 Button, Platen Vari. Brown		1117133 Ratchet, 33 T*	13"	#1 1263343
	1116370 Button, Platen Vari. Green		1117134 Ratchet, 34 T		#2 1263344
	1115886 Button, Platen Vari. Dark Blue		1117135 Ratchet, 35 T		#3 1263345
2	1076796 Screw, Platen Knob		1117136 Ratchet, 36 T		#4 1263346
3	1117191 Knob, Platen L. H. Tan		1117138 Ratchet, 38 T*		#6 1263347
	1117198 Knob, Platen L. H. Light Blue		1117139 Ratchet, 39 T		#7 1263348
	1117199 Knob, Platen L. H. Brown		1117140 Ratchet, 40 T		#8 1263349
	1117103 Knob, Platen L. H. Green		1117141 Ratchet, 41 T*		#9 1263350
	1115887 Knob, Platen L. H. Dark Blue		1117144 Ratchet, 44 T*	17"	#1 1263383
4	1116258 Bushing, Platen Sleeve L. H.		1117145 Ratchet, 45 T		#2 1263384
5	1116257 Screw, Platen Clutch Cover		1117146 Ratchet, 46 T		#3 1263385
6	1116254 Platen Clutch Cover		1117148 Ratchet, 48 T		#4 1263386
7	1116023 Washer, Platen Vari. Button		1117149 Ratchet, 49 T		#6 1263387
8	1116259 Pin, Platen Shaft		1117150 Ratchet, 50 T		#7 1263388
9	1116260 Shaft, Platen Release		1117151 Ratchet, 51 T		#8 1263389
10	1116261 Driver, Platen Ratchet		1117152 Ratchet, 52 T		#9 1263390
11	1109044 Spring, Platen Driver		1117153 Ratchet, 53 T	20"	#1 1263423
12	1076796 Screw, Platen Knob		1117154 Ratchet, 54 T		#2 1263424
13	1116242 Knob, Platen R. H. Tan		1117155 Ratchet, 55 T*		#3 1263425
	1116269 Knob, Platen R. H. Light Blue		1117156 Ratchet, 56 T		#4 1263426
	1116270 Knob, Platen R. H. Brown		1117157 Ratchet, 57 T		#7 1263427
	1116299 Knob, Platen R. H. Green		1117158 Ratchet, 58 T*		#8 1263428
	1115890 Knob, Platen R. H. Dark Blue		1117159 Ratchet, 59 T		#9 1263429
			1117160 Ratchet, 60 T		
			1117161 Ratchet, 61 T		
			1117162 Ratchet, 62 T		
			1117166 Ratchet, 66 T*		

*Note: Ratchets shown with asterisk are considered standard. Others listed can be had at additional cost. (See price listing)

Note: For platens with other than 29 tooth ratchets, refer to Standard Platen Section.

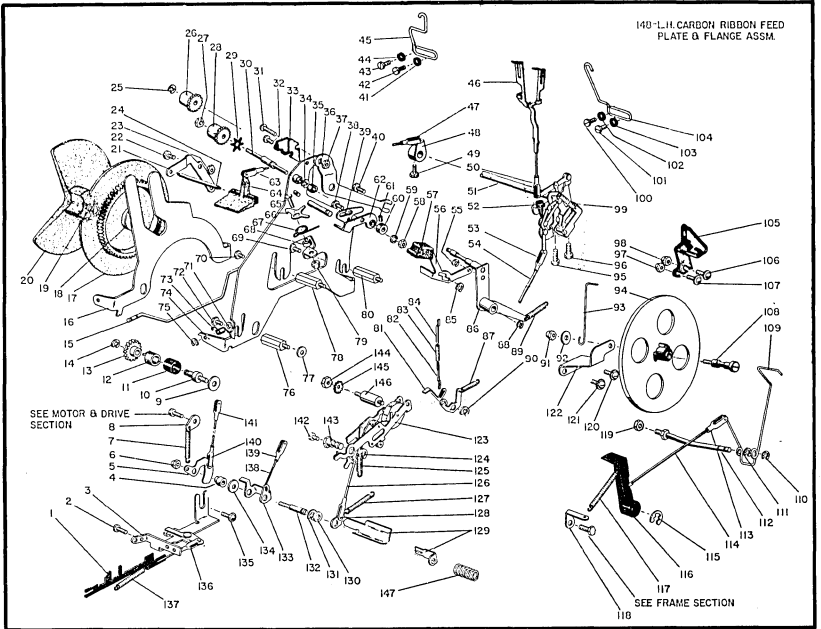


REF. PART NO.	DESCRIPTION	REF. PART NO.	DESCRIPTION	REF. PART NO.	DESCRIPTION
1	1118270 Shaft,Ribbon Feed & Rev.	48	1090269 Washer, Cover Interlock Act.	96	1118187 Gear, Ribbon Spool Drive
2	1118292 Collar,Ribbon Shaft	49	219633 Retainer, "C" Clip	97	1078469 Screw, Bristo
3	1118312 Gear, Drive & Reverse Shaft	50	1090589 Spring,Actuating Lever	98	1118255 Bracket, RH Spool Drive Shaft
4	1077919 Screw, Bristo	51	1118333 Link, Follower Arm, L.H.	99	1118185 Shaft, Ribbon Gear Drive
5	264641 Nut, Retainer, "C" Clip	52	1118329 Retainer, Ribbon Rewind	100	264641 Retainer, "C" Clip
6	1090394 Washer, Drive Clutch	53	1070020 Clevis, Pin Adjusting	101	264641 Retainer, "C" Clip
7	1118274 Arm, Ribbon Feed Clutch	54	1118362 Retainer, Grip Type	102	1117919 Screw, Bristo
8	1070020 Clevis, Pin Adjusting	55	196298 Screw, Ribbon Rewind Brkt.	103	1118257 Spring, RH Ribbon Spool
9	1118278 Link, Ribbon Feed	56	196289 Screw, Ribbon Rewind Brkt.	104	1118311 Gear, Ribbon Drive Shaft
10	7341 Nut, Ribbon Rewind Mech.	57	1118274 Lever, Clutch Stop	105	1118187 Gear, Ribbon Spool Drive
11	1090268 Nut, Rewind Latch Stud	58	1118296 Spring, Ribbon Holding Clutch	106	1078469 Screw, Bristo
12	196299 Screw, Ribbon Rewind Brkt.	59	1117919 Screw, Bristo	107	264641 Retainer, "C" Clip
13	1118325 Bracket, Rewind Control	60	1118268 Wheel, Rapid Rewind	108	264641 Retainer, "C" Clip
14	1117281 Stud, Ribbon Rewind Mech.	61	1118295 Spring, Ribbon Gear Drive Clutch	109	1118214 Bracket, Spool Dr. Shaft LH
15	1118310 Spring, Reversing	62	1073418 Retainer, "C" Clip	110	1118185 Shaft, Ribbon Gear Drive
16	231361 Lever, Reverse Lever	63	1092017 Retainer, "C" Clip	111	1117919 Screw, Bristo
17	166623 Spring, Rewind Latch	64	1073418 Retainer, "C" Clip	112	1118311 Gear, Ribbon Drive Shaft
18	1118303 Link, Rewind	65	1117919 Screw, Bristo	113	1078469 Screw, Bristo
19	1091647 Spring, Rewind Lever	66	1118322 Bracket, LH Ribbon Spool	114	1118312 Gear, Drive & Rev. Shaft
20	10514 Spring, Rewind Lever	67	1118317 Shaft, LH Sensing Finger	115	1078469 Screw, Bristo
21	1118300 Lever, Rewind	68	1070020 Clevis, Pin Adjusting	116	1118253 Bushing, Drive & Rev. Shaft
22	10170 Screw, Transfer Wheel Guide	69	1017794 Spring, Sensing Finger	117	1118204 Gear, RH Sensing
23	1118261 Guide, Transfer Wheel Brkt.	70	1110093 Clip, Sensing Finger Shaft	118	1118256 Cam, Ribbon Reverse Pawl
24	38051 Nut, Transfer Wheel Guide	71	1118324 Bracket, L.H. Sensing	119	1107794 Spring, Sensing Finger
25	1118264 Bellcrank, Transfer Wheel	72	1000223 Link, Clutch Lever Finger	120	196299 Screw, Rib. Rev. Pawl Cam
26	1118265 Bracket, Transfer Wheel	73	1090589 Spring, Clutch Stop Lever	121	1073418 Washer, Unlatching
27	1118262 Stud, Transfer Wheel B.C.	74	1118338 Washer, Unlatching	122	1078469 Screw, Bristo
28	38051 Nut, Transfer Wheel Stud	75	103895 Spring, LH Sensing Finger	123	1261963 Cam, Ribbon Reverse Asm.
29	1118288 Ring, Transfer Wheel	76	1091073 Spring, LH Sensing Finger	124	196298 Screw, Ribbon Spool Brkt.
30	1071318 Spring, Transfer Wheel Brkt.	77	1118320 Finger, LH Sensing	125	196298 Screw, Ribbon Spool Brkt.
31	1118263 Stud, Transfer Wheel	78	1118318 Link, LH Sensing Arm	126	196298 Screw, Ribbon Spool Brkt.
32	1118298 Wheel, Transfer	79	1118315 Arm, LH Sensing Finger	127	1118363 Bracket (includes Pawl)
33	1090037 Nut, Transfer Wheel B.C. Stud	80	1118361 Retainer, Grip Type	128	1118361 Retainer, Grip Type
34	1090970 Washer, Transfer Wheel Stud	81	1118227 Guide, LH Corner	130	1118355 Bearing Supp. & Ribb. Feed
35	1118346 Spring, Transfer Wheel BC.	82	1090269 Washer, Corner Guide Screw	131-163	Refer to Carbon Ribbon Mech. for description and Part Numbers
36	1118287 Link, Ribbon Button	83	1090269 Washer, Corner Guide Screw	164	1118191 Bearing, L.H.
37	1118293 Stud, Rewind Latch	84	219633 Retainer, "C" Clip		
38	1118289 Stop, Reverse Lever	85	186712 Screw, Corner Guide		
39	307759 Screw, Reverse Latch	86	186712 Screw, Corner Guide		
40	1091647 Spring Reverse Latch	87	1118341 Plate, Ribbon Spool Drive LH		
41	1118328 Latch, Reverse	88	1118340 Spring, Ribbon Spool Tension		
42	1117719 Button, Ribbon Position (Tan)	89	1118361 Retainer, Grip Type		
43	1115873 Button, Ribbon Position (Blue)	90	1118228 Guide, R.H. Corner		
44	1115877 Button, Ribbon Rewind (Tan)	91	1090269 Washer, RH Corner Guide		
45	166623 Spring, Rewind Button (Blue)	92	186712 Screw, RH Corner Guide		
46	1118332 Shaft, Flipper Button	93	1110492 Ribbon Lift Guide Assem.		
47	1070020 Clevis, Pin Adjusting	94	1118359 Spool Asm (incl. gate & clip)		
		95	1118340 Spring, Ribbon Spool Tension		

CONVERSION BILLS OF MATERIAL

1271011 From Fabric Ribbon to Carbon Ribbon (Specify Color of Buttons)
 1271008 From Carbon Ribbon to Fabric Ribbon (Specify Color of Buttons)

NOTE: These conversions are for executive machines only.



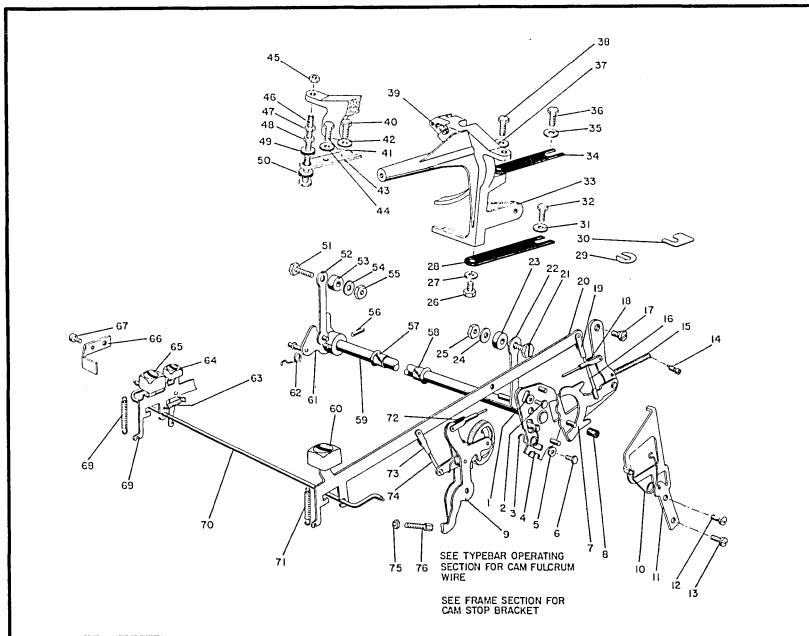
REF. PART NO.	DESCRIPTION	REF. PART NO.	DESCRIPTION	REF. PART NO.	DESCRIPTION
1 1100314	Bar, Selector Ribbon	34 25282	Retainer, "C" Clip	1115871	Button, Ribbon Position (Blue)
2 1073418	Screw, Corn Stop Bracket	35 1100532	Spring, Ribbon Feed Drive	65 7039	Screw, Rewind Latch
3 1117777	Bracket, Ribbon Selector	36 1117843	Support, Mounting Plate	66 1117789	Latch, Rewind Release
4 1117280	Bushing, Lower Arm	37 1090268	Nut, Mtg. Plate Support	67 1117791	Spring, Rewind Release Latch
5 1117279	Arm, Lower	38 194229	Screw, Upper Arm	68 1117790	Bushing, Rewind Release Latch
6 103372	Nut, Rewind Arm	39 1100555	Arm, Upper Adjusting	69 1072684	Screw, Rewind Mounting Plate
7 1090435	Spring, Pressure Release Arm	40 1071459	Screw, Side Frame	70 1072684	Screw, Rewind Mounting Plate
8 1013363	Link, Spring Anchor	41 1090269	Washer, L.H. Corner Guide	71 219633	Retainer, "C" Clip
9 125145	Washer, Adapter Gear Take-Up	42 186712	Screw, L.H. Corner Guide	72 1072684	Screw, Rewind Mounting Plate
10 1117832	Adapter, Gear Take-Up	43 186712	Screw, L.H. Corner Guide	73 1117822	Spring, Outer Ribbon Flange
11 1117835	Cover, Dust Friction Spring	44 1090269	Washer, L.H. Corner Guide	74 1117805	Plate, Mounting Ribbon Rewind
12 1117834	Spring, Friction Take-Up	45 1117841	Guide, L.H. Corner	75 219633	Retainer, "C" Clip
13 1117833	Gear, Spur Take-Up	46 1117845	Guide, Carbon Ribbon	76 1117814	Stud, Stud Mtg.
14 1092125	Retainer, "C" Clip	47 1115180	Link Assembly, Ribbon Control	77 1104286	Washer, Lower Mounting
15 1117821	Shaft, Rewind Pivot	48 1071935	Lever, Ribbon Control	78 1117812	Stud, Carbon Rewind Mtg.
16 1117815	Hinge, Rewind Spool	49 130562	Screw, Ribbon Control Lever	79 7341	Nut, Rewind Latch
17 1117819	Flange, Inner Rewind Spool	50 1070020	Clevis, Pin Adjusting	80 1117813	Stud, Lower Rear Mtg.
18 1117838	Shaft, Rewind Spool	51 1070022	Lift, Ribbon Mechanism	81 1074243	Lever, Stencil Control
19 1073418	Retainer, "C" Clip	52 1070160	Stop, Ribbon Lift Mechanism	82 1100487	Link, Stencil Disconnect
20 1117820	Flange, Outer Rewind Spool	53 1070020	Clevis, Pin Adjusting Link, Ribbon Lifting	83 1091646	Spring, Stencil Control
21 1118330	Bracket, L.H. Flipper Button	54 1076717	Connecting Retainer, "C" Clip	84 1000282	Link, Stencil Control Lever
22 196299	Screw, Flipper Bracket	55 264641	Nut, "C" Clip	85 147297	Retainer, "C" Clip
23 7341	Nut, Flipper Bracket	56 1117793	Arm, Carbon Ribbon Release	86 1117794	Arm, Pressure Roller
24 1117693	Shaft, Flipper Button	57 1117692	Button, Ribbon Release	87 1090175	Spring, Stencil Control Lever
25 264641	Retainer, "C" Clip	58 7341	Nut, Upper Arm	88 264641	Retainer, "C" Clip
26 1117840	Roller, Carbon Ribbon Pressure	59 163899	Washer, Upper Arm	89 1090435	Spring, Pressure Arm
27 1090037	Nut, Feed Roll Shaft	60 1105930	Collar, Feed Roll Shaft	90 1092125	Retainer, "C" Clip
28 1117840	Roller, Carbon Ribbon Pressure	61 1092177	Screw, Feed Roll Collar Set	91 103372	Nut, Supply Spool Shaft
29 1100533	Spring, Spider Ribbon Feed Roll	62 1117809	Arm, Upper	92 2903	Washer, Supply Spool Shaft
30 1117792	Shaft, Carbon Ribbon Feed Roll	63 1070020	Clevis, Pin Adjusting	93 1117844	Spring, Ribbon Tension
31 2650	Screw, L.H. Lower Ribbon Guide	64 1117715	Button, Ribbon Position Tan	94 1117783	Spool, Carbon Ribbon Supply
32 186712	Screw, L.H. Lower Guide			95 1090799	Screw, Ribbon Lift Mech.
33 1117825	Guide, L.H. Lower				

Model C Exec. Carbon Ribbon

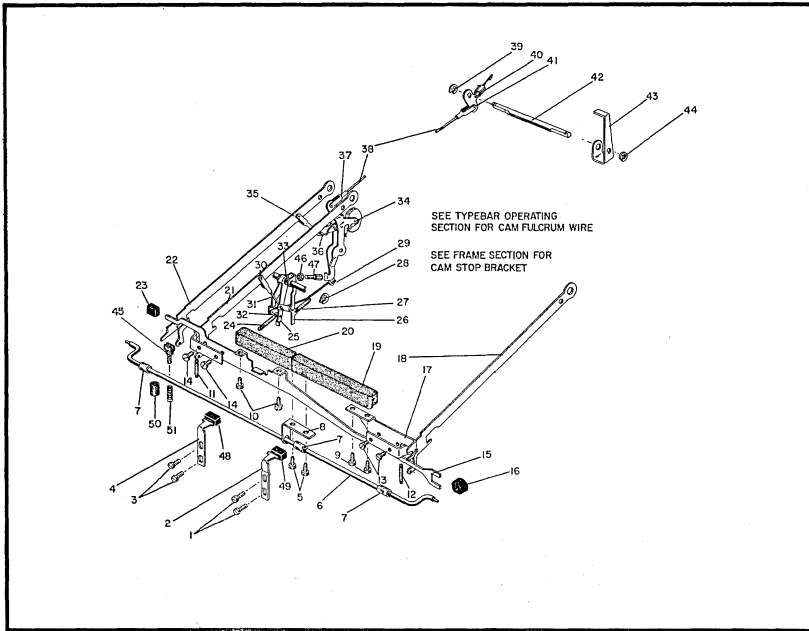
REF. PART NO.	DESCRIPTION	REF. PART NO.	DESCRIPTION	REF. PART NO.	DESCRIPTION
96	1090799	Screw, Ribbon Lift Mech.	129	1118216	Bail, Ribbon Lift
97	7341	Nut, R.H. Lower Guide	130	1117831	Spacer, Drive Stud
98	7341	Nut, R.H. Lower Guide	131	1092125	Retainer, "C" Clip
99	1091618	Spring, Ribbon Lift Mechanism	132	1117831	Stud, Ribbon Lift Bail
100	186712	Screw, Upper R.H. Guide	133	1117282	Lever, Drive Feed
101	186712	Screw, Upper R.H. Guide	134	1090336	Spacer, Feed Link Drive Lever
102	1090269	Washer, Upper R. H. Guide	135	1079999	Screw, Selector Bracket
103	1090269	Washer, Upper R. H. Guide	136	1070020	Clevis, Pin Adjusting
104	1117787	Guide, R.H. Corner	137	1090341	Spring, Selector Bar
105	1117824	Guide, Lower R. H.	138	1000223	Link, Ribbon Lift Bail
106	1091745	Screw, Corner Guide R. H.	139	1070020	Clevis, Pin Adjusting
107	1091745	Screw, Corner Guide R. H.	140	1117816	Link Assembly, Ribbon Feed
108	1117782	Shaft, Supply Spool	141	1110129	Clevis, Pin Adjusting
109	1117780	Follower, Carbon Ribbon Supply	142	1090499	Screw, Ribbon Feed Cam Stud
110	264641	Retainer, "C" Clip	143	1071420	Stud, Ribbon Feed Cam Pivot
111	264641	Retainer, "C" Clip	144	1090041	Nut, Cam Stop
112	1117779	Stud, Follower Mounting	145	55901	Washer, Cam Stop
113	1070020	Clevis, Pin Adjusting	146	1100076	Stop, Ribbon Cam
114	1076717	Link, Supply Indicator	147	1074321	Spring, Ribbon Lift Bail
115	60488	Retainer, "C" Clip	148	1261998	L.H. C.R. Feed Plate & Flange Assm.(Includes L.H. Plate and all parts except Take-Up Spool)
116	1117778	Indicator, Carbon Ribbon Spool			
117	1117826	Spring, Supply Indicator			
118	1117811	Bracket, Spring Mount			
119	1090037	Nut, Mounting Shaft Stud			
120	1079999	Screw, Bracket Supply Spool			
121	1079999	Screw, Bracket Supply Spool			
122	1117781	Bracket, Supply Spool Mounting			
123	1119186	Cam, Ribbon			
124	1092125	Retainer, "C" Clip			
125	1102139	Spring, Ribbon Feed Cam			
126	1072842	Link, Connecting Ribbon Cam			
127	1071687	Spring, Ribbon Bail			
128	1070020	Clevis, Pin Adjusting			

January 1960

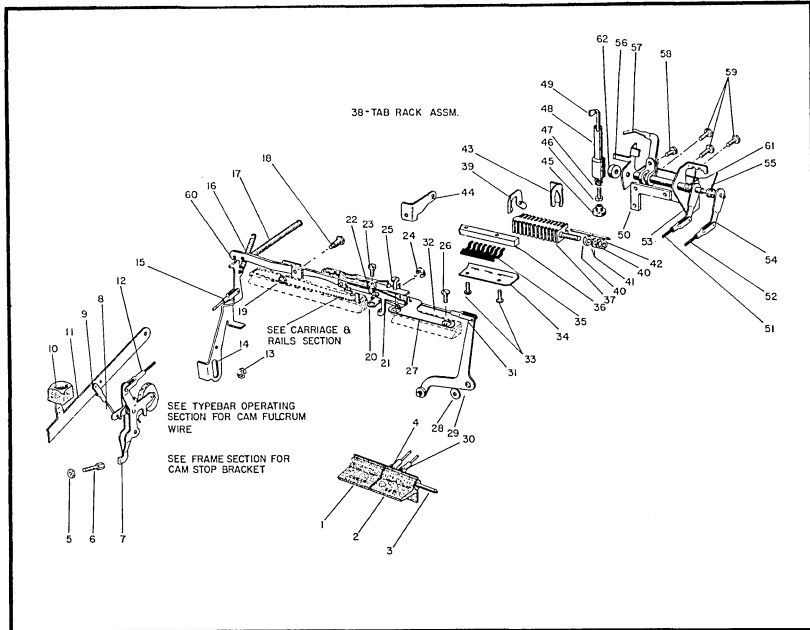
Figure 1



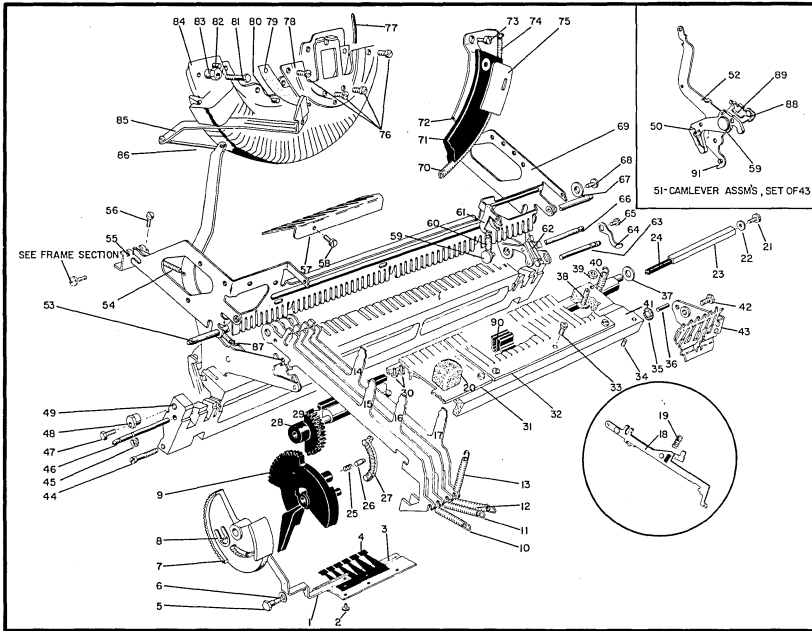
REF. PART NO.	DESCRIPTION	REF. PART NO.	DESCRIPTION	REF. PART NO.	DESCRIPTION
1	1090058 Washer, Shift Plate Screw	28	1107959 Spring, Segment Guide	56	1106201 Roll Pin, Shift Toggle Shaft
2	1074048 Screw, Shift Plate, R. H.	29	1104493 Shim, Segment Front	57	1115144 Bearing, Shift Toggle Shaft
3	1078049 Spring, Shift Toggle Plate Asm. Shift Toggle RH	30	1077799 Shim, Segment Rear	58	1115144 Bearing, Shift Toggle Shaft
4	1115134 Plate Asm. Shift Toggle RH	31	1090047 Washer, Segment Guide	59	1115125 Shift Toggle Shaft Assembly
5	1090058 Washer, Shift Plate Screw	32	1105690 Spring, Segment Guide	60	1118684 Keybutton, Shift (Tan)
6	1074048 Screw, Shift Plate, R. H.	33	1115101 Casting, Segment Support	61	1115864 Keybutton, Shift (Blue)
7	1078047 Pusher and Lever Assembly	34	1107959 Spring, Segment Guide	62	1115131 Plate Assembly, Shift Toggle LH
8	1091607 Sleeve, Shift Buffer	35	1090047 Washer, Segment Guide	63	1078049 Spring, Shift Toggle
9	1119204 Shift, Cam Assembly	36	1105690 Spring, Segment Guide	64	1071449 Spring, Shift Lock
10	1070017 Spring, Buffer	37	1090047 Washer, Segment Guide	65	1118684 Keybutton, Shift (Blue)
11	1078044 Retainer, Buffer	38	1105690 Spring, Segment Guide	66	1090449 Screw, Shift Lock Support
12	38281 Screw, Shift Buffer Retainer	39	1090010 Screw, Fulcrum Wire Stop	67	1090449 Screw, Shift Lock Support
13	38281 Retainer	40	1091035 Screw, Shift Stop Bracket	68	1072126 Spring, Shift Keylever
14	1091651 Pin, Pusher Spring Supp.	41	1091035 Washer, Shift Stop Bracket	69	1115028 Shift Keylever Assembly (84, 86 & 88 character)
15	1098149 Spring, Pusher and Lever Assembly	42	1090058 Washer, Shift Stop Bracket	70	1071356 Equalizing Rod, Shift
16	1070307 Connecting Link, Shift Buffer	43	1115105 Bracket, Shift Stop	71	1072126 Keybutton, Shift (Blue)
17	1091619 Stud, Pusher and Lever Assembly	44	1090058 Washer, Shift Stop Bracket	72	1110529 Clevis, Pin Adjusting
18	1115184 Connecting Link Assem. Shift Pusher	45	1090034 Nut, Shift Stop Screw	73	1070020 Clevis, Pin Adjusting
19	1070020 Shift Keylever Assembly (86 and 88 character)	46	1077823 Screw, Shift Stop	74	1070307 Connecting Link, Cam Trip
20	1115034 Shift Keylever Assembly (86 and 88 character)	47	1090034 Nut, Shift Stop Screw	75	7341 Nut, Cam Stop Screw
21	1115121 Stud, Shift Toggle Link	48	1090034 Nut, Shift Stop Screw	76	1091666 Screw, Cam Stop
22	1070289 Link Shift Toggle	49	1090619 Washer, Shift Bumper		
23	303386 Spacer, Shift Toggle Link	50	1090619 Washer, Shift Bumper		
24	1090622 Washer, Shift Toggle Link Stud	51	1115121 Stud, Shift Toggle Link		
25	1090037 Nut, Shift Toggle Link Stud	52	1070289 Link, Shift Toggle		
26	1105690 Screw, Segment Guide	53	303386 Spacer, Shift Toggle Link		
27	1090047 Spring Washer, Segment Guide	54	1090622 Washer, Shift Toggle Link		
		55	1090037 Nut, Shift Toggle Link Stud		




REF. PART NO.	DESCRIPTION	REF. PART NO.	DESCRIPTION	REF. PART NO.	DESCRIPTION
1	38279 Screw, Spacebar Stop Bracket	19	1118381 Button, Spacebar 2 Unit (Tan)	40	1072818 Spring, Escapement Operating Lever Plate, Escapement Operating Shaft
2	1071880 Bracket, Spacebar Stop R. H.	20	1118382 Button, Spacebar 3 Unit (Tan)	41	1070041 Shaft, Escapement Operating Lever, Escapement Operating Retainer, "C" Clip
3	38279 Screw, Spacebar Stop Bracket	21	1106070 Button, Spacebar 3 Unit (Blue)	42	1105512 Plunger, Repeat Nut, Cam Stop Screw
4	1110465 Bracket, Spacebar Stop L. H.	22	1115075 Lever, Spacebar 3 Unit	43	1070043 Lever, Escapement Operating Retainer, "C" Clip
5	1090807 Screw, Spacebar Button	23	1115073 Rod, Spacebar Equalizer	44	1095160 Plunger, Repeat Nut, Cam Stop Screw
6	1071356 Bushing, Spacebar Equalizer Rod	24	1071691 Spring, Actuating Lever 3 Unit	45	1091666 Screw, Cam Stop
7	1073866 Equalizer Rod	25	1072946 Lever, Escapement Actuating 3 Unit	46	1071881 Stop, Spacebar
8	1115046 Bracket, Spacebar 2 Unit L. H.	26	1072945 Support, Spacebar Interposer Spring, Interposer Support Retainer, "C" Clip Esc. Lever	47	1071881 Stop, Spacebar
9	1090807 Screw, Spacebar Button	27	1072949 Spring, Interposer Support Retainer, "C" Clip Esc. Lever	48	1071881 Stop, Spacebar
10	1090807 Screw, Spacebar Button	28	60488 Retainer, "C" Clip Esc. Lever	49	1071881 Stop, Spacebar
11	1074242 Spring, Escapement Keylever	29	1072542 Link Esc. Cam Actuating Clevis, Pin Adjustable	50	1108862 Bushing, Crippling Feature
12	1091069 Spring, 2 Unit Keylever	30	1070020 Link, Keylever 3 Unit	51	1105514 Spring, Repeat Plunger
13	38562 Screw, Spacebar Bracket	31	1014536 Clevis, Pin Adjustable Retainer, "C" Clip Escapement Lever		
14	38562 Screw, Spacebar Bracket	32	1070020 Link, Spacebar Cam Actuating Clevis, Pin Adjustable		
15	1115048 Support, Spacebar 3 Unit	33	60488 Retainer, "C" Clip Escapement Lever		
16	1077722 Grommet, Spacebar Bracket 3 Unit	34	1119159 Cam, Spacebar		
17	1115047 Bracket, Spacebar 2 Unit R. H.	35	1070020 Clevis, Pin Adjustable Link, Spacebar Cam Actuating Clevis, Pin Adjustable		
18	1115074 Lever, Spacebar Key 2 Unit	36	1014536 Link, Escapement Connecting Retainer, "C" Clip		
		37	1110529 Clevis, Pin Adjustable		
		38	1070365 Link, Escapement Connecting Retainer, "C" Clip		
		39	1095160 Retainer, "C" Clip		



REF. PART NO.	DESCRIPTION	REF. PART NO.	DESCRIPTION	REF. PART NO.	DESCRIPTION
1	1117717 Button, Tab Clear (Tan)	29	1117428 Bellcrank, Tab Decelerator	39	1015100 Stop, Tab Rack
1	1115883 Button, Tab Clear (Blue)	30	1110529 Clevis, Pin Adjusting	40	1090550 Nut, Tab Rack
2	1117716 Button, Tab Set (Tan)	31	1070020 Clevis, Pin Adjusting	41	1092040 Washer, Tab Rack
1	1115885 Button, Tab Set (Blue)	32	1117504 Link, Tab Bellcrank	42	1117549 Fulcrum Wire, Tab Rack
3	1117694 Shaft, Tab Set and Clear Buttons	33	1103978 Spring, Tab Rack Spring Guard	1117579	Fulcrum Wire, Tab Rack 17"
4	1110529 Clevis, Pin Adjusting	34	1117494 Guard, Tab Rack Spring 13"	1103832	Fulcrum Wire, Tab Rack 20"
5	7341 Nut, Cam Stop Screw	1117495	Guard, Tab Rack Spring 17"	1117551	Stop, Tab Rack Final
6	1091666 Screw, Cam Stop	1117496	Guard, Tab Rack Spring 20"	43	1117551 Stop, Tab Rack Final
7	1119191 Cam, Tab	35	1103840 Spring, Tab Rack Stop 1/32 P	44	1117553 Center Support, Tab Rack 1/32 P
8	1070307 Link, Cam Trip Lever	1103841	Spring, Tab Rack Stop 1/36 P	1117552	Center Support, Tab Rack 1/36 & 1/45P
9	1070020 Clevis, Pin Adjusting	1103846	Spring, Tab Rack Stop 1/45 P	45	1108326 Screw, Tab Stop Set Lever
10	1117704 Keybutton, Tab (Tan)	1115753	Spacer, Tab Rack Spring 13"	46	1090567 Screw, Tab Stop Set Finger
10	1115865 Keybutton, Tab (Blue)	1115754	Spacer, Tab Rack Spring 17"	47	1090568 Spring, Tab Stop Set Finger
11	1115025 Keylever, Tab Operating (86 Character)	1103837	Spacer, Tab Rack Spring 20"	48	1107991 Tab Stop Set Finger
11	1115031 Keylever, Tab Operating (88 Character)	37	1117518 Tab Rack, 13" 1/32P	50	1072809 Plate, Tab Set Bracket Mounting
12	1115749 Link Assem., Tab Oper.	1117519	Tab Rack, 13" 1/36P	51	1115166 Link Assem., Tab Clear
13	1092125 Retainer, "C"Clip	1117523	Tab Rack, 17" 1/45P	52	1115166 Link Assem., Tab Set
14	1117413 Lever, Tab Actuating	1117525	Tab Rack, 17" 1/32P	53	1070213 Tab Clear Lever and Shaft Assembly
15	1110529 Clevis, Pin Adjusting	1117526	Tab Rack, 17" 1/36P	54	1107994 Tab Set Lever and Shaft Assembly
16	150655 Spring, Tab Actuating Lever	1117530	Tab Rack, 17" 1/45P	55	1098495 Spring, Tab Set and Clear Lever
17	1117590 Spring, Tab Lever	1117532	Tab Rack, 20" 1/32P	56	1117344 Bracket, Tab Set & Clear Mechanism
18	1102122 Stud, Tab Lever Mounting	1117533	Tab Rack, 20" 1/36P	57	1117343 Tab Clear Finger
19	103372 Nut, Tab Lever Mounting Stud	1117537	Tab Rack, 20" 1/45P	58	2300 Screw, Tab Clear Finger
20	1117423 Latch, Tab Lever	38	1118802 Tab Rack Assem. 13" 1/32P	59	1093611 Screw, Tab Set and Clear Bracket
21	120710 Spring, Tab Lever Latch	1118803	Tab Rack Assem. 13" 1/36P	60	1117401 Bracket Assem., Tab Lever (All Pitches)
22	1117424 Eccentric, Tab Lever Latch	1118807	Tab Rack Assem. 17" 1/32P	61	1098495 Spring, Tab Clear Lever
23	1115736 Screw, Tab Lever Latch Eccentric	1118810	Tab Rack Assem. 17" 1/36P	62	1108649 Spacer, Tab Set Lever
24	1117577 Retainer, "C"Clip	1118814	Tab Rack Assem. 17" 1/45P		
25	1115735 Screw, Tab Check Lever	1118816	Tab Rack Assem. 20" 1/32P		
26	1090007 Keeper L. H. Screw, Tab Check Lever	1118817	Tab Rack Assem. 20" 1/36P		
27	1117503 Keeper R. H. Keeper, Tab Check Lever	1118821	Tab Rack Assem. 20" 1/45P		
28	1102081 Spacer, Tab Bellcrank				



REF. PART NO.	DESCRIPTION	REF. PART NO.	DESCRIPTION	REF. PART NO.	DESCRIPTION
1	1115055 Resilient Keyboard Control Bar	19	1104418 Spring, Repeat Keylever (2 Piece) 4th Row	29	1071555 Locking Strip, Cam K. O. Bar Screws
2	186712 Screw, Resilient Keyboard Spring Mounting	20	Keybutton-Refer to listing of individual Keybutton Part Numbers following this section.	30	1107435 Screw, Cam Knockout Bar Plate, K. O. Bar Spring Finger
3	1115010 Plate, Spring Retaining		Note: If part number cannot be located in this section use blanket keybutton part number 1118400 tan or 1070653 blue and include this information.	31	1108816 Plate, K. O. Bar Spring Finger
4	1115008 Spring, Plate, Resilient Keyboard Mechanism		Example	32	1108816 Plate, K. O. Bar Spring Finger
5	1115012 Screw, Resilient Keyboard Bar		a. Quantity Required: 2	33	38235 Screw, K. O. Bar Spring Plate
6	1072477 Washer, Resilient Keyboard Bar Screw		b. Name of Part: Keybutton	34	1100523 Set Screw, K. O. Bar
7	1115060 Indicator, Resilient Keyboard		c. Character to be engraved: 	35	1090887 Spacer, K. O. Bar (As Required)
8	60488 Retainer, "C" Clip		d. Catalog number of corresponding typeslug shown in type available	36	1090151 Fulcrum pin, K. O. Bar
9	1117339 Indicator, Impression Control		1084475	37	1090511 Spacer, K. O. Bar Camshaft
10	1115017 Spring, Keylever 2nd Row	20	1271101 Set of keybuttons and plastic parts (Tan) Specify keyboard arrangement.	38	1073488 Screw, K. O. Bar Adj.
11	1115018 Spring, Keylever 3rd Row		1270898 Set of keybuttons and plastic parts (Blue) Specify keyboard arrangement.	39	38051 Nut, K. O. Bar Adj. Screw
12	1115016 Spring, Keylever 1st Row		Note: These sets include all keybuttons, spacebars, flipper buttons, and carriage release buttons.	40	1115747 Spring, K. O. Bar
13	1115019 Spring, Keylever 4th Row			41	1071557 K. O. Bar
14	1115020 Keylever, 1st Row (Except "0" Position)			42	1091707 K. O. Bar Assembly
	1115051 Keylever, 1st Row ("0" Position)			43	1072684 Screw, Fr. Keylever Guide
	1115043 Keylever, 1st Row Repeat Positions 39 and 43 (1 piece)			44	1115039 Screw, Dowel-Camlever Bearing Support
15.	1115021 Keylever, 2nd Row			45	1073418 Retainer, "C" Clip
	1115044 Keylever, 2nd Row Repeat (1 piece)			46	1118294 Fulcrum Wire, Oper. Cams
16.	1115022 Keylever, 3rd Row			47	1110186 Support Adjusting Eccentric, Camlever Bearing Support
	1115045 Keylever, 3rd Row Repeat (1 piece)			48	1110187 Bearing Support Adjusting Camlever Bearing Support
17	1115023 Keylever, 4th Row			49	1074307 Cam, L. H.
18	1115054 Keylever, Repeat (2 Piece) 1st Row (Except "0" Position) (Includes Spring)	21	38235 Screw, Keylever Upper Stop	50	1115037 Cam, R. H.
	1117670 Keylever, Repeat (2 Piece) 1st Row ("0" Position) (Includes Spring)	22	62031 Washer, Keylever Stop Screw	51	1270879 Camlever Assm, Set of 43
	1115064 Keylever, Repeat (2 Piece) 2nd Row (Includes Spring)	23	1115087 Stop, Keylever Upper	52	1263019 Camlever Assm, Position 0
	1115067 Keylever, Repeat (2 Piece) 3rd Row (Includes Spring)	24	1115088 Insert, Keylever Upper Stop Spring, Impression Indicator		1263020 Camlever Assm, Position 1
	1115040 Keylever, Repeat (2 Piece) 4th Row (Includes Spring)	25	1090770 Spring, Impression Indicator Detent		1263021 Camlever Assm, Position 2
19	1110249 Spring, Repeat Keylever (2 Piece) 1st, 2nd, 3rd Rows	26	1117396 Plunger, Impression Indicator Detent		1263022 Camlever Assm, Position 3
		27	1117397 Insert, Impression Indicator Detent		1263023 Camlever Assm, Position 4
		28	1115080 Cam Shaft Assembly, Impression Control		1263024 Camlever Assm, Position 5
					1263025 Camlever Assm, Position 6
					1263026 Camlever Assm, Position 7
					1263027 Camlever Assm, Position 8
					1263028 Camlever Assm, Position 9
					1263029 Camlever Assm, Position 10

Model C Exec. Typebar Operating

REF. PART NO.	DESCRIPTION	REF. PART NO.	DESCRIPTION	REF. PART NO.	DESCRIPTION	
52	1263030 Camlever Assm, Position 11	62	1105906 Spring, Trip Lever	85	To obtain a changeable typebar use blanket typebar 1260238 and repeat steps a, b, c, d, and e in example.	
	1263031 Camlever Assm, Position 12	63	1118294 Fulcrum Wire, Oper. Cams			
	1263032 Camlever Assm, Position 13	64	1102098 Retainer, Fulcrum Wire			
	1263033 Camlever Assm, Position 14	65	63324 Retainer			
	1263034 Camlever Assm, Position 15					
	1263035 Camlever Assm, Position 16	66	1072998 Fulcrum Wire, Letter Cams		To obtain "hardened" individual typebars (fulcrum and link holes) hardened additionally for heavy use) Specify "hardened" for each one ordered.	
	1263036 Camlever Assm, Position 17	67	1090511 Washer, Fulcrum Wire			
	1263037 Camlever Assm, Position 18					
	1263038 Camlever Assm, Position 19	68	58207 Screw, Keylever Bearing Support (Front)			
	1263039 Camlever Assm, Position 20					
	1263040 Camlever Assm, Position 21	69	1118217 Bearing Support, Keylever			
	1263041 Camlever Assm, Position 22	70	1105693 Sleeve, Type Rest Spring	1271103	Set of type with segment	
	1263042 Camlever Assm, Position 23	71	1105692 Pad, Type Rest		See Note	
	1263043 Camlever Assm, Position 24	72	115140 Frame, Type Rest Pad Rear	1077788	Set of type without segment. See Note	
	1263044 Camlever Assm, Position 25	73	1093749 Screw, Type Rest Assembly		Note: Specify machine model, type number, keyboard arrangement and style of characters (86 or 88)	
	1263045 Camlever Assm, Position 26	74	1105694 Spring, Type Rest			
	1263046 Camlever Assm, Position 27	75	1104140 Frame, Type Rest-Front			
	1263047 Camlever Assm, Position 28	76	1091229 Screw, Type Guide			
	1263048 Camlever Assm, Position 29	77	1016718 Fulcrum Wire, Typebar			
	1263049 Camlever Assm, Position 30	78	1103855 Guide, Typebar		Hardened sets of type can be procured by so specifying. If only certain typebars are to be hardened in the set, indicate these by typebar position number.	
	1263050 Camlever Assm, Position 31	79	1070290 Shim, Type Guide			
	1263051 Camlever Assm, Position 32	80	1091161 Pin, Dowel			
	1263052 Camlever Assm, Position 33	81	1115151 Stud, Segment			
	1263053 Camlever Assm, Position 34	82	1115104 Pin, Dowel			
	1263054 Camlever Assm, Position 35	83	1115102 Eccentric, Segment			
	1263055 Camlever Assm, Position 36		Adjusting			
	1263056 Camlever Assm, Position 37	84	1115082 Segment, 86 Character		When lightened typebars are desired for positions normally not lightened and visa versa, follow same procedure used in procuring hardened bars.	
	1263057 Camlever Assm, Position 38		Segment, 88 Character			
	1263058 Camlever Assm, Position 39					
	1263059 Camlever Assm, Position 40	85	Typebar-Refer to listing of individual typebar numbers following this page.			
	1263060 Camlever Assm, Position 41					
	1263061 Camlever Assm, Position 42					
	1263062 Camlever Assm, Position 43					
53	1118213 Fulcrum Wire, Keylevers		Note: If part number cannot be located in this section, use blanket typebar, P. N. 1073823 and include the following information:	86	1070499 Link, Typebar	
54	1071318 Spring, Camlevers				1107866 Link, Removeable Typebar R. H.	
55	1071439 Bracket, Camlever Springs				1107865 Link, Removeable Typebar L. H.	
56	38364 Screw, Camlever Springs				87	1107795 Spring, Cam
	Bracket		Example		88	1091649 Stud, Triplever Mounting
57	1118182 Guide, Camlever	a.	Quantity Required: 1		89	1263501 Lever, Trip L. H.
58	38261 Screw, Camlever Guide	b.	Typebar Position: 2			1263502 Lever, Trip R. H.
59	1100562 Rivet, Letter Cam	c.	Type Style: Regent Gothic		90	1118847 Clip, SpringType
60	43373 Spring, Keylever Repeat (Positions 39 and 43)	d.	Type character (upper & lower case) A/a		91	1071686 Stud, Selector Bar Pivot
61	1118250 Bracket, Keylever Spr. Supp.	e.	Catalog no. found in type available catalog 1088466			

January 1960

Figure 1

Typebars & Keybuttons

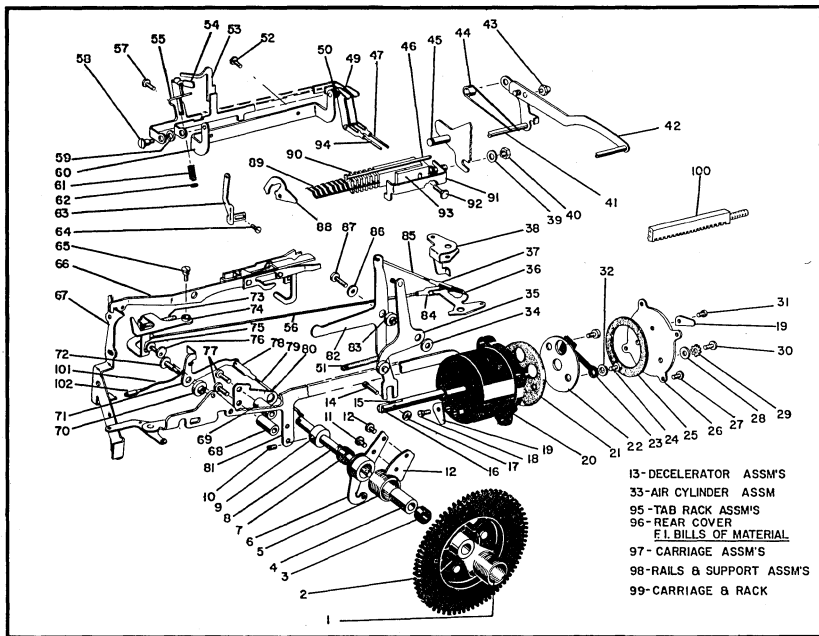
POS	CHAR	EXEC. MODERN PM	EXEC. DOC. PE	EXEC. SEC. P.S.	EXEC. BOLD PO	EXEC. MID CENTURY P.F.	EXEC. BOLDFACE 2 PB	KEY BUTTONS T A N	KEY BUTTONS BLUE
0	1/ \$	1078023	1074153	1078106	1078169	1260658	1260720	1118456	1075057
1	1/ \$	1078022	1074152	1078105	1078168	1260659	1260721	1118455	1075056
0	Q	1076501	1074154	1078107	1078170	1260660	1260722	1118417	1075017
2	A	1076502	1074155	1078108	1078171	1260661	1260723	1119401	1075001
3	*1	1078024	1074156	1078109	1078172	1260662	1260724	1118443	1075043
3	@/2	1076503	1074157	1078110	1078173	1260663	1260725	1118427	1075027
4	Z	1076504	1074158	1078111	1078174	1260664	1260726	1118426	1075026
5	W	1076505	1074159	1078112	1078175	1260665	1260727	1118423	1075023
6	S	1076506	1074160	1078113	1078176	1260666	1260728	1118419	1075019
7	1/2	1078025	1074162	1078115	1078178	1260667	1260729	1118446	1075046
7	1/3	1076507	1074161	1078114	1078177	1260668	1260730	1118428	1075028
8	X	1076508	1074163	1078116	1078179	1260669	1260731	1118424	1075024
9	E	1076509	1074164	1078117	1078180	1260670	1260732	1118405	1075005
10	D	1076510	1074165	1078118	1078181	1260671	1260733	1118404	1075004
11	//3	1078026	1074167	1078120	1078183	1260672	1260734	1118447	1075047
11	5/4	1076511	1074166	1078119	1078182	1260673	1260735	1118429	1075029
12	C	1076512	1074168	1078121	1078184	1260674	1260736	1118403	1075003
13	R	1076513	1074169	1078122	1078185	1260675	1260737	1118418	1075018
14	F	1076514	1074170	1078123	1078186	1260676	1260738	1118406	1075006
15	5/4	1078027	1074171	1078124	1078187	1260677	1260739	1118429	1075029
15	%/5	1076515	1074172	1078125	1078188	1260678	1260740	1118430	1075030
16	V	1076516	1074173	1078126	1078189	1260679	1260741	1118422	1075022
17	T	1076517	1074174	1078127	1078190	1260680	1260742	1118420	1075020
18	G	1076518	1074175	1078128	1078191	1260681	1260743	1118407	1075007
19	+5	1078028	1074177	1078130	1078193	1260682	1260744	1118448	1075048
19	6/6	1076519	1074176	1078129	1078192	1260683	1260745	1118431	1075031
20	B	1076520	1074178	1078131	1078194	1260684	1260746	1118402	1075002
21	Y	1076521	1074179	1078132	1078195	1260685	1260747	1118425	1075025
22	H	1076522	1074180	1078133	1078196	1260686	1260748	1118408	1075008
23	7/6	1078029	1079995	1078135	1078198	1260687	1260749	1118449	1075049
23	8/7	1076523	1074181	1078134	1078197	1260688	1260750	1118432	1075032
24	N	1076524	1079996	1078136	1078199	1260689	1260751	1118414	1075014
25	U	1076525	1078074	1078137	1078200	1260690	1260752	1118421	1075021
26	J	1076526	1078075	1078138	1078201	1260691	1260753	1118410	1075010
27	1/7	1078030	1079997	1078140	1078203	1260692	1260754	1118450	1075051
27	*8	1076527	1078076	1078139	1078202	1260693	1260755	1118433	1075033
27	1/2/8							1118444	1075044
28	M	1076528	1078078	1078141	1078204	1260694	1260756	1118413	1075013
29	I	1076529	1078079	1078142	1078205	1260695	1260757	1118409	1075009
30	K	1076530	1078080	1078143	1078206	1260696	1260758	1118411	1075011
31	6/8	1078031	1078082	1078145	1078208	1260697	1260759	1118451	1075052
31	1/9	1076531	1078081	1078144	1078207	1260698	1260760	1118434	1075034
32	:/	1078032	1078084	1078146	1078210	1260699	1260761	1118458	1075058
32	.	1076532	1078083	1078147	1078209	1260700	1260762	1118440	1075040
33	O	1076533	1078085	1078148	1078211	1260701	1260763	1118415	1075015
34	L	1076534	1078086	1078149	1078212	1260702	1260764	1118412	1075012
35	1/9	1078033	1078087	1078150	1078213	1260703	1260765	1118434	1075034
35	1/0	1076535	1078088	1078151	1078214	1260704	1260766	1118435	1075035
36	:/	1078034	1078090	1078153	1078216	1260705	1260767	1118459	1075059
36	.	1076536	1078089	1078152	1078215	1260706	1260768	1118441	1075041
37	P	1076537	1078091	1078154	1078217	1260707	1260769	1118416	1075016
38	'/	1078035	1078093	1078156	1078219	1260708	1260770	1118453	1075054
38	:/	1076538	1078092	1078155	1078218	1260709	1260771	1118438	1075038
39	1/0	1078036	1078094	1078157	1078220	1260710	1260772	1118435	1075035
39	-/	1076539	1078095	1078158	1078221	1260711	1260773	1118436	1075036
40	-/	1078037	1078096	1078159	1078222	1260712	1260774	1118436	1075036
40	7//	1076540	1078097	1078160	1078223	1260713	1260775	1118442	1075042
41	8/3	1074148	1078099	1078162	1078225	1260714	1260776	1118452	1075053
41	1//	1076541	1078098	1078161	1078224	1260715	1260777		1075061
41	1/4/1/2							1118437	1075037
41	1/2/1								1075045
42	+/'	1074149	1078101	1078164	1078227	1260716	1260778	1118454	1075055
42	"/	1076542	1078102	1078165	1078228	1260717	1260779	1118439	1075039
42	'/	1076718	1078100	1078163	1078226			1118453	1075054
43	@/%	1074150	1078103	1078166	1078229	1260718	1260780	1118457	1075058
43	+/'	1074151	1078104	1078167	1078230	1260719	1260781	1118454	1075055

Typebars & Keybuttons

		EXECUTIVE	
		Arcadia	Heritona
Pos	Char	JM	PJ
1	Q	1262104	1262163
2	A	1262105	1262164
3	°/1	1262106	1262165
3	@/2	1262107	1262166
4	Z	1262108	1262167
5	W	1262109	1262168
6	S	1262110	1262169
7	@/2	-----	-----
7	4/3	1262111	1262170
7	5/2	1262112	1262171
8	X	1262113	1262172
9	E	1262114	1262173
10	D	1262115	1262174
11	0/3	-----	-----
11	5/4	1262116	1262175
11	/3	1262117	1262176
12	C	1262118	1262177
13	R	1262119	1262178
14	F	1262120	1262179
15	5/4	1262121	1262180
15	%/5	1262122	1262181
16	V	1262123	1262182
17	T	1262124	1262183
18	G	1262125	1262184
19	%/5	-----	-----
19	¢/6	1262126	1262185
19	†/5	1262127	1262186
20	B	1262128	1262187
21	Y	1262129	1262188
22	H	1262130	1262189
23	¢/6	-----	-----
23	&/7	1262131	1262190
23	?/6	1262132	1262191
24	N	1262133	1262192
25	U	1262134	1262193
26	J	1262135	1262194
27	&/7	-----	-----
27	*/8	1262136	1262195
27	‡/8	-----	-----
27	1/7	1262137	1262196
28	M	1262138	1262197
29	I	1262139	1262198
30	K	1262140	1262199
31	‡/8	-----	-----
31	(/9	1262141	1262200
31	¢/8	1262142	1262201
32	./.	1262143	1262202
32	:/.	1262144	1262203
33	O	1262145	1262204
34	L	1262146	1262205
35	(/9	1262147	1262206
35)0	1262148	1262207
36	./.	1262149	1262208
36	:/.	1262150	1262209
37	P	1262151	1262210
38	:/.	1262152	1262211
38	./.	1262153	1262212
39)0	1262154	1262213
39	/-	1262155	1262214
39	≠/1	-----	-----
40	/-	1262156	1262215
40	≠//	1262157	1262216
41	1/1	1262158	1262217
41	"/'	-----	-----
41	‡/1	1262159	1262218
41	‡/2	-----	-----
42	+/'	-----	-----
42	./.	1262160	1262219
42	/-	-----	-----
42	+/'	1262161	1262220
42	"/'	1262162	1262221

Special Typebars & Keybuttons

Pos	Char	Exec Modern PM	Keybuttons Model C Tan
3	+ / 2	1261881	1118597
3	o / 2		1118674
3	1/2		1118628
3	" / 2		1118468
3	± / 2		1126971
3	§ / 2		1118486
19	= / 6	1261883	1118465
19	+ / 6	1261882	1118605
19	o / 6		1118532
19	± / 6		1118599
19	§ / 6		1118613
27	' / 8		1118476
31	8		1118576
32	÷ / ,		1118472
32	o / ,	1261885	1118488
32	= / ,	1261884	1118602
32	+ / ,		1118617
35	9		1118574
36	+ / .	1261886	1118473
36	= / .		1118623
36	o / .	1261887	1118598
39	≡ / -		1118566
39	- / ≡		1116182
39	0		1118577
40	// ?		1118474
41	+ / 1/2		1118466
41	+ / ≡		1118470
41	+ / -		1118495
41	o / +		1118489
41	= / +		1118454
41	+ / o		1118489
41	+ / =		1118454
41	o / =		1118480
41	+ / ±		1118561
41	[/]		1118516
41	± / +		1118588
41	- / ≡		1116182
41	> / <		1126972
41	= / o		1118480
41	± / o		1118485
41] / [1118600
41	o / 1	1261888	1118560
41	2 / 1	1261889	1118445
41	± / 1	1261890	1126973
41	= / 1	1261891	1126974
41	+ / 1	1261892	1126975



- 13- DECELERATOR ASSM'S
- 33-AIR CYLINDER ASSM
- 95 -TAB RACK ASSM'S
- 96-REAR COVER
- F.I. BILLS OF MATERIAL
- 97 - CARRIAGE ASSM'S
- 98-RAILS & SUPPORT ASSM'S
- 99-CARRIAGE & RACK

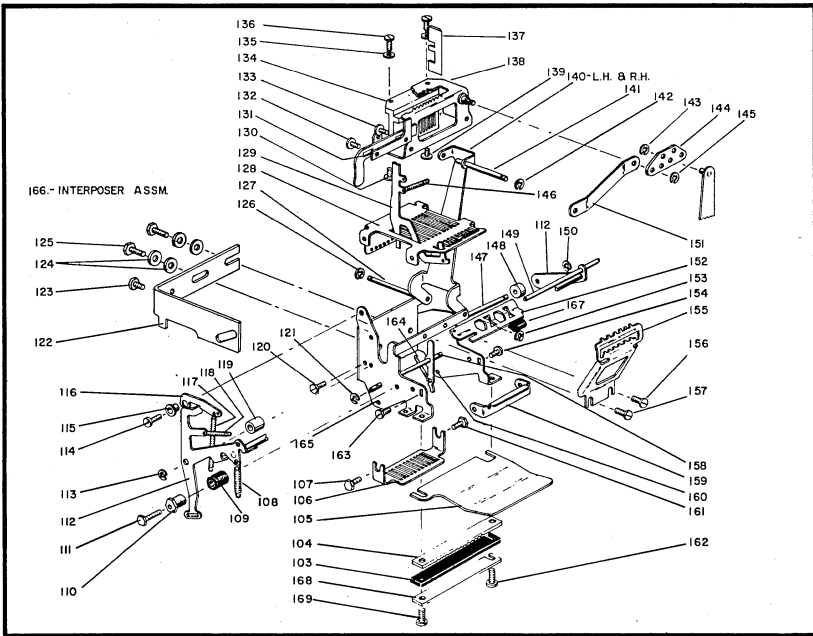
REF. PART NO.	DESCRIPTION	REF. PART NO.	DESCRIPTION	REF. PART NO.	DESCRIPTION
1	Refer to Std. or Exec. Dec. Section	38	1118076 Bellcrank, Backspace	62	1073418 Retainer "C" Clip
2	1117562 Drum Gear & Sleeve Assm.	40	10 P & 12 P	63	1118013 Center Support, Tab
3	Refer to Std. or Exec. Dec. Section	1118077	Bellcrank, Backspace	64	186712 Rack
4	1118080 Sleeve, Dec. Shaft	14 P		65	1118063 Screw, Bellcrank Mtg.
5	Refer to Std. or Exec. Dec. Section for 13" & 17" Machines	39	Refer to Std. or Exec. Tab Section	66	Note: Use std. part and break away tip printed in blue
6	1118079 Spring, Tab Dec 20", 24" & 30"	41	1117982 Shaft Assm., Paper Bail	67	Refer to Std. or Exec. Tab Sect.
7	1118082 Bracket, Dec. Cam Mtg.	42	Pivot 13"	68	1118085 Spacer, Dec. Mtg.
8	Refer to Std. or Exec. Dec. Section	1117983	Shaft Assm., Paper Bail	69	1118085 Spacer, Dec. Mtg.
9	1118081 Shaft, Decelerator	17"		70	1118064 Spacer, Latch Release
10	Refer to Std. or Exec. Dec. Section	1117984	Shaft Assm., Paper Bail	71	1118062 Bellcrank, Latch Release
11	118712 Screw, Cam Mtg.	Pivot 20"		72	1118063 Screw, Latch Release
12	1118083 Cam, Dec. Tab	1117985	Shaft Assm., Paper Bail	73	1118065 Spring, C.R. Bellcrank
13	1118078 Decelerator Asm. 13" & 17" Mach.	Pivot 24"		74	1118073 Bellcrank, Carriage
14	1118087 Decelerator Asm. 20", 24", & 30"	1117986	Shaft Assm., Paper Bail	75	2031 Return
15	1100946 Pin, Air Cylinder	Pivot 30"		76	2031 Screw, Margin Control
16	1100944 Roller, Air Cylinder	42	1117977 Arm, Paper Bail(L.H. & R.H.)	77	1118073 Bellcrank, Carriage
17	1109622 Piston & Shaft Assm.	43	103372 Nut, Paper Bail Arm	78	1070020 Clevis, Pin Adjusting
18	1106027 Speed Slip	44	1117979 Spring, Paper Bail	79	1000223 Link, Latch
19	38348 Screw, Air Cylinder Port	45	1115447 Stud, Spring Stop, (Used with std. end Plate to modify for Dec. Tab)	80	1118084 Support, Dec. Shaft
20	1018477 Plate, Air Cylinder Port	46	Refer to Std. or Exec. Tab Section	81	1118061 Support, Dec. Shaft
21	1108813 Housing, Air Cylinder	47	1118005 Link, Tab Set	82	1118065 Bellcrank, Air Cylinder
22	1109625 Gasket, Air Cylinder	48	1070020 Clevis, Pin Adjusting	83	Refer to Std. or Exec. C.R. Mech.
23	1109626 Plate, Air Cylinder Gasket	49	1070020 Spring, Set Bracket	84	1070020 Clevis, Pin Adjusting
24	1100839 Valve, Air Cylinder	50	1098495 Spring, Clear Bracket	85	1118070 Link, Air Cylinder
25	1105627 Screw, Valve Mtg.	51	1118066 Spring, air cylinder Baller	86	Refer to Std. or Exec. C.R. Mech.
26	1108842 Gasket, Cork	52	1093611 Screw, Tab Set & Clear Mtg.	87	Refer to Std. or Exec. C.R. Mech.
27	1100845 Cover, Air Cylinder	53	1117994 Lever, Clear	88	1118040 Stop, Tab
28	10170 Screw, Air Cylinder Cover	54	1117991 Finger, Tab Set	89	1118041 Spring, Tab Rack 10 P
29	1107864 Spacer, Air Cylinder Mtg.	55	1117990 Lever, Set	90	1118042 Spring, Tab Rack 12 P
30	59591 Lockwasher, Air Cylinder Mtg.	56	1118074 Screw, Tab Set & Clear Mtg.	1118043	Spring, Tab Rack 14 P
31	58207 Screw, Air Cylinder Mtg.	57	1093611 Screw, Tab Set & Clear Brkt.	1118043	TAB RACKS (ONLY)
32	1091471 Screw, Part Mtg.	58	1117999 Screw, Lever Mtg.	1118020	13" 10 P
33	22478 Washer, Valve Screw	59	1090240 Spacer, Tab Set & Clear Brkt.	1118021	13" 12 P
34	1105791 Air Cylinder Assm.	60	1117995 Bracket, Tab Set & Clear Mtg.	1118022	13" 14 P
35	Refer to Std. or Exec. Tab Section	61	100027 Spring, Tab Set Finger	1118023	17" 10 P
36	1118067 Bellcrank, Tab			1118024	17" 12 P
37	1118075 Clutch, Unlatching				
38	1070020 Clevis, Pin Adjusting				

Model C Decimal Tab

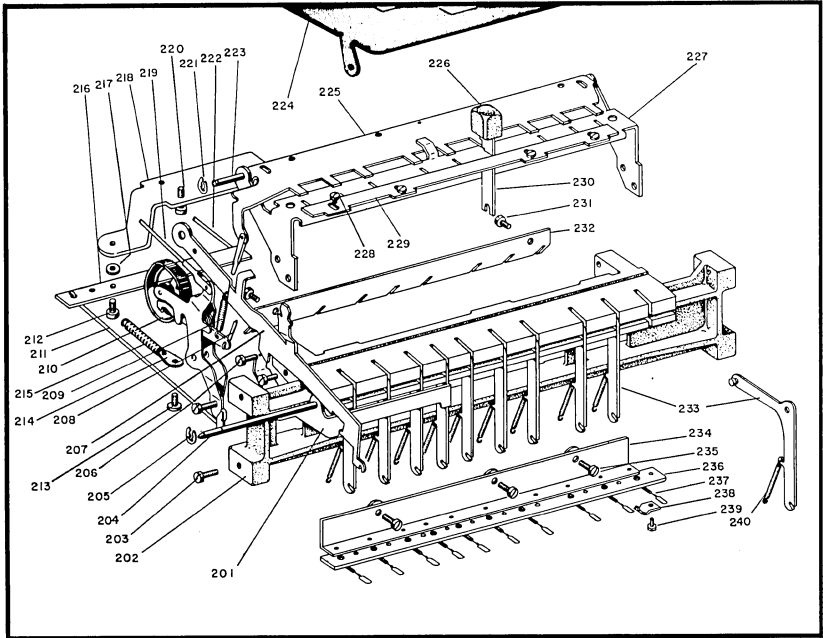
REF. PART NO.	DESCRIPTION	REF. PART NO.	DESCRIPTION	REF. PART NO.	DESCRIPTION
1118025	17" 14P	97	1263072 24" 10P		
1118026	20" 10P		1263073 24" 12P		
1118027	20" 12P		1263074 24" 14P		
1118028	20" 14P		1263075 30" 10P		
1118029	24" 10P		1263076 30" 12P		
1118030	24" 12P		1263077 30" 14P		
1118031	24" 14P	98	F/I BILLS OF MATERIAL, RAILS & SUPPORT ASSEMBLIES		
1118032	30" 10P		1263113 13" 10P		
1118033	30" 12P		1263114 13" 12P		
1118034	30" 14P		1263115 13" 14P		
91	1118037 Stop, Tab Rack Final		1263116 17" 10P		
92	1093611 Screw, Tab Rack Support		1263117 17" 12P		
93	1118036 Support, Tab Rack (R.H.)		1263118 17" 14P		
	1118035 Support, Tab Rack (L.H.)		1263119 20" 10P		
94	1118005 Link, Tab Clear		1263120 20" 12P		
95	TAB RACK ASSEMBLIES		1263121 20" 14P		
	1118851 13" 10P		1263122 24" 10P		
	1118852 13" 12P		1263123 24" 12P		
	1118853 13" 14P		1263124 24" 14P		
	1118854 17" 10P		1263125 30" 10P		
	1118855 17" 12P		1263126 30" 12P		
	1118856 17" 14P		1263127 30" 14P		
	1118857 20" 10P	99	CARRIAGE & RACK DEC. TAB.		
	1118858 20" 12P		1117001 13" 10P		
	1118859 20" 14P		1117002 13" 12P		
	1118860 24" 10P		1117003 13" 14P		
	1118861 24" 12P		1117004 17" 10P		
	1118862 24" 14P		1117005 17" 12P		
	1118863 30" 10P		1117006 17" 14P		
	1118864 30" 12P		1117007 20" 10P		
	1118865 30" 14P		1117008 20" 12P		
96	1118092 Cover, Rear (Specify Color)		1117009 20" 14P		
			1117010 24" 10P		
97	F/I BILLS OF MATERIAL CARRIAGE ASSEMBLIES		1117011 24" 12P		
	1263063 13" 10P		1117012 24" 14P		
	1263064 13" 12P		1117013 30" 10P		
	1263065 13" 14P		1117014 30" 12P		
	1263066 17" 10P		1117015 30" 14P		
	1263067 17" 12P	100	1115995 Rack, Margin 13" 10P		
	1263068 17" 14P		1115996 Rack, Margin 13" 12P		
	1263069 20" 10P		1115997 Rack, Margin 13" 14P		
	1263070 20" 12P	101	1115009 Link, Line Lock		
	1263071 20" 14P	102	1070020 Clevis, Pin Adj.		

January 1960

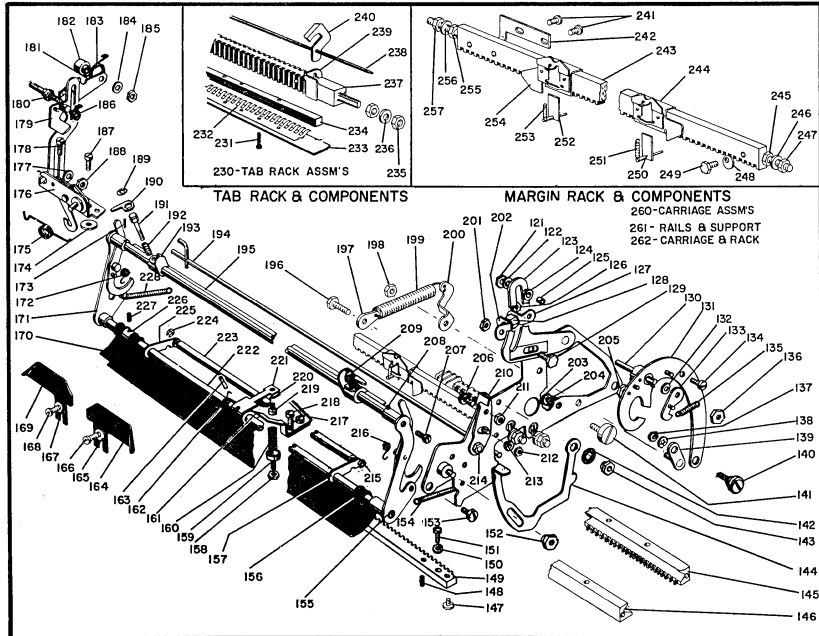
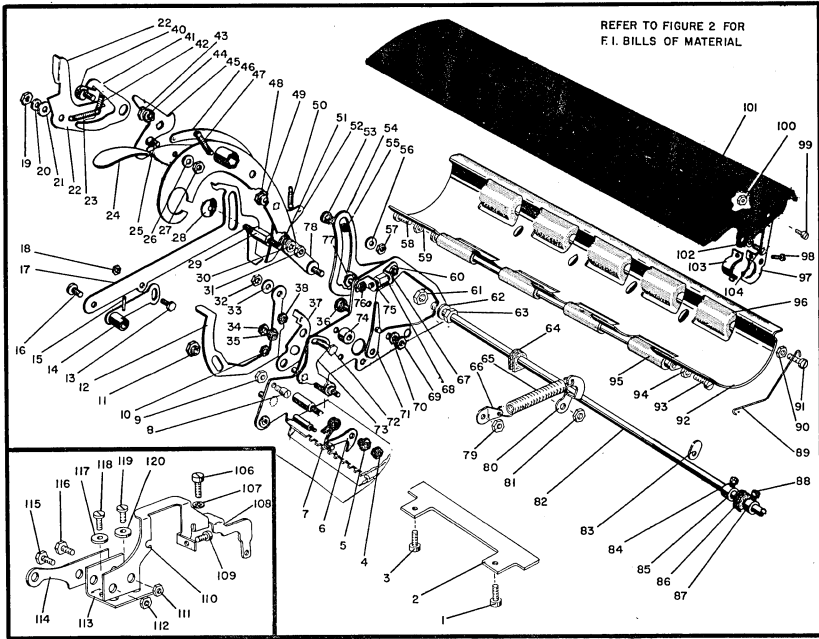
Figure 1



REF. PART NO.	DESCRIPTION	REF. PART NO.	DESCRIPTION	REF. PART NO.	DESCRIPTION	
103 1118145	Anchor Strip, Release Cable	1118110	Stop, Interposer 12 P.	163	186712 Screw, Interposer Link Keeper	
104 1118143	Clamp, Cable	1118111	Stop, Interposer 14 P.	164	1098594 Spring, Interposer Release Lever	
105 1118142	Guard, Cable	135 1090222	Washer, Interposer Cage	165	1118120 Bracket Assm.	
106 1118127	Guide, Interposer Release Lever	136 1118112	Screw, Interposer Cage (Upper)	166	1271070 Interposer Assm., Dec. Tab 10 P	
107 1100123	Spring, Interposer Release Lever Guide	137 1118113	Interposer, (10 req.)	1271071	Interposer Assm., Dec. Tab 12 P	
108 1090162	Spring, Interposer Restoring Bail	138 1118100	Cage, Interposer 10 P.	1271072	Interposer Assm., Dec. Tab 14 P	
109 1118139	Stop, Restoring Bail	138 1118101	Cage, Interposer 12 P.	167	1115328 Clip, Griptype	
110 1118138	Eccentric, Bail Stop	138 1118102	Cage, Interposer 14 P.	168	1090010 Screw, Cable Anchor Support, Cable Anchor Strip	
111 1118137	Screw, Bail Stop Eccentric	139 186712	Screw, Interposer Cage (Lower)	169	1118144	Clip, Griptype
112 1118128	Arm, Bail	140 1118116	Arm, Interposer Cage (R. H.)			
113 1073418	Retainer "C" Clip	1118115	Arm, Interposer Cage (L. H.)			
114 186712	Screw, Bail Latch	141 1118114	Shaft, Interposer Cage Arm (Upper)			
115 1118141	Spacer, Bail Latch	142 92524	Retainer "C" Clip			
116 1118140	Latch, Bail	143 1073418	Retainer "C" Clip			
117 32340	Spring, Bail Latch	144 1118070	Link, Dec. Bellcrank Connecting			
118 1091647	Spring, Restoring Bail	145 1073418	Retainer "C" Clip			
119 1118133	Spacer, Bail Arm	146 1072833	Spring, Interposer Link (10 req.)			
120 186712	Screw, Interposer Guide Comb	147 1118132	Shaft, Bail Arm			
121 1073418	Retainer, "C" Clip	148 1118134	Spacer, Bail Arm Shaft			
122 1118009	Bracket, Motor Mtg.	149 1118136	Shaft, Restoring Bail			
123 1073025	Screw, Motor Mtg. Brk.	150 1073418	Retainer "C" Clip			
124 1090254	Spacer, Interposer Mech. Mtg. Scr.	151 1118071	Link, Tab Check Lever Connecting			
125 1093611	Screw, Interposer Mech. Mtg.	152 1118135	Bail, Restoring			
126 92524	Retainer "C" Clip	153 92524	Retainer "C" Clip			
127 1118117	Shaft, Interposer Cage Arm (Lower) R.H. & L.H.	154 186712	Screw, Interlock Keeper			
128 1118123	Guide, Interposer Link	155 1118122	Bracket, Spring Mtg.			
129 1118118	Link, Interposer (10 req.)	156 186393	Screw, Spring Mtg. Brkt.			
130 186712	Screw, Interposer Cage (Lower)	157 186393	Screw, Spring Mtg. Brkt. Shaft, Interposer Release Lever			
131 1118159	Lever, Final Tab K.O.	158 1118126	Shaft, Interposer Release Lever			
132 186712	Screw, Tab K.O. Lever	159 1118124	Keeper, Interposer Link			
133 186712	Screw, Tab K.O. Lever	160 1118125	Screw, Interposer Release Lever			
134 1118109	Stop, Interposer 10 P.	161 1100123	Spring, Interposer Release Lever Guide			
		162 1090010	Screw, Cable Anchor			



REF. PART NO.	DESCRIPTION	REF. PART NO.	DESCRIPTION	REF. PART NO.	DESCRIPTION
201 1118053	Bellcrank, interposer release	1118689	Button, Dec. Tab 10 T	237 1118150	Cable Assm., Wire 100M
202 1118054	Guide, Bellcrank		Tan	1118151	Cable Assm., Wire 1, 10, 1M, 10M
203 1090741	Screw Guide Mtg.	1095186	Button, Dec. Tab 10 T	1118152	Cable Assm., Wire O, 100, 1T, 10T, 100T
204 1095147	Fulcrum Wire, Bellcrank	1118690	Button, Dec. Tab 100 T		
205 147297	Retainer "C" Clip		Tan	238 1118050	Clamp, Cable
206 1090741	Screw, Cam Operating	1095187	Button, Dec. Tab 100 T	239 1100123	Screw, Cable Clamp
207 1115033	Keylever, Tab Operating (86 Char.)	1118691	Button, Dec. Tab 1 M	240 1091647	Spring, Keylever Bellcrank
1115071	Keylever, Tab Operating (88 Char.)	1095188	Button, Dec. Tab 1 M		
208 1070307	Link, Cam Actuating	1118692	Button, Dec. Tab 10 M		
209 46831	Spring, Cam Rel. Lever		Tan		
210 1119194	Cam, Tab Actuating	1095189	Button, Dec. Tab 10 M		
211 1118146	Link, Transfer Lever	1118693	Button, Dec. Tab 100 M		
212 1090034	Screw, Transfer Lever Mtg.	1095190	Button, Dec. Tab 100 M		
213 7040	Screw, Spring, Brk. Mtg.	227 1095316	Bracket, Cam Actuating		
214 1013363	Bracket, Spring Mtg.		Bail	228 186393	Screw, Dec Tab Key-
215 150655	Spring, Transfer Lever			229 1095178	Guide, Dec Tab Key-
216 1118148	Lever, Transfer				lever
217 1090622	Spacer, Transfer Lever			230 1118012	Lever, Dec. Tab Key
218 1118147	Bracket, Transfer Lever			231 1090741	Screw, Keylever Bell-
				232 1118057	Crank Guide
219 (Refer to	Std. or Exec. Tab Section)			233 1118052	Guide, Keylever Bell-
220 1090741	Screw, Transfer Lever Brkt. Mtg.			234 1118056	crank Guide
221 147297	Retainer "C" Clip			235 1090010	Bellcrank, Keylever
222 1118149	Link, Bail Operating				Support, Spring
223 1095149	Fulcrum Wire, Cam Operating Bail			236 1118055	Screw, Spring Bracket
224 1117372	Key plate, (Specify color) 86 Char.				Mtg.
1117373	Key plate, (Specify color) 88 Char.				Bracket, Actuating Cable
225 1118058	Bail, Cam Operating				Mtg.
226 1118685	Button, Dec. Tab 1 Tan				
1095177	Button, Dec. Tab 1 Blue				
1118686	Button, Dec. Tab 10 Tan				
1095183	Button, Dec. Tab 10 Blue				
1118687	Button, Dec. Tab 100 Tan				
1095184	Button, Dec. Tab 100 Blue				
1118688	Button, Dec. Tab 1 T Tan				
1095185	Button, Dec. Tab 1 T Blue				



Model C L.P. Formswriter

REF. PART NO.	DESCRIPTION	REF. PART NO.	DESCRIPTION	REF. PART NO.	DESCRIPTION			
1	1090594	Screw, Final Stop	42	109794	Spring, Latch	84	1090022	Screw, Tie Rod Collar
2	1093983	Stop, Final	43	1090688	Nut, Latch Assm.	85	1090417	Collar, Tie Rod
3	1090594	Screw, Final Stop	44	1090687	Washer, Latch Assm.	86	1093360	Bushing, Tie Rod R. H.
4	1090037	Nut, Detent Arm	45	1013350	Latch Assm., L. H.	87	1090417	Collar, Tie Rod
5	1090383	Eccentric, Detent Arm	46	1013460	Lever Assm.	88	1090022	Screw, Tie Rod Collar
6	1002281	Detent Arm (29T & 44T)	47	1071991	Spring, Lever	89	1012785	Spring, Deflector
	1000305	Detent Arm (33T & 38T)	48	1100034	Nut, Latch Lever	90	1090605	Nut, Feed Roll
	1002285	Detent Arm (55T, 62T & 66T)	49	1090625	Washer, Latch Lever	91	1090604	Screw, Feed Roll
7	1000364	Spring, Detent Arm	50	1091073	Spring, Arm Assm.	92	1070380	Deflector, 12"
8	1107454	Screw, Stop	51	1093930	Screw, Pivot Link		1070585	Deflector 16"
9	7341	Nut, Stop Screw	52	1074282	Trigger Assm.		1072671	Deflector & F.R. Assm 12"
10	1090041	Nut, Keeper	53	1090626	Retr, Guide		1072668	Deflector & F.R. Assm. 16"
11	1090663	Nut, Carri. Release Lever	54	1072987	Guide Assm., L. H.	93	1090604	Screw, Feed Roll
12	1072624	Lever, Carri. Release L. H.	55	1090825	Bushing, Guide Roller	94	1090405	Nut, Feed Roll
13	1090680	Screw, Arm	56	2903	Washer, Guide	95	1064810	Feed Roll, Front 12"
14	1074434	Arm Assm.	57	1090041	Nut, Guide	96	1064812	Feed Roll, Front 16"
15	1091189	Pin, Arm Assm.	58	1090604	Screw, Feed Roll		1072699	Feed Roll, Rear 12"
16	1090015	Screw, Arm Assm.	59	1090605	Nut, Feed Roll		1072670	Feed Roll, Rear 16"
17	1093985	Arm Assm.	60	1090034	Nut, Guide Bracket	97	1093991	Support, Paper Table L. H.
18	1090688	Nut, Arm Assm. Screw	61	1090570	Nut, Tie Rod		1093992	Support, Paper Table R. H.
19	1090688	Nut, Cam Arm	62	65756	Washer, Tie Rod	98	1090003	Screw, Clamp
20	1090622	Washer, Cam Arm	63	1090670	Nut, Tie Rod	99	2650	Screw, Paper Table
21	1090254	Washer, Cam Arm	64	1100036	Bushing, Tie Rod L. H.	100	8506	Nut, Paper Table
22	1072429	Cam, F. R. Release	65	1103686	Spring, Lifter	101	1093899	Paper Table Assm. 12"
23	1090795	Spring, Latch Assm.	66	1109026	Bracket, Spring		1095062	Paper Table Assm. 16"
24	1074311	Lever, Platen Lift L. H.	67	1013871	Bracket, R. H. Thread	102	1091111	Washer, Paper Table
25	1090734	Eccentric Stud	68	1013870	Screw, Double End	103	1093993	Clamp, Paper Table
26	62031	Washer, Lifter Arm	69	1090688	Nut, Stop Screw	104	1090297	Screw, Paper Table
27	1090037	Nut, Lifter Arm	70	56121	Washer, Stop Screw			
28	1072377	Washer, Spring	71	1072619	Lever, Line Space	106	186712	Screw, Tab Rack Support
29	1072683	Stud, Arm Assm.	72	1090675	Spring, Stop	107	1091111	Washer, Center Support
30	1090625	Washer, Pivot Link	73	1012801	Stop, Index Pawl	108	1100950	Support, Tab Rack 8P, 9P, 12P
31	1090034	Nut, Pivot Link	74	1072989	Spacer, Pawl Stop		1100811	Support, Tab Rack 10P
32	1090036	Nut, Carri. Release Lever	75	1013872	Bracket, L. H. Thread	109	2650	Screw, Center Support
33	1090887	Shim (.005)	76	1090034	Nut, Guide Bracket	110	1117738	Support, Center Rear
34	1090687	Shim (.010)	77	1091110	Screw, Guide Bracket	111	1090041	Nut, Center Supp. Screw
35	1090037	Nut, Carri. Release Lever	78	1093945	Nut, Spring Bracket	112	1090041	Nut, Center Supp. Screw
36	1090779	Eccentric Nut	79	1090034	Nut, Spring Bracket	113	1065662	Support, Actuating Shaft
37	1107507	Stop, Stud	80	1090272	Bracket, Spring	114	1073276	Screw, Center Support
38	1072694	Keeper L. H.	81	1090034	Nut, Spring Bracket	115	1091035	Screw, Center Support
39	1090041	Nut, Keeper	82	1093519	Tie Rod 12"	116	1091035	Screw, Center Support
40	1090818	Stud, Latch	83	1077496	Tie Rod 16"	117	1090058	Washer, Center Support
41	1013344	Latch Assm.				118	38364	Screw, Center Support
						119	38364	Screw, Center Support
						120	1090058	Washer, Center Support

REF. PART NO.	DESCRIPTION	REF. PART NO.	DESCRIPTION	REF. PART NO.	DESCRIPTION			
121	1090041	Nut, Arm	151	38381	Screw, Esc. Rack	178	443	Screw, Platen Index
122	2903	Washer, Arm	152	1090036	Nut, Carriage Rel. Lever	179	1012723	Index Pawl (29, 33, 38T)
123	1073987	Arm Assm. R. H.	153	1090015	Screw, Latch		1002286	Index Pawl (44, 55, 62)
124	1090826	Roller, Guide	154	15081	Spring, Latch	180	1000340	Stud, Index Pawl
125	1090825	Bushing, Roller Guide	155	1074712	Arm and Latch Assm. R. H.	181	1012729	Stop, Index Pawl (29T through 55T)
126	1090034	Nut, Guide Bracket	156	1070545	Grommet, Paper Guide	1013596	Stop, Index Pawl (62T, 66T)	
127	1013871	Guide, R. H. Thread	157	1000332	Arm, Aligning			
128	1013870	Screw, Double End	158	1090037	Nut, Adjusting Screw	182	1072989	Spacer, Pawl Stop
129	1091110	Screw, Guide	159	1073288	Adj. Screw	183	1095115	Spring, Pawl Stop
130	1093934	Shaft, Latch 12"	160	1100507	Spring, Adj. Screw	184	1090047	Washer, Pawl Stop
	1095235	Shaft, Latch 16"	161	1079980	Support Actuating Shaft	185	1074312	Nut, Paper Shaft
131	1093944	Lift Arm Assm.	162	1090209	Spring Actuating Shaft	186	1012726	Washer, Index Pawl
132	1090687	Washer, Latch	163	1077739	Pin Actuating Shaft	187	443	Screw, Platen Index
133	1013353	Latch Assm. R. H.	164	1100249	Card Holder 8P RH	188	1090037	Nut, Index Pawl
134	1090824	Screw, Guide Roller		1093874	Card Holder 9P RH	189	1095160	Spring, Clip
135	1090795	Spring, Latch		1073976	Card Holder 10P RH	190	1095151	Lever, Paper Guide
136	1090688	Nut, Latch		1073983	Card Holder 12P RH	191	1095152	Screw, Paper Guide
137	1090034	Nut, Pivot Link	165	1090630	Washer, Card Holder	192	1074321	Spring, Paper Guide
138	56121	Washer, Pivot Link	166	186393	Screw, Card Holder	193	1074312	Spring, Paper Guide
139	1090024	Pivot Link	167	1090630	Washer, Card Holder	194	1074283	Bar Assembly 12"
140	1093930	Stud, Pivot Link	168	1100248	Screw, Card Holder	195	1095066	Ball & Knife Shaft 16"
141	1107507	Screw, Stop	169	1100249	Card Holder 8P LH	196	1090680	Screw Spring Bracket
142	1090887	Shim (.005)		1093875	Card Holder 9P LH	197	1013464	Bracket, Spring
143	1090687	Shim (.010)		1073975	Card Holder 10P LH	198	1090034	Nut, Spring Bracket
144	1090663	Nut, Carri. Rel. Lever	170	1100236	Card Holder 12P LH	199	1103686	Spring, Lifter
145	1072265	Lever, Carri. R. el. R. H.		1100237	Paper Guide 12" 8P	200	1109028	Bracket, Spring R. H.
146	1117726	Rail, Rear 12"		1100236	Paper Guide 12" 9P	201	1090034	Nut, Guide Bracket
	1117727	Rail, Rear 16"		1093986	Paper Guide 12" 10P	202	1013872	Bracket, L. H. Thread
147	1073025	Screw, Tension Tape		1100238	Paper Guide 12" 12P	203	1090034	Nut, Stop Screw
148	1090139	Dowel Pin		1100239	Paper Guide 16" 8P LH	204	56121	Washer, Stop Screw
149	1102058	Rack, Esc. 12" 8P		1100240	Paper Guide 16" 8P RH	205	1090670	Nut, Tie Rod
	1102059	Rack, Esc. 12" 9P		1100241	Paper Guide 16" 9P LH	206	1090671	Screw, Keeper
	1102060	Rack, Esc. 12" 10P		1100242	Paper Guide 16" 9P RH	207	1090015	Screw, Knife Shaft
	1102061	Rack, Esc. 12" 12P		1100243	Paper Guide 16" 10P LH	208	1090666	Pin, Knife Shaft
	1072161	Rack, Esc. 16" 8P RH		1100244	Paper Guide 16" 10P RH	209	1074313	Paper Guide R. H.
	1102062	Rack, Esc. 16" 8P LH	171	1074711	Ball Arm Assm. LH	210	1072695	Keeper R. H.
	1072162	Rack, Esc. 16" 9P RH	172	1012746	Spring LH	211	1090041	Nut, Keeper
	1102063	Rack, Esc. 16" 9P LH	173	1090466	Pin, Knife Shaft	212	1090037	Nut, Keeper
	1072163	Rack, Esc. 16" 10P RH	174	1093691	Spacer, Esc. Rack	213	1090779	Eccentric Nut
	1102064	Rack, Esc. 16" 10P LH	175	1091149	Spring, Platen Index	214	1090041	Nut, Keeper
	1072164	Rack, Esc. 16" 12P RH	176	1014992	Platen, Index			
	1102065	Rack, Esc. 16" 12P LH	177	1074145	Washer, Index Pawl			
150	1093691	Washer, Esc. Rack						

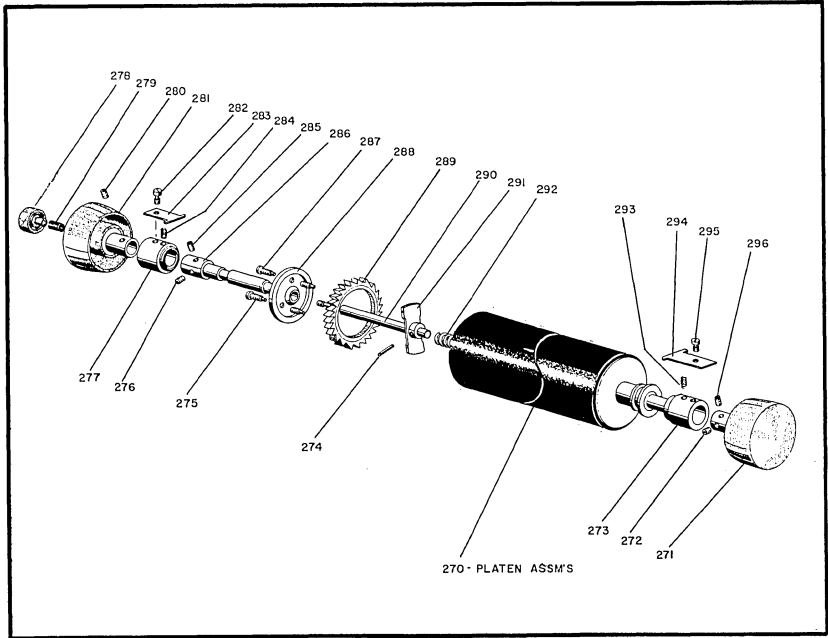
Model C L. P. Formswriter

REF. PART NO.	DESCRIPTION	REF. PART NO.	DESCRIPTION	REF. PART NO.	DESCRIPTION
215	147297 Retainer, Shaft	232	1012620 Spring, Tab Rack Stop	243	1117734 Rack, Margin 16", 8P
216	1012743 Spring RH		9P 16" (3)	1117735	Rack, Margin 16", 9P
217	1260163 Support, Deflector	1061411	Spring, Tab Rack Stop	1117736	Rack, Margin 16", 10P
218	1090022 Screw, Shaft Support		10P 16" (2)	1117737	Rack, Margin 16", 12P
219	1090771 Screw, F. R. Lift	1061412	Spring, Tab Rack Stop	244 through 257	See Note Below
220	1100504 Retainer, F. R. Lift		10P 16" (1)		
221	1100503 Arm, F. R. Lift	1061413	Spring, Tab Rack Stop	260	F. I. BILLS OF MATERIAL FOR LIFT
222	1093981 Shaft Actuating 12"		12P 16" (2)		PLATEN CARRIAGE ASSEMBLIES
	1095063 Shaft Actuating 16"	1061414	Spring, Tab Rack Stop	1261979	12" 8P
223	1000698 Shaft Assm. 12"		12P 16" (1)	1261980	12" 9P
	1002498 Shaft Assm. 16"	233	1012420 Guard, Tab Rack	1261981	12" 10P
224	147297 Retainer, Shaft		Spring 12"	1261982	12" 12P
225	1000332 Arm Aligning	1100661	Guard, Tab Rack	1261983	16" 8P
226	1090417 Collar, Paper Guide		Spring 16"	1261984	16" 9P
227	1077919 Screw Collar	234	1012425 Spacer, Tab Rack Spring	1261985	16" 10P
228	1107874 Spring, Latch		12"	1261986	16" 12P
230	TAB RACK ASSEMBLIES 12" LENGTHS	1012426	Spacer, Tab Rack Spring		
	1098384 8 P		16"	261	RAILS & SUPPORT ASSEMBLIES
	1098370 9 P	235	See Note Below		12" LENGTHS
	1098372 10 P	236	See Note Below	1263128	8P
	1098374 12 P	237	TAB RACKS ONLY	1263129	9P
	TAB RACK ASSEMBLIES 16" LENGTHS	1100263	12" 8P	1263130	10P
	1098376 8 P	1100264	12" 9P	1263131	12P
	1098378 9 P	1100265	12" 10P		RAIL & SUPPORT ASSEMBLIES
	1098380 10 P	1100266	12" 12P		16" LENGTHS
	1098382 12 P	1100267	16" 8P	1263132	8P
231	See Note Below	1100268	16" 9P	1263133	9P
232	1073018 Spring, Tab Rack Stop	1100269	16" 10P	1263134	10P
	8P 12"	1100270	16" 12P	1263135	12P
	1012620 Spring, Tab Rack Stop	238	1077807 Fulcrum Wire, Tab Stop 12"	262	1098369 Carri. & Rack 12" 8P
	9P 12"		Fulcrum Wire, Tab Stop 16"	1098371	Carri. & Rack 12" 9P
	1061411 Spring, Tab Rack Stop	239	1012458 Stop, Fulcrum Wire	1098373	Carri. & Rack 12" 10P
	10P 12"	240	See Note Below	1098375	Carri. & Rack 12" 12P
	1061413 Spring, Tab Rack Stop	241	1072684 Screw, Margin Stop Stop	1098377	Carri. & Rack 16" 8P
	12P 12"	242	1115759 Stop, Margin Stop	1098379	Carri. & Rack 16" 9P
	1073018 Spring, Tab Rack Stop	243	1117730 Rack, Margin 12", 8P	1098381	Carri. & Rack 16" 10P
	8P 16" (2)		1117731 Rack, Margin 12", 9P	1098383	Carri. & Rack 16" 12P
	1073017 Spring, Tab Rack Stop		1117732 Rack, Margin 12", 10P		
	8P 16" (1)		1117733 Rack, Margin 12", 12P		

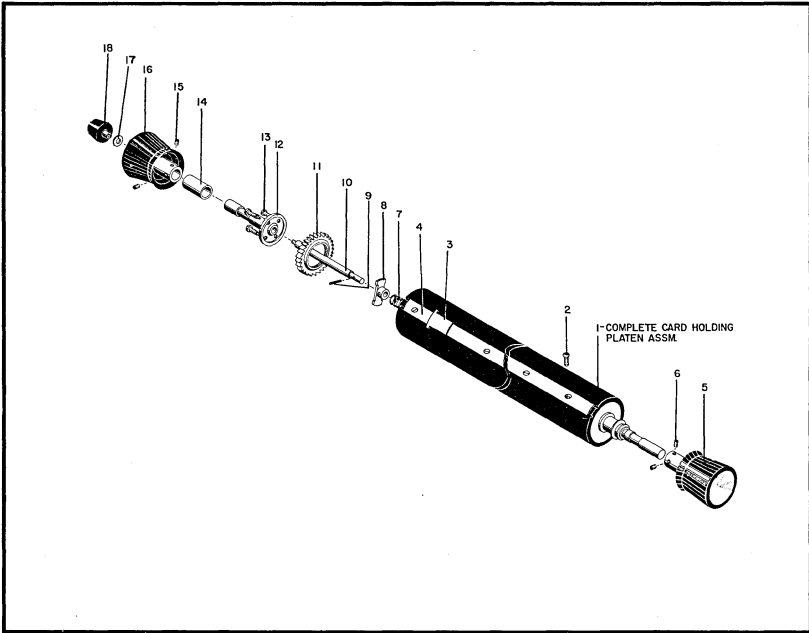
NOTE: Refer to Standard or Executive Section for Part Number and Description

January 1960

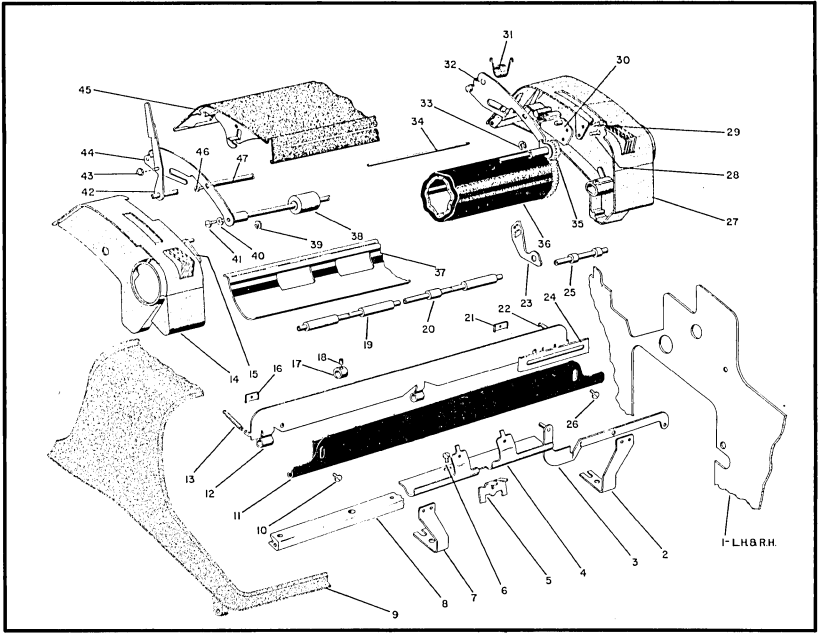
Figure 1



REF. PART NO.	DESCRIPTION	REF. PART NO.	DESCRIPTION	REF. PART NO.	DESCRIPTION
270	LIFT PLATEN ASSEMBLIES(12") FOR FORMWRITER MACHINES. SPECIFY COLOR OF KNOBS.	1107359	44T Ratchet, #6 Hardness	278	1070848 Button, Platen Vari. Blue
1107325	33T Ratchet, #1 Hardness	1107360	55T Ratchet, #6 Hardness	279	1104130 Bushing, Vari. Button
1107326	29T Ratchet, #4 Hardness	1107361	62T Ratchet, #6 Hardness	280	1076796 Screw, Platen Knob
1107327	33T Ratchet, #4 Hardness	1107362	66T Ratchet, #6 Hardness	281	1106243 Knob, Platen (L. H.)
1107328	38T Ratchet, #4 Hardness	1107363	29T Ratchet, #7 Hardness		Gray
1107329	44T Ratchet, #4 Hardness	1107364	33T Ratchet, #7 Hardness	1072211	Knob, Platen (L. H.)
1107330	55T Ratchet, #4 Hardness	1107365	38T Ratchet, #7 Hardness		Blue
1107331	62T Ratchet, #4 Hardness	1107366	44T Ratchet, #7 Hardness	282	1090291 Screw, Bushing Lock
1107332	66T Ratchet, #4 Hardness	1107367	55T Ratchet, #7 Hardness	283	1013305 Lock, Platen Bushing
1107333	29T Ratchet, #6 Hardness	1107368	62T Ratchet, #7 Hardness	284	1090770 Spring, Platen Bushing
1107334	33T Ratchet, #6 Hardness	1107369	66T Ratchet, #7 Hardness	285	1076796 Screw, Platen Collar
1107335	38T Ratchet, #6 Hardness			286	1093938 Collar, Platen Clutch
1107336	44T Ratchet, #6 Hardness		LIFT PLATEN ASSEMBLIES - SALVAGE PART NUMBERS	287	1073027 Cover, Platen Clutch
1107337	55T Ratchet, #6 Hardness	1270238	33T Ratchet, 12" Length #1 Hardness	288	1108149 Cover, Platen Clutch
1107338	62T Ratchet, #6 Hardness	1270240	33T Ratchet, 12" Length #4 Hardness	289	1107229 Ratchet 29T
1107339	66T Ratchet, #6 Hardness	1270247	33T Ratchet, 12" Length #6 Hardness	1107233	Ratchet 33T
1107340	29T Ratchet, #7 Hardness	1270254	33T Ratchet, 12" Length #7 Hardness	1104038	Ratchet 44T
1107341	33T Ratchet, #7 Hardness	1270260	33T Ratchet, 12" Length #6 Hardness (Platen Dia. 1.718)	1104055	Ratchet 55T
1107342	38T Ratchet, #7 Hardness	1270261	33T Ratchet, 16" Length #1 Hardness	1104062	Ratchet 62T
1107343	44T Ratchet, #7 Hardness	1270263	33T Ratchet, 16" Length #4 Hardness	1104066	Ratchet 66T
1107344	55T Ratchet, #7 Hardness	1270270	33T Ratchet, 16" Length #6 Hardness	290	1093936 Shaft, Platen Release
1107345	62T Ratchet, #7 Hardness	1270277	33T Ratchet, 16" Length #7 Hardness	291	1061419 Driver, Platen
1107346	66T Ratchet, #7 Hardness			292	1095593 Spring, Platen Driver
1107347	33T Ratchet, #6 Hardness (Platen Dia. 1.718)	271	1106244 Knob, Platen R. H. Gray	293	1090770 Bushing
		272	1076796 Knob, Platen R. H. Blue	294	1013305 Lock, Platen
		273	1013304 Screw, Platen Knob		Bushing
		274	1090592 Bushing, Platen Shaft	295	1090291 Lock, Platen
		275	1073027 Pin, Platen Driver		Bushing
		276	1076796 Screw, Platen Clutch Cover	296	1076796 Screw, Platen Knob
		277	1013304 Screw, Platen Collar		
		278	1106239 Bushing Lift Platen		
			Button, Platen Vari. Gray		

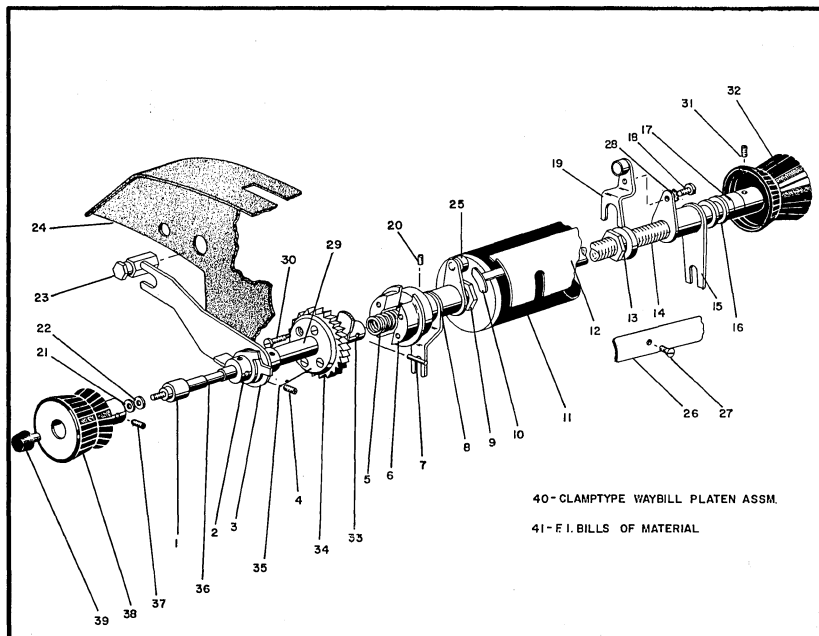


REF. PART NO.	DESCRIPTION	REF. PART NO.	DESCRIPTION	REF. PART NO.	DESCRIPTION
1	1116591 Platen Assembly-Card Holding 13 in., 33 tooth* #1 rubber, gray knobs**				
	1116592 Platen Assembly-Card Holding 13 in., 33 tooth* #3 rubber, gray knobs**				
	1116593 Platen Assembly-Card Holding 17 in., 33 tooth* #1 rubber, gray knobs**				
	1116594 Platen Assembly-Card Holding 17 in., 33 tooth* #3 rubber, gray knobs**				
	1116595 Platen Assembly-Card Holding 20 in., 33 tooth* #1 rubber, gray knobs**				
	1116596 Platen Assembly-Card Holding 20 in., 33 tooth* #3 rubber, gray knobs**				
* For other than 33 tooth ratchets, customer's name must be indicated in "Branch Office Stock Location" column and ratchet desired specified in "Description" Column of P. & S. Requisition.					
** For other than gray knobs, SPECIFY knob color in "Description" column of P. & S. Requisition.					
2	1090925 Screw, Card Holder Blade				
3	1096823 Stop, Card				
4	1116222 Blade, Card Holder 13" Platen				
	1116223 Blade, Card Holder 17" Platen				
	1116224 Blade, Card Holder 20" Platen				
5 - 18	Refer to Standard or Executive Platen Section for description and part numbers.				

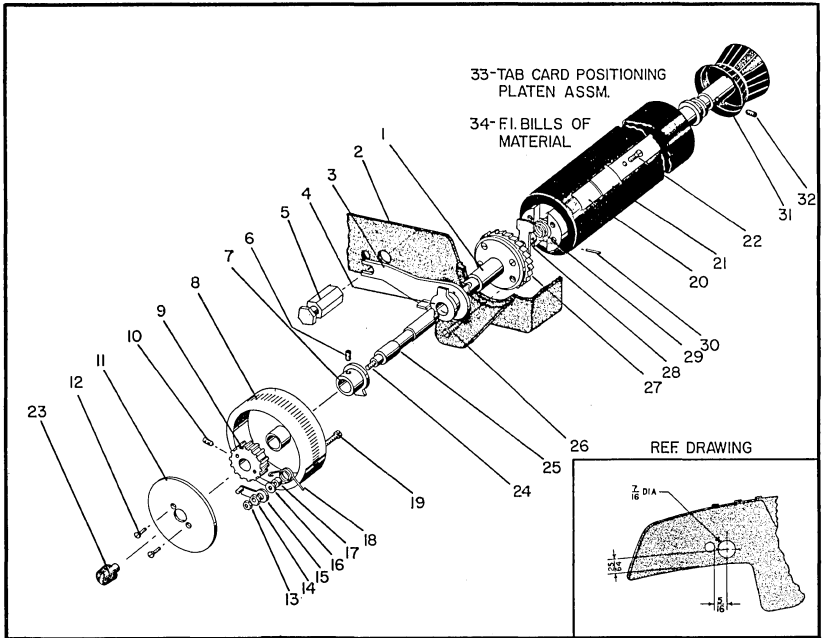


REF. PART NO.	DESCRIPTION	REF. PART NO.	DESCRIPTION	REF. PART NO.	DESCRIPTION
1	1116831 Frame, Side LH	33	1103695 Retainer, Bail Shaft		
	1116832 Frame, Side RH	34	1118995 Wire, Tab Stop Fulcrum 13"		
2	1116862 Bracket, Ribbon Guide Mtg. RH		1118996 Wire, Tab Stop Fulcrum 17"		
3	1118990 Pin, Margin Set		1118997 Wire, Tab Stop Fulcrum 20"		
4	1109899 Bracket, Line Gage	35	1118975 Shaft, Power Bail (includes Gear) 13"		
5	1070277 Guide, Type		1118976 Shaft, Power Bail (includes Gear) 17"		
6	1091515 Screw, Line Gage Bracket		1118977 Shaft, Power Bail (includes Gear) 20"		
7	1116861 Bracket, Ribbon Guide Mtg. LH	36	CHECKWRITER PLATEN ASSM. (Complete)		
8	1116820 Rail, Front 13"		1118991 Checkwriter Platen 13"		
	1116821 Rail, Front 17"		1118992 Checkwriter Platen 17"		
	1116822 Rail, Front 20"		1118993 Checkwriter Platen 20"		
9	1116866 Cover, Front Section (specify color)	37	1118951 Deflector, 13"		
10	186399 Screw, Check Stop		1118952 Deflector, 17"		
11	1118960 Holder, Check 13"		1118953 Deflector, 20"		
	1118963 Holder, Check 17"	38	1107822 Roller, Paper Bail (use one extra on each length of checkwriter)		
	1118964 Holder, Check 20"	39	1103695 Retainer, Bail Shaft		
12	1118954 Guide, Front Paper 13"	40	6364 Lockwasher, Bail Shaft		
	1118955 Guide, Front Paper 17"	41	55459 Screw, Bail Shaft		
	1118956 Guide, Front Paper 20"	42	1118986 Pivot, Paper Bail 13"		
13	1090404 Spring, Front Paper Guide		1118987 Pivot, Paper Bail 17"		
14	1118999 Cover, Carriage End LH (specify color)		1118988 Pivot, Paper Bail 20"		
15	1118980 Plate, Bail Cam LH	43	See Std. or Exec. Section for P/N and Description.		
16	1106011 Nut, Check Holder	44	1118970 Arm, Paper Bail (LH)		
17 and 18	See Std. or Exec. Section for P/N and Description.	45	1263577 Paper Table 13" (specify color)		
19	1100607 Roll, Front Feed		1263578 Paper Table 17" (specify color)		
20	1104101 Roll, Front Feed		1263579 Paper Table 20" (specify color)		
21	1106011 Nut, Check Stop	46 and 47	See Std. or Exec Section for P/N and description)		
22	1090404 Spring, Guide				
23	1106008 Lever, Feed Roll Adj.				
24	1077832 Stop, Check				
25	1104406 Roll, Front Feed				
26	186399 Screw, Check Stop				
27	1119000 Cover, Carriage End (RH)				
28	1119004 Screw, Carriage End Cover				
29	1090771 Screw, Carriage End Cover				
30	1118981 Plate, Bail Cam (RH)				
31	1110242 Spring, Paper Bail Cam (Use 1 & 1 Std.)				
32	1118971 Arm, Paper Bail (RH)				

Note: F. I. for Checkwriter attachment is not recommended.

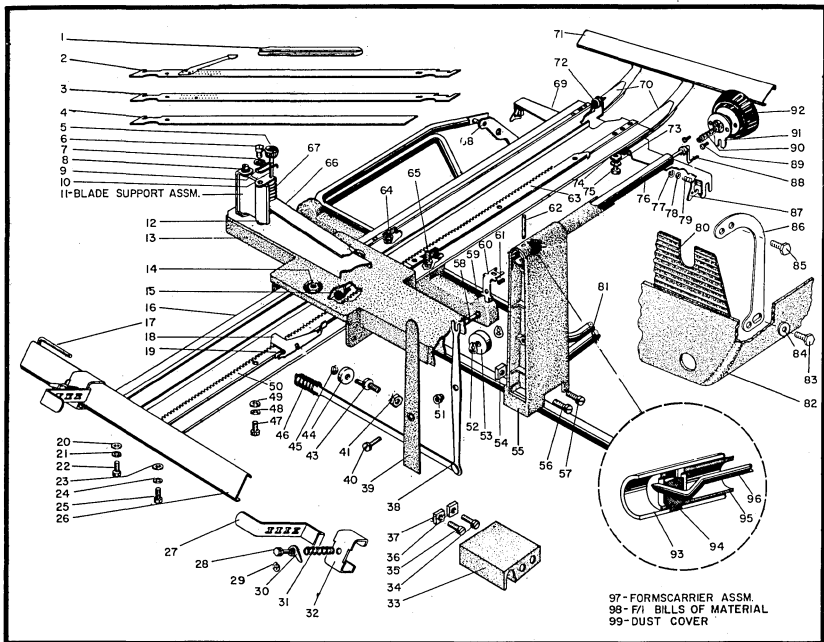


REF. PART NO.	DESCRIPTION	REF. PART NO.	DESCRIPTION	REF. PART NO.	DESCRIPTION
1	306807	Bushing, Ratchet Rel.	1116598	#2 Rubber Hardness	
2	1104042	Stop, Adjustable		(specify color of knobs)	
3	1116397	Stop, final	1116599	#4 Rubber Hardness	
4	1090620	Screw, Adj. Stop	41	(specify color of knobs)	
5	1090462	Spring, Compression		F.I. Bills of Material,	
6	1116274	Housing, Ratchet		Clamtype Way Bill	
7	1078531	Pin, Platen Shaft		Platens, 33 tooth ratch-	
8	1116719	Arm Assm. (LH)		ets and 13" length only.	
9	308459	Nut, Platen Shaft		(specify color of knobs)	
10	1260395	Bar, Cam	1270732	#2 Rubber Hardness	
11	1260335	#2 Core & Rubber Assm.	1270828	#4 Rubber Hardness	
	1260396	#4 Core & Rubber Assm.			
12	1260397	Blade, Card			
13	1107508	Nut, Arm Guide			
14	1116275	Shaft, Platen			
15	1116713	Arm Assm. (RH)			
16	1116235	Bushing, Platen Shaft(RH)			
17	1116273	Spacer, Platen Knob(RH)			
18	1072684	Screw, Cam Arm			
19	1116717	Arm, Cam			
20	1090620	Screw, Ratchet Housing			
21	45639	Washer, Platen Variable Button			
22	1090240	Washer, Platen Variable Button			
23	1116394	Stud, Platen Stop Mtg.			
24	1116395	Cover, Carriage end (LH) (specify color)			
		Note: See tab card positioning platen for Reference Dwg.			
25	1260398	Platen End Plug Assm. (LH & RH)			
26	1261020	Blade, Card Holding			
27	1090926	Screw, Card Holding Blade			
28	56722	Washer, Arm Lock			
29	1103917	Bushing, Platen			
30 through 39		Refer to Std. or Exec. sections for part number and description.			
40		Clamtype Way Bill Platen Assm. is not F.I. Bills of material			



REF. PART NO.	DESCRIPTION	REF. PART NO.	DESCRIPTION	REF. PART NO.	DESCRIPTION
1	1103917 Bushing, Platen	33	1116597 Tab Card Positioning Platen Assm (13 Inch #1 Rubber Hardness Only)		
2	1116395 Cover, Carr End L.H. (Specify Color)	34	1270881 F. I. B/M - Tab Card Positioning Platen Assm (13 Inch, #1 Rubber Hardness, and #44 Tooth Ratchet Only) Specify End Cover and Platen Knob Color.		
3	1116397 Stop Assembly, final				
4	1104042 Stop Assembly				
5	1116394 Stud, Platen Stop Mtg.				
6	1104042 Setscrew				
7	1104042 Stop Assembly				
8	1260352 Knob Assm. (Includes Ref. #13 thru #19)				
9	1260348 Ratchet, Platen Knob				
10	112055 Setscrew, Ratchet				
11	1260349 Cover, Platen Knob				
12	38429 Screw, Platen Knob Cover				
13	1090037 Nut				
14	1090383 Nut, Eccentric				
15	1260350 Detent, Platen Knob Ratchet				
16	1090199 Washer				
17	1000363 Spacer				
18	1103637 Spring, Detent				
19	38281 Screw, Platen Knob				
20	1116222 Blade, Card Holding				
21	1096823 Stop, Card				
22	1090926 Screw, Card Holding Blade				
23	* ----- Button, Platen Clutch				
24	1116393 Shaft, Platen Release				
25	1116392 Cover, Platen Clutch				
26	* ----- Screw, Platen Clutch Cover				
27	* ----- Ratchet Platen				
28	* ----- Driver, Platen Ratchet				
29	* ----- Spring, Platen Ratchet Driver				
30	* ----- Pin, Platen Driver				
31	* ----- Knob, Platen, R.H.				
32	* ----- Ssetscrew, Platen Knob				

* Refer to Model C STANDARD or EXECUTIVE Platen Section



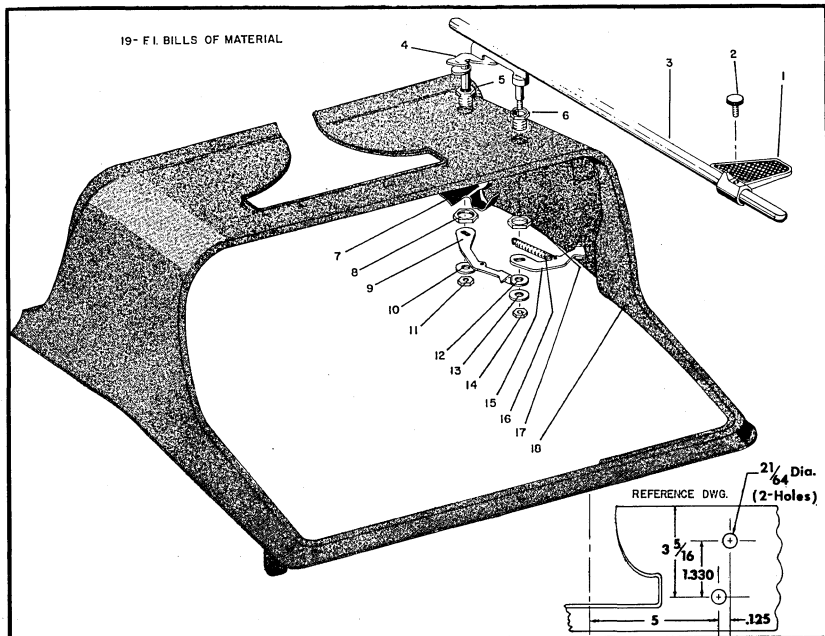
REF. PART NO.	DESCRIPTION	REF. PART NO.	DESCRIPTION	REF. PART NO.	DESCRIPTION
1 1093593	Clip, Carbon Paper	1095302	Includes form widths	27 1095096	Forms Guide Assm. 16"
2	SLITTER BLADES, when ordering, SPECIFY FORM WIDTH along with part number, as slitter is installed to your specified form width	1095105	8 5/8" through 10 7/8"	28 1093512	Guide, Forms
1095290	Includes form widths 5" through 9 1/4" (except 8 1/2" Form Width) See P/N below	1095303	11" form width only	29 1095160	Stud, Forms Guide
1093606	8 1/2" Form Width only	1095287	13 1/4" form widths only	30 1095160	Ring, Locking
1095291	Includes Form Widths 9 1/2" through 13 1/4" (except 11" Form Width) See P/N below	1107294	Knob & Pin Assm. (8 blade)	31 1074321	Lever, Locking
1095107	11" Form Width only	1107295	Knob & Pin Assm. (16 blade)	32 1093518	Spring, Locking Lever
3	OPEN WEB BLADES, when ordering, SPECIFY FORM WIDTHS along with part number. Rivet is inserted to your specified form width.	6 1090741	Screw	33 1095085	Clamp, Forms Guide
1095293	Includes form widths 5" through 9 1/4" (except 8 1/2" forms) See P/N below	7 1093603	Washer	34 1095026	Truck Extension (specify color)
1095292	8 1/2" Form widths only	8 1090199	Washer	35 1090026	Screw, truck extension
1095295	Includes form widths 9 1/2" through 13 1/4" (except 11" form width) See P/N below	9 1093602	Spring, Blade Post	36 1091423	Nut, Screw
1095294	11" form width only	10 1093603	Stop, Blade Post	37 1091423	Nut, Screw
4	FANFOLD FORM BLADES when ordering, SPECIFY FORM WIDTH along with part number. Blades are cut to your specified form widths	11 1093600	Blade Support Assm., 8 blade (forms up to 9 1/4")	38 1093572	Plunger Lever Assm. 12"
1095301	Includes Form Width 5" through 8 3/8"	1095361	Blade Support Assm., 16 blade (forms up to 9 1/4")	39 1095094	Plunger Lever Assm. 16"
1093596	8 1/2" Form Width only	1095103	Blade Support Assm., 8 blade (forms up to 13 1/4")	40 1093584	Cover, Handle (specify color)
		1095108	Blade Support Assm., 16 blade (forms up to 13 1/4")	41 1090629	Screw, Cover Support
		12 1093599	Post, 8 blade (LH & RH)	41 221	Nut, Eccentric Stud
		1093598	Post, 16 blade (LH & RH)	42 1093516	Stud, Eccentric
		13 1093544	Truck & Pin Assm., (specify color)	43 1093525	Wheel
		14 1093517	Stud, Eccentric	45 147297	Retainer "C" Clip
		15 1070160	Stop, Rubber	46 1095093	Spring, Plunger lever
		16 1093608	Track	47 1095011	Screw, Rack Mtg.
		17 1095190	Clamp, Form	48 60646	Lock Washer
		18 1093533	Truck Stop Assm.	49 22478	Spacer
		19 1093535	Spring, Truck Stop	50 1093548	Rack, Rear
		20 22478	Spacer	51 1093585	Bushing, Lever Handle
		21 60646	Lock Washer	52 60489	Spring Clip
		22 24752	Screw, Forms Guide Mtg.	53 1093540	Wheel Assm.
		23 22478	Spacer	54 1091423	Nut, Handle Screw
		24 60646	Lock Washer	55 1093546	Cover, Handle Support
		25 1095011	Screw, Rack Mtg.	56 1090026	Screw, Handle Mtg.
		26	Forms Guide Assm.'s include Ref. # 27 through 32 (LH & RH)	57 1090026	Screw, Handle Mtg.
		1093581	Forms Guide Assm. 12"	58 1093604	Shaft, Wheel Assm.
				59 1093547	Wheel Mtg, Bracket (specify color)
				60 1093583	Insert, Handle Tube
				61 1073462	Set Screw
				62 1093582	Pin, Handle Support
				63 1093555	Rack, Front
				64 1090000	Screw, Wheel Brkt. Mtg.
				65 1090000	Screw, Wheel Brkt. Mtg.
				66	See Ref. # 4

MODEL C FORMSCARRIER

REF. PART NO.	DESCRIPTION	REF. PART NO.	DESCRIPTION	REF. PART NO.	DESCRIPTION
67	1093599		Blade Post (8 Blade)		
	1093598		Blade Post (16 Blade)		
68	1117750	98	Bracket, Carrier Support (LH)	1261249	Formscarrier Assm. 16" F.I. Bills of material for installation of Formscarrier on Model "C" Formwriter Machines. (specify color, forms width, number of blades (8 or 16) and type of blades.)
69	1093568		Support Asm.		
70	1093524		Leaf Spring		
71	1093542		Forms Guide Asm. 12"		
	1095092		Forms Guide Asm. 16"		
72	1070160		Stop, Rubber		
73	60646		Washer, Mtg. Screw	1271061	Formscarrier B/M 12"
74	22478		Spacer, Mtg. Screw	1271062	Formscarrier B/M 16"
75	337	99	Screw, Forms Guide Mtg.	1118781	Dust Cover, 13" Formwriter
76	1093589		Shaft Asm.	1118782	Dust Cover, 17" Formwriter
77	147297		Retainer "C" Clip		
78	45639		Washer		
79	56895		Spring Latch		
80	1118760		Rear Panel (specify color)		
81	1093529		Formscarrier Support Asm. 12"		
	1095110		Formscarrier Support Asm. 16"		
82	1118764		Case, Bottom Section (specify color)		
83	1105690		Screw, Bracket Mtg.		
84	45690		Washer, Bracket Screw		
85	1105690		Screw, Bracket Mtg.		
86	1076932		Bracket, Carrier Support (RH)		
87	1093607		Formscarrier latch(LH & RH)		
88	1093564		Rod Asm.		
89	1091042		Screw, Locking Plate		
90	1093591		Spring, Trigger Rod		
91	1093590		Plate, Locking		
92	1107296		Knob Asm.		
93	1093573		Tube & Stop Asm. (specify color)		
94	1093586		Handle Locating Pin		
95	See Ref. #76				
96	1093564		Rod Asm.		
97			Formscarrier Assm.'s (specify color, form widths, number of blades(8 or 16) and type of blades)		
	1261248		Formscarrier Assm. 12"		

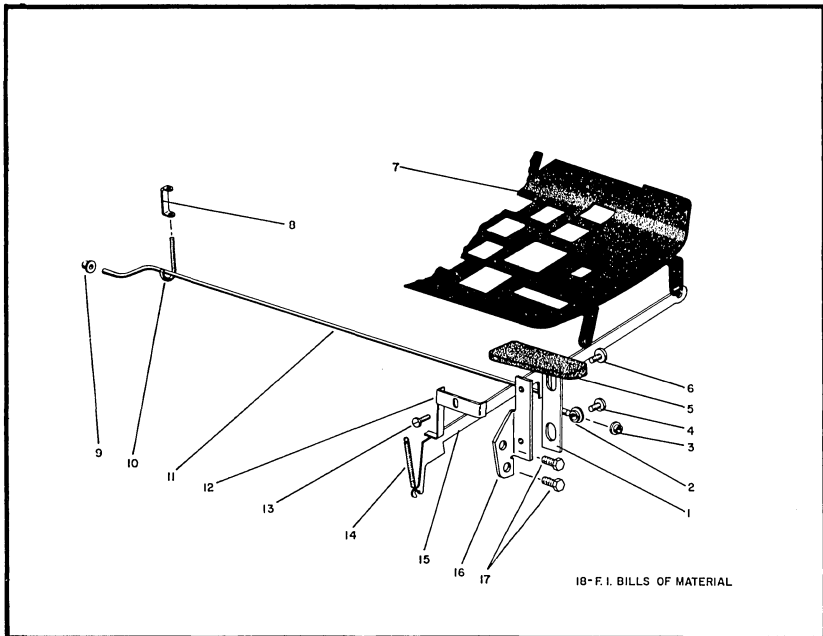
January 1960

Figure 1

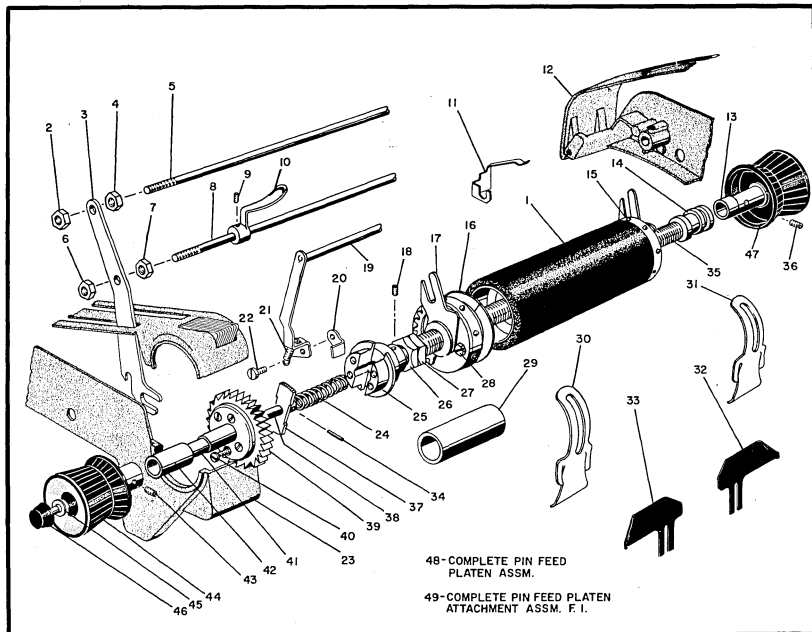


REF. PART NO.	DESCRIPTION	REF. PART NO.	DESCRIPTION	REF. PART NO.	DESCRIPTION
1	1074314	Stop, Finger			
2	1090668	Screw, Finger Stop Set			
3	1117852	Gage, Leading Edge 8"			
	1117853	Gage, Leading Edge 11"			
4	1095035	Latch, Leading Edge			
5	1095043	Bushing, Leading Edge			
6	1095043	Bushing, Leading Edge			
7	1095041	Spring, Detent			
8	1095044	Nut Gage and Latch Bushing			
9	1102019	Lever, Leading Edge			
10	1090622	Washer, Leading Edge			
11	1090037	Nut, Leading Edge			
12	1090622	Washer, Leading Edge			
13	1090622	Washer, Leading Edge			
14	1090037	Nut, Leading Edge			
15	1095040	Lever, Leading Edge Latch			
16	1091074	Spring, Latch Lever			
17	1095044	Nut Gage and Latch Bushing			
18	1117848	Cover, Front Section (specify color)			
19	F.I. BILLS OF MATERIAL FOR LEADING EDGE GAGE INCLUDES ALL PARTS NECESSARY FOR FIELD INSTALLATION.				
	1271080	Leading Edge Gage 8"			
	1271081	Leading Edge Gage 11"			

Note: Reference drawing has been added for alternation of front section cover if desired.



REF. PART NO.	DESCRIPTION	REF. PART NO.	DESCRIPTION	REF. PART NO.	DESCRIPTION
1	1118887	Slide, Button			
2	1118890	Bushing, Button Slide			
3	1118891	Bushing, Equalizing Rod			
4	58207	Screw, Button Slide			
5	1118895	Button, Palm Tab (Tan)			
	1260018	Button, Palm Tab (Blue)			
6	58207	Screw, Button Slide			
7	1118894	Keyplate, Palm Tab - 86			
		Character (specify color)			
	1118896	Keyplate, Palm Tab - 88			
		Character (specify color)			
8	1108613	Bracket, Hook			
9	1118891	Bushing, Equalizing Rod			
10	1108614	Hook, Carriage Return			
11	1071356	Rod, Key Lever Equalizing			
12	1118888	Clip, Palm Tab			
13	196299	Screw, Palm Tab Clip			
14	1115019	Spring, Key Lever			
15	1118892	Lever, Palm Tab Key			
16	1118889	Bracket, Palm Tab Mtg.			
17		(See Std. or Exec. Section for P/N and Description.)			
18	F. I. BILLS OF MATERIAL FOR PALM TAB. SPECIFY COLOR OF BUTTON AND KEYPLATE.				
	1270883	Palm Tab - 86 Character			
	1270884	Palm Tab - 88 Character			



48-COMplete PIN FEED PLATEN ASSM.

49-COMplete PIN FEED PLATEN ATTACHM ASSM. F. I.

When ordering a pin feed platen of a length not specifically listed by individual part number, the use of a blanket part #314170 will be necessary along with such information as the hole to hole measurement required. In use of this blanket part number, Field Service will be alerted to apply special charges for reworking a Standard cylinder as covered in the Attachment & Specifications Section of the ET Price Manual. Additional information is available in the Price Manual. The P/N's listed in this section are to be used only when ordering Standard Cylinders for Standard Forms.

13", 17", & 20" CARRIAGE LENGTHS

Ref. No.	Part No.	Hardness	Pin to Pin	Overall Form Width
1	304638	1	5 1/4	5 3/4
1	1110881	2	5 1/4	5 3/4
1	304636	4	5 1/4	5 3/4
1	304637	6	5 1/4	5 3/4
1	304772	1	6	6 1/2
1	1110882	2	6	6 1/2
1	304639	4	6	6 1/2
1	304640	6	6	6 1/2
1	308455	1	7 1/2	8
1	1110883	2	7 1/2	8
1	308453	4	7 1/2	8
1	308454	6	7 1/2	8
1	304643	1	8	8 1/2
1	1110884	2	8	8 1/2
1	304641	4	8	8 1/2
1	304642	6	8	8 1/2
1	1109663	1	9	9 1/2
1	1110209	2	9	9 1/2
1	1109661	4	9	9 1/2
1	1109662	6	9	9 1/2
1	304645	1	9 3/8	9 7/8
1	1110885	2	9 3/8	9 7/8
1	304644	4	9 3/8	9 7/8
1	304773	6	9 3/8	9 7/8
1	304648	1	9 7/8	10 3/8
1	1110886	2	9 7/8	10 3/8
1	304646	4	9 7/8	10 3/8
1	304647	6	9 7/8	10 3/8
1	314131	1	10 1/8	10 5/8
1	1110887	2	10 1/8	10 5/8
1	314133	4	10 1/8	10 5/8
1	314132	6	10 1/8	10 5/8

17" & 20" CARRIAGE LENGTHS

Ref. No.	Part No.	Hardness	Pin to Pin	Overall Form Width
1	305218	1	11 1/4	11 3/4
1	1110888	2	11 1/4	11 3/4
1	305216	4	11 1/4	11 3/4
1	305217	6	11 1/4	11 3/4
1	314134	1	13 1/8	13 5/8
1	1110889	2	13 1/8	13 5/8
1	305290	4	13 1/8	13 5/8
1	314135	6	13 1/8	13 5/8
1	305221	1	14 3/8	14 7/8
1	1110890	2	14 3/8	14 7/8
1	305219	4	14 3/8	14 7/8
1	305220	6	14 3/8	14 7/8

20" CARRIAGE LENGTH

Ref. No.	Part No.	Hardness	Pin to Pin	Overall Form Width
1	314136	1	15 1/2	16
1	1110891	2	15 1/2	16
1	314138	4	15 1/2	16
1	314137	6	15 1/2	16
1	305224	1	16 1/4	16 3/4
1	1110892	2	16 1/4	16 3/4
1	305222	4	16 1/4	16 3/4
1	305223	6	16 1/4	16 3/4
1	314139	1	17 11/32	17 27/32
1	1110893	2	17 11/32	17 27/32
1	314141	4	17 11/32	17 27/32
1	314140	6	17 11/32	17 27/32

NOTE: When using a 10 5/8" cylinder (overall length) or shorter on a 17" shaft, or when using a 14 7/8" cylinder or shorter on a 20" shaft, use spacer #304802 (as required)

REF. PART NO. DESCRIPTION

2	304809	Nut, Form Guide Rod
3	1116280	Guide, Upright, (L.H. & R.H.)
4	304809	Nut, Form Guide Rod
5	1116292	Rod, Form Guide 13"
	1116293	Rod, Form Guide 17"
	1116294	Rod, Form Guide 20"
6	304809	Nut, Form Guide Rod
7	304809	Nut, Form Guide Rod
8	1116292	Rod, Form Guide 13"
	1116293	Rod, Form Guide 17"
	1116294	Rod, Form Guide 20"
9	165556	Screw, Form Guide
10	301002	Guide, Form (L.H. & R.H.)
11	1116291	Spring, Feed Roll Release Lever Retaining
12	1116289	Cover Assembly, Carriage End R.H. (specify color) For components refer to covers & mtg. sections (std. or exc.)
13	1116273	Spacer, Platen Pin Feed R.H.
14	1116235	Bushing, Platen Shaft R.H.

Model C Pin Feed Platen

REF. PART NO. DESCRIPTION					REF. PART NO. DESCRIPTION					REF. PART NO. DESCRIPTION				
15	304781	Pinwheel Assembly R.H.			36 - 47	Ref. to Std. or Exec. Platen Sections for Description and Part Numbers.				48	1116629	33	4	8
16	314404	.003" Shim (As Required)			48	COMPLETE PIN FEED PLATEN ASSEMBLIES				48	1116630	44	4	8
	314405	.005" Shim (As Required)				(Grey knobs-33 or 44 tooth ratchets) For other than grey knobs, SPECIFY color. For other than 33 or 44 tooth ratchets SPECIFY ratchet along with customer's name in description column of P & S Requisition				48	1116631	33	6	8
17	304782	Pinwheel Assembly L.H.				NOTE: To find overall form width, use Pin to Pin Dim. + 1/2"				48	1116632	44	6	8
18	1090620	Ratchet, Ratchet Housing								48	1116633	33	1	9
19	1116284	Rod Assembly, Cam Anchor 13"								48	1116634	44	1	9
	1116285	Rod Assembly, Cam Anchor 17"								48	1116635	33	2	9
	1116286	Rod Assembly, Cam Anchor 20"								48	1116636	44	2	9
20	1116278	Stop, Cam Anchor Rod Support, L.H.								48	1116637	33	4	9
	1116279	Stop, Cam Anchor Rod Support R.H.								48	1116638	44	4	9
21	1115382	Spring, Cam Anchor Rod								48	1116639	33	6	9
22	1108967	Screw, Cam Anchor Rod								48	1116640	44	6	9
23	1116290	Cover Assembly, Carriage End L.H. (specify color) For components refer to covers & mtg. sections (std. or exec.)								48	1116641	33	1	9 3/8
24	1090462	Spring, Compression								48	1116642	44	1	9 3/8
25	1116274	Housing, Ratchet								48	1116643	33	2	9 3/8
26	308459	Nut, Platen Shaft								48	1116644	44	2	9 3/8
27	308459	Nut, Platen Shaft								48	1116645	33	4	9 3/8
28	1100951	Screw, Pinwheel								48	1116646	44	4	9 3/8
29	304802	2" Spacer (As Required)								48	1116647	33	6	9 3/8
30	1108179	Finger, Feed								48	1116648	44	6	9 3/8
31	1108179	Finger, Feed								48	1116649	33	1	9 7/8
32	1116302	Holder, Line Gauge Card R.H.								48	1116650	44	1	9 7/8
33	1116301	Holder, Line Gauge Card L.H.								48	1116651	33	2	9 7/8
34	1078531	Pin, Platen Shaft								48	1116652	44	2	9 7/8
35	1116275	Shaft, 13" Platen								48	1116653	33	4	9 7/8
	1116276	Shaft, 17" Platen								48	1116654	44	4	9 7/8
	1116277	Shaft, 20" Platen								48	1116655	33	6	9 7/8
	1262100	Shaft, Assm. Platen 13"								48	1116656	44	6	9 7/8
	1262101	Shaft, Assm. Platen 17"								48	1116657	33	1	10 1/8
	1262102	Shaft, Assm. Platen 20"								48	1116658	44	1	10 1/8
										48	1116659	33	2	10 1/8
										48	1116660	44	2	10 1/8
										48	1116661	33	4	10 1/8
										48	1116662	44	4	10 1/8
										48	1116663	33	6	10 1/8
										48	1116664	44	6	10 1/8

13" CARRIAGE LENGTH				
Ref. No.	Part No.	Rat- chet	Hard- ness	Pin to Pin
48	1116601	33	1	5 1/4
48	1116602	44	1	5 1/4
48	1116603	33	2	5 1/4
48	1116604	44	2	5 1/4
48	1116605	33	4	5 1/4
48	1116606	44	4	5 1/4
48	1116607	33	6	5 1/4
48	1116608	44	6	5 1/4
48	1116609	33	1	6
48	1116610	44	1	6
48	1116611	33	2	6
48	1116612	44	2	6
48	1116613	33	4	6
48	1116614	44	4	6
48	1116615	33	6	6
48	1116616	44	6	6
48	1116617	33	1	7 1/2
48	1116618	44	1	7 1/2
48	1116619	33	2	7 1/2
48	1116620	44	2	7 1/2
48	1116621	33	4	7 1/2
48	1116622	44	4	7 1/2
48	1116623	33	6	7 1/2
48	1116624	44	6	7 1/2
48	1116625	33	1	8
48	1116626	44	1	8
48	1116627	33	2	8
48	1116628	44	2	8

17" CARRIAGE LENGTH				
Ref. No.	Part No.	Rat- chet	Hard- ness	Pin to Pin
48	1116665	33	1	11 1/4
48	1116666	44	1	11 1/4
48	1116667	33	2	11 1/4
48	1116668	44	2	11 1/4

REF. PART NO. DESCRIPTION				
17" CARRIAGE LENGTH (continued)				
Ref. No.	Part No.	Rat- chet	Hard- ness	Pin to Pin
48	1116668	44	2	11 1/4
48	1116669	33	4	11 1/4
48	1116670	44	4	11 1/4
48	1116671	33	6	11 1/4
48	1116672	44	6	11 1/4
48	1116673	33	1	13 1/8
48	1116674	44	1	13 1/8
48	1116675	33	2	13 1/8
48	1116676	44	2	13 1/8
48	1116677	33	4	13 1/8
48	1116678	44	4	13 1/8
48	1116679	33	6	13 1/8
48	1116680	44	6	13 1/8
48	1116681	33	1	14 3/8
48	1116682	44	1	14 3/8
48	1116683	33	2	14 3/8
48	1116684	44	2	14 3/8
48	1116685	33	4	14 3/8
48	1116686	44	4	14 3/8
48	1116687	33	6	14 3/8
48	1116688	44	6	14 3/8
20" CARRIAGE LENGTH				
Ref. No.	Part No.	Rat- chet	Hard- ness	Pin to Pin
48	1116689	33	1	15 1/2
48	1116690	44	1	15 1/2
48	1116691	33	2	15 1/2
48	1116692	44	2	15 1/2
48	1116693	33	4	15 1/2
48	1116694	44	4	15 1/2
48	1116695	33	6	15 1/2
48	1116696	44	6	15 1/2
48	1116697	33	1	16 1/4
48	1116698	44	1	16 1/4
48	1116699	33	2	16 1/4
48	1116700	44	2	16 1/4
48	1116701	33	4	16 1/4
48	1116702	44	4	16 1/4
48	1116703	33	6	16 1/4
48	1116704	44	6	16 1/4

REF. PART NO. DESCRIPTION				
20" CARRIAGE LENGTH (continued)				
Ref. No.	Part No.	Rat- chet	Hard- ness	Pin to Pin
48	1116705	33	1	*17 11/32
48	1116706	44	1	*17 11/32
48	1116707	33	2	*17 11/32
48	1116708	44	2	*17 11/32
48	1116709	33	4	*17 11/32
48	1116710	44	4	*17 11/32
48	1116711	33	6	*17 11/32
48	1116712	44	6	*17 11/32

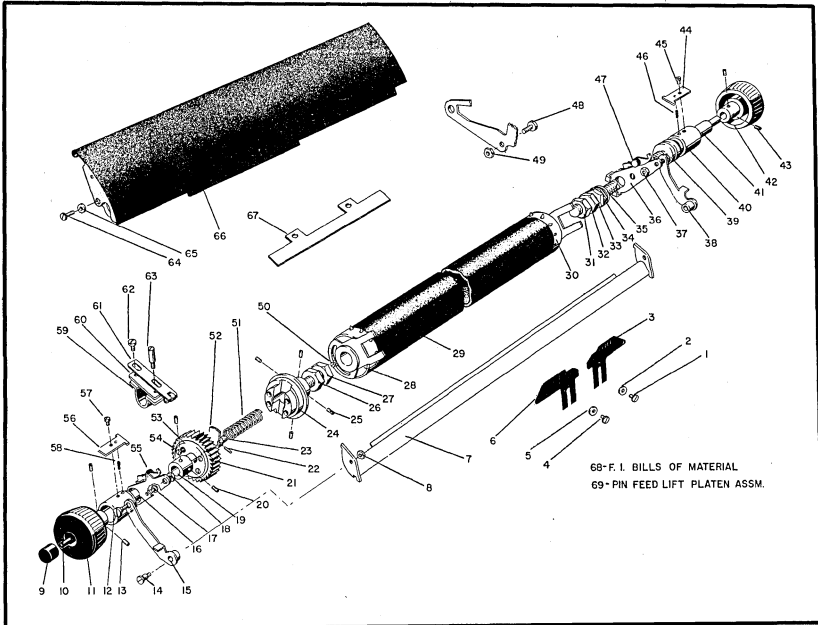
*Use only 2 of part #308459 (nut) with this pin to pin dimension.

49 BILLS OF MATERIAL FOR COMPLETE ATTACHMENTS. The following B/M's include all parts necessary to install the Pin Feed Platen attachment on Model "C" ET's with standard carriages. One platen cylinder is furnished with each B/M. However, it is necessary to specify the desired platen cylinder by part number and pin to pin dimension. Also specify desired ratchet and color of knobs. Platen cylinders for 13" carriages can be installed on longer lengths by using the 2" spacer as required P/N 304802 Ref. #29.

1270850	Field Installation B/M -- 13" PIN FEED PLATEN Attachment
1270851	Field Installation B/M -- 17" PIN FEED PLATEN Attachment
1270852	Field Installation B/M -- 20" PIN FEED PLATEN Attachment

NOTE 1: To find overall form width, use pin to pin dimension + 1/2".

NOTE 2: To find the writing line of any platen cylinder, subtract 1 inch from the "overall form width" dimension for that cylinder.



68-F. I. BILLS OF MATERIAL
69-PIN FEED LIFT PLATEN ASSM.

REF. PART NO.	DESCRIPTION	REF. PART NO.	DESCRIPTION	REF. PART NO.	DESCRIPTION
1	186393 Screw, Card Holder				
2	1090630 Washer, Card Holder				
3	1108883 Card Holder, RH 8P				
4	1108885 Card Holder, RH 9P				
5	1108887 Card Holder, RH 10P				
6	1108889 Card Holder, RH 12P				
7	186393 Screw, Card Holder				
8	1090630 Washer, Card Holder				
9	1108882 Card Holder, LH 8P				
10	1108884 Card Holder, LH 9P				
11	1108886 Card Holder, LH 10P				
12	1108888 Card Holder, LH 12P				
13	1107533 Knife Assm., 12"				
14	1107534 Knife Assm., 16"				
15	7341 Nut, Sector				
16	1106239 Button, Platen Variable (Gray)				
17	1070848 Button, Platen Variable (Blue)				
18	1104130 Bushing, Variable Button				
19	1106243 Knob, Platen LH (Gray)				
20	1072211 Knob, Platen LH (Blue)				
21	1107524 Stud, Lower Arm				
22	1076796 Set Screw, Platen Knob				
23	1107524 Stud, Lower Arm				
24	1107327 Arm Lower (LH)				
25	1107520 Arm Assm., Upper (RH)				
26	2621 Screw, Arm Assm.				
27	7341 Nut, Sector				
28	1093938 Bushing, Platen Shaft				
29	1076796 Set Screw, Bushing				
30	Refer to Lift Platen Formwriter Section for P/N and Description.				
31	1090592 Pin, Driver				
32	1093936 Shaft, Driver				
33	1102195 Housing, Ratchet				
34	1090620 Set Screw, Ratchet Housing				
35	308459 Nut, Platen Shaft				
36	308459 Nut, Platen Shaft				
37	1107537 Pin, Wheel (LH)				
38	1107537 Pin, Wheel (LH)				
39	1107516 Spring, Upper Arm Assm.				
40	1107516 Spring, Upper Arm Assm.				
41	1107516 Spring, Upper Arm Assm.				
42	1107516 Spring, Upper Arm Assm.				
43	1107516 Spring, Upper Arm Assm.				
44	1107516 Spring, Upper Arm Assm.				
45	1107516 Spring, Upper Arm Assm.				
46	1107516 Spring, Upper Arm Assm.				
47	1107516 Spring, Upper Arm Assm.				
48	1107516 Spring, Upper Arm Assm.				
49	1107516 Spring, Upper Arm Assm.				
50	1107516 Spring, Upper Arm Assm.				
51	1107516 Spring, Upper Arm Assm.				
52	1107516 Spring, Upper Arm Assm.				
53	1107516 Spring, Upper Arm Assm.				
54	1107516 Spring, Upper Arm Assm.				
55	1107516 Spring, Upper Arm Assm.				
56	1107516 Spring, Upper Arm Assm.				
57	1107516 Spring, Upper Arm Assm.				
58	1107516 Spring, Upper Arm Assm.				
59	1107516 Spring, Upper Arm Assm.				
60	1107516 Spring, Upper Arm Assm.				
61	1107516 Spring, Upper Arm Assm.				
62	1107516 Spring, Upper Arm Assm.				
63	1107516 Spring, Upper Arm Assm.				
64	1107516 Spring, Upper Arm Assm.				
65	1107516 Spring, Upper Arm Assm.				
66	1107516 Spring, Upper Arm Assm.				

12" and 16" CARRIAGE LENGTHS			
PART NO	HARDNESS	PIN TO OVERALL	FORMS-WIDTH
304638	1	5 1/4"	5 3/4"
304772	1	6"	6 1/2"
308455	1	7 1/2"	8"
304643	1	8"	8 1/2"
1109663	1	9"	9 1/2"
304645	1	9 3/8"	9 7/8"
1110881	2	5 1/4"	5 3/4"
1110882	2	6"	6 1/2"
1110883	2	7 1/2"	8"
1110884	2	8"	8 1/2"
1110209	2	9"	9 1/2"
1110885	2	9 3/8"	9 7/8"
304636	4	5 1/4"	5 3/4"
304639	4	6"	6 1/2"
308453	4	7 1/2"	8"
304641	4	8"	8 1/2"
1109661	4	9"	9 1/2"
304644	4	9 3/8"	9 7/8"
304637	6	5 1/4"	5 3/4"
304640	6	6"	6 1/2"
308454	6	7 1/2"	8"
304642	6	8"	8 1/2"
1109662	6	9"	9 1/2"
304773	6	9 3/8"	9 7/8"

16" CARRIAGE LENGTHS			
PART NO	HARDNESS	PIN TO OVERALL	FORMS-WIDTH
304645	1	9 3/8"	9 7/8"
304648	1	9 7/8"	10 3/8"
314131	1	10 1/8"	10 5/8"
305218	1	11 1/4"	11 3/4"

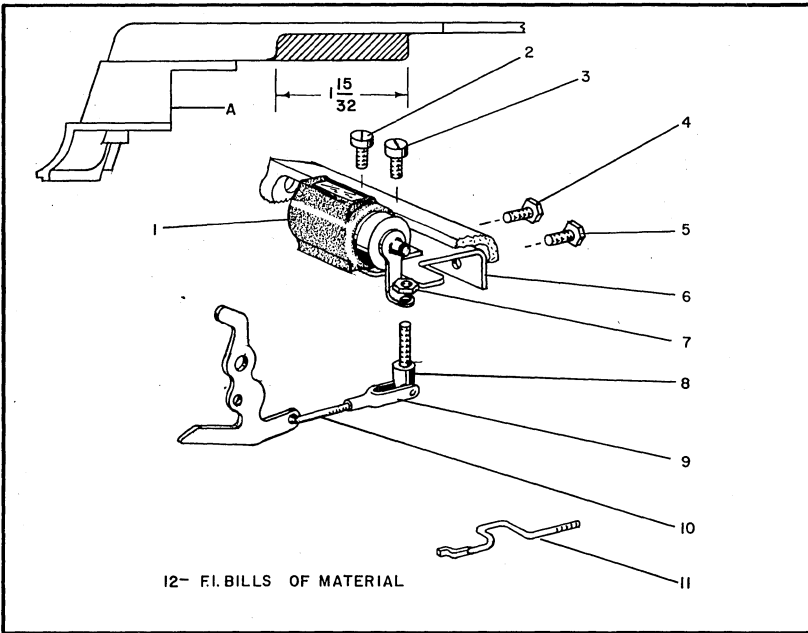
16" CARRIAGE LENGTHS (cont'd)			
PART NO	HARDNESS	PIN TO OVERALL	FORMS-WIDTH
314134	1	13 1/8"	13 5/8"
1110885	2	9 3/8"	9 7/8"
1110886	2	9 7/8"	10 3/8"
1110887	2	10 1/8"	10 5/8"
1110888	2	11 1/4"	11 3/4"
1110889	2	13 1/8"	13 5/8"
304644	4	9 3/8"	9 7/8"
304646	4	9 7/8"	10 3/8"
314133	4	10 1/8"	10 5/8"
305216	4	11 1/4"	11 3/4"
305290	4	13 1/8"	13 5/8"
304773	6	9 3/8"	9 7/8"
304647	6	9 7/8"	10 3/8"
314132	6	10 1/8"	10 5/8"
305217	6	11 1/4"	11 3/4"
314135	6	13 1/8"	13 5/8"
1107538	Pin Wheel (RH)		
31	308459 Nut, Platen Shaft		
32	308459 Nut, Platen Shaft		
33	308459 Nut, Platen Shaft		
34	1013302 Nut, Upper Arm		
35	1107540 Shaft, Platen (12")		
36	1107541 Shaft, Platen (16")		
36	1107521 Arm Assm., Upper (RH)		
37	7341 Nut, Sector		
38	1107528 Arm, Lower (RH)		
39	1013302 Bushing, Platen Shaft		
40	1013304 Bushing, Platen Lock		
41	1107539 Spacer, Platen Knob		
42	1106244 Knob, Platen RH (Gray)		
43	1072212 Knob, Platen RH (Blue)		
43	1090620 Set Screw, Platen Knob		
44	1013305 Lock, Platen		
45	1090291 Screw, Platen Lock		
46	1090770 Spring, Platen Lock		
47	1107516 Spring, Upper Arm Assm.		
48	1107507 Stud (Replaces 1109078 when pin feed lift platen is installed on Lift Platen Formwriter.)		

Model C Pin Feed Lift Platen

REF.	PART NO.	DESCRIPTION	REF.	PART NO.	DESCRIPTION	REF.	PART NO.	DESCRIPTION
49	1090688	Nut, Stop Stud						
50	1100951	Screw, Pin Wheel						
51	1090593	Spring, Compression						
52	1061419	Driver, Ratchet						
53	1093943	Cover Assm., Ratchet						
54	1073027	Screw, Cover Assm.						
55	1107516	Spring, Upper Arm Assm.						
56	1013305	Lock, Platen Shaft						
57	1090291	Screw, Platen Shaft Lock						
58	1090770	Spring, Platen Shaft Lock						
59	1107500	Clamp, Detent						
60	1107499	Strap, Detent						
61	1107503	Detent Spring Assm. (29T, 33T, and 44T)						
	1107506	Detent Spring Assm. (55T, 62T, and 66T)						
62	63324	Screw, Detent Strap						
63	1107497	Stud, Detent Strap						
64	1090297	Screw, Paper Table						
65	1090394	Washer, Paper Table						
66	1107656	Paper Table Assm. 12" (specify color)						
	1107655	Paper Table Assm. 16" (specify color)						
67	See Lift Platen Formwriter Section for Description and Part Number.							
68	F.I. BILLS OF MATERIAL FOR PIN FEED LIFT PLATEN. SPECIFY COLOR OF KNOBS & COLOR PARTS, PIN TO PIN DIMENSIONS & RUBBER HARDNESS.							
	1270471	33T Ratchet, 12" 8P						
	1270537	33T Ratchet, 12" 9P						
	1270538	33T Ratchet, 12" 10P						
	1270539	33T Ratchet, 12" 12P						
	1270540	33T Ratchet, 16" 9P						
	1270541	33T Ratchet, 16" 10P						
	1270542	33T Ratchet, 16" 12P						
69	PIN FEED LIFT PLATEN ASSMS. 12" LENGTHS							
	1107542	1	33	5 1/4"				
	1107543	1	44	5 1/4"				
	1107544	1	33	6"				
	PIN FEED LIFT PLATEN ASSMS. 16" LENGTHS							
	1107545	1	44	6"				
	1107546	1	33	7 1/2"				
	1107547	1	44	7 1/2"				
	1107548	1	33	8"				
	1107549	1	44	8"				
	1107550	6	33	5 1/4"				
	1107551	6	44	5 1/4"				
	1107552	6	33	6"				
	1107553	6	44	6"				
	1107554	6	33	7 1/2"				
	1107555	6	44	7 1/2"				
	1107556	6	33	8"				
	1107557	6	44	8"				
	1107558	4	33	5 1/4"				
	1107559	4	44	5 1/4"				
	1107560	4	33	6"				
	1107561	4	44	6"				
	1107562	4	33	7 1/2"				
	1107563	4	44	7 1/2"				
	1107564	4	33	8"				
	1107565	4	44	8"				
	1110138	6	33	9"				
	1110188	4	33	9"				
	1110203	1	33	9"				
	PIN FEED LIFT PLATEN ASSMS. 16" LENGTHS							
	1107566	1	33	9 3/8"				
	1107567	1	44	9 3/8"				
	1107568	1	33	9 7/8"				
	1107569	1	44	9 7/8"				
	1107570	1	33	10 1/8"				
	1107571	1	44	10 1/8"				
	1107572	1	33	11 1/4"				
	1107573	1	44	11 1/4"				
	1107574	1	33	13 1/8"				
	1107575	1	44	13 1/8"				
	1107576	6	33	9 3/8"				
	1107577	6	44	9 3/8"				

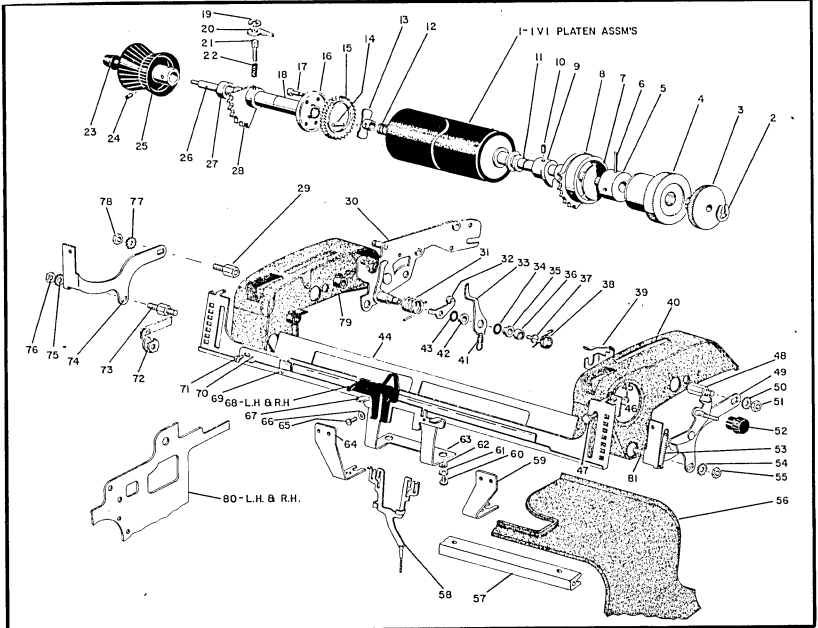
Figure 1

January 1960



REF. PART NO.	DESCRIPTION	REF. PART NO.	DESCRIPTION	REF. PART NO.	DESCRIPTION
1	1110177		Keystroke Counter Asm 10 to 1 Ratio		
	1110178		Keystroke Counter Asm 100 to 1 Ratio		
	1110179		Keystroke Counter Asm 240 to 1 Ratio		
2	63324		Screw, Keystroke Counter Mtg.		
3	63324		Screw, Keystroke Counter Mtg.		
4	1093611		Screw, Keystroke Counter Bracket		
5	1093611		Screw, Keystroke Counter Bracket		
6	1118727		Bracket, Keystroke Counter		
7	1091057		Nut, Keystroke Counter Arm Stud		
8	1110185		Stud, Keystroke Counter Arm		
9	1070020		Clevis, Pin Adjusting		
10	1014536		Link, Keystroke Counter Connecting		
11	1118876		Link, Tab-CR Interlock (Dec. Tab Only)		
12			Field Installation Bills of Material		
	Standard and Formwriter Machines				
	1270844		B/M Keystroke Counter (all pitches) 10 to 1 Ratio		
	1270845		B/M Keystroke Counter (all pitches) 100 to 1 Ratio		
	1270846		B/M Keystroke Counter (all pitches) 240 to 1 Ratio		
	Decimal Tab Machines				
	1270847		B/M Keystroke Counter (all pitches) 10 to 1 Ratio		
	1270848		B/M Keystroke Counter (all pitches) 100 to 1 Ratio		
	1270849		B/M Keystroke Counter (all pitches) 240 to 1 Ratio		

A
 Note: When installing these B/M's on any machine except 30" it will be necessary to modify the rear cover by cutting out as illustrated. Remove shaded area of rear cover for counter clearance. File away any rough edges.



REF. PART NO.	DESCRIPTION	REF. PART NO.	DESCRIPTION	REF. PART NO.	DESCRIPTION
1	IVI PLATEN ASSEMBLIES COMPLETE. SPECIFY COLOR OF KNOBS	1116816	Platen Assm. 33 T Ratchet # 2 Hardness	31	1115646 Spring, index lever
		1116817	Platen Assm. 29 T Ratchet # 8 Hardness	32	1116855 Detent arm assm.
	13" Carriage lengths	1116818	Platen Assm. 33 T Ratchet # 8 Hardness	33	1116869 Pawl, Platen latch
1116801	Platen Assm. 29 T Ratchet # 1 Hardness			34	1090887 Washer, Shim
1116802	Platen Assm. 33 T Ratchet # 1 Hardness	2	60488 Retainer, Platen Shaft	35	1116868 Bushing, Platen detent arm
1116803	Platen Assm. 29 T Ratchet # 2 Hardness	3	1109735 Driver, Clutch Sector	36	1078653 Spacer, Platen detent arm
1116804	Platen Assm. 33 T Ratchet # 2 Hardness	4	1109736 Knob, Platen Clutch Sector	37	63324 Screw, Platen detent arm
1116805	Platen Assm. 29 T Ratchet # 2 Hardness	5	1109734 Adapter Assm.	38	1103637 Spring, Platen latch pawl
1116806	Platen Assm. 33 T Ratchet # 8 Hardness	6	1109824 Roll Pin, Adapter Assm.	39	1116291 Spring, Feed Roll Release lever Retaining
		7	1109727 Washer, Spring	40	1116838 Cover, Carriage end (R. H.) Specify color
		8	1109755 Sector Assm. R. H.	41	1116870 Spring, Platen Latch pawl
		9	1109724 Stop Assm. Platen	42	1116868 Bushing, Platen detent arm
		10	1076796 Set Screw	43	1090887 Washer, Shim
		11	77278 Bushing, Platen Shaft	44	1116839 Guide, Front Paper 13"
		12	1090593 Spring, Compression	45	1116840 Guide, Front Paper 17"
1116807	Platen Assm. 29 T Ratchet # 1 Hardness	13-15	Refer to Std. or Exec. Section for P/N & Description	46	1116841 Guide, Front Paper 20"
1116808	Platen Assm. 33 T Ratchet # 1 Hardness	16	1116392 Cover, Platen Ratchet	47	8506 Nut, Carriage assm.
1116809	Platen Assm. 29 T Ratchet # 2 Hardness	17	Refer to Std. or Exec. Section for P/N & Description	186849	Nut, Elastic Stop, (Used on 84 character machine only)
1116810	Platen Assm. 33 T Ratchet # 2 Hardness	18	1103917 Spacer, Platen Shaft	48	1261613 Stop, Pin
1116811	Platen Assm. 29 T Ratchet # 8 Hardness	19	1095160 Ring, Sector L. H. Locking	49	1261737 Stud, Carrier mtg.
1116812	Platen Assm. 33 T Ratchet # 8 Hardness	20	1095151 Lever, Sector L. H. Locking	47	1116826 Stud, R. H. Bracket mtg. (Rear)
		21	1095152 Stud, Sector L. H. Locking	49	1116830 Bracket assm. R. H.
		22	1074321 Spring, Sector Lock	50	55901 Lockwasher, Bracket mtg. stud
		23-25	Refer to Std. or Exec. Section for P/N & Description	51	2899 Nut, bracket mtg. stud
		26	1116393 Shaft, Platen Release	52	1090751 Knob, Bracket assm.
1116813	Platen Assm. 29 T Ratchet # 1 Hardness	27	147606 Spacer, Platen Shaft	53	1109717 Spring, Carrier assm.
1116814	Platen Assm. 33 T Ratchet # 1 Hardness	28	1109757 Sector Assm. L. H.		
		29	1116824 Stud, L. H. Bracket Mtg. (Rear)		
1116815	Platen Assm. 29 T Ratchet # 2 Hardness	30	1116857 Plate Assm., Platen Guide		

Model C Visible Index

REF. PART NO.	DESCRIPTION	REF. PART NO.	DESCRIPTION	REF. PART NO.	DESCRIPTION
54	55901 Lockwasher, Bracket mtg. stud	69	1116851 Carrier Assm., Card Holding 13"		
55	2899 Nut, Bracket mtg. stud		1116852 Carrier Assm., Card Holding 17"		
56	1116866 Case, Front. Specify color		1116853 Carrier Assm., Card Holding 20"		
57	1116820 Rail, Front 13"	70	1109771 Stop, Adjustable Card		
	1116821 Rail, Front 17"	71	186393 Screw, Adjustable Card		
	1116822 Rail, Front 20"		Stop		
58	1104344 Guide assy, Ribbon	72	1116858 Release Assm., Detent		
59	1116862 Bracket, Ribbon Guide	73	1116823 Stud, L. H. Bracket		
	Mtg. R. H.		Mtg. (Front)		
60	1074144 Screw, Center Support	74	1116827 Bracket, L. H.		
	Mtg.	75	55901 Lockwasher, L. H.		
61	125145 Washer, Center Support		Bracket Mtg.		
62	6364 Lockwasher, Center	76	2899 Nut, L. H. Bracket Mtg.		
	Support	77	55901 Lockwasher, L. H.		
63	1109738 Support, Center		Bracket Mtg.		
64	1116861 Bracket, Ribbon Guide	78	2899 Nut, L. H. Bracket Mtg.		
	Mtg. L. H.	79	1116837 Cover, Carriage End		
65	186393 Screw, Card Holder		L. H. Specify Color		
66	1090630 Washer, Card Holder	80	1116831 Frame Assm. L. H. Side		
67	1109732 Bracket, Card Holder		1116832 Frame Assm. R. H. Side		
	Mtg.	81	1116825 Stud, R. H. Bracket Mtg.		
68	1109720 Holder, Line Gage				
	Card R. H.				
	1109721 Holder, Line Gage				
	Card, L. H.				

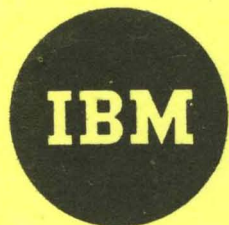
NOTE: FIELD INSTALLATION BILLS OF MATERIAL ARE NOT AVAILABLE FOR IVI ATTACHMENTS.

January 1960

Figure 1



NUMERICAL
PARTS PRICE LIST



MARCH 13, 1961
LEXINGTON PLANT

SUBJECT: ETD PARTS PRICE LIST REVISION - EFFECTIVE
MARCH 17, 1961

TO: ALL CUSTOMER ENGINEERING

THIS PRICE SECTION LISTS THE UNIT SELLING PRICE OF THE MAJORITY OF CURRENTLY USED PARTS. THE EFFECTIVE DATE FOR THESE PRICES IS MARCH 17, 1961.

ALL PRICE INFORMATION CONTAINED IN PREVIOUS PRICE LISTS, CEM'S RELEASED PRIOR TO THIS EFFECTIVE DATE, ALONG WITH OTHER SOURCES CONTAINING PRICE DATA, IS SUPERSEDED BY THIS PRICE LIST REVISION. DESTROY ALL PREVIOUS PRICE LISTS. PRICES ARE, "SUBJECT TO CHANGE WITHOUT NOTICE." SUPPLEMENTARY OR REVISED PAGES, LISTING SUCH CHANGES, WILL BE PROVIDED AS SOON AS POSSIBLE.

PRICES ON THE AUTOMATIC PARTS REPLACEMENT CHART, FORM #140-0580-1, ARE SUPERSEDED BY THIS PRICE LIST.

PRICES FOR PARTS NOT LISTED ARE AVAILABLE FROM THE ET PARTS AND SUPPLIES ORDER DEPARTMENT. USE AN IBM INTER-OFFICE MEMO, TO EXPEDITE PROCESSING SUCH REQUESTS.



R. J. AUSTIN, MANAGER
PARTS & SUPPLY ORDER DEPARTMENT

RJA/BRM

ETD PARTS PRICE LIST

68-33238

PART NO.	PART NAME	PRICE	PART NO.	PART NAME	PRICE	PART NO.	PART NAME	PRICE
68	SPRING	.15	9685	SCREW	.02	31199	BUSHING	.50
92	SCREW	.05	9820	SCREW	.02	31232	HAND HR	3.15
129	SCREW	.01	9905	RIVET	.01	31233	HAND MIN	3.15
163	SCREW	.01	10170	SCREW	.01	31234	HAND HOUR	2.90
186	SCREW	.01	10468	SPRING	.03	31235	HAND MIN	2.90
203	SCREW	.01	10514	SPRING	.02	31261	HAND HR	5.50
221	NUT	.02	10555	COLLAR	.30	31264	HAND MIN	4.05
232	SCREW	.01	10760	SCREW	.30	31641	CLIP	.10
250	SCREW	.01	11118	SCREW	.01	31644	SPRG COVER	.25
294	SCREW	.01	11567	SCREW	.40	31676	LOCK COVER	2.25
337	SCREW	.01	11598	NUT	.01	31677	KEY	.30
358	SCREW	.01	12132	SCREW	.02	31787	RING LOCK	.10
366	SCREW	.01	12556	SPACER	.02	31790	PLATEN	.65
371	SCREW	.01	12584	SCREW	.01	31797	HAMMER ASM	13.10
424	SCREW	.01	12759	SCREW	.01	31799	HAMMER ASM	32.95
443	SCREW	.01	13006	SPRING	.15	31949	NUT	.10
453	WASHER	.01	13028	SPACER	.15	31969	SPINDLE	3.35
455	SCREW	.01	13507	SPRING	.15	31970	SPINDLE RH	3.35
598	SCREW	.01	15484	CLIP WIRE	.02	31981	BRKT SUP	6.50
641	SCREW	.01	15654	WASHER	.01	31982	BRKT SUP	6.50
673	SCREW	.01	16558	SPRING	.04	32042	SCREW	.05
845	SCREW	.01	16673	WASHER	.01	32059	CAM TPWL	1.35
1035	WASHER	.02	16827	SCREW	.05	32104	TPWHL MON	15.10
1413	SCREW	.01	18323	WASHER	.25	32105	TPWHL YR	15.10
1500	SCREW	.01	19069	SPACER	.15	32130	SCREW	.10
1858	SCREW	.01	19476	SCREW	.03	32131	SCREW	.10
1866	WASHER	.01	19501	SCREW	.01	32132	TPWHL ASM	34.80
1928	SCREW	.01	19852	SCREW	.04	32133	TPWHL ASM	34.80
1942	SCREW	.01	19944	SCREW	.01	32134	TPWHL ASM	34.80
2031	SCREW	.01	20038	WASHER	.01	32135	TPWHL HR	17.40
2118	SCREW	.01	21412	PLANE	.30	32137	TPWHL 10TH	22.05
2300	SCREW	.01	21636	SCREW	.01	32138	TPWHL HUND	22.05
2596	SCREW	.01	21791	JUMPER	.08	32142	TPWHL DATE	22.05
2627	SCREW	.01	22066	WASHER	.01	32151	TPWHL O 22	22.05
2629	SCREW	.01	22121	SPRING	.04	32153	TPWHL O 23	17.40
2650	SCREW	.01	22352	SCREW	.01	32167	TPWHL ASM	34.80
2819	SPACER	.01	22478	SPACER	.01	32168	TPWHL ASM	34.80
2899	NUT	.01	22850	SCREW	.03	32169	TPWHL ASM	34.80
2903	WASHER	.01	23087	SCREW	.01	32218	SHAFT	.85
2994	SCREW	.01	23131	KNOB	.35	32223	ROD ANCHOR	.25
3330	CLIP FUSE	.15	23819	STUD	1.00	32254	SPACER CAR	.30
3343	FUSE	.25	23854	SCREW	.01	32259	PLATE	1.55
3344	FUSE	.05	23931	NUT	.01	32262	CARRIER	1.40
3500	SCREW	.01	24090	WASHER	.01	32282	LINER	.75
3527	CLIP	.08	24107	NUT	.02	32283	CARRIER	1.45
3577	FUSE	.08	24327	SPACER	.02	32333	SPRING	.10
3834	SCREW	.01	24533	WASHER	.02	32337	SPRING	.10
3960	NUT	.01	24752	SCREW	.01	32339	SPRING	.10
4224	SCREW	.01	24901	PIN	.02	32340	SPRING	.10
4236	SCREW	.01	24915	SCREW	.01	32341	SPRING	.30
4327	PIN	.07	24967	RIVET	.01	32342	SPRING	.10
4612	SPRING	.15	25282	WASHER	.01	32345	RING LOCK	.05
4636	SCREW	.01	25627	SCREW	.01	32355	ARMATURE	1.10
4701	SCREW	.15	25895	SCREW	.02	32381	CARRIER	3.70
5061	SCREW	.01	25967	SCREW	.10	32383	PAWL ASM	7.90
5077	SPACER	.15	25984	SPACER	.01	32386	LEVER	6.75
5180	TERMINAL	.10	26320	CLAMP	.02	32387	PAWL ASM	3.75
5187	TERMINAL	.10	26834	SCREW	.07	32388	LEVER	5.85
5472	SCREW	.01	27073	SCREW	.01	32395	LEVER ASM	14.10
5528	SCREW	.01	28413	SCREW	.01	32396	LEVER ASM	14.10
5644	SCREW	.01	28651	SPACER	.15	32470	MAGNET 24V	17.05
5771	PIN TAPER	.06	28760	SCREW	.01	32534	RING	3.70
6318	WASHER	.01	30049	PAWL	1.35	32537	PLATE	1.70
6324	FUSE 3 AMP	.05	30086	CAP BRUSH	.35	32538	SPRING	.40
6325	FUSE	.09	30091	GEAR DRIVE	1.55	32544	STUD	.10
6351	SPRING	.07	30093	TUBE 6BE6	2.10	32545	PINION	1.40
6364	WASHER	.01	30094	GEAR MOTOR	2.65	32548	GEAR IDLER	1.10
6503	NUT	.01	30095	CONNECTOR	.70	32550	GLASS	.25
6755	SPRING	.02	30096	RECEPTACLE	.60	32554	GEAR MIN	2.05
6935	WASHER	.01	30129	CLAMP	.05	32555	GEAR INTER	2.05
6936	SPRING	.05	30134	WHEEL ESC	19.50	32556	GEAR INTER	2.05
7034	SCREW	.01	30175	PLATE LOCK	.05	32557	GEAR HR	1.10
7039	SCREW	.01	30284	INSULATOR	.75	32665	BUTTON SW	1.00
7245	SCREW	.20	30292	BRUSH MTR	.40	32716	FUSE 6AMP	.25
7341	NUT	.01	30293	SPRING	.10	32784	CONNECTOR	.60
7991	JUMPER	.06	30294	CAPACITOR	.75	33020	NUT	.30
8427	PIN	.06	30333	SPRING	.30	33124	NUT	.10
8506	NUT	.01	30557	SPRING	.30	33214	CONT SPR	2.10
9092	WASHER	.01	31159	DIAL ASM	15.50	33215	SCREW	1.95
9426	SPRING	.03	31198	BUSHING	.50	33238	SCREW CONT	3.00

MARCH 17, 1961

PAGE 1

ETD PARTS PRICE LIST

PART NO.	PART NAME	PRICE	PART NO.	PART NAME	PRICE	PART NO.	PART NAME	PRICE
33345	PIN COTTER	.01	37785	CONT ASM	16.95	39825	PULLY MC	5.40
33371	PIN TAPER	.10	37792	NUT	.10	39864	COUPLING	6.60
33483	COLLAR	.25	37913	NUT	.05	39876	CORD	1.80
33489	GEAR	1.50	37941	DISC SPOT	.05	39890	MOTOR MC	106.25
33516	SHIELD	2.50	37986	STUD	.15	39903	CORD	2.30
33522	ARM ASM	3.55	38045	PAWL	2.20	39911	PLATE LOCK	7.50
33526	ARM	3.40	38047	BELL	2.80	39930	PLATE BKT	25.10
33543	PLATEN	.65	38051	NUT	.04	39931	PLATE FRT	27.70
33563	SPRING	.25	38128	SPRING	.15	39932	STUD GEAR	2.20
33599	PAWL FEED	3.05	38129	SPRING	.15	39953	BALL BRG	.03
33627	COLLAR ECC	1.30	38136	SCREW	2.25	40396	SPACER	.30
33648	COLLAR	.75	38142	SPRING	1.00	40671	SPRING	.70
33737	INDICATOR	1.20	38213	SPRING	.25	40906	PAWL	10.10
33748	SLIDE	5.85	38214	NUT	.30	41070	SLEEVE	.40
33794	CAM ASM	8.80	38234	SCREW	.05	41137	SCREW SET	.05
33797	CAM LIFT	.30	38235	SCREW	.01	41165	LINER	1.10
33864	WHEEL ESC	16.10	38245	SCREW	.01	41198	NUT CAP	.05
33907	PAWL RETN	1.90	38250	SCREW	.05	41948	SPRING	1.45
33919	TPWHL HR	17.40	38255	SCREW	.05	42003	SCREW	.40
33944	RIVET	.05	38259	SCREW	.01	42013	POINTER	6.01
33950	WIPER CAM	.80	38261	SCREW	.05	42020	SCREW	.05
33963	SPRING	.05	38262	SCREW	.01	42027	SCREW	.01
33966	STOP	.30	38263	SCREW	.05	42070	ARBOR ASM	28.60
34004	LEVER LOCK	6.75	38265	SCREW	.05	42095	NUT HAND	.15
34025	INDICATOR	.80	38266	SCREW	.01	42172	BRIDGE	1.90
34143	CELLULOID	.25	38271	SCREW	.01	42411	KEY	3.85
34163	PADLOCK	1.35	38277	SCREW	.01	42648	SCREW	.05
34203	SCREW TRIP	.25	38278	SCREW	.05	42690	SPACER	.75
34204	NUT	.35	38279	SCREW	.05	43221	CATCH TPWL	.75
34512	HORIZ BRG	.01	38281	SCREW	.05	43275	SPRING	4.40
34570	SPRING	.15	38282	SCREW	.01	43320	GEAR ASM	7.40
34652	SPRING	.10	38283	SCREW	.01	43344	ARM HR	5.55
34777	RECEIVER	35.95	38284	SCREW	.05	43358	ARM DATE	2.45
34778	RECEIVER	15.55	38287	SCREW	.01	43373	SPRING	.15
34799	RECEIVER	27.25	38304	BUSHING	3.20	43376	LEVER	7.85
34831	ANCHOR SPR	.95	38305	BUSHING	1.85	43387	SPRING	.30
35023	ESCUTCHEON	4.85	38343	SCREW	.05	43388	SPRING	.30
35024	SLIDE PLT	2.90	38346	SCREW	.01	43389	LEVER	7.25
35051	ROD GUIDE	1.10	38348	SCREW	.01	43394	LEVER LOCK	7.40
35136	TPWHL MIN	23.80	38350	SCREW	.05	43399	LEVER LOCK	7.50
35148	SPRING	.15	38351	SCREW	.05	43400	RIBBON	1.50
35192	SHAFT	1.10	38352	SCREW	.05	43525	SCREW	.05
35206	STRAP OPER	6.50	38353	SCREW	.01	43526	BUSHING	.85
35245	SPRING	.25	38354	SCREW	.05	43741	PIN TAPER	.05
35278	RECEIVER	27.25	38361	SCREW	.01	44095	SCREW	.15
35345	FRAME	5.90	38363	SCREW	.05	44285	PIN TAPER	.05
35367	SHIELD	2.25	38364	SCREW	.05	44802	SCREW	.15
35459	SHIELD ASM	14.90	38368	SCREW	.05	44946	SPRING	.15
35538	FINDER	11.60	38376	SCREW	.05	45119	SPRING	.15
35541	SPRING ASM	2.10	38380	SCREW	.01	45130	SPRING	.30
35652	CLIP	1.10	38381	SCREW	.01	45133	SCREW	.30
35723	SPRG BAR	9.65	38383	SCREW	.01	45134	SPRING	.30
35781	LOCK CLAMP	4.50	38389	SCREW	.01	45135	SPRING	.85
35868	PIN COTTER	.05	38391	SCREW	.01	45136	GUIDE BOLT	3.65
36109	NUT	.05	38406	SCREW	.05	45140	SPRING	.45
36112	SCR CAP	.05	38408	SCREW	.01	45141	SPRING	.20
36273	SCREW	.05	38429	SCREW	.01	45147	LEVER	2.25
36349	ARMTR ASM	9.10	38433	SCREW	.05	45157	TPWHL DAY	8.70
36528	STICK PEND	6.75	38447	SCREW	.05	45171	SPRING	.15
36554	BUSHING	.25	38450	SCREW	.01	45199	SPOOL WIND	.80
36554	BUSHING	1.70	38452	SCREW	.05	45200	SCREW	.15
36823	NUT	.01	38562	SCREW	.05	45201	CLIP	1.10
37066	LOCKWASHER	.01	38565	SCREW	.05	45203	RIBBON	1.50
37435	INSULATOR	.01	38566	SCREW	.05	45206	SPRING	.35
37531	PIN	1.90	38571	SCREW	.05	45207	CAP SPOOL	1.75
37551	PLATE MOV	10.55	38574	SCREW	.05	45208	RETAINER	.50
37552	PLATE MOV	10.55	38579	SCREW	.05	45211	HAMMER	.90
37554	BRIDGE	3.30	38640	SCREW	.05	45215	SPRING	.30
37604	SPRING	1.70	38641	SCREW	.05	45216	SPRING	.30
37606	NUT	.25	38672	SCREW SET	.05	45221	PLATE MTG	3.00
37638	VERGE ASM	22.90	38675	SCREW SET	.10	45239	VERGE ASM	18.55
37641	VERGE ASM	23.15	38686	SCREW	.03	45259	SCREW	1.10
37653	LINER	.75	38688	SCREW	.05	45395	SPACER	.25
37659	BRACKET	3.70	38701	SCREW	.05	45438	GEAR	1.85
37693	PAWL	3.05	38703	SCREW	.05	45455	TPWHL MIN	12.75
37710	MAGNET 24V	17.90	38910	SCREW	.05	45458	TPWHL MON	15.10
37713	MAGNET 110	20.30	38911	SCREW	.05	45468	TPWHL DATE	22.05
37749	NUT	.40	38912	SCREW	.05	45610	WASHER	.05
37779	LEAF CONT	1.30	38914	SCREW	.05	45621	WASHER	.05
37783	FINGER	10.15	39168	SPRING	.25	45624	WASHER	.05

ETD PARTS PRICE LIST

45630-57251

PART NO.	PART NAME	PRICE	PART NO.	PART NAME	PRICE	PART NO.	PART NAME	PRICE
45630	SPACER	.10	50434	HAMMER BEL	6.30	53596	PLATE GUID	12.05
45639	WASHER	.01	50535	CONTACT	8.80	53598	GROMMET	.10
45642	WASHER	.05	50751	PAWL DET	1.00	53599	LEVER ASM	4.20
45644	WASHER	.05	50914	RIBBON	1.85	54030	PLATE TIE	10.30
45645	WASHER	.05	50915	RIBBON	1.85	54111	GEAR	4.25
45647	WASHER	.05	50917	RIBBON	2.20	54119	PINION	4.60
45650	WASHER	.04	50919	RIBBON	1.85	54249	WIRE ASM	.25
45651	WASHER	.05	50920	RIBBON	1.85	54291	SPACER	.10
45654	WASHER	.05	50973	CONT ASM	6.15	54311	GUARD WIRE	13.25
45656	WASHER	.05	51079	PAWL FEED	10.80	54340	LEVER LOCK	4.20
45658	WASHER	.05	51273	GLASS	.25	54363	GEAR FAN	6.05
45662	WASHER	.10	51277	GLASS	.15	54536	SPRING	.15
45663	WASHER	.05	51289	GLASS DIAL	.35	54594	TRIP	1.00
45685	WASHER	.05	51290	CLIP	.15	54686	SCREW	.05
45690	WASHER	.01	51304	KEY BLANK	.35	54699	CARBON MTD	.95
45703	WASHER	.05	51333	COLLAR	.60	54714	CARBON MTD	.70
45709	SPACER	.10	51341	PLATE	4.05	54784	CLIP	.30
45749	WASHER	.05	51369	LINER	1.60	54808	PIN PROG	.05
45775	WASHER	.05	51410	WASHER	.05	54952	SCREW PIV	.35
45956	NUT	.10	51436	CARD INDIC	.10	54989	GEAR	5.45
46476	SPRING	.35	51485	RIVET	.01	55009	COLLAR	1.85
46831	SPRING	.15	51559	BRKT MOTOR	2.45	55220	STRIP CONT	.05
47216	LEVER PRNT	30.45	51561	BRKT MOTOR	2.30	55223	STIFFENER	.05
47218	LEVER PRNT	22.60	51564	WIPER CAM	2.90	55267	CONT ASM	30.60
47236	TAPE PROG	1.85	51659	PINION	2.90	55268	CONT ASM	33.95
47237	TAPE PROG	2.65	51673	SHAFT	1.10	55273	LEVER CONT	.40
47282	WASHER	.03	51740	HANDLE	10.40	55298	NET SCREW	.15
47377	FINGER	3.85	51941	SPRING	.15	55372	LEVER LOCK	1.45
47388	ARMATURE	14.55	52142	PAWL	5.65	55449	PAWL PUSH	4.20
47392	LEVER	4.95	52160	HAMMER	25.25	55459	SCREW	.03
47399	LEVER	3.95	52299	LEVER	16.35	55490	TPWHL MIN	34.80
47417	SPRING	.15	52302	GEAR	5.95	55491	LEVER ASM	13.75
47424	MAGNET 12V	17.05	52333	HANDLE	19.15	55506	LEVER	.70
47425	MAGNET 24V	17.15	52334	SHAFT ASM	94.50	55519	POST BIND	.70
47426	MAGNET 48V	19.60	52359	SCREW	.05	55538	CAM ASM	5.15
47427	MAGNET 115	17.15	52360	SCREW	.05	55541	KEY	.45
47441	BRACKET	3.15	52393	WASHER	.01	55586	NUT	.30
47544	GEAR	1.40	52394	INDICATOR	.15	55593	KEY	.30
47608	PAWL	6.95	52443	INDICATOR	.05	55634	MAGNET 24V	23.05
47632	BAR SPACE	.40	52523	SCREW	.05	55643	SPRING	.40
47660	TAPE	6.50	52553	BLOCK CONN	3.85	55684	SPACER	1.75
47661	TAPE	6.05	52580	SCREW	.05	55685	SCREW	3.40
47689	GEAR	8.70	52597	SCREW	.05	55699	FUSE 10A	.15
47729	WHEEL ESC	10.75	52603	SCREW LH 5	.05	55700	FUSE 15A	.15
47833	WHEEL LOCK	4.10	52607	SCREW	.05	55726	SCREW	.10
47834	LEVER LOCK	4.10	52612	SCREW	.01	55901	LOCKWASHER	.01
47987	NUT	.85	52618	SCREW	.05	55911	WASHER CUP	.05
47998	CLAMP	.85	52630	SCREW	.05	55918	SCREW	.05
47999	CLAMP	1.75	52664	SPACER	.65	55924	COVER DUST	.85
48116	SPRING	5.20	52684	SCREW	.01	55925	COVER DUST	1.10
48594	SCREW	.01	52728	SCREW	.05	55961	KEY	.30
48815	FRAME	8.35	52758	SCREW	.05	56024	PIN PIVOT	.60
48875	HAND HR	2.80	52998	SCREW	.05	56063	TPWHL MIN	10.15
48876	HAND MIN	2.15	53021	MOTOR	6.95	56079	LOCKWASHER	.05
48988	ROLL PAPER	.85	53042	SCREW	.05	56121	LOCKWASHER	.01
49078	LEVER RIB	1.40	53120	MOVEMENT	100.00	56149	SPRING	.04
49126	LOCK CORB	2.05	53193	BUSHING	.05	56166	COVER BOX	5.90
49181	COLLAR	.80	53208	SCREW SET	.05	56187	TPWHL ASM	34.80
49191	GEAR	3.20	53370	SPACER	.01	56313	LOCKWASHER	.01
49299	LOCK	6.40	53403	PLATE MTG	3.40	56332	PLATE NAME	.60
49321	SCREW DRIV	.05	53408	PLATE	1.10	56652	TAPE ASM	5.70
49370	TPWHL ASM	29.00	53415	MOTOR DELC	19.60	56722	LOCKWASHER	.01
49373	TPWHL ASM	34.80	53420	LEAF CONT	.65	56735	LEAF CONT	1.10
49568	CONT ASM	8.95	53436	FUSETRON	.25	56736	LEAF CONT	1.10
49677	SCREW	.05	53459	RIVET	.05	56804	TAPE ASM	5.70
50006	BOLT	6.35	53470	NUT	.10	56895	SPRING	.05
50012	BOLT	2.35	53510	SPRING RET	.05	56961	LOCK CORB	3.20
50119	SPRING	.30	53511	SPRING RET	.50	56962	KEY	.50
50125	CYLINDER	11.95	53512	SPRING RET	.10	57014	SPACER	.05
50131	LOCK YALE	8.45	53530	BUSHING	8.55	57059	CARRIER	2.60
50160	BAR CONN	.45	53536	STUD SPR	.35	57167	PINION	5.40
50169	KEEPER	23.70	53541	FILTER	78.30	57168	DRUM ASM	92.20
50204	CAM DRUM	3.25	53545	LOCK ASM	1.65	57170	PINION ASM	18.00
50298	SPOT DIAL	.25	53546	SWITCH	2.95	57173	PAWL LOCK	1.45
50299	GUIDE CRDS	14.25	53547	CYL BLNK	5.00	57187	ROTOR	4.35
50301	SPOT DIAL	.25	53578	SPRING	.05	57227	MOVT 561	40.00
50302	GUIDE CRDS	15.65	53581	SUPPORT	4.60	57233	PIECE POLE	3.40
50337	WICK ASM	5.00	53584	SCREW	.05	57240	STOP	.10
50395	CLAMP PAPE	44.45	53586	SPRING	.15	57248	ARMATURE	5.70
50433	PAWL TRIP	8.40	53595	COVER DUST	2.05	57251	SCREW PIV	.25

MARCH 17, 1961

PAGE 3

PART NO.	PART NAME	PRICE	PART NO.	PART NAME	PRICE	PART NO.	PART NAME	PRICE
57255	WASHER	.05	58549	ROLLER	.40	59832	PLUG	.80
57256	EXT SPRING	.30	58553	RIBBON	1.85	59921	CLIP	1.55
57258	DISC ASM	6.60	58563	STUD	.80	59942	SPRING	.15
57261	MAGNET 24V	15.30	58565	SPACER	.75	59975	STUD	1.30
57316	INSULATOR	.30	58569	SPACER	.30	60063	KEY BLANK	.35
57359	STUD	2.10	58570	FRAME SIDE	20.90	60064	KEY BLANK	.35
57415	CONT ASM	16.80	58572	WASHER	.25	60065	KEY BLANK	.35
57433	ARM CONT	2.25	58582	CAM SR	5.20	60126	COIL ASM	14.55
57466	LEAF CONT	1.00	58588	TPWHL YR	15.10	60134	GUARD WIRE	13.25
57467	LEAF CONT	.40	58590	BUSHING	.85	60135	GUARD WIRE	13.25
57468	LEAF CONT	.50	58591	FRAME SIDE	19.70	60155	ROTOR	4.35
57497	NUT	.50	58593	ARMTR ASM	9.75	60478	BUTTON	5.75
57564	CAM	4.50	58602	SWITCH ASM	24.60	60483	LINK CONT	5.65
57646	PAWL FEED	3.65	58609	SPACER	.40	60484	BRACKET	2.20
57651	LEVER ASM	26.45	58610	POST	1.30	60485	SPRING RET	2.25
57654	STUD	2.55	58611	ANCHOR SPR	2.45	60486	LEVER ASM	21.95
57670	CANNON	11.30	58707	WHEEL BAL	1.80	60487	LEVER	10.90
57685	LEAF CONT	.65	58709	WHEEL ESC	1.90	60488	RETAINER	.05
57695	LEAF CONT	.60	58721	LEVER DATE	13.10	60489	CLIP	.05
57696	BUTTON	.30	58736	STIFFENER	.30	60492	CLIP COVER	.25
57745	LEAF CONT	1.05	58738	BAR CTRL	1.80	60503	SCREW	2.55
57777	SCREW PIV	.85	58743	DISC GUIDE	.10	60508	STUD PIVOT	4.50
57783	PLATE MTG	3.65	58745	CLAMP CORD	2.85	60537	CONT ASM	16.55
57785	SPACER	.10	58767	POINT CONT	.15	60548	TPWHL HR	12.75
57786	PLATE MTG	3.00	58806	CLAMP CORD	.50	60550	TPWHL ASM	34.80
57790	PLATE MTG	4.00	58807	CLAMP CORD	.50	60618	SPACER	.50
57791	PLATE MTG	4.00	58827	PLATE MTG	7.15	60630	CAM CONT	2.30
57796	WASHER	.05	58828	PLATE MTG	5.95	60631	CAM CONT	2.30
57812	SWITCH WND	1.15	58829	SPRING	.30	60646	LOCKWASHER	.01
57815	LINK ADJ	.75	58830	KEY CASE	.30	60799	PLATE WALL	1.40
57816	LINK	.80	58833	STOP LIMIT	1.00	60800	HINGE DOME	.45
57818	ARM OPER	5.85	58834	ROLLER RIB	1.05	60802	PIN HINGE	.15
57822	SPRING	.30	58835	ROD PIVOT	.35	60806	SHAFT	2.55
57845	BAR SHFT	3.00	58838	PLATE PAT	.70	60809	BRACKET	8.85
57910	CAM	10.90	58849	SPRING	.25	60812	DRUM	90.00
57911	CAM	10.90	58850	SPRING	.25	60849	RECTIFIER	10.75
57913	SPRING	.15	58851	SPRING	.15	60851	TRANSFORMR	8.00
57914	UNIT ASM	17.65	58852	SPRING	.15	60925	PLATEN CRK	.65
57915	UNIT ASM	17.65	58854	SPRING	.30	60937	SCREW DRIV	.01
58081	NUT	.15	58855	CASE ASM	23.60	60996	ARMTR ASM	18.50
58100	TPWHL HR	10.15	58861	LEVER MON	11.75	61003	PAWL DRIVE	9.75
58187	LEAF CONT	2.05	58862	LEVER HR	11.75	61042	NUT	.35
58284	SCREW	.05	58885	SPRING	.30	61059	LEVER LOCK	7.65
58298	REGUL ASM	18.80	58887	SHAFT ASM	6.90	61060	LEVER ASM	9.65
58301	PIN PIVOT	.15	58888	BAR SHFT	3.35	61185	TPWHL MON	15.10
58345	YOKE MAG	8.45	58920	RELAY	14.60	61199	SPACER	.30
58352	COIL ASM	4.40	58941	CONT ASM	7.10	61201	SPACER	.30
58358	PLUG SOLEN	7.55	59140	PINION	2.90	61259	PLATE FRNT	5.20
58359	CAST PLATE	6.15	59141	BRKT BEAR	.35	61260	PLATE BACK	13.40
58363	LEAF CONT	1.55	59143	BRACKET	.45	61264	CAM ASM	8.05
58381	MAGNET 24V	23.05	59145	COLLAR	2.90	61266	BRIDGE ASM	8.30
58391	SHAFT ASM	10.45	59163	ARM ASM	4.60	61272	FIELD MAG	19.95
58403	LINER	.60	59165	ARM OPER	4.95	61470	PLATE	3.15
58406	ARMTR ASM	7.85	59166	RATCHET	7.10	61515	NUT LOCK	.05
58412	ROD TIE	1.60	59167	SHAFT ASM	2.25	61562	SPRING RET	2.15
58414	SPRING	.25	59170	DIAL	6.60	61563	RIBBON	2.20
58423	RATCHET	2.25	59188	SHAFT ASM	4.05	61564	RIBBON	3.30
58441	PAWL HOLD	.60	59212	MOTOR ASM	6.95	61566	RIBBON	3.30
58452	SCREW PIV	1.00	59221	BUTTON	.25	61567	LINK OPER	.60
58453	CYLINDER	7.60	59222	PLUNGER	.45	61677	SPRING	2.25
58459	LEVER OPER	12.20	59223	SPRING	.05	61710	SPR TUMB	.50
58460	LEVER OPER	12.20	59224	RECEPTACLE	6.30	61734	BARREL KEY	24.50
58462	SPRING	1.40	59225	BULLSEYE 3	2.30	61760	CAP ASM	3.05
58463	SCREW	3.95	59237	SPRG LIGHT	.15	61764	GLASS DIAL	.65
58468	BRKT RIB	.35	59249	CAM	2.65	61795	TPWHL ASM	26.10
58470	BRACKET	1.05	59254	CONNECTOR	.70	61796	TPWHL DIAL	22.05
58486	PLATE DIAL	1.00	59256	COVER CONN	.85	61805	PANEL BLNK	6.95
58490	PINION	2.45	59257	COVER CONN	.85	61869	HAND SEC	2.50
58495	HAND MIN	.75	59271	CONT ASM	7.65	61870	ROLL PAPER	.95
58496	HAND HR	.70	59346	RIBBON	2.90	61885	SOCKET ASM	2.80
58498	SPRING	.30	59347	RIBBON	2.90	61941	GEAR HR	6.90
58501	CLIP	.40	59348	RIBBON	2.90	62029	FILTER REL	6.95
58503	CRYSTAL	.25	59349	RIBBON	2.90	62031	LOCKWASHER	.01
58504	CLIP	.60	59560	SCREW SET	.10	62034	SCREW	.05
58505	PLATE BLNK	2.10	59647	SCREW	.05	62036	FOOT	.25
58514	LOCK LATCH	1.50	59648	SCREW 1420	.05	62145	RECVR PHON	12.65
58523	STUD STOP	.75	59649	SCREW 1420	.05	62182	CAM TRIP	5.20
58540	SCREW PIV	.65	59652	SCREW	.05	62188	STRAP BRNG	2.20
58541	CASE TOP	5.50	59783	FUSE 2A	.15	62189	STUD	.65
58543	GEAR HOUR	2.50	59821	ROTOR 25CY	4.35	62190	STUD	.50

ETD PARTS PRICE LIST

62254-66451

PART NO.	PART NAME	PRICE	PART NO.	PART NAME	PRICE	PART NO.	PART NAME	PRICE
62254	PLATE CONT	6.30	64177	SPRING	.15	65495	COIL	10.85
62258	FUSE 2A	.25	64178	BRACKET	.85	65497	MAGNET	23.05
62375	HAND MIN	.45	64182	RING 12IN	37.40	65514	LEVER	6.85
62376	HAND HOUR	.45	64204	PLATE	1.05	65517	PLATEN	.30
62377	HAND SEC	.45	64668	SCREW	.05	65518	BUMPER	.15
62431	MOTOR	26.55	64669	WASH CUP	.05	65554	FOOT	.40
62487	CAM CONT	6.30	64757	DIAL WCLK	6.25	65555	CLAMP FOOT	.15
62549	LEAF CONT	.45	64758	KEY CLOCK	.50	65558	CONDENSER	1.85
62580	TRANSFORMR	17.40	64763	NUT REGUL	7.75	65560	FRAME RH	18.55
62582	TRANSFORMR	30.50	64794	FUSETRON	.50	65561	FRAME LH	18.55
62590	RATCHET	4.35	64992	CATCH	36.90	65577	PLUNGER	3.15
62656	GEAR HR	11.15	64993	CATCH	36.90	65578	SPRING	.25
62755	KEEPER	5.15	64996	BOLT	26.05	65580	SPACER	1.05
62757	KEEPER	13.90	65000	BOLT	30.05	65584	SPRING	.45
62764	SCREW	.05	65004	BOLT	53.55	65588	SPRING	6.10
62785	GRILLE	12.00	65009	BOLT	26.05	65591	SLIDE	3.20
62786	GRILLE	6.00	65013	FILTER	16.05	65592	PAWL	1.30
62798	PLATE PAT	.60	65048	TPWHL ASM	15.10	65595	LEVER ASM	5.55
62803	BOLT SLIDE	8.25	65053	TPWHL ASM	15.10	65598	SCREW	.25
62835	MAGNET ASM	14.85	65112	SWITCH	1.30	65603	PLATE ASM	27.25
62898	COVER SW	3.20	65123	YOKE	1.20	65609	PLATE ASM	8.95
62899	HOLDER	.15	65124	PLATE WALL	.70	65611	SPRING	.15
62958	SWITCH	1.40	65125	PLATE WALL	.80	65623	TPWHL DATE	22.05
62965	DISC STOP	22.25	65131	COVER RECP	.70	65625	NUTS	.15
62970	SYNCHRONIZ	78.90	65134	BULB	.60	65626	NUT	.85
63040	FUSETRON	.15	65135	LAMP ASM	1.85	65627	ROLLER	.70
63041	SOCKET	.30	65136	COVER RECP	.45	65629	GLASS	.25
63078	TRAP POLAR	4.05	65137	SWITCH	1.10	65630	SPACER	1.40
63079	WIRE JUMP	.05	65138	SWITCH ASM	14.85	65639	RETAINER	.75
63107	KEEPER	10.75	65144	COLLAR	.80	65654	SPOOL ASM	3.35
63115	BOLT SLIDE	18.25	65148	BULLSEYE	.25	65656	SPOOL ASM	3.35
63137	LEAF CONT	.65	65151	DOVE ASM	8.25	65662	PLATE	4.25
63138	LEAF CONT	.65	65152	DOVE ASM	7.15	65667	PLATE	.30
63149	ESCUTCHEON	7.90	65157	COIL ASM	16.10	65668	PINION	4.40
63210	SPRG SUSP	6.80	65162	RELAY 24V	15.15	65682	SHAFT	.80
63224	PIN	.30	65172	CASE	19.85	65683	SHAFT	.80
63227	WHEEL SPR	10.15	65174	STRIKER	10.85	65688	SHAFT	.70
63234	CONT ASM	5.70	65179	BRACKET	2.45	65693	PINION	5.00
63237	CONT ASM	4.80	65180	PLATE STOP	.25	65697	LATCH	.85
63238	CONT ASM	4.80	65181	PLATE STOP	1.10	65713	PLATE ASM	29.00
63239	CONT ASM	9.55	65190	PLATEN	.40	65714	GEAR	.80
63241	MOTOR	13.90	65194	SPRING ASM	.70	65717	PLATE RET	.45
63244	CONDUIT	12.05	65198	RECTIFIER	20.90	65725	PLATE ASM	13.45
63245	BULB	.45	65200	RELAY ASM	6.95	65730	HAND MIN	.30
63324	SCREW	.01	65219	SCREW	.05	65731	HAND HOUR	.30
63346	CAM CONT	2.30	65224	RELAY ASM	6.95	65732	RING REFL	1.70
63347	CAM CONT	2.30	65239	WINDOW	.45	65735	GLASS	.05
63348	CONDENSER	8.45	65243	REED ASM	.45	65734	HOUSING	23.30
63350	CLIP WIRE	.10	65259	CONTACT	6.60	65740	FINGER	.40
63374	SPRING	.30	65266	SWITCH	2.85	65745	SPRING	.25
63375	BUMPER	1.60	65269	CASTING	3.85	65750	PLATE BLNK	8.80
63386	FING CONT	5.45	65272	HAND HOUR	1.95	65756	LOCKWASHER	.80
63389	BAR ADJ	4.20	65274	HAND MIN	.85	65791	CONTACT	2.25
63392	SHAFT	2.30	65275	GEAR ASM	6.25	65810	PLATE BLNK	8.35
63394	SHAFT	2.25	65276	SHAFT ASM	2.30	65825	RIBBON	3.30
63411	SCREW SW	.85	65283	SHAFT ASM	4.10	65827	RIBBON	3.30
63433	FING CONT	5.05	65289	SPACER	.10	65828	RIBBON	3.30
63434	CONT ASM	9.80	65291	DIAL	5.00	65846	GEAR ASM	6.90
63440	LATCH	12.25	65298	GEAR	2.20	65850	DISC ASM	12.25
63442	POST BOLT	2.80	65301	BUSHING	.60	65884	COIL	10.85
63469	GUIDE BOLT	2.15	65302	STUD	.75	65886	TPWHL UNIT	15.10
63571	METER MA	22.05	65303	CASTING	2.55	65887	TPWHL TEN	15.10
63658	SCREW	.70	65305	GEAR ASM	4.80	65892	SPRING	5.75
63692	ROTOR 60CY	4.35	65307	BUSHING	1.75	65893	HAIR SPRG	2.05
63695	ROTOR 25CY	4.35	65311	CASE CLOCK	24.60	65894	PAWL ACTG	11.30
63697	ROTOR 60CY	4.35	65312	CASE CLOCK	27.60	65984	PLATE INSC	15.10
63700	ROTOR 25CY	4.35	65314	SPRING	.25	65986	PLATE INSC	15.10
63770	INDICATOR	.40	65315	SPRING	.25	65998	COIL ASM	10.85
63786	ROTOR 30CY	2.50	65316	SPRING	.40	66012	PLUNGER RUB	.10
63810	MAGNET 48V	15.20	65344	RIBBON	2.20	66013	PLUNGER	7.90
63947	FUSETRON	.50	65345	BASE MTG	13.00	66125	SPG RETAIN	.40
63961	PLATE NAME	.70	65358	RIBBON	2.20	66296	PLUNGER	.85
63963	LENS RED	2.55	65359	PLATE	.65	66298	SPRING	1.60
63966	BULB	.60	65376	COVER ASM	14.75	66299	BLOCK ASM	5.90
63967	CABLE	5.45	65382	DIAL WCLK	6.25	66353	RATCHET	5.80
63985	RIBBON	3.30	65385	CONDENSER	18.70	66355	GEAR ASM	5.80
63986	DIAL	.75	65419	KEY ASM	7.30	66357	GEAR	3.95
64063	DISC	2.15	65473	PENDULUM	22.60	66396	GEAR ASM	4.50
64151	SHIM	.45	65474	NUT ASM	5.00	66423	TPWHL HOUR	34.80
64168	FUSETRON	.30	65488	SLEEVE	2.10	66451	TPWHL MON	10.15

MARCH 17, 1961

PAGE 5

ETD PARTS PRICE LIST

PART NO.	PART NAME	PRICE	PART NO.	PART NAME	PRICE	PART NO.	PART NAME	PRICE
66452	TPWHL YR	10.15	67947	KEY ASM	2.30	70236	RELAY ASM	8.70
66465	PINION	9.85	68012	KNOB RESET	1.50	70238	COIL ASM	6.95
66468	CONTACT	11.90	68025	MOTOR ASM	6.95	70329	GEAR	4.65
66471	LEVER ASM	10.20	68046	MAGNET YOK	22.90	70332	COIL ASM	4.45
66510	SPRING ASM	5.35	68141	LINK	7.70	70370	TPWHL ASM	27.85
66579	SCREW	2.10	68143	SCREW	2.55	70379	PAWL ASM	46.55
66635	DEV CYCL	58.00	68152	TUBE	.95	70381	CONT ASM	16.00
66837	COVER	5.10	68260	TUBE 83	3.25	70439	PLATE ASM	32.00
66839	KEY	.30	68285	DIAL ASM	15.95	70440	SHAFT ASM	3.75
66894	PLUG	1.10	68338	CONDENSER	1.30	70634	SPRING ASM	.35
66898	CABLE ASM	2.40	68390	COVER	2.10	70782	PLATE	5.60
66899	PLUG	1.55	68408	GUARD WIRE	13.25	70844	SPRING	1.50
66910	WIPER ASM	7.70	68444	VERGE	16.00	70939	DIAL CAL	.50
66911	WIPER ASM	7.10	68479	SPRING SUS	5.50	70962	DIAL	4.45
66933	RIBBON	1.50	68481	KEEPER ASM	45.00	70961	SPRING ASM	1.35
66947	KEY LATCH	3.50	68512	ARM OPER	7.35	70962	CLAMP	.80
66959	HAMMER	3.70	68555	SHAFT ASM	6.05	70963	GUIDE	.95
66961	SPOOL	.40	68957	NUT	.65	70964	GUIDE	1.50
66962	SPOOL	.40	68959	DISC	5.50	70965	GUIDE	1.50
66965	BAR ASM	14.40	68965	PLUG ASM	21.70	70997	STIFFENER	3.75
66971	BRKT LOCK	1.60	68968	SPACER	1.10	71019	HAMMER	6.50
66972	SHIELD	2.60	68979	LINK ASM	3.35	71020	BLOCK	3.05
66973	LEVER ASM	8.25	68692	RIBBON	1.25	71085	SPACER	.30
66977	CAM ASM	8.60	68713	ROLL PAPER	.95	71096	COIL	8.25
67494	SPACER	.85	68735	COVER ASM	24.00	71138	SHAFT	1.00
67530	ROTOR	2.50	68739	COVER ASM	29.75	71153	COIL	9.05
67535	SPACER	2.45	68751	BRACKET	28.15	71170	GLASS	.15
67576	MOVEMENT	100.00	68758	RELAY 24V	60.10	71171	KEY	.75
67643	BUSHING	.75	68841	SPOOL RIBB	1.05	71172	KEY	1.55
67645	LATCH	2.65	68919	LEAF CONT	1.55	71216	COVER DUST	.45
67689	FUSE	.50	68927	SPRG CONT	2.15	71288	SHIELD	.85
67690	FUSE	.50	68929	KEEPER	23.70	71291	SPRING	.40
67691	FUSE	.50	68937	KEEPER	23.70	71296	SPRING	.10
67692	FUSE	.50	68955	ARM	4.35	71302	HAND MIN	2.15
67720	CORD	3.20	68958	SUPPORT	1.60	71304	HAND HOUR	2.10
67729	CAP	.85	68959	CONTACT	6.05	71306	SPRING RET	.10
67730	MONTHPIECE	2.25	68963	ARM ASM	2.25	71318	HAND MIN	4.20
67732	MONTHPIECE	1.95	69022	ARMATURE	28.90	71320	HAND HOUR	3.50
67733	CAP RECVR	1.40	69040	GUIDE	9.65	71335	CRYSTAL	2.20
67736	MONTHPIECE	1.85	69109	PLUG POLAR	.60	71336	CRYSTAL	2.40
67737	DIAPHRAM	.35	69129	INSUL CONT	3.30	71337	CRYSTAL	2.85
67738	DIAPHRAM	.35	69267	SPRING	3.25	71338	CRYSTAL	3.35
67756	PAD FELT	.25	69270	COMB	.95	71339	CRYSTAL	7.70
67776	PLUNGER	1.75	69275	GLASS	.25	71343	HAND HOUR	5.30
67777	CONTACT	12.55	69276	PLATE	1.15	71344	HAND MIN	7.65
67778	PIN PIVOT	.50	69304	PAWL	5.50	71380	TRIGGER	.25
67832	FINGER	6.60	69311	SCREW	.35	71390	TABLE	3.00
67848	TPWHL DAY	22.05	69319	NUT	1.60	71391	PLATE ASM	8.00
67856	STRAP	.05	69322	BLOCK ASM	2.55	71392	ARM ASM	3.35
67859	BUTTON	.25	69324	TPWHL ASM	34.80	71393	LINK ASM	.65
67866	STRAP	1.50	69390	GUARD	13.25	71394	BRKT ASM	.60
67870	SWITCH	.60	69450	PLATE ASM	4.35	71395	BRACKET	2.80
67871	HOLDER	2.10	69452	PLATE ASM	4.35	71396	CONTACT	5.65
67872	SCREW	.05	69453	PLATE LOC	9.15	71397	SPRING ASM	1.00
67875	SCREW	.45	69477	GEAR ASM	2.90	71398	SPRING ASM	1.05
67876	PANEL ASM	24.65	69481	PLATE ASM	4.30	71399	FRAME	9.75
67877	PANEL ASM	33.50	69485	MOTOR 110V	6.95	71497	LEVER ASM	9.65
67883	SPACER	.35	69496	PINION	14.10	71499	FEED ASM	9.65
67886	SPACER	.65	69594	CAM ASM	8.60	71502	DIAL	2.05
67889	BAR	1.45	69628	RUBBER	4.20	71507	HND MIN	.35
67897	GEAR ASM	1.70	69670	ROLL PAPER	1.30	71508	HAND HOUR	.35
67908	PLATE TRIP	1.60	69687	RIBBON	1.85	71512	PLATE ASM	4.35
67909	SPRING	.25	69791	FUSE	.50	71518	STOP ADJ	.95
67913	PLATE ASM	1.30	69824	PLATE BLNK	6.60	71542	TRIGGER	.70
67916	MOTOR 24V	9.10	69825	PLATE INSC	15.10	71582	COIL	8.05
67919	GEAR ASM	6.20	69839	CONNECTOR	17.40	71584	COIL	11.15
67921	CONTACT	5.05	69840	BASE ASM	4.85	71587	COIL	11.15
67924	HOUSING	56.20	69853	TRIGGER	7.15	71589	BRACKET	2.50
67926	COVER ASM	3.20	69855	COVER ASM	4.65	71590	SPRING	.15
67927	SPRING	4.20	69857	SPRING	.15	71770	RELAY 24V	18.75
67929	HAND ASM	2.45	69916	SCREW	.05	71785	RESISTOR	8.45
67930	HAND ASM	2.75	69982	ARM ASM	3.50	71791	CASE	9.30
67932	HAND ASM	2.45	69985	KNOCKOUT	1.85	71799	STUD	.25
67934	DIAL 9 IN	3.55	69994	WHEEL	1.55	72134	SWITCH	1.60
67935	SUPPORT	1.40	69995	BRIDGE	.35	72137	RIBBON	2.78
67936	LOCK	2.15	70046	SPRING ASM	.75	72162	RESISTOR	.15
67942	FEED ASM	13.90	70048	BLOCK ASM	3.75	72166	BOLT	.65
67943	FEED ASM	19.00	70098	CARRIER	6.50	72168	COIL	11.45
67944	FEED ASM	14.40	70099	NUT	.05	72170	COIL	11.45
67945	PLATE INSC	11.90	70159	BLOCK ASM	6.45	72174	DIAL	1.10

ETD PARTS PRICE LIST

72184-74834

PART NO.	PART NAME	PRICE	PART NO.	PART NAME	PRICE	PART NO.	PART NAME	PRICE
72184	DIAL	1.10	73431	PLATE ASM	.95	74257	BRKT MTG	5.95
72228	DIAL WCLK	6.25	73439	RELAY ASM	21.85	74262	ADAPTER	4.10
72229	DIAL WCLK	6.25	73482	BLOCK ASM	1.30	74263	PLATE MTG	3.25
72318	WASHER	.01	73511	BASE CAST	21.75	74270	BM PKGD	32.70
72402	PLUG MOTOR	.80	73515	CASTING	16.10	74271	FRAME ASM	71.35
72461	STUD	5.45	73516	CASTING	16.10	74293	RECEIVER	27.25
72464	STRAP	.35	73527	PLATE	5.20	74294	BM PKGD	25.35
72506	PLATE LOCK	.40	73530	BRACKET	5.45	74302	BM PKGD	18.00
72507	SPRING ASM	.80	73532	ARMATURE	2.25	74330	BM PKGD	11.55
72509	SHIFT ASM	9.85	73533	CARRIER	3.00	74331	BM PKGD	9.80
72514	SPRING ASM	3.40	73534	LEVER	1.35	74332	BM PKGD	19.10
72518	PLATE INSC	18.00	73536	SPRING	.35	74335	BM PKGD	39.95
72519	PLATE INSC	18.00	73537	SPOOL	1.30	74336	BM PKGD	12.90
72526	COVER	11.45	73541	PAWL	.85	74348	BM PKGD	92.50
72527	BASE	14.10	73545	ALIGNER	4.85	74349	BM PKGD	73.35
72531	PLATE BLNK	8.60	73546	HOLDER	1.05	74350	BM PKGD	23.60
72532	PLATE BLNK	8.60	73557	LINK	2.60	74353	BM PKGD	28.35
72535	STUD	.10	73558	PINION	3.30	74355	BM PKGD	45.20
72543	LINK ASM	1.35	73561	CARRIER	1.40	74360	BM PKGD	36.40
72550	PLATE ASM	7.55	73563	GEAR	1.05	74361	BM PKGD	32.30
72552	LEVER ASM	6.40	73565	GEAR	2.65	74364	BM PKGD	72.70
72553	SHAFT ASM	11.00	73566	CARRIER	1.35	74365	BM PKGD	66.45
72558	PLATE	1.75	73567	PAWL	.60	74370	BM PKGD	64.50
72559	SPACER	.30	73568	PAWL	.60	74375	BM PKGD	6.50
72560	SPACER	.30	73575	RELEASE	1.40	74376	BM PKGD	23.80
72561	COUPLING	.75	73579	PAWL	1.35	74377	BM PKGD	37.75
72562	COUPLING	.95	73580	SPRING	.40	74378	BM PKGD	15.85
72567	WASHER	.10	73581	SPRING	.35	74526	TPWHL ASM	27.85
72568	CUP NAME	1.10	73582	STUD	.10	74527	DETENT	.65
72608	HAND HOUR	.65	73585	SPRING	.50	74530	SCREW SET	.10
72609	HAND MIN	.50	73586	WASHER	.05	74533	CONDENSER	5.75
72612	MOVEMENT	12.65	73594	NUT	.25	74535	CONDENSER	2.30
72613	STEM RESET	1.30	73600	STUD	.10	74537	COIL	15.10
72616	PIN	.10	73601	STUD	.30	74675	HOLDER TAB	
72670	SCREW	.05	73602	SCREW	1.15	74712	RIBBON	3.55
72697	GUIDE BOLT	4.30	73603	BLOCK ASM	1.25	74714	SPOOL RIB	.60
72700	COLLAR	2.20	73608	SHAFT	3.40	74715	ROLL PAPER	1.05
72707	LOCK	4.80	73610	SPRING	.25	74721	RECEIVER	27.25
72715	SPRING	.15	73611	SPRING	.25	74723	DOVE ASM	5.95
72720	POSITIONER	.70	73612	LEVER	1.40	74724	DOVE ASM	3.75
72751	RELAY 24V	10.45	73613	PLATEN ASM	4.30	74729	KEY BOX	.85
72755	COIL ASM	8.95	73614	SPRING	.85	74730	FRAME SIDE	9.45
72756	ARMATURE	1.85	73615	PINION	1.10	74739	ARM TR ASM	4.80
72793	TPWHL HOUR	10.15	73616	PINION	1.10	74743	CONTACT	4.60
72797	RELAY 110V	18.75	73617	PINION	1.10	74744	CONTACT	4.35
72826	RELAY 110V	21.90	73618	SCREW	1.05	74746	BRUSH MTR	.60
72828	NUT	.03	73619	HOOK SPRG	1.00	74755	LEVER ASM	11.10
72829	DIAL	7.15	73620	BLOCK	.95	74756	LEVER ASM	18.85
72830	COIL ASM	7.75	73622	TPWHL YR	8.70	74757	LEVER ASM	18.55
72831	ARM	.80	73623	TPWHL MON	8.70	74762	LEVER ASM	30.15
72865	SPRING	5.75	73624	TPWHL DATE	8.70	74765	CONT ASM	1.30
72866	SPRING	5.75	73625	TYWHL HOUR	8.70	74766	CONT ASM	1.45
72867	SHAFT ASM	36.55	73626	TYWHL TENS	8.70	74767	CONT ASM	1.40
72868	SHAFT ASM	36.55	73627	TPWHL UNIT	8.70	74768	CONT ASM	1.10
72873	SHAFT ASM	34.20	73633	BLOCK ASM	1.10	74769	MOTOR	4.00
72874	RELAY ASM	8.80	73642	GUARD	.05	74774	MOTOR	5.60
72878	COIL ASM	8.70	73643	CONTACT	10.25	74775	SHAFT ASM	15.35
72887	COIL ASM	4.85	73644	PAD	.50	74776	SHAFT ASM	13.00
72889	COIL ASM	5.75	73645	COVER	.40	74778	GEAR	.75
72890	COIL ASM	6.95	73646	BUMPER	.05	74781	CAM RAPIDS	1.15
72893	RELAY 12V	10.45	73658	RIBBON	2.20	74785	GEAR	1.20
72894	RELAY 48V	10.45	73661	CORD	2.20	74786	RING RET	.05
72895	RELAY 110V	10.45	73667	TPWHL ASM	8.70	74790	DISC	.50
72896	RELAY 220V	10.45	73671	COIL ASM	12.65	74791	PAWL	1.55
72914	RELAY 12V	10.45	73673	COIL ASM	15.90	74792	SPRING	.30
72916	RELAY 48V	10.45	73675	DETENT YR	.65	74793	LEVER	2.60
72918	RELAY 110V	10.45	73679	SPRING	.15	74794	WINDOW	1.95
72948	TRIGGER	11.20	73680	SPRING	.30	74796	SHAFT	1.10
72965	BUSHING	.10	73682	SPRING	.15	74797	SCREW	.05
72984	TRIP ASM	6.75	73684	SPRING	.15	74799	GEAR	1.20
72992	CYLINDER	14.15	73698	PAD	.50	74800	SHAFT	1.75
73343	SPRING	.15	73700	COVER	.30	74801	GEAR	1.60
73344	SPRING	.10	73701	PAWL	1.85	74802	SPRING	.15
73349	MOVT 612	33.05	73702	BUSHING	1.60	74803	GEAR	.85
73353	RATCHET	2.90	73706	STRIKER	7.90	74817	BM PKGD	6.55
73422	WIRE ASM	.45	73709	SPRING	.40	74829	MOTOR	5.60
73425	WIRE ASM	.35	73711	CLIP	.05	74831	TPWHL ASM	34.80
73428	CORD	1.55	74093	BM PKGD	22.05	74832	TPWHL ASM	34.80
73429	PLUG	.05	74141	BM PKGD	12.95	74833	TPWHL ASM	34.80
73430	TUBING	.05	74223	TUBE	2.65	74834	TPWHL ASM	34.80

MARCH 17, 1961

PAGE 7

PART NO.	PART NAME	PRICE	PART NO.	PART NAME	PRICE	PART NO.	PART NAME	PRICE
74835	TPWHL ASM	34.80	75672	GEAR	2.10	75872	SPRING	.05
74837	TPWHL ASM	34.80	75673	GEAR	.50	75875	SPRING	.15
74838	TPWHL ASM	34.80	75680	GEAR	6.75	75876	SPRING	.15
74896	VERGE	1.75	75681	LINK OPER	2.25	75880	LINK	1.70
74910	PLATE NAME	.75	75682	STOP	.80	75881	LINK	1.70
74912	PLATE ADPT	.70	75684	ARM LINK	4.35	75882	CAM	1.85
74913	STUD	.40	75686	SHAFT	.40	75883	CAM	1.85
74917	WHEEL CODE	17.40	75692	STUD	.25	75884	CAM	1.85
74922	BRUSH MTR	.80	75693	CAM	2.10	75887	CAM	1.85
74977	PLATEN	.30	75711	COVER DUST	1.40	75888	CAM	49.90
74982	SPACER	.05	75712	COVER DUST	1.50	75894	STUD	.30
74990	BRACKET	2.45	75713	COVER DUST	1.70	75895	FOLLOWER	1.55
75099	ROTOR	4.20	75714	INTERPOSER	.70	75897	ARM LIFT	1.90
75157	POINT CONT	.10	75715	GUIDE	1.60	75914	SPRING	.15
75221	SHAFT	7.90	75716	STUD	.15	75937	SCREW PIV	.15
75265	FILTER	5.45	75717	SCREW SET	.15	75938	COLLAR	.65
75268	SOCKET	1.85	75718	SCREW STOP	.60	75939	STUD	.15
75270	TUBE SK60	15.10	75719	SCREW STOP	.65	75941	INDICATOR	1.30
75287	COIL	8.95	75721	LEVER CTRL	2.15	75942	CLAMP CABL	.05
75302	MOTOR	23.50	75726	LEVER CARR	2.10	75944	CLAMP	.04
75307	BUSHING	.05	75728	GUIDE CARD	2.10	75952	SLEEVE	.65
75311	CONTACT	2.15	75729	GUIDE CARD	2.10	75955	STOP	2.60
75312	BUSHING	.05	75730	ROD GUIDE	.40	75954	BLOCK TERM	.30
75314	LEAF CONT	1.80	75731	SCREW	.05	75955	PLUNGER	3.70
75326	RIBBON	1.85	75732	BAR TIE	.45	75958	BRACKET	4.50
75392	PAD PLATEN	1.40	75733	FINGER	5.00	75959	RIBBON	1.85
75395	CONTACT	.60	75734	FINGER	4.40	75971	COIL	10.55
75451	CORD ASM	6.10	75735	FINGER	4.30	75972	COIL	10.55
75452	CORD ASM	5.20	75736	FINGER	4.30	75973	COIL	10.55
75453	CORD ASM	3.75	75742	WINDOW	.05	75974	COIL	11.15
75503	STRIP NAME	4.05	75752	LEVER LOCK	1.10	75975	COIL	11.15
75504	COVER CONT	.85	75753	STUD	.25	75977	SPRING	.25
75508	PAWL DET	2.10	75754	BAR LOCK	1.35	75978	GUIDE	.15
75509	PAWL OPER	3.60	75756	LEAF CONT	.80	75983	SCREW	.02
75512	RATCHET	1.95	75758	STOP LATCH	1.15	75989	SPRING	.15
75513	PAWL DET	2.40	75761	CONT ASM	5.80	75990	SPRING	.25
75514	PAWL OPER	2.45	75766	CRYSTAL	.75	76000	SCREW	.85
75521	SCREW	.05	75767	DIAL	3.30	76013	KEEPER	13.05
75527	CAM DETENT	3.55	75769	FLANGE DRM	5.70	76050	LEAF CONT	1.15
75530	ARM DRIVE	2.65	75773	ARM DRUM	1.95	76079	WIRE	.10
75532	BLOCK TERM	.60	75776	PLATE BACK	9.40	76149	ARMATURE	10.75
75533	SET SCREW	.03	75778	LOCK	1.45	76151	CAM SR	4.45
75534	CARRIAGE	4.30	75779	LOCK CASE	1.35	76162	RECTIFIER	1.80
75535	GEAR DRIVE	3.00	75781	SHAFT	2.90	76163	POTENTIOME	2.05
75536	GEAR IDLER	3.20	75784	ARM SECTOR	1.15	76178	SYNCHRO 24	78.90
75537	GEAR DRUM	5.05	75787	RECEIVER	2.55	76191	SCREW	.05
75547	PAWL DRIVE	3.90	75788	RECEIVER	2.15	76193	INDICATOR	.65
75548	SHAFT	2.65	75789	RECEIVER	2.15	76194	INDICATOR	.65
75550	LATCH CLUC	3.00	75790	RECEIVER	2.15	76195	INDICATOR	.65
75559	STUD	1.05	75792	SCREW	.05	76196	INDICATOR	.65
75567	CLUTCH PRT	3.60	75794	SCREW	.05	76197	INDICATOR	.65
75569	PAWL DRIVE	1.60	75795	ARM SHIFT	1.85	76198	INDICATOR	1.10
75570	PAWL DRIVE	1.75	75799	LINK OPER	1.45	76201	RELAY	11.50
75572	COVER CONT	.45	75802	STRIP DECO	1.55	76202	RELAY	11.50
75582	LINK	1.20	75803	STUD	.30	76212	LOCKWASHER	.05
75584	HOUSING	1.70	75806	SHAFT	1.20	76228	DRIVE ASM	30.60
75585	WASHER	.10	75809	GUIDE	2.95	76229	TPWHL ASM	11.60
75587	RATCHET	4.05	75810	PLATE BOTM	4.10	76230	TPWHL ASM	17.40
75589	SHAFT ASM	10.65	75819	CLIP TERM	.05	76231	TPWHL ASM	15.10
75591	SHAFT WORM	4.40	75828	INDICATOR	1.10	76234	BRACKET	17.75
75593	BEARING	.25	75829	INDICATOR	1.10	76239	CONTACT	7.35
75596	LEAF CONT	.70	75830	INDICATOR	1.10	76248	CLAMP CORD	.15
75597	LINK	1.35	75832	INDICATOR	1.10	76365	HEATER	8.35
75598	LEVER LATC	3.00	75839	PAWL	.70	76392	COLLAR CAP	1.05
75603	LEAF CONT	1.30	75840	ARM FOLLOW	1.75	76410	SPRING	.25
75605	LEVER CONT	3.70	75841	PIVOT	.35	76411	COIL 11500	6.95
75606	LEVER CONT	3.50	75842	STUD	.05	76420	ROTOR	4.35
75609	INSULATION	.05	75843	STUD	.50	76424	BUMPER	.45
75622	ARM RESTOR	1.30	75847	LINK	1.05	76514	NUT	.05
75630	LATCH HAMM	4.20	75848	RIBBON	1.85	76521	HOLDER FUS	.75
75633	ARM DRIVE	1.55	75858	SPRING	.15	76541	SHAFT ASM	14.80
75649	INTERPOSER	2.45	75860	SPRING	.15	76544	SHAFT ASM	10.65
75650	INTERPOSER	2.45	75861	SPRING	.15	76558	CAM DELAY	.40
75654	CARRIAGE	4.30	75863	SPRING	.15	76574	WASHER	.05
75655	CARRIAGE	4.30	75864	SPRING	.15	76639	KNOB	.35
75657	SPRING	.40	75865	SPRING	.10	76640	HAND MIN	2.10
75662	LEVER DET	.65	75866	SPRING	.15	76641	HAND HOUR	3.20
75665	FRAME	.45	75867	SPRING	.30	76669	COIL	6.05
75669	GEAR	.75	75868	SPRING	.30	76725	RELAY	10.45
75671	GEAR	2.50	75870	SPRING	.15	76729	ARMATURE	1.10

ETD PARTS PRICE LIST

76751-78437

PART NO.	PART NAME	PRICE	PART NO.	PART NAME	PRICE	PART NO.	PART NAME	PRICE
76751	SPACER	.30	77439	SCREW	.05	77891	LINK OPER	7.10
76752	PLATE VOLT	.75	77458	COVER	.30	77892	STUD PIVOT	1.00
76802	ROD SUPP	.95	77471	CAM LIFT	1.50	77897	STUD ECC	1.00
76804	PLUNGER	19.95	77491	SCREW ADJ	.40	77902	CAM VERT	45.45
76825	CONT ASM	10.00	77493	LINK OPER	1.10	77906	LINK	.85
76833	SHAFT ASM	8.05	77511	SUPPORT	3.60	77911	CAM	4.40
76849	HOLDER	.45	77512	STUD	.95	77912	ARM OPER	.85
76865	HAND SEC	2.30	77515	ARM LEVER	.75	77913	STUD ARM	.30
76950	SPRING	.95	77516	ARM TRIP	1.55	77915	SPRING	.50
76951	SPRING	.15	77517	CABLE	7.25	77919	PAWL SHIFT	2.05
76952	BUSHING	.70	77518	CABLE ASM	6.40	77926	SCREW ADJ	.15
76961	CLIP PROG	.05	77520	COVER	.15	77931	RATCHET	7.50
76974	LEVER TRIP	.40	77533	CONT ASM	5.15	77955	PIN BAR	.05
77007	KEY CASE	.30	77550	SLIDE PAWL	7.70	77959	SCREW ECC	.80
77008	KEY SHIFT	.30	77551	BEARING	.25	77971	CONT ASM	4.00
77010	TAPE PAPER	2.10	77552	SCREW	.35	77977	INDICATOR	.65
77033	WIRE JUMP	.50	77555	HAND MIN	.60	77979	INDICATOR	.95
77034	BLOCK	4.75	77556	HAND HOUR	.60	78033	SHAFT ASM	2.15
77037	CLIP PAWL	.05	77563	BAIL CARR	2.65	78058	SOLENOID	12.40
77038	INDICATOR	.65	77564	LINK	1.55	78060	STRAP CONT	1.15
77040	RECEIVER	2.30	77565	ARM KO	.85	78061	LEAF CONT	4.85
77041	RECEIVER	2.30	77566	GUIDE	.85	78063	RIBBON	2.78
77051	WIPEY CAM	2.05	77567	BAIL KO	.75	78065	SHAFT ASM	3.40
77053	ARM ABUT	1.55	77569	INDICATOR	1.40	78068	RIBBON	2.78
77054	LINK	1.40	77582	INDICATOR	.95	78084	TAPE PAPER	2.60
77057	CAM ABUT	1.70	77584	ARM OPER	1.05	78162	MOTOR	6.90
77062	INDICATOR	1.10	77591	INDICATOR	.80	78219	BEARING	3.65
77063	SCREW	.05	77596	CONT ASM	3.65	78227	FRAME SIDE	16.10
77064	SCREW	.05	77604	BRACKET	3.35	78228	DIR READ	23.65
77076	CARRIAGE	7.25	77605	STUD PIVOT	.60	78229	HAMMER	2.15
77077	CARRIAGE	7.25	77606	STUD	.15	78230	ARM LATCH	2.80
77078	SPRING	.15	77609	SWIVEL	3.05	78231	ARM HAMMER	3.30
77089	SCREW ECC	.65	77611	SPRING	.15	78232	SLIDE DET	1.30
77090	SHAFT	1.60	77612	SPRING	.15	78233	ARM DRIVE	1.75
77095	MASK	.05	77616	PLUNGER	7.35	78234	TOGGLE ASM	1.75
77118	RIBBON	2.78	77628	DISC INDIC	3.35	78235	PLATE FRNT	6.50
77140	PLATE MTR	3.90	77629	DISC DRIVE	2.85	78240	DISC LOCK	4.35
77142	PLATE MTR	8.95	77630	DISC INDIC	3.85	78241	TPWHL UNIT	15.10
77149	WASHER	.05	77634	PLATE MTG	7.65	78244	TPWHL UNIT	29.00
77200	CAM	1.30	77645	SLEEVE	14.95	78245	SHAFT ASM	3.65
77211	CAM	8.65	77647	COIL	6.85	78250	ARM ROLLER	3.70
77218	LEVER CAM	3.60	77651	ARM CONT	8.55	78252	LINK FEED	9.85
77221	SHAFT GEAR	7.20	77659	SPRING	.25	78253	LEVER CAM	2.90
77223	ARM ADJ	.70	77671	CLIP SPR	.05	78254	CARRIER	5.90
77241	PLATE RET	1.45	77678	CABLE	13.80	78262	DISC LOCK	5.90
77245	ESCUTCHEON	2.55	77699	DISC INSUL	.05	78263	DISC LOCK	8.40
77246	CRYSTAL	.35	77709	SPACER	.15	78264	BRACKET	5.75
77247	ESCUTCHEON	.75	77710	BAR SUPP	3.75	78265	GEAR	5.20
77249	GEAR DRIVE	.45	77726	FRAME SIDE	3.95	78266	PLATE BLNK	4.25
77256	CONNECTOR	1.75	77730	PLATE RET	.60	78268	RIBBON	1.85
77257	CAP POLAR	.50	77731	PLATE RET	.60	78270	CONT ASM	8.10
77258	BRACKET	2.15	77733	STUD	.25	78271	CARD REC	27.25
77259	CONDENSER	1.20	77734	POST GUIDE	.30	78272	CARD REC	27.25
77263	CABLE	3.75	77735	STUD PIVOT	.25	78273	REVERS ASM	11.20
77268	PLATE VOLT	.10	77738	SPRING	.15	78274	REVERS ASM	10.40
77278	BUSHING	.15	77743	BEARING	.60	78276	CARD REC	27.25
77286	STUD	2.60	77745	SHAFT DRUM	2.60	78277	CARD REC	27.25
77287	STUD	.25	77766	CONT ASM	5.50	78278	CARD REC	27.25
77301	SPRING	.25	77767	LEAF CONT	1.30	78298	DRIVE ASM	4.95
77323	PAWL OPER	4.50	77768	INSULATOR	.60	78301	ARM TOGGLE	.65
77324	DISC	.80	77780	WASHER	.25	78302	ARM TOGGLE	.65
77327	CAM DRUM	4.80	77787	SCREW	.60	78324	PAWL DET	1.35
77333	PAWL DET	2.20	77788	CAM	2.60	78325	PAWL DET	1.35
77341	LEVER CARR	2.25	77791	ARM CONT	1.10	78326	FING FEED	2.40
77342	ARM SHIFT	1.90	77792	CONT ASM	4.75	78327	FING FEED	2.40
77343	CAM SHIFT	2.10	77793	LEAF CONT	.70	78362	SOLENOID	12.40
77347	CAM SHIFT	2.10	77794	LEAF CONT	.60	78363	SOLENOID	14.60
77348	CAM SHIFT	2.10	77796	STOP LINK	.65	78365	TPWHL ASM	27.85
77349	CAM SHIFT	2.10	77798	FING CONT	4.50	78375	SHAFT ASM	5.65
77360	CAM SHIFT	2.10	77799	CAM	2.50	78377	COLLAR ASM	1.10
77365	INDICATOR	.65	77851	SHIM	.05	78378	ARM SHIFT	3.35
77372	COVER TERM	.35	77863	BUSHING	.85	78379	DRUM ASM	27.15
77373	CLIP	.40	77864	PLATEN	.40	78381	RECEIVER	27.15
77374	CLIP	.15	77865	INDICATOR	2.55	78386	SHAFT ASM	5.90
77377	CABLE ASM	4.05	77866	INDICATOR	2.55	78391	SHAFT ASM	10.30
77400	STUD	.60	77868	INDICATOR	.80	78398	FRAME SIDE	6.05
77402	PAWL LOCK	1.70	77877	FLANGE DRM	5.35	78413	PLATE ASM	17.25
77409	BRACKET	1.45	77886	SPACER	.40	78418	FRAME	27.80
77411	BRACKET	2.65	77889	FOLLOW CAM	.50	78436	SHAFT ASM	13.20
77436	CARRIAGE	6.60	77890	ARM FOLLOW	2.20	78437	PAWL FEED	3.75

ETD PARTS PRICE LIST

PART NO.	PART NAME	PRICE	PART NO.	PART NAME	PRICE	PART NO.	PART NAME	PRICE
78439	PAWL ASM	2.45	79084	SPRING	.10	79466	PLATE BRNG	.30
78440	PAWL ASM	3.75	79086	NUT SPEED	.05	79470	BUSHING	.25
78441	LEVER ASM	2.85	79088	CRYSTAL	.40	79474	STUD ECC	.45
78442	CLUTCH ASM	17.45	79089	ABUTMENT	.70	79478	SHIELD	1.10
78443	CLUTCH ASM	8.95	79090	SUPPORT	3.50	79479	PLATEN	3.60
78444	LINK KO	3.65	79091	SPACER	.40	79491	SHIELD	1.05
78445	ARM ASM	6.15	79092	SPACER	.40	79492	SHIELD	1.05
78446	CARR ASM	19.20	79095	NUT THUMB	.65	79493	SHIELD	1.05
78447	PAWL ASM	18.20	79097	ROLLER RIB	.65	79494	WASHER	.05
78448	SLIDE ASM	15.00	79098	ALIGNER	4.75	79495	BUSHING	1.10
78464	OVERTHROW	6.10	79100	SPRING	1.15	79496	GUIDE PAWL	.45
78465	DIAL ASM	23.95	79103	TPWHL UNIT	12.75	79525	STUD ECC	.95
78488	ROTOR	2.50	79105	PLATE BACK	20.55	79527	HUB	.50
78493	KEY CH ASM	7.50	79106	CASE	14.85	79538	LEVER WIND	8.70
78614	TUMBLER 1	1.70	79110	BLOCK TERM	.30	79538	RATCHET	7.55
78635	BARREL KEY	24.50	79114	GEAR	1.10	79542	CAM IMPULS	1.40
78717	DIAL	.70	79119	MAGNET ASM	4.25	79544	GEAR DRIVE	2.80
78718	DIAL	1.60	79129	MOTOR ASM	6.95	79556	FRAME BACK	22.25
78720	DIAL	1.70	79130	MOTOR ASM	6.95	79570	SPRING	.15
78724	CRYSTAL	.40	79138	RECTIFIER	14.50	79574	PLATE ADJ	1.30
78725	PLATE CARD	6.55	79141	BOLT SLIDE	7.15	79575	BRKT SPR	.50
78726	COVER BOTT	1.05	79142	BOLT SLIDE	7.70	79578	MOTOR	6.90
78733	LEVER PRNT	2.80	79143	SPRING	.95	79581	GEAR	3.85
78756	SPACER	.25	79144	GUIDE	2.20	79586	MOTOR	15.10
78757	SPACER	.30	79149	BUTTON OPE	.80	79595	HAND MIN	8.70
78767	SCREW	.05	79150	SHIELD DUS	1.00	79603	NUT	.25
78782	CONT ASM	4.65	79155	CASE	16.90	79604	FING CONT	1.10
78785	BUSHING	.10	79188	SPRING	.15	79611	CONT ASM	5.70
78912	WIPER CAM	4.25	79190	SPRING	.25	79612	CONT ASM	5.70
78916	BUMPER	.15	79192	SPRING	.25	79614	FING CONT	4.05
78919	SEGMENT	4.85	79193	SPRING	.10	79617	DIAL	2.05
78920	TPWHL AMPM	22.05	79204	BUMPER	.15	79618	FING CONT	4.30
78924	HAND MIN	1.45	79205	PINION	.85	79619	HAND SEC	3.55
78925	HAND HOUR	1.55	79215	GEAR	1.75	79631	CAM CONT	1.60
78926	DIAL	1.00	79216	TPWHL DAY	10.15	79658	SPR RET	1.10
78936	BEZEL	5.75	79217	SPACER	.80	79659	SPR RET	1.55
78939	BUMPER	.10	79219	TPWHL NUMB	3.70	79660	SPR RET	1.55
78940	ARMATURE	8.70	79221	SCREW	.05	79661	RING RET	.25
78942	SPRING	.40	79225	MOVT CLOCK	22.00	79662	RING RET	.40
78945	RELIEF	.05	79232	STAND TABL	9.00	79663	RING RET	.40
78951	FUSETRON	.35	79233	WASHER	.05	79674	SPRING	.15
78952	FUSETRON	.30	79234	GEAR HOUR	.05	79683	MAGNET 12V	7.25
78963	BUSHING	.65	79237	MOTOR ASM	6.95	79684	MAGNET 48V	7.25
78967	SCREW	.05	79238	MOTOR ASM	6.95	79685	MAGNET 115	7.25
78979	HOLDER ASM	2.50	79248	GEAR	3.20	79687	MOVT 565	20.20
78993	SCREW PIV	.25	79249	GEAR	1.40	79688	MOVT 565	20.20
78994	BRKT GUIDE	1.00	79268	SPRING	.15	79700	MOVT 565	20.20
78996	MAGNET ASM	26.10	79307	CAM LOCK	4.85	79713	GLASS	1.55
78997	RELAY	18.55	79308	CAM LOCK	4.85	79718	HAND HR	2.15
78998	FUSE	.25	79309	LEVER	4.40	79722	HAND HR	1.60
78999	FUSETRON	.25	79310	SPRING	.35	79723	HAND HR	1.85
79011	STRIP RUBB	.30	79313	CLAMP	2.10	79724	HAND HR	2.15
79017	BEZEL	2.50	79329	SLEEVE	.10	79727	SHAFT ASM	1.90
79020	CHUTE CARD	5.35	79330	BUMPER	.05	79729	HOUSING	5.00
79021	SPRING	.15	79352	COIL	10.55	79732	SPRING	.10
79024	SPRING	.25	79364	SHIELD RIB	.60	79740	PINION DR	1.10
79029	SHAFT	1.00	79370	SLEEVE SOL	1.95	79750	PINION	2.50
79032	GEAR	4.20	79371	SLEEVE SOL	2.30	79751	SUPPORT	2.50
79034	PAWL DET	1.20	79375	SEAL DUST	.05	79755	SPACER	.30
79039	GEAR	.80	79376	RETAINER	.35	79759	PAWL	1.00
79041	SCREW STOP	.40	79378	SWITCH	3.35	79760	SPRING	.30
79050	FING DRIVE	.60	79379	RETAINER	.65	79761	SPRING RET	1.30
79052	FING DRIVE	.80	79380	ARM HAMMER	4.40	79762	SPRING	.10
79056	DETENT	.65	79403	SCREW	.05	79763	COVER	1.80
79057	SLIDE DRIV	3.70	79404	STUD	.25	79764	RING RET	.25
79058	SCREW PIV	2.45	79409	RIBBON	2.78	79769	WEDGE	.05
79059	SPRING	.25	79423	RIBBON	3.30	79779	SCREW	.05
79060	SHAFT TPWL	1.50	79424	RIBBON	3.30	79780	GROMMET	.10
79062	BRACKET	3.75	79425	RIBBON	3.30	79781	BUTTON	.15
79064	STUD	.10	79432	COVER	1.10	79793	HAND MIN	1.30
79066	ECCENTRIC	.70	79446	ABUTMENT	7.90	79795	HAND MIN	1.75
79068	SPOOL	.35	79447	ABUTMENT	7.90	79797	HAND MIN	2.95
79069	BRACKET	3.75	79448	ABUTMENT	7.90	79799	HAND MIN	4.10
79070	PAWL HOLD	1.35	79449	ABUTMENT	7.90	79800	LINK	.90
79074	RIBBON	1.85	79450	ABUTMENT	7.90	79801	PAWL SHIFT	1.85
79076	PLATEN	.25	79451	ABUTMENT	7.90	79802	BRACKET	1.40
79077	SHAFT	.25	79452	ABUTMENT	7.90	79803	BRACKET	1.70
79078	PLATE LOCK	.85	79453	ABUTMENT	7.90	79804	CAM SHIFT	1.60
79079	STUD STOP	.40	79456	SLIDE	4.30	79805	CAM SHIFT	1.60
79081	SPRING	.10	79462	STOP	.35	79807	CAM SHIFT	1.60

ETD PARTS PRICE LIST

79817-82019

PART NO.	PART NAME	PRICE	PART NO.	PART NAME	PRICE	PART NO.	PART NAME	PRICE
79817	STUD	.15	80296	RIBBON	2.50	80977	SPRING	.15
79819	CARRIAGE	5.65	80297	RIBBON	2.50	80995	WIRE	.05
79826	LINK OPER	4.40	80299	HOUSING	18.35	81140	BALL	.02
79827	FOLLOW CAM	3.35	80300	SHAFT WORM	5.00	81142	SCREW	.05
79829	FOLLOW CAM	1.70	80305	SPRING	.40	81200	SCREW SET	.15
79831	STOP LEVER	.30	80307	SPRING	.15	81404	SCREW	.04
79837	FOLLOW CAM	4.20	80308	PLATE	2.65	81644	DIAL SQUAR	2.60
79838	STUD	1.05	80310	EXT SHAFT	4.35	81671	CAPACITOR	34.90
79839	LINK	4.30	80311	BEZEL SQ	8.10	81679	TUBE 811A	5.65
79840	SCREW	.65	80316	GEAR	2.50	81681	SWITCH LCK	5.05
79842	SCREW	.10	80321	CASE ASM	2.90	81682	RELAY	8.35
79843	MOVT ESCAP	49.45	80322	SPRING	.10	81684	RESISTOR	3.85
79844	SPRING	.45	80323	RECEIVER	4.20	81686	RESISTOR	.45
79858	SPACER	.50	80325	COVER	.60	81688	RECTIFIER	2.60
79861	CONT ASM	16.10	80329	STUD	.15	81695	SWITCH ROT	4.05
79889	CARRIER	2.80	80332	PLATE LEG	.15	81698	METER MA	17.40
79891	PAWL	1.10	80333	NAMEPLATE	.15	81702	TRANSFORMR	34.80
79915	SPRING RET	.40	80334	PLATE LEG	.15	81703	TRANSFORMR	72.40
79916	SHIELD RIB	2.80	80335	PLATE LEG	.15	81706	TRANSFORMR	27.85
79917	PLATE	3.15	80336	PLATE LEG	.15	81707	TRANSFORMR	11.60
79918	PLATE	3.15	80337	PLATE LEG	.15	81716	RELAY	16.00
79919	SHIELD RH	.45	80353	BOLT SLIDE	5.80	81720	WIRE ASM	.30
79957	ROTOR 60CY	4.35	80354	BOLT	29.50	81723	TUBE	3.60
79958	ROTOR 50CY	4.35	80355	BOLT	29.50	81731	WINDOW	1.10
79959	ROTOR 25CY	4.35	80480	SHAFT ASM	22.20	81737	PLATE	6.10
79964	RESISTOR	6.30	80563	HAND HOUR	1.40	81756	CONT ASM	8.10
79969	BOLT SLIDE	5.65	80564	HAND HOUR	1.50	81757	CONT ASM	14.95
79970	LEVER ASM	9.55	80565	HAND HOUR	2.30	81761	WIRE	.05
79971	LEVER ASM	5.20	80566	HAND HOUR	2.55	81762	TEMPLATE	.60
79972	CAM BOLT	17.10	80567	HAND MIN	1.15	81764	TEMPLATE	.45
79973	CAM BOLT	18.90	80568	HAND MIN	1.40	81765	TEMPLATE	.35
80002	DISC PROG	1.30	80569	HAND MIN	2.10	81769	LEVER	6.95
80017	PINION	1.35	80570	HAND MIN	2.30	81774	SWITCH ASM	14.90
80053	DETENT	.25	80573	MOVT	52.15	81779	SWITCH TOG	1.30
80054	SPRING	.10	80574	GEAR ASM	3.35	81785	CAM DELAY	.50
80063	LEVER CONT	2.45	80575	HAND SEC	.85	81796	POST MTG	.40
80064	LEVER CONT	2.45	80576	HAND SEC	1.00	81804	CASE 91	28.50
80065	LEVER CONT	2.45	80577	HAND SEC	1.05	81805	CASE 91	31.50
80066	LEVER CONT	2.45	80594	SPRING DET	.30	81821	PLATE BACK	9.10
80067	LEVER CONT	2.45	80605	YOKE	.60	81824	CASE	16.15
80068	LEVER CONT	2.45	80606	PLATE WALL	2.15	81826	GLASS	3.15
80071	SUPPORT	7.55	80613	TRANSFORMR	13.35	81827	HAND HOUR	1.75
80072	PLATE ASM	4.05	80614	TRANSFORMR	21.65	81830	HAND MIN	1.85
80075	FOLLOW CAM	3.95	80626	DIAL	2.60	81831	NUT	1.10
80077	CAM ASM	9.70	80627	CASE	11.60	81834	SPRING	.25
80081	BEARING	.40	80651	SCREW	.05	81839	RELAY	27.25
80083	HOUSING	8.00	80679	PLATE HANG	7.85	81840	CAPACITOR	.95
80090	LEAF CONT	1.60	80689	EXT SHAFT	.85	81842	HAND MIN	.75
80092	LEAF CONT	1.40	80693	CABLE ASM	6.45	81844	HAND HOUR	1.85
80093	CONT ASM	33.85	80709	CAM CONT	1.85	81847	MOVT 628	22.70
80100	TPWHL 1 12	22.05	80710	CAM CONT	1.85	81849	MOVT 056	25.20
80101	TPWHL 0 23	22.05	80714	WASHER	.05	81853	MOVT 056	22.00
80108	TPWHL MIN	17.40	80716	NUT	.05	81855	DISC STOP	3.20
80109	TPWHL 10TH	17.40	80738	SPRING	2.15	81866	COUPLING	2.10
80110	TPWHL HUND	17.40	80739	KNOB SET	1.15	81868	BAIL FEED	11.85
80111	TPWHL ASM	26.70	80743	SHAFT DR	3.05	81869	BAIL FEED	11.80
80114	TPWHL ASM	27.85	80745	PLATE MTG	11.30	81871	CAM DRIVE	4.40
80115	TPWHL DAY	22.05	80751	CAPACITOR	10.00	81872	SHAFT	.50
80116	TPWHL DATE	22.05	80752	CAPACITOR	8.00	81875	BAR ASM	5.25
80118	RATCHET	6.95	80760	LEAF CONT	.35	81877	MAGNET ASM	12.60
80137	TPWHL ASM	26.70	80761	SPRING	.10	81879	CONTACT HB	2.65
80138	TPWHL ASM	26.70	80774	SCREW	.05	81880	CAM	.35
80139	TPWHL ASM	27.85	80803	PINION	6.85	81889	POTENTIOME	7.55
80140	TPWHL ASM	27.85	80813	CONT ASM	8.70	81893	CONT ASM	5.50
80146	RIVET	.05	80817	BLOCK TERM	.40	81913	STUD	2.65
80165	FING STOP	.05	80844	MOTOR	5.20	81916	INTERPOSER	2.15
80166	FING STOP	.05	80846	ACTUATOR	2.05	81918	STOP INTER	1.60
80167	GUIDE STOP	3.00	80868	RATCHET	4.85	81919	CORD	1.55
80168	SPRING	2.05	80874	GEAR ASM	18.10	81921	CORD	1.15
80169	SCREW	.05	80880	BLOCK TERM	.80	81923	CORD	1.35
80197	LEAF CONT	1.00	80920	PINION	12.75	81981	SWITCH	2.45
80198	CONTACT	1.40	80924	SPACER	2.20	81984	PLATE INSC	18.00
80219	RELAY ASM	6.95	80935	DISC BRAKE	3.95	81985	MOVT 056	19.60
80224	RELAY ASM	6.95	80937	MOVT ASM	52.15	82001	CORD	1.15
80225	RELAY ASM	6.95	80939	RECTIFIER	3.15	82002	CORD	1.75
80249	PLATE VOLT	.40	80944	CONT ASM	6.05	82008	WIRE GRND	.15
80250	RETAINER	.15	80948	LEAF CONT	2.80	82012	CLIP SPR	.35
80251	SPRING	.10	80955	ARMATURE	8.80	82013	LEAF CONT	.65
80265	WHEEL CODE	9.55	80956	MAGNET ASM	10.55	82017	CONT ASM	7.85
80288	MOTOR ASM	12.65	80972	STUD	1.10	82019	ROD GLASS	.15

MARCH 17, 1961

PAGE 11

ETD PARTS PRICE LIST

PART NO.	PART NAME	PRICE	PART NO.	PART NAME	PRICE	PART NO.	PART NAME	PRICE
82027	SHAFT	27.60	82738	INSULATOR	.75	91305	COIL	6.90
82034	CORD	2.60	82746	HOUSING	56.25	91306	COIL	6.90
82041	INSULATOR	1.85	82747	HOUSING ASM	56.25	91307	COIL	6.90
82042	INSULATOR	.70	82751	RESIST ASM	10.95	91308	COIL	6.90
82048	CRYSTAL	20.50	82752	FING CONT	6.55	91312	COIL	6.90
82049	RCVYR IOWEG	215.75	82759	WIRE JUMP	.95	91313	COIL	6.90
82053	CRYSTAL	20.30	82763	RELAY ASM	14.75	91314	COIL	8.05
82055	CORD	2.75	82766	CAPACITOR	25.85	91315	COIL	8.05
82056	CORD	2.95	82769	RECTIFIER	44.85	91316	COIL	8.05
82057	MOTOR	9.55	82772	BRACKET	2.30	91317	COIL	8.05
82059	CORD	1.80	82773	RECVR CODE	30.00	91318	COIL	8.05
82065	CORD	2.55	82777	RHEOSTAT	14.50	91319	COIL	8.05
82069	MOTOR DR	79.75	82778	WIRE	.05	91322	COIL	8.05
82072	STRIP MARK	.35	82786	INSULATION	3.30	91323	COIL	8.05
82081	CORD	1.80	82799	COIL LOAD	15.80	91325	BLOCK	.60
82089	MOTOR DRIV	24.95	82828	CHOKE	24.00	91326	CONT STUD	1.60
82090	MOTOR DRIV	24.95	83021	KNOB	.25	91328	CLAMP	1.80
82092	MOTOR DRIV	24.95	83033	SOCKET	.30	91329	CLAMP ASM	2.80
82118	BEARING	.02	83036	SHAFT ASM	60.10	91331	PLUNGER	2.75
82234	TPWHL SYMB	31.00	83037	SHAFT ASM	54.60	91332	PLUNGER	3.85
82251	GLASS SQ	3.00	83043	RHEOSTAT	2.45	91333	PLUNGER	1.55
82253	CASE SQUAR	17.40	83049	SPRING	.25	91334	PLUNGER	2.75
82256	HAND MIN	1.85	83051	SWITCH	.95	91335	PLUNGER	3.85
82257	HAND HR	1.95	83078	LENS	.15	91336	PLUNGER	1.55
82259	HAND MIN	1.85	83079	GLASS	1.45	91338	COIL 12V	7.55
82260	HAND HOUR	1.75	83417	SCREW SET	.15	91339	COIL 24V	7.55
82262	PLATE BOTT	3.25	83484	DIAL SQ	2.90	91340	COIL 115V	8.05
82263	LOCK CASE	1.10	83511	TRAP POLAR	4.45	91341	PLUNGER	1.55
82265	CASE ASM	32.50	83549	CTRL VOLUM	2.95	91343	COIL	8.05
82266	ANCHOR	.05	83559	CONT GATE	10.10	91344	COIL	8.05
82273	CLIP SPR	.05	83560	CONTACT	12.20	91346	PLUNGER	2.75
82275	PLATE	20.75	83564	RESISTOR	13.50	91349	COIL	8.05
82284	CAM	.65	83573	NUT SPEED	.05	91350	CLAMP	1.80
82285	CAM	2.80	83578	TRANSFORMR	5.55	91351	PLUNGER	1.55
82293	LEAF CENTR	2.05	83607	RECEPTACLE	.40	91352	CLAMP	1.30
82294	LEAF CONT	1.75	83608	KEY	.35	91353	RELAY	6.95
82295	LEAF UPPER	1.65	83613	KEY	1.35	91355	SUPPORT	.15
82296	LEAF LOWER	2.65	83649	CAPACITOR	.95	91362	PLATE	2.25
82300	YOKE MAG	2.25	83687	SPRING	.05	91370	COIL ASM	4.60
82315	CAM S R	6.05	83694	STEM RESET	2.85	91373	SCREW SBAR	.05
82316	CAM SR	7.25	83703	PLATE BACK	11.35	91379	RECTIFIER	17.10
82317	CAM RH	10.15	83710	CONT ASM	3.95	91381	TRANSFORMR	18.55
82318	CAM LH	10.15	83712	CONT ASM	6.80	91387	ARMTR ROT	7.55
82320	PLATE MTG	14.60	83715	SWITCH TOG	.75	91408	BUTTON NUR	9.55
82321	DIAL CLK	23.50	83718	PLATE ASM	7.95	91430	RELAY	16.70
82322	TPWHL UNIT	8.70	83720	BUSHING	.10	91431	RESISTOR	9.00
82323	CAM SR	6.55	83744	RESISTOR	.60	91457	SPRING DET	1.30
82325	FOLLOW CAM	17.40	83746	MOTOR	4.35	91458	SPRING DET	1.40
82327	REACTOR	19.15	90850	PHONE	29.00	91459	TPWHL MON	8.70
82329	CONT TONE	8.90	90852	PHONE	42.00	91462	SPACER	5.20
82395	REGULATOR	197.20	90858	PHONE	83.00	91472	TRANSFORMR	31.20
82396	RELAY REG	24.95	90860	PHONE	68.00	91473	TRANSFORMR	48.40
82397	RELAY	19.50	91026	BRACKET	2.30	91478	MOTOR ASM	6.95
82398	RELAY	19.50	91033	LATCH	6.10	91480	LEVER	.80
82399	PIVOT	3.20	91034	SPRING	.05	91481	STUD PIVOT	.45
82426	MOTOR ASM	48.65	91035	MOTOR ASM	6.95	91482	SPRING	.05
82469	CABLE ASM	5.00	91048	BAIL ASM	5.75	91483	SEGMENT Z	19.60
82487	CONDENSER	.40	91050	ARMATURE	1.30	91484	SPRING DET	.95
82496	STIFFENER	2.25	91051	YOKE	2.85	91485	SWITCH	.60
82498	RESISTOR	3.15	91057	BRACKET	.40	91486	TPWHL MON	17.40
82499	RECTIFIER	19.70	91082	WASHER	.05	91490	PIN ROLL	.05
82504	RECTIFIER	5.15	91083	PLATE	.25	91493	CORD	.60
82509	MOTOR CYCL	9.55	91089	RECEPTACLE	3.40	91494	CORD	.30
82526	STUD	.95	91119	GEAR	31.10	91495	FING CONT	4.40
82534	LAMP RED	1.60	91152	SCREW TERM	.05	91498	BLOCK TERM	3.35
82535	LIGHT AMBR	1.60	91164	GEAR WIND	1.30	91500	SPRING	.15
82536	LIGHT WHIT	1.60	91172	CAPACITOR	5.20	91510	HOLDER	.10
82552	DOOR ASM	32.95	91174	SPRING	.10	91514	BUMPER	.05
82558	STRIP MARK	.70	91175	OUTLET	.35	91517	PLUNGER	2.50
82571	MOVT 056	38.00	91179	BRACKET	29.80	91518	COIL	3.70
82619	SWITCH CYC	2.10	91182	BRACKET	19.45	91527	LEVER ASM	11.75
82641	MOVT ASM	27.00	91187	GUIDE CARD	9.90	91531	LEVER ASM	13.10
82667	SUPPRESSOR	29.00	91190	BRACKET	.50	91534	WIPER ASM	3.75
82679	PLUG	.50	91192	FINDER	2.80	91535	LEVER ASM	8.20
82682	RECEPTACLE	.45	91196	DECAL	.10	91540	TPWHL MON	15.65
82686	CLIP	.05	91197	DECAL	.10	91543	TPWHL SYMB	22.85
82687	SOLENOID	6.30	91198	CAM	1.70	91545	TPWHL HR	10.05
82688	LEVER ASM	.25	91202	LEVER LOCK	6.05	91547	DETENT YR	.55
82699	LOCK RATCH	1.05	91297	GEAR ASM	43.25	91550	LEVER ASM	10.40
82735	SOLENOID	20.00	91304	COIL	6.90	91553	LEVER ASM	8.35

ETD PARTS PRICE LIST

91554-94381

PART NO.	PART NAME	PRICE	PART NO.	PART NAME	PRICE	PART NO.	PART NAME	PRICE
91554	LEVER LOCK	7.60	92244	PLATE BLNK	.70	92978	LAMP ASM	7.15
91556	LEVER ASM	4.50	92337	TRANSFORMR	29.75	93223	PINION	1.35
91558	SPRING	.30	92338	TRANSFORMR	23.50	93251	PINION	1.35
91559	SPRING	.30	92387	TRANSFORMR	49.70	93252	CAM	13.35
91560	SPRING	.45	92463	NUMO UNIT	156.60	93253	CAM	10.40
91561	SPRING	.45	92464	NUMO UNIT	156.60	93254	RETAINER	.35
91562	TPWHL HR	13.35	92466	NUMO UNIT	156.60	93255	RETAINER	.35
91563	TPWHL ASM	27.85	92468	SHAFT	7.60	93260	STOP	.05
91565	TPWHL	22.05	92489	SCREW	.60	93267	CASE	34.80
91572	BULB RED	.60	92527	SWITCH	2.10	93279	PLATE FRIC	.10
91585	COIL ASM	6.95	92528	SWITCH	5.70	93280	NUT	.25
91593	KEY SET	.45	92550	COUPLING	3.65	93283	MOVT FA	98.60
91594	SOLENOID	10.65	92551	CAM WIND	4.35	93297	BRAKE	4.65
91598	PIN CLEVIS	.05	92554	BRACKET	2.30	93377	COUPLING	102.00
91599	LINK	1.55	92565	SPRING	.25	93382	TRANSFORMR	30.00
91610	SCREW	.05	92566	SPRING	.25	93386	RESISTOR	.45
91625	INSULATION	1.00	92580	SHAFT	4.10	93387	CAPACITOR	7.50
91640	BUSHING	.25	92602	CAM	10.10	93856	PLATE NAME	.45
91663	BAR PROG	.25	92604	PLATE ADJ	2.45	93865	SOCKET	.15
91729	PAWL	1.10	92609	PLATE ASM	18.55	93866	TUBE 5823	1.60
91730	SPACER	.15	92624	COIL	3.90	93882	TPWHL SYMB	16.90
91738	CAM DRIVE	1.45	92625	COIL	3.90	93885	TPWHL SYMB	16.90
91741	COLLAR	.40	92627	CORE	.50	93892	LEVER ASM	21.35
91749	CAP BRUSH	.40	92628	NUT SPEED	.05	93900	TPWHL 1 12	19.70
91758	PLATE MTG	44.20	92629	BRACKET	1.10	93905	PINION	3.90
91773	SWITCH	3.05	92630	COVER	1.90	93925	CASE	17.40
91780	MARKER SW	.45	92631	GROMMET	.05	93930	RECEPTACLE	8.45
91793	MAG ASM	15.85	92639	TRANSFORMR	3.70	93931	RECEPTACLE	9.00
91794	PLATE	.80	92646	CONT ASM	6.50	93932	PLATE ASM	8.95
91800	FING CONT	4.50	92649	RECTIFIER	8.05	93933	RECEPTACLE	11.60
91805	FILTER	16.25	92650	STRIP TERM	.80	93934	RECEPTACLE	8.60
91806	CAPACITOR	2.80	92701	MOVT TIMER	21.75	93935	PLATE MTG	3.00
91854	RELAY	6.95	92704	YOKE	2.25	93936	CASE	31.55
91856	FOLLOWER	2.25	92708	SPRING	.35	93937	CASE ASM	32.50
91858	CABLE ASM	4.60	92726	CABINET	42.05	93944	RELAY	6.95
91864	DRUM ASM	32.75	92727	CLAMP	.35	93945	RELAY	6.95
91882	PLATE MTG	.70	92730	CONDENSER	1.20	93954	RESISTOR	2.65
91886	CLIP RET	.10	92731	CONDENSER	1.10	93955	RELA	15.65
91888	ACTUATOR	1.75	92734	FUSETRON	.50	93966	PLEXIGLASS	13.90
91890	COIL ASM	4.60	92735	RESISTOR	.40	93967	PLEXIGLASS	15.30
91892	STRIP TERM	2.45	92736	RESISTOR	.40	93968	PLEXIGLASS	20.80
91909	PIN CLEVIS	.05	92737	RESISTOR	.40	93980	WINDOW	.15
91911	BUSHING	.60	92740	RESISTOR	3.15	93982	CORD 16 FT	8.75
91914	SHAFT	.30	92748	GROMMET	.25	93985	LAMP	2.75
91915	PIN	.15	92752	HOLDER FUS	.70	93991	CABLE ASM	5.10
91925	STUD	.40	92753	TRANSFORMR	24.35	93992	CORD ASM	7.15
91926	STUD	.40	92754	TUBE 6L6	5.15	93994	DIAL	7.25
91955	SWITCH ASM	4.25	92758	TRANSFORMR	25.65	93996	DIAL	5.85
91973	SPRING	2.60	92759	COIL ASM	8.70	93998	DIAL	6.10
91982	GUIDE	3.35	92766	CONDENSER	2.25	94275	DIAL	7.20
91983	GUIDE	3.35	92767	RELAY	5.20	94276	SPRING	.15
91989	ANCHOR	.85	92770	CONDENSER	1.10	94284	STUD	.25
91993	MOVT CW	12.65	92789	CONDENSER	.30	94285	CAM	.15
91999	ROLLER	.40	92790	CONDENSER	.35	94286	SECTOR	1.15
92005	SPRING	.15	92791	CONDENSER	.45	94289	ARMATURE	4.10
92006	SPRING	.15	92793	HAND SEC	.45	94298	STRAP	.45
92007	SPRING	.15	92794	HAND SEC	.40	94317	GEAR ASM	8.70
92008	SPRING	.15	92795	NUT	.05	94318	GEAR ASM	8.70
92013	WINDOW	.35	92811	CYCLNG ASM	62.65	94325	DIE ASM	10.55
92014	WINDOW	.15	92812	RELAY	5.20	94327	TPWHL UNIT	17.75
92028	LOCK CARR	1.40	92813	RELAY	5.20	94329	TPWHL ASM	8.70
92029	BUTTON	.45	92821	BRACKET	.35	94333	BOX CHIP	1.10
92030	NUT SPEED	.05	92822	RELAY	4.05	94334	ABUTMENT	1.85
92042	SHAFT	1.75	92842	CONDENSER	4.05	94335	TPWHL SYMB	4.60
92048	KEY A	.35	92871	BULB GREEN	.60	94337	SCREW	.40
92049	KEY B	.35	92876	PLATE WALL	9.35	94341	SLEEVE ASM	6.25
92057	WASHER	.05	92877	YOKE SPEAK	2.50	94342	COIL	6.85
92063	WINDOW	.75	92878	SCREEN	.10	94353	LOCK CASE	1.10
92064	STEM 9IN	1.80	92879	PLATE SW	.35	94354	SPOOL -6B	.70
92065	STEM 12IN	1.40	92880	SPEAKER	7.20	94360	SPRING	.10
92066	STEM 15IN	2.65	92882	PLUG SPEAK	3.35	94361	RATCHET	1.00
92067	STEM 18IN	3.95	92885	CABINET	7.40	94362	RATCHET	1.00
92068	HAND MIN	.85	92919	SWITCH	2.90	94363	SPACER	.30
92069	HAND HR	.40	92923	RECEPTACLE	1.15	94364	SPACER	.25
92154	RECEPTACLE	6.40	92932	HANDSET	94.75	94367	INTERPOSER	4.60
92161	DOME ASM	7.20	92950	BULLSEYE 1	2.30	94368	STUD	.10
92165	DOME ASM	14.20	92951	BULLSEYE 2	2.30	94375	LATCH	2.05
92178	PAWL DET	.60	92952	BULLSEYE 4	2.30	94376	KNOCKOFF	.65
92197	INDICATOR	1.10	92953	BULLSEYE 5	2.30	94380	BUMPER	.10
92223	COVER ENGR	1.90	92954	BULLSEYE 6	2.30	94381	CORE	14.50

MARCH 17, 1961

PAGE 13

PART NO.	PART NAME	PRICE	PART NO.	PART NAME	PRICE	PART NO.	PART NAME	PRICE
94384	SPACER	.40	94645	RIBBON	3.75	95917	BRACKET	.50
94385	PAWL DET	1.80	94691	LEVER CONT	2.15	95918	RECVR TWIN	35.00
94388	SPRING	.10	94714	CHAIN PULL	.70	95924	DIAL	3.50
94389	POST	.30	94715	COUPLING	.10	95925	DIAL	4.30
94390	SHAFT ASM	1.35	94739	PLATE MTG	3.75	95926	DIAL	4.85
94392	PAWL	1.75	94740	PLATE MTG	1.80	95927	DIAL	7.10
94398	SM	4.40	94741	PLATE MTG	5.15	95931	TRANSFORMR	30.00
94401	SPACER	.25	94742	PLATE MTG	3.95	95954	FILTER	40.00
94402	SPRING	.50	94744	PLATE MTG	5.75	95956	CNTRL FREQ	56.85
94403	INTERPOSER	5.10	94774	TYPWHEEL	22.05	95961	GASKET	.275
94405	PINION	6.90	94842	STUD	.05	95962	HOOK SPR	.05
94406	LEVER ASM	2.80	94848	RECEIVER	18.95	95998	SPRING	.50
94410	SPRING	.40	94849	RECEIVER	18.95	95999	GUIDE	1.40
94411	SPRING	.50	94850	RECEIVER	18.95	97006	STUD STOP	.35
94412	SPACER	.30	94851	RECEIVER	18.95	97014	PLUG MALE	1.85
94413	SHAFT	.40	94885	BUZZER	5.50	97020	SPEAKER	7.20
94416	SLIDE ASM	2.90	94890	SEAL RUBB	.45	97023	LOCK	5.55
94420	ROLLER	.15	94893	BARRIER -	.50	97025	TRANSFORMR	11.30
94421	GEAR	1.95	94894	BEZEL 12	8.30	97063	RESISTOR	.50
94424	GEAR	1.45	94951	TPWHL HUND	17.40	97064	CAPICATOR	1.70
94426	PINION ASM	7.90	94954	BRACKET	3.50	97176	CARRIER	7.00
94428	GEAR HR	1.70	94956	SPACER	.50	97177	SHAFT	4.40
94429	GEAR MIN	1.70	94957	DISK ASM	5.30	97180	BRACKET	11.75
94430	GEAR	1.70	94961	WHEEL DRIV	17.40	97181	TPWHL YR	11.60
94431	HAND HR	.60	94963	HAND MIN	7.10	97182	TPWHL DATE	11.60
94432	HAND MIN	.60	94967	CONT ASM	5.85	97183	TPWHL MON	11.60
94433	SM	7.50	94968	LEAF CONT	1.65	97184	TPWHL UNIT	17.40
94434	PIN LOCK	1.15	94980	LEAF CONT	1.65	97190	GEAR	14.90
94436	BRACKET	.75	94980	ABUTMENT	5.50	97193	DETENT	11.75
94437	INTERPOSER	1.55	94981	ABUT DAILY	5.50	97194	SPACER	1.10
94438	PLATE GUID	4.85	94982	ABUTMENT	7.40	97291	PINION	1.75
94439	DIAL	.80	94988	LEVER ASM	22.95	97315	SPRING RET	.50
94441	CLIP RIBB	.10	94989	LEVER ASM	22.95	97316	SPRING RET	.25
94442	PAWL	1.60	94999	TRANSFORMR	14.40	97317	SPRING RET	.50
94445	CORD	2.50	95005	RELAY	6.90	97318	WHEEL SET	2.55
94449	BAR PLATEN	1.85	95029	FILTER	146.45	97319	BUSHING	.75
94450	PLATEN	.25	95800	CASE	9.85	97323	GEAR DRIVE	4.05
94451	PAWL ALIGN	.60	95801	CASE	9.85	97324	COVER	13.50
94452	PAWL ALIGN	.85	95802	CASE	9.85	97351	HOLDER TAB	.10
94458	PAWL LOCK	2.15	95803	CASE	9.85	97355	STOP CHAIN	.05
94459	SPACER	.45	95804	CASE	9.85	97399	SCREW	1.00
94460	CRYSTAL	.50	95805	CASE	9.85	97408	PROGRAM	191.40
94461	RIBBON	2.50	95806	CASE	9.85	97410	DECAL	.15
94462	SHAFT	.85	95807	CASE	9.85	97412	MOUNT SHOK	.40
94467	LEVER OPER	1.05	95811	STRIP MTG	.45	97417	CYCL ASM	58.75
94470	RECEIVER	4.20	95812	HANGER	.65	97419	BLOCK TERM	1.75
94472	BAR UPPER	1.15	95817	BUTTON	.10	97421	BRACKET	1.45
94475	DISC MIN	1.35	95818	CORD SR	2.05	97422	STRIP MARK	.15
94476	DISC HR	1.35	95819	BRACKET	2.05	97429	RELAY ASM	6.75
94477	BAIL FEED	11.50	95825	BRACKET	2.20	97431	MOTOR	9.10
94482	PUNCH	2.15	95826	RECVR TWIN	35.00	97434	PLATE MTG	1.15
94483	LINK	2.25	95828	RESISTOR	.50	97437	COVER	2.65
94485	SPRING	.25	95829	CORD	.30	97445	RELAY	6.75
94486	LEVER	1.75	95831	PAWL FEED	2.85	97448	COIL	7.30
94499	COIL	9.50	95834	FOOT	.05	97455	PROGRAM	174.00
94500	COIL	7.30	95836	PAD BASE	1.20	97456	INDICATOR	1.85
94507	COIL DRIVE	6.60	95837	RECEIVER	17.40	97459	DOOR CAB	17.85
94508	COIL DRIVE	6.60	95838	RECVR TWIN	35.00	97461	DOOR CAB	29.35
94509	COIL DRIVE	6.60	95842	RIBBON	2.50	97467	CABLE	14.15
94512	YOKE	3.40	95845	CAPACITOR	1.50	97480	MOVEMENT	155.00
94514	PLUNGER	6.40	95847	COIL TUNE	3.90	97484	RELAY	10.95
94515	CRANK BELL	4.85	95848	COIL TUNE	3.90	97500	COIL	2.60
94516	PIN SOLEN	.65	95850	COIL TUNE	3.55	97512	BLOCK FUSE	.60
94517	PIVOT	1.05	95851	COIL TUNE	3.55	97515	CAPACITOR	2.75
94518	FOLLOWER	3.90	95852	WHEEL DRIV	13.80	97516	RESISTOR	11.70
94523	CORE SOLEN	5.35	95853	TPWHL HUND	15.10	97520	CLIP TERM	.05
94528	CORD ASM	3.35	95854	TPWHL 10TH	15.10	97528	WIRE CAP	.06
94529	BRACKET	6.65	95856	GEAR	3.00	97529	FILTER ASM	29.40
94531	CAM KO	2.40	95858	GEAR DRIVE	3.55	97557	CONT ASM	27.50
94534	SHAFT	1.30	95861	COIL TUNE	3.90	97558	LEAF CONT	.60
94536	SPACER	.10	95862	COIL TUNE	3.90	97576	TPWHL 10TH	17.40
94547	CONTACT	5.75	95863	COIL TUNE	3.90	97577	TPWHL HUND	17.40
94604	YOKE MAG	2.45	95864	COIL TUNE	3.90	97583	LINK	1.00
94605	ARMATURE	.35	95876	TRANSFORMR	16.00	97584	REVERSE	5.65
94617	HANGER	.50	95878	SCREW	.05	97585	MOTOR	6.95
94618	WIRE JUMPE	.25	95883	CAPACITOR	1.45	97593	SPRING	1.35
94623	SHIELD CRD	1.05	95887	BLOCK TERM	1.85	97595	TPWHL YR	4.60
94624	SHIELD CRD	1.05	95889	GAP SPARK	3.00	97597	WASHER	.05
94625	SHIELD CRD	1.05	95893	COVER	10.10	97599	NUT SPEED	.05
94637	PLUG	.30	95916	CAPACITOR	14.60	97614	FILTER ASM	17.40

ETD PARTS PRICE LIST

97672-132769

PART NO.	PART NAME	PRICE	PART NO.	PART NAME	PRICE	PART NO.	PART NAME	PRICE
97672	CAM VERT	2.10	99136	ARMATURE	1.10	100229	INSULATION	.04
97673	LINK	1.60	99137	COVER DUST	1.85	101706	SCREW	.15
97674	CABLE ASM	9.55	99151	SPRING	.25	101922	CLAMP	.25
97675	SOCKET	1.55	99153	CONT ASM	2.50	102691	SPACER	.01
97677	TUBE DELAY	9.10	99154	RECEIVER	18.20	103372	NUT	.04
97681	CYL BLNK	4.90	99155	RCVR CH B	18.20	103895	SCREW	.01
97683	PLATE MTG	6.95	99156	RCVR CH C	18.20	103913	RESISTOR	.15
97685	LEVER CONT	3.00	99157	RECEIVER	18.20	104279	INSULATION	.01
97688	KEY	.35	99163	MOTOR	8.05	104625	CLAMP	.05
97689	CABLE ASM	8.70	99166	SPACER	5.55	104615	HOLDER	.30
97691	CAM S R	1.00	99173	PLATE BASE	3.25	104696	PIN DOWEL	.01
97692	LEVER ALIG	3.55	99181	ARMATURE	.95	104697	PIN	.10
97693	CAPACITOR	1.85	99182	CONT ASM	1.35	105047	WASHER	.01
97696	CABLE ASM	4.30	99184	COVER BOX	1.90	105792	SCREW	.01
97697	STUD	1.75	99187	SWITCH	1.30	105826	SPRING	.02
97698	CONT ASM	5.05	99191	LEAF CONT	.60	106336	POWER SUPP	355.00
97708	CAM	4.95	99195	BRACKET	.35	106988	STRAP	.55
97716	SECTOR DEL	2.80	99196	STRIP TERM	.10	107070	CONTACT	.30
97742	NUT	1.75	99199	RECEIVER	38.10	107667	FUSETRON	.75
97757	ANTENNA	53.35	99200	SOLENOID	9.30	107990	RESISTOR	.05
97764	WIRE	.25	99204	COIL	4.80	108114	SCREW	.02
97768	LEAF CONT	.25	99206	RELAY LATC	16.90	108144	SCREW	.01
97774	RECEIVER	160.10	99207	RECEIVER	38.10	110129	ROLLER	.60
97790	SPEAKER	6.15	99209	SWITCH ASM	2.50	110956	SPRING	.07
97791	SWITCH	1.45	99215	SWITCH ASM	4.35	111257	FUSE	.01
97798	WHEEL ESC	24.75	99220	COVER BOX	1.75	111261	FUSE	.20
97805	CAM ASM	17.30	99230	RELAY LATC	15.55	111262	FUSE	.45
97807	ARRESTOR	2.45	99231	RELAY	5.20	112095	SCREW	.04
97827	SPRING	3.35	99251	TUBE DELAY	6.85	113933	SCREW	.04
97840	RELAY	5.00	99255	SCREW	.60	113819	SPAGHETTI	.02
97841	RELAY	7.15	99256	RECEPTACLE	.03	115070	SPRING	.04
97846	DIAL	27.85	99264	MOVT 59	14.60	115186	CLIP	.02
97847	DIAL	19.60	99267	ARMATURE	3.30	116079	SCREW	.06
97861	TUBE 6BH6	2.45	99268	LEVER STOP	.95	117481	SCREW	.09
97878	HAND SEC	5.15	99269	COVER DUST	5.20	118238	SPRING	.08
97910	COIL	5.75	99272	TRANSMIT	3.60	118418	SCREW	.01
97911	COIL	5.75	99273	KNOCKER	3.50	118463	SWITCH ASM	1.15
97913	COIL	5.75	99283	GEAR HR	3.00	120044	SCREW	.01
97914	COIL	5.75	99287	CONT ASM	5.95	120211	SCREW	.01
97916	COIL	5.75	99290	GEAR	6.60	120367	SCREW	.01
97917	COIL	5.75	99291	WIRE	.10	120571	WASHER	.01
97919	COIL	5.75	99304	PLUG OPER	8.00	120710	SPRING	.06
97920	COIL	5.75	99305	ARM REVOLV	1.90	120789	WASHER	.10
97927	CAM CONT	1.50	99307	MOTOR	40.60	120943	JUMPER	.01
97950	CABLE	1.10	99309	CLIP CONT	.30	121349	JUMPER	.05
97951	BRACKET	2.25	99311	FINGER SEC	1.00	121397	SPACER	.01
97952	STUD	2.15	99312	GOVERNOR	6.65	121756	SWITCH	2.00
97953	SPRING	.70	99316	BRUSH MTR	.85	122610	CONTACT	.04
97954	STOP	2.60	99319	FELT	.55	123206	SPRING	.01
97955	INSULATOR	.35	99332	PLUG OPER	8.00	123534	SHIM	.01
97957	DIAL	2.60	99406	CONDENSER	1.40	123639	SCREW	.05
97960	INTERPOSER	.80	99412	TRANSFORMR	2.65	123786	FUSE	.09
97962	BELL	.05	99413	TRANSFORMR	2.65	124843	RELAY DUO	9.85
97965	RIVET	11.00	99416	TRANSFORMR	10.55	125145	WASHER	.02
97966	PLATE MTG	1.30	99417	TRANSFORMR	18.55	125238	WASHER	.06
97981	RELAY	7.30	99418	TUBE 6BA6	1.90	125898	SPRING	.15
97982	STRIP MARK	.75	99420	TUBE 6AT6	1.65	125930	NUT	.05
97990	CTROL FREQ	56.85	99421	XTAL REC	20.30	127277	RELAY	7.00
97992	SWITCH	.50	99427	BRACKET	5.10	127700	RELAY	10.25
98608	LAMP 632	.30	99432	ARM FEED	10.00	128393	SPRING	.02
98851	RESISTOR	7.55	99434	SPACER	.75	128455	SWITCH	4.25
99006	DISC PRIM	2.10	99436	BRACKET	3.00	129242	JUMPER	.06
99012	LEVER	1.70	99443	CORD	2.85	129243	JUMPER	.06
99016	SLEEVE	.40	99506	SHAFT ASM	50.75	129244	JUMPER	.06
99022	PAWL	.50	99513	PAWL ASM	10.25	129245	JUMPER	.08
99025	MOTOR	8.05	99514	HOUSNG ASM	59.55	129246	JUMPER	.07
99027	SPRING	.25	99515	HOUSNG ASM	73.35	129247	JUMPER	.08
99029	ARM FOLLOW	2.15	99516	FUSETRON	.25	129248	JUMPER	.09
99033	CUP SELECT	.70	99519	RATCHET	5.45	129638	CAPACITOR	7.30
99034	CAM SIGNAL	.80	99543	FING CONT	4.30	129649	SPRING	.03
99035	SPRING	.10	99553	RELAY KEY	29.95	130374	WASHER	.08
99039	COIL	3.55	99568	RELAY	9.30	130487	SPRING	.10
99047	ARMATURE	3.35	99569	POTENTIOME	5.00	130539	SPACER	.01
99061	PLATE MTG	2.65	99577	GUIDE FING	4.50	130989	CLAMP	.25
99077	PLATE MTG	2.75	99583	LABEL	.20	131234	SPRING	.55
99113	RECEIVER	30.00	99585	ARM S R	6.25	131542	SHIM	.01
99120	CAM SIGNAL	.80	99654	PANEL	5.05	132665	JUMPER	.06
99123	ARM FOLLOW	2.15	99658	CAPACITOR	13.90	132666	JUMPER	.07
99129	RCVR CHA	22.30	99703	RELAY	20.30	132667	JUMPER	.09
99134	COIL	3.85	99821	SWITCH	1.45	132769	RESISTOR	.08

MARCH 17, 1961

PAGE 15

ETD PARTS PRICE LIST

PART NO.	PART NAME	PRICE	PART NO.	PART NAME	PRICE	PART NO.	PART NAME	PRICE
133903	WASHER	.01	186399	SCREW	.01	257187	NUT LATCH	.01
133968	WASHER	.04	186636	SCREW	.01	257189	NUT	.01
134986	SCREW	.07	186685	RELAY	9.30	257243	BASE CONN	.30
135341	SCREW	.07	186712	SCREW	.01	257244	BASE CONN	.30
135405	JUMPER	.01	186759	SCREW	.01	257572	PIN DOWEL	.02
134447	TUBE	.01	186849	NUT	.04	257659	RELAY	5.25
138709	TERMINAL	.03	187243	PIN	.02	257770	CLIP	.15
139285	SPACER	.10	188569	WASHER	.02	257956	SCREW	.01
139450	WASHER	.01	192049	CLIP	.01	257957	SCREW	.07
139650	SCREW	.10	196186	RELAY	8.80	257958	SCREW	.10
139686	PIN	.04	196196	RELAY	5.60	257959	SCREW	.10
139766	CLIP	.02	196197	RELAY	6.75	257961	SCREW SET	.15
139929	SPACER	.15	196198	RELAY	5.30	257962	SCREW SET	.03
140425	SCREW	.01	196206	RELAY	5.50	257968	SCREW	.07
140470	CAPACITOR	20.00	196208	RELAY	6.25	257969	SCREW SET	.06
140777	WASHER	.01	196298	SCREW	.01	257971	SCREW SET	.09
140778	SPACER	.04	196299	SCREW	.01	257975	SCREW SET	.10
141048	SPRING	.05	196398	SCREW	.01	257976	SCREW	.15
141052	SPRING	.05	196436	INSIGNIA	.04	257986	WASHER MTG	.01
141108	SPRING	.10	196698	SCREW	.01	264641	CLIP	.03
141618	SCREW	.02	197311	CAPACITOR	.30	282408	RELAY	10.25
147297	CLIP	.01	197822	STUD	.02	284424	CLIP	.06
149878	WIRE	.01	198363	SCREW	.01	286551	CAPACITOR	.10
150109	WASHER	.01	204500	STUD LATCH	.06	286552	CAPACITOR	.25
150209	LOCKWASHER	.01	205329	JUMPER	.01	288799	SCREW	.55
150331	WASHER	.10	205330	JUMPER	.02	288819	CAPACITOR	.75
150390	WASHER	.01	205331	JUMPER	.01	300479	COLLAR	.35
150655	ARM	.04	205652	SCREW	.01	300638	TR 1 UNIT	3.90
150735	SPRING	.07	205773	BRUSH	.65	300639	TR 2 UNIT	3.90
150758	SPACER	.20	205871	HINGE	.45	300640	TR 3 UNIT	4.00
150814	SPRING	.04	206314	RELAY	13.50	300641	TR 4 UNIT	4.00
151044	LEVER	.06	206442	INTERLOCK	3.90	300642	TR 31 UNIT	4.60
151200	SHIM	.04	206672	RELAY	11.25	300665	IN 4 UNIT	3.80
151231	PIN	.10	210822	LOCKWASHER	.02	300670	IN 13 UNIT	4.10
151405	SPRING	.01	211985	WHEEL	.65	300704	TUBE	2.70
151439	SPRING	.05	213507	SOCKET TUB	.30	300706	TUBE	1.60
151633	SCREW	.01	213531	CAPACITOR	.30	300710	CAPACITOR	.30
151720	SCREW	.02	213536	RESISTOR	.25	300720	RESISTOR	.20
151762	CONNECTOR	.04	213539	RESISTOR	.10	300721	RESISTOR	.25
155180	SCREW	.01	213547	RESISTOR	.20	300722	RESISTOR	.25
156423	RESISTOR	.05	213549	RESISTOR	.10	300726	RESISTOR	.20
156731	SPRING	.01	213558	RESISTOR	.35	300728	RESISTOR	.25
159373	LOCKWASHER	.01	213692	RESISTOR	.10	300729	RESISTOR	.20
159941	BASE RELAY	.55	213693	RESISTOR	.10	300731	RESISTOR	.10
159942	BASE RELAY	1.10	215150	NUT	.15	300732	RESISTOR	.25
159943	BASE RELAY	1.75	218793	FUSE	.25	300733	RESISTOR	.25
159944	CLIP	.05	218794	FUSE	.25	300739	RESISTOR	.25
159945	CLIP	.05	219203	SPRING	.01	300743	SWITCH	2.00
159946	CLIP	.04	219211	BUTTON	.01	300751	LAMP ASM	.50
160164	ANCHOR	.15	219224	SPRING	.01	300999	SHAFT	7.80
163899	LOCKWASHER	.01	219549	LOCKWASHER	.01	301002	GUIDE	1.10
165556	SCREW SET	.03	219628	BULB	.10	301214	SWITCH	1.30
165594	PIVOT ARM	.03	219633	RETAINER	.01	301365	TUBE	1.45
166558	SPACER	.15	220856	SPRING	.02	301461	JUMPER	.15
166623	SPRING	.04	225517	HOLDER	1.00	301696	RESISTOR	.15
166735	SUPPORT	.05	226343	WIRE CONT	.01	301804	RESISTOR	.08
167052	SPRING	.02	227863	WIRE CONT	.01	301818	RESISTOR	.08
172738	CLAMP	.02	227874	ARM ASM	1.30	302090	BLOCK	.55
172776	TUBE	2.60	227909	DRUM O26	12.00	302131	INSULATOR	.03
173201	SCREW	.01	231361	SPRING	.07	303386	SPACER	.20
173202	SCREW	.01	233355	BEARING	.70	303567	WIRE RED	.02
173203	SCREW	.01	234334	SCREW	.02	303644	TERMINAL	.01
173205	SCREW	.01	236524	CLIP	.04	303805	FUSE	.35
173210	SCREW	.01	236571	CLIP	.03	303828	UNIT TUBE	13.00
173214	SCREW	.01	236849	SCREW	.02	304020	COIL MAGNT	.80
173218	SCREW	.02	238326	SCREW	.02	304056	RETAINER	.02
175937	SET SCREW	.07	238450	RECEPTACLE	.45	304116	YOKE ASM	31.75
175235	SCREW	.01	239431	STUD CAM	.55	304120	COIL MAGNT	.80
177939	SPRING	.03	243392	SCREW	.05	304121	COVER	.20
179743	NUT HEX	.04	251015	SCREW	.06	304123	ARMATURE	1.10
179786	RIVET	.01	251970	SCREW	.03	304125	GUARD	.85
179946	HOLDER	.75	252550	TUBE	3.25	304126	BRACKET	.80
180408	RESISTOR	.09	252696	DIODE	2.55	304127	BRACKET	.80
180843	WASHER	.07	252804	CAPACITOR	3.25	304128	BAIL ASM	2.10
183520	SPRING	.06	254835	CAPACITOR	10.50	304130	ROD	.45
183720	SWITCH	.01	255735	RELAY	7.50	304131	ROD CAM	.25
183900	SCREW FUSE	.01	256342	CAP PLUG	.90	304132	PIVOT	3.80
185093	PIN COTTER	.02	256348	CORD LINE	3.35	304133	ARMATURE	.30
186227	SCREW	.01	257168	NUT	.30	304134	BAIL ARM	1.40
186393	SCREW	.01	257186	NUT GAGE	.10	304145	SPRING	.20

ETD PARTS PRICE LIST

304161-328601

PART NO.	PART NAME	PRICE	PART NO.	PART NAME	PRICE	PART NO.	PART NAME	PRICE
304161	LNK	.50	314405	SHIM	2.90	317318	RESISTOR	2.10
304162	LNK	.90	314406	SHIM	4.35	317340	CAPACITOR	.20
304186	KNOB	.95	314666	STRAP CONT	.30	317367	GROMMET	.07
304625	CONTACT	3.15	315193	COIL ASM	1.30	317369	RESISTOR	.25
304636	CYLINDER	6.00	315743	WINDOW	1.95	317414	SWITCH	3.80
304637	CYLINDER	6.00	315838	CLAMP	.25	317428	RESISTOR	.04
304638	CYLINDER	6.00	315903	RECTIFIER	19.25	317450	STRIP TERM	4.10
304639	CYLINDER	6.00	316446	HOUSING	14.50	317520	SOCKET	.20
304640	CYLINDER	6.00	316457	SPRING	.15	317767	BLOCK	.75
304641	CYLINDER	7.00	316479	LID TAPE	52.75	317783	RESISTOR	.15
304642	CYLINDER	7.00	316490	CONTACT	.20	317797	BLUB NEON	.25
304643	CYLINDER	7.00	316491	TERMINAL	.10	320167	PLUG TERMI	.02
304644	CYLINDER	7.00	316492	BLOCK CONN	.06	320298	SCREW SOCK	.01
304645	CYLINDER	7.00	316493	BLOCK CONN	.75	320505	PIN JACK	.50
304646	CYLINDER	7.00	316494	BLOCK CONN	.07	320510	CAPITOR	.70
304647	CYLINDER	7.00	316495	SCREW	.25	320610	RESISTOR	.20
304648	CYLINDER	7.00	316497	PIN GUIDE	.05	321000	CONNECTOR	2.05
304772	CYLINDER	6.00	316499	COVER END	.20	321047	CONNECTOR	1.55
304773	CYLINDER	7.00	316501	CONNECTOR	14.25	321195	RESISTOR	.07
304779	ROD ASM	2.50	316502	CONNECTOR	16.25	321200	RESISTOR	.07
304780	ROD	3.50	316503	CONNECTOR	16.25	321273	RIVET CAM	.10
304781	PIN WHEEL	15.00	316506	INSULATION	.04	321483	SCREW	.05
304782	PIN WHEEL	15.00	316511	CONNECTOR	7.60	322334	RESISTOR	.04
304784	SHAFT	.40	316512	CONNECTOR	12.25	322344	STUD	.45
304785	BUSHING	.65	316513	CONNECTOR	12.00	322550	SCREW	.01
304786	FINGER	.90	316515	CONTACT	3.10	322551	SCREW	.01
304796	FORM GUIDE	2.60	316523	SHIELD	.25	322552	SCREW	.10
304797	ROD	3.00	316529	SUPPORT	45.25	322559	SCREW	.04
304799	ROD	3.00	316533	FEED	9.85	322729	RESISTOR	.25
304802	BUSHING	1.00	316534	BLOCK SUPT	7.75	322774	RESISTOR	.35
304803	ROD	4.00	316542	SCREW	.30	322883	TUBE 6X4	1.15
304804	PLATEN	25.00	316543	DOWEL TAPE	.45	323543	CLAMP CAP	.25
304809	NUT	.06	316544	BEARING	1.60	323900	RESISTOR	.25
304811	GUIDE	3.50	316545	SPACER	1.00	323917	LATCH SPG	.75
304994	TUBE 5844	6.00	316546	SHAFT ARM	.95	323922	CAPACITOR	1.40
305216	CYLINDER	8.00	316547	PLUNGER	.35	323926	TUBE	3.70
305217	CYLINDER	8.00	316548	TAPE	1.00	323928	TUBE	2.10
305218	CYLINDER	8.00	316550	GEAR	8.35	323932	TUBE	1.80
305219	CYLINDER	8.00	316552	GEAR	3.20	323989	RESISTOR	.35
305220	CYLINDER	8.00	316553	FRAME PROG	2.35	324438	BLOCK	1.10
305221	CYLINDER	8.00	316555	PLATE CONT	.80	324493	INSULATOR	.10
305222	CYLINDER	8.00	316557	BRACKET	.75	324999	BLOCK	2.75
305223	CYLINDER	8.00	316561	SCREW	.15	325015	SPRING	.50
305224	CYLINDER	8.00	316566	PIN TAPER	.15	325017	SPRING	.30
305290	CYLINDER	7.00	316598	COVER	2.40	325018	SPRING	.15
306807	SPACER	.25	316629	INSULATION	1.10	325093	COVER	5.50
307759	SCREW	.05	316633	GUIDE TAPE	1.75	325094	BRACKET	8.30
308346	LAMP	.85	316634	GUIDE	2.10	325484	LNK COMM	.70
308453	CYLINDER	6.00	316703	HANDLE	2.50	325495	CLAMP MALE	.40
308454	CYLINDER	6.00	316713	PUNCH DIE	19.25	325590	BLOCK ASM	4.00
308455	CYLINDER	5.00	316717	PUNCH CASE	11.00	325623	GUARD	.30
308459	NUT	.25	316720	PUNCH RET	11.50	325624	SCREW	.45
308704	CLIP	.06	316734	HANDLE	7.80	325625	MOUNTING	.65
310394	RING	.30	316742	KNOB	1.55	325960	MAGNET	.65
310514	PULLEY	2.50	316744	SCREW	.15	325965	STUD	1.50
310588	IN 10 UNIT	3.80	316763	SPRING	1.30	325969	MAGNET	10.75
310808	SCREW	.01	317004	RESISTOR	.04	325970	MAGNET	8.25
312469	NUT	.08	317007	RESISTOR	.15	326013	STRAP	.40
312475	STRIP	.65	317011	RESISTOR	.04	326067	CONTACT	.30
312476	STRIP	.20	317017	RESISTOR	.04	326119	SUPPORT	.15
313207	IN 1 UNIT	6.25	317019	RESISTOR	.04	326232	BLOCK	.55
313208	IN 31 UNIT	7.10	317020	RESISTOR	.04	326364	CAPACITOR	.20
313334	CODE PLATE	63.00	317022	RESISTOR	.04	326365	RESISTOR	.35
313634	632 COVER	8.15	317025	RESISTOR	.15	326367	CAPACITOR	.15
313641	RECTIFIER	1.40	317029	RESISTOR	.04	326370	CAPACITOR	.65
313764	ARMATURE	1.85	317030	RESISTOR	.25	326659	IN 6 UNIT	5.60
314097	CONTACT	.09	317034	RESISTOR	.04	326661	IN 11 UNIT	5.75
314131	CYLINDER	6.00	317035	RESISTOR	.04	326667	IN 15 UNIT	3.10
314132	CYLINDER	6.00	317037	RESISTOR	.04	326673	CH 5 UNIT	7.30
314133	CYLINDER	8.00	317038	RESISTOR	.04	326675	TH 2 UNIT	4.85
314134	CYLINDER	7.00	317042	RESISTOR	.05	326679	DS 3 UNIT	3.75
314135	CYLINDER	8.00	317056	RESISTOR	.07	326681	DS 5 UNIT	4.25
314136	CYLINDER	8.00	317070	RESISTOR	.08	326683	CF 1 UNIT	5.30
314137	CYLINDER	8.00	317082	RESISTOR	.15	326691	CF 10 UNIT	3.00
314138	CYLINDER	8.00	317085	RESISTOR	.15	326693	CF 11 UNIT	6.40
314139	CYLINDER	8.00	317086	RESISTOR	.20	326886	RESISTOR	.35
314140	CYLINDER	8.00	317097	RESISTOR	.15	328273	RELAY HS	5.50
314141	CYLINDER	8.00	317131	STRIP TERM	.95	328333	DEFLECTOR	.55
314249	PIN	.01	317261	TUBE	5.50	328468	CONTACT ST	.35
314404	SHIM	3.50	317277	RESISTOR	.04	328601	BLOCK ASM	6.65

PART NO.	PART NAME	PRICE	PART NO.	PART NAME	PRICE	PART NO.	PART NAME	PRICE
328602	BLOCK ASM	4.75	344296	FRAME	3.95	801926	TRANSFORMR	23.50
328616	CLIP	.08	344913	REAR CASE	14.50	801927	TRANSFORMR	11.00
332747	CLIP	.03	345637	SPRING	.02	801928	TRANSFORMR	5.40
332753	CLIP	.07	347102	WIRE	.01	801929	CAPACITOR	6.80
333264	DIODE	4.25	356069	CAPACITOR	1.40	801930	CAPACITOR	8.20
333265	DIODE	6.45	358509	LOCKWASHER	.02	801932	POTENTMTR	3.75
334920	RESISTOR	.35	435174	CLAMP	.01	801933	RELAY	11.50
334921	632 CLIP	.15	437904	SCREW	.25	801934	KEY CAB	1.60
334932	632 CLIP	.15	438548	SCREW	.01	801935	SOCKET	.50
334948	RESISTOR	.35	438549	SCREW	.01	801939	FUSE	.30
334951	CAPACITOR	.30	438550	SCREW	.01	801941	LEVER	.50
334968	CAPACITOR	.20	438552	SCREW	.06	801944	CONT STACK	1.10
334972	RESISTOR	.35	438558	SCREW	.03	801945	CONT STACK	1.95
335019	RESISTOR	.35	438566	SCREW	.03	801946	CONT STACK	1.45
335239	JUMPER	.20	438568	SCREW	.01	801947	CONT STACK	2.15
335322	RESISTOR	.35	438569	SCREW	.10	801994	HOUSING	1.10
335353	DIODE	4.60	441127	RECTIFIER	43.00	801995	COVER	.95
336329	CLIP	.02	441662	CLIP	.35	801996	SWITCH	5.50
336359	SCREW	.05	450821	GROMMET	.15	801997	CONT STACK	1.25
338165	FUSE	.25	454152	RESISTOR	.45	801998	CONT STACK	3.05
338169	LOCKWASHER	.01	454389	RESISTOR	.10	801999	CONT STACK	1.90
338216	CAPACITOR	1.05	465592	BULB	.95	801962	FRAME	12.50
338388	WIRE GOLD	.20	471800	RESISTOR	.25	801963	ARMATURE	4.75
339021	LEVER	.55	471702	CAPACITOR	.75	801973	SHAFT	12.25
339026	WIRE	.20	477073	TRAP POLAR	1.75	801979	CUP 36 CIR	12.00
339029	STRAP	.90	491278	RESISTOR	.09	801980	MOULDING	5.15
339032	CONTACT	5.50	504692	RESISTOR	.45	801982	SHAFT CTR	1.95
339041	BLOCK TER	3.45	505253	TUBE	7.15	801988	SPACER	.05
339069	COVER BTM	9.10	505772	RESISTOR	.30	801989	GEAR ASM	1.35
339083	ADAPTER	1.00	511089	CAPACITOR	12.75	801990	GEAR	2.00
339107	CONTACT	.45	511096	SCREW CAP	.15	801995	WHL ESCAPE	.95
339108	CONTACT	.45	512073	RECTIFIER	46.75	801996	SHAFT ASM	1.90
339109	CONTACT	.45	512400	RESISTOR	.55	802001	PAD BUMPER	.20
339111	TERMINAL	.40	512508	SCREW	.48	802003	ARM ASM	4.85
339112	TERMINAL	.35	515386	CAPACITOR	8.55	802015	CUP CHIME	1.85
339113	SPRING	.40	515387	CAPACITOR	5.30	802016	BRACKET	.50
339156	CONTACT	.04	515925	RESISTOR	.40	802247	COUNTER	81.00
339182	INSULATION	.01	770046	RELAY	14.25	1000026	LINK	.15
339184	CONTACT	4.95	801243	COIL	8.70	1000030	SPACE BR	1.60
339186	BRACKET	1.30	801245	SCREW	.01	1000032	BRACKET LH	.25
339187	BRACKET	1.85	801250	PLATE	1.25	1000043	SPRING	.50
339188	BEARING	11.50	801251	STUD	.06	1000044	BUTTON M R	.25
340001	FOOT RUBBE	.10	801252	PIN PIVOT	.05	1000045	BUTTON R C	.25
340051	CON ASM	3.75	801253	ARM CAM	.85	1000046	KEY BUTTON	.25
340068	PLATE LH	3.35	801269	NUT	.10	1000047	BUTTON	.35
340069	PLATE RH	3.95	801284	RECTIFIER	4.55	1000048	ROD EQUALIZ	.45
340070	BRACKET	1.00	801291	SPRING	.25	1000051	KEY LEVER	.40
340071	BRACKET	1.00	801297	SOLENOID	19.80	1000056	KEY LEVER	.65
340072	SWITCH	5.55	801304	MAG UNIT	12.75	1000063	KEY LEVER	.65
340073	CONTACT	5.80	801310	PLATE MTG	.85	1000066	LATCH	.25
340130	BRACKET	.65	801311	PLATE PAT	2.60	1000068	SPRING	.95
340178	SCREW	.02	801331	TRANSFORMR	75.00	1000082	ROLL LINK	.15
340356	SCREW	.30	801332	COIL	12.40	1000088	HOLDER 10P	1.85
340428	LEVER	1.65	801337	CAPACITOR	1.95	1000092	SPACER	.95
340453	LEG SERVIC	1.20	801338	CONDENSER	1.80	1000098	ROD PUSH	.15
340498	COVER	21.00	801340	CAPACITOR	4.50	1000123	SPRING	.15
340548	COVER	4.40	801424	FUSE	.55	1000126	SPRING	.15
340554	COVER	4.10	801453	LINK PULL	.15	1000135	KNOB	.20
343750	YOKE	1.75	801455	SPRING	.30	1000140	LEVER ASM	.60
343751	YOKE	1.50	801456	SPRING	.15	1000141	LEVER ASM	.60
343752	YOKE	3.60	801458	SHOE ARM	.45	1000142	ARM ASM	.65
343755	PLUNGER	1.00	801460	LEVER	1.75	1000143	ARM ASM	.65
343761	COIL ASM	1.20	801462	ARM	1.55	1000151	PAWL REV L	.25
343762	COIL ASM	1.65	801465	BRACKET	1.60	1000152	PAWL REV R	.20
343763	PLUNGER	4.45	801466	COVER	.85	1000153	SPRING	.15
343766	PLUNGER	4.55	801470	PLATE ASM	4.20	1000155	SPRING	.25
343767	BRACKET	5.00	801471	CYLINDER	17.65	1000157	LEVER ASM	1.70
344069	SPACER	1.40	801900	ARMATURE	.90	1000159	SPRING	.45
344071	SPACER	.30	801904	MOTOR	6.20	1000168	GUIDE BR L	.60
344072	SPACER	.30	801905	DRUM ASM	23.25	1000169	GUIDE BR R	.60
344222	SHAFT	14.75	801906	FLANGE MTG	.85	1000177	LEVER LH	.35
344229	HOUSING	4.30	801909	KEY	.50	1000178	LEVER RH	.35
344232	HOUSING	5.65	801913	KEY CASE	.55	1000189	TOP COVER	.05
344233	SHAFT	9.20	801916	TUBE 523	2.60	1000190	SPRING	.20
344234	WHEEL FEED	9.35	801918	CORD PHONE	9.10	1000191	DUST COVER	1.85
344239	SPACER	.02	801920	JEWEL	.50	1000197	ROD L BAR	.60
344240	PROGRAM	98.75	801922	HANDLE SW	.85	1000198	BASE FOOT	.25
344255	SPRING	.10	801923	RECTIFIER	5.90	1000199	BASE FOOT	.25
344257	LID ASM	20.00	801924	BULB	1.10	1000219	LINK	.40
344261	SPACER	2.95	801925	BULB	.55	1000223	LINK	.15

ETD PARTS PRICE LIST

1000235-1011730

PART NO.	PART NAME	PRICE	PART NO.	PART NAME	PRICE	PART NO.	PART NAME	PRICE
1000235	SPRING	.15	1000817	CORD	2.40	1002262	RATCHET 62	12.75
1000237	LATCH STOP	.25	1000874	CORD 3 WAY	3.15	1002266	RATCHET 66	2.40
1000248	TAB LATCH	.60	1000888	GROMMET	.15	1002272	STOP	.85
1000260	LINK	.25	1000912	BAR LOCK	1.00	1002273	STOP	.85
1000265	LEV & HUB	.75	1000917	GAGE LEVER	.40	1002281	DETENT 29T	.90
1000279	SPACER	.25	1001101	CAM LETTER	2.20	1002282	DETENT 31T	1.20
1000282	LINK	.20	1001102	CAM LETTER	2.20	1002285	ARM	.90
1000285	LEVER TKO	.60	1001103	CAM	2.20	1002286	PAWL	3.15
1000287	LEVER	.35	1001104	CAM	2.20	1002334	BUSHING	.35
1000288	LINK	.40	1001105	CAM SHIFT	2.20	1002335	KNOB	.95
1000292	SCREW BRKT	.20	1001106	CAM REPEAT	2.20	1002336	INSERT	.85
1000302	LEVER ASM	3.70	1001107	CAM LETTER	2.20	1002337	BUTTON	.35
1000305	DETENT 33T	.85	1001108	CAM REPEAT	2.20	1002338	KNOB	.95
1000306	SHIFT ASM	3.15	1001109	CAM REPEAT	2.20	1002406	TAPE CA 16	.60
1000307	LEVER ASM	1.50	1001205	GUIDE PAPE	3.25	1002407	TAPE CA 20	.65
1000315	FRAME CARR	5.00	1001206	MAR RACK A	5.65	1002408	TAPE CA 24	.75
1000316	ROD TIE	.65	1001207	RACK	2.75	1002409	TAPE CA 30	.75
1000318	STOP TAB	4.40	1001208	U BAR ASM	1.90	1002415	LEVER BAIL	3.95
1000322	STUD	.15	1001241	BRUSH	.50	1002416	DEFLECTOR	2.75
1000325	STOP	.85	1001249	BRUSH	.50	1002420	SHAFT	3.45
1000332	ALIGN ARM	.05	1001254	SCREW	.05	1002421	BAR CARR	1.90
1000335	YOKE	.40	1001258	LEV & SPR	5.65	1002434	DEFLECTOR	3.00
1000336	LATCH PL R	.35	1001265	CONDENSER	2.85	1002435	SHAFT	3.75
1000337	LATCH PL L	.35	1001275	IND PLATE	.65	1002436	BAR CARR	3.15
1000340	STUD	.40	1001278	CLIP	.20	1002445	DEFLECTOR	8.25
1000346	STOP MARG	.15	1001280	CONNECTOR	.05	1002446	DEFLECTOR	8.25
1000354	SHAFT 12	1.25	1001285	COUPLING	.70	1002454	SHAFT	4.10
1000363	ROLLER	.15	1001294	BRUSH	.50	1002496	SHAFT	.40
1000364	SPRING	.15	1001296	BRUSH CAP	.50	1002498	FEED ROLL	.75
1000366	SPRING	.20	1001298	BRUSH	1.25	1002499	LINING	.15
1000374	SPRING	.20	1001309	GEAR	1.90	1002504	SHAFT	1.50
1000375	SPRING	.20	1001310	SHAFT	3.50	1002510	GUIDE RH	1.75
1000377	SPRING	.15	1001320	SPRING	.35	1002511	GUIDE LH	1.75
1000382	BAIL ROLL	.95	1001323	END PLATE	.15	1002516	RACK MARG	3.50
1000389	WASHER	.05	1001328	POWER ROLL	8.50	1002518	TIE ROD	.75
1000396	TAPE AS 12	.60	1001356	WASHER	.15	1002522	RAIL CARR	8.15
1000400	SHIM	.05	1001357	SHIM	.15	1002524	STOP PLATE	.15
1000401	SHIM	.05	1001359	SHIM	.15	1002528	LEVER LH	.50
1000402	SCREW	.20	1001360	GOV BRUSH	.50	1002529	LEVER RH	.50
1000403	BRACKET	.65	1001376	POINT GOV	.25	1002537	GUIDE	2.15
1000404	BRACKET	.65	1001387	GROMMET	.35	1002538	GUIDE	2.15
1000408	TIE BAR	.40	1001410	LEVER ASM	4.90	1002543	RACK MARG	4.20
1000409	SHIM	.05	1001416	BRKT ASM	.40	1002545	TIE ROD 20	.90
1000410	GUIDE	.40	1001428	SCREW	.95	1002549	RAIL CARR	8.75
1000411	GUIDE	.40	1001434	CAM PLATE	3.15	1002580	RAIL CARR	9.40
1000417	SPACER	.35	1001442	GOV ASM	20.00	1002611	BRACKET	12.20
1000426	LINING PT	.15	1001443	GOV ASM	10.65	1010019	COUNTER	32.50
1000427	SPRING ASM	.25	1001446	SCREW	2.85	1010020	SUPPORT	.50
1000474	SHIM	.15	1001457	SPRING	.40	1010023	COUNTER	32.50
1000476	RAIL CARR	7.50	1001489	SCREW	.05	1010027	COUNTER	32.50
1000490	SWITCH ASM	2.40	1001509	SHIFT HEAD	1.75	1010030	TEAR BAR	10.65
1000497	KNOB	.25	1001531	BRACKET	.25	1010048	GAGE	2.50
1000524	BUSHING	.60	1001545	WASHER	.20	1010049	BAIL PAPER	2.85
1000540	PULLEY RET	.65	1001557	OIL THROW	.35	1010053	SHAFT	3.95
1000541	PULLEY BKT	.25	1001558	WASHER	.15	1010058	HOLDER	1.85
1000550	LEVER ASM	.35	1001576	BRUSH CAP	.50	1010062	SHAFT	5.50
1000551	BELLCRANK	.70	1002120	PAWL STOP	.75	1010917	CONNECTOR	9.50
1000559	LINK	.35	1002224	RATCHET 24	12.75	1010918	CONNECTOR	8.25
1000563	INTERLOCK	.15	1002227	RATCHET 27	12.75	1010921	MOTOR	32.20
1000564	STUD BRKT	.20	1002229	RATCHET 29	2.40	1011150	HOLDER	1.85
1000565	STOP PAWL	.25	1002230	RATCHET 30	12.75	1011357	RACK MARG	3.50
1000574	CLAPPER	.40	1002231	RATCHET 31	12.75	1011359	GUIDE	1.75
1000588	BELL	.35	1002232	RATCHET 32	12.75	1011360	GUIDE	1.75
1000664	SHAFT	.65	1002233	RATCHET 33	2.40	1011363	RACK MARG	4.20
1000666	COLLAR	.20	1002234	RATCHET 34	12.75	1011365	GUIDE	2.15
1000675	DEFLECTOR	8.25	1002236	RATCHET 36	12.75	1011366	GUIDE	2.15
1000676	DEFLECTOR	2.75	1002238	RATCHET 38	2.40	1011373	RACK MARG	5.00
1000694	SHAFT FEED	.65	1002239	RATCHET 39	12.75	1011424	RACK MARG	2.75
1000698	SHAFT	.65	1002240	RATCHET 40	12.75	1011425	GUIDE ASM	3.25
1000703	PAWL GOV	1.90	1002241	RATCHET 41	2.40	1011426	RACK TAB	14.10
1000704	LEV & BRKT	2.70	1002244	RATCHET 44	2.40	1011427	RACK TAB	4.70
1000711	PLATE FRIC	.75	1002245	RATCHET 45	12.75	1011431	PAWL ASM	22.00
1000714	FELT	.20	1002249	RATCHET 49	12.75	1011710	RACK TAB	14.10
1000739	LINK	.40	1002250	RATCHET 50	12.75	1011711	RACK TAB	16.90
1000794	SPRING ASM	1.00	1002252	RATCHET 52	12.75	1011712	RACK TAB	18.70
1000799	CORD 3 WAY	.45	1002253	RATCHET 53	12.75	1011713	RACK TAB	21.60
1000803	BEARING	.45	1002255	RATCHET 55	2.40	1011714	RACK TAB	29.50
1000804	SCREW	.20	1002256	RATCHET 58	2.40	1011721	RACK TAB	5.95
1000806	SCREW	.85	1002259	RATCHET 59	12.75	1011722	RACK TAB	6.85
1000814	PIN	.15	1002261	RATCHET 61	12.75	1011730	SUPPORT	.35

ETD PARTS PRICE LIST

PART NO.	PART NAME	PRICE	PART NO.	PART NAME	PRICE	PART NO.	PART NAME	PRICE
1012300	CAM ASM	2.20	1012769	SPR PLA AR	.25	1013363	LINK	.25
1012305	CAM ASM	2.20	1012785	SPRING	.15	1013380	GUIDE F LH	1.15
1012403	BRACKET	.90	1012800	RACK MARG	3.15	1013382	GUIDE F RH	1.15
1012405	ARM	.60	1012801	STOP PAWL	.60	1013385	ROD GUIDE	.445
1012411	RACK	5.95	1012803	LEVER	.50	1013391	BRKT STOP	.65
1012412	RACK	6.85	1012812	KNIFE	3.45	1013392	BRKT STOP	.65
1012420	SPR GD 12	.95	1012815	GUIDE	1.75	1013410	COVER	2.90
1012425	SPR SPA 12	1.20	1012817	DEFLECTOR	2.75	1013412	COVER	4.10
1012426	SPR SPA 16	1.40	1012820	RACK MARG	3.50	1013413	COVER	4.70
1012427	SPACER 20	1.80	1012830	TABLE PAP	4.40	1013456	SPR ARM RT	.20
1012445	WIRE TA 16	.40	1012835	RACK TAB	16.50	1013457	SPR ARM LT	.20
1012446	WIRE TA 20	.45	1012854	BRACKET	.45	1013458	TRIGGER	1.20
1012447	WIRE FULCR	.60	1012856	WHEEL	.65	1013460	LEVER	2.15
1012450	TRAK 12	14.10	1012857	WHEEL FLAT	.65	1013464	LINK	.15
1012451	TRAK 16	16.50	1012858	TUBE GUIDE	3.45	1013556	SHAFT	4.10
1012452	TRAK 20	18.70	1012860	FORM GUIDE	.95	1013558	ARM PLATEN	10.95
1012453	TRAK 24	21.60	1012864	NUT	.25	1013571	BRK 6 EXT	3.20
1012454	TRAK 30	29.50	1012869	TRUCK ARM	.95	1013596	STOP	.65
1012458	STOP WI FU	.05	1012871	SUPPORT	6.25	1013680	SLADE	1.25
1012464	PLATE	.20	1012875	HANDLE	4.70	1013685	POST L H	1.35
1012466	SCREW ECCE	.25	1012894	PIN HINGE	1.15	1013687	POST B LH	1.00
1012470	PLATE 2ND	3.50	1012896	BUSHING	.65	1013701	TYPE SLUG	.75
1012474	LEV 6 STUD	.40	1012897	COLLAR AD	.35	1013738	RACK ESCP	4.15
1012476	BUT TAB ST	.25	1012902	GUIDE PAP	2.65	1013739	GUIDE	2.15
1012477	BUT TAB CL	.25	1012903	HOLDER	1.85	1013740	GUIDE	2.15
1012480	FING TAB S	1.15	1012908	RACK MARG	2.75	1013742	RACK MARG	4.20
1012484	LEV TAB ST	1.60	1012909	RACK TAB	14.10	1013745	RACK TAB	18.70
1012486	SUP CLE B	1.10	1012910	RACK TAB	4.70	1013747	HOLDER	1.85
1012487	SHAFT BEL	1.50	1012911	GUIDE PAP	3.25	1013751	STOP TAB	.75
1012500	LINK TAB	.40	1012927	SUPP BLADE	6.25	1013840	BELLCRANK	.40
1012501	LINK	.50	1012938	BLK FRICT	.20	1013841	BELLCRANK	.65
1012517	TRAK 12	14.10	1012939	CLAMP SUP	.25	1013844	LINK TAB	.45
1012524	TAB RACK	4.70	1012940	TABLE PAP	4.40	1013845	LINK ESCP	.45
1012551	BRAC S PWL	2.85	1012948	SUPP BLADE	6.25	1013870	SCREW	.40
1012561	TRAK 12	14.10	1012949	SUPP BLADE	6.25	1013871	BRACKET	.40
1012562	TRAK 16	16.50	1012952	GAUGE ASM	1.60	1013872	BRACKET	.40
1012564	TRAK 24	21.60	1012966	EDGE	3.45	1013878	SUPPORT	15.00
1012601	RACK 12 9P	4.15	1012974	BAIL 5 LAT	3.45	1013884	WHEEL GROV	.45
1012608	HOLD 9P	1.85	1012981	PLATE PAP	3.70	1013911	SUP COM 16	15.00
1012610	RACK 16 9P	3.60	1012986	RETAINER	.40	1013913	SUP COM 16	15.00
1012620	SPR TAB ST	.75	1012989	STOP PAPER	.95	1013918	RACK ESCP	4.15
1012639	HOLDER	1.85	1012990	BRKT ADAPT	2.85	1013919	GUIDE FR P	3.25
1012644	BRACK ES6	22.00	1013010	RIB TEST	.45	1013921	RACK MARG	2.75
1012651	BRACK RIB	3.45	1013028	TUBE GUIDE	3.75	1013924	RACK TAB	14.10
1012652	BRACK RIB	3.45	1013036	POST BLADE	1.00	1013925	RACK TAB	4.70
1012653	ARM TEN	.60	1013053	SPRING	.15	1013938	GUIDE PAP	2.65
1012654	RIBBON FD	16.15	1013079	PLATE	.75	1013940	RACK MARG	3.15
1012655	BRAC RIB F	8.45	1013080	BLADE SUPP	6.25	1013941	RACK TAB	14.10
1012665	STUD RIB	.95	1013104	BLADE SUPP	6.25	1013942	HOLDER	1.85
1012666	PAWL BEL C	.95	1013131	LEVER	1.00	1013948	RACK ESCP	4.15
1012671	RATCHET	1.20	1013132	LEVER	1.00	1013991	LEVER	2.85
1012674	IDLE ROLL	1.45	1013133	LEVER	2.00	1014020	RACK ESCP	3.60
1012677	IDLE ROLL	1.60	1013149	TIE ROD	.65	1014021	GUIDE RH	1.75
1012678	ARM CRANK	.95	1013152	BUSHING	.25	1014024	MARG STOP	3.50
1012680	GUIDE RIB	1.10	1013155	PULLEY	.90	1014041	GUIDE RH H	2.85
1012681	DISC HUB	1.90	1013234	ROLLER COM	9.75	1014042	GUIDE L H	3.45
1012682	HUB DISC	1.70	1013241	PLATEN 12	12.50	1014057	BAIL LEVER	5.00
1012685	ROD PUSH	.20	1013296	HANDLE	5.00	1014060	PLATE LIFT	.60
1012686	ROLL POWER	9.75	1013302	BUSHING	.95	1014061	BAIL CP 12	10.75
1012691	SHAFT ROL	2.20	1013303	BUSHING	.95	1014062	LEFT BAIL	2.50
1012694	PULLEY SH	.95	1013304	BUSHING	1.10	1014064	RIGHT BAIL	1.85
1012699	BELT SPR	.45	1013305	LOCK & PIN	.35	1014066	BRACKET LT	1.60
1012702	STUD WI UP	3.65	1013310	BUSHING	2.50	1014075	BRACKET RT	1.60
1012703	LINK ADJ	.15	1013324	LEVER	.75	1014079	SHAFT BAIL	1.85
1012723	CARR IN PL	3.45	1013325	LEVER	.75	1014088	SHAFT S SP	2.85
1012726	SPR IN PWL	.20	1013327	SHAFT	3.15	1014100	RACK MARG	3.90
1012727	LEV LI SPA	.45	1013329	LEV 6 BUSH	1.20	1014123	ROD TIE	.95
1012729	PWL IN ST	.40	1013331	LEVER	2.85	1014127	LEVER	1.20
1012735	ARM FD RL	.65	1013333	CAM REL	1.35	1014128	LEVER	1.20
1012737	RETAINER	.15	1013334	KEEPER	.65	1014131	SHAFT 12 H	1.90
1012738	PA GUI 12	2.65	1013335	KEEPER	.65	1014146	PULLEY RIB	2.75
1012740	BAIL LAT R	3.45	1013336	ARM PLATEN	10.95	1014177	BAIL 16 IN	11.00
1012743	SPR BAIL	.20	1013341	LEVER	1.20	1014179	SHAFT PAP	2.10
1012746	SPR BAIL	.20	1013344	LATCH	1.10	1014180	ROD 16 TIE	1.10
1012749	GUIDE BA R	1.35	1013350	LATCH	1.10	1014205	SHAFT	1.60
1012752	GUIDE BA L	1.35	1013352	SHAFT PLAT	1.10	1014206	LEVER S 16	5.35
1012755	DEFLECT 12	2.75	1013353	LATCH	.95	1014208	PLATEN HEK	15.00
1012757	CA TI ROD	.65	1013355	CAM CLICK	.20	1014236	COVER SW	.40
1012762	GUI FD RO	.25	1013356	GUIDE PLAT	2.00	1014237	INSULA SW	.05
1012764	CLIP C PAP	.05	1013361	LINK ASM	1.20	1014243	LEVER TKO	1.60

ETD PARTS PRICE LIST

1014246-1016302

PART NO.	PART NAME	PRICE	PART NO.	PART NAME	PRICE	PART NO.	PART NAME	PRICE
1014246	LEVER REL	.60	1014864	HOLDER	2.65	1016027	PAWL	.50
1014247	BRKT ESCP	22.00	1014869	RACK	3.60	1016028	SHAFT BSH	.65
1014248	BRKT ESCP	22.00	1014870	RACK ESCP	3.60	1016029	PIN & RTCH	7.90
1014249	BRKT ESCP	22.00	1014882	FRIC DISC	1.55	1016033	CAR ST BRK	.50
1014252	LEVER	.35	1014885	PLATEN 12	12.50	1016036	WL CAR ST	.50
1014365	PLATEN 12	12.50	1014889	PLATEN LP	15.00	1016038	PAWL CARR	7.20
1014366	PLATEN 12	12.50	1014909	STOP CORD	.60	1016039	PAWL CARR	1.75
1014368	PLATEN 12	12.50	1014918	GUIDE RIBB	.75	1016041	PAWL STOP	.35
1014370	PLATEN 16	15.00	1014958	CLUTCH COV	3.60	1016042	PAWL ESCP	1.10
1014372	PLATEN 16	15.00	1014959	TABLE PAP	3.45	1016045	PAWL CARR	7.20
1014373	PLATEN 16	15.00	1014963	SUPPORT	.35	1016046	PAWL CARR	1.85
1014390	PULLEY	1.75	1014964	SUPPORT	.35	1016048	PAWL ESCP	1.10
1014419	TAPE 12	.60	1014965	TABLE PAP	4.10	1016051	PAWL BRKT	2.20
1014420	TAPE 16	.65	1014968	TABLE PAP	4.70	1016062	BRACKET	.95
1014421	TAPE 20	.70	1014971	TABLE PAP	5.45	1016064	PAWL EXEC	.65
1014422	TAPE 24	.75	1014988	HOOK LEVER	2.45	1016065	SH & CON	10.75
1014423	TAPE 30	.90	1014989	LEVER	.45	1016076	MTG SH ARM	1.15
1014431	RETAINER	.05	1014992	INDEX PLAT	2.45	1016081	BAIL REAR	1.85
1014452	RACK TAB	14.10	1015079	PULLEY	3.60	1016085	BAIL CENT	1.85
1014473	STOP COV	.20	1015080	PLATE SPG	4.40	1016093	STOP BRK L	2.00
1014511	PLATEN 12	12.50	1015081	CLUTCH PLA	2.45	1016095	STOP BRK R	2.00
1014517	HOLDER	1.85	1015083	BUSH & KEY	1.10	1016103	SELEC BAR	1.40
1014536	LINK	.15	1015086	SPRING	1.00	1016104	LEVER ARM	1.00
1014600	FRAME CARR	13.75	1015088	SPRING	.25	1016109	LEVER ESCP	1.00
1014601	RACK ESCP	4.15	1015091	COVER	2.85	1016112	LEVER OPER	1.00
1014607	RACK TAB	14.10	1015094	LEVER	2.85	1016123	RIB CORN R	1.60
1014609	SPRING TAB	.75	1015098	BUSHING	.25	1016124	RIB CORN L	1.95
1014611	BRACKET	22.00	1015100	TAB STOP	.05	1016132	LEV & PIN	1.10
1014615	PAWL BRKT	2.85	1015217	TABLE PAP	4.10	1016139	CAM LEV SH	.95
1014617	HOLDER	1.85	1015222	TABLE PAP	4.40	1016143	TAB CAM L	.15
1014631	RACK MARG	3.50	1015235	KEY LEVER	.20	1016147	LINK & BEL	.95
1014632	RACK TAB	16.50	1015236	KEY LEVER	.40	1016148	SPRING TAB	.50
1014638	RACK ESCP	4.15	1015240	LEVER	1.10	1016149	LATCH PIN	.65
1014640	GUIDE	2.15	1015243	PLATEN	16.25	1016152	LATCH LEV	.85
1014642	RACK MARG	4.20	1015255	SUPPORT	.25	1016158	PAWL BRKT	1.65
1014643	RACK TAB	18.70	1015348	GUIDE TYPE	3.70	1016162	PAWL LEVER	.70
1014644	RACK TAB	6.85	1015349	SEGMENT	11.90	1016164	REL & TAB	9.35
1014687	SPRING	.35	1015350	SEGMENT	11.90	1016165	SELEC BAR	1.85
1014708	BLADE SUPP	9.40	1015356	PULLEY	3.75	1016166	BAIL REAR	7.60
1014738	BLADE COV	2.50	1015357	PULLEY	3.75	1016167	LINK	.40
1014745	RACK MARG	3.65	1015360	LEVER	3.20	1016168	LINK	.40
1014746	RACK TAB	16.50	1015369	BLADE	1.25	1016169	LEVER	2.20
1014751	FRAME REAR	56.25	1015376	RH TAB PAR	25.00	1016172	CLAPPER	.70
1014752	FRAME REAR	16.50	1015413	SPRING	1.75	1016174	CLAPPER	.40
1014760	PULLEY	1.15	1015450	SPRING	1.75	1016176	LEVER	2.75
1014761	CHECK PAWL	.20	1015454	ROLLER	.35	1016180	SPRING BRK	.20
1014764	LEFT PAWL	.40	1015464	CAM TUBE	6.10	1016182	CONN LINK	.35
1014766	RIB GUIDE	.85	1015474	SPRING	.60	1016184	LINK	.45
1014769	ROLL LEV	2.15	1015498	CLAMP	6.25	1016192	LEVER & SH	1.75
1014772	PRES ROLL	2.15	1015615	INSERT	.65	1016196	LEV & ARM	5.25
1014775	JACK SHAFT	.25	1015616	CLIP	.40	1016202	CAM UNIT	2.20
1014776	LEVER	1.70	1015617	LEVER	.40	1016205	CAM UNIT	2.20
1014778	LEVER	.75	1015640	RSUP 12	30.65	1016208	LEVER SUP	2.15
1014780	LEVER	.90	1015673	BASKET	3.90	1016209	LEVER SUP	1.65
1014781	CAM FOLLOW	1.95	1015676	BASKET ASM	3.90	1016211	BAR SPACE	1.75
1014783	SNUBBER	.05	1015681	BRACKET	3.15	1016213	LEVER TAB	.35
1014784	PLATE LH	1.60	1015682	RAIL THIRD	2.50	1016215	BELL CRANK	.95
1014788	PLATE RH	1.20	1015721	PAWL BRK	2.85	1016222	INTERL STP	.85
1014790	SHAFT 12	1.20	1015755	BLADE POST	1.90	1016224	KEY LEVER	.40
1014794	LEV & LK	2.20	1015756	BLADE POST	1.90	1016226	KEY LEVER	.40
1014799	FEED TAPE	.85	1015833	PAWL BRKT	1.15	1016227	KEY LEVER	.40
1014800	SPR BELT	.90	1015834	PAWL BRKT	1.15	1016229	KEY LEVER	.40
1014805	R GUIDE LH	3.15	1015904	LEVER TAB	.65	1016231	KEY LEVER	.40
1014807	R GUIDE RH	3.15	1015909	LEVER	.65	1016234	STOP BAIL	.40
1014809	PULL BRACK	1.60	1015918	KEY LEVER	.90	1016236	SEG GUIDE	.50
1014813	GUARD ASM	.65	1015921	COVER DUST	1.85	1016244	SEGMENT	11.90
1014815	SPOOL FLAN	.90	1015947	UNIV BAR	4.00	1016247	LINK	.25
1014816	SPOOL ASM	1.90	1015953	BLADE RH20	5.25	1016248	GUIDE	1.35
1014822	PLATE COV	6.90	1015954	BLADE LH20	2.15	1016249	GUIDE	1.45
1014827	ARM LIFT	30.90	1015987	RIBB GUIDE	2.20	1016260	RACK DOWEL	6.25
1014828	ARM LIFT	12.15	1015992	REAR GUIDE	4.40	1016261	RACK EXEC	5.65
1014829	SHAFT 16	1.90	1015993	REAR GUIDE	4.40	1016279	STOP CARR	.15
1014831	COVER DUST	2.85	1016001	FRAME & R	143.15	1016280	RACK MARG	5.40
1014836	BAIL SHAFT	1.40	1016004	SHAFT EXEC	.85	1016281	RACK MARG	2.75
1014839	LEVER SUP	4.40	1016005	WH & GEAR	8.60	1016286	RACK TAB	4.70
1014840	SHAFT BAIL	1.65	1016009	WH & PIN	8.60	1016295	GEAR RIBB	3.95
1014841	SHAFT BAIL	1.90	1016014	GEAR ESCP	5.60	1016298	GEAR RIBB	1.15
1014843	SHAFT BAIL	2.40	1016015	WH & PIN	8.60	1016299	GEAR RIBB	2.40
1014855	FRAME CARR	13.75	1016017	PIN & CAR	12.15	1016301	FEED ROLL	2.50
1014857	FRAME CARR	13.75	1016026	SPRING	.20	1016302	BRACKET	2.15

PART NO.	PART NAME	PRICE	PART NO.	PART NAME	PRICE	PART NO.	PART NAME	PRICE
1016305	STRIPPER	.40	1017068	DEFLECTOR	3.40	1017504	CARR FRAME	13.75
1016306	GUIDE RIBB	.85	1017069	DEFLECTOR	3.40	1017505	CARR FRAME	18.75
1016307	MTG LEVER	.95	1017073	DEFLECTOR	3.40	1017506	CARR FRAME	22.50
1016308	FD ROLL AS	8.90	1017075	DEF FEED	11.40	1017507	CARR FRAME	31.25
1016309	HUB	2.50	1017076	DEFLECTOR	3.40	1017509	CARR ASM	58.75
1016312	SPRING	.20	1017079	FEED ROLL	3.70	1017510	CARR ASM	82.50
1016314	COVER MAG	1.15	1017081	GUIDE PAP	2.15	1017511	CARR ASM	101.25
1016315	STUD	.40	1017083	SHAFT	4.40	1017514	RSUP 12	30.65
1016318	RAIL CARR	5.35	1017114	TIE ROD 16	5.25	1017515	RSUP 16	32.50
1016319	COVER DUST	2.15	1017116	RAIL FRONT	5.35	1017516	RSUP 20	35.00
1016321	IDLE GEAR	1.10	1017117	RAIL FRONT	5.75	1017557	RSUP 12	30.65
1016324	GOVERNOR	9.40	1017119	RAIL FRONT	7.50	1017558	CARR ASM	58.75
1016334	FOOT SPACE	.95	1017120	RAIL FRONT	8.75	1017559	CARR FRAME	13.75
1016336	REAR COVER	3.00	1017121	RAIL FRONT	5.35	1017568	HOLDER	1.85
1016337	TAPE CARR	.60	1017126	SHIFT STOP	.35	1017657	BAIL PAPER	3.95
1016340	CAM	1.90	1017127	KEY LEVER	.40	1017659	DRUM ASM	1.90
1016342	SPOOL REWD	5.25	1017144	ARM BAIL	1.90	1017695	PLATEN 12	12.50
1016355	LEVER	3.60	1017149	SHAFT	1.00	1017713	KEY LEVER	.65
1016356	SUPPORT	3.15	1017151	CARR ASM	150.00	1017714	TABLE PAP	3.75
1016357	LEVER	1.15	1017156	FEED ROLL	3.40	1017750	RESISTOR	9.10
1016358	LEVER	.95	1017159	PLATEN 16	15.00	1017753	BRACKET	1.60
1016359	PULLEY	4.10	1017160	TABLE PAP	19.40	1017754	BLOCK CVR	.15
1016361	TAPE CARR	.60	1017164	BRACKET	2.20	1017759	CONDENSER	3.15
1016362	LINK	.15	1017166	RETAINER F	.35	1017760	CONDENSER	3.15
1016363	LINK	.20	1017176	STOP	.95	1017761	RESISTOR	2.45
1016365	LINK	.40	1017182	PLATEN 20	17.50	1017762	RESISTOR	2.45
1016366	LINK	.40	1017191	BAIL FEED	11.90	1017767	SWITCH	.95
1016367	PAWL	3.15	1017193	SHAFT BAIL	2.10	1017769	BLOCK ASM	9.10
1016368	LEVER LINK	1.60	1017194	TIE ROD PO	1.75	1017773	KEY LEVER	.65
1016369	SPACE BAR	1.60	1017195	SHAFT	.75	1017775	PLATEN 16	15.00
1016370	KEY LEVER	1.60	1017206	KEY LEVER	.45	1017792	ROD TIE 20	5.35
1016371	SETTER CAM	1.40	1017209	KEY LEVER	.40	1017793	EQUAL ROD	2.25
1016372	KEY LEVER	.70	1017211	KEY LEVER	.40	1017818	PAPER STOP	.60
1016376	RACE CONE	.40	1017212	KEY LEVER	.40	1017848	RACK MARG	2.75
1016381	LINK	.45	1017213	KEY BUTTON	.45	1017849	RACK TAB	3.75
1016382	CONN LINK	.40	1017214	KEY LEVER	.60	1017852	GUIDE PAPER	2.65
1016384	CONN LINK	.45	1017217	KEY LEVER	.35	1017855	PLATEN	12.50
1016413	SPRING LEV	.85	1017218	KEY LEVER	.45	1017861	SHAFT	3.15
1016419	HOUSING	.20	1017220	KEYBUTTON	.45	1017863	TABLE PAP	4.10
1016422	SUPPORT SH	.85	1017221	KEY LEVER	.65	1017860	RACK TAB	9.70
1016423	GOV SHOE	1.25	1017225	CAM UNIT	2.20	1017881	PAWL ASM	.35
1016428	GUIDE	6.50	1017228	CAM UNIT	2.20	1017883	PLATE	.60
1016438	TERM BLOC	.05	1017229	CAM UNIT	2.20	1017885	REAR COVER	5.15
1016471	REAR FRAME	64.70	1017235	BEARING	.85	1018034	FD PULLEY	6.20
1016472	LIFT ARMS	31.50	1017240	LINK	.60	1018035	SHIM	.05
1016473	PLATEN 20	20.00	1017241	LINK	.35	1018116	SPACER	1.20
1016478	BAIL LEVER	5.00	1017243	DEFLECTOR	2.75	1018117	CARR RET	1.65
1016481	TIE ROD	.90	1017245	BELL CRANK	.20	1018118	BELL CRANK	2.25
1016483	LOCKOUT	1.70	1017248	DEFLECTOR	8.25	1018119	BRACKET	.85
1016487	REAR FRAME	21.65	1017249	FEED ROLL	2.20	1018120	LINK	.50
1016506	CK WHEEL	4.75	1017252	RACK TAB	3.75	1018125	STOP	1.20
1016526	TRUCK ASM	8.45	1017253	TABLE PAP	3.60	1018126	CAM S LOBE	2.20
1016550	STOP	.35	1017258	TRAY ASM	2.20	1018203	PLATE	18.75
1016623	BLADE RH16	1.45	1017259	TRAY ASM	2.20	1018205	FEED ROLL	3.50
1016624	BLADE LH16	1.45	1017265	COUNTER	18.75	1018208	DEFLECTOR	11.40
1016658	SPR PLATE	.05	1017269	RACK ESCP	3.60	1018209	DEFLECTOR	3.40
1016663	BRACE CARR	1.00	1017270	RACK ESCP	4.15	1018215	FEED ROLL	3.50
1016679	LEV HUB	.65	1017273	BLADE SUPT	8.15	1018226	PLATEN 12	12.50
1016683	RACK ESCP	4.15	1017283	COVER DUST	3.15	1018250	TYPEBAR	1.10
1016684	FRAME CARR	12.50	1017310	BELL	.65	1018251	TYPE SET	58.10
1016691	BRACKET	22.00	1017343	CARR FRAME	18.75	1018304	GUIDE 10	2.45
1016692	LEVER PAWL	2.85	1017344	CARR FRAME	22.50	1018306	RACK MARG	2.75
1016695	RSUP 12	30.65	1017345	CARR FRAME	31.25	1018318	LEVER TRIP	2.40
1016696	CARR ASM	58.75	1017346	CARR FRAME	41.25	1018322	BRACKET AS	.45
1016704	FRICT GOV	4.65	1017347	CARR ASM	82.50	1018328	TAB KEYLEV	3.20
1016712	WORM CLUTC	24.40	1017348	CARR ASM	101.25	1018346	BRACE ASM	1.90
1016714	WORM SHAFT	6.45	1017351	RSUP 16	32.50	1018356	PLATEN 20	17.50
1016715	WORM WHEEL	2.20	1017352	RSUP 20	35.00	1018405	FILTER	8.45
1016729	RACK ESCP	4.15	1017397	CARR FRAME	13.75	1018406	CABLE CLIP	.25
1016735	FEED TAPE	.70	1017398	CARR FRAME	20.00	1018417	ARM ASM	1.15
1016793	TABLE PAP	4.70	1017400	CARR ASM	67.50	1018472	BRACKET ST	.20
1016812	TIE ROD 20	.90	1017405	CARR ASM	118.75	1018476	SPRING	.05
1016933	GUIDE TUBE	1.45	1017406	CARR ASM	142.50	1018477	SCREW	.15
1016984	COVER DUST	3.15	1017407	CARR FRAME	19.40	1018478	PUSH ROD	1.10
1016985	COVER DUST	2.85	1017422	FEED ROLL	2.85	1018479	LEVER	.35
1016986	COVER DUST	3.15	1017486	RACK ESCP	3.60	1018504	CARR ASM	58.75
1016990	SHAFT	.75	1017487	RACK ESCP	4.15	1018505	RSUP 10	30.65
1016991	ROLLER	1.95	1017489	LEVER	2.85	1018506	SHAFT	1.60
1016996	LEVER ESCP	2.20	1017498	RACK MARG	7.00	1018508	RSUP 10	2.75
1017066	RACK ESCP	4.15	1017503	BRACKET	22.00	1018510	RACK TAB	3.75

ETD PARTS PRICE LIST

1018511-1062052

PART NO.	PART NAME	PRICE	PART NO.	PART NAME	PRICE	PART NO.	PART NAME	PRICE
1018511	CARR FRAME	13.75	1024322	IMPRESSION	.45	1061527	BUTTON	.25
1018592	PLATE ASM	5.35	1024324	GOV LEAD	.25	1061528	BUTTON	.25
1018633	SHAFT BAIL	1.25	1024342	MOT 115DC	40.25	1061529	BUTTON	.25
1018651	TRACK ASM	32.50	1024343	MOTOR AS	40.25	1061530	BUTTON	.25
1018657	TRACK ASM	5.65	1024344	MOT 115VAC	40.25	1061531	BUTTON	.25
1018658	GUIDE TUBE	1.70	1024345	MOT 230DC	40.25	1061532	BUTTON	.25
1018662	SPRING	.65	1024346	MOT 230VAC	40.25	1061533	BUTTON	.25
1018665	GUIDE TUBE	1.70	1024352	MOUNTING	.75	1061534	BUTTON	.25
1018696	TOP COVER	3.70	1024400	GOVERNOR	13.15	1061535	BUTTON	.25
1018723	TERM BLOCK	1.45	1024449	MTR 115V	40.25	1061536	BUTTON	.25
1018738	CONTRL ROD	.90	1024461	MICRO SWIT	1.90	1061537	BUTTON	.25
1018757	BRACKET	.45	1024500	MOTOR	40.25	1061538	BUTTON	.25
1018758	STOP	.65	1024515	GOV ASM	10.65	1061539	BUTTON	.25
1018782	ROLLERS	.15	1024520	GOV CONTRO	9.00	1061540	BUTTON	.25
1018938	CHUTE A 12	8.15	1024525	SWITCH	7.50	1061541	BUTTON	.25
1019001	CONT ROLL	.15	1024526	GOV CONTRO	9.00	1061542	BUTTON	.25
1019031	PLATEN YOK	.95	1024528	CHOKE	.95	1061543	BUTTON	.25
1019032	PLATEN YOK	.95	1024564	FILTER	12.20	1061557	BUTTON	.25
1019045	SUPPORT	.65	1024565	COVER	.15	1061574	BUTTON	.25
1019046	SUPPORT	.65	1024568	COVER	.15	1061578	BUTTON	.25
1019047	SEG GUIDE	.35	1024613	CONDENSER	.75	1061583	BUTTON	.25
1019048	SEG GUIDE	.35	1024682	MOTOR SUPP	.20	1061611	BUTTON	.25
1019049	CLAMP	.25	1024910	RESISTOR	3.50	1061631	BUTTON	.25
1019050	WIRE SUP	.25	1060556	STUD	.20	1061683	BUTTON	.25
1019058	GUIDE	.50	1060570	SELECT BAR	1.40	1061684	BUTTON	.25
1019083	CUTTER ASM	1.90	1060571	SELECT BAR	1.20	1061685	BUTTON	.25
1019156	PLATEN	12.50	1060572	SELECT BAR	1.40	1061686	BUTTON	.25
1019258	SWITCH PIN	.25	1060573	SELECT BAR	1.20	1061687	BUTTON	.25
1019261	BALL RACE	2.25	1060577	SELECT BAR	1.20	1061688	BUTTON	.25
1019264	SUPPORT	.75	1060584	SELECT BAR	1.40	1061689	BUTTON	.25
1019325	BALL RACE	6.90	1060587	SELECT BAR	1.20	1061716	BUTTON	.25
1019326	BALL RACE	6.90	1060597	SELECT BAR	1.20	1061717	BUTTON	.25
1019334	PLATEN ASM	20.00	1060598	SELECT BAR	1.40	1061721	BUTTON	.25
1019353	ELEMENT	1.40	1060599	SELECT BAR	1.20	1061722	BUTTON	.25
1019374	PLATEN 20	17.50	1060646	SELECT BAR	1.40	1061723	BUTTON	.25
1019432	REAR COVER	1.70	1060661	SELECT BAR	1.20	1061724	BUTTON	.25
1019474	TYPE SET	46.20	1060707	BAR REST	.65	1061725	BUTTON	.25
1019518	CORD	.65	1060877	PLATEN 12	12.50	1062001	BELL CRANK	.50
1019543	CHECK PAWL	.75	1061208	LINK	.25	1062002	BELL CRANK	.50
1019550	WASHER	.40	1061210	REV BAR	1.90	1062003	BELL CRANK	.50
1019551	TRIP LINK	.40	1061236	RACK MARG	6.00	1062004	BELL CRANK	.50
1019592	PLATEN 20	17.50	1061342	PLATEN 20	17.50	1062005	BELL CRANK	.50
1019720	PLATEN 16	15.00	1061353	BAR REST	.95	1062006	BELL CRANK	.50
1019833	TAB STOP A	.60	1061364	LOCK BAR	1.90	1062007	BELL CRANK	.50
1019872	KEY LEVER	1.45	1061365	BASE ASM	53.15	1062008	BELL CRANK	.50
1019908	RIB SPOOL	.15	1061366	PLATEN 12	12.50	1062009	BELL CRANK	.50
1024023	FELT RING	.20	1061389	CLIP	.05	1062010	BELL CRANK	.50
1024024	BEARING	.35	1061411	SPRING	.60	1062011	BELL CRANK	.50
1024026	RETAINER	.15	1061412	SPRING	.60	1062012	BELL CRANK	.50
1024027	OIL SHIELD	.20	1061413	SPRING	.60	1062013	BELL CRANK	.50
1024033	THERMOGARD	1.40	1061414	SPRING	.60	1062014	BELL CRANK	.50
1024076	CONT SPT	.35	1061419	DRIVER	1.20	1062015	BELL CRANK	.50
1024078	CONT SPT	.65	1061492	STOP CARR	.35	1062016	BELL CRANK	.50
1024080	SPRING AS	1.10	1061500	BUTTON	.25	1062017	BELL CRANK	.50
1024086	WASHER	.05	1061501	BUTTON	.25	1062018	BELL CRANK	.50
1024090	MTR BRUSH	.40	1061502	BUTTON	.25	1062019	BELL CRANK	.50
1024091	BRUSH CAP	.35	1061503	BUTTON	.25	1062020	BELL CRANK	.50
1024095	RING	.15	1061504	BUTTON	.25	1062021	BELL CRANK	.50
1024096	DISC	.15	1061505	BUTTON	.25	1062022	BELL CRANK	.50
1024102	SPRING	.20	1061509	BUTTON	.25	1062023	BELL CRANK	.50
1024155	GOV CONT	8.15	1061507	BUTTON	.25	1062024	BELL CRANK	.50
1024160	WASHER	.05	1061508	BUTTON	.25	1062025	BELL CRANK	.50
1024161	SPRING	.35	1061509	BUTTON	.25	1062026	BELL CRANK	.50
1024182	SWITCH ACT	.95	1061510	BUTTON	.25	1062027	BELL CRANK	.50
1024186	RESIST BLK	11.90	1061511	BUTTON	.25	1062028	BELL CRANK	.50
1024187	RESIS 115V	1.95	1061512	BUTTON	.25	1062029	BELL CRANK	.50
1024211	RESIS 230V	1.95	1061513	BUTTON	.25	1062030	BELL CRANK	.50
1024214	SCREW	.15	1061514	BUTTON	.25	1062031	BELL CRANK	.50
1024216	SWITCH ASM	1.25	1061515	BUTTON	.25	1062032	BELL CRANK	.50
1024218	SW COVER	.15	1061516	BUTTON	.25	1062033	BELL CRANK	.50
1024227	SWITCH	.15	1061517	BUTTON	.25	1062034	BELL CRANK	.50
1024232	RES BLOCK	19.40	1061518	BUTTON	.25	1062035	BELL CRANK	.50
1024300	MT AS 115V	40.25	1061519	BUTTON	.25	1062036	BELL CRANK	.50
1024301	ARMATURE	11.25	1061520	BUTTON	.25	1062038	BELL CRANK	.50
1024305	GOV CONR-A	5.65	1061521	BUTTON	.25	1062039	BELL CRANK	.50
1024308	REAR PLATE	2.00	1061522	BUTTON	.25	1062040	BELL CRANK	.50
1024309	MOUNTING	.40	1061523	BUTTON	.25	1062041	BELL CRANK	.50
1024310	REAR MT	.25	1061524	BUTTON	.25	1062042	BELL CRANK	.50
1024311	SCREW	.05	1061525	BUTTON	.25	1062051	BELL CRANK	.40
1024321	GOV LEAD	.70	1061526	BUTTON	.25	1062052	BELL CRANK	.40

MARCH 17, 1961

PAGE 23

ETD PARTS PRICE LIST

PART NO.	PART NAME	PRICE	PART NO.	PART NAME	PRICE	PART NO.	PART NAME	PRICE
1062067	BELL CRANK	.40	1062758	BELL CRANK	.40	1063367	SELECT BAR	1.20
1062068	BELL CRANK	.40	1062761	BELL CRANK	.40	1063373	SELECT BAR	1.20
1062069	BELL CRANK	.50	1062765	BELL CRANK	.40	1063375	SELECT BAR	1.40
1062084	BELL CRANK	.40	1062766	BELL CRANK	.50	1063478	REST BAR	.95
1062087	BELL CRANK	.40	1062769	BELL CRANK	.50	1063480	STOP	7.85
1062088	BELL CRANK	.40	1062771	BELL CRANK	.40	1063482	GANG STOP	7.85
1062137	BELL CRANK	.50	1062773	BELL CRANK	.40	1063604	TAB RACK	4.70
1062138	BELL CRANK	.40	1062775	BELL CRANK	.50	1063607	TAB RACK	4.70
1062140	BELL CRANK	.40	1062778	BELL CRANK	.40	1063608	GANG STOP	7.85
1062151	BELL CRANK	.40	1062779	BELL CRANK	.40	1063620	BAIL ROLL	1.20
1062154	BELL CRANK	.40	1062782	BELL CRANK	.50	1063653	ARM CAM	1.25
1062172	BELL CRANK	.40	1062783	BELL CRANK	.50	1063690	ARM 6 ROD	1.40
1062189	BELL CRANK	.50	1062784	BELL CRANK	.40	1063718	WIRE FULC	.65
1062202	BELL CRANK	.40	1062785	BELL CRANK	.40	1063721	LEVER AS	.60
1062208	BELL CRANK	.50	1062789	BELL CRANK	.40	1063724	LEVER	1.25
1062242	BELL CRANK	.40	1062790	BELL CRANK	.50	1063728	LEVER	1.25
1062258	BELL CRANK	.50	1062796	BELL CRANK	.40	1063731	PAWL STOP	.95
1062274	BELL CRANK	.40	1062797	BELL CRANK	.40	1063735	COLLAR	.65
1062275	BELL CRANK	.50	1062799	BELL CRANK	.40	1063737	STUD	.35
1062292	BELL CRANK	.50	1062800	BELL CRANK	.40	1063746	BRACKET	.75
1062308	BELL CRANK	.50	1062803	BELL CRANK	.40	1063749	STUD	.40
1062310	BELL CRANK	.40	1062812	BELL CRANK	.40	1063752	PIN ASM	.95
1062325	BELL CRANK	.50	1062816	BELL CRANK	.40	1063757	DEFLECTOR	1.70
1062327	BELL CRANK	.40	1062817	BELL CRANK	.40	1063761	DEFLECTOR	1.70
1062361	BELL CRANK	.50	1062829	BELL CRANK	.50	1063773	INDEX	2.00
1062362	BELL CRANK	.40	1062830	BELL CRANK	.50	1063781	SPRING	.35
1062363	BELL CRANK	.40	1062831	BELL CRANK	.50	1063787	PAWL	3.15
1062394	BELL CRANK	.50	1062832	BELL CRANK	.50	1063797	COLLAR	.35
1062429	BELL CRANK	.40	1062833	BELL CRANK	.50	1063799	SPRING	.15
1062430	BELL CRANK	.40	1062834	BELL CRANK	.50	1063801	WASHER	.15
1062461	BELL CRANK	.50	1062835	BELL CRANK	.50	1063805	SPRING	.25
1062477	BELL CRANK	.40	1062836	BELL CRANK	.50	1063808	LINK	.20
1062479	BELL CRANK	.50	1062837	BELL CRANK	.50	1063875	BLADES FAN	.45
1062495	BELL CRANK	.50	1062838	BELL CRANK	.50	1063881	BLADES FAN	.45
1062512	BELL CRANK	.40	1062839	BELL CRANK	.50	1063891	BLADES FAN	.45
1062515	BELL CRANK	.40	1062840	BELL CRANK	.50	1063900	BLADES FAN	.45
1062516	BELL CRANK	.40	1062841	BELL CRANK	.50	1063901	BLADES FAN	.45
1062527	BELL CRANK	.40	1062842	BELL CRANK	.50	1063902	BLADES FAN	.45
1062530	BELL CRANK	.50	1062843	BELL CRANK	.50	1063903	BLADES FAN	.45
1062531	BELL CRANK	.40	1062844	BELL CRANK	.50	1063904	BLADES FAN	.45
1062543	BELL CRANK	.40	1062845	BELL CRANK	.50	1063906	BLADES FAN	.45
1062562	BELL CRANK	.40	1062846	BELL CRANK	.50	1063907	BLADES FAN	.45
1062563	BELL CRANK	.40	1062847	BELL CRANK	.50	1063915	BLADES FAN	.45
1062567	BELL CRANK	.40	1062848	BELL CRANK	.50	1063916	BLADES FAN	.45
1062568	BELL CRANK	.40	1062849	BELL CRANK	.50	1063917	BLADES FAN	.45
1062578	BELL CRANK	.40	1062850	BELL CRANK	.50	1063919	BLADES FAN	.45
1062580	BELL CRANK	.50	1062851	BELL CRANK	.50	1063925	BLADES FAN	.45
1062581	BELL CRANK	.40	1062852	BELL CRANK	.50	1063930	BLADES FAN	.45
1062596	BELL CRANK	.40	1062853	BELL CRANK	.50	1063932	BLADES FAN	.45
1062612	BELL CRANK	.40	1062854	BELL CRANK	.50	1063933	BLADES FAN	.45
1062613	BELL CRANK	.40	1062855	BELL CRANK	.50	1063934	BLADES FAN	.45
1062614	BELL CRANK	.40	1062857	BELL CRANK	.50	1063939	BLADES FAN	.45
1062616	BELL CRANK	.40	1062858	BELL CRANK	.50	1063941	BLADES FAN	.45
1062618	BELL CRANK	.50	1062859	BELL CRANK	.50	1063944	BLADES FAN	.45
1062632	BELL CRANK	.40	1062860	BELL CRANK	.50	1063946	BLADES FAN	.45
1062650	BELL CRANK	.50	1062862	BELL CRANK	.50	1063959	BLADES FAN	.45
1062652	BELL CRANK	.40	1062863	BELL CRANK	.50	1063966	BLADES FAN	.45
1062663	BELL CRANK	.50	1062864	BELL CRANK	.50	1063967	BLADES FAN	.45
1062664	BELL CRANK	.40	1062865	BELL CRANK	.50	1063968	BLADES FAN	.45
1062680	BELL CRANK	.40	1062866	BELL CRANK	.50	1063971	BLADES FAN	.45
1062684	BELL CRANK	.40	1062867	BELL CRANK	.50	1063972	BLADES FAN	.45
1062685	BELL CRANK	.40	1062868	BELL CRANK	.50	1063980	BLADES FAN	.45
1062686	BELL CRANK	.40	1062869	BELL CRANK	.50	1063984	BLADES FAN	.45
1062689	BELL CRANK	.40	1062870	BELL CRANK	.50	1063995	BLADES FAN	.45
1062711	BELL CRANK	.50	1062944	SPRING	.20	1064006	BLADES FAN	.45
1062714	BELL CRANK	.50	1062945	SPRING	.20	1064022	BLADES FAN	.45
1062715	BELL CRANK	.50	1062995	DECAL	.20	1064031	BLADES FAN	.45
1062716	BELL CRANK	.40	1063151	SPRING SUP	2.35	1064032	BLADES FAN	.45
1062717	BELL CRANK	.50	1063195	CARR FRAME	20.00	1064033	BLADES FAN	.45
1062727	BELL CRANK	.40	1063343	SELECT BAR	1.20	1064035	BLADES FAN	.45
1062731	BELL CRANK	.50	1063345	SELECT BAR	1.40	1064037	BLADES FAN	.45
1062733	BELL CRANK	.40	1063347	SELECT BAR	1.40	1064047	BLADE	.45
1062734	BELL CRANK	.40	1063349	SELECT BAR	1.20	1064050	BLADES FAN	.45
1062735	BELL CRANK	.50	1063351	SELECT BAR	1.20	1064052	BLADES FAN	.45
1062737	BELL CRANK	.40	1063353	SELECT BAR	1.20	1064060	BLADES FAN	.45
1062745	BELL CRANK	.50	1063355	SELECT BAR	1.40	1064070	BLADE SLIT	1.60
1062748	BELL CRANK	.50	1063357	SELECT BAR	1.40	1064091	BLADE SLIT	1.60
1062752	BELL CRANK	.50	1063359	SELECT BAR	1.40	1064095	BLADE SLIT	1.60
1062754	BELL CRANK	.50	1063363	SELECT BAR	1.40	1064096	BLADE SLIT	1.60
1062756	BELL CRANK	.40	1063365	SELECT BAR	1.20	1064098	BLADE SLIT	1.60

ETD PARTS PRICE LIST

1064099-1066788

PART NO.	PART NAME	PRICE	PART NO.	PART NAME	PRICE	PART NO.	PART NAME	PRICE
1064099	BLADE SLIT	1.60	1065967	RACK TAB	5.00	1066709	TYPEBAR	1.10
1064100	BLADE SLIT	1.60	1065994	PIN	.20	1066710	TYPEBAR	1.10
1064101	BLADE SLIT	1.60	1066203	STOP	7.85	1066711	TYPEBAR	1.10
1064106	BLADE SLIT	1.60	1066204	STOP	7.85	1066712	TYPEBAR	1.10
1064109	BLADE SLIT	1.60	1066224	HOLDER	2.20	1066713	TYPEBAR	1.10
1064112	BLADE SLIT	1.60	1066230	CAR TRUCK	2.20	1066714	TYPEBAR	1.10
1064115	BLADE SLIT	1.60	1066231	CAR TRUCK	2.50	1066715	TYPEBAR	1.10
1064116	BLADE SLIT	1.60	1066232	CAR TRUCK	3.15	1066716	TYPEBAR	1.10
1064139	BLADE SLIT	1.60	1066233	CAR TRUCK	3.75	1066717	TYPEBAR	1.10
1064148	BLADE SLIT	1.60	1066234	CAR TRUCK	4.50	1066718	TYPEBAR	1.10
1064149	BLADE SLIT	1.60	1066251	TYPEBAR	1.10	1066719	TYPEBAR	1.10
1064153	BLADE SLIT	1.60	1066252	TYPEBAR	1.10	1066720	TYPEBAR	1.10
1064157	BLADE SLIT	1.60	1066253	TYPEBAR	1.10	1066721	TYPEBAR	1.10
1064158	BLADE SLIT	1.60	1066254	TYPEBAR	1.10	1066722	TYPEBAR	1.10
1064160	BLADE SLIT	1.60	1066255	TYPEBAR	1.10	1066723	TYPEBAR	1.10
1064163	BLADE SLIT	1.60	1066256	TYPEBAR	1.10	1066724	TYPEBAR	1.10
1064167	BLADE SLIT	1.60	1066257	TYPEBAR	1.10	1066725	TYPEBAR	1.10
1064170	BLADE SLIT	1.60	1066258	TYPEBAR	1.10	1066726	TYPEBAR	1.10
1064173	BLADE SLIT	1.60	1066259	TYPEBAR	1.10	1066727	TYPEBAR	1.10
1064175	BLADE SLIT	1.60	1066261	HOLDER	6.25	1066728	TYPEBAR	1.10
1064178	BLADE SLIT	1.60	1066262	GUIDE	2.50	1066729	TYPEBAR	1.10
1064184	BLADE SLIT	1.60	1066263	GUIDE	2.50	1066730	TYPEBAR	1.10
1064226	LINK ASM	.35	1066270	TYPEBAR	1.10	1066731	TYPEBAR	1.10
1064292	PLUG 3 WAY	1.60	1066271	TYPEBAR	1.10	1066732	TYPEBAR	1.10
1064337	LEVER	4.10	1066272	TYPEBAR	1.10	1066733	TYPEBAR	1.10
1064340	PLATE END	.85	1066273	TYPEBAR	1.10	1066734	TYPEBAR	1.10
1064346	BAIL LEVER	2.75	1066274	TYPEBAR	1.10	1066735	TYPEBAR	1.10
1064391	PAWL FEED	.75	1066275	TYPEBAR	1.10	1066736	TYPEBAR	1.10
1064392	PAWL FEED	.75	1066276	TYPEBAR	1.10	1066737	TYPEBAR	1.10
1064420	LEVER ASM	2.65	1066277	TYPEBAR	1.10	1066738	TYPEBAR	1.10
1064421	LEVER	2.65	1066279	TYPEBAR	1.10	1066739	TYPEBAR	1.10
1064451	DECAL EXEC	.20	1066280	TYPEBAR	1.10	1066740	TYPEBAR	1.10
1064491	DECAL FMWR	.20	1066281	TYPEBAR	1.10	1066741	TYPEBAR	1.10
1064492	DECAL HEKT	.20	1066282	TYPEBAR	1.10	1066742	TYPEBAR	1.10
1064495	BAIL LEVER	.65	1066283	TYPEBAR	1.10	1066743	TYPEBAR	1.10
1064496	BAIL LEVER	.65	1066322	CLIP	.60	1066744	TYPEBAR	1.10
1064522	DECAL FEED	.20	1066328	RECTIFIER	25.00	1066745	TYPEBAR	1.10
1064582	STOP BAIL	.65	1066342	STOP	7.85	1066746	TYPEBAR	1.10
1064620	STOP MARG	2.90	1066343	STOP	9.10	1066747	TYPEBAR	1.10
1064621	STOP MARG	2.90	1066370	STOP	.60	1066748	TYPEBAR	1.10
1064751	HOUSING	18.15	1066445	STOP	7.85	1066749	TYPEBAR	1.10
1064800	STOP TAB	7.85	1066456	BAIL ARM	1.60	1066750	TYPEBAR	1.10
1064810	FEED ROLL	2.25	1066459	BAIL ARM	1.60	1066751	TYPEBAR	1.10
1064812	FEED ROLL	2.40	1066466	RATCHET PL	12.75	1066752	TYPEBAR	1.10
1064950	GANG STOP	8.15	1066504	CAM UNIT	4.15	1066753	TYPEBAR	1.10
1064978	GANG STOP	7.85	1066510	BAIL ROLL	.95	1066754	TYPEBAR	1.10
1064983	GANG STOP	7.85	1066518	BAIL FEED	14.35	1066755	TYPEBAR	1.10
1064984	GANG STOP	7.85	1066522	FEED BAR	15.60	1066756	TYPEBAR	1.10
1064985	GANG STOP	7.85	1066631	PLUG	5.95	1066757	TYPEBAR	1.10
1064987	GANG STOP	7.85	1066633	PLUG	4.40	1066758	TYPEBAR	1.10
1064988	GANG STOP	7.85	1066637	PLATEN ASM	7.50	1066759	TYPEBAR	1.10
1064989	GANG STOP	7.85	1066645	SHAFT PL R	4.70	1066760	TYPEBAR	1.10
1064990	GANG STOP	7.85	1066649	SHAFT PL L	4.70	1066761	TYPEBAR	1.10
1064991	GANG STOP	7.85	1066661	PLATEN	7.50	1066762	TYPEBAR	1.10
1064992	GANG STOP	7.85	1066662	FRAME A LH	2.25	1066763	TYPEBAR	1.10
1065026	GANG STOP	7.85	1066682	TYPEBAR	1.10	1066764	TYPEBAR	1.10
1065028	GANG STOP	7.85	1066685	TYPEBAR	1.10	1066765	TYPEBAR	1.10
1065030	GANG STOP	7.85	1066686	TYPEBAR	1.10	1066766	TYPEBAR	1.10
1065067	LIFT BAR	.35	1066687	TYPEBAR	1.10	1066767	TYPEBAR	1.10
1065199	LIFT BAR	2.20	1066688	TYPEBAR	1.10	1066768	TYPEBAR	1.10
1065228	STOP MARG	1.90	1066689	TYPEBAR	1.10	1066769	TYPEBAR	1.10
1065229	ACTUATOR	1.45	1066690	TYPEBAR	1.10	1066770	TYPEBAR	1.10
1065230	STOP MARG	1.90	1066691	TYPEBAR	1.10	1066771	TYPEBAR	1.10
1065231	STOP MARG	1.90	1066692	TYPEBAR	1.10	1066772	TYPEBAR	1.10
1065232	STOP MARG	1.90	1066693	TYPEBAR	1.10	1066773	TYPEBAR	1.10
1065233	STOP MARG	1.90	1066694	TYPEBAR	1.10	1066774	TYPEBAR	1.10
1065234	STOP MARG	1.90	1066695	TYPEBAR	1.10	1066775	TYPEBAR	1.10
1065235	STOP MARG	1.90	1066696	TYPEBAR	1.10	1066776	TYPEBAR	1.10
1065236	BRACKET	2.35	1066697	TYPEBAR	1.10	1066777	TYPEBAR	1.10
1065250	GUIDE RIBB	1.25	1066698	TYPEBAR	1.10	1066778	TYPEBAR	1.10
1065384	BLADE SLIT	1.60	1066699	TYPEBAR	1.10	1066779	TYPEBAR	1.10
1065926	COMB STOP	2.85	1066700	TYPEBAR	1.10	1066780	TYPEBAR	1.10
1065935	SLEEVE	2.45	1066701	TYPEBAR	1.10	1066781	TYPEBAR	1.10
1065937	SLEEVE	2.45	1066702	TYPEBAR	1.10	1066782	TYPEBAR	1.10
1065939	SHAFT	.95	1066703	TYPEBAR	1.10	1066783	TYPEBAR	1.10
1065941	SHAFT	.65	1066704	TYPEBAR	1.10	1066784	TYPEBAR	1.10
1065943	SHAFT	.65	1066705	TYPEBAR	1.10	1066785	TYPEBAR	1.10
1065944	SHAFT	.65	1066706	TYPEBAR	1.10	1066786	TYPEBAR	1.10
1065945	SHAFT	.75	1066707	TYPEBAR	1.10	1066787	TYPEBAR	1.10
1065962	BRACKET	.50	1066708	TYPEBAR	1.10	1066788	TYPEBAR	1.10

MARCH 17, 1961

PAGE 25

ETD PARTS PRICE LIST

PART NO.	PART NAME	PRICE	PART NO.	PART NAME	PRICE	PART NO.	PART NAME	PRICE
1066789	TYPEBAR	1.10	1066900	TYPEBAR	1.10	1067093	TYPEBAR	1.10
1066790	TYPEBAR	1.10	1066901	TYPEBAR	1.10	1067132	SHOE RUB	.65
1066791	TYPEBAR	1.10	1066902	TYPEBAR	1.10	1067133	TYPEBAR	1.10
1066792	TYPEBAR	1.10	1066903	TYPEBAR	1.10	1067134	TYPEBAR	1.10
1066793	TYPEBAR	1.10	1066904	TYPEBAR	1.10	1067233	SHIM	1.00
1066794	TYPEBAR	1.10	1066905	TYPEBAR	1.10	1067271	TYPEBAR	1.10
1066795	TYPEBAR	1.10	1066906	TYPEBAR	1.10	1067276	BAIL STOP	1.25
1066796	TYPEBAR	1.10	1066907	TYPEBAR	1.10	1067326	TYPE REST	.65
1066797	TYPEBAR	1.10	1066908	TYPEBAR	1.10	1067347	TYPEBAR	1.10
1066798	TYPEBAR	1.10	1066909	TYPEBAR	1.10	1067348	TYPEBAR	1.10
1066799	TYPEBAR	1.10	1066910	TYPEBAR	1.10	1067349	TYPEBAR	1.10
1066801	TYPEBAR	1.10	1066911	TYPEBAR	1.10	1067351	TYPEBAR	1.10
1066802	TYPEBAR	1.10	1066912	TYPEBAR	1.10	1067352	TYPEBAR	1.10
1066803	TYPEBAR	1.10	1066913	TYPEBAR	1.10	1067353	TYPEBAR	1.10
1066804	TYPEBAR	1.10	1066914	TYPEBAR	1.10	1067354	TYPEBAR	1.10
1066805	TYPEBAR	1.10	1066915	TYPEBAR	1.10	1067355	TYPEBAR	1.10
1066806	TYPEBAR	1.10	1066916	TYPEBAR	1.10	1067356	TYPEBAR	1.10
1066807	TYPEBAR	1.10	1066917	TYPEBAR	1.10	1067357	TYPEBAR	1.10
1066808	TYPEBAR	1.10	1066918	TYPEBAR	1.10	1067358	TYPEBAR	1.10
1066809	TYPEBAR	1.10	1066919	TYPEBAR	1.10	1067359	TYPEBAR	1.10
1066810	TYPEBAR	1.10	1066920	TYPEBAR	1.10	1067360	TYPEBAR	1.10
1066811	TYPEBAR	1.10	1066921	TYPEBAR	1.10	1067361	TYPEBAR	1.10
1066812	TYPEBAR	1.10	1066922	TYPEBAR	1.10	1067362	TYPEBAR	1.10
1066813	TYPEBAR	1.10	1066923	TYPEBAR	1.10	1067363	TYPEBAR	1.10
1066814	TYPEBAR	1.10	1066924	TYPEBAR	1.10	1067364	TYPEBAR	1.10
1066815	TYPEBAR	1.10	1066925	TYPEBAR	1.10	1067365	TYPEBAR	1.10
1066816	TYPEBAR	1.10	1066935	ROLLER	.40	1067366	TYPEBAR	1.10
1066817	TYPEBAR	1.10	1066939	SUPP ROLL	5.65	1067367	TYPEBAR	1.10
1066818	TYPEBAR	1.10	1066941	SUPP ROLL	5.65	1067368	TYPEBAR	1.10
1066819	TYPEBAR	1.10	1066942	CAM STOP	.65	1067369	TYPEBAR	1.10
1066820	TYPEBAR	1.10	1066947	STOP	4.85	1067370	TYPEBAR	1.10
1066821	TYPEBAR	1.10	1066956	TYPEBAR	1.10	1067371	TYPEBAR	1.10
1066822	TYPEBAR	1.10	1066957	TYPEBAR	1.10	1067372	TYPEBAR	1.10
1066823	TYPEBAR	1.10	1066958	TYPEBAR	1.10	1067373	TYPEBAR	1.10
1066824	TYPEBAR	1.10	1066959	TYPEBAR	1.10	1067374	TYPEBAR	1.10
1066825	TYPEBAR	1.10	1066960	TYPEBAR	1.10	1067375	TYPEBAR	1.10
1066826	TYPEBAR	1.10	1066961	TYPEBAR	1.10	1067376	TYPEBAR	1.10
1066827	TYPEBAR	1.10	1066962	TYPEBAR	1.10	1067377	TYPEBAR	1.10
1066828	TYPEBAR	1.10	1066963	TYPEBAR	1.10	1067379	AUTO DITTO	15.00
1066829	TYPEBAR	1.10	1066964	TYPEBAR	1.10	1067381	TYPEBAR	1.10
1066830	TYPEBAR	1.10	1066965	TYPEBAR	1.10	1067382	TYPEBAR	1.10
1066831	TYPEBAR	1.10	1066966	TYPEBAR	1.10	1067383	TYPEBAR	1.10
1066832	TYPEBAR	1.10	1066967	TYPEBAR	1.10	1067386	KEY LEVER	1.90
1066833	TYPEBAR	1.10	1066968	TYPEBAR	1.10	1067396	TYPEBAR	1.10
1066834	TYPEBAR	1.10	1066969	TYPEBAR	1.10	1067397	TYPEBAR	1.10
1066835	TYPEBAR	1.10	1066970	TYPEBAR	1.10	1067398	TYPEBAR	1.10
1066836	TYPEBAR	1.10	1066971	TYPEBAR	1.10	1067399	TYPEBAR	1.10
1066837	TYPEBAR	1.10	1066972	TYPEBAR	1.10	1067400	TYPEBAR	1.10
1066838	TYPEBAR	1.10	1066973	TYPEBAR	1.10	1067424	TYPEBAR	1.10
1066839	TYPEBAR	1.10	1066974	TYPEBAR	1.10	1067425	TYPEBAR	1.10
1066840	TYPEBAR	1.10	1066975	TYPEBAR	1.10	1067431	TYPEBAR	1.10
1066841	TYPEBAR	1.10	1066976	TYPEBAR	1.10	1067432	TYPEBAR	1.10
1066842	TYPEBAR	1.10	1066977	TYPEBAR	1.10	1067433	TYPEBAR	1.10
1066843	TYPEBAR	1.10	1066978	TYPEBAR	1.10	1067435	TYPEBAR	1.10
1066844	TYPEBAR	1.10	1066979	TYPEBAR	1.10	1067456	TYPEBAR	1.10
1066845	TYPEBAR	1.10	1066980	TYPEBAR	1.10	1067457	TYPEBAR	1.10
1066846	TYPEBAR	1.10	1066981	TYPEBAR	1.10	1067458	TYPEBAR	1.10
1066847	TYPEBAR	1.10	1066982	TYPEBAR	1.10	1067459	TYPEBAR	1.10
1066848	TYPEBAR	1.10	1066983	TYPEBAR	1.10	1067460	TYPEBAR	1.10
1066849	TYPEBAR	1.10	1066984	TYPEBAR	1.10	1067461	TYPEBAR	1.10
1066850	TYPEBAR	1.10	1066985	TYPEBAR	1.10	1067462	TYPEBAR	1.10
1066851	TYPEBAR	1.10	1066986	TYPEBAR	1.10	1067463	TYPEBAR	1.10
1066852	TYPEBAR	1.10	1066987	TYPEBAR	1.10	1067501	TYPEBAR	1.10
1066853	TYPEBAR	1.10	1066988	TYPEBAR	1.10	1067502	TYPEBAR	1.10
1066854	TYPEBAR	1.10	1066989	TYPEBAR	1.10	1067503	TYPEBAR	1.10
1066855	TYPEBAR	1.10	1066990	TYPEBAR	1.10	1067504	TYPEBAR	1.10
1066856	TYPEBAR	1.10	1066991	TYPEBAR	1.10	1067505	TYPEBAR	1.10
1066857	TYPEBAR	1.10	1066992	TYPEBAR	1.10	1067506	TYPEBAR	1.10
1066858	TYPEBAR	1.10	1066993	TYPEBAR	1.10	1067507	TYPEBAR	1.10
1066859	TYPEBAR	1.10	1066994	TYPEBAR	1.10	1067508	TYPEBAR	1.10
1066860	TYPEBAR	1.10	1066995	TYPEBAR	1.10	1067509	TYPEBAR	1.10
1066861	TYPEBAR	1.10	1066996	TYPEBAR	1.10	1067510	TYPEBAR	1.10
1066862	TYPEBAR	1.10	1066997	TYPEBAR	1.10	1067511	TYPEBAR	1.10
1066863	TYPEBAR	1.10	1066998	TYPEBAR	1.10	1067512	TYPEBAR	1.10
1066864	TYPEBAR	1.10	1067001	TYPEBAR	1.10	1067513	TYPEBAR	1.10
1066865	TYPEBAR	1.10	1067002	TYPEBAR	1.10	1067514	TYPEBAR	1.10
1066866	TYPEBAR	1.10	1067003	TYPEBAR	1.10	1067515	TYPEBAR	1.10
1066867	TYPEBAR	1.10	1067004	TYPEBAR	1.10	1067516	TYPEBAR	1.10
1066868	TYPEBAR	1.10				1067517	TYPEBAR	1.10
1066869	TYPEBAR	1.10	1067034	CK WR ATCH	68.75	1067518	TYPEBAR	1.10
1066870	TYPEBAR	1.10						

ETD PARTS PRICE LIST

1067519-1071451

PART NO.	PART NAME	PRICE	PART NO.	PART NAME	PRICE	PART NO.	PART NAME	PRICE
1067519	TYPEBAR	1.10	1067600	TYPEBAR	1.10	1070387	LEVER TRIP	1.15
1067520	TYPEBAR	1.10	1067601	TYPEBAR	1.10	1070394	BELL CRANK	.50
1067521	TYPEBAR	1.10	1067602	TYPEBAR	1.10	1070495	PULLEY	3.75
1067522	TYPEBAR	1.10	1067603	TYPEBAR	1.10	1070499	LINK	.15
1067523	TYPEBAR	1.10	1067604	TYPEBAR	1.10	1070539	CLAPPER	.95
1067524	TYPEBAR	1.10	1067605	TYPEBAR	1.10	1070545	GROMMET	.15
1067525	TYPEBAR	1.10	1067606	TYPEBAR	1.10	1070547	LEVER	.55
1067526	TYPEBAR	1.10	1067607	TYPEBAR	1.10	1070569	HOLDER CD	.90
1067527	TYPEBAR	1.10	1067608	TYPEBAR	1.10	1070570	HOLDER CD	.90
1067528	TYPEBAR	1.10	1067609	TYPEBAR	1.10	1070585	DEFLECTOR	2.75
1067529	TYPEBAR	1.10	1067610	TYPEBAR	1.10	1070595	DEFLECTOR	2.75
1067530	TYPEBAR	1.10	1067611	TYPEBAR	1.10	1070637	HOLDER	.90
1067531	TYPEBAR	1.10	1067612	TYPEBAR	1.10	1070638	HOLDER	.90
1067532	TYPEBAR	1.10	1067613	TYPEBAR	1.10	1070653	BUTTON	.35
1067533	TYPEBAR	1.10	1067614	TYPEBAR	1.10	1070697	BUTTON KEY	.35
1067534	TYPEBAR	1.10	1067615	TYPEBAR	1.10	1070699	BUTTON SHI	.35
1067535	TYPEBAR	1.10	1067616	TYPEBAR	1.10	1070780	PULLEY	3.75
1067536	TYPEBAR	1.10	1067617	TYPEBAR	1.10	1070848	BUTTON	.35
1067537	TYPEBAR	1.10	1067618	TYPEBAR	1.10	1070864	HOLDER	.90
1067538	TYPEBAR	1.10	1067619	TYPEBAR	1.10	1070865	HOLDER	.90
1067539	TYPEBAR	1.10	1067620	TYPEBAR	1.10	1070905	HOLDER	.90
1067540	TYPEBAR	1.10	1067621	TYPEBAR	1.10	1070906	HOLDER	.90
1067541	TYPEBAR	1.10	1067622	TYPEBAR	1.10	1070907	HOLDER	.90
1067542	TYPEBAR	1.10	1067623	TYPEBAR	1.10	1070908	HOLDER	.90
1067543	TYPEBAR	1.10	1067624	TYPEBAR	1.10	1070937	LINK	.45
1067544	TYPEBAR	1.10	1067625	TYPEBAR	1.10	1071197	BRACKET	.70
1067545	TYPEBAR	1.10	1067626	TYPEBAR	1.10	1071203	SPRING	1.50
1067546	TYPEBAR	1.10	1067627	TYPEBAR	1.10	1071209	PULLEY ASM	1.15
1067547	TYPEBAR	1.10	1067628	TYPEBAR	1.10	1071211	TAPE CA 12	.60
1067548	TYPEBAR	1.10	1067629	TYPEBAR	1.10	1071242	LINK	.95
1067550	TYPEBAR	1.10	1067630	TYPEBAR	1.10	1071300	POWER ROLL	8.50
1067551	TYPEBAR	1.10	1067631	TYPEBAR	1.10	1071305	SHAFT DRIV	7.50
1067552	TYPEBAR	1.10	1067632	TYPE SET	46.20	1071307	KEY	.40
1067553	TYPEBAR	1.10	1067633	TYPE SET	58.10	1071308	HOUSING A	1.90
1067554	TYPEBAR	1.10	1067683	DECAL	.20	1071311	HUB	2.20
1067555	TYPEBAR	1.10	1070017	SPRING	.15	1071312	SPACER	.15
1067556	TYPEBAR	1.10	1070020	ADJ LINK	.25	1071313	PULLEY	3.60
1067557	TYPEBAR	1.10	1070022	RIBB LIFT	3.65	1071314	LEVER KEY	.40
1067558	TYPEBAR	1.10	1070040	LEVER ESCP	1.10	1071315	LEVER KEY	.40
1067559	TYPEBAR	1.10	1070041	LEVER ESCP	.20	1071316	LEVER KEY	.40
1067560	TYPEBAR	1.10	1070042	SHAFT ESCP	.20	1071317	LEVER KEY	.40
1067561	TYPEBAR	1.10	1070043	LEVER ESCP	.40	1071318	SPRING	.15
1067562	TYPEBAR	1.10	1070053	BRACKET	.75	1071325	CAM ASM	.60
1067563	TYPEBAR	1.10	1070054	BRACKET	.75	1071326	BRKT CAM	.40
1067564	TYPEBAR	1.10	1070057	REST PAD	.65	1071331	SUPPORT	4.40
1067565	TYPEBAR	1.10	1070063	UNIV BAR	4.50	1071337	PLATE RIBB	1.15
1067566	TYPEBAR	1.10	1070065	LINK	.20	1071339	LATCH L H	.75
1067567	TYPEBAR	1.10	1070071	BELL CRANK	.20	1071342	PLATE RIBB	1.15
1067568	TYPEBAR	1.10	1070079	SPRING CLO	1.25	1071344	LATCH R H	.75
1067569	TYPEBAR	1.10	1070083	DISC	.95	1071351	HOUSING AS	3.75
1067570	TYPEBAR	1.10	1070145	BOLT RET	.50	1071355	GUIDE LEV	1.40
1067571	TYPEBAR	1.10	1070159	SPRING	.40	1071356	ROD	.65
1067572	TYPEBAR	1.10	1070160	STOP LIFT	.15	1071361	SHAFT CLUT	3.50
1067573	TYPEBAR	1.10	1070164	LINK ASM	.25	1071362	COLLAR	2.20
1067574	TYPEBAR	1.10	1070210	SHAFT TAB	1.00	1071363	CLUTCH	.65
1067575	TYPEBAR	1.10	1070213	SUPP TAB	1.00	1071364	BRACKET	.40
1067576	TYPEBAR	1.10	1070217	LEVER TAB	1.50	1071365	BAR TYPE	.25
1067577	TYPEBAR	1.10	1070225	PAWL	.75	1071366	BAR TYPE	.25
1067578	TYPEBAR	1.10	1070226	ARM ADJ	.75	1071368	SUPP SEG	11.25
1067579	TYPEBAR	1.10	1070236	PAWL	.75	1071373	CAM	.55
1067580	TYPEBAR	1.10	1070239	ARM ADJ L	.75	1071384	LEVER REL	.60
1067581	TYPEBAR	1.10	1070247	TERM BLOCK	1.60	1071385	CAM LEVER	.55
1067582	TYPEBAR	1.10	1070263	YOKE & PIN	1.90	1071402	CAM LEVER	.45
1067583	TYPEBAR	1.10	1070265	BUSHING	.40	1071411	CAM LEVER	.45
1067584	TYPEBAR	1.10	1070277	GUIDE BAR	3.70	1071413	LEVER	.45
1067585	TYPEBAR	1.10	1070286	BUSHING	.30	1071414	CAM LEVER	.55
1067586	TYPEBAR	1.10	1070289	LINK	.05	1071419	SHAFT	.35
1067587	TYPEBAR	1.10	1070290	SHIM	.15	1071420	STUD	.40
1067588	TYPEBAR	1.10	1070297	COVER DUST	2.00	1071421	STUD	.05
1067589	TYPEBAR	1.10	1070298	HOLDER CD	.90	1071424	STUD	.15
1067590	TYPEBAR	1.10	1070299	HOLDER CD	.90	1071425	PLATE CLUT	1.60
1067591	TYPEBAR	1.10	1070307	LINK CONN	.15	1071428	KEY LEVER	1.25
1067592	TYPEBAR	1.10	1070340	LINK OPER	.25	1071439	BRACKET	.75
1067593	TYPEBAR	1.10	1070356	LINK	.65	1071441	SPACE BAR	.65
1067594	TYPEBAR	1.10	1070362	LINK	.75	1071442	BRACKET	.65
1067595	TYPEBAR	1.10	1070364	ROD PUSH	.45	1071443	BRACKET	.35
1067596	TYPEBAR	1.10	1070365	LINK	.95	1071446	LATCH LOCK	.40
1067597	TYPEBAR	1.10	1070380	DEFLECTOR	2.75	1071449	SPRING	.15
1067598	TYPEBAR	1.10	1070384	LEVER REL	.60	1071450	PULLEY	4.85
1067599	TYPEBAR	1.10	1070386	BRACKET	5.35	1071451	PULLEY	4.85

MARCH 17, 1961

PAGE 27

PART NO.	PART NAME	PRICE	PART NO.	PART NAME	PRICE	PART NO.	PART NAME	PRICE
1071452	LEVER KEY	.65	1071770	UNIV BAR	1.65	1072013	CAM LEVER	1.90
1071457	LEVER	.35	1071793	MOTOR	40.25	1072014	CAM LEVER	1.90
1071458	BRACKET	.40	1071794	MOTOR	40.25	1072015	CAM LEVER	1.90
1071459	SCREW	.15	1071795	MOTOR	40.25	1072016	CAM LEVER	1.90
1071461	STUD	.20	1071796	MOTOR	40.25	1072017	CAM LEVER	1.90
1071462	STUD	.15	1071797	MOTOR	40.25	1072018	CAM LEVER	1.90
1071474	FRAME	10.65	1071798	MOTOR	40.25	1072019	CAM LEVER	1.90
1071476	STUD	.05	1071831	PLATE SPRG	.15	1072020	CAM LEVER	1.90
1071478	STUD	.15	1071833	WIRE FUL	.15	1072021	CAM LEVER	1.90
1071485	RACK ESCP	6.50	1071836	BRACKET	6.25	1072022	CAM LEVER	1.90
1071486	PLATE GUI	3.75	1071837	HINGE	.95	1072023	CAM LEVER	1.90
1071487	PLATE	3.75	1071839	BUTTON L	.25	1072024	CAM LEVER	1.90
1071496	PAWL STOP	.40	1071845	PLUG	1.50	1072025	CAM LEVER	1.90
1071498	PLATE GUI	3.75	1071846	PLUG	1.50	1072026	CAM LEVER	1.90
1071503	RACK MARG	2.85	1071851	ROD TIE 16	.75	1072027	CAM LEVER	1.90
1071507	TRUCK CARR	.65	1071852	ROD TIE 20	.95	1072028	CAM LEVER	1.90
1071512	LEVER BAIL	1.15	1071853	ROD TIE 24	1.15	1072029	CAM LEVER	1.90
1071515	SPACER	.75	1071854	ROD TIE 30	1.35	1072030	CAM LEVER	1.90
1071517	LEVER BAIL	1.15	1071863	SHAFT ROLL	1.50	1072031	CAM LEVER	1.90
1071518	SHAFT ROLL	1.15	1071864	SHAFT ROLL	1.85	1072032	CAM LEVER	1.90
1071524	TAPE CA 12	.60	1071865	PAPER BAIL	2.20	1072033	CAM LEVER	1.90
1071528	NUT SPEED	.05	1071880	BRACKET	.35	1072034	CAM LEVER	1.90
1071530	TAB RACK	4.60	1071881	STOP	.15	1072035	CAM LEVER	1.90
1071535	STUD	.20	1071899	STUD	.25	1072036	CAM LEVER	1.90
1071536	REAR FRAME	3.65	1071901	SPRING	.15	1072037	CAM LEVER	1.90
1071540	INDICATOR	1.45	1071902	LINK	.65	1072038	CAM LEVER	1.90
1071545	STUD	.40	1071909	PLATE	.40	1072039	CAM LEVER	1.90
1071546	SCREW	1.10	1071911	SELECT BAR	1.35	1072040	CAM LEVER	1.90
1071551	GEAR SECT	.75	1071912	SELECT BAR	1.35	1072041	CAM LEVER	1.90
1071553	BUSHING	.45	1071913	SELECT BAR	1.35	1072042	CAM LEVER	1.90
1071555	STRIP LOCK	.25	1071914	SELECT BAR	1.35	1072043	CAM LEVER	1.90
1071557	BAR CAM	5.35	1071915	SELECT BAR	1.35	1072044	CAM LEVER	1.90
1071561	BELT DRIVE	1.90	1071916	SELECT BAR	1.35	1072045	CAM LEVER	1.90
1071564	PAWL CONTR	.25	1071917	SELECT BAR	1.35	1072046	CAM LEVER	1.90
1071565	STUD	.35	1071918	SELECT BAR	1.35	1072047	CAM LEVER	1.90
1071617	SPACER	.20	1071919	SELECT BAR	1.35	1072048	CAM LEVER	1.90
1071619	SPRING	.15	1071920	SELECT BAR	1.35	1072049	CAM LEVER	1.90
1071627	LINE LEVER	.60	1071921	SELECT BAR	1.35	1072050	CAM LEVER	1.90
1071629	LEVER	1.60	1071922	SELECT BAR	1.35	1072051	CAM LEVER	1.90
1071633	LINK	.20	1071923	SELECT BAR	1.35	1072052	CAM LEVER	1.90
1071644	WASHER	.05	1071924	SELECT BAR	1.35	1072053	CAM LEVER	1.90
1071648	ROD TIE	.65	1071925	SELECT BAR	1.35	1072067	LEVER	.60
1071649	LEVER	.70	1071926	GUIDE	1.60	1072077	STOP	.40
1071651	BUTTON LEV	.20	1071927	SUPPORT	1.20	1072079	LEVER PAWL	1.60
1071652	LEVER	.70	1071933	STUD	.45	1072086	BRACKET	.70
1071654	SHAFT	2.20	1071935	LEVER RIBB	.50	1072088	SWITCH	1.75
1071657	SCREW	.15	1071937	MOUNT	.40	1072092	HOLDER	1.15
1071663	STOP	.25	1071938	MOUNT	.40	1072093	SPRING	.20
1071664	RAIL	5.35	1071940	SHAFT	1.10	1072095	LEVER TAB	13.40
1071665	BAIL	7.50	1071941	SCREW	.25	1072105	RACK	3.10
1071666	PLATE FRIC	.05	1071949	KEEPER	.50	1072119	GASKET LH	.20
1071667	BRACKET	.50	1071953	STUD LEVR	.35	1072124	GASKET	.15
1071670	BUTTON CON	.60	1071959	BELLCRANK	.95	1072125	CONDENSER	3.45
1071672	BUTT CLEAR	.45	1071960	LINK	.40	1072126	SPRING	.15
1071674	BUTTON SET	.50	1071961	LINK	.35	1072130	RACK MARG	3.10
1071686	STUD	.05	1071962	LINK	.25	1072131	RACK MARG	3.10
1071687	SPRING	.15	1071964	SPACER	.25	1072132	RACK MARG	3.10
1071688	STUD	.20	1071965	STUD	.25	1072133	RACK MARG	3.10
1071689	SPACER	.15	1071971	CAGE INTER	2.40	1072134	RACK MARG	3.10
1071690	PULLEY	1.60	1071972	INTRPOS 2	1.60	1072135	RACK MARG	3.10
1071691	SPRG COIL	.15	1071973	INTRPOS 3	1.90	1072136	RACK MARG	3.65
1071694	BUSHING	.35	1071974	INTRPOS 4	1.90	1072137	RACK MARG	3.65
1071701	SHAFT KEY	.25	1071975	INTRPOS 5	1.90	1072138	RACK MARG	3.65
1071705	INDICATOR	.35	1071981	SPACER	.20	1072139	RACK MARG	3.65
1071717	LEV CLEAR	.65	1071983	BELL CRANK	1.15	1072140	RACK MARG	3.65
1071718	SPRING	.35	1071984	BELL CRANK	1.15	1072141	RACK MARG	3.65
1071719	SPRING	.35	1071985	BELL CRANK	1.15	1072142	RACK MARG	4.70
1071723	WASHER	.05	1071986	BRKT INTER	.40	1072143	RACK MARG	4.70
1071734	GAGE	1.15	1071987	BRACKET	.75	1072144	RACK MARG	4.70
1071735	NUT SHAFT	.20	1071989	REAR RAIL	7.50	1072145	RACK MARG	4.70
1071738	SCREW	.15	1071990	FRONT RAIL	5.95	1072146	RACK MARG	4.70
1071739	GROMMET	.05	1071991	SPRING	.15	1072147	RACK MARG	4.70
1071740	SLEEVE ADA	.15	1071993	GUARD	.15	1072148	RACK MARG	5.35
1071741	COVER	2.20	1071996	STUD LEV	.25	1072150	RACK MARG	5.35
1071744	RUBBER	1.35	1072003	SHAFT LEV	2.00	1072151	RACK MARG	5.35
1071745	CORE	2.35	1072006	SPACER	.15	1072152	RACK MARG	5.35
1071746	SHAFT	.45	1072007	SCREW	.15	1072153	RACK MARG	5.35
1071761	REBOUND	.90	1072010	CAM LEVER	1.90	1072154	STOP	.35
1071764	CASE	9.90	1072011	CAM LEVER	1.90	1072157	RACK MARG	6.25
1071766	SPACE	.35	1072012	CAM LEVER	1.90	1072158	RACK MARG	6.25

ETD PARTS PRICE LIST

1072159-1073278

PART NO.	PART NAME	PRICE	PART NO.	PART NAME	PRICE	PART NO.	PART NAME	PRICE
1072159	RACK MARG	6.25	1072531	KEYBUTTON	.35	1072835	TAPE AS	.65
1072160	RACK ESCP	4.75	1072533	KEYBUTTON	.35	1072836	TAPE CAR 2	.70
1072161	RACK ESCP	4.75	1072535	KEYBUTTON	.25	1072842	LINK	.15
1072162	RACK ESCP	4.75	1072538	KEYBUTTON	.35	1072848	PAD	.05
1072163	RACK ESCP	4.75	1072539	KEYBUTTON	.35	1072849	STOP	.40
1072164	RACK ESCP	4.75	1072540	KEYBUTTON	.35	1072850	STOP	.25
1072165	RACK ESCP	4.75	1072541	KEYBUTTON	.35	1072851	GUAGE	.65
1072166	RACK ESCP	6.75	1072556	KEYBUTTON	.25	1072853	SPRING	.05
1072167	RACK ESCP	6.75	1072581	KEYBUTTON	.35	1072855	COLLAR	.15
1072168	RACK ESCP	6.75	1072586	KEYBUTTON	.25	1072858	SPRING	.15
1072169	RACK ESCP	6.75	1072595	KEYBUTTON	.25	1072859	SPRING	.15
1072170	RACK ESCP	6.75	1072598	KEYBUTTON	.25	1072862	LEVER KEY	.65
1072171	RACK ESCP	6.75	1072601	RACK TAB	4.60	1072864	BRACKET	.35
1072172	RACK ESCP	6.50	1072602	RACK TAB	4.60	1072865	BRACKET	.65
1072173	RACK ESCP	6.50	1072603	RACK TAB	4.60	1072867	LEVER CAM	1.00
1072174	RACK ESCP	6.50	1072604	RACK TAB	4.60	1072870	BAR ASM	5.35
1072175	RACK ESCP	6.50	1072605	RACK TAB	4.60	1072871	CAM FEED	2.20
1072176	RACK ESCP	6.50	1072606	RACK TAB	5.95	1072872	ROD REV AS	1.60
1072186	SHAFT	1.45	1072607	RACK TAB	5.95	1072875	ARM DETENT	.90
1072190	LINK	.65	1072608	RACK TAB	5.95	1072925	PULLEY	.95
1072191	SPRING	.15	1072609	RACK TAB	5.95	1072927	TAB STOP	.45
1072195	SPRING	.15	1072610	RACK TAB	5.95	1072934	SPRING	.35
1072199	SPRING	.20	1072611	RACK TAB	5.95	1072935	BRACKET	.65
1072207	SPRING	.15	1072612	RACK TAB	7.45	1072937	PLATE	1.10
1072211	KNOB PL L	.95	1072613	RACK TAB	7.45	1072938	SPRING	.15
1072212	KNOB PL R	.95	1072614	RACK TAB	7.45	1072940	LEVER	1.35
1072215	LEVER	.75	1072615	RACK TAB	7.45	1072941	SPRING	.15
1072217	PLATE BOT	1.50	1072616	RACK TAB	6.85	1072945	BAR	.70
1072222	SPRING	.15	1072617	RACK TAB	7.45	1072946	LEVER	.55
1072239	HANDLE	.25	1072618	RACK TAB	8.75	1072948	BAR	.60
1072240	SPRING EXT	.15	1072619	LEVER ASM	.45	1072949	SPRING	.15
1072250	PIN RACK	.15	1072620	RACK TAB	8.75	1072957	LEVER	.40
1072278	LEVER KEY	.65	1072621	RACK TAB	8.75	1072957	WIRE FULC	.40
1072279	LEVER KEY	.65	1072622	RACK TAB	8.75	1072965	LINK	.25
1072280	LEVER KEY	.65	1072623	RACK TAB	8.75	1072967	RAIL BRACE	1.25
1072283	LEVER KEY	.65	1072624	LEVER	1.25	1072974	ELIMINATOR	.05
1072285	MARGIN SET	.90	1072625	LEVER	1.25	1072975	SEGMENT	11.90
1072293	SHAFT	.50	1072627	RACK TAB	10.75	1072982	CARR BAR	3.20
1072294	BRACKET	.95	1072628	RACK TAB	10.75	1072987	GUIDE L H	2.00
1072300	LEVER KEY	1.45	1072629	RACK TAB	10.75	1072989	SPACER	.25
1072301	LEVER ASM	1.45	1072634	RAIL FRONT	6.90	1072998	WIRE FULCR	.35
1072302	ARM GUIDE	.50	1072635	RAIL REAR	9.40	1073005	SEGMENT	11.90
1072303	PLATE	.25	1072636	RAIL	8.75	1073013	SHIM	.15
1072304	DETENT	.45	1072637	RAIL REAR	10.50	1073014	BUSHING	.15
1072306	BUTTON SET	.35	1072638	RAIL FRONT	8.75	1073015	SCREW	.05
1072307	BUTTON REL	.35	1072639	RAIL REAR	9.40	1073016	LATCH LINK	.45
1072308	BUTTON	.35	1072640	RAIL FRONT	8.45	1073017	SPRING	.60
1072309	BUTTON RET	.45	1072641	RAIL REAR	10.00	1073018	SPRING	.60
1072370	SCREW	.15	1072642	LINK	.20	1073019	REST PAD	.65
1072372	COVER DUST	2.90	1072644	RAIL FRONT	6.90	1073020	REST PAD	.65
1072373	COVER DUST	3.45	1072645	RAIL REAR	9.40	1073025	SCREW	.05
1072374	COVER DUST	4.10	1072646	RAIL FRONT	6.60	1073026	BELL CRANK	.35
1072375	COVER DUST	4.70	1072647	RAIL REAR	10.90	1073027	SCREW	.15
1072377	WASHER	.15	1072667	DEFLECTOR	8.25	1073030	SHAFT	1.15
1072396	TYPE SET	58.10	1072668	DEFLECTOR	8.25	1073032	GROMMET	.15
1072429	CAM	1.15	1072669	FEED ROLL	2.90	1073033	TAPE 16 IN	.60
1072431	COVER DUST	2.50	1072670	FEED ROLL	2.90	1073034	TAPE 20 IN	.65
1072436	BUTTON CO-	.75	1072671	DEFLECTOR	8.25	1073035	TAPE 24 IN	.75
1072437	SPRING	.20	1072672	FRAME	2.20	1073036	TAPE 30 IN	.75
1072438	BUTTON EXP	.60	1072680	STUD	.35	1073040	BRACKET	1.60
1072458	LEVER	1.15	1072681	BOX	4.15	1073042	SCREW	.15
1072464	LINK	.65	1072683	CAM STUD	.60	1073043	NU SPEED	.05
1072474	SCREW	.20	1072684	SCREW	.15	1073059	DECAL	.70
1072476	LEVER DET	1.20	1072694	KEEPER	.65	1073060	SPACER	.20
1072477	WASHER	.05	1072695	KEEPER	.65	1073067	SEGMENT	11.90
1072479	SPRING	.15	1072701	LEVER RWND	.65	1073113	PLATE KEY	3.75
1072480	STUD	.05	1072702	STUD MTG	.15	1073115	BUTTON SET	24.35
1072484	SPRING	.20	1072703	SPRING	.15	1073116	BUTTON SET	24.35
1072485	LATCH	.35	1072729	HOUSING	1.25	1073118	BUTTON SET	21.90
1072489	BRACKET	.05	1072779	STUD	.40	1073236	LINK	.70
1072517	KEYBUTTON	.35	1072780	LINK	.20	1073240	LINK ASM	.65
1072518	KEYBUTTON	.35	1072796	SPRING	.15	1073241	BELL CRANK	.50
1072519	KEYBUTTON	.35	1072809	MTG PLATE	.45	1073247	BRACKET	3.15
1072520	KEYBUTTON	.35	1072818	SPRING	.15	1073250	BELL CRANK	.40
1072521	KEYBUTTON	.35	1072819	WIRE FULC	.35	1073251	LEVER	5.65
1072522	KEYBUTTON	.35	1072820	SCREW	.05	1073259	BUTTON SET	21.90
1072523	KEYBUTTON	.35	1072821	CLIP	.05	1073262	KEY BUTTON	.45
1072524	KEYBUTTON	.35	1072824	PAD FELT	1.25	1073263	KEY BUTTON	21.90
1072525	KEYBUTTON	.35	1072832	SPRING	.15	1073276	SUPPORT	.35
1072526	KEYBUTTON	.35	1072833	SPRING	.15	1073278	SUPPORT	.40

ETD PARTS PRICE LIST

PART NO.	PART NAME	PRICE	PART NO.	PART NAME	PRICE	PART NO.	PART NAME	PRICE
1073280	MOTOR	40.25	1073823	TYPE BAR	1.10	1074171	TYPEBAR	1.10
1073281	MOTOR	40.25	1073856	BELL CRANK	.65	1074172	TYPEBAR	1.10
1073282	MOTOR	40.25	1073860	WHEEL ESC	.75	1074173	TYPEBAR	1.10
1073288	SCREW ASM	.35	1073861	WHEEL ESC	.75	1074174	TYPEBAR	1.10
1073291	SHAFT RET	.25	1073863	SPRING	.65	1074175	TYPEBAR	1.10
1073292	SPRING	.15	1073864	LEVER	.65	1074176	TYPEBAR	1.10
1073299	SPRING	.15	1073866	BUSHING	.05	1074177	TYPEBAR	1.10
1073313	KEYBUTTON	.35	1073870	SPRING	.35	1074178	TYPEBAR	1.10
1073317	KEYBUTTON	.35	1073891	NAME PLATE	.65	1074179	TYPEBAR	1.10
1073397	KEYBUTTON	.35	1073975	HOLDER	.90	1074180	TYPEBAR	1.10
1073401	CARRIER	3.15	1073976	HOLDER	.90	1074181	TYPEBAR	1.10
1073403	PAWL	.50	1073977	BRACKET	.45	1074183	IDLER ARM	.25
1073405	STUD	.05	1073982	HOLDER	.90	1074184	IDLER ARM	1.90
1073407	PAWL FD	1.60	1073983	HOLDER	.90	1074186	RSUP 16	165.00
1073408	PAWL	.75	1073987	GUIDE R H	2.00	1074188	IDLER ARM	.65
1073410	STUD	.15	1074048	SCREW	1.15	1074190	SPRING	.15
1073412	BUSHING	.20	1074051	CAGE INTR	1.65	1074192	CARR ASM	106.25
1073418	C CLIP	.05	1074052	CAGE	1.60	1074236	CARR RACK	21.90
1073421	PULLEY	1.45	1074053	BUSHING	.20	1074240	PLATEN 12	7.50
1073423	FEED ROLL	1.20	1074054	RAIL BRACE	32.25	1074242	SPRING	.15
1073424	WHEEL ESC	.75	1074055	PAWL BRKT	41.90	1074243	LEVER	.40
1073425	SHAFT WH	.75	1074056	PAWL BRKT	31.10	1074245	COVER DUST	1.95
1073429	GROMMET	.15	1074057	PIN	.20	1074246	COVER DUST	2.35
1073430	STUD	.35	1074058	STOP	.25	1074247	COVER DUST	2.65
1073431	LINK	.25	1074059	RACK ESCP	17.00	1074248	COVER DUST	3.00
1073439	BRACKET	14.50	1074060	RACK ESCP	10.50	1074249	COVER DUST	3.40
1073449	SPRING	.20	1074061	RACK ESCP	10.50	1074277	KEYBUTTON	.35
1073450	SUPPORT	1.50	1074062	RACK ESCP	14.50	1074282	TRIGGER AS	1.20
1073455	FRAME FRT	2.00	1074063	INTERPOSER	1.25	1074283	BAR	1.85
1073457	BRACKET	14.50	1074064	INTERPOSER	1.25	1074284	SUPPORT	5.00
1073462	SCREW	.05	1074065	INTERPOSER	1.25	1074286	RSUP 16	170.65
1073488	STUD	.20	1074066	BRKET ASM	15.30	1074292	CARR ASM	115.00
1073494	BRACKET	1.20	1074075	SCALE	2.65	1074293	CARR ASM	136.25
1073498	PIN	.15	1074076	SCALE	2.35	1074307	SUPPORT	9.50
1073500	SEGMENT	11.90	1074077	SCALE	2.35	1074311	LEVER	1.40
1073542	TYE REST	.95	1074078	SCALE	2.65	1074312	GUIDE LH	.95
1073550	SEGMENT	11.90	1074079	SCALE	2.25	1074313	GUIDE RH	.95
1073558	V BELT	1.50	1074081	PAWL ESC	3.00	1074314	FINGE STP	1.35
1073622	PLATEN	7.50	1074082	PAWL ESC	3.00	1074315	KNOB FC	.35
1073637	PLATEN	8.15	1074083	PAWL ESC	3.00	1074320	PIN	6.90
1073645	PLATEN	9.10	1074084	PAWL ESC	3.00	1074321	SPRING	.05
1073647	PLATEN	9.10	1074085	PAWL ESC	3.00	1074349	LEVER	1.40
1073659	PLATEN	12.20	1074086	PAWL ESC	3.00	1074350	REAR RAIL	7.50
1073660	PLATEN	12.20	1074087	PAWL ESC	3.00	1074351	REAR RAIL	8.15
1073665	TABLE PAP	3.60	1074088	PAWL ESC	3.00	1074352	REAR RAIL	8.60
1073669	TABLE PAP	4.00	1074089	HOLDER	1.15	1074353	REAR RAIL	9.40
1073670	TABLE PAP	4.60	1074091	RACK MARG	3.25	1074354	REAR RAIL	10.00
1073671	TABLE PAP	4.95	1074092	RACK MARG	4.10	1074394	FEED ROLL	1.35
1073672	TABLE PAP	5.65	1074093	RACK MARG	4.75	1074395	FEED ROLL	1.35
1073675	COVER END	5.50	1074094	MARG STOP	1.60	1074429	RACK TAB	14.10
1073676	COVER END	5.90	1074098	PAWL BRKT	41.90	1074430	RACK TAB	16.50
1073677	COVER END	2.50	1074099	SCREW	.15	1074431	RACK TAB	18.70
1073678	COVER END	2.95	1074100	KEYBUTTON	.25	1074434	LEVER ASM	1.60
1073682	BRACKET	.60	1074142	SPACER	.15	1074494	SPACE	.15
1073688	STOP	1.25	1074143	LATCH STOP	.15	1074495	BRACKET	.40
1073691	STOP FILLE	2.85	1074144	SCREW	.20	1074556	SPACER	.15
1073692	STOP MARG	2.85	1074145	WASHER	.05	1074557	LEVER	.25
1073694	MARG STOP	2.85	1074148	TYPEBAR	1.10	1074576	SCREW	.25
1073695	STOP FIL	2.85	1074149	TYPEBAR	1.10	1074577	BRACKET	1.15
1073696	MAR ST	2.85	1074150	TYPEBAR	1.10	1075001	KEYBUTTON	.35
1073697	STOP	2.85	1074151	TYPEBAR	1.10	1075002	KEYBUTTON	.35
1073698	FILLER	2.85	1074152	TYPEBAR	1.10	1075003	KEYBUTTON	.35
1073703	DECAL	.35	1074153	TYPEBAR	1.10	1075004	KEYBUTTON	.35
1073749	PIN	.15	1074154	TYPEBAR	1.10	1075005	KEYBUTTON	.35
1073770	GUIDE PAP	2.35	1074155	TYPEBAR	1.10	1075006	KEYBUTTON	.35
1073771	GUIDE PAP	2.35	1074156	TYPEBAR	1.10	1075007	KEYBUTTON	.35
1073773	GUIDE PAP	2.65	1074157	TYPEBAR	1.10	1075008	KEYBUTTON	.35
1073776	GUIDE PAP	2.65	1074158	TYPEBAR	1.10	1075009	KEYBUTTON	.35
1073777	GUIDE PAP	2.65	1074159	TYPEBAR	1.10	1075010	KEYBUTTON	.35
1073778	GUIDE PAP	2.35	1074160	TYPEBAR	1.10	1075011	KEYBUTTON	.35
1073782	GUIDE PAP	2.65	1074161	TYPEBAR	1.10	1075012	KEYBUTTON	.35
1073783	GUIDE PAP	2.35	1074162	TYPEBAR	1.10	1075013	KEYBUTTON	.35
1073784	GUIDE PAP	2.35	1074163	TYPEBAR	1.10	1075014	KEYBUTTON	.35
1073789	GUIDE PAP	2.65	1074164	TYPEBAR	1.10	1075015	KEYBUTTON	.35
1073790	GUIDE PAP	2.35	1074165	TYPEBAR	1.10	1075016	KEYBUTTON	.35
1073805	LINING	.15	1074166	TYPEBAR	1.10	1075017	KEYBUTTON	.35
1073806	LINING	.20	1074167	TYPEBAR	1.10	1075018	KEYBUTTON	.35
1073807	LINING	.25	1074168	TYPEBAR	1.10	1075019	KEYBUTTON	.35
1073808	LINING	.35	1074169	TYPEBAR	1.10	1075020	KEYBUTTON	.35
1073817	SPRING	.15	1074170	TYPEBAR	1.10	1075021	KEYBUTTON	.35

ETD PARTS PRICE LIST

1075022-1076681

PART NO.	PART NAME	PRICE	PART NO.	PART NAME	PRICE	PART NO.	PART NAME	PRICE
1075022	KEYBUTTON	.35	1076522	TYPEBAR	1.10	1076602	TYPEBAR	1.10
1075023	KEYBUTTON	.35	1076523	TYPEBAR	1.10	1076603	TYPEBAR	1.10
1075024	KEYBUTTON	.35	1076524	TYPEBAR	1.10	1076604	TYPEBAR	1.10
1075025	KEYBUTTON	.35	1076525	TYPEBAR	1.10	1076605	TYPEBAR	1.10
1075026	KEYBUTTON	.35	1076526	TYPEBAR	1.10	1076606	TYPEBAR	1.10
1075027	KEYBUTTON	.35	1076527	TYPEBAR	1.10	1076607	TYPEBAR	1.10
1075028	KEYBUTTON	.35	1076528	TYPEBAR	1.10	1076608	TYPEBAR	1.10
1075029	KEYBUTTON	.35	1076529	TYPEBAR	1.10	1076609	TYPEBAR	1.10
1075030	KEYBUTTON	.35	1076530	TYPEBAR	1.10	1076610	TYPEBAR	1.10
1075031	KEYBUTTON	.35	1076531	TYPEBAR	1.10	1076611	TYPEBAR	1.10
1075032	KEYBUTTON	.35	1076532	TYPEBAR	1.10	1076612	TYPEBAR	1.10
1075033	KEYBUTTON	.35	1076533	TYPEBAR	1.10	1076613	TYPEBAR	1.10
1075034	KEYBUTTON	.35	1076534	TYPEBAR	1.10	1076614	TYPEBAR	1.10
1075035	KEYBUTTON	.35	1076535	TYPEBAR	1.10	1076615	TYPEBAR	1.10
1075036	KEYBUTTON	.35	1076536	TYPEBAR	1.10	1076616	TYPEBAR	1.10
1075037	KEYBUTTON	.35	1076537	TYPEBAR	1.10	1076617	TYPEBAR	1.10
1075038	KEYBUTTON	.35	1076538	TYPEBAR	1.10	1076618	TYPEBAR	1.10
1075039	KEYBUTTON	.35	1076539	TYPEBAR	1.10	1076619	TYPEBAR	1.10
1075040	KEYBUTTON	.35	1076540	TYPEBAR	1.10	1076620	TYPEBAR	1.10
1075041	KEYBUTTON	.35	1076541	TYPEBAR	1.10	1076621	TYPEBAR	1.10
1075042	KEYBUTTON	.35	1076542	TYPEBAR	1.10	1076622	TYPEBAR	1.10
1075043	KEYBUTTON	.35	1076543	TYPEBAR	1.10	1076623	TYPEBAR	1.10
1075044	KEYBUTTON	.35	1076544	TYPEBAR	1.10	1076624	TYPEBAR	1.10
1075045	KEYBUTTON	.35	1076545	TYPEBAR	1.10	1076625	TYPEBAR	1.10
1075046	KEYBUTTON	.35	1076546	TYPEBAR	1.10	1076626	TYPEBAR	1.10
1075047	KEYBUTTON	.35	1076547	TYPEBAR	1.10	1076627	TYPEBAR	1.10
1075049	KEYBUTTON	.35	1076548	TYPEBAR	1.10	1076628	TYPEBAR	1.10
1075051	KEYBUTTON	.35	1076549	TYPEBAR	1.10	1076629	TYPEBAR	1.10
1075053	KEYBUTTON	.35	1076550	TYPEBAR	1.10	1076630	TYPEBAR	1.10
1075054	KEYBUTTON	.35	1076551	TYPEBAR	1.10	1076631	TYPEBAR	1.10
1075055	KEYBUTTON	.35	1076552	TYPEBAR	1.10	1076632	TYPEBAR	1.10
1075056	KEYBUTTON	.35	1076553	TYPEBAR	1.10	1076633	TYPEBAR	1.10
1075057	KEYBUTTON	.35	1076554	TYPEBAR	1.10	1076634	TYPEBAR	1.10
1075058	KEYBUTTON	.35	1076555	TYPEBAR	1.10	1076635	TYPEBAR	1.10
1075060	KEYBUTTON	.35	1076556	TYPEBAR	1.10	1076636	TYPEBAR	1.10
1075061	KEYBUTTON	.35	1076557	TYPEBAR	1.10	1076637	TYPEBAR	1.10
1075078	KEYBUTTON	.25	1076558	TYPEBAR	1.10	1076638	TYPEBAR	1.10
1075090	KEYBUTTON	.35	1076559	TYPEBAR	1.10	1076639	TYPEBAR	1.10
1075093	KEYBUTTON	.25	1076560	TYPEBAR	1.10	1076640	TYPEBAR	1.10
1075099	KEYBUTTON	.35	1076561	TYPEBAR	1.10	1076641	TYPEBAR	1.10
1075102	KEYBUTTON	.25	1076562	TYPEBAR	1.10	1076642	TYPEBAR	1.10
1075103	KEYBUTTON	.25	1076563	TYPEBAR	1.10	1076643	TYPEBAR	1.10
1075108	KEYBUTTON	.25	1076564	TYPEBAR	1.10	1076644	TYPEBAR	1.10
1075125	KEYBUTTON	.35	1076565	TYPEBAR	1.10	1076645	TYPEBAR	1.10
1075156	KEYBUTTON	.35	1076566	TYPEBAR	1.10	1076646	TYPEBAR	1.10
1075236	KEYBUTTON	.35	1076567	TYPEBAR	1.10	1076647	TYPEBAR	1.10
1075271	KEYBUTTON	.35	1076568	TYPEBAR	1.10	1076648	TYPEBAR	1.10
1075289	KEYBUTTON	.35	1076569	TYPEBAR	1.10	1076649	TYPEBAR	1.10
1075291	KEYBUTTON	.35	1076570	TYPEBAR	1.10	1076650	TYPEBAR	1.10
1075414	KEYBUTTON	.25	1076571	TYPEBAR	1.10	1076651	TYPEBAR	1.10
1075422	KEYBUTTON	.25	1076572	TYPEBAR	1.10	1076652	TYPEBAR	1.10
1075423	KEYBUTTON	.25	1076573	TYPEBAR	1.10	1076653	TYPEBAR	1.10
1075424	KEYBUTTON	.25	1076574	TYPEBAR	1.10	1076654	TYPEBAR	1.10
1075425	KEYBUTTON	.25	1076575	TYPEBAR	1.10	1076655	TYPEBAR	1.10
1075427	KEYBUTTON	.25	1076576	TYPEBAR	1.10	1076656	TYPEBAR	1.10
1075563	KEYBUTTON	.35	1076577	TYPEBAR	1.10	1076657	TYPEBAR	1.10
1075578	KEYBUTTON	.25	1076578	TYPEBAR	1.10	1076658	TYPEBAR	1.10
1075609	KEYBUTTON	.25	1076579	TYPEBAR	1.10	1076659	TYPEBAR	1.10
1076462	KEYBUTTON	.35	1076580	TYPEBAR	1.10	1076660	TYPEBAR	1.10
1076501	TYPEBAR	1.10	1076581	TYPEBAR	1.10	1076661	TYPEBAR	1.10
1076502	TYPEBAR	1.10	1076582	TYPEBAR	1.10	1076662	TYPEBAR	1.10
1076503	TYPEBAR	1.10	1076583	TYPEBAR	1.10	1076663	TYPEBAR	1.10
1076504	TYPEBAR	1.10	1076584	TYPEBAR	1.10	1076664	TYPEBAR	1.10
1076505	TYPEBAR	1.10	1076585	TYPEBAR	1.10	1076665	TYPEBAR	1.10
1076506	TYPEBAR	1.10	1076586	TYPEBAR	1.10	1076666	TYPEBAR	1.10
1076507	TYPEBAR	1.10	1076587	TYPEBAR	1.10	1076667	TYPEBAR	1.10
1076508	TYPEBAR	1.10	1076588	TYPEBAR	1.10	1076668	TYPEBAR	1.10
1076509	TYPEBAR	1.10	1076589	TYPEBAR	1.10	1076669	TYPEBAR	1.10
1076510	TYPEBAR	1.10	1076590	TYPEBAR	1.10	1076670	TYPEBAR	1.10
1076511	TYPEBAR	1.10	1076591	TYPEBAR	1.10	1076671	TYPEBAR	1.10
1076512	TYPEBAR	1.10	1076592	TYPEBAR	1.10	1076672	TYPEBAR	1.10
1076513	TYPEBAR	1.10	1076593	TYPEBAR	1.10	1076673	TYPEBAR	1.10
1076514	TYPEBAR	1.10	1076594	TYPEBAR	1.10	1076674	TYPEBAR	1.10
1076515	TYPEBAR	1.10	1076595	TYPEBAR	1.10	1076675	TYPEBAR	1.10
1076516	TYPEBAR	1.10	1076596	TYPEBAR	1.10	1076676	TYPEBAR	1.10
1076517	TYPEBAR	1.10	1076597	TYPEBAR	1.10	1076677	TYPEBAR	1.10
1076518	TYPEBAR	1.10	1076598	TYPEBAR	1.10	1076678	TYPEBAR	1.10
1076519	TYPEBAR	1.10	1076599	TYPEBAR	1.10	1076679	TYPEBAR	1.10
1076520	TYPEBAR	1.10	1076600	TYPEBAR	1.10	1076680	TYPEBAR	1.10
1076521	TYPEBAR	1.10	1076601	TYPEBAR	1.10	1076681	TYPEBAR	1.10

PART NO.	PART NAME	PRICE	PART NO.	PART NAME	PRICE	PART NO.	PART NAME	PRICE
1076682	TYPEBAR	1.10	1077108	ROD	.95	1077394	PIN	.15
1076683	TYPEBAR	1.10	1077109	SUPPORT	3.45	1077395	LINK	.40
1076684	TYPEBAR	1.10	1077110	SUPPORT	3.45	1077397	SPACER	.15
1076685	TYPEBAR	1.10	1077111	BRACKET	13.45	1077398	TRIGGER	.95
1076686	TYPEBAR	1.10	1077112	BRACKET	13.45	1077401	INSULATOR	.15
1076687	TYPEBAR	1.10	1077115	BRACKET	1.90	1077413	BRACKET	2.85
1076688	TYPEBAR	1.10	1077126	MOTOR	40.25	1077429	SPRING	.15
1076689	TYPEBAR	1.10	1077131	RSUP 12	33.15	1077445	ARM	1.00
1076690	TYPEBAR	1.10	1077132	RSUP 12	33.15	1077446	GAM	.40
1076691	TYPEBAR	1.10	1077134	RSUP 12	33.15	1077447	SUPPORT	3.15
1076692	TYPEBAR	1.10	1077135	RSUP 12	33.15	1077448	BRACKET	.95
1076693	TYPEBAR	1.10	1077140	RSUP 16	35.65	1077451	LEVER	3.45
1076694	TYPEBAR	1.10	1077141	RSUP 16	35.65	1077452	PAWL	1.45
1076695	TYPEBAR	1.10	1077146	RSUP 20	38.15	1077453	INTERLOCK	.70
1076696	TYPEBAR	1.10	1077147	RSUP 20	38.15	1077454	SPRING	.25
1076697	TYPEBAR	1.10	1077151	RSUP 24	40.00	1077460	STOP MARG	4.10
1076698	TYPEBAR	1.10	1077157	RSUP 12	158.15	1077461	STOP MARG	4.75
1076699	TYPEBAR	1.10	1077158	RSUP 16	165.00	1077477	TABLE PAP	3.60
1076700	TYPEBAR	1.10	1077163	CARR ASM	75.00	1077478	TABLE PAP	4.00
1076701	TYPEBAR	1.10	1077164	CARR ASM	75.00	1077479	TABLE PAP	4.60
1076702	TYPEBAR	1.10	1077169	CARR ASM	101.25	1077488	LOCK	.90
1076703	TYPEBAR	1.10	1077170	CARR ASM	101.25	1077489	SPACER	.15
1076704	TYPEBAR	1.10	1077172	CARR ASM	118.75	1077494	WIRE	.35
1076705	TYPEBAR	1.10	1077186	CARR ASM	87.50	1077496	SPACER	.15
1076706	TYPEBAR	1.10	1077187	CARR ASM	106.25	1077499	SPRING	.05
1076707	TYPEBAR	1.10	1077188	CARR ASM	127.50	1077710	SPRING	.10
1076708	TYPEBAR	1.10	1077120	DESK MOUNT	1.50	1077712	SPACER	.15
1076709	TYPEBAR	1.10	1077201	FOOT	.75	1077719	STUD IDLER	.15
1076710	TYPEBAR	1.10	1077202	WHEEL STAR	.15	1077721	SCREW	.15
1076711	LATCH AS L	3.45	1077205	SHAFT	2.20	1077722	SCREW	.15
1076712	LATCH AS R	3.45	1077206	SHAFT	2.20	1077723	BRACKET	.40
1076717	LINK	.35	1077207	SHAFT	2.45	1077724	BRACKET	.40
1076718	TYPEBAR	1.10	1077208	SHAFT	2.45	1077725	KEY PLATE	3.75
1076731	PUSH ROD	.40	1077209	SHAFT	3.00	1077726	KEY PLATE	4.40
1076733	BRACKET	.40	1077210	SHAFT	3.00	1077727	KEY PLATE	4.70
1076738	CLAPPER	.65	1077211	SHAFT	3.20	1077736	STUD	.20
1076739	CLAPPER	.25	1077212	SHAFT	3.45	1077739	PIN ROLL	.05
1076741	STUD	.35	1077213	SHAFT	4.40	1077740	SHAFT	2.15
1076742	SPACE	.25	1077214	SHAFT	4.40	1077741	SHAFT	2.90
1076776	PAWL	1.50	1077217	STOP MARG	1.60	1077742	SHAFT	3.65
1076778	LEVER ASM	.50	1077218	STOP MARG	1.60	1077743	SHAFT	4.10
1076779	STUD	1.10	1077219	STOP MARG	1.60	1077744	SHAFT	4.15
1076786	KEY LOCK	.45	1077220	STOP MARG	1.60	1077747	SPACER	.05
1076787	SCREW	.15	1077221	STOP MARG	1.60	1077751	PAWL	2.45
1076788	SCREW	.15	1077222	STOP MARG	1.60	1077768	INSULATION	.20
1076792	SWITCH	7.50	1077224	STOP MARG	1.60	1077788	TYPE SET	46.20
1076794	LINK	.70	1077225	STOP MARG	1.60	1077789	TYPE SET	58.10
1076795	STUD	.65	1077226	STOP MARG	1.60	1077798	LEVER	.60
1076805	LINK	.35	1077227	STOP MARG	1.60	1077799	SHIM	.05
1076806	BRACKET	1.25	1077228	STOP MARG	1.60	1077801	LINK	.65
1076807	SHIELD	.90	1077229	STOP MARG	1.60	1077807	WIRE	.35
1076808	SHIELD	.65	1077234	PULLEY	.40	1077808	WIRE	.40
1076849	PLATEN	8.15	1077235	SPRING	.40	1077809	WIRE	.45
1076853	PLATEN	9.10	1077260	BAIL	.85	1077815	PIN	.05
1076855	PLATEN	10.65	1077261	PLATE	.60	1077820	BUSHING	.20
1076860	INDEX PAWL	1.20	1077281	PLATEN	7.50	1077822	SHAFT	4.95
1076862	CARRIER	3.15	1077285	PLATEN	7.50	1077823	SCREW	.15
1076864	ARM DETENT	.90	1077287	PLATEN	8.15	1077827	PLATE	4.75
1076865	STOP	.85	1077289	PLATEN	8.15	1077832	CHECK STOP	.85
1076870	KEY LEVER	1.25	1077293	PLATEN	10.65	1077833	GUIDE	5.65
1076880	ARM	.90	1077299	KEY LEVER	.65	1077834	DEFLECTOR	5.95
1076882	ARM	.90	1077306	STUD	.15	1077838	MOTOR	40.25
1076884	ARM	.90	1077310	STOP MARG	1.60	1077840	DEFLECTOR	10.65
1076886	ARM	.90	1077328	TOGGLE	2.85	1077844	FRAME	5.50
1076919	SHAFT	2.65	1077331	SUPPORT	.35	1077846	SHAFT	.75
1076932	BRACKET	.45	1077332	SUPPORT	.35	1077847	SHAFT	.75
1076950	SPRING	.15	1077333	SUPPORT	.25	1077854	PAWL	4.70
1076951	SPRING	.15	1077334	LEVER	1.25	1077855	STUD	.15
1076967	STUD	.05	1077335	SPRING	.15	1077856	HOLDER	1.10
1076978	CORD EXT	3.15	1077336	LEVER RT	.65	1077860	PLATE	.15
1077050	PLATEN	12.50	1077338	LEVER	.65	1077871	PLATE	.05
1077051	PLATEN	7.50	1077339	LEVER BAIL	.60	1077875	GUIDE	2.65
1077066	PLATEN	15.00	1077345	PLATE	2.40	1077875	SCREW	.15
1077067	PLATEN	8.15	1077357	STOP MARG	3.25	1077877	SPACER	.20
1077080	PLATE	1.90	1077370	STUD	.25	1077878	LATCH	.15
1077083	PLATEN	15.00	1077371	BUSHING	.15	1077879	LINK	.20
1077084	PLATEN	8.15	1077372	STUD	.15	1077880	LINK	.20
1077092	SHAFT	1.10	1077374	NUT	.20	1077881	LINK	.20
1077094	TYPE SET	46.20	1077379	LEVER	1.20	1077882	LINK	.25
1077101	HOLDER	.75	1077389	BUSHING	.20	1077883	LEVER	1.10

ETD PARTS PRICE LIST

1077884-1078241

PART NO.	PART NAME	PRICE	PART NO.	PART NAME	PRICE	PART NO.	PART NAME	PRICE
1077884	PIN BLOCK	.05	1078082	TYPE BAR	1.10	1078162	TYPE BAR	1.10
1077886	PAWL PIN	.65	1078083	TYPE BAR	1.10	1078163	TYPE BAR	1.10
1077887	PAWL STOP	.35	1078084	TYPE BAR	1.10	1078164	TYPE BAR	1.10
1077888	BRACKET	1.60	1078085	TYPE BAR	1.10	1078165	TYPE BAR	1.10
1077890	LEVER	1.00	1078086	TYPE BAR	1.10	1078166	TYPE BAR	1.10
1077895	CHECK TAB	.50	1078087	TYPE BAR	1.10	1078167	TYPE BAR	1.10
1077897	DEFLECTOR	.45	1078088	TYPE BAR	1.10	1078168	TYPE BAR	1.10
1077898	LINK	.35	1078089	TYPE BAR	1.10	1078169	TYPE BAR	1.10
1077904	PLATE	.25	1078090	TYPE BAR	1.10	1078170	TYPE BAR	1.10
1077905	ECCENTRIC	.25	1078091	TYPE BAR	1.10	1078171	TYPE BAR	1.10
1077906	ECCENTRIC	.25	1078092	TYPE BAR	1.10	1078172	TYPE BAR	1.10
1077908	SHAFT	1.60	1078093	TYPE BAR	1.10	1078173	TYPE BAR	1.10
1077909	SHAFT	1.90	1078094	TYPE BAR	1.10	1078174	TYPE BAR	1.10
1077910	SHAFT	2.10	1078095	TYPE BAR	1.10	1078175	TYPE BAR	1.10
1077911	SHAFT	2.25	1078096	TYPE BAR	1.10	1078176	TYPE BAR	1.10
1077919	SCREW	.15	1078097	TYPE BAR	1.10	1078177	TYPE BAR	1.10
1077955	GUIDE	2.65	1078098	TYPE BAR	1.10	1078178	TYPE BAR	1.10
1077956	GUIDE	2.65	1078099	TYPE BAR	1.10	1078179	TYPE BAR	1.10
1077957	GUIDE	2.35	1078100	TYPE BAR	1.10	1078180	TYPE BAR	1.10
1077958	GUIDE	2.35	1078101	TYPE BAR	1.10	1078181	TYPE BAR	1.10
1077959	GUIDE	2.35	1078102	TYPE BAR	1.10	1078182	TYPE BAR	1.10
1077960	GUIDE	2.35	1078103	TYPE BAR	1.10	1078183	TYPE BAR	1.10
1077963	GUIDE	2.65	1078104	TYPE BAR	1.10	1078184	TYPE BAR	1.10
1077964	GUIDE	2.65	1078105	TYPE BAR	1.10	1078185	TYPE BAR	1.10
1077965	GUIDE	2.35	1078106	TYPE BAR	1.10	1078186	TYPE BAR	1.10
1077966	GUIDE	2.35	1078107	TYPE BAR	1.10	1078187	TYPE BAR	1.10
1077967	GUIDE	2.65	1078108	TYPE BAR	1.10	1078188	TYPE BAR	1.10
1077968	GUIDE	2.65	1078109	TYPE BAR	1.10	1078189	TYPE BAR	1.10
1077969	GUIDE	2.65	1078110	TYPE BAR	1.10	1078190	TYPE BAR	1.10
1077970	GUIDE	2.65	1078111	TYPE BAR	1.10	1078191	TYPE BAR	1.10
1077971	GUIDE	2.35	1078112	TYPE BAR	1.10	1078192	TYPE BAR	1.10
1077972	GUIDE	2.35	1078113	TYPE BAR	1.10	1078193	TYPE BAR	1.10
1077973	GUIDE	2.65	1078114	TYPE BAR	1.10	1078194	TYPE BAR	1.10
1077974	GUIDE	2.65	1078115	TYPE BAR	1.10	1078195	TYPE BAR	1.10
1078004	BELL SUP	.50	1078116	TYPE BAR	1.10	1078196	TYPE BAR	1.10
1078007	PLATE	.35	1078117	TYPE BAR	1.10	1078197	TYPE BAR	1.10
1078008	BUSHING	.20	1078118	TYPE BAR	1.10	1078198	TYPE BAR	1.10
1078009	ACTUATOR	1.90	1078119	TYPE BAR	1.10	1078199	TYPE BAR	1.10
1078013	RIVET	.05	1078120	TYPE BAR	1.10	1078200	TYPE BAR	1.10
1078017	FRAME	10.15	1078121	TYPE BAR	1.10	1078201	TYPE BAR	1.10
1078021	TYPEBAR	.05	1078122	TYPE BAR	1.10	1078202	TYPE BAR	1.10
1078022	TYPEBAR	1.10	1078123	TYPE BAR	1.10	1078203	TYPE BAR	1.10
1078023	TYPEBAR	1.10	1078124	TYPE BAR	1.10	1078204	TYPE BAR	1.10
1078024	TYPEBAR	1.10	1078125	TYPE BAR	1.10	1078205	TYPE BAR	1.10
1078025	TYPEBAR	1.10	1078126	TYPE BAR	1.10	1078206	TYPE BAR	1.10
1078026	TYPEBAR	1.10	1078127	TYPE BAR	1.10	1078207	TYPE BAR	1.10
1078027	TYPEBAR	1.10	1078128	TYPE BAR	1.10	1078208	TYPE BAR	1.10
1078028	TYPEBAR	1.10	1078129	TYPE BAR	1.10	1078209	TYPE BAR	1.10
1078029	TYPEBAR	1.10	1078130	TYPE BAR	1.10	1078210	TYPE BAR	1.10
1078030	TYPEBAR	1.10	1078131	TYPE BAR	1.10	1078211	TYPE BAR	1.10
1078031	TYPEBAR	1.10	1078132	TYPE BAR	1.10	1078212	TYPE BAR	1.10
1078032	TYPEBAR	1.10	1078133	TYPE BAR	1.10	1078213	TYPE BAR	1.10
1078033	TYPEBAR	1.10	1078134	TYPE BAR	1.10	1078214	TYPE BAR	1.10
1078034	TYPEBAR	1.10	1078135	TYPE BAR	1.10	1078215	TYPE BAR	1.10
1078035	TYPEBAR	1.10	1078136	TYPE BAR	1.10	1078216	TYPE BAR	1.10
1078036	TYPEBAR	1.10	1078137	TYPE BAR	1.10	1078217	TYPE BAR	1.10
1078037	TYPEBAR	1.10	1078138	TYPE BAR	1.10	1078218	TYPE BAR	1.10
1078038	GUIDE	2.65	1078139	TYPE BAR	1.10	1078219	TYPE BAR	1.10
1078039	GUIDE	2.35	1078140	TYPE BAR	1.10	1078220	TYPE BAR	1.10
1078040	GUIDE	2.35	1078141	TYPE BAR	1.10	1078221	TYPE BAR	1.10
1078041	GUIDE	2.65	1078142	TYPE BAR	1.10	1078222	TYPE BAR	1.10
1078042	GUIDE	2.65	1078143	TYPE BAR	1.10	1078223	TYPE BAR	1.10
1078044	RETAINER	.40	1078144	TYPE BAR	1.10	1078224	TYPE BAR	1.10
1078047	LEVER	2.45	1078145	TYPE BAR	1.10	1078225	TYPE BAR	1.10
1078048	FLANGE	1.40	1078146	TYPE BAR	1.10	1078226	TYPE BAR	1.10
1078049	SPRING	.15	1078147	TYPE BAR	1.10	1078227	TYPE BAR	1.10
1078050	SHIELD	.90	1078148	TYPE BAR	1.10	1078228	TYPE BAR	1.10
1078055	COVER	4.40	1078149	TYPE BAR	1.10	1078229	TYPE BAR	1.10
1078056	COVER	4.40	1078150	TYPE BAR	1.10	1078230	TYPE BAR	1.10
1078057	ARM	.20	1078151	TYPE BAR	1.10	1078231	TYPE BAR	1.10
1078059	PIN	.15	1078152	TYPE BAR	1.10	1078232	TYPE BAR	1.10
1078060	PLATE	3.90	1078153	TYPE BAR	1.10	1078233	TYPE BAR	1.10
1078061	PLATE	3.35	1078154	TYPE BAR	1.10	1078234	TYPE BAR	1.10
1078074	TYPE BAR	1.10	1078155	TYPE BAR	1.10	1078235	TYPE BAR	1.10
1078075	TYPE BAR	1.10	1078156	TYPE BAR	1.10	1078236	TYPE BAR	1.10
1078076	TYPE BAR	1.10	1078157	TYPE BAR	1.10	1078237	TYPE BAR	1.10
1078078	TYPE BAR	1.10	1078158	TYPE BAR	1.10	1078238	TYPE BAR	1.10
1078079	TYPE BAR	1.10	1078159	TYPE BAR	1.10	1078239	TYPE BAR	1.10
1078080	TYPE BAR	1.10	1078160	TYPE BAR	1.10	1078240	TYPE BAR	1.10
1078081	TYPE BAR	1.10	1078161	TYPE BAR	1.10	1078241	TYPE BAR	1.10

MARCH 17, 1961

PAGE 33

PART NO.	PART NAME	PRICE	PART NO.	PART NAME	PRICE	PART NO.	PART NAME	PRICE
1078242	TYPE BAR	1.10	1078455	STUD	.15	1079202	RACK TAB	18.70
1078243	TYPE BAR	1.10	1078456	SHIM	.05	1079203	RACK TAB	18.70
1078244	TYPE BAR	1.10	1078469	SCREW	.15	1079204	RACK TAB	21.60
1078245	TYPE BAR	1.10	1078488	HOUSING	1.70	1079205	RACK TAB	21.60
1078246	TYPE BAR	1.10	1078489	PULLEY	3.60	1079206	RACK TAB	21.60
1078247	TYPE BAR	1.10	1078491	RETAINER	.50	1079207	RACK TAB	21.60
1078248	TYPE BAR	1.10	1078493	BEARING	.45	1079208	RACK TAB	21.60
1078249	TYPE BAR	1.10	1078495	WASHER	.05	1079209	RACK TAB	29.50
1078250	TYPE BAR	1.10	1078497	WASHER	.05	1079210	RACK TAB	29.50
1078251	TYPE BAR	1.10	1078500	PULLEY	3.60	1079211	RACK TAB	29.50
1078252	TYPE BAR	1.10	1078501	BEARING	1.40	1079212	CARRIAGE	15.65
1078253	TYPE BAR	1.10	1078503	PULLEY	3.75	1079213	CARRIAGE	15.65
1078254	TYPE BAR	1.10	1078507	PULLEY	3.75	1079214	CARRIAGE	15.65
1078255	TYPE BAR	1.10	1078508	SUPPORT	4.10	1079215	CARRIAGE	15.65
1078256	TYPE BAR	1.10	1078509	DISC	.95	1079216	CARRIAGE	15.65
1078257	TYPE BAR	1.10	1078510	FRAME	5.60	1079217	CARRIAGE	15.65
1078258	TYPE BAR	1.10	1078512	FRAME	5.60	1079218	CARRIAGE	20.00
1078259	TYPE BAR	1.10	1078518	SHAFT	.95	1079219	CARRIAGE	20.00
1078260	TYPE BAR	1.10	1078519	PLATEN	19.50	1079220	CARRIAGE	20.00
1078261	TYPE BAR	1.10	1078520	GEAR	2.65	1079221	CARRIAGE	20.00
1078262	TYPE BAR	1.10	1078523	SHAFT	2.75	1079222	CARRIAGE	20.00
1078263	TYPE BAR	1.10	1078524	BAIL	.70	1079223	CARRIAGE	20.00
1078264	TYPE BAR	1.10	1078525	HUB	1.40	1079224	CARRIAGE	27.50
1078265	TYPE BAR	1.10	1078531	PIN	.05	1079225	CARRIAGE	27.50
1078266	TYPE BAR	1.10	1078532	DECAL	.05	1079226	CARRIAGE	27.50
1078267	TYPE BAR	1.10	1078539	PLATE	2.75	1079227	CARRIAGE	27.50
1078268	TYPE BAR	1.10	1078541	PLATE	2.75	1079228	CARRIAGE	27.50
1078269	TYPE BAR	1.10	1078543	COVER	2.90	1079229	CARRIAGE	27.50
1078270	TYPE BAR	1.10	1078549	COVER	2.90	1079230	CARRIAGE	38.75
1078271	TYPE BAR	1.10	1078553	BAIL ROLL	1.90	1079231	CARRIAGE	38.75
1078272	TYPE BAR	1.10	1078555	LEVER KO	1.00	1079232	CARRIAGE	38.75
1078273	TYPE BAR	1.10	1078556	BELL CRANK	.35	1079233	CARRIAGE	38.75
1078274	TYPE BAR	1.10	1078557	STUD	.15	1079236	CARRIAGE	53.75
1078275	TYPE BAR	1.10	1078560	GUIDE	.95	1079238	RACK TAB	14.10
1078276	TYPE BAR	1.10	1078561	GUIDE	2.85	1079239	RACK TAB	16.50
1078277	TYPE BAR	1.10	1078576	LEVER	.70	1079240	RACK TAB	18.70
1078278	TYPE BAR	1.10	1078577	STUD	.35	1079263	KEYBUTTON	.35
1078279	TYPE BAR	1.10	1078578	SPACER	.20	1079265	KEYBUTTON	.35
1078280	TYPE BAR	1.10	1078589	CHECK ATTH	65.00	1079266	KEYBUTTON	.35
1078281	TYPE BAR	1.10	1078598	INDICATOR	1.00	1079268	KEYBUTTON	.45
1078282	TYPE BAR	1.10	1078602	TABLE PAP	5.90	1079269	KEYBUTTON	.45
1078283	TYPE BAR	1.10	1078604	PL GR 33T	5.90	1079287	KEYBUTTON	.20
1078284	TYPE BAR	1.10	1078605	PL GR 44T	5.90	1079288	KEYBUTTON	.20
1078285	TYPE BAR	1.10	1078606	PL GR 55T	5.90	1079289	KEYBUTTON	.20
1078286	TYPE BAR	1.10	1078608	PL GR 66T	5.90	1079290	KEYBUTTON	.20
1078301	BAR	1.70	1078609	COUNTER	35.00	1079323	KEYBUTTON	.35
1078302	BAR	1.90	1078610	COUNTER	35.00	1079324	KEYBUTTON	.45
1078303	BAR	2.20	1078611	COUNTER	35.00	1079403	KEYBUTTON	.35
1078304	BAR	2.85	1078612	COUNTER	35.00	1079406	KEYBUTTON	.35
1078305	BAR	4.35	1078613	COUNTER	35.00	1079410	KEYBUTTON	.25
1078307	LEVER	.85	1078614	COUNTER	35.00	1079414	KEYBUTTON	.75
1078308	LEVER	.85	1078620	SHIM	.20	1079506	KEYBUTTON	.35
1078310	LEVER	.65	1078643	PLATE	2.65	1079537	KEYBUTTON	.35
1078311	COVER END	3.45	1078645	PLATE	2.35	1079553	KEYBUTTON	.40
1078313	MOTOR	40.25	1078646	LEVER	.75	1079558	KEYBUTTON	.40
1078322	SUPPORT	.40	1078647	LEVER	.75	1079562	KEYBUTTON	.50
1078325	SHAFT	2.75	1078648	SPACER	.15	1079563	KEYBUTTON	.50
1078328	SUPPORT	.25	1078652	SPACER	.20	1079564	KEYBUTTON	.85
1078342	PLATEN	9.10	1078653	SPACER	.15	1079565	KEYBUTTON	.60
1078343	PLATEN	10.65	1078656	PLATE	2.85	1079568	KNOB	1.00
1078354	LEVER	1.10	1078657	PLATE	3.15	1079569	KNOB	1.00
1078395	BAR	4.10	1078660	V BELT	1.80	1079570	BUTTON	.40
1078404	PLATE	.15	1079098	SPRING	.15	1079623	KEYBUTTON	.50
1078411	BAR	2.20	1079107	BAR	9.40	1079626	KEYBUTTON	.60
1078415	FRAME	21.90	1079186	RACK TAB	14.10	1079629	KNOB	1.00
1078416	CARR ASM	30.00	1079187	RACK TAB	14.10	1079630	BUTTON	.40
1078417	FRAME	36.25	1079188	RACK TAB	14.10	1079691	PLATE NAME	.70
1078421	LOCK	.95	1079189	RACK TAB	14.10	1079692	PLATE NAME	.70
1078422	CLEVIS	.05	1079190	RACK TAB	14.10	1079694	PLATE NAME	.75
1078432	ROLLER	1.00	1079191	RACK TAB	14.10	1079695	PLATE NAME	.75
1078434	BRACKET	.60	1079192	RACK TAB	16.50	1079697	INDICATOR	1.45
1078435	SPACER	.25	1079193	RACK TAB	16.50	1079706	KEYBUTTON	.50
1078436	LEVER	.25	1079194	RACK TAB	16.50	1079707	KEYBUTTON	.50
1078437	LATCH	.40	1079195	RACK TAB	16.50	1079728	STOP	.25
1078438	LEVER LINK	.25	1079196	RACK TAB	16.50	1079729	GUIDE	2.20
1078439	LEVER	1.40	1079197	RACK TAB	16.50	1079730	GUIDE	2.20
1078447	TABLE PAP	4.95	1079198	RACK TAB	18.70	1079751	PULLEY	.95
1078450	HOLDER	.90	1079199	RACK TAB	18.70	1079752	PULLEY	1.20
1078452	LEVER PAWL	.25	1079200	RACK TAB	18.70	1079753	PULLEY	.95
1078454	LEVER PAWL	1.10	1079201	RACK TAB	18.70	1079754	PULLEY	1.20

ETD PARTS PRICE LIST

1079755-1090690

PART NO.	PART NAME	PRICE	PART NO.	PART NAME	PRICE	PART NO.	PART NAME	PRICE
1079755	COVER	2.50	1090112	STUD	.05	1090432	STUD	.15
1079777	SHOE	.05	1090114	STUD	.15	1090434	STUD	.15
1079890	STUD	.20	1090115	STUD	.10	1090435	SPRING	.15
1079895	RACK ESCP	17.00	1090124	STUD	.15	1090438	STUD	.15
1079896	RACK ESCP	10.50	1090129	DOWEL PIN	.05	1090443	RIVET	.05
1079897	RACK ESCP	10.50	1090137	PIN	.05	1090448	WASHER	.05
1079898	RACK ESCP	14.50	1090139	DOWEL	.05	1090449	SCREW	.15
1079899	BRACKET	.75	1090141	PIN	.15	1090451	STUD	.25
1079900	PAWL BRKT	15.30	1090142	DOWEL	.15	1090452	NUT	.15
1079907	BLOCK	41.90	1090146	PIN	.05	1090453	NUT	.20
1079911	PAWL	3.00	1090147	PIN	.05	1090462	SPRING	.15
1079912	PAWL	3.00	1090148	SPRING PIN	.05	1090466	PIN	.10
1079913	PAWL	3.00	1090149	SPRING PIN	.05	1090472	WASHER	.05
1079914	PAWL	3.00	1090150	PIN	.15	1090478	NUT	.45
1079915	PAWL	3.00	1090151	PIN	.05	1090487	WASHER	.05
1079916	PAWL	3.00	1090156	PIN	.05	1090490	SPRING	.15
1079917	PAWL	3.00	1090159	SPRING	.20	1090494	STUD	.05
1079918	PAWL	3.00	1090160	SPRING	.15	1090499	STUD	.15
1079923	BRACE	.95	1090161	SPRING	.20	1090500	RIVET	.05
1079944	SHAFT	.35	1090162	SPRING	.15	1090505	WASHER	.05
1079945	SHAFT	.35	1090164	SPRING	.15	1090511	WASHER	.05
1079946	BRACKET	.95	1090165	SPRING	.15	1090512	SPRING	.15
1079947	WIRE	.60	1090171	SPRING	.15	1090518	STUD	.05
1079948	WIRE	.70	1090172	SPRING	.15	1090524	SCREW	.05
1079949	SHAFT	2.00	1090173	SPRING	.15	1090526	PIN	.05
1079950	SHAFT	2.35	1090175	SPRING	.15	1090529	SPRING	.15
1079951	SHAFT	2.75	1090180	RIVET	.05	1090530	STUD	.35
1079952	CAM	.65	1090181	RIVET	.05	1090550	NUT	.15
1079953	CAM	.65	1090182	RIVET IRON	.05	1090551	SCREW	.40
1079963	PULLEY	4.85	1090193	STOP	.05	1090555	SCREW	.15
1079967	IDLER	.85	1090196	RETAINER	.25	1090567	SPRING	.05
1079972	STUD	.20	1090199	WASHER	.05	1090568	SPRING	.05
1079980	SHAFT	.65	1090205	RIVET	.05	1090570	PIN	.15
1079995	TYPE BAR	1.10	1090208	SHOE	.05	1090578	CLIP	.10
1079996	TYPE BAR	1.10	1090217	WASHER	.15	1090581	SPRING	.35
1079997	TYPE BAR	1.10	1090222	WASHER	.05	1090589	SPRING	.15
1079999	SCREW	.05	1090234	STUD	.35	1090592	PIN	.05
1090000	SCREW	.05	1090240	WASHER	.15	1090593	SPRING	.05
1090003	SCREW	.05	1090242	PIN	.05	1090594	SCREW	.05
1090005	SCREW	.05	1090246	SCREW	.05	1090600	SCREW	.05
1090007	SCREW	.05	1090249	PIN	.05	1090604	SCREW	.15
1090010	SCREW	.05	1090252	RIVET	.05	1090605	NUT	.05
1090012	SCREW	.10	1090254	WASHER	.05	1090616	SCREW	.15
1090013	SCREW	.05	1090255	PIN	.15	1090618	STUD	.15
1090014	SCREW	.05	1090268	NUT	.05	1090619	WASHER	.20
1090015	SCREW	.10	1090269	WASHER	.05	1090620	SCREW RH	.15
1090017	SCREW	.05	1090272	SCREW	.05	1090622	WASHER	.05
1090020	STUD	.05	1090273	SPRING	.15	1090623	DRIVE PIN	.05
1090021	STUD	.15	1090276	DOWEL	.15	1090625	STUD	.15
1090022	SCREW	.05	1090291	SCREW	.05	1090626	SPRING	.15
1090023	SCREW	.05	1090294	STUD	.20	1090627	NUT	.15
1090024	SCREW	.05	1090297	SCREW	.05	1090628	PIN	.05
1090026	SCREW	.05	1090336	SPACER	.05	1090629	SCREW	.20
1090029	SCREW	.05	1090337	SPRING	.15	1090630	WASHER	.05
1090031	SCREW	.05	1090341	SPRING	.15	1090640	WASHER	.05
1090034	NUT	.05	1090343	SPRING	.15	1090641	STUD	.05
1090035	NUT	.05	1090353	SCREW	.15	1090642	PIN	.05
1090036	NUT	.15	1090356	PIN	.05	1090643	SPRING	.05
1090037	NUT	.05	1090364	SCREW	.05	1090644	SET SCREW	.15
1090039	NUT	.05	1090369	SCREW	.20	1090646	PIN	.15
1090041	NUT	.05	1090370	STUD	.15	1090649	WASHER	.05
1090047	WASHER	.05	1090372	PIN	.10	1090650	SPRING	.20
1090049	WASHER	.05	1090383	NUT	.20	1090654	COLLAR	.20
1090050	SPACER	.05	1090384	WASHER	.05	1090655	STUD	.20
1090051	SPACER	.20	1090386	WASHER	.05	1090656	SPRING	.20
1090052	COLLAR	.05	1090389	PIN	.05	1090657	WASHER	.05
1090057	SPACER	.15	1090390	NUT	.15	1090659	SPACER	.15
1090058	WASHER	.05	1090393	STUD	.15	1090662	STUD	.15
1090065	SPACER	.20	1090394	WASHER	.05	1090663	NUT	.15
1090067	COLLAR	.20	1090395	DOWEL PIN	.05	1090668	SCREW	.20
1090069	SPACER	.15	1090399	SCREW	.15	1090669	NUT	.20
1090076	STUD	.15	1090401	SPRING	.20	1090670	NUT	.20
1090079	STUD	.15	1090404	SPRING	.15	1090671	SCREW	.15
1090082	STUD	.15	1090417	COLLAR	.20	1090672	SPRING	.05
1090084	RIVET	.05	1090423	SCREW	.15	1090673	SCREW	.20
1090103	STUD	.05	1090424	SCREW	.05	1090680	SCREW	.05
1090104	STUD	.05	1090426	WASHER	.05	1090683	SPRING	.05
1090105	STUD	.15	1090427	SPACER	.20	1090687	WASHER	.05
1090107	STUD	.20	1090428	SCREW	.05	1090688	NUT	.05
1090108	STUD	.15	1090430	WASHER	.05	1090690	STUD	.15

ETD PARTS PRICE LIST

PART NO.	PART NAME	PRICE	PART NO.	PART NAME	PRICE	PART NO.	PART NAME	PRICE
1090692	STUD	.20	1090963	SPACER	.20	1091229	SCREW	.05
1090695	BUSHING	.25	1090968	SCREW	.15	1091230	STUD	.35
1090696	BUSHING	.20	1090969	SCREW	.15	1091243	WASHER	.05
1090698	SCREW	.05	1090970	WASHER	.05	1091279	NUT	.35
1090699	WASHER	.05	1090976	STUD	.35	1091281	SCREW	.20
1090709	SCREW	.20	1090978	SPRING	.15	1091298	SCREW	.05
1090711	SCREW	.05	1090984	SPACER	.05	1091299	STUD	.20
1090712	SCREW	.05	1090988	SPRING	.15	1091302	NUT	.15
1090718	SCREW	.25	1090989	SCREW	.05	1091310	DOWEL	.05
1090722	SCREW	.05	1091000	SPRING	.20	1091326	STUD	.15
1090723	NUT	.15	1091001	BUSHING	.35	1091340	SCREW	.35
1090728	KNOB	.25	1091005	SPACER	.25	1091346	SCREW	.05
1090730	WASHER	.05	1091006	SCREW	.20	1091347	SCREW	.05
1090731	WASHER	.05	1091007	SPACER	.25	1091357	STUD	.05
1090732	SCREW	.40	1091015	STUD	.15	1091358	STUD	.15
1090734	STUD	.45	1091019	SPACER	.20	1091362	SPRING	.15
1090741	SCREW	.05	1091020	STUD	.15	1091365	SPACER	.50
1090746	PIN	.35	1091021	STUD	.25	1091366	STUD	.20
1090747	RIVET	.05	1091023	COLLAR	.25	1091386	SPRING	.15
1090748	SCREW	.25	1091026	SCREW	.05	1091388	WASHER	.05
1090749	NUT	.40	1091033	SCREW	.15	1091392	COLLAR	.15
1090751	KNOB	.25	1091035	SCREW	.25	1091403	SCREW	.60
1090752	STUD	.20	1091040	SPRING	.20	1091411	SPACER	.25
1090759	PIN	.20	1091041	NUT	.25	1091414	WASHER	.05
1090761	STUD	.35	1091042	SCREW	.05	1091420	STUD	.35
1090764	STUD	.25	1091046	WASHER	.20	1091421	PIN	.05
1090768	SPRING	.15	1091047	BUSHING	.25	1091423	NUT	.05
1090769	PIN	.05	1091048	SPACER	.20	1091471	SCREW	.05
1090770	SPRING	.05	1091049	SPRING	.15	1091489	SCREW	.05
1090771	SCREW	.15	1091050	SPACER	.15	1091501	WASHER	.05
1090774	STUD	.15	1091051	SCREW	.05	1091504	WASHER	.05
1090777	COLLAR	.35	1091057	NUT	.05	1091508	SPACER	.20
1090779	STUD	.20	1091058	SCREW BASE	.15	1091515	SCREW	.05
1090794	SPRING	.15	1091059	STUD	.15	1091517	WASHER	.05
1090795	SPRING	.15	1091061	WASHER	.05	1091518	WASHER	.05
1090798	NUT	.05	1091065	SPRING	.25	1091526	STUD	.15
1090799	SCREW	.05	1091069	SPRING	.15	1091528	WASHER	.05
1090802	SCREW	.15	1091070	SPRING	.15	1091602	STUD	.25
1090807	SCREW	.05	1091073	SPRING	.15	1091603	PIN	.05
1090818	STUD	.65	1091074	SPRING	.15	1091604	STUD	.15
1090819	STUD	.10	1091077	SHIM	.05	1091605	SPACER	.15
1090822	SPRING	.15	1091079	SPACER	.20	1091606	SPRING PIN	.15
1090824	SCREW	.20	1091080	COLLAR	.20	1091607	SLEEVE	.05
1090825	BUSHING	.20	1091088	SCREW	.65	1091608	STUD	.15
1090826	ROLLER	.25	1091089	DRIVE PIN	.05	1091609	PIN	.15
1090840	WASHER	.05	1091091	PIN	.05	1091610	STUD	.05
1090841	PIN	.15	1091096	PIN COTTER	.05	1091612	STUD	.05
1090844	SPACER	.20	1091110	SCREW	.15	1091613	STUD	.15
1090845	SCREW	.05	1091121	WASHER	.05	1091616	STUD	.15
1090859	PIN	.05	1091134	WASHER	.15	1091618	SPRING	.15
1090864	KNOB	.40	1091148	STUD	.15	1091619	STUD	.15
1090865	NUT	.25	1091149	SPRING	.05	1091621	NUT	.15
1090867	SPRING	.15	1091190	STUD	.05	1091627	STUD	.20
1090870	ROLL	.05	1091192	SHIM	.05	1091631	PIN	.15
1090873	WASHER	.05	1091154	PIN	.05	1091632	SPRING	.05
1090875	WASHER	.15	1091155	SCREW	.05	1091640	STUD	.10
1090879	NUT	.15	1091156	SCREW	.05	1091646	SPRING	.15
1090881	SPRING	.20	1091157	SCREW	.05	1091647	SPRING	.15
1090885	STUD	.15	1091159	WASHER	.05	1091649	STUD	.15
1090886	SCREW	.20	1091161	DOWEL	.05	1091651	PIN SPRING	.15
1090887	WASHER	.05	1091164	SPRING	.15	1091655	SCREW	.05
1090890	PIN	.25	1091165	DRIVE PIN	.05	1091658	STUD	.05
1090891	SPRING	.15	1091169	SPRING	.05	1091661	RIVET	.05
1090900	STUD	.05	1091186	WASHER	.05	1091666	SCREW	.05
1090903	PIN	.15	1091187	SCREW	.20	1091667	STUD	.15
1090907	SPACER	.20	1091189	PIN	.15	1091670	SPRING	.15
1090909	BUSHING	.20	1091190	SCREW	.05	1091672	PLATE	.35
1090910	SPRING	.25	1091192	STUD	.35	1091673	SPACER	.15
1090911	SPRING	.25	1091194	SPRING	.20	1091674	STUD	.35
1090914	SPRING	.15	1091197	PIN	.05	1091675	STUD	.35
1090915	NUT	.35	1091199	SCREW	.05	1091676	SPACER	.05
1090917	SPRING	.15	1091207	WASHER	.05	1091679	WASHER	.15
1090926	SCREW	.05	1091208	SPACER	.20	1091691	SCREW	.25
1090932	HUB	.20	1091209	SPRING	.20	1091694	STUD	.15
1090933	SCREW	.05	1091210	SCREW	.15	1091710	ROLLER	.15
1090934	PIN	.15	1091213	SPRING	.15	1091743	NUT	.20
1090943	SPACER	.35	1091220	WASHER	.05	1091745	SCREW	.05
1090944	SPACER	.25	1091222	STUD	.15	1091759	SPRING	.15
1090949	STUD	.50	1091224	SPRING	.15	1091787	SPRING	.15
1090962	SPRING	.25	1091227	STUD	.20	1091795	WASHER	.15

ETD PARTS PRICE LIST

1091817-1095098

PART NO.	PART NAME	PRICE	PART NO.	PART NAME	PRICE	PART NO.	PART NAME	PRICE
1091817	SCREW	.05	1093620	DEFLECTOR	8.25	1093853	INDICATOR	1.40
1091901	SCREW	.15	1093624	BRACKET	.65	1093854	SHAFT	1.40
1091903	KNOB	.35	1093629	CASE	11.90	1093856	BAR SPACE	.90
1091972	SCREW	.15	1093646	WHEEL STAR	.05	1093857	BAR SPACE	.90
1092009	SPRING	.15	1093650	SPRING	.15	1093858	BUTTON	.60
1092010	STUD	.10	1093652	TAB REBOUND	.60	1093859	BUTTON	.60
1092015	DOWEL	.05	1093655	BRACKET	14.50	1093860	BUTTON	.90
1092016	STUD	.15	1093660	BRACKET	14.50	1093861	BUTTON	.90
1092017	WASHER	.05	1093663	INDICATOR	.40	1093862	BUTTON	.65
1092025	STUD	.15	1093665	INDICATOR	1.10	1093863	BUTTON	.25
1092034	STUD	.15	1093670	CLIP	.15	1093864	KNOB	1.10
1092046	SCREW	.05	1093671	NUT	.20	1093865	KNOB	1.10
1092056	DOWEL PIN	.15	1093672	NUT	.35	1093866	BUTTON	.40
1092057	SCREW	.05	1093675	LEAD TRIP	.35	1093867	PLATE NAME	.70
1092086	SPACER	.05	1093676	FRAME ASM	3.75	1093868	PLATE NAME	.75
1092105	PIN	.25	1093677	WASHER	.10	1093875	HOLDER	.90
1092106	SPACER	.50	1093694	ARM	2.45	1093880	SHAFT	2.25
1092107	SPACER	.45	1093704	BRACKET	4.00	1093882	TYPE REST	4.40
1092125	RING	.05	1093709	CARRIER	.95	1093883	TYPE REST	4.40
1092177	SCREW	.05	1093712	PAWL	1.60	1093899	TABLE PAP	4.40
1092180	WASHER	.15	1093714	RATCHET	3.70	1093903	COVER	2.90
1092181	SHIM	.05	1093717	SHAFT	3.15	1093904	SPRING	.20
1092260	STUD	.15	1093718	STOP	.85	1093919	BRACKET	1.25
1092261	STUD	.35	1093719	STOP	.65	1093922	LEVER	.15
1092267	STUD	.35	1093720	LEVER	1.10	1093923	LEVER	.15
1092272	SCREW SET	.20	1093721	LINK	.40	1093929	NUT	.40
1092277	RIVET	.20	1093722	LINK	.25	1093930	STUD	.25
1093512	GUIDE	.95	1093723	LINK	.25	1093931	NUT	.35
1093516	STUD	.45	1093724	LEVER	.95	1093934	SHAFT 12	1.20
1093517	STUD	.50	1093725	LEVER	.90	1093936	SHAFT	.85
1093518	CLAMP	.40	1093726	PLATE	.90	1093938	SPACER	.50
1093519	ROD TIE	.75	1093727	BELL CRANK	.95	1093942	PLATEN	12.50
1093524	SPRING	.35	1093729	PINION	1.90	1093943	SLEEVE	2.35
1093525	WHEEL	.35	1093730	RACK ESCP	17.00	1093945	RM	12.20
1093529	SUPPORT	18.75	1093731	RACK ESCP	10.50	1093946	PLATE	1.10
1093533	STOP	1.90	1093732	RACK ESCP	10.50	1093974	PLATE	3.90
1093535	SPRING	.20	1093733	RACK ESCP	14.50	1093975	PLATEN	12.50
1093540	WHEEL ASM	.95	1093744	RAIL REAR	7.50	1093981	SHAFT 12	3.15
1093542	GUIDE ASM	2.85	1093745	RAIL REAR	8.15	1093983	STOP	.40
1093544	PIN	5.95	1093746	RAIL REAR	8.75	1093985	LEVER	2.75
1093546	SUPPORT	4.10	1093747	CAGE	1.60	1093986	GUIDE 12	2.65
1093547	BRACKET	2.65	1093748	BUSHING	.20	1093989	SHAFT 12	2.85
1093548	RACK REAR	2.45	1093749	SCREW	.15	1093990	TABLE	2.45
1093555	RACK FRONT	2.45	1093750	CAM	.40	1093991	SUPPORT LH	.60
1093557	KNOB	1.10	1093751	PAWL 0 1	3.00	1093992	SUPPORT RH	.50
1093559	PIN KNOB	.75	1093752	PAWL 0 2	3.00	1093993	CLAMP	.35
1093560	BUSHING	.65	1093753	PAWL 0 3	3.00	1095001	SPRING	.20
1093562	PIN KNOB	.90	1093754	PAWL 0 4	3.00	1095011	SCREW	.15
1093564	TRIGGER	.95	1093755	PAWL 0 5	3.00	1095012	KEY LEVER	1.40
1093568	SUPPORT	3.15	1093756	PAWL 0 6	3.00	1095013	TAB KEY	.25
1093572	LEVER ASM	.85	1093757	PAWL 0 7	3.00	1095014	KEY	.50
1093573	TUBE	9.00	1093758	PAWL 0 8	3.00	1095015	GUIDE	.50
1093579	SUPPORT FC	3.00	1093760	FILLER	1.60	1095016	BUTTON	.95
1093581	GUIDE ASM	3.15	1093764	RACK MARG	3.25	1095018	KEY LEVER	1.20
1093582	PIN	.15	1093765	RACK MARG	4.10	1095019	KEY PLATE	5.00
1093583	INSERT	.60	1093766	RACK MARG	4.75	1095021	SPRING	.15
1093584	COVER	.60	1093767	STOP	.20	1095035	LATCH ASM	1.60
1093585	BUSHING	.25	1093768	RACK TAB	4.60	1095039	GAUGE	2.00
1093586	PIN	.65	1093769	RACK TAB	5.95	1095040	LEVER	.35
1093589	BUSHING	3.45	1093770	RACK TAB	7.45	1095041	SPRING	.25
1093590	PLATE	.25	1093771	HOLDER	1.15	1095042	STOP	.40
1093591	SPRING	.15	1093772	CAM	.40	1095043	BUSHING	.35
1093593	CLIP	.35	1093773	INTERPOSER	1.60	1095044	NUT	.20
1093596	BLADE	.65	1093774	INTERPOSER	1.60	1095059	PLATEN	15.00
1093597	BLADE	.65	1093775	INTERPOSER	1.60	1095060	LINING	.25
1093598	BLADE POST	3.15	1093781	GUIDE	2.65	1095061	TABLE PAP	2.70
1093599	BLADE POST	2.85	1093782	GUIDE	2.35	1095062	TABLE	5.00
1093600	SUPPORT	9.40	1093783	GUIDE	2.35	1095063	SHAFT 16	3.15
1093601	SUPPORT	10.00	1093784	GUIDE	2.40	1095066	SHAFT 16	3.45
1093602	SPRING	.15	1093785	GUIDE	2.40	1095068	GUIDE 16	2.35
1093603	CLIP	.10	1093786	SPRING	.45	1095069	GUIDE 16	2.35
1093604	SHAFT	.15	1093787	SPRING	.45	1095073	ARM	13.15
1093605	BLADE SLIT	.50	1093790	CARRIAGE	36.25	1095075	BAR U	1.90
1093606	BLADE SLIT	1.25	1093798	RACK TAB	16.50	1095081	ROD	.45
1093607	LATCH	.35	1093801	BUTTON	.40	1095085	EXTENSION	2.85
1093608	TRACK	6.40	1093848	BUTTON	.40	1095089	STUD	.20
1093611	SCREW	.15	1093849	BUTTON	.40	1095092	GUIDE	2.85
1093615	TABLE	3.75	1093850	BUTTON	.40	1095094	PLUNGER	1.10
1093616	GUIDE	3.15	1093851	BUTTON	.35	1095096	GUIDE	14.15
1093618	GUIDE RH	3.15	1093852	BUTTON	.50	1095098	PLATEN LI	8.15

MARCH 17, 1961

PAGE 37

ETD PARTS PRICE LIST

PART NO.	PART NAME	PRICE	PART NO.	PART NAME	PRICE	PART NO.	PART NAME	PRICE
1095101	BUMPER	.20	1095293	BLADE WEB	.65	1096880	DEFLECTOR	10.65
1095102	SUPPORT	3.00	1095294	BLADE WEB	.65	1096881	DEFLECTOR	5.95
1095103	SUPPORT	10.00	1095295	BLADE FAN	.65	1096885	BAR SPACE	.70
1095105	BLADE FAN	.65	1095301	BLADE FAN	.65	1096898	FEED RIBB	7.35
1095107	BLADE SLIT	1.25	1095302	BLADE FAN	.65	1096899	FEED RIBB	7.35
1095108	SUPPORT	10.65	1095303	BLADE FAN	.65	1096900	SHAFT	1.40
1095109	CLAMP	.45	1095304	LINK	.40	1096904	SPACE BAR	.70
1095110	SUPPORT	20.65	1095305	BELL CRANK	.40	1096905	SPACE BAR	.70
1095111	BLADE	.75	1095306	BELL CRANK	.40	1096910	RATCHET	3.15
1095115	SPRING	.20	1095307	BELL CRANK	.40	1096934	BAIL	1.50
1095122	SPACER	.70	1095308	BELL CRANK	.40	1096935	LEVER	.85
1095125	LEVER	1.60	1095309	BELL CRANK	.40	1096936	LEVER	.95
1095126	SHAFT	1.20	1095310	BELL CRANK	.40	1096939	KNOCKOUT	.45
1095129	NUT	.35	1095311	BELL CRANK	.40	1096941	SUPPORT	.40
1095130	BRACKET	.35	1095312	BELL CRANK	.40	1096942	PAWL	.65
1095132	LINK	.20	1095313	BELL CRANK	.40	1096943	SPACER	.15
1095135	LATCH	.65	1095314	BELL CRANK	.40	1096944	STUD	.70
1095136	LEVER	.25	1095316	GUIDE	4.40	1096945	WASHER	.15
1095139	COVER	3.15	1095318	WIRE	.40	1098008	RACK	27.20
1095140	BRACKET	.95	1095319	WIRE	.45	1098009	RACK	27.20
1095142	LEVER	.65	1095320	WIRE	.60	1098010	RACK	27.20
1095146	STUD	.35	1095321	WIRE	.70	1098011	RACK	30.65
1095147	SHAFT	.35	1095324	BRACKET	1.10	1098012	RACK	30.65
1095149	SHAFT	.35	1095325	BRACKET	1.20	1098013	RACK	30.65
1095151	LEVER	.35	1095344	LINK	.50	1098014	RACK	19.65
1095152	STUD	.25	1095346	BRACKET	4.10	1098015	RACK	19.65
1095153	PLATE	.40	1095347	BRACKET	3.15	1098016	RACK	24.40
1095154	STUD	.35	1095348	BRACKET	2.85	1098017	RACK	24.40
1095155	LATCH	.35	1095349	SEPARATOR	2.50	1098018	RACK	24.40
1095158	BUTTON	.25	1095350	INTERP 14P	2.50	1098019	RACK	19.65
1095160	RING	.05	1095476	BAR	1.90	1098020	RACK	38.15
1095164	SCREW	.05	1095482	PLATE	.40	1098021	RACK	38.15
1095170	SHAFT	.25	1095493	BELL CRANK	1.50	1098022	RACK	38.15
1095175	SUPPORT	9.40	1095498	LEVER	.95	1098023	CARRIAGE	58.75
1095176	TRIGGER	.95	1096698	WASHER	.05	1098024	CARRIAGE	58.75
1095177	BUTTON	.35	1096699	SHAFT	8.45	1098025	CARRIAGE	58.75
1095178	RETAINER	1.10	1096700	GUIDE	13.15	1098026	CARRIAGE	14.40
1095179	INTERPOSER	2.50	1096707	GUIDE	6.25	1098034	PIN WHEEL	29.20
1095180	SEPARATOR	1.85	1096713	GUIDE	13.15	1098035	PIN WHEEL	33.90
1095181	SEPARATOR	1.85	1096726	LEVER MARG	3.75	1098036	CARRIAGE	14.40
1095182	INTERPOSER	2.50	1096731	CLAPPER	.90	1098037	CARRIAGE	14.40
1095183	KEY BUTTON	.35	1096732	BRACKET	6.90	1098039	CARRIAGE	18.75
1095184	KEY BUTTON	.35	1096733	INTERLOCK	1.00	1098040	CARRIAGE	18.75
1095185	KEY BUTTON	.35	1096738	SUPPORT	.60	1098041	CARRIAGE	26.60
1095186	KEY BUTTON	.35	1096739	SUPPORT	.25	1098076	CARRIAGE	26.60
1095187	KEY BUTTON	.35	1096740	SUPPORT	.25	1098077	CARRIAGE	26.60
1095188	KEY BUTTON	.35	1096741	SPACER	.40	1098078	CARRIAGE	40.00
1095189	KEY BUTTON	.35	1096742	STUD	.20	1098079	CARRIAGE	40.00
1095190	KEY BUTTON	.35	1096744	LINK PAWL	.35	1098080	CARRIAGE	40.00
1095192	LEVER ASM	2.20	1096746	BAIL	1.10	1098099	TYPE SLUG	.15
1095193	BELLCRANK	.45	1096747	LEVER	2.50	1098149	SPRING	.15
1095198	PLATE KEY	6.00	1096778	BELL CRANK	1.75	1098209	RACK	4.40
1095205	PAWL TOP	.60	1096779	BELL CRANK	1.75	1098210	RACK	3.75
1095209	LEVER	.95	1096780	BELL CRANK	1.75	1098211	RACK	4.40
1095212	LINK	.35	1096781	BELL CRANK	1.75	1098212	RACK	4.40
1095214	BRACKET	1.60	1096782	BELL CRANK	1.75	1098215	RACK	4.40
1095215	BELL CRANK	.40	1096783	BELL CRANK	1.75	1098216	RACK	3.75
1095216	STUD	.45	1096784	BELL CRANK	1.75	1098217	RACK	4.40
1095220	RIVET	.05	1096785	BELL CRANK	1.75	1098218	RACK	4.40
1095221	ROD	.40	1096786	BELL CRANK	1.75	1098219	RACK	5.00
1095226	MOTOR AC	40.25	1096820	BRACKET	5.00	1098221	RACK	4.40
1095235	SHAFT 16	1.20	1096823	STOP	.65	1098223	RACK	4.40
1095263	BELL CRANK	1.10	1096834	SHAFT BAIL	1.20	1098224	RACK	4.40
1095267	KEY PLATE	5.00	1096837	RACK	9.10	1098251	ARM	.40
1095271	GUIDE	.20	1096838	RACK	10.35	1098258	COVER	2.75
1095272	GUIDE	.20	1096839	RACK	14.40	1098259	COVER	2.50
1095273	LINK	.60	1096842	RACK	9.10	1098262	INTER STUD	.45
1095274	LINK	.60	1096843	RACK	10.35	1098270	BRACKET	.95
1095275	LINK	.60	1096844	RACK	14.40	1098358	RACK	16.50
1095276	LINK	.60	1096845	RACK	7.85	1098359	RACK	18.70
1095277	LINK	.60	1096846	RACK	8.45	1098360	RACK	26.90
1095278	LINK	.60	1096847	RACK	9.10	1098361	CARRIAGE	21.90
1095279	LINK	.60	1096848	RACK	10.35	1098362	CARRIAGE	26.90
1095280	BUTTON	.65	1096849	RACK	14.40	1098363	CARRIAGE	30.00
1095281	BUTTON	.95	1096853	GUIDE	5.95	1098364	RACK	30.00
1095282	BUTTON	.65	1096865	DEFLECTOR	10.00	1098365	CARR RACK	36.25
1095287	BLADE FAN	.65	1096866	DEFLECTOR	5.95	1098366	CARRIAGE	36.25
1095290	BLADE SLIT	1.25	1096868	GUIDE	6.25	1098367	CARRIAGE	36.25
1095291	BLADE SLIT	1.25	1096871	DECAL	3.00	1098368	CARRIAGE	36.25
1095292	BLADE WEB	.65	1096878	PLATEN	23.50	1098369	CARRIAGE	18.15

ETD PARTS PRICE LIST

1098370-1100504

PART NO.	PART NAME	PRICE	PART NO.	PART NAME	PRICE	PART NO.	PART NAME	PRICE
1098370	RACK	14.10	1099175	BRACKET	.70	1100030	STUD AM	.15
1098371	CARRIAGE	18.15	1099184	SPACER	.25	1100033	SPRING	.45
1098372	RACK	14.10	1099185	LEVER	.85	1100034	NUT	.20
1098373	CARRIAGE	18.15	1099186	BAIL ASM	7.25	1100035	BUSHING	.65
1098375	CARRIAGE	18.15	1099188	BUSHING	.25	1100036	MOTOR	40.25
1098377	CARRIAGE	26.25	1099189	SCREW ADJ	.20	1100037	MOTOR	40.25
1098378	RACK	16.50	1099218	RACK	8.50	1100038	MOTOR	40.25
1098379	CARRIAGE	26.25	1099219	RACK	10.75	1100039	MOTOR	40.25
1098380	RACK	16.50	1099220	RACK	12.50	1100040	MOTOR	40.25
1098381	CARRIAGE	26.25	1099283	CARR ASM	15.65	1100050	LINK	.90
1098383	CARRIAGE	26.25	1099284	RACK TAB	14.10	1100051	LINK	.45
1098384	RACK	14.10	1099285	CARR ASM	15.65	1100052	SCREW	.35
1098385	RACK	17.50	1099286	RACK TAB	14.10	1100054	SPRING	.15
1098386	RACK	17.50	1099287	CARR ASM	15.65	1100066	SUPPORT	2.85
1098388	RACK	19.70	1099288	RACK TAB	14.10	1100066	SUPPORT	9.75
1098389	RACK	19.70	1099289	CARR ASM	15.65	1100071	LATCH	.50
1098391	RACK	21.60	1099290	RACK TAB	14.10	1100072	LATCH REL	.35
1098392	RACK	21.60	1099291	CARR ASM	15.65	1100076	STUD	.35
1098393	RACK	21.60	1099292	RACK TAB	14.10	1100121	NUT	.15
1098395	RACK	23.60	1099293	CARR ASM	15.65	1100122	SHAFT	.15
1098397	TAB RACK	31.50	1099294	RACK TAB	14.10	1100123	SCREW	.05
1098398	TAB RACK	31.50	1099295	CARR ASM	20.00	1100124	LATCH	.40
1098399	TAB RACK	31.50	1099296	RACK TAB	16.50	1100125	VANE	1.90
1098442	LEVER	.95	1099297	CARR ASM	20.00	1100126	BAIL	1.90
1098445	CAM LEVER	1.60	1099298	RACK TAB	16.50	1100127	BRACKET	2.20
1098446	KEYLEVER 2	.85	1099299	CARR ASM	20.00	1100129	LEVER	.95
1098447	KEYLEVER 3	.85	1099304	RACK TAB	16.50	1100130	PLATE BOTT	5.00
1098448	KEYLEVER 4	.85	1099305	CARR ASM	20.00	1100172	PLATEN	15.00
1098449	KEYLEVER	.85	1099306	RACK TAB	16.50	1100173	PLATEN	8.15
1098457	KEYLEVER 1	.85	1099307	CARR ASM	20.00	1100191	KEY PLATE	5.00
1098458	KEYLEVER	.75	1099308	RACK TAB	16.50	1100197	GUARD	.05
1098462	COMB ASM	35.25	1099309	CARR ASM	20.00	1100236	GUIDE 12	2.65
1098465	ROLLER	.25	1099310	RACK TAB	16.50	1100237	GUIDE 12	2.65
1098467	COMB GUIDE	4.05	1099311	CARR ASM	27.50	1100238	GUIDE 12	2.65
1098495	SPNG LEVER	.15	1099312	RACK TAB	18.70	1100240	GUIDE RH	2.35
1098497	SWITCH	2.30	1099313	CARR ASM	27.50	1100241	GUIDE LH	2.35
1098557	WASHER	.10	1099314	RACK TAB	18.70	1100242	GUIDE RH	2.35
1098579	RATCHET	3.15	1099315	CARR ASM	27.50	1100243	GUIDE LH	2.35
1098588	SHIELD	.45	1099316	RACK TAB	18.70	1100244	GUIDE RH	2.35
1098593	SPRING	.15	1099317	CARR ASM	27.50	1100248	HOLDER	.90
1098594	SPRING	.20	1099318	RACK TAB	18.70	1100249	HOLDER	.90
1098595	SPRING	.20	1099319	CARR ASM	27.50	1100251	RACK 5 12	4.25
1098596	SPRING	.20	1099320	RACK TAB	18.70	1100252	RACK	4.25
1098611	STOP	.65	1099321	CARR ASM	27.50	1100253	RACK	4.25
1098614	LEVER	.95	1099322	RACK TAB	18.70	1100254	RACK 5 12	4.25
1098619	SHIFT	1.60	1099323	CARR ASM	38.75	1100255	RACK 5 16	6.50
1098622	LEVER	1.45	1099324	RACK TAB	21.60	1100256	RACK 5 16	6.50
1098675	PLATEN	45.00	1099325	CARR ASM	38.75	1100257	RACK 5 16	6.50
1098677	PLATEN	50.00	1099326	RACK TAB	21.60	1100258	RACK 5 16	6.50
1098681	PLATEN	45.00	1099327	CARR ASM	38.75	1100263	RACK	4.35
1098683	PLATEN	45.00	1099328	RACK TAB	21.60	1100264	RACK	4.35
1098686	CAM	.45	1099329	CARR ASM	38.75	1100265	RACK	4.35
1098687	SHAFT	.60	1099330	RACK TAB	21.60	1100266	RACK	4.35
1098714	BAIL ASM	8.95	1099331	CARR ASM	38.75	1100269	RACK	5.65
1098716	SUPPORT	9.70	1099332	RACK TAB	21.60	1100270	RACK	5.65
1098725	BAR ASM	8.30	1099341	CARR ASM	53.75	1100272	PLATE	.15
1098726	SHAFT 1 MP	4.45	1099342	RACK TAB	29.50	1100379	BUSHING	.05
1098823	PLATEN PF	50.00	1099343	CARR ASM	53.75	1100381	RIVET	.05
1098827	PLATEN	50.00	1099344	RACK TAB	29.50	1100388	CHECK HDR	35.00
1098830	PLATEN PF	50.00	1099345	CARR ASM	53.75	1100389	CK WR AT	35.00
1098831	PLATEN PF	50.00	1099346	RACK TAB	29.50	1100391	CH WR AB U	75.00
1098911	CARR ASM	18.15	1099347	RACK MARG	3.80	1100395	CHECK ATTH	90.00
1098912	RACK TAB	15.00	1099348	RACK MARG	5.00	1100396	LEVER CAM	79.80
1098913	CARR ASM	18.15	1099349	RACK MARG	5.65	1100398	CASE	10.00
1098914	RACK TAB	15.00	1099350	BRACKET	1.90	1100408	LEVER	.45
1098915	CARR ASM	18.15	1099361	LEVER CONT	.55	1100409	BRACKET	1.85
1098916	RACK TAB	15.00	1099362	INTERLOCK	1.05	1100410	PAWL	2.20
1098917	CARR ASM	18.15	1099504	SHAFT	10.65	1100417	CASE REAR	9.90
1098918	RACK TAB	15.00	1099505	FINGER	1.75	1100435	BELT	1.75
1098919	CARR ASM	26.25	1099555	ARM	.70	1100436	COG BELT	1.75
1098920	RACK TAB	16.90	1099566	BAIL	5.95	1100441	SPRING	.40
1098921	CARR ASM	26.25	1099557	ARM	.70	1100444	LINK	.65
1098922	RACK TAB	16.90	1099558	ARM ASM	4.20	1100485	SPRING	.20
1098923	CARR ASM	26.25	1099559	ARM ASM	4.20	1100486	STUD	.65
1098924	RACK TAB	16.90	1099664	ROLLER	.65	1100487	LINK	.45
1098925	CARR ASM	26.25	1099824	CONTACT AS	2.45	1100491	SUPPORT	.10
1098926	RACK TAB	16.90	1099826	CONTACT AS	2.10	1100496	KEY PLATE	17.50
1099172	BAR	5.35	1099884	GUIDE ASM	.25	1100498	TYPE SHIEL	15.10
1099173	KEY LEVER	1.45	1099885	COLLAR	.35	1100503	ARM	.70
1099174	KEY LEVER	1.10	1099886	HOUSING	6.00	1100504	SHAFT RET	.25

PART NO.	PART NAME	PRICE	PART NO.	PART NAME	PRICE	PART NO.	PART NAME	PRICE
1100507	SPRING	.25	1100880	LEVER	9.40	1102197	SHAFT 16	10.65
1100514	BAR	.65	1100885	LEVER	2.65	1102198	SHAFT	15.65
1100518	BRACKET	.95	1100887	STUD	.15	1103201	SCREW	.15
1100519	BUSHING	.15	1100888	SCREW	.10	1103204	LEVER	.65
1100520	SCREW	.40	1100889	BRACKET	3.45	1103206	ROD	1.60
1100521	ARM	.35	1100894	CHECK	1.70	1103208	COLLAR	.40
1100523	SCREW	.15	1100898	SHAFT	3.15	1103218	PLATEN	45.00
1100524	LINK	.50	1100903	PLATE	6.25	1103234	PLATEN	45.00
1100525	SHAFT	.20	1100910	LINK	.60	1103238	PLATEN	45.00
1100526	SHAFT	3.15	1100911	CLAPPER	.75	1103246	PLATEN	45.00
1100527	SHAFT	.85	1100912	SPACER	.25	1103248	PLATEN	45.00
1100530	ARM	.50	1100913	SPACER	.35	1103250	PLATEN	45.00
1100532	SPRING	.15	1100914	LEVER	1.85	1103254	PLATEN	45.00
1100533	SPRING	.15	1100916	BRACKET	1.15	1103256	PLATEN	45.00
1100536	PULLEY	.95	1100917	BRACKET	.95	1103260	PLATEN	45.00
1100537	PULLEY	2.85	1100918	PULLEY	1.60	1103262	PLATEN	45.00
1100539	COG BELT	1.50	1100920	LINK	.95	1103264	PLATEN	45.00
1100540	COG BELT	1.50	1100922	SPRING	.25	1103266	PLATEN	45.00
1100543	PULLEY	2.20	1100923	BELL CRANK	1.20	1103268	PLATEN	45.00
1100544	PULLEY	4.85	1100925	BELL CRANK	.35	1103270	PLATEN	45.00
1100548	PULLEY	4.85	1100926	STUD	.65	1103272	PLATEN	45.00
1100551	RING	1.60	1100927	LEVER	2.20	1103274	PLATEN	45.00
1100552	PULLE	2.00	1100928	LINK	.25	1103276	PLATEN	45.00
1100553	PULLEY	2.85	1100929	BELL CRANK	2.00	1103278	PLATEN	45.00
1100554	ARM	1.65	1100930	STUD	.60	1103280	PLATEN	45.00
1100555	ARM	.25	1100931	LINK	.45	1103282	PLATEN	50.00
1100562	STUD	.15	1100933	LINK	.75	1103284	PLATEN	50.00
1100624	SEGMENT	11.90	1100934	LINK	.40	1103286	PLATEN	50.00
1100625	LINK	.40	1100935	BELL CRANK	.40	1103288	PLATEN	50.00
1100630	BELT	1.75	1100936	SPRING	.15	1103290	PLATEN	50.00
1100660	GUARD	.75	1100937	SPRING	.15	1103292	PLATEN	50.00
1100661	GUARD	.75	1100938	SPRING	.15	1103294	PLATEN	50.00
1100678	PLATE	.15	1100939	INTERLOCK	.75	1103296	PLATEN	50.00
1100679	SHAFT INT	.25	1100946	CAM	2.50	1103298	PLATEN	50.00
1100681	FRAME	3.45	1100947	BRACKET	1.20	1103300	PLATEN	50.00
1100682	FRAME	5.60	1100950	SUPPORT	.25	1103302	PLATEN	50.00
1100684	FRAME	4.40	1100951	SCREW	.05	1103304	PLATEN	50.00
1100688	WASHER	.05	1100953	SPRING	.15	1103306	PLATEN	50.00
1100723	COUNTER	17.50	1100956	STOP	.85	1103310	PLATEN	50.00
1100724	COUNTER	17.50	1100957	STOP	1.70	1103312	PLATEN	50.00
1100725	COUNTER	17.50	1100960	FILLER	2.85	1103316	PLATEN	50.00
1100730	GUAGE	2.20	1100961	FILLER	2.85	1103318	PLATEN	50.00
1100731	BAR SLIDE	2.00	1100962	FILLER	2.85	1103320	PLATEN	50.00
1100732	PIN	6.90	1100963	FILLER	2.85	1103322	PLATEN	50.00
1100733	PIN	6.90	1100965	SUPPORT	1.15	1103324	PLATEN	50.00
1100740	SPEED CLIP	.05	1100966	SUPPORT	1.15	1103326	PLATEN	50.00
1100741	SCREW	.20	1100968	RACK	3.45	1103328	PLATEN	50.00
1100742	SCREW	.20	1100973	BRACKET	.50	1103330	PLATEN	50.00
1100743	CLIP	.15	1100974	ROLLER	1.15	1103332	PLATEN	50.00
1100746	LEVER STUD	.95	1100980	SPRING	.45	1103334	PLATEN	50.00
1100749	LEVER STUD	.95	1100981	BLADE	.65	1103336	PLATEN	50.00
1100752	GUIDE	.20	1100982	BLADE	.65	1103338	PLATEN	50.00
1100753	GUIDE	.20	1100996	NUT	.15	1103340	PLATEN	50.00
1100791	REAR CASE	10.65	1102005	BASE	1.90	1103342	PLATEN	55.00
1100794	REAR CASE	9.90	1102015	COUNTER	35.00	1103344	PLATEN	55.00
1100798	CASE	9.90	1102017	COUNTER	35.00	1103346	PLATEN	55.00
1100799	REAR CASE	9.90	1102019	LEVER	.45	1103348	PLATEN	55.00
1100801	CASE	11.25	1102058	RACK	4.15	1103350	PLATEN	55.00
1100805	LEVER	1.85	1102060	RACK	4.15	1103352	PLATEN	55.00
1100806	LEVER	1.85	1102061	RACK	4.15	1103354	PLATEN	55.00
1100810	LEVER	.65	1102063	RACK	3.75	1103356	PLATEN	55.00
1100811	SUPPORT	.25	1102064	RACK	3.75	1103358	PLATEN	55.00
1100814	SUPPORT	.50	1102065	RACK	3.75	1103360	PLATEN	55.00
1100816	BRACKET	5.00	1102069	SPACER	.35	1103362	PLATEN	55.00
1100837	VALVE	.70	1102076	STUD	.15	1103364	PLATEN	55.00
1100839	VALVE AIR	.15	1102077	STUD	.25	1103366	PLATEN	55.00
1100842	GASKET	.05	1102079	LEVER	.45	1103368	PLATEN	55.00
1100844	ROLLER	.05	1102081	WASHER	.05	1103370	PLATEN	55.00
1100845	COVER	.35	1102097	CLIP	.15	1103372	PLATEN	55.00
1100846	STUD	.15	1102098	CLIP	.15	1103374	PLATEN	55.00
1100848	CYLINDER	10.65	1102118	SCREW	.45	1103378	PLATEN	55.00
1100854	LEVER	2.20	1102119	ACTUATING	1.60	1103380	PLATEN	55.00
1100855	LEVER	.45	1102122	STUD	.25	1103382	PLATEN	55.00
1100856	STUD	.60	1102139	SPRING	.15	1103384	PLATEN	55.00
1100857	LATCH	1.90	1102141	LEVER	.70	1103386	PLATEN	55.00
1100860	LEVER	2.20	1102142	LEVER	.70	1103388	PLATEN	55.00
1100862	NUT	.20	1102147	CAM	.65	1103390	PLATEN	55.00
1100868	STUD	.25	1102148	CAM	.65	1103392	PLATEN	55.00
1100873	SELECTOR	11.90	1102195	HOUSING	7.85	1103486	SPRING	.20
1100877	LEVER	2.85	1102196	SHAFT	9.40	1103489	FRAME	9.40

ETD PARTS PRICE LIST

1103504-1104044

PART NO.	PART NAME	PRICE	PART NO.	PART NAME	PRICE	PART NO.	PART NAME	PRICE
1103504	BELL CRANK	.50	1103677	CARR TAPE	.75	1103853	TRUCK CARR	.65
1103518	FRONT RAIL	5.35	1103678	CARR TAPE	.90	1103855	GUIDE TYPE	6.10
1103519	REAR RAIL	7.50	1103679	PULLEY	1.25	1103856	TABLE PAP	4.10
1103520	FRONT RAIL	5.75	1103683	BAR	1.70	1103858	RETAINER	.05
1103521	REAR RAIL	8.15	1103685	STOP	.60	1103861	SPRING	.20
1103522	FRONT RAIL	6.60	1103686	SPRING	.20	1103868	GUARD	1.10
1103523	REAR RAIL	8.75	1103689	STUD	.05	1103869	STOP	.15
1103524	FRONT RAIL	7.50	1103695	RING	.05	1103875	COVER CARR	4.50
1103525	REAR RAIL	9.40	1103701	PLATE	.20	1103879	COVER CARR	5.00
1103526	FRONT RAIL	8.45	1103702	CRADLE	.25	1103888	PLUG	1.60
1103527	REAR RAIL	10.00	1103713	BUSHING	.20	1103889	BUSHING	.35
1103535	STUD	.50	1103716	GUIDE	.25	1103891	SHAFT	.65
1103536	RACK ESCP	6.50	1103719	SPRING	.15	1103897	GUIDE	2.65
1103540	RACK ESCP	6.50	1103727	PLATE	.35	1103898	GUIDE	2.65
1103544	RACK ESCP	6.50	1103728	PLATE	.35	1103899	GUIDE	2.65
1103545	RACK ESCP	4.75	1103729	PLATE	.35	1103900	GUIDE	2.65
1103547	RACK ESCP	6.00	1103731	LEVER	.50	1103901	GUIDE	2.65
1103548	RACK ESCP	6.50	1103732	LEVER CARR	.50	1103905	GUIDE	2.35
1103549	RACK ESCP	4.75	1103733	BUTTON	.20	1103906	GUIDE	2.35
1103550	RACK ESCP	4.75	1103734	LATCH ASM	2.20	1103907	GUIDE	2.35
1103551	RACK ESCP	6.00	1103740	LATCH ASM	2.50	1103908	GUIDE	2.35
1103552	RACK ESCP	4.75	1103744	WASHER	.05	1103909	GUIDE	2.35
1103553	RACK ESCP	4.75	1103745	NUT	.15	1103910	GUIDE	2.65
1103554	RACK ESCP	6.00	1103746	SCREW	.15	1103912	GUIDE	2.35
1103555	RACK ESCP	6.50	1103747	DETENT	.45	1103913	GUIDE	2.35
1103556	RACK ESCP	4.75	1103748	LEVER ASM	.95	1103914	GUIDE	2.35
1103557	RACK ESCP	4.75	1103760	LEVER ASM	1.60	1103915	GUIDE	2.35
1103558	RACK ESCP	6.00	1103762	BAR	1.70	1103917	BUSHING PL	.60
1103559	RACK ESCP	6.50	1103763	BAR	1.90	1103918	SLEEVE	2.20
1103571	COVER	23.95	1103764	BAR	2.20	1103920	STOP	.25
1103573	PLATE ASM	2.35	1103765	BAR	2.85	1103926	RACK MARG	3.10
1103577	PLATE ASM	3.45	1103766	BAR	4.20	1103927	RACK MARG	3.65
1103586	LEVER	.60	1103773	WASHER	.15	1103928	RACK MARG	4.70
1103588	STUD LINE	.05	1103774	SUPPORT	.25	1103929	RACK MARG	5.35
1103589	RIVET	.05	1103786	LINING	.15	1103930	RACK MARG	3.10
1103590	LEVER	.40	1103787	LINING	.20	1103931	RACK MARG	3.65
1103592	CARRIER	1.45	1103788	LINING	.25	1103932	RACK MARG	4.70
1103596	LEVER	.20	1103789	LINING	.35	1103933	RACK MARG	3.10
1103598	SPRING	.15	1103790	LINING	.40	1103934	RACK MARG	3.65
1103599	PAM	.60	1103791	GAUGE	.10	1103935	RACK MARG	4.70
1103601	STOP	1.60	1103793	ROD	.65	1103937	RACK MARG	3.10
1103602	STOP	1.60	1103794	ROD	.75	1103938	RACK MARG	3.65
1103603	STOP	.85	1103795	ROD	.95	1103939	RACK MARG	4.70
1103604	STOP	1.60	1103796	ROD	1.15	1103940	RACK MARG	5.35
1103605	STOP	1.60	1103797	ROD	1.50	1103941	RACK MARG	6.25
1103606	STOP	1.60	1103803	RACK	4.85	1103942	RACK MARG	3.10
1103607	STOP	1.60	1103804	RACK	4.10	1103943	RACK MARG	3.65
1103608	STOP	1.60	1103805	RACK	4.10	1103944	RACK MARG	4.70
1103609	STOP	2.15	1103806	RACK	4.10	1103945	RACK MARG	5.35
1103610	STOP	1.60	1103807	RACK	4.10	1103946	RACK MARG	6.25
1103611	STOP	1.60	1103808	RACK	4.10	1103947	RACK MARG	3.10
1103612	STOP	.85	1103810	RACK	5.95	1103948	RACK MARG	3.65
1103613	STOP	1.60	1103811	RACK	5.95	1103949	RACK MARG	4.70
1103614	STOP	1.60	1103812	RACK	5.95	1103950	RACK MARG	5.35
1103615	STOP	1.60	1103813	RACK	5.95	1103951	RACK MARG	6.25
1103619	STOP	1.60	1103816	RACK	8.75	1103973	RACK MARG	3.10
1103623	STOP	.85	1103818	RACK	7.00	1103978	SCREW	.05
1103624	STOP	1.60	1103819	RACK	8.75	1103979	RAIL FRONT	5.95
1103632	STOP	.65	1103823	RACK	12.00	1103981	RAIL FRONT	6.25
1103633	SPRING	.15	1103824	RACK	12.00	1103983	RAIL FRONT	6.60
1103634	ARM	1.50	1103827	RACK	12.00	1103999	SHAFT P	1.40
1103636	STUD	.20	1103828	RACK	12.00	1104000	SHAFT PAP	1.50
1103637	SPRING	.15	1103829	LATCH	1.60	1104001	SHAFT PAP	1.85
1103640	SPRING	.15	1103830	WIRE	.35	1104002	SHAFT PAP	2.20
1103646	PAPER BAIL	1.90	1103831	WIRE TABS	.55	1104003	SHAFT PAP	2.75
1103647	PAPER BAIL	2.10	1103832	WIRE TAB	.65	1104007	BUMPER	.05
1103648	PAPER BAIL	2.25	1103833	WIRE TAB	.80	1104024	FRONT PAP	2.65
1103649	PAPER BAIL	2.50	1103834	WIRE FULC	.95	1104025	FRONT PAP	2.65
1103650	PAPER BAIL	2.85	1103835	SPACER	1.10	1104026	FRONT PAP	2.65
1103656	SUPPORT	.05	1103836	SPACER	1.20	1104027	GUIDE	2.65
1103658	ARM	3.50	1103837	SPACER TAB	1.30	1104028	FRONT PAP	2.65
1103659	ARM	3.10	1103838	SPACER	1.75	1104034	RATCHET 34	12.75
1103667	LEVER	.25	1103839	SPACER	3.00	1104035	RATCHET 35	12.75
1103668	SPRING	.15	1103840	SPRING	.60	1104036	RATCHET 36	12.75
1103669	SPRING	.15	1103841	SPRING	.60	1104038	RATCHET 38	2.40
1103670	ARM	.90	1103842	SPRING	.20	1104039	RATCHET 39	12.75
1103672	ARM	.05	1103843	SPRING	.60	1104040	RATCHET 40	12.75
1103674	CARR TAPE	.70	1103844	SPRING TAB	.75	1104041	RATCHET 41	2.40
1103675	CARR TAPE	.75	1103845	SPRING	.60	1104042	STOP	.90
1103676	CARR TAPE	.70	1103846	SPRING	.75	1104044	RATCHET 44	2.40

MARCH 17, 1961

PAGE 41

PART NO.	PART NAME	PRICE	PART NO.	PART NAME	PRICE	PART NO.	PART NAME	PRICE
1104045	RATCHET 45	12.75	1104364	CASE	10.65	1105018	KEYBUTTON	.35
1104046	RATCHET 46	12.75	1104371	INTERPOSER	1.90	1105019	KEYBUTTON	.35
1104047	STOP ASM	1.60	1104372	INTERPOSER	1.90	1105020	KEYBUTTON	.35
1104048	RATCHET 48	12.75	1104373	INTERPOSER	1.90	1105021	KEYBUTTON	.35
1104049	RATCHET 49	12.75	1104374	INTERPOSER	1.90	1105022	KEYBUTTON	.35
1104050	RATCHET 50	12.75	1104375	INTERPOSER	1.90	1105023	KEYBUTTON	.35
1104051	RATCHET 51	12.75	1104377	BUSHING	.20	1105024	KEYBUTTON	.35
1104053	RATCHET 53	12.75	1104378	CAGE	2.00	1105025	KEYBUTTON	.35
1104054	RATCHET 54	12.75	1104381	INTERPOSER	1.90	1105026	KEYBUTTON	.35
1104055	RATCHET 55	2.40	1104382	INTERPOSER	1.90	1105027	KEYBUTTON	.35
1104057	RATCHET 57	2.85	1104383	INTERPOSER	1.90	1105028	KEYBUTTON	.35
1104058	RATCHET 58	2.40	1104384	INTERPOSER	1.90	1105029	KEYBUTTON	.35
1104060	RATCHET 60	12.75	1104385	INTERPOSER	1.90	1105030	KEYBUTTON	.35
1104061	RATCHET 61	12.75	1104387	BUSHING	.20	1105031	KEYBUTTON	.35
1104062	RATCHET 62	12.75	1104388	CAGE	2.00	1105032	KEYBUTTON	.35
1104066	RATCHET 66	2.40	1104389	CAM	.45	1105033	KEYBUTTON	.35
1104068	GUIDE	2.35	1104391	INTERPOSER	1.90	1105034	KEYBUTTON	.35
1104069	GUIDE	2.65	1104392	INTERPOSER	1.90	1105035	KEYBUTTON	.35
1104072	GUIDE	2.35	1104393	INTERPOSER	1.90	1105036	KEYBUTTON	.35
1104074	GUIDE	2.65	1104394	INTERPOSER	1.90	1105037	KEYBUTTON	.35
1104076	GUIDE	2.65	1104395	INTERPOSER	1.90	1105038	KEYBUTTON	.35
1104077	GUIDE	2.65	1104397	BUSHING	.20	1105039	KEYBUTTON	.35
1104083	RETAINER	.20	1104398	CAGE	2.00	1105040	KEYBUTTON	.35
1104084	RETAINER	.20	1104400	LEVER	.75	1105041	KEYBUTTON	.35
1104086	SCREW	.05	1104401	SUPPORT	3.15	1105042	KEYBUTTON	.35
1104088	PLATE LOCK	.15	1104402	STUD	.15	1105043	KEYBUTTON	.35
1104090	END COVER	2.90	1104406	ROLL ASM	.70	1105044	KEYBUTTON	.35
1104091	END COVER	2.90	1104417	LINK	.15	1105045	KEYBUTTON	.35
1104101	ROLL	.65	1104418	SPRING	.05	1105046	KEYBUTTON	.35
1104102	PULLEY	2.85	1104419	PLUNGER	.15	1105047	KEYBUTTON	.35
1104127	PAWL ASM	2.20	1104420	CLEVIS	.20	1105048	KEYBUTTON	.35
1104130	COLLAR	.05	1104421	CLEVIS	.20	1105049	KEYBUTTON	.35
1104131	DEFLECTOR	2.58	1104430	STUD	.35	1105051	KEYBUTTON	.35
1104134	PLATE	3.70	1104431	SHIM	.15	1105052	KEYBUTTON	.35
1104139	FRAME	.95	1104432	END COVER	2.85	1105053	KEYBUTTON	.35
1104140	FRAME	.40	1104433	COVER CARR	3.15	1105054	KEYBUTTON	.35
1104173	FILLER	2.85	1104434	GUIDE	2.35	1105055	KEYBUTTON	.35
1104174	FILLER	2.85	1104436	GUIDE	2.35	1105056	KEYBUTTON	.35
1104175	FILLER	2.85	1104437	LINK	.25	1105057	KEYBUTTON	.35
1104176	FILLER	2.85	1104438	LINK	.45	1105058	KEYBUTTON	.35
1104178	FILLER	2.85	1104439	SPACER	.65	1105059	KEYBUTTON	.35
1104179	FILLER	2.85	1104440	LINK	.35	1105060	KEYBUTTON	.35
1104180	FILLER	2.85	1104442	CLAPPER	.35	1105061	KEYBUTTON	.35
1104182	FILLER	2.85	1104443	LEVER TAB	13.40	1105064	KEYBUTTON	.35
1104183	FILLER	2.85	1104444	LEVER TAB	13.40	1105070	SPRING MAG	.30
1104184	FILLER	2.85	1104445	LEVER TAB	13.40	1105071	KEYBUTTON	.35
1104186	FILLER	2.85	1104446	LEVER TAB	13.40	1105076	KEYBUTTON	.35
1104187	FILLER	2.85	1104452	LINK	.15	1105082	KEYBUTTON	.35
1104188	FILLER	2.85	1104453	SHAFT	2.15	1105087	KEYBUTTON	.35
1104191	RACK TAB	8.75	1104454	CAM SHAFT	2.45	1105089	KEYBUTTON	.35
1104197	GUIDE	2.35	1104457	SPRING	.15	1105090	KEYBUTTON	.35
1104200	GUIDE	2.65	1104468	SHAFT	2.85	1105093	KEYBUTTON	.35
1104204	STOP	3.25	1104469	RAIL 2	7.85	1105096	KEYBUTTON	.35
1104205	STOP	4.10	1104470	RAIL 6	8.45	1105098	KEYBUTTON	.35
1104206	STOP	4.75	1104472	STUD	.60	1105099	KEYBUTTON	.35
1104211	DETENT	1.60	1104474	COVER	3.15	1105100	KEYBUTTON	.35
1104230	RACK	17.00	1104481	STOP	.95	1105102	KEYBUTTON	.35
1104234	TAPE	.60	1104482	STOP FINAL	1.60	1105107	KEYBUTTON	.35
1104235	TAPE	.60	1104488	PLATEN	47.00	1105118	KEYBUTTON	.35
1104236	TAPE	.65	1104493	SHIM	.05	1105120	KEYBUTTON	.35
1104243	RACK	17.00	1104531	KEYBUTTON	.35	1105121	KEYBUTTON	.35
1104246	LINING	.15	1104626	KEYBUTTON	.35	1105123	KEYBUTTON	.35
1104254	LINING	.20	1105000	KEYBUTTON	.35	1105125	KEYBUTTON	.35
1104278	TAPE	.60	1105001	KEYBUTTON	.35	1105132	KEYBUTTON	.35
1104286	SPACER	.05	1105002	KEYBUTTON	.35	1105141	KEYBUTTON	.35
1104287	SHAFT	2.25	1105003	KEYBUTTON	.35	1105147	KEYBUTTON	.35
1104290	RACK	6.90	1105004	KEYBUTTON	.35	1105153	KEYBUTTON	.35
1104294	RACK	17.00	1105005	KEYBUTTON	.35	1105155	KEYBUTTON	.35
1104296	RACK	8.75	1105006	KEYBUTTON	.35	1105160	KEYBUTTON	.35
1104297	RACK	11.25	1105007	KEYBUTTON	.35	1105175	KEYBUTTON	.35
1104317	TAPE	.60	1105008	KEYBUTTON	.35	1105193	KEYBUTTON	.35
1104342	GUIDE	.95	1105009	KEYBUTTON	.35	1105196	KEYBUTTON	.35
1104344	GUIDE	.95	1105010	KEYBUTTON	.35	1105205	KEYBUTTON	.35
1104351	COUNTER	27.50	1105011	KEYBUTTON	.35	1105206	KEYBUTTON	.35
1104352	COUNTER	27.50	1105012	KEYBUTTON	.35	1105236	KEYBUTTON	.35
1104353	COUNTER	27.50	1105013	KEYBUTTON	.35	1105237	KEYBUTTON	.35
1104354	BRACKET	5.35	1105014	KEYBUTTON	.35	1105239	KEYBUTTON	.35
1104355	BRACKET	4.25	1105015	KEYBUTTON	.35	1105263	KEYBUTTON	.40
1104360	BRACKET	1.15	1105016	KEYBUTTON	.35	1105266	KEYBUTTON	.35
1104363	CAM	1.20	1105017	KEYBUTTON	.35	1105267	KEYBUTTON	.40

ETD PARTS PRICE LIST

1105268-1106243

PART NO.	PART NAME	PRICE	PART NO.	PART NAME	PRICE	PART NO.	PART NAME	PRICE
1105268	KEYBUTTON	.40	1105683	STOP	3.15	1105896	BUTTON	.50
1105269	KEYBUTTON	.40	1105684	BAIL	.35	1105898	SPACE BAR	.95
1105270	KEYBUTTON	.35	1105688	LEVER ASM	.20	1105899	SPACE BAR	.95
1105271	KEYBUTTON	.35	1105690	SCREW	.05	1105901	BUTTON	.40
1105272	KEYBUTTON	.40	1105692	REST BAR	.95	1105905	SEGMENT	11.90
1105273	KEYBUTTON	.40	1105693	SLEEVE	.60	1105906	SPRING	.15
1105274	KEYBUTTON	.40	1105694	SPRING	.50	1105914	ARM	2.85
1105276	KEYBUTTON	.40	1105695	SPACER	.20	1105915	ARM	2.85
1105280	KEYBUTTON	.35	1105696	STUD	.25	1105916	BRACKET	1.90
1105288	KEYBUTTON	.35	1105698	COMB ASM	3.75	1105917	BRACKET	1.90
1105289	KEYBUTTON	.35	1105699	ECCENTRIC	.20	1105923	LEVER	14.70
1105290	KEYBUTTON	.35	1105717	SCREW	.15	1105924	LEVER	15.15
1105291	KEYBUTTON	.35	1105721	LEVER	.95	1105925	LEVER	15.65
1105292	KEYBUTTON	.35	1105723	LEVER	.75	1105926	INTERLOCK	.25
1105293	KEYBUTTON	.35	1105725	LEVER	1.60	1105929	SUPPORT	.25
1105294	KEYBUTTON	.35	1105727	SEGMENT	11.90	1105930	COLLAR	.20
1105295	KEYBUTTON	.35	1105737	WASHER	.05	1105933	SUPPORT	3.45
1105297	KEYBUTTON	.35	1105742	SPRING	.20	1105939	CORD EXT	1.90
1105298	KEYBUTTON	.35	1105743	SPRING	.20	1105944	KEYBUTTON	.40
1105300	KEYBUTTON	.35	1105746	SPRING	.10	1105948	KEYBUTTON	.40
1105304	KEYBUTTON	.35	1105750	STUD	.25	1105955	KEYBUTTON	.40
1105308	KEYBUTTON	.35	1105751	SPACER	.25	1105957	KEYBUTTON	.40
1105312	KEYBUTTON	.35	1105752	SPACER	.20	1106000	CORD	2.40
1105327	KEYBUTTON	.35	1105753	BELL	.35	1106001	CORD	2.65
1105328	KEYBUTTON	.35	1105754	CLAPPER	.25	1106007	ROLL	.65
1105335	KEYBUTTON	.35	1105755	ACTUATOR	.35	1106008	LEVER	.40
1105347	KEYBUTTON	.35	1105756	BRACKET	1.15	1106011	NUT	.20
1105350	KEYBUTTON	.35	1105759	SPACER	.25	1106019	LEVER	.70
1105358	KEYBUTTON	.35	1105760	SPACER	.15	1106027	NUT	.05
1105370	KEYBUTTON	.35	1105761	STUD	.35	1106028	ARM	15.65
1105372	KEYBUTTON	.35	1105762	BELL CRANK	2.20	1106035	STUD	.60
1105373	KEYBUTTON	.35	1105765	LEVER ASM	.95	1106046	COVER	2.85
1105376	KEYBUTTON	.35	1105768	LATCH PAWL	.65	1106047	STOP	.95
1105382	KEYBUTTON	.35	1105769	SUPPORT	3.15	1106052	KEYBUTTON	.40
1105390	KEYBUTTON	.35	1105772	BRACKET	.25	1106056	BUTTON	.40
1105395	KEYBUTTON	.35	1105773	LEVER MARG	1.10	1106061	BUTTON SH	.40
1105396	KEYBUTTON	.35	1105774	LEVER AUTO	.75	1106069	BAR	.95
1105451	KEYBUTTON	.35	1105775	STUD	.60	1106070	SPACE BAR	.95
1105500	BRACKET	2.10	1105776	SPACER	.20	1106076	BRACKET	.35
1105503	SCREW	.05	1105777	INTERLOCK	.20	1106078	STOP	.25
1105504	SCREW	.05	1105779	SCREW	.20	1106139	GUIDE	.95
1105505	BRACKET	2.20	1105779	PLATE	.25	1106140	GUIDE	.35
1105507	SPRING	.40	1105780	LEVER	.60	1106143	INDICATOR	1.00
1105508	KEY LEVER	.50	1105782	INTERLOCK	.20	1106144	INDICATOR	2.25
1105510	KEY LEVER	.50	1105784	LEVER ASM	1.10	1106171	SHAFT	1.25
1105511	KEY LEVER	.50	1105785	LEVER INT	1.20	1106172	WASHER	.05
1105512	PLUNGER	.15	1105789	BELL CRANK	.25	1106175	BRACKET	3.45
1105514	SPRING	.05	1105790	FILLER	1.60	1106177	SCREW	.05
1105515	WASHER	.65	1105791	CYLINDER	8.15	1106182	RACK	8.45
1105516	WASHER	.65	1105794	BELL CRANK	.25	1106185	RACK	8.75
1105517	ROD	1.50	1105796	STUD	.20	1106196	PLATEN	15.00
1105518	ROD	1.70	1105802	LINK	.35	1106198	PLATEN	15.00
1105519	ROD	1.90	1105804	BRACKET	8.65	1106200	PLATEN	16.50
1105533	CAM	2.20	1105816	LEVER ASM	5.95	1106201	PIN	.05
1105627	SCREW	.15	1105818	STOP	1.60	1106202	PLATEN	16.50
1105628	LEVER TAB	13.40	1105819	STOP	1.60	1106204	PLATEN	18.50
1105638	LEVER	13.40	1105822	BRACKET	4.00	1106205	KEYBUTTON	.35
1105640	SUPPORT	2.20	1105823	STOP	.60	1106206	PLATEN	18.50
1105641	BELL CRANK	.65	1105824	INTERLOCK	.60	1106207	KEYBUTTON	.35
1105642	SCREW	.35	1105825	STUD	.25	1106209	GUIDE ASM	5.65
1105644	BELL CRANK	.60	1105826	BRACKET	15.30	1106210	GUIDE ASM	5.75
1105645	LEVER	.40	1105827	BRACKET	15.30	1106224	STOP	1.60
1105646	SCREW	.25	1105829	CLIP ET	.05	1106225	STOP	1.60
1105651	BRACKET	.50	1105831	LEVER	.65	1106226	STOP	1.60
1105661	SUPPORT	1.90	1105834	INSULATION	.15	1106227	STOP	1.60
1105662	BELL CRANK	.85	1105838	LINK	.50	1106228	STOP	1.60
1105663	SCREW	.20	1105839	LEVER	1.60	1106229	STOP	1.60
1105664	SPRING	.25	1105848	GROMMET	.15	1106230	BUTTON	.95
1105665	CLAPPER	.40	1105849	STOP	2.85	1106232	BUTTON	.60
1105666	SCREW	.15	1105877	COMB	3.75	1106233	BUTTON	.45
1105671	ARM	2.85	1105878	COMB	3.00	1106234	BUTTON	.45
1105672	FILLER	1.60	1105879	COMB	3.75	1106235	BUTTON	.75
1105673	FILLER	1.60	1105884	PLATE	.75	1106236	INDICATOR	.75
1105674	FILLER	1.60	1105885	PLATE	.70	1106237	LEVER	1.00
1105675	FILLER	1.60	1105886	SPACE BAR	.70	1106238	SPACE BAR	.65
1105676	FILLER	1.60	1105888	INDICATOR	1.50	1106239	BUTTON	.35
1105677	FILLER	1.60	1105889	BUTTON	.40	1106240	BUTTON	.60
1105679	BRACKET	2.10	1105890	KNOB	1.00	1106241	SPACE BAR	.95
1105680	BRACKET	2.15	1105891	KNOB	1.00	1106242	SPACE BAR	.95
1105681	STOP	7.85	1105892	BUTTON CAR	.25	1106243	KNOB	.95

MARCH 17, 1961

PAGE 43

ETD PARTS PRICE LIST

PART NO.	PART NAME	PRICE	PART NO.	PART NAME	PRICE	PART NO.	PART NAME	PRICE
1106244	KNOB	.95	1106540	GUIDE	6.25	1107282	SHAFT	3.60
1106253	PLATEN	45.00	1106541	HOLDER	6.90	1107284	SCREW	.15
1106255	PLATEN	45.00	1106556	HOLDER	9.40	1107286	SUPPORT	10.65
1106256	PLATEN	45.00	1106557	HOLDER	9.40	1107287	SUPPORT	10.00
1106257	PLATEN	45.00	1106558	HOLDER	10.00	1107290	SUPPORT	9.40
1106258	PLATEN	45.00	1106566	FINGER	.45	1107291	SUPPORT	10.00
1106259	PLATEN	45.00	1106571	LOWER ARM	.35	1107294	PIN	.65
1106263	PLATEN	45.00	1106580	SEGMENT	11.90	1107295	PIN	.75
1106266	PLATEN	45.00	1106584	LEVER	.40	1107296	KNOB	1.10
1106267	PLATEN	45.00	1106585	SHAFT	1.20	1107306	LEVER ASM	.65
1106269	PLATEN	45.00	1106587	LEVER ASM	.95	1107315	PLATEN	25.00
1106270	PLATEN	45.00	1106588	STUD	.15	1107316	PLATEN	25.00
1106271	PLATEN	45.00	1106589	NUT	.20	1107318	PLATEN	25.00
1106275	PLATEN	45.00	1106594	CONDENSER	3.15	1107324	PLATEN	25.00
1106276	PLATEN	45.00	1106595	PLUNGER	.50	1107325	PLATEN	12.50
1106277	PLATEN	45.00	1106596	SPACER	1.65	1107326	PLATEN	12.50
1106279	PLATEN	45.00	1106614	LINK	.25	1107327	PLATEN	12.50
1106280	PLATEN	45.00	1106615	LINK	.40	1107328	PLATEN	12.50
1106281	PLATEN	45.00	1106619	TIRE	.05	1107334	PLATEN	12.50
1106282	PLATEN	45.00	1106639	SPRING	.05	1107341	PLATEN	12.50
1106283	PLATEN	45.00	1106650	SPRING	.15	1107348	PLATEN	15.00
1106284	PLATEN	45.00	1106653	RING	.75	1107350	PLATEN	15.00
1106287	PLATEN	50.00	1106689	STOP	1.90	1107356	PLATEN	15.00
1106291	PLATEN	50.00	1106870	SPACER	.35	1107357	PLATEN	15.00
1106293	PLATEN	50.00	1106871	CRANK	6.60	1107364	PLATEN	15.00
1106295	PLATEN	50.00	1106872	COVER END	3.15	1107373	LINK	.25
1106297	PLATEN	50.00	1107025	CONDENSER	2.70	1107374	BELLCRANK	.20
1106299	PLATEN	50.00	1107027	CONDENSER	.25	1107376	LINK ASM	.40
1106301	PLATEN	50.00	1107085	PLATEN	12.50	1107378	LINK ASM	.50
1106303	PLATEN	50.00	1107092	PLATEN	12.50	1107379	STUD	.25
1106307	PLATEN	50.00	1107093	PLATEN	12.50	1107380	INTERLOCK	.65
1106311	PLATEN	50.00	1107101	PLATEN	12.50	1107414	NUT	.05
1106313	PLATEN	50.00	1107103	PLATEN	12.50	1107416	SUPPORT	.20
1106315	PLATEN	50.00	1107110	PLATEN	12.50	1107432	RACK	6.25
1106317	PLATEN	55.00	1107114	PLATEN	12.50	1107435	SCREW CAM	.05
1106319	PLATEN	55.00	1107116	PLATEN	12.50	1107437	BRACKET	2.40
1106321	PLATEN	55.00	1107119	PLATEN	12.50	1107442	GROMMET	.05
1106323	PLATEN	55.00	1107126	PLATEN	12.50	1107443	BUMPER	.05
1106331	PLATEN	55.00	1107127	PLATEN	12.50	1107444	BUMPER	.05
1106337	PLATEN	55.00	1107129	PLATEN	15.00	1107445	STOP	.35
1106344	HOUSING	6.20	1107136	PLATEN	15.00	1107452	PAWL INDEX	2.80
1106345	SHAFT	15.65	1107144	PLATEN	15.00	1107453	LINK	.50
1106346	SHAFT	10.65	1107152	PLATEN	15.00	1107454	PAWL	.35
1106347	SHAFT	5.65	1107155	PLATEN	15.00	1107455	LINK	.45
1106350	GUIDE	1.25	1107157	PLATEN	15.00	1107459	LEVER ASM	1.35
1106351	ROD	3.75	1107163	PLATEN	15.00	1107462	BUTTON	.65
1106352	ROD	2.75	1107165	PLATEN	17.50	1107463	LEVER	1.10
1106353	ROD	1.75	1107166	PLATEN	17.50	1107466	PLATE KEY	6.25
1106361	SPACER	.25	1107171	PLATEN	17.50	1107467	BRACKET	1.50
1106362	COVER	2.85	1107172	PLATEN	17.50	1107468	GUIDE	.35
1106363	COVER LH	3.25	1107180	PLATEN	17.50	1107469	PLATEN	20.65
1106364	LEVER	2.20	1107188	PLATEN	17.50	1107471	COVER	3.15
1106367	BUTTON	.95	1107190	PLATEN	17.50	1107474	LINK	.65
1106369	BUTTON	.45	1107192	PLATEN	17.50	1107479	SPACER	.25
1106371	BUTTON	.35	1107198	PLATEN	17.50	1107480	LINK	.65
1106372	BUTTON	.35	1107200	PLATEN	21.25	1107483	SHAFT	3.70
1106374	BUTTON	.65	1107208	PLATEN	21.25	1107485	STOP	.85
1106376	BUTTON	.65	1107215	PLATEN	21.25	1107486	SLEEVE	.40
1106378	BUTTON	.95	1107222	PLATEN	21.25	1107487	BUTTON	.95
1106380	BUTTON	.35	1107224	PLATEN	21.25	1107488	CAM	2.50
1106381	BUTTON	.25	1107226	PLATEN	21.25	1107490	STUD	.35
1106391	LEVER REL	.35	1107229	RATCHET	2.40	1107491	PLATE	6.25
1106394	LEVER	2.00	1107233	RATCHET	2.40	1107492	CAM	.95
1106395	DUST COVER	2.50	1107234	PLATEN	21.25	1107493	PLATE KEY	6.25
1106396	DUST COVER	2.90	1107236	PLATEN	25.00	1107494	LEVER ASM	3.15
1106397	DUST COVER	3.45	1107243	PLATEN	25.00	1107495	INDEX ASM	2.65
1106398	DUST COVER	4.10	1107250	PLATEN	25.00	1107497	STUD	.20
1106399	DUST COVER	4.70	1107258	LINK	.60	1107499	STRAP	.20
1106414	RACK	4.10	1107259	ARM	1.45	1107500	CLAMP	.35
1106415	RACK	4.70	1107262	SHAFT	2.00	1107503	DETENT	.95
1106420	RACK	4.70	1107265	LEVER	2.20	1107506	DETENT ASM	1.25
1106431	SUPPORT	1.20	1107266	CRANK ASM	1.10	1107507	STUD	.25
1106433	SUPPORT	1.20	1107270	STOP	.75	1107508	NUT	.65
1106436	PAWL	2.85	1107271	LINK	.40	1107516	SPRING	.15
1106437	FILLER	1.60	1107272	STOP	1.40	1107517	SPRING	.15
1106438	FILLER	1.60	1107275	SPRING	.20	1107520	LATCH	1.90
1106439	FILLER	1.60	1107276	SPACER	.20	1107521	LATCH	1.90
1106451	COVER	2.95	1107277	COLLAR	.40	1107524	STUD	.35
1106535	GUIDE	2.20	1107279	RING	2.85	1107527	ARM L	1.60
1106539	GUIDE	3.45	1107280	PLATE RAT	5.65	1107528	ARM R	1.60
						1107529	ARM	.55

ETD PARTS PRICE LIST

1107533-1108472

PART NO.	PART NAME	PRICE	PART NO.	PART NAME	PRICE	PART NO.	PART NAME	PRICE
1107533	HOLDER	5.00	1107841	ARM	1.60	1108277	SPRING	.35
1107534	HOLDER	5.65	1107843	PIVOT	1.25	1108278	LINK	.50
1107535	PLATE	.35	1107844	PIVOT ASM	1.90	1108280	PLUNGER	1.35
1107536	WASHER	.20	1107845	PIVOT ASM	2.85	1108281	PLUNGER	1.40
1107537	WHEEL	12.50	1107861	SUPPORT	.25	1108283	LOCK	1.60
1107538	WHEEL	12.50	1107864	SPACER	.05	1108284	BAR	1.90
1107539	BUSHING	.50	1107865	CONN LINK	1.00	1108285	BRACKET	.95
1107540	SHAFT	5.65	1107866	CONN LINK	1.00	1108286	BRACKET	4.50
1107541	SHAFT	10.65	1107869	RACK	4.10	1108287	STOP	.20
1107542	PLATEN	45.00	1107874	SPRING	.20	1108291	STOP	.35
1107543	PLATEN	45.00	1107877	LINK	.15	1108298	REAR CASE	10.65
1107544	PLATEN	45.00	1107893	GUIDE	2.65	1108299	LINE GAGE	2.20
1107545	PLATEN	45.00	1107894	GUIDE	2.65	1108292	CLAMP	.65
1107546	PLATEN	45.00	1107895	GUIDE	2.65	1108293	CONTACT	2.20
1107547	PLATEN	45.00	1107896	GUIDE	2.65	1108295	BRACKET	.25
1107548	PLATEN	45.00	1107897	GUIDE	2.65	1108296	BRACKET	.75
1107549	PLATEN	45.00	1107933	LOCATER	.15	1108297	TRANSFORMR	8.75
1107550	PLATEN	45.00	1107934	POINTER	.25	1108298	CABLE	9.10
1107551	PLATEN	45.00	1107956	SCREW	.10	1108299	POST BIND	.95
1107552	PLATEN	45.00	1107958	CONE	.40	1108300	ELEC ASM	13.15
1107553	PLATEN	45.00	1107959	SPRING	.35	1108302	COVER	.35
1107554	PLATEN	45.00	1107962	LEVER	.40	1108307	PLATE BOT	5.00
1107555	PLATEN	45.00	1107963	BRACKET	1.85	1108311	RETAINER	.50
1107556	PLATEN	45.00	1107967	RACK ESCP	6.50	1108326	SCREW TAB	.05
1107564	PLATEN	45.00	1107968	RACK ESCP	9.50	1108330	RATCHET	12.75
1107570	PLATEN	50.00	1107969	RACK ESCP	9.50	1108337	INDICATOR	1.60
1107585	PLATEN	50.00	1107970	RACK ESCP	6.50	1108338	INDICATOR	1.10
1107586	PLATEN	50.00	1107979	KEEPER	.50	1108351	GUIDE	2.65
1107650	TABLE	4.40	1107980	GROMMET	.05	1108352	GUIDE	2.65
1107654	STUD	.25	1107981	RETAINER	.05	1108355	GUIDE	2.65
1107655	TABLE	5.65	1107983	SUPPORT	.45	1108356	GUIDE	2.35
1107656	TABLE	5.00	1107986	WASHER	.05	1108357	GUIDE	2.35
1107669	LETTER I	.15	1107989	PIVOT	.05	1108357	GUIDE	2.35
1107670	LETTER B	.15	1107990	PLATE	.20	1108358	GUIDE	2.35
1107671	LETTER M	.15	1107991	LEVER TAB	1.95	1108359	GUIDE	2.35
1107672	NAME PLATE	.20	1107992	FINGER	.35	1108360	GUIDE	2.65
1107673	LETTER I	.20	1107994	SHAFT ASM	.60	1108361	GUIDE	2.65
1107674	LETTER B	.20	1108030	KEYBUTTON	.35	1108362	GUIDE	2.65
1107675	LETTER M	.20	1108052	KEYBUTTON	.35	1108363	GUIDE	2.65
1107676	NAME PLATE	.25	1108113	SHIELD CAP	.25	1108366	CABLE	29.40
1107677	LETTER I	.20	1108149	SLEEVE	1.40	1108367	CABLE	34.40
1107678	LETTER B	.20	1108155	WASHER	.05	1108368	CABLE	71.25
1107679	LETTER M	.20	1108165	SCREW	.15	1108369	CABLE	41.90
1107680	NAME PLATE	.25	1108169	STUD PIVOT	1.41	1108380	INDICATOR	2.45
1107734	SCREW	.60	1108170	ARM	.98	1108394	KNIFE ASM	7.50
1107739	TAB RACK	5.00	1108171	ARM ASM	.60	1108395	BAR ROLL	5.05
1107743	SPRING	.15	1108173	PAWL	2.00	1108397	PULLEY	.60
1107757	STOP	2.85	1108177	LETTER I	.20	1108398	RING	.15
1107758	FILLER	1.60	1108178	NAME PLATE	.25	1108399	LOCK PLATE	.20
1107759	FILLER	1.60	1108179	FINGER	.30	1108410	CABLE ASM	1.00
1107760	FILLER	2.85	1108180	LETTER B	.20	1108414	TAB LEVER	9.10
1107761	FILLER	1.60	1108181	LETTER M	.20	1108428	PLATE ASM	4.40
1107762	KEY PLATE	4.40	1108189	LINK	.10	1108429	PLATE ASM	4.40
1107777	COVER ASM	23.75	1108194	KEYLEVER	3.50	1108430	SPRING	.20
1107785	COVER ASM	23.75	1108195	KEYLEVER	2.65	1108432	PULLEY	2.85
1107791	TAB LEVER	13.40	1108196	SPRING	.30	1108433	HOUSING	1.50
1107794	SPRING	.15	1108199	CONTACT	6.30	1108435	DEFLECTOR	1.85
1107795	SPRING	.05	1108201	LEVER	9.10	1108436	SCREW	.20
1107798	SHAFT ASM	2.85	1108208	BRACKET	1.20	1108438	PLATEN	60.00
1107799	SHAFT ASM	3.00	1108212	LATCH ASM	.70	1108439	SHIELD	.25
1107800	SHAFT ASM	3.35	1108215	PLATE	1.60	1108440	CONTACT	3.00
1107801	SHAFT ASM	3.65	1108216	CHECK	.90	1108441	CONTACT AS	3.15
1107802	SHAFT ASM	4.10	1108218	STOP CHECK	.25	1108444	CONTACT AS	3.60
1107805	YOKE	.25	1108221	MAG&BRACK	7.20	1108445	CONTACT BL	.90
1107806	STUD	.05	1108230	LEVER	.50	1108446	STRAP	1.20
1107812	PLATE ADJ	.15	1108231	BRACKET	1.85	1108447	INTERLOCK	10.20
1107813	HOLDER	10.00	1108235	LEVER	.50	1108448	STRAP	.80
1107814	HOLDER	10.65	1108237	CAM	2.70	1108449	STRAP	.40
1107815	HOLDER	10.65	1108240	LEVER	.50	1108450	CONTACT	6.60
1107818	COVER ASM	3.15	1108242	BRACKET	1.85	1108451	JUMPER	.15
1107819	COVER ASM	3.45	1108245	LEVER	.65	1108452	COVER	6.60
1107822	ROLL ASM	1.45	1108246	TAB SET	.95	1108456	LABEL	.25
1107824	SHAFT	4.70	1108248	TAB STOP	.15	1108458	LABEL	.50
1107828	PLATE	19.50	1108249	RACK MARG	3.10	1108459	JUMPER WIR	.10
1107829	PLATE	21.50	1108251	BRACKET	6.25	1108463	LINING	.15
1107830	PLATE	23.50	1108253	COVER	6.90	1108464	LINING	.05
1107831	STOP	.40	1108258	FINGER	2.50	1108468	STOP	4.00
1107835	SHAFT ASM	5.00	1108268	PLATE	9.40	1108469	RACK MARG	4.00
1107837	SHAFT ASM	6.90	1108271	GUIDE	1.50	1108472	RACK STOP	3.90
1107839	ARM	1.60	1108273	CLAMP	.50			

PART NO.	PART NAME	PRICE	PART NO.	PART NAME	PRICE	PART NO.	PART NAME	PRICE
1108473	MARGIN RAC	3.90	1108884	HOLDER	.90	1109628	RACK ESCP	6.50
1108474	BRACKET	1.75	1108885	HOLDER	.90	1109629	RACK ESCP	6.50
1108475	BRACKET	1.75	1108886	HOLDER	.90	1109630	RACK ESCP	6.50
1108476	BRACKET	2.45	1108887	HOLDER	.90	1109631	RACK ESCP	9.50
1108479	CONNECTOR	6.90	1108888	HOLDER	.90	1109632	RACK ESCP	9.50
1108480	CONNECTOR	5.25	1108889	HOLDER	.90	1109633	RACK ESCP	9.50
1108497	STUD	.35	1108890	TABLE PAP	3.60	1109634	RACK ESCP	9.50
1108505	BUMPER	.05	1108891	TABLE PAP	4.00	1109640	BRACKET	5.35
1108506	GEAR	.70	1108899	TABLE PAP	4.60	1109643	ARM	.35
1108509	LINING	.20	1108910	BRACKET	.40	1109648	RACK MARG	4.25
1108510	LINING	.20	1108911	BRACKET	.40	1109649	RACK MARG	4.25
1108511	LINING	.25	1108916	ROD	.45	1109654	RACK MARG	6.50
1108512	CLAMP	.60	1108919	ROD	4.00	1109655	RACK MARG	6.50
1108513	BRACKET	.75	1108920	ROD	4.50	1109661	CYLINDER	6.00
1108514	BRACKET	.75	1108921	ROD	5.00	1109662	CYLINDER	6.00
1108520	SCREW	.20	1108923	TABLE	3.75	1109663	CYLINDER	6.00
1108521	BRACKET	1.85	1108928	SPRING	.15	1109670	SPRING	.15
1108522	BRACKET	1.70	1108931	BRACKET	.25	1109673	STUD	.45
1108523	BRACKET	1.70	1108937	STUD	.50	1109693	SCREW	.50
1108524	BRACKET	1.60	1108938	STUD	.15	1109695	PLATEN IVI	37.50
1108577	HINGE	.95	1108946	BRACKET	1.15	1109697	PLATEN IVI	37.50
1108579	COVER LP	8.25	1108948	LINING	.20	1109700	PLATEN	40.00
1108582	COUNTER	15.35	1108949	LINING	.20	1109701	PLATEN	40.00
1108586	RACK	3.15	1108959	TABLE PAP	4.50	1109702	PLATEN	40.00
1108589	STOP	.40	1108960	TABLE PAP	4.95	1109703	PLATEN	40.00
1108598	LEVER ASM	.90	1108963	TABLE PAP	4.95	1109704	PLATEN	40.00
1108604	BRACKET	.85	1108964	TABLE PAP	5.65	1109708	PLATEN	42.50
1108610	PLATE	.15	1108965	PLATE PAP	.40	1109709	PLATEN	42.50
1108611	STUD	.25	1108966	PLATE PAP	.40	1109712	STUD	.50
1108612	PIN	.15	1108967	SCREW	.15	1109717	SPRING	.15
1108613	BRACKET	.45	1108982	TABLE ASM	2.85	1109718	GUIDE	2.20
1108614	HOOK	.45	1108983	TABLE ASM	2.85	1109719	GUIDE	2.20
1108626	ROD	.50	1108984	TABLE ASM	2.85	1109720	HOLDER	.90
1108645	LINK	.95	1108985	TABLE ASM	2.85	1109721	HOLDER	.90
1108648	SCREW	.05	1108986	TABLE ASM	2.85	1109723	COLLAR	.90
1108649	SPACER	.15	1108987	TABLE ASM	2.85	1109724	STOP	1.10
1108651	RACK	21.00	1108990	TABLE ASM	2.85	1109732	BRACKET	1.70
1108652	RACK	25.00	1108992	TABLE ASM	2.95	1109734	ADAPTER	1.60
1108654	RACK	21.00	1108993	TABLE ASM	2.95	1109735	DRIVER	6.60
1108655	RACK	25.00	1108994	TABLE ASM	2.95	1109736	KNOB	7.20
1108657	RACK	21.00	1108995	TABLE ASM	2.95	1109738	SUPPORT	.50
1108658	RACK	25.00	1108996	TABLE ASM	2.95	1109740	SLEEVE	2.85
1108666	SCREW	.10	1108998	TABLE ASM	2.95	1109741	LATCH	.40
1108667	SPACER BS	.25	1109000	TABLE ASM	3.15	1109742	LATCH	.60
1108696	PLATEN IVI	37.50	1109001	TABLE ASM	3.15	1109743	PAWL	.65
1108794	LEVER	1.40	1109002	TABLE ASM	3.15	1109745	STUD	.95
1108795	TOP COVER	5.25	1109003	TABLE ASM	3.15	1109746	SPRING	.15
1108796	STUD	.50	1109004	TABLE ASM	3.15	1109747	SHAFT ASM	4.56
1108800	PLATEN	55.00	1109005	TABLE ASM	3.15	1109748	SHAFT ASM	3.45
1108813	CYLINDER	.60	1109008	TABLE ASM	3.15	1109749	SHAFT ASM	2.20
1108816	STOP	1.20	1109010	TABLE ASM	3.35	1109755	SECTOR	5.95
1108819	SPACER	.15	1109011	TABLE ASM	3.35	1109756	COLLAR	1.60
1108820	ECCENTRIC	.25	1109012	TABLE ASM	3.35	1109757	SECTOR	4.40
1108823	SPRING	.15	1109014	TABLE ASM	3.60	1109758	SHAFT	.65
1108825	ROLL	.60	1109015	TABLE ASM	3.60	1109759	SHAFT	7.50
1108827	ROLL	.65	1109024	LINK	1.40	1109760	GUIDE	2.65
1108828	LEVER	.40	1109025	SPACER	.15	1109761	GUIDE	2.65
1108831	DEFLECTOR	2.20	1109026	SUPPORT	.35	1109762	GUIDE	2.65
1108833	DEFLECTOR	2.75	1109027	ARM	.40	1109764	SPACER	.35
1108836	LEVER	.40	1109028	ARM	.40	1109766	BRACKET	2.65
1108837	DEFLECTOR	2.35	1109035	SPACER	.25	1109767	BRACKET	2.85
1108838	DEFLECTOR	2.35	1109036	LEVER	1.10	1109771	STOP	.35
1108839	SHAFT	2.15	1109038	BELL CRANK	.40	1109772	CARRIER	9.40
1108841	SUPPORT	.65	1109040	BRACKET	1.25	1109773	CARRIER	9.70
1108844	SHAFT	2.45	1109042	CHECK TAB	.90	1109774	CARRIER	10.00
1108845	SHAFT	2.70	1109043	LEVER	.85	1109778	COVER	3.45
1108846	SHAFT	2.95	1109044	SPRING	.15	1109779	COVER	2.65
1108847	SHAFT	3.25	1109048	LEVER	.40	1109792	STOP	7.85
1108852	SUPPORT	.65	1109049	LEVER	.40	1109798	LEVER	.15
1108857	DEFLECTOR	1.60	1109050	LEVER REAR	1.05	1109799	HOLDER	2.20
1108859	DEFLECTOR	2.20	1109068	BRACKET	.95	1109804	HOLDER	2.20
1108860	DEFLECTOR	2.20	1109069	ACTUATOR	.35	1109805	HOLDER	2.67
1108862	BUSHING	.05	1109610	SCREW	.35	1109806	HOLDER	2.20
1108867	SHAFT ASM	.60	1109621	SHAFT	.60	1109807	RACK	9.50
1108872	BRACKET	.70	1109622	PISTON	1.90	1109808	RACK	9.50
1108874	BUMPER	.25	1109623	SHAFT	1.20	1109809	RACK	9.50
1108875	BUMPER	.25	1109624	PISTON	1.90	1109810	RACK	9.50
1108881	PLUG	.05	1109625	GASKET	.95	1109811	RACK	9.50
1108882	HOLDER	.90	1109626	PLATE	.35	1109812	RACK	9.50
1108883	HOLDER	.90	1109627	RACK ESCP	6.50	1109824	PIN	.05

ETD PARTS PRICE LIST

1109832-1115235

PART NO.	PART NAME	PRICE	PART NO.	PART NAME	PRICE	PART NO.	PART NAME	PRICE
1109832	RATCHET	12.75	1110492	GUIDE	.95	1115025	LEVER KEY	.90
1109834	SHIELD	1.00	1110498	LINK CONN	.60	1115027	LEVER KEY	.90
1109841	STOP GANG	7.85	1110499	LINK BS	.55	1115028	LEVER	1.25
1109842	NUT	.05	1110501	DRUM	.25	1115029	CLEVIS PIN	.25
1109844	GEAR	4.10	1110502	DISC	1.50	1115031	LEVER TAB	1.10
1109870	SPRING	.25	1110505	INTERLOCK	1.10	1115033	KEYLEVER	1.75
1109872	LEVER	.60	1110526	LINK	.60	1115034	LEVER KEY	1.10
1109883	LEVER	1.10	1110529	LINK	.25	1115035	CAM	.50
1109884	KEY PLATE	5.00	1110533	CLEVIS	.20	1115037	CAM	1.50
1109886	KEY PLATE	5.00	1110554	COVER	3.45	1115040	LEVER KEY	.90
1109890	WASHER	.20	1110565	COVER	3.60	1115043	LEVER KEY	1.90
1109896	LEVER	1.35	1110574	CUSHION	.05	1115044	LEVER KEY	1.90
1109899	BRACKET	2.50	1110577	BUSHING	.40	1115045	LEVER KEY	.65
1109943	BAR	45.50	1110578	SPRING	.05	1115046	BRACKET LH	.50
1109950	BRACKET	8.65	1110589	SEGMENT	11.90	1115047	BRACKET RH	.50
1109958	SPRING	.20	1110597	CAGE	2.85	1115048	SUPPORT 3	2.90
1109964	DEFLECTOR	6.90	1110643	JUMPER	.15	1115051	LEVER KEY	.40
1109965	DEFLECTOR	9.00	1110668	SCREW	.05	1115054	LEVER KEY	1.90
1109966	DEFLECTOR	11.20	1110691	ROD	2.85	1115055	CONTROL BR	2.25
1109967	DEFLECTOR	13.40	1110705	GUIDE	2.50	1115057	SPRING	.05
1109982	DEFLECTOR	6.90	1110706	GUIDE RH	2.50	1115058	CLIP	.05
1109983	DEFLECTOR	9.00	1110735	BUSHING RH	.70	1115060	INDICATOR	1.00
1109987	ARM	5.95	1110742	MOTOR 230V	40.25	1115061	CONNECTOR	.05
1109998	CAGE	2.20	1110759	SUPPORT	.65	1115064	LEVER KEY	1.90
1109999	STOP	.45	1110774	STATIC	.65	1115067	LEVER KEY	1.90
1110084	RAIL	7.50	1110777	GEAR	1.65	1115069	ROD	.60
1110085	RAIL	8.15	1110778	HOUSING	.95	1115071	KEYLEVER	1.90
1110086	RAIL	8.75	1110779	COVER	.25	1115072	DETENT	3.50
1110087	SHIM	.15	1110780	SHAFT	1.10	1115073	KEYLEVER	1.75
1110088	STUD	.20	1110784	ARM	.20	1115074	KEYLEVER S	1.75
1110090	BRACKET	9.90	1110785	SHOE	.15	1115075	KEYLEVER S	.60
1110091	PULLEY	.65	1110786	BUMPER	.60	1115079	GUIDE	2.00
1110093	CLIPS	.05	1110788	PINION	.05	1115080	SHAFT	.05
1110094	SHAFT	.60	1110789	SPRING	.20	1115081	SEGMENT CB	11.90
1110097	PLATEN	18.75	1110790	COLLAR	.20	1115082	SEGMENT CB	11.90
1110107	FLANGE ASM	1.40	1110791	GOV ASM	5.35	1115083	SEGMENT 86	11.90
1110123	FRAME FRT	2.00	1110792	SPRING	.15	1115087	BAR	1.00
1110124	FRAME	111.70	1110798	BRACKET	.35	1115088	INSERT KEY	.15
1110125	COVER	111.70	1110799	SCREW	.15	1115092	SCREW	.05
1110128	SPRING	.95	1110806	LINK TAB	.40	1115097	KEYPLATE 8	3.25
1110129	SPRING	.95	1110830	COMB	3.65	1115100	FRAME REAR	3.50
1110130	BRACKET	.45	1110875	DEFLECTOR	6.90	1115101	SUPPORT	9.75
1110132	SHIM	.20	1110881	CYLINDER	5.00	1115102	NUT	.10
1110134	LINK	.35	1110882	CYLINDER	5.00	1115104	DOHEL	.05
1110177	COUNTER	27.50	1110883	CYLINDER	5.00	1115105	BRACKET	.25
1110178	COUNTER	27.50	1110884	CYLINDER	6.00	1115113	BELL CRANK	.15
1110179	COUNTER	27.50	1110885	CYLINDER	6.00	1115114	STUD	.05
1110180	BRACKET	6.90	1110886	CYLINDER	6.00	1115115	LINK ASM	.25
1110181	BRACKET	6.90	1110887	CYLINDER	7.00	1115116	BELL CRANK	.15
1110183	LEVER TRIP	.10	1110888	CYLINDER	7.00	1115118	LINK ASM	.45
1110184	BRACKET	1.35	1110889	CYLINDER	7.00	1115121	STUD SHIFT	.25
1110185	STUD	.70	1110890	CYLINDER	8.00	1115122	BRAKE RIBB	.05
1110198	DUST COVER	2.00	1110891	CYLINDER	8.00	1115123	CLIP	.05
1110199	PINION	.75	1110892	CYLINDER	8.00	1115140	FRAME	1.00
1110209	CYLINDER	6.00	1110893	CYLINDER	8.00	1115141	FRAME	5.60
1110210	PLATEN	45.00	1110952	BAIL ARM	4.50	1115142	STUD	.10
1110228	HUB	.05	1110953	BAIL ARM	4.50	1115144	LINER	.45
1110229	LIFT	3.95	1110961	ROD	3.80	1115151	SCREW	.10
1110231	RATCHET	12.75	1110962	SPACER	2.25	1115154	LINK	.45
1110234	NUT	.05	1110964	ECCENTRIC	2.25	1115157	FRAME	8.35
1110236	BRACKET	.25	1110986	KEYLEVER	.85	1115159	LINK BS	.45
1110238	CABLE	.20	1110987	KEYLEVER	.85	1115163	FRAME	5.60
1110239	WIRE	.10	1115000	BRACKET	.05	1115164	FRAME	5.60
1110240	LEVER	.20	1115001	COMB GUIDE	2.70	1115166	LINK	1.00
1110241	SCREW	.10	1115003	FRAME	2.65	1115169	FRAME REAR	2.15
1110242	SPRING	.45	1115005	FRAME FRON	4.00	1115175	BRACKET	.50
1110243	RATCHET	12.75	1115008	SPRING	.40	1115176	STUD	.35
1110247	RATCHET 47	12.75	1115009	LEVER	.20	1115178	FRAME	20.15
1110249	SPRING	.15	1115010	PLATE	.75	1115180	LINK	1.00
1110453	CLIP	.10	1115012	SCREW	.10	1115182	LINK	.85
1110456	CABLE	.10	1115013	BAR STOP	.50	1115183	STUD SHIFT	.50
1110457	PAP TABLE	2.85	1115016	SPRING EXT	.15	1115184	LINK	.40
1110458	PAP TABLE	2.95	1115017	SPRING EXT	.15	1115189	ROD	.10
1110460	PAP TABLE	2.85	1115018	SPRING EXT	.15	1115204	LINK	.45
1110461	PAP TABLE	2.95	1115019	SPRING EXT	.15	1115210	SPRING	.05
1110465	BRACKET	.35	1115020	LEVER KEY	.40	1115212	SCREW	.05
1110467	LINK	.20	1115021	LEVER KEY	.40	1115232	NUT	.05
1110468	LINK	.20	1115022	LEVER KEY	.40	1115233	DEFLECTOR	2.50
1110469	LINK	.20	1115023	LEVER KEY	.40	1115234	DEFLECTOR	3.00
1110490	FRAME	15.00	1115024	LEVER CARR	.85	1115235	DEFLECTOR	4.15

MARCH 17, 1961

PAGE 47

PART NO.	PART NAME	PRICE	PART NO.	PART NAME	PRICE	PART NO.	PART NAME	PRICE
1115236	WASHER	.05	1115410	GUIDE CBM	2.65	1115559	RACK ESC R	6.75
1115237	STUD	.05	1115412	GUIDE CBM	2.65	1115560	RACK ESC R	8.25
1115241	ECCENTRIC	.25	1115415	GUIDE CBM	2.65	1115561	RACK ESC R	8.25
1115242	ECCENTRIC	.25	1115416	GUIDE CBM	2.65	1115562	RACK ESC R	8.25
1115243	SPRING	.40	1115420	GUIDE CBM	2.65	1115566	LEVER	.75
1115246	BELLCRANK	.35	1115421	GUIDE CBM	2.65	1115569	LEVER	.75
1115250	DETECT	4.50	1115422	GUIDE CBM	2.65	1115572	BRACKET	.55
1115251	SHAFT PLAT	2.15	1115424	GUIDE CBM	2.65	1115573	STUD	.10
1115252	SHAFT PLAT	2.00	1115428	GUIDE CBM	2.65	1115590	SLIDER 6 P	1.35
1115253	SHAFT PLAT	3.25	1115429	GUIDE CBM	2.65	1115604	RACK	19.00
1115254	SHAFT PLAT	3.75	1115430	GUIDE CBM	2.65	1115605	RACK	19.00
1115255	SHAFT PLAT	4.25	1115431	GUIDE CBM	2.65	1115606	RACK	19.00
1115256	SHAFT FD R	2.50	1115432	GUIDE CBM	2.65	1115607	RACK	23.00
1115257	SHAFT FD R	2.80	1115435	GUIDE CBM	2.65	1115608	RACK	23.00
1115258	SHAFT FD R	3.00	1115436	GUIDE CBM	2.65	1115609	RACK	23.00
1115259	SHAFT FD R	3.50	1115437	GUIDE CBM	2.65	1115610	RACK	27.50
1115261	ROD TIE 13	.70	1115438	GUIDE CBM	2.65	1115611	RACK	27.50
1115262	ROD TIE 17	.90	1115439	GUIDE CBM	2.65	1115612	RACK	27.50
1115263	ROD TIE 20	1.10	1115440	GUIDE CBM	2.65	1115613	RACK	11.65
1115264	ROD TIE 24	1.30	1115448	ECCENTRIC	.45	1115614	RACK	16.65
1115265	ROD TIE 30	1.50	1115466	TABLE CBM	2.85	1115615	RACK	17.50
1115266	SHAFT PAP	1.65	1115467	TABLE CBM	2.85	1115620	GUIDE	2.65
1115267	SHAFT PAP	1.75	1115468	TABLE CBM	2.85	1115621	GUIDE	2.65
1115268	SHAFT PAP	2.00	1115469	TABLE CBM	2.85	1115622	GUIDE	2.65
1115269	SHAFT PAP	2.40	1115470	TABLE CBM	2.85	1115623	GUIDE	2.65
1115270	SHAFT PAP	2.90	1115472	TABLE CBM	2.85	1115624	GUIDE	2.65
1115276	PIVOT A PA	2.10	1115475	TABLE CBM	2.95	1115625	GUIDE	2.65
1115277	PIVOT A PA	2.30	1115476	TABLE CBM	2.95	1115626	GUIDE	2.65
1115278	PIVOT A PA	2.60	1115477	TABLE CBM	2.95	1115627	GUIDE	2.65
1115279	PIVOT A PA	3.00	1115479	TABLE CBM	2.95	1115628	GUIDE	2.65
1115280	PIVOT A PA	3.50	1115483	TABLE CBM	3.15	1115629	GUIDE	2.65
1115286	BAR A CARR	3.50	1115484	TABLE CBM	3.15	1115633	CLIP GRIP	.05
1115287	BAR A CARR	1.90	1115489	TABLE CBM	3.35	1115640	STOP	.35
1115288	BAR A CARR	2.20	1115490	TABLE CBM	3.35	1115641	LEVER	.20
1115289	BAR A CARR	2.85	1115493	TABLE CBM	3.60	1115644	ARM	1.25
1115290	BAR A CARR	4.20	1115506	RACK CBM M	3.10	1115645	SPRING	.15
1115306	TABLE 13	4.95	1115507	RACK CBM M	3.10	1115646	SPRING	.05
1115307	TABLE 17	5.10	1115508	RACK CBM M	3.10	1115647	SPRING	.05
1115308	TABLE 20	5.25	1115509	RACK CBM M	3.10	1115648	SPRING	.05
1115309	TABLE 24	5.40	1115510	RACK CBM M	3.10	1115653	ARM	2.95
1115310	TABLE 30	5.55	1115511	RACK CBM M	3.10	1115655	CARRIER	2.00
1115311	CAM PAPER	.35	1115512	RACK CBM M	3.10	1115658	ARM	1.25
1115312	SPRING	.05	1115513	RACK CBM M	3.10	1115659	CLIP	.05
1115316	STUD	.30	1115514	RACK CBM M	3.65	1115681	LEVER	3.20
1115321	GAUGE	.40	1115515	RACK CBM M	3.65	1115682	LEVER	3.20
1115322	SUPPORT	.45	1115516	RACK CBM M	3.65	1115683	LEVER	3.20
1115323	SUPPORT	.60	1115517	RACK CBM M	3.65	1115684	LEVER	3.20
1115329	ARM	2.50	1115518	RACK CBM M	3.65	1115685	LEVER	3.20
1115330	ARM	2.50	1115519	RACK CBM M	3.65	1115686	LEVER	3.20
1115331	SPRING	.25	1115520	RACK CBM M	4.70	1115687	LEVER	3.20
1115344	CLIP	.05	1115521	RACK CBM M	4.70	1115688	LEVER	3.20
1115349	WASHER	.10	1115522	RACK CBM M	4.70	1115689	LEVER	3.20
1115350	LATCH	1.25	1115523	RACK CBM M	4.70	1115690	LEVER	3.20
1115351	LATCH	1.25	1115524	RACK CBM M	4.70	1115691	LEVER	3.20
1115352	LEVER LH	.35	1115525	RACK CBM M	4.70	1115692	LEVER	3.20
1115353	LEVER RH	.35	1115526	RACK CBM M	4.70	1115693	LEVER	3.20
1115354	LATCH LH	.30	1115527	RACK CBM M	5.35	1115694	LEVER	3.20
1115355	LATCH RH	.30	1115528	RACK CBM M	5.35	1115695	LEVER	3.20
1115356	LEVER	1.20	1115529	RACK CBM M	5.35	1115718	RAIL GUARD	.20
1115357	LEVER	1.20	1115530	RACK CBM M	5.35	1115719	RAIL GUARD	.20
1115367	LINK	.15	1115531	RACK CBM M	5.35	1115720	RAIL GUARD	.20
1115372	PLATE	3.40	1115532	RACK CBM M	6.25	1115721	RAIL GUARD	.20
1115373	PLATE	2.00	1115533	RACK CBM M	6.25	1115722	RAIL GUARD	.20
1115374	LEVER	.70	1115534	RACK CBM M	6.25	1115723	RAIL GUARD	.20
1115382	SPRING	.05	1115537	RACK ESC 1	7.75	1115724	RAIL GUARD	.20
1115383	LEVER	.70	1115538	RACK ESC 1	7.75	1115725	RAIL GUARD	.20
1115387	STUD BAIL	.15	1115539	RACK ESC 1	7.75	1115726	RAIL GUARD	.20
1115388	LATCH	.05	1115540	RACK ESC 1	7.75	1115727	RAIL GUARD	.20
1115389	SCREW	.05	1115541	RACK ESC 1	7.75	1115728	RAIL GUARD	.20
1115392	WASHER	.05	1115542	RACK ESC 1	7.75	1115729	RAIL GUARD	.20
1115393	CARD CLIP	.25	1115549	RACK ESC R	5.50	1115730	RAIL GUARD	.20
1115395	PLATE	.35	1115550	RACK ESC R	5.50	1115731	RAIL GUARD	.20
1115397	BUSHING BE	.20	1115551	RACK ESC R	5.50	1115732	SCREW	.05
1115398	BRACKET BE	.50	1115552	RACK ESC R	5.50	1115734	SCREW	.05
1115399	CLAPPER BE	.55	1115553	RACK ESC R	5.50	1115735	SCREW TAB	.05
1115400	BELL	.15	1115554	RACK ESC R	5.50	1115736	SCREW TAB	.35
1115406	GUIDE CBM	2.65	1115555	RACK ESC R	6.75	1115737	SCREW	.10
1115407	GUIDE CBM	2.65	1115556	RACK ESC R	6.75	1115739	STUD	.10
1115408	GUIDE CBM	2.65	1115557	RACK ESC R	6.75	1115741	TABLE	2.65
1115409	GUIDE CBM	2.65	1115558	RACK ESC R	6.75	1115742	TABLE	2.65

ETD PARTS PRICE LIST

1115743-1116598

PART NO.	PART NAME	PRICE	PART NO.	PART NAME	PRICE	PART NO.	PART NAME	PRICE
1115743	TABLE	2.65	1115944	BRACKET RH	.25	1116135	LINK	.25
1115744	TABLE	2.65	1115949	GROMMET	.05	1116137	SPRING RH	.15
1115745	TABLE	2.65	1115952	SCREW	.05	1116138	SPRING RH	.15
1115746	TABLE	2.65	1115958	KEY LEVER	1.00	1116146	SPRING	.25
1115747	SPRING CAM	.05	1115961	RACK ESCP	7.50	1116148	WHEEL ASM	.90
1115748	SPRING MAR	.05	1115962	RACK ESCP	7.50	1116161	FINGER	.65
1115749	LINK TAB	.95	1115963	RACK ESCP	7.50	1116163	LEVER	.75
1115753	SPACER TAB	1.10	1115964	RACK ESCP	7.50	1116164	TIRE	.30
1115754	SPACER TAB	1.20	1115965	RACK ESCP	7.50	1116178	INSERT	.05
1115759	STOP	.50	1115969	TAPE 13	.70	1116181	FLANGE	.70
1115781	SUPPORT	3.45	1115970	TAPE 17	.65	1116179	FLANGE	1.00
1115785	COVER REAR	8.00	1115971	TAPE 20	.75	1116182	KEYBUTTON	.35
1115791	BRACKET	13.45	1115972	CLIP CABLE	.05	1116188	SCREW	.40
1115792	BRACKET	13.45	1115973	SPACER	.65	1116189	NUT	.35
1115798	PLATE	.60	1115974	STOP	.15	1116190	BRACKET	1.50
1115799	COVER	5.00	1115975	STOP	.65	1116191	STUD	.75
1115801	CARR & RAC	15.65	1115976	STOP	.65	1116195	LINK	.75
1115802	CARR & RAC	15.65	1115977	STOP	.65	1116197	LEVER	.55
1115803	CARR & RAC	15.65	1115978	STOP	.65	1116205	RACK ESCP	10.25
1115804	CARR & RAC	15.65	1115979	STOP	.65	1116206	RACK ESCP	10.25
1115805	CARR & RAC	15.65	1115980	ACTUATOR	.50	1116207	RACK ESCP	10.25
1115806	CARR & RAC	15.65	1115981	STOP	.05	1116208	RACK ESCP	10.25
1115807	CARR & RAC	20.00	1115982	CLIP	.05	1116209	RACK ESCP	10.25
1115808	CARR & RAC	20.00	1115983	HOLDER LH	1.15	1116210	RACK ESCP	10.25
1115809	CARR & RAC	20.00	1115984	HOLDER RH	1.15	1116222	BLADE	1.75
1115810	CARR & RAC	20.00	1115985	HOLDER LH	1.15	1116235	BUSHING	.60
1115811	CARR & RAC	20.00	1115986	HOLDER RH	1.15	1116242	KNOB	1.80
1115812	CARR & RAC	20.00	1115987	HOLDER LH	1.15	1116253	PLUG END	2.25
1115813	CARR & RAC	27.50	1115988	HOLDER RH	1.15	1116254	SLEEVE	2.55
1115814	CARR & RAC	27.50	1115989	HOLDER LH	1.15	1116257	SCREW	.15
1115815	CARR & RAC	27.50	1115990	HOLDER RH	1.15	1116259	PIN PLATEN	.25
1115816	CARR & RAC	27.50	1115991	HOLDER LH	1.15	1116260	SHAFT	.60
1115817	CARR & RAC	27.50	1115992	HOLDER RH	1.15	1116261	DRIVER	1.25
1115818	CARR & RAC	27.50	1115993	HOLDER LH	1.15	1116263	BUTTON	.25
1115819	CARR & RAC	38.75	1115994	HOLDER RH	1.15	1116265	KNOB	1.00
1115820	CARR & RAC	38.75	1115995	RACK MARG	3.10	1116270	KNOB	1.00
1115821	CARR & RAC	38.75	1115996	RACK MARG	3.10	1116273	SPACER	3.10
1115822	CARR & RAC	38.75	1115997	RACK MARG	3.10	1116274	HOUSING	5.65
1115823	CARR & RAC	38.75	1116007	PIN SLIDER	1.35	1116275	SHAFT 13	24.50
1115824	CARR & RAC	53.75	1116008	PIN SLIDER	1.35	1116276	SHAFT 17	26.50
1115825	CARR & RAC	53.75	1116009	STOP	.65	1116277	SHAFT 20	28.50
1115826	CARR & RAC	53.75	1116012	BUTTON TAB	.95	1116278	STOP	.25
1115827	CARR & RAC	32.15	1116016	BRACKET	.25	1116279	STOP	.25
1115828	CARR & RAC	32.15	1116017	BRACKET	.25	1116280	GUIDE PF	.65
1115829	CARR & RAC	32.15	1116023	WASHER	.05	1116284	ROD ASM	4.25
1115830	CARR & RAC	36.15	1116024	KEYPLATE	4.25	1116285	ROD ASM	5.05
1115831	CARR & RAC	36.15	1116025	KEYPLATE	4.25	1116286	ROD ASM	6.05
1115832	CARR & RAC	36.15	1116026	KEYPLATE	5.00	1116289	COVER END	3.30
1115833	CARR & RAC	42.40	1116027	KEYPLATE	4.25	1116290	COVER END	3.30
1115834	CARR & RAC	42.40	1116029	KEYLEVER	1.90	1116291	SPRING	1.00
1115835	CARR & RAC	42.40	1116031	SCREW	.05	1116292	ROD GUIDE	1.75
1115847	NUT	.25	1116032	HOLDER	1.15	1116293	ROD GUIDE	2.75
1115850	BRACKET	.20	1116034	HOLDER RH	1.15	1116294	ROD GUIDE	3.75
1115852	CAM SB	2.20	1116038	RACK MARG	3.10	1116299	KNOB	1.00
1115853	CLIP	.05	1116039	RACK	3.65	1116301	HOLDER	.65
1115859	STUD	.10	1116048	GUIDE C BM	2.65	1116302	HOLDER	.65
1115861	KEYBUTTON	.35	1116057	TABLE 13	2.85	1116339	LEVER	1.50
1115862	KEYBUTTON	.35	1116058	TABLE 17	2.95	1116400	SCREW	.15
1115864	BUTTON	.45	1116060	TABLE 20	3.15	1116341	LATCH	1.00
1115865	KEYBUTTON	.35	1116066	HOLDER LH	1.15	1116343	SPRING	1.25
1115867	BUTTON	.45	1116067	HOLDER RH	1.15	1116368	BUTTON	.25
1115869	BUTTON	.75	1116069	RACK A TAB	17.90	1116369	BUTTON	.25
1115871	BUTTON RIB	.75	1116071	CARR RACK	15.65	1116370	BUTTON	.25
1115873	BUTTON RIB	.55	1116072	CARR RACK	20.00	1116375	SCREW	.05
1115875	BUTTON RIB	.55	1116073	CARR RACK	27.50	1116379	RIBBON ASM	30.00
1115877	BUTTON RIB	.55	1116077	SHAFT ASM	2.00	1116388	SCREW	.05
1115879	BUTTON EXP	.85	1116078	KEYLEVER	3.50	1116391	SCREW	.10
1115883	BUTTON BLU	.55	1116080	KEYLEVER	3.50	1116392	COVER	2.40
1115885	BUTTON BLU	.55	1116081	KEYLEVER	3.50	1116393	SHAFT	1.50
1115886	BUTTON	.25	1116092	KEYLEVER	3.50	1116394	STUD PLATE	3.00
1115887	KNOB	1.00	1116099	BUTTON	.55	1116395	END COVER	5.00
1115890	KNOB	1.00	1116100	BUTTON	.55	1116397	STOP ASM	2.00
1115895	KEYBUTTON	.35	1116102	SPRING	.15	1116591	PLATEN CH	15.75
1115896	SPACE BAR	.65	1116106	GEAR ASM	.95	1116592	PLATEN CH	15.75
1115933	BUSHING	.35	1116111	LEVER	.55	1116593	PLATEN CH	18.25
1115935	CLIP CORD	.10	1116112	WHEEL	.60	1116594	PLATEN CH	18.25
1115936	PULLEY	.65	1116116	FINGER	.50	1116595	PLATEN CH	20.00
1115939	SCREW	.10	1116124	BRACKET	1.00	1116596	PLATEN CH	20.00
1115943	BRACKET LH	.25	1116125	STUD	1.05	1116597	PLATEN TAB	52.00
						1116598	PLATEN WB	65.00

ETD PARTS PRICE LIST

PART NO.	PART NAME	PRICE	PART NO.	PART NAME	PRICE	PART NO.	PART NAME	PRICE
1116599	PLATEN WB	65.00	1116680	PLATEN PF	52.00	1117003	CARR RACK	15.65
1116601	PLATEN PF	46.50	1116681	PLATEN PF	52.00	1117004	CARR RACK	20.00
1116602	PLATEN PF	46.50	1116682	PLATEN PF	52.00	1117005	CARR RACK	20.00
1116603	PLATEN PF	46.50	1116683	PLATEN PF	52.00	1117006	CARR RACK	20.00
1116604	PLATEN PF	46.50	1116684	PLATEN PF	52.00	1117007	CARR RACK	27.50
1116605	PLATEN PF	46.50	1116685	PLATEN PF	52.00	1117008	CARR RACK	27.50
1116606	PLATEN PF	46.50	1116686	PLATEN PF	52.00	1117009	CARR RACK	27.50
1116607	PLATEN PF	46.50	1116687	PLATEN PF	52.00	1117010	CARR RACK	38.75
1116608	PLATEN PF	46.50	1116688	PLATEN PF	52.00	1117011	CARR RACK	38.75
1116609	PLATEN PF	46.50	1116689	PLATEN PF	55.00	1117012	CARR RACK	38.75
1116610	PLATEN PF	46.50	1116690	PLATEN PF	55.00	1117013	CARR RACK	53.75
1116611	PLATEN PF	46.50	1116691	PLATEN PF	55.00	1117014	CARR RACK	53.75
1116612	PLATEN PF	46.50	1116692	PLATEN PF	55.00	1117015	CARR RACK	53.75
1116613	PLATEN PF	46.50	1116693	PLATEN PF	55.00	1117103	KNOB	1.00
1116614	PLATEN PF	46.50	1116694	PLATEN PF	55.00	1117129	RATCHET 29	2.40
1116615	PLATEN PF	46.50	1116695	PLATEN PF	55.00	1117132	RATCHET 32	12.75
1116616	PLATEN PF	46.50	1116696	PLATEN PF	55.00	1117133	RATCHET 33	2.40
1116617	PLATEN PF	46.50	1116697	PLATEN PF	55.00	1117134	RATCHET 34	12.75
1116618	PLATEN PF	46.50	1116698	PLATEN PF	55.00	1117135	RATCHET 35	12.75
1116619	PLATEN PF	46.50	1116699	PLATEN PF	55.00	1117136	RATCHET 36	12.75
1116620	PLATEN PF	46.50	1116700	PLATEN PF	55.00	1117138	RATCHET 38	2.40
1116621	PLATEN PF	46.50	1116701	PLATEN PF	55.00	1117139	RATCHET 39	12.75
1116622	PLATEN PF	46.50	1116702	PLATEN PF	55.00	1117140	RATCHET 40	12.75
1116623	PLATEN PF	46.50	1116703	PLATEN PF	55.00	1117141	RATCHET 41	2.40
1116624	PLATEN PF	46.50	1116704	PLATEN PF	55.00	1117143	RATCHET 43	12.75
1116625	PLATEN PF	46.50	1116705	PLATEN PF	55.00	1117144	RATCHET 44	2.40
1116626	PLATEN PF	46.50	1116706	PLATEN PF	55.00	1117145	RATCHET 45	12.75
1116627	PLATEN PF	46.50	1116707	PLATEN PF	55.00	1117146	RATCHET 46	12.75
1116628	PLATEN PF	46.50	1116708	PLATEN PF	55.00	1117147	RATCHET 47	12.75
1116629	PLATEN PF	46.50	1116709	PLATEN PF	55.00	1117148	RATCHET 48	12.75
1116630	PLATEN PF	46.50	1116710	PLATEN PF	55.00	1117149	RATCHET 49	12.75
1116631	PLATEN PF	46.50	1116711	PLATEN PF	55.00	1117150	RATCHET 50	12.75
1116632	PLATEN PF	46.50	1116712	PLATEN PF	55.00	1117151	RATCHET 51	12.75
1116633	PLATEN PF	46.50	1116713	ARM ASM	2.75	1117152	RATCHET 52	12.75
1116634	PLATEN PF	46.50	1116717	ARM CAM	2.95	1117153	RATCHET 53	12.75
1116635	PLATEN PF	46.50	1116719	ARM ASM	3.50	1117154	RATCHET 54	12.75
1116636	PLATEN PF	46.50	1116801	PLATEN IVI	40.00	1117155	RATCHET 55	2.40
1116637	PLATEN PF	46.50	1116802	PLATEN IVI	40.00	1117156	RATCHET 56	12.75
1116638	PLATEN PF	46.50	1116803	PLATEN IVI	40.00	1117157	RATCHET 57	12.75
1116639	PLATEN PF	46.50	1116804	PLATEN IVI	40.00	1117158	RATCHET 58	2.40
1116640	PLATEN PF	46.50	1116805	PLATEN IVI	40.00	1117159	RATCHET 59	12.75
1116641	PLATEN PF	46.50	1116806	PLATEN IVI	40.00	1117160	RATCHET 60	12.75
1116642	PLATEN PF	46.50	1116807	PLATEN IVI	42.50	1117161	RATCHET 61	12.75
1116643	PLATEN PF	46.50	1116808	PLATEN IVI	42.50	1117162	RATCHET 62	12.75
1116644	PLATEN PF	46.50	1116809	PLATEN IVI	42.50	1117166	RATCHET 66	2.40
1116645	PLATEN PF	46.50	1116810	PLATEN IVI	42.50	1117191	KNOB	1.00
1116646	PLATEN PF	46.50	1116811	PLATEN IVI	42.50	1117198	KNOB	1.00
1116647	PLATEN PF	46.50	1116812	PLATEN IVI	42.50	1117199	KNOB	1.00
1116648	PLATEN PF	46.50	1116813	PLATEN IVI	45.00	1117279	ARM LOWER	1.00
1116649	PLATEN PF	46.50	1116814	PLATEN IVI	45.00	1117280	BUSHING	.05
1116650	PLATEN PF	46.50	1116815	PLATEN IVI	45.00	1117281	STUD	.15
1116651	PLATEN PF	46.50	1116816	PLATEN IVI	45.00	1117282	LEVER	.45
1116652	PLATEN PF	46.50	1116817	PLATEN IVI	45.00	1117291	STUD	.50
1116653	PLATEN PF	46.50	1116818	PLATEN IVI	45.00	1117298	SPRING	.10
1116654	PLATEN PF	46.50	1116820	RAIL IIV13	7.60	1117307	PIN HINGE	.05
1116655	PLATEN PF	46.50	1116821	RAIL IIV17	10.05	1117308	BUTTON CAR	.05
1116656	PLATEN PF	46.50	1116822	RAIL IIV20	11.50	1117309	PIN HINGE	.35
1116657	PLATEN PF	46.50	1116823	STUD	1.00	1117310	HINGE CARR	.25
1116658	PLATEN PF	46.50	1116824	STUD IVI	1.00	1117321	WINDOW IND	.15
1116659	PLATEN PF	46.50	1116825	STUD	1.00	1117322	SPRING	.10
1116660	PLATEN PF	46.50	1116826	STUD IVI	1.00	1117325	RETAINER	.10
1116661	PLATEN PF	46.50	1116827	BRACKET IV	2.85	1117328	HINGE	2.55
1116662	PLATEN PF	46.50	1116830	BRACKET IV	2.85	1117329	ARM LH	.30
1116663	PLATEN PF	46.50	1116839	GUIDE	4.00	1117330	ARM RH	.30
1116664	PLATEN PF	46.50	1116840	GUIDE	4.00	1117335	BRACKET	.55
1116665	PLATEN PF	52.00	1116841	GUIDE	4.00	1117337	SCREW REAR	.15
1116666	PLATEN PF	52.00	1116851	CARR ASM	17.00	1117338	PANEL	1.45
1116667	PLATEN PF	52.00	1116852	CARR ASM	19.00	1117339	INDICATOR	.55
1116668	PLATEN PF	52.00	1116858	DETENT ASM	2.50	1117340	COVER	12.00
1116669	PLATEN PF	52.00	1116861	BRACKET LH	1.55	1117342	COVER	5.00
1116670	PLATEN PF	52.00	1116862	BRACKET RH	1.60	1117343	FINGER TAB	.55
1116671	PLATEN PF	52.00	1116865	LEVER	.90	1117344	BRACKET	.50
1116672	PLATEN PF	52.00	1116866	COVER CH	12.00	1117348	LINK	.15
1116673	PLATEN PF	52.00	1116868	BUSHING	.30	1117349	CHROME STR	.60
1116674	PLATEN PF	52.00	1116869	LATCH	1.00	1117350	INDICATOR	.50
1116675	PLATEN PF	52.00	1116870	SPRING	.15	1117356	NUT	.10
1116676	PLATEN PF	52.00	1116876	SLEEVE	.05	1117358	BRACKET LH	.65
1116677	PLATEN PF	52.00	1116884	ANCHOR	.10	1117359	BRACKET RH	.65
1116678	PLATEN PF	52.00	1117001	CARR RACK	15.65	1117361	BRACKET	.25
1116679	PLATEN PF	52.00	1117002	CARR RACK	15.65	1117362	LATCH CASE	.30

ETD PARTS PRICE LIST

1117363-1117935

PART NO.	PART NAME	PRICE	PART NO.	PART NAME	PRICE	PART NO.	PART NAME	PRICE
1117363	LATCH CASE	.30	1117532	RACK	10.00	1117695	BRACKET	.40
1117369	BRACKET	.25	1117533	RACK	10.00	1117699	SPRING	.05
1117370	KEYPLATE	3.25	1117534	RACK	10.00	1117701	KEYBUTTON	.35
1117371	KEYPLATE	3.25	1117535	RACK	10.00	1117704	KEYBUTTON	.35
1117372	KEYPLATE	3.25	1117536	RACK	10.00	1117714	BUTTON	.55
1117373	KEYPLATE	3.25	1117537	RACK	10.00	1117715	BUTTON	.55
1117386	LETTER I C	.15	1117538	RACK	12.75	1117716	BUTTON	.55
1117387	LETTER B C	.15	1117539	RACK	12.75	1117717	BUTTON	.55
1117388	LETTER M C	.15	1117540	RACK	12.70	1117718	BUTTON	.40
1117389	NAME PLATE	.45	1117541	RACK	12.75	1117719	BUTTON	.75
1117391	FOOT	.40	1117542	RACK	12.75	1117720	BUTTON	.75
1117393	PAD LOWER	.10	1117544	RACK	13.75	1117721	BUTTON	.40
1117394	WASHER	.05	1117545	RACK	13.75	1117722	BUTTON	.75
1117396	PAWL	.05	1117546	LEVER MAR	2.50	1117726	RAIL REAR	9.00
1117397	INSERT	.10	1117547	LEVER MAR	.70	1117730	MARG RACK	4.25
1117398	PLATE LOCK	.40	1117549	WIRE	.45	1117731	MARG RACK	4.25
1117399	SCREW	.05	1117551	STOP FINAL	.35	1117732	MARG RACK	4.25
1117401	LEVER	8.75	1117552	SUPPORT	.85	1117733	MARG RACK	4.25
1117413	STUD TAB	.70	1117553	SUPPORT	.85	1117734	MARG RACK	6.50
1117415	STUD TAB A	.20	1117554	SHAFT	.80	1117735	MARG RACK	6.50
1117416	LINK	.30	1117555	DRUM	1.50	1117736	MARG RACK	6.50
1117419	PAWL LEVER	2.40	1117557	SPRING	.20	1117737	MARG RACK	6.50
1117422	STUD	.25	1117558	SPRING	.20	1117748	RAIL FRONT	5.35
1117423	LATCH TAB	.20	1117559	GEAR & HUB	3.20	1117750	BRACKET	1.45
1117424	ECCENTRIC	.30	1117562	DRUM ASM	4.35	1117777	BRACKET	1.45
1117425	STUD	.10	1117564	LINK	.30	1117778	INDICATOR	.50
1117426	STUD LATCH	.05	1117565	ARM	.80	1117779	STUD	.75
1117428	BELLCRANK	1.50	1117568	ARM	.80	1117780	FOLLOWER	.65
1117432	SPACER TAB	.40	1117570	HUB	.60	1117781	BRACKET	.35
1117433	BELLCRANK	.85	1117571	CLAMP	.15	1117782	SHAFT	.15
1117434	SCREW MAR	.10	1117574	LEVER	1.35	1117783	SPOOL	.75
1117435	BELLCRANK	2.30	1117576	DECELATOR	15.20	1117787	GUIDE	.60
1117436	PLATE AUTO	.50	1117579	WIRE	.65	1117789	LATCH	.20
1117440	SPRING MAR	.05	1117586	CLAMP	.05	1117790	BUSHING	.05
1117441	SUPPORT	2.20	1117588	GOVERNOR	5.35	1117791	SPRING	.30
1117444	SUPPORT	2.20	1117589	SPRING	.05	1117792	SHAFT	.80
1117445	BRACKET	3.55	1117590	SPRING TAB	.15	1117793	ARM	.50
1117448	ARM	.15	1117592	GUARD	.05	1117794	ARM	.60
1117450	LINK LINE	.10	1117593	STUD	.25	1117805	PLATE MTG	2.75
1117452	BELLCRANK	.25	1117594	CORD 3 CON	2.10	1117809	ARM	.40
1117472	SPACER	.25	1117595	CORD 3 CON	2.70	1117811	SPRING	.25
1117475	BEARING	.15	1117598	CORD 2 CON	2.20	1117812	STUD	.05
1117476	COLLAR	.25	1117599	SPRING MTR	.20	1117813	STUD LOWER	.05
1117478	PLATE	.15	1117600	CORD MOTOR	.80	1117814	STUD LOWER	.05
1117481	LEVER	3.00	1117617	STUD	.10	1117815	HINGE	.50
1117485	BELLCRANK	.35	1117618	SCREW	.15	1117816	LINK	.75
1117486	BELLCRANK	.35	1117620	BELLCRANK	.20	1117819	FLANGE	1.00
1117487	BELLCRANK	.35	1117621	RAIL REAR	13.00	1117820	FLANGE	.70
1117488	LINK	.25	1117622	RAIL REAR	13.25	1117821	SHAFT	.30
1117490	LINK	.20	1117623	RAIL REAR	13.50	1117822	SPRING	.05
1117491	LEVER PAWL	.95	1117624	RAIL REAR	13.75	1117824	GUIDE	.75
1117494	GUARD TAB	.30	1117625	RAIL REAR	14.00	1117825	GUIDE	1.10
1117495	GUARD TAB	.30	1117630	BELLCRANK	.20	1117826	SPRING	.20
1117496	GUARD TAB	.30	1117631	SUPPORT A	1.50	1117827	PULLEY	.80
1117497	GUARD TAB	.40	1117632	BEARING	.25	1117828	POWER ROLL	8.50
1117498	GUARD TAB	.50	1117634	RIVET	.45	1117831	SPACER	.05
1117503	KEEPER TAB	.10	1117635	LEVER PAWL	1.15	1117832	ADAPTER GE	.50
1117504	LINK TAB	.10	1117637	INTERLOCK	.65	1117833	GEAR SPUR	.45
1117505	LINK	.35	1117651	HOLDER	1.15	1117834	SPRING	.40
1117506	COLLAR TAB	.30	1117652	HOLDER	1.15	1117835	COVER DUST	.05
1117507	RAIL FRONT	7.60	1117653	HOLDER	1.15	1117838	SHAFT	1.10
1117508	RAIL FRONT	10.05	1117654	HOLDER	1.15	1117840	ROLLER	1.10
1117509	RAIL FRONT	11.50	1117655	HOLDER	1.15	1117841	GUIDE	.10
1117510	RAIL FRONT	12.50	1117656	HOLDER	1.15	1117843	SUPPORT	.25
1117511	RAIL FRONT	13.50	1117657	HOLDER	1.15	1117844	SPRING	.15
1117517	RACK	5.85	1117658	HOLDER	1.15	1117845	GUIDE	.95
1117518	RACK	5.85	1117659	HOLDER	1.15	1117848	COVER	11.00
1117519	RACK	5.85	1117660	HOLDER	1.15	1117852	EDGE CAGE	3.00
1117520	RACK	5.85	1117661	HOLDER	1.15	1117853	EDGE CAGE	3.45
1117521	RACK	5.85	1117662	HOLDER	1.15	1117906	SHAFT	1.60
1117522	RACK	5.85	1117663	HOLDER	1.15	1117911	PIN	.20
1117523	RACK	5.85	1117664	HOLDER	1.15	1117912	RETAINER	.05
1117524	RACK	7.00	1117665	HOLDER	1.15	1117913	STEM SPACE	.30
1117525	RACK	7.00	1117666	HOLDER	1.15	1117914	BAR SPACE	.65
1117526	RACK	7.00	1117670	LEVER	1.90	1117915	SPRING	.10
1117527	RACK	7.00	1117689	KEYBUTTON	.35	1117916	SUPPORT	.10
1117528	RACK	7.00	1117690	KEYBUTTON	.35	1117920	STOP	.05
1117529	RACK	7.00	1117692	KEYBUTTON	.35	1117922	SPACER	.50
1117530	RACK	7.00	1117693	SHAFT	.35	1117933	SPRING	.05
1117531	RACK	10.00	1117694	SHAFT	.40	1117935	RAIL REAR	8.70

MARCH 17, 1961

PAGE 51

ETD PARTS PRICE LIST

PART NO.	PART NAME	PRICE	PART NO.	PART NAME	PRICE	PART NO.	PART NAME	PRICE
1117936	RAIL REAR	9.35	1118136	SHAFT	.10	1118342	MAGNET	.30
1117937	RAIL REAR	9.95	1118137	SCREW	.05	1118345	CLIP	.05
1117942	CLAMP	.20	1118138	BAIL STOP	.25	1118346	SPRING	.85
1117945	BRACKET	21.50	1118139	GROMMET	.10	1118353	ARM	.05
1117955	STUD	.15	1118140	BAIL LATCH	.20	1118355	RIBBON ASM	38.45
1117959	BRACKET	1.75	1118141	SPACER	.15	1118357	SPRING	.05
1117961	BRACKET	2.40	1118146	LINK	.35	1118358	CLIP	.05
1117962	BRACKET	2.65	1118149	LINK BAIL	.50	1118359	SPOOL	.90
1117964	LOCK BACK	.25	1118150	CABLE ASM	.55	1118361	CLIP	.05
1117977	ARM BAIL	1.90	1118151	CABLE ASM	.55	1118363	BRACKET	1.00
1117979	SPRING	.05	1118152	CABLE ASM	.55	1118381	BAR SPACE	.90
1117982	SHAFT 13	2.25	1118182	COMB CAM L	.50	1118382	BAR SPACE	.90
1117983	SHAFT 17	2.45	1118185	GEAR DRIVE	.30	1118400	KEYBUTTON	.35
1117984	SHAFT 20	2.75	1118187	GEAR	.40	1118401	KEYBUTTON	.35
1117985	SHAFT 24	3.15	1118191	BEARING	.10	1118402	KEYBUTTON	.35
1117986	SHAFT 30	3.65	1118204	ARM	.50	1118403	KEYBUTTON	.35
1117992	LEVER	.30	1118213	WIRE	.35	1118404	KEYBUTTON	.35
1117994	LEVER	1.45	1118214	BRACKET	.70	1118405	KEYBUTTON	.35
1117999	SCREW	.15	1118216	BAIL	1.20	1118406	KEYBUTTON	.35
1118020	TAB RACK	6.85	1118217	SUPPORT	2.50	1118407	KEYBUTTON	.35
1118021	TAB RACK	6.85	1118219	STUD	.20	1118408	KEYBUTTON	.35
1118022	TAB RACK	6.85	1118226	WASHER	.05	1118409	KEYBUTTON	.35
1118023	TAB RACK	8.00	1118227	GUIDE RIB	.60	1118410	KEYBUTTON	.35
1118024	TAB RACK	8.00	1118228	GUIDE RIB	.60	1118411	KEYBUTTON	.35
1118025	TAB RACK	8.00	1118250	BRACKET SP	.25	1118412	KEYBUTTON	.35
1118026	TAB RACK	11.00	1118252	SCREW	.05	1118413	KEYBUTTON	.35
1118027	TAB RACK	11.00	1118253	BUSHING RH	.05	1118414	KEYBUTTON	.35
1118028	TAB RACK	11.00	1118254	BRACKET RH	.30	1118415	KEYBUTTON	.35
1118029	TAB RACK	13.75	1118255	BRACKET RH	.30	1118416	KEYBUTTON	.35
1118030	TAB RACK	13.75	1118256	CAM PAWL	.80	1118417	KEYBUTTON	.35
1118031	TAB RACK	13.75	1118257	SPRING RH.	.20	1118418	KEYBUTTON	.35
1118032	TAB RACK	14.75	1118260	STUD	.60	1118419	KEYBUTTON	.35
1118033	TAB RACK	14.75	1118261	GUIDE	.65	1118420	KEYBUTTON	.35
1118034	TAB RACK	14.75	1118262	STUD	.50	1118421	KEYBUTTON	.35
1118037	STOP	.50	1118265	STUD	.75	1118422	KEYBUTTON	.35
1118040	STOP	.05	1118264	BELLCRANK	.25	1118423	KEYBUTTON	.35
1118041	SPRING 10P	.60	1118265	BRACKET	.80	1118424	KEYBUTTON	.35
1118042	SPRING 12P	.60	1118266	LEVER	.90	1118425	KEYBUTTON	.35
1118043	SPRING 14P	.60	1118268	WHEEL	.30	1118426	KEYBUTTON	.35
1118049	TAB LEVER	3.40	1118270	SHAFT	.90	1118427	KEYBUTTON	.35
1118050	CLAMP	.15	1118271	LEVER	.30	1118428	KEYBUTTON	.35
1118052	BELLCRANK	.25	1118272	LEVER	.70	1118429	KEYBUTTON	.35
1118053	BELLCRANK	.75	1118274	LEVER	.80	1118430	KEYBUTTON	.35
1118054	GUIDE DT	12.00	1118275	LEVER	.15	1118431	KEYBUTTON	.35
1118058	BAIL CAM	1.00	1118276	SPRING	.25	1118432	KEYBUTTON	.35
1118061	BRACKET	1.25	1118280	STUD	.50	1118433	KEYBUTTON	.35
1118062	BELLCRANK	.40	1118281	PAWL	.50	1118434	KEYBUTTON	.35
1118063	SCREW	.15	1118287	LINK	.10	1118435	KEYBUTTON	.35
1118064	SPACER	.15	1118288	RING	.30	1118436	KEYBUTTON	.35
1118065	BELLCRANK	.65	1118289	STOP	.25	1118437	KEYBUTTON	.35
1118067	BELLCRANK	.25	1118292	STOP	.35	1118438	KEYBUTTON	.35
1118070	LINK TAB	.25	1118293	STUD	.05	1118439	KEYBUTTON	.35
1118071	LINK TAB	.35	1118294	WIRE	.15	1118440	KEYBUTTON	.35
1118073	BELLCRANK	1.10	1118295	SPRING	.25	1118441	KEYBUTTON	.35
1118076	BELLCRANK	.90	1118296	SPRING	.60	1118442	KEYBUTTON	.35
1118077	BELLCRANK	.90	1118298	WHEEL	.60	1118443	KEYBUTTON	.35
1118078	DECELERATR	13.50	1118299	PULLEY	.90	1118444	KEYBUTTON	.35
1118080	SLEEVE	.20	1118300	LEVER	.95	1118445	KEYBUTTON	.35
1118081	SHAFT	.10	1118303	LATCH	.60	1118446	KEYBUTTON	.35
1118083	CAM DECTAB	.25	1118307	STUD	.40	1118447	KEYBUTTON	.35
1118084	SUPPORT	.10	1118310	LEVER	.35	1118448	KEYBUTTON	.35
1118087	DECELERATOR	15.50	1118311	GEAR DRIVE	.15	1118449	KEYBUTTON	.35
1118092	REAR CASE	6.00	1118312	GEAR DRIVE	.35	1118450	KEYBUTTON	.35
1118093	SPACER	.60	1118313	HUB	.25	1118451	KEYBUTTON	.35
1118100	CAGE 10P	3.50	1118315	PLATE	.20	1118452	KEYBUTTON	.35
1118101	CAGE 12P	3.50	1118317	SHAFT	.50	1118453	KEYBUTTON	.35
1118109	STOP 10 P	3.00	1118318	LINK	.35	1118454	KEYBUTTON	.35
1118110	STOP 12 P	3.00	1118320	FINGER LH	.50	1118455	KEYBUTTON	.35
1118111	STOP 14 P	3.00	1118322	BRACKET LH	.50	1118456	KEYBUTTON	.35
1118112	SCREW	.05	1118324	CAM	.45	1118457	KEYBUTTON	.35
1118113	INTERPOSER	.10	1118325	BRACKET	.50	1118458	KEYBUTTON	.35
1118114	SHAFT	.10	1118328	LATCH	.75	1118459	KEYBUTTON	.35
1118118	LINK	.30	1118329	BRACKET	.65	1118460	KEYBUTTON	.35
1118123	GUIDE	.75	1118330	BRACKET	.80	1118465	KEYBUTTON	.35
1118124	KEEPER	.50	1118331	LEVER	.20	1118466	KEYBUTTON	.35
1118125	LEVER	.10	1118332	SHAFT KEY	.50	1118468	KEYBUTTON	.35
1118126	SHAFT	.15	1118333	PUSHER	.25	1118470	KEYBUTTON	.35
1118128	BAIL ARM	2.15	1118338	WASHER	.05	1118472	KEYBUTTON	.35
1118132	SHAFT	.25	1118340	SPRING	.20	1118473	KEYBUTTON	.35
1118135	BAIL	.25	1118341	PLATE	1.00	1118474	KEYBUTTON	.35

ETD PARTS PRICE LIST

1118476-1119709

PART NO.	PART NAME	PRICE	PART NO.	PART NAME	PRICE	PART NO.	PART NAME	PRICE
1118476	KEYBUTTON	.35	1118801	RACK A TAB	15.50	1118975	SHAFT BAIL	5.20
1118478	KEYBUTTON	.35	1118802	RACK A TAB	15.50	1118976	SHAFT BAIL	5.50
1118480	KEYBUTTON	.35	1118803	RACK A TAB	15.50	1118977	SHAFT BAIL	7.40
1118485	KEYBUTTON	.35	1118804	RACK A TAB	15.50	1118980	PLATE BAIL	1.25
1118486	KEYBUTTON	.35	1118805	RACK A TAB	15.50	1118981	PLATE BAIL	1.25
1118488	KEYBUTTON	.35	1118806	RACK A TAB	15.50	1118986	PIVOT 13	2.50
1118489	KEYBUTTON	.35	1118807	RACK A TAB	15.50	1118987	PIVOT 17	2.90
1118495	KEYBUTTON	.35	1118808	RACK A TAB	17.90	1118988	PIVOT 20	3.40
1118499	KEYBUTTON	.35	1118809	RACK A TAB	17.90	1118990	PIN MARGIN	3.50
1118516	KEYBUTTON	.35	1118810	RACK A TAB	17.90	1118991	PLATEN CW	19.50
1118529	KEYBUTTON	.35	1118811	RACK A TAB	22.80	1118992	PLATEN CW	21.50
1118532	KEYBUTTON	.35	1118812	RACK A TAB	22.80	1118993	PLATEN CW	23.50
1118560	KEYBUTTON	.35	1118813	RACK A TAB	17.90	1118995	WIRE STOP	.40
1118561	KEYBUTTON	.35	1118814	RACK A TAB	17.90	1118996	WIRE STOP	.45
1118566	KEYBUTTON	.35	1118815	RACK A TAB	20.10	1118997	WIRE STOP	.50
1118569	KEYBUTTON	.35	1118816	RACK A TAB	20.10	1118999	END COVER	6.00
1118570	KEYBUTTON	.35	1118817	RACK A TAB	20.10	1119000	END COVER	6.00
1118571	KEYBUTTON	.35	1118818	RACK A TAB	20.10	1119004	SCREW	.15
1118572	KEYBUTTON	.35	1118819	RACK A TAB	20.10	1119017	CONTACT AS	9.55
1118573	KEYBUTTON	.35	1118820	RACK A TAB	20.10	1119019	BAR ASM	3.70
1118574	KEYBUTTON	.35	1118821	RACK A TAB	20.10	1119084	CLAMP	1.60
1118575	KEYBUTTON	.35	1118822	RACK A TAB	29.00	1119159	CAM	2.20
1118576	KEYBUTTON	.35	1118823	RACK A TAB	29.00	1119180	CAM	2.20
1118577	KEYBUTTON	.35	1118824	RACK A TAB	23.00	1119181	CAM	2.20
1118585	KEYBUTTON	.35	1118825	RACK A TAB	23.00	1119182	CAM	2.20
1118588	KEYBUTTON	.35	1118826	RACK A TAB	23.00	1119183	CAM	2.20
1118597	KEYBUTTON	.35	1118827	RACK A TAB	25.75	1119184	CAM	2.20
1118598	KEYBUTTON	.35	1118828	RACK A TAB	25.75	1119185	CAM	2.20
1118599	KEYBUTTON	.35	1118829	RACK A TAB	25.75	1119186	CAM	2.20
1118600	KEYBUTTON	.35	1118830	BUTTON SP	.35	1119187	CAM	2.20
1118602	KEYBUTTON	.35	1118831	BUTTON SP	.35	1119189	CAM	2.20
1118605	KEYBUTTON	.35	1118832	BUTTON SP	.35	1119191	CAM	2.20
1118613	KEYBUTTON	.35	1118833	BUTTON SP	.45	1119192	CAM	2.20
1118617	KEYBUTTON	.35	1118834	KEYBUTTON	.35	1119194	CAM	2.20
1118623	KEYBUTTON	.35	1118835	BUTTON SP	.55	1119204	CAM	2.20
1118628	KEYBUTTON	.35	1118836	BUTTON SP	.55	1119205	CAM	2.20
1118663	KEYBUTTON	.35	1118837	BUTTON SP	.45	1119389	PANEL	40.00
1118674	KEYBUTTON	.35	1118838	BUTTON SP	.45	1119392	BRACKET	4.50
1118681	BUTTON	.45	1118841	BUTTON SP	.55	1119393	BRACKET	3.25
1118682	BUTTON	.35	1118844	BUTTON SP	.05	1119394	GUARD	2.75
1118683	BUTTON	.35	1118847	CLIP	.05	1119397	BRACKET	3.00
1118684	BUTTON	.45	1118848	SNUBBER	.05	1119606	GATE TUBE	75.00
1118685	BUTTON DC	.35	1118851	TAB ASM 13	17.50	1119609	PIN LATCH	.65
1118686	BUTTON DC	.35	1118852	TAB ASM 13	17.50	1119610	FILTER AIR	1.00
1118687	BUTTON DC	.35	1118853	TAB ASM 13	17.50	1119636	BLOWER	25.00
1118688	BUTTON DC	.35	1118854	TAB ASM 17	19.70	1119637	ADAPTOR	7.00
1118689	BUTTON DC	.35	1118855	TAB ASM 17	19.70	1119638	BAR ASM	4.05
1118689	BUTTON DC	.35	1118856	TAB ASM 17	19.70	1119645	BOARD ASM	66.50
1118691	BUTTON DC	.35	1118857	TAB ASM 20	21.60	1119649	CORE	5.85
1118692	BUTTON DC	.35	1118858	TAB ASM 20	21.60	1119654	UNIT AM 4	20.50
1118693	BUTTON DC	.35	1118859	TAB ASM 20	21.60	1119656	TRANSFORMR	10.05
1118710	SPACER	.10	1118860	TAB ASM 24	23.50	1119658	AM 1 UNIT	3.40
1118720	SHAFT	.70	1118861	TAB ASM 24	23.50	1119660	AM 2 UNIT	3.20
1118725	BRACKET	.70	1118862	TAB ASM 24	23.50	1119662	AM 3 UNIT	3.20
1118727	BRACKET	1.25	1118863	TAB ASM 30	26.00	1119663	TC 1 UNIT	8.75
1118728	COVER	10.30	1118864	TAB ASM 30	26.00	1119668	TR 56 UNIT	3.75
1118760	PANEL REAR	1.80	1118865	TAB ASM 30	26.00	1119670	TR 57 UNIT	4.25
1118764	CASE	12.00	1118876	LINK TAB	.75	1119672	UNIT KEVER	4.85
1118769	SPRING	.50	1118886	BUTTON TAB	.95	1119674	UNIT OSC	5.25
1118772	SPACER	.05	1118887	SLIDE	1.00	1119676	UN 11 UNIT	2.10
1118774	SCREW BASE	.25	1118888	CLIP	1.00	1119678	UN 13 UNIT	1.65
1118775	FILLER	.10	1118890	BUSHING	.30	1119680	UN 5X UNIT	2.70
1118776	COVER	3.00	1118891	BUSHING	.30	1119682	CD 1 UNIT	5.00
1118777	COVER	3.50	1118892	LEVER	3.50	1119686	SCREW CONN	.75
1118778	COVER	4.00	1118894	KEYPLATE	4.25	1119688	CONNECTOR	10.00
1118779	COVER	4.50	1118896	KEYPLATE	4.25	1119689	CONNECTOR	9.50
1118780	COVER	5.10	1118897	FRAME	4.50	1119690	CONNECTOR	13.70
1118781	COVER	3.75	1118898	FRAME	4.50	1119691	CONNECTOR	20.80
1118782	COVER	4.25	1118899	PLATE	2.00	1119692	GUARD BAR	2.85
1118784	ADAPTER	.25	1118951	DEFLECTOR	2.20	1119696	BAIL	.95
1118785	SCREW	.10	1118952	DEFLECTOR	4.20	1119697	BAIL	.95
1118786	SCREW	.30	1118953	DEFLECTOR	7.20	1119698	BAIL	.95
1118787	SPACER	.20	1118954	GUIDE 13	3.75	1119699	BAIL	.95
1118788	SPACER	.25	1118955	GUIDE 17	4.50	1119701	BAIL	.95
1118792	FRONT CASE	13.00	1118956	GUIDE 20	6.75	1119702	BAIL	.95
1118794	I LETTER	.35	1118960	HOLDER 13	9.40	1119703	BAIL	.95
1118795	B LETTER	.35	1118963	HOLDER 17	10.00	1119704	BAIL	.95
1118796	M LETTER	.35	1118964	HOLDER 20	10.65	1119705	BAIL	.95
1118797	PULLY 14	.75	1118970	ARM BAIL	2.50	1119706	BAIL	.95
1118798	PULLY 15	.75	1118971	ARM BAIL	2.50	1119709	KEY BUTTON	7.15

ETD PARTS PRICE LIST

PART NO.	PART NAME	PRICE	PART NO.	PART NAME	PRICE	PART NO.	PART NAME	PRICE
1119710	KEY BUTTON	.35	1119980	SS 1 UNIT	8.50	1127063	RESISTOR	.45
1119711	KEY BUTTON	.35	1119982	CD 1 UNIT	10.50	1127064	RESISTOR	.45
1119712	KEY BUTTON	.35	1119984	SI 1 UNIT	3.20	1127065	RESISTOR	.45
1119713	BAR START	6.45	1119986	TH 18 UNIT	5.00	1127070	RESISTOR	.35
1119714	BAR ZERO	1.80	1119987	ACTUATOR	.80	1127074	RESISTOR	.75
1119715	BUMPER TAB	.05	1119990	COIL MAGN	2.20	1127075	RESISTOR	.75
1119716	STEM	.15	1119996	PLATE	1.00	1127079	PLATE BIND	1.50
1119718	KEY PLATE	9.00	1119999	DIODE	1.50	1127080	RECTIFIER	24.05
1119719	KEY PLATE	27.15	1120651	BUTTON 632	.35	1127082	RECTIFIER	19.75
1119720	COVERLATE	20.70	1120652	BUTTON 632	.35	1127086	CONTACT	5.40
1119724	PLATE COMT	129.15	1124189	SPRING	.10	1127088	RESISTOR	.45
1119732	BUTTON ON	8.90	#1124320	SCREW	.10	1127089	TRANSFORMR	26.75
1119733	BUTTON OFF	.65	#1124725	SCREW	.05	1127096	JUMPER	.50
1119734	BUTTON TOT	.65	#1124740	SCREW	.10	1127107	RESISTOR	.75
1119737	CF UX UNIT	2.50	#1124827	SCREW	.10	1127110	RESISTOR	1.75
1119739	CF 12 UNIT	2.50	#1124836	SCREW SET	.15	1127111	PLATE SER	.75
1119741	UN 13 UNIT	1.50	1125831	SLEEVE	3.25	1127113	PLATE ID	.10
1119743	TR 4 UNIT	3.25	1125835	PLATE ASM	4.00	1127114	TRANSFORMR	67.40
1119747	BOARD ASM	1.00	1125836	FEEROLL	.75	1127116	RESISTOR	1.50
1119749	CLAMP	.75	1125837	SPRING	.35	1127118	DS 12 UNIT	1.75
1119750	BRACKET	1.35	1125838	SPRING	.35	1127119	DS 13 UNIT	1.75
1119751	SHAFT MARG	3.60	1125839	SLEEVE	1.15	1127128	ROD SUPPORT	1.20
1119753	BRACKET	13.70	1125840	COVER	5.75	1127129	BRACKET	3.40
1119756	HOUSING	15.90	1125847	ARM ASM	3.75	1127135	COVER	2.00
1119757	SCREW	1.50	1125848	ARM ASM	3.75	1127136	COVER CK	1.25
1119758	UNIT TAPE	133.20	1125866	SPRING	.30	1127138	FRAME REAR	17.90
1119759	GEAR ARM	8.60	1125867	SCREW	.55	1127140	MAGNET	12.25
1119762	LEVER ASM	3.80	1125868	HOLDER	.75	1127146	LINK	.10
1119763	ROD	1.10	1125869	ROLLER	.95	1127149	YOKE COIL	6.30
1119765	SUPPORT	10.00	1125871	SPRING	.35	1127150	COVER DUST	2.25
1119768	CABLE ASM	56.00	1125873	SUPPORT	2.25	1127153	JUMPER	.25
1119769	BUSHING	.50	1125903	COVER	6.25	1127155	CAPACITOR	.50
1119770	BRACKET	4.90	1125905	DEFLECTOR	5.00	1127158	BOARD	1.90
1119771	INTERLOCK	4.30	1125914	TABLE ASM	3.75	1127162	TR 58 UNIT	4.25
1119778	BLOCK ASM	1.25	1125916	ARM	1.55	1127164	TR 59 UNIT	12.90
1119779	MAGNET ASM	65.65	1125922	ARM	.80	1127166	IN 41 UNIT	4.15
1119783	FASTENER	.05	1125935	WASHER	.15	1127168	AM 5 UNIT	5.75
1119784	STUD	.45	1125936	SCREW	.10	1127170	AM 6 UNIT	5.75
1119786	HANDLE	1.60	1125938	SLEEVE	3.85	1127173	MEM PLANE	206.00
1119799	GATE RELAY	83.55	1125940	CAM SHIELD	2.00	1127175	RESISTOR	.45
1119802	HINGE GATE	1.90	1125945	SPRING	.25	1127176	RESISTOR	.45
1119803	COVER	11.35	1125946	CHANNEL	5.00	1127177	RESISTOR	1.35
1119812	RELAY	8.50	1125953	STUD	1.35	1127178	RESISTOR	1.35
1119813	LATCH	.10	1125957	SHIM	.15	1127179	CLAMP	.40
1119833	SWITCH	.65	1125958	RAIL	3.50	1127182	SHIM GATE	.40
1119841	FRAME MAIN	178.20	1125959	BRACKET	.75	1127183	GUARD	.60
1119843	CASTER	4.05	1125978	CHUTE	1.25	1127185	RESISTOR	.35
1119845	BASE	4.60	1125979	CHUTE	1.25	1127186	RESISTOR	.45
1119847	STUD	.45	1125981	DETENT	.95	1127187	RESISTOR	.90
1119849	LEG SERVIC	.80	1125993	SHAFT ASM	5.25	1127188	RESISTOR	.90
1119862	CONNECTOR	9.25	1125994	SHAFT ASM	1.50	1127190	RESISTOR	.90
1119863	UN 31 UNIT	1.65	1126971	KEYBUTTON	.35	1127192	RESISTOR	.75
1119864	CF 11 UNIT	1.75	1126972	KEYBUTTON	.35	1127244	JUMPER	.50
1119877	SHIELD	2.25	1126973	KEYBUTTON	.35	1127246	BRACKET	1.05
1119899	KEYPLATE	5.00	1126974	KEYBUTTON	.35	1127247	FRAME	21.75
1119903	LATCH	.50	1126975	KEYBUTTON	.35	1127248	BRACKET	1.35
1119907	COVER	25.00	1127002	DI/DE GERM	1.50	1127249	BRACKET	1.35
1119908	COVER	25.00	1127017	RESISTOR	.90	1127251	REAR REST	1.50
1119911	COVER	29.50	1127018	CORE XY SA	18.50	1127252	BRACKET	6.00
1119915	HANGER	.50	1127019	RESISTOR	1.50	1127253	CLAMP	5.25
1119920	COVER	.25	1127020	CORE Z SWI	21.50	1127254	CLAMP	5.25
1119921	GUARD	4.50	1127021	COVER GATE	17.80	1127255	EXTENSION	.55
1119923	FRAME HAND	14.05	1127033	POWER SUPPLY	170.00	1127257	COVER REAR	40.75
1119924	HANDLE 632	9.95	1127034	TRANSFORMR	150.00	1127258	COVER REAR	44.50
1119928	GRILL	9.25	1127035	RELAY DUO	9.50	1127259	COVER LEFT	45.65
1119929	COVER REAR	25.00	1127036	PLATE	33.40	1127260	COVER	35.00
1119930	TOP TABLE	36.00	1127039	PLATE	8.70	1127261	LOCATOR	.30
1119931	SWITCH ON	2.80	1127040	BRACKET	.50	1127262	DRAWER 632	18.45
1119932	SWITCH OFF	2.80	1127041	TUBE	4.00	1127263	COVER	69.00
1119933	SWITCH TOT	5.05	1127042	CONTACTOR	35.35	1127264	COVER	.95
1119934	LENS	.30	1127044	BRACKET	.65	1127265	ADAPTER	35.00
1119937	BRACKET	.80	1127045	CLAMP CAP	.75	1127266	REST COVER	1.00
1119941	SWITCH ASM	12.50	1127046	BRACKET	1.75	1127267	HANGER	.60
1119944	RESISTOR	.35	1127047	TRANSFORMR	21.20	1127270	COVER DRUM	18.80
1119949	CAPACITOR	.50	1127051	COVER DUST	2.50	1127271	COVER TOP	49.90
1119973	UNIT D	4.40	1127052	INSULATOR	.55	1127272	COVER DRUM	22.65
1119975	SPRING BAR	.05	1127054	RECEPTACLE	2.00	1127274	CONNECTOR	9.45
1119976	SPRING BAR	.05	1127057	JUMPER	.25	1127275	CONNECTOR	9.40
1119978	CONTACT SF	6.25	1127059	JUMPER	.25	1127281	GATE RELAY	33.90
			1127062	BOARD	1.40	1127282	LATCH	2.75

ETD PARTS PRICE LIST

1127289-1132674

PART NO.	PART NAME	PRICE	PART NO.	PART NAME	PRICE	PART NO.	PART NAME	PRICE
1127289	COVER FUSE	1.00	1127459	COVER	20.70	1132463	BRACKET	1.00
1127295	FRAME	118.70	1127463	COVER	.55	1132464	BRACKET	.20
1127296	READ BOARD	45.00	1127466	HOUSING	20.00	1132465	BRACKET	.45
1127298	BRACKET	.75	1127469	CABLE	4.25	1132467	KNOB	.35
1127302	CLAMP	1.00	1127470	BUTTON	.65	1132470	BRKT ASM	.75
1127303	COVER	1.00	1127480	STUD	.25	1132476	LEVER	1.05
1127305	BRACKET	22.05	1127492	PLUG 632	1.35	1132478	CLAMP	.30
1127306	CONTACT	9.45	1127500	632 SYSTEM	5.75	1132479	SPRING	.10
1127307	CONTACT	9.10	1132304	ARM ASM	3.50	1132482	PUNCH ASM	.60
1127308	CABLE	64.40	1132305	ROLLER	.40	1132485	DIE ASM	5.60
1127315	CONNECTOR	23.25	1132309	ARM ASM	1.20	1132486	RETAINER	.10
1127323	COVER	1.75	1132310	SCREW	.10	1132489	RECEPTACLE	.75
1127324	BRACKET	3.35	1132312	BRKT ASM	3.20	1132492	STUD	.10
1127325	CABLE ASM	58.55	1132314	SPRING	.05	1132493	HANGER	1.00
1127326	SWITCH PCH	2.25	1132317	SCREW ASM	8.30	1132494	BRACKET	.40
1127327	PLATE MTG	7.50	1132318	PIN	.05	1132496	RETAINER	.10
1127328	SWITCH	2.75	1132319	BRACKET	.75	1132497	SPRING	.10
1127329	COVER SIDE	20.70	1132320	RETAINER	.05	1132498	MOUNT ASM	7.60
1127331	SUPPORT	1.80	1132323	FLYWHEEL	4.40	1132499	SPRING	.10
1127332	SOCKET	.40	1132324	ROD SUPRT	.85	1132507	PEDAL	2.10
1127333	BUTTON	.65	1132325	GUIDE CARR	.25	1132508	CLIP MTG	.10
1127334	BUTTON	.65	1132327	WASHER	.05	1132511	BRKT ASM	.85
1127335	BUTTON	.50	1132328	SHAFT	.25	1132513	LEVER EXT	.75
1127336	BUTTON	.50	1132331	LIFTER ASM	2.40	1132516	LINK	1.20
1127337	BUTTON	.50	1132338	BUZZER ASM	3.00	1132520	STUD ASM	.40
1127338	BUTTON	.50	1132344	TRANSFORMR	7.00	1132521	SWITCH	2.00
1127344	PLATE SIDE	4.00	1132345	TRANSFORMR	3.50	1132522	SHAFT	.20
1127345	PLATE SIDE	4.00	1132347	TRANSFORMR	3.50	1132523	SPRING	.10
1127349	WIRE JUMP	.05	1132348	RELAY	7.00	1132524	BRACKET	.20
1127351	SWITCH	1.75	1132349	RELAY	5.00	1132527	CARR ASM	7.40
1127353	BUTTON	.65	1132353	ARM ASM	3.00	1132528	BRACKET	.80
1127355	LABLE	.25	1132359	ROLLER ASM	6.00	1132536	SPRING	.10
1127362	TRANSFORMR	150.00	1132361	BRKT ASM	4.80	1132537	WASHER	.05
1127363	TRANSFORMR	57.40	1132365	ROLLER ASM	6.00	1132538	WASHER	.05
1127364	CONTACTOR	41.60	1132366	PIVOT	.25	1132541	SCREW	.20
1127365	PLATE ID	.40	1132367	NUT	.20	1132542	SCREW	.10
1127368	BLOWER ASM	28.50	1132372	BRACKET	5.10	1132544	WINDOW	1.00
1127369	COVER	7.90	1132374	BRACKET	1.30	1132546	BASE	4.85
1127371	COVER DRUM	22.65	1132375	CAM TUNING	.25	1132549	WASHER	.10
1127376	CLAMP	.50	1132376	SHAFT	.15	1132551	CONTACT	.40
1127380	JUMPER	.25	1132377	LEVER	.60	1132552	COIL ASM	5.00
1127387	CLAMP	.50	1132379	BRACKET	.65	1132553	SPRING	.10
1127393	WINDOW ASM	6.00	1132382	ACTUATOR	.25	1132554	SCREW	.10
1127396	NAME PLATE	2.00	1132384	GEAR	.90	1132555	SPRING	.10
1127398	STUD	.30	1132393	PLATE ASM	1.50	1132581	FOLLOWER	1.25
1127399	STUD BOARD	.30	1132399	KNOB ASM	1.00	1132584	SPRING	.20
1127401	DECAL	.75	1132403	KNOB ASM	1.10	1132585	CAPACITOR	1.25
1127402	COVER	1.25	1132404	SCREW	.10	1132586	CAPACITOR	1.35
1127403	SPACER	5.25	1132405	INDICATOR	.35	1132587	CAPACITOR	1.25
1127406	NAME PLATE	.65	1132406	BUTTON	.75	1132588	CAPACITOR	1.15
1127408	NAME PLATE	1.55	1132407	HOLDER	.75	1132589	CAPACITOR	1.25
1127409	BRACKET	2.15	1132408	LINK	.10	1132590	CAPACITOR	2.00
1127410	PLATE	.40	1132409	PLUNGER	.80	1132592	DIODE	3.00
1127411	PLATE	.20	1132410	MOUNT ASM	6.75	1132593	BRACKET	.25
1127415	SHIELD	.55	1132414	GEAR ASM	1.20	1132594	CLAMP	.10
1127416	BRACKET	.60	1132419	FRAME SIDE	3.40	1132601	CASE BACK	5.85
1127418	LATCH GATE	.50	1132423	LINK ASM	.75	1132616	LEVER	1.25
1127421	STRIKER	.60	1132424	LINK	.60	1132617	LEVER	1.25
1127422	STRIKER	.50	1132425	PIVOT	.20	1132621	INTERLOCK	.35
1127423	SPACER	.10	1132426	CLIP	.05	1132625	PIN PIVOT	.10
1127424	COVER	.75	1132427	SUPPORT	.20	1132626	GASKET	.05
1127425	COVER	.45	1132429	SCREW	.10	1132627	PAD	.15
1127426	LABEL VOLT	.05	1132430	SHAFT	.80	1132629	ELEMENT	11.50
1127427	LABEL VOLT	.05	1132431	ACTUATOR	.50	1132630	PIVOT	.75
1127428	LABEL VOLT	.05	1132434	MOTOR	32.20	1132631	BAR	1.25
1127429	LABEL VOLT	.05	1132435	CAPACITOR	3.15	1132632	CHASSIS	1.30
1127430	COVER CAP	3.80	1132437	CORD 2 WIR	2.20	1132633	SPRING	.10
1127431	COVER TERM	1.60	1132438	CORD 3 WIR	2.70	1132641	CLIP	.10
1127432	COVER	.95	1132439	PULLEY	2.75	1132647	POTENTIOMTR	1.75
1127433	TUBING FT	.10	1132441	BELT DRIVE	1.50	1132648	POTENTIOMTR	1.25
1127434	JUMPER ASM	.30	1132443	WHEEL	1.00	1132649	POTENTIOMTR	1.25
1127435	SCREEN	6.80	1132447	SHAFT	.40	1132650	POTENTIOMTR	1.25
1127436	SHIELD	1.20	1132449	SCREW	.10	1132653	CHASSIS	1.90
1127440	JUMPER	.15	1132450	MIKE ASM	45.00	1132659	FRAME ASM	5.10
1127441	INSULATION	.95	1132453	SWITCH	3.00	1132660	FRAME ASM	4.30
1127442	BRACKET	.05	1132454	HANGER ASM	2.00	1132663	FRAME ASM	1.90
1127443	SWITCH	5.00	1132455	LEVER	1.00	1132668	STUD	.10
1127450	BRACKET	.50	1132459	SHAFT ASM	1.00	1132669	SCREW	.05
1127453	CAPACITOR	1.55	1132460	RAIL GUIDE	.85	1132671	SWITCH	1.25
1127457	COVER	.10	1132461	BRACKET	1.60	1132674	WASHER	.05

PART NO.	PART NAME	PRICE	PART NO.	PART NAME	PRICE	PART NO.	PART NAME	PRICE
1132675	BRACKET	.25	1133716	CORD SET	3.00	1260417	TYPE BAR	1.10
1132679	RING	.10	1133723	SPACER	.10	1260418	TYPE BAR	1.10
1132680	SCREW	.05	1133727	YOKE	3.35	1260419	TYPE BAR	1.10
1132681	CAPACITOR	.30	1133775	SHIELD	.15	1260420	TYPE BAR	1.10
1132683	SPEAKER	3.00	1133788	SPRING S H	.25	1260421	TYPE BAR	1.10
1132688	SCREW	.05	1260002	ROD	1.65	1260422	TYPE BAR	1.10
1132689	WHEEL	2.10	1260003	ROD	1.75	1260423	TYPE BAR	1.10
1132690	BRACKET	.35	1260009	FEED ROLL	2.45	1260424	TYPE BAR	1.10
1132691	BRACKET	.35	1260010	SPRING	.15	1260425	TYPE BAR	1.10
1132692	GUARD	.10	1260019	BRACKET	.45	1260426	TYPE BAR	1.10
1132693	SCREW SET	.10	1260020	BAIL	.60	1260427	TYPE BAR	1.10
1132694	FOOT	.15	1260021	FRAME	2.85	1260428	TYPE BAR	1.10
1132697	SCREW	.10	1260022	KEY PLATE	5.65	1260429	TYPE BAR	1.10
1132699	CAPACITOR	2.00	1260024	STOP	9.10	1260430	TYPE BAR	1.10
1132701	PIN ROLL	.10	1260049	KEY LEVER	1.90	1260431	TYPE BAR	1.10
1132702	SCREW	.05	1260050	KEY LEVER	1.90	1260432	TYPE BAR	1.10
1132703	PLATE	.05	1260051	KEY LEVER	1.90	1260433	TYPE BAR	1.10
1132705	SCREW	.05	1260052	KEY LEVER	1.90	1260434	TYPE BAR	1.10
1132709	SCREW	.05	1260053	GUARD KEY	7.00	1260435	TYPE BAR	1.10
1132711	SCREW	.05	1260054	GUARD KEY	10.00	1260436	TYPE BAR	1.10
1132713	SCREW	.05	1260061	CAP BRUSH	.35	1260437	TYPE BAR	1.10
1132715	SCREW SET	.10	1260063	BRUSH ASM	.50	1260438	TYPE BAR	1.10
1132718	BOOT CAPAC	.25	1260085	BAR ROLL	5.00	1260439	TYPE BAR	1.10
1132720	TRANSISTOR	5.20	1260092	BLADE ASM	4.50	1260440	TYPE BAR	1.10
1132721	COIL OSCIL	3.85	1260095	BRACKET	.65	1260441	TYPE BAR	1.10
1132724	TRANSISTOR	3.50	1260096	BRACKET	.95	1260442	TYPE BAR	1.10
1132725	SCREW	.05	1260097	CLAPPER	.75	1260443	TYPE BAR	1.10
1132726	SCREW	.05	1260151	SPRING	.15	1260444	TYPE BAR	1.10
1132727	LAMP ASM	1.50	1260153	SCREW	.05	1260445	TYPE BAR	1.10
1132728	CORD ASM	5.10	1260156	RING	.45	1260446	TYPE BAR	1.10
1132729	CORD ASM	4.00	1260157	EDGE GAUGE	27.50	1260447	TYPE BAR	1.10
1132730	CORDESET	3.00	1260159	SPRING	.20	1260448	TYPE BAR	1.10
1132733	BRKT ASM	.75	1260160	SPRING	.20	1260449	TYPE BAR	1.10
1132736	INSULATOR	.10	1260161	RETAINER	.25	1260450	TYPE BAR	1.10
1132744	GUARD	.10	1260163	SUPPORT	.40	1260451	TYPE BAR	1.10
1132745	STOP	.25	1260169	PIV STOP	.20	1260452	TYPE BAR	1.10
1132749	COVER SWCH	.10	1260175	BLADE	2.00	1260453	TYPE BAR	1.10
1132750	CONTRL ASM	25.00	1260177	BRACKET	1.60	1260454	TYPE BAR	1.10
1132756	SPACER	.25	1260185	RACK TAB	4.40	1260455	TYPE BAR	1.10
1132757	CAPACITOR	1.60	1260199	BAR	3.95	1260456	TYPE BAR	1.10
1132758	RECEPTACLE	.75	1260200	BAR	3.95	1260457	TYPE BAR	1.10
1132759	SCREW	.10	1260202	BRACKET	.50	1260458	TYPE BAR	1.10
1132763	HANGER	.85	1260203	SHAFT	23.50	1260459	TYPE BAR	1.10
1132766	LAMP	2.50	1260204	SHAFT	25.50	1260460	TYPE BAR	1.10
1132767	CLAMP	.25	1260205	SHAFT	27.50	1260461	TYPE BAR	1.10
1132768	WASHER	.05	1260206	SHAFT	24.50	1260462	TYPE BAR	1.10
1132773	WASHER	.25	1260208	BRACKET	5.35	1260463	TYPE BAR	1.10
1132774	EARFRAME	1.00	1260228	SPRING	.25	1260464	TYPE BAR	1.10
1132775	EARLOOP	.25	1260230	HOOK	2.85	1260465	TYPE BAR	1.10
1132776	RECEIVER	7.75	1260238	TYPE BAR	1.10	1260466	TYPE BAR	1.10
1132779	LISTEN ASM	14.50	1260335	CYLINDER	16.75	1260467	TYPE BAR	1.10
1132780	LISTEN ASM	14.50	1260339	SHIELD	.25	1260468	TYPE BAR	1.10
1132782	STOP CARD	.90	1260348	RATCHET	1.45	1260469	TYPE BAR	1.10
1132783	TUBE	2.50	1260349	COVER	.65	1260470	TYPE BAR	1.10
1132785	CARD BACK	.60	1260350	DETENT	1.20	1260471	TYPE BAR	1.10
1132786	PLATE ASM	9.20	1260352	KNOB	4.70	1260472	TYPE BAR	1.10
1132788	BULB 3.8V	.35	1260381	BLADE	1.50	1260473	TYPE BAR	1.10
1132795	SHIELD	.75	1260382	PLATEN	16.75	1260474	TYPE BAR	1.10
1132796	BRACKET	.50	1260385	SHIELD	.25	1260475	TYPE BAR	1.10
1132797	SOCKET	.25	1260395	CAM ASM	2.85	1260476	TYPE BAR	1.10
1132798	STOP	.15	1260396	CYLINDER	16.75	1260477	TYPE BAR	1.10
1132800	SOUNDHEAD	16.50	1260397	BLADE	7.50	1260478	TYPE BAR	1.10
1132809	SPRING	.10	1260398	PLUG ASM	2.50	1260479	TYPE BAR	1.10
1132812	SCREW	.05	1260400	TYPE BAR	1.10	1260480	TYPE BAR	1.10
1132813	CLIP	.15	1260401	TYPE BAR	1.10	1260481	TYPE BAR	1.10
1132815	CAPACITOR	.45	1260402	TYPE BAR	1.10	1260482	TYPE BAR	1.10
1132823	PAD HANGER	.20	1260403	TYPE BAR	1.10	1260483	TYPE BAR	1.10
1132830	RELAY	7.90	1260404	TYPE BAR	1.10	1260484	TYPE BAR	1.10
1132831	TERMINAL	.10	1260405	TYPE BAR	1.10	1260485	TYPE BAR	1.10
1132836	YOKE ASM	12.00	1260406	TYPE BAR	1.10	1260486	TYPE BAR	1.10
1132841	SHAFT TUNE	.55	1260407	TYPE BAR	1.10	1260487	TYPE BAR	1.10
1132842	WASHER	.05	1260408	TYPE BAR	1.10	1260488	TYPE BAR	1.10
1132861	DUST COVER	1.75	1260409	TYPE BAR	1.10	1260489	TYPE BAR	1.10
1132905	RESISTOR	.75	1260410	TYPE BAR	1.10	1260490	TYPE BAR	1.10
1132906	CLAMP	.10	1260411	TYPE BAR	1.10	1260491	TYPE BAR	1.10
1132978	STRIPPER	.70	1260412	TYPE BAR	1.10	1260492	TYPE BAR	1.10
1132999	SHIELD	.20	1260413	TYPE BAR	1.10	1260493	TYPE BAR	1.10
1133708	CLAMP	.35	1260414	TYPE BAR	1.10	1260494	TYPE BAR	1.10
1133709	BUMPER	.60	1260415	TYPE BAR	1.10	1260495	TYPE BAR	1.10
1133713	SWITCH	2.25	1260416	TYPE BAR	1.10	1260496	TYPE BAR	1.10

ETD PARTS PRICE LIST

1260977-1261497

PART NO.	PART NAME	PRICE	PART NO.	PART NAME	PRICE	PART NO.	PART NAME	PRICE
1260977	TYPE BAR	1.10	1261153	RSUP 20	43.75	1261335	TYPE BAR	1.10
1260979	TYPE BAR	1.10	1261154	RSUP 20	43.75	1261336	TYPE BAR	1.10
1260980	TYPE BAR	1.10	1261155	RSUP 20	43.75	1261337	TYPE BAR	1.10
1260981	TYPE BAR	1.10	1261156	RSUP 20	43.75	1261338	TYPE BAR	1.10
1260982	TYPE BAR	1.10	1261157	RSUP 20	43.75	1261339	TYPE BAR	1.10
1260983	TYPE BAR	1.10	1261158	RSUP 20	43.75	1261340	TYPE BAR	1.10
1260984	TYPE BAR	1.10	1261159	RSUP 24	46.25	1261341	TYPE BAR	1.10
1260985	TYPE BAR	1.10	1261162	RSUP 24	46.25	1261342	TYPE BAR	1.10
1260986	TYPE BAR	1.10	1261165	RSUP 30	48.75	1261343	TYPE BAR	1.10
1260995	BRACKET	1.75	1261169	CARR ASM 1	106.25	1261344	TYPE BAR	1.10
1260996	BRACKET	1.75	1261170	CARR ASM 1	106.25	1261345	TYPE BAR	1.10
1261001	LEVER PAD	.50	1261171	CARR ASM 1	112.50	1261346	TYPE BAR	1.10
1261002	NUT	.25	1261172	CARR ASM 1	122.50	1261347	TYPE BAR	1.10
1261010	COVER	23.95	1261173	CARR ASM 1	122.50	1261348	TYPE BAR	1.10
1261017	PLATE	2.85	1261174	CARR ASM 1	131.25	1261349	TYPE BAR	1.10
1261018	PLATE	4.40	1261175	CARR ASM 2	147.50	1261350	TYPE BAR	1.10
1261020	BLADE	2.50	1261176	CARR ASM 2	147.50	1261351	TYPE BAR	1.10
1261022	DRIVE GEAR	4.10	1261177	CARR ASM 2	148.75	1261352	TYPE BAR	1.10
1261023	GEAR	4.10	1261178	SUPPOR ASM	158.15	1261353	TYPE BAR	1.10
1261024	GEAR	4.10	1261181	RSUP	165.00	1261354	TYPE BAR	1.10
1261025	GEAR	4.10	1261182	RSUP	165.00	1261355	TYPE BAR	1.10
1261026	GEAR	4.10	1261184	RSUP	172.50	1261356	TYPE BAR	1.10
1261027	GEAR	4.10	1261185	RSUP	172.50	1261357	TYPE BAR	1.10
1261028	GEAR	4.10	1261189	CARR ASM	170.00	1261358	TYPE BAR	1.10
1261029	PLATEN ASM	60.00	1261190	CARR ASM	170.00	1261359	TYPE BAR	1.10
1261031	STRIP	.60	1261197	RSUP	42.50	1261360	TYPE BAR	1.10
1261033	BRACKET	1.10	1261210	CARR ASM	150.00	1261361	TYPE BAR	1.10
1261035	BRACKET	1.75	1261225	CARR ASM	104.40	1261362	TYPE BAR	1.10
1261037	TABLE PAP	4.00	1261242	BOLT	.15	1261363	TYPE BAR	1.10
1261038	TABLE PAP	4.85	1261243	PAWL BRKT	41.90	1261364	TYPE BAR	1.10
1261039	TABLE PAP	5.60	1261244	PAWL BRKT	41.90	1261365	TYPE BAR	1.10
1261040	TABLE PAP	6.60	1261245	PAWL BRKT	41.90	1261366	TYPE BAR	1.10
1261047	BRACKET	5.45	1261246	WASHER	.15	1261367	TYPE BAR	1.10
1261067	CYLINDER	16.75	1261248	FORM ASM	65.00	1261368	TYPE BAR	1.10
1261070	LINK	.70	1261249	FORM ASM	70.00	1261369	TYPE BAR	1.10
1261073	LINK	.95	1261250	RIVET	.15	1261370	TYPE BAR	1.10
1261084	SHAFT	24.50	1261251	RETAINER	.15	1261371	TYPE BAR	1.10
1261085	SHAFT	26.50	1261291	SPOOL ASM	8.15	1261372	TYPE BAR	1.10
1261086	SHAFT	28.50	1261292	SPOOL ASM	21.20	1261373	TYPE BAR	1.10
1261096	CONDENSER	.95	1261294	TYPE BAR	1.10	1261374	TYPE BAR	1.10
1261104	TYPE SET	58.10	1261295	TYPE BAR	1.10	1261375	TYPE BAR	1.10
1261105	TYPE SET	58.10	1261296	TYPE BAR	1.10	1261376	TYPE BAR	1.10
1261115	CARR ASM	85.00	1261297	TYPE BAR	1.10	1261377	TYPE BAR	1.10
1261116	CARR ASM	85.00	1261298	TYPE BAR	1.10	1261378	TYPE BAR	1.10
1261117	CARR ASM	85.00	1261299	TYPE BAR	1.10	1261379	TYPE BAR	1.10
1261118	CARR ASM	85.00	1261300	TYPE BAR	1.10	1261380	TYPE BAR	1.10
1261119	CARR ASM	85.00	1261301	TYPE BAR	1.10	1261381	TYPE BAR	1.10
1261120	CARR ASM	85.00	1261302	TYPE BAR	1.10	1261382	TYPE BAR	1.10
1261121	CARR ASM	111.25	1261303	TYPE BAR	1.10	1261383	TYPE BAR	1.10
1261122	CARR ASM	111.25	1261304	TYPE BAR	1.10	1261384	TYPE BAR	1.10
1261123	CARR ASM	111.25	1261305	TYPE BAR	1.10	1261385	TYPE BAR	1.10
1261124	CARR ASM	111.25	1261306	TYPE BAR	1.10	1261386	TYPE BAR	1.10
1261125	CARR ASM	111.25	1261307	TYPE BAR	1.10	1261387	TYPE BAR	1.10
1261126	CARR ASM	111.25	1261308	TYPE BAR	1.10	1261388	TYPE BAR	1.10
1261127	CARR ASM	128.75	1261309	TYPE BAR	1.10	1261389	TYPE BAR	1.10
1261128	CARR ASM	128.75	1261310	TYPE BAR	1.10	1261390	TYPE BAR	1.10
1261129	CARR ASM	128.75	1261311	TYPE BAR	1.10	1261391	TYPE BAR	1.10
1261130	CARR ASM	128.75	1261312	TYPE BAR	1.10	1261392	TYPE BAR	1.10
1261131	CARR ASM	128.75	1261313	TYPE BAR	1.10	1261393	TYPE BAR	1.10
1261132	CARR ASM	128.75	1261314	TYPE BAR	1.10	1261394	TYPE BAR	1.10
1261133	CARR ASM	175.00	1261315	TYPE BAR	1.10	1261395	TYPE BAR	1.10
1261134	CARR ASM	175.00	1261316	TYPE BAR	1.10	1261396	TYPE BAR	1.10
1261135	CARR ASM	175.00	1261317	TYPE BAR	1.10	1261397	TYPE BAR	1.10
1261136	CARR ASM	175.00	1261318	TYPE BAR	1.10	1261398	TYPE BAR	1.10
1261137	CARR ASM	175.00	1261319	TYPE BAR	1.10	1261399	TYPE BAR	1.10
1261138	CARR ASM	225.00	1261320	TYPE BAR	1.10	1261400	TYPE BAR	1.10
1261139	CARR ASM	225.00	1261321	TYPE BAR	1.10	1261401	TYPE BAR	1.10
1261140	CARR ASM	225.00	1261322	TYPE BAR	1.10	1261402	TYPE BAR	1.10
1261141	RSUP 12	38.75	1261323	TYPE BAR	1.10	1261403	TYPE BAR	1.10
1261142	RSUP 12	38.75	1261324	TYPE BAR	1.10	1261404	TYPE BAR	1.10
1261143	RSUP 12	38.75	1261325	TYPE BAR	1.10	1261405	TYPE BAR	1.10
1261144	RSUP 12	38.75	1261326	TYPE BAR	1.10	1261406	PAPER ROLL	1.75
1261145	RSUP 12	38.75	1261327	TYPE BAR	1.10	1261411	KEY LEVER	.60
1261146	RSUP 12	38.75	1261328	TYPE BAR	1.10	1261412	KEY LEVER	.60
1261147	RSUP 16	41.25	1261329	TYPE BAR	1.10	1261415	KEY LEVER	.60
1261148	RSUP 16	41.25	1261330	TYPE BAR	1.10	1261470	KEY LEVER	3.75
1261149	RSUP 16	41.25	1261331	TYPE BAR	1.10	1261480	COMB ASM	25.00
1261150	RSUP 16	41.25	1261332	TYPE BAR	1.10	1261485	LEVER ASM	3.75
1261151	RSUP 16	41.25	1261333	TYPE BAR	1.10	1261490	LEVER ASM	1.90
1261152	RSUP 16	41.25	1261334	TYPE BAR	1.10	1261497	COVER	21.25

MARCH 17, 1961

PAGE 59

PART NO.	PART NAME	PRICE	PART NO.	PART NAME	PRICE	PART NO.	PART NAME	PRICE
1261514	INTERPOSER	31.25	1261794	LOCK	1.10	1261896	TYPEBAR	1.10
1261515	SUPPORT	32.85	1261795	BACK SPACE	1.10	1261897	TYPEBAR	1.10
1261516	SUPPORT	32.85	1261797	MARGIN REL	1.10	1261898	TYPEBAR	1.10
1261517	SUPPORT	32.85	1261816	TYPEBAR	1.10	1261899	TYPEBAR	1.10
1261518	SUPPORT	32.85	1261817	TYPEBAR	1.10	1261900	TYPEBAR	1.10
1261519	SUPPORT	32.85	1261818	TYPEBAR	1.10	1261901	TYPEBAR	1.10
1261523	STUD	.25	1261819	TYPEBAR	1.10	1261902	TYPEBAR	1.10
1261535	SPACE BAR	.70	1261820	TYPEBAR	1.10	1261903	TYPEBAR	1.10
1261536	BRACKET	41.90	1261821	TYPEBAR	1.10	1261904	TYPEBAR	1.10
1261537	BRACKET	41.90	1261822	TYPEBAR	1.10	1261928	RATCHET 28	12.75
1261539	BRACKET	41.90	1261823	TYPEBAR	1.10	1261956	RATCHET 56	12.75
1261540	BRACKET	41.90	1261824	TYPEBAR	1.10	1261957	PAWL 32P	45.00
1261541	BRACKET	41.90	1261826	TYPEBAR	1.10	1261959	PAWL 36G	45.00
1261580	KEY LEVER	.95	1261827	TYPEBAR	1.10	1261961	PAWL 45P	45.00
1261584	INTERLOCK	1.25	1261828	TYPEBAR	1.10	1261963	CAM ASM RB	.85
1261602	KNOB	.95	1261829	TYPEBAR	1.10	1261966	CONTACT	1.50
1261603	CASE ASM	23.75	1261830	TYPEBAR	1.10	1261975	CORD 13 FT	2.85
1261604	COVER	21.25	1261831	TYPEBAR	1.10	1261976	RAIL BRACE	31.25
1261613	STOP PIN	3.75	1261832	TYPEBAR	1.10	1261977	RAIL BRACE	31.25
1261630	FRAME ASM	7.50	1261833	TYPEBAR	1.10	1261978	RAIL BRACE	31.25
1261634	KEYBUTTON	.35	1261834	TYPEBAR	1.10	1261979	LP CARR BM	170.00
1261635	KEYBUTTON	.35	1261835	TYPEBAR	1.10	1261980	LP CARR BM	170.00
1261636	TAB BUTTON	.45	1261836	TYPEBAR	1.10	1261981	LP CARR BM	170.00
1261640	KEYBUTTON	.35	1261837	TYPEBAR	1.10	1261982	LP CARR BM	170.00
1261641	KEYBUTTON	.35	1261838	TYPEBAR	1.10	1261983	LP CARR BM	213.00
1261642	KEYBUTTON	.35	1261839	TYPEBAR	1.10	1261984	LP CAR BM	213.00
1261643	KEYBUTTON	.35	1261840	TYPEBAR	1.10	1261985	LP CARR BM	213.00
1261644	KEYBUTTON	.35	1261841	TYPEBAR	1.10	1261986	LP CARR BM	213.00
1261645	KEYBUTTON	.35	1261842	TYPEBAR	1.10	1261987	CARR ASM	69.25
1261646	KEYBUTTON	.35	1261843	TYPEBAR	1.10	1261988	CARR ASM	86.60
1261647	KEYBUTTON	.35	1261844	TYPEBAR	1.10	1261989	CARR ASM	100.00
1261648	KEYBUTTON	.35	1261845	TYPEBAR	1.10	1261990	CARR ASM	136.15
1261649	KEYBUTTON	.35	1261846	TYPEBAR	1.10	1261991	CARR ASM	175.20
1261650	KEYBUTTON	.35	1261847	TYPEBAR	1.10	1261998	FEED PLATE	9.80
1261651	KEYBUTTON	.35	1261848	TYPEBAR	1.10	1262011	ARM	3.50
1261652	KEYBUTTON	.35	1261849	TYPEBAR	1.10	1262050	CARR ASM	93.00
1261653	KEYBUTTON	.35	1261850	TYPEBAR	1.10	1262051	CARR ASM	93.00
1261654	KEYBUTTON	.35	1261851	TYPEBAR	1.10	1262052	CARR ASM	93.00
1261655	KEYBUTTON	.35	1261852	TYPEBAR	1.10	1262053	CARR ASM	93.00
1261656	KEYBUTTON	.35	1261853	TYPEBAR	1.10	1262054	CARR ASM	93.00
1261657	KEYBUTTON	.35	1261854	TYPEBAR	1.10	1262055	CARR ASM	93.00
1261658	KEYBUTTON	.35	1261855	TYPEBAR	1.10	1262056	CARR ASM	116.25
1261659	KEYBUTTON	.35	1261856	TYPEBAR	1.10	1262057	CARR ASM	116.25
1261660	KEYBUTTON	.35	1261857	TYPEBAR	1.10	1262058	CARR ASM	116.25
1261661	KEYBUTTON	.35	1261858	TYPEBAR	1.10	1262059	CARR ASM	116.25
1261662	KEYBUTTON	.35	1261859	TYPEBAR	1.10	1262060	CARR ASM	116.25
1261663	KEYBUTTON	.35	1261860	TYPEBAR	1.10	1262061	CARR ASM	116.25
1261664	KEYBUTTON	.35	1261861	TYPEBAR	1.10	1262062	CARR ASM	138.75
1261675	KEYBUTTON	.35	1261862	TYPEBAR	1.10	1262063	CARR ASM	138.75
1261676	KEYBUTTON	.35	1261863	TYPEBAR	1.10	1262064	CARR ASM	138.75
1261677	KEYBUTTON	.35	1261864	TYPEBAR	1.10	1262065	CARR ASM	138.75
1261678	KEYBUTTON	.35	1261865	TYPEBAR	1.10	1262066	CARR ASM	138.75
1261679	KEYBUTTON	.35	1261866	TYPEBAR	1.10	1262067	CARR ASM	138.75
1261680	KEYBUTTON	.35	1261867	TYPEBAR	1.10	1262068	CARR ASM	185.00
1261682	SPACE BAR	1.25	1261868	TYPEBAR	1.10	1262069	CARR ASM	185.00
1261685	BUTTON TAB	.50	1261869	TYPEBAR	1.10	1262070	CARR ASM	185.00
1261686	BUTTON TAB	.50	1261870	TYPEBAR	1.10	1262071	CARR ASM	185.00
1261689	KEYBUTTON	.50	1261871	TYPEBAR	1.10	1262072	CARR ASM	185.00
1261691	BUTTON RIB	.75	1261872	TYPEBAR	1.10	1262073	CARR ASM	230.00
1261692	KEYBUTTON	.35	1261873	TYPEBAR	1.10	1262074	CARR ASM	230.00
1261693	KEYBUTTON	.50	1261874	TYPEBAR	1.10	1262075	CARR ASM	230.00
1261694	BUTTON CAR	.45	1261875	TYPEBAR	1.10	1262076	CARR ASM	126.25
1261696	CORD ASM	2.40	1261876	TYPEBAR	1.10	1262077	CARR ASM	126.25
1261708	KNOB	.95	1261877	TYPEBAR	1.10	1262078	CARR ASM	126.25
1261711	BUTTON	.30	1261878	TYPEBAR	1.10	1262079	CARR ASM	142.50
1261731	PULLEY	3.60	1261881	TYPEBAR	1.10	1262080	CARR ASM	142.50
1261732	MAG PLATE	18.25	1261882	TYPEBAR	1.10	1262081	CARR ASM	142.50
1261733	MAG PLATE	18.45	1261883	TYPEBAR	1.10	1262082	CARR ASM	167.50
1261737	STUD IVI	.50	1261884	TYPEBAR	1.10	1262083	CARR ASM	167.50
1261751	PULLEY ASM	4.85	1261885	TYPEBAR	1.10	1262084	CARR ASM	167.50
1261752	PULLEY ASM	4.85	1261886	TYPEBAR	1.10	1262104	ARCADIA	1.10
1261760	MOUNT	.45	1261887	TYPEBAR	1.10	1262105	ARCADIA	1.10
1261764	PULLEY	.60	1261888	TYPEBAR	1.10	1262106	ARCADIA	1.10
1261765	GUIDE	1.95	1261889	TYPEBAR	1.10	1262107	ARCADIA	1.10
1261788	TAB SET	2.00	1261890	TYPEBAR	1.10	1262108	ARCADIA	1.10
1261789	TAB SET	2.00	1261891	TYPEBAR	1.10	1262109	ARCADIA	1.10
1261790	RIB BUTTON	3.50	1261892	TYPEBAR	1.10	1262110	ARCADIA	1.10
1261791	SHIFT KEY	1.10	1261893	TYPEBAR	1.10	1262111	ARCADIA	1.10
1261792	TAB KEY	1.10	1261894	TYPEBAR	1.10	1262112	ARCADIA	1.10
1261793	RETURN	1.50	1261895	TYPEBAR	1.10	1262113	ARCADIA	1.10

ETD PARTS PRICE LIST

PART NO.	PART NAME	PRICE	PART NO.	PART NAME	PRICE	PART NO.	PART NAME	PRICE
1262354	MANIFOLD	1.10	1262916	CASE LP RR	69.25	1263105	RSUP 13	115.00
1262355	MANIFOLD	1.10	1262917	COVER	18.55	1263106	RSUP 13	115.00
1262356	MANIFOLD	1.10	1262918	COVER FEED	11.60	1263107	RSUP 17	117.00
1262357	MANIFOLD	1.10	1262920	COVER ASM	64.00	1263108	RSUP 17	117.00
1262358	MANIFOLD	1.10	1262921	COVER ASM	64.00	1263109	RSUP 17	117.00
1262359	MANIFOLD	1.10	1262924	COVER 632	69.00	1263110	RSUP 20	120.00
1262360	MANIFOLD	1.10	1262928	HOLDER	1.70	1263111	RSUP 20	120.00
1262361	MANIFOLD	1.10	1262936	CABLE	5.50	1263112	RSUP 20	120.00
1262362	MANIFOLD	1.10	1263006	CLIP	.25	1263113	RSUP DT 13	40.25
1262363	MANIFOLD	1.10	1263011	CONTACT	160.00	1263114	RSUP DT 13	40.25
1262364	MANIFOLD	1.10	1263019	CAM LEVER	1.90	1263115	RSUP DT 13	40.25
1262365	MANIFOLD	1.10	1263020	CAM LEVER	1.90	1263116	RSUP DT 17	43.25
1262366	MANIFOLD	1.10	1263021	CAM LEVER	1.90	1263117	RSUP DT 17	43.25
1262367	MANIFOLD	1.10	1263022	CAM LEVER	1.90	1263118	RSUP DT 17	43.25
1262368	MANIFOLD	1.10	1263023	CAM LEVER	1.90	1263119	RSUP DT 20	50.50
1262369	MANIFOLD	1.10	1263024	CAM LEVER	1.90	1263120	RSUP DT 20	50.50
1262370	MANIFOLD	1.10	1263025	CAM LEVER	1.90	1263121	RSUP DT 20	50.50
1262371	MANIFOLD	1.10	1263026	CAM LEVER	1.90	1263122	RSUP DT 24	58.50
1262372	MANIFOLD	1.10	1263027	CAM LEVER	1.90	1263123	RSUP DT 24	58.50
1262373	MANIFOLD	1.10	1263028	CAM LEVER	1.90	1263124	RSUP DT 24	58.50
1262374	MANIFOLD	1.10	1263029	CAM LEVER	1.90	1263125	RSUP DT 30	76.50
1262375	MANIFOLD	1.10	1263030	CAM LEVER	1.90	1263126	RSUP DT 30	76.50
1262376	MANIFOLD	1.10	1263031	CAM LEVER	1.90	1263127	RSUP DT 30	76.50
1262377	MANIFOLD	1.10	1263032	CAM LEVER	1.90	1263128	RSUP LP 12	42.50
1262378	MANIFOLD	1.10	1263033	CAM LEVER	1.90	1263129	RSUP LP 12	42.50
1262379	MANIFOLD	1.10	1263034	CAM LEVER	1.90	1263130	RSUP LP 12	42.50
1262380	MANIFOLD	1.10	1263035	CAM LEVER	1.90	1263131	RSUP LP 12	42.50
1262381	MANIFOLD	1.10	1263036	CAM LEVER	1.90	1263136	ENDCOVER	5.60
1262382	MANIFOLD	1.10	1263037	CAM LEVER	1.90	1263137	ENDCOVER	5.60
1262383	MANIFOLD	1.10	1263038	CAM LEVER	1.90	1263138	PANEL FRT	1.90
1262384	MANIFOLD	1.10	1263039	CAM LEVER	1.90	1263139	PANEL FRT	1.90
1262385	MANIFOLD	1.10	1263040	CAM LEVER	1.90	1263140	PANEL FRT	1.90
1262386	MANIFOLD	1.10	1263041	CAM LEVER	1.90	1263141	PANEL FRT	1.90
1262387	MANIFOLD	1.10	1263042	CAM LEVER	1.90	1263142	PANEL FRT	1.90
1262388	MANIFOLD	1.10	1263043	CAM LEVER	1.90	1263143	PANEL FRT	3.95
1262389	MANIFOLD	1.10	1263044	CAM LEVER	1.90	1263144	PANEL FRT	3.95
1262390	MANIFOLD	1.10	1263045	CAM LEVER	1.90	1263145	PANEL FRT	3.95
1262391	MANIFOLD	1.10	1263046	CAM LEVER	1.90	1263146	PANEL FRT	3.95
1262394	FEED PLATE	14.85	1263047	CAM LEVER	1.90	1263147	PANEL FRT	3.95
1262401	CARR 12 10	93.00	1263048	CAM LEVER	1.90	1263148	PANEL REAR	1.80
1262402	CARR 16 10	116.25	1263049	CAM LEVER	1.90	1263149	PANEL REAR	1.80
1262403	CARR 20 10	138.75	1263050	CAM LEVER	1.90	1263150	PANEL REAR	1.80
1262404	RSUP 12 10	48.50	1263051	CAM LEVER	1.90	1263151	PANEL REAR	1.80
1262405	RSUP 16 10	51.85	1263052	CAM LEVER	1.90	1263152	PANEL REAR	2.75
1262406	RSUP 20 10	58.75	1263053	CAM LEVER	1.90	1263153	PANEL REAR	2.75
1262407	CARR LP 12	170.00	1263054	CAM LEVER	1.90	1263154	PANEL REAR	2.75
1262408	CARR LP 16	213.75	1263055	CAM LEVER	1.90	1263155	PANEL REAR	2.75
1262437	RSUP LP 12	48.50	1263056	CAM LEVER	1.90	1263156	PANEL REAR	2.75
1262438	RSUP LP 16	51.85	1263057	CAM LEVER	1.90	1263157	PANEL REAR	2.75
1262512	KEYPLATE	20.00	1263058	CAM LEVER	1.90	1263158	PLATEN 13	13.25
1262519	TOP COVER	20.00	1263059	CAM LEVER	1.90	1263159	PLATEN 13	13.25
1262522	TOP COVER	20.00	1263060	CAM LEVER	1.90	1263160	PLATEN 13	13.25
1262523	TOP COVER	20.00	1263061	CAM LEVER	1.90	1263161	PLATEN 13	13.25
1262538	KEYPLATE	20.00	1263062	CAM LEVER	1.90	1263162	PLATEN 13	13.25
1262540	KEYPLATE	20.00	1263063	CARR ASM 1	113.00	1263163	PLATEN 13	13.25
1262568	BUTTON C	.35	1263064	CARR ASM 1	113.00	1263164	PLATEN 13	13.25
1262569	BUTTON M	.35	1263065	CARR ASM13	113.00	1263165	PLATEN 13	13.25
1262583	KEYPLATE	20.00	1263066	CARR ASM17	143.00	1263198	PLATEN 17	15.75
1262590	KEYPLATE	20.00	1263067	CARR ASM17	143.00	1263199	PLATEN 17	15.75
1262596	CONTACT	4.25	1263068	CARR ASM17	143.00	1263200	PLATEN 17	15.75
1262606	BUTTON 632	.65	1263069	CARR ASM20	158.00	1263201	PLATEN 17	15.75
1262632	BLADE	8.15	1263070	CARR ASM20	158.00	1263202	PLATEN 17	15.75
1262651	CASE MIKE	6.70	1263071	CARR ASM20	158.00	1263203	PLATEN 17	15.75
1262652	CONT ASM	2.90	1263072	CARR ASM24	206.00	1263204	PLATEN 17	15.75
1262653	CONT ASM	3.05	1263073	CARR ASM24	206.00	1263205	PLATEN 17	15.75
1262654	CONT ASM	3.00	1263074	CARR ASM24	206.00	1263206	PLATEN 17	15.75
1262657	COVER ASM	10.50	1263075	CARR ASM30	256.00	1263208	PLATEN 20	17.50
1262658	SWITCH ASM	1.50	1263076	CARR ASM30	256.00	1263209	PLATEN 20	17.50
1262659	PANEL ASM	7.50	1263077	CARR ASM30	256.00	1263241	PLATEN 20	17.50
1262660	PANEL ASM	7.00	1263078	RSUP 13	48.50	1263242	PLATEN 20	17.50
1262662	PLATE	1.25	1263079	RSUP 13	48.50	1263243	PLATEN 20	17.50
1262663	SWITCH ASM	2.90	1263084	RSUP 17	51.85	1263244	PLATEN 20	17.50
1262664	AMPLIFIER	32.70	1263085	RSUP 17	51.85	1263273	PLATEN 24	21.25
1262665	AMPLIFIER	37.75	1263090	RSUP 20	58.75	1263274	PLATEN 24	21.25
1262666	DETENT ARM	1.25	1263091	RSUP 20	58.75	1263275	PLATEN 24	21.25
			1263096	RSUP 24	64.75	1263276	PLATEN 24	21.25
			1263097	RSUP 24	64.75	1263277	PLATEN 24	21.25
1262697	CABLE	7.80	1263101	RSUP 30	77.25	1263278	PLATEN 24	21.25
1262911	COVER KYBD	20.00	1263103	RSUP 30	77.25	1263279	PLATEN 24	21.25
1262913	COVER KYBD	20.00	1263104	RSUP 13	115.00	1263308	PLATEN 30	25.00
1262915	COVER ETC	31.30						

ETD PARTS PRICE LIST

1263309-1264205

PART NO.	PART NAME	PRICE	PART NO.	PART NAME	PRICE	PART NO.	PART NAME	PRICE
1263309	PLATEN 30	25.00	1263812	CASTING VE	7.75	1263998	WHEEL	4.20
1263310	PLATEN 30	25.00	1263815	SOLENOID	8.05	1263999	RING RUBBE	.30
1263311	PLATEN 30	25.00	1263816	SWITCH	2.55	1264000	FOLLOWER	7.10
1263312	PLATEN 30	25.00	1263818	TELEX CORD	4.90	1264001	INSULATOR	.05
1263313	PLATEN 30	25.00	1263819	TELEX CORD	5.15	1264003	CORD	4.80
1263314	PLATEN 30	25.00	1263821	FAN MOTOR	.95	1264005	EARPHONE	15.00
1263343	PLATEN 13	13.25	1263822	MOTOR ASM	19.80	1264007	MICROPHONE	27.50
1263344	PLATEN 13	13.25	1263824	BOARD ASM	13.90	1264024	BATTERY	3.60
1263345	PLATEN 13	13.25	1263825	RELAY	19.35	1264025	MOTOR PORT	64.65
1263346	PLATEN 13	13.25	1263826	DRUM ASM	54.00	1264026	GUARD	.90
1263347	PLATEN 13	13.25	1263828	BUMPER	.10	1264027	CAPACITOR	.70
1263348	PLATEN 13	13.25	1263829	PUNCH ASM	10.85	1264028	GUARD	.20
1263349	PLATEN 13	13.25	1263830	CABLE	.60	1264029	GUARD	.55
1263350	PLATEN 13	13.25	1263831	SPRING	.15	1264030	GUARD	.50
1263383	PLATEN 17	15.75	1263835	RECEIVER	10.05	1264031	BM 560 SFT	2.20
1263384	PLATEN 17	15.75	1263837	CORD	6.10	1264032	BM 565 SFT	2.05
1263385	PLATEN 17	15.75	1263838	BOARD ASM	12.50	1264033	BM 570 SFT	1.00
1263386	PLATEN 17	15.75	1263839	RELAY	19.35	1264040	RECEPTACLE	.40
1263387	PLATEN 17	15.75	1263847	LEVER ASM	.45	1264045	PLATE SW	.85
1263388	PLATEN 17	15.75	1263848	BAR DICTAT	.35	1264048	DOOR ASM	1.05
1263389	PLATEN 17	15.75	1263849	CABLE	4.45	1264049	SPRING LAT	.20
1263390	PLATEN 17	15.75	1263851	SHAFT	4.50	1264051	SPRING COV	.20
1263423	PLATEN 20	17.50	1263852	SHAFT	5.25	1264052	RIVET COVE	.05
1263424	PLATEN 20	17.50	1263853	BRKT ASM	2.25	1264053	CLIP SPRIN	.05
1263425	PLATEN 20	17.50	1263854	MOUNT ASM	5.10	1264054	LEAD SCREW	.45
1263426	PLATEN 20	17.50	1263855	KIT CONVER	.75	1264055	SPRING	.45
1263427	PLATEN 20	17.50	1263856	SWITCH	1.85	1264056	SPRING	.45
1263428	PLATEN 20	17.50	1263857	SCREW RUBB	.10	1264058	HEAD AMM	18.00
1263429	PLATEN 20	17.50	1263858	BUMPER	.15	1264059	KNOB SWITC	.25
1263471	ECCENTRIC	.85	1263863	RESISTOR	.30	1264061	SCREW	.30
1263472	GUIDE DUAL	1.80	1263864	SUPPRESSOR	1.15	1264063	SCREW SET	.20
1263473	GUIDE DUAL	2.00	1263866	CONDENSER	1.10	1264064	FELT PAD	.15
1263480	ROLLER	2.10	1263869	CONDENSER	1.15	1264065	WHEEL ASM	12.90
1263481	HINGE	1.00	1263870	CONDENSER	1.35	1264066	GEAR ASM	7.50
1263483	PLATE ASM	8.00	1263871	CONDENSER	.15	1264067	SPRING	.20
1263484	GUIDE LOW	.70	1263873	ELEMENT	13.70	1264068	AMPLIFIER	75.25
1263487	LINK	.70	1263875	CONDENSER	.35	1264069	TRANSFORMR	3.90
1263501	TRIP LEVER	.15	1263879	TRANSISTOR	9.00	1264070	CONTROL	1.55
1263502	TRIP LEVER	.15	1263882	EAR TIPS	.30	1264071	CONTROL	2.30
1263540	FOLLOWER	1.50	1263883	KNOB CONFR	.25	1264072	CHOKE	4.95
1263550	RATCHET	4.25	1263884	CLIP FUSE	.10	1264073	KNOB VOL	.55
1263553	BRACKET	2.50	1263888	TUBE	3.85	1264075	JACK INPUT	.65
1263554	BRACKET	2.50	1263890	CONNECTOR	.30	1264076	LAMP	2.75
1263573	BUTTON RIB	.55	1263891	SHIELD	.25	1264091	PLUG	.10
1263575	LINK	.25	1263892	JEWEL	.45	1264112	WASHER	.05
1263577	PAP TABLE	4.95	1263893	JEWEL	.45	1264114	PIN DRIVE	.05
1263578	PAP TABLE	5.10	1263894	CIRCUIT PC	.60	1264117	SCREW	.05
1263579	PAP TABLE	5.25	1263897	BULB	.60	1264128	WASHER	.05
1263580	SHIFT ASM	4.00	1263898	RECEPTACLE	1.80	1264129	WASHER	.05
1263623	BLADE TEAR	8.15	1263907	CHIPBOARD	.05	1264133	SCREW	.05
1263675	FRAME PT	7.90	1263917	CONTROL	24.00	1264136	SCREW	.05
1263676	FRAME PT	7.90	1263918	EARPIECE	15.90	1264139	RIVET BR5	.05
1263691	CARR ASM	93.00	1263920	EARPHONE	15.90	1264143	SCREW	.05
1263692	CARR ASM	116.25	1263923	COVER	1.35	1264162	KNOB BROWN	.15
1263726	CORD	2.70	1263965	SLEEVE	.10	1264163	KNOB IVORY	.15
1263729	BAIL ROLL	1.25	1263966	INSULATOR	.25	1264164	HANDLE	2.20
1263731	KEYLEVER	1.90	1263973	SPOOL 30 M	9.35	1264165	CLIP HAIR	.05
1263752	BEARING	.25	1263974	SPOOL 15 M	6.35	1264172	RECTIFIER	2.40
1263780	CLIP	.20	1263975	CAPACITOR	4.85	1264176	POST FUSE	.70
1263783	STUD BS	.20	1263976	CAPACITOR	1.35	1264178	RECTIFIER	3.15
1263785	MOTOR	52.95	1263978	CAPACITOR	.40	1264180	CAPACITOR	3.10
1263786	HANDLE	.30	1263979	PLUG	.80	1264181	CAPACITOR	1.05
1263789	SWITCH	.75	1263980	WHEEL	4.50	1264182	CAPACITOR	1.05
1263791	TRANSFORMR	11.95	1263981	RELAY	8.30	1264183	CAPACITOR	1.05
1263793	SOCKET ASM	1.95	1263982	POTENTIOME	2.60	1264186	TRANSISTOR	2.50
1263794	CONTROL	.40	1263983	WHEEL	3.10	1264187	EARTIPS	.30
1263795	HANDLE ASM	1.60	1263984	KNOB	.20	1264191	LUG	.05
1263796	CORD AC	1.75	1263985	SPRING	.15	1264192	TRANSFORMR	4.05
1263797	CONTROL	1.25	1263986	TUBE	2.75	1264193	CONTACT	3.60
1263798	CONDENSER	2.15	1263987	TUBE	1.95	1264194	HEAD ASM	36.85
1263799	TRANSFORMR	12.45	1263988	TUBE	1.90	1264195	CASE	12.45
1263800	CUP FOOT	.10	1263989	TUBE	1.90	1264196	COVER	3.20
1263801	SWITCH	1.65	1263990	TUBE	1.60	1264197	CASE SIDE	2.85
1263802	RELAY	19.35	1263991	SPRING	.25	1264198	HOLDER	1.30
1263803	RELAY	13.10	1263992	RUBBER	1.10	1264199	ROLLER	.30
1263804	CAPACITOR	2.30	1263993	HOLDER	2.05	1264200	ARM ASM	2.85
1263805	CAPACITOR	1.40	1263994	HOLDER	2.15	1264201	ACTUATOR	.85
1263807	SOCKET	.55	1263995	SPRING	.05	1264202	SPEAKER	4.70
1263810	SCREW LEAD	12.80	1263996	CONNECTOR	.85	1264204	PLATE ASM	4.75
1263811	HEAD ASM	18.00	1263997	WHEEL	4.20	1264205	ACTUATOR	.45

MARCH 17, 1961

PAGE 63

ETD PARTS PRICE LIST

PART NO.	PART NAME	PRICE	PART NO.	PART NAME	PRICE	PART NO.	PART NAME	PRICE
1264206	CABLE	3.95	1264426	SPACER MTR	.20	1264525	PAD MIKE	.05
1264207	CAPACITOR	4.20	1264428	POTENTIOMTR	2.20	1264526	PLUG	.25
1264208	PLATE FRNT	.70	1264430	SPRING	.15	1264527	SWITCH	4.25
1264209	PLATE FRNT	.70	1264431	RELAY	7.75	1264529	PLATE	.35
1264211	KIT CLEAN	.30	1264432	RELAY	8.50	1264530	MIKE ASM	28.65
1264212	ELEMENT	19.80	1264433	TRANSFORMR	27.50	1264532	INDICATOR	4.85
1264213	SPACER	.45	1264434	HOLDER	1.65	1264534	CLOTH	.05
1264219	CORD	5.75	1264435	SWITCH	31.65	1264536	NUT	.40
1264254	GEAR SLEEVE	.25	1264437	COVER	1.95	1264538	SHOCK MTG	.55
1264270	RING	.10	1264438	RELAY	9.20	1264539	PAD FELT	.20
1264271	PIN	.10	1264439	RELAY	12.55	1264540	HANDBSET	40.65
1264287	BELT 3000	5.00	1264440	DRUM ASM	58.45	1264542	MOTOR	29.20
1264296	SCREW	.05	1264441	PUNCH ASM	6.95	1264543	CRADLE ASM	36.40
1264297	SCREW NYLN	.10	1264444	MOUNT ASM	3.55	1264545	JEWEL	.10
1264302	SCREW	.05	1264445	RECEPTACLE	1.95	1264546	CLAMP	.55
1264309	SCREW	.05	1264446	PLUG ASM	2.75	1264547	PAD	.15
1264319	NUT	.05	1264447	BOARD ASM	2.80	1264549	BRKT ASM	7.45
1264323	WASHER	.05	1264449	MOTOR ASM	28.35	1264551	SOCKET ASM	.20
1264326	WASHER	.05	1264450	PLATE ASM	1.15	1264552	ACTUATOR	.25
1264327	CONTROL	32.50	1264456	SHAFT	.55	1264553	CABLE ASM	3.65
1264331	LENS	.50	1264457	SHAFT	1.95	1264554	MIKE ASM	32.65
1264332	LENS	.50	1264458	ROD	1.05	1264555	SWITCH	3.15
1264333	CABLE	.20	1264459	SPACER	.30	1264556	LAMP ASM	4.85
1264334	CABLE	.15	1264460	SHAFT	1.85	1264558	LEVER SW	.65
1264337	FOOT	.05	1264461	BRACKET	.55	1264560	OSCILLATOR	3.65
1264338	CAPACITOR	.15	1264462	BRACKET	.55	1264561	RAIL GUARD	.20
1264339	GROMMET	.05	1264463	HOLDER	1.05	1264566	STOP	.35
1264341	MIKE	35.00	1264464	PLATE	2.30	1264569	TUBE RECT	51.00
1264342	LIGHT	1.40	1264465	SHAFT	1.20	1264570	TUBE AMPL	44.00
1264343	LUG	.05	1264466	SHAFT	1.20	1264575	RELAY	24.15
1264344	LUG	.05	1264467	SPACER	.15	1264576	WASHER	.05
1264345	STRIP	.10	1264468	ROD	.55	1264577	PLUG HOLE	.15
1264347	LUG	.05	1264469	RECEPTACLE	1.25	1264579	PUNCH ASM	2.85
1264348	RECEPTACLE	.75	1264470	SPACER	.25	1264580	BELT	1.50
1264352	CAPACITOR	1.35	1264471	PLUNGER	.20	1264583	RESISTOR	1.40
1264353	RESISTOR	.70	1264472	SPACER	.20	1264584	POTENTIOMTR	1.30
1264355	CAPACITOR	9.10	1264473	SPACER	.20	1264585	SWITCH	.55
1264356	RECTIFIER	4.50	1264474	SPRING	.15	1264586	SWITCH	5.20
1264369	KNOB SW	.75	1264475	SWITCH	3.35	1264589	RESISTOR	.35
1264371	HANDBSET	31.00	1264476	MIKE ASM	21.50	1264590	BUZZER	2.35
1264372	CASE	11.00	1264477	CORD	3.80	1264591	STRIPPER	.10
1264373	SWITCH ASM	4.40	1264478	GEAR	3.70	1264593	CABLE ASM	9.60
1264374	KNOB TIMER	.85	1264479	SPACER	.15	1264594	BOARD BUZ	1.35
1264375	KNOB OPER	.20	1264480	ROLLER ASM	12.05	1264596	SCREW	.05
1264379	RECTIFIER	10.00	1264481	KNOB	.55	1264598	WASHER	.05
1264380	KNOB	1.00	1264482	SPRING	.20	1264599	WASHER	.05
1264381	SOCKET	.15	1264483	ROLLER ASM	18.65	1264600	WASHER	.05
1264382	PLUG 7PT	6.50	1264484	CARRIER	4.55	1264601	WASHER	.05
1264383	PLUG	2.30	1264486	SPACER	.20	1264602	SCREW	.05
1264385	MOTOR 200	19.05	1264487	CAP	2.60	1264603	SCREW	.05
1264386	TRANSFORMR	4.05	1264488	SCREEN	.25	1264604	SCREW	.05
1264387	CONTACT RE	2.70	1264489	ELEMENT	4.45	1264605	WASHER	.05
1264388	TRANSFORMR	5.50	1264490	SWITCHLEAF	.90	1264606	SCREW	.05
1264389	SPRING	.15	1264491	BUTTON	.35	1264607	LOCKWASHER	.05
1264391	BRKT	.65	1264492	WHEEL	3.85	1264608	LOCKWASHER	.05
1264393	SPRING	.10	1264493	LENS	.25	1264609	CARTRIDGE	28.35
1264395	HINGE	.80	1264494	COVER ASM	11.80	1264610	CARTRIDGE	31.15
1264396	BUSHING	.50	1264496	TRANSFORMR	5.85	1264612	CARTRIDGE	38.35
1264397	CRANK	.50	1264497	BLOCK ASM	1.60	1264614	POWER PACK	25.00
1264401	PIN	.15	1264498	ROLLER ASM	13.95	1264615	BUMPER	.05
1264402	SPRING	.10	1264499	CARD INSTR	.25	1264616	FOOT RUBBR	.25
1264403	CASE MIKE	2.15	1264500	BASE ASM	9.45	1264617	CLAMP	.05
1264404	CASE MIKE	2.15	1264501	SPACER	.05	1264624	TRANSFORMR	4.90
1264405	RECTIFIER	3.80	1264502	LEVER	1.80	1264625	SHAFT	.20
1264407	SCREW ASM	6.45	1264503	LEVER	.60	1264629	GEAR ASM	2.45
1264409	MAGNET	2.25	1264504	PLATE END	.20	1264630	GEAR ASM	1.95
1264410	TRANSFORMR	6.30	1264505	CORD ASM	2.85	1264631	SPRING	.20
1264411	SCREW	.15	1264506	ROD CARR	1.05	1264632	PLATE ASM	1.80
1264413	BLOCK	1.95	1264507	BRKT ASM	5.45	1264633	STOP LH	.45
1264414	SPRING	.15	1264508	CUSHION	.10	1264634	SPACER	.10
1264415	SPRING	.20	1264509	INSULATOR	.10	1264635	BAR ASM	1.45
1264416	BUZZER	5.20	1264510	BRKT	.40	1264636	COLLAR	.75
1264418	SWITCH	3.60	1264511	CLOTH	.20	1264637	ROD	.20
1264419	SWITCH	5.45	1264512	BRKT ASM	4.20	1264638	PLUNGER	.25
1264420	SWITCH	.25	1264513	BULB	1.80	1264639	RAIL	.35
1264421	CAPACITOR	1.45	1264515	MIKE ASM	27.50	1264640	SPRING	.10
1264422	NUT	.20	1264518	LENS	.25	1264641	LEVER	.25
1264423	SPRING	.10	1264519	PIN PIVOT	.20	1264644	STOP	.20
1264424	SWITCH	2.95	1264520	BUTTON	.25	1264645	LEVER ASM	2.45
1264425	TRANSFORMR	4.95	1264524	GASKET	.15	1264647	NAMEPLATE	.45

ETD PARTS PRICE LIST

1264649-1264989

PART NO.	PART NAME	PRICE	PART NO.	PART NAME	PRICE	PART NO.	PART NAME	PRICE
1264649	INSULATOR	.10	1264770	BUTTON	.55	1264906	SHAFT	.10
1264650	INSULATOR	.10	1264772	SPRING	.20	1264907	SHAFT	.25
1264655	GEAR	.40	1264773	NUT CARR	3.30	1264908	COLLAR	.25
1264657	RACE BALL	3.60	1264774	SWITCH	1.55	1264909	BEARING	.25
1264658	RACE BALL	5.75	1264775	SPRING	.25	1264910	COLLAR	.35
1264659	SPACER	.10	1264776	SPOOL 60MI	12.80	1264911	SPACER	.30
1264660	SCREW ASM	5.40	1264777	SHIELD ASM	4.40	1264912	PIN	.25
1264661	SPACER MTR	.20	1264778	CASE MIKE	6.65	1264914	SWITCH ASM	0.20
1264662	WHEEL	.85	1264779	SPOOL	.90	1264915	BRACKET	1.00
1264663	WHEEL SML	1.15	1264780	SPOOL	1.20	1264916	LEVER ASM	1.65
1264664	BM INSULAT	.85	1264781	ERPHONE	14.00	1264917	SCREW	.10
1264665	STRIP	.05	1264782	SPRING	.20	1264918	BEARING	.20
1264666	STRIP LUG	.10	1264783	FAN	2.50	1264919	LEVER ASM	1.65
1264668	RELAY	6.20	1264784	SWITCH	4.15	1264920	COLLAR ASM	1.40
1264669	TRANSFORMR	5.35	1264785	SWITCH	2.85	1264921	BLOCK	2.15
1264670	SWITCH	1.15	1264786	SWITCH	3.85	1264922	PIN	.40
1264671	SWITCH	2.10	1264787	TUBE ASM	.40	1264923	SPRING	.10
1264672	SOCKET	.25	1264788	HOLDER ASM	.90	1264924	SPRING	.20
1264673	CONTROL	1.55	1264789	GEAR ASM	.90	1264925	TOGGLE ASM	.50
1264674	SPACER	.05	1264790	GEAR ASM	.85	1264926	BRKT ASM	.60
1264675	NUT	.05	1264791	GEAR ASM	1.10	1264927	PLATE	.40
1264676	SPACER	.15	1264792	BAR ASM	2.05	1264928	BRACKET	.15
1264677	TRANSFORMR	3.20	1264793	BAR ASM	2.05	1264929	PIN	.40
1264684	SCREW	.05	1264794	BAR ASM	2.05	1264930	DIAL 30	.55
1264685	WASHER	.05	1264795	SLEEVE	.50	1264931	ARM	.35
1264686	LOCKWASHER	.05	1264796	CONNECTOR	1.70	1264932	LEVER	.55
1264687	ATTACH PWR	8.05	1264797	BOARD	5.60	1264933	LEVER	.55
1264688	CASE	16.00	1264798	SPOOL	3.85	1264934	SHAFT ASM	5.35
1264689	ATTACH PHO	39.55	1264799	SPRING	.15	1264935	PAD	.10
1264691	RESISTOR	.15	1264800	CLUTCH	2.45	1264936	SHAFT ASM	5.10
1264693	DISC 15MIN	1.20	1264801	CLUTCH	2.65	1264937	COVER	5.80
1264694	DISC	1.20	1264802	INSERT	1.35	1264938	FOLLOWER	3.15
1264695	DISC	1.20	1264803	DRAG ASM	2.40	1264939	GEAR DR	2.70
1264696	SPRING	.95	1264804	CABLE ASM	1.55	1264940	WORM	4.70
1264698	PLATE ASM	1.75	1264805	CASE GEAR	5.55	1264941	CLIP	.05
1264702	GEAR ASM	8.85	1264806	POINTER	.15	1264942	BRACKET	.10
1264705	KIT 596	.45	1264807	WHEEL	1.95	1264943	ROD	.45
1264706	COIL	5.65	1264808	PULLEY	1.35	1264944	DRUM ASM	1.55
1264707	COIL	5.65	1264811	RELAY	6.15	1264945	LEVER ASM	1.20
1264709	CONTACT	2.65	1264812	SOUNDHEAD	28.80	1264946	BEARING	.50
1264710	RELAY	15.85	1264813	SHAFT	1.05	1264948	BRKT	.20
1264711	RESISTOR	.35	1264814	SHAFT	1.80	1264950	SPRING	.15
1264712	RESISTOR	.25	1264815	SHAFT	1.80	1264951	DRAG ASM	1.40
1264713	RESISTOR	.15	1264816	SHAFT	1.65	1264952	TUBE DR	.10
1264714	RESISTOR	.25	1264817	SLEEVE	2.95	1264953	RING	.15
1264715	RESISTOR	1.70	1264818	ARM SLIDE	1.45	1264954	MOUNT ASM	1.90
1264716	RESISTOR	.15	1264820	SWITCH	1.20	1264955	MOUNT ASM	1.90
1264717	RESISTOR	.15	1264822	TRANSFORMR	3.95	1264957	COVER ASM	7.05
1264718	RESISTOR	.15	1264823	SPRING	.65	1264958	SPRING	.20
1264719	RESISTOR	.15	1264824	TIP WING	.20	1264959	MOUNT ASM	31.50
1264720	RESISTOR	.25	1264825	PAWL	.15	1264960	SPRING ADJ	.35
1264721	RESISTOR	.15	1264826	PLUG HOLE	.10	1264961	RAIL ASM	2.50
1264722	RESISTOR	.40	1264827	CONT ASM	1.10	1264962	RAIL ASM	2.50
1264724	RESISTOR	.15	1264829	ELEMENT	9.35	1264963	SPRING	.15
1264727	RESISTOR	.25	1264830	AMPLIFIER	135.00	1264964	COLLAR	.85
1264729	CAPACITOR	.20	1264831	AMPLIFIER	121.00	1264965	SPRING	.70
1264730	CAPACITOR	.50	1264832	AMPLIFIER	154.00	1264966	RETAINER	.55
1264733	BUTTON	.95	1264835	ROLLER	.20	1264967	GEAR ASM	3.05
1264734	LINK	2.90	1264836	TIRE	.50	1264968	CAM ASM	1.30
1264738	CLIP CORD	.10	1264838	SCREW SET	.15	1264969	BRKT ASM	1.15
1264743	COVER	21.25	1264845	SWITCH	1.55	1264970	CASTING	19.20
1264750	COIL ASM	2.55	1264846	BELT 1000C	5.00	1264971	CONTACT	.35
1264751	SPRING	.15	1264848	SHAFT	1.15	1264972	FRAME ASM	4.25
1264752	SCREW ASM	7.85	1264849	SHAFT	1.10	1264973	TRIFOIL	2.30
1264753	CLOTH	.20	1264852	AMPLIFIER	125.00	1264974	SHELL ASM	5.50
1264754	CLOTH	.15	1264854	AMPLIFIER	125.00	1264975	STRIP	.15
1264755	GROMMET	.05	1264857	WHEEL LRG	3.35	1264976	GEAR ASM	1.15
1264756	PLATE ASM	4.85	1264858	WHEEL SML	2.45	1264977	GEAR ASM	1.90
1264757	SPRING	.60	1264874	CORK	.20	1264978	PLATE ASM	.75
1264759	ROLLER	.20	1264883	UNIT BEEP	55.00	1264979	DIAL 60	.20
1264760	SPOOL	18.35	1264895	TUBE	2.35	1264980	PLATE ASM	.50
1264761	SWITCH ASM	1.05	1264896	TUBE	1.45	1264981	SHAFT ASM	5.50
1264762	SWITCH ASM	1.05	1264897	PLUG	2.00	1264982	SHAFT ASM	5.65
1264763	MOUNT	.15	1264898	GEAR	2.30	1264983	WHEEL	3.05
1264764	SOCKET ASM	.20	1264900	TUBE	8.30	1264984	WHEEL ASM	6.25
1264765	HOOK ASM	1.05	1264901	PINION	2.20	1264985	WHEEL ASM	6.25
1264766	TRANSFORMR	5.30	1264902	GEAR WORM	2.35	1264986	BRKT ASM	1.00
1264767	CONTACT	2.60	1264903	CAM ASM	3.30	1264987	SUPPORT	3.10
1264768	SWITCH ASM	1.60	1264904	LATCH	1.00	1264988	HUB	.35
1264769	BRKT ASM	5.65	1264905	GUIDE ASM	2.10	1264989	SLEEVE	.15

PART NO.	PART NAME	PRICE	PART NO.	PART NAME	PRICE	PART NO.	PART NAME	PRICE
1264990	STRAP	.25	1265082	WORM	.25	1270363	PLATEN	9.10
1264991	PLATE ASM	4.00	1265083	KNOB	1.10	1270365	PLATEN	9.10
1264992	GEAR WORM	1.75	1265085	WHEEL	1.85	1270371	PLATEN	9.10
1264993	RETAINER	.25	1265088	PLATE	.45	1270373	PLATEN	10.65
1264994	NUT	.05	1265089	SPEAKER	6.25	1270382	PLATEN	10.65
1264996	PLUG	.25	1265090	SWITCH	2.40	1270389	PLATEN	10.65
1264997	MOUNTING	6.70	1265091	CONTROL VHM	2.40	1270398	PLATEN	10.65
1264998	MOUNT	3.50	1265095	MIKE ASM	36.35	1270406	PLATEN	10.65
1264999	SOCKET	.65	1265096	CARTRIDGE	39.75	1270408	PLATEN	12.20
1265000	MOUNT	3.50	1265097	SWITCH	.90	1270416	PLATEN	12.20
1265001	SOCKET	.50	1265098	STUD	.25	1270430	PLATEN	12.20
1265002	LIGHT AMB	5.70	1265099	RECEPTACLE	2.65	1270431	PLATEN	12.20
1265003	LIGHT GRN	5.70	1265100	RECEPTACLE	3.95	1270433	PLATEN	12.20
1265004	LIGHT	2.65	1265134	BELLCK BM	.95	1270439	PLATEN	12.20
1265005	WASHER	.05	1265136	BRUSH	.45	1270441	FORMS CARR	95.00
1265006	BEARING	1.50	1265137	SPRING	.10	1270442	FORMS CARR	100.00
1265008	RESISTOR	.25	1265138	CAP BRUSH	.45	1270463	FORMS CARR	45.00
1265009	GROMMET	.10	1265167	TYPE BAR	1.10	1270469	LOUDBELL	1.75
1265010	GROMMET	.05	1265168	TYPE BAR	1.10	1270470	CLUTCH	4.10
1265011	BUMPER	.10	1265169	TYPE BAR	1.10	1270471	PLATEN	65.00
1265012	RESISTOR	.20	1265170	TYPE BAR	1.10	1270476	BUTTON SET	9.40
1265013	RESISTOR	.25	1265171	TYPE BAR	1.10	1270483	BELT DRIVE	5.70
1265014	CAPACITOR	2.30	1265172	TYPE BAR	1.10	1270496	PALM TAB	10.00
1265015	RESISTOR	1.50	1265173	TYPE BAR	1.10	1270497	PAD ASM	4.00
1265016	RESISTOR	1.60	1265174	TYPE BAR	1.10	1270498	COUNTER	35.00
1265017	CAPACITOR	2.00	1265175	TYPE BAR	1.10	1270499	COUNTER	35.00
1265018	CAPACITOR	2.10	1265176	TYPE BAR	1.10	1270537	PLATEN	65.00
1265019	CAPACITOR	1.75	1265177	TYPE BAR	1.10	1270538	PLATEN	65.00
1265020	CAPACITOR	2.25	1265178	TYPE BAR	1.10	1270539	PLATEN	65.00
1265021	CAPACITOR	2.75	1265191	KEY LEVER	1.90	1270540	PLATEN	70.00
1265022	FILTER	8.15	1265421	TIRE	.50	1270541	PLATEN	70.00
1265023	FILTER	17.15	1270004	CARR 1210P	170.00	1270542	PLATEN	70.00
1265024	CAPACITOR	16.80	1270008	CARR 1610P	213.75	1270602	CARR ASM	81.25
1265025	CAPACITOR	2.90	1270037	SUPT RAIL	93.75	1270604	CARR ASM	18.75
1265026	RECTIFIER	17.45	1270046	SUPT ASM	100.65	1270605	CARR ASM	18.75
1265030	CAPACITOR	.50	1270056	MOTOR CONV	4.60	1270633	COVERS	50.00
1265032	CAPACITOR	.20	1270057	MOTOR CONV	5.00	1270635	COVERS	50.00
1265033	RESISTOR	.15	1270058	MOTOR CONV	3.40	1270637	COVERS	50.00
1265034	RESISTOR	.15	1270061	MOTOR CONV	6.65	1270638	COVERS	50.00
1265035	RESISTOR	.50	1270062	MOTOR CONV	11.50	1270640	COLOR CASE	50.65
1265036	CAPACITOR	1.20	1270063	MOTOR CONV	11.50	1270642	COLOR CASE	50.65
1265037	RESISTOR	.20	1270068	TYPESET	53.75	1270643	COLOR CASE	50.65
1265038	CAPACITOR	2.35	1270070	REST	17.50	1270644	COLOR CASE	50.65
1265039	CAPACITOR	2.00	1270094	BUTTON SET	20.65	1270647	RIBBON BM	20.90
1265040	RESISTOR	1.05	1270095	BUTTON SET	21.90	1270650	TAB LINK	1.35
1265041	RESISTOR	.40	1270196	PLATEN	50.00	1270651	TAB LINK	1.45
1265042	CAPACITOR	.45	1270197	ARM REST	18.75	1270652	PALM TAB	10.00
1265043	CAPACITOR	1.50	1270198	ARM REST	18.75	1270653	PALM TAB	10.00
1265045	CAPACITOR	15.75	1270199	PLATEN	55.00	1270655	LINE CTR	16.20
1265046	EYELET	.05	1270200	PLATEN	60.00	1270665	CRA	35.00
1265047	KNOB	1.10	1270201	PLATEN	58.00	1270672	SPRING	5.20
1265048	JACK	1.55	1270202	MOTOR CONV	3.20	1270673	BUTTON SET	9.40
1265049	COIL	1.65	1270205	MOTOR CONV	9.85	1270674	PLATEN	53.00
1265050	SWITCH	2.25	1270209	PLATEN	7.50	1270675	PLATEN	20.00
1265052	CONTACT	1.65	1270218	PLATEN	7.50	1270677	PLATEN	55.00
1265053	COIL ASM	6.35	1270226	PLATEN	7.50	1270678	PLATEN	60.00
1265054	SWITCH	3.50	1270235	PLATEN	7.50	1270679	PLATEN	65.00
1265055	SWITCH	2.00	1270238	PLATEN	7.50	1270680	BUTTON SET	21.90
1265057	BOARD ASM	25.00	1270240	PLATEN	7.50	1270681	BUTTON SET	20.65
1265058	TRANSFORMR	12.65	1270247	PLATEN	7.50	1270684	MARGIN SET	3.75
1265059	TRANSFORMR	16.80	1270254	PLATEN	7.50	1270694	COLOR CHG	59.40
1265060	CONTACT	1.05	1270261	PLATEN	8.15	1270696	COLOR CHG	59.40
1265061	HEAD ASM	40.50	1270263	PLATEN	8.15	1270697	COLOR CHG	59.40
1265062	BOARD ASM	15.10	1270270	PLATEN	8.15	1270698	COLOR CHG	59.40
1265063	RELAY	10.65	1270277	PLATEN	8.15	1270699	COLOR CHG	59.40
1265064	SWITCH	14.60	1270285	PLATEN	7.50	1270700	SELECTOR	125.00
1265065	SWITCH	2.05	1270287	PLATEN	7.50	1270701	SELECTOR	125.00
1265066	CONTROL	2.05	1270290	PLATEN	7.50	1270702	SELECTOR	125.00
1265067	CONTROL	2.05	1270298	PLATEN	7.50	1270703	SELECTOR	125.00
1265068	COIL ASM	11.00	1270300	PLATEN	8.15	1270704	SELECTOR	125.00
1265069	COIL ASM	7.00	1270308	PLATEN	8.15	1270705	SELECTOR	125.00
1265070	COIL ASM	7.00	1270316	PLATEN	8.15	1270706	SELECTOR	125.00
1265071	CONTACT	2.45	1270324	PLATEN	8.15	1270707	SELECTOR	125.00
1265072	CONTACT	4.55	1270327	PLATEN	8.15	1270708	SELECTOR	125.00
1265073	TRANSFORMR	26.85	1270329	PLATEN	8.15	1270709	SELECTOR	125.00
1265074	TRANSFORMR	19.50	1270335	PLATEN	8.15	1270710	SELECTOR	125.00
1265076	MOTOR	96.95	1270337	PLATEN	9.10	1270711	SELECTOR	125.00
1265077	BEARING	.05	1270345	PLATEN	9.10	1270712	SELECTOR	125.00
1265080	TUBE	7.25	1270353	PLATEN	9.10	1270713	SELECTOR	125.00
1265081	SPRING	.25	1270361	PLATEN	9.10	1270715	SELECTOR	125.00

ETD PARTS PRICE LIST

1270721-6505474

PART NO.	PART NAME	PRICE	PART NO.	PART NAME	PRICE	PART NO.	PART NAME	PRICE
1270721	COLOR CASE	50.65	1270984	RO CS 2 4	.50	2114593	SCREW	.01
1270723	COLOR CASE	58.75	1270985	RO CS 3 4	1.20	2114985	NUT	.05
1270727	COLOR CASE	58.75	1270986	RO CS 2 5	1.00	4097405	RIVET	.05
1270728	COLOR CASE	58.75	1270987	PLATEN DF	15.50	4097934	CLIP	.05
1270732	PLATEN	75.00	1270988	RO CS 2 6	12.00	6505024	CABLE ASM	.60
1270756	COUNTER	35.00	1270993	SAFETY FEA	17.65	6505030	FLANGE ASM	1.70
1270759	COUNTER	35.00	1270994	LAMP CONV	10.70	6505033	NUT	.25
1270760	COUNTER	35.00	1271008	FRA	35.00	6505035	PLATE ASM	1.25
1270761	FORMS CARR	95.00	1271011	CRA	35.00	6505036	DISC RETAN	1.05
1270762	FORMS CARR	100.00	1271043	FORMS ATTH	130.00	6505039	HUB TAPE	.70
1270763	COLOR CHG	59.40	1271044	FORMS ATTH	135.00	6505041	SHAFT SPL	.95
1270765	FORMS CARR	2.45	1271061	FORMCARR12	95.00	6505043	NUT RETAIN	.90
1270768	SUPPORT BM	3.75	1271062	FORMCARR16	100.00	6505046	NUT KNURLE	.60
1270774	CRA	35.00	1271070	INTERPOSER	35.00	6505047	BOLT CARRI	.25
1270778	ESCAPEMENT	25.25	1271071	INTERPOSER	35.00	6505048	PLUNGER	.15
1270779	ESCAPEMENT	25.25	1271072	INTERPOSER	40.00	6505049	ROLLER	.15
1270780	ESCAPEMENT	25.25	1271074	SB CAM BM	4.55	6505051	FLANGE	1.25
1270783	COLOR CHG	59.40	1271080	EDGE GAGE	20.00	6505059	FLANGE ASM	4.50
1270788	DRIVE MECH	9.95	1271081	EDGE GAGE	20.00	6505061	LOCK ASM	15.50
1270789	DRIVE MECH	15.10	1271083	REST KEYBO	24.00	6505062	DISC ASM	6.50
1270790	COVERS	50.00	1271090	HEKTO BILL	12.70	6505068	LOCK SPOOL	28.50
1270795	SELECTOR	125.00	1271100	BUTTON SET	21.90	6505075	SHOE BRAKE	.85
1270797	CLUTCH	2.65	1271101	BUTTON SET	21.90	6505076	YOKE MAGNT	1.20
1270800	GUIDE	4.65	1271102	TYPE SET	58.10	6505077	HOLDING ASM	1.60
1270801	GUIDE	4.65	1271103	TYPE SET	58.10	6505084	LEVER LHUP	.70
1270802	GUIDE	4.65	1271104	GRAY BM	60.00	6505085	LEVER RHUP	.70
1270803	GUIDE	4.65	1271105	BRONZE BM	60.00	6505087	LEVER RHL D	.70
1270815	LINING	.60	1271106	GREEN BM	60.00	6505088	LEVER RHL D	.70
1270816	LINING	.70	1271107	S BLUE BM	60.00	6505094	STUD SPRNG	.15
1270817	LINING	.75	1271108	ROSE BM	60.00	6505095	STUD PIVOT	.05
1270818	LINING	.45	1271109	O BLUE BM	60.00	6505097	SPRNG STUD	.10
1270819	LINING	.95	1271110	GRAY BM	75.00	6505099	STUD ROLLE	.10
1270822	CRA	35.00	1271111	S BLUE BM	75.00	6505101	ROLLER ASM	.75
1270824	RIB FEED	23.25	1271112	BRONZE BM	75.00	6505102	ROLLER ASM	.75
1270825	CRA SPRING	23.10	1271113	GREEN BM	75.00	6505108	DUST COVER	4.70
1270826	CRA SPRING	23.10	1271114	ROSE BM	75.00	6505109	ROLLER	.80
1270827	RIB CONV	6.00	1271115	O BLUE BM	75.00	6505110	STUD BEARG	.30
1270828	PLATEN	75.00	1271116	GRAY BM	75.00	6505111	WASHER	.30
1270835	INDICATOR	4.50	1271117	BLUE BM	75.00	6505112	MOUNTING	1.05
1270836	CRA	35.00	1271118	BRONZE BM	75.00	6505115	ROLLER	.35
1270837	SPACE BAR	6.05	1271119	GREEN BM	75.00	6505118	MOUNTG ASM	4.80
1270844	COUNTER KS	35.00	1271120	ROSE BM	75.00	6505119	RUSHING	.35
1270845	COUNTER KS	35.00	1271121	O BLUE BM	75.00	6505128	STOP CLAMP	.10
1270846	COUNTER KS	35.00	1271122	ARM REST	60.00	6505129	SHOE BRAKE	.50
1270847	COUNTER KS	35.00	1271123	HOLDER PR	22.00	6505130	CLAMP STOP	1.05
1270848	COUNTER KS	35.00	1271134	LINELOCK B	24.95	6505131	PLATE	.05
1270849	COUNTER KS	35.00	1271155	PALM TAB L	20.00	6505132	PLATE	.10
1270850	PLATEN 13	55.00	1271156	PALM TAB L	20.00	6505133	ARMATURE	.95
1270851	PLATEN 17	60.00	1271157	PALM TAB	20.00	6505134	INSULATOR	3.25
1270852	PLATEN 20	65.00	1271158	PALM TAB	20.00	6505135	PLATE BASE	1.75
1270853	PLATEN WB	80.00	1271216	STUD BS BM	.85	6505139	SPRING DET	.10
1270854	PLATEN WB	80.00	1271217	BEARING BM	.35	6505147	FRAME UPPE	7.50
1270857	KNIFE ASM	18.60	1271257	PALM IMP	18.00	6505148	RAIL CONNT	3.50
1270858	KNIFE ASM	18.60	1271259	FEED BIM	.95	6505149	RAIL CARRG	1.75
1270860	CRA	35.00	1271260	DETENT BM	.35	6505150	COVER RAIL	.65
1270872	MOTOR B M	7.80	1271272	MOUNT BM	1.60	6505154	KNOB KNURL	.40
1270873	MOTOR B M	7.80	1271273	MOUNT BM	3.40	6505155	SCREW BEAR	.35
1270874	MOTOR B M	4.90	1271278	KEY PLT BM	.60	6505161	SPACER	.15
1270875	SAFETY HEK	2.80	1271296	SPOOL BM	.90	6505163	BRKET ASM	1.35
1270879	CAMS SET	81.70	1271297	TRIGGER BM	11.00	6505165	BAR ASM	2.40
1270881	PLATEN BM	60.00	1271299	COUNTER BM	20.70	6505172	PLATE	1.50
1270883	PALM TAB	20.00	1271309	SPACING BM	21.40	6505174	CLOCK TERM	2.10
1270884	PALM TAB	20.00	1271315	COVER BM	4.05	6505175	PLATE CLAM	.90
1270891	GRAY BM	60.00	1271325	632 BM	.15	6505178	CROSS SPL	2.75
1270892	BRONZE BM	60.00	1271334	CEM 43A	13.35	6505182	LEVER BRKE	2.00
1270893	GREEN BM	60.00	1271335	CEM 43A	.85	6505187	NUT SHOUL D	.20
1270894	S BLUE BM	60.00	1271336	632 BM	8.45	6505191	LINING FLT.	.25
1270895	ROSE BM	60.00	1271337	CEM 59	20.40	6505208	PLUG 2PRNG	1.50
1270896	O BLUE BM	60.00	1271338	CEM 60	15.50	6505209	RECEPTACLE	1.50
1270897	BUTTON SET	20.65	1271389	FRA	35.00	6505352	COVER ASM	16.00
1270898	BUTTON SET	21.90	1271401	WIRE B M	.85	6505355	RECTIFIER	6.50
1270962	CIR TIME	1.20	1271424	LINE FD BM	7.45	6505358	CAP CAPACI	.15
1270963	ELEC TIME	.70	1271425	LINE FD BM	7.45	6505361	CAP CAPACI	.90
1270976	632 BM	6.50	1271426	LINE FD BM	7.45	6505366	COIL MAGNT	3.50
1270977	WIRE PREP	.80	1271427	LINE FD BM	7.45	6505374	CABLE	.25
1270978	MEMORY B/M	2.50	1271428	LINE FD BM	7.45	6505393	PLATE LH	.15
1270980	SPACE IMPR	.25	1271429	LINE FD BM	7.45	6505421	BRACKET LD	.30
1270981	RO CS 2 1	12.00	2100844	TUBE 6887	2.00	6505424	BRACKET RH	.30
1270982	RO CS 1 3	12.00	2100977	SCREW	.05	6505471	BRKT MT	3.00
1270983	RO CS 1 4	12.00	2103526	SCREW	.55	6505474	SCREW KNUR	.95

MARCH 17, 1961

PAGE 67

ETD PARTS PRICE LIST

PART NO.	PART NAME	PRICE
6505475	NUT KNURLD	.60
6505476	WASHER RNG	.05
6505477	RING FELT	.10
6505526	CHASSIS	1.60
6505535	HOLDER	.25
6505636	PLATE MTG	2.70
6505637	CABLE	5.90
6505639	CONTACT AS	2.25
6505643	STOP FINAL	.40
6505647	STOP CARRG	.25
6505650	SPACER LH	.25
6505651	SPACER RH	.25
6505654	PLATE RH	1.65
6505659	CARRIAGE	21.50
6505667	LEVER ASM	1.50
6505669	ROD TIE	1.75
6505684	NYL RIB GU	.75
6505685	PLATE LH	1.65
6505686	LEVER PLAT	.75
6505687	SPACER PLT	.15
6505689	CABLE	.60
6505702	LINK	.25
6505706	LEVER	.25
6505836	SPACER	.15
6505844	BRACKET RH	3.00
6505916	BRACKET	1.20
6505919	SHOE HEKTO	.65
6506070	SHIM	.05
6506088	SPRING	.10
6506348	CAPACITOR	6.00
6506349	BRACKET	.40
6506381	WIRE	.15
6506382	WIRE	.15
6510052	STUD	.25
6510103	ARM ASM	1.25
6510141	STUD	1.15
6510154	LINK	.20
6510157	BUTTON	.25
6510170	FOOT GUIDE	.35
6510192	NUT	.05
6510209	ROLLER	.25
6510230	BRACKET	1.50
6510237	ROLLER	.15
6510250	PULLEY	2.95
6510257	BELT	.90
6510269	WIRE	.60
6510312	COVER	1.25