

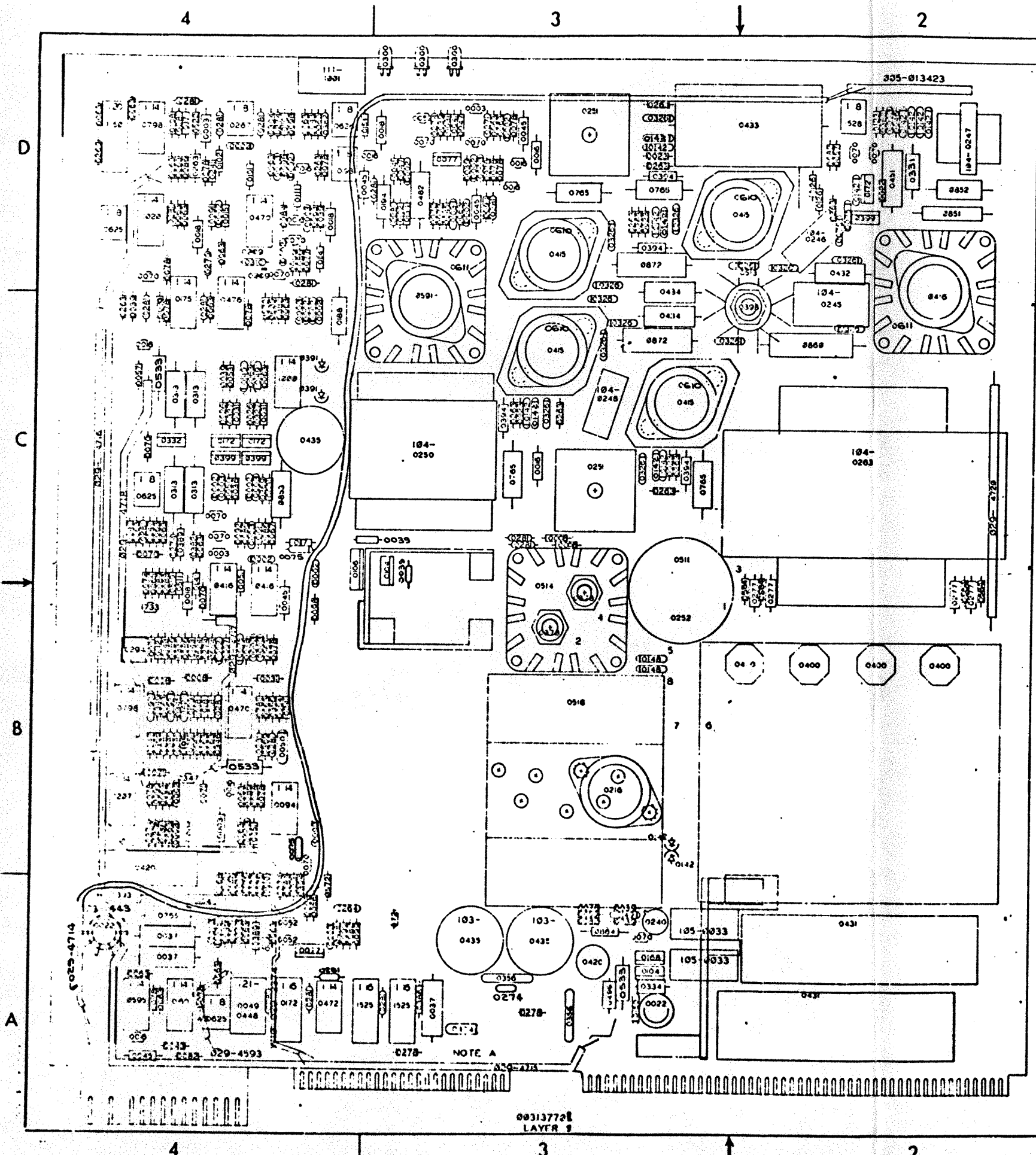
REVISIONS				
REV	DESCRIPTION	DRFTG	APP BY	DATE
01	PER ECO 9680	PAUL B.		12/27
02	PER ECO 10971	VM		1/20/78
03	PER ECO 11384A	AB		9/1/78
04	PER ECO 11215	VM		11/2/78
05	PER ECO 11482	VM		11/2/78
06	PER ECO 11504	VM		11/2/78
07	PER ECO 11846	VM		11/2/78
08	PER ECO 9945F	VM		11/2/78
09	PER ECO 11154	VM		11/2/78
10	PER ECO 11353	VM		11/2/78
11	PER ECO 13126	VM		11/2/78
12	PER ECO 13533	VM		11/2/78
13	PER ECO 13580	VM		11/2/78

001001524-21  
 003001377-17  
 107000953-05

NOTE 1: CR35/CR36, CR49, CR50 TO BE STOOD ON END ALLOWING NO LEAD LENGTH BETWEEN P.C.B. AND DIODE.  
 2: USE 123-1132 SPACER W/101-022 DICEDS AT (2) LOCATIONS CR4 AND CR6.

THIS DRAWING AND SPECIFICATIONS, WHEN AND THE MANUFACTURE OF THIS DRAWING AND SPECIFICATIONS AND SHALL BE THE PROPERTY OF DATA GENERAL CORPORATION AND SHALL BE KEPT IN CONFIDENCE AND NOT TO BE REPRODUCED OR COPIED IN ANY MANNER WITHOUT WRITTEN PERMISSION.	DRAWN	PAUL B.	12/27
	CHECKED		
	ENGINEER		
	APPROVED	<i>[Signature]</i>	
	FIRST USED ON	00312061-U	
	SCALE	005 12062-7	
	CODE IDENT		

DATA GENERAL CORPORATION WESTBORO, MASS. 01581			
TITLE IPL POWER SUPPLY			
SIZE	CODE	DRAWING NUMBER	REV
C	016	000871	13



REVISIONS				
REV	DESCRIPTION	DRFT	APP BY	DATE
001				

THIS DRAWING AND SPECIFICATIONS HEREIN ARE THE PROPERTY OF DATA GENERAL CORPORATION AND SHALL BE KEPT IN CONFIDENTIALITY AS PART OF THE BASIS FOR MANUFACTURE OF THIS PRODUCT WITHOUT WRITTEN PERMISSION.

DRAWN	FAUL B	12/27/77
CHECKED		
ENGINEER		
APPROVED		
FIRST USED ON		
SCALE		CODE IDENT

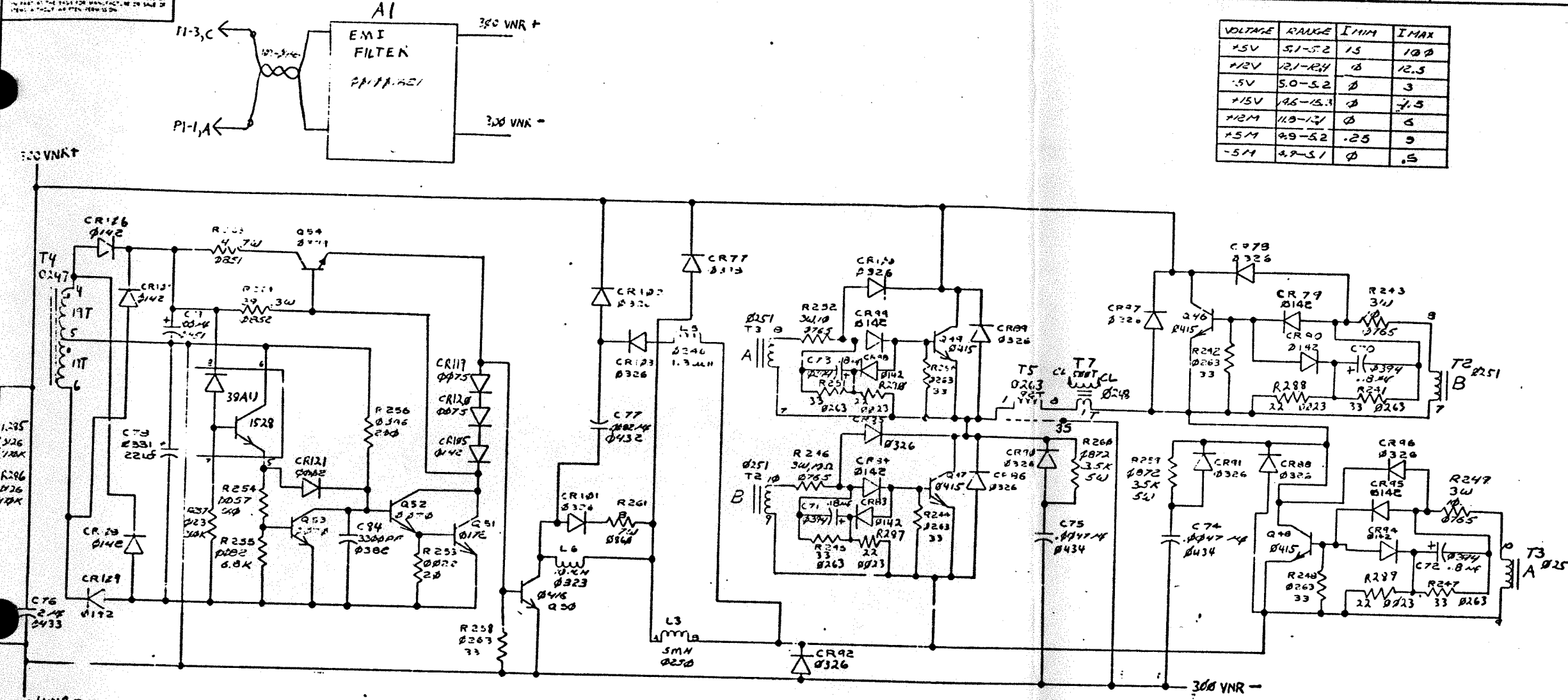
**DATA GENERAL CORPORATION**  
WESTBORO, MASS. 01581

TITLE  
**IPL  
POWER  
SUPPLY**

SIZE	CODE	DRAWING NUMBER	REV
C	016	000871	13

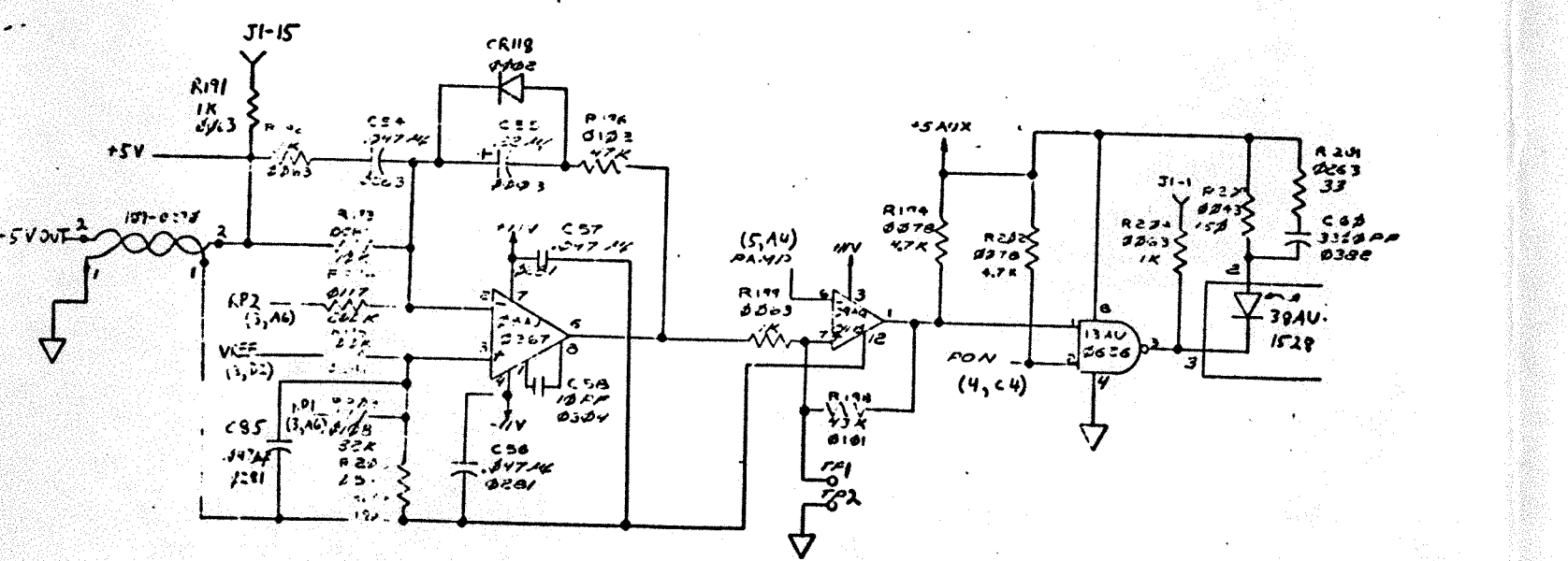
00313772E  
LAYER 9

NOTE A



VOLTAGE	RANGE	I <sub>MIN</sub>	I <sub>MAX</sub>
+5V	51-52	15	100
+12V	121-124	10	12.5
-5V	50-52	0	3
+15V	126-128	0	1.5
+12M	110-112	0	6
+5M	49-52	0.25	0
-5M	49-51	0	1.5

REVISIONS				
REV	DESCRIPTION	DRFTG	APP BY	DATE
00	ISSUED FOR ECO			4-1
01	ECO # E570A	JB		4-1
02	ECO E575			4-1
03	ECO F816			4-1
04	ECO F848			4-1
05	ECO F879			4-1
06	ECO # F886			4-1
07	ECO F888			4-1
08	ECO G705			4-1
09	ECO 9471A			4-1
10	ECO 9473			4-1
11	ECO F832			4-1
12	ECO 96980			4-1
13	ECO 1057			4-1
14	ECO 11384A			4-1
15	PER ECO 11215			4-1
16	PER ECO 11621			4-1
17	PER ECO 11246			4-1
18	PER ECO 11121			4-1
19	PER ECO 13126			4-1
20	PER ECO 13593			4-1
21	PER ECO 13580			4-1



TEST POINTS	
1	7805
2	CURRENT
3	FOR FINE
4	HVS
5	FOR
6	-5V
7	+5AUX
8	GND
9	+5V
10	+12V
11	FOR
12	Q30-C
13	Q29-C
14	VREF
15	+5V
16	FOR

WARNING: HAZARDOUS VOLTAGES EXIST ON THIS UNIT. SERVICE MUST ONLY BE PERFORMED BY QUALIFIED PERSONNEL.

SEE PAGE 3 FOR ALL NOTES.

016000871  
016000688

+5 Regulator, HV Switching Section

ITEM	QTY	DESCRIPTION	PART NO.
1	1	7805	
2	1	CURRENT	
3	1	FOR FINE	
4	1	HVS	
5	1	FOR	
6	1	-5V	
7	1	+5AUX	
8	1	GND	
9	1	+5V	
10	1	+12V	
11	1	FOR	
12	1	Q30-C	
13	1	Q29-C	
14	1	VREF	
15	1	+5V	
16	1	FOR	

ARTWORK: 107  
DO NOT SCALE DRAWING  
UNLESS OTHERWISE SPECIFIED  
USE DGC SPECIFICATION  
108 00028 FOR TOLERANCES AND WORKMANSHIP REQUIREMENTS

DRAWN: [Signature]  
CHECKED: [Signature]  
ENGINEER: [Signature]  
APPROVED: [Signature]  
FIRST USED ON: [Date]  
SCALE: [Scale]

DATA GENERAL CORPORATION  
SOUTHBORO, MASS. 01772

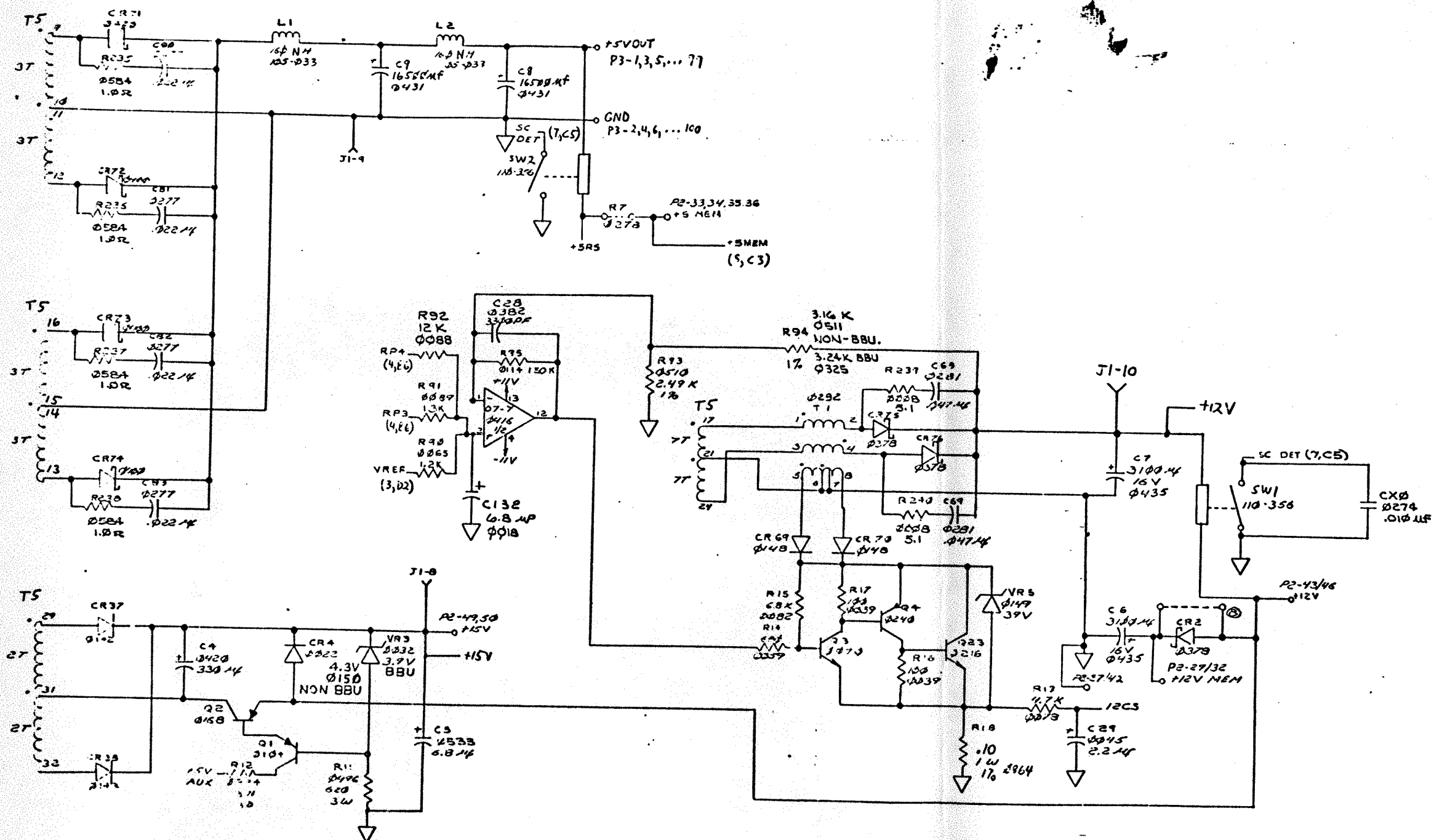
TITLE  
NOVA 4  
POWER SUPPLY  
PCB

CODE IDENT: 34984  
SIZE: D  
DRAWING NUMBER: 010101524  
REV: 21  
SHEET P. 01



ALL DIMENSIONS AND SPECIFICATIONS HEREIN ARE THE PROPERTY OF DATA GENERAL CORPORATION AND SHALL BE KEPT IN CONFIDENCE BY THE BUYER AND SHALL NOT BE REPRODUCED OR COPIED OR TRANSMITTED IN ANY FORM OR BY ANY MEANS FOR MANUFACTURE OR SALE OF THIS PRODUCT WITHOUT WRITTEN PERMISSION.

REVISIONS				
REV	DESCRIPTION	DRFTG	APP BY	DATE
1				

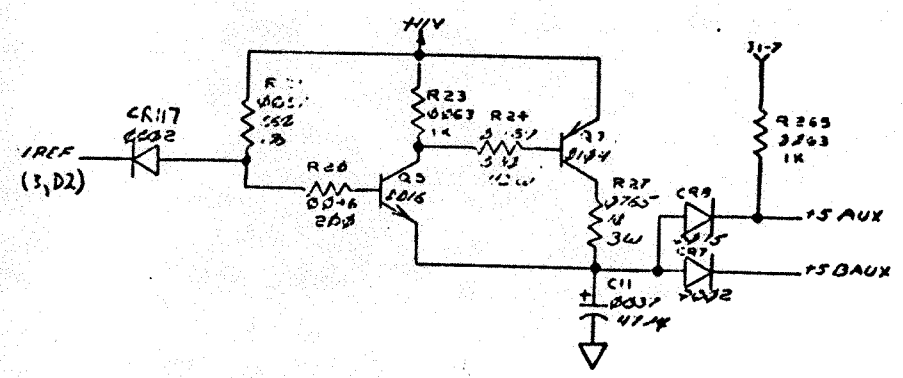
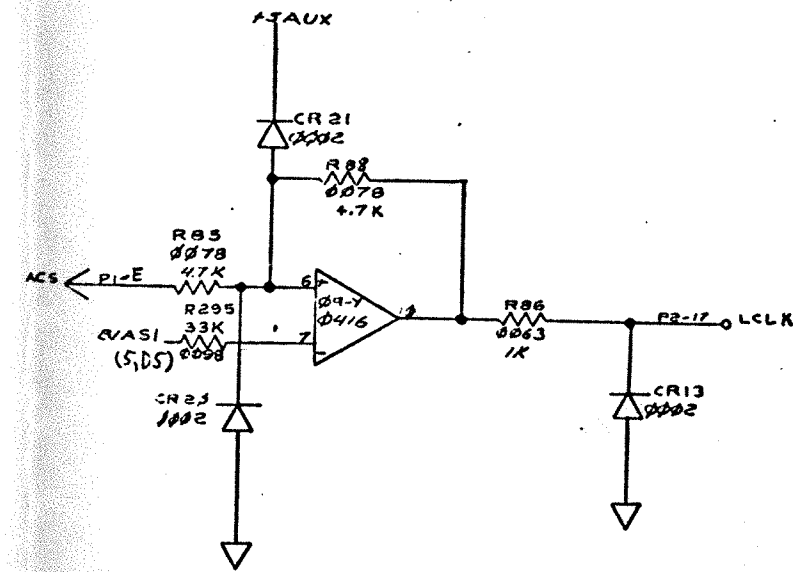
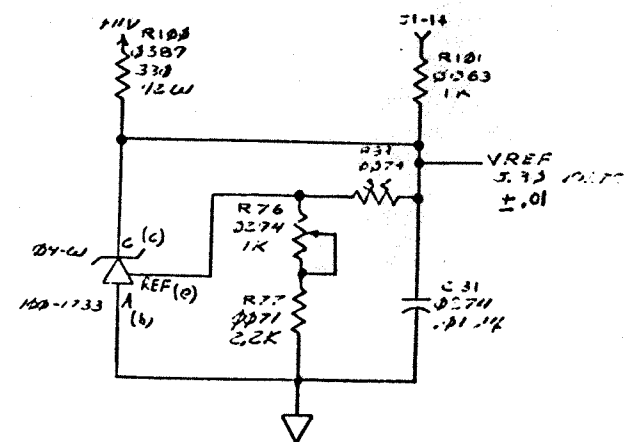
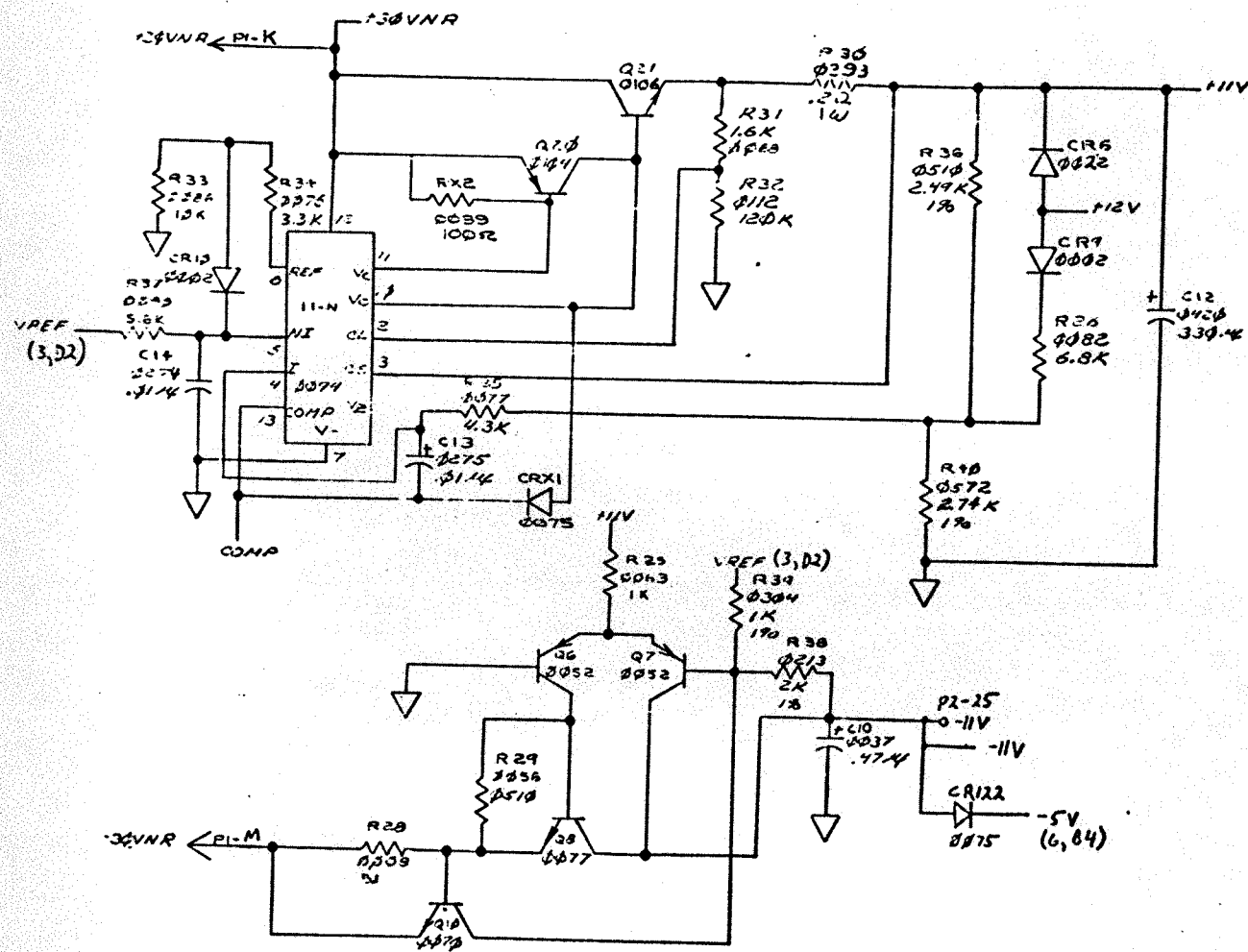


+5V Output, +12 Output + Regulator, +15 Regulator

ITEM	QTY	DESCRIPTION	PART NO.
DO NOT SCALE DRAWING			
UNLESS OTHERWISE SPECIFIED			
USE D.G.C. SPECIFICATION			
100-000078 FOR TOLERANCES AND WORKMANSHIP REQUIREMENTS			
MATERIAL			
FINISH			
DRAWN			
CHECKED			
ENGINEER			
APPROVED			
FIRST USED ON			
SCALE	CODE IDENT	SIZE	CODE
	34984	D	
DRAWING NUMBER		REV.	
001001524		21	

DATA GENERAL CORPORATION  
SOUTHBORO, MASS. 01772  
TITLE  
NOVA 4  
POWER SUPPLY  
PCB

REVISIONS				
REV	DESCRIPTION	DRFTG	APP BY	DATE
ECO				



- NOTES:
- 1. = 50 EDGE PIN CONNECTORS
  - 2. = HIGH VOLTAGE EDGE CONNECTORS
  - 3. = TEST POINT AT FRONT OF CARD
  - 4. = TP X = TERMINAL PIN TEST POINT
  - 5. W3 CONNECTS TO BAF00 FOR BBU VERSION, TO B7-D P116 FOR NOA-BBU VERSION.
  - 6. R3, R7 NOT INSTALLED ON BBU VERSION.
  - 7. R6 IS 10K-0278 FOR BBU VERSION, 51-0379 FOR NOA-BBU VERSION. (CR12)
  - 8. CR2 INSTALLED ON BBU VERSION IS PLACED BY JUMPER WIRE ON NOA-BBU VERSION.
  - 9. CR35-CR38, CR47, CR58 TO BE STOOD ON END ALLOWING NO LEAD LENGTH BETWEEN P.C.B AND DIODE.
  - 10. ALL COMPONENTS ON PAGE 3 ARE FOR BATTERY BACKUP ONLY EXCEPT R17, R18, C32, CR23 AND ASSOCIATED JUMPER.

+11, -11, and +5 Aux Regulators, VREF, LCLK

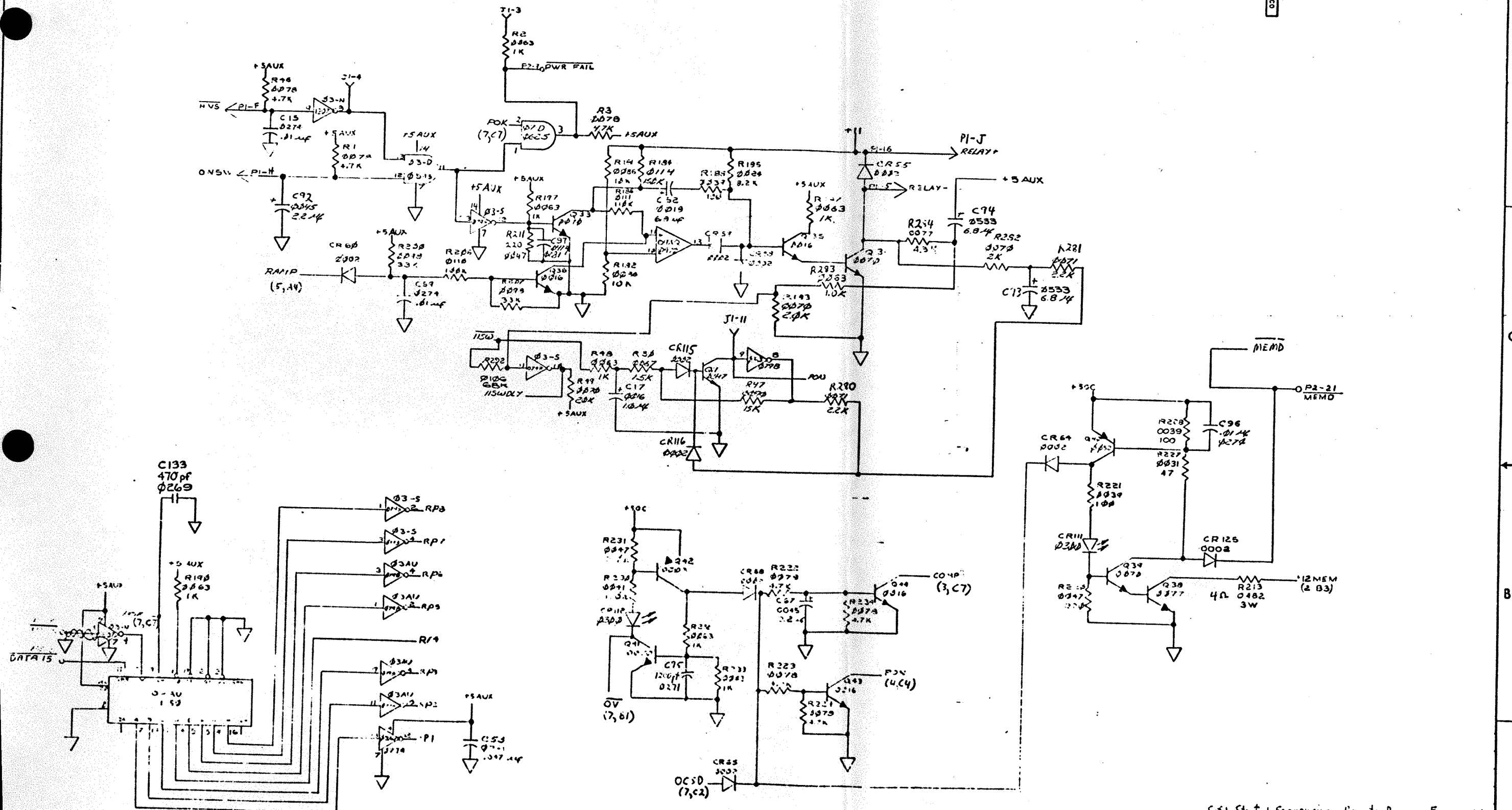
ITEM	QTY	DESCRIPTION	PART NO
DO NOT SCALE DRAWING			
DRAWN		DATE	
CHECKED		DATE	
ENGINEER		DATE	
APPROVED		DATE	
FIRST USED ON		DATE	
SCALE		CODE IDENT	SIZE
		34984	D
		DRAWING NUMBER	REV
		001071524	210

DATA GENERAL CORPORATION  
SOUTHBORO, MASS. 01772

TITLE  
NOVA 4  
POWER SUPPLY  
PCB

ALL DIMENSIONS ARE IN INCHES UNLESS OTHERWISE SPECIFIED.  
 ALL DIMENSIONS ARE TO CENTER UNLESS OTHERWISE SPECIFIED.  
 ALL DIMENSIONS ARE TO CENTER UNLESS OTHERWISE SPECIFIED.

REVISIONS				
REV	DESCRIPTION	DRAFT	APP BY	DATE
1				



Soft Start + Sequencing Remote Primary Emergency Latch

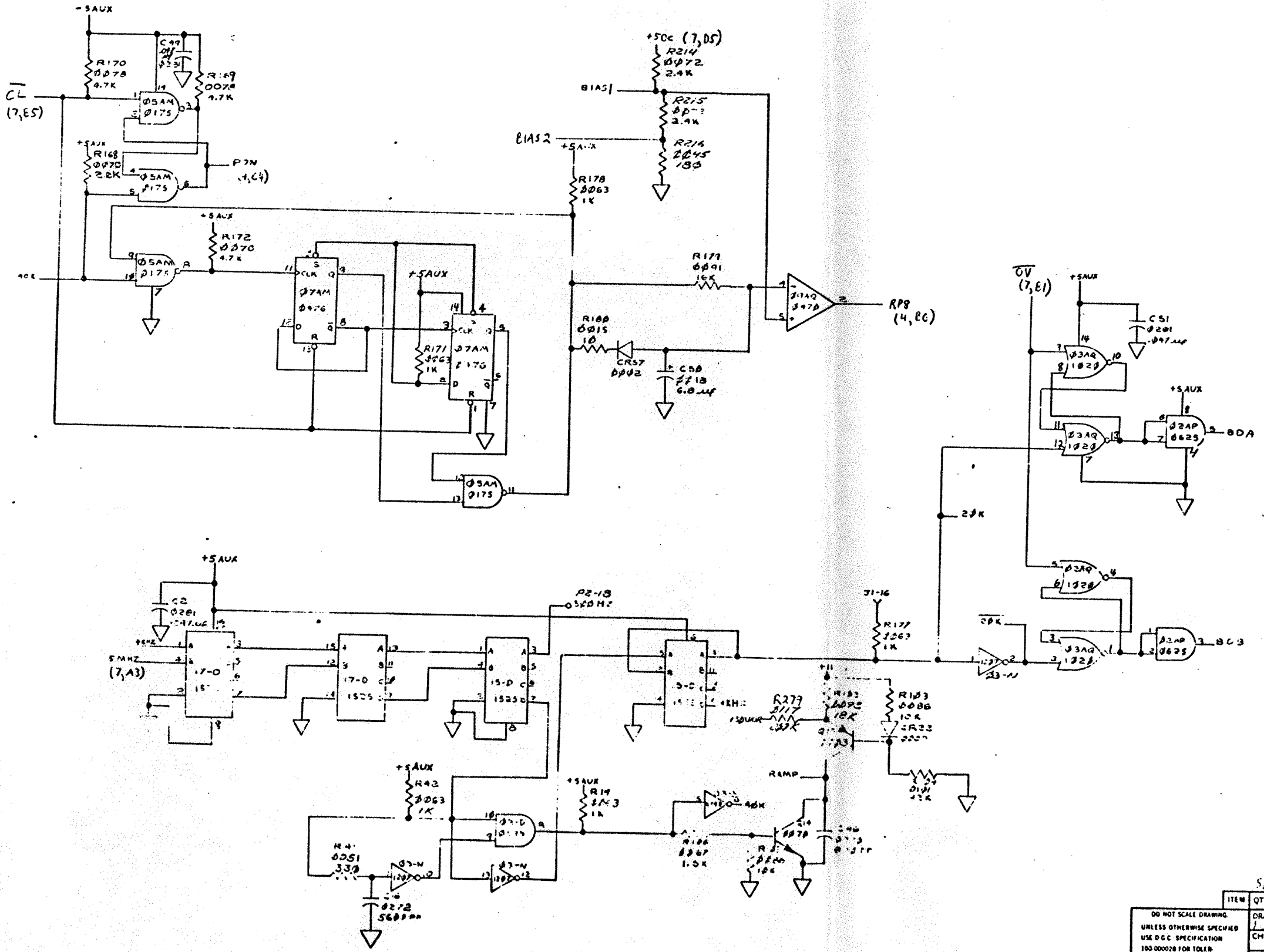
ITEM	QTY	DESCRIPTION	PART NO
DO NOT SCALE DRAWING UNLESS OTHERWISE SPECIFIED USE DGC SPECIFICATION 108 000028 FOR TOLERANCES AND WORKMANSHIP REQUIREMENTS			
MATERIAL			
FINISH			
DRAWN			
CHECKED			
ENGINEER			
APPROVED			
FIRST USED ON			
SCALE	CODE IDENT	SIZE	CODE
	34984	D	
DRAWING NUMBER		REV	
001001524		21	

**DATA GENERAL CORPORATION**  
 SOUTHBORO, MASS. 01772

TITLE  
**NOVA 4  
 POWER SUPPLY  
 PCB**

THIS DRAWING AND SPECIFICATIONS HEREIN ARE THE PROPERTY OF DATA GENERAL CORPORATION AND SHALL NOT BE REPRODUCED IN COPIES OR BY ANY MEANS OR IN ANY MANNER WITHOUT THE WRITTEN PERMISSION OF DATA GENERAL CORPORATION.

REVISIONS			
REV	DESCRIPTION	DRFTG	APP BY DATE



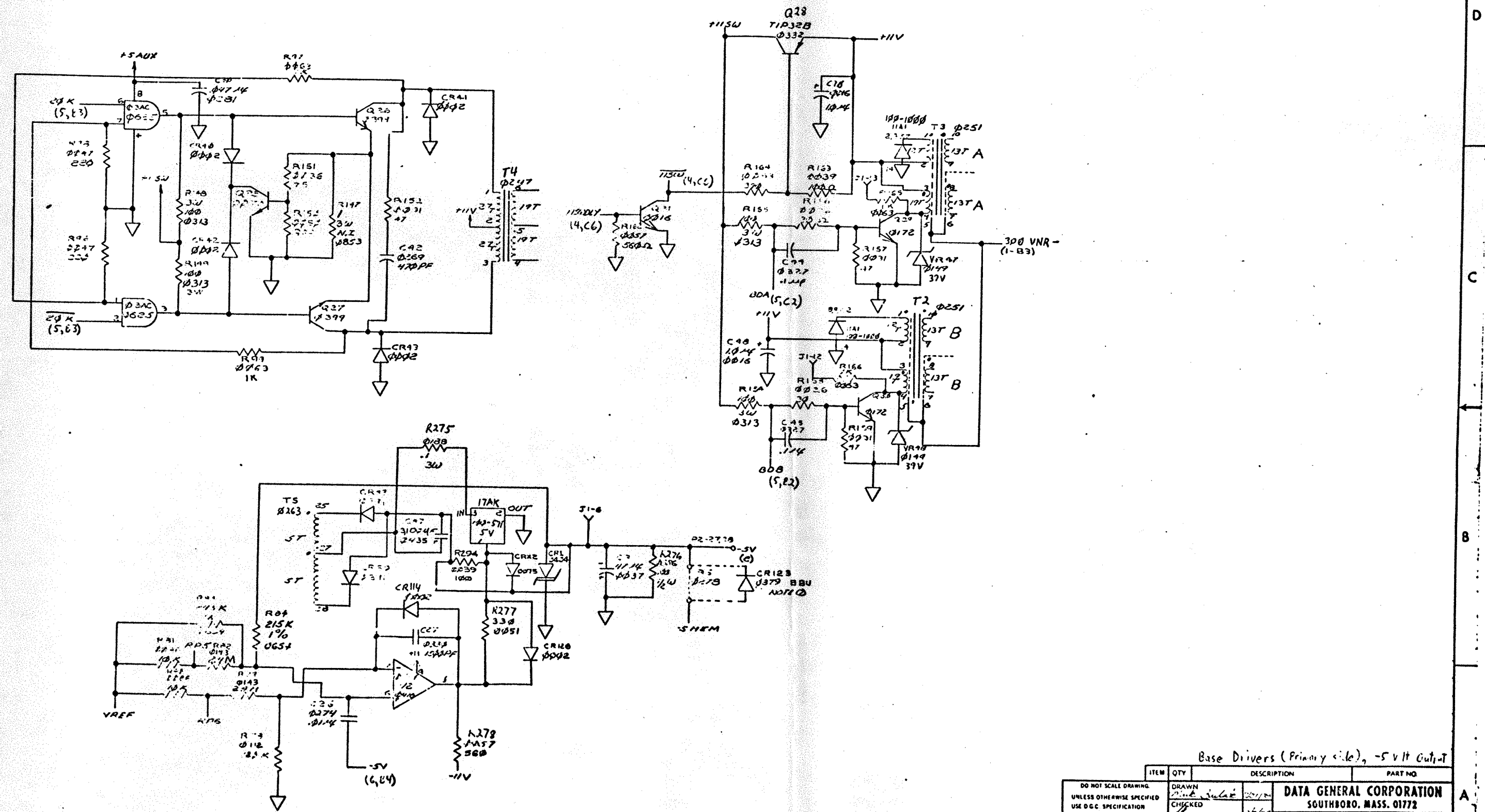
Secondary Clock Dividers, Overcurrent Counter

ITEM	QTY	DESCRIPTION	PART NO.
DO NOT SCALE DRAWING UNLESS OTHERWISE SPECIFIED USE D G C SPECIFICATION 100 000028 FOR TOLERANCES AND WORKMANSHIP REQUIREMENTS			
DRAWN			
CHECKED			
ENGINEER			
APPROVED			
FIRST USED			
MATERIAL			
FINISH			
SCALE		CODE IDENT	SIZE
		34984	D
		CODE	DRAWING NUMBER
			001001524
		REV	2

DATA GENERAL CORPORATION  
SOUTHBORO, MASS. 01772  
TITLE  
NOVA 4  
POWER SUPPLY  
PCB

NO TOLERANCE AND TYPE SPECIFIED HEREIN ARE THE  
 STANDARD DATA SPECIFICATION ON AND SHALL  
 BE THE PROPERTY OF THE MANUFACTURER IN THE EVENT OF  
 ANY DISCREPANCY IN THE PARTS LIST OR IN THE VALUE OF  
 ANY TOLERANCE SPECIFIED HEREIN.

REVISIONS				
REV	DESCRIPTION	DRFTG	APP BY	DATE
1				



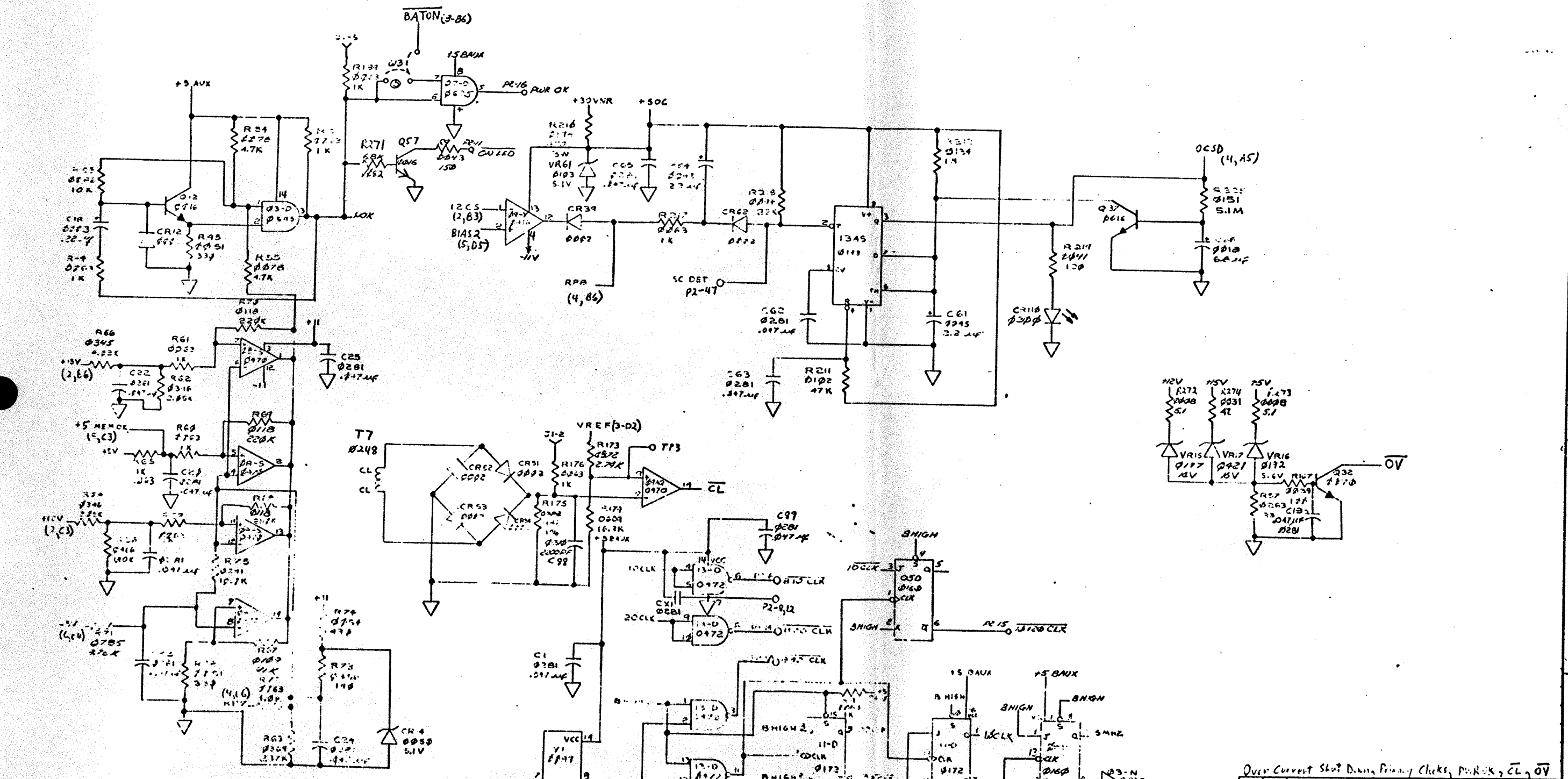
Base Drivers (Primary side), -5Vlt Output

ITEM	QTY	DESCRIPTION	PART NO.	
DO NOT SCALE DRAWING				
UNLESS OTHERWISE SPECIFIED USE D.G.C. SPECIFICATION 100-000008 FOR TOLERANCES AND WORKMANSHIP REQUIREMENTS		DRAWN <i>[Signature]</i> 1/17/70		
MATERIAL		CHECKED <i>[Signature]</i> 1/17/70		
FINISH		ENGINEER		
		APPROVED		
		FIRST USED ON		
<b>DATA GENERAL CORPORATION</b> SOUTH BORO, MASS. 01772  <b>TITLE</b> NCVA 4 POWER SUPPLY PCB				
				SCALE
		34984	D	
DRAWING NUMBER			REV	
001001524			2F	



ALL DIMENSIONS AND SPECIFICATIONS ARE THE PROPERTY OF DATA GENERAL CORPORATION AND SHALL NOT BE REPRODUCED OR COPIED IN ANY MANNER OR IN ANY MEDIUM WITHOUT WRITTEN PERMISSION.

REVISIONS			
REV	DESCRIPTION	DRFTG	APP BY
1			
2			

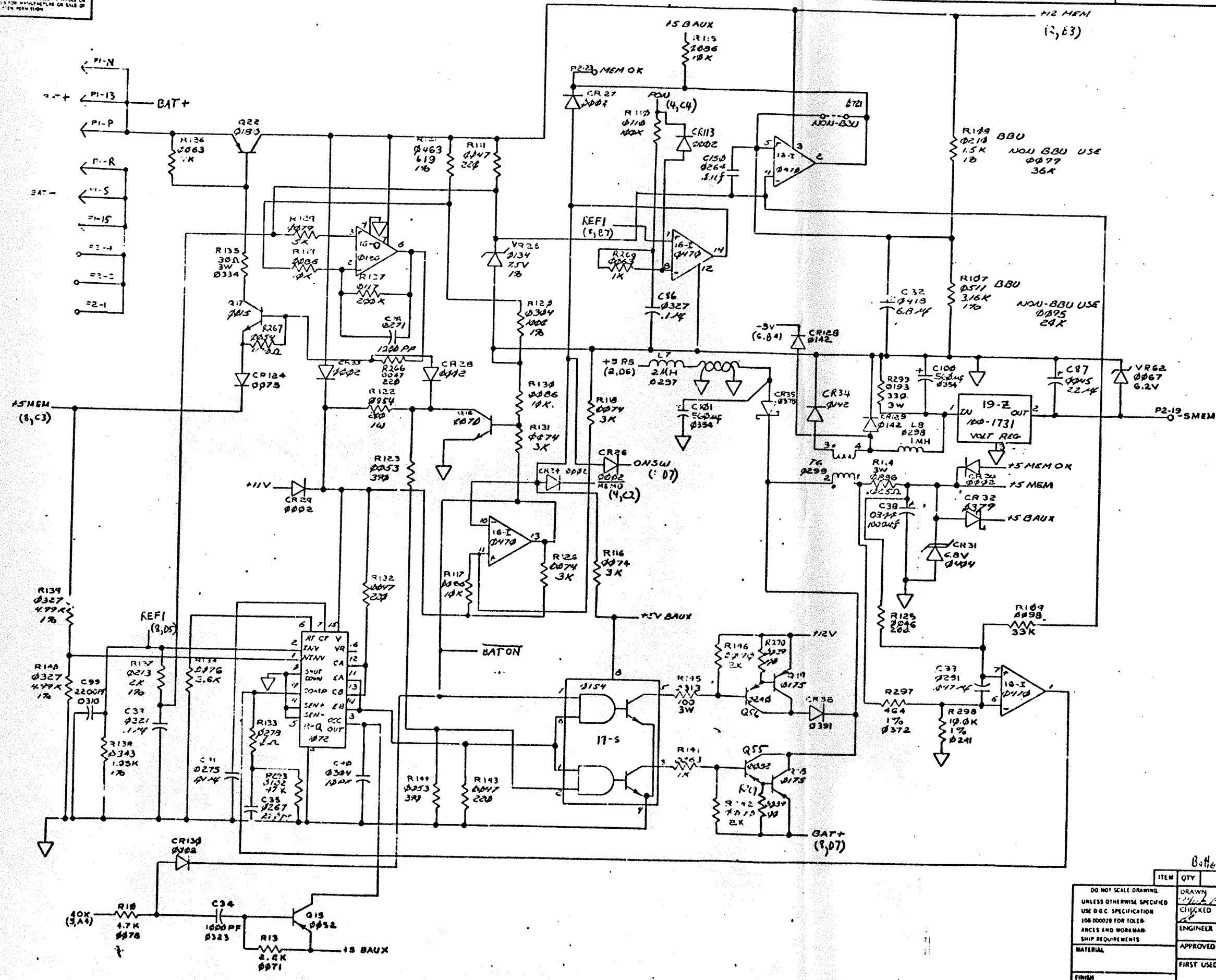


ITEM	QTY	DESCRIPTION	PART NO.
Over Current Shut Down Primary Clocks, PWR OK, CL, OV			
DO NOT SCALE DRAWING UNLESS OTHERWISE SPECIFIED USE D & C SPECIFICATION 100 000078 FOR TOLERANCES AND WORKMANSHIP REQUIREMENTS			
DRAWN		DATE	
CHECKED		DATE	
ENGINEER			
APPROVED			
FIRST USED ON			
SCALE		CODE IDENT	SIZE
		34984	D
		DRAWING NUMBER	RP
		00101524	21

DATA GENERAL CORPORATION  
SOUTHBORO, MASS. 01772  
TITLE  
NOVA 4  
POWER SUPPLY  
PCB

THE USER IS ADVISED THAT THE INFORMATION HEREIN IS UNCLASSIFIED AND SHOULD BE RELEASED TO THE PUBLIC IN WHOLE OR IN PART AT THE DISCRETION OF THE MANUFACTURER OR USER OF THIS PRODUCT.

REV	DESCRIPTION	DRFTG	APP BY	DATE
1				



Battery Back-up (+5MEM, -5MEM, +12MEM)

ITEM	QTY	DESCRIPTION	PART NO.
DO NOT SCALE DRAWING. UNLESS OTHERWISE SPECIFIED USE D & C SPECIFICATION 106 000028 FOR TOLERANCES AND WORKMANSHIP REQUIREMENTS.			
DRAWN: Mike Bullock		DATA GENERAL CORPORATION SOUTHBORO, MASS. 01772	
CHECKED: [Signature]		TITLE: NOVA 4 POWER SUPPLY PCB	
ENGINEER: [Signature]		DRAWING NUMBER: 34984	
APPROVED: [Signature]		SIZE: D	
FIRST USED ON:		CODE: 21	
SCALE:		SHEET 8 OF 9	