

REVISIONS					
REV	DESCRIPTION	DR	CH	DATE	APPROVAL
D0	PRD REL PER EN 3960	JM	AW	7/1/75	[Signature]
B1	INCORPORATE EN 4076		BC	9/1/76	[Signature]
D2	INCORPORATE EN 4054		BC	4/1/76	[Signature]
D3	INCORPORATE EN 4156		BC	5/1/76	[Signature]
D4	INCORPORATE EN 4157		AD	5/1/76	[Signature]
D5	INCORPORATE EN 4405		BC	6/1/76	[Signature]
D6	INCORPORATE EN 4471	EXC	BC	5/1/76	[Signature]
D7	INCORPORATE EN 5070	DS	AF	2-25-77	[Signature]
D8	INCORPORATE EN 5122	DS	AF		
D9	INCORPORATE EN 5209	DS	AF		
D10	INCORPORATE EN 5327	DS	AF	2-25-77	[Signature]
D11	INCORPORATE EN 5575 H	AGR	AD		[Signature]
D12	INCORPORATE ENG 255 H	AGR	AD		
D13	INCORPORATE ENG 352 H	AGR	AD		
D14	INCORPORATE ENG 399 H	AGR	AD		
D15	INCORPORATE ENG 492 H	AGR	AD		
D16	INCORPORATE ENG 595 H	AGR	AD		
D17	INCORPORATE ENG 622 H	AGR	AD		
D18	INCORPORATE ENG 729 H	AGR	AD		
D19	INCORPORATE ENG 839 D	AGR	AD		[Signature]

P2	SIGNAL	DIRECTION	LOCATION
PIN 201	GND	←	B8
202	GND	←	B8
203	+12V	→	NU
204	+12V	→	
205	+12V	→	
206	+12V	→	
207	-12V	→	
208	-12V	→	NU
209	DPIN	←	C60
210	DPOT	←	C57
211	TTLF	→	NU
212	+5V	→	NU
213	+5V	→	B8
214	+5V	→	B8
215	MST	→	D57
216	NU	→	NU
217	MACK	→	C60
218	BD	→	D57
219	SPA	→	NU
220	SLB	→	NU
221	PEB	→	D62
222	MDIS	→	NU
223	AB08	→	C33
224	AB09	→	C33
225	AB10	→	D33
226	AB11	→	D33
227	GND	←	A8
228	GND	←	A8
229	AB12	→	D33
230	AB13	→	D33
231	AB14	→	D33
232	AB15	→	NU
233	AL	→	NU
234	BM	→	NU
235	STOP	→	B57
236	SACK	→	D62
237	MBIN	→	B58
238	MBDT	→	B57
239	DB00	→	A20
240	DB01	→	A20
241	DB02	→	A20
242	DB03	→	A20
PIN 243	+5V	→	B8

P2	SIGNAL	DIRECTION	LOCATION
PIN 244	+5V	→	B8
245	DB04	→	A20
246	DB05	→	
247	DB06	→	
248	DB07	→	
249	DB08	→	
250	DB09	→	
251	DB10	→	
252	DB11	→	
253	DB12	→	A20
254	DB13	→	B20
255	DB14	→	B20
256	DB15	→	B20
257	EXEC	→	B64
258	IN	→	NU
259	GND	←	A8
260	GND	←	A8
261	IDCL	→	A64
262	OUT	→	B64
263	CLK	→	NU
264	SER	→	B57
265	IUE	→	A62
266	ILT	→	NU
267	IAR	→	B62
268	IL2	→	NU
269	EST	→	B64
270	IUA	→	NU
271	PLSE	→	C64
272	ECHO	→	NU
273	+5V	→	B8
274	+5V	→	B8
275	AB03	→	C33
276	AB04	→	
277	AB05	→	
278	AB06	→	
279	AB07	→	
280	AB08	→	
281	AB01	→	
282	AB02	→	C33
283	PRIN	→	A64
284	PRDT	→	A62
285	GND	←	A8
PIN 286	GND	←	A8

J6	SIGNAL	DIRECTION	LOCATION
PIN 1	HD. LOAD RTN	→	C37
2	HEAD LOAD	→	C37
3	DIRECT RTN	→	D37
4	DIRECT PIN	→	D37
5	LV. CURR RTN	→	D37
6	LV. CURRENT	→	D37
7	STEP RTN	→	D37
8	STEP	→	D37
9	UO RTN	→	B37
10	UO	→	B37
11	U2 RTN	→	C37
12	U2	→	C37
13	U3 RTN	→	C37
14	U3	→	C37
15	U1 RTN	→	B37
16	U1	→	C37
17	NU		
18	NU		
19	NU		
20	NU		
21	READ DATA RTN	→	B56
22	READ DATA	→	B56
23	WR. REQ. RTN	→	A56
24	WRITE REQ	→	A56
25	TRACK ORTN	→	B56
26	TRACK 0	→	B56
27	INDEX RTN	→	C56
28	INDEX	→	C56
29	FILE IMPRTN	→	C56
30	FILE INSP	→	C56
31	READY RTN	→	D56
32	READY	→	D56
33	NU		
34	NU		
35	WR. ENL RTN	→	B37
36	WRITE ENBL	→	B37
37	WR. DATA RTN	→	B37
38	WRITE DATA	→	B37
39	NU		
PIN 40	NU		

J2	SIGNAL	DIRECTION	LOCATION
PIN 1	DB73	→	D19
2	DB74	→	C57
3	DB75	→	D19
4	RB00	→	B16
5	DB12	→	D19
6	DB73	→	D19
7	DB72	→	D19
PIN 8	RB90	→	B16

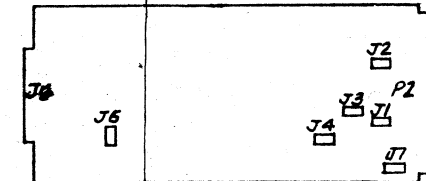
J9	SIGNAL	DIRECTION	LOCATION
PIN 1	SB12	→	D17
2	SB19	→	D17
3	SB14	→	D17
4	SB15	→	D17
5	DB10	→	D21
6	DB71	→	D21
7	DB07	→	C20
PIN 8	RCLK	→	B63

J4	SIGNAL	DIRECTION	LOCATION
PIN 1	DBLRST	→	B24
2			
3	RB05	→	B16
4	RB04	→	B16
5	RB02	→	B16
6	RB07	→	B16
7	CLRT	→	B23
PIN 8	SB07	→	B14

J8	SIGNAL	DIRECTION	LOCATION
PIN 1	F4	→	B52
2	F4	→	C50
3	OSCI	→	A49
4	ROMEN	→	A47
5	F1	→	C52
6	READ DATA	→	B54
PIN 7	RG	→	B39

J1	SIGNAL	DIRECTION	LOCATION
PIN 1	N/C		
2	ENEBD	→	C21
3	DB104	→	C23
4	DB01	→	C21
5	RB03	→	B16
6	DB03	→	C21
7	N/C		
PIN 8	DB06	→	C20

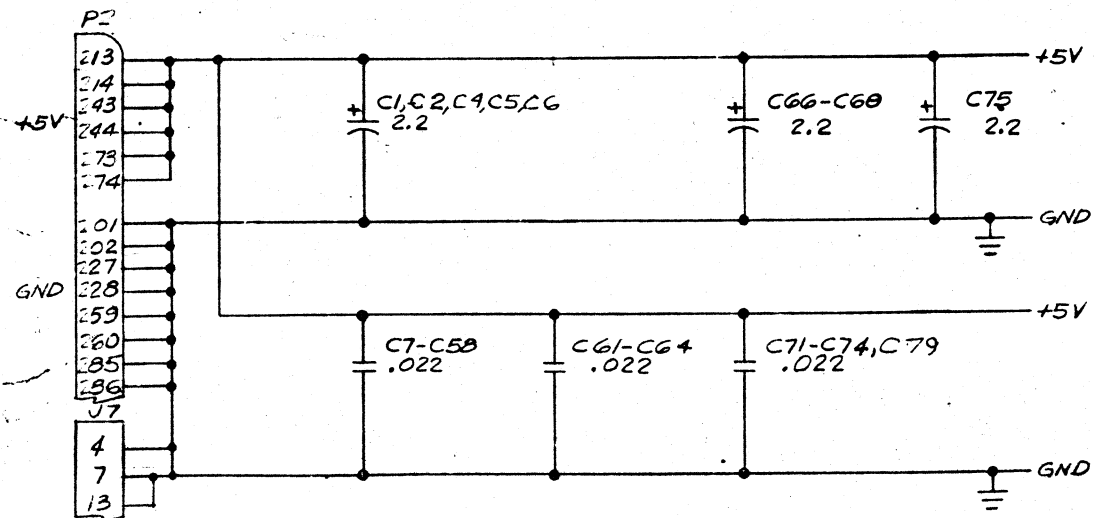
J7	SIGNAL	DIRECTION	LOCATION
PIN-1	DPIN	←	C60
2			
3			
4	GND	←	A8
5	MBIN	→	B57
6	PRIN	→	A63
7	GND	←	A8
8			
9			
10			
11			
12			
13	GND	←	A8
14			
15			
PIN 16			



COMPONENT SIDE

UNUSED GATES I/C			
IC DESIG.	I.C. TYPE	UNUSED PINS	
		IN	OUT
5A	SPARE		
38	SPARE		
10B	SPARE		
23	SPARE		
2	74LS00	1, 2, 9, 10, 12, 13	3, 8, 11
29	74LS00	4, 5, 9, 10, 12, 13	6, 8, 11
48	74LS00	1, 2	3
51	74LS00	9, 10, 12, 13	8, 11
37	74LS08	4, 5	6

TABULATION BLOCK	
DASH NO.	DESCRIPTION
-01	BASIC



- RESISTOR PACKS ARE 220 AND 330 OHMS, ±5%, 1/8W
- 2.2 MICROFARAD CAPACITORS ARE ±10% 20V.
- 0.022 MICROFARAD CAPACITORS ARE ±5% -20%, 25V.
- ALL RESISTORS ARE IN OHMS, ±5%, 1/4 W.
- FOR DIMS NO. SEE TAB BLOCK.
- NOTES: UNLESS OTHERWISE SPECIFIED
- LAST REFERENCE DESIGNATOR USED: R25, C81, SW1, IC 82.
- BIDIRECTIONAL SIGNAL DENOTED BY ↔.
- OUTPUT SIGNAL DENOTED BY →.
- INPUT SIGNAL DENOTED BY ←.

NOTES UNLESS SPECIFIED

1. TOLERANCES  
XX ±.03 ANGULAR  
.XXX ±.010 ±.04

2. BREAK ALL SHARP EDGES .010 APPROX.

3. ALL DIM. IN INCHES

COMPUTER AUTOMATION INC. 1851 VON KARMAN, IRVINE, CALIF. 92614

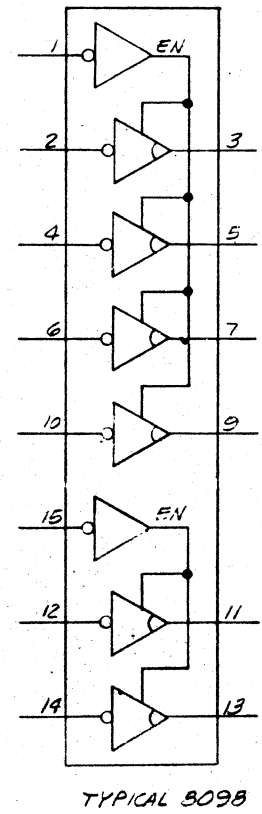
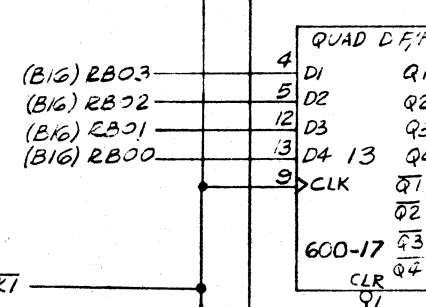
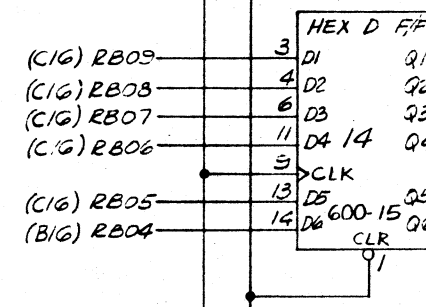
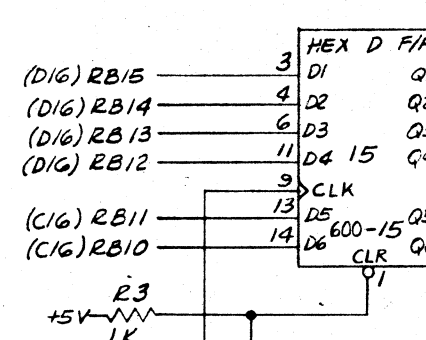
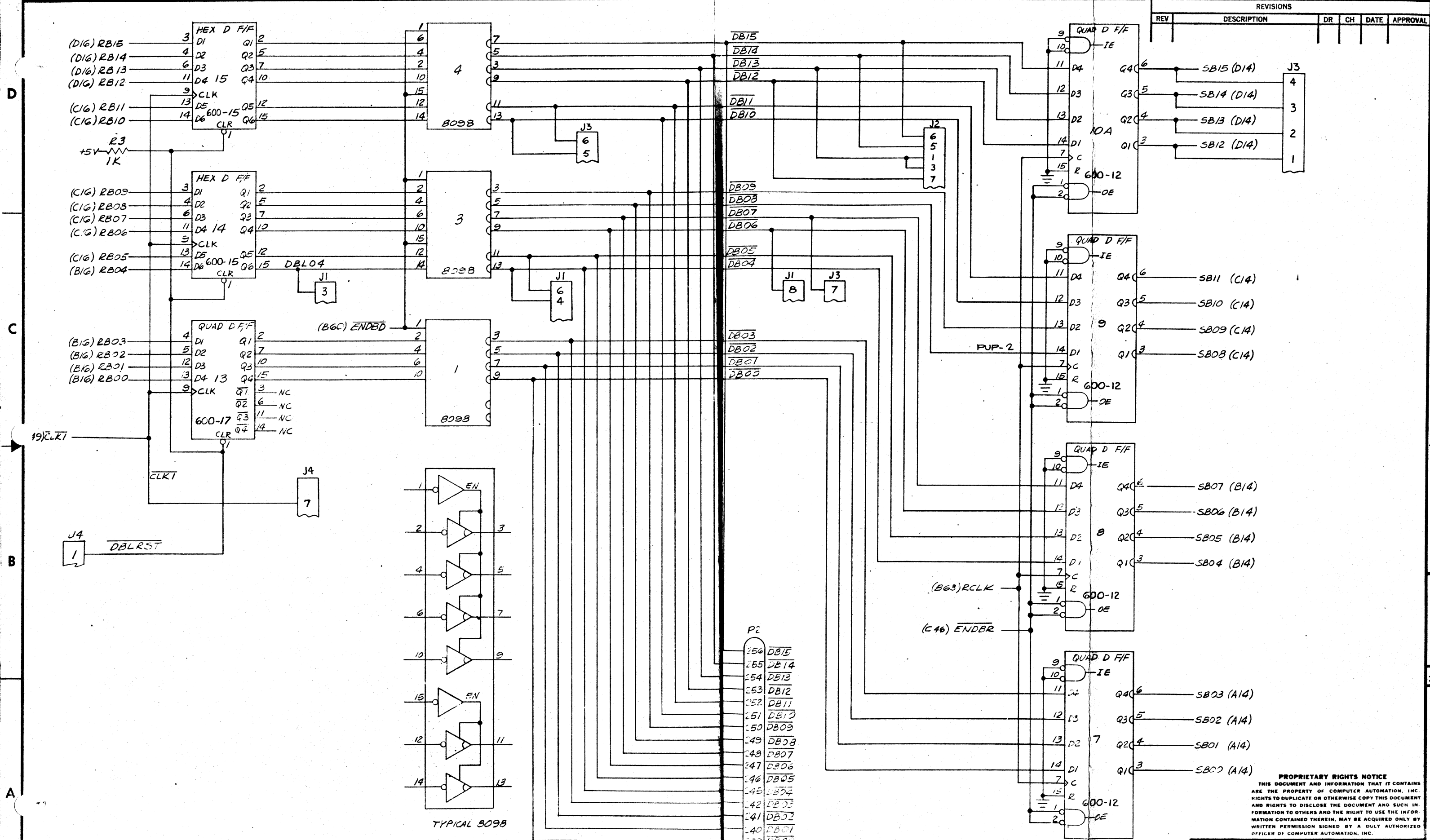
TITLE: LOGIC DIAGRAM, FLOPPY DISK CONTROLLER

SIZE: D DWG. NO.: 75-53566-XX

DO NOT SCALE DRAWING SCALE: NONE SH: 1 OF 3



REVISIONS					
REV	DESCRIPTION	DR	CH	DATE	APPROVAL



- PC
- 156 DB15
  - 155 DB14
  - 154 DB13
  - 153 DB12
  - 152 DB11
  - 151 DB10
  - 150 DB09
  - 149 DB08
  - 148 DB07
  - 147 DB06
  - 146 DB05
  - 145 DB04
  - 142 DB03
  - 141 DB02
  - 140 DB01
  - 139 DB00

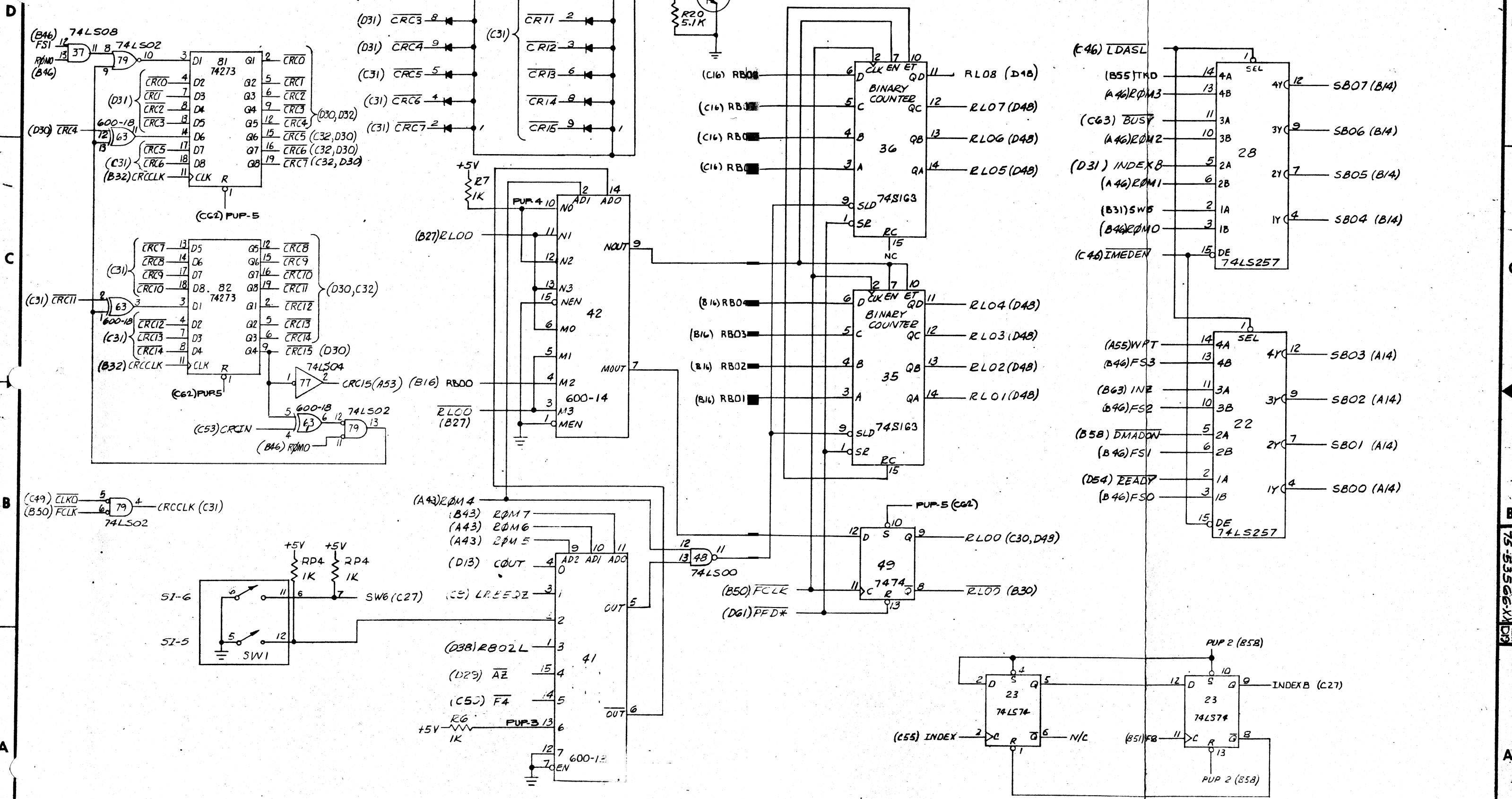
DATA BUS DRIVERS & RECEIVERS

**PROPRIETARY RIGHTS NOTICE**  
 THIS DOCUMENT AND INFORMATION THAT IT CONTAINS ARE THE PROPERTY OF COMPUTER AUTOMATION, INC. RIGHTS TO DUPLICATE OR OTHERWISE COPY THIS DOCUMENT AND RIGHTS TO DISCLOSE THE DOCUMENT AND SUCH INFORMATION TO OTHERS AND THE RIGHT TO USE THE INFORMATION CONTAINED THEREIN, MAY BE ACQUIRED ONLY BY WRITTEN PERMISSION SIGNED BY A DULY AUTHORIZED OFFICER OF COMPUTER AUTOMATION, INC.

SIZE	D	75-53566-XX	REV	
SCALE			SHT. 3	OF 3

PROPRIETARY RIGHTS NOTICE  
THIS DOCUMENT AND INFORMATION THAT IT CONTAINS ARE THE PROPERTY OF COMPUTER AUTOMATION, INC. RIGHTS TO REPRODUCE OR OTHERWISE COPY THIS DOCUMENT AND RIGHTS TO DISCLOSE THE DOCUMENT AND SUCH INFORMATION TO OTHERS AND THE RIGHT TO USE THE INFORMATION CONTAINED THEREIN, MAY BE ACQUIRED ONLY BY WRITTEN PERMISSION SIGNED BY A DULY AUTHORIZED OFFICER OF COMPUTER AUTOMATION, INC.

REVISIONS					
REV	DESCRIPTION	DR	CH	DATE	APPROVAL

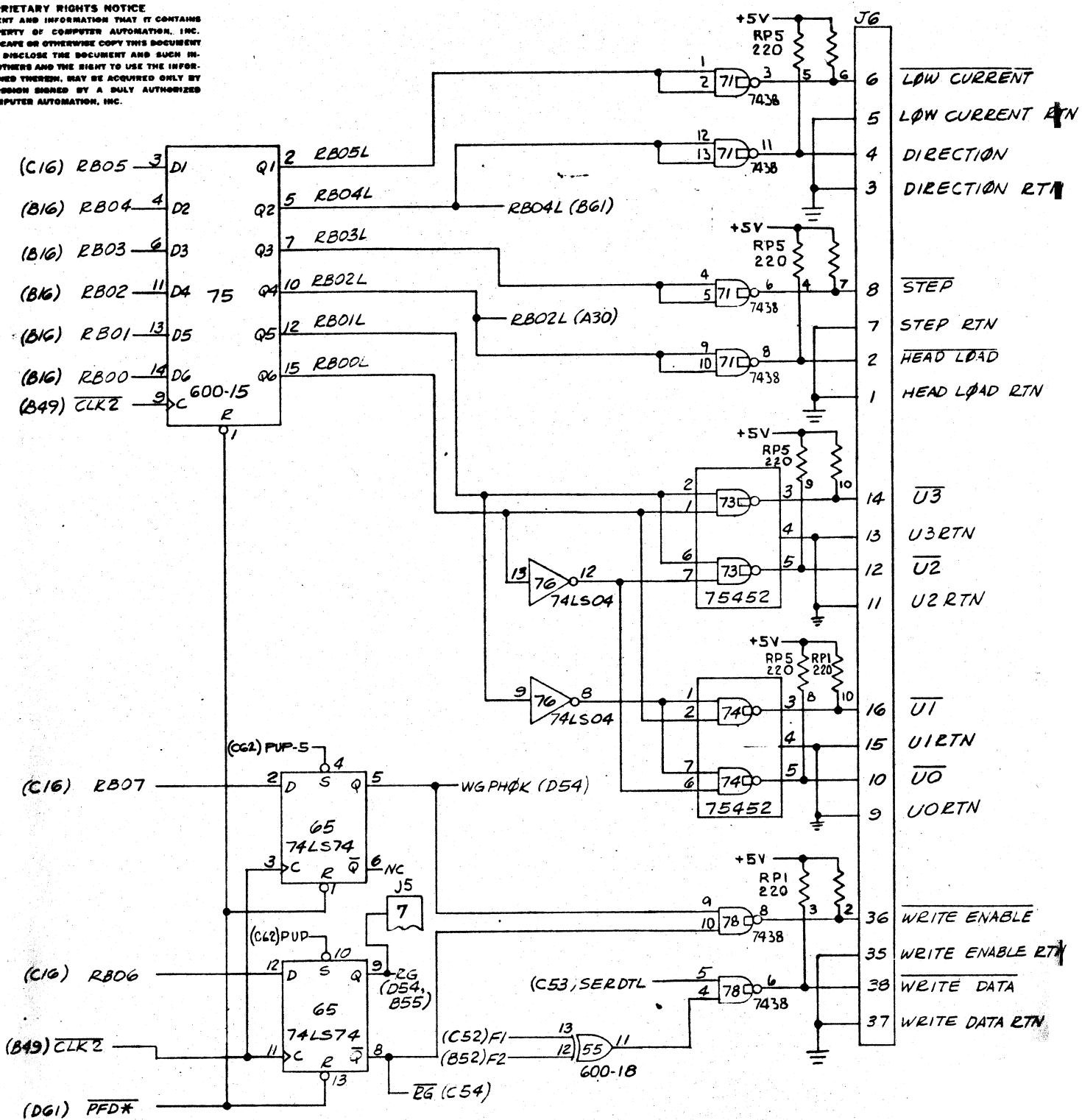


SIZE	D	75-53566-XX	REV	DI
SCALE	=		SHT.	4 OF 5

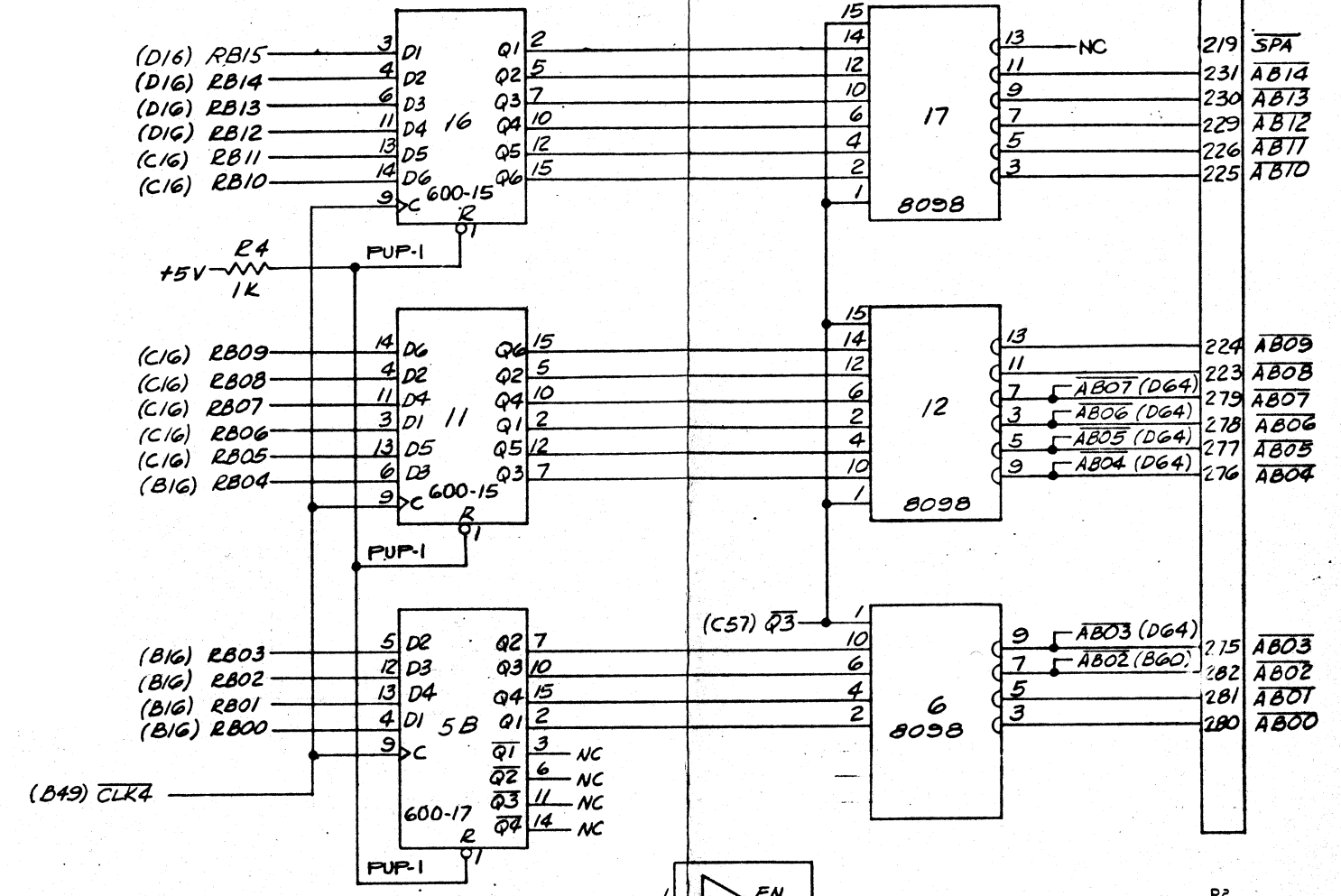


**PROPRIETARY RIGHTS NOTICE**  
 THIS DOCUMENT AND INFORMATION THAT IT CONTAINS ARE THE PROPERTY OF COMPUTER AUTOMATION, INC. RIGHTS TO DUPLICATE OR OTHERWISE COPY THIS DOCUMENT AND RIGHTS TO DISCLOSE THE INFORMATION AND SUCH INFORMATION CONTAINED THEREIN, MAY BE ACQUIRED ONLY BY WRITTEN PERMISSION SIGNED BY A DULY AUTHORIZED OFFICER OF COMPUTER AUTOMATION, INC.

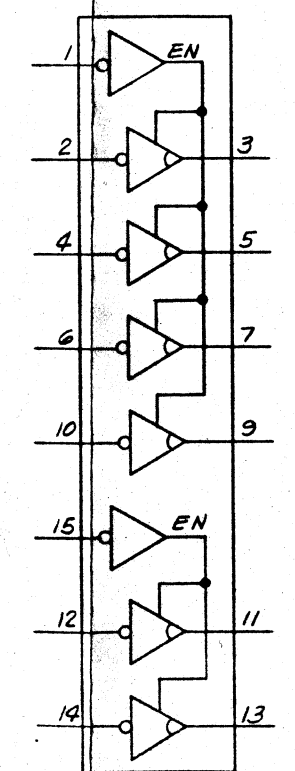
REVISIONS					
REV	DESCRIPTION	DR	CH	DATE	APPROVAL



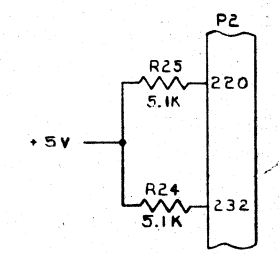
TRANSPORT DRIVERS



A BUS DRIVERS



TYPICAL 8098

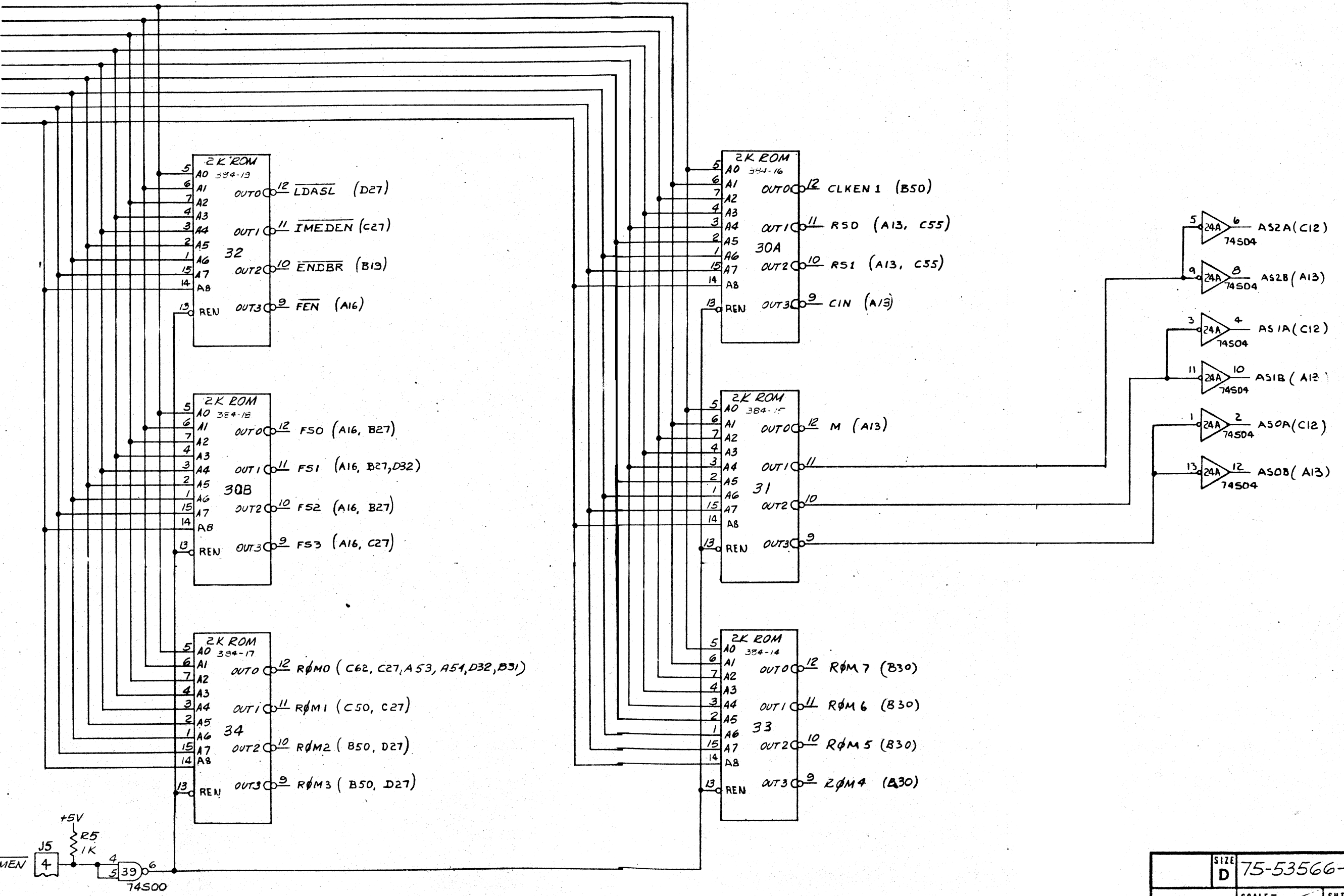


SIZE	D	75-53566-XX	REV	C
SCALE	=		SHEET 5 OF 8	

PROPRIETARY RIGHTS NOTICE  
 THIS DOCUMENT AND INFORMATION THAT IT CONTAINS ARE THE PROPERTY OF COMPUTER AUTOMATION, INC. RIGHTS TO DUPLICATE OR OTHERWISE COPY THIS DOCUMENT AND RIGHTS TO DISCLOSE THE DOCUMENT AND SUCH INFORMATION TO OTHERS AND THE RIGHT TO USE THE INFORMATION CONTAINED THEREIN, MAY BE ACQUIRED ONLY BY WRITTEN PERMISSION SIGNED BY A DULY AUTHORIZED OFFICER OF COMPUTER AUTOMATION, INC.

REVISIONS					
REV	DESCRIPTION	DR	CH	DATE	APPROVAL

- (B27) RL00
- (B27) RL01
- (C27) RL02
- (C27) RL03
- (C27) RL04
- (C27) RL05
- (D27) RL06
- (D27) RL07
- (D27) RL08



SIZE	D	75-53566-XX	REV	D13
SCALE	=		SMT.	6 OF 8









18651 Von Karman, Irvine, Calif.

## ENGINEERING NOTICE

NO.

1916116H

## TYPE

AEN   
 STOP ORDER   
 DEVIATION   
 RELEASE   
 STANDARD

## CLASS

A-MAND/FUNC   
 B-NON-MAND/FUNC   
 C-RECORD CHG

## AFFECTED ITEMS

	PRIM.	SEC.
HARDWARE CHG.	<input checked="" type="checkbox"/>	<input type="checkbox"/>
SOFTWARE CHG.	<input type="checkbox"/>	<input type="checkbox"/>
PUBL. CHG.	<input type="checkbox"/>	<input type="checkbox"/>
CAPABLE CHG.	<input type="checkbox"/>	<input type="checkbox"/>
DOC. CHG.	<input type="checkbox"/>	<input checked="" type="checkbox"/>
CONFIGURATIONS	<input type="checkbox"/>	<input type="checkbox"/>
PROCEDURES	<input type="checkbox"/>	<input type="checkbox"/>
TOOLING	<input type="checkbox"/>	<input type="checkbox"/>
TEST EQUIP.	<input type="checkbox"/>	<input type="checkbox"/>

## EFFECTIVITY

ACTIVITY	U	R	S	P
NOTIFY VEND		<input checked="" type="checkbox"/>		
IN STOCK	<input checked="" type="checkbox"/>			
KITTING	<input checked="" type="checkbox"/>			
ASSEMBLY	<input checked="" type="checkbox"/>			
TOUCH UP	<input checked="" type="checkbox"/>			
IPT	<input checked="" type="checkbox"/>			
FIN GOODS	<input checked="" type="checkbox"/>			
CUST. RET.	<input checked="" type="checkbox"/>			

## REWK TEST REQ'D

CONTINUITY   
 CABLE SCAN   
 CAPABLE   
 MEMORY   
 CARD   
 FINAL   
 NO TEST REQ'D

## APPROVALS

ENGR. *[Signature]*  
 SOFTWARE *[Signature]*  
 Q.A. *[Signature]*  
 CAP. TEST *[Signature]*  
 MAST SCHED *[Signature]*  
 MATERIALS *[Signature]*  
 TEST ENGR. *[Signature]*  
 TECH SERV *[Signature]*  
 CUST SERV *[Signature]*  
 MFG. ENGR *[Signature]*  
 PUBLICATIONS *[Signature]*

DR. BY: K. FORD 15 DEC 81  
 CHKD. BY: R. SASTON 12 JAN 82  
 REL. BY: R. SASTON  
 DATE: 13 JAN 82

97 N SHEET 1 OF 2

DOCUMENT NO.	REV.		TITLE	INCORP. DATE
	IS	WAS		
75-53566-XX	020	019	LOGIC CONTROLLER FRY DISK	
74-53566-00	020	019	DETAIL	
73-53566-XX	020	019	ASSY	
70-53566-01	020	019	B/M	18 FEB 82

## EFFECTIVITY NOTES:

## REASON FOR CHANGE:

01-49600-XX SERIES IS NO LONGER IN USE.

ALL DASH NUMBERS HAVE BEEN REPLACED.

REA NO. 7022, 7026

## CO-ORD WITH:

REA: 7023, 7027, 7029, 7025

## DESCRIPTION OF CHANGE:

A. 70-53566-01, B/M  
 1. CHANGE ITEM 37  
 IS: P/N: 01-49419-03, QTY: 2  
 DESC: IC 74LS86, REF  
 DESIGN: 55, 63

WAS: P/N: 01-49600-18, QTY: 2  
 DESC: IC 74LS153, REF  
 DESIGN: 55, 63

2. CHANGE ITEM 28  
 IS: P/N: 01-49420-12, QTY: 1, DESC:  
 IC 74LS153, REF. DESIGN: 42  
 WAS: P/N: 01-49600-14, QTY: 1, DESC:  
 IC SPECIAL, REF. DESIGN: 42

- A. 70-53566-01, B/M  
 3. CHANGE ITEM 16  
 IS: P/N: 01-49420-03, QTY: 2, DESC: IC 74LS175, REF. DESIGN: 58, 13  
 WAS: P/N: 01-49600-17, QTY: 2, DESC: IC SPECIAL, REF. DESIGN: 58, 13
4. CHANGE ITEM 27  
 IS: P/N: 01-49420-14, QTY: 2, DESC: IC 74LS151, REF. DESIGN: 41, 66  
 WAS: P/N: 01-49600-13, QTY: 2, DESC: IC SPECIAL, REF. DESIGN: 41, 66
5. CHANGE ITEM 21  
 IS: P/N: 01-49020-05, QTY: 4, DESC: IC 74S281, REF. DESIGN: 24, 25, 26, 27  
 WAS: P/N: 01-49600-03, QTY: 4, DESC: IC SPECIAL, REF. DESIGN: 24, 25, 26, 27
6. CHANGE ITEM 18  
 IS: P/N: 01-49420-01, QTY: 5, DESC: IC 74LS174, REF. DESIGN: 11, 14, 15, 16, 75  
 WAS: P/N: 01-49600-15, QTY: 5, DESC: IC SPECIAL, REF. DESIGN: 11, 14, 15, 16, 75
- B. 73-53566-XX, ASSY; 75-53566-XX, LOGIC  
 1. CHANGE IC DESIGNATIONS PER B/M CHANGES LISTED ABOVE

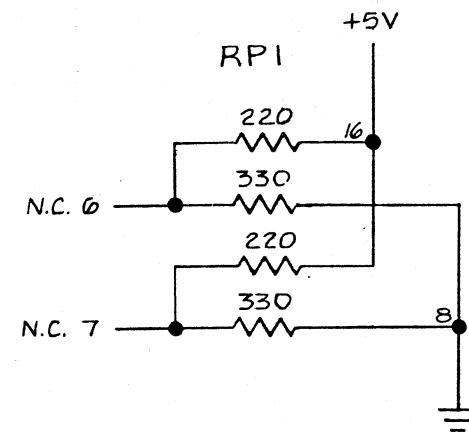
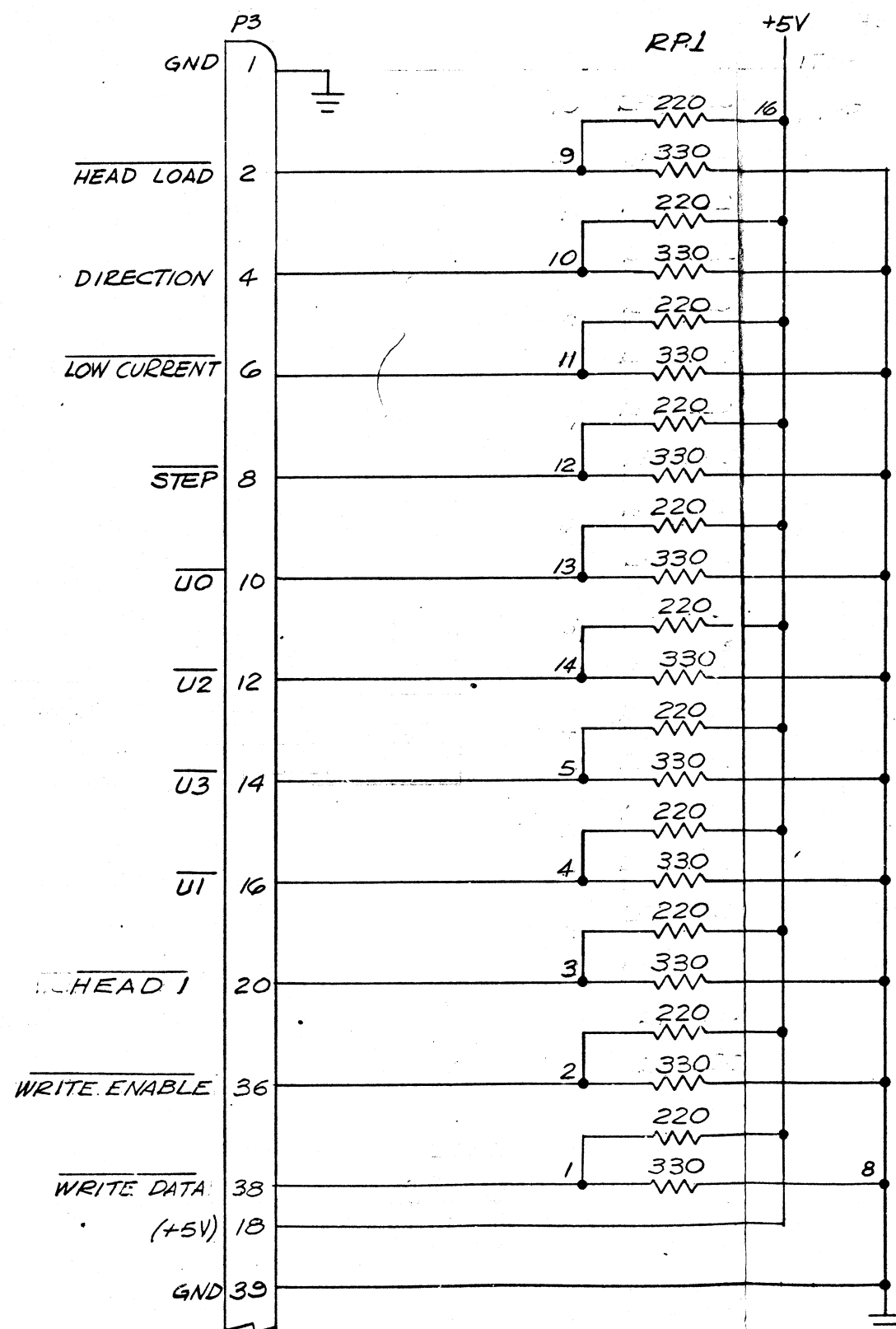
C. UPGRADE REVISION LEVEL ONLY:  
 74-53566-00, DETAIL



EN: 9616H

SHEET 2 OF 2

REVISIONS					
REV	DESCRIPTION	DR	CH	DATE	APPROVAL
CO	PRODUCTION RELEASE PER EN: 8288 R	KF	RZ	22 MAY 80	PK 5/22/80



TABULATION BLOCK	
DASH NO.	DESCRIPTION
-02	BASIC

**PROPRIETARY RIGHTS NOTICE**  
 THIS DOCUMENT AND INFORMATION THAT IT CONTAINS ARE THE PROPERTY OF COMPUTER AUTOMATION, INC. RIGHTS TO DUPLICATE OR OTHERWISE COPY THIS DOCUMENT AND RIGHTS TO DISCLOSE THE DOCUMENT AND SUCH INFORMATION TO OTHERS AND THE RIGHT TO USE THE INFORMATION CONTAINED THEREIN, MAY BE ACQUIRED ONLY BY WRITTEN PERMISSION SIGNED BY A DULY AUTHORIZED OFFICER OF COMPUTER AUTOMATION, INC.

3. ALL RESISTOR VALUES ARE IN OHMS, 2%, 1W.  
 2. LAST REF. DESIG. USED RPI, P3.  
 1. FOR LOGIC DWG. DASH NO. SEE TABULATION BLOCK.  
 NOTES: UNLESS OTHERWISE SPECIFIED

NOTES UNLESS SPECIFIED		DR. <i>G. Ford</i>	DATE: <i>5/22/80</i>	<b>COMPUTER AUTOMATION INC.</b> 18651 VON KARMAN, IRVINE, CAL 92664 TITLE <b>LOGIC DIAGRAM, FLOPPY DISK TERMINATOR</b>
1. TOLERANCES .XX ±.03 ANGULAR .XXX ±.010 ±½°		CHK. <i>P. Mason</i>	DATE: <i>5/22/80</i>	
2. BREAK ALL SHARP EDGES .010 APPROX.		DSG. <i>PK</i>	DATE: <i>5/22/80</i>	
3. ALL DIM. IN INCHES		ENGR. <i>F. Kennedy</i>	DATE: <i>5/22/80</i>	
DASH NO.	NEXT ASSEMBLYS			SIZE DWG. NO. REV <b>C 75-53611-XX CO</b>
		DO NOT SCALE DRAWING		SCALE = SHT.   OF

75-53611-XX CO