

THIS DOCUMENT CONTAINS UNCLASSIFIED INFORMATION EXCEPT WHERE SHOWN OTHERWISE. IT IS THE PROPERTY OF COMPUTER AUTOMATION, INC. AND IS LOANED TO YOU BY THE OFFICE OF THE DIRECTOR OF THE ARMY RESEARCH OFFICE-DURHAM. IT IS TO BE RETURNED TO THE OFFICE OF THE DIRECTOR OF THE ARMY RESEARCH OFFICE-DURHAM AT THE END OF YOUR ASSIGNMENT. IT IS NOT TO BE REPRODUCED OR TRANSMITTED IN ANY FORM OR BY ANY MEANS, ELECTRONIC OR MECHANICAL, INCLUDING PHOTOCOPYING, RECORDING, OR BY ANY INFORMATION STORAGE AND RETRIEVAL SYSTEM, WITHOUT PERMISSION IN WRITING FROM THE OFFICE OF THE DIRECTOR OF THE ARMY RESEARCH OFFICE-DURHAM.

### CONNECTORS SIGNAL

J1		
PIN	SIGNAL	DIRECTION
01	+5H	↔
02	SPARE	N/U
03	SPARE 1	↔
04	SPARE 3	↔
05	MST(M)	↔
06	SPARE 2	↔
07	RD(M)	↔
08	AB15(M)	↔
09	MACK(M)	↔
10	AB14(M)	↔
11	SLB(M)	↔
12	AB13(M)	↔
13	MDIS	↔
14	TYPI	↔
15	FFD	↔
16	AB12(M)	↔
17	AB09(M)	↔
18	AB11(M)	↔
19	AB08(M)	↔
20	AB10(M)	↔
21	GND	↔
22	↑	↔
23	↑	↔
24	↓	↔
25	GND	↔
26	SACK(M)	↔
27	STOP(M)	↔
28	DB01(M)	↔
29	DB00(M)	↔
30	DB15(M)	↔
31	DB03(M)	↔
32	DB14(M)	↔
33	DB02(M)	↔
34	SPARE	N/U
35	↑	N/U
36	↑	N/U
37	↑	N/U
38	↑	N/U
39	↑	N/U
40	↑	N/U
41	↑	N/U
42	↓	N/U
43	SPARE	N/U
44	IN(M)	↔
45	SPARE	N/U
46	OUT(M)	↔
47	RST(M)	↔
48	IOCL(M)	↔
49	PLSE(M)	↔
50	CLK(M)	↔

W1		
PIN	SIGNAL	DIRECTION
01	+5H	↔
02	IN(E)	↔
03	SPARE 1	↔
04	SPARE 3	↔
05	MST(E)	↔
06	SPARE 2	↔
07	RD(E)	↔
08	AB15(E)	↔
09	MACK(E)	↔
10	AB14(E)	↔
11	SLB(E)	↔
12	AB13(E)	↔
13	MDIS	↔
14	TYPI	↔
15	FFD	↔
16	AB12(E)	↔
17	AB09(E)	↔
18	AB11(E)	↔
19	AB08(E)	↔
20	AB10(E)	↔
21	GND	↔
22	↑	↔
23	↑	↔
24	↓	↔
25	GND	↔
26	SACK(E)	↔
27	STOP(E)	↔
28	DB01(E)	↔
29	DB00(E)	↔
30	DB15(E)	↔
31	DB03(E)	↔
32	DB14(E)	↔
33	DB02(E)	↔
34	SPARE	N/U
35	+5V	↔
36	SPARE	N/U
37	+5V	↔
38	SPARE	N/U
39	+5V	↔
40	SPARE	N/U
41	+5V	↔
42	SPARE	N/U
43	+5V	↔
44	IN(E)	↔
45	+5V	↔
46	OUT(E)	↔
47	RST(E)	↔
48	IOCL(E)	↔
49	PLSE(E)	↔
50	CLK(E)	↔

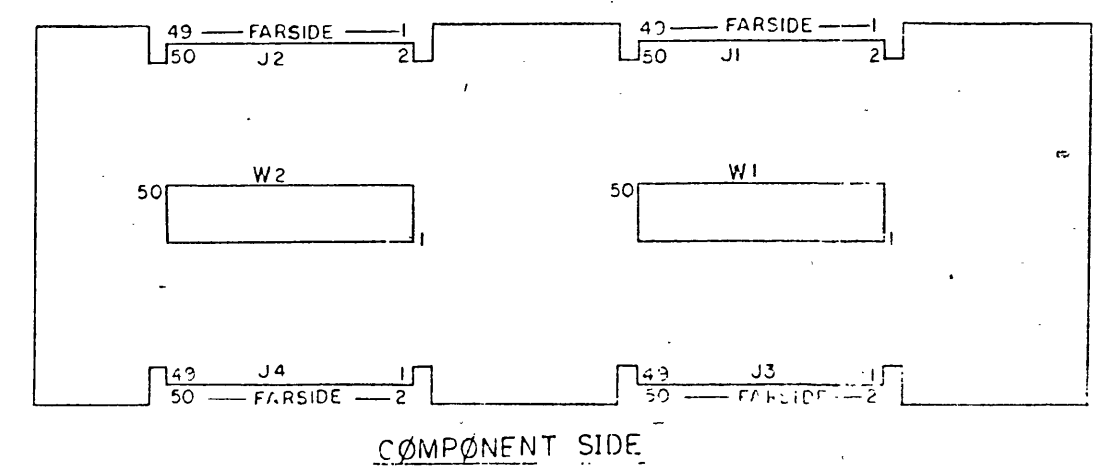
J3		
PIN	SIGNAL	DIRECTION
01	+5H	↔
02	SPARE	N/U
03	SPARE 1	↔
04	SPARE 3	↔
05	MST(B)	↔
06	SPARE 2	↔
07	RD(B)	↔
08	AB15(B)	↔
09	MACK(B)	↔
10	AB14(B)	↔
11	SLB(B)	↔
12	AB13(B)	↔
13	MDIS(B)	↔
14	TYPI	↔
15	PFD	↔
16	AB12(B)	↔
17	AB09(B)	↔
18	AB11(B)	↔
19	AB08(B)	↔
20	AB10(B)	↔
21	GND	↔
22	↑	↔
23	↑	↔
24	↓	↔
25	GND	↔
26	SACK(B)	↔
27	STOP(B)	↔
28	DB01(B)	↔
29	DB00(B)	↔
30	DB15(B)	↔
31	DB03(B)	↔
32	DB14(B)	↔
33	DB02(B)	↔
34	SPARE	N/U
35	↑	N/U
36	↑	N/U
37	↑	N/U
38	↑	N/U
39	↑	N/U
40	↑	N/U
41	↑	N/U
42	↓	N/U
43	SPARE	N/U
44	IN(B)	↔
45	SPARE	N/U
46	OUT(B)	↔
47	RST(B)	↔
48	IOCL(B)	↔
49	PLSE(B)	↔
50	CLK(B)	↔

J2		
PIN	SIGNAL	DIRECTION
01	SPARE	N/U
02	DB04(M)	↔
03	DP0T(M)	↔
04	DE06(M)	↔
05	SPARE	N/U
06	DB08(M)	↔
07	SPARE	N/U
08	DB10(M)	↔
09	DB05(M)	↔
10	DE12(M)	↔
11	DE07(M)	↔
12	SPARE	N/U
13	DB09(M)	↔
14	AB02(M)	↔
15	DB11(M)	↔
16	AB06(M)	↔
17	DB13(M)	↔
18	SPARE	N/U
19	SPARE	N/U
20	AB05(M)	↔
21	SPARE	N/U
22	SPARE	N/U
23	EXEC(M)	↔
24	SPARE	N/U
25	GND	↔
26	SER(M)	↔
27	GND	↔
28	SPARE	N/U
29	GND	↔
30	AB04(M)	↔
31	ILI(M)	↔
32	SPARE	N/U
33	IUR(M)	↔
34	SPARE	N/U
35	IUA(M)	↔
36	SPARE	N/U
37	ECH0(M)	↔
38	IL2(M)	↔
39	AB00(M)	↔
40	IAR(M)	↔
41	AB01(M)	↔
42	SPARE	N/U
43	GND	↔
44	AB03(M)	↔
45	GND	↔
46	AB07(M)	↔
47	GND	↔
48	PR0T(M)	↔
49	GND	↔
50	MB0T(M)	↔

W2		
PIN	SIGNAL	DIRECTION
01	DPIN(E)	↔
02	DB04(E)	↔
03	DPIN(E)	↔
04	DB06(E)	↔
05	MBIN(E)	↔
06	DB08(E)	↔
07	+5V	↔
08	DB10(E)	↔
09	DB05(E)	↔
10	DE12(E)	↔
11	DE07(E)	↔
12	SPARE	N/U
13	DB09(E)	↔
14	AB02(E)	↔
15	DB11(E)	↔
16	AB06(E)	↔
17	DB13(E)	↔
18	SPARE	N/U
19	SPARE	N/U
20	AB05(E)	↔
21	SPARE	N/U
22	SPARE	N/U
23	EXEC(E)	↔
24	SPARE	N/U
25	GND	↔
26	SER(E)	↔
27	GND	↔
28	SPARE	N/U
29	GND	↔
30	AB04(E)	↔
31	ILI(E)	↔
32	SPARE	N/U
33	IUR(E)	↔
34	SPARE	N/U
35	IUA(E)	↔
36	SPARE	N/U
37	ECH0(E)	↔
38	IL2(E)	↔
39	AB00(E)	↔
40	IAR(E)	↔
41	AB01(E)	↔
42	SPARE	N/U
43	GND	↔
44	AB03(E)	↔
45	GND	↔
46	AB07(E)	↔
47	GND	↔
48	PR0T(E)	↔
49	GND	↔
50	MBIN(E)	↔

J4		
PIN	SIGNAL	DIRECTION
01	SPARE	N/U
02	DB04(E)	↔
03	DPIN(E)	↔
04	DB06(E)	↔
05	SPARE	N/U
06	DB08(E)	↔
07	SPARE	N/U
08	DB10(E)	↔
09	DB05(E)	↔
10	DE12(E)	↔
11	DE07(E)	↔
12	SPARE	N/U
13	DB09(E)	↔
14	AB02(E)	↔
15	DB11(E)	↔
16	AB06(E)	↔
17	DB13(E)	↔
18	SPARE	N/U
19	SPARE	N/U
20	AB05(E)	↔
21	SPARE	N/U
22	SPARE	N/U
23	EXEC(B)	↔
24	SPARE	N/U
25	GND	↔
26	SER(B)	↔
27	GND	↔
28	SPARE	N/U
29	GND	↔
30	AB04(B)	↔
31	ILI(B)	↔
32	SPARE	N/U
33	IUR(B)	↔
34	SPARE	N/U
35	IUA(B)	↔
36	SPARE	N/U
37	ECH0(B)	↔
38	IL2(B)	↔
39	AB00(B)	↔
40	IAR(B)	↔
41	AB01(B)	↔
42	SPARE	N/U
43	GND	↔
44	AB03(B)	↔
45	GND	↔
46	AB07(B)	↔
47	GND	↔
48	PRIN(B)	↔
49	GND	↔
50	MBIN(B)	↔

REVISIONS					
REV	DESCRIPTION	DR	CH	DATE	APPROVAL
B0	ENGINEERING RELEASE	11	11/14	11/14	
B1	REV CHANGE ONLY	13	11/14	11/14	
B2	PILOT RELEASE PER EN 1822	14	11/14	11/14	
B3	CHANGE PER EN 1903	15	11/14	11/14	
B4	INCORPORATE EN 1903 AND PROO. RELEASE PER EN 2075	16	11/14	11/14	
B5	INCORP PER EN 31E2	17	11/14	11/14	
B6	INCORP PER EN 30B6	18	11/14	11/14	
B7	INCORP PER EN 32A4	19	11/14	11/14	
B8	INCORP PER EN 33TH	20	11/14	11/14	

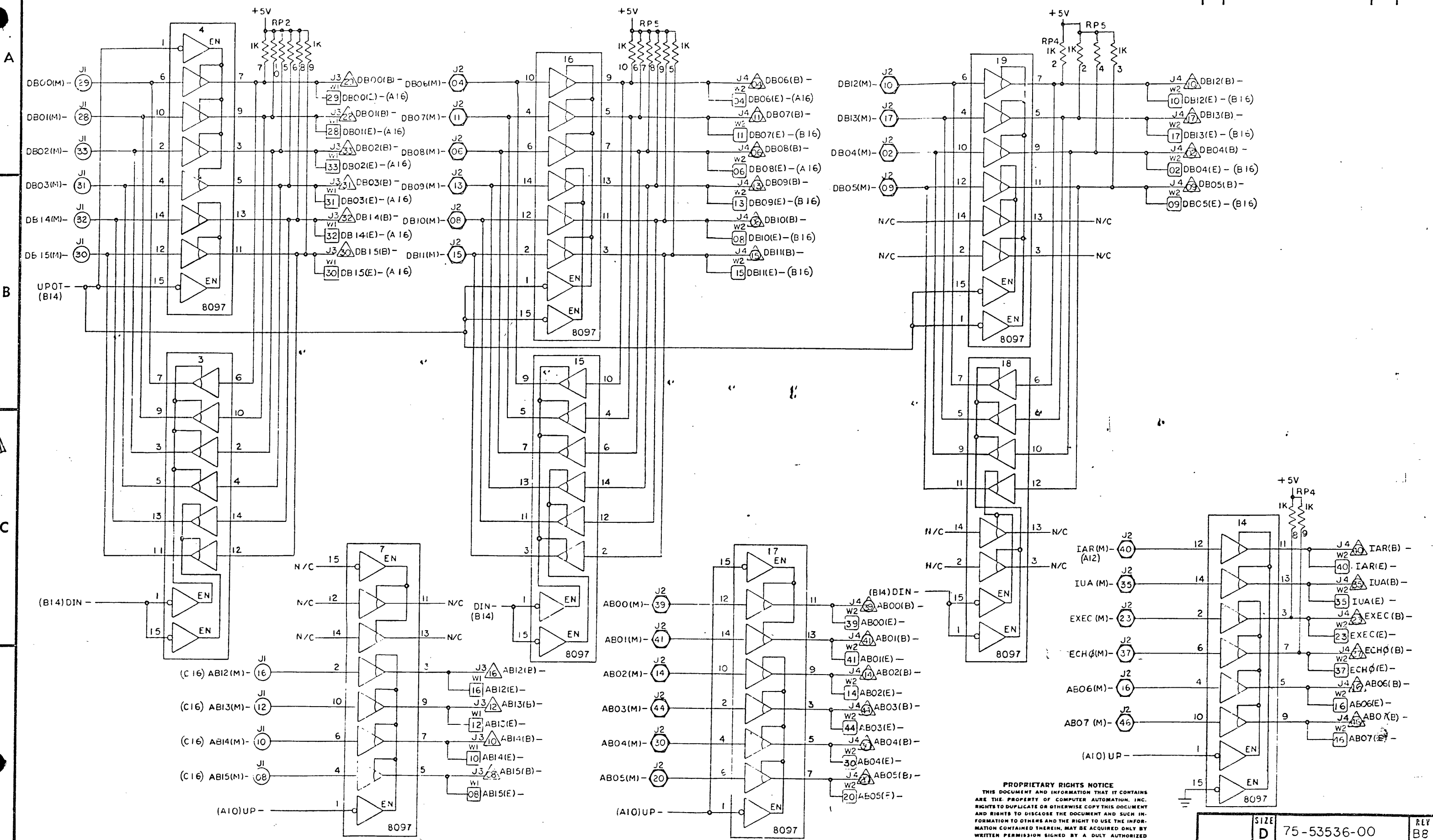


- 3. ○ DENOTE CONNECTOR J2
- DENOTE CONNECTOR W2
- DENOTE CONNECTOR J3
- △ DENOTE CONNECTOR J4
- DENOTE CONNECTOR W1
- DENOTE CONNECTOR J1
- 2. ▽ DENOTE OUTPUT SIGNALS.
- ↔ DENOTE INPUT SIGNALS.
- ↔ DENOTE BIDIRECTIONAL SIGNALS.
- 1. ALL RESISTORS ARE 1/4W, 5% AND VALUE ARE IN OHMS.
- NOTES: UNLESS OTHERWISE SPECIFIED

**PROPRIETARY RIGHTS NOTICE**  
THIS DOCUMENT AND INFORMATION THAT IT CONTAINS ARE THE PROPERTY OF COMPUTER AUTOMATION, INC. RIGHTS TO DUPLICATE OR OTHERWISE COPY THIS DOCUMENT AND RIGHTS TO DISCLOSE THE DOCUMENT AND SUCH INFORMATION TO OTHERS AND THE RIGHT TO USE THE INFORMATION CONTAINED THEREIN, MAY BE ACQUIRED ONLY BY WRITTEN PERMISSION SIGNED BY A DULY AUTHORIZED OFFICER OF COMPUTER AUTOMATION, INC.

NOTES UNLESS SPECIFIED	DR. L. MORGAN	11/14	COMPUTER AUTOMATION INC.
1. TOLERANCES XX ±.03 ANGULAR XXX ±.010 ±.1°	CHK. J. Anderson	11/14	TITLE
2. BREAK ALL SHARP EDGES .010 APPROX.	ENGR. J. Anderson	11/14	LOGIC DIAGRAM - EXPANSION BUFFER (ALPHA LSI)
3. ALL DIM. IN INCHES			SIZE DWG. NO.
			D 75-53536-00
			REV B3
			DO NOT SCALE DRAWING
			SCALE = NONE
			SHT. 1 OF 4

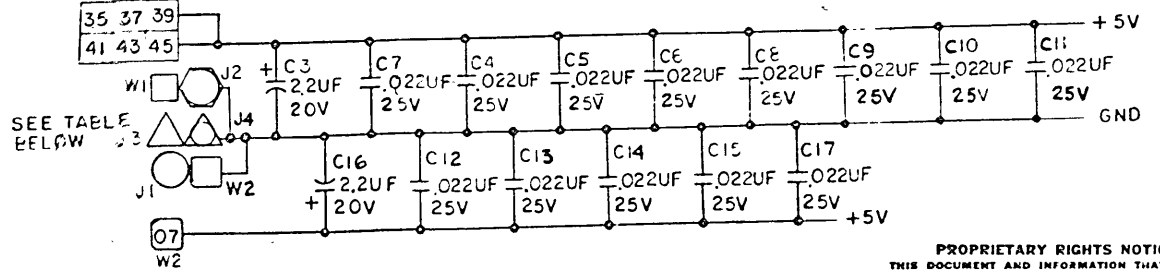
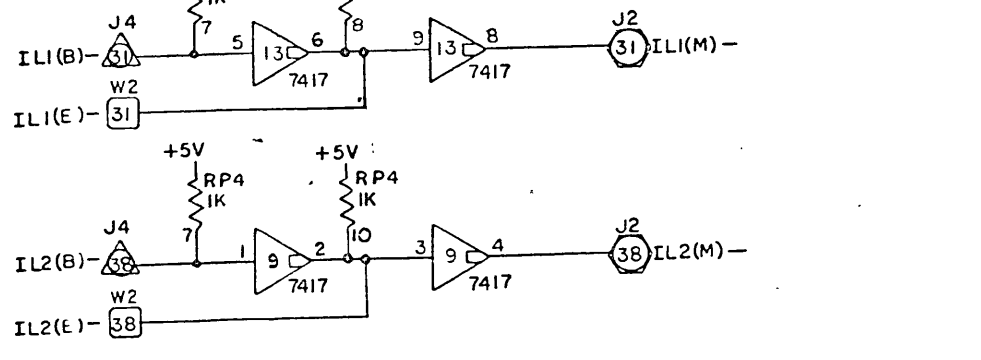
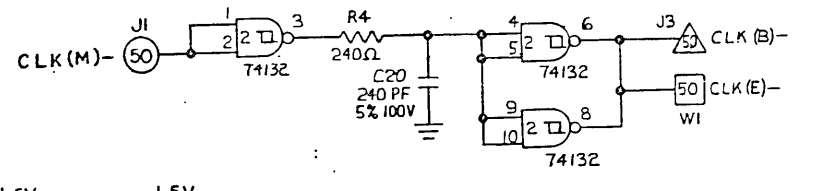
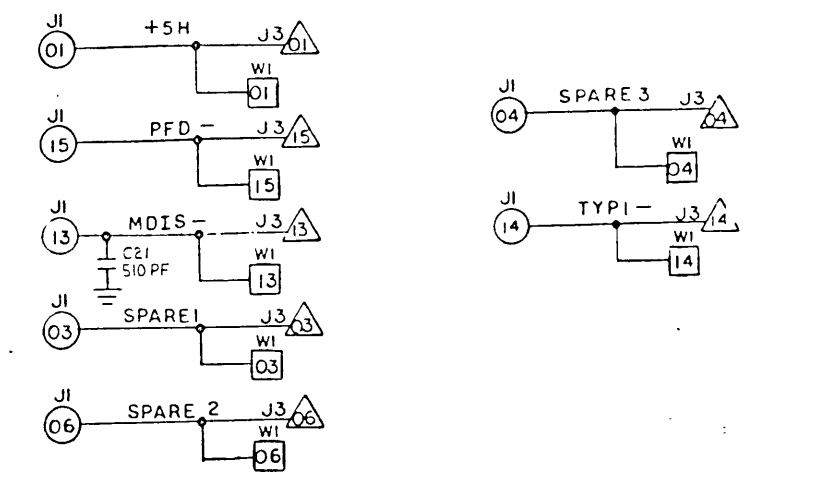
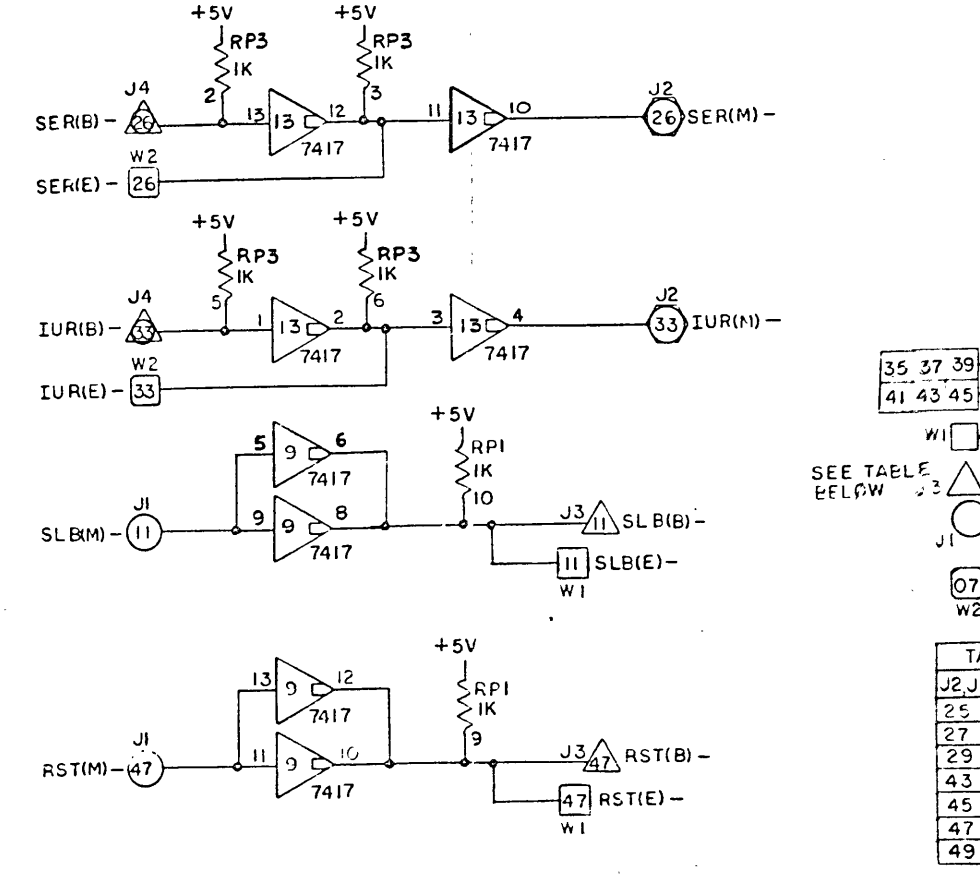
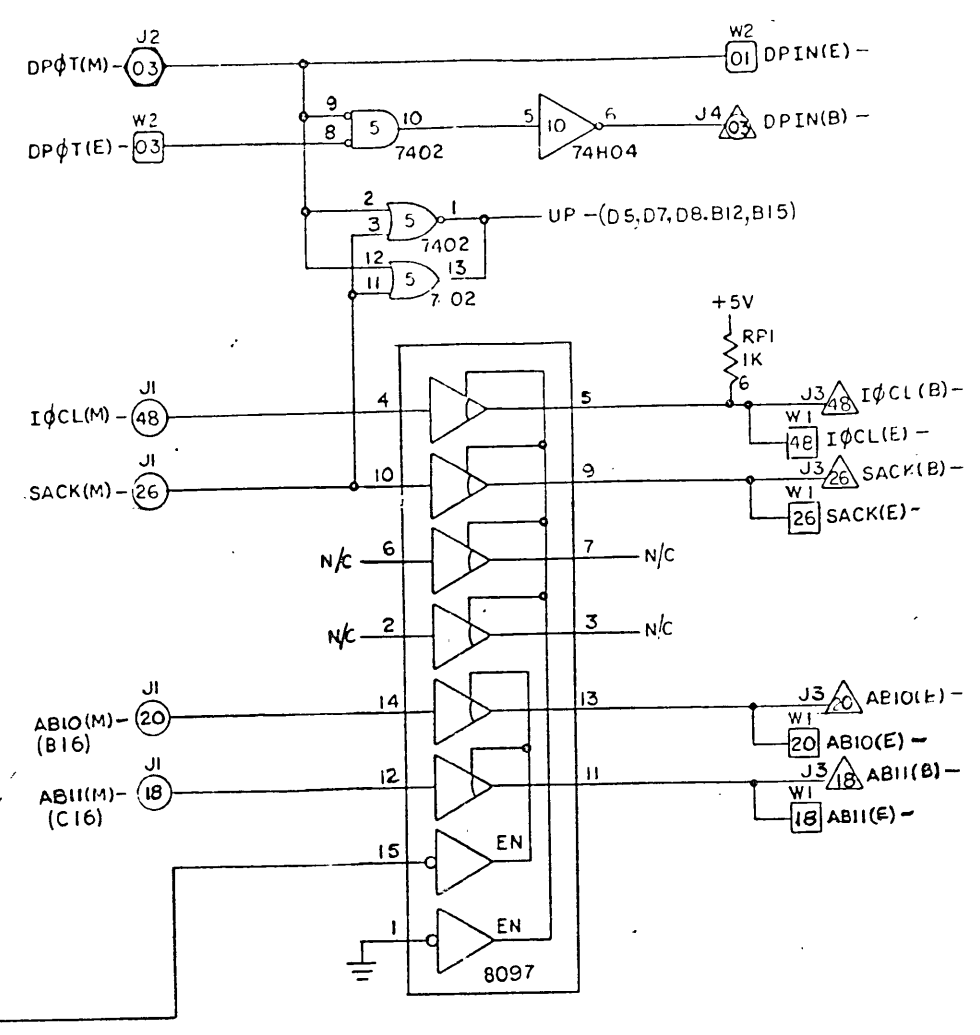
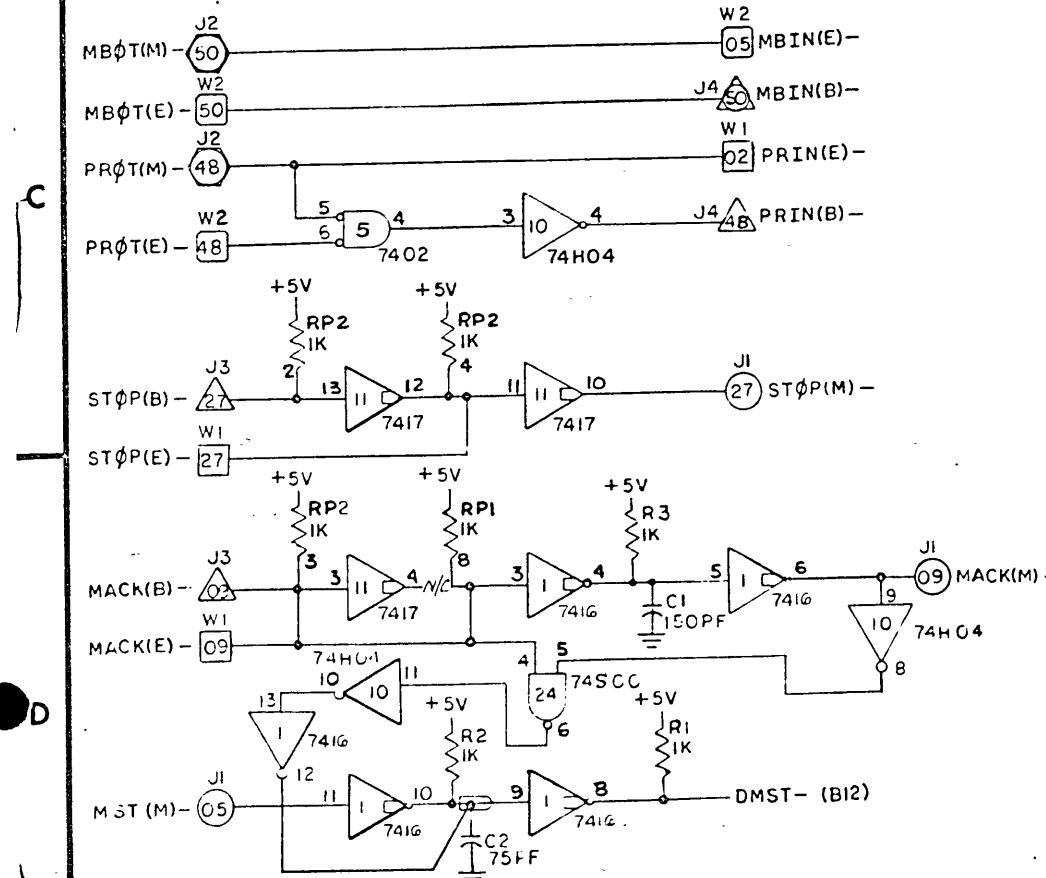
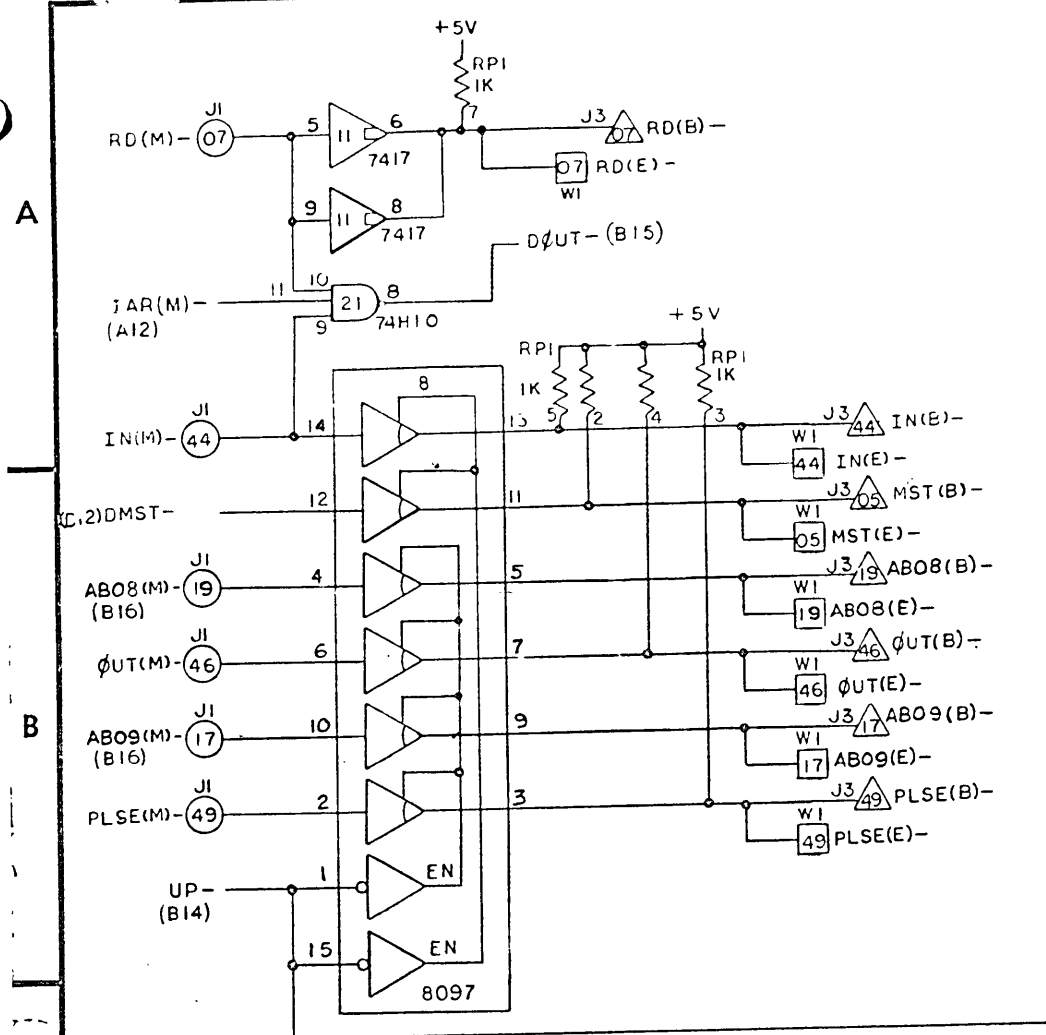
REVISIONS			
SYM	DESCRIPTION	DATE	APPROVAL



**PROPRIETARY RIGHTS NOTICE**  
 THIS DOCUMENT AND INFORMATION THAT IT CONTAINS ARE THE PROPERTY OF COMPUTER AUTOMATION, INC. RIGHTS TO DUPLICATE OR OTHERWISE COPY THIS DOCUMENT AND RIGHTS TO DISCLOSE THE DOCUMENT AND SUCH INFORMATION TO OTHERS AND THE RIGHT TO USE THE INFORMATION CONTAINED THEREIN, MAY BE ACQUIRED ONLY BY WRITTEN PERMISSION SIGNED BY A DULY AUTHORIZED OFFICER OF COMPUTER AUTOMATION, INC.

SIZE <b>D</b>	75-53536-00	REV <b>B8</b>
SCALE=		SHT. 2 OF 4

REVISIONS			
SYM	DESCRIPTION	DATE	APPROVAL



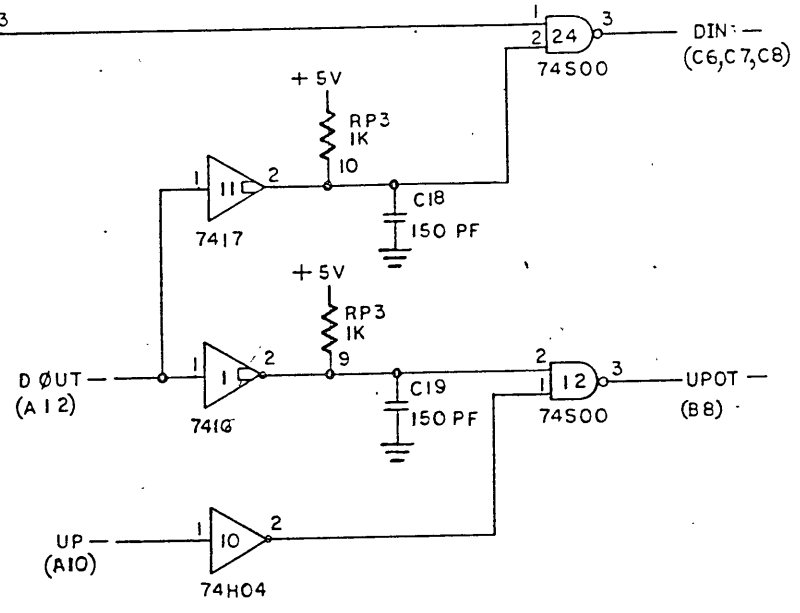
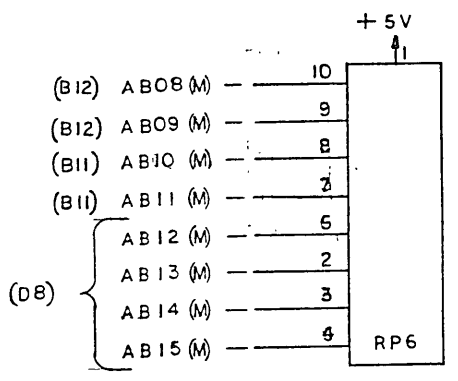
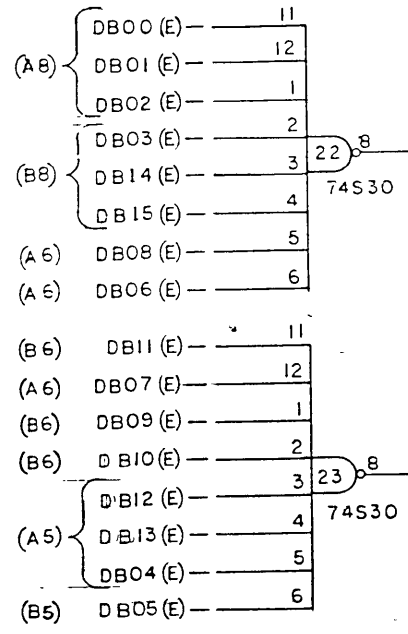
J2, J4, W2	J1, J3, W1
25	21
27	22
29	23
43	24
45	25
47	
49	

**PROPRIETARY RIGHTS NOTICE**  
 THIS DOCUMENT AND INFORMATION THAT IT CONTAINS ARE THE PROPERTY OF COMPUTER AUTOMATION, INC. RIGHTS TO DUPLICATE OR OTHERWISE COPY THIS DOCUMENT AND RIGHTS TO DISCLOSE THE DOCUMENT AND SUCH INFORMATION TO OTHERS AND THE RIGHT TO USE THE INFORMATION CONTAINED THEREIN, MAY BE ACQUIRED ONLY BY WRITTEN PERMISSION SIGNED BY A DULY AUTHORIZED OFFICER OF COMPUTER AUTOMATION, INC.

SIZE	D	75-53536-00	REV	B2
SCALE	~		SHT.	3 OF 4

REVISIONS		DATE	APPROVAL
SYM	DESCRIPTION		

THIS DOCUMENT CONTAINS PROPRIETARY INFORMATION AND IS THE PROPERTY OF COMPUTER AUTOMATION, INC. RIGHTS TO DUPLICATE OR OTHERWISE COPY THIS DOCUMENT AND RIGHTS TO DISCLOSE THE DOCUMENT AND SUCH INFORMATION TO OTHERS AND THE RIGHT TO USE THE INFORMATION CONTAINED THEREIN, MAY BE ACQUIRED ONLY BY WRITTEN PERMISSION SIGNED BY A DULY AUTHORIZED OFFICER OF COMPUTER AUTOMATION, INC.



A

B

C

PROPRIETARY RIGHTS NOTICE  
 THIS DOCUMENT AND INFORMATION THAT IT CONTAINS ARE THE PROPERTY OF COMPUTER AUTOMATION, INC. RIGHTS TO DUPLICATE OR OTHERWISE COPY THIS DOCUMENT AND RIGHTS TO DISCLOSE THE DOCUMENT AND SUCH INFORMATION TO OTHERS AND THE RIGHT TO USE THE INFORMATION CONTAINED THEREIN, MAY BE ACQUIRED ONLY BY WRITTEN PERMISSION SIGNED BY A DULY AUTHORIZED OFFICER OF COMPUTER AUTOMATION, INC.

SIZE	75-53536-00	REV	E8
SCALE	~	SHT.	4 OF 4