

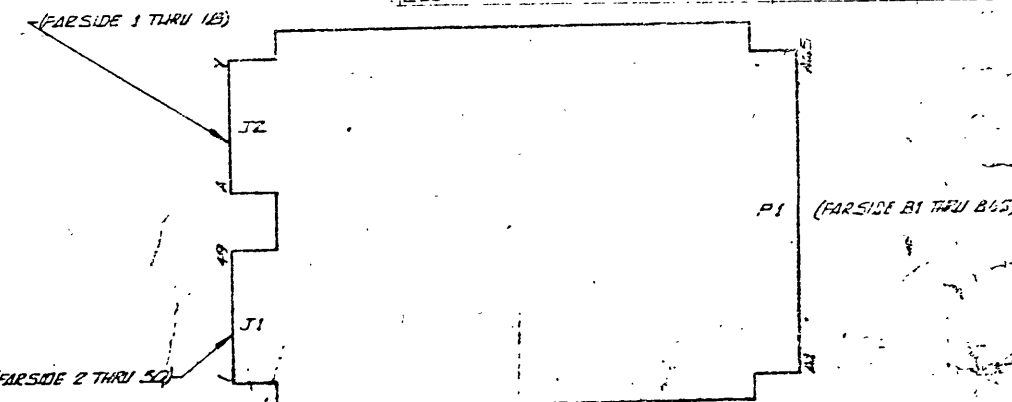
CONNECTOR SIGNAL

PI	SIGNAL	DIRECTION
41	AVD	←
42	SPARE	
43	SPARE	
44	+12V	→
45	-12V	→
46	CNTEN	→
47	SSW	→
48	TTLF	→
49	+5V	→
50	SPARE	
51	SPARE	
52	-5V	→
53	WST	→
54	WCK	→
55	SPARE	
56	FEED	→
57	FFD	→
58	DB00	→
59	SPARE	
60	SPARE	
61	DB0	→
62	DB0	→
63	SPARE	
64	DB0	→
65	SPARE	
66	DB0	→
67	DB0	→
68	DB0	→
69	DB0	→
70	DB0	→
71	DB0	→
72	DB0	→
73	DB0	→
74	DB0	→
75	DB0	→
76	DB0	→
77	DB0	→
78	DB0	→
79	DB0	→
80	DB0	→
81	DB0	→
82	DB0	→
83	DB0	→
84	DB0	→
85	DB0	→
86	DB0	→
87	DB0	→
88	DB0	→
89	DB0	→
90	DB0	→
91	DB0	→
92	DB0	→
93	DB0	→
94	DB0	→
95	DB0	→
96	DB0	→
97	DB0	→
98	DB0	→
99	DB0	→
100	DB0	→
101	DB0	→
102	DB0	→
103	DB0	→
104	DB0	→
105	DB0	→
106	DB0	→
107	DB0	→
108	DB0	→
109	DB0	→
110	DB0	→
111	DB0	→
112	DB0	→
113	DB0	→
114	DB0	→
115	DB0	→
116	DB0	→
117	DB0	→
118	DB0	→
119	DB0	→
120	DB0	→
121	DB0	→
122	DB0	→
123	DB0	→
124	DB0	→
125	DB0	→
126	DB0	→
127	DB0	→
128	DB0	→
129	DB0	→
130	DB0	→
131	DB0	→
132	DB0	→
133	DB0	→
134	DB0	→
135	DB0	→
136	DB0	→
137	DB0	→
138	DB0	→
139	DB0	→
140	DB0	→
141	DB0	→
142	DB0	→
143	DB0	→
144	DB0	→
145	DB0	→
146	DB0	→
147	DB0	→
148	DB0	→
149	DB0	→
150	DB0	→
151	DB0	→
152	DB0	→
153	DB0	→
154	DB0	→
155	DB0	→
156	DB0	→
157	DB0	→
158	DB0	→
159	DB0	→
160	DB0	→
161	DB0	→
162	DB0	→
163	DB0	→
164	DB0	→
165	DB0	→
166	DB0	→
167	DB0	→
168	DB0	→
169	DB0	→
170	DB0	→
171	DB0	→
172	DB0	→
173	DB0	→
174	DB0	→
175	DB0	→
176	DB0	→
177	DB0	→
178	DB0	→
179	DB0	→
180	DB0	→
181	DB0	→
182	DB0	→
183	DB0	→
184	DB0	→
185	DB0	→
186	DB0	→
187	DB0	→
188	DB0	→
189	DB0	→
190	DB0	→
191	DB0	→
192	DB0	→
193	DB0	→
194	DB0	→
195	DB0	→
196	DB0	→
197	DB0	→
198	DB0	→
199	DB0	→
200	DB0	→

PI	SIGNAL	DIRECTION
81	AVD	←
82	SPARE	
83	SPARE	
84	+12V	→
85	-12V	→
86	CNTEN	→
87	SSW	→
88	TTLF	→
89	+5V	→
90	SPARE	
91	SPARE	
92	-5V	→
93	WST	→
94	WCK	→
95	SPARE	
96	FEED	→
97	FFD	→
98	DB00	→
99	SPARE	
100	SPARE	
101	DB0	→
102	DB0	→
103	SPARE	
104	DB0	→
105	SPARE	
106	DB0	→
107	DB0	→
108	DB0	→
109	DB0	→
110	DB0	→
111	DB0	→
112	DB0	→
113	DB0	→
114	DB0	→
115	DB0	→
116	DB0	→
117	DB0	→
118	DB0	→
119	DB0	→
120	DB0	→
121	DB0	→
122	DB0	→
123	DB0	→
124	DB0	→
125	DB0	→
126	DB0	→
127	DB0	→
128	DB0	→
129	DB0	→
130	DB0	→
131	DB0	→
132	DB0	→
133	DB0	→
134	DB0	→
135	DB0	→
136	DB0	→
137	DB0	→
138	DB0	→
139	DB0	→
140	DB0	→
141	DB0	→
142	DB0	→
143	DB0	→
144	DB0	→
145	DB0	→
146	DB0	→
147	DB0	→
148	DB0	→
149	DB0	→
150	DB0	→
151	DB0	→
152	DB0	→
153	DB0	→
154	DB0	→
155	DB0	→
156	DB0	→
157	DB0	→
158	DB0	→
159	DB0	→
160	DB0	→
161	DB0	→
162	DB0	→
163	DB0	→
164	DB0	→
165	DB0	→
166	DB0	→
167	DB0	→
168	DB0	→
169	DB0	→
170	DB0	→
171	DB0	→
172	DB0	→
173	DB0	→
174	DB0	→
175	DB0	→
176	DB0	→
177	DB0	→
178	DB0	→
179	DB0	→
180	DB0	→
181	DB0	→
182	DB0	→
183	DB0	→
184	DB0	→
185	DB0	→
186	DB0	→
187	DB0	→
188	DB0	→
189	DB0	→
190	DB0	→
191	DB0	→
192	DB0	→
193	DB0	→
194	DB0	→
195	DB0	→
196	DB0	→
197	DB0	→
198	DB0	→
199	DB0	→
200	DB0	→

J1	SIGNAL	DIRECTION
1	TTLF	→
2	SSW	→
3	SLCT1	→
4	RTS	→
5	FEED	→
6	WCK	→
7	CP026	→
8	TTLF	→
9	SLCT2	→
10	SLCT3	→
11	CP027	→
12	INH	→
13	CP036	→
14	CP013	→
15	CP014	→
16	CP022	→
17	CP040	→
18	CP016	→
19	CP028	→
20	RTS	→
21	SPARE	
22	MEL	→
23	GND	→
24	GND	→
25	GND	→
26	GND	→
27	GRIN	→
28	END7	→
29	TTLF	→
30	RTDAT	→
31	RTDR	→
32	SMDET	→
33	RTS	→
34	RTS	→
35	OPT	→
36	RTDR	→
37	RTS	→
38	INT	→
39	IKHE	→
40	IKHE	→
41	STSL	→
42	STR2	→
43	STR3	→
44	STR4	→
45	RTS	→
46	RTDR	→
47	WST	→
48	WST	→
49	RT	→
50	SBS	→

J2	SIGNAL	DIRECTION
1	RTDR	→
2	RTDAT	→
3	RTS	→
4	RTS	→
5	RTDR	→
6	RTDR	→
7	NU	
8	WST	→
9	WST	→
10	GND	→
11	RTY	→
12	RTAT	→
13	RTAT	→
14	RT	→
15	GRIN	→
16	GND	→
17	GND	→
18	CLK1	→
A	TRUE-1	→
B	GND	→
C	GND	→
D	GRIN	→
E	RT	→
F	RTAT	→
H	RTAT	→
J	RTY	→
K	GND	→
L	WST	→
M	WST	→
N	NU	
P	RTDR	→
Q	RTDR	→
S	EIAB	→
T	RTS	→
V	SMDET	→
W	RTDR	→



COMPONENT SIDE

TABULATION (CON'T)

DASH NO	DESCRIPTION
-41	BV+TTY+RTC+AL
-51	BV+TTY+EIA+AL
-55	BV+TTY+EIA+RTC+AL
-56	BV, TTY, CRT EIA, RTC, AL

TABULATION

DASH NO	DESCRIPTION
-01	BV (BASIC VARIABLES)
-03	BV + TTY
-05	BV + RTC
-07	BV + TTY + RTC
-09	BV + AL
-11	BV + TTY + AL
-13	BV + RTC + AL
-15	BV + TTY + RTC + AL
-19	BV + TTY + EIA
-23	BV + TTY + EIA + RTC
-27	BV + TTY + EIA + AL
-31	BV + TTY + EIA + RTC + AL
-33	BV + AL
-35	BV + TTY + AL
-36	BV + RTC + AL
-37	BV + TTY + AL
-38	BV + TTY + RTC + AL
-40	BV + TTY + AL

1. ALL PINS ARE CONNECTED TO GND FOR DB0'S 05, 09, 15
 2. ALL PINS ARE CONNECTED TO GND FOR DB0'S 05, 09, 15
 3. ALL PINS ARE CONNECTED TO GND FOR DB0'S 05, 09, 15
 4. ALL PINS ARE CONNECTED TO GND FOR DB0'S 05, 09, 15
 5. ALL PINS ARE CONNECTED TO GND FOR DB0'S 05, 09, 15
 6. ALL PINS ARE CONNECTED TO GND FOR DB0'S 05, 09, 15
 7. RESISTOR PACKS ARE 1/4W AND VALUES ARE IN OHMS.
 8. LAST FOUR DIGITS SHOWN USED IN 14
 C. 30
 20

NOTES UNLESS SPECIFIED

1. TOLERANCES
 .XX = .03
 .XXX = .010

2. BREAK ALL SHARP EDGES
 0.10" MIN

3. ALL DIM IN INCHES

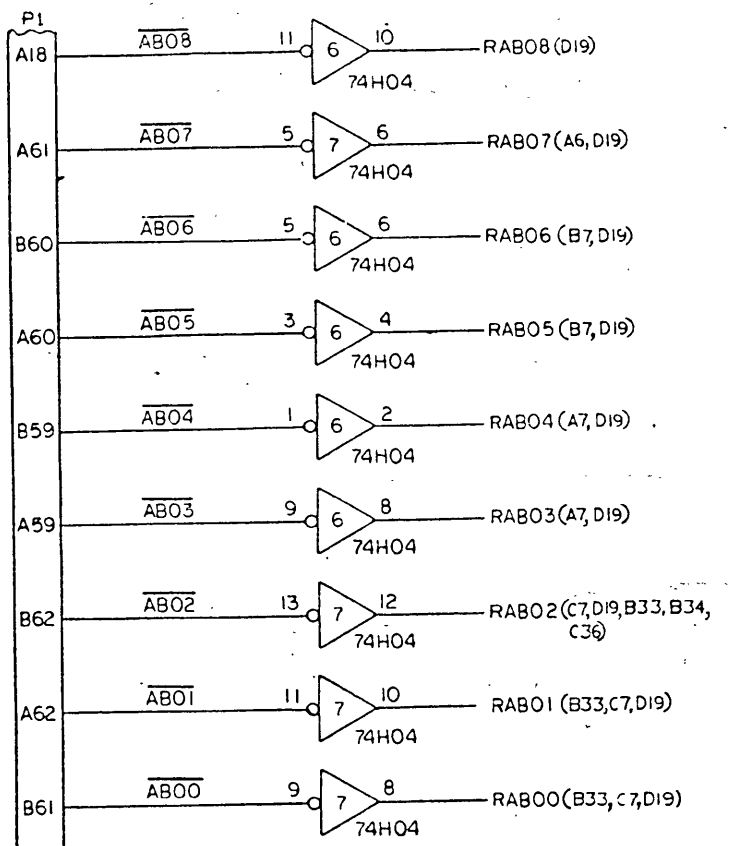
COMPUTER AUTOMATION INC.

75-53505-X4 E26

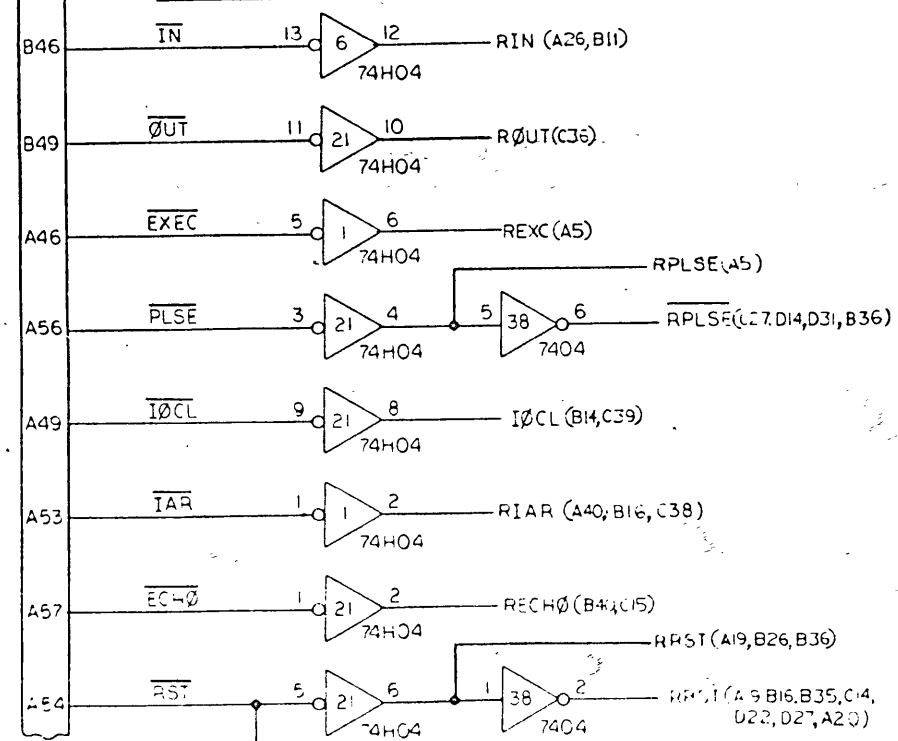
1 of 10

REVISIONS			
SYM	DESCRIPTION	DATE	APPROVAL

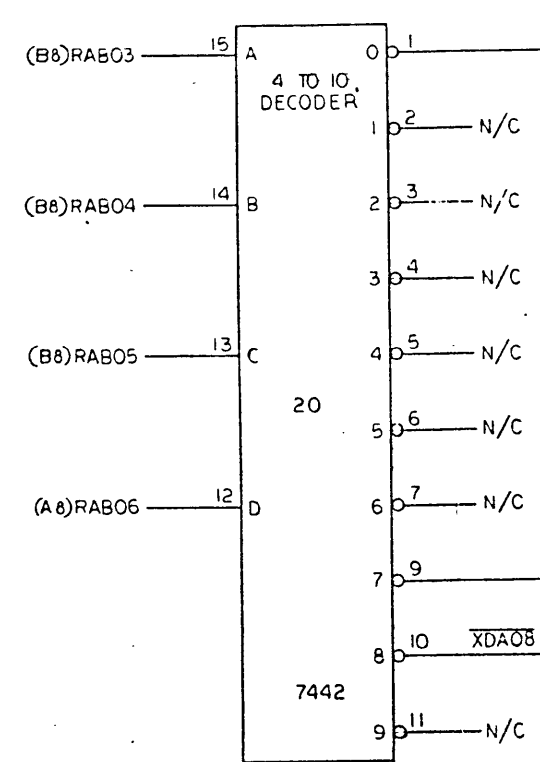
ADDRESS BUS RECEIVERS



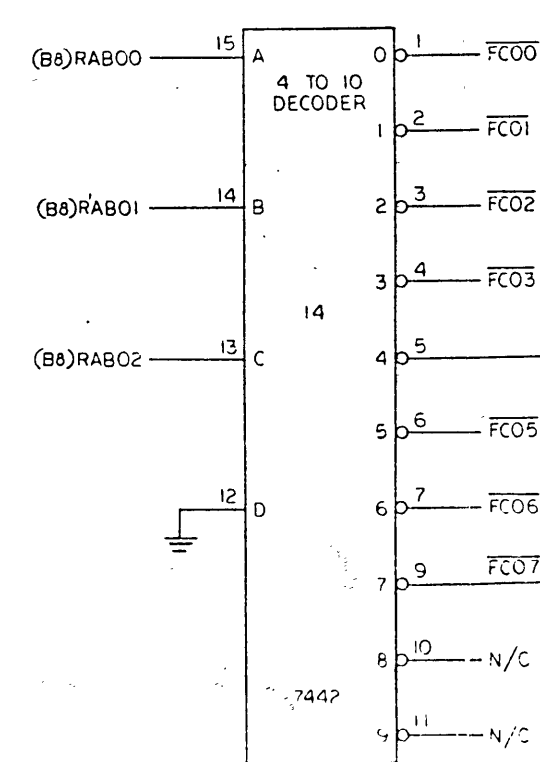
CONTROL BUS RECEIVERS



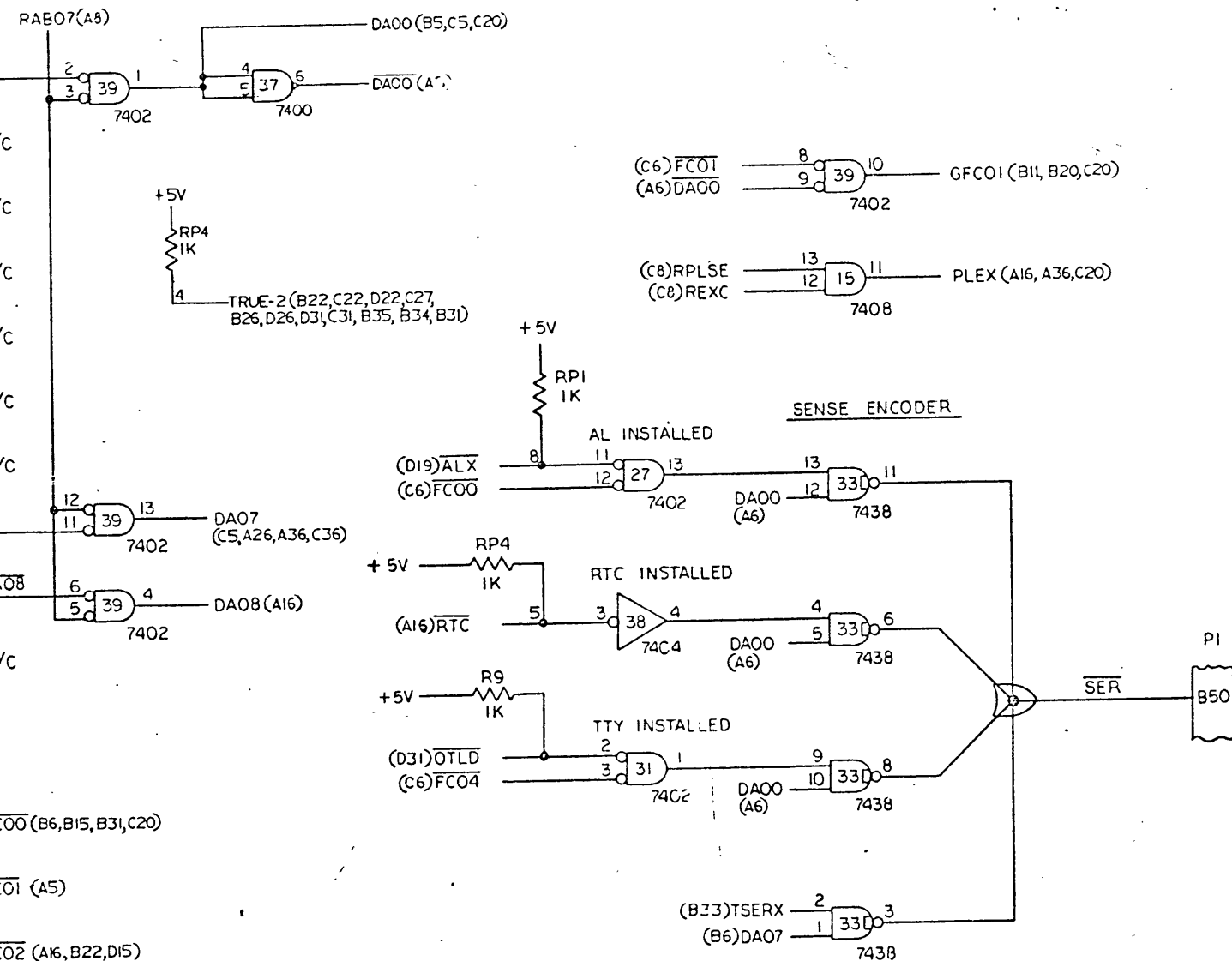
DEVICE ADDRESS DECODER



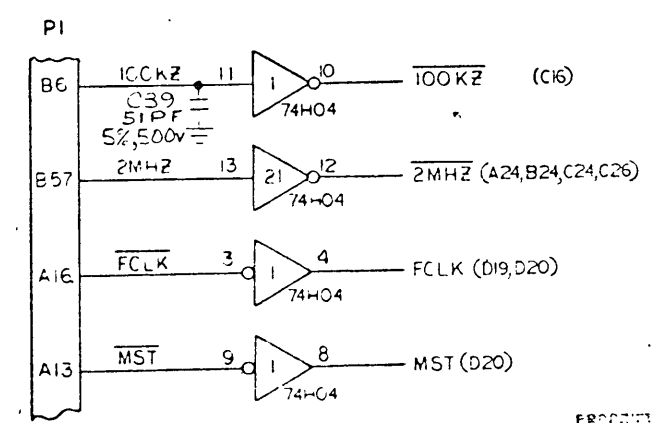
FUNCTION CODE DECODER



COMMON LOGIC



SPECIAL SIGNAL RECEIVERS



PROPRIETARY RIGHTS NOTICE
 THIS DOCUMENT AND THE INFORMATION CONTAINED HEREIN ARE THE PROPERTY OF IBM CORPORATION. REPRODUCTION OR TRANSMISSION OF THIS DOCUMENT OR THE INFORMATION CONTAINED HEREIN WITHOUT THE WRITTEN PERMISSION OF IBM CORPORATION IS PROHIBITED.
 OFFICE OF COMPUTER AUTOMATION, INC.

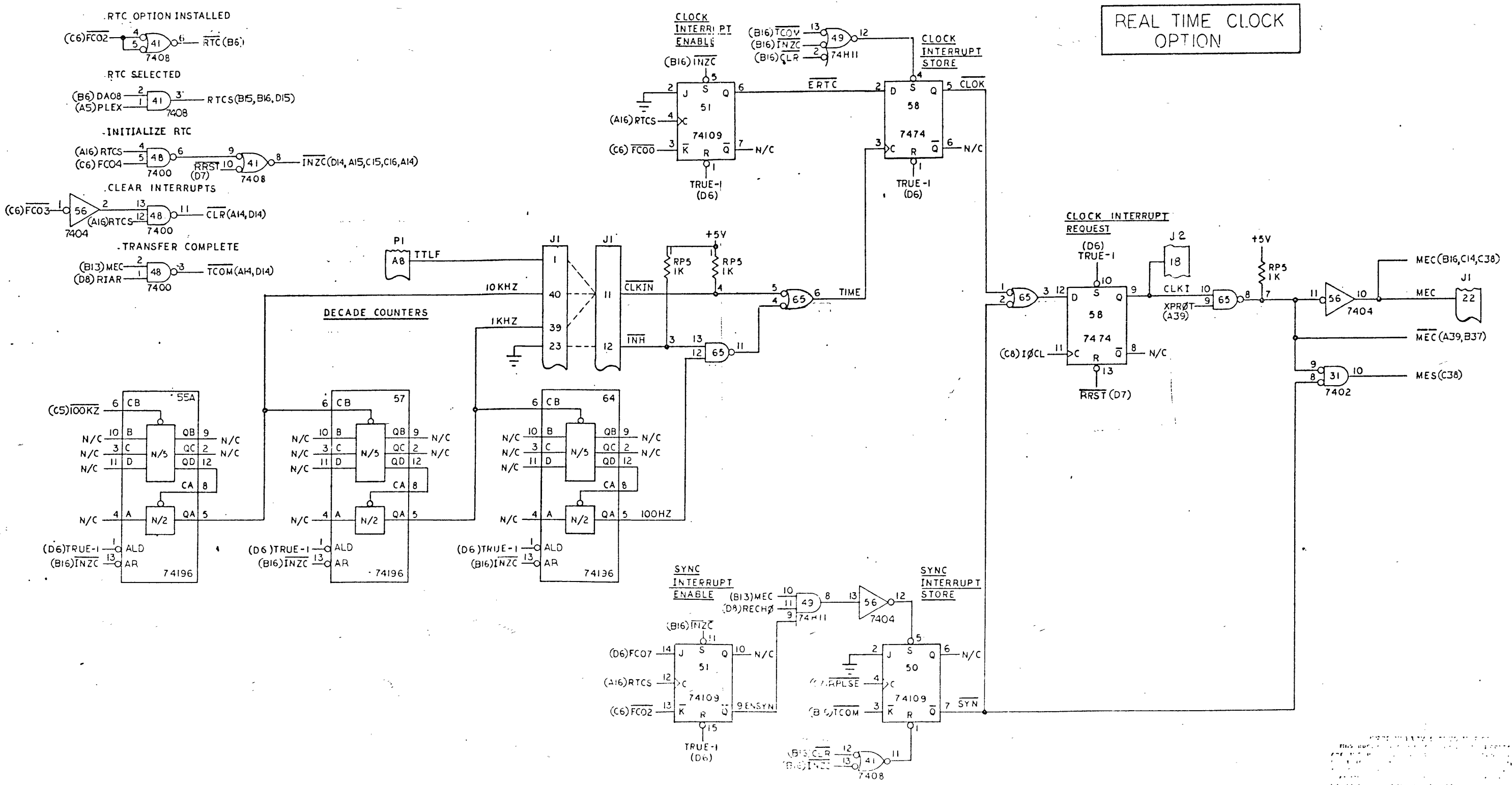
SIZE	D	73-53505-XX	PAGE	E26
SCALE			SHEET	2 OF 10

REVISIONS			
SYM	DESCRIPTION	DATE	APPROVAL

A

B

C



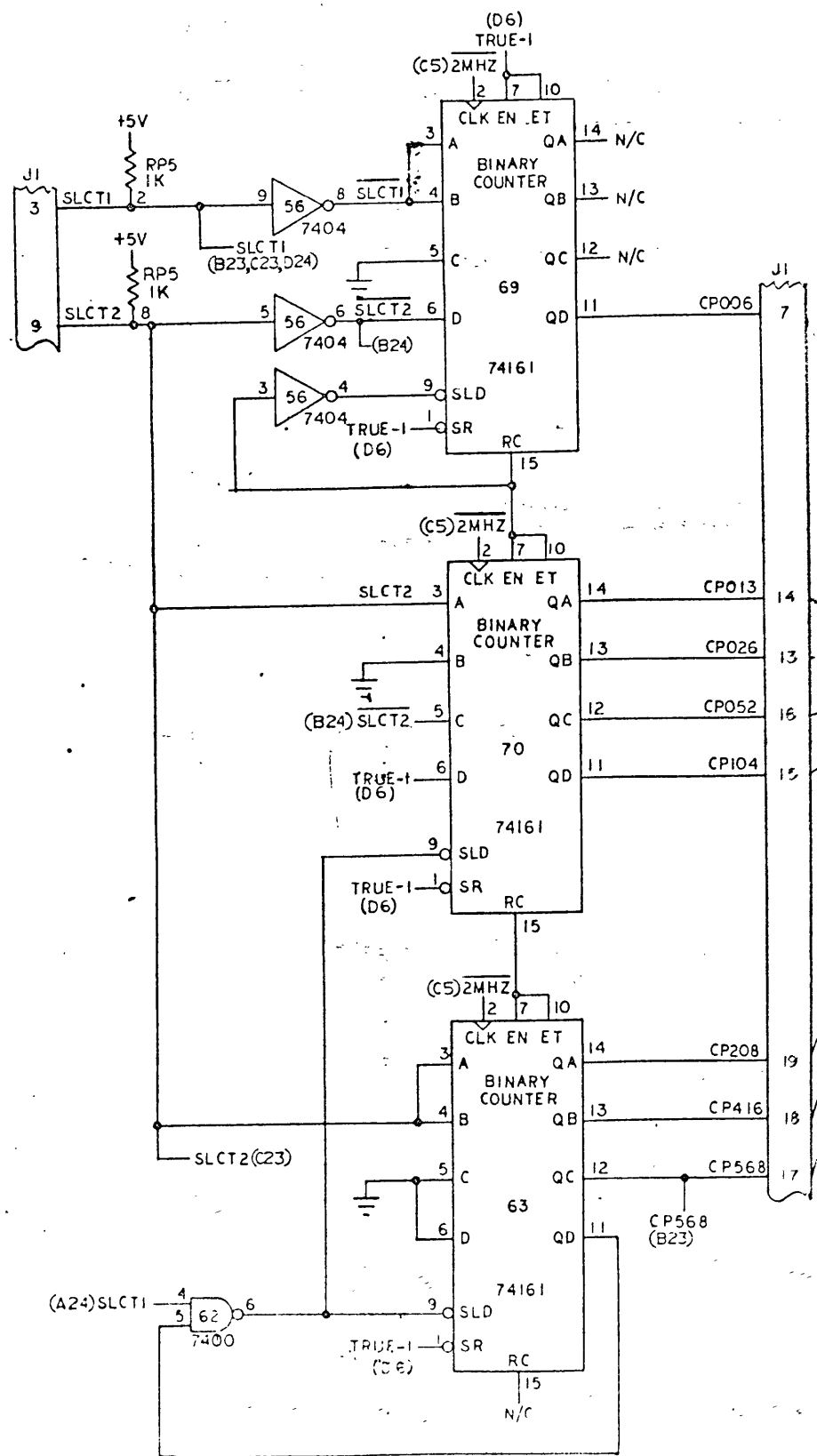
REAL TIME CLOCK
OPTION

THIS DOCUMENT IS UNCLASSIFIED
DATE 08-14-2011 BY 60322 UCBAW/SJS/STP

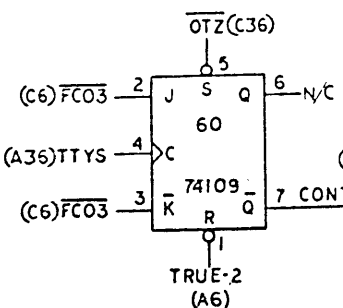
REVISIONS		
SYM	DESCRIPTION	DATE

TELETYPE READER
REMOTE CONTROLS

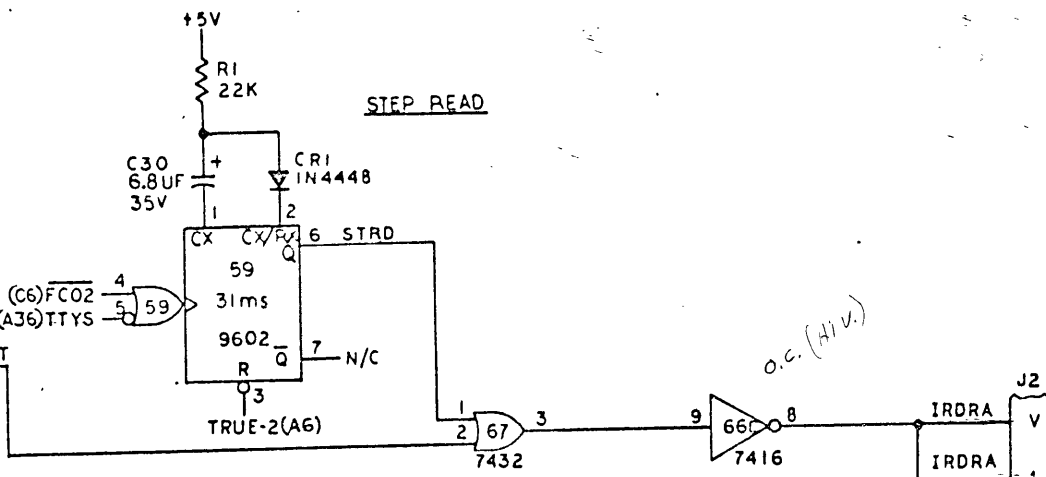
TTY BAUD COUNTER



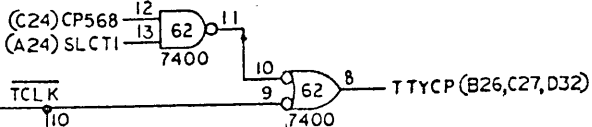
CONTINUOUS READ



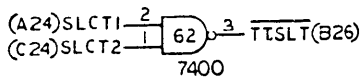
STEP READ



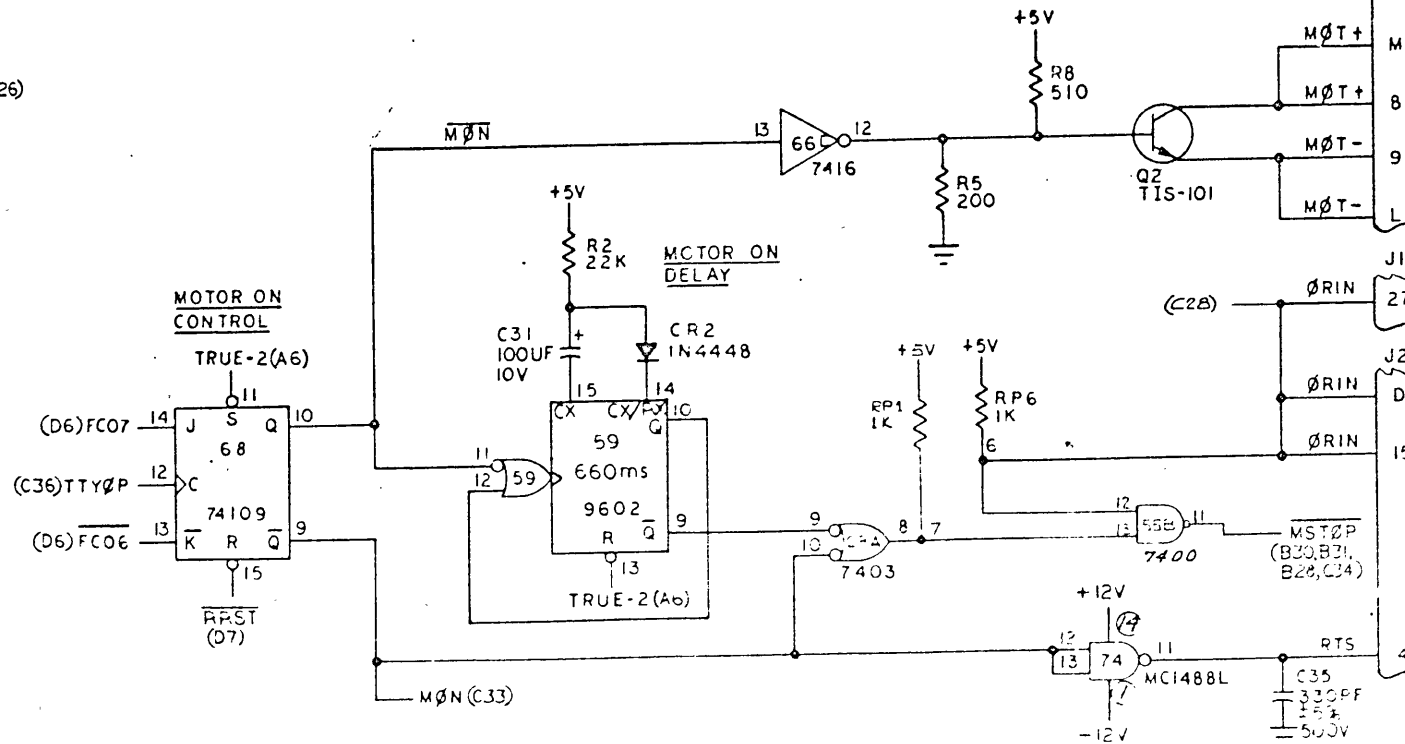
TELETYPE CLOCK (110 BAUD)



TELETYPE SELECTED



TELETYPE MOTOR ON/OFF CONTROLS



TELETYPE TIMING AND AUXILIARY CONTROLS

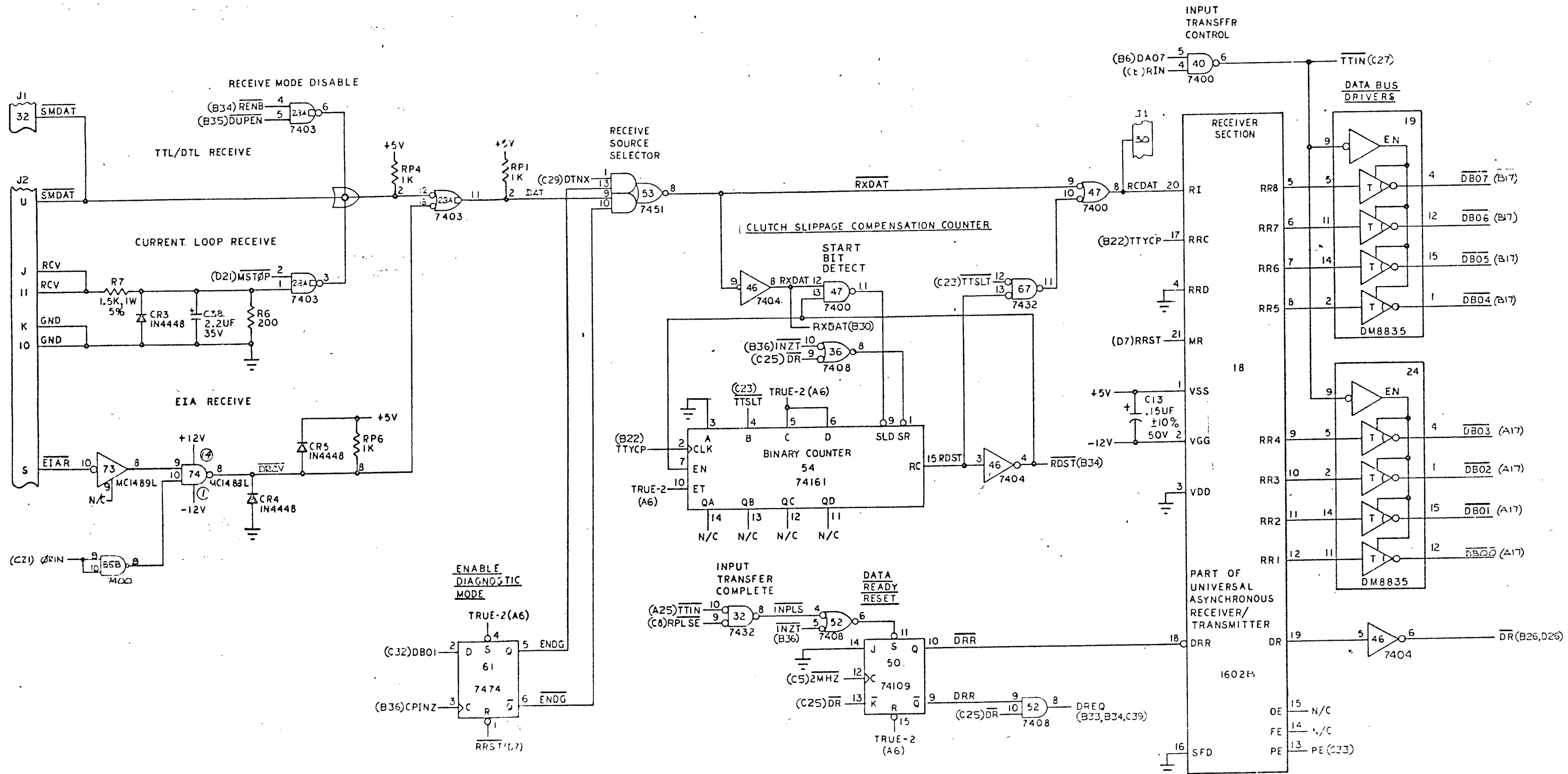
SIZE	D	75-53505-XX	26
SCALE			SHT. 6 OF 6

REVISIONS			
SYM	DESCRIPTION	DATE	APPROVAL

A

B

C



TTY RECEIVE CHANNEL

PERMANENTLY IDENTIFY THESE
 THIS DRAWING AND ALL OF THE INFORMATION CONTAINED
 HEREIN IS THE PROPERTY OF THE UNITED STATES GOVERNMENT
 AND IS LOANED TO YOU BY THE NATIONAL BUREAU OF STANDARDS
 AND IS NOT TO BE DISTRIBUTED OUTSIDE YOUR ORGANIZATION
 WITHOUT THE EXPRESS WRITTEN PERMISSION OF THE NATIONAL BUREAU OF STANDARDS
 OFFICE OF COMMUNICATIONS

SIZE	D	75-53505-XX	REV	E26
SCALE			SHT. 7 OF 10	

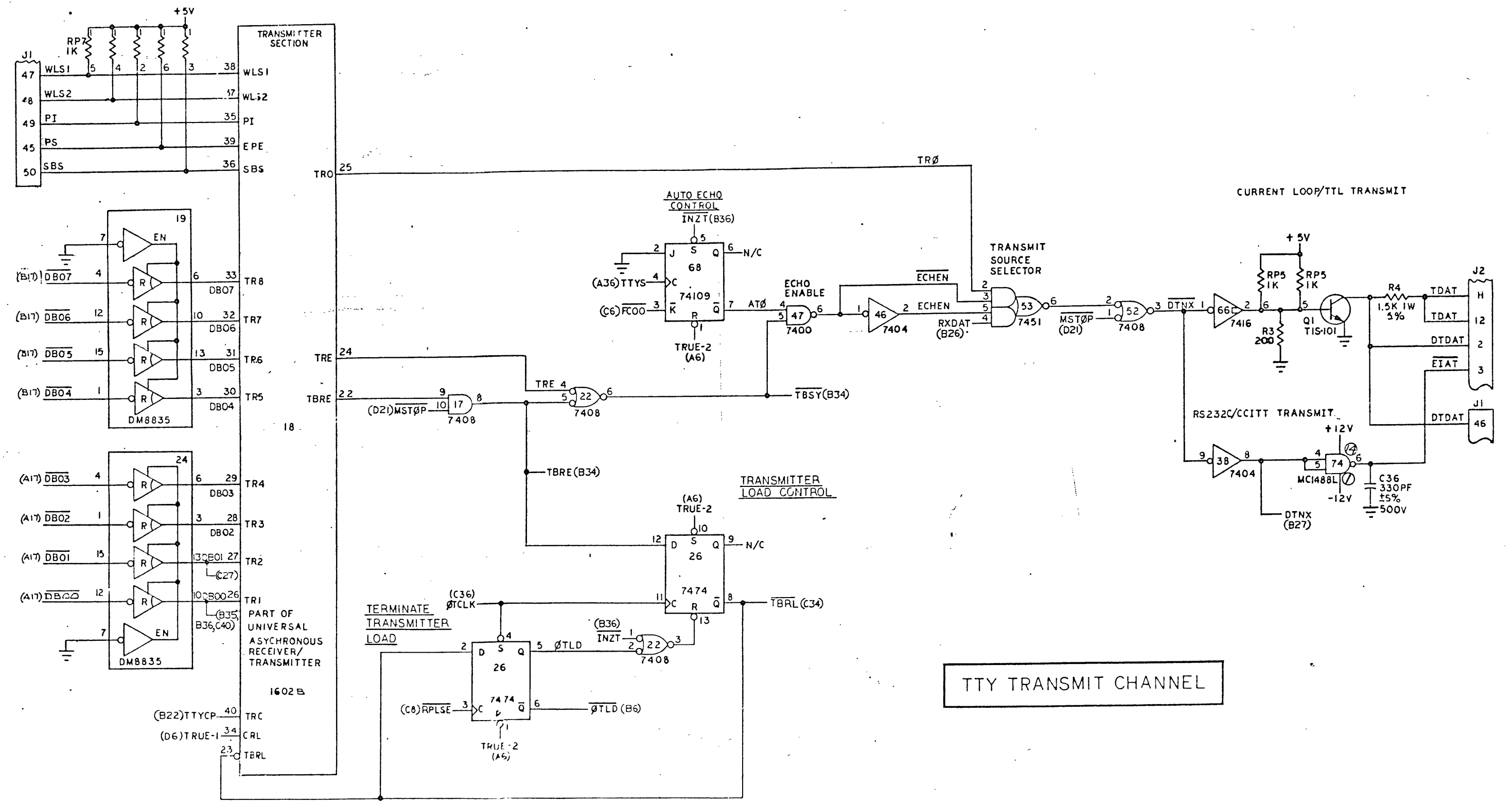
REVISIONS			
SYM	DESCRIPTION	DATE	APPROVAL

A

B

C

D

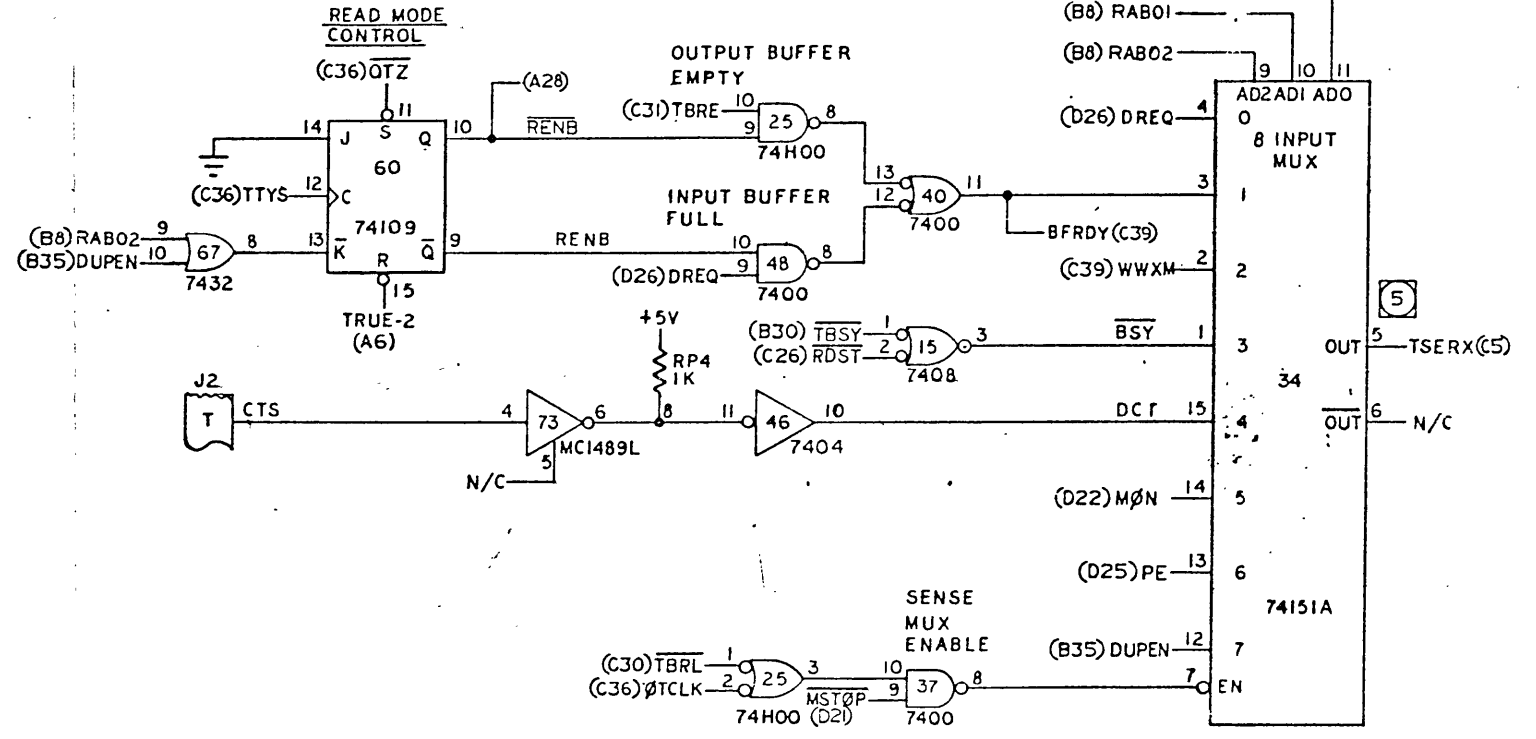
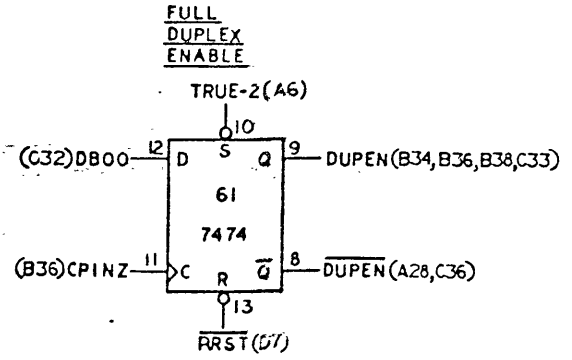
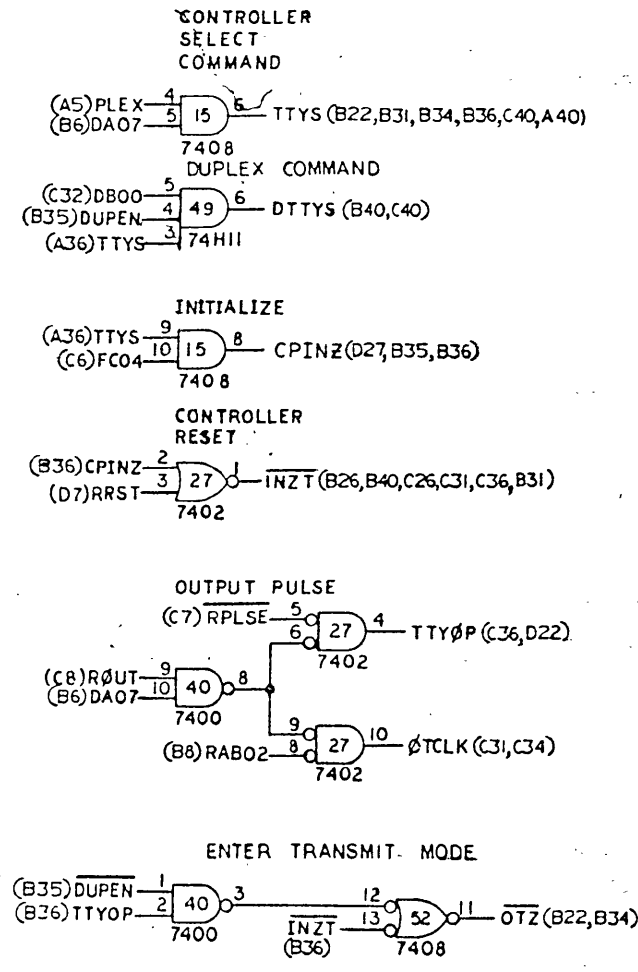


TTY TRANSMIT CHANNEL

PROPRIETARY RIGHTS NOTICE
 THIS DOCUMENT IS THE PROPERTY OF THE UNITED STATES GOVERNMENT AND IS LOANED TO YOUR AGENCY. IT IS TO BE REPRODUCED AND DISTRIBUTED ONLY TO THE AGENCY TO WHICH LOANED. IT IS TO BE DESTROYED WHEN NO LONGER REQUIRED.

5121	D	75-53505-XX	REV E22
SCALE		SMT. 6 OF 10	

REVISIONS			
SYM	DESCRIPTION	DATE	APPROVAL



TELETYPE/PROCESSOR CONTROL INTERFACE

PROPRIETARY RIGHTS NOTICE
 THIS DOCUMENT AND INFORMATION CONTAINED HEREIN ARE THE PROPERTY OF INTERNATIONAL BUSINESS MACHINES CORPORATION AND ARE LOANED TO YOUR ORGANIZATION. IT IS TO BE USED ONLY FOR THE SPECIFIC PURPOSES FOR WHICH IT IS LOANED. IT IS NOT TO BE REPRODUCED OR TRANSMITTED IN ANY FORM OR BY ANY MEANS, ELECTRONIC OR MECHANICAL, INCLUDING PHOTOCOPYING, RECORDING, OR BY ANY INFORMATION STORAGE AND RETRIEVAL SYSTEM, WITHOUT THE WRITTEN PERMISSION OF INTERNATIONAL BUSINESS MACHINES CORPORATION.

SIZE	D	75-53505-XX	REV	E26
SCALE	=		SHT.	9 OF 10

REVISIONS		
SYM	DESCRIPTION	DATE

INTERRUPT MASKS

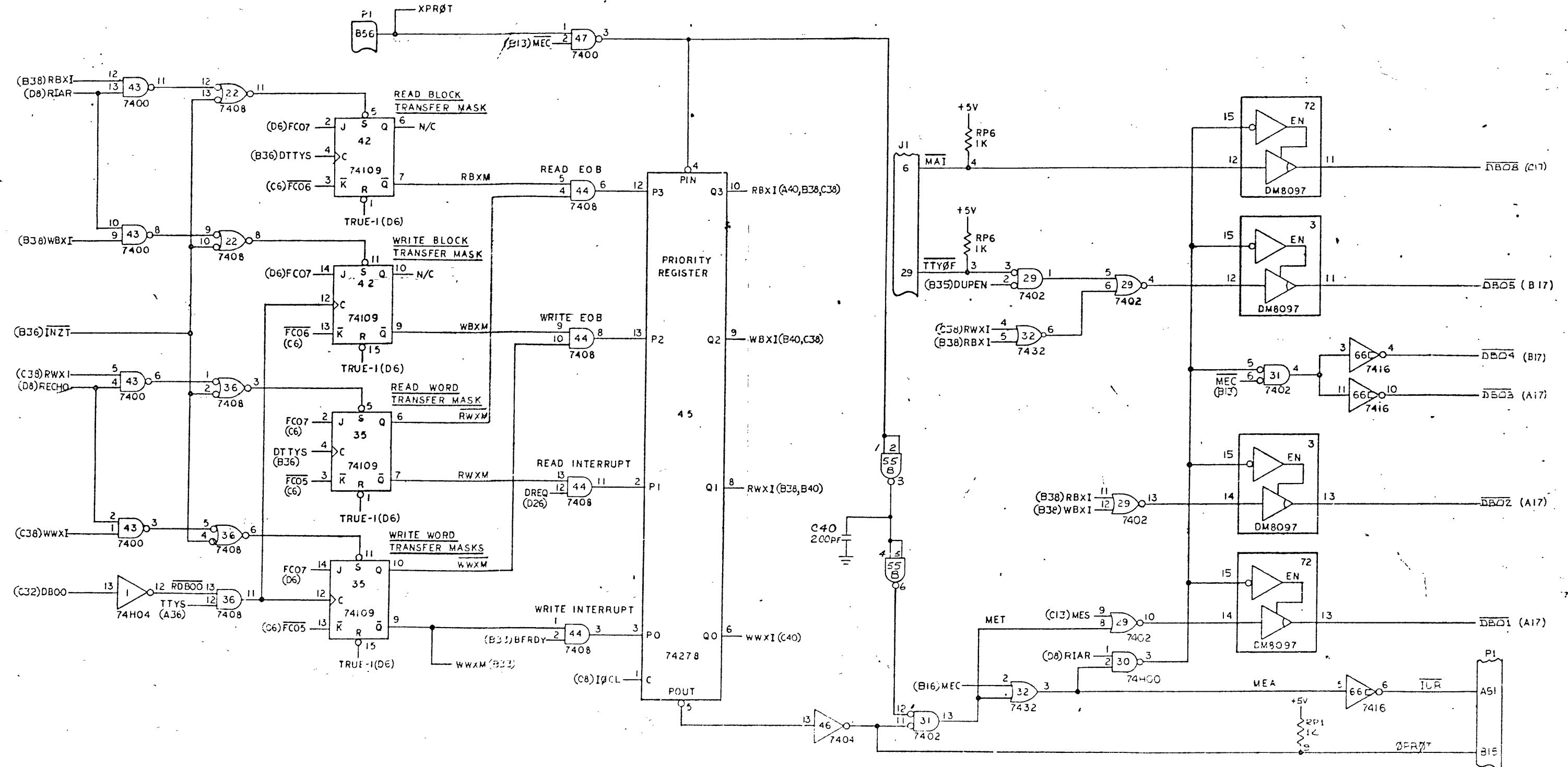
INTERRUPT PRIORITY ENCODER

INTERRUPT ADDRESS GENERATOR

A

B

C



TTY INTERRUPT FUNCTION

PROPERTY OF THE...
 THIS DOCUMENT CONTAINS...
 UNLESS INDICATED OTHERWISE...
 THE INFORMATION CONTAINED...
 HEREIN IS UNCLASSIFIED...
 DATE 10-10-2001 BY 60322/UC/STP/STP

SIZE	D	75-53505-XX	E26
SCALE			