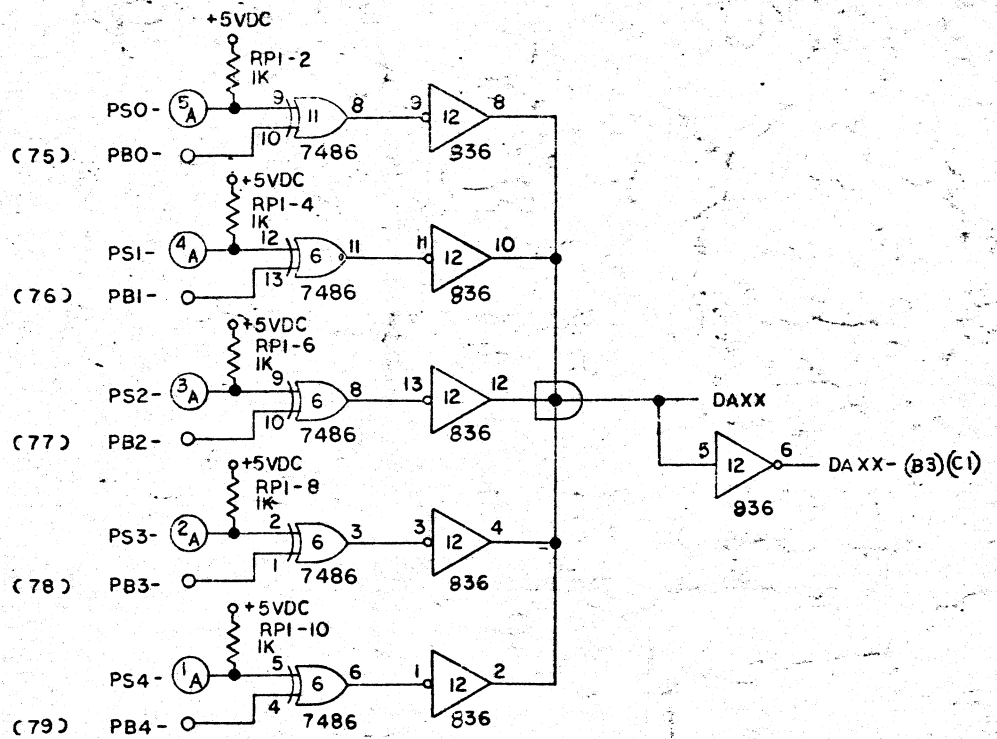
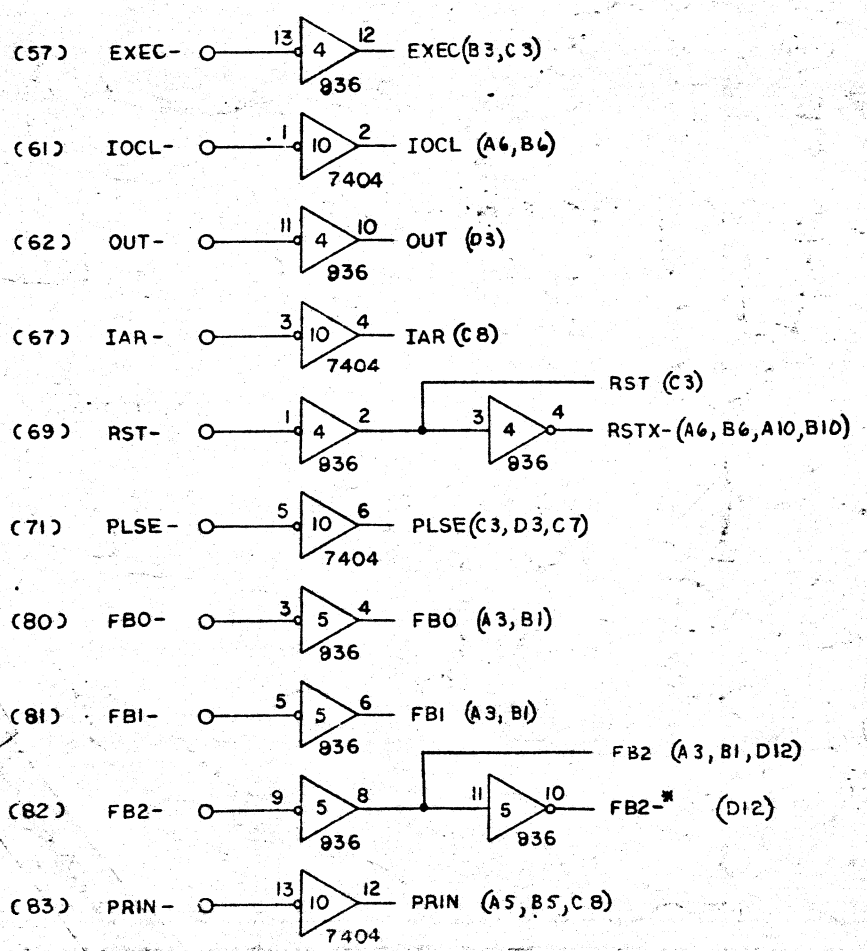


REVISIONS			
SYM	DESCRIPTION	DATE	APPROVAL
A0	INITIAL RELEASE		
A1	PER EN 00-52214-XX - AT	1/3/72	(Signature)

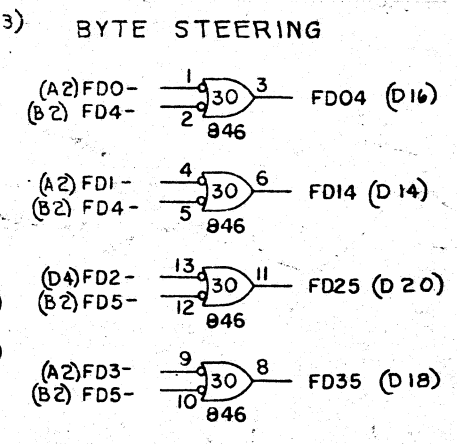
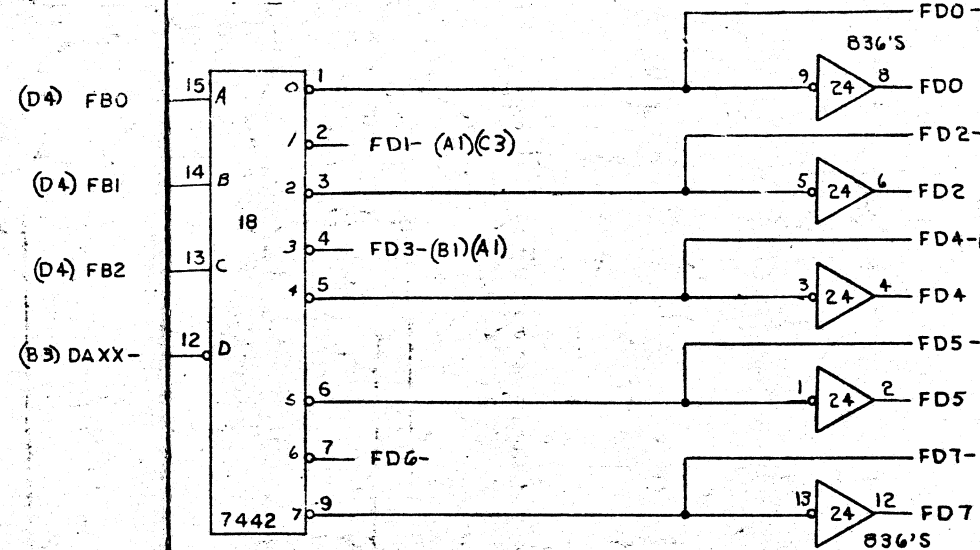
DEVICE ADDRESS DECODER



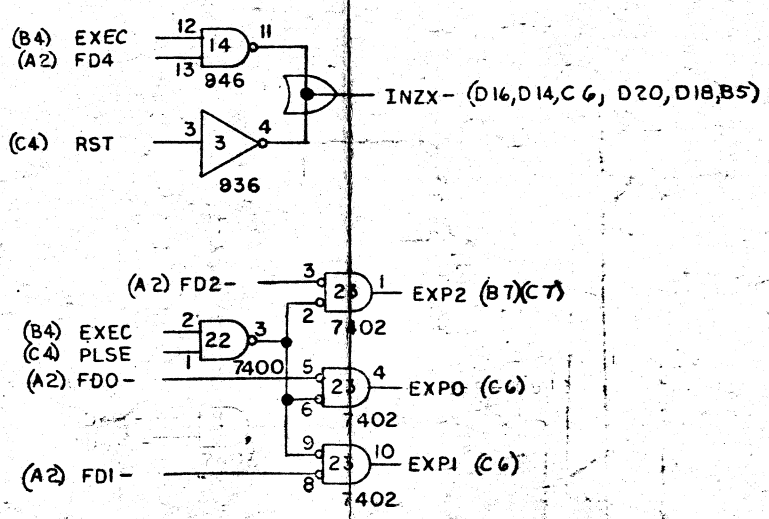
CONTROL/FUNCTION BUS RECEIVERS



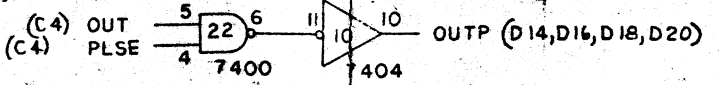
FUNCTION DECODER



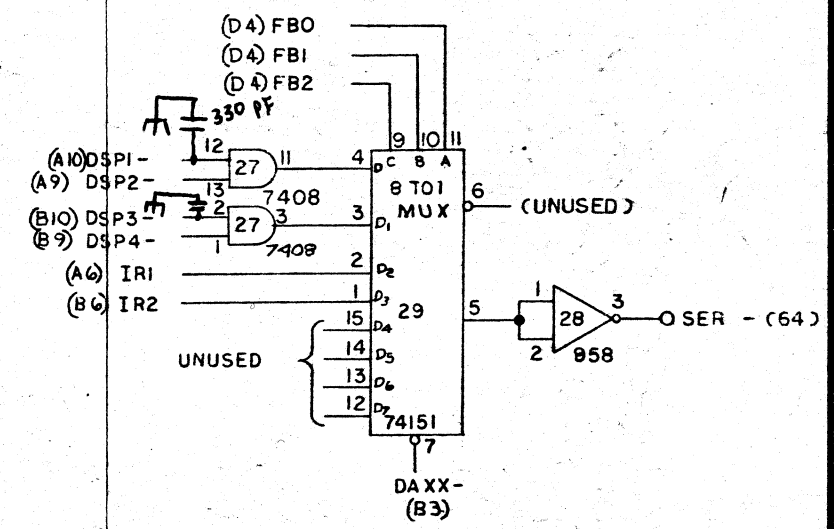
SELECT COMMAND DECODER



OUTPUT COMMAND DECODER



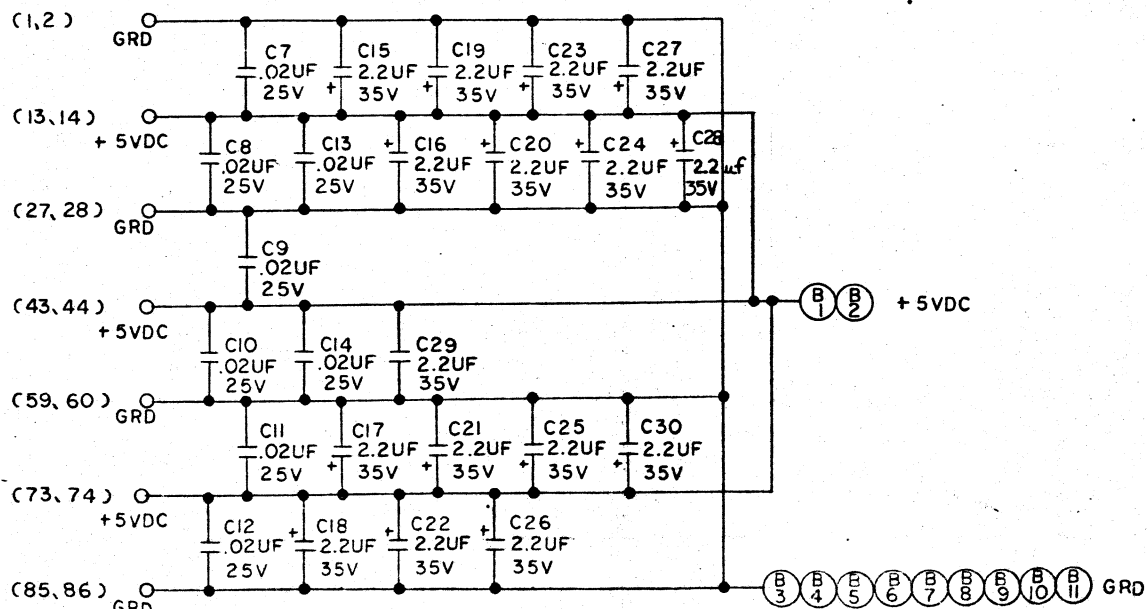
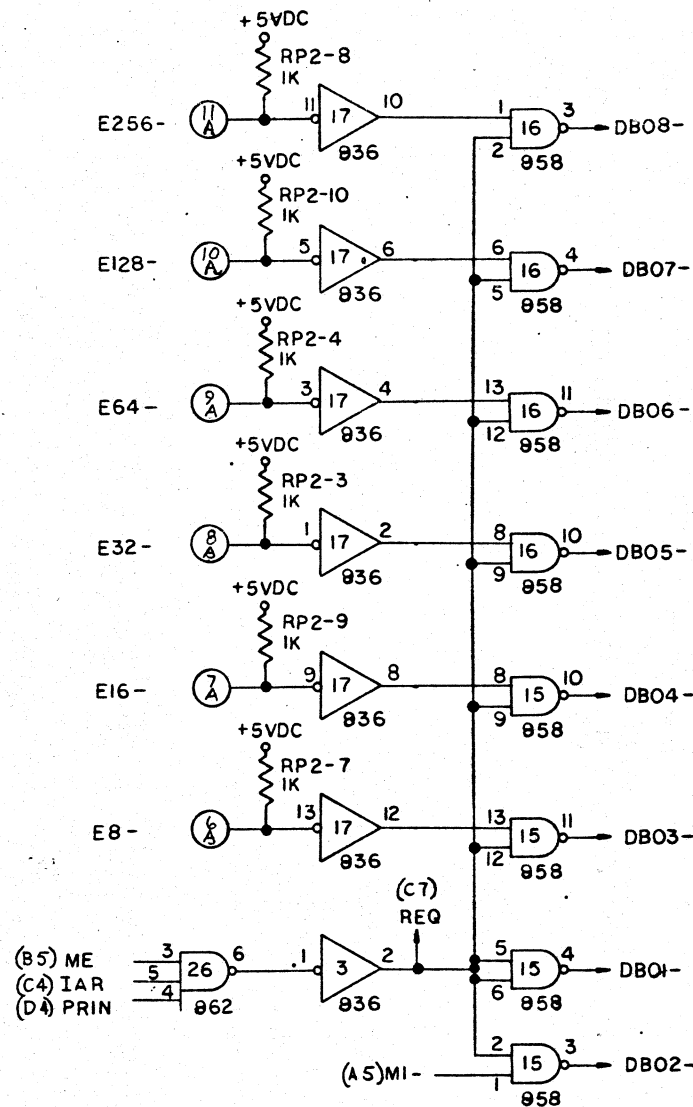
SENSE CONDITION MULTIPLEXER



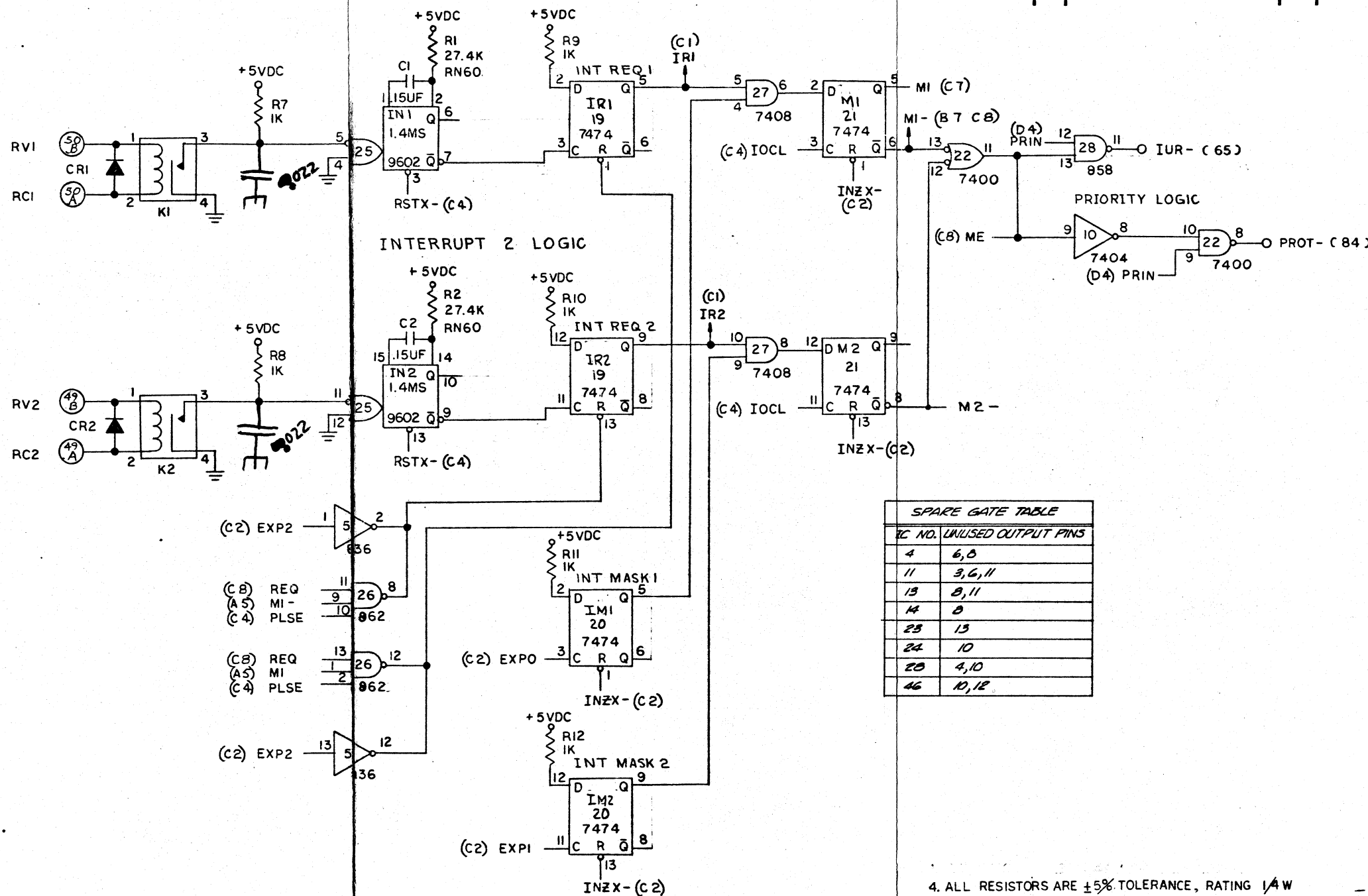
PROPRIETARY RIGHTS NOTICE  
THIS DOCUMENT AND INFORMATION THAT IT CONTAINS ARE THE PROPERTY OF COMPUTER AUTOMATION, INC. RIGHTS TO DUPLICATE OR OTHERWISE COPY THIS DOCUMENT AND RIGHTS TO DISCLOSE THE DOCUMENT AND SUCH INFORMATION TO OTHERS AND THE RIGHT TO USE THE INFORMATION CONTAINED THEREIN, MAY BE ACQUIRED ONLY BY WRITTEN PERMISSION SIGNED BY A DULY AUTHORIZED OFFICER OF COMPUTER AUTOMATION, INC.

QTY	ITEM NO.	PART NO.	DESCRIPTION	MAT'L. VENDOR
LIST OF MATERIAL				
DR. BLASKOVIC 3-1-72			<b>COMPUTER AUTOMATION INC.</b>	
855 WEST SIXTEENTH STREET, NEWPORT BEACH, CALIFORNIA 92660				
LOGIC RCOM				
TOLERANCES			SIZE	REV
.X = ± .1			D	1
.XX = ± .03			00-52214-XX	
.XXX = ± .010			SCALE =	SHT. 1 OF 5
ALL HOLE DIAMETERS AFTER PLATING				

INTERRUPT ADDRESS GENERATOR



INTERRUPT 1 LOGIC



SPARE GATE TABLE

IC NO.	UNUSED OUTPUT PINS
4	6, 8
11	3, 6, 11
13	8, 11
14	8
23	13
24	10
28	4, 10
46	10, 12

- NOTES: UNLESS OTHERWISE SPECIFIED
- ALL RESISTORS ARE ±5% TOLERANCE, RATING 1/4W
  - ALL REED RELAYS ARE 1A5AH .5 AMP E.A.C. (-10 ONLY).
  - ALL DIODES ARE IN4448

REVISIONS

SYM	DESCRIPTION	DATE	APPROVAL

PROPRIETARY RIGHTS NOTICE  
THIS DOCUMENT AND INFORMATION THAT IT CONTAINS ARE THE PROPERTY OF COMPUTER AUTOMATION, INC. RIGHTS TO DUPLICATE OR OTHERWISE COPY THIS DOCUMENT AND RIGHTS TO DISCLOSE THE DOCUMENT AND SUCH INFORMATION TO OTHERS AND THE RIGHT TO USE THE INFORMATION CONTAINED THEREIN, MAY BE ACQUIRED ONLY BY WRITTEN PERMISSION SIGNED BY A DULY AUTHORIZED OFFICER OF COMPUTER AUTOMATION, INC.

QTY	ITEM NO.	PART NO.	DESCRIPTION	MAT'L.	VENDOR

LIST OF MATERIAL

DR. BLASKOVIC  
CHK  
ENGR. [Signature]  
PROP  
REL

COMPUTER AUTOMATION INC. [Logo]  
995 WEST SIXTEENTH STREET, NEWPORT BEACH, CALIFORNIA 92660

LOGIC RCOM

TOLERANCES  
.X = ±.1  
.XX = ±.03  
.XXX = ±.010

ALL HOLE DIAMETERS ARE AFTER PLATING

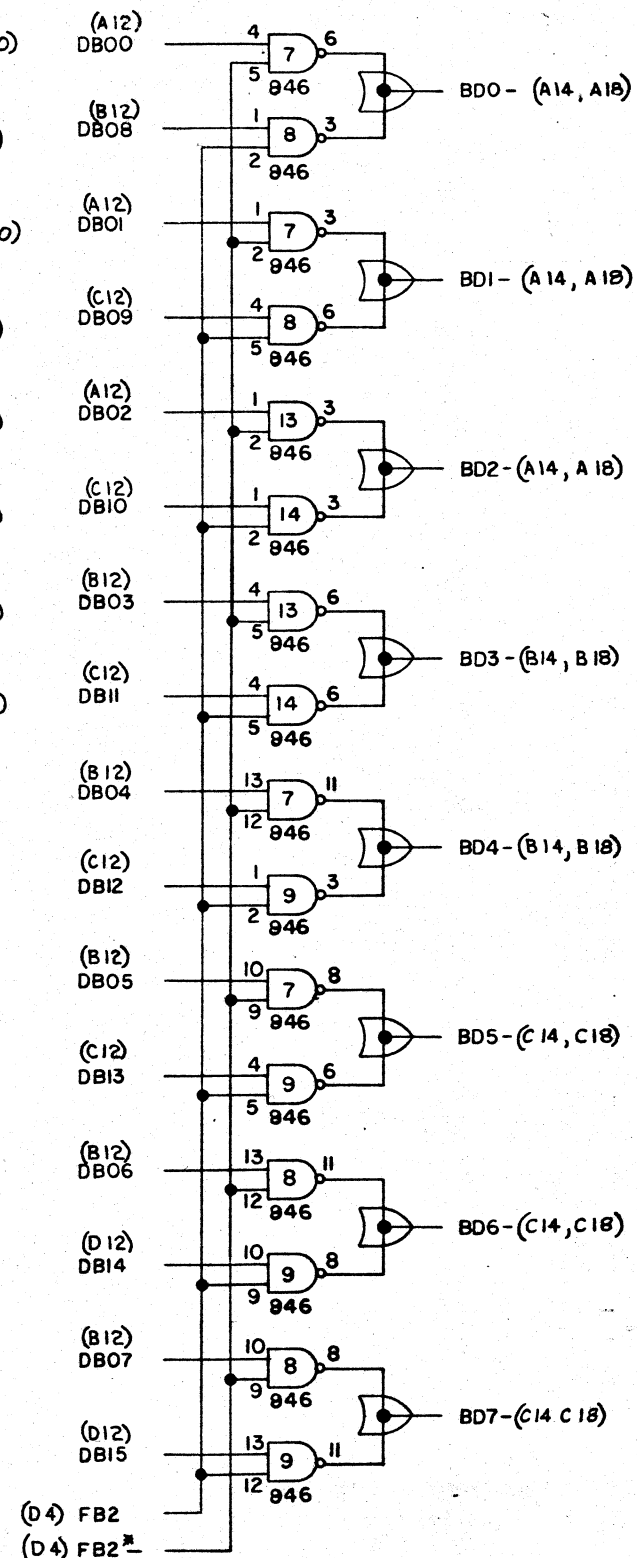
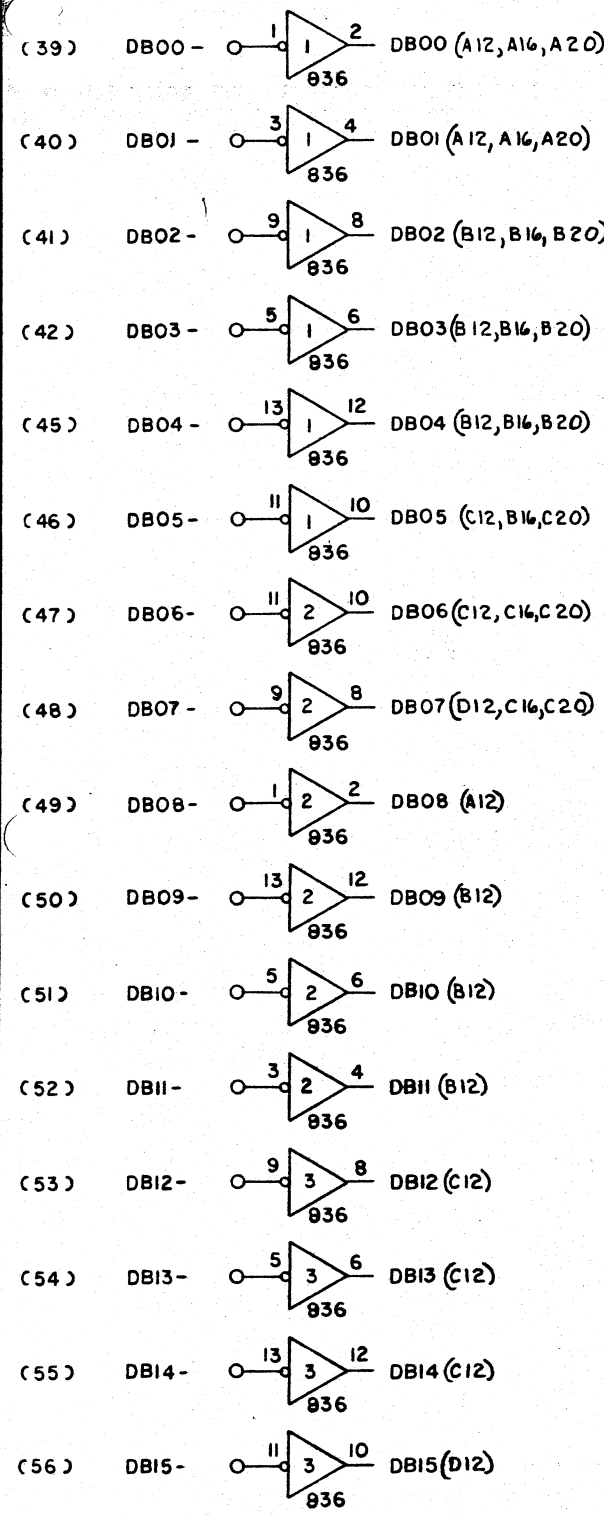
SIZE D 00-52214-XX REV A1

SCALE = SHT. 2 OF 5

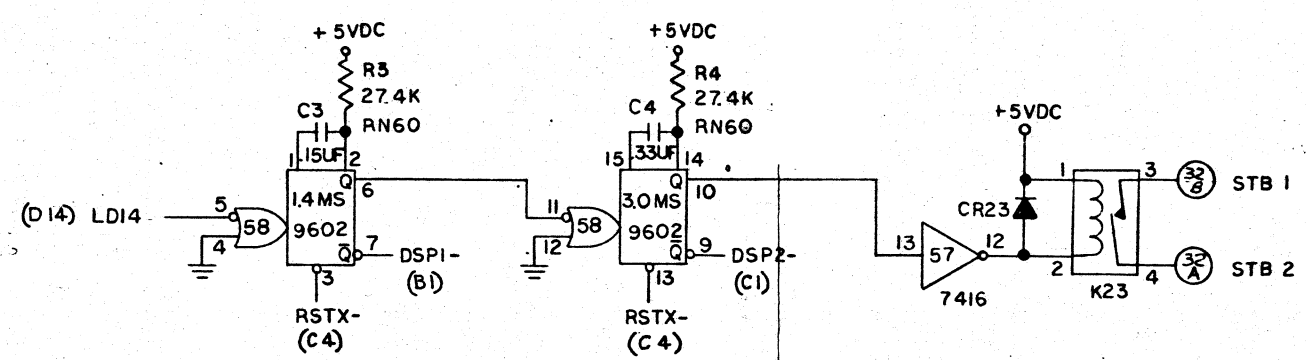
REVISIONS		
SYM	DESCRIPTION	DATE/APPVAL

DATA BUS RECEIVERS

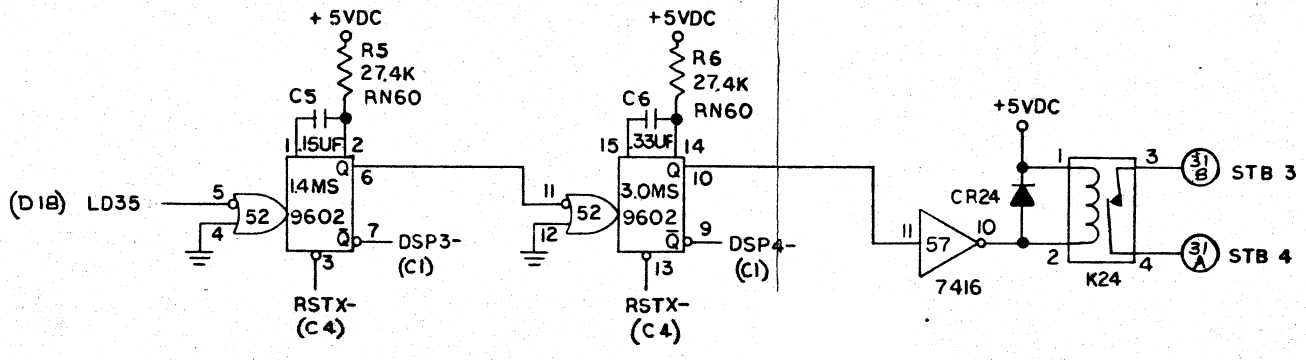
UPPER BYTE SELECTOR



STROBE GENERATOR 1



STROBE GENERATOR 2



DASH NO.	NEXT ASSY	QTY REQD

QTY	ITEM NO.	PART NO.	DESCRIPTION	MAT'L. VENDOR
LIST OF MATERIAL				
COMPUTER AUTOMATION INC.				
895 WEST SIXTEENTH STREET, NEWPORT BEACH, CALIFORNIA 92660				
LOGIC RCOM				
TOLERANCES:			SIZE	REV
.X = ±.1			D	A1
.XX = ±.03			00-52214-XX	
.XXX = ±.010			SCALE =	SNT. 3 OF 5
ALL HOLE DIAMETERS ARE AFTER PLATING				

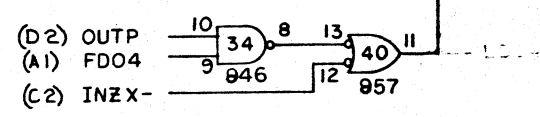
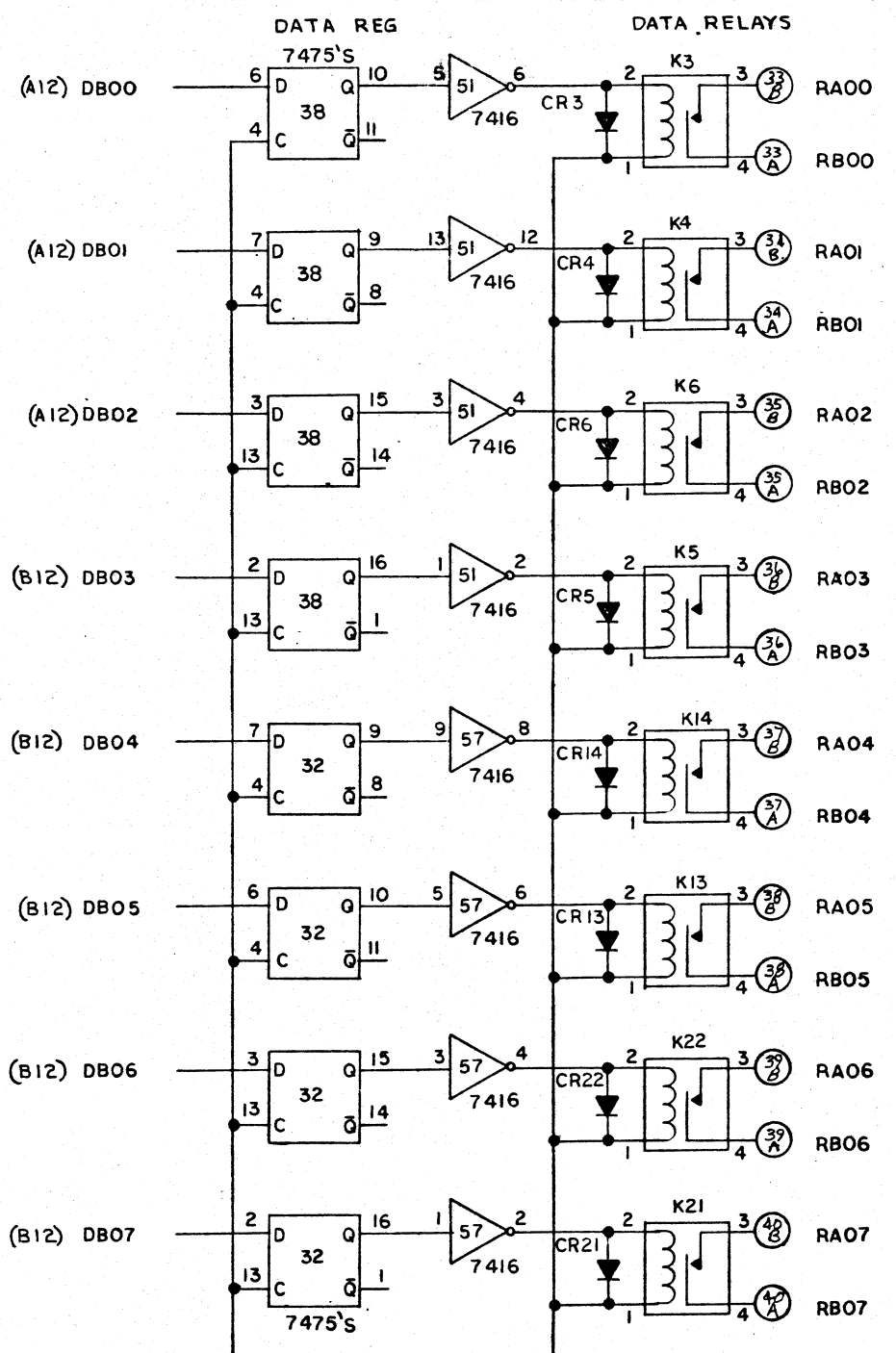
**PROPRIETARY RIGHTS NOTICE**  
 THIS DOCUMENT AND INFORMATION THAT IT CONTAINS ARE THE PROPERTY OF COMPUTER AUTOMATION, INC. RIGHTS TO DUPLICATE OR OTHERWISE COPY THIS DOCUMENT AND RIGHTS TO DISCLOSE THE DOCUMENT AND SUCH INFORMATION TO OTHERS AND THE RIGHT TO USE THE INFORMATION CONTAINED THEREIN, MAY BE ACQUIRED ONLY BY WRITTEN PERMISSION SIGNED BY A DULY AUTHORIZED OFFICER OF COMPUTER AUTOMATION, INC.

BYTE 0

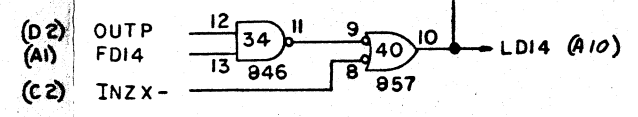
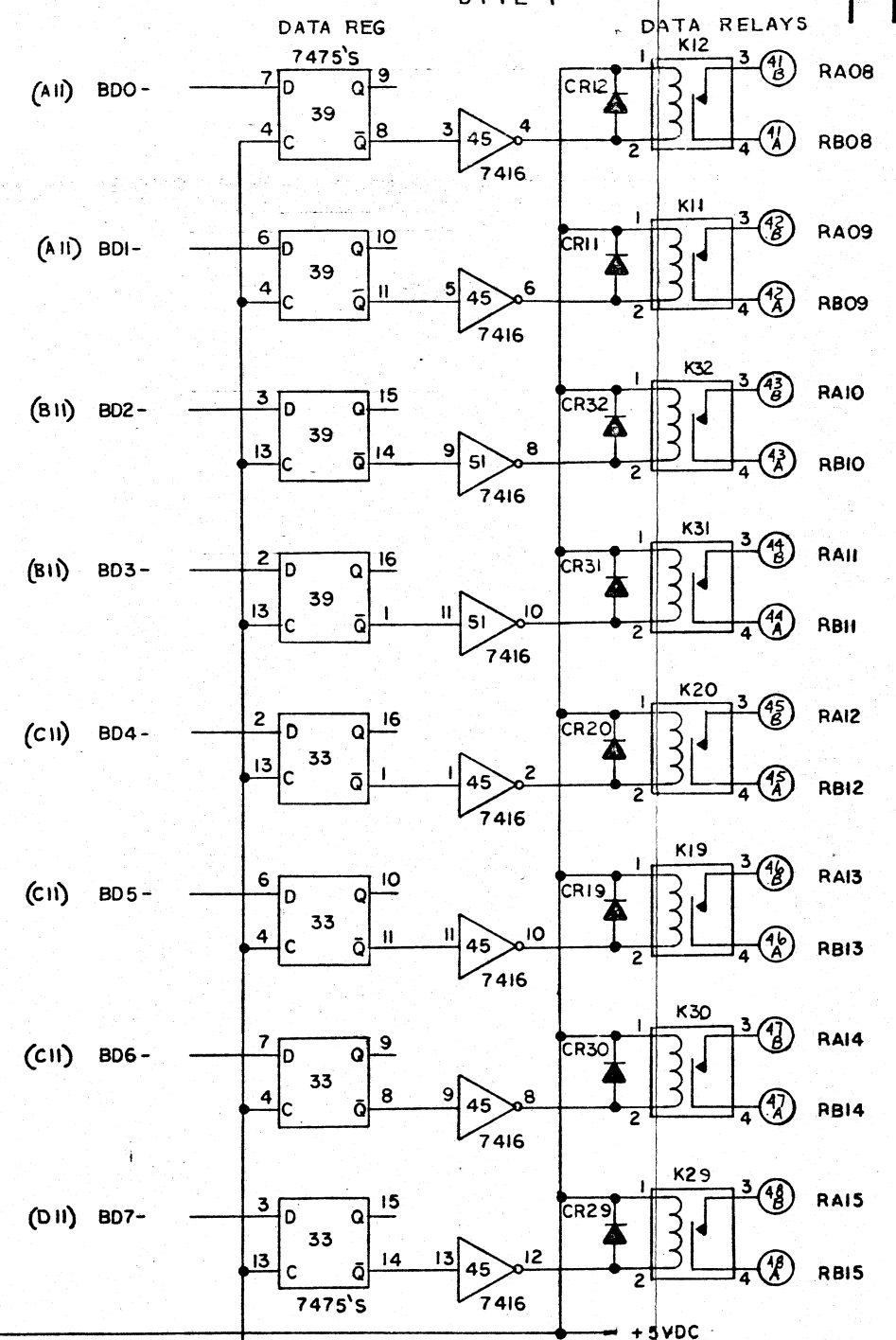
WORD 1

BYTE 1

REVISIONS		
SYM	DESCRIPTION	DATE/APPROVAL



BYTE 0 LOAD CONTROL



BYTE 1 LOAD CONTROL

**PROPRIETARY RIGHTS NOTICE**  
 THIS DOCUMENT AND INFORMATION THAT IT CONTAINS ARE THE PROPERTY OF COMPUTER AUTOMATION, INC. RIGHTS TO DUPLICATE OR OTHERWISE COPY THIS DOCUMENT AND RIGHTS TO DISCLOSE THE DOCUMENT AND SUCH INFORMATION TO OTHERS AND THE RIGHT TO USE THE INFORMATION CONTAINED THEREIN, MAY BE ACQUIRED ONLY BY WRITTEN PERMISSION SIGNED BY A DULY AUTHORIZED OFFICER OF COMPUTER AUTOMATION, INC.

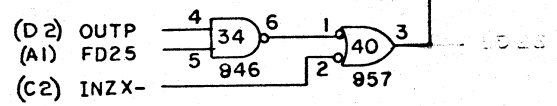
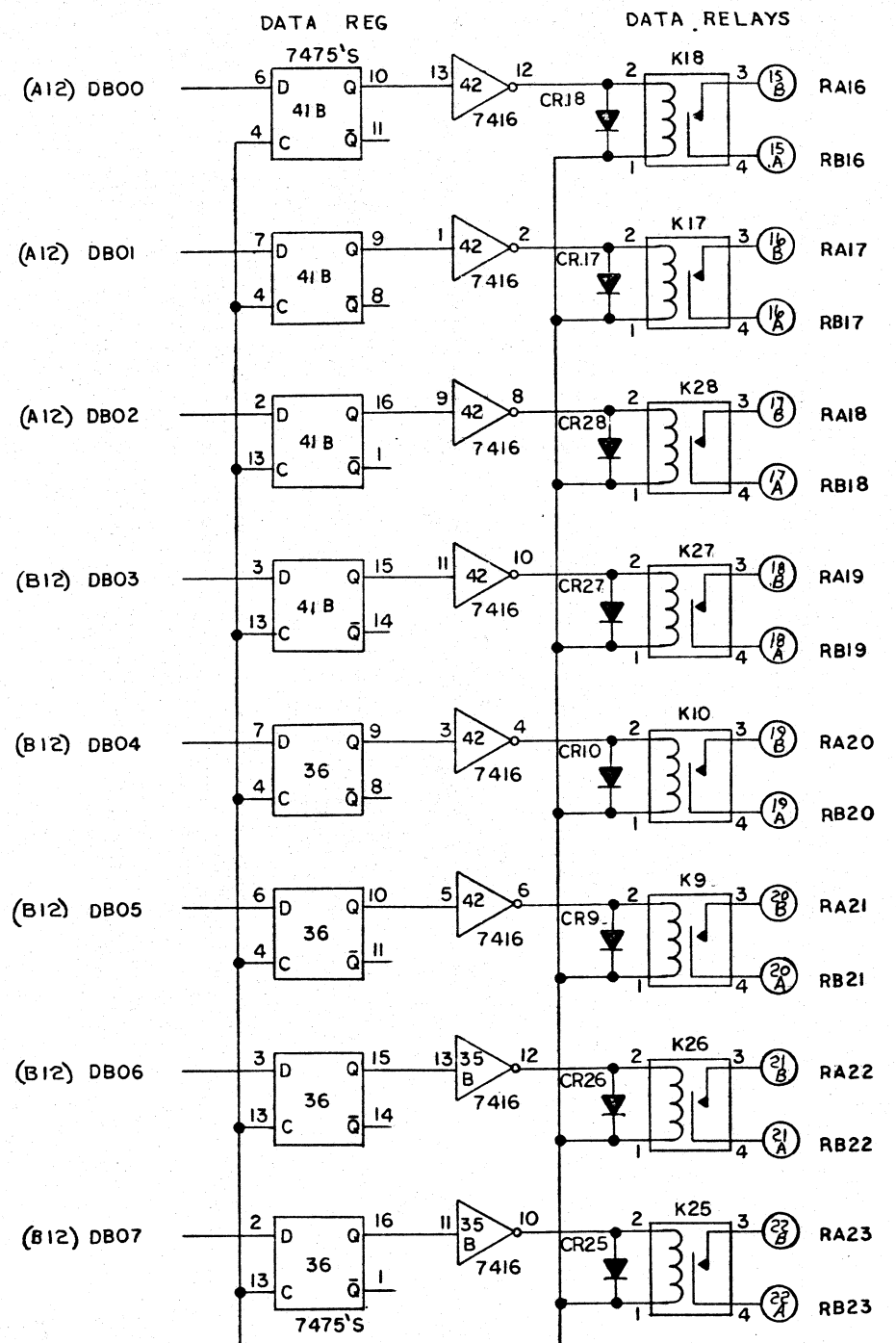
QTY	ITEM NO.	PART NO.	DESCRIPTION	MAT'L. VENDOR
LIST OF MATERIAL				
DR. BLASKOVIC			<b>COMPUTER AUTOMATION INC.</b>	
CHN. <i>10/1/68</i>			<small>885 WEST SIXTEENTH STREET, NEWPORT BEACH, CALIFORNIA 92660</small>	
DSG.			LOGIC	
ENGR. <i>Don Head 1/10/68</i>			RCOM	
PROJ			TOLERANCES	
REL			.X = ± .1	
			XX = ± .03	
			XXX = ± .010	
			ALL HOLE DIAMETERS ARE AFTER PLATING	
			SIZE D	REV A1
			SCALE =	SHT. 4 OF 5

BYTE 2

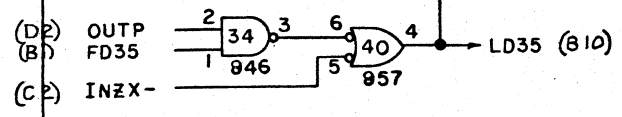
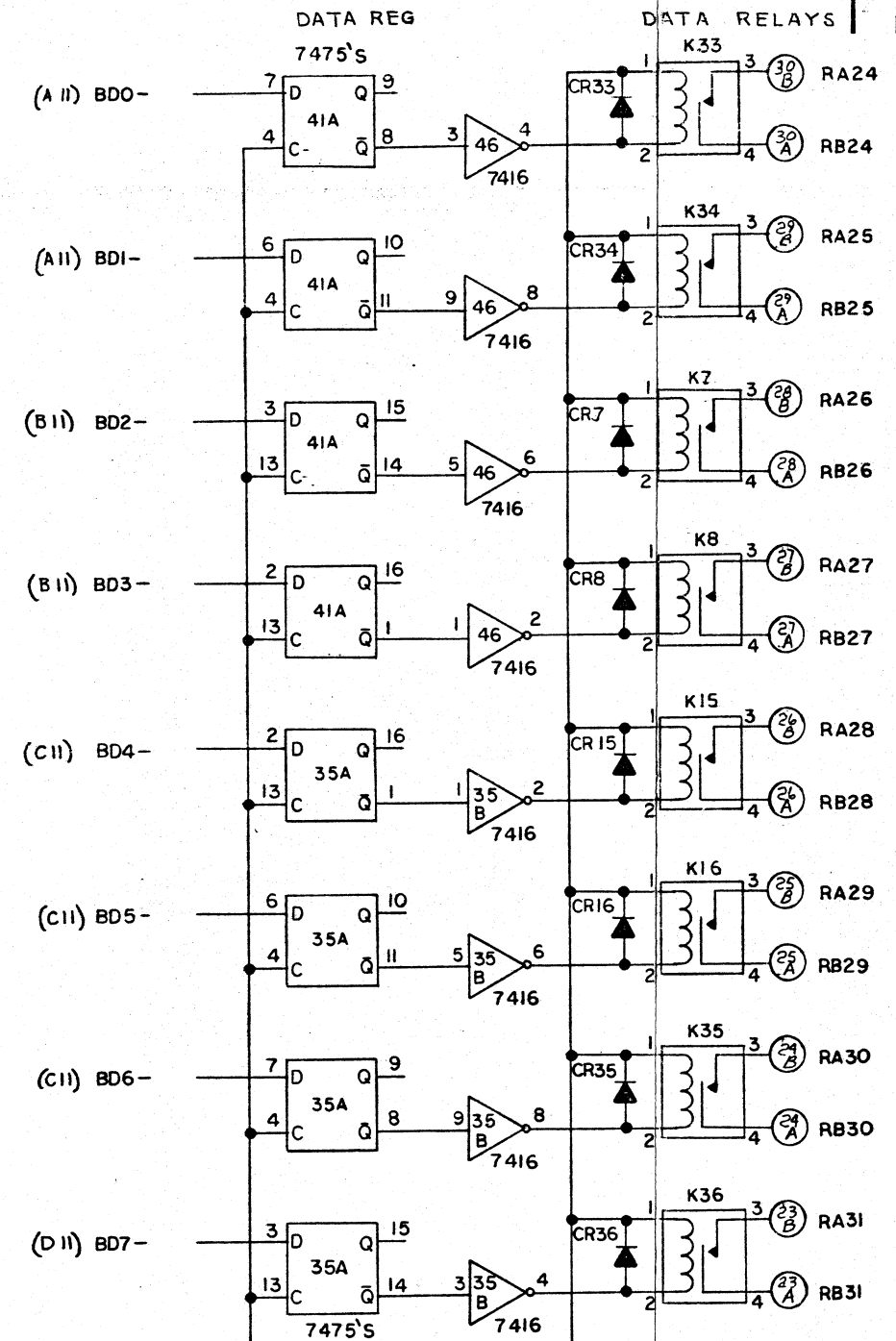
WORD 2

BYTE 3

REVISIONS		
SYM	DESCRIPTION	DATE APPROVAL



BYTE 2 LOAD CONTROLS



BYTE 3 LOAD CONTROLS

**PROPRIETARY RIGHTS NOTICE**  
 THIS DOCUMENT AND INFORMATION THAT IT CONTAINS ARE THE PROPERTY OF COMPUTER AUTOMATION, INC. RIGHTS TO DUPLICATE OR OTHERWISE COPY THIS DOCUMENT AND RIGHTS TO DISCLOSE THE DOCUMENT AND SUCH INFORMATION TO OTHERS AND THE RIGHT TO USE THE INFORMATION CONTAINED THEREIN, MAY BE ACQUIRED ONLY BY WRITTEN PERMISSION SIGNED BY A DULY AUTHORIZED OFFICER OF COMPUTER AUTOMATION, INC.

QTY	ITEM NO.	PART NO.	DESCRIPTION	MAT'L.	VENDOR
LIST OF MATERIAL					
DR. BLASKOVIC			<b>COMPUTER AUTOMATION INC.</b>		
CHN			855 WEST SIXTEENTH STREET, NEWPORT BEACH, CALIFORNIA 92660		
DSC			LOGIC RCOM		
ENGR			SIZE D 00-52214-XX		
PRGJ			REV AL		
REL			SCALE= SHT. 5 OF 5		
TOLERANCES					
.X = ± .1					
.XX = ± .03					
.XXX = ± .010					
ALL HOLE DIAMETERS ARE AFTER PLATING					