



Freescale Semiconductor, Inc.

DSP56602

16-Bit Digital Signal Processor User's Manual

Motorola, Incorporated
Semiconductor Products Sector
6501 William Cannon Drive West
Austin, TX 78735-8598

**For More Information On This Product,
Go to: www.freescale.com**

Freescale Semiconductor, Inc.



This document (and other documents) can be viewed on the World Wide Web at <http://www.motorola-dsp.com>.

This manual is one of a set of three documents. You need the following manuals to have complete product information: Family Manual, User's Manual, and Technical Data.

OnCE™ is a trademark of Motorola, Inc.

© MOTOROLA INC. 1997

Order this document by DSP56602UM/AD


Motorola reserves the right to make changes without further notice to any products herein to improve reliability, function, or design. Motorola does not assume any liability arising out of the application or use of any product or circuit described herein; neither does it convey any license under its patent rights nor the rights of others. Motorola products are not authorized for use as components in life support devices or systems intended for surgical implant into the body or intended to support or sustain life. Buyer agrees to notify Motorola of any such intended end use whereupon Motorola shall determine availability and suitability of its product or products for the use intended. Motorola and  are registered trademarks of Motorola, Inc. Motorola, Inc. is an Equal Employment Opportunity / Affirmative Action Employer.

TABLE OF CONTENTS

SECTION 1	DSP56602 OVERVIEW	1-1
1.1	INTRODUCTION	1-3
1.2	MANUAL CONVENTIONS	1-4
1.3	DSP56600 CORE DESCRIPTION	1-6
1.4	DSP56600 CORE FUNCTIONAL BLOCKS	1-6
1.4.1	Data Arithmetic Logic Unit (ALU)	1-7
1.4.1.1	Data ALU Registers	1-7
1.4.1.2	Multiplier-Accumulator (MAC)	1-7
1.4.2	Address Generation Unit	1-8
1.4.3	Program Control Unit	1-8
1.4.4	Program Patch Logic	1-9
1.4.5	PLL and Clock Oscillator	1-10
1.4.6	Expansion Memory Interface (Port A)	1-10
1.4.7	JTAG Test Access Port and On-Chip Emulation Module	1-10
1.4.8	On-Chip Memory	1-11
1.5	INTERNAL BUSES	1-11
1.6	DSP56602 ARCHITECTURE OVERVIEW	1-13
1.6.1	GPIO Functionality	1-13
1.6.2	Host Interface (HI08)	1-13
1.6.3	Synchronous Serial Interface (SSI)	1-14
1.6.4	Triple Timer	1-14
SECTION 2	SIGNAL/CONNECTION DESCRIPTION	2-1
2.1	INTRODUCTION	2-3
2.2	POWER	2-5
2.3	GROUND	2-6
2.4	CLOCK AND PHASE LOCK LOOP	2-7
2.5	INTERRUPT AND MODE CONTROL	2-8
2.6	EXTERNAL MEMORY INTERFACE (PORT A)	2-10
2.7	HOST INTERFACE (HI08)	2-12
2.7.1	Host Port Usage Considerations	2-12
2.7.2	Host Port Configuration	2-12

2.8 SYNCHRONOUS SERIAL INTERFACE 0 (SSI0)2-18

2.9 SYNCHRONOUS SERIAL INTERFACE 1 (SSI1)2-21

2.10 GENERAL PURPOSE I/O (GPIO)2-24

2.11 TRIPLE TIMER2-25

2.12 JTAG/ONCE INTERFACE2-26

SECTION 3 MEMORY MAPS3-1

3.1 INTRODUCTION3-3

3.2 DSP56602 MEMORY MAP DESCRIPTION3-3

3.2.1 On-Chip Program Memory3-3

3.2.2 On-Chip X Data Memory3-4

3.2.3 On-Chip Y Data Memory3-4

3.3 MEMORY-MAPPED I/O REGISTERS3-5

SECTION 4 CORE CONFIGURATION4-1

4.1 INTRODUCTION4-3

4.2 DSP56600 CORE-SPECIFIC ATTRIBUTES4-3

4.2.1 Program Patch Detector JUMP Targets4-3

4.2.2 Operating Mode Register (OMR)4-4

4.2.2.1 Chip Operating Mode (MD—MA)—Bits 0–34-4

4.2.2.2 External Bus Disable (EDB)—Bit 44-5

4.2.2.3 PC Relative Logic Disable (PCD)—Bit 54-5

4.2.2.4 Stop Delay (SD)—Bit 64-5

4.2.2.5 XY Select for Stack Extension (XY)—Bit 84-5

4.2.2.6 Extended Stack Underflow Flag (EUN)—Bit 94-5

4.2.2.7 Extended Stack Overflow Flag (EOV)—Bit 104-6

4.2.2.8 Extended Stack Wrap Flag (WR)—Bit 114-6

4.2.2.9 Extended Stack Enable (EN)—Bit 124-6

4.2.2.10 Address Trace Enable (ATE)—Bit 154-6

4.2.2.11 Reserved Bits—Bits 7, 13–144-6

4.2.3 Status Register (SR)4-7

4.2.4 Device Identification Register (IDR)4-8

4.2.5 Bus Control Register (BCR)4-8

4.3 BOOTSTRAP PROGRAM4-8

4.4 CHIP OPERATING MODES4-9

4.4.1 Expanded Mode (Mode 0)4-10

4.4.2	Normal Mode (Modes 1–7)	4-10
4.4.2.1	Mode 1—Reserved	4-10
4.4.2.2	Mode 2—Bootstrap from MC68338	4-10
4.4.2.3	Mode 3—Bootstrap from 24-Bit Memory.	4-10
4.4.2.4	Mode 4—Bootstrap from 8-Bit Memory.	4-10
4.4.2.5	Mode 5—Bootstrap from ISA Bus	4-10
4.4.2.6	Mode 6—Bootstrap from MC68HC11	4-10
4.4.2.7	Mode 7—Reserved	4-10
4.5	INTERRUPTS	4-11
4.5.1	Interrupt Priority Levels	4-13
4.5.2	Interrupt Sources Priorities within an IPL.	4-15
4.6	PHASE LOCK LOOP	4-16
4.6.1	PLL Control Register 0 (PCTL0)	4-17
4.6.1.1	Multiplication Factor Bits (MF[11:0])—Bits 0–11	4-17
4.6.1.2	Predivider Factor Bits (PD[3:0])—Bits 12–15	4-17
4.6.2	PLL Control Register 1 (PCTL1)	4-18
4.6.2.1	Division Factor (DF[2:0])—Bits 0–2.	4-18
4.6.2.2	Crystal Range (XTLR)—Bit 3	4-19
4.6.2.3	Crystal Disable (XTLD)—Bit 4.	4-19
4.6.2.4	Stop Processing State (PSTP)—Bit 5.	4-19
4.6.2.5	PLL Enable (PEN)—Bit 6	4-19
4.6.2.6	Clock Output Disable (COD)—Bit 7	4-19
4.6.2.7	Predivider Factor (PD[6:4])—Bits 9–11	4-20
4.6.2.8	Reserved Bits—Bits 8, 12–15	4-20

SECTION 5 EXTERNAL MEMORY INTERFACE

	(PORT A)	5-1
5.1	INTRODUCTION	5-3
5.2	PORT A SIGNAL DESCRIPTION	5-3
5.2.1	Address Bus (A0–A15)	5-3
5.2.2	Data Bus (D0–D23)	5-3
5.2.3	Memory Chip Select (\overline{MCS})	5-3
5.2.4	Read Enable (\overline{RD})	5-4
5.2.5	Write Enable (\overline{WR})	5-4
5.2.6	Address Trace (\overline{AT})	5-4
5.3	PORT A OPERATION	5-4

5.3.1	Static RAM Support.	5-4
5.3.2	Disabling Port A	5-7
5.4	PORT A CONTROL AND DATA TRANSFER	5-7
5.4.1	Bus Control Register (BCR)	5-7
5.4.1.1	Expansion Bus Memory Wait (BMW[4:0])—Bits 0–4	5-7
5.4.1.2	Reserved Bits—Bits 5–15	5-8
5.4.2	Bus Switch Program Memory Register (BPMR)	5-8
5.4.2.1	BPMR Mapping	5-8
5.4.2.2	24-bit Access to BPMR	5-9
5.4.2.3	16-bit Access to BPMR	5-9
5.4.2.4	BPMR Usage Typical Examples	5-9
5.5	PROGRAM ADDRESS TRACING MODE.	5-10
SECTION 6 GPIO		6-1
6.1	INTRODUCTION.	6-3
6.2	GPIO CONFIGURATION.	6-3
6.3	GPIO PORT E CONTROL REGISTER (PCRE)	6-5
6.4	GPIO PORT E DIRECTION REGISTER (PRRE)	6-5
6.5	GPIO PORT E DATA REGISTER (PDRE)	6-6
SECTION 7 HOST INTERFACE (HI08)		7-1
7.1	INTRODUCTION.	7-3
7.2	INTERFACE	7-3
7.2.1	DSP Side.	7-3
7.2.2	Host Side.	7-4
7.3	HI08 HOST PORT	7-6
7.4	HOST INTERFACE—DSP PROGRAMMER’S MODEL	7-7
7.4.1	HI08 Control Register (HCR)	7-8
7.4.1.1	Host Receive Interrupt Enable (HRIE)—Bit 0.	7-9
7.4.1.2	Host Transmit Interrupt Enable (HTIE)—Bit 1	7-9
7.4.1.3	Host Command Interrupt Enable (HCIE)—Bit 2.	7-9
7.4.1.4	Host Flags 2 and 3 (HF[3:2])—Bits 3–4	7-10
7.4.1.5	Reserved Bits—Bits 5–15	7-10
7.4.2	HI08 Status Register (HSR)	7-10
7.4.2.1	Host Receive Data Full (HRDF)—Bit 0	7-10
7.4.2.2	Host Transmit Data Empty (HTDE)—Bit 1	7-11

7.4.2.3	Host Command Pending (HCP)—Bit 2	7-11
7.4.2.4	Host Flags 0 and 1 (HF[1:0])—Bits 3–4	7-11
7.4.2.5	Reserved Bits—Bits 5–15	7-11
7.4.3	HI08 Port Control Register (HPCR)	7-12
7.4.3.1	Host GPIO Port Enable (HGEN)—Bit 0	7-12
7.4.3.2	Host Address Line 8 Enable (HA8EN)—Bit 1	7-12
7.4.3.3	Host Address Line 9 Enable (HA9EN)—Bit 2	7-12
7.4.3.4	Host Chip Select Enable (HCSEN)—Bit 3	7-13
7.4.3.5	Host Request Enable (HREN)—Bit 4	7-13
7.4.3.6	Host Acknowledge Enable (HAEN)—Bit 5	7-13
7.4.3.7	Host Enable (HEN)—Bit 6	7-13
7.4.3.8	Reserved Bit—Bit 7	7-13
7.4.3.9	Host Request Open Drain (HROD)—Bit 8	7-13
7.4.3.10	Host Data Strobe Polarity (HDSP)—Bit 9	7-14
7.4.3.11	Host Address Strobe Polarity (HASP)—Bit 10	7-14
7.4.3.12	Host Multiplexed Bus (HMUX)—Bit 11	7-14
7.4.3.13	Host Dual Data Strobe (HDDS)—Bit 12	7-14
7.4.3.14	Host Chip Select Polarity (HCSP)—Bit 13	7-15
7.4.3.15	Host Request Polarity (HRP)—Bit 14	7-15
7.4.3.16	Host Acknowledge Polarity (HAP)—Bit 15	7-16
7.4.4	HI08 Data Direction Register (HDDR)	7-16
7.4.5	HI08 Data Register (HDR)	7-16
7.4.6	HI08 Base Address Register (HBAR)	7-17
7.4.7	HI08 Receive Data Register (HRX)	7-18
7.4.8	HI08 Transmit Data Register (HTX)	7-18
7.4.9	DSP Side Registers After Reset	7-19
7.4.10	HI08 DSP Core Interrupts	7-19
7.5	HI08—EXTERNAL HOST PROGRAMMER’S MODEL	7-20
7.5.1	Interface Control Register (ICR)	7-22
7.5.1.1	Receive Request Enable (RREQ)—Bit 0	7-23
7.5.1.2	Transmit Request Enable (TREQ)—Bit 1	7-23
7.5.1.3	Double Host Request (HDRQ)—Bit 2	7-24
7.5.1.4	Host Flag 0 (HF0)—Bit 3	7-24
7.5.1.5	Host Flag 1 (HF1)—Bit 4	7-24
7.5.1.6	Host Little Endian (HLEND)—Bit 5	7-24
7.5.1.7	Initialize Bit (INIT)—Bit 7	7-24

7.5.1.8	Reserved Bit—Bit 6	7-25
7.5.2	Command Vector Register (CVR)	7-25
7.5.2.1	Host Vector (HV[6:0])—Bits 0–6	7-25
7.5.2.2	Host Command Bit (HC)—Bit 7	7-26
7.5.3	Interface Status Register (ISR)	7-26
7.5.3.1	Receive Data Register Full (RXDF)—Bit 0	7-26
7.5.3.2	Transmit Data Register Empty (TXDE)—Bit 1	7-27
7.5.3.3	Transmitter Ready (TRDY)—Bit 2	7-27
7.5.3.4	Host Flag 2 (HF2)—Bit 3	7-27
7.5.3.5	Host Flag 3 (HF3)—Bit 4	7-27
7.5.3.6	Reserved Bits—Bits 5 and 6	7-27
7.5.3.7	ISR Host Request (HREQ)—Bit 7	7-27
7.5.4	Interrupt Vector Register (IVR)	7-28
7.5.5	Receive Byte Registers (RXH, RXL)	7-28
7.5.6	Transmit Byte Registers (TXH, TXL)	7-29
7.5.7	Host Side Registers After Reset	7-29
7.6	GENERAL PURPOSE I/O	7-30
7.6.1	Servicing the Host Interface	7-31
7.6.2	HI08 Host Processor Data Transfer	7-31
7.6.3	Polling	7-31
7.6.4	Servicing Interrupts	7-32
SECTION 8	SYNCHRONOUS SERIAL INTERFACE	8-1
8.1	INTRODUCTION	8-3
8.2	SSI DATA AND CONTROL PINS	8-4
8.2.1	Serial Control 0 (SC0)	8-4
8.2.2	Serial Control 1 (SC1)	8-4
8.2.3	Serial Control 2 (SC2)	8-5
8.2.4	Serial Clock (SCK)	8-5
8.2.5	Serial Receive Data (SRD)	8-6
8.2.6	Serial Transmit Data (STD)	8-6
8.3	SSI PROGRAMMING MODEL	8-7
8.3.1	SSI Control Register A (CRA)	8-7
8.3.1.1	Prescale Modulus Select (PM[7:0])—Bits 0–7	8-8
8.3.1.2	Frame Rate Divider Control (DC[4:0])—Bits 8–12	8-8
8.3.1.3	Word Length Control (WL[1:0])—Bits 13–14	8-8

8.3.1.4	Prescaler Range (PSR)—Bit 15	8-9
8.3.2	SSI Control Register B (CRB)	8-9
8.3.2.1	Serial Output Flag 0 (OF0)—Bit 0	8-10
8.3.2.2	Serial Output Flag 1 (OF1)—Bit 1	8-10
8.3.2.3	Reserved Bits—Bits 2–7	8-10
8.3.2.4	Transmit Enable (TE)—Bit 8	8-11
8.3.2.5	Receive Enable (RE)—Bit 9	8-12
8.3.2.6	Transmit Interrupt Enable (TIE)—Bit 10	8-12
8.3.2.7	Receive Interrupt Enable (RIE)—Bit 11	8-12
8.3.2.8	Transmit Last Slot Interrupt Enable (TLIE)—Bit 12	8-13
8.3.2.9	Receive Last Slot Interrupt Enable (RLIE)—Bit 13	8-13
8.3.2.10	Transmit Exception Interrupt Enable (TEIE)—Bit 14	8-13
8.3.2.11	Receive Exception Interrupt Enable (REIE)—Bit 15	8-13
8.3.3	SSI Control Register C (CRC)	8-13
8.3.3.1	Asynchronous /Synchronous (SYN)—Bit 0	8-14
8.3.3.2	SSI Mode Select (MOD)—Bit 1	8-14
8.3.3.3	Serial Control 0 Direction (SCD0)—Bit 2	8-14
8.3.3.4	Serial Control 1 Direction (SCD1)—Bit 3	8-14
8.3.3.5	Serial Control 2 Direction (SCD2)—Bit 4	8-15
8.3.3.6	Clock Source Direction (SCKD)—Bit 5	8-15
8.3.3.7	Clock Polarity (CKP)—Bit 6	8-15
8.3.3.8	Shift Direction (SHFD)—Bit 7	8-15
8.3.3.9	Reserved Bits—Bits 8–11	8-15
8.3.3.10	Frame Sync Length (FSL[1:0])—Bits 12–13	8-15
8.3.3.11	Frame Sync Relative Timing (FSR)—Bit 14	8-16
8.3.3.12	Frame Sync Polarity (FSP)—Bit 15	8-16
8.3.4	SSI Status Register (SSISR)	8-16
8.3.4.1	Serial Input Flag 0 (IF0)—Bit 0	8-17
8.3.4.2	Serial Input Flag 1 (IF1)—Bit 1	8-17
8.3.4.3	Transmit Frame Sync Flag (TFS)—Bit 2	8-17
8.3.4.4	Receive Frame Sync Flag (RFS)—Bit 3	8-17
8.3.4.5	Transmitter Underrun Error Flag (TUE)—Bit 4	8-18
8.3.4.6	Receiver Overrun Error Flag (ROE)—Bit 5	8-18
8.3.4.7	Transmit Data Register Empty (TDE)—Bit 6	8-18
8.3.4.8	Receive Data Register Full (RDF)—Bit 7	8-18
8.3.4.9	Reserved Bits—Bits 8–15	8-19

8.3.5	Receive Shift Register	8-19
8.3.6	Receive Data Register (RX)	8-19
8.3.7	Transmit Shift Register	8-19
8.3.8	Transmit Data Register (TX)	8-20
8.3.9	Time Slot Register (TSR)	8-20
8.3.10	Port Control Register (PCR)	8-20
8.3.10.1	Port Control (PC[5:0])—Bits 0–5	8-20
8.3.10.2	Port Enable (PEN)—Bit 7	8-21
8.3.10.3	Reserved Bits—Bits 6, 8–15	8-21
8.3.11	Port Direction Register (PRR)	8-21
8.3.12	Port Data Register (PDR)	8-22
8.4	OPERATING MODES	8-22
8.4.1	SSI Exceptions	8-23
8.4.2	Operating Modes—Normal, Network, and On-Demand	8-24
8.4.2.1	Operating Mode Selection	8-24
8.4.2.2	Synchronous/Asynchronous Operating Modes	8-24
8.4.2.3	Frame Sync Selection	8-25
8.4.2.4	Shift Direction Selection	8-26
8.4.3	Serial I/O Flags	8-26
SECTION 9	TRIPLE TIMER MODULE	9-1
9.1	INTRODUCTION	9-3
9.2	TRIPLE TIMER MODULE ARCHITECTURE	9-3
9.3	TIMER ARCHITECTURE	9-4
9.4	TRIPLE TIMER MODULE PROGRAMMING MODEL	9-6
9.4.1	Timer Prescaler Load Register (TPLR)	9-7
9.4.1.1	Prescaler Preload Value (PL[13:0])—Bits 0–13	9-7
9.4.1.2	Prescaler Source (PS[1:0])—Bits 14–15	9-7
9.4.2	Timer Prescaler Count Register (TPCR)	9-8
9.4.2.1	Prescaler Counter Value (PC[13:0])—Bits 0–13	9-8
9.4.2.2	Reserved Bits—Bits 14–15	9-8
9.4.3	Timer Count Register (TCR)	9-8
9.4.4	Timer Load Register (TLR)	9-8
9.4.5	Timer Compare Register (TCPR)	9-9
9.4.6	Timer Control/Status Register (TCSR)	9-9
9.4.6.1	Timer Enable (TE)—Bit 0	9-9

9.4.6.2	Timer Overflow Interrupt Enable (TOIE)—Bit 1	9-9
9.4.6.3	Timer Compare Interrupt Enable (TCIE)—Bit 2	9-9
9.4.6.4	Timer Control (TC[3:0])—Bits 4–7	9-10
9.4.6.5	Inverter (INV)—Bit 8	9-11
9.4.6.6	Timer Reload Mode (TRM)—Bit 9	9-11
9.4.6.7	Direction (DIR)—Bit 10	9-11
9.4.6.8	Data Input (DI)—Bit 11	9-11
9.4.6.9	Data Output (DO)—Bit 12	9-12
9.4.6.10	Timer Overflow Flag (TOF)—Bit 13	9-12
9.4.6.11	Timer Compare Flag (TCF)—Bit 14	9-12
9.4.6.12	Prescaled Clock Enable (PCE)—Bit 15	9-12
9.4.6.13	Reserved Bit—Bit 3	9-13
9.5	TIMER MODES OF OPERATION	9-13
9.5.1	Timer Modes	9-14
9.5.1.1	Mode 0—Timer, No Output (Internal Clock)	9-14
9.5.1.2	Mode 1—Timer, Output Pulse (Internal Clock)	9-14
9.5.1.3	Mode 2—Timer, Output Toggle (Internal Clock)	9-15
9.5.1.4	Mode 3—Timer, Event Counter (External Clock)	9-15
9.5.2	Measurement Modes	9-16
9.5.2.1	Mode 4—Pulse Width Measurement	9-16
9.5.2.2	Mode 5—Period Measurement	9-16
9.5.2.3	Mode 6—Capture	9-17
9.5.3	Pulse Width Modulation Mode	9-17
9.5.3.1	Mode 7—PWM, Output Toggle (Internal Clock)	9-17
9.5.4	Watchdog Modes	9-18
9.5.4.1	Mode 9—Watchdog, Output Pulse (Internal Clock)	9-18
9.5.4.2	Mode 10—Watchdog, Output Toggle (Internal Clock)	9-18
9.5.5	Reserved Modes	9-19
9.5.6	Timer Behavior During WAIT and STOP Instructions	9-19
 SECTION 10 ON-CHIP EMULATION MODULE		 10-1
10.1	INTRODUCTION	10-3
10.2	ONCE MODULE PINS	10-3
10.3	ONCE CONTROLLER	10-4
10.3.1	OnCE Command Register (OCR)	10-5
10.3.1.1	Register Select (RS[4:0])—Bits 0–4	10-5

10.3.1.2	Exit Command (EX)—Bit 5	10-7
10.3.1.3	GO Command (GO)—Bit 6	10-7
10.3.1.4	Read/Write Command (R/W)—Bit 7	10-7
10.3.2	OnCE Decoder (ODEC)	10-8
10.3.3	OnCE Status and Control Register (OSCR)	10-8
10.3.3.1	Trace Mode Enable (TME)—Bit 0	10-8
10.3.3.2	Interrupt Mode Enable (IME)—Bit 1	10-8
10.3.3.3	Software Debug Occurrence (SWO)—Bit 2	10-8
10.3.3.4	Memory Breakpoint Occurrence (MBO)—Bit 3	10-9
10.3.3.5	Trace Occurrence (TO)—Bit 4	10-9
10.3.3.6	Reserved Bit—Bit 5	10-9
10.3.3.7	Core Status (OS[1:0])—Bits 6-7	10-9
10.3.3.8	Reserved Bits—Bits 8–23	10-9
10.4	ONCE MEMORY BREAKPOINT LOGIC	10-10
10.4.1	OnCE Memory Address Latch (OMAL)	10-11
10.4.2	OnCE Memory Limit Register 0 (OMLR0)	10-11
10.4.3	OnCE Memory Address Comparator 0 (OMAC0)	10-11
10.4.4	OnCE Memory Limit Register 1 (OMLR1)	10-11
10.4.5	OnCE Memory Address Comparator 1 (OMAC1)	10-11
10.4.6	OnCE Breakpoint Control Register (OBCR)	10-12
10.4.6.1	Memory Breakpoint Select Bits (MBS[1:0])—Bits 0–1	10-12
10.4.6.2	Breakpoint0 Read/Write Select (RW0[1:0])—Bits 2–3	10-12
10.4.6.3	Breakpoint0 CC Select (CC0[1:0])—Bits 4–5	10-13
10.4.6.4	Breakpoint1 Read/Write Select (RW1[1:0])—Bits 6–7	10-13
10.4.6.5	Breakpoint1 CC Select (CC1[1:0])—Bits 8–9	10-14
10.4.6.6	Breakpoint Event Select Bits (BT[1:0])—Bits 10–11	10-14
10.4.6.7	Reserved Bits—Bits 12–15	10-14
10.4.7	OnCE Memory Breakpoint Counter (OMBC)	10-14
10.5	ONCE TRACE LOGIC	10-15
10.6	METHODS OF ENTERING THE DEBUG MODE	10-16
10.6.1	External Debug Request During $\overline{\text{RESET}}$ Assertion	10-16
10.6.2	External Debug Request During Normal Activity	10-17
10.6.3	Executing the JTAG DEBUG_REQUEST Instruction	10-17
10.6.4	External Debug Request During Stop Mode	10-17
10.6.5	External Debug Request During Wait Mode	10-17
10.6.6	Software Request During Normal Activity	10-18

10.6.7	Enabling Trace Mode.	10-18
10.6.8	Enabling Memory Breakpoints.	10-18
10.7	PIPELINE INFORMATION AND OGDBR	10-18
10.7.1	OnCE PDB Register (OPDBR)	10-19
10.7.2	OnCE PIL Register (OPILR)	10-19
10.7.3	OnCE GDB Register (OGDBR)	10-20
10.8	TRACE BUFFER	10-20
10.8.1	OnCE PAB Register for Fetch (OPABFR)	10-20
10.8.2	PAB Register for Decode (OPABDR)	10-20
10.8.3	OnCE PAB Register for Execute (OPABEX)	10-21
10.8.4	Trace Buffer	10-21
10.9	ONCE COMMANDS AND SERIAL PROTOCOL	10-23
10.10	TARGET SITE DEBUG SYSTEM REQUIREMENTS	10-24
10.11	EXAMPLES OF USING THE ONCE	10-24
10.11.1	Checking Whether the Chip has Entered the Debug Mode	10-24
10.11.2	Polling the JTAG Instruction Shift Register	10-25
10.11.3	Saving Pipeline Information	10-25
10.11.4	Reading the Trace Buffer.	10-25
10.11.5	Displaying a Specified Register	10-26
10.11.6	Displaying X Memory Area Starting at Address \$xxxx . . .	10-27
10.11.7	Going from Debug to Normal Mode in a Current Program	10-28
10.11.8	Going from Debug to Normal Mode in a New Program . . .	10-28
10.12	EXAMPLES OF JTAG AND ONCE INTERACTION	10-29
SECTION 11 JTAG PORT		11-1
11.1	INTRODUCTION	11-3
11.2	JTAG PINS	11-5
11.2.1	Test Clock (TCK)	11-5
11.2.2	Test Mode Select (TMS)	11-5
11.2.3	Test Data Input (TDI)	11-5
11.2.4	Test Data Output (TDO)	11-5
11.2.5	Test Reset ($\overline{\text{TRST}}$)	11-5
11.3	TAP CONTROLLER	11-6
11.3.1	Boundary Scan Register	11-7
11.3.2	Instruction Register	11-7
11.3.2.1	EXTEST (B[3:0] = 0000)	11-9

11.3.2.2	SAMPLE/PRELOAD (B[3:0] = 0001)	11-9
11.3.2.3	IDCODE (B[3:0] = 0010).	11-9
11.3.2.4	CLAMP (B[3:0] = 0011)	11-10
11.3.2.5	HI-Z (B[3:0] = 0100)	11-11
11.3.2.6	ENABLE_ONCE(B[3:0] = 0110).	11-11
11.3.2.7	DEBUG_REQUEST(B[3:0] = 0111)	11-11
11.3.2.8	BYPASS (B[3:0] = 1111)	11-12
11.4	DSP56600 RESTRICTIONS	11-12

APPENDIX A	BOOTSTRAP PROGRAM	A-1
A.1	DSP56602 BOOTSTRAP LISTING	A-3

APPENDIX B	X I/O EQUATES	B-1
B.1	DSP56602 X I/O EQUATES	B-3
B.2	DSP56602 INTERRUPT EQUATES	B-10

APPENDIX C	BSDL LISTING	C-1
C.1	DSP56602 BSDL LISTING	C-3

APPENDIX D	PROGRAMMER'S REFERENCE	D-1
D.1	INTRODUCTION	D-3
D.2	INSTRUCTION SET SUMMARY	D-3
D.3	INTERRUPT, VECTOR, AND ADDRESS TABLES	D-14
D.4	PROGRAMMER'S SHEETS	D-23

LIST OF FIGURES

Figure 1-1	DSP56602 Block Diagram.	1-12
Figure 2-1	DSP56602 Signals Identified by Functional Group	2-4
Figure 3-1	DSP56602 Memory Map	3-3
Figure 4-1	Operating Mode Register (OMR) Programming Model	4-4
Figure 4-2	Status Register Programming Model.	4-7
Figure 4-3	DSP56602 Device ID Register (IDR).	4-8
Figure 4-4	Interrupt Priority Registers IPR-C and IPR-P	4-14
Figure 4-5	PLL Control Register 0 (PCTL0) Programming Model	4-17
Figure 4-6	PLL Control Register 1 (PCTL1) Programming Model	4-18
Figure 5-1	Static RAM Connection Diagram.	5-5
Figure 5-2	Bus Operation, One Wait State—SRAM Access.	5-6
Figure 5-3	Bus Control Register (BCR) Programming Model.	5-7
Figure 5-4	BPMR Register	5-9
Figure 5-5	Possible Address Tracing Configuration Diagram.	5-11
Figure 6-1	GPIO Port E Programming Model	6-4
Figure 7-1	HI08 Block Diagram.	7-7
Figure 7-2	Host Control Register Programming Model.	7-9
Figure 7-3	Host Status Register (HSR) Programming Model	7-10
Figure 7-4	Host Port Control Register (HPCR) Programming Model	7-12

Figure 7-5	Single and Dual Strobe Bus Modes	7-15
Figure 7-6	Host Data Direction Register (HDDR) Programming Model	7-16
Figure 7-7	Host Data Register (HDR) Programming Model	7-16
Figure 7-8	Self Chip Select Logic	7-17
Figure 7-9	Host Base Address Register (HBAR) Programming Model	7-18
Figure 7-10	HSR–HCR Operation	7-20
Figure 7-11	Interface Control Register Programming Model	7-22
Figure 7-12	Command Vector Register (CVR)	7-25
Figure 7-13	Interface Status Register Programming Model	7-26
Figure 7-14	Interrupt Vector Register (IVR)	7-28
Figure 7-15	HI08 Host Request Structure	7-32
Figure 8-1	SSI Block Diagram	8-3
Figure 8-2	SSI Control Register A Programming Model	8-8
Figure 8-3	SSI Control Register B Programming Model	8-10
Figure 8-4	SSI Control Register C Programming Model	8-14
Figure 8-5	SSI Status Register Programming Model	8-16
Figure 8-6	SSI Port Control Register Programming Model	8-20
Figure 8-7	SSI GPIO Direction Control Register Programming Model	8-21
Figure 8-8	SSI GPIO Data Register Programming Model	8-22
Figure 9-1	Triple Timer Module Block Diagram	9-4
Figure 9-2	16-bit Timer Module Block Diagram	9-5
Figure 9-3	Triple Timers Programming Model	9-6

Figure 10-1	OnCE Module Block Diagram	10-3
Figure 10-2	OnCE Module Multiprocessor Configuration	10-4
Figure 10-3	OnCE Controller Block Diagram	10-5
Figure 10-4	OnCE Command Register.	10-5
Figure 10-5	OnCE Status and Control Register (OSCR)	10-8
Figure 10-6	OnCE Memory Breakpoint Logic 0	10-10
Figure 10-7	OnCE Breakpoint Control Register (OBCR)	10-12
Figure 10-8	OnCE Trace Logic Block Diagram.	10-15
Figure 10-9	OnCE Pipeline Information and GDB Registers.	10-19
Figure 10-10	OnCE Trace Buffer	10-22
Figure 11-1	TAP Block Diagram	11-4
Figure 11-2	TAP Controller State Machine	11-6
Figure 11-3	JTAG Instruction Register	11-7
Figure 11-4	JTAG ID Register	11-10
Figure 11-5	Bypass Register	11-12



LIST OF TABLES

Table 1-1	High True / Low True Signal Conventions	1-5
Table 2-1	Functional Group Signal Allocations	2-3
Table 2-2	Power Inputs	2-5
Table 2-3	Grounds	2-6
Table 2-4	Clock and PLL Signals	2-7
Table 2-5	Interrupt and Mode Control Signals	2-8
Table 2-6	External Memory Interface (Port A) Signals	2-10
Table 2-7	Host Port Usage Considerations	2-12
Table 2-8	Host Interface Signals	2-13
Table 2-9	Synchronous Serial Interface 0 (SSI0)	2-18
Table 2-10	Synchronous Serial Interface 1 (SSI1)	2-21
Table 2-11	General Purpose I/O (GPIO)	2-24
Table 2-12	Triple Timer Signals	2-25
Table 2-13	JTAG Interface/On-Chip Emulation Module (OnCE) Signals	2-26
Table 3-1	Internal I/O Memory Map	3-5
Table 4-1	Patch JUMP Targets	4-4
Table 4-2	DSP56602 Reset Addresses	4-9
Table 4-3	Interrupt Sources	4-11
Table 4-4	Interrupt Priority Level Bits	4-14

Table 4-5	External Interrupt Trigger Mode Bits	4-14
Table 4-6	Interrupt Source Priorities within an IPL	4-15
Table 4-7	Multiplication Factor Bits MF[11:0]	4-17
Table 4-8	Division Factor Bits	4-18
Table 6-1	PCRE and PRRE Bits Functionality	6-5
Table 7-1	Summary of HI08 Pins and Operating Modes	7-6
Table 7-2	Strobe Signals Support Pins	7-6
Table 7-3	Host Request Support Pins	7-6
Table 7-4	HI08 Interrupt Request Priority Order	7-9
Table 7-5	HDR and HDDR Bits Functionality	7-17
Table 7-6	DSP Side Registers after Reset	7-19
Table 7-7	HI08 Host Side Register Map	7-22
Table 7-8	TREQ and HREQ Modes (HDRQ = 0)	7-23
Table 7-9	TREQ and HREQ Modes (HDRQ = 1)	7-23
Table 7-10	INIT Commands	7-25
Table 7-11	Host Side Registers After Reset	7-30
Table 8-1	SSI Clock Sources	8-6
Table 8-2	SSI Word Length Selection	8-9
Table 8-3	Mode and Pin Definition Table	8-11
Table 8-4	FSL[1:0] Encoding	8-16
Table 8-5	PCR and PRR Register Bits Functionality	8-21
Table 9-1	PS[1:0] Bit Functionality	9-7

Table 9-2	TC[3:0] Bit Functionality	9-10
Table 9-3	Timer Mode Summary	9-13
Table 10-1	OnCE Register Select Encoding	10-6
Table 10-2	EX Bit Definition	10-7
Table 10-3	GO Bit Definition	10-7
Table 10-4	R \bar{W} Bit Definition	10-7
Table 10-5	Core Status Bits Description	10-9
Table 10-6	Memory Breakpoint Select Table	10-12
Table 10-7	Breakpoint0 Read/Write Select Table	10-13
Table 10-8	Breakpoint0 Condition Select Table	10-13
Table 10-9	Breakpoint1 Read/Write Select Table	10-13
Table 10-10	Breakpoint1 Condition Select Table	10-14
Table 10-11	Breakpoint0 and Breakpoint1 Event Select Table	10-14
Table 10-12	TMS Sequencing for DEBUG_REQUEST	10-29
Table 10-13	TMS Sequencing for ENABLE_ONCE	10-30
Table 10-14	TMS Sequencing for Reading Pipeline Registers	10-31
Table 11-1	JTAG Instructions	11-8
Table 11-2	DSP56602 Boundary Scan Register (BSR) Bit Definitions	11-13
Table D-1	Program Word and Timing Symbols	D-3
Table D-2	Condition Code Register (CCR) Symbols	D-3
Table D-3	Condition Code Register Notation	D-4
Table D-4	Instruction Set Summary	D-4



Table D-5	Interrupt Sources	D-14
Table D-6	Interrupt Source Priorities within an IPL.	D-16
Table D-7	Internal I/O Memory Map	D-17
Table D-8	List of Programmer's Sheets	D-23

LIST OF EXAMPLES

Example 1-1	Sample Code Listing	1-5
Example 5-1	Move from P Source Address to P Destination Address	5-9
Example 5-2	Bootstrap through External EPROM	5-10
Example 5-3	Pass Program Memory Words to the OGDBR	5-10
Example A-1	Sample DSP56602 Bootstrap Listing	A-3
Example B-1	DSP56602 X I/O Equates	B-3
Example B-2	DSP56602 Interrupt Equates	B-10
Example C-1	DSP56602 BSDL Listing	C-3



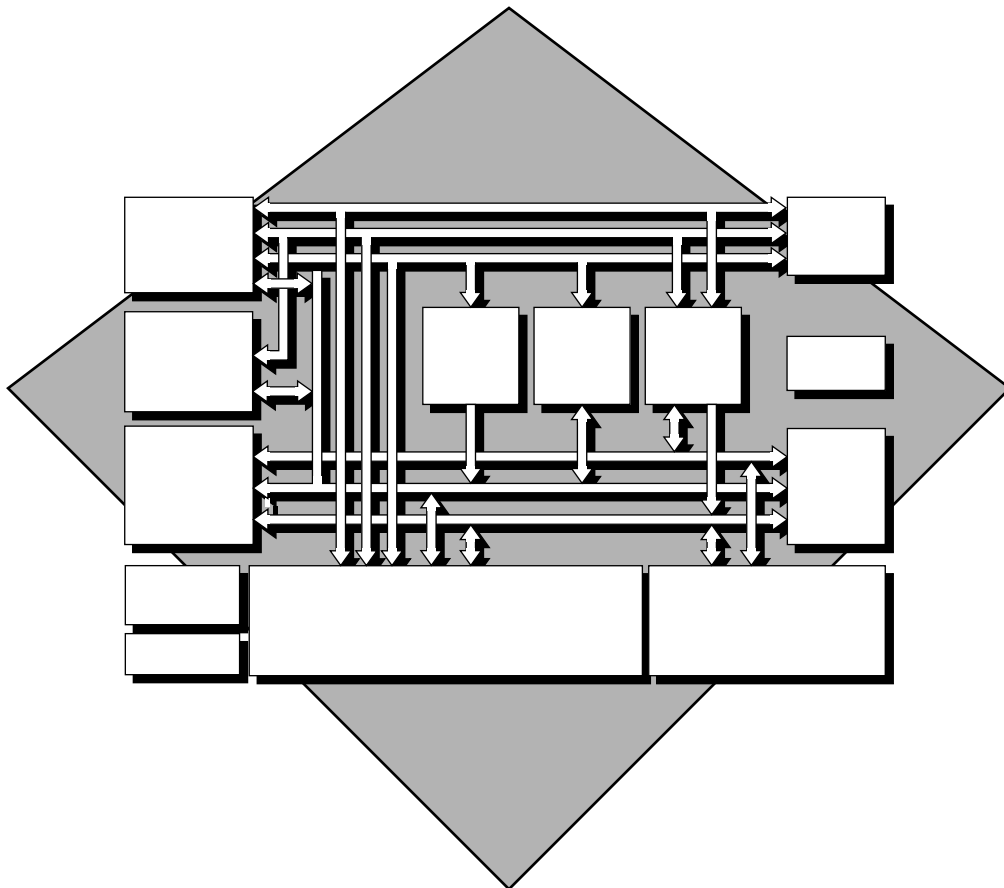
Freescale Semiconductor, Inc.

Freescale Semiconductor, Inc.

**For More Information On This Product,
Go to: www.freescale.com**

SECTION 1

DSP56602 OVERVIEW



1.1	INTRODUCTION	1-3
1.2	MANUAL CONVENTIONS	1-4
1.3	DSP56600 CORE DESCRIPTION	1-6
1.4	DSP56600 CORE FUNCTIONAL BLOCKS	1-6
1.5	INTERNAL BUSES	1-11
1.6	DSP56602 ARCHITECTURE OVERVIEW	1-13

1.1 INTRODUCTION

This manual describes the DSP56602 16-bit Digital Signal Processor (DSP), its memory and operating modes, and its peripheral modules. This manual is intended to be used with the *DSP56600 Family Manual (DSP56600FM/AD)*, which describes the Central Processing Unit (CPU), programming models, and instruction set details. The *DSP56602 Technical Data Sheet (DSP56602/D)* provides electrical specifications, timing, pinout, and packaging descriptions on the DSP56602. These documents, as well as Motorola's DSP development tools, can be obtained through a local Motorola Semiconductor Sales Office or authorized distributor.

To receive the latest information, access the Motorola DSP home page located at the address listed on the back cover of this document.

The DSP56602 is a member of the DSP56600 core-based family of programmable CMOS DSPs. This general purpose DSP combines processing power with configuration flexibility, making it an excellent cost-effective solution for signal processing and control functions.

This manual is arranged in the following sections:

- **Section 1—DSP56602 Overview** provides a brief overview of the DSP56602, describes the structure of this document, and lists other documentation necessary to use this chip.
- **Section 2—Signal/Connection Description** provides a description of the signals present on the pins of the DSP56602, and how these signals are grouped into the various interfaces.
- **Section 3—Memory Maps** describes the on-chip memory, structures, registers, and interfaces.
- **Section 4—Core Configuration** describes the registers that must be programmed to properly configure the DSP56600 core when using the DSP56602.
- **Section 5—External Memory Interface (Port A)** describes the External Memory Interface, which is also referred to as Port A.
- **Section 6—GPIO** describes the dedicated General Purpose Input/Output (GPIO) interface, and the alternate GPIO functionality provided on certain on-chip interfaces.
- **Section 7—Host Interface (HI08)** describes the 8-bit HI08 Host Interface.
- **Section 8—Synchronous Serial Interface** describes the 16-bit Synchronous Serial Interface (SSI), which communicates with devices such as codecs, other DSPs,

microprocessors, and peripherals, to provide the primary data input path. The SSI is a part of Port C.

- **Section 9—Triple Timer Module** describes the three internal timer/counter devices.
- **Section 10—On-Chip Emulation Module** describes the On-Chip Emulation (OnCE™) module, which is accessed through the Joint Test Action Group (JTAG) port.
- **Section 11—JTAG Port** describes the specifics of the JTAG port on the DSP56602.
- **Appendix A—Bootstrap Program** provides a sample listing of bootstrap code, intended for use as an example of the bootstrap code than can be developed by the customer to start or reset the DSP56602.
- **Appendix B—X I/O Equates** lists the Input/Output equates for the DSP56602.
- **Appendix C—BSDL Listing** provides the Boundary Scan Description Listing (BSDL) for the DSP56602.
- **Appendix D—Programmer's Reference** provides programming references and master programming sheets used to program the DSP56602 registers.
- **Index** provides a cross-reference to topics in this manual.

1.2 MANUAL CONVENTIONS

The following conventions are used in this manual:

- Bits within registers are always listed from Most Significant Bit (MSB) to Least Significant Bit (LSB).

Note: Other manuals may use the opposite convention, with bits listed from LSB to MSB.

- Bits within a register are indicated AA[n:0] when more than one bit is involved in a description. For purposes of description, the bits are presented as if they are contiguous within a register. However, this is not always the case. Refer to the programming model diagrams or to the programmer's sheets to see the exact location of bits within a register.
- When a bit is described as “set,” its value is 1. When a bit is described as “cleared,” its value is 0.
- Pins or signals that are asserted low (made active when pulled to ground) have an overbar over their name; for example, the $\overline{SS0}$ pin is asserted low.

- Hex values are indicated with a dollar sign (\$) preceding the hex value as follows: \$FFFF is the X memory address for the Interrupt Priority Register—Core (IPR-C).
- Code examples are displayed in a monospaced font, as shown in **Example 1-1**.

Example 1-1 Sample Code Listing

BFSET	#\$0007,X:PCC; Configure:	line 1
	; MISO0, MOSI0, SCK0 for SPI master	line 2
	; ~SS0 as PC3 for GPIO	line 3

- Pins or signals listed in code examples that are asserted low have a tilde in front of their names. In the previous example, line 3 refers to the $\overline{SS0}$ pin (shown as ~SS0).
- The word “assert” means that a high true (active high) signal is pulled high to V_{CC} or that a low true (active low) signal is pulled low to ground. The word “deassert” means that a high true signal is pulled low to ground or that a low true signal is pulled high to V_{CC} . See **Table 1-1**.

Table 1-1 High True / Low True Signal Conventions

Signal/Symbol	Logic State	Signal State	Voltage
\overline{PIN}	True	Asserted	Ground ¹
\overline{PIN}	False	Deasserted	V_{CC} ²
PIN	True	Asserted	V_{CC}
PIN	False	Deasserted	Ground

- Notes:
1. Ground is an acceptable low voltage level. See the appropriate data sheet for the range of acceptable low voltage levels (typically a TTL logic low).
 2. V_{CC} is an acceptable high voltage level. See the appropriate data sheet for the range of acceptable high voltage levels (typically a TTL logic high).

- The word “reset” is used in four different contexts in this manual:
 - There is a reset pin that is always written as “ \overline{RESET} ”. The word “pin” is a generic term for any pin on the chip.
 - There is a reset instruction that is always written as “RESET”
 - The word reset refers to the reset function and is written in lower case with a leading capital letter as grammar dictates
 - “Reset” refers to the Reset state.

1.3 DSP56600 CORE DESCRIPTION

The DSP56600 core is based on the DSP56300 core, with a number of power-saving, performance-enhancing, and cost-reducing features implemented. With its seven-stage instruction pipeline, the DSP56600 core is capable of executing an instruction on every clock cycle. A standard interface between the DSP56600 core and the on-chip memory and peripherals supports many memory and peripheral configurations. Complete details of the DSP56600 core are provided in the *DSP56600 Family Manual (DSP56600FM/AD)*.

The following are some of the features of the DSP56600 core:

- 60 Million Instructions Per Second (MIPS) with a 60 MHz clock at 2.7 V
- Fully pipelined 16 × 16-bit parallel Multiplier-Accumulator (MAC)
- 40-bit parallel barrel shifter
- Highly parallel instruction set with unique DSP addressing modes
- Code compatible with the 56300 core
- Position Independent Code (PIC) support
- Nested hardware DO loops
- Fast auto-return interrupts
- On-chip support for software patching and enhancements
- On-chip Phase Lock Loop (PLL)
- Real-time trace capability via External Address Bus
- On-Chip Emulation (OnCE) module
- JTAG port

1.4 DSP56600 CORE FUNCTIONAL BLOCKS

The DSP56600 core provides the following functional blocks:

- Data Arithmetic Logic Unit (Data ALU)
- Address Generation Unit (AGU)
- Program Control Unit (PCU)
- Program Patch Logic

- PLL and Clock Oscillator
- Expansion Memory Interface (Port A)
- JTAG Test Access Port and On-Chip Emulation (OnCE) module
- Memory

In addition, the DSP56602 provides a set of on-chip peripherals, described in **DSP56602 Architecture Overview** on page 1-13.

1.4.1 Data Arithmetic Logic Unit (ALU)

The Data Arithmetic Logic Unit (ALU) performs all the arithmetic and logical operations on data operands in the DSP56600 core. The components of the Data ALU are as follows:

- Four 16-bit input general purpose registers: X1, X0, Y1, and Y0
- A parallel, fully pipelined Multiplier-Accumulator unit (MAC)
- Six Data ALU registers (A2, A1, A0, B2, B1, and B0) that are concatenated into two general purpose, 40-bit accumulators, A and B
- An accumulator shifter that is an asynchronous parallel shifter with a 40-bit input and a 40-bit output
- A Bit Field Unit (BFU) with a 40-bit barrel shifter
- Two data bus shifter/limiter circuits

1.4.1.1 Data ALU Registers

The Data ALU registers can be read or written over the X Data Bus (XDB) and the Y Data Bus (YDB) as 16- or 32-bit operands. The source operands for the Data ALU, which can be 16, 32, or 40 bits, always originate from Data ALU registers. The results of all Data ALU operations are stored in an accumulator.

All the Data ALU operations are performed in 2 clock cycles in pipeline fashion so that a new instruction can be initiated in every clock, yielding an effective execution rate of one instruction per clock cycle. The destination of every arithmetic operation can be used as a source operand for the immediate following operation without penalty.

1.4.1.2 Multiplier-Accumulator (MAC)

The Multiplier-Accumulator (MAC) unit comprises the main arithmetic processing unit of the DSP56600 core and performs all of the calculations on data operands. In the case of arithmetic instructions, the unit accepts as many as three input operands and outputs

one 40-bit result of the following form, Extension:Most Significant Product:Least Significant Product (EXT:MSP:LSP).

The multiplier executes 16-bit \times 16-bit, parallel, fractional multiplies, between two's-complement signed, unsigned, or mixed operands. The 32-bit product is right-justified and added to the 40-bit contents of either the A or B accumulator. A 40-bit result can be stored as a 16-bit operand. The LSP can either be truncated or rounded into the MSP. Rounding is performed if specified.

1.4.2 Address Generation Unit

The AGU performs the effective address calculations using integer arithmetic necessary to address data operands in memory and contains the registers used to generate the addresses. It implements four types of arithmetic: linear, modulo, multiple wrap-around modulo, and reverse-carry. The AGU operates in parallel with other chip resources to minimize address-generation overhead.

The AGU is divided into two halves, each with its own Address Arithmetic Logic Unit (Address ALU). Each Address ALU has four sets of register triplets, and each register triplet is composed of an address register, an offset register, and a modifier register. The two Address ALUs are identical. Each contains a 16-bit full adder (called an offset adder).

A second full adder (called a modulo adder) adds the summed result of the first full adder to a modulo value that is stored in its respective modifier register. A third full adder (called a reverse-carry adder) is also provided.

The offset adder and the reverse-carry adder are in parallel and share common inputs. The only difference between them is that the carry propagates in opposite directions. Test logic determines which of the three summed results of the full adders is output.

Each Address ALU can update one address register from its respective address register file during 1 instruction cycle. The contents of the associated modifier register specifies the type of arithmetic to be used in the address register update calculation. The modifier value is decoded in the Address ALU.

1.4.3 Program Control Unit

The Program Control Unit (PCU) performs instruction prefetch, instruction decoding, hardware DO loop control, and exception processing. The PCU implements a

seven-stage pipeline and controls the different processing states of the DSP56600 core. The PCU consists of three hardware blocks:

- Program Decode Controller (PDC)
- Program Address Generator (PAG)
- Program Interrupt Controller (PIC)

The PDC decodes the 24-bit instruction loaded into the instruction latch and generates all signals necessary for pipeline control. The PAG contains all the hardware needed for program address generation, system stack, and loop control. The PIC arbitrates among all interrupt requests (internal interrupts, as well as the five external requests \overline{IRQA} , \overline{IRQB} , \overline{IRQC} , \overline{IRQD} , and \overline{NMI}), and generates the appropriate interrupt vector address.

The PCU implements its functions using the following registers:

- PC—Program Counter register
- SR—Status Register
- LA—Loop Address register
- LC—Loop Counter register
- VBA—Vector Base Address register
- SZ—Size register
- SP—Stack Pointer
- OMR—Operating Mode Register
- SC—Stack Counter register

The PCU also includes a hardware System Stack (SS).

1.4.4 Program Patch Logic

The Program Patch Logic (PPL) block provides the DSP56600 core user a way to fix the program code in the on-chip ROM without generating a new mask. Implementing the code correction is done by replacing a piece of ROM-based code with a patch program stored in RAM. The PPL consists of four Patch Address Registers (PAR1–PAR4) and four patch address comparators. Each PAR points to a starting location in the ROM code where the program flow is to be changed. The PC register in the PCU is compared to each PAR. When an address of a fetched instruction is identical to an address stored in one of the PARs, the Program Data Bus (PDB) is forced to a corresponding JMP

instruction, replacing the instruction that otherwise would have been fetched from the ROM.

1.4.5 PLL and Clock Oscillator

The DSP56600 core features a Phase Lock Loop (PLL) clock oscillator in its central processing module. The PLL allows the processor to operate at a high internal clock frequency using a low frequency clock input, a feature that offers two immediate benefits:

- A lower frequency clock input reduces the overall electromagnetic interference generated by a system.
- The ability to oscillate at different frequencies reduces costs by eliminating the need to add additional oscillators to a system.

The clock generator in the DSP56600 core is composed of two main blocks: the PLL, which performs clock input division, frequency multiplication, and skew elimination; and the Clock Generator (CLKGEN), which performs low power division and clock pulse generation.

1.4.6 Expansion Memory Interface (Port A)

Port A is the memory expansion port used for both program and data memory. It provides an easy to use, low part-count connection with fast or slow static memories and with I/O devices. The Port A data bus is 24 bits wide with a separate 16-bit address bus capable of a sustained rate of one memory access per two clock cycles. External memory can be as large as 64 K × 24-bit program memory space, depending on chip configuration. An internal wait state generator can be programmed to insert as many as thirty-one wait states if access to slower memory or I/O device is required. For power-sensitive applications and applications that do not require external memory, Port A can be fully disabled.

1.4.7 JTAG Test Access Port and On-Chip Emulation Module

The DSP56600 core provides a dedicated user-accessible Test Access Port (TAP) that is fully compatible with the *IEEE 1149.1 Standard Test Access Port and Boundary Scan Architecture*. Problems associated with testing high density circuit boards have led to development of this standard under the sponsorship of the Test Technology Committee

of IEEE and the Joint Test Action Group (JTAG). The DSP56600 core implementation supports circuit-board test strategies based on this standard.

The test logic includes a TAP consisting of four dedicated signal pins, a 16-state controller, and three test data registers. A Boundary Scan Register links all device signal pins into a single shift register. The test logic, implemented utilizing static logic design, is independent of the device system logic. More information on the JTAG port is provided in **Section 11, JTAG Port**.

The On-Chip Emulation (OnCE) module provides a means of interacting with the DSP56600 core and its peripherals non-intrusively so that a user can examine registers, memory, or on-chip peripherals. This facilitates hardware and software development on the DSP56600 core processor. OnCE module functions are provided through the JTAG TAP pins. More information on the OnCE module is provided in **Section 10, On-Chip Emulation Module**.

1.4.8 On-Chip Memory

The memory space of the DSP56600 core is partitioned into program memory space, X data memory space, and Y data memory space. The data memory space is divided into X data memory and to Y data memory in order to work with the two Address ALUs and to feed two operands simultaneously to the Data ALU. Memory space includes internal RAM and ROM and can be expanded off-chip under software control. More information on the internal memory is provided in **Section 3, Memory Maps**.

1.5 INTERNAL BUSES

To provide data exchange between these blocks, the following buses are implemented:

- Peripheral I/O Expansion Bus (PIO_EB) to peripherals
- Program Memory Expansion Bus (PM_EB) to Program ROM
- X Memory Expansion Bus (XM_EB) to X Memory
- Y Memory Expansion Bus (YM_EB) to Y Memory
- Global Data Bus (GDB) between Program Control Unit and other core structures
- Program Data Bus (PDB) for carrying program data throughout the core
- X Memory Data Bus (XDB) for carrying X data throughout the core

Internal Buses

- Y Memory Data Bus (YDB) for carrying Y data throughout the core
- Program Address Bus (PAB) for carrying program memory addresses throughout the core
- X Memory Address Bus (XAB) for carrying X memory addresses throughout the core
- Y Memory Address Bus (YAB) for carrying Y memory addresses throughout the core

With the exception of the Program Data Bus (PDB), all internal buses on the DSP56600 family members are 16-bit buses. The PDB is a 24-bit bus. **Figure 1-1** provides a block diagram of the DSP56602.

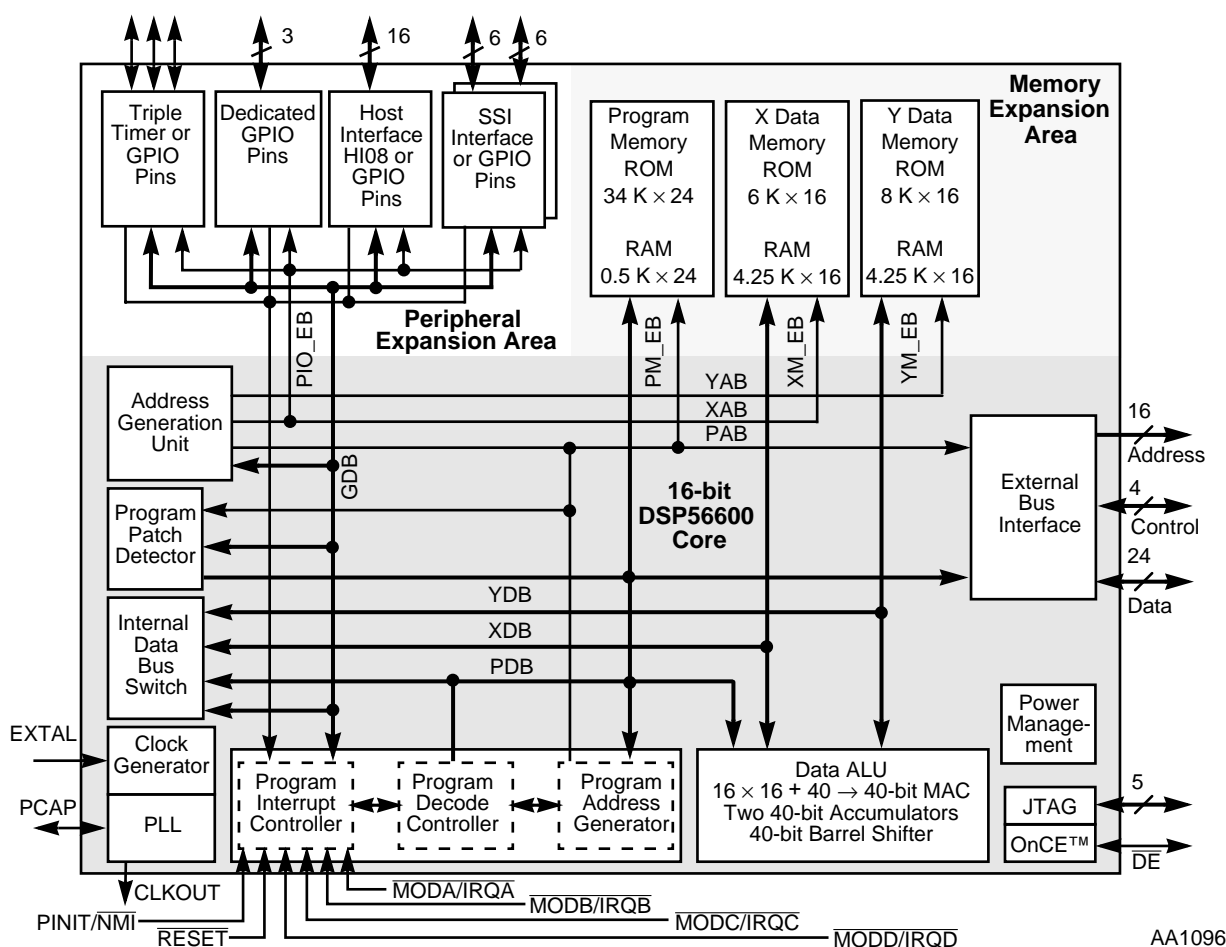


Figure 1-1 DSP56602 Block Diagram

1.6 DSP56602 ARCHITECTURE OVERVIEW

The DSP56602 is designed to perform a wide variety of fixed-point digital signal processing functions. In addition to the core features previously discussed, the DSP56602 provides the following peripherals:

- Three dedicated General Purpose I/O (GPIO) pins
- As many as thirty-one additional user-configurable GPIO pins
- 8-bit parallel Host Interface (HI08) to external hosts
- Dual Synchronous Serial Interface (SSI)
- Triple timer module
- Four external interrupt/mode control lines

1.6.1 GPIO Functionality

The General Purpose I/O (GPIO) port consists of three bidirectional pins, each pin separately controlled. Functionality is controlled by three memory-mapped registers. GPIO functionality is also available on the HI08, SSI, and timer pins when these pins are not otherwise being used by their peripherals. The techniques for register programming for all GPIO functionality is very similar between these interfaces. A maximum of thirty-four GPIO pins can be configured.

1.6.2 Host Interface (HI08)

The Host Interface (HI08) is a byte-wide, full-duplex, double-buffered, parallel port that can be connected directly to the data bus of a host processor. The HI08 supports a variety of buses, and provides connection with a number of industry-standard DSPs, microcomputers, and microprocessors without requiring any additional logic.

The DSP core views the HI08 as a memory-mapped peripheral occupying eight 16-bit words in data memory space. The DSP can use the HI08 as a memory-mapped peripheral, using either standard polled or interrupt programming techniques. Separate transmit and receive data registers are double-buffered to allow the DSP and host processor to efficiently transfer data at high speed. Memory mapping allows DSP core communication with the HI08 registers to be accomplished using standard instructions and addressing modes.

1.6.3 Synchronous Serial Interface (SSI)

The DSP56602 provides two independent and identical Synchronous Serial Interfaces (SSIs). Each SSI provides a full-duplex serial port for communication with a variety of serial devices, including one or more industry-standard codecs, other DSPs, microprocessors, and peripherals that implement the Motorola SPI. The SSI consists of independent transmitter and receiver sections and a common SSI clock generator.

The capabilities of the SSI include:

- Independent (asynchronous) or shared (synchronous) transmit and receive sections with separate or shared internal/external clocks and frame syncs
- Normal mode operation using frame sync
- Network mode operation with as many as 32 time slots
- Programmable word length (8, 12, or 16 bits)
- Program options for frame synchronization and clock generation

1.6.4 Triple Timer

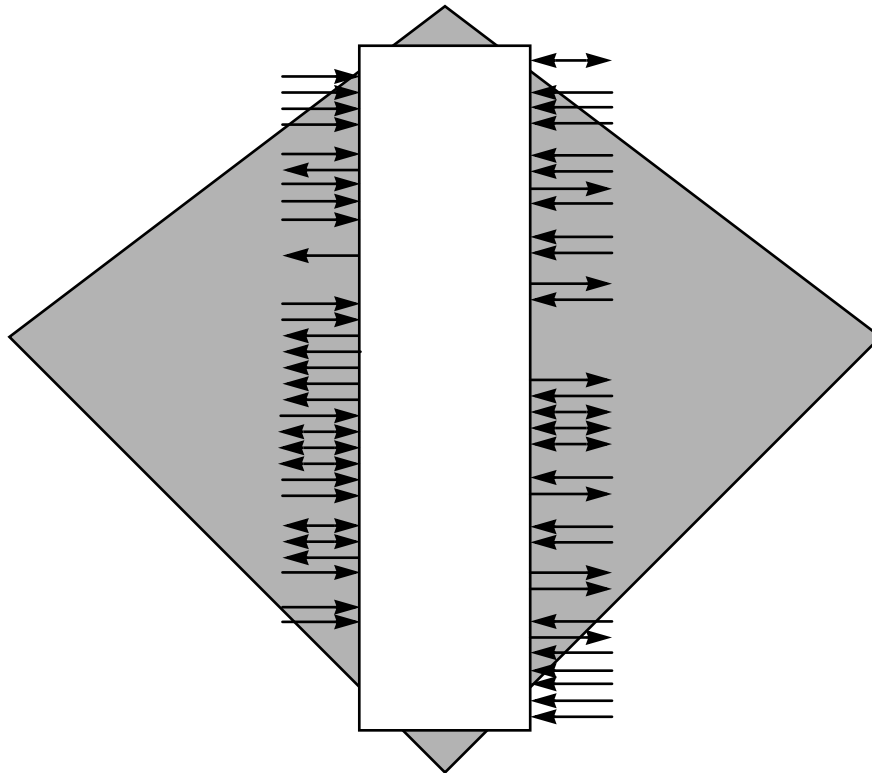
The triple timer module is composed of a common 14-bit prescaler and three independent and identical general purpose 16-bit timer/event counters, each one having its own memory-mapped register set.

Each timer can use internal or external clocking and can interrupt the DSP after a specified number of events (clocks) or can signal an external device after counting internal events. Each timer connects to the external world through one bidirectional pin. When this pin is configured as an input, the timer can function as an external event counter or measures external pulse width/signal period. When the pin is used as an output, the timer can function as either a timer, a watchdog, or a Pulse Width Modulator (PWM).



SECTION 2

SIGNAL/CONNECTION DESCRIPTION



2.1	INTRODUCTION	2-3
2.2	POWER	2-5
2.3	GROUND	2-6
2.4	CLOCK AND PHASE LOCK LOOP	2-7
2.5	INTERRUPT AND MODE CONTROL	2-8
2.6	EXTERNAL MEMORY INTERFACE (PORT A)	2-10
2.7	HOST INTERFACE (HI08)	2-12
2.8	SYNCHRONOUS SERIAL INTERFACE 0 (SSI0)	2-18
2.9	SYNCHRONOUS SERIAL INTERFACE 1 (SSI1)	2-21
2.10	GENERAL PURPOSE I/O (GPIO)	2-24
2.11	TRIPLE TIMER	2-25
2.12	JTAG/ONCE INTERFACE	2-26

2.1 INTRODUCTION

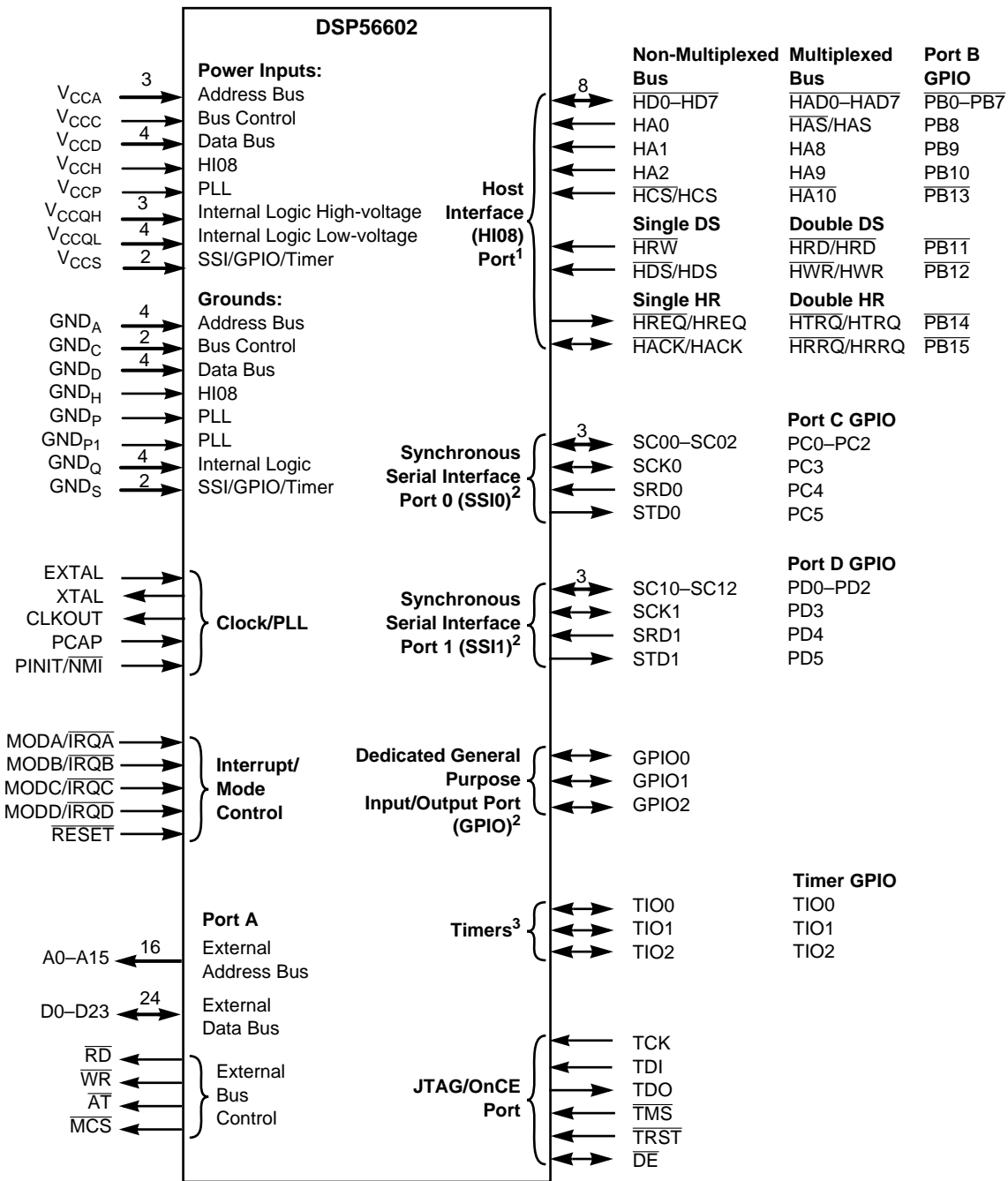
The input and output signals of the DSP56602 are organized into functional groups, as shown in **Table 2-1** and as illustrated in **Figure 2-1**. In **Table 2-2** through **Table 2-13**, each table row describes the signal or signals present on a pin.

The DSP56602 operates from a 3 V supply; however, some of the inputs can tolerate 5 V. A special notice for this feature is added to the signal descriptions of those inputs.

Table 2-1 Functional Group Signal Allocations

Functional Group		Number of Signals	Detailed Description
Power (V_{CC})		19	Table 2-2
Ground (GND)		19	Table 2-3
PLL and Clock Signals		5	Table 2-4
Interrupt and Mode Control		5	Table 2-5
External Memory Interface (also referred to as Port A)	Address Bus	16	Table 2-6
	Data Bus	24	
	Bus Control	4	
Host Interface (HI08)	Port B (GPIO)	16	Table 2-8
Synchronous Serial Interface 0 (SSI0)	Port C (GPIO)	6	Table 2-9
Synchronous Serial Interface 1 (SSI1)	Port D (GPIO)	6	Table 2-10
General Purpose Input/Output (GPIO)		3	Table 2-11
Triple Timer		3	Table 2-12
JTAG Interface/On-Chip Emulation (OnCE) Module		6	Table 2-13

Introduction



- Note:
1. The HI08 port supports a non-multiplexed or a multiplexed bus, single or double Data Strobe (DS), and single or double Host Request (HR) configurations. Since each these modes is configured independently, any combination of these modes is possible. The HI08 signals can also be configured alternately as GPIO signals (PB0–PB15).
 2. The SSI0 and SSI1 signals can be configured alternately as Port C GPIO signals (PC0–PC5) and Port D GPIO signals (PD0–PD5), respectively.
 3. TIO0–TIO2 can be configured alternately as GPIO signals.

AA1097

Figure 2-1 DSP56602 Signals Identified by Functional Group

2.2 POWER

Table 2-2 Power Inputs

Signal Name (no. of pins)	Signal Description
V_{CCA} (3)	Address Bus Power — V_{CCA} is an isolated power for sections of address bus I/O drivers, and must be tied externally to all other chip power inputs, except for the V_{CCQL} input. The user must provide adequate external decoupling capacitors.
V_{CCC} (1)	Bus Control Power — V_{CCC} is an isolated power for the bus control I/O drivers, and must be tied to all other chip power inputs externally, except for the V_{CCQL} input. The user must provide adequate external decoupling capacitors.
V_{CCD} (4)	Data Bus Power — V_{CCD} is an isolated power for sections of data bus I/O drivers, and must be tied to all other chip power inputs externally, except for the V_{CCQL} input. The user must provide adequate external decoupling capacitors.
V_{CCH} (1)	Host Power — V_{CCH} is an isolated power for the HI08 logic, and must be tied to all other chip power inputs externally, except for the V_{CCQL} input. The user must provide adequate external decoupling capacitors.
V_{CCP} (1)	PLL Power — V_{CCP} is V_{CC} dedicated for Phase Lock Loop (PLL) use. The voltage should be well-regulated and the input should be provided with an extremely low impedance path to the V_{CC} power rail.
V_{CCQH} (3)	Quiet Power High Voltage — V_{CCQH} is an isolated power for the CPU logic, and must be tied to all other chip power inputs externally, except for the V_{CCQL} input. The user must provide adequate external decoupling capacitors. The voltage supplied to these inputs should equal the voltage supplied to I/O power inputs V_{CCA} , V_{CCC} , V_{CCD} , V_{CCH} , and V_{CCS} .
V_{CCQL} (4)	Quiet Power Low Voltage — V_{CCQL} is an isolated power for the CPU logic, and should not be tied to the other chip power inputs. The user must provide adequate external decoupling capacitors.
V_{CCS} (2)	SSI, GPIO, and Timers Power — V_{CCS} is an isolated power for the SSIs, GPIO, and Timers logic, and must be tied to all other chip power inputs externally, except for the V_{CCQL} inputs. The user must provide adequate external decoupling capacitors.

2.3 GROUND

Table 2-3 Grounds

Signal Name (no. of pins)	Signal Description
GND _A (4)	Address Bus Ground —GND _A is an isolated ground for sections of address bus I/O drivers, and must be tied externally to all other chip ground connections. The user must provide adequate external decoupling capacitors.
GND _C (2)	Bus Control Ground —GND _C is an isolated ground for the bus control I/O drivers, and must be tied externally to all other chip ground connections. The user must provide adequate external decoupling capacitors.
GND _D (4)	Data Bus Ground —GND _D is an isolated ground for sections of the data bus I/O drivers, and must be tied externally to all other chip ground connections. The user must provide adequate external decoupling capacitors.
GND _H (1)	Host Ground —GND _H is an isolated ground for the HI08 I/O drivers, and must be tied externally to all other chip ground connections. The user must provide adequate external decoupling capacitors.
GND _P (1)	PLL Ground —GND _P is ground dedicated for PLL use, and should be provided with an extremely low impedance path to ground. V _{CCP} should be bypassed to GND _P with a 0.1 μF capacitor located as close as possible to the chip package.
GND _{P1} (1)	PLL Ground 1 —GND _{P1} is ground dedicated for PLL use, and should be provided with an extremely low impedance path to ground.
GND _Q (4)	Quiet Ground —GND _Q is an isolated ground for the CPU logic, and must be tied externally to all other chip ground connections. The user must provide adequate external decoupling capacitors.
GND _S (2)	SSIs, GPIO, and Timers Ground —GND _S is an isolated ground for the SSIs, GPIO, and Timers logic, and must be tied externally to all other chip ground connections. The user must provide adequate external decoupling capacitors.

2.4 CLOCK AND PHASE LOCK LOOP

Table 2-4 Clock and PLL Signals

Signal Name	Signal Type	State During Reset	Signal Description
EXTAL	Input	Input	External Clock/Crystal Input —EXTAL interfaces the internal crystal oscillator input to an external crystal or an external clock.
XTAL	Output	Chip-driven	Crystal Output —XTAL connects the internal crystal oscillator output to an external crystal. If an external clock is used, leave XTAL unconnected.
PCAP	Input	Indeterminate	<p>PLL Capacitor—PCAP is an input connecting an off-chip capacitor to the PLL filter. Connect one capacitor terminal to PCAP and the other terminal to V_{CCP}.</p> <p>If the PLL is not used, PCAP may be tied to V_{CC}, GND, or left floating.</p>
CLKOUT	Output	Chip-driven	<p>Clock Output—CLKOUT provides an output clock synchronized to the internal core clock phase. When the PLL is enabled, the Division Factor (DF) equals one, and the Multiplication Factor (MF) is less than or equal to four, CLKOUT is also synchronized to EXTAL.</p> <p>When the PLL is disabled, the CLKOUT frequency is half the frequency of EXTAL.</p>
PINIT	Input	Input	PLL Initialize —During assertion of $\overline{\text{RESET}}$, the value of PINIT is written into the PLL Enable (PEN) bit of the PLL Control Register 1 (PCTL1), determining whether the PLL is enabled or disabled. When this input is high during $\overline{\text{RESET}}$ assertion, the PLL is enabled following $\overline{\text{RESET}}$ deassertion.
$\overline{\text{NMI}}$	Input		<p>Non-Maskable Interrupt—After $\overline{\text{RESET}}$ deassertion and during normal instruction processing, the $\overline{\text{NMI}}$ Schmitt-trigger input is a negative-edge-triggered Non-Maskable Interrupt (NMI) request internally synchronized to CLKOUT.</p> <p>This input can tolerate 5 V.</p>

2.5 INTERRUPT AND MODE CONTROL

Table 2-5 Interrupt and Mode Control Signals

Signal Name	Signal Type	State During Reset	Signal Description
RESET	Input	Input	<p>Reset—RESET is an active low, Schmitt-trigger input. Deassertion of the $\overline{\text{RESET}}$ signal is internally synchronized to the clock out (CLKOUT). When asserted, the chip is placed in the Reset state and the internal phase generator is reset. The Schmitt-trigger input allows a slowly rising input, such as a capacitor charging, to reliably reset the chip. If the $\overline{\text{RESET}}$ signal is deasserted synchronous to CLKOUT, exact start-up timing is guaranteed, allowing multiple processors to start up synchronously and operate together. When the $\overline{\text{RESET}}$ signal is deasserted, the initial chip operating mode is latched from the MODA, MODB, MODC, and MODD inputs.</p> <p>This input can tolerate 5 V.</p>
MODA	Input	Input	<p>Mode Select A—MODA selects the initial chip operating mode during hardware reset. MODA, MODB, MODC, and MODD select one of sixteen initial chip operating modes latched into the Operating Mode Register (OMR) when the $\overline{\text{RESET}}$ signal is deasserted.</p>
$\overline{\text{IRQA}}$	Input		<p>External Interrupt Request A—Following $\overline{\text{RESET}}$ deassertion, MODA becomes $\overline{\text{IRQA}}$, a level-sensitive or negative-edge-triggered, maskable interrupt request input during normal instruction processing. If $\overline{\text{IRQA}}$ is asserted synchronous to CLKOUT, multiple processors can be resynchronized using the WAIT instruction and asserting $\overline{\text{IRQA}}$ to exit the Wait state. If the processor is in the Stop standby state and $\overline{\text{IRQA}}$ is asserted, the processor exits the Stop state.</p> <p>This is an active low Schmitt-trigger input, internally synchronized to CLKOUT. This input can tolerate 5 V.</p>

Table 2-5 Interrupt and Mode Control Signals (continued)

Signal Name	Signal Type	State During Reset	Signal Description
MODB	Input	Input	<p>Mode Select B—MODB selects the initial chip operating mode during hardware reset. MODA, MODB, MODC, and MODD select one of sixteen initial chip operating modes latched into the OMR when the $\overline{\text{RESET}}$ signal is deasserted.</p>
$\overline{\text{IRQB}}$	Input		<p>External Interrupt Request B—Following $\overline{\text{RESET}}$ deassertion, MODB becomes $\overline{\text{IRQB}}$, a level-sensitive or negative-edge-triggered, maskable interrupt request input during normal instruction processing. If $\overline{\text{IRQB}}$ is asserted synchronous to CLKOUT, multiple processors can be resynchronized using the WAIT instruction and asserting $\overline{\text{IRQB}}$ to exit the Wait state.</p> <p>This is an active low Schmitt-trigger input, internally synchronized to CLKOUT. This input can tolerate 5 V.</p>
MODC	Input	Input	<p>Mode Select C—MODC selects the initial chip operating mode during hardware reset. MODA, MODB, MODC, and MODD select one of sixteen initial chip operating modes latched into the OMR when the $\overline{\text{RESET}}$ signal is deasserted.</p>
$\overline{\text{IRQC}}$	Input		<p>External Interrupt Request C—Following $\overline{\text{RESET}}$ deassertion, MODC becomes $\overline{\text{IRQC}}$, a level-sensitive or negative-edge-triggered, maskable interrupt request input during normal instruction processing. If $\overline{\text{IRQC}}$ is asserted synchronous to CLKOUT, multiple processors can be resynchronized using the WAIT instruction and asserting $\overline{\text{IRQC}}$ to exit the Wait state.</p> <p>This is an active low Schmitt-trigger input, internally synchronized to CLKOUT. This input can tolerate 5 V.</p>

Table 2-5 Interrupt and Mode Control Signals (continued)

Signal Name	Signal Type	State During Reset	Signal Description
MODD	Input	Input	Mode Select D —MODD selects the initial chip operating mode during hardware reset. MODA, MODB, MODC, and MODD select one of sixteen initial chip operating modes latched into the OMR when the $\overline{\text{RESET}}$ signal is deasserted.
$\overline{\text{IRQD}}$	Input		<p>External Interrupt Request C—Following $\overline{\text{RESET}}$ deassertion, MODD becomes $\overline{\text{IRQD}}$, a level-sensitive or negative-edge-triggered, maskable interrupt request input during normal instruction processing. If $\overline{\text{IRQD}}$ is asserted synchronous to CLKOUT, multiple processors can be resynchronized using the WAIT instruction and asserting $\overline{\text{IRQD}}$ to exit the Wait state.</p> <p>This is an active low Schmitt-trigger input, internally synchronized to CLKOUT. This input can tolerate 5 V.</p>

Note: See also PINIT/ $\overline{\text{NMI}}$ in Table 2-4 Clock and PLL Signals on page 2-7.

2.6 EXTERNAL MEMORY INTERFACE (PORT A)

Table 2-6 External Memory Interface (Port A) Signals

Signal Name	Signal Type	State During Reset	Signal Description
A0–A15	Output	Set according to chip operating mode*	Address Bus —These active high outputs specify the address for external program memory accesses. To minimize power dissipation, A0–A15 do not change state when external memory spaces are not being accessed.
D0–D23	Input/Output	Tri-stated	Data Bus —These active high, bidirectional input/outputs provide the bidirectional data bus for external program memory accesses. D0–D23 are tri-stated when no external bus activity occurs, and during hardware reset.
$\overline{\text{MCS}}$	Output	Pulled high internally	Memory Chip Select —This signal is an active low output, and is asserted when an external memory access occurs. $\overline{\text{MCS}}$ is deasserted during hardware reset.

Table 2-6 External Memory Interface (Port A) Signals (continued)

Signal Name	Signal Type	State During Reset	Signal Description
\overline{RD}	Output	Pulled high internally	Read Enable —This signal is an active low output. \overline{RD} is asserted to read external memory on the data bus (D0–D23). \overline{RD} is deasserted during hardware reset.
\overline{WR}	Output	Pulled high internally	Write Enable —This signal is an active low output. \overline{WR} is asserted to write external memory on the data bus (D0–D23). \overline{WR} is deasserted during hardware reset.
\overline{AT}	Output	Pulled high internally	Address Tracing —This signal is an active low output. \overline{AT} is asserted (for half of a clock cycle) whenever a new address is driven on the address bus (A0–A15) in the Program Address Tracing mode. The new address is either a reflection of internal fetch or internal program space move instruction or an external address driven for an external access. \overline{AT} is deasserted during hardware reset.
Note:	* The A0–A15 pins are asserted according to the selected chip operating mode, as determined by the values on the MODA–MODD pins. Each mode has a different reset address. A0–A15 are latched to the value of that reset address minus 1. For example, if the reset address for a selected operating mode is \$0800, the address bus is asserted to \$07FF.		

2.7 HOST INTERFACE (HI08)

The HI08 provides a fast 8-bit port that can be connected directly to the host bus. The HI08 supports a variety of standard buses, and can be directly connected to a number of industry-standard microcomputers, microprocessors, and DSPs.

2.7.1 Host Port Usage Considerations

Careful synchronization is required when reading multiple-bit registers that are written by another asynchronous system. This is a common problem when two asynchronous systems are connected (as they are in the Host port). The considerations for proper operation are discussed in the following table:

Table 2-7 Host Port Usage Considerations

Action	Description
Asynchronous read of receive byte registers	When reading the receive byte registers, Receive High (RXH) register or Receive Low (RXL) register, the Host Interface programmer should use interrupts or poll the Receive Register Data Full (RXDF) flag, which indicates that data is available. This assures that the data in the receive byte registers is valid.
Asynchronous write to transmit byte registers	The host interface programmer should not write to the transmit byte registers, Transmit High (TXH) register or Transmit Low (TXL) register, unless the Transmit Register Data Empty (TXDE) bit is set, which indicates that the transmit byte registers are empty. This guarantees that the transmit byte registers transfer valid data to the Host Receive (HRX) register.
Asynchronous write to host vector	The Host Interface programmer should change the Host Vector (HV) register only when the Host Command (HC) bit is clear. This guarantees that the DSP interrupt control logic receives a stable vector.

2.7.2 Host Port Configuration

The signal functions associated with the HI08 vary according to the configuration determined by the HI08 Port Control Register (HPCR). Refer to **Section 7, Host Interface (HI08)**, for detailed descriptions of this and the other configuration registers used with the HI08.

Table 2-8 Host Interface Signals

Signal Name	Signal Type	State During Reset	Signal Description
HD0–HD7	Bi-directional	Disconnected internally	Host Data Bus —When the HI08 is programmed to interface a non-multiplexed host bus and the HI function is selected, these signals are lines 0–7 of the Host Data bidirectional tri-state bus (HD0–HD7).
HAD0–HAD7	Bi-directional		Host Address and Data Bus —When the HI08 is programmed to interface a multiplexed host bus and the HI function is selected, these signals are lines 0–7 of the Host Address/Data multiplexed bidirectional tri-state bus (HAD0–HAD7).
PB0–PB7	Input or Output		<p>Port B 0–7—When the HI08 is configured as GPIO through the HI08 Port Control Register (HPCR), these signals are individually programmed as inputs or outputs through the HI08 Data Direction Register (HDDR).</p> <p>When configured as an input, these pins can tolerate 5 V. These pins are electrically disconnected internally during Stop mode.</p>
HA0	Input	Disconnected internally	Host Address Input 0 —When the HI08 is programmed to interface a non-multiplexed host bus and the HI function is selected, this signal is line 0 of the Host Address input bus (HA0).
$\overline{\text{HAS}}$ /HAS	Input		Host Address Strobe —When the HI08 is programmed to interface a multiplexed host bus and the HI function is selected, this signal is the Host Address Strobe ($\overline{\text{HAS}}$) Schmitt-trigger input. The polarity of the address strobe is programmable.
PB8	Input or Output		<p>Port B 8—When the HI08 is configured as GPIO through the HPCR, this signal is individually programmed as an input or output through the HDDR.</p> <p>When configured as an input, this pin can tolerate 5 V. This pin is electrically disconnected internally during Stop mode.</p>

Table 2-8 Host Interface Signals (continued)

Signal Name	Signal Type	State During Reset	Signal Description
HA1	Input	Disconnected internally	Host Address Input 1 —When the HI08 is programmed to interface a non-multiplexed host bus and the HI function is selected, this signal is line one of the Host Address input bus (HA1).
HA8	Input		Host Address 8 —When the HI08 is programmed to interface a multiplexed host bus and the HI function is selected, this signal is line eight of the input Host Address bus (HA8).
PB9	Input or Output		<p>Port B 9—When the HI08 is configured as GPIO through the HPCR, this signal is individually programmed as an input or output through the HDDR.</p> <p>When configured as an input, this pin can tolerate 5 V. This pin is electrically disconnected internally during Stop mode.</p>
HA2	Input	Disconnected internally	Host Address Input 2 —When the HI08 is programmed to interface a non-multiplexed host bus and the HI function is selected, this signal is line two of the Host Address input bus (HA2).
HA9	Input		Host Address 9 —When the HI08 is programmed to interface a multiplexed host bus and the HI function is selected, this signal is line nine of the input Host Address bus (HA9).
PB10	Input or Output		<p>Port B 10—When the HI08 is configured as GPIO through the HPCR, this signal is individually programmed as an input or output through the HDDR.</p> <p>When configured as an input, this pin can tolerate 5 V. This pin is electrically disconnected internally during Stop mode.</p>

Table 2-8 Host Interface Signals (continued)

Signal Name	Signal Type	State During Reset	Signal Description
HRW	Input	Discon- nected internally	Host Read/Write —When the HI08 is programmed to interface a single-data-strobe host bus and the HI function is selected, this signal is the Read/Write input (HRW).
$\overline{\text{HRD}}$ / HRD	Input		Host Read Data —When the HI08 is programmed to interface a double-data-strobe host bus and the HI function is selected, this signal is the Read Data strobe Schmitt-trigger input ($\overline{\text{HRD}}$). The polarity of the data strobe is programmable.
PB11	Input or Output		<p>Port B 11—When the HI08 is configured as GPIO through the HPCR, this signal is individually programmed as an input or output through the HDDR.</p> <p>When configured as an input, this pin can tolerate 5 V. This pin is electrically disconnected internally during Stop mode.</p>
$\overline{\text{HDS}}$ /HDS	Input	Discon- nected internally	Host Data Strobe —When the HI08 is programmed to interface a single-data-strobe host bus and the HI function is selected, this signal is the Host Data Strobe Schmitt-trigger input ($\overline{\text{HDS}}$). The polarity of the data strobe is programmable.
$\overline{\text{HWR}}$ / HWR	Input		Host Write Enable —When the HI08 is programmed to interface a double-data-strobe host bus and the HI function is selected, this signal is the Write Data Strobe Schmitt-trigger input ($\overline{\text{HWR}}$). The polarity of the data strobe is programmable.
PB12	Input or Output		<p>Port B 12—When the HI08 is configured as GPIO through the HPCR, this signal is individually programmed as an input or output through the HDDR.</p> <p>When configured as an input, this pin can tolerate 5 V. This pin is electrically disconnected internally during Stop mode.</p>

Table 2-8 Host Interface Signals (continued)

Signal Name	Signal Type	State During Reset	Signal Description
$\overline{\text{HCS}}/\text{HCS}$	Input	Disconnected internally	Host Chip Select —When the HI08 is programmed to interface a non-multiplexed host bus and the HI function is selected, this signal is the Host Chip Select input ($\overline{\text{HCS}}$). The polarity of the chip select is programmable.
HA10	Input		Host Address 10 —When the HI08 is programmed to interface a multiplexed host bus and the HI function is selected, this signal is line 10 of the input Host Address bus (HA10).
PB13	Input or Output		<p>Port B 13—When the HI08 is configured as GPIO through the HPCR, this signal is individually programmed as an input or output through the HDDR.</p> <p>When configured as an input, this pin can tolerate 5 V. This pin is electrically disconnected internally during Stop mode.</p>
$\overline{\text{HREQ}}/\text{HREQ}$	Output	Disconnected internally	Host Request —When the HI08 is programmed to interface a single host request host bus and the HI function is selected, this signal is the Host Request output ($\overline{\text{HREQ}}$). The polarity of the host request is programmable. The host request can be programmed as a driven or open-drain output.
$\overline{\text{HTRQ}}/\text{HTRQ}$	Output		Transmit Host Request —When the HI08 is programmed to interface a double host request host bus and the HI function is selected, this signal is the Transmit Host Request output ($\overline{\text{HTRQ}}$). The polarity of the host request is programmable. The host request can be programmed as a driven or open-drain output.
PB14	Input or Output		<p>Port B 14—When the HI08 is programmed to interface a multiplexed host bus and the signal is configured as GPIO through the HPCR, this signal is individually programmed as an input or output through the HDDR.</p> <p>When configured as an input, this pin can tolerate 5 V. This pin is electrically disconnected internally during Stop mode.</p>

Table 2-8 Host Interface Signals (continued)

Signal Name	Signal Type	State During Reset	Signal Description
$\overline{\text{HACK}}$ / HACK	Input	Discon- nected internally	Host Acknowledge —When the HI08 is programmed to interface a single host request host bus and the HI function is selected, this signal is the Host Acknowledge Schmitt-trigger input ($\overline{\text{HACK}}$). The polarity of the host acknowledge is programmable.
$\overline{\text{HRRQ}}$ / HRRQ	Output		Receive Host Request —When the HI08 is programmed to interface a double host request host bus and the HI function is selected, this signal is the Receive Host Request output ($\overline{\text{HRRQ}}$). The polarity of the host request is programmable. The host request can be programmed as a driven or open-drain output.
PB15	Input or Output		Port B 15 —When the HI08 is configured as GPIO through the HPCR, this signal is individually programmed as an input or output through the HDDR. When configured as an input, this pin can tolerate 5 V. This pin is electrically disconnected internally during Stop mode.

2.8 SYNCHRONOUS SERIAL INTERFACE 0 (SSI0)

Two identical Synchronous Serial Interfaces (SSI0 and SSI1) provide a full-duplex serial port for serial communication with a variety of serial devices including one or more industry-standard codecs, other DSPs, or microprocessors. When either SSI port is disabled, it can be used for General Purpose I/O (GPIO).

Table 2-9 Synchronous Serial Interface 0 (SSI0)

Signal Name	Signal Type	State During Reset	Signal Description
SC00	Input or Output	Input	Serial Control Signal 0 —The function of SC00 is determined by the selection of either Synchronous or Asynchronous mode. For Asynchronous mode, this signal is used for the receive clock I/O (Schmitt-trigger input). For Synchronous mode, this signal is used for or for Serial I/O Flag 0.
PC0	Input or Output		<p>Port C 0—When configured as PC0, signal direction is controlled through the SSI0 Port Direction Control Register (PRRC). The signal can be configured as SSI signal SC00 through the SSI0 Port Control Register (PCRC).</p> <p>When configured as an input, this pin can tolerate 5 V. This pin is electrically disconnected internally during Stop mode.</p>
SC01	Input or Output	Input	Serial Control Signal 1 —The function of SC00 is determined by the selection of either Synchronous or Asynchronous mode. For Asynchronous mode, this signal is used for the receive clock I/O (Schmitt-trigger input). For Synchronous mode, this signal is used for Serial I/O Flag 1.
PC1	Input or Output		<p>Port C 1—When configured as PC1, signal direction is controlled through the PRRC register. The signal can be configured as an SSI signal SC01 through the PCRC register.</p> <p>When configured as an input, this pin can tolerate 5 V. This pin is electrically disconnected internally during Stop mode.</p>

Table 2-9 Synchronous Serial Interface 0 (SSI0) (continued)

Signal Name	Signal Type	State During Reset	Signal Description
SC02	Input or Output	Input	<p>Serial Control Signal 2—SC02 is the frame sync for both the transmitter and receiver in Synchronous mode, and for the transmitter only in Asynchronous mode. When configured as an output, this signal is the internally generated frame sync signal. When configured as an input, this signal receives an external frame sync signal for the transmitter (and the receiver in synchronous operation).</p>
PC2	Input or Output		<p>Port C 2—When configured as PC2, signal direction is controlled through the PRRC register. The signal can be configured as an SSI signal SC02 through the PCRC register.</p> <p>When configured as an input, this pin can tolerate 5 V. This pin is electrically disconnected internally during Stop mode.</p>
SCK0	Input or Output	Input	<p>Serial Clock—SCK0 is a bidirectional Schmitt-trigger input signal providing the serial bit rate clock for the SSI. The SCK0 is a clock input or output used by both the transmitter and receiver in Synchronous modes, or by the transmitter in Asynchronous modes.</p> <p>Although an external serial clock can be independent of and asynchronous to the DSP system clock, it must exceed the minimum clock cycle time of 6T (i.e., the system clock frequency must be at least three times the external SSI clock frequency). The SSI needs at least three DSP phases inside each half of the serial clock.</p>
PC3	Input or Output		<p>Port C 3—When configured as PC3, signal direction is controlled through the PRRC register. The signal can be configured as an SSI signal SCK0 through the PCRC register.</p> <p>When configured as an input, this pin can tolerate 5 V. This pin is electrically disconnected internally during Stop mode.</p>

Table 2-9 Synchronous Serial Interface 0 (SSI0) (continued)

Signal Name	Signal Type	State During Reset	Signal Description
SRD0	Input	Input	Serial Receive Data —SRD0 receives serial data and transfers the data to the SSI receive shift register. SRD0 is an input when data is being received.
PC4	Input or Output		<p>Port C 4—When configured as PC4, signal directions is controlled through the PRRC register. The signal can be configured as an SSI signal SRD0 through the PCRC register.</p> <p>When configured as an input, this pin can tolerate 5 V. This pin is electrically disconnected internally during Stop mode.</p>
STD0	Output	Input	Serial Transmit Data —STD0 is used for transmitting data from the serial transmit shift register. STD0 is an output when data is being transmitted.
PC5	Input or Output		<p>Port C 5—When configured as PC5, signal directions is controlled through the PRRC register. The signal can be configured as an SSI signal STD0 through the PCRC register.</p> <p>When configured as an input, this pin can tolerate 5 V. This pin is electrically disconnected internally during Stop mode.</p>

2.9 SYNCHRONOUS SERIAL INTERFACE 1 (SSI1)

Table 2-10 Synchronous Serial Interface 1 (SSI1)

Signal Name	Signal Type	State During Reset	Signal Description
SC10	Input or Output	Input	Serial Control Signal 0 —The function of SC10 is determined by the selection of either Synchronous or Asynchronous mode. For Asynchronous mode, this signal is used for the receive clock I/O (Schmitt-trigger input). For Synchronous mode, this signal is used for or for Serial I/O Flag 0.
PD0	Input or Output		<p>Port D 0—When configured as PD0, signal direction is controlled through the SSI1 Port Direction Control Register (PRRD). The signal can be configured as SSI signal SC10 through the SSI1 Port Control Register (PCRD).</p> <p>When configured as an input, this pin can tolerate 5 V. This pin is electrically disconnected internally during Stop mode.</p>
SC11	Input or Output	Input	Serial Control Signal 1 —The function of SC11 is determined by the selection of either Synchronous or Asynchronous mode. For Asynchronous mode, this signal is used for the receive clock I/O (Schmitt-trigger input). For Synchronous mode, this signal is used for Serial I/O Flag 1.
PD1	Input or Output		<p>Port D 1—When configured as PD1, signal direction is controlled through the PRRD register. The signal can be configured as an SSI signal SC11 through the PCRD register.</p> <p>When configured as an input, this pin can tolerate 5 V. This pin is electrically disconnected internally during Stop mode.</p>

Table 2-10 Synchronous Serial Interface 1 (SSI1) (continued)

Signal Name	Signal Type	State During Reset	Signal Description
SC12	Input or Output	Input	<p>Serial Control Signal 2—SC12 is used for frame sync I/O. SC12 is the frame sync for both the transmitter and receiver in Synchronous mode, and for the transmitter only in Asynchronous mode. When configured as an output, this signal is the internally generated frame sync signal. When configured as an input, this signal receives an external frame sync signal for the transmitter (and the receiver in synchronous operation).</p>
PD2	Input or Output		<p>Port D 2—When configured as PD2, signal direction is controlled through the PRRD register. The signal can be configured as an SSI signal SC12 through the PCRD register.</p> <p>When configured as an input, this pin can tolerate 5 V. This pin is electrically disconnected internally during Stop mode.</p>
SCK1	Input or Output	Input	<p>Serial Clock—SCK1 is a bidirectional Schmitt-trigger input signal providing the serial bit rate clock for the SSI. The SCK1 is a clock input or output used by both the transmitter and receiver in Synchronous modes, or by the transmitter in Asynchronous modes.</p> <p>Although an external serial clock can be independent of and asynchronous to the DSP system clock, it must exceed the minimum clock cycle time of 6T (i.e., the system clock frequency must be at least three times the external SSI clock frequency). The SSI needs at least three DSP phases inside each half of the serial clock.</p>
PD3	Input or Output		<p>Port D 3—When configured as PD3, signal direction is controlled through the PRRD register. The signal can be configured as an SSI signal SCK1 through the PCRD register.</p> <p>When configured as an input, this pin can tolerate 5 V. This pin is electrically disconnected internally during Stop mode.</p>

Table 2-10 Synchronous Serial Interface 1 (SSI1) (continued)

Signal Name	Signal Type	State During Reset	Signal Description
SRD1	Input	Input	Serial Receive Data —SRD1 receives serial data and transfers the data to the SSI Receive Shift Register.
PD4	Input or Output		<p>Port D 4—When configured as PD4, signal direction is controlled through the PRRD register. The signal can be configured as an SSI signal SRD1 through the PCRD register.</p> <p>When configured as an input, this pin can tolerate 5 V. This pin is electrically disconnected internally during Stop mode.</p>
STD1	Input	Input	Serial Transmit Data —STD1 is used for transmitting data from the SSI Transmit Shift Register.
PD5	Input or Output		<p>Port D 5—When configured as PD5, signal direction is controlled through the PRRD register. The signal can be configured as an SSI signal STD1 through the PCRD register.</p> <p>When configured as an input, this pin can tolerate 5 V. This pin is electrically disconnected internally during Stop mode.</p>

2.10 GENERAL PURPOSE I/O (GPIO)

Three dedicated General Purpose Input/Output (GPIO) signals are provided on the DSP56602. Each is reconfigurable as input, output, or tri-state. These signals are exclusively defined as GPIO, and do not offer additional functionality.

Table 2-11 General Purpose I/O (GPIO)

Signal Name	Signal Type	State During Reset	Signal Description
GPIO0	Input or Output	Input	<p>General Purpose I/O 0—When a GPIO signal is used as input, the logic state is reflected to an internal register and can be read by the software. When a GPIO signal is used as output, the logic state is controlled by the software.</p> <p>This input can tolerate 5 V. This pin is electrically disconnected internally during Stop mode.</p>
GPIO1	Input or Output	Input	<p>General Purpose I/O 1—When a GPIO signal is used as input, the logic state is reflected to an internal register and can be read by the software. When a GPIO signal is used as output, the logic state is controlled by the software.</p> <p>This input can tolerate 5 V. This pin is electrically disconnected internally during Stop mode.</p>
GPIO2	Input or Output	Input	<p>General Purpose I/O 2—When a GPIO signal is used as input, the logic state is reflected to an internal register and can be read by the software. When a GPIO signal is used as output, the logic state is controlled by the software.</p> <p>This input can tolerate 5 V. This pin is electrically disconnected internally during Stop mode.</p>

2.11 TRIPLE TIMER

Three identical and independent timers are implemented. The three timers can use internal or external clocking and can interrupt the DSP after a specified number of events (clocks), or can signal an external device after counting a specific number of internal events. When a timer port is disabled, it can be used for General Purpose I/O (GPIO).

Table 2-12 Triple Timer Signals

Signal Name	Signal Type	State During Reset	Signal Description
TIO0	Input or Output	GPIO Input	Timer 0 Schmitt-Trigger Input/Output —When TIO0 is used as an input, the timer module functions as an external event counter or measures external pulse width or signal period. When TIO0 is used as an output, the timer module functions as a timer and TIO0 provides the timer pulse.
	Input or Output		When TIO0 is not used by the timer module, it can be used for GPIO. When configured as an input, this pin can tolerate 5 V. This pin is electrically disconnected internally during Stop mode.
TIO1	Input or Output	GPIO Input	Timer 1 Schmitt-Trigger Input/Output —When TIO1 is used as an input, the timer module functions as an external event counter or measures external pulse width or signal period. When TIO1 is used as an output, the timer module functions as a timer and TIO1 provides the timer pulse.
	Input or Output		When TIO1 is not used by the timer module, it can be used for GPIO. When configured as an input, this pin can tolerate 5 V. This pin is electrically disconnected internally during Stop mode.
TIO2	Input or Output	GPIO Input	Timer 2 Schmitt-Trigger Input/Output —When TIO2 is used as an input, the timer module functions as an external event counter or measures external pulse width or signal period. When TIO2 is used as an output, the timer module functions as a timer and TIO2 provides the timer pulse.
	Input or Output		When TIO2 is not used by the timer module, it can be used for GPIO. When configured as an input, this pin can tolerate 5 V. This pin is electrically disconnected internally during Stop mode.

2.12 JTAG/ONCE INTERFACE

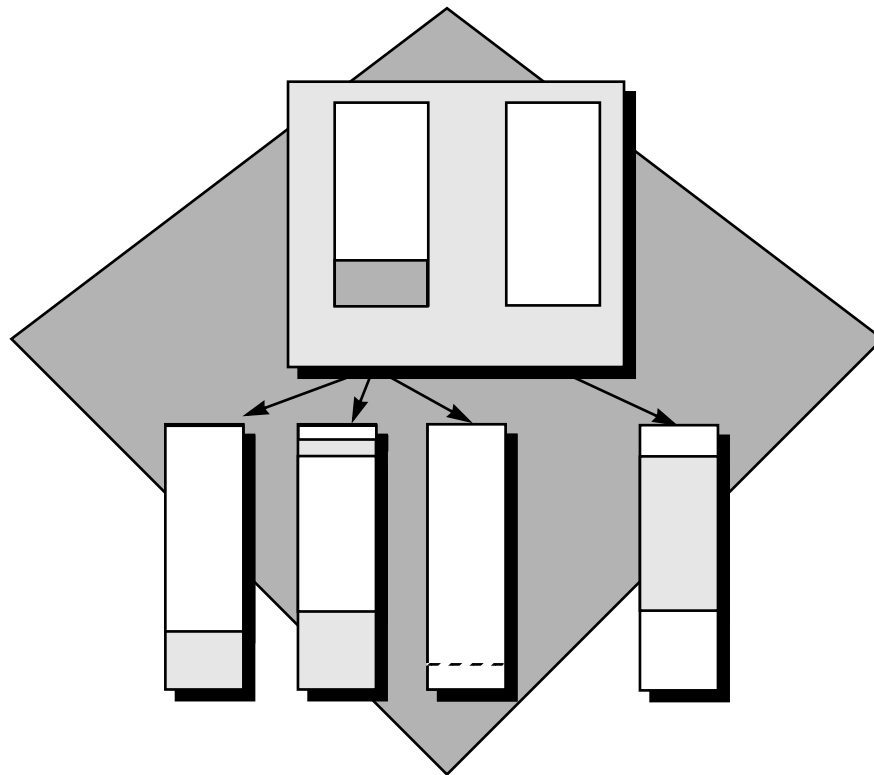
Table 2-13 JTAG Interface/On-Chip Emulation Module (OnCE) Signals

Signal Name	Signal Type	State During Reset	Signal Description
TCK	Input	Input	<p>Test Clock—TCK is a test clock input signal used to synchronize the JTAG test logic. The TCK pin can be tri-stated.</p> <p>This input can tolerate 5 V.</p>
TDI	Input	Input	<p>Test Data Input—TDI is a test data serial input signal used for test instructions and data. TDI is sampled on the rising edge of the TCK signal and has an internal pull-up resistor.</p> <p>This input can tolerate 5 V.</p>
TDO	Output	Tri-stated	<p>Test Data Output—TDO is a test data serial output signal used for test instructions and data. TDO is tri-stateable and is actively driven in the shift-IR and shift-DR controller states. TDO changes on the falling edge of the TCK signal.</p>
TMS	Input	Input	<p>Test Mode Select—TMS is an input signal used to sequence the test controller's state machine. TMS is sampled on the rising edge of the TCK signal and has an internal pull-up resistor.</p> <p>This input can tolerate 5 V.</p>
$\overline{\text{TRST}}$	Input	Input	<p>Test Reset—$\overline{\text{TRST}}$ is an active-low Schmitt-trigger input signal used to asynchronously initialize the test controller. $\overline{\text{TRST}}$ has an internal pull-up resistor. $\overline{\text{TRST}}$ must be asserted after power up.</p> <p>This input can tolerate 5 V.</p>
$\overline{\text{DE}}$	Bi-directional	Input	<p>Debug Event—$\overline{\text{DE}}$ is an open-drain bidirectional active-low signal providing, as an input, a means of entering the Debug mode of operation from an external command controller, and as an output, a means of acknowledging that the chip has entered the Debug mode. The $\overline{\text{DE}}$ has an internal pull-up resistor.</p> <p>When this pin is an input, it can tolerate 5 V.</p>



SECTION 3

MEMORY MAPS





3.1 INTRODUCTION3-3
3.2 DSP56602 MEMORY MAP DESCRIPTION3-3
3.3 MEMORY-MAPPED I/O REGISTERS.....3-5

3.1 INTRODUCTION

This section describes in detail the on-chip memories and the internal peripheral memory map of the DSP56602.

3.2 DSP56602 MEMORY MAP DESCRIPTION

The three independent memory spaces of DSP56602: Program, X data, and Y data, are shown in **Figure 3-1**.

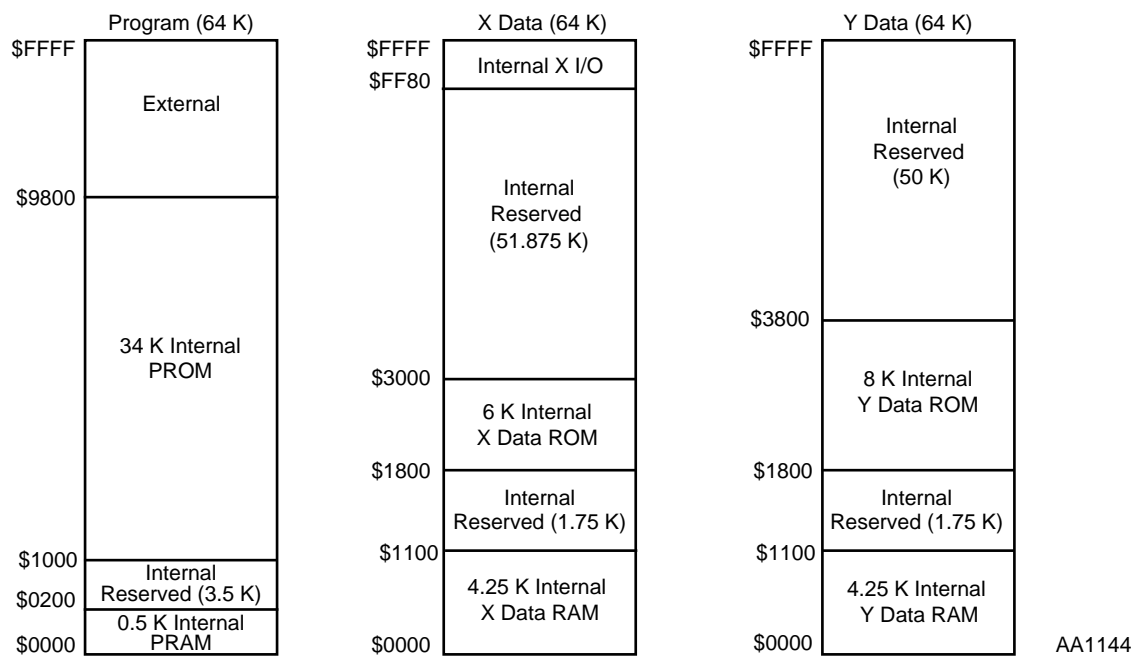


Figure 3-1 DSP56602 Memory Map

The 34 K × 24-bit PROM is factory-programmed to customer specifications. Sample bootstrap ROM code is provided in **Appendix A, Bootstrap Program**.

3.2.1 On-Chip Program Memory

The on-chip program memory consists of two blocks of memory. A 24-bit-wide, high-speed, static memory occupies the lowest locations (\$0000–\$01FF) in the P memory space. This on-chip Program RAM is organized in two banks, with 256 locations in each bank.

In addition, a 24-bit-wide block of Program ROM occupies the locations \$1000–\$97FF. This Program ROM is organized in 136 banks, with 256 locations in each bank. This memory is customer-specified and factory-programmed.

Note: The P memory space located at locations \$0200–\$0FFF is reserved and should not be accessed.

Program memory from \$9800 to \$FFFF can be added externally and accessed through the External Memory Interface (Port A).

3.2.2 On-Chip X Data Memory

The on-chip X data RAM is a 16-bit-wide, internal, static memory occupying the lowest locations (\$0000–\$10FF) in X memory space. The on-chip X data RAM is organized in 17 banks, with 256 locations in each bank.

In addition, a 16-bit-wide block of X data ROM is provided in the locations \$1800–\$2FFF. This X data ROM is organized in 24 banks, with 256 locations in each bank. This memory is customer-specified and factory-programmed.

The on-chip peripheral registers and some of the core registers occupy the top 128 locations of the X data memory (\$FF80–\$FFFF). This area is referred to as X I/O space. It can be accessed by the MOVE and the MOVEP instructions, as well as by bit-oriented instructions (such as the BCHG, BCLR, BSET, BTST, BRCLR, BRSET, BSCLR, BSSET, JCLR, JSET, JSCLR, and JSSET instructions).

Note: The X memory spaces located at locations \$1100–17FF and \$3000–FF7F are reserved and should not be accessed.

3.2.3 On-Chip Y Data Memory

The on-chip Y data RAM is a 16-bit-wide, internal, static memory occupying the lowest locations (\$0000–\$10FF) in X memory space. The on-chip Y data RAM is organized in 17 banks, with 256 locations in each bank.

In addition, a 16-bit-wide block of Y data ROM is provided in the locations \$1800–\$37FF. This Y data ROM is organized in 32 banks, with 256 locations in each bank. This memory is customer-specified and factory-programmed.

Note: The Y memory spaces located at locations \$1100–17FF and \$3800–FFFF are reserved and should not be accessed.

3.3 MEMORY-MAPPED I/O REGISTERS

All the DSP56602 on-chip peripherals are mapped on the internal X-I/O space, the top 128 locations of the X data memory space. The specific addresses for every on-chip peripheral register or peripheral-mapped register are shown in **Table 3-1**.

Table 3-1 Internal I/O Memory Map

Peripheral	Address	Register Name
PIC	\$FFFF	IPR-C—Interrupt Priority Register—Core
	\$FFFE	IPR-P—Interrupt Priority Register—Peripheral
PLL	\$FFFD	PCTL0—PLL Control Register
	\$FFFC	PCTL1—PLL Control Register
OnCE	\$FFFB	OGDBR—OnCE GDB Register
BIU	\$FFFA	BCR—Bus Control Register
	\$FFF9	IDR—ID Register
Patch	\$FFF8	PAR0—Patch 0 Register
	\$FFF7	PAR1—Patch 1 Register
	\$FFF6	PAR2—Patch 2 Register
	\$FFF5	PAR3—Patch 3 Register
BPMR	\$FFF4	BPMRG—Bus Switch Program Memory Register (24 bits)
	\$FFF3	BPMRL—Bus Switch Program Memory Register Low (16 bits)
	\$FFF2	BPMRH—Bus Switch Program Memory Register High (16 bits)
(Reserved)	\$FFF1 . . SFFCA	(Reserved)

Table 3-1 Internal I/O Memory Map (continued)

Peripheral	Address	Register Name
HI08	\$FFC9	HDR—HI08 Data Register
	\$FFC8	HDDR—HI08 Data Direction Register
	\$FFC7	HTX—HI08 Transmit Data Register
	\$FFC6	HRX—HI08 Receive Data Register
	\$FFC5	HBAR —HI08 Base Address Register
	\$FFC4	HPCR—HI08 Port Control Register
	\$FFC3	HSR—HI08 Status Register
	\$FFC2	HCR—HI08 Control Register
(Reserved)	\$FFC1	(Reserved)
	\$FFC0	
SSI0	\$FFBF	PCRC—SSI 0 Port Control Register
	\$FFBE	PRRC—SSI 0 GPIO Direction Register
	\$FFBD	PDRC—SSI 0 GPIO Data Register
	\$FFBC	TX0—SSI 0 Transmit Data Register
	\$FFBB	TSR0—SSI 0 Time Slot Register
	\$FFBA	RX0—SSI 0 Receive Data Register
	\$FFB9	SSISR0—SSI 0 Status Register
	\$FFB8	CRC0—SSI 0 Control Register C
	\$FFB7	CRB0—SSI 0 Control Register B
	\$FFB6	CRA0—SSI 0 Control Register A
(Reserved)	\$FFB5	(Reserved)
	· · · \$FFB0	
SSI1	\$FFAF	PCRD—SSI 1 Port Control Register

Table 3-1 Internal I/O Memory Map (continued)

Peripheral	Address	Register Name
SSI1 (continued)	\$FFAE	PRRD—SSI 1 GPIO Direction Register
	\$FFAD	PDRD—SSI 1 GPIO Data Register
	\$FFAC	TX1—SSI 1 Transmit Data Register
	\$FFAB	TSR1—SSI 1 Time Slot Register
	\$FFAA	RX1—SSI 1 Receive Data Register
	\$FFA9	SSISR1—SSI 1 Status Register
	\$FFA8	CRC1—SSI 1 Control Register C
	\$FFA7	CRB1—SSI 1 Control Register B
	\$FFA6	CRA1—SSI 1 Control Register A
(Reserved)	\$FFA5 . . \$FFA0	(Reserved)
GPIO	\$FF9F	PCRE—GPIO Port E Control Register
	\$FF9E	PRRE—GPIO Port E Direction Register
	\$FF9D	PDRE—GPIO Port E Data Register
(Reserved)	\$FF9C . . \$FF90	(Reserved)
Triple Timer	\$FF8F	TCSR0—Timer 0 Control/Status Register
	\$FF8E	TLR0—Timer 0 Load Register
	\$FF8D	TCPR0—Timer 0 Compare Register
	\$FF8C	TCR0—Timer 0 Count Register
	\$FF8B	TCSR1—Timer 1 Control/Status Register
	\$FF8A	TLR1—Timer 1 Load Register

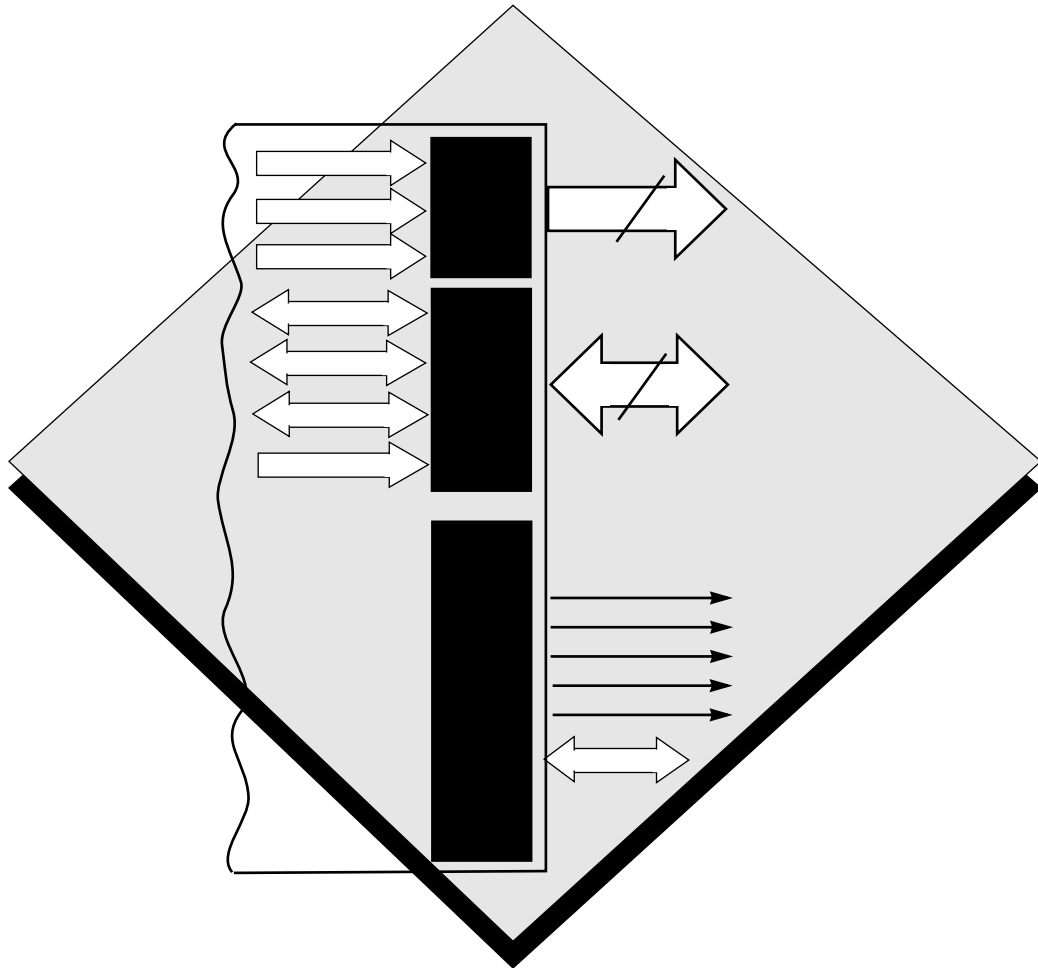
Table 3-1 Internal I/O Memory Map (continued)

Peripheral	Address	Register Name
Triple Timer (continued)	\$FF89	TCPR1—Timer 1 Compare Register
	\$FF88	TCR1—Timer 1 Count Register
	\$FF87	TCSR2—Timer 2 Control/Status Register
	\$FF86	TLR2—Timer 2 Load Register
	\$FF85	TCPR2—Timer 2 Compare Register
	\$FF84	TCR2—Timer 2 Count Register
	\$FF83	TPLR—Timer Prescaler Load Register
	\$FF82	TPCR—Timer Prescaler Count Register
(Reserved)	\$FF81	(Reserved)
	\$FF80	



SECTION 4

CORE CONFIGURATION



4.1	INTRODUCTION	4-3
4.2	DSP56600 CORE-SPECIFIC ATTRIBUTES	4-3
4.3	BOOTSTRAP PROGRAM	4-8
4.4	CHIP OPERATING MODES	4-9
4.5	INTERRUPTS	4-11
4.6	PHASE LOCK LOOP	4-16

4.1 INTRODUCTION

This section contains the core configuration details specific to the DSP56602, including descriptions of the reset operation, operating modes, interrupt vectors and registers, and Phase Lock Loop (PLL).

Configuration requires programming the following functional blocks:

- Core operational control
- Program patch detection
- Core and peripheral interrupts
- Bus control
- PLL control

After establishing control of these core functions, the peripherals can successfully be programmed. The DSP56602 peripherals and their programming specifics are described in subsequent sections of this document.

4.2 DSP56600 CORE-SPECIFIC ATTRIBUTES

The following paragraphs describe important core configuration details for the DSP56602.

4.2.1 Program Patch Detector JUMP Targets

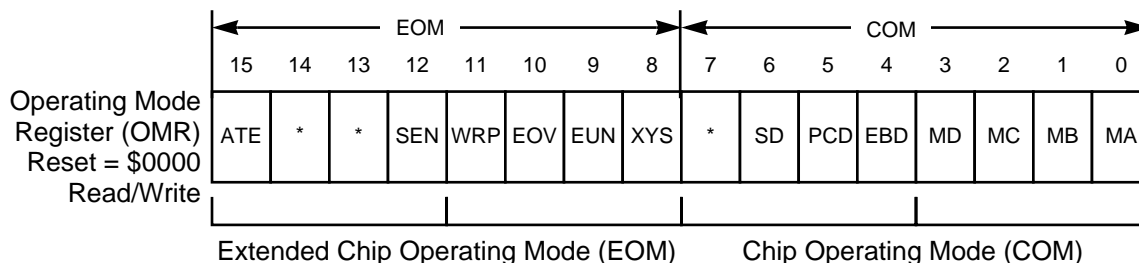
Table 4-1 on page 4-4 lists the various JUMP targets for each of the four Patch Address Registers (PARs). The user can download the correct piece of code to the target location for the patch program to be executed properly. For more information on the Program Patch Logic, see **Section 6, Program Patch Logic**, in the *DSP56600 Family Manual (DSP56600FM/AD)*.

Table 4-1 Patch JUMP Targets

Patch Register	Patch JUMP Target
PAR0	\$0000
PAR1	\$0008
PAR2	\$0010
PAR3	\$0018

4.2.2 Operating Mode Register (OMR)

The Operating Mode Register (OMR) is a 16-bit read/write register that controls the operating mode of the DSP56602 and provides status flags on its operation. The OMR is partitioned into two bytes. The least significant byte of the OMR (bits 7–0) is the Chip Operating Mode (COM) byte, which determines the operating mode of the chip. The most significant byte of the OMR (bits 15–8) is the Extended Chip Operating Mode (EOM) byte, which provides operating mode control and operating mode flags. The OMR is affected only by processor reset and by instructions that directly reference it, such as the ANDI and ORI instructions, and instructions that specify OMR as a destination, such as the MOVEC instruction. The OMR is shown in **Figure 4-1**.



* Indicates reserved bits, written as 0 for future compatibility

AA1145

Figure 4-1 Operating Mode Register (OMR) Programming Model

4.2.2.1 Chip Operating Mode (MD–MA)—Bits 0–3

The Chip Operating Mode (MD, MC, MB, and MA) bits indicate the operating mode of the DSP56602. On processor reset, these bits are loaded from the external mode select pins, MODD, MODC, MODB, and MODA, respectively. After the DSP56602 leaves the Reset state, MD, MC, MB, and MA can be changed under program control.

4.2.2.2 External Bus Disable (EDB)—Bit 4

The External Bus Disable (EDB) control bit is used to disable the external bus controller, in order to reduce the power consumption when external memories are not used. When the EBD bit is set, the external bus controller is disabled and external memory cannot be accessed. When the EBD bit is cleared, the external bus controller is enabled and external access to memory can be performed. The EBD bit is cleared on hardware reset.

4.2.2.3 PC Relative Logic Disable (PCD)—Bit 5

The PC Relative Disable (PCD) control bit is used when PC-relative instructions (Bcc, BRA, LRA, DO, DO FOREVER, BSR, BScC, BRSET, BRCLR, BSSET, or BSCLR) are not in use, in order to reduce the power consumption when PC-relative instructions are not needed. When the PCD bit is set, the use of any PC-relative instruction causes undetermined results. When the PCD bit is cleared, PC-relative instructions operate correctly. In addition, when the PCD bit is set and then cleared, the use of PC-relative instructions is allowed only after seven instructions are executed. (This allows the instruction pipeline to clear.) The PCD bit is cleared on hardware reset.

4.2.2.4 Stop Delay (SD)—Bit 6

The Stop Delay (SD) control bit enables providing a long or short delay when exiting the Stop state. The STOP instruction causes the DSP56600 core to indefinitely suspend processing in the middle of the STOP instruction. When the SD bit is set, a short delay of 16 clock cycles is inserted when exiting the Stop state before continuing the instruction cycle. When the SD bit is cleared, a long delay of 128 K clock cycles is inserted before continuing the instruction cycle. The long delay allows a clock stabilization period for the internal clock to begin oscillating and to stabilize. When a stable external clock is used, the shorter delay allows faster start-up of the DSP56600 core. Note that when the PSTP bit (in the PCTL1 register) is set, it overrides the SD bit and forces wake-up with no delay. The SD bit is cleared during processor reset.

4.2.2.5 XY Select for Stack Extension (XY)—Bit 8

The XY Select (XY) control bit for the stack extension determines whether the extension is mapped onto the X memory space or onto the Y memory space. When the XY bit is set, the stack extension is mapped to the Y memory space. When the XY bit is cleared, the stack extension is mapped onto the X memory space. The XY bit is cleared by hardware reset.

4.2.2.6 Extended Stack Underflow Flag (EUN)—Bit 9

The Extended Stack Underflow (EUN) flag bit is set when a stack underflow occurs in the Stack Extended mode. The Extended Stack Underflow is generated when the SP equals 0 and an additional pull operation is requested while the Extended mode is enabled by the SEN bit. The EUN bit is a “sticky bit” (i.e., the only way to clear this bit is by hardware reset or by an explicit MOVE operation to the OMR). The transition of the EUN bit from 0 to 1 causes an Interrupt Priority Level (IPL) Level 3 Stack Error interrupt. The EUN bit is cleared by hardware reset.

4.2.2.7 Extended Stack Overflow Flag (EOV)—Bit 10

The Extended Stack Overflow (EOV) flag bit is set when a stack overflow occurs in the Stack Extended mode. The Extended Stack Overflow is generated when SP equals SZ and an additional push operation is requested while the Extended mode is enabled by the SEN bit. The EOV bit is a “sticky bit” (i.e., the only way to clear this bit is by hardware reset or by an explicit MOVE operation to the OMR). The transition of the extended stack overflow flag from 0 to 1 causes an IPL 3 Stack Error interrupt. The EOV bit is cleared by hardware reset.

4.2.2.8 Extended Stack Wrap Flag (WR)—Bit 11

The Extended Stack Wrap (WR) flag bit is set when it is first recognized that a copy from the on-chip hardware stack to the stack extension memory is needed. This flag can be used during the debugging phase of the software as means of evaluating and increasing the speed of the software implemented algorithms. The WR bit is a “sticky bit” (i.e., the only way to clear this bit is by hardware reset or by an explicit MOVE operation to the OMR). The WR bit is cleared by hardware reset.

4.2.2.9 Extended Stack Enable (EN)—Bit 12

The Extended Stack Enable (EN) control bit is used to enable or to disable the stack extension in the data memory. When the EN bit is set, the extension is enabled. When the EN bit is cleared, the extension is disabled. The EN bit is cleared by hardware reset.

4.2.2.10 Address Trace Enable (ATE)—Bit 15

The Address Trace Enable (ATE) bit is used for debugging purposes where internal activity should be traceable via a logic analyzer. When this bit is set, the Address Tracing mode is enabled and the external address bus reflects the internal program address bus for every program fetch. When this bit is cleared, normal operation resumes and the external address bus is activated only when the program address is in the external address space. The ATE bit is cleared by hardware reset.

4.2.2.11 Reserved Bits—Bits 7, 13–14

Bits 7, 13, and 14 are reserved for future expansion. They are read as 0 and should be written with 0 for future compatibility.

4.2.3 Status Register (SR)

The Status Register (SR) is a 16-bit register that consists of an 8-bit Condition Code Register (CCR) and an 8-bit Mode Register (MR). The SR is stacked when program looping is initialized, when a JSR is performed, or when interrupts occur, except for no-overhead fast interrupts. The SR format is shown in **Figure 4-2**.

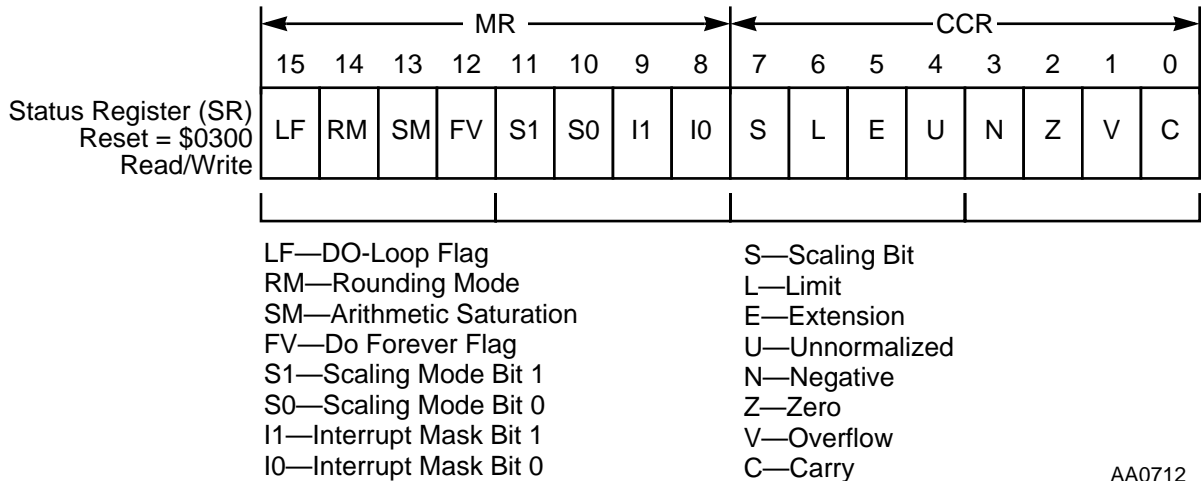


Figure 4-2 Status Register Programming Model

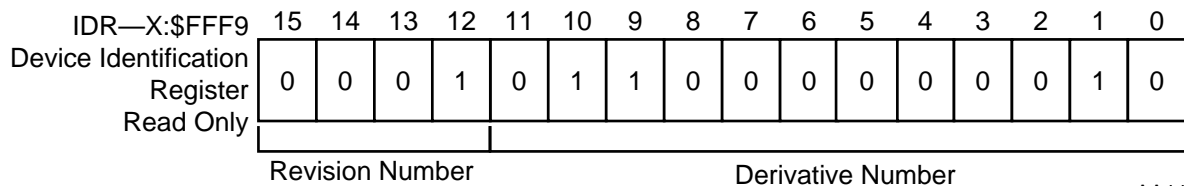
Understanding the interaction between the SR and the DSP56600 family instruction set is vital to understanding how to program the DSP56600 family chips. The *DSP56600 Family Manual (DSP56600FM/AD)* provides complete information on the SR. A brief description is provided in the following paragraphs.

The CCR is a special-purpose control register that defines the results of previous arithmetic computations. The CCR bits are affected by Data ALU operations, parallel move operations, and by instructions that directly reference the CCR (such as ORI and ANDI instructions) or by an instruction that specifies the SR as its destination, such as the MOVEC instruction. Parallel move operations only affect the S and L bits of the CCR. During processor reset, all CCR bits are cleared.

The MR is a special purpose control register that defines the current system state of the processor. The MR bits are affected by processor reset, exception processing, DO, DO FOREVER, ENDDO, BRKcc, RTI, and TRAP instructions, and by instructions that directly reference the MR (such as the ANDI and ORI instructions), or an instruction that specifies the SR as its destination, such as the MOVEC instruction. During processor reset, the interrupt mask bits of the MR are set, and all the other bits are cleared.

4.2.4 Device Identification Register (IDR)

The Device Identification Register (IDR) is a 16-bit read-only factory-programmed register used to identify the different DSP56600 core-based family members. This register specifies the derivative number and revision number. This information may be used in testing or by software. This memory-mapped register is located at \$FFF9. **Figure 4-3** shows the IDR configuration, with data filled for the DSP56602.



AA1146

Figure 4-3 DSP56602 Device ID Register (IDR)

The Derivative Number (bits 11:0) for the DSP56602 is 01100000010. The Revision Number (bits 15:12) for the DSP56602 first silicon is 0001. The ID register value for DSP56602 first silicon is \$1602.

4.2.5 Bus Control Register (BCR)

The Bus Control Register (BCR) specifies the number of wait states provided when using the external memory bus (also known as Port A) to access external memory. The BCR allows specifying from 0 to 31 wait states. For bootstrapping, the maximum number of wait states (31) is specified by default, and can be changed under user control after bootstrapping is completed. **Section 5, External Memory Interface (Port A)**, provides complete details on BCR configuration.

4.3 BOOTSTRAP PROGRAM

On the DSP56602, the bootstrap program is developed by the customer and then factory-programmed. Once programmed into the chip at the factory, it cannot be altered for customer requirements. However, a number of the bootstrap modes allow using an external location, such as an EPROM or other memory, for bootstrapping. The bootstrap program can be developed to test the MA, MB, MC, and MD bits in the OMR to determine the bootstrap mode, and then boot from a specified port. For a listing of sample bootstrap code, see **Appendix A, Bootstrap Program**.

4.4 CHIP OPERATING MODES

The DSP56602 operating modes determine the start-up procedure location when the chip leaves the Reset state. On processor reset, the values present on the MODA, MODB, MODC, and MODD pins are loaded into the MA, MB, MC, and MD bits of the OMR. For more information on the OMR, see **Operating Mode Register (OMR)** on page 4-4. The bootstrap code for the DSP56602 uses the reset addresses listed in **Table 4-2** to select its reset vectors and operating modes.

Table 4-2 DSP56602 Reset Addresses

Mode	MODD	MODC	MODB	MODA	Reset Vector	Description
0	0	0	0	0	P:\$C000	Expanded Mode (unused)
1	0	0	0	1	P:\$1000	(Reserved)
2	0	0	1	0	P:\$1000	Bootstrap from an MC68338
3	0	0	1	1	P:\$1000	Bootstrap from external 24-bit slow memory
4	0	1	0	0	P:\$1000	Bootstrap from external 8-bit slow memory
5	0	1	0	1	P:\$1000	Bootstrap from ISA bus
6	0	1	1	0	P:\$1000	Bootstrap from an MC68HC11
7	0	1	1	1	P:\$1000	(Reserved)
8	1	0	0	0	P:\$0000	Expanded Mode (unused)
9	1	0	0	1	P:\$1000	(Reserved)
10	1	0	1	0	P:\$1000	Bootstrap from an MC68338
11	1	0	1	1	P:\$1000	Bootstrap from external 24-bit slow memory
12	1	1	0	0	P:\$1000	Bootstrap from external 8-bit slow memory
13	1	1	0	1	P:\$1000	Bootstrap from ISA bus
14	1	1	1	0	P:\$1000	Bootstrap from an MC68HC11
15	1	1	1	1	P:\$1000	(Reserved)
Note: Modes 8–15 are identical to Modes 0–7.						

4.4.1 Expanded Mode (Mode 0)

In Expanded mode, the DSP56602 starts to fetch instructions beginning with the address P:\$8000 from an external Static RAM (SRAM) with 31 wait states.

4.4.2 Normal Mode (Modes 1–7)

In Normal mode, the DSP56602 starts to fetch instructions beginning with the address P:\$0400 in the internal bootstrap ROM. The code programmed into the Program ROM tests the MA, MB, MC, and MD bits in the OMR to determine the exact operating mode. Following completion of bootstrapping, instructions are fetched from the location determined by the values on the MODA, MODB, MODC, and MODD pins.

4.4.2.1 Mode 1—Reserved

This mode is reserved. If this mode is selected, the DSP56602 enters an error state and is placed in a low-power mode. Asserting $\overline{\text{RESET}}$ causes the chip to exit the Error state and perform a fresh bootstrap.

4.4.2.2 Mode 2—Bootstrap from MC68338

Mode 2 allows loading program instructions from an MC68338 microcontroller using the HI08.

4.4.2.3 Mode 3—Bootstrap from 24-Bit Memory

Mode 3 allows loading program instructions from external 24-bit slow memory using Port A.

4.4.2.4 Mode 4—Bootstrap from 8-Bit Memory

Mode 4 allows loading program instructions from external 8-bit slow memory using Port A.

4.4.2.5 Mode 5—Bootstrap from ISA Bus

Mode 5 allows loading program instructions from an ISA bus using the HI08.

4.4.2.6 Mode 6—Bootstrap from MC68HC11

Mode 6 allows loading program instructions from an MC68HC11 microcontroller using the HI08.

4.4.2.7 Mode 7—Reserved

This mode is reserved. It allows loading the typ2 power consumption benchmark test from the internal Program ROM. For more information on this benchmark application, see the *DSP56602 Technical Data Sheet (DSP56602/D)*.

4.5 INTERRUPTS

The interrupt starting address for each interrupt source is shown in **Table 4-3**. These addresses are located in the 256 locations of program memory pointed to by the VBA (Vector Base Address) register in the Program Control Unit (PCU).

On the DSP56602, only the vector addresses listed in **Table 4-3** are used for specific interrupt sources. The remaining vectors are reserved and may be used for Host Non-maskable Interrupts (NMI), Interrupt Priority Level (IPL) = 3, or for Host Command interrupt, IPL = 0–2. If it is known that certain interrupts will not be used at all, those interrupt vector locations can be used for program or data storage, but this is not recommended.

Table 4-3 Interrupt Sources

Interrupt Starting Address	IPL	Interrupt Source
VBA:\$00	3	Hardware $\overline{\text{RESET}}$
VBA:\$02	3	Stack Error
VBA:\$04	3	Illegal Instruction
VBA:\$06	3	Debug Request Interrupt
VBA:\$08	3	Trap
VBA:\$0A	3	$\overline{\text{NMI}}$
VBA:\$0C	3	(Reserved)
VBA:\$0E	3	(Reserved)
VBA:\$10	0–2	$\overline{\text{IRQA}}$
VBA:\$12	0–2	$\overline{\text{IRQB}}$
VBA:\$14	0–2	$\overline{\text{IRQC}}$
VBA:\$16	0–2	$\overline{\text{IRQD}}$
VBA:\$18	0–2	(Reserved)
VBA:\$1A	0–2	(Reserved)
VBA:\$1C	0–2	(Reserved)
VBA:\$1E	0–2	(Reserved)

Table 4-3 Interrupt Sources (continued)

Interrupt Starting Address	IPL	Interrupt Source
VBA:\$20	0-2	(Reserved)
VBA:\$22	0-2	(Reserved)
VBA:\$24	0-2	Timer 0 Compare
VBA:\$26	0-2	Timer 0 Overflow
VBA:\$28	0-2	Timer 1 Compare
VBA:\$2A	0-2	Timer 1 Overflow
VBA:\$2C	0-2	Timer 2 Compare
VBA:\$2E	0-2	Timer 2 Overflow
VBA:\$30	0-2	SSI0 Receive Data
VBA:\$32	0-2	SSI0 Receive Data With Exception Status
VBA:\$34	0-2	SSI0 Receive Last Slot
VBA:\$36	0-2	SSI0 Transmit Data
VBA:\$38	0-2	SSI0 Transmit Data with Exception Status
VBA:\$3A	0-2	SSI0 Transmit Last Slot
VBA:\$3C	0-2	(Reserved)
VBA:\$3E	0-2	(Reserved)
VBA:\$40	0-2	SSI1 Receive Data
VBA:\$42	0-2	SSI1 Receive Data With Exception Status
VBA:\$44	0-2	SSI1 Receive Last Slot
VBA:\$46	0-2	SSI1 Transmit Data
VBA:\$48	0-2	SSI1 Transmit Data with Exception Status
VBA:\$4A	0-2	SSI0 Transmit Last Slot
VBA:\$4C	0-2	(Reserved)
VBA:\$4E	0-2	(Reserved)

Table 4-3 Interrupt Sources (continued)

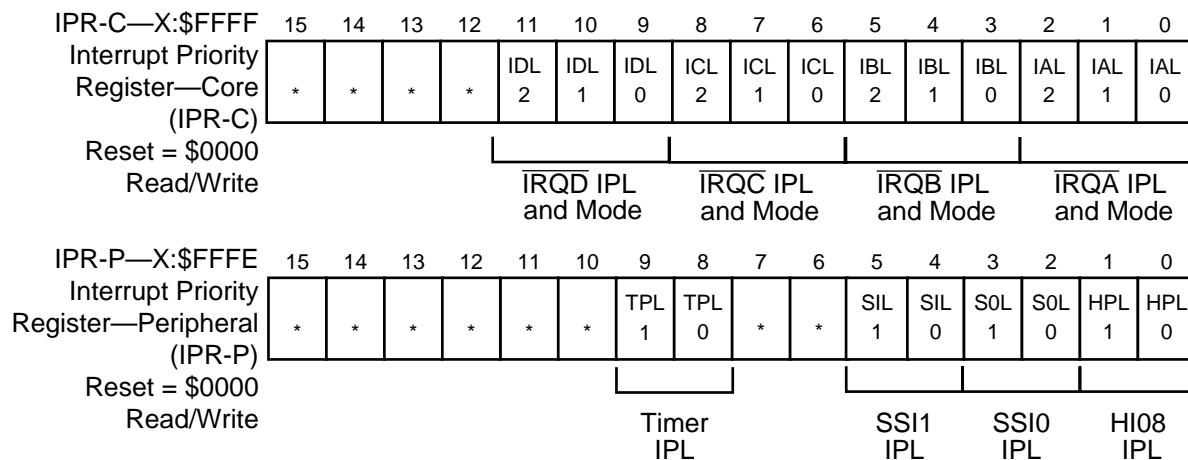
Interrupt Starting Address	IPL	Interrupt Source
VBA:\$60	0-2	Host Receive Data Full
VBA:\$62	0-2	Host Transmit Data Empty
VBA:\$64	0-2	Default Host Command
VBA:\$66	0-2	(Reserved)
.	.	.
.	.	.
.	.	.
VBA:\$FE		(Reserved)

Note: Any interrupt starting address (including reserved addresses) can be used for Host command interrupt (IPL 0-2).

4.5.1 Interrupt Priority Levels

The DSP56602 provides two Interrupt Priority Registers, IPR-C and IPR-P. The IPR-C is dedicated for DSP56600 core interrupt sources. The IPR-P is dedicated for peripheral interrupt sources. The IPR-C and IPR-P are shown in **Figure 4-4**, **Table 4-4** and **Table 4-5** define the IPL bits in these registers.

Interrupts



* Indicates reserved bits, read as 0 and should be written with 0 for future compatibility

AA0711

Figure 4-4 Interrupt Priority Registers IPR-C and IPR-P

Table 4-4 Interrupt Priority Level Bits

IPL Bits		Interrupts Enabled	Interrupt Priority Level
xxL1	xxL0		
0	0	No	—
0	1	Yes	0
1	0	Yes	1
1	1	Yes	2

Table 4-5 External Interrupt Trigger Mode Bits

IxL2	Trigger Mode
0	Level
1	Negative Edge

Note: The $\overline{\text{NMI}}$ signal (on the PINIT/ $\overline{\text{NMI}}$ pin) is not programmable for interrupt priority or polarity, and is always a negative-edge interrupt.

4.5.2 Interrupt Sources Priorities within an IPL

If more than one interrupt request is pending when an instruction is executed, the interrupt source with the highest priority level is serviced first. When multiple interrupt requests having the same IPL are pending, a second fixed-priority structure within that IPL determines the order in which each interrupt source is serviced. The fixed priority of interrupt sources within an IPL is shown in **Table 4-6**.

Table 4-6 Interrupt Source Priorities within an IPL

Priority	Interrupt Source
Level 3 (Non-Maskable)	
Highest	Hardware $\overline{\text{RESET}}$
	Stack Error
	Illegal Instruction
	Debug Request Interrupt
	Trap
Lowest	$\overline{\text{NMI}}$
Levels 0, 1, 2 (Maskable)	
Highest	$\overline{\text{IRQA}}$ (External Interrupt)
	$\overline{\text{IRQB}}$ (External Interrupt)
	$\overline{\text{IRQC}}$ (External Interrupt)
	$\overline{\text{IRQD}}$ (External Interrupt)
	Host Command Interrupt
	Host Transmit Data Full
	Host Receive Data Empty
	SSI0 RX Data with Exception Interrupt
	SSI0 RX Data Interrupt
	SSI0 Receive Last Slot Interrupt
	SSI0 TX Data with Exception Interrupt

Table 4-6 Interrupt Source Priorities within an IPL (continued)

Priority	Interrupt Source
	SSI0 Transmit Last Slot Interrupt
	SSI0 TX Data Interrupt
	SSI1 RX Data with Exception Interrupt
	SSI1 RX Data Interrupt
	SSI1 Receive Last Slot Interrupt
	SSI1 TX Data with Exception Interrupt
	SSI1 Transmit Last Slot Interrupt
	SSI1 TX Data Interrupt
	Timer 0 Overflow Interrupt
	Timer 0 Compare Interrupt
	Timer 1 Overflow Interrupt
	Timer 1 Compare Interrupt
	Timer 2 Overflow Interrupt
Lowest	Timer 2 Compare Interrupt

4.6 PHASE LOCK LOOP

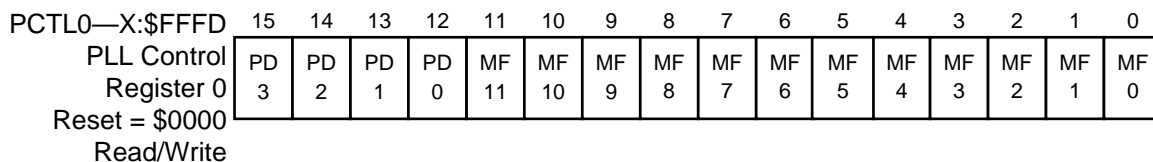
The Phase Lock Loop (PLL) allows the processor to operate at a high internal clock frequency using a low frequency clock input, a feature that offers two immediate benefits:

- Lower frequency clock input reduces the overall electromagnetic interference generated by a system.
- The ability to oscillate at different frequencies reduces costs by eliminating the need to add additional oscillators to a system.

For more information on the PLL, see **Section 8, PLL and Clock Generator**, in the *DSP56600 Family Manual (DSP56600FM/AD)*.

4.6.1 PLL Control Register 0 (PCTL0)

The PLL Control Register 0 (PCTL0) is an X I/O-mapped 16-bit read/write register used to direct the operation of the on-chip PLL. **Figure 4-5** shows the programming model for the PCTL0 register.



* Indicates reserved bits, read as 0 and should be written with 0 for future compatibility

AA0713

Figure 4-5 PLL Control Register 0 (PCTL0) Programming Model

4.6.1.1 Multiplication Factor Bits (MF[11:0])—Bits 0–11

The Multiplication Factor bits (MF[11:0]) define the Multiplication Factor (MF) that is applied to the PLL input frequency. The MF0–MF11 bits are cleared during hardware reset, which corresponds to an MF of 1. **Table 4-7** shows how to program the MF0–MF11 bits.

Table 4-7 Multiplication Factor Bits MF[11:0]

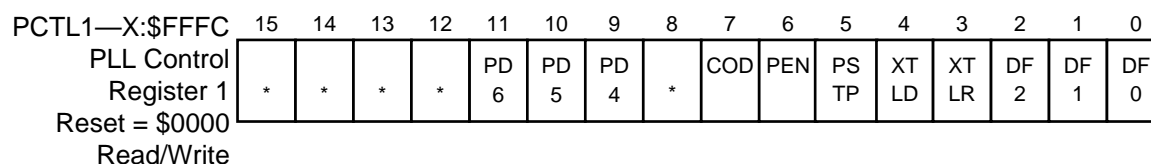
MF[11:0]	Multiplication Factor (MF)
\$000	1
\$001	2
\$002	3
·	·
·	·
·	·
\$FFE	4095
\$FFF	4096

4.6.1.2 Predivider Factor Bits (PD[3:0])—Bits 12–15

The Predivider Factor bits (PD[3:0]) in the PCTL0 register are combined with the PD4–PD6 bits in the PCTL1 register to define the Predivider Factor (PDF) that is applied to the PLL input frequency. The PD[6:0] bits are cleared during hardware reset, which corresponds to a PDF of 1.

4.6.2 PLL Control Register 1 (PCTL1)

The PLL Control Register 1 (PCTL1) is an X I/O-mapped 16-bit read/write register that gives additional control functions for the PLL. **Figure 4-6** shows the programming model for the PCTL1 register.



* Indicates reserved bits, read as 0 and should be written with 0 for future compatibility

AA0714

Figure 4-6 PLL Control Register 1 (PCTL1) Programming Model

4.6.2.1 Division Factor (DF[2:0])—Bits 0–2

The Division Factor (DF[2:0]) bits define the Division Factor (DF) of the low power divider. These bits specify any power-of-two Division Factor in the range from 2^0 to 2^7 . **Table 4-8** shows the programming of the DF bits. Changing the value of the DF bits does not cause a loss of lock condition. Whenever possible, changes of the operating frequency of the chip (e.g., to enter a low power mode) should be made by changing the value of the DF[2:0] bits, rather than by changing the MF0–MF11 bits.

The DF[2:0] bits are cleared by hardware reset, setting the DF to divide by 1.

Table 4-8 Division Factor Bits

DF[2:0]	Division Factor
000	2^0
001	2^1
010	2^2
011	2^3
100	2^4
101	2^5
110	2^6
111	2^7

4.6.2.2 Crystal Range (XTLR)—Bit 3

The Crystal Range (XTLR) bit controls the on-chip crystal oscillator transconductance. If the external crystal frequency is less than 200 kHz, this bit should be set in order to decrease the transconductance of the input amplifier, otherwise the internal clocks may not be stable. If the external crystal frequency is greater than 200 kHz, this bit should be cleared in order to have the full transconductance, otherwise the crystal oscillator may not function at all. Changing the XTLR bit while the PLL is active causes a loss of PLL lock and a reinitialization of the lock process. The XTLR bit is cleared during hardware reset.

4.6.2.3 Crystal Disable (XTLD)—Bit 4

The XTAL Disable (XTLD) bit controls the on-chip crystal oscillator XTAL output. When the XTLD bit is set, the on-chip oscillator output is disabled. When the XTLD bit is cleared, the on-chip crystal oscillator output can be used. The XTLD bit is set during hardware reset.

4.6.2.4 Stop Processing State (PSTP)—Bit 5

The Stop Processing State (PSTP) bit controls the behavior of the PLL and of the on-chip crystal oscillator during the Stop processing state. When the PSTP bit is set, the PLL and the on-chip crystal oscillator remain operating while the chip is in the Stop state. When the PSTP bit is cleared, the PLL and the on-chip crystal oscillator are disabled when the chip enters the Stop state. For minimum power consumption during the Stop state at the cost of longer recovery time, the PSTP bit should be cleared. To enable rapid recovery when exiting the Stop state, at the cost of higher power consumption, the PSTP bit should be set. The PSTP bit is cleared by hardware reset.

4.6.2.5 PLL Enable (PEN)—Bit 6

The PLL Enable (PEN) bit enables the PLL operation. When the PEN bit is set, the PLL is enabled and the internal clocks are derived from the PLL VCO output. When the PEN bit is cleared, the PLL is disabled and the internal clocks are derived directly from the clock connected to the EXTAL pin. When the PLL is disabled, the VCO is not operating. This helps minimize power consumption. The PEN bit can be set or cleared by software any time during the chip operation. During hardware reset, this bit receives the value of the PLL's PINIT pin.

4.6.2.6 Clock Output Disable (COD)—Bit 7

The Clock Output Disable (COD) bit controls the output buffer of the clock at the CLKOUT pin. When the COD bit is set, the CLKOUT pin is held high. When the COD bit is cleared, the CLKOUT pin is active, providing a 50% duty cycle clock synchronized to the internal core clock. If the CLKOUT pin is not connected to external circuits, the COD bit should be set, disabling clock output and minimizing RFI noise and power dissipation. CLKOUT oscillates in all operating states except the Stop state. The COD bit is cleared by hardware reset.

Phase Lock Loop**4.6.2.7 Predivider Factor (PD[6:4])—Bits 9–11**

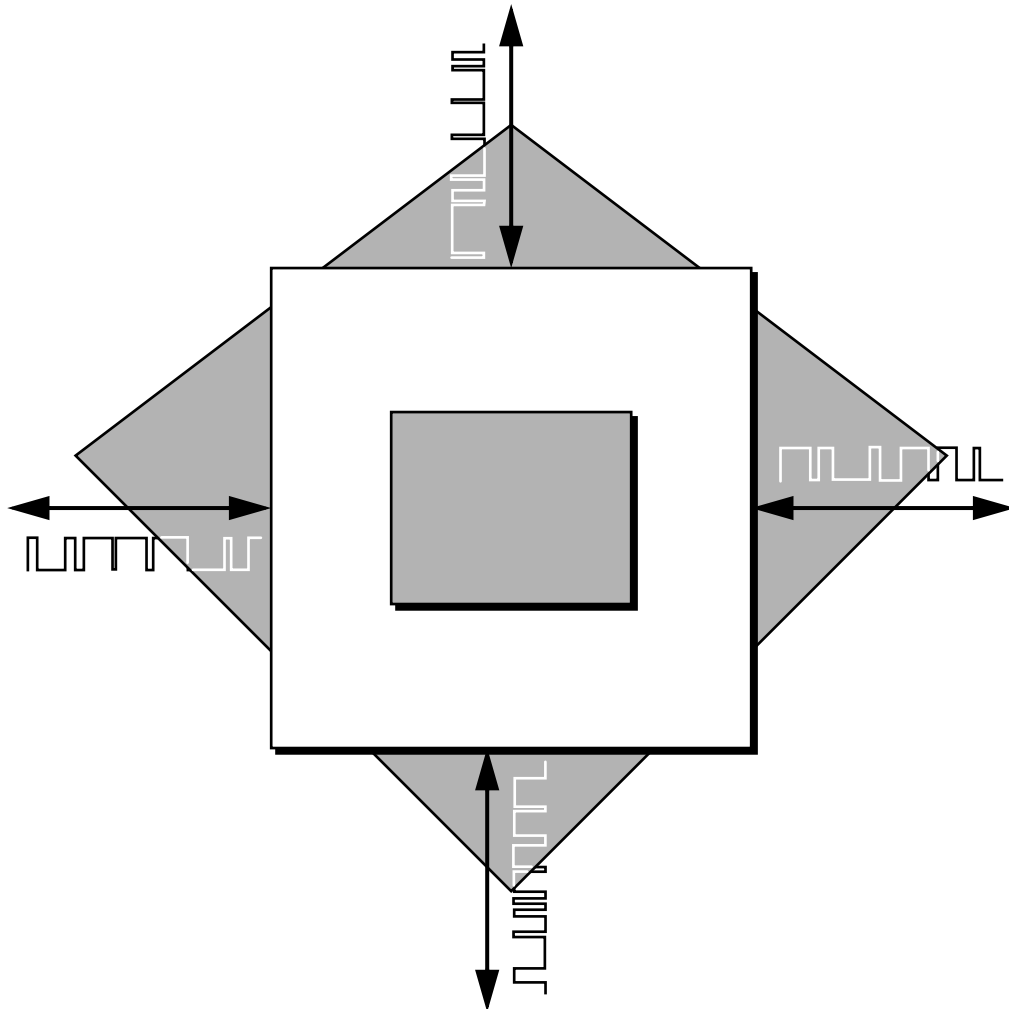
The Predivider Factor (PD[6:4]) bits are used with the PD[3:0] bits in the PCTL0 register to define the PDF that is applied to the PLL input frequency.

4.6.2.8 Reserved Bits—Bits 8, 12–15

These bits are reserved and are read as 0. They should be written with 0 to ensure future compatibility.

SECTION 5

EXTERNAL MEMORY INTERFACE (PORT A)





5.1	INTRODUCTION	5-3
5.2	PORT A SIGNAL DESCRIPTION	5-3
5.3	PORT A OPERATION	5-4
5.4	PORT A CONTROL AND DATA TRANSFER	5-7
5.5	PROGRAM ADDRESS TRACING MODE	5-10

5.1 INTRODUCTION

This section describes the External Memory Interface, also referred to as Port A, and describes some of the memory transfer and trace modes associated with this interface. Port A is used for program and data memory expansion. It provides an easy to use, low part-count connection with fast or slow static memories and with I/O devices.

Port A provides a 24-bit data bus and a 16-bit address bus capable of a sustained rate of one memory access per 2 clock cycles. External memory can be as large as 64 K × 24-bit program memory space, depending on chip configuration. An internal wait state generator can be programmed to insert as many as 31 wait states if access to slower memory or I/O device is required.

5.2 PORT A SIGNAL DESCRIPTION

Port A provides the following pins on the DSP56602.

5.2.1 Address Bus (A0–A15)

These active high outputs specify the address for external program memory accesses. To minimize power dissipation, A0–A15 do not change state when external memory spaces are not being accessed. A0–A15 are pulled high during hardware reset.

5.2.2 Data Bus (D0–D23)

These active high, bidirectional input/outputs provide the data bus for external program memory accesses. D0–D23 are tri-stated when no external bus activity occurs, and during hardware reset.

5.2.3 Memory Chip Select ($\overline{\text{MCS}}$)

The Memory Chip Select ($\overline{\text{MCS}}$) signal is an active low output, and is asserted when an external memory access occurs. $\overline{\text{MCS}}$ is deasserted during hardware reset.

5.2.4 Read Enable (\overline{RD})

The Read Enable (\overline{RD}) signal is an active low output. \overline{RD} is asserted to read external memory on the data bus (D0–D23). \overline{RD} is deasserted during hardware reset.

5.2.5 Write Enable (\overline{WR})

The Write Enable (\overline{WR}) signal is an active low output. \overline{WR} is asserted to write external memory on the data bus (D0–D23). \overline{WR} is deasserted during hardware reset.

5.2.6 Address Trace (\overline{AT})

The Address Trace (\overline{AT}) signal is an active low output. \overline{AT} is asserted (for half of a clock cycle) whenever a new address is driven on the address bus (A0–A15) in the Program Address Tracing mode. The new address is either a reflection of internal fetch or internal program space move instruction or an external address driven for an external access. \overline{AT} is deasserted during hardware reset.

5.3 PORT A OPERATION

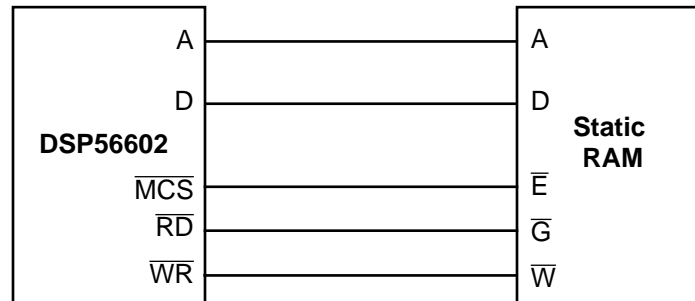
The external memory bus timing is defined by the operation of the Address Bus, Data Bus, and Bus Control pins. The DSP56600 core external ports are designed to interface with high-speed Static RAM (SRAM) and peripheral devices with SRAM-based timing, as well as with slower memory devices.

5.3.1 Static RAM Support

External memory bus timing is controlled by the Bus Control Register (BCR). Insertion of wait states is controlled by the BCR to provide constant bus access timing. The number of wait states for each external access is determined by the BCR.

The external memory address is defined by the address bus. The Memory Chip Select signal \overline{MCS} is used to generate a chip select signal for the external memory device. This chip select signal changes the mode of the memory device from low power Standby mode to Active mode and begins the access. This allows slower memories to be used, since the \overline{MCS} signal is address-based rather than read or write enable-based. SRAMs

can be easily interfaced to the DSP56600 core bus timing. Because of the SRAM requirement to keep the address stable during the entire bus cycle, at least 1 wait state must be inserted to the bus operation. **Figure 5-1** shows a possible SRAM configuration for the DSP56602.



AA1143

Figure 5-1 Static RAM Connection Diagram

An SRAM access is performed in one of the following ways:

Write Access

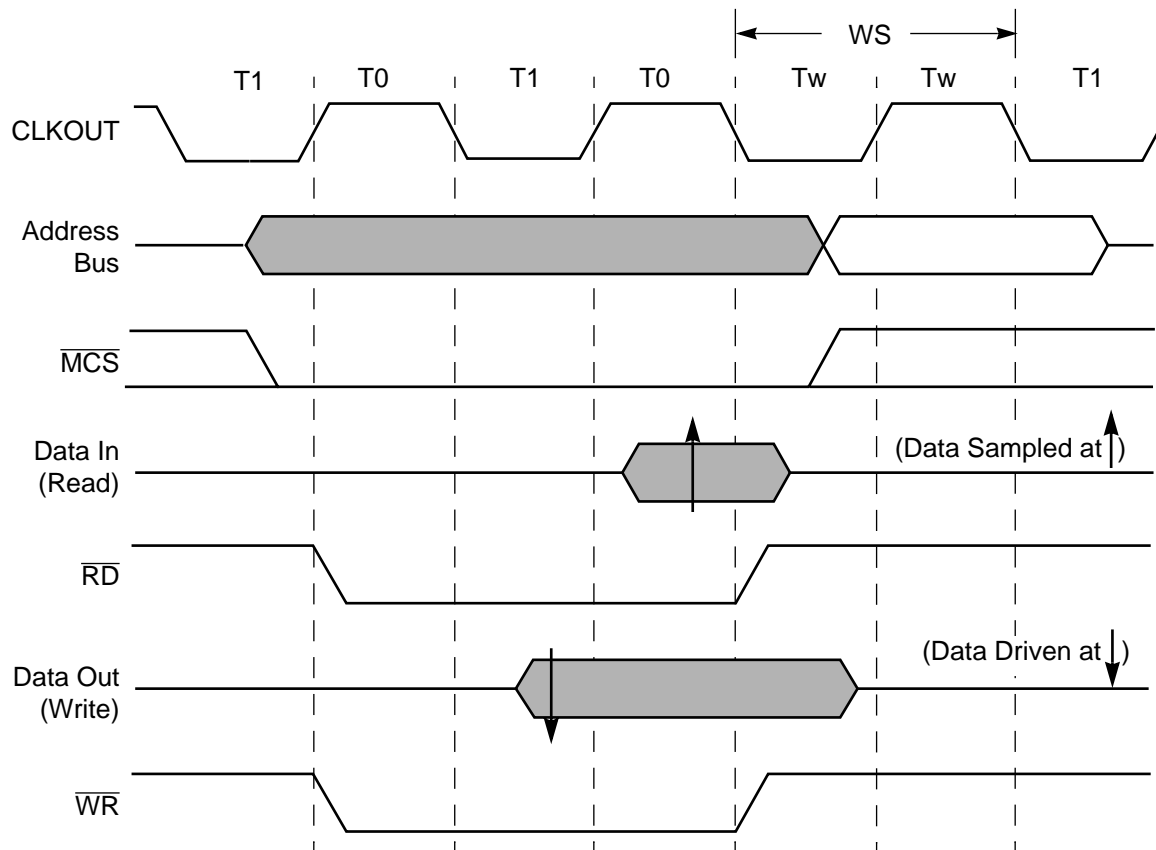
1. A0–A15 and $\overline{\text{MCS}}$ are asserted in the middle of CLKOUT low phase.
2. $\overline{\text{WR}}$ is asserted with the rising edge of CLKOUT (for a single wait state access).
3. Data is driven in the middle of CLKOUT low phase.

Read Access

1. A0–A15 and $\overline{\text{MCS}}$ are asserted in the middle of CLKOUT low phase.
2. $\overline{\text{RD}}$ is asserted with the rising edge of CLKOUT.
3. Data is sampled in the middle of CLKOUT last high phase of the external access.

Wait states postpone the disappearance of the external address, thereby increasing memory access time. In any case, SRAM access requires at least 1 wait state. **Figure 5-2** shows the memory bus operation using 1 wait state. For detailed timing specifications, see the *DSP56602 Technical Data Sheet (DSP56602/D)*.

Port A Operation



AA0579

Figure 5-2 Bus Operation, One Wait State—SRAM Access

Note: The assertion of the \overline{WR} signal depends on the number of wait states programmed in the BCR. If a single wait state is programmed in the BCR, the \overline{WR} signal is asserted with the rising edge of CLKOUT. If the number of wait states programmed is 2 or 3, \overline{WR} assertion is delayed by half cycle of CLKOUT. If the number of wait states programmed is four or more, \overline{WR} assertion is delayed by a full cycle of CLKOUT. This feature enables the connection of slow external devices that require long address setup time before write assertion in order to prevent false write.

5.3.2 Disabling Port A

Because the DSP56602 provides internal memory, not all applications will require using Port A. In this case, Port A can be disabled completely by the user, resulting in a significant reduction in power consumption.

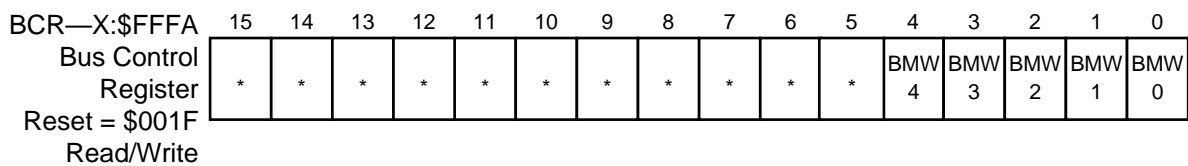
Port A can be disabled by setting the EBD bit in the Operating Mode Register (OMR). When this bit is set, the Port A controller is disabled. External memory should not be accessed, otherwise improper operation may result.

5.4 PORT A CONTROL AND DATA TRANSFER

Two registers are used by Port A for control and program memory data transfer. The Bus Control Register (BCR) provides control functions for Port A. The Bus Switch Program Memory Register (BPMR) gives data transfer, and provides a special function that allows the use of 24-bit program memory accesses.

5.4.1 Bus Control Register (BCR)

Port A control is provided by the Bus Control Register (BCR). The BCR is a 16-bit read/write register used to control the external bus activity and Bus Interface Unit operation. **Figure 5-3** shows the BCR programming model.



* Indicates reserved bits, read as 0 and should be written with 0 for future compatibility

AA07207

Figure 5-3 Bus Control Register (BCR) Programming Model

5.4.1.1 Expansion Bus Memory Wait (BMW[4:0])—Bits 0–4

The Expansion Bus Memory Wait (BMW[4:0]) control bits define the number of wait states inserted in each external SRAM access. The range of programmable wait states is from 0 to 31. These bits should not all be cleared, because SRAM memory access requires at least one wait state.

When selecting 4 to 7 wait states, one additional wait state is inserted at the end of the access. When selecting 8 or more wait states, two additional wait states are inserted at the end of the access. These trailing wait states increase the data hold time and the memory release time and do not increase the memory access time.

The BMW bits are set to b11111 (\$001F) during hardware reset, providing the maximum value of 31 wait states.

5.4.1.2 Reserved Bits—Bits 5–15

Bits 5 through 15 in the BCR are reserved. These bits should be written as 0 to ensure future compatibility.

5.4.2 Bus Switch Program Memory Register (BPMR)

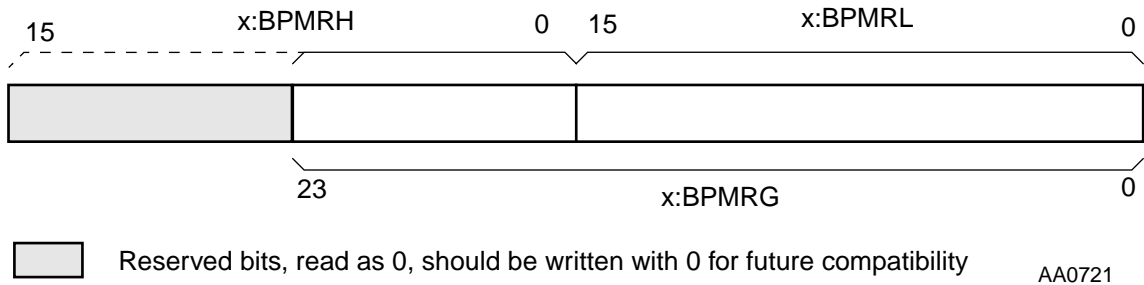
The Bus Switch Program Memory Register (BPMR) is a 24-bit X I/O-mapped read/write register. An access to the BPMR can be either a 24-bit access or a 16-bit access. The BPMR is mapped as a 24-bit register in address BPMRG and as a pair of 16-bit registers designated as BPMR Low (BPMRL) and BPMR High (BPMRH).

The internal and external program memories consist of 24-bit wide words. The access to a program memory word is required in any instruction fetch and in program memory move instructions. In the latter case, the BPMR is used to interface between the internal and external program memory spaces and the rest of the DSP56600 core, which mostly consists of 16-bit components. Each move from a 16-bit source to a 24-bit destination is extended by the eight lower bits of the BPMRH. Each move from a 24-bit source to a 16-bit destination truncates the 24-bit source and moves only its sixteen Least Significant Bits (LSBs). Using the BPMR is the only way to access the eight Most Significant Bits (MSBs) of any program memory address, external or internal, which is essential for many applications.

For example, when using a system configuration operating mode, a hardware reset causes the DSP56600 core to jump to the mask-programmed internal program memory location and execute the code fetched from this location. This code usually includes a set of program memory move instructions that load the program code to the required destination and then execute it. Access to the eight MSBs of each 24-bit program word is available only by using the BPMR.

5.4.2.1 BPMR Mapping

The BPMR is mapped as a 24-bit register in address BPMRG and as a pair of 16-bit registers in addresses x:BPMRL and x:BPMRH, respectively. The top eight bits of the BPMRH are reserved. **Figure 5-4** shows the BPMRL, BPMRH, and BPMRG registers.


Figure 5-4 BPMR Register

5.4.2.2 24-bit Access to BPMR

A 24-bit access to BPMR is done by move instruction between the BPMR and any program memory word, as shown in **Example 5-1**.

Example 5-1 Move from P Source Address to P Destination Address

```

; move from P source address to P destination address
BPMRG      equ          $FFF4
           movep       p:(r0), x:BPMRG
           movep       x:BPMRG, p:$5
    
```

5.4.2.3 16-bit Access to BPMR

A 16-bit access to the BPMR is done either to its sixteen LSBs, which are mapped to the BPMRL, or to its eight MSBs, which are mapped to the BPMRH. In both cases it is not treated as a special access but as a regular 16-bit X I/O access. Reading the BPMRH clears the sixteen MSBs of the 24-bit destination or the eight MSBs of the 16-bit destination, depending on the destination's width.

5.4.2.4 BPMR Usage Typical Examples

A typical usage of the BPMR is for bootstrapping through External EPROM or through the HI08. The following code, when loaded to an External EPROM hardware reset location can load any required Program RAM segment. **Example 5-2** shows the part of it that uses the BPMR.

Example 5-2 Bootstrap through External EPROM

```

BPMRG      equ      $FFF4
BPMRL      equ      $FFF3
BPMRH      equ      $FFF2
;=====
; This is part of the routine that loads from external EPROM.
; The external EPROM is 8 bit wide.
      do #2,_LOOP1      ; Read the 16 LSB part of the instruction.
      movem p:(r2)+,a2      ; Get the 8 LSB from ext. P mem.
      asr #8,a,a      ; Shift 8 bit data into A1.
_LOOP1      ; Go get another byte.
      movep a1,x:BPMRL      ; Store the 16 LSB part in BPMRL.
      movep p:(r2)+,x:BPMRH      ; Get the 8 MSB part and store it in BPMRH.
      movep x:BPMRG,p:(r0)+      ; Store 24 Bit result in P mem.

```

A common debugging process requires the content of a segment of program memory code to be delivered to the external command controller. This information should be passed through the OnCE Global Data Bus Register (OGDBR). The only way to pass the eight MSBs of each 24-bit program word to the OGDBR register is to use the BPMR.

Example 5-3 shows how the OGDBR register is loaded by a 24-bit program memory word. For more information on using the OnCE functionality, see **Section 10, On-Chip Emulation Module**.

Example 5-3 Pass Program Memory Words to the OGDBR

```

BPMRG      equ      $FFF4
BPMRL      equ      $FFF3
BPMRH      equ      $FFF2
OGDBR      equ      $FFFB
;=====
      movep p:(r2)+,x:BPMRG      ; Read the 24 bit data and store in BPMR.
      movep x:BPMRL,x0      ; Store the 16 LSB part in x0.
      movep x0,x:OGDBR      ; Pass the 16 LSB part to OGDBR.
      movep x:BPMRH,y0      ; Store the 8 MSB part in y0.
      movep y0,x:OGDBR      ; Pass the 8 MSB part to OGDBR.

```

5.5 PROGRAM ADDRESS TRACING MODE

The Address Tracing (AT) mode provides a means of software development in addition to the On-Chip Emulation (OnCE) circuitry. **Section 10, On-Chip Emulation Module**, provides more information. When the AT mode is enabled by setting the ATE bit in the OMR, the DSP56600 core reflects the addresses of internal fetches and program space moves (MOVEM) to the Address Bus (A0–A15), if the Address Bus is not needed by the DSP56600 core for external accesses. When an AT cycle is performed (e.g., as an internal

access reflected to the Address Bus), the \overline{RD} and \overline{WR} strobes and the \overline{MCS} signal are not asserted. This assures that no external device is erroneously activated. The \overline{AT} signal indicates that a new address is on the Address Bus, either of an AT cycle or of an external access. The user can sample the Address Bus and the \overline{MCS} signal with the falling edge of the \overline{AT} signal and sort between the AT cycles and the external accesses according to the sampled value of \overline{MCS} .

Note: The trace capability of the AT mechanism differs from the OnCE trace buffer capability. The AT mechanism provides information on fetches, not on program flow. For example, in the AT mechanism, fetches for a jump that is not taken are sampled, although the program flow has not gone that way. Any software that interprets this information must take such aspects into account to function properly.

Figure 5-5 shows a possible configuration. For detailed timing information, see the *DSP56602 Technical Data Sheet (DSP56602/D)*.

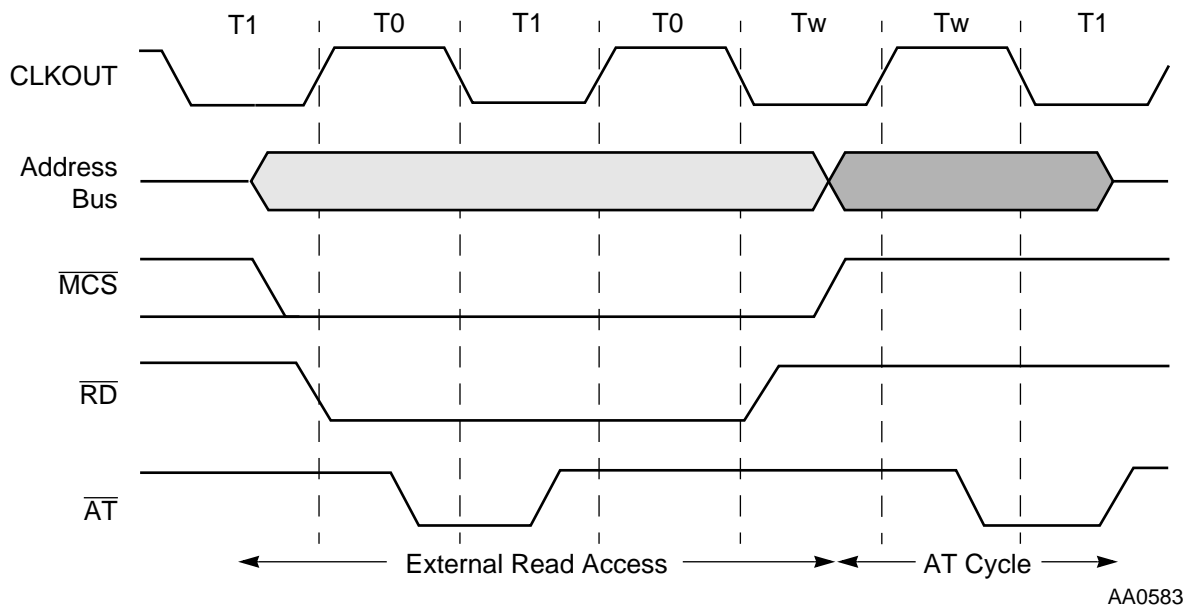


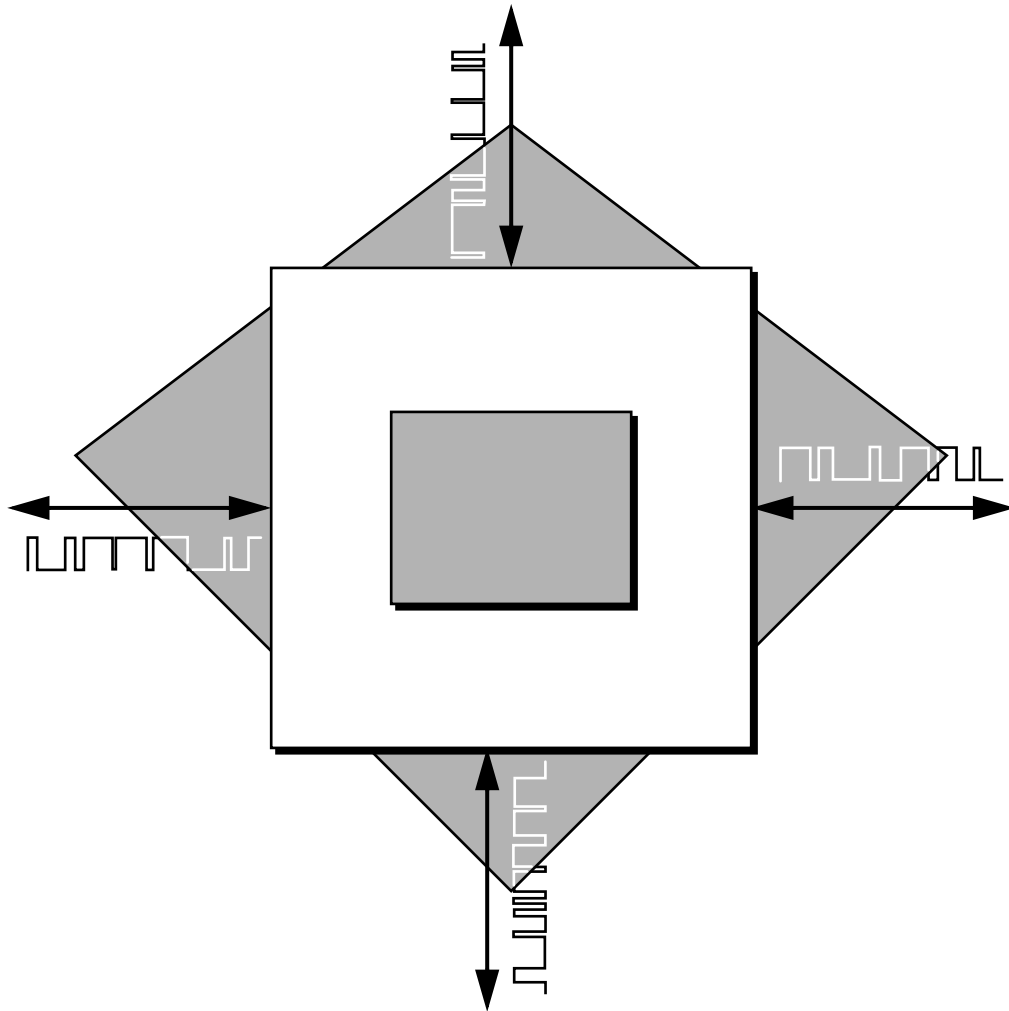
Figure 5-5 Possible Address Tracing Configuration Diagram





SECTION 6

GPIO





6.1	INTRODUCTION6-3
6.2	GPIO CONFIGURATION6-3
6.3	GPIO PORT E CONTROL REGISTER (PCRE)6-5
6.4	GPIO PORT E DIRECTION REGISTER (PRRE)6-5
6.5	GPIO PORT E DATA REGISTER (PDRE)6-6

6.1 INTRODUCTION

The General Purpose I/O (GPIO) port consists of three bidirectional pins, each pin separately controlled. Functionality is controlled by the following three registers:

- GPIO Port E Control Register (PCRE)
- GPIO Port E Direction Control Register (PRRE)
- GPIO Port E Data Register (PDRE)

These registers are described in this section. This dedicated GPIO port is also referred to as Port E.

6.2 GPIO CONFIGURATION

The dedicated GPIO port on the DSP56602 supports three bidirectional pins. GPIO functionality is also available on some of the HI08, SSI, and timer pins when these pins are not otherwise being used by their peripherals. The following registers are provided for control of the three dedicated GPIO pins:

- PCRE—GPIO Port E Control Register
- PRRE—GPIO Port E Direction Control Register
- PDRE—GPIO Port E Data Register

On the peripherals that can be configured for GPIO, the following registers are used:

- HI08 (Port B)
 - HPCR—Host Port Control Register (GPIO on HI08)
 - HDDR—Host Data Direction Register (GPIO on HI08)
 - HDR—Host Data Register (GPIO on HI08)
- SSI (Ports C and D)
 - PCRC—GPIO Port C Control Register (GPIO on SSI0)
 - PRRC—GPIO Port C Direction Control Register (GPIO on SSI0)
 - PDRC—GPIO Port C Data Register (GPIO on SSI0)
 - PCRD—GPIO Port D Control Register (GPIO on SSI1)
 - PRRD—GPIO Port D Direction Control Register (GPIO on SSI1)
 - PDRD—GPIO Port D Data Register (GPIO on SSI1)

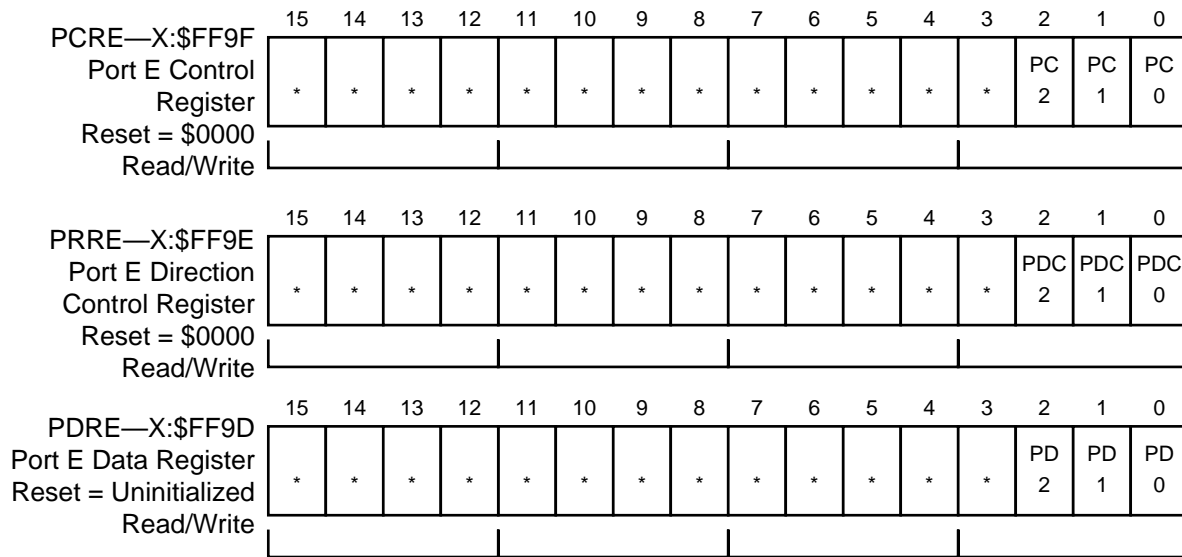
GPIO

GPIO Configuration

- Timer
 - TCSR0—Timer Control/Status Register (GPIO on the TIO0 pin)
 - TCSR1—Timer Control/Status Register (GPIO on the TIO1 pin)
 - TCSR2—Timer Control/Status Register (GPIO on the TIO2 pin)

These registers are discussed in more detail in their respective sections.

The dedicated GPIO programming model is shown in **Figure 6-1**.



* Indicates reserved bits, read as 0 and should be written with 0 for future compatibility

AA0701

Figure 6-1 GPIO Port E Programming Model

6.3 GPIO PORT E CONTROL REGISTER (PCRE)

The 16-bit read/write GPIO Port E Control Register (PCRE) controls the functionality of GPIO pins. Each of the PC bits controls the functionality of the corresponding port pin. When a PC bit is set, the corresponding port pin is tri-stated or GPIO output with open drain defined by the direction control bit. When a PC bit is cleared, the corresponding port pin is configured as GPIO pin.

Although the PCRE has sixteen bits, only the bottom three bits are used. Hardware and software reset clear all PCRE bits.

6.4 GPIO PORT E DIRECTION REGISTER (PRRE)

The 16-bit read/write GPIO Port E Direction Register (PRRE) controls the direction of GPIO pins. When a port pin is configured as GPIO (its corresponding PC bit in the PCR is cleared), the PDC bit controls the port pin direction. When the PDC bit is set, its corresponding GPIO port pin is configured as output. When the PDC bit is cleared, the GPIO port pin is configured as input.

When the PC bit is set and the PDC bit is cleared, the corresponding port pin is tri-stated. When both the PC bit and the PDC bit are set, the corresponding port pin is configured for open-drain GPIO output. Although the PRR has sixteen bits, only the bottom three bits are used. Hardware and software reset clear all PRR bits.

The following table describes the port pin configurations.

Table 6-1 PCRE and PRRE Bits Functionality

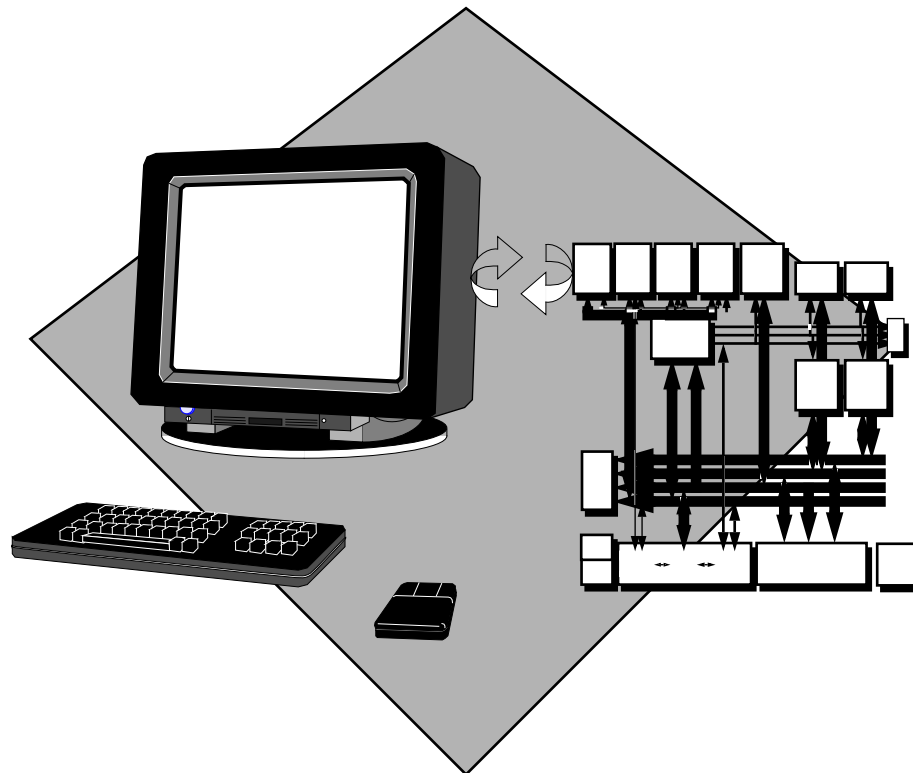
PC Bit	PDC Bit	Port Pin Function
0	0	GPIO Input
0	1	GPIO Output
1	0	Tri-stated
1	1	GPIO Output as open drain

6.5 GPIO PORT E DATA REGISTER (PDRE)

The 16-bit read/write Port E Data Register (PDRE) is used to read or write data to and from GPIO pins. The PD bits are used to read or write data from and to the corresponding port pins if they are configured as GPIO (by the PC bits in the PCR). If a port pin is configured as a GPIO input, then the corresponding PD bit reflects the value present on this pin. If a port pin is configured as a GPIO output, then the value written into the corresponding PD bit is reflected on the this pin.

SECTION 7

HOST INTERFACE (HI08)



7.1	INTRODUCTION	7-3
7.2	INTERFACE	7-3
7.3	HI08 HOST PORT	7-6
7.4	HOST INTERFACE—DSP PROGRAMMER’S MODEL	7-7
7.5	HI08—EXTERNAL HOST PROGRAMMER’S MODEL	7-20
7.6	GENERAL PURPOSE I/O	7-30

7.1 INTRODUCTION

The Host Interface (HI08) is a byte-wide, full-duplex, double-buffered, parallel port that can be connected directly to the data bus of a host processor. The HI08 supports a variety of buses, and provides connection with a number of industry-standard DSPs, microcomputers, and microprocessors without requiring any additional logic.

Because the host bus can operate asynchronously to the DSP core clock, the HI08 registers are divided into two banks. The Host side bank is accessible to the external host, and the DSP side bank is accessible to the DSP core.

The HI08 supports two classes of interfaces:

- Host processor/MCU connection interface
- General Purpose Input/Output (GPIO) port

Unused HI08 port pins can be configured as GPIO pins.

7.2 INTERFACE

The following section describes the HI08 from the DSP side and from the host side.

7.2.1 DSP Side

- Eight internal X I/O-mapped locations
- 16-bit data word
- Transfer modes
 - DSP to host
 - Host to DSP
 - Host command
- Handshaking protocols
 - Software polled
 - Interrupt driven
- Instructions
 - Memory-mapped registers allow the standard MOVE instruction to be used.

Interface

- Special MOVEP instruction provides for I/O service capability using fast interrupts.
- Bit addressing instructions (e.g., BCHG, BCLR, BSET, BTST, JCLR, JSCLR, JSET, JSSET) simplify I/O service routines.

7.2.2 Host Side

- Signals (16 pins)
 - HAD[7:0] Host HD7–HD0 data bus or Host multiplexed Address/Data bus HAD0–HAD7
 - HAS/HA0 Address Strobe (HAS) or Host Address line HA0
 - HA8/HA1 Host Address line HA8 or Host Address line HA1
 - HA9/HA2 Host Address line HA9 or Host Address line HA2
 - HRW/HRD Read Write select (HRW) or Read strobe (HRD)
 - HDS/HWR Data Strobe (HDS) or Write strobe (HWR)
 - HCS/HA10 Host Chip Select (HCS) or Host Address line HA10
 - HREQ/HTRQ Host Request (HREQ) or Host Transmit Request (HTRQ)
 - HACK/HRRQ Host Acknowledge (HACK) or Host Receive Request (HRRQ)
- Mapping
 - Consecutive byte locations
 - Memory or I/O-mapped peripheral for microprocessors, microcontrollers, etc.
- 8-bit data word
- Transfer modes
 - Mixed 8- and 16-bit data transfers
 - DSP to host
 - Host to DSP
 - Host Command
- Handshaking protocols
 - Software polled
 - Interrupt-driven

- Dedicated interrupts
 - Separate interrupt lines for each interrupt source
 - Special host commands force DSP core interrupts under host processor control, which are useful for:
 - Realtime production diagnostics
 - Debugging window for program development
 - Host control protocols
- Interface Capabilities
 - Interface with no additional logic to:
 - Motorola HC11
 - Hitachi H8
 - 8051 family
 - Thomson P6 family.
 - Interface with minimal additional logic to:
 - ISA bus
 - Motorola 68K family
 - Intel X86 family

7.3 HI08 HOST PORT

This section provides a brief description of the HI08 pins and their functions. In addition to HI08 functionality, every HI08 pin can be programmed as a GPIO pin when not used for HI08.

Table 7-1 Summary of HI08 Pins and Operating Modes

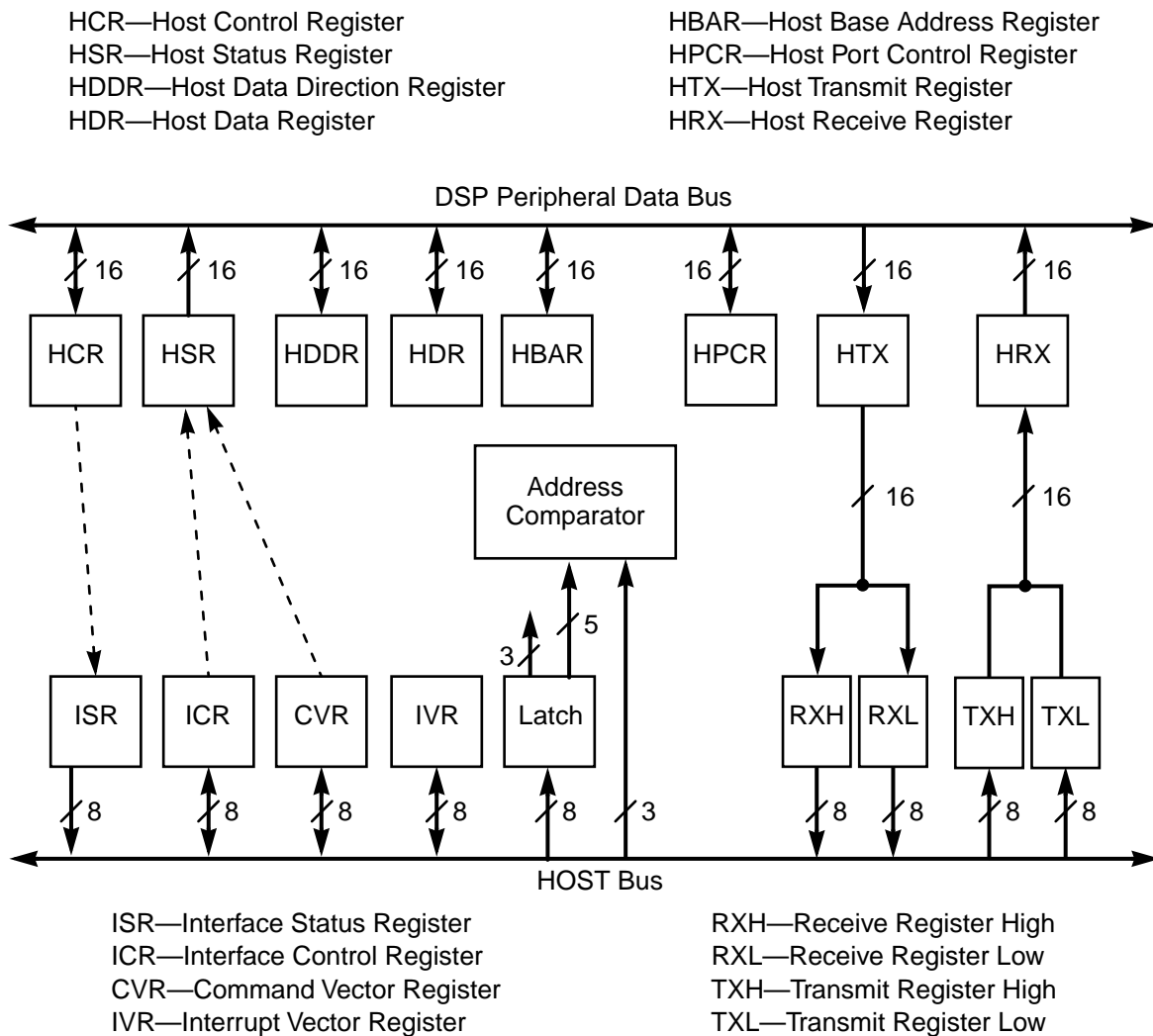
HI08 Port Pin	Multiplexed Address/Data Bus Mode	Non Multiplexed Bus Mode	GPIO Mode
HAD0–HAD7	HAD0–HAD7	HD0–HD7	PB0–PB7
HA0/ $\overline{\text{HAS}}$	HAS/ $\overline{\text{HAS}}$	HA0	PB8
HA1/HA8–HA2/HA9	HA8–HA9	HA1–HA2	PB9–PB10
$\overline{\text{HCS}}$ /HA10	HA10	HCS/ $\overline{\text{HCS}}$	PB13

Table 7-2 Strobe Signals Support Pins

HI08 Port Pin	Single Strobe Bus	Dual Strobe Bus	GPIO Mode
HRW/ $\overline{\text{HRD}}$	HRW	$\overline{\text{HRD}}$	PB11
$\overline{\text{HDS}}$ / $\overline{\text{HWR}}$	HDS/ $\overline{\text{HDS}}$	$\overline{\text{HWR}}$	PB12

Table 7-3 Host Request Support Pins

HI08 Port Pin	Vector Required	No Vector Required	GPIO Mode
$\overline{\text{HREQ}}$ / $\overline{\text{HTRQ}}$	HREQ/ $\overline{\text{HREQ}}$	HTRQ/ $\overline{\text{HTRQ}}$	PB14
HACK/ $\overline{\text{HRRQ}}$	HACK/HACK	HRRQ/ $\overline{\text{HRRQ}}$	PB15



AA0722

Figure 7-1 HI08 Block Diagram

Figure 7-1 shows the registers in the HI08. The top row of registers (HCR, HSR, HDDR, HDR, HBAR, HPCR, HTX, and HRX) can be accessed by the DSP core, and the bottom row of registers (ISR, ICR, CVR, IVR, RXH, RXL, TXH, and TXL) can be accessed by the host processor.

7.4 HOST INTERFACE—DSP PROGRAMMER'S MODEL

The DSP56600 core views the HI08 as a memory-mapped peripheral occupying eight 16-bit words in data memory space. The DSP can use the HI08 as a normal

memory-mapped peripheral, using either standard polled or interrupt programming techniques. Separate transmit and receive data registers are double-buffered to allow the DSP and host processor to efficiently transfer data at high speed. Memory mapping allows DSP core communication with the HI08 registers to be accomplished using standard instructions and addressing modes. In addition, the MOVEP instruction allows HI08-to-memory and memory-to-HI08 data transfers without going through an intermediate register. Both hardware and software reset disable the HI08 and change the HI08 to GPIO with all pins disconnected.

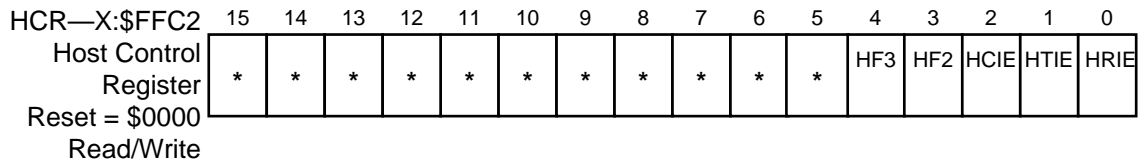
The HI08 provides the following registers:

- HCR—HI08 Control Register
- HSR—HI08 Status Register
- HTX—HI08 Data Transmit Register
- HRX—HI08 Data Receive Register
- HBAR—HI08 Base Address Register
- HPCR—HI08 Port Control Register
- HDDR—HI08 GPIO Data Direction Register
- HDR—HI08 GPIO Data Register

These registers can be accessed by the DSP core. They cannot be accessed by the external host processor.

7.4.1 HI08 Control Register (HCR)

The HI08 Control Register (HCR) is a 16-bit read/write control register used by the DSP core to control the HI08 operating mode. Reserved bits are read as 0 and should be written with 0 to ensure future compatibility. **Figure 7-2** shows the programming model of the HCR. The initialization values for the HCR bits are described in **DSP Side Registers After Reset** on page 7-19. The HCR bits are described in the following paragraphs.



* Indicates reserved bits, read as 0 and should be written with 0 for future compatibility

AA0723

Figure 7-2 Host Control Register Programming Model

7.4.1.1 Host Receive Interrupt Enable (HRIE)—Bit 0

The Host Receive Interrupt Enable (HRIE) bit is used to enable a DSP core interrupt when the Host Receive Data Full (HRDF) status bit in the Host Status Register (HSR) is set. When the HRIE bit is cleared, HRDF interrupts are disabled. When the HRIE bit is set, a Host Receive Data Interrupt request occurs if the HRDF bit is also set. The HRIE bit is cleared on hardware reset.

7.4.1.2 Host Transmit Interrupt Enable (HTIE)—Bit 1

The Host Transmit Interrupt Enable (HTIE) bit is used to enable a DSP core interrupt when the Host Transmit Data Empty (HTDE) status bit in the HSR is set. When the HTIE bit is cleared, HTDE interrupts are disabled. When the HTIE bit is set, a Host Transmit Data Interrupt request occurs when the HTDE bit is set. The HTIE bit is cleared on hardware reset.

7.4.1.3 Host Command Interrupt Enable (HCIE)—Bit 2

The Host Command Interrupt Enable (HCIE) bit is used to enable a DSP core interrupt when the HCP status bit in the HSR is set. When the HCIE bit is cleared, HCP interrupts are disabled. When the HCIE bit is set, a Host Command Interrupt request occurs if HCP is set. The interrupt address is determined by the host Command Vector Register (CVR). The HCIE bit is cleared on hardware reset.

Note: Host interrupt request priorities: If more than one interrupt request source is asserted and enabled (e.g., HRDF = 1, HCP = 1, HRIE = 1, and HCIE = 1), the HI08 generates interrupt requests according to **Table 7-4**.

Table 7-4 HI08 Interrupt Request Priority Order

Priority	Interrupt Source
Highest	Host Command (HCP = 1)
...	Transmit Data (HTDE = 1)
Lowest	Receive Data (HRDF = 1)

7.4.1.4 Host Flags 2 and 3 (HF[3:2])—Bits 3–4

The Host Flag 2 and Host Flag 3 (HF[3:2]) bits are used as general purpose flags for DSP-to-host communication. HF2 and HF3 may be set or cleared by the DSP core. HF2 and HF3 are reflected in the ISR on the host side such that if they are modified by the DSP software, the host processor can read the modified values by reading the ISR.

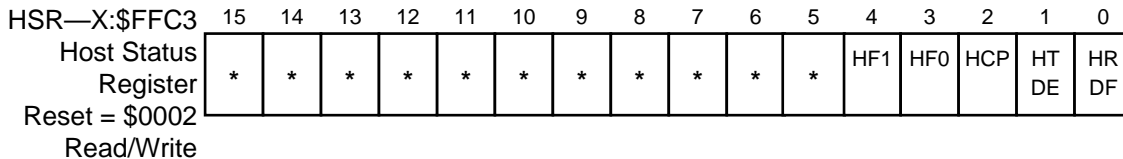
These two flags are not designated for any specific purpose, but are general purpose flags. They can be used individually or as encoded pairs in a simple DSP-to-host communication protocol, implemented in both the DSP and the host processor software.

7.4.1.5 Reserved Bits—Bits 5–15

Bits 5–15 in the HCR are reserved bits and are read as 0. They should be written with 0 to ensure future compatibility.

7.4.2 HI08 Status Register (HSR)

The HI08 Status Register (HSR) is a 16-bit read-only status register used by the DSP to read the status and flags of the HI08. It can not be directly accessed by the host processor. Reserved bits are read as 0s. The value of the HSR after reset is \$0002. All bits are cleared except for the Host Transmit Data Empty (HTDE) bit, which is set. The HSR bits are described in the following paragraphs.



* Indicates reserved bits, read as 0 and should be written with 0 for future compatibility

AA0724

Figure 7-3 Host Status Register (HSR) Programming Model

7.4.2.1 Host Receive Data Full (HRDF)—Bit 0

The Host Receive Data Full (HRDF) flag bit indicates that the Host Receive Data (HRX) register contains data from the host processor. The HRDF bit is set when data is transferred from the TXH:TXL registers to the HRX register. The HRDF bit is cleared when the HRX register is read by the DSP core. When the HRDF bit is set, the HI08 generates a receive data full request. The HRDF bit can also be cleared by the host processor using the initialize function. The HRDF bit is cleared on hardware reset.

7.4.2.2 Host Transmit Data Empty (HTDE)—Bit 1

The Host Transmit Data Empty (HTDE) flag bit indicates that the Host Transmit Data (HTX) register is empty and can be written by the DSP core. The HTDE bit is set when the HTX register is transferred to the RXH:RXL registers, and cleared when HTX is written by the DSP core. When the HTDE bit is set, the HI08 generates a Transmit Data Full request. HTDE can also be set by the host processor using the initialize function. The HTDE bit is set on hardware reset.

7.4.2.3 Host Command Pending (HCP)—Bit 2

The Host Command Pending (HCP) flag bit reflects the status of the HC bit in the Command Vector Register (CVR), indicating that a host command interrupt is pending. The HCP bit is set when the HC bit is set, and both bits are cleared by the HI08 hardware when the interrupt request is serviced by the DSP core. The host also can clear the HC bit, which clears the HCP bit as well. The HCP bit is cleared on hardware reset.

7.4.2.4 Host Flags 0 and 1 (HF[1:0])—Bits 3–4

The Host Flag bits (HF[1:0]) are used as a general purpose flags for host-to-DSP communication. The HF0 and HF1 bits can be set or cleared by the host. These bits reflect the status of host flags HF0 and HF1 in the ICR on the host side.

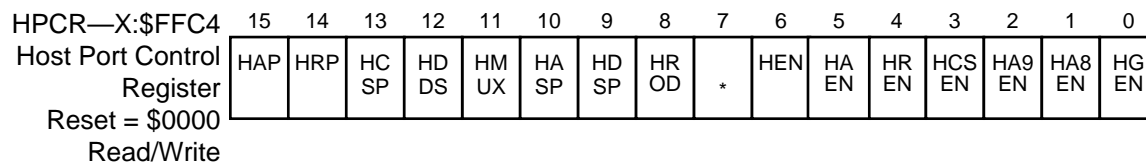
These two flags are not designated for any specific purpose but are general purpose flags. They can be used individually or as encoded pairs in a simple host-to-DSP communication protocol, implemented in both the DSP and the host processor software. The HF0 and HP1 bits are cleared on hardware reset.

7.4.2.5 Reserved Bits—Bits 5–15

Bits 5–15 in the HSR are reserved bits and are read as 0. They should be written with 0 to ensure future compatibility.

7.4.3 HI08 Port Control Register (HPCR)

The Host Port Control Register (HPCR) is 16-bit read/write control register used by the DSP to control the HI08 operating mode. The HPCR bits are cleared on hardware reset.



* Indicates reserved bits, read as 0 and should be written with 0 for future compatibility

AA0725

Figure 7-4 Host Port Control Register (HPCR) Programming Model

Note: In order to assure proper operation, the HPCR bits HAP, HRP, HCSP, HDDS, HMUX, HASP, HDSP, HROD, HAEN, and HREN should be changed only when the HEN bit is set to 0. Also, the HPCR bits should not all be written at the same time. Set the HEN bit only after the other bits have been written.

7.4.3.1 Host GPIO Port Enable (HGEN)—Bit 0

The Host GPIO Port Enable (HGEN) bit controls the GPIO port functionality of the HI08 pins. When the HGEN bit is set, pins that are configured as GPIO are enabled. When this bit is cleared, pins that are configured as GPIO are disconnected. Outputs are tri-stated, and inputs are electrically disconnected. Pins configured as HI08 are not affected. The HGEN bit is cleared on hardware reset.

7.4.3.2 Host Address Line 8 Enable (HA8EN)—Bit 1

The Host Address Line 8 Enable (HA8EN) bit allows using the HA8/A1 pin for Host Address line 8 (HA8). When the HA8EN bit is set and the HI08 is used in Multiplexed Bus mode, then the HA8/A1 pin is used as HA8. When the HA8EN bit is cleared and the HI08 is used in Multiplexed Bus mode, then HA8/A1 is used as a GPIO pin according to the value of HDDR and HDR. When the HI08 is not in the Multiplexed Bus mode (HMUX = 0), the HA8EN bit is ignored. The HA8EN bit is cleared on hardware reset.

7.4.3.3 Host Address Line 9 Enable (HA9EN)—Bit 2

When the Host Address Line 9 Enable (HA9EN) bit is set and the HI08 is used in Multiplexed Bus mode, the HA9/A2 pin is used as Host Address line 9 (HA9). When the HA9EN bit is cleared and the HI08 is used in Multiplexed Bus mode, then the HA9/A2 pin is configured as GPIO pin according to the value of HDDR and HDR. When the HI08 is not in the Multiplexed Bus mode (HMUX = 0), the HA9EN bit is ignored. The HA9EN bit is cleared on hardware reset.

7.4.3.4 Host Chip Select Enable (HCSEN)—Bit 3

When the Host Chip Select Enable (HCSEN) bit is set, then HCS/A10 is used as Host Chip Select (HCS) in the Non-Multiplexed Bus mode (HMUX = 0), and as address line 10 (HA10) in the Multiplexed Bus mode (HMUX = 1). When this bit is cleared, the HCS/A10 pin is configured as GPIO pin according to the value of HDDR and HDR. The HCSEN bit is cleared on hardware reset.

7.4.3.5 Host Request Enable (HREN)—Bit 4

The Host Request Enable (HREN) bit controls the host request pins. In the Single Host Request mode (HDRQ = 0 in the host-side Interface Control Register (ICR)), if HREN is set, HREQ/TRQ is configured as the Host Request (HREQ) output. When the HREN bit is cleared, HREQ/TRQ and HACK/RRQ are configured as GPIO pins according to the value of HDDR and HDR.

In the Double Host Request mode (HDRQ = 1 in the ICR), if HREN is set, HREQ/TRQ is configured as the Host Transmit Request (HTRQ) output and HACK/RRQ as the Host Receive Request (HRRQ) output. When the HREN bit is cleared, HREQ/TRQ and HACK/RRQ are configured as GPIO pins according to the value of HDDR and HDR. The HREN bit is cleared on hardware reset.

7.4.3.6 Host Acknowledge Enable (HAEN)—Bit 5

The Host Acknowledge Enable (HAEN) bit controls the HACK pin. In the Single Host Request mode (HDRQ = 0 in the ICR), if HAEN is set and HREN is set HACK/RRQ is configured as the Host Acknowledge (HACK) input. When either the HAEN bit or the HREN bit is cleared, the HACK/RRQ pin is configured as a GPIO pin according to the value of HDDR and HDR. In the Double Host Request mode (HDRQ = 1 in the ICR), HAEN is ignored. The HAEN bit is cleared on hardware reset.

7.4.3.7 Host Enable (HEN)—Bit 6

The Host Enable (HEN) bit controls the HI08 functionality. When the HEN bit is set, the HI08 operates as the Host Interface. When the HEN bit is cleared, the HI08 is not active, and all the HI08 pins are configured as GPIO pins according to the value of the HDDR and HDR. The HEN bit is cleared on hardware reset.

7.4.3.8 Reserved Bit—Bit 7

Bit 7 in the HSR is a reserved bit and is read as 0. This bit should be written with 0 to ensure future compatibility.

7.4.3.9 Host Request Open Drain (HROD)—Bit 8

The Host Request Open Drain (HROD) bit controls the output drive of the host request pins. In the Single Host Request mode (HDRQ = 0 in ICR), if HROD is cleared and host requests are enabled (HREN = 1 and HEN = 1 in the Host Port Control Register (HPCR)),

the HREQ pin is always driven. When the HROD bit is set and host requests are enabled, the HREQ pin is an open drain output.

In the Double Host Request mode ($HDRQ = 1$ in the ICR), if HROD is cleared and host requests are enabled ($HREN = 1$ and $HEN = 1$ in the HPCR), the HTRQ and HRRQ pins are always driven. When the HROD bit is set and host requests are enabled, the HTRQ and HRRQ pins are open drain outputs. The HROD bit is cleared on hardware reset.

7.4.3.10 Host Data Strobe Polarity (HDSP)—Bit 9

When the Host Data Strobe Polarity (HDSP) bit is set, the data strobe pins HDS or HRD and HWR are configured as active high inputs, and data is transferred when the data strobe is high. When the HDSP bit is cleared, the data strobe pins are configured as active low inputs, and data is transferred when the data strobe is low. The HDSP bit is cleared on hardware reset.

7.4.3.11 Host Address Strobe Polarity (HASP)—Bit 10

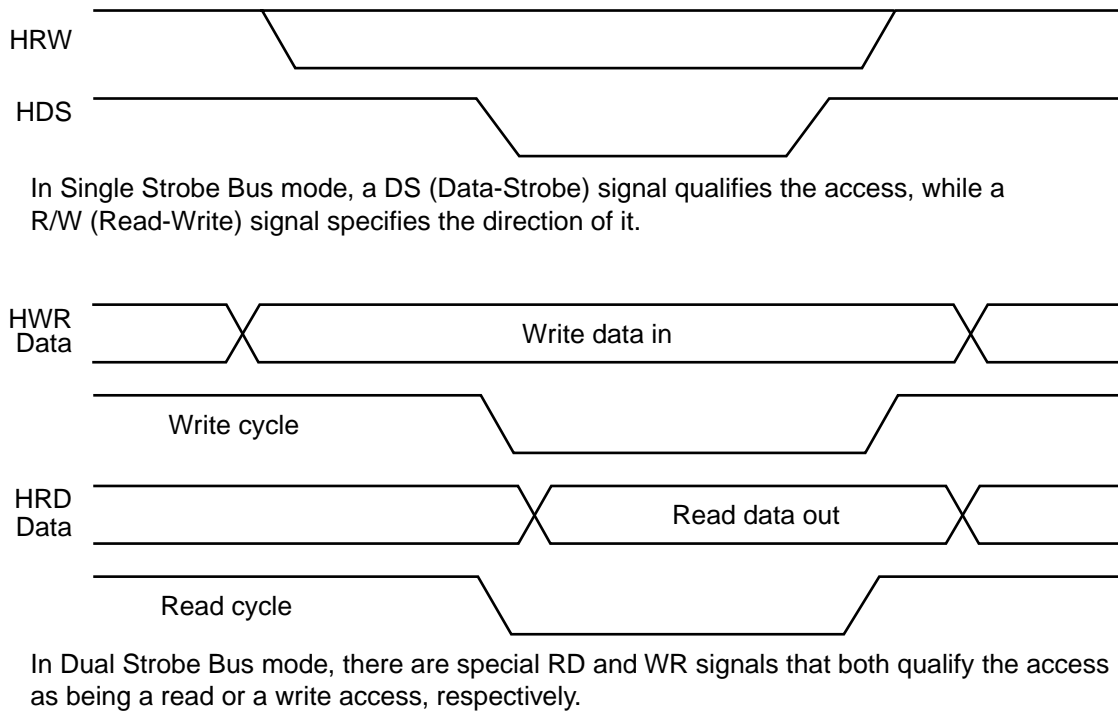
When the Host Address Strobe Polarity (HASP) bit is cleared, the Address Strobe (HAS) pin is an active low input, and the address on the host address/data bus is sampled when the HAS pin is low. When the HASP bit is set, HAS is an active high address strobe input, and the address on the host address/data bus is sampled when the HAS pin is high. The HASP bit is cleared on hardware reset.

7.4.3.12 Host Multiplexed Bus (HMUX)—Bit 11

When the Host Multiplexed Bus (HMUX) bit is set, the HI08 latches the lower portion of a multiplexed Address/Data bus. In this mode the internal address lines of the host registers are taken from the internal latch. When the HMUX bit is cleared, it indicates that the HI08 is connected to a non-multiplexed type of bus, and the address lines are taken from the HI08 input pins. The HMUX bit is cleared on hardware reset.

7.4.3.13 Host Dual Data Strobe (HDDS)—Bit 12

When the Host Dual Data Strobe (HDDS) bit is set, the HI08 operates in the Dual Strobe Bus mode (i.e., a bus with separated Read and Write data strobes). When the HDDS bit is cleared, the HI08 operates in the Single Strobe Bus mode (i.e., a host bus with a single Data Strobe signal). See **Figure 7-5** for a description on the two types of buses. The HDDS bit is cleared on hardware reset.



AA0726

Figure 7-5 Single and Dual Strobe Bus Modes
7.4.3.14 Host Chip Select Polarity (HCSP)—Bit 13

The Host Chip Select Polarity (HCSP) bit configures the polarity of the Host Chip Select (HCS) pin. When the HCS pin is asserted, the HI08 is selected. When the HCSP bit is set, the HCS pin is configured as an active high input and the HI08 is selected when the HCS pin is pulled high. When the HCSP bit is cleared, the HCS pin is configured as an active low input, and the HI08 is selected when the HCS pin is low. The HCSP bit is cleared on hardware reset.

7.4.3.15 Host Request Polarity (HRP)—Bit 14

The Host Request Polarity (HRP) bit controls the polarity of the Host Request (HREQ) pin. In the Single Host Request mode (the HDRQ bit in the ICR is cleared), if the HRP bit is cleared and host requests are enabled (the HREN and HEN bits in the HPCR are set), the HREQ pin is an active low output. When the HRP bit is set and host requests are enabled, the HREQ pin is active high.

In the Double Host Request mode (the HDRQ bit in the ICR is set), if HRP is cleared and host requests are enabled (the HREN and HEN bits in the HPCR are set), the HTRQ and HRRQ pins are active low outputs. When the HRP bit is set and host requests are enabled, the HTRQ and HRRQ pins are active high outputs. The HRP bit is cleared on hardware reset.

7.4.3.16 Host Acknowledge Polarity (HAP)—Bit 15

The Host Acknowledge Polarity (HAP) bit controls the polarity of the Host Acknowledge (HACK) pin. When the HAP bit is set, the HACK pin is configured as an active high input, and the HI08 outputs the contents of the IVR when the HACK pin is asserted high. When the HAP bit is cleared, the HACK pin is configured as an active low input, and the HI08 drives the contents of the IVR onto the host bus when the HACK pin is low. The HAP bit is cleared on hardware reset.

7.4.4 HI08 Data Direction Register (HDDR)

The HI08 Data Direction Register (HDDR) controls the direction of each of the HI08 pins configured as GPIO. Note that even when the HI08 is used as the Host Interface, some of its pins can be configured as GPIO pins and the direction of these pins is controlled by this register. For more information, see **General Purpose I/O** on page 7-30.

When the DRxx bit is set, the corresponding HI08 pin is configured as an output pin. When the DRxx bit is cleared, the corresponding HI08 pin is configured as an input pin.

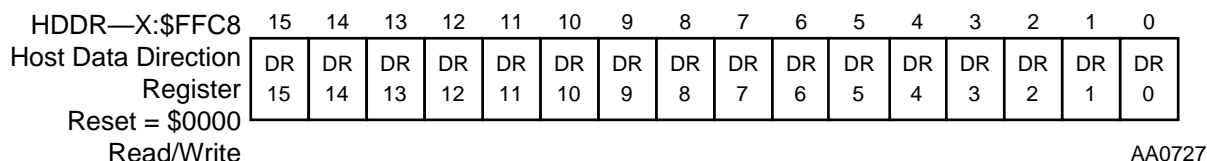


Figure 7-6 Host Data Direction Register (HDDR) Programming Model

7.4.5 HI08 Data Register (HDR)

The HI08 Data Register (HDR) holds the data value of the corresponding bits of the HI08 pins that are configured as GPIO pins. The bit Dxx functionality depends on the corresponding HDDR bit. See **Table 7-5**. The HDR cannot be accessed by the host processor.

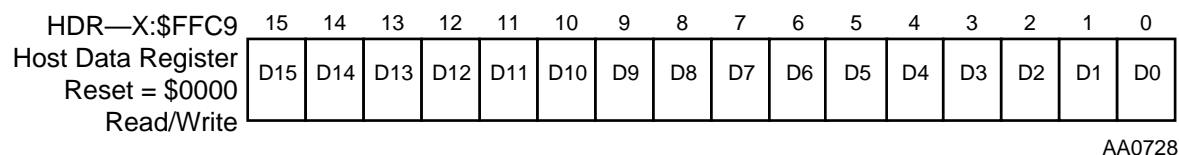


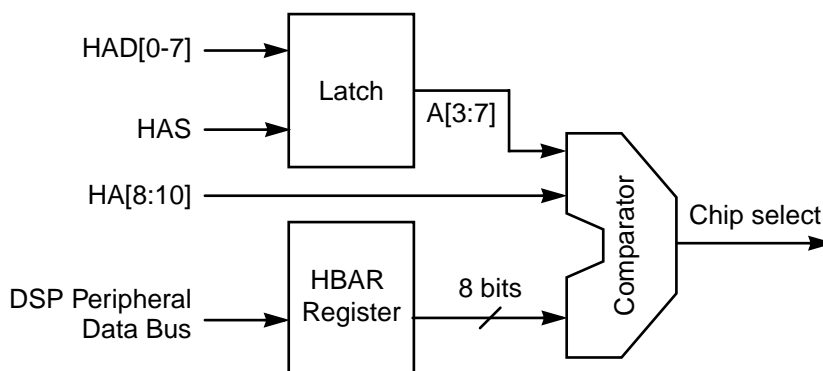
Figure 7-7 Host Data Register (HDR) Programming Model

Table 7-5 HDR and HDDR Bits Functionality

HDDR	HDR	
DR _{xx}	D _{xx}	
	GPIO pin	Non-GPIO pin
0	Read-only bit —The value read is the binary value of the pin. The corresponding pin is configured as an input.	Read-only bit —The bit does not contain significant data.
1	Read/write bit —The value written is the value read. The corresponding pin is configured as an output, and is driven with the data written to D _{xx} .	Read/write bit —The value written is the value read.

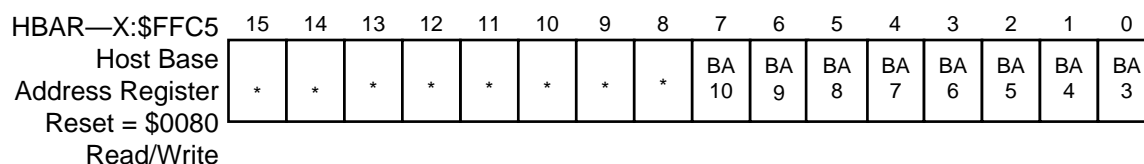
7.4.6 HI08 Base Address Register (HBAR)

The HI08 Base Address Register (HBAR) is used in Multiplexed Bus modes. This register selects the base address for the host side registers. The address from the host is compared with the base address as programmed in the HBAR, and the internal chip select is generated if a match is found. The mechanism that uses this register is shown in **Figure 7-8**. Bits 0–7 provide the base address. Bits 8–15 in the HBAR are reserved bits and are read as 0. They should be written with 0 to ensure future compatibility.



AA0729

Figure 7-8 Self Chip Select Logic



* Indicates reserved bits, read as 0 and should be written with 0 for future compatibility

AA0730

Figure 7-9 Host Base Address Register (HBAR) Programming Model

7.4.7 HI08 Receive Data Register (HRX)

The HI08 Receive Data (HRX) register is used for host-to-DSP data transfers. The HRX register is viewed as a 16-bit read-only register by the DSP core. The HRX register is loaded with 16-bit data from the transmit data registers (TXH:TXL) on the host side when both the transmit data register empty TXDE (host side) and DSP Host Receive Data Full (HRDF) bits are cleared. This transfer operation sets TXDE and HRDF. The HRX register contains valid data when the HRDF bit is set. Reading HRX clears HRDF. The DSP may program the HRIE bit to cause a Host Receive Data interrupt when HRDF is set.

7.4.8 HI08 Transmit Data Register (HTX)

The HI08 Transmit Data (HTX) register is used for DSP-to-host data transfers. The HTX register is viewed as a 16-bit write-only register by the DSP core. Writing the HTX register clears the HTDE bit in the HSR. The DSP can program the HTIE bit to cause a Host Transmit Data interrupt when HTDE is set. The HTX register is transferred as 16-bit data to the receive byte registers (RXH:RXL) if both the HTDE bit (DSP side) and Receive Data Full (RXDF) status bits (host side) are cleared. This transfer operation sets RXDF and HTDE. Data should not be written to the HTX until HTDE is set to prevent the previous data from being overwritten.

7.4.9 DSP Side Registers After Reset

Table 7-6 shows the results of the four reset types on the bits in each of the HI08 registers accessible by the DSP core.

Table 7-6 DSP Side Registers after Reset

Register Name	Register Data	Reset Type			
		Hardware Reset ¹	Software Reset ²	HI08 Individual Reset ³	STOP Reset ⁴
HCR	All bits	0	0	—	—
HPCR	All bits	0	0	—	—
HSR	HF[1:0]	0	0	—	—
	HCP	0	0	0	0
	HTDE	1	1	1	1
	HRDF	0	0	0	0
HBAR	BA[10:3]	\$80	\$80	—	—
HDDR	DR[15:0]	0	0	—	—
HDR	D[15:0]	—	—	—	—
HRX	HRX[15:0]	Empty	Empty	Empty	Empty
HTX	HTX[15:0]	Empty	Empty	Empty	Empty
Notes: 1. Caused by $\overline{\text{RESET}}$ signal 2. Caused by executing the RESET instruction 3. Caused by clearing the HEN bit in the HPCR 4. Caused by executing the STOP instruction					

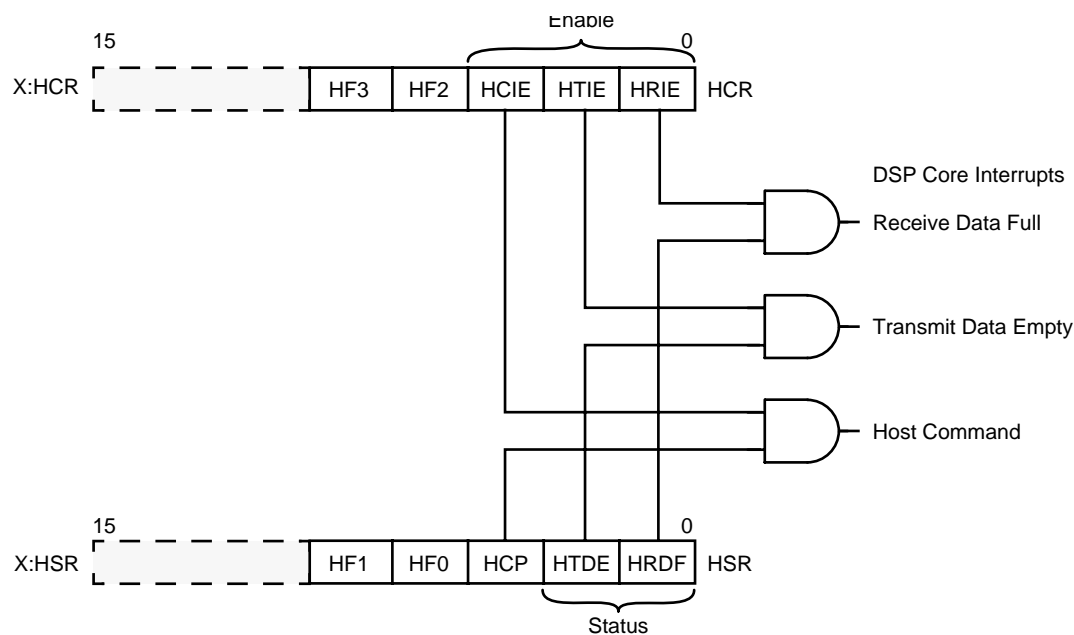
7.4.10 HI08 DSP Core Interrupts

The HI08 may request interrupt service from either the DSP core or the host processor. The DSP core interrupts are internal and do not require the use of an external interrupt pin (see **Figure 7-10**). When the appropriate interrupt enable bit in the HCR is set, an interrupt condition caused by the host processor sets the appropriate bit in the HSR, which generates an interrupt request to the DSP core. The DSP core acknowledges interrupts caused by the host processor by jumping to the appropriate interrupt service routine. The three possible interrupts are:

HI08—External Host Programmer’s Model

- Receive data register full
- Transmit data register empty
- Host command

The host command can access any interrupt vector in the interrupt vector table, although it has a set of vectors reserved for host command use. The DSP interrupt service routine must read or write the appropriate HI08 register (e.g., by clearing the HRDF or HTDE bit) to clear the interrupt. In the case of host command interrupts, the interrupt acknowledge from the DSP core Program Controller Unit (PCU) clears the pending interrupt condition.



AA0667

Figure 7-10 HSR–HCR Operation

7.5 HI08—EXTERNAL HOST PROGRAMMER’S MODEL

The HI08 appears to the host processor as eight byte-wide registers. The host can access the HI08 asynchronously by using polling techniques or interrupt-based techniques. Separate transmit and receive data registers are double-buffered to allow the DSP core and host processor to transfer data efficiently at high speed.

The HI08 appears to the host processor as a memory-mapped peripheral occupying eight bytes in the host processor address space (see **Table 7-7**). These registers can be

viewed as a control register (ICR), a status register (ISR), two data registers (RXH/TXH and RXL/TXL), and two vector registers (IVR and CVR). The CVR is a special command register that is used by the host processor to issue commands to the DSP. These registers can be accessed only by the host processor.

Host processors can use standard host processor instructions (e.g., byte move) and addressing modes to communicate with the HI08 registers. The HI08 registers are addressed so that 8-bit host processors can use 8/16-bit load and store instructions for data transfers. The HREQ/HTRQ and HACK/HRRQ handshake flags are provided for polled or interrupt-driven data transfers with the host processor. Because the DSP interrupt response is sufficiently fast, most host microprocessors can load or store data at their maximum programmed I/O instruction rate without testing the handshake flags for each transfer. If full handshake is not needed, the host processor can treat the DSP as a fast device, and data can be transferred between the host processor and the DSP at the fastest host processor data rate.

One of the most innovative features of the Host Interface is the host command feature. With this feature, the host processor can issue vectored interrupt requests to the DSP core. The host can select any of 128 DSP interrupt routines to be executed by writing a vector address register in the HI08. This flexibility allows the host programmer to execute as many as 128 pre-programmed functions inside the DSP core. For example, host interrupts can allow the host processor to read or write DSP registers (X, Y, or program memory locations), force interrupt handlers (e.g., SSI, SCI, $\overline{\text{IRQA}}$, $\overline{\text{IRQB}}$ interrupt routines), and perform control and debugging operations if interrupt routines are implemented in the DSP to perform these tasks.

Note: Users should be aware that when the DSP core enters the Stop mode, the HI08 pins are electrically disconnected internally, thus disabling the HI08 until the core leaves Stop mode. While the HI08 configuration remains unchanged while in Stop mode, the core cannot be restarted via the HI08.

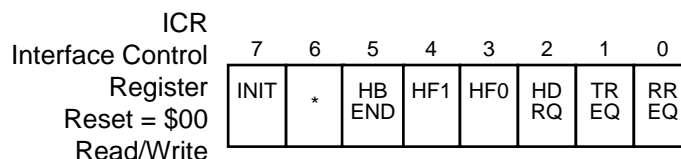
Do not issue a STOP command to the DSP via the HI08 unless some other mechanism for exiting Stop mode is provided.

Table 7-7 HI08 Host Side Register Map

Host Address	“Big Endian” HLEND = 0	“Little Endian” HLEND = 1	
0	ICR	ICR	Interface Control
1	CVR	CVR	Command Vector
2	ISR	ISR	Interface Status
3	IVR	IVR	Interrupt Vector
4	00000000	00000000	Unused
5	00000000	00000000	Unused
6	RXH/TXH	RXL/TXL	Receive/Transmit Bytes
7	RXL/TXL	RXH/TXH	
	↕	↕	
	Host Data Bus H0–H7	Host Data Bus H0–H7	

7.5.1 Interface Control Register (ICR)

The Interface Control Register (ICR) is an 8-bit read/write control register used by the host processor to control the HI08 interrupts and flags. The ICR cannot be accessed by the DSP core. The ICR is a read/write register, which allows the use of bit manipulation instructions on control register bits. The control bits are described in the following paragraphs. **Figure 7-11** shows the programming model of the ICR.



* Indicates reserved bits, read as 0 and should be written with 0 for future compatibility

AA1147

Figure 7-11 Interface Control Register Programming Model

7.5.1.1 Receive Request Enable (RREQ)—Bit 0

The Receive Request Enable (RREQ) bit is used to control the HREQ pin for host receive data transfers. The RREQ bit is used to enable host requests via the host request (HREQ or HRRQ) pin when the Receive Data register Full (RXDF) status bit in the ISR is set. When the RREQ bit is cleared, RXDF interrupts are disabled. When the RREQ bit is set, the host request pin (HREQ or HRRQ) is asserted if RXDF is set. The RREQ bit is cleared on hardware reset.

7.5.1.2 Transmit Request Enable (TREQ)—Bit 1

The Transmit Request Enable (TREQ) bit is used to enable host requests via the host request (HREQ or HTRQ) pin when the Transmit Data Register Empty (TXDE) status bit in the ISR is set. When the TREQ bit is cleared, TXDE interrupts are disabled. When the TREQ bit is set, the host request pin is asserted if TXDE is set. The TREQ bit is cleared on hardware reset.

Table 7-8 and **Table 7-8** summarize the effect of RREQ and TREQ on the HREQ pin.

Table 7-8 TREQ and HREQ Modes (HDRQ = 0)

TREQ	RREQ	HREQ Pin
0	0	No Interrupts (Polling)
0	1	RXDF Request (Interrupt)
1	0	TXDE Request (Interrupt)
1	1	RXDF and TXDE Request (Interrupts)

Table 7-9 TREQ and HREQ Modes (HDRQ = 1)

TREQ	RREQ	HTRQ Pin	HRRQ Pin
0	0	No Interrupts (Polling)	No Interrupts (Polling)
0	1	No Interrupts (Polling)	RXDF Request (Interrupt)
1	0	TXDE Request (Interrupt)	No Interrupts (Polling)
1	1	TXDE Request (Interrupt)	RXDF Request (Interrupt)

7.5.1.3 Double Host Request (HDRQ)—Bit 2

When the Double Host Request (HDRQ) bit is set, the HREQ/TRQ pin is configured as HTRQ, and the HACK/RRQ pin is configured as HRRQ. When the HDRQ bit is cleared, the HREQ/TRQ pin is configured as HREQ, and the HACK/RRQ is configured as HACK. The HDRQ bit is cleared on hardware reset.

7.5.1.4 Host Flag 0 (HF0)—Bit 3

The Host Flag 0 (HF0) bit is used as a general purpose flag for host-to-DSP communication. HF0 can be set or cleared by the host processor, but cannot be changed by the DSP core. HF0 is reflected in the HSR on the DSP side of the HI08. The HF0 bit is cleared on hardware reset.

7.5.1.5 Host Flag 1 (HF1)—Bit 4

The Host Flag 1 (HF1) bit is used as a general purpose flag for host-to-DSP communication. The HF1 bit can be set or cleared by the host processor, but can not be changed by the DSP core. The HF1 bit is reflected in the HSR on the DSP side of the HI08. The HF1 bit is cleared on hardware reset.

7.5.1.6 Host Little Endian (HLEND)—Bit 5

The Host Little Endian (HLEND) bit allows the HI08 to be accessed by the host in “Little Endian” or “Big Endian” data order. When the HLEND bit in the ICR is set, the HI08 can be accessed by the host in “Little Endian” order. The RXH/TXH is located at address \$7 and RXL/TXL at \$6. When the HLEND bit is cleared, the HI08 can be accessed by the host in “Big Endian” host data order. The RXH/TXH is located at address \$6 and RXL/TXL at \$7. The HLEND bit is cleared on hardware reset.

7.5.1.7 Initialize Bit (INIT)—Bit 7

The Initialize (INIT) bit is used by the host processor to force initialization of the HI08 hardware. Initialization consists of configuring the HI08 transmit and receive control bits. Using the INIT bit to initialize the HI08 hardware may or may not be necessary, depending on the software design of the interface.

The type of initialization done when the INIT bit is set depends on the state of TREQ and RREQ in the HI08. The INIT command, which is local to the HI08, is designed to conveniently configure the HI08 into the desired data transfer mode. The commands are described in **Table 7-10**. The host sets the INIT bit, which causes the HI08 hardware to execute the INIT command. The interface hardware clears the INIT bit when the command has been executed.

Table 7-10 INIT Commands

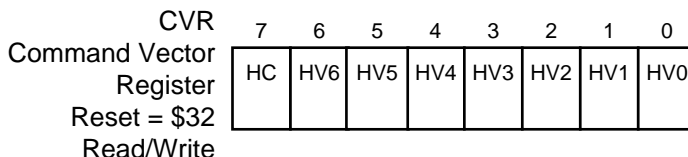
TREQ	RREQ	After INIT Execution	Transfer Direction Initialized
0	0	INIT = 0	None
0	1	INIT = 0; RXDF = 0; HTDE = 1	DSP to Host
1	0	INIT = 0; TXDE = 1; HRDF = 0	Host to DSP
1	1	INIT = 0; RXDF = 0; HTDE = 1; TXDE = 1; HRDF = 0	Host to/from DSP

7.5.1.8 Reserved Bit—Bit 6

Bit 6 is reserved and should be written as 0 to ensure future compatibility.

7.5.2 Command Vector Register (CVR)

The Command Vector Register (CVR) is used by the host processor to cause the DSP core to execute an interrupt. The host command feature is independent of any of the data transfer mechanisms in the HI08. It can be used to cause any of the 128 possible interrupt routines in the DSP core to be executed.



AA0732

Figure 7-12 Command Vector Register (CVR)

7.5.2.1 Host Vector (HV[6:0])—Bits 0–6

The seven Host Vector (HV[6:0]) bits select the host command interrupt address to be used by the host command interrupt logic. When the host command interrupt is recognized by the DSP interrupt control logic, the address of the interrupt routine taken is 2•HV. The host can write HC and HV in the same write cycle.

The host processor can select any of the 128 possible interrupt routine starting addresses in the DSP by writing the interrupt routine address divided by 2 into HV[6:0]. This means that the host processor can force any of the existing interrupt handlers (SSI, IRQA, IRQB, etc.) and can use any of the reserved or otherwise unused addresses

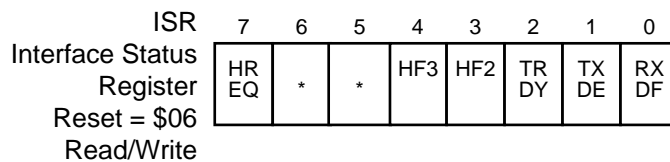
provided they have been pre-programmed in the DSP. The HV[6:0] bits are set to \$32 (vector location \$0064) by hardware, software, individual, and Stop resets.

7.5.2.2 Host Command Bit (HC)—Bit 7

The Host Command (HC) bit is used by the host processor to handshake the execution of host command interrupts. Normally, the host processor sets HC = 1 to request the host command interrupt from the DSP core. When the host command interrupt is acknowledged by the DSP core, the HC bit is cleared by the HI08 hardware. The host processor can read the state of the HC bit to determine when the host command has been accepted. After writing HC = 1 to the CVR, the host must not write to the CVR again until the HC bit is cleared by the HI08 hardware. Setting the HC bit causes host command pending (HCP) to be set in the HSR. The host can write both the HC and the HV bits in the same write cycle if desired.

7.5.3 Interface Status Register (ISR)

The Interface Status Register (ISR) is an 8-bit read-only status register used by the host processor to interrogate the status and flags of the HI08. The host processor can write this address without affecting the internal state of the HI08, which is useful if the user desires to access all of the HI08 registers by stepping through the HI08 addresses. The ISR can be accessed by the DSP core. The status bits are described in the following paragraphs.



* Indicates reserved bits, read as 0 and should be written with 0 for future compatibility

AA0733

Figure 7-13 Interface Status Register Programming Model

7.5.3.1 Receive Data Register Full (RXDF)—Bit 0

The Receive Data Register Full (RXDF) flag bit indicates that the receive byte registers (RXH and RXL) contain data from the DSP core and can be read by the host processor. The RXDF bit is set when the HTX is transferred to the receive byte registers. RXDF is cleared when the receive data (RXL or RXH according to HLEND bit) register is read by the host processor. RXDF can be cleared by the host processor using the initialize function. RXDF may be used to assert the external HREQ pin if the RREQ bit is set.

Regardless of whether the RXDF interrupt is enabled, RXDF provides valid status so that polling techniques may be used by the host processor.

7.5.3.2 Transmit Data Register Empty (TXDE)—Bit 1

The Transmit Data Register Empty (TXDE) bit indicates that the transmit byte registers (TXH, and TXL) are empty and can be written by the host processor. TXDE is set when the transmit byte registers are transferred to the HRX register. TXDE is cleared when the transmit (TXL or TXH according to HLEND bit) register is written by the host processor. TXDE can be set by the host processor using the initialize feature. TXDE may be used to assert the external HREQ pin if the TREQ bit is set. Regardless of whether the TXDE interrupt is enabled, TXDE provides valid status so that polling techniques may be used by the host processor.

7.5.3.3 Transmitter Ready (TRDY)—Bit 2

The Transmitter Ready (TRDY) flag bit indicates that TXH, TXL, and the HRX registers are empty.

$$\text{TRDY} = \text{TXDE} \bullet \overline{\text{HRDF}}$$

When the TRDY bit is set, the data that the host processor writes to the TXH and TXL registers is immediately transferred to the DSP side of the HI08. This has many applications. For example, if the host processor issues a host command which causes the DSP core to read the HRX, the host processor can be guaranteed that the data it just transferred to the HI08 is what is being received by the DSP core.

7.5.3.4 Host Flag 2 (HF2)—Bit 3

The Host Flag 2 (HF2) bit in the ISR indicates the state of host flag 2 in the HCR on the DSP side. The HF2 bit can only be changed by the DSP (see **Host Flags 2 and 3 (HF[3:2])—Bits 3–4** on page 7-10).

7.5.3.5 Host Flag 3 (HF3)—Bit 4

The Host Flag 3 (HF3) bit in the ISR indicates the state of host flag 3 in the HCR on the DSP side. The HF3 bit can only be changed by the DSP (see **Host Flags 2 and 3 (HF[3:2])—Bits 3–4** on page 7-10).

7.5.3.6 Reserved Bits—Bits 5 and 6

Bits 5 and 6 in the ISR are reserved bits and are read as 0. They should be written with 0 to ensure future compatibility.

7.5.3.7 ISR Host Request (HREQ)—Bit 7

The ISR Host Request (HREQ) bit indicates the status of the external host request output pin (HREQ) if the HDRQ bit is cleared; or the external transmit and receive request output pins (HTRQ and HRRQ, respectively) if HDRQ is set.

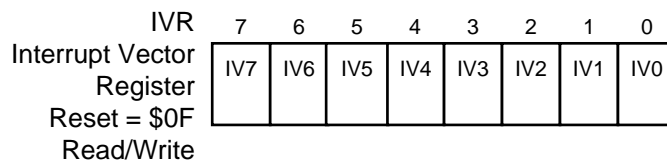
When the HDRQ bit is cleared: If the HREQ status bit is cleared, it indicates that the Host Request pin (HREQ) is deasserted and no host processor interrupts are being requested. If the HREQ status bit is set, it means that the Host Request pin (HREQ) is asserted, indicating that the DSP is interrupting the host processor.

When the HDRQ bit is set: If the HREQ status bit is cleared, it indicates that the HTRQ and HRRQ pins are deasserted and no host processor interrupts are being requested. When the HREQ status bit is set, it means that the HTRQ pin or HRRQ pin is asserted, indicating that the DSP is interrupting the host processor.

The HREQ bit may be set from either or both of two sources—the receive byte registers are full or the transmit byte registers are empty. These conditions are indicated by the ISR RXDF and TXDE status bits, respectively. If the interrupt source has been enabled by the associated request enable bit in the ICR, HREQ is set if one or more of the two enabled interrupt sources is set.

7.5.4 Interrupt Vector Register (IVR)

The Interrupt Vector Register (IVR) is an 8-bit read/write register that typically contains the interrupt vector number used with MC68000 family processor vectored interrupts. Only the host processor can read and write this register. The contents of IVR are placed on the Host Data Bus (H0–H7) when both the HREQ and HACK pins are asserted. The contents of this register are initialized to a pre-defined value by a hardware or software reset, which corresponds to the uninitialized interrupt vector in the MC68000 family.



AA0734

Figure 7-14 Interrupt Vector Register (IVR)

7.5.5 Receive Byte Registers (RXH, RXL)

The receive byte registers are viewed as two 8-bit read-only registers by the host processor. These registers are called Receive High (RXH) and Receive Low (RXL). These

two registers receive data from the high byte, and low byte, respectively, of the HTX register and are selected by two external host address inputs (HA1 and HA0) during a host processor read operation. The receive byte registers contain valid data when the Receive Data register Full (RXDF) bit is set. The host processor may program the RREQ bit to assert the external HREQ pin when RXDF is set. This informs the host processor that the receive byte registers are full. Reading the data register at host address \$7 clears the RXDF bit. When the HLEND bit in the ICR is cleared, the RXH is located at address \$6 and RXL at \$7. When the HLEND bit in the ICR is set, the RXH is located at address \$7 and RXL at \$6.

7.5.6 Transmit Byte Registers (TXH, TXL)

The transmit byte registers are viewed as two 8-bit write-only registers by the host processor. These registers are called Transmit High (TXH) and Transmit Low (TXL). These two registers send data to the high byte and low byte, respectively, of the HRX register and are selected by two external host address inputs (HA1 and HA0) during a host processor write operation. Data can be written into the transmit byte registers when the Transmit Data register Empty (TXDE) bit is set. The host processor can program the TREQ bit to assert the external HREQ pin when TXDE is set. This informs the host processor that the transmit byte registers are empty. Writing the data register at host address \$7 clears the TXDE bit. When the HLEND bit in the ICR is cleared, the TXH is located at address \$6 and TXL at \$7. When the HLEND bit in the ICR is set, the TXH is located at address \$7 and TXL at \$6. The transmit byte registers are transferred as 16-bit data to the HRX register when both TXDE and the HRDF bit are cleared. This transfer operation sets TXDE and HRDF.

7.5.7 Host Side Registers After Reset

Table 7-11 shows the result of the four kinds of reset on bits in each of the HI08 registers seen by the host processor. The hardware reset is caused by asserting the $\overline{\text{RESET}}$ pin; the software reset is caused by executing the RESET instruction; the individual reset is caused by clearing the HEN bit in the HPCR, and the Stop reset is caused by executing the STOP instruction.

Table 7-11 Host Side Registers After Reset

Register Name	Register Data	Reset Type			
		Hardware Reset	Software Reset	Individual Reset	Reset
ICR	All bits	0	0	—	—
CVR	HC	0	0	0	0
	HV[6:0]	\$32	\$32	—	—
ISR	HREQ	0	0	1 if TREQ is set, 0 if TREQ is cleared	1 if TREQ is set, 0 if TREQ is cleared
	HF[3:2]	0	0	—	—
	TRDY	1	1	1	1
	TXDE	1	1	1	1
	RXDF	0	0	0	0
IVR	IV[7:0]	\$0F	\$0F	—	—
RX	RXH: RXL	Empty	Empty	Empty	Empty
TX	TXH: TXL	Empty	Empty	Empty	Empty

7.6 GENERAL PURPOSE I/O

When configured as General Purpose I/O (GPIO), the HI08 is viewed by the DSP core as memory-mapped registers that control as many as sixteen I/O pins. The software and hardware resets configure the HI08 as GPIO with all sixteen pins disconnected, by clearing all DSP-side control registers. External circuitry connected to these pins may need external pull-up or pull-down resistors until the pins are configured for operation. These registers are the HI08 Port Control Register (HPCR), the HI08 Data Direction Register (HDDR), and the HI08 Data Register (HDR). Selection between GPIO and HI08 functionality is made by clearing bits 6–1 in the HPCR for GPIO, or setting these bits for HI08 functionality. The HDDR configures each corresponding pin in the HDR as an input pin if the HDDR bit is cleared or as an output pin if the HDDR bit is set (see **HI08 Data Direction Register (HDDR)** on page 7-16 and **HI08 Data Register (HDR)** on page 7-16).

7.6.1 Servicing the Host Interface

The HI08 can be serviced by using one of the following protocols:

- Polling
- Interrupts

From the host processor viewpoint, the service consists of making a data transfer since this is the only way to reset the appropriate status bits.

7.6.2 HI08 Host Processor Data Transfer

The HI08 looks like Static RAM to the host processor. To transfer data with the HI08, the host processor must do the following:

1. Assert the HI08 address to select the register to be read or written.
2. Select the direction of the data transfer.
3. Strobe the data transfer.

7.6.3 Polling

In the Polling mode of operation, the HREQ pin is not connected to the host processor and HACK must be deasserted to insure IVR data is not being driven on H0–H7 when other registers are being polled. (HACK can also be configured as a GPIO pin if the HACK function is not required. See **HI08 Port Control Register (HPCR)** on page 7-12.)

The host processor first performs a data read transfer to read the ISR (see **Figure 7-15**) to determine, whether:

1. RXDF = 1 indicates the Receive Data register is full, and a data read should be performed.
2. TXDE = 1 indicates the Transmit Data register is empty, and a data write can be performed.
3. TRDY = 1 indicates the Transmit Data register is empty and that the Receive Data register on the DSP side is also empty so that the data written by the host processor can be transferred directly to the DSP side.

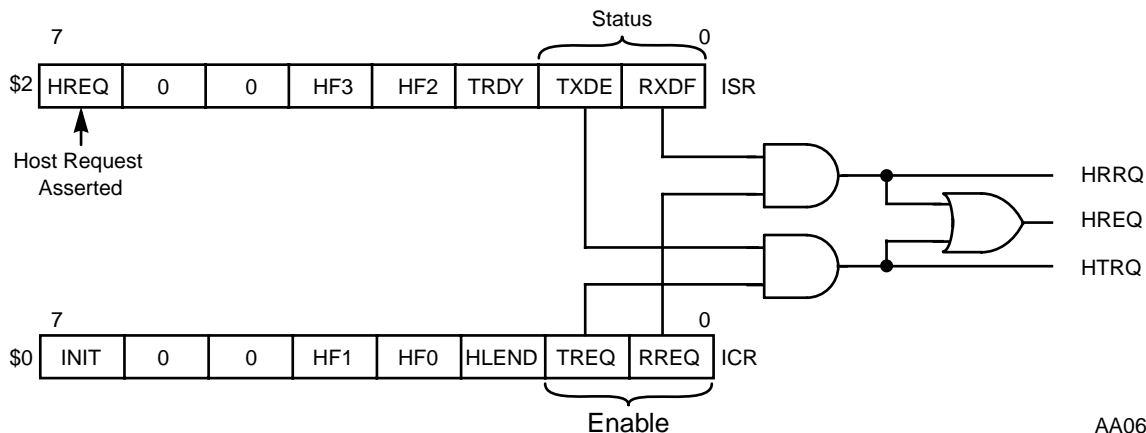
4. $HF2 \cdot HF3 \neq 0$ may indicate an application-specific state within the DSP core has been reached, which requires action on the part of the host processor.
5. When $HREQ = 1$, the HREQ pin has been asserted, and one of the previous four conditions exists.

Generally, after the appropriate data transfer has been made, the corresponding status bit is updated to reflect the transfer.

If the host processor has issued a command to the DSP by writing the CVR and setting the HC bit, it can read the HC bit in the CVR to determine when the command has been accepted by the interrupt controller in the DSP core. When the command has been accepted for execution, the HC bit is cleared by the interrupt controller in the DSP core.

7.6.4 Servicing Interrupts

When HREQ is connected to the host processor interrupt input, the HI08 can request service from the host processor by asserting HREQ. HREQ is asserted when $TXDE = 1$ and/or $RXDF = 1$ and the corresponding enable bit (TREQ or RREQ, respectively) is set. This is depicted in Figure 7-15.



AA0672

Figure 7-15 HI08 Host Request Structure

Generally, servicing the interrupt starts with reading the ISR to determine which DSP flag has generated the interrupt. The host processor interrupt service routine must read or write the appropriate HI08 register to clear the interrupt. HREQ is deasserted when the enabled request is cleared or masked.

The host processor interrupts are external and use the HREQ pin. HREQ is normally connected to the host processor maskable interrupt input. The host processor acknowledges host interrupts by executing an interrupt service routine. The two LSBs (RXDF and TXDE) of the ISR may be tested by the host processor to determine the interrupt source (see **Figure 7-15**). The host processor interrupt service routine must read or write the appropriate HI08 register to clear the interrupt. HREQ is deasserted when one of the following occurs:

- The enabled request is cleared or masked.
- The DSP is reset.

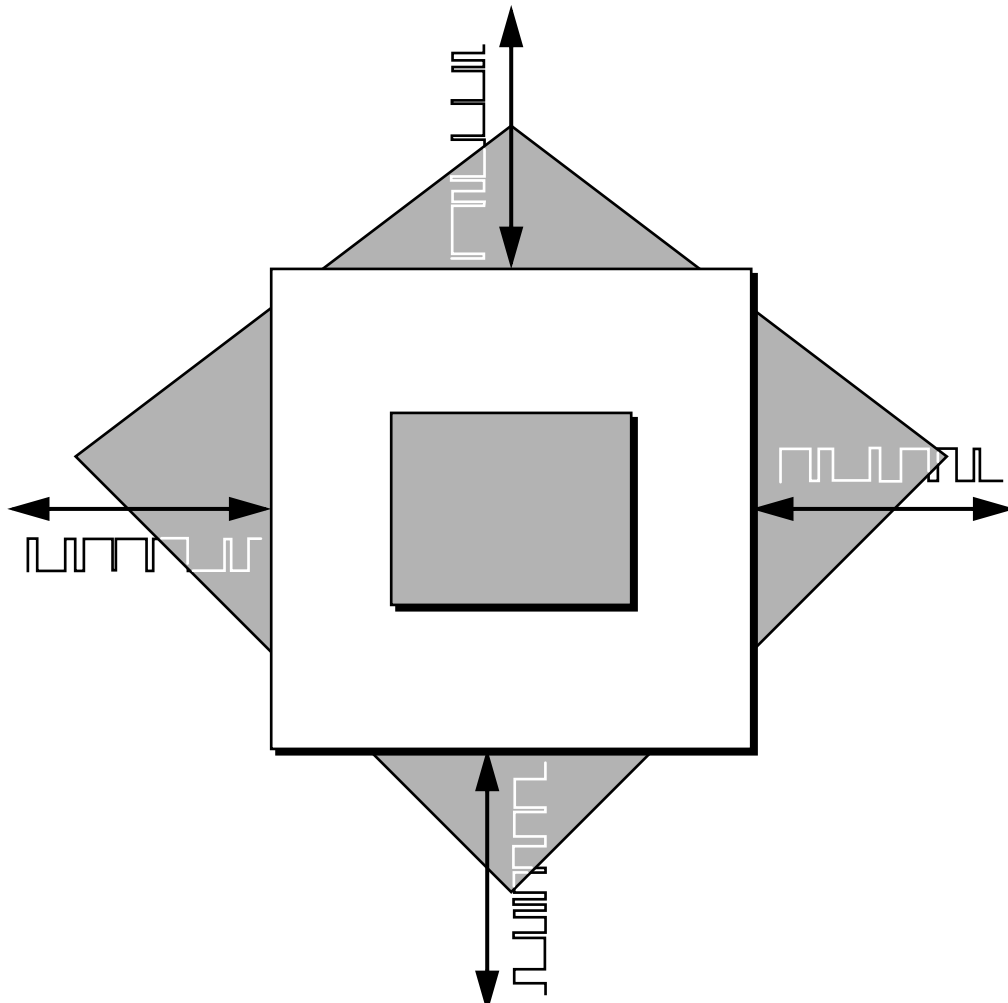
In the case where the host processor is a member of the MC680XX family, servicing the interrupt starts by asserting $\overline{\text{HREQ}}$ to interrupt the processor. The host processor then acknowledges the interrupt by asserting $\overline{\text{HACK}}$. When $\overline{\text{HREQ}}$ and $\overline{\text{HACK}}$ are simultaneously asserted, the contents of the IVR are placed on the host data bus. This vector tells the host processor which routine to use to service the $\overline{\text{HREQ}}$ interrupt.





SECTION 8

SYNCHRONOUS SERIAL INTERFACE





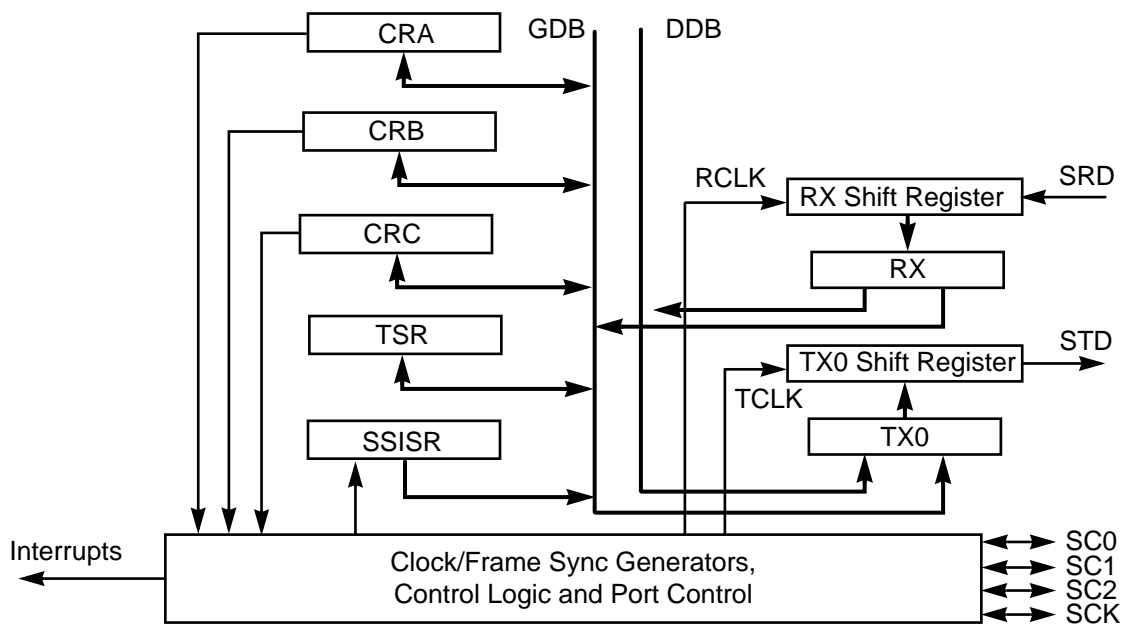
8.1 INTRODUCTION8-3
8.2 SSI DATA AND CONTROL PINS8-4
8.3 SSI PROGRAMMING MODEL8-7
8.4 OPERATING MODES8-22

8.1 INTRODUCTION

This section presents the Synchronous Serial Interface (SSI) and discusses its architecture, programming model, operating modes, and initialization. The capabilities of the SSI include:

- Independent (asynchronous) or shared (synchronous) transmit and receive sections with separate or shared internal/external clocks and frame syncs
- Normal mode operation using frame sync
- Network mode operation with as many as 32 time slots
- Programmable word length (8, 12, or 16 bits)
- Program options for frame synchronization and clock generation

The DSP56602 provides two independent, identical SSIs. (For simplicity, a single SSI is described in this section.) Each SSI provides a full-duplex serial port for communication with a variety of serial devices, including one or more industry-standard codecs, other DSPs, microprocessors, and peripherals that implement the Motorola Serial Peripheral Interface (SPI). The SSI consists of independent transmitter and receiver sections and a common SSI clock generator. SSI pins can also be configured for use as General Purpose I/O (GPIO) pins when not used by the SSI. **Figure 8-1** shows a block diagram of the SSI.



AA0735

Figure 8-1 SSI Block Diagram

8.2 SSI DATA AND CONTROL PINS

Each SSI provides the following signal connections:

- SC0—Serial Control Pin 0
- SC1—Serial Control Pin 1
- SC2—Serial Control Pin 2
- SCK—Serial Clock Pin
- SRD—Serial Receive Data Pin
- STD—Serial Transmit Data Pin

8.2.1 Serial Control 0 (SC0)

The function of the Serial Control 0 (SC0) pin is determined by the selection of either Synchronous or Asynchronous mode (see **Table 8-3** on page 8-11). In Asynchronous mode, this pin is used for the receive clock I/O. In Synchronous mode, this pin is used for Serial I/O Flag 0. A typical application of flag I/O would be multiple device selection for addressing in codec systems. When this pin is configured as a serial flag pin, its direction is determined by the SCD0 bit in the SSI Control Register C (CRC) (see **Serial Control 0 Direction (SCD0)—Bit 2** on page 8-14). When configured as an output, this pin functions either as Serial Output Flag 0, based on control bit OF0 in the SSI Control Register B (CRB), or as a receive shift register clock output. When configured as an input, this pin is used either as Serial Input Flag 0, which controls the IF1 flag bit in the SSI Status Register (SSISR), or as a receive shift register clock input.

The SC0 pin can be programmed as a GPIO pin (PC0 on SSI0, and PD0 on SSI1) when the SSI SC0 function is not being used.

8.2.2 Serial Control 1 (SC1)

The function of the Serial Control 1 (SC1) pin is determined by the selection of either Synchronous or Asynchronous mode (see **Table 8-3** on page 8-11). In Asynchronous mode (such as a single codec with asynchronous transmit and receive), this pin provides the receiver frame sync I/O. In Synchronous mode, this pin is used for Serial I/O Flag 1 and operates like the previously described SC0. The SC0 and SC1 pins provide independent serial I/O flags, but can be used together for multiple serial device selection. The SC0 and SC1 pins can be used unencoded to select either one or two

codecs, or can be decoded externally to select as many as four codecs. If this pin is configured as a serial flag pin, its direction is determined by the SCD1 bit in the CRC (see **Serial Control 1 Direction (SCD1)—Bit 3** on page 8-14). When configured as an output, this pin provides either Serial Output Flag 1 (based on control bit OF1) or the receive frame sync signal. When configured as an input, this pin can be used as Serial Input Flag 1, which controls the IF1 flag bit in the SSI Status Register (SSISR), or as a receive frame sync from an external source.

The SC1 pin can be programmed as a GPIO pin (PC1 on SSI0, or PD1 on SSI1) when the SSI SC1 function is not being used.

8.2.3 Serial Control 2 (SC2)

The Serial Control 2 (SC2) pin is used for frame sync I/O. The SC2 pin provides frame synchronization for both the transmitter and receiver in Synchronous mode, and frame synchronization for the transmitter only in Asynchronous mode (see **Table 8-3** on page 8-11). The direction of this pin is determined by the SCD2 bit in the CRC (described in **Serial Control 2 Direction (SCD2)—Bit 4** on page 8-15). When configured as an output, this pin provides the internally generated frame sync signal. When configured as an input, this pin receives an external frame sync signal for the transmitter and the receiver in Synchronous mode, and for the transmitter only in Asynchronous mode.

The SC2 pin can be programmed as a GPIO pin (PC2 on SSI0, or PD2 on SSI1) when the SSI SC2 function is not being used.

8.2.4 Serial Clock (SCK)

The Serial Clock (SCK) pin is a bidirectional pin that provides the serial bit rate clock for the SSI. The SCK pin is a clock input or output used by the transmitter and receiver in Synchronous mode, or by only the transmitter in Asynchronous mode (see **Table 8-1**).

The SCK pin can be programmed as a GPIO pin (PC3 on SSI0, and PD3 on SSI1) when the SSI SCK function is not being used.

Table 8-1 SSI Clock Sources

SYN	SCKD	SCD0	Receive Clock Source	Receive Clock Out	Transmit Clock Source	Transmit Clock Out
Asynchronous Clock						
0	0	0	EXT, SC0	—	EXT, SCK	—
0	0	1	INT	SC0	EXT, SCK	—
0	1	0	EXT, SC0	—	INT	SCK
0	1	1	INT	SC0	INT	SCK
Synchronous Clock						
1	0	d.c.	EXT, SCK	—	EXT, SCK	—
1	1	d.c.	INT	SCK	INT	SCK

Note: Although an external serial clock can be independent of and asynchronous to the DSP system clock, it must exceed the minimum clock cycle time of 6T (i.e., the system clock frequency must be at least three times the external SSI clock frequency). The SSI needs at least three DSP phases (DSP phase equals T) inside each half of the serial clock.

8.2.5 Serial Receive Data (SRD)

The Serial Receive Data (SRD) pin receives serial data and transfers the data to the Receive Shift Register. The SRD pin can be programmed as a GPIO pin (PC4 on SSI0, and PD4 on SSI1) when the SSI SRD function is not being used.

8.2.6 Serial Transmit Data (STD)

The Serial Transmit Data (STD) pin is used for transmitting data from the Transmit Shift Register. The STD pin is an output when data is being transmitted from the Transmit Shift Register. When using an internally generated bit clock, the STD pin is tri-stated after transmitting the last data bit when another data word does not follow immediately. If a data word follows immediately (within a full clock cycle), the STD pin is not tri-stated. The STD pin can be programmed as a GPIO pin (PC5 on SSI0, and PD5 on SSI1) when the SSI STD function is not being used.

8.3 SSI PROGRAMMING MODEL

The SSI contains the following registers:

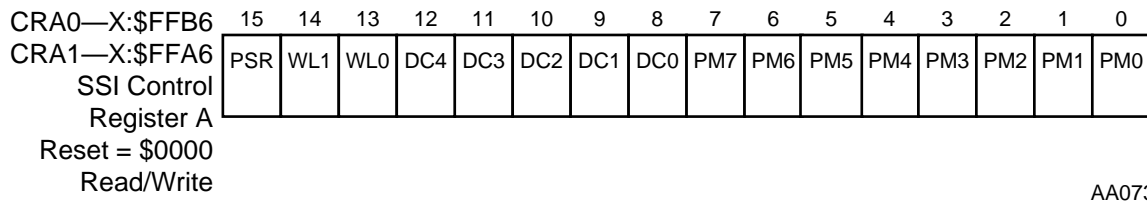
- Interface control registers
 - CRA—Control Register A
 - CRB—Control Register B
 - CRC—Control Register C
- SSISR—SSI Status Register
- Data registers
 - TX—Transmit Data Register
 - RX—Receive Data Register
- Time Slot Register
- GPIO port registers
 - PCR—Port Control Register
 - PRR—Port Direction Register
 - PDR—Port Data Register

The registers described in this section represent one SSI. The DSP56602 chip has two identical SSIs. When programming the SSI, the user must ensure that the correct set of registers is used for the desired SSI. The following paragraphs describe the SSI registers.

8.3.1 SSI Control Register A (CRA)

The SSI Control Register A (CRA) is one of three 16-bit read/write control registers used to direct the operation of the SSI. The CRA controls the SSI clock generator bit and frame sync rates, word length, and number of words per frame for the serial data. **Figure 8-2** shows the programming model for the CRA. Hardware and software reset clear all the bits in the CRA.

SSI Programming Model



AA0736

Figure 8-2 SSI Control Register A Programming Model

8.3.1.1 Prescale Modulus Select (PM[7:0])—Bits 0–7

The Prescale Modulus Select (PM[7:0]) bits specify the divide ratio of the prescale divider in the SSI clock generator. A divide ratio from 1 to 256 (PM[7:0] = 0 to \$FF) can be selected. The bit clock output is available on the SCK pin or the SC0 pin. The bit clock output is also available internally for use as the bit clock to shift the Transmit Shift Register and the Receive Shift Register. Careful choice of the crystal oscillator frequency and the prescaler modulus allows the industry-standard codec master clock frequencies of 2.048 MHz, 1.544 MHz, and 1.536 MHz to be generated. Hardware and software reset clear the PM[7:0] bits.

Note: The combination PSR = 1 and PM[7:0] = \$00 is reserved, and may cause synchronization problems if used.

8.3.1.2 Frame Rate Divider Control (DC[4:0])—Bits 8–12

The Frame Rate Divider Control (DC[4:0]) bits control the divide ratio for the programmable frame rate dividers used to generate the frame clocks. In Network mode, this ratio can be interpreted as the number of words per frame minus one. In Normal mode, this ratio determines the word transfer rate. The divide ratio ranges from 1 to 32 (DC[4:0] = 00000 to 11111) for Normal mode, and from 2 to 32 (DC[4:0] = 00001 to 11111) for Network mode.

In Network mode, a divide ratio of 1 (DC[4:0] = 00000) is a special case (On-Demand mode). In Normal mode, a divide ratio of 1 (DC[4:0] = 00000) provides continuous periodic data word transfers. In this case, a bit-length sync must be used. Hardware and software reset clear the DC[4:0] bits.

8.3.1.3 Word Length Control (WL[1:0])—Bits 13–14

The Word Length Control (WL[1:0]) bits are used to select the length of the data words being transferred via the SSI. Word lengths of 8, 12, or 16 bits can be selected according to the assignment described in Table 8-2. Hardware and software reset clear the WL1 and WL0 bits.

Table 8-2 SSI Word Length Selection

WL1	WL0	Number of Bits Per Word
0	0	8
0	1	12
1	0	16
1	1	Reserved

8.3.1.4 Prescaler Range (PSR)—Bit 15

The Prescaler Range (PSR) bit controls a fixed divide-by-eight prescaler in series with the variable prescaler. This bit extends the prescaler range for those cases in which a slower bit clock is desired. The minimum internally generated bit clock frequency is:

$$f_{osc}/2/8/256 = f_{osc}/4096$$

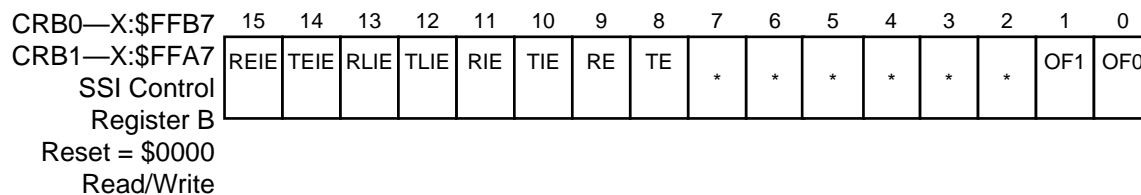
The maximum internally generated bit clock frequency is $f_{osc}/4$. When the PSR bit is set, the fixed prescaler is bypassed. When the PSR bit is cleared, the fixed divide-by-eight prescaler is used. Hardware and software reset clear the PSR bit.

Note: The combination PSR = 1 and PM[7:0] = \$00 is reserved, and may cause synchronization problems if used.

8.3.2 SSI Control Register B (CRB)

The SSI Control Register B (CRB) is one of three 16-bit read/write control registers used to direct the operation of the SSI. The CRB controls the serial output flag, the SSI interrupts enables, and transmitter and receiver enable. The CRB bits are described in the following paragraphs. **Figure 8-3** shows the programming model for the CRB. Hardware and software reset clear all the bits in the CRB.

SSI Programming Model



* Indicates reserved bits, read as 0 and should be written with 0 for future compatibility

AA0737

Figure 8-3 SSI Control Register B Programming Model

8.3.2.1 Serial Output Flag 0 (OF0)—Bit 0

When the SSI is in the Synchronous mode (the SYN bit in the CRC is set) the SC0 pin is configured as Serial I/O Flag 0. When the SCD0 bit in the CRC is set, the SC0 pin is an output, and data present in the OF0 bit is written to the SC0 pin either at the beginning of the frame in Normal mode, or at the beginning of the next time slot in Network mode. Hardware and software reset clear the OF0 bit.

8.3.2.2 Serial Output Flag 1 (OF1)—Bit 1

When the SSI is in the Synchronous mode (the SYN bit in the CRC is set) the SC1 pin is configured as Serial I/O Flag 1. When the SCD1 bit in the CRC is set, the SC1 pin is an output, and data present in the OF1 bit is written to the SC1 pin either at the beginning of the frame in Normal mode, or at the beginning of the next time slot in Network mode. Hardware and software reset clear the OF1 bit. Hardware and software reset clear the OF1 bit.

The normal sequence for setting output flags when transmitting data is:

1. Wait for the TDE bit to be set, indicating the TX register is empty.
2. Write the OF0 and OF1 bits flags.
3. Write the transmit data to the TX register.

The OF0 and OF1 bits are double-buffered so that the flag states appear on the pins when the TX data is transferred to the transmit shift register (i.e., the flags are synchronous with the data).

Note: The optional serial output pins timing (SC0 and SC1) are controlled by the frame timing and are not affected by the TE or RE bits.

8.3.2.3 Reserved Bits—Bits 2–7

Bits 2–7 in the CRB are reserved bits. They read as 0 and must be written with 0 for future compatibility.

8.3.2.4 Transmit Enable (TE)—Bit 8

The Transmit Enable (TE) bit enables the transfer of data from the Transmit Data (TX) register to the Transmit Shift Register. When the TE bit is set and a frame sync is detected, the transmit portion of the SSI is enabled for that frame. When the TE bit is cleared, the transmitter is disabled after completing transmission of data currently in the Transmit Shift Register. The STD output pin is tri-stated, and any data present in the TX register is not transmitted. Data can be written to the TX register when the TE bit is cleared, but no data is transferred to the Transmit Shift Register.

The Normal mode transmit enable sequence is to write data to the TX register (or Transmit Shift Register) before setting the TE bit. The normal transmit disable sequence is to clear the TE, TIE, and TEIE bits after the TDE flag bit in the SSI Status Register (SSISR) is set.

In the Network mode, the operation of clearing and then resetting the TE bit disables the transmitter after completing transmission of the current data word until the beginning of the next frame. During that time period, the STD pin remains in the high-impedance state. Hardware reset and software reset clear the TE bit.

The On-Demand mode transmit enable sequence can be the same as the Normal mode, or TE can be left enabled.

Note: The TE bit does not affect the generation of frame sync or output flags.

Table 8-3 Mode and Pin Definition Table

Control Bits			SSI Pins					
SYN	TE	RE	SC0	SC1	SC2	SCK	STD	SRD
0	0	0	—	—	—	—	—	—
0	0	1	RXC	FSR	—	—	—	RD
0	1	0	—	—	FST	TXC	TD	—
0	1	1	RXC	FSR	FST	TXC	TD	RD
1	0	0	F0/U	F1/U	FS	XC	—	—
1	0	1	F0/U	F1/U	FS	XC	—	RD
1	1	0	F0/U	F1/U	FS	XC	TD	—
1	1	1	F0/U	F1/U	FS	XC	TD	RD

Table 8-3 Mode and Pin Definition Table (continued)

Control Bits			SSI Pins					
SYN	TE	RE	SC0	SC1	SC2	SCK	STD	SRD
Legend:								
TXC	Transmitter Clock				FS	Transmitter/Receiver Frame Sync		
RXC	Receiver Clock					(Synchronous Operation)		
XC	Transmitter/Receiver Clock				TD	Transmit Data		
	(Synchronous Operation)				RD	Receive Data		
FST	Transmitter Frame Sync				F0/U	Flag 0 / Unused		
FSR	Receiver Frame Sync				F1/U	Flag 1 / Unused		
					—	Unused (can be used as GPIO pin)		

Note: A pin can be used for GPIO if its corresponding bit in the Port Control Register is cleared.

8.3.2.5 Receive Enable (RE)—Bit 9

The Receive Enable (RE) bit controls the receive portion of the SSI. When the RE bit is set, the receive portion of the SSI is enabled. When the RE bit is cleared, the receiver is disabled by inhibiting data transfer into the Receive Data (RX) register. If data is being received while the RE bit is cleared, the remainder of the word is shifted in and transferred to the RX register. The RE bit must be set in the Normal mode and On-Demand mode to receive data. In Network mode, the operation of clearing RE and then resetting it disables the receiver after reception of the current data word until the beginning of the next data frame. Hardware and software reset clear the RE bit.

Note: The RE bit does not affect the generation of a frame sync.

8.3.2.6 Transmit Interrupt Enable (TIE)—Bit 10

The Transmit Interrupt Enable (TIE) control bit enables transmit interrupts. When the TIE control bit and the TDE flag bit in the SSISR are set, the DSP is interrupted. When the TIE bit is cleared, the transmit interrupt is disabled. Writing to the TX register or to the Transmit Shift Register clears the TDE bit, thus clearing the interrupt.

Transmit interrupts with exception have higher priority than normal transmit data interrupts. Therefore, if an exception occurs (the TUE bit is set) and the TEIE bit is set, the SSI requests an SSI Transmit Data with Exception interrupt from the interrupt controller. Hardware and software reset clear the TIE bit.

8.3.2.7 Receive Interrupt Enable (RIE)—Bit 11

The Receive Interrupt Enable (RIE) bit enables the receive interrupt. When the RIE bit is set, the DSP is interrupted when the RDF bit in the SSISR is set. When the RIE bit is

cleared, this interrupt is disabled. Reading the RX register clears the RDF bit, thus clearing the pending interrupt.

Receive interrupts with exception have higher priority than normal receive data interrupts. Therefore, if an exception occurs (the ROE bit is set) and REIE is set, the SSI requests an SSI Receive Data with Exception interrupt from the interrupt controller. Hardware and software reset clear the RIE bit.

8.3.2.8 Transmit Last Slot Interrupt Enable (TLIE)—Bit 12

The Transmit Last Slot Interrupt Enable (TLIE) control bit enables an interrupt at the beginning of last slot of a frame in Network mode. When the TLIE bit is set, the DSP is interrupted at the start of the last slot in a frame in Network mode. When the TLIE bit is cleared, the Transmit Last Slot interrupt is disabled. The TLIE function is disabled when DC[4:0] = \$0 (On-Demand mode). Hardware and software reset clear the TLIE bit. The use of the Transmit Last Slot interrupt is described in **SSI Exceptions** on page 8-23.

8.3.2.9 Receive Last Slot Interrupt Enable (RLIE)—Bit 13

The Receive Last Slot Interrupt Enable (RLIE) control bit enables an interrupt after the last slot of a frame ended in Network mode only. When the RLIE bit is set, the DSP is interrupted after the last slot in a frame has ended. When the RLIE bit is cleared, the Receive Last Slot interrupt is disabled. The RLIE bit is disabled when DC[4:0] = \$0 (On-Demand mode). Hardware and software reset clear the RLIE bit. The use of the Receive Last Slot interrupt is described in **SSI Exceptions** on page 8-23.

8.3.2.10 Transmit Exception Interrupt Enable (TEIE)—Bit 14

When the Transmit Exception Interrupt Enable (TEIE) control bit is set, the DSP is interrupted when both the TDE and TUE bits in the SSISR are set. When the TEIE bit is cleared, this interrupt is disabled. Reading the SSISR followed by writing to the transmitter data registers clears the TUE bit, thus clearing the pending interrupt. Hardware and software reset clear the TEIE bit.

8.3.2.11 Receive Exception Interrupt Enable (REIE)—Bit 15

When the Receive Exception Interrupt Enable (REIE) control bit is set, the DSP is interrupted when both the RDF and ROE bits in the SSISR are set. When the REIE bit is cleared, this interrupt is disabled. Reading the SSISR followed by reading the receive data register clears the ROE bit, thus clearing the pending interrupt. Hardware and software reset clear the REIE bit.

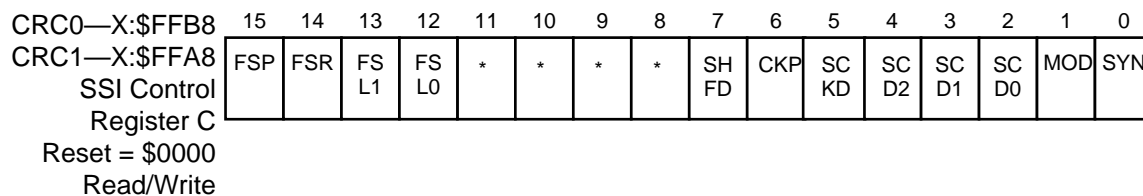
8.3.3 SSI Control Register C (CRC)

The SSI Control Register C (CRC) is one of three 16-bit read/write control registers used to direct the operation of the SSI. The CRC controls the SSI multifunction pins, SC2, SC1,

SSI Programming Model

and SC0, which can be used as clock inputs or outputs, frame synchronization pins or serial I/O flag pins. The direction control bits for the serial control pins are in the CRC. Operating modes are also selected in this register. Hardware and software reset clear all the bits in the CRC. The SSI CRC bits are described in the following paragraphs.

Figure 8-4 shows the programming model for the CRC. Hardware and software reset clear all the bits in the CRC.



* Indicates reserved bits, read as 0 and should be written with 0 for future compatibility

AA0738

Figure 8-4 SSI Control Register C Programming Model

8.3.3.1 Asynchronous /Synchronous (SYN)—Bit 0

The Asynchronous/Synchronous (SYN) control bit selects whether the receive and transmit functions of the SSI occur synchronously or asynchronously with respect to each other. When the SYN bit is set, Synchronous mode is chosen and the transmit and receive sections use common clock and frame sync signals. When the SYN bit is cleared, Asynchronous mode is chosen and separate clock and frame sync signals are used for the transmit and receive sections. Hardware reset and software reset clear the SYN bit.

8.3.3.2 SSI Mode Select (MOD)—Bit 1

The SSI Mode Select (MOD) control bit selects the operational mode of the SSI. When the MOD bit is cleared, Normal mode is selected. When the MOD bit is set, Network mode is selected. In Normal mode, the Frame Rate Divider Control (DC4–DC0) bits determine the word transfer rate. One word can be transferred per frame sync during the frame sync time slot. In Network mode, a word can be transferred during every time slot. Hardware and software reset clear the MOD bit.

8.3.3.3 Serial Control 0 Direction (SCD0)—Bit 2

The Serial Control 0 Direction (SCD0) control bit selects the direction of the SC0 pin. When the SCD0 bit is set, the SC0 pin is an output. When the SCD0 bit is cleared, the SC0 pin is an input. Hardware and software reset clear the SCD0 bit.

8.3.3.4 Serial Control 1 Direction (SCD1)—Bit 3

The Serial Control 1 Direction (SCD1) control bit selects the direction of the SC1 pin. When the SCD1 bit is cleared, the SC1 pin is an input. When the SCD bit 1 is set, the SC1 pin is an output. Hardware and software reset clear the SCD1 bit.

8.3.3.5 Serial Control 2 Direction (SCD2)—Bit 4

The Serial Control 2 Direction (SCD2) control bit selects the direction of the SC2 pin. When the SCD2 bit is cleared, the SC2 pin is an input. When the SCD2 bit is set, the SC2 pin is an output. Hardware and software reset clear the SCD2 bit.

8.3.3.6 Clock Source Direction (SCKD)—Bit 5

The Clock Source Direction (SCKD) control bit selects the source of the clock signal used to clock the Transmit Shift register in the Asynchronous mode and the Transmit Shift register and the Receive Shift register in the Synchronous mode. When the SCKD bit is set in Asynchronous mode, the internal clock source becomes the bit clock for the Transmit Shift register and word length divider, and is the output on the SCK pin. When the SCKD bit is cleared, the clock source is external, the internal clock generator is disconnected from the SCK pin, and an external clock source can drive the SCK pin. Hardware and software reset clear the SCKD bit.

8.3.3.7 Clock Polarity (CKP)—Bit 6

The Clock Polarity (CKP) control bit controls on which bit the clock edge data and frame sync are clocked out and latched in. When the CKP bit is cleared, the data and the frame sync are clocked out on the rising edge of the transmit bit clock and latched in on the falling edge of the receive bit clock. When the CKP bit is set, the falling edge of the transmit clock is used to clock the data out and frame sync, and the rising edge of the receive clock is used to latch the data and frame sync in. Hardware and software reset clear the CKP bit.

8.3.3.8 Shift Direction (SHFD)—Bit 7

The Shift Direction (SHFD) control bit causes the Transmit Shift register to shift data out MSB first when SHFD is cleared, and LSB first when SHFD is set to 1. Received data is shifted in MSB first when SHFD is cleared or LSB first when SHFD equals 1. Hardware and software reset clear the SHFD bit.

8.3.3.9 Reserved Bits—Bits 8–11

Bits 8–11 in the CRC are reserved bits. They are read as 0 and should be written with 0 to ensure future compatibility.

8.3.3.10 Frame Sync Length (FSL[1:0])—Bits 12–13

The Frame Sync Length (FSL[1:0]) control bits select the length of frame sync to be generated or recognized. If FSL1 and FSL0 are both cleared, a word-length frame sync is selected for both TX and RX that is the length of the data word defined by bits WL1 and WL0. If the FSL1 bit is set and the FSL0 bit is cleared, a 1-bit clock period frame sync is selected for both TX and RX. When the FSL0 bit is set, the TX and RX frame syncs are different lengths. The FSL0 bit is ignored when the SYN bit is set. Encoding of the FSL1 and FSL0 bits is described in **Table 8-4**. Hardware reset and software reset clear FSL0 and FSL1.

Table 8-4 FSL[1:0] Encoding

FSL1	FSL0	Frame Sync Length
0	0	Word-length bit clock for both TX/RX
0	1	One-bit clock for TX and Word-length bit clock for RX
1	0	One-bit clock for both TX/RX
1	1	One-bit clock for RX and Word-length bit clock for TX

8.3.3.11 Frame Sync Relative Timing (FSR)—Bit 14

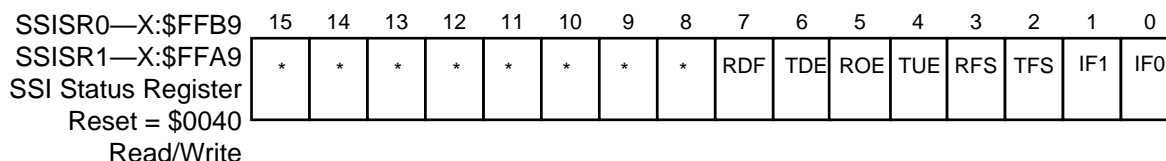
The Frame Sync Relative Timing (FSR) control bit determines the relative timing of the receive and transmit frame sync signal as referred to the serial data lines, for a word length frame sync only. When the FSR bit is set, the word length frame sync occurs one serial clock cycle earlier (i.e., together with the last bit of the previous data word). When the FSR bit is cleared, the word length frame sync occurs together with the first bit of the data word of the first slot. Hardware reset and software reset clear the FSR bit.

8.3.3.12 Frame Sync Polarity (FSP)—Bit 15

The Frame Sync Polarity (FSP) bit determines the polarity of the receive and transmit frame sync signals. When FSP is set, the frame sync signal polarity is negative (i.e., the frame start is signaled by the low level of the frame sync pin). When the FSP bit is cleared, the frame sync signal polarity is positive (i.e., the frame start is signaled by the high level of the frame sync pin). Hardware reset and software reset clear the FSP bit.

8.3.4 SSI Status Register (SSISR)

The SSI Status Register (SSISR) is an 8-bit read-only status register used by the DSP to read the status and serial input flags of the SSI. When the SSISR is read to the internal data bus, the register contents occupy the low-order byte of the data bus, and the remaining bits are read as 0. **Figure 8-5** shows the programming model for the SSISR.



* Indicates reserved bits, read as 0 and should be written with 0 for future compatibility

AA0739

Figure 8-5 SSI Status Register Programming Model

8.3.4.1 Serial Input Flag 0 (IF0)—Bit 0

The SSI latches data present on the SC0 pin during reception of the first received bit after frame sync is detected. The IF0 bit is updated with this data when the Receive Shift Register is transferred into the RX register. The IF0 bit is enabled only when the SC0 pin is programmed as SSI in the PCR, the SYN bit is set, and the SCD0 bit (in the CRC) is cleared, indicating that SC0 is an input flag and the Synchronous mode is selected. Otherwise, the IF0 bit reads as a 0 when it is not enabled. Hardware, software, SSI individual, and STOP reset clear IF0.

8.3.4.2 Serial Input Flag 1 (IF1)—Bit 1

The SSI latches data present on the SC1 pin during reception of the first received bit after frame sync is detected. The IF1 bit is updated with this data when the Receive Shift Register is transferred into the RX register. The IF1 bit is enabled only when the SC1 pin is programmed as SSI in the PCR, the SYN bit is set, and the SCD1 bit (in the CRC) is cleared, indicating that SC1 is an input flag and Synchronous mode is selected. Otherwise, the IF1 bit is read as 0 when it is not enabled. Hardware, software, SSI individual, and STOP reset clear the IF1 bit.

8.3.4.3 Transmit Frame Sync Flag (TFS)—Bit 2

The Transmit Frame Sync Flag (TFS) bit indicates whether a transmit frame sync has occurred in the current time slot. The TFS bit is set at the start of the first time slot in the frame, and cleared during all other time slots. In Network mode, data written to a transmit data register during the time slot when the TFS bit is set is transmitted (if the transmitter is enabled) during the second time slot in the frame. The TFS bit is useful in Network mode to identify the start of a frame. The TFS bit is cleared by hardware, software, SSI individual, or STOP reset. The TFS bit is valid only if the transmitter is enabled (the TE bit in the CRB is set).

Note: In Normal mode, the TFS bit is always read as 1 when transmitting data because there is only one time slot per frame—the “frame sync” time slot.

8.3.4.4 Receive Frame Sync Flag (RFS)—Bit 3

When set, the Receive Frame Sync Flag (RFS) bit indicates that a receive frame sync occurred during reception of the word in the serial receive data register. This indicates that the data word is from the first time slot in the frame. In Network mode, when the RFS bit is cleared and a word is received, it indicates that the frame sync did not occur during reception of that word.

The RFS bit is cleared by hardware, software, SSI individual, or STOP reset. The RFS bit is valid only if the receiver is enabled by setting the RE bit in the CRB.

Note: In Normal mode, the RFS bit is always read as 1 when reading data because there is only one time slot per frame—the “frame sync” time slot.

8.3.4.5 Transmitter Underrun Error Flag (TUE)—Bit 4

The Transmitter Underrun Error Flag (TUE) bit indicates whether a transmit underrun error has occurred. The TUE bit is set when the Transmit Shift Register is empty (no new data is available to be transmitted) and a transmit time slot occurs. When a transmit underrun error occurs, the previous data, which is still present in the TX register that was not written, is retransmitted.

In Normal mode, a frame contains only one transmit time. In Network mode, a frame can contain as many as 32 transmit time slots.

If the TEIE bit is set, a DSP Transmit Underrun Error Interrupt request is issued when the TUE bit is set. Hardware, software, SSI individual, and STOP reset clear the TUE bit. The TUE bit is also cleared by reading the SSISR with this bit set, followed by writing to the transmit data registers or to TSR.

8.3.4.6 Receiver Overrun Error Flag (ROE)—Bit 5

The Receiver Overrun Error Flag (ROE) bit indicates that a receive overrun error has occurred. The ROE bit is set when the Receive Shift Register is filled and ready to transfer to the RX register and RX is already full (i.e., RDF = 1). If the REIE bit is set, a DSP Receiver Overrun Error Interrupt request is issued when the ROE bit is set. Hardware, software, SSI individual, and STOP reset clear the ROE bit. The ROE bit is also cleared by reading the SSISR with this bit set, followed by reading the RX register.

8.3.4.7 Transmit Data Register Empty (TDE)—Bit 6

The Transmit Data Register Empty (TDE) bit is set when the contents of the Transmit Data (TX) register is transferred to the Transmit Shift Register. This bit is also set for a TSR disabled time slot period in Network mode (as if data were being transmitted after the TSR was written). When set, the TDE bit indicates that data should be written to the TX register or to the Time Slot Register (TSR). The TDE bit is cleared when the DSP writes to the transmit data register, or when the DSP writes to the TSR to disable transmission of the next time slot. If the TIE bit is set, a DSP transmit data interrupt request is issued when the TDE bit is set. Hardware, software, SSI individual, and STOP reset set the TDE bit.

8.3.4.8 Receive Data Register Full (RDF)—Bit 7

The Receive Data Register Full (RDF) bit is set when the contents of the receive shift register are transferred to the receive data register. The RDF bit is cleared when the DSP reads the SSI Receive Data Register (RX) or cleared by hardware, software, SSI individual, or STOP reset. If the RIE bit (in the CRB) is set, a DSP receive data interrupt request is issued when the RDF bit is set.

8.3.4.9 Reserved Bits—Bits 8–15

Bits 8–15 are reserved for future use. They are read as 0 and should be written with 0 for future compatibility.

8.3.5 Receive Shift Register

The Receive Shift Register is a 16-bit shift register that receives the incoming data from the SRD pin. Data is shifted in by the selected bit clock (internal or external) when the associated frame sync I/O is asserted. Data is received LSB first if the SHFD bit (in the CRC) is set, and MSB first if the SHFD bit is cleared. Data is transferred to the Receive Data Register after 8, 12, or 16 serial clock cycles are counted, depending on the Word Length (WL1–0) bits in the CRA.

8.3.6 Receive Data Register (RX)

The Receive Data Register (RX) is a 16-bit read-only register that accepts data from the Receive Shift Register as it becomes full. The data read occupies the Most Significant Portion of the RX register. The unused bits (Least Significant Portion) are read as 0. If the associated interrupt is enabled, the DSP is interrupted whenever the RX register becomes full.

8.3.7 Transmit Shift Register

The Transmit Shift Register is a 16-bit shift register that contain the data being transmitted. Data is shifted out to the Serial Transmit Data (STD) pin by the selected bit clock (internal or external) when the associated frame sync I/O is asserted. Depending on the Word Length (WL1–0) bits in the CRA, the number of bits shifted out before the Transmit Shift Register is considered empty and can be written to again is 8, 12, or 16 bits. The data to be transmitted occupies the Most Significant Portion of the shift register. The unused portion of the register is ignored. Data is shifted out of this register LSB first if the SHFD bit (in the CRC) is set, and MSB first if the SHFD bit is cleared. (This is the same direction as the Receive Shift Register.)

8.3.8 Transmit Data Register (TX)

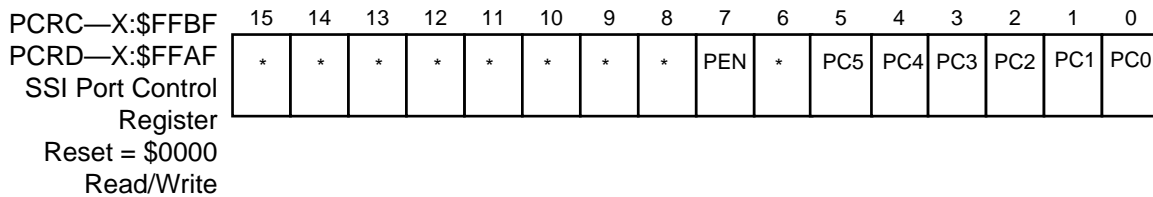
The Transmit Data (TX) register is a 16-bit write-only register. Data to be transmitted is written into this register and is automatically transferred to the transmit shift register. The data written (8, 12 or 16 bits) should occupy the Most Significant Portion of the TX. The unused bits (Least Significant Portion) of the TX register are don't care bits. If the TEIE bit has been enabled, the DSP is interrupted when the TX register becomes empty.

8.3.9 Time Slot Register (TSR)

The Time Slot Register (TSR) is effectively a null data register that is used when the data is not to be transmitted in the available transmit time slot. For the purposes of timing, the TSR is a write-only register that behaves like an alternative transmit data register, except that, rather than transmitting data, the transmit data pin is in the high-impedance state for that time slot.

8.3.10 Port Control Register (PCR)

The Port Control Register (PCR) is a 16-bit read/write register that controls the functionality of the SSI GPIO pins. The PCRC is associated with SSI0. The PCRD is associated with SSI1. **Figure 8-6** shows the programming model for the PCR. Hardware and software reset clear all PCR bits.



* Indicates reserved bits, read as 0 and should be written with 0 for future compatibility

AA0740

Figure 8-6 SSI Port Control Register Programming Model

8.3.10.1 Port Control (PC[5:0])—Bits 0–5

The Port Control (PC[5:0]) bits control the functionality of a corresponding port pin. When a PC bit is set, the corresponding port pin is configured as a SSI pin. When a PC bit is cleared, the corresponding port pin is configured as GPIO pin.

8.3.10.2 Port Enable (PEN)—Bit 7

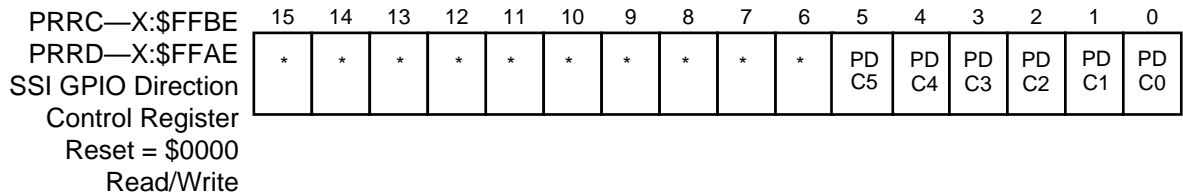
When the Port Enable (PEN) control bit is set, all SSI pins are activated as defined by all other settings. When the PEN bit is cleared, all SSI pins are tri-stated, ignoring all other settings.

8.3.10.3 Reserved Bits—Bits 6, 8–15

Bit 6 and bits 8–15 are reserved. They are read as 0 and should be written as 0 to ensure future compatibility.

8.3.11 Port Direction Register (PRR)

The Port Direction Register (PRR) is a 16-bit read/write register that controls the direction of SSI GPIO pins. The PRR is associated with SSI0. The PRRD is associated with SSI1. When a port pin is configured as GPIO, the PDC bit controls the port pin direction. When the PDC bit is set, the GPIO port pin is configured as output. When the PDC bit is cleared the GPIO port pin is configured as input. Hardware and software reset clear all PRR bits.



* Indicates reserved bits, read as 0 and should be written with 0 for future compatibility

AA0741

Figure 8-7 SSI GPIO Direction Control Register Programming Model

Table 8-5 describes the port pin configurations.

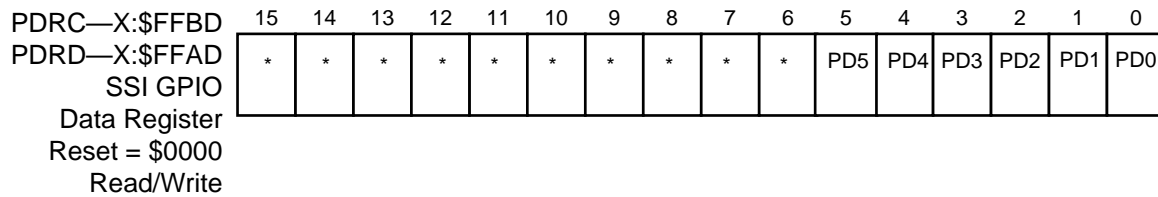
Table 8-5 PCR and PRR Register Bits Functionality

PC	PDC	Port Pin Function
1	0 or 1	SSI
0	0	GPIO input
0	1	GPIO output

Note: When the PEN bit in the PCR is cleared, the port is disabled and all the pins are at high impedance regardless of the values of the PC and PDC bits.

8.3.12 Port Data Register (PDR)

The read/write 16-bit Port Data Register (PDR) is used to read or write data to or from the SSI GPIO pins. The PDRC is associated with SSI0, and the PDRD is associated with SSI1. Bits PD[5:0] are used to read or write data to or from the corresponding port pins if they are configured as GPIO (by PC[5:0] bits in the PCR). If a port pin is configured as a GPIO input, then the corresponding PD bit reflects the value present on this pin. If a port pin is configured as a GPIO output, then the value written into the corresponding PD bit is reflected on the this pin. Hardware and software reset clear all PDR bits.



* Indicates reserved bits, read as 0 and should be written with 0 for future compatibility

AA0742

Figure 8-8 SSI GPIO Data Register Programming Model

8.4 OPERATING MODES

SSI operating modes are selected by the SSI Control Registers CRA, CRB, and CRC. The main operating modes are described in the following paragraphs.

Hardware or software reset clears the Port Control Register (PCR) and the Port Direction Control Register (PRR), which configure all SSI pins to be at high impedance. The SSI is reset while all SSI pins are programmed as GPIO and is active only when at least one of the SSI I/O pins is programmed as an SSI pin.

The correct way to initialize the SSI is as follows:

1. Hardware, software, SSI individual, or STOP reset
2. Program SSI control according to the desired functionality

During program execution, the PC[5:0] bits in the PCR can be cleared, causing the SSI to stop serial activity and enter the individual reset state. All status bits of the interface are then set to their reset state. However, the contents of CRA, CRB, and CRC are not affected. This procedure allows the DSP program to reset each interface separately from the other internal peripherals. During individual reset, internal accesses to the data

registers of the SSI are not valid and any data read will not be valid. To ensure proper operation of the interface, the DSP program must reset the SSI before changing any of its control registers except for the CRB.

8.4.1 SSI Exceptions

The SSI generates the following exceptions, ordered from highest to lowest priority:

1. SSI Receive Data with Exception Status—This exception occurs when the receive exception interrupt is enabled, the receive data register is full, and a receiver overrun error has occurred. ROE is cleared by first reading the SSISR and then reading RX.
2. SSI Receive Data—This exception occurs when the receive interrupt is enabled, the receive data register is full, and no receive error conditions exist. Reading RX clears the pending interrupt. This error-free interrupt can use a fast interrupt service routine for minimum overhead.
3. SSI Receive Last Slot Interrupt—This exception occurs after the last slot of the frame ended (in Network mode only). Using the Receive Last Slot interrupt guarantees that the previous frame was serviced with the previous setting and the new frame is to be serviced with the new setting without synchronization problems. The maximum Receive Last Slot interrupt service time should not exceed $N - 1$ SSI bits service time, where N is the number of bits in a slot.
4. SSI Transmit Data with Exception Status—This exception occurs when the transmit exception interrupt is enabled, the transmit data register is empty, and a transmitter underrun error has occurred. TUE is cleared by first reading the SSISR and then writing to the transmit data register, or to the TSR to clear the pending interrupt.
5. SSI Transmit Last Slot Interrupt—This exception occurs at the start of the last slot of the frame in Network mode. Using the Transmit Last Slot interrupt guarantees that the previous frame was serviced with the previous setting and the new frame is to be serviced with the new setting without synchronization problems. Note that the maximum Transmit last slot interrupt service time should not exceed $N - 1$ SSI bits service time, where N is the number of bits in a slot.
6. SSI Transmit Data—This exception occurs when the transmit interrupt is enabled, and the transmit data register is empty, and no transmitter error conditions exist. Writing to the TX registers or to the TSR clears this interrupt. This error-free interrupt can use a fast interrupt service routine for minimum overhead.

8.4.2 Operating Modes—Normal, Network, and On-Demand

The SSI has three basic operating modes and many data/operation formats selectable by programming control bits in the CRA and CRC. These control bits are DC[4:0], WL1, WL0, MOD, SYN, FSL1, FSL0, FSR, FSP, CKP, and SHFD.

8.4.2.1 Operating Mode Selection

Selecting between the Normal mode and Network mode is accomplished by clearing or setting the MOD bit in the CRC. In Normal mode, the SSI functions with one data word of I/O per frame. In Network mode, two to 32 time slots per frame can be selected. During each frame, 0 to 32 data words of I/O can be received or transmitted. In either case, the transfers are periodic. Normal mode is typically used to transfer data to or from a single device. Network mode is typically used in Time Division Multiplexed (TDM) networks of codecs or DSPs with multiple words per frame.

Setting the MOD bit in the CRC, as for Network mode, and setting the frame rate divider to 0 (DC[4:0] = 00000) selects the On-Demand mode. This special case does not generate a periodic frame sync. Instead, a frame sync pulse is generated only when data is available to transmit. The frame sync signal indicates the first time slot in the frame. The On-Demand mode requires that the transmit frame sync be internal (output) and the receive frame sync be external (input). Therefore, for simplex operation, the Synchronous mode could be used; however, for full-duplex operation, the Asynchronous mode must be used. Data transmission that is data driven is enabled by writing data into the TX register. Although the SSI is double-buffered, only one word can be written to the TX register, even if the transmit shift register is empty. The receive and transmit interrupts function as usual using the TDE and RDF flag bits. However, transmit underruns are impossible for on-demand transmission and are disabled. This mode is useful for interfacing to codecs that require a continuous clock.

8.4.2.2 Synchronous/Asynchronous Operating Modes

The transmit and receive sections of this interface can be synchronous or asynchronous—the transmitter and receiver can use common clock and synchronization signals (Synchronous mode) or they can have their own separate clock and sync signals (Asynchronous mode). The SYN bit in the CRC selects synchronous or asynchronous operation. Since the SSI is designed to operate either synchronously or asynchronously, separate receive and transmit interrupts are provided.

When the SYN bit is cleared, the Asynchronous mode is selected and the SSI TX and RX clocks and frame sync sources are independent. When the SYN bit is set, the SSI TX and RX clocks and frame sync come from the same source (either external or internal).

Data clock and frame sync signals can be generated internally by the DSP or can be obtained from external sources. If internally generated, the SSI clock generator is used to

derive bit clock and frame sync signals from the DSP internal system clock. The SSI clock generator consists of a selectable fixed prescaler and a programmable prescaler for bit rate clock generation and also a programmable frame-rate divider and a word-length divider for frame-rate sync-signal generation.

8.4.2.3 Frame Sync Selection

The transmitter and receiver can operate independently of each other. The transmitter can have either a bit-long or word-long frame-sync signal format, and the receiver can have the same or opposite format. The selection is made by programming the FSL0 and FSL1 bits in the CRC.

1. If the FSL1 bit is cleared, the RX frame sync is asserted during the entire data transfer period. This frame sync length is compatible with Motorola codecs, SPI serial peripherals, serial A/D and D/A converters, shift registers, and telecommunication PCM serial I/O.
2. If FSL1 is set, the RX frame sync pulse is active for one bit clock immediately before the data transfer period. This frame sync length is compatible with Intel and National components, codecs, and telecommunication PCM serial I/O.

The ability to mix frame sync lengths is useful in configuring systems in which data is received from one type device (e.g., codec) and transmitted to a different type device.

The FSL0 bit controls whether RX and TX have the same frame sync length. If FSL0 equals 0, RX and TX have the same frame sync length, which is selected by FSL1. If FSL0 equals 1, RX and TX have different frame sync lengths, which are selected by FSL1. FSL0 is ignored when the SYN bit is set.

The FSR bit controls the relative timing of the word length frame sync as referred to the data word. When the FSR bit is cleared, the word length frame sync is generated (or expected) with the first bit of the data word. When the FSR bit is set, the word length frame sync is generated (or expected) with the last bit of the previous word. The FSR bit is ignored when a bit length frame sync is selected.

The FSP bit controls the polarity of the frame sync. When FSP is cleared the polarity of the frame sync is positive (i.e., the frame sync signal is asserted high). When FSP is set the polarity of the frame sync is negative (i.e., the frame sync is asserted low.)

The SSI receiver looks for a receive frame sync leading edge (or trailing edge, if FSP is set) only when the previous frame is completed. If the frame sync goes high before the frame is completed (or before the last bit of the frame is received in the case of a bit frame sync or a word length frame sync with FSR set), the current frame sync is not recognized, and the receiver is internally disabled until the next frame sync. Frames do not have to be adjacent—that is, a new frame sync does not have to immediately follow the previous

Operating Modes

frame. Gaps of arbitrary periods can occur between frames. The transmitter is tri-stated during these gaps.

8.4.2.4 Shift Direction Selection

Some data formats, such as those used by codecs, specify MSB first. Other data formats, such as the AES-EBU digital audio, specify LSB first. To interface with devices from both systems, the shift registers in the SSI are bidirectional. The MSB/LSB selection is made by programming the SHFD bit in the CRC. When the SHFD bit is cleared, data is shifted into the Receive Shift Register and shifted out of the Transmit Shift Register MSB first. If the SHFD bit is set, data is shifted into the Receive Shift Register and shifted out of the Transmit Shift Register LSB first.

8.4.3 Serial I/O Flags

Two SSI pins (SC1 and SC0) are available as serial I/O flags. Their operation is controlled by the SYN, SCD0, and SCD1 bits in the CRC. The control bits (OF1 and OF0) and status bits (IF1 and IF0) are double-buffered to and from the SC1 and SC0 pins. Double-buffering the flags keeps them synchronized with TX and RX registers.

The flags are only available in the Synchronous mode (when the SYN bit is set). Each flag can be separately programmed. When flag 0 is enabled, its direction is selected by SCD0, SCD0 = 1 as output and SCD0 = 0 as input. In the same way when flag1 is enabled, its direction is selected by SCD1, SCD1 = 1 as output and SCD1 = 0 as input.

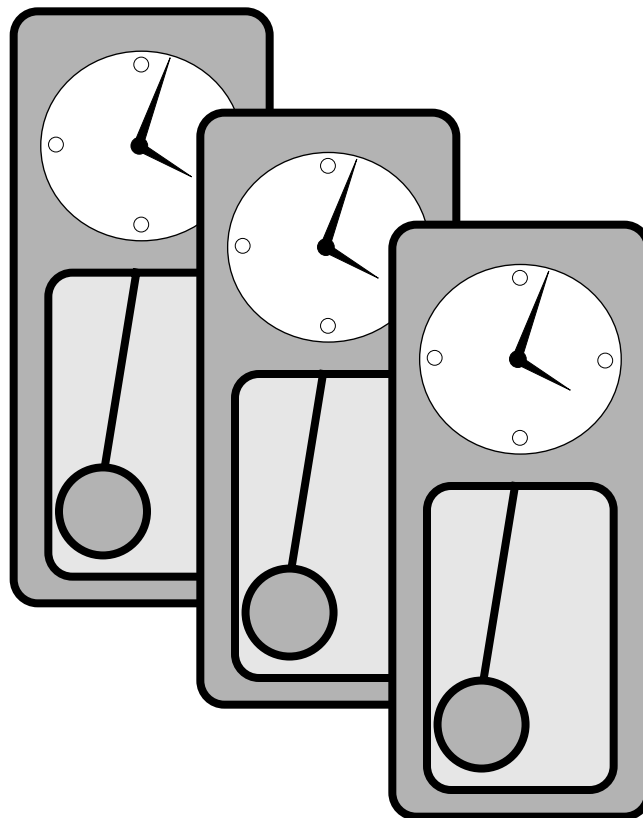
When programmed as input, the SC0 and SC1 pins are latched at the same time the first bit of the receive data word is sampled. Since the input is latched, the signal on the input flag pins SC0 and SC1 can change without affecting the input flag until the first bit of the next received data word. When the received data word is latched by the RX register, the latched values are then latched by the IF0 and IF1 bits (in the SSISR) and can be read by software.

When programmed as output, the SC0 and SC1 pins are driven by the value from the OF0 and OF1 bits (in the CRB) and latched when the contents of the TX register is transferred to the transmit shift register. The values on the SC0 and SC1 pins are stable from the same time the first bit of the transmit data word is transmitted until the first bit of the next transmit data word is transmitted. Software can change the values of the OF0 and OF1 bits (in the CRB), thus controlling the SC0 and SC1 pin values for each transmitted word.



SECTION 9

TRIPLE TIMER MODULE



9.1	INTRODUCTION	9-3
9.2	TRIPLE TIMER MODULE ARCHITECTURE	9-3
9.3	TIMER ARCHITECTURE	9-4
9.4	TRIPLE TIMER MODULE PROGRAMMING MODEL.....	9-6
9.5	TIMER MODES OF OPERATION	9-13

9.1 INTRODUCTION

This section describes the triple timer module, composed of a common 14-bit prescaler and three independent and identical general purpose 16-bit timer/event counters, each with its own memory-mapped register set.

Each timer can use internal or external clocking and can interrupt the DSP after a specified number of events (clocks) or can signal an external device after counting internal events. Each timer connects to the external world through one bidirectional pin, TIO. When the TIO pin is configured as an input, the timer functions as an external event counter or measures external pulse width/signal period. When the TIO pin is used as an output, the timer functions as either a timer, a watchdog, or a Pulse Width Modulator (PWM). When the TIO pin is not used by the timer, it can be configured as a General Purpose I/O (GPIO) pin.

9.2 TRIPLE TIMER MODULE ARCHITECTURE

The triple timer module includes a 16-bit Timer Prescaler Load Register (TPLR), a 16-bit Timer Prescaler Count Register (TPCR), a 14-bit Prescaler Counter, and three timers. Each one of the three timers can use the Prescaler Clock as its clock source.

The Timer Prescaler Load Register (TPLR) is a 16-bit read/write register that controls the Prescaler Divide Factor and the source for the prescaler input clock. The Timer Prescaler Count Register (TPCR) is a 16-bit read-only register that reflects the current value in the prescaler counter. The register bits are described in the following paragraphs. The 14-bit Prescaler Counter is decremented on each rising edge of the prescaler input clock pulse. The counter is enabled when at least one of the three timers is both enabled and is using the prescaler output as its source. **Figure 9-1** shows a block diagram of the triple timer module.

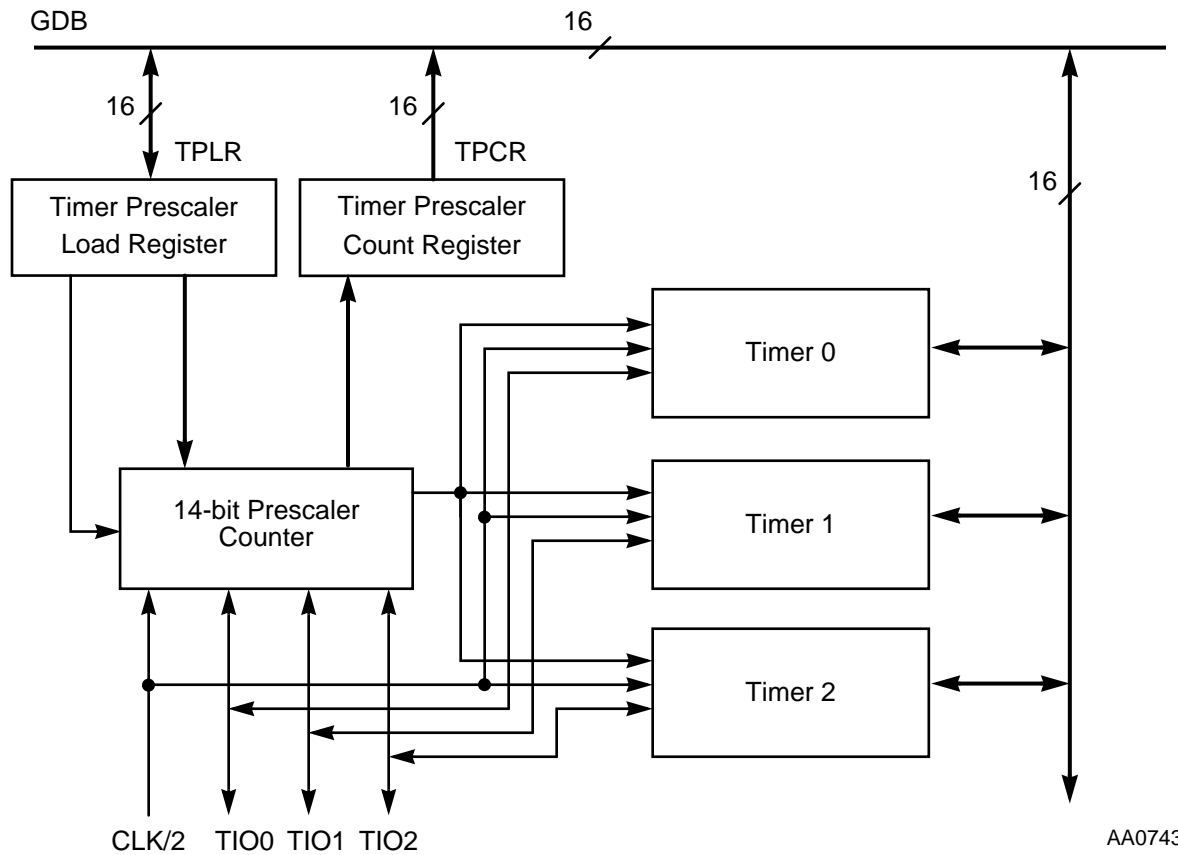
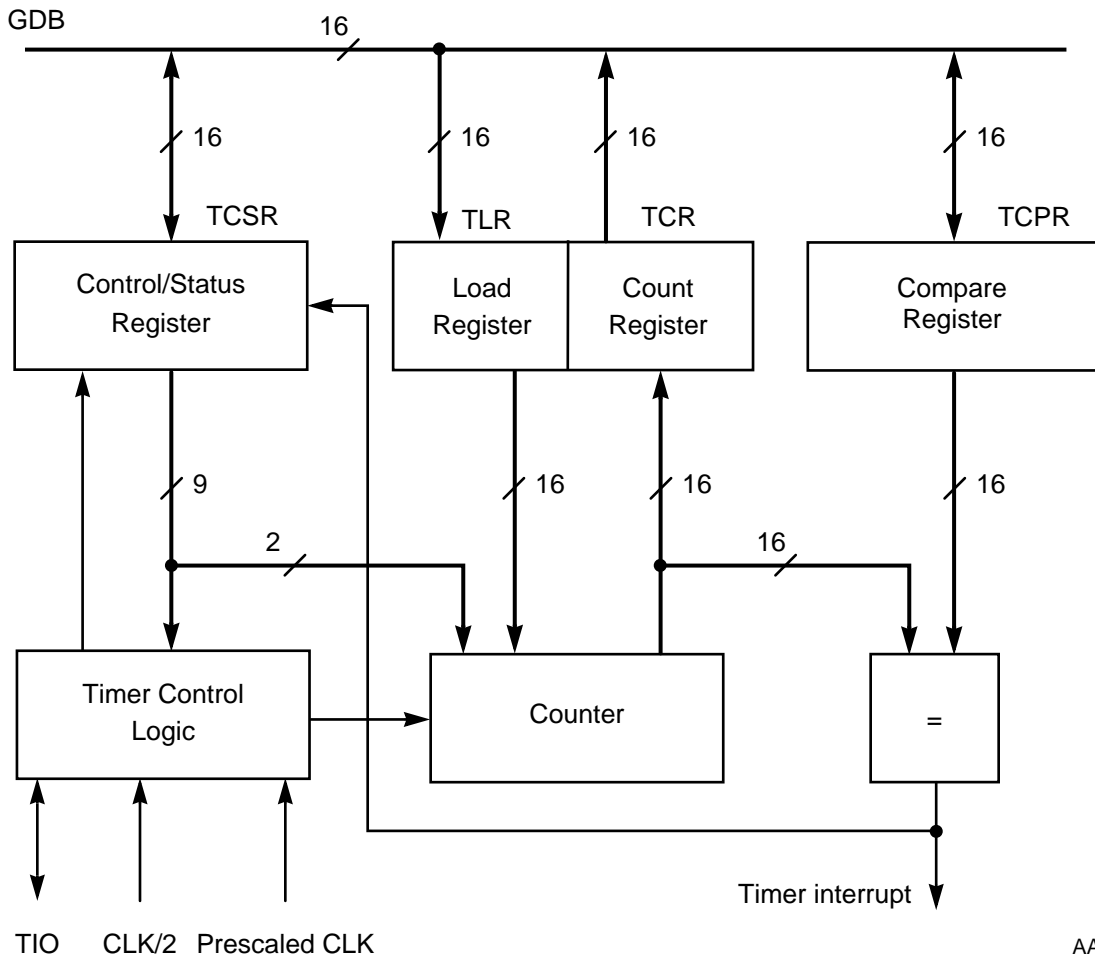


Figure 9-1 Triple Timer Module Block Diagram

9.3 TIMER ARCHITECTURE

Figure 9-2 shows a block diagram of a timer. It includes a 16-bit counter, a 16-bit read/write Timer Control and Status Register (TCSR), a 16-bit read only Timer Count Register (TCR), a 16-bit write only Timer Load Register (TLR), a 16-bit read/write Timer Compare Register (TCPR), and logic for clock selection and interrupt generation. The DSP views each timer as a memory-mapped peripheral occupying four 16-bit words in the X data memory space. The user can use standard polled or interrupt programming techniques. The programming model is shown in Figure 9-3 on page 9-6.

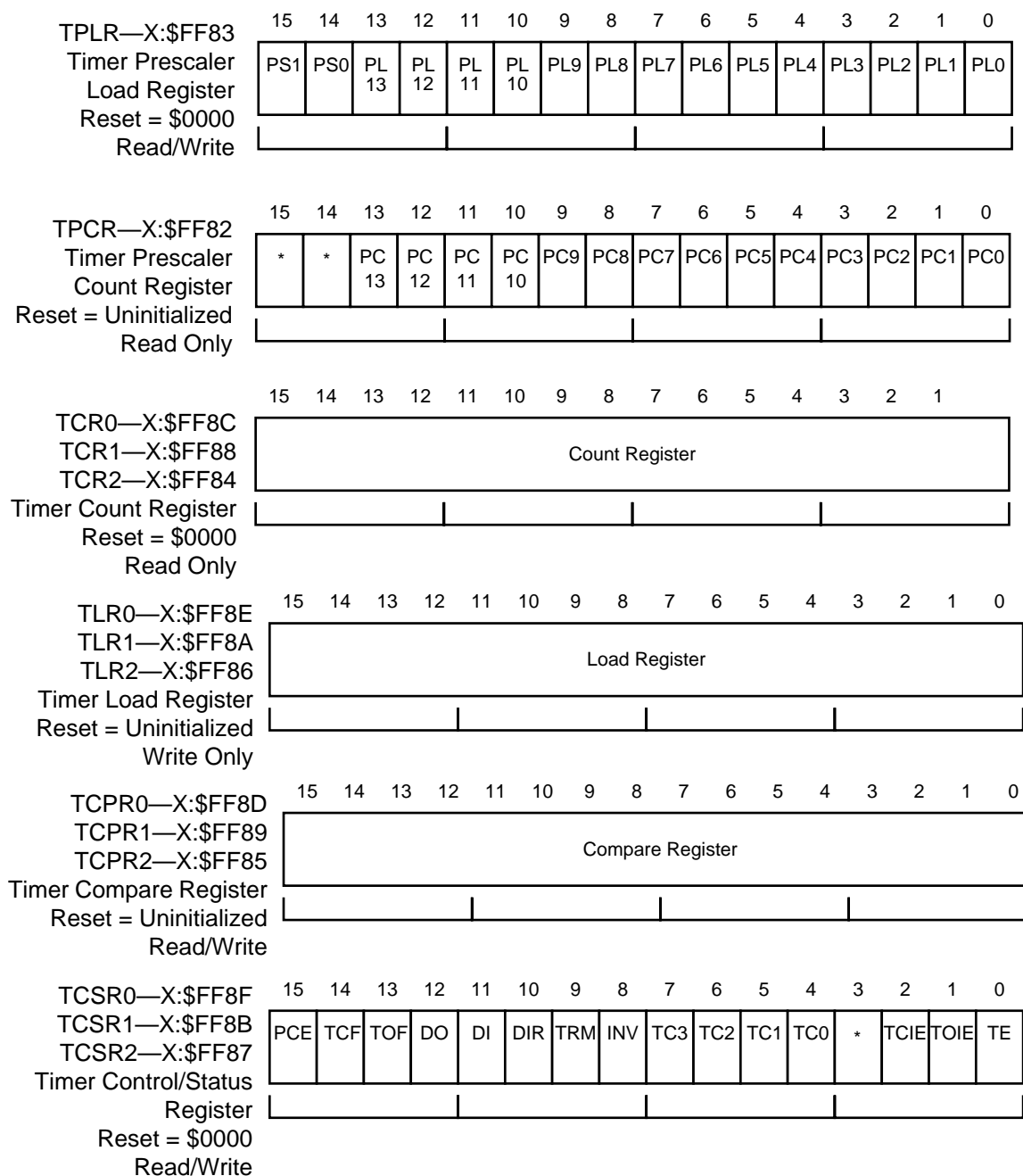


AA0744

Figure 9-2 16-bit Timer Module Block Diagram

9.4 TRIPLE TIMER MODULE PROGRAMMING MODEL

The registers comprising the Triple Timer Module are shown in **Figure 9-3**.



* Indicates reserved bits, read and written as 0 to ensure future compatibility

AA0745

Figure 9-3 Triple Timers Programming Model

9.4.1 Timer Prescaler Load Register (TPLR)

The Timer Prescaler Load Register (TPLR) is a 16-bit read/write register that controls the prescaler Divide Factor and the source for the prescaler input clock. The control bits are described in the following paragraphs.

9.4.1.1 Prescaler Preload Value (PL[13:0])—Bits 0–13

The Prescaler Preload Value bits (PL[13:0]) contain the prescaler preload value. This preload value is loaded into the prescaler counter whenever either the counter reaches the value of 0 or the counter switches state from disabled to enabled. For $PL[13:0] = N$, the prescaler counts $N + 1$ source clock cycles before generating a prescaled clock pulse. Therefore, the prescaler Divide Factor is the preload value + 1.

The PL[13:0] bits are cleared by hardware and software reset.

9.4.1.2 Prescaler Source (PS[1:0])—Bits 14–15

The Prescaler Source (PS[1:0]) bits control the source of the prescaler clock. **Table 9-1** summarizes the functionality of the PS bits. The DSP internal clock CLK divided by two is selected when the PS[1:0] bits are cleared. The other combinations select one of the TIO pins as the source clock for the prescaler, regardless of the operating mode of the selected timer.

Table 9-1 PS[1:0] Bit Functionality

PS1	PS0	Prescaler Clock Source
0	0	DSP internal clock (CLK) divided by two
0	1	TIO0
1	0	TIO1
1	1	TIO2

- Notes:**
1. If the prescaler source clock is external, the prescaler counter is incremented by the transitions on the TIO pin. The external clock is internally synchronized to the internal clock and its frequency should be lower than the DSP internal clock (CLK) divided by 4.
 2. To ensure proper functionality, the PS[1:0] bits should be changed only when the prescaler counter is disabled.

The PS[1:0] bits are cleared by hardware and software reset.

9.4.2 Timer Prescaler Count Register (TPCR)

The Timer Prescaler Count Register (TPCR) is a 16-bit read-only register that reflects the current value in the prescaler counter. The register bits are described in the following paragraphs.

9.4.2.1 Prescaler Counter Value (PC[13:0])—Bits 0–13

The Prescaler Counter Value (PC[13:0]) bits contain the current value in the prescaler counter.

9.4.2.2 Reserved Bits—Bits 14–15

These reserved bits are read as 0.

9.4.3 Timer Count Register (TCR)

The Timer Count Register (TCR) is a 16-bit read-only register. In Timer and Watchdog modes, the counter contents can be read at any time by reading the TCR. In Measurement modes, the TCR is loaded with the current value of the counter on the appropriate edge of the input signal and its value can be read to determine the width, period, or delay of the leading edge of the input signal (incoming on the TIO pin).

9.4.4 Timer Load Register (TLR)

The Timer Load Register (TLR) is a 16-bit write-only register. In all modes, the counter is preloaded with the TLR value after the Timer Enable (TE) bit in the TCSR is set and a first event occurs.

In Timer modes, if the Timer Reload Mode (TRM) bit is set, the counter is reloaded each time after it has reached the value contained by the Timer Compare Register (TCR) and the new event occurs. In Measurement modes, if the TRM bit is set, the counter is reloaded with the TLR value on each appropriate edge of the input signal, after the Timer Enable (TE) bit is set. In Pulse Width Modulation (PWM) modes, if the TRM bit is set, the counter is reloaded each time after it has overflowed and the new event occurs. In Watchdog modes, if the TRM bit is set, the counter is reloaded each time after it has reached the value contained by the Timer Compare Register and the new event occurs. In this mode, the counter is also reloaded whenever the TLR is written with a new value while the TE bit is set. In all modes, if the TRM bit is cleared, the counter operates as free running counter.

9.4.5 Timer Compare Register (TCPR)

The Timer Compare Register (TCPR) is a 16-bit read/write register that contains the value to be compared to the counter value. The counter value is compared against the value in the TCPR on every timer clock after the Timer Enable (TE) bit is set. When the compare matches, the TCF bit is set. If interrupts are enabled (the TCIE bit is set), an interrupt is also generated. In Measurement modes, the TCPR is ignored.

9.4.6 Timer Control/Status Register (TCSR)

The Timer Control/Status Register (TCSR) is a 16-bit read/write register that controls the timer and reflects its status. The control and status bits are described in the following paragraphs (see **Figure 9-3** on page 9-6).

9.4.6.1 Timer Enable (TE)—Bit 0

The Timer Enable (TE) bit is used to enable or disable the timer. Setting the TE bit (TE = 1) enables the timer and clears the Timer Count Register (TCR). The counter starts counting according to the mode defined by TC[3:0]. Clearing the TE bit disables the timer. The TE bit is cleared by hardware and software reset.

Note: When all the three timers are disabled and not in GPIO mode, all three TIO pins are tristated. In order to prevent undesired spikes on the TIO pins (when switching from tri-state into active state), external pull-up or pull down resistors should be tied to the TIO pins.

9.4.6.2 Timer Overflow Interrupt Enable (TOIE)—Bit 1

The Timer Overflow Interrupt Enable (TOIE) bit is used to enable the timer overflow interrupts. The overflow interrupt is generated after the counter wraparound occurs; that is, the counter value changes from \$FFFF to \$0000 when a new event occurs. Setting the TOIE bit enables the overflow interrupts. When the TOIE bit is cleared, the overflow interrupts are disabled. The TOIE bit is cleared by hardware and software reset.

9.4.6.3 Timer Compare Interrupt Enable (TCIE)—Bit 2

The Timer Compare Interrupt Enable (TCIE) bit is used to enable the timer compare interrupts. The compare interrupt is generated after the counter matches the compare register in the Timer, PWM, or Watchdog modes. If the TCPR is loaded with N, an interrupt occurs after (N - M + 1) events, where M is TLR value. Setting the TCIE bit enables the compare interrupts. When the TCIE bit is cleared, the compare interrupts are disabled. The TCIE bit is cleared by hardware and software reset.

9.4.6.4 Timer Control (TC[3:0])—Bits 4–7

The four Timer Control (TC[3:0]) bits control the source of the timer clock, the behavior of the TIO pin and the Timer mode of operation. **Table 9-2** summarizes the functionality of the TC bits. A detailed description of the timer operating modes is given in **Timer Modes of Operation** on page 9-13. The TC[3:0] bits are cleared by hardware and software reset. To ensure proper functionality, the TC[3:0] bits should be changed only when the timer is disabled.

Note: If the clock is external, the counter is incremented by transitions on the TIO pin. The external clock is internally synchronized to the internal clock and its frequency should be lower than the internal operating frequency divided by 4 (CLK/4).

Table 9-2 TC[3:0] Bit Functionality

TC3	TC2	TC1	TC0	TIO	Clock	Mode
0	0	0	0	GPIO	Internal	Timer GPIO
0	0	0	1	Output	Internal	Timer Pulse
0	0	1	0	Output	Internal	Timer Toggle
0	0	1	1	Input	External	Event Counter
0	1	0	0	Input	Internal	Input Width
0	1	0	1	Input	Internal	Input Period
0	1	1	0	Input	Internal	Capture
0	1	1	1	Output	Internal	Pulse Width Modulation(PWM)
1	0	0	0	—	—	(Reserved)
1	0	0	1	Output	Internal	Watchdog Pulse
1	0	1	0	Output	Internal	Watchdog Toggle
1	0	1	1	—	—	(Reserved)
1	1	0	0	—	—	(Reserved)
1	1	0	1	—	—	(Reserved)
1	1	1	0	—	—	(Reserved)
1	1	1	1	Output	Internal	Timer Pulse

9.4.6.5 Inverter (INV)—Bit 8

The Inverter (INV) bit affects the polarity of the external incoming signal on the TIO pin when TIO is programmed as input, and affects the polarity of the pulse generated on the TIO pin when TIO is programmed as output. In the Timer modes, if the INV bit is set, the 1 to 0 transitions on the TIO input pin increment the counter. If TIO is programmed as input and the INV bit is cleared, the 0 to 1 transitions on the TIO input pin increment the counter. In the Input Width mode, the INV bit determines whether the high pulse or the low pulse is measured. In the Input Period mode, the INV bit determines whether the period is measured between rising or falling edges. If TIO is programmed as output and the INV bit is set, the pulse generated by the timer is inverted. If the INV bit is cleared, the pulse generated by the timer is of positive polarity. The INV bit is cleared by hardware and software reset.

- Notes:**
1. The INV bit affects both the timer and the GPIO modes of operation.
 2. To ensure proper functionality, the INV bit should be changed only when the timer is disabled or in GPIO mode of operation.
 3. When the TIO is used as input to the prescaler, the polarity of the prescaler source clock is not affected by the corresponding INV bit.

9.4.6.6 Timer Reload Mode (TRM)—Bit 9

The Timer Reload Mode (TRM) control bit determines the counter preload operation. In Timer and Watchdog modes the counter is preloaded with the TLR value after the TE bit is set and a first event occurs. If the TRM bit is set, the counter is reloaded each time it reaches the value contained by the Timer Compare Register and the new event occurs. In PWM mode, the counter is reloaded each time counter wraparound occurs (overflow) and the new event occurs. In Measurement modes, the counter is preloaded with the TLR value (if TRM = 1) on each appropriate edge of the input signal after the TE bit is set. If TRM is cleared, the counter operates as a free-running counter, incrementing on each incoming event. The TRM bit is cleared by hardware and software reset.

9.4.6.7 Direction (DIR)—Bit 10

The Direction (DIR) control bit determines the behavior of the TIO pin when used as a GPIO pin. When the DIR bit is set, the TIO pin is an output. When the DIR bit is cleared, the TIO pin is an input. The TIO pin can be used as a GPIO pin only when TC0–TC3 are all cleared. If one or more of TC0–TC3 is not cleared, the GPIO function is disabled and the DIR bit has no effect. The DIR bit is cleared by hardware and software reset.

9.4.6.8 Data Input (DI)—Bit 11

The Data Input (DI) bit reflects the value of TIO pin according to the INV bit. Reading the DI bit reads the TIO pin if INV = 0, or the inverted TIO pin if INV = 1.

9.4.6.9 Data Output (DO)—Bit 12

The Data Output (DO) bit writes data to the TIO pin. When the GPIO mode is enabled (TC0–TC3 are all cleared) and DIR = 1, the TIO pin acts as data output. Writing the DO bit writes the data to the TIO pin. If the INV bit is set, the data on the TIO pin is inverted. When GPIO mode is disabled, writing the DO bit has no effect. The DO bit is cleared by hardware and software reset.

9.4.6.10 Timer Overflow Flag (TOF)—Bit 13

The Timer Overflow Flag (TOF) bit, when set, indicates that counter wraparound has occurred. The Timer Overflow Flag bit is cleared when writing a one into the TOF bit. Writing a 0 into the TOF bit has no effect. The bit is also cleared when the timer overflow interrupt is serviced (timer overflow interrupt acknowledge). The TOF bit is cleared by hardware and software reset, by the STOP instruction, and by timer disabling (TE = 0).

9.4.6.11 Timer Compare Flag (TCF)—Bit 14

In the Timer, PWM, and Watchdog modes, the Timer Compare Flag (TCF) bit when set indicates that (N – M + 1) events are counted, where N is the value in the compare register and M is TLR value. In the Measurement modes, the TCF bit when set indicates that the measurement has been completed. The Timer Compare Flag bit is cleared when writing a 1 into the TCF bit. Writing a 0 into the TCF bit has no effect. The bit is cleared also when the Timer Compare interrupt is serviced (timer compare interrupt acknowledge). The TCF bit is cleared by hardware and software reset, the STOP instruction, and also by timer disabling (TE = 0).

- Notes:**
1. Writing a 0 in the TOF or TCF bit can be done with the Bit Test and Clear (BCLR) instruction. The state of the tested bit is stored in the Carry bit of the Status Register (SR).
 2. TOF and TCF are cleared by writing logic 1 to the specific bit. In order to assure that only the desired bit is cleared, the programmer should not use the BSET command. The proper way to clear these bits is to write a logic 1 to the flag to be cleared and 0 to the other flag, using the MOVEP instruction.

9.4.6.12 Prescaled Clock Enable (PCE)—Bit 15

The Prescaled Clock Enable (PCE) bit is used to select the prescaled clock as the timer source clock. When PCE is cleared the timer uses either internal (CLK/2) or external (TIO) source clock as determined by the timer operating mode. When PCE is set, the prescaler output is used as the timer source clock for the counter regardless of the timer operating mode.

The PCE bit is cleared by hardware and software reset.

- Notes:**
1. To ensure proper functionality, the PCE bit should be changed only when the timer is disabled.
 2. The source clock for the prescaler is determined only by the Prescaler Source bits (PS0–PS1) of the TPLR. Therefore, a timer can be clocked by prescaled clock derived from the TIO of another timer.

9.4.6.13 Reserved Bit—Bit 3

Bit 3 of the TCSR is reserved. It is read as 0 and should be written with 0 for future compatibility.

9.5 TIMER MODES OF OPERATION

The DSP56602 timers have the following four modes of operation:

- Timer
- Measurement
- Pulse Width Modulation
- Watchdog

Table 9-3 summarizes these modes, and the following paragraphs describe these modes in detail.

Table 9-3 Timer Mode Summary

Mode	Mode Description	Mode Type	TC[3:0]
0	Timer Mode, No Output (Internal Clock)	Timer	0000
1	Timer Mode, Output Pulse Enable (Internal Clock)	Timer	0001
2	Timer Mode, Output Toggle Enable (Internal Clock)	Timer	0010
3	Timer Mode, Output Toggle Enable (External Clock)	Timer	0011
4	Pulse Width Measurement Mode	Measurement	0100
5	Period Measurement Mode	Measurement	0101
6	Capture Mode	Measurement	0110
7	Pulse Width Modulation Mode, Output Toggle Enable	PWM	0111
8	(Reserved)	(Reserved)	1000

Table 9-3 Timer Mode Summary (continued)

Mode	Mode Description	Mode Type	TC[3:0]
9	Watchdog Mode, Output Pulse Enable (Internal Clock)	Watchdog	1001
10	Watchdog Mode, Output Toggle Enable (Internal Clock)	Watchdog	1010
11	(Reserved)	(Reserved)	1011
12	(Reserved)	(Reserved)	1100
13	(Reserved)	(Reserved)	1101
14	(Reserved)	(Reserved)	1110
15	(Reserved)	(Reserved)	1111

9.5.1 Timer Modes

Timer modes allow using the timers to measure the duration of an event.

9.5.1.1 Mode 0—Timer, No Output (Internal Clock)

This mode is selected when TC[3:0] is set to 0000. In this mode, the counter is cleared after the TE bit is set and loaded with the TLR value on the first timer pulse derived either from the DSP clock divided by two (CLK/2) or from the prescaled clock input. The following timer pulses increment the counter. When the counter matches the value contained by the TCPR, the TCF bit in TCSR is set and, if the TCIE is set, a compare interrupt is generated. At the next timer pulse, the counter is loaded with TLR value (if TRM is set) and the count is resumed. If TRM is cleared, the counter continues to be incremented on each timer pulse. If counter wraparound occurs, the TOF bit is set, and if the TOIE is set, an overflow interrupt is generated. This process is repeated until the timer is disabled (the TE bit is cleared). The counter contents can be read at any time by reading the TCR.

9.5.1.2 Mode 1—Timer, Output Pulse (Internal Clock)

This mode is selected when TC[3:0] is set to 0001. In this mode, the counter is cleared after the TE bit is set and loaded with the TLR value on the first timer pulse derived either from the DSP clock divided by two (CLK/2) or from the prescaled clock input. The following timer pulses increment the counter. When the counter matches the value contained by the TCPR, the TCF bit in TCSR is set, and if the TCIE is set, a compare interrupt is generated. At the next timer pulse, the counter is loaded with TLR value (if TRM is set) and the count is resumed. If TRM is cleared, the counter continues to be incremented on each timer pulse. This process is repeated until the timer is disabled

(TE = 0). Each time the counter matches the TCPR value, a pulse is output on the TIO pin with the width equal to timer clock period. The pulse polarity is determined by the INV bit. If counter wraparound occurs, the TOF bit is set, and if the TOIE is set, an overflow interrupt is generated. The counter contents can be read at any time by reading the TCR.

Note: After the TE bit is set, the TIO pin output value is set equal to the INV bit to guarantee the correct first pin transition.

9.5.1.3 Mode 2—Timer, Output Toggle (Internal Clock)

This mode is selected when TC[3:0] is set to 0010. In this mode, the counter is cleared after the TE bit is set and loaded with the TLR value on the first timer pulse derived either from the DSP clock divided by two (CLK/2) or from the prescaled clock input. The following timer pulses increment the counter. When the counter matches the value of the TCPR, the TIO output pin is toggled, the TCF bit in TCSR is set, and if the TCIE bit is set, a compare interrupt is generated. At the next timer pulse, the counter is loaded with TLR value (if TRM is set) and the count is resumed. If TRM is cleared, the counter continues to be incremented on each timer pulse. This process is repeated until the timer is disabled (TE = 0). The TIO polarity is determined by the INV bit. On the first match, the TIO output is set if the INV bit is cleared, or cleared if the INV bit is set. If counter wraparound occurs, the TOF bit is set, and if the TOIE bit is set, an overflow interrupt is generated. The counter contents can be read at any time by reading the TCR.

Note: After the TE bit is set, the TIO pin output value is set equal to the INV bit to guarantee the correct first pin transition.

9.5.1.4 Mode 3—Timer, Event Counter (External Clock)

This mode is selected when TC[3:0] is set to 0011. In this mode, the counter is cleared after the TE bit is set and loaded with the TLR value on the first transition on the source clock, which can be either the TIO input pin or the prescaled clock input. The following transitions increment the counter. When the counter matches the value contained by TCPR, the TCF bit in the TCSR is set. If the TCIE bit is set, a compare interrupt is generated. At the next transition, the counter is loaded with TLR value if the TRM bit is set, and the count is resumed. If the TRM bit is cleared, the counter continues to be incremented with each transition of the source clock. This process is repeated until the timer is disabled. The INV bit determines whether 0-to-1 transitions (the INV bit is cleared) or 1-to-0 transitions (the INV bit is set) increment the counter. If counter wraparound occurs, the TOF bit is set, and if the TOIE bit is set, an overflow interrupt is generated. The counter contents can be read at any time by reading the TCR. The external clock is internally synchronized to the internal clock and its frequency should be lower than the DSP internal clock (CLK) divided by four.

9.5.2 Measurement Modes

Since the measurement modes use the internal clock to increment the counter, but use the external signal for gating the count, synchronization is needed. The synchronization process can affect the measurement exactness by as much as a single selected internal or prescaled clock cycle.

9.5.2.1 Mode 4—Pulse Width Measurement

The Pulse Width Measurement mode is selected when TC[3:0] is set to 0100. In this mode, the counter is cleared after the TE bit is set. After the first appropriate transition (as defined by the INV bit) occurring on the TIO input pin, the counter is loaded with the TLR value on the first timer pulse derived either from the DSP internal clock (CLK) divided by two or from the prescaled clock input. Each subsequent timer pulse increments the counter.

When the first edge of opposite polarity occurs on TIO, the counter stops, the TCF bit in TCSR is set, and if the TCIE bit is set, a compare interrupt is generated. The contents of the counter is loaded into the TCR and the user's program can read its value that represents the widths of the TIO pulse. On the first timer pulse following the next transition that occurs on TIO input pin, the counter is loaded with the value in TLR (if TRM is set), and the count is resumed. If the TRM bit is cleared, the counter continues to be incremented on each timer pulse. This process is repeated until the timer is disabled. If counter wraparound occurs, the TOF bit is set. If the TOIE bit is set, an overflow interrupt is generated. In this mode, TIO acts as a gating signal for the internal timer clock. The INV bit determines whether the counting is enabled when TIO is low (the INV bit is set) or TIO is high (the INV bit is cleared).

9.5.2.2 Mode 5—Period Measurement

The Period Measurement mode is selected when TC[3:0] is set to 0101. In this mode, the counter is cleared after the TE bit is set. After the first appropriate transition (as defined by the INV bit) occurring on the TIO input pin, it is loaded with the TLR value on the first timer pulse derived either from the DSP internal clock (CLK) divided by two or from the prescaled clock input. Each subsequent timer pulse increments the counter.

On each following transition of the same polarity that occurs on TIO, the TCF bit in the TCSR is set. If the TCIE bit is set, a compare interrupt is generated. The contents of the counter is loaded in the TCR. The user's program can then read its value and the value in the TCR to determine the distance between TIO edges. On the next timer pulse, the counter is loaded with the value in the TLR (if the TRM bit is set) and the count is resumed. If the TRM bit is cleared, the counter continues to be incremented on each timer pulse, accumulating measurements results. This process is repeated until the timer is disabled. If counter wraparound occurs, the TOF bit is set. If the TOIE bit is set, an overflow interrupt is generated. The INV bit determines whether the period is measured

between consecutive 1 to 0 transitions of TIO (the INV bit is set) or between consecutive 0 to 1 transitions of TIO (the INV bit is cleared).

9.5.2.3 Mode 6—Capture

The Capture mode is selected when TC[3:0] is set to 0110. In this mode, the counter is cleared after the TE bit is set and loaded with the TLR value on the first timer pulse derived either from the DSP clock divided by two (CLK/2) or from the prescaled clock input. The following timer pulses increment the counter. If counter wraparound occurs, the TOF bit is set, and if the TOIE is set, an overflow interrupt is generated. At the first transition of external clock, the TCF bit in TCSR is set, and if the TCIE bit is set, a compare interrupt is generated. The contents of the counter are loaded into the TCR and the user's program can read the value that represents the delay of the leading detected edge in relation to the setting of the TE bit. The counting is stopped. The INV bit determines whether the period is measured between the setting of TE bit and the transitions of TIO from 0 to 1 (the INV bit is cleared) or from 1 to 0 (the INV bit is set).

9.5.3 Pulse Width Modulation Mode

One form of Pulse Width Modulation (PWM) mode is provided, and is designated Mode 7.

9.5.3.1 Mode 7—PWM, Output Toggle (Internal Clock)

The Pulse Width Modulation mode, Output Toggle Enable mode, is selected when TC[3:0] is set to 0111. In this mode, the counter is cleared after the TE bit is set and loaded with the TLR value on the first timer pulse derived either from the DSP clock divided by two (CLK/2) or from the prescaled clock input. The following timer pulses increment the counter. When the counter matches the value of the TCPR, the TIO output pin is toggled, the TCF bit in TCSR is set, and if the TCIE bit is set, a compare interrupt is generated and the count is continued. When counter wraparound occurs, the TIO output pin is toggled, the TOF bit in TCSR is set, and if the TOIE is set, an overflow interrupt is generated. At the next timer pulse, the counter is loaded with TLR value (if the TRM bit is set) and the count is resumed. If TRM is cleared, the counter continues to be incremented on each timer pulse. This process is repeated until the timer is disabled. The TIO polarity is determined by the INV bit. On the first transaction, the TIO output is set if the INV bit is cleared, or cleared if the INV bit is set. The counter contents can be read at any time by reading the TCR.

The value in TLR determines the output period ($\$FFFF - TLR + 1$). The value in TCPR determines the duty cycle of the output signal ($\$FFFF - TCPR + 1$ vs. $\$FFFF - TLR + 1$). Therefore, to ensure correct functionality, the values in TLR and TCPR should not be the same.

Note: After the timer is enabled, the TIO pin output value is set equal to the INV bit to guarantee the correct first pin transition.

9.5.4 Watchdog Modes

Two Watchdog modes are provided to ensure proper chip operation.

9.5.4.1 Mode 9—Watchdog, Output Pulse (Internal Clock)

The Watchdog Mode, Output Pulse Enable mode is selected when TC[3:0] is set to 1001. In this mode, the counter is cleared after the TE bit is set and loaded with the TLR value on the first timer pulse derived either from the DSP clock divided by two (CLK/2) or from the prescaled clock input. The following timer pulses increment the counter. When the counter matches the value of the TCPR, the TCF bit in TCSR is set, and if the TCIE bit is set, a compare interrupt is generated and the count is continued. At the next timer pulse, the counter is loaded with TLR value (if TRM is set) and the count is resumed. If the TRM bit is cleared, the counter continues to be incremented on each timer pulse. This process is repeated until the timer is disabled. The counter is reloaded whenever the TLR is written with a new value while the timer is enabled. When counter wraparound occurs, the TOF bit in the TCSR is set, and if the TOIE bit is set, an overflow interrupt is generated. At the same time, a pulse is output on the TIO pin with the width equal to the timer clock period. The pulse polarity is determined by the INV bit. The counter contents can be read at any time by reading the TCR.

Note: In this mode, the internal hardware preserves the TIO value and direction for an additional 2.5 internal clock cycles after reset was activated. This ensures a valid length reset when the TIO is used as input to the $\overline{\text{RESET}}$ pin.

9.5.4.2 Mode 10—Watchdog, Output Toggle (Internal Clock)

The Watchdog Mode, Output Toggle Enable mode is selected when TC[3:0] is set to 1010. In this mode, the counter is cleared after the TE bit is set and loaded with the TLR value on the first timer pulse derived either from the DSP clock divided by two (CLK/2) or from the prescaled clock input. The following timer pulses increment the counter. When the counter matches the value of the TCPR, the TCF bit in TCSR is set, and if the TCIE bit is set, a compare interrupt is generated and the count is continued. At the next timer pulse, the counter is loaded with the TLR value (if the TRM bit is set) and the count is resumed. If the TRM bit is cleared, the counter continues to be incremented on each timer pulse. This process is repeated until the timer is disabled. The counter is reloaded whenever the TLR is written with a new value while the timer is enabled. When counter wraparound occurs, the TIO output pin is toggled, the TOF bit in the TCSR is set, and if the TOIE is set, an overflow interrupt is generated. The TIO polarity is determined by the INV bit. On the first transaction, the TIO output is set if the INV bit is cleared, or cleared if the INV bit is set. The counter contents can be read at any time by reading the TCR.

- Notes:**
1. After the timer is enabled, the TIO pin output value is set equal to INV bit to guarantee the correct first pin transition.
 2. In this mode, the internal hardware preserves the TIO value and direction for an additional 2.5 internal clock cycles after reset is activated, ensuring a valid length reset when the TIO is used as input to the $\overline{\text{RESET}}$ pin.

9.5.5 Reserved Modes

Timer modes 8, 11, 12, 13, 14 and 15 are reserved.

9.5.6 Timer Behavior During WAIT and STOP Instructions

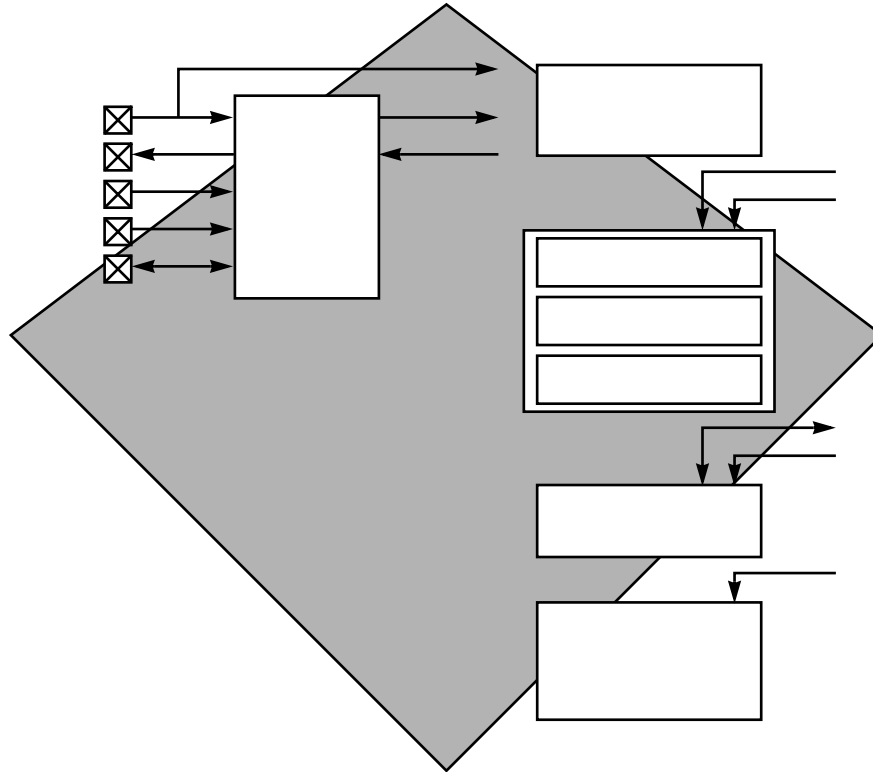
The timer clocks are active during the execution of the WAIT instruction. Thus, timer activity continues undisturbed. On reaching the final event, if the timer interrupt is enabled, an interrupt is generated and the processor leaves the Wait state and services the interrupt. The timer clocks are disabled during the execution of the STOP instruction. Thus, timer activity is stopped. In Stop mode, the TIO pins are electrically disconnected internally. If a TIO pin is used as an input, changes that occur while in Stop mode are ignored. To ensure proper operation, disable the timer before executing the STOP instruction.





SECTION 10

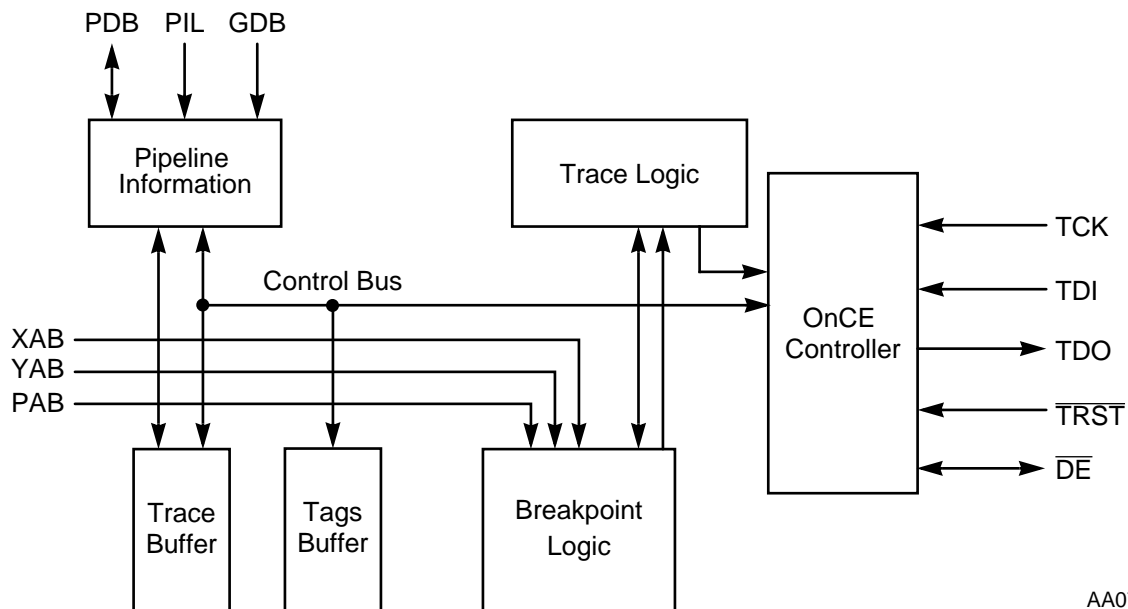
ON-CHIP EMULATION MODULE



10.1	INTRODUCTION	10-3
10.2	ONCE MODULE PINS.	10-3
10.3	ONCE CONTROLLER.	10-4
10.4	ONCE MEMORY BREAKPOINT LOGIC.	10-10
10.5	ONCE TRACE LOGIC.	10-15
10.6	METHODS OF ENTERING THE DEBUG MODE	10-16
10.7	PIPELINE INFORMATION AND OGDBR	10-18
10.8	TRACE BUFFER.	10-20
10.9	ONCE COMMANDS AND SERIAL PROTOCOL	10-23
10.10	TARGET SITE DEBUG SYSTEM REQUIREMENTS	10-24
10.11	EXAMPLES OF USING THE ONCE	10-24
10.12	EXAMPLES OF JTAG AND ONCE INTERACTION	10-29

10.1 INTRODUCTION

The DSP56600 core On-Chip Emulation (OnCE™) module provides a means of interacting with the DSP56600 core and its peripherals non-intrusively so that a user can examine registers, memory, or on-chip peripherals, thus facilitating hardware and software development on the DSP56600 core processor. To achieve this, special circuits and dedicated pins on the DSP56602 are defined to avoid sacrificing any user-accessible on-chip resource. The OnCE module resources can be accessed only after executing the JTAG instruction ENABLE_ONCE (these resources are accessible even when the chip is operating in Normal mode). See **Section 12, JTAG Port**, for a description of the JTAG functionality and its relation to the OnCE. **Figure 10-1** shows the block diagram of the OnCE module.



AA0702

Figure 10-1 OnCE Module Block Diagram

10.2 OnCE MODULE PINS

The OnCE module controller functionality is accessed through the JTAG Test Access Port (TAP). There are no dedicated OnCE module pins for clock, data in, or data out. The JTAG pins TCK, TDI, and TDO are used to shift in and out data and instructions. See **JTAG Pins** on page 11-5 for the description of the JTAG pins. To facilitate emulation-specific functions, one additional pin, called \overline{DE} , is provided on the DSP56602.

The bidirectional open drain Debug Event pin (\overline{DE}) provides a fast means of entering the Debug mode of operation from an external command controller (when input), as well as a fast means of acknowledging the entering of the Debug mode of operation to an external command controller (when output). The assertion of this pin by a command controller causes the DSP56600 core to finish the current instruction being executed, save the instruction pipeline information, enter the Debug mode, and wait for commands to be entered from the TDI line. If the \overline{DE} pin is used to enter the Debug mode, then it must be deasserted after the OnCE port responds with an acknowledge and before sending the first OnCE command. The assertion of this pin by the DSP56600 core indicates that the DSP has entered the Debug mode and is waiting for commands to be entered from the TDI line. The \overline{DE} pin also facilitates multiple processor connections, as shown in **Figure 10-2**.

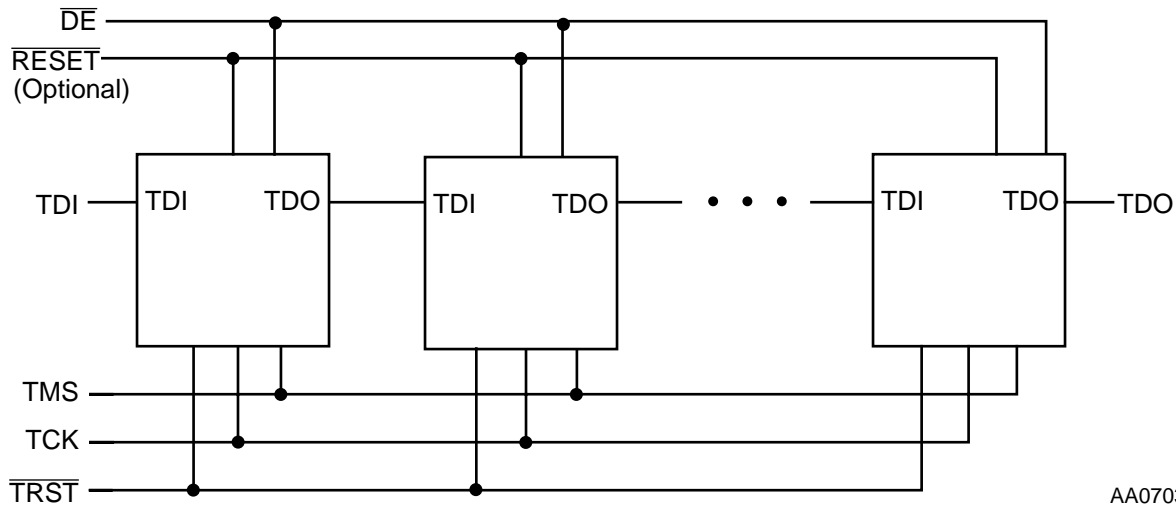


Figure 10-2 OnCE Module Multiprocessor Configuration

In this way, the user can stop all the devices in the system when one of the devices enters the Debug mode. The user can also stop all the devices synchronously by asserting the \overline{DE} line.

10.3 OnCE CONTROLLER

The OnCE controller contains the following blocks: OnCE Command Register (OCR), OnCE Decoder, and the status/control register. **Figure 10-3** illustrates a block diagram of the OnCE controller.

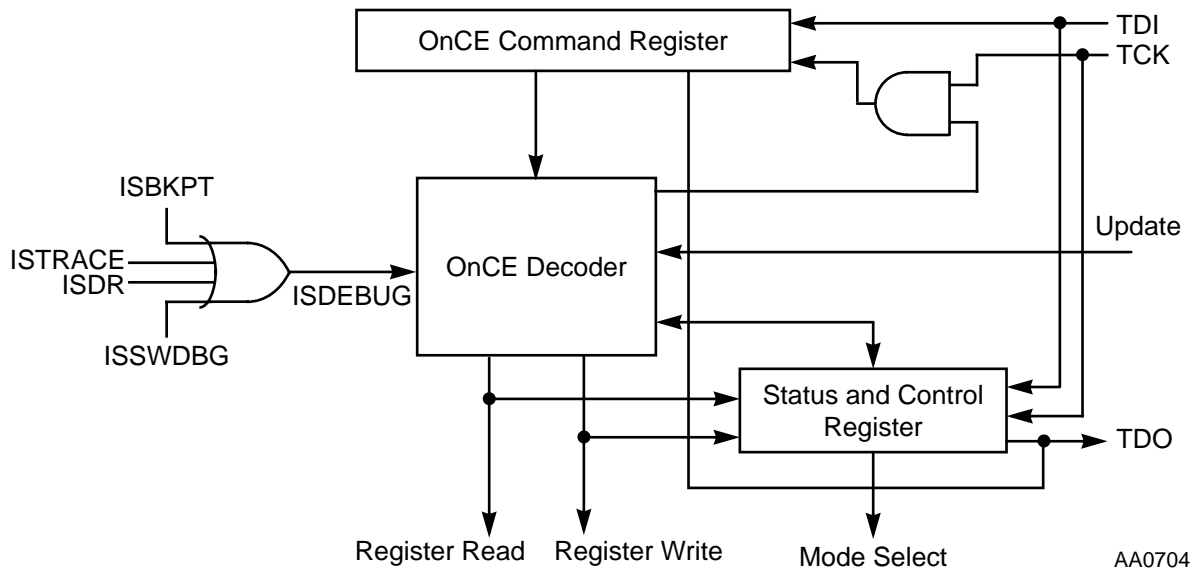


Figure 10-3 OnCE Controller Block Diagram

10.3.1 OnCE Command Register (OCR)

The OnCE Command Register (OCR) is an 8-bit shift register that receives its serial data from the TDI pin. It holds the 8-bit commands to be used as input for the OnCE Decoder. The OCR is shown in Figure 10-4.

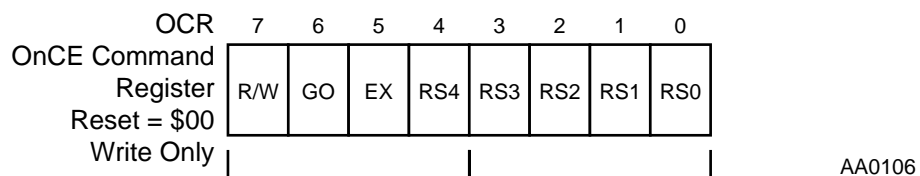


Figure 10-4 OnCE Command Register

10.3.1.1 Register Select (RS[4:0])—Bits 0–4

The Register Select (RS[4:0]) bits define which register is source/destination for the read/write operation. Table 10-1 shows the OnCE register addresses.

Table 10-1 OnCE Register Select Encoding

RS[4:0]	Register Selected
00000	OnCE Status and Control Register (OSCR)
00001	OnCE Memory Breakpoint Counter (OMBC)
00010	OnCE Breakpoint Control Register (OBCR)
00011	(Reserved)
00100	(Reserved)
00101	Memory Limit Register 0 (OMLR0)
00110	Memory Limit Register 1 (OMLR1)
00111	(Reserved)
01000	(Reserved)
01001	OnCE Global Data Bus Register (OGDBR)
01010	OnCE Program Data Bus Register (OPDBR)
01011	OnCE PIL Register (OPILR)
01100	OnCE Program Data Bus GO-TO Register (for GO TO command)
01101	OnCE Trace Counter (OTC)
01110	(Reserved)
01111	OnCE PAB Register for Fetch (OPABFR)
10000	OnCE PAB Register for Decode (OPABDR)
10001	OnCE PAB Register for Execute (OPABEX)
10010	Trace Buffer and Increment Pointer
10011	(Reserved)
101xx	(Reserved)
11xx0	(Reserved)
11x0x	(Reserved)
110xx	(Reserved)
11111	No Register Selected

10.3.1.2 Exit Command (EX)—Bit 5

If the EX bit is set, leave Debug mode and resume normal operation. The EXIT command is executed only if the GO command is issued, and the operation is write to OPDBR or read/write to “No Register Selected”. Otherwise the EX bit is ignored. **Table 10-2** shows the definition of the EX bit.

Table 10-2 EX Bit Definition

EX	Action
0	Remain in Debug mode
1	Leave Debug mode

10.3.1.3 GO Command (GO)—Bit 6

If the GO bit is set, execute the instruction that resides in the PIL register. To execute the instruction, the core leaves the Debug mode. The core returns to the Debug mode immediately after executing the instruction if the EX bit is cleared. The core goes on to normal operation if the EX bit is set. The GO command is executed only if the operation is write to OPDBR or read/write to “No Register Selected”. Otherwise, the GO bit is ignored. **Table 10-3** shows the definition of the GO bit.

Table 10-3 GO Bit Definition

GO	Action
0	Inactive—no action taken
1	Execute instruction in PIL

10.3.1.4 Read/Write Command (R/ \bar{W})—Bit 7

The R/ \bar{W} bit specifies the direction of data transfer. **Table 10-4** shows the definition of the R/ \bar{W} bit.

Table 10-4 R/ \bar{W} Bit Definition

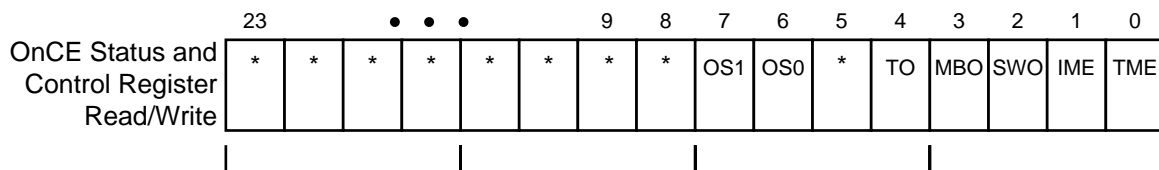
R/ \bar{W}	Action
0	Write the data associated with the command into the register specified by RS[4:0].
1	Read the data contained in the register specified by RS[4:0].

10.3.2 OnCE Decoder (ODEC)

The OnCE Decoder (ODEC) supervises the entire OnCE module activity. It receives as input the 8-bit command from the OCR, a signal from JTAG Controller (indicating that 8/24 bits have been received and update of the selected data register must be performed), and a signal indicating that the core was halted. The ODEC generates all the strobes required for reading and writing the selected OnCE registers.

10.3.3 OnCE Status and Control Register (OSCR)

The OnCE Status and Control Register (OSCR) is a 24-bit register used to enable the Trace mode of operation and to indicate the cause of entering the Debug mode. The control bits are read/write while the status bits are read-only. The OSCR bits are cleared on hardware reset. The OSCR is shown in **Figure 10-5**.



* Indicates reserved bits, written as 0 for future compatibility

AA0705

Figure 10-5 OnCE Status and Control Register (OSCR)

10.3.3.1 Trace Mode Enable (TME)—Bit 0

When the Trace Mode Enable (TME) control bit is set, the Trace mode of operation is enabled.

10.3.3.2 Interrupt Mode Enable (IME)—Bit 1

The Interrupt Mode Enable (IME) control bit, when set, causes the chip to execute a vectored interrupt to the address VBA:\$06 instead of entering the Debug mode.

10.3.3.3 Software Debug Occurrence (SWO)—Bit 2

The Software Debug Occurrence (SWO) bit is a read-only status bit that is set when the Debug mode of operation is entered because of the execution of the DEBUG or DEBUGcc instruction with condition true. This bit is cleared when leaving the Debug mode.

10.3.3.4 Memory Breakpoint Occurrence (MBO)—Bit 3

The Memory Breakpoint Occurrence (MBO) bit is a read-only status bit that is set when the Debug mode of operation is entered because a memory breakpoint has been encountered. This bit is cleared when leaving the Debug mode.

10.3.3.5 Trace Occurrence (TO)—Bit 4

The Trace Occurrence (TO) bit is a read-only status bit that is set when the Debug mode of operation is entered when the Trace Counter is zero while Trace mode is enabled. This bit is cleared when leaving the Debug mode.

10.3.3.6 Reserved Bit—Bit 5

Bit 5 of the OSCR is reserved for future use. It is read as 0 and should be written with 0 for future compatibility.

10.3.3.7 Core Status (OS[1:0])—Bits 6-7

The Core Status (OS[1:0]) bits are read-only status bits that provide core status information. By examining the status bits, the user can determine whether the chip has entered the Debug mode. Examining SWO, MBO, and TO identifies the cause of entering the Debug mode. The user can also examine these bits and determine the cause why the chip has not entered the Debug mode after debug event assertion (\overline{DE}) or as a result of the execution of the JTAG DEBUG_REQUEST instruction (core waiting for the bus, STOP or WAIT instruction, etc.). These bits are also reflected in the JTAG Instruction shift Register (IR), which allows the polling of the core status information at the JTAG level. This is useful when the DSP56600 core executes the STOP instruction (and therefore there are no clocks) to allow the reading of OSCR. See **Table 10-5** for the definition of the OS[1:0] bits.

Table 10-5 Core Status Bits Description

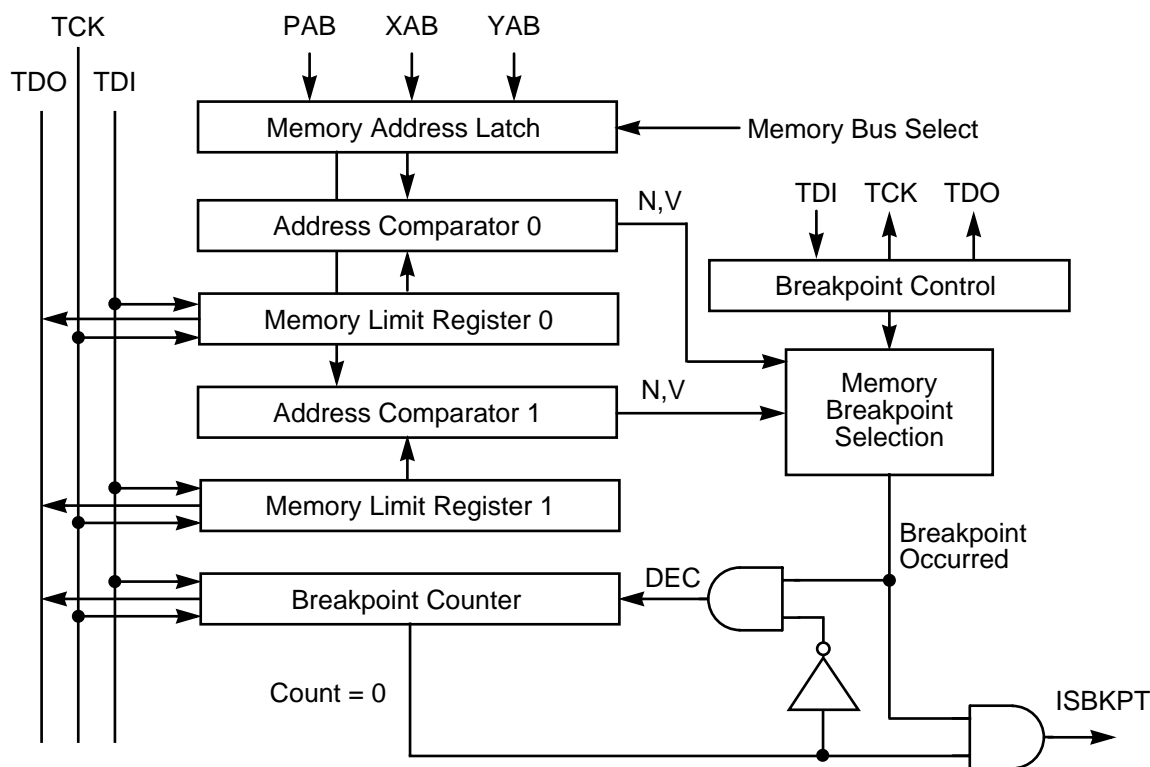
OS[1:0]	Description
00	DSP56600 core is executing instructions
01	DSP56600 core is in Wait or Stop mode
10	DSP56600 core is waiting for bus
11	DSP56600 core is in Debug mode

10.3.3.8 Reserved Bits—Bits 8–23

Bits 8–23 of the OSCR are reserved for future use. They are read as 0 and should be written with 0 for future compatibility.

10.4 OnCE MEMORY BREAKPOINT LOGIC

Memory breakpoints can be set on program memory or data memory locations. In addition, the breakpoint does not have to be in a specific memory address, but within an approximate address range of where the program may be executing. This significantly increases the programmer's ability to monitor what the program is doing in real-time. The breakpoint logic, described in **Figure 10-6**, contains a latch for the addresses, registers that store the upper and lower address limit, address comparators, and a breakpoint counter.



AA0706

Figure 10-6 OnCE Memory Breakpoint Logic 0

Address comparators are useful in determining where a program may be getting lost or when data is being written where it should not be written. They are also useful in halting a program at a specific point to examine/change registers or memory. Using address comparators to set breakpoints enables the user to set breakpoints in RAM or ROM and while in any operating mode. Memory accesses are monitored according to the contents of the OBCR as specified in **OnCE Breakpoint Control Register (OBCR)** on page 10-12.

10.4.1 OnCE Memory Address Latch (OMAL)

The OnCE Memory Address Latch (OMAL) is a 16-bit register that latches the PAB, XAB or YAB on every instruction cycle according to the MBS1–MBS0 bits in OBCR.

10.4.2 OnCE Memory Limit Register 0 (OMLR0)

The OnCE Memory Limit Register 0 (OMLR0) is a 16-bit register that stores the memory breakpoint limit. Before enabling breakpoints, OMLR0 must be loaded by the external command controller. OMLR0 can be read or written through the TAP.

10.4.3 OnCE Memory Address Comparator 0 (OMAC0)

The OnCE Memory Address Comparator 0 (OMAC0) compares the current memory address (stored in OMAL0) with the OMLR0 contents.

10.4.4 OnCE Memory Limit Register 1 (OMLR1)

The OnCE Memory Limit Register 1 (OMLR1) is a 16-bit register that stores the memory breakpoint limit. OMLR1 can be read or written through the TAP. Before enabling breakpoints, OMLR1 must be loaded by the external command controller.

10.4.5 OnCE Memory Address Comparator 1 (OMAC1)

The OnCE Memory Address Comparator 1 (OMAC1) compares the current memory address (stored in OMAL0) with the OMLR1 contents.

10.4.6 OnCE Breakpoint Control Register (OBCR)

The OnCE Breakpoint Control Register (OBCR) is a 16-bit register used to define the memory breakpoint events. OBCR can be read or written through the JTAG TAP. All the bits of the OBCR are cleared on hardware reset. The OBCR is described in **Figure 10-7**.

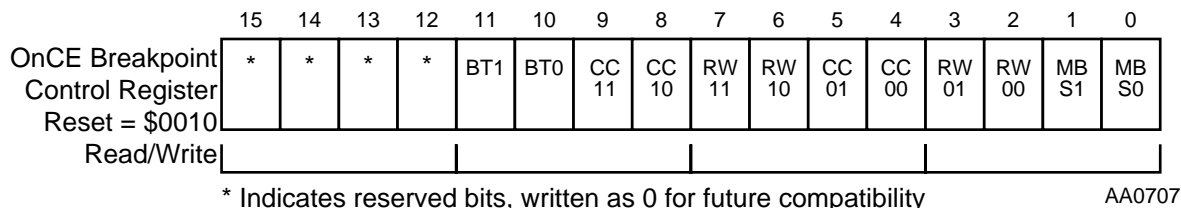


Figure 10-7 OnCE Breakpoint Control Register (OBCR)

10.4.6.1 Memory Breakpoint Select Bits (MBS[1:0])—Bits 0–1

The Memory Breakpoint Select (MBS[1:0]) bits enable memory Breakpoint0 and Breakpoint1, allowing them to occur when a memory access is performed on P, X, or Y space access is performed. See **Table 10-6** for the definition of the MBS[1:0] bits.

Table 10-6 Memory Breakpoint Select Table

MBS1	MBS0	Description
0	0	Reserved
0	1	Breakpoint on P access
1	0	Breakpoint on X access
1	1	Breakpoint on Y access

10.4.6.2 Breakpoint0 Read/Write Select (RW0[1:0])—Bits 2–3

The Breakpoint 0 Read/Write Select (RW0[1:0]) bits define the memory Breakpoint0 to occur when a memory address accesses is performed for read, write or both. See **Table 10-7** for the definition of the RW0[1:0] bits.

Table 10-7 Breakpoint0 Read/Write Select Table

RW01	RW00	Description
0	0	Breakpoint disabled
0	1	Breakpoint on write access
1	0	Breakpoint on read access
1	1	Breakpoint on read or write access

10.4.6.3 Breakpoint0 CC Select (CC0[1:0])—Bits 4–5

The Breakpoint0 Condition Code Select (CC0[1:0]) bits define the condition of the comparison between the current Memory Address (OMAL0) and the Memory Limit Register 0 (OMLR0). See **Table 10-8** for the definition of the CC0[1:0] bits.

Table 10-8 Breakpoint0 Condition Select Table

CC01	CC00	Description
0	0	Breakpoint on not equal
0	1	Breakpoint on equal
1	0	Breakpoint on less than
1	1	Breakpoint on greater than

10.4.6.4 Breakpoint1 Read/Write Select (RW1[1:0])—Bits 6–7

The Breakpoint1 Read/Write Select (RW1[1:0]) bits control define memory Breakpoints1 to occur when a memory address accesses is performed for read, write or both. See **Table 10-9** for the definition of the RW1[1:0] bits.

Table 10-9 Breakpoint1 Read/Write Select Table

RW11	RW10	Description
0	0	Breakpoint disabled
0	1	Breakpoint on write access
1	0	Breakpoint on read access
1	1	Breakpoint read or write access

10.4.6.5 Breakpoint1 CC Select (CC1[1:0])—Bits 8–9

The Breakpoint1 Condition Code Select (CC1[1:0]) bits define the condition of the comparison between the current memory address (OMAL0) and the OnCE Memory Limit Register 1 (OMLR1). See **Table 10-10** for the definition of the CC1[1:0] bits.

Table 10-10 Breakpoint1 Condition Select Table

CC11	CC10	Description
0	0	Breakpoint on not equal
0	1	Breakpoint on equal
1	0	Breakpoint on less than
1	1	Breakpoint on greater than

10.4.6.6 Breakpoint Event Select Bits (BT[1:0])—Bits 10–11

The Breakpoint Event Select (BT[1:0]) bits define the sequence between Breakpoint0 and Breakpoint1. If the condition defined by BT[1:0] is met, then the Breakpoint Counter (OMBC) is decremented. See **Table 10-11** for the definition of the BT[1:0] bits.

Table 10-11 Breakpoint0 and Breakpoint1 Event Select Table

BT1	BT0	Description
0	0	Breakpoint0 and Breakpoint1
0	1	Breakpoint0 or Breakpoint1
1	0	Breakpoint1 after Breakpoint0
1	1	Breakpoint0 after Breakpoint1

10.4.6.7 Reserved Bits—Bits 12–15

Bits 12–15 of the OBCR are reserved for future use. They are read as 0 and should be written with 0 for future compatibility.

10.4.7 OnCE Memory Breakpoint Counter (OMBC)

The OnCE Memory Breakpoint Counter (OMBC) is a 16-bit counter that is loaded with a value equal to the number of times minus one that a memory access event should occur before a memory breakpoint is declared. The memory access event is specified by the OBCR and by the memory limit registers. On each occurrence of the memory access

event, the breakpoint counter is decremented. When the counter reaches 0 and a new occurrence takes place, the chip enters the Debug mode. The OMBC can be read or written through the TAP. Every time that the limit register is changed, or a different breakpoint event is selected in the OBCR, the breakpoint counter must be written afterwards. This ensures that the OnCE breakpoint logic is reset and that no previous events can affect the new breakpoint event selected. The breakpoint counter is cleared by hardware reset.

10.5 OnCE TRACE LOGIC

Using the OnCE Trace Logic, execution of instructions in single or multiple steps is possible. The OnCE Trace Logic causes the chip to enter the Debug mode of operation after the execution of one or more instructions and wait for OnCE commands from the debug serial port. The OnCE Trace Logic block diagram is shown in **Figure 10-8**.

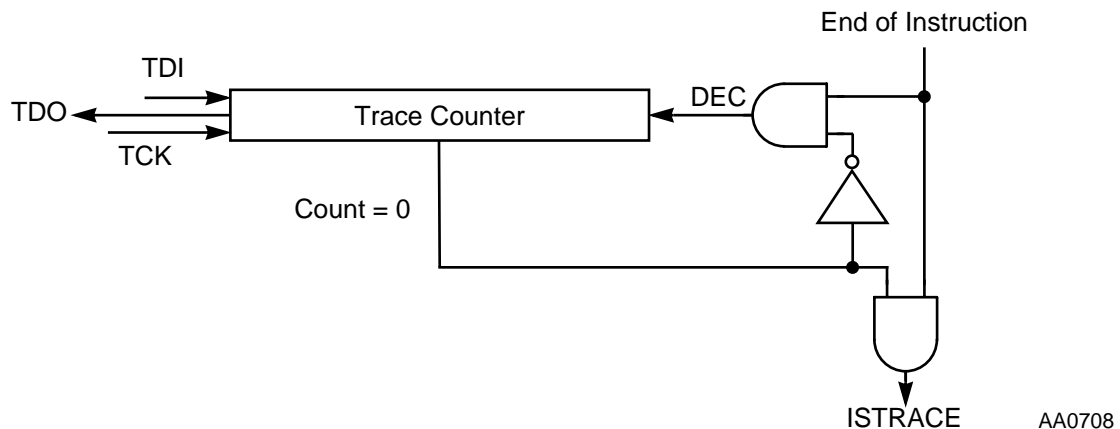


Figure 10-8 OnCE Trace Logic Block Diagram

The Trace mode has a counter associated with it so that more than one instruction can be executed before returning back to the Debug mode of operation. The objective of the counter is to allow the user to take multiple instruction steps real-time before entering the Debug mode. This feature helps the software developer debug sections of code that do not have a normal flow or are getting hung up in infinite loops. The Trace Counter also enables the user to count the number of instructions executed in a code segment.

The OnCE Trace Counter (OTC) is a 16-bit counter that can be read or written through the TAP. If N instructions are to be executed before entering the Debug mode, the Trace Counter should be loaded with $N - 1$. The Trace Counter is cleared by hardware reset.

To enable the Trace mode of operation, do the following:

1. Load the counter with a value.
2. Set the program counter to the start location of the instruction(s) to be executed real-time.
3. Set the TME bit in the OSCR.
4. Cause the DSP56600 core to exit the Debug mode by executing the appropriate command issued by the external command controller.

Upon exiting the Debug mode, the counter is decremented after each execution of an instruction. Interrupts are serviceable and all instructions executed, including fast interrupt services and the execution of each repeated instruction, cause the Trace Counter to be decremented. Upon decrementing to 0, the DSP56600 core re-enters the Debug mode, the Trace Occurrence bit (TO) in the OSCR register is set, the core Status bits OS[1:0] are set to 11, and the \overline{DE} pin is asserted to indicate that the DSP56600 core has entered Debug mode and is requesting service.

10.6 METHODS OF ENTERING THE DEBUG MODE

Entering the Debug mode is acknowledged by the chip by setting the OS[1:0] bits and asserting the \overline{DE} line. This informs the external command controller that the chip has entered the Debug mode and is waiting for commands. The DSP56600 core can disable the OnCE module if the ROM Security option is implemented. If the ROM Security is implemented, the OnCE module remains inactive until a write operation to the OGDBR is executed by the DSP56600 core.

10.6.1 External Debug Request During \overline{RESET} Assertion

Holding the \overline{DE} line asserted during the assertion of \overline{RESET} causes the chip to enter the Debug mode. After receiving the acknowledge, the external command controller must negate the \overline{DE} line before sending the first command.

Note: In this case, the chip does not execute any instruction before entering the Debug mode.

10.6.2 External Debug Request During Normal Activity

Holding the \overline{DE} line asserted during normal chip activity causes the chip to finish the execution of the current instruction and then enter the Debug mode. After receiving the acknowledge, the external command controller must negate the \overline{DE} line before sending the first command. This process is the same for any newly fetched instruction, including instructions fetched by the interrupt processing or instructions that will be aborted by the interrupt processing.

Note: In this case the chip completes the execution of the current instruction and stops after the newly fetched instruction enters the instruction latch.

10.6.3 Executing the JTAG DEBUG_REQUEST Instruction

Executing the JTAG instruction DEBUG_REQUEST asserts an internal debug request signal. Consequently, the chip finishes the execution of the current instruction and stops after the newly fetched instruction enters the instruction latch. After entering the Debug mode, the Core Status bits OS1 and OS0 are set and the \overline{DE} line is asserted, thus acknowledging the external command controller that the Debug mode of operation has been entered.

10.6.4 External Debug Request During Stop Mode

Executing the JTAG instruction DEBUG_REQUEST (or asserting \overline{DE}) while the chip is in the Stop state (i. e., has executed a STOP instruction) causes the chip to exit the Stop state and enter the Debug mode. After receiving the acknowledge, the external command controller must negate \overline{DE} before sending the first command.

Note: In this case, the chip completes the execution of the STOP instruction and halts after the next instruction enters the instruction latch.

10.6.5 External Debug Request During Wait Mode

Executing the JTAG instruction DEBUG_REQUEST (or asserting \overline{DE}) while the chip is in the Wait state (i. e., has executed a WAIT instruction) causes the chip to exit the Wait state and enter the Debug mode. After receiving the acknowledge, the external command controller must negate \overline{DE} before sending the first command.

Note: In this case, the chip completes the execution of the WAIT instruction and halts after the next instruction enters the instruction latch.

10.6.6 Software Request During Normal Activity

Upon executing the DEBUG instruction (or DEBUGcc when the specified condition is true), the chip enters the Debug mode after the instruction following the DEBUG instruction has entered the instruction latch.

10.6.7 Enabling Trace Mode

When the Trace mode mechanism is enabled and the Trace Counter is greater than zero, the Trace Counter is decremented after each instruction execution. Execution of an instruction when the value in the Trace Counter is 0 causes the chip to enter the Debug mode after completing the execution of the instruction. Only instructions actually executed cause the Trace Counter to decrement. An aborted instruction does not decrement the Trace Counter and does not cause the chip to enter the Debug mode.

10.6.8 Enabling Memory Breakpoints

When the memory breakpoint mechanism is enabled with a Breakpoint Counter value of 0, the chip enters the Debug mode after completing the execution of the instruction that caused the memory breakpoint to occur. In case of breakpoints on executed Program memory fetches, the breakpoint is acknowledged immediately after the execution of the fetched instruction. In case of breakpoints on accesses to X, Y, or P memory spaces by MOVE instructions, the breakpoint is acknowledged after the completion of the instruction following the instruction that accessed the specified address.

10.7 PIPELINE INFORMATION AND OGDBR

To restore the pipeline and to resume normal chip activity upon returning from the Debug mode, a number of on-chip registers store the chip pipeline status. **Figure 10-9** shows the block diagram of the Pipeline Information Registers, with the exception of the PAB registers, which are shown in **Figure 10-10** on page 10-22.

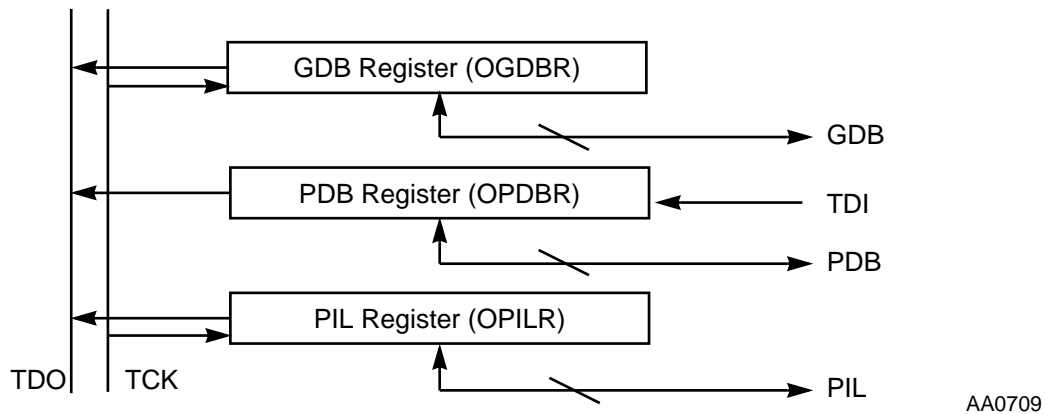


Figure 10-9 OnCE Pipeline Information and GDB Registers

10.7.1 OnCE PDB Register (OPDBR)

The OnCE Program Data Bus Register (OPDBR) is a 24-bit latch that stores the value of the Program Data Bus generated by the last program memory access of the core before the Debug mode is entered. The OPDBR register can be read or written through the TAP. This register is affected by the operations performed during the Debug mode and must be restored by the external command controller when returning to Normal mode.

10.7.2 OnCE PIL Register (OPILR)

The OnCE PIL Register (OPILR) is a 24-bit latch that stores the value of the Instruction Latch before the Debug mode is entered. OPILR can only be read through the TAP.

Note: Since the Instruction Latch is affected by the operations performed during the Debug mode, it must be restored by the external command controller when returning to Normal mode. Since there is no direct write access to the Instruction Latch, the task of restoring is accomplished by writing to OPDBR with no-GO and no-EX. In this case, the data written on PDB is transferred into the Instruction Latch.

10.7.3 OnCE GDB Register (OGDBR)

The OnCE GDB Register (OGDBR) is a 16-bit latch that can only be read through the TAP. The OGDBR is not actually required from a pipeline status restore point of view, but is required as a means of passing information between the chip and the external command controller. The OGDBR is mapped on the X internal I/O space at address \$FFFB. Whenever the external command controller needs the contents of a register or memory location, it forces the chip to execute an instruction that brings that information to the OGDBR. Then the contents of the OGDBR are delivered serially to the external command controller by the command “READ GDB REGISTER”.

10.8 TRACE BUFFER

To ease debugging activity and keep track of program flow, the DSP56600 core provides a number of on-chip dedicated resources. There are three read-only PAB registers that give pipeline information when the Debug mode is entered, and a Trace buffer that stores the address of the last instruction that was executed, as well as the addresses of the last eight change of flow instructions.

10.8.1 OnCE PAB Register for Fetch (OPABFR)

The OnCE PAB Register for Fetch Register (OPABFR) is a 16-bit register that stores the address of the last instruction whose fetch was started before the Debug mode was entered. The OPABFR can only be read through the TAP. This register is not affected by the operations performed during the Debug mode.

10.8.2 PAB Register for Decode (OPABDR)

The OnCE PAB Register for Decode Register (OPABDR) is a 16-bit register that stores the address of the instruction currently on the PDB. This is the instruction whose fetch was completed before the chip has entered the Debug mode. The OPABDR can only be read through the TAP. This register is not affected by the operations performed during the Debug mode.

10.8.3 OnCE PAB Register for Execute (OPABEX)

The OnCE PAB Register for Execute (OPABEX) is a 16-bit register that stores the address of the instruction currently in the Instruction Latch. This is the instruction that would have been decoded and executed if the chip had not entered the Debug mode. The OPABEX register can be read only through the TAP. This register is not affected by the operations performed during the Debug mode.

10.8.4 Trace Buffer

The Trace buffer stores the addresses of the last eight change of flow instructions that were executed, as well as the address of the last executed instruction. The Trace buffer is implemented as a circular buffer containing eight 17-bit registers and one 4-bit counter. All the registers have the same address, but any read access to the Trace buffer address causes the counter to increment, thus pointing to the next Trace buffer register. The registers are serially available to the external command controller through their common Trace buffer address. **Figure 10-10** shows the block diagram of the Trace buffer. The Trace buffer is not affected by the operations performed during the Debug mode except for the Trace buffer pointer increment when reading the Trace buffer. When entering the Debug mode, the Trace buffer counter is pointing to the Trace buffer register containing the address of the last executed instructions. The first Trace buffer read obtains the oldest address and the following Trace buffer reads get the other addresses from the oldest to the newest, in order of execution.

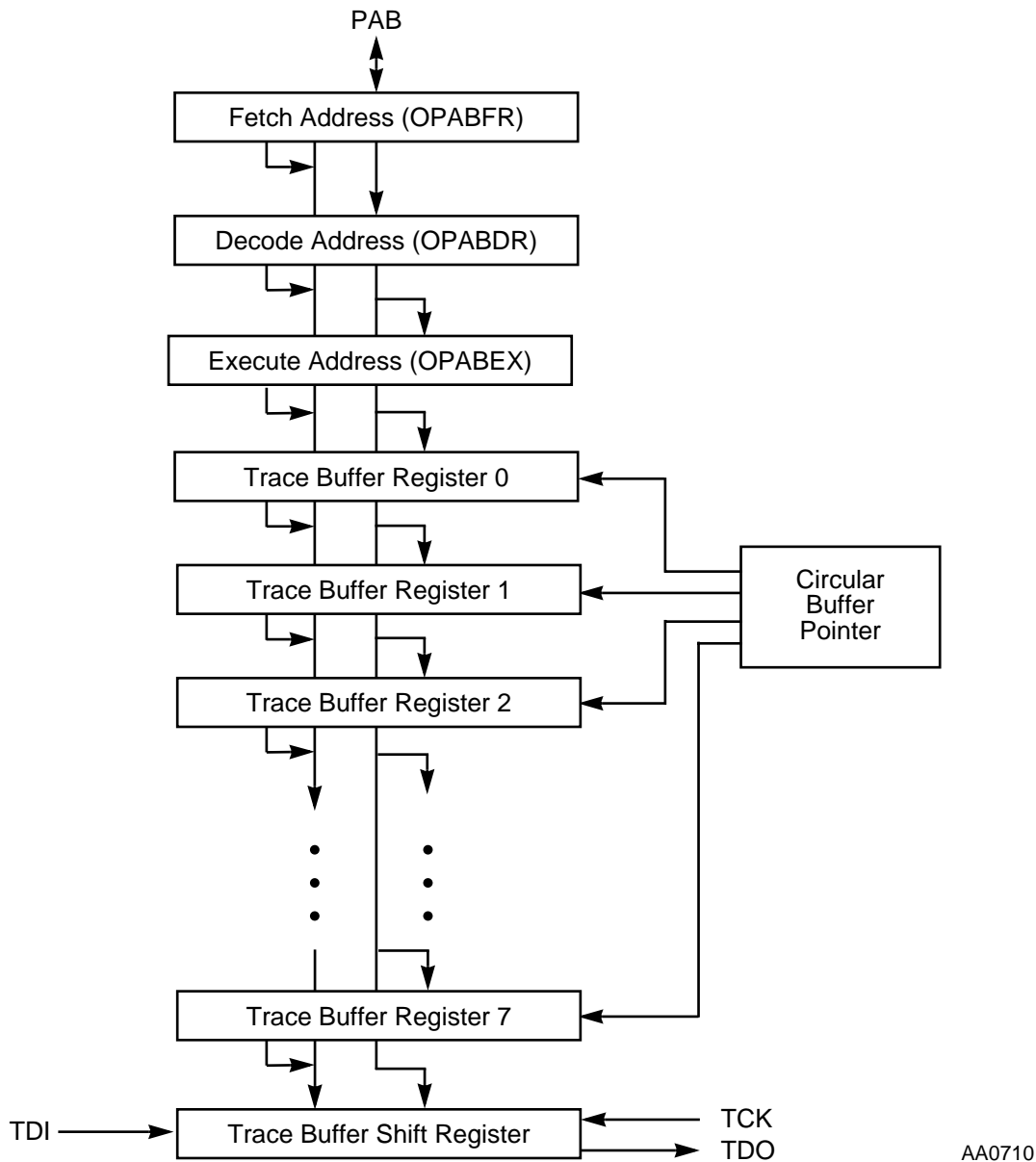


Figure 10-10 OnCE Trace Buffer

- Notes:**
- To ensure Trace buffer coherence, a complete set of eight reads of the Trace buffer must be performed. This is necessary because each read increments the Trace buffer pointer, thus pointing to the next location. After eight reads, the pointer indicates the same location as before starting the read procedure.

2. On any change of flow instruction, the Trace buffer stores both the address of the change of flow instruction, as well as the address of the target of the change of flow instruction. In the case of conditional change of flows, the address of the change of flow instruction is always stored (regardless of the fact that the change of flow is true or false), but if the conditional change of flow is false (that is, not taken) the address of the target is not stored. In order to facilitate the program trace reconstruction every Trace buffer location has an additional “invalid bit” (the 25th bit). If a conditional change of flow instruction has a “condition false”, the “invalid bit” is set, thus marking this instruction as “not taken”. Therefore, it is imperative to read seventeen bits of data when reading the eight Trace buffer registers. Since data is read LSB first, the “invalid bit” is the first bit to be read.

10.9 OnCE COMMANDS AND SERIAL PROTOCOL

To permit an efficient means of communication between the external command controller and the DSP56602, the following protocol is adopted. Before starting any debugging activity, the external command controller waits for an acknowledge on the \overline{DE} line indicating that the chip has entered the Debug mode (optionally the external command controller can poll the OS1 and OS0 bits in the JTAG instruction shift register). The external command controller communicates with the chip by sending 8-bit commands that can be accompanied by 24 bits of data. Both commands and data are sent or received Least Significant Bit first. After sending a command, the external command controller waits for the DSP56602 to acknowledge execution of the command. The external command controller sends a new command only after the chip has acknowledged execution of the previous command.

The OnCE commands are classified as follows:

- Read commands (when the chip delivers the required data)
- Write commands (when the chip receives data and writes the data in one of the OnCE registers)
- Commands that do not have data transfers associated with them

The commands are 8 bits long and have the format shown in **Figure 10-4** on page 10-5.

10.10 TARGET SITE DEBUG SYSTEM REQUIREMENTS

A typical debug environment consists of a target system where the DSP56600 core-based device resides in the user defined hardware. The TAP interfaces to the external command controller through a 14-pin connector that provides connections for the five JTAG port lines, one OnCE module control line, a ground, a $\overline{\text{RESET}}$ line, and a target power input line. The $\overline{\text{RESET}}$ line is optional and is only used to reset the DSP56600 core-based device and its associated circuitry. The external command controller acts as the medium between the DSP56600 core target system and a host computer. The external command controller circuit acts as a JTAG TAP driver and host computer command interpreter. The controller issues commands based on the host computer inputs from a user interface program that communicates with the user.

10.11 EXAMPLES OF USING THE OnCE

All the following examples of debugging procedures assume that the DSP is the only device in the JTAG chain. If the chain has more than one device, the other devices can be forced to execute the JTAG BYPASS instruction such that their effect in the serial stream will be one bit per additional device. The select-DR, select-IR, update-DR, and shift-DR events refer to bringing the JTAG TAP in the corresponding state. Please refer to **Section 11, JTAG**, for a detailed description of the JTAG protocol.

10.11.1 Checking Whether the Chip has Entered the Debug Mode

There are two methods to verify that the chip has entered the Debug mode:

1. Every time the chip enters the Debug mode, a pulse is generated on the $\overline{\text{DE}}$ pin. A pulse is also generated every time the chip acknowledges the execution of an instruction while in Debug mode. An external command controller can connect the $\overline{\text{DE}}$ line to an interrupt pin in order to sense the acknowledge.
2. An external command controller can poll the JTAG instruction shift register for the status bits OS[1:0]. When the chip is in Debug mode, these bits are set to the value 11.

Note: In the following paragraphs, “ACK” denotes the operation performed by the command controller to see if the Debug mode has been entered, either by sensing $\overline{\text{DE}}$ or by polling the JTAG instruction shift register.

10.11.2 Polling the JTAG Instruction Shift Register

To poll the core status bits in the JTAG Instruction Shift register, do the following:

1. Select shift-IR. Passing through capture-IR loads the core status bits into the instruction shift register.
2. Shift in ENABLE_ONCE. While shifting in the new instruction, the captured status information is shifted out. Pass through update-IR.
3. Return to Run-Test/Idle.

The external command controller can analyze the information shifted out and detect whether the chip has entered the Debug mode.

Note: JTAG compliance requires a preamble of “01” prior to shifting out status information.

10.11.3 Saving Pipeline Information

Debugging is accomplished with DSP56600 core instructions supplied from the external command controller. Therefore, the current state of the DSP56600 core pipeline must be saved prior to starting the debug activity, and the state must be restored prior to returning to the Normal mode of operation. The following describes the saving procedure:

1. Select shift-DR. Shift in the “Read PDB”. Pass through update-DR.
2. Select shift-DR. Shift out the 24-bit OPDB register. Pass through update-DR.
3. Select shift-DR. Shift in the “Read PIL”. Pass through update-DR.
4. Select shift-DR. Shift out the 24-bit OPILR register. Pass through update-DR.

Before starting the procedure, ensure that ENABLE_ONCE has been executed, and Debug mode has been entered and verified, as described in **Checking Whether the Chip has Entered the Debug Mode** on page 10-24. There is no need to verify acknowledge between steps 1 and 2, as well as 3 and 4, because completion is guaranteed by design.

10.11.4 Reading the Trace Buffer

An optional step during debugging activity is reading the information associated with the Trace buffer in order to enable an external program to reconstruct the full trace of the

executed program. Following is the description of the read Trace buffer procedure (assume that all actions described in **Saving Pipeline Information** have been executed):

1. Select shift-DR. Shift in the “Read PABFR”. Pass through update-DR.
2. Select shift-DR. Shift out the 16-bit OPABFR register. Pass through update-DR.
3. Select shift-DR. Shift in the “Read PABDR”. Pass through update-DR.
4. Select shift-DR. Shift out the 16 bit OPABDR register. Pass through update-DR.
5. Select shift-DR. Shift in the “Read PABEX”. Pass through update-DR.
6. Select shift-DR. Shift out the 16-bit OPABEX register. Pass through update-DR.
7. Select shift-DR. Shift in the “Read FIFO”. Pass through update-DR.
8. Select shift-DR. Shift out the 17-bit FIFO register. Pass through update-DR.
9. Repeat steps 7 and 8 for the entire FIFO (8 times).

Note: The user must read the entire FIFO, since each read increments the FIFO pointer, thus pointing to the next FIFO location. At the end of this procedure, the FIFO pointer points back to the beginning of the FIFO.

The information that has been read by the external command controller now contains the address of the newly fetched instruction, the address of the instruction currently on the PDB, the address of the instruction currently on the instruction latch, as well as the addresses of the last eight instructions that have been executed and are change of flow. A user program can now reconstruct the flow of a full trace based on this information and on the original source code of the currently running program.

10.11.5 Displaying a Specified Register

The DSP56602 must be in Debug mode and all actions described in **Saving Pipeline Information** on page 10-25 have been executed. The sequence of actions is:

1. Select shift-DR. Shift in the “Write PDB with GO no-EX”. Pass through update-DR.
2. Select shift-DR. Shift in the 24-bit opcode: “MOVE reg, X:OGDB”. Pass through update-DR to actually write OPDBR and thus begin executing the MOVE instruction.
3. Wait for DSP to reenter Debug mode (wait for \overline{DE} or poll core status).
4. Select shift-DR and shift in “READ GDB REGISTER”. Pass through update-DR (this selects OGDBR as the data register for read).

5. Select shift-DR. Shift out the OGDBR contents. Pass through update-DR. Wait for next command.

10.11.6 Displaying X Memory Area Starting at Address \$xxxx

The DSP56602 must be in Debug mode and all actions described in **Saving Pipeline Information** on page 10-25 must have been executed. Since R0 is used as pointer for the memory, R0 is saved first. The sequence of actions is:

1. Select shift-DR. Shift in the “Write PDB with GO no-EX”. Pass through update-DR.
2. Select shift-DR. Shift in the 24-bit opcode: “MOVE R0, X:OGDB”. Pass through update-DR to actually write OPDBR and begin executing the MOVE instruction.
3. Wait for DSP to reenter Debug mode (wait for \overline{DE} or poll core status).
4. Select shift-DR and shift in “READ GDB REGISTER”. Pass through update-DR (this selects OGDBR as the data register for read).
5. Select shift-DR. Shift out the OGDBR contents. Pass through update-DR. R0 is now saved.
6. Select shift-DR. Shift in the “Write PDB with no-GO no-EX”. Pass through update-DR.
7. Select shift-DR. Shift in the 24-bit opcode: “MOVE #\$xxxx,R0”. Pass through update-DR to actually write OPDBR.
8. Select shift-DR. Shift in the “Write PDB with GO no-EX”. Pass through update-DR.
9. Select shift-DR. Shift in the second word of the 24-bit opcode: “MOVE #\$xxxx,R0” (the \$xxxx field). Pass through update-DR to actually write OPDBR and execute the instruction. R0 is loaded with the base address of the memory block to be read.
10. Wait for DSP to reenter Debug mode (wait for \overline{DE} or poll core status).
11. Select shift-DR. Shift in the “Write PDB with GO no-EX”. Pass through update-DR.
12. Select shift-DR. Shift in the 24-bit opcode: “MOVE X:(R0)+, X:OGDB”. Pass through update-DR to actually write OPDBR and begin executing the MOVE instruction.
13. Wait for DSP to reenter Debug mode (wait for \overline{DE} or poll core status).

14. Select shift-DR and shift in “READ GDB REGISTER”. Pass through update-DR (this selects OGDBR as the data register for read).
15. Select shift-DR. Shift out the OGDBR contents. Pass through update-DR. The memory contents of address \$xxxx is read.
16. Select shift-DR. Shift in the “NO SELECT with GO no-EX”. Pass through update-DR. This re-executes the same “MOVE X:(R0)+, X:OGDB” instruction.
17. Repeat from step 14 to complete the reading of the entire block. When finished, restore the original value of R0.

Note: Polling for status through the JTAG instruction register is preferable to reading the OnCE Status Register through the DR path.

10.11.7 Going from Debug to Normal Mode in a Current Program

In this case, the user has finished examining the current state of the machine, changed some of the registers, and wishes to return and continue execution of its program from the point where it stopped. Therefore, the user must restore the pipeline of the machine and enable normal instruction execution. The sequence of actions is:

1. Select shift-DR. Shift in the “Write PDB with no-GO no-EX”. Pass through update-DR.
2. Select shift-DR. Shift in the 24 bits of saved PIL (instruction latch value). Pass through update-DR to actually write the Instruction Latch.
3. Select shift-DR. Shift in the “Write PDB with GO and EX”. Pass through update-DR.
4. Select shift-DR. Shift in the 24 bits of saved PDB. Pass through update-DR to actually write the PDB. At the same time the internally saved value of the PAB is driven back from the PABFR register onto the PAB, the ODEC releases the chip from Debug mode and the normal flow of execution is continued.

10.11.8 Going from Debug to Normal Mode in a New Program

In this case, the user has finished examining the current state of the machine, changed some of the registers, and wishes to start the execution of a new program (the GOTO command). Therefore, the user must force a “change of flow” to the starting address of the new program (\$xxxx). The sequence of actions is:

1. Select shift-DR. Shift in the “Write PDB with no-GO no-EX”. Pass through update-DR.
1. Select shift-DR. Shift in the 24-bit “\$0AF080”, which is the opcode of the JUMP instruction. Pass through update-DR to actually write the Instruction Latch.
2. Select shift-DR. Shift in the “Write PDB-GO-TO with GO and EX”. Pass through update-DR.
3. Select shift-DR. Shift in the 16 bits of “\$xxxx”. Pass through update-DR to actually write the PDB. At this time the ODEC releases the chip from Debug mode and the execution is started from the address \$xxxx.

Note: If the Debug mode is entered during a DO LOOP, REP instruction, or other special cases such as interrupt processing, STOP, WAIT, or conditional branching, the user must first reset the DSP56602 before proceeding with the execution of the new program.

10.12 EXAMPLES OF JTAG AND OnCE INTERACTION

This subsection lists the details of the JTAG port/OnCE module interaction and TMS sequencing required to achieve the communication described in **Examples of Using the OnCE** on page 10-24.

The external command controller can force the DSP56602 into Debug mode by executing the JTAG instruction `DEBUG_REQUEST`. In order to check that the DSP56602 has entered the Debug mode, the external command controller must poll the status by reading the `OS[1:0]` bits in the JTAG instruction shift register. After executing the JTAG instructions `DEBUG_REQUEST` and `ENABLE_ONCE` and after the core status was polled to verify that the chip is in Debug mode, the pipeline saving procedure must take place. The TMS sequencing for this procedure is depicted in **Table 10-12**. The sequencing of enabling the OnCE module is described in **Table 10-13** on page 10-30.

Table 10-12 TMS Sequencing for `DEBUG_REQUEST`

Step	TMS	JTAG Port	OnCE Module	Note
a	0	Run-Test/Idle	Idle	
b	1	Select-DR-Scan	Idle	
c	1	Select-IR-Scan	Idle	
d	0	Capture-IR	Idle	The status is sampled in the shifter.

Table 10-12 TMS Sequencing for DEBUG_REQUEST (continued)

Step	TMS	JTAG Port	OnCE Module	Note
e	0	Shift-IR	Idle	The four bits of the JTAG DEBUG_REQUEST (0111) are shifted in while status is shifted out.
.....				
e	0	Shift-IR	Idle	
f	1	Exit1-IR	Idle	
g	1	Update-IR	Idle	The debug request is generated.
h	1	Select-DR-Scan	Idle	
i	1	Select-IR-Scan	Idle	
j	0	Capture-IR	Idle	The status is sampled in the shifter.
k	0	Shift-IR	Idle	The four bits of the JTAG DEBUG_REQUEST (0111) are shifted in while status is shifted out.
.....				
k	0	Shift-IR	Idle	
l	1	Exit1-IR	Idle	
m	1	Update-IR	Idle	
n	0	Run-Test/Idle	Idle	This step is repeated, enabling an external command controller to poll the status.
.....				
n	0	Run-Test/Idle	Idle	

In “step n” the external command controller verifies that the OS[1:0] bits have the value 11, indicating that the chip has entered the Debug mode. If the chip has not yet entered the Debug mode, the external command controller goes to “step b”, “step c” etc. until the Debug mode is acknowledged.

Table 10-13 TMS Sequencing for ENABLE_ONCE

Step	TMS	JTAG Port	OnCE Module	Note
a	1	Test-Logic-Reset	Idle	
b	0	Run-Test/Idle	Idle	
c	1	Select-DR-Scan	Idle	
d	1	Select-IR-Scan	Idle	

Table 10-13 TMS Sequencing for ENABLE_ONCE (continued)

Step	TMS	JTAG Port	OnCE Module	Note
e	0	Capture-IR	Idle	The core status bits are captured.
f	0	Shift-IR	Idle	The four bits of the JTAG ENABLE_ONCE instruction (0110) are shifted into the JTAG instruction register while status is shifted out.
g	0	Shift-IR	Idle	
h	0	Shift-IR	Idle	
i	0	Shift-IR	Idle	
j	1	Exit1-IR	Idle	
k	1	Update-IR	Idle	The OnCE module is enabled.
l	0	Run-Test/Idle	Idle	This step can be repeated, enabling an external command controller to poll the status.
.....				
l	0	Run-Test/Idle	Idle	

Table 10-14 TMS Sequencing for Reading Pipeline Registers

Step	TMS	JTAG Port	OnCE Module	Note
a	0	Run-Test/Idle	Idle	
b	1	Select-DR-Scan	Idle	
c	0	Capture-DR	Idle	
d	0	Shift-DR	Idle	The eight bits of the OnCE command “Read PIL” (10001011) are shifted in.
.....				
d	0	Shift-DR	Idle	
e	1	Exit1-DR	Idle	
f	1	Update-DR	Execute “Read PIL”	The PIL value is loaded in the shifter.
g	1	Select-DR-Scan	Idle	
h	0	Capture-DR	Idle	

Table 10-14 TMS Sequencing for Reading Pipeline Registers (continued)

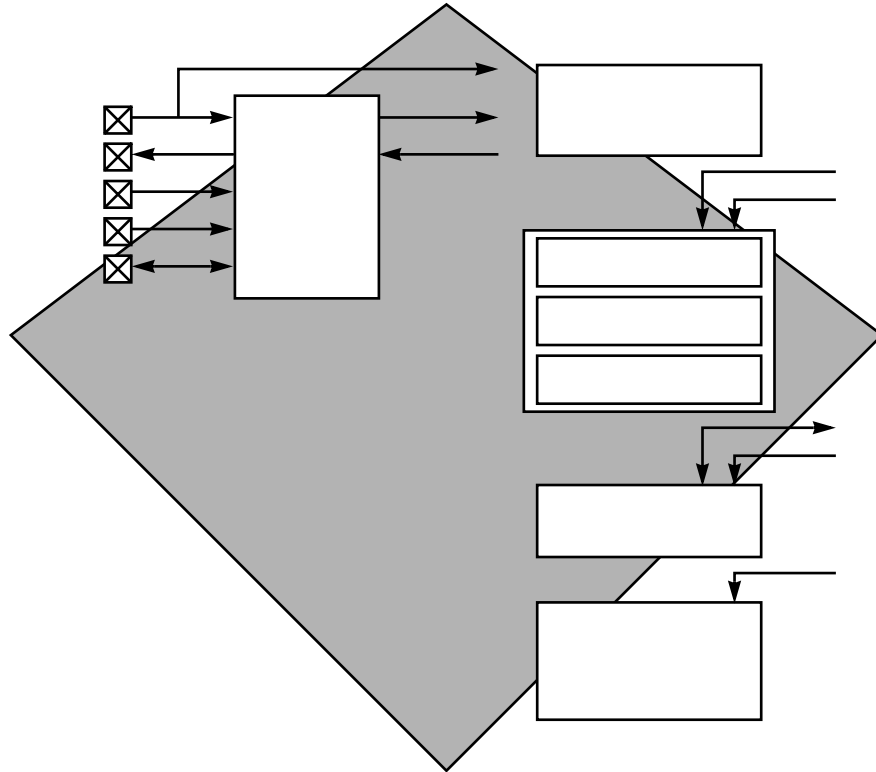
Step	TMS	JTAG Port	OnCE Module	Note
i	0	Shift-DR	Idle	The 24 bits of the PIL are shifted out (24 steps).
.....				
i	0	Shift-DR	Idle	
j	1	Exit1-DR	Idle	
k	1	Update-DR	Idle	
l	1	Select-DR-Scan	Idle	
m	0	Capture-DR	Idle	
n	0	Shift-DR	Idle	The eight bits of the OnCE command “Read PDB” (10001010) are shifted in.
.....				
n	0	Shift-DR	Idle	
o	1	Exit1-DR	Idle	
p	1	Update-DR	Execute “Read PDB”	PDB value is loaded in shifter
q	1	Select-DR-Scan	Idle	
r	0	Capture-DR	Idle	
s	0	Shift-DR	Idle	The 24 bits of the PDB are shifted out (24 steps).
.....				
s	0	Shift-DR	Idle	
t	1	Exit1-DR	Idle	
u	1	Update-DR	Idle	
v	0	Run-Test/Idle	Idle	This step can be repeated, enabling an external command controller to analyze the information.
.....				
v	0	Run-Test/Idle	Idle	

During “step v” the external command controller stores the pipeline information and afterwards it can proceed with the debug activities as requested by the user.



SECTION 11

JTAG PORT





11.1	INTRODUCTION	11-3
11.2	JTAG PINS	11-5
11.3	TAP CONTROLLER	11-6
11.4	DSP56600 RESTRICTIONS	11-12

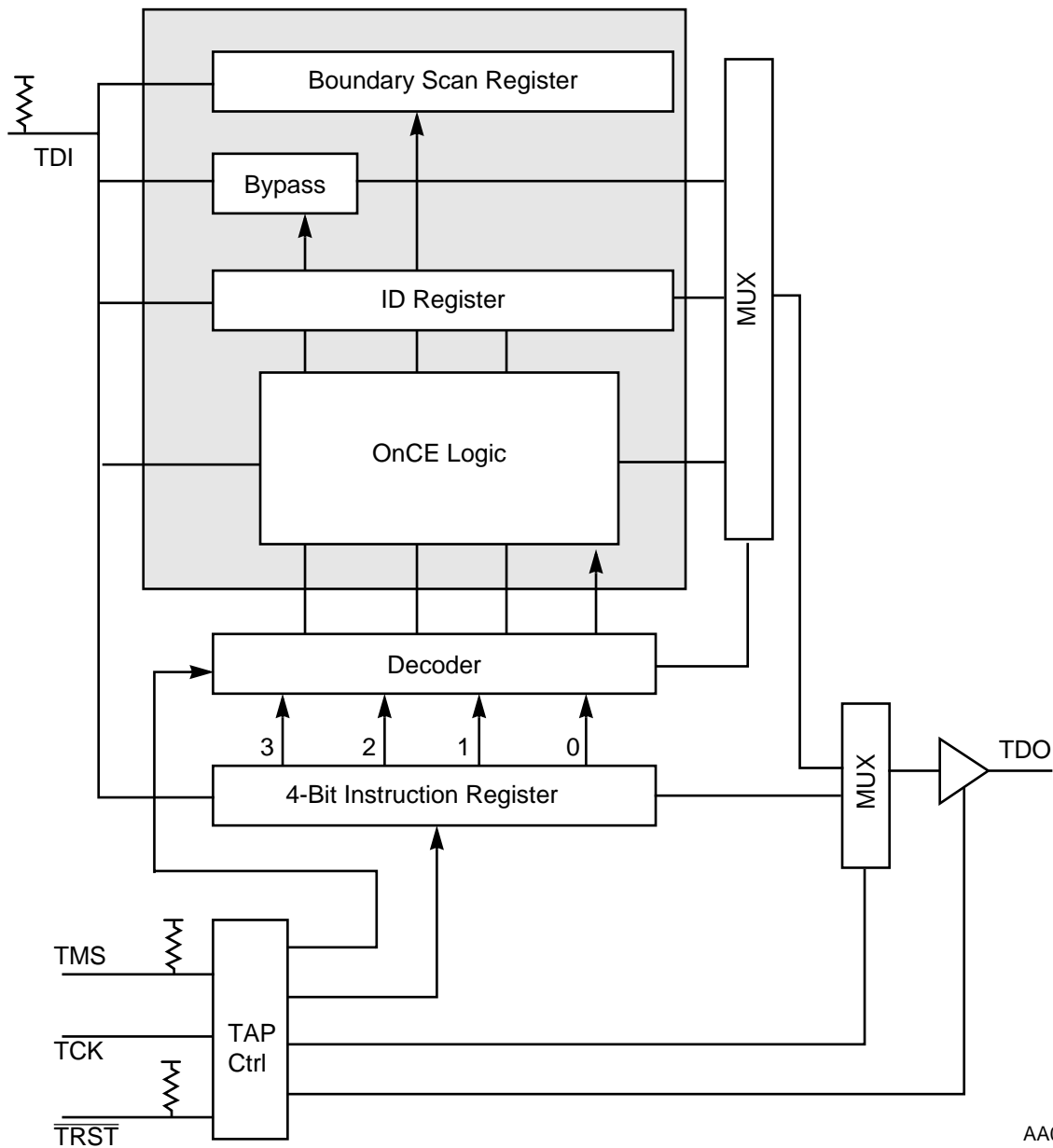
11.1 INTRODUCTION

The DSP56602 provides a dedicated user-accessible Test Access Port (TAP) that is fully compatible with the *IEEE 1149.1 Standard Test Access Port and Boundary Scan Architecture*. Problems associated with testing high density circuit boards have led to development of this proposed standard under the sponsorship of the Test Technology Committee of IEEE and the Joint Test Action Group (JTAG). The DSP56602 implementation supports circuit-board test strategies based on this standard.

The test logic includes a TAP that consists of five dedicated signal pins, a 16-state controller, and three test data registers. A Boundary Scan Register (BSR) links all device signal pins into a single shift register. The test logic, implemented utilizing static logic design, is independent of the device system logic. The DSP56602 implementation provides the following capabilities:

- Perform boundary scan operations to test circuit-board electrical continuity (EXTEST).
- Bypass the DSP56600 core for a given circuit-board test by effectively reducing the BSR to a single cell (BYPASS).
- Sample the DSP56602 pins during operation and transparently shift out the result in the BSR. Preload values to output pins prior to invoking the EXTEST instruction (SAMPLE/PRELOAD).
- Disable the output drive to pins during circuit-board testing (HI-Z).
- Provide a means of accessing the On-Chip Emulation (OnCE) controller and circuits to control a target system (ENABLE_ONCE).
- Provide a means of entering the Debug mode of operation (DEBUG_REQUEST).
- Query identification information (manufacturer, part number and version) from the DSP56602 (IDCODE).
- Force test data onto the outputs of a DSP56602 while replacing its Boundary Scan Register in the serial data path with a single bit register (CLAMP).

This section, which includes aspects of the JTAG implementation that are specific to the DSP56602, is intended to be used with the supporting IEEE 1149.1 document. The discussion includes those items required by the standard to be defined and, in certain cases, provides additional information specific to the DSP56602. For internal details and applications of the standard, refer to the IEEE 1149.1 document. **Figure 11-1** shows a block diagram of the TAP port.



AA0113

Figure 11-1 TAP Block Diagram

11.2 JTAG PINS

As described in the IEEE 1149.1 document, the JTAG port requires a minimum of four pins to support TDI, TDO, TCK, and TMS signals. The DSP56600 family also provides the optional $\overline{\text{TRST}}$ pin. On the DSP56602, the Debug Event ($\overline{\text{DE}}$) signal is provided for use by the OnCE module, and is described in **Section 10, On-Chip Emulation Module**. The pin functions are described in the following paragraphs.

11.2.1 Test Clock (TCK)

The Test Clock Input (TCK) pin is used to synchronize the test logic.

11.2.2 Test Mode Select (TMS)

The Test Mode Select Input (TMS) pin is used to sequence the test controller's state machine. The TMS is sampled on the rising edge of TCK and it has an internal pullup resistor.

11.2.3 Test Data Input (TDI)

Serial test instruction and data are received through the Test Data Input (TDI) pin. TDI is sampled on the rising edge of TCK and it has an internal pullup resistor.

11.2.4 Test Data Output (TDO)

The Test Data Output (TDO) pin is the serial output for test instructions and data. TDO can be tri-stated and is actively driven in the Shift-IR and Shift-DR controller states. TDO changes on the falling edge of TCK.

11.2.5 Test Reset ($\overline{\text{TRST}}$)

The Test Reset Input ($\overline{\text{TRST}}$) pin is used to asynchronously initialize the test controller. The $\overline{\text{TRST}}$ pin has an internal pullup resistor.

11.3 TAP CONTROLLER

The TAP controller is responsible for interpreting the sequence of logical values on the TMS signal. It is a synchronous state machine that controls the operation of the JTAG logic. The state machine is shown in **Figure 11-2**. The TAP controller responds to changes at the TMS and TCK signals. Transitions from one state to another occur on the rising edge of TCK. The value shown adjacent to each state transition represents the value of the TMS signal sampled on the rising edge of TCK signal. For a description of the TAP controller states, please refer to *IEEE 1149.1 Standard Test Access Port and Boundary Scan Architecture*.

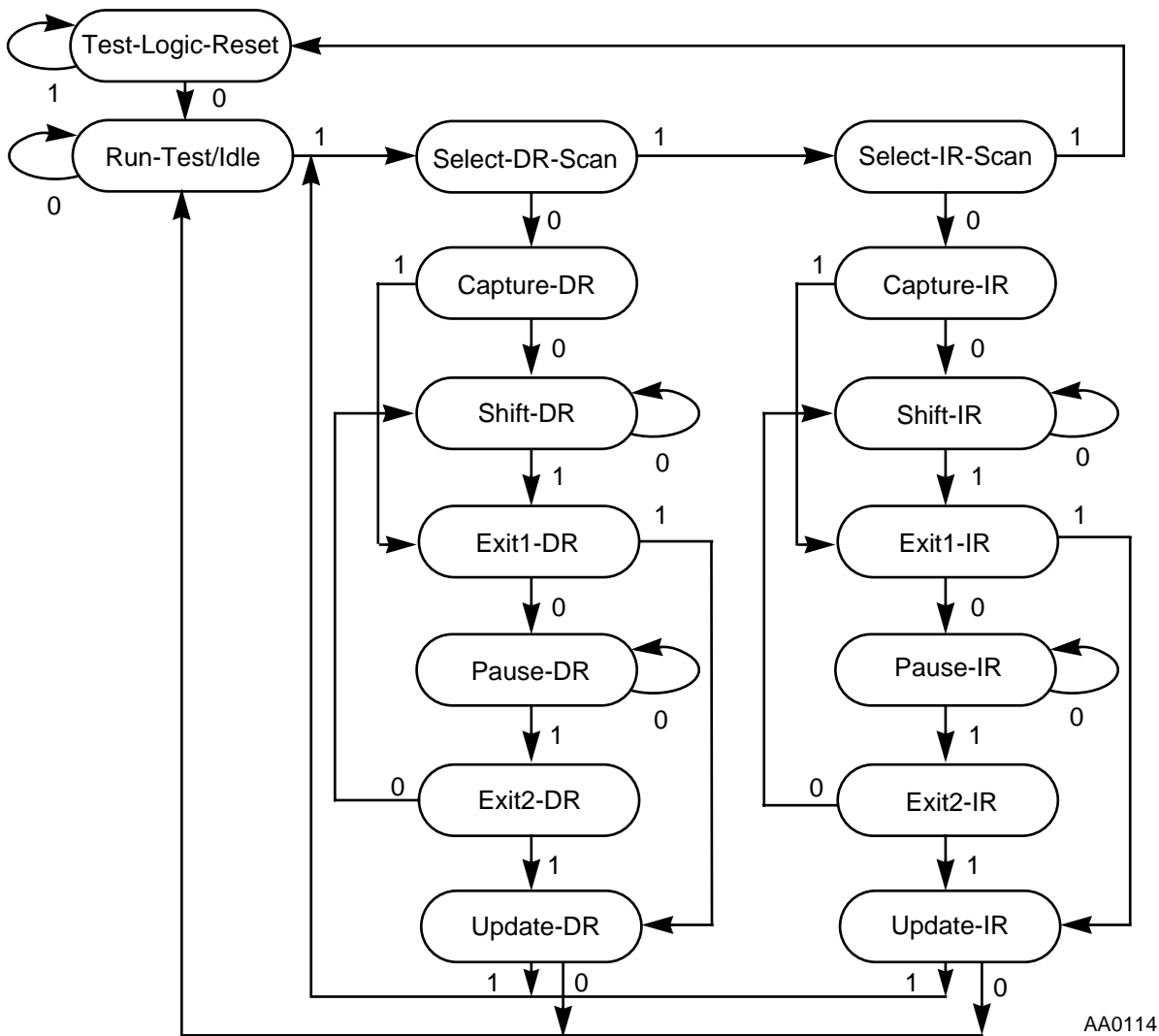


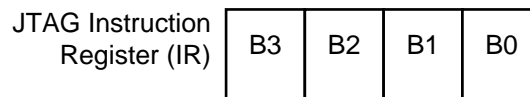
Figure 11-2 TAP Controller State Machine

11.3.1 Boundary Scan Register

The Boundary Scan Register (BSR) in the DSP56602 JTAG implementation contains bits for all device signal and clock pins and associated control signals. All DSP56602 bidirectional pins have a single register bit in the BSR for pin data, and are controlled by an associated control bit in the BSR. The DSP56602 BSR bit definitions are described in **Table 11-2** on page 11-13.

11.3.2 Instruction Register

The DSP56602 JTAG implementation includes the three mandatory public instructions (EXTEST, SAMPLE/PRELOAD, and BYPASS), and also supports the optional CLAMP instruction defined by IEEE 1149.1. The HI-Z public instruction provides the capability for disabling all device output drivers. The ENABLE_ONCE public instruction enables the JTAG port to communicate with the OnCE circuitry. The DEBUG_REQUEST public instruction enables the JTAG port to force the DSP56600 core into the Debug mode of operation. The DSP56600 core includes a 4-bit instruction register without parity consisting of a shift register with four parallel outputs. Data is transferred from the shift register to the parallel outputs during the Update-IR controller state. **Figure 11-3** shows the JTAG Instruction Register.



AA0746

Figure 11-3 JTAG Instruction Register

The four bits are used to decode the eight unique instructions shown in **Table 11-1**. All other encodings are reserved for future enhancements and are decoded as BYPASS.

Table 11-1 JTAG Instructions

Code				Instruction
B3	B2	B1	B0	
0	0	0	0	EXTEST
0	0	0	1	SAMPLE/PRELOAD
0	0	1	0	IDCODE
0	0	1	1	CLAMP
0	1	0	0	HI-Z
0	1	0	1	(Reserved)
0	1	1	0	ENABLE_ONCE
0	1	1	1	DEBUG_REQUEST
1	0	x	x	(Reserved)
1	1	0	x	(Reserved)
1	1	1	0	(Reserved)
1	1	1	1	BYPASS

The parallel output of the instruction register is reset to 0010 in the Test-Logic-Reset controller state, which is equivalent to the IDCODE instruction.

During the Capture-IR controller state, the parallel inputs to the instruction shift register are loaded with 01 in the Least Significant Bits as required by the standard. The two Most Significant Bits are loaded with the values of the core status bits OS1 and OS0 from the OnCE controller. See **Section 10, On-Chip Emulation Module**, for a description of the status bits.

11.3.2.1 EXTEST (B[3:0] = 0000)

The external test (EXTEST) instruction selects the BSR. EXTEST also asserts internal reset for the DSP56600 core system logic to force a predictable internal state while performing external boundary scan operations.

By using the TAP, the BSR is capable of the following:

- Scanning user-defined values into the output buffers
- Capturing values presented to input pins
- Controlling the direction of bidirectional pins
- Controlling the output drive of tri-stateable output pins

For more details on the function and use of the EXTEST instruction, please refer to the IEEE 1149.1 document.

11.3.2.2 SAMPLE/PRELOAD (B[3:0] = 0001)

The SAMPLE/PRELOAD instruction provides two separate functions. First, it provides a means to obtain a snapshot of system data and control signals. The snapshot occurs on the rising edge of TCK in the Capture-DR controller state. The data can be observed by shifting it transparently through the BSR.

Note: Since there is no internal synchronization between the JTAG clock (TCK) and the system clock (CLK), the user must provide some form of external synchronization to achieve meaningful results.

The second function of the SAMPLE/PRELOAD instruction is to initialize the BSR output cells prior to selection of EXTEST. This initialization ensures that known data appears on the outputs when entering the EXTEST instruction.

11.3.2.3 IDCODE (B[3:0] = 0010)

The IDCODE instruction selects the ID register. This instruction is provided as a public instruction to allow the manufacturer, part number, and version of a component to be determined through the TAP. **Figure 11-4** shows the ID register configuration.

For the DSP56602, the ID number is \$1182201D.

31	28	27	22	21	17	16	12	11	1	0
Version Information		Customer Part Number					Manufacturer Identity		1	
		Design Center Number	Core Number		Chip Derivative Number					
0 0 0 1		0 0 0 1 1 0	0 0 0 0 1		0 0 0 1 0		0 0 0 0 0 0 0 1 1 1 0		1	

AA1148

Figure 11-4 JTAG ID Register

One application of the ID register is to distinguish the manufacturer(s) of components on a board when multiple sourcing is used. As more components emerge which conform to the IEEE 1149.1 standard, it is desirable to allow for a system diagnostic controller unit to blindly interrogate a board design in order to determine the type of each component in each location. This information is also available for factory process monitoring and for failure mode analysis of assembled boards.

Motorola’s Manufacturer Identity is 00000001110. The Customer Part Number consists of two parts: Motorola Design Center Number (bits 27:22) and a sequence number (bits 21:12). The sequence number is divided into two parts: Core Number (bits 21:17) and Chip Derivative Number (bits 16:12). Motorola Semiconductor Israel (MSIL) Design Center Number is 000110 and DSP56600 core number is 00001. For the DSP56602, the chip derivative number is 00010.

Once the IDCODE instruction is decoded, it selects the ID register, which is a 32-bit data register. Since the Bypass register loads a logic 0 at the start of a scan cycle, whereas the ID register loads a logic 1 into its Least Significant Bit, examination of the first bit of data shifted out of a component during a test data scan sequence immediate following exit from Test-Logic-Reset controller state shows whether such a register is included in the design. When the IDCODE instruction is selected, the operation of the test logic has no effect on the operation of the on-chip system logic as required by the IEEE 1149.1 standard.

11.3.2.4 CLAMP (B[3:0] = 0011)

The CLAMP instruction is not included in the IEEE 1149.1 standard. It is provided as a public instruction that selects the 1-bit Bypass register as the serial path between TDI and TDO while allowing signals driven from the component pins to be determined from the BSR. During testing of ICs on PCB, it may be necessary to place static guarding values on signals that control operation of logic not involved in the test. The EXTEST instruction could be used for this purpose, but since it selects the Boundary Scan

Register the required guarding signals would be loaded as part of the complete serial data stream shifted in, both at the start of the test and each time a new test pattern is entered. Since the CLAMP instruction allows guarding values to be applied using the Boundary Scan Register of the appropriate ICs while selecting their Bypass registers, it allows much faster testing than does the EXTEST instruction. Data in the boundary scan cell remains unchanged until a new instruction is shifted in or the JTAG state machine is set to its reset state. The CLAMP instruction also asserts internal reset for the DSP56600 core system logic to force a predictable internal state while performing external boundary scan operations.

11.3.2.5 HI-Z (B[3:0] = 0100)

The HI-Z instruction is not included in the IEEE 1149.1 standard. It is provided as a manufacturer's optional public instruction to prevent having to backdrive the output pins during circuit-board testing. When HI-Z is invoked, all output drivers, including the two-state drivers, are turned off (i.e., high impedance). The instruction selects the Bypass register. The HI-Z instruction also asserts internal reset for the DSP56600 core system logic to force a predictable internal state while performing external boundary scan operations

11.3.2.6 ENABLE_ONCE(B[3:0] = 0110)

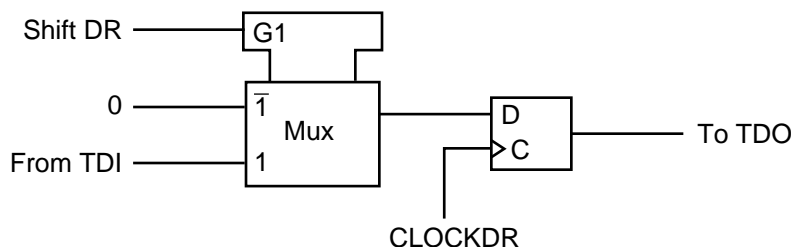
The ENABLE_ONCE instruction is not included in the IEEE 1149.1 standard. It is provided as a public instruction to allow the user to perform system debug functions. When the ENABLE_ONCE instruction is decoded the TDI and TDO pins are connected directly to the OnCE registers. The particular OnCE register connected between TDI and TDO at a given time is selected by the OnCE controller depending on the OnCE instruction being currently executed. All communication with the OnCE controller is done through the Select-DR-Scan path of the JTAG TAP Controller. **See Section 10, On-Chip Emulation Module** for more information.

11.3.2.7 DEBUG_REQUEST(B[3:0] = 0111)

The DEBUG_REQUEST instruction is not included in the IEEE 1149.1 standard. It is provided as a public instruction to allow the user to generate a debug request signal to the DSP56600 core. When the DEBUG_REQUEST instruction is decoded, the TDI and TDO pins are connected to the Instruction Registers. Due to the fact that in the Capture-IR state of the TAP the OnCE status bits are captured in the Instruction shift register, the external JTAG controller must continue to shift in the DEBUG_REQUEST instruction while polling the status bits that are shifted out until the Debug mode of operation is entered (acknowledged by the combination 11 on OS1-OS0). After the acknowledgment of the Debug mode is received, the external JTAG controller must issue the ENABLE_ONCE instruction to allow the user to perform system debug functions.

11.3.2.8 BYPASS (B[3:0] = 1111)

The BYPASS instruction selects the single-bit Bypass register, as shown in **Figure 11-5**. This creates a shift register path from TDI to the Bypass register, and finally to TDO, circumventing the BSR. This instruction is used to enhance test efficiency when a component other than the DSP56602 becomes the device under test. When the Bypass register is selected by the current instruction, the shift-register stage is set to a logic 0 on the rising edge of TCK in the Capture-DR controller state. Therefore, the first bit shifted out after selecting the Bypass register is always a logic 0.



AA0115

Figure 11-5 Bypass Register

11.4 DSP56600 RESTRICTIONS

The control afforded by the output enable signals using the BSR and the EXTEST instruction requires a compatible circuit-board test environment to avoid device-destructive configurations. The user must avoid situations in which the DSP56600 core output drivers are enabled into actively driven networks. In addition, the EXTEST instruction can be performed only after power-up or regular hardware reset while EXTAL was provided. Then during the execution of EXTEST, EXTAL can remain inactive.

There are two constraints related to the JTAG interface. First, the TCK input does not include an internal pullup resistor and should not be left unconnected. The second constraint is to ensure that the JTAG test logic is kept transparent to the system logic by forcing the TAP into the Test-Logic-Reset controller state, using either of two methods. During power-up, $\overline{\text{TRST}}$ must be externally asserted to force the TAP controller into this state. After power-up is concluded, TMS must be sampled as a logic 1 for five consecutive TCK rising edges. If TMS either remains unconnected or is connected to V_{CC} , then the TAP controller cannot leave the Test-Logic-Reset state, regardless of the state of TCK.

The DSP56600 core features a low-power Stop mode, which is invoked using the STOP instruction. The interaction of the JTAG interface with low-power Stop mode is as follows:

1. The TAP controller must be in the Test-Logic-Reset state to either enter or remain in the low-power Stop mode. Leaving the TAP controller Test-Logic-Reset state negates the ability to achieve low-power, but does not otherwise affect device functionality.
2. The TCK input is not blocked in low-power Stop mode. To consume minimal power, the TCK input should be externally connected to V_{CC} or GND.
3. The TMS and TDI pins include on-chip pullup resistors. In low-power Stop mode, these two pins should remain either unconnected or connected to V_{CC} to achieve minimal power consumption.

Since during Stop mode all DSP56602 clocks are disabled, the JTAG interface provides the means of polling the device status (sampled in the Capture-IR state). **Appendix C** provides the Boundary Scan Description Language (BSDL) listing for the DSP56602.

Table 11-2 DSP56602 Boundary Scan Register (BSR) Bit Definitions

Bit #	Cell Type	Pin Name	Pin Type	BSR Cell Type
0	BC_1	MODA	Input	Data
1	BC_1	MODB	Input	Data
2	BC_1	MODC	Input	Data
3	BC_1	MODD	Input	Data
4	BC_6	D23	Input/Output	Data
5	BC_6	D22	Input/Output	Data
6	BC_6	D21	Input/Output	Data
7	BC_6	D20	Input/Output	Data
8	BC_6	D19	Input/Output	Data
9	BC_6	D18	Input/Output	Data
10	BC_6	D17	Input/Output	Data
11	BC_6	D16	Input/Output	Data
12	BC_6	D15	Input/Output	Data
13	BC_1	D[23:12]	—	Control
14	BC_6	D14	Input/Output	Data
15	BC_6	D13	Input/Output	Data
16	BC_6	D12	Input/Output	Data

Table 11-2 DSP56602 Boundary Scan Register (BSR) Bit Definitions (continued)

Bit #	Cell Type	Pin Name	Pin Type	BSR Cell Type
17	BC_6	D11	Input/Output	Data
18	BC_6	D10	Input/Output	Data
19	BC_6	D9	Input/Output	Data
20	BC_6	D8	Input/Output	Data
21	BC_6	D7	Input/Output	Data
22	BC_6	D6	Input/Output	Data
23	BC_6	D5	Input/Output	Data
24	BC_6	D4	Input/Output	Data
25	BC_6	D3	Input/Output	Data
26	BC_1	D[11:0]	—	Control
27	BC_6	D2	Input/Output	Data
28	BC_6	D1	Input/Output	Data
29	BC_6	D0	Input/Output	Data
30	BC_2	A15	Output 2	Data
31	BC_2	A14	Output 2	Data
32	BC_2	A13	Output 2	Data
33	BC_2	A12	Output 2	Data
34	BC_2	A11	Output 2	Data
35	BC_2	A10	Output 2	Data
36	BC_2	A9	Output 2	Data
37	BC_2	A8	Output 2	Data
38	BC_2	A7	Output 2	Data
39	BC_2	A6	Output 2	Data
40	BC_2	A5	Output 2	Data
41	BC_2	A4	Output 2	Data
42	BC_2	A3	Output 2	Data

Table 11-2 DSP56602 Boundary Scan Register (BSR) Bit Definitions (continued)

Bit #	Cell Type	Pin Name	Pin Type	BSR Cell Type
43	BC_2	A2	Output 2	Data
44	BC_2	A1	Output 2	Data
45	BC_2	A0	Output 2	Data
46	BC_2	$\overline{\text{MCS}}$	Output	Data
47	BC_2	$\overline{\text{RD}}$	Output	Data
48	BC_2	$\overline{\text{WR}}$	Output	Data
49	BC_2	$\overline{\text{AT}}$	Output	Data
50	BC_2	CLKOUT	Output	Data
51	BC_1	EXTAL	Input	Data
52	BC_1	$\overline{\text{RESET}}$	Input	Data
53	BC_1	HAD0	—	Control
54	BC_6	HAD0	Input/Output	Data
55	BC_1	HAD1	—	Control
56	BC_6	HAD1	Input/Output	Data
57	BC_1	HAD2	—	Control
58	BC_6	HAD2	Input/Output	Data
59	BC_1	HAD3	—	Control
60	BC_6	HAD3	Input/Output	Data
61	BC_1	HAD4	—	Control
62	BC_6	HAD4	Input/Output	Data
63	BC_1	HAD5	—	Control
64	BC_6	HAD5	Input/Output	Data
65	BC_1	HAD6	—	Control
66	BC_6	HAD6	Input/Output	Data
67	BC_1	HAD7	—	Control
68	BC_6	HAD7	Input/Output	Data

Table 11-2 DSP56602 Boundary Scan Register (BSR) Bit Definitions (continued)

Bit #	Cell Type	Pin Name	Pin Type	BSR Cell Type
69	BC_1	HAS/A0	—	Control
70	BC_6	HAS/A0	Input/Output	Data
71	BC_1	HA8/A1	—	Control
72	BC_6	HA8/A1	Input/Output	Data
73	BC_1	HA9/A2	—	Control
74	BC_6	HA9/A2	Input/Output	Data
75	BC_1	HCS/A10	—	Control
76	BC_6	HCS/A10	Input/Output	Data
77	BC_1	TIO0	—	Control
78	BC_6	TIO0	Input/Output	Data
79	BC_1	TIO1	—	Control
80	BC_6	TIO1	Input/Output	Data
81	BC_1	TIO2	—	Control
82	BC_6	TIO2	Input/Output	Data
83	BC_1	HREQ/TRQ	—	Control
84	BC_6	HREQ/TRQ	Input/Output	Data
85	BC_1	HACK/RRQ	—	Control
86	BC_6	HACK/RRQ	Input/Output	Data
87	BC_1	HRW/RD	—	Control
88	BC_6	HRW/RD	Input/Output	Data
89	BC_1	HDS/WR	—	Control
90	BC_6	HDS/WR	Input/Output	Data
91	BC_1	SCK0	—	Control
92	BC_6	SCK0	Input/Output	Data
93	BC_1	SCK1	—	Control
94	BC_6	SCK1	Input/Output	Data

Table 11-2 DSP56602 Boundary Scan Register (BSR) Bit Definitions (continued)

Bit #	Cell Type	Pin Name	Pin Type	BSR Cell Type
95	BC_1	GPIO2	—	Control
96	BC_6	GPIO2	Input/Output	Data
97	BC_1	GPIO1	—	Control
98	BC_6	GPIO1	Input/Output	Data
99	BC_1	GPIO0	—	Control
100	BC_6	GPIO0	Input/Output	Data
101	BC_1	SC00	—	Control
102	BC_6	SC00	Input/Output	Data
103	BC_1	SC10	—	Control
104	BC_6	SC10	Input/Output	Data
105	BC_1	STD0	—	Control
106	BC_6	STD0	Input/Output	Data
107	BC_1	SRD0	—	Control
108	BC_6	SRD0	Input/Output	Data
109	BC_1	PINIT	—	Control
110	BC_6	PINIT	Input/Output	Data
111	BC_1	\overline{DE}	—	Control
112	BC_6	\overline{DE}	Input/Output	Data
113	BC_1	SC01	—	Control
114	BC_6	SC01	Input/Output	Data
115	BC_1	SC02	—	Control
116	BC_6	SC02	Input/Output	Data
117	BC_1	STD1	—	Control
118	BC_6	STD1	Input/Output	Data
119	BC_1	SRD1	—	Control
120	BC_6	SRD1	Input/Output	Data

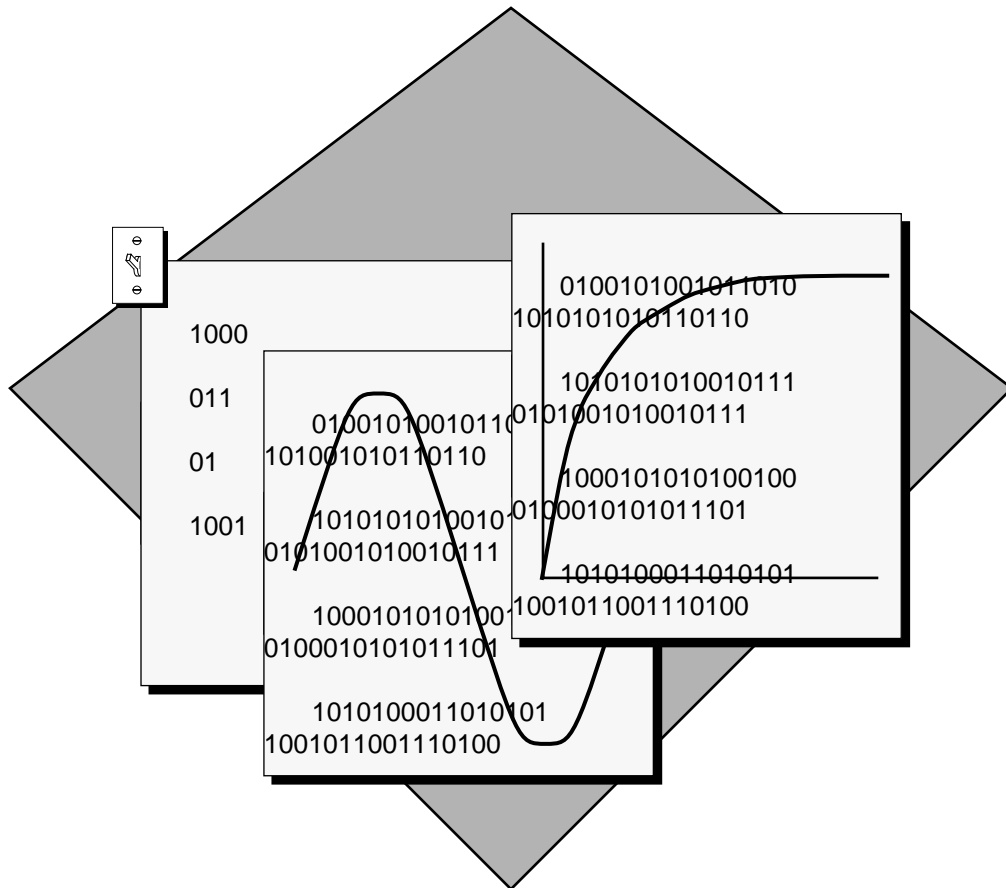
Table 11-2 DSP56602 Boundary Scan Register (BSR) Bit Definitions (continued)

Bit #	Cell Type	Pin Name	Pin Type	BSR Cell Type
121	BC_1	SC11	—	Control
122	BC_6	SC11	Input/Output	Data
123	BC_1	SC12	—	Control



APPENDIX A

BOOTSTRAP PROGRAM





A.1 DSP56602 BOOTSTRAP LISTING A-3

A.1 DSP56602 BOOTSTRAP LISTING

The bootstrap source code listing provided in **Example A-1** is typical of the bootstrap code that can be created by the customer for programming the DSP56602. This listing is based on the bootstrap code found on the DSP56603. In conjunction with the DSP56603EVM Evaluation Module or the DSP56603ADS Application Development System, customers can use this listing to develop external ROM programming for DSP56602 applications.

- Notes:**
1. This example for the DSP56602 does not take advantage of the functionality provided by the MD bit.
 2. When compiling source code, the correct X I/O equate and interrupt equate files (specified by `ioequ.asm` and `intequ.asm`) must be used. Listings for these files are provided in **Appendix B, X I/O Equates**.

Example A-1 Sample DSP56602 Bootstrap Listing

```

; SAMPLE BOOTSTRAP CODE FOR DSP56602
; BASED ON BOOTSTRAP CODE FOR DSP56603 - (C) Copyright 1996, 1997 Motorola Inc.

        include      "ioequ.asm"
        include      "intequ.asm"
; Written April 21, 1996
;
; reset addresses:
;
;         mode 0 $C000 (external)
;         mode 8 $0000 (internal pram)
;         mode 1-7 $1000 (internal prom)
;         mode 9-F $1000 (internal prom)
;
EXTERN equ    $8000
        org        p:$400
        move       omr,a
        and        #<$7,a
        move       #j_table,r0
        move       a,n0
        move       p:(r0+n0),r0
        jmp        (r0)

j_table                ; jump table starting address
; mode 0
dc    ERROR            ; If MC:MB:MA=000, goto error (should reset to external)
; mode 1 (reserved mode)
dc    ERROR            ; If MC:MB:MA=001, goto error (reserved mode)
; mode 2
dc    HOSTLD68338     ; If MC:MB:MA=010, go load from 68338 (hi08)

```

Example A-1 Sample DSP56602 Bootstrap Listing (continued)

```

; mode 3
dc    ERAMLDS      ; If MC:MB:MA=011, go load from external slow (31 ws)
; 24 bit memory
; mode 4
dc    EPROMLDS    ; If MC:MB:MA=100, go load from external slow (31 ws)
; 8 bit memory
; mode 5
dc    ISAHOSTLD   ; If MC:MB:MA=101, go load from ISA (hi08)
; mode 6
dc    HC11HOSTLD ; If MC:MB:MA=110, go load from HC11 (hi08)
; mode 7
dc    TYP2        ; If MC:MB:MA=111, go to typ2 current consumption test
;=====
; This routine loads a program through the HI08 host port
; The program is downloaded from the host MCU with the following rules:
; 1) 2 bytes - Define the program length.
; 2) 2 bytes - Define the address to which to start loading the program to.
; 3) 2 bytes - Define the address to jump to after program is loaded
; 4) 4n bytes (while n is any integer number)
; The program words will be stored in contiguous PRAM memory locations starting
; at the specified starting address.
; After reading the program words, program execution starts from the same address
; where loading started.
; The host MCU may terminate the loading process by setting the HF1=0 and HF0=1.
; When the downloading is terminated, the program will start execution of the
; loaded program
; from the specified starting address.
; The HI08 boot ROM program enables the following busses to download programs
; through the HI08 port:
;
; 1 - ISA
; 2 - HC11
; 3 - 68338
;=====

HOSTLD68338      ; boot from 68338 host processor
    movep    #0000000100110000,x:M_HPCR; Configure the following conditions:
; HAP = 0 Negative host acknowledge
; HRP = 0 Negative host request
; HCSP = 0 Negative chip select input
; HD/HS = 0 Single strobe bus (R/W~ and DS strobes)
; HMUX = 0 Non multiplexed bus
; HASP = 0 (address strobe polarity has no
; meaning in non-multiplexed bus)
; HDSP = 0 Negative data strobes polarity
; HROD = 1 Host request is open-drain
; spare = 0 Set this bit to 0 for future compatibility
; HEN = 0 When the HPCR register is
; modified HEN should be cleared

```

Freescale Semiconductor, Inc.

Example A-1 Sample DSP56602 Bootstrap Listing (continued)

```

; HAEN = 1 Host acknowledge is enabled
; HREN = 1 Host requests are enabled
; HCSEN = 0 Host chip select input disabled
; HA9EN = 0 (address 9 enable bit has no meaning in
; non-multiplexed bus)
; HA8EN = 0 (address 8 enable bit has no meaning in
; non-multiplexed bus)
; HGEN = 0 Host GPIO pins are disabled

        jmp      HI08CON

ISAHOSTLD                ; boot from ISA bus
        movep   #010100000011000,x:M_HPCR
; Configure the following conditions:
; HAP = 0 Negative host acknowledge
; HRP = 1 Positive host request
; HCSP = 0 Negative chip select input
; HD/HS = 1 Dual strobes bus (RD and WR strobes)
; HMUX = 0 Non multiplexed bus
; HASP = 0 (address strobe polarity has no meaning in
; non-multiplexed bus)
; HDSP = 0 Negative data strobes polarity
; HROD = 0 Host request is active when enabled
; spare = 0 Set this to 0 for future compatibility
; HEN = 0 Clear HEN when the HPCR register is modified
; HAEN = 0 Host acknowledge is disabled
; HREN = 1 Host requests are enabled
; HCSEN = 1 Host chip select input enabled
; HA9EN = 0 (address 9 enable bit has no meaning in
; non-multiplexed bus)
; HA8EN = 0 (address 8 enable bit has no meaning in
; non-multiplexed bus)
; HGEN = 0 Host GPIO pins are disabled

        jmp      HI08CONT

HC11HOSTLD               ; boot from 68HC11 processor
        movep   #0000001000011000,x:M_HPCR
; Configure the following conditions:
; HAP = 0 Negative host acknowledge
; HRP = 0 Negative host request
; HCSP = 0 Negative chip select input
; HD/HS = 0 Single strobe bus (R/W~ and DS strobes)
; HMUX = 0 Non multiplexed bus
; HASP = 0 (address strobe polarity has no meaning in
; non-multiplexed bus)
; HDSP = 1 Negative data strobes polarity
; HROD = 0 Host request is active when enabled
; spare = 0 Set this bit to 0 for future compatibility
; HEN = 0 Clear HEN when the HPCR register is modified
; HAEN = 0 Host acknowledge is disabled

```

Example A-1 Sample DSP56602 Bootstrap Listing (continued)

```

; HREN = 1 Host requests are enabled
; HCSEN = 1 Host chip select input enabled
; HA9EN = 0 (address 9 enable bit has no meaning in
; non-multiplexed bus)
; HA8EN = 0 (address 8 enable bit has no meaning in
; non-multiplexed bus)
; HGEN = 0 Host GPIO pins are disabled

HI08CONT
    bset    #M_HEN,x:M_HPCR
            ; Enable HI08 to operate as host interface (set HEN=1)
    jclr   #M_HRDF,x:M_HSR,*
            ; wait for the program length to be written
    movep  x:M_HRX,a0    ; download length in a0
    jclr   #M_HRDF,x:M_HSR,*
            ; wait for the program starting address to be written
    movep  x:M_HRX,r0
            ; destination starting address in r0
    jclr   #M_HRDF,x:M_HSR,*
            ; wait for the program address to jump to
            ; after program is loaded
    movep  x:M_HRX,r1    ; target branch address in r1
    nop
    do     a0,HI08LOOP    ; set a loop with the downloaded length counts

HI08LL
    jset   #M_HRDF,x:M_HSR,HI08NW
            ; If new word was loaded then jump to read that word
    jclr   #M_HF0,x:M_HSR,HI08LL
            ; If HF0=0 then continue with the downloading
    enddo
            ; Must terminate the do loop
    jmp    HI08LOOP

HI08NW
    movep  x:M_HRX,x:M_BPMRL
            ; low 16 bits of the 24-bit program word

HI08LL1
    jset   #M_HRDF,x:M_HSR,HI08NW1
            ; If new word was loaded then jump to read that word
    jclr   #M_HF0,x:M_HSR,HI08LL1
            ; If HF0=0 then continue with the downloading
    enddo
            ; Must terminate the do loop
    jmp    HI08LOOP

HI08NW1
    movep  x:M_HRX,x:M_BPMRH
            ; high 8 bits of the 24-bit program word
    movep  x:M_BPMRG,p:(r0)+
            ; Move the new word into its destination location
            ; in the program RAM

```

Example A-1 Sample DSP56602 Bootstrap Listing (continued)

```

nop
nop
nop
HI08LOOP
    jmp    FINISH
;=====

; This routine loads from external slow (31 ws) 24 bit memory.
ERAMLDS
    move#EXTERN,r2
                                ; r2 = address of external EPROM
    movem p:(r2)+,r0            ; read starting address to load to r0
    movem p:(r2)+,r7            ; read number of words to load to r7
    movem p:(r2)+,r1            ; read starting address to jump to after loading, into r1
do   r7,ERAMLDSLOOP            ; read program words
    movepp:(r2)+,x:M_BPMRG
                                ; Get 24 bit word from ext. P mem.
    movepx:M_BPMRG,p:(r0)+
                                ; Store 24-bit word in P ram.

    nop
    nop
    nop
ERAMLDSLOOP                    ; and go get another 24-bit word.
    jmp    FINISH              ; Boot from EPROM done
;=====

; This routine loads from external slow (31 ws) 8 bit EPROM.
EPROMLDS
    move #EXTERN,r2            ; r2 = address of external EPROM
do #4,_LOOP8                   ; read number of words and starting address to load to
    movem p:(r2)+,a2            ; Get the 8 LSB from ext. P mem.
    asr #8,a,a                  ; Shift 8 bit data into A1
    nop
    nop
_LOOP8                          ;
    nop
    move a1,r0                  ; starting address for load
    move a0,r7                  ; a0 holds the number of words
do #2,_LOOP9                   ; read starting address to jump to after loading
    movem p:(r2)+,a2            ; Get the 8 LSB from ext. P mem.
    asr #8,a,a                  ; Shift 8 bit data into A1
    nop
    nop
_LOOP9                          ;
    nop
    move a1,r1                  ; save it in r1
    nop
    move a1,r1                  ; save it in r1

```

Example A-1 Sample DSP56602 Bootstrap Listing (continued)

```

_do r7,_LOOP10          ; read program words
    do #2,_LOOP11      ; get lower 16 bits of each 24-bit instruction
        movem p:(r2)+,a2 ; Get the 8 LSB from ext. P mem.
        asr #8,a,a     ; Shift 8 bit data into A1
        nop
        nop
_LOOP11                ; Go get another byte.
    movep a1,x:M_BPMRL ; Store 16-bit result in BPMRL
    movem p:(r2)+,a1   ; Get the 8 LSB from ext. P mem.
    movep a1,x:M_BPMRH ; Store 16-bit result in BPMRL
    movep x:M_BPMRG,p:(r0)+
                        ; Store 24-bit result in P mem.
        nop
        nop
_LOOP10                ; and go get another 24-bit word.
                        ; Boot from EPROM done

;=====
FINISH

; This is the exit handler that returns execution to normal
; expanded mode and jumps to the RESET vector.
    andi #$0,ccr      ; Clear CCR as if RESET to 0.
    jmp (r1)          ; Then go to starting Prog address.

TYP2
    move    #px,r0
    move    #0,r1
    do      #64,pxe    ; copy x data to xram
    move    p:(r0)+,x0
    move    x0,x:(r1)+
    nop
    nop

pxe
    move    #py,r0
    move    #0,r1
    do      #64,pye    ; copy y data to Y ram
    move    p:(r0)+,x0
    move    x0,y:(r1)+
    nop
    nop

pye
    bset    #7,x:M_PCTL1 ; CLKOUT disable
    bset    #4,x:M_PCTL1 ; XTAL disable
    ori     #$10,omr     ;set EDB
    ori     #$20,omr     ;set PCD

```

Example A-1 Sample DSP56602 Bootstrap Listing (continued)

```

move    #$0,r0
move    #$0,r4
move    #$3f,m0
move    #$3f,m4
clr     a
clr     b
move    #$0,x0
move    #$0,x1
move    #$0,y0
move    #$0,y1
loop
do      forever,_end
mac     x0,y0,a      x:(r0)+,x1      y:(r4)+,y1
mac     x1,y1,a      x:(r0)+,x0      y:(r4)+,y0
add     a,b
mac     x0,y0,ax:(r0)+,x1
mac     x1,y1,a      y:(r4)+,y0
move    b1,x:$ff
_end
px
dc      $2EB9
dc      $F2FE
dc      $6A5F
dc      $6CAC
dc      $FD75
dc      $10A
dc      $6D7B
dc      $A798
dc      $FBF1
dc      $63D6
dc      $6657
dc      $A544
dc      $662D
dc      $E762
dc      $F0F3
dc      $F1B0
dc      $829
dc      $F7AE
dc      $A94F
dc      $78DC
dc      $2DE5
dc      $E0BA
dc      $AB6B
dc      $26C8
dc      $361
dc      $6E86
dc      $7347
dc      $E774

```

Example A-1 Sample DSP56602 Bootstrap Listing (continued)

dc \$349D
dc \$ED12
dc \$FCE3
dc \$26E0
dc \$7D99
dc \$A85E
dc \$A43F
dc \$B10C
dc \$A55
dc \$EC6A
dc \$255B
dc \$F1F8
dc \$26D1
dc \$6536
dc \$BC37
dc \$35A4
dc \$F0D
dc \$BEC2
dc \$E4D3
dc \$E810
dc \$F09
dc \$E50E
dc \$FB2F
dc \$753C
dc \$62C5
dc \$641A
dc \$3B4B
dc \$A928
dc \$6641
dc \$A7E6
dc \$2127
dc \$2FD4
dc \$57D
dc \$3C72
dc \$8C3
dc \$7540

py

dc \$6DA
dc \$F70B
dc \$39E8
dc \$E801
dc \$66A6
dc \$F8E7
dc \$EC94
dc \$233D
dc \$2732
dc \$3C83
dc \$3E00
dc \$B639

Example A-1 Sample DSP56602 Bootstrap Listing (continued)

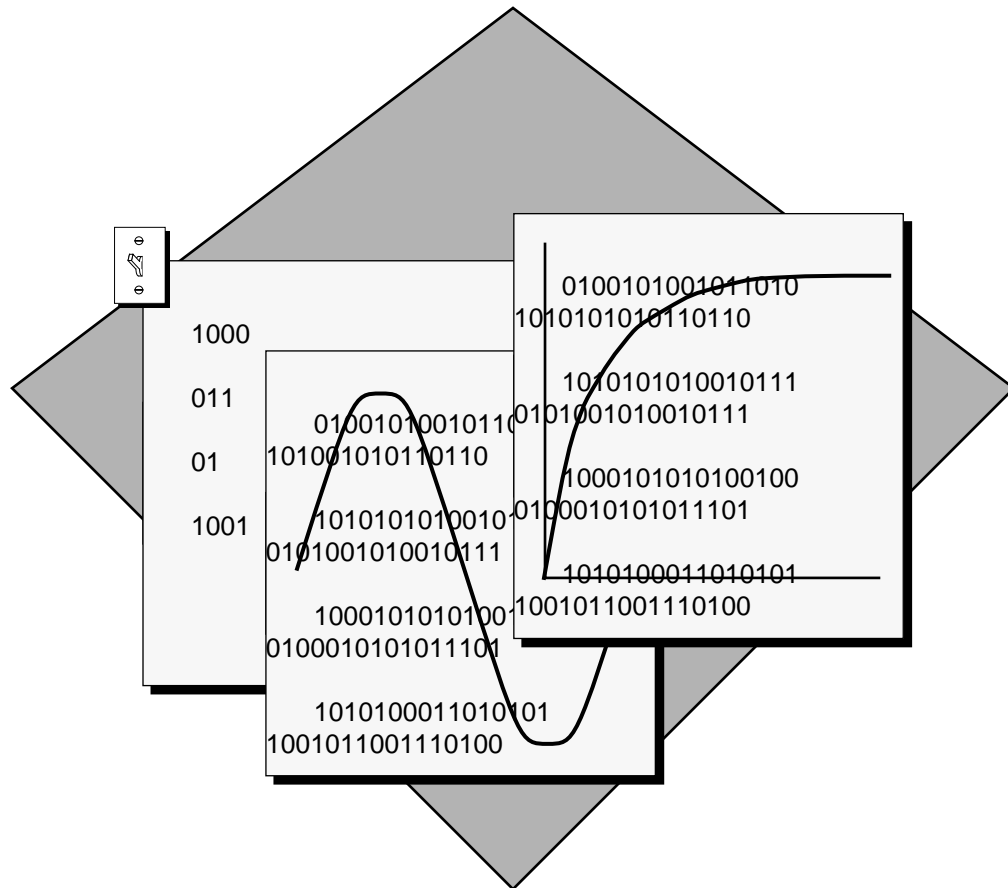
dc	\$A47E
dc	\$FDDF
dc	\$A2C
dc	\$7CF5
dc	\$6A8A
dc	\$B8FB
dc	\$ED18
dc	\$F371
dc	\$A556
dc	\$E9D7
dc	\$A2C4
dc	\$35AD
dc	\$E0E2
dc	\$2C73
dc	\$2730
dc	\$7FA9
dc	\$292E
dc	\$3CCF
dc	\$A65C
dc	\$6D65
dc	\$A3A
dc	\$B6EB
dc	\$AC48
dc	\$7AE1
dc	\$3006
dc	\$F6C7
dc	\$64F4
dc	\$E41D
dc	\$2692
dc	\$3863
dc	\$BC60
dc	\$A519
dc	\$39DE
dc	\$F7BF
dc	\$3E8C
dc	\$79D5
dc	\$F5EA
dc	\$30DB
dc	\$B778
dc	\$FE51
dc	\$A6B6
dc	\$FFB7
dc	\$F324
dc	\$2E8D
dc	\$7842
dc	\$E053
dc	\$FD90
dc	\$2689
dc	\$B68E

Example A-1 Sample DSP56602 Bootstrap Listing (continued)

```
dc      $2EAF
dc      $62BC
dc      $A245
ERROR
bset   #7,x:M_PCTL1 ; ClockOut disable
bset   #4,x:M_PCTL1 ; XTAL disable
bclr   #6,x:M_PCTL1 ; PLL Disable
ori    #$10,omr     ;set EDB
ori    #$20,omr     ;set PCD
nop
nop
nop
nop
nop
nop
stop
nop
nop
nop
```



APPENDIX B X I/O EQUATES





B.1	DSP56602 X I/O EQUATES	B-3
B.2	DSP56602 INTERRUPT EQUATES	B-10

B.1 DSP56602 X I/O EQUATES

Example B-1 provides X I/O equates for the DSP56602. If bootstrap code is developed for the DSP56602 (for external bootstrap loading), this listing should be enclosed in a file titled `ioequ.asm` for inclusion in the bootstrap executable.

Example B-1 DSP56602 X I/O Equates

```

;*****
;
;   EQUATES for DSP56602 I/O registers and ports
;   Reference: DSP56602 Specifications Revision 2.00
;
;   1st update: June 6 1995 (creation,
;                           copied from DSP56301 and modified) by Zvika R.
;
;   Last update: Nov. 21 1995 (verified with verilog model,
;                               corrected M_PS from $6000 to $C000,
;                               changed to DSP56602 from DSP56601,
;                               added new PD PLL bits)           by Zvika R.
;*****

        page 132,55,0,0,0
        opt mex

DSP56602      EQU      1

ioequ  ident  1,0

;-----
;   EQUATES for I/O Port Programming
;-----

;   Register Addresses

M_HDDR  EQU    $FFC8    ; Host port GPIO Data Direction Register
M_HDR   EQU    $FFC9    ; Host port GPIO Data Register
M_PCRC  EQU    $FFBF    ; SSI0 Port Control Register
M_PRCR  EQU    $FFBE    ; SSI0 GPIO Direction Register
M_PDRC  EQU    $FFBD    ; SSI0 GPIO Data Register
M_PCRD  EQU    $FFAF    ; SSI1 Port Control register
M_PRRD  EQU    $FFAE    ; SSI1 GPIO Direction Data Register
M_PDRD  EQU    $FFAD    ; SSI1 GPIO Data Register
M_PCRE  EQU    $FF9F    ; GPIO Control register
M_PPRE  EQU    $FF9E    ; GPIO Direction Register
M_PDRE  EQU    $FF9D    ; GPIO Data Register
M_OGDB  EQU    $FFFB    ; OnCE GDB Register

```

Example B-1 DSP56602 X I/O Equates (continued)

```

;-----
;      EQUATES for Host Interface
;-----

;      Register Addresses

M_HCR   EQU    $FFC2      ; Host Control Register
M_HSR   EQU    $FFC3      ; Host Status Register
M_HPCR  EQU    $FFC4      ; Host Polarity Control Register
M_HBAR  EQU    $FFC5      ; Host Base Address Register
M_HRX   EQU    $FFC6      ; Host Receive Register
M_HTX   EQU    $FFC7      ; Host Transmit Register

;      HCR bits definition
M_HRIE  EQU    $0         ; Host Receive interrupts Enable
M_HTIE  EQU    $1         ; Host Transmit Interrupt Enable
M_HCIE  EQU    $2         ; Host Command Interrupt Enable
M_HF2   EQU    $3         ; Host Flag 2
M_HF3   EQU    $4         ; Host Flag 3

;      HSR bits definition
M_HRDF  EQU    $0         ; Host Receive Data Full
M_HTDE  EQU    $1         ; Host Receive Data Empty
M_HCP   EQU    $2         ; Host Command Pending
M_HF0   EQU    $3         ; Host Flag 0
M_HF1   EQU    $4         ; Host Flag 1

;      HPCR bits definition
M_HGEN  EQU    $0         ; Host Port GPIO Enable
M_HA8EN EQU    $1         ; Host Address 8 Enable
M_HA9EN EQU    $2         ; Host Address 9 Enable
M_HCSEN EQU    $3         ; Host Chip Select Enable
M_HREN  EQU    $4         ; Host Request Enable
M_HAEN  EQU    $5         ; Host Acknowledge Enable
M_HEN   EQU    $6         ; Host Enable
M_HOD   EQU    $8         ; Host Request Open Drain mode
M_HDSP  EQU    $9         ; Host Data Strobe Polarity
M_HASP  EQU    $A         ; Host Address Strobe Polarity
M_HMUX  EQU    $B         ; Host Multiplexed bus select
M_HD_HS EQU    $C         ; Host Double/Single Strobe select
M_HCSP  EQU    $D         ; Host Chip Select Polarity
M_HRP   EQU    $E         ; Host Request Polarity
M_HAP   EQU    $F         ; Host Acknowledge Polarity

```

Example B-1 DSP56602 X I/O Equates (continued)

```

;-----
;   EQUATES for Synchronous Serial Interface (SSI)
;-----

;   Register Addresses Of SSI0

M_TX0    EQU    $FFBC    ; SSI0 Transmit Data Register
M_TSR0   EQU    $FFB8    ; SSI0 Time Slot Register
M_RX0    EQU    $FFBA    ; SSI0 Receive Data Register
M_SSISR0 EQU    $FFB9    ; SSI0 Status Register
M_CRC0   EQU    $FFB8    ; SSI0 Control Register C
M_CRB0   EQU    $FFB7    ; SSI0 Control Register B
M_CRA0   EQU    $FFB6    ; SSI0 Control Register A

;   Register Addresses Of SSI1

M_TX1    EQU    $FFAC    ; SSI1 Transmit Data Register 0
M_TSR1   EQU    $FFAB    ; SSI1 Time Slot Register
M_RX1    EQU    $FFAA    ; SSI1 Receive Data Register
M_SSISR1 EQU    $FFA9    ; SSI1 Status Register
M_CRC1   EQU    $FFA8    ; SSI1 Control Register C
M_CRB1   EQU    $FFA7    ; SSI1 Control Register B
M_CRA1   EQU    $FFA6    ; SSI1 Control Register A

;   SSI Control Register A Bit Flags

M_PSR    EQU    15        ; Prescaler Range
M_DC     EQU    $1F00     ; Frame Rate Divider Control Mask (DC0-DC7)
M_WL     EQU    $6000     ; Word Length Control Mask (WL0-WL7)

;   SSI Control Register B Bit Flags

M_OF     EQU    $3        ; Serial Output Flag Mask
M_OF0    EQU    0        ; Serial Output Flag 0
M_OF1    EQU    1        ; Serial Output Flag 1
M_SSTE   EQU    8        ; SSI Transmit Enable
M_SSRE   EQU    9        ; SSI Receive Enable
M_SSTIE  EQU    10       ; SSI Transmit Interrupt Enable
M_SSRIE  EQU    11       ; SSI Receive Interrupt Enable
M_STLIE  EQU    12       ; SSI Transmit Last Slot Interrupt Enable
M_SRLIE  EQU    13       ; SSI Receive Last Slot Interrupt Enable
M_STEIE  EQU    14       ; SSI Transmit Error Interrupt Enable
M_SREIE  EQU    15       ; SSI Receive Error Interrupt Enable

```

Example B-1 DSP56602 X I/O Equates (continued)

```

;          SSI Control Register C Bit Flags

M_SYN    EQU    0          ; Sync/Async Control
M_MOD    EQU    1          ; SSI Mode Select
M_SCD    EQU    $1C       ; Serial Control Direction Mask
M_SCD0   EQU    2          ; Serial Control 0 Direction
M_SCD1   EQU    3          ; Serial Control 1 Direction
M_SCD2   EQU    4          ; Serial Control 2 Direction
M_SCKD   EQU    5          ; Clock Source Direction
M_CKP    EQU    6          ; Clock Polarity
M_SHFD   EQU    7          ; Shift Direction
M_FSL    EQU    $3000     ; Frame Sync Length Mask (FSL0-FSL1)
M_FSL0   EQU    12        ; Frame Sync Length 0
M_FSL1   EQU    13        ; Frame Sync Length 1
M_FSR    EQU    14        ; Frame Sync Relative Timing
M_FSP    EQU    15        ; Frame Sync Polarity

;          SSI Status Register Bit Flags

M_IF     EQU    $3        ; Serial Input Flag Mask
M_IF0    EQU    0        ; Serial Input Flag 0
M_IF1    EQU    1        ; Serial Input Flag 1
M_TFS    EQU    2        ; Transmit Frame Sync Flag
M_RFS    EQU    3        ; Receive Frame Sync Flag
M_TUE    EQU    4        ; Transmitter Underrun Error FLaG
M_ROE    EQU    5        ; Receiver Overrun Error Flag
M_TDE    EQU    6        ; Transmit Data Register Empty
M_RDF    EQU    7        ; Receive Data Register Full

;-----
;          EQUATES for Exception Processing
;-----

;          Register Addresses

M_IPRC   EQU    $FFFF     ; Interrupt Priority Register Core
M_IPRP   EQU    $FFFE     ; Interrupt Priority Register Peripheral

;-----
;          EQUATES for TIMER
;-----

;          Register Addresses Of TIMER0

M_TCSR0  EQU    $FF8F     ; TIMER0 Control/Status Register
M_TLR0   EQU    $FF8E     ; TIMER0 Load Reg
M_TCPR0  EQU    $FF8D     ; TIMER0 Compare Register
M_TCR0   EQU    $FF8C     ; TIMER0 Count Register

```

Example B-1 DSP56602 X I/O Equates (continued)

```

;      Register Addresses Of TIMER1

M_TCSR1 EQU    $FF8B      ; TIMER1 Control/Status Register
M_TLR1   EQU    $FF8A      ; TIMER1 Load Reg
M_T CPR1 EQU    $FF89      ; TIMER1 Compare Register
M_TCR1   EQU    $FF88      ; TIMER1 Count Register

;      Register Addresses Of TIMER2

M_TCSR2 EQU    $FF87      ; TIMER2 Control/Status Register
M_TLR2   EQU    $FF86      ; TIMER2 Load Reg
M_T CPR2 EQU    $FF85      ; TIMER2 Compare Register
M_TCR2   EQU    $FF84      ; TIMER2 Count Register
M_TPLR   EQU    $FF83      ; TIMER Prescaler Load Register
M_TPCR   EQU    $FF82      ; TIMER Prescaler Count Register

;      Timer Control/Status Register Bit Flags

M_TE     EQU    0          ; Timer Enable
M_TOIE   EQU    1          ; Timer Overflow Interrupt Enable
M_TCIE   EQU    2          ; Timer Compare Interrupt Enable
M_TC     EQU    $F0        ; Timer Control Mask (TC0-TC3)
M_INV    EQU    8          ; Inverter Bit
M_TRM    EQU    9          ; Timer Restart Mode
M_DIR    EQU    10         ; Direction Bit
M_DI     EQU    11         ; Data Input
M_DO     EQU    12         ; Data Output
M_TOF    EQU    13         ; Timer Overflow Flag
M_TCF    EQU    14         ; Timer Compare Flag
M_PCE    EQU    15         ; Prescaled Clock Enable

;      Timer Prescaler Register Bit Flags

M_PS     EQU    $C000      ; Prescaler Source Mask
M_PS0    EQU    14        ; Prescaler Source 0
M_PS1    EQU    15        ; Prescaler Source 1

;      Timer Control Bits

M_TC0    EQU    4          ; Timer Control 0
M_TC1    EQU    5          ; Timer Control 1
M_TC2    EQU    6          ; Timer Control 2
M_TC3    EQU    7          ; Timer Control 3

```

Example B-1 DSP56602 X I/O Equates (continued)

```

;-----
;   EQUATES for Phase Locked Loop (PLL)
;-----

;   Register Addresses Of PLL

M_PCTL0 EQU   $FFFF      ; PLL Control Register 0
M_PCTL1 EQU   $FFFC      ; PLL Control Register 1

;   PLL Control Register 0 (PCTL0)

M_MF    EQU   $FFF       ; Multiplication Factor Bits Mask (MF0-MF11)
M_PD    EQU   $F000      ; PreDivider Factor Bits Mask (PD3-PD0)
M_PD03  EQU   $F000      ; PreDivider Factor Bits Mask (PD3-PD0)

;   PLL Control Register 1 (PCTL1)

M_PD46  EQU   $0E00      ; PreDivider Factor Bits Mask (PD6-PD4)
M_DF    EQU   $7         ; Division Factor Bits Mask (DF0-DF2)
M_XTLR  EQU   3          ; XTAL Range select bit
M_XTLD  EQU   4          ; XTAL Disable Bit
M_PSTP  EQU   5          ; STOP Processing State Bit
M_PEN   EQU   6          ; PLL Enable Bit
M_PCOD  EQU   7          ; PLL Clock Output Disable Bit

;-----
;   EQUATES for BIU
;-----

;   Register Addresses Of BIU

M_BCR   EQU   $FFFA      ; Bus Control Register
M_IDR   EQU   $FFF9      ; ID Register

;   Register Addresses Of PATCH

M_PA0   EQU   $FFF8      ; Patch Address Register 0
M_PA1   EQU   $FFF7      ; Patch Address Register 1
M_PA2   EQU   $FFF6      ; Patch Address Register 2
M_PA3   EQU   $FFF5      ; Patch Address Register 3

;   Register Addresses Of BPMR

M_BPMRG EQU   $FFF4      ; BPMRG Register
M_BPMRL EQU   $FFF3      ; BPMRL Register
M_BPMRH EQU   $FFF2      ; BPMRH Register

;   Bus Control Register

M_BMW   EQU   $1F        ; Memory Wait Control Mask (BMW0-BMW4)

```

Example B-1 DSP56602 X I/O Equates (continued)

```

;-----
;      EQUATES for SR and OMR
;-----

;      Control and Status bits in SR

M_C      EQU      0          ; Carry
M_V      EQU      1          ; Overflow
M_Z      EQU      2          ; Zero
M_N      EQU      3          ; Negative
M_U      EQU      4          ; Unnormalized
M_E      EQU      5          ; Extension
M_L      EQU      6          ; Limit
M_S      EQU      7          ; Scaling Bit
M_I0     EQU      8          ; Interrupt Mask Bit 0
M_I1     EQU      9          ; Interrupt Mask Bit 1
M_S0     EQU      10         ; Scaling Mode Bit 0
M_S1     EQU      11         ; Scaling Mode Bit 1
M_FV     EQU      12         ; DO-Forever Flag
M_SM     EQU      13         ; Arithmetic Saturation
M_RM     EQU      14         ; Rounding Mode
M_LF     EQU      15         ; DO-Loop Flag

;      Control and Status bits in OMR

M_MA     EQU      0          ; Operating Mode A
M_MB     EQU      1          ; Operating Mode B
M_MC     EQU      2          ; Operating Mode C
M_MD     EQU      3          ; Operating Mode D
M_EBD    EQU      4          ; External Bus Disable bit in OMR
M_PCD    EQU      5          ; PC Relative logic disable
M_SD     EQU      6          ; Stop Delay
M_XYS    EQU      8          ; Stack Extention space select
M_EUN    EQU      9          ; Extended Stack Underflow Flag
M_EOV    EQU      10         ; Extended Stack Overflow Flag
M_WRP    EQU      11         ; Extended Stack Wrap Flag
M_SEN    EQU      12         ; Stack Extended Enable
M_ATE    EQU      15         ; Address Tracing Enable bit in OMR.
;*****

```

B.2 DSP56602 INTERRUPT EQUATES

Example B-2 provides interrupt equates for the DSP56602. If bootstrap code is developed for the DSP56602 (for external bootstrap loading), this listing should be enclosed in a file titled `integu.asm` for inclusion in the bootstrap executable.

Example B-2 DSP56602 Interrupt Equates

```

;-----
;   EQUATES for DSP56602 interrupts
;   Reference: DSP56602 Specifications Revision 2.00
;
;   1st update: June 6 1995 (creation,
;                           copied from DSP56301 and modified) by Zvika R.
;
;   Last update: Nov. 21 1995 (verified with verilog model and spec 2.00,
;                           changed to DSP56602 from DSP56601) by Zvika R.
;
;*****
;
;   page    132,55,0,0,0
;   opt     mex
;
; DSP56602   EQU      1
;
integu  ident  1,0
;
;   if      @DEF(I_VEC)
;   ;leave user definition as is.
;   else
I_VEC   equ     $0
;   endif
;
;-----
; Non-Maskable interrupts
;-----
I_RESET EQU     I_VEC+$00  ; Hardware RESET
I_STACK EQU     I_VEC+$02  ; Stack Error
I_ILL   EQU     I_VEC+$04  ; Illegal Instruction
I_DBG   EQU     I_VEC+$06  ; Debug Request
I_TRAP  EQU     I_VEC+$08  ; Trap
I_NMI   EQU     I_VEC+$0A  ; Non Maskable Interrupt

```

Example B-2 DSP56602 Interrupt Equates (continued)

```

;-----
; Interrupt Request Pins
;-----
I_IRQA EQU I_VEC+$10 ; IRQA
I_IRQB EQU I_VEC+$12 ; IRQB
I_IRQC EQU I_VEC+$14 ; IRQC
I_IRQD EQU I_VEC+$16 ; IRQD

;-----
; Timer Interrupts
;-----
I_TIM0C EQU I_VEC+$24 ; TIMER 0 compare
I_TIM0OF EQU I_VEC+$26 ; TIMER 0 overflow
I_TIM1C EQU I_VEC+$28 ; TIMER 1 compare
I_TIM1OF EQU I_VEC+$2A ; TIMER 1 overflow
I_TIM2C EQU I_VEC+$2C ; TIMER 2 compare
I_TIM2OF EQU I_VEC+$2E ; TIMER 2 overflow

;-----
; SSI Interrupts
;-----
I_SI0RD EQU I_VEC+$30 ; SSI0 Receive Data
I_SI0RDE EQU I_VEC+$32 ; SSI0 Receive Data With Exception Status
I_SI0RLS EQU I_VEC+$34 ; SSI0 Receive last slot
I_SI0TD EQU I_VEC+$36 ; SSI0 Transmit data
I_SI0TDE EQU I_VEC+$38 ; SSI0 Transmit Data With Exception Status
I_SI0TLS EQU I_VEC+$3A ; SSI0 Transmit last slot
I_SI1RD EQU I_VEC+$40 ; SSI1 Receive Data
I_SI1RDE EQU I_VEC+$42 ; SSI1 Receive Data With Exception Status
I_SI1RLS EQU I_VEC+$44 ; SSI1 Receive last slot
I_SI1TD EQU I_VEC+$46 ; SSI1 Transmit data
I_SI1TDE EQU I_VEC+$48 ; SSI1 Transmit Data With Exception Status
I_SI1TLS EQU I_VEC+$4A ; SSI1 Transmit last slot

;-----
; HOST Interrupts
;-----
I_HRDF EQU I_VEC+$60 ; Host Receive Data Full
I_HTDE EQU I_VEC+$62 ; Host Transmit Data Empty
I_HC EQU I_VEC+$64 ; Default Host Command

;-----
; INTERRUPT ENDING ADDRESS
;-----
I_INTEND EQU I_VEC+$FF ; last address of interrupt vector space

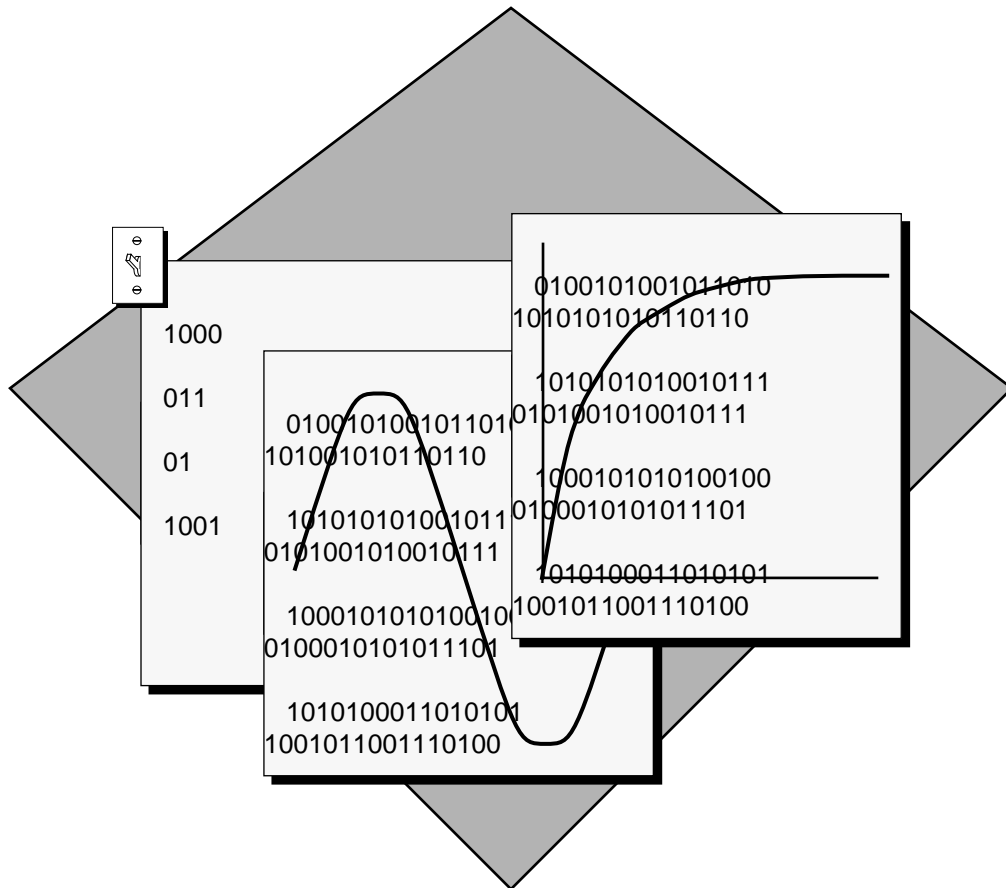
```





APPENDIX C

BSDL LISTING





C.1 DSP56602 BSDL LISTING C-3

C.1 DSP56602 BSDL LISTING

Example C-1 provides the Boundary Scan Description Language (BSDL) listing for the DSP56602 in the Thin Quad Flat Pack (TQFP) package.

Example C-1 DSP56602 BSDL Listing

```
-- M O T O R O L A   S S D T   J T A G   S O F T W A R E
-- BSDL File Generated: Wed Jun  5 12:34:06 1996
--
-- Revision History:
--

entity DSP56602A is
  generic (PHYSICAL_PIN_MAP : string := "TQFP144");

  port (
    SC02:  inout  bit;
    SC01:  inout  bit;
    SC00:  inout  bit;
    STD0:  inout  bit;
    GPIO0: inout  bit;
    GPIO1: inout  bit;
    GPIO2: inout  bit;
    SCK0:  inout  bit;
    SRD0:  inout  bit;
    SRD1:  inout  bit;
    SCK1:  inout  bit;
    STD1:  inout  bit;
    SC10:  inout  bit;
    SC11:  inout  bit;
    SC12:  inout  bit;
    TIO0:  inout  bit;
    TIO1:  inout  bit;
    TIO2:  inout  bit;
    HAD:   inout  bit_vector(0 to 7);
    HREQ:  inout  bit;
    MODC:  in      bit;
    MODB:  in      bit;
    MODA:  in      bit;
    D:     inout  bit_vector(0 to 23);
    A:     buffer bit_vector(0 to 15);
    EXTAL: in      bit;
    RD_:   buffer bit;
    WR_:   buffer bit;
    MCS_:  buffer bit;
    PCAP:  linkage bit;
    RESET_: in     bit;
    AT_:   buffer bit;
    CLKOUT: buffer bit;
  );
end entity;
```

Example C-1 DSP56602 BSDL Listing

```

TRST_:   in       bit;
TDO:    out      bit;
TDI:    in       bit;
TCK:    in       bit;
TMS:    in       bit;
RESERVED: linkage bit_vector(0 to 11);
SGND:   linkage bit_vector(0 to 1);
SVCC:   linkage bit_vector(0 to 1);
QGND:   linkage bit_vector(0 to 3);
QVCCCL: linkage bit_vector(0 to 3);
QVCCCH: linkage bit_vector(0 to 2);
HGND:   linkage bit;
HVCC:   linkage bit;
DGND:   linkage bit_vector(0 to 3);
DVCC:   linkage bit_vector(0 to 3);
AGND:   linkage bit_vector(0 to 3);
AVCC:   linkage bit_vector(0 to 2);
PVCC:   linkage bit;
PGND1:  linkage bit;
PGND:   linkage bit;
HACK:   inout   bit;
HDS:    inout   bit;
HRW:    inout   bit;
CVCC:   linkage bit;
CGND:   linkage bit_vector(0 to 1);
HCS:    inout   bit;
HA9:    inout   bit;
HA8:    inout   bit;
HAS:    inout   bit;
DE_:    inout   bit;
PINIT:  in       bit;
XTAL:   linkage bit;
MODD:   in       bit;

use STD_1149_1_1994.all;

attribute COMPONENT_CONFORMANCE of DSP56602A : entity is
    "STD_1149_1_1993";

attribute PIN_MAP of DSP56602A : entity is PHYSICAL_PIN_MAP;

constant TQFP144 : PIN_MAP_STRING :=
    "SRD1:    1, " &
    "STD1:    2, " &
    "SC02:    3, " &
    "SC01:    4, " &
    "DE_:     5, " &
    "PINIT:   6, " &
    "SRD0:    7, " &

```

Example C-1 DSP56602 BSDL Listing

```

"SVCC:      (8, 25), " &
"SGND:      (9, 26), " &
"STD0:      10, " &
"SC10:      11, " &
"SC00:      12, " &
"GPI00:     13, " &
"GPI01:     14, " &
"GPI02:     15, " &
"SCK1:      16, " &
"SCK0:      17, " &
"QVCCL:     (18, 56, 91, 126), " &
"QGND:      (19, 54, 90, 127), " &
"QVCCH:     (20, 57, 95), " &
"HDS:       21, " &
"HRW:       22, " &
"HACK:      23, " &
"HREQ:      24, " &
"TIO2:      27, " &
"TIO1:      28, " &
"TIO0:      29, " &
"HCS:       30, " &
"HA9:       31, " &
"HA8:       32, " &
"HAS:       33, " &
"HAD:       (34, 35, 36, 37, 40, 41, 42, 43), " &
"HVCC:      38, " &
"HGND:      39, " &
"RESET_:   44, " &
"PVCC:     45, " &
"PCAP:     46, " &
"PGND:     47, " &
"PGND1:    48, " &
"RESERVED: (50, 49, 51, 52, 61, 62, 63, 64, 69, 71, 98, 99), " &
"XTAL:     53, " &
"EXTAL:    55, " &
"CGND:     (58, 66), " &
"CLKOUT:   59, " &
"AT_:      60, " &
"CVCC:     65, " &
"WR_:      67, " &
"RD_:      68, " &
"MCS_:     70, " &
"A:        (72, 73, 76, 77, 78, 79, 82, 83, 84, 85, 88, 89, 92, 93, 94, 97), " &
"AVCC:     (74, 80, 86), " &
"AGND:     (75, 81, 87, 96), " &
"D:        (100, 101, 102, 105, 106, 107, 108, 109, 110, 113, 114, 115, 116, " &
"117, 118, 121, 122, 123, 124, 125, 128, 131, 132, 133), " &
"DVCC:     (103, 111, 119, 129), " &
"DGND:     (104, 112, 120, 130), " &

```

Example C-1 DSP56602 BSDL Listing

```

"MODD:    134, " &
"MODC:    135, " &
"MODB:    136, " &
"MODA:    137, " &
"TRST_:   138, " &
"TDO:     139, " &
"TDI:     140, " &
"TCK:     141, " &
"TMS:     142, " &
"SC12:    143, " &
"SC11:    144 ";

```

```

attribute TAP_SCAN_IN    of    TDI : signal is true;
attribute TAP_SCAN_OUT  of    TDO : signal is true;
attribute TAP_SCAN_MODE of    TMS : signal is true;
attribute TAP_SCAN_RESET of TRST_ : signal is true;
attribute TAP_SCAN_CLOCK of    TCK : signal is (20.0e6, BOTH);

```

```
attribute INSTRUCTION_LENGTH of DSP56602A : entity is 4;
```

```
attribute INSTRUCTION_OPCODE of DSP56602A : entity is
```

```

"EXTTEST      (0000)," &
"SAMPLE       (0001)," &
"IDCODE       (0010)," &
"CLAMP        (0101)," &
"HIGHZ        (0100)," &
"ENABLE_ONCE  (0110)," &
"DEBUG_REQUEST (0111)," &
"BYPASS       (1111)";

```

```
attribute INSTRUCTION_CAPTURE of DSP56602A : entity is "0001";
```

```
attribute IDCODE_REGISTER  of DSP56602A : entity is
```

```

"0001"          & -- version
"000110"        & -- manufacturer's use
"0000100010"    & -- sequence number
"00000001110"  & -- manufacturer identity
"1";            -- 1149.1 requirement

```

```
attribute REGISTER_ACCESS of DSP56602A : entity is
```

```
"ONCE[8] (ENABLE_ONCE,DEBUG_REQUEST)" ;
```

```
attribute BOUNDARY_LENGTH of DSP56602A : entity is 124;
```

```
attribute BOUNDARY_REGISTER of DSP56602A : entity is
```

```

-- num  cell  port      func  safe [ccell dis rslt]
"0      (BC_1, MODA,  input,  X)," &
"1      (BC_1, MODB,  input,  X)," &
"2      (BC_1, MODC,  input,  X)," &
"3      (BC_1, MODD,  input,  X)," &

```

Example C-1 DSP56602 BSDL Listing

```

"4  (BC_6, D(23),  bidir,  X,  13,  1,  Z)," &
"5  (BC_6, D(22),  bidir,  X,  13,  1,  Z)," &
"6  (BC_6, D(21),  bidir,  X,  13,  1,  Z)," &
"7  (BC_6, D(20),  bidir,  X,  13,  1,  Z)," &
"8  (BC_6, D(19),  bidir,  X,  13,  1,  Z)," &
"9  (BC_6, D(18),  bidir,  X,  13,  1,  Z)," &
"10 (BC_6, D(17),  bidir,  X,  13,  1,  Z)," &
"11 (BC_6, D(16),  bidir,  X,  13,  1,  Z)," &
"12 (BC_6, D(15),  bidir,  X,  13,  1,  Z)," &
"13 (BC_1, *,      control, 1)," &
"14 (BC_6, D(14),  bidir,  X,  13,  1,  Z)," &
"15 (BC_6, D(13),  bidir,  X,  13,  1,  Z)," &
"16 (BC_6, D(12),  bidir,  X,  13,  1,  Z)," &
"17 (BC_6, D(11),  bidir,  X,  26,  1,  Z)," &
"18 (BC_6, D(10),  bidir,  X,  26,  1,  Z)," &
"19 (BC_6, D(9),   bidir,  X,  26,  1,  Z)," &
-- num cell port      func safe [ccell dis rslt]
"20 (BC_6, D(8),   bidir,  X,  26,  1,  Z)," &
"21 (BC_6, D(7),   bidir,  X,  26,  1,  Z)," &
"22 (BC_6, D(6),   bidir,  X,  26,  1,  Z)," &
"23 (BC_6, D(5),   bidir,  X,  26,  1,  Z)," &
"24 (BC_6, D(4),   bidir,  X,  26,  1,  Z)," &
"25 (BC_6, D(3),   bidir,  X,  26,  1,  Z)," &
"26 (BC_1, *,      control, 1)," &
"27 (BC_6, D(2),   bidir,  X,  26,  1,  Z)," &
"28 (BC_6, D(1),   bidir,  X,  26,  1,  Z)," &
"29 (BC_6, D(0),   bidir,  X,  26,  1,  Z)," &
"30 (BC_1, A(15),  output2, X)," &
"31 (BC_2, A(14),  output2, X)," &
"32 (BC_2, A(13),  output2, X)," &
"33 (BC_2, A(12),  output2, X)," &
"34 (BC_2, A(11),  output2, X)," &
"35 (BC_2, A(10),  output2, X)," &
"36 (BC_2, A(9),   output2, X)," &
"37 (BC_2, A(8),   output2, X)," &
"38 (BC_2, A(7),   output2, X)," &
"39 (BC_2, A(6),   output2, X)," &
-- num cell port      func safe [ccell dis rslt]
"40 (BC_2, A(5),   output2, X)," &
"41 (BC_2, A(4),   output2, X)," &
"42 (BC_2, A(3),   output2, X)," &
"43 (BC_2, A(2),   output2, X)," &
"44 (BC_2, A(1),   output2, X)," &
"45 (BC_2, A(0),   output2, X)," &
"46 (BC_2, MCS_,   output2, X)," &
"47 (BC_2, RD_,    output2, X)," &
"48 (BC_2, WR_,    output2, X)," &
"49 (BC_2, AT_,    output2, X)," &
"50 (BC_2, CLKOUT, output2, X)," &

```

Example C-1 DSP56602 BSDL Listing

```

"51 (BC_1, EXTAL,      input,  X)," &
"52 (BC_1, RESET_,   input,  X)," &
"53 (BC_1, *,         control, 1)," &
"54 (BC_6, HAD(0),   bidir,  X, 53, 1, Z)," &
"55 (BC_1, *,         control, 1)," &
"56 (BC_6, HAD(1),   bidir,  X, 55, 1, Z)," &
"57 (BC_1, *,         control, 1)," &
"58 (BC_6, HAD(2),   bidir,  X, 57, 1, Z)," &
"59 (BC_1, *,         control, 1)," &
-- num cell port      func safe [ccell dis rslt]
"60 (BC_6, HAD(3),   bidir,  X, 59, 1, Z)," &
"61 (BC_1, *,         control, 1)," &
"62 (BC_6, HAD(4),   bidir,  X, 61, 1, Z)," &
"63 (BC_1, *,         control, 1)," &
"64 (BC_6, HAD(5),   bidir,  X, 63, 1, Z)," &
"65 (BC_1, *,         control, 1)," &
"66 (BC_6, HAD(6),   bidir,  X, 65, 1, Z)," &
"67 (BC_1, *,         control, 1)," &
"68 (BC_6, HAD(7),   bidir,  X, 67, 1, Z)," &
"69 (BC_1, *,         control, 1)," &
"70 (BC_6, HAS,      bidir,  X, 69, 1, Z)," &
"71 (BC_1, *,         control, 1)," &
"72 (BC_6, HA8,      bidir,  X, 71, 1, Z)," &
"73 (BC_1, *,         control, 1)," &
"74 (BC_6, HA9,      bidir,  X, 73, 1, Z)," &
"75 (BC_1, *,         control, 1)," &
"76 (BC_6, HCS,      bidir,  X, 75, 1, Z)," &
"77 (BC_1, *,         control, 1)," &
"78 (BC_6, TIO0,     bidir,  X, 77, 1, Z)," &
"79 (BC_1, *,         control, 1)," &
-- num cell port      func safe [ccell dis rslt]
"80 (BC_6, TIO1,     bidir,  X, 79, 1, Z)," &
"81 (BC_1, *,         control, 1)," &
"82 (BC_6, TIO2,     bidir,  X, 81, 1, Z)," &
"83 (BC_1, *,         control, 1)," &
"84 (BC_6, HREQ,     bidir,  X, 83, 1, Z)," &
"85 (BC_1, *,         control, 1)," &
"86 (BC_6, HACK,     bidir,  X, 85, 1, Z)," &
"87 (BC_1, *,         control, 1)," &
"88 (BC_6, HRW,      bidir,  X, 87, 1, Z)," &
"89 (BC_1, *,         control, 1)," &
"90 (BC_6, HDS,      bidir,  X, 89, 1, Z)," &
"91 (BC_1, *,         control, 1)," &
"92 (BC_6, SCK0,     bidir,  X, 91, 1, Z)," &
"93 (BC_1, *,         control, 1)," &
"94 (BC_6, SCK1,     bidir,  X, 93, 1, Z)," &
"95 (BC_1, *,         control, 1)," &
"96 (BC_6, GPIO2,   bidir,  X, 95, 1, Z)," &
"97 (BC_1, *,         control, 1)," &

```


Example C-1 DSP56602 BSDL Listing

```

"98 (BC_6, GPIO1,  bidir,  X,  97,  1,  Z)," &
"99 (BC_1, *,      control, 1)," &
-- num cell port      func safe [ccell dis rslt]
"100 (BC_6, GPIO0, bidir,  X,  99,  1,  Z)," &
"101 (BC_1, *,      control, 1)," &
"102 (BC_6, SC00,  bidir,  X, 101,  1,  Z)," &
"103 (BC_1, *,      control, 1)," &
"104 (BC_6, SC10,  bidir,  X, 103,  1,  Z)," &
"105 (BC_1, *,      control, 1)," &
"106 (BC_6, STD0,  bidir,  X, 105,  1,  Z)," &
"107 (BC_1, *,      control, 1)," &
"108 (BC_6, SRD0,  bidir,  X, 107,  1,  Z)," &
"109 (BC_1, PINIT, input,  X)," &
"110 (BC_1, *,      control, 1)," &
"111 (BC_6, DE_,   bidir,  X, 110,  1,  Z)," &
"112 (BC_1, *,      control, 1)," &
"113 (BC_6, SC01,  bidir,  X, 112,  1,  Z)," &
"114 (BC_1, *,      control, 1)," &
"115 (BC_6, SC02,  bidir,  X, 114,  1,  Z)," &
"116 (BC_1, *,      control, 1)," &
"117 (BC_6, STD1,  bidir,  X, 116,  1,  Z)," &
"118 (BC_1, *,      control, 1)," &
"119 (BC_6, SRD1,  bidir,  X, 118,  1,  Z)," &
-- num cell port      func safe [ccell dis rslt]
"120 (BC_1, *,      control, 1)," &
"121 (BC_6, SC11,  bidir,  X, 120,  1,  Z)," &
"122 (BC_1, *,      control, 1)," &
"123 (BC_6, SC12,  bidir,  X, 122,  1,  Z)";
    
```

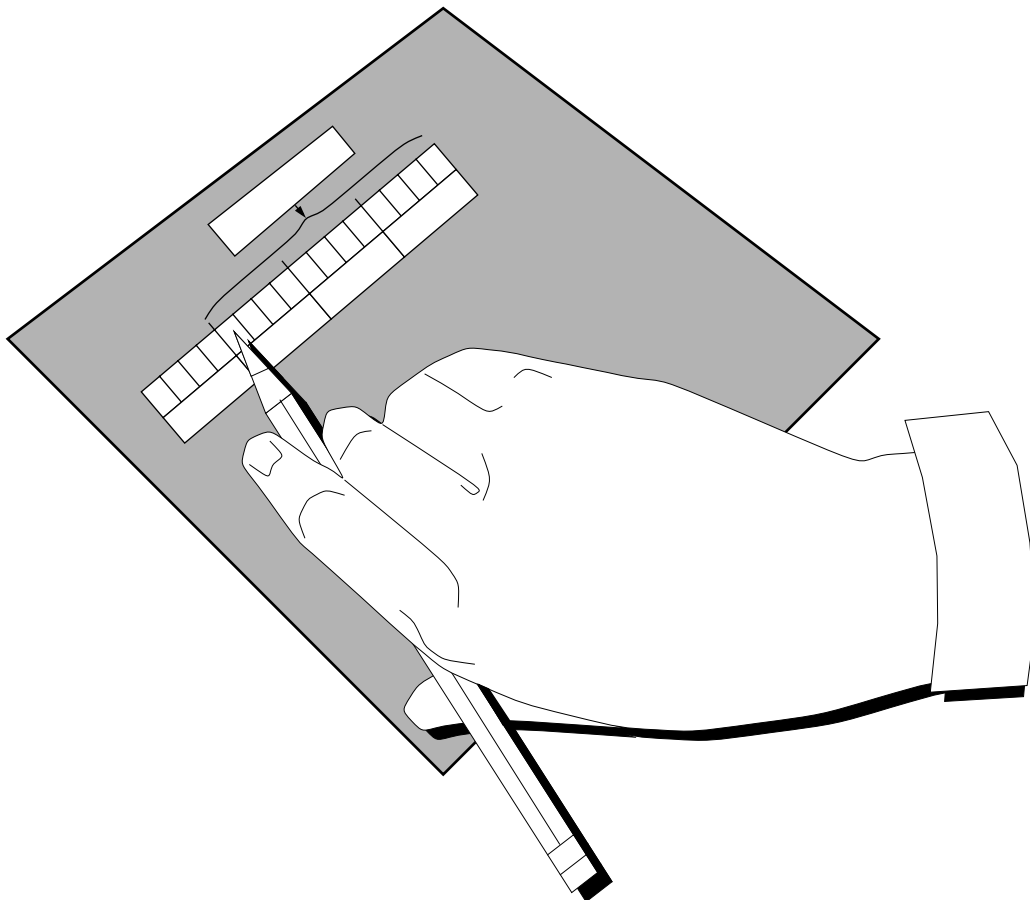
end DSP56602A;





APPENDIX D

PROGRAMMER'S REFERENCE





D.1	INTRODUCTION	D-3
D.2	INSTRUCTION SET SUMMARY	D-3
D.3	INTERRUPT, VECTOR, AND ADDRESS TABLES	D-14
D.4	PROGRAMMER'S SHEETS	D-23

D.1 INTRODUCTION

The following pages provide a set of reference tables and programming sheets that are intended to simplify programming the DSP56602. The programming sheets provide room to write in the value of each bit and the hexadecimal value for each register. The programmer can photocopy these sheets.

D.2 INSTRUCTION SET SUMMARY

The following tables provide a brief summary of the instruction set for the DSP56602. **Table D-1**, **Table D-2**, and **Table D-3** provide a key to the abbreviations in **Table D-4**, the instruction set summary table. For complete instruction set details, see **Appendix A** of the *DSP56600 Family Manual (DSP56600FM/AD)*.

Table D-1 Program Word and Timing Symbols

Column	Description and Symbols	
P	Parallel Move	
	P	Parallel Move
	N	No Parallel Move
	—	Not Applicable
T	Instruction Clock Cycle Counts (Add one cycle for each symbol in column)	
	U	Pre-Update
	A	Long Absolute
	I	Long Immediate

Table D-2 Condition Code Register (CCR) Symbols

Symbol	Description
S	Scaling bit indicating data growth is detected
L	Limit bit indicating arithmetic overflow and/or data limiting
E	Extension bit indicating if the integer portion is in use
U	Unnormalized bit indicating if the result is unnormalized
N	Negative bit indicating if Bit 35 (or 31) of the result is set

Table D-2 Condition Code Register (CCR) Symbols (continued)

Symbol	Description
Z	Zero bit indicating if the result equals 0
V	Overflow bit indicating if arithmetic overflow has occurred in the result
C	Carry bit indicating if a carry or borrow occurred in the result

Table D-3 Condition Code Register Notation

Notation	Description
*	Bit is set or cleared according to the standard definition by the result of the operation
—	Bit is not affected by the operation
0	Bit is always cleared by the operation
1	Bit is always set by the operation
U	Undefined
?	Bit is set or cleared according to the special computation definition by the result of the operation

Table D-4 Instruction Set Summary

Mnemonic	Syntax	P	T	CCR							
				S	L	E	U	N	Z	V	C
ABS	ABS D	P	1	*	*	*	*	*	*	*	—
ADC	ADC S,D	P	1	*	*	*	*	*	*	*	*
ADD	ADD S,D	P	1	*	*	*	*	*	*	*	*
	ADD #iiii,D	—	2	*	*	*	*	*	*	*	*
	ADD #iii,D	—	1	*	*	*	*	*	*	*	*
ADDL	ADDL S,D	P	1	*	*	*	*	*	*	?	*
ADDR	ADDR S,D	P	1	*	*	*	*	*	*	*	*
AND	AND S,D	P	1	*	—	—	—	?	?	0	—
	AND #iiii,D	—	2	*	—	—	—	?	?	0	—

Table D-4 Instruction Set Summary (continued)

Mnemonic	Syntax	P	T	CCR							
				S	L	E	U	N	Z	V	C
AND	AND #iii,D	—	1	*	—	—	—	?	?	0	—
ANDI	ANDI EE	—	3	?	?	?	?	?	?	?	?
ASL	ASL S,D	P	1	*	*	*	*	*	*	*	? ?
	ASL #ii,S,D	—	1	*	*	*	*	*	*	*	? ?
	ASL sss,S,D	—	1	*	*	*	*	*	*	*	? ?
ASR	ASR S,D	P	1	*	*	*	*	*	*	*	0 ?
	ASR sss,S,D	—	1	*	*	*	*	*	*	*	0 ?
	ASR #ii,S,D	—	1	*	*	*	*	*	*	*	0 ?
Bcc	Bcc (PC + Rn)	—	4	—	—	—	—	—	—	—	—
	Bcc (PC + aa)	—	4	—	—	—	—	—	—	—	—
BCHG	BCHG #bbbb , S:<aa>	—	2	?	?	?	?	?	?	?	?
	BCHG #bbbb , S:<ea>	—	2 + U + A	?	?	?	?	?	?	?	?
	BCHG #bbbb , S:<pp>	—	2	?	?	?	?	?	?	?	?
	BCHG #bbbb , S:<qq>	—	2	?	?	?	?	?	?	?	?
	BCHG #bbbb, DDDDDD	—	2	?	?	?	?	?	?	?	?
BCLR	BCLR #bbbb , S:<pp>	—	2	?	?	?	?	?	?	?	?
	BCLR #bbbb , S:<ea>	—	2 + U + A	?	?	?	?	?	?	?	?
	BCLR #bbbb , S:<aa>	—	2	?	?	?	?	?	?	?	?
	BCLR #bbbb , S:<qq>	—	2	?	?	?	?	?	?	?	?
	BCLR #bbbb , DDDDDD	—	2	?	?	?	?	?	?	?	?
BRA	BRA (PC + Rn)	—	4	—	—	—	—	—	—	—	—
	BRA (PC + aa)	—	4	—	—	—	—	—	—	—	—
BRKcc	BRKcc	—	5	—	—	—	—	—	—	—	

Table D-4 Instruction Set Summary (continued)

Mnemonic	Syntax	P	T	CCR							
				S	L	E	U	N	Z	V	C
BScC	BScC (PC + Rn)	—	4	—	—	—	—	—	—	—	—
	BScC (PC + aa)	—	4	—	—	—	—	—	—	—	—
BSET	BSET #bbbb,S:<pp>	—	2	?	?	?	?	?	?	?	?
	BSET #bbbb, S:<ea>	—	2 + U + A	?	?	?	?	?	?	?	?
	BSET #bbbb, S:<aa>	—	2	?	?	?	?	?	?	?	?
	BSET #bbbb, DDDDDD	—	2	?	?	?	?	?	?	?	?
	BSET #bbbb, S:<qq>	—	2	?	?	?	?	?	?	?	?
BSR	BSR (PC + Rn)	—	4	—	—	—	—	—	—	—	—
	BSR (PC + aa)	—	4	—	—	—	—	—	—	—	—
BTST	BTST #bbbb,S:<pp>	—	2	*	*	—	—	—	—	—	?
	BTST #bbb, S:<ea>	—	2 + U + A	*	*	—	—	—	—	—	?
	BTST #bbbb,S:<aa>	—	2	*	*	—	—	—	—	—	?
	BTST #bbbb, DDDDDD	—	2	*	*	—	—	—	—	—	?
	BTST #bbbb,S:<qq>	—	2	*	*	—	—	—	—	—	?
CLB	CLB S,D	—	1	—	—	—	—	?	?	0	—
CLR	CLR D	P	1	*	*	0	1	0	1	0	—
CMP	CMP S1,S2	P	1	*	*	*	*	*	*	*	*
	CMP #iiii,D	—	2	*	*	*	*	*	*	*	*
	CMP #iii,D	—	1	*	*	*	*	*	*	*	*
CMPM	CMPM S1,S2	P	1	*	*	*	*	*	*	*	*
CMPU	CMPU ggg,D	—	1	—	—	—	—	*	?	0	*
DEBUG	DEBUG	—	1	—	—	—	—	—	—	—	—
DEBUGcc	DEBUGcc	—	5	—	—	—	—	—	—	—	—

Table D-4 Instruction Set Summary (continued)

Mnemonic	Syntax	P	T	CCR							
				S	L	E	U	N	Z	V	C
DEC	DEC	—	1	—	*	*	*	*	*	*	*
DIV	DIV	—	1	—	?	—	—	—	—	?	?
DMAC	DMAC S1,S2,D (ss,su,uu)	N	1	—	*	*	*	*	*	*	—
DO	DO #xxx,aaaa	—	5	?	?	—	—	—	—	—	—
	DO DDDDDD,aaaa	—	5	?	?	—	—	—	—	—	—
	DO S:<ea>,aaaa	—	5 + U	?	?	—	—	—	—	—	—
	DO S:<aa>,aaaa	—	5	?	?	—	—	—	—	—	—
DO FOREVER	DO FOREVER , (aaaa)	—	4	—	—	—	—	—	—	—	—
ENDDO	ENDDO	—	1	—	—	—	—	—	—	—	—
EOR	EOR S,D	P	1	*	*	—	—	?	?	0	—
	EOR #iiii,D	—	2	*	*	—	—	?	?	0	—
	EOR #iii,D	—	1	*	*	—	—	?	?	0	—
EXTRACT	EXTRACT SSS,s,D	—	1	—	—	*	*	*	*	0	0
	EXTRACT #iii,s,D	—	2	—	—	*	*	*	*	0	0
EXTRACTU	EXTRACTU SSS,s,D	—	1	—	—	*	*	*	*	0	0
	EXTRACTU #iii,s,D	—	2	—	—	*	*	*	*	0	0
IFcc	IFcc	—	1	—	—	—	—	—	—	—	—
IFcc(.U)	IFcc(.U)	—	1	?	?	?	?	?	?	?	?
ILLEGAL	ILLEGAL	—	5	—	—	—	—	—	—	—	—
INC	INC D	—	1	—	*	*	*	*	*	*	*
INSERT	INSERT SSS,qqq,D	—	1	—	—	*	*	*	*	0	0
	INSERT #iiii,qqq,D	—	2	—	—	*	*	*	*	0	0

Table D-4 Instruction Set Summary (continued)

Mnemonic	Syntax	P	T	CCR							
				S	L	E	U	N	Z	V	C
Jcc	Jcc aa	—	4	—	—	—	—	—	—	—	—
	Jcc ea	—	4	—	—	—	—	—	—	—	—
JCLR	JCLR #bbbb,S:<ea>,aaaa	—	4 + U	*	*	—	—	—	—	—	—
	JCLR #bbbb,S:<pp>,aaaa	—	4	*	*	—	—	—	—	—	—
	JCLR #bbbb ,S:<aa>,aaaa	—	4	*	*	—	—	—	—	—	—
	JCLR #bbbb,DDDDDD,aaaa	—	4	*	*	—	—	—	—	—	—
	JCLR #bbbb, S:<qq>,aaaa	—	4	*	*	—	—	—	—	—	—
JMP	JMP aa	—	3	—	—	—	—	—	—	—	—
	JMP ea	—	3 + U + A	—	—	—	—	—	—	—	—
JScC	JScC aa	—	4	—	—	—	—	—	—	—	—
	JScC ea	—	4	—	—	—	—	—	—	—	—
JSCLR	JSCLR #bbbb,S:<pp>,aaaa	—	4	*	*	—	—	—	—	—	—
	JSCLR #bbbb , S:<ea>,aaaa	—	4 + U	*	*	—	—	—	—	—	—
	JSCLR #bbbb , S:<aa>,aaaa	—	4	*	*	—	—	—	—	—	—
	JSCLR #bbbb, DDDDDD,aaaa	—	4	*	*	—	—	—	—	—	—
	JSCLR #bbbb , S:<qq>,aaaa	—	4	*	*	—	—	—	—	—	—
JSET	JSET #bbbb , S:<pp>,aaaa	—	4	*	*	—	—	—	—	—	—
	JSET #bbbb , S:<ea>,aaaa	—	4 + U	*	*	—	—	—	—	—	—
	JSET #bbbb , S:<aa>,aaaa	—	4	*	*	—	—	—	—	—	—
	JSET #bbbb, DDDDDD,aaaa	—	4	*	*	—	—	—	—	—	—
	JSET #bbbb , S:<qq>,aaaa	—	4	*	*	—	—	—	—	—	—
JSR	JSR aa	—	3	—	—	—	—	—	—	—	—
	JSR ea	—	3 + U + A	—	—	—	—	—	—	—	—

Table D-4 Instruction Set Summary (continued)

Mnemonic	Syntax	P	T	CCR							
				S	L	E	U	N	Z	V	C
JSSET	JSSET #bbbb,S:<pp>,aaaa	—	4	*	*	—	—	—	—	—	—
	JSSET #bbbb,S:<ea>,aaaa	—	4 + U	*	*	—	—	—	—	—	—
	JSSET #bbbb,S:<aa>,aaaa	—	4	*	*	—	—	—	—	—	—
	JSSET #bbbb, DDDDDD,aaaa	—	4	*	*	—	—	—	—	—	—
	JSSET #bbbb,S:<qq>,aaaa	—	4	*	*	—	—	—	—	—	—
LRA	LRA (PC + Rn) → 0DDDDD	—	3	—	—	—	—	—	—	—	—
	LRA (PC + aaaa) → 0DDDDD	—	3	—	—	—	—	—	—	—	—
LSL	LSL D	P	1	*	*	—	—	?	?	0	?
	LSL sss,D	—	1	*	*	—	—	?	?	0	?
	LSL #ii,D	—	1	*	*	—	—	?	?	0	?
LSR	LSR D	P	1	*	*	—	—	?	?	0	?
	LSR #ii,D	—	1	*	*	—	—	?	?	0	?
	LSR sss,D	—	1	*	*	—	—	?	?	0	?
LUA, LEA	LUA ea → 0DDDDD	—	3	—	—	—	—	—	—	—	—
	LUA (Rn + aa) → 01DDDD	—	3	—	—	—	—	—	—	—	—
MAC	MAC ± 2**s,QQ,d	—	1	*	*	*	*	*	*	*	—
	MAC S1,S2,D	—	1	*	*	*	*	*	*	*	—
MAC (su,uu)	MAC S1,S2,D	N	1	—	*	*	*	*	*	*	—
MACI	MACI ± #iiiiii,QQ,D	—	2	—	*	*	*	*	*	*	—
MACR	MACR ± 2**s,QQ,d	—	1	*	*	*	*	*	*	*	—
MACRI	MACRI ± #iiiiii,QQ,D	—	2	—	*	*	*	*	*	*	—
MAX	MAX A,B	P	1	*	*	—	—	—	—	—	?
MAXM	MAXM A,B	P	1	*	*	—	—	—	—	—	?

Table D-4 Instruction Set Summary (continued)

Mnemonic	Syntax	P	T	CCR							
				S	L	E	U	N	Z	V	C
MERGE	MERGE SSS,D	—	1	—	—	—	—	?	?	0	—
MOVE	No Parallel Data Move (DALU)	N	1	—	—	—	—	—	—	—	—
	MOVE #xx→DDDDD	—	1	—	—	—	—	—	—	—	—
	MOVE ddddd→DDDDD	—	1	*	*	—	—	—	—	—	—
	U move	—	1	—	—	—	—	—	—	—	—
	MOVE S:<ea>,DDDDD	—	1+U+A+I	*	*	—	—	—	—	—	—
	MOVE S:<aa>,DDDDD	—	1	*	*	—	—	—	—	—	—
	MOVE S:<Rn + aa>,DDDD	—	2	*	*	—	—	—	—	—	—
	MOVE S:<Rn + aaaa>,DDDDDD	—	3	*	*	—	—	—	—	—	—
	MOVE d →X Y:<ea>,YY	—	1+U+A+I	*	*	—	—	—	—	—	—
	MOVE X:<ea>,XX & d→Y	—	1+U+A+I	*	*	—	—	—	—	—	—
	MOVE A → X:<ea> X0 A	—	1 + U	*	*	—	—	—	—	—	—
	MOVE B → X:<ea> X0 B	—	1 + U	*	*	—	—	—	—	—	—
	MOVE Y0 → A A Y:<ea>	—	1 + U	*	*	—	—	—	—	—	—
	MOVE Y0 → B B Y:<ea>	—	1 + U	*	*	—	—	—	—	—	—
	MOVE L:<ea>,LLL	—	1 + U + A	*	*	—	—	—	—	—	—
	MOVE L:<aa>,LLL	—	1	*	*	—	—	—	—	—	—
MOVE X:<ea>,XX & Y:<ea>,YY	—	1	*	*	—	—	—	—	—	—	
MOVEC	MOVEC #xx → 1DDDDD	—	1	?	?	?	?	?	?	?	?
	MOVEC S:<ea>,1DDDDD	—	1+U+A+I	?	?	?	?	?	?	?	?
	MOVEC S:<aa>,1DDDDD	—	1	?	?	?	?	?	?	?	?
	MOVEC DDDDDD, 1dddd	—	1	?	?	?	?	?	?	?	?

Table D-4 Instruction Set Summary (continued)

Mnemonic	Syntax	P	T	CCR							
				S	L	E	U	N	Z	V	C
MOVEM	MOVEM P:<ea>,DDDDDD	—	6 + U + A	?	?	?	?	?	?	?	?
	MOVEM P:<aa>,DDDDDD	—	6	?	?	?	?	?	?	?	?
MOVEP	MOVEP S:<pp>,s:<ea>	—	2 + U + A	?	?	?	?	?	?	?	?
	MOVEP S:<pp>,P:<ea>	—	6 + U + A	?	?	?	?	?	?	?	?
	MOVEP S:<pp>,DDDDDD	—	1	?	?	?	?	?	?	?	?
	MOVEP X:<qq>,s:<ea>	—	2 + U + A	?	?	?	?	?	?	?	?
	MOVEP Y:<qq>,s:<ea>	—	2 + U + A	?	?	?	?	?	?	?	?
	MOVEP X:<qq>,DDDDDD	—	1	?	?	?	?	?	?	?	?
	MOVEP Y:<qq>,DDDDDD	—	1	?	?	?	?	?	?	?	?
	MOVEP S:<qq>,P:<ea>	—	6 + U + A	?	?	?	?	?	?	?	?
MPY	MPY ± 2**s,QQ,d	—	1	*	*	*	*	*	*	*	—
MPY(su,uu)	MPY S1,S2,D (su,uu)	—	1	—	*	*	*	*	*	*	—
MPYI	MPYI ± #iiiiii,QQ,D	—	2	—	*	*	*	*	*	*	—
MPYR	MPYR ± 2**s,QQ,d	—	1	*	*	*	*	*	*	*	—
MPYRI	MPYRI ± #iiiiii,QQ,D	—	2	—	*	*	*	*	*	*	—
NEG	NEG D	P	1	*	*	*	*	*	*	*	—
NOP	NOP	—	1	—	—	—	—	—	—	—	—
NORMF	NORMF SSS,D	—	1	—	*	*	*	*	*	?	—
NOT	NOT D	P	1	*	*	—	—	?	?	0	—
OR	OR SD	P	1	*	*	—	—	?	?	0	—
	OR #iiiiii,D	—	2	*	*	—	—	?	?	0	—
	OR #iii,D	—	1	*	*	—	—	?	?	0	—
ORI	ORI EE	—	3	?	?	?	?	?	?	?	

Table D-4 Instruction Set Summary (continued)

Mnemonic	Syntax	P	T	CCR							
				S	L	E	U	N	Z	V	C
REP	REP #xxx	—	5	*	*	—	—	—	—	—	—
	REP DDDDDD	—	5	*	*	—	—	—	—	—	—
	REP S:<ea>	—	5 + U	*	*	—	—	—	—	—	—
	REP S:<aa>	—	5	*	*	—	—	—	—	—	—
RESET	RESET	—	7	—	—	—	—	—	—	—	—
RND	RND D	P	1	*	*	*	*	*	*	*	—
ROL	ROL D	P	1	*	*	—	—	?	?	0	?
ROR	ROR D	P	1	*	*	—	—	?	?	0	?
RTI	RTI	—	3	?	?	?	?	?	?	?	?
RTS	RTS	—	3	—	—	—	—	—	—	—	—
SBC	SBC S,D	P	1	*	*	*	*	*	*	*	*
STOP	STOP	—	10	—	—	—	—	—	—	—	—
SUB	SUB S,D	P	1	*	*	*	*	*	*	*	*
	SUB #iiii,D	—	2	*	*	*	*	*	*	*	*
	SUB #iii,D	—	1	*	*	*	*	*	*	*	*
SUBL	SUBL S,D	P	1	*	*	*	*	*	*	?	*
SUBR	SUBR S,D	P	1	*	*	*	*	*	*	*	*
Tcc	Tcc JJJ → D ttt TTT	—	1	—	—	—	—	—	—	—	—
	Tcc JJJ → D	—	1	—	—	—	—	—	—	—	—
	Tcc ttt → TTT	—	1	—	—	—	—	—	—	—	—
TFR	TFR S,D	P	1	*	*	—	—	—	—	—	—
TRAP	TRAP	—	9	—	—	—	—	—	—	—	—
TRAPcc	TRAPcc	—	9	—	—	—	—	—	—	—	—

Table D-4 Instruction Set Summary (continued)

Mnemonic	Syntax	P	T	CCR							
				S	L	E	U	N	Z	V	C
TST	TST S	P	1	*	*	*	*	*	*	0	—
VSL	VSL S,i,L:ea	—	1 + U + A	—	—	—	—	—	—	—	—
WAIT	WAIT	—	10	—	—	—	—	—	—	—	—

D.3 INTERRUPT, VECTOR, AND ADDRESS TABLES

Table D-5 Interrupt Sources

Interrupt Starting Address	IPL	Interrupt Source
VBA:\$00	3	Hardware $\overline{\text{RESET}}$
VBA:\$02	3	Stack Error
VBA:\$04	3	Illegal Instruction
VBA:\$06	3	Debug Request Interrupt
VBA:\$08	3	Trap
VBA:\$0A	3	$\overline{\text{NMI}}$
VBA:\$0C	3	(Reserved)
VBA:\$0E	3	(Reserved)
VBA:\$10	0-2	$\overline{\text{IRQA}}$
VBA:\$12	0-2	$\overline{\text{IRQB}}$
VBA:\$14	0-2	$\overline{\text{IRQC}}$
VBA:\$16	0-2	$\overline{\text{IRQD}}$
VBA:\$18	0-2	(Reserved)
VBA:\$1A	0-2	(Reserved)
VBA:\$1C	0-2	(Reserved)
VBA:\$1E	0-2	(Reserved)
VBA:\$20	0-2	(Reserved)
VBA:\$22	0-2	(Reserved)
VBA:\$24	0-2	Timer 0 Compare
VBA:\$26	0-2	Timer 0 Overflow
VBA:\$28	0-2	Timer 1 Compare
VBA:\$2A	0-2	Timer 1 Overflow
VBA:\$2C	0-2	Timer 2 Compare

Table D-5 Interrupt Sources (continued)

Interrupt Starting Address	IPL	Interrupt Source
VBA:\$2E	0-2	Timer 2 Overflow
VBA:\$30	0-2	SSI0 Receive Data
VBA:\$32	0-2	SSI0 Receive Data With Exception Status
VBA:\$34	0-2	SSI0 Receive last slot
VBA:\$36	0-2	SSI0 Transmit Data
VBA:\$38	0-2	SSI0 Transmit Data with Exception Status
VBA:\$3A	0-2	SSI0 Transmit Last Slot
VBA:\$3C	0-2	(Reserved)
VBA:\$3E	0-2	(Reserved)
VBA:\$40	0-2	SSI1 Receive Data
VBA:\$42	0-2	SSI1 Receive Data With Exception Status
VBA:\$44	0-2	SSI1 Receive Last Slot
VBA:\$46	0-2	SSI1 Transmit Data
VBA:\$48	0-2	SSI1 Transmit Data with Exception Status
VBA:\$4A	0-2	SSI0 Transmit Last Slot
VBA:\$4C	0-2	(Reserved)
VBA:\$4E	0-2	(Reserved)
VBA:\$60	0-2	Host Receive Data Full
VBA:\$62	0-2	Host Transmit Data Empty
VBA:\$64	0-2	Default Host Command
VBA:\$66	0-2	(Reserved)
.	.	.
.	.	.
.	.	.
VBA:\$FE		(Reserved)

Table D-6 Interrupt Source Priorities within an IPL

Priority	Interrupt Source
Level 3 (Nonmaskable)	
Highest	Hardware $\overline{\text{RESET}}$
	Stack Error
	Illegal Instruction
	Debug Request Interrupt
	Trap
Lowest	$\overline{\text{NMI}}$
Levels 0, 1, 2 (Maskable)	
Highest	$\overline{\text{IRQA}}$ (External Interrupt)
	$\overline{\text{IRQB}}$ (External Interrupt)
	$\overline{\text{IRQC}}$ (External Interrupt)
	$\overline{\text{IRQD}}$ (External Interrupt)
	Host Command Interrupt
	Host Transmit Data Full
	Host Receive Data Empty
	SSI0 RX Data with Exception Interrupt
	SSI0 RX Data Interrupt
	SSI0 Receive Last Slot Interrupt
	SSI0 TX Data with Exception Interrupt
	SSI0 Transmit Last Slot Interrupt
	SSI0 TX Data Interrupt
	SSI1 RX Data with Exception Interrupt
	SSI1 RX Data Interrupt
	SSI1 Receive Last Slot Interrupt

Table D-6 Interrupt Source Priorities within an IPL (continued)

Priority	Interrupt Source
	SSI1 TX Data with Exception Interrupt
	SSI1 Transmit Last Slot Interrupt
	SSI1 TX Data Interrupt
	Timer 0 Overflow Interrupt
	Timer 0 Compare Interrupt
	Timer 1 Overflow Interrupt
	Timer 1 Compare Interrupt
	Timer 2 Overflow Interrupt
Lowest	Timer 2 Compare Interrupt

Table D-7 Internal I/O Memory Map

Peripheral	Address	Register Name	Reset Value
PIC	\$FFFF	IPR-C—Interrupt Priority Register—Core	\$0000
	\$FFFE	IPR-P—Interrupt Priority Register—Peripheral	\$0000
PLL	\$FFFD	PCTL0—PLL Control Register	\$0000
	\$FFFC	PCTL1—PLL Control Register	\$0000
OnCE	\$FFFB	OGDBR—OnCE GDB Register	\$0000
BIU	\$FFFA	BCR—Bus Control Register	\$001F
	\$FFF9	IDR—ID Register	\$1602
Patch	\$FFF8	PAR0—Patch 0 Register	uninitialized
	\$FFF7	PAR1—Patch 1 Register	uninitialized
	\$FFF6	PAR2—Patch 2 Register	uninitialized
	\$FFF5	PAR3—Patch 3 Register	uninitialized
BPMR	\$FFF4	BPMRG—Bus Switch Program Memory Register (24 bits)	uninitialized

Table D-7 Internal I/O Memory Map (continued)

Peripheral	Address	Register Name	Reset Value
BPMR	\$FFF3	BPMRL—Bus Switch Program Memory Register Low (16 bits)	uninitialized
	\$FFF2	BPMRH—Bus Switch Program Memory Register High (16 bits)	uninitialized
(Reserved)	\$FFF1	(Reserved)	uninitialized
	\$FFF0	(Reserved)	uninitialized
	\$FFEF	(Reserved)	uninitialized
	\$FFEE	(Reserved)	uninitialized
	\$FFED	(Reserved)	uninitialized
	\$FFEC	(Reserved)	uninitialized
	\$FFEB	(Reserved)	uninitialized
	\$FFEA	(Reserved)	uninitialized
	\$FFE9	(Reserved)	uninitialized
	\$FFE8	(Reserved)	uninitialized
	\$FFE7	(Reserved)	uninitialized
	\$FFE6	(Reserved)	uninitialized
	\$FFE5	(Reserved)	uninitialized
	\$FFE4	(Reserved)	uninitialized
	\$FFE3	(Reserved)	uninitialized
	\$FFE2	(Reserved)	uninitialized
	\$FFE1	(Reserved)	uninitialized
	\$FFE0	(Reserved)	uninitialized
	\$FFDF	(Reserved)	uninitialized
	\$FFDE	(Reserved)	uninitialized
\$FFDD	(Reserved)	uninitialized	

Table D-7 Internal I/O Memory Map (continued)

Peripheral	Address	Register Name	Reset Value
(Reserved)	\$FFDC	(Reserved)	uninitialized
	\$FFDB	(Reserved)	uninitialized
	\$FFDA	(Reserved)	uninitialized
	\$FFD9	(Reserved)	uninitialized
	\$FFD8	(Reserved)	uninitialized
	\$FFD7	(Reserved)	uninitialized
	\$FFD6	(Reserved)	uninitialized
	\$FFD5	(Reserved)	uninitialized
	\$FFD4	(Reserved)	uninitialized
	\$FFD3	(Reserved)	uninitialized
	\$FFD2	(Reserved)	uninitialized
	\$FFD1	(Reserved)	uninitialized
	\$FFD0	(Reserved)	uninitialized
	\$FFCF	(Reserved)	\$0000
	\$FFCE	(Reserved)	\$0000
	\$FFCD	(Reserved)	\$0000
	\$FFCC	(Reserved)	\$0000
	\$FFCB	(Reserved)	\$0000
\$FFCA	(Reserved)	\$0000	
HI08	\$FFC9	HDR—HI08 Data Register	uninitialized
	\$FFC8	HDDR—HI08 Data Direction Register	\$0000
	\$FFC7	HTX—HI08 Transmit Data Register	\$0000
	\$FFC6	HRX—HI08 Receive Data Register	uninitialized
	\$FFC5	HBAR —HI08 Base Address Register	\$0080
	\$FFC4	HPCR—HI08 Port Control Register	\$0000

Table D-7 Internal I/O Memory Map (continued)

Peripheral	Address	Register Name	Reset Value
HI08	\$FFC3	HSR—HI08 Status Register	\$0002
	\$FFC2	HCR—HI08 Control Register	\$0000
(Reserved)	\$FFC1	(Reserved)	\$0000
	\$FFC0	(Reserved)	\$0000
SSI0	\$FFBF	PCRC—SSI 0 Port Control Register	\$0000
	\$FFBE	PRRC—SSI 0 GPIO Direction Register	\$0000
	\$FFBD	PDRC—SSI 0 GPIO Data Register	\$0000
	\$FFBC	TX0—SSI 0 Transmit Data Register	\$0000
	\$FFBB	TSR0—SSI 0 Time Slot Register	\$0000
	\$FFBA	RX0—SSI 0 Receive Data Register	uninitialized
	\$FFB9	SSISR0—SSI 0 Status Register	\$0040
	\$FFB8	CRC0—SSI 0 Control Register C	\$0000
	\$FFB7	CRB0—SSI 0 Control Register B	\$0000
	\$FFB6	CRA0—SSI 0 Control Register A	\$0000
	(Reserved)	\$FFB5	(Reserved)
\$FFB4		(Reserved)	\$0000
\$FFB3		(Reserved)	\$0000
\$FFB2		(Reserved)	\$0000
\$FFB1		(Reserved)	\$0000
\$FFB0		(Reserved)	\$0000
SSI1	\$FFAF	PCRD—SSI 1 Port Control Register	\$0000
	\$FFAE	PRRD—SSI 1 GPIO Direction Register	\$0000
	\$FFAD	PDRD—SSI 1 GPIO Data Register	\$0000
	\$FFAC	TX1—SSI 1 Transmit Data Register	\$0000
	\$FFAB	TSR1—SSI 1 Time Slot Register	\$0000

Table D-7 Internal I/O Memory Map (continued)

Peripheral	Address	Register Name	Reset Value
SSI1	\$FFAA	RX1—SSI 1 Receive Data Register	uninitialized
	\$FFA9	SSISR1—SSI 1 Status Register	\$0040
	\$FFA8	CRC1—SSI 1 Control Register C	\$0000
	\$FFA7	CRB1—SSI 1 Control Register B	\$0000
	\$FFA6	CRA1—SSI 1 Control Register A	\$0000
(Reserved)	\$FFA5	(Reserved)	\$0000
	\$FFA4	(Reserved)	\$0000
	\$FFA3	(Reserved)	\$0000
	\$FFA2	(Reserved)	\$0000
	\$FFA1	(Reserved)	\$0000
	\$FFA0	(Reserved)	\$0000
GPIO	\$FF9F	PCRE—GPIO Control Register	\$0000
	\$FF9E	PRRE—GPIO Direction Register	\$0000
	\$FF9D	PDRE—GPIO Data Register	\$0007
Triple Timer	\$FF8F	TCSR0—Timer 0 Control/Status Register	\$0000
	\$FF8E	TLR0—Timer 0 Load Register	\$0000
	\$FF8D	TCPR0—Timer 0 Compare Register	\$0000
	\$FF8C	TCR0—Timer 0 Count Register	\$0000
	\$FF8B	TCSR1—Timer 1 Control/Status Register	\$0800
	\$FF8A	TLR1—Timer 1 Load Register	\$0000
	\$FF89	TCPR1—Timer 1 Compare Register	\$0000
	\$FF88	TCR1—Timer 1 Count Register	\$0000
	\$FF87	TCSR2—Timer 2 Control/Status Register	\$0800
	\$FF86	TLR2—Timer 2 Load Register	\$0000
	\$FF85	TCPR2—Timer 2 Compare Register	\$0000

Table D-7 Internal I/O Memory Map (continued)

Peripheral	Address	Register Name	Reset Value
Triple Timer	\$FF84	TCR2—Timer 2 Count Register	\$0000
	\$FF83	TPLR—Timer Prescaler Load Register	\$0000
	\$FF82	TPCR—Timer Prescaler Count Register	uninitialized
(Reserved)	\$FF81	(Reserved)	\$0000
	\$FF80	(Reserved)	\$0000

D.4 PROGRAMMER'S SHEETS

The following pages provide programmer's sheets that are intended to simplify programming the various registers in the DSP56603. The programmer's sheets provide room to write in the value of each bit and the hexadecimal value for each register. The programmer can photocopy these sheets.

The programmer's sheets are provided in the same order as the sections in this document. **Table D-8** lists the sets of programmer's sheets, the registers described in the sheets, and the pages in this appendix where the sheets are located.

Table D-8 List of Programmer's Sheets

Type of Register	Register	Page
CPU	JTAG Instruction Register	D-26
	JTAG Bypass Register	D-26
	JTAG ID Register	D-26
	OMR—Operating Mode Register	D-27
	SR—Status Register	D-28
	IPR-C—Interrupt Priority Register (Core)	D-29
	IPR-P—Interrupt Priority Register (Peripheral)	D-30
	BCR— Bus Control Register	D-31
	IDR—Identification Register	D-31
	PARn—Patch Registers	D-32
	BPMRG—Bus Switch Program Memory Register	D-33
	BPMRL—Bus Switch Program Memory Register Low	D-33
	BPMRH—Bus Switch Program Memory Register High	D-33
PLL	PCTL0—PLL Control Register 0	D-34
	PCTL1—PLL Control Register 1	D-34
HI08	HSR—HI08 Status Register	D-35
	HCR—HI08 Control Register	D-35
	HPCR—HI08 Port Control Register	D-36

Table D-8 List of Programmer's Sheets (continued)

Type of Register	Register	Page
HI08	HDDR—HI08 Data Direction Register	D-37
	HDR—HI08 Data Register	D-37
	HRX—HI08 Receive Data Register	D-37
	HTX—HI08 Transmit Data Register	D-37
	HBAR—HI08 Base Address Register	D-37
	ICR—Interface Control Register	D-38
	ISR—Interface Status Register	D-38
	CVR—Control Vector Register	D-39
	IVR—Interrupt Vector Register	D-39
SSI0	CRA0—SSI0 Control Register A	D-40
	CRB0—SSI0 Control Register B	D-40
	CRC0—SSI0 Control Register C	D-41
	SSISR0—SSI0 Status Register	D-42
	RX0—SSI0 Receive Register	D-42
	TSR0—SSI0 Time Slot Register	D-42
	TX0—SSI0 Transmit Register	D-42
	PCRC—SSI0 Port C Control Register	D-43
	PDRC—SSI0 Port C Data Register	D-43
	PRRC—SSI0 Port C Data Direction Register	D-43
SSI1	CRA1—SSI1 Control Register A	D-44
	CRB1—SSI1 Control Register B	D-44
	CRC1—SSI1 Control Register C	D-45
	SSISR1—SSI1 Status Register	D-46
	RX1—SSI1 Receive Register	D-46
	TSR1—SSI1 Time Slot Register	D-46

Table D-8 List of Programmer's Sheets (continued)

Type of Register	Register	Page
SSI1	TX1—SSI1 Transmit Register	D-46
	PCRD—SSI1 Port D Control Register	D-47
	PDRD—SSI1 Port D Data Register	D-47
	PRRD—SSI1 Port D Data Direction Register	D-47
GPIO	PCRE—GPIO Port Control Register	D-48
	PDRE—GPIO Port Data Register	D-48
	PRRE—GPIO Port Data Direction Register	D-48
Timers	TPLR—Timer Prescaler Load Register	D-49
	TPCR—Timer Prescaler Count Register	D-49
Timer0	TCSR0—Timer 0 Control/Status Register	D-50
	TLR0—Timer 0 Load Register	D-50
	TCPR0—Timer 0 Compare Register	D-50
	TCR0—Timer 0 Count Register	D-50
Timer1	TCSR1—Timer 1 Control/Status Register	D-51
	TLR1—Timer 1 Load Register	D-51
	TCPR1—Timer 1 Compare Register	D-51
	TCR1—Timer 1 Count Register	D-51
Timer2	TCSR2—Timer 2 Control/Status Register	D-52
	TLR2—Timer 2 Load Register	D-52
	TCPR2—Timer 2 Compare Register	D-52
	TCR2—Timer 2 Count Register	D-52

Application: _____

Date: _____

Programmer: _____

Sheet 1 of 8

CPU

	3	2	1	0
JTAG Instruction Register	B3	B2	B1	B0
Reset = \$2				
Read/Write				

	0
JTAG Bypass Register	
Reset = \$0	
Read/Write	

	31	30	29	28	27	26	25	24	23	22	21	20	19	18	17	16
JTAG ID Register	MSK ₇	MSK ₆	MSK ₅	MSK ₄	MSK ₃	MSK ₂	MSK ₁	MSK ₀	INV ₇	INV ₆	INV ₅	INV ₄	INV ₃	INV ₂	INV ₁	INV ₀
Read Only	0	0	0	1	0	0	0	1	1	0	0	0	0	0	1	0
Reset = \$1182201D	\$1			\$1				\$8				\$2				

	15	14	13	12	11	10	9	8	7	6	5	4	3	2	1	0
	MSK ₇	MSK ₆	MSK ₅	MSK ₄	MSK ₃	MSK ₂	MSK ₁	MSK ₀	INV ₇	INV ₆	INV ₅	INV ₄	INV ₃	INV ₂	INV ₁	INV ₀
	0	0	1	0	0	0	0	0	0	0	0	1	1	1	0	1
	\$2			\$0				\$1				\$D				

AA1106a

Application: _____

Date: _____

Programmer: _____

Sheet 2 of 8

CPU

MC	MB	MA	Mode	Reset Vector
0	0	0	0—Extended	\$0400
0	0	1	1—Normal	\$0800
0	1	0	2—Normal	\$0800
0	1	1	3—Normal	\$0800
1	0	0	4—Normal	\$0800
1	0	1	5—Normal	\$0800
1	1	0	6—Normal	\$0800
1	1	1	7—Normal	\$0800

XYS	Description
0	Stack extension mapped to X memory
1	Stack extension mapped to Y memory

SD	Description
0	128 K clock cycle delay
1	16 clock cycle delay

PCD	Description
0	PC relative instructions enabled
1	PC relative instructions disabled

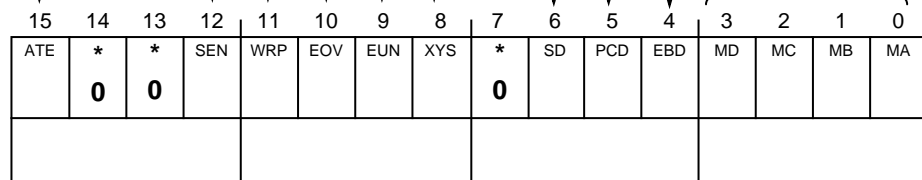
EBD	Description
0	External bus controller enabled
1	External bus controller disabled

Extended Stack Underflow Flag
 Extended Stack Overflow Flag
 Extended Stack Wrap Flag

SEN	Description
0	Stack Extension disabled
1	Stack Extension enabled

ATE	Description
0	Address Trace disabled
1	Address Trace enabled

Operating Mode Register (OMR)
 Reset = \$0300
 Read/Write



* = Reserved, Program as 0

AA1106b

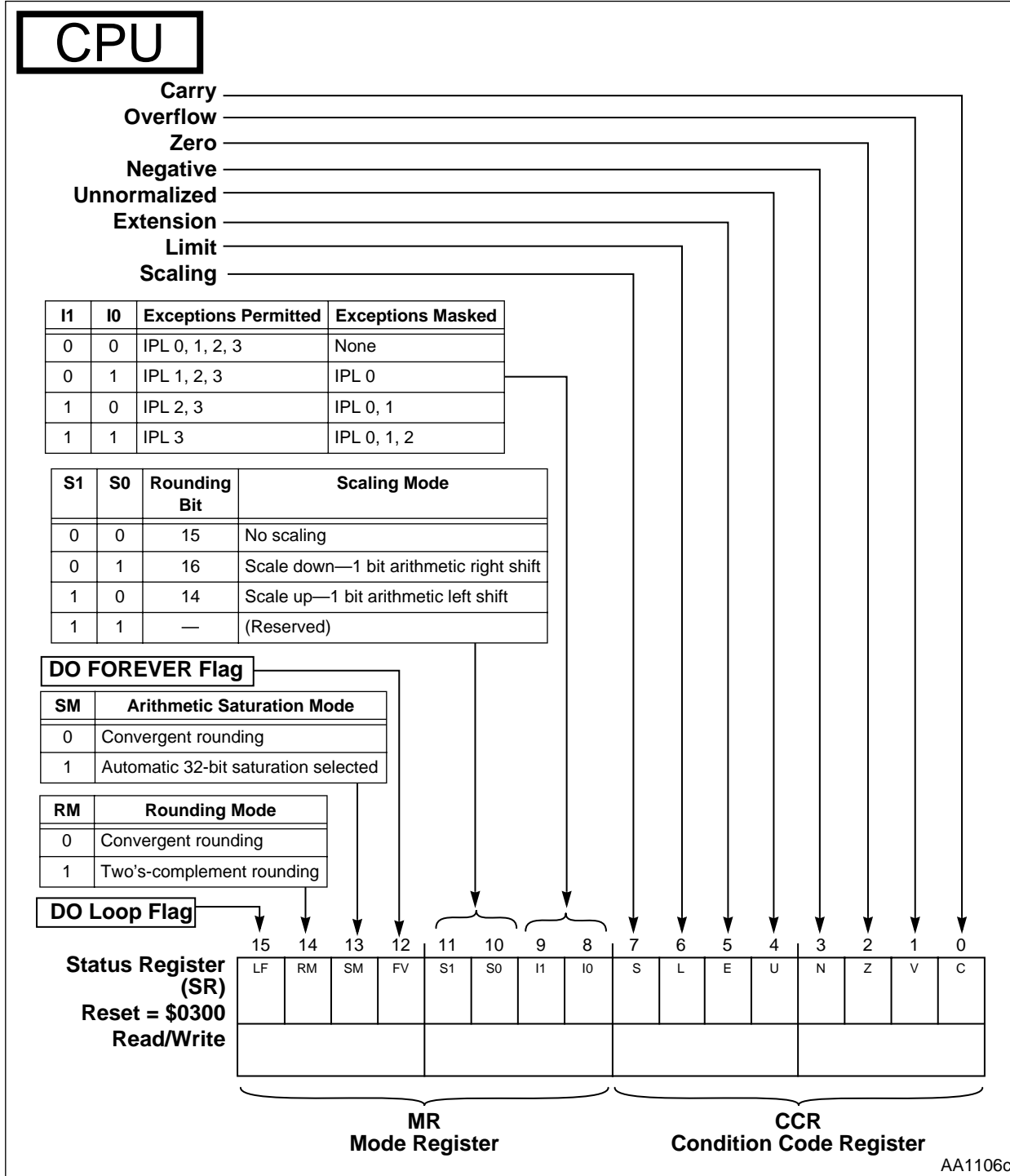
Application: _____

Date: _____

Programmer: _____

Sheet 3 of 8

Freescale Semiconductor, Inc.



Application: _____

Date: _____

Programmer: _____

Sheet 4 of 8

Freescale Semiconductor, Inc.

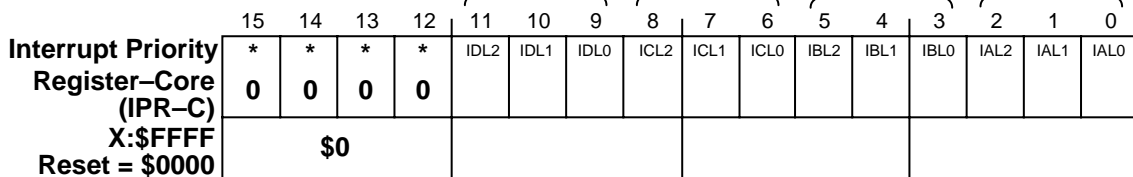
CPU

IAL2	IAL1	IAL0	IRQA Mode	Trigger Mode
0	0	0	IRQA disabled, no IPL	Level-Triggered
0	0	1	IRQA enabled, IPL = 0	Level-Triggered
0	1	0	IRQA enabled, IPL = 1	Level-Triggered
0	1	1	IRQA enabled, IPL = 2	Level-Triggered
1	0	0	IRQA disabled, no IPL	Negative-Edge Triggered
1	0	1	IRQA enabled, IPL = 0	Negative-Edge Triggered
1	1	0	IRQA enabled, IPL = 1	Negative-Edge Triggered
1	1	1	IRQA enabled, IPL = 2	Negative-Edge Triggered

IBL2	IBL1	IBL0	IRQB Mode	Trigger Mode
0	0	0	IRQB disabled, no IPL	Level-Triggered
0	0	1	IRQB enabled, IPL = 0	Level-Triggered
0	1	0	IRQB enabled, IPL = 1	Level-Triggered
0	1	1	IRQB enabled, IPL = 2	Level-Triggered
1	0	0	IRQB disabled, no IPL	Negative-Edge Triggered
1	0	1	IRQB enabled, IPL = 0	Negative-Edge Triggered
1	1	0	IRQB enabled, IPL = 1	Negative-Edge Triggered
1	1	1	IRQB enabled, IPL = 2	Negative-Edge Triggered

ICL2	ICL1	ICL0	IRQC Mode	Trigger Mode
0	0	0	IRQC disabled, no IPL	Level-Triggered
0	0	1	IRQC enabled, IPL = 0	Level-Triggered
0	1	0	IRQC enabled, IPL = 1	Level-Triggered
0	1	1	IRQC enabled, IPL = 2	Level-Triggered
1	0	0	IRQC disabled, no IPL	Negative-Edge Triggered
1	0	1	IRQC enabled, IPL = 0	Negative-Edge Triggered
1	1	0	IRQC enabled, IPL = 1	Negative-Edge Triggered
1	1	1	IRQC enabled, IPL = 2	Negative-Edge Triggered

IDL2	IDL1	IDL0	IRQD Mode	Trigger Mode
0	0	0	IRQD disabled, no IPL	Level-Triggered
0	0	1	IRQD enabled, IPL = 0	Level-Triggered
0	1	0	IRQD enabled, IPL = 1	Level-Triggered
0	1	1	IRQD enabled, IPL = 2	Level-Triggered
1	0	0	IRQD disabled, no IPL	Negative-Edge Triggered
1	0	1	IRQD enabled, IPL = 0	Negative-Edge Triggered
1	1	0	IRQD enabled, IPL = 1	Negative-Edge Triggered
1	1	1	IRQD enabled, IPL = 2	Negative-Edge Triggered



* = Reserved, Program as 0

AA1106d

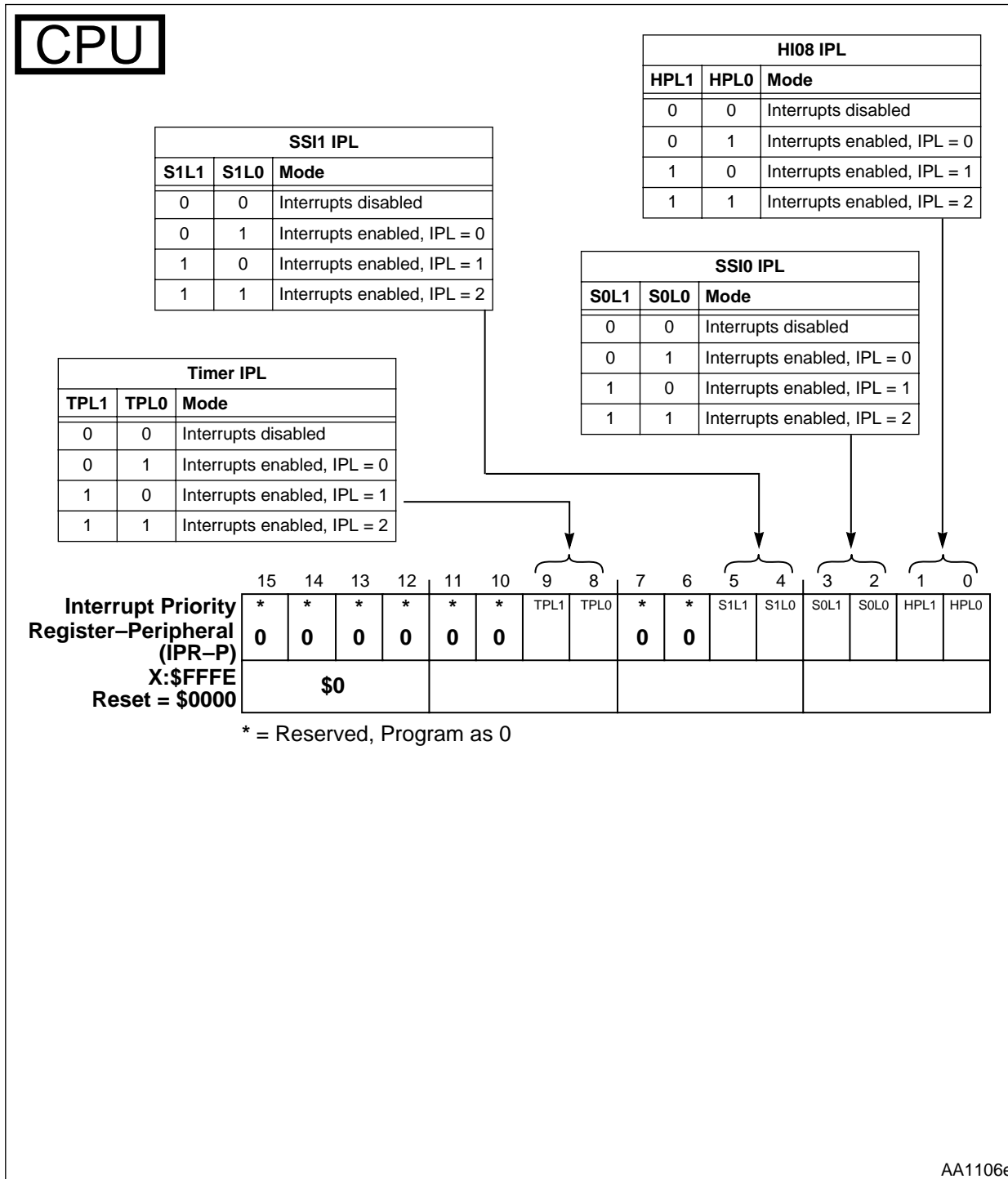
Application: _____

Date: _____

Programmer: _____

Sheet 5 of 8

Freescale Semiconductor, Inc.



Application: _____

Date: _____

Programmer: _____

Sheet 6 of 8

CPU

Wait state field for external memory,
binary encoded

	15	14	13	12	11	10	9	8	7	6	5	4	3	2	1	0
	*	*	*	*	*	*	*	*	*	*	*	BMW4	BMW3	BMW2	BMW1	BMW0
Bus Control Register (BCR)	0	0	0	0	0	0	0	0	0	0	0					
X:\$FFFA	\$0				\$0											
Reset = \$001F																

* = Reserved, Program as 0

	Revision				Device Number											
	15	14	13	12	11	10	9	8	7	6	5	4	3	2	1	0
DSP56602 Identification Register (IDR)	0	0	0	1	0	1	1	0	0	0	0	0	0	0	1	0
X:\$FFF9	\$1				\$6				\$0				\$2			
Read-Only																

AA1106f

Application: _____

Date: _____

Programmer: _____

Sheet 7 of 8

CPU

	15	14	13	12	11	10	9	8	7	6	5	4	3	2	1	0
Patch Register 0 (PAR0)	PAR 15	PAR 14	PAR 13	PAR 12	PAR 11	PAR 10	PAR 9	PAR 8	PAR 7	PAR 6	PAR 5	PAR 4	PAR 3	PAR 2	PAR 1	PAR 0
X:\$FFF8																
Reset = uninitialized																

	15	14	13	12	11	10	9	8	7	6	5	4	3	2	1	0
Patch Register 1 (PAR1)	PAR 15	PAR 14	PAR 13	PAR 12	PAR 11	PAR 10	PAR 9	PAR 8	PAR 7	PAR 6	PAR 5	PAR 4	PAR 3	PAR 2	PAR 1	PAR 0
X:\$FFF7																
Reset = uninitialized																

	15	14	13	12	11	10	9	8	7	6	5	4	3	2	1	0
Patch Register 2 (PAR2)	PAR 15	PAR 14	PAR 13	PAR 12	PAR 11	PAR 10	PAR 9	PAR 8	PAR 7	PAR 6	PAR 5	PAR 4	PAR 3	PAR 2	PAR 1	PAR 0
X:\$FFF6																
Reset = uninitialized																

	15	14	13	12	11	10	9	8	7	6	5	4	3	2	1	0
Patch Register 3 (PAR3)	PAR 15	PAR 14	PAR 13	PAR 12	PAR 11	PAR 10	PAR 9	PAR 8	PAR 7	PAR 6	PAR 5	PAR 4	PAR 3	PAR 2	PAR 1	PAR 0
X:\$FFF5																
Reset = uninitialized																

AA1106g

Freescale Semiconductor, Inc.

Application: _____

Date: _____

Programmer: _____

Sheet 8 of 8

Freescale Semiconductor, Inc.

CPU

	15	14	13	12	11	10	9	8	7	6	5	4	3	2	1	0
Bus Switch Program Memory Register (BPMRG) X:\$FFF4 Reset = uninitialized	BPMR G15	BPMR G14	BPMR G13	BPMR G12	BPMR G11	BPMR G10	BPMR G9	BPMR G8	BPMR G7	BPMR G6	BPMR G5	BPMR G4	BPMR G3	BPMR G2	BPMR G1	BPMR G0

	15	14	13	12	11	10	9	8	7	6	5	4	3	2	1	0
Bus Switch Program Memory Register Low (BPMRL) X:\$FFF3 Reset = uninitialized	BPMR L15	BPMR L14	BPMR L13	BPMR L12	BPMR L11	BPMR L10	BPMR L9	BPMR L8	BPMR L7	BPMR L6	BPMR L5	BPMR L4	BPMR L3	BPMR L2	BPMR L1	BPMR L0

	15	14	13	12	11	10	9	8	7	6	5	4	3	2	1	0
Bus Switch Program Memory Register High (BPMRH) X:\$FFF2 Reset = \$0000	*	*	*	*	*	*	*	*	BPMR H7	BPMR H6	BPMR H5	BPMR H4	BPMR H3	BPMR H2	BPMR H1	BPMR H0
	0	0	0	0	0	0	0	0								
	\$0				\$0											

* = Reserved, Program as 0

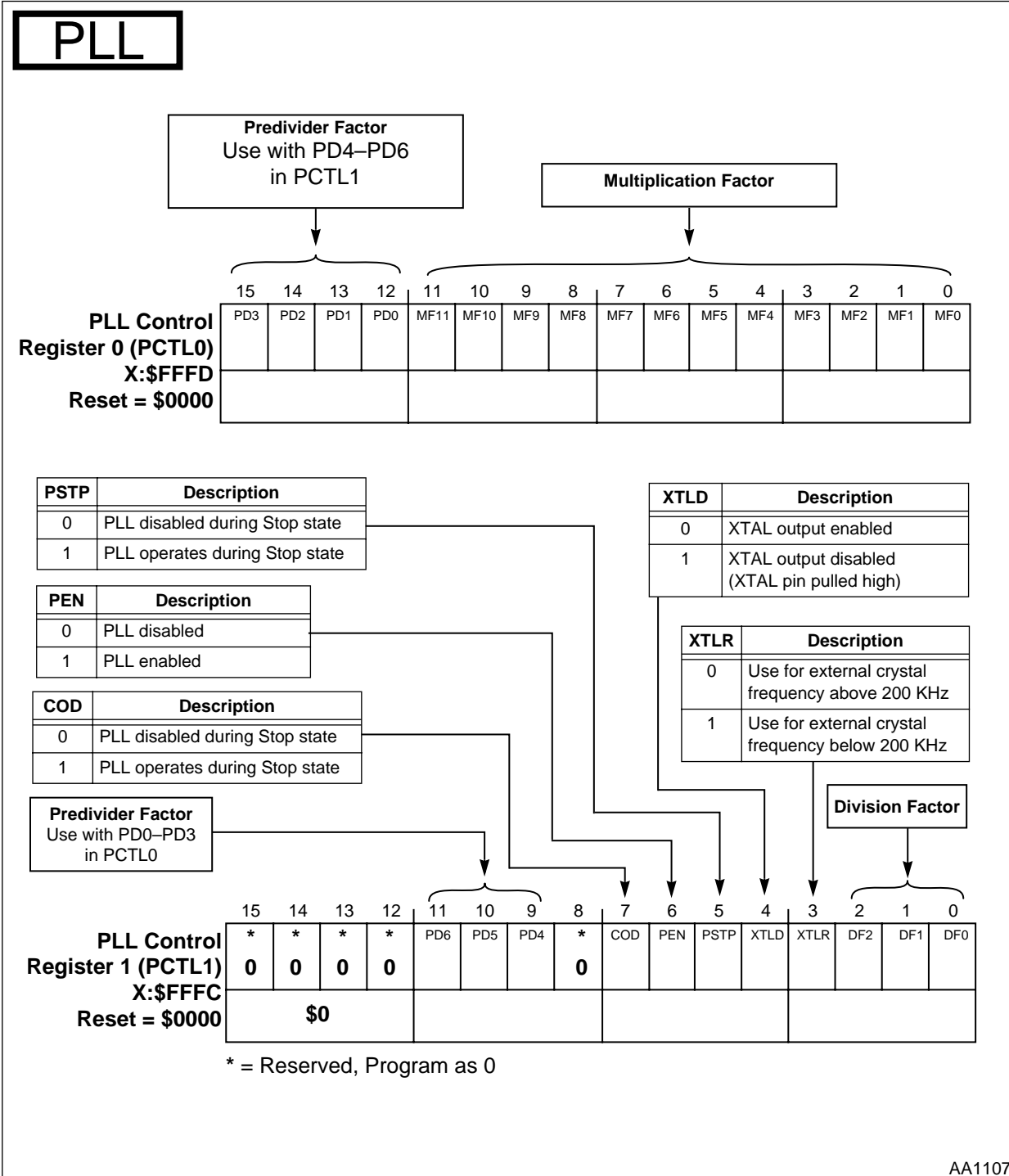
AA1106h

Application: _____

Date: _____

Programmer: _____

Sheet 1 of 1



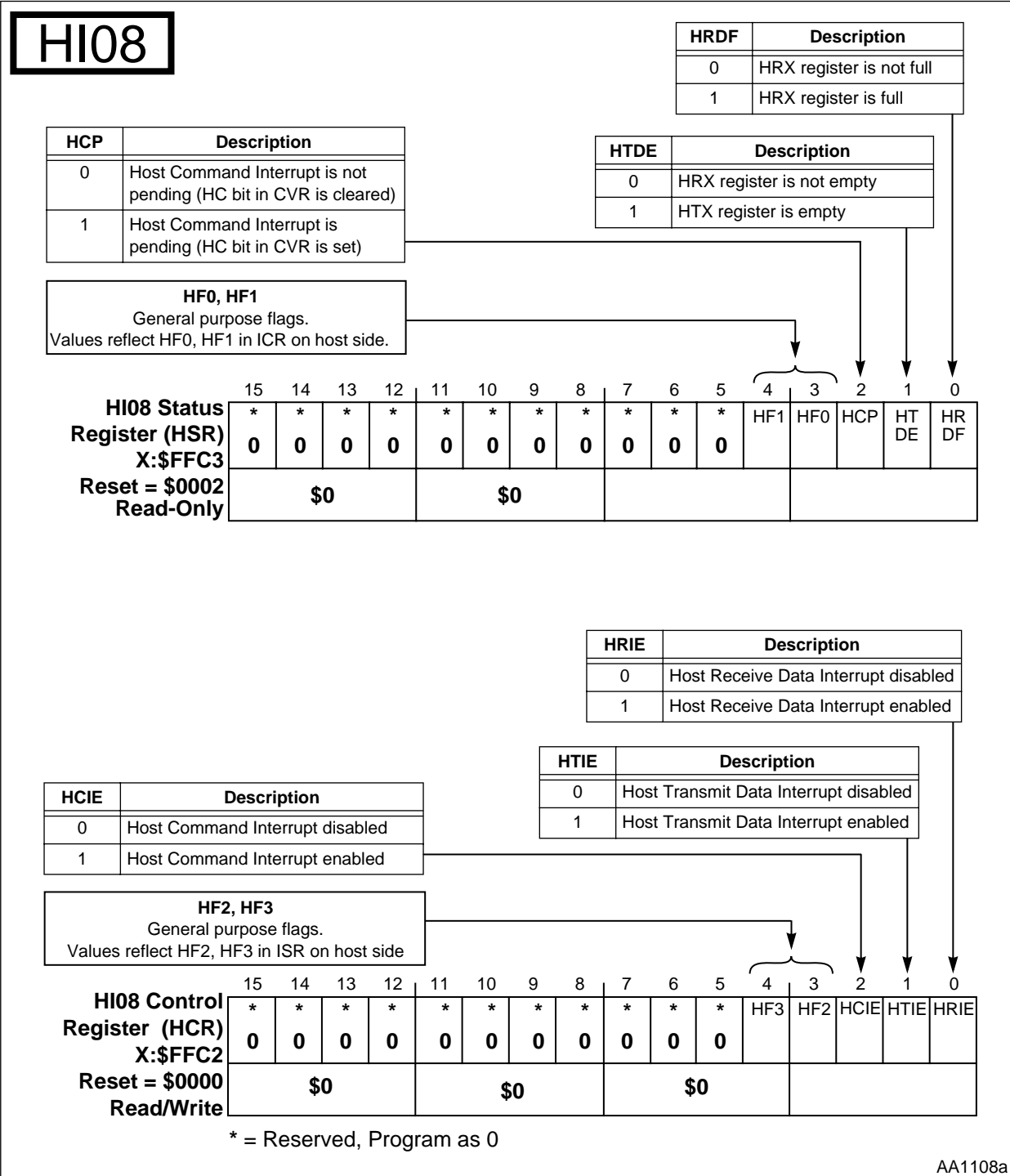
Application: _____

Date: _____

Programmer: _____

Sheet 1 of 5

Freescale Semiconductor, Inc.

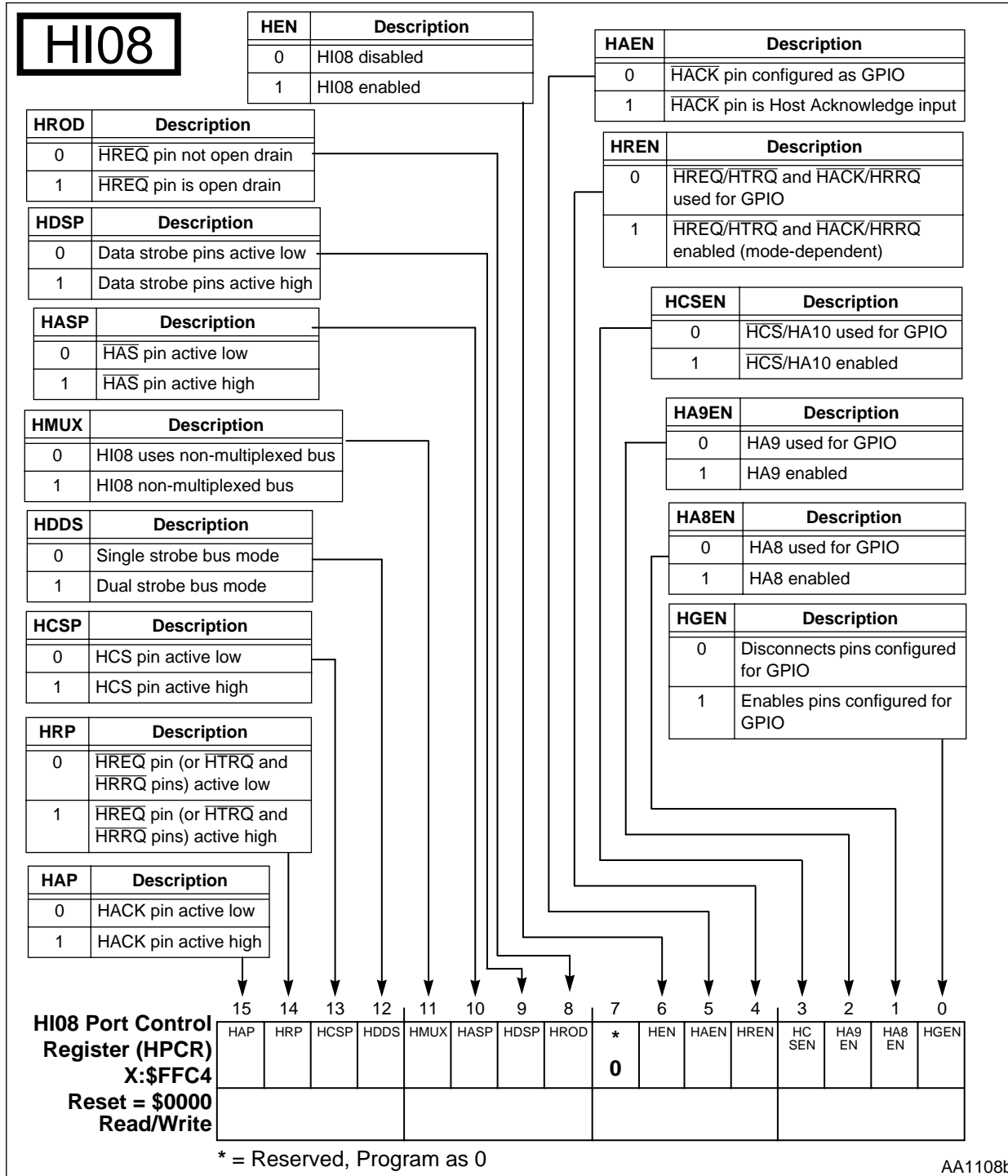


Application: _____

Date: _____

Programmer: _____

Sheet 2 of 5



Application: _____

Date: _____

Programmer: _____

Sheet 3 of 5

HI08

DRn	Description
0	Pin used for input
1	Pin used for output

	15	14	13	12	11	10	9	8	7	6	5	4	3	2	1	0
HI08 Data Direction Register (HDDR)	DR15	DR14	DR13	DR12	DR11	DR10	DR9	DR8	DR7	DR6	DR5	DR4	DR3	DR2	DR1	DR0
X:\$FFC8																
Reset = \$0000																
Read/Write																

	15	14	13	12	11	10	9	8	7	6	5	4	3	2	1	0
HI08 Data Register (HDR)	D15	D14	D13	D12	D11	D10	D9	D8	D7	D6	D5	D4	D3	D2	D1	D0
X:\$FFC9																
Reset = \$0000																
Read/Write																

	15	14	13	12	11	10	9	8	7	6	5	4	3	2	1	0
HI08 Receive Data Register (HRX)	Data	Data	Data	Data	Data	Data	Data	Data	Data	Data	Data	Data	Data	Data	Data	Data
X:\$FFC6																
Reset = \$0000																
Read-Only																

	15	14	13	12	11	10	9	8	7	6	5	4	3	2	1	0
HI08 Transmit Data Register (HTX)	Data	Data	Data	Data	Data	Data	Data	Data	Data	Data	Data	Data	Data	Data	Data	Data
X:\$FFC7																
Reset = \$0000																
Write-Only																

	15	14	13	12	11	10	9	8	7	6	5	4	3	2	1	0
HI08 Base Address Register (HBAR)	*	*	*	*	*	*	*	*	BA10	BA9	BA8	BA7	BA6	BA5	BA4	BA3
X:\$FFC5	0	0	0	0	0	0	0	0								
Reset = \$0080	\$0				\$0											
Read/Write																

* = Reserved, Program as 0

AA1108c

Application: _____

Date: _____

Programmer: _____

Sheet 4 of 5

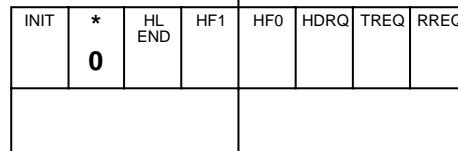
HI08

HF0, HF1
 General purpose flags, values reflect HF0, HF1 in HSR on DSP side

HLEND	Description
0	Data accessed "big end" first
1	Data accessed "little end" first

INIT
 See Table 7-10 on page 7-25

Interface Control Register (ICR)
 Reset = \$00
 Read/Write



HDRQ	Description
0	HREQ and HACK selected
1	TRQ and RRQ selected

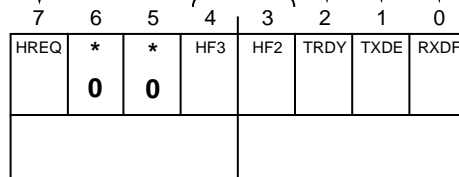
TREQ	Description
0	HACK or TRQ disabled
1	HACK or TRQ enabled

RREQ	Description
0	HREQ or RRQ disabled
1	HRRQ or RRQ enabled

HF2, HF3
 General purpose flags, values reflect HF2, HF3 in HCR on DSP side

HREQ	Description
0	HREQ is deasserted
1	If enabled, HREQ is asserted

Interface Status Register (ISR)
 Reset = \$06
 Read Only



TRDY	Description
0	Transmit FIFO is empty
1	Transmit FIFO contains data

TXDE	Description
0	HTX register is full
1	HTX register is empty

RXDF	Description
0	HRX register is empty
1	HRX register is full

* = Reserved, Program as 0

AA1108d

Application: _____

Date: _____

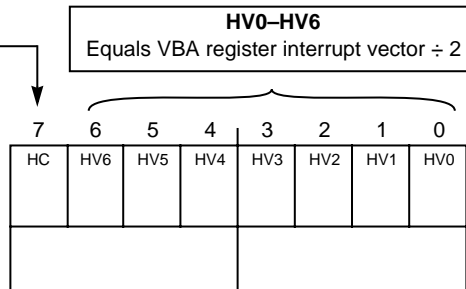
Programmer: _____

Sheet 5 of 5

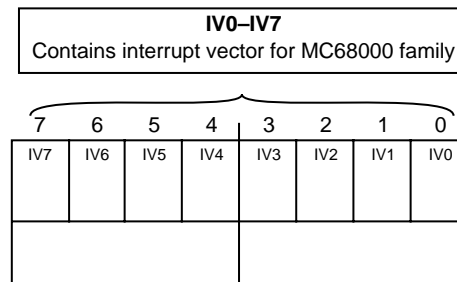
HI08

HC	Description
0	No host command pending
1	Host command is pending

Control Vector Register (CVR)
 Reset = \$32
 Read/Write



Interrupt Vector Register (IVR)
 Reset = \$0F
 Read/Write



AA1108e

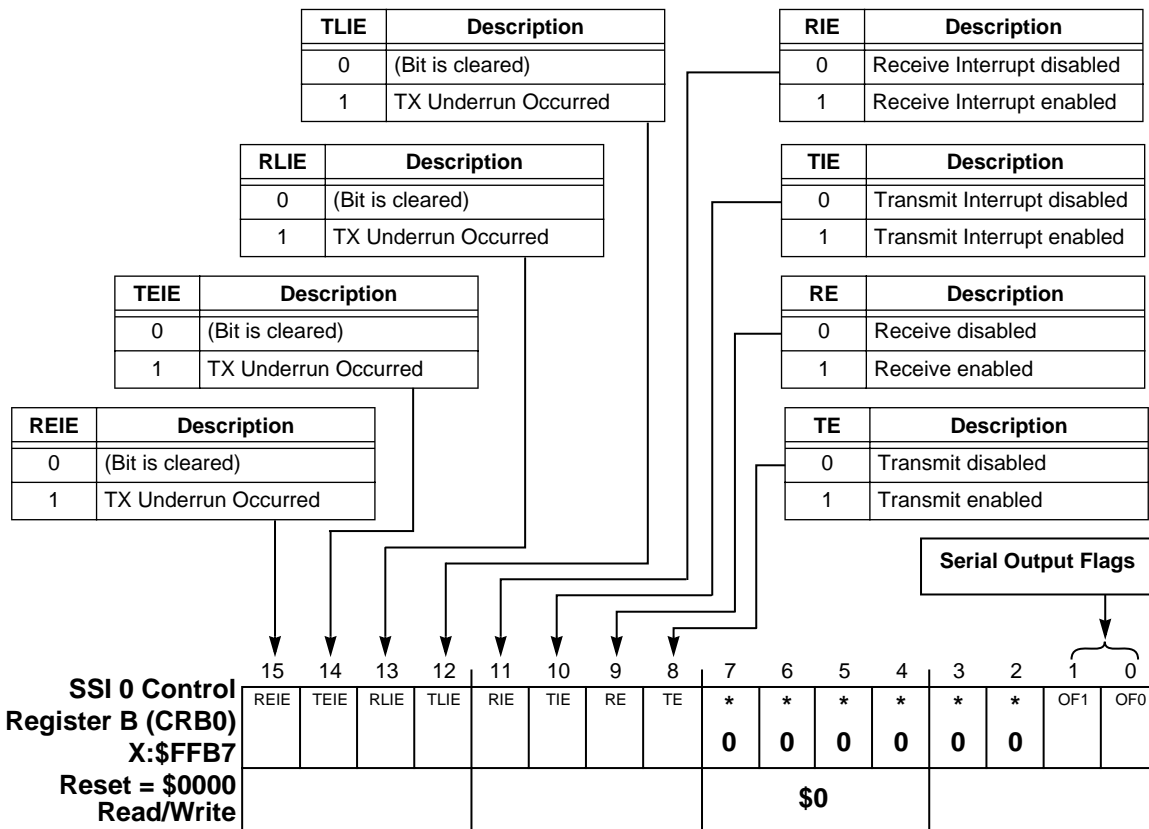
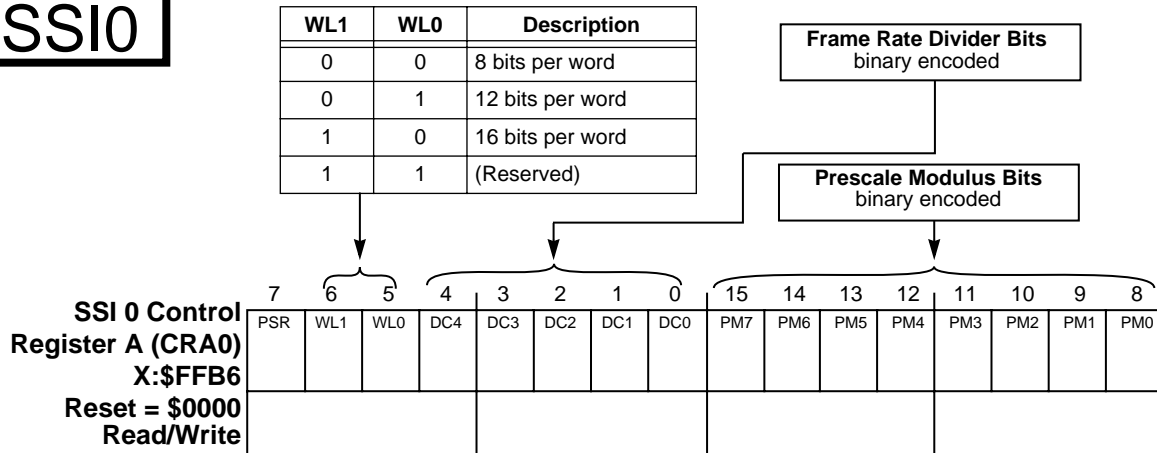
Application: _____

Date: _____

Programmer: _____

Sheet 1 of 4

SSI0



* = Reserved, Program as 0

AA1109a

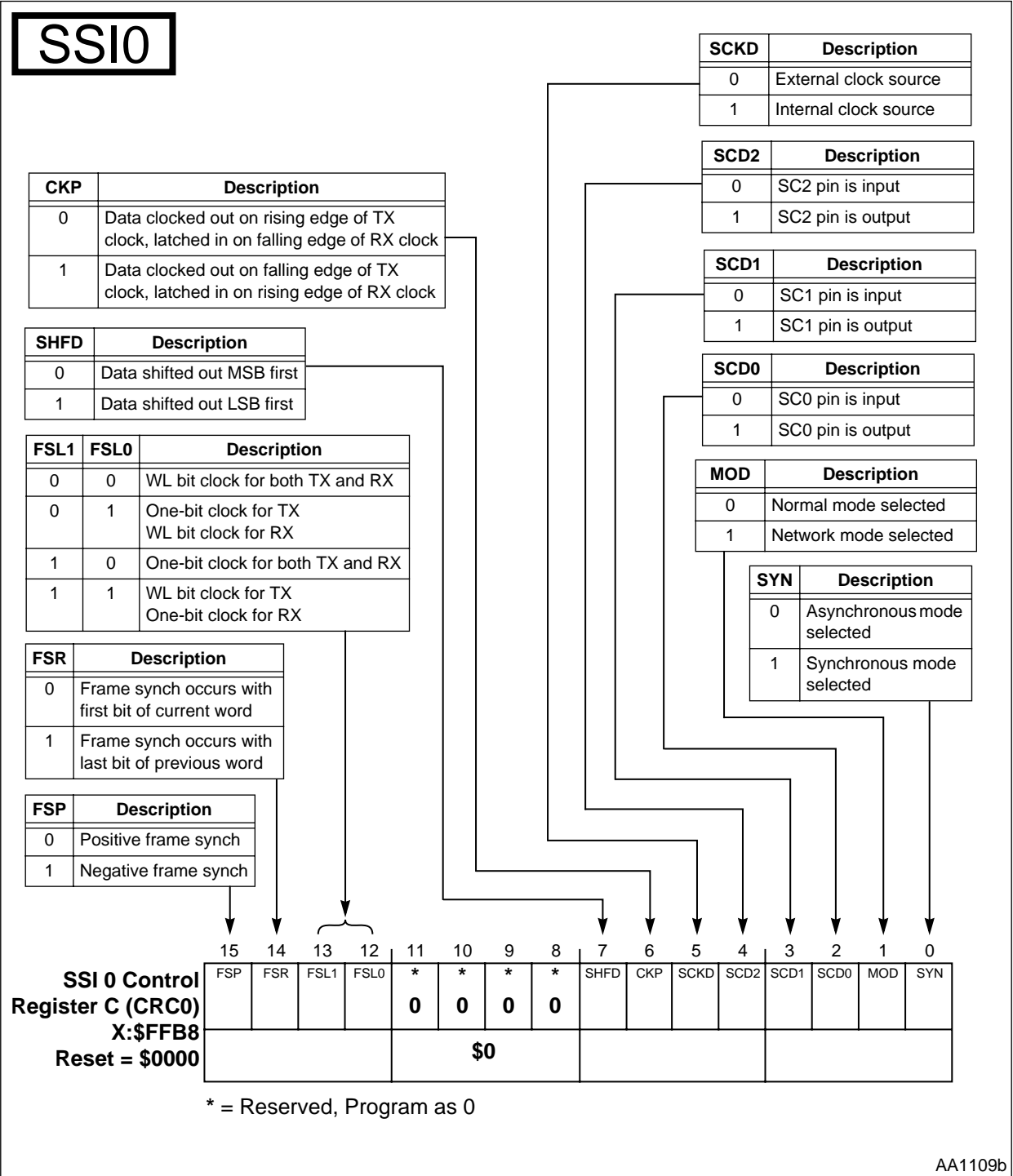
Application: _____

Date: _____

Programmer: _____

Sheet 2 of 4

Freescale Semiconductor, Inc.

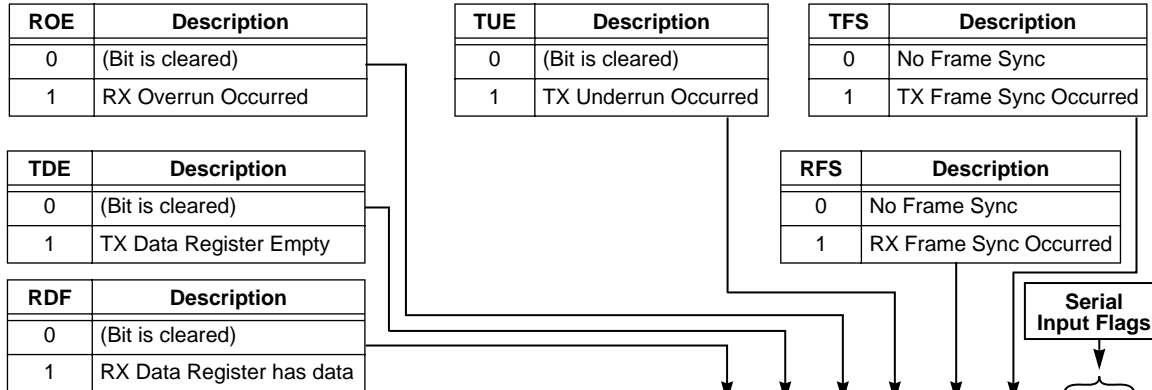


Application: _____

Date: _____

Programmer: _____

SSI0



15	14	13	12	11	10	9	8	7	6	5	4	3	2	1	0
*	*	*	*	*	*	*	*	RDF	TDE	ROE	TUE	RFS	TFS	IF1	IF0
0	0	0	0	0	0	0	0								
\$0				\$0											

SSI 0 Status Register (SSISR)
 X:\$FFB9
 Reset = \$0040

* = Reserved, Program as 0

15	14	13	12	11	10	9	8	7	6	5	4	3	2	1	0
High Byte								Low Byte							

SSI 0 Receive Register (RX0)
 X:\$FFBA
 Read-Only

15	14	13	12	11	10	9	8	7	6	5	4	3	2	1	0
Dummy Register, Written During Inactive Time Slots															

SSI 0 Time Slot Register (TSR0)
 X:\$FFBB
 Write-Only

15	14	13	12	11	10	9	8	7	6	5	4	3	2	1	0
High Byte								Low Byte							

SSI 0 Transmit Register (TX0)
 X:\$FFBC
 Write-Only

* = Reserved, Program as 0

Application: _____

Date: _____

Programmer: _____

Sheet 4 of 4

Freescale Semiconductor, Inc.

SSIO

PEN	Description
0	SSI pins tri-stated
1	SSI pins enabled

PCn	Description
0	Pin is GPIO pin
1	Pin is SSI pin

SSI 0 Port C Control Register (PCRC)
 X:\$FFBF
 Reset = \$0000
 Read/Write

15	14	13	12	11	10	9	8	7	6	5	4	3	2	1	0
*	*	*	*	*	*	*	*	PEN	*	PC5	PC4	PC3	PC2	PC1	PC0
0	0	0	0	0	0	0	0		0						
\$0				\$0											

PDn	Description
0	Pin is input
1	Pin is output

SSI 0 Port C Data Register (PDCR)
 X:\$FFBD
 Reset = \$0000
 Read/Write

15	14	13	12	11	10	9	8	7	6	5	4	3	2	1	0
*	*	*	*	*	*	*	*	*	*	PD5	PD4	PD3	PD2	PD1	PD0
0	0	0	0	0	0	0	0	0	0						
\$0				\$0											

SSI 0 Port C Data Direction Register (PRRC)
 X:\$FFBE
 Reset = \$0000
 Read/Write

15	14	13	12	11	10	9	8	7	6	5	4	3	2	1	0
*	*	*	*	*	*	*	*	*	*	PDC5	PDC4	PDC3	PDC2	PDC1	PDC0
0	0	0	0	0	0	0	0	0	0						
\$0				\$0											

* = Reserved, Program as 0

AA1109d

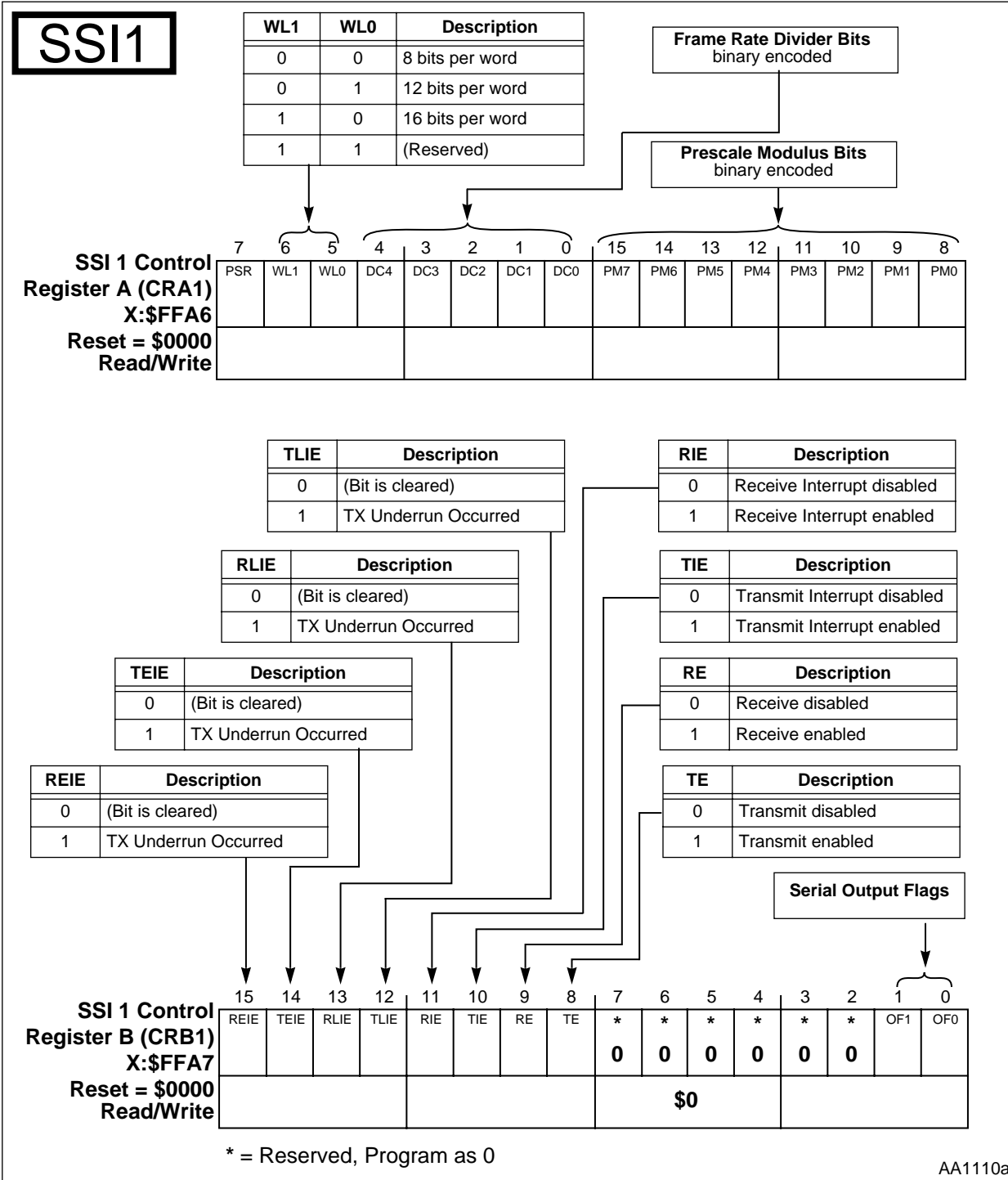
Application: _____

Date: _____

Programmer: _____

Sheet 1 of 4

Freescale Semiconductor, Inc.

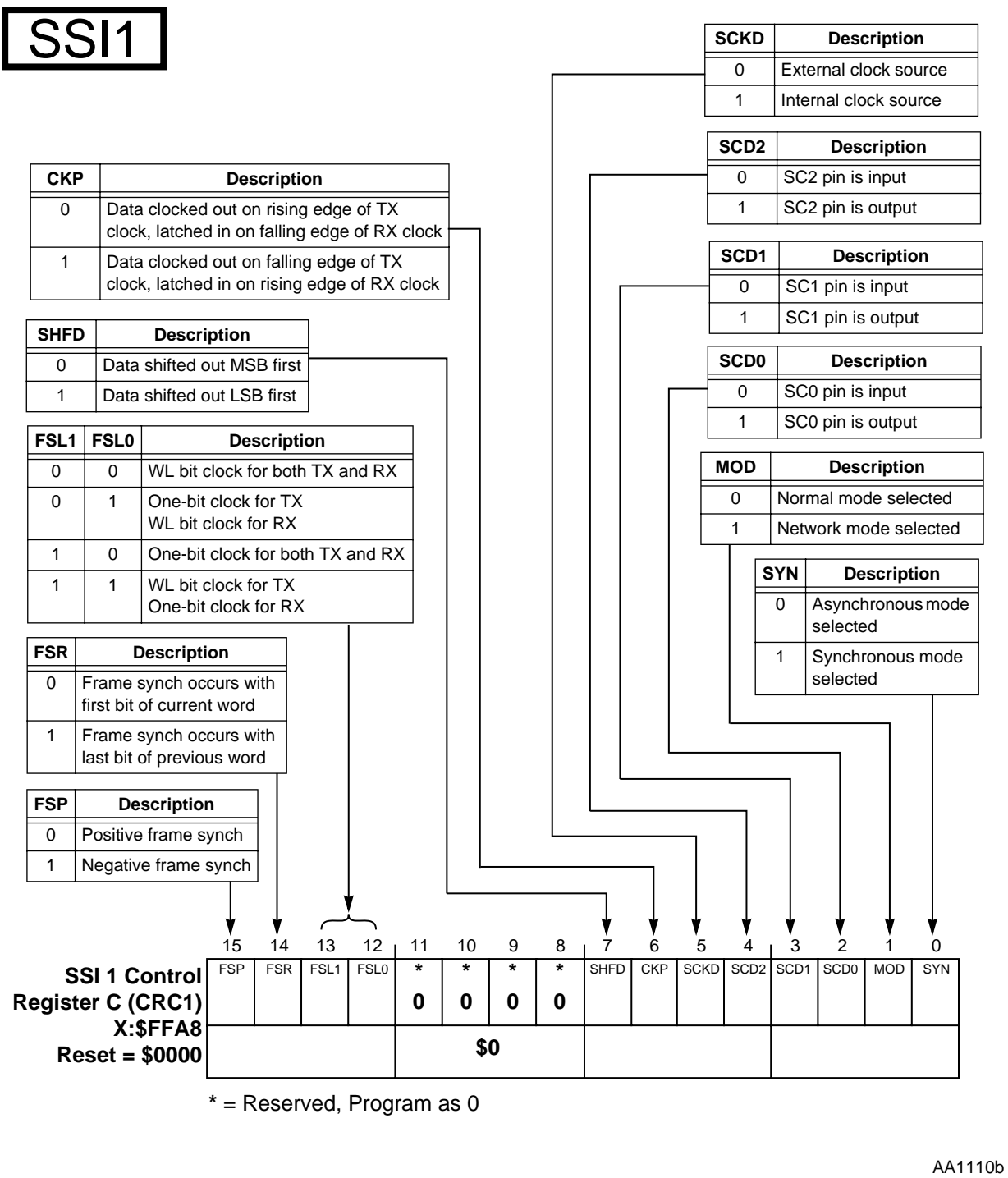


Application: _____

Date: _____

Programmer: _____

Sheet 2 of 4



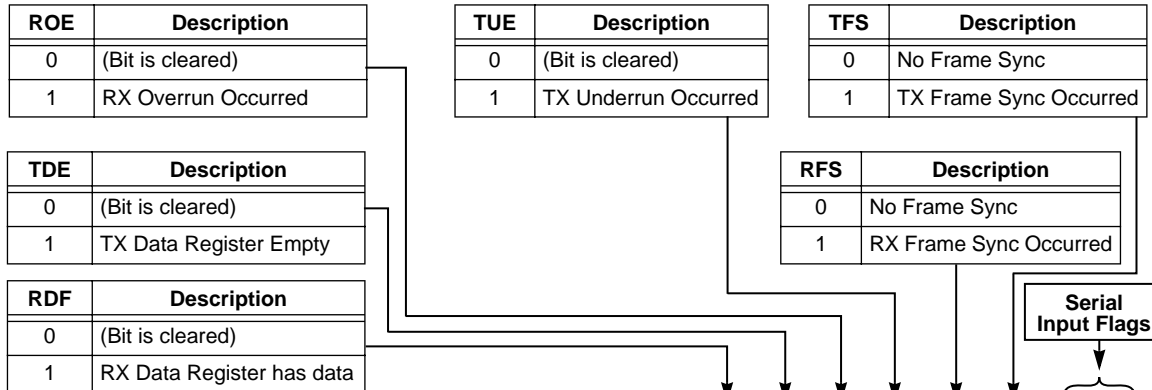
Application: _____

Date: _____

Programmer: _____

Sheet 3 of 4

SSI1



SSI 1 Status Register (SSISR1)	15	14	13	12	11	10	9	8	7	6	5	4	3	2	1	0
	*	*	*	*	*	*	*	*	RDF	TDE	ROE	TUE	RFS	TFS	IF1	IF0
	0	0	0	0	0	0	0	0								
X:\$FFA9	\$0															
Reset = \$0040	\$0															

* = Reserved, Program as 0

SSI 1 Receive Register (RX1)	15	14	13	12	11	10	9	8	7	6	5	4	3	2	1	0
	High Byte								Low Byte							
X:\$FFAA																
Read-Only																

SSI 1 Time Slot Register (TSR1)	15	14	13	12	11	10	9	8	7	6	5	4	3	2	1	0
	Dummy Register, Written During Inactive Time Slots															
X:\$FFAB																
Write-Only																

SSI 1 Transmit Register (TX1)	15	14	13	12	11	10	9	8	7	6	5	4	3	2	1	0
	High Byte								Low Byte							
X:\$FFAC																
Write-Only																

* = Reserved, Program as 0

AA1110c

Application: _____

Date: _____

Programmer: _____

Sheet 4 of 4

Freescale Semiconductor, Inc.

SSI1

PEN	Description
0	SSI pins tri-stated
1	SSI pins enabled

PCn	Description
0	Pin is GPIO pin
1	Pin is SSI pin

SSI 1 Port D Control Register (PCRD)
 X:\$FFAF
 Reset = \$0000
 Read/Write

15	14	13	12	11	10	9	8	7	6	5	4	3	2	1	0
*	*	*	*	*	*	*	*	PEN	*	PC5	PC4	PC3	PC2	PC1	PC0
0	0	0	0	0	0	0	0		0						
\$0				\$0											

PDn	Description
0	Pin is input
1	Pin is output

SSI 1 Port D Data Register (PDRD)
 X:\$FFAD
 Reset = \$0000
 Read/Write

15	14	13	12	11	10	9	8	7	6	5	4	3	2	1	0
*	*	*	*	*	*	*	*	*	*	PD5	PD4	PD3	PD2	PD1	PD0
0	0	0	0	0	0	0	0	0	0						
\$0				\$0											

SSI 1 Port D Data Direction Register (PRRD)
 X:\$FFAE
 Reset = \$0000
 Read/Write

15	14	13	12	11	10	9	8	7	6	5	4	3	2	1	0
*	*	*	*	*	*	*	*	*	*	PDC5	PDC4	PDC3	PDC2	PDC1	PDC0
0	0	0	0	0	0	0	0	0	0						
\$0				\$0											

* = Reserved, Program as 0

AA1110d

Application: _____

Date: _____

Programmer: _____

Sheet 1 of 1

GPIO

GPIO Port E Control Register (PCRE) X:\$FF9F Reset = \$0000 Read/Write	15	14	13	12	11	10	9	8	7	6	5	4	3	2	1	0
	*	*	*	*	*	*	*	*	*	*	*	*	*	PC2	PC1	PC0
	0	0	0	0	0	0	0	0	0	0	0	0	0	0		
	\$0				\$0				\$0							

PCn	PDCn	Port Pin Function
0	0	GPIO input
0	1	GPIO output
1	0	tri-stated
1	1	GPIO output, open-drain

GPIO Port E Direction Register (PRRE) X:\$FF9E Reset = \$0000 Read/Write	15	14	13	12	11	10	9	8	7	6	5	4	3	2	1	0
	*	*	*	*	*	*	*	*	*	*	*	*	*	PDC2	PDC1	PDC0
	0	0	0	0	0	0	0	0	0	0	0	0	0	0		
	\$0				\$0				\$0							

GPIO Port E Data Register (PDRE) X:\$FF9D Reset = \$0007 Read/Write	15	14	13	12	11	10	9	8	7	6	5	4	3	2	1	0
	*	*	*	*	*	*	*	*	*	*	*	*	*	PD2	PD1	PD0
	0	0	0	0	0	0	0	0	0	0	0	0	0	0		
	\$0				\$0				\$0							

* = Reserved, Program as 0

AA1111

Application: _____

Date: _____

Programmer: _____

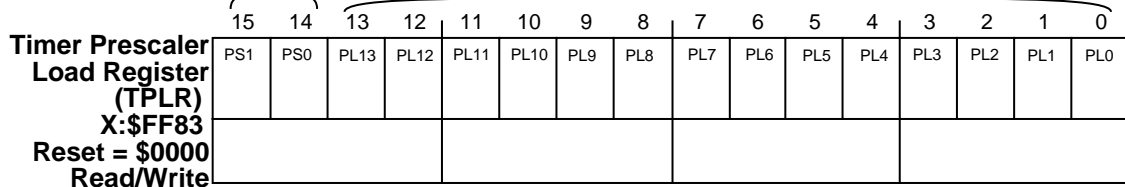
Sheet 1 of 4

Freescale Semiconductor, Inc.

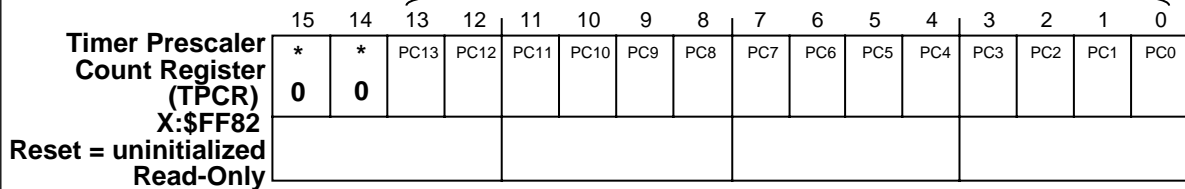
Timers

PS1	PS0	Prescaler Clock Source
0	0	Internal Clock ÷ 2
0	1	TIO0
1	0	TIO1
1	1	TIO2

PL0-PL13
 Prescaler load value



PC0-PC13
 Prescaler count value



* = Reserved, Program as 0

AA1112a

Application: _____

Date: _____

Programmer: _____

Sheet 2 of 4

Timer0

TRM	Description
0	Timer is free-running
1	Timer reloads when TCR value is reached

DIR	Description
0	TIO pin is input
1	TIO pin is output

TOF	Description
0	(bit is cleared)
1	Timer Overflow detected

See Data Input Bit (DI)—Bit 11 on page 9-11

TCF	Description
0	(bit is cleared)
1	Timer has reached value in TCR

See Data Output Bit (DO)—Bit 12 on page 9-12

PCE	Description
0	Prescaler disabled
1	Prescaler enabled

INV	Description
0	Timer increments on rising transitions
1	Timer increments on falling transitions

See Inverter Bit (INV)—Bit 8 on page 9-11 for more information.

TCIE	Description
0	Timer Compare Interrupt disabled
1	Timer Compare Interrupt enabled

TOIE	Description
0	Timer Overflow Interrupt disabled
1	Timer Overflow Interrupt enabled

Timer Mode Control Bits
See Table 9-2 on page 9-10

TE	Description
0	Timer disabled
1	Timer enabled

Timer 0 Control/Status Register (TCSR0)
X:\$FF8F
Reset = \$0000
Read/Write

15	14	13	12	11	10	9	8	7	6	5	4	3	2	1	0
PCE	TCF	TOF	DO	DI	DIR	TRM	INV	TC3	TC2	TC1	TC0	*	TCIE	TOIE	TE
0															

Timer 0 Load Register (TLR0)
X:\$FF8E
Reset = Uninitialized
Write-Only

15	14	13	12	11	10	9	8	7	6	5	4	3	2	1	0

Timer 0 Compare Register (TCPR0)
X:\$FF8D
Reset = Uninitialized
Read/Write

15	14	13	12	11	10	9	8	7	6	5	4	3	2	1	0

Timer 0 Count Register (TCR0)
X:\$FF8C
Reset = \$0000
Read-Only

15	14	13	12	11	10	9	8	7	6	5	4	3	2	1	0

* = Reserved, Program as 0

AA1112b

Application: _____

Date: _____

Programmer: _____

Sheet 3 of 4

Freescale Semiconductor, Inc.

Timer1

TRM	Description
0	Timer is free-running
1	Timer reloads when TCR value is reached

DIR	Description
0	TIO pin is input
1	TIO pin is output

TOF	Description
0	(bit is cleared)
1	Timer Overflow detected

TCF	Description
0	(bit is cleared)
1	Timer has reached value in TCR

PCE	Description
0	Prescaler disabled
1	Prescaler enabled

TCIE	Description
0	Timer Compare Interrupt disabled
1	Timer Compare Interrupt enabled

TOIE	Description
0	Timer Overflow Interrupt disabled
1	Timer Overflow Interrupt enabled

TE	Description
0	Timer disabled
1	Timer enabled

See **Data Input Bit (DI)—Bit 11** on page 9-11

See **Data Output Bit (DO)—Bit 12** on page 9-12

See **Inverter Bit (INV)—Bit 8** on page 9-11 for more information.

Timer Mode Control Bits See Table 9-2 on page 9-10

15	14	13	12	11	10	9	8	7	6	5	4	3	2	1	0
PCE	TCF	TOF	DO	DI	DIR	TRM	INV	TC3	TC2	TC1	TC0	*	TCIE	TOIE	TE
												0			

Timer 1 Control/Status Register (TCSR1)
X:\$FF8B
Reset = \$0800
Read/Write

15	14	13	12	11	10	9	8	7	6	5	4	3	2	1	0

Timer 1 Load Register (TLR1)
X:\$FF8A
Reset = Uninitialized
Write-Only

15	14	13	12	11	10	9	8	7	6	5	4	3	2	1	0

Timer 1 Compare Register (TCPR1)
X:\$FF89
Reset = Uninitialized
Read/Write

15	14	13	12	11	10	9	8	7	6	5	4	3	2	1	0

Timer 1 Count Register (TCR1)
X:\$FF88
Reset = \$0000
Read-Only

15	14	13	12	11	10	9	8	7	6	5	4	3	2	1	0

* = Reserved, Program as 0

AA1112c

MOTOROLA

DSP56602 User's Manual
For More Information On This Product,
Go to: www.freescale.com

D-51

Application: _____

Date: _____

Programmer: _____

Sheet 4 of 4

Timer2

TRM	Description
0	Timer is free-running
1	Timer reloads when TCR value is reached

DIR	Description
0	TIO pin is input
1	TIO pin is output

TOF	Description
0	(bit is cleared)
1	Timer Overflow detected

See **Data Input Bit (DI)—Bit 11** on page 9-11

TCF	Description
0	(bit is cleared)
1	Timer has reached value in TCR

See **Data Output Bit (DO)—Bit 12** on page 9-12

PCE	Description
0	Prescaler disabled
1	Prescaler enabled

INV	Description
0	Timer increments on rising transitions
1	Timer increments on falling transitions

See **Inverter Bit (INV)—Bit 8** on page 9-11 for more information.

TCIE	Description
0	Timer Compare Interrupt disabled
1	Timer Compare Interrupt enabled

TOIE	Description
0	Timer Overflow Interrupt disabled
1	Timer Overflow Interrupt enabled

Timer Mode Control Bits
See **Table 9-2** on page 9-10

TE	Description
0	Timer disabled
1	Timer enabled

Timer 2 Control/Status Register (TCSR2)
X:\$FF87
Reset = \$0800
Read/Write

15	14	13	12	11	10	9	8	7	6	5	4	3	2	1	0
PCE	TCF	TOF	DO	DI	DIR	TRM	INV	TC3	TC2	TC1	TC0	*	TCIE	TOIE	TE
0															

Timer 2 Load Register (TLR2)
X:\$FF86
Reset = Uninitialized
Write-Only

15	14	13	12	11	10	9	8	7	6	5	4	3	2	1	0

Timer 2 Compare Register (TCPR2)
X:\$FF85
Reset = Uninitialized
Read/Write

15	14	13	12	11	10	9	8	7	6	5	4	3	2	1	0

Timer 2 Count Register (TCR2)
X:\$FF84
Reset = \$0000
Read-Only

15	14	13	12	11	10	9	8	7	6	5	4	3	2	1	0

* = Reserved, Program as 0

AA1112d

INDEX

A

A0–A15 signals 2-10
 adder
 modulo 1-8
 offset 1-8
 reverse-carry 1-8
 Address Bus Ground signal (GND_A) 2-6
 Address Bus Power signal (V_{CCA}) 2-5
 Address Bus signals (A0–A15) 2-10
 Address Bus—A0–A15 5-3
 address generation unit 1-8
 Address Trace Enable bit (ATE) 4-6
 Address Trace signal (\overline{AT}) 2-11, 5-4
 Address Tracing (AT) mode 5-10
 AGU 1-8
 Asynchronous/Synchronous bit (SYN) 8-14
 AT mode 5-10
 AT signal 2-11, 5-4
 ATE bit 4-6

B

BA3–BA10 bits 7-17
 Base Address bits (BA3–BA10) 7-17
 BCR register 4-8, 5-7
 bits 0–4—Expansion Bus Memory Wait bits (BMW0–BMW4) 5-7
 reserved bits—bits 5–15 5-8
 BMPR register 5-8
 BMW0–BMW4 bits 5-7
 Boundary Scan Register (BSR) 11-7
 BPMR register
 16-bit access 5-9
 24-bit access 5-9
 mapping 5-8
 typical usage 5-9
 Breakpoint 0 and 1 Event bits (BT0–BT1) 10-14
 Breakpoint 0 Condition Code Select bits (CC00–CC01) 10-13
 Breakpoint 0 Read/Write Select bits (RW00–RW01) 10-12
 Breakpoint 1 Condition Code Select bits (CC10–CC11) 10-14
 Breakpoint 1 Read/Write Select bits (RW10–RW11) 10-13
 BSR bit definitions 11-13
 BSR register 11-7
 BT0–BT1 bits 10-14
 Bus Control Ground signal (GND_C) 2-6
 Bus Control Power signal (V_{CCC}) 2-5

Bus Control Register (BCR) 4-8, 5-7
 Bus Switch Program Memory Register (BPMR) 5-8 buses
 internal 1-11
 BYPASS instruction 11-12

C

CC00–CC01 bits 10-13
 CC10–CC11 bits 10-14
 CCR register 4-7
 Chip Operating Mode bits (MD, MC, MB, and MA) 4-4
 Chip Operating Modes 4-9
 CKP bit 8-15
 CLAMP instruction 11-10
 CLKOUT signal 2-7
 Clock Output Disable bit (COD) 4-19
 Clock Output signal (CLKOUT) 2-7
 Clock Polarity bit (CKP) 8-15
 Clock signals 2-7
 Clock Source Direction bit (SCKD) 8-15
 COD bit 4-19
 Command Vector Register (CVR) 7-25
 Condition Code Register (CCR) 4-7
 configuration
 GPIO 6-3
 Core Status bits (OS0–OS1) 10-9
 CRA register 8-7
 bits 0–7—Prescale Modulus Select bits (PM0–PM7) 8-8
 bits 8–12—Frame Rate Divider Control bits (DC4–DC0) 8-8
 bits 13–14—Word Length Control bits (WL0–WL1) 8-8
 bit 15—Prescaler Range bit (PSR) 8-9
 CRB register
 bit 0—Serial Output Flag 0 bit (OF0) 8-10
 bit 1—Serial Output Flag 1 bit (OF1) 8-10
 bit 8—Transmit Enable bit (TE) 8-11
 bit 9—Receive Enable bit (RE) 8-12
 bit 10—Transmit Interrupt Enable bit (TIE) 8-12
 bit 11—Receive Interrupt Enable bit (RIE) 8-12
 bit 12—Transmit Last Slot Interrupt Enable bit (TLIE) 8-13
 bit 13—Receive Last Slot Interrupt Enable bit (RLIE) 8-13
 bit 14—Transmit Exception Interrupt Enable bit (TEIE) 8-13

D

- bit 15—Receive Exception Interrupt Enable bit (REIE) 8-13
- reserved bits—bits 2-7 8-10
- CRC register
 - bit 0—Asynchronous/Synchronous bit (SYN) 8-14
 - bit 1—SSI Mode Select bit (MOD) 8-14
 - bit 2—Serial Control 0 Direction bit (SCD0) 8-14
 - bit 3—Serial Control 1 Direction bit (SCD1) 8-14
 - bit 4—Serial Control 2 Direction bit (SCD2) 8-15
 - bit 5—Clock Source Direction bit (SCKD) 8-15
 - bit 6—Clock Polarity bit (CKP) 8-15
 - bit 7—Shift Direction bit (SHFD) 8-15
 - bits 12-13—Frame Sync Length bits (FSL1-FSL0) 8-15
 - bit 14—Frame Sync Relative Timing bit (FSR) 8-16
 - bit 15—Frame Sync Polarity bit (FSP) 8-16
 - reserved bits—bits 8-11 8-15
- Crystal Output signal (XTAL) 2-7
- Crystal Range bit (XTLR) 4-19
- CVR register 7-25
 - bits 0-6—Host Vector bits (HV0-HV6) 7-25
 - bit 7—Host Command bit (HC) 7-26

D

- D0-D23 signals 2-10
- data ALU 1-7
- Data Bus Ground signal (GND_D) 2-6
- Data Bus Power signal (V_{CCD}) 2-5
- Data Bus Power signal (V_{CCH}) 2-5
- Data Bus signals (A0-A15) 2-10
- Data Bus—D0-D23 5-3
- Data Input bit (DI) 9-11
- Data Output bit (DO) 9-12
- DC4-DC0 bits 8-8
- \overline{DE} signal 2-26, 10-4
- Debug Event signal (\overline{DE} signal) 2-26, 10-4
- Debug mode
 - in OnCE module 10-16
- DEBUG_REQUEST instruction 11-11
 - executing during Stop state 10-17
 - executing during Wait state 10-17
 - executing in OnCE module 10-17
- Device Identification Register (IDR) 4-8

- DF2-DF0 bits 4-18
- DI bit 9-11
- DIR bit 9-11
- Direction bit (DIR) 9-11
- Division Factor bits (DF2-DF0) 4-18
- DO bit 9-12
- Double Host Request bit (HDRQ) 7-24

E

- EBD bit 4-5
- EN bit 4-6
- ENABLE_ONCE instruction 11-11
- EOV bit 4-6
- EUN bit 4-5
- EX bit 10-7
- Exit Command bit (EX) 10-7
- Expanded Mode (Mode 0) 4-10
- Expansion Bus Memory Wait bits (BMW0-BMW4) 5-7
- Expansion Port signals 2-10
- Expansion Port, Port A pins 2-10
- EXTAL signal 2-7
- Extended Stack Enable bit (EN) 4-6
- Extended Stack Overflow bit (EOV) 4-6
- Extended Stack Underflow bit (EUN) 4-5
- Extended Stack Wrap bit (WR) 4-6
- External Bus Disable bit (EBD) 4-5
- External Clock/Crystal Input signal (EXTAL) 2-7
- EXTEST instruction 11-9

F

- Frame Rate Divider Control bits (DC4-DC0) 8-8
- Frame Sync Length bits (FSL1-FSL0) 8-15
- Frame Sync Polarity bit (FSP) 8-16
- Frame Sync Relative Timing bit (FSR) 8-16
- FSL1-FSL0 bits 8-15
- FSP bit 8-16
- FSR bit 8-16

G

- General Purpose I/O (GPIO) port 6-3
- General Purpose I/O 0 signal (GPI00) 2-24
- General Purpose I/O 1 signal (GPI01) 2-24
- General Purpose I/O 2 signal (GPI02) 2-24
- General Purpose I/O signals 2-24
- Global Data Bus 1-11
- GND_A signal 2-6

GND_C signal 2-6
 GND_D signal 2-6
 GND_H signal 2-6
 GND_P signal 2-6
 GND_Q signal 2-6
 GND_S signal 2-6
 GO Command bit (GO) 10-7
 GPI00 signal 2-24
 GPI01 signal 2-24
 GPI02 signal 2-24
 GPIO 1-13
 configuration 6-3
 in HI08 7-30
 GPIO Control Register (PCRE) 6-5
 GPIO Data Register (PDRE) 6-6
 GPIO signals 2-24
 Ground signals 2-6

H

HA0 signal 2-13
 HA1 signal 2-14
 HA10 signal 2-16
 HA2 signal 2-14
 HA8 signal 2-14
 HA8EN bit 7-12
 HA9 signal 2-14
 HA9EN bit 7-12
 $\overline{\text{HACK}}$ signal 2-17
 HAD0–HAD7 signals 2-13
 HAEN bit 7-13
 HAP bit 7-16
 Hardware reset signal ($\overline{\text{RESET}}$) 2-8
 $\overline{\text{HAS}}$ signal 2-13
 HASP bit 7-14
 HBAR register 7-17
 bits 0–7—Base Address bits (BA3–BA10) 7-17
 reserved bits—bits 5–15 7-17
 HC bit 7-26
 HCIE bit 7-9
 HCP bit 7-11
 HCR register
 bit 0—Host Receive Interrupt Enable bit (HRIE) 7-9
 bit 1—Host Transmit Interrupt Enable bit (HTIE) 7-9
 bit 2—Host Command Interrupt Enable bit (HCIE) 7-9
 bits 3, 4—Host Flag 2 and 3 bits (HF2, HF3) 7-10
 reserved bits—bits 5–15 7-10

$\overline{\text{HCS}}$ signal 2-16
 HCSEN bit 7-13
 HCSP bit 7-15
 HD0–HD7 signals 2-13
 HDDR register 7-16
 HDDS bit 7-14
 HDR register 7-16
 HDRQ bit 7-24
 $\overline{\text{HDS}}$ signal 2-15
 HDSP bit 7-14
 HEN bit 7-13
 HF0 bit 7-11, 7-24
 HF1 bit 7-11, 7-24
 HF2 bit 7-10, 7-27
 HF3 bit 7-10, 7-27
 HGEN bit 7-12
 HI08
 data transfer 7-31
 polling 7-31
 servicing interrupts 7-32
 HI08 Base Address Register (HBAR) 7-17
 HI08 Control Register (HCR) 7-8
 HI08 Data Direction Register (HDDR) 7-16
 HI08 Data Register (HDR) 7-16
 HI08 Receive Data Register (HRX) 7-18
 HI08 signals 2-13
 HI08 Status Register (HSR) 7-10
 HI08 Transmit Data Register (HTX) 7-18
 HI-Z instruction 11-11
 HLEND bit 7-24
 HMUX bit 7-14
 Host Acknowledge Enable bit (HAEN) 7-13
 Host Acknowledge Polarity bit (HAP) 7-16
 Host Acknowledge signal ($\overline{\text{HACK}}$) 2-17
 Host Address 8 signal (HA8) 2-14
 Host Address 9 signal (HA8) 2-14
 Host Address Bus signals (HAD0–HAD7) 2-13
 Host Address Input 0 signal (HA0) 2-13
 Host Address Input 1 signal (HA01) 2-14
 Host Address Input 2 signal (HA2) 2-14
 Host Address Input 10 signal (HA10) 2-16
 Host Address Line 8 Enable bit (HA8EN) 7-12
 Host Address Line 9 Enable bit (HA9EN) 7-12
 Host Address Strobe Polarity bit (HASP) 7-14
 Host Address Strobe signal ($\overline{\text{HAS}}$) 2-13
 Host Chip Select Enable bit (HCSEN) 7-13
 Host Chip Select Polarity bit (HCSP) 7-15
 Host Chip Select signal ($\overline{\text{HCS}}$) 2-16
 Host Command bit (HC) 7-26
 Host Command Interrupt Enable bit (HCIE) 7-9
 Host Command Pending bit (HCP) 7-11

I

- Host Data Bus signals (HD0–HD7) 2-13
 - Host Data Strobe Polarity bit (HDSP) 7-14
 - Host Data Strobe signal ($\overline{\text{HDS}}$) 2-15
 - Host Dual Data Strobe bit (HDDS) 7-14
 - Host Enable bit (HEN) 7-13
 - Host Flag 0 bit (HF0) 7-11, 7-24
 - Host Flag 1 bit (HF1) 7-11, 7-24
 - Host Flag 2 bit (HF2) 7-10, 7-27
 - Host Flag 3 bit (HF3) 7-10, 7-27
 - Host GPIO Port Enable bit (HGEN) 7-12
 - Host Ground signal (GND_{H}) 2-6
 - Host Interface (HI08) 7-3
 - Host Interface (HI08)'HI08 1-13
 - Host Interface signals (HI08) 2-13
 - Host Little Endian bit (HLEND) 7-24
 - Host Multiplexed Bus bit (HMUX) 7-14
 - Host Port Control Register (HPCR) 7-12
 - host port usage 2-12
 - Host Read Data signal ($\overline{\text{HRD}}$) 2-15
 - Host Read/Write signal (HRW) 2-15
 - Host Receive Data Full bit (HRDF) 7-10
 - Host Receive Interrupt Enable bit (HRIE) 7-9
 - Host Request Enable bit (HREN) 7-13
 - Host Request Open Drain bit (HROD) 7-13
 - Host Request Polarity bit (HRP) 7-15
 - Host Request signal ($\overline{\text{HREQ}}$) 2-16
 - Host Transmit Data Empty bit (HTDE) 7-11
 - Host Transmit Interrupt Enable bit (HTIE) 7-9
 - Host Vector bits (HV0–HV6) 7-25
 - Host Write Enable Strobe signal ($\overline{\text{HWR}}$) 2-15
 - HPCR register
 - bit 0—Host GPIO Port Enable bit (HGEN) 7-12
 - bit 1—Host Address Line 8 bit (HA8EN) 7-12
 - bit 2—Host Address Line 9 bit (HA9EN) 7-12
 - bit 3—Host Chip Select Enable bit (HCSEN) 7-13
 - bit 4—Host Request Enable bit (HREN) 7-13
 - bit 5—Host Acknowledge Enable bit (HAEN) 7-13
 - bit 6—Host Enable bit (HEN) 7-13
 - bit 8—Host Request Open Drain bit (HROD) 7-13
 - bit 9—Host Data Strobe Polarity bit (HDSP) 7-14
 - bit 10—Host Address Strobe Polarity bit (HASP) 7-14
 - bit 11—Host Multiplexed Bus bit (HMUX) 7-14
 - bit 12—Host Dual Data Strobe bit (HDDS) 7-14
 - bit 13—Host Chip Select Polarity bit (HCSP) 7-15
 - bit 14—Host Request Polarity bit (HRP) 7-15
 - bit 15—Host Acknowledge Polarity bit (HAP) 7-16
 - reserved bit—bit 7 7-13
 - $\overline{\text{HRD}}$ signal 2-15
 - HRDF bit 7-10
 - HREN bit 7-13
 - $\overline{\text{HREQ}}$ bit 7-27
 - $\overline{\text{HREQ}}$ signal 2-16
 - HRIE bit 7-9
 - HROD bit 7-13
 - HRP bit 7-15
 - $\overline{\text{HRRQ}}$ signal 2-17
 - HRW signal 2-15
 - HRX register 7-18
 - HSR register
 - bit 0—Host Receive Data Full bit (HRDF) 7-10
 - bit 1—Host Transmit Data Empty bit (HTDE) 7-11
 - bit 2—Host Command Pending bit (HCP) 7-11
 - bits 3, 4—Host Flag 0 and 1 bits (HF0, HF1) 7-11
 - reserved bits—bits 5–15 7-11
 - HTDE bit 7-11
 - HTIE bit 7-9
 - $\overline{\text{HTRQ}}$ signal 2-16
 - HTX register 7-18
 - HV0–HV6 bits 7-25
 - $\overline{\text{HWR}}$ signal 2-15
-
- I**
 - ICR register 7-22
 - bit 0—Receive Request Enable bit (RREQ) 7-23
 - bit 1—Transmit Request Enable bit (TREQ) 7-23
 - bit 2—Double Host Request bit (HDRQ) 7-24
 - bit 3—Host Flag 0 bit (HF0) 7-24
 - bit 4—Host Flag 1 bit (HF1) 7-24
 - bit 5—Host Little Endian bit (HLEND) 7-24
 - bit 7—Initialize bit (INIT) 7-24
 - reserved bit—bit 6 7-25
 - IDCODE instruction 11-9
 - IDR register 4-8
 - IF0 bit 8-17
 - IF1 bit 8-17
 - IME bit 10-8

INIT bit 7-24
 Initialize bit (INIT) 7-24
 input and output signals 2-3
 Interface Control Register (ICR) 7-22
 Interface Status Register (ISR) 7-26
 internal buses 1-11
 Interrupt 10-8
 Interrupt And Mode Control pins 2-8
 Interrupt Control signals 2-8
 Interrupt Mode Enable bit (IME) 10-8
 Interrupt Priority Levels 4-13
 Interrupt Priority Register—Core (IPR-C) 4-13
 Interrupt Priority Register—Peripheral (IPR-P) 4-13
 interrupt starting address 4-11
 Interrupt Vector Register (IVR) 7-28
 INV bit 9-11
 Inverter bit (INV) 9-11
 IPR-C register 4-13
 IPR-P register 4-13
 ISR Host Request bit (HREQ) 7-27
 ISR register 7-26
 bit 0—Receive Data Register Full bit (RXDF) 7-26
 bit 1—Transmit Data Register Empty bit (TXDE) 7-27
 bit 2—Transmitter Ready bit (TRDY) 7-27
 bit 3—Host Flag 2 bit (HF2) 7-27
 bit 4—Host Flag 3 bit (HF3) 7-27
 bit 7—ISR Host Request bit (HREQ) 7-27
 reserved bits—bits 5, 6 7-27
 IVR register 7-28

J

Joint Test Action Group (JTAG) 11-3
 JTAG 1-10
 JTAG instructions
 BYPASS instruction 11-12
 CLAMP instruction 11-10
 DEBUG_REQUEST instruction 11-11
 ENABLE_ONCE instruction 11-11
 EXTEST instruction 11-9
 HI-Z instruction 11-11
 IDCODE instruction 11-9
 SAMPLE/PRELOAD instruction 11-9
 JTAG/OnCE Interface signals 2-26
 Debug Event signal (\overline{DE} signal) 2-26, 10-4
 Test Clock signal (TCK) 2-26
 Test Data Input signal (TDI) 2-26
 Test Data Output signal (TDO) 2-26

Test Mode Select signal (TMS) 2-26
 Test Reset signal (\overline{TRST}) 2-26

L

LA register 1-9
 LC register 1-9
 Loop Address register (LA) 1-9
 Loop Counter register (LC) 1-9

M

MAC 1-7
 MBO bit 10-9
 MBS0–MBS1 bits 10-12
 \overline{MCS} signal 2-10, 5-3
 MD,MC, MB, and MA bits 4-4
 memory
 on-chip 1-11
 Memory Breakpoint Occurrence bit (MBO) 10-9
 Memory Breakpoint Select bits (MBS0–MBS1) 10-12
 memory breakpoints
 enabling 10-18
 Memory Chip Select signal (\overline{MCS}) 2-10, 5-3
 memory map description 3-3
 memory-mapped I/O registers 3-5
 MF0–MF11 bits 4-17
 MOD bit 8-14
 MODA/ \overline{IRQA} signal 2-8
 MODB/ \overline{IRQB} signal 2-9
 MODC/ \overline{IRQC} signal 2-9
 MODD/ \overline{IRQD} signal 2-10
 Mode Control signals 2-8
 Mode Register (MR) 4-7
 Mode Select A/External Interrupt Request A signal (MODA/ \overline{IRQA}) 2-8
 Mode Select B/External Interrupt Request B signal (MODA/ \overline{IRQB}) 2-9
 Mode Select C/External Interrupt Request C signal (MODC/ \overline{IRQC}) 2-9
 Mode Select D/External Interrupt Request D signal (MODD/ \overline{IRQD}) 2-10
 modulo adder 1-8
 MR register 4-7
 Multiplication Factor bits (MF0–MF11) 4-17
 multiplier-accumulator 1-7

N

Normal mode 4-10

0

O

OBCR register 10-12

bits 0–1—Memory Breakpoint Select bits (MBS0–MBS1) 10-12

bits 2–3—Breakpoint 0 Read/Write Select bits (RW00–RW01) 10-12

bits 4–5—Breakpoint 0 Condition Code Select bits (CC00–CC01) 10-13

bits 6–7—Breakpoint 1 Read/Write Select bits (RW10–RW11) 10-13

bits 8–9—Breakpoint 1 Condition Code Select bits (CC10–CC11) 10-14

bits 10–11—Breakpoint 0 and 1 Event Select bits (BT0–BT1) 10-14

reserved bits—bits 12–15 10-14

OCR register

bits 0–4—Register Select bits (RS0–RS4) 10-5

bit 5—Exit Command bit (EX) 10-7

bit 6—GO Command bit (GO) 10-7

bit 7—Read/Write Command bit (R/\overline{W}) 10-7

ODEC 10-8

OF0 bit 8-10

OF1 bit 8-10

offset adder 1-8

OGDBR register 5-10, 10-20

OMAC0 comparator 10-11

OMAC1 comparator 10-11

OMAL register 10-11

OMBC counter 10-14

OMLR0 register 10-11

OMLR1 register 10-11

OMR register 1-9

bits 0–3—Chip Operating Mode bits (MD,MC, MB, and MA) 4-4

bit 4—External Bus Disable bit (EBD) 4-5

bit 5—PC Relative Disable bit (PCD) 4-5

bit 6—Stop Delay bit (SD) 4-5

bit 8—XY Select bit (XY) 4-5

bit 9—Extended Stack Underflow bit (EUN) 4-5

bit 10—Extended Stack Overflow bit (EOV) 4-6

bit 11—Extended Stack Wrap bit (WR) 4-6

bit 12—Extended Stack Enable bit (EN) 4-6

bit 15—Address Trace Enable bit (ATE) 4-6

reserved bits—bit 7, 13, 14 4-6

OnCE Breakpoint Control Register (OBCR) 10-12

OnCE Command Register (OCR) 10-5

OnCE commands 10-23

OnCE controller 10-4

OnCE Decoder (ODEC) 10-8

OnCE GDB Register (OGDBR) 10-20

OnCE Global Data Bus Register (OGDBR) 5-10

OnCE Memory Address Comparator 0

(OMAC0) 10-11

OnCE Memory Address Comparator 1

(OMAC1) 10-11

OnCE Memory Address Latch register

(OMAL) 10-11

OnCE Memory Breakpoint Counter (OMBC) 10-14

OnCE Memory Limit Register 0 (OMLR0) 10-11

OnCE Memory Limit Register 1 (OMLR1) 10-11

OnCE module 1-11, 10-3

checking for Debug mode 10-24

displaying a specified register 10-26

displaying X data memory 10-27

interaction with JTAG port 10-29

polling the JTAG Instruction Shift

register 10-25

reading the Trace buffer 10-25

returning to Normal mode 10-28

saving pipeline information 10-25

OnCE PAB Register for Decode Register

(OPABDR) 10-20

OnCE PAB Register for Execute (OPABEX) 10-21

OnCE PAB Register for Fetch Register

(OPABFR) 10-20

OnCE PIL Register (OPILR) 10-19

OnCE Program Data Bus Register (OPDBR) 10-19

OnCE Status and Control Register (OSCR) 10-8

OnCE Trace Counter (OTC) 10-15

OnCE trace logic 10-15

OnCE/JTAG Interface pins 2-26

On-Chip Emulation module 1-11, 10-3

on-chip memory 1-11

on-chip program memory 3-3

on-chip X data memory 3-4

on-chip Y data memory 3-4

OPABDR register 10-20

OPABEX register 10-21

OPABFR register 10-20

OPDBR register 10-19

Operating Mode Register (OMR) 1-9, 4-4

OPILR register 10-19

OS0–OS1 bits 10-9

OSCR register 10-8

bit 0—Trace Mode Enable bit (TME) 10-8

bit 1—Interrupt Mode Enable bit (IME) 10-8

bit 2—Software Debug Occurrence bit (SWO) 10-8
 bit 3—Memory Breakpoint Occurrence bit (MBO) 10-9
 bit 4—Trace Occurrence bit (TO) 10-9
 bit 5—reserved bit 10-9
 bits 6–7—Core Status bits (OS0–OS1) 10-9
 reserved bits—bits 8–23 10-9
 OTC counter 10-15

P

PAB 1-12
 PAG 1-9
 PAR register 4-3
 Patch Address Register (PAR) 4-3
 PB0–PB7 signals 2-13
 PB10 signal 2-14
 PB11 signal 2-15
 PB12 signal 2-15
 PB13 signal 2-16
 PB14 signal 2-16
 PB15 signal 2-17
 PB8 signal 2-13
 PB9 signal 2-14
 PC bits 6-5
 PC register 1-9
 PC Relative Disable bit (PCD) 4-5
 PC0 signal 2-18
 PC0–PC13 bits 9-8
 PC0–PC5 bits 8-20
 PC1 signal 2-18
 PC2 signal 2-19
 PC3 signal 2-19
 PC4 signal 2-20
 PC5 signal 2-20
 PCAP signal 2-7
 PCD bit 4-5
 PCE bit 9-12
 PCRC register 8-20
 bits 0–5—Port Control bits (PC0–PC5) 8-20
 bit 7—Port Enable bit (PEN) 8-21
 reserved bits—bit 6, bits 8–15 8-21
 PCRD register 8-20
 bits 0–5—Port Control bits (PC0–PC5) 8-20
 bit 7—Port Enable bit (PEN) 8-21
 reserved bits—bit 6, bits 8–15 8-21
 PCRE register 6-5
 bits 0–3—Port Control bits (PC) 6-5
 reserved bits—bits 4–15 6-5
 PCTL0 register

bits 0–11—Multiplication Factor bits (MF0–MF11) 4-17
 bits 12–15—Predivider Factor bits (PD0–PD3) 4-17
 PCTL1 register 4-18
 bits 0–2—Division Factor bits (DF2–DF0) 4-18
 bit 3—Crystal Range (XTLR) bit 4-19
 bit 4—XTAL Disable bit (XTLD) 4-19
 bit 5—Stop Processing State bit (PSTP) 4-19
 bit 6—PLL Enable bit (PEN) 4-19
 bit 7—Clock Output Disable bit (COD) 4-19
 bits 9–11—Predivider Factor bits (PD4–PD6) 4-20
 reserved bits—bit 8, bits 12–15 4-20
 PCU 1-8
 PD bits 6-6
 PD0 signal 2-21
 PD0–PD3 bits 4-17
 PD1 signal 2-21
 PD2 signal 2-22
 PD3 signal 2-22
 PD4 signal 2-23
 PD4–PD6 bits 4-20
 PD5 signal 2-23
 PDB 1-11
 PDC 1-9
 PDC bits 6-5
 PDRC register 8-22
 PDRD register 8-22
 PDRE register 6-6
 bits 0–3—Port Data bits (PD) 6-6
 PEN bit 4-19, 8-21
 Phase Lock Loop (PLL) 1-10, 4-16
 PIC 1-9
 PINIT/ $\overline{\text{NMI}}$ signal 2-7
 PL0–PL13 bits 9-7
 PLL 1-10
 PLL Capacitor signal (PCAP) 2-7
 PLL Control Register 0 (PCTL0) 4-17
 PLL Control Register 1 (PCTL1) 4-18
 PLL Enable bit (PEN) 4-19
 PLL Ground signal (GND_p) 2-6
 PLL Initial /Non-Maskable Interrupt signal (PINIT/ $\overline{\text{NMI}}$) 2-7
 PLL Power signal (V_{CCP}) 2-5
 PLL signals 2-7
 PM0–PM7 bits 8-8
 Port A 1-10
 controlling 5-7
 disabling 5-7
 Port A signals 2-10

Q
Port B GPIO signals

- PB0–PB7 2-13
- PB10 2-14
- PB11 2-15
- PB12 2-15
- PB13 2-16
- PB14 2-16
- PB15 2-17
- PB8 2-13
- PB9 2-14

Port C Control Register (PCRC) 8-20
Port C Data Register (PDRC) 8-22
Port C Direction Register (PRRC) 8-21
Port C GPIO signals

- PC0 2-18
- PC1 2-18
- PC2 2-19
- PC3 2-19
- PC4 2-20
- PC5 2-20

Port Control bits (PC[3:0]) 6-5
Port Control bits (PC0–PC5) 8-20
Port D Control Register (PCRD) 8-20
Port D Data Register (PDRD) 8-22
Port D Direction Register (PRRD) 8-21
Port D GPIO signals

- PD0 2-21
- PD1 2-21
- PD2 2-22
- PD3 2-22
- PD4 2-23
- PD5 2-23

Port Data bits (PD[3:0]) 6-6
Port Direction Control bits (PDC[3:0]) 6-5
Port Direction Register (PRR) 6-5
Port Enable bit (PEN) 8-21
Power & Ground pins 2-5
Power signals 2-5
PPL 1-9
Predivider Factor bits (PD0–PD3) 4-17
Predivider Factor bits (PD4–PD6) 4-20
Prescale Modulus Select bits (PM0–PM7) 8-8
Prescaled Clock Enable bit (PCE) 9-12
Prescaler Counter Value bits (PC0–PC13) 9-8
Prescaler Preload Value bits (PL0–PL13) 9-7
Prescaler Preload Value bits (PS0–PS1) 9-7
Prescaler Range bit (PSR) 8-9
Program Address Bus (PAB) 1-12
Program Address Generator (PAG) 1-9
Program Control Unit (PCU) 1-8
Program Counter register (PC) 1-9
Program Data Bus (PDB) 1-11
Program Decode Controller (PDC) 1-9
Program Interrupt Controller (PIC) 1-9
program memory 3-3
Program Patch Logic (PPL) 1-9
PRR register 6-5

bits 0–3—Port Direction Control bits (PDC) 6-5

reserved bits—bits 4–15 6-5

PRRC register 8-21
PRRD register 8-21
PS0–PS1 bits 9-7
PSR bit 8-9
PSTP bit 4-19
Q
Quiet Ground signal (GND_Q) 2-6
Quiet Power High Voltage signal (V_{CCQH}) 2-5
Quiet Power Low Voltage signal (V_{CCQL}) 2-5
R
R/ \bar{W} bit 10-7
 $\bar{R}D$ signal 2-11, 5-4
RDF bit 8-18
RE bit 8-12
Read Enable signal ($\bar{R}D$) 2-11, 5-4
Read/Write Command bit (R/ \bar{W}) 10-7
Receive Data Register (RX) 8-19
Receive Data Register Full bit (RDF) 8-18
Receive Data Register Full bit (RXDF) 7-26
Receive Enable bit (RE) 8-12
Receive Exception Interrupt Enable bit (REIE) 8-13
Receive Frame Sync Flag bit (RFS) 8-17
Receive High register (RXH) 7-28
Receive Host Request signal (\overline{HRRQ}) 2-17
Receive Interrupt Enable bit (RIE) 8-12
Receive Last Slot Interrupt Enable bit (RLIE) 8-13
Receive Low register (RXL) 7-28
Receive Request Enable bit (RREQ) 7-23
Receive Shift Register 8-19
Receiver Overrun Error Flag bit (ROE) 8-18
Register Select bits (RS0–RS4) 10-5
REIE bit 8-13
reserved bits

in BCR register

bits 5–15 5-8

in CRB register

bits 2-7 8-10
 in CRC register
 bits 8-11 8-15
 in HBAR register
 bits 5-15 7-17
 in HCR register
 bits 5-15 7-10
 in HPC register
 bit 7 7-13
 in HSR register
 bits 5-15 7-11
 in ICR register
 bit 6 7-25
 in ISR register
 bits 5-6 7-27
 in OBCR register
 bits 12-15 10-14
 in OMR register
 bit 7, bit 13, bit 14 4-6
 in OSCR register
 bit 5, bits 8-23 10-9
 in PCRC register
 bit 6, bits 8-15 8-21
 in PCRD register
 bit 6, bits 8-15 8-21
 in PCRE register
 bits 4-15 6-5
 in PCTL1 register
 bit 8, bits 12-15 4-20
 in PDRE register
 bits 4-15 6-6
 in PRR register
 bits 4-15 6-5
 in SSISR register
 bits 8-15 8-19
 in TCSR register
 bit 3 9-13
 in TPCR register
 bits 14-15 9-8
RESET signal 2-8
 reverse-carry adder 1-8
 RFS bit 8-17
 RIE bit 8-12
 RLIE bit 8-13
 ROE bit 8-18
 RREQ bit 7-23
 RS0-RS4 bits 10-5
 RW00-RW01 bits 10-12
 RW10-RW11 bits 10-13
 RX register 8-19
 RXDF bit 7-26

RXH register 7-28

RXL register 7-28

S

SAMPLE/PRELOAD instruction 11-9

SC register 1-9

SC0 signal 8-4, 8-5

SC00 signal 2-18

SC01 signal 2-18

SC02 signal 2-19

SC1 signal 8-4

SC10 signal 2-21

SC11 signal 2-21

SC12 signal 2-22

SCD0 bit 8-14

SCD1 bit 8-14

SCD2 bit 8-15

SCK signal 8-5

SCK0 signal 2-19

SCK1 signal 2-22

SCKD bit 8-15

SD bit 4-5

Serial Clock signal (SCK) 8-5

Serial Control 0 Direction bit (SCD0) 8-14

Serial Control 0 signal (SC0) 8-4, 8-5

Serial Control 1 Direction bit (SCD1) 8-14

Serial Control 1 signal (SC0) 8-4

Serial Control 2 Direction bit (SCD2) 8-15

Serial Input Flag 0 bit (IF0) 8-17

Serial Input Flag 1 bit (IF1) 8-17

Serial Output Flag 0 bit (OF0) 8-10

Serial Output Flag 1 bit (OF1) 8-10

serial protocol

 in OnCE module 10-23

Serial Receive Data signal (SRD) 8-6

Serial Transmit Data signal (STD) 8-6

SHFD bit 8-15

Shift Direction bit (SHFD) 8-15

Size register (SZ) 1-9

Software Debug Occurrence bit (SWO) 10-8

SP 1-9

SR register 1-9, 4-7

SRAM

 read access 5-5

 write access 5-5

SRD signal 8-6

SRD0 signal 2-20

SRD1 signal 2-23

SS 1-9

SSI 1-14

T

Asynchronous mode 8-24
 frame sync selection 8-25
 operating mode selection 8-24
 operating modes 8-22
 shift direction selection 8-26
 Synchronous mode 8-24
 SSI Control Register A (CRA) 8-7
 SSI Mode Select bit (MOD) 8-14
 SSI Status Register (SSISR) 8-16
 SSI, GPIO, and Timers Ground signal (GND_S) 2-6
 SSI, GPIO, and Timers Power signal (V_{CCS}) 2-5
 SSI0
 Serial Clock signal (SCK0) 2-19
 Serial Control 0 signal (SC00) 2-18
 Serial Control 1 signal (SC01) 2-18
 Serial Control 2 signal (SC02) 2-19
 Serial Receive Data signal (SRD0) 2-20
 Serial Transmit Data signal (STD0) 2-20
 signals 2-18
 SSI0 signals 2-18
 SSI1
 Serial Clock signal (SCK1) 2-22
 Serial Control 0 signal (SC10) 2-21
 Serial Control 1 signal (SC11) 2-21
 Serial Control 2 signal (SC12) 2-22
 Serial Receive Data signal (SRD1) 2-23
 Serial Transmit Data signal (STD1) 2-23
 signals 2-21
 SSI1 signals 2-21
 SSISR register 8-16
 bit 0—Serial Input Flag 0 bit (IF0) 8-17
 bit 1—Serial Input Flag 1 bit (IF1) 8-17
 bit 2—Transmit Frame Sync Flag bit (TFS) 8-17
 bit 3—Receive Frame Sync Flag bit (RFS) 8-17
 bit 4—Transmitter Underrun Error Flag bit (TUE) 8-18
 bit 5—Receiver Overrun Error Flag bit (ROE) 8-18
 bit 6—Transmit Data Register Empty bit (TDE) 8-18
 bit 7—Receive Data Register Full bit (RDF) 8-18
 reserved bits—bits 8–15 8-19
 Stack Counter register (SC) 1-9
 Stack Pointer (SP) 1-9
 Status Register (SR) 1-9, 4-7
 STD signal 8-6
 STD0 signal 2-20
 STD1 signal 2-23

Stop Delay bit (SD) 4-5
 Stop Processing State bit (PSTP) 4-19
 SWO bit 10-8
 SYN bit 8-14
 Synchronous Serial Interface (SSI) 1-14
 Synchronous Serial Interface 0 signals 2-18
 Synchronous Serial Interface 0 signals (SSI0) 2-18
 Synchronous Serial interface 1 signals 2-21
 Synchronous Serial Interface 1 signals (SSI1) 2-21
 System Stack (SS) 1-9
 SZ register 1-9

T

TAP 1-10
 TAP controller 11-6
 TC0–TC3 bits 9-10
 TCF bit 9-12
 TCIE bit 9-9
 TCK pin 11-5
 TCK signal 2-26
 TCPR register 9-9
 TCSR register 9-9
 bit 0—Timer Enable bit (TE) 9-9
 bit 1—Timer Overflow Interrupt Enable bit (TOIE) 9-9
 bit 2—Timer Compare Interrupt Enable bit (TCIE) 9-9
 bits 4–7—Timer Control bits (TC0–TC3) 9-10
 bit 8—Inverter bit (INV) 9-11
 bit 9—Timer Reload Mode bit (TRM) 9-11
 bit 10—Direction bit (DIR) 9-11
 bit 11—Data Input bit (DI) 9-11
 bit 12—Data Output bit (DO) 9-12
 bit 13—Timer Overflow Flag bit (TOF) 9-12
 bit 14—Timer Compare Flag bit (TCF) 9-12
 bit 15—Prescaled Clock Enable bit (PCE) 9-12
 reserved bit—bit 3 9-13
 TDE bit 8-18
 TDI pin 11-5
 TDI signal 2-26
 TDO pin 11-5
 TDO signal 2-26
 TE bit 8-11, 9-9
 TEIE bit 8-13
 Test Access Port (TAP) 1-10, 11-3
 Test Clock Input pin (TCK) 11-5
 Test Clock signal (TCK) 2-26
 Test Data Input pin (TDI) 11-5

- Test Data Input signal (TDI) 2-26
 - Test Data Output pin (TDO) 11-5
 - Test Data Output signal (TDO) 2-26
 - Test Mode Select Input pin (TMS) 11-5
 - Test Mode Select signal (TMS) 2-26
 - Test Reset Input pin ($\overline{\text{TRST}}$) 11-5
 - Test Reset signal ($\overline{\text{TRST}}$ signal) 2-26
 - TFS bit 8-17
 - TI00 signal 2-25
 - TI02 signal 2-25
 - TIE bit 8-12
 - Time Slot Register (TSR) 8-20
 - Timer 0 I/O signal (TI00) 2-25
 - Timer 1 I/O signal (TI01) 2-25
 - Timer 2 I/O signal (TI02) 2-25
 - timer architecture 9-4
 - Timer Compare Flag bit (TCF) 9-12
 - Timer Compare Interrupt Enable bit (TCIE) 9-9
 - Timer Compare Register (TCPR) 9-9
 - Timer Control bits (TC0–TC3) 9-10
 - Timer Control/Status Register (TCSR) 9-9
 - Timer Enable bit (TE) 9-9
 - Timer Load Register (TLR) 9-8
 - timer modes
 - measurement modes 9-16
 - PWM mode 9-17
 - reserved modes 9-19
 - timer modes 9-14
 - watchdog modes 9-18
 - Timer Overflow Flag bit (TOF) 9-12
 - Timer Overflow Interrupt Enable bit (TOIE) 9-9
 - Timer Prescaler Load Register (TPLR) 9-7
 - Timer Reload Mode bit (TRM) 9-11
 - TIO1 signal 2-25
 - TLIE bit 8-13
 - TLR register 9-8
 - TME bit 10-8
 - TMS pin 11-5
 - TMS signal 2-26
 - TO bit 10-9
 - TOF bit 9-12
 - TOIE bit 9-9
 - TPCR register
 - bits 0–13—Prescaler Counter Value bits (PC0–PC13) 9-8
 - reserved bits—bits 14–15 9-8
 - TPLR register 9-7
 - bits 0–13—Prescaler Preload Value bits (PL0–PL13) 9-7
 - bits 14–15—Prescaler Source bits (PS0–PS1) 9-7
 - Trace buffer 10-21
 - Trace mode
 - enabling 10-18
 - in OnCE module 10-15
 - Trace Mode Enable bit (TME) 10-8
 - Trace Occurrence bit (TO) 10-9
 - Transmit Data register (TX) 8-20
 - Transmit Data Register Empty bit (TDE) 8-18
 - Transmit Data Register Empty bit (TXDE) 7-27
 - Transmit Enable bit (TE) 8-11
 - Transmit Exception Interrupt Enable bit (TEIE) 8-13
 - Transmit Frame Sync Flag bit (TFS) 8-17
 - Transmit High register (TXH) 7-29
 - Transmit Host Request signal ($\overline{\text{HTRQ}}$) 2-16
 - Transmit Interrupt Enable bit (TIE) 8-12
 - Transmit Last Slot Interrupt Enable bit (TLIE) 8-13
 - Transmit Low register (TXL) 7-29
 - Transmit Request Enable bit (TREQ) 7-23
 - Transmit Shift Register 8-19
 - Transmitter Ready bit (TRDY) 7-27
 - Transmitter Underrun Error Flag bit (TUE) 8-18
 - TRDY bit 7-27
 - TREQ bit 7-23
 - triple timer module 1-14
 - Triple Timer signals 2-25
 - TRM bit 9-11
 - $\overline{\text{TRST}}$ pin 11-5
 - $\overline{\text{TRST}}$ signal 2-26
 - TSR register 8-20
 - TUE bit 8-18
 - TX register 8-20
 - TXDE bit 7-27
 - TXH register 7-29
 - TXL register 7-29
- ## V
- VBA register 1-9, 4-11
 - V_{CCA} signal 2-5
 - V_{CC} signal 2-5
 - V_{CCD} signal 2-5
 - V_{CCH} signal 2-5
 - V_{CCP} signal 2-5
 - V_{CCQH} signal 2-5
 - V_{CCQL} signal 2-5
 - V_{CCS} signal 2-5
 - Vector Base Address register (VBA) 1-9, 4-11
- ## W
- WL0–WL1 bits 8-8

X

Word Length Control bits (WL0–WL1) 8-8

WR bit 4-6

$\overline{\text{WR}}$ signal 2-11, 5-4

Write Enable signal ($\overline{\text{WR}}$) 2-11, 5-4

X

X data memory 3-4

X Memory Address Bus (XAB) 1-12

X Memory Data Bus (XDB) 1-11

X Memory Expansion Bus 1-11

XAB 1-12

XDB 1-11

XTAL Disable bit (XTLD) 4-19

XTAL signal 2-7

XTLD bit 4-19

XTLR bit 4-19

XY Select bit (XY) 4-5

Y

Y data memory 3-4

Y Memory Address Bus (YAB) 1-12

Y Memory Data Bus (YDB) 1-12

Y Memory Expansion Bus 1-11

YAB 1-12

YDB 1-12



OVERVIEW	1
SIGNAL/CONNECTION DESCRIPTION	2
MEMORY MAPS	3
CORE CONFIGURATION	4
EXTERNAL MEMORY INTERFACE (PORT A)	5
GPIO	6
HOST INTERFACE (HI08)	7
SYNCHRONOUS SERIAL INTERFACE	8
TRIPLE TIMER MODULE	9
ON-CHIP EMULATION MODULE	10
JTAG PORT	11
BOOTSTRAP PROGRAM	A
X I/O EQUATES	B
BSDL LISTING	C
PROGRAMMER'S REFERENCE	D
INDEX	I



1

OVERVIEW

2

SIGNAL/CONNECTION DESCRIPTION

3

MEMORY MAPS

4

CORE CONFIGURATION

5

EXTERNAL MEMORY INTERFACE (PORT A)

6

GPIO

7

HOST INTERFACE (HI08)

8

SYNCHRONOUS SERIAL INTERFACE

9

TRIPLE TIMER MODULE

10

ON-CHIP EMULATION MODULE

11

JTAG PORT

A

BOOTSTRAP PROGRAM

B

X I/O EQUATES

C

BSDL LISTING

D

PROGRAMMER'S REFERENCE

I

INDEX