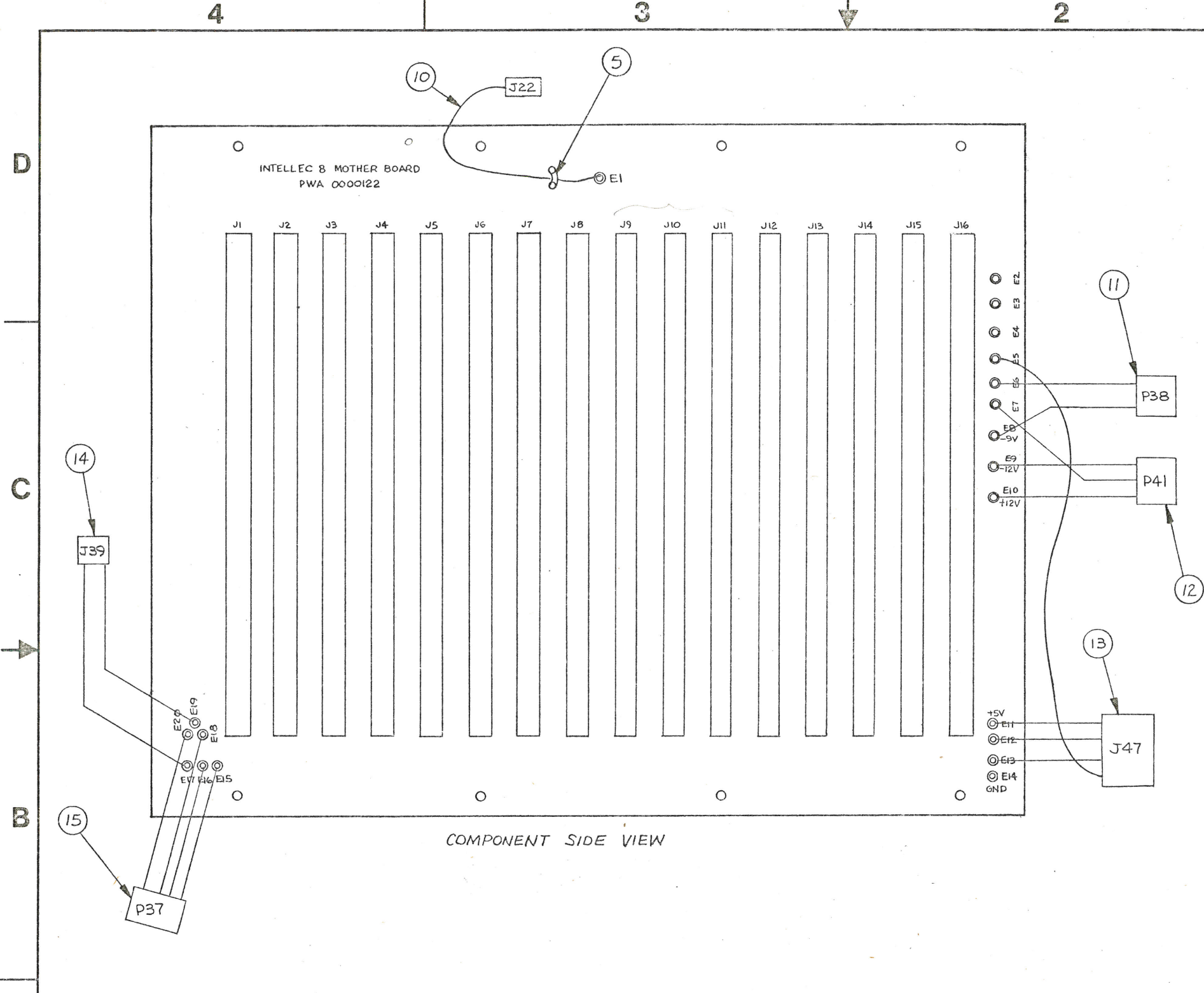


intellec^{T.M.} 8
MOD 80

Reference
Schematic
Drawings

intel[®]

REVISIONS				
LTR	DESCRIPTION	SIGNATURE AND DATE		
		DFT	CHK	ENGR
A	PRODUCTION RLS	8/9-76	20/1/1	20/1/1
B	ECO 00079	2/11/76		
C	ECO 00095	8/21/76	MS	
D	E.C.O. 00159	8/6/76	MS	8/21/76



WIRE LIST

FROM	TO
J22-1	E1
P38-1	E6
P38-2	E8
P41-1	E10
P41-2	E7
P41-3	E9
J47-1	E11
J47-2	E12
J47-3	E13
J47-4	E5
P37-1	E20
P37-2	E18
P37-3	E16
P37-4	E15
J39-1	E19
J39-2	E17

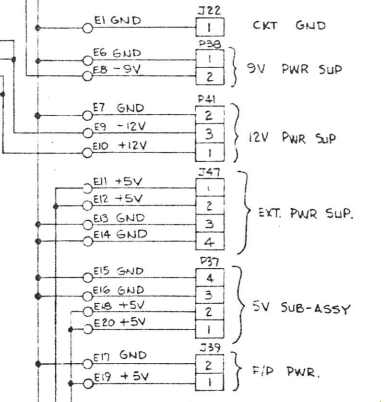
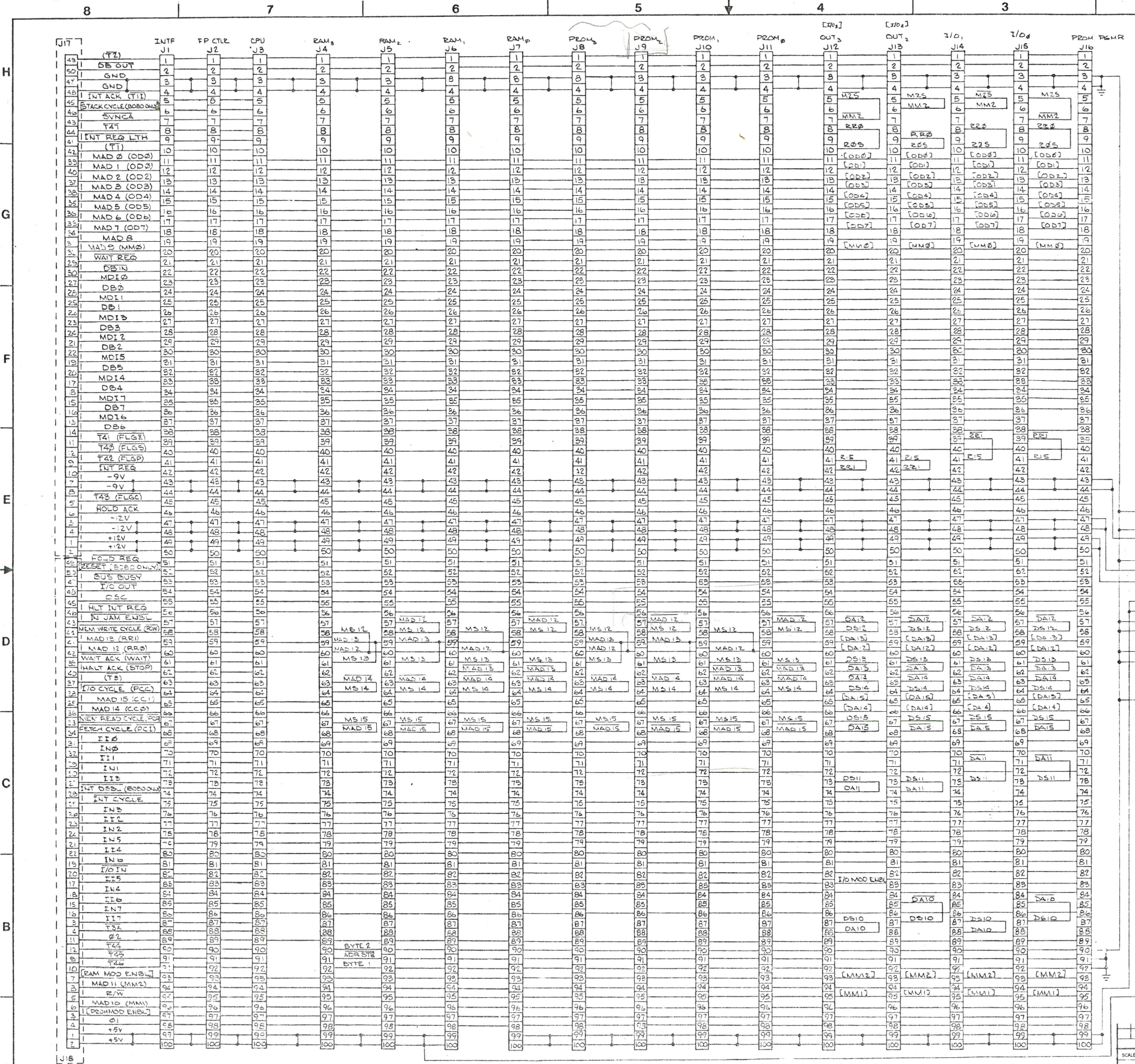
NOTE: UNLESS OTHERWISE SPECIFIED
1. AFTER INSTALLING CONNECTORS J1 THRU J16
CUT LEADS FLUSH ON SOLDER SIDE
OF BOARD.

© INTEL 1974

ITEM NO.	PART NUMBER	DESCRIPTION
QUANTITY PER DASH NO.		
SCALE: 1:1		
TOL. ±	2 PLC	3 PLC
MATERIAL: SEE PARTS LIST		
FINISH:		
SIGNATURE		DATE
DRN BY L.R. FRESE		7-31-73
CHK BY <i>ML</i>		10/1/73
DFT APPD		
ENGR APPD		
AUTH BY <i>[Signature]</i>		11/13
CODE:	SHEET 1 OF 1	SIZE DEPT DRAWING NO. REV
4000180	INTELLEC 8	C 410 1000122 D
NEXT ASSY	USED ON	

intel 3065 BOWERS AVE.
 SANTA CLARA CALIF. 95051
 TITLE: MOTHERBOARD PRINTED WIRING ASSY

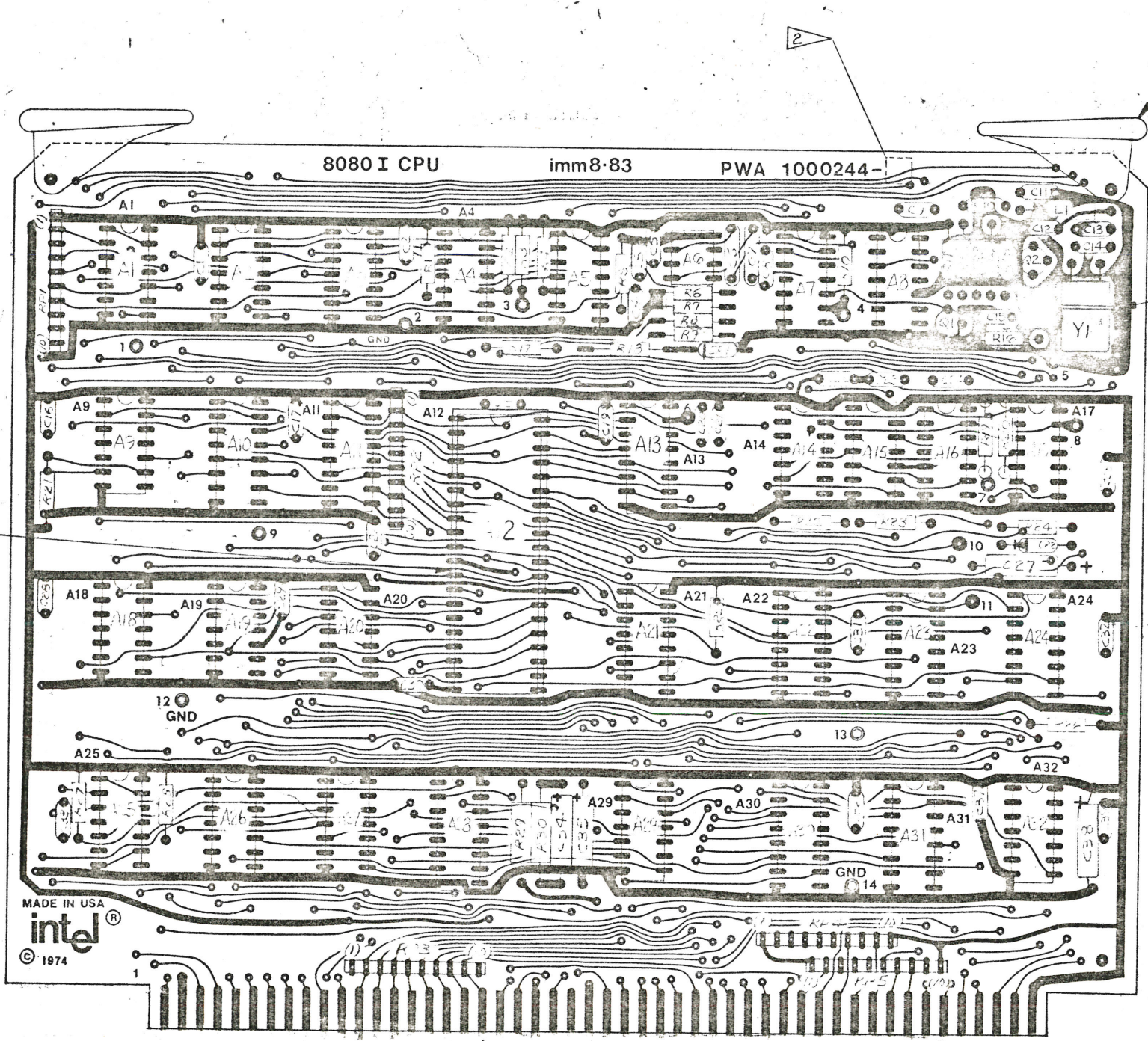
REVISIONS			SIGNATURE AND DATE	
NO.	DESCRIPTION	BY	CHK	DATE
A	PRODUCTION RLS			
B	ECO 00079			
C	ECO 00095			
D	ECO 00135			



© INTEL 1974

SCALE: 2 P.L.C. 3 P.L.C. ANGLE		SIGNATURE		DATE	PARTS LIST	
TOL: 2 P.L.C. 3 P.L.C. ANGLE		DIN BY: M. K.		5-2-72	INTEL	
MATERIAL:		CHK BY: [Signature]			3065 BOWERS AVE. SANTA CLARA CALIF. 95051	
FINISH:		AUTH BY: [Signature]			TITLE: SCHEMATIC DIAGRAM MMB MOTHER BOARD	
NEXT ASST:		CODE: [Signature]			SIZE: 410 DEPT: 2000124 REV: C	
USED ON:		SHEET: 1 OF 1				

REVISIONS			
LTR	DESCRIPTION	SIGNATURE AND DATE	
A	SEE ECO # 00167-1	<i>[Signature]</i>	7/1/74
B	SEE ECO # 00194-1	<i>[Signature]</i>	7/1/74



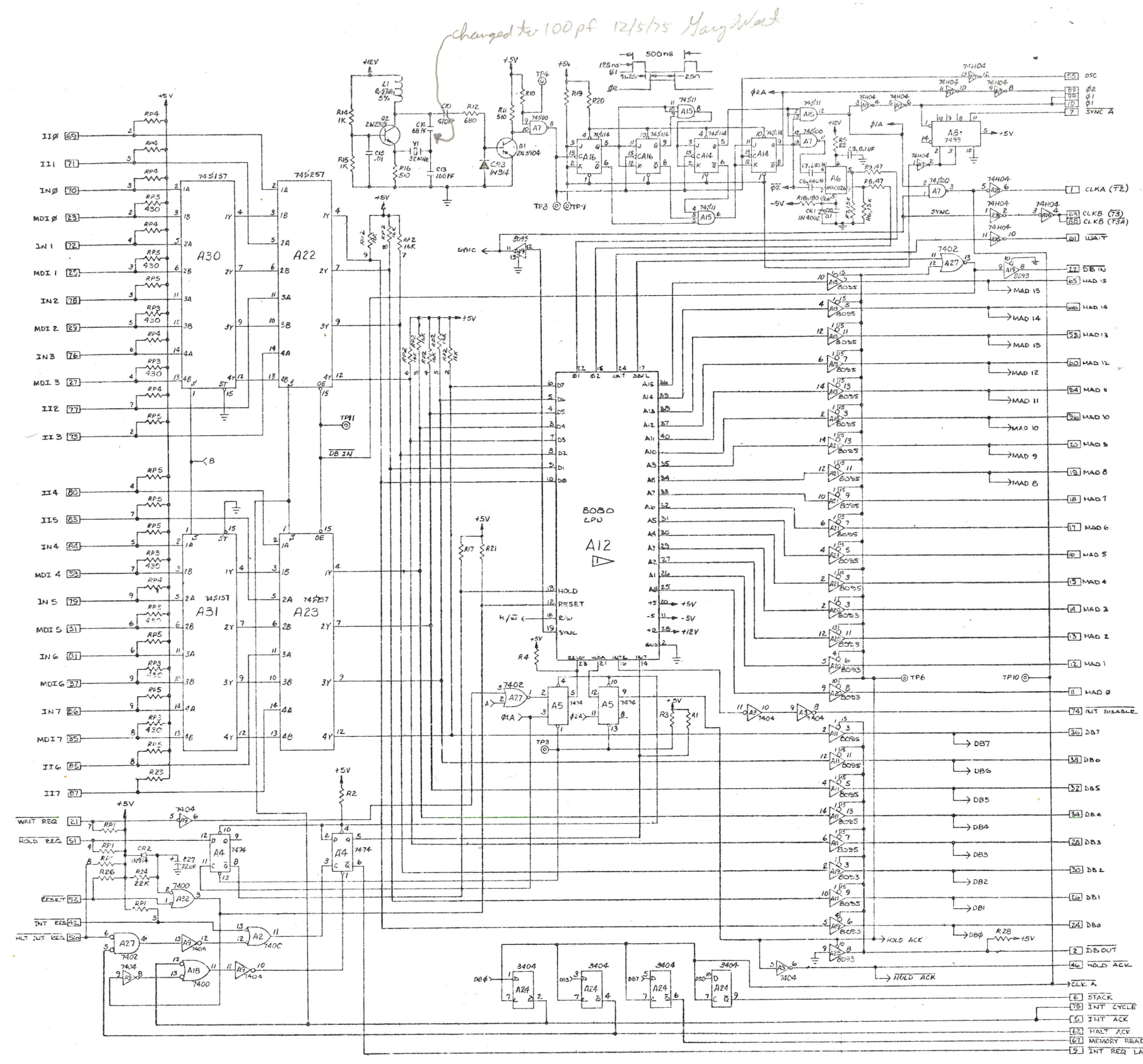
MADE IN USA
intel[®]
 © 1974

NOTE:
 1. ASSEMBLY PART NO. IS 1000244-01.
 2. MARK DASH NO. IN POSITION SHOWN.

QUANTITY PER DASH NO.		ITEM NO.	PART NUMBER	DESCRIPTION
SCALE:	2:1	SIGNATURE		DATE
TOL.	2 PLC 3 PLC ANGLE	DRN BY <i>L.R. FRESE</i>		7/1/74
MATERIAL:		CHK BY <i>H. [Signature]</i>		7/1/74
FINISH:		DFT APPD <i>[Signature]</i>		7/1/74
4000243 NEXT ASSY		AUTH BY <i>S. [Signature]</i>		7/1/74
USED ON		CODE:		SHEET 1 OF 1

PARTS LIST		intel 3065 BOWERS AVE. SANTA CLARA CALIF. 95051	
TITLE		P.W. ASSY CPU MODULE	
SIZE	DEPT	DRAWING NO.	REV
D	410	1000244	B

REVISIONS			
LTR	DESCRIPTION	SIGNATURE AND DATE	
		DFT	CHK ENGR
B	FOR PREVIOUS REVISIONS SEE HISTORY		
B	REDRAWN NO CHANGE		



- NOTE: UNLESS OTHERWISE SPECIFIED
- SCREENED PART.
 - RESISTANCE VALUES ARE IN OHMS AND ARE 020 ±5% 1/8W.
 - RESISTOR TACK (RP) VALUES ARE 020 OHMS ±5% 1/8W.
 - CAPACITANCE VALUES ARE IN MICROFARADS.
 - MNEUMONICS ARE POSITIVE TRUE.
 - MNEUMONICS IN PARENTHESIS REFER TO INTELLEC B.
 - I.C. POWER CONNECTIONS, TYPICALLY:

REF	DESIG	QUANTITY
LAST USED	NOT USED	
A32	R.3	
C33		
C33		
L		
GC		
R30		
RP5		
YI		
TP14		

ITEM NO.	QUANTITY PER DASH NO.	FAKT NUMBER	DESCRIPTION
1	1		INT REQ LATCH
2	1		DB OUT
3	1		HOLD ACK
4	1		CLK A
5	1		STACK
6	1		INT CYCLE
7	1		INT ACK
8	1		HALT ACK
9	1		MEMORY READ CYCLE
10	1		INT REQ LATCH

SCALE: 2 PLC 3 PLC ANGLE

TOL: ±

MATERIAL:

FINISH:

1000244

NEXT ASSY: USED ON

SIGNATURE: DRN BY L'FRESE, CHK BY H DUNLAP

DATE: 2-11-74

TITLE: SCHEMATIC C.P.U. MODULE

SIZE: D 410

DRAWING NO.: 2000246

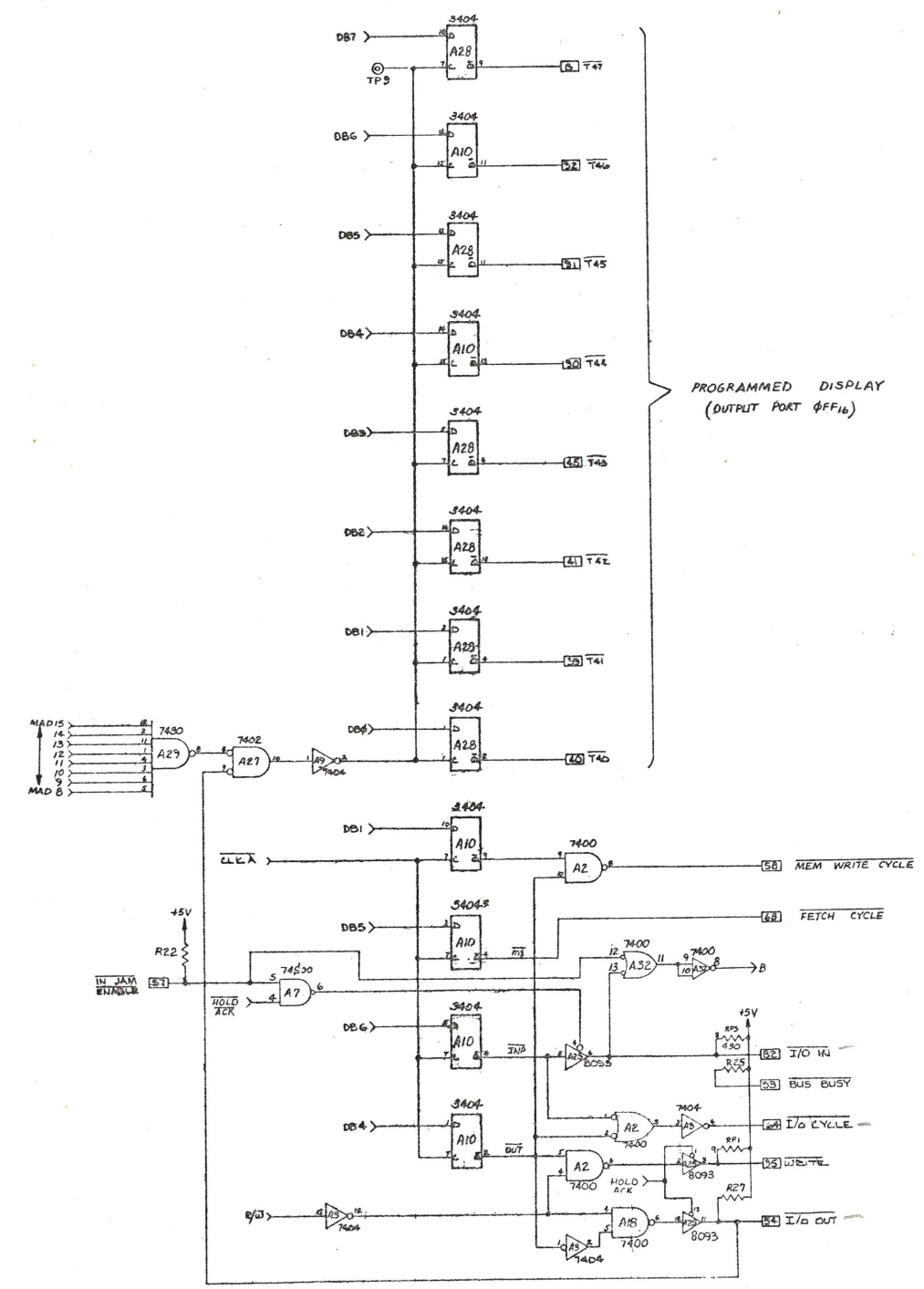
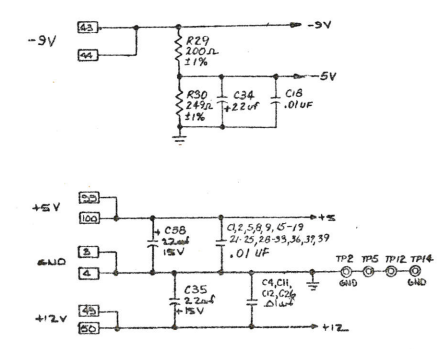
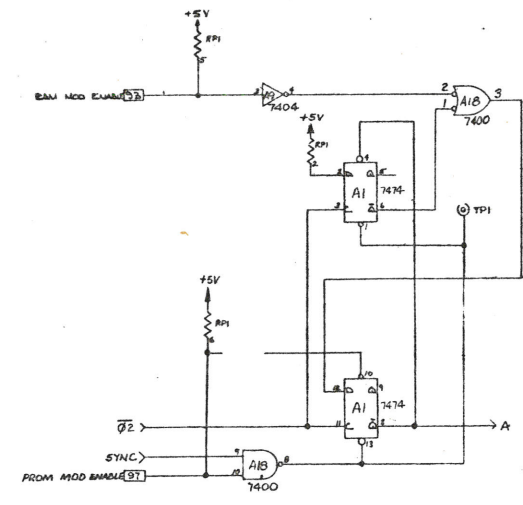
REV: B

C

B

A

REVISIONS			
LTR	DESCRIPTION	SIGNATURE AND DATE	
		DFT	CHK ENGR
SEE SHEET 1			

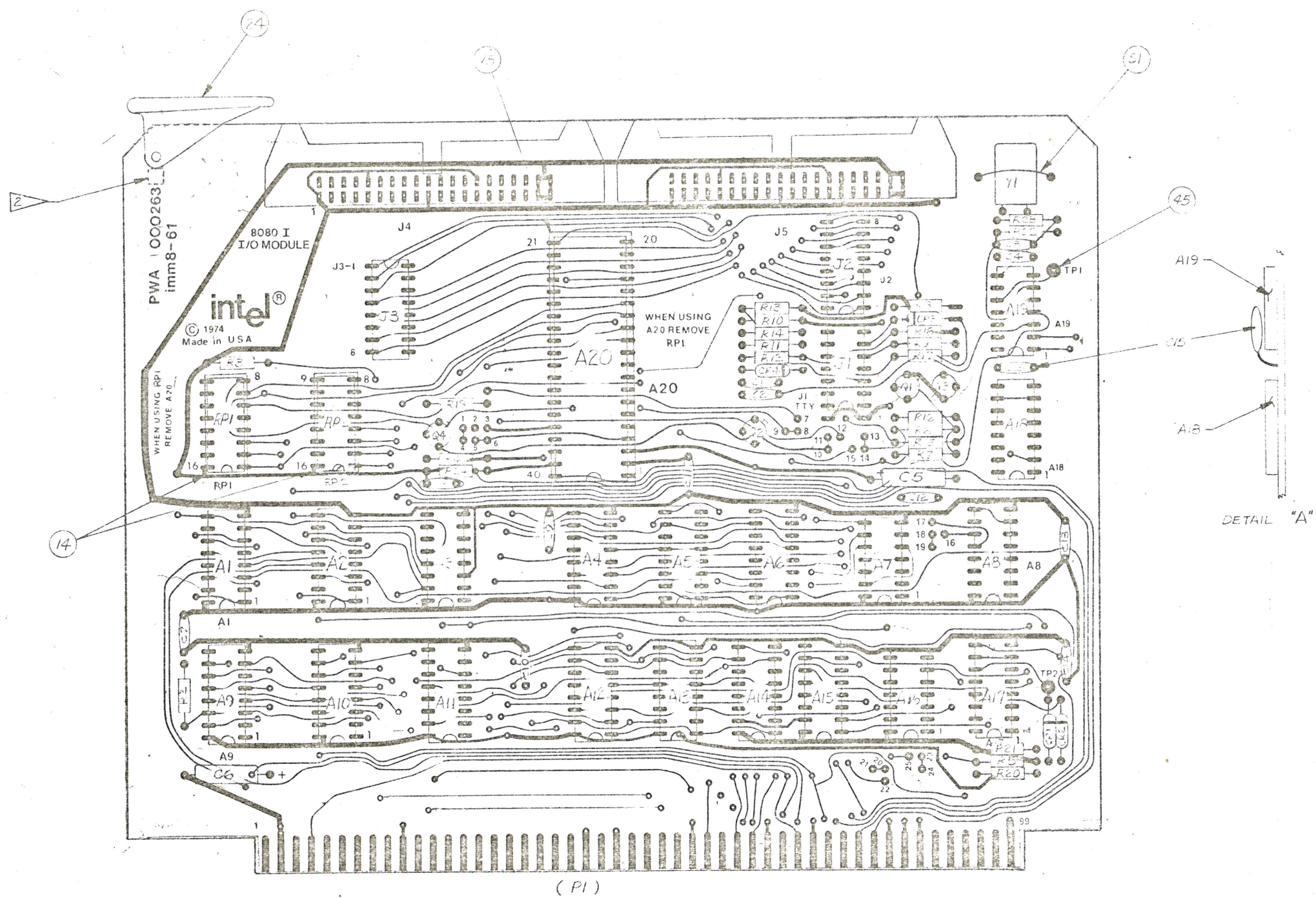


PROGRAMMED DISPLAY
(OUTPUT PORT OFF)

QUANTITY PER DASH NO.		ITEM NO.	PART NUMBER	DESCRIPTION
SCALE:		SIGNATURE		DATE
TOL. ±	2 PLC	3 PLC	ANGLE	DRN BY
MATERIAL:		CHK BY		TITLE
FINISH:		ENGR		APPD
NEXT ASSY		USED ON		ANTH BY
CODE:		SHEET 2 OF 2		REV

PARTS LIST		intel 3065 BOWERS AVE. SANTA CLARA CALIF. 95051	
TITLE		SCHEMATIC C.P.U. MODULE	
SIZE	DEPT	DRAWING NO.	REV
D	A10	2000246	B

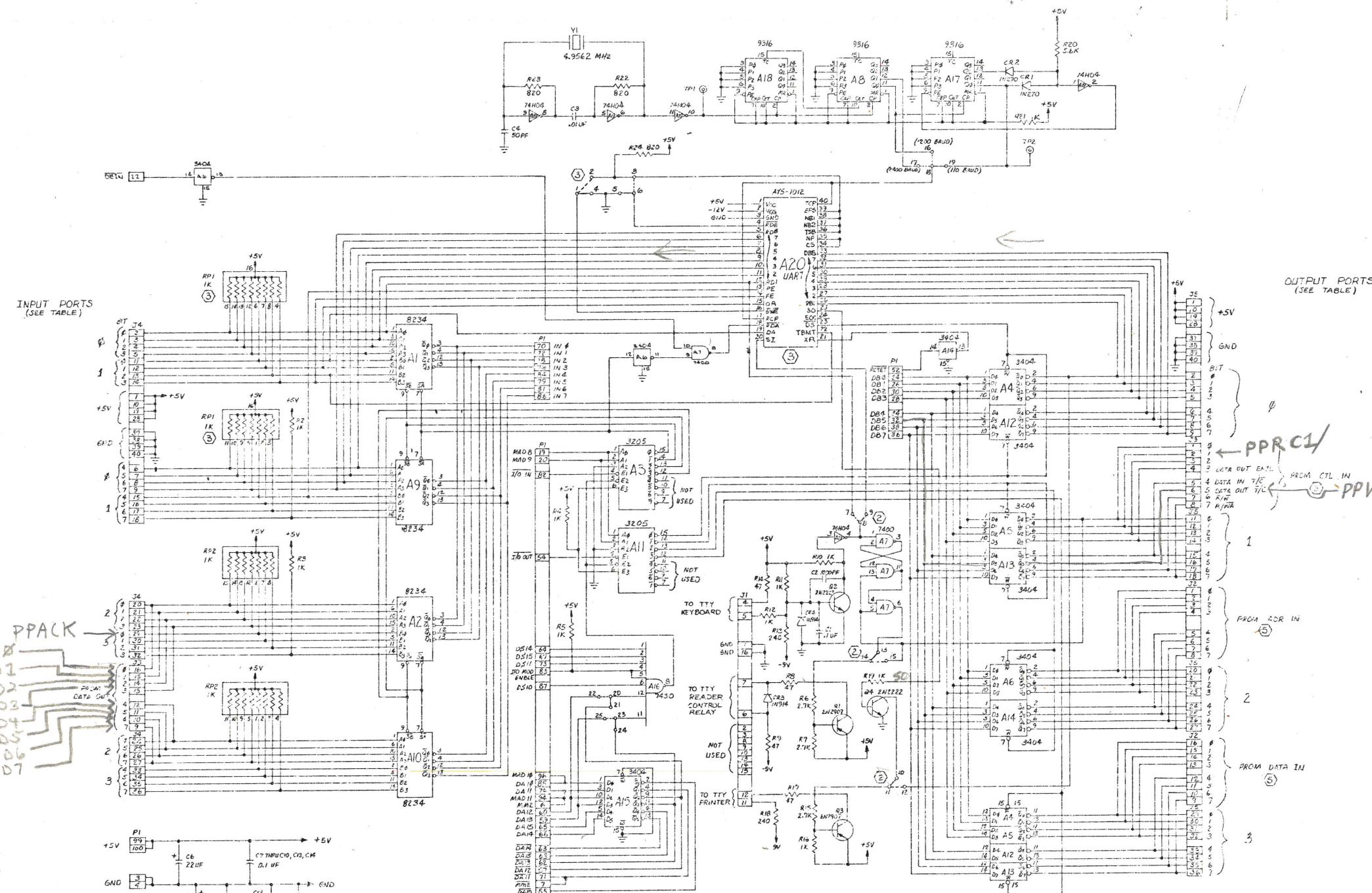
REVISIONS			
LTR	DESCRIPTION	SIGNATURE AND DATE	
		DFT	CHK ENGR
1	PROTOTYPE	[Signature]	[Date]
2	PRODUCTION RELEASE	[Signature]	[Date]
3	SEE ECO 00223	[Signature]	[Date]
4	SEE ECO 00223	[Signature]	[Date]
5	SEE ECO 00223	[Signature]	[Date]



NOTE: UNLESS OTHERWISE SPECIFIED
 1. ASSEMBLY PART NO IS 1000263-02.
 2. MARK DASH NO. IN POSITION SHOWN.

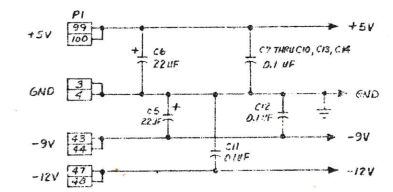
QUANTITY PER DASH NO.		ITEM NO.	PART NUMBER	DESCRIPTION
SCALE: 2:1	SIGNATURE		DATE	intel 3065 BOWERS AVE. 80520 95076 SANTA CLARA CALIF. 95051
TOL. ±	2 PLC	3 PLC	ANGLE	
MATERIAL:		FINISH:		TITLE I/O MODULE PRINTED WIRING ASSEMBLY
4000283 NEXT ASSY. USED ON		AUTH BY [Signature] DATE 3/28/74		SIZE: 4 1/2" x 6 1/2" SHEET 1 OF 1 DRAWING NO. D 410 1000263

REVISIONS			
LTR	DESCRIPTION	SIGNATURE AND DATE	CHK ENGR
	FOR PREVIOUS REVISIONS, SEE HISTORY		
A	REDRAWN NO CHANGE		
B	SEE ECO 00207	SM 7-75	PHS



BUSY - PRD0
 OPERATION COMPLETE - PRD1
 FAILED TO PROGRAM - PRD2
 PROGRAMMING ERROR - PRD3
 ADDRESS ERROR - PRD4
 HARDWARE FAILURE - PRD5
 BOARD SENSE ERROR - PRD6
 UNDEFINED - PRD7

PPACK
 LOGIC 1 = 0VDC



PI-UNUSED PINS	
1	25
2	27
3	28
4	29
5	30
6	31
7	32
8	33
9	34
10	35
11	36
12	37
13	38
14	39
15	40
16	41
17	42

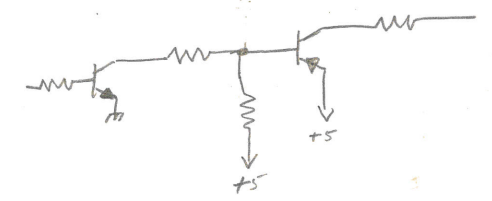
- NOTE: UNLESS OTHERWISE SPECIFIED
1. SYMBOL $\frac{50}{50}$ INDICATES A PC TRACE FROM PAD 4 TO 5, AND DASH LINE FROM 5 TO 6 INDICATES AN ALTERNATE CONNECTION.
 2. SOLID JUMPERS ARE USED WHEN UART (A20) IS USED TO DRIVE TTY; DOTTED JUMPERS ARE USED WHEN TTY IS DRIVEN DIRECTLY FROM I/O PORTS, AND UART HAS BEEN REMOVED OR DISABLED.
 3. WHEN USING UART (A20) REMOVE RESISTOR PACT RPL. WHEN USING MODULE PORTS DIRECTLY, REMOVE UART (A20), OR DISABLE UART OUTPUTS WITH JUMPERS 1-2, 3-6 AND INSTALL RESISTOR PACT RPL.
 4. RESISTOR VALUES ARE IN OHMS, $\pm 5\%$, 1/4 W.
 5. THESE SIGNALS ARE USED TO OPERATE PROM PROGRAMMER MODULE.
 6. THIS SCHEMATIC REFLECTS ARTWORK REV. "B".

JUMPERS	
LOCATION	VALUES
I/O	0-3 16-19 31-35 48-51
I/O	0-3 16-19 20-23 30-33
I/O	0-3 16-19 20-23 36-39 52-55
I/O	0-3 16-19 24-27 34-37
I/O	0-3 24-27 30-33 36-39
I/O	0-3 16-19 28-31 34-37 40-43
I/O	0-3 16-19 28-31 44-47 60-63
I/O	0-3 16-19 22-25 32-35

REF DESIGNATIONS	
LAST USED	NCT USED
A18	9
A19	
CR4	
R24	
R2	
T2	
Y1	

SPARE GATES	
J.C.	PINS
A14 (M4)	1, 12

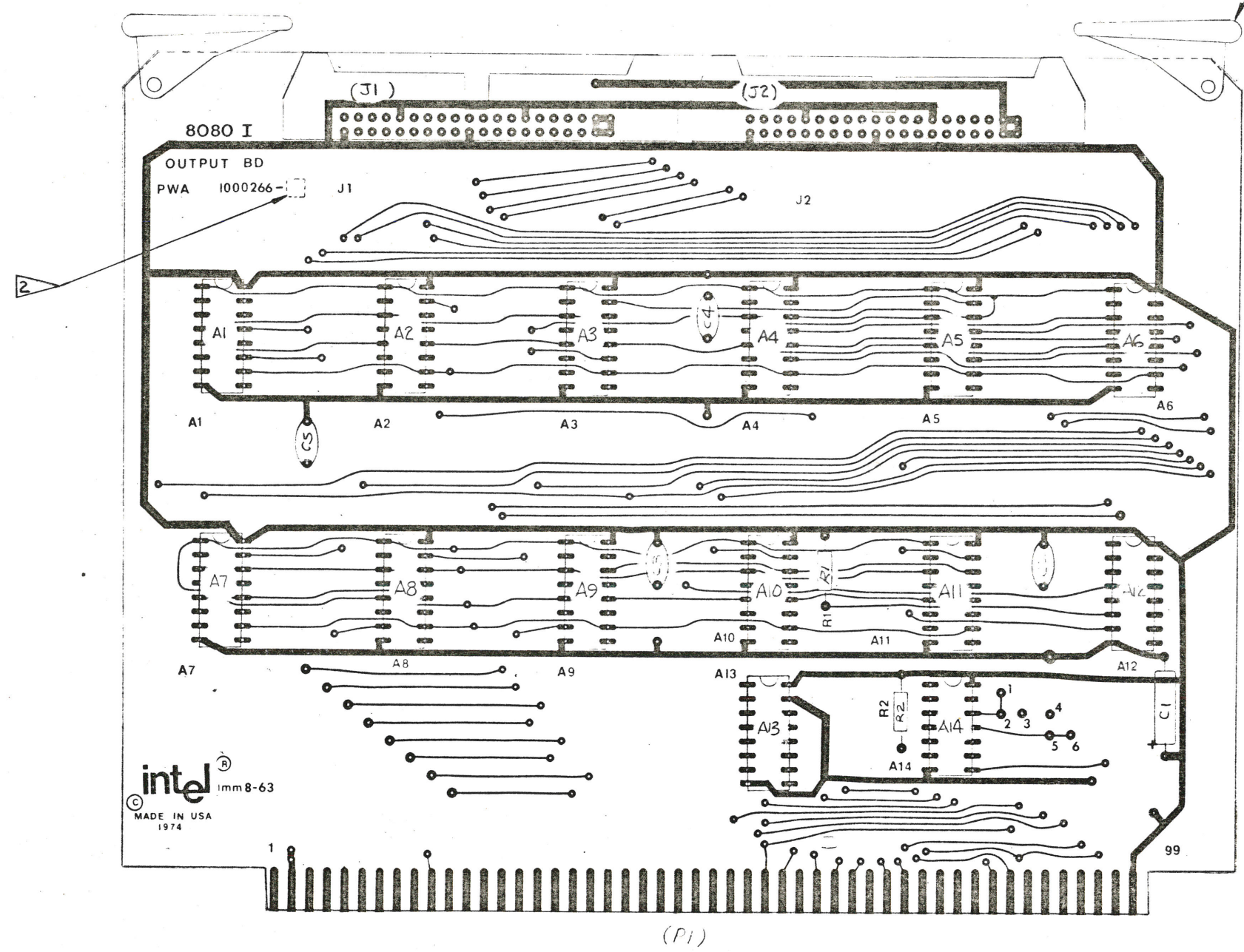
QTY	UNIT	PART NUMBER	DESCRIPTION
QUANTITY PER DASH NO.			
SCALE:		SIGNATURE	DATE
VOL. 2 PLC 3 PLC ANGLE		DRN BY L. FRESNE	4-10-74
MATERIAL:		CHK BY P. MASSORIAN	5-17-74
FINISH:		DFT APPD T. JOHNSON	5-20-74
NEXT ASSY USED ON		INCR APPD R. GARRISON	5-21-74
CODE:		AUTH BY S. HOUJ.	5-23-74
SHEET 1 OF 1		SIZE	DEPT
		D	400
		DRAWING NO. 2000265	
		REV. A	



8 7 6 5 4 3 2 1

REVISIONS				
LTR	DESCRIPTION	DFT	CHK	ENGR
1	PROTO TYPE			
-	PRODUCTION REL			

12 2 REQD



NOTE: UNLESS OTHERWISE SPECIFIED
 1. ASSEMBLY PART NO. IS 1000266-01.
 2. MARK DASH NO. IN POSITION SHOWN.

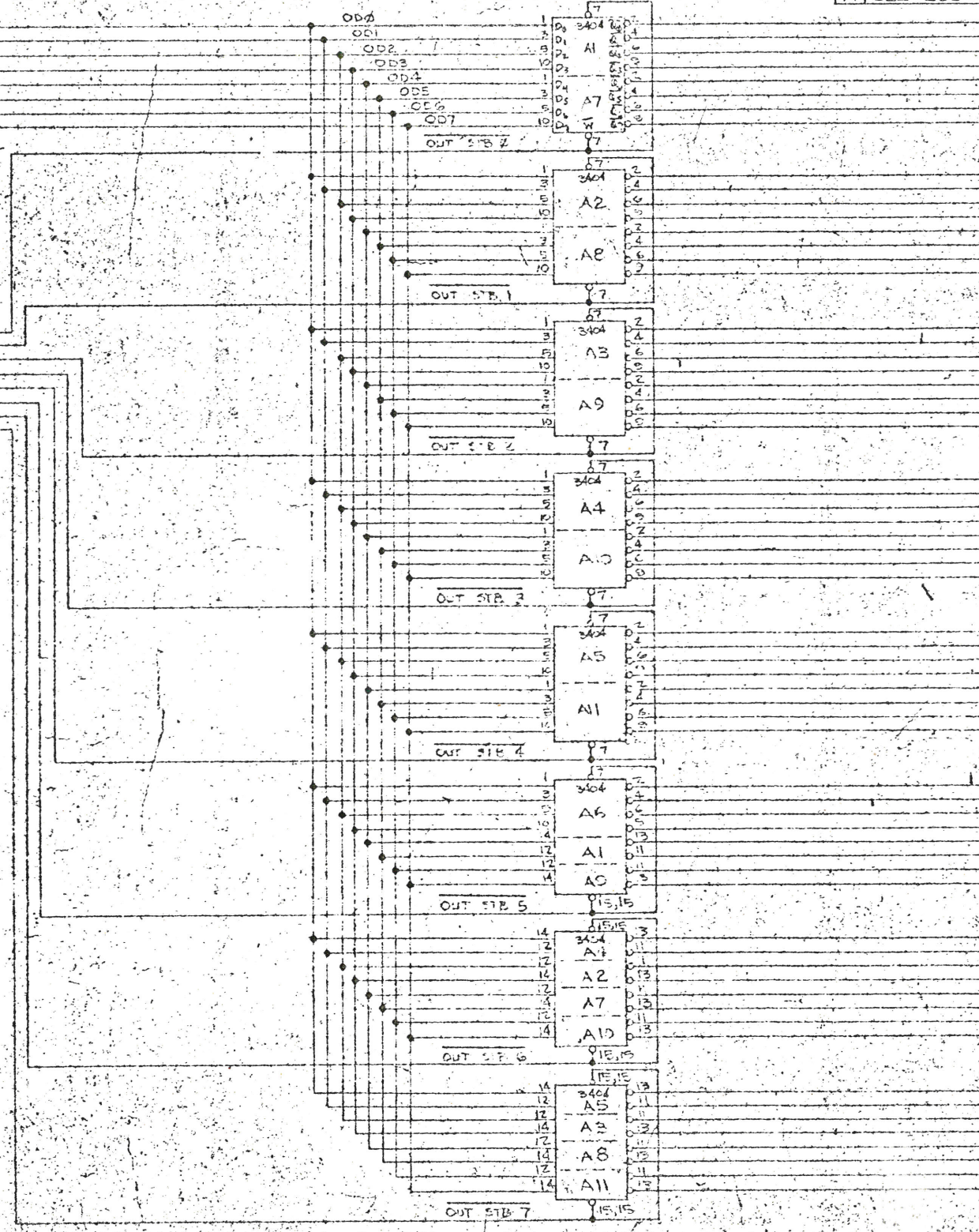
QUANTITY PER DASH NO.		ITEM NO.	PART NUMBER	DESCRIPTION
SCALE:	TOL. #	SIGNATURE		DATE
2 PLC	3 PLC	DRN BY L.R. FRESE		4/1/72
ANGLE		CHK BY T. MORAN		7/1/74
MATERIAL:		DFT APPD		5/28/74
		ENGR APPD		8/1/74
FINISH:		AUTH BY		7/28/74
4000283	INT 8/Mod 80	CODE:		SHEET 1 OF 1
NEXT ASSY	USED ON	PARTS LIST		REV
		intel 3065 BOWERS AVE. SANTA CLARA CALIF. 95051		TITLE
		OUTPUT BD PRINTED WIRING ASSY		DRAWING NO.
		D 410		1000 266

8 7 6 5 4 3 2 1

REVISIONS		SIGNATURE AND DATE	
LTR	DESCRIPTION	DFT	CHK
-	PRODUCTION RELEASE		
A	SEE ECO # 60168		

OUTPUT PORTS
(SEE TABLE)

PORT	1	2	3	4	5	6	7
1	1	2	3	4	5	6	7
2	1	2	3	4	5	6	7
3	1	2	3	4	5	6	7
4	1	2	3	4	5	6	7
5	1	2	3	4	5	6	7
6	1	2	3	4	5	6	7
7	1	2	3	4	5	6	7



PI-UNUSED PINS

1	40	81
2	41	82
5	42	84
6	43	86
7	44	87
8	45	89
9	46	90
10	47	91
11	48	92
12	49	93
13	50	95
14	51	97
15	52	98
16	53	
17	55	
18	56	
21	58	
22	61	
23	69	
25	70	
27	72	
29	75	
31	76	
33	77	
35	78	
37	79	
39	80	

LOCATION	JUMPERS			
	STANDARD	2-3	1-2	2-3
7/0	1-2 5-6	2-3 5-6	1-2 4-5	2-3 4-5
7/0	7-7	10-11	20-21	30-31
[2/0]	7-7	10-11	20-21	30-31
[2/0]	7-7	10-11	20-21	30-31
OUT 3	7-7	10-11	20-21	30-31
OUT 3	7-7	10-11	20-21	30-31
OUT 3	7-7	10-11	20-21	30-31

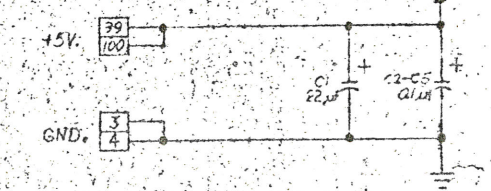
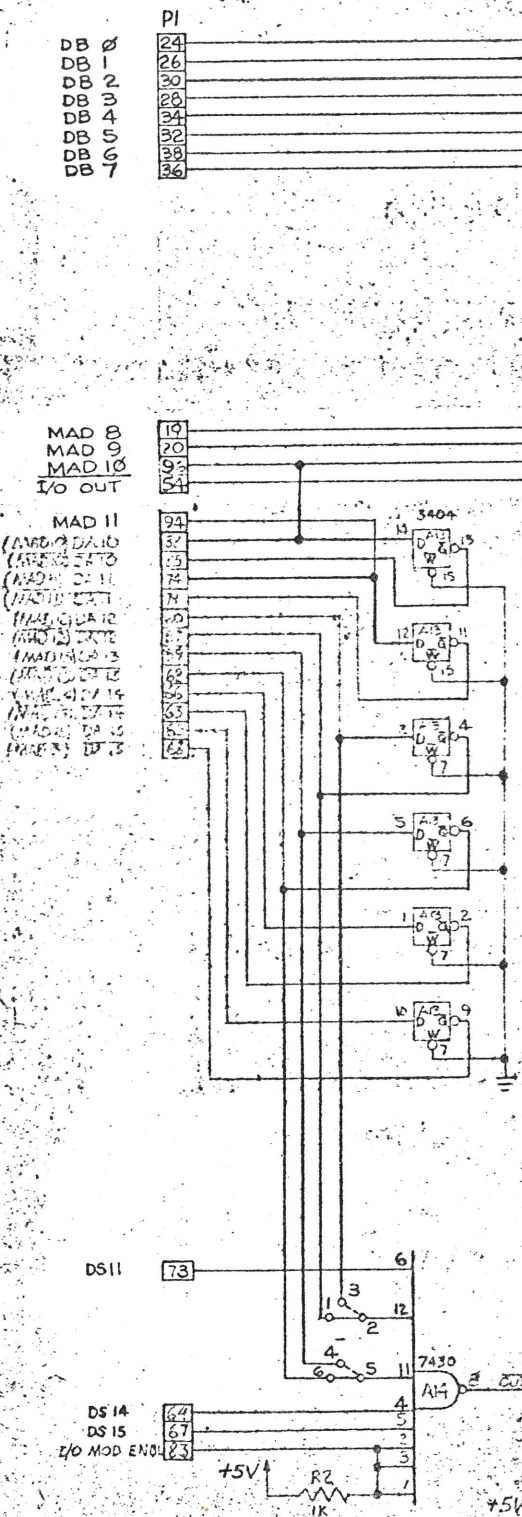
D=DECIMAL H=HEXADECIMAL

- NOTES:
- SOLID JUMPERS ARE MADE WITH P.C. TRACES. DASH LINES ARE ALTERNATE JUMPER CONNECTIONS.
 - RESISTANCE VALUES ARE IN OHMS ± 5%, 1/4 W.

REF DESIGNATIONS	
LAST USED	NOT USED
A14	
IC5	
R2	

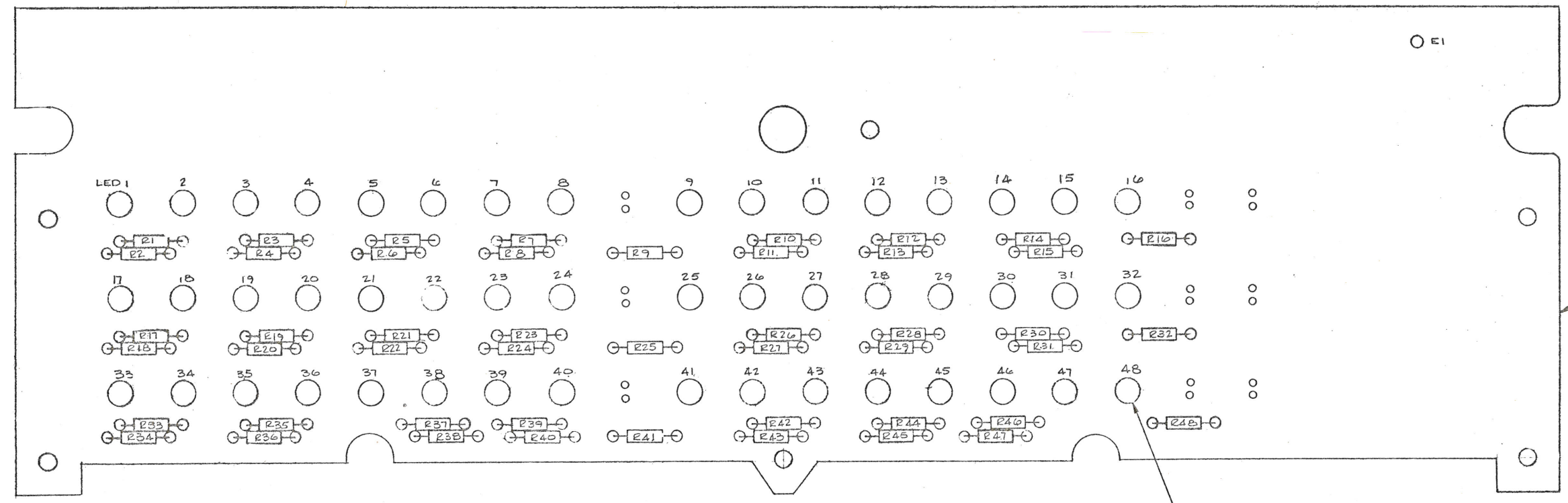
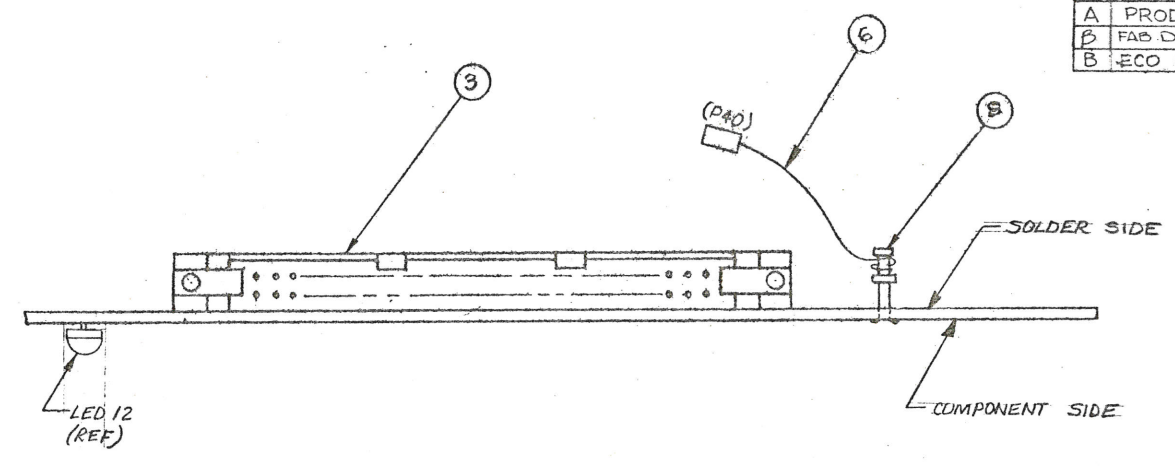
ITEM NO.	PART NUMBER	DESCRIPTION
1000266	INT 0/M...	USED ON

SCALE:	SIGNATURE	DATE	intel	3055 BOWERS AVE. SANTA CLARA CALIF. 95051
TOL. 2 PLC 3 PLC ANGLE	DRN BY L.R. FRESE	4/29/74		
MATERIAL:	CHK BY Y.F. [Signature]	5/28/74	TITLE	
FINISH:	APPR BY [Signature]	6/14/74	OUTPUT BD SCHEMATIC	
SIZE	AUTH BY [Signature]	1/4/74	DEPT	DRAWING NO.
D	CODE	SHEET	410	2000268

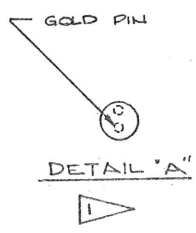


8 7 6 5 4 3 2 1

REVISIONS				
LTR	DESCRIPTION	SIGNATURE AND DATE		
		DFT	CHK	ENGR
A	PRODUCTION RLS			
B	FAB DWG CHG ONLY ELD 00000			
B	ECO 000B2			



SEE DETAIL "A"



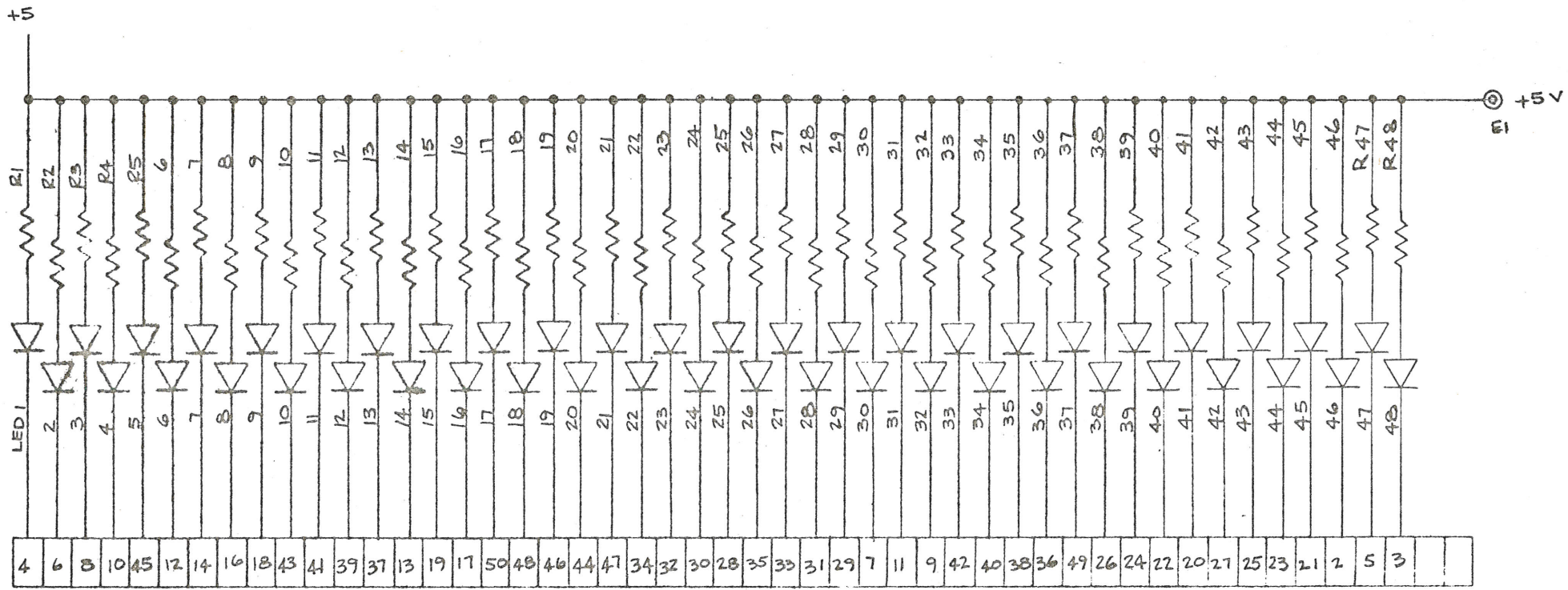
- NOTES:
- ALL LED'S ARE INSTALLED ACCORDING TO DETAIL "A".
 - INSTALL CONNECTOR (ITEM 3) AND TERMINAL (ITEM 9) ON SOLDER SIDE OF BOARD.

© INTEL 1974

QUANTITY PER DASH NO.		ITEM NO.	PART NUMBER	DESCRIPTION
SCALE: 2:1	SIGNATURE		DATE	 3065 BOWERS AVE. SANTA CLARA CALIF. 95051
TOL ±	2 PLC	3 PLC	ANGLE	
MATERIAL:		DRN BY <i>Ray Embas</i> 7/5/73		TITLE PRINTED WIRING ASSEMBLY FRONT PANEL DISPLAY BOARD
FINISH:		CHK BY <i>[Signature]</i> 10-3-73		
NEXT ASSY		AUTH BY <i>[Signature]</i> 10/3/73		SIZE
USED ON:		CODE: SHEET 1 OF 1		DEPT
				DRAWN NO.
				1000084-02 B

8 7 6 5 4 3 2 1

REVISIONS			
DESCRIPTION	DATE	BY	CHK
RLS	10/13	WMA	
ONLY ECO # 00000			



NOTES: UNLESS OTHERWISE SPECIFIED
 1. RESISTOR VALUES ARE 240 OHMS 1/4W, 5%
 2. LED'S ARE PART NUMBER SSL-22 G.F.

© INTEL 1974

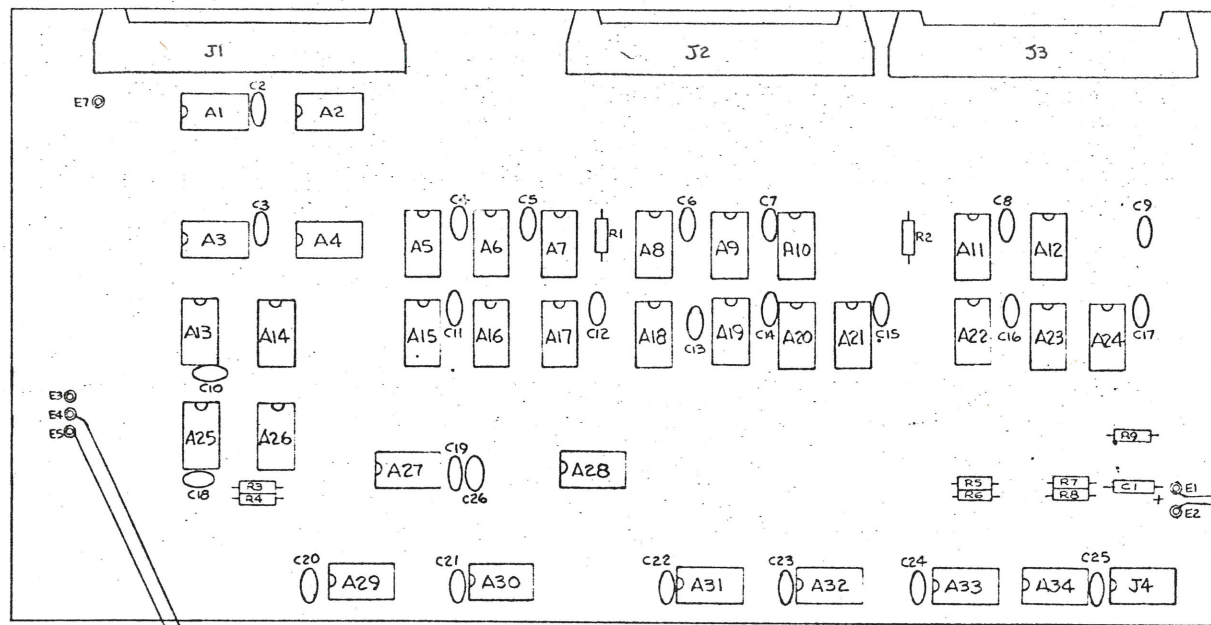
ITEM NO.		PART NUMBER		DESCRIPTION	
QUANTITY PER DASH NO.				PARTS LIST	
SCALE: NONE				SIGNATURE	
TOL. #				DATE	
MATERIAL:				DRN BY: <i>WMA</i>	
FINISH:				CHK BY: <i>WMA</i>	
NEXT ASSY				APPR: <i>WMA</i>	
USED ON				AUTH BY: <i>WMA</i>	
CODE:				DATE: 10/13	
SHEET				DRAWING NO. 410 2000 132	
OF				REV	

INTEL
 3065 BOWERS AVE.
 SANTA CLARA
 CALIF. 95051

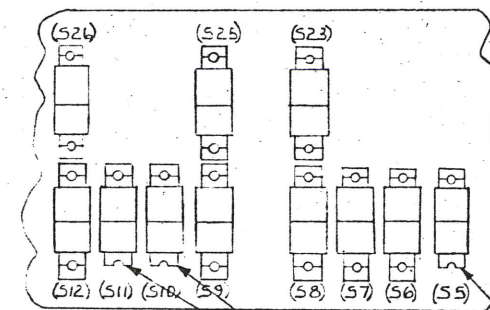
TITLE: SCHEMATIC
 FRONT PANEL DISPLAY BOARD
 (INTELLEC B)

SIZE: C
 DEPT: 410
 DRAWING NO.: 2000 132

REVISIONS				
LTR	DESCRIPTION	SIGNATURE AND DATE		
		DFT	CHK	ENGR
A	PRODUCTION RLS			
B	SEE ECO # 00138			
C	SEE ECO 00225-3			

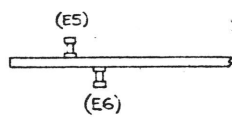


COMPONENT SIDE

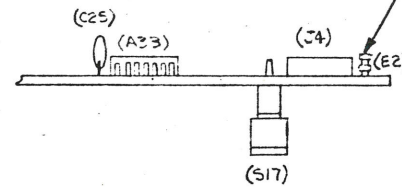


DETAIL A

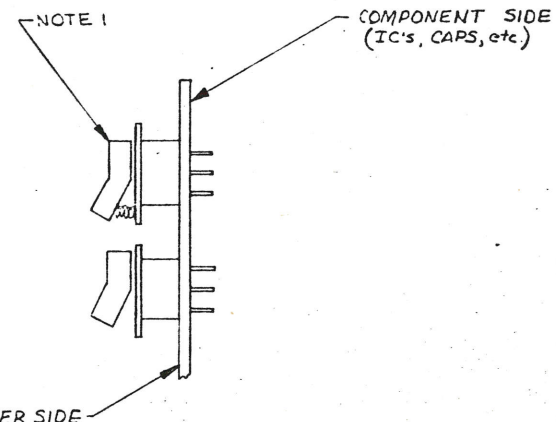
CUT TABS ON S5, S10, S11



(E5)
(E6)



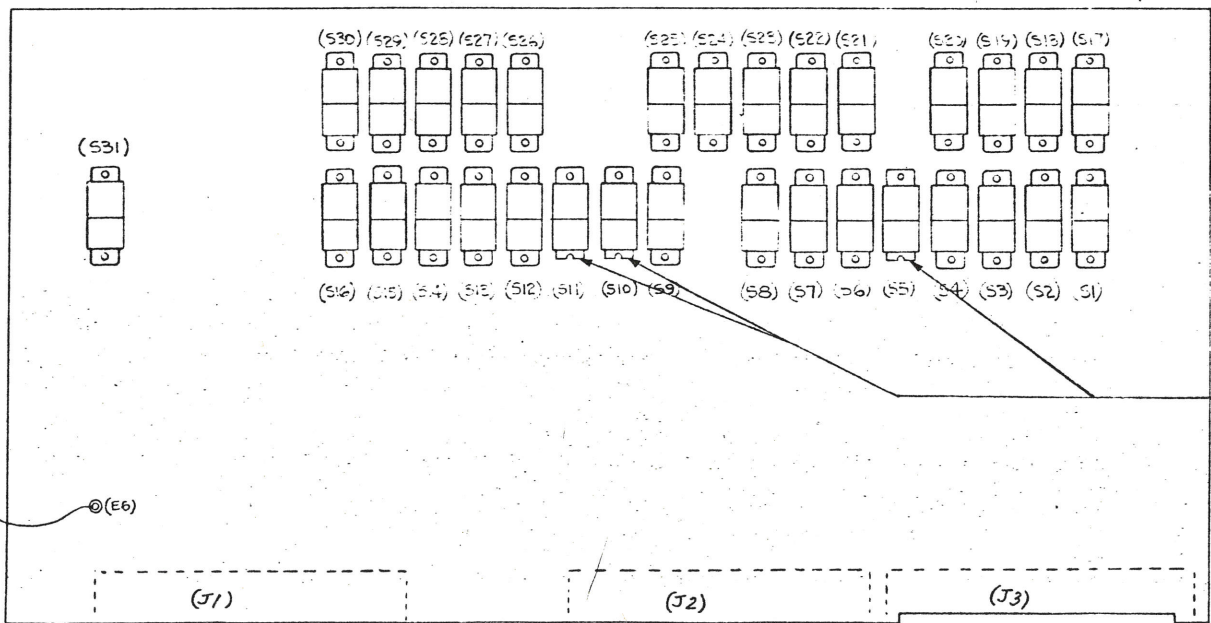
(A23)
(J4)
(E2)
(S17)



NOTE 1
COMPONENT SIDE (IC's, CAPS, etc)

SOLDER SIDE
SEE DETAIL A

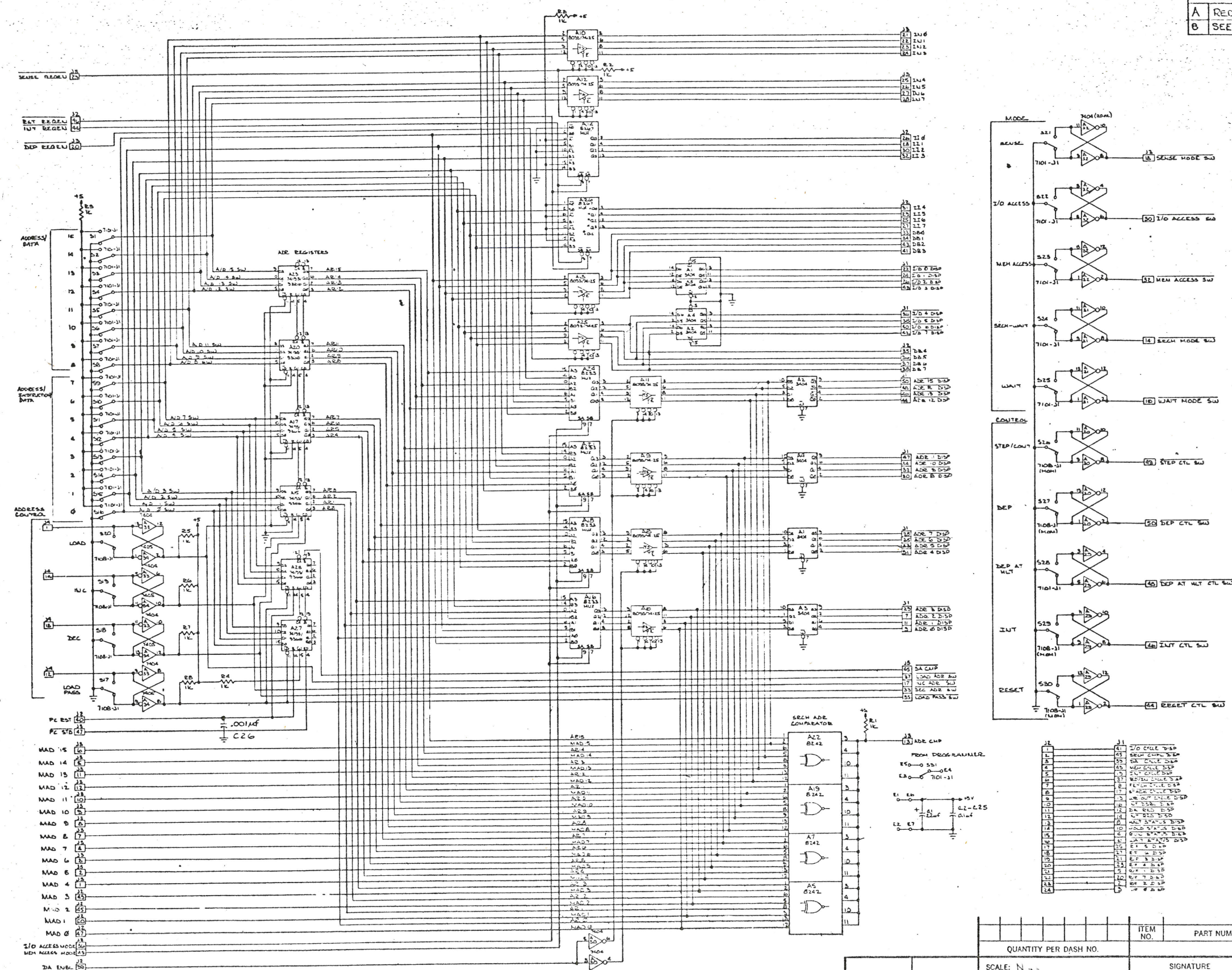
NOTE: UNLESS OTHERWISE SPECIFIED
1. ASSEMBLE SWITCHES ONTO SOLDER SIDE OF BOARD AS SHOWN.
2. INSTALL E6 ON SOLDER SIDE OF BOARD.



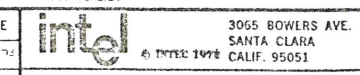
SOLDER SIDE

QUANTITY PER DASH NO.		ITEM NO.	PART NUMBER	DESCRIPTION
SCALE: 1:1	TOL: 2 PLC 3 PLC ANGLE	SIGNATURE	DATE	 3065 BOWERS AVE. SANTA CLARA CALIF. 95051
MATERIAL: SEE PARTS LIST		DRN BY L.R.FRESE	8-1-75	
FINISH:		CHK BY	10-1-77	TITLE
4000169 INTELLEC 8 NEXT ASSY USED ON		ENGR APPD	12/1/77	FRONT PANEL LOG C PRINTED WIRING ASSY
		AUTH BY		SIZE DEPT DRAWING NO. REV
		CODE:	SHEET 1 OF 1	D 410 1000158 C

REVISIONS			
LTR	DESCRIPTION	SIGNATURE AND DATE	
		DFT	ENGR
FOR PREVIOUS REVISIONS SEE HISTORY			
A	REDRAWN NO CHANGE		
B	SEE ECO 00225-1	10-75	7/7 mjt



QUANTITY PER DASH NO.	ITEM NO.	PART NUMBER	DESCRIPTION
SCALE: N			
TOL #		SIGNATURE	DATE
2	PLC	DRN BY J DEAN	9-10-75
3	PLC	CHK BY P. TAI	9-14-75
MATERIAL:		TITLE	
FINISH:		DFT APPD	
10000158		ENGR APPD G SCHRAMM	
NEXT ASSY USED ON		AUTH BY P. TAI	
		CODE: SHEET 1 OF 1	
		DATE 10-11-75	
		SIZE DEPT DRAWING NO.	
		D 410 2000160	
		REV	
		B	

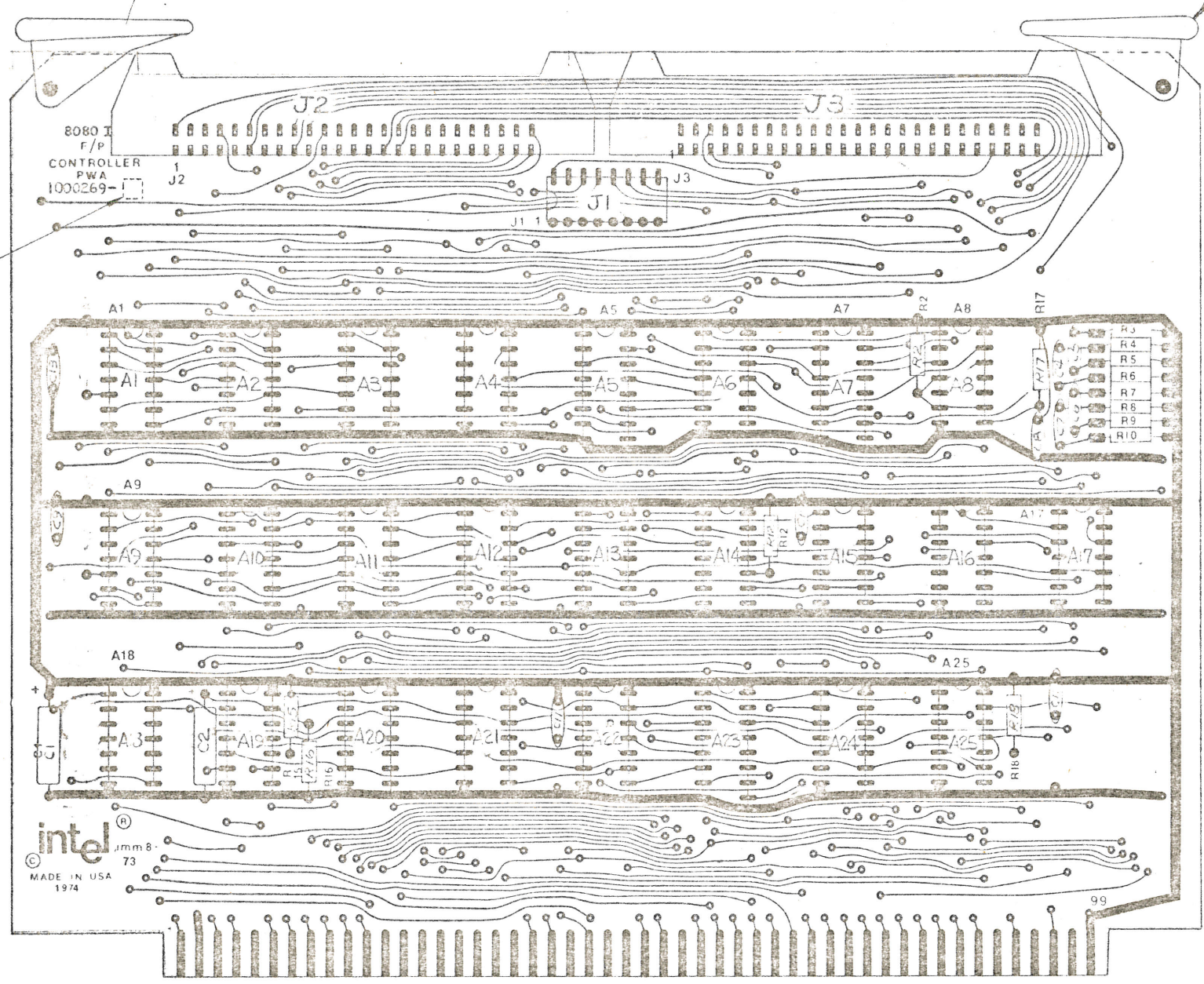


SCHEMATIC
FRONT PANEL LOGIC

C
B
A

8 7 6 5 4 3 2 1

REVISIONS				
LTR	DESCRIPTION	DFT	CHK.	ENGR
1	PROTOTYPE			
-	PRODUCTION RLL			
A	SEE ECO # 00216-2			

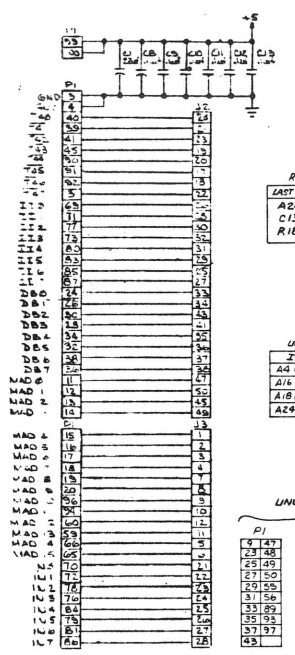
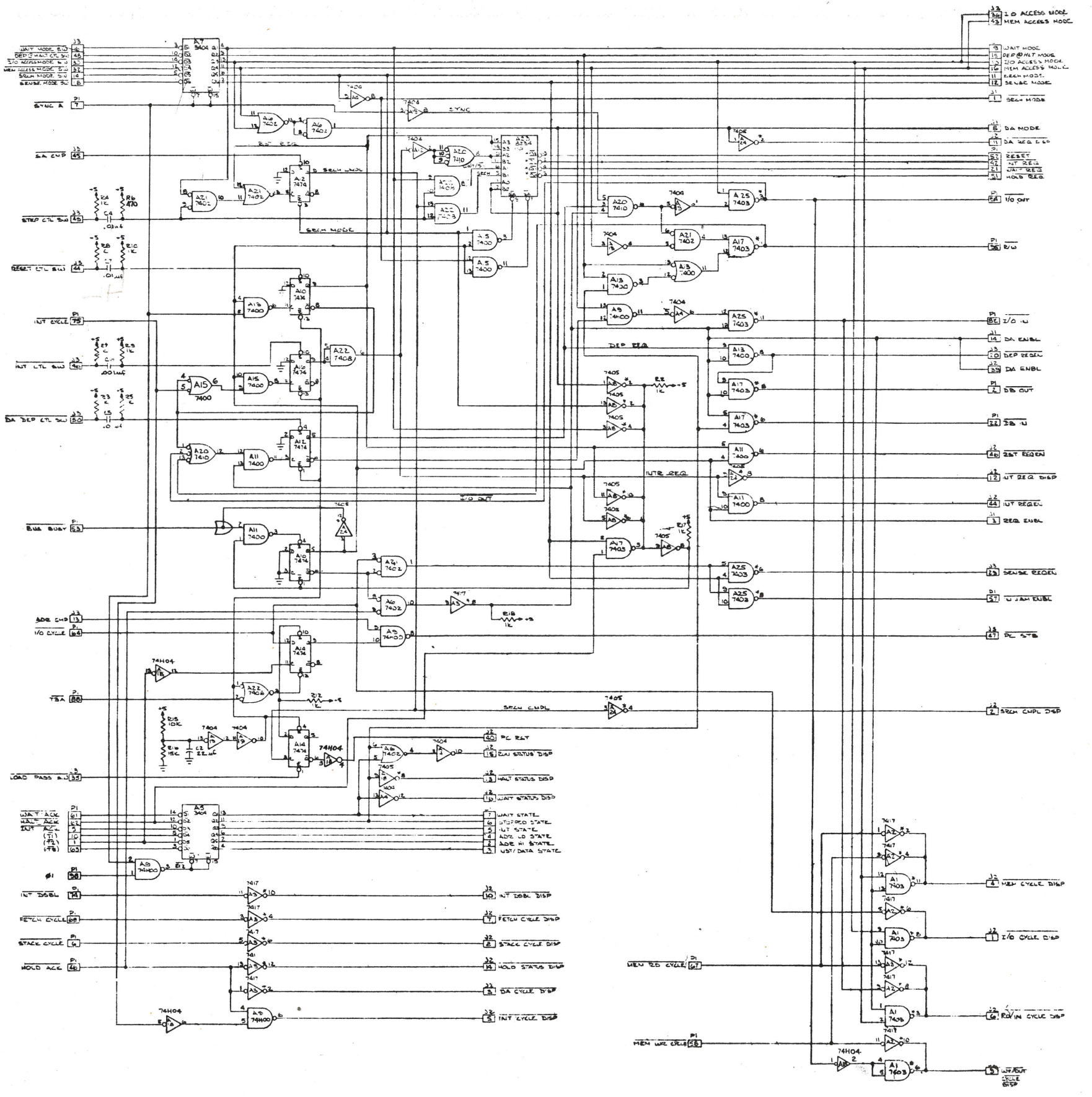


(PI)

NOTE:
 1 ASSEMBLY PART NO. IS 1000269-01
 2 MARK DASH NO. IN POSITION CHAIN

QUANTITY PER DASH NO.		ITEM NO.	PART NUMBER	DESCRIPTION
SCALE: 2:1	TOL. ±	SIGNATURE	DATE	intel 3065 BOWERS AVE. SANTA CLARA CALIF. 95051
2 PLG	3 PLG	DRN BY L.R. FINEF	3/1/74	
MATERIAL:		CHK BY T. MORGAN	4/1/74	TITLE
FINISH:		DFT APPD	5/2/74	PRINTED WIRING ASSEMBLY
NEXT ASSY USED ON		ENGR APPD	4/1/74	FRONT PANEL CONTROLLER
4000283		AUTH BY	3/2/74	SIZE DEPT DRAWING NO.
		CODE	SHEET 1 OF 1	D 410 1000269

REVISIONS				
LTR	DESCRIPTION	SIGNATURE AND DATE		
		DFT	CHK	ENGR
FOR PREVIOUS REVISIONS SEE HISTORY				
A	REDRAWN NO CHANGE			
B	SEE ECO #00216-1	JAG		AAJ



REF DESIGNATION	
NOT USED	NOT USED
A24	R1, R11, R13
C13	R14, C3
R18	

UNUSED GATES	
GATE	NOT USED
A4 (7404)	1, 2, 3, 4
A16 (7474)	1 thru 6
A18 (7405)	10, 11
A24 (7405)	5, 6, 10, 11

UNUSED PINS		
PIN	J3	J2
1	18	29
2	23	48
3	25	49
4	27	51
5	29	53
6	31	55
7	33	57
8	35	59
9	37	61
10	39	63
11	41	65
12	43	67
13	45	69
14	47	71
15	49	73
16	51	75
17	53	77
18	55	79
19	57	81
20	59	83
21	61	85
22	63	87
23	65	89
24	67	91
25	69	93
26	71	95
27	73	97
28	75	99

NOTE: UNLESS OTHERWISE SPECIFIED
1. RESISTANCE VALUES ARE IN OHMS.

QUANTITY PER DASH NO.		ITEM NO.	PART NUMBER	DESCRIPTION
SCALE: NONE		SIGNATURE		DATE
TOL. ±		DRN BY L. FRESE		5-20-74
MATERIAL:		CHK BY T. TOOMEY		5-25-74
FINISH:		DFT APPD T. TOOMEY		5-28-74
1000269 INT 8/MOD 80		ENGR APPD R. GARROW		5-28-74
NEXT ASSY USED ON		AUTH BY S. HOU		5-28-74
		CODE: SHEET 1 OF 1		
PARTS LIST				3065 BOWERS AVE. SANTA CLARA © INTEL 1974 CALIF. 95051
TITLE				SCHEMATIC FRONT PANEL CONTROLLER
SIZE	DEPT	DRAWING NO.	REV	
D	410	2000271	B	

8

7

6

5

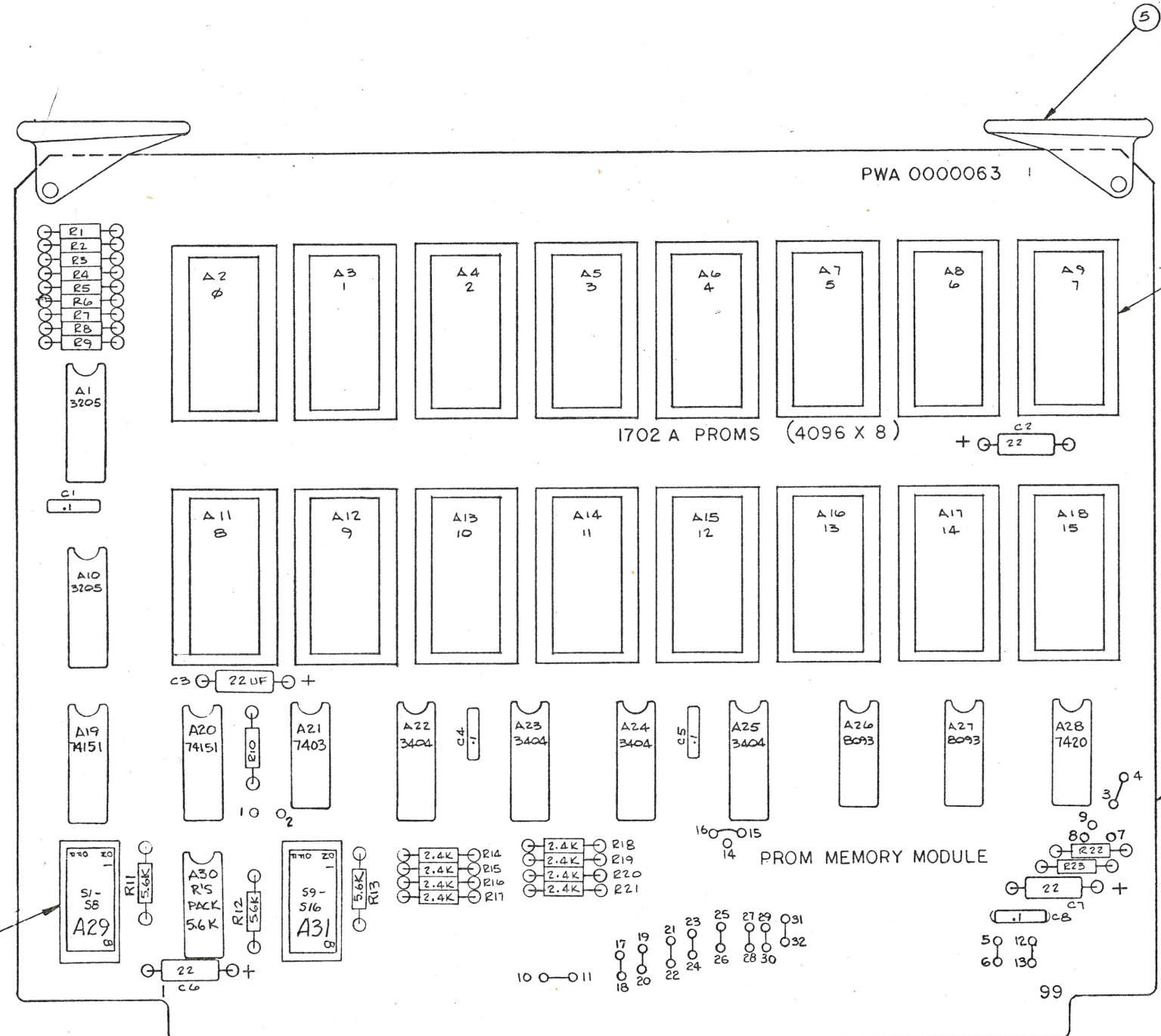
4

3

2

1

REVISIONS				
LTR	DESCRIPTION	SIGNATURE AND DATE		
		DFT	CHK	ENGR
1	ENGRG RELEASE	W.D.	W.D.	6/15/74
A	PRODUCTION RELEASE	L.E.	W.D.	6-17-74



26 2 REQD
27 2 REQD
A29, A31

- NOTES: UNLESS OTHERWISE SPECIFIED
1. RESISTOR VALUES ARE 1K OHMS, 1/4W, 5% OR 10%
 2. CAPACITOR VALUES ARE IN MICROFARADS.
 3. BOARD SHIPPED FROM FACTORY CONFIGURED FOR INTELLEC 8

QUANTITY PER DASH NO.		ITEM NO.	PART NUMBER	DESCRIPTION
SCALE: 2:1	SIGNATURE		DATE	3065 BOWERS AVE. SANTA CLARA CALIF. 95051
TOL ±	2 PLC	3 PLC	ANGLE	
MATERIAL:		DRN BY <i>H. Dwyer</i>		TITLE (1mm 6-26)
FINISH:		CHK BY <i>[Signature]</i>		PRINTED WIRING ASSEMBLY
NEXT ASSY		DFT APPD		PROM MEMORY MODULE
USED ON		ENGR APPD		SIZE DEPT DRAWING NO. REV
		AUTH BY		D 410 1000063 A
		CODE: E SHEET 1 OF 1		

© INTEL 1974

8

7

6

5

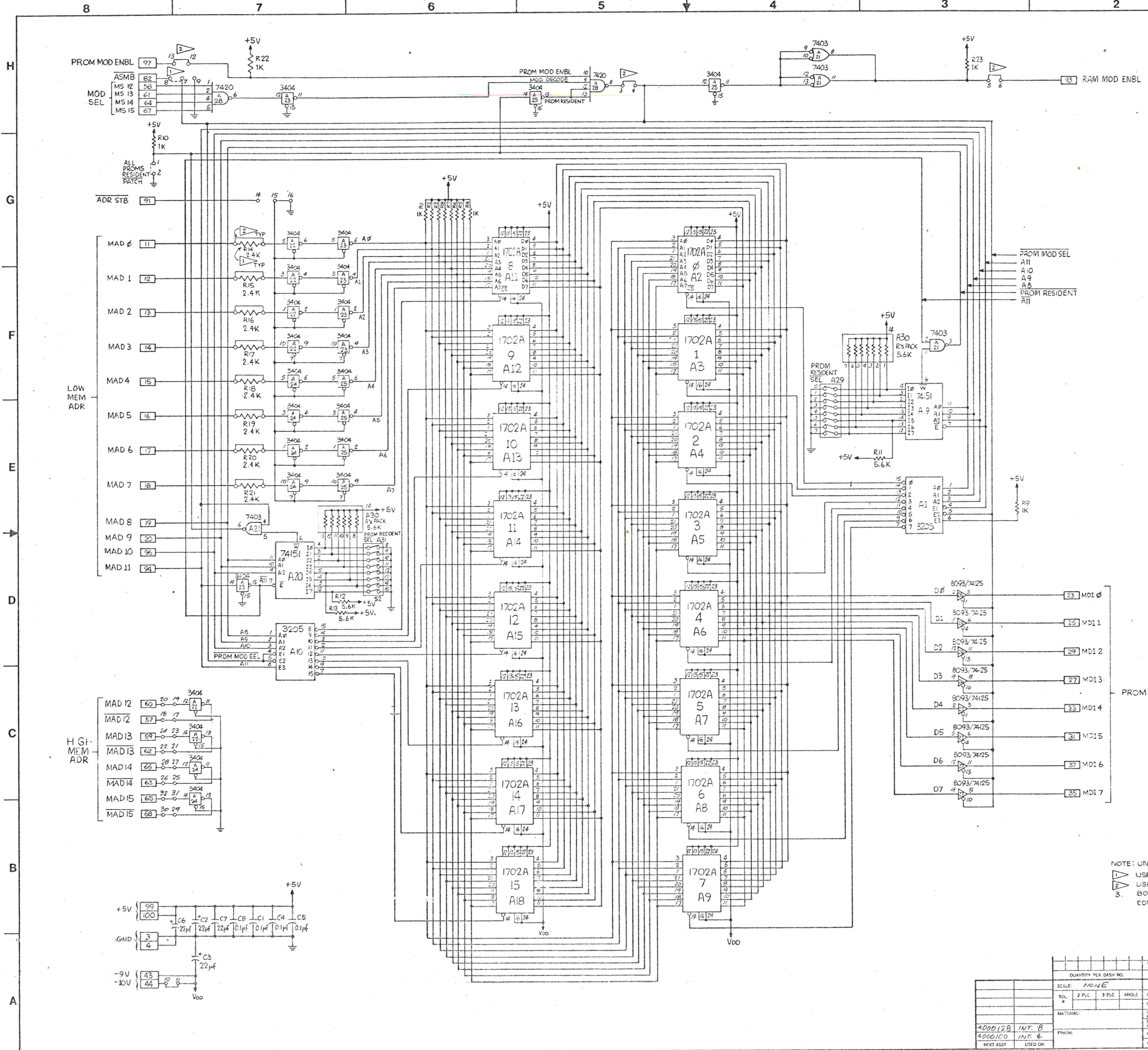
4

3

2

1

REVISIONS		SIGNATURE AND DATE	
LTN	DESCRIPTION	DFT	CHK
A	PRODUCTION RELEASE	L.F.R.	11/1/74

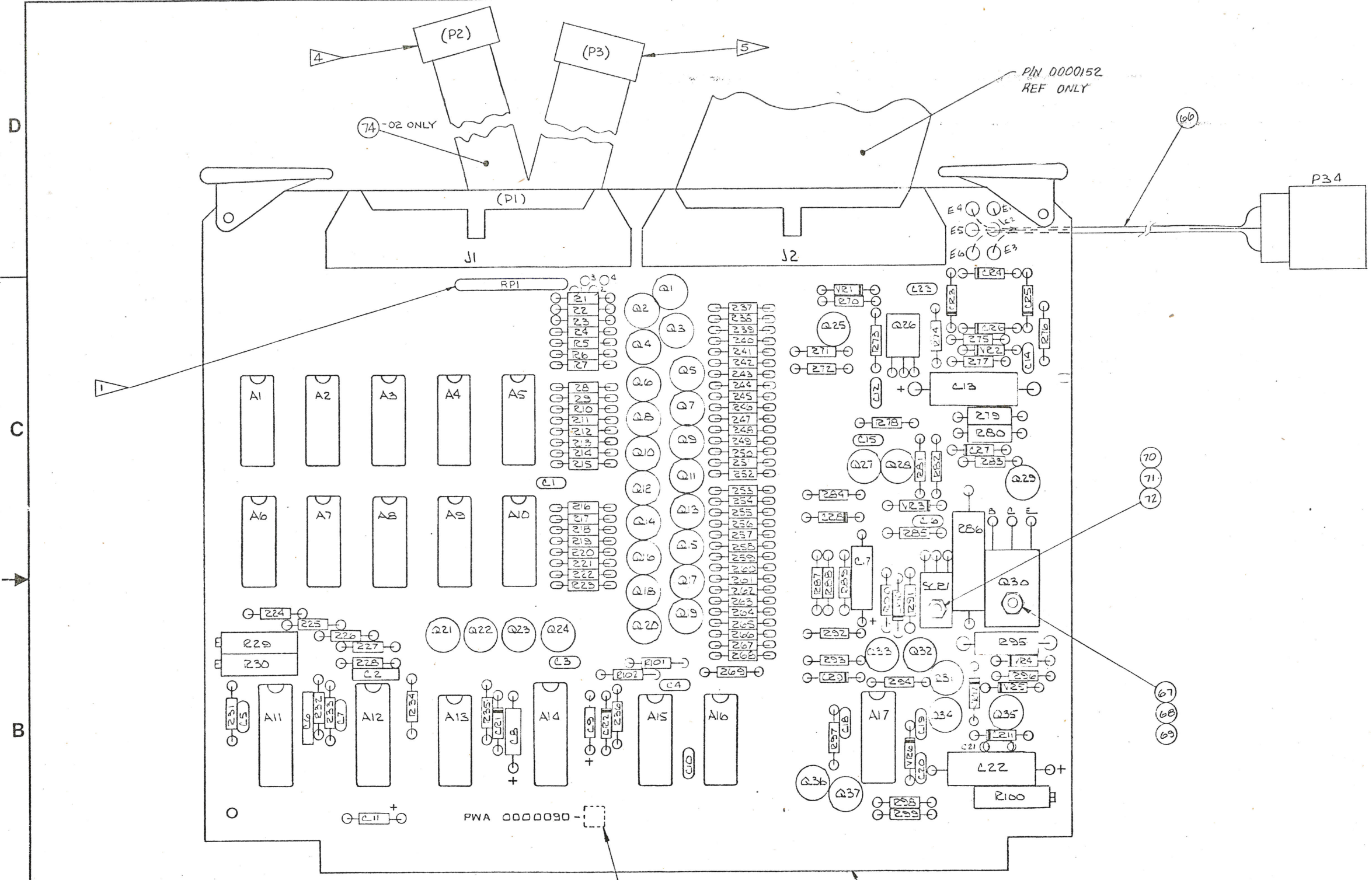


NOTE: UNLESS OTHERWISE SPECIFIED
 1. USED FOR INTELLEC 4 ONLY.
 2. USED FOR INTELLEC 8 ONLY.
 3. BOARD SHIPPED FROM FACTORY CONFIGURED FOR INTELLEC 8

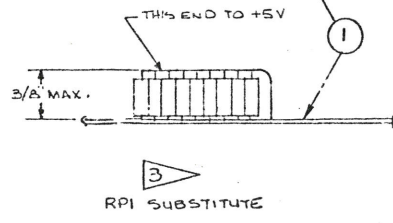
© INTEL 1974

QUANTITY PER DASH NO.		ITEM NO.	PART NUMBER	DESCRIPTION
SCALE: NONE	TOL: 2 PLC 3 PLC	ANGLE	DRN BY: L.R. FRESE	DATE: 5/21/74
MATERIAL:		CHK BY:	TITLE: (Imm 6-26) PROM MEMORY MODULE SCHEMATIC	
4000128 INT: 8	4000100 INT: 4	AUTH BY: S. Hall	DATE: 5-21-74	SIZE: DEPT: DRAWING NO: E 410 2000065
NEXT ASSY:	USED ON:	CODE:	SHEET 1 OF 1	REV: A

REVISIONS				
LTR	DESCRIPTION	DFT	CHK	ENGR
A	ADD J3 A21 PROM RELEASE			
B	ADDED ITEM 46 TO 72. ADDED DETAIL FOR RESISTOR PACK SUBSTITUTE ECO# 00011			
C	ADDED R210 R21 ZELOCATE C4 ECO# 00085			
D	P34 WAS J3 ECO# 00111			
E	SEE ECO # 00129			
F	REMOVE R12, SEE ECO 00137			
G	ADDED R212 ECO# 00148-1			
H	SEE ECO # 00153			
I	SEE ECO # 00184-1			
J	ADDED NEXT ASSY 400324 NO ECO			



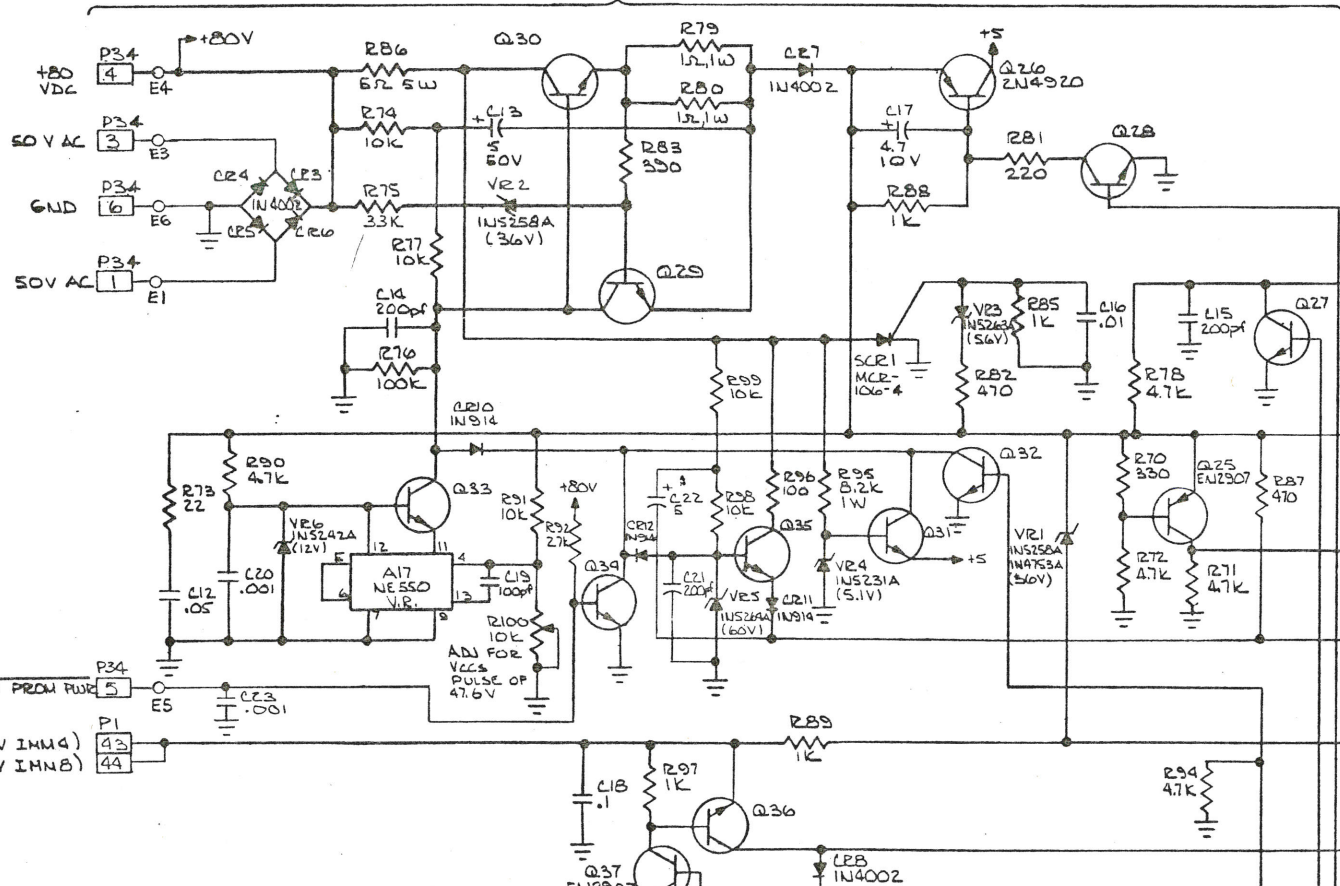
- 1 ASSY PART NO. IS 1000090-XX.
- 2 MARK DASH NO. IN POSITION SHOWN.
- 3 INDIVIDUAL RESISTOR MAY BE SUBSTITUTED IF RESISTOR PACK IS NOT AVAILABLE SEE DETAIL FOR INSTALLATION.
- 4 P3 END OF CABLE CONNECTS TO I/O MODULE, J2.
- 5 P2 END OF CABLE CONNECTS TO I/O MODULE, J3.



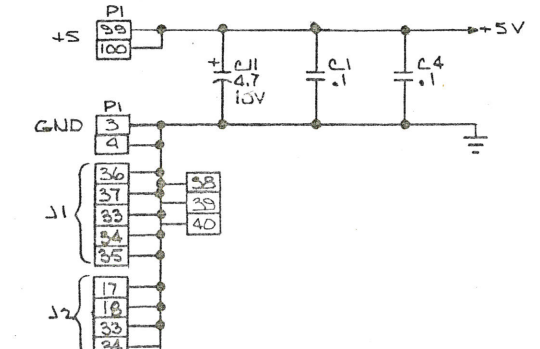
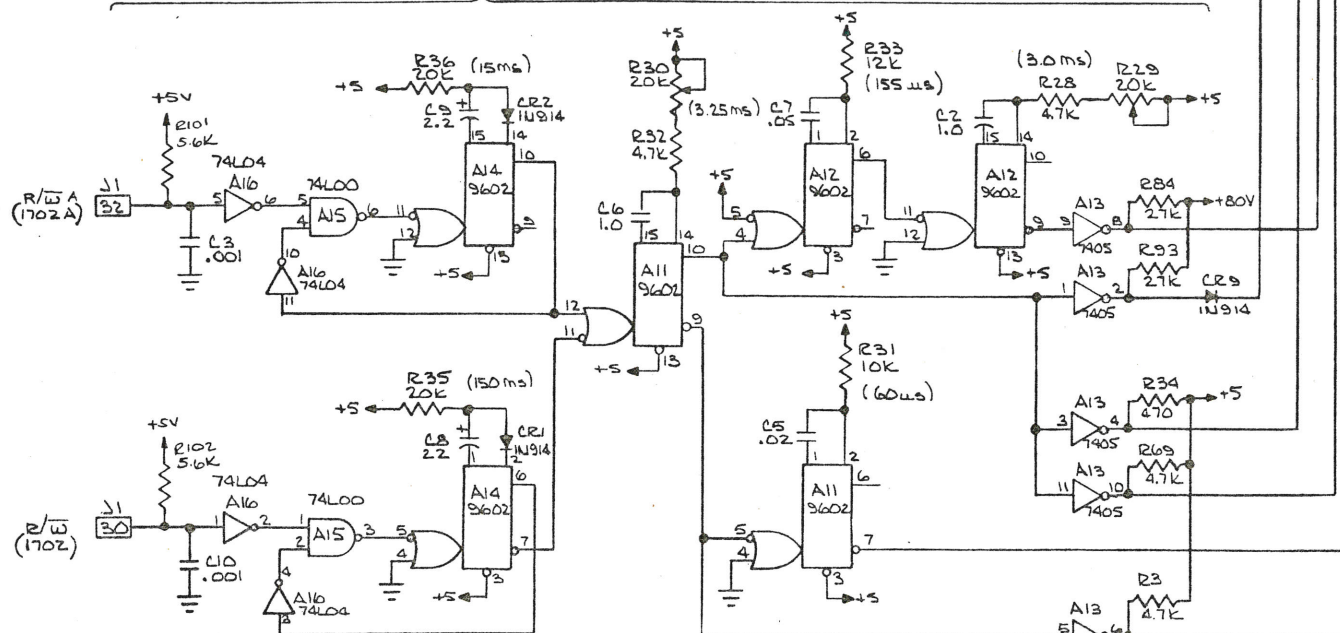
PIN	6	E6		
	5	E5		
	4	E4		
	3	E3	4000324	INT 4 MOD 90
	2		4000283	INT. 6 MOD 80
	1	E1	4000128	INT. 8/-02
	P34	P.W.A.	4000100	INT. 4/-01
			WIRE LIST	NEXT ASSY USED ON

QUANTITY PER DASH NO.		ITEM NO.	PART NUMBER	DESCRIPTION
SCALE: 1:1		SIGNATURE	DATE	intel 3065 BOWERS AVE. SANTA CLARA CALIF. 95051 TITLE PRINTED WIRING ASSEMBLY PROM PROGRAMMER
TOL. 2 PLC 3 PLC ANGLE		DRN BY	DATE	
MATERIAL:		CHK BY	DATE	SIZE DEPT DRAWING NO. REV
FINISH:		AUTH BY	DATE	D 410 1000090 J
		CODE:	SHEET 1 OF 1	

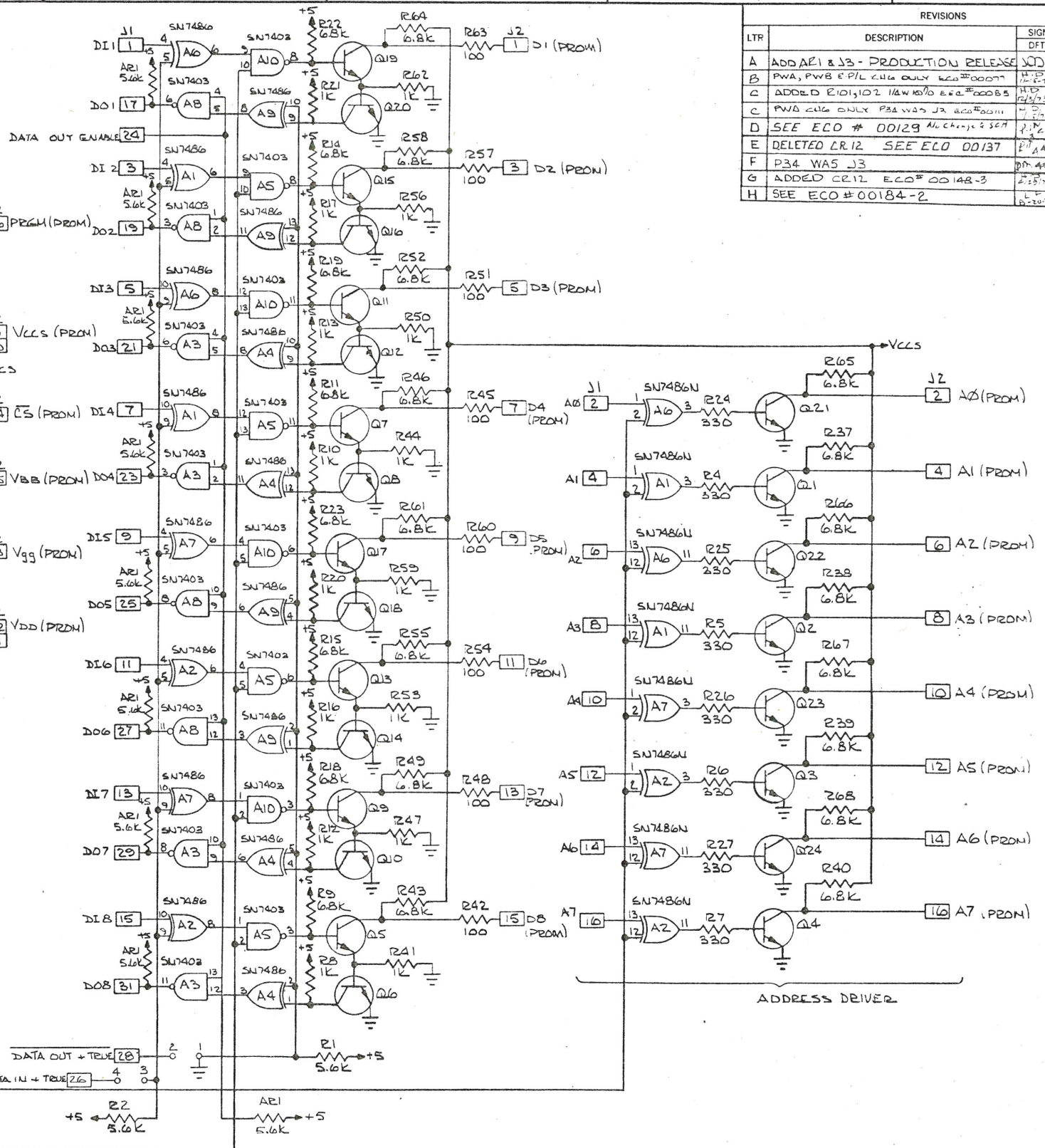
POWER SUPPLY REGULATOR



PROGRAM PULSE TIMING



NOTES: UNLESS OTHERWISE SPECIFIED
 1. ALL RESISTOR ARE IN OHMS 1/4W ±10%.
 2. ALL CAPACITORS ARE IN MICROFARADS.
 3. ALL TRANSISTORS ARE SE6021, 2N3568, OR 2N3722.



DATA DRIVER
 ADDRESS DRIVER

REVISIONS			
LTR	DESCRIPTION	SIGNATURE AND DATE	
		DFT	CHK ENGR
A	ADD A1 & J3 - PRODUCTION RELEASE	[Signature]	11/12/73
B	PWA, PWB EPL ONLY ECO# 00007	[Signature]	11/13/73
C	ADDED D01, D02 14W 10/10 EPL# 00085	[Signature]	11/13/73
D	PWB ONLY P3A WAS J3 ECO# 00011	[Signature]	11/13/73
E	SEE ECO # 00129 No change to SCA	[Signature]	11/13/73
F	DELETED CR12 SEE ECO 00137	[Signature]	11/13/73
G	P3A WAS J3	[Signature]	11/13/73
H	ADDED CR12 ECO# 00148-3	[Signature]	11/13/73
	SEE ECO# 00184-2	[Signature]	11/13/73

SIGNAL REFERENCE CHART		
PROGRAMMER	INTELLEC 4	INTELLEC 8
D11-B	ROM OUTPUT PORTS 2 & 3	OUTPUT PORT 3
D01-B	ROM INPUT PORTS 2 & 3	INPUT PORT 2
A0-7	ROM OUTPUT PORTS 0 & 1	OUTPUT PORT 2
R/W A	RAM PORT 1 BIT 1	OUTPUT PORT 1 BIT 7
R/W	RAM PORT 1 BIT 2	OUTPUT PORT 1 BIT 6
DATA OUT ENABLE	SWITCH ON REAR PANEL	OUTPUT PORT 1 BIT 3

QUANTITY PER DASH NO.	ITEM NO.	PART NUMBER	DESCRIPTION
SCALE: NONE	SIGNATURE		DATE
TOL: 2 PLC 3 PLC ANGLE	CHK BY: [Signature]		10-12-73
MATERIAL:	DFT APFD ENGR APPD		11/12/73
FINISH:	AUTH BY: [Signature]		11/12/73
NEXT ASSY USED ON	CODE:	SHEET 1 OF 1	REV H

intel 3065 BOWERS AVE. SANTA CLARA CALIF. 95051

TITLE: SCHEMATIC PROM PROGRAMMER

SIZE: D 410 DEPT: 2000092

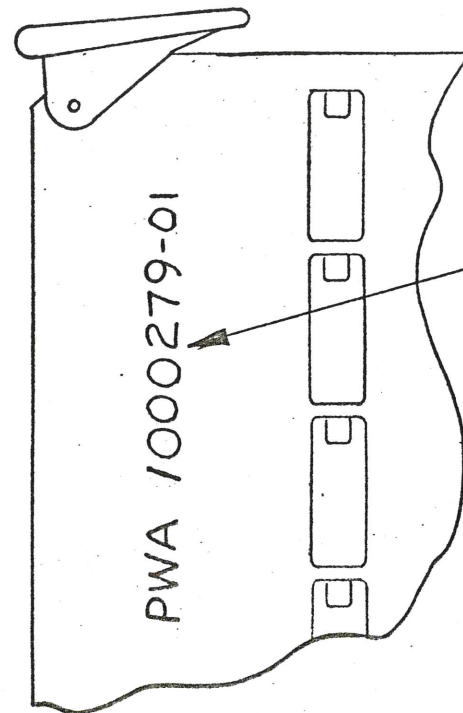
© INTEL 1974

REVISIONS				
LTR	DESCRIPTION	SIGNATURE AND DATE		
		DFT	CHK	ENGR
—	PRODUCTION RELEASE	<i>[Signature]</i> 5/6/74	<i>[Signature]</i> 5/8/74	<i>[Signature]</i> 5/8/74
A	ADDED NEXT ASSY 4000324 NO ECO	<i>[Signature]</i> 10/14/74	<i>[Signature]</i> 9/2/74	<i>[Signature]</i> 10/15/74


PRINTED WIRING ASSEMBLY RAM MEMORY MODULE
 MANUFACTURERS PART NO. 05-0042-XX
 SUPPLIER : INTEL MEMORY SYSTEMS

PRINTED WIRING ASSEMBLY TO BE SUPPLIED
 WITH CURRENT PRINT OF SCHEMATIC 01-0136-XX
 AND ASSEMBLY DRAWING 05-0042-XX

-XX IS THE CURRENT ISSUE NUMBER.

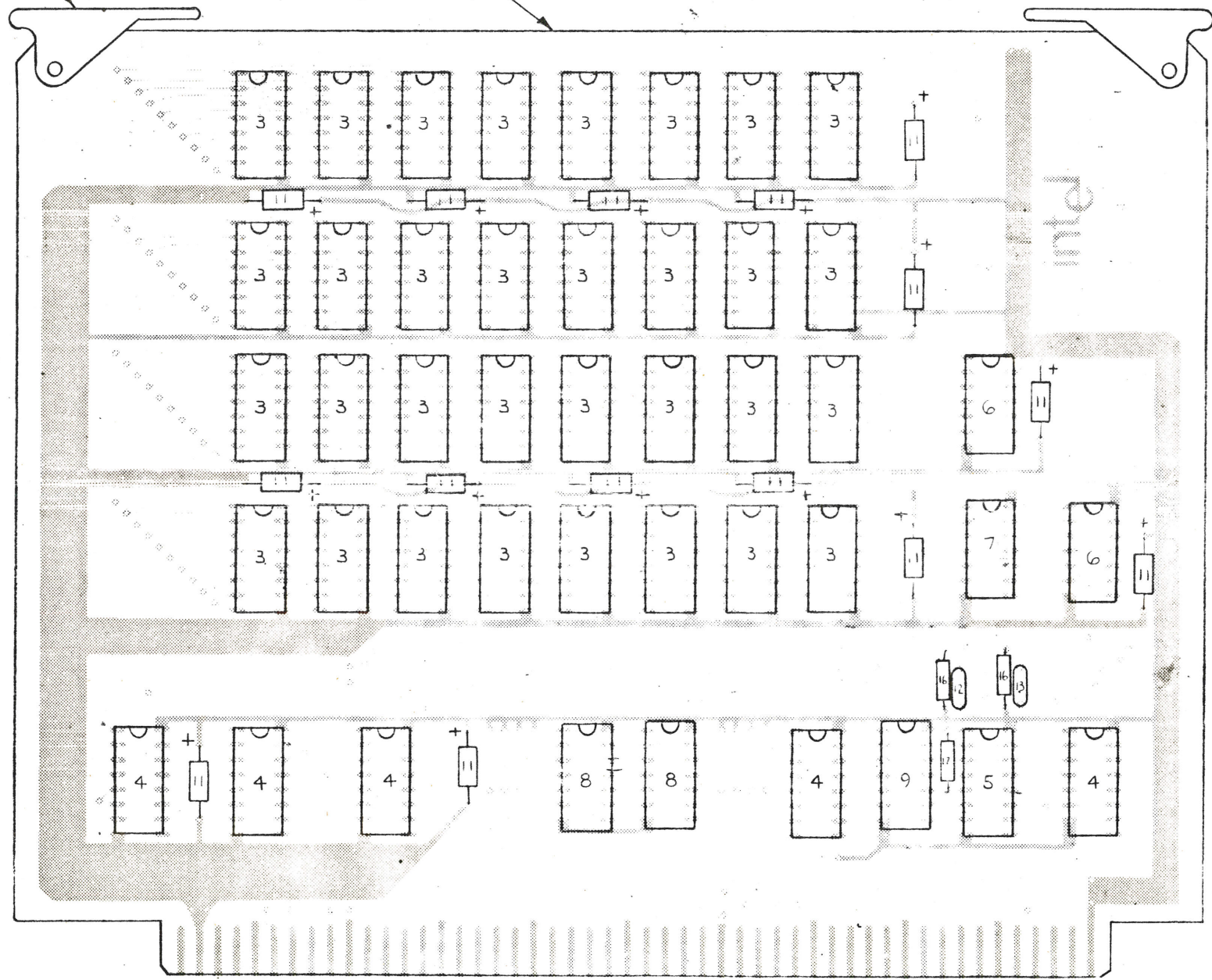


INK STAMP IN AREA SHOWN
 PART NO. PWA 1000279-01

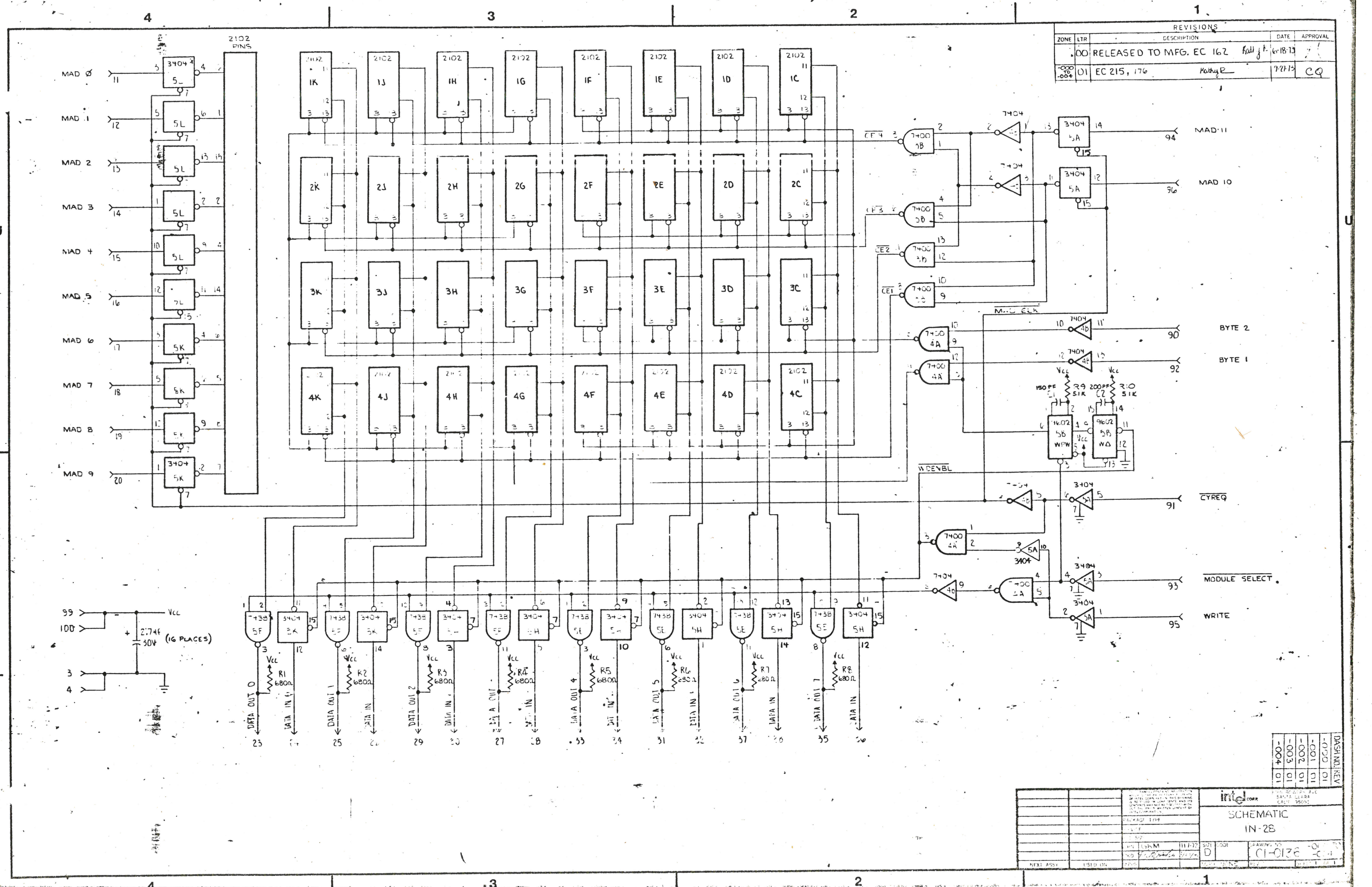
		ITEM NO.	PART NUMBER	DESCRIPTION
		QUANTITY PER DASH NO.		
		SCALE: _____		
		SIGNATURE		
		DATE		
		DRN BY <i>L.R. FRESE</i>		
		5/6/74		
		CHK BY <i>L. [Signature]</i>		
		5/8/74		
		DFT APPD <i>[Signature]</i>		
		ENGR APPD <i>EP Wash</i>		
		3/1/74		
		AUTH BY <i>S. Hon</i>		
		5/4/74		
		CODE: — SHEET 1 OF 1		
		 3065 BOWERS AVE. SANTA CLARA INTEL 1973 CALIF. 95051		
		PRINTED WIRING ASSY RAM MEMORY MODULE		
		SIZE	DEPT	DRAWING NO.
		B	410	1000279
				REV
				A
4000324	INT4 MOD40	MATERIAL:		
4000283	INT8/MOD20			
4000128	INT.8/MOD8			
4000100	INT. 4			
NEXT ASSY	USED ON	FINISH:		

REVISIONS				
ZONE	LTR	DESCRIPTION	DATE	APPROVAL
00		RELEASE TO MFG EC 164	6-19-73	Kathy R.
01		EC # 188	10-8-73	CP
02		EC # 283	12-17-73	CP
03		E.C. 277 6V/1.5A/1	2/25/74	LT

19
Z REQ'D



<small>THIS DRAWING CONTAINS INFORMATION WHICH IS THE PROPRIETARY PROPERTY OF INTEL CORPORATION. THIS DRAWING IS REPRODUCED IN CONFIDENTIALITY AND ITS CONTENTS MAY NOT BE DISCLOSED WITH OUT THE PRIOR WRITTEN CONSENT OF INTEL CORPORATION.</small>			
		ASSEMBLY DRAWING IN-28	
Kathy R. 6-19-73 G. Hanley 6-19-73	D	05-0042-000	03

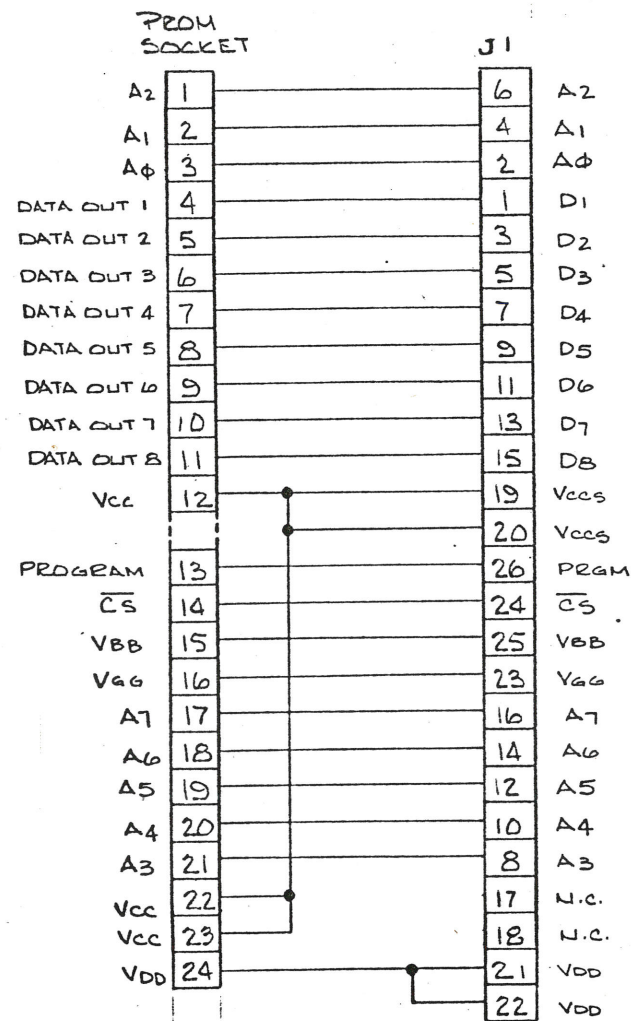


REVISIONS				
ZONE	LTR	DESCRIPTION	DATE	APPROVAL
	00	RELEASED TO MFG. EC 162	6-18-73	
	01	EC 215, 176	7-7-73	CQ

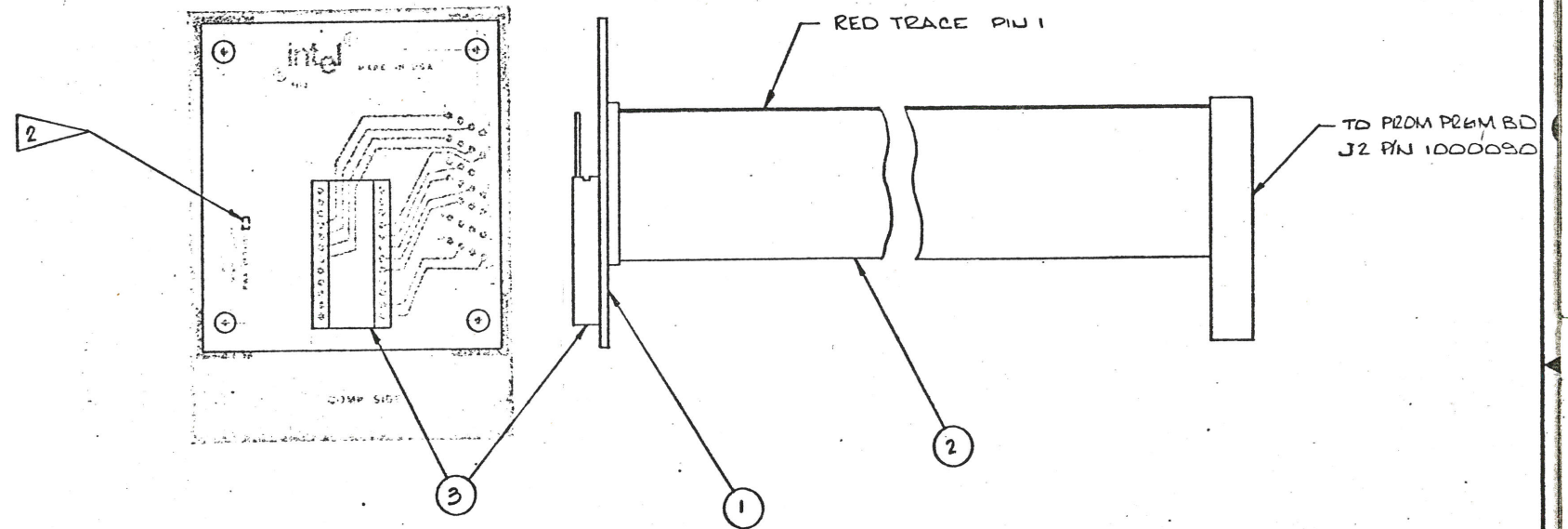
DASH NO.	REV
-000	01
-001	01
-002	01
-003	01
-004	01

INTEL CORP.		SCHEMATIC	
		IN-28	
DATE	REV	DRAWING NO.	REV
		CI-0126	
PACKAGE TYPE	SIZE	DATE	
DESIGNED BY	CHECKED BY	DATE	
NEXT ASSY	USED ON		

REVISIONS				
LTR	DESCRIPTION	SIGNATURE AND DATE		
		DFT	CHK	ENGR
A	PRODUCTION RELEASE	J.D.	T.M.	1/10/73
B	ECD# 00186-5	J.D.	S.P.	1/23/73
C	ADDED NEXT ASSY 4000328 NO ECO	J.D.	S.P.	1/23/73



SCHMATIC
PART NO. 2000154



NOTES:

- ASSY PART NO. IS 1000152-D1.
- MARK DASH NO. IN POSITION SHOWN

ITEM NO.	PART NUMBER	DESCRIPTION
1	3	68-008 24 PIN SOCKET, TEXTOL
1	2	4000168-07 FLAT CABLE, DWG.
1	1	1000153 PRINTED WIRING BOARD

SCALE: NONE		SIGNATURE		DATE
TOL. ±	2 PLC	3 PLC	ANGLE	DRN BY: J.D. 1/17/73
MATERIAL: SEE PARTS LIST				CHK BY: T. MORGAN 1/22/73
FINISH: -				DFT APPD: S. PUGH 1/17/73
AUTH BY: J.D.				ENGR APPD:
CODE:	SHEET	OF	TITLE: PROM SOCKET ASSY & SCHEMATIC	
SIZE: C 410			DEPT: 1000152	REV: C

D
C
B
A

4

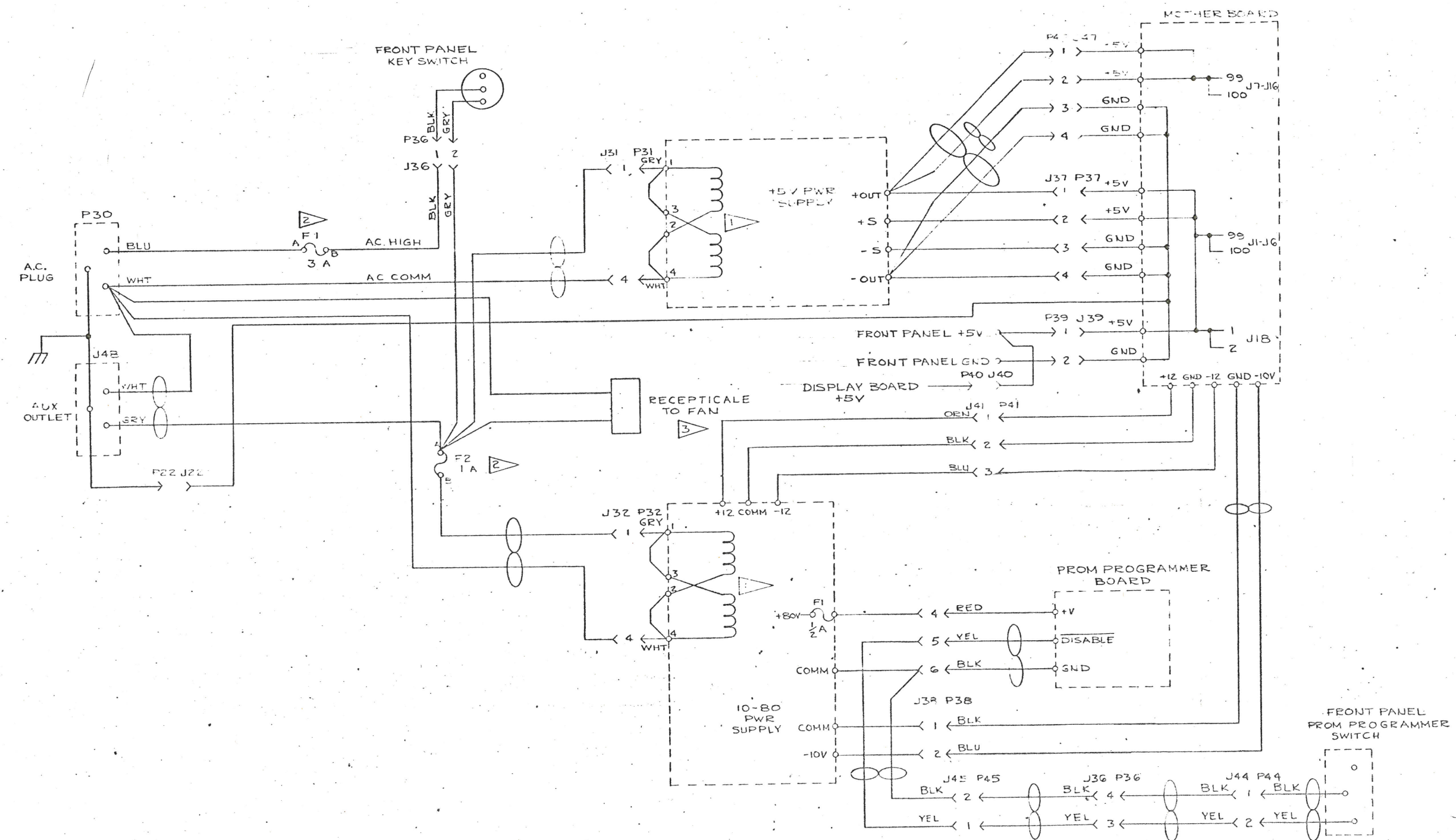
3

2

1

B6

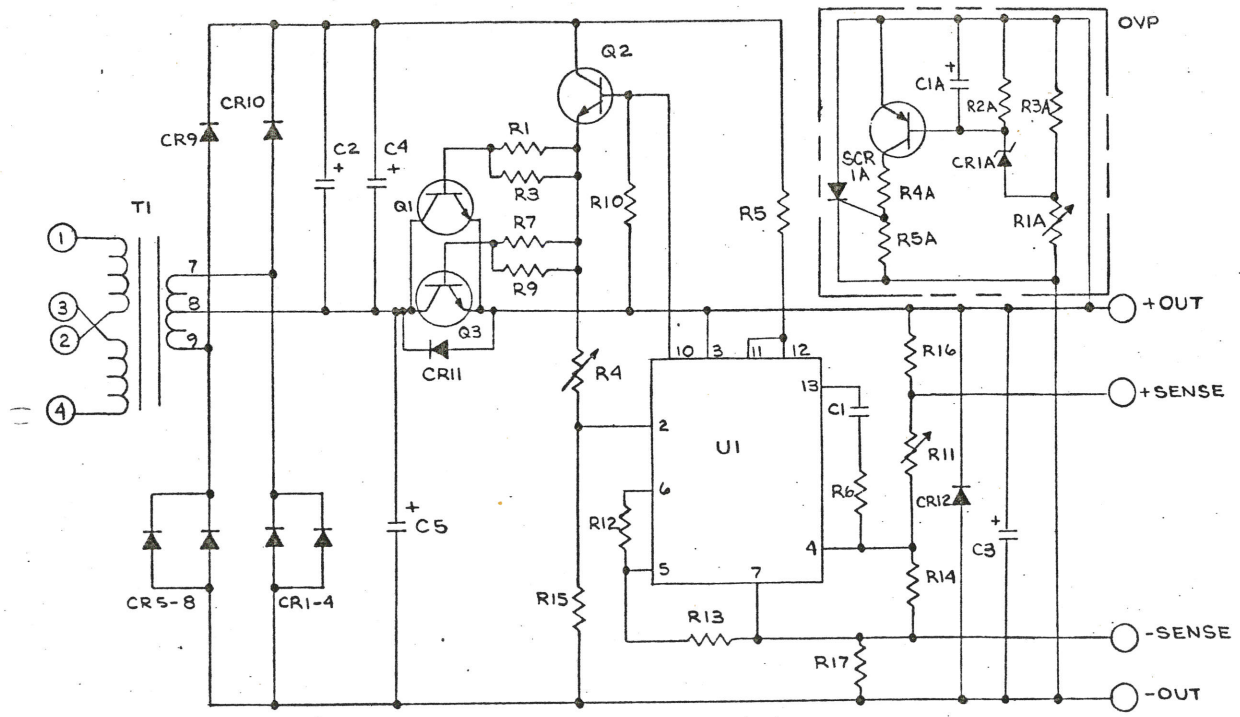
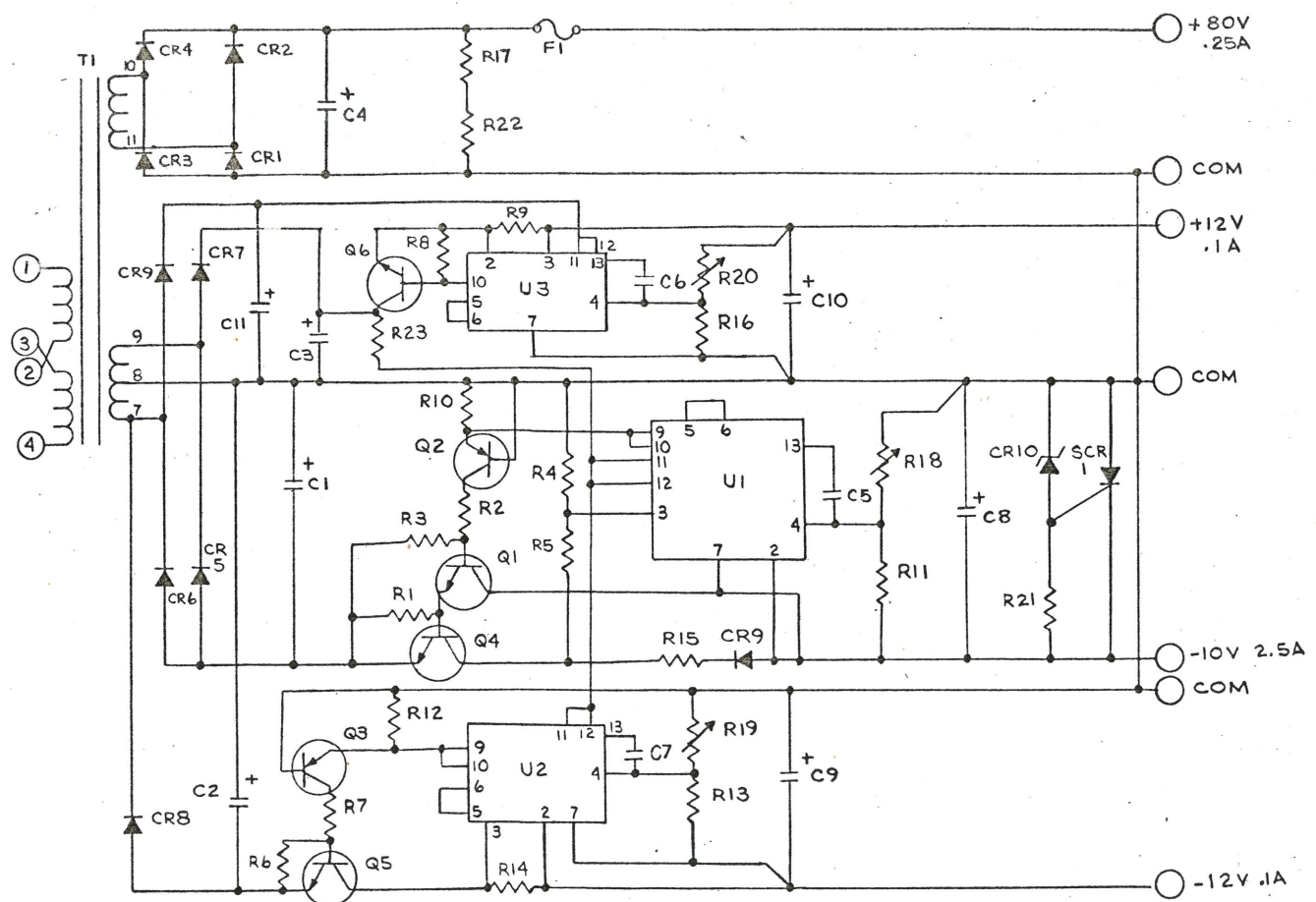
REVISIONS			SIGNATURE AND DATE	
LTR	DESCRIPTION	DET	CHK	ENGR
A	RELEASE TO PROD			



- NOTES:
- 1 TRANSFORMERS CONNECTED FOR 115V; FOR 230V, PIN 1 AC HIGH, PINS 2&3 JUMPERED TOGETHER, PIN 4 AC COMM, (2PL)
 - 2 FOR 230V F1=1 1/2 A; F2= 1/2 A.
 - 3 UNITS SHIPPED TO EUROPE HAVE 230V FAN; 115V FAN USED IN U.S.A. MODEL.

QUANTITY PER DASH NO.		ITEM NO.	PART NUMBER	DESCRIPTION
SCALE		SIGNATURE	DATE	 3065 BOWFRS AVE SANTA CLARA CALIF. 95051
TOL	2 PLG 3 PLG ASLE	DRN BY		
MATERIAL		CHK BY		TITLE
FINISH		LET		AC-DC PWR
DATE		ENGR		DISTB.
AUTH BY		APPR		SIZE
CODE		DATE		DPT
				DRAWING NO.
				REV

REVISIONS				
REV.	SYM.	DESCRIPTION	DATE	APP'D.



REF DES	CP110	DESCRIPTION
C1	4000/30	CAPACITOR ALUM ELECT.
C2,3	470/25	
C4	500/100	
C8,9,10	100/25	ALUM ELECT.
C5,7	.01/100	MYLAR
C6	.001/100	CAPACITOR MYLAR
CR1,2,3,4,7,8	AE1C	DIODE 1A 200V
CR5,6,9	AE3B	3A 100V
CR10	1N759A	DIODE ZENER 400MV 12V
SCR1	5030LS3	SCR 3A
U1,2,3	μa723	I.C. VOLTAGE REGULATOR
Q1	2N2218A	TRANSISTOR SIGNAL NPN
Q2,3	2N2906	SIGNAL PNP
Q4,5,6	2N3055	TRANSISTOR POWER NPN
F1	0.5A	FUSE 3AG FAST BLOW
R1,2,3,6,7,10,11,12,13,16	1.6K	RESISTOR 1/2W CARBON
R17,22,8	10K	
R4	4.7K	
R5,23	270Ω	
R21	47Ω	
R9,14	4.7Ω	1/2 W CARBON
R15	.12Ω	RESISTOR 2W, WW, BWH
R18,19,20	1.5K	POTENTIOMETER 2W WW
T1	12030A	TRANSFORMER POWER
PCB	12044	PRINTED CIRCUIT BOARD
CHASSIS	12178	CHASSIS ALUM

REF DES	D5-12.0 S113	DESCRIPTION
C1	.001/100	CAPACITOR FILM
C2,3,4	1000/16	CAPACITOR ELECT.
C5	50000/15	CAPACITOR ELECT.
C1A	1/50	CAPACITOR ELECT.
CR1-8,12	AE3B	DIODE 3A 100V
CR9,10,11	AE1C	DIODE 1A 200V
Q1,2,3	2N3055	TRANSISTOR POWER
Q1A	2N2907A	TRANSISTOR
CR1A	1N752A	DIODE ZENER
R1,3,5,6,7,9,16,17	7.5Ω or 6.8Ω	RESISTOR 1/2W 5% CF
R10,12,13,15	2.2K	RESISTOR 1/2W 5% CF
R14	1.6K	RESISTOR 1/4W 2% MF
R2A,3A,5A	330Ω	RESISTOR 1/2W 5% CF
R4,11,1A	1.5K	POTENTIOMETER 2W, WW
R4A	47Ω	RESISTOR 1/2W 5% CF
T1	11053-S101	POWER TRANSFORMER
SCR1A	5050BL3	SCR 8A
PCB	11050	PRINTED CIRCUIT BOARD
U1	μa723	I.C. VOLTAGE REGULATOR
PCB OVP	11160	PRINTED CIRCUIT BOARD
CHASSIS	11051	CHASSIS, ALUM

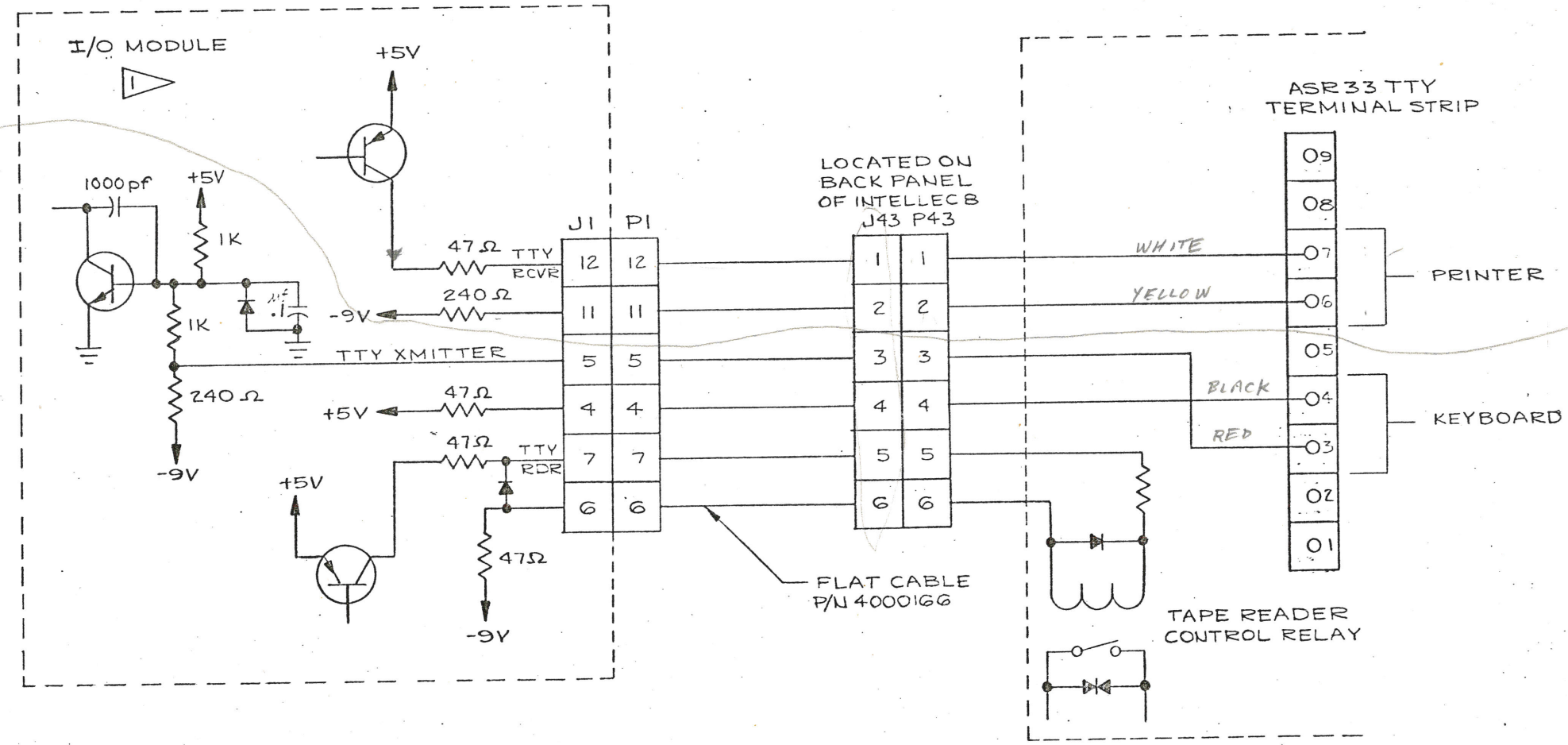
DASH NO.	NEXT ASSEMBLY	NO. REQ'D	FINAL ASSEMBLY	MODEL NUMBER	DESCRIPTION	MAT'L SPEC.	FIN. WT.

APPLICATION		DESCRIPTION	
DRAWN V.S.	DATE 11/19/64	BASIC MODEL TITLE	
CHECKED	DATE	BASIC MODEL NUMBER	
APPROVED	DATE	DRAWING TITLE	
APPROVED	DATE		
DO NOT SCALE PRINT			
SCALE: NONE			

TOLERANCES UNLESS OTHERWISE SPEC'D DIMS ARE IN INCHES FRACTIONS 1/16" DECIMALS .005" ANGLES 12° REMOVE BURRS & SHARP EDGES .005 MAX SURFACE FINISH 125/1000 MAX	MATERIAL TREATMENT	POWER ONE INC. 531 DAWSON AVE. CAMARILLO, CALIF. DRAWING NUMBER SHEET — OF —
--	---------------------------	---

REVISIONS				
LTR	DESCRIPTION	SIGNATURE AND DATE		
		DFT	CHK	ENGR
A	RELEASE TO PROD	<i>[Signature]</i>	<i>[Signature]</i>	<i>[Signature]</i>

D
C
B
A



NOTE:
 ▽ FOR INT 8 MOD 8;
 ASSY: 1000136
 REF SCHEMATIC: 2000138
 ▽ FOR INT 8 MOD 80;
 ASSY: 1000263
 REF SCHEMATIC: 2000265

ITEM NO.	PART NUMBER	DESCRIPTION
QUANTITY PER DASH NO.		
SCALE:		SIGNATURE
TOL. ±	2 PLC 3 PLC ANGLE	DATE
MATERIAL:		DRN BY
FINISH:		CHK BY
NEXT ASSY USED ON		DFT APPD
		ENGR APPD
		AUTH BY
		CODE: SHEET 1 OF 1

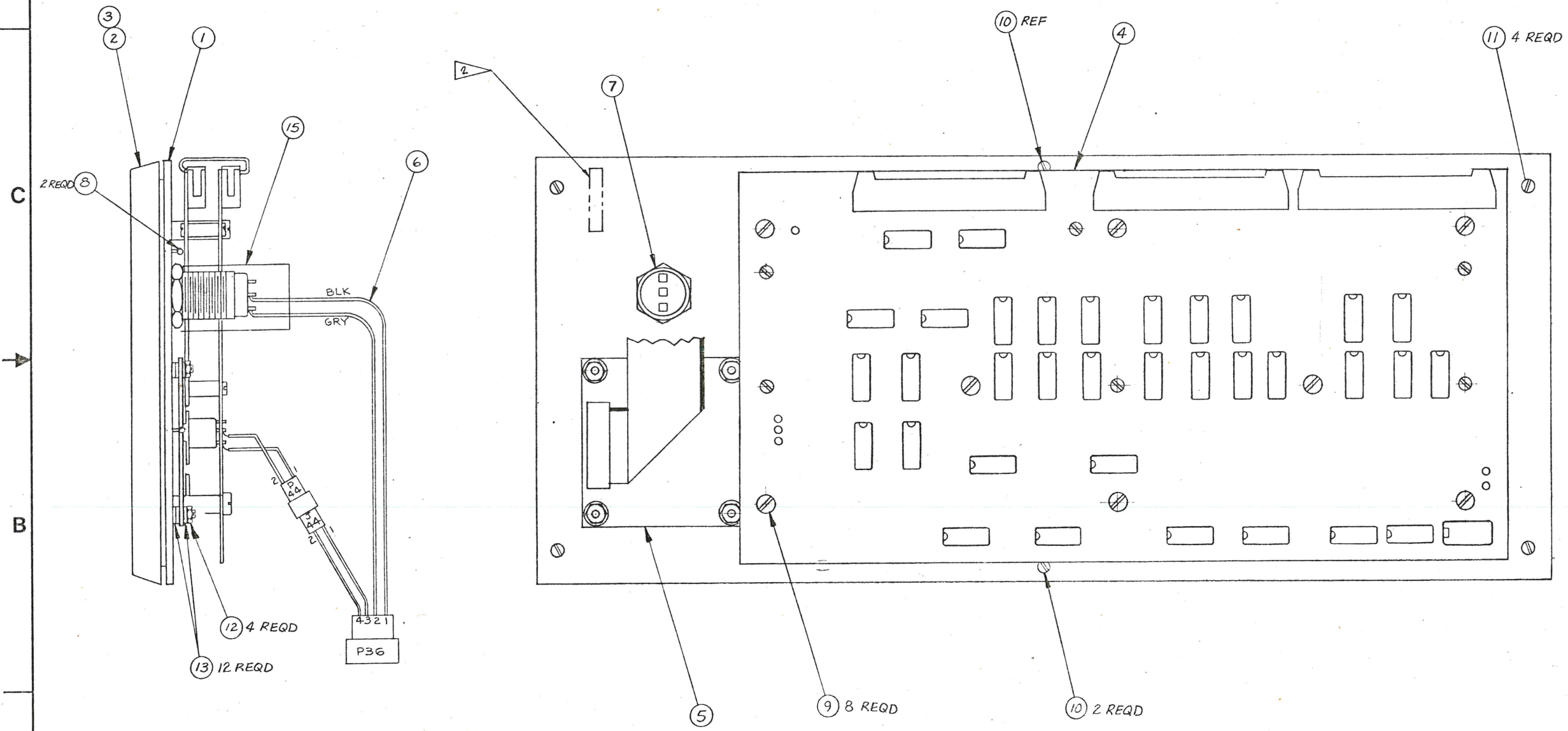
PARTS LIST		3065 BOWERS AVE. SANTA CLARA INTEL 1974 CALIF. 95051	
TITLE		SCHEMATIC, TTY, REF (INTELLEC 8)	
SIZE	DEPT	DRAWING NO.	REV
C		2000326	A

4 3 2 1

4 3 2 1

8 7 6 5 4 3 2 1

REVISIONS				
LTR	DESCRIPTION	SIGNATURE AND DATE		
		DFT	CHK	ENGR
A	PRODUCTION REL	11-27	11/27	11/27
B	SEE ECO #00146	11-17	11/27	11/27



NOTES:
 1. ASSY PART NO. IS 4000150-01
 2. INK STAMP PART NO. IN POSITION SHOWN WITH PREFIX "ASSY."

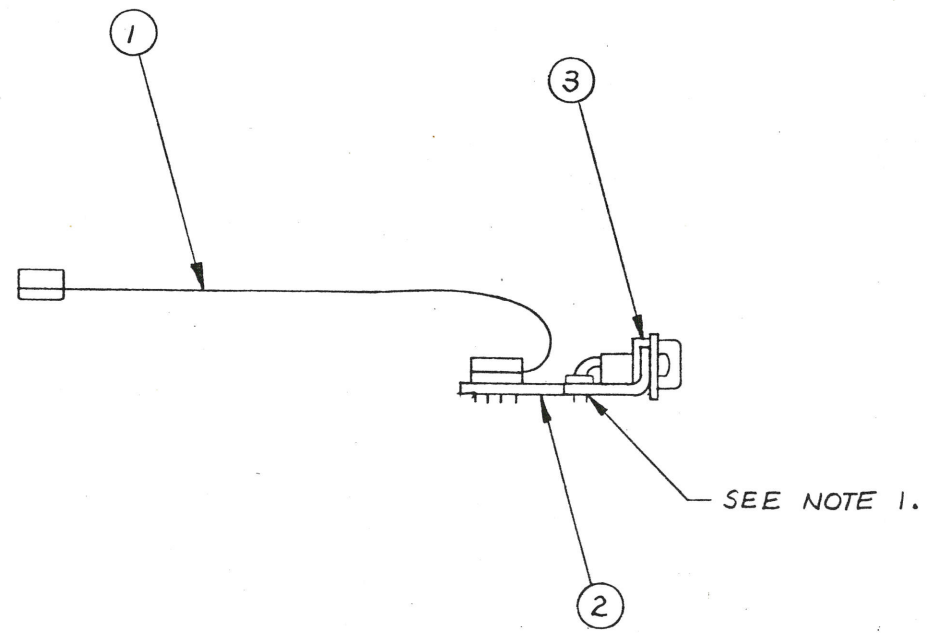
© INTEL 1974

QUANTITY PER DASH NO.		ITEM NO.	PART NUMBER	DESCRIPTION
SCALE: 1:1		SIGNATURE		DATE
TOL. #	2 PLC 3 PLC ANGLE	DRN BY L. FRESE		11-3-73
MATERIAL: SEE PARTS LIST		CHK BY M. Yen		11-27-73
FINISH:		DFT APPD		11-27-73
4000150 INTELLEC 8		ENGR APPD		M. Yen
NEXT ASSY	USED ON	AUTH BY M. Yen		11-27-73
		CODE: SHEET 1 OF 1		
PARTS LIST				intel 3065 BOWERS AVE. SANTA CLARA CALIF. 95051
TITLE				FRONT PANEL ASSEMBLY
SIZE	DEPT	DRAWING NO.	REV	
D	410	4000150	B	

8 7 6 5 4 3 2 1

REVISIONS				
LTR	DESCRIPTION	SIGNATURE AND DATE		
		DFT	CHK	ENGR
A	PRODUCTION RLS	11-9-75	T.M. 11/13/75	11/13/75

D
C
B
A



APPLICATION TABLE

OPTION	SYSTEM	USAGE
-01	INT. 4	MOTHERBOARD & GEN. PURPOSE I/O TO CONN. BOX
-02	INT. 4	GEN. PURPOSE I/O TO CONN BOX
-03	INT 8	I/O ϕ TO CONN BOX
-04	INT. 8	I/O 1 TO CONN BOX
-05	INT 8	OUTPUT BD TO CONN BOX

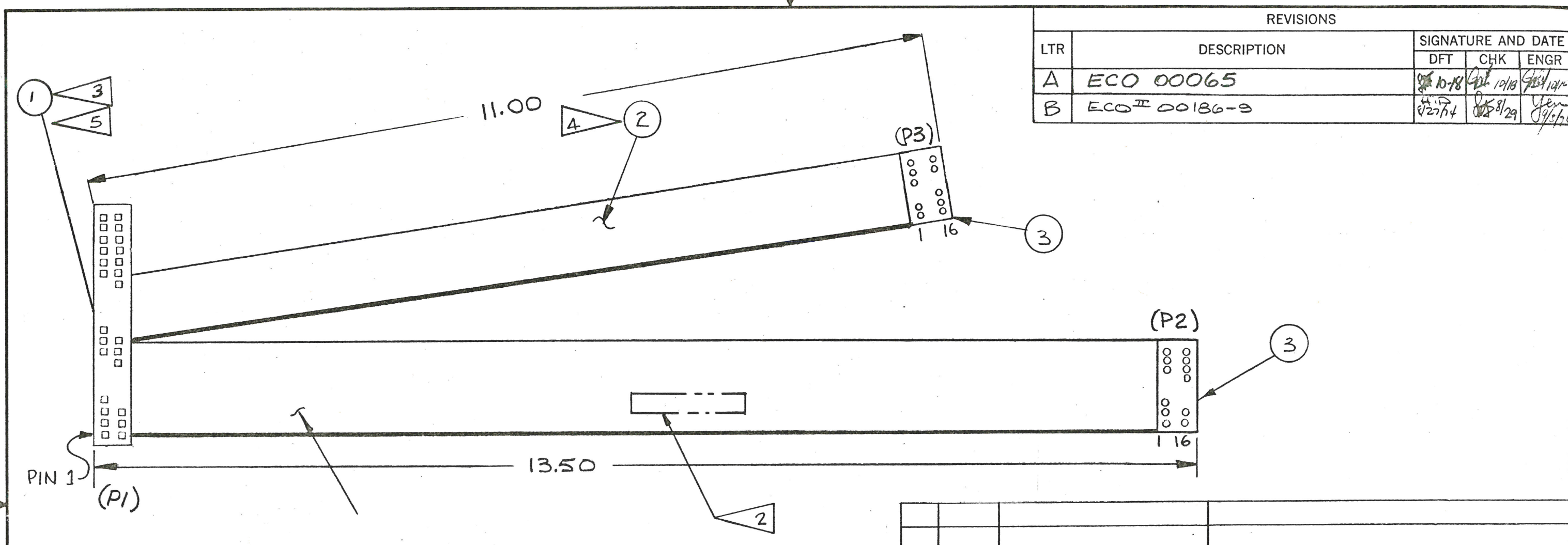
NOTE: UNLESS OTHERWISE SPECIFIED
1. TRIM LEADS ON SOLDER SIDE OF BOARD TO BE FLUSH.

© INTEL 1974

	1	1	1	1	1	3	205860-1	CONNECTOR, AMP
				1	1	2	1000177	PWB INTELLEC 4
	1	1	1			2	1000174	PWB INTELLEC 8
						1	4000168-01	FLAT CABLE
	1					1	4000168-08	FLAT CABLE
		1				1	4000168-02	FLAT CABLE
	-05	-04	-03	-02	-01	ITEM NO.	PART NUMBER	DESCRIPTION

SCALE: NONE		SIGNATURE		DATE		 3065 BOWERS AVE. SANTA CLARA CALIF. 95051	
TOL. ±		DRN BY L.R. FRESE		11-2-75			
MATERIAL: SEE PARTS LIST		CHK BY T.M. 11/11/75		11/14/75		TITLE INTELLEC SYSTEM I/O CABLE	
FINISH:		DFT APPD		ENGR APPD		SIZE DEPT DRAWING NO. REV	
1000075 INT 4		AUTH BY		CODE: SHEET 1 OF 1		C 4000237 A	
4000274 INT 4/8							
NEXT ASSY USED ON							

4 3 2 1



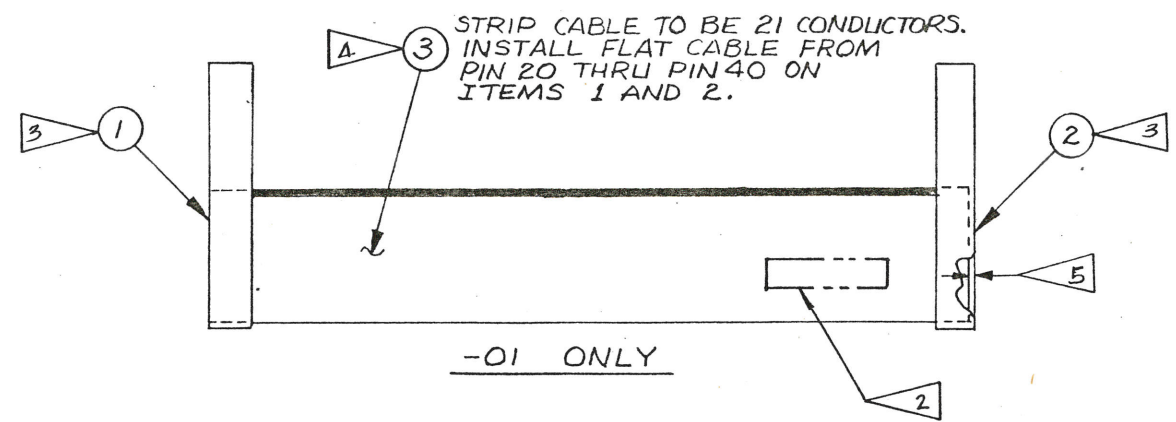
REVISIONS				
LTR	DESCRIPTION	SIGNATURE AND DATE		
		DFT	CHK	ENGR
A	ECO 00065	<i>[Signature]</i> 10-18	<i>[Signature]</i> 10/18	<i>[Signature]</i> 10/18
B	ECO II 00186-9	<i>[Signature]</i> 11/27/74	<i>[Signature]</i> 11/29	<i>[Signature]</i> 11/29/74

- NOTES
- ASSY PART NO. IS 4000164-01
 - INK STAMP PART NO. IN POSITION SHOWN WITH PREFIX "ASSY"
 - ON CONNECTOR, ITEM 1, PIN 1 IS INDICATED BY AN ARROW.
 - ON FLAT CABLE, ITEM 2, RED STRIPE GOES TO PIN 16 OF ITEM 3.
 - ON CONNECTOR ITEM 1, PINS 33 THRU 40 ARE NOT USED.
 - STAMP "P1" "P2" "P3" LABEL ON TOP SIDE OF RESPECTIVE CONN.

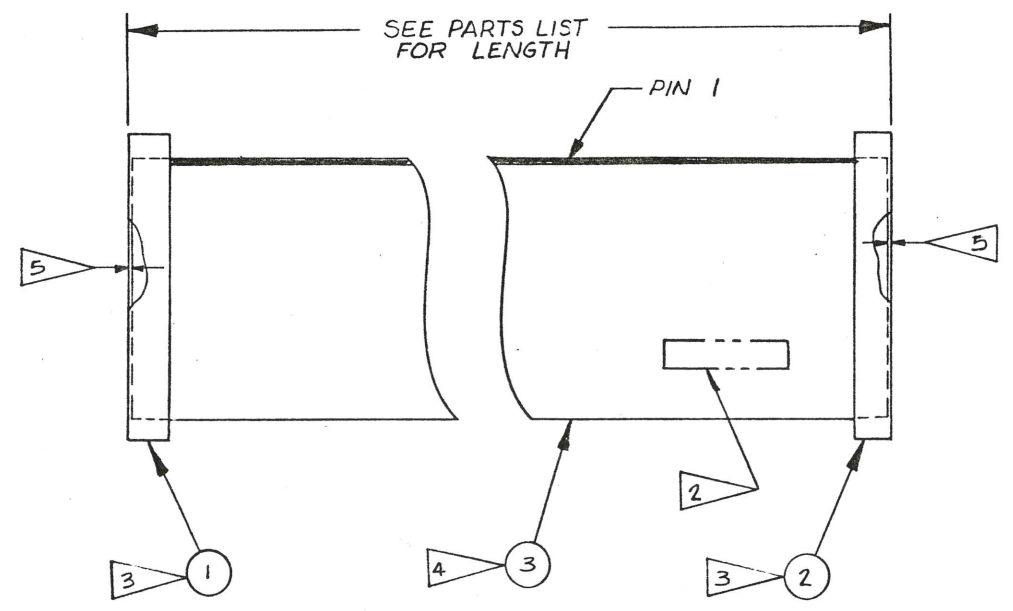
ITEM NO.	PART NUMBER	DESCRIPTION
2	3	68-013 16 PIN SOCKETS, AUGAT, 2P16-1
2	2	80-002 CABLE, 16 COND, FLAT, 336S-16
1	1	68-028. SOCKETS, 40 PIN 3417-0000

4000274	INTELLEC8	SCALE: NONE	SIGNATURE	DATE	3065 BOWERS AVE. SANTA CLARA CALIF. 95051
1000090	INTELLEC8	TOL. ±	DRN BY L FREESE	10-15	
NEXT ASSY	USED ON	MATERIAL:	CHK BY PJP	10-18	TITLE
		FINISH:	DFT APPD		PROG PROGRAMMER TO
			ENGR APPD <i>[Signature]</i>	10/18	I/O CABLE, ASSY
			AUTH BY <i>[Signature]</i>	10/22/74	SIZE DEPT DRAWING NO. REV
			CODE: SHEET 1 OF 1		B 410 4000164 B

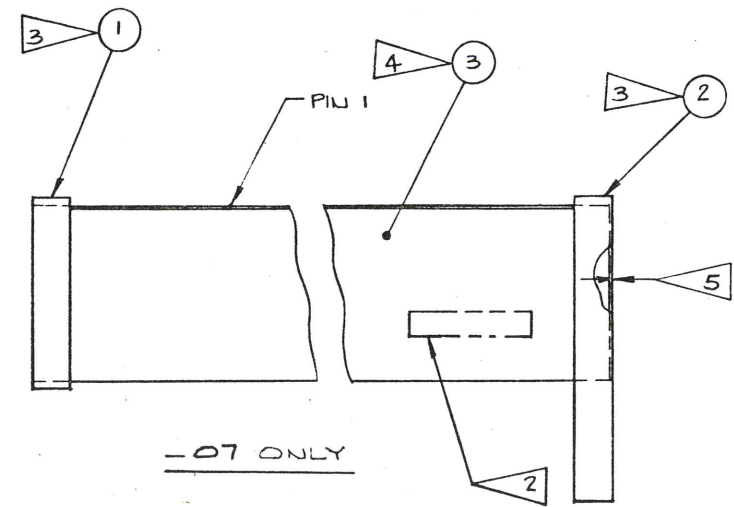
D
C
B
A



-01 ONLY



-07 ONLY



REVISIONS				
LTR	DESCRIPTION	SIGNATURE AND DATE		
		DFT	CHK	ENGR
A	PRODUCTION RLS	10/22/73	T.M.	11/19/73
B	SEE ELD # 00073	H.D.	T.M.	11/7/73
C	ELD # 00186-1	H.D.	T.M.	11/7/73

NOTES:

1. ASSY PART NO. IS 4000168-XY
2. INK STAMP PART NO. IN POSITION SHOWN WITH PREFIX "ASSY" AND DASH NO.
3. ON CONNECTORS, ITEMS 1 & 2, PIN 1 IS INDICATED BY AN ARROW.
4. ON FLAT CABLE, ITEM 3, PIN 1 IS INDICATED BY A RED STRIPE.
5. RECESS CABLE 1/32" ± 1/64" ON ALL CONNECTORS EXCEPT SOLDER-IN TYPE. (68-029, 68-030)

INTEL 1974

ITEM NO.	QUANTITY PER DASH NO.	PART NUMBER	DESCRIPTION
- - - - - 1 3		80-003	WIRE 21 COND 18 INCHES
1 - - - - - 3		80-004	WIRE 40 COND 22 INCHES
- 1 - - - - - 3		80-003	26 COND 14.0 INCHES
- - 1 - - - - - 3		80-005	50 COND 2 INCHES
- - - 1 - - - - - 3		80-004	40 COND 15.5 INCHES
- - - - 1 - - - - - 3		80-004	9.25 INCHES
- - - - - 1 - - - - - 3		80-004	36 INCHES
- - - - - - 1 - - - - - 3		80-004	WIRE 40 COND 18 INCHES
- - 1 - - - - - 2		68-031	CONNECTOR 50 PIN
1 1 - 1 1 1 1 1 2		68-028	40 PIN
- 1 - - - - - 1		68-030	26 PIN
- - 1 - - - - - 1		68-031	50 PIN
- - - 1 1 1 - - 1		68-028	40 PIN
1 - - - - - 1 1 1		68-029	CONNECTOR 40 PIN

SCALE: NONE		SIGNATURE		DATE	
TOL. ±		DRN BY L.R. FRESE		8-7-73	
MATERIAL: SEE PARTS LIST		CHK BY T. MORGAN		10/19/73	
FINISH:		DFT APPD		ENGR APPD	
NEXT ASSY USED ON		AUTH BY T. Morgan		11/19/73	
		CODE: SHEET 1 OF 1		TITLE	
				INTEL SYSTEM FLAT CABLE ASSY	
		SIZE DEPT DRAWING NO.		REV	
		C 410 4000168		C	

4

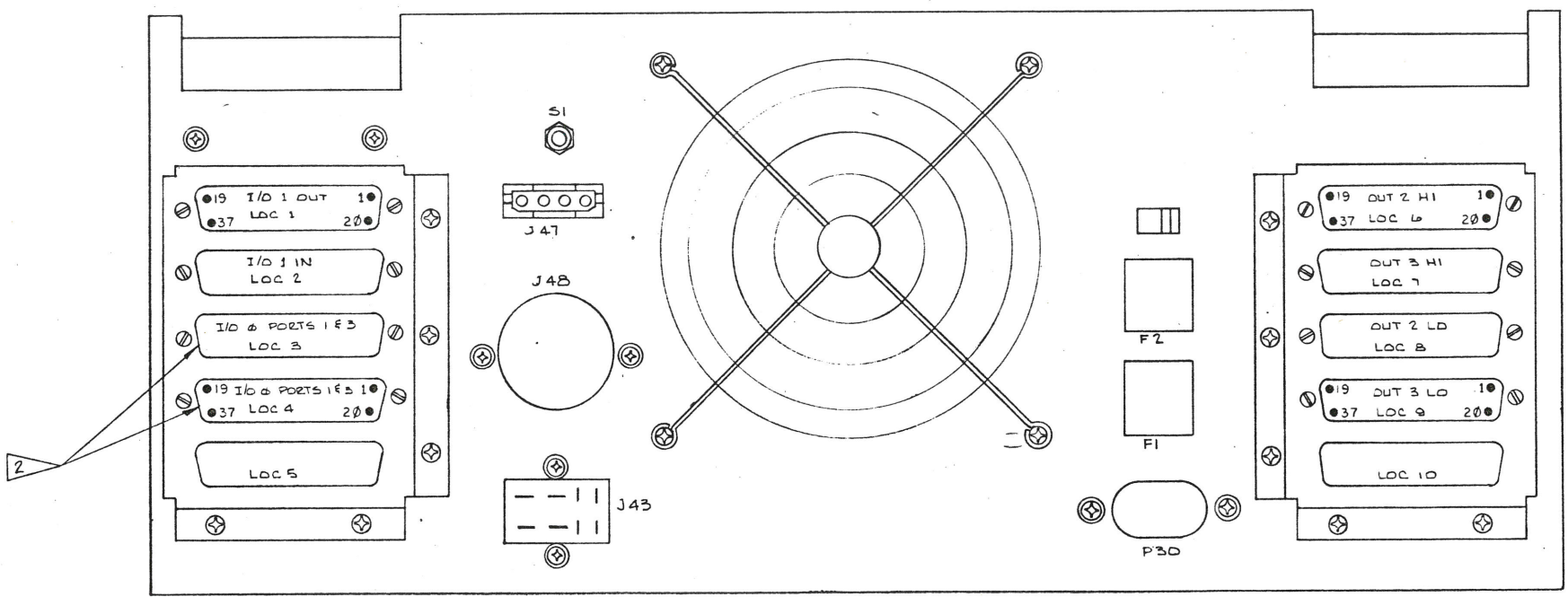
3

2

1

CABLE INTERFACE	
FROM	TO
LOC 1	I/O MOD. 1 J5 (OUT)
LOC 2	I/O MOD. 1 J4 (IN)
LOC 3	TO I/O MOD. 2 PORTS 1 & 3 (J44 & J5)
LOC 4	LOC 3
LOC 6	OUTPUT MOD. 2 J3 (HI)
LOC 7	OUTPUT MOD. 3 J3 (HI)
LOC 8	OUTPUT MOD. 2 J2 (LO)
LOC 9	OUTPUT MOD. 3 J2 (LO)
+5V PWR SUP P47	BACK PANEL J47
AUX OUTLET P48	BACK PANEL J48
TTY CONN P49	BACK PANEL J49
AC. RECPT. J30	BACK PANEL P30

REVISIONS				
LTR	DESCRIPTION	SIGNATURE AND DATE		
		DFT	CHK	ENGR
A	PROD. RELEASE	<i>[Signature]</i> 11/23/73	<i>[Signature]</i> 11/23/73	<i>[Signature]</i> 11/23/73
B	SLE ECD 00171-3 OF 6	<i>[Signature]</i> 7/6/74	<i>[Signature]</i> 7/6/74	<i>[Signature]</i> 7/6/74

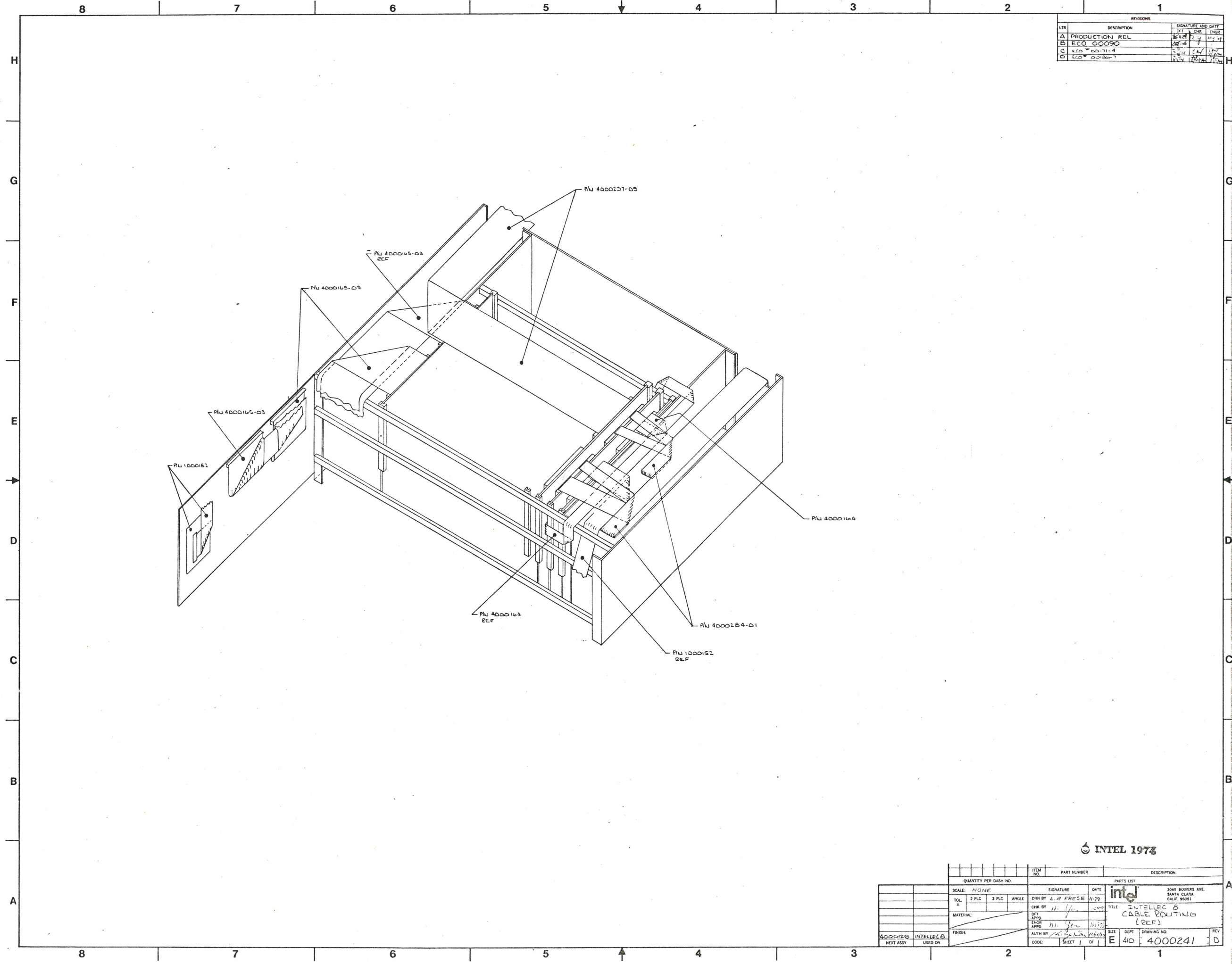


BACK PANEL

NOTE:
 1. LOC. 5, 10 AND S1 ARE NOT USED
 2. READER CABLE P/N 40002810 OR PUNCH CABLE P/N 4000287 MAYBE INSERTED INTO LOC. 3 OR LOC. 4.

© INTEL 1974

QUANTITY PER DASH NO.		ITEM NO.	PART NUMBER	DESCRIPTION
SCALE: NONE		SIGNATURE		DATE
TOL ±		DRN BY <i>[Signature]</i>		11/23/73
2 PLC		CHK BY <i>[Signature]</i>		11/23/73
3 PLC		DFT APPD		
ANGLE		ENGR APPD		11/23/73
MATERIAL:		AUTH BY <i>[Signature]</i>		11/23/73
FINISH:		CODE:		SHEET 1 OF 2
400028		INTELLEC		SIZE DEPT DRAWING NO. REV
NEXT ASSY		USED ON		D 410 4000240 B



REVISIONS		
LTR	DESCRIPTION	SIGNATURE AND DATE
A	PRODUCTION REL	[Signature] 11/29/73
B	ECO 00090	[Signature] 11/29/73
C	ECO 00111-4	[Signature] 11/29/73
D	ECO 00180-7	[Signature] 11/29/73

INTEL 1973

QUANTITY PER DASH NO.		ITEM NO.	PART NUMBER	DESCRIPTION
SCALE: NONE		SIGNATURE	DATE	3065 BOWERS AVE. SANTA CLARA CALIF. 95051
VOL. 2 P/C 3 P/C ANGLE		CHK BY: L.R. FRESE	11-29	
MATERIAL:		APPD: [Signature]	11-29	TITLE: INTELLEC 8 CABLE ROUTING (REF)
FINISH:		AUTH BY: [Signature]	11-29	SHEET: 410 DWT: 4000241 DRAWING NO: 4000241
NEXT ASSY USED ON:		CODE: [Signature]	SHEET 1 OF 1	REV: D

INTEL CORPORATION • 3065 Bowers Avenue, Santa Clara, California 95051 • (408) 246-7501