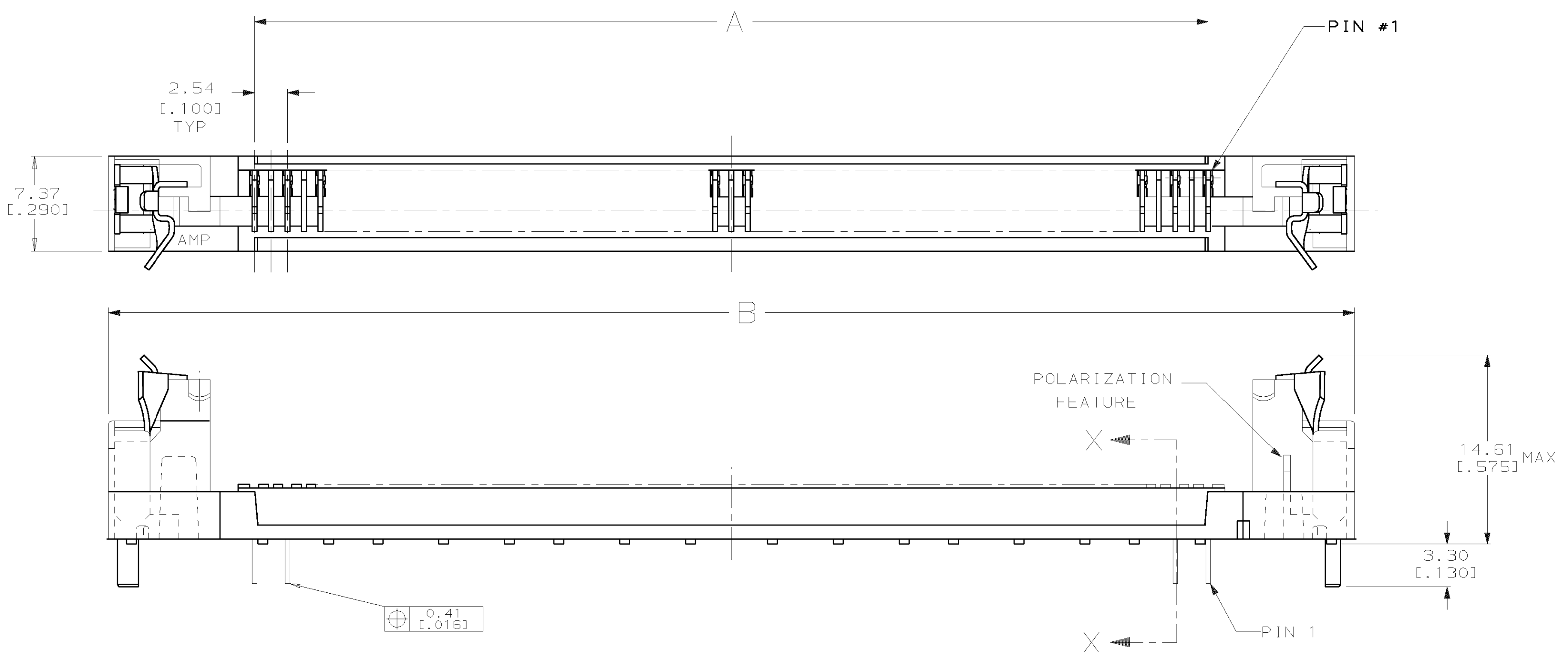
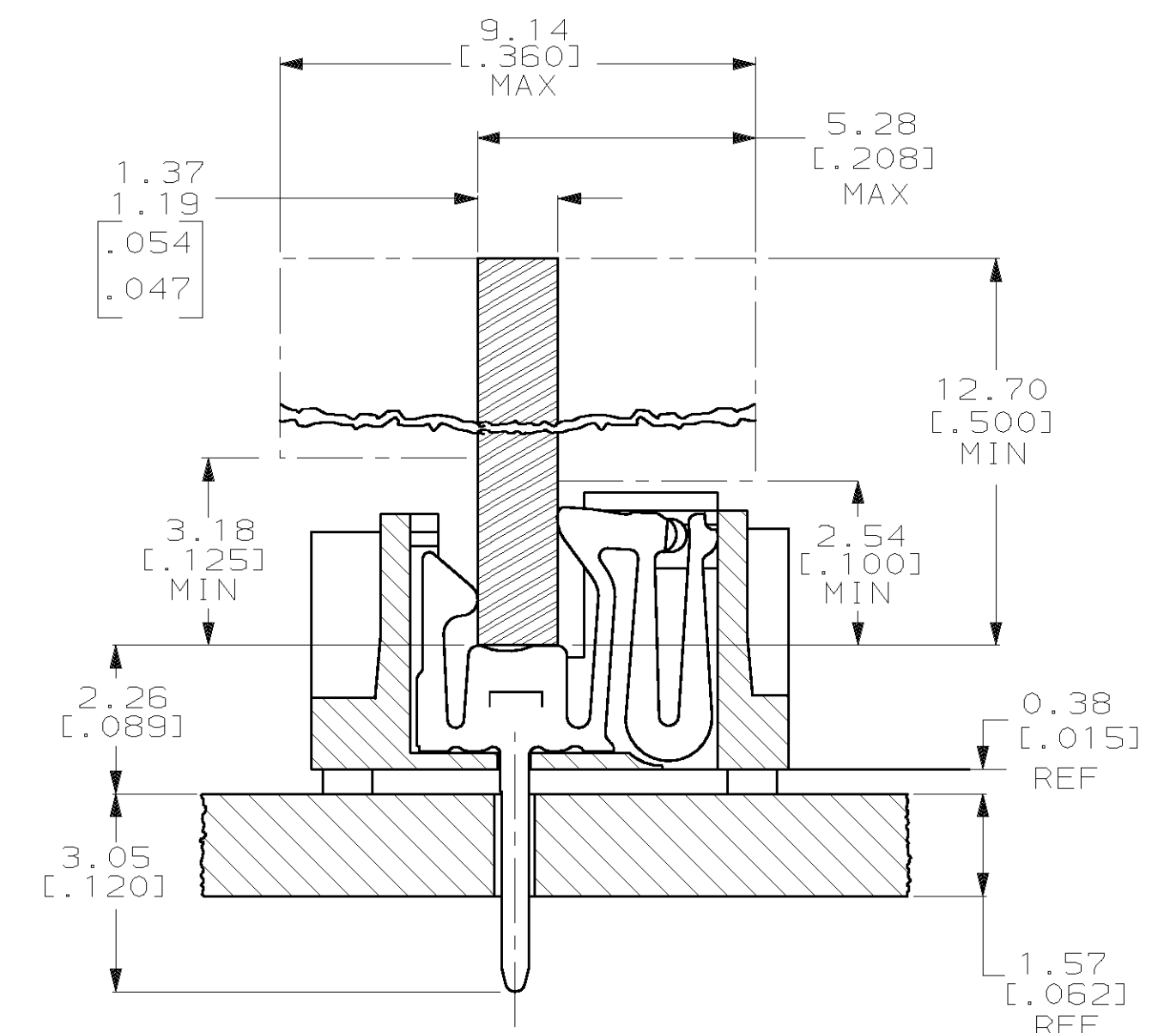


REVISONS		DATE	APPD
LOC	DIST	DESCRIPTION	
GP	00	K OBSOLETE -2 PER 051D-0014-00	020C100 JR



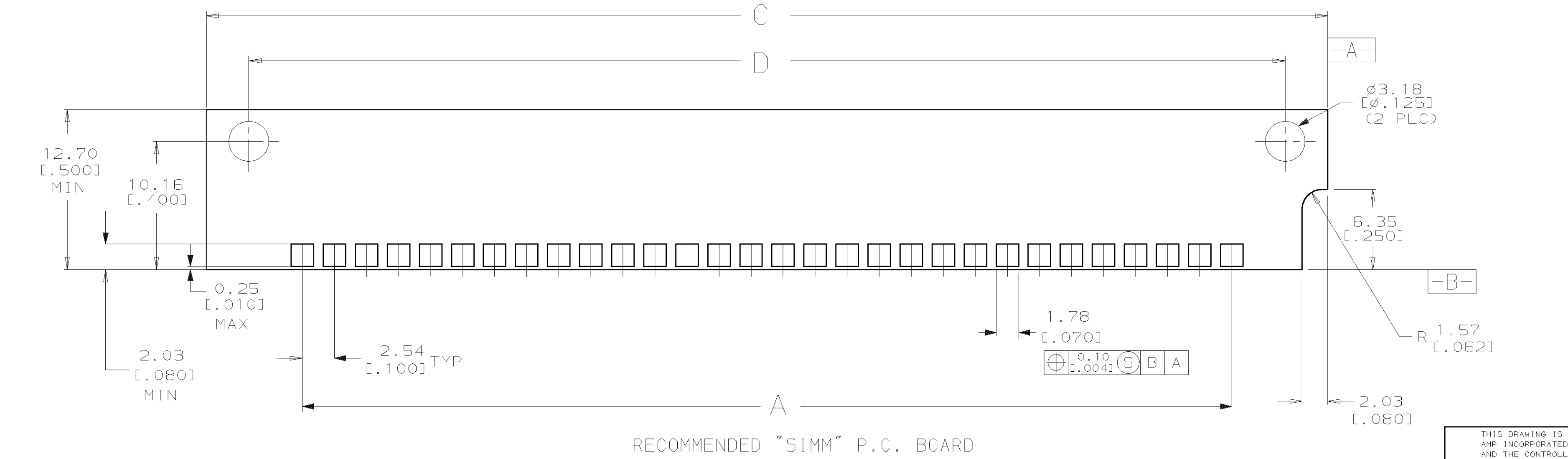
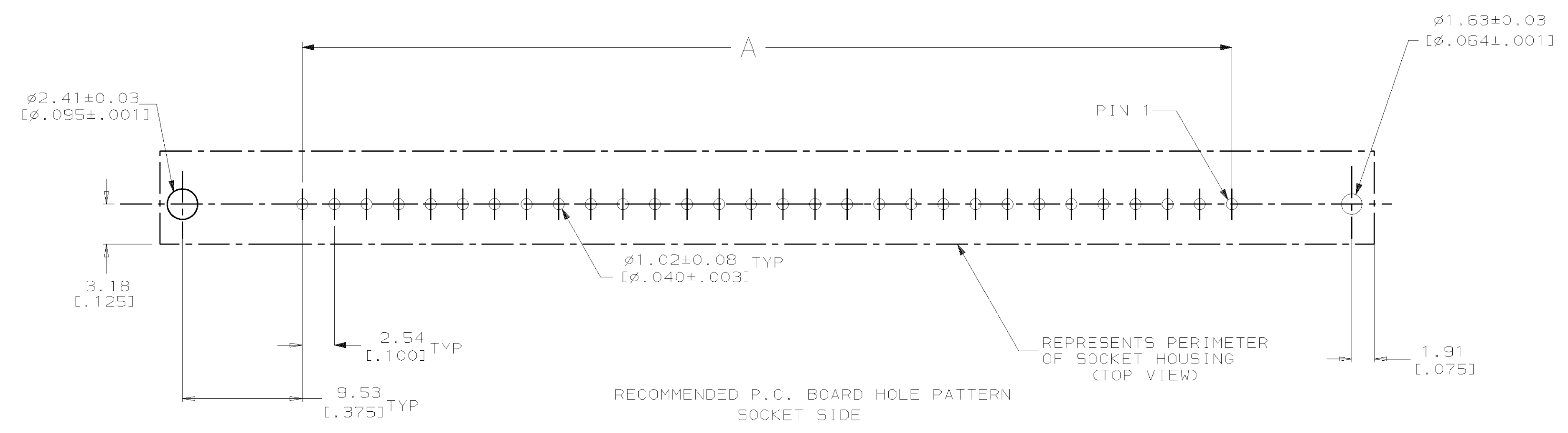
- 1 HOUSING-MATERIAL : LIQUID-CRYSTAL-POLYMER.
- 2 CONTACT-MATERIAL : PHOS. BRONZE.
- 3 CONTACT-PLATE 0.00508[0.000200] MIN. TIN/LEAD OVER 0.00127 [0.00050] MIN NICKEL.
- 4 LATCH-MATERIAL: BRASS, NICKEL PLATE 0.00127[0.00050] MIN.
- 4. IN ADDITION TO THOSE RECOMMENDED "SIMM" P.C. BOARD DIMENSIONS AND TOLERANCES SHOWN, ALL JEDEC SPECIFICATIONS APPLY AS SHOWN ON MO-064, ISSUE A.
- 5. RECOMMENDED MATING S.I.M.M. TAB METALLURGY: BASE METAL-COPPER. PLATING TO BE 0.00762[0.000300] MIN TIN/LEAD OVER 0.00127[0.00050] MIN NICKEL.



SECTION X-X  
 SCALE 10:1  
 (BOARDS SHOWN FOR REF ONLY)

OBSOLETE

OBSOLETE	112.62[4.434]	119.38[4.700]	127.00[5.000]	104.14[4.100]	42	822056-5
OBSOLETE	107.54[4.234]	114.30[4.500]	121.92[4.800]	99.06[3.900]	40	822056-4
OBSOLETE	94.84[3.734]	101.60[4.000]	109.22[4.300]	86.36[3.400]	35	822056-3
OBSOLETE	82.14[3.234]	88.90[3.500]	96.52[3.800]	73.66[2.900]	30	822056-2
OBSOLETE	61.82[2.434]	68.58[2.700]	76.20[3.000]	53.34[2.100]	22	822056-1
	D	C	B	A	NO OF POSN	PART NO



THIS DRAWING IS A CONTROLLED DOCUMENT FOR AMP INCORPORATED. IT IS SUBJECT TO CHANGE AND THE CONTROLLING ENGINEERING ORGANIZATION SHOULD BE CONTACTED FOR THE LATEST REVISION.

PART NO		AMP		AMP Incorporated	
DO NOT SCALE PRINT. UNLESS SPECIFIED DIMENSIONS IN mm [INCHES] TOLERANCES ON:		AMP Incorporated		Harrisburg, PA 17105-3508	
DR 2-28-91 K.SALMON	CHK 2-28-91 R.MILLER	NAME			
APPD 2-28-91 J.LAMBERT	APPD 2-28-91 E.MCCARTHY	CONNECTOR, MICRO-EDGE, .100, VERT, TIN PL, W/METAL LATCH			
MATERIAL	PRODUCT SPEC	SIZE	CAGE CODE	DRAWING NO	
HOUSING... △	-	D	00779	G-822056	
CONTACT... △	-	SCALE	4:1	SHEET	1 OF 1
LATCH... △	-	WEIGHT	-		
FINISH	APPLICATION SPEC	CUSTOMER DRAWING			
HOUSING... △	-				
CONTACT... △	-				
LATCH... △	-				