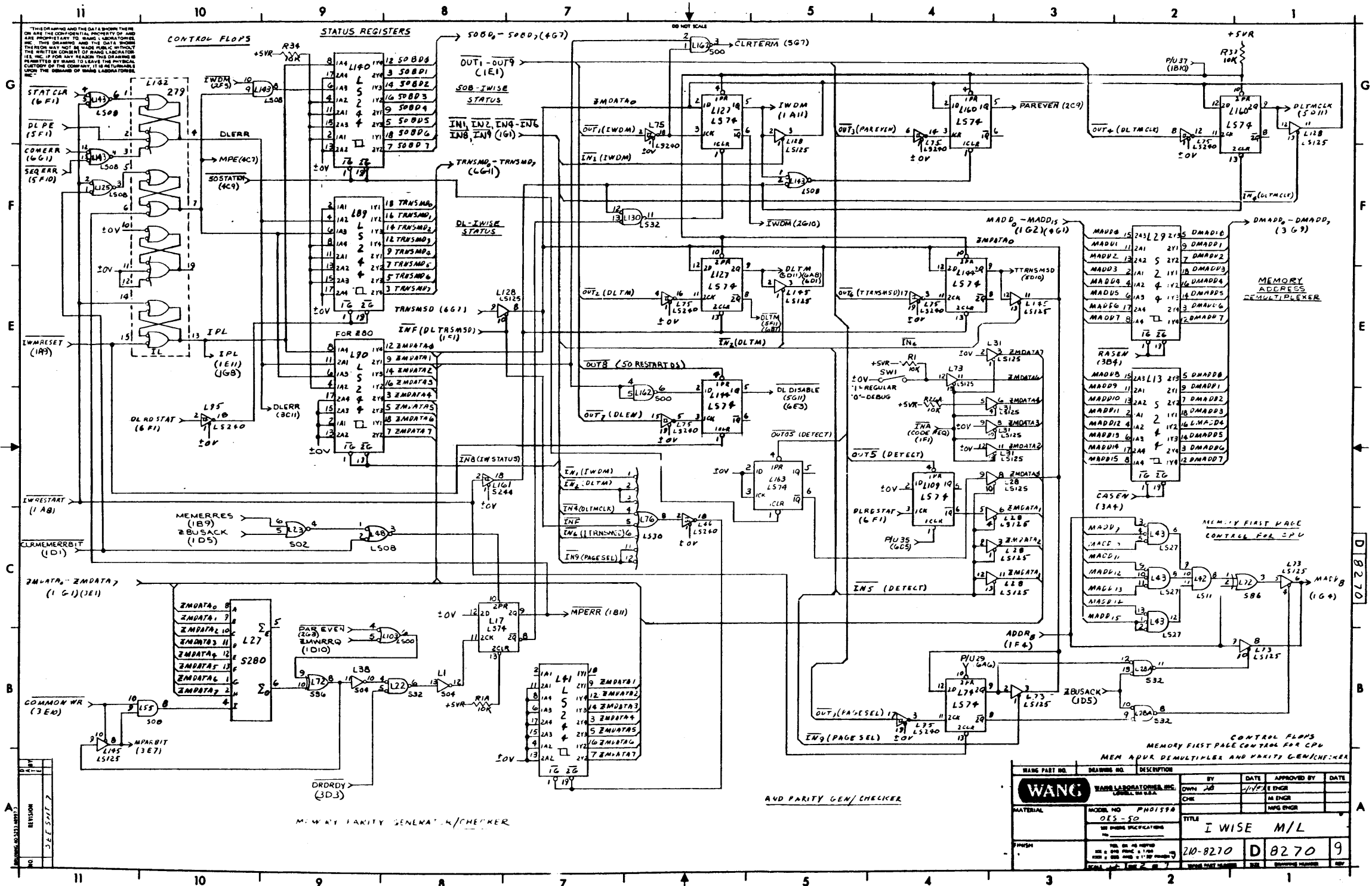


WANG PART NO.	WANG SERIAL NO.	DESCRIPTION	BY	DATE	APPROVED BY	DATE
WANG						
MATERIAL	MODEL NO. 015-50	TITLE I WISE M/L				
FINISH	210-8270	D 8270				



11
10
9
8
7
6
5
4
3
2
1

11
10
9
8
7
6
5
4
3
2
1

"THIS DRAWING AND THE DATA SHOWN THERE ON ARE THE CONFIDENTIAL PROPERTY OF AND ARE PROPRIETARY TO WANG LABORATORIES. THIS DRAWING AND THE DATA SHOWN THEREIN MAY NOT BE MADE PUBLIC WITHOUT THE WRITTEN CONSENT OF WANG LABORATORIES, INC. IF FOR ANY REASON THIS DRAWING IS PERMITTED BY WANG TO LEAVE THE PHYSICAL CUSTODY OF THE COMPANY, IT IS TO RETURN TO THE DEPARTMENT OF WANG LABORATORIES, INC."

WANG PART NO.	DRAWING NO.	DESCRIPTION	BY	DATE	APPROVED BY	DATE
			OWN	11/16/71	ENGR	
			CHK		AS ENGR	
					MPG ENGR	
MATERIAL	MODEL NO.	PROD'S	TITLE			
			I WISE M/L			
			210-8270 D 8270 9			
DESIGN	DATE	BY	DATE	BY	DATE	

A
B
C
E
F
G

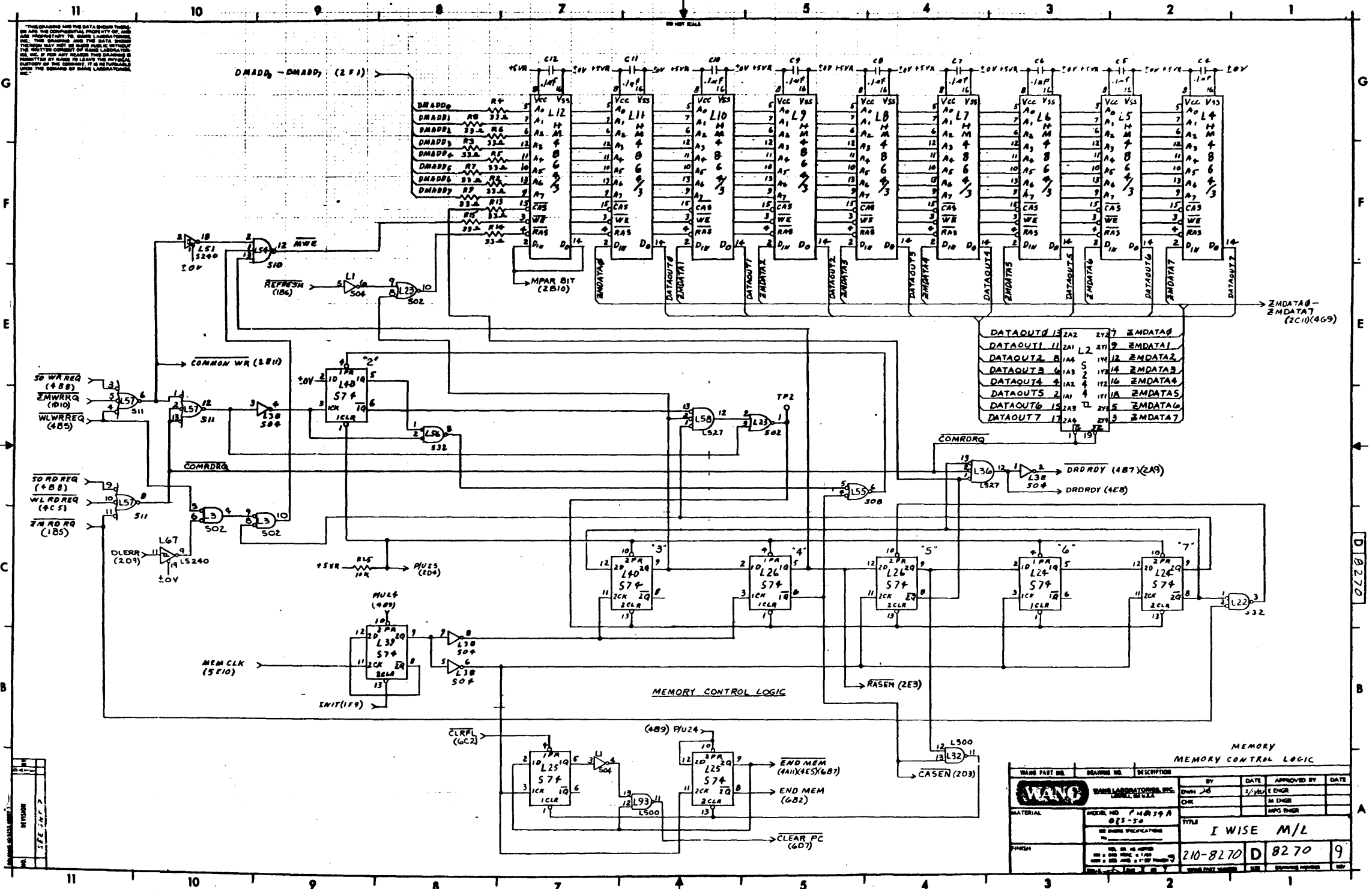
A
B
C
E
F
G

MEMORY PARITY GENERATOR/CHECKER

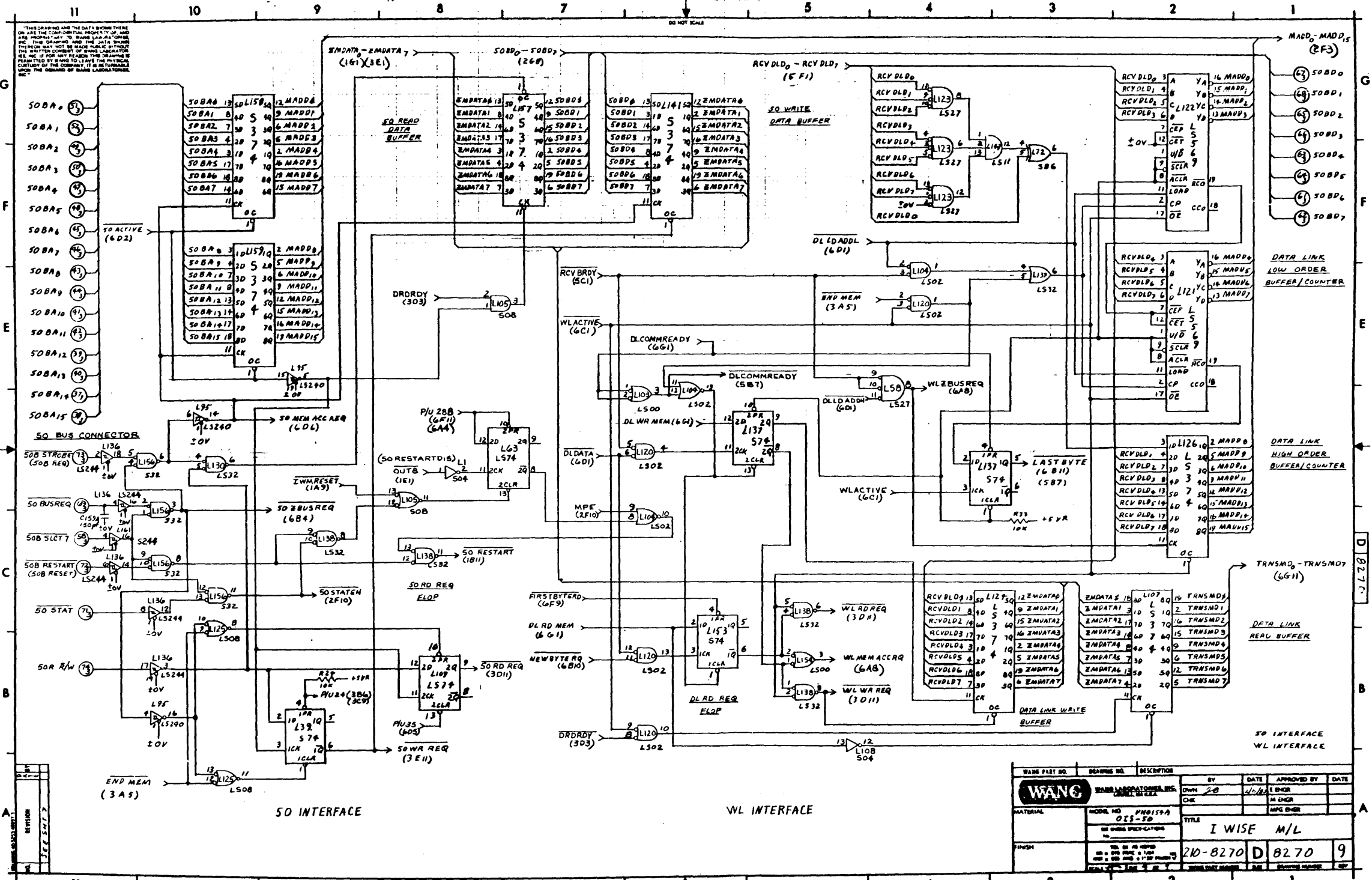
AND PARITY GEN/CHECKER

CONTROL FLOPS
MEMORY FIRST PAGE CONTROL FOR CPU
MEM ADDR DEMULTIPLEXER AND PARITY GEN/CHK

THIS DRAWING AND THE DATA GROUP THEREON ARE THE CONFIDENTIAL PROPERTY OF AND ARE PROPRIETARY TO WANG LABORATORIES, INC. THIS DRAWING AND THE DATA GROUP THEREON MAY NOT BE REPRODUCED, COPIED, OR IN ANY MANNER DISCLOSED TO ANY OTHER PERSON OR ENTITY WITHOUT THE WRITTEN CONSENT OF WANG LABORATORIES, INC. IF YOU ARE AWARE OF ANY VIOLATION OF THIS POLICY BY ANYONE, PLEASE CONTACT THE ATTORNEY AT LAW OF WANG LABORATORIES, INC. OR THE COMPANY, IT IS UNLAWFUL UNDER THE PENALTY OF PERJURY TO DISCLOSE THE CONTENTS OF THIS DRAWING TO ANY OTHER PERSON OR ENTITY.



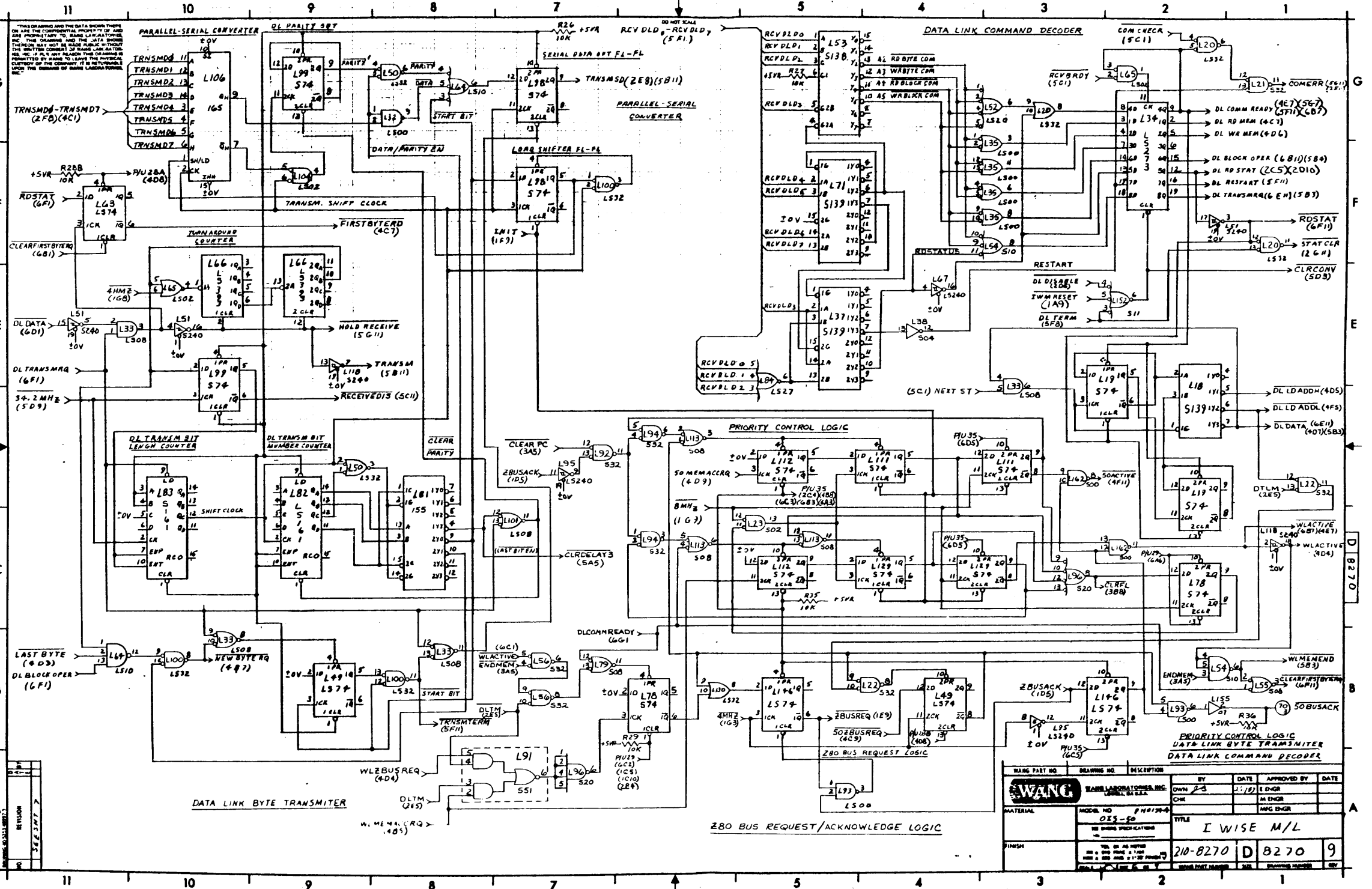
WANG		DESCRIPTION		BY	DATE	APPROVED BY	DATE
WANG LABORATORIES, INC.		MEMORY CONTROL LOGIC		DWH	3/28	E ENGR	
MATERIAL		MODEL NO. P4439A		CHK		M ENGR	
PART NO.		TITLE					
210-8270		I WISE M/L					
REV. 1		210-8270		D 8270		9	



THIS DRAWING AND THE DATA THEREON ARE THE CONFIDENTIAL PROPERTY OF WANG LABORATORIES, INC. AND SHOULD NOT BE REPRODUCED OR DISCLOSED TO ANY OTHER PARTY WITHOUT THE WRITTEN CONSENT OF WANG LABORATORIES, INC. IF FOR ANY REASON THIS DRAWING IS REPRODUCED BY ANYONE TO LEAVE THE PHYSICAL CUSTODY OF THE COMPANY, IT IS RETURNABLE UPON THE DEMAND OF WANG LABORATORIES, INC.

REV	DESCRIPTION	DATE
1	ISSUED	7/77

WANG PART NO.	DRAWING NO.	DESCRIPTION	BY	DATE	APPROVED BY	DATE
			OWN	2/8	ENGR	
			CHK		M ENGR	
					MFG ENGR	
MATERIAL	MODEL NO.	PHYSICAL	TITLE			
	OIS-50		I WISE M/L			
FINISH	210-8270		D	8270	9	

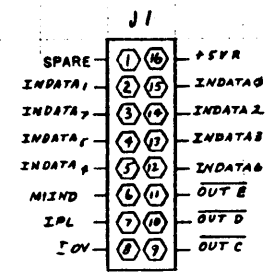


THIS DRAWING AND THE DATA SHOWN THEREON ARE THE CONFIDENTIAL PROPERTY OF AND ARE PROPRIETARY TO WANG LABORATORIES, INC. THIS DRAWING AND THE DATA SHOWN THEREON MAY NOT BE REPRODUCED OR TRANSMITTED IN ANY FORM OR BY ANY MEANS, ELECTRONIC OR MECHANICAL, INCLUDING PHOTOCOPYING, RECORDING, OR BY ANY INFORMATION STORAGE AND RETRIEVAL SYSTEM, WITHOUT THE WRITTEN CONSENT OF WANG LABORATORIES, INC. IF IT IS ANY REASON THIS DRAWING IS REPRODUCED OR TRANSMITTED IN ANY FORM OR BY ANY MEANS, THE USER SHALL BE RESPONSIBLE FOR THE PROTECTION OF THE CONFIDENTIALITY OF THE INFORMATION CONTAINED HEREIN.

WANG PART NO.	DRAWING NO.	DESCRIPTION	BY	DATE	APPROVED BY	DATE
			OWN	2/1/79		
			CHK			
			ENGR			
			ING ENGR			
WANG WANG LABORATORIES, INC. MODEL NO. 029-50 TITLE: I WISE M/L 210-8270 D 8270 9						

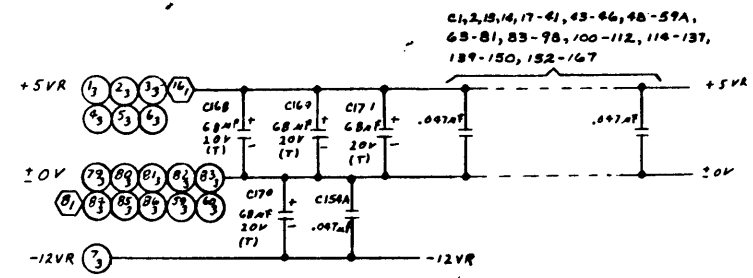
THIS DRAWING AND THE DATA SHOWN THEREON ARE THE CONFIDENTIAL PROPERTY OF AND ARE PROPRIETARY TO, WANG LABORATORIES, INC. THIS DRAWING AND THE DATA SHOWN THEREON MAY NOT BE MADE PUBLIC WITHOUT THE WRITTEN CONSENT OF WANG LABORATORIES, INC. IF FOR ANY REASON THIS DRAWING IS FURNISHED BY WANG TO LEAVE THE PHYSICAL CUSTODY OF THE COMPANY, IT IS RETURNABLE UPON THE DEMAND OF WANG LABORATORIES, INC.

NO NOT SCALE



I.C. TYPE	LOC.	SPARES
74500	L157	2
	L32	1
74LS00	L108	1
	L154	2
74N04	L99	3
74502	L3	2
74504	L108	9
7407	L155	5
74508	L79	1
	L113	1
74LS08	L98	2
74LS10	L68	1
	L82	1
74LS11	L114	1
	L147	2
74LS20	L52	1
74LS27	L36	1
	L58	1
74532	L21	2
	L30	1
74LS32	L50	1
	L59	3
74LS125	L28	1
	L45	1
74551	L91	1
74LS70	L17	1
74506	L72	1
74513	L10	1
745240	L51	4
	L110	1
74LS240	L66	4
	L67	1
	L75	2
	L45	2
74LS244	L61	6
74LS244	L36	3

MNEMONICS	COORD
CENTER 1	5 A10
CENTER 2	5 A9
M RESET	1 A11
OUTC	1 D1
OUTD	1 D1
OUTE	1 C1
ZMDATA0 - ZMDATA7	2 A7
SOB SLECT7	4 C11
SO BUSREQ	4 D11
SOB STROBE	4 D11
SOB RESTART	4 C11
SOB40 - SOB45	4 F11
SOB00 - SOB07	4 G1
SOBUSACK	6 B1
SOA R/W	4 B11
SO STAT	4 C11



NOTE: ALL RESISTORS ARE 1/4W 5% UNLESS OTHERWISE SPECIFIED.

E-REV
1

REV	DATE	BY	DESCRIPTION
1	1-7-71	WJG	DESIGN
2	1-13-71	WJG	REVISED PER ECO # 21618
3	1-13-71	WJG	APPRO. SIGNING
4	1-13-71	WJG	REVISED PER ECO # 21499
5	1-13-71	WJG	APPRO. SIGNING
6	1-13-71	WJG	REVISED PER ECO # 21513
7	1-13-71	WJG	APPRO. SIGNING
8	1-13-71	WJG	REVISED PER ECO # 21513
9	1-13-71	WJG	APPRO. SIGNING
10	1-13-71	WJG	REVISED PER ECO # 21513
11	1-13-71	WJG	APPRO. SIGNING
12	1-13-71	WJG	REVISED PER ECO # 21513
13	1-13-71	WJG	APPRO. SIGNING
14	1-13-71	WJG	REVISED PER ECO # 21513
15	1-13-71	WJG	APPRO. SIGNING
16	1-13-71	WJG	REVISED PER ECO # 21513
17	1-13-71	WJG	APPRO. SIGNING
18	1-13-71	WJG	REVISED PER ECO # 21513
19	1-13-71	WJG	APPRO. SIGNING
20	1-13-71	WJG	REVISED PER ECO # 21513

WANG PART NO.	DRAWING NO.	DESCRIPTION	BY	DATE	APPROVED BY	DATE
			OWN	1/13/71	E. WANG	1/13/71
			CHK	1/13/71	M. ENGER	
					MFG ENGR	
MATERIAL	MODEL NO.	PHO/ISA	TITLE			
	018-50		I WISE M/L			
			210-8270	D	8270	9