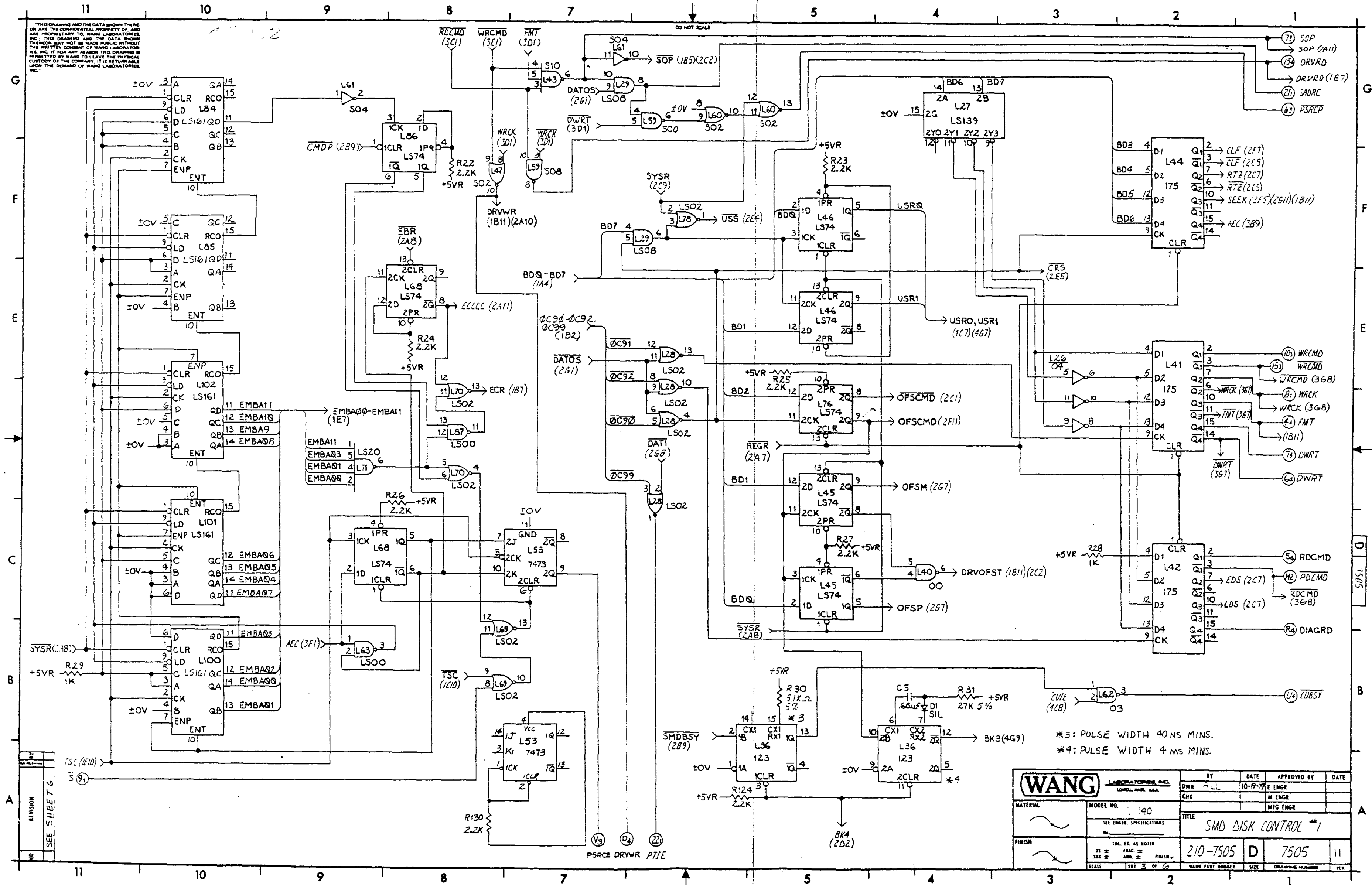


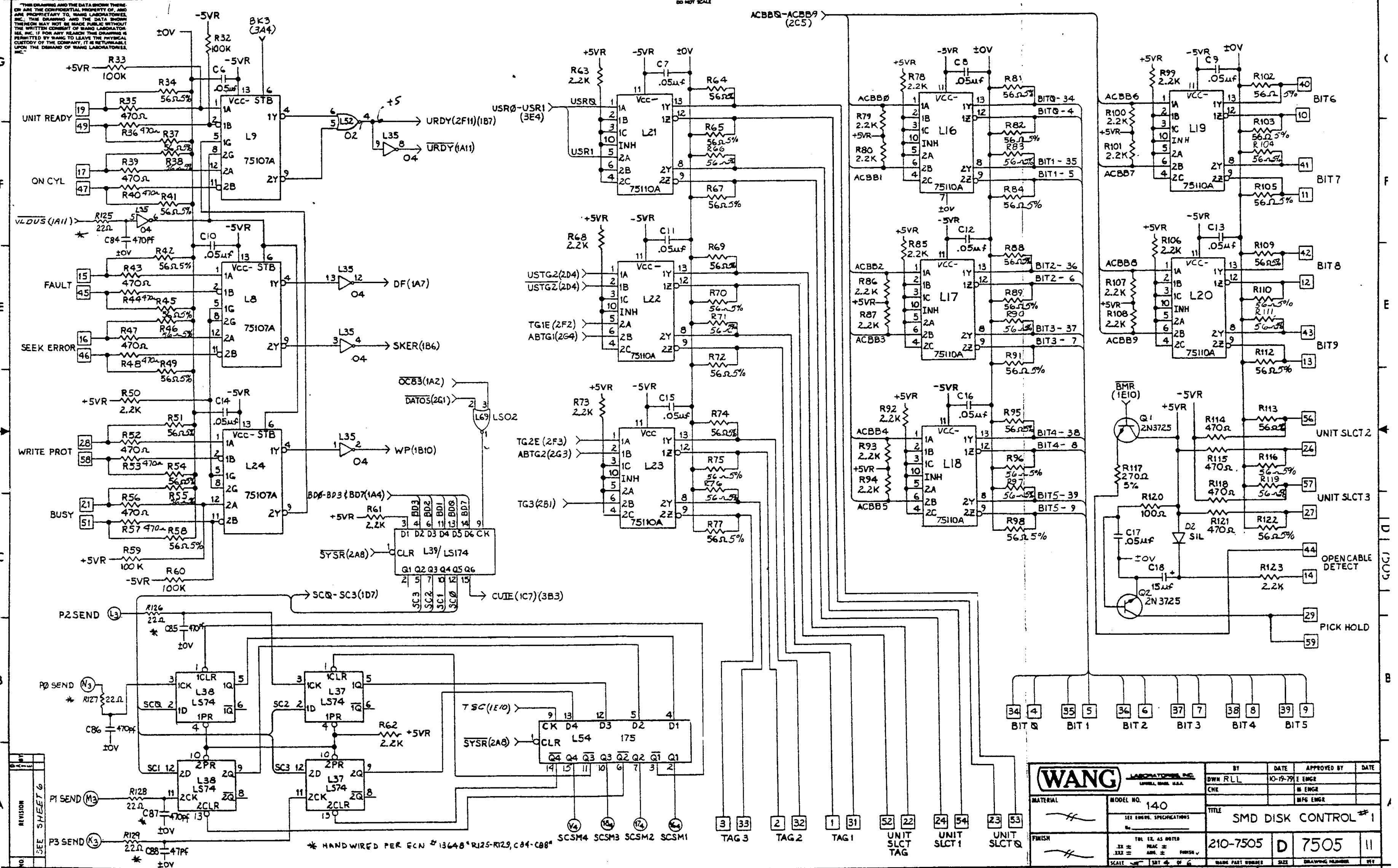
THIS DRAWING AND THE DATA SHOWN THEREON ARE THE CONFIDENTIAL PROPERTY OF WANG LABORATORIES, INC. THE DRAWING AND THE DATA SHOWN THEREON SHALL NOT BE MADE PUBLIC WITHOUT THE WRITTEN CONSENT OF WANG LABORATORIES, INC. IF FOR ANY REASON THIS DRAWING IS PERMITTED BY WANG TO LEAVE THE PHYSICAL CUSTODY OF THE COMPANY, IT IS RETURNABLE UPON THE DEMAND OF WANG LABORATORIES, INC.



REVISION	DATE	BY	DESCRIPTION

WANG LABORATORIES, INC. LOWELL, MASS., U.S.A.		BY	DATE	APPROVED BY	DATE
MATERIAL	MODEL NO. 140	DWR	10-19-75	E ENGR	
	SEE ENGR SPECIFICATIONS	CHK		M ENGR	
FINISH	TOL. EX. AS NOTED			MFG ENGR	
	32 ± FRACTION				
	100 ± DIM.				
	SCALE 1ST 3 OF 6				
TITLE SMD DISK CONTROL #1					
	210-7505	D	7505	11	

*3: PULSE WIDTH 40 NS MINS.
*4: PULSE WIDTH 4 MS MINS.



THIS DRAWING AND THE DATA SHOWN THEREON ARE THE CONFIDENTIAL PROPERTY OF WANG LABORATORIES, INC. THE DRAWING AND THE DATA SHOWN THEREON SHALL NOT BE MADE PUBLIC WITHOUT THE WRITTEN CONSENT OF WANG LABORATORIES, INC. IF FOR ANY REASON THIS DRAWING IS PERMITTED BY WANG TO LEAVE THE PHYSICAL CUSTODY OF THE COMPANY, IT IS RETURNABLE UPON THE DEMAND OF WANG LABORATORIES, INC.

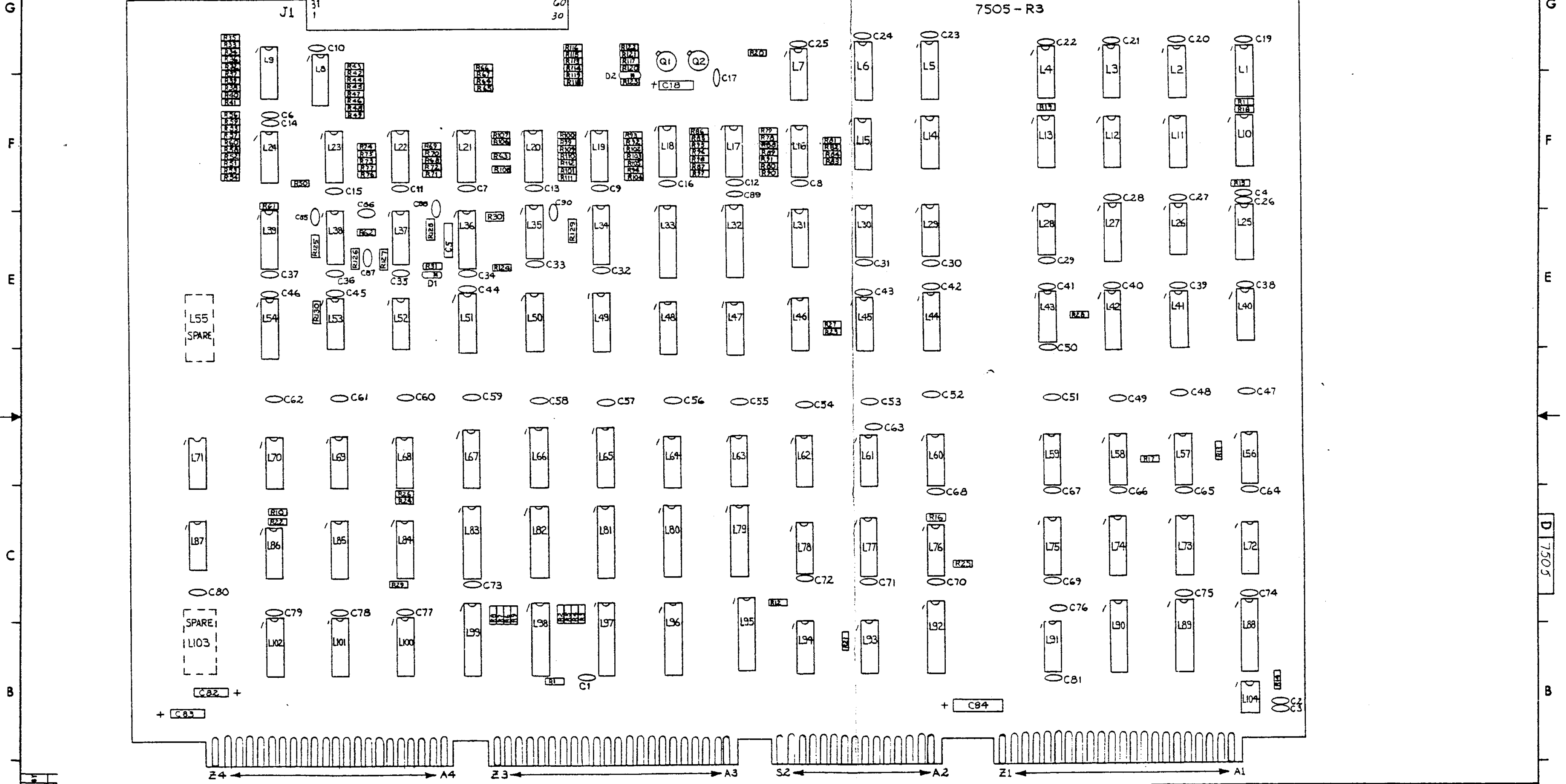
WANG LABORATORIES, INC. LIMEX BLDG. B.A.A.		BY	DATE	APPROVED BY	DATE
MODEL NO. 140		DWN RLL	10-19-79	E ENGR	
SEE ENGR. SPECIFICATIONS		CHK		M ENGR	
TITLE		SMD DISK CONTROL #1			
MATERIAL		210-7505			
FINISH		D 7505			
SCALE		DRAWING NUMBER			

REV	DATE	BY	DESCRIPTION
1			SEE SHEET 6

11 10 9 8 7 5 4 3 2 1

THIS DRAWING AND THE DATA THEREON ARE THE CONFIDENTIAL PROPERTY OF AND ARE PROPRIETARY TO WANG LABORATORIES, INC. THIS DRAWING AND THE DATA THEREON MAY NOT BE MADE PUBLIC WITHOUT THE WRITTEN CONSENT OF WANG LABORATORIES, INC. IF FOR ANY REASON THIS DRAWING IS PERMITTED BY WANG TO LEAVE THE PHYSICAL CUSTODY OF THE COMPANY, IT IS RETURNABLE UPON THE DEMAND OF WANG LABORATORIES, INC.

DO NOT SCALE



REVISION	DATE	BY	APPROVED BY
1			
SEE SHEET 6			

WANG LABORATORIES, INC. LONDON, ENGLAND U.K.A.		BY DWN	DATE 11-10-70	APPROVED BY M ENGR	DATE
MATERIAL	MODEL NO. 140	CHE		MFG ENGR	
SEE ENGR. SPECIFICATIONS		TITLE SMD DISK CONTROL #1			
FINISH	10L. EE. AS ORDER	210-7505	D	7505	11
SCALE	1:1	SMT 5 OF 6	WANG PART NUMBER	SIZE	DRAWING NUMBER

11 10 9 8 7 5 4 3 2 1

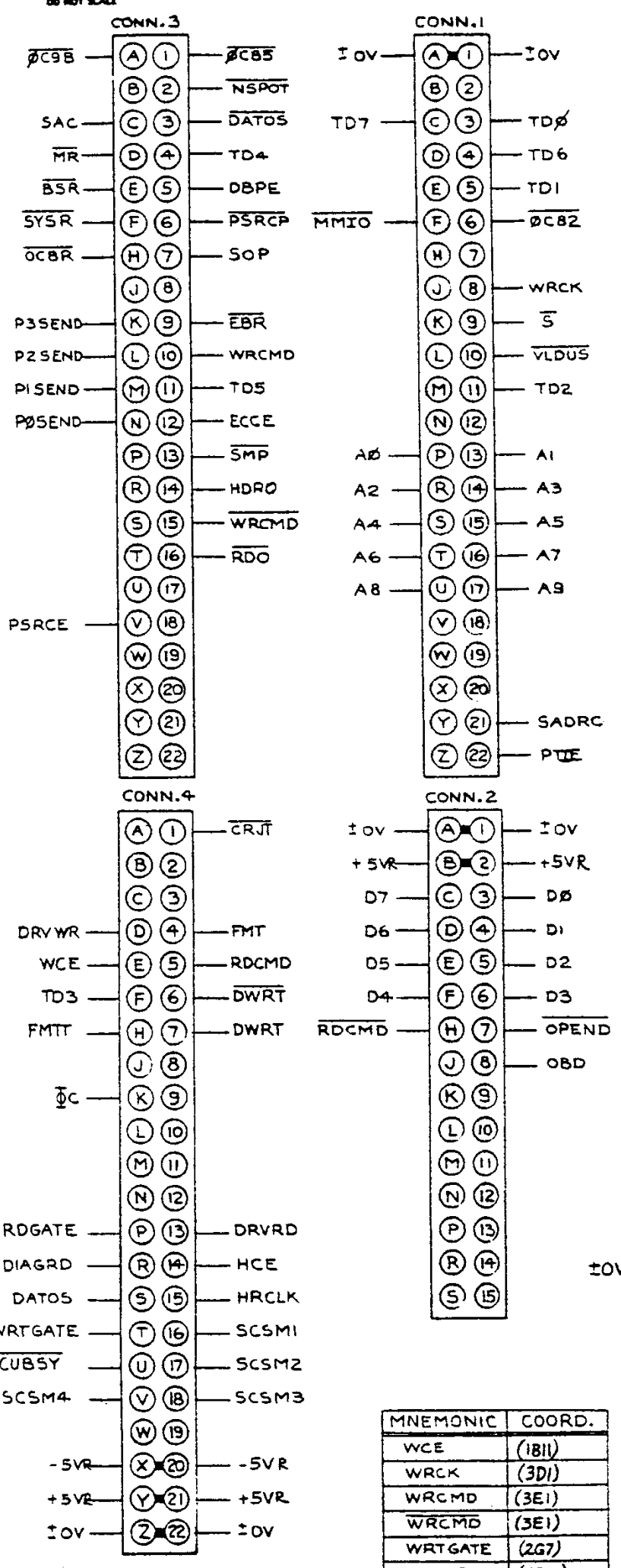
THIS DRAWING AND THE DATA THEREON ARE THE PROPRIETARY PROPERTY OF WANG LABORATORIES, INC. THE DRAWING AND THE DATA HEREON MAY NOT BE MADE PUBLIC WITHOUT THE WRITTEN CONSENT OF WANG LABORATORIES, INC. IF FOR ANY REASON THIS DRAWING IS REPRODUCED OR COPIED IN ANY MANNER, THE REPRODUCER OR COPIER SHALL BE RESPONSIBLE FOR THE OBTAINING OF THE NECESSARY PERMISSION FROM WANG LABORATORIES, INC.

I.C. LOCATION	TYPE	W. L. NO.
L1	74LS27	376-0245
L2,12,63,72,87	74LS00	376-0207
L3	74LS32	376-0211
L4,7,10,37,38,45,46,68,76,86,94	74LS74	376-0155
L53	7473	376-0005
L8,9,24	75107A	376-0146
L11,30	74LS10	376-0209
L13,28,48,69,70,78	74LS02	376-0208
L14	74LS04	376-0180
L15,71	74LS20	376-0210
L16-23	7510A	376-0255
L25,36	74123	376-0080
L26,35	7404	376-0010
L27	74LS139	376-0226
L29	74LS08	376-0153
L31,34	74LS367A	376-0192
L32,33	74LS374	376-0286
L39	74LS174	376-0159
L40	7400	376-0002
L41,42,44,54	74175	376-0119
L43	74S10	376-0238
L47,60	74S02	376-0199
L49-51,65-67	74LS195	376-0248
L52	7402	376-0016
L56	74S08	376-0200
L57,58	74S74	376-0202
L59	74S00	376-0228
L61	74S04	376-0197
L62	7403	376-0028
L64	74S32	376-0205
L73-75	74LS138	376-0294
L77	7476	376-0007
L79-83,89,90,95-97	74LS244	376-0288
L5,6,84,85,100-102	74LS161A	376-0233
L88	74LS240	376-0297
L91	74S260	376-0206
L92	74LS373	376-0310
L93	7430	376-0031
L104	NE555	376-0126

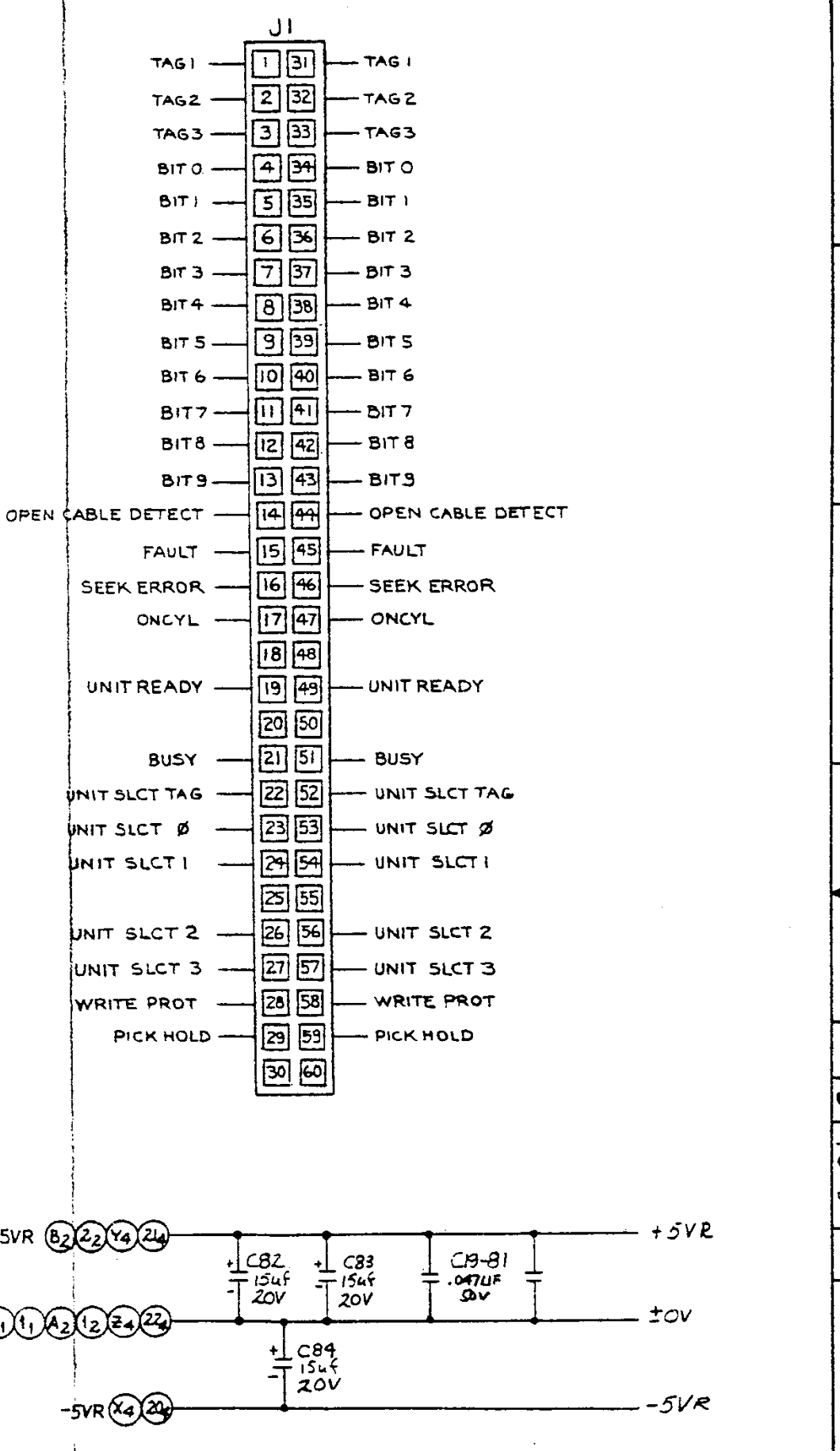
COMPONENT	TYPE	W. L. NO.
R1	220R 1/4W 10%	330-2022
R2-13,16-27,50,61-63,68,73,78-80,85-87,92-94,99-101,106-108,123,124,130	2.2K 1/4W 10%	330-3022
R14	390K 1/4W 10%	330-5039
R15,31	27K 1/4W 5%	330-4028
R28,29	1K 1/4W 10%	330-3010
R30	51K 1/4W 5%	330-3052
R32,33,59,60	100K 1/4W 10%	330-5010
R34,37,38,41,42,45,46,49,51,54,55,58,64-67,69-72,74-77,81-84,88-91,95-98,102-105,109-113,116,119,122	56R 1/4W 5%	330-1057
R35,36,39,40,43,44,47,48,52,53,56,57,114,115,118,121	470R 1/4W 10%	330-2047
R117	270R 1/4W 5%	330-2028
R120	100R 1/4W 10%	330-2010
R125-129	22R 1/4W 10%	330-1022
C1,6-17,19-81,89	.047uF 50V	300-1966
C2	.1uF 50V	300-1930
C3	.01uF 25V	300-1903
C4	820pF 500V	300-1820
C5	.48uF 35V (T)	300-4011
C18,82,83,84	15uF 20V (T)	300-4022
C85-88,90	470pF 500V	300-1470
D1,2	51L	380-1001
Q1,2	2N3725	375-1027
J1	60 PIN	350-0057

I.C. LOCATION	TYPE	SPARES
L1	74LS27	1
L52	7402	3
L3	74LS32	1
L14	74LS04	3
L15	74LS20	1
L26	7404	2
L40	7400	3
L43	74S10	2
L47	74S02	3
L55,103	SPARE	
L56	74S08	1
L59	74S00	1
L61	74S04	1
L62	7403	2
L64	74S32	1
L69	74LS02	1
L70		2
L71	74LS20	1
L35	7404	1
L2		1
L63	74LS00	1
L87		3

MNEMONIC	COORD.
AB-A9	(1D11)
BIT0-BIT9	(4B2)(4F1)
BSR	(2G11)
BUSY	(4C11)
CRJ1	(1A8)
CUBSY	(3B1)
DQ-D7	(1G9)
DATOS	(2G1)
DATOS	(2G1)
DBPE	(1B11)
DIAGRD	(3B1)
DRVRD	(3G1)
DRVWR	(3A7)
DWRT	(3D1)
DWRT	(3D1)
EBR	(2A8)
ECCE	(1A11)
FMT	(3D1)
FMTT	(2E11)
FAULT	(4E11)
HCE	(2A11)
HDRO	(1G1)
HRCLK	(1G7)
MMIO	(1E11)
MR	(1E11)
NSPOT	(2A11)
OBD	(1G1)
OCB2	(1B1)
OCB5	(1B1)
OCB8	(1B1)
OC9B	(1B1)
ONCYL	(4F11)
OPEN CABLE DETECT	(4C1)
OPEND	(2D11)
P1 SEND, P2 SEND	(4B11)
PICKHOLD	(4B1)
PSRCE	(3A7)
PSRCP	(3G1)
PTIE	(3A6)
RDC	(1E11)
RDCMD	(3C1)
RDGATE	(2G7)
S	(3A11)
SAC	(2A7)
SADRC	(3G1)
SCSM1-SCSM4	(4A7)
SEEK ERROR	(4E11)
SMP	(2C11)
SOP	(3G1)
SYSR	(2A8)
TAG1-TAG3	(4A5)
TD0-TD7	(1C1)
UNIT READY	(4G11)
UNIT SLCT 2-UNIT SLCT 3	(4A4)(4C1)
VLDJ5	(1A11)
WCE	(1E11)
RDCMD	(3C1)
P1 SEND, P3 SEND	(4A11)



MNEMONIC	COORD.
WCE	(1B11)
WRCK	(3D1)
WRCMD	(3E1)
WRCMD	(3E1)
WRTGATE	(2G7)
WRITE PROT	(4D11)



REVISION	DATE	BY	APPROVED BY
1	10-27-74	W.L.	
2	11-17-74	W.L.	
3	11-17-74	W.L.	
4	11-17-74	W.L.	
5	11-17-74	W.L.	
6	11-17-74	W.L.	
7	11-17-74	W.L.	
8	11-17-74	W.L.	
9	11-17-74	W.L.	
10	11-17-74	W.L.	
11	11-17-74	W.L.	
12	11-17-74	W.L.	
13	11-17-74	W.L.	
14	11-17-74	W.L.	
15	11-17-74	W.L.	
16	11-17-74	W.L.	
17	11-17-74	W.L.	
18	11-17-74	W.L.	
19	11-17-74	W.L.	
20	11-17-74	W.L.	
21	11-17-74	W.L.	
22	11-17-74	W.L.	
23	11-17-74	W.L.	
24	11-17-74	W.L.	
25	11-17-74	W.L.	
26	11-17-74	W.L.	
27	11-17-74	W.L.	
28	11-17-74	W.L.	
29	11-17-74	W.L.	
30	11-17-74	W.L.	

E-REV 6

WANG LABORATORIES, INC. LUNEN, MASS. U.S.A.		BY: DWN	DATE: 10-23-74	APPROVED BY: ENGR. MARTELLO	DATE: 10-23-74
MODEL NO. 140 SEE ENGINE SPECIFICATIONS		CHE: W.L.	DATE: 10-23-74	BY: ENGR.	
TITLE: SMD DISK CONTROL *1		SCALE: 1:1		DRAWING NUMBER: 7505	
FINISH: 10L. EX. AS ORDERED		210-7505		D 7505	
33 ± PRAC. ±		210-7505		11	
20 ± ANG. ±		210-7505		11	
10 ± FORTH ±		210-7505		11	
SCALE: 1:1		SHEET 6 OF 6		DRAWING NUMBER: 7505	