

		REVISIONS			
REV	EN	CHG CODE	DESCRIPTION	DR	APPD
A	82938	—	PRODUCTION RELEASE	—	<i>[Signature]</i>
—	83085	—	F/N 6 QTY WAS 2	56	<i>[Signature]</i>
—	83314	—	F/N 11 WAS 71A0004-000	—	<i>[Signature]</i>


DWG NO. 44P0725

NEXT ASSEMBLY C11P1659	
DR	<i>[Signature]</i> 3-10-74
CHK	<i>[Signature]</i> 3-28-74
DSGN	—
ENGR	<i>[Signature]</i> 4-22-74
APPD	<i>[Signature]</i> 11/6/74
APPD	—

MODEL NO.
6201-100-E2861E

CODE IDENT NO. 21101

THIS DOCUMENT MAY CONTAIN PROPRIETARY INFORMATION AND SUCH INFORMATION MAY NOT BE DISCLOSED TO OTHERS FOR ANY PURPOSE OR USED TO PRODUCE THE ARTICLE OR SUBJECT, WITHOUT PERMISSION FROM VDM.

 **varian data machines** / a varian subsidiary
2722 michelson drive / irvine / california 92614

TITLE PARTS LIST
PANEL SHOE BOARD ASSY DM 426

SIZE	DWG NO.	REV
A	44P0725	A

SHEET 1 OF 3

QUANTITY REQ'D PER DASH NO.						PARTS LIST		CODE IDENT: 21101	
					000	FIND NO.	PART NUMBER	DESCRIPTION	REMARKS
					Ref	-	44D0725 A	Assembly	
					Ref	-	91D0506 A	Schematic	
					Ref	-	97E0930	Artwork	
					1	1	40D0586-000 A	P.W. Board	DM426
					2	2	57A0325-000	Connector	J27, J28
					2	3	57A0259-001	Connector	TB27, TB28
					2	4	57A0277-000	Connector	P27A, P28A
					1	5	57A0257-002	Connector Plug	P7
					0	6	53A0467-002	Cable, Flat	
					0	7	53A0454-124	Wire, PVC	22 AWG
					1	8	49A0040-000	Integrated Circuit	IC1
					1	9	65N2500-271	Res. 270Ω 1/4 W ± 5%	R1
					5	10	65N2500-102	Res 1K 1/4W ± 5%	R2, 3, 4, 5, 6
					1	11	71A0004-101	Cap. 1 uf +80% - 20%	C1
					6	12	77S1005-000	Diode	CR1, 2, 3, 4, 5, 6
					1	13	78A0108-000	Switch, Toggle	S1
					1	14	58A0001-002	Terminal, Swaged	E1
					1	15	04C0831-000	Mfg. Bracket	

NOTES:

DWG NO.

44P0725

REV
A

SHEET 1 OF 1

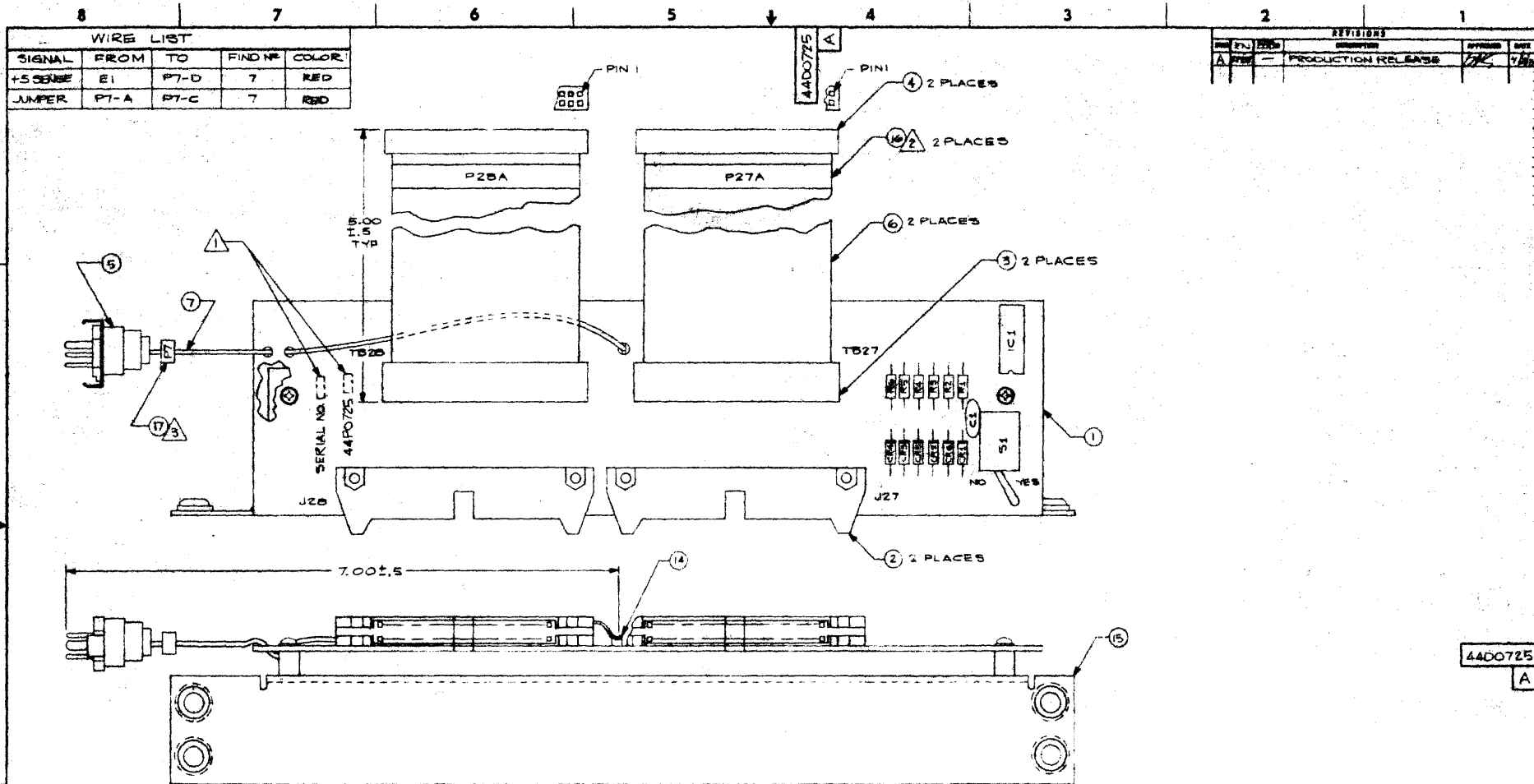
96 0017-001C

QUANTITY REQ'D PER DASH NO. PARTS LIST CODE IDENT: 21101

QUANTITY REQ'D PER DASH NO.						PARTS LIST		CODE IDENT: 21101	
					000	RIND NO.	PART NUMBER	DESCRIPTION	REMARKS
					2	16	90A0019-006	Tape	
					1	17	26A0009-000	Clamp Harness ID	

NOTES: DWG NO. 44P0725 REV A

94 A0017-001C



44D0725
A

4. USE HARDWARE IN ACCORDANCE WITH VDM SPECIFICATION 85A055G.

▲ WIRE CONNECTOR REFERENCE DESIGNATION AS SHOWN ON FIN 7 CHARACTERS TO BE PERMANENT AND LEGIBLE. ATTACH FIN1 TO FIN7 APPROX. WHERE SHOWN.

▲ WRAP TAPE FIN6 AROUND PLAT CABLE FIN6 AND MARK APPROPRIATE CONNECTOR REFERENCE DESIGNATION AS SHOWN ON FIN 6 CHARACTERS TO BE PERMANENT AND LEGIBLE.

▲ MARK APPROPRIATE DASH NO AND THE REVISION LETTER OF THE PARTS LIST TO WHICH THE PART WAS MANUFACTURED AND SERIAL NO APPROX. WHERE SHOWN IDENTIFICATION TO BE .12 HIGH CHARACTERS, PERMANENT AND LEGIBLE.

NOTE: UNLESS OTHERWISE SPECIFIED

REFERENCE DRAWINGS

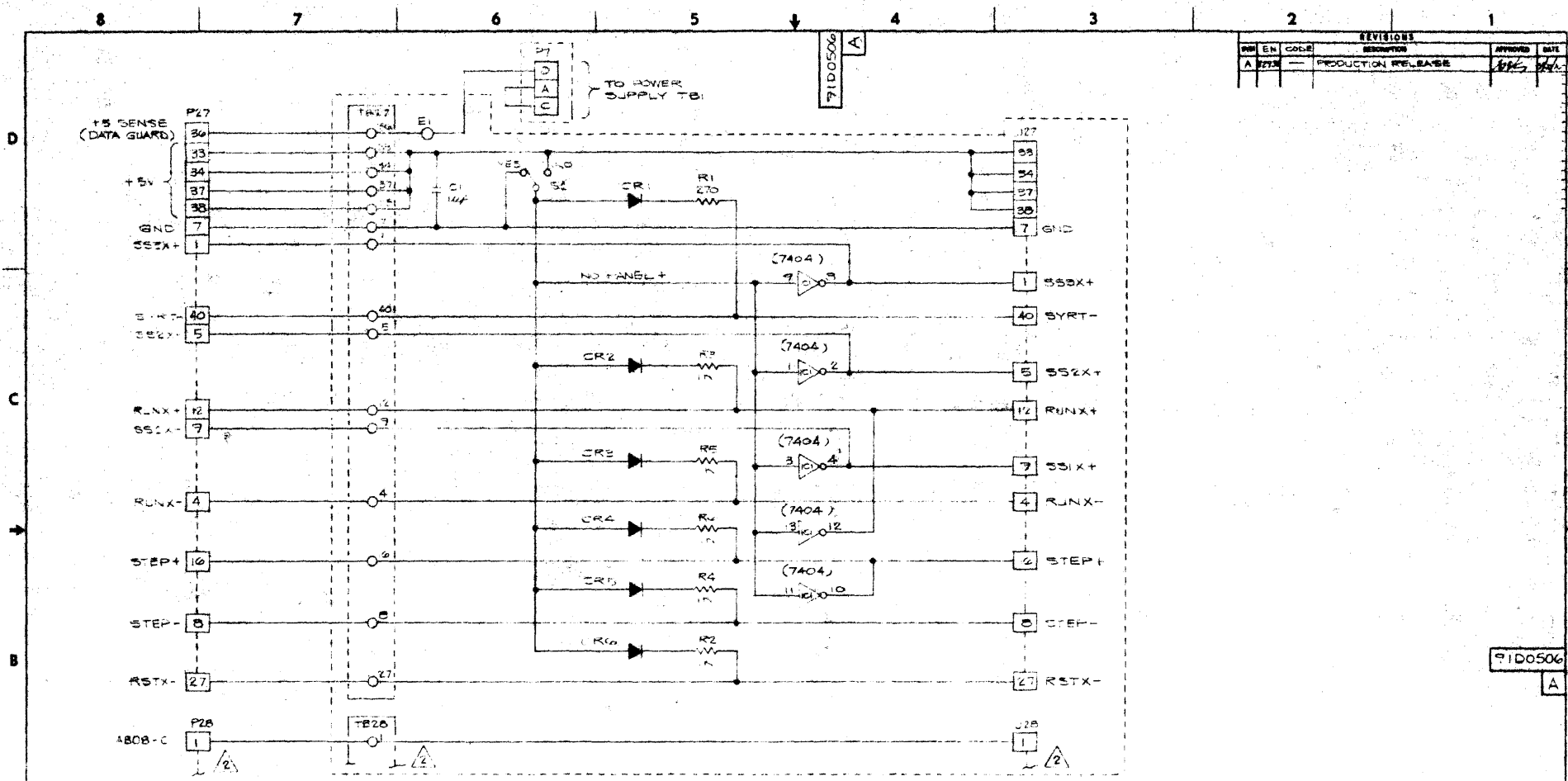
44D0556 -- PW BOARD
71 D0506 -- LOGIC
97B0750 -- ARTWORK

MODEL NO.	44D0725
REV. NO.	1
DATE	7/25/70
BY	OP/IGS9
CHKD.	
APP'D.	
DATE	

SYMBOLS AND DIMENSIONS ARE IN INCHES UNLESS OTHERWISE SPECIFIED.
TOLERANCES UNLESS OTHERWISE SPECIFIED:
FRACTIONS .125
DECIMALS .005
ANGLES .5
UNLESS OTHERWISE SPECIFIED
BREAK ALL SHARP EDGES AND ANGLES
DO NOT SCALE DRAWING

FOR PARTS LIST SEE 44D0725

DATE	7/25/70
BY	OP/IGS9
CHKD.	
APP'D.	
DATE	
TITLE	
PANEL SHOE BOARD	
ASSY. DM426	
CODE	21101 D
REV.	44D0725 A
SCALE	2/1
SHEET	1



REVISIONS				APPROVED	DATE
REV	EN	CODE	DESCRIPTION		
A	RTM		PRODUCTION RELEASE		4/12/54

710506
A

UNLESS OTHERWISE SPECIFIED, THROUGH WIRING IS PERMITTED FOR ALL LINES NOT SHOWN. ALL DIMENSIONS ARE IN INCHES UNLESS OTHERWISE SPECIFIED. ALL DIMENSIONS ARE 1/4 W 0.075.

MODEL NO. 44P5745 NATIONAL PART NO. 44P5745 DATE 1-1-54	DIMENSIONS IN INCHES AND DECIMALS THEREOF UNLESS OTHERWISE SPECIFIED. ALL DIMENSIONS ARE 1/4 W 0.075 UNLESS OTHERWISE SPECIFIED. ALL DIMENSIONS ARE 1/4 W 0.075 UNLESS OTHERWISE SPECIFIED.	CHECKED BY DATE APPROVED BY DATE	TITLE LOG C DIAGRAM, PANEL SHOE BOOK BENT NO. 21101 D SHEET NO. 710506 A
---------------------------------------------------------------------	---------------------------------------------------------------------------------------------------------------------------------------------------------------------------------------------------	-------------------------------------------	------------------------------------------------------------------------------------------

8 7 6 5 4 3 2 1

91D0506
A

REVISIONS			
REV	DATE	DESCRIPTION	APPROVED

CONNECTOR J27

PINS	FUNCTION
1	SS3X+
2	SELA+
3	SELA-
4	RUNX-
5	SS2X+
6	SELS+
7	GND25A-
8	STEP-
9	SS1X+
10	SELD-
11	GND26A-
12	RUNX+
13	SS3X-
14	SELX+
15	
16	STEP+
17	SS2X-
18	SELX-
19	
20	REPT-
21	SS1X-
22	SELL-
23	GND25B-
24	SELP+
25	
26	
27	RSTX-
28	
29	
30	SELP-
31	
32	SELL+
33	PZ6+51
34	PZ6+52
35	
36	SEN+05
37	
38	
39	GND26B-
40	SYRT-I

CONNECTOR J28

PINS	FUNCTION
1	AB05-C
2	AB07-C
3	AB06-C
4	CB09+
5	AB07-C
6	CB13+
7	CB08+
8	CB06+
9	AB10-C
10	CB15+
11	CB04+
12	CB07+
13	AB11-C
14	AB12-C
15	CB05+
16	AB05-C
17	CB11+
18	AB13-C
19	OVXX+
20	HLT X-
21	CB10+
22	AB14-C
23	
24	AB01-C
25	CB12+
26	AB15-C
27	AB00-C
28	AB04-C
29	CB14+
30	AB03-C
31	
32	AB02-C
33	
34	
35	GND26B-
36	CB02+
37	
38	CB01+
39	CB03+
40	CB00+

91D0506
A

NOTE: ALL DIMENSIONS IN MILLIMETERS

REV	DATE	DESCRIPTION	APPROVED
21101	D	9 D0506	A