

DWG NO. 44P0671

REVISIONS

REV	EN	CHG CODE	DESCRIPTION	DR	APPD
F	82526	1	UPDATED REV LTR OF REF DWGS. WAS: B, UPDATED REV LTR OF FIND N# 1, WAS: C, REVISED QTY OF FIN 16, WAS: 12, REVISED PART N# FOR FIND N# 26, WAS: 49A0508-000	WFG	W.C. 3-21-73
-	82998	1	REV LTR OF REF DWG 9100436 WAS C	SG	P.S. 8-1-73
G	83159-01	-	REV LTR OF REF DWG 9100436 WAS D	SG	M. 7-6-73

NEXT ASSEMBLY

01A1497

MODEL NO.

620/L-101-E2861  
A&B



varian data machines / a varian subsidiary  
2722 michelson drive / irvine / california / 92618

DR

D. WISE

1/10/73

CODE IDENT NO. **21101**

TITLE

PARTS LIST - MEMORY  
T&C CONT ASSY, DM395

CHK

R.A.D.

DSGN

ENGR

APPD

APPD

THIS DOCUMENT MAY CONTAIN PROPRIETARY INFORMATION AND SUCH INFORMATION MAY NOT BE DISCLOSED TO OTHERS FOR ANY PURPOSE OR USED TO PRODUCE THE ARTICLE OR SUBJECT, WITHOUT PERMISSION FROM VDM.

SIZE

**A**

DWG NO.

44P0671

REV

G

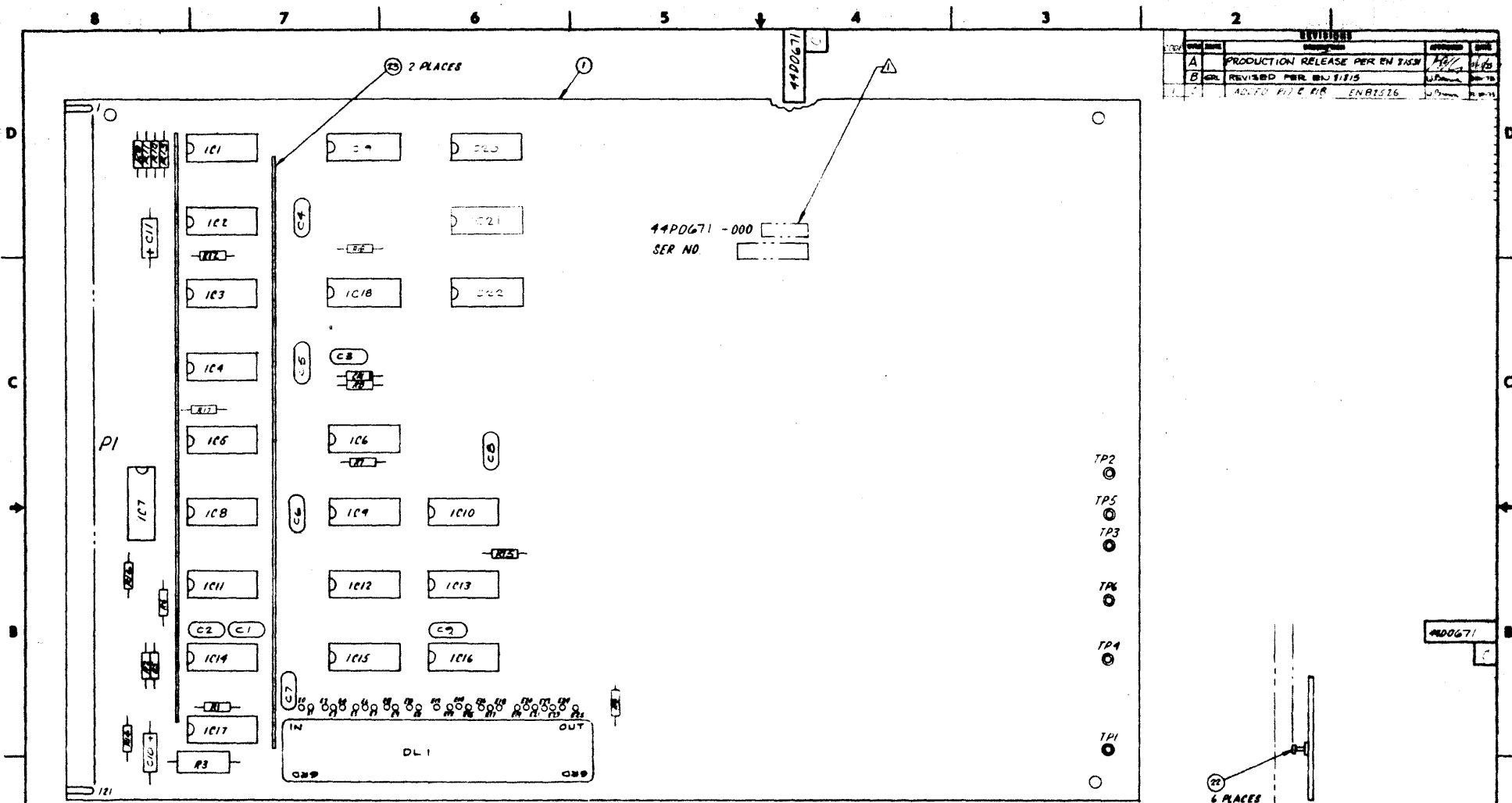
SHEET 1 OF 3

QUANTITY REQ'D PER DASH NO					PARTS LIST				CODE IDENT 21101		
					000	FIND NO	PART NUMBER	DESCRIPTION	REMARKS	ZONE	
					REF	-	44D0671 C	ASSEMBLY			
					REF	-	91D0486 E	LOGIC DIAGRAM			
					REF	-	97D0837	ARTWORK			
					REF	-	83A0935	BOOTSTRAP LOADER PROTECT (E-2847)	ENGR'S DESCRIPTION		
					1	1	40D0607-000 D	P.W. BOARD			
					2	2	49A0039-000	INTEGRATED CIRCUIT	IC6, 11		
					4	3	49A0023-000	↑ ↓	IC7, 13, 18, 19		
					1	4	49A0041-000		IC16		
					2	5	49A0554-001		IC10, 22		
					1	6	49A0003-000		IC9		
					1	7	49A0056-000		IC12		
					1	8	49A0146-001		IC14		
					2	9	49A0079-000		IC8, 15		
					1	10	49A0019-000		INTEGRATED CIRCUIT	IC17	
					2	11	69N1500-101		CAP, 100pf 50V	C1, 2	
					7	12	71A0004-100		CAP, .1uf 50V	C3-9	
					2	13	71ND100-475	CAP, 4.7uf 10V 10%	C10, 11		
					1	4	77S1017-000	DIODE	CRI		
					1	5	80A0039-001	DELAY LINE	DL1		

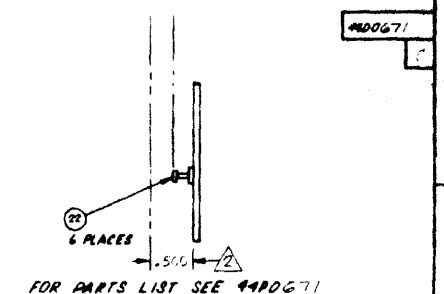
NEXT ASSY 01A1497					MODEL NO 626L-101-F2861 A E B					APPD DM 1-12-72		TITLE: PARTS LIST				
REV	A	B	C	D	E	X					MEMORY T ± CONT ASSY DM 895					
EN NO	81531	81815	81893	82011	82015						DWG NO		44P0671		REV	
DATE	1/10/73	3-19-73	5/25/73	7/6/73	7/6/73											
DR	W. G. R.	G. R. L.	S. W. G.	S. W. G.	S. W. G.											
CHK	M. W. W.	J. R. T.	T. W. T.	H. W. W.	H. W. W.											

94-0017-0008

QUANTITY REQ'D PER DASH NO					PARTS LIST			CODE IDENT: 21101		
				000	FIND NO	PART NUMBER	DESCRIPTION	REMARKS	ZONE	
					17	16	65N2500-102	RES, 1K, 1/4W, ±5%	R1, 2, 5, 7, 9-10, 17 & 18	
					1	17	65N2500-181	RES, 180Ω, 1/4W, ±5%	R4	
					1	18	65N2500-202	RES, 2K, 1/4W, ±5%	R6	
						19				
					1	20	65N2500-103	RES, 10K, 1/4W, ±5%	R8	
					1	21	65N1010-680	RES, 68Ω, 1W, ±5%	R3	
					6	22	58A0066-002	TERMINAL	TP1 THRU TP6	
					2	23	53C0194-000	BUS, POWER		
					1	24	49A0060-000	INTEG CIRCUIT	IC20	
					1	25	49A0007-000	↑ ↓	IC2	
					1	26	49A0042-000		IC4	
					2	27	49A0510-000		IC1, 5	
					1	28	49A0516-000		INTEG CIRCUIT	IC3
					1	29	49A0128-001		INTEG CIRCUIT	IC21
NOTES:								DWG NO 44POG71	REV E	
								SHEET 2 OF 2		



REVISIONS			
REV	DATE	DESCRIPTION	BY
A		PRODUCTION RELEASE PER EN 1258	1/1/75
B		REVISED PER EN 1215	1/1/75
C		ADDED FILE #18 EN 1526	1/1/75



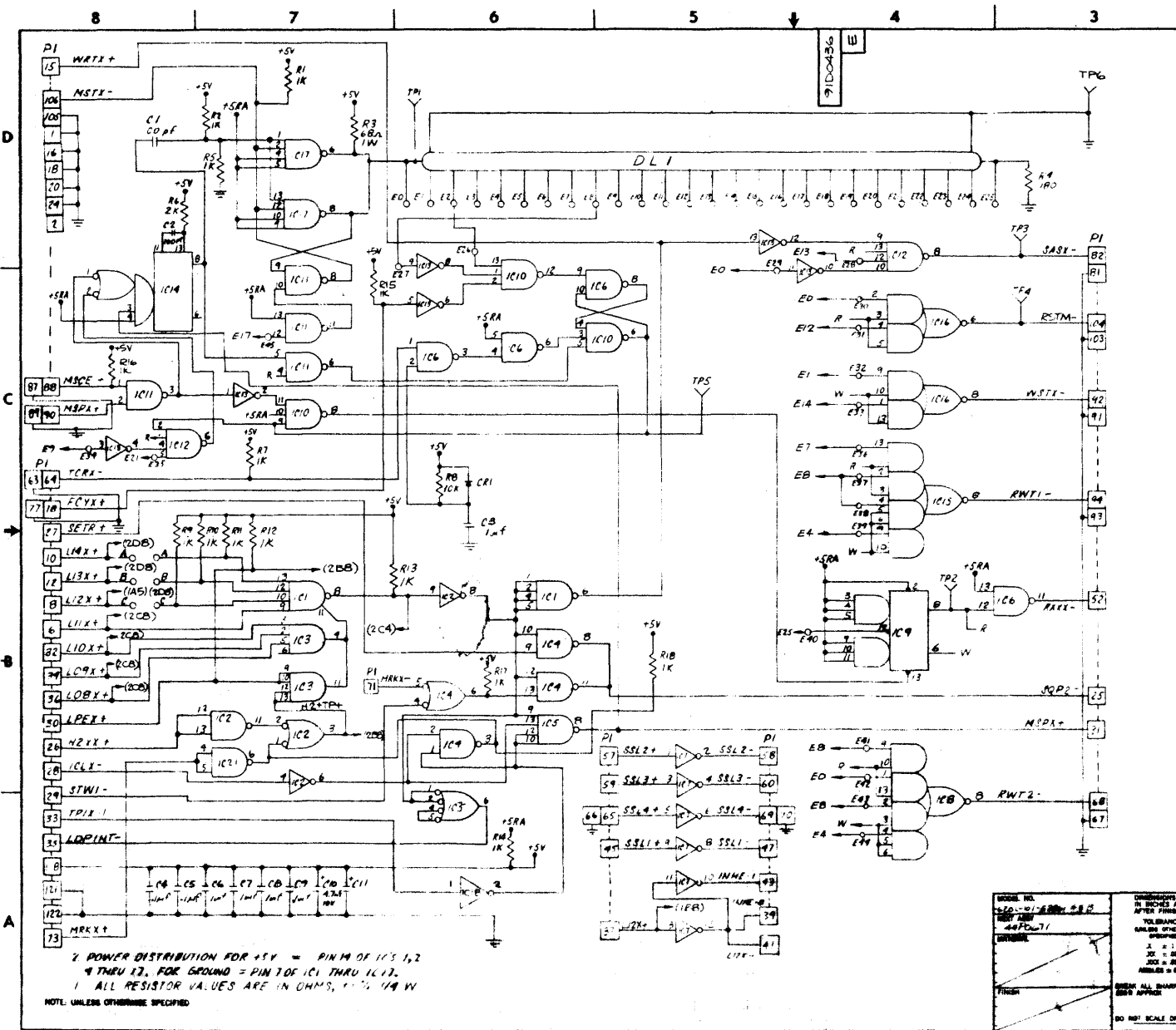
▲ MAXIMUM COMPONENT HEIGHT

▲ MARK REVISION LETTER OF PARTS LIST TO WHICH PART WAS MANUFACTURED AND SERIAL NO. APPROXIMATELY WHERE SHOWN IDENTIFICATION TO BE .12 HIGH CHARACTERS AND PERMANENT.

NOTE: UNLESS OTHERWISE SPECIFIED

SEE DRAWINGS  
440671 PARTS LIST  
400607 PW BOARD  
910636 LOBIC  
910637 ARTWORK

440671 400607 910636 910637	PARTS LIST PW BOARD LOBIC ARTWORK	21101 D 440671	MEMORY T & CONT ASSY DM 395
--------------------------------------	--	----------------	-----------------------------------



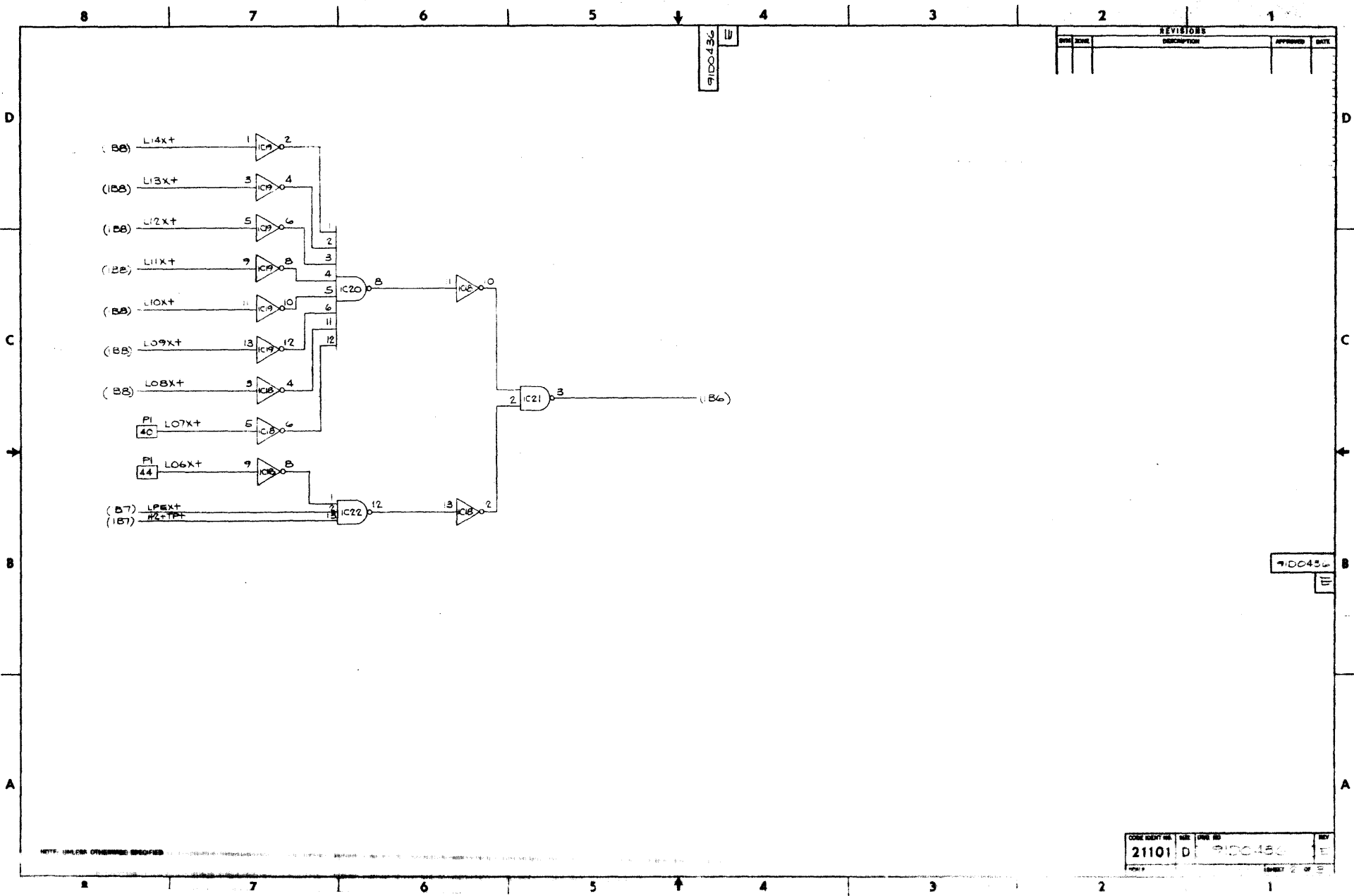
REVISIONS				
CODE	DATE	DESCRIPTION	APPROVED	DATE
B		REVISED AND REDRAWN PER 910036		
C		ADD. STATE IC1 INPUT E, P18 IN AND W1005 P4 IN PLACE		
D		SHIT ZONE IS A SHIT CONNECTOR WAS CLAMPED ON BLMB		
E		SHIT ZONE IS SHIT CONNECTOR WAS FCYX. PER 910036		

REFERENCE DESIGNATORS	
LAST USED	NOT USED
IC11	
CR1	
DL1	
EAS	
IC22	
P1	
R18	
TP6	

REFERENCE DRAWINGS  
 4400671 ASSEMBLY  
 4400671 P/L  
 4000607 NW BOARD  
 9100637 ARTWGR

2 POWER DISTRIBUTION FOR +5V = PIN# OF IC'S 1,2 4 THRU 12, FOR GROUND = PIN# OF IC1 THRU IC12.  
 1 ALL RESISTOR VALUES ARE IN OHMS, 1/4 W  
 NOTE: UNLESS OTHERWISE SPECIFIED

MODEL NO. 4400671 REV. 1	DIMENSIONS ARE IN INCHES AND AFTER FINISHING UNLESS OTHERWISE SPECIFIED TOLERANCES UNLESS OTHERWISE SPECIFIED X ± .1 XX ± .05 XXX ± .02 ANGLES ± .6° BREAK ALL SHARP EDGES 50% APPROX. DO NOT SCALE DRAWING	DR. D. WISE CH. R. DUBOIS DR. D. WISE DR. D. WISE DR. D. WISE DR. D. WISE	TITLE MEMORY T & CONT L610 DM 395
21101 D 9100436	SCALE 1:1	SHEET 1 OF 2	DATE 11/10/67



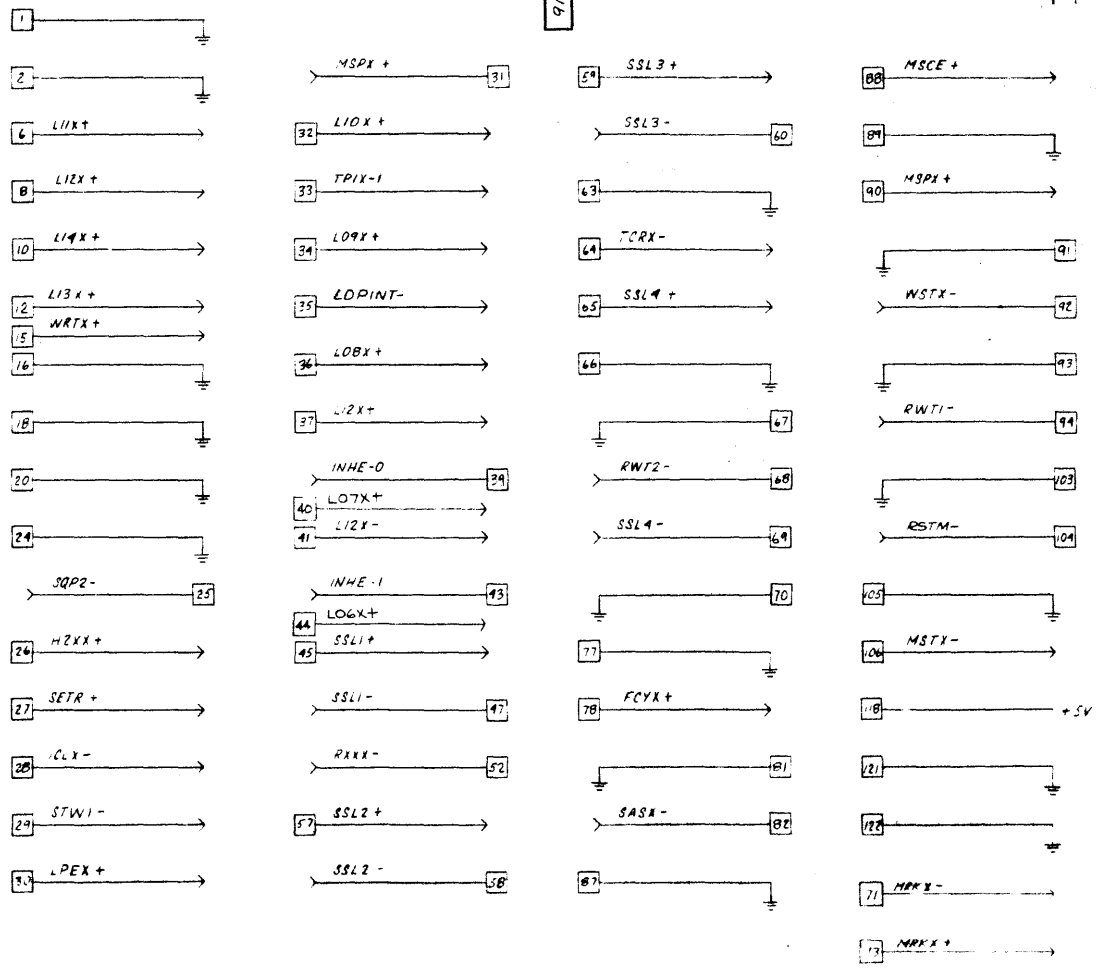
9100436

REVISIONS			
REV	DATE	DESCRIPTION	APPROVED

9100436

970019

REVISIONS				
REV	ZONE	DESCRIPTION	APPROVED	DATE
SEE SHEET 1				



9100436

NOTE: UNLESS OTHERWISE SPECIFIED

CODE IDENT NO	SIZE	CHG NO	REV
21101 D		9100436	