

**NAVSHIPS  
0967-319-4020**

**COMPUTER SET  
AN/UYK-7 (V)  
TECHNICAL  
MANUAL  
VOLUME II**

NAVSHIPS 0967-319-4020

**TECHNICAL MANUAL**

for

**COMPUTER SET  
AN/UYK-7(V)**

**VOLUME 2**

**SECTION 6**

PX 5239-2-4

JANUARY 1971

Change 2 February 1974

NAVSHIPS 0967-319-4022

**SPERRY**  **UNIVAC**  
DEFENSE SYSTEMS

## LIST OF EFFECTIVE PAGES

PAGE NUMBER	CHANGE IN EFFECT
Title	Change 2
ii thru iv	Change 2
6-1 thru 6-182	Change 2

## ECP EFFECTIVITY

Change 1 to NAVSHIPS 0967-319-4020 updates the technical manual to cover the following NAVAL SHIP ENGINEERING CENTER APPROVED AN/UYK-7(V) ECP's. The ECP's are installed via FCO MPL 932.

24	56	67	84	90	100	106	114
25	57	69	85	95	101	107	116
31	58	70	86	96	103	108	117
41	59	71	87	97	104	110	118
43	65	72	88	98	105	111	121
46	66	74	89	99		112	

Change 2 to NAVSHIPS 0967-319-4020 updates the technical manual to cover the following NAVAL ENGINEERING CENTER APPROVED AN/UYK-7(V) ECP's. The ECP's are installed via FCO MPL 1152.

15	128	143	164
17	131	144	171
19	132	147	179
63	139	150	185
120	140	155	188
127	141	158	

INSTRUCTIONS FOR CHANGE 2 to NAVSHIPS 0967-319-4020

This package contains CHANGE 2 pages to the parts list documentation for the Technical Manual for Computer Set AN/UYK-7(V).

Remove the following original and CHANGE 1 pages and replace with the following CHANGE 2 pages:

1. Remove title page and page ii and replace with new title page and page ii.
2. Remove page iii and iv and replace with new page iii and iv.
3. Remove pages 6-1 through 6-144 and replace with new pages 6-1 through 6-182.



TABLE OF CONTENTS

SECTION 6 - PARTS LIST

Paragraph		Page
6-1.	Introduction . . . . .	6-1
6-2.	Group Assembly Parts List . . . . .	6-1
	a. Figure and Index Number Column . . . . .	6-1
	b. Reference Designation Column . . . . .	6-1
	c. Indenture Column . . . . .	6-1
	d. Description . . . . .	6-1
	e. Manufacturers Code . . . . .	6-1
	f. Part Number Column . . . . .	6-1
	g. Units Per Assembly . . . . .	6-1
	h. Used on Code Column . . . . .	6-2
6-3.	Numerical Index . . . . .	6-2

LIST OF ILLUSTRATIONS

SECTION 6 - PARTS LIST

Figure	Page
6-1. Computer Set AN/UYK-7(V) . . . . .	6-7
6-2. Electrical Equipment Cabinet A8 . . . . .	6-11
6-3. Input/Output Adapter Unit A1 . . . . .	6-21
6-4. Input/Output Adapter Unit Module Location Chart A1 . . . . .	6-32
6-5. Input/Output Controller Unit A2 . . . . .	6-36
6-6. Input/Output Controller Unit Module Location Chart A2 . . . . .	6-44
6-7. Core Memory Unit A3, A6, A7 . . . . .	6-49
6-8. Core Memory Unit Module Location Chart A3, A6, A7 . . . . .	6-58
6-9. Central Processor Unit A4 . . . . .	6-61
6-10. Central Processor Unit Module Location Chart A4 . . . . .	6-69
6-11. Type E, DC-to-DC Converter Module Assembly A1A1 . . . . .	6-77
6-12. Type B, DC-to-DC Converter Module Assembly A3A5, A6A5, A7A5 . . . . .	6-83
6-13. Type D, DC-to-DC Converter Module Assembly A2A1, A4A1 . . . . .	6-90
6-14. Power Supply A5 . . . . .	6-96
6-15. Switching Regulator Assembly A5A1 thru A5A4 . . . . .	6-103
6-16. -20 VDC Regulator-Oscillator Unit A5A5 . . . . .	6-107
6-17. Regulating Converter Assembly A5A6 . . . . .	6-110
6-18. Cable Installation (Typical) . . . . .	6-115
6-19. Wire Harness W1 thru W15 . . . . .	6-119
6-20. Operator's Panel Assembly A17 . . . . .	6-120
6-21. I/O Mode Selector Switch A2A2 . . . . .	6-122
6-22. Resistor Module Assembly A9 thru A16 . . . . .	6-123
6-23. Computer Logic Test Set A19 . . . . .	6-125
6-24. Cable Assembly A19W1 thru A19W4 . . . . .	6-134
6-25. DC-to-DC Converter Circuit Card Assembly A1A1A1, A2A1A1, A3A5A1, A4A1A1, A6A5A1, A7A5A1 . . . . .	6-135
6-26. +12 Volt Series Regulator Circuit Card Assembly A3A5A3, A6A5A3, A7A5A3 . . . . .	6-138
6-27. -90 Volt Switching Regulator Circuit Card Assembly A5A1A1 thru A5A4A1 . . . . .	6-140
6-28. -20 Volt Regulator and Oscillator Circuit Card Assembly A5A5A1 . . . . .	6-145
6-29. Power Interrupt and Master Clear Circuit Card Assembly A5A5A2 . . . . .	6-148
6-30. Regulating Converter Circuit Card Assembly A5A6A1 . . . . .	6-153
6-31. Oscillator Circuit Card Assembly A19A3 . . . . .	6-158
6-32. Computer Control C-8542/UYK-7(V) . . . . .	6-161

LIST OF TABLES

SECTION 6 - PARTS LIST

Table	Page
6-1. List of Manufacturers . . . . .	6-3

## SECTION 6

## PARTS LIST

## 6-1. INTRODUCTION.

THIS ILLUSTRATED PARTS BREAKDOWN (IPB) LISTS AND ILLUSTRATES THE FIELD-REPLACEABLE PARTS FOR A SINGLE-CABINET COMPUTER SET AN/UYK-7(V) AND AN OPTIONAL COMPUTER CONTROL C-8542/UYK-7(V).

THIS IPB SHOULD NOT BE USED FOR DISASSEMBLY OR ASSEMBLY PROCEDURES.

## 6-2. GROUP ASSEMBLY PARTS LIST.

THE GROUP ASSEMBLY PARTS LIST CONSISTS OF ILLUSTRATIONS AND LISTINGS OF ASSEMBLIES AND DETAIL PARTS. THE ACCOMPANYING ILLUSTRATION PRECEDES THE PARTS BREAK-DOWN LISTING FOR EACH ASSEMBLY. EACH ASSEMBLY IS FOLLOWED BY A LISTING OF ITS COMPONENT PARTS.

A. FIGURE AND INDEX NUMBER COLUMN. - THIS COLUMN SHOWS THE FIGURE NUMBER OF THE ASSEMBLY AND ALL COMPONENT PART INDEX NUMBERS. EACH NEW ASSEMBLY SECTION AND FIGURE NUMBER IS CARRIED FORWARD AS THE FIRST ENTRY OF EACH SUCCEEDING PAGE.

B. REFERENCE DESIGNATION COLUMN. - THIS COLUMN LISTS THE REFERENCE DESIGNATOR ASSIGNED TO THE ASSEMBLY OR DETAIL PART. THESE DESIGNATORS COINCIDE WITH THE DESIGNATIONS MARKED ON THE EQUIPMENT, DRAWINGS, AND DIAGRAMS.

C. INDENTURE COLUMN. - THIS COLUMN IS CODED NUMERICALLY TO SHOW RELATIONSHIP TO THE NEXT HIGHER ASSEMBLY.

D. DESCRIPTION. - THIS COLUMN LISTS THE ITEM NAME OF A PART OR ASSEMBLY FOLLOWED BY AN IDENTIFYING DESCRIPTION. ATTACHING PARTS ARE LISTED IMMEDIATELY FOLLOWING THE ASSEMBLY OR PART WHICH THEY SECURE.

THE ABBREVIATIONS NHA, NLA, U/W AND AP APPEARING IN THE DESCRIPTION COLUMN HAVE THE FOLLOWING MEANINGS- NHA INDICATES NEXT HIGHER ASSEMBLY, NLA INDICATES NEXT LOWER ASSEMBLY, U/W INDICATES USED WITH, AND AP INDICATES ATTACHING PARTS.

E. MANUFACTURERS CODE. - THE FEDERAL SUPPLY CODE FOR MANUFACTURERS (FSCM) IS A CODING SYSTEM OF FIVE-DIGIT NUMBERS ASSIGNED TO MANUFACTURERS HAVING DESIGN CONTROL OF ITEMS OF SUPPLY PROCURED BY AGENCIES OF THE FEDERAL GOVERNMENT. THE CODES USED IN THIS SECTION ARE LISTED IN NUMERICAL SEQUENCE IN TABLE 6-1.

F. PART NUMBER COLUMN. - THE FIRST ENTRY IN THIS COLUMN IS THE UNIVAC PART NUMBER, OR UNIVAC SPECIFICATION DRAWING NUMBER, WITH THE CORRESPONDING GOVERNMENT PART NUMBER OR VENDOR PART NUMBER AS THE NEXT ENTRY.

A COML ENTRY INDICATES THAT THE PART MAY BE PURCHASED COMMERCIALY.

G. UNITS PER ASSEMBLY. - THIS COLUMN LISTS THE QUANTITY OF PARTS PER ASSEMBLY. WHEN EQUIPMENT CONTAINS TWO OR MORE IDENTICAL ASSEMBLIES, OR IF SIMILAR ASSEMBLIES HAVE BEEN COMBINED IN ONE ILLUSTRATION, THIS COLUMN WILL INDICATE THE



QUANTITY OF PARTS FOR ONE ASSEMBLY ONLY.

TWO ABBREVIATIONS ARE USED IN THIS COLUMN; REF AND AR. THE REF INDICATES THE QUANTITY USED ON AN ASSEMBLY PREVIOUSLY CONSIDERED. THE AR INDICATES A QUANTITY AS REQUIRED.

H. USED ON CODE COLUMN. - LETTER CODES IN THIS COLUMN INDICATE VARIATIONS OF PARTS AND ASSEMBLIES WHICH BECAUSE OF THEIR PHYSICAL SIMILARITY HAVE BEEN COMBINED ON ONE ILLUSTRATION. NO CODE SIGNIFIES THE PART IS USED ON ALL ASSEMBLIES.

6-3. NUMERICAL INDEX.

THE NUMERICAL INDEX PROVIDES ALL THE PART NUMBERS IN ALPHANUMERIC ORDER. THE FIGURE AND INDEX NUMBERS ARE GIVEN FOR EACH PART TO AID IN LOCATING THE PART IN THE GROUP ASSEMBLY PARTS LIST. THIS INDEX IS LOCATED AT THE END OF THE SECTION.

TABLE 6-1. LIST OF MANUFACTURERS

CODE	NAME	ADDRESS
00141	PIC DESIGN DIVISION BENRUS CORP	PO BOX 335 BENRUS CENTER RIDGEFIELD CT 06877
00328	STERLING INSTRUMENT DIVISION OF DESIGNATRONICS INC	55 SOUTH DENTON AVE NEW HYDE PARK NY 11040
00779	AMP INC	PO BOX 3608 HARRISBURG PA 17105
01121	ALLEN BRADLEY CO	1201 SOUTH 2ND STREET MILWAUKEE WI 53212
01295	TEXAS INSTRUMENTS INC COMPONENTS GROUP	BOX 5012 13500 N CENTRAL EXPRESS DALLAS TX 75222
02660	BUNKER RAMO CORP AMPHENOL CONNECTOR DIVISION	2801 SOUTH 25TH AVE BROADVIEW IL 60153
03508	GENERAL ELECTRIC CO SEMI-CONDUCTOR PRODUCTS DEPT	ELECTRONICS PARK SYRACUSE NY 13201
03877	TRANSISTRON ELECTRONIC CORP	168-186 ALBION ST WAKEFIELD MA 01880
04552	EMERSON AND CUMING INC	59 WALPOLE CANTON MA 02021
04713	MOTOROLA INC SEMICONDUCTOR PRODUCTS DIVISION	5005 EAST MCDOWELL ROAD PHOENIX AZ 85008
05327	NATIONAL BERYLLIA CORP	GREENWOOD AVENUE HASKELL NJ 07420
06383	PANDUIT CORP	17301 RIDGELAND TINLEY PARK IL 60477
06540	AMATOM ELECTRONIC HARDWARE DIVISION OF MITE CORP	446 BLAKE STREET NEW HAVEN CT 06515
07047	ROSS MILTON CO THE	511 2ND STREET PIKE SOUTHAMPTON PA 18966
07137	TEC INC	6700 WASHINGTON AVE SOUTH EVEN PRAIRIE MN 55343
07418	SUNBANK ELECTRONICS INC	2428 NORTH ONTARIO BURBANK CA 91504
08291	GENERAL ELECTRIC CO DISTRIBUTION ASSYS PRODUCT DEPT CALIF PLANT	11115 VANOWEN STREET NORTH HOLLYWOOD CA 91605
08730	VEMALINE PRODUCTS INC	PO BOX 3 455 WEST MAIN STREET WYCKOFF NJ 07481
09214	GENERAL ELECTRIC CO SEMICONDU PROD DEPT POWER SEMICONDU PROD OPN SEC	WEST GENESEE STREET AUBURN NY 13021

TABLE 6-1. LIST OF MANUFACTURERS

CODE	NAME	ADDRESS
09922	BURNDY CORP	RICHARDS AVE NORWALK CT 06852
11502	TRW ELECTRONIC COMPONENTS IRC FIXED RESISTORS BOONE DIV	GREENWAY ROAD BOONE NC 28607
12881	METEX CORP	970 NEW DURHAM ROAD EDISON NJ 08817
12969	UNITRODE CORP	580 PLEASANT STREET WATERTOWN MA 02172
13103	THERMALLOY CO	BOX 34829 2021 W VALLEY VIEW LANE DALLAS TX 75234
14283	MATRIX SCIENCE CORP	435 MAPLE AVE TORRANCE CA 90503
17625	NON-METALLICS INC	58 FELTON WALTHAM MA 02154
21845	SOLITRON DEVICES INC TRANSISTOR DIVISION	1177 BLUE HERON BLVD RIVIERA BEACH FL 33404
29587	BUNKER RAMO CORP AMPHENOEL INDUSTRIAL DIVISION	1830 SOUTH 54TH AVE CICERO IL 60650
30463	BREEZE ILLINOIS INC	WYOMING IL 61491
30817	INSTRUMENT SPECIALTIES CO INC	PO BOX 238 LITTLE FALLS NJ 07424
31461	ELECTRO ADAPTER INC	8217 NORTH LANKERSHIM BLVD NORTH HOLLYWOOD CA 91605
35289	SPRAGUE ELECTRIC CO	NORTH ADAMS MA 01247
35743	WARD LEONARD ELECTRIC CO INC	31 SOUTH STREET MOUNT VERNON NY 10550
70674	ADC PRODUCTS DIVISION OF MAGNETIC CONTROLS CO	4900 WEST 78TH STREET MINNEAPOLIS MN 55435
71279	CAMBRIDGE THERMIONIC CORP	445 CONCORD AVE CAMBRIDGE MA 02138
71286	HEXNORD INC SPECIALTY FASTENER DIV	22 SPRING VALLEY ROAD PARAMUS NJ 07652
71468	ITT CANNON ELECTRIC	666 EAST DYER ROAD SANTA ANA CA 92702
71590	CENTRALAB ELECTRONICS DIVISION OF GLOBE-UNION INC	5757 NORTH GREEN BAY AVE MILWAUKEE WI 53201
71616	COMMERCIAL PLASTICS CO	800 EAST ALLANSON ROAD

TABLE 6-1. LIST OF MANUFACTURERS

CODE	NAME	ADDRESS
71616		MUNDELEIN IL 60060
72653	G C ELECTRONICS CO DIVISION OF HYDROMETALS INC	400 SOUTH WYMAN STREET ROCKFORD IL 61101
72962	ELASTIC STOP NUT DIVISION OF AMERACE ESNA CORP	2330 VAUXHALL ROAD UNION NJ 07083
73803	TEXAS INSTRUMENTS INC METALLURGICAL MATERIALS DIVISION	ATTLEBORO MA 02703
74868	BUNKER-RAMO CORP THE AMPHENOL RF DIVISION	33 EAST FRANKLIN STREET DANBURY CT 06810
75237	KAYNAR MFG CO INC A MICRODOT COMPANY	BOX 3001 800 S STATE COLLEGE BLVD FULLERTON CA 92634
76189	ILLINOIS TOOL WORKS INC SHAKEPROOF DIVISION	ST CHARLES ROAD ELGIN IL 60126
79963	ZIERICK MFG CO	RADIO CIRCLE MOUNT KISCO NY 10549
80252	FARADAY INC	805 SOUTH MAUMEE STREET TECUMSEH MI 49286
81312	WINCHESTER ELECTRONICS DIVISION OF LITTON INDUSTRIES INC	MAIN STRET AND HILLSIDE AVE OAKVILLE CT 06779
81349	MILITARY SPECIFICATION PROMULGATED BY MILITARY DEPARTMENTS/AGENCIES	UNDER AUTHORITY OF DEFENSE STANDARDIZATION MANUAL 4120 3-M
82227	NORTH AMERICAN PHILIPS CONTROLS CORP	PO BOX 768 FIP ROAD CHESHIRE CT 06410
82877	ROTRON INC	7-9 HASBROUCK LANE WOODSTOCK NY 12498
83330	SMITH HERMAN H INC	812 SNEDIKER AVE BROOKLYN NY 11207
84972	VINCENT BRASS AND ALUMINUM CO	PO BOX 360 724 24TH AVE SOUTHEAST MINNEAPOLIS MN 55440
86579	PRECISION RUBBER PRODUCTS CORP	3110 OAKRIDGE DRIVE DAYTON OH 45417
88245	LITTON SYSTEMS INC USECO DIVISION	13536 SATICOY STREET VAN NUYS CA 91409
90536	SPERRY UNIVAC DEFENSE SYSTEMS	UNIVAC PARK PO BOX 3525 ST PAUL MN 55165
91886	MALCO MFG CO INC	5150 WEST ROOSEVELT ROAD CHICAGO IL 60650
93790	CORNELL-DUBILIER ELECTRONICS DIV	1605 RODNEY FRENCH BLVD

TABLE 6-1. LIST OF MANUFACTURERS

CODE	NAME	ADDRESS
93790	FEDERAL PACIFIC ELECTRIC CO	NEW BEDFORD MA 02741
95987	WECKESSER CO INC	4444 WEST IRVING PARK ROAD CHICAGO IL 60641
96906	MILITARY STANDARDS PROMULGATED BY MILITARY DEPARTMENTS UNDER	AUTHORITY OF DEFENSE STANDARDIZATION MANUAL 4120 3-M
98278	MALCO-SOUTH PASADENA MICRODOT INC CONNECTOR AND CABLE DIVISION	220 PASADENA AVENUE SOUTH PASADENA CA 91030
98291	SEAELECTRO CORP	225 HOYT MAMARONECK NY 10544
PRINC	PLASTECH RESEARCH INC	RUSH CITY MN 55069
VRINC	VIKING RUBBER INC	LONG LAKE MN

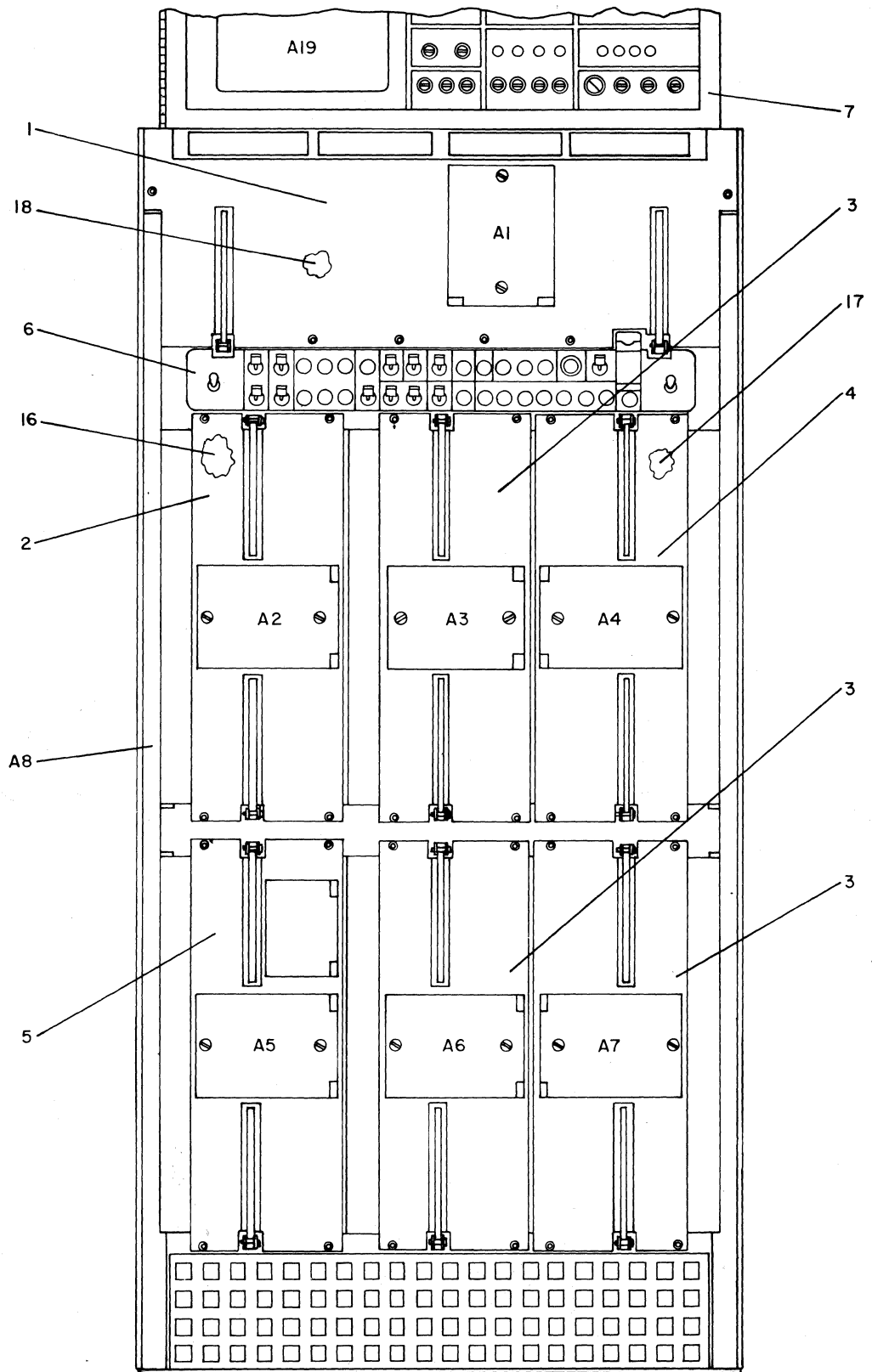


FIGURE 6-1. COMPUTER SET AN/UJK-7(V) (SHEET 1 OF 2)

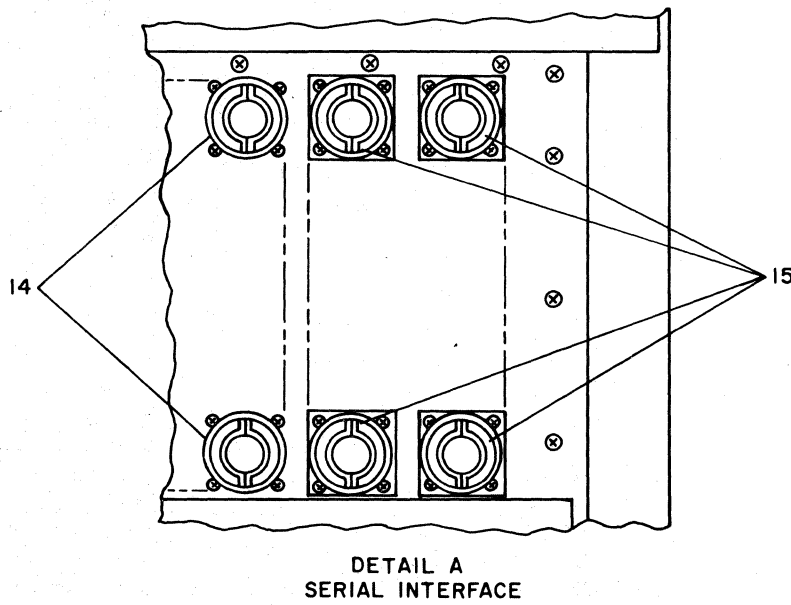
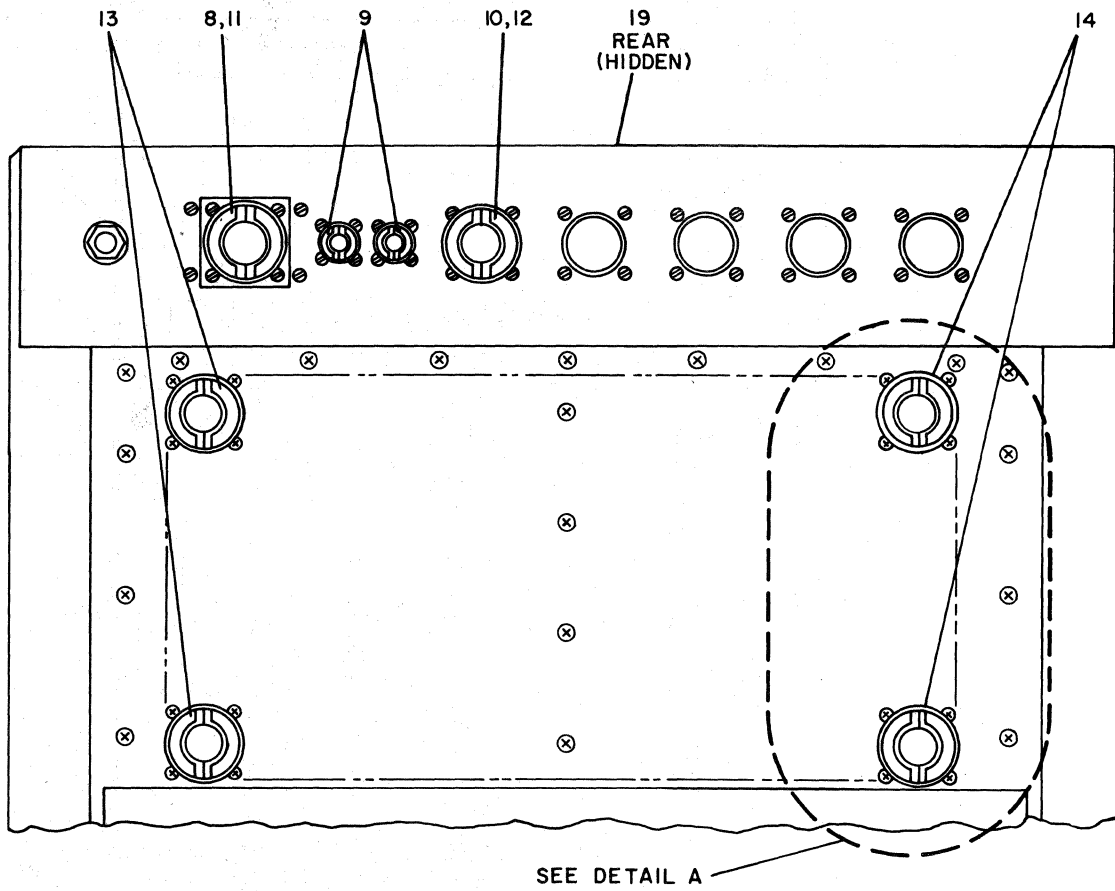


FIGURE 6-1. COMPUTER SET AN/UYK-7(V) (SHEET 2 OF 2)

## PARTS LIST

## GROUP ASSEMBLY PARTS LIST

FIG & INDEX NO	REF DESIG	1 N D	DESCRIPTION	MFR CODE	UNIVAC PART NO MFR PART NO	QTY PER ASSY	USED ON
6-1		1	COMPUTER SET AN/UYK-7(V) (FOR SET COMPLEMENT SEE CONFIGURATION DATA SUMMARY SHEET)	90536	7073250-XX	1	
1-1	A1	2	ADAPTER UNIT, I/O (RFI) MX-8450(P) (PRL INTFC)	90536	7071570-02	1	
	A1		ADAPTER UNIT, I/O (RFI) MX-8537(P) (SER-PRL INTFC) (FOR NLA SEE FIG 6-3)	90536	7073400-02	1	
1-2	A2	2	CONTROLLER UNIT, I/O C-8408(P) (RFI) (FOR NLA SEE FIG 6-5)	90536	7073320-02	1	
1-3	A3	2	CORE MEMORY UNIT (RFI) MU-558 (FOR NLA SEE FIG 6-7)	90536	7071520-02	AR	
	A6		DUMMY UNIT, MULTI-PURPOSE	90536	7073221-00	AR	
	A7						
1-4	A4	2	CENTRAL PROCESSOR UNIT (RFI) CP-1036(P) (FOR NLA SEE FIG 6-9)	90536	7073540-02	1	
1-5	A5	2	POWER SUPPLY, 115V (RFI) PP-6395	90536	7073375-06	1	
	A5		POWER SUPPLY, 208V (RFI) PP-6258 (FOR NLA SEE FIG 6-14)	90536	7071630-05	1	
1-6	A8	2	CABINET, ELEC, EQPT (115V, FIXED IND PANEL-RFI)	90536	7073260-52	1	
	A8		CABINET, ELEC, EQPT (208V, FIXED IND PANEL-RFI)	90536	7073260-56	1	
	A8		CABINET, ELEC, EQPT CY-6797 (115V, REMOVABLE IND PANEL-RFI)	90536	7073260-57	1	
	A8		CABINET, ELEC, EQPT CY-6721 (208V, REMOVABLE IND PANEL-RFI) (FOR NLA SEE FIG 6-2)	90536	7073260-61	1	
1-7	A19	2	TEST SET, CMPTR LGC(GND)TS-2940 (FOR NLA SEE FIG 6-23)	90536	7073330-01	1	
1-8	P1	2	CONNECTOR, PLUG, ELECTRICAL FEMALE, 7 CONTACT (POWER)	96906	905411-04 MS3106R20-155	1	
1-9	P2	2	CONNECTOR, PLUG, ELECTRICAL MALE, 4 CONTACT	96906	7901820-00 MS3116F8-4P	2	
1-10	P4	2	CONNECTOR, PLUG, ELECTRICAL MALE, 85 CONTACT LOCATIONS	81349	7902700-05 M81511/U6EFU1P6	1	
1		2	CONTACT, ELECTRICAL CONNECTOR MALE, 28-30 AWG WIRE (U/W P4)	02660	7902484-04 348-100-5047P02	85	
			PLUG, SEALING, CONTACT (U/W P2, P3, P4)	81349	7902852-00 M81511/15-22	451	
1-11		2	ADAPTER, CABLE TO CONNECTOR	71468	7902462-04 CT45163	1	
1-12		2	ADAPTER, CABLE TO CONNECTOR RFI, ENVIRONMENTAL	07418	7902708-03 S642-1816D-2.5-4	1	



FIG & INDEX NO	REF DESIG	I N D	DESCRIPTION	MFR CODE	UNIVAC PART NO MFR PART NO	QTY PER ASSY	USED ON
6- 1			COMPUTER SET AN/UYK-7(V)		CONTINUED		
					(30P)		
1-13		2	KIT, ELECTRICAL CONNECTOR (QTY 12 U/W ADAPTER 7073400)	90536	7214384-00	16	
1		3	CONNECTOR, PLUG, ELECTRICAL FEMALE, 85 CONTACT LOCATIONS CONTACT, ELECTRICAL CONNECTOR FEMALE ADAPTER, CABLE TO CONNECTOR RFI, ENVIRONMENTAL	81349 96906 07418	7902699-00 M81511/06EF01S1 7902484-01 MS90460A23-22 7902708-03 S642-1816D-2.5-4 (30P)	1 92 1	
1-14		2	KIT, ELECTRICAL CONNECTOR (QTY 12 U/W ADAPTER 7073400)	90536	7214384-01	16	
1		3	CONNECTOR, PLUG, ELECTRICAL FEMALE, 85 CONTACT LOCATIONS CONTACT, ELECTRICAL CONNECTOR FEMALE ADAPTER, CABLE TO CONNECTOR RFI, ENVIRONMENTAL	81349 96906 07418	7902699-01 M81511/06EF10S2 7902484-01 MS90460A23-22 7902708-03 S642-1816D-2.5-4 (30P)	1 92 1	
1-15		2	CONNECTOR, PLUG, ELECTRICAL MALE, COAXIAL, SINGLE CONTACT (U/W ONLY ADAPTER 7073400)	74868	7903081-00 53250	8	
1-16	A2A2	2	MODE SELECTOR SWITCH, I/O (FOR LOCATION SEE FIG 6-6) (FOR NLA SEE FIG 6-21)	90536	7073230-XX	1	
1-17	A4A2	2	NONDESTRUCTIVE READOUT MEMORY (NDRO) (FOR LOCATION SEE FIG 6-10)	90536	7074003-XX	1	
1-18		2	INTERFACE KIT, FAST, NEGATIVE INTERFACE KIT, SLOW INTERFACE KIT, FAST, POSITIVE INTERFACE KIT, SERIAL (FOR KIT CONFIGURATION SEE FIG 6-4)	90536 90536 90536 90536	7073301-03 7073302-04 7073303-03 7073304-01	AR AR AR AR	
1-19		2	CABLE INSTALLATION CABLE INSTALLATION CABLE INSTALLATION CABLE INSTALLATION (FOR NLA SEE FIG 6-18)	90536 90536 90536 90536	7073291-XX 7073536-XX 7073448-XX 7216357-XX	1 1 1 1	

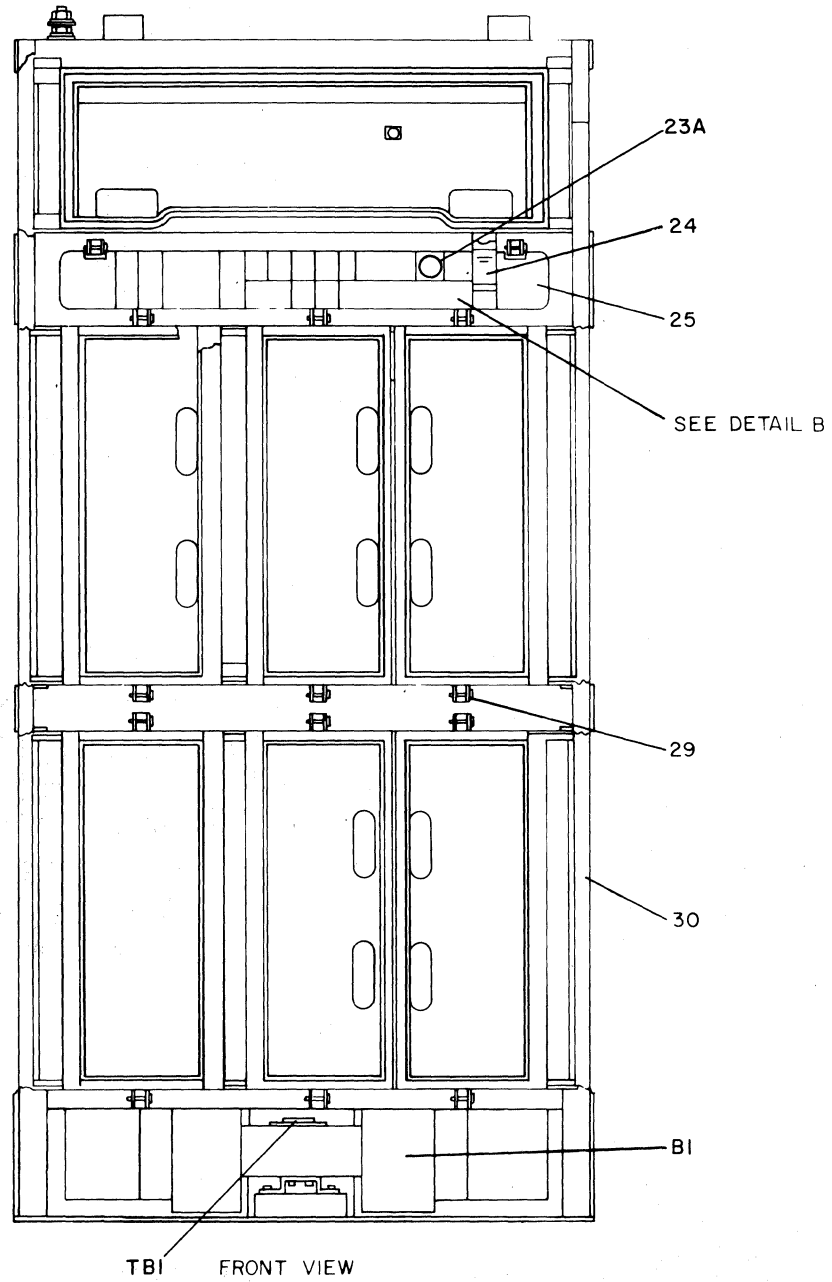
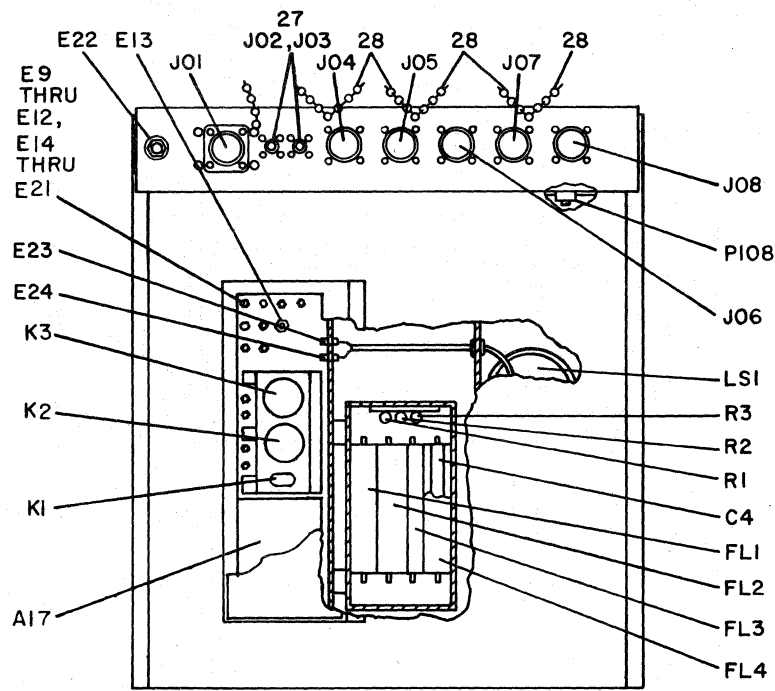
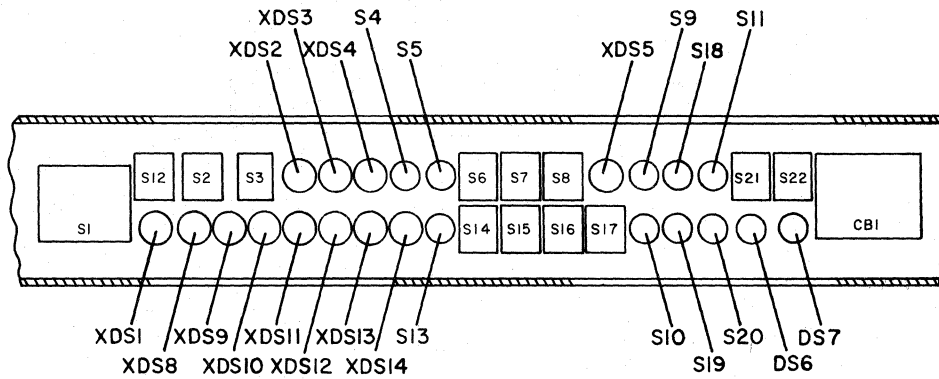


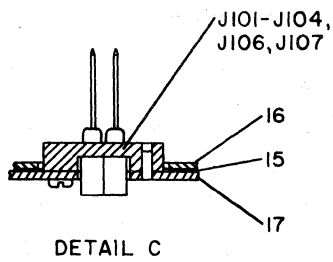
FIGURE 6-2. ELECTRICAL EQUIPMENT CABINET AA (SHEET 1 OF 3)



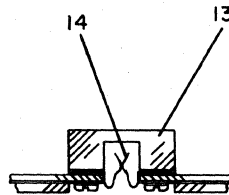
(TOP VIEW)



DETAIL B  
BACK VIEW



DETAIL C



DETAIL D

FIGURE 6-2. ELECTRICAL EQUIPMENT CABINET AB (SHEET 2 OF 3)

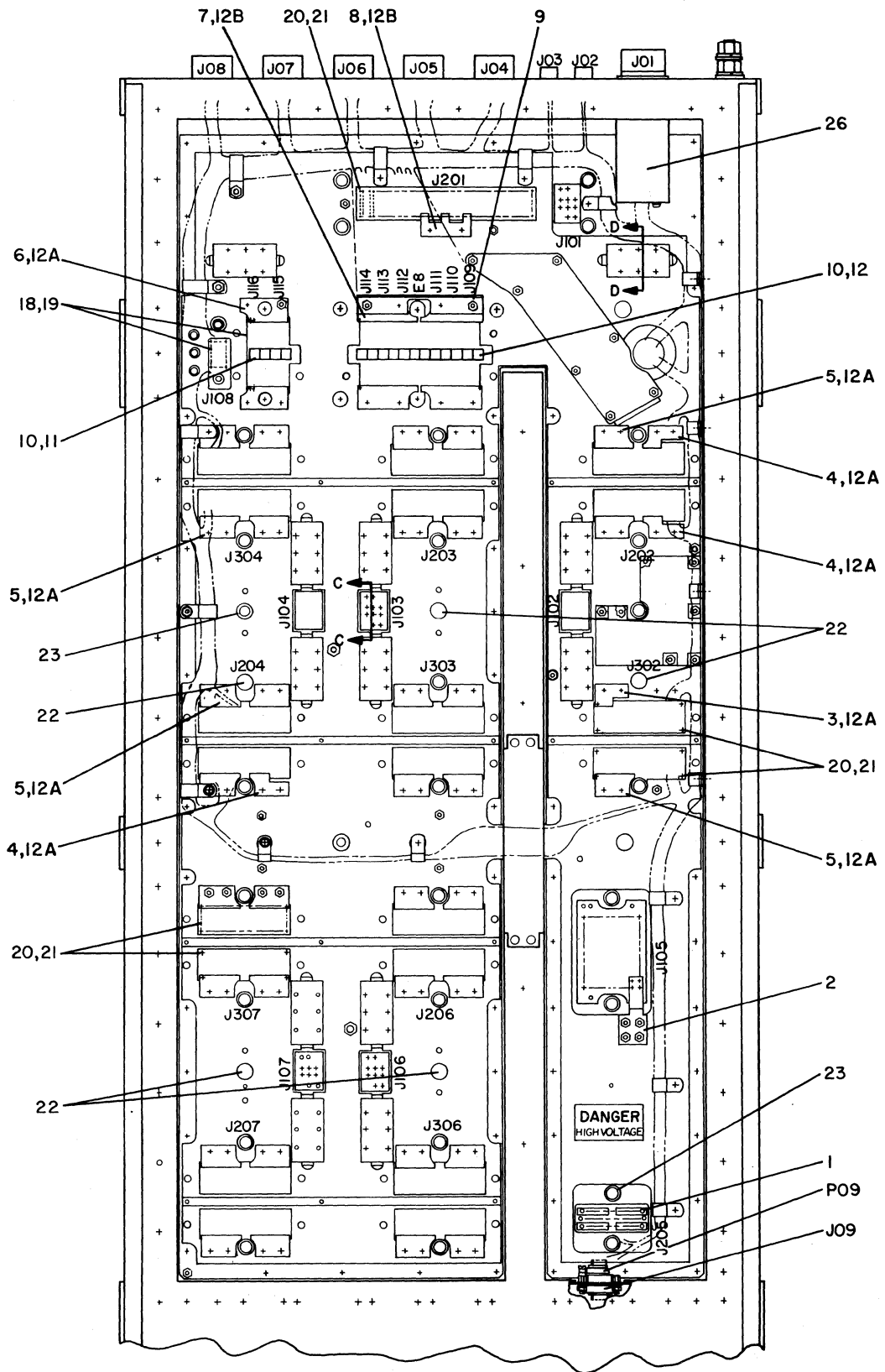


FIGURE 6-2. ELECTRICAL EQUIPMENT CABINET A8 (SHEET 3 OF 3)

GROUP ASSEMBLY PARTS LIST

PARTS LIST

FIG & INDEX NO	REF DESIG	I N D	DESCRIPTION	MFR CODE	UNIVAC PART NO MFR PART NO	QTY PER ASSY	USED ON
6-2	A8	2	CABINET, ELEC, EQPT (115V, FIXED IND PANEL-RFI)	90536	7073260-52	REF	A
	A8		CABINET, ELEC, EQPT (208V, FIXED IND PANEL-RFI)	90536	7073260-56	REF	B
	A8		CABINET, ELEC, EQPT CY-6797 (115V, REMOVABLE IND PANEL-RFI)	90536	7073260-57	REF	C
	A8		CABINET, ELEC, EQPT CY-6721 (208V, REMOVABLE IND PANEL-RFI) (FOR NHA SEE FIG 6-1)	90536	7073260-61	REF	D
2	A17	3	OPERATORS PANEL ASSEMBLY (FOR NLA SEE FIG 6-20)	90536	7073199-00	1	
2	B1	3	FAN, CENTRIFUGAL, MODIFIED 115V, 400HZ, 375 CFM	90536	7216326-00	1	AC
	B1		FAN, CENTRIFUGAL, MODIFIED 208V, 400HZ, 375 CFM	90536	7216326-01	1	BD
2		3	PANEL ASSY, REAR	90536	7073305-18	1	
2	J101 THRU J104 J106 J107	4	CONNECTOR, RCPT, ELEC, FEMALE 6-CONTACT	90536	7071500-00	6	
2	J105	4	CONNECTOR, RCPT, ELEC, FEMALE 65-CONTACT	90536	7071507-00	1	
2	J205	4	CONNECTOR, RCPT, ELEC, FEMALE 21-CONTACT	90536	7071501-00	1	
2		4	CONTACT, ELEC, FEMALE, 2 WIRE WRAP, WHT INSUL (FOR J101 THRU J107, J205)	91886	7900852-01 11-20404-105 12-20000-000	122	
2-1		4	BUS BAR, POWER	90536	7071845-00	4	
2-2		4	BRACKET, BUS BAR	90536	7071482-00	1	
2-3		4	BUS BAR	90536	7071517-00	1	
2-4		4	BUS BAR	90536	7071515-00	3	
2-5		4	BUS BAR	90536	7071474-00	34	
2-6		4	BUS BAR	90536	7071510-00	2	
2-7		4	BUS BAR	90536	7071511-00	4	
2-8		4	BUS BAR	90536	7071512-00	1	
2-9	E8	4	BUS BAR	90536	7071519-00	1	
2-10	E1, E2, E3, E33	4	BUS BAR	90536	7217096-00	16	

PARTS LIST

GROUP ASSEMBLY PARTS LIST

FIG & INDEX NO	REF DESIG	I N U	DESCRIPTION	MFR CODE	UNIVAC PART NO MFR PART NO	QTY PER ASSY	USED ON
6- 2			CABINET, ELEC, EQPT		CONTINUED		
	THRU E45						
2-11		4	INSULATOR, BUS BAR	90536	7216308-00	AR	
2-12		4	INSULATOR, BUS BAR	90536	7216308-01	AR	
2-12A		4	INSULATOR, BUS BAR	90536	7216309-00	40	
2-12b		4	INSULATOR, BUS BAR	90536	7216309-01	5	
2-13		4	BLOCK, RETAINING, SPRING	90536	7071476-00	12	
2-14		4	CONTACT FINGER, ELEC		7902167-00 30817 823-21SUB4	24	
2		4	LAMINATED PANEL ASSEMBLY	90536	7073306-02	1	
2-15		5	INSULATOR, PANEL	90536	7073258-01	1	
2-16		5	PANEL, SIGNAL GROUND	90536	7073308-01	1	
2-17		5	CONNECTOR PANEL, 3608 CONTACTS	90536	7073307-01	1	
2-18	J108 THRU J116	6	CONTACT, ELEC, WIRE WRAP FEMALE, 0.88 IN. L	90536	7050014-01	616	
2-19		6	BUSHING, ELEC, CONT, FEMALE	90536	7050015-00	616	
2-20	J201 THRU J204 J206 J207 J302 THRU J304 J306 J307	6	CONTACT, ELEC, WIRE WRAP, MALE 0.89 IN. L	90536	7050016-01	2992	
2-21		6	BUSHING, ELEC, CONT, MALE	90536	7050017-00	2992	
2-22		4	PLUG, INDEXING	90536	7071504-00	5	
2-23		4	BUSHING, LOCATING PIN	90536	7065678-01	28	
2	CB1	3	CIRCUIT BREAKER, MAGNETIC 3 POLE, 20A, 240V, 400HZ	81349	7903070-47 M39019/5-80	1	AC
	CB1		CIRCUIT BREAKER, MAGNETIC 3 POLE, 15A, 240V, 400HZ	81349	7903070-41 M39019/5-70	1	BC
2	XDS1 THRU	3	INDICATOR, TSTRZ, W/O LAMP SEALED	07137	7904105-00 TIL7682A	5	

FIG & INDEX NO	REF DESIG	I N D	DESCRIPTION	MFR CODE	UNIVAC PART NO MFR PART NO	QTY USED PER ON ASSY
6- 2			CABINET, ELEC, EQPT		CONTINUED	
	XDS5		LENS, INDICATOR LIGHT, W/SEAL (FOR USE WITH XDS5)	07137	7903986-08 222435-41	1
2	DS6 DS7	3	LIGHT, IND, NEON LAMP & RESISTOR CLR LENS	07137	7900403-00 MDL1S2F7-683 NE2V-N	2
2	XDS8 THRU XDS14	3	LIGHT, INDICATOR, TSTRZ, W/O LAMP, SEALED	07137	7903985-00 TIL7657A	7
			LENS, INDICATOR LIGHT, W/SEAL (FOR USE WITH XDS1 THRU XDS4 AND XDS8 THRU XDS14)	07137	7903986-05 222435-27	11
2		3	NUT, PLAIN, ROUND, KNURLED 3/8-32NEF-2 THD, BK (AP FOR CB1, XDS1 THRU XDS14)	07137	7900880-01 301241-014	AR
			WASHER, LOCK, INT, NARROW TYPE 3/8 SIZE (AP FOR XDS1 THRU XDS14)	78189	905212-02 1220-02	AR
2	DS1 THRU DS5 DS8 THRU DS14	3	LAMP, INCANDESCENT, 28 VOLT 40 MILAMP	96906	7902253-00 MS18209-387	12
2	E9 THRU E12 E14 THRU E21	3	TERMINAL, STUD, INSULATED 0/2 TURRET	91663	900626-00 TT-16	12
2		3	SCREW, MACH, FLAT HD, 4-40UNC-2A 1/4 L (AP)	96906	4912511-00 MS51959-13	12
2	E13	3	SCREW, MACH, FLH, 6-32UNC-2A 0.625 L	96906	4912512-04 MS51959-31	1
			WASHER, FLAT, NO 6	96906	4912548-11	1
			WASHER, LOCK, SPRING, NO 6	96906	MS15795-806 4912550-01	1
			NUT, PLAIN, HEX, 6-32UNC-2B	96906	MS35338-136 4912540-01	1
2	E22	3	SCREW, MACH, CAP, HEX 3/8-24UNF-2A 1.50 L	96906	910592-04 MS35308-364	1
			WASHER, LOCK, SPRING, NO 3/8	81349	900873-11 AN935-B616L	3
			WASHER, FLAT, NO 3/8	96906	4912548-06 MS15795-814	3

## PARTS LIST

## GROUP ASSEMBLY PARTS LIST

FIG & INDEX NO	REF DESIG	I N D	DESCRIPTION	MFR CODE	UNIVAC PART NO MFR PART NO	QTY PER ASSY	USEI ON
6- 2			CABINET, ELEC, EGPT		CONTINUED		
			NUT, PLAIN, HEX, 3/8-24UNF-3B	96906	909826-03 MS51972-3	3	
2	E23 E24	3	TERMINAL, FEED-THRU	88245	906906-00 FT9-6	2	
2		3	WASHER, LOCK, INTERNAL TOOTH SIZE 1/4 (AP)		4912552-04 COML	2	
2	J01	3	CONNECTOR, RCPT, ELECTRICAL MALE, 7 CONTACT	96906	905418-04 MS3102R20-15P	1	
2	J02 J03	3	CONNECTOR, RCPT, ELECTRICAL FEMALE, ROUND, 4 CONTACT	96906	7900533-00 MS3112E8-4S	2	
2	J04	3	CONNECTOR, RCPT, ELECTRICAL FEMALE, 85 CONTACT	81349	7902701-05 M81511/01EF01S6	1	
2	J05	3	CONNECTOR, RCPT, ELECTRICAL FEMALE, 85 CONTACT	81349	7902701-01 M81511/01EF01S2	1	
2	J06	3	CONNECTOR, RCPT, ELECTRICAL FEMALE, 85 CONTACT	81349	7902701-02 M81511/01EF01S3	1	
2	J07	3	CONNECTOR, RCPT, ELECTRICAL FEMALE, 85 CONTACT	81349	7902701-03 M81511/01EF01S4	1	
2	J08	3	CONNECTOR, RCPT, ELECTRICAL FEMALE, 85 CONTACT	81349	7902701-04 M81511/01EF01S5	1	
2		3	GASKET, CONNECTOR PACKING, PREFORMED, O RING SIZE 024, NEOPRENE (USED ON J04 THRU J08)	90536	7056119-02 905819-21 COML	5 5	
2		3	SCREW, MACH, PAN HD, 4-40UNC-2A 7/16 L (AP FOR J01, J04 - J08)	96906	908552-06 MS51957-16	19	
			SCREW, MACH, PAN HD, 4-40UNC-2A 0.50 L (AP FOR J04 THRU J08)	96906	908552-07 MS51957-17	5	
			SCREW, MACH, FLAT HD, 4-40UNC-2A 7/16 L (AP FOR J02, J03)	96906	4912511-03 MS1959-16	8	
			WASHER, FLAT, NO 4 (AP FOR J01 THRU J08)	96906	4912548-10 MS15795-804	48	
			WASHER, LOCK, SPRING, NO 4 (AP FOR J02 THRU J08)	96906	4912550-00 MS35338-135	7	
			WASHER, LOCK, INT TOOTH, NO 4 (AP FOR J02 THRU J08)		4912552-00 COML	7	
			NUT, SELF-LOCKING, 4-40UNC-3B (AP FOR J02 THRU J08)	96906	4912796-00 MS21044-C04	21	
			NUT, PLAIN, HEX, 4-40UNC-2B (AP FOR J02 THRU J08)	96906	4912540-00 MS35649-244	7	
2		4	CONTACT, ELECTRICAL CONNECTOR (U/W J01 THRU J08)	96906	7902484-01 MS90460A23-22	AR	



GROUP ASSEMBLY PARTS LIST

PARTS LIST

FIG & INDEX NO	REF DESIG	I N D	DESCRIPTION	MFR CODE	UNIVAC PART NO MFR PART NO	QTY USED PER ON ASSY
6- 2			CABINET, ELEC, EQPT		CONTINUED	
			CONTACT, ELECTRICAL CONNECTOR FEMALE, ACCOM 20 AWG WIRE (U/W J01 THRU J08)	02660	7902484-05 348-100-5047S02	AR
2	J09	3	CONNECTOR, RCPT, ELEC, SUBMIN MALE, 9 CONTACT	81349	7903063-00 M24308/3-1	1
2		3	CLAMP, RIM CLINCHING (AP)	71468	904657-01 D20420	2
			HARDWARE SET, ELECTRICAL CONNECTOR (AP)	71468	904656-00 20418-2	2
2	K1	3	RELAY, ARMATURE, 2SPDT CONTACT 26.5 VDC COIL	81349	905454-00 M5757/10-151	1
2		3	SCREW, MACH, PAN HD, 2-56UNC-2A 0.25 L (AP)		3157139-02 COML	2
			WASHER, FLAT, NO 2 (AP)	96906	4912548-09 MS15795-802	2
			NUT, SELF-LOCKING, HEX 2-56UNC (AP)	75237	7900866-00 H42-02	2
2	K2	3	RELAY, ARMATURE, 4SPDT CONTACT 115V, 400HZ	96906	908951-00 MS25271-A1	1
2	K3	3	RELAY, ARMATURE, 3SPSTNO CONTACT 115VAC, 400HZ	96906	7902350-00 MS27418-1A	1
2		3	WASHER, FLAT, NO 6 (AP FOR K2 AND K3)	96906	4912548-11 MS15795-806	8
			NUT, SELF-LOCKING, HEX 6-32UNC-3B (AP FOR K2 AND K3)	96906	4912796-01 MS21044-C06	8
2	LS1	3	HORN, ELECTRICAL, 400HZ, 120VAC 250 MA	80252	909862-01 434MI120V400HZ	1
2		3	SCREW, MACH, FLAT HD 6-32UNC-2A, 1/2 L (AP)	96906	4912512-03 MS51959-30	3
			WASHER, LOCK, SPRING HELICAL, NO 6 (AP)	96906	4912550-01 MS35338-136	3
			WASHER, FLAT, NO 6 (AP)	96906	4912548-13 MS15795-842	2
			NUT, PLAIN, HEX 6-32UNC-2B (AP)	96906	4912540-01 MS35649-264	3
2	P09	3	CONNECTOR, RCPT, ELEC, FEMALE SUBMIN, 9 CONTACT	71468	911351-00 DEM9S	1
2	P108	3	CONNECTOR, RCPT, ELEC, MALE 40 CONTACT	90536	7071509-00	1
2		3	CONTACT, ELECTRICAL, MALE CRIMP TYPE (U/W P108)	29587	7901761-00 240-1271-05	40
			INSULATOR, CONTACT, MALE		7900902-00	40

PARTS LIST

GROUP ASSEMBLY PARTS LIST

FIG & INDEX NO	REF DESIG	QTY	DESCRIPTION	MFR CODE	UNIVAC PART NO MFR PART NO	QTY PER ASSY	USEC ON
6- 2			CABINET, ELEC, EQPT WHITE (U/W P108)	02660	240-1181-01		
			CONTINUED				
2	S1	3	SWITCH, TOGGLE, 4PDT CONTACT	96906	7900891-00 MS25068-23	1	
2		3	NUT, PLAIN, ROUND, KNURLED BLACK, 15/32-32NS-2B (AP)	07137	7904102-00 301241-024	1	
2	S2 S6 S12 S14 S21 S22	3	SWITCH, TOGGLE, DPDT, 2 POSITION W/BUSHING AND PANEL SEALS	91929	7903728-00 32AT444T2	6	
2	S3	3	SWITCH, PUSH, 2SPDT CONT, 5 AMP 250V, BK BTN	91929	910271-01 2PB714T2	1	
2		3	NUT, PLAIN, ROUND, KNURLED BLACK, 15/32-32NS-2B (AP)	07137	7904102-00 301241-024	1	
2-23A		3	BOOT, DUST AND MOISTURE SEAL PUSH BUTTON SWITCH (USED ON S3)	81349	7903960-00 MS423/07-01	1	
2	S4,S5 S9,S10 S11 S13 S18 S19 S20	3	LIGHT, INDICATOR, TSTRZ W/NEON LAMP, SEALED	07137	7903984-00 MTL7656A	9	
2		3	NUT, PLAIN, ROUND, KNURLED 3/8-32NEF-2 THD, BK (AP)	07137	7900880-01 1112-1	AR	
2	S7,S8 S17	3	SWITCH, TOGGLE, 2 POLE, 3 POS W/BUSHING AND PANEL SEALS	91929	7903727-02 31AT416T2	3	
2	S15 S16	3	SWITCH, TOGGLE, 2 POLE, 3 POS W/BUSHING AND PANEL SEALS	91929	7903727-00 31AT417T2	2	FGH
2		3	NUT, PLAIN, ROUND, KNURLED BLACK, 15/32-32NS-2B THD (AP FOR S7, S8, S15, S16, S17)	07137	7904102-00 301241-024	AR	
2-24		3	GUARD, TGL SW (USED ON S12)	90536	7071469-00	1	
2-25		3	PLATE, CONTROL PANEL	90536	7073524-00	1	AB
			PLATE, CONTROL PANEL	90536	7216310-00	1	CD
2-26		3	HOUSING, CONNECTOR	90536	7071499-00	1	
2-27		3	COVER, ELEC CONN, SIZE 8 (USED ON J02 AND J03)	96906	7901024-01 MS3181-8C	2	

GROUP ASSEMBLY PARTS LIST

PARTS LIST

FIG & INDEX NO	REF DESIG	I N D	DESCRIPTION	MFR CODE	UNIVAC PART NO MFR PART NO	QTY USED PER ON ASSY
6- 2			CABINET, ELEC, EQPT		CONTINUED	
2-28		3	COVER, ELEC CONN, SHELL SIZE 18 (USED ON J04 THRU J08)	81349	7902848-09 M81511/18-18	5
2-29		3	FORK ASSEMBLY, CHASSIS LATCH (BLACK FINISH)	71286	7901087-01 72L1-2-1AB-ROUND HEAD-PIN	14
2		3	SCREW, CAP, SKT HD, 1/4-28UNF-3A 5/8 L (AP)	96906	911607-01 MS16996-22	14
			SPACER, FORK (AP)	90536	7214365-02	14
2	TB1	3	TERMINAL BOARD, BARRIER TYPE	75382	900125-04 601C-3	1
2		3	SCREW, MACH 6-32UNC-2A 0.875 L (AP)		4912524-09 COML	4
			WASHER, FLAT, NO 6 (AP)	96906	4912548-11 MS15795-806	4
			NUT, SELF-LOCKING, HEX 6-32UNC-3B (AP)	96906	4912796-01 MS21044-C06	4
2		3	FILTER BOX ASSEMBLY	90536	7216300-00	1 AC
			FILTER BOX ASSEMBLY	90536	7216315-00	1 BD
2		3	SCREW, MACH, FLH, 8-32UNC-2A 0.50 L (AP)	96906	4912513-02 MS51959-45	4
			SCREW, CAP, SKT HD, 6-32UNC-3A 0.50 L (AP)	96906	4912848-02 MS16997-20	2
			SCREW, CAP, SKT HD, 6-32UNC-2A 3/8 L (AP)	96906	4912848-01 MS16997-19	2
			WASHER, FLAT, NO 6 (AP)	96906	4912548-11 MS15795-806	4
2	C4	4	CAPACITOR, FXD, PAPER DIELECTRIC 200V, 0.1UF, +-10 PCT	81349	7901692-07 CZ24BKC104	1 BD
2	FL1 THRU FL4	4	FILTER, RADIO INTERFERENCE 250V, 400HZ OR 600V DC, 10A	93790	7903021-00 NFR127-1	4 BD
2	FL1 FL2 FL3	4	FILTER, RADIO INTERFERENCE 400V DC, 20A	56289	7900608-00 20JX31	3 AC
2	R1 R2 R3	4	RESISTOR, FIXED, FILM 2W, 100K OHM, +-2 PCT	81349	7900182-96 M22684-04-0193	3
2-30		3	CABINET ASSEMBLY (NOT WIRED)	90536	7073261-02	1 AB
			CABINET ASSEMBLY (NOT WIRED)	90536	7073261-03	1 CD

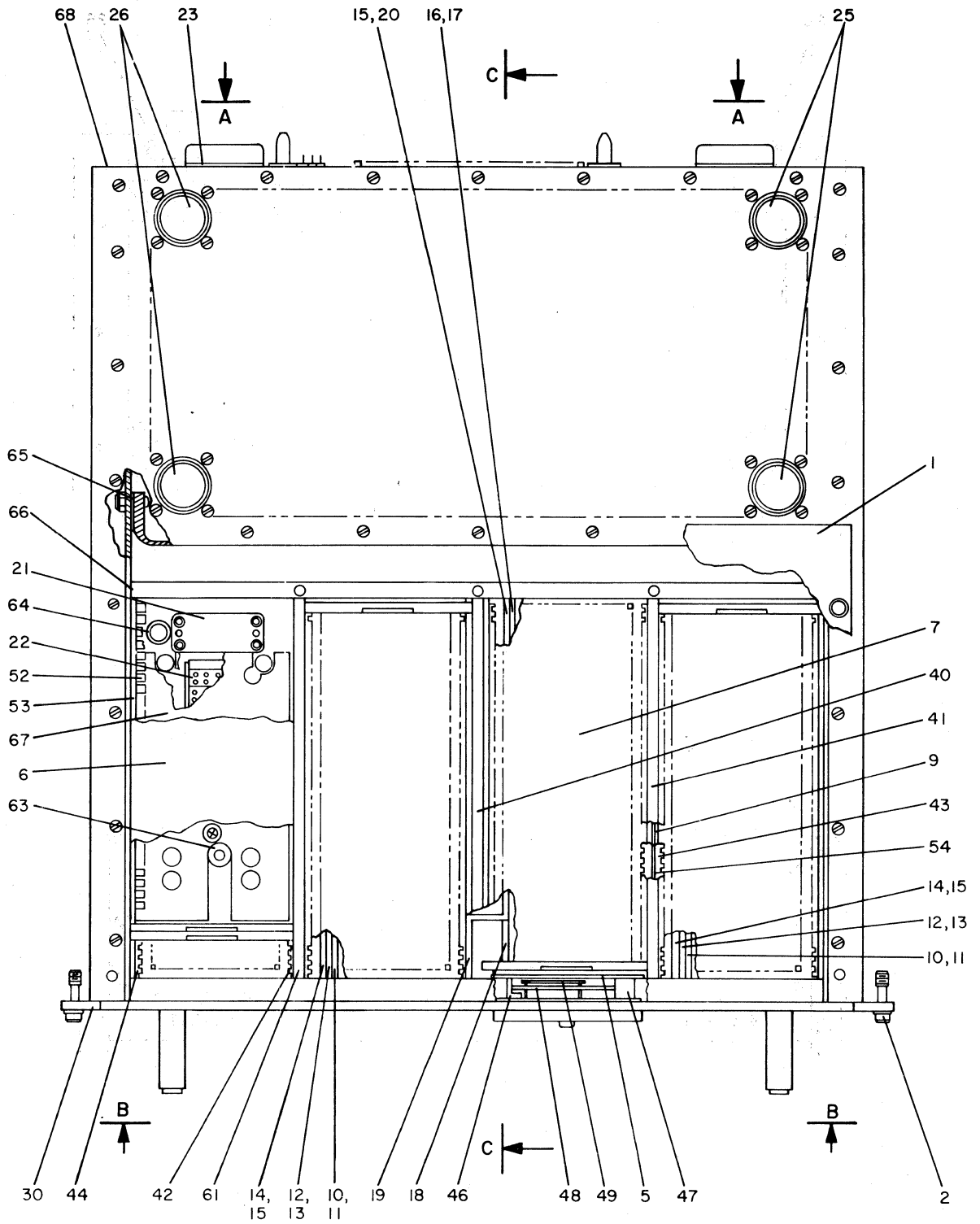
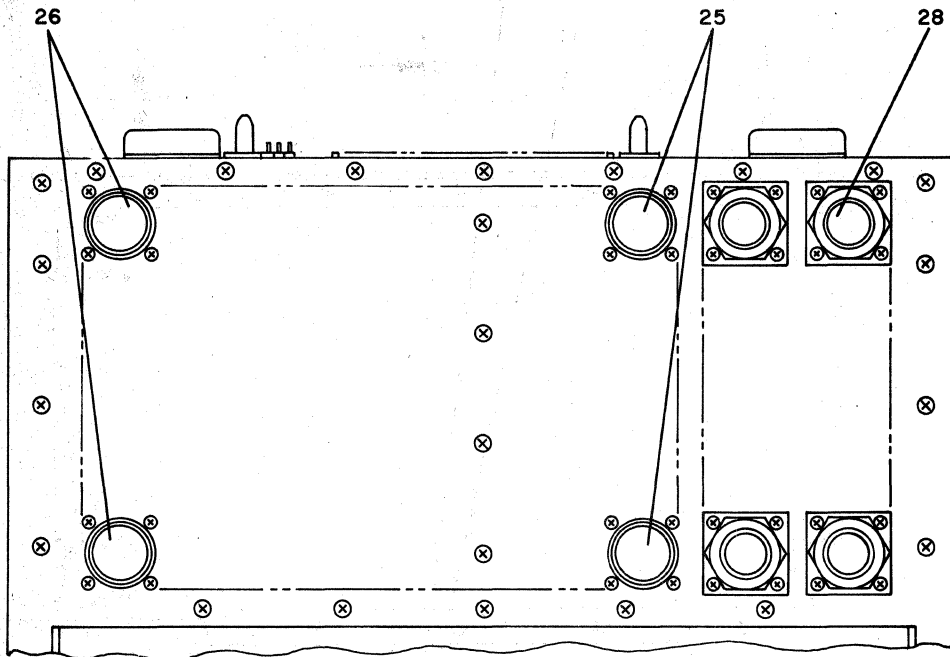
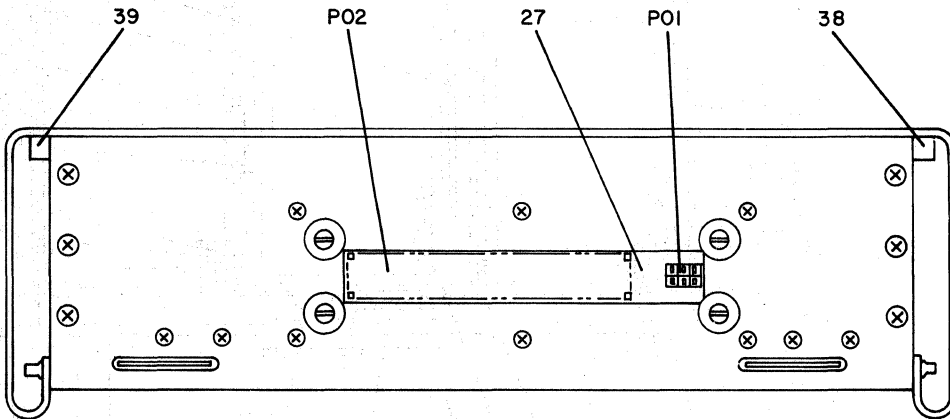


FIGURE 6-3. INPUT/OUTPUT ADAPTER UNIT A1 (SHEET 1 OF 3)



SERIAL INTERFACE



VIEW A-A

FIGURE 6-3. INPUT/OUTPUT ADAPTER UNIT A1 (SHEET 2 OF 3)

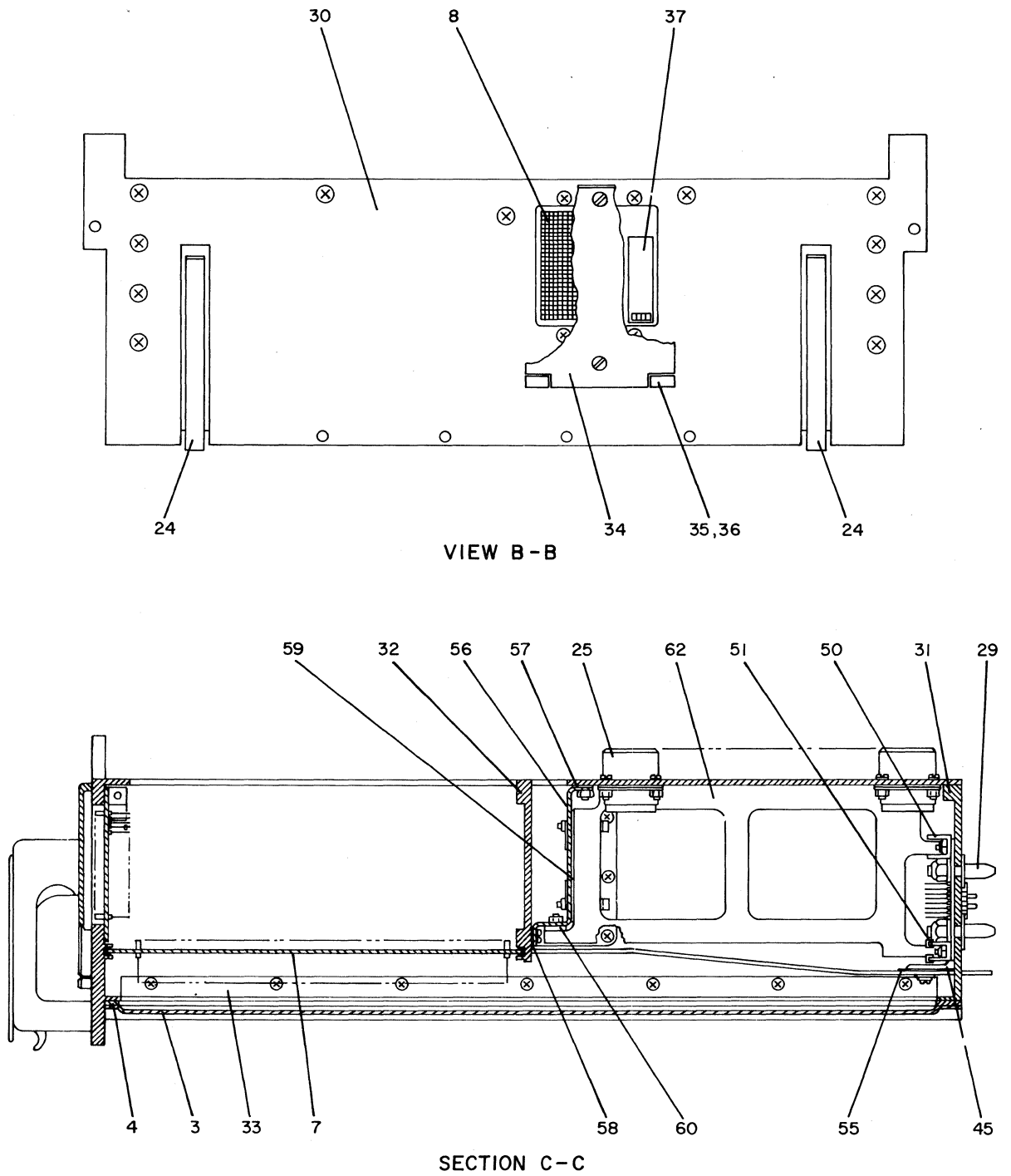


FIGURE 6-3. INPUT/OUTPUT ADAPTER UNIT A1 (SHEET 3 OF 3)

GROUP ASSEMBLY PARTS LIST

PARTS LIST

FIG & INDEX NO	REF DESIG	I N D	DESCRIPTION	MFR CODE	UNIVAC PART NO MFR PART NO	QTY PER ASSY	USED ON
6-3	A1	2	ADAPTER UNIT, I/O MX-8450(P)	90536	7071570-02	REF	A
	A1		ADAPTER UNIT, I/O MX-8537(P) (FOR OPTIONS SEE FIG 6-4) (FOR NHA SEE FIG 6-1)	90536	7073400-02	REF	B
3-1		3	HEAT SINK, PLATE TYPE, MODIFIED	90536	7071600-01	1	
3		3	SCREW, CAP, SOCKET HD, SPECIAL 10-32UNF-2A, 1.0 L (AP)	84972	7903044-02	10	B
			SCREW, CAP, SOCKET HD, SPECIAL 10-32UNF-3A, 1.125 L (AP)	84972	7903044-00	10	A
			WASHER, SPECIAL (AP)	90536	7216328-00	10	A
			WASHER, LOCK, SPRING, NO 10 (AP)	96906	4912550-03	10	B
			PACKING, PREFORMED, O RING NEOPRENE, SIZE 007 (AP)	86579	MS35338-138 905819-05 007 NEOPRENE 70 +-10 SHORE A	10	
3-2		3	SCREW, CAP, SOCKET HD, SPECIAL 1/4-28UNF-3A		7903148-00 COML	6	
			WASHER, FLAT, NO 1/4 (AP)	81349	902991-07 AN960-C416	6	
3		3	COVER, CHASSIS, BOTTOM	90536	7217066-00	1	
3-4		3	SHIELDING GASKET, ELECTRONIC	12881	7956504-47 TO BE ESTAB	AR	
3		3	SCREW, MACH, PAN HD, 4-40UNC-2A 5/16 L (AP FOR IND 3 AND 4)	96906	908552-04 MS51957-14	27	
3-5		3	DIVIDER, INSULATING	90536	7065707-00	1	
3-6	A1	3	CONVERTER MODULE ASSEMBLY DC TO DC, TYPE E (FOR NLA SEE FIG 6-11)	90536	7217072-00	1	
3		3	CHASSIS ASSEMBLY, INPUT-OUTPUT	90536	7071571-01	1	A
			CHASSIS ASSEMBLY, INPUT-OUTPUT	90536	7073401-01	1	B
3-7		4	CONNECTOR PLATE ASSEMBLY, I/O	90536	7071572-00	1	A
			CONNECTOR PLATE ASSEMBLY, I/O	90536	7073402-00	1	B
3		5	CONNECTOR, RECEPTACLE ELECTRICAL, FEMALE, 6944 CONT	90536	7071598-01	1	
3		6	CONTACT, ELECTRICAL CONNECTOR FEMALE, 3 WIRE WRAP, WHITE	90536	7901698-06 7050014-01- 7050015W	3224	
			CONTACT, ELECTRICAL CONNECTOR FEMALE, 3 WIRE WRAP, BLACK	90536	7901698-07 7050014-01- 7050015B	3224	
			CONTACT, ELECTRICAL CONNECTOR GROUND, FEMALE, 3 WIRE WRAP	91886	7902611-01 21-20312-134- 28-200U3-309	496	
3-8	TB1	5	TEST POINT ASSEMBLY, 391 CONTACT	90536	7071609-00	1	

## PARTS LIST

## GROUP ASSEMBLY PARTS LIST

FIG & INDEX NO	REF DESIG	J N D	DESCRIPTION	MFR CODE	UNIVAC PART NO MFR PART NO	QTY PER ASSY	USEI ON
0-3			ADAPTER UNIT, I/O		CONTINUED		
3		6	CONTACT, ELECTRICAL FEMALE, 2 WIRE WRAP, WHITE	90536	7901698-08 7050014-02- 7050015W	184	
			CONTACT, ELECTRICAL FEMALE, 2 WIRE WRAP, BLACK	90536	7901698-09 7050014-02 7050015B	99	
			CONTACT, ELECTRICAL MALE, 2 WIRE WRAP, BLUE	91886	7902474-10 21-15022-105- 22-10000-516	2	
			CONTACT, ELECTRICAL FEMALE, 2 WIRE WRAP, BLUE	90536	7901698-10 7050014-02- 7050015BL	106	
3-9		5	BAR, CARD GUIDE, BOTTOM	90536	7216464-00	2	
3		5	SCREW, MACH, FLAT HD 6-32UNC-2A, 0.312 L (AP)	96906	7903133-15 MS24693-C25	6	
3-10	W1 W8 W1	5	BUS BAR, -5V	90536	7071616-00	2	A
			BUS BAR, -5V	90536	7073234-00	1	B
3-11		5	INSULATOR, BUS BAR (U/W W1 & W8)	90536	7071619-03	2	A
			INSULATOR, BUS BAR (U/W W1)	90536	7071619-05	1	B
3-12	W2 W9 W2	5	BUS BAR	90536	7071615-00	2	A
			BUS BAR	90536	7073233-00	1	B
3-13		5	INSULATOR, BUS BAR (U/W W2 & W9)	90536	7071619-01	2	A
			INSULATOR, BUS BAR (U/W W2)	90536	7071619-04	1	B
3-14	W3 W10 W3	5	BUS BAR, +-5V	90536	7071614-00	2	A
			BUS BAR, +-5V	90536	7071615-02	1	B
3-15		5	INSULATOR, BUS BAR (U/W W3, W7, W10)	90536	7071619-00	3	
3-16	W4	5	BUS BAR, -15V	90536	7071615-01	1	
3-17		5	INSULATOR, BUS BAR (U/W W4)	90536	7071619-02	1	
3-18	W5	5	BUS BAR, +5V	90536	7071618-00	1	
3-19	W6	5	BUS BAR, +5V	90536	7071617-00	1	
3-20	W7	5	BUS BAR, +-5V	90536	7071614-01	1	
3-21	J73	5	INSULATOR, ELECTRICAL CONNECTOR FEMALE, 34 CONTACT LOCATIONS	81312	4913630-01 MRAC34SNSS	1	
3		5	SCREW, MACH, FILLISTER HD 4-40UNC-2A, 0.4375 L (AP)		905690-05 COML	6	



GROUP ASSEMBLY PARTS LIST

PARTS LIST

FIG & INDEX NO	REF DESIG	I N D	DESCRIPTION	MFR CODE	UNIVAC PART NO MFR PART NO	QTY PER ASSY	USED ON
6- 3			ADAPIER UNIT, I/O		CONTINUED		
			WASHER, FLAT, SHAFT SPACER 0.125 ID, 0.187 OD (AP)	00141	910229-01 B4-1	AR	
			WASHER, FLAT, SHAFT SPACER 0.125 ID, 0.187 OD (AP)	00141	910229-04 B4-4	AR	
			WASHER, FLAT, SHAFT SPACER 0.125 ID, 0.187 OD (AP)	00141	940229-07 B4-7	AR	
			NUT, SELF-LOCKING, HEX 4-40UNC-3B (AP)	72962	906056-03 79LH166U-40	6	
3		6	CONTACT, ELECTRICAL, FEMALE SIZE 24 AWG	81312	910879-00 100-1024S55	5	
			CONTACT, ELECTRICAL, FEMALE SIZE 18 AWG	81312	910879-03 100-1018S55	20	
3-22	TB2	5	TERMINAL BLOCK ASSEMBLY, 8 BLK	90536	7071612-00	1	
3		5	SCREW, MACH, FLAT HD 6-32UNC-2A, 0.4375 L (AP)	96906	4912512-02 MS51959-29	2	
			WASHER, FLAT, NO 6 (AP)	81349	902991-04 AN960-C6	2	
			NUT, SELF-LOCKING, HEX 6-32UNC-3B (AP)	96906	4912796-01 MS21044-C06	2	
3		6	TERMINAL BLOCK, 8 CONTACT LOCATIONS, SIZE 16, 20 AMP	14283	7902891-02 MTB16A3	1	
			TERMINAL BLOCK, 8 CONTACT LOCATIONS, SIZE 16, 20 AMP	14283	7902891-03 MTB16A4	7	
			FRAME ASSEMBLY, TERMINAL BOARD SIZE 16, END BLOCKS	14283	7902896-00 MEB6A1-16	1	
			FRAME ASSEMBLY, TERMINAL BOARD SIZE 16, SIDE RAILS	14283	7902896-24 MSR6A8-16	1	
			CONTACT, ELECTRICAL, MALE CRIMP TYPE, SIZE 16	81349	7902892-00 M39029/U1-16	20	
3-24		4	LATCH SET, RIM, CHASSIS HANDLE	71286	7901084-04 72L2-2-2AB	2	
3		4	SCREW, MACH, FLAT HD 10-32UNF-2A, 0.5 L (AP)	96906	4912515-02 MS51960-65	2	
			SCREW, MACH, PAN HD 10-32UNF-2A, 0.5 L (AP)	96906	4912534-00 MS51958-63	2	
			WASHER, FLAT, NO 10 (AP)	96906	4912548-03 MS15795-808	2	
3-25	J42 J44 J46 J48 J50 J52 J54 J56 J58 J60	4	CONNECTOR, RECEPTACLE, ELEC MALE, 85 CONTACT LOCATIONS CIRCULAR, SUBMINIATURE	81349	7902698-01 M81511/U1EF01P2	16	A

PARTS LIST

GROUP ASSEMBLY PARTS LIS

FIG & INDEX NO	REF DESIG	I N D	DESCRIPTION	MFR CODE	UNIVAC PART NO MFR PART NO	QTY PER ASSY	USE ON
6- 3			ADAPTER UNIT, I/O		CONTINUED		
	J62						
	J64						
	J66						
	J68						
	J70						
	J72						
3	J42	4	CONNECTOR, RECEPTACLE, ELEC		7902698-U1	12	B
	J44		MALE, 85-CONTACT LOCATIONS	81349	M81511/U1EF01P2		
	J46		CIRCULAR, SUBMINIATURE				
	J50						
	J52						
	J54						
	J58						
	J60						
	J62						
	J66						
	J68						
	J70						
3-26	J41	4	CONNECTOR, RECEPTACLE, ELEC		7902698-00	16	A
	J43		MALE, 85-CONTACT LOCATIONS	81349	M81511/U1EF01P1		
	J45		CIRCULAR, SUBMINIATURE				
	J47						
	J49						
	J51						
	J53						
	J55						
	J57						
	J59						
	J61						
	J63						
	J65						
	J67						
	J69						
	J71						
3	J41	4	CONNECTOR, RECEPTACLE, ELEC		7902698-00	12	B
	J43		MALE, 85-CONTACT LOCATIONS	81349	M81511/U1EF01P1		
	J45		CIRCULAR, SUBMINIATURE				
	J49						
	J51						
	J53						
	J57						
	J59						
	J61						
	J65						
	J67						
	J69						
3		4	GASKET, CONNECTOR (U/W IDX	90536	7056119-02	32	
			25 AND 26)				
			SCREW, MACH, PAN HD, 4-40UNC-2A		908552-06	128	
			0.4375 L (AP FOR IDX 25 AND 26)	96906	MS51957-16		

ROUP ASSEMBLY PARTS LIST

PARTS LIST

IG & NDEX 0	REF DESIG	I N D	DESCRIPTION	MFR CODE	UNIVAC PART NO MFR PART NO	QTY PER ASSY	USED ON
- 3			ADAPTER UNIT, I/O		CONTINUED		
			WASHER, LOCK, SPRING, NO 4 (AP FOR IDX 25 AND 26)	96906	4912550-00 MS35338-135	128	
			WASHER, FLAT, ROUND, NO 4 (AP FOR IDX 25 AND 26)	96906	4912548-00 MS15795-803	128	
			NUT, PLAIN, HEX, 4-40UNC-2B (AP FOR IDX 25 AND 26)	96906	4912540-00 MS35649-244	128	
3		5	CONTACT, ELECTRICAL CONNECTOR MALE, 28-30 AWG WIRE	02660	7902484-04 348-100-5047P02	1920	
			CONTACT, ELECTRICAL CONNECTOR MALE	96906	7902484-00 MS90461A23-22	800	
			CONTACT, ELECTRICAL CONNECTOR FEMALE, SIZE 0.062	81312	910879-00 100-1024S55	AR	
			CONTACT, ELECTRICAL CONNECTOR MALE, CRIMP TYPE, SIZE 16	14283	7902892-00 M39029/01-16	AR	
			CONTACT, ELECTRICAL CONNECTOR FEMALE, SIZE 0.062	81312	910879-03 100-1018S56	AR	
			PLUG, SEALING, CONTACT		7902852-00	384	
				02660	M81511/15-22		
3-27		4	CONNECTOR, RECEPTACLE, ELEC 272 FEMALE, 6 MALE CONTACTS	90536	7071580-00	1	
3	P01	5	CONTACT, ELECTRICAL CONNECTOR MALE, WHITE	91886	7900851-01 11-15001-105-12-10000-000	6	
3	P02	5	CONTACT, ELECTRICAL CONNECTOR FEMALE, 2 WIRE WRAP, WHITE	90536	7901698-08 7050014-02-7050015W	272	
3-28	J47 J48 J55 J56 J63 J64 J71 J72	4	CONNECTOR, ELECTRICAL, FEMALE COAXIAL, SINGLE CONTACT	74868	7903003-00 34475-1U03	8	B
3		4	SCREW, MACH, FLH, 4-40UNC-2A 0.562 L (AP)		4912503-05 COML	32	B
			WASHER, LOCK, SPRING, NO 4 (AP)	96906	4912550-00 MS35338-135	32	B
			WASHER, FLAT, NO 4 (AP)	96906	4912548-00 MS15795-803	32	B
			NUT, PLAIN, HEX, 4-40UNC-2B (AP)	96906	4912540-00 MS35649-244	32	B
3-29		4	PIN, GUIDE	90536	7073232-00	4	
3		4	WASHER, FLAT, NO 1/4 (AP)	81349	902991-07 AN960-C416	4	
			NUT-SELF-LOCKING, HEX		4912794-01	4	

## PARTS LIST

## GROUP ASSEMBLY PARTS LIST

FIG & INDEX NO	REF DESIG	I N D	DESCRIPTION	MFR CODE	UNIVAC PART NO MFR PART NO	QTY PER ASSY	USE ON ASSY
6-3			ADAPTER UNIT, I/O		CONTINUED		
			1/4-28UNF-3B (AP)	96906	MS21044-C04		
3-30		4	PANEL, FRONT	90536	7071575-00	1	
3		4	SCREW, CROSS RECESSED (AP)	90536	7071634-03	8	
			SCREW, CROSS RECESSED (AP)	90536	7071634-04	3	
			SCREW, MACH, FLH, 6-32UNC-2A 7/16 L (AP)	96906	4912512-02 MS51959-29	4	
3-31		4	PANEL, REAR	90536	7071577-00	1	
3		4	SCREW, MACH, FLAT HD 8-32UNC-2A, 0.5 L (AP)	96906	4912513-02 MS51959-45	6	
			SCREW, MACH, FLAT HD 4-40UNC-2A, 0.5 L (AP)	96906	4912511-04 MS51959-17	4	
			NUT, SELF-LOCKING, HEX 4-40UNC-3B (AP)	96906	4912796-00 MS21044-C04	4	
3-32		4	PANEL, CENTER	90536	7071576-00	1	
3		4	SCREW, MACH, FLH, 8-32UNC-2A 0.75 L (AP)	96906	4912513-04 MS51959-47	3	
3-33		4	BRACKET, ANGLE	90536	7071578-00	2	
3		4	SCREW, MACH, PAN HD 6-32UNC-2A, 3/4 L (AP)	96906	4912531-06 MS51957-32	14	
3-34		4	COVER, TEST POINT	90536	7022564-00	1	
3		4	SCREW, SPECIAL (AP)	90536	7065718-01	2	
			WASHER, LOCK, SPRING, NO 6 (AP)	96906	4912550-01 MS35338-136	2	
			WASHER, FLAT, NO 6 (AP)	96906	4912548-01 MS15795-805	2	
3-35		4	PIVOT HINGE	90536	7065809-00	2	
3		4	SCREW, MACH, FLH, 4-40UNC-2A 0.375L (AP)	96906	4912511-02 MS51959-15	2	
3-36		4	PIN, HINGE	90536	7065808-00	1	
3-37	M1	4	METER, TIME TOTALIZING 27 TO 33 VDC, 0-999.9 HRS	82227	7901844-01 A19757	1	
3		4	SCREW, MACH, FLAT HD 4-40UNC-2A, 0.3125 L (AP)	96906	4912511-01 MS51959-14	2	
			NUT, SELF-LOCKING, HEX 4-40UNC-3B (AP)	72962	906056-03 79LH1660-40	2	
3-38		4	PLATE, SIDE, LH	90536	7071581-00	1	
3-39		4	PLATE, SIDE, RH	90536	7071582-00	1	

GROUP ASSEMBLY PARTS LIST

PARTS LIST

FIG & INDEX NO	REF DESIG	I N D	DESCRIPTION	MFR CODE	UNIVAC PART NO MFR PART NO	QTY USED PER ON ASSY
6- 3			ADAPTER UNIT, I/O		CONTINUED	
3		4	SCREW, MACH, PAN HD, 8-32UNC-2A 0.438 L (AP FOR IDX 38 AND 39)	96906	7903132-32 MS51957-44	2
			SCREW, MACH, PAN HD, 8-32UNC-2A 0.875 L (AP FOR IDX 38 AND 39)	96906	4912532-03 MS51957-48	2
3-40		4	BAR, CENTER, CARD GUIDE	90536	7071583-00	1
3		4	INSULATOR, CD GDE (U/W IDX 40)	90536	7071589-00	1
			SCREW, MACH, PAN HD, 4-40UNC-2A 5/16 L (AP)	96906	908552-04 MS51957-14	3
			SPACER, INSULATING (AP)	90536	7022572-01	7
			WASHER, FLAT, NO 4 (AP)	96906	4912548-00 MS15795-803	3
3-41		4	BAR, CARD GUIDE, TOP	90536	7216463-00	1
3-42		4	CARD GUIDE, MODIFIED	90536	7216461-01	3
3-43		4	CARD GUIDE 40 CARD ACCOMMODATIONS	PRINC	7901739-05 247-05	3
3-44		4	CARD GUIDE	90536	7071593-00	1
3-45		4	BRACE, SIGNAL GROUND	90536	7071587-00	2
3-46		4	BRACKET, PIN	90536	7022582-00	1
3-47		4	BRACKET, PIN	90536	7071608-00	1
3		4	SCREW, MACH, FLAT HD, 4-40UNC-2A 0.375 L (AP FOR IDX 46 AND 47)	96906	4912511-02 MS51959-15	2
3-48		4	SUPPORT, PIN	90536	7022581-01	1
3-49		4	STRIP, TIE DOWN	90536	7957088-00	AR
3-50		4	BRACKET, SUPPORT	90536	7073219-01	1
3-51		4	BRACKET, SUPPORT	90536	7073219-00	1
3		4	SCREW, MACH, FLAT HD, 6-32UNC-2A 0.5 L (AP FOR IDX 50 AND 51)	96906	4912512-03 MS51959-30	AR
			NUT, SELF-LOCKING, HEX 6-32UNC-3B (AP FOR IDX 50 AND 51)	96906	4912796-01 MS21044-C06	AR
3-52		4	GROUND STRIP, I/O	90536	7071610-00	1
3-53		4	RETAINER, GROUND STRIP	90536	7071611-00	1
3		4	SCREW, MACH, FLAT HD, 4-40UNC-2A 0.375 L (AP FOR IDX 52 AND 53)	96906	4912511-02 MS51959-15	4
3-54		4	SUPPORT, CARD GUIDE BAR	90536	7216360-01	2

PARTS LIST

GROUP ASSEMBLY PARTS LIS

FIG & INDEX NO	REF DESIG	I N D	DESCRIPTION	MFR CODE	UNIVAC PART NO MFR PART NO	QTY PER ASSY	USE ON
0-3			ADAPTER UNIT, 1/0		CONTINUED		
3		4	SETSCREW, HEX SKT, CUP POINT 4-40UNC-3A, 3/16 L (AP)	96906	4912535-01 MS51021-10	6	
3-56		4	DUCT, AIR	90536	7071586-00	1	
3		4	SCREW, MACH, PAN HD 6-32UNC-2A, 0.50 L (AP)	96906	4912531-04 MS51957-29	4	
			SCREW, MACH, PAN HD, 6-32UNC-2A 7/16 L (AP)	96906	4912531-03 MS51957-29	6	
			WASHER, FLAT, NO 6 (AP)	96906	4912548-01 MS15785-805	6	
			NUT, SELF-LOCKING, HEX 6-32UNC-3B (AP)	96906	4912796-01 MS21044-C06	4	
3-57		4	GASKET, SHIELDING	90536	7071595-00	1	
3-58		4	GASKET, SHIELDING	90536	7071594-00	1	
3-59		4	SHIM	90536	7071566-00	2	
3-60		4	SHIM	90536	7071566-01	1	
3-61		4	BAR, CARD GUIDE, TOP	90536	7216460-00	1	
3-62		4	SUPPORT, CHASSIS	90536	7071565-00	1	
3		4	SCREW, CAP, SOCKET HD 6-32UNC-3A, 0.1 L (AP)	96906	911604-11 MS16995-18	2	
			SCREW, MACH, FLH, 6-32UNC-2A 0.50 L (AP)	96906	4912512-03 MS51959-30	5	
			WASHER, FLAT, NO 6 (AP)	96906	4912548-01 MS15795-805	5	
			NUT, SELF-LOCKING, HEX 6-32UNC-3B (AP)	96906	4912796-01 MS21044-C06	5	
3-63		4	BUSHING, LOCATING PIN	90536	7073124-01	1	
3-64		4	BUSHING, LOCATING PIN	90536	7073124-00	1	
3-65		4	GASKET, SHIELDING	90536	7071579-00	2	
3-66		4	GASKET	90536	7071590-00	2	
3-67		4	INSULATOR, POWER CONVERTER	90536	7073210-00	1	
3-68		4	CHASSIS	90536	7071596-00	1	A
			CHASSIS	90536	7071596-01	1	B

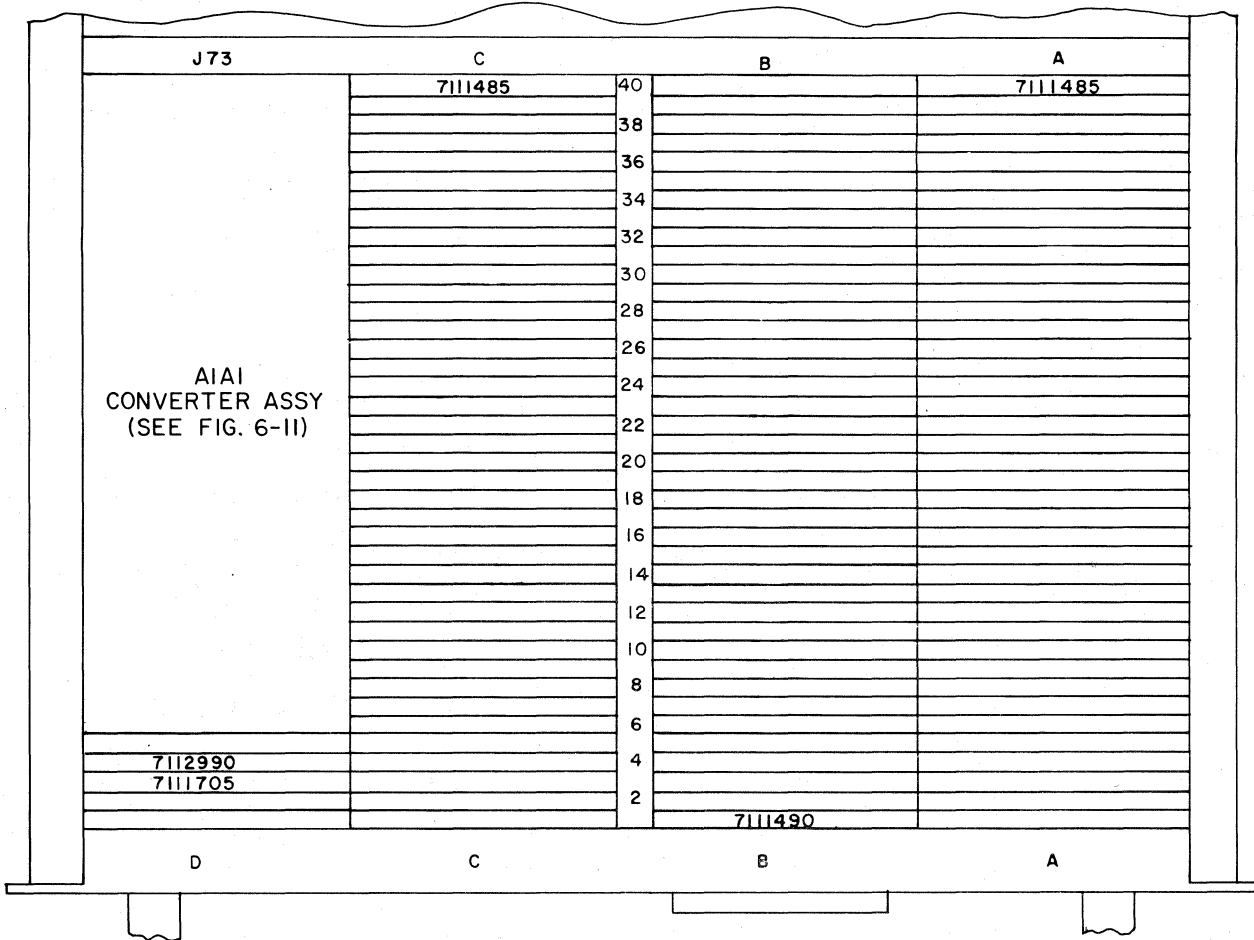


FIGURE 6-4. INPUT/OUTPUT ADAPTER UNIT MODULE LOCATION CHART A1  
(SHEET 1 OF 2)

1	2	3	4	5	6	CARD LIST PART NUMBERS			
						KIT 7073301 (NEG FAST)	KIT 7073302 (NEG SLOW)	KIT 7073303 (POS FAST)	KIT 7073304 (SERIAL)
CHAN 0-3	CHAN 4-7	CHAN 10-13	CHAN 14-17	CHAN 10-13	CHAN 14-17	PART NO.	PART NO.	PART NO.	PART NO.
REF DES	REF DES	REF DES	REF DES	REF DES	REF DES				
13C	1C	13A	1A	28A	1A	7111505	7111520	7113330	7113021
14C	2C	14A	2A	29A	2A	↑	↑	↑	7113021
15C	3C	15A	3A	30A	3A				7113516
16C	4C	16A	4A	31A	4A				
17C	5C	17A	5A	32A	5A				7113040
18C	6C	18A	6A	33A	6A				7113026
19C	7C	19A	7A	34A	7A				7113026
20C	8C	20A	8A	35A	8A				7113026
21C	9C	21A	9A	36A	9A				7113026
22C	10C	22A	10A	37A	10A				7113040
23C	11C	23A	11A	38A	11A	↓	↓	↓	7113031
24C	12C	24A	12A	39A	12A	7111505	7111520	7113330	7113036
25C	11B	26B	25A	26B	13A	7111517	7111530	7113336	7113061
26C	12B	27B	26A	27B	14A	↑	↑	↑	7113390
27C	13B	28B	27A	28B	15A				
28C	14B	29B	28A	29B	16A				7113061
29C	15B	30B	29A	30B	17A				7113390
30C	16B	31B	30A	31B	18A				
31C	17B	32B	31A	32B	19A				7113386
32C	18B	33B	32A	33B	20A				7113395
33C	19B	34B	33A	34B	21A				
34C	20B	35B	34A	35B	22A				7113051
35C	21B	36B	35A	36B	23A				
36C	22B	37B	36A	37B	24A				7113056
37C	23B	38B	37A	38B	25A				7113056
38C	24B	39B	38A	39B	26A	↓	↓	↓	7113056
39C	25B	40B	39A	40B	27A	7111517	7111530	7113336	7113056
9B	7B	5B	3B	5B	2B	7111540	7111535	7111540	7113021
10B	8B	6B	4B	6B	3B	7111511	7111527	7111511	7113021
					4B				7113021

NOTE: FOR 16 CHANNEL PARALLEL I/O ADAPTER UNITS USE COLUMNS 1,2,3 & 4

FOR 12 CHANNEL PARALLEL & 4 SERIAL CHANNEL I/O ADAPTER UNITS USE COLUMNS 1,2,5 & 6

FIGURE 6-4. INPUT/OUTPUT ADAPTER UNIT MODULE LOCATION CHART A1  
(SHEET 2 OF 2)



GROUP ASSEMBLY PARTS LIST

PARTS LIST

FIG & INDEX NO	REF DESIG	I N D	DESCRIPTION	MFR CODE	UNIVAC PART NO MFR PART NO	QTY USED PER ON ASSY
6-4	A1	3	MODULE LOCATION CHART, I/O ADAPTER UNIT		NO NUMBER	REF
4		4	CIRCUIT CARD ASSEMBLY THERMOSTAT, REAR	90536	7111485-02	AR
4		4	CIRCUIT CARD ASSEMBLY THERMOSTAT, FRONT	90536	7111490-02	AR
4		4	CIRCUIT CARD ASSEMBLY, AMPLIFIER LINE DRIVER, -3V INTERFACE	90536	7111505-00	AR
4		4	CIRCUIT CARD ASSEMBLY ACKNOWLEDGE TIMING CARD,#1 FAST	90536	7111511-00	AR
4		4	CIRCUIT CARD ASSEMBLY, AMPLIFIER INPUT, -3V INTERFACE	90536	7111517-01	AR
4		4	CIRCUIT CARD ASSEMBLY, AMPLIFIER LINE DRIVER, -15V INTERFACE	90536	7111520-00	AR
4		4	CIRCUIT CARD ASSEMBLY ACKNOWLEDGE TIMING CARD,#1 SLOW	90536	7111527-00	AR
4		4	CIRCUIT CARD ASSEMBLY, AMPLIFIER INPUT, -15V INTERFACE	90536	7111530-00	AR
4		4	CIRCUIT CARD ASSEMBLY ACKNOWLEDGE TIMING CARD,#2 SLOW	90536	7111535-00	AR
4		4	CIRCUIT CARD ASSEMBLY ACKNOWLEDGE TIMING CARD,#2 FAST	90536	7111540-00	AR
4		4	CIRCUIT CARD ASSEMBLY, VOLTAGE SENSOR	90536	7112990-01	AR
4		4	CIRCUIT CARD ASSEMBLY, MASTER CLEAR DRIVER	90536	7111705-01	AR
4		4	CIRCUIT CARD ASSEMBLY, SHIFT REGISTER	90536	7113021-00	AR
4		4	CIRCUIT CARD ASSEMBLY, INPUT CONTROL	90536	7113026-00	AR
4		4	CIRCUIT CARD ASSEMBLY, FUNCTION REGISTER	90536	7113031-00	AR
4		4	CIRCUIT CARD ASSEMBLY, MODE CONTROL	90536	7113036-00	AR
4		4	CIRCUIT CARD ASSEMBLY, TIME DELAY, 2USEC, 6USEC & 100NSEC	90536	7113040-00	AR
4		4	CIRCUIT CARD ASSEMBLY, DELAY LINE AND CLOCK	90536	7113051-00	AR

PARTS LIST

GROUP ASSEMBLY PARTS LIST

FIG & INDEX NO	REF DESIG	I N D	DESCRIPTION	MFR CODE	UNIVAC PART NO MFR PART NO	QTY PER ASSY	USED ON
6- 4			MODULE LOCATION CHART		CONTINUED		
4		4	CIRCUIT CARD ASSEMBLY TRANSCEIVER	90536	7113056-00	AR	
4		4	CIRCUIT CARD ASSEMBLY DEMODULATOR	90536	7113061-00	AR	
4		4	CIRCUIT CARD ASSEMBLY, AMPLIFIER LINE DRIVER, +3V INTERFACE	90536	7113330-00	AR	
4		4	CIRCUIT CARD ASSEMBLY, AMPLIFIER INPUT, +3V INTERFACE	90536	7113336-00	AR	
4		4	CIRCUIT CARD ASSEMBLY, CLOCK SELECTOR AND DEMODULATOR	90536	7113386-00	AR	
4		4	CIRCUIT CARD ASSEMBLY, DELAY LINE, DEMODULATOR	90536	7113390-00	AR	
4		4	CIRCUIT CARD ASSEMBLY, DELAY LINE, DEMODULATOR AND CLOCK	90536	7113395-00	AR	
4		4	CIRCUIT CARD ASSEMBLY, CLOCK CONTROL AND COUNTER	90536	7113516-00	AR	



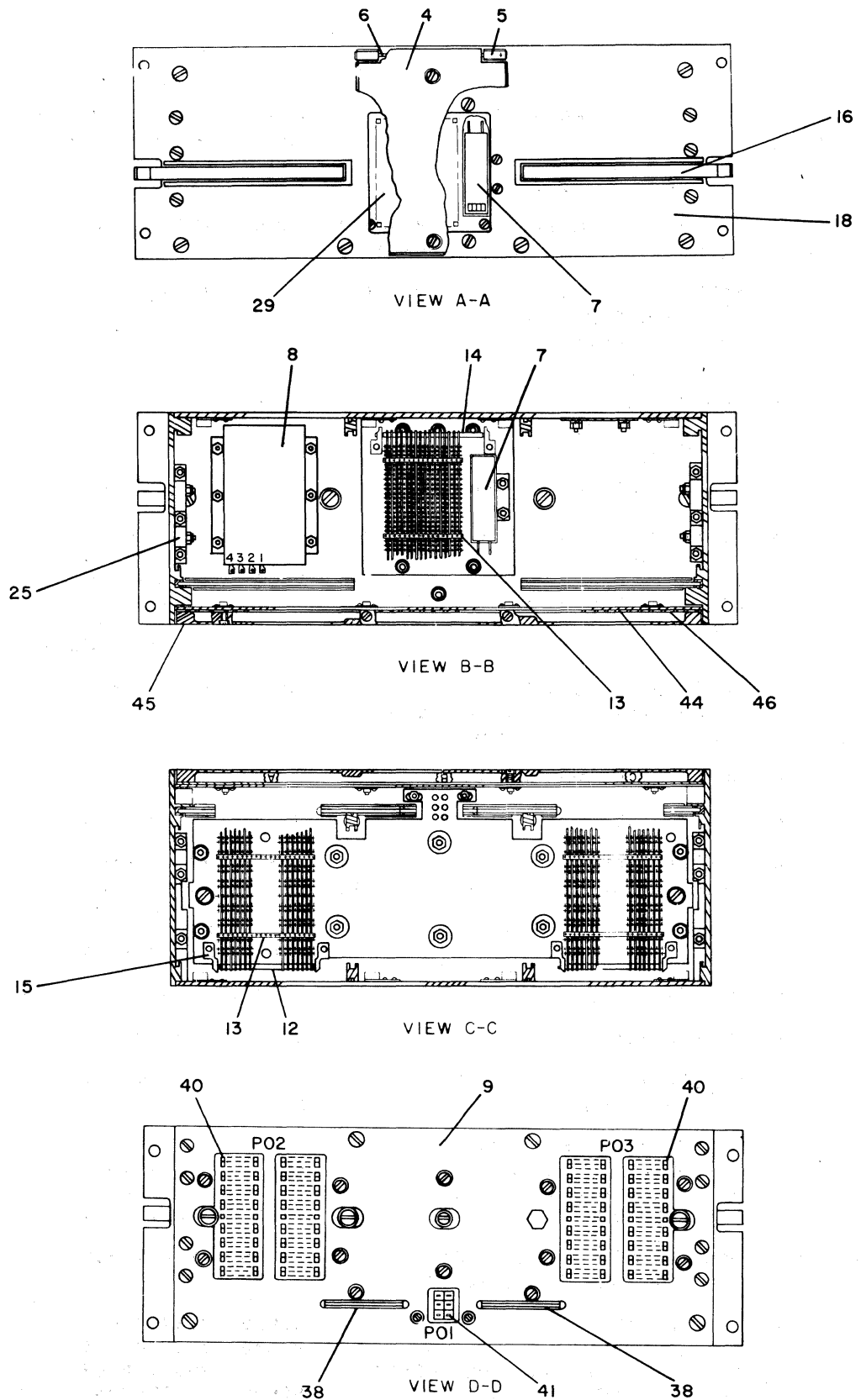


FIGURE 6-5. INPUT/OUTPUT CONTROLLER UNIT A2 (SHEET 2 OF 2)

GROUP ASSEMBLY PARTS LIST

PARTS LIST

FIG & INDEX NO	REF DESIG	I N D	DESCRIPTION	MFR CODE	UNIVAC PART NO MFR PART NO	QTY PER ASSY	USED ON
6-5		2	CONTROLLER UNIT, I/O C-8408(P) (RFI) (FOR NHA SEE FIG 6-1)	90536	7073320-02	REF	
5		3	SCREW, CAP, SOCKET HD, SPECIAL 1/4-28UNF-3A (AP)		7903148-00	4	
			WASHER, FLAT, NO. 1/4 (AP)	81349	902991-07 AN960-C416	4	
5-1	A1	3	CONVERTER MODULE ASSEMBLY DC TO DC, TYPE D (FOR NLA SEE FIG 6-13)	90536	7217069-00	1	
5-2		3	HEAT SINK, PLATE TYPE, MODIFIED	90536	7073135-00	1	
5		3	SCREW, CAP, SOCKET HD, SPECIAL 10-32UNF-3A, 1.125 L (AP)	84972	7903044-00	14	
			WASHER, SPECIAL (AP)	90536	7216328-00	14	
			PACKING, PREFORMED, O RING NEOPRENE, SIZE 007 (AP)	86579	905819-05 007 NEOPRENE 70 +-10 SHORE A	14	
5-3		3	ELECTRONIC CIRCUIT PLUG-IN MOD. CARD LISTING, LOCATION CHART (FOR NLA SEE FIG 6-6)	90536	7073324-00	1	
5		3	CONTROLLER SUBASSEMBLY, I/O	90536	7073321-02	1	
5-4		4	COVER, TEST POINT	90536	7022564-00	1	
5		4	SCREW, SPECIAL (AP)	90536	7065718-01	2	
			WASHER, LOCK, SPRING, NO 6 (AP)	96906	4912550-01 MS35338-136	2	
			WASHER, FLAT, NO 6 (AP)	96906	4912548-01 MS15795-805	2	
5-5		4	PIVOT, HINGE	90536	7065809-00	1	
5-6		4	PIN, HINGE	90536	7065808-00	1	
5-7	M1	4	METER, TIME TOTALIZING 27 10 35 VDC	82227	7901844-01 A19757	1	
5		4	SCREW, MACH, FLAT HD 4-40UNC-2A, 0.3125 L (AP)	96906	4912511-01 MS51959-14	2	
			NUT, SELF-LOCKING, HEX 4-40UNC-3B (AP)	72962	906056-03 79LH166U-40	2	
5-8	Y1	4	OSCILLATOR, TUNING FORK RES, TRANS OSC, 1024 HZ	90536	7119090-00	1	
5		4	SPACER (AP)	90536	7117091-00	1	
			SPACER (AP)	90536	7119091-01	1	
			SCREW, MACH, PAN, 2-56UNC-2A 0.25 L (AP)	96906	7903132-02 MS51957-3	1	
			SCREW, CROSS REC, SP, 2-56 (AP)	90536	7071634-10	5	
			WASHER, FLAT, NO 2 (AP)		4912548-09	5	

FIG & INDEX NO	REF DESIG NO	I N D	DESCRIPTION	MFR CODE	UNIVAC PART NO MFR PART NO	QTY PER ASSY	USEI ON
6-5			CONTROLLER UNIT, I/O C-8408(P)		CONTINUED		
			WASHER, LOCK, INT TOOTH NO 2 (AP)	96906	MS15795-802 4912552-00 COML	1	
			WASHER, LOCK, SPRING, NO 2 (AP)	96906	4912550-09 MS35338-134	1	
			WASHER, SHOULDER, PLASTIC (AP)	06540	7902833-05 2676-15746-T093	5	
			NUT, PLAIN, HEX, MACH 2-56UNC-2B (AP)	96906	4912540-04 MS35649-224	6	
5-9		4	PANEL, REAR	90536	7071525-01	1	
5		4	SCREW, MACH, FLAT HD 6-32UNC-2A, 0.4375 L (AP)	96906	4912512-02 MS51959-29	6	
			SCREW, MACH, FLAT HD 8-32UNC-2A, 0.375 L (AP)	96906	4912513-00 MS51959-43	2	
			SCREW, MACH, FLH, 8-32UNC-2A 0.75 L (AP)	96906	4912513-04 MS51959-47	2	
			SCREW, MACH, FLAT HD 6-32UNC-2A, 0.5 L (AP)	96906	4912512-03 MS51959-30	6	
			SCREW, MACH, PAN HD, 6-32UNC-2A 0.4375 L (AP)	96906	4912531-03 MS51957-29	12	
			WASHER, INSULATOR (AP)	90536	7012817-06	2	
			WASHER, FLAT, NO 6 (AP)	96906	4912548-01 MS15795-805	12	
			WASHER, LOCK, SPRING, NO 6 (AP)	96906	4912550-01 MS35338-136	12	
			NUT, SPECIAL, NO 6 (AP)	90536	7073325-00	12	
5-10		4	PIN, GUIDE	90536	7073232-03	2	
5-11		4	PIN, GUIDE	90536	7073232-02	2	
5		4	WASHER, FLAT, NO. 1/4 (AP FOR IDX 10 AND 11)	96906	902991-07 MS960-C416	4	
			NUT, SELF-LOCKING, 1/4-28UNF-3B (AP FOR IDX 10 AND 11)	72962	905078-02 L79NTE-048	4	
5-12		4	PIN, SUPPORT	90536	7022581-02	2	
5-13		4	STRIP, TIE DOWN	90536	7957088-00	AR	
5-14		4	PIN, SUPPORT	90536	7022581-01	1	
5-15		4	BRACKET, PIN, FRONT	90536	7073150-00	2	
5		4	SCREW, MACH, FLAT HD 4-40UNC-2A, 3/8 L (AP)	96906	4912511-02 MS51959-15	8	
5-16		4	LATCH SET, RIM, CHASSIS HANDLE	71286	7901084-04 72L2-2-2AB	2	
5		4	SCREW, MACH, FLAT HD 10-32NF-2A, 0.5 L (AP)	96906	4912515-02 MS51960-65	2	

GROUP ASSEMBLY PARTS LIST

PARTS LIST

FIG & INDEX NO	REF DESIG	I N D	DESCRIPTION	MFR CODE	UNIVAC PART NO MFR PART NO	QTY USED PER ON ASSY
6-5			CONTROLLER UNIT, I/O C-8408(P)		CONTINUED	
			SCREW, MACH, PAN HD 10-32UNF-2A, 0.5 L (AP)	96906	4912534-00 MS51958-63	2
			WASHER, FLAT, NO 10 (AP)	96906	4912548-03 MS15795-808	2
5-17		4	SPRING, GROUNDING, POWER	90536	7073148-01	1
5		4	SCREW, MACH, FLAT HD 2-56UNC-2A, 0.31 L (AP)	96906	906009-03 MS51959-4	2
			WASHER, LOCK, SPRING, NO 2 (AP)	96906	4912550-09 MS35338-134	2
			NUT, PLAIN, HEX, MACH 2-56UNC-2B (AP)	96906	4912540-04 MS35649-224	2
5-18		4	PANEL, FRONT, CHASSIS	90536	7073132-01	1
5		4	SCREW, CROSS RECESSED (AP)	90536	7071634-04	2
			SCREW, CROSS RECESSED (AP)	90536	7071634-03	4
			SCREW, CROSS RECESSED (AP)	90536	7071634-02	6
			WASHER, LOCK, SPRING, NO 6 (AP)	96906	4912550-01 MS35338-136	6
			NUT, SPECIAL (AP)	90536	7073325-00	6
			SCREW, CROSS RECESSED (AP)	90536	7071634-00	4
			WASHER, LOCK, SPRING, NO 2 (AP)	96906	4912550-09 MS35338-09	4
			WASHER, FLAT, NO 2 (AP)	96906	4912548-09 MS15795-802	4
			NUT, PLAIN, HEX 2-56UNC-2B (AP)	96906	4912540-04 MS35649-224	4
5-19		4	INSULATOR, POWER CONVERTER	90536	7073210-00	1
5-20		4	CARD GUIDE, ACCOMMODATE 41 CARDS		7901739-06 PRINC 247-06	3
5-21		4	CARD GUIDE, MODIFIED	90536	7073151-00	1
5-22		4	CARD GUIDE, MODIFIED	90536	7216364-01	1
5-22A		4	CARD GUIDE, MODIFIED	90536	7216361-01	7
5		4	SUPPORT, CARD GUIDE BAR (U/W IDX 22 AND 22A)	90536	7216360-01	4
			WASHER, FLAT, NO 4 (AP FOR IDX 22 AND 22A)	96906	4912548-00 MS15795-803	6
			NUT, SELF-LOCKING, HEX 4-40UNC-3B (AP FOR IDX 22 & 22A)	72962	906056-03 79LH1660-40	6
5-23		4	BAR, CARD GUIDE, TOP	90536	7216362-00	2
5		4	SETSCREW, HEX SKT, 4-40UNC-2A 3/16 L (AP)		4912535-01 COML	12
5-24		4	SUPPORT, CENTER	90536	7073133-01	1

FIG & INDEX NO	REF DESIG	I N D	DESCRIPTION	MFR CODE	UNIVAC PART NO MFR PART NO	QTY PER ASSY	USEI ON
6- 5			CONTROLLER UNIT, I/O C-8408(P)		CONTINUED		
5		4	SCREW, MACH, PAN HD 4-40UNC-2A, 7/16 L (AP)	96906	908552-06 MS51957-16	2	
			SPACER, INSULATOR (AP)	90536	7022572-02	12	
5-25		4	STIFFENER	90536	7022569-01	2	
5-26		4	PLATE, SIDE, CHASSIS, LH	90536	7073138-00	1	
5-27		4	PLATE, SIDE, CHASSIS, RH	90536	7073139-00	1	
5		4	DIVIDER, INSULATOR (U/W IDX 26 AND 27)	90536	7065707-00	4	
5		4	CONNECTOR PLATE ASSY	90536	7073322-01	1	
5-28	J85	5	INSULATOR, ELECTRICAL CONNECTOR FEMALE, 34 CONTACT LOCATIONS	81312	4913630-01 MRAC34SNSS	1	
5		5	SCREW, MACH, FILLISTER HD 4-40NC-2A, 0.4375 L (AP)		905690-05 COML	4	
			WASHER, FLAT, SHAFT SPACER 0.125 ID, 0.187 OD (AP)	00141	910229-01 B4-1	AR	
			WASHER, FLAT, SHAFT SPACER 0.125 ID, 0.187 OD (AP)	00141	910229-04 B4-4	AR	
			WASHER, FLAT, SHAFT SPACER 0.125 ID, 0.187 OD	00141	910229-07 B4-7	12	
			NUT, SELF-LOCKING, HEX 4-40NC-3B (AP)		906056-03 COML	6	
5		6	CONTACT, ELECTRICAL CONNECTOR FEMALE, SIZE 062, 24 AWG	81312	910879-00 100-1024S55	5	
			CONTACT, ELECTRICAL CONNECTOR FEMALE, SIZE 062, 20 AWG	81312	910879-02 100-1020S55	1	
			CONTACT, ELECTRICAL CONNECTOR FEMALE, SIZE 062, 18 AWG	81312	910879-03 100-1018S55	26	
5-29	TB1	5	TEST POINT ASSEMBLY 391 CONTACTS	91886	7901842-00 5593375	1	
5		5	SCREW, MACH, FLH, 6-32UNC-2A 0.438 L (AP)	96906	4912512-02 MS51959-29	4	
5		6	CONTACT, ELECTRICAL, FEMALE 2 WIRE WRAP, WHITE INSULATOR	90536	7901698-08 7050014-02- 7050015W	184	
			CONTACT, ELECTRICAL, FEMALE 2 WIRE WRAP, BLACK INSULATOR	90536	7901698-09 7050014-02- 7050015B	99	
			CONTACT, ELECTRICAL, FEMALE 2 WIRE WRAP, BLUE INSULATOR	90536	7901698-10 7050014-02- 7050015BL	106	
			CONTACT, ELECTRICAL, MALE WIRE WRAP, BLUE INSULATOR	91886	7902474-10 21-15022-105-	2	



GROUP ASSEMBLY PARTS LIST

PARTS LIST

FIG & INDEX No	REF DESIG	I N D	DESCRIPTION	MFR CODE	UNIVAC PART NO MFR PART NO	QTY USED PER ON ASSY
6- 5			CONTROLLER UNIT, I/O C-8408(P)		CONTINUED	
					22-10000-516	
5-30	W1	5	BUS BAR, +5V	90536	7073169-01	1
5-31		5	INSULATOR, PLATE	90536	7071112-02	2
5-32	W2	5	BUS BAR, GROUNDING	90536	7073156-00	1
5		5	SCREW, MACH, PAN HD 6-32UNC-2A, 0.3125 L (AP)	96906	4912531-01 MS51957-27	6
			WASHER, LOCK, INTERNAL TOOTH PH BRONZE, SIZE 6 (AP)		4912552-01 COML	6
			NUT, SELF-LOCKING, HEX 6-32NC-3B (AP)	72962	907627-01 L79NM107-62	6
5-33		5	INSULATOR, PLATE	90536	7071112-03	2
5-34		5	BAR, CARD GUIDE, BOTTOM	90536	7216363-00	2
5		5	SCREW, MACH, FLH HD 6-32UNC-2A, 0.312 L (AP)	96906	7903133-15 MS24693-C25	12
5-35		5	BUSHING, LOCATING PIN	90536	7073124-00	1
5-36		5	BUSHING, LOCATING PIN	90536	7073124-01	1
5-37		5	STANDOFF, WIRE COVER	90536	7073172-01	5
5		5	SCREW, MACH, FLAT HD 6-32UNC-2A, 0.250 L (AP)		910503-02 COML	5
5-38		5	INSULATOR, PLATE	90536	7071112-01	2
5-39		5	INSULATOR, BUS BAR	90536	7065812-06	5
5		5	CONNECTOR, RECEPTACLE, ELEC	90536	7071526-00	1
5-40	P02 P03	6	CONTACT, ELECTRICAL CONNECTOR FEMALE, 2 WIRE WRAP, WHITE	90536	7901698-08 7050014-02- 7050015W	544
5-41	P01	6	CONTACT, ELEC, MALE, SNAP-IN WIRE WRAP, WHITE BUSHING	91886	7900851-01 11-15001-105- 12-10000-000	6
5-42		5	CONNECTOR, RECEPTACLE, ELEC FEMALE, 11816 CONTACTS	90536	7071556-01	1
5		6	CONTACT, ELECTRICAL CONNECTOR FEMALE, 3 WIRE WRAP, WHITE	90536	7901698-06 7050014-01- 7050015W	5512
			CONTACT, ELECTRICAL CONNECTOR FEMALE, 3 WIRE WRAP, BLACK	90536	7901698-07 7050014-01- 7050015B	5460

PARTS LIST

GROUP ASSEMBLY PARTS LIST

FIG & INDEX NO	REF DESIG	I N D	DESCRIPTION	MFR CODE	UNIVAC PART NO MFR PART NO	QTY PER ASSY	USED ON
6-5			CONTROLLER UNIT, I/O C-8408(P)		CONTINUED		
			CONTACT, GROUND, ELECTRICAL FEMALE, 3 WIRE WRAP	91886	7902611-01 21-20312-134-28-20003-309	844	
5-43		4	HEAT SINK, SIDE, CHASSIS	90536	7073134-00	1	
5		4	SCREW, MACH, FLH, 6-32UNC-2A 0.25 L (AP)	96906	903160-03 MS35249-33	6	
			SCREW, MACH, FLH, 6-32UNC-2A 0.625 L (AP)	96906	4912512-04 MS51959-31	4	
			NUT, SELF-LOCKING, HEX 6-32NC-3B (AP)	72962	907627-01 L79NM107-62	4	
5-44		4	COVER, WIRE	90536	7073173-01	1	
5		4	SCREW, MACH, PAN HD, 4-40UNC-2A 0.25 L (AP)	96906	908552-03 MS51957-13	5	
			WASHER, FLAT, NO 4 (AP)	96906	4912548-00 MS15795-803	5	
5-45		4	COVER, CHASSIS, BOTTOM	90536	7073116-01	1	
5-46		4	SHIELDING GASKET, PLASTIC CONDUCTIVE, EXTRUDED ROD, 1/16	04552	7956122-03 7956122-03	AR	

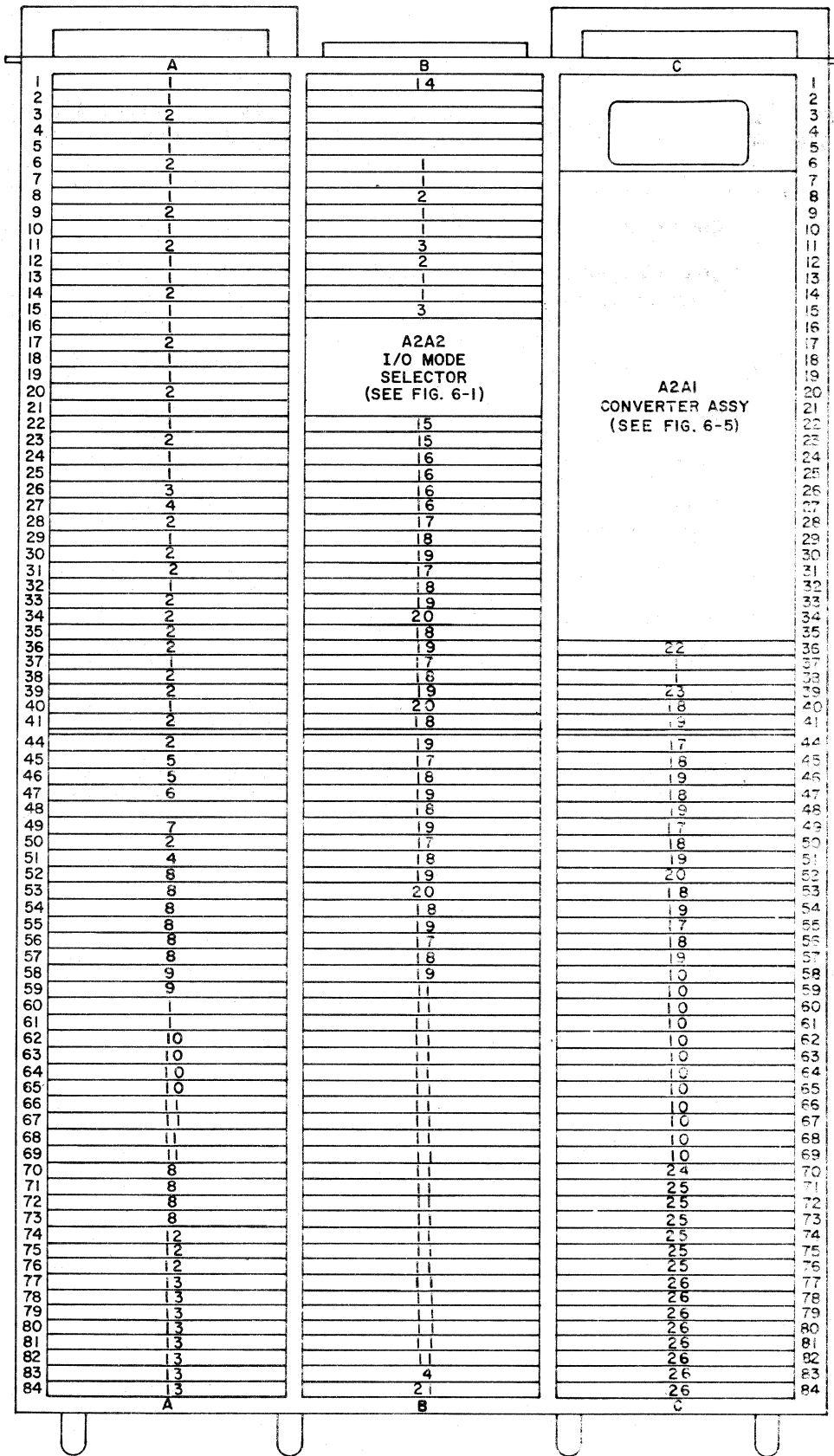


FIGURE 6-6. INPUT/OUTPUT CONTROLLER UNIT MODULE LOCATION CHART A2

PARTS LIST

GROUP ASSEMBLY PARTS LIST

FIG & INDEX NO	REF DESIG	I N D	DESCRIPTION	MFR CODE	UNIVAC PART NO MFR PART NO	QTY PER ASSY	USED ON
6-6	A2	3	CONTROLLER UNIT, INPUT OUTPUT MODULE LOCATION CHART (FOR NHA SEE FIG 6-5)	90536	7073324-00	REF	
6-1	A1A A2A A4A A5A A7A A8A A10A A12A A13A A15A A16A A18A A19A A21A A22A A24A A25A A29A A32A A37A A40A A60A A61A A6B A7B A9B A10B A13B A14B A37C A38C	4	CIRCUIT CARD ASSEMBLY, CONTROL TYPE 3	90536	7111750-00	31	
6-2	A3A A6A A9A A11A A14A A17A A20A A23A A28A A30A A31A A33A THRU A36A A38A A39A A41A A44A A50A A8B	4	CIRCUIT CARD ASSEMBLY, CONTROL TYPE 4	90536	7111755-00	22	

GROUP ASSEMBLY PARTS LIST

PARTS LIST

FIG & INDEX NO	REF DESIG	I N D	DESCRIPTION	MFR CODE	UNIVAC PART NO MFR PART NO	QTY PER ASSY	USED ON
6- 6			CONTROLLER UNIT, INPUT OUTPUT		CONTINUED		
	A12B						
6-3	A26A A11B A15B	4	CIRCUIT CARD ASSEMBLY, SINGLE INVERTERS	90536	7112290-00	3	
6-4	A27A A51A A83B	4	CIRCUIT CARD ASSEMBLY, RESISTOR NETWORK	90536	7111665-00	3	
6-5	A45A A46A	4	CIRCUIT CARD ASSEMBLY, MAIN TIMING CONS SEL	90536	7112050-00	2	
6-6	A47A	4	CIRCUIT CARD ASSEMBLY, DELAY LINE CLOCK	90536	7071866-00	1	
6-7	A49A	4	CIRCUIT CARD ASSEMBLY, K AND K* REGISTERS	90536	7112025-00	1	
6-8	A52A THRU A57A A70A THRU A73A	4	CIRCUIT CARD ASSEMBLY, CONTROL LOGIC	90536	7111945-00	10	
6-9	A58A A59A	4	CIRCUIT CARD ASSEMBLY, OCTAL TRANSLATOR	90536	7111610-00	2	
6-10	A62A THRU A65A A58C THRU A69C	4	CIRCUIT CARD ASSEMBLY, CONTROL MEM ADDRESS REGISTER	90536	7111940-00	16	
6-11	A66A THRU A69A A59B THRU A82B	4	CIRCUIT CARD ASSEMBLY, CONTROL MEMORY	90536	7111905-02	28	
6-12	A74A A75A A76A	4	CIRCUIT CARD ASSEMBLY, INTEGRATED REGISTER ARRAY	90536	7111545-02	3	
6-13	A77A THRU A84A	4	CIRCUIT CARD ASSEMBLY, CIR REGISTER	90536	7111926-00	8	
6-14	A1B	4	CIRCUIT CARD ASSEMBLY, THERMOSTAT, FRONT	90536	7111490-02	1	
6-15	A22B A23B	4	CIRCUIT CARD ASSEMBLY INTERCOMPUTER LOGIC GROUP	90536	7111936-00	2	

PARTS LIST

GROUP ASSEMBLY PARTS LIST

FIGURE INDEX NO.	REF DESIG	QTY	DESCRIPTION	MFR CODE	UNIVAC PART NO MFR PART NO	QTY USED PER ASSY
6- 6			CONTROLLER UNIT, INPUT OUTPUT		CONTINUED	
6-16	A24B THRU A27B	4	CIRCUIT CARD ASSEMBLY, INTERCOMPUTER LOGIC CHANNEL	90536	7111931-00	4
6-17	A28B A31B A37B A45B A50B A56B A44C A49C A55C	4	CIRCUIT CARD ASSEMBLY, CHAIN ACTIVE X8	90536	7111915-00	9
6-18	A29B A32B A35B A38B A41B A46B A48B A51B A54B A57B A40C A45C A47C A50C A53C A56C	4	CIRCUIT CARD ASSEMBLY, CHANNEL AND MONITOR ACTIVE	90536	7111920-00	16
6-19	A30B A33B A36B A39B A44B A47B A49B A52B A55B A58B A41C A46C A48C A51C A54C A57C	4	CIRCUIT CARD ASSEMBLY, 1 SHOTS, SYNC REGISTER & DATA REGISTERS	90536	7111005-00	16
6-20	A34B A40B A53B A52C	4	CIRCUIT CARD ASSEMBLY, CHANNEL PRIORITY	90536	7111581-00	4
6-21	A84B	4	CIRCUIT CARD ASSEMBLY, THERMOSTAT, REAR	90536	7111485-02	1

GROUP ASSEMBLY PARTS LIST

PARTS LIST

FIG & INDEX NO	REF DESIG	I N D	DESCRIPTION	MFR CODE	UNIVAC PART NO MFR PART NO	QTY PER ASSY	USED ON
6- 6			CONTROLLER UNIT, INPUT OUTPUT		CONTINUED		
6-22	A36C	4	CIRCUIT CARD ASSEMBLY, VOLTAGE SENSOR	90536	7112990-01	1	
6-23	A39C	4	CIRCUIT CARD ASSEMBLY, AMPLIFIER INPUT -3VOLT INTERFACE	90536	7111517-01	1	
6-24	A70C	4	CIRCUIT CARD ASSEMBLY, MEMORY CONTROL	90536	7111692-00	1	
6-25	A71C THRU A76C	4	CIRCUIT CARD ASSEMBLY, MAIN MEMORY ADDRESS REGISTER	90536	7111560-00	6	
6-26	A77C THRU A84C	4	CIRCUIT CARD ASSEMBLY, DIR REGISTER X8	90536	7111910-00	8	

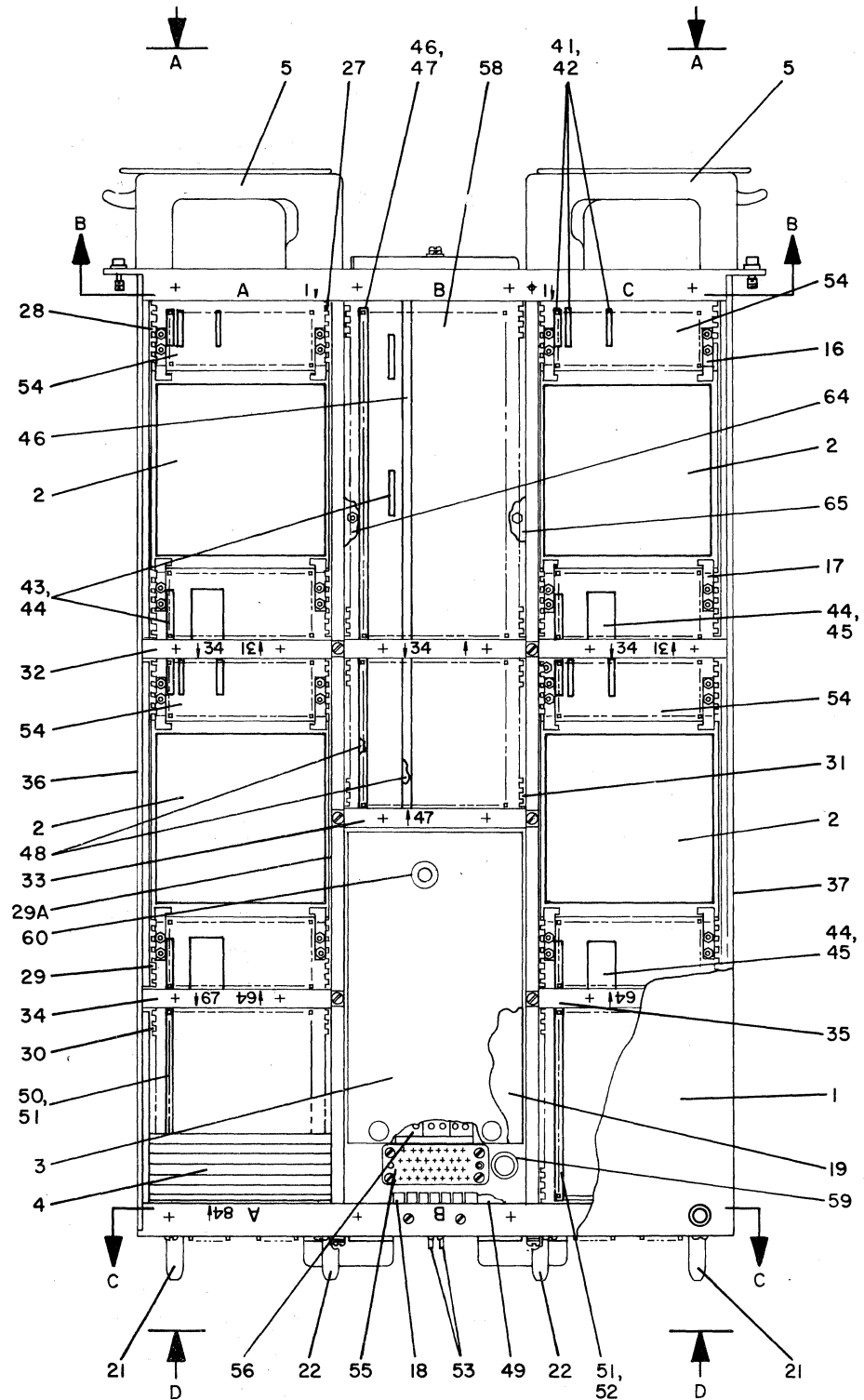


FIGURE 6-7. CORE MEMORY UNIT A3, A6, A7 (SHEET 1 OF 2)



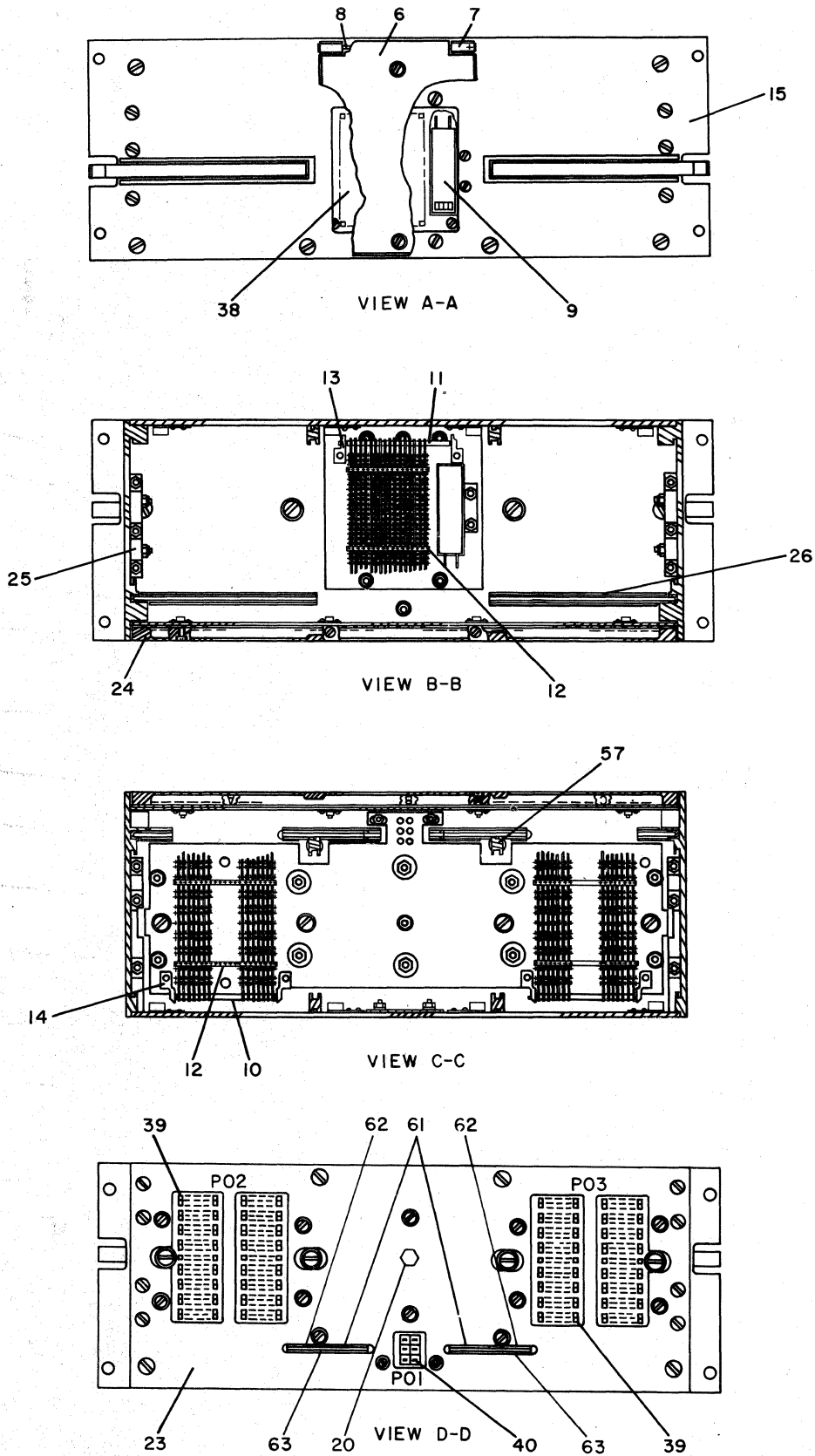


FIGURE 6-7. CORE MEMORY UNIT A3, A6, A7 (SHEET 2 OF 2)

## PARTS LIST

## GROUP ASSEMBLY PARTS LIST

FIG & INDEX NO	REF DESIG NO	I N D	DESCRIPTION	MFR CODE	UNIVAC PART NO MFR PART NO	QTY PER ASSY	USED ON ASSY
6-7	A3 A6 A7	2	CORE MEMORY UNIT (RFI) MU-558 (FOR NHA SEE FIG 6-1)	90536	7071520-02	REF	
7		3	SCREW, CAP, SOCKET HD, SPECIAL 1/4-28UNF-3A (AP)		7903148-00 COML	4	
			WASHER, FLAT, NO 1/4 (AP)	81349	902991-07 AN960-C416	4	
7-1		3	HEAT SINK, PLATE TYPE, MODIFIED	90536	7073125-00	1	
7		3	SCREW, CAP, SOCKET HD, SPECIAL 10-32UNF-2A, 1.125 L (AP)	84972	7903044-00	20	
			WASHER, SPECIAL (AP)	90536	7216328-00	20	
			PACKING, PREFORMED, O RING NEOPRENE, SIZE 007 (AP)	86579	905819-05 007 NEOPRENE 70 +-10 SHORE A	20	
7-2	A1 THRU A4	3	MEMORY STACK ASSEMBLY - 4K, 32 BIT	90536	7071530-02	4	
7-3	A5	3	CONVERTER MODULE ASSEMBLY DC TO DC, TYPE B (FOR NLA SEE FIG 6-12)	90536	7217074-00	1	
7-4		3	ELECTRONIC CIRCUIT PLUG-IN MOD CARD LISTING, LOCATION CHART (FOR NLA SEE FIG 6-8)	90536	7073214-01	1	
7		3	CHASSIS ASSEMBLY, MEMORY	90536	7071521-01	1	
7		3	SCREW, MACH, PAN HD 4-40UNC-2A, 3/8 L (AP)	96906	908552-05 MS51957-15	2	
			WASHER, FLAT, NO 4 (AP)	96906	4912548-00 MS15795-803	2	
			NUT, SELF-LOCKING, CAP 4-40UNC-3B (AP)	72962	907454-01 L79NKM-40	2	
7-5		4	LATCH, SET - RIM, CHASSIS HANDLE	71286	7901084-04 72L2-2-2AB	2	
7		4	SCREW, MACH, FLAT HD 10-32UNF-2A, 1/2 L (AP)	96906	4912515-02 MS51960-65	2	
			SCREW, MACH, PAN HD 10-32UNF-2A, 1/2 L (AP)	96906	4912534-00 MS51958-63	2	
			WASHER, FLAT, NO 10 (AP)	96906	4912548-03 MS15795-808	2	
7-6		4	COVER, TEST POINT	90536	7022564-00	1	
7		4	SCREW, SPECIAL (AP)	90536	7065718-01	2	
			WASHER, FLAT, NO 6 (AP)	96906	4912548-01 MS15795-805	2	
			WASHER, LOCK, SPRING, NO 6 (AP)	96906	4912550-01 MS35338-136	2	

GROUP ASSEMBLY PARTS LIST

PARTS LIST

FIG & INDEX NO	REF DESIG	I N D	DESCRIPTION	MFR CODE	UNIVAC PART NO MFR PART NO	QTY USED PER ON ASSY
6- 7			CORE MEMORY UNIT (RFI) MU-558		CONTINUED	
7-7		4	PIVOT, HINGE	90536	7065809-00	2
7-8		4	PIN, HINGE	90536	7065808-00	1
7-9	M1	4	METER, TIME TOTALIZING, 0-999.9 HRS, 27 TO 33 VDC	82227	7901844-01 A19757	1
7		4	SCREW, MACH, FLAT HD 4-40UNC-2A, 5/16 L (AP)	96906	4912511-01 MS51959-14	2
			NUT, SELF-LOCKING, HEX 4-40NC-3B (AP)	72962	906056-03 79LH1660-40	2
7-10		4	PIN, SUPPORT	90536	7022581-02	2
7-11		4	PIN, SUPPORT	90536	7022581-01	1
7-12		4	STRIP, TIE DOWN	90536	7957088-00	AR
7-13		4	BRACKET, PIN, FRONT	90536	7073150-00	2
7-14		4	BRACKET, PIN	90536	7073118-00	4
7		4	SCREW, MACH, FLAT HD, 4-40UNC-2A 3/8 L (AP FOR IDX 13 AND 14)	96906	4912511-02 MS51959-15	6
7-15		4	PANEL, FRONT, CHASSIS	90536	7073132-00	1
7		4	SCREW, CROSS REC, SPECIAL (AP)	90536	7071634-04	2
			SCREW, CROSS REC, SPECIAL (AP)	90536	7071634-03	4
			SCREW, CROSS REC, SPECIAL (AP)	90536	7071634-02	6
			SCREW, MACH, FLAT HD		4912512-02	4
			6-32UNC-2A, 7/16 L (AP)	96906	MS51929-29	
			WASHER, LOCK, SPRING, NO 6 (AP)		4912550-01	6
			NUT, SPECIAL (AP)	96906	MS35338-136	6
				90536	7073325-00	6
7-16		4	CLIP, GROUNDING, LH	90536	7215054-01	8
7-17		4	CLIP, GROUNDING, RH	90536	7215053-01	8
7		4	SCREW, MACH, PAN HD, 2-56UNC-28 0.25 L (AP FOR IDX 16 AND 17)	96906	7903132-02 MS51957-3	32
			WASHER, LOCK, SPRING, NO 2 (AP FOR IDX 16 AND 17)	96906	4912550-09 MS35338-134	32
			NUT, PLAIN, HEX, 2-56UNC-2B (AP FOR IDX 16 AND 17)	96906	4912540-04 MS35649-224	32
7-18		4	SPRING, GROUNDING, POWER CONV	90536	7073148-00	1
7		4	SCREW, MACH, FLAT HD 2-56UNC-2A, 0.31 L (AP)	96906	906009-03 MS51959-4	2
			WASHER, LOCK, SPRING, NO 2 (AP)	96906	4912550-09 MS35338-134	2

## PARTS LIST

## GROUP ASSEMBLY PARTS LIS

FIG & INDEX NO	REF DESIG	I N D	DESCRIPTION	MFR CODE	UNIVAC PART NO MFR PART NO	QTY PER ASSY	USEI ON
6- 7			CORE MEMORY UNIT (RFI) MU-558		CONTINUED		
			NUT, PLAIN, HEX, 2-56UNC-2B (AP)	96906	4912540-04 MS35649-224	2	
7-19		4	INSULATOR, POWER CONVERTER	90536	7073210-00	1	
7-20		4	SCREW, MODIFIED, 1/4-28UNF WASHER, FLAT, ROUND, NO 1/4 (AP)	90536 96906	7073327-00 4912548-04 MS15795-810	1 1	
			NUT, SELF-LOCKING, HEX 1/4-28UNF-3B (AP)	72962	905078-02 L79NTE-U48	1	
7-21		4	PIN, GUIDE	90536	7073232-03	2	
7-22		4	PIN, GUIDE	90536	7073232-02	2	
7		4	NUT, SELF-LOCKING, HEX, 1/4-28 UNF-3B (AP FOR IDX 21 AND 22)	72962	905078-02 L79NTE-U48	4	
			WASHER, FLAT, NO 1/4 (AP FOR IDX 21 AND 22)	81349	902991-07 AN960-C416	4	
7-23		4	PANEL, REAR	90536	7071525-01	1	
7		4	SCREW, MACH, FLAT HD 8-32UNC-2A, 3/8 L (AP)	96906	4912513-00 MS51959-43	2	
			SCREW, MACH, FLAT HD 8-32UNC-2A, 3/4 L (AP)	96906	4912513-04 MS51959-47	2	
			SCREW, MACH, FLAT HD 6-32UNC-2A, 7/16 L (AP)	96906	4912512-02 MS51929-29	2	
			SCREW, MACH, PAN HD 6-32UNC-2A, 7/16 L (AP)	96906	4912531-03 MS51957-29	12	
			SCREW, MACH, FLAT HD 6-32UNC-2A, 1/2 L (AP)	96906	4912512-03 MS51959-30	6	
			WASHER, FLAT, NO 6 (AP)	96906	4912548-01 MS15795-805	12	
			WASHER, INSULATOR (AP)	90536	7012817-06	2	
			WASHER, LOCK, SPRING, NO 6 (AP)	96906	4912550-01 MS35338-136	6	
			NUT, SPECIAL (AP)	90536	7073325-00	6	
7-24		4	COVER, CHASSIS, BOTTOM	90536	7073116-01	1	
7		4	SHIELDING GASKET, ELEC, AL (U/W IDX 24)	12881	7956504-47 TO BE ESTAB	AR	
			SCREW, MACH, PAN HD 4-40UNC-2A, 0.438 L (AP)		4912523-05 COML	20	
			SCREW, MACH, FLAT HD 4-40UNC-2A, 3/8 L (AP)	96906	4912511-02 MS51959-15	2	
7-25		4	STIFFENER	90536	7022569-01	2	
7		4	SCREW, MACH, FLAT HD 6-32UNC-2A, 5/8 L (AP)	96906	4912512-04 MS51959-31	4	
			NUT, SELF-LOCKING, HEX 6-32UNC-3B (AP)	72962	907627-01 L79NM107-62	4	

GROUP ASSEMBLY PARTS LIST

PARTS LIST

FIG & INDEX NO	REF DESIG	I N D	DESCRIPTION	MFR CODE	UNIVAC PART NO MFR PART NO	QTY USED PER ON ASSY
6- 7			CORE MEMORY UNIT (RF1) MU-558		CONTINUED	
7-26		4	COVER, WIRE	90536	7073173-00	1
7		4	SCREW, MACH, PAN HD 4-40UNC-2A, 0.25 L (AP)		4912523-02 COML	5
			WASHER, FLAT, ROUND, NO 0.25 (AP)	96906	4912548-00 MS15795-803	5
7-27		4	CARD GUIDE, ACCOMMODATE 31 CARDS		7901739-00	2
				PRINC	247-00	
7-28		4	CARD GUIDE, MODIFIED	90536	7056888-00	4
7		4	BAR, CARD GUIDE, TOP (U/W IDX 27 AND 28)	90536	7073117-00	2
7-29		4	CARD GUIDE, MODIFIED	90536	7056888-02	2
7-29A		4	CARD GUIDE, MODIFIED	90536	7056888-03	2
7-30		4	CARD GUIDE, ACCOMMODATE 18 CARDS		7901739-01	4
				PRINC	247-01	
7-31		4	CARD GUIDE, ACCOMMODATE 13 CARDS		7901739-02	2
				PRINC	247-02	
7-32		4	SUPPORT, CENTER	90536	7073133-00	1
7-33		4	SUPPORT, CENTER	90536	7073121-00	1
7-34		4	SUPPORT, RH	90536	7073122-00	1
7-35		4	SUPPORT, LH	90536	7073123-00	1
7		4	SCREW, MACH PAN HD, 4-40UNC-2A 7/16 L (AP FOR IDX 32 THRU 35)	96906	908552-06 MS51957-16	6
7-36		4	PLATE, SIDE, CHASSIS	90536	7073120-00	1
7-37		4	PLATE, SIDE, CHASSIS	90536	7073128-00	1
7		4	SCREW, MACH, FLH, 8-32UNC-2A 5/8 L (AP IDX 36 AND 37)	96906	4912513-03 MS51959-46	8
			WASHER, FLAT, NO 8 (AP FOR IDX 36 AND 37)	96906	4912548-02	8
			NUT, SELF-LOCKING, HEX 8-32UNC- B (AP FOR IDX 36 & 37)	96906	MS15795-807 907627-02	8
				72962	L79NM408-82	
7		4	CONNECTOR PLATE ASSEMBLY-MEMORY	90536	7071522-00	1
7		4	DIVIDER, INSULATOR (U/W CONNECTOR PLATE ASSY)	90536	7065707-00	3
7-38	TB1	5	TEST POINT ASSEMBLY, 391 REPLACEABLE CONTACTS	91886	7901842-00 5593375	1

## PARTS LIST

## GROUP ASSEMBLY PARTS LIST

FIG & INDEX NO	REF DESIG	I N D	DESCRIPTION	MFR CODE	UNIVAC PART NO MFR PART NO	QTY PER ASSY	USE ON ASSY
6- 7			CORE MEMORY UNIT (RFI) MU-558		CONTINUED		
7		5	SCREW, MACH, FLH, 6-32UNC-2A 0.438 L (AP)	96906	4912512-02 MS51959-29	4	
7		6	CONTACT, ELEC, FEMALE, 2 WIRE WRAP, WHITE INSUL	90536	7901698-08 7050014-02- 7050015W	184	
			CONTACT, ELEC, FEMALE, 2 WIRE WRAP, BLACK INSUL	90536	7901698-09 7050014-02- 7050015B	99	
			CONTACT, ELEC, FEMALE, 2 WIRE WRAP, BLUE INSUL	90536	7901698-10 7050014-02- 7050015BL	106	
			CONTACT, ELEC, MALE, 2 WIRE WRAP, BLUE INSUL	91886	7902474-10 21-15022-105 & 22-10000-516	2	
7		5	CONNECTOR, RCPT, ELEC	90536	7071526-00	1	
7-39	P02 P03	6	CONTACT, ELEC, FEMALE, 2 WIRE WRAP, WHITE INSUL	90536	7901698-08 7050014-02- 7050015W	544	
7-40	P01	6	CONTACT, ELEC, MALE, SNAP-IN NYLON INSUL	91886	7900851-01 11-15001-105- 12-10000-000	6	
7-41		5	BUS BAR, -5 VOLT	90536	7056892-01	12	
7-42		5	INSULATOR, BUS BAR	90536	7065812-00	12	
7-43		5	BUS BAR, -5 VOLT	90536	7056892-02	5	
7-44		5	INSULATOR, BUS BAR	90536	7065812-01	22	
7-45	W1	5	BUS BAR, +19 VOLT	90536	7073142-00	1	
7-46		5	INSULATOR, BUS BAR	90536	7065812-05	2	
7-47	W2	5	BUS BAR, +5 VOLT	90536	7073143-00	1	
7-48		5	INSULATOR, BUS BAR	90536	7065812-03	47	
7-49	W3	5	BUS BAR, GROUNDING	90536	7073155-00	1	
7-50		5	BUS BAR, +5 VOLT	90536	7073153-00	1	
7-51		5	INSULATOR, BUS BAR	90536	7065812-04	2	
7-52		5	BUS BAR, +5 VOLT	90536	7073154-00	1	
7-53		5	BUS BAR, POWER	90536	7073217-00	2	
7-54		5	PRINTED WIRING BOARD, INTCON	90536	7071546-00	4	

GROUP ASSEMBLY PARTS LIST

PARTS LIST

FIG & INDEX NO	REF DESIG	I N D	DESCRIPTION	MFR CODE	UNIVAC PART NO MFR PART NO	QTY USED PER ON ASSY
6- 7			CORE MEMORY UNIT (RFI) MU-558		CONTINUED	
7-55	J85	5	INSULATOR, ELEC, FEMALE, 34 CONTACT LOCATIONS	81312	4913630-01 MRAC34SNSS	1
7		5	SCREW, MACH, FIL HD 4-40UNC-2A (AP)		905690-05 COML	4
			WASHER, FLAT, SHAFT SPACER 0.125 ID, 0.187 OD (AP)	00141	910229-01 B4-1	12
			WASHER, FLAT, SHAFT SPACER 0.125 ID, 0.187 OD (AP)	00141	910229-04 B4-4	12
			WASHER, FLAT, SHAFT SPACER 0.125 ID, 0.187 OD (AP)	00141	910299-07 B4-7	12
			NUT, SELF-LOCKING, HEX 4-4UNC-3B (AP)	72962	906056-03 79LH1660-40	6
7		6	CONTACT, ELEC, FEMALE, SIZE 24 AWG	81312	910879-00 100-1024555	4
			CONTACT, ELEC, FEMALE, SIZE 20 AWG	81312	910879-02 100-1020S55	13
			CONTACT, ELEC, FEMALE, SIZE 18 AWG	81312	910879-03 100-1018S55	8
			CONTACT, ELEC, FEMALE, SIZE 14 AWG	81312	910879-05 100-1014S55	2
7-56	TB2	5	TERMINAL BLOCK ASSEMBLY	90536	7073170-00	1
7		5	SCREW, MACH, FLAT HD 6-32UNC-2A, 0.250 L (AP)		910503-02 COML	2
			STANDOFF, WIRE COVER (AP)	90536	7073172-00	2
7		6	TERMINAL BLOCK, 8 CONTACT LOCATIONS 10 AMP	14283	7902891-10 MTB20A4	3
			FRAME ASSEMBLY, TERMINAL BOARD SINGLE ROW, 20 AWG CONTACTS	14283	7902896-01 MEB6A1-20	1
			FRAME ASSEMBLY, TERMINAL BOARD 3 BLOCKS, 20 AWG CONTACTS	14283	7902896-04 MSR6A3-20	1
			CONTACT, ELECTRICAL, MALE CRIMP TYPE, SIZE 20	81349	7902892-02 M39029/01-20	30
7-57		5	BAR, CARD GUIDE, BOTTOM	90536	7073115-00	2
7		5	SCREW, MACH, FLAT HD 6-32UNC-2A, 0.312 L (AP)		910503-03 COML	12
			SPACER, SHOULDERED (AP)	90536	7073127-00	2
7-58		5	CONNECTOR, RCPT, ELEC, FEMALE 7224 CONTACT LOCATIONS	90536	7071527-01	1
7		5	SCREW, MACH, PAN HD, 6-32UNC-2A 0.3125 (AP)	96906	4912531-01 MS51957-27	6
			SCREW, MACH, FLAT HD 6-32UNC-2A, 0.25 L (AP)		910503-02 COML	3
			STANDOFF, WIRE COVER (AP)	90536	7073172-01	3
			WASHER, LOCK, INTERNAL TOOTH		4912552-01	6

## PARTS LIST

## GROUP ASSEMBLY PARTS LIST

FIG & REF INDEX NO	DESIG	I N D	DESCRIPTION	MFR CODE	UNIVAC PART NO MFR PART NO	QTY PER ASSY	USED ON
6-7			CORE MEMORY UNIT (RFI) MU-558		CONTINUED		
			PH BRONZE, NO 6 (AP)		COML		
			NUT, SELF-LOCKING, HEX 6-32NC-3B (AP)	72962	907627-01 L79NM107-62	6	
7		5	CONTACT, ELEC, FEMALE, 2 WIRE WRAP, WHITE INSUL	90536	7901698-06 7050014-01- 7050015W	2733	
			CONTACT, ELEC, FEMALE, 2 WIRE WRAP, BLACK INSUL	90536	7901698-07 7050014-01- 7050015B	2830	
			CONTACT, ELEC, FEMALE, 3 WIRE WRAP, RED INSUL	90536	7901698-13 7050014-01- 7050015R	1120	
			CONTACT, GROUND, ELECTRICAL FEMALE, 3 WIRE WRAP	91886	7902611-01 21-20312-134- 28-20003-309	541	
7-59		5	BUSHING, LOCATING PIN	90536	7073124-00	1	
7-60		5	BUSHING, LOCATING PIN	90536	7073124-01	1	
7-61		5	INSULATOR, PLATE	90536	7071112-03	2	
7-62		5	INSULATOR, PLATE	90536	7071112-02	2	
7-63		5	INSULATOR, PLATE	90536	7071112-01	2	
7-64		5	SHIELD, WIRE	90536	7073166-00	1	
7-65		5	SHIELD, WIRE GUARD	90536	7073167-00	1	
7		5	SCREW, MACH, PAN HD, 4-40UNC-2A 0.3125 L (AP FOR IDX 64 AND 65)	96906	908552-04 MS51957-14	2	
			NUT, SELF-LOCKING, HEX, CAD 4-40UNC-3B (AP FOR IDX 64 & 65)	72962	903790-03 F92-1660-40	2	
			SCREW, MACH, FLAT HD, 4-40UNC-2A 0.25 L (AP FOR IDX 64 AND 65)		910503-50 COML	2	
			NUT, SELF-LOCKING, CAP 4-40UNC-3B (AP FOR IDX 64 & 65)	72962	906710-01 L79NKTM-40	2	



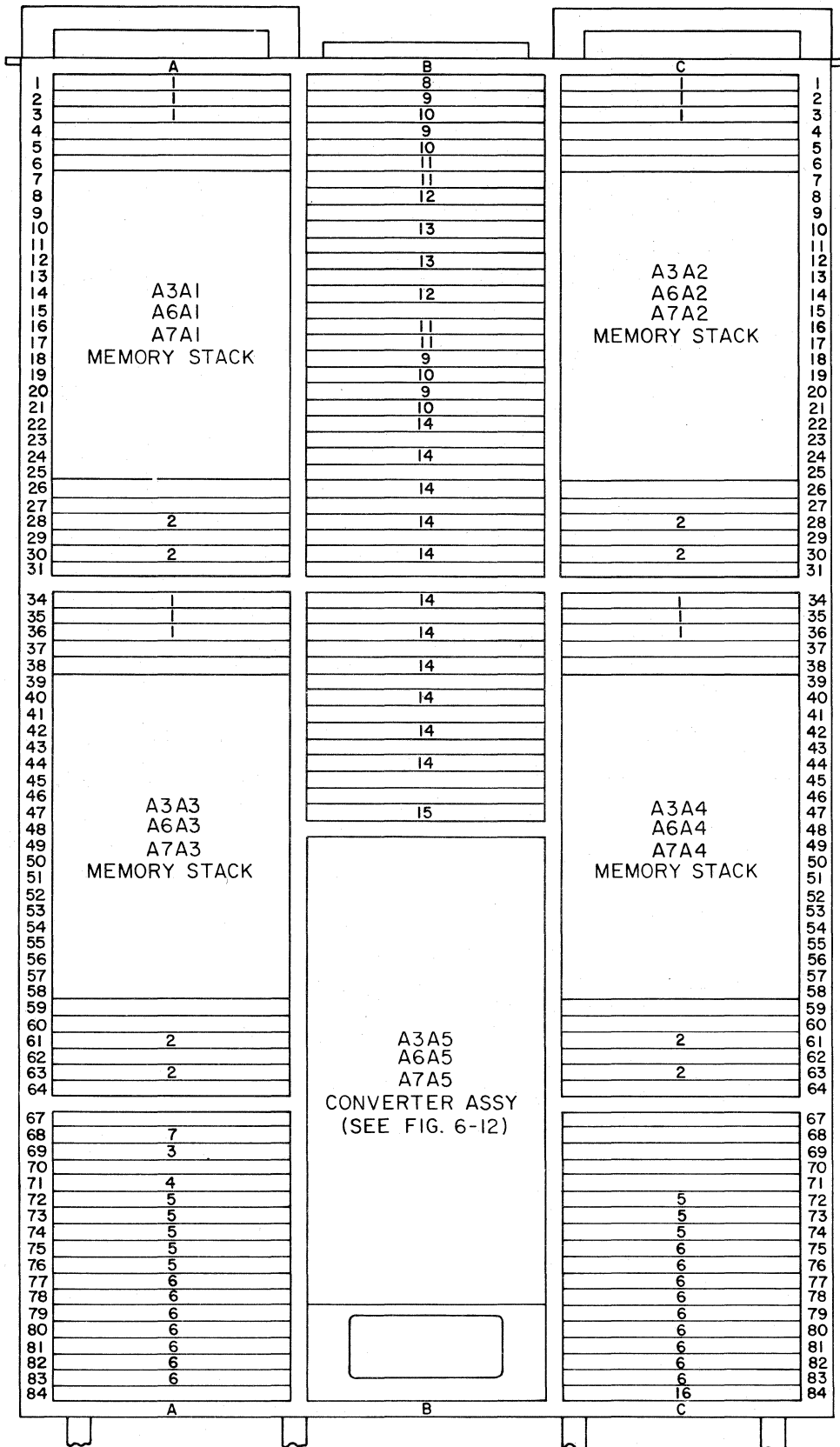


FIGURE 6-8. CORE MEMORY UNIT MODULE LOCATION CHART A3, A6, A7

## PARTS LIST

## GROUP ASSEMBLY PARTS LIST

FIG & INDEX NO	REF DESIG	I N D	DESCRIPTION	MFR CODE	UNIVAC PART NO MFR PART NO	QTY PER ASSY	USED ON
6-8	A3, A6 A7	3	CORE MEMORY UNIT, MODULE LOCATION CHART (FOR NHA SEE FIG 6-7)	90536	7073214-01	REF	
8-1	A1A A2A A3A A34A A35A A36A A1C A2C A3C A34C A35C A36C	4	CIRCUIT CARD ASSEMBLY, SENSE AMPLIFIER	90536	7111436-00	12	
8-2	A28A A30A A61A A63A A28C A30C A61C A63C	4	CIRCUIT CARD ASSEMBLY, INHIBIT STACK SELECTOR	90536	7111620-00	8	
8-3	A69A	4	CIRCUIT CARD ASSEMBLY, MEMORY TIMING	90536	7112995-00	1	
8-4	A71A	4	CIRCUIT CARD ASSEMBLY PRIORITY EVALUATION	90536	7111470-00	1	
8-5	A72A THRU A76A A72C A73C A74C	4	CIRCUIT CARD ASSEMBLY INTERFACE CONTROL	90536	7111465-00	8	
8-6	A77A THRU A83A A75C THRU A83C	4	CIRCUIT CARD ASSEMBLY, Z & S REGISTERS	90536	7111460-00	16	
8-7	A68A	4	CIRCUIT CARD ASSEMBLY, RESISTER NETWORK	90536	7111665-00	1	
8-8	A1B	4	CIRCUIT CARD ASSEMBLY THERMOSTAT, FRONT	90536	7111490-02	1	
8		4	CIRCUIT CARD ASSEMBLY, DRIVE TRANSFORMER & PRIMARY SELECTOR	90536	7111420-00	4	

GROUP ASSEMBLY PARTS LIST

PARTS LIST

FIG & INDEX NO	REF DESIG	I N D	DESCRIPTION	MFR CODE	UNIVAC PART NO MFR PART NO	QTY PER ASSY	USED ON
6- 8			CORE MEMORY UNIT, MODULE		CONTINUED		
8-9	A2B A4B A18B A20B	5	CIRCUIT CARD ASSEMBLY DRIVE TRANSFORMER & PRIMARY SELECTOR	90536	7111410-00	4	
8-10	A3B A5B A19B A21B	5	CIRCUIT CARD ASSEMBLY, DRIVE TRANSFORMER & PRIMARY SELECTOR	90536	7111415-00	4	
8-11	A6B A7B A16B A17B	4	CIRCUIT CARD ASSEMBLY READ/WRITE SEC SELECTOR	90536	7111405-00	4	
8-12	A8B A14B	4	CIRCUIT CARD ASSEMBLY, X-Y READ/ WRITE CURRENT REGULATOR	90536	7111440-00	2	
8-13	A10B A12B	4	CIRCUIT CARD ASSEMBLY, READ/ WRITE DIODE SELECTOR	90536	7111400-00	2	
8-14	A22B A24B A26B A28B A30B A34B A36B A38B A40B A42B A44B	4	CIRCUIT CARD ASSEMBLY, INHIBIT CURRENT REGULATOR	90536	7111615-00	11	
8-15	A47B	4	CIRCUIT CARD ASSEMBLY VOLTAGE SENSOR	90536	7111700-02	1	
8-16	A84C	4	CIRCUIT CARD ASSEMBLY THERMOSTAT, REAR	90536	7111485-02	1	

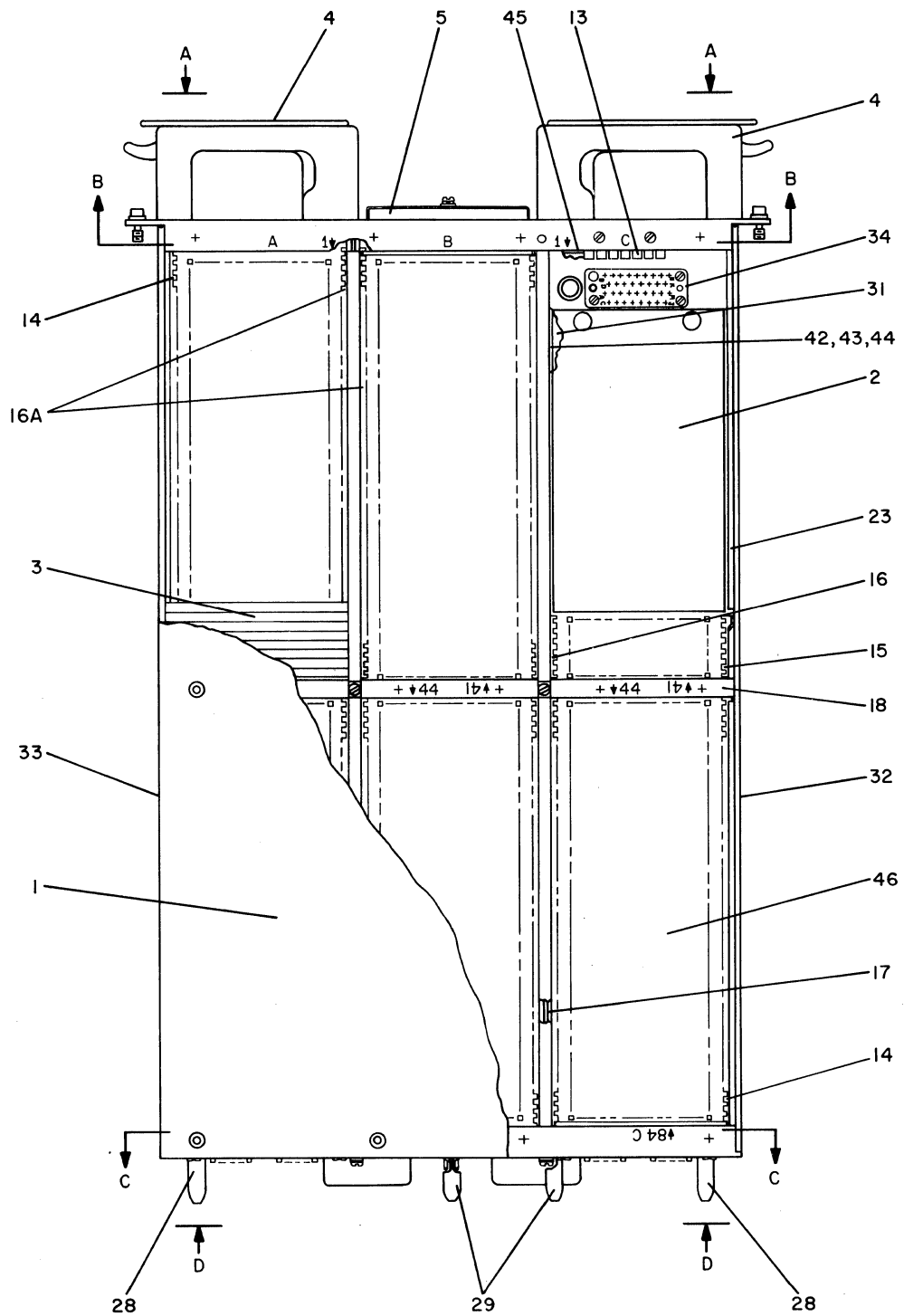


FIGURE 6-9. CENTRAL PROCESSOR UNIT A4 (SHEET 1 OF 2)

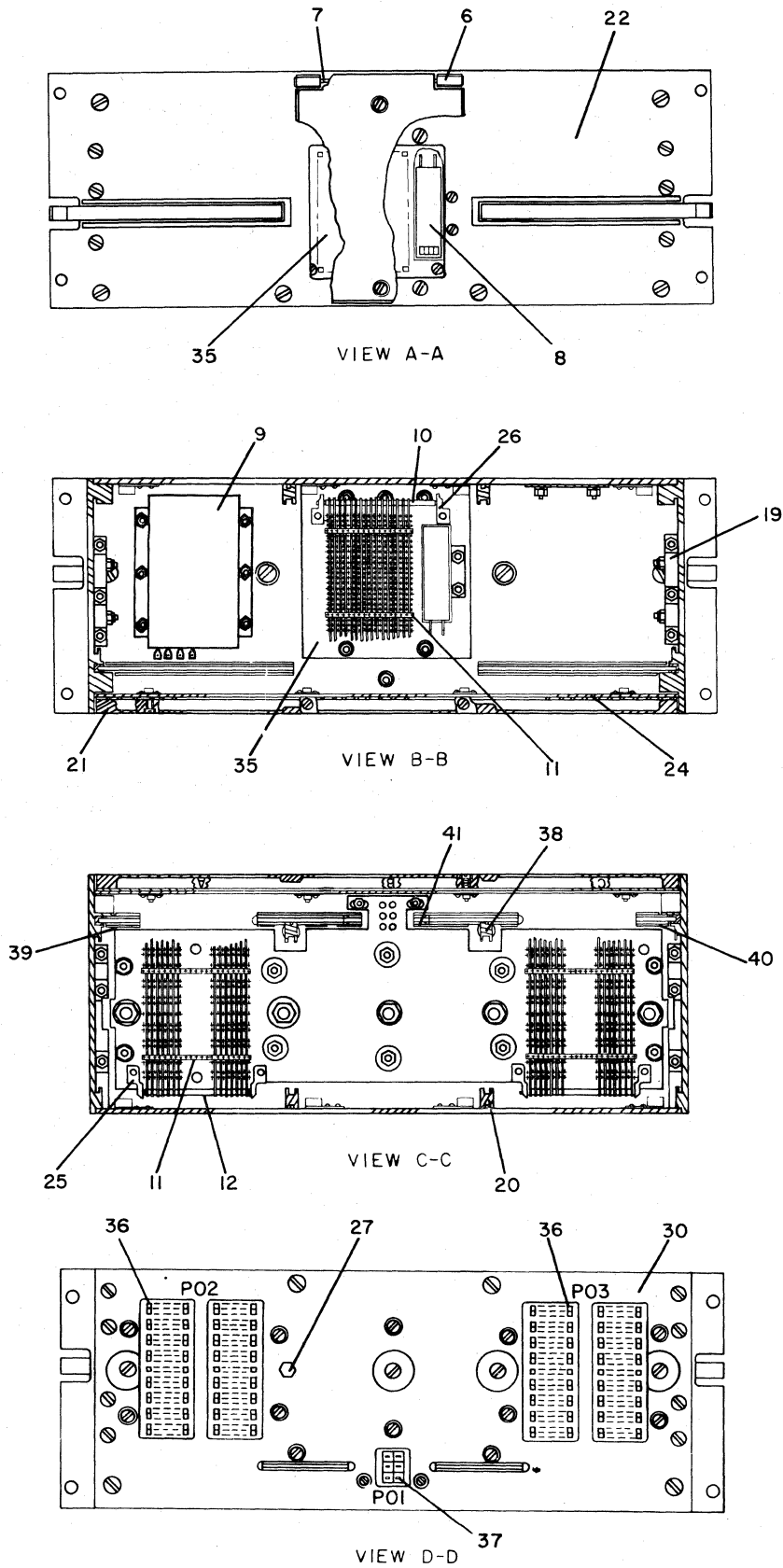


FIGURE 6-9. CENTRAL PROCESSOR UNIT A4 (SHEET 2 OF 2)

## PARTS LIST

## GROUP ASSEMBLY PARTS LIST

FIG & INDEX NO	REF DESIG	I N D	DESCRIPTION	MFR CODE	UNIVAC PART NO MFR PART NO	QTY PER ASSY	USED ON
6-9	A4	2	CENTRAL PROCESSOR CP-1036(P) (RF1) (FOR NHA SEE FIG 6-1)	90536	7073540-02	REF	
9		3	SCREW, CAP, SOCKET HD, SPECIAL 1/4-28UNF-3A (AP) WASHER, FLAT, NO 1/4 (AP)	81349	7903148-00 COML 902991-07 AN960-C416	4 4	
9-1		3	HEAT SINK, PLATE TYPE, MODIFIED	90536	7073135-00	1	
9		3	SCREW, CAP, SOCKET HD, SPECIAL 10-32UNF-2A, 1.125 L (AP) WASHER, SPECIAL, NO 10 (AP) PACKING, PREFORMED, O RING NEOPRENE, SIZE 007 (AP)	84972 90536 86579	7903044-00 7903044-00 7216328-00 905819-05 007 NEOPRENE 70 +-10 SHORE A	14 14 14	
9-2	A1	3	CONVERTER MODULE ASSEMBLY DC TO DC, TYPE D (FOR NLA SEE FIG 6-13)	90536	7217069-00	1	
9-3		3	ELECTRONIC CIRCUIT PLUG-IN MOD CARD LISTING, LOCATION CHART (FOR NLA SEE FIG 6-10)	90536	7073544-00	1	
9		3	CHASSIS ASSEMBLY, CENTRAL PROC	90536	7073541-02	1	
9-4		4	LATCH SET, RIM, CHASSIS HANDLE	71286	7901084-04 72L2-2-2AB	2	
9		4	SCREW, MACH, FLAT HD 10-32NF-2A, 0.5 L (AP) SCREW, MACH, PAN HD 10-32NF-2A, 0.5 L (AP) WASHER, FLAT, NO 10 (AP)	96906 96906 96906	4912515-02 MS51960-65 4912534-00 MS51958-63 4912548-03 MS15795-808	2 2 2	
9-5		4	COVER, TEST POINT	90536	7022564-00	1	
9		4	SCREW, SPECIAL (AP) WASHER, FLAT, NO 6 (AP) WASHER, LOCK, SPRING, NO 6 (AP)	90536 96906 96906	7065718-01 4912548-01 MS15795-805 4912550-01 MS35338-136	2 2 2	
9-6		4	PIVOT, HINGE	90536	7065809-00	2	
9-7		4	PIN, HINGE	90536	7065808-00	1	
9-8	M1	4	METER, TIME TOTALIZING - 0-999.9 HRS, 27 TO 33 VDC	82227	7901844-01 A19757	1	
9		4	SCREW, MACH, FLAT HD 4-40UNC-2A, 5/16 L (AP) NUT, SELF-LOCKING, HEX 4-40UNC-3B (AP)	96906 72962	4912511-01 MS51959-14 906056-03 79LH1660-40	2 2	

GROUP ASSEMBLY PARTS LIST

PARTS LIST

FIG & INDEX NO	REF DESIG	I N D	DESCRIPTION	MFR CODE	UNIVAC PART NO MFR PART NO	QTY USED PER ON ASSY
6- 9			CENTRAL PROCESSOR CP-1036(P)		CONTINUED	
9-9	Y1	4	OSCILLATOR, MOD, TUNING FORK RES, TRANS OSC, 1024 HZ	90536	7119090-00	1
9		4	SPACER (U/W IDX 9)	90536	7119091-00	1
			SPACER (U/W IDX 9)	90536	7119091-01	1
			SCREW, MACH, PAN HD, 2-56UNC-2A 0.25 L (AP)	96906	7903132-02	1
			SCREW, CROSS REC, SPECIAL (AP)	90536	MS51957-3	5
			WASHER, SHOULDER, PLASTIC (AP)		7071634-10	5
			WASHER, FLAT, NO 2 (AP)	06540	7902833-05	5
			WASHER, LOCK, INT TOOTH BRONZE, NO 4 (AP)	96906	2676-15746-T093	5
			WASHER, LOCK, SPRING, NO 2 (AP)		4912548-09	1
			NUT, PLAIN, HEX, 2-56UNC-2B (AP)	96906	MS15795-802	3
					4912552-00	6
				96906	COML	
					4912550-09	
				96906	MS35338-134	
				96906	4912540-04	
				96906	MS35649-224	
9-10		4	PIN, SUPPORT	90536	7022581-01	1
9-11		4	STRIP, TIE DOWN	90536	7957088-00	AR
9-12		4	PIN, SUPPORT	90536	7022581-02	2
9-13		4	SPRING, GROUNDING, POWER	90536	7073148-00	1
9		4	SCREW, MACH, FLAT HD 2-56UNC-2A, 0.31 L (AP)	96906	906009-03	2
			WASHER, LOCK, SPRING, NO 2 (AP)	96906	MS51959-4	2
			NUT, PLAIN, HEX, 2-56UNC-2B (AP)	96906	4912550-09	2
				96906	MS35338-134	2
				96906	4912540-04	2
				96906	MS35649-224	
9-14		4	CARD GUIDE, ACCOMMODATE 41 CARDS		7901739-06	3
				PRINC	247-06	
9-15		4	CARD GUIDE, MODIFIED	90536	7073151-00	1
9-16		4	CARD GUIDE, MODIFIED	90536	7216364-01	1
9-16A		4	CARD GUIDE, MODIFIED	90536	7216361-01	7
9		4	SUPPORT, CARD GUIDE BAR (U/W IDX 16A)	90536	7216360-01	4
9-17		4	BAR, CARD GUIDE, TOP	90536	7216362-00	2
9		4	SETSCREW, HEX SKT HD, CUP POINT 4-40UNC-2A, 0.188 L (AP)	96906	4912535-01	12
				96906	MS51021-10	
9-18		4	SUPPORT, CENTER	90536	7073133-01	1
9		4	SCREW, MACH, PAN HD 4-40UNC-2A, 7/16 L (AP)	96906	908552-06	2
				96906	MS51957-16	

## PARTS LIST

## GROUP ASSEMBLY PARTS LIST

FIG & INDEX NO	REF DESIG	I N D	DESCRIPTION	MFR CODE	UNIVAC PART NO MFR PART NO	QTY PER ASSY	USEL ON
6-9			CENTRAL PROCESSOR CP-1036(P)		CONTINUED		
			SCREW, MACH, FLAT HD, 8-32UNC-2A 0.625 L (AP)	96906	4912513-03 MS51959-46	4	
			WASHER, FLAT, NO 8 (AP)	96906	4912548-02 MS15795-807	4	
			WASHER, FLAT, NO 4 (AP)	96906	4912548-00 MS15795-803	4	
			NUT, SELF-LOCKING, HEX 4-40UNC-3B (AP)	72962	906056-03 79LM1660-40	6	
			NUT, SELF-LOCKING, HEX 8-32UNC-3B (AP)	72962	907627-02 L79NM408-82	4	
			SPACER, INSULATING (AP)	90536	7022572-02	12	
9-19		4	STIFFENER	90536	7022569-01	2	
9		4	SCREW, MACH, FLAT HD 6-32UNC-2A, 5/8 L (AP)	96906	4912512-04 MS51959-31	4	
			NUT, SELF-LOCKING, HEX 6-32NC-3B (AP)	72962	907627-01 L79NM107-62	4	
9-20		4	SPACER, SHOULDERED	90536	7073127-00	2	
9-21		4	COVER, CHASSIS, BOTTOM	90536	7073116-01	1	
9		4	SHIELDING GASKET, ELEC, ALUMINUM (U/W IDX 21)	90536	7956504-47	AK	
			SCREW, MACH, PAN HD 4-40UNC-2A, 0.438 L (AP)		4912523-05 COML	20	
			SCREW, MACH, FLAT HD 4-40UNC-2A, 3/8 L (AP)	96906	4912511-02 MS51959-15	2	
9-22		4	PANEL, FRONT, CHASSIS	90536	7073132-01	1	
9		4	SCREW, CROSS RECESSED, SPCL (AP)	90536	7071634-04	2	
			SCREW, CROSS RECESSED, SPCL (AP)	90536	7071634-03	4	
			SCREW, CROSS RECESSED, SPCL (AP)	90536	7071634-02	6	
			WASHER, LOCK, SPRING, NO 6 (AP)	96906	4912550-01 MS35338-136	6	
			NUT, SPECIAL, NO 6 (AP)	90536	7073325-00	6	
9-23		4	HEAT SINK, SIDE, CHASSIS	90536	7073134-00	1	
9		4	SCREW, MACH, FLAT HD 6-32UNC-2A, 1/4 L (AP)	96906	903160-03 MS35249-33	6	
			SCREW, MACH, FLAT HD 6-32UNC-2A, 5/8 L (AP)	96906	4912512-04 MS51959-31	2	
			NUT, SELF-LOCKING, HEX 6-32NC-3B (AP)	72962	907627-01 L79NM107-62	2	
9-24		4	COVER, WIRE	90536	7073173-01	1	
9		4	SCREW, MACH, PAN HD 4-40UNC-2A, 0.25 L (AP)	96906	908552-03 MS51957-13	5	
			WASHER, FLAT, NO 4 (AP)	96906	4912548-00 MS15795-803	5	



GROUP ASSEMBLY PARTS LIST

PARTS LIST

FIG & INDEX NO	REF DESIG	I N D	DESCRIPTION	MFR CODE	UNIVAC PART NO MFR PART NO	QTY USED PER ON ASSY
6- 9			CENTRAL PROCESSOR CP-1036(P)		CONTINUED	
9-25		4	BRACKET, PIN	90536	7073118-00	4
9-26		4	BRACKET, PIN, FRONT	90536	7073150-00	2
9		4	SCREW, MACH, FLAT HD, 4-40UNC-2A 3/8 L (AP FOR IDX 25 AND 26)	96906	4912511-02 MS51959-15	6
9-27		4	SCREW, MODIFIED, 1/4-28UNF	90536	7073327-00	1
9		4	WASHER, FLAT, NO 1/4 (AP)	96906	4912548-04 MS15795-810	1
			NUT, SELF-LOCKING, HEX 1/4-28UNF-3B (AP)	72962	905078-02 L79NTE-048	1
9-28		4	PIN, GUIDE	90536	7073232-03	2
9-29		4	PIN, GUIDE	90536	7073232-02	2
9		4	NUT, SELF-LOCKING, HEX, 1/4-28 UNF-3B (AP FOR IDX 28 AND 29)	72962	905078-02 L79NTE-048	4
			WASHER, FLAT, NO 1/4 (AP FOR IDX 28 AND 29)	81349	902991-07 AN960-C416	4
9-30		4	PANEL, REAR	90536	7071525-01	1
9		4	SCREW, MACH, FLAT HD 8-32UNC-2A, 3/8 L (AP)	96906	4912513-00 MS51959-43	2
			SCREW, MACH, FLAT HD 6-32UNC-2A, 7/16 L (AP)	96906	4912512-02 MS51959-29	2
			SCREW, MACH, FLAT HD 8-32UNC-2A, 3/4 L (AP)	96906	4912513-04 MS51959-47	2
			SCREW, MACH, FLAT HD 6-32UNC-2A, 1/2 L (AP)	96906	4912512-03 MS51959-30	6
			SCREW, MACH, PAN HD 6-32UNC-2A, 7/16 L (AP)	96906	4912531-03 MS51957-29	12
			WASHER, FLAT, NO 6 (AP)	96906	4912548-01 MS15795-805	12
			WASHER, INSULATOR (AP)	90536	7012817-06	2
			WASHER, LOCK, SPRING, NO 6 (AP)	96906	4912550-01 MS35338-136	6
			NUT, SPECIAL, NO 6 (AP)	90536	7073325-00	6
9-31		4	INSULATOR, POWER CONVERTER	90536	7073210-00	1
9-32		4	PLATE, SIDE, CHASSIS	90536	7073138-00	1
9-33		4	PLATE, SIDE, CHASSIS	90536	7073139-00	1
9		4	CONNECTOR PLATE ASSY, CP	90536	7073542-01	1
9-34	J85	5	INSULATOR, ELEC, FEMALE, 34 CONTACT LOCATIONS	81312	4913630-01 MRAC34SNSS	1
9		5	SCREW, MACH, FIL HD 4-40NC-2A, 0.438 L (AP)		905690-05 COML	4

## PARTS LIST

## GROUP ASSEMBLY PARTS LIST

FIG & INDEX NO	REF DESIG N	I N D	DESCRIPTION	MFR CODE	UNIVAC PART NO MFR PART NO	QTY PER ASSY	USED ON
6-9			CENTRAL PROCESSOR CP-1036(P)		CONTINUED		
			WASHER, FLAT, SHAFT SPACER 0.125 ID, 0.187 OD (AP)	00141	910229-01 B4-1	AK	
			WASHER, FLAT, SHAFT SPACER 0.125 ID, 0.187 OD (AP)	00141	910229-04 B4-4	AK	
			WASHER, FLAT, SHAFT SPACER 0.125 ID, 0.187 OD (AP)	00141	910229-07 B4-7	12	
			NUT, SELF-LOCKING, HEX 4-4UNC-3B (AP)	72962	906056-03 79LH1660-40	6	
9		6	CONTACT, ELEC, FEMALE, SIZE 24 AWG	81312	910879-00 100-1024555	6	
			CONTACT, ELEC, FEMALE, SIZE 20 AWG	81312	910879-02 100-1020555	1	
			CONTACT, ELEC, FEMALE, SIZE 18 AWG	81312	910879-03 100-1018555	26	
9-35	TB1	5	TEST POINT ASSEMBLY, 391 REPLACEABLE CONTACTS	91886	7901842-00 5593375	1	
9		5	SCREW, MACH, FIL HD, 4-40UNC-2A 0.438 L (AP)		905690-05 COML	4	
9		6	CONTACT, ELEC, FEMALE, 2 WIRE WRAP, WHITE INSUL	90536	7901698-08 7050014-02- 7050015W	184	
			CONTACT, ELEC, FEMALE, 2 WIRE WRAP, BLACK INSUL	90536	7901698-09 7050014-02- 7050015B	99	
			CONTACT, ELEC, FEMALE, 2 WIRE WRAP, BLUE INSUL	90536	7901698-10 7050014-02- 7050015BL	106	
			CONTACT, ELEC, MALE, 2 WIRE WRAP, BLUE INSUL	91886	7902474-10 21-15022-105- 22-10000-516	2	
9		5	CONNECTOR, RCPT, ELEC	90536	7071526-00	1	
9-36	P02 P03	6	CONTACT, ELEC, FEMALE, 2 WIRE WRAP, WHITE INSUL	90536	7901698-08 7050014-02- 7050015W	544	
9-37	P01	6	CONTACT, ELEC, MALE, SNAP-IN WIRE WRAP, WHITE BUSHING	91886	7900851-01 11-15001-105- 12-10000-000	6	
9-38		5	BAR, CARD GUIDE, BOTTOM	90536	7216363-00	2	
9		5	SCREW, MACH, FLAT HD 6-32UNC-2A, 0.312 L (AP)		910503-03 COML	12	
9-39		5	INSULATOR, PLATE	90536	7071112-02	2	
9-40		5	INSULATOR, PLATE	90536	7071112-01	2	
9-41		5	INSULATOR, PLATE	90536	7071112-03	2	

GROUP ASSEMBLY PARTS LIST

PARTS LIST

FIG & INDEX NO	REF DESIG	I N D	DESCRIPTION	MFR CODE	UNIVAC PART NO MFR PART NO	QTY PER ASSY	USED ON
6- 9			CENTRAL PROCESSOR CP-1036(P)		CONTINUED		
9-42	W1	5	BUS BAR, +15 VOLT	90536	7073169-00	1	
9-43		5	INSULATOR, BUS BAR	90536	7065812-02	1	
9-44		5	INSULATOR, BUS BAR	90536	7065812-06	5	
9-45	W2	5	BUS BAR, GROUNDING	90536	7073156-00	1	
9		5	SCREW, MACH, PAN HD 6-32UNC-2A, 5/16 L (AP)	96906	4912531-01 MS51957-27	6	
			WASHER, LOCK, INT TOOTH NO 6 (AP)		4912552-01 COML	6	
			NUT, SELF-LOCKING, HEX 6-32NC-3B (AP)	72962	907627-01 L79NM107-62	6	
9-46		5	CONNECTOR, RCPT, ELEC, FEMALE 11816 CONTACT LOCATIONS	90536	7071556-01	1	
9		6	CONTACT, ELEC, FEMALE, 3 WIRE WRAP, WHITE INSUL	90536	7901698-06 7050014-01- 7050015W	5512	
			CONTACT, ELEC, FEMALE, 3 WIRE WRAP, BLACK INSUL	90536	7901698-07 7050014-01- 7050015B	5460	
			CONTACT, ELEC, FEMALE, 3 WIRE WRAP, GROUND BUSHING	91886	7902611-01 21-20312-134- 28-20003-309	844	

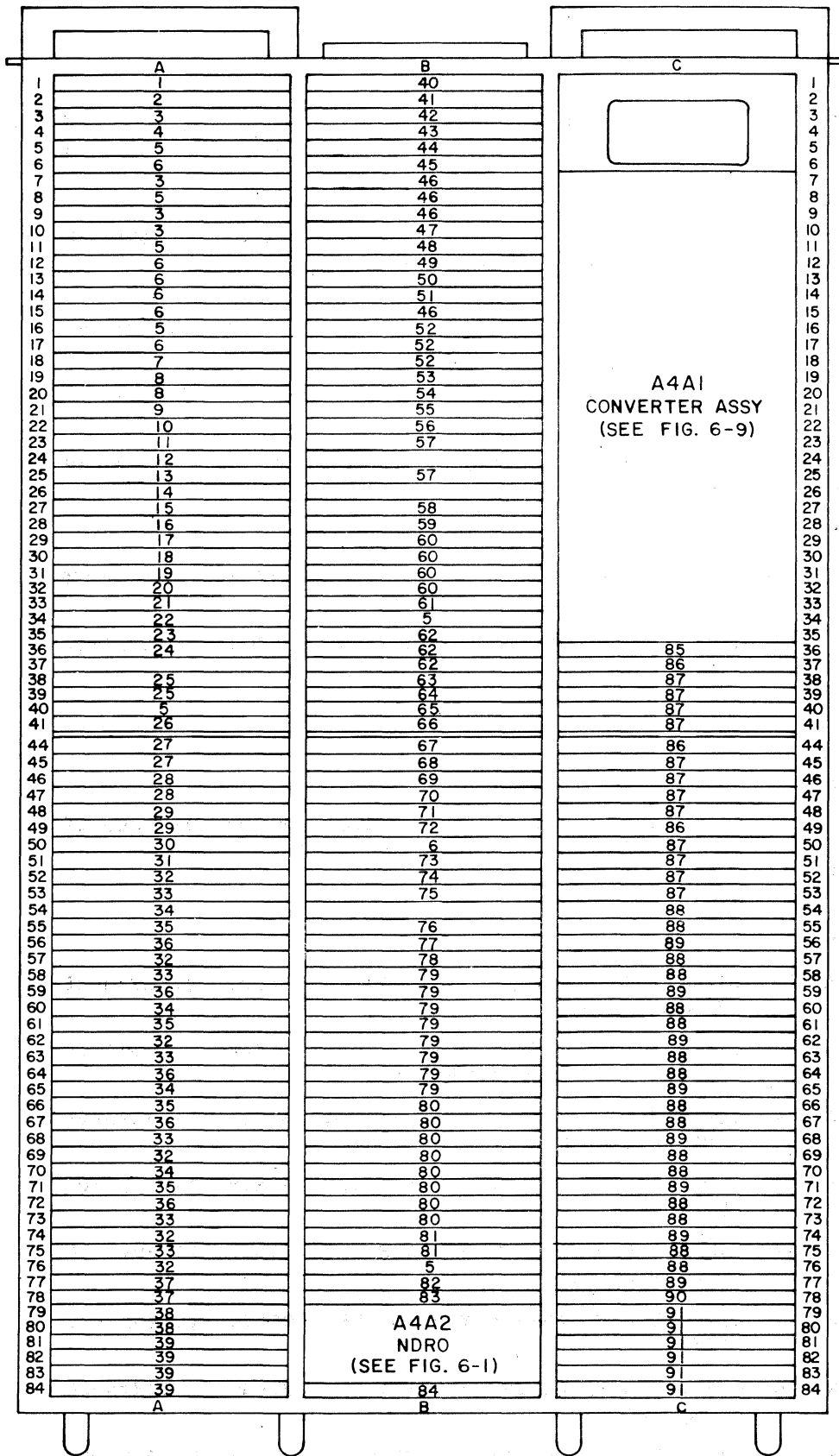


FIGURE 6-10. CENTRAL PROCESSOR UNIT MODULE LOCATION CHART A4

GROUP ASSEMBLY PARTS LIST

PARTS LIST

FIG & INDEX NO	REF DESIG	I N D	DESCRIPTION	MFR CODE	UNIVAC PART NO MFR PART NO	QTY USED PER ON ASSY
6-10	A4	3	CENTRAL PROCESSOR UNIT - ELEC CIRCUIT PLUG-IN MOD LOCATION CHART (FOR NHA SEE FIG 6-9)	90536	7073544-00	REF
10-1	A1A	4	CIRCUIT CARD ASSEMBLY - U TRANSLATION I	90536	7112891-00	1
10-2	A2A	4	CIRCUIT CARD ASSEMBLY - U TRANSLATION II	90536	7112895-00	1
10-3	A3A A7A A9A A10A	4	CIRCUIT CARD ASSEMBLY - GENERATOR 2 INPUT	90536	7112335-00	4
10-4	A4A	4	CIRCUIT CARD ASSEMBLY - F TRANSLATION VI	90536	7111970-00	1
10-5	A5A A8A A11A A16A A40A A34B A76B	4	CIRCUIT CARD ASSEMBLY - CONTROL TYPE 3	90536	7111750-00	7
10-6	A6A A12A THRU A15A A17A A50B	4	CIRCUIT CARD ASSEMBLY - SINGLE INVERTERS	90536	7112290-00	7
10-7	A18A	4	CIRCUIT CARD ASSEMBLY - MISC TRANSLATION I	90536	7112970-00	1
10-8	A19A A20A	4	CIRCUIT CARD ASSEMBLY - SEQUENCER & ROM ADDRESS SEL	90536	7112850-00	2
10-9	A21A	4	CIRCUIT CARD ASSEMBLY - TIMEOUT MON CLK, ROM CONTROL	90536	7112880-00	1
10-10	A22A	4	CIRCUIT CARD ASSEMBLY - BP MLO ERRORS	90536	7112910-00	1
10-11	A23A	4	CIRCUIT CARD ASSEMBLY - CLR STATUS & REI	90536	7112917-00	1
10-12	A24A	4	CIRCUIT CARD ASSEMBLY - INT REQ & STATE REG	90536	7112927-00	1
10-13	A25A	4	CIRCUIT CARD ASSEMBLY - INT CONTROL IV	90536	7112298-00	1
10-14	A26A	4	CIRCUIT CARD ASSEMBLY - MCLR & ROM START	90536	7112931-00	1

## PARTS LIST

## GROUP ASSEMBLY PARTS LIST

FIG & INDEX NO	REF DESIG	I N D	DESCRIPTION	MFR CODE	UNIVAC PART NO MFR PART NO	QTY PER ASSY	USED ON
6-10			CENTRAL PROCESSOR UNIT - ELEC		CONTINUED		
10-15	A27A	4	CIRCUIT CARD ASSEMBLY - MEMORY ENABLE	90536	7112941-00	1	
10-16	A28A	4	CIRCUIT CARD ASSEMBLY - MISC REG COMMANDS I	90536	7112965-00	1	
10-17	A29A	4	CIRCUIT CARD ASSEMBLY - ARITH- CONTROL COMMANDS	90536	7112950-00	1	
10-18	A30A	4	CIRCUIT CARD ASSEMBLY - ARITH CM COMMANDS	90536	7112935-00	1	
10-19	A31A	4	CIRCUIT CARD ASSEMBLY - U/L CONS & U REG CONTROL	90536	7113526-00	1	
10-20	A32A	4	CIRCUIT CARD ASSEMBLY - RPT, REG CONTROL II, & RA REG	90536	7112887-00	1	
10-21	A33A	4	CIRCUIT CARD ASSEMBLY - I & IA REQ EN, SEQ HOLD	90536	7112907-00	1	
10-22	A34A	4	CIRCUIT CARD ASSEMBLY - SA, E & L HOLD, OP REQ EN	90536	7112900-00	1	
10-23	A35A	4	CIRCUIT CARD ASSEMBLY - EXT, INT C REG CONTROL I	90536	7112876-00	1	
10-24	A36A	4	CIRCUIT CARD ASSEMBLY - DELAY LINE CLOCK	90536	7071867-00	1	
10-25	A38A A39A	4	CIRCUIT CARD ASSEMBLY - IOC INT & INT SUB SEQ	90536	7112112-00	2	
10-26	A41A	4	CIRCUIT CARD ASSEMBLY - U, P&S ADDER CONTROL I	90536	7112865-00	1	
10-27	A44A A45A	4	CIRCUIT CARD ASSEMBLY - MAIN TIMING CONS SEL	90536	7112050-00	2	
10-28	A46A A47A	4	CIRCUIT CARD ASSEMBLY - CM SELECT	90536	7112845-00	2	
10-29	A48A A49A	4	CIRCUIT CARD ASSEMBLY - S, G & MISC CM SEL AND G CM	90536	7112855-00	2	
10-30	A50A	4	CIRCUIT CARD ASSEMBLY - B SEL & BS CM	90536	7112870-00	1	
10-31	A51A	4	CIRCUIT CARD ASSEMBLY - 1 BIT Y&B ADDER PS, RS, HS REGISTERS	90536	7112860-00	1	
10-32	A52A A57A	4	CIRCUIT CARD ASSEMBLY- BP, Y, P* ST REG MISC CM	90536	7112825-00	6	

GROUP ASSEMBLY PARTS LIST

PARTS LIST

FIG & INDEX NO	REF DESIG	I N D	DESCRIPTION	MFR CODE	UNIVAC PART NO MFR PART NO	QTY USED PER ON ASSY
6-10			CENTRAL PROCESSOR UNIT - ELEC		CONTINUED	
	A62A A69A A74A A76A					
10-33	A53A A58A A63A A68A A73A A75A	4	CIRCUIT CARD ASSEMBLY - S CM & BASE ADDER	90536	7112835-00	6
10-34	A54A A60A A65A A70A	4	CIRCUIT CARD ASSEMBLY - G CM MLO CHECK H REG	90536	7112830-00	4
10-35	A55A A61A A66A A71A	4	CIRCUIT CARD ASSEMBLY - P REG BCM 1/2 C-CM P&R COMP R REGISTER	90536	7112820-00	4
10-36	A56A A59A A64A A67A A72A	4	CIRCUIT CARD ASSEMBLY - B&Y ADDER, 1/2 C-M, U SEL	90536	7112840-00	5
10-37	A77A A78A	4	CIRCUIT CARD ASSEMBLY - CONSOLE CONTROL	90536	7111877-00	2
10-38	A79A A80A	4	CIRCUIT CARD ASSEMBLY - MEMORY CONTROL	90536	7111692-00	2
10-39	A81A THRU A84A	4	CIRCUIT CARD ASSEMBLY - U REGISTER	90536	7111987-00	4
10-40	A1B	4	CIRCUIT CARD ASSEMBLY - THERMOSTAT, FRONT	90536	7111490-02	1
10-41	A2B	4	CIRCUIT CARD ASSEMBLY - F TRANSLATOR V	90536	7111965-00	1
10-42	A3B	4	CIRCUIT CARD ASSEMBLY - F TRANSLATOR IV	90536	7111890-00	1
10-43	A4B	4	CIRCUIT CARD ASSEMBLY - F TRANSLATOR III	90536	7111886-00	1
10-44	A5B	4	CIRCUIT CARD ASSEMBLY - F TRANSLATOR II	90536	7111605-00	1
10-45	A6B	4	CIRCUIT CARD ASSEMBLY - F TRANSLATOR I	90536	7111895-00	1

FIG & INDEX NO	REF DESIG	I N D	DESCRIPTION	MFR CODE	UNIVAC PART NO MFR PART NO	QTY PER ASSY	USEI ON
6-10			CENTRAL PROCESSOR UNIT - ELEC		CONTINUED		
10-46	A7B A8B A9B A15B	4	CIRCUIT CARD ASSEMBLY - OCTAL TRANSLATOR	90536	7111610-00	4	
10-47	A10B	4	CIRCUIT CARD ASSEMBLY - F TRANSLATOR VII	90536	7112315-00	1	
10-48	A11B	4	CIRCUIT CARD ASSEMBLY - V TRANSLATOR IV	90536	7113350-00	1	
10-49	A12B	4	CIRCUIT CARD ASSEMBLY - V TRANSLATOR III	90536	7113346-00	1	
10-50	A13B	4	CIRCUIT CARD ASSEMBLY - V TRANSLATOR II	90536	7113340-00	1	
10-51	A14B	4	CIRCUIT CARD ASSEMBLY - V TRANSLATOR I	90536	7111955-00	1	
10-52	A16B A17B A18B	4	CIRCUIT CARD ASSEMBLY - CONTROL TYPE 4	90536	7111755-00	3	
10-53	A19B	4	CIRCUIT CARD ASSEMBLY - EARLY HOLD CONTROL	90536	7112962-00	1	
10-54	A20B	4	CIRCUIT CARD ASSEMBLY - SHIFT ENABLE & SCR SELECT	90536	7112320-00	1	
10-55	A21B	4	CIRCUIT CARD ASSEMBLY - V SEL K XLTR, Q REG CONTROL	90536	7112310-00	1	
10-56	A22B	4	CIRCUIT CARD ASSEMBLY - ARITH CLOCK CONTROL	90536	7112331-00	1	
10-57	A23B A25B	4	CIRCUIT CARD ASSEMBLY - DELAY LINE CLOCK	90536	7217061-00	2	
10-58	A27B	4	CIRCUIT CARD ASSEMBLY - ARITH COMMANDS I	90536	7112975-00	1	
10-59	A28B	4	CIRCUIT CARD ASSEMBLY - ARITH COMMANDS II	90536	7112980-00	1	
10-60	A29B THRU A32B	4	CIRCUIT CARD ASSEMBLY V,F PARITY	90536	7112036-00	4	
10-61	A33B	4	CIRCUIT CARD ASSEMBLY - SS, XS CONTROL	90536	7112081-00	1	



GROUP ASSEMBLY PARTS LIST

PARTS LIST

FIG & INDEX NO	REF DESIG	I N D	DESCRIPTION	MFR CODE	UNIVAC PART NO MFR PART NO	QTY USED PER ON ASSY
6-10			CENTRAL PROCESSOR UNIT - ELEC		CONTINUED	
10-62	A35B A36B A37B	4	CIRCUIT CARD ASSEMBLY - K AND K* REGISTERS	90536	7112025-00	3
10-63	A38B	4	CIRCUIT CARD ASSEMBLY - SHIFT CONTROL II	90536	7112045-00	1
10-64	A39B	4	CIRCUIT CARD ASSEMBLY - SHIFT CONTROL I	90536	7112040-00	1
10-65	A40B	4	CIRCUIT CARD ASSEMBLY - ARITH DETECTION CKTS IV	90536	7111482-00	1
10-66	A41B	4	CIRCUIT CARD ASSEMBLY - ARITH DETECTION CKTS III	90536	7111476-00	1
10-67	A44B	4	CIRCUIT CARD ASSEMBLY - ARITH DETECTION CKTS II	90536	7111451-00	1
10-68	A45B	4	CIRCUIT CARD ASSEMBLY - ARITH DETECTION CKTS #1	90536	7111446-00	1
10-69	A46B	4	CIRCUIT CARD ASSEMBLY - W AND Z CONTROL	90536	7112106-00	1
10-70	A47B	4	CIRCUIT CARD ASSEMBLY - X, MULT CONTROL	90536	7112077-00	1
10-71	A48B	4	CIRCUIT CARD ASSEMBLY - DS, QS WS, & ZS CONTROL	90536	7112096-00	1
10-72	A49B	4	CIRCUIT CARD ASSEMBLY - D, Q CONTROL	90536	7112090-00	1
10-73	A51B	4	CIRCUIT CARD ASSEMBLY - INT ATO & ACC GATES	90536	7112985-00	1
10-74	A52B	4	CIRCUIT CARD ASSEMBLY - M, QS CONTROL	90536	7112101-00	1
10-75	A53B	4	CIRCUIT CARD ASSEMBLY - DELAY LINE CLOCK	90536	7216965-00	1
10-76	A55B	4	CIRCUIT CARD ASSEMBLY - A CONTROL III	90536	7112065-00	1
10-77	A56B	4	CIRCUIT CARD ASSEMBLY - A CONTROL II	90536	7112061-00	1
10-78	A57B	4	CIRCUIT CARD ASSEMBLY - A CONTROL I	90536	7112055-00	1
10-79	A58B THRU	4	CIRCUIT CARD ASSEMBLY - SUBTRACTOR	90536	7111655-02	8

PARTS LIST

GROUP ASSEMBLY PARTS LIST

FIG & INDEX NO	REF DESIG	I N D	DESCRIPTION	MFR CODE	UNIVAC PART NO MFR PART NO	QTY PER ASSY	USED ON
6-10			CENTRAL PROCESSOR UNIT - ELEC		CONTINUED		
	A65B						
10-80	A66B THRU A73B	4	CIRCUIT CARD ASSEMBLY - ACCUMULATOR & C SELECTOR	90536	7111981-00	8	
10-81	A74B A75B	4	CIRCUIT CARD ASSEMBLY - INT CODE FORMATION	90536	7112085-00	2	
10-82	A77B	4	CIRCUIT CARD ASSEMBLY - CURRENT SWITCH	90536	7112365-00	1	
10-83	A78B	4	CIRCUIT CARD ASSEMBLY - SELECTION MATRIX	90536	7112370-00	1	
10-84	A84B	4	CIRCUIT CARD ASSEMBLY - THERMOSTAT, REAR	90536	7111485-02	1	
10-85	A36C	4	CIRCUIT CARD ASSEMBLY - VOLTAGE SENSOR	90536	7112990-01	1	
10-86	A37C A44C A49C	4	CIRCUIT CARD ASSEMBLY - SHIFT COUNT REGISTER	90536	7111675-00	3	
10-87	A38C THRU A41C A45C THRU A48C A50C THRU A53C	4	CIRCUIT CARD ASSEMBLY - SHIFT NETWORK	90536	7111635-00	12	
10-88	A54C A55C A57C A58C A60C A61C A63C A64C A66C A67C A69C A70C A72C A73C A75C A76C	4	CIRCUIT CARD ASSEMBLY - D OR Q REGISTER	90536	7112010-00	16	
10-89	A56C A59C	4	CIRCUIT CARD ASSEMBLY - X REG, X D AND Q SEL	90536	7112015-00	8	

GROUP ASSEMBLY PARTS LIST

PARTS LIST

FIG & INDEX NO	REF DESIG	I N D	DESCRIPTION	MFR CODE	UNIVAC PART NO MFR PART NO	QTY PER ASSY	USED ON
6-10			CENTRAL PROCESSOR UNIT - ELEC		CONTINUED		
	A62C						
	A65C						
	A68C						
	A71C						
	A74C						
	A77C						
10-90	A78C	4	CIRCUIT CARD ASSEMBLY - M REG WRITE BYTE II	90536	7112945-00	1	
10-91	A79C THRU A84C	4	CIRCUIT CARD ASSEMBLY - M REGISTER AND O BUS	90536	7112920-00	6	

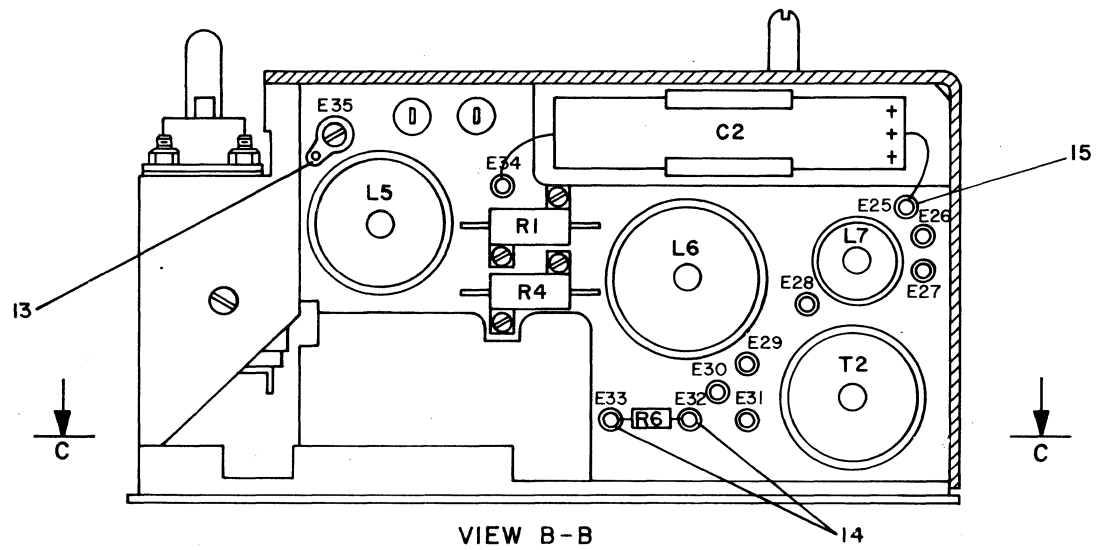
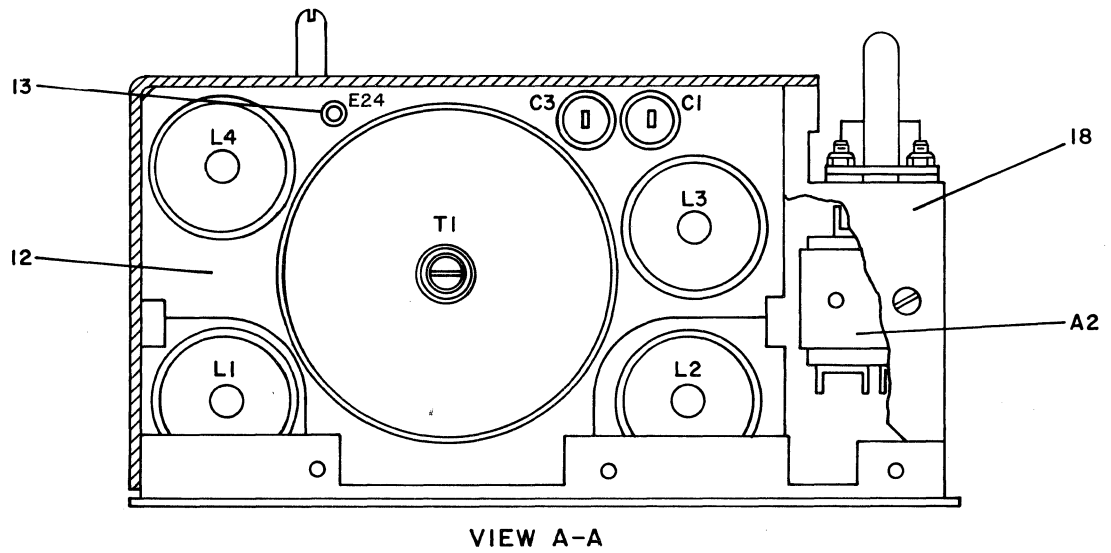
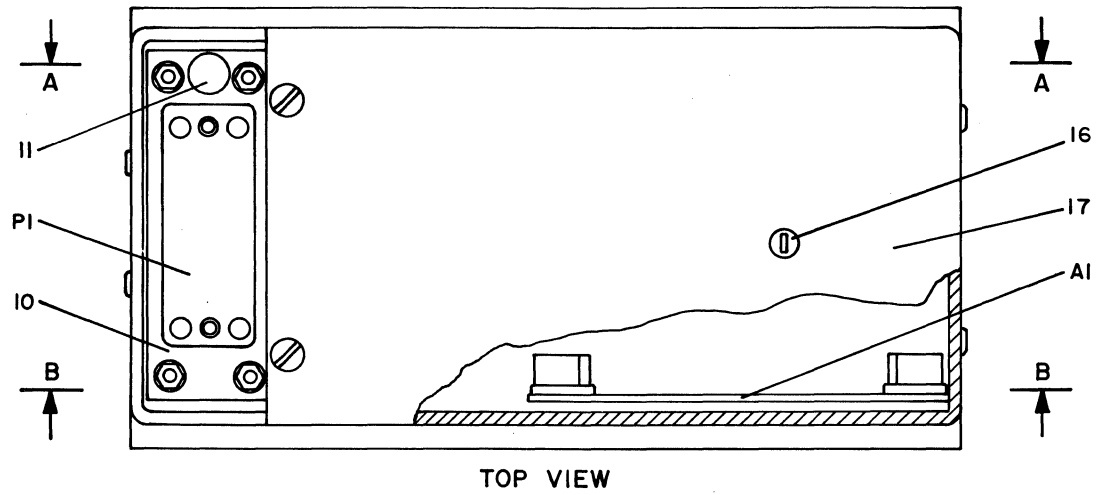
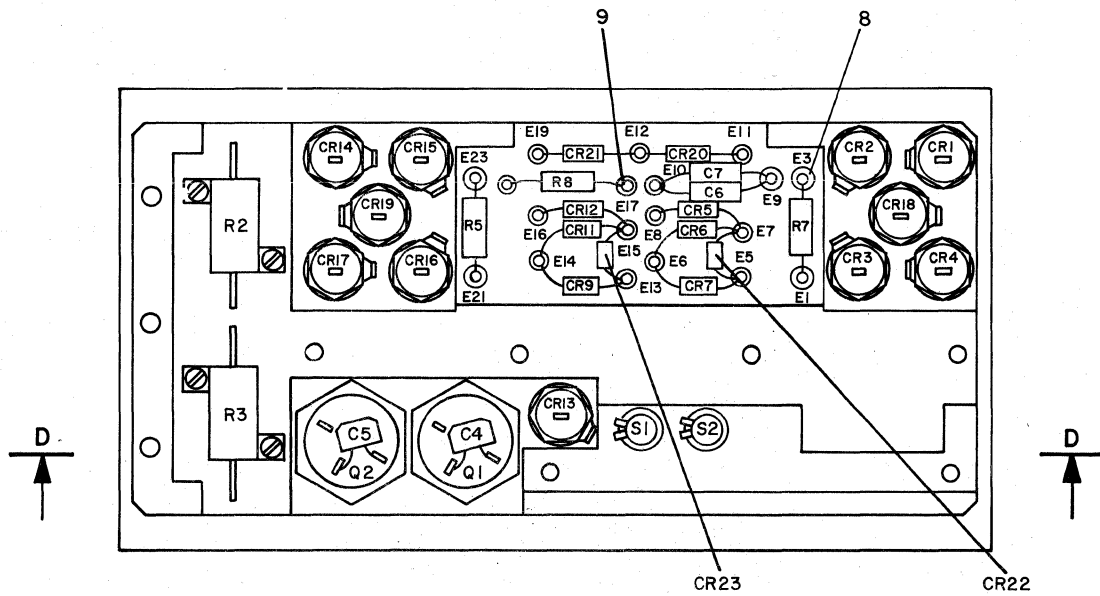
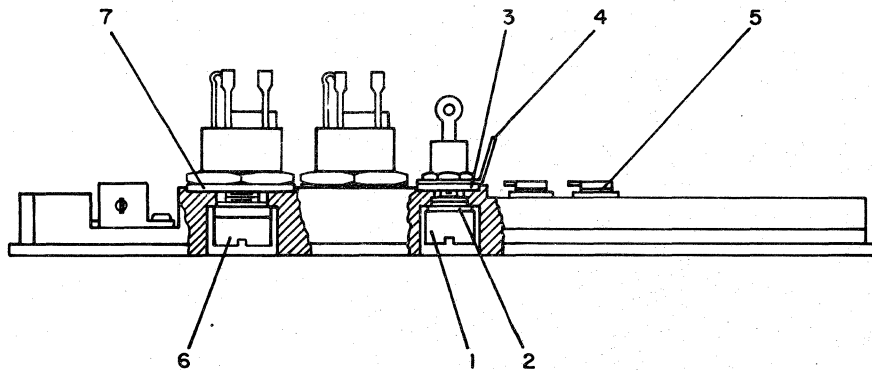


FIGURE 6-11. TYPE E, DC-TO-DC CONVERTER MODULE ASSEMBLY A1A1  
(SHEET 1 OF 2)



VIEW C-C



VIEW D-D

FIGURE 6-11. TYPE E, DC-TO-DC CONVERTER MODULE ASSEMBLY A1A1  
(SHEET 2 OF 2)

## PARTS LIST

## GROUP ASSEMBLY PARTS LIST

FIG & INDEX NO	REF DESIG	I N D	DESCRIPTION	MFR CODE	UNIVAC PART NO MFR PART NO	QTY PER ASSY	USED ON
6-11	A1A1	3	CONVERTER MODULE ASSEMBLY DC TO DC, TYPE E (FOR NHA SEE FIG 6-3)	90536	7217072-00	REF	
11	A1	4	CIRCUIT CARD ASSY, DC TO DC CONV (FOR NLA SEE FIG 6-25)	90536	7071812-01	1	
11		4	BASE ASSEMBLY	90536	7217071-00	1	
11	C4 C5	5	CAPACITOR, FIXED, CERAMIC DIELECTRIC, 50V, 47000PF	81349	7901102-83 CK05BX473M	2	
11	C6 C7	5	CAPACITOR, FIXED, GLASS DIEL 300V, 5100PF, +-5 PCT	81349	4912818-16 CY20C512J	2	
11	CR1 THRU CR4 CR14 THRU CR19	5	SEMICONDUCTOR DEVICE, DIODE MODIFIED, 100V, 12A	90536 81349	7902834-00 1N3890	10	
11	CR5 CR12	5	SEMICONDUCTOR DEVICE, DIODE SILICON, FAST RECOVERY	81349	7903079-01 1N4944	2	
11	CR6 CR7 CR9 CR11 CR20 CR21 CR22 CR23	5	SEMICONDUCTOR DEVICE, DIODE 300 MW, 200V, 1A	81349	7902067-00 1N3611	8	
11	CR13	5	SEMICONDUCTOR DEVICE, DIODE SILICON, VOLTAGE REGULATOR	81349	7900260-35 1N2995B	1	
11	Q1 Q2	5	TRANSISTOR, NPN, SILICON, POWER HIGH V, 100W (MATCHED PAIR)	90536	7214357-00	1	
11	R2 R3	5	RESISTOR, FIXED, WIREWOUND 10W, 191 OHM +-1 PCT	81349	7902184-27 RE65G1910	2	
11		5	SCREW, MACH, PAN HD, 2-56UNC-2A 0.250 L (AP)	96906	7905132-02 MS51957-3	4	
11	R5	5	RESISTOR, FIXED, WIREWOUND 3W, 43 OHM +-5 PCT	81349	910509-22 RW69V430	1	
11	R7	5	RESISTOR, FIXED, WIREWOUND 3W, 510 OHM +-5 PCT	81349	910509-48 RW69V511	1	
11	R8	5	RESISTOR, FIXED, WIREWOUND 3W, 1.0 OHM +-5 PCT	81349	910509-02 RW69V1R0	1	
11	S1	5	SWITCH, THERMOSTATIC, SPST OPEN 190 DEG F, CLOSE 220 DEG F	73803	7901848-05 4BTF2-45-12	1	

GROUP ASSEMBLY PARTS LIST

PARTS LIST

FIG & INDEX NO	REF DESIG	I N D	DESCRIPTION	MFR CODE	UNIVAC PART NO MFR PART NO	QTY PER ASSY	USED ON
6-11			CONVERTER MODULE ASSEMBLY		CONTINUED		
11	S2	5	SWITCH, THERMOSTATIC, SPST OPEN 210 DEG F, CLOSE 240 DEG F	73803	7901848-06 4BTF2-49-12	1	
11-1		5	NUT, SPECIAL	90536	7066792-00	11	
11-2		5	WASHER, INSULATING (AP)	90536	7217095-00	11	
11-3		5	WASHER, HEAT CONDUCTIVE AND INSULATING	13103	7901968-13 8510-200-40	11	
11-4		5	TERMINAL LUG, SOLDER TERMINAL LUG, MODIFIED	79963 90536	7902786-00 520 7071971-00	8 3	
11-5		5	INSULATOR, PLATE, TRANSISTOR HEAT CONDUCTIVE (U/W S1, S2)	13103	7901250-04 4005-15SLOTTED	2	
11-6		5	NUT, SPECIAL, 5/16-24UNF (U/W Q1, Q2)	90536	7071780-00	2	
			WASHER, INSULATING (U/W Q1, Q2)	90536	7217095-01	2	
11-7		5	WASHER, HEAT CONDUCTIVE AND INSULATING (U/W Q1, Q2)	13103	7901968-11 B800-320-62	2	
11-8	E1, E3 E21 E23	5	TERMINAL, STUD, INSULATED O/2 TURRET	08291	907034-02 ST-SMITURC2	4	
11-9	E5 THRU E9 E11 THRU E19	5	TERMINAL, STUD, INSULATED HEAT TRANSFER	05327	7903506-00 A33002	14	
11	P1	4	CONNECTOR ASSEMBLY	90536	7071785-00	1	
11		4	SHIM, CONNECTOR PLATE (AP)	90536	7071764-00	4	
			SHIM, CONNECTOR PLATE (AP)	90536	7071764-01	2	
			WASHER, FLAT, NO 4 (AP)	96906	4912548-00 MS15795-804	4	
			NUT, SELF-LOCKING, 4-4UNC-3B (AP)	72962	906056-03 79LH1660-40	4	
11-10		5	PLATE, CONNECTOR	90536	7071786-00	1	
11-11		5	PIN, GUIDE, CONNECTOR	90536	7071787-00	1	
11		5	CONNECTOR, ELECTRICAL, MALE 34 CONTACT LOCATIONS	81312	7901314-01 MRAC34PNSS436	1	
11		5	SCREW, CAP, SOCKET HEAD 4-40UNC-3A, 0.312 L (AP)	96906	911603-03 MS16995-10	5	

## PARTS LIST

## GROUP ASSEMBLY PARTS LIST

FIG & INDEX NO	REF DESIG	I N D	DESCRIPTION	MFR CODE	UNIVAC PART NO MFR PART NO	QTY PER ASSY	USED ON
6-11			CONVERTER MODULE ASSEMBLY		CONTINUED		
			NUT, SELF-LOCKING, CAP 4-4UNC-3B (AP)	72962	907454-01 79LH166U-40	6	
11		6	CONTACT, ELECTRICAL CONNECTOR MALE, SIZE 0.062, 24 AWG	81312	910878-00 100-1024P55	4	
			CONTACT, ELECTRICAL CONNECTOR MALE, SIZE 0.062, 22 AWG	81312	910878-01 100-1022P55	1	
			CONTACT, ELECTRICAL CONNECTOR MALE, SIZE 0.062, 18 AWG	81312	910878-03 100-1018P55	20	
11		4	CENTER SUPPORT ASSEMBLY	90536	7071981-00	1	
11	A2	5	FILTER ASSEMBLY	90536	7071983-00	1	
11	C1 C3	5	CAPACITOR, FIXED, PAPER DIELECTRIC, 200V, 0.1UF +-10PCT	81349	7901692-07 C224BK104	2	
11		5	WASHER, LOCK, INT TOOTH NARROW TYPE, SIZE 5/16 (AP)	78189	907455-02 1218-02	2	
11	C2	5	CAPACITOR FIXED, MODIFIED	90536	7071950-00	1	
11		6	CAPACITOR, FIXED, ELECTROLYTIC 150V, 50UF, -15 PCT, +30 PCT	56289	7902065-25 1220516C3150Z1	1	
11	L1 L2 L3	5	CHOKE, FILTER, 26.1UH, 7 AMP 50MV, 1KC	90536	7071750-17	3	
11	L4	5	CHOKE, FILTER, 34.8UH, 7 AMP 50MV, 1KC	90536	7071750-15	1	
11	L5	5	CHOKE, FILTER, 39.2UH, 5.5 AMP 50MV, 1KC	90536	7071750-05	1	
11	L6	5	CHOKE, FILTER, 60.8UH, 7 AMP 50MV, 1KC	90536	7071750-09	1	
11	L7	5	CHOKE, FILTER, 3.13UH, 0.2 AMP 50MV, 1KC	90536	7071750-16	1	
11	R1 R4	5	RESISTOR, FIXED, WIREWOUND, MOD 5 WATT, 4.99 OHM, RE6064R99	90536	7071948-00	2	
11		5	SCREW, MACH, PAN HD 2-56UNC-2A, 0.250 L (AP)	96906	7903132-02 MS51957-3	4	
11	R6	5	RESISTOR, FIXED, FILM 0.25 WATT, 200 OHM, +-2 PCT	81349	7900183-14 RL07S2016	1	
11	T1	5	TRANSFORMER, POWER	90536	7071982-00	1	
11		5	NUT, SPECIAL, 6-32UNC (AP)	90536	7071777-00	1	
11	T2	5	TRANSFORMER (CONVERTER DRIVE)	90536	7071784-00	1	



GROUP ASSEMBLY PARTS LIST

PARTS LIST

FIG & INDEX NO	REF DESIG	I N D	DESCRIPTION	MFR CODE	UNIVAC PART NO MFR PART NO	QTY PER ASSY	USED ON
6-11			CONVERTER MODULE ASSEMBLY		CONTINUED		
11-12		5	HEAT SINK, CENTER SUPPORT	90536	7071946-00	1	
11-13	E35	5	TERMINAL, LUG, BRASS		7902645-01	1	
				78189	2279-06-02		
11		5	SCREW, MACH, PAN HD, 6-32UNC-2A 0.250 L (AP)		4912531-00	1	
				96906	MS51957-26		
11-14	E32 E33	5	TERMINAL, STUD, STANDOFF 0/2 TURRET, BRASS		907035-01	2	
				98291	013-2006		
11-15	E24 THRU E31 E34	5	TERMINAL, STUD, INSULATED 0/2 TURRET		7902843-01	9	
				98291	ST250L4		
11-16		4	PIN, GUIDE	90536	7071762-00	1	
11-17		4	COVER	90536	7071969-00	1	
11		4	SCREW, MACH, PAN HD 4-40UNC-2A, 0.312 L (AP)		4912523-03 COML	11	
11-18		4	BRACKET, CONNECTOR	90536	7071965-00	1	
11		4	SHIM, BRACKET (U/W IDX 18)	90536	7071765-00	1	
			SCREW, MACH, FLAT HD 4-40UNC-2A, 0.25 L (AP)		4912511-00	3	
				96906	MS51959-13		
			SCREW, MACH, PAN HD 4-40UNC-2A, 0.375 L (AP)		908552-05	4	
				96906	MS51957-15		
			WASHER, FLAT, NO 4 (AP)		4912548-10	1	
				96906	MS15795-804		

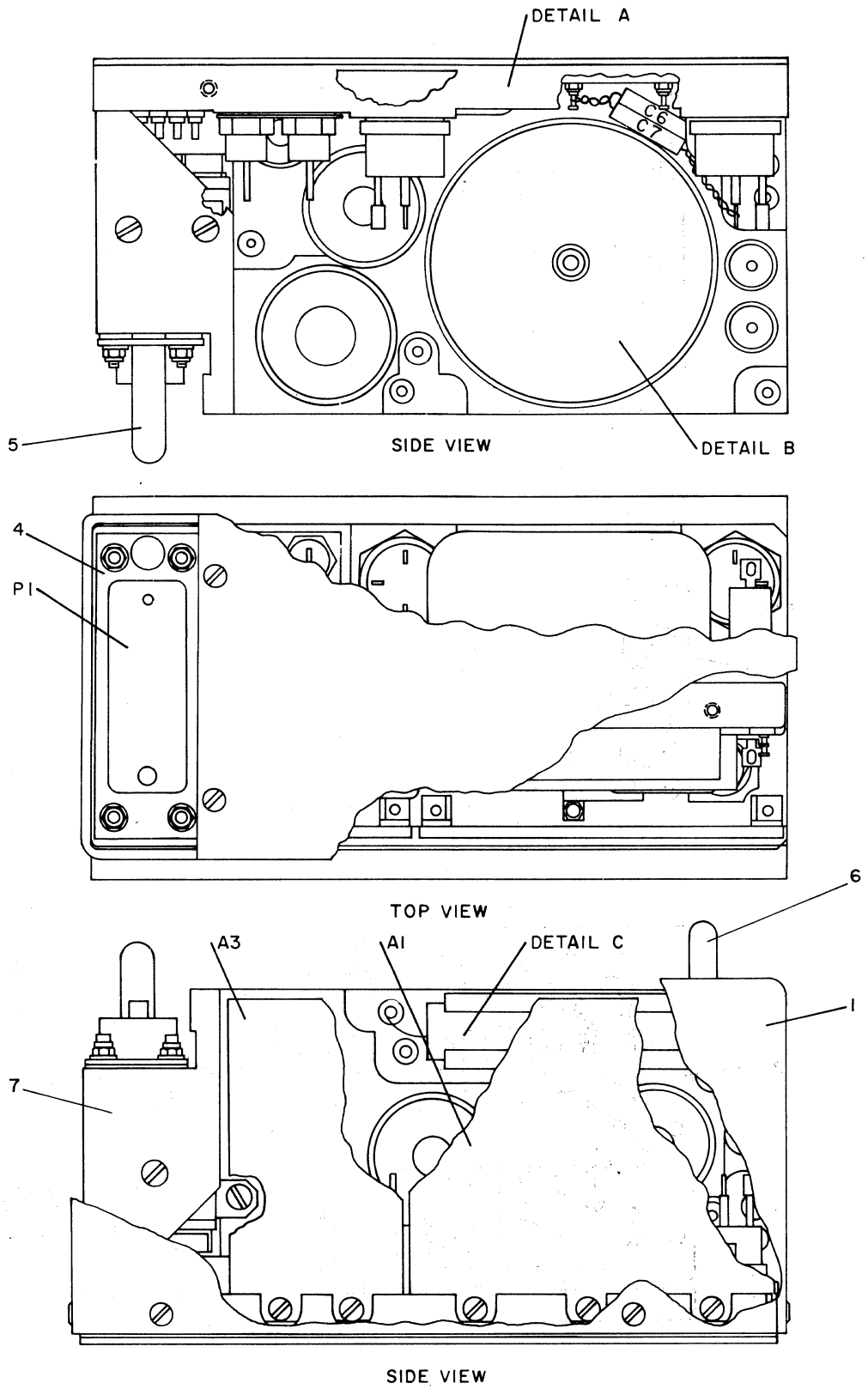
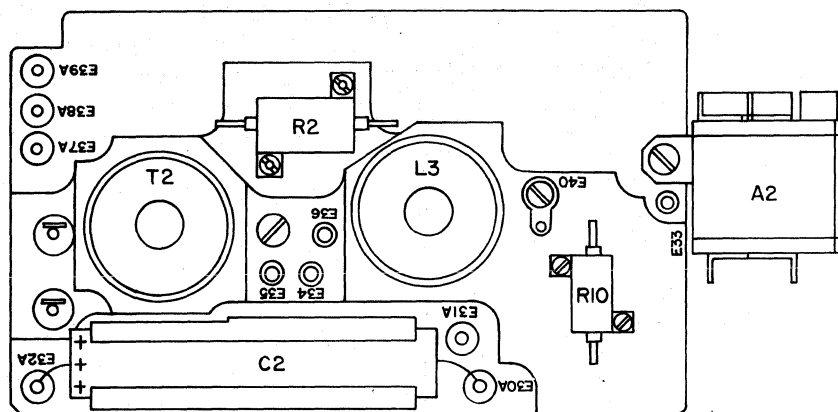
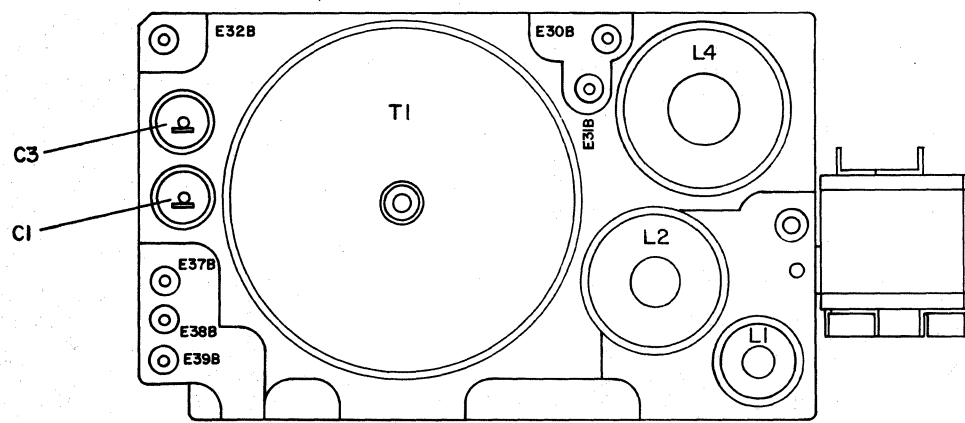


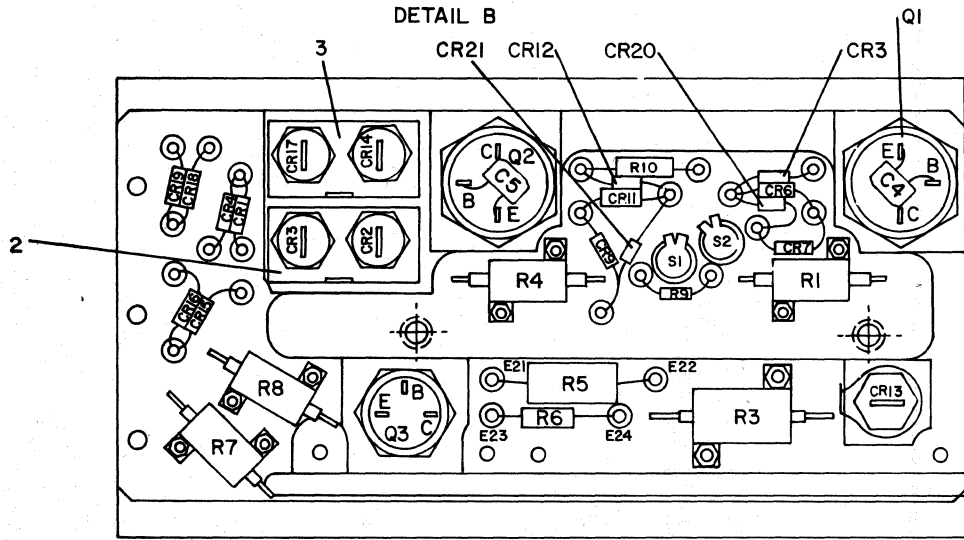
FIGURE 6-12. TYPE B, DC-TO-DC CONVERTER MODULE ASSEMBLY  
A3A5, A6A5, A7A5 (SHEET 1 OF 2)



DETAIL C



DETAIL B



DETAIL A

FIGURE 6-12. TYPE B, DC-TO-DC CONVERTER MODULE ASSEMBLY  
A3A5, A6A5, A7A5 (SHEET 2 OF 2)

## PARTS LIST

## GROUP ASSEMBLY PARTS LIST

FIG & INDEX NO	REF DESIG	I N D	DESCRIPTION	MFR CODE	UNIVAC PART NO MFR PART NO	QTY USE PER ON ASSY
6-12	A3A5 A6A5 A7A5	3	CONVERTER MODULE ASSEMBLY DC TO DC, TYPE B (FOR NHA SEE FIG 6-7)	90536	7217074-00	REF
12-1		4	COVER	90536	7071909-00	1
12		4	SCREW, MACH, PAN HD 4-40UNC-2A, 0.312 L (AP)		4912523-03 COML	10
			SCREW, MACH, PAN HD 4-40UNC-2A, 0.5 L (AP)		4912523-06 COML	1
12	A1	4	CIRCUIT CARD ASSEMBLY, DC TO DC CONV (FOR NLA SEE FIG 6-25)	90536	7071812-01	1
12	A3	4	CIRCUIT CARD ASSEMBLY, +12 VOLT SER REG (FOR NLA SEE FIG 6-26)	90536	7071881-00	1
12		4	SCREW, MACH, PAN HD, 4-40UNC-2A 3/8 L (AP FOR A1 AND A3)	96906	908552-05 MS51957-15	5
12	C6 C7	4	CAPACITOR, FIXED, GLASS DIELECTRIC 300 V, 5100PF, +-5 PCT	81349	4912818-16 CY20C512J	2
12		4	BASE ASSEMBLY	90536	7217073-00	1
12	C4 C5	5	CAPACITOR, FIXED, CERAMIC DIELECTRIC 0.47UF, 6-20PCT, 50V	81349	7901102-83 CK05BX473M	2
12	CR1 CR4 CR6 CR7 CR9 CR11 CR15 CR16 CR18 THRU CR21	5	SEMICONDUCTOR DEVICE, DIODE 300 MW, 200 VOLT, 1 A	81349	7902067-00 1N3611	12
12	CR2 CR3 CR14 CR17	5	SEMICONDUCTOR DEVICE, DIODE POWER, 100 VOLT, 12A	81349	7902834-00 1N3890	4
12		5	NUT, SPECIAL (AP)	90536	7066792-00	4
			WASHER, HEAT CONDUCTIVE AND INSULATED (AP)	13103	7901968-07 B470-235-40	4
			WASHER, INSULATING (AP)	90536	7217095-00	4
12	CR5 CR12	5	SEMICONDUCTOR DEVICE, DIODE SILICON, FAST RECOVERY	81349	7903079-01 1N4944	2
12	CR13	5	SEMICONDUCTOR DEVICE, DIODE SIL, 47 VOLT, VOLT REG	81349	7900260-35 1N2995B	1
12		5	TERMINAL LUG, SOLDER (U/W CR13)	79963	7902786-00 520	1

GROUP ASSEMBLY PARTS LIST

PARTS LIST

FIG & INDEX NO	REF DESIG	I N D	DESCRIPTION	MFR CODE	UNIVAC PART NO MFR PART NO	QTY PER ASSY	USED ON
6-12			CONVERTER MODULE ASSEMBLY		CONTINUED		
			NUT, SPECIAL (AP)	90536	7066792-00	1	
			WASHER, HEAT CONDUCTIVE AND INSULATED (AP)	13103	7901968-07	1	
			WASHER, INSULATING (AP)	90536	B470-235-40 7217095-00	1	
12	E1 THRU E18	5	TERMINAL, STUD, INSULATED HEAT TRANSFER	05327	7903506-00 A33002	18	
12	E19 THRU E24	5	TERMINAL, STUD, INSULATED 0/1 TURRET	98291	908514-00 FT-5M74	6	
12	Q1, Q2	5	TRANSISTOR, NPN, SILICON, POWER HIGH V, 100W (MATCHED PAIR)	90536	7214357-00	1	
12		5	NUT, SPECIAL, 5/16-24UNF (AP)	90536	7071780-00	2	
			WASHER, HEAT CONDUCTIVE AND INSULATING (AP)	13103	7901968-11 B800-320-62	2	
			WASHER, INSULATING (AP)	90536	7217095-01	2	
12	Q3	5	TRANSISTOR, NPN, SILICON, POWER	01295	7900756-00 SP4166	1	
12		5	NUT, PLAIN, ROUND, SPECIAL (AP)	90536	7035853-00	1	
			WASHER, INSULATING (AP)	90536	7217095-02	1	
			WASHER, HEAT CONDUCTIVE AND INSULATING, 1/4 (AP)	13103	7901968-12 B800-260-30	1	
12	R1 R4	5	RESISTOR, FIXED, WIREWOUND 4.99 OHM, +-1 PCT, 5 WATT	81349	7901859-11 RE6064R99	2	
12		5	SCREW, MACH, PAN HD 2-56UNC-2A, 0.375 L (AP)	96906	7903132-04 MS51957-5	4	
			NUT, SELF-LOCKING, HEX 2-56NC-3B (AP)	72962	906056-01 79LH1660-26	4	
12	R3	5	RESISTOR, FIXED, WIREWOUND 191 OHM, +-1 PCT, 10 WATT	81349	7902184-27 RE65G1910	1	
12		5	SCREW, MACH, PAN HD, 2-56UNC-2A 0.75 L (AP)	96906	7903132-09 MS51957-9	2	
			NUT, SELF-LOCKING, HEX 2-56UNC-3B (AP)	72962	906056-01 79LH1660-26	2	
12	R5	5	RESISTOR, FIXED, FILM 75 OHM, +-2 PCT, 2 WATT	81349	7900182-21 M22684-04-0043	1	
12	R6	5	RESISTOR, FIXED, FILM 3.0K OHM, +-2 PCT, 0.5 WATT	81349	7900184-42 RL20S302G	1	
12	R7 R8	5	RESISTOR, FIXED, WIREWOUND 2 OHM, +-1 PCT, 5 WATT	81349	7901859-06 RE6062RU0	2	
12		5	SCREW, MACH, PAN HD 2-56UNC-2A, 0.438 L (AP)	96906	7903132-05 MS51957-6	4	

## PARTS LIST

## GROUP ASSEMBLY PARTS LIST

FIG & INDEX NO	REF DESIG	I N D	DESCRIPTION	MFR CODE	UNIVAC PART NO MFR PART NO	QTY PER ASSY	USED ON
6-12			CONVERTER MODULE ASSEMBLY		CONTINUED		
			NUT, SELF-LOCKING, HEX 2-50NC-2B (AP)	72962	906056-01 79LH1660-26	4	
12	R9	5	RESISTOR, FIXED, FILM 200 OHM, +-2 PCT, 0.25 WATT	81349	7900183-14 RL07S201G	1	
12	R11	5	RESISTOR, FIXED, WIREWOUND 1.0 OHM, +-5 PCT, 3 WATT	81349	910509-02 RW69V1RU	1	
12	S1	5	SWITCH, THERMOSTATIC, SPST OPEN 190 DEG F, CLOSE 220 DEG F	73803	7901848-05 4BTF2-45-12	1	
12	S2	5	SWITCH, THERMOSTATIC, SPST OPEN 210 DEG F, CLOSE 240 DEG F	73803	7901848-06 4BTF2-49-12	1	
12		5	INSULATOR, PLATE, TRANSISTOR HEAT CONDUCTIVE (U/W S1 AND S2)	13103	7901250-04 4005-15SLOTTED	2	
12-2	W9	5	BUS BAR, DIODE	90536	7071891-00	1	
12-3	W10	5	BUS BAR, DIODE	90536	7071891-01	1	
12		4	CENTER SUPPORT ASSEMBLY	90536	7071892-00	1	
12		4	SCREW, MACH, PAN HD, 4-40UNC-2A 0.375 L (AP)	96906	908552-05 MS51957-15	2	
12	A2	5	FILTER ASSEMBLY	90536	7071896-00	1	
12		5	SCREW, MACH, PAN HD 4-40UNC-2A, 0.375 L (AP)		4912523-04 COML	1	
12	C1 C3	5	CAPACITOR, FIXED, PAPER DIEL 0.1UF, 200 VOLT	81349	7901692-07 C2248KC104	2	
12		5	WASHER, LOCK, INT TOOTH (AP)	78189	907455-02 1218-02	2	
12	C2	5	CAPACITOR ASSEMBLY	90536	7071895-00	1	
12		6	CAPACITOR, FIXED, ELECTROLYTIC 50UF, -15 PCT, +30 PCT, 150V	56289	7902065-25 122D516C3150Z1	1	
12	E30 E31 E32	5	TERMINAL, FEED THRU, INSULATED 2/2 TURRETS	71279	7900993-00 4263-1-0519	3	
12	E33 THRU E36	5	TERMINAL, STUD, INSULATED 0/2 TURRET	98291	7902843-00 ST250L4	4	
12	E37 E38 E39	5	TERMINAL, FEED THROUGH, INSUL 2/2 TURRET	98291	7903066-00 FT1550DTUR	3	

GROUP ASSEMBLY PARTS LIST

PARTS LIST

FIG & INDEX NO	REF DESIG	I N D	DESCRIPTION	MFR CODE	UNIVAC PART NO MFR PART NO	QTY PER ASSY	USED ON
6-12			CONVERTER MODULE ASSEMBLY		CONTINUED		
12	E40	5	TERMINAL, LUG, SOLDER	78189	7902645-01 2279-06-02	1	
12		5	SCREW, MACH, PAN HD, 6-32UNC-2A 0.25 L (AP)	96906	4912531-00 MS51957-26	1	
12	L1	5	CHOKE, FILTER, 103 UH, 0.8 AMP 1 KC	90536	7071750-13	1	
12	L2	5	CHOKE, FILTER, 18.2 UH, 8.6 AMP, 1 KC	90536	7071750-07	1	
12	L3	5	CHOKE, FILTER, 39.2 UH, 5.5 AMP, 1KC	90536	7071750-05	1	
12	L4	5	CHOKE, FILTER, 73.5 UH, 8.2 AMP, 1 KC	90536	7071750-02	1	
12	R2	5	RESISTOR, FIXED, WW, 191 OHM +-1 PCT, 10 WATT	90536	7071782-00	1	
12		5	NUT, SPECIAL, 2-56UNC (AP)	90536	7071914-00	2	
12	R10	5	RESISTOR, FIXED, WIREWOUND 1 OHM, +-1 PCT, 5 WATT	81349	7901859-05 RE60G1R00	1	
12		5	SCREW, MACH, PAN HD 2-56UNC-2A, 0.25 L (AP)	96906	7903132-02 MS51957-3	2	
12	T1	5	TRANSFORMER ASSEMBLY, POWER NUT, SPECIAL, 6-32UNC (AP)	90536	7071884-00 7071777-00	1	
12	T2	5	TRANSFORMER, CONVERTER BASE DRIVE	90536	7071885-00	1	
12	P1	4	CONNECTOR ASSEMBLY	90536	7071785-00	1	
12		4	SHIM, CONNECTOR PLATE (AP)	90536	7071764-00	4	
			SHIM, CONNECTOR PLATE (AP)	90536	7071764-01	2	
			WASHER, FLAT, NO 4 (AP)	96906	4912548-10 MS15795-804	4	
			NUT, SELF-LOCKING, HEX 4-40UNC-3B (AP)	72962	906056-03 79LH1660-40	4	
12-4		5	PLATE, CONNECTOR	90536	7071786-00	1	
12-5		5	PIN, GUIDE, CONNECTOR	90536	7071787-00	1	
12		5	CONNECTOR, ELEC, MALE, 34 CONTACT LOCATIONS	81312	7901314-01 MRAC34PNSS436	1	
12		5	SCREW, CAP, SOCKET HD 4-40UNC-2A, 0.312 L (AP)	96906	911603-03 MS16995-10	5	

## PARTS LIST

## GROUP ASSEMBLY PARTS LIST

FIG & INDEX NO	REF DESIG NO	I N D	DESCRIPTION	MFR CODE	UNIVAC PART NO MFR PART NO	QTY PER ASSY	USED ON
6-12			CONVERTER MODULE ASSEMBLY		CONTINUED		
			NUT, SELF-LOCKING, CAP 4-40UNC-3B (AP)	72962	907454-01 79LH1660-40	6	
12		6	CONTACT, ELEC, MALE, SIZE 24 AWG	81312	910878-00 100-1024P55	5	
			CONTACT, ELEC, MALE, SIZE 22 AWG	81312	910878-01 100-1022P55	1	
			CONTACT, ELEC, MALE, SIZE 20 AWG	81312	910878-02 100-1020P55	2	
			CONTACT, ELEC, MALE, SIZE 18 AWG	81312	910878-03 100-1018P55	13	
12-6		4	PIN, GUIDE	90536	7071762-00	1	
12-7		4	BRACKET, CONNECTOR	90536	7071912-00	1	
12		4	SHIM, BRACKET (U/W IDX 7)	90563	7071765-00	1	
			SCREW, MACH, FLH, 4-40UNC-2A 0.25 L (AP)	96906	4912511-00 MS51959-13	3	
			SCREW, MACH, PAN HD, 4-40UNC-2A 0.375 L (AP)	96906	908552-05 MS51957-15	4	
			WASHER, FLAT, NO 4 (AP)	96906	4912548-10 MS15795-804	1	



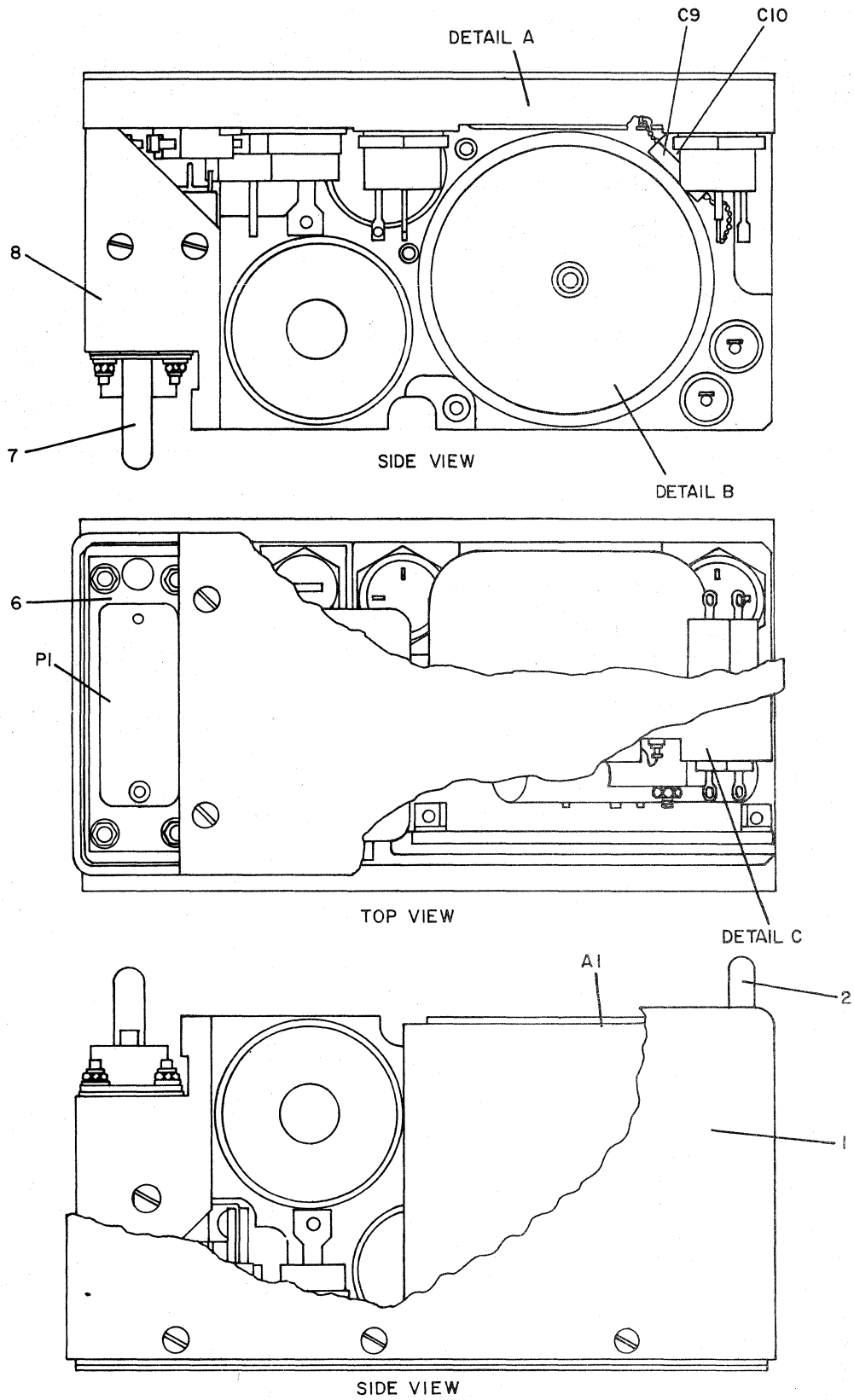


FIGURE 6-13. TYPE D, DC-TO-DC CONVERTER MODULE ASSEMBLY A2A1, A4A1  
(SHEET 1 OF 2)

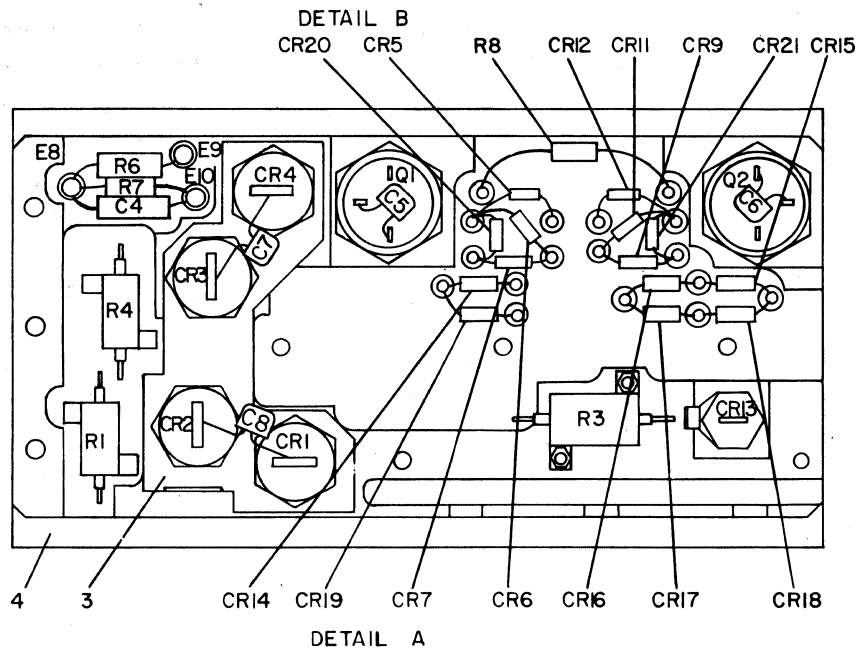
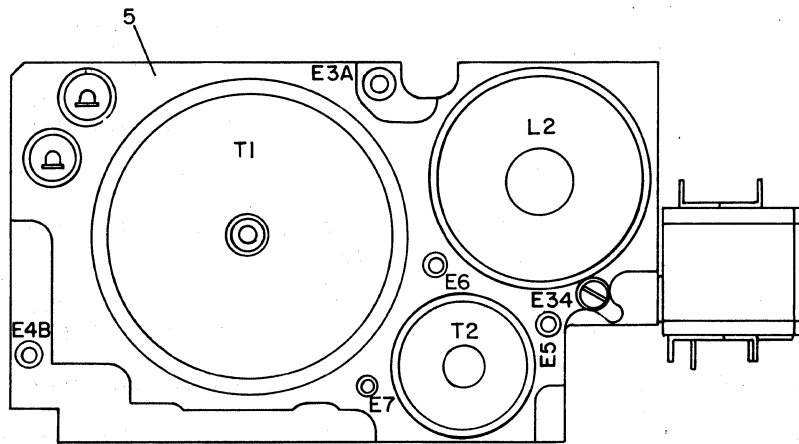
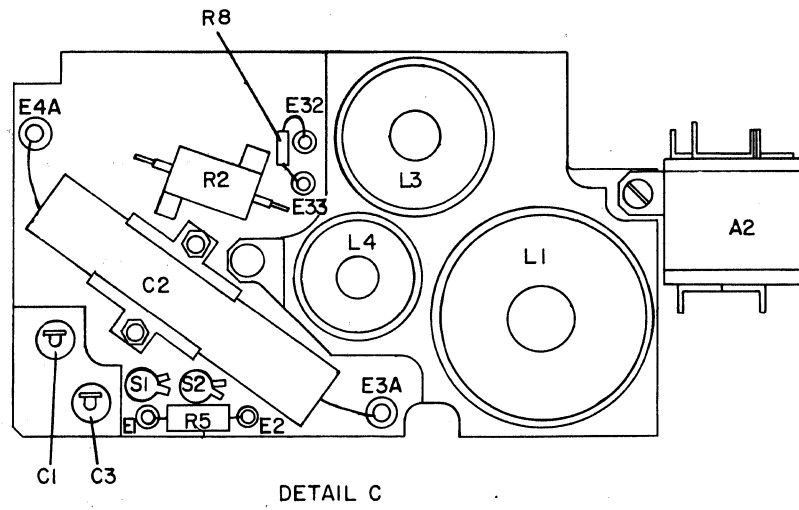


FIGURE 6-13. TYPE D, DC-TO-DC CONVERTER MODULE ASSEMBLY A2A1, A4A1  
(SHEET 2 OF 2)

GROUP ASSEMBLY PARTS LIST

PARTS LIST

FIG & INDEX NO	REF DESIG	I N D	DESCRIPTION	MFR CODE	UNIVAC PART NO MFR PART NO	QTY USED PER ON ASSY
6-13	A2A1 A4A1	3	CONVERTER MODULE ASSEMBLY DC TO DC, TYPE D (FOR NHA SEE FIG 6-5 AND 6-9)	90536	7217069-00	REF
13-1		4	COVER	90536	7071761-00	1
13		4	SCREW, MACH, FLAT HD 4-40UNC-2A, 0.375 L (AP)		4912503-02 COML	10
			SCREW, MACH, FLAT HD 4-40UNC-2A, 0.625 L (AP)		4912503-06 COML	2
			SCREW, MACH, PAN HD 4-40UNC-2A, 3/8 L (AP)	96906	908552-05 MS51957-15	1
			SCREW, MACH, PAN HD 4-40UNC-2A, 5/16 L (AP)		4912523-03 COML	2
			WASHER, FLAT, NO 4 (AP)	96906	4912548-00 MS15795-803	1
13-2		4	PIN, GUIDE	90536	7071762-00	1
13	A1	4	CIRCUIT CARD ASSEMBLY, DC TO DC CONV (FOR NLA SEE FIG 6-25)	90536	7071812-01	1
13	C9 C10	4	CAPACITOR, FIXED, GLASS DIEL 300V, 5100PF, PORM 5PCT	81349	4912818-16 CY20C512J	2
13		4	BASE ASSEMBLY	90536	7217068-00	1
13	C4	5	CAPACITOR, FXD, ELECTROLYTIC 6.8UF, +-10 PCT, 35 VOLT	81349	7903069-43 M39003/U1-2784	1
13	C5 C6	5	CAPACITOR, FIXED, CERAMIC DIEL 0.47 UF, +-2 PCT, 50V	81349	7901102-83 CK05BX473M	2
13	C7 C8	5	CAPACITOR, FIXED, CERAMIC DIEL 100K UF, PORM 10PCT, 100V	81349	7901102-97 CK06BX104K	2
13	CR1 THRU CR4	5	SEMICONDUCTOR DEVICE, DIODE SILICON, MED POWER, 30 A, 50 V	03887	7901637-05 SR1595	4
13		5	WASHER, INSULATING (AP)	90536	7217095-02	4
			NUT, PLAIN, ROUND, SPECIAL (AP)	90536	7035853-00	4
13	CR5 CR12	5	SEMICONDUCTOR DEVICE, DIODE SILICON, FAST RECOVERY	81349	7903079-01 1N4944	2
13	CR6 CR7 CR9 CR11 CR14 THRU CR21	5	SEMICONDUCTOR DEVICE, DIODE 300 MW, 200 VOLT, 1A	81349	7902067-00 1N3611	12
13	CR13	5	SEMICONDUCTOR DEVICE, DIODE SILICON, VOLT REG, 47 VOLT	81349	7900260-35 1N2995B	1

## PARTS LIST

## GROUP ASSEMBLY PARTS LIST

FIG & INDEX NO	REF DESIG	I N D	DESCRIPTION	MFR CODE	UNIVAC PART NO MFR PART NO	QTY USED PER ON ASSY
6-13			CONVERTER MODULE ASSEMBLY		CONTINUED	
13		5	WASHER, INSULATING (AP) NUT, SPECIAL (AP)	90536 90536	7217095-00 7066792-00	1 1
13	E8, E9 E10	5	TERMINAL, STUD, INSULATED 0/2 TURRET	98291	7902843-00 ST250L4	3
13	E14 E16 THRU E31	5	TERMINAL, STUD, INSULATED HEAT TRANSFER	05327	7903506-00 A33U02	17
13	Q1 Q2	5	TRANSISTOR, NPN, SILICON, POWER HIGH V, 100W (MATCHED PAIR)	90536	7214357-00	1
13		5	WASHER, HEAT CONDUCTIVE AND INSULATING (AP) WASHER, INSULATING (AP) NUT, SPECIAL, 5/16-24UNF (AP)	13103 90536 90536	7901968-11 B80U-32U-62 7217095-01 7071780-00	2 2 2
13	R1 R4	5	RESISTOR, FIXED, WIREWOUND 4.99 OHM, +-1 PCT, 5 WATT	81349	7901859-11 RE6UG4R99	2
13		5	SCREW, MACH, PAN HD 2-56UNC-2A, 0.375 L (AP) NUT, SELF-LOCKING, HEX 2-56NC-3B (AP)	96906 72962	7903132-04 MS51957-5 906056-01 79LH166U-26	4 4
13	R3	5	RESISTOR, FIXED, WIREWOUND 191 OHM, +-1 PCT, 10 WATT	81349	7902184-27 RE65G1910	1
13		5	SCREW, MACH, PAN HD 2-56UNC-2A, 0.625 L (AP) NUT, SELF-LOCKING, HEX 2-56NC-3B (AP)	96906 72962	7903132-08 MS51957-8 906056-01 79LH166U-26	2 2
13	R6	5	RESISTOR, FIXED, WIREWOUND 7.5 OHM, PORM 1 PCT, 3 WATT	63743	909479-08 3XL7.5PORM1PCT	1
13	R7	5	RESISTOR, FIXED, FILM 1.5K OHM, PORM 2 PCT, 0.5 WATT	81349	7900184-35 RL20S152G	1
13	R8	5	RESISTOR, FIXED, WIREWOUND 3W, 1.0 OHM +-5 PCT	81349	910509-02 RW69V1RU	1
13-3		5	BUS BAR, DIODE	90536	7071795-00	1
13-4		5	PLATE, HEAT SINK, BOTTOM	90536	7071767-00	1
13		4	CENTER SUPPORT ASSEMBLY	90536	7073381-00	1
13	A2	5	FILTER ASSEMBLY	90536	7071800-00	1
13		5	SCREW, MACH, PAN HD 4-40UNC-2A, 0.312 L (AP)		4912523-03 COML	1

GROUP ASSEMBLY PARTS LIST

PARTS LIST

FIG & INDEX NO	REF DESIG	I N D	DESCRIPTION	MFR CODE	UNIVAC PART NO MFR PART NO	QTY PER ASSY	USED ON
6-13			CONVERTER MODULE ASSEMBLY		CONTINUED		
13	C1 C3	5	CAPACITOR, FIXED, PAPER DIELECTRIC 0.1UF, +-10 PCT, 200 V	96906	7901692-07 CZ24BKC104	2	
13		5	WASHER, LOCK, INT TOOTH NO U.312 (AP)	78189	907455-02 1218-02	2	
13	C2	5	CAPACITOR ASSEMBLY	90536	7071775-00	1	
13		5	WASHER, FLAT, NO 4 (AP)		4912548-00	2	
			NUT, SELF-LOCKING, HEX 4-4UNC-3B (AP)	96906 72962	MS15795-803 906056-03 79LH1660-40	2	
13		6	CAPACITOR, FIXED, ELECTROLYTIC 51 UF, -15 PCT, +30 PCT, 150 V	56289	7902065-25 1220516C3150Z1	1	
13	E1,E2 E5,E6 E7	5	TERMINAL, STUD, INSULATED 0/1 TURRET	98291	908514-00 FT-SM74	5	
13	E3,E4	5	TERMINAL, FEED THROUGH, INSULATED 2/2 TURRET	98291	7903066-00 FT1550DTUR	2	
13	E32 E33	5	TERMINAL, STUD, INSULATED 0/2 TURRET	98291	7902843-00 ST250L4	2	
13	L1 L2	5	CHOKE, FILTER, 3.63 UH, 7 AMP 1 KC	90536	7071750-04	2	
13	L3	5	CHOKE, FILTER, 39.2 UH, 5.5 AMP, 1 KC	90536	7071750-05	1	
13	L4	5	CHOKE, FILTER, 298 UH, 1.2 AMP 1 KC	90536	7071750-06	1	
13	R2	5	RESISTOR, FIXED, WIREWOUND 191 OHM, PORM 1 PCT, 10 WATT	90536	7071782-00	1	
13		5	NUT, SPECIAL, 2-56UNC (AP)	90536	7071914-00	2	
13	R5	5	RESISTOR, FIXED, WIREWOUND 5 OHM, PORM 1 PCT, 3 WATT	63743	909479-07 3XL5PORM1PCT	1	
13	R8	5	RESISTOR, FIXED, FILM 200 OHM, +-2 PCT, 0.25 WATT	96906	7900183-14 RL07S2016	1	
13	S1	5	SWITCH, THERMOSTATIC, SPST OPEN 225 DEG F, CLOSE 255 DEG F	73803	7901848-07 4BTF2-52-12	1	
13	S2	5	SWITCH, THERMOSTATIC, SPST OPEN 225 DEG F, CLOSE 275 DEG F	73803	7901848-08 4BTF2-56-12	1	
13		5	INSULATOR, PLATE, HEAT CONDUCTIVE (U/W S1 AND S2)	13103	7901250-03 4018-15SLOTTED	2	

FIG & INDEX NO	REF DESIG	I N D	DESCRIPTION	MFR CODE	UNIVAC PART NO MFR PART NO	QTY PER ASSY	USE ON
6-13			CONVERTER MODULE ASSEMBLY		CONTINUED		
13	T1	5	TRANSFORMER, POWER ASSEMBLY	90536	7073382-00	1	
13		5	NUT, SPECIAL, 6-32UNC (AP)	90536	7071777-00	1	
13	T2	5	TRANSFORMER, CONVERTER BASE DRIVER	90536	7071784-00	1	
13-5		5	HEAT SINK--CENTER SUPPORT	90536	7071771-00	1	
13	P1	4	CONNECTOR ASSEMBLY	90536	7071785-00	1	
13		4	SHIM, CONNECTOR PLATE (AP)	90536	7071764-00	4	
			SHIM, CONNECTOR PLATE (AP)	90536	7071764-01	2	
			WASHER, FLAT, NO 4 (AP)		902991-U3	4	
			NUT, SELF-LOCKING, HEX 4-4UNC-3B (AP)	81349 72962	AN960-C4 906056-U3 79LH1660-40	4	
13-6		5	PLATE, CONNECTOR	90536	7071786-00	1	
13-7		5	PIN, GUIDE, CONNECTOR	90536	7071787-00	1	
13		5	INSULATOR, ELEC, MALE, 34 CONTACT LOCATIONS	81312	7901314-01 MRAC34PNSS436	1	
13		5	SCREW, CAP, SKT HD, 4-40UNC-3A 0.312 L (AP)		911603-U3 COML	4	
			NUT, SELF-LOCKING, CAP 4-40UNC-3B (AP)	72962	907454-01 L79NKM-40	4	
13		6	CONTACT, ELEC, MALE, SIZE 24 AWG	81312	910878-00 100-1024P55	4	
			CONTACT, ELEC, MALE, SIZE 22 AWG	81312	910878-01 100-1022P55	2	
			CONTACT, ELEC, MALE, SIZE 20 AWG	81312	910878-02 100-1020P55	1	
			CONTACT, ELEC, MALE, SIZE 18 AWG	81312	910878-03 100-1018P55	26	
13-8		4	BRACKET, CONNECTOR	90536	7071763-00	1	
13		4	SHIM, BRACKET (U/W IDX 8)	90536	7071765-00	1	
			SCREW, MACH, PAN HD, 4-40UNC-2A 0.375 L (AP)	96906	908552-05 MS51957-15	3	
			SCREW, MACH, FLAT HD, 4-40UNC-2A 0.25 L (AP)	96906	4912511-00 MS51959-13	3	

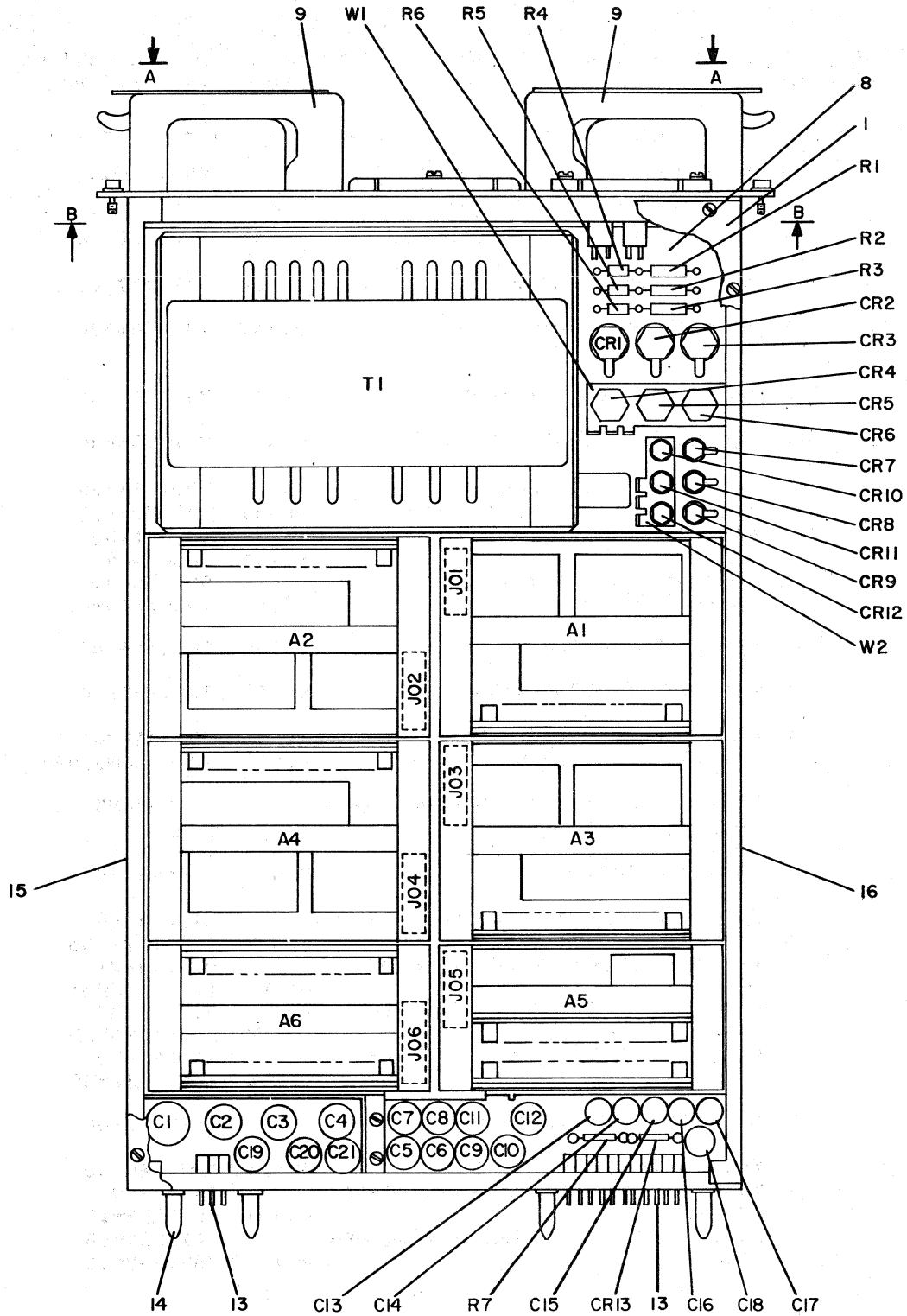
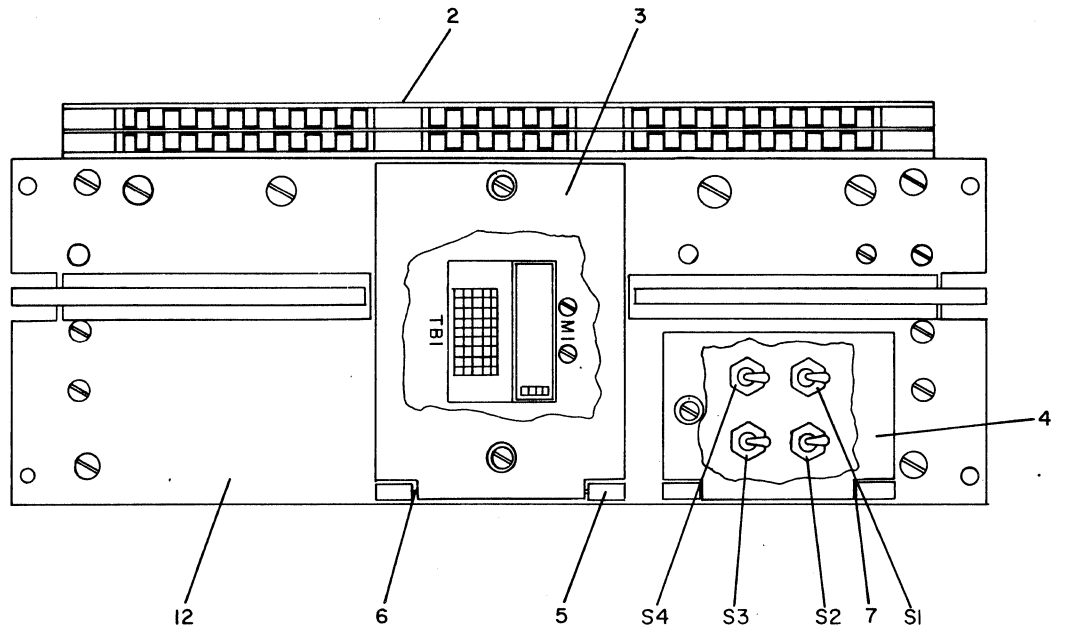
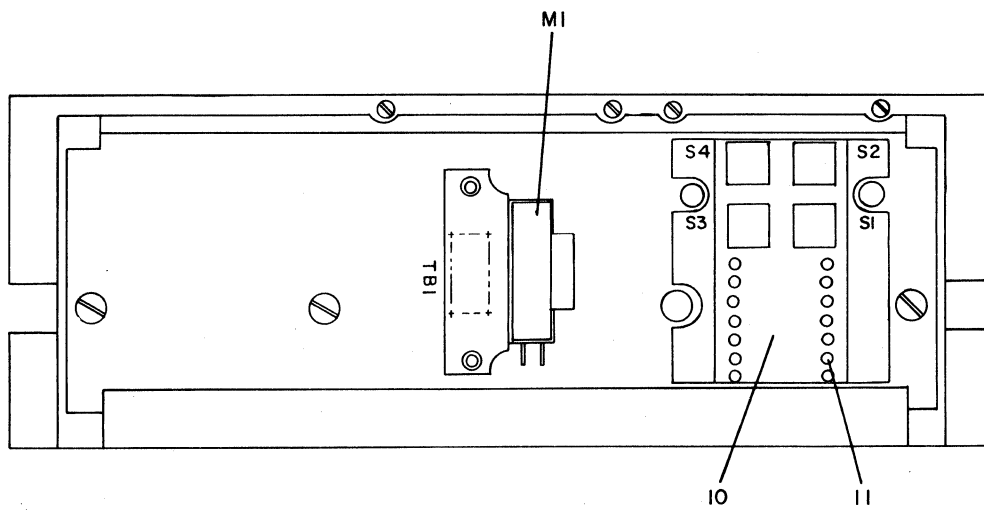


FIGURE 6-14. POWER SUPPLY A5 (SHEET 1 OF 2)



DETAIL A



DETAIL B

FIGURE 6-14. POWER SUPPLY A5 (SHEET 2 OF 2)



GROUP ASSEMBLY PARTS LIST

PARTS LIST

FIG & INDEX NO	REF DESIG	I N D	DESCRIPTION	MFR CODE	UNIVAC PART NO MFR PART NO	QTY PER ASSY	USED ON
6-14		2	POWER SUPPLY (115V) RFI PP-6395	90536	7073375-06	REF	A
			POWER SUPPLY (208V) RFI PP-6258 (FOR NHA SEE FIG 6-1)	90536	7071630-05	REF	B
14		3	SCREW, CAP, SOCKET HD, SPECIAL 1/4-28UNF-2A (AP)	56878	7903148-00	4	
			WASHER, FLAT, NO 1/4 (AP)	81349	902991-07	4	
					AN960-C416		
14-1		3	COVER, CHASSIS	90536	7071631-01	1	
14		3	SCREW, MACH, PAN HD 4-40UNC-2A, 0.375 L (AP)		4912523-04 COML	22	
14-2		3	HEAT EXCHANGER, MODIFIED	90536	7071633-00	1	
14		3	SCREW, EXT REL BODY, SP (AP)	90536	7071637-01	25	
			SCREW, EXT REL BODY, SP (AP)	90536	7071637-00	24	
			PACKING, PREFORMED O RING NEOPRENE, SIZE 006 (AP)	86579	905819-04 006 NEOPRENE 70 +-10 SHORE A	49	
14	A1 THRU A4	3	REGULATOR ASSEMBLY, SWITCHING (FOR NLA SEE FIG 6-15)	90536	7071720-00	4	
14	A5	3	REGULATOR-OSCILLATOR UNIT -20 VDC (FOR NLA SEE FIG 6-16)	90536	7073075-01	1	
14	A6	3	REGULATOR CONVERTER ASSEMBLY POWER SUPPLY (FOR NLA SEE FIG 6-17)	90536	7073175-01	1	
14		3	POWER SUPPLY SUBASSEMBLY	90536	7073376-00	1	A
			POWER SUPPLY SUBASSEMBLY	90536	7071700-00	1	B
14-3		4	COVER, TEST POINT	90536	7022564-00	1	
14-4		4	COVER, SWITCH	90536	7071716-00	1	
14		4	SCREW, SPECIAL (AP FOR IDX 3,4)	90536	7065718-01	4	
			WASHER, FLAT, NO 6 (AP FOR IDX 3 AND 4)	96906	4912548-01 MS15795-805	4	
			WASHER, LOCK, SPRING, NO 6 (AP FOR IDX 3 AND 4)	96906	4912550-01 MS35338-136	4	
14-5		4	PIVOT, HINGE	90536	7065809-00	4	
14-6		4	PIN, HINGE	90536	7065808-00	1	
14-7		4	PIN, HINGE	90536	7071715-00	1	
14	C1	4	CAPACITOR, FIXED, PAPER DIELECTRIC 1.0UF, +-10 PCT, 100 VOLT	81349	7901692-04 CZ24BKB105	1	
14	C2 C3	4	CAPACITOR, FIXED, PAPER DIELECTRIC 0.22UF, +-10 PCT, 600 VOLT	81349	7901692-17 CZ24BKF224	6	

## PARTS LIST

## GROUP ASSEMBLY PARTS LIST

FIG & INDEX NO	REF DESIG	I N D	DESCRIPTION	MFR CODE	UNIVAC PART NO MFR PART NO	QTY USED PER ON ASSY
6-14			POWER SUPPLY (115V) RFL PP-6395		CONTINUED	
	C4 C19 C20 C21					
14	C5 THRU C12	4	CAPACITOR, FIXED, PAPER DIELECTRIC 0.47UF, +-10 PCT, 200 VOLT	81349	7901692-09 CZ24BKC474	8
14	C13 THRU C16	4	CAPACITOR, FIXED, PAPER DIELECTRIC 0.1UF, +-10 PCT, 100 VOLT	81349	7901692-01 CZ24BKB104	4
14	C17	4	CAPACITOR, FIXED, PAPER DIELECTRIC 0.047UF, +-10 PCT, 200 VOLT	81349	7901692-06 CZ24BKC473	1
14	C18	4	CAPACITOR, FIXED, PAPER DIELECTRIC 0.47UF, +-10 PCT, 100 VOLT	81349	7901692-03 CZ24BKB474	1
14		4	TRANSFORMER MODULE ASSEMBLY	90536	7071706-00	1
14		4	SCREW, MACH, PAN HD, 10-32UNF-2A 0.375 L (AP)	96906	908555-02	10
			SHIM, TRANSFORMER (AP)	90536	MS51958-61 7071640-00	3
14	CR1 THRU CR6	5	SEMICONDUCTOR DEVICE, DIODE AVALANCHE RECTIFIER, 2.5MA, 1K V	09214	7902804-04 A38PX164	6
14		5	NUT, PLAIN, SPECIAL (AP)	90536	7035853-00	6
			WASHER, SHOULDER, PLASTIC (AP)	06540	7902833-03 2642-31050-N253	6
			WASHER, HEAT CONDUCTIVE AND INSULATING (AP)	13103	7901968-08 B800-260-62	6
14	CR7 THRU CR12	5	SEMICONDUCTOR DEVICE, DIODE AVALANCHE RECTIFIER, 1000 V	09214	7902863-04 A27P1X129	6
14		5	NUT, SPECIAL (AP)	90536	7066792-00	6
			WASHER, HEAT CONDUCTIVE AND INSULATING (AP)	13103	7901968-13 B510-200-40	6
			WASHER, SHOULDER, PLASTIC (AP)	90536	7071754-00	6
14	R1 R2 R3	5	RESISTOR, FIXED, FILM 27K OHM, +-2 PCT, 2 WATT	81349	7900182-82 M22684-04-0165	3
14	R4 R5 R6	5	RESISTOR, FIXED, FILM 3K OHM, +-2 PCT, 0.5 WATT	81349	7900184-42 RL20S302G	3
14	T1	5	TRANSFORMER, POWER INPUT, 3 PH 400 HZ, TYPE TF5VX02ZZ	70674	7903031-01 3-18388	1

GROUP ASSEMBLY PARTS LIST

PARTS LIST

FIG & INDEX NO	REF DESIG	I N D	DESCRIPTION	MFR CODE	UNIVAC PART NO MFR PART NO	QTY USED PER ON ASSY
6-14			POWER SUPPLY (115V) RFI PP-6395		CONTINUED	
14		5	SCREW, MACH, PAN HD 10-32UNF-2A, 1-3/4 L (AP)	96906	908555-15	6
			INSULATOR, SCREW, (AP)	90536	MS51958-70	6
			WASHER, PLAIN, FLAT, PLASTIC NO 10 (AP)	17625	7071709-00 7903174-00	6
14	W1	5	BUS BAR, DIODE	90536	7071710-00	1
14	W2	5	BUS BAR, DIODE	90536	7071711-00	1
14-8		5	BASE, TRANSFORMER	90536	7071707-00	1
14	CR13	4	SEMICONDUCTOR DEVICE, DIODE SILICON, 400MW, 50 VOLT	81349	7900106-00 1N3600	1
14	J01 THRU J04 J06	4	CONNECTOR, RCPT, ELEC, FEMALE 20 CONTACT LOCATIONS	81312	7901792-00 MRAC20SNSS436	5
14		4	SHIM, CONNECTOR (AP)	90536	7071724-00	20
			WASHER, FLAT, NO 4 (AP)	96906	4912548-00 MS15795-803	10
			NUT, SELF-LOCKING, HEX 4-4UNC-3B (AP)	72962	906056-03 79LH1660-40	10
14		5	CONTACT, ELEC, FEMALE, SIZE 0.062, BLUE	96906	7903061-01	20
			CONTACT, ELEC, FEMALE, SIZE 24 AWG	81312	MS17804-16-16 910879-00	13
			CONTACT, ELEC, FEMALE, SIZE 22 AWG	81312	100-1024S55	5
			CONTACT, ELEC, FEMALE, SIZE 20 AWG	81312	910879-01	27
			CONTACT, ELEC, FEMALE, SIZE 18 AWG	81312	100-1022S55	16
			CONTACT, ELEC, FEMALE, SIZE 16 AWG	81312	910879-02	23
			CONTACT, ELEC, FEMALE, SIZE 14 AWG	81312	100-1018S55 910879-03	5
			CONTACT, ELEC, FEMALE, SIZE 16 AWG	81312	100-1016S55 910879-04	23
			CONTACT, ELEC, FEMALE, SIZE 14 AWG	81312	100-1016S55 910879-05	5
			CONTACT, ELEC, FEMALE, SIZE 14 AWG	81312	100-1014S55	5
14	J05	4	CONNECTOR, RCPT, ELEC, FEMALE 34 CONTACT LOCATIONS	81312	7902867-02 SREC34SN937	1
14		4	SHIM, CONNECTOR (AP)	90536	7073089-00	4
			SPACER, CONNECTOR (J7)	90536	7071644-00	1
			NUT, SELF-LOCKING, HEX 2-56NC-3B (AP)	72962	906056-01 79LH1660-26	2
			SCREW, MACH, PAN HD 4-40UNC-2A, 9/16 L (AP)	96906	908552-08 MS51957-17	2
			NUT, SELF-LOCKING, HEX 4-4UNC-3B (AP)	72962	906710-01 L79NKTM-40	2
14		5	CONTACT, ELEC, FEMALE, SIZE 20-22 AWG	81312	7903169-02 100-4020S62	33

PARTS LIST

GROUP ASSEMBLY PARTS LIST

FIG & INDEX NO	REF DESIG	I N D	DESCRIPTION	MFR CODE	UNIVAC PART NO MFR PART NO	QTY USED PER ON ASSY
6-14			POWER SUPPLY (115V) RFI PP-6395		CONTINUED	
14	M1	4	METER, TIME TOTALIZING, 0-999.9 HRS, 27 TO 33 VDC	82227	7901844-01 A19757	1
14		4	SCREW, MACH, PAN HD 4-40UNC-2A, 9/16 L (AP)	96906	908552-08 MS51957-17	2
			WASHER, FLAT, NO 4 (AP)	96906	4912548-00	2
			NUT, SELF-LOCKING, HEX 4-40UNC-3B (AP)	96906	MS15795-803 4912796-00 MS21044-C04	2
14	R7	4	RESISTOR, FIXED, FILM 200 OHM, +-2 PCT, 0.25 WATT	81349	7900183-14 RL07S2016	1
14	S1 THRU S4	4	SWITCH, TOGGLE, MINIATURE, DPDT	96906	7902817-02 MS24656-231	4
14	TB1	4	CONNECTOR, RCPT, ELEC, FEMALE 45-CONTACT	91886	7901782-01 5894603	1
14		4	SCREW, MACH, PAN HD 6-32UNC-2A, 5/8 L (AP)	96906	4912531-05 MS51957-31	2
14		5	CONTACT, ELEC, FEMALE, 1 WIRE WRAP, WHITE INSUL	91886	7903656-00 21-20201-134- 5290008	20
			CONTACT, ELEC, FEMALE, 1 WIRE WRAP, BLACK INSUL	91886	7903656-04 21-20201-134 AND 22-20001-501	10
			CONTACT, ELEC, FEMALE, 1 WIRE WRAP, BLUE INSUL	91886	7903656-03 21-20201-134 AND 22-20001-516	15
14-9		4	LATCH SET, RIM, CHASSIS HANDLE	71286	7901084-04 72L2-2-2AB	2
14		4	SCREW, MACH, PAN HD 10-32UNF-2A, 0.5 L (AP)	96906	4912534-00 MS51958-63	2
			WASHER, FLAT, NO 10 (AP)	96906	4912548-03	2
			SCREW, MACH, FLAT HD 10-32UNF-2A, 0.5 L (AP)	96906	MS15795-808 4912515-02 MS51960-65	2
14-10		4	BRACKET, MOUNTING, TERM AND SW	90536	7071719-00	1
14		4	SCREW, MACH, FLAT HD 4-40UNC-2A, 0.5 L (AP)	96906	4912511-04 MS51959-17	4
			SCREW, CROSS REC, SP (AP)	90536	7071634-01	2
			NUT, SELF-LOCKING, HEX 4-40UNC-3B (AP)	96906	4912796-00 MS21044-C04	6
14-11		4	TERMINAL STUD, INSULATED	98291	907034-02 ST-SM1TURC2	42

GROUP ASSEMBLY PARTS LIST

PARTS LIST

FIG & INDEX NO	REF DESIG	I N D	DESCRIPTION	MFR CODE	UNIVAC PART NO MFR PART NO	QTY USED PER ON ASSY
6-14			POWER SUPPLY (115V) RFI PP-6395		CONTINUED	
14-12		4	PLATE, FRONT, POWER SUPPLY	90536	7071701-00	1
14		4	SCREW, MACH, FLH, 4-40UNC-2A 0.375 L (AP)	96906	4912511-02	4
			SCREW, CROSS REC, SP (AP)	90536	MS51959-15	4
			SCREW, CROSS REC, SP (AP)	90536	7071634-03	4
			SCREW, CROSS REC, SP (AP)	90536	7071634-05	5
			SCREW, CROSS REC, SP (AP)	90536	7071634-02	6
			NUT, SELF-LOCKING, HEX 6-32NC-3B (AP)	907627-01	907627-01	6
			NUT, SELF-LOCKING, HEX 6-32NC-3B (AP)	72962	L79NM107-62	6
			NUT, SELF-LOCKING, HEX 4-40UNC-3B (AP)	4912796-00	4912796-00	2
			NUT, SELF-LOCKING, HEX 4-40UNC-3B (AP)	96906	MS21044-C04	2
14		4	PLATE ASSEMBLY, REAR	90536	7073200-01	1
14		4	SCREW, MACH, FLAT HD 8-32UNC-2A, 3/8 L (AP)	96906	4912513-00	4
			SCREW, MACH, FLAT HD 8-32UNC-2A, 3/8 L (AP)	96906	MS51959-43	4
			SCREW, MACH, FLAT HD 6-32UNC-2A, 0.5 L (AP)	96906	4912512-03	6
			NUT, SELF-LOCKING, HEX 6-32UNC-2A, 0.5 L (AP)	96906	MS51959-30	6
			NUT, SELF-LOCKING, HEX 6-32UNC-2A, 0.5 L (AP)	96906	907627-01	6
			NUT, SELF-LOCKING, HEX 6-32UNC-3B (AP)	72962	L79NM107-62	6
			SCREW, MACH, FLAT HD 4-40UNC-2A, 7/16 L (AP)	96906	4912511-03	7
			NUT, SELF-LOCKING, HEX 4-40UNC-2A, 7/16 L (AP)	96906	MS51959-16	4
			NUT, SELF-LOCKING, HEX 4-40UNC-2B (AP)	96906	4912796-00	4
			NUT, SELF-LOCKING, HEX 4-40UNC-2B (AP)	96906	MS21044-C04	4
14-13	P01 P02	5	CONTACT, ELEC, MALE, CRIMP NYLON INSUL	91886	7902487-00 034-0064-047 & 12-90000-000	86
14-14		5	PIN, GUIDE	90536	7073202-00	4
14-15		4	PLATE, SIDE, LH	90536	7071703-01	1
14-16		4	PLATE, SIDE, RH	90536	7071704-01	1

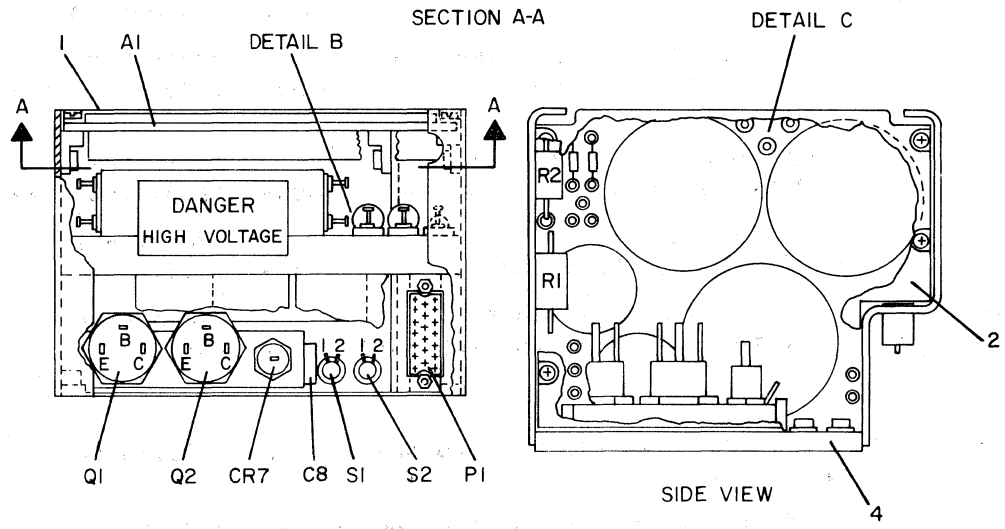
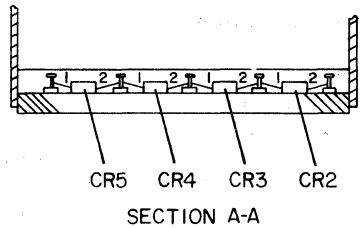
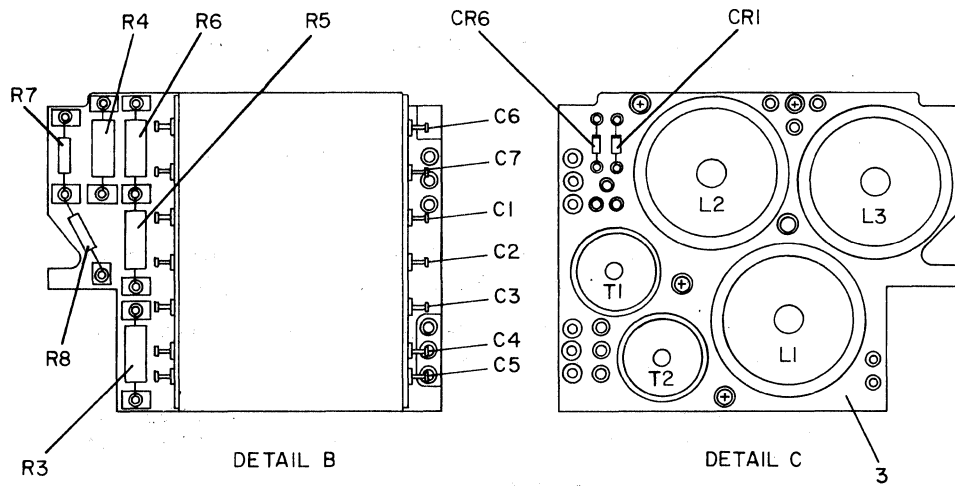


FIGURE 6-15. SWITCHING REGULATOR ASSEMBLY A5A1 THRU A5A4

GROUP ASSEMBLY PARTS LIST

PARTS LIST

FIG & INDEX NO	REF DESIG	I N D	DESCRIPTION	MFR CODE	UNIVAC PART NO MFR PART NO	QTY USED PER ON ASSY
6-15	A5A1 THRU A5A4	3	REGULATOR ASSEMBLY, SWITCHING (FOR NHA SEE FIG 6-14)	90536	7071720-00	REF
15-1		4	COVER, LH	90536	7073082-00	1
15-2		4	COVER, RH	90536	7071729-00	1
15		4	SCREW, MACH, PAN HD, 4-40UNC-2A 0.375 L (AP FOR IDX 1 AND 2)		4912523-04 COML	10
15	A1	4	CIRCUIT CARD ASSEMBLY, 90-VOLT SW REG (FOR NLA SEE FIG 6-27)	90536	7071725-01	1
15		4	SCREW, MACH, PAN HD 4-40UNC-2A, 5/16 L (AP)	96906	908552-04 MS51957-14	12
15		4	CENTER SUPPORT ASSEMBLY	90536	7071735-00	1
15		4	SCREW, MACH, PAN HD 4-40UNC-2A, 0.250 L (AP)		4912523-02 COML	2
			SCREW, MACH, FLAT HD 4-40UNC-2A, 0.250 L (AP)	96906	4912511-00 MS51959-13	5
			SCREW, MACH, PAN HD 4-40UNC-2A, 3/8 L (AP)	96906	908552-05 MS51957-15	3
15		5	CAPACITOR BLOCK ASSEMBLY	90536	7071736-00	1
15		5	SCREW, MACH, PAN HD 4-40UNC-2A, 3/4 L (AP)	96906	908552-11 MS51957-19	5
			WASHER, FLAT, NO 4 (AP)	96906	4912548-00 MS15795-803	5
			WASHER, LOCK, SPRING, NO 4 (AP)	96906	4912550-00 MS35338-135	5
15	C1 THRU C5	6	CAPACITOR, FIXED, ELECTROLYTIC 45UF, +-20 PCT, 250V	56289	7901667-05 112D456X0250Y1	5
15	C6 C7	6	CAPACITOR, FIXED, ELECTROLYTIC 120UF, +30 PCT, -15 PCT, 150V	56289	7901635-13 112D127C3150Y1	3
15	CR1 CR6	5	SEMICONDUCTOR DEVICE, DIODE SILICON, FAST RECOVERY	81349	7903079-01 1N4944	2
15	E28 E32 E33 E34	5	TERMINAL, STUD, INSULATED HEAT TRANSFER (U/W CR1 AND CR6)	05327	7903506-00 A33002	4
15	L1	5	CHOKE, FILTER, 805 UH, 7.5 AMP 1 KC	90536	7071750-00	1
15	L2 L3	5	CHOKE, FILTER, 675 UH, 7.5 AMP 1 KC	90536	7071750-01	2
15	E35 THRU	5	TERMINAL, STUD, INSULATED 0/2 TURRET (U/W L1, L2, L3)	98291	7902843-01 ST250L4C2	5

## PARTS LIST

## GROUP ASSEMBLY PARTS LIST

FIG & INDEX NO	REF DESIG	I N D	DESCRIPTION	MFR CODE	UNIVAC PART NO MFR PART NO	QTY USED PER ON ASSY
0-15			REGULATOR ASSEMBLY, SWITCHING		CONTINUED	
	E39					
15	R3 R4	5	RESISTOR, FIXED, FILM 30K OHM, +-2 PCT, 2 WATT	81349	7900182-83 M22684-04-0167	2
15	R5 R6	5	RESISTOR, FIXED, FILM 10K OHM, +-2 PCT, 2 WATT	81349	7900182-72 M22684-04-0145	2
15	R7	5	RESISTOR, FIXED, FILM 1.6K OHM, +-2 PCT, 0.5 WATT	81349	7900184-36 RL20S1626	1
15	R8	5	RESISTOR, FIXED, FILM 560 OHM, +-2 PCT, 0.5 WATT	81349	7900184-25 RL20S5616	1
15	E40 THRU E49	5	TERMINAL BLOCK (U/W R3 THRU R8)	90536	7071730-00	10
15	T1	5	TRANSFORMER, CURRENT	90536	7071751-00	1
15	E29 E30 E31	5	TERMINAL, STUD, INSULATED 0/1 TURRET (U/W T1)	98291	908514-00 FT-SM74	3
15	T2	5	TRANSFORMER, CURRENT SENSOR	90536	7071753-00	1
15	E19 E20 E21 E25 E26 E27 E22 E23 E24	5	TERMINAL, FEED THRU, INSULATED 2/2 TURRETS (U/W T1 AND T2)	71279	7900993-00 4263-1-0519	6
			TERMINAL, STUD, INSULATED 0/2 TURRET (U/W T2)	98291	7902843-01 ST250L4C2	3
15-3		5	SUPPORT, CENTER	90536	7071741-00	1
15	C8	4	CAPACITOR, FIXED, MICA DIELECTRIC 750PF, +-2 PCT, 500V	81349	7902794-88 CM06FD751603	1
15	CR2 THRU CR5	4	SEMICONDUCTOR DEVICE, DIODE VOLT REG, 62V, 76MA	81349	7903093-23 1N4977	4
15	E64 THRU E68	4	TERMINAL, STUD, INSULATED, HEAT TRANSFER (U/W CR2 THRU CR5)	05327	7903506-00 A33002	5
15	CR7	4	SEMICONDUCTOR DEVICE, DIODE POWER, 400V, 12A	81349	7902834-02 1N3893	1
15		4	TERMINAL LUG, SOLDER (U/W CR7)	77963	7902786-00 520	1



FIG & INDEX NO	REF DESIG	I N D	DESCRIPTION	MFR CODE	UNIVAC PART NO MFR PART NO	QTY USED PER ON ASSY
6-15			REGULATOR ASSEMBLY, SWITCHING		CONTINUED	
			WASHER, INSULATING (AP)	90536	7217095-00	1
			WASHER, HEAT CONDUCTIVE AND INSULATING (AP)	13103	7901968-13 B510-200-40	1
			WASHER, SHOULDERED, INSUL (AP)	90536	7071754-00	1
			NUT, SPECIAL (AP)	90536	7066792-00	1
15	P1	4	CONNECTOR, ELEC, MALE, 20 CONTACT LOCATIONS	81312	7901766-00 MRAC20P436	1
15		4	SHIM, CONNECTOR (AP)	90536	7071724-00	4
			NUT, SELF-LOCKING, HEX 4-4UNC-3B (AP)	72962	906056-03 79LH1660-40	2
15		5	CONTACT, ELEC, MALE, SIZE 24 AWG	81312	910878-00 100-1024P55	3
			CONTACT, ELEC, MALE, SIZE 22 AWG	81312	910878-01 100-1022P55	8
			CONTACT, ELEC, MALE, SIZE 20 AWG	81312	910878-02 100-1020P55	3
			CONTACT, ELEC, MALE, SIZE 16 AWG	81312	910878-04 100-1016P55	4
15	Q1 Q2	4	TRANSISTOR, NPN, SILICON, POWER HIGH V, 300V (MATCHED PAIR)	90536	7214357-00	1
15		4	WASHER, INSULATING (AP)	90536	7217095-01	2
			WASHER, HEAT CONDUCTIVE AND INSULATING (AP)	13103	7901968-11 B800-320-62	2
			NUT, SPECIAL, 5/16-24UNF (AP)	90536	7071780-00	2
15	R1	4	RESISTOR, FIXED, WIREWOUND 75 OHM, +-1 PCT, 10 WATT	81349	7902178-84 RE65G75R0	1
15	R2	4	RESISTOR, FIXED, WIREWOUND 1 OHM, +-1 PCT, 5 WATT	81349	7901859-05 RE60G1R00	1
15		4	SCREW, MACH, PAN HD, 2-56UNC-2A 0.312 L (AP FOR R1 AND R2)		3157139-03 COML	4
			NUT, SELF-LOCKING, HEX, 2-56 (AP FOR R1 AND R2)	72962	906056-01 79LH1660-26	4
15	S1	4	SWITCH, THERMOSTATIC, SPST OPEN 190 DEG F, CLOSE 220 DEG F	73803	7901848-05 48TF2-45-12	1
15	S2	4	SWITCH, THERMOSTATIC, SPST OPEN 210 DEG F, CLOSE 240 DEG F	73803	7901848-06 48TF2-49-12	1
15		4	INSULATOR, PLATE, HEAT CONDUCT (U/W S1 AND S2)	13103	7901250-04 4005-15SLOTTED	2
15-4		4	BASE, REGULATOR	90536	7071721-00	1

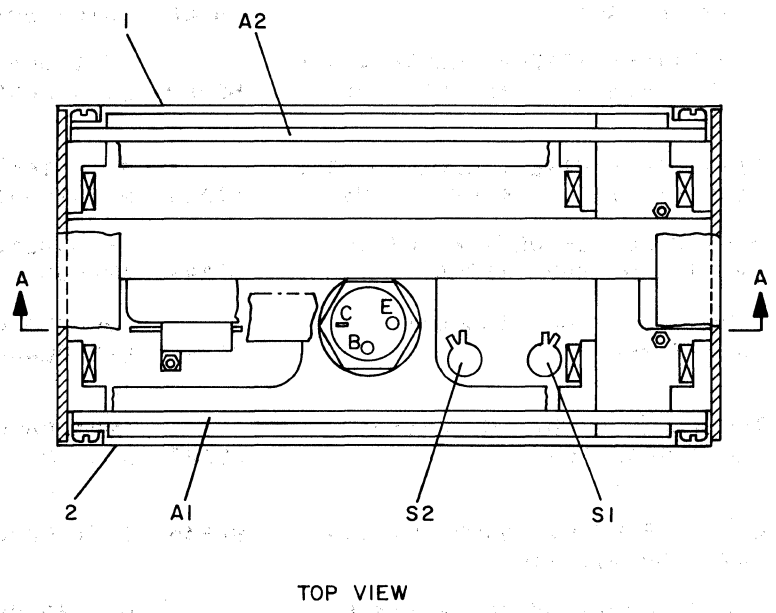
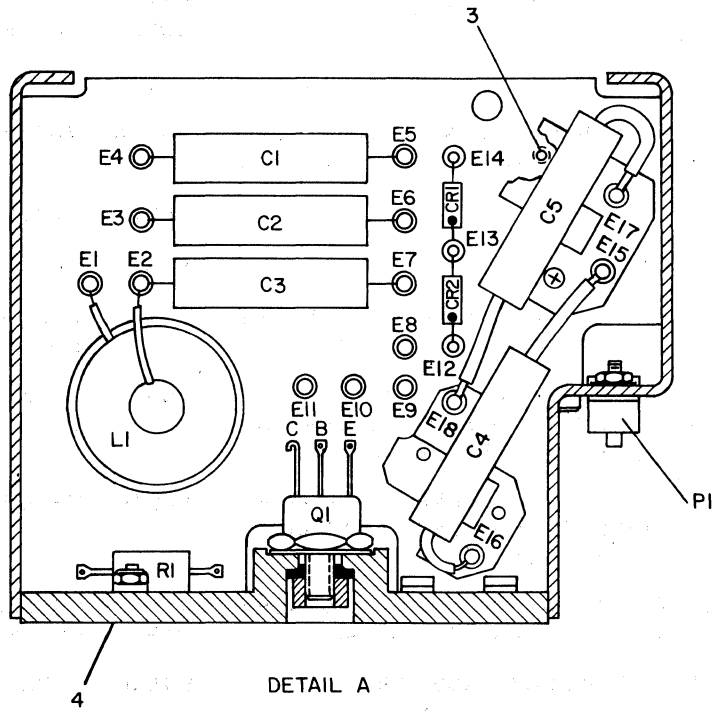


FIGURE 6-16. -20 VDC REGULATOR-OSCILLATOR UNIT A5A5

GROUP ASSEMBLY PARTS LIST

PARTS LIST

FIG & INDEX NO	REF DESIG	QTY	DESCRIPTION	MFR CODE	UNIVAC PART NO MFR PART NO	USED PER ON ASSY
6-16	A5A5	3	REGULATOR-OSCILLATOR UNIT -20 VDC (FOR NHA SEE FIG 6-14)	90536	7073075-01	REF
16-1		4	COVER, LH	90536	7073082-00	1
16-2		4	COVER, RH	90536	7073083-00	1
16		4	SCREW, MACH, PAN HD, 4-40UNC-2A 0.375 L (AP FOR IDX 1 AND 2)		4912523-04 COML	10
16	A1	4	CIRCUIT CARD ASSEMBLY -20 VOLT, REG AND OSCILLATOR (FOR NLA SEE FIG 6-28)	90536	7073076-00	1
16	A2	4	CIRCUIT CARD ASSEMBLY, POWER INTERRUPT AND MASTER CLEAR (FOR NLA SEE FIG 6-29)	90536	7216911-00	1
16		4	SCREW, MACH, PAN HD, 4-40UNC-2A 3/8 L (AP FOR A1 AND A2)	96906	908552-05 MS51957-15	24
16		4	CENTER SUPPORT ASSEMBLY	90536	7073100-01	1
16		4	SCREW, MACH, FLAT HD 4-40UNC-2A, 3/8 L (AP)	96906	4912511-02 MS51959-15	5
			SCREW, MACH, PAN HD 4-40UNC-2A, 0.375 L (AP)		4912523-04 COML	4
			SCREW, CAP, SKT HD, 4-40UNC-3A 0.25 L (AP)	96906	911603-02 MS16995-9	1
16	C1 C2 C3	5	CAPACITOR, FIXED, ELECTROLYTIC 45UF, -15 PCT, +50 PCT, 75V	56289	7901666-05 112456C5075J1	3
16	C4 C5	5	CAPACITOR, FIXED, ELECTROLYTIC 100UF, -10PCT, +30PCT, 50V	81349	7902616-36 M39018-01-0636	2
16	CR1 CR2	5	SEMICONDUCTOR DEVICE, DIODE VOLT REG, 30V, 158MA	81349	7903093-15 1N4969	2
16	E1 THRU E11	5	TERMINAL, STUD, INSULATED 0/2 TURRET	98291	7902843-01 ST250L4C2	11
16	E12 E13 E14	5	TERMINAL, STUD, INSULATED HEAT TRANSFER	05327	7903506-00 A33002	3
16	L1	5	CHOKE, FILTER, 0.97 MH, 1.3 AMP, 50 MV, 1KC	90536	7071750-03	1
16-3		5	CLAMP, LOOP, NYLON, P STYLE	09922	900129-05 HP-6N	1
16		5	SCREW, MACH, PAN HD, 4-40UNC-2A 0.875 L (AP)	96906	908552-12 MS51957-20	1

FIG & INDEX NO	REF DESIG	I N D	DESCRIPTION	MFR CODE	UNIVAC PART NO MFR PART NO	QTY PER ASSY	USED ON
6-16			REGULATOR-OSCILLATOR UNIT		CONTINUED		
			WASHER, FLAT, NO 4 (AP)	96906	4912548-10 MS15795-804	1	
16	P1	4	CONNECTOR, PLUG, ELEC, MALE, 34 CONTACT LOCATIONS	81312	7902866-02 SREC34PN937	1	
16		4	SHIM, CONNECTOR (AP)	90536	7073089-00	4	
16		5	CONTACT, ELEC, MALE, SIZE 20-22 AWG	81349	7903169-00 100-4020P62	30	
			CONTACT, ELEC, MALE, SIZE 24-28 AWG	81349	7903169-01 100-4024P62	4	
16	Q1	4	TRANSISTOR, NPN, SILICON, POWER 50W, 120V, 10A	21845	7901238-00 MHT7082	1	
16		4	WASHER, SHOULDER, PLASTIC 1/4 THD SIZE (AP)	06540	7902833-03 2642-31050-N253	1	
			WASHER, HEAT CONDUCTIVE AND INSULATING (AP)	13103	7901968-08 8800-260-62	1	
			NUT, PLAIN, ROUND, SP (AP)	90536	7035853-00	1	
16	R1	4	RESISTOR, FIXED, WIREWOUND 0.499 OHM, +-1 PCT, 5 WATT	81349	7901859-03 RE60GR499	1	
16		4	SCREW, MACH, PAN HD 2-56UNC-2A, 0.375 L (AP)	96906	7903132-04 MS51957-5	2	
			NUT, SELF-LOCKING, HEX 2-56NC-3B (AP)	72962	906056-01 79LH1660-26	2	
16	S1	4	SWITCH, THERMOSTATIC, SPST OPEN 190 DEG F, CLOSE 220 DEG F	73803	7901848-05 4BTF2-45-12	1	
16	S2	4	SWITCH, THERMOSTATIC, SPST OPEN 210 DEG F, CLOSE 240 DEG F	73803	7901848-06 4BTF2-49-12	1	
16		4	INSULATOR, PLATE, HEAT COND (U/W S1 AND S2)	13103	7901250-04 4005-15SLOTTED	2	
16-4		4	BASE, -20V REG-OSC	90536	7073086-00	1	

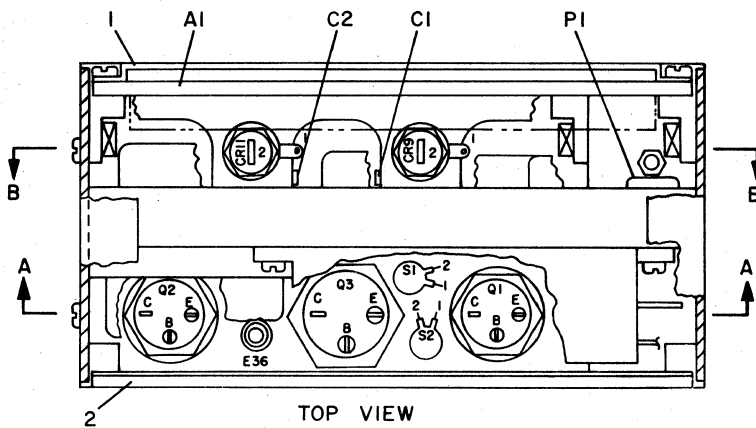
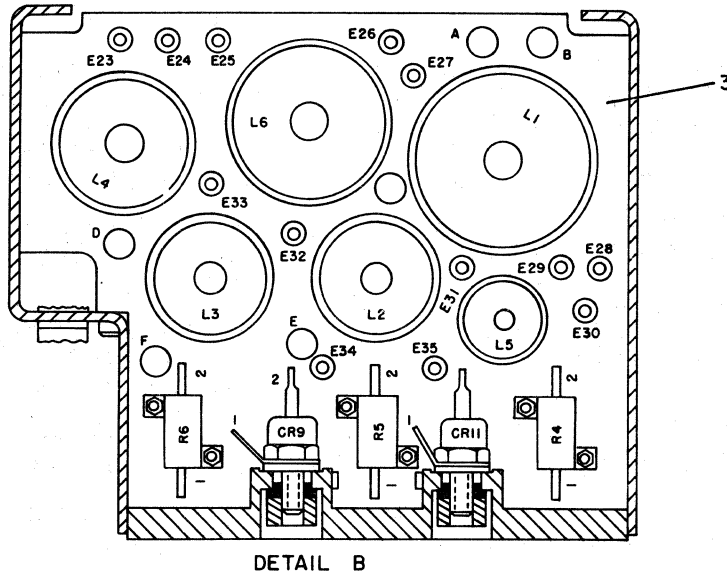
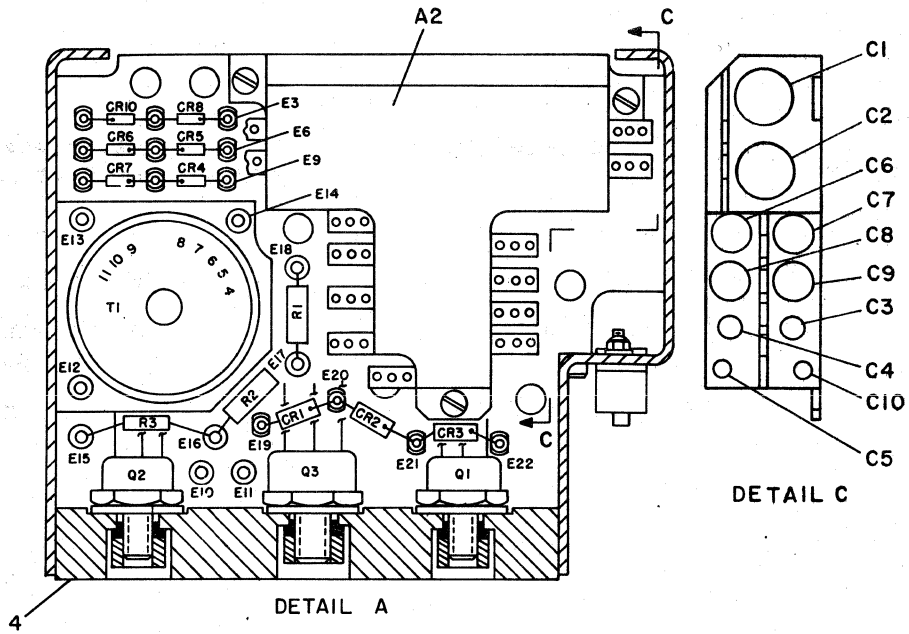


FIGURE 6-17. REGULATING CONVERTER ASSEMBLY A5A6

## PARTS LIST

## GROUP ASSEMBLY PARTS LIST

FIG & INDEX NO	REF DESIG	I N D	DESCRIPTION	MFR CODE	UNIVAC PART NO MFR PART NO	QTY PER ASSY	USED ON ASSY
6-17	A5A6	3	REGULATING CONVERTER ASSEMBLY POWER SUPPLY (FOR NHA SEE FIG 6-14)	90536	7073175-01	REF	
17-1		4	COVER, LH	90536	7073082-00	1	
17-2		4	COVER, RH	90536	7073191-00	1	
17		4	SCREW, MACH, PAN HD, 4-40UNC-2A 0.375 L (AP FOR IDX 1 AND 2)		4912523-04 COML	11	
17	A1	4	CKT CARD ASSY, REGULATING CONV (FOR NLA SEE FIG 6-30)	90536	7216913-00	1	
17		4	SCREW, MACH, PAN HD 4-40UNC-2A, 3/8 L (AP)	96906	908552-05 MS51957-15	12	
17	C1 C2	4	CAPACITOR, FIXED, CERAMIC DIELECTRIC, 1000PF, +-10 PCT	81349	7901102-24 CK05BX102K	2	
17	CR9 CR11	4	SEMICONDUCTOR DEVICE, DIODE POWER, 100V, 12A	81349	7902834-00 1N3890	2	
17		4	TERMINAL, LUG, MOD(U/W CR9,CR11) WASHER, HEAT CONDUCTIVE AND INSULATING (AP)	90536 13103	7071971-00 7901968-13 B510-200-40	2 2	
			WASHER, INSULATING (AP)	90536	7217095-00	2	
			NUT, SPECIAL (AP)	90536	7066792-00	2	
17	E36	4	TERMINAL STUD, INSULATED 0/2 TURRET	98291	7903115-00 ST1901	1	
17	P1	4	CONNECTOR, ELEC, MALE, 20 CONTACT LOCATIONS	81312	7901766-00 MRAC20P436	1	
17		4	SHIM, CONNECTOR (AP) WASHER, FLAT, NO 4 (AP)	90536 96909	7071724-00 4912548-00 MS15795-803	4 2	
			NUT, SELF-LOCKING, HEX 4-40UNC-3B (AP)	72962	906056-03 79LH1660-40	2	
17		5	CONTACT, ELEC, MALE, SIZE 24 AWG	81312	910878-00 100-1024P55	7 3	
			CONTACT, ELEC, MALE, SIZE 22 AWG	81312	910878-01 100-1022P55	3 1	
			CONTACT, ELEC, MALE, SIZE 20 AWG	81312	910878-02 100-1020P55	1 8	
			CONTACT, ELEC, MALE, SIZE 18 AWG	81312	910878-03 100-1018P55	8	
17	Q1 Q2	4	TRANSISTOR, NPN, SILICON, POWER	21845	7902185-00 SDT7825	2	
17		4	WASHER, HEAT CONDUCTIVE AND INSULATING (AP)	13103	7901968-08 B800-260-62	2	
			WASHER, INSULATING (AP)	90536	7217095-03	2	

GROUP ASSEMBLY PARTS LIST

PARTS LIST

FIG & INDEX NO	REF DESIG	I N D	DESCRIPTION	MFR CODE	UNIVAC PART NO MFR PART NO	QTY USED PER ON ASSY
6-17			REGULATING CONVERTER ASSEMBLY		CONTINUED	
			NUT, PLAIN, ROUND, SP (AP)	90536	7035853-00	2
17	Q3	4	TRANSISTOR, NPN, SILICON, POWER	01295	7900755-00 SP4167	1
17		4	WASHER, HEAT CONDUCTIVE AND INSULATING (AP)	13103	7901968-11 B800-320-62	1
			WASHER, INSULATING (AP)	90536	7217095-01	1
			NUT, SPECIAL, 5/16-24UNF (AP)	90536	7071780-01	1
17	S1	4	SWITCH, THERMOSTATIC, SPST OPEN 190 DEG F, CLOSE 220 DEG F	73803	7901848-05 4BTF2-45-12	1
17	S2	4	SWITCH, THERMOSTATIC, SPST OPEN 210 DEG F, CLOSE 240 DEG F	73803	7901848-06 4BTF2-49-12	1
17		4	INSULATOR, PLATE, HEAT COND (U/W S1 AND S2)	13103	7901250-04 4005-15SLOTTED	2
17		4	CENTER SUPPORT ASSEMBLY	90536	7073185-00	1
17		4	SCREW, MACH, FLAT HD 4-40UNC-2A, 3/8 L (AP)	96906	4912511-02 MS51959-15	5
			SCREW, MACH, PAN HD 4-40UNC-2A, 0.375 L (AP)		4912523-04 COML	4
17	A2	5	CAPACITOR BLOCK ASSEMBLY	90536	7073190-00	1
17		5	SCREW, MACH, PAN HD 4-40UNC-2A, 3/8 L (AP)	96906	908552-05 MS51957-15	3
17	A2C1 A2C2	6	CAPACITOR, FXD, ELECTROLYTIC 75V, 300 UF, -15 PCT, +50 PCT	56289	7901666-11 112D307C5075Y1	2
17	A2C3	6	CAPACITOR, FXD, ELECTROLYTIC 75V, 12 UF, -15 PCT, +50 PCT	81349	7902692-118 M39003/01-2418	1
17	A2C4	6	CAPACITOR, FXD, ELECTROLYTIC 150V, 1.6 UF, -15 PCT, +30 PCT	56289	7901635-07 112D165C3150D1	1
17	A2C5	6	CAPACITOR, FXD, ELECTROLYTIC 50V, 0.47 UF, PORM 10 PCT	81349	7903069-73 M39003/01-2830	1
17	A2C6 THRU A2C9	6	CAPACITOR, FXD, ELECTROLYTIC 10V, 220 UF, PORM 10 PCT	81349	7903069-17 M39003/01-2745	4
17	A2C10	6	CAPACITOR, FXD, ELECTROLYTIC 10V, 33 UF, PORM 10 PCT	81349	7903069-11 M39003/01-2737	1
17	CR1 CR2 CR3	5	SEMICONDUCTOR DEVICE, DIODE VOLT REG, 20V, 237MA	81349	7903093-11 1N4965	3
17	CR4 CR7	5	SEMICONDUCTOR DEVICE, DIODE SILICON, FAST RECOVERY	81349	7903079-01 1N4944	2

## PARTS LIST

## GROUP ASSEMBLY PARTS LIST

FIG & INDEX NO	REF DESIG	QTY	DESCRIPTION	MFR CODE	UNIVAC PART NO MFP PART NO	USED PER ON ASSY
6-17			REGULATING CONVERTER ASSEMBLY		CONTINUED	
17	CR5 CR6 CR8 CR10	5	SEMICONDUCTOR DEVICE, DIODE SILICON, FAST RECOVERY	81349	7903079-00 1N4942	6
17	E1 THRU E9 E19 THRU E22	5	TERMINAL STUD, INSULATED HEAT TRANSFER	05327	7903506-00 A33002	13
17	E10 THRU E15 E17 E18 E23 THRU E35	5	TERMINAL STUD, STANDOFF 0/2 TURRET	98291	907035-01 013-2006	21
17	E16	5	TERMINAL STUD, INSULATED 0/2	98291	7902843-01 ST25014	1
17	L1	5	CHOKE, FILTER, 269 OHM, 6 AMP 1 KC	90536	7071750-08	1
17	L2 L3	5	CHOKE, FILTER, 15.1 MH, 0.2 AMP, 1 KC	90536	7071750-12	2
17	L4	5	CHOKE, FILTER, 1.22 MH, 1.4 AMP, 1 KC	90536	7071750-11	1
17	L5	5	CHOKE, FILTER, 7.92 MH, 0.13 AMP, 1 KC	90536	7071750-21	1
17	L6	5	CHOKE, FILTER, 60.8 MH, 10 AMP 1 KC	90536	7071750-09	1
17	R1 R2	5	RESISTOR, FIXED, WIREWOUND 2K OHM, +-5 PCT, 3 WATT	81349	910509-62 RW69V202	2
17	R3	5	RESISTOR, FIXED, FILM 510 OHM, +-5 PCT, 0.5 WATT	81349	7900184-24 RL20S5116	1
17	R4 R5	5	RESISTOR, FIXED, WIREWOUND 0.1 OHM, +-1 PCT, 5 WATT	81349	7901859-00 RE60GR100	2
17	R6	5	RESISTOR, FIXED, WIREWOUND 2 OHM, +-1 PCT, 5 WATT	81349	7901859-06 RE60G2R00	1
17		5	SCREW, MACH, PAN HD, 2-56UNC-2A 0.625 L (AP FOR R4, R5, R6)	96906	7903132-08 MS51957-8	6



GROUP ASSEMBLY PARTS LIST

PARTS LIST

FIG & INDEX NO	REF DESIG	I N D	DESCRIPTION	MFR CODE	UNIVAC PART NO MFR PART NO	QTY PER ASSY	USED ON
6-17			REGULATING CONVERTER ASSEMBLY		CONTINUED		
			NUT, SELF-LOCKING, HEX 2-56NC-3H (AP FOR R4, R5, R6)	72962	906056-01 79LH1660-26	6	
17	T1	5	TRANSFORMER, POWER	90536	7073186-00	1	
17-3		5	CENTER SUPPORT, REG	90536	7073187-00	1	
17-4		4	BASE, REGULATOR CONVERTER	90536	7073194-00	1	

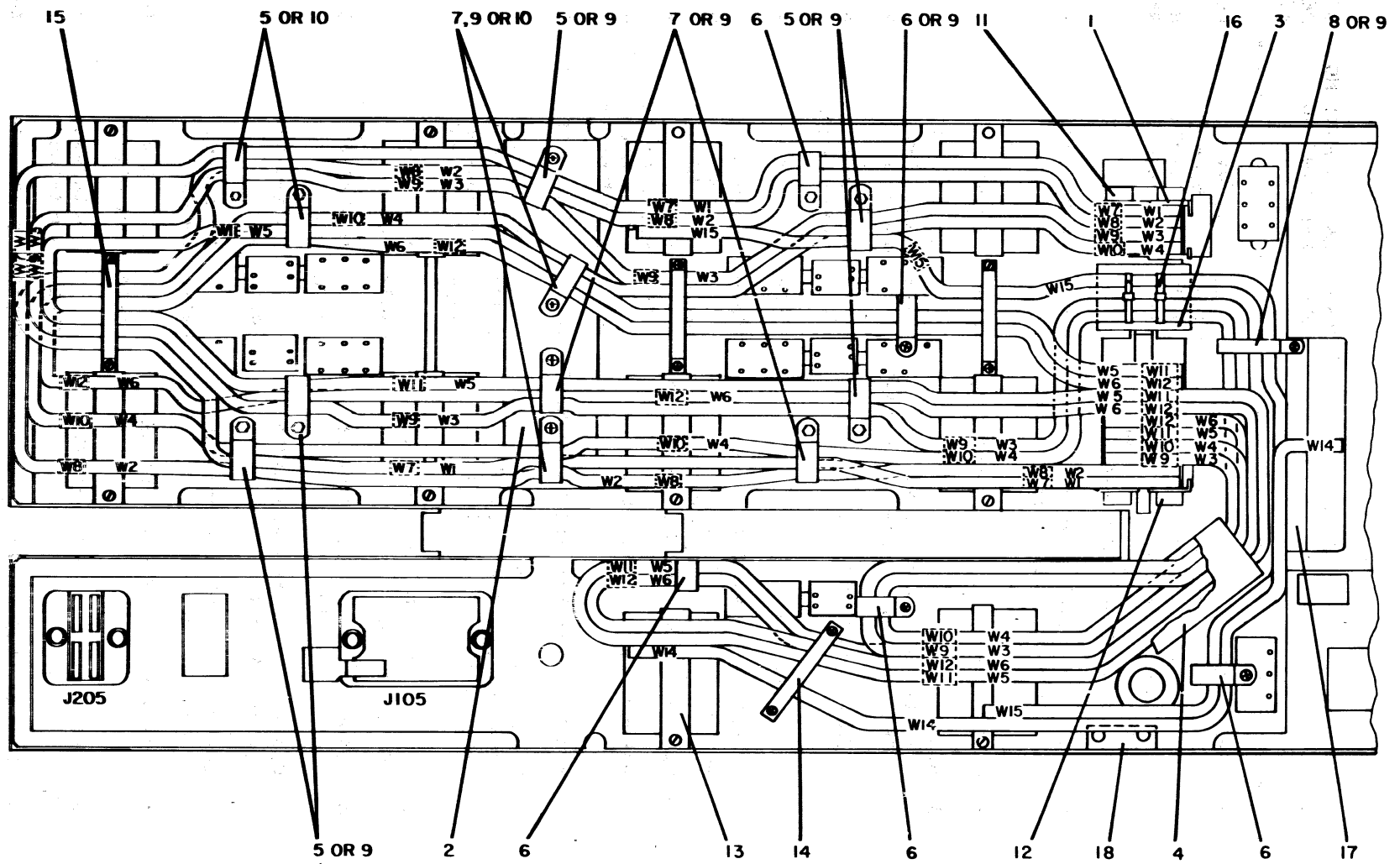


FIGURE 6-18. CABLE INSTALLATION (TYPICAL)

GROUP ASSEMBLY PARTS LIST

PARTS LIST

FIG & INDEX NO	REF DESIG N	I N D	DESCRIPTION	MFR CODE	UNIVAC PART NO MFR PART NO	QTY PER ASSY	USED ON
6-18		2	CABLE INSTALLATION	90536	7073291-XX	REF	A
			CABLE INSTALLATION	90536	7073536-XX	REF	B
			CABLE INSTALLATION	90536	7073448-XX	REF	C
			CABLE INSTALLATION (FOR NHA SEE FIG 6-1) (FOR CABLE ROUTING SEE PX5240-1)	90536	7216357-XX	REF	D
18-1	A9 THRU A16	3	RESISTOR MODULE ASSEMBLY (FOR NLA SEE FIG 6-22)	90536	7216492-00	AR	
18-2		3	PLATE, SUPPORT, WIRING HARNESS	90536	7073430-00	1	
18		3	SCREW, MACH, PAN HD		4912531-02	4	
			6-32UNC-2A, 3/8 L (AP)	96906	MS51957-28		
			WASHER, LOCK, SPRING, NO 6 (AP)		4912550-01	4	
				96906	MS35338-136		
			WASHER, FLAT, NO 6 (AP)		4912548-01	4	
				96906	MS15795-805		
18-3		3	PLATE, SUPPORT	90536	7073432-00	1	
18		3	SPACER, SUPPORT PLATE (AP)	90536	7073433-00	4	
			SCREW, MACH, PAN HD		908552-12	4	
			4-40UNC-2A, 7/8 L (AP)	96906	MS51957-12		
			WASHER, LOCK, SPRING, NO 4 (AP)		4912550-00	4	
				96906	MS35338-135		
			WASHER, FLAT, NO 4 (AP)		4912548-00	4	
				96906	MS15795-803		
18-4		3	PLATE, RETAINER, WIRING HARNESS	90536	7073427-00	1	
18		3	SCREW, MACH, PAN HD		908552-05	4	
			4-40UNC-2A, 3/8 L (AP)	96906	MS51957-15		
			WASHER, FLAT, NO 4 (AP)		4912548-00	4	
				96906	MS15795-803		
18-5		3	CLAMP, LOOP, NYLON, P-STYLE 0.620 IN. DIA		900129-09	AR	
				09922	HP10N		
18-6		3	CLAMP, LOOP, NYLON, P-STYLE 0.475 IN. DIA		900129-07	5	AC
				09922	HP8N		
18-7		3	CLAMP, LOOP, NYLON, P-STYLE 0.535 IN. DIA		900129-08	4	AC
				09922	HP9N		
18-8		3	CLAMP, LOOP, NYLON, P-STYLE 0.820 IN. DIA		900128-03	1	AC
				09922	HP13N		
18-9		3	CLAMP, LOOP, NYLON, P-STYLE		900128-04	AR	BD
				71616	1953-14B		
18-10		3	CLAMP, LOOP, NYLON, P-STYLE		900128-05	2	BD
				71616	1953-16B		
18		3	SPACER, LOOP CLAMP (AP FOR IDX 5, 8 AND 9)	90536	7073431-00	AR	

PARTS LIST

GROUP ASSEMBLY PARTS LIST

FIG & INDEX NO	REF DESIG	I N D	DESCRIPTION	MFR CODE	UNIVAC PART NO MFR PART NO	QTY PER ASSY	USED ON
6-18			CABLE INSTALLATION		CONTINUED		
18		3	SCREW, MACH, PAN HD, 4-40UNC-2A 3/8 L (AP FOR IDX 6)	96906	908552-05 MS51957-15	1	
			SCREW, MACH, PAN HD, 6-32UNC-2A 3/8 L (AP FOR IDX 5,6,7,9,10)	96906	4912531-02 MS51957-28	AR	
			SCREW, MACH, PAN HD, 6-32UNC-2A 7/16 L (AP FOR IDX 5,6,7,9,10)	96906	4912531-03 MS51957-29	AR	
			SCREW, MACH, PAN HD, 4-40UNC-2A 7/16 L (AP FOR IDX 8 AND 9)	96906	908552-06 MS51957-16	1	
			WASHER, FLAT, NO 6 (AP FOR IDX 5 THRU 10)	96906	4912548-01 MS15795-805	AR	
			WASHER, FLAT, NO 4 (AP FOR IDX 6, 8 AND 9)	96906	4912548-00 MS15795-803	2	
			WASHER, LOCK, SPRING, NO 4 (AP FOR IDX 6)	96906	4912550-00 MS35338-135	1	
18-11		3	RETAINER, CONNECTOR	90536	7071847-00	2	
18-12		3	RETAINER, CONNECTOR	90536	7071847-02	2	
18		3	SCREW, MACH, PAN HD, 4-40UNC-2A 7/16 L (AP FOR IDX 11 AND 12)	96906	908552-06 MS51957-16	4	
			WASHER, LOCK, SPRING, NO 4 (AP FOR IDX 11 AND 12)	96906	4912550-00 MS35338-135	4	
			WASHER, FLAT, NO 4 (AP FOR IDX 11 AND 12)	96906	4912548-00 MS15795-803	4	
18-13		3	CLAMP, CONNECTOR	90536	7073295-00	10	
18		3	SCREW, EXTERNALLY RELIEVED BODY 4-40UNC-2A, 0.562 L (AP)	06540	7902788-16 6235SS0440	20	
			WASHER, FLAT, NO 4 (AP)	96906	4912548-00 MS15795-803	20	
18-14		3	CLAMP, WIRE SUPPORT	90536	7073429-00	1	
18		3	SCREW, MACH, PAN HD 6-32UNC-2A, 3/8 L (AP)	96906	4912531-02 MS51957-28	2	
			WASHER, LOCK, SPRING, NO 6 (AP)	96906	4912550-01 MS35338-136	2	
			WASHER, FLAT, NO 6 (AP)	96906	4912548-01 MS15795-805	2	
18-15		3	CLAMP, WIRING HARNESS	90536	7073426-00	3	
18		3	SCREW, MACH, PAN HD 4-40UNC-2A, 5/16 L (AP)	96906	908552-04 MS51957-14	6	
			WASHER, FLAT, NO 4 (AP)	96906	4912548-00 MS15795-803	6	
18	W1	3	WIRING HARNESS, 60.50 IN. L	90536	7071857-00	1	
18	W2	3	WIRING HARNESS, 59.75 IN. L	90536	7071857-01	1	
18	W3	3	WIRING HARNESS, 90.00 IN. L	90536	7071857-02	1	

FIG & INDEX NO	REF DESIG	1 N D	DESCRIPTION	MFR CODE	UNIVAC PART NO MFR PART NO	QTY PER ASSY	USED ON
6-18			CABLE INSTALLATION		CONTINUED		
18	W4	3	WIRING HARNESS, 92.50 IN. L	90536	7071857-03	1	
18	W5	3	WIRING HARNESS, 98.12 IN. L	90536	7071857-04	1	
18	W6	3	WIRING HARNESS, 103.50 IN. L	90536	7071857-05	1	
18	W7	3	WIRING HARNESS, 58.50 IN. L	90536	7071857-06	1	
18	W8	3	WIRING HARNESS, 58.00 IN. L	90536	7071857-07	1	
18	W9	3	WIRING HARNESS, 93.30 IN. L	90536	7071857-08	1	
18	W10	3	WIRING HARNESS, 91.25 IN. L	90536	7071857-09	1	
18	W11	3	WIRING HARNESS, 101.45 IN. L	90536	7071857-10	1	
18	W12	3	WIRING HARNESS, 103.50 IN. L	90536	7071857-11	1	
18	W13	3	WIRING HARNESS, 70.25 IN. L	90536	7071857-12	1	ABD
18	W14	3	WIRING HARNESS, 22.00 IN. L	90536	7071858-00	1	
18	W15	3	WIRING HARNESS, 32.00 IN. L (FOR NLA SEE FIG 6-19)	90536	7073238-00	1	
18-16		3	STRAP, CABLE, ADJUSTABLE 6 IN L, 0.190 IN W, WHITE	06383	7900539-01 SST2	2	
18-17		3	CLAMP, CONNECTOR	90536	7073298-00	1	
18		3	SCREW, MACH, PAN HD 4-40UNC-2A, 1/4 L (AP)	96906	908552-03 MS51957-13	1	
			WASHER, FLAT, NO 4 (AP)	96906	4912548-00 MS15795-803	1	
18-18		3	STRAP, GROUNDING	90536	7216306-00	1	
18		3	SCREW, MACH, PAN HD 4-40UNC-2A, 5/16 L (AP)	96906	908552-04 MS51957-14	2	
			WASHER, LOCK, SPRING, NO 4 (AP)	96906	4912550-00 MS35338-135	2	
			WASHER, FLAT, NO 4 (AP)	96906	4912548-00 MS15795-803	2	

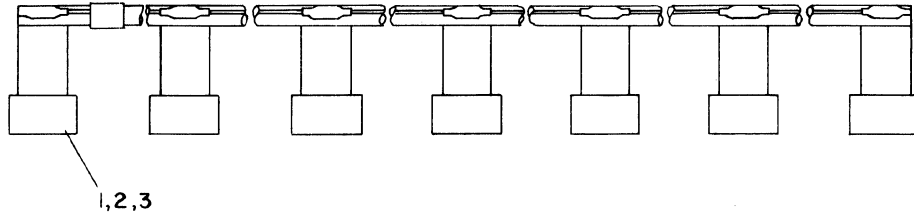


FIGURE 6-19. WIRE HARNESS W1 THRU W15

FIG & INDEX NO	REF DESIG	I N D	DESCRIPTION	MFR CODE	UNIVAC PART NO MFR PART NO	QTY PER ASSY	USED ON
6-19	W1	3	WIRE HARNESS	90536	7071857-00	REF	A
	W2		WIRE HARNESS	90536	7071857-01	REF	B
	W3		WIRE HARNESS	90536	7071857-02	REF	C
	W4		WIRE HARNESS	90536	7071857-03	REF	D
	W5		WIRE HARNESS	90536	7071857-04	REF	E
	W6		WIRE HARNESS	90536	7071857-05	REF	F
	W7		WIRE HARNESS	90536	7071857-06	REF	G
	W8		WIRE HARNESS	90536	7071857-07	REF	H
	W9		WIRE HARNESS	90536	7071857-08	REF	I
	W10		WIRE HARNESS	90536	7071857-09	REF	J
	W11		WIRE HARNESS	90536	7071857-10	REF	K
	W12		WIRE HARNESS	90536	7071857-11	REF	L
	W13		WIRE HARNESS	90536	7071857-12	REF	M
	W14		WIRE HARNESS	90536	7071858-00	REF	N
	W15		WIRE HARNESS (FOR NHA SEE FIG 6-18)	90536	7073238-00	REF	O
19-1		4	CONNECTOR, PLUG, ELEC, FEMALE 20 CONTACT LOCATIONS	00779	7902799-00 86201-1	6 7 4 2	ABEF GHKL CDIJ M NO
19-2		4	CONTACT, ELECTRICAL, FEMALE MINTR, ACCOM 20-22 AWG WIRE	00779	7902072-00 85969-4LP	60 68 74 84 36	AEHL BFGK CJ DI M
19-3		4	CONTACT, ELECTRICAL, FEMALE MINTR, ACCOM 24-30 AWG WIRE	00779	7902072-01 85967-4LP	24 28 16	ACEH JL BDFG IKMO N

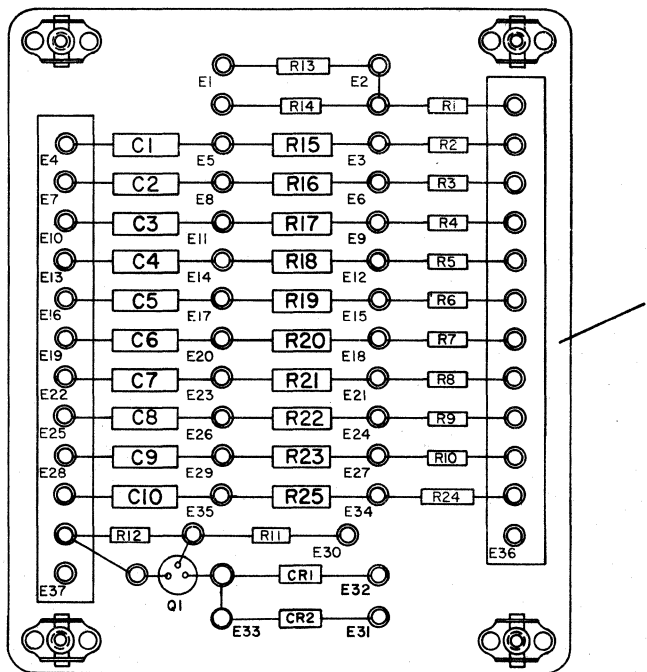


FIGURE 6-20. OPERATOR'S PANEL ASSEMBLY A17

## PARTS LIST

## GROUP ASSEMBLY PARTS LIST

FIG & INDEX NO	REF DESIG	I N D	DESCRIPTION	MFR CODE	UNIVAC PART NO MFR PART NO	QTY PER ASSY	USED ON
6-20	A17	3	OPERATORS PANEL ASSEMBLY (FOR NHA SEE FIG 6-2)	90536	7073199-00	REF	
20	C1 THRU C10	4	CAPACITOR, FIXED, ELECTROLYTIC 0.22UF, +-10 PCT, 50V	81349	7902696-69 M39003-01-2344	10	
20	CR1	4	SEMICONDUCTOR DEVICE, DIODE SILICON, SWITCHING, 110 MW	03508	7901126-00 DJXR894	1	
20	CR2	4	SEMICONDUCTOR DEVICE, DIODE 1AMP, 200V, 300 MW	81349	7902067-00 1N3611	1	
20	Q1	4	TRANSISTOR, NPN, SILICON SWITCHING, 60V, 400 MW	01295	7900038-00 SM2379	1	
20	R1	4	RESISTOR, FIXED, FILM 2K OHM, +-2 PCT, 1/4 WATT	81349	7900183-38 RL07S202G	1	
20	R2 THRU R10 R24	4	RESISTOR, FIXED, FILM 5.6K OHM, +-2 PCT, 1/4 WATT	81349	7900183-49 RL07S562G	10	
20	R11	4	RESISTOR, FIXED, FILM 750 OHM, +-2 PCT, 1/4 WATT	81349	7900183-28 RL07S751G	1	
20	R12	4	RESISTOR, FIXED, FILM 2.7K OHM, +-2 PCT, 0.5 WATT	81349	7900183-41 RL07S272G	1	
20	R13	4	RESISTOR, FIXED, WIREWOUND 402 OHM, +-1 PCT, 0.5 WATT	11502	7900784-58 AS-1/2-402.0 PORM1PCT	1	
20	R14	4	RESISTOR, FIXED, FILM 3K OHM, +-2 PCT, 1/4 WATT	81349	7900183-42 RL07S302G	1	
20	R15 THRU R23 R25	4	RESISTOR, FIXED, COMPOSITION 30 OHM, +-5 PCT, 0.5 WATT	81349	4911674-12 RC20GF300J	10	
20-1		4	BOARD, OPERATOR	90536	7073198-00	1	



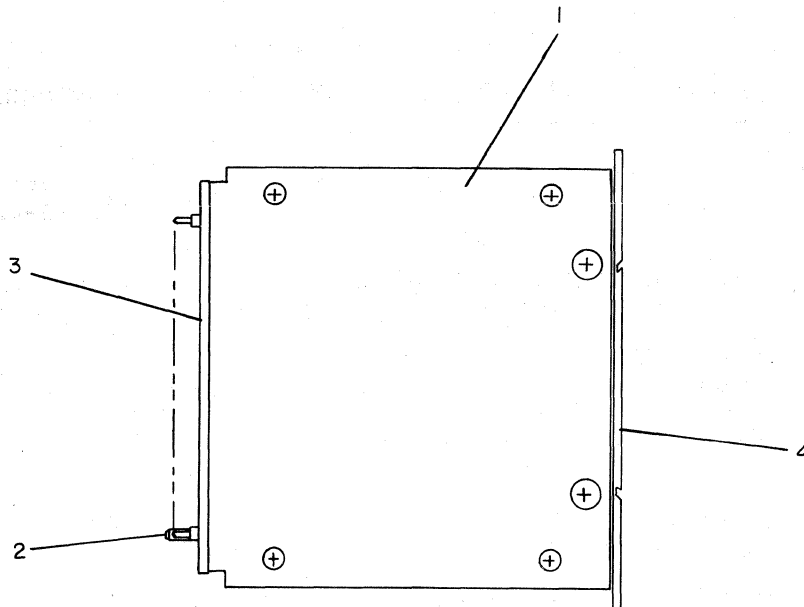
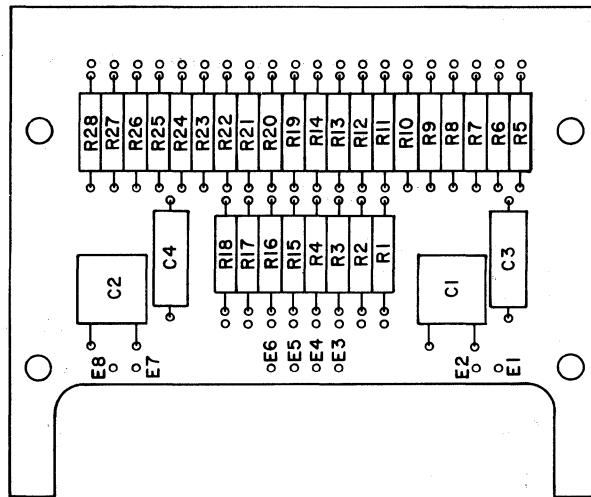
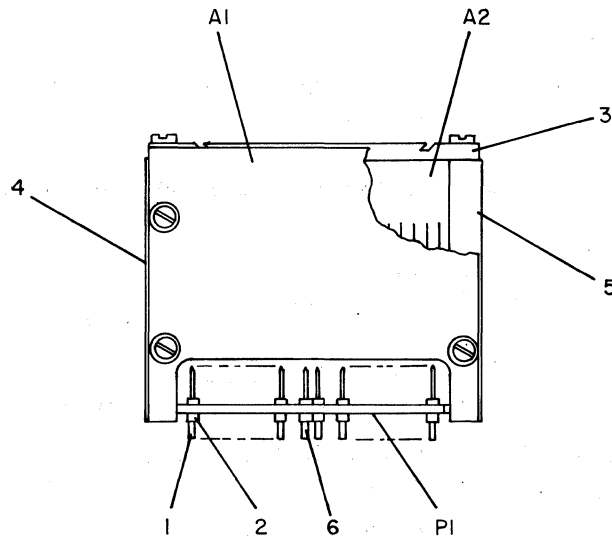


FIGURE 6-21. I/O MODE SELECTOR SWITCH A2A2

FIG & INDEX NO	REF DESIG	I N D	DESCRIPTION	MFR CODE	UNIVAC PART NO MFR PART NO	QTY USED PER ASSY
6-21	A2A2	3	MODE SELECTOR SWITCH, I/O (WIRED TO MATCH INTERFACE REQUIREMENTS) (FOR NHA SEE FIG 6-1)	90536	7073230-XX	REF
21-1		4	COVER, SIDE	90536	7073228-00	1
21		4	SCREW, MACH, FLAT HD 2-50UNC-2A, 0.188 L (AP)		3157138-00 COML	4
			SCREW, MACH, FLAT HD 4-40UNC-2A, 0.25 L (AP)	96906	4912511-00 MS51959-13	2
21-2		4	PIN, CODE, CONTACT MALE, BLUE	VRING	7901765-00 1890-00	4
21-3		4	CONNECTOR, ELECTRICAL, MALE	90536	7073229-00	1
21		4	SCREW, MACH, FLAT HD 4-40UNC-2A, 0.25 L (AP)	96906	4912511-00 MS51959-13	4
21-4		4	CASE, MODE SELECTOR	90536	7073227-00	1



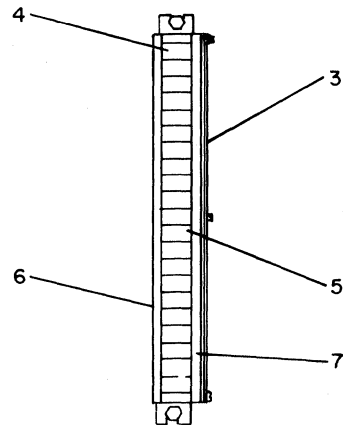
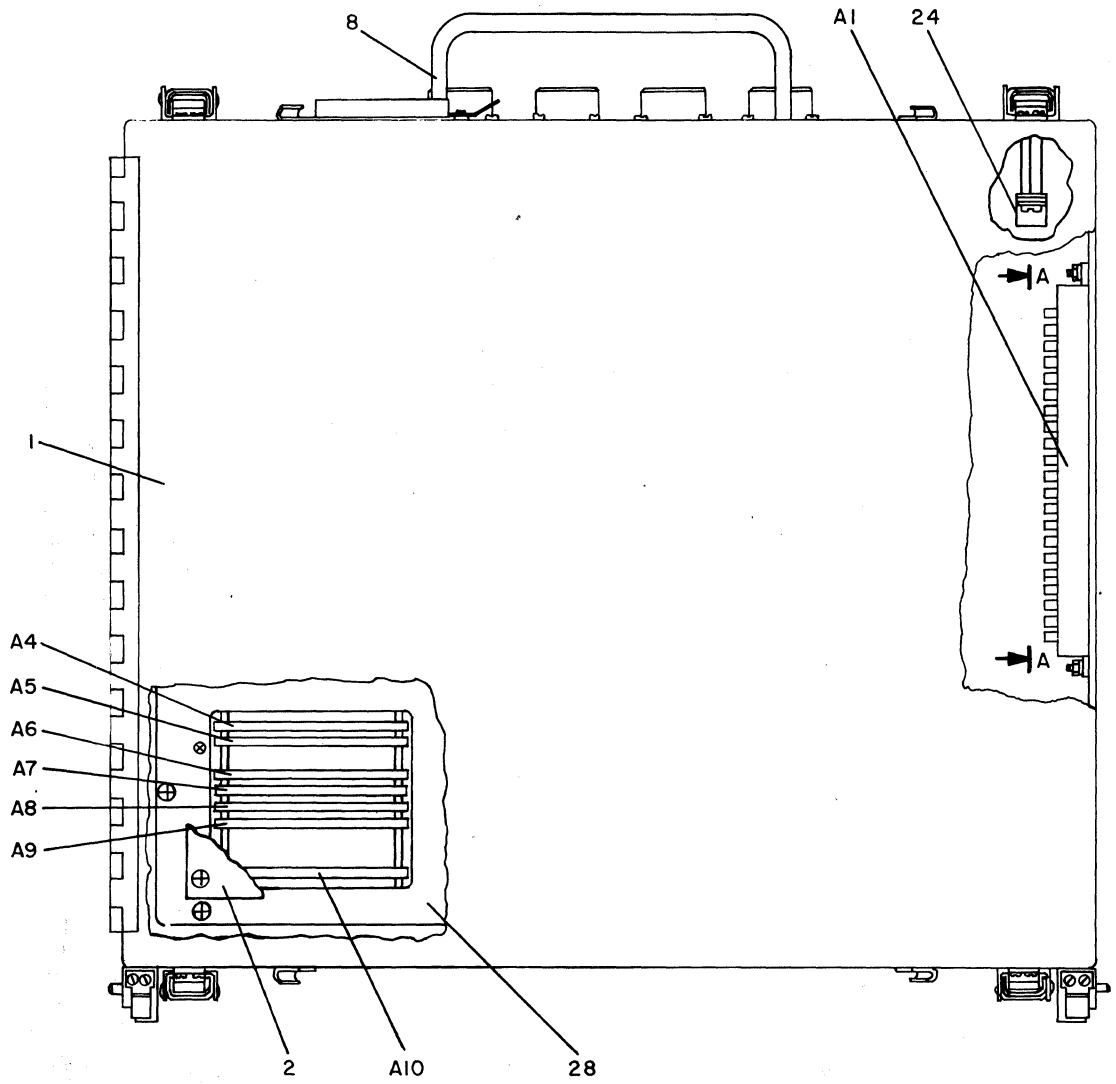
DETAIL A2

FIGURE 6-22. RESISTOR MODULE ASSEMBLY A9 THRU A16

GROUP ASSEMBLY PARTS LIST

PARTS LIST

FIG & INDEX NO	REF DESIG	I N D	DESCRIPTION	MFR CODE	UNIVAC PART NO MFR PART NO	QTY USED PER ON ASSY
6-22	A9 THRU A16	3	RESISTOR MODULE ASSEMBLY (FOR NHA SEE FIG 6-18)	90536	7216492-00	REF
22	A1, A2	4	CIRCUIT CARD ASSEMBLY, RESISTOR	90536	7216493-00	2
22		4	SCREW, MACH, PLAIN HD 4-40UNC-2A, 0.188 L (AP) WASHER, FLAT, NO. 4 (AP)		4912523-01 COML 4912548-00 96906 MS15795-803	8 8
22	A2C1 A2C2	5	CAPACITOR, FIXED, CER DIELECTRIC 0.68UF, +-10PCT, 50V	81349	7901102-107 CK06BX684K	2
22	A2C3 A2C4	5	CAPACITOR, FIXED, ELECTROLYTIC 4.7UF, +-10PCT, 10V	81349	7902696-09 M39003/01-2254	2
22	A2R1 THRU A2R28	5	RESISTOR, FIXED, WIREWOUND 100 OHM, +-1PCT, 1/2 WATT	11502	7900784-00 AS/2-100.0 PORM1PCT	28
22	P1	4	CONNECTOR, RECEPTACLE, ELEC MALE, 72 CONTACT	90536	7071493-00	1
22-1		5	CONTACT, ELECTRICAL, WIRE WRAP MALE, 0.59 L	90536	7050016-00	72
22-2		5	BUSHING, ELECTRICAL, CONT, MALE	90536	7050017-00	72
22-3		4	BRACE, RESISTOR MODULE	90536	7071495-00	1
22		4	SCREW, MACH, PLAIN HD 4-40UNC-2A, 0.250 L (AP) WASHER, FLAT, NO. 4 (AP)		4912523-02 COML 4912548-00 96906 MS15795-803	2 2
22-4		4	HEAT SINK	90536	7071494-00	1
22-5		4	HEAT SINK	90536	7071494-01	1
22-6		4	PIN, CODE, CONTACT MALE, BLUE		7901765-00 VRING 1890-00	AR



DETAIL A

FIGURE 6-23. COMPUTER LOGIC TEST SET A19 (SHEET 1 OF 3)

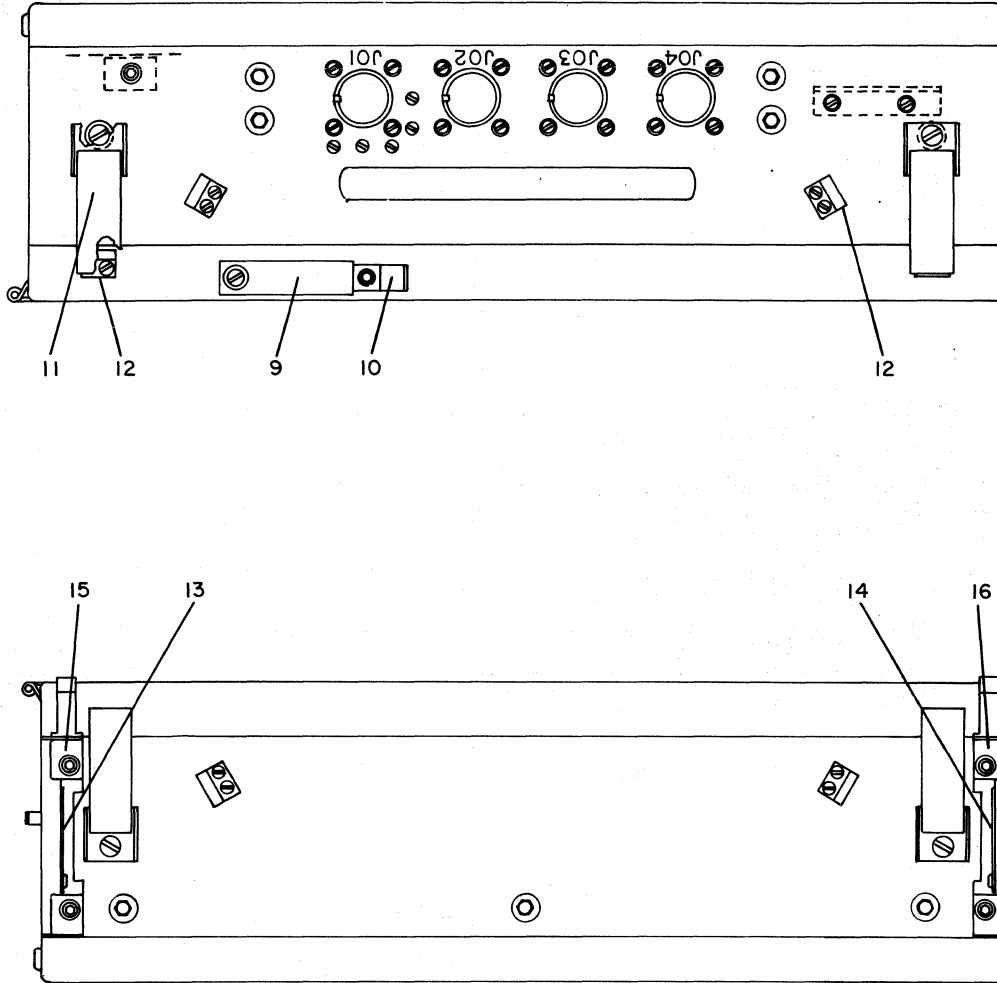


FIGURE 6-23. COMPUTER LOGIC TEST SET A19 (SHEET 2 OF 3)

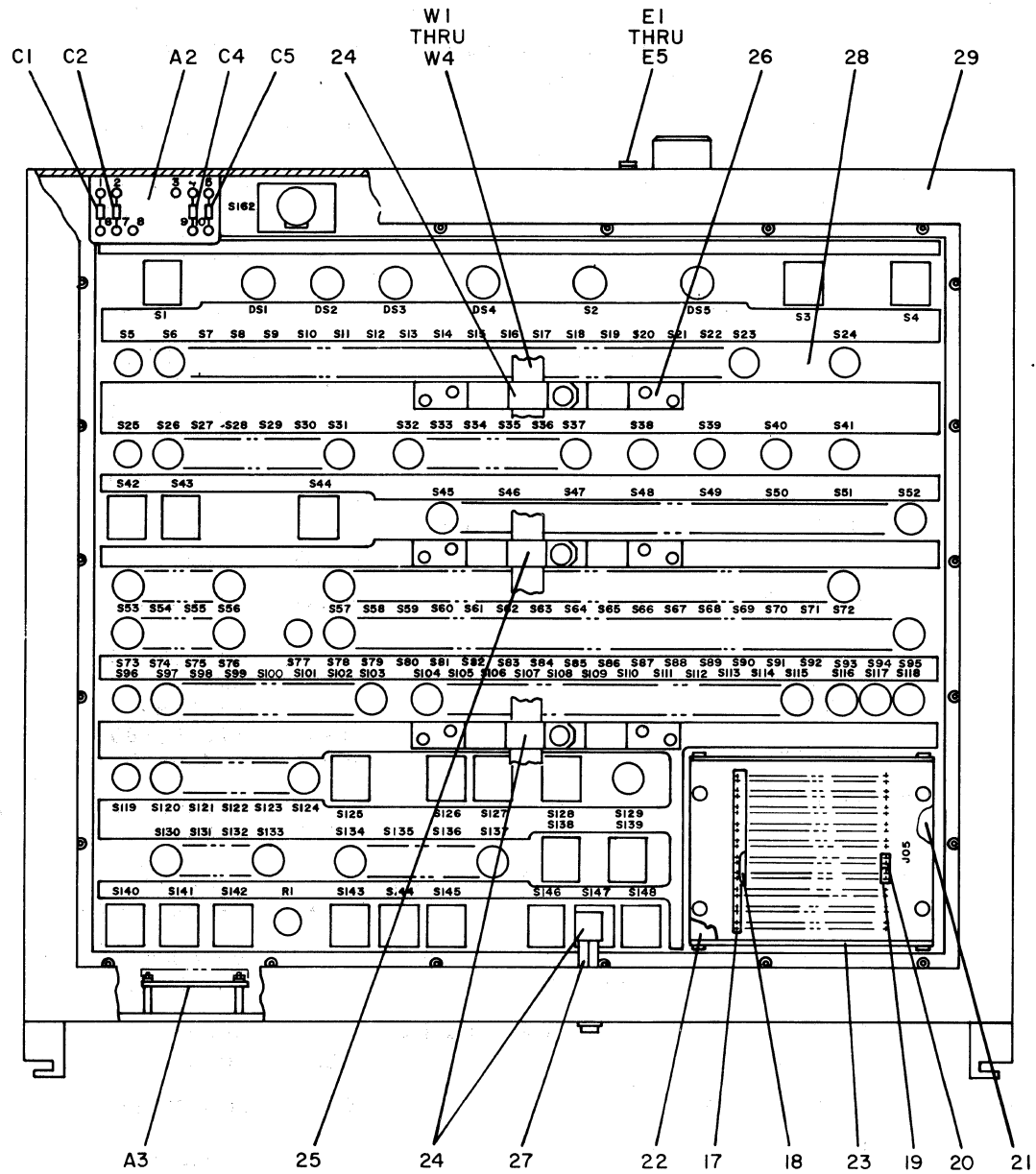


FIGURE 6-23. COMPUTER LOGIC TEST SET A19 (SHEET 3 OF 3)

## GROUP ASSEMBLY PARTS LIST

## PARTS LIST

FIG & INDEX NO	REF DESIG	I N D	DESCRIPTION	MFR CODE	UNIVAC PART NO MFR PART NO	QTY PER ASSY	USED ON
6-23	A19		TEST SET, CMPTR LGC(GND)TS2940 (FOR NHA SEE FIG 6-1)	90536	7073330-01	REF	
23-1		3	COVER, FRONT	90536	7071623-00	1	
23		3	SCREW, MACH, PAN HD 6-32UNC-2A, 5/16 L (AP)	96906	4912531-01 MS51957-27	7	
			WASHER, FLAT, NO 6 (AP)	81349	902991-U4 AN960-C6	7	
23-2		3	COVER, CARD ACCESS, LETTERED	90536	7073479-01	1	
23		3	SCREW, MACH, PAN HD 6-32UNC-2A, 5/8 L (AP)	96906	4912531-05 MS51957-31	4	
			WASHER, FLAT, NO 6 (AP)	96906	4912548-01 MS15795-805	4	
23	A1	3	TERMINAL BLOCK ASSEMBLY	90536	7073339-00	1	
23		3	NUT, SELF-LOCKING, MINIATURE 10-32UNF (AP)	75237	7900866-04 H42M3	2	
23-3		4	BUS BAR	90536	7071627-00	1	
23		4	SCREW, MACH, PAN HD 2-56UNC-2A, 0.438 L (AP)	96906	3157139-05 COML	6	
			WASHER, FLAT, NO 4 (AP)	96906	4912548-09 MS15795-802	6	
			SPACER, BUS BAR (AP)	90536	7073344-00	3	
23-4		4	TERMINAL BLOCK, 8 CONT LCTN SIZE 20 CONT, 10 AMP	14283	7902891-10 MTB20A4	20	
23-5		4	CONTACT, ELECTRICAL, MALE, CRIMP TYPE, SIZE 20	81349	7902892-02 M39029/U1-20	14	
23-6		4	FRAME ASSEMBLY, TERM BD, 1 ROW 20 TERM, BLK SIZE 20	14283	7902896-16 MSR6A20-20	1	
23-7		4	FRAME ASSEMBLY, TERM BD, END BLK	14283	7902896-01 MEB6A1-20	1	
23	A2	3	CAPACITOR ASSEMBLY	90536	7069735-00	1	
23		3	SCREW, MACH, PAN HD 4-40UNC-2A, 3/8 L (AP)	96906	908552-05 MS51957-15	2	
			WASHER, FLAT, NO 4 (AP)	96906	4912548-00 MS15795-803	2	
23	A2C1 A2C2 A2C4 A2C5	4	CAPACITOR, FIXED CERAMIC DIELECTRIC 22000 PF, +-20 PCT, 100V	81349	7903309-020 CK14BX223M	4	
23	A3	3	CIRCUIT CARD ASSY, OSCILLATOR (FOR NLA SEE FIG 6-31)	90536	7056763-01	1	

## PARTS LIST

## GROUP ASSEMBLY PARTS LIST

FIG & INDEX NO	REF DESIG	I N D	DESCRIPTION	MFR CODE	UNIVAC PART NO MFR PART NO	QTY PER ASSY	USED ON
6-23			TEST SET, CMPTR LGC(GND)TS2940		CONTINUED		
23		3	NUT, SELF-LOCKING, HEX 4-40UNC-3B (AP)	96906	4912796-00 MS21044-C04	4	
			WASHER, FLAT, NO 4 (AP)	96906	4912548-00 MS15795-803	4	
23	A4 A5 A6	3	CIRCUIT CARD ASSEMBLY, ISOLATE	90536	7112130-00	3	
23	A7 A8 A9	3	CIRCUIT CARD ASSEMBLY, R C NTWK	90536	7112135-00	3	
23	A10	3	CIRCUIT CARD ASSEMBLY, R C NTWK	90536	7112140-00	1	
23	DS1 DS2 DS3	3	LIGHT, IND, TSTRZ, W/REPLACEABLE LAMP, RED LENS	07137	7901971-01 TIL3055B27	3	
23	DS4	3	LIGHT, IND, TSTRZ, W/REPLACEABLE LAMP, GRN LENS	07137	7901971-02 TIL3055B41	1	
23	DS5	3	LIGHT, IND, TSTRZ, W/REPLACEABLE LAMP, RED LENS	07137	7902802-01 TIL4890A27	1	
23		3	NUT, PLAIN, ROUND, ALUM, 3/8- 32NEF-2 (AP FOR DS1 THRU DS5)	07137	7900880-01 301241-014	5	
			WASHER, LOCK, EXT TOOTH, NARROW TYPE, 3/8 (AP FOR DS1 THRU DS5)	78189	7901920-02 1120-12CPDD	5	
23		4	LAMP, INCANDESCENT 28 VOLT, 40MA	96906	7902253-00 MS18209-387	5	
23	E1 THRU E5	3	TERMINAL, STUD, INSUL, TAPPED 4-4UNC-2B THD	71279	910185-01 570-365U-01-05	5	
23		3	SCREW, MACH, PAN HD 4-40UNC-2A, 0.25 L (AP)	96906	908552-03 MS51957-13	5	
			WASHER, FLAT, NO 4 (AP)	96906	4912548-00 MS15795-803	5	
23	J01 J02 J03	3	CONNECTOR, RCPT, ELECTRICAL MALE, 85 CONTACT	81349	7902698-00 M81511/01EF01P1	3	
23	J04	3	CONNECTOR, RCPT, ELECTRICAL MALE, 85 CONTACT	81349	7902698-03 M81511/01EF01P4	1	
23		3	GASKET, CONNECTOR (U/W J01 THRU J04)	90536	7056119-02	4	
23		4	CONTACT, ELECTRICAL, MALE	96906	7902484-00 MS90461A23-22	264	



GROUP ASSEMBLY PARTS LIST

PARTS LIST

FIG & INDEX NO	REF DESIG	I N D	DESCRIPTION	MFR CODE	UNIVAC PART NO MFR PART NO	QTY USED PER ON ASSY
6-23			TEST SET, CMPTR LGC(GND)TS2940		CONTINUED	
			CONTACT, ELEC, CONN, MALE, ACCOM 30 AWG WIRE	02660	7902484-04 348-100-5047P02	76
			CONTACT, ELECTRICAL, MALE CRIMP TYPE, 20-24 AWG WIRE	96906	7902892-02 M39029/01-20	121
			PLUG, SEALING, CONTACT	96906	7902852-00 M81511/15-22	78
23	J05	3	CONNECTOR, RCPT, ELEC, FEMALE	90536	7073338-00	1
23		3	SCREW, MACH, PAN HD 6-32UNC-2A, 3/8 L (AP)	96906	4912531-02 MS51957-28	4
23		4	CONTACT, ELEC, WIRE WRAP, FEMALE	90536	7050014-00	560
			BUSHING, CONT, WIRE WRAP, FEMALE	90536	7050015-00	560
23	R1	3	RESISTER, VAR, CMPSN, 500K OHM PORM 10 PCT, 350V, 0.8W	01121	7902036-11 L7152	1
23		3	KNOB, CONTROL, ROUND, SIZE 7 (USED ON R1)	96906	912052-00 MS91528-1N1B	1
23	S1	3	SWITCH, PUSH, 2SPDT CONT, 5 AMP 250V, BLACK BUTTON	91929	910271-01 2PB714T2	1
23		3	NUT, PLAIN, ROUND, KNURLED BLACK, 15/32-32NS-2B (AP)	07137	7904102-00 301241-024	1
23	S2 S6 THRU S24 S26 THRU S41 S45 THRU S76 S78 THRU S95 S97 THRU S118 S120 THRU S124 S129 THRU S137	3	SWITCH, PUSH, TSTRZ, IND TYPE SPST NODB CONTACT, W/NEON LAMP CLEAR LENS	07137	7902334-00 TBL3533A22	122
23		3	NUT, PLAIN, ROUND, KNURLED 3/8-32NEF-2, BK (AP)	07137	7900880-01 1112-1	122
			WASHER, LOCK, EXT, NARROW TYPE 3/8 SIZE (AP)	78189	7901920-02 1120-12CPDD	122

## PARTS LIST

## GROUP ASSEMBLY PARTS LIST

FIG & INDEX NO	REF DESIG NO	I N D	DESCRIPTION	MFR CODE	UNIVAC PART NO MFR PART NO	QTY PER ASSY	USED ON
6-23			TEST SET, CMPTR LGC(GND)TS2940		CONTINUED		
23	S3 S4 S44 S125 THRU S128 S143 THRU S148	3	SWITCH, TOGGLE, DPDT CONTACT 2 POSITION	91929	7900925-00 23AT402T2	13	
23		3	NUT, PLAIN, ROUND, KNURLED BLACK, 15/32-32NS-2B (AP)	07137	7904102-00 301241-024	13	
23	S5 S25 S77 S96 S119	3	SWITCH, PUSH, SPST NODB CONTACT	07137	7901856-00 MBS3394A26	5	
23		3	NUT, PLAIN, ROUND, KNURLED 3/8-32NEF-2, BK (AP)	07137	7900880-01 1112-1	5	
			WASHER, LOCK, INT, NARROW TYPE 3/8 SIZE (AP)	78189	905212-02 122U-02	5	
23	S42 S140	3	SWITCH, TOGGLE, 2SPDT CONTACT 3 POSITION, 250 VAC, 5 AMP	91929	7900635-02 13AT416T2	2	
23	S43 S141 S142	3	SWITCH, TOGGLE, 2SPDT CONTACT 3 POSITION, 250 VAC, 5 AMP	91929	7900635-01 13AT418T2	3	
23	S138 S139	3	SWITCH, TOGGLE, 2SPDT CONTACT 3 POSITION, 250 VAC, 5 AMP	91929	7900635-00 13AT417T2	2	
23		3	NUT, PLAIN, ROUND, KNURLED BLACK, 15/32-32NS-2B (AP)	07137	7904102-00 301241-024	7	
23	S162	3	SWITCH, PUSH, MINIATURE 2SPDT CONTACT	96906	7902578-00 MS27240-1	1	
23		3	BLOCK, MOUNTING, SWITCH (U/W) SCREW, MACH, FLAT HD 6-32UNC-2A, 0.5 L (AP)	90536 96906	7071156-00 4912512-03 MS51959-30	1 2	
23-8		3	HANDLE, BOW, OVAL, TAPPED 10-32UNF-2B	08730	7902188-00 SS015	1	
23		3	SCREW, MACH, PNH, CROSS REC 10-32UNF-2A BY 0.375 L (AP)	96906	4912534-01 MS51958-64	2	
			WASHER, LOCK, SPRING, NO 10 (AP)	96906	4912550-03 MS35338-138	2	
			WASHER, FLAT, NO. 10 (AP)	96906	4912548-03 MS15795-808	2	

GROUP ASSEMBLY PARTS LIST

PARTS LIST

FIG & INDEX NO	REF DESIG	I N D	DESCRIPTION	MFR CODE	UNIVAC PART NO MFR PART NO	QTY PER ASSY	USED ON
6-23			TEST SET, CMPTR LGC(GND)TS2940		CONTINUED		
23-9		3	GUARD, LATCH, FRONT COVER	90536	7073350-01	1	
23		3	SCREW, MACH, PNH, 6-32UNC-2A 0.438 L (AP)	96906	4912531-03 MS51957-29	1	
			WASHER, FLAT, NO. 6 (AP)	96906	4912548-01 MS15795-805	2	
23-10		3	LATCH, COVER FRONT	90536	7073349-01	1	
23		3	SCREW, CAP, SCH, 4-40UNC-3A 5/16 L (AP)	96906	911603-03 MS16995-9	1	
			WASHER, FLAT, NO. 4 (AP)	96906	4912548-00 MS15795-803	2	
23-11		3	LATCH, CONTAINER TYPE, MOD	90536	7073352-00	4	
23		3	SCREW, SHOULDER, 0.25 IN. DIA SHLDR, 10-32UNF THD (AP)	90536	7073353-00	4	
			WASHER, FLAT, NO. 0.25 (AP)		902991-08	4	
			STANDOFF (AP)	81349	AN960-C416L	1	
			NUT, SELF-LOCKING, HEX 10-32UNF-3B (AP)	90536 75237	7073355-00 7900866-04 H42M3	4	
23-12		3	LATCH, CONTAINER TYPE, 350 LBS 2.8 L	71286	7902674-01 51L7-1AB	8	
23		3	SCREW, MACH, PNH, 6-32UNC-2B 5/16 L (AP)	96906	4912531-01 MS51957-27	8	
			SCREW, MACH, PAN HD 6-32UNC-2A, 7/16 L (AP)	96906	4912531-03 MS51957-29	8	
			NUT, SELF-LOCKING, HEX 6-32UNC-3B (AP)	72963	907627-01 L79NM107-62	8	
23-13		3	LATCH, SPRING, GROUNDING, RH	90536	7216967-00	1	
23-14		3	LATCH, SPRING, GROUNDING, LH	90536	7216968-00	1	
23		3	SCREW, SHOULDER, SLOTTED HD 4-40UNC (AP FOR IDX 13 AND 14)	00141	7900440-03 4313	2	
23-15		3	BLOCK, CHASSIS MTG, RH	90536	7073369-00	1	
23-16		3	BLOCK, CHASSIS MTG, LH	90536	7073368-00	1	
23		3	SCREW, CAP, SCH, 6-32UNC-2A 11/16 L (AP FOR IDX 15 AND 16)	96906	911604-08 MS16995-17	4	
23-17		3	BUS BAR, GROUND	90536	7073345-00	1	
23-18		3	INSULATOR, BUS BAR, GROUND	90536	7073347-00	1	
23-19		3	BUS BAR, POWER	90536	7073346-00	1	

## PARTS LIST

## GROUP ASSEMBLY PARTS LIST

FIG & INDEX NO	REF DESIG NO	I N D	DESCRIPTION	MFR CODE	UNIVAC PART NO MFR PART NO	QTY PER ASSY	USED ON
6-23			TEST SET, CMPTR LGC(GND)TS2940		CONTINUED		
23-20		3	INSULATOR, BUS BAR, POWER	90536	7073348-00	1	
23-21		3	CARD, GUIDE, LH	90536	7073334-00	1	
23-22		3	CARD, GUIDE, RH	90536	7073333-00	1	
23-23		3	PLATE, SPACER, CARD GUIDE	90536	7073335-00	2	
23		3	SCREW, MACH, PAN HD, 4-40UNC-2A 5/16 L (AP)	96906	908552-04 MS51957-14	4	
23-24		3	CLAMP, LOOP, NYLON, P STYLE	95987	907747-07 1/2-6	4	
23-25		3	CLAMP, LOOP, NYLON, P STYLE	95987	907747-06 7/16-6	1	
23		3	SCREW, MACH, PAN HD, 10-32UNF-2A 1/2 L (AP FOR IDX 24 AND 25)	96906	4912534-00 MS51958-63	3	
			SCREW, MACH, PAN HD, 10-32UNF-2A 7/16 L (AP FOR IDX 24)	96906	908555-03 MS51958-62	2	
			WASHER, FLAT, NO 10 (AP FOR IDX 24 AND 25)	96906	4912548-03 MS15795-808	4	
23-26		3	BRACKET, CABLE SUPPORT	90536	7073336-00	3	
23		3	SCREW, MACH, PAN HD 4-40UNC-2A, 5/16 L (AP)	96906	908552-04 MS51957-14	12	
			WASHER, FLAT, NO 4 (AP)	96906	4912548-00 MS15795-803	12	
23-27		3	STANDOFF	90536	7073355-00	1	
23		3	SCREW, MACH, PAN HD 10-32UNC-2A, 7/16 L (AP)	96906	908555-03 MS51958-62	1	
			WASHER, FLAT, NO 10 (AP)	96906	4912548-03 MS15795-808	1	
23-28		3	PANEL, CONSOLE	90536	7073331-00	1	
23		3	SCREW, MACH, PAN HD 6-32UNC-2A, 1/2 L (AP)	96906	4912531-04 MS51957-30	22	
			WASHER, FLAT, NO 6 (AP)	96906	4912548-01 MS15795-805	22	
23-29		3	CHASSIS, ELECTRICAL EQUIPMENT	90536	7071628-00	1	
23	W1	3	CABLE ASSEMBLY, 184 L	90536	7072513-04	1	
23	W2	3	CABLE ASSEMBLY, 184 L	90536	7072513-05	1	
23	W3	3	CABLE ASSEMBLY, 184 L	90536	7072513-06	1	
23	W4	3	CABLE ASSEMBLY, 184 L (FOR NLA SEE FIG 6-24)	90536	7072513-07	1	

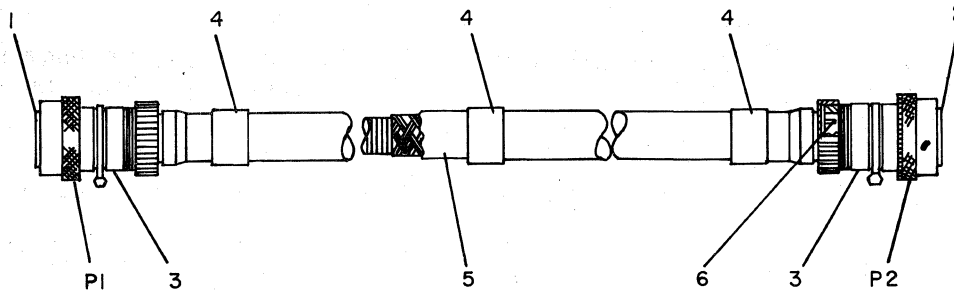


FIGURE 6-24. CABLE ASSEMBLY A19W1 THRU A19W4

FIG & INDEX NO	REF DESIG	I N D	DESCRIPTION	MFR CODE	UNIVAC PART NO MFR PART NO	QTY PER ASSY	USED ON
6-24	A19W1	3	CABLE ASSEMBLY, 184 IN. L	90536	7072513-04	REF	A
	A19W2		CABLE ASSEMBLY, 184 IN. L	90536	7072513-05	REF	B
	A19W3		CABLE ASSEMBLY, 184 IN. L	90536	7072513-06	REF	C
	A19W4		CABLE ASSEMBLY, 184 IN. L (FOR NHA SEE FIG 6-23)	90536	7072513-07	REF	D
24	W1P1	4	CONNECTOR, PLUG, ELECTRICAL MALE, 85 CONTACT	81349	7902700-04 M81511/U6EF01P5	1	A
	W2P1		CONNECTOR, PLUG, ELECTRICAL MALE, 85 CONTACT	81349	7902700-03 M81511/U6EF01P4	1	B
	W3P1		CONNECTOR, PLUG, ELECTRICAL MALE, 85 CONTACT	81349	7902700-02 M81511/U6EF01P3	1	C
	W4P1		CONNECTOR, PLUG, ELECTRICAL MALE, 85 CONTACT	81349	7902700-01 M81511/U6EF01P2	1	D
24	W1P2	4	CONNECTOR, PLUG, ELECTRICAL FEMALE, 85 CONTACT	81349	7902699-03 M81511/U6EF01S4	1	A
	W2P2		CONNECTOR, PLUG, ELECTRICAL FEMALE, 85 CONTACT	81349	7902699-00 M81511/U6EF01S1	1	BCD
24-1		4	CONTACT, ELECTRICAL CONNECTOR MALE (USED IN P1)	96906	7902484-00 MS90461A23-22	85	
24-2		4	CONTACT, ELECTRICAL CONNECTOR FEMALE (USED IN P2)	96906	7902484-01 MS90460A23-22	85	
24-3		4	ADAPTER, CABLE TO CONN, OUTSIDE 1-3/16-18NEF-2A THD, INSIDE 1-1/8-30UNS-2B THD	07418	7902622-02 J595-1812-2.5C4	2	
24-4		4	BAND, MARKER, BLANK ALUM, 4.75 IN. L		907514-00 COML	3	
24-5		4	CONDUIT, ASSEMBLY, METAL NEOPRENE COVERED	30463	7901042-03 C175R-0500-18000 A2A2	1	
24-6		4	WASHER, GROUND	90536	7216321-00	2	

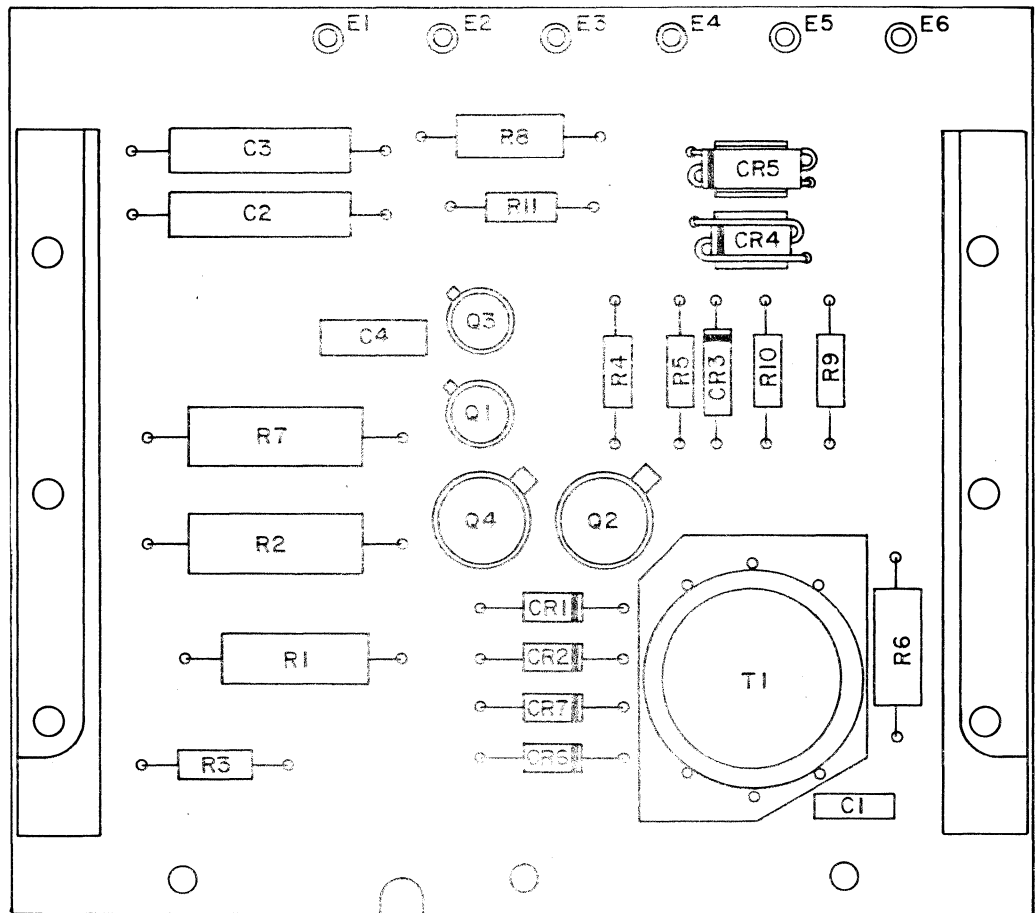


FIGURE 6-25. DC-TO-DC CONVERTER CIRCUIT CARD ASSEMBLY  
 A1A1A1, A2A1A1, A3A5A1, A4A1A1, A6A5A1, A7A5A1

GROUP ASSEMBLY PARTS LIST

PARTS LIST

FIG & INDEX NO	REF DESIG	I N D	DESCRIPTION	MFR CODE	UNIVAC PART NO MFR PART NO	QTY USED PER ON ASSY
6-25	A1A1A1 A2A1A1 A3A5A1 A4A1A1 A6A5A1 A7A5A1	4	CKT CARD ASSY, DC TO DC CONVERTER (FOR NHA SEE FIG 6-11, 6-12 AND 6-13)	90536	7071812-01	REF
25	C1	5	CAPACITOR, FXD, CER DIELECTRIC 200V, 1000PF, PORM 10 PCT	81349	7901102-24 CK05BX1U2K	1
25	C2	5	CAPACITOR, FXD, ELECTROLYTIC 75V, 3.9UF, PORM 10 PCT	81349	7902696-113 M39003-01-2411	1
25	C3	5	CAPACITOR, FXD, CER DIELECTRIC 100V, 22000PF, PORM 20 PCT	81349	7903309-020 CK14BX223M	1
25	C4	5	CAPACITOR, FXD, CER DIELECTRIC 50V, 47000PF, PORM 20 PCT	81349	7901102-83 CK05BX473M	1
25	CR1 CR2 CR6 CR7	5	SEMICONDUCTOR DEVICE, DIODE SILICON, RECTIFIER, 300MA, 200V 1A	81349	7902067-00 1N3611	4
25	CR3	5	SEMICONDUCTOR DEVICE, DIODE SILICON, SWITCHING, 400MA, 50V	81349	7900106-00 1N3600	1
25	CR4	5	SEMICONDUCTOR DEVICE, DIODE SILICON, VR, 1W, 20V, PORM 5PCT	71590	7900552-11 R5148-12	1
25	CR5	5	SEMICONDUCTOR DEVICE, DIODE SILICON, VR, 5W, 90V, PORM 5PCT	12969	7902887-01 UZ9051	1
25		5	INSULATOR, DIODE LEAD, HEAT CONDUCTIVE (U/W CR4 AND CR5)	05327	7902850-00 CG-3299	2
25	E1 THRU E6	5	TERMINAL, STUD, UNINSULATED Ø/2 TURRET	98278	910597-02 5005-B	6
25	Q1	5	TRANSISTOR, NPN, SILICON SWITCHING, 500MW, 60V	04713	7901609-00 SS1506	1
25		5	INSULATOR, PLATE, TRANSISTOR HEAT CONDUCTIVE (U/W Q1)	13103	7901250-03 4018-15SLOTTED	1
25	Q2 Q4	5	TRANSISTOR, PNP, SILICON, HIGH VOLTAGE, SWITCHING, 1W, 175V, 1A	04713	7902774-00 SS7525	2
25		5	INSULATOR, PLATE, TRANSISTOR HEAT CONDUCTIVE (U/W Q2 AND Q4)	13103	7901250-04 4005-15SLOTTED	2
25	Q3	5	TRANSISTOR, PNP, SILICON SWITCHING	04713	7900039-00 SM1353	1
25		5	INSULATOR, PLATE, TRANSISTOR HEAT CONDUCTIVE (U/W Q3)	13103	7901250-03 4018-15SLOTTED	1

PARTS LIST

GROUP ASSEMBLY PARTS LIST

FIG & INDEX NO	REF DESIG	I N D	DESCRIPTION	MFR CODE	UNIVAC PART NO MFR PART NO	QTY PER ASSY	USED ON
6-25			CKT CARD ASSY, DC TO DC CONVERTER		CONTINUED		
25	R1	5	RESISTOR, FXD, WIREWOUND 3W, 910 OHM, PORM 5 PCT	81349	910509-54 RW69V911	1	
25	R2	5	RESISTOR, FXD, FILM, 1W 910 OHM, PORM 2 PCT	81349	7900185-30 M22684-03-0095	1	
25	R3	5	RESISTOR, FXD, FILM, 1/4W 820 OHM, PORM 2 PCT	81349	7900183-29 RL07S8216	1	
25	R4	5	RESISTOR, FXD, FILM, 1/4W 750 OHM, +-2PCT	81349	7900183-28 RL07S7516	1	
25	R5	5	RESISTOR, FXD, FILM, 1/4W 5.6K OHM, PORM 2 PCT	81349	7900183-49 RL07S5626	1	
25	R6	5	RESISTOR, FXD, FILM, 1/2W 560 OHM, PORM 2 PCT	81349	7900184-25 RL20S5616	1	
25	R7	5	RESISTOR, FXD, FILM, 1W 15K OHM, PORM 2 PCT	81349	7900185-59 M22684-03-0153	1	
25	R8	5	RESISTOR, FXD, FILM, 1/2W 3.9K OHM, PORM 2 PCT	81349	7900184-45 RL20S3926	1	
25	R9	5	RESISTOR, FXD, FILM, 1/4W 2.4K OHM, PORM 2 PCT	81349	7900183-40 RL07S2426	1	
25	R10	5	RESISTOR, FXD, FILM, 1/4W 910 OHM, PORM 2 PCT	81349	7900183-30 RL07S9116	1	
25	R11	5	RESISTOR, FXD, FILM, 1/4W 430 OHM, PORM 2 PCT	81349	7900183-22 RL07S4316	1	
25	T1	5	TRANSFORMER, OSCILLATOR	90536	7071817-00	1	
25		5	INSULATOR, TRANSFORMER (U/W T1)	90536	7071781-00	1	
25		5	PRINTED WIRING BOARD, DC TO DC CONVERTER	90536	7216375-00	1	



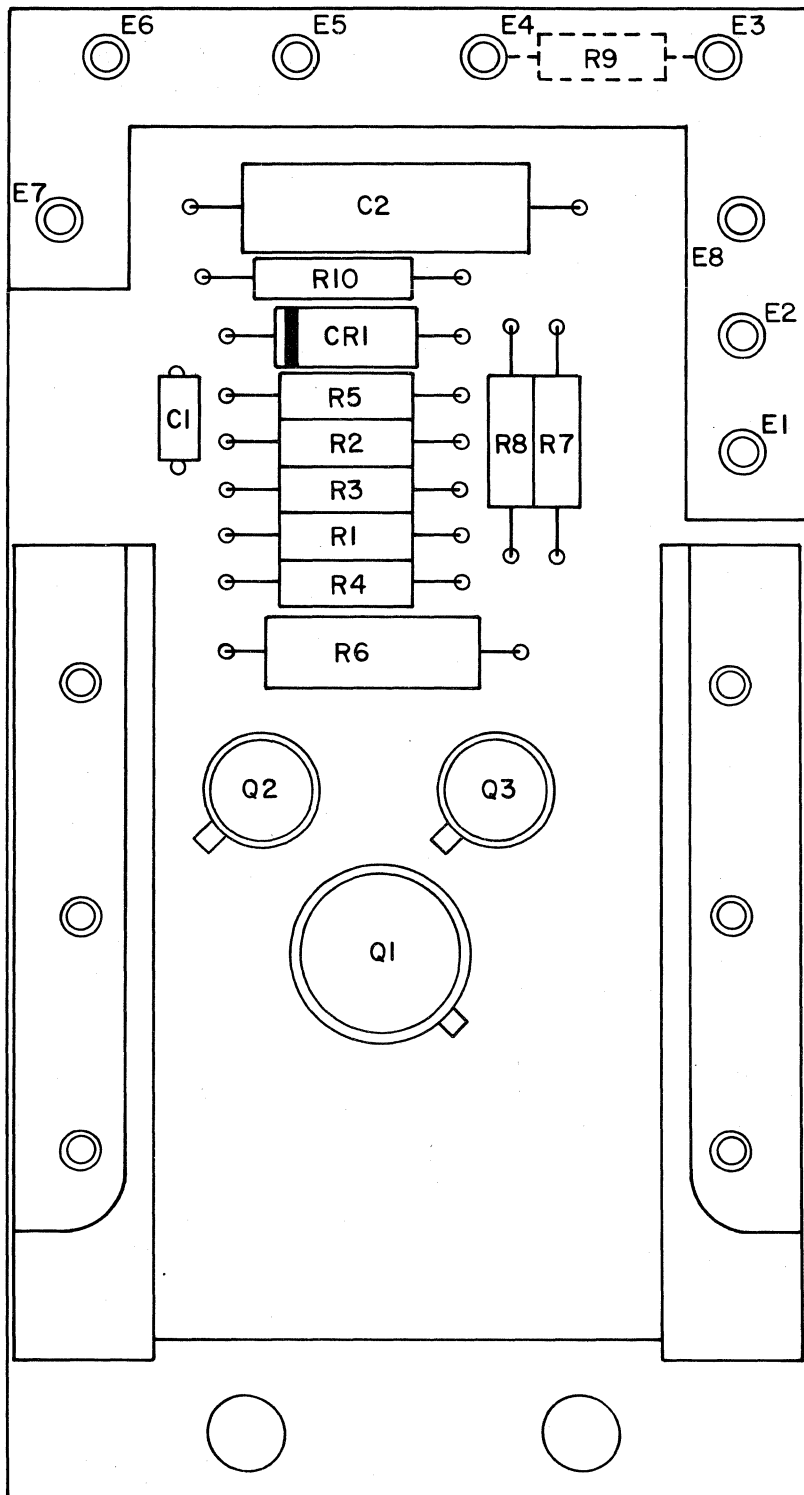


FIGURE 6-26. +12 VOLT SERIES REGULATOR CIRCUIT CARD ASSEMBLY  
A3A5A3, A6A5A3, A7A5A3

FIG & INDEX NO	REF DESIG	I N D	DESCRIPTION	MFR CODE	UNIVAC PART NO MFR PART NO	QTY PER ASSY	USEI ON
6-26	A3A5A3 A6A5A3 A7A5A3	4	CIRCUIT CARD ASSEMBLY, +12 VOLT SERIES REGULATOR (FOR NHA SEE FIG 6-12)	90536	7071881-00	REF	
26	C1	5	CAPACITOR, FXD, CER DIELECTRIC 200V, 1000PF, PORM 10 PCT	81349	7901102-24 CK05BX102K	1	
26	C2	5	CAPACITOR, FXD, ELECTROLYTIC 50V, 4.7UF, PORM 10 PCT	81349	7902696-85 M39003-01-2368	1	
26	CR1	5	SEMICONDUCTOR DEVICE, DIODE SILICON, VR, 250MW, 6.2V	81349	7901093-00 1N821	1	
26	E1 THRU E8	5	TERMINAL STUD, UNINSULATED 0/2 TURRET		910597-02	8	
26	Q1	5	TRANSISTOR, PNP, SILICON SWITCHING, 5.0W, 1A, 40V INSULATOR PLATE, TRANSISTOR HEAT CONDUCTIVE (U/W Q1)	01295 13103	7901426-00 SG2460 7901250-04 4005-15SLOTTED	1 1	
26	Q2 Q3	5	TRANSISTOR, NPN, SILICON SWITCHING, 500MW, 60V	04713	7901609-00 SS1506	2	
26		5	INSULATOR PLATE, TRANSISTOR HEAT CONDUCTIVE (U/W Q2 AND Q3)	13103	7901250-03 4018-15SLOTTED	2	
26	R1 R3 R4	5	RESISTOR, FXD, FILM, 1/4W 390 OHM, PORM 2 PCT	81349	7900183-21 RL07S391G	3	
26	R2	5	RESISTOR, FXD, FILM, 1/4W 200 OHM, PORM 2 PCT	81349	7900183-14 RL07S201G	1	
26	R5	5	RESISTOR, FXD, FILM, 1/4W 620 OHM, PORM 2 PCT	81349	7900183-26 RL07S621G	1	
26	R6	5	RESISTOR, FXD, FILM, 1/2W 1.2K OHM, PORM 2 PCT	81349	7900184-33 RL20S122G	1	
26	R7	5	RESISTOR, FXD, FILM, 1/4W 430 OHM, PORM 2 PCT	81349	7900183-22 RL07S431G	1	
26	R8	5	RESISTOR, FXD, FILM, 1/4W 820 OHM, PORM 2 PCT	81349	7900183-29 RL07S821G	1	
26	R9	5	SELECTION KIT--RESISTOR, +12V SERIES REGULATOR	90536	7071883-00	1	
26	R10	5	RESISTOR, FXD, WIREWOUND, 1/2W 10.0 OHM, PORM 1 PCT	11502	7900781-00 AS1/2-10PORM1PCT	1	
26		5	PRINTED WIRING BOARD, +12V SERIES REGULATOR	90536	7071882-00	1	

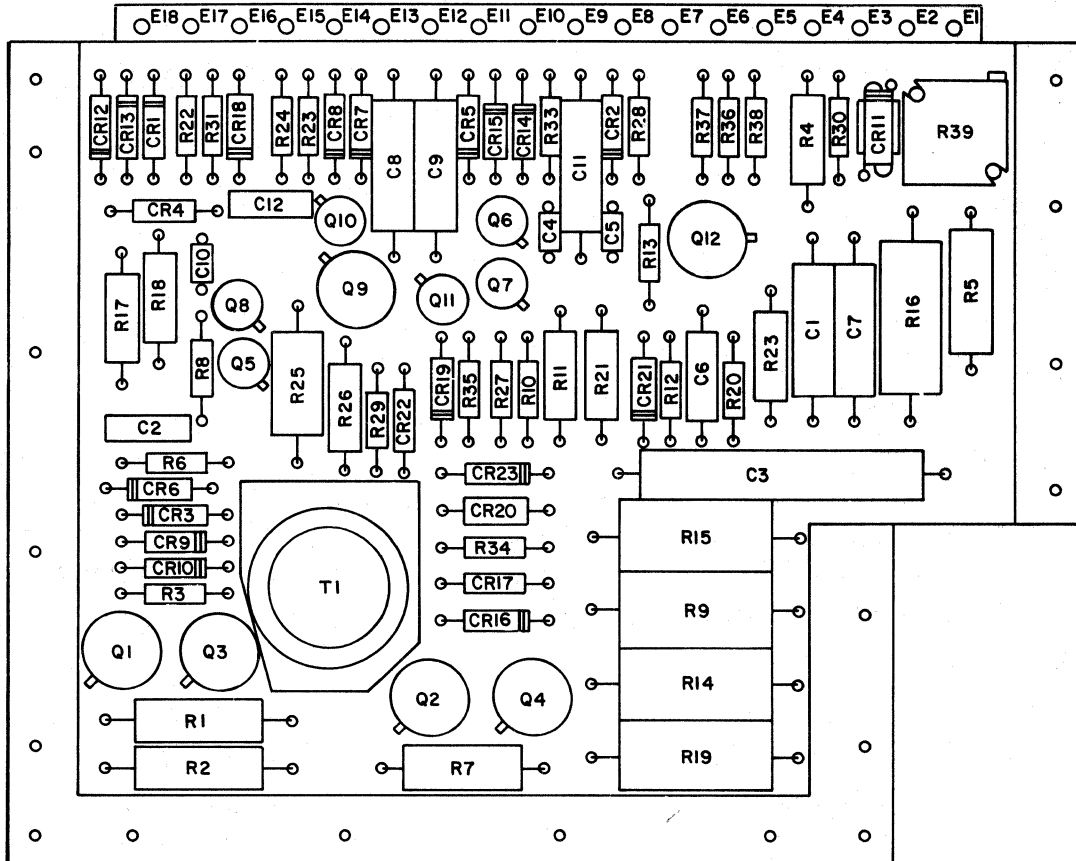


FIGURE 6-27. -90 VOLT SWITCHING REGULATOR CIRCUIT CARD ASSEMBLY  
A5A1A1 THRU A5A4A1

## PARTS LIST

## GROUP ASSEMBLY PARTS LIST

FIG & INDEX NO	REF DESIG	I N D	DESCRIPTION	MFR CODE	UNIVAC PART NO MFR PART NO	QTY PER ASSY	USED ON
6-27	A5A1A1 THRU A5A4A1	4	CIRCUIT CARD ASSEMBLY, -90V SWITCHING REGULATOR (FOR NHA SEE FIG 6-15)	90536	7071725-01	REF	
27	C1 C7	5	CAPACITOR, FXD, ELECTROLYTIC 35V, 6.8UF, FORM 10 PCT	81349	7903069-43 M39003/01-2784	2	
27	C2 C12	5	CAPACITOR, FXD, CER DIELECTRIC 50V, 0.10UF, FORM 20 PCT	81349	7901102-85 CK05BX104M	2	
27	C3	5	CAPACITOR, FXD, NONSOLID, ELCTLT 200V, 0.15UF, FORM 20 PCT	81349	7903149-50 CL33BZR15LNE	1	
27	C4 C5 C10	5	CAPACITOR, FXD, CER DIELECTRIC 200V, 1000PF, 10 PCT	81349	7901102-24 CK05BX102K	3	
27	C6	5	CAPACITOR, FXD, ELECTROLYTIC 15V, 3.3UF, FORM 10 PCT	81349	7903069-19 M39003/01-2748	1	
27	C8 C9	5	CAPACITOR, FXD, ELECTROLYTIC 10V, 33UF, FORM 10 PCT	81349	7903069-11 M39003/01-2737	2	
27	C11	5	CAPACITOR, FXD, ELECTROLYTIC 50V, 2.2UF, FORM 10 PCT	81349	7903069-81 M39003/01-2842	1	
27	CR1 THRU CR8 CR12 CR13 CR16 CR19 CR22 CR23	5	SEMICONDUCTOR DEVICE, DIODE SILICON, SWITCHING, 400MW, 50V	81349	7900106-00 1N3600	14	
27	CR9 CR10	5	SEMICONDUCTOR DEVICE, DIODE SILICON, VR, 1W, 6.8V, FORM 5PCT	71590	7900552-00 R5148-01	2	
27	CR11	5	SEMICONDUCTOR DEVICE, DIODE SILICON, VR, 110V, 43MA	81349	7903093-29 1N4983	1	
27		5	INSULATOR, DIODE LEAD, HEAT CONDUCTIVE (U/W CR11)	05327	7902850-00 CG-3299	1	
27	CR14 CR15	5	SEMICONDUCTOR DEVICE, DIODE, SIL RECTIFIER, 300MA, 1A, 200V	81349	7902067-00 1N3611	2	
27	CR17	5	SEMICONDUCTOR DEVICE, DIODE SILICON, VR, 1W, 27.0, FORM 5PCT	71590	7900552-14 R5148-15	1	
27	CR18	5	SEMICONDUCTOR DEVICE, DIODE SILICON, VR, 6.2V	81349	7900258-10 1N753A	1	
27	CR20	5	SEMICONDUCTOR DEVICE, DIODE SILICON, VR, 7.5V	81349	7900258-12 1N755A	1	

GROUP ASSEMBLY PARTS LIST

PARTS LIST

FIG & INDEX NO	REF DESIG	I N D	DESCRIPTION	MFR CODE	UNIVAC PART NO MFR PART NO	QTY USED PER ON ASSY
6-27			CIRCUIT CARD ASSEMBLY, -90V		CONTINUED	
27	CR21	5	SEMICONDUCTOR DEVICE, DIODE SILICON, VR, 250MW, 6.2V	81349	7901093-03 1N827	1
27	E1 THRU E18	5	TERMINAL, STUD, UNINSULATED 0/2 TURRET	98278	910597-02 5005-B	18
27	Q1 Q3	5	TRANSISTOR, NPN, SILICON SWITCHING, 3.5W, 80V, 1.0A	04713	7901760-00 SS1530	2
27	Q2 Q4 Q9	5	TRANSISTOR, PNP, SILICON SWITCHING, 5.0W, 1A, 40V	01295	7901426-00 SG2460	3
27		5	INSULATOR, PLATE, TRANSISTOR HEAT CONDCT, TO-5 (U/W Q1 THRU Q4 AND Q9)	13103	7901250-04 4005-15SLOTTED	5
27	Q5 Q7	5	TRANSISTOR, NPN, SILICON SWITCHING, 500MW, 60V	04713	7901609-00 SS1506	2
27	Q6 Q8 Q10 Q11	5	TRANSISTOR, PNP, SILICON SWITCHING	04713	7900039-00 SM1353	4
27		5	INSULATOR, PLATE, TRANSISTOR HEAT CONDCT, TO-18 (U/W Q5 THRU Q8, Q10 AND Q11)	13103	7901250-03 4018-15SLOTTED	6
27	Q12	5	TRANSISTOR, DUAL, PNP, SILICON SM SIG AMPL, 300MW, 45V, 30MA	01295	7901114-00 SS1989	1
27		5	INSULATOR, DISC, TO-5, 3- OR 6-LEAD (U/W Q12)	07047	7901050-01 X-1U-542	1
27	R1 R2	5	RESISTOR, FXD, FILM, 1W 910 OHM, PORM 2 PCT	81349	7900185-30 M22684/03-0095	2
27	R3 R6 R24	5	RESISTOR, FIXED, FILM, 1/4W 100 OHM, PORM 2 PCT	81349	7900183-07 RL07S101G	3
27	R4	5	RESISTOR, FXD, WIREWOUND 1/2W, 10 OHM, PORM 1 PCT	11502	7900781-00 AS1/2-1UPORM1PCT	1
27	R5	5	SELECTION KIT, RESISTOR SWITCHING REGULATOR	90536	7071734-00	1
27	R7	5	RESISTOR, FXD, WIREWOUND 3W, 40 OHM, PORM 1 PCT	63743	909479-16 3XL40PORM1PCT	1
27	R8 R31	5	RESISTOR, FXD, FILM, 1/4W 390 OHM, PORM 2 PCT	81349	7900183-21 RL07S391G	2

## PARTS LIST

## GROUP ASSEMBLY PARTS LIST

FIG & INDEX NO	REF DESIG	1 N D	DESCRIPTION	MFR CODE	UNIVAC PART NO MFR PART NO	QTY PER ASSY	USED ON ASSY
6-27			CIRCUIT CARD ASSEMBLY, -90V		CONTINUED		
27	R9 R14	5	RESISTOR, FXD, FILM, 2W 36K OHM, PORM 2 PCT	81349	7900182-85 M22684/04-0171	2	
27	R10 R35 R37	5	RESISTOR, FXD, FILM, 1/4W 1K OHM, PORM 2 PCT	81349	7900183-31 RL0751026	3	
27	R11	5	RESISTOR, FXD, FILM, 1/2W 1.1K OHM, PORM 2 PCT	81349	7900184-32 RL20S1126	1	
27	R12	5	RESISTOR, FXD, FILM, 1/4W 8.2K OHM, PORM 2 PCT	81349	7900183-53 RL0758226	1	
27	R13	5	RESISTOR, FXD, FILM, 1/4W 2.7K OHM, PORM 2 PCT	81349	7900183-41 RL0752726	1	
27	R15 R16	5	RESISTOR, FXD, FILM, 2W 15K OHM, PORM 2 PCT	81349	7900182-76 M22684/04-0153	2	
27	R17	5	RESISTOR, FXD, FILM, 1/2W 1.8K OHM, PORM 2 PCT	81349	7900184-37 RL20S1826	1	
27	R18	5	RESISTOR, FXD, FILM, 1/2W 1.5K OHM, PORM 2 PCT	81349	7900184-35 RL20S1526	1	
27	R19	5	RESISTOR, FXD, FILM, 2W 39K OHM, PORM 2 PCT	81349	7900182-86 M22684/04-0173	1	
27	R20	5	RESISTOR, FXD, FILM, 1/4W 3.3K OHM, PORM 2 PCT	81349	7900183-43 RL0753326	1	
27	R21	5	RESISTOR, FXD, FILM, 1/2W 2K OHM, PORM 2 PCT	81349	7900184-38 RL20S2026	1	
27	R22	5	RESISTOR, FXD, FILM, 1/4W 330 OHM, PORM 2 PCT	81349	7900183-19 RL0753316	1	
27	R23	5	RESISTOR, FXD, FILM, 1/2W 20K OHM, PORM 2 PCT	81349	7900184-62 RL20S2036	1	
27	R25	5	RESISTOR, FXD, WIREWOUND, 3W 10 OHM, PORM 5 PCT	81349	910509-08 RW69V100	1	
27	R26	5	RESISTOR, FXD, FILM, 1/2W 200 OHM, PORM 2 PCT	81349	7900184-14 RL20S2016	1	
27	R27 R30	5	RESISTOR, FXD, FILM, 1/4W 1.5K OHM, PORM 2 PCT	81349	7900183-35 RL0751526	2	
27	R28	5	RESISTOR, FXD, FILM, 1/4W 470 OHM, PORM 2 PCT	81349	7900183-23 RL0754716	1	
27	R29	5	RESISTOR, FXD, FILM, 1/4W 1.8K OHM, PORM 2 PCT	81349	7900183-37 RL0751826	1	

FIG & REF INDEX NO	DESIG	QTY	DESCRIPTION	MFR CODE	UNIVAC PART NO	MFR PART NO	QTY USED PER ASSY
--------------------	-------	-----	-------------	----------	----------------	-------------	-------------------

6-27 CIRCUIT CARD ASSEMBLY, -90V. CONTINUED

27	R32	5	RESISTOR, FXD, FILM, 1/4W 680 OHM, PORM 2 PCT	81349	7900183-27	RL07S681G	1
27	R33	5	RESISTOR, FXD, FILM, 1/4W 200 OHM, PORM 2 PCT	81349	7900183-14	RL07S201G	1
27	R34	5	RESISTOR, FXD, FILM, 1/4W 560 OHM, PORM 2 PCT	81349	7900183-25	RL07S561G	1
27	R36	5	RESISTOR, FXD, FILM, 1/4W 750 OHM, PORM 2 PCT	81349	7900183-28	RL07S751G	1
27	R38	5	RESISTOR, FXD, FILM, 1/4W 1.1K OHM, PORM 2 PCT	81349	7900183-32	RL07S112G	1
27	R39	5	RESISTOR, VARIABLE, WIREWOUND 3/4W, 2K OHM, PORM 5 PCT	81349	7901477-05	RT22C2P202	1
27	T1	5	TRANSFORMER, PWLSE/MODULATOR	90536	7071731-00		1
27		5	INSULATOR, TRANSFORMER (U/W T1)	90536	7071733-00		1
27		5	PRINTED WIRING BOARD, -90V SWITCHING REGULATOR	90536	7216373-00		1

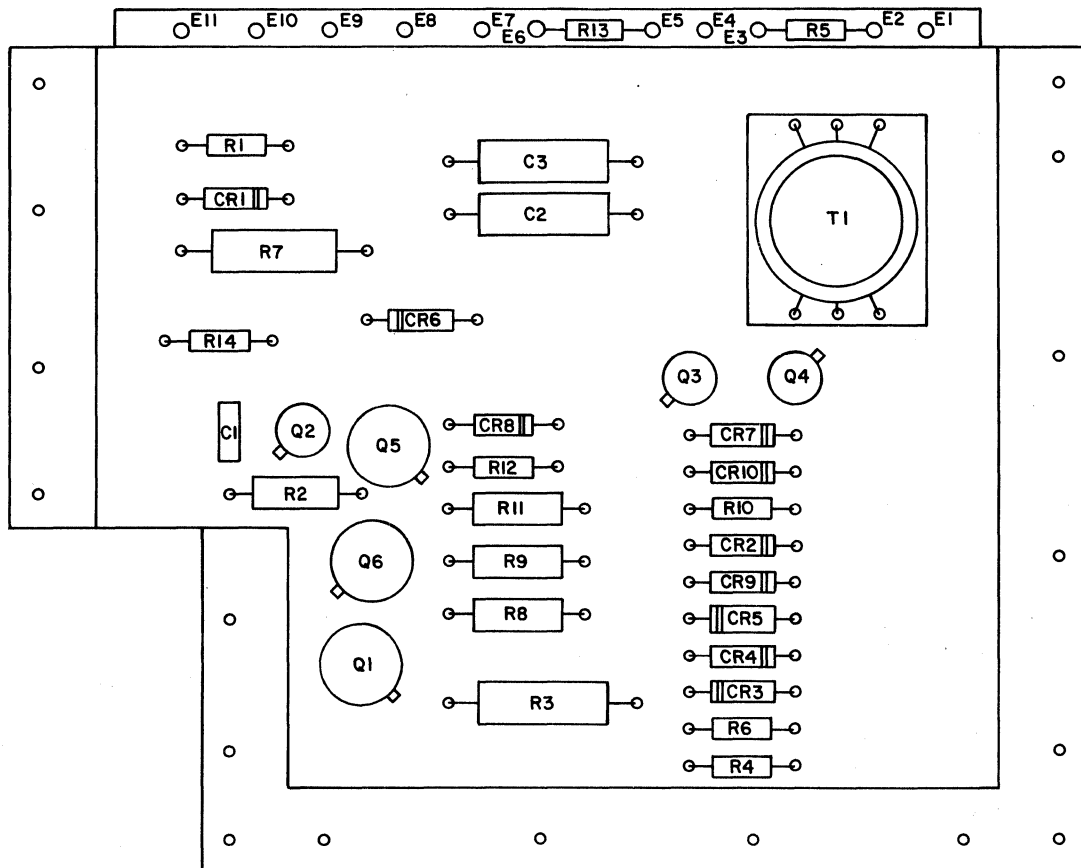


FIGURE 6-28. -20 VOLT REGULATOR AND OSCILLATOR  
CIRCUIT CARD ASSEMBLY A5A5A1



GROUP ASSEMBLY PARTS LIST

PARTS LIST

FIG & INDEX NO	REF DESIG	I N D	DESCRIPTION	MFR CODE	UNIVAC PART NO MFR PART NO	QTY USED PER ON ASSY
6-28	AS45A1	4	CKT CARD ASSY, -20V REG & OSC (FOR NHA SEE FIG 6-16)	90536	7073076-00	REF
28	C1	5	CAPACITOR, FXD, CER DIELECTRIC 200V, 3300PF, 10 PCT	81349	7901102-30 CK06BX332K	1
28	C2 C3	5	CAPACITOR, FXD, ELECTROLYTIC 35V, 6.8UF, PORM 10 PCT	81349	7903069-43 M39003/01-2784	2
28	CR1 THRU CR4 CR6 CR7 CR9 CR10	5	SEMICONDUCTOR DEVICE, DIODE SILICON, SWITCHING, 400MW, 50V	81349	7900106-00 1N3600	8
28	CR5	5	SEMICONDUCTOR DEVICE, DIODE SILICON, VR, 250MW, 6.2V	81349	7901093-00 1N821	1
28	CR8	5	SEMICONDUCTOR DEVICE, DIODE SILICON, VR, 1W, 6.8V, PORM 5 PCT	71590	7900552-00 R5148-01	1
28	E1 THRU E11	5	TERMINAL, STUD, UNINSULATED 0/2 TURRET	98278	910597-02 5005-B	11
28	Q1	5	TRANSISTOR, NPN, SILICON SWITCHING, 3.5W, 80V, 1A	04713	7901760-00 SS1530	1
28		5	INSULATOR, PLATE, TRANSISTOR HEAT CONDUCTIVE (U/W Q1)	13103	7901250-04 4005-15SLOTTED	1
28	Q2	5	TRANSISTOR, NPN, SILICON SWITCHING, 500MW, 60V	04713	7901609-00 SS1506	1
28	Q3 Q4	5	TRANSISTOR, PNP, SILICON SWITCHING	04713	7900039-00 SM1353	2
28		5	INSULATOR, PLATE, TRANSISTOR HEAT CONDUCTIVE (U/W Q2, Q3, Q4)	13103	7901250-03 4018-15SLOTTED	3
28	Q5 Q6	5	TRANSISTOR, PNP, SILICON INACTIVE	01295	7901426-01 SG2460A	2
28		5	INSULATOR, PLATE, TRANSISTOR HEAT CONDUCTIVE (U/W Q5, Q6)	13103	7901250-04 4005-15SLOTTED	2
28	R1	5	RESISTOR, FXD, FILM, 1/4W 200 OHM, PORM 2 PCT	81349	7900183-14 RL07S201G	1
28	R2	5	RESISTOR, FXD, FILM, 1/2W 1K OHM, PORM 2 PCT	81349	7900184-31 RL20S102G	1
28	R3	5	RESISTOR, FXD, FILM, 1W 680 OHM, PORM 2 PCT	81349	7900185-27 M22684/U3-0089	1

## PARTS LIST

## GROUP ASSEMBLY PARTS LIST

FIG & INDEX NO	REF DESIG	I N D	DESCRIPTION	MFR CODE	UNIVAC PART NO MFR PART NO	QTY PER ASSY	USED ON
6-28			CKT CARD ASSY, -20V REG & OSC		CONTINUED		
28	R4	5	RESISTOR, FXD, FILM, 1/4W 200 OHM, PORM 2 PCT	81349	7900183-14 RL07S2016	1	
28	R5 R13	5	SELECTION KIT, RESISTOR, 20V REG AND OSCILLATOR	90536	7073095-00	2	
28	R6	5	RESISTOR, FXD, FILM, 1/4W 3.6K OHM, PORM 2 PCT	81349	7900183-44 RL07S3626	1	
28	R7	5	RESISTOR, FXD, FILM, 1W 5.6K OHM, PORM 2 PCT	81349	7900185-49 M22684/03-0133	1	
28	R8	5	RESISTOR, FXD, FILM, 1/2W 430 OHM, PORM 2 PCT	81349	7900184-22 RL20S4316	1	
28	R9	5	RESISTOR, FXD, FILM, 1/2W 1.2K OHM, PORM 2 PCT	81349	7900184-33 RL20S1226	1	
28	R10 R14	5	RESISTOR, FXD, FILM, 1/4W 560 OHM, PORM 2 PCT	81349	7900183-25 RL07S5616	2	
28	R11	5	RESISTOR, FXD, FILM, 1/2W 390 OHM, PORM 2 PCT	81349	7900184-21 RL20S3916	1	
28	R12	5	RESISTOR, FXD, FILM, 1/4W 820 OHM, PORM 2 PCT	81349	7900183-29 RL07S8216	1	
28	T1	5	TRANSFORMER, OSCILLATOR	90536	7071817-00	1	
28		5	INSULATOR, TRANSFORMER (U/W T1)	90536	7073093-00	1	
28		5	PRINTED WIRING BOARD, -20V REG AND OSCILLATOR	90536	7073077-00	1	

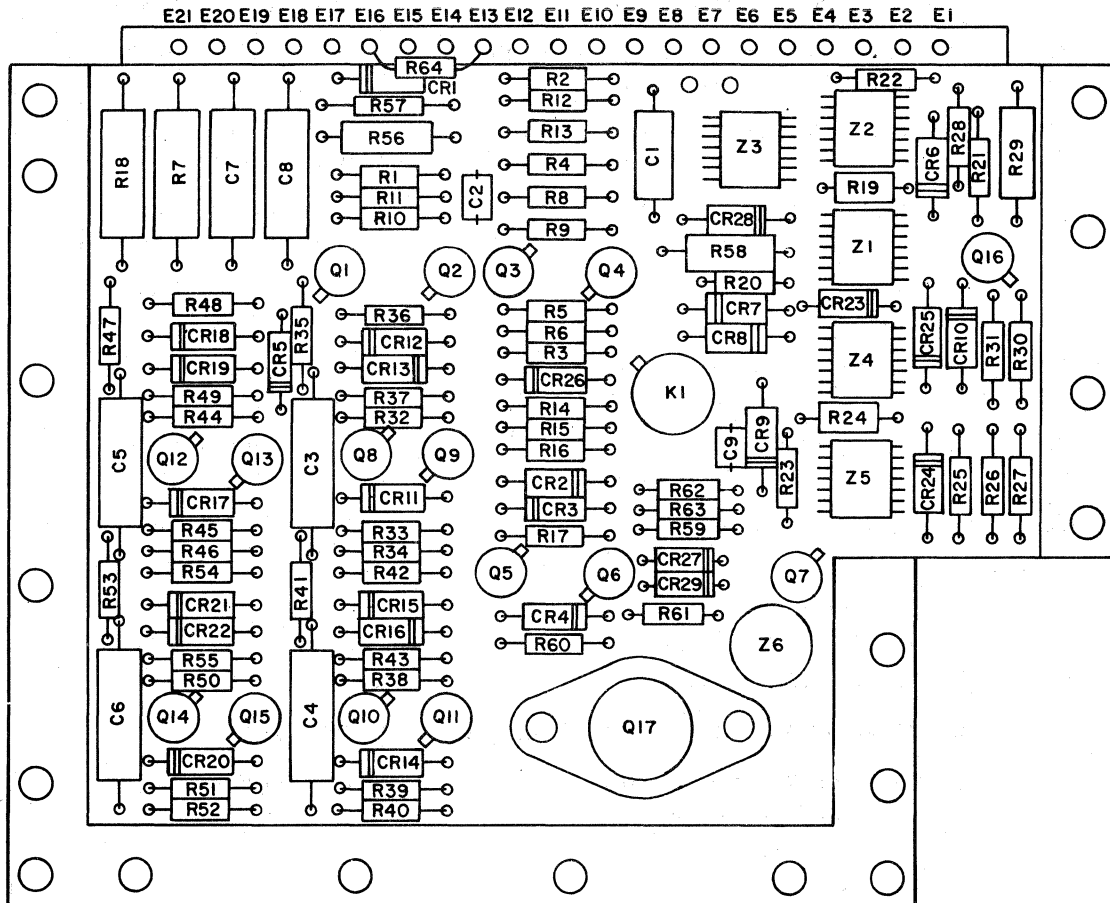


FIGURE 6-29. POWER INTERRUPT AND MASTER CLEAR  
CIRCUIT CARD ASSEMBLY A5A5A2

## PARTS LIST

## GROUP ASSEMBLY PARTS LIST

FIG & INDEX NO	REF DESIG	I N D	DESCRIPTION	MFR CODE	UNIVAC PART NO MFR PART NO	QTY PER ASSY	USED ON
6-29	A5A5A2	4	CKT CARD ASSY, POWER INTERRUPT AND MASTER CLEAR (FOR NHA SEE FIG 6-16)	90536	7216911-00	REF	
29	C1	5	CAPACITOR, FXD, ELECTROLYTIC 15V, 3.3UF, PORM 10 PCT	81349	7902696-19 M39003/01-2268	1	
29	C2	5	CAPACITOR, FXD, CER DIELECTRIC 50V, 0.10UF, PORM 20 PCT	81349	7901102-85 CK05BX104M	1	
29	C3 THRU C6	5	CAPACITOR, FXD, ELECTROLYTIC 20V, 8.2UF, PORM 10 PCT	81349	7902696-30 M39003/01-2285	4	
29	C7 C8	5	CAPACITOR, FXD, ELECTROLYTIC 35V, 6.8UF, PORM 10 PCT	81349	7903069-43 M39003/01-2784	2	
29	C9	5	CAPACITOR, FXD, CER DIELECTRIC 200V, 100PF, PORM 10 PCT	81349	7901102-12 CK05BX101K	1	
29	CR1 CR2 CR3 CR7 THRU CR22 CR24 CR25 CR28	5	SEMICONDUCTOR DEVICE, DIODE SILICON, 400MW, 50V	81349	7900106-00 1N3600	22	
29	CR4 CR5	5	SEMICONDUCTOR DEVICE, DIODE SILICON, VR, 5.1V	81349	7900258-08 1N751A	2	
29	CR6	5	SEMICONDUCTOR DEVICE, DIODE SILICON, VR, 3.0V	81349	7900258-02 1N4372A	1	
29	CR23	5	SEMICONDUCTOR DEVICE, DIODE SILICON, VR, 3.6V	81349	7900258-04 1N747A	1	
29	CR26	5	SEMICONDUCTOR DEVICE, DIODE TEMP COMPENSATED, 400MW, 6.15V	04713	7902181-00 SZ11730-00	1	
29	CR27 CR29	5	SEMICONDUCTOR DEVICE, DIODE 300MW, 1A, 200V	81349	7902067-00 1N3611	2	
29	1 THRU E23	5	TERMINAL STUD, UNINSULATED Ø/2 TURRET	98278	910597-02 5005-B	23	
29	K1	5	RELAY, SOLID STATE, SPST (N.O.) TO-5 CASE	11532	7904438-00 M640-1	1	
29	Q1 Q2 Q5 Q6	5	TRANSISTOR, PNP, SILICON SWITCHING	04713	7900039-00 SM1353	12	

GROUP ASSEMBLY PARTS LIST

PARTS LIST

FIG & INDEX NO	REF DESIG	I N D	DESCRIPTION	MFR CODE	UNIVAC PART NO MFR PART NO	QTY USED PER ON ASSY
6-29			CKT CARD ASSY, POWER INTERRUPT		CONTINUED	
	Q8 THRU Q15					
29	Q3 Q4 Q7 Q16	5	TRANSISTOR, NPN, SILICON SWITCHING, 500MW, 60V	04713	7901609-00 SS1506	4
29	Q17	5	TRANSISTOR, NPN, SILICON POWER	04713	7901865-00 SJ1229	1
29	R1 R6 R9 R35 R41 R47 R53	5	RESISTOR, FIXED, FILM 10K OHM, PORM 2 PCT, 1/4 WATT	81349	7900183-55 RL07S103G	7
29	R2	5	RESISTOR, FIXED, FILM 4.3K OHM, PORM 2 PCT, 1/4 WATT	81349	7900183-46 RL07\432G	1
29	R3	5	RESISTOR, FIXED, FILM 5.1K OHM, PORM 2 PCT, 1/4 WATT	81349	7900183-48 RL07S512G	1
29	R4	5	RESISTOR, FIXED, FILM 6.2K OHM, PORM 2 PCT, 1/4 WATT	81349	7900183-50 RL07S622G	1
29	R5	5	RESISTOR, FIXED, FILM 910 OHM, PORM 2 PCT, 1/4 WATT	81349	7900183-30 RL07S911G	1
29	R7	5	RESISTOR, FIXED, FILM 120K OHM, PORM 2 PCT, 1 WATT	81349	7900185-81 M22684/03-0197	1
29	R8	5	RESISTOR, FIXED, FILM 20K OHM, PORM 2 PCT, 1/4 WATT	81349	7900183-62 RL07S203G	1
29	R10	5	RESISTOR, FIXED, FILM 3.0K OHM, PORM 2 PCT, 1/4 WATT	81349	7900183-42 RL07S302G	1
29	R11	5	RESISTOR, FIXED, FILM 1.5K OHM, PORM 2 PCT, 1/4 WATT	81349	7900183-35 RL07S152G	1
29	R12	5	RESISTOR, FIXED, FILM 3.3K OHM, PORM 2 PCT, 1/4 WATT	81349	7900183-43 RL07S332G	1
29	R13	5	RESISTOR, FIXED, FILM 2.4K OHM, PORM 2 PCT, 1/4 WATT	81349	7900183-40 RL07S242G	1
29	R14	5	RESISTOR, FIXED, FILM 2.2K OHM, PORM 2 PCT, 1/4 WATT	81349	7900183-39 RL07S222G	1
29	R15 R17	5	RESISTOR, FIXED, FILM 2.0K OHM, PORM 2 PCT, 1/4 WATT	81349	7900183-38 RL07S202G	9

FIG & REF INDEX NO	DESIG	DESCRIPTION	MFR CODE	UNIVAC PART NO MFR PART NO	QTY PER ASSY	USEI ON ASSY
6-29		CKT CARD ASSY, POWER INTERRUPT		CONTINUED		
	R21					
	R25					
	R28					
	R36					
	R42					
	R48					
	R54					
29	R16	5 RESISTOR, FIXED, FILM 4.7K OHM, PORM 2 PCT, 1/4 WATT	81349	7900183-47 RL07S472G	1	
29	R18	5 RESISTOR, FIXED, FILM 390 OHM, PORM 2 PCT, 1 WATT	81349	7900185-21 M22684/03-0077	1	
29	R19	5 RESISTOR, FIXED, FILM 150 OHM, PORM 2 PCT, 1/4 WATT	81349	7900183-11 RL07S151G	1	
29	R20 R23	5 RESISTOR, FIXED, FILM 330 OHM, PORM 2 PCT, 1/4 WATT	81349	7900183-19 RL07S331G	2	
29	R22	5 RESISTOR, FIXED, FILM 510 OHM, PORM 2 PCT, 1/4 WATT	81349	7900183-24 RL07S511G	1	
29	R24	5 RESISTOR, FIXED, FILM 270 OHM, PORM 2 PCT, 1/4 WATT	81349	7902753-17 RLR07C271GM	1	
29	R26 R27 R30 R31	5 RESISTOR, FIXED, FILM 1.0K OHM, PORM 2 PCT, 1/4 WATT	81349	7900183-31 RL07S102G	4	
29	R29	5 RESISTOR, FIXED, FILM 240 OHM, PORM 2 PCT, 1/4 WATT	81349	7900184-16 RL20S241G	1	
29	R32 R38 R44 R50	5 RESISTOR, FIXED, FILM 1.8K OHM, PORM 2 PCT, 1/4 WATT	81349	7900183-37 RL07S182G	4	
29	R33 R39 R45 R51	5 RESISTOR, FIXED, FILM 7.5K OHM, PORM 2 PCT, 1/4 WATT	81349	7900183-52 RL07S752G	4	
29	R34 R40 R46 R52	5 RESISTOR, FIXED, FILM 5.6K OHM, PORM 2 PCT, 1/4 WATT	81349	7900183-49 RL07S562G	4	
29	R37 R43 R49 R55	5 RESISTOR, FIXED, FILM 3.9K OHM, PORM 2 PCT, 1/4 WATT	81349	7900183-45 RL07S392G	4	
29	R56	5 RESISTOR, FIXED, FILM 1.3K OHM, PORM 2 PCT, 1/2 WATT	81349	7900184-34 RL20S132G	1	

GROUP ASSEMBLY PARTS LIST

PARTS LIST

FIG & INDEX NO	REF DESIG	I N D	DESCRIPTION	MFR CODE	UNIVAC PART NO MFR PART NO	QTY USED PER ON ASSY
6-29			CKT CARD ASSY, POWER INTERRUPT		CONTINUED	
29	R57	5	RESISTOR, FIXED, WIREWOUND 10.0 OHM, PORM 1 PCT, 1/2 WATT	11502	7900781-00 AS1/2-10PORM1PCT	1
29	R58	5	RESISTOR, FIXED, FILM 2000 OHM, PORM 2 PCT, 1/2 WATT	81349	7902750-54 RLR20C2026M	1
29	R59	5	RESISTOR, FIXED, FILM 953 OHM, PORM 1 PCT, 0.05 WATT	24546	7901894-222 RN50C9530	1
29	R60	5	RESISTOR, FIXED, FILM 6190 OHM, PORM 1 PCT, 0.05 WATT	24546	7901894-285 RN50C6191	1
29	R61	5	RESISTOR, FIXED, FILM 220 OHM, PORM 2 PCT, 1/4 WATT	81349	7902753-15 RLR07C2216M	1
29	R62	5	RESISTOR, FIXED, WIREWOUND 2.67 OHM, PORM 1 PCT, 1 WATT	81349	7902566-41 RW81U2R67F	1
29	R63	5	RESISTOR, FIXED, FILM 825 OHM, PORM 1 PCT, 0.05 WATT	24546	7901894-217 RN50C8250	1
29	R64	5	SELECTION KIT, RESISTOR MASTER CLEAR	90536	7073096-00	1
29	Z1 Z2 Z4 Z5	5	INTEGRATED CIRCUIT, LOGIC GATE QUAD, 2-INPUT NAND	04713	7901001-00 SC901FH	4
29	Z3	5	INTEGRATED CIRCUIT, LOGIC GATE DUAL 4-INPUT NAND	04713	7901000-00 SC900FH	1
29	Z6	5	INTEGRATED CIRCUIT PRECISION VOLTAGE REGULATOR	07263	7903531-01 HL20825	1
29		5	PRINTED WIRING BOARD, POWER INTERRUPT AND MASTER CLEAR	90536	7216912-00	1

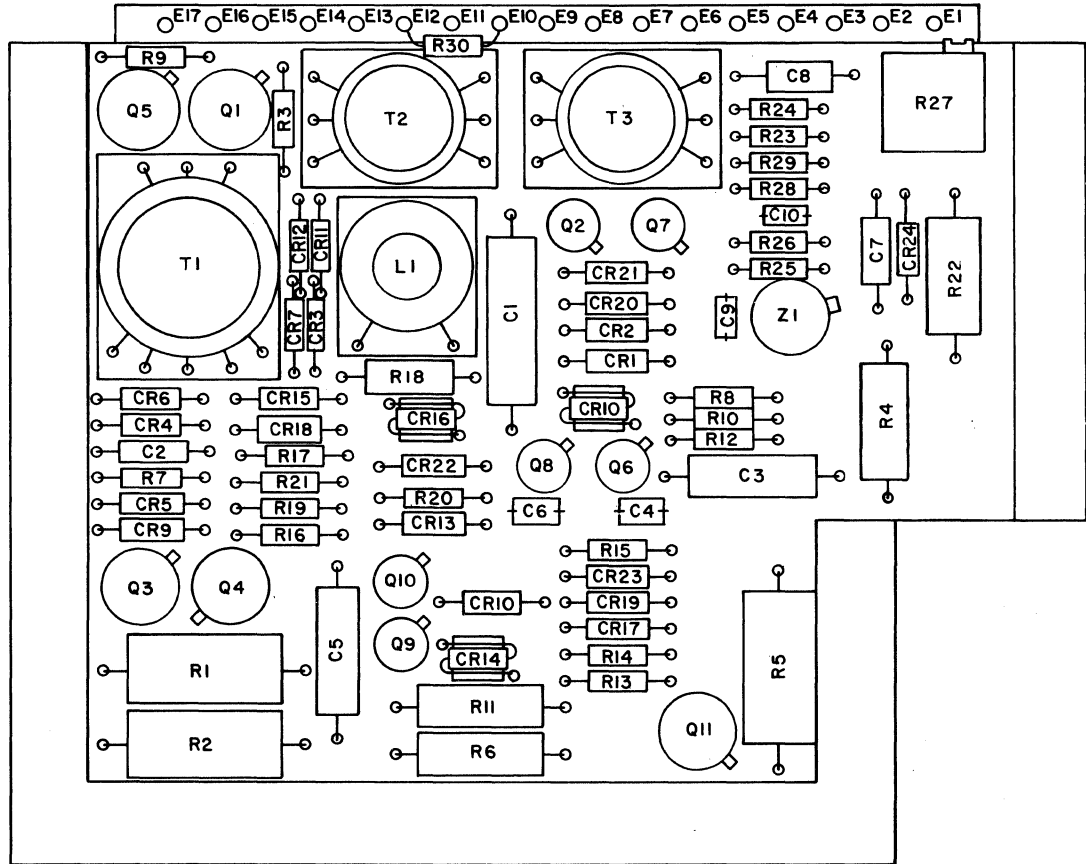


FIGURE 6-30. REGULATING CONVERTER CIRCUIT CARD ASSEMBLY A5A6A1



GROUP ASSEMBLY PARTS LIST

PARTS LIST

FIG & INDEX NO	REF DESIG	I N D	DESCRIPTION	MFR CODE	UNIVAC PART NO MFR PART NO	QTY USED PER ON ASSY
6-30	A5A6A1	4	CKT CARD ASSY, REGULATING CONV (FOR NHA SEE FIG 6-17)	90536	7216913-00	REF
30	C1	5	CAPACITOR, FXD, ELECTROLYTIC 75V, 4UF, -15PCT, +50PCT	56289	7901666-01 112D405C5075D1	1
30	C2	5	CAPACITOR, FXD, CER DIELECTRIC 100V, 470PF, PORM 20 PCTCTRIC	81349	7900959-07 CK12AX471M	1
30	C3	5	CAPACITOR, FXD, ELECTROLYTIC 50V, 4.7UF, PORM 10 PCT	81349	7902696-85 M39003/01-2368	1
30	C2 C6	5	CAPACITOR, FXD, CER DIELECTRIC 50V, 47000PF, PORM 20 PCT	81349	7901102-83 CK05BX473M	2
30	C5	5	CAPACITOR, FXD, ELECTROLYTIC 35V, 6.8UF, PORM 10 PCT	81349	7903069-43 M39003/01-2784	1
30	C7	5	CAPACITOR, FXD, ELECTROLYTIC 20V, 2.2UF, PORM 10 PCT	81349	7902696-29 M39003/01-2283	1
30	C8	5	CAPACITOR, FXD, ELECTROLYTIC 15V, 3.3UF, PORM 10 PCT	81349	7902696-19 M39003/01-2268	1
30	C9 C10	5	CAPACITOR, FXD, CER DIELECTRIC 200V, 1000PF, PORM 10 PCT	81349	7901102-24 CK05BX102K	2
30	CR1 CR2 CR4 THRU CR6 CR13 CR17 CR19 THRU CR23	5	SEMICONDUCTOR DEVICE, DIODE SILICON, SWITCHING, 400MW, 50V	81349	7900106-00 1N3600	12
30	CR3 CR7	5	SEMICONDUCTOR DEVICE, DIODE SILICON, FAST RECOVERY	81349	7903079-01 1N4944	2
30	CR8 CR14	5	SEMICONDUCTOR DEVICE, DIODE SILICON, VR, 1W, 10V, PORM5PCT	71590	7900552-04 R5148-05	2
30		5	INSULATOR, DIODE LEAD, HEAT CONDUCTIVE (U/W CR8 AND CR4)	05327	7902850-00 CG-3299	2
30	CR9 CR10	5	SEMICONDUCTOR DEVICE, DIODE SILICON, VR, 1W, 6.8V, PORM5PCT	71590	7900552-00 R5148-01	2
30	CR11 CR12	5	SEMICONDUCTOR DEVICE, DIODE SILICON, FAST RECOVERY	81349	7903079-00 1N4942	2
30	CR15	5	SEMICONDUCTOR DEVICE, DIODE SILICON, VR, 1W, 20V, PORM5PCT	71590	7900552-11 R5148-12	1
30	CR16	5	SEMICONDUCTOR DEVICE, DIODE SILICON, VR, 1W, 13V, PROM5PCT	71590	7900552-07 R5148-08	1

FIG & INDEX NO	REF DESIG NO	I N D	DESCRIPTION	MFR CODE	UNIVAC PART NO MFR PART NO	QTY PER ASSY	USED ON
6-30			CKT CARD ASSY, REGULATING CONV		CONTINUED		
30		5	INSULATOR, DIODE LEAD, HEAT CONDUCTIVE (U/W CR16)	05327	7902850-00 CG-3299	1	
30	CR18	5	SEMICONDUCTOR DEVICE, DIODE SILICON, VR, 3.9V	04713	7900258-05 1N748A	1	
30	CR24	5	SEMICONDUCTOR DEVICE, DIODE SILICON, VR, 1W, 15V, PORM5PCT	71590	7900552-08 R5148-09	1	
30	E1 THRU E17	5	TERMINAL, STUD, UNINSULATED 0/2 TURRET	98278	910597-02 5005-B	17	
30	L1	5	CHOKE, FILTER	90536	7071750-10	1	
30		5	INSULATOR, CHOKE (U/W L1)	90536	7073182-00	1	
30	Q1 Q5	5	TRANSISTOR, NPN, SILICON SWITCHING	01295	7903409-00 SW7748A	2	
30	Q2, Q7 Q8, Q10	5	TRANSISTOR, PNP, SILICON SWITCHING	04713	7900039-00 SM1353	4	
30		5	INSULATOR, PLATE, DAP, TO18R (U/W Q2, Q6 THRU Q10)	13103	7902124-00 7717-124-DAP	6	
30	Q3 Q4	5	TRANSISTOR, PNP, SILICON SWITCHING, 5W, 1A, 40V	01295	7901426-00 SG2460	2	
30		5	INSULATOR, DISC, TO-5, 3 OR 6 LEAD (U/W Q1, Q3 THRU Q5)	07047	7901050-01 X-10-542	4	
30	Q6 Q9	5	TRANSISTOR, NPN, SILICON SWITCHING	04713	7901609-00 SS1506	2	
30	Q11	5	TRANSISTOR, NPN, SILICON SWITCHING, 4W, 50V	04713	7901608-00 SS1505	1	
30		5	INSULATOR, DISC, TO-5 3 OR 6 LEAD (U/W Q11)	07047	7901050-01 X-10-542	1	
30	R1, R2 R5	5	RESISTOR, FXD, FILM, 2W 2K OHM, PORM 2 PCT	81349	7900182-55 M22684/04-0111	3	
30	R3 R7 R9	5	RESISTOR, FXD, FILM, 1/4W 240 OHM, PORM 2 PCT	81349	7900183-16 RL07S2416	3	
30	R3	5	RESISTOR, FXD, WIREWOUND, 3W 1.2K OHM, PORM 5 PCT	81349	910509-57 RW69V122	1	
30	R6	5	RESISTOR, FXD, FILM, 1W, 4.3K OHM, PORM 2 PCT	81349	7900185-46 M22684/03-0127	1	

FIG & INDEX NO	REF DESIG	I N D	DESCRIPTION	MFR CODE	UNIVAC PART NO MFR PART NO	QTY PER ASSY	USED ON
6-30			CKT CARD ASSY, REGULATING CONV		CONTINUED		
30	R8 R20	5	RESISTOR, FXD, FILM, 1/4W 470 OHM, PORM 2 PCT	81349	7900183-23 RL07S471G	2	
30	R10 R26	5	RESISTOR, FXD, FILM, 1/4W 3.9K OHM, PORM 2 PCT	81349	7900183-45 RL07S392G	2	
30	R11	5	RESISTOR, FXD, FILM, 1W 120 OHM, PORM 2 PCT	81349	7900185-09 M22684/03-0053	1	
30	R12 R25	5	RESISTOR, FXD, FILM, 1/4W 1.8K, PORM 2 PCT	81349	7900183-37 RL07S182G	2	
30	R13 R97 R23	5	RESISTOR, FXD, FILM, 1/4W 390 OHM, PORM 2 PCT	81349	7900183-21 RL07S391G	3	
30	R14	5	RESISTOR, FXD, FILM, 1/4W 2.7K OHM, PORM 2 PCT	81349	7900183-41 RL07S272G	1	
30	R15 R16	5	RESISTOR, FXD, FILM, 1/4W 3.0K OHM, PORM 2 PCT	81349	7900183-42 RL07S302G	2	
30	R17	5	RESISTOR, FXD, FILM, 1/4W 180 OHM, PORM 2 PCT	81349	7900183-13 RL07S181G	1	
30	R18	5	RESISTOR, FXD, FILM, 1/2W 3.0K OHM, PORM 2 PCT	81349	7900184-42 RL20S302G	1	
30	R21	5	RESISTOR, FXD, FILM, 1/4W 270 OHM, PORM 2 PCT	81349	7900183-17 RL07S271G	1	
30	R22	5	RESISTOR, FXD, WIREWOUND 3W, 510 OHM, PORM 5 PCT	81349	910509-48 RW69V511	1	
30	R24	5	RESISTOR, FXD, FILM, 1/4W 100 OHM, PORM 2 PCT 1/4W	81349	7900183-07 RL07S101G	1	
30	R27	5	RESISTOR, VARIABLE, WIREWOUND 3/4W, 2K OHM, PORM 5 PCT	81349	7901477-05 RT22C2P202	1	
30	R28	5	RESISTOR, FIXED, FILM, 1/4W 620 OHM, PORM 2 PCT	81349	7900183-26 RL07S621G	1	
30	R29	5	RESISTOR, FIXED, FILM, 1/4W 1.5K OHM, PORM 2 PCT	81349	7900183-35 RL07S152G	1	
30	R30	5	SELECTION KIT, RESISTOR CONVERTER	90536	7073184-00	1	
30	T1	5	TRANSFORMER, BASE CURRENT DRIVE	90536	7073180-00	1	
30		5	INSULATOR, TRANSFORMER (U/W T1)	90536	7073183-00	1	
30	T2	5	TRANSFORMER, PULSE/MODULATOR	90536	7073179-00	1	

PARTS LIST

GROUP ASSEMBLY PARTS LIST

FIG & INDEX NO	REF DESIG	I N D	DESCRIPTION	MFR CODE	UNIVAC PART NO MFR PART NO	QTY PER ASSY	USED ON
6-30			CKT CARD ASSY, REGULATING CONV		CONTINUED		
30	T3	5	TRANSFORMER, SATURABLE, OSC	90536	7073178-00	1	
30		5	INSULATOR, TRANSFORMER (U/W T2 AND T3)	90536	7073181-00	2	
30	Z1	5	INTEGRATED CIRCUIT PRECISION VOLTAGE REGULATOR	07263	7903531-01 HL20825	1	
30		5	PRINTED WIRING BOARD, REGULATING CONVERTER	90536	7216914-00	1	

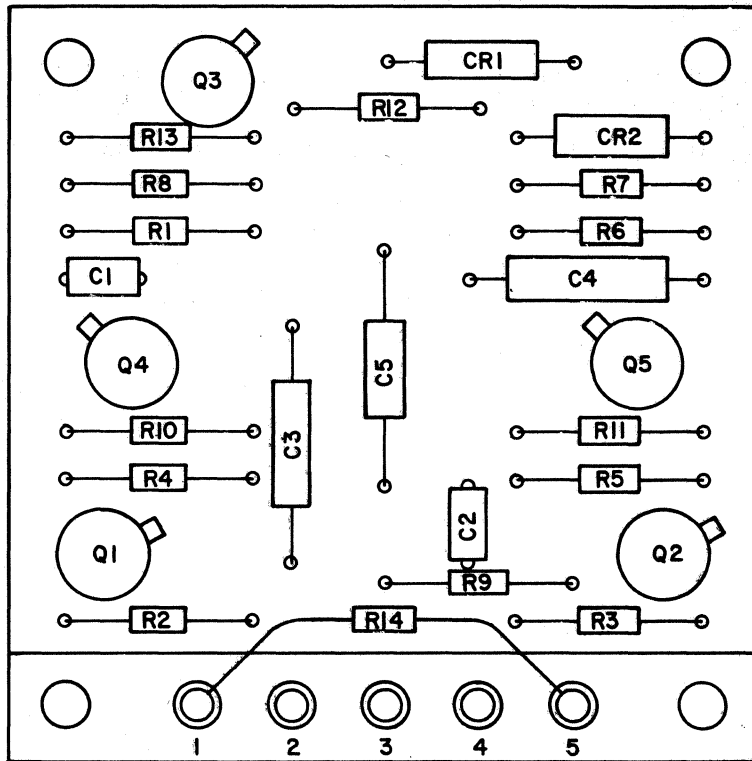


FIGURE 6-31. OSCILLATOR CIRCUIT CARD ASSEMBLY A19A3

## PARTS LIST

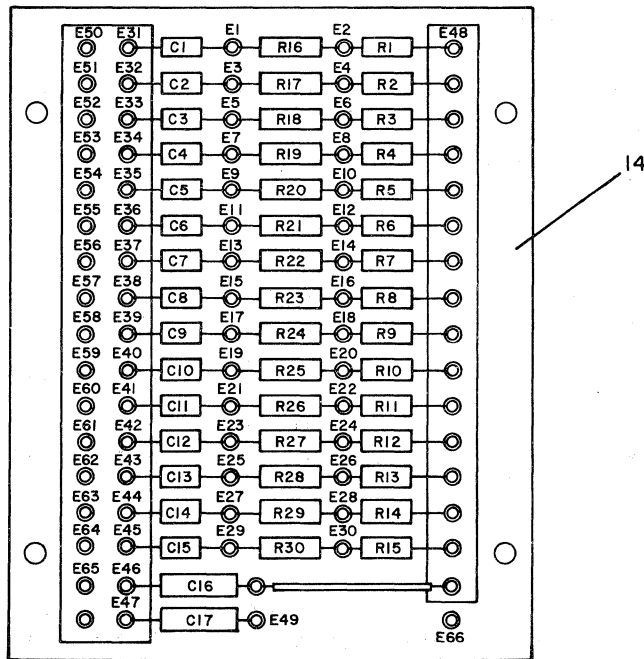
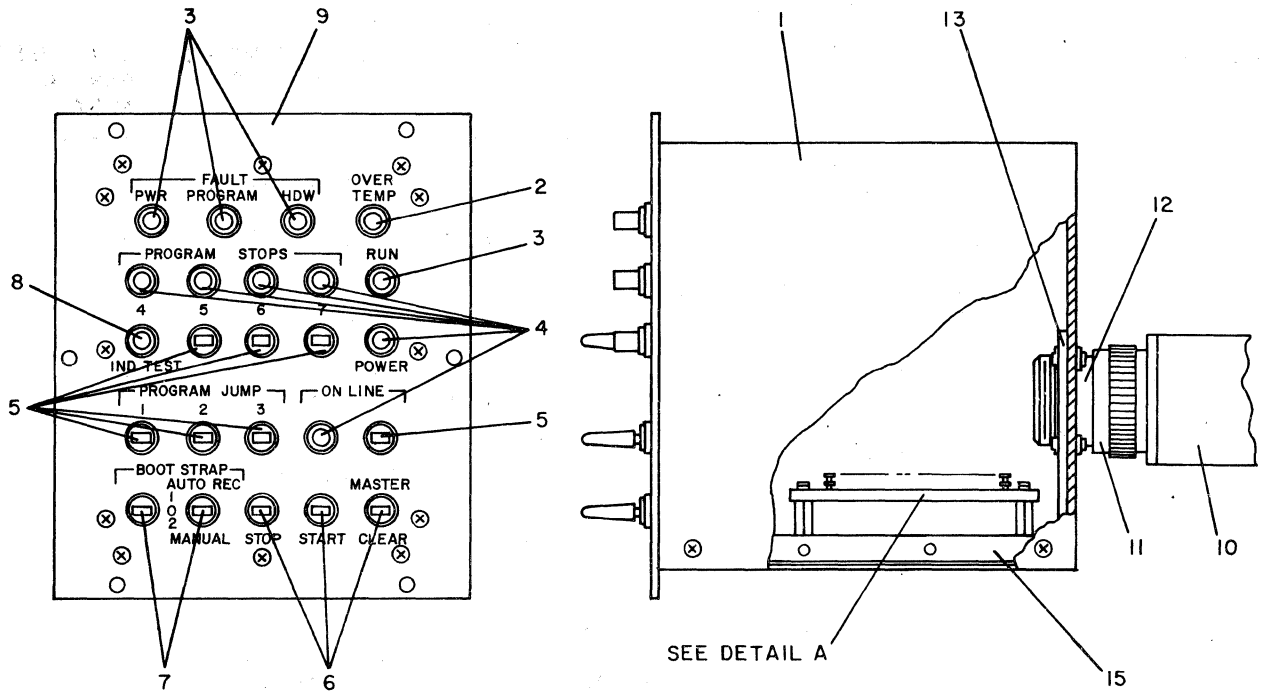
## GROUP ASSEMBLY PARTS LIST

FIG & INDEX NO	REF DESIG	I N D	DESCRIPTION	MFR CODE	UNIVAC PART NO MFR PART NO	QTY PER ASSY	USED ON ASSY
6-31	A19A3	3	CIRCUIT CARD ASSY, OSCILLATOR (FOR NHA SEE FIG 6-23)	90536	7056763-01	REF	
31	C1 C2	4	CAPACITOR, FXD, CER, DIELECTRIC 200V, 680PF, +-10PCT	81349	7901102-22 CK05BX681K	2	
31	C3 C4	4	CAPACITOR, FXD, ELCT, 50V 1.0UF, +-10PCT	81349	7902696-77 M39003/01-2356	2	
31	C5	4	CAPACITOR, FXD, CER, 50V 0.022UF, +-10PCT	81349	7903309-107 CK13BX223K7	1	
31	CR1 CR2	4	SEMICONDUCTOR DVC, DIODE, SI 400MW, 50V	81349	7900106-00 1N3600	2	
31	Q1 Q2	4	TRANSISTOR, PNP, SI, SWITCHING	04713	7900039-01 SM1573	2	
31	Q3 Q4 Q5	4	TRANSISTOR, NPN, SI, SWITCHING 360MW, 40V	04713	7900531-02 SM7169	3	
31	R1 R6	4	RESISTOR, FXD, COMP, 1/8W 750 OHM, +-5PCT	81349	4911670-46 RC05GF751J	2	
31	R2 R3	4	RESISTOR, FXD, COMP, 1/8W 1.5M OHM, +-5PCT	81349	4911671-29 RC05GF155J	2	
31	R4 R5 R9	4	RESISTOR, FXD, COMP, 1/8W 10K OHM, +-5PCT	81349	4911670-73 RC05GF103J	3	
31	R7	4	RESISTOR, FXD, COMP, 1/8W 2.0K OHM, +-5PCT	81349	4911670-56 RC05GF202J	1	
31	R8 R10 R11	4	RESISTOR, FXD, COMP, 1/8W 510 OHM, +-5PCT	81349	4911670-42 RC05GF511J	3	
31	R12	4	RESISTOR, FXD, COMP, 1/8W 5.1K OHM, +-5PCT	81349	4911670-66 RC05GF512J	1	
31	R13	4	RESISTOR, FXD, COMP, 1/8W 1K OHM, +-5PCT	81349	4911670-49 RC05GF102J	1	
31	R14	4	KIT, TRIM RESISTOR	90536	7214395-00	1	
31		5	RESISTOR, FXD, COMP, 1/8W 18 OHM, +-5PCT	81349	4911670-07 RC05GF180J	1	
			RESISTOR, FXD, COMP, 1/8W 20 OHM, +-5PCT	81349	4911670-08 RC05GF200J	1	
			RESISTOR, FXD, COMP, 1/8W 22 OHM, +-5PCT	81349	4911670-09 RC05GF220J	1	
			RESISTOR, FXD, COMP, 1/8W 24 OHM, +-5PCT	81349	4911670-10 RC05GF240J	1	
			RESISTOR, FXD, COMP, 1/8W		4911670-11	1	

GROUP ASSEMBLY PARTS LIST

PARTS LIST

FIG & INDEX NO	REF DESIG	I N D	DESCRIPTION	MFR CODE	UNIVAC PART NO MFR PART NO	QTY PER ASSY	USED ON
6-31			CIRCUIT CARD ASSY, OSCILLATOR		CONTINUED		
			27 OHM, +-5PCT	81349	RC056F270J		
31		4	PRINTED CIRCUIT BOARD OSCILLATOR	90536	7056758-00	1	



DETAIL A

FIGURE 6-32. COMPUTER CONTROL C-8542/UJK-7(V)



GROUP ASSEMBLY PARTS LIST

PARTS LIST

FIG & INDEX NO	REF DESIG	I N D	DESCRIPTION	MFR CODE	UNIVAC PART NO MFR PART NO	QTY USED PER ON ASSY
6-32		1	CONTROL, COMPUTER, C-8542	90536	7071687-01	1
32-1		2	COVER, REMOTE CONTROL	90536	7073205-00	1
32		2	SCREW, MACH, FLH, 4-40UNC-2A 0.25 L (AP)		910503-50 COML	8
32-2	XDS1	2	INDICATOR, TSTRZ, W/O LAMP	07137	7903985-00 TIL7657A	1
32		3	LENS, INDICATOR LIGHT, W/ O RING SEAL, (UOW XDS1)	07137	7903986-08 222435-41	1
32-3	XDS2 THRU XDS5	2	INDICATOR, TSTRZ, W/O LAMP	07137	7904105-00 TIL7682A	3
32		2	NUT, PLAIN, BLACK, 3/8-32NEF-2 (AP FOR IDX 2 AND 3)	07137	7900880-01 301241-014	5
			WASHER, LOCK, INT TOOTH NO 3/8 (AP FOR IDX 2 AND 3)	78189	905212-02 1220-02	5
32	DS1 THRU DS5	3	LAMP, INCANDESCENT, 28 VOLT 40 MA (U/W XDS1 THRU XDS5)	96906	7902253-00 MS18209-387	5
32		3	LENS, INDICATOR LIGHT, W/ O RING SEAL, RED (U/W XDS2 THRU XDS5)	07137	7903986-05 222435-27	4
32-4	S1 THRU S5 S10	2	LIGHT, INDICATOR, TRANSISTORIZED WITH NEON LAMP	07137	7903984-00 TBL3533A22	6
32		2	NUT, PLAIN, BLACK, 3/8-32NEF-2 (AP)	07137	7900880-01 301241-014	6
			WASHER, LOCK, INT TOOTH NO 3/8 (AP)	78189	905212-02 1220-02	6
32-5	S6 THRU S9 S11 S12 S13	2	SWITCH, TOGGLE, DPDT CONTACTS W/BUSHING AND PANEL SEALS	91929	7903728-00 32AT444T2	7
32-6	S14 S15 S16	2	SWITCH, TOGGLE, 2 POLE, 3 POSN W/BUSHING AND PANEL SEALS	91929	7903727-02 31AT416T2	3
32-7	S17 S18	2	SWITCH, TOGGLE, 2 POLE, 3 POSN W/BUSHING AND PANEL SEALS	91929	7903727-00 31AT417T2	2
32-8	S19	2	SWITCH, PUSH, 5 AMP, 250 VOLT 2C-CONTACT	91929	910271-01 2PB714T2	1
32		2	SWITCH BOOT (U/W S19)	81349	7903960-00 M5423-07-01	1

PARTS LIST

GROUP ASSEMBLY PARTS LIST

FIG & INDEX NO	REF DESIG	I N D	DESCRIPTION	MFR CODE	UNIVAC PART NO MFR PART NO	QTY PER ASSY	USED ON
6-32			CONTROL, COMPUTER, C-8542		CONTINUED		
32		2	NUT, PLAIN, ROUND, KNURLED, BK 15/32-32NS-2B (AP FOR IDX 5 THRU 8)	07137	7904102-00 301241-024	13	
32-9		2	PLATE, SWITCH MOUNTING	90536	7073204-01	1	
32		2	SCREW, CROSS RECESSED, SP (AP)	90536	7071634-09	12	
32	P01	2	KIT, ELECTRICAL CONNECTOR	90536	7214384-11	1	
32-10		3	ADAPTER, CABLE TO CONNECTOR RFI, ENVIRONMENTAL	31461	7902708-03 946-181631-10003	1	
32-11		3	CONNECTOR, PLUG, ELECTRICAL FEMALE, 85-CONTACT	81349	7902699-03 M81511/06EF01S4	1	
32		4	CONTACT, ELECTRICAL, CRIMP TYPE FEMALE (U/W IDX 11)	02660	7902484-05 348-100-5047S02	85	
32		3	PLUG, SEALING, CONTACT (U/W IDX 11)	81349	7902852-00 M81511/15-22	26	
32-12	J01	2	CONNECTOR, RECEPTACLE, ELEC MALE, 85-CONTACT	81349	7902698-03 M81511/01EF01P4	1	
32		2	SCREW, MACH, FLH, 4-40UNC-2A 7/16 L (AP)	96906	4912511-03 MS51959-16	4	
			NUT, SELF-LOCKING, HEX 4-40UNC-3B (AP)	96906	4912796-00 MS21044-C04	4	
32		3	CONTACT, ELECTRICAL, CRIMP TYPE MALE (U/W IDX 12)	96906	7902484-00 MS90461A23-22	85	
32-13		2	BRACKET, CONNECTOR	90536	7071689-00	1	
32		2	SCREW, MACH, PAN HD, 6-32UNC-2A 0.5 L (AP)	96906	4912531-04 MS51957-30	2	
			SCREW, MACH, PAN HD, 4-40UNC-2A 5/16 L (AP)	96906	908552-04 MS51957-14	4	
			WASHER, FLAT, NO 4 (AP)	96906	4912548-00 MS15795-803	4	
32	TB1	2	TERMINAL BOARD ASSEMBLY RES AND CAP NETWORK	90536	7073206-00	1	
32		2	SCREW, MACH, PAN HD, 6-32UNC-2A 5/16 L (AP)	96906	4912531-01 MS51957-27	4	
			SCREW, MACH, FLH, 6-32UNC-2A 5/8 L (AP)	96906	4912512-04 MS51959-31	4	
			WASHER, FLAT, NO 6 (AP)	96906	4912548-01 MS15795-805	4	
			SPACER, SLEEVE, TAPPED (AP)	00328	7900749-05 S07-6	4	

GROUP ASSEMBLY PARTS LIST

PARTS LIST

FIG & INDEX NO	REF DESIG	I N D	DESCRIPTION	MFR CODE	UNIVAC PART NO MFR PART NO	QTY PER ASSY	USED ON
6-32			CONTROL, COMPUTER, C-8542		CONTINUED		
32	C1 THRU C15	3	CAPACITOR, FIXED, ELECTROLYTIC 50VOLT, 0.22UF, PORM 10PCT	81349	7902696-69 M39003/01-2344	15	
32	C16 C17	3	CAPACITOR, FXD, CERAMIC DEIL 100V, 22000PF, PORM 20PCT	81349	7903309-020 CK148X223M	2	
32	R1 THRU R15	3	RESISTOR, FIXED, COMPOSITION 5.6K OHM, PORM 5PCT, 0.25 WATT	81349	4911672-51 RC07GF562J	15	
32	R16 THRU R30	3	RESISTOR, FIXED, COMPOSITION 30 OHM, PORM 5PCT, 0.5 WATT	81349	4911674-12 RC20GF300J	15	
32-14		3	TERMINAL BOARD, RES AND CAP NTWK	90536	7073208-00	1	
32-15		2	SUPPORT, BOTTOM	90536	7071688-00	1	

## PARTS LIST

## NUMERICAL INDEX

PART NUMBER	FIG & INDEX	PART NUMBER	FIG & INDEX	PART NUMBER	FIG & INDEX
AN935-B616L	6- 2	CG-3299	6-30	H42-02	6- 2
AN960-C4	6-13	CK05BX101K	6-29	J595-1812-2.5C4	6-24-3
AN960-C416	6- 3	CK05BX102K	6-17	L7152	6-23
AN960-C416	6- 5	CK05BX102K	6-25	L79NKM-40	6- 7
AN960-C416	6- 7	CK05BX102K	6-26	L79NKM-40	6-13
AN960-C416	6- 9	CK05BX102K	6-27	L79NKM-40	6- 7
AN960-C416	6-14	CK05BX102K	6-30	L79NKM-40	6-14
AN960-C416L	6-23	CK05BX104M	6-27	L79NM107-62	6- 5
AN960-C6	6- 3	CK05BX104M	6-29	L79NM107-62	6- 7
AN960-C6	6-23	CK05BX473M	6-11	L79NM107-62	6- 9
AS-1/2-402.0	6-20	CK05BX473M	6-12	L79NM107-62	6-14
FORM1PCT		CK05BX473M	6-13	L79NM107-62	6-23
AS1/2-10PORM1PCT	6-26	CK05BX473M	6-25	L79NM408-82	6- 7
AS1/2-10PORM1PCT	6-29	CK05BX473M	6-30	L79NM408-82	6- 9
AS1/2-100.0	6-22	CK05BX681K	6-31	L79NTE-048	6- 5
AS1/2-10PORM1PCT	6-27	CK06BX104K	6-13	L79NTE-048	6- 7
A19757	6- 3-37	CK06BX332K	6-28	L79NTE-048	6- 9
A19757	6- 5-7	CK06BX684K	6-22	MBS3394A26	6-23
A19757	6- 7-9	CK12AX471M	6-30	MDL152F7-683	6- 2
A19757	6- 9-8	CK13BX223K	6-31	NE2V-N	
A19757	6-14	CK14BX223M	6-23	MEB6A1-16	6- 3
A27P1X129	6-14	CK14BX223M	6-25	MEB6A1-20	6- 7
A33002	6-11-9	CK14BX223M	6-32	MEB6A1-20	6-23-7
A33002	6-12	CL33BZR15LNE	6-27	MHT7082	6-16
A33002	6-13	CM06FD751603	6-15	HL20825	6-29
A33002	6-15	CT45163	6- 1-11	HL20825	6-30
A33002	6-16	CY20C512J	6-11	MRAC2UP436	6-15
A33002	6-17	CY20C512J	6-12	MRAC2UP436	6-17
A38PX164	6-14	CY20C512J	6-13	MRAC2USNSS436	6-14
B4-1	6- 3	CZ24BKB104	6-14	MRAC34PNSS436	6-11
B4-1	6- 5	CZ24BKB105	6-14	MRAC34PNSS436	6-12
B4-1	6- 7	CZ24BKB474	6-14	MRAC34PNSS436	6-13
B4-1	6- 9	CZ24BKC104	6- 2	MRAC34SNSS	6- 3-21
B4-4	6- 3	CZ24BKC104	6-11	MRAC34SNSS	6- 5-28
B4-4	6- 5	CZ24BKC104	6-12	MRAC34SNSS	6- 7-55
B4-4	6- 7	CZ24BKC104	6-13	MRAC34SNSS	6- 9-34
B4-4	6- 9	CZ24BKC473	6-14	MSR6A20-20	6-23-6
B4-7	6- 3	CZ24BKC474	6-14	MSR6A3-20	6- 7
B4-7	6- 5	CZ24BKF224	6-14	MSR6A8-16	6- 3
B4-7	6- 7	C175R-0500-18000	6-24-5	MS15785-805	6- 3
B4-7	6- 9	A2A2		MS15795-802	6- 2
B470-235-40	6-12	DEM9S	6- 2	MS15795-802	6- 5
B510-200-40	6-11-3	DJXR894	6-20	MS15795-802	6- 9
B510-200-40	6-14	D20420	6- 2	MS15795-802	6-23
B510-200-40	6-15	FT-SM74	6-12	MS15795-803	6- 3
B510-200-40	6-17	FT-SM74	6-13	MS15795-803	6- 5
B800-260-30	6-12	FT-SM74	6-15	MS15795-803	6- 7
B800-260-62	6-14	FT1550UTUR	6-12	MS15795-803	6- 9
B800-260-62	6-16	FT1550UTUR	6-13	MS15795-803	6-13
B800-260-62	6-17	FT9-6	6- 2	MS15795-803	6-14
B800-320-62	6-11-7	F92-1660-40	6- 7	MS15795-803	6-15
B800-320-62	6-12	HP8N	6-18-6	MS15795-803	6-17
B800-320-62	6-13	HP-6N	6-16-3	MS15795-803	6-18
B800-320-62	6-15	HP10N	6-18-5	MS15795-803	6-22
B800-320-62	6-17	HP13N	6-18-8	MS15795-803	6-23
CG-3299	6-25	HP9N	6-18-7	MS15795-803	6-32
CG-3299	6-27	H42M3	6-23	MS15795-804	6- 2

PART NUMBER	FIG & INDEX	PART NUMBER	FIG & INDEX	PART NUMBER	FIG & INDEX
MS15795-804	6-11	MS35249-33	6- 9	MS51957-20	6-16
MS15795-804	6-12	MS35308-364	6- 2	MS51957-26	6-11
MS15795-804	6-16	MS35338-09	6- 5	MS51957-26	6-12
MS15795-805	6-32	MS35338-134	6- 5	MS51957-27	6- 5
MS15795-805	6- 3	MS35338-134	6- 7	MS51957-27	6- 7
MS15795-805	6- 5	MS35338-134	6- 9	MS51957-27	6- 9
MS15795-805	6- 7	MS35338-135	6- 2	MS51957-27	6-23
MS15795-805	6- 9	MS35338-135	6- 3	MS51957-27	6-32
MS15795-805	6-14	MS35338-135	6-15	MS51957-28	6-18
MS15795-805	6-18	MS35338-135	6-18	MS51957-28	6-23
MS15795-805	6-23	MS35338-136	6- 2	MS51957-29	6- 3
MS15795-806	6- 2	MS35338-136	6- 3	MS51957-29	6- 5
MS15795-807	6- 7	MS35338-136	6- 5	MS51957-29	6- 7
MS15795-807	6- 9	MS35338-136	6- 7	MS51957-29	6- 9
MS15795-808	6- 3	MS35338-136	6- 9	MS51957-29	6-18
MS15795-808	6- 5	MS35338-136	6-14	MS51957-29	6-23
MS15795-808	6- 7	MS35338-136	6-18	MS51957-3	6- 5
MS15795-808	6- 9	MS35338-138	6- 3	MS51957-3	6- 7
MS15795-808	6-14	MS35338-138	6-23	MS51957-3	6- 9
MS15795-808	6-23	MS35649-244	6- 2	MS51957-3	6-11
MS15795-808	6-23	MS35649-224	6- 5	MS51957-3	6-12
MS15795-810	6- 9	MS35649-224	6- 7	MS51957-30	6-32
MS15795-810	6- 7	MS35649-224	6- 9	MS51957-30	6-23
MS15795-814	6- 2	MS35649-244	6- 3	MS51957-31	6-14
MS15795-842	6- 2	MS35649-264	6- 2	MS51957-31	6-23
MS16995-10	6-11	MS51021-10	6- 3	MS51957-32	6- 3
MS16995-10	6-12	MS51021-10	6- 9	MS51957-44	6- 3
MS16995-17	6-23	MS51929-29	6- 7	MS51957-48	6- 3
MS16995-18	6- 3	MS51957-12	6-18	MS51957-5	6-12
MS16995-9	6-16	MS51957-13	6- 5	MS51957-5	6-13
MS16995-9	6-23	MS51957-13	6- 9	MS51957-5	6-16
MS16996-22	6- 2	MS51957-13	6-18	MS51957-6	6-12
MS16997-20	6- 2	MS51957-13	6-23	MS51957-8	6-13
MS16997-22	6- 2	MS51957-14	6- 3	MS51957-8	6-17
MS17804-16-16	6-14	MS51957-14	6- 7	MS51957-9	6-12
MS18209-387	6- 2	MS51957-14	6-15	MS51958-61	6-14
MS18209-387	6-23	MS51957-14	6-18	MS51958-62	6-23
MS18209-387	6-32	MS51957-14	6-23	MS51958-63	6- 3
MS21044-C04	6- 2	MS51957-14	6-32	MS51958-63	6- 5
MS21044-C04	6- 3	MS51957-15	6- 7	MS51958-63	6- 7
MS21044-C04	6-14	MS51957-15	6-11	MS51958-63	6- 9
MS21044-C04	6-23	MS51957-15	6-12	MS51958-63	6-14
MS21044-C04	6-32	MS51957-15	6-13	MS51958-63	6-23
MS21044-C06	6- 2	MS51957-15	6-15	MS51958-64	6-23
MS21044-C06	6- 3	MS51957-15	6-16	MS51958-70	6-14
MS24656-231	6-14	MS51957-15	6-17	MS51959-13	6- 2
MS24693-C25	6- 5	MS51957-15	6-18	MS51959-13	6- 3
MS25068-23	6- 2	MS51957-15	6-23	MS51959-13	6-11
MS25271-A1	6- 2	MS51957-16	6- 2	MS51959-13	6-12
MS27240-1	6-23	MS51957-16	6- 3	MS51959-13	6-13
MS27418-1A	6- 2	MS51957-16	6- 5	MS51959-13	6-15
MS3102K20-15P	6- 2	MS51957-16	6- 7	MS51959-13	6-21
MS3106R20-15S	6- 1-8	MS51957-16	6- 9	MS51959-14	6- 3
MS3112E8-4S	6- 2	MS51957-16	6-18	MS51959-14	6- 5
MS3116F8-4P	6- 1-9	MS51957-17	6- 2	MS51959-14	6- 7
MS3181-8C	6- 2-27	MS51957-17	6-14	MS51959-14	6- 9
MS35249-33	6- 5	MS51957-19	6-15	MS51959-15	6- 3

PART NUMBER	FIG & INDEX	PART NUMBER	FIG & INDEX	PART NUMBER	FIG & INDEX
MS51959-15	6- 5	MTB16A3	6- 3	M81511/01EF01P1	6- 3-26
MS51959-15	6- 7	MTB16A4	6- 3	M81511/01EF01P2	6- 3-25
MS51959-15	6- 9	MTB20A4	6- 7	M81511/01EF01P2	6- 3
MS51959-15	6-14	MTB20A4	6-23-4	M81511/01EF01P4	6-23
MS51959-15	6-16	MTL7656A	6-2	M81511/01EF01P4	6-32-12
MS51959-15	6-17	M22684/03-0053	6-30	M81511/01EF01S2	6- 2
MS51959-16	6- 2	M22684/03-0077	6-29	M81511/01EF01S3	6- 2
MS51959-16	6-14	M22684/03-0089	6-28	M81511/01EF01S4	6- 2
MS51959-16	6-32	M22684-03-0095	6-25	M81511/01EF01S5	6- 2
MS51959-17	6- 3	M22684/03-0095	6-27	M81511/01EF01S6	6- 2
MS51959-17	6-14	M22684/03-0127	6-30	M81511/06EF01P2	6-24
MS51959-27	6- 3	M22684/03-0133	6-28	M81511/06EF01P3	6-24
MS51959-29	6- 3	M22684-03-0153	6-25	M81511/06EF01P4	6-24
MS51959-29	6- 5	M22684/03-0197	6-29	M81511/06EF01P5	6-24
MS51959-29	6- 7	M22684-04-0043	6-12	M81511/06EF01P6	6- 1-10
MS51959-29	6- 9	M22684/04-0111	6-30	M81511/06EF01S1	6- 1
MS51959-30	6- 2	M22684-04-0145	6-15	M81511/06EF01S1	6-24
MS51959-30	6- 3	M22684/04-0153	6-27	M81511/06EF01S4	6-24
MS51959-30	6- 5	M22684-04-0165	6-14	M81511/06EF01S4	6-32-11
MS51959-30	6- 7	M22684-04-0167	6-15	M81511/06EF10S2	6- 1
MS51959-30	6- 9	M22684/04-0171	6-27	M81511/15-22	6- 1
MS51959-30	6-14	M22684/04-0173	6-27	M81511/15-22	6- 3
MS51959-30	6-23	M22684-04-0193	6- 2	M81511/15-22	6-23
MS51959-31	6-32	M24308/3-1	6- 2	M81511/15-22	6-32
MS51959-31	6- 2	M39003-01-2411	6-25	M81511/18-18	6- 2-28
MS51959-31	6- 5	M39003-01-2344	6-20	NFR127-1	6- 2
MS51959-31	6- 7	M39003-01-2368	6-26	RC05GF102J	6-31
MS51959-31	6- 9	M39003-01-2368	6-22	RC05GF103J	6-31
MS51959-4	6- 5	M39003/01-2254	6-29	RC05GF155J	6-31
MS51959-4	6- 7	M39003/01-2268	6-30	RC05GF180J	6-31
MS51959-4	6- 9	M39003/01-2283	6-30	RC05GF200J	6-31
MS51959-43	6- 5	M39003/01-2283	6-29	RC05GF202J	6-31
MS51959-43	6- 7	M39003/01-2285	6-32	RC05GF220J	6-31
MS51959-43	6- 9	M39003/01-2344	6-31	RC05GF240J	6-31
MS51959-43	6-14	M39003/01-2356	6-30	RC05GF270J	6-31
MS51959-45	6- 2	M39003/01-2368	6-23	RC05GF270J	6-31
MS51959-45	6- 3	M39003/01-2418	6-17	RC05GF511J	6-31
MS51959-46	6- 7	M39003/01-2737	6-27	RC05GF512J	6-31
MS51959-46	6- 9	M39003/01-2737	6-17	RC05GF751J	6-31
MS51959-46	6- 3	M39003/01-2745	6-27	RC07GF562J	6-32
MS51959-47	6- 5	M39003/01-2748	6-13	RC20GF300J	6-20
MS51959-47	6- 7	M39003/01-2784	6-27	RC20GF300J	6-32
MS51959-47	6- 9	M39003/01-2784	6-28	RE60GK100	6-17
MS51960-65	6- 3	M39003/01-2784	6-29	RE60GK499	6-16
MS51960-65	6- 5	M39003/01-2784	6-30	RE60GK800	6-12
MS51960-65	6- 7	M39003/01-2830	6-17	RE60GK800	6-15
MS51960-65	6- 9	M39003/01-2842	6-27	RE60G2K00	6-12
MS51960-65	6-14	M39018/01-0636	6-16	RE60G2K00	6-17
MS51972-3	6- 2	M39019/5-70	6- 2	RE60G4K99	6-12
MS9046UA23-22	6- 1	M39019/5-80	6- 2	RE60G4K99	6-13
MS9046UA23-22	6-24-2	M39029/01-16	6- 3	RE65G1910	6-11
MS90461A23-22	6- 3	M39029/01-20	6- 7	RE65G1910	6-12
MS90461A23-22	6-23	M39029/01-20	6-23	RE65G1910	6-13
MS90461A23-22	6-24-1	M5423/07-01	6-32	RE65G75R0	6-15
MS90461A23-22	6-31	M5423/27-01	6-2-23A	RLR07C221GM	6-29
MS91528-1N1B	6-23	M5757/10-151	6- 2	RLR07C221GM	6-29
MS960-C416	6- 5	M640-1	6-29	RLR20C202GM	6-29
				RL07S101G	6-27

NUMERICAL INDEX

PARTS LIST

PART NUMBER	FIG & INDEX	PART NUMBER	FIG & INDEX	PART NUMBER	FIG & INDEX
RL07S101G	6-30	RL07S621G	6-26	R5148-12	6-25
RL07S102G	6-27	RL07S621G	6-30	R5148-12	6-30
RL07S102G	6-29	RL07S622G	6-29	R5148-15	6-27
RL07S103G	6-29	RL07S681G	6-27	SC900FH	6-29
RL07S112G	6-27	RL07S751G	6-20	SC901FH	6-29
RL07S151G	6-29	RL07S751G	6-27	SDT7825	6-17
RL07S152G	6-27	RL07S752G	6-29	SG246U	6-20
RL07S152G	6-29	RL07S821G	6-25	SG246U	6-27
RL07S152G	6-30	RL07S821G	6-26	SG246U	6-30
RL07S181G	6-30	RL07S821G	6-28	SG246UA	6-28
RL07S182G	6-27	RL07S822G	6-27	SJ1229	6-29
RL07S182G	6-29	RL07S911G	6-25	SM1353	6-25
RL07S182G	6-30	RL07S911G	6-29	SM1353	6-27
RL07S201G	6-11	RL20S102G	6-28	SM1353	6-28
RL07S201G	6-12	RL20S112G	6-27	SM1353	6-29
RL07S201G	6-13	RL20S122G	6-26	SM1353	6-30
RL07S201G	6-14	RL20S122G	6-28	SM1573	6-31
RL07S201G	6-26	RL20S132G	6-29	SM2379	6-20
RL07S201G	6-27	RL20S152G	6-13	SM7169	6-31
RL07S201G	6-28	RL20S152G	6-27	SP4166	6-12
RL07S202G	6-20	RL20S162G	6-15	SP4167	6-17
RL07S202G	6-29	RL20S182G	6-27	SREC34PN937	6-16
RL07S203G	6-29	RL20S201G	6-27	SREC34SN937	6-14
RL07S222G	6-29	RL20S202G	6-27	SR1595	6-13
RL07S241G	6-30	RL20S203G	6-27	SST2	6-18-16
RL07S242G	6-25	RL20S241G	6-29	SS015	6-23-8
RL07S242G	6-29	RL20S302G	6-12	SS1505	6-30
RL07S271G	6-30	RL20S302G	6-14	SS1506	6-25
RL07S272G	6-20	RL20S302G	6-30	SS1506	6-26
RL07S272G	6-27	RL20S391G	6-28	SS1506	6-27
RL07S272G	6-30	RL20S392G	6-25	SS1506	6-28
RL07S302G	6-20	RL20S431G	6-28	SS1506	6-29
RL07S302G	6-29	RL20S511G	6-17	SS1506	6-30
RL07S302G	6-30	RL20S561G	6-15	SS1530	6-27
RL07S331G	6-27	RL20S561G	6-25	SS1530	6-28
RL07S331G	6-29	RN50C6191	6-29	SS1989	6-27
RL07S332G	6-27	RN50C8250	6-29	SS7525	6-25
RL07S332G	6-29	RN50C9530	6-29	ST-SM1TURC2	6-11-8
RL07S362G	6-28	RT22C2P202	6-27	ST-SM1TURC2	6-14-11
RL07S391G	6-26	RT22C2P202	6-30	ST1901	6-17
RL07S391G	6-27	RW69V1R0	6-11	ST250L4	6-11-15
RL07S391G	6-30	RW69V1R0	6-12	ST250L4	6-12
RL07S392G	6-29	RW69V1R0	6-13	ST250L4	6-13
RL07S392G	6-30	RW69V100	6-27	ST250L4	6-17
RL07S431G	6-25	RW69V122	6-30	ST250L4C2	6-15
RL07S431G	6-26	RW69V202	6-17	ST250L4C2	6-16
RL07S432G	6-29	RW69V430	6-11	SW7748A	6-30
RL07S471G	6-27	RW69V511	6-11	SZ1173U-00	6-29
RL07S471G	6-30	RW69V511	6-30	SU7-6	6-32
RL07S472G	6-29	RW69V911	6-25	S642-1816D-2.5-4	6- 1-12
RL07S511G	6-29	RW81U2R67F	6-29	(30P)	
RL07S512G	6-29	R5148-01	6-27	S642-1816D-2.5-4	6- 1
RL07S561G	6-27	R5148-01	6-28	(30P)	
RL07S561G	6-28	R5148-01	6-30	TBL3533A22	6-23
RL07S562G	6-20	R5148-05	6-30	TBL3533A22	6-32-4
RL07S562G	6-25	R5148-08	6-30	TLL3055B27	6-23
RL07S562G	6-29	R5148-09	6-30	TLL3055B41	6-23

## PARTS LIST

## NUMERICAL INDEX

PART NUMBER	FIG & INDEX	PART NUMBER	FIG & INDEX	PART NUMBER	FIG & INDEX
TIL7657A	6- 2	1N748A	6-30	1112-1	6- 2
TIL7657A	6-32-2	1N751A	6-29	1112-1	6-23
TIL7682A	6- 2	1N753A	6-27	112D127C3150Y1	6-15
TIL7682A	6-32-3	1N755A	6-27	112D165C3150D1	6-17
TT-16	6- 2	1N821	6-26	112D307C5075Y1	6-17
UZ9051	6-25	1N821	6-28	112D405C5075D1	6-30
X-10-542	6-27	1N827	6-27	112D456X0250Y1	6-15
X-10-542	6-30	100-1024P55	6-13	1120-12CP00	6-23
006 NEOPRENE 70	6-14	100-1024P55	6-15	112456C5075J1	6-16
+ -10 SHORE A		100-1014S55	6- 7	1218-02	6-11
007 NEOPRENE 70	6- 3	100-1014S55	6-14	1218-02	6-12
+ -10 SHORE A		100-1016P55	6-15	1218-02	6-13
007 NEOPRENE 70	6- 5	100-1016S55	6-14	122D516C3150Z1	6-11
+ -10 SHORE A		100-1018P55	6-13	122D516C3150Z1	6-12
007 NEOPRENE 70	6- 7	100-1018P55	6-17	122D516C3150Z1	6-13
+ -10 SHORE A		100-1018P55	6-11	1220-02	6- 2
007 NEOPRENE 70	6- 9	100-1018P55	6-12	1220-02	6-23
+ -10 SHORE A		100-1018S55	6- 3	1220-2	6-32
013-2006	6-11-14	100-1018S55	6- 5	13AT416T2	6-23
013-2006	6-17	100-1018S55	6- 7	13AT417T2	6-23
034-0064-047 &	6-14-13	100-1018S55	6- 9	13AT418T2	6-23
12-90000-000		100-1018S55	6-14	1890-00	6-21-2
1N29958	6-11	100-1018S56	6- 3	1890-00	6-22-6
1N29958	6-12	100-1020P55	6-12	1953-14B	6-18-9
1N29958	6-13	100-1020P55	6-13	1953-16B	6-18-10
1N3600	6-25	100-1020P55	6-15	1/2-6	6-23-24
1N3600	6-27	100-1020P55	6-17	2PB714T2	6- 2
1N3600	6-28	100-1020S55	6- 5	2PB714T2	6-23
1N3600	6-29	100-1020S55	6- 7	2PB714T2	6-32-8
1N3600	6-30	100-1020S55	6- 9	20JX31	6- 2
1N3600	6-31	100-1020S55	6-14	20418-2	6- 2
1N3600	6-14	100-1022P55	6-11	21-15022-105 &	6- 7
1N3611	6-11	100-1022P55	6-12	22-10000-516	
1N3611	6-12	100-1022P55	6-13	21-15022-105-	6- 3
1N3611	6-13	100-1022P55	6-15	22-10000-516	
1N3611	6-20	100-1022P55	6-17	21-15022-105-	6- 5
1N3611	6-25	100-1022S55	6-14	22-10000-516	
1N3611	6-27	100-1024P55	6-11	21-15022-105-	6- 9
1N3611	6-29	100-1024P55	6-12	22-10000-516	
1N3890	6-11	100-1024P55	6-17	21-20201-134 AND	6-14
1N3890	6-12	100-1024S55	6- 9	22-20001-501	
1N3890	6-17	100-1024S55	6- 3	21-20201-134 AND	6-14
1N3893	6-15	100-1024S55	6- 5	22-20001-516	
1N4372A	6-29	100-1024S55	6- 7	21-20201-134-	6-14
1N4942	6-17	100-1024S55	6-14	5290008	
1N4942	6-30	100-4020P62	6-16	21-20312-134-	6- 3
1N4944	6-11	100-4020S62	6-14	28-20003-309	
1N4944	6-12	100-4024P62	6-16	21-20312-134-	6- 5
1N4944	6-13	11-15001-105-	6- 7-40	28-20003-309	
1N4944	6-15	12-10000-000		21-20312-134-	6- 7
1N4944	6-17	11-15001-105-	6- 9-37	28-20003-309	
1N4944	6-30	12-10000-000		21-20312-134-	6- 9
1N4965	6-17	11-15001-105-	6- 3	28-20003-309	
1N4969	6-16	12-10000-000		222435-27	6- 2
1N4977	6-15	11-15001-105-	6- 5-41	222435-27	6-32
1N4983	6-27	12-10000-000		222435-41	6- 2
1N747A	6-29	11-20404-105	6- 2	2279-06-02	6-11-13
		12-20000-000			



NUMERICAL INDEX

PARTS LIST

PART NUMBER	FIG & INDEX	PART NUMBER	FIG & INDEX	PART NUMBER	FIG & INDEX
2279-06-02	6-12	4005-15SLOTTED	6-27	4912512-03	6- 5
23AT402T2	6-23	4005-15SLOTTED	6-28	4912512-03	6- 7
240-1181-01	6- 2	4018-15SLOTTED	6-13	4912512-03	6- 9
240-1271-05	6- 2	4018-15SLOTTED	6-25	4912512-03	6-14
247-00	6- 7-27	4018-15SLOTTED	6-26	4912512-03	6-23
247-01	6- 7-30	4018-15SLOTTED	6-27	4912512-04	6- 2
247-02	6- 7-31	4018-15SLOTTED	6-28	4912512-04	6- 5
247-05	6- 3-43	4263-1-0519	6-12	4912512-04	6- 7
247-06	6- 5-20	4263-1-0519	6-15	4912512-04	6- 9
247-06	6- 9-14	4313	6-23	4912512-04	6-32
2642-31050-N253	6-14	434MI120V400HZ	6- 2	4912513-00	6- 5
2642-31050-N253	6-16	4911670-07	6-31	4912513-00	6- 7
2676-15746-T093	6- 5	4911670-08	6-31	4912513-00	6- 9
2676-15746-T093	6- 9	4911670-09	6-31	4912513-00	6-14
3XL40PORM1PCT	6-27	4911670-10	6-31	4912513-02	6- 2
3XL5PORM1PCT	6-13	4911670-11	6-31	4912513-02	6- 3
3XL7.5PORM1PCT	6-13	4911670-42	6-31	4912513-03	6- 7
3-18388	6-14	4911670-46	6-31	4912513-03	6- 9
301241-014	6- 2	4911670-49	6-31	4912513-04	6- 3
301241-014	6-23	4911670-56	6-31	4912513-04	6- 5
301241-014	6-32	4911670-66	6-31	4912513-04	6- 7
301241-024	6- 2	4911670-73	6-31	4912513-04	6- 9
301241-024	6-23	4911671-29	6-31	4912515-02	6- 3
301241-024	6-32	4911672-51	6-32	4912515-02	6- 5
31AT416T2	6- 2	4911674-12	6-20	4912515-02	6- 7
31AT416T2	6-32-6	4911674-12	6-32	4912515-02	6- 9
31AT417T2	6- 2	4912503-02	6-13	4912515-02	6-14
31AT417T2	6-32-7	4912503-05	6- 3	4912523-01	6-22
3157138-00	6-21	4912503-06	6-13	4912523-02	6- 7
3157139-02	6- 2	4912511-00	6- 2	4912523-02	6-15
3157139-03	6-15	4912511-00	6-11	4912523-02	6-22
3157139-05	6-23	4912511-00	6-12	4912523-03	6-11
32AT444T2	6- 2	4912511-00	6-13	4912523-03	6-12
34475-1003	6- 3-28	4912511-00	6-15	4912523-03	6-13
348-100-5047P02	6- 1	4912511-00	6-21	4912523-04	6-12
348-100-5047P02	6- 3	4912511-01	6- 3	4912523-04	6-14
348-100-5047P02	6-23	4912511-01	6- 5	4912523-04	6-15
348-100-5047S02	6- 2	4912511-01	6- 7	4912523-04	6-16
348-100-5047S02	6-32	4912511-01	6- 9	4912523-04	6-17
4BTF2-45-12	6-11	4912511-02	6- 3	4912523-05	6- 7
4BTF2-45-12	6-12	4912511-02	6- 5	4912523-05	6- 9
4BTF2-45-12	6-15	4912511-02	6- 7	4912523-06	6-12
4BTF2-45-12	6-16	4912511-02	6- 9	4912524-09	6- 2-23A
4BTF2-45-12	6-17	4912511-02	6-14	4912531-00	6-11
4BTF2-49-12	6-11	4912511-02	6-16	4912531-00	6-12
4BTF2-49-12	6-12	4912511-02	6-17	4912531-01	6- 5
4BTF2-49-12	6-15	4912511-03	6- 2	4912531-01	6- 7
4BTF2-49-12	6-16	4912511-03	6-14	4912531-01	6- 9
4BTF2-49-12	6-17	4912511-03	6-31	4912531-01	6-23
4BTF2-56-12	6-13	4912511-04	6- 3	4912531-01	6-32
4005-15SLOTTED	6-11-5	4912511-04	6-14	4912531-02	6-18
4005-15SLOTTED	6-12	4912512-02	6- 3	4912531-02	6-23
4005-15SLOTTED	6-15	4912512-02	6- 5	4912531-03	6- 3
4005-15SLOTTED	6-16	4912512-02	6- 7	4912531-03	6- 5
4005-15SLOTTED	6-17	4912512-02	6- 9	4912531-03	6- 7
4005-15SLOTTED	6-25	4912512-03	6- 2	4912531-03	6- 9
4005-15SLOTTED	6-26	4912512-03	6- 3	4912531-03	6-18

## PARTS LIST

## NUMERICAL INDEX

PART NUMBER	FIG & INDEX	PART NUMBER	FIG & INDEX	PART NUMBER	FIG & INDEX
4912531-03	6-23	4912548-09	6- 9	53250	6- 1-15
4912531-04	6- 3	4912548-09	6-23	5593375	6- 5-29
4912531-04	6-23	4912548-10	6- 2	5593375	6- 7-38
4912531-04	6-32	4912548-10	6-11	5593375	6- 9-35
4912531-05	6-14	4912548-10	6-12	570-3650-01-05	6-23
4912531-05	6-23	4912548-10	6-16	5894603	6-14
4912531-06	6- 3	4912548-11	6- 2	601C-3	6- 2
4912532-03	6- 3	4912548-13	6- 2	62355S0440	6-18
4912534-00	6- 3	4912550-00	6- 2	71L4890A27	6-32-2
4912534-00	6- 5	4912550-00	6- 3	7012817-06	6- 5
4912534-00	6- 7	4912550-00	6-15	7012817-06	6- 7
4912534-00	6- 9	4912550-00	6-18	7012817-06	6- 9
4912534-00	6-14	4912550-01	6- 2	7022564-00	6- 3-34
4912534-00	6-23	4912550-01	6- 3	7022564-00	6- 5-4
4912534-01	6-23	4912550-01	6- 5	7022564-00	6- 7-6
4912535-01	6- 3	4912550-01	6- 7	7022564-00	6- 9-5
4912535-01	6- 5	4912550-01	6- 9	7022564-00	6-14-3
4912535-01	6- 9	4912550-01	6-14	7022569-01	6- 5-25
4912540-00	6- 2	4912550-01	6-18	7022569-01	6- 7-25
4912540-00	6- 3	4912550-03	6- 3	7022569-01	6- 9-19
4912540-01	6- 2	4912550-03	6-23	7022572-01	6- 3
4912540-04	6- 5	4912550-09	6- 5	7022572-02	6- 5
4912540-04	6- 7	4912550-09	6- 7	7022572-02	6- 9
4912540-04	6- 9	4912550-09	6- 9	7022581-01	6- 3-48
4912548-00	6- 3	4912552-00	6- 2	7022581-01	6- 5-14
4912548-00	6- 5	4912552-00	6- 5	7022581-01	6- 7-11
4912548-00	6- 7	4912552-00	6- 9	7022581-01	6- 9-10
4912548-00	6- 9	4912552-01	6- 5	7022581-02	6- 5-12
4912548-00	6-13	4912552-01	6- 7	7022581-02	6- 7-10
4912548-00	6-14	4912552-01	6- 9	7022581-02	6- 9-12
4912548-00	6-15	4912552-04	6- 2	7022582-00	6- 3-46
4912548-00	6-17	4912794-01	6- 3	7035853-00	6-12
4912548-00	6-18	4912796-00	6- 2	7035853-00	6-13
4912548-00	6-22	4912796-00	6- 3	7035853-00	6-14
4912548-00	6-23	4912796-00	6-14	7035853-00	6-16
4912548-00	6-32	4912796-00	6-23	7035853-00	6-17
4912548-01	6- 3	4912796-00	6-32	7050014-00	6-23
4912548-01	6- 5	4912796-01	6- 2	7050014-01	6- 2-18
4912548-01	6- 7	4912796-01	6- 3	7050014-01	6- 3
4912548-01	6- 9	4912818-16	6-11	7050015B	
4912548-01	6-14	4912818-16	6-12	7050014-01	6- 3
4912548-01	6-18	4912818-16	6-13	7050015W	
4912548-01	6-23	4912848-01	6- 2	7050014-01-	6- 5
4912548-01	6-32	4912848-02	6- 2	7050015W	
4912548-02	6- 7	4913630-01	6- 3-21	7050014-01-	6- 5
4912548-02	6- 9	4913630-01	6- 5-28	7050015B	
4912548-03	6- 3	4913630-01	6- 7-55	7050014-01-	6- 7
4912548-03	6- 5	4913630-01	6- 9-34	7050015R	
4912548-03	6- 7	5005-B	6-25	7050014-01-	6- 9
4912548-03	6- 9	5005-B	6-27	7050015B	
4912548-03	6-14	5005-B	6-28	7050014-02	6- 3
4912548-03	6-23	5005-B	6-29	7050015B	
4912548-04	6- 7	5005-B	6-30	7050014-02-	6- 3
4912548-04	6- 9	51L7-1AB	6-23-12	7050015W	
4912548-06	6- 2	520	6-11-4	7050014-02-	6- 3
4912548-09	6- 2	520	6-12	7050015BL	
4912548-09	6- 5	520	6-15	7050014-02-	6- 3
				7050015W	

NUMERICAL INDEX

PARTS LIST

PART NUMBER	FIG & INDEX	PART NUMBER	FIG & INDEX	PART NUMBER	FIG & INDEX
7050014-02-	6- 5	7065809-00	6- 7-7	7071527-01	6- 7-58
7050015W		7065809-00	6- 9-6	7071530-02	6- 7-2
7050014-02-	6- 5	7065809-00	6-14-5	7071546-00	6- 7-54
7050015B		7065812-00	6- 7-42	7071556-01	6- 5-42
7050014-02-	6- 5	7065812-01	6- 7-44	7071556-01	6- 9-46
7050015BL		7065812-02	6- 9-43	7071565-00	6- 3-62
7050014-02-	6- 5-40	7065812-03	6- 7-48	7071566-00	6- 3-59
7050015W		7065812-04	6- 7-51	7071566-01	6- 3-60
7050014-02-	6- 7	7065812-05	6- 7-46	7071570-02	6- 1-1
7050015W		7065812-06	6- 5-39	7071571-01	6- 3
7050014-02-	6- 7	7065812-06	6- 9-44	7071572-00	6- 3-7
7050015B		7066792-00	6-11-1	7071575-00	6- 3-30
7050014-02-	6- 7	7066792-00	6-12	7071576-00	6- 3-32
7050015BL		7066792-00	6-13	7071577-00	6- 3-31
7050014-02-	6- 7-39	7066792-00	6-14	7071578-00	6- 3-33
7050015W		7066792-00	6-15	7071579-00	6- 3-65
7050014-02-	6- 9	7066792-00	6-17	7071580-00	6- 3-27
7050015W		7069735-00	6-23	7071581-00	6- 3-38
7050014-02-	6- 9	7071112-01	6- 5-38	7071582-00	6- 3-39
7050015B		7071112-01	6- 7-63	7071583-00	6- 3-40
7050014-02-	6- 9	7071112-01	6- 9-40	7071584-00	6- 3-56
7050015BL		7071112-02	6- 5-31	7071587-00	6- 3-45
7050014-02-	6- 9-36	7071112-02	6- 7-62	7071589-00	6- 3
7050015W		7071112-02	6- 9-39	7071590-00	6- 3-66
7050015-00	6- 2-19	7071112-03	6- 5-33	7071593-00	6- 3-44
7050015-00	6-23	7071112-03	6- 7-61	7071594-00	6- 3-58
7050016-00	6-22-1	7071112-03	6- 9-41	7071595-00	6- 3-57
7050016-01	6- 2-20	7071156-00	6-23	7071596-00	6- 3-68
7050017-00	6- 2-21	7071409-00	6- 2-24	7071596-01	6- 3-68
7050017-00	6-22-2	7071474-00	6- 2-5	7071598-01	6- 3
7056119-02	6- 2	7071476-00	6- 2-13	7071600-01	6- 3-1
7056119-02	6- 3	7071482-00	6- 2-2	7071608-00	6- 3-47
7056119-02	6-23	7071493-00	6-22	7071609-00	6- 3-8
7056758-00	6-31	7071494-00	6-22-4	7071610-00	6- 3-52
7056763-01	6-23	7071494-01	6-22-5	7071611-00	6- 3-53
7056888-00	6- 7-28	7071495-00	6-22-3	7071612-00	6- 3-22
7056888-02	6- 7-29	7071499-00	6- 2-26	7071614-00	6- 3-14
7056888-03	6- 7-29A	7071500-00	6- 2	7071614-01	6- 3-20
7056892-01	6- 7-41	7071501-00	6- 2	7071615-00	6- 3-12
7056892-02	6- 7-43	7071504-00	6- 2-22	7071615-01	6- 3-16
7065678-01	6- 2-23	7071507-00	6- 2	7071615-02	6- 3-14
7065707-00	6- 3-5	7071509-00	6- 2	7071616-00	6- 3-10
7065707-00	6- 5	7071510-00	6- 2-6	7071617-00	6- 3-19
7065707-00	6- 7	7071511-00	6- 2-7	7071618-00	6- 3-18
7065718-01	6- 3	7071512-00	6- 2-8	7071619-00	6- 3-15
7065718-01	6- 5	7071515-00	6- 2-4	7071619-01	6- 3-13
7065718-01	6- 7	7071517-00	6- 2-3	7071619-02	6- 3-17
7065718-01	6- 9	7071519-00	6- 2-9	7071619-03	6- 3-11
7065718-01	6-14	7071520-02	6- 1-3	7071619-04	6- 3-13
7056763-01	6-31	7071521-01	6- 7	7071619-05	6- 3-11
7065808-00	6- 3-36	7071522-00	6- 7	7071623-00	6-23-1
7065808-00	6- 5-6	7071525-01	6- 5-9	7071627-00	6-23-3
7065808-00	6- 7-8	7071525-01	6- 7-23	7071628-00	6-23-29
7065808-00	6- 9-7	7071525-01	6- 9-30	7071630-05	6- 1-5
7065808-00	6-14-6	7071526-00	6- 5	7071631-01	6-14-1
7065809-00	6- 3-35	7071526-00	6- 7	7071633-00	6-14-2
7065809-00	6- 5-5	7071526-00	6- 9	7071634-01	6-14

## PARTS LIST

## NUMERICAL INDEX

PART NUMBER	FIG & INDEX	PART NUMBER	FIG & INDEX	PART NUMBER	FIG & INDEX
7071634-02	6- 5	7071750-05	6-13	7071787-00	6-11-11
7071634-02	6- 7	7071750-06	6-13	7071787-00	6-12-5
7071634-02	6- 9	7071750-07	6-12	7071787-00	6-13-7
7071634-02	6-14	7071750-08	6-17	7071795-00	6-13-3
7071634-03	6- 3	7071750-09	6-11	7071800-00	6-13
7071634-03	6- 5	7071750-09	6-17	7071812-01	6-11
7071634-03	6- 7	7071750-10	6-30	7071812-01	6-12
7071634-03	6- 9	7071750-11	6-17	7071812-01	6-13
7071634-03	6-14	7071750-12	6-17	7071817-00	6-25
7071634-04	6- 3	7071750-13	6-12	7071817-00	6-28
7071634-04	6- 5	7071750-15	6-11	7071845-00	6- 2-1
7071634-04	6- 7	7071750-16	6-11	7071847-00	6-18-11
7071634-04	6- 9	7071750-17	6-11	7071847-02	6-18-12
7071634-05	6-14	7071750-21	6-17	7071857-00	6-18
7071634-09	6-31	7071751-00	6-15	THRU	
7071634-10	6- 5	7071753-00	6-15	7071857-12	6-18
7071634-10	6- 9	7071754-00	6-14	7071858-00	6-18
7071637-00	6-14	7071754-00	6-15	7071866-00	6- 6-6
7071637-01	6-14	7071761-00	6-13-1	7071867-00	6-10-24
7071640-00	6-14	7071762-00	6-11-16	7071881-00	6-12
7071644-00	6-14	7071762-00	6-12-6	7071882-00	6-26
7071687-01	6-32	7071762-00	6-13-2	7071883-00	6-26
7071688-00	6-32-15	7071763-00	6-13-8	7071884-00	6-12
7071689-00	6-32-13	7071764-00	6-11	7071885-00	6-12
7071700-00	6-14	7071764-00	6-12	7071891-00	6-12-2
7071701-00	6-14-12	7071764-00	6-13	7071891-01	6-12-3
7071703-01	6-14-15	7071764-01	6-11	7071892-00	6-12
7071704-01	6-14-16	7071764-01	6-12	7071895-00	6-12
7071706-00	6-14	7071764-01	6-13	7071896-00	6-12
7071707-00	6-14-8	7071765-00	6-11	7071909-00	6-12-1
7071709-00	6-14	7071765-00	6-12	7071912-00	6-12-7
7071710-00	6-14	7071765-00	6-13	7071914-00	6-12
7071711-00	6-14	7071767-00	6-13-4	7071914-00	6-13
7071715-00	6-14-7	7071771-00	6-13-5	7071946-00	6-11-12
7071716-00	6-14-4	7071775-00	6-13	7071948-00	6-11
7071719-00	6-14-10	7071777-00	6-11	7071950-00	6-11
7071720-00	6-14	7071777-00	6-12	7071965-00	6-11-16
7071721-00	6-15-4	7071777-00	6-13	7071969-00	6-11-17
7071724-00	6-14	7071778-09	6-13	7071971-00	6-11-4
7071724-00	6-15	7071778-12	6-17	7071971-00	6-17
7071724-00	6-17	7071778-13	6-17	7071981-00	6-11
7071725-01	6-15	7071780-00	6-11-6	7071982-00	6-11
7071729-00	6-15-2	7071780-00	6-12	7071983-00	6-11
7071730-00	6-15	7071780-00	6-13	7072513-04	6-23
7071731-00	6-27	7071780-00	6-15	7072513-05	6-23
7071733-00	6-27	7071780-01	6-17	7072513-06	6-23
7071734-00	6-27	7071781-00	6-25	7072513-07	6-23
7071735-00	6-15	7071782-00	6-12	7073075-01	6-14
7071736-00	6-15	7071782-00	6-13	7073076-00	6-16
7071741-00	6-15-3	7071784-00	6-11	7073077-00	6-28
7071750-00	6-15	7071784-00	6-13	7073082-00	6-15-1
7071750-01	6-15	7071785-00	6-11	7073082-00	6-16-1
7071750-02	6-12	7071785-00	6-12	7073082-00	6-17-1
7071750-03	6-16	7071785-00	6-13	7073083-00	6-16-2
7071750-04	6-13	7071786-00	6-11-10	7073089-00	6-14
7071750-05	6-11	7071786-00	6-12-4	7073089-00	6-16
7071750-05	6-12	7071786-00	6-13-6	7073093-00	6-28

NUMERICAL INDEX

PARTS LIST

PART NUMBER	FIG & INDEX	PART NUMBER	FIG & INDEX	PART NUMBER	FIG & INDEX
7073095-00	6-28	7073170-00	6- 7-56	7073260-61	6- 1-6
7073096-00	6-29	7073172-00	6- 7	7073261-02	6- 2-30
7073100-01	6-16	7073172-01	6- 5-37	7073261-03	6- 2-30
7073115-00	6- 7-57	7073172-01	6- 7	7073291-XX	6- 1-19
7073116-01	6- 5-45	7073173-00	6- 7-26	7073295-00	6-18-13
7073116-01	6- 7-24	7073173-01	6- 5-44	7073298-00	6-18-17
7073116-01	6- 9-21	7073173-01	6- 9-24	7073301-03	6- 1-18
7073117-00	6- 7	7073175-01	6-14	7073302-04	6- 1-18
7073118-00	6- 7-14	7073178-00	6-30	7073303-03	6- 1-18
7073118-00	6- 9-25	7073179-00	6-30	7073304-01	6- 1-18
7073120-00	6- 7-36	7073180-00	6-30	7073305-18	6- 2
7073121-00	6- 7-33	7073181-00	6-30	7073306-02	6- 2
7073122-00	6- 7-34	7073182-00	6-30	7073307-01	6- 2-17
7073123-00	6- 7-35	7073183-00	6-30	7073308-01	6- 2-16
7073124-00	6- 3-64	7073184-00	6-30	7073320-02	6- 1-2
7073124-00	6- 5-35	7073185-00	6-17	7073321-02	6- 5
7073124-00	6- 7-59	7073186-00	6-17	7073322-01	6- 5
7073124-01	6- 3-63	7073187-00	6-17-3	7073324-00	6- 5-3
7073124-01	6- 5-36	7073190-00	6-17	7073325-00	6- 5
7073124-01	6- 7-60	7073191-00	6-17-2	7073325-00	6- 7
7073125-00	6- 7-1	7073194-00	6-17-4	7073325-00	6- 9
7073127-00	6- 7	7073198-00	6-20-1	7073327-00	6- 7-20
7073127-00	6- 9-20	7073199-00	6- 2	7073327-00	6- 9-27
7073128-00	6- 7-37	7073200-01	6-14	7073330-01	6- 1-7
7073132-00	6- 7-15	7073202-00	6-14-14	7073331-00	6-23-28
7073132-01	6- 5-18	7073204-01	6-32-9	7073333-00	6-23-22
7073132-01	6- 9-22	7073205-00	6-32-1	7073334-00	6-23-21
7073133-00	6- 7-32	7073206-00	6-32	7073335-00	6-23-23
7073133-01	6- 5-24	7073208-00	6-32-14	7073336-00	6-23-26
7073133-01	6- 9-18	7073210-00	6- 3-67	7073338-00	6-23
7073134-00	6- 5-43	7073210-00	6- 5-19	7073339-00	6-23
7073134-00	6- 9-23	7073210-00	6- 7-19	7073344-00	6-23
7073135-00	6- 5-2	7073210-00	6- 9-31	7073345-00	6-23-17
7073135-00	6- 9-1	7073214-01	6- 7-4	7073346-00	6-23-19
7073138-00	6- 5-26	7073217-00	6- 7-53	7073347-00	6-23-18
7073138-00	6- 9-32	7073219-00	6- 3-51	7073348-00	6-23-20
7073139-00	6- 5-27	7073219-01	6- 3-50	7073349-01	6-23-10
7073139-00	6- 9-33	7073221-00	6- 1-3	7073350-01	6-23-9
7073142-00	6- 7-45	7073227-00	6-21-4	7073352-00	6-23-11
7073143-00	6- 7-47	7073228-00	6-21-1	7073353-00	6-23
7073148-00	6- 7-18	7073229-00	6-21-3	7073355-00	6-23
7073148-00	6- 9-13	7073230-XX	6- 1-16	7073355-00	6-23-27
7073148-01	6- 5-17	7073232-00	6- 3-29	7073368-00	6-23-16
7073150-00	6- 5-15	7073232-02	6- 5-11	7073369-00	6-23-15
7073150-00	6- 7-13	7073232-02	6- 7-22	7073375-06	6- 1-5
7073150-00	6- 9-26	7073232-02	6- 9-29	7073376-00	6-14
7073151-00	6- 5-21	7073232-03	6- 5-10	7073381-00	6-13
7073151-00	6- 9-15	7073232-03	6- 7-21	7073382-00	6-13
7073153-00	6- 7-50	7073232-03	6- 9-28	7073400-02	6- 1-1
7073154-00	6- 7-52	7073233-00	6- 3-12	7073401-01	6- 3
7073155-00	6- 7-49	7073234-00	6- 3-10	7073402-00	6- 3-7
7073156-00	6- 5-32	7073238-00	6-18	7073426-00	6-18-15
7073156-00	6- 9-45	7073250-XX	6- 1	7073427-00	6-18-4
7073166-00	6- 7-64	7073258-01	6- 2-15	7073429-00	6-18-14
7073167-00	6- 7-65	7073260-52	6- 1-6	7073430-00	6-18-2
7073169-00	6- 9-42	7073260-56	6- 1-6	7073431-00	6-18
7073169-01	6- 5-30	7073260-57	6- 1-6	7073432-00	6-18-3

## PARTS LIST

## NUMERICAL INDEX

PART NUMBER	FIG & INDEX	PART NUMBER	FIG & INDEX	PART NUMBER	FIG & INDEX
7073433-00	6-18	7111705-01	6-4	7112825-00	6-10-32
7073448-XX	6-1-19	7111750-00	6-6-1	7112830-00	6-10-34
7073479-01	6-23-2	7111750-00	6-10-5	7112835-00	6-10-33
7073524-00	6-2-25	7111755-00	6-6-2	7112840-00	6-10-36
7073536-XX	6-1-19	7111755-00	6-10-52	7112845-00	6-10-28
7073540-02	6-1-4	7111877-00	6-10-37	7112850-00	6-10-8
7073541-02	6-9	7111886-00	6-10-43	7112855-00	6-10-29
7073542-01	6-9	7111890-00	6-10-42	7112860-00	6-10-31
7073544-00	6-9-3	7111895-00	6-10-45	7112865-00	6-10-26
7074003-XX	6-1-17	7111905-02	6-6-11	7112870-00	6-10-30
7111005-00	6-6-19	7111910-00	6-6-26	7112876-00	6-10-23
7111400-00	6-8-13	7111915-00	6-6-17	7112880-00	6-10-9
7111405-00	6-8-11	7111920-00	6-6-18	7112887-00	6-10-20
7111410-00	6-8-9	7111926-00	6-6-13	7112891-00	6-10-1
7111415-00	6-8-10	7111931-00	6-6-16	7112895-00	6-10-2
7111420-00	6-8	7111936-00	6-6-15	7112900-00	6-10-22
7111436-00	6-8-1	7111940-00	6-6-10	7112907-00	6-10-21
7111440-00	6-8-12	7111945-00	6-6-8	7112910-00	6-10-10
7111446-00	6-10-68	7111955-00	6-10-51	7112917-00	6-10-11
7111457-01	6-8-3	7111965-00	6-10-41	7112920-00	6-10-91
7111460-00	6-8-6	7111970-00	6-10-4	7112927-00	6-10-12
7111465-00	6-8-5	7111981-00	6-10-80	7112931-00	6-10-14
7111470-00	6-8-4	7111987-00	6-10-39	7112935-00	6-10-18
7111476-00	6-10-66	7112010-00	6-10-88	7112941-00	6-10-15
7111482-00	6-10-65	7112015-00	6-10-89	7112945-00	6-10-90
7111485-02	6-4	7112025-00	6-6-7	7112950-00	6-10-17
7111485-02	6-6-21	7112025-00	6-10-62	7112962-00	6-10-53
7111485-02	6-8-16	7112036-00	6-10-60	7112965-00	6-10-16
7111485-02	6-10-84	7112040-00	6-10-64	7112970-00	6-10-7
7111490-02	6-4	7112045-00	6-10-63	7112975-00	6-10-58
7111490-02	6-6-14	7112050-00	6-6-5	7112980-00	6-10-59
7111490-02	6-8-8	7112050-00	6-10-27	7112985-00	6-10-73
7111490-02	6-10-40	7112055-00	6-10-78	7112990-01	6-4
7111505-00	6-4	7112061-00	6-10-77	7112990-01	6-6-22
7111511-00	6-4	7112065-00	6-10-76	7112990-01	6-10-85
7111517-01	6-4	7112077-00	6-10-70	7112995-01	6-8-3
7111520-00	6-4	7112081-00	6-10-61	7113021-00	6-4
7111527-00	6-4	7112085-00	6-10-81	7113026-00	6-4
7111530-00	6-4	7112090-00	6-10-72	7113031-00	6-4
7111535-00	6-4	7112096-00	6-10-71	7113036-00	6-4
7111540-00	6-4	7112101-00	6-10-74	7113040-00	6-4
7111545-02	6-6-12	7112106-00	6-10-69	7113051-00	6-4
7111560-00	6-6-25	7112112-00	6-10-25	7113056-00	6-4
7111581-00	6-6-20	7112130-00	6-23	7113061-00	6-4
7111605-00	6-10-44	7112135-00	6-23	7113330-00	6-4
7111610-00	6-6-9	7112140-00	6-23	7113336-00	6-4
7111610-00	6-10-46	7112290-00	6-6-3	7113340-00	6-10-50
7111615-00	6-8-14	7112290-00	6-10-6	7113346-00	6-10-49
7111620-00	6-8-2	7112298-00	6-10-13	7113350-00	6-10-48
7111635-00	6-10-87	7112310-00	6-10-55	7113386-00	6-4
7111655-02	6-10-79	7112315-00	6-10-47	7113390-00	6-4
7111665-00	6-6-4	7112320-00	6-10-54	7113395-00	6-4
7111665-00	6-8-7	7112331-00	6-10-56	7113516-00	6-4
7111675-00	6-10-86	7112335-00	6-10-3	7113526-00	6-10-19
7111692-00	6-6-24	7112365-00	6-10-82	7117091-00	6-5
7111692-00	6-10-38	7112370-00	6-10-83	7119090-00	6-5-8
7111700-02	6-8-15	7112820-00	6-10-35	7119090-00	6-9-9

NUMERICAL INDEX

PARTS LIST

PART NUMBER	FIG & INDEX	PART NUMBER	FIG & INDEX	PART NUMBER	FIG & INDEX
7119091-00	6- 9	7216912-00	6-29	7900106-00	6-29
7119091-01	6- 5	7216913-00	6-17	7900106-00	6-30
7119091-01	6- 9	7216914-00	6-30	7900106-00	6-31
72L1-2-1AB-ROUND HEAD-PIN	6- 2-29	7216965-00	6-10-75	7900182-21	6-12
72L2-2-2AB	6- 3-24	7216967-00	6-23-13	7900182-55	6-30
72L2-2-2AB	6- 5-16	7216968-00	6-23-14	7900182-72	6-15
72L2-2-2AB	6- 7-5	7217061-00	6-10-57	7900182-76	6-27
72L2-2-2AB	6- 9-4	7217066-00	6- 3-3	7900182-82	6-14
72L2-2-2AB	6-14-9	7217068-00	6-13	7900182-83	6-15
7214357-00	6-11	7217069-00	6- 9-2	7900182-85	6-27
7214357-00	6-12	7217071-00	6-11	7900182-86	6-27
7214357-00	6-13	7217072-00	6- 3-6	7900182-96	6- 2
7214357-00	6-15	7217073-00	6-12	7900183-02	6-30
7214365-02	6- 2	7217074-00	6- 7-3	7900183-07	6-27
7214384-00	6- 1-13	7217095-00	6-11-2	7900183-07	6-30
7214384-01	6- 1-14	7217095-00	6-12	7900183-11	6-29
7214384-11	6-32	7217095-00	6-13	7900183-13	6-30
7214395-00	6-31	7217095-00	6-15	7900183-14	6-11
7215053-01	6- 7-17	7217095-01	6-17	7900183-14	6-12
7215054-01	6- 7-16	7217095-01	6-11-6	7900183-14	6-13
7216300-00	6- 2	7217095-01	6-12	7900183-14	6-14
7216306-00	6-18-18	7217095-01	6-13	7900183-14	6-26
7216308-00	6- 2-11	7217095-01	6-15	7900183-14	6-27
7216308-01	6- 2-12	7217095-01	6-17	7900183-14	6-28
7216309-00	6- 2-12A	7217095-02	6-12	7900183-16	6-30
7216309-01	6- 2-12B	7217095-02	6-13	7900183-17	6-30
7216310-00	6- 2-25	7217095-03	6-17	7900183-17	6-27
7216315-00	6- 2	7217096-00	6- 2-10	7900183-19	6-29
7216321-00	6-24-6	7217096-00	6-5-1	7900183-21	6-26
7216326-00	6- 2	7717-124-DAP	6-30	7900183-21	6-27
7216326-01	6- 2	79LH1660-26	6-12	7900183-21	6-30
7216328-00	6- 3	79LH1660-26	6-13	7900183-22	6-25
7216328-00	6- 5	79LH1660-26	6-14	7900183-22	6-26
7216328-00	6- 7	79LH1660-26	6-15	7900183-23	6-27
7216328-00	6- 9	79LH1660-26	6-16	7900183-23	6-30
7216357-XX	6- 1-19	79LH1660-26	6-17	7900183-24	6-29
7216360-01	6- 3-54	79LH1660-40	6- 3	7900183-25	6-27
7216360-01	6- 5	79LH1660-40	6- 5	7900183-25	6-28
7216360-01	6- 9	79LH1660-40	6- 7	7900183-26	6-26
7216361-01	6- 5-22A	79LH1660-40	6- 9	7900183-26	6-30
7216361-01	6- 9-16A	79LH1660-40	6-11	7900183-26	6-27
7216362-00	6- 5-23	79LH1660-40	6-12	7900183-27	6-27
7216362-00	6- 9-17	79LH1660-40	6-13	7900183-28	6-20
7216363-00	6- 5-34	79LH1660-40	6-14	7900183-28	6-27
7216363-00	6- 9-38	79LH1660-40	6-15	7900183-29	6-25
7216364-01	6- 5-22	7900038-00	6-17	7900183-29	6-26
7216364-01	6- 9-16	7900039-00	6-20	7900183-29	6-28
7216373-00	6-27	7900039-00	6-25	7900183-30	6-25
7216375-00	6-25	7900039-00	6-27	7900183-30	6-29
7216460-00	6- 3-61	7900039-00	6-28	7900183-31	6-27
7216461-01	6- 3-42	7900039-00	6-29	7900183-31	6-29
7216463-00	6- 3-41	7900039-01	6-30	7900183-32	6-27
7216464-00	6- 3-9	7900106-00	6-31	7900183-35	6-27
7216492-00	6-18-1	7900106-00	6-14	7900183-35	6-29
7216493-00	6-22	7900106-00	6-25	7900183-35	6-30
7216911-00	6-16	7900106-00	6-27	7900183-37	6-27
		7900106-00	6-28	7900183-37	6-29
				7900183-37	6-30

## PARTS LIST

## NUMERICAL INDEX

PART NUMBER	FIG & INDEX	PART NUMBER	FIG & INDEX	PART NUMBER	FIG & INDEX
7900183-38	6-20	7900185-81	6-29	7901050-01	6-30
7900183-38	6-29	7900258-02	6-29	7901084-04	6- 3-24
7900183-39	6-29	7900258-04	6-29	7901084-04	6- 5-16
7900183-40	6-25	7900258-05	6-30	7901084-04	6- 7-5
7900183-40	6-29	7900258-08	6-29	7901084-04	6- 9-4
7900183-41	6-20	7900258-10	6-27	7901084-04	6-14-9
7900183-41	6-27	7900258-12	6-27	7901087-01	6- 2-29
7900183-41	6-30	7900260-35	6-11	7901093-00	6-26
7900183-42	6-20	7900260-35	6-12	7901093-00	6-29
7900183-42	6-29	7900260-35	6-13	7901093-03	6-27
7900183-42	6-30	7900403-00	6- 2	7901102-12	6-29
7900183-43	6-27	7900440-03	6-23	7901102-22	6-31
7900183-43	6-29	7900531-02	6-31	7901102-24	6-17
7900183-44	6-28	7900533-00	6- 2	7901102-24	6-25
7900183-45	6-29	7900539-01	6-18-16	7901102-24	6-26
7900183-45	6-30	7900552-00	6-27	7901102-24	6-27
7900183-46	6-29	7900552-00	6-28	7901102-24	6-30
7900183-47	6-29	7900552-00	6-30	7901102-30	6-28
7900183-48	6-29	7900552-04	6-30	7901102-83	6-11
7900183-49	6-20	7900552-07	6-30	7901102-83	6-12
7900183-49	6-25	7900552-08	6-30	7901102-83	6-13
7900183-49	6-29	7900552-11	6-25	7901102-83	6-25
7900183-50	6-29	7900552-11	6-30	7901102-83	6-30
7900183-52	6-29	7900552-14	6-27	7901102-85	6-27
7900183-53	6-27	7900608-00	6- 2	7901102-85	6-29
7900183-55	6-29	7900635-00	6-23	7901102-97	6-13
7900183-62	6-29	7900635-01	6-23	7901102-107	6-22
7900184-14	6-27	7900635-02	6-23	7901114-00	6-27
7900184-16	6-29	7900749-05	6-32	7901126-00	6-20
7900184-21	6-28	7900755-00	6-17	7901238-00	6-16
7900184-22	6-28	7900756-00	6-12	7901250-03	6-13
7900184-24	6-17	7900781-00	6-26	7901250-03	6-25
7900184-25	6-15	7900781-00	6-27	7901250-03	6-26
7900184-25	6-25	7900781-00	6-29	7901250-03	6-27
7900184-31	6-28	7900784-00	6-22	7901250-03	6-28
7900184-32	6-27	7900784-58	6-20	7901250-04	6-11-5
7900184-33	6-26	7900851-01	6- 3	7901250-04	6-12
7900184-33	6-28	7900851-01	6- 5-41	7901250-04	6-15
7900184-34	6-29	7900851-01	6- 7-40	7901250-04	6-16
7900184-35	6-13	7900851-01	6- 9-37	7901250-04	6-17
7900184-35	6-27	7900852-01	6- 2	7901250-04	6-25
7900184-36	6-15	7900866-00	6- 2	7901250-04	6-26
7900184-37	6-27	7900866-04	6-23	7901250-04	6-27
7900184-38	6-27	7900880-01	6- 2	7901250-04	6-28
7900184-42	6-12	7900880-01	6-23	7901314-01	6-11
7900184-42	6-14	7900880-01	6-32	7901314-01	6-12
7900184-42	6-30	7900891-00	6- 2	7901314-01	6-13
7900184-45	6-25	7900902-00	6- 2	7901426-00	6-26
7900184-62	6-27	7900925-00	6-23	7901426-00	6-27
7900185-09	6-30	7900959-07	6-30	7901426-00	6-30
7900185-27	6-21	7900993-00	6-12	7901426-01	6-28
7900185-27	6-28	7900993-00	6-15	7901477-05	6-27
7900185-30	6-25	7901000-00	6-29	7901477-05	6-30
7900185-30	6-27	7901001-00	6-29	7901608-00	6-30
7900185-46	6-30	7901024-01	6- 2-27	7901609-00	6-25
7900185-49	6-28	7901042-03	6-24-5	7901609-00	6-26
7900185-59	6-25	7901050-01	6-27	7901609-00	6-27



NUMERICAL INDEX

PARTS LIST

PART NUMBER	FIG & INDEX	PART NUMBER	FIG & INDEX	PART NUMBER	FIG & INDEX
7901609-00	6-28	7901782-01	6-14	7902067-00	6-11
7901609-00	6-29	7901792-00	6-14	7902067-00	6-12
7901609-00	6-30	7901820-00	6- 1-9	7902067-00	6-13
7901635-07	6-17	7901842-00	6- 5-29	7902067-00	6-20
7901635-13	6-15	7901842-00	6- 7-38	7902067-00	6-25
7901637-05	6-13	7901842-00	6- 9-35	7902067-00	6-27
7901666-01	6-30	7901844-01	6- 3-37	7902067-00	6-29
7901666-05	6-16	7901844-01	6- 5-7	7902072-00	6-19-2
7901666-11	6-17	7901844-01	6- 7-9	7902072-01	6-19-3
7901667-05	6-15	7901844-01	6- 9-8	7902124-00	6-30
7901692-01	6-14	7901844-01	6-14	7902167-00	6- 2-14
7901692-03	6-14	7901848-05	6-11	7902178-84	6-15
7901692-04	6-14	7901848-05	6-12	7902181-00	6-29
7901692-06	6-14	7901848-05	6-15	7902184-27	6-11
7901692-07	6- 2	7901848-05	6-16	7902184-27	6-12
7901692-07	6-11	7901848-05	6-17	7902184-27	6-13
7901692-07	6-12	7901848-06	6-11	7902185-00	6-17
7901692-07	6-13	7901848-06	6-12	7902188-00	6-23-8
7901692-09	6-14	7901848-06	6-15	7902253-00	6- 2
7901692-17	6-14	7901848-06	6-16	7902253-00	6-23
7901698-06	6- 3	7901848-06	6-17	7902253-00	6-32
7901698-06	6- 5	7901848-07	6-13	7902334-00	6-23
7901698-06	6- 7	7901848-08	6-13	7902350-00	6- 2
7901698-06	6- 9	7901856-00	6-23	7902462-04	6- 1-11
7901698-07	6- 3	7901859-00	6-17	7902474-10	6- 3
7901698-07	6- 5	7901859-03	6-16	7902474-10	6- 5
7901698-07	6- 7	7901859-05	6-12	7902474-10	6- 7
7901698-07	6- 9	7901859-05	6-15	7902474-10	6- 9
7901698-08	6- 3	7901859-06	6-12	7902484-00	6- 3
7901698-08	6- 5	7901859-06	6-17	7902484-00	6-23
7901698-08	6- 5-40	7901859-11	6-12	7902484-00	6-32
7901698-08	6- 7	7901859-11	6-13	7902484-00	6-24-1
7901698-08	6- 7-39	7901865-00	6-29	7902484-01	6- 1
7901698-08	6- 9	7901894-217	6-29	7902484-01	6- 2
7901698-08	6- 9-36	7901894-222	6-29	7902484-01	6-24-2
7901698-09	6- 3	7901894-285	6-29	7902484-04	6- 1
7901698-09	6- 5	7901920-02	6-23	7902484-04	6- 3
7901698-09	6- 7	7901968-07	6-12	7902484-04	6-23
7901698-09	6- 9	7901968-08	6-14	7902484-05	6- 2
7901698-10	6- 3	7901968-08	6-16	7902484-05	6-32
7901698-10	6- 5	7901968-08	6-17	7902487-00	6-14-13
7901698-10	6- 7	7901968-11	6-11-7	7902566-41	6-29
7901698-10	6- 9	7901968-11	6-12	7902578-00	6-23
7901698-13	6- 7	7901968-11	6-13	7902611-01	6- 3
7901739-00	6- 7-27	7901968-11	6-15	7902611-01	6- 5
7901739-01	6- 7-30	7901968-11	6-17	7902611-01	6- 7
7901739-02	6- 7-31	7901968-12	6-12	7902611-01	6- 9
7901739-05	6- 3-43	7901968-13	6-11-3	7902616-36	6-16
7901739-06	6- 5-20	7901968-13	6-14	7902622-02	6-24-3
7901739-06	6- 9-14	7901968-13	6-15	7902645-01	6-11-13
7901760-00	6-27	7901968-13	6-17	7902645-01	6-12
7901760-00	6-28	7901971-01	6-23	7902674-01	6-23-12
7901761-00	6- 2	7901971-02	6-23	7902696-09	6-22
7901765-00	6-21-2	7902036-11	6-23	7902696-113	6-25
7901765-00	6-22-6	7902065-25	6-11	7902696-118	6-17
7901766-00	6-15	7902065-25	6-12	7902696-19	6-29
7901766-00	6-17	7902065-25	6-13		

## PARTS LIST

## NUMERICAL INDEX

PART NUMBER	FIG & INDEX	PART NUMBER	FIG & INDEX	PART NUMBER	FIG & INDEX
7902696-19	6-30	7902848-09	6- 2-28	7903079-01	6-30
7902696-29	6-30	7902850-00	6-25	7903081-00	6- 1-15
7902696-30	6-29	7902850-00	6-27	7903093-11	6-17
7902696-69	6-20	7902850-00	6-30	7903093-15	6-16
7902696-69	6-32	7902852-00	6- 1	7903093-23	6-15
7902696-77	6-31	7902852-00	6- 3	7903093-29	6-27
7902696-85	6-26	7902852-00	6-23	7903115-00	6-17
7902696-85	6-30	7902852-00	6-32	7903132-02	6- 5
7902698-00	6- 3-26	7902863-04	6-14	7903132-02	6- 7
7902698-01	6- 3-25	7902866-02	6-16	7903132-02	6- 9
7902698-03	6-23	7902867-02	6-14	7903132-02	6-11
7902698-03	6-32-12	7902887-01	6-25	7903132-02	6-12
7902699-00	6- 1	7902891-02	6- 3	7903132-04	6-12
7902699-00	6-24	7902891-03	6- 3	7903132-04	6-13
7902699-01	6- 1	7902891-10	6- 7	7903132-04	6-16
7902699-03	6-24	7902891-10	6-23-4	7903132-05	6-12
7902699-03	6-32-11	7902892-00	6- 3	7903132-08	6-13
7902700-01	6-24	7902892-02	6- 7	7903132-08	6-17
7902700-02	6-24	7902892-02	6-23-5	7903132-09	6-12
7902700-03	6-24	7902892-02	6-23	7903132-32	6- 3
7902700-04	6-24	7902896-00	6- 3	7903133-15	6- 5
7902700-05	6- 1-10	7902896-01	6- 7	7903148-00	6- 3-2
7902701-01	6- 2	7902896-01	6-23-7	7903148-00	6- 5
7902701-02	6- 2	7902896-04	6- 7	7903148-00	6- 7
7902701-03	6- 2	7902896-16	6-23-6	7903148-00	6- 9
7902701-04	6- 2	7902896-24	6- 3	7903148-00	6-14
7902701-05	6- 2	7903003-00	6- 3-28	7903149-50	6-27
7902708-03	6- 1	7903021-00	6- 2	7903169-00	6-16
7902708-03	6- 1-12	7903031-01	6-14	7903169-01	6-16
7902708-03	6-32-10	7903044-00	6- 3	7903169-02	6-14
7902750-54	6-29	7903044-00	6- 7	7903174-00	6-14
7902753-15	6-29	7903044-00	6- 9	7903309-020	6-23
7902753-17	6-29	7903044-02	6- 3	7903309-020	6-25
7902774-00	6-25	7903061-01	6-14	7903309-020	6-32
7902786-00	6-11-4	7903063-00	6- 2	7903309-107	6-31
7902786-00	6-12	7903066-00	6-12	7903409-00	6-30
7902786-00	6-15	7903066-00	6-13	7903506-00	6-11-9
7902788-16	6-18	7903069-11	6-17	7903506-00	6-12
7902794-88	6-15	7903069-11	6-27	7903506-00	6-13
7902799-00	6-19-1	7903069-17	6-17	7903506-00	6-15
7902802-01	6-23	7903069-19	6-27	7903506-00	6-16
7902804-04	6-14	7903069-43	6-13	7903506-00	6-17
7902817-02	6-14	7903069-43	6-27	7903531-01	6-29
7902833-03	6-14	7903069-43	6-28	7903531-01	6-30
7902833-03	6-16	7903069-43	6-29	7903656-00	6-14
7902833-05	6- 5	7903069-43	6-30	7903656-03	6-14
7902833-05	6- 9	7903069-73	6-17	7903656-04	6-14
7902834-00	6-11	7903069-81	6-27	7903727-00	6- 2
7902834-00	6-12	7903070-41	6- 2	7903727-02	6- 2
7902834-00	6-17	7903070-47	6- 2	7903727-02	6-32-6
7902834-02	6-15	7903079-00	6-17	7903727-00	6-32-7
7902843-00	6-12	7903079-00	6-30	7903728-00	6- 2
7902843-00	6-13	7903079-01	6-11	7903728-00	6-32-5
7902843-01	6-11-15	7903079-01	6-12	7903960-00	6- 2-23A
7902843-01	6-15	7903079-01	6-13	7903960-00	6-32
7902843-01	6-16	7903079-01	6-15	7903984-00	6- 2
7902843-01	6-17	7903079-01	6-17	7903984-00	6-32-4

NUMERICAL INDEX

PARTS LIST

PART NUMBER	FIG & INDEX	PART NUMBER	FIG & INDEX	PART NUMBER	FIG & INDEX
7903985-00	6- 2	905690-05	6- 5	908552-03	6-18
7903985-00	6-32	905690-05	6- 7	908552-03	6-23
7903986-05	6- 2	905690-05	6- 9	908552-04	6- 3
7903986-05	6-32	905819-04	6-14	908552-04	6- 7
7903986-08	6- 2	905819-05	6- 3	908552-04	6-15
7903986-08	6-32	905819-05	6- 5	908552-04	6-18
7904102-00	6- 2	905819-05	6- 7	908552-04	6-23
7904102-00	6-23	905819-05	6- 9	908552-04	6-32
7904102-00	6-32	905819-21	6- 2	908552-05	6- 7
7904105-00	6- 2	906009-03	6- 5	908552-05	6-11
7904105-00	6-32-3	906009-03	6- 7	908552-05	6-12
7904438-00	6-29	906009-03	6- 9	908552-05	6-13
7956122-03	6- 5-40	906056-01	6-12	908552-05	6-15
7956504-47	6- 3-4	906056-01	6-13	908552-05	6-16
7956504-47	6- 7	906056-01	6-14	908552-05	6-17
7956504-47	6- 9	906056-01	6-15	908552-05	6-18
7957088-00	6- 3-49	906056-01	6-16	908552-05	6-23
7957088-00	6- 5-13	906056-01	6-17	908552-06	6- 2
7957088-00	6- 7-12	906056-03	6- 3	908552-06	6- 3
7957088-00	6- 9-11	906056-03	6- 5	908552-06	6- 5
7/16-6	6-23-25	906056-03	6- 7	908552-06	6- 7
823-21SUB4	6- 2-14	906056-03	6- 9	908552-06	6- 9
85967-4LP	6-19-3	906056-03	6-11	908552-06	6-18
85969-4LP	6-19-2	906056-03	6-12	908552-07	6- 2
86201-1	6-19-1	906056-03	6-13	908552-08	6-14
900125-04	6- 2-23A	906056-03	6-14	908552-11	6-15
900128-03	6-18-8	906056-03	6-15	908552-12	6-16
900128-04	6-18-9	906056-03	6-17	908552-12	6-18
900128-05	6-18-10	906710-01	6- 7	908555-02	6-14
900129-05	6-16-3	906710-01	6-14	908555-03	6-23
900129-07	6-18-6	906906-00	6- 2	908555-15	6-14
900129-08	6-18-7	907034-02	6-11-8	908951-00	6- 2
900129-09	6-18-5	907034-02	6-14-11	909479-07	6-13
900873-11	6- 2	907035-01	6-11-14	909479-08	6-13
902991-03	6-13	907035-01	6-17	909479-16	6-27
902991-04	6- 3	907454-01	6- 7	909826-03	6- 2
902991-04	6-23	907454-01	6-11	909862-01	6- 2
902991-07	6- 3	907454-01	6-12	910185-01	6-23
902991-07	6- 5	907454-01	6-13	910229-01	6- 3
902991-07	6- 7	907455-02	6-11	910229-01	6- 5
902991-07	6- 9	907455-02	6-12	910229-01	6- 7
902991-07	6-14	907455-02	6-13	910229-01	6- 9
902991-08	6-23	907514-00	6-24-4	910229-04	6- 3
903160-03	6- 5	907627-01	6- 5	910229-04	6- 5
903160-03	6- 9	907627-01	6- 7	910229-04	6- 7
903790-03	6- 7	907627-01	6- 9	910229-04	6- 9
904656-00	6- 2	907627-01	6-14	910229-07	6- 5
904657-01	6- 2	907627-01	6-23	910229-07	6- 9
905078-02	6- 5	907627-02	6- 7	910271-01	6- 2
905078-02	6- 7	907627-02	6- 9	910271-01	6-23
905078-02	6- 9	907747-06	6-23-25	910271-01	6-32-8
905212-02	6-23	907747-07	6-23-24	910299-07	6- 7
905212-02	6-32	908514-00	6-12	910503-02	6- 5
905411-04	6- 1-8	908514-00	6-13	910503-02	6- 7
905418-04	6- 2	908514-00	6-15	910503-03	6- 7
905454-00	6- 2	908552-03	6- 5	910503-03	6- 9
905690-05	6- 3	908552-03	6- 9	910503-50	6- 7

## PARTS LIST

## NUMERICAL INDEX

PART NUMBER	FIG & INDEX	PART NUMBER	FIG & INDEX
910503-50	6-32	911603-03	6-11
910509-02	6-11	911603-03	6-12
910509-02	6-12	911603-03	6-13
910509-02	6-13	911603-03	6-23
910509-08	6-27	911604-08	6-23
910509-22	6-11	911604-11	6- 3
910509-48	6-11	911607-01	6- 2
910509-48	6-30	912052-00	6-23
910509-54	6-25	940229-07	6- 3
910509-57	6-30	946-181631-10003	6-32-10
910509-62	6-17		
910592-04	6- 2		
910597-02	6-25		
910597-02	6-26		
910597-02	6-27		
910597-02	6-28		
910597-02	6-29		
910597-02	6-30		
910878-00	6-11		
910878-00	6-12		
910878-00	6-13		
910878-00	6-15		
910878-00	6-17		
910878-01	6-11		
910878-01	6-12		
910878-01	6-13		
910878-01	6-15		
910878-01	6-17		
910878-02	6-12		
910878-02	6-13		
910878-02	6-15		
910878-02	6-17		
910878-03	6-11		
910878-03	6-12		
910878-03	6-13		
910878-03	6-17		
910878-04	6-15		
910879-00	6- 3		
910879-00	6- 5		
910879-00	6- 7		
910879-00	6- 9		
910879-00	6-14		
910879-01	6-14		
910879-02	6- 5		
910879-02	6- 7		
910879-02	6- 9		
910879-02	6-14		
910879-03	6- 3		
910879-03	6- 5		
910879-03	6- 7		
910879-03	6- 9		
910879-03	6-14		
910879-04	6-14		
910879-05	6- 7		
910879-05	6-14		
911351-00	6- 2		
911603-02	6-16		

Dear Sir,  
I am writing to you regarding the matter of the...

I have been informed that you are interested in...

I would be pleased to provide you with further information...

I am sure that you will find this information useful...

I am sure that you will find this information useful...

I am sure that you will find this information useful...

I am sure that you will find this information useful...

User Activity Technical Manual Comment Sheet

TITLE. \_\_\_\_\_

NAVSHIPS NO. \_\_\_\_\_

VOLUME NO. \_\_\_\_\_

(Fold on dotted line on reverse side, staple, and mail to NAVAL SHIP ENGINEERING CENTER)

Problem, Question, Suggestion, Comment:

NAME \_\_\_\_\_

RANK/RATE/TITLE \_\_\_\_\_

MAILING ADDRESS \_\_\_\_\_

Fold

-----  
DEPARTMENT OF THE NAVY  
NAVAL SHIP ENGINEERING CENTER  
HYATTSVILLE, MARYLAND 20782

Postage And Fees Paid

Navy Department

OFFICIAL BUSINESS

COMMANDER, NAVAL SHIP ENGINEERING CENTER  
TECHNICAL SUPPORT BRANCH  
TECHNICAL DATA AND PUBLICATIONS SECTION  
DEPARTMENT OF THE NAVY  
PRINCE GEORGE'S CENTER  
HYATTSVILLE, MARYLAND 20782

ATTENTION: SEC 6181C

-----  
Fold

NAVSHIPS 0967-319-4020

**TECHNICAL MANUAL**

for

**COMPUTER SET  
AN/UYK-7(V)**

**VOLUME 2**

**SECTION 6**

PX 5239-2-4

JANUARY 1971

March 1972 (Change 1)

**UNIVAC**  
DEFENSE SYSTEMS DIVISION  
St. Paul, Minnesota



LIST OF EFFECTIVE PAGES

PAGE NUMBER	CHANGE IN EFFECT
Title	Change 1
ii	Change 1
ii thru iv	Original
6-1 thru 6-31	Original
6-32	Change 1
6-33 thru 6-41	Original
6-42	Change 1
6-43 thru 6-56	Original
6-57 thru 6-64	Change 1
6-64A thru 6-64B	Change 1
6-65 thru 6-71	Change 1
6-72 thru 6-83	Original
6-84 thru 6-89	Change 1
6-90 thru 6-131	Original
6-132 thru 6-144	Change 1

ECP EFFECTIVITY

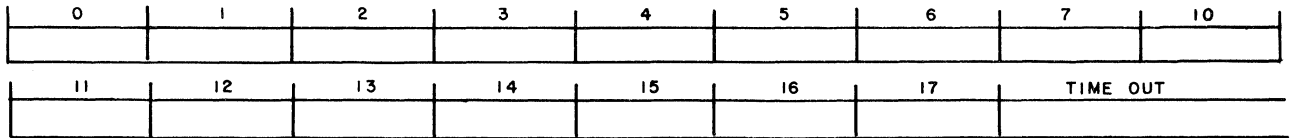
Change 1 to NAVSHIPS 0967-319-4020 updates the technical manual to cover the following NAVAL SHIP ENGINEERING CENTER APPROVED AN/UYK-7(V) ECP's. The ECP's are installed via FCO MPL 932.

24	67	90	106
25	69	95	107
31	70	96	108
41	71	97	110
43	72	98	111
46	74	99	112
56	84	100	114
57	85	101	116
58	86	103	117
59	87	104	118
65	88	105	121
66	89		

# TECHNICAL DATA

FOR

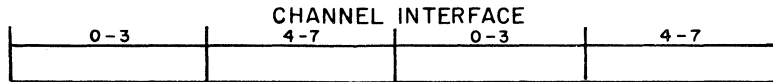
AN/UYK-7(V) SERIAL NUMBER \_\_\_\_\_ 7073250-\_\_\_\_\_



I/O ADAPTER

NOTE

- |                     |                                    |
|---------------------|------------------------------------|
| N ⇒ NORMAL          | ESI ⇒ EXTERNALLY SPECIFIED INDEX   |
| IC ⇒ INTER COMPUTER | ESA ⇒ EXTERNALLY SPECIFIED ADDRESS |

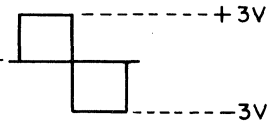


I/O ADAPTER

NOTE

- F- ⇒ FAST -3V  
F+ ⇒ FAST +3V

- S ⇒ SLOW -15V  
SR ⇒ SERIAL ±3V



I/O MODE SELECTOR SWITCH 7073230-\_\_\_\_\_

INSTALLATION CABLE TYPES

7073291-\_\_\_\_\_, 7073536-\_\_\_\_\_, 7073448-\_\_\_\_\_

BOOTSTRAP TABLE FOR NDRO PART NO. 7074003-\_\_\_\_\_

SW POSITION	PERIPHERAL	CHANNEL NO.	IOC NO.	WORKING STORAGE BASE ADR	AUTO-START ADR	CLASS I ALTERNATE RECOVERY PROGRAM ADR _____
1						
2						

		RELATIVE PRIORITY	CPU		IOC
			I	OP	
INTERLEAVE	BANK 0 (16K)	0			
		1			
		2			
		3			
		4			
		5			
		6			
	BANK 1 (16K-32K)	0			
		1			
		2			
		3			
		4			
		5			
		6			
	BANK 2 (32K - 48K)	0			
		1			
		2			
		3			
		4			
		5			
		6			



TABLE OF CONTENTS  
SECTION 6 - PARTS LIST

Paragraph		Page
6-1.	Introduction . . . . .	6-1
6-2.	Group Assembly Parts List . . . . .	6-1
	a. Figure and Index Column . . . . .	6-1
	b. Reference Designation Column . . . . .	6-1
	c. Indent Column . . . . .	6-1
	d. Description . . . . .	6-1
	e. Manufacturers Code . . . . .	6-1
	f. Part Number Column . . . . .	6-1
	g. Units Per Assembly . . . . .	6-1
	h. Useable on Code Column . . . . .	6-1
6-3.	Numerical Index . . . . .	6-2

LIST OF ILLUSTRATIONS

SECTION 6 - PARTS LIST

Figure		Page
6-1.	Computer Set AN/UYK-7(V) . . . . .	6-5
6-2.	Electrical Equipment Cabinet . . . . .	6-10
6-3.	Input/Output Adapter Unit . . . . .	6-20
6-4.	Input/Output Adapter Unit Module Location Chart . . . . .	6-31
6-5.	Input/Output Controller Unit . . . . .	6-33
6-6.	Input/Output Controller Unit Module Location Chart . . . . .	6-40
6-7.	Core Memory Unit . . . . .	6-45
6-8.	Core Memory Unit Module Location Chart . . . . .	6-54
6-9.	Central Processor Unit . . . . .	6-57
6-10.	Central Processor Unit Module Location Chart . . . . .	6-65
6-11.	Type E DC-to-DC Converter Module Assembly . . . . .	6-72
6-12.	Type B DC-to-DC Converter Module Assembly . . . . .	6-78
6-13.	Type D DC-to-DC Converter Module Assembly . . . . .	6-84
6-14.	Power Supply . . . . .	6-90
6-15.	Switching Regulator Assembly . . . . .	6-97
6-16.	-20 VDC Regulator-Oscillator Assembly . . . . .	6-101
6-17.	Regulating Converter Assembly Power Supply . . . . .	6-104
6-18.	Cable Installation . . . . .	6-108
6-19.	Wire Harness . . . . .	6-112
6-20.	Operator's Panel Assembly . . . . .	6-113
6-21.	I/O Mode Selector Switch . . . . .	6-115
6-22.	Resistor Module Assembly . . . . .	6-116
6-23.	Computer Logic Test Set . . . . .	6-119
6-24.	Cable Assembly . . . . .	6-127
6-25.	Remote Operating Control Unit Assembly . . . . .	6-128

LIST OF TABLES

SECTION 6 - PARTS LIST

Table		Page
6-1.	Vendor Codes . . . . .	6-2

## PARTS LIST

## 6-1. INTRODUCTION.

This illustrated parts breakdown (IPB) lists and illustrates the field-replaceable parts for a single-cabinet Computer Set AN/UYK-7 (V) and an optional Remote Operating Control Unit.

This IPB should not be used for disassembly or assembly procedures. This section contains an introduction, a group assembly parts list, and a numerical index.

## 6-2. GROUP ASSEMBLY PARTS LIST.

The group assembly parts list consists of illustrations and listings of assemblies and detail parts. The accompanying illustration precedes the parts breakdown listing for each assembly. Each assembly is followed by a listing of its component parts.

a. **FIGURE AND INDEX COLUMN.** - This column shows the figure number of the assembly and all component part index numbers. Each new assembly shows the section and figure number (6-1) on the first page only. The following pages show the figure number (1) or figure and index number (1-9).

b. **REFERENCE DESIGNATION COLUMN.** - This column lists the reference designator assigned to the assembly or detail part. These designators coincide with the designations marked on the equipment, drawings, and diagrams.

c. **INDENT COLUMN.** - This column is coded numerically to show relationship to the next higher assembly.

d. **DESCRIPTION.** - This column lists the item name of a part or assembly followed by an identifying description. Attaching parts are listed immediately following the assembly or part which they secure.

The abbreviations NHA, NLA, and AP appearing in the Description column indicate: NHA indicates next higher assembly, NLA indicates next lower assembly, and AP indicates attaching parts.

e. **MANUFACTURERS CODE.** - The Federal Supply Code for Manufacturers (FSCM) is a coding system of five-digit numbers assigned to manufacturers having design control of items of supply procured by agencies of the Federal Government. The codes used in this section are listed in numerical sequence in table 6-1.

f. **PART NUMBER COLUMN.** - The first entry in this column is the Univac part number, or Univac specification drawing number, with the corresponding government part number or vendor part number as the next entry.

A COML entry indicates that the part may be purchased commercially.

g. **UNITS PER ASSEMBLY.** - This column lists the quantity of parts per assembly. When equipment contains two or more identical assemblies, or if similar assemblies have been combined in one illustration, this column will indicate the quantity of parts for one assembly only.

Two abbreviations are used in this column; REF and AR. The REF indicates the quantity of an assembly has been previously considered. The AR indicates a quantity as required.

h. **USE ON CODE COLUMN.** - Letter codes in this column indicates variations of parts and assemblies which because of their physical similarity have been combined on one illustration. No code

signifies the part is used on all assemblies. The SEL ONE entry signifies the item is variable and the user must select the applicable item.

### 6-3. NUMERICAL INDEX.

The numerical index provides all the part numbers in alphanumeric order. The figure and index numbers are given for each part to aid in locating the part in the group assembly parts list. This index is located at the end of the section.

TABLE 6-1. VENDOR CODES

VENDOR CODE	NAME AND ADDRESS	VENDOR CODE	NAME AND ADDRESS
00141	PIC Design Corp. 477 Atlantic Ave. East Rockaway, N.Y. 11518	06383	Panduit Corp. 17301 Ridgeland Tinley Park, Ill. 60477
00328	Sterling Instrument Division of Designatronics Inc. 76 East 2nd St. Mineola, N.Y. 11501	06540	Amatom Electronic Hardware Division of Mite Corp. 81 Rockdale Ave. New Rochelle, N.Y. 10802
00779	Amp Inc. P.O. Box 3608 Harrisburg, Pa. 17105	07137	TEC Inc. 6700 Washington Ave. South Eden Prairie, Minn. 55343
01121	Allen-Bradley Co. 1201 South 2nd St. Milwaukee, Wis. 53204	07418	Sunbank Electronics Inc. 2428 N. Ontario Burbank, Calif. 91504
01295	Texas Instruments Inc., Semiconductor-Components Division 13500 North Central Expressway Dallas, Tex. 75231	08291	General Electric Co. Distribution Assemblies Dept. 1115 Van Owen St. North Hollywood, Calif. 91605
02660	Bunker & Ramo Corp., The Amphenol Connector Division 2801 South 25th Ave. Broadview, Ill. 60153	08730	Vemaline Products Co., Inc. P.O. Box 3 455 West Main St. Wyckoff, N.J. 07481
03508	General Electric Co., Semi-Conductor Products Dept. Electronics Park, Syracuse, N.Y. 13201	09214	General Electric Co. Semiconductor Products Dept. West Genesee St. Auburn, N.Y. 31022
05277	Westinghouse Electric Corp., Semiconductor Products Dept. Youngwood, Pa. 15697	09922	Burndy Corp. Richards Ave. Norwalk, Conn. 06852
05237	National Beryllia Corp. First and Haskell Aves. Haskell, N.J. 07420	11502	I R C Division of TRW Inc., Boone Plant Greenway Road Boone, N.C. 28607

TABLE 6-1. VENDOR CODES (CONT)

VENDOR CODE	NAME AND ADDRESS	VENDOR CODE	NAME AND ADDRESS
13103	Thermalloy Co. 8717 Diplomacy Row Dallas, Tex. 75247	71279	Cambridge Thermionic Corp. 445 Concord Ave. Cambridge, Mass. 02138
14283	Matrix Science Corp. 435 Maple Ave. Torrance, Calif. 90503	71286	Camloc Division, Rex Chainbelt Inc. 22 Spring Valley Road Paramus, N.J. 07652
17625	Non-Metallics Inc. 58 Felton Waltham, Mass. 02154	71468	ITT Cannon Electric Inc. 3208 Humbolt St. Los Angeles, Calif. 90031
21845	Solitron Devices Inc., Transistor Division 1177 Blue Heron Blvd. Riviera Beach, Fla. 33404	72653	G. C. Electronics Co. Division of Hydrometals Inc. 400 South Wyman St. Rockford, Ill. 61101
29587	Bunker and Ramo Corp., The Amphenol Industrial Div. 1830 South 54th Ave. Cicero, Ill. 60650	72962	Elastic Stop Nut Division of Amerace Esna Corp. 2330 Vauxhall Road Union, N.J. 07083
30463	Breeze Illinois Inc. Wyoming, Ill. 61491	73803	Texas Instruments Inc. Control Products Division 34 Forest St. Attleboro, Mass. 02703
30817	Instrument Specialties Co. Inc., P.O. Box 238 Little Falls, N.J. 07424	74868	Bunker & Ramo Corp. The Amphenol R F Division 33 E. Franklyn St. Danbury, Conn. 06810
31461	Electro Adapter Inc. 8217 N. Lankershim Blvd. North Hollywood, Calif. 91605	75237	Kaynar Co., The Division of Reimer Industries Inc. 7875 Telegraph Road Pico Rivera, Calif. 90660
56289	Sprague Electric Co. North Adams, Mass. 01247	78189	Illinois Tool Works, Inc. Shakeproof Division St. Charles Road Elgin, Ill. 60126
56878	Standard Pressed Steel Co. P.O. Box 796 Jenkintown, Pa. 19046	79963	Zierick Mfg. Co. Radio Circle Mt. Kisco, N.Y. 10549
63743	Ward Leonard Electric Co. 30 South St. Mount Vernon, N.Y. 10550	80252	Faraday Incorporated 805 South Maumee St. Tecumseh, Mich. 49286
70674	ADC Products Division of Magnetic Controls Co. 4900 West 78th St. Minneapolis, Minn. 55435		



TABLE 6-1. VENDOR CODES (CONT)

VENDOR CODE	NAME AND ADDRESS	VENDOR CODE	NAME AND ADDRESS
81312	Winchester Electronics, Div. of Litton Industries Inc. Main St. and Hillside Ave. Oakville, Conn.	93790	Cornell-Dubilier Electronics Division Federal Pacific Electric Co. 1605 Rodney French Blvd. New Bedford, Mass. 02741
81349	Military Specification Promulgated By Standardization Division Directorate of Logistic Service, DSA	95267	Philamon Inc. 90 Hopper Street Westbury, L.I., N.Y. 11590
82227	Haydon A. W. Co. 232 North Elm St. Waterbury, Conn. 06720	95987	Weckesser Co., Inc. 4444 West Irving Park Road Chicago, Ill. 60641
82877	Rotron Inc. 7-9 Hasbrouck Lane Woodstock, N.Y. 12498	96906	Military Standards Promulgated By Standardization Div., Directorate of Logistics Services, DSA
84972	Vincent Brass and Aluminum Co. 124 - 12th Ave. South Minneapolis, Minn. 55415	98291	Seaelectro Corp. 225 Hoyt Mamaroneck, N.Y. 10544
86579	Precision Rubber Products Corp. 3110 Oakridge Drive Dayton, Ohio 45417	PRI	Plastech Research Inc. Rush City, Minn.
88245	Litton Precision Products Inc. USECO Div. Litton Industries 13536 Saticoy St. Van Nuys, Calif. 91409	VIK	Viking Rubber Minneapolis, Minn.
90536	UNIVAC, Division of Sperry Rand Corp., Defense Systems Division Univac Park, P.O. Box 3525 St. Paul, Minn. 55101		
91886	Malco Mfg. Co., Inc. 5150 West Roosevelt Rd. Chicago, Ill. 60650		
91929	Honeywell, Inc. Micro Switch Div. Chicago and Spring Streets Freeport, Ill. 61032		

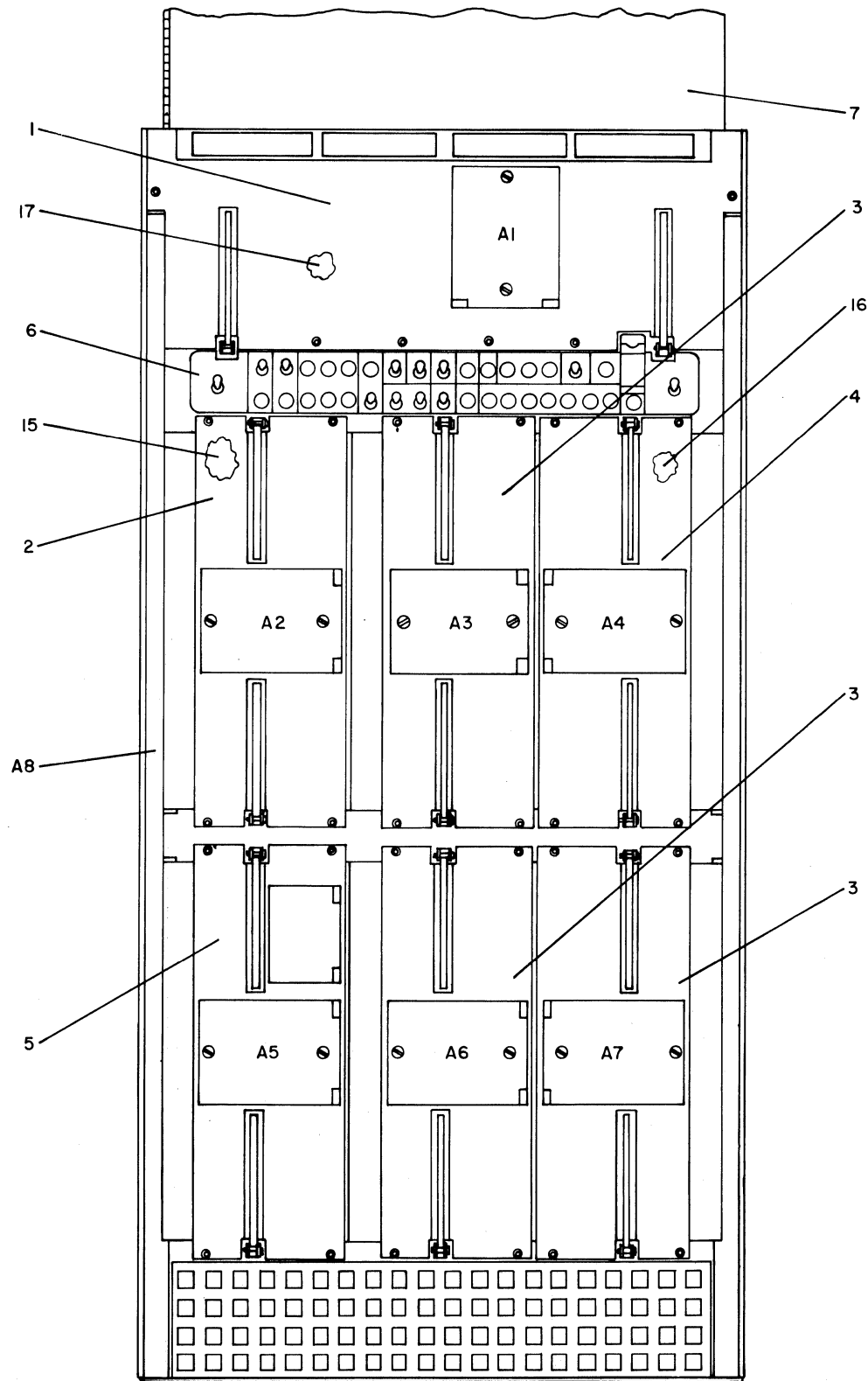


Figure 6-1 (Sh 1). Computer Set AN/UYK-7(V)

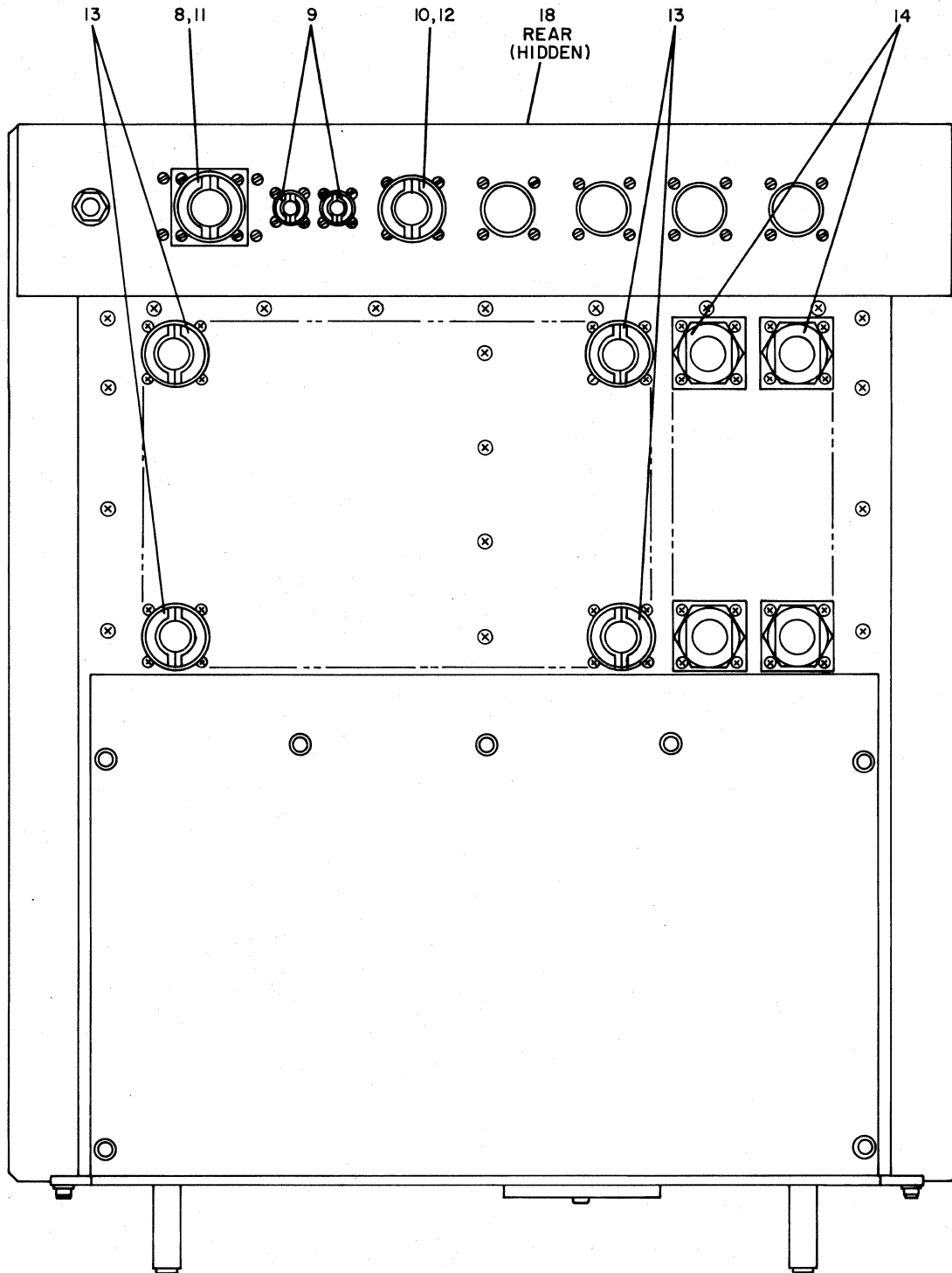


Figure 6-1 (Sh 2). Computer Set AN/UYK-7(V)

## PARTS LIST

## Group Assembly Parts List

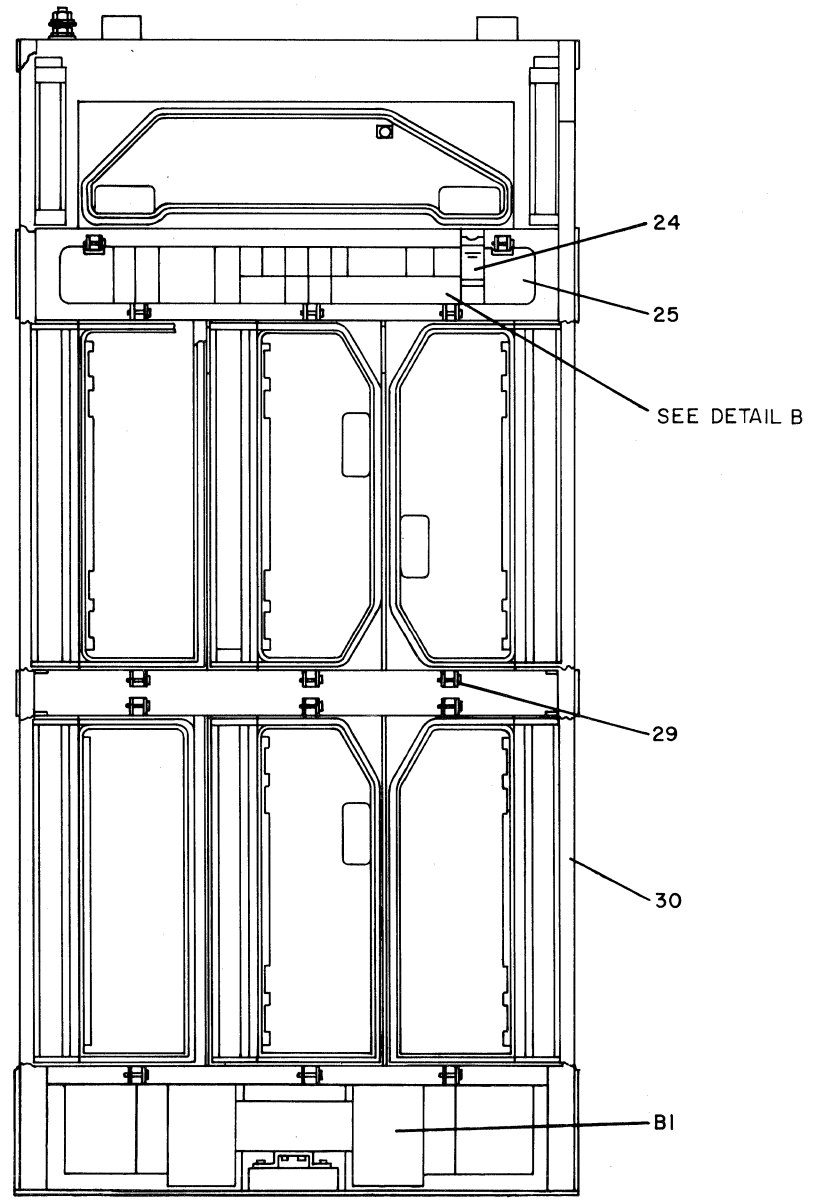
FIG. & INDEX NO.	REF. DESIG.	QUANTITY	DESCRIPTION	MFR. CODE	UNIVAC PART NO. MFR. PART NO.	UNITS PER ASSY	USE ON CODE
6- 1		1	COMPUTER SET AN/UYSK-7(V) (SEE TECHNICAL DATA SHEET FOR COMPLETE PART NUMBER)	90536	7073250-XX	1	
-1	A1	2	ADAPTER UNIT, I/O MX-8450(P) ADAPTER UNIT, I/O (RFI) MX-8450A(P) (PRL INTFC)	90536 90536	7071570-00 7071570-01	1 1	SEL ONE
			ADAPTER UNIT, I/O MX-8537(P) ADAPTER UNIT, I/O (RFI) MX-8537A(P) (SER-PRL INTFC) (FOR OPTIONS SEE FIG 6-4) (FOR NLA SEE FIG 6-3)	90536 90536	7073400-00 7073400-01	1 1	
-1	A1	2	DUMMY UNIT, INPUT-OUTPUT ADAPTER DUMMY UNIT, MULTI-PURPOSE	90536 90536	7073110-00 7073221-00	1 AR	
-2	A2	2	CONTROLLER UNIT, I/O C-8408(P) CONTROLLER UNIT, I/O C-8408A(P) (RFI) (FOR NHA SEE FIG 6-5)	90536 90536	7073320-00 7073320-01	1 1	SEL ONE
-3	A3 A6 A7	2	CORE MEMORY UNIT MU-558 CORE MEMORY UNIT (RFI) MU-558A (FOR NLA SEE FIG 6-7)	90536 90536	7071520-00 7071520-01	3 3	SEL ONE
-4	A4	2	CENTRAL PROCESSOR CP-1036(P) CENTRAL PROCESSOR CP-1036A(P) (RFI) (FOR NHA SEE FIG 6-9)	90536 90536	7073540-00 7073540-01	1 1	SEL ONE
-5	A5	2	POWER SUPPLY (115V) PP-6395 POWER SUPPLY (115V) RFI PP-6395A POWER SUPPLY (208V) PP-6258 POWER SUPPLY (208V) RFI PP-6258A (FOR NLA SEE FIG 6-14)	90536 90536 90536 90536	7073375-00 7073375-04 7071630-00 7071630-04	1 1 1 1	SEL ONE
-6	A8	2	CABINET, ELEC, EQPT CY-6797 (115V, FIXED IND PANEL) CABINET, ELEC, EQPT CY-6797A (115V, REMOVABLE IND PANEL) CABINET, ELEC, EQPT CY-6797B (115V, FIXED IND PANEL-RFI) CABINET, ELEC, EQPT CY-6797C (115V, REMOVABLE IND PANEL-RFI) CABINET, ELEC, EQPT CY-6721 (208V, FIXED IND PANEL) CABINET, ELEC, EQPT CY-6721A (208V, REMOVABLE IND PANEL-RFI) CABINET, ELEC, EQPT CY-6721B (208V, FIXED IND PANEL) CABINET, ELEC, EQPT CY-6721C (208V, REMOVABLE IND PANEL-RFI) (FOR NLA SEE FIG 6-2)	90536 90536 90536 90536 90536 90536 90536 90536 90536 90536	7073260-00 7073260-05 7073260-10 7073260-15 7073260-15 7073260-04 7073260-09 7073260-14 7073260-19	1 1 1 1 1 1 1 1 1 1	SEL ONE
-7	A19	2	TEST SET, CMPTR LGC TS-2940 TEST SET, CMPTR LGC(GND)TS-2940A (FOR NLA SEE FIG 6-23)	90536 90536	7073330-00 7073330-01	1 1	SEL ONE
-8	P1	2	CONNECTOR, PLUG, ELECTRICAL FEMALE, 7 CONTACT (POWER)	96906	905411-04 MS3106R20-15S	1	

FIG. & INDEX NO.	REF. DESIG.	QTY	DESCRIPTION	MFR. CODE	UNIVAC PART NO. MFR. PART NO.	UNITS PER ASSY	USE ON CODE
1-9	P2 P3	2	CONNECTOR, PLUG, ELECTRICAL MALE, 4 CONTACT	96906	7901820-00 MS3116F8-4P	2	
-10	P4	2	CONNECTOR, PLUG, ELECTRICAL MALE, 85 CONTACT LOCATIONS	81349	7902700-05 M81511/06E18- 85P6	1	
		2	CONTACT, ELECTRICAL CONNECTOR MALE, 28-30 AWG WIRE	02660	7902484-04 348-100-5047P02	85	
		2	PLUG, SEALING, CONTACT	81349	7902852-00 M81511/15-22	452	
-11		2	ADAPTER, CABLE TO CONNECTOR	71468	7902462-04 CT45163	1	
-12		2	ADAPTER, CABLE TO CONNECTOR RFI, ENVIRONMENTAL	07418	7902708-03 S642-1816D-2.5-4 (30P)	1	
-13		2	KIT, ELECTRICAL CONNECTOR	90536	7214384-00	16	
		3	CONNECTOR, PLUG, ELECTRICAL FEMALE, 85 CONTACT LOCATIONS	81349	7902699-00 M81511/06E18- 85S1	1	
		3	CONTACT, ELECTRICAL CONNECTOR FEMALE	96906	7902484-01 MS90460-23-22	85	
		3	ADAPTER, CABLE TO CONNECTOR RFI, ENVIRONMENTAL	07418	7902708-03 S642-1816D-2.5-4 (30P)	1	
-13		2	KIT, ELECTRICAL CONNECTOR	90536	7214384-01	16	
		3	CONNECTOR, PLUG, ELECTRICAL FEMALE, 85 CONTACT LOCATIONS	81349	7902699-01 M81511/06E18- 85S2	1	
		3	CONTACT, ELECTRICAL CONNECTOR FEMALE	96906	7902484-01 MS90460-23-22	85	
		3	ADAPTER, CABLE TO CONNECTOR RFI, ENVIRONMENTAL	07418	7902708-03 S642-1816D-2.5-4 (30P)	1	
-14		2	CONNECTOR, PLUG, ELECTRICAL MALE, COAXIAL, SINGLE CONTACT	74868	7903081-00 53250	8	
-15		2	MODE SELECTOR SWITCH, I/O (SEE TECHNICAL DATA SHEET FOR COMPLETE PART NUMBER) (FOR LOCATION SEE FIG 6-6) (FOR NLA SEE FIG 6-21)	90536	7073230-XX	1	
-16		2	NONDESTRUCTIVE READOUT MEMORY (NDRO)(SEE TECHNICAL	90536	7074003-XX	1	

## PARTS LIST

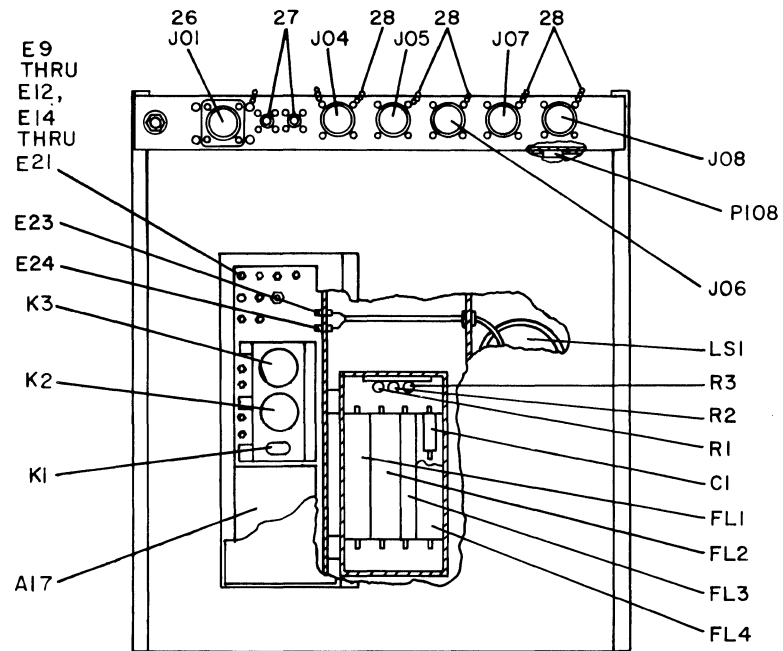
## Group Assembly Parts List

FIG. 8 INDEX NO.	REF. DESIG.	QUANTITY	DESCRIPTION	MFR. CODE	UNIVAC PART NO. MFR. PART NO.	UNITS PER ASSY	USE ON CODE
1			DATA SHEET FOR COMPLETE PART NUMBER) (FOR LOCATION SEE FIG 6-10)				
-17	2		KIT, FAST INTFC (-3V) MK-1549	90536	7073301-02	AR	
			KIT, SER INTFC MK-1206	90536	7073304-00	AR	
			KIT, SLOW INTFC (-15V) MK-1204	90536	7073302-00	AR	
			KIT, FAST INTFC (+3.5V) MK-1550	90536	7073303-02	AR	
			(FOR OPTIONS SEE FIG 6-4)				
-18	2		CABLE INSTALLATION	90536	7073291-XX	1	
			CABLE INSTALLATION	90536	7073536-XX	1	
			CABLE INSTALLATION	90536	7073448-XX	1	
			(SEE TECHNICAL DATA SHEET FOR COMPLETE PART NUMBER) (FOR NLA SEE FIG 6-18)				

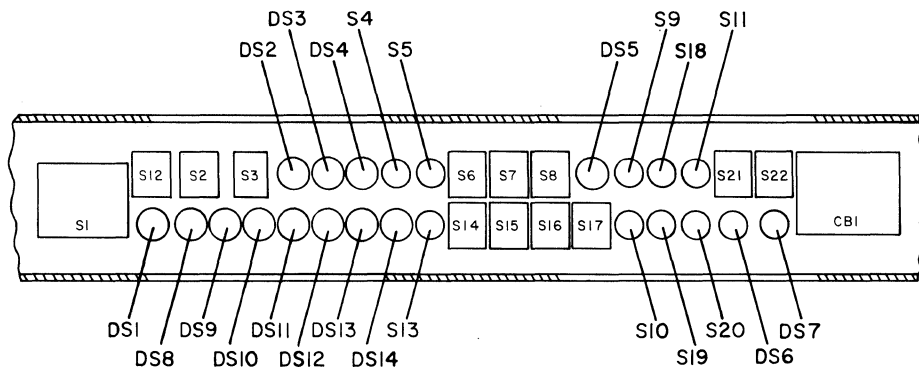


FRONT VIEW

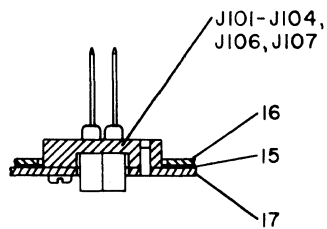
Figure 6-2 (Sh 1). Electrical Equipment Cabinet



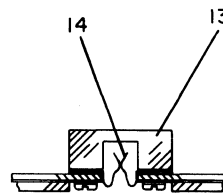
(TOP VIEW)



DETAIL B  
BACK VIEW



DETAIL C



DETAIL D

Figure 6-2 (Sh 2). Electrical Equipment Cabinet



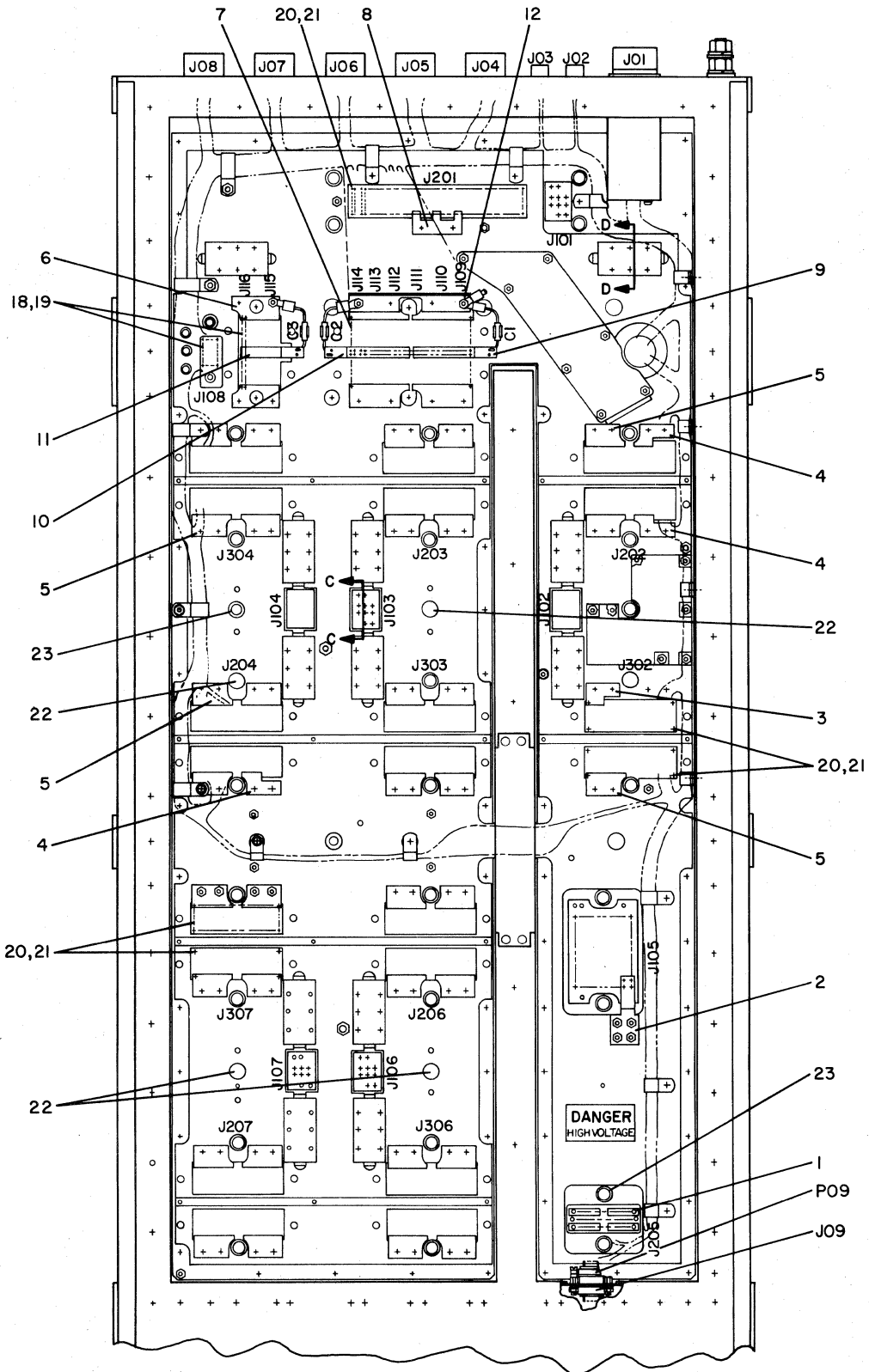


Figure 6-2 (Sh 3). Electrical Equipment Cabinet

## PARTS LIST

## Group Assembly Parts List

FIG. & INDEX NO.	REF. DESIG.	QUANTITY	DESCRIPTION	MFR. CODE	UNIVAC PART NO. MFR. PART NO.	UNITS PER ASSY	USE ON CODE
6- 2	A8	2	CABINET, ELEC, EQPT CY-6797 (115V, FIXED IND PANEL)	90536	7073260-00	REF	A
	A8		CABINET, ELEC, EQPT CY-6797A (115V, REMOVABLE IND PANEL)	90536	7073260-05	REF	B
	A8		CABINET, ELEC, EQPT CY-6797B (115V, FIXED IND PANEL-RFI)	90536	7073260-10	REF	C
	A8		CABINET, ELEC, EQPT CY-6797C (115V, REMOVABLE IND PANEL-RFI)	90536	7073260-15	REF	D
	A8		CABINET, ELEC, EQPT CY-6721 (208V, FIXED IND PANEL)	90536	7073260-04	REF	E
	A8		CABINET, ELEC, EQPT CY-6721A (208V, REMOVABLE IND PANEL-RFI)	90536	7073260-09	REF	F
	A8		CABINET, ELEC, EQPT CY-6721B (208V, FIXED IND PANEL)	90536	7073260-14	REF	G
	A8		CABINET, ELEC, EQPT CY-6721C (208V, REMOVABLE IND PANEL-RFI) (FOR NHA SEE FIG 6-1)	90536	7073260-19	REF	H
	A17	3	OPERATORS PANEL ASSEMBLY (FOR NLA SEE FIG 6-20)	90536	7073199-00	1	
	B1	3	FAN, CENTRIFUGAL, 3 PHASE 115V, 400HZ, 375 CFM	82877	7903085-00 277WS	1	A B
	B1	3	FAN, CENTRIFUGAL, 3 PHASE 208V, 400HZ, 375 CFM	82877	7903085-01 270WS	1	E F
	B1	3	FAN, CENTRIFUGAL, MODIFIED 115V, 400HZ, 375 CFM	90536	7216326-00	1	C D
	B1	3	FAN, CENTRIFUGAL, MODIFIED 208V, 400HZ, 375 CFM	90536	7216326-01	1	G H
		3	PANEL ASSY, REAR	90536	7073305-00	1	AREF
			PANEL ASSY, REAR	90536	7073305-04	1	CDGH
	C1,C2 C3	4	CAPACITOR, FXD, ELCTLT	81349	7903069-11 CSR13C336KR	3	
	J101 THRU J104 J106 J107	4	CONNECTOR, RCPT, ELEC, FEMALE 6 CONT	90536	7071500-00	6	
	J105	4	CONNECTOR, RCPT, ELEC, FEMALE 65 CONT	90536	7071507-00	1	
	J205	4	CONNECTOR, RCPT, ELEC, FEMALE 21 CONT	90536	7071501-00	1	
		4	CONTACT, ELEC, FEMALE, 2 WIRE WRAP, WHT INSUL (FOR J101 THRU J107, J205)	91886	7900852-01 11-20004-105 & 12-20000-000	122	
-1		4	BUS BAR, POWER	90536	7071845-00	4	

## Group Assembly Parts List

## PARTS LIST

FIG. & INDEX NO.	REF. DESIG.	QTY	DESCRIPTION	MFR. CODE	UNIVAC PART NO. MFR. PART NO.	UNITS PER ASSY	USE ON CODE
2-2		4	BRACKET, BUS BAR	90536	7071482-00	1	
-3		4	BUS BAR	90536	7071517-00	1	
-4		4	BUS BAR	90536	7071515-00	3	
-5		4	BUS BAR	90536	7071474-00	34	
-6		4	BUS BAR	90536	7071510-00	2	
-7		4	BUS BAR	90536	7071511-00	4	
-8		4	BUS BAR	90536	7071512-00	1	
-9		4	BUS BAR	90536	7071513-00	1	
-10		4	BUS BAR	90536	7071513-01	1	
-11		4	BUS BAR	90536	7071513-02	1	
-12		4	BUS BAR	90536	7071519-00	1	
-13		4	BLOCK, RETAINING, SPRING	90536	7071476-00	12	
-14		4	CONTACT FINGER, ELEC	30817	7902167-00 823-21SUB4	24	
		4	LAMINATED PANEL ASSEMBLY	90536	7073306-00	1	ABEF
			LAMINATED PANEL ASSEMBLY	90536	7073306-01	1	CDGH
-15		5	INSULATOR, PANEL	90536	7073258-00	1	
-16		5	PANEL, SIGNAL GROUND	90536	7073308-00	1	
-17		5	CONNECTOR PANEL, 3608 CONTACTS	90536	7073307-00	1	ABEF
			CONNECTOR PANEL, 3608 CONTACTS	90536	7073307-01	1	CDGH
-18	J108 THRU J116	7	CONTACT, ELEC, WIRE WRAP FEMALE, 0.88 IN. L	90536	7050014-01	616	
-19		7	BUSHING, ELEC, CONT, FEMALE	90536	7050015-00	616	
-20	J201 THRU J204 J206 J207 J302 THRU J304 J306 J307	7	CONTACT, ELEC, WIRE WRAP, MALE 0.89 IN. L	90536	7050016-01	2992	
-21		7	BUSHING, ELEC, CONT, MALE	90536	7050017-00	2992	
-22		4	PLUG, INDEXING	90536	7071504-00	4	

## PARTS LIST

## Group Assembly Parts List

FIG. & INDEX NO.	REF. DESIG.	QUANTITY	DESCRIPTION	MFR. CODE	UNIVAC PART NO. MFR. PART NO.	UNITS PER ASSY	USE ON CODE
2-23		4	BUSHING, LOCATING PIN	90536	7065678-01	26	
	CB1	3	CIRCUIT BREAKER, MAGNETIC 3 POLE, 20A, 240V, 400HZ	81349	7903070-47 M39019/5-80	1	A B C D
	CB1		CIRCUIT BREAKER, MAGNETIC 3 POLE, 15A, 24V, 400HZ	81349	7903070-41 M39019/5-70	1	E F G H
	DS1 THRU DS4	3	LIGHT, IND, TSTRZ, W/REPLACEABLE LAMP, RED LENS	07137	7901971-01 TIL3055B27	4	
	DS5	3	LIGHT, IND, TSTRZ, W/REPLACEABLE LAMP, GRN LENS	07137	7901971-02 TIL3055B18	1	
	DS6 DS7	3	LIGHT, IND, NEON LAMP & RESISTOR CLR LENS	07137	7900403-00 MDL1S2F7-683 NE2V-N	2	
	DS8 THRU DS14	3	LIGHT, IND, TSTRZ, W/REPLACEABLE LAMP, RED LENS	07137	7902802-01 TIL4890A27	7	
		3	NUT, PLAIN, ROUND, KNURLED, 3/8-32NEF-2 THD, BK (AP FOR CB1, DS1 THRU DS14)	07137	7900880-01 1112-1	AR	
		3	WASHER, LOCK, EXT, NARROW TYPE, 3/8 SIZE (AP FOR DS1 THRU DS14)	78189	7901920-02 1112-12	12	
		3	LAMP, INCANDESCENT (FOR USE WITH DS1 THRU DS5 AND DS8 THRU DS14)	96906	7902253-00 MS18209-387	12	
	E9 THRU E12 E14 THRU E21	3	TERMINAL, STUD	81349	7903060-00 SE205D02	12	
		3	SCREW, MACH, FLAT HD, 4-40UNC-2A 1/4 L (AP FOR E9 THRU E12 AND E14 THRU E21)	96906	4912511-00 MS51959-13	12	
	E23 E24	3	TERMINAL, FEED-THRU	88245	906906-00 FT9-6	2	
		3	WASHER, LOCK, INTERNAL TOOTH SIZE 1/4 (AP)		4912552-04 COML	2	
	J01	3	CONNECTOR, RCPT, ELECTRICAL MALE, 7 CONTACT	96906	905418-04 MS3102R20-15P	1 1	
	J02 J03	3	CONNECTOR, RCPT, ELECTRICAL FEMALE, ROUND, 4 CONTACT	96906	7900533-00 MS3112E8-4S	2	
	J04	3	CONNECTOR, RCPT, ELECTRICAL FEMALE, 85 CONTACT	81349	7902701-05 M81511/01E18-	1	

## Group Assembly Parts List

## PARTS LIST

FIG. 8 INDEX NO.	REF. DESIG.	QUANTITY	DESCRIPTION	MFR. CODE	UNIVAC PART NO. MFR. PART NO.	UNITS PER ASSY	USE ON CODE
2					8556		
	J05	3	CONNECTOR, RCPT, ELECTRICAL FEMALE, 85 CONTACT	81349	7902701-01 M81511/01E18- 8552	1	
	J06	3	CONNECTOR, RCPT, ELECTRICAL FEMALE, 85 CONTACT	81349	7902701-02 M81511/01E18- 8553	1	
	J07	3	CONNECTOR, RCPT, ELECTRICAL FEMALE, 85 CONTACT	81349	7902701-03 M81511/01E18- 8554	1	
	J08	3	CONNECTOR, RCPT, ELECTRICAL FEMALE, 85 CONTACT	81349	7902701-04 M81511/01E18- 8555	1	
		3	SCREW, MACH, PAN HD, 4-40UNC-2A 7/16 L (AP FOR J04 THRU J08)	96906	908552-06 MS51957-16	20	
		3	WASHER, FLAT, NO 4 (AP FOR J04 THRU J08)	96906	4912548-00 MS15795-803	20	
		3	NUT, SELF-LOCKING, 4-40UNC-3B (AP FOR J04 THRU J08)	96906	4912796-00 MS21044-C04	20	
		4	CONTACT, ELECTRICAL CONNECTOR	96906	7902484-01 MS90460-23-22	AR	
		4	CONTACT, ELECTRICAL CONNECTOR FEMALE, ACCOM 20 AWG WIRE	02660	7902484-05 348-100-500S02	AR	
	J09	3	CONNECTOR, RCPT, ELEC, SUBMIN, MALE, 9 CONT	71468	7903063-00 M24308/3-1	1	
		3	CONTACT, ELECTRICAL CONNECTOR	96906	MS18281-2	9	
		3	HARDWARE SET, ELECTRICAL CONNECTOR (AP FOR J09 AND P09)	71468	904656-00 20418-2	2	
	K1	3	RELAY, ARMATURE 26.5 VDC COIL	81349	905454-00 M5757/10-151	1	
		3	SCREW, MACH, PAN HD, 2-56UNC-2A 0.25 L (AP FOR K1)		3157139-02 COML	2	
		3	WASHER, FLAT, NO 2 (AP FOR K1)	96906	4912548-9 MS15795-802	2 2	
		3	NUT, SELF-LOCKING, HEX 2-56UNC (AP FOR K1)	75237	7900866-00 H42-02	2	
	K2	3	RELAY, ARMATURE 115V, 400HZ	96906	908951-00 MS25271-A1	1	
	K3	3	RELAY, ARMATURE 115V, 400HZ	96906	7902350-00 MS27418-1A	1	

PARTS LIST

Group Assembly Parts List

FIG. & INDEX NO.	REF. DESIG.	QUANTITY	DESCRIPTION	MFR. CODE	UNIVAC PART NO. MFR. PART NO.	UNITS PER ASSY	USE ON CODE
2		3	WASHER, FLAT, NO 6 (AP FOR K2 AND K3)	96906	4912548-01 MS15795-805	8	
		3	NUT, PLAIN, HEX, 6-32UNC-2B (AP FOR K2 AND K3)	96906	4912540-01 MS35649-264	8	
	LS1	3	HORN, ELECTRICAL 24 VOLT DC	80252	7900860-00 430M1	1	
		3	SCREW, MACH, FLAT HD 6-32UNC-2A, 1/2 L (AP)	96906	4912512-03 MS51959-30	3	
		3	WASHER, LOCK, SPRING HELICAL, NO 6 (AP)	96906	4912550-01 MS35338-136	3	
		3	WASHER, FLAT, ROUND (AP)	96906	4912548-03 MS15795-808	2	
		3	NUT, PLAIN, HEX 6-32UNC-2B (AP)	96906	4912540-01 MS35649-264	3	
	P09	3	CONNECTOR, RCPT, ELEC, FEMALE SUBMIN, 9 CONTACT	71468	911351-00 DEM9S	1	
	P108	3	CONNECTOR, RCPT, ELEC, MALE 40 CONTACT	90536	7071509-00	1	
		3	CONTACT, ELECTRICAL, MALE CRIMP TYPE	29587	7901761-00 240-1271-05	40	
		3	INSULATOR, CONTACT, MALE WHITE	91886	7900902-00 5291027	40	
	S1	3	SWITCH, TOGGLE	96906	7900891-00 MS25068-23	1	
	S2 S6 S12 S14 S21 S22	3	SWITCH, TOGGLE, DPDT 2 POSITION	91929	7900925-00 23AT402T2	6	A B E F
	S2 S6 S12 S14 S21 S22	3	SWITCH, TOGGLE, DPDT, 2 POSITION W/BUSHING AND PANEL SEALS	91929	7903728-00 32AT444T2	6	C D G H
	S3	3	SWITCH, PUSH, 2SPDT CONT, 5 AMP 250V, BK BTN	91929	910271-01 2PB11T2	1	
		3	NUT, PLAIN, ROUND, KNURLED 15/32-32NS-2B	72653	7901628-01 6050	AR	
	S4,S5 S9,S10	3	SWITCH, PUSH, ISTRZ, IND TYPE SPST NODB CONT, W/NEON LAMP	07137	7902334-00 TBL3533A22	9	

## Group Assembly Parts List

## PARTS LIST

FIG. & INDEX NO.	REF. DESIG.	QTY	DESCRIPTION	MFR. CODE	UNIVAC PART NO. MFR. PART NO.	UNITS PER ASSY	USE ON CODE
2	S11 S13 S18 S19 S20		CLR LENS				
		3	NUT, PLAIN, ROUND, KNURLED 3/8-32NEF-2 THD, BK (AP)	07137	7900880-01 1112-1	9	
		3	WASHER, LOCK, EXT, NARROW TYPE 3/8 SIZE (AP)	78189	7901920-02 1120-12CPDD	9	
	S7,S8 S17	3	SWITCH, TOGGLE, 2SPDT CONT, 3 POSITION, 250V, 5 AMP	91929	7900635-02 13AT416T2	3	A B E F
	S7,S8 S17	3	SWITCH, TOGGLE, 2 POLE, 3 POS W/BUSHING AND PANEL SEALS	91929	7903727-02 31AT416T2	3	C D G H
	S15 S16	3	SWITCH, TOGGLE, 2SPDT CONT, 3 POSITION, 250V, 5 AMP	91929	7900635-00 13AT417T2	2	A B E F
	S15 S16	3	SWITCH, TOGGLE, 2 POLE, 3 POS W/BUSHING AND PANEL SEALS	91929	7903727-00 31AT417T2	2	C D G H
		3	NUT, PLAIN, ROUND, KNURLED 15/32-32NS-2B THD (AP)	72653	7901628-01 6050	AR	
-24		3	GUARD, TGL SW (USED ON S12)	90536	7071469-00	1	
-25		3	PLATE, CONTROL PANEL	90536	7073524-00	1	
-26		3	HOUSING, CONNECTOR	90536	7071499-00	1	
-27		3	COVER, ELEC CONN (USED ON J02 AND J03)	96906	7901024-01 MS33181-20C	2	
-28		3	COVER, ELEC CONN, SHELL SIZE 18 (USED ON J04 THRU J08)	81349	7902848-09 M81511/18-18	5	
-29		3	FORK ASSEMBLY, CHASSIS LATCH (CLEAR FINISH)	71286	7901087-01 72L1-1AB-ROUND- HEAD-PIN	14	
		3	SPACER, FORK	90536	7214365-01	14	
		3	FILTER BOX ASSEMBLY	90536	7216300-00	1	C D
		3	FILTER BOX ASSEMBLY	90536	7216315-00	1	G H
	C1	4	CAPACITOR, FXD, PAPER DIELECTRIC 200V, 0.1UF, +-10 PCT	81349	7901692-07 CZ24BKC104	1	G H
	FL1 THRU FL4	4	FILTER, RADIO INTERFERENCE 250V, 400HZ OR 600V DC, 10A	93790	7903021-00 NFR127-1	4	G H
	FL1 FL2	4	FILTER, RADIO INTERFERENCE 400V DC, 20A	56289	7900608-00 20JX31	3	C D

PARTS LIST

Group Assembly Parts List

FIG. & INDEX NO.	REF. DESIG.	QUANTITY	DESCRIPTION	MFR. CODE	UNIVAC PART NO. MFR. PART NO.	UNITS PER ASSY	USE ON CODE
2	FL3						
	R1	4	RESISTOR, FIXED, FILM		7900182-96	3	
	R2		2w, 100K OHM, +-2 PCT	81349	RL42S104G		
	R3						
-30		3	CABINET ASSEMBLY (NOT WIRED)	90536	7073261-00	1	A E
			CABINET ASSEMBLY (NOT WIRED)	90536	7073261-01	1	B F
			CABINET ASSEMBLY (NOT WIRED)	90536	7073261-02	1	C G
			CABINET ASSEMBLY (NOT WIRED)	90536	7073261-03	1	D H



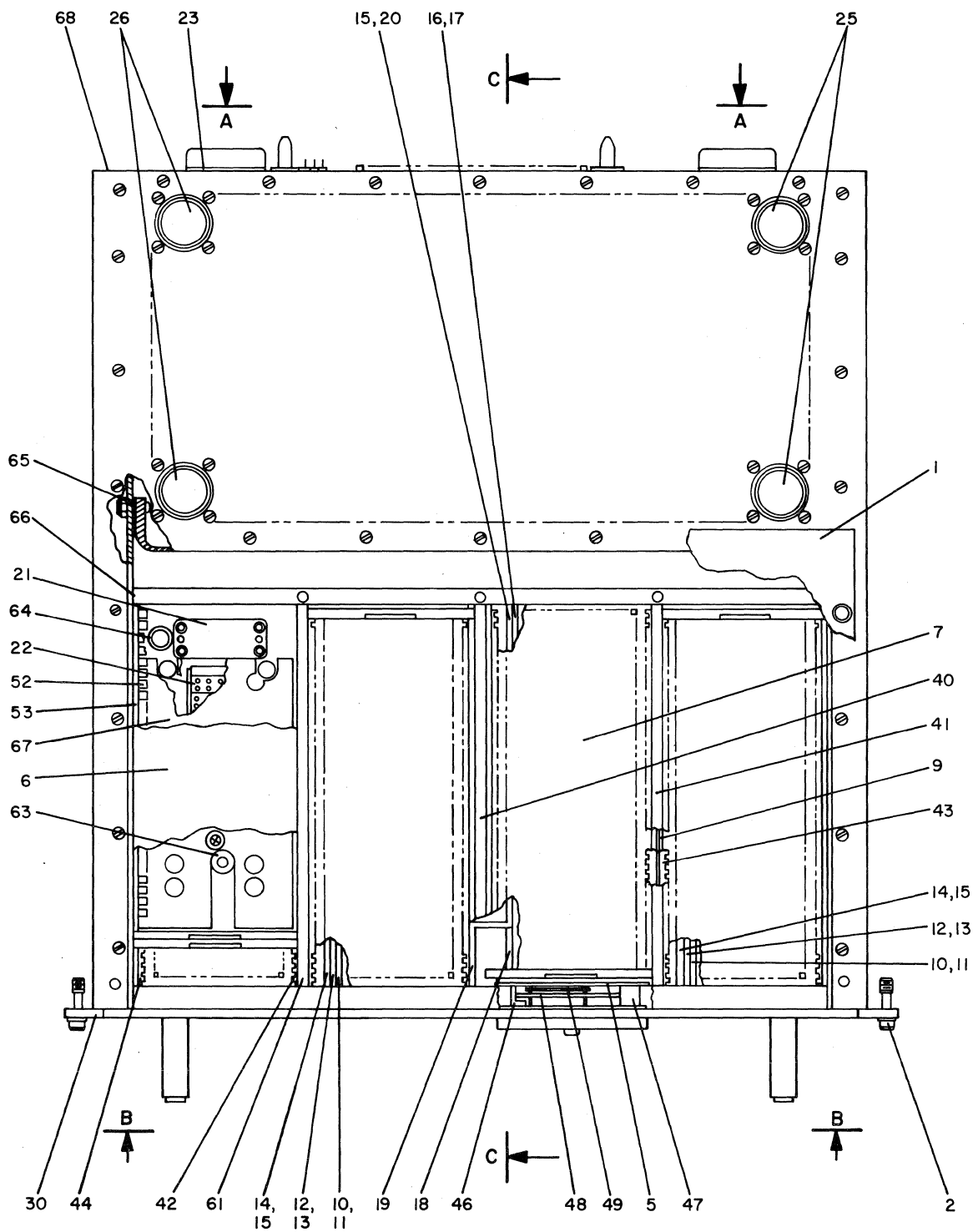
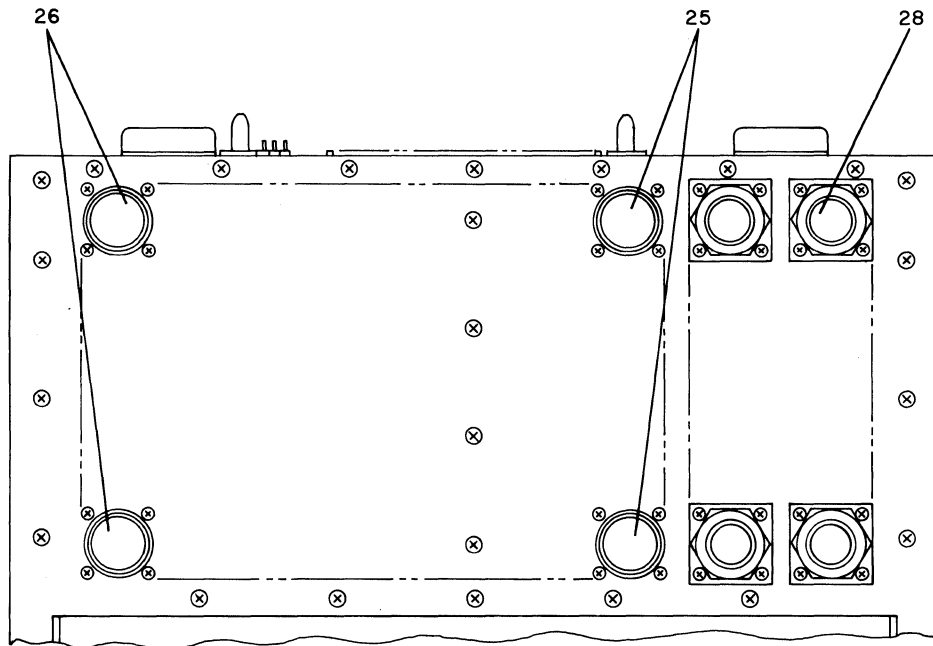
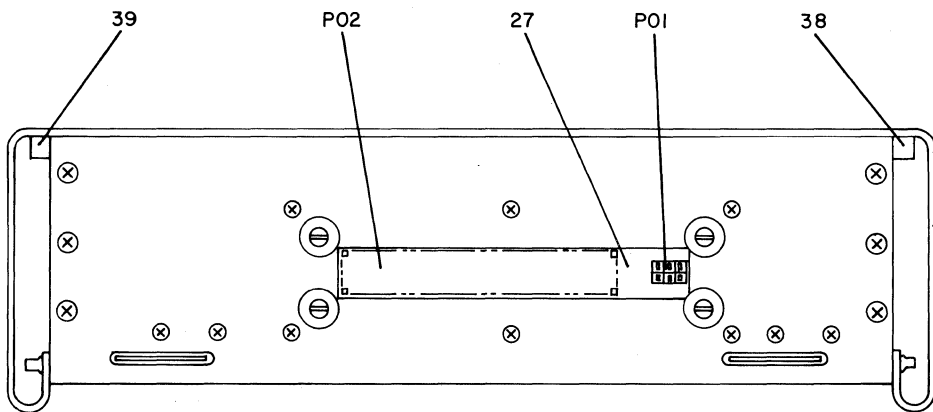


Figure 6-3 (Sh 1). Input/Output Adapter Unit



SERIAL INTERFACE



VIEW A-A

Figure 6-3 (Sh 2). Input/Output Adapter Unit

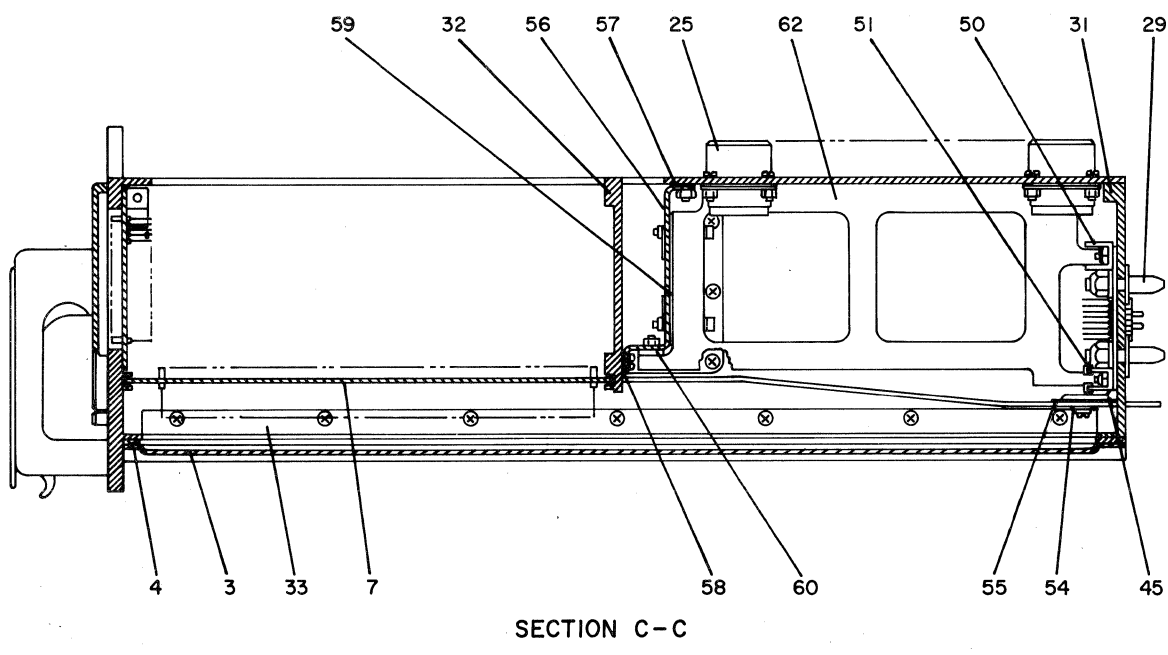
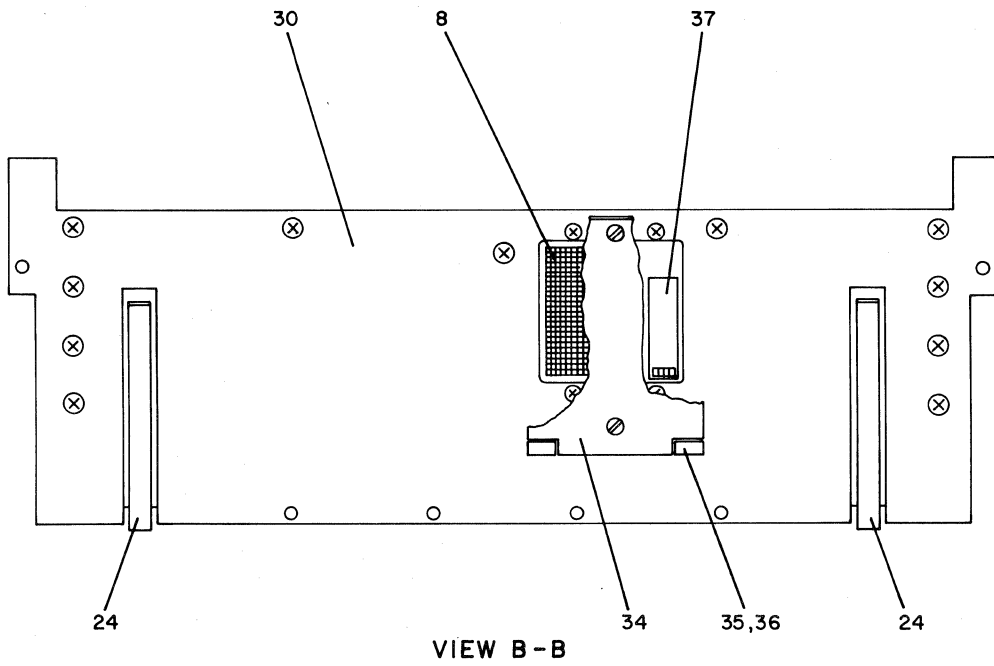


Figure 6-3 (Sh 3). Input/Output Adapter Unit

## PARTS LIST

## Group Assembly Parts List

FIG. & INDEX NO.	REF. DESIG.	QUANTITY	DESCRIPTION	MFR. CODE	UNIVAC PART NO. MFR. PART NO.	UNITS PER ASSY	USE ON CODE	
6-3	A1	2	ADAPTER UNIT, I/O MX-8450(P)	90536	7071570-00	REF	A	
			ADAPTER UNIT, I/O (RFI)	90536	7071570-01	REF	B	
				MX-8450A(P) (PRL INTFC)				
				ADAPTER UNIT, I/O MX-8537(P)	90536	7073400-00	REF	C
				ADAPTER UNIT, I/O (RFI)	90536	7073400-01	REF	D
			MX-8537A(P) (SER-PRL INTFC)					
			(FOR OPTIONS SEE FIG 6-4)					
			(FOR NHA SEE FIG 6-1)					
-1		3	HEAT SINK, PLATE TYPE, MODIFIED	90536	7071600-01	1		
		3	SCREW, CAP, SOCKET HD, SPECIAL 10-32UNF-2A, 1.0 L (AP)	84972	7903044-02 7903044-02	10	C D	
		3	SCREW, CAP, SOCKET HD, SPECIAL 10-32UNF-3A, 1.125 L (AP)	84972	7903044-00 7903044-00	10	A B	
		3	WASHER, LOCK, SPRING, NO 10 (AP)	96906	4912550-03 MS35338-138	10		
		3	PACKING, PREFORMED, O RING NEOPRENE, SIZE 007 (AP)	86579	905819-05 007 NEOPRENE 70 +-10 SHORE A	10		
-2		3	SCREW, CAP, SOCKET HD, SPECIAL 1/4-28UNF-3A	56878	7903148-00 7903148-00	6		
		3	WASHER, FLAT, NO 1/4 (AP)	96906	902991-07 MS960-C416	6		
-3		3	COVER, CHASSIS, BOTTOM	90536	7071597-00	1	A C	
			COVER, CHASSIS, BOTTOM	90536	7071597-01	1	B D	
-4		3	SHIELDING GASKET, ELECTRONIC	90536	7956504-23	AR	B D	
		3	SCREW, MACH, PAN HD 4-40UNC-2A 5/16 L (AP FOR IND 3 AND 4)	96906	908552-04 MS51957-14	28		
-5		3	DIVIDER, INSULATING	90536	7065707-00	1		
-6	A1	3	CONVERTER MODULE ASSEMBLY DC TO DC, TYPE E (FOR NLA SEE FIG 6-11)	90536	7071980-00	1		
		3	CHASSIS ASSEMBLY, INPUT-OUTPUT	90536	7071571-00	1	A B	
			CHASSIS ASSEMBLY, INPUT-OUTPUT	90536	7073401-00	1	C D	
-7		4	CONNECTOR PLATE ASSEMBLY, I/O	90536	7071572-00	1		
		5	CONNECTOR, RECEPTACLE, MODIFIED	90536	7071599-00	1		
		6	CONNECTOR, RECEPTACLE, ELECTRICAL, FEMALE	90536	7071598-00	1		
		7	CONTACT, ELECTRICAL CONNECTOR FEMALE, 3 WIRE WRAP, WHITE	90536	7901698-06 7050014-01- 7050015W	3224		

## Group Assembly Parts List

## PARTS LIST

FIG. & INDEX NO.	REF. DESIG.	QTY	DESCRIPTION	MFR. CODE	UNIVAC PART NO. MFR. PART NO.	UNITS PER ASSY	USE ON CODE
3		7	CONTACT, ELECTRICAL CONNECTOR FEMALE, 3 WIRE WRAP, BLACK	90536	7901698-07 7050014-01- 7050015B	3224	
		7	CONTACT, ELECTRICAL CONNECTOR GROUND, FEMALE, 3 WIRE WRAP	91886	7902611-01 21-20312-134- 28-20003-309	496	
-8	TB1	5	TEST POINT ASSEMBLY, 391 CONTACT	90536	7071609-00	1	
		6	CONTACT, ELECTRICAL FEMALE, 2 WIRE WRAP, WHITE	90536	7901698-08 7050014-02- 7050015W	184	
		6	CONTACT, ELECTRICAL FEMALE, 2 WIRE WRAP, BLACK	90536	7901698-09 7050014-02 7050015B	99	
		6	CONTACT, ELECTRICAL MALE, 2 WIRE WRAP, BLUE	91886	7902474-10 21-15022-105- 22-10000-516	2	
		6	CONTACT, ELECTRICAL FEMALE, 2 WIRE WRAP, BLUE	90536	7901698-10 7050014-02- 7050015BL	106	
-9		6	BAR, CARD GUIDE, BOTTOM	90536	7071585-00	2	
		6	SCREW, MACH, FLAT HD 6-32UNC-2A, 0.312 L (AP)	96906	7903133-15 MS24693-C25	6	
-10	W1 W8	6	BUS BAR, -5V	90536	7071616-00	2	
-11		6	INSULATOR, BUS BAR	90536	7071619-03	2	
-12	W2 W9	6	BUS BAR	90536	7071615-00	2	
-13		6	INSULATOR, BUS BAR	90536	7071619-01	2	
-14	W3 W10	6	BUS BAR, +-5V	90536	7071614-00	2	
-15		6	INSULATOR, BUS BAR	90536	7071619-00	3	
-16	W4	6	BUS BAR, -15V	90536	7071615-01	1	
-17		6	INSULATOR, BUS BAR	90536	7071619-02	1	
-18	W5	6	BUS BAR, +5V	90536	7071618-00	1	
-19	W6	6	BUS BAR, +5V	90536	7071617-00	1	
-20	W7	6	BUS BAR, +-5V	90536	7071614-01	1	

## PARTS LIST

## Group Assembly Parts List

FIG. & INDEX NO.	REF. DESIG.	QTY	DESCRIPTION	MFR. CODE	UNIVAC PART NO. MFR. PART NO.	UNITS PER ASSY	USE ON CODE
3-21	J73	6	INSULATOR, ELECTRICAL CONNECTOR FEMALE, 34 CONTACT LOCATIONS	81312	4913630-01 MRAC34SNSS	1	
		6	SCREW, MACH, FILLISTER HD 4-40UNC-2A, 0.4375 L (AP)		905690-05 COML	6	
		6	WASHER, FLAT, SHAFT SPACER 0.125 ID, 0.187 OD (AP)	00141	910229-01 B4-1	AR	
		6	WASHER, FLAT, SHAFT SPACER 0.125 ID, 0.187 OD (AP)	00141	910229-04 B4-4	AR	
		6	WASHER, FLAT, SHAFT SPACER 0.125 ID, 0.187 OD (AP)	00141	940229-07 B4-7	AR	
		6	NUT, SELF-LOCKING, HEX 4-40UNC-3B (AP)	72962	906056-03 79LH1660-40	6	
		7	CONTACT, ELECTRICAL, FEMALE SIZE 24 AWG	81312	910879-00 100-1024S55	5	
		7	CONTACT, ELECTRICAL, FEMALE SIZE 18 AWG	81312	910879-03 100-1018S55	20	
-22	TB2	6	TERMINAL BLOCK ASSEMBLY, 8 BLK	90536	7071612-00	1	
		6	SCREW, MACH, FLAT HD 6-32UNC-2A, 0.4375 L (AP)	96906	4912512-02 MS51959-29	2 2	
		6	WASHER, FLAT, NO 6 (AP)	96906	902991-04 MS960-C6	2	
		6	NUT, SELF-LOCKING, HEX 6-32UNC-3B (AP)	96906	4912796-01 MS21044-C06	2	
		7	TERMINAL BLOCK, 8 CONTACT LOCATIONS, SIZE 16, 20 AMP	14283	7902891-02 MTR16A3	1	
		7	TERMINAL BLOCK, 8 CONTACT LOCATIONS, SIZE 16, 20 AMP	14283	7902891-03 MTR16A4	7	
		7	FRAME ASSEMBLY, TERMINAL BOARD SIZE 16, END BLOCKS	14283	7902896-00 MEB6A1-16	1	
		7	FRAME ASSEMBLY, TERMINAL BOARD SIZE 16, SIDE RAILS	14283	7902896-24 MSR6A8-16	1	
		7	CONTACT, ELECTRICAL, MALE CRIMP TYPE, SIZE 16	81349	7902892-00 M39029/01-16	20	
-23		6	INSULATOR, PLATE	90536	7071112-01	4	
-24		4	LATCH SET, RIM, CHASSIS HANDLE	71286	7901084-04 72L2-2-2AB	2	
		4	SCREW, MACH, FLAT HD 10-32UNF-2A, 0.5 L (AP)	96906	4912515-02 MS51960-65	2	

Group Assembly Parts List

PARTS LIST

FIG. & INDEX NO.	REF. DESIG.	QUANTITY	DESCRIPTION	MFR. CODE	UNIVAC PART NO. MFR. PART NO.	UNITS PER ASSY	USE ON CODE
3		4	SCREW, MACH, PAN HD 10-32UNF-2A, 0.5 L (AP)	96906	4912534-00 MS51958-63	2	
		4	WASHER, FLAT, ROUND, NO 10 (AP)	96906	4912548-03 MS15795-808	2	
-25	J42 J44 J46 J48 J50 J52 J54 J56 J58 J60 J62 J64 J66 J68 J70 J72	4	CONNECTOR, RECEPTACLE, ELEC MALE, 85 CONTACT LOCATIONS CIRCULAR, SUBMINIATURE	81349	7902698-01 M81511/01E18- 85P2	16	A B
	J44 J46 J52 J54 J60 J62 J68 J70 J42 J50 J58 J66	4	CONNECTOR, RECEPTACLE, ELEC, MALE, 85 CONTACT LOCATIONS CIRCULAR, SUBMINIATURE	81349	7902698-01 M81511/01E18- 85P2	12	C D
-26	J41 J43 J45 J47 J49 J51 J53 J55 J57 J59 J61 J63 J65 J67 J69 J71	4	CONNECTOR, RECEPTACLE, ELEC, MALE, 85 CONTACT LOCATIONS CIRCULAR, SUBMINIATURE	81349	7902698-00 M81511/01E18- 85P1	16	A B
	J43 J45 J51 J53	4	CONNECTOR, RECEPTACLE, ELEC MALE, 85 CONTACT LOCATIONS CIRCULAR, SUBMINIATURE	81349	7902698-00 M81511/01E18- 85P1	12	C D

## PARTS LIST

## Group Assembly Parts List

FIG. & INDEX NO.	REF. DESIG.	QUANTITY	DESCRIPTION	MFR. CODE	UNIVAC PART NO. MFR. PART NO.	UNITS PER ASSY	USE ON CODE
3	J59 J61 J67 J69 J41 J49 J57 J65						
		4	GASKET, CONNECTOR (AP FOR IND 25 AND 26)	90536	7056119-02	32	
		4	SCREW, MACH, PAN HD, 4-40UNC-2A 0.4375 L (AP FOR IND 25 AND 26)	96905	908552-06 MS51957-16	128	
		4	WASHER, LOCK, SPRING, NO 4 (AP FOR IND 25 AND 26)	96906	4912550-00 MS35338-135	128	
		4	WASHER, FLAT, ROUND, NO 4 (AP FOR IND 25 AND 26)	96906	4912548-00 MS15795-803	128	
		4	NUT, PLAIN, HEX, 4-40UNC-2B (AP FOR IND 25 AND 26)	96906	4912540-00 MS35338-135	128	
		5	CONTACT, ELECTRICAL CONNECTOR MALE, 28-30 AWG WIRE	02660	7902484-04 348-100-5047P02	1920	
		5	CONTACT, ELECTRICAL CONNECTOR MALE	96906	7902484-00 MS90461-23-22	800	
		5	CONTACT, ELECTRICAL CONNECTOR FEMALE, SIZE 0.062	81312	910879-00 100-1024S55	AR	
		5	CONTACT, ELECTRICAL CONNECTOR MALE, CRIMP TYPE, SIZE 16	14283	7902892-00 5000-003-16	AR	
		5	CONTACT, ELECTRICAL CONNECTOR FEMALE, SIZE 0.062	81312	910879-03 100-1018S56	AR	
		5	PLUG, SEALING, CONTACT	02660	7902852-00 M81511/15-22	384	
-27		4	CONNECTOR, RECEPTACLE, ELEC 272 FEMALE, 6 MALE CONTACTS	90536	7071580-00	1	
	P02	5	CONTACT, ELECTRICAL CONNECTOR FEMALE, 2 WIRE WRAP, WHITE	90536	7901698-08 7050014-02- 7050015W	272	
	P01	5	CONTACT, ELECTRICAL CONNECTOR MALE, WHITE	91886	7900851-01 11-15001-105- 12-10000-000	6	
-28	J47 J48 J55 J56	4	CONNECTOR, ELECTRICAL, FEMALE COAXIAL, SINGLE CONTACT	90536	7903003-00	8	C D



Group Assembly Parts List

PARTS LIST

FIG. & INDEX NO.	REF. DESIG.	QUANTITY	DESCRIPTION	MFR. CODE	UNIVAC PART NO. MFR. PART NO.	UNITS PER ASSY	USE ON CODE
3	J63 J64 J71 J72						
-29		4	PIN, GUIDE	90536	7073232-00	4	
		4	WASHER, FLAT, NO 1/4 (AP)	96906	4912513-04 MS960-C416	4	
		4	NUT-SELF-LOCKING, HEX 1/4-28UNF-3B (AP)	96906	4912794-01 MS21044-C04	4	
4-30		4	PANEL, FRONT	90536	7071575-00	1	
		4	SCREW, CROSS RECESSED (AP)	90536	7071634-03	8	
		4	SCREW, CROSS RECESSED (AP)	90536	7071634-04	3	
-31		4	PANEL, REAR	90536	7071577-00	1	
		4	SCREW, MACH, FLAT HD 8-32UNC-1A, 0.5 L (AP)	96906	4912513-02 MS51959-45	6	
		4	SCREW, MACH, FLAT HD 4-40UNC-2A, 0.5 L (AP)	96906	4912511-04 MS51959-17	4	
		4	NUT, SELF-LOCKING, HEX 4-40UNC-3B (AP)	96906	4912796-00 MS21044-C04	4	
-32		4	PANEL, CENTER	90536	7071576-00	1	
-33		4	BRACKET, ANGLE	90536	7071578-00	2	
		4	SCREW, MACH, PAN HD 6-32UNC-2A, 3/4 L (AP)	96906	4912531-06 MS51957-32	14	
-34		4	COVER, TEST POINT	90536	7022564-00	1	
		4	SCREW, SPECIAL (AP)	90536	7065718-01	2	
		4	WASHER, LOCK, SPRING, NO 6 (AP)	96906	4912550-01 MS35338-136	2	
		4	WASHER, FLAT, ROUND, NO 6 (AP)	96906	4912548-01 MS15795-805	2	
-35		4	PIVOT HINGE	90536	7065809-00	2	
-36		4	PIN, HINGE	90536	7065808-00	1	
-37	M1	4	METER, TIME TOTALIZING 27 TO 33 VDC, 0-999.9 HRS	82227	7901844-01 A19757	1	
		4	SCREW, MACH, FLAT HD 4-40UNC-2A, 0.3125 L (AP)	96906	4912511-01 MS51959-14	2	

## PARTS LIST

## Group Assembly Parts List

FIG. & INDEX NO.	REF. DESIG.	QTY	DESCRIPTION	MFR. CODE	UNIVAC PART NO. MFR. PART NO.	UNITS PER ASSY	USE ON CODE
3	4		NUT, SELF-LOCKING, HEX 4-40UNC-3B (AP)	72962	906056-03 79LH1660-40	2	
-38	4		PLATE, SIDE, LH	90536	7071581-00	1	
-39	4		PLATE, SIDE, RH	90536	7071582-00	1	
	4		SCREW, MACH, PAN HD, 8-32UNC-2A 0.438 L (AP FOR IND 38 AND 39)	96906	7903132-32 MS51957-44	2	
	4		SCREW, MACH, PAN HD, 8-32UNC-2A 0.875 6 (AP FOR IND 38 AND 39)	96906	4912532-03 MS51957-48	2	
-40	4		BAR, CENTER, CARD GUIDE	90536	7071583-00	1	
-41	4		BAR, CARD GUIDE, TOP	90536	7071586-00	1	
-42	4		CARD GUIDE, MODIFIED	90536	7071591-00	1	
-43	4		CARD GUIDE 40 CARD ACCOMMODATIONS	PRI	7901739-05 247-05	6	
-44	4		CARD GUIDE	90536	7071593-00	1	
-45	4		BRACE, SIGNAL GROUND	90536	7071587-00	2	
-46	4		BRACKET, PIN	90536	7022582-00	1	
-47	4		BRACKET, PIN	90536	7071608-00	1	
	4		SCREW, MACH, FLAT HD, 4-40UNC-2A 0.375 L (AP FOR IND 46 AND 47)	96906	4912511-02 MS51959-15	6	
-48	4		SUPPORT, PIN	90536	7022581-01	1	
-49	4		STRIP, TIE DOWN	90536	7071111-00	AR	
-50	4		BRACKET, SUPPORT	90536	7073219-01	1	
-51	4		BRACKET, SUPPORT	90536	7073219-00	1	
	4		SCREW, MACH, FLAT HD, 6-32UNC-2A 0.5 L (AP FOR IND 50 AND 51)	96906	4912512-03 MS51959-30	AR	
	4		NUT, SELF-LOCKING, HEX 6-32UNC-3B (AP FOR IND 50 AND 51)	96906	4912796-01 MS21044-C06	AR	
-52	4		GROUND STRAP, I/O	90536	7071610-00	1	
-53	4		RETAINER, GROUND STRIP	90536	7071611-00	1	
	4		SCREW, MACH, FLAT HD, 4-40UNC-2A 0.375 L (AP FOR IND 52 AND 53)	96906	4912511-02 MS51959-15	4	
-54	4		SPACER, INSULATING	90536	7022572-01	7	

## Group Assembly Parts List

## PARTS LIST

FIG. & INDEX NO.	REF. DESIG.	QUANTITY	DESCRIPTION	MFR. CODE	UNIVAC PART NO. MFR. PART NO.	UNITS PER ASSY	USE ON CODE
3-55		4	INSULATOR	90536	7022572-00	2	
-56		4	DUCT, AIR	90536	7071584-00	1	
		4	SCREW, MACH, PAN HD 6-32UNC-2A, 0.4375 L (AP)	96906	4912531-03 MS51957-29	9	
		4	WASHER, FLAT, ROUND, NO 6 (AP)	96906	4912548-01 MS15785-805	14	
-57		4	GASKET, SHIELDING	90536	7071595-00	1	
-58		4	GASKET, SHIELDING	90536	7071594-00	1	
-59		4	SHIM	90536	7071566-00	2	
-60		4	SHIM	90536	7071566-01	1	
-61		4	BAR, CARD GUIDE, TOP	90536	7073211-00	1	
-62		4	SUPPORT, CHASSIS	90536	7071565-00	1	
		4	SCREW, CAP, SOCKET HD 6-32UNC-3A, 0.1 L (AP)	96906	911604-11 MS16995-18	2 2	
		4	SCREW, MACH, PAN HD 6-32UNC-2A, 0.375 L (AP)	96906	4912531-04 MS51957-30	5	
		4	WASHER, FLAT, ROUND, NO 6 (AP)	96906	4912548-01 MS15795-805	5	
		4	NUT, SELF-LOCKING, HEX 6-32UNC-3B (AP)	96906	4912796-01 MS21044-C06	5	
-63		4	BUSHING, LOCATING PIN	90536	7073124-01	1	
-64		4	BUSHING, LOCATING PIN	90536	7073124-00	1	
-65		4	GASKET, SHIELDING	90536	7071579-00	2	
-66		4	GASKET	90536	7071590-00	2	
-67		4	INSULATOR, POWER CONVERTER	90536	7073210-00	1	
-68		4	CHASSIS	90536	7071596-00	1	

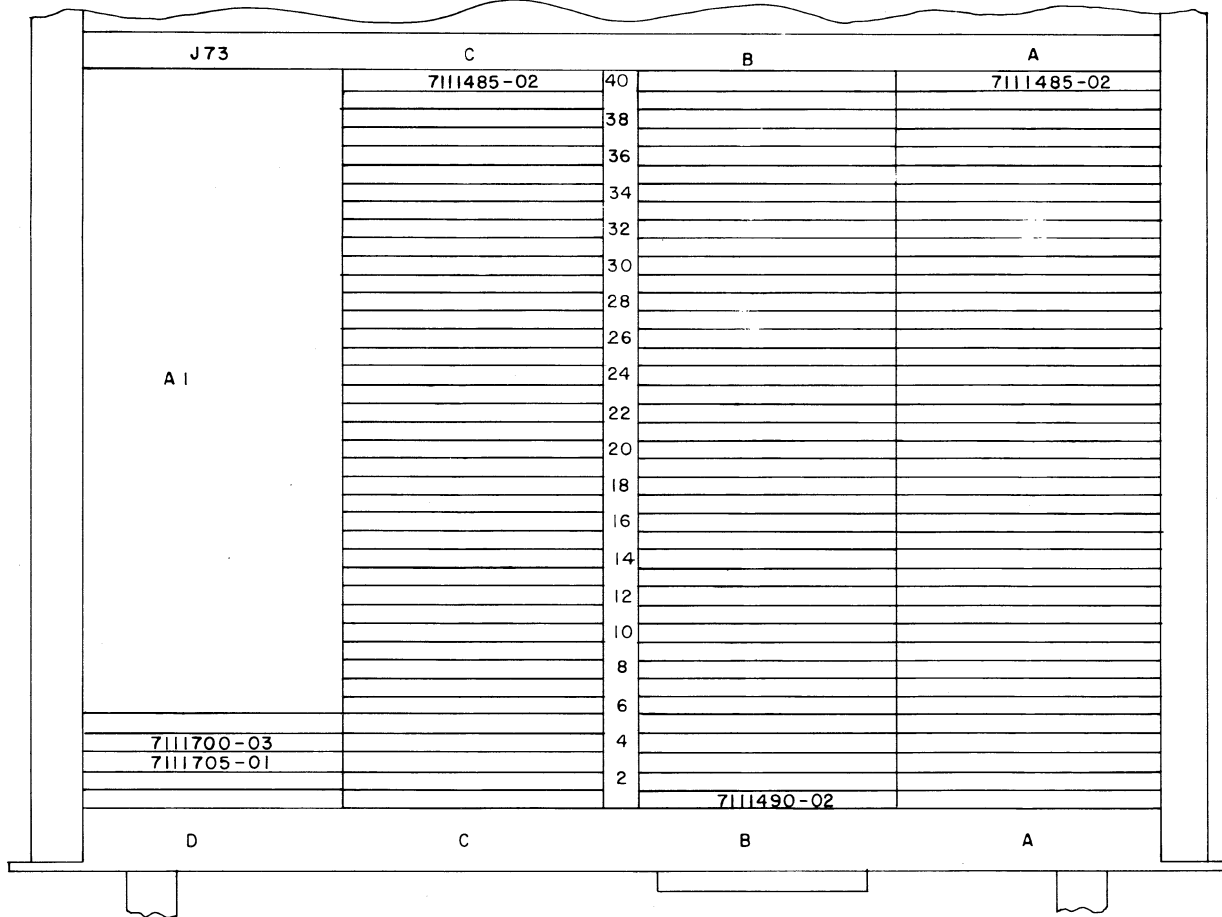


Figure 6-4 (Sh 1). Input/Output Adapter Unit Module Location Chart

1	2	3	4	5	6	CARD LIST PART NUMBERS			
						7073301-02 (FAST-3V)	7073302-00 (SLOW-15)	7073303-02 (FAST+3V)	7073304-00 (SERIAL)
CHAN 0-3	CHAN 4-7	CHAN 10-13	CHAN 14-17	CHAN 10-13	CHAN 14-17	PART NO.	PART NO.	PART NO.	PART NO.
REF DES	REF DES	REF DES	REF DES	REF DES	REF DES				
C-13	C-1	A-13	A-1	A-28	A-1	7111505	7111520	7113330	7113020
C-14	C-2	A-14	A-2	A-29	A-2	↑	↑	↑	7113020
C-15	C-3	A-15	A-3	A-30	A-3				7113515
C-16	C-4	A-16	A-4	A-31	A-4				
C-17	C-5	A-17	A-5	A-32	A-5				7113040
C-18	C-6	A-18	A-6	A-33	A-6				7113025
C-19	C-7	A-19	A-7	A-34	A-7				7113025
C-20	C-8	A-20	A-8	A-35	A-8				7113025
C-21	C-9	A-21	A-9	A-36	A-9				7113025
C-22	C-10	A-22	A-10	A-37	A-10				7113040
C-23	C-11	A-23	A-11	A-38	A-11	↓	↓	↓	7113030
C-24	C-12	A-24	A-12	A-39	A-12	7111505	7111520	7113330	7113035
C-25	B-11	B-26	A-25	B-26	A-13	7111516-02	7111530	7113336	7113060
C-26	B-12	B-27	A-26	B-27	A-14	↑	↑	↑	7113390
C-27	B-13	B-28	A-27	B-28	A-15				
C-28	B-14	B-29	A-28	B-29	A-16				7113060
C-29	B-15	B-30	A-29	B-30	A-17				7113390
C-30	B-16	B-31	A-30	B-31	A-18				
C-31	B-17	B-32	A-31	B-32	A-19				7113385
C-32	B-18	B-33	A-32	B-33	A-20				7113395
C-33	B-19	B-34	A-33	B-34	A-21				
C-34	B-20	B-35	A-34	B-35	A-22				7113050
C-35	B-21	B-36	A-35	B-36	A-23				
C-36	B-22	B-37	A-36	B-37	A-24				7113055
C-37	B-23	B-38	A-37	B-38	A-25				7113055
C-38	B-24	B-39	A-38	B-39	A-26	↓	↓	↓	7113055
C-39	B-25	B-40	A-39	B-40	A-27	7111516-02	7111530	7113336	7113055
B-9	B-7	B-5	B-3	B-5	B-2	7111540	7111535	7111540	7113020
B-10	B-8	B-6	B-4	B-6	B-3	7111510	7111526	7111510	7113020
					B-4				7113020

NOTE: FOR 16 CHANNEL PARALLEL I/O ADAPTER UNITS USE COLUMNS 1,2,3 & 4

FOR 12 CHANNEL PARALLEL & 4 SERIAL CHANNEL I/O ADAPTER UNITS USE COLUMNS 1,2,5 & 6

Figure 6-4 (Sh 2). Input/Output Adapter Unit Module Location Chart

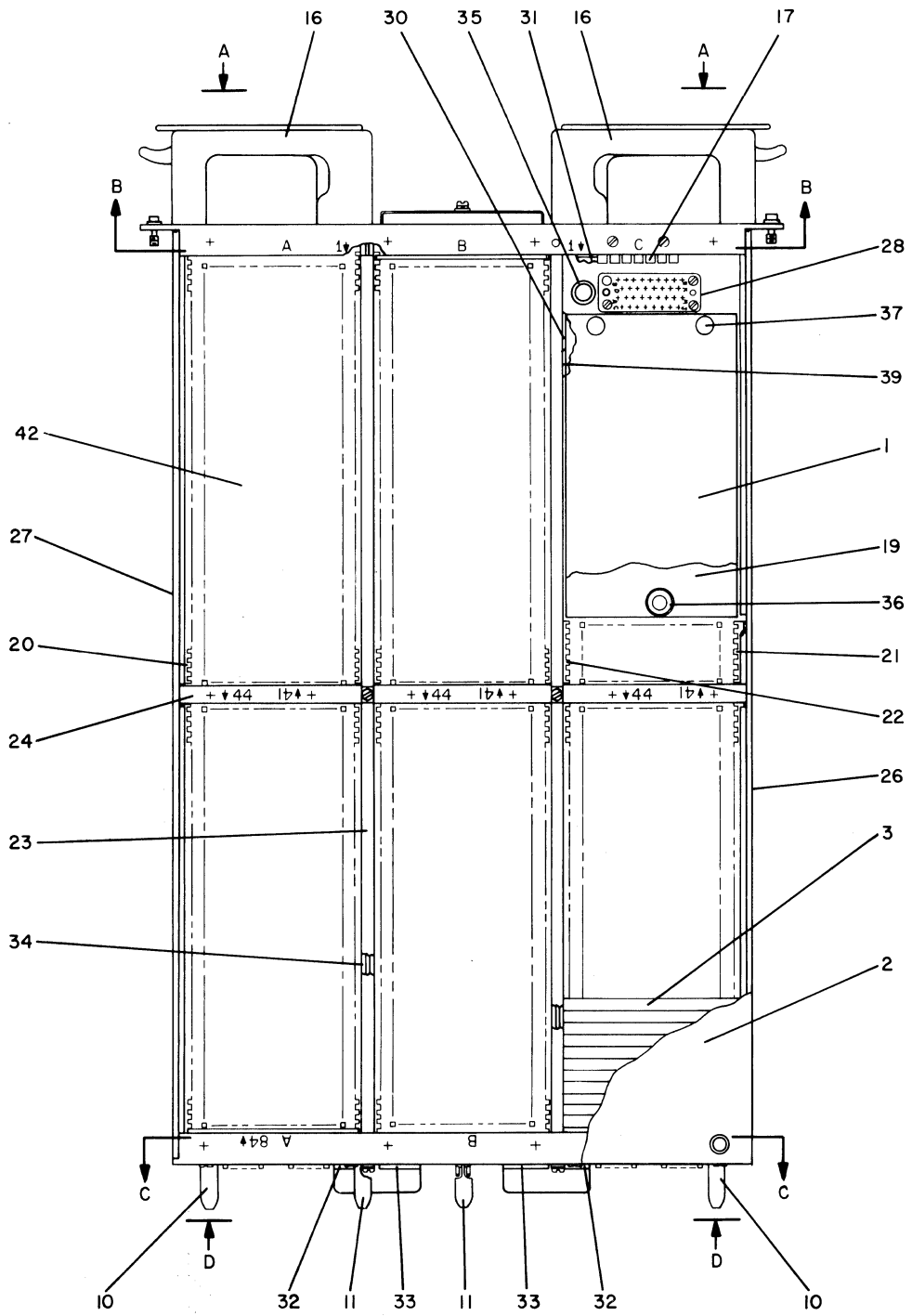


Figure 6-5 (Sh 1). Input/Output Controller Unit

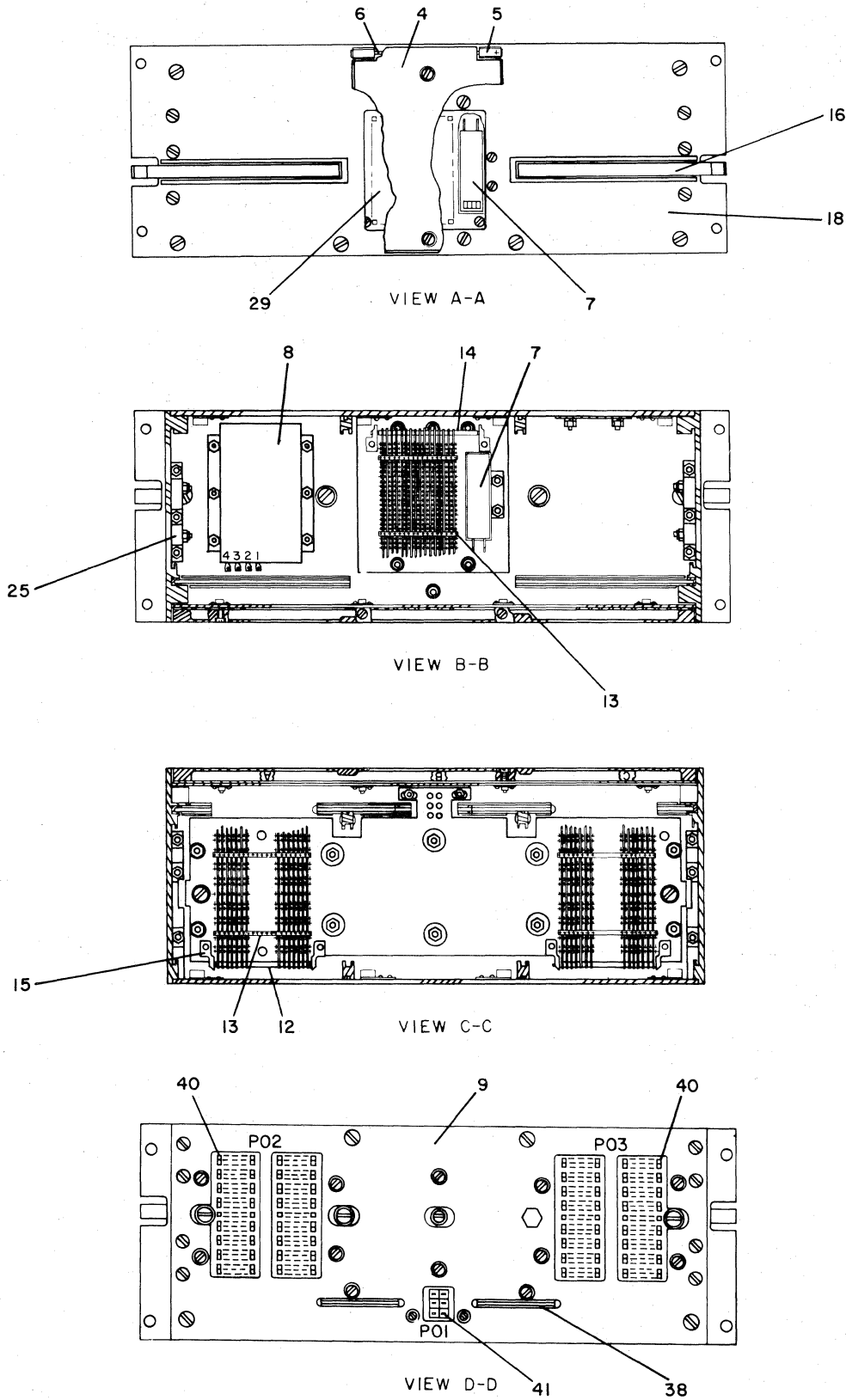


Figure 6-5 (Sh 2). Input/Output Controller Unit

## PARTS LIST

## Group Assembly Parts List

FIG. & INDEX NO.	REF. DESIG.	QTY	DESCRIPTION	MFR. CODE	UNIVAC PART NO. MFR. PART NO.	UNITS PER ASSY	USE ON CODE
6- 5	A2	2	CONTROLLER UNIT, I/O C-8408C(P)	90536	7073320-00	REF	A
			CONTROLLER UNIT, I/O C-8408A(P)	90536	7073320-01	REF	B
			(RFI) (FOR NHA SEE FIG 6-1)				
		3	SCREW, CAP, SOCKET HD, SPECIAL 1/4-28UNF-3A (AP)	56878	7903148-00 7903148-00	4	
		3	WASHER, FLAT, NO. 1/4 (AP)	96906	902991-07 MS960-C416	4	
-1	A1	3	CONVERTER MODULE ASSEMBLY DC TO DC, TYPE D (FOR NLA SEE FIG 6-13)	90536	7073380-00	1	
-2		3	HEAT SINK, PLATE TYPE, MODIFIED	90536	7073135-00	1	
		3	SCREW, CAP, SOCKET HD, SPECIAL 10-32UNF-3A, 1.125 L (AP)	84972	7903044-00 7903044-00	14	
		3	WASHER, LOCK, SPRING, NO 6 (AP)	96906	4912550-03 MS35338-138	14	
		3	PACKING, PREFORMED, O RING NEOPRENE, SIZE 007 (AP)	86579	905819-05 007 NEOPRENE 70 +-10 SHORE A	14	
-3		3	ELECTRONIC CIRCUIT PLUG-IN MOD. CARD LISTING, LOCATION CHART (FOR NLA SEE FIG 6-6)	90536	7073324-00	1	
		3	CONTROLLER SUBASSEMBLY, I/O	90536	7073321-00	1	A
			CONTROLLER SUBASSEMBLY, I/O	90536	7073321-01	1	B
-4		4	COVER, TEST POINT	90536	7022564-00	1	
		4	SCREW, SPECIAL (AP)	90536	7065718-01	2	
		4	WASHER, LOCK, SPRING, NO 6 (AP)	96906	4912550-01 MS35338-136	2	
		4	WASHER, FLAT, ROUND, NO 6 (AP)	96906	4912548-01 MS15795-805	2	
-5		4	PIVOT, HINGE	90536	7065809-00	2	
-6		4	PIN, HINGE	90536	7065808-00	2	
-7	M1	4	METER, TIME TOTALIZING 27 TO 33 VDC	82227	7901844-01 A19757	1	
		4	SCREW, MACH, FLAT HD 4-40UNC-2A, 0.3125 L (AP)	96906	4912511-01 MS51959-14	2	
		4	NUT, SELF-LOCKING, HEX 4-40UNC-3B (AP)	72962	906056-03 79LH1660-40	2	



## Group Assembly Parts List

## PARTS LIST

FIG. & INDEX NO.	REF. DESIG.	IND NO.	DESCRIPTION	MFR. CODE	UNIVAC PART NO. MFR. PART NO.	UNITS PER ASSY	USE ON CODE
5-8	Y1	4	CLOCK, REAL TIME, TUNING FORK RES, TRANS OSC, 1024 HZ	95267	7900737-01 FFG7128	1	
		4	SPACER (AP)	90536	7073149-00	2	
		4	SCREW, CROSS REC, SP, 2-56 (AP)	90536	7071634-00	6	
		4	WASHER, FLAT, ROUND, NO 2 (AP)	96906	4912548-09 MS15795-802	6	
		4	WASHER, LOCK, SPRING, NO 2 (AP)	96906	4912550-09 MS35338-134	6	
		4	NUT, PLAIN, HEX, MACH 2-56UNC-2B (AP)	96906	4912540-04 MS35649-224	6	
-9		4	PANEL, REAR	90536	7071525-00	1	A
			PANEL, REAR	90536	7071525-01	1	B
		4	SCREW, MACH, FLAT HD 6-32UNC-2A, 0.4375 L (AP)	96906	4912512-02 MS51959-29	6	
		4	SCREW, MACH, FLAT HD 8-32UNC-2A, 0.375 L (AP)	96906	4912513-00 MS51959-43	2	
		4	SCREW, MACH, FLAT HD 6-32UNC-2A, 0.5 L (AP)	96906	4912512-03 MS51959-30	6	
		4	WASHER, LOCK, SPRING, NO 6 (AP)	96906	4912550-01 MS35338-136	14	
		4	NUT, SPECIAL (AP)	90536	7073325-00	12	
		5	CONNECTOR, RECEPTACLE, ELEC	90536	7071526-00	1	
-10		4	PIN, GUIDE	90536	7073232-03	2	
-11		4	PIN, GUIDE	90536	7073232-02	2	
		4	WASHER, FLAT, NO. 1/4 (AP FOR IND 10 AND 11)	96906	902991-07 MS960-C416	4	
		4	NUT, SELF-LOCKING, 1/4-28UNF-3B (AP FOR IND 10 AND 11)	72962	905078-02 L79NTE-048	4	
-12		4	PIN, SUPPORT	90536	7022581-02	2	
-13		4	STRIP, TIE DOWN	90536	7071111-01	9	
-14		4	PIN, SUPPORT	90536	7022581-01	1	
-15		4	BRACKET, PIN	90536	7073118-00	4	
		4	SCREW, MACH, FLAT HD 4-40UNC-2A, 3/8 L (AP)	96906	4912511-02 MS51959-15	8	
-16		4	LATCH SET, RIM, CHASSIS HANDLE	71286	7901084-04 72L2-2-2AB	2	

## PARTS LIST

## Group Assembly Parts List

FIG. & INDEX NO.	REF. DESIG.	QTY	DESCRIPTION	MFR. CODE	UNIVAC PART NO. MFR. PART NO.	UNITS PER ASSY	USE ON CODE
5		4	SCREW, MACH, FLAT HD 10-32NF-2A, 0.5 L (AP)	96906	4912515-02 MS51960-65	2	
		4	SCREW, MACH, PAN HD 10-32UNF-2A, 0.5 L (AP)	96906	4912534-00 MS51958-63	2	
-17		4	SPRING, GROUNDING, POWER	90536	7073148-01	1	
		4	SCREW, MACH, FLAT HD 2-56UNC-2A, 0.31 L (AP)	96906	906009-03 MS51959-4	2	
		4	WASHER, LOCK, SPRING, NO 2 (AP)	96906	4912550-09 MS35338-134	2	
		4	NUT, PLAIN, HEX, MACH 2-56UNC-2B (AP)	96906	4912540-04 MS35649-224	2	
-18		4	PANEL, FRONT, CHASSIS	90536	7073132-01	1	
		4	SCREW, CROSS RECESSED (AP)	90536	7071634-04	2	
		4	SCREW, CROSS RECESSED (AP)	90536	7071634-03	4	
		4	SCREW, CROSS RECESSED (AP)	90536	7071634-02	6	
		4	WASHER, LOCK, SPRING, NO 6 (AP)	96906	4912550-01 MS35338-136	6	
		4	NUT, SPECIAL (AP)	90536	7073325-00	6	
		4	SCREW, CROSS RECESSED (AP)	90536	7071634-00	4	
		4	WASHER, LOCK, SPRING, NO 2 (AP)	96906	4912550-09 MS35338-09	4	
		4	WASHER, FLAT, ROUND, NO 2 (AP)	96906	4912548-09 MS15795-802	4	
		4	NUT, PLAIN, HEX 2-56UNC-2B (AP)	96906	4912540-04 MS35649-224	4	
-19		4	INSULATOR, POWER CONVERTER	90536	7073210-00	1	
-20		4	CARD GUIDE, ACCOMMODATE 41 CARDS	PRI	7901739-06 247-06	10	
-21		4	CARD GUIDE, MODIFIED	90536	7073151-00	1	
-22		4	CARD GUIDE, MODIFIED	90536	7073152-00	1	
-23		4	BAR, CARD GUIDE, TOP	90536	7073117-00	2	
-24		4	SUPPORT, CENTER	90536	7073133-01	1	
		4	SCREW, MACH, PAN HD 4-40UNC-2A, 7/16 L (AP)	96906	908552-06 MS51957-16	2	

## Group Assembly Parts List

## PARTS LIST

FIG. & INDEX NO.	REF. DESIG.	QTY	DESCRIPTION	MFR. CODE	UNIVAC PART NO. MFR. PART NO.	UNITS PER ASSY	USE ON CODE
5-25		4	STIFFENER	90536	7022569-01	2	
-26		4	PLATE, SIDE, CHASSIS, LH	90536	7073138-00	1	
-27		4	PLATE, SIDE, CHASSIS, RH	90536	7073139-00	1	
		4	CONNECTOR PLATE ASSY	90536	7073322-00	1	
-28	J85	5	INSULATOR, ELECTRICAL CONNECTOR FEMALE, 34 CONTACT LOCATIONS	81312	4913630-01 MRAC34SNSS	1	
		5	SCREW, MACH, FILLISTER HD 4-40NC-2A, 0.4375 L (AP)		905690-05 COML	4	
		5	WASHER, FLAT, SHAFT SPACER 0.125 ID, 0.187 OD (AP)	00141	910229-01 B4-1	12	
		5	WASHER, FLAT, SHAFT SPACER 0.125 ID, 0.187 OD (AP)	00141	910229-04 B4-4	12	
		5	NUT, SELF-LOCKING, HEX 4-40NC-3B, 0.3125 L (AP)		906056-03 COML	6	
		6	CONTACT, ELECTRICAL CONNECTOR FEMALE, SIZE 062, 24 AWG	81312	910879-00 100-1024S55	5	
		6	CONTACT, ELECTRICAL CONNECTOR FEMALE, SIZE 062, 20 AWG	81312	910879-02 100-1020S55	1	
		6	CONTACT, ELECTRICAL CONNECTOR FEMALE, SIZE 062, 18 AWG	81312	910879-03 100-1018S55	26	
-29	TB1	5	TEST POINT ASSEMBLY 391 CONTACTS	91886	7901842-00 5593375	1	
		6	CONTACT, ELECTRICAL, FEMALE 2 WIRE WRAP, WHITE INSULATOR	90536	7901698-08 7050014-02- 7050015W	184	
		6	CONTACT, ELECTRICAL, FEMALE 2 WIRE WRAP, BLACK INSULATOR	90536	7901698-09 7050014-02- 7050015B	99	
		6	CONTACT, ELECTRICAL, FEMALE 2 WIRE WRAP, BLUE INSULATOR	90536	7901698-10 7050014-02- 7050015BL	106	
		6	CONTACT, ELECTRICAL, MALE WIRE WRAP, BLUE INSULATOR	91886	7902474-10 21-15022-105- 22-10000-516	2	
-30	W1	5	BUS BAR, +5V	90536	7073169-01	1	
-31	W2	5	BUS BAR, GROUNDING	90536	7073156-00	1	
-32		5	INSULATOR, PLATE	90536	7071112-02	2	

## PARTS LIST

## Group Assembly Parts List

FIG. & INDEX NO.	REF. DESIG.	QUANTITY	DESCRIPTION	MFR. CODE	UNIVAC PART NO. MFR. PART NO.	UNITS PER ASSY	USE ON CODE
5-33		5	INSULATOR, PLATE	90536	7071112-03	2	
-34		5	BAR, CARD GUIDE, BOTTOM	90536	7073115-00	2	
-35		5	BUSHING, LOCATING PIN	90536	7073124-00	1	
-36		5	BUSHING, LOCATING PIN	90536	7073124-01	1	
		5	SCREW, MACH, PAN HD 6-32UNC-2A, 0.3125 L (AP)	96906	4912531-01 MS51957-27	6	
		5	WASHER, LOCK, INTERNAL TOOTH PH BRONZE, SIZE 6 (AP)		4912552-01 COML	6	
		5	NUT, SELF-LOCKING, HEX 6-32NC-3B (AP)	72962	907627-01 L79NM107-62	6	
-37		5	STANDOFF, WIRE COVER	90536	7073172-01	5	
		5	SCREW, MACH, FLAT HD 6-32UNC-2A, 0.250 L (AP)		910503-02 COML	5	
-38		5	INSULATOR, PLATE	90536	7071112-01	2	
-39		5	INSULATOR, BUS BAR	90536	7065812-06	5	
-40	P02 P03	5	CONTACT, ELECTRICAL CONNECTOR FEMALE, 2 WIRE WRAP, WHITE	90536	7901698-08 7050014-02- 7050015W	544	
-41	P01	6	CONTACT, ELECTRICAL CONNECTOR MALE, WHITE	91886	7900851-01 11-15001-105- 12-10000-000	6	
-42		5	CONNECTOR, RECEPTACLE, ELEC, MOD	90536	7073137-00	1	
		6	CONNECTOR, RECEPTACLE, ELEC FEMALE, 11816 CONTACTS	90536	7071556-00	1	
		7	CONTACT, ELECTRICAL CONNECTOR FEMALE, 3 WIRE WRAP, WHITE	90536	7901698-06 7050014-01- 7050015W	5512	
		7	CONTACT, ELECTRICAL CONNECTOR FEMALE, 3 WIRE WRAP, BLACK	90536	7901698-07 7050014-01- 7050015B	5460	
		7	CONTACT, GROUND, ELECTRICAL FEMALE, 3 WIRE WRAP	91886	7902611-01 21-20312-134- 28-20003-309	844	

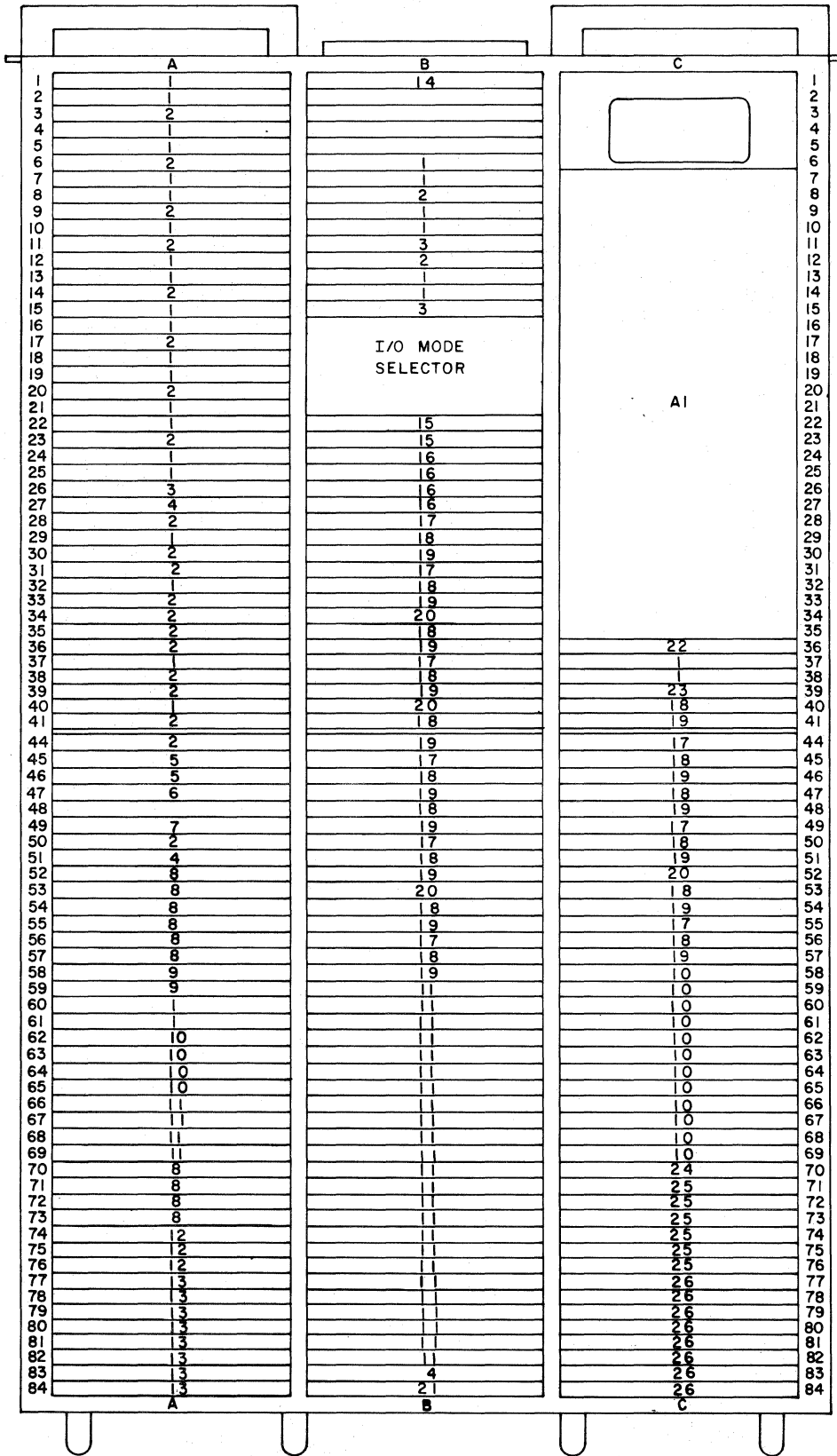


Figure 6-6. Input/Output Controller Unit Module Location Chart

## PARTS LIST

## Group Assembly Parts List

FIG. & INDEX NO.	REF. DESIG.	QTY	DESCRIPTION	MFR. CODE	UNIVAC PART NO. MFR. PART NO.	UNITS PER ASSY	USE ON CODE
6- 6	A2	3	CONTROLLER UNIT, INPUT OUTPUT MODULE LOCATION CHART (FOR NHA SEE FIG 6-5)	90536	7073324-00	REF	
-1	A1A A2A A4A A5A A7A A8A A10A A12A A13A A15A A16A A18A A19A A21A A22A A24A A25A A29A A32A A37A A40A A60A A61A A6B A7B A9B A10B A13B A14B A37C A38C	4	CIRCUIT CARD ASSEMBLY, CONTROL TYPE 3	90536	7111750-00	31	
-2	A3A A6A A9A A11A A14A A17A A20A A23A A28A A30A A31A A33A THRU A36A A38A A39A A41A A44A A50A A8B A12B	4	CIRCUIT CARD ASSEMBLY, CONTROL TYPE 4	90536	7111755-00	22	

## Group Assembly Parts List

## PARTS LIST

FIG. & INDEX NO.	REF. DESIG.	QUANTITY	DESCRIPTION	MFR. CODE	UNIVAC PART NO. MFR. PART NO.	UNITS PER ASSY	USE ON CODE
6 -3	A26A A11B A15B	4	CIRCUIT CARD ASSEMBLY, SINGLE INVERTERS	90536	7112290-00	3	
-4	A27A A51A A83B	4	CIRCUIT CARD ASSEMBLY, REGISTER NETWORK	90536	7111665-00	3	
-5	A45A A46A	4	CIRCUIT CARD ASSEMBLY, MAIN TIMING CONS SEL	90536	7112050-00	2	
-6	A47A	4	CIRCUIT CARD ASSEMBLY, DELAY LINE CLOCK	90536	7111866-00	1	
-7	A49A	4	CIRCUIT CARD ASSEMBLY, K AND K* REGISTERS	90536	7112025-00	1	
-8	A52A THRU A57A A70A THRU A73A	4	CIRCUIT CARD ASSEMBLY, CONTROL LOGIC	90536	7111945-00	10	
-9	A58A A59A	4	CIRCUIT CARD ASSEMBLY, OCTAL TRANSLATOR	90536	7111610-00	2	
-10	A62A THRU A65A A58C THRU A69C	4	CIRCUIT CARD ASSEMBLY, CONTROL MEM ADDRESS REGISTER	90536	7111940-00	16	
-11	A66A THRU A69A A59B THRU A82B	4	CIRCUIT CARD ASSEMBLY, CONTROL MEMORY	90536	7111905-02	28	
-12	A74A A75A A76A	4	CIRCUIT CARD ASSEMBLY, INTEGRATED REGISTER ARRAY	90536	7111545-02	3	
-13	A77A THRU A84A	4	CIRCUIT CARD ASSEMBLY, CIR REGISTER	90536	7111926-00	8	
-14	A1B	4	CIRCUIT CARD ASSEMBLY, THERMOSTAT, FRONT	90536	7111490-02	1	
-15	A22B A23B	4	CIRCUIT CARD ASSEMBLY, INTERCOMPUTER LOGIC GROUP	90536	7111935-00	2	

## PARTS LIST

## Group Assembly Parts List

FIG. & INDEX NO.	REF. DESIG.	QUANTITY	DESCRIPTION	MFR. CODE	UNIVAC PART NO. MFR. PART NO.	UNITS PER ASSY	USE ON CODE
6-16	A24B THRU A27B	4	CIRCUIT CARD ASSEMBLY, INTERCOMPUTER LOGIC CHANNEL	90536	7111930-00	4	
-17	A28B A31B A37B A45B A50B A56B A44C A49C A55C	4	CIRCUIT CARD ASSEMBLY, CHAIN ACTIVE X8	90536	7111915-00	9	
-18	A29B A32B A35B A38B A41B A46B A48B A51B A54B A57B A40C A45C A47C A50C A53C A56C	4	CIRCUIT CARD ASSEMBLY, CHANNEL AND MONITOR ACTIVE	90536	7111920-00	16	
-19	A30B A33B A36B A39B A44B A47B A49B A52B A55B A58B A41C A46C A48C A51C A54C A57C	4	CIRCUIT CARD ASSEMBLY, 1 SHOTS, SYNC REGISTER & DATA REGISTERS	90536	7111005-00	16	
-20	A34B A40B A53B A52C	4	CIRCUIT CARD ASSEMBLY, CHANNEL PRIORITY	90536	7111580-00	4	
-21	A84B	4	CIRCUIT CARD ASSEMBLY, THERMOSTAT, REAR	90536	7111485-02	1	
-22	A36C	4	CIRCUIT CARD ASSEMBLY, VOLTAGE SENSOR	90536	7111700-03	1	



FIG. & INDEX NO.	REF. DESIG.	QUANTITY	DESCRIPTION	MFR. CODE	UNIVAC PART NO. MFR. PART NO.	UNITS PER ASSY	USE ON CODE
6-23	A39C	4	CIRCUIT CARD ASSEMBLY, AMPLIFIER INPUT -3VOLT INTERFACE	90536	7111516-01	1	
-24	A70C	4	CIRCUIT CARD ASSEMBLY, MEMORY CONTROL	90536	7111692-00	1	
-25	A71C THRU A76C	4	CIRCUIT CARD ASSEMBLY, MEMORY ADDRESS REGISTER	90536	7111560-00	6	
-26	A77C THRU A84C	4	CIRCUIT CARD ASSEMBLY, DIR REGISTER X8	90536	7111910-00	8	

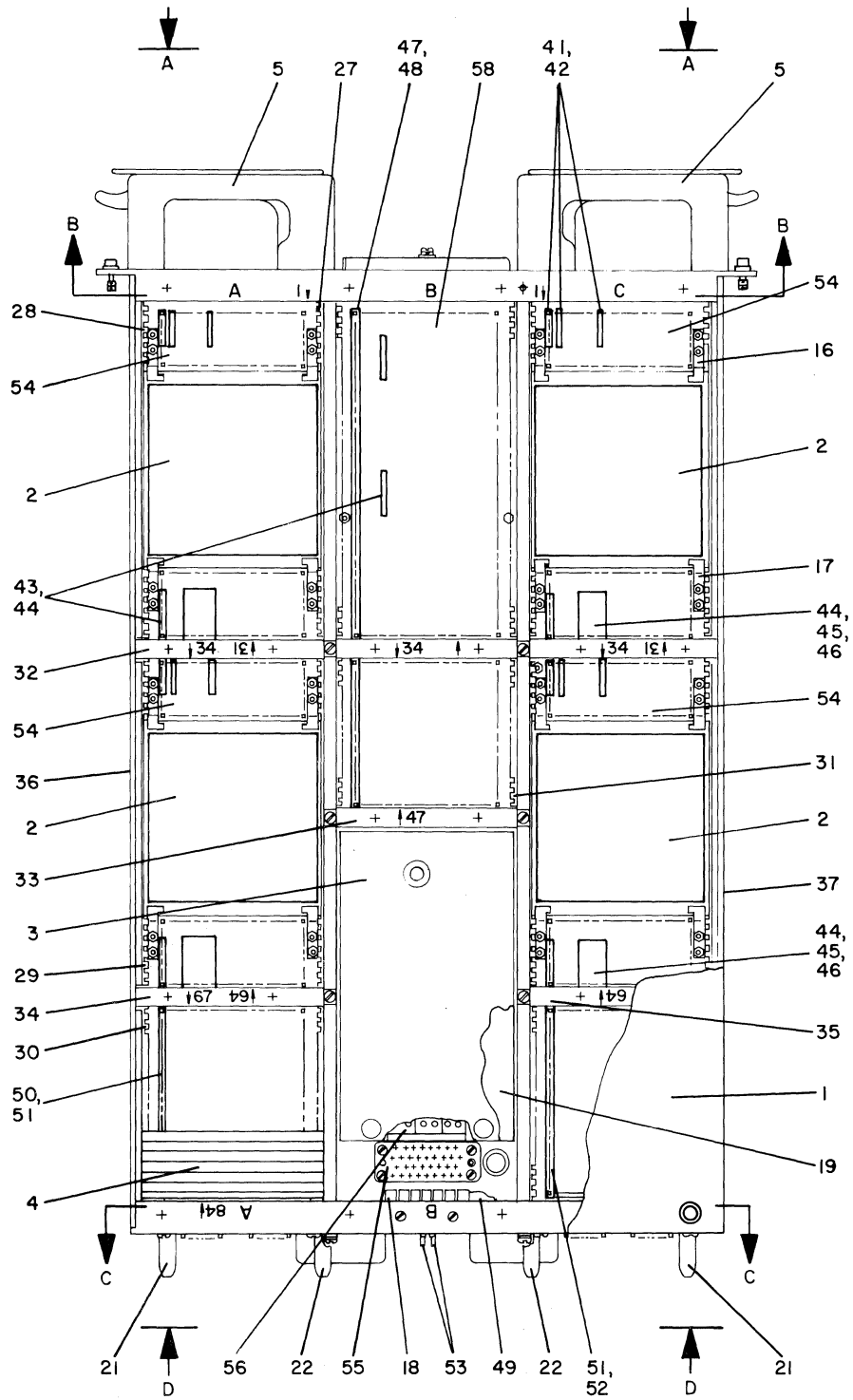


Figure 6-7 (Sh 1). Core Memory Unit

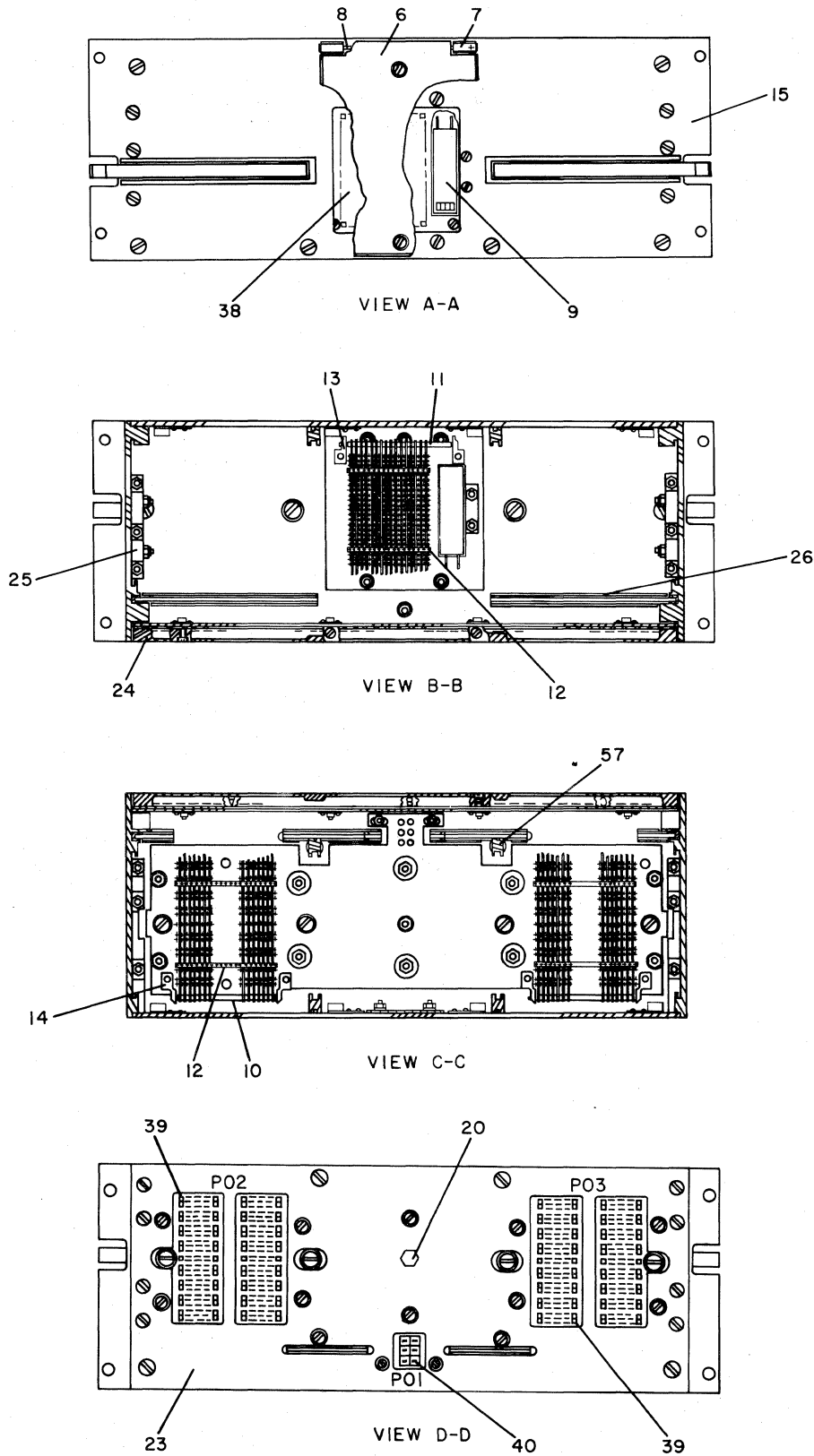


Figure 6-7 (Sh 2). Core Memory Unit

## PARTS LIST

## Group Assembly Parts List

FIG. & INDEX NO.	REF. DESIG.	QUANTITY	DESCRIPTION	MFR. CODE	UNIVAC PART NO. MFR. PART NO.	UNITS PER ASSY	USE ON CODE
6-7	A3	2	CORE MEMORY UNIT MU-558	90536	7071520-00	REF	A
	A6 A7		CORE MEMORY UNIT (RFI) MU-558A (FOR NHA SEE FIG 6-1)	90536	7071520-01	REF	B
		3	SCREW, CAP, SOCKET HD, SPECIAL 1/4-28UNF-3A (AP)	56878	7903148-00 7903148-00	4	
		3	WASHER, FLAT, NO 1/4 (AP)	96906	902991-07 MS960-C416	4	
-1		3	HEAT SINK, PLATE TYPE, MODIFIED	90536	7073125-00	1	
		3	SCREW, CAP, SOCKET HD, SPECIAL 10-32UNF-2A, 1.125 L (AP)	84972	7903044-00 7903044-00	20	
		3	WASHER, LOCK, SPRING, NO 10 (AP)	96906	4912550-03 MS35338-138	20	
		3	PACKING, PREFORMED, O RING NEOPRENE, SIZE 007 (AP)	86579	905819-05 007 NEOPRENE 70 +-10 SHORE A	20	
-2	A1 THRU A4	3	MEMORY STACK ASSEMBLY - 4K, 32 BIT	90536	7071530-02	4	
-3	A5	3	CONVERTER MODULE ASSEMBLY DC TO DC, TYPE B (FOR NLA SEE FIG 6-12)	90536	7071880-00	1	
-4		3	ELECTRONIC CIRCUIT PLUG-IN MOD CARD LISTING, LOCATION CHART (FOR NLA SEE FIG 6-8)	90536	7073214-00	1	
		3	CHASSIS ASSEMBLY, MEMORY	90536	7071521-00	1	A
		3	CHASSIS ASSEMBLY, MEMORY	90536	7071521-01	1	B
-5		4	LATCH, SET - RIM, CHASSIS HANDLE	71286	7901084-04 72L2-2-2AB	2	
		4	SCREW, MACH, FLAT HD 10-32UNF-2A, 1/2 L (AP)	96906	4912515-02 MS51960-65	2	
		4	SCREW, MACH, PAN HD 10-32UNF-2A, 1/2 L (AP)	96906	4912534-00 MS51958-63	2	
		4	WASHER, FLAT, ROUND, NO 10 (AP)	96906	4912548-03 MS15795-808	2	
-6		4	COVER, TEST POINT	90536	7022564-00	1	
		4	SCREW, SPECIAL (AP)	90536	7065718-01	2	
		4	WASHER, FLAT, ROUND, NO 6 (AP)	96906	4912548-01 MS15795-805	2	

## Group Assembly Parts List

## PARTS LIST

FIG. & INDEX NO.	REF. DESIG.	QTY	DESCRIPTION	MFR. CODE	UNIVAC PART NO. MFR. PART NO.	UNITS PER ASSY	USE ON CODE
7		4	WASHER, LOCK, SPRING, NO 6 (AP)	96906	4912550-01 MS35338-136	2	
-7		4	PIVOT, HINGE	90536	7065809-00	2	
-8		4	PIN, HINGE	90536	7065808-00	1	
-9	M1	4	METER, TIME TOTALIZING, 0-999.9 HRS, 27 TO 33 VDC	82227	7901844-01 A19757	1	
		4	SCREW, MACH, FLAT HD 4-40UNC-2A, 5/16 L (AP)	96906	4912511-01 MS51959-14	2	
		4	NUT, SELF-LOCKING, HEX 4-40NC-3B (AP)	72962	906056-03 79LH1660-40	2	
-10		4	PIN, SUPPORT	90536	7022581-02	2	
-11		4	PIN, SUPPORT	90536	7022581-01	1	
-12		4	STRIP, TIE DOWN	90536	7071111-01	AR	
-13		4	BRACKET, PIN, FRONT	90536	7073150-00	2	
-14		4	BRACKET, PIN	90536	7073118-00	4	
		4	SCREW, MACH, FLAT HD, 4-40UNC-2A 3/8 L (AP FOR IND 13 AND 14)	96906	4912511-02 MS51959-12	6	
-15		4	PANEL, FRONT, CHASSIS	90536	7073132-00	1	
		4	SCREW, CROSS REC, SPECIAL (AP)	90536	7071634-04	2	
		4	SCREW, CROSS REC, SPECIAL (AP)	90536	7071634-03	4	
		4	SCREW, CROSS REC, SPECIAL (AP)	90536	7071634-02	6	
		4	WASHER, LOCK, SPRING, NO 6 (AP)	96906	4912550-01 MS35338-136	6	
		4	NUT, SPECIAL (AP)	90536	7073325-00	6	
		4	SCREW, MACH, FLAT HD 6-32UNC-2A, 7/16 L (AP)	96906	4912512-02 MS51929-29	4	
-16		4	CLIP, GROUNDING, LH	90536	7215054-01	8	
-17		4	CLIP, GROUNDING, RH	90536	7215053-01	8	
		4	SCREW, MACH, PAN HD, 2-56UNC-28 0.25 L (AP FOR IND 16 AND 17)	96906	7903132-02 MS51957-3	32	
		4	WASHER, LOCK, SPRING, NO 2 (AP FOR IND 16 AND 17)	96906	4912550-09 MS35338-134	32	
		4	NUT, PLAIN, HEX, 2-56UNC-2B (AP FOR IND 16 AND 17)	96906	4912540-04 MS35649-224	32	

## PARTS LIST

## Group Assembly Parts List

FIG. & INDEX NO.	REF. DESIG.	QUANTITY	DESCRIPTION	MFR. CODE	UNIVAC PART NO. MFR. PART NO.	UNITS PER ASSY	USE ON CODE
7-18		4	SPRING, GROUNDING, POWER CONV	90536	7073148-00	1	
		4	SCREW, MACH, FLAT HD 2-56UNC-2A, 0.31 L (AP)	96906	906009-03 MS51959-4	2	
		4	WASHER, LOCK, SPRING, NO 2 (AP)	96906	4912550-09 MS35338-134	2	
		4	NUT, PLAIN, HEX, 2-56UNC-2B (AP)	96906	4912540-04 MS35649-224	2	
-19		4	INSULATOR, POWER CONVERTER	90536	7073210-00	1	
-20		4	SCREW, MODIFIED, 1/4-28UNF	90536	7073327-00	1	
		4	NUT, SELF-LOCKING, HEX 1/4-28UNF-3B (AP)	72962	905078-02 L79NTE-048	1	
		4	WASHER, FLAT, ROUND, NO 1/4 (AP)	96906	4912548-04 MS15795-810	1	
-21		4	PIN, GUIDE	90536	7073232-03	2	
-22		4	PIN, GUIDE	90536	7073232-02	2	
		4	NUT, SELF-LOCKING, HEX, 1/4-28 UNF-3B (AP FOR IND 21 AND 22)	72962	905078-02 L79NTE-048	4	
		4	WASHER, FLAT, NO 1/4 (AP FOR IND 21 AND 22)	96906	902991-07 MS960-C416	4	
-23		4	PANEL, REAR	90536	7071525-00	1	A
			PANEL, REAR	90536	7071525-01	1	B
		4	SCREW, MACH, FLAT HD 8-32UNC-2A, 3/8 L (AP)	96906	4912513-00 MS51959-43	2	
		4	SCREW, MACH, FLAT HD 8-32UNC-2A, 3/4 L (AP)	96906	4912513-04 MS51959-47	2	
		4	SCREW, MACH, FLAT HD 6-32UNC-2A, 7/16 L (AP)	96906	4912512-02 MS51929-29	2	
		4	SCREW, MACH, PAN HD 6-32UNC-2A, 7/16 L (AP)	96906	4912531-03 MS51957-29	12	
		4	WASHER, FLAT, ROUND, NO 6 (AP)	96906	4912548-01 MS15795-805	12	
		4	WASHER, SHOULDER (AP)	90536	7012817-06	2	
		4	SCREW, MACH, FLAT HD 6-32UNC-2A, 1/2 L (AP)	96906	4912512-03 MS51959-30	6	
		4	WASHER, LOCK, SPRING, NO 6 (AP)	96906	4912550-01 MS35338-136	6	

## Group Assembly Parts List

## PARTS LIST

FIG. & INDEX NO.	REF. DESIG.	QTY	DESCRIPTION	MFR. CODE	UNIVAC PART NO. MFR. PART NO.	UNITS PER ASSY	USE ON CODE
7		4	NUT, SPECIAL (AP)	90536	7073325-00	6	
-24		4	COVER, CHASSIS, BOTTOM	90536	7073116-00	1	A
			COVER, CHASSIS, BOTTOM	90536	7073116-01	1	B
		4	SCREW, MACH, PAN HD 4-40UNC-2A, 0.438 L (AP)		4912523-05 COML	20	
		4	SCREW, MACH, FLAT HD 4-40UNC-2A, 3/8 L (AP)	96906	4912511-02 MS51959-15	2	
-25		4	STIFFENER	90536	7022569-01	2	
		4	SCREW, MACH, FLAT HD 6-32UNC-2A, 5/8 L (AP)	96906	4912512-04 MS51959-31	4	
		4	NUT, SELF-LOCKING, HEX 6-32NC-3B (AP)	72962	907627-01 L79NM107-62	4	
-26		4	COVER, WIRE	90536	7073173-00	1	
		4	SCREW, MACH, PAN HD 4-40UNC-2A, 0.25 L (AP)		4912523-02 COML	5	
		4	WASHER, FLAT, ROUND, NO 0.25 (AP)	96906	4912548-00 MS15795-803	5	
-27		4	CARD GUIDE, ACCOMMODATE 31 CARDS	PRI	7901739-00 247-00	2	
-28		4	CARD GUIDE, MODIFIED	90536	7056888-00	4	
-29		4	CARD GUIDE, MODIFIED	90536	7056888-02	2	
-30		4	CARD GUIDE, ACCOMMODATE 18 CARDS	PRI	7901739-01 247-01	4	
-31		4	CARD GUIDE, ACCOMMODATE 13 CARDS	PRI	7901739-02 247-02	2	
-32		4	SUPPORT, CENTER	90536	7073133-00	1	
-33		4	SUPPORT, CENTER	90536	7073121-00	1	
-34		4	SUPPORT, RH	90536	7073122-00	1	
-35		4	SUPPORT, LH	90536	7073123-00	1	
		4	SCREW, MACH PAN HD, 4-40UNC-2A 7/16 L (AP FOR IND 32 THRU 35)	96906	908552-06 MS51957-16	6	
-36		4	PLATE, SIDE, CHASSIS	90536	7073120-00	1	
-37		4	PLATE, SIDE, CHASSIS	90536	7073128-00	1	
		4	CONNECTOR PLATE ASSEMBLY-MEMORY	90536	7071522-00	1	

## PARTS LIST

## Group Assembly Parts List

FIG. & INDEX NO.	REF. DESIG.	QUANTITY	DESCRIPTION	MFR. CODE	UNIVAC PART NO. MFR. PART NO.	UNITS PER ASSY	USE ON CODE
7-38	TB1	5	TEST POINT ASSEMBLY - 391 RE- PLACEABLE CONTACTS	91886	7901842-00 5593375	1	
		6	CONTACT, ELEC, FEMALE, 2 WIRE WRAP, WHITE INSUL	90536	7901698-08 7050014-02- 7050015W	184	
		6	CONTACT, ELEC, FEMALE, 2 WIRE WRAP, BLACK INSUL	90536	7901698-09 7050014-02- 7050015B	99	
		6	CONTACT, ELEC, FEMALE, 2 WIRE WRAP, BLUE INSUL	90536	7901698-10 7050014-02- 7050015BL	106	
		6	CONTACT, ELEC, MALE, 2 WIRE WRAP, BLUE INSUL	91886	7902474-10 21-15022-105 & 22-10000-516	2	
		5	CONNECTOR, RCPT, ELEC	90536	7071526-00	1	
-39	P02 P03	6	CONTACT, ELEC, FEMALE, 2 WIRE WRAP, WHITE INSUL	90536	7901698-08 7050014-02- 7050015W	544	
-40	P01	6	CONTACT, ELEC, MALE, SNAP-IN NYLON INSUL	91886	7900851-01 11-15001-105- 12-10000-000	6	
-41		5	BUS BAR, -5 VOLT	90536	7056892-01	12	
-42		5	INSULATOR, BUS BAR	90536	7065812-00	12	
-43		5	BUS BAR, -5 VOLT	90536	7056892-02	5	
-44		5	INSULATOR, BUS BAR	90536	7065812-01	22	
-45	W1	5	BUS BAR, +19 VOLT	90536	7073142-00	1	
-46		5	INSULATOR, BUS BAR	90536	7065812-05	2	
-47	W2	5	BUS BAR, +5 VOLT	90536	7073143-00	1	
-48		5	INSULATOR, BUS BAR	90536	7065812-03	47	
-49	W3	5	BUS BAR, GROUNDING	90536	7073155-00	1	
-50		5	BUS BAR, +5 VOLT	90536	7073153-00	1	
-51		5	INSULATOR, BUS BAR	90536	7065812-04	2	
-52		5	BUS BAR, +5 VOLT	90536	7073154-00	1	
-53		5	BUS BAR, POWER	90536	7073217-00	2	
-54		5	PRINTED WIRING BOARD, INTCON	90536	7071546-00	4	



FIG. & INDEX NO.	REF. DESIG.	QTY	DESCRIPTION	MFR. CODE	UNIVAC PART NO. MFR. PART NO.	UNITS PER ASSY	USE ON CODE
7-55	J85	5	INSULATOR, ELEC, FEMALE, 34 CONTACT LOCATIONS	81312	4913630-01 MRAC34SNSS	1	
		5	SCREW, MACH, FIL HD 4-40UNC-2A (AP)		905690-05 COML	4	
		5	WASHER, FLAT, SHAFT SPACER 0.004 THK (AP)	00141	910229-01 B4-1	12	
		5	WASHER, FLAT, SHAFT SPACER 0.010 THK (AP)	00141	910229-04 B4-4	12	
		5	WASHER, FLAT, SHAFT SPACER 0.018 THK (AP)	00141	910299-07 B4-7	12	
		5	NUT, SELF-LOCKING, HEX 4-40UNC-3B (AP)	72962	906056-03 79LH1660-40	6	
		6	CONTACT, ELEC, FEMALE, SIZE 24 AWG	81312	910879-00 100-1024S55	4	
		6	CONTACT, ELEC, FEMALE, SIZE 20 AWG	81312	910879-02 100-1020S55	13	
		6	CONTACT, ELEC, FEMALE, SIZE 18 AWG	81312	910879-03 100-1018S55	8	
		6	CONTACT, ELEC, FEMALE, SIZE 14 AWG	81312	910879-05 100-1014S55	2	
-56	TB2	5	TERMINAL BLOCK ASSEMBLY	90536	7073170-00	1	
		5	SCREW, MACH, FLAT HD 6-32UNC-2A, 0.250 L (AP)		910503-02 COML	2	
		5	STANDOFF, WIRE COVER (AP)	90536	7073172-00	2	
		6	TERMINAL BLOCK, 8 CONTACT LOCATIONS 10 AMP	14283	7902891-10 MTR20A4	3	
		6	FRAME ASSEMBLY, TERMINAL BOARD, SINGLE ROW, 20 AWG CONTACTS	14283	7902896-01 MEB6A1-20	1	
		6	FRAME ASSEMBLY, TERMINAL BOARD, 3 BLOCKS, 20 AWG CONTACTS	14283	7902896-04 MSR6A3-20	1	
		6	CONTACT, ELECTRICAL, MALE CRIMP TYPE, SIZE 20	81349	7902892-02 M39029/01-20	30	
-57		5	BAR, CARD GUIDE, BOTTOM	90536	7073115-00	2	
		5	SCREW, MACH, FLAT HD 6-32UNC-2A, 0.312 L (AP)		910503-03 COML	12	
-58		5	CONNECTOR, RCPT, ELEC	90536	7071528-00	1	
		6	CONNECTOR, RCPT, ELEC, FEMALE, 7224 CONTACT LOCATIONS	90536	7071527-00	1	

## PARTS LIST

## Group Assembly Parts List

FIG. & INDEX NO.	REF. DESIG.	QUANTITY	DESCRIPTION	MFR. CODE	UNIVAC PART NO. MFR. PART NO.	UNITS PER ASSY	USE ON CODE
7	7		CONTACT, ELEC, FEMALE, 2 WIRE WRAP, WHITE INSUL	90536	7901698-06 7050014-01- 7050015W	2733	
	7		CONTACT, ELEC, FEMALE, 2 WIRE WRAP, BLACK INSUL	90536	7901698-07 7050014-01- 7050015B	2830	
	7		CONTACT, ELEC, FEMALE, 3 WIRE WRAP, RED INSUL	90536	7901698-13 7050014-01- 7050015R	1120	
	7		CONTACT, ELEC, FEMALE, 3 WIRE WRAP	91886	7902611-01 21-20312-134- 28-20003-309	541	

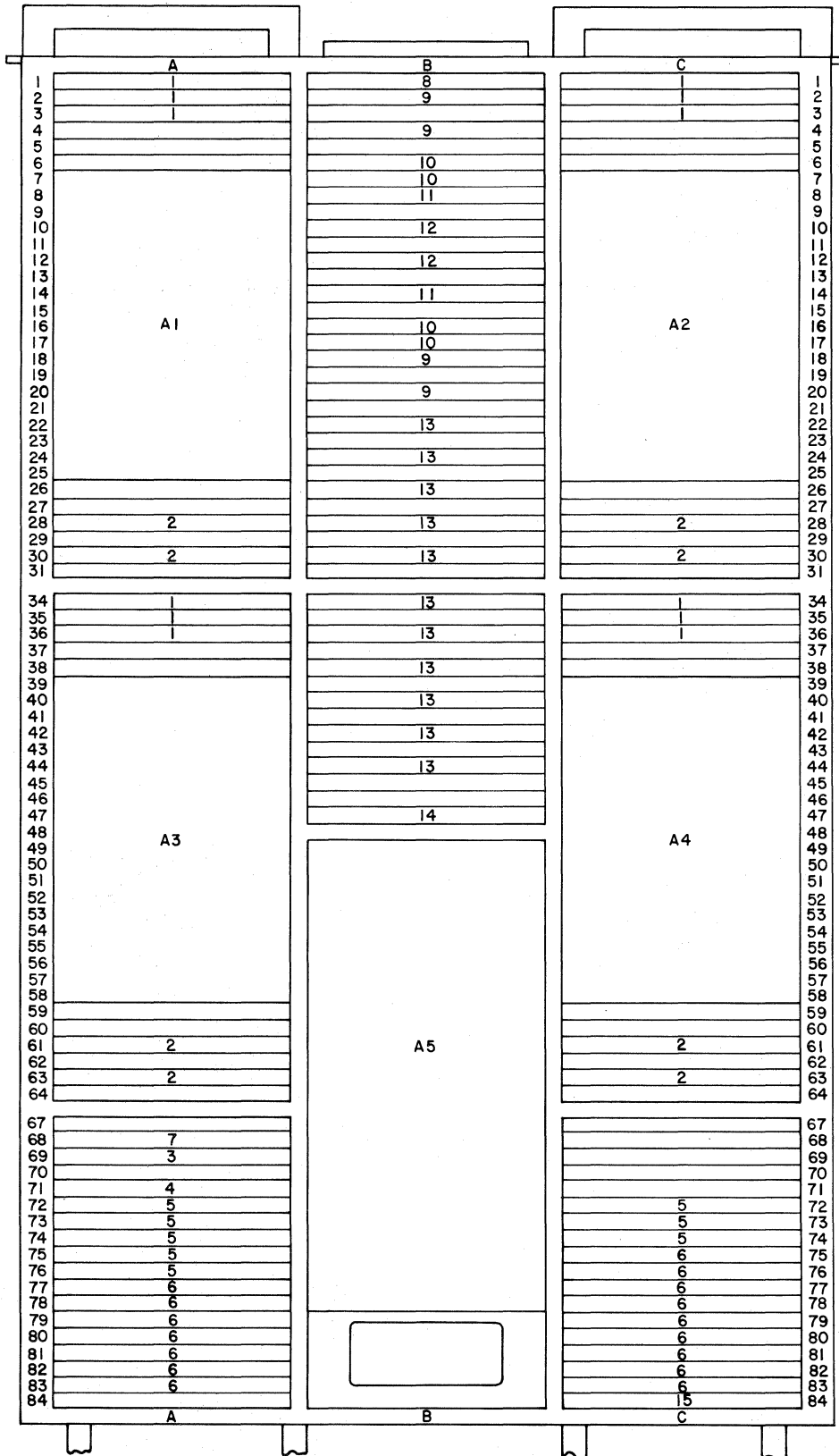


Figure 6-8. Core Memory Unit Module Location Chart

## PARTS LIST

## Group Assembly Parts List

FIG. & INDEX NO.	REF. DESIG.	QUANTITY	DESCRIPTION	MFR. CODE	UNIVAC PART NO. MFR. PART NO.	UNITS PER ASSY	USE ON CODE
6- 8	A3, A6 A7	3	CORE MEMORY UNIT, MODULE LOCATION CHART (FOR NHA SEE FIG 6-7)	90536	7073214-00	REF	
-1	A1A A2A A3A A34A A35A A36A A1C A2C A3C A34C A35C A36C	4	CIRCUIT CARD ASSEMBLY, SENSE AMPLIFIER	90536	7111436-00	12	
-2	A28A A30A A61A A63A A28C A30C A61C A63C	4	CIRCUIT CARD ASSEMBLY, INHIBIT STACK SELECTOR	90536	7111620-00	8	
-3	A69A	4	CIRCUIT CARD ASSEMBLY, MEMORY TIMING	90536	7111457-01	1	
-4	A71A	4	CIRCUIT CARD ASSEMBLY, PRIORITY EVALUATION	90536	7111470-00	1	
-5	A72A THRU A76A A72C A73C A74C	4	CIRCUIT CARD ASSEMBLY, INTERFACE CONTROL	90536	7111465-00	8	
-6	A77A THRU A83A A75C THRU A83C	4	CIRCUIT CARD ASSEMBLY, Z & S REGISTERS	90536	7111460-00	16	
-7	A68A	4	CIRCUIT CARD ASSEMBLY, RESISTER NETWORK	90536	7111665-00	1	
-8	A1B	4	CIRCUIT CARD ASSEMBLY, THERMOSTAT, FRONT	90536	7111490-02	1	
-9	A2B A4B A18B A20B	4	CIRCUIT CARD ASSEMBLY, DRIVE TRANSFORMER & PRIMARY SELECTOR	90536	7111420-00	4	

FIG. & INDEX NO.	REF. DESIG.	QUANTITY	DESCRIPTION	MFR. CODE	UNIVAC PART NO. MFR. PART NO.	UNITS PER ASSY	USE ON CODE
8-10	A6B A7B A16B A17B	4	CIRCUIT CARD ASSEMBLY, READ/WRITE SEC SELECTOR	90536	7111405-00	4	
-11	A8B A14B	4	CIRCUIT CARD ASSEMBLY, X-Y READ/ WRITE CURRENT REGULATOR	90536	7111440-00	2	
-12	A10B A12B	4	CIRCUIT CARD ASSEMBLY, READ/ WRITE DIODE SELECTOR	90536	7111400-00	2	
-13	A22B A24B A26B A28B A30B A34B A36B A38B A40B A42B A44B	4	CIRCUIT CARD ASSEMBLY, INHIBIT CURRENT REGULATOR	90536	7111615-00	11	
-14	A47B	4	CIRCUIT CARD ASSEMBLY, VOLTAGE SENSOR	90536	7111700-02	1	
-15	A84C	4	CIRCUIT CARD ASSEMBLY, THERMOSTAT, REAR	90536	7111485-02	1	

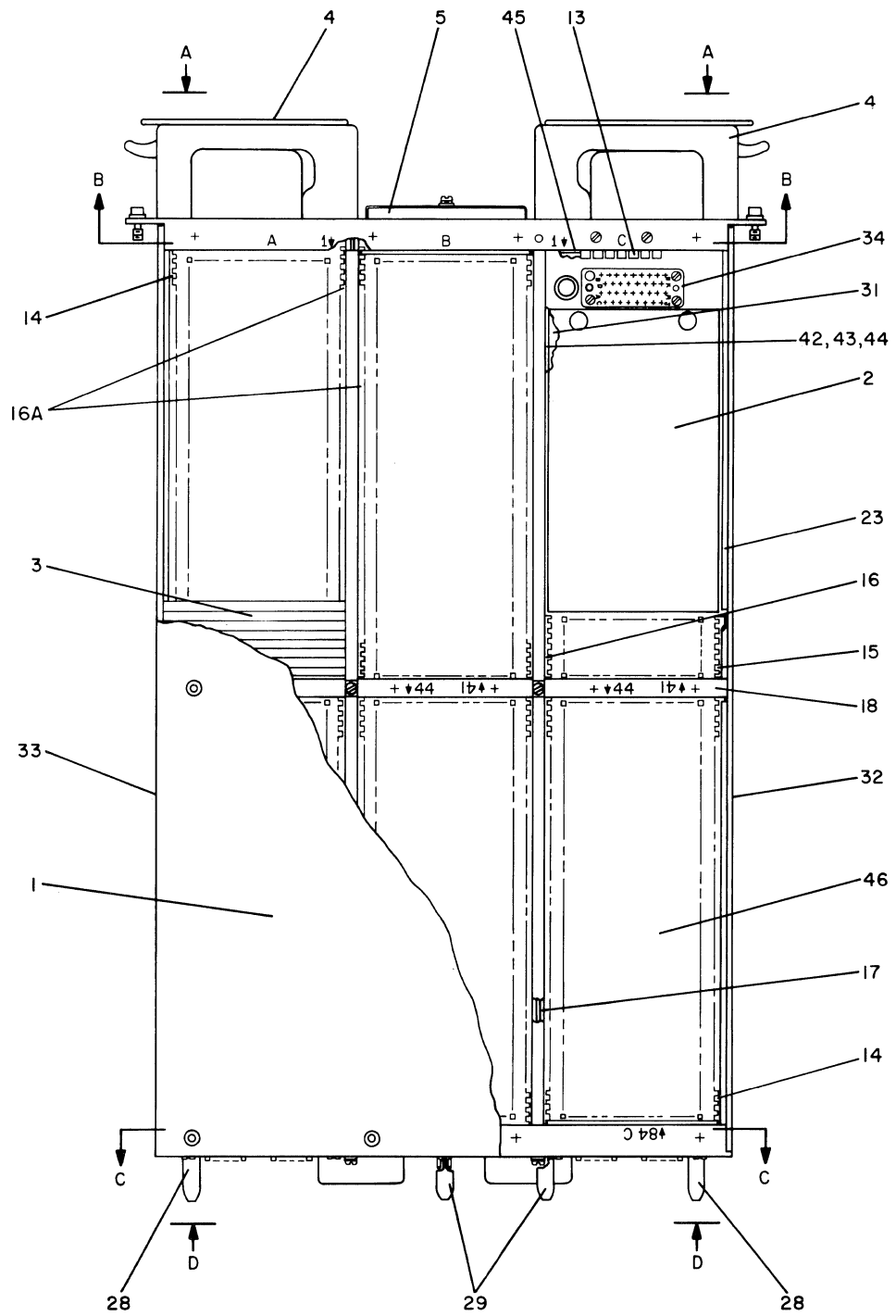


Figure 6-9 (Sh 1). Central Processor Unit

Figure 6-9

PARTS LIST

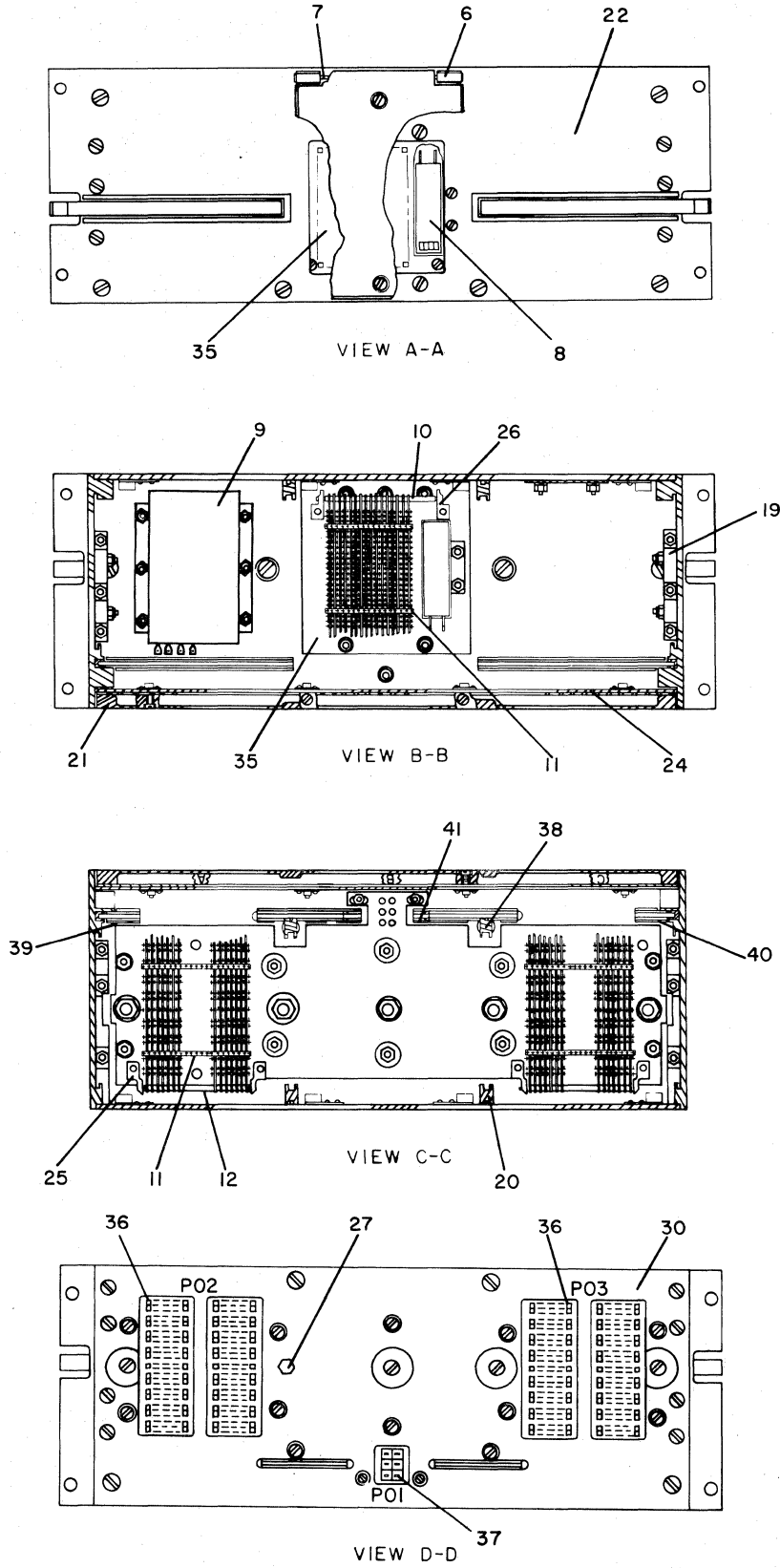


Figure 6-9 (Sh 2). Central Processor Unit

## PARTS LIST

## Group Assembly Parts List

FIG. & INDEX NO.	REF. DESIG.	QUANTITY	DESCRIPTION	MFR. CODE	UNIVAC PART NO. MFR. PART NO.	UNITS PER ASSY	USE ON CODE
6- 9	A4	2	CENTRAL PROCESSOR CP-1036(P)	90536	7073540-00	REF	A
			CENTRAL PROCESSOR CP-1036A(P) (RFI) (FOR NHA SEE FIG 6-1)	90536	7073540-01	REF	B
9		3	SCREW, CAP, SOCKET HD, SPECIAL 1/4-28UNF-3A (AP)	56878	7903148-00 7903148-00	4	
9		3	WASHER, FLAT, NO 1/4 (AP)	81349	902991-07 AN960-C416	4	
9-1		3	HEAT SINK, PLATE TYPE, MODIFIED	90536	7073135-00	1	
9		3	SCREW, CAP, SOCKET HD, SPECIAL 10-32UNF-2A, 1.125 L (AP)	84972	7903044-00 7903044-00	14	
9		3	WASHER, SPECIAL, NO 10 (AP)	90536	7216328-00	14	
9		3	PACKING, PREFORMED, O RING NEOPRENE, SIZE 007 (AP)	86579	905819-05 007 NEOPRENE 70 +-10 SHORE A	14	
9-2	A1	3	CONVERTER MODULE ASSEMBLY DC TO DC, TYPE D (FOR NLA SEE FIG 6-13)	90536	7073380-00	1	
9-3		3	ELECTRONIC CIRCUIT PLUG-IN MOD CARD LISTING, LOCATION CHART (FOR NLA SEE FIG 6-10)	90536	7073544-00	1	
9		3	CHASSIS ASSEMBLY, CENTRAL PROC	90536	7073541-00	1	A
9		3	CHASSIS ASSEMBLY, CENTRAL PROC	90536	7073541-01	1	B
9-4		4	LATCH SET, RIM, CHASSIS HANDLE	71286	7901084-04 72L2-2-2AB	2	
9		4	SCREW, MACH, FLAT HD 10-32NF-2A, 0.5 L (AP)	96906	4912515-02 MS51960-65	2	
9		4	SCREW, MACH, PAN HD 10-32NF-2A, 0.5 L (AP)	96906	4912534-00 MS51958-63	2	
9		4	WASHER, FLAT, ROUND, NO 10 (AP)	96906	4912548-03 MS15795-808	2	
9-5		4	COVER, TEST POINT	90536	7022564-00	1	
9		4	SCREW, SPECIAL (AP)	90536	7065718-01	2	
9		4	WASHER, FLAT, ROUND, NO 6 (AP)	96906	4912548-01 MS15795-805	2	
9		4	WASHER, LOCK, SPRING, NO 6 (AP)	96906	4912550-01 MS35338-136	2	
9-6		4	PIVOT, HINGE	90536	7065809-00	2	



## Group Assembly Parts List

## PARTS LIST

FIG. & INDEX NO.	REF. DESIG.	QTY	DESCRIPTION	MFR. CODE	UNIVAC PART NO. MFR. PART NO.	UNITS PER ASSY	USE ON CODE
9-7		4	PIN, HINGE	90536	7065808-00	1	
9-8	M1	4	METER, TIME TOTALIZING - 0-999.9 HRS, 27 TO 33 VDC	82227	7901844-01 A19757	1	
9		4	SCREW, MACH, FLAT HD 4-40UNC-2A, 5/16 L (AP)	96906	4912511-01 MS51959-14	2	
9		4	NUT, SELF-LOCKING, HEX 4-40NC-3B (AP)	72962	906056-03 79LH1660-40	2	
9-9	Y1	4	OSCILLATOR, MOD, TUNING FORK RES, TRANS OSC, 1024 HZ	90536	7119090-00	1	
9		4	SPACER (USED WITH IDX 9)	90536	7119091-00	1	
9		4	SPACER (USED WITH IDX 9)	90536	7119091-01	1	
9		4	SCREW, MACH, PAN HD, 2-56UNC-2A 0.25 L (AP)	96906	7903132-02 MS51957-3	1	
9		4	SCREW, CROSS REC, SPECIAL (AP)	90536	7071634-10	5	
9		4	WASHER, SHOULDER, PLASTIC (AP)	06540	7902833-05 2676-15746-T093	5	
9		4	WASHER, FLAT, ROUND, NO 2 (AP)	96906	4912548-09 MS15795-802	5	
9		4	WASHER, LOCK, INT TOOTH BRONZE, NO 4 (AP)		4912552-00 COML	1	
9		4	WASHER, LOCK, SPRING, NO 2 (AP)	96906	4912550-09 MS35338-134	3	
9		4	NUT, PLAIN, HEX, 2-56UNC-2B (AP)	96906	4912540-04 MS35649-224	6	
9-10		4	PIN, SUPPORT	90536	7022581-01	1	
9-11		4	STRIP, TIE DOWN	90536	7957088-00	AR	
9-12		4	PIN, SUPPORT	90536	7022581-02	2	
9-13		4	SPRING, GROUNDING, POWER	90536	7073148-00	1	
9		4	SCREW, MACH, FLAT HD 2-56UNC-2A, 0.31 L (AP)	96906	906009-03 MS51959-4	2	
9		4	WASHER, LOCK, SPRING, NO 2 (AP)	96906	4912550-09 MS35338-134	2	
9		4	NUT, PLAIN, HEX, 2-56UNC-2B (AP)	96906	4912540-04 MS35649-224	2	
9-14		4	CARD GUIDE, ACCOMMODATE 41 CARDS	PRI	7901739-06 247-06	3	

## PARTS LIST

## Group Assembly Parts List

FIG. & INDEX NO.	REF. DESIG.	QTY	DESCRIPTION	MFR. CODE	UNIVAC PART NO. MFR. PART NO.	UNITS PER ASSY	USE ON CODE
9-15	4	4	CARD GUIDE, MODIFIED	90536	7073151-00	1	
9-16	4	4	CARD GUIDE, MODIFIED	90536	7216364-00	1	
9-16A	4	4	CARD GUIDE, MODIFIED	90536	7216361-00	7	
9	4	4	SUPPORT, CARD GUIDE BAR (USED WITH IDX 16A)	90536	7216360-00	4	
9-17	4	4	BAR, CARD GUIDE, TOP	90536	7216362-00	2	
9	4	4	SETSCREW, HEX SKT HD, CUP POINT 4-40UNC-2A, 0.188 L (AP)	96906	4912535-01 MS51021-10	12	
9-18	4	4	SUPPORT, CENTER	90536	7073133-01	1	
9	4	4	SCREW, MACH, PAN HD 4-40UNC-2A, 7/16 L (AP)	96906	908552-06 MS51957-16	2	
9	4	4	SCREW, MACH, FLAT HD, 8-32UNC-2A 0.625 L (AP)	96906	4912513-03 MS51959-46	4	
9	4	4	WASHER, FLAT, ROUND, NO 8 (AP)	96906	4912548-02 MS15795-807	4	
9	4	4	WASHER, FLAT, ROUND, NO 4 (AP)	96906	4912548-00 MS15795-803	6	
9	4	4	NUT, SELF-LOCKING, HEX 4-40UNC-3B (AP)	72962	906056-03 79LH1660-40	6	
9	4	4	NUT, SELF-LOCKING, HEX 8-32UNC-3B (AP)	72962	907627-02 L79NM408-82	4	
9	4	4	SPACER, INSULATING (AP)	90536	7022572-02	12	
9-19	4	4	STIFFENER	90536	7022569-01	2	
9	4	4	SCREW, MACH, FLAT HD 6-32UNC-2A, 5/8 L (AP)	96906	4912512-04 MS51959-31	4	
9	4	4	NUT, SELF-LOCKING, HEX 6-32UNC-3B (AP)	72962	907627-01 L79NM107-62	4	
9-20	4	4	SPACER, SHOULDERED	90536	7073127-00	2	
9-21	4	4	COVER, CHASSIS, BOTTOM	90536	7073116-00	1	A
			COVER, CHASSIS, BOTTOM	90536	7073116-01	1	B
9	4	4	SHIELDING GASKET, ELEC, ALUMINUM (USED WITH IDX 21)	90536	7956504-47	AR	B
9	4	4	SCREW, MACH, PAN HD 4-40UNC-2A, 0.438 L (AP)		4912523-05 COML	20	
9	4	4	SCREW, MACH, FLAT HD 4-40UNC-2A, 3/8 L (AP)	96906	4912511-02 MS51959-15	2	

## Group Assembly Parts List

## PARTS LIST

FIG. & INDEX NO.	REF. DESIG.	INDEX	DESCRIPTION	MFR. CODE	UNIVAC PART NO. MFR. PART NO.	UNITS PER ASSY	USE ON CODE
9-22		4	PANEL, FRONT, CHASSIS	90536	7073132-01	1	
9		4	SCREW, CROSS RECESSED, SPCL (AP)	90536	7071634-04	2	
9		4	SCREW, CROSS RECESSED, SPCL (AP)	90536	7071634-03	4	
9		4	SCREW, CROSS RECESSED, SPCL (AP)	90536	7071634-02	6	
9		4	WASHER, LOCK, SPRING, NO 6 (AP)		4912550-01	6	
				96906	MS35338-136		
9		4	NUT, SPECIAL, NO 6 (AP)	90536	7073325-00	6	
9-23		4	HEAT SINK, SIDE, CHASSIS	90536	7073134-00	1	
9		4	SCREW, MACH, FLAT HD 6-32UNC-2A, 1/4 L (AP)		903160-03	6	
				96906	MS35249-33		
9		4	SCREW, MACH, FLAT HD 6-32UNC-2A, 5/8 L (AP)		4912512-04	2	
				96906	MS51959-31		
9		4	NUT, SELF-LOCKING, HEX 6-32UNC-3B (AP)		907627-01	2	
				72962	L79NM107-62		
9-24		4	COVER, WIRE	90536	7073173-01	1	
9		4	SCREW, MACH, PAN HD 4-40UNC-2A, 0.25 L (AP)		908552-03	5	
				96906	MS51957-13		
9		4	WASHER, FLAT, ROUND, NO 4 (AP)		4912548-00	5	
				96906	MS15795-803		
9-25		4	BRACKET, PIN	90536	7073118-00	4	
9-26		4	BRACKET, PIN, FRONT	90536	7073150-00	2	
9		4	SCREW, MACH, FLAT HD, 4-40UNC-2A 3/8 L (AP FOR IDX 25 AND 26)		4912511-02	6	
				96906	MS51959-15		
9-27		4	SCREW, MODIFIED, 1/4-28UNF	90536	7073327-00	1	
9		4	WASHER, FLAT, ROUND, NO 1/4 (AP)		4912548-04	1	
				96906	MS15795-810		
9		4	NUT, SELF-LOCKING, HEX 1/4-28UNF-3B (AP)		905078-02	1	
				72962	L79NTE-048		
9-28		4	PIN, GUIDE	90536	7073232-03	2	
9-29		4	PIN, GUIDE	90536	7073232-02	2	
9		4	NUT, SELF-LOCKING, HEX, 1/4-28 UNF-3B (AP FOR IDX 28 AND 29)		905078-02	4	
				72962	L79NTE-048		
9		4	WASHER, FLAT, NO 1/4 (AP FOR IDX 28 AND 29)		902991-07	4	
				81349	AN960-C416		

## PARTS LIST

## Group Assembly Parts List

FIG. & INDEX NO.	REF. DESIG.	QTY	DESCRIPTION	MFR. CODE	UNIVAC PART NO. MFR. PART NO.	UNITS PER ASSY	USE ON CODE
9-30		4	PANEL, REAR	90536	7071525-00	1	A
			PANEL, REAR	90536	7071525-01	1	B
9		4	SCREW, MACH, FLAT HD 8-32UNC-2A, 3/8 L (AP)	96906	4912513-00 MS51959-43	2	
9		4	SCREW, MACH, FLAT HD 6-32UNC-2A, 7/16 L (AP)	96906	4912512-02 MS51959-29	2	
9		4	SCREW, MACH, FLAT HD 8-32UNC-2A, 3/4 L (AP)	96906	4912513-04 MS51959-47	2	
9		4	SCREW, MACH, FLAT HD 6-32UNC-2A, 1/2 L (AP)	96906	4912512-03 MS51959-30	6	
9		4	WASHER, LOCK, SPRING, NO 6 (AP)	96906	4912550-01 MS35338-136	6	
9		4	NUT, SPECIAL, NO 6 (AP)	90536	7073325-00	6	
9		4	SCREW, MACH, PAN HD 6-32UNC-2A, 7/16 L (AP)	96906	4912531-03 MS51957-29	12	
9		4	WASHER, FLAT, ROUND, NO 6 (AP)	96906	4912548-01 MS15795-805	12	
9		4	WASHER, INSULATOR (AP)	90536	7012817-06	2	
9-31		4	INSULATOR, POWER CONVERTER	90536	7073210-00	1	
9-32		4	PLATE, SIDE, CHASSIS	90536	7073138-00	1	
9-33		4	PLATE, SIDE, CHASSIS	90536	7073139-00	1	
9		4	CONNECTOR PLATE ASSY, CP	90536	7073542-00	1	
9-34	J85	5	INSULATOR, ELEC, FEMALE, 34 CONTACT LOCATIONS	81312	4913630-01 MRAC34SNSS	1	
9		5	SCREW, MACH, FIL HD 4-40NC-2A, 0.438 L (AP)		905690-05 COML	4	
9		5	WASHER, FLAT, SHAFT SPACER 0.004 THK (AP)	00141	910229-01 B4-1	AR	
9		5	WASHER, FLAT, SHAFT SPACER 0.010 THK (AP)	00141	910229-04 B4-4	AR	
9		5	WASHER, FLAT, SHAFT SPACER 0.018 THK (AP)	00141	910229-07 B4-7	12	
9		5	NUT, SELF-LOCKING, HEX 4-40NC-3B (AP)	72962	906056-03 79LH1660-40	6	
9		6	CONTACT, ELEC, FEMALE, SIZE 24 AWG	81312	910879-00 100-1024S55	6	

## Group Assembly Parts List

## PARTS LIST

FIG. & INDEX NO.	REF. DESIG.	QTY	DESCRIPTION	MFR. CODE	UNIVAC PART NO. MFR. PART NO.	UNITS PER ASSY	USE ON CODE
9		6	CONTACT, ELEC, FEMALE, SIZE 20 AWG	81312	910879-02 100-1020S55	1	
9		6	CONTACT, ELEC, FEMALE, SIZE 18 AWG	81312	910879-03 100-1018S55	26	
9-35	TB1	5	TEST POINT ASSEMBLY, 391 REPLACEABLE CONTACTS	91886	7901842-00 5593375	1	
9		5	SCREW, MACH, FLAT HD, 6-32UNC-2A 0.438 L (AP)	96006	4912512-02 MS51959-29	4	
9		6	CONTACT, ELEC, FEMALE, 2 WIRE WRAP, WHITE INSUL	90536	7901698-08 7050014-02- 7050015W	184	
9		6	CONTACT, ELEC, FEMALE, 2 WIRE WRAP, BLACK INSUL	90536	7901698-09 7050014-02- 7050015B	99	
9		6	CONTACT, ELEC, FEMALE, 2 WIRE WRAP, BLUE INSUL	90536	7901698-10 7050014-02- 7050015BL	106	
9		6	CONTACT, ELEC, MALE, 2 WIRE WRAP, BLUE INSUL	91886	7902474-10 21-15022-105- 22-10000-516	2	
9		5	CONNECTOR, RCPT, ELEC	90536	7071526-00	1	
9-36	P02 P03	6	CONTACT, ELEC, FEMALE, 2 WIRE WRAP, WHITE INSUL	90536	7901698-08 7050014-02- 7050015W	544	
9-37	P01	6	CONTACT, ELEC, MALE, SNAP-IN, WIRE WRAP, WHITE BUSHING	91886	7900851-01 11-15001-105- 12-10000-000	6	
9-38		5	BAR, CARD GUIDE, BOTTOM	90536	7216363-00	2	
9		5	SCREW, MACH, FLAT HD 6-32UNC-2A, 0.312 L (AP)		910503-03 COML	12	
9-39		5	INSULATOR, PLATE	90536	7071112-02	2	
9-40		5	INSULATOR, PLATE	90536	7071112-01	2	
9-41		5	INSULATOR, PLATE	90536	7071112-03	2	
9-42	W1	5	BUS BAR, +15 VOLT	90536	7073169-00	1	
9-43		5	INSULATOR, BUS BAR	90536	7065812-02	1	
9-44		5	INSULATOR, BUS BAR	90536	7065812-06	5	
9-45	W2	5	BUS BAR, GROUNDING	90536	7073156-00	1	

## PARTS LIST

## Group Assembly Parts List

FIG. & INDEX NO.	REF. DESIG.	IN DE NT	DESCRIPTION	MFR. CODE	UNIVAC PART NO. MFR. PART NO.	UNITS PER ASSY	USE ON CODE
9	5		SCREW, MACH, PAN HD 6-32UNC-2A, 5/16 L (AP)	96906	4912531-01 MS51957-27	6	
9	5		WASHER, LOCK, INT TOOTH NO 6 (AP)		4912552-01 COML	6	
9	5		NUT, SELF-LOCKING, HEX 6-32NC-3B (AP)	72962	907627-01 L79NM107-62	6	
9-46	5		CONNECTOR, RCPT, ELEC, FEMALE 11816 CONTACT LOCATIONS	90536	7071556-01	1	
9	6		CONTACT, ELEC, FEMALE, 3 WIRE WRAP, WHITE INSUL	90536	7901698-06 7050014-01- 7050015W	5512	
9	6		CONTACT, ELEC, FEMALE, 3 WIRE WRAP, BLACK INSUL	90536	7901698-07 7050014-01- 7050015B	5460	
9	6		CONTACT, ELEC, FEMALE, 3 WIRE WRAP, GROUND BUSHING	91886	7902611-01 21-20312-134- 28-20003-309	844	

C

C

C

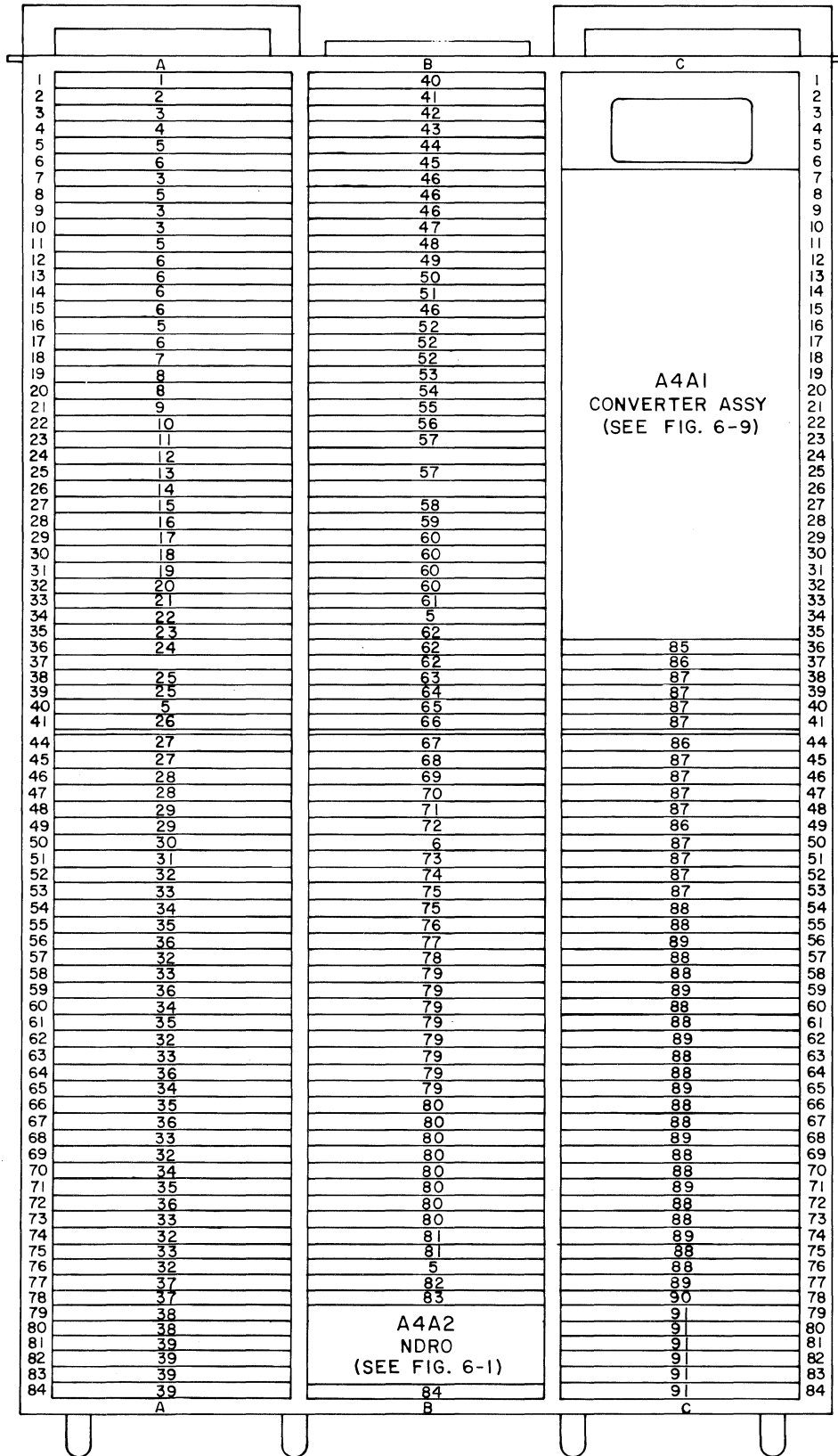


Figure 6-10. Central Processor Unit Module Location Chart



FIG. & INDEX NO.	REF. DESIG.	QTY	DESCRIPTION	MFR. CODE	UNIVAC PART NO. MFR. PART NO.	UNITS PER ASSY	USE ON CODE
6-10	A4	3	CENTRAL PROCESSOR UNIT - ELEC CIRCUIT PLUG-IN MOD LOCATION CHART (FOR NHA SEE FIG 6-9)	90536	7073544-00	REF	
10-1	A1A	4	CIRCUIT CARD ASSEMBLY - U TRANSLATION I	90536	7112891-00	1	
10-2	A2A	4	CIRCUIT CARD ASSEMBLY - U TRANSLATION II	90536	7112895-00	1	
10-3	A3A A7A A9A A10A	4	CIRCUIT CARD ASSEMBLY - GENERATOR 2 INPUT	90536	7112335-00	4	
10-4	A4A	4	CIRCUIT CARD ASSEMBLY - F TRANSLATION VI	90536	7111970-00	1	
10-5	A5A A8A A11A A16A A40A A34B A76B	4	CIRCUIT CARD ASSEMBLY - CONTROL TYPE 3	90536	7111750-00	7	
10-6	A6A A12A THRU A15A A17A A50B	4	CIRCUIT CARD ASSEMBLY - SINGLE INVERTERS	90536	7112290-00	7	
10-7	A18A	4	CIRCUIT CARD ASSEMBLY - MISC TRANSLATION I	90536	7112970-00	1	
10-8	A19A A20A	4	CIRCUIT CARD ASSEMBLY - SEQUENCER & ROM ADDRESS SEL	90536	7112850-00	2	
10-9	A21A	4	CIRCUIT CARD ASSEMBLY - TIMEOUT MON CLK, ROM CONTROL	90536	7112880-00	1	
10-10	A22A	4	CIRCUIT CARD ASSEMBLY - BP MLO ERRORS	90536	7112910-00	1	
10-11	A23A	4	CIRCUIT CARD ASSEMBLY - CLR STATUS & REI	90536	7112917-00	1	
10-12	A24A	4	CIRCUIT CARD ASSEMBLY - INT REQ & STATE REG	90536	7112927-00	1	
10-13	A25A	4	CIRCUIT CARD ASSEMBLY - INT CONTROL IV	90536	7112298-00	1	
10-14	A26A	4	CIRCUIT CARD ASSEMBLY - MCLR & ROM START	90536	7112931-00	1	

## PARTS LIST

## Group Assembly Parts List

FIG. & INDEX NO.	REF. DESIG.	QUANTITY	DESCRIPTION	MFR. CODE	UNIVAC PART NO. MFR. PART NO.	UNITS PER ASSY	USE ON CODE
10-15	A27A	4	CIRCUIT CARD ASSEMBLY - MEMORY ENABLE	90536	7112941-00	1	
10-16	A28A	4	CIRCUIT CARD ASSEMBLY - MISC REG COMMANDS I	90536	7112965-00	1	
10-17	A29A	4	CIRCUIT CARD ASSEMBLY - ARITH- CONTROL COMMANDS	90536	7112950-00	1	
10-18	A30A	4	CIRCUIT CARD ASSEMBLY - ARITH CM COMMANDS	90536	7112935-00	1	
10-19	A31A	4	CIRCUIT CARD ASSEMBLY - U/L CONS & U REG CONTROL	90536	7113526-00	1	
10-20	A32A	4	CIRCUIT CARD ASSEMBLY - RPT, REG CONTROL II, & RA REG	90536	7112887-00	1	
10-21	A33A	4	CIRCUIT CARD ASSEMBLY - I & IA REQ EN, SEQ HOLD	90536	7112907-00	1	
10-22	A34A	4	CIRCUIT CARD ASSEMBLY - SA, E & L HOLD, OP REQ EN	90536	7112900-00	1	
10-23	A35A	4	CIRCUIT CARD ASSEMBLY - EXT, INT C REG CONTROL I	90536	7112876-00	1	
10-24	A36A	4	CIRCUIT CARD ASSEMBLY - DELAY LINE CLOCK	90536	7111867-00	1	
10-25	A38A A39A	4	CIRCUIT CARD ASSEMBLY - IOC INT & INT SUB SEQ	90536	7112112-00	2	
10-26	A41A	4	CIRCUIT CARD ASSEMBLY - U, P&S ADDER CONTROL I	90536	7112865-00	1	
10-27	A44A A45A	4	CIRCUIT CARD ASSEMBLY - MAIN TIMING CONS SEL	90536	7112050-00	2	
10-28	A46A A47A	4	CIRCUIT CARD ASSEMBLY - CM SELECT	90536	7112845-00	2	
10-29	A48A A49A	4	CIRCUIT CARD ASSEMBLY - S, G & MISC CM SEL AND G CM	90536	7112855-00	2	
10-30	A50A	4	CIRCUIT CARD ASSEMBLY - B SEL & BS CM	90536	7112870-00	1	
10-31	A51A	4	CIRCUIT CARD ASSEMBLY - 1 BIT Y&B ADDER PS, RS, HS REGISTERS	90536	7112860-00	1	
10-32	A52A A57A A62A A69A A74A A76A	4	CIRCUIT CARD ASSEMBLY- BP, Y, P* ST REG MISC CM	90536	7112825-00	6	

## Group Assembly Parts List

## PARTS LIST

FIG. & INDEX NO.	REF. DESIG.	QTY	DESCRIPTION	MFR. CODE	UNIVAC PART NO. MFR. PART NO.	UNITS PER ASSY	USE ON CODE
10-33	A53A A58A A63A A68A A73A A75A	4	CIRCUIT CARD ASSEMBLY - S CM & BASE ADDER	90536	7112835-00	6	
10-34	A54A A60A A65A A70A	4	CIRCUIT CARD ASSEMBLY - G CM MLO CHECK H REG	90536	7112830-00	4	
10-35	A55A A61A A66A A71A	4	CIRCUIT CARD ASSEMBLY - P REG BCM 1/2 C-CM P&R COMP R REGISTER	90536	7112820-00	4	
10-36	A56A A59A A64A A67A A72A	4	CIRCUIT CARD ASSEMBLY - B&Y ADDER, 1/2 C-M, U SEL	90536	7112840-00	5	
10-37	A77A A78A	4	CIRCUIT CARD ASSEMBLY - CONSOLE CONTROL	90536	7111877-00	2	
10-38	A79A A80A	4	CIRCUIT CARD ASSEMBLY - MEMORY CONTROL	90536	7111692-00	2	
10-39	A81A THRU A84A	4	CIRCUIT CARD ASSEMBLY - U REGISTER	90536	7111987-00	4	
10-40	A1B	4	CIRCUIT CARD ASSEMBLY - THERMOSTAT, FRONT	90536	7111490-02	1	
10-41	A2B	4	CIRCUIT CARD ASSEMBLY - F TRANSLATOR V	90536	7111965-00	1	
10-42	A3B	4	CIRCUIT CARD ASSEMBLY - F TRANSLATOR IV	90536	7111890-00	1	
10-43	A4B	4	CIRCUIT CARD ASSEMBLY - F TRANSLATOR III	90536	7111886-00	1	
10-44	A5B	4	CIRCUIT CARD ASSEMBLY - F TRANSLATOR II	90536	7111605-00	1	
10-45	A6B	4	CIRCUIT CARD ASSEMBLY - F TRANSLATOR I	90536	7111895-00	1	
10-46	A7B A8B A9B A15B	4	CIRCUIT CARD ASSEMBLY - OCTAL TRANSLATOR	90536	7111610-00	4	
10-47	A10B	4	CIRCUIT CARD ASSEMBLY - F TRANSLATOR VII	90536	7112315-00	1	

## PARTS LIST

## Group Assembly Parts List

FIG. & INDEX NO.	REF. DESIG.	QUANTITY	DESCRIPTION	MFR. CODE	UNIVAC PART NO. MFR. PART NO.	UNITS PER ASSY	USE ON CODE
10-48	A11B	4	CIRCUIT CARD ASSEMBLY - V TRANSLATOR IV	90536	7113350-00	1	
10-49	A12B	4	CIRCUIT CARD ASSEMBLY - V TRANSLATOR III	90536	7113346-00	1	
10-50	A13B	4	CIRCUIT CARD ASSEMBLY - V TRANSLATOR II	90536	7113340-00	1	
10-51	A14B	4	CIRCUIT CARD ASSEMBLY - V TRANSLATOR I	90536	7111955-00	1	
10-52	A16B A17B A18B	4	CIRCUIT CARD ASSEMBLY - CONTROL TYPE 4	90536	7111755-00	3	
10-53	A19B	4	CIRCUIT CARD ASSEMBLY - EARLY HOLD CONTROL	90536	7112961-00	1	
10-54	A20B	4	CIRCUIT CARD ASSEMBLY - SHIFT ENABLE & SCR SELECT	90536	7112320-00	1	
10-55	A21B	4	CIRCUIT CARD ASSEMBLY - V SEL K XLTR, Q REG CONTROL	90536	7112310-00	1	
10-56	A22B	4	CIRCUIT CARD ASSEMBLY - ARITH CLOCK CONTROL	90536	7112331-00	1	
10-57	A23B A25B	4	CIRCUIT CARD ASSEMBLY - DELAY LINE CLOCK	90536	7217061-00	2	
10-58	A27B	4	CIRCUIT CARD ASSEMBLY - ARITH COMMANDS I	90536	7112975-00	1	
10-59	A28B	4	CIRCUIT CARD ASSEMBLY - ARITH COMMANDS II	90536	7112980-00	1	
10-60	A29B THRU A32B	4	CIRCUIT CARD ASSEMBLY V,F PARITY	90536	7112036-00	4	
10-61	A33B	4	CIRCUIT CARD ASSEMBLY - SS, XS CONTROL	90536	7112081-00	1	
10-62	A35B A36B A37B	4	CIRCUIT CARD ASSEMBLY - K AND K* REGISTERS	90536	7112025-00	3	
10-63	A38B	4	CIRCUIT CARD ASSEMBLY - SHIFT CONTROL II	90536	7112045-00	1	
10-64	A39B	4	CIRCUIT CARD ASSEMBLY - SHIFT CONTROL I	90536	7112040-00	1	
10-65	A40B	4	CIRCUIT CARD ASSEMBLY - ARITH DETECTION CKTS IV	90536	7111482-00	1	

## Group Assembly Parts List

## PARTS LIST

FIG. & INDEX NO.	REF. DESIG.	QUANTITY	DESCRIPTION	MFR. CODE	UNIVAC PART NO. MFR. PART NO.	UNITS PER ASSY	USE ON CODE
10-66	A41B	4	CIRCUIT CARD ASSEMBLY - ARITH DETECTION CKTS III	90536	7111476-00	1	
10-67	A44B	4	CIRCUIT CARD ASSEMBLY - ARITH DETECTION CKTS II	90536	7111451-00	1	
10-68	A45B	4	CIRCUIT CARD ASSEMBLY - ARITH DETECTION CKTS #1	90536	7111446-00	1	
10-69	A46B	4	CIRCUIT CARD ASSEMBLY - W AND Z CONTROL	90536	7112106-00	1	
10-70	A47B	4	CIRCUIT CARD ASSEMBLY - X, MULT CONTROL	90536	7112077-00	1	
10-71	A48B	4	CIRCUIT CARD ASSEMBLY - DS, QS WS, & ZS CONTROL	90536	7112096-00	1	
10-72	A49B	4	CIRCUIT CARD ASSEMBLY - D, Q CONTROL	90536	7112090-00	1	
10-73	A51B	4	CIRCUIT CARD ASSEMBLY - INT ATO & ACC GATES	90536	7112985-00	1	
10-74	A52B	4	CIRCUIT CARD ASSEMBLY - M, QS CONTROL	90536	7112101-00	1	
10-75	A53B A54B	4	CIRCUIT CARD ASSEMBLY - DELAY LINE CLOCK	90536	7216965-00	2	
10-76	A55B	4	CIRCUIT CARD ASSEMBLY - A CONTROL III	90536	7112065-00	1	
10-77	A56B	4	CIRCUIT CARD ASSEMBLY - A CONTROL II	90536	7112061-00	1	
10-78	A57B	4	CIRCUIT CARD ASSEMBLY - A CONTROL I	90536	7112055-00	1	
10-79	A58B THRU A65B	4	CIRCUIT CARD ASSEMBLY - SUBTRACTOR	90536	7111655-02	8	
10-80	A66B THRU A73B	4	CIRCUIT CARD ASSEMBLY - ACCUMULATOR & C SELECTOR	90536	7111981-00	8	
10-81	A74B A75B	4	CIRCUIT CARD ASSEMBLY - INT CODE FORMATION	90536	7112085-00	2	
10-82	A77B	4	CIRCUIT CARD ASSEMBLY - CURRENT SWITCH	90536	7112365-00	1	
10-83	A78B	4	CIRCUIT CARD ASSEMBLY - SELECTION MATRIX	90536	7112370-00	1	
10-84	A84B	4	CIRCUIT CARD ASSEMBLY - THERMOSTAT, REAR	90536	7111485-02	1	

## PARTS LIST

## Group Assembly Parts List

FIG. & INDEX NO.	REF. DESIG.	QUANTITY	DESCRIPTION	MFR. CODE	UNIVAC PART NO. MFR. PART NO.	UNITS PER ASSY	USE ON CODE
10-85	A36C	4	CIRCUIT CARD ASSEMBLY - VOLTAGE SENSOR	90536	7111700-03	1	
10-86	A37C A44C A49C	4	CIRCUIT CARD ASSEMBLY - SHIFT COUNT REGISTER	90536	7111675-00	3	
10-87	A38C THRU A41C A45C THRU A48C A50C THRU A53C	4	CIRCUIT CARD ASSEMBLY - SHIFT NETWORK	90536	7111635-00	12	
10-88	A54C A55C A57C A58C A60C A61C A63C A64C A66C A67C A69C A70C A72C A73C A75C A76C	4	CIRCUIT CARD ASSEMBLY - D OR Q REGISTER	90536	7112010-00	16	
10-89	A56C A59C A62C A65C A68C A71C A74C A77C	4	CIRCUIT CARD ASSEMBLY - X REG•X D AND Q SEL	90536	7112015-00	8	
10-90	A78C	4	CIRCUIT CARD ASSEMBLY - M REG WRITE BYTE II	90536	7112945-00	1	
10-91	A79C THRU A84C	4	CIRCUIT CARD ASSEMBLY - M REGISTER AND O BUS	90536	7112920-00	6	

Figure 6-11

PARTS LIST

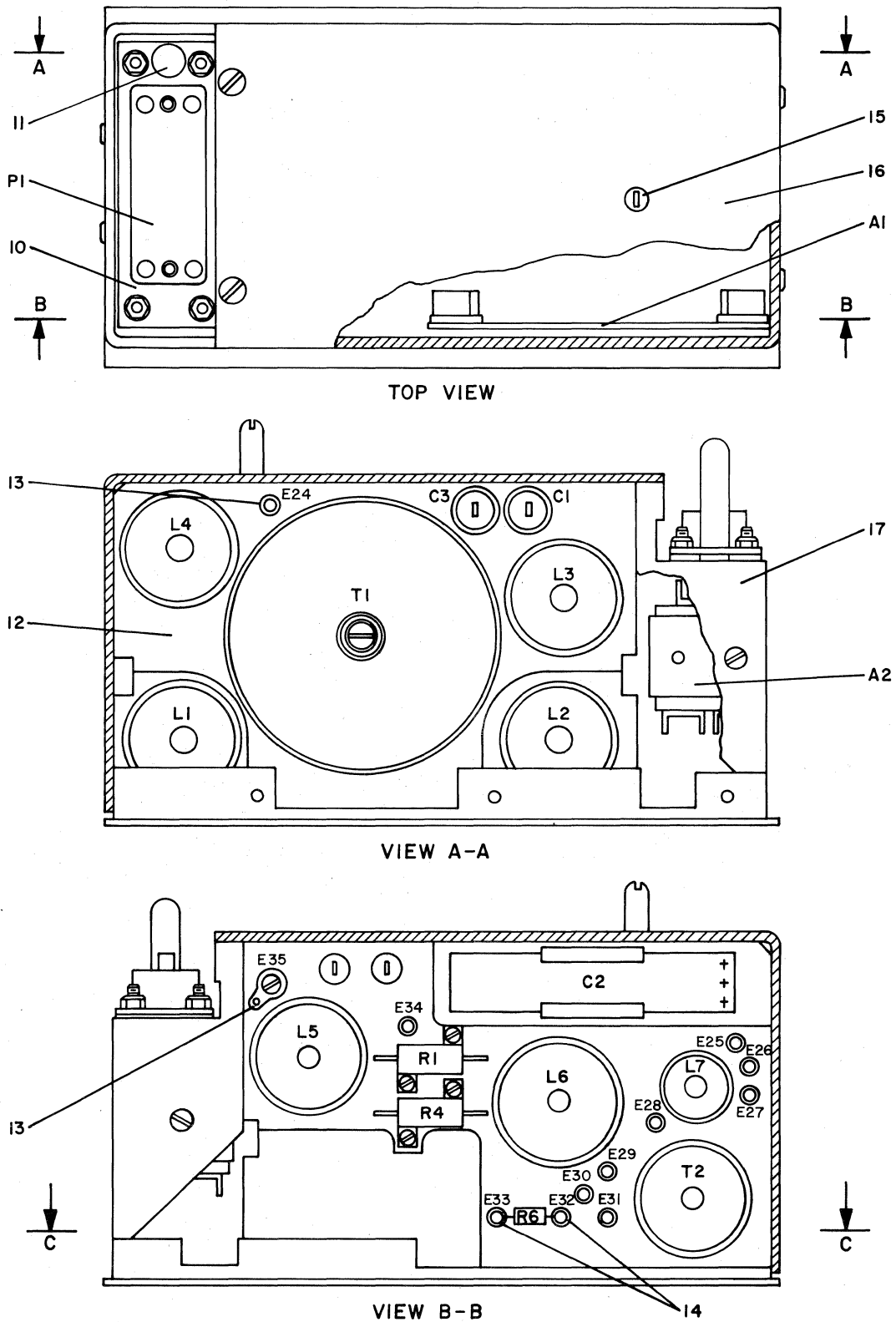
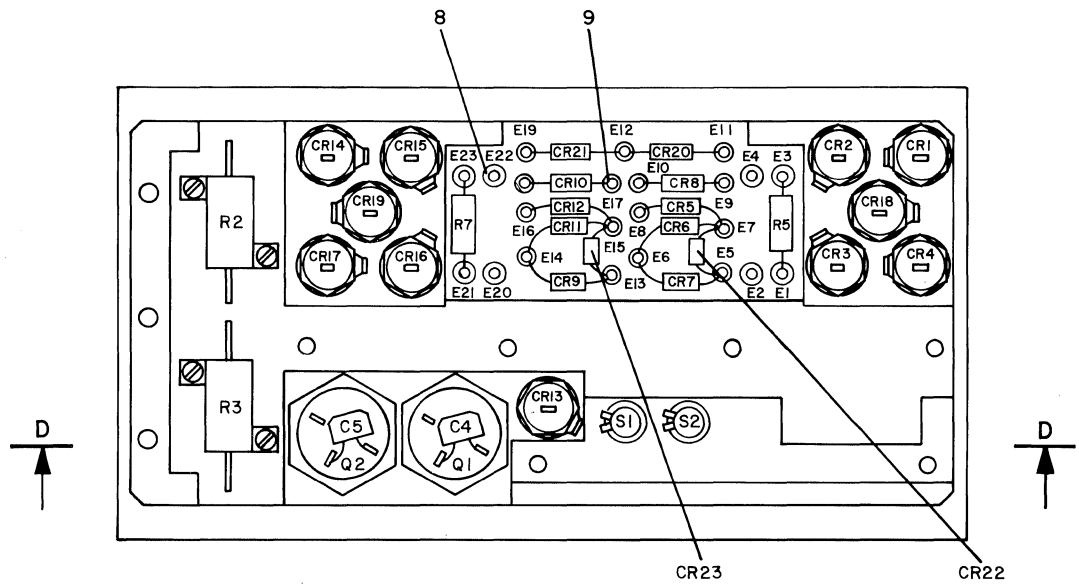
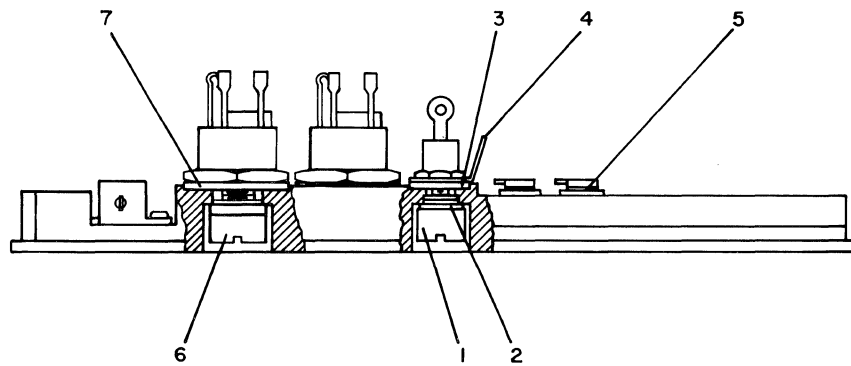


Figure 6-11 (Sh 1). Type E, DC-to-DC Converter Module Assembly



VIEW C-C



VIEW D-D

Figure 6-11 (Sh 2). Type E, DC-to-DC Converter Module Assembly



FIG. & INDEX NO.	REF. DESIG.	QUANTITY	DESCRIPTION	MFR. CODE	UNIVAC PART NO. MFR. PART NO.	UNITS PER ASSY	USE ON CODE
6-11		3	CONVERTER MODULE ASSEMBLY DC TO DC, TYPE E (FOR NHA SEE FIG 6-3)	90536	7071980-00	REF	
	A1	4	CIRCUIT CARD ASSY, DC TO DC	90536	7071812-01	1	
		4	BASE ASSEMBLY	90536	7071987-03	1	
	C4 C5	5	CAPACITOR, FIXED, CERAMIC DIELECTRIC, 50V, 47000PF	81349	7901102-83 CK05BX473M	2	
	CR1 THRU CR4 CR14 THRU CR19	5	SEMICONDUCTOR DEVICE, DIODE MODIFIED, 100V, 12A	90536	7071970-00	10	
	CR5 CR12	5	SEMICONDUCTOR DEVICE, DIODE SILICON, FAST RECOVERY	81349	7903079-01 1N4944	2	
	CR6 CR7 CR9 CR11 CR20 CR21 CR22 CR23	5	SEMICONDUCTOR DEVICE, DIODE 300 MW, 200V, 1A	81349	7902067-00 1N3611	8	
	CR8 CR10	5	SEMICONDUCTOR DEVICE, DIODE SILICON, VOLTAGE REGULATOR	81349	7903093-37 1N4991	2	
	CR13	5	SEMICONDUCTOR DEVICE, DIODE SILICON, VOLTAGE REGULATOR	81349	7900260-35 1N2995B	1	
	Q1 Q2	5	TRANSISTOR, MATCHED PAIR, NPN SILICON, POWER, HIGH V, 100W	90536	7214357-00	1	
	R2 R3	5	RESISTOR, FIXED, WIREWOUND 10W, 191 OHM +-1 PCT	81349	7902184-27 RE65G1910	2	
	R5	5	RESISTOR, FIXED, WIREWOUND 3W, 43 OHM +-5 PCT	81349	910509-22 RW69V430	1	
	R7	5	RESISTOR, FIXED, WIREWOUND 3W, 510 OHM +-5 PCT	81349	910509-48 RW69V511	1	
	S1	5	SWITCH, THERMOSTATIC, SPST OPEN 190 DEG F, CLOSE 200 DEG F	73803	7901848-05 4BTF2-45-2	1	
	S2	5	SWITCH, THERMOSTATIC, SPST OPEN 210 DEG F, CLOSE 240 DEG F	73803	7901848-06 4BTF2-49-12	1	
-1		5	NUT, SPECIAL	90536	7066792-00	11	

## PARTS LIST

## Group Assembly Parts List

FIG. & INDEX NO.	REF. DESIG.	QTY	DESCRIPTION	MFR. CODE	UNIVAC PART NO. MFR. PART NO.	UNITS PER ASSY	USE ON CODE
11-2		5	WASHER, SHOULDERED, INSULATING	90536	7071754-00	11	
-3		5	WASHER, HEAT CONDUCTIVE AND INSULATING	13103	7901968-13 B510-200-40	11	
-4		5	TERMINAL LUG	79963	7902786-00 520	8	
-5		5	INSULATOR, PLATE, TRANSISTOR HEAT CONDUCTIVE	13103	7901250-04 4005-15 SLOTTED	2	
-6		5	NUT, SPECIAL, 5/16-24UNF	90536	7071780-00	2	
-7		5	WASHER, HEAT CONDUCTIVE AND INSULATING	13103	7901968-11 B800-320-62	2	
-8		5	TERMINAL, STUD, INSULATED 0/2 TURRET	08291	907034-02 ST-SMITURC2	8	
-9		5	TERMINAL, STUD, INSULATED HEAT TRANSFER	05327	7903506-00 A33002	15	
	P1	4	CONNECTOR ASSEMBLY	90536	7071785-00	1	
		4	SHIM, CONNECTOR PLATE (AP)	90536	7071764-00	4	
		4	SHIM, CONNECTOR PLATE (AP)	90536	7071764-01	2	
		4	WASHER, FLAT, NO 4 (AP)	96906	902991-03 MS960-C4	4	
		4	NUT, SELF-LOCKING, 4-40NC-3B(AP)	72962	906056-03 79LH1660-40	4	
-10		5	PLATE, CONNECTOR	90536	7071786-00	1	
-11		5	PIN, GUIDE, CONNECTOR	90536	7071787-00	1	
		5	CONNECTOR, ELECTRICAL, MALE 34 CONTACT LOCATIONS	81312	7901314-01 MRAC34PNSS436	1	
		5	SCREW, CAP, SOCKET HEAD 4-40UNC-3A, 0.375 L (AP)	96906	911603-04 MS16995-10	5	
		5	NUT, SELF-LOCKING, HEX 4-40NC-3B (AP)	72962	906056-03 79LH1660-40	6	
		6	CONTACT, ELECTRICAL CONNECTOR MALE, SIZE 0.062, 24 AWG	18312	910878-00 100-1024P55	4	
		6	CONTACT, ELECTRICAL CONNECTOR MALE, SIZE 0.062, 22 AWG	18312	910878-01 100-1022P55	1	
		6	CONTACT, ELECTRICAL CONNECTOR MALE, SIZE 0.062, 18 AWG	18312	910878-03 100-1018P55	20	
		4	CENTER SUPPORT ASSEMBLY	90536	7071981-00	1	

FIG. & INDEX NO.	REF. DESIG.	QTY	DESCRIPTION	MFR. CODE	UNIVAC PART NO. MFR. PART NO.	UNITS PER ASSY	USE ON CODE
11	A2	5	FILTER ASSEMBLY	90536	7071983-00	1	
	C1	5	CAPACITOR, FIXED, PAPER		7901692-07	2	
	C3		DIELECTRIC, 200V, 0.1UF +-10PCT	81349	CZ248KC104		
	C2	5	CAPACITOR ASSEMBLY, 125V, 50UF	90536	7071950-00	1	
	L1	5	CHOKE, FILTER, 26.1UH, 7 AMP	90536	7071750-17	3	
	L2		50MV, 1KC				
	L3						
	L4	5	CHOKE, FILTER, 34.8UH, 7 AMP	90536	7071750-15	1	
			50MV, 1KC				
	L5	5	CHOKE, FILTER, 39.2UH, 5.5 AMP	90536	7071750-05	1	
			50MV, 1KC				
	L6	5	CHOKE, FILTER, 60.8UH, 7 AMP	90536	7071750-09	1	
			50MV, 1KC				
	L7	5	CHOKE, FILTER, 3.13UH, 0.2 AMP	90536	7071750-16	1	
			50MV, 1KC				
		5	INSULATOR (USED WITH L1, L2, L6)	90536	7071778-03	3	
		5	INSULATOR (USED WITH L7)	90536	7071778-12	1	
		5	INSULATOR (USED WITH L3, L4, L5)	90536	7071778-13	3	
	R1	5	RESISTOR, FIXED, WIREWOUND, MOD	90536	7071948-00	2	
	R4		5 WATT, 4.99 OHM, RE60G4R99				
		5	SCREW, MACH, PAN HD		7903132-02	4	
			2-56UNC-2A, 0.250 L (AP)	96906	MS51957-3		
	R6	5	RESISTOR, FIXED, FILM		7900183-14	1	
			0.25 WATT, 200 OHM, +-2 PCT	81349	RL07S201G		
	T1	5	TRANSFORMER, POWER	90536	7071982-00	1	
		5	INSULATOR (USED WITH T1)	90536	7071778-10	1	
		5	NUT, SPECIAL, 6-32UNC (AP)	90536	7071777-00	1	
	T2	5	TRANSFORMER (CONVERTER DRIVE)	90536	7071784-00	1	
		5	INSULATOR (USED WITH T2)	90536	7071778-01	1	
-12		5	HEAT SINK, CENTER SUPPORT	90536	7071946-00	1	
-13		5	TERMINAL, LUG, BRASS		7902645-01	1	
				78189	2279-06-02		
-14		5	TERMINAL, STUD, STANDOFF		907035-01	2	
			0/2 TURRET, BRASS	98291	013-2006		
		5	TERMINAL, STUD, INSULATED		7902843-01	9	
			0/2 TURRET	98291	ST250L4		

## PARTS LIST

## Group Assembly Parts List

FIG. & INDEX NO.	REF. DESIG.	QTY	DESCRIPTION	MFR. CODE	UNIVAC PART NO. MFR. PART NO.	UNITS PER ASSY	USE ON CODE
11-15		4	PIN, GUIDE	90536	7071762-00	1	
-16		4	COVER	90536	7071969-00	1	
		4	SCREW, MACH, PAN HD 4-40UNC-2A, 0.312 L (AP)		4912523-03 COML	11	
-17		4	BRACKET, CONNECTOR	90536	7071965-00	1	
		4	SCREW, MACH, FLAT HD 4-40UNC-2A, 0.25 L (AP)	96906	4912511-00 MS51959-13	3	
		4	SCREW, MACH, PAN HD 4-40UNC-2A, 0.375 L (AP)	96906	908552-05 MS51957-15	4	
		4	WASHER, FLAT, ROUND, NO 4 (AP)	96906	4912548-00 MS15795-803	1	

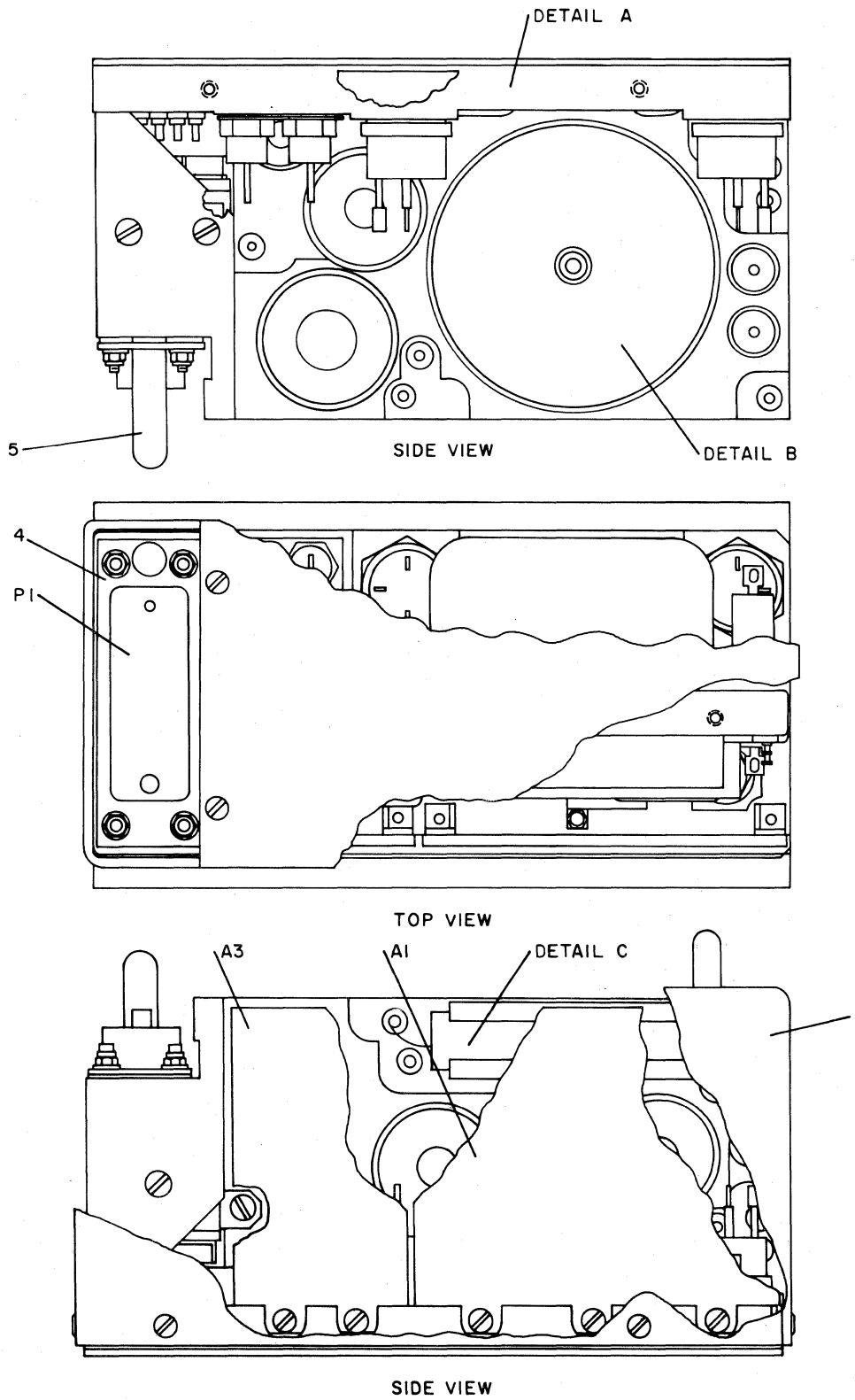


Figure 6-12 (Sh 1). Type B, DC-to-DC Converter Module Assembly

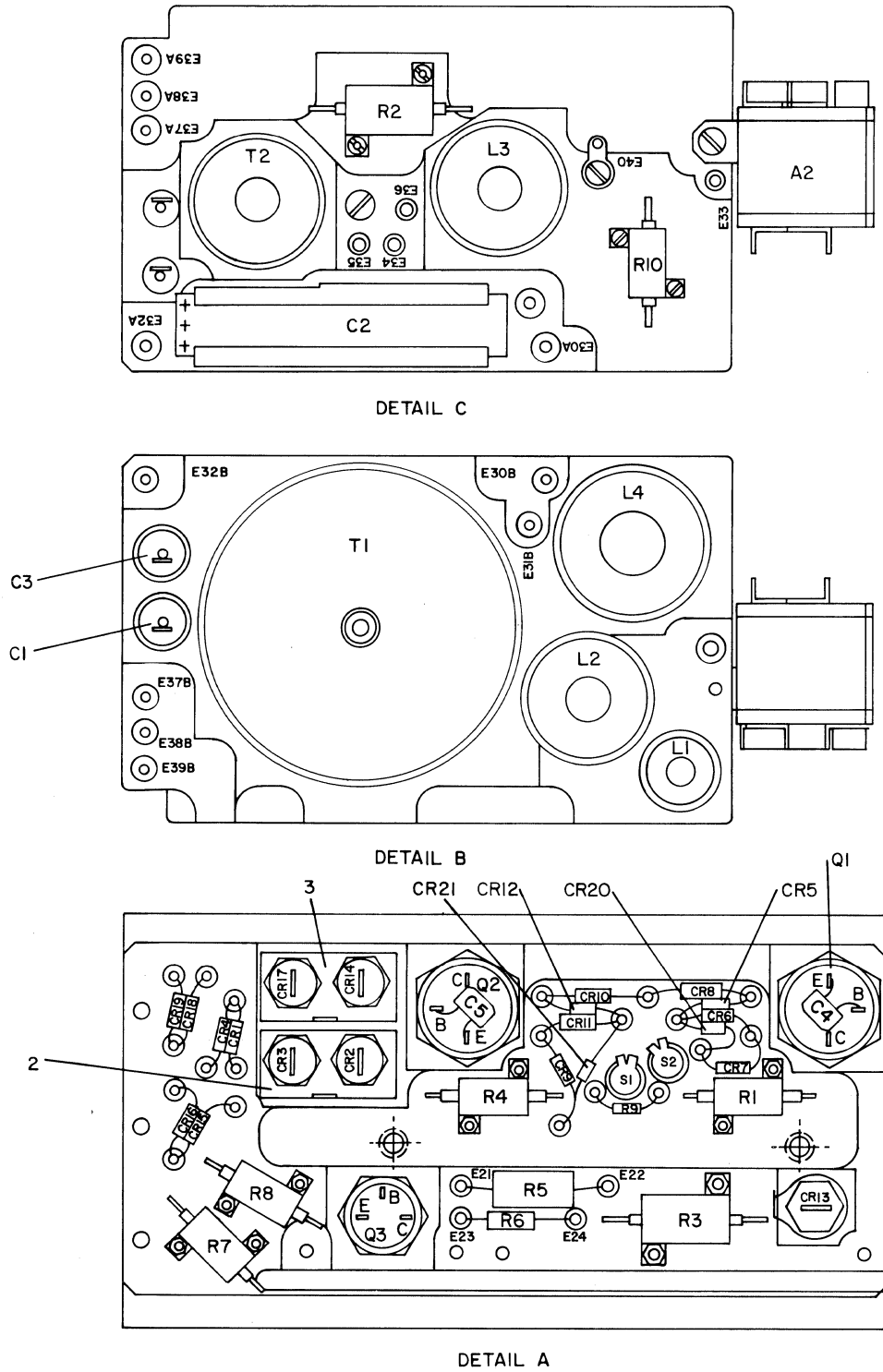


Figure 6-12 (Sh 2). Type B, DC-to-DC Converter Module Assembly

Group Assembly Parts List

PARTS LIST

FIG. & INDEX NO.	REF. DESIG.	QTY	DESCRIPTION	MFR. CODE	UNIVAC PART NO. MFR. PART NO.	UNITS PER ASSY	USE ON CODE
6-12	A5	3	CONVERTER MODULE ASSEMBLY DC TO DC, TYPE B (FOR NHA SEE FIG 6-7)	90536	7071880-00	REF	
-1		4	COVER	90536	7071909-00	1	
		4	SCREW, MACH, PAN HD 4-40UNC-2A, 0.312 L (AP)		4912523-03 COML	10	
		4	SCREW, MACH, PAN HD 4-40UNC-2A, 0.5 L (AP)		4912523-06 COML	1	
		4	SCREW, MACH, PAN HD 4-40UNC-2A, 3/8 L (AP)	96906	908552-05 MS51957-15	6	
		4	SCREW, MACH, PAN HD 4-40UNC-2A, 5/8 L (AP)	96906	908552-09 MS51957-18	4	
	A1	4	CIRCUIT CARD ASSEMBLY, DC TO DC CONVERTER	90536	7071812-01	1	
	A3	4	CIRCUIT CARD ASSEMBLY, +12 VOLT SERIES REGULATOR	90536	7071881-00	1	
		4	BASE ASSEMBLY	90536	7071888-01	1	
C4 C5		5	CAPACITOR, FIXED, CERAMIC DI- ELECTRIC, 0.47 UF, +-20PCT, 50V	81349	7901102-83 CK05BX473M	2	
CR1 CR4 CR6 CR7 CR9 CR11 CR15 CR16 CR18 THRU CR21		5	SEMICONDUCTOR DEVICE, DIODE 300 MW, 200 VOLT, 1 A	81349	7902067-00 1N3611	12	
CR2 CR3 CR14 CR17		5	SEMICONDUCTOR DEVICE, DIODE POWER, 100 VOLT, 12A	81349	7902834-00 1N3890	4	
CR5 CR12		5	SEMICONDUCTOR DEVICE, DIODE SILICON, FAST RECOVERY	81349	7903079-01 1N4944	2	
CR8 CR10		5	SEMICONDUCTOR DEVICE, DIODE SILICON, VOLTAGE REGULATOR	81349	7903093-37 1N4991	2	
CR13		5	SEMICONDUCTOR DEVICE, DIODE SIL, 47 VOLT, VOLT REG	81349	7900260-35 1N2995B	1	
Q1,Q2		5	TRANSISTOR, NPN, SILICON, 100 W 325 V, POWER, HIGH VOLTAGE MATCHED PAIR	90536	7214357-00	1	

## PARTS LIST

## Group Assembly Parts List

FIG. & INDEX NO.	REF. DESIG.	QTY	DESCRIPTION	MFR. CODE	UNIVAC PART NO. MFR. PART NO.	UNITS PER ASSY	USE ON CODE
12		5	NUT, SPECIAL, 5/16-24UNF (AP)	90536 21845	7071780-00 MHT7038	2	
	Q3	5	TRANSISTOR, NPN, SILICON, POWER	01295	7900756-00 SP4166	1	
		5	NUT, PLAIN, ROUND, SPECIAL (AP)	90536	7035853-00	1	
R1 R4		5	RESISTOR, FIXED, WIREWOUND 4.99 OHM, +-1 PCT, 5 WATT	81349	7901859-11 RE60G4R99	2	
		5	SCREW, MACH, PAN HD 2-56UNC-2A, 0.375 L (AP)	96906	7903132-04 MS51957-5	4	
		5	NUT, SELF-LOCKING, HEX 2-56NC-3B (AP)	72962	906056-01 79LH1660-26	4	
R3		5	RESISTOR, FIXED, WIREWOUND 191 OHM, +-1 PCT, 10 WATT	81349	7902184-27 RE65G1910	1	
R5		5	RESISTOR, FIXED, FILM 75 OHM, +-2 PCT, 2 WATT	81349	7900182-21 RL42S750G	1	
R6		5	RESISTOR, FIXED, FILM 3.0K OHM, +-2 PCT, 0.5 WATT	81349	7900184-42 RL20S302G	1	
R7 R8		5	RESISTOR, FIXED, WIREWOUND 2 OHM, +-1 PCT, 5 WATT	81349	7901859-06 RE60G2R00	2	
		5	SCREW, MACH, PAN HD 2-56UNC-2A, 0.438 L (AP)	96906	7903132-05 MS51957-6	4	
		5	NUT, SELF-LOCKING, HEX 2-56NC-2B (AP)	72962	906056-01 79LH1660-26	4	
R9		5	RESISTOR, FIXED, FILM 200 OHM, +-2 PCT, 0.25 WATT	81349	7900183-14 RL07S201G	1	
S1		5	SWITCH, THERMOSTATIC, SPST OPEN 190 DEG F, CLOSE 220 DEG F	73803	7901848-05 4BTF2-45-12	1	
S2		5	SWITCH, THERMOSTATIC, SPST OPEN 210 DEG F, CLOSE 240 DEG F	73803	7901848-06 4BTF2-49-12	1	
-2	W9	5	BUS BAR, DIODE	90536	7071891-00	1	
-3	W10	5	BUS BAR, DIODE	90536	7071891-01	1	
		4	CENTER SUPPORT ASSEMBLY	90536	7071892-00	1	
A2		5	FILTER ASSEMBLY	90536	7071896-00	1	
		5	SCREW, MACH, PAN HD 4-40UNC-2A, 0.375 L (AP)		4912523-04 COML	1	



## Group Assembly Parts List

## PARTS LIST

FIG. 8 INDEX NO.	REF. DESIG.	QUANTITY	DESCRIPTION	MFR. CODE	UNIVAC PART NO. MFR. PART NO.	UNITS PER ASSY	USE ON CODE
12	C1	5	CAPACITOR, FIXED, PAPER DI-		7901692-07	2	
	C3		ELECTRIC, 0.1UF, 200 VOLT	81349	CZ24BKC104		
		5	WASHER, LOCK, INT TOOTH (AP)	78189	907455-02 1218-02	2	
	C2	5	CAPACITOR ASSEMBLY	90536	7071895-00	1	
	L1	5	CHOKE, FILTER, 103 UH, 0.8 AMP 1 KC	90536	7071750-13	1	
		5	INSULATOR, CHOKE (USED WITH L1)	90536	7071778-12	1	
	L2	5	CHOKE, FILTER, 18.2 UH, 8.6 AMP, 1 KC	90536	7071750-07	1	
	L3	5	CHOKE, FILTER, 39.2 UH, 5.5 AMP, 1KC	90536	7071750-05	1	
		5	INSULATOR, CHOKE (USED W/L2,L3)	90536	7071778-02	2	
	L4	5	CHOKE, FILTER, 73.5 UH, 8.2 AMP, 1 KC	90536	7071750-02	1	
		5	INSULATOR, CHOKE (USED WITH L4)	90536	7071778-04	1	
	R2	5	RESISTOR, FIXED, WW, 191 OHM +-1 PCT, 10 WATT	90536	7071782-00	1	
		5	NUT, SPECIAL, 2-56UNC (AP)	90536	7071914-00	2	
	R10	5	RESISTOR, FIXED, WIREWOUND 1 OHM, +-1 PCT, 5 WATT	81349	7901859-05 RE60G1R00	1	
		5	SCREW, MACH, PAN HD 2-56UNC-2A, 0.25 L (AP)	96906	7903132-02 MS51957-3	2	
	T1	5	TRANSFORMER ASSEMBLY, POWER	90536	7071884-00	1	
		5	INSULATOR, TRANS (USED WITH T1)	90536	7071778-09	1	
		5	NUT, SPECIAL, 6-32UNC (AP)	90536	7071777-00	1	
	T2	5	TRANSFORMER, CONVERTER BASE DRIVE	90536	7071885-00	1	
		5	INSULATOR, TRANS (USED WITH T2)	90536	7071778-02	1	
	P1	4	CONNECTOR ASSEMBLY	90536	7071785-00	1	
		4	SHIM, CONNECTOR PLATE (AP)	90536	7071764-00	4	
		4	SHIM, CONNECTOR PLATE (AP)	90536	7071764-01	2	
		4	WASHER, FLAT, NO 4 (AP)	96906	902991-03 MS960-C4	4	

## PARTS LIST

## Group Assembly Parts List

FIG. & INDEX NO.	REF. DESIG.	INDENT	DESCRIPTION	MFR. CODE	UNIVAC PART NO. MFR. PART NO.	UNITS PER ASSY	USE ON CODE
12		4	NUT, SELF-LOCKING, HEX 4-40NC-3B (AP)	72962	906056-03 79LH1660-40	4	
-4		5	PLATE, CONNECTOR	90536	7071786-00	1	
-5		5	PIN, GUIDE, CONNECTOR	90536	7071787-00	1	
		5	CONNECTOR, ELEC, MALE, 34 CONTACT LOCATIONS	81312	7901314-01 MRAC34PNSS436	1	
		6	CONTACT, ELEC, MALE, SIZE 24 AWG	81312	910878-00 100-1024P55	5	
		6	CONTACT, ELEC, MALE, SIZE 22 AWG	81312	910878-01 100-1022P55	1	
		6	CONTACT, ELEC, MALE, SIZE 20 AWG	81312	910878-02 100-1020P55	2	
		6	CONTACT, ELEC, MALE, SIZE 18 AWG	81312	910878-03 100-1018P55	13	

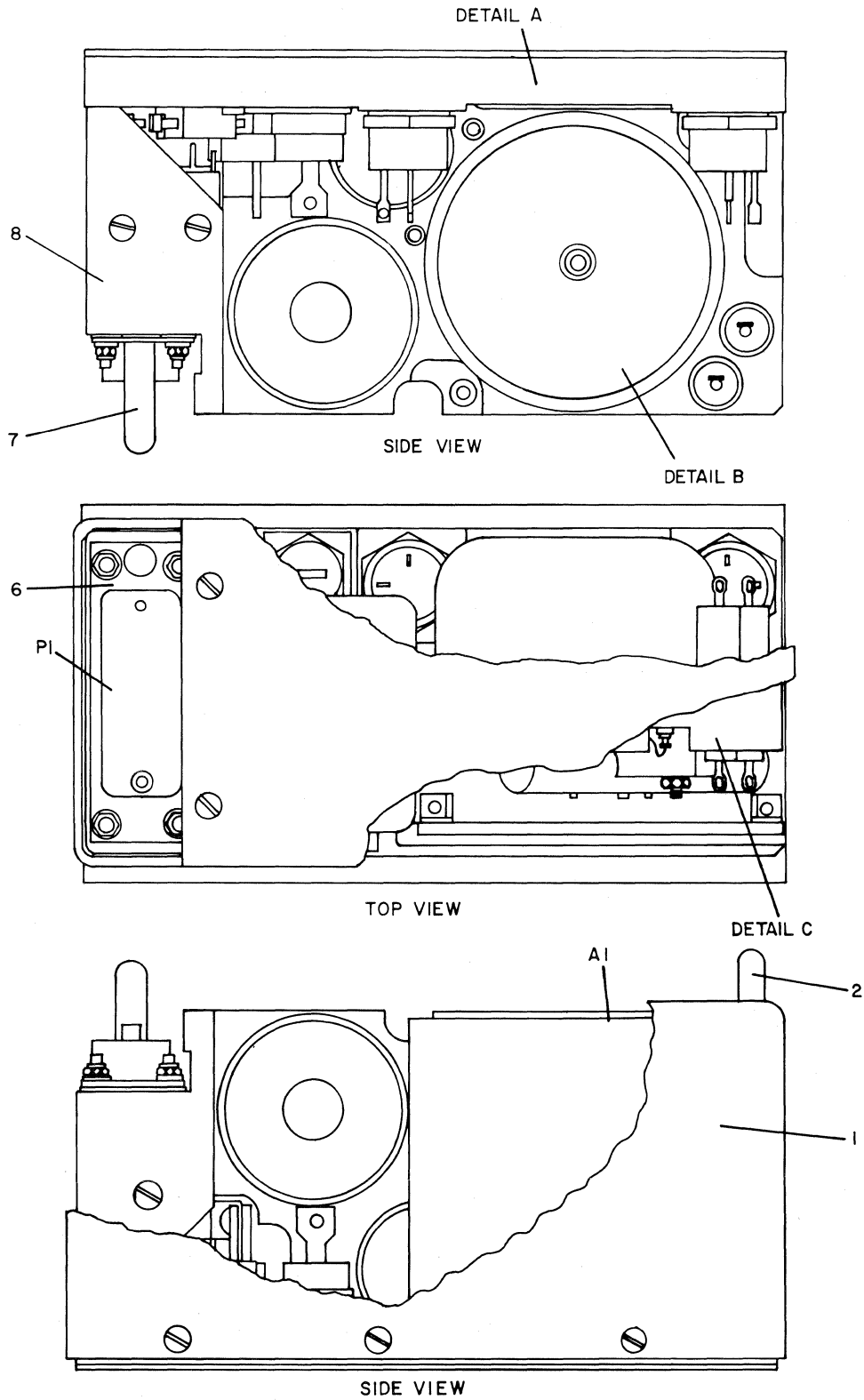


Figure 6-13 (Sh 1). Type D, DC-to-DC Converter Module Assembly

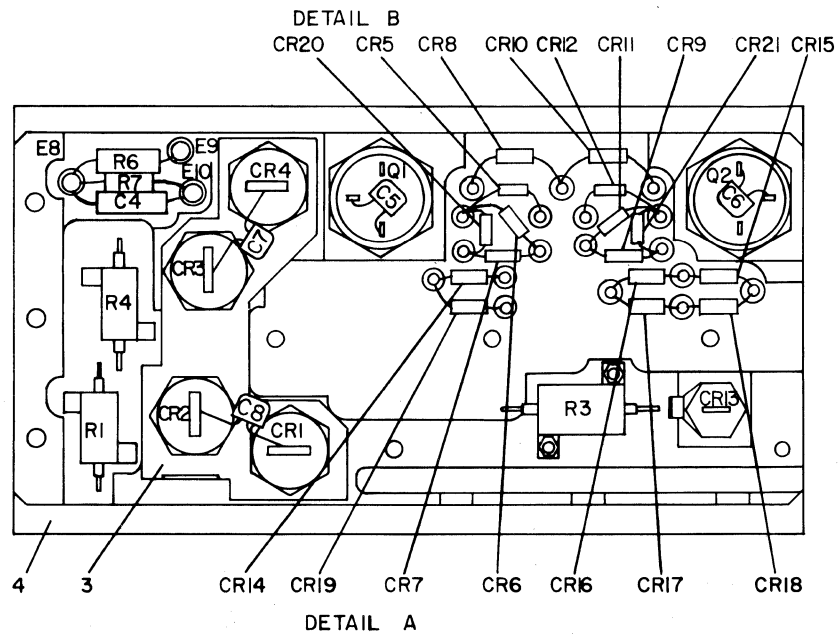
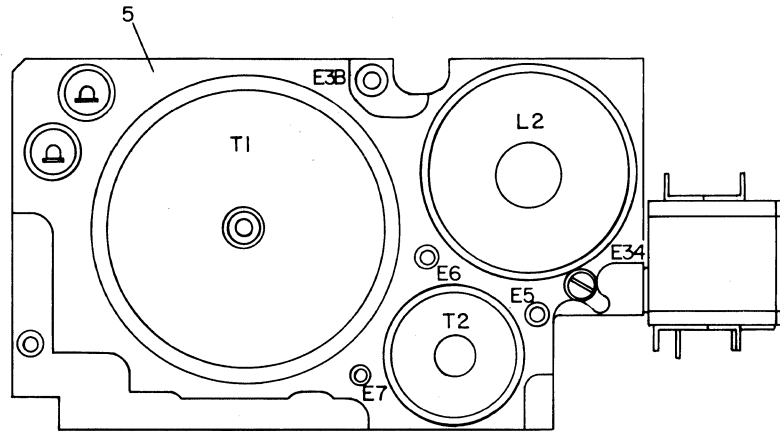
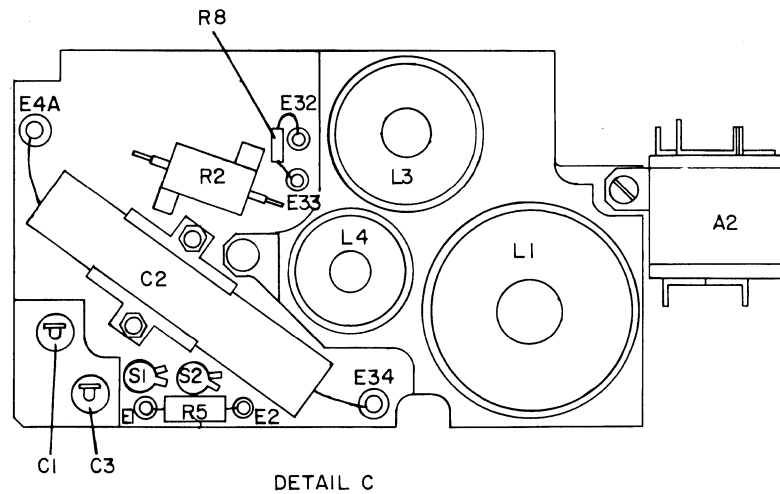


Figure 6-13 (Sh 2). Type D, DC-to-DC Converter Module Assembly

FIG. & INDEX NO.	REF. DESIG.	QUANTITY	DESCRIPTION	MFR. CODE	UNIVAC PART NO. MFR. PART NO.	UNITS PER ASSY	USE ON CODE
6-13	A2A1 A4A1	3	CONVERTER MODULE ASSEMBLY DC TO DC, TYPE D (FOR NHA SEE FIG 6-5 AND 6-9)	90536	7073380-00	REF	
13-1		4	COVER	90536	7071761-00	1	
13		4	SCREW, MACH, FLAT HD 4-40UNC-2A, 0.375 L (AP)		4912503-02 COML	10	
13		4	SCREW, MACH, FLAT HD 4-40UNC-2A, 0.625 L (AP)		4912503-06 COML	2	
13		4	SCREW, MACH, PAN HD 4-40UNC-2A, 3/8 L (AP)	96906	908552-05 MS51957-15	1	
13		4	SCREW, MACH, PAN HD 4-40UNC-2A, 5/16 L (AP)		4912523-03 COML	2	
13		4	WASHER, FLAT, ROUND, NO 4 (AP)	96906	4912548-00 MS15795-803	1	
13-2		4	PIN, GUIDE	90536	7071762-00	1	
13	A1	4	CIRCUIT CARD ASSEMBLY, DC TO DC CONVERTER	90536	7071812-01	1	
13		4	BASE ASSEMBLY	90536	7071766-01	1	
13	C4	5	CAPACITOR, FXD, ELECTROLYTIC 6.8UF, +-10 PCT, 35 VOLT	81349	7903069-43 CSR13F685KR	1	
13	C5 C6	5	CAPACITOR, FIXED, CERAMIC DI ELECTRIC, 0.47 UF, +-2 PCT, 50V	81349	7901102-83 CK05BX473M	2	
13	C7 C8	5	CAPACITOR, FIXED, CERAMIC DIELECTRIC, 100K UF, PORM 10PCT 100 V	81349	7901102-97 CK06BX104K	2	
13	CR1 THRU CR4	5	SEMICONDUCTOR DEVICE, DIODE SILICON, MED POWER, 30 A, 50 V	03887	7901637-05 SR1595	4	
13		5	WASHER, SHOULDER, PLASTIC 1/4 THD (AP)	06540	7902833-03 2642-31050-N253	4	
13		5	NUT, PLAIN, ROUND, SPECIAL (AP)	90536	7035853-00	4	
13	CR5 CR12	5	SEMICONDUCTOR DEVICE, DIODE SILICON, FAST RECOVERY	81349	7903079-01 1N4944	2	
13	CR6 CR7 CR9 CR11 CR14 THRU CR21	5	SEMICONDUCTOR DEVICE, DIODE 300 MW, 200 VOLT, 1A	81349	7902067-00 1N3611	12	

## PARTS LIST

## Group Assembly Parts List

FIG. & INDEX NO.	REF. DESIG.	QTY	DESCRIPTION	MFR. CODE	UNIVAC PART NO. MFR. PART NO.	UNITS PER ASSY	USE ON CODE
13	CR8 CR10	5	SEMICONDUCTOR DEVICE, DIODE SIL, VOLT REG, 240 V, 19.8 MA	81349	7903093-37 1N4991	2	
13	CR13	5	SEMICONDUCTOR DEVICE, DIODE SILICON, VOLT REG, 47 VOLT	81349	7900260-35 1N2995B	1	
13		5	WASHER, SHOULDER, INSULATING (AP)	90536	7071754-00	1	
13		5	NUT, SPECIAL (AP)	90536	7066792-00	1	
13	Q1 Q2	5	TRANSISTOR, NPN, SILICON, 100 W 325 V, POWER, HIGH VOLTAGE (MATCHED PAIR BY VENDOR)	90536	7214357-00	1	
13		5	WASHER, HEAT CONDUCTIVE AND INSULATING (AP)	13103	7901968-11 R800-320-62	2	
13		5	NUT, SPECIAL, 5/16-24UNF (AP)	90536	7071780-00	2	
13	R1 R4	5	RESISTOR, FIXED, WIREWOUND 4.99 OHM, +-1 PCT, 5 WATT	81349	7901859-11 RE60G4R99	2	
13		5	SCREW, MACH, PAN HD 2-56UNC-2A, 0.375 L (AP)	96906	7903132-04 MS51957-5	4	
13		5	NUT, SELF-LOCKING, HEX 2-56NC-3B (AP)	72962	906056-01 79LH1660-26	4	
13	R3	5	RESISTOR, FIXED, WIREWOUND 191 OHM, +-1 PCT, 10 WATT	81349	7902184-27 RE65G1910	1	
13		5	SCREW, MACH, PAN HD 2-56UNC-2A, 0.625 L (AP)	96906	7903132-08 MS51957-8	2	
13		5	NUT, SELF-LOCKING, HEX 2-56NC-3B (AP)	72962	906056-01 79LH1660-26	2	
13	R6	5	RESISTOR, FIXED, WIREWOUND 7.5 OHM, PORM 1 PCT, 3 WATT	63743	909479-08 3XL7.5PORM1PCT	1	
13	R7	5	RESISTOR, FIXED, FILM 1.5K OHM, PORM 2 PCT, 0.5 WATT	81349	7900184-35 RL20S1526	1	
13-3		5	BUS BAR, DIODE	90536	7071795-00	1	
13-4		5	PLATE, HEAT SINK, BOTTOM	90536	7071767-00	1	
13		4	CENTER SUPPORT ASSEMBLY	90536	7073381-00	1	
13	A2	5	FILTER ASSEMBLY	90536	7071800-00	1	
13		5	SCREW, MACH, PAN HD 4-40UNC-2A, 0.312 L (AP)		4912523-03 COML	1	
13	C1 C3	5	CAPACITOR, FIXED, PAPER DIEL 0.1UF, +-10 PCT, 200 V	96906	7901692-07 CZ24BKC104	2	

## Group Assembly Parts List

## PARTS LIST

FIG. & INDEX NO.	REF. DESIG.	QUANTITY	DESCRIPTION	MFR. CODE	UNIVAC PART NO. MFR. PART NO.	UNITS PER ASSY	USE ON CODE
13		5	WASHER, LOCK, INT TOOTH NO 0.312 (AP)	78189	907455-02 1218-02	2	
13	C2	5	CAPACITOR ASSEMBLY	90536	7071775-00	1	
13		5	WASHER, FLAT, ROUND, NO 4 (AP)	96906	4912548-00 MS15795-803	2	
13		5	NUT, SELF-LOCKING, HEX 4-40NC-3B (AP)	72962	906056-03 79LH1660-40	2	
13		6	CAPACITOR, FIXED, ELECTROLYTIC 51 UF, -15 PCT, +30 PCT, 150 V	56289	7902065-25 122D516C3150Z1	1	
13	L1 L2	5	CHOKE, FILTER, 3.63 UH, 7 AMP 1 KC	90536	7071750-04	2	
13		5	INSULATOR, CHOKE (USED W/L1,L2)	90536	7071778-07	2	
13	L3	5	CHOKE, FILTER, 39.2 UH, 5.5 AMP, 1 KC	90536	7071750-05	1	
13		5	INSULATOR, CHOKE (USED WITH L3)	90536	7071778-03	1	
13	L4	5	CHOKE, FILTER, 298 UH, 1.2 AMP 1 KC	90536	7071750-06	1	
13		5	INSULATOR, CHOKE (USED WITH L4)	90536	7071778-01	1	
13	R2	5	RESISTOR, FIXED, WIREWOUND 191 OHM, PORM 1 PCT, 10 WATT	90536	7071782-00	1	
13		5	NUT, SPECIAL, 2-56UNC (AP)	90536	7071914-00	2	
13	R5	5	RESISTOR, FIXED, WIREWOUND 5 OHM, PORM 1 PCT, 3 WATT	63743	909479-07 3XL5PORM1PCT	1	
13	R8	5	RESISTOR, FIXED, FILM 200 OHM, +-2 PCT, 0.25 WATT	96906	7900183-14 RL07S201G	1	
13	S1	5	SWITCH, THERMOSTATIC, SPST OPEN 225 DEG F, CLOSE 255 DEG F	73803	7901848-07 48TF2-52-12	1	
13	S2	5	SWITCH, THERMOSTATIC, SPST OPEN 225 DEG F, CLOSE 275 DEG F	73803	7901848-08 48TF2-56-12	1	
13		5	INSULATOR, PLATE, HEAT CONDUCTIVE (U/W S1 AND S2)	13103	7901250-03 4018-15 SLOTTED	2	
13	T1	5	TRANSFORMER, POWER ASSEMBLY	90536	7073382-00	1	
13		5	INSULATOR, TRANS (USED WITH T1)	90536	7071778-09	1	
13		5	NUT, SPECIAL, 6-32UNC (AP)	90536	7071777-00	1	
13	T2	5	TRANSFORMER, CONVERTER BASE DRIVER	90536	7071784-00	1	

## PARTS LIST

## Group Assembly Parts List

FIG. & INDEX NO.	REF. DESIG.	QUANTITY	DESCRIPTION	MFR. CODE	UNIVAC PART NO. MFR. PART NO.	UNITS PER ASSY	USE ON CODE
13		5	INSULATOR, TRANS (USED WITH T2)	90536	7071778-02	1	
13-5		5	HEAT SINK, CENTER SUPPORT	90536	7071771-00	1	
13	P1	4	CONNECTOR ASSEMBLY	90536	7071785-00	1	
13		4	SHIM, CONNECTOR PLATE (AP)	90536	7071764-00	4	
13		4	SHIM, CONNECTOR PLATE (AP)	90536	7071764-01	2	
13		4	WASHER, FLAT, NO 4 (AP)		902991-03 81349 AN960-C4	4	
13		4	NUT, SELF-LOCKING, HEX 4-40NC-3B (AP)	72962	906056-03 79LH1660-40	4	
13-6		5	PLATE, CONNECTOR	90536	7071786-00	1	
13-7		5	PIN, GUIDE, CONNECTOR	90536	7071787-00	1	
13		5	INSULATOR, ELEC, MALE, 34 CONTACT LOCATIONS	81312	7901314-01 MRAC34PNSS436	1	
13		5	SCREW, CAP, SKT HD, 4-40UNC-3A 0.312 L (AP)		911603-03 COML	4	
13		5	NUT, SELF-LOCKING, CAP 4-40UNC-3B (AP)	72962	907454-01 L79NKM-40	4	
13		6	CONTACT, ELEC, MALE, SIZE 24 AWG	81312	910878-00 100-1024P55	4	
13		6	CONTACT, ELEC, MALE, SIZE 22 AWG	81312	910878-01 100-1022P55	2	
13		6	CONTACT, ELEC, MALE, SIZE 20 AWG	81312	910878-02 100-1020P55	1	
13		6	CONTACT, ELEC, MALE, SIZE 18	81312	910878-03 100-1018P55	26	
13-8		4	BRACKET, CONNECTOR	90536	7071763-00	1	
13		4	SHIM, BRACKET (U/W IDX 8)	90536	7071765-00	1	
13		4	SCREW, MACH, PAN HD, 4-40UNC-2A 0.375 L (AP)	96906	908552-05 MS51957-15	3	
13		4	SCREW, MACH, FLAT HD, 4-40UNC-2A 0.25 L (AP)	96906	4912511-00 MS51959-13	3	



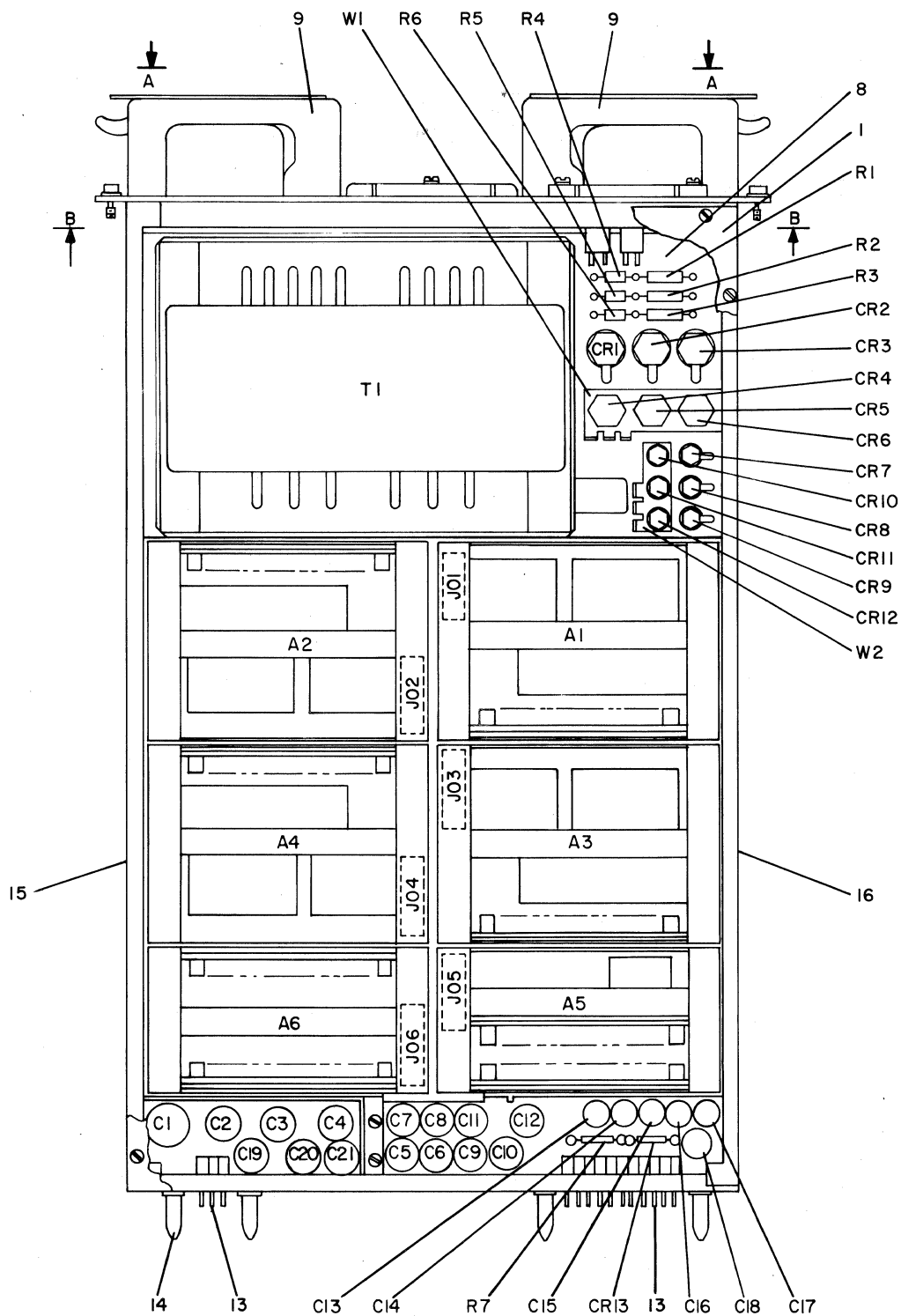
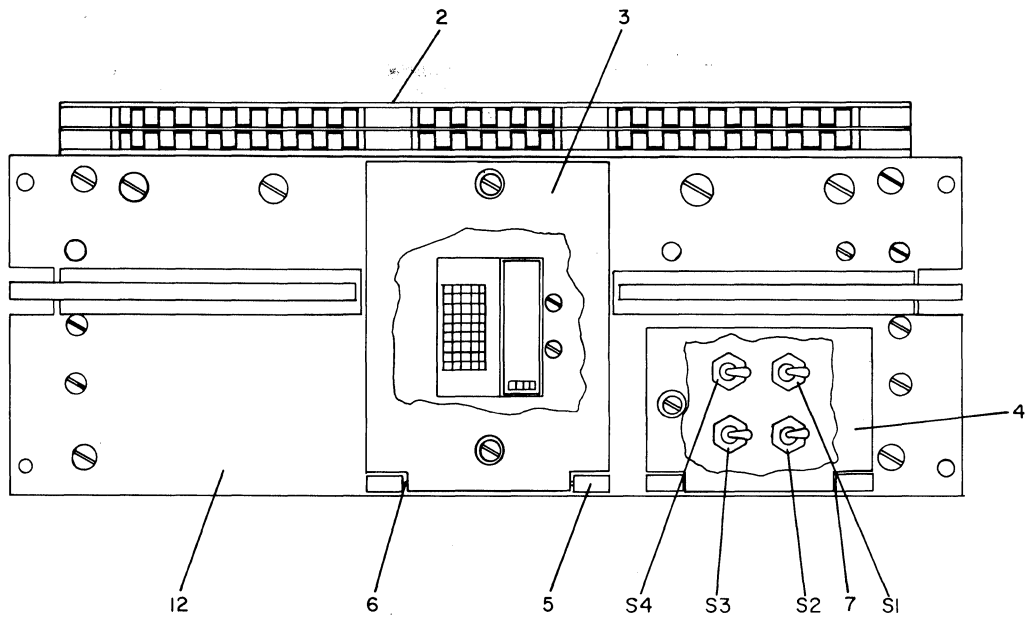
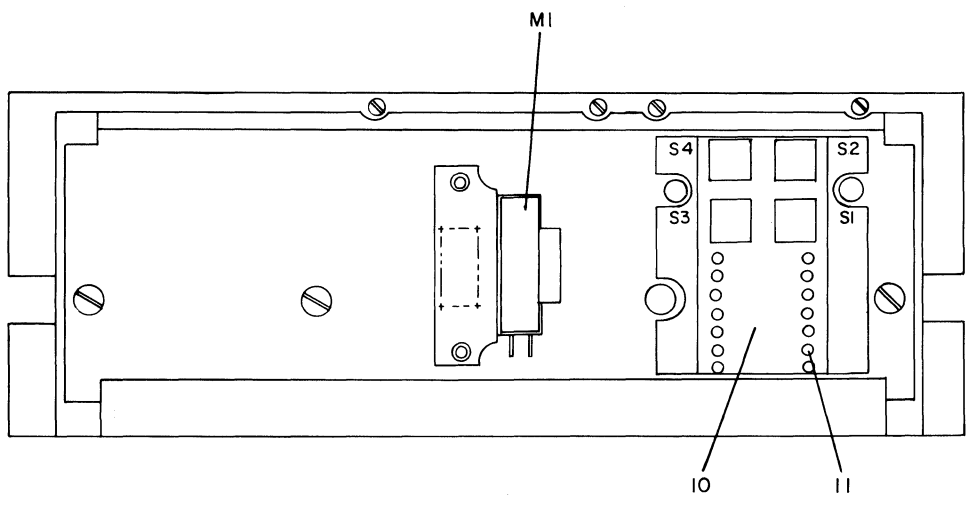


Figure 6-14 (Sh 1). Power Supply



DETAIL A



DETAIL B

Figure 6-14 (Sh 2). Power Supply

FIG. & INDEX NO.	REF. DESIG.	QTY	DESCRIPTION	MFR. CODE	UNIVAC PART NO. MFR. PART NO.	UNITS PER ASSY	USE ON CODE
6-14	A5	2	POWER SUPPLY (115V) PP-6395	90536	7073375-00	REF	A
			POWER SUPPLY (115V) RFI PP-6395A	90536	7073375-04	REF	B
			POWER SUPPLY (208V) PP-6258	90536	7071630-00	REF	C
			POWER SUPPLY (208V) RFI PP-6258A (FOR NHA SEE FIG 6-1)	90536	7071630-04	REF	D
		3	SCREW, CAP, SOCKET HD, SPECIAL 1/4-28UNF-2A (AP)	56878	7903148-00 7903148-00	4	
		3	WASHER, FLAT, NO 1/4 (AP)	96906	902991-07 MS960-C416	4	
-1		3	COVER, CHASSIS	90536	7071631-00	1	A C
			COVER, CHASSIS	90536	7071631-01	1	B D
		3	SCREW, MACH, PAN HD 4-40UNC-2A, 0.375 L (AP)		4912523-04 COML	22	
-2		3	HEAT EXCHANGER, MODIFIED	90536	7071633-00	1	
		3	SCREW, EXT REL BODY, SP (AP)	90536	7071637-01	25	
		3	SCREW, EXT REL BODY, SP (AP)	90536	7071637-00	24	
		3	PACKING, PREFORMED O RING NEOPRENE, SIZE 006 (AP)	86579	905819-04 006 NEOPRENE 70 +-10 SHORE A	49	
A1 THRU A4		3	REGULATOR ASSEMBLY, SWITCHING	90536	7071720-00	4	A C
			REGULATOR ASSEMBLY, SWITCHING (FOR NLA SEE FIG 6-15)	90536	7071720-01	4	B D
A5		3	REGULATOR-OSCILLATOR ASSEMBLY -20 VDC (FOR NLA SEE FIG 6-16)	90536	7073075-00	1	
A6		3	REGULATOR CONVERTER ASSEMBLY POWER SUPPLY (FOR NLA SEE FIG 6-17)	90536	7073175-00	1	
		3	POWER SUPPLY SUBASSEMBLY	90536	7073376-00	1	A B
			POWER SUPPLY SUBASSEMBLY	90536	7071700-00	1	C D
-3		4	COVER, TEST POINT	90536	7022564-00	1	
-4		4	COVER, SWITCH	90536	7071716-00	1	
		4	SCREW, SPECIAL (AP FOR IND 3,4)	90536	7065718-01	4	
		4	WASHER, FLAT, ROUND, NO 6 (AP FOR IND 3 AND 4)	96906	4912548-01 MS15795-805	4	
		4	WASHER, LOCK, SPRING, NO 6 (AP FOR IND 3 AND 4)	96906	4912550-01 MS35338-136	4	
-5		4	PIVOT, HINGE	90536	7065809-00	4	

## PARTS LIST

## Group Assembly Parts List

FIG. & INDEX NO.	REF. DESIG.	QUANTITY	DESCRIPTION	MFR. CODE	UNIVAC PART NO. MFR. PART NO.	UNITS PER ASSY	USE ON CODE
14-6		4	PIN, HINGE	90536	7065808-00	1	
-7		4	PIN, HINGE	90536	7071715-00	1	
	C1	4	CAPACITOR, FIXED, PAPER DIELECTRIC 1.0UF, +-10 PCT, 100 VOLT	81349	7901692-04 CZ248KB105	1	
	C2 C3 C4 C19 C20 C21	4	CAPACITOR, FIXED, PAPER DIELECTRIC 0.22UF, +-10 PCT, 600 VOLT	81349	7901692-17 CZ248KF224	6	
	C5 THRU C12	4	CAPACITOR, FIXED, PAPER DIELECTRIC 0.47UF, +-10 PCT, 200 VOLT	81349	7901692-09 CZ248KC474	8	
	C13 THRU C16	4	CAPACITOR, FIXED, PAPER DIELECTRIC 0.1UF, +-10 PCT, 100 VOLT	81349	7901692-01 CZ248KB104	4	
	C17	4	CAPACITOR, FIXED, PAPER DIELECTRIC 0.047UF, +-10 PCT, 200 VOLT	81349	7901692-06 CZ248KC473	1	
	C18	4	CAPACITOR, FIXED, PAPER DIELECTRIC 0.47UF, +-10 PCT, 100 VOLT	81349	7901692-03 CZ248KB474	1	
		4	TRANSFORMER MODULE ASSEMBLY	90536	7071706-00	1	
	CR1 THRU CR6	5	SEMICONDUCTOR DEVICE, DIODE AVALANCHE RECTIFIER, 2.5MA, 1K V	09214	7902804-01 A38PX164	6	
		5	NUT, PLAIN, SPECIAL (AP)	90536	7035853-00	6	
		5	WASHER, SHOULDER, PLASTIC (AP)	06540	7902833-03 2642-31050-N253	6	
		5	WASHER, HEAT CONDUCTIVE AND INSULATING (AP)	13103	7901968-08 B800-260-62	6	
	CR7 THRU CR12	5	SEMICONDUCTOR DEVICE, DIODE AVALANCHE RECTIFIER, 1000 V	09214	7902863-04 A27P1X129	6	
		5	NUT, SPECIAL (AP)	90536	7066792-00	6	
		5	WASHER, HEAT CONDUCTIVE AND INSULATING (AP)	13103	7901968-13 B510-200-40	6	
		5	WASHER, SHOULDER, PLASTIC (AP)	90536	7071754-00	6	
	R1 R2 R3	5	RESISTOR, FIXED, FILM 27K OHM, +-2 PCT, 2 WATT	81349	7900182-82 RL42S2736	3	

FIG. 8 INDEX NO.	REF. DESIG.	QUANTITY	DESCRIPTION	MFR. CODE	UNIVAC PART NO. MFR. PART NO.	UNITS PER ASSY	USE ON CODE
14	R4	5	RESISTOR, FIXED, FILM		7900184-42	3	
	R5		3K OHM, +-2 PCT, 0.5 WATT	81349	RL20S302G		
	R6						
	T1	5	TRANSFORMER, POWER INPUT, 3 PH, 400 HZ, TYPE TF5VX02ZZ	70674	7903031-01 3-18388	1	
		5	SCREW, MACH, PAN HD 10-32UNF-2A, 1-3/4 L (AP)	96906	908555-15 MS51958-61	6	
		5	INSULATOR, SCREW, (AP)	90536	7071709-00	6	
		5	WASHER, PLAIN, FLAT, PLASTIC NO 10 (AP)	17625	7903174-00 7903174-00	6	
	W1	4	BUS BAR, DIODE	90536	7071710-00	1	
	W2	4	BUS BAR, DIODE	90536	7071711-00	1	
-8		5	BASE, TRANSFORMER	90536	7071707-00	1	
	CR13	4	SEMICONDUCTOR DEVICE, DIODE SILICON, 400MW, 50 VOLT	81349	7900106-00 1N3600	1	
	J01 THRU J04 J06	4	CONNECTOR, RCPT, ELEC, FEMALE 20 CONTACT LOCATIONS	81312	7901792-00 MRAC20SNSS436	5	
		4	SHIM, CONNECTOR (AP)	90536	7071724-00	20	
		4	WASHER, FLAT, ROUND, NO 4 (AP)	96906	4912548-00 MS15795-803	10	
		4	NUT, SELF-LOCKING, HEX 4-40NC-3B (AP)	72962	906056-03 79LH1660-40	10	
		5	CONTACT, ELEC, FEMALE, SIZE 24 AWG	81312	910879-00 100-1024S55	13	
		5	CONTACT, ELEC, FEMALE, SIZE 22 AWG	81312	910879-01 100-1022S55	5	
		5	CONTACT, ELEC, FEMALE, SIZE 20 AWG	81312	910879-02 100-1020S55	27	
		5	CONTACT, ELEC, FEMALE, SIZE 18 AWG	81312	910879-03 100-1018S55	16	
		5	CONTACT, ELEC, FEMALE, SIZE 16 AWG	81312	910879-04 100-1016S55	23	
		5	CONTACT, ELEC, FEMALE, SIZE 14 AWG	81312	910879-05 100-1014S55	5	
	J05	4	CONNECTOR, RCPT, ELEC, FEMALE 34 CONTACT LOCATIONS	81312	7902867-02 SREC34SN937	1	

## PARTS LIST

## Group Assembly Parts List

FIG. & INDEX NO.	REF. DESIG.	QTY	DESCRIPTION	MFR. CODE	UNIVAC PART NO. MFR. PART NO.	UNITS PER ASSY	USE ON CODE
14		4	SHIM, CONNECTOR (AP)	90536	7073089-00	4	
		4	NUT, SELF-LOCKING, HEX 2-56NC-3B (AP)	72962	906056-01 79LH1660-26	2	
		4	SPACER, CONNECTOR (AP)	90536	7071644-00	1	
		4	SCREW, MACH, PAN HD 4-40UNC-2A, 9/16 L (AP)	96906	908552-08 MS51957-13	2	
		4	NUT, SELF-LOCKING, HEX 4-40NC-3B (AP)	72962	906710-01 L79NKTM-40	2	
		5	CONTACT, ELEC, FEMALE, SIZE 20-22 AWG	81312	7903169-02 100-4020562	33	
	M1	4	METER, TIME TOTALIZING, 0-999.9 HRS, 27 TO 33 VDC	82227	7901844-01 A19757	1	
		4	SCREW, MACH, PAN HD 4-40UNC-2A, 9/16 L (AP)	96906	908552-08 MS51957-13	2	
		4	WASHER, FLAT, ROUND, NO 4 (AP)	96906	4912548-00 MS15795-803	2	
		4	NUT, SELF-LOCKING, HEX 4-40UNC-3B (AP)	96906	4912796-00 MS21044-C04	2	
	R7	4	RESISTOR, FIXED, FILM 200 OHM, +-2 PCT, 0.25 WATT	81349	7900183-14 RL07S2016	1	
	S1 THRU S4	4	SWITCH, TOGGLE, MINIATURE, DPDT	96906	7902817-02 MS24656-231	4	
	TB1	4	CONNECTOR, RCPT, ELEC, FEMALE 45 CONTACT	91886	7901782-01 5894603	1	
		4	SCREW, MACH, PAN HD 6-32UNC-2A, 5/8 L (AP)	96906	4912531-05 MS51957-31	2	
		5	CONTACT, ELEC, FEMALE, 1 WIRE WRAP, WHITE INSUL	91886	7903656-00 21-20201-134- 5290008	20	
		5	CONTACT, ELEC, FEMALE, 1 WIRE WRAP, BLACK INSUL	91886	7903656-04 TO BE EST	10	
		5	CONTACT, ELEC, FEMALE, 1 WIRE WRAP, BLUE INSUL	91886	7903656-03 TO BE EST	15	
-9		4	LATCH SET, RIM, CHASSIS HANDLE	71286	7901084-04 72L2-2-2AB	2	
		4	SCREW, MACH, PAN HD 10-32UNF-2A, 0.5 L (AP)	96906	4912534-00 MS51958-63	2	

## Group Assembly Parts List

## PARTS LIST

FIG. & INDEX NO.	REF. DESIG.	QTY	DESCRIPTION	MFR. CODE	UNIVAC PART NO. MFR. PART NO.	UNITS PER ASSY	USE ON CODE
14		4	WASHER, FLAT, ROUND, NO 10 (AP)	96906	4912548-03 MS15795-808	2	
		4	SCREW, MACH, FLAT HD 10-32UNF-2A, 0.5 L (AP)	96906	4912515-02 MS51960-65	2	
-10		4	BRACKET, MOUNTING, TERM AND SW	90536	7071719-00	1	
		4	SCREW, MACH, FLAT HD 4-40UNC-2A, 0.5 L (AP)	96906	4912511-04 MS51959-17	4	
		4	SCREW, CROSS REC, SP (AP)	90536	7071634-01	2	
		4	NUT, SELF-LOCKING, HEX 4-40UNC-3B (AP)	96906	4912796-00 MS21044-C04	6	
-11		D	TERMINAL STUD, INSULATED	98291	907034-02 ST-SM1TURC2	42	
-12		4	PLATE, FRONT, POWER SUPPLY	90536	7071701-00	1	
		4	SCREW, CROSS REC, SP (AP)	90536	7071634-03	4	
		4	SCREW, CROSS REC, SP (AP)	90536	7071634-05	5	
		4	SCREW, CROSS REC, SP (AP)	90536	7071634-02	6	
		4	NUT, SELF-LOCKING, HEX 6-32NC-3B (AP)	72962	907627-01 L79NM107-62	6	
		4	PLATE ASSEMBLY, REAR	90536	7073200-01	1	
		4	SCREW, MACH, FLAT HD 8-32UNC-2A, 3/8 L (AP)	96906	4912513-00 MS51959-43	4	
		4	SCREW, MACH, FLAT HD 6-32UNC-2A, 0.5 L (AP)	96906	4912512-03 MS51959-30	6	
		4	NUT, SELF-LOCKING, HEX 6-32NC-3B (AP)	72962	907627-01 L79NM107-62	6	
		4	SCREW, MACH, FLAT HD 4-40UNC-2A, 7/16 L (AP)	96906	4912511-03 MS51959-16	7	
		4	NUT, SELF-LOCKING, HEX 4-40UNC-2B (AP)	96906	4912796-00 MS21044-C04	4	
-13	P01 P02	5	CONTACT, ELEC, MALE, CRIMP, NYLON INSUL	91886	7902487-00 3610120- 3610012	86	
-14		5	PIN, GUIDE	90536	7073202-00	4	
-15		4	PLATE, SIDE, LH	90536	7071703-01	1	
-16		4	PLATE, SIDE, RH	90536	7071704-01	1	

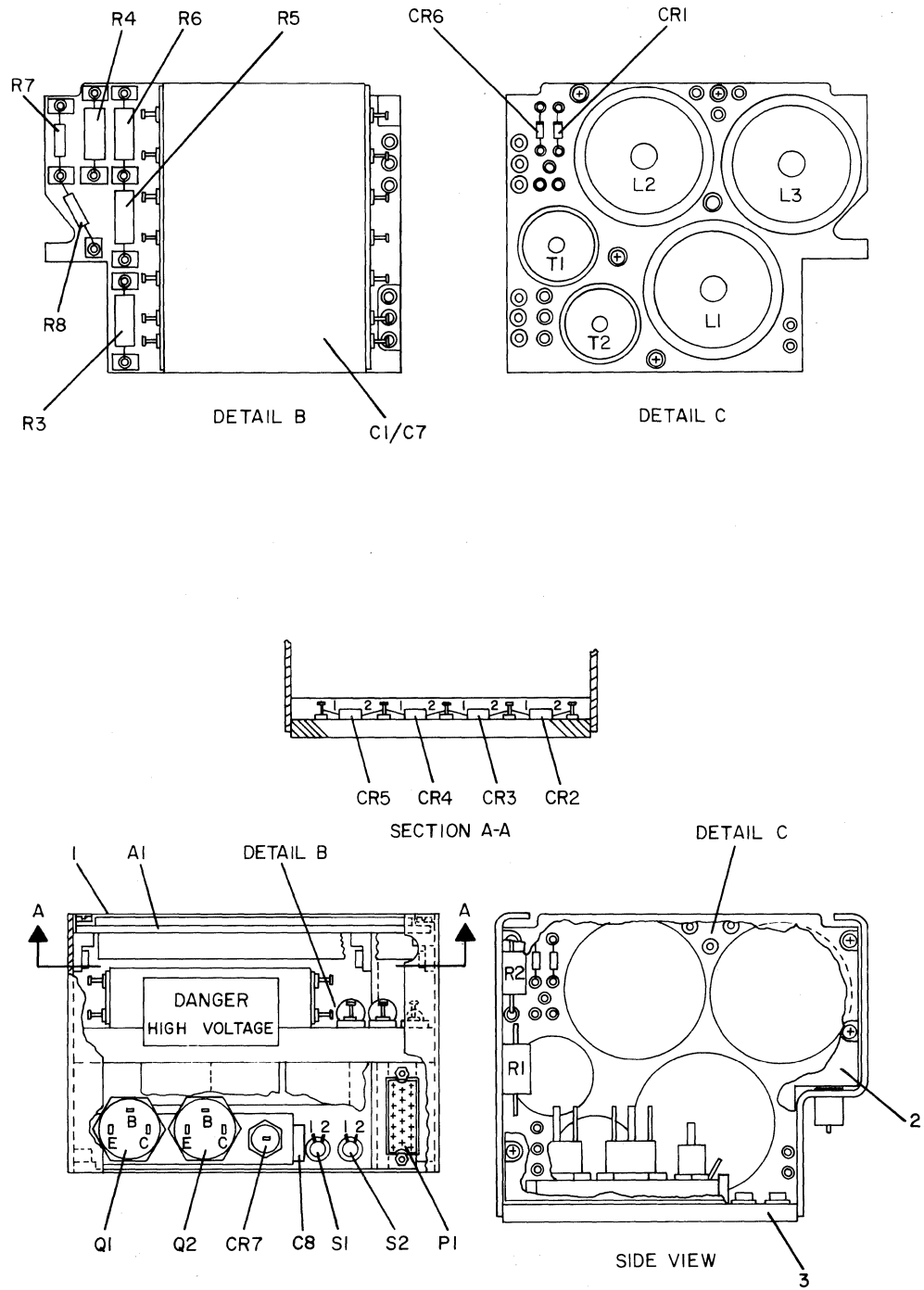


Figure 6-15. Switching Regulator Assembly



## Group Assembly Parts List

## PARTS LIST

FIG. 8 INDEX NO.	REF. DESIG.	QUANTITY	DESCRIPTION	MFR. CODE	UNIVAC PART NO. MFR. PART NO.	UNITS PER ASSY	USE ON CODE
6-15	A1	3	REGULATOR ASSEMBLY, SWITCHING	90536	7071720-00	REF	
	A2		REGULATOR ASSEMBLY, SWITCHING	90536	7071720-01	REF	
	A3		(FOR NHA SEE FIG 6-14)				
-1		4	COVER, LH	90536	7073082-00	1	
-2		4	COVER, RH	90536	7071729-00	1	
		4	SCREW, MACH, PAN HD, 4-40UNC-2A 0.375 L (AP FOR IND 1 AND 2)		4912523-04 COML	10	
A1		4	CIRCUIT CARD ASSEMBLY, 90 VOLT SWITCHING REG	90536	7071725-01	1	
		4	SCREW, MACH, PAN HD 4-40UNC-2A, 5/16 L (AP)	96906	908552-04 MS51957-14	12	
		4	CENTER SUPPORT ASSEMBLY	90536	7071735-00	1	
		4	SCREW, MACH, PAN HD 4-40UNC-2A, 0.250 L (AP)		4912523-02 COML	2	
		4	SCREW, MACH, FLAT HD 4-40UNC-2A, 0.250 L (AP)	96906	4912511-00 MS51959-13	5	
		4	SCREW, MACH, PAN HD 4-40UNC-2A, 3/8 L (AP)	96906	908552-05 MS51957-15	3	
C1/C7		5	CAPACITOR BLOCK ASSEMBLY	90536	7071736-00	1	
		5	SCREW, MACH, PAN HD 4-40UNC-2A, 3/4 L (AP)	96906	908552-11 MS51957-19	5	
		5	WASHER, FLAT, ROUND, NO 4 (AP)	96906	4912548-00 MS15795-803	5	
		5	WASHER, LOCK, SPRING, NO 4 (AP)	96906	4912550-00 MS35338-135	5	
CR1 CR6		5	SEMICONDUCTOR DEVICE, DIODE SILICON, FAST RECOVERY	81349	7903079-01 1N4944	2	
L1		5	CHOKE, FILTER, 805 UH, 7.5 AMP 1 KC	90536	7071750-00	1	
L2 L3		5	CHOKE, FILTER, 675 UH, 7.5 AMP 1 KC	90536	7071750-01	2	
		5	INSULATOR (USED WITH L1, L2, L3)	90536	7071778-08	3	
R3 R4		5	RESISTOR, FIXED, FILM 30K OHM, +-2 PCT, 2 WATT	81349	7900182-83 RL42S3036	2	
R5 R6		5	RESISTOR, FIXED, FILM 10K OHM, +-2 PCT, 2 WATT	81349	7900182-72 RL42S1036	2	

## PARTS LIST

## Group Assembly Parts List

FIG. & INDEX NO.	REF. DESIG.	INDENT	DESCRIPTION	MFR. CODE	UNIVAC PART NO. MFR. PART NO.	UNITS PER ASSY	USE ON CODE
15	R7	5	RESISTOR, FIXED, FILM 1.6K OHM, +-2 PCT, 0.5 WATT	81349	7900184-36 RL20S162G	1	
	R8	5	RESISTOR, FIXED, FILM 560 OHM, +-2 PCT, 0.5 WATT	81349	7900184-25 RL20S561G	1	
	T1	5	TRANSFORMER, CURRENT	90536	7071751-00	1	
	T2	5	TRANSFORMER, CURRENT SENSOR	90536	7071753-00	1	
		5	INSULATOR (USED WITH T1 AND T2)	90536	7071778-02	2	
		5	SUPPORT, CENTER	90536	7071741-00	1	
	C8	4	CAPACITOR, FIXED, MICA DIELECTRIC 750PF, +-2 PCT, 500V	81349	7902794-88 CM06FD751G03	1	
	CR2 THRU CR5	4	SEMICONDUCTOR DEVICE, DIODE VOLT REG, 62V, 76MA	81349	7903093-23 1N4977	4	
	CR7	4	SEMICONDUCTOR DEVICE, DIODE POWER, 400V, 12A	81349	7902834-02 1N3893	1	
		4	WASHER, HEAT CONDUCTIVE AND INSULATING (AP)	13103	7901968-13 B510-200-40	1	
		4	WASHER, SHOULDERED, INSUL (AP)	90536	7071754-00	1	
		4	NUT, SPECIAL (AP)	90536	7066792-00	1	
	P1	4	CONNECTOR, ELEC, MALE, 20 CONTACT LOCATIONS	81312	7901766-00 MRAC20P436	1	
		4	SHIM, CONNECTOR (AP)	90536	7071724-00	4	
		4	NUT, SELF-LOCKING, HEX 4-40NC-3B (AP)	72962	906056-03 79LH1660-40	2	
		5	CONTACT, ELEC, MALE, SIZE 24 AWG	81312	910878-00 100-1024P55	3	
		5	CONTACT, ELEC, MALE, SIZE 22 AWG	81312	910878-01 100-1022P55	8	
		5	CONTACT, ELEC, MALE, SIZE 20 AWG	81312	910878-02 100-1020P55	3	
		5	CONTACT, ELEC, MALE, SIZE 16 AWG	81312	910878-04 100-1016P55	4	
	Q1 Q2	4	TRANSISOTR, NPN, SILICON, POWER HIGH VOLTAGE, 300 V, MATCHED PAIR	90536	7214357-00	1	
		4	WASHER, HEAT CONDUCTIVE AND INSULATING (AP)	13103	7901968-11 B800-320-62	2	
		4	NUT, SPECIAL, 5/16-24UNF (AP)	90536	7071780-00	2	

FIG. & INDEX NO.	REF. DESIG.	QTY	DESCRIPTION	MFR. CODE	UNIVAC PART NO. MFR. PART NO.	UNITS PER ASSY	USE ON CODE
15	R1	4	RESISTOR, FIXED, WIREWOUND 75 OHM, +-1 PCT, 10 WATT	81349	7902178-84 RE65G75R0	1	
	R2	4	RESISTOR, FIXED, WIREWOUND 1 OHM, +-1 PCT, 5 WATT	81349	7901859-05 RE60G1R00	1	
		4	SCREW, MACH, PAN HD, 2-56UNC-2A 0.375 L (AP FOR R1 AND R2)		3157139-04 COML	4	
		4	NUT, SELF-LOCKING, HEX, 2-56 (AP FOR R1 AND R2)	72962	906056-01 79LH1660-26	4	
	S1	4	SWITCH, THERMOSTATIC, SPST OPEN 190 DEG F, CLOSE 220 DEG F	73803	7901848-05 4BTF2-45-12	1	
	S2	4	SWITCH, THERMOSTATIC, SPST OPEN 210 DEG F, CLOSE 240 DEG F	73803	7901848-06 4BTF2-49-12	1	
		4	INSULATOR, PLATE, HEAT CONDUCT (USED WITH S1 AND S2)	13103	7901250-04 4005-15 SLOTTED	2	
-3		4	BASE, REGULATOR	90536	7071721-00	1	

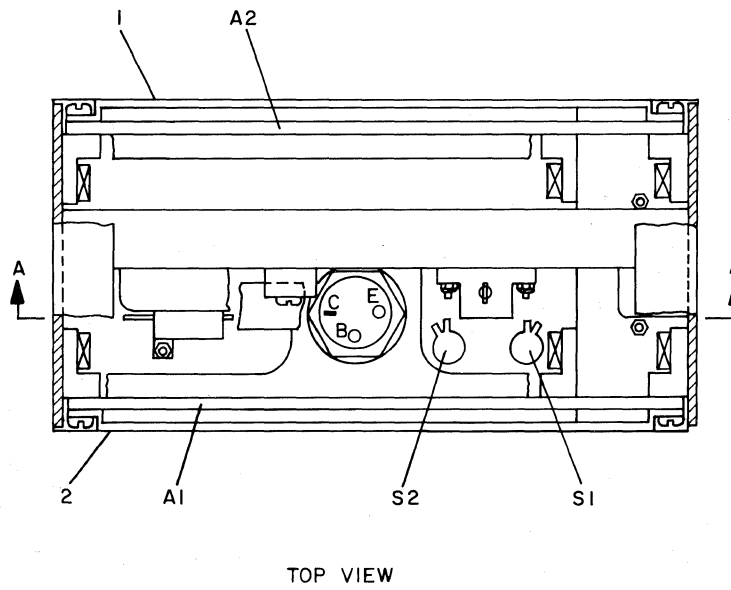
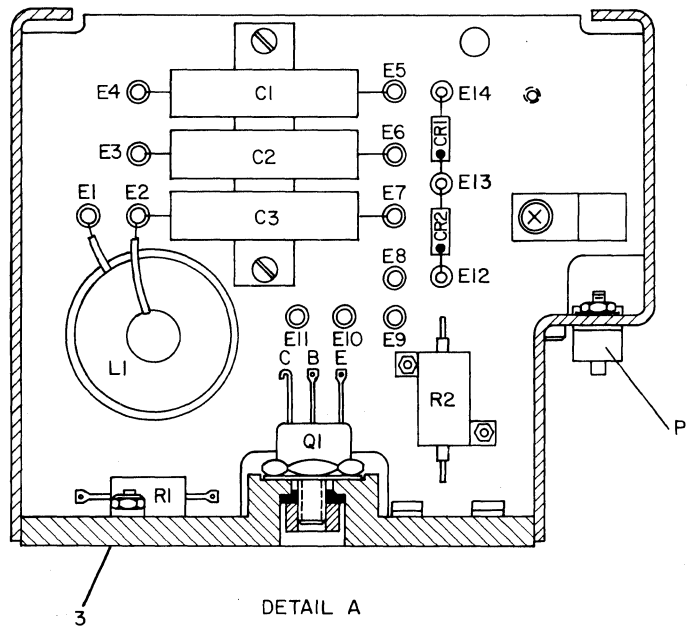


Figure 6-16. -20 VDC Regulator-Oscillator Assembly

FIG. & INDEX NO.	REF. DESIG.	QUANTITY	DESCRIPTION	MFR. CODE	UNIVAC PART NO. MFR. PART NO.	UNITS PER ASSY	USE ON CODE
6-16	A5	3	REGULATOR-OSCILLATOR ASSEMBLY -20 VDC (FOR NHA SEE FIG 6-14)	90536	7073075-00	REF	
-1		4	COVER, LH	90536	7073082-00	1	
-2		4	COVER, RH	90536	7073083-00	1	
		4	SCREW, MACH, PAN HD, 4-40UNC-2A 0.375 L (AP FOR IND 1 AND 2)		4912523-04 COML	10	
A1		4	CIRCUIT CARD ASSEMBLY -20 VOLT, REG AND OSCILLATOR	90536	7073076-00	1	
A2		4	CIRCUIT CARD ASSEMBLY, POWER INTERRUPT AND MASTER CLEAR	90536	7073090-02	1	
		4	SCREW, MACH, PAN HD, 4-40UNC-2A 3/8 L (AP FOR A1 AND A2)	96906	908552-05 MS51957-15	24	
		4	CENTER SUPPORT ASSEMBLY	90536	7073100-00	1	
		4	SCREW, MACH, FLAT HD 4-40UNC-2A, 3/8 L (AP)	96906	4912511-02 MS51959-15	5	
		4	SCREW, MACH, PAN HD 4-40UNC-2A, 0.375 L (AP)		4912523-04 COML	4	
C1 C2 C3		5	CAPACITOR ASSEMBLY, 3 FIXED ELECTROLYTIC CAPACITORS, 45 UF -15 PCT +50 PCT, 75 VOLT	90536	7073084-00		
		5	SCREW, MACH, PAN HD 4-40UNC-2A, 0.5 L (AP)	96906	908552-07 MS51957-17	2	
CR1 CR2		5	SEMICONDUCTOR DEVICE, DIODE VOLT REG, 30V, 158MA	81349	7903093-15 1N4969	2	
L1		5	CHOKE, FILTER, 0.97 MH, 1.3 AMP, 50 MV, 1KC	90536	7071750-03	1	
		5	INSULATOR, CHOKE (USED WITH L1)	90536	7071778-03	1	
R2		5	RESISTOR, FIXED, WIREWOUND 140 OHM, +-1 PCT, 10 WATT	81349	7902184-14 RE6561400	1	
		5	SCREW, MACH, PAN HD 2-56UNC-2A, 0.75 L (AP)	96906	7903132-09 MS51957-9	2	
		5	NUT, SELF-LOCKING, HEX 2-56NC-3B (AP)	72962	906056-01 79LH1660-26	2	
P1		4	CONNECTOR, PLUG, ELEC, MALE, 34 CONTACT LOCATIONS	81312	7902866-02 SREC34PN937	1	
		4	SHIM, CONNECTOR (AP)	90536	7073089-00	4	

## PARTS LIST

## Group Assembly Parts List

FIG. & INDEX NO.	REF. DESIG.	QUANTITY	DESCRIPTION	MFR. CODE	UNIVAC PART NO. MFR. PART NO.	UNITS PER ASSY	USE ON CODE
16		5	CONTACT, ELEC, MALE, SIZE 20-22 AWG	81349	7903169-00 100-4020P62	30	
		5	CONTACT, ELEC, MALE, SIZE 24-28 AWG	81349	7903169-01 100-4024P62	4	
	Q1	4	TRANSISTOR, NPN, SILICON, POWER 50W, 120V, 10A	21845	7901238-00 MHT7082	1	
		4	WASHER, SHOULDER, PLASTIC 1/4 THD SIZE (AP)	06540	7902833-03 2642-31050-N253	1	
		4	WASHER, HEAT CONDUCTIVE AND INSULATING (AP)	13103	7901968-08 R800-260-62	1	
		4	NUT, PLAIN, ROUND, SP (AP)	90536	7035853-00	1	
	R1	4	RESISTOR, FIXED, WIREWOUND 0.499 OHM, +-1 PCT, 5 WATT	81349	7901859-03 RE60GR499	1	
		4	SCREW, MACH, PAN HD 2-56UNC-2A, 0.375 L (AP)	96906	7903132-04 MS51957-5	2	
		4	NUT, SELF-LOCKING, HEX 2-56NC-3B (AP)	72962	906056-01 79LH1660-26	2	
	S1	4	SWITCH, THERMOSTATIC, SPST OPEN 190 DEG F, CLOSE 220 DEG F	73803	7901848-05 48TF2-45-12	1	
	S2	4	SWITCH, THERMOSTATIC, SPST OPEN 210 DEG F, CLOSE 240 DEG F	73803	7901848-06 48TF2-49-12	1	
		4	INSULATOR, PLATE, HEAT COND (USED WITH S1 AND S2)	13103	7901250-04 4005-15 SLOTTED	2	
-3		4	BASE, -20V REG-OSC	90536	7073086-00	1	

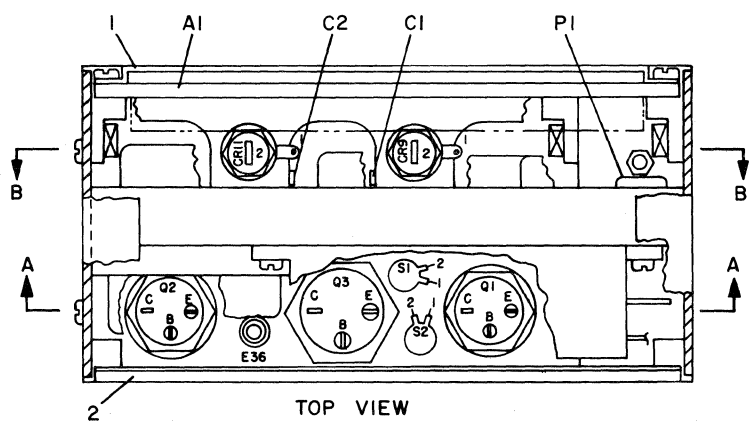
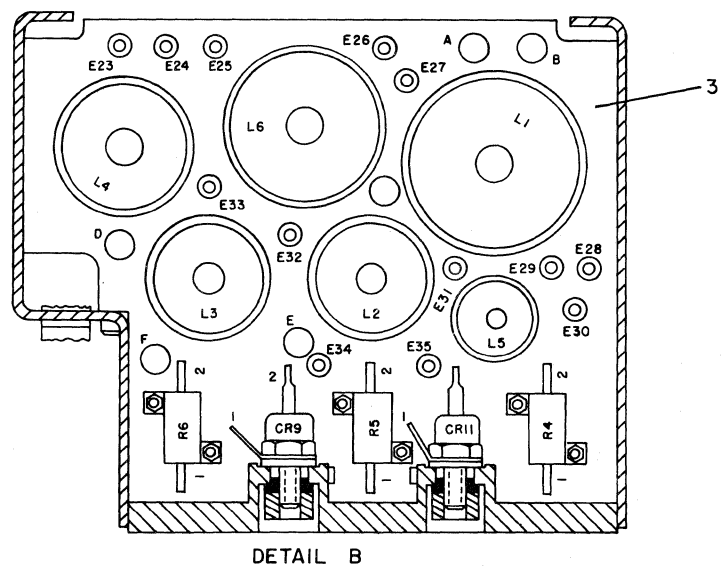
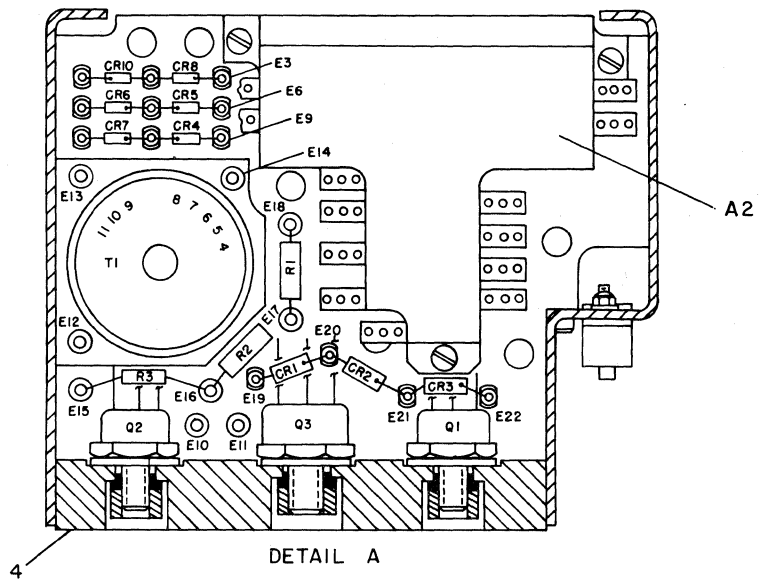


Figure 6-17. Regulating Converter Assembly Power Supply

## PARTS LIST

## Group Assembly Parts List

FIG. & INDEX NO.	REF. DESIG.	QUANTITY	DESCRIPTION	MFR. CODE	UNIVAC PART NO. MFR. PART NO.	UNITS PER ASSY	USE ON CODE
6-17	A6	3	REGULATING CONVERTER ASSEMBLY POWER SUPPLY (FOR NHA SEE FIG 6-14)	90536	7073175-00		REF
-1		4	COVER, LH	90536	7073082-00	1	
-2		4	COVER, RH	90536	7073191-00	1	
		4	SCREW, MACH, PAN HD, 4-40UNC-2A 0.375 L (AP FOR IND 1 AND 2)		4912523-04 COML	12	
	A1	4	CIRCUIT CARD ASSEMBLY, REG CONV	90536	7073176-01	1	
		4	SCREW, MACH, PAN HD 4-40UNC-2A, 3/8 L (AP)	96906	908552-05 MS51957-15	12	
	C1 C2	4	CAPACITOR, FIXED, CERAMIC DIELECTRIC, 1000PF, +-10 PCT	81349	7901102-24 CK05BX102K	2	
	CR9 CR11	4	SEMICONDUCTOR DEVICE, DIODE POWER, 100V, 12A	81349	7902834-00 1N3890	2	
		4	WASHER, HEAT CONDUCTIVE AND INSULATING (AP)	13103	7901968-13 B510-200-40	2	
		4	WASHER, SHOULDERED, INSUL (AP)	90536	7071754-00	2	
		4	NUT, SPECIAL (AP)	90536	7066792-00	2	
	P1	4	CONNECTOR, ELEC, MALE, 20 CONTACT LOCATIONS	81312	7901766-00 MRAC20P436	1	
		4	SHIM, CONNECTOR (AP)	90536	7071724-00	4	
		4	WASHER, FLAT, ROUND, NO 4 (AP)	96969	4912548-00 MS15795-803	2	
		4	NUT, SELF-LOCKING, HEX 4-40NC-3B (AP)	72962	906056-03 79LH1660-40	2	
		5	CONTACT, ELEC, MALE, SIZE 24 AWG	81312	910878-00 100-1024P55	7	
		5	CONTACT, ELEC, MALE, SIZE 22 AWG	81312	910878-01 100-1022P55	3	
		5	CONTACT, ELEC, MALE, SIZE 20 AWG	81312	910878-02 100-1020P55	1	
		5	CONTACT, ELEC, MALE, SIZE 18 AWG	81312	910878-03 100-1018P55	8	
	Q1 Q2	4	TRANSISTOR, NPN, SILICON, POWER	21845	7902185-00 SDT7825	2	
		4	WASHER, HEAT CONDUCTIVE AND INSULATING (AP)	13103	7901968-08 B800-260-62	2	



FIG. 8 INDEX NO.	REF. DESIG.	QTY	DESCRIPTION	MFR. CODE	UNIVAC PART NO. MFR. PART NO.	UNITS PER ASSY	USE ON CODE
17		4	WASHER, SHOULDERED, INSUL (AP)	83330	901372-04 2154	2	
		4	NUT, PLAIN, ROUND, SP (AP)	90536	7035853-00	2	
	Q3	4	TRANSISTOR, NPN, SILICON, POWER	01295	7900755-00 SP4167	1	
		4	WASHER, HEAT CONDUCTIVE AND INSULATING (AP)	13103	7901968-11 B800-320-62	1	
		4	NUT, SPECIAL, 5/16-24UNF (AP)	90536	7071780-01	1	
	S1	4	SWITCH, THERMOSTATIC, SPST OPEN 190 DEG F, CLOSE 220 DEG F	73803	7901848-05 4BTF2-45-12	1	
	S2	4	SWITCH, THERMOSTATIC, SPST OPEN 210 DEG F, CLOSE 240 DEG F	73803	7901848-06 4BTF2-49-12	1	
		4	INSULATOR, PLATE, HEAT COND (USED WITH S1 AND S2)	13103	7901250-04 4005-15 SLOTTED	2	
		4	CENTER SUPPORT ASSEMBLY	90536	7073185-00	1	
		4	SCREW, MACH, FLAT HD 4-40UNC-2A, 3/8 L (AP)	96906	4912511-02 MS51959-15	5	
		4	SCREW, MACH, PAN HD 4-40UNC-2A, 0.375 L (AP)		4912523-04 COML	4	
	A2	5	CAPACITOR BLOCK ASSEMBLY	90536	7073190-00	1	
		5	SCREW, MACH, PAN HD 4-40UNC-2A, 3/8 L (AP)	96906	908552-05 MS51957-15	3	
	CR1 CR2 CR3	5	SEMICONDUCTOR DEVICE, DIODE VOLT REG, 20V, 237MA	81349	7903093-11 1N4965	3	
	CR4 CR7	5	SEMICONDUCTOR DEVICE, DIODE SILICON, FAST RECOVERY	81349	7903079-01 1N4944	2	
	CR5 CR6 CR8 CR10	5	SEMICONDUCTOR DEVICE, DIODE SILICON, FAST RECOVERY	81349	7903079-00 1N4942	4	
	L1	5	CHOKE, FILTER, 269 UH, 6 AMP 1 KC	90536	7071750-08	1	
		5	INSULATOR, CHOKE (USED WITH L1)	90536	7071778-06	1	
	L2 L3	5	CHOKE, FILTER, 15.1 MH, 0.2 AMP, 1 KC	90536	7071750-12	2	
		5	INSULATOR (USED WITH L2 AND L3)	90536	7071778-01	2	

## PARTS LIST

## Group Assembly Parts List

FIG. & INDEX NO.	REF. DESIG.	QTY	DESCRIPTION	MFR. CODE	UNIVAC PART NO. MFR. PART NO.	UNITS PER ASSY	USE ON CODE
17	L4	5	CHOKE, FILTER, 1.22 MH, 1.4 AMP, 1 KC	90536	7071750-11	1	
		5	INSULATOR, CHOKE (USED WITH L4)	90536	7071778-13	1	
	L5	5	CHOKE, FILTER, 7.92 MH, 0.13 AMP, 1 KC	90536	7071750-10	1	
		5	INSULATOR, CHOKE (USED WITH L5)	90536	7071778-12	1	
	L6	5	CHOKE, FILTER, 60.8 MH, 10 AMP 1 KC	90536 94209	7071750-09	1	
		5	INSULATOR, CHOKE (USED WITH L6)	90536	7071778-04	1	
	R1 R2	5	RESISTOR, FIXED, WIREWOUND 2K OHM, +-5 PCT, 3 WATT	81349	910509-62 RW69V202	2	
	R3	5	RESISTOR, FIXED, FILM 510 OHM, +-5 PCT, 0.5 WATT	81349	7900184-24 RL20S5116	1	
	R4 R5	5	RESISTOR, FIXED, WIREWOUND 0.1 OHM, +-1 PCT, 5 WATT	81349	7901859-00 RE60GR100	2	
	R6	5	RESISTOR, FIXED, WIREWOUND 2 OHM, +-1 PCT, 5 WATT	81349	7901859-06 RE60G2R00	1	
		5	SCREW, MACH, PAN HD, 2-56UNC-2A 0.625 L (AP FOR R4, R5, R6)	96906	7903132-08 MS51957-8	6	
		5	NUT, SELF-LOCKING, HEX, 2-56 (AP FOR R4, R5, R6)	72962	906056-01 79LH1660-26	6	
	T1	5	TRANSFORMER, POWER	90536	7073186-00	1	
		5	INSULATOR, TRANS (USED WITH T1)	90536	7071778-06	1	
	-3	5	CENTER SUPPORT, REG	90536	7073187-00	1	
	-4	4	BASE, REGULATOR CONVERTER	90536	7073194-00	1	

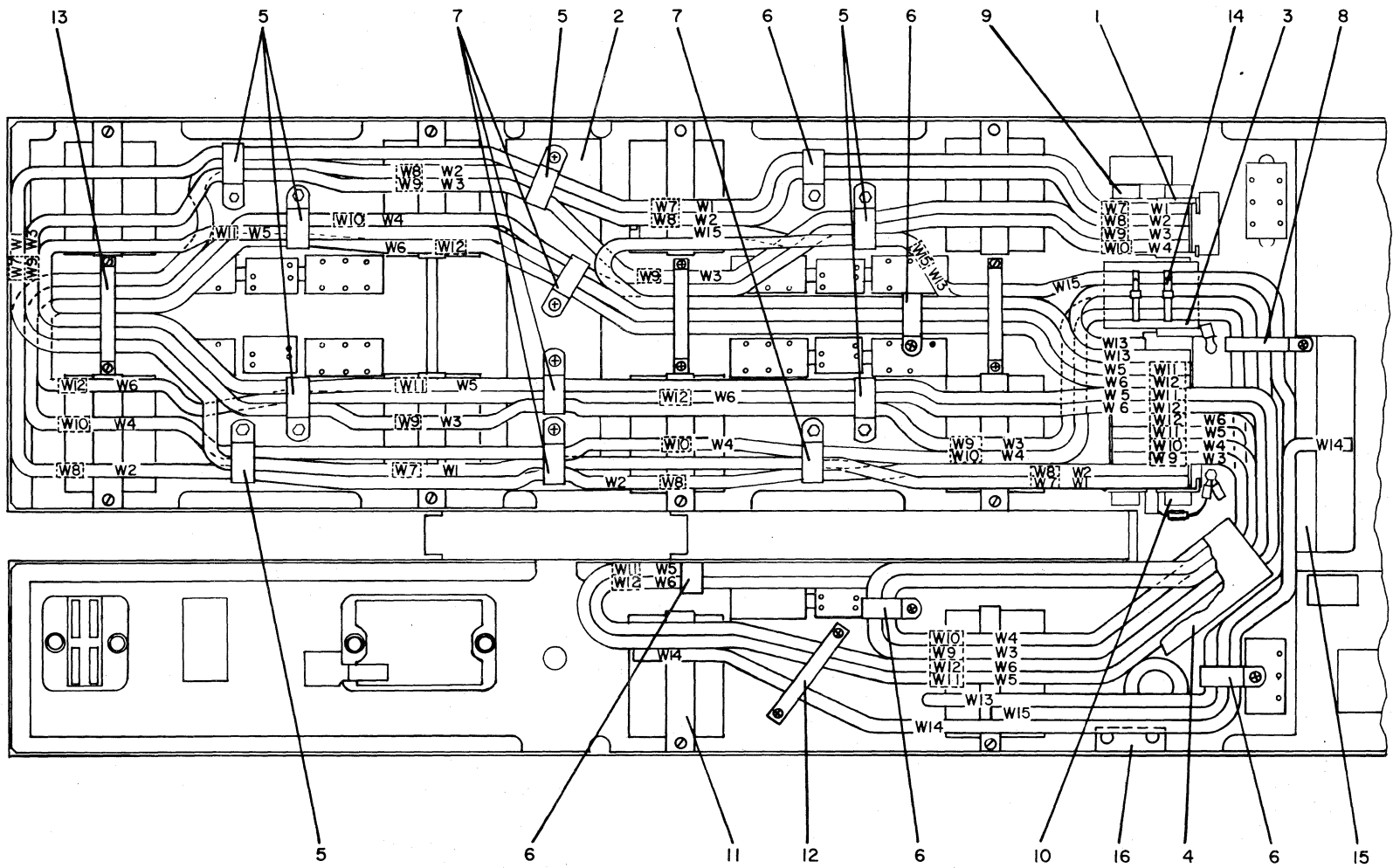


Figure 6-18. Cable Installation

## PARTS LIST

## Group Assembly Parts List

FIG. & INDEX NO.	REF. DESIG.	QUANTITY	DESCRIPTION	MFR. CODE	UNIVAC PART NO. MFR. PART NO.	UNITS PER ASSY	USE ON CODE
6-18		2	CABLE INSTALLATION	90536	7073291-XX	REF	A
			CABLE INSTALLATION	90536	7073536-XX	REF	B
			CABLE INSTALLATION (FOR NHA SEE FIG 6-1)	90536	7073448-XX	REF	C
-1	A9 THRU A16	3	RESISTOR MODULE ASSEMBLY	90536	7071490-00	8	A C
			RESISTOR MODULE ASSEMBLY (FOR NLA SEE FIG 6-22)	90536	7071490-00	7	B
-2		3	PLATE, SUPPORT, WIRING HARNESS	90536	7073430-00	1	
			SCREW, MACH, PAN HD 6-32UNC-2A, 3/8 L (AP)	96906	4912531-02 MS51957-28	4	
			WASHER, LOCK, SPRING, NO 6 (AP)	96906	4912550-01 MS35338-136	4	
			WASHER, FLAT, NO 6 (AP)	96906	4912548-01 MS15795-805	4	
-3		3	PLATE, SUPPORT	90536	7073432-00	1	
			SPACER, SUPPORT PLATE (AP)	90536	7073433-00	4	
			SCREW, MACH, PAN HD 4-40UNC-2A, 7/8 L (AP)	96906	908552-12 MS51957-12	4	
			WASHER, LOCK, SPRING, NO 4 (AP)	96906	4912550-00 MS35338-135	4	
			WASHER, FLAT, NO 4 (AP)	96906	4912548-00 MS15795-803	4	
-4		3	PLATE, RETAINER, WIRING HARNESS	90536	7073427-00	1	
			SCREW, MACH, PAN HD 4-40UNC-2A, 3/8 L (AP)	96906	908552-05 MS51957-15	5	
			WASHER, FLAT, NO 4 (AP)	96906	4912548-00 MS15795-803	5	
-5		3	CLAMP, LOOP, NYLON, P-STYLE 0.620 IN. DIA	09922	900129-09 HP10N	7	
-6		3	CLAMP, LOOP, NYLON, P-STYLE 0.475 IN. DIA	09922	900129-07 HP8N	5	
-7		3	CLAMP, LOOP, NYLON, P-STYLE 0.535 IN. DIA	09922	900129-08 HP9N	4	

FIG. & INDEX NO.	REF. DESIG.	INDENT	DESCRIPTION	MFR. CODE	UNIVAC PART NO. MFR. PART NO.	UNITS PER ASSY	USE ON CODE
18-8	3		CLAMP, LOOP, NYLON, P-STYLE 0.820 IN. DIA	09922	900128-03 HP13N	1	
	3		SPACER, LOOP CLAMP (AP FOR IND 5 THRU 8)	90536	7073431-00	9	
	3		SCREW, MACH, PAN HD, 6-32UNC-2A 7/8 L (AP FOR IND 5 THRU 8)	96906	908553-10 MS51957-33	9	
	3		SCREW, MACH, PAN HD, 6-32UNC-2A 7/16 L (AP FOR IND 5 THRU 8)	96906	4912531-03 MS51957-29	7	
	3		SCREW, MACH, PAN HD, 4-40UNC-2A 7/16 L (AP FOR IND 5 THRU 8)	96906	908552-06 MS51957-16	2	
	3		WASHER, FLAT, NO 6 (AP FOR IND 5 THRU 8)	96906	4912548-01 MS15795-805	22	
	3		WASHER, FLAT, NO 4 (AP FOR IND 5 THRU 8)	96906	4912548-00 MS15795-803	AR	
	3		NUT, SELF-LOCKING, HEX, 6-32 (AP FOR IND 5 THRU 8)	96906	4912796-01 MS21044-C06	9	
-9	3		RETAINER, CONNECTOR	90536	7071847-00	2	
-10	3		RETAINER, CONNECTOR	90536	7071847-02	2	
	3		SCREW, MACH, PAN HD, 4-40UNC-2A 7/16 L (AP FOR IND 9 AND 10)	96906	908552-06 MS51957-16	2	
	3		WASHER, LOCK, SPRING, NO 4 (AP FOR IND 9 AND 10)	96906	4912550-00 MS35338-135	2	
-11	3		CLAMP, CONNECTOR	90536	7073295-00	10	
	3		SCREW, EXTERNALLY RELIEVED BODY 4-40UNC-2A, 0.562 L (AP)	06540	7902788-16 6235SS0440	20	
	3		WASHER, FLAT, NO 4 (AP)	96906	4912548-00 MS15795-803	20	
-12	3		CLAMP, WIRE SUPPORT	90536	7073429-00	1	
	3		SCREW, MACH, PAN HD 6-32UNC-2A, 3/8 L (AP)	96906	4912531-02 MS51957-28	2	
	3		WASHER, LOCK, SPRING, NO 6 (AP)	96906	4912550-01 MS35338-136	2	
	3		WASHER, FLAT, NO 6 (AP)	96906	4912548-01 MS15795-805	2	
-13	3		CLAMP, WIRING HARNESS	90536	7073426-00	3	
	3		SCREW, MACH, PAN HD 4-40UNC-2A, 5/16 L (AP)	96906	908552-04 MS51957-14	6	

## PARTS LIST

## Group Assembly Parts List

FIG. & INDEX NO.	REF. DESIG.	QTY	DESCRIPTION	MFR. CODE	UNIVAC PART NO. MFR. PART NO.	UNITS PER ASSY	USE ON CODE
18		3	WASHER, FLAT, NO 4 (AP)	96906	4912548-00 MS15795-803	6	
	W1	3	WIRING HARNESS, 60.50 IN. L	90536	7071857-00	1	
	W2	3	WIRING HARNESS, 59.75 IN. L	90536	7071857-01	1	
	W3	3	WIRING HARNESS, 90.00 IN. L	90536	7071857-02	1	
	W4	3	WIRING HARNESS, 92.50 IN. L	90536	7071857-03	1	
	W5	3	WIRING HARNESS, 98.12 IN. L	90536	7071857-04	1	
	W6	3	WIRING HARNESS, 103.50 IN. L	90536	7071857-05	1	
	W7	3	WIRING HARNESS, 58.50 IN. L	90536	7071857-06	1	
	W8	3	WIRING HARNESS, 58.00 IN. L	90536	7071857-07	1	
	W9	3	WIRING HARNESS, 93.30 IN. L	90536	7071857-08	1	
	W10	3	WIRING HARNESS, 91.25 IN. L	90536	7071857-09	1	
	W11	3	WIRING HARNESS, 101.45 IN. L	90536	7071857-10	1	
	W12	3	WIRING HARNESS, 103.50 IN. L	90536	7071857-11	1	
	W13	3	WIRING HARNESS, 70.25 IN. L	90536	7071857-12	1	A B
	W14	3	WIRING HARNESS, 22.00 IN. L	90536	7071858-00	1	
	W15	3	WIRING HARNESS, 32.00 IN. L (FOR NLA SEE FIG 6-19)	90536	7073238-00	1	
-14		3	STRAP, CABLE, ADJUSTABLE 6 IN L, 0.190 IN W, WHITE	06383	7900539-01 SS1	2	
-15		3	CLAMP, CONNECTOR	90536	7073298-00	1	
		3	SCREW, MACH, PAN HD 4-40UNC-2A, 1/4 L (AP)	96906	908552-03 MS51957-13	1	
		3	WASHER, LOCK, SPRING, NO 4 (AP)	96906	4912550-01 MS35338-136	1	
-16		3	STRAP, GROUNDING	90536	7216306-00	1	A B
		3	SCREW, MACH, PAN HD 4-40UNC-2A, 3/8 L (AP)	96906	908552-04 MS51957-14	4	
		3	WASHER, LOCK, SPRING, NO 4 (AP)	96906	4912550-00 MS35338-135	4	
		3	WASHER, FLAT, NO 4 (AP)	96906	4912548-00 MS15795-803	4	

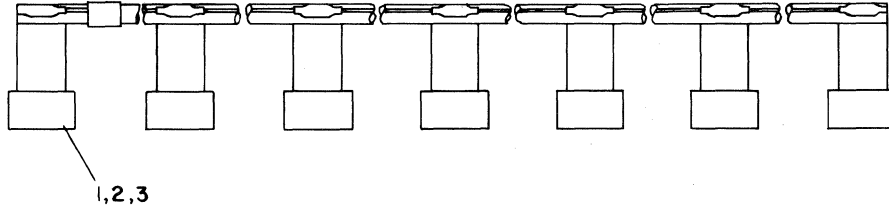


Figure 6-19. Wire Harness

FIG. & INDEX NO.	REF. DESIG.	QUANTITY	DESCRIPTION	MFR. CODE	UNIVAC PART NO. MFR. PART NO.	UNITS PER ASSY	USE ON CODE
6-19	W1	3	WIRE HARNESS	90536	7071857-00	REF	A
	W2		WIRE HARNESS	90536	7071857-01	REF	B
	W3		WIRE HARNESS	90536	7071857-02	REF	C
	W4		WIRE HARNESS	90536	7071857-03	REF	D
	W5		WIRE HARNESS	90536	7071857-04	REF	E
	W6		WIRE HARNESS	90536	7071857-05	REF	F
	W7		WIRE HARNESS	90536	7071857-06	REF	G
	W8		WIRE HARNESS	90536	7071857-07	REF	H
	W9		WIRE HARNESS	90536	7071857-08	REF	I
	W10		WIRE HARNESS	90536	7071857-09	REF	J
	W11		WIRE HARNESS	90536	7071857-10	REF	K
	W12		WIRE HARNESS	90536	7071857-11	REF	L
	W13		WIRE HARNESS	90536	7071857-12	REF	M
	W14		WIRE HARNESS	90536	7071858-00	REF	N
	W15		WIRE HARNESS (FOR NHA SEE FIG 6-18)	90536	7073238-00	REF	O
-1		4	CONNECTOR, PLUG, ELEC, FEMALE 20 TO 26 CONTACT LOCATION	00779	7902799-00 86201-1	6 7 4 2	ABEF GHKL CDIJ M NO
-2		4	CONTACT, ELECTRICAL, FEMALE MINTR, ACCOM 20-22 AWG WIRE	00779	7902072-00 85969-1LP	60 68 74 84 36	AEHL BFGK CJ DI M
-3		4	CONTACT, ELECTRICAL, FEMALE MINTR, ACCOM 24-30 AWG WIRE	00779	7902072-01 85967-1LP	24 28 16	ACEH JL RDFG N IKMO

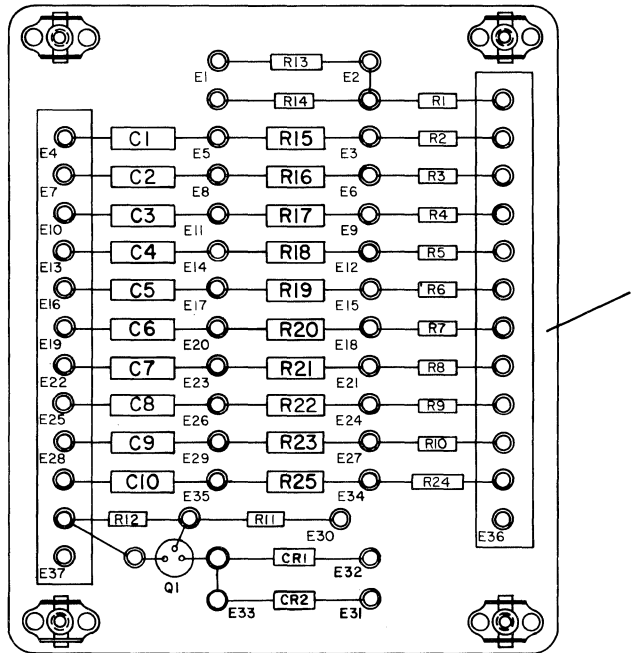


Figure 6-20. Operator's Panel Assembly



FIG. & INDEX NO.	REF. DESIG.	QTY	DESCRIPTION	MFR. CODE	UNIVAC PART NO. MFR. PART NO.	UNITS PER ASSY	USE ON CODE
6-20	A17	3	OPERATORS PANEL ASSEMBLY (FOR NHA SEE FIG 6-2)	90536	7073199-00	REF	
	C1 THRU C10	4	CAPACITOR, FIXED, ELECTROLYTIC 0.22UF, +-10 PCT, 50V	81349	7902696-69 CSR136224KM	10	
	CR1	4	SEMICONDUCTOR DEVICE, DIODE SILICON, SWITCHING, 110 MW	03508	7901126-00 DHD894	1	
	CR2	4	SEMICONDUCTOR DEVICE, DIODE 1AMP, 200V, 300 MW	81349	7902067-00 1N3611	1	
	Q1	4	TRANSISTOR, NPN, SILICON SWITCHING, 60V, 400 MW	01295	7900038-00 SM2379	1	
	R1	4	RESISTOR, FIXED, FILM 2K OHM, +-2 PCT, 1/4 WATT	81349	7900183-38 RL07S202G	1	
	R2 THRU R10 R24	4	RESISTOR, FIXED, FILM 5.6K OHM, +-2 PCT, 1/4 WATT	81349	7900183-49 RL07S562G	10	
	R11	4	RESISTOR, FIXED, FILM 750 OHM, +-2 PCT, 1/4 WATT	81349	7900183-28 RL07S751G	1	
	R12	4	RESISTOR, FIXED, FILM 2.7K OHM, +-2 PCT, 0.5 WATT	81349	7900183-41 RL07S272G	1	
	R13	4	RESISTOR, FIXED, WIREWOUND 402 OHM, +-1 PCT, 0.5 WATT	11502	7900784-58 AS-1/2,402.0+-1	1	
	R14	4	RESISTOR, FIXED, FILM 3K OHM, +-2 PCT, 1/4 WATT	81349	7900183-42 RL07S302G	1	
	R15 THRU R23 R25	4	RESISTOR, FIXED, COMPOSITION 30 OHM, +-5 PCT, 0.5 WATT	81349	4911674-12 RC20GF300J	10	
-1		4	BOARD, OPERATOR	90536	7073198-00	1	

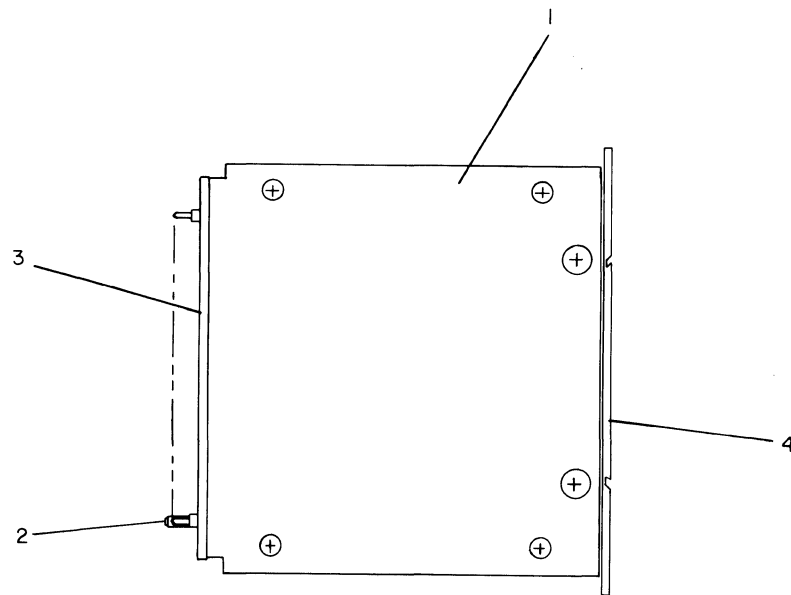


Figure 6-21. I/O Mode Selector Switch

FIG. & INDEX NO.	REF. DESIG.	QTY	DESCRIPTION	MFR. CODE	UNIVAC PART NO. MFR. PART NO.	UNITS PER ASSY	USE ON CODE
6-21		3	MODE SELECTOR SWITCH, I/O (WIRED TO MATCH INTERFACE REQUIREMENTS) (FOR NHA SEE FIG 6-1)	90536	7073230-XX	REF	
-1		4	SIDE, COVER	90536	7073228-00	1	
		4	SCREW, MACH, FLAT HD 2-56UNC-2A, 0.188 L (AP)		3157138-00 COML	4	
		4	SCREW, MACH, FLAT HD 4-40UNC-2A, 0.25 L (AP)	96906	4912511-00 MS51959-13	2	
-2		4	PIN, CODE, CONTACT MALE, BLUE	VIK	7901765-00 1890-00	4	
-3		4	CONNECTOR, ELECTRICAL, MALE	90536	7073229-00	1	
		4	SCREW, MACH, FLAT HD 4-40UNC-2A, 0.25 L (AP)	96906	4912511-00 MS51959-13	4	
-4		4	CASE, MODE SELECTOR	90536	7073227-00	1	

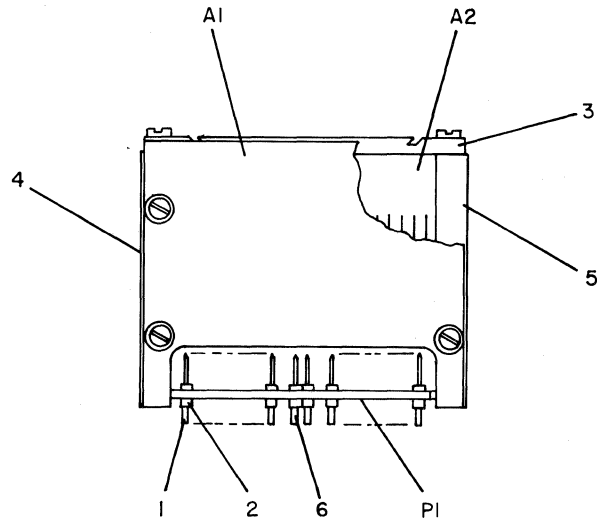
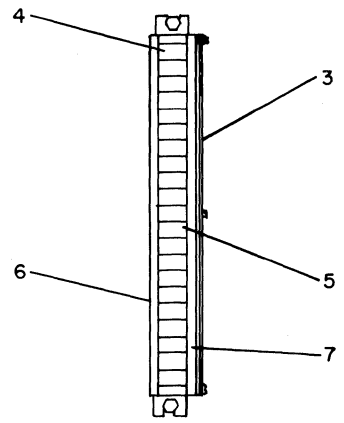
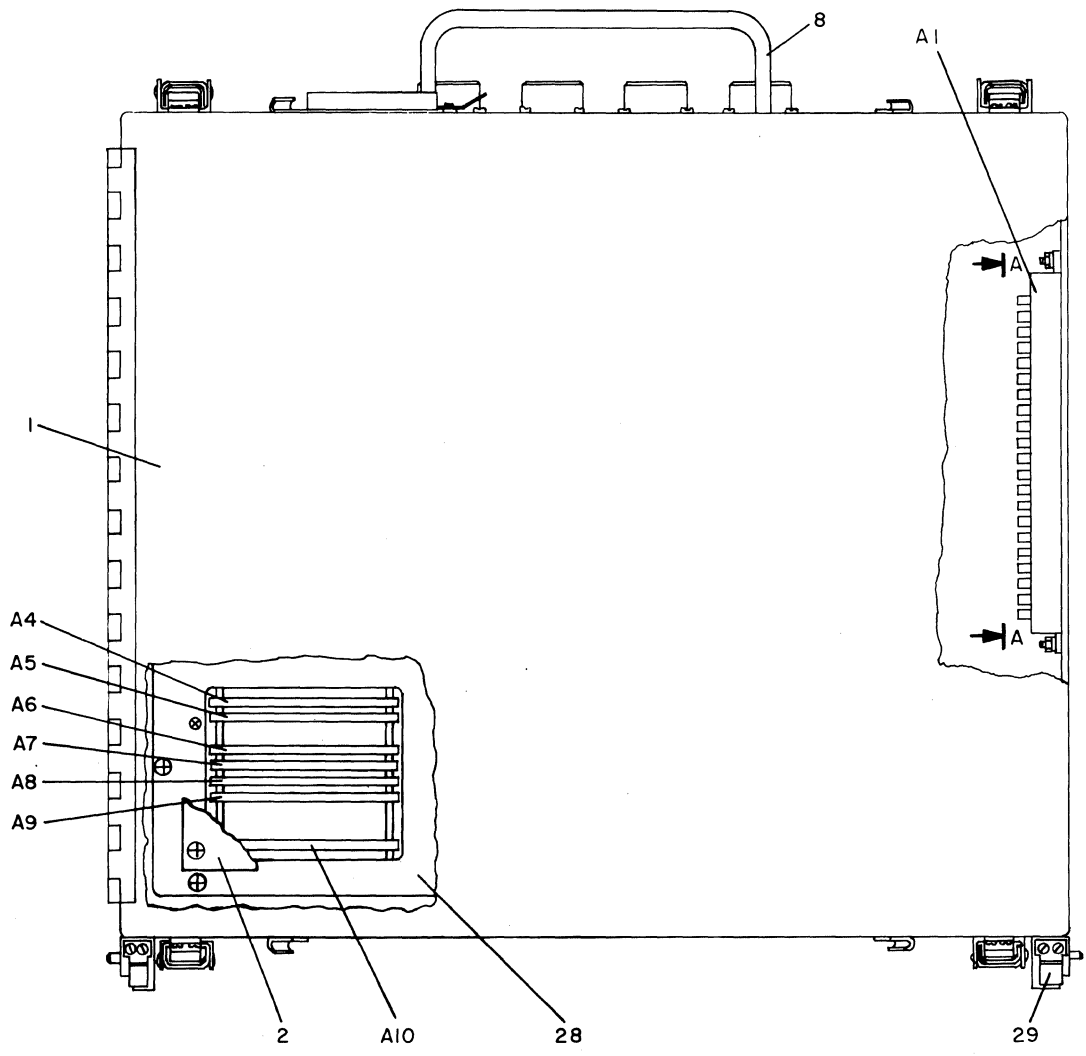


Figure 6-22. Resistor Module Assembly

FIG. & INDEX NO.	REF. DESIG.	QTY	DESCRIPTION	MFR. CODE	UNIVAC PART NO. MFR. PART NO.	UNITS PER ASSY	USE ON CODE
6-22	A9 THRU A16	3	RESISTOR MODULE ASSEMBLY (FOR NHA SEE FIG 6-18)	90536	7071490-00	REF	
	A1 A2	4	CIRCUIT CARD ASSEMBLY, RESISTOR	90536	7071492-00	2	
		4	SCREW, MACH, PLAIN HD 4-40UNC-2A, 0.188 L (AP)		4912523-01 COML	8	
		4	WASHER, FLAT, NO. 4 (AP)	96906	4912548-00 MS15795-803	8	
	P1	4	CONNECTOR, RECEPTACLE, ELEC MALE, 72 CONTACT	90536	7071493-00	1	
-1		6	CONTACT, ELECTRICAL, WIRE WRAP MALE, 0.59 L	90536	7050016-00	72	
-2		6	BUSHING, ELECTRICAL, CONT, MALE	90536	7050017-00	72	
-3		4	BRACE, RESISTOR MODULE	90536	7071495-00	1	
		4	SCREW, MACH, PLAIN HD 4-40UNC-2A, 0.250 L (AP)		4912523-02 COML	2	
		4	WASHER, FLAT, NO. 4 (AP)	96906	4912548-00 MS15795-803	2	
-4		4	HEAT SINK	90536	7071494-00	1	
-5		4	HEAT SINK	90536	7071494-01	1	
-6		4	PIN, CODE, CONTACT MALE, BLUE	VIK	7901765-00 1890-00	1	



DETAIL A

Figure 6-23 (Sh 1). Computer Logic Test Set

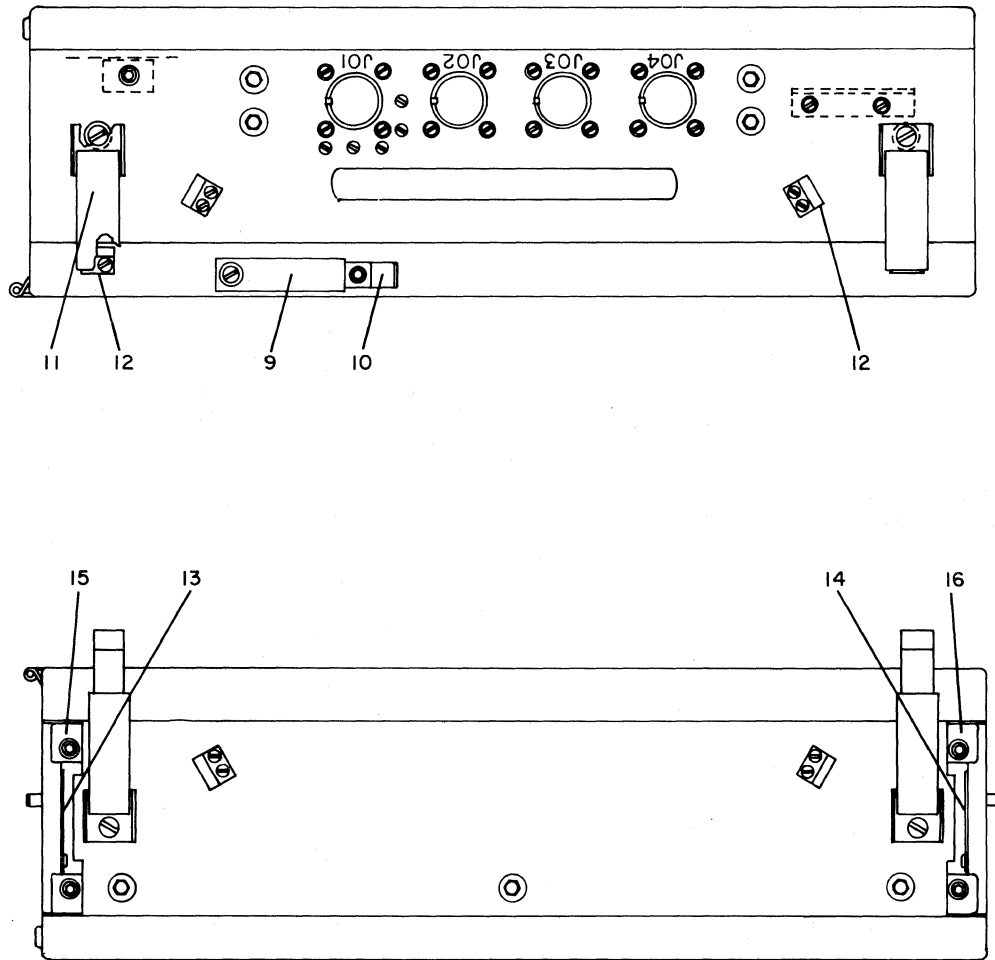


Figure 6-23 (Sh 2). Computer Logic Test Set

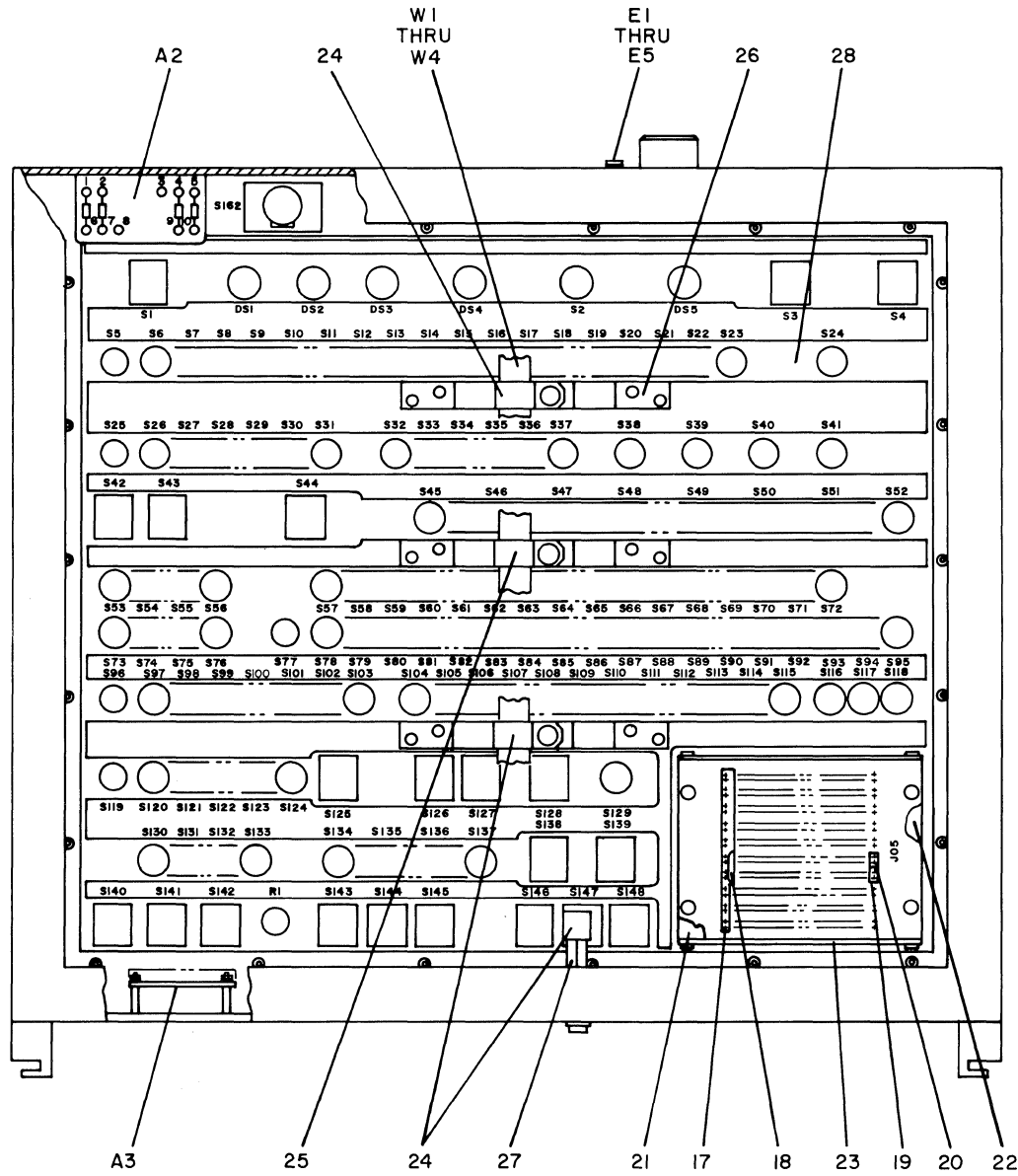


Figure 6-23 (Sh 3). Computer Logic Test Set

Group Assembly Parts List

PARTS LIST

FIG. & INDEX NO.	REF. DESIG.	QTY	DESCRIPTION	MFR. CODE	UNIVAC PART NO. MFR. PART NO.	UNITS PER ASSY	USE ON CODE
6-23	A19	2	TEST SET, CMPTR LGC TS-2940	90536	7073330-00	REF	A
			TEST SET, CMPTR LGC (GND) TS2940A (FOR NHA SEE FIG 6-1)	90536	7073330-01	REF	B
-1		3	COVER, FRONT	90536	7071623-00	1	
		3	SCREW, MACH, PAN HD 6-32UNC-2A, 5/16 L (AP)	96906	4912531-01 MS51957-27	7	
		3	WASHER, FLAT, ROUND, NO 6 (AP)	96906	902991-04 MS960-C6	7	
-2		3	COVER, CARD ACCESS, LETTERED	90536	7073479-01	1	
		3	SCREW, MACH, PAN HD 6-32UNC-2A, 5/8 L (AP)	96906	4912531-05 MS51957-31	4	
		3	WASHER, FLAT, ROUND, NO 6 (AP)	96906	4912548-01 MS15795-805	4	
A1		3	TERMINAL BLOCK ASSEMBLY	90536	7073339-00	1	
		3	NUT, SELF-LOCKING, MINIATURE 10-32UNF (AP)	75237	7900866-04 H42M3	2	
-3		4	BUS BAR	90536	7071627-00	1	
		4	SCREW, MACH, PAN HD 2-56UNC-2A, 0.438 L (AP)		3157139-05 COML	6	
		4	WASHER, FLAT, ROUND, NO 2 (AP)	96906	4912548-09 MS15795-802	6	
		4	SPACER, BUS BAR (AP)	90536	7073344-00	3	
-4		4	TERMINAL BLOCK, 8 CONT LCTN SIZE 20 CONT, 10 AMP	14283	7902891-10 MTR20A4	20	
-5		4	CONTACT, ELECTRICAL, MALE, CRIMP TYPE, SIZE 20	14283	7902892-02 5000-003-20	14	
-6		4	FRAME ASSEMBLY, TERM BD, 1 ROW 20 TERM, BLK SIZE 20	14283	7902896-16 MSR6A20-20	1	
-7		4	FRAME ASSEMBLY, TERM BD, END BLK	14283	7902896-01 MER6A1-20	1	
A2		3	CAPACITOR ASSEMBLY	90536	7069735-00	1	
		3	SCREW, MACH, PAN HD 4-40UNC-2A, 3/8 L (AP)	96906	908552-05 MS51957-15	2	
		3	WASHER, FLAT, ROUND, NO 4 (AP)	96906	4912548-00 MS15795-803	2	
C1 C2		4	CAPACITOR, FIXED CERAMIC DIELECT. 22000 PF, +-20 PCT, 100V	81349	7900959-13 CK15AX223M	4	

## PARTS LIST

## Group Assembly Parts List

FIG. & INDEX NO.	REF. DESIG.	QUANTITY	DESCRIPTION	MFR. CODE	UNIVAC PART NO. MFR. PART NO.	UNITS PER ASSY	USE ON CODE
23	C4 C5						
	A3	3	CIRCUIT CARD ASSY, OSCILLATOR	90536	7056763-01	1	
		3	NUT, SELF-LOCKING, HEX 4-40UNC-3B (AP)	96906	4912796-00 MS21044-C04	4	
		3	WASHER, FLAT, ROUND, NO 4 (AP)	96906	4912548-00 MS15795-803	4	
	A4 A5 A6	3	CIRCUIT CARD ASSEMBLY, ISOLATE	90536	7112130-00	3	
	A7 A8 A9	3	CIRCUIT CARD ASSEMBLY, R C NTWK	90536	7112135-00	3	
	A10	3	CIRCUIT CARD ASSEMBLY, R C NTWK	90536	7112140-00	1	
	DS1 DS2 DS3	3	LIGHT, IND, TSTRZ, W/REPLACEABLE LAMP, RED LENS	07137	7901971-01 TIL3055B27	3	
	DS4	3	LIGHT, IND, TSTRZ, W/REPLACEABLE LAMP, GRN LENS	07137	7901971-02 TIL3055B18	1	
	DS5	3	LIGHT, IND, TSTRZ, W/REPLACEABLE LAMP, RED LENS	07137	7902802-01 TIL4890A27	1	
		3	NUT, PLAIN, ROUND, ALUM, 3/8- 32NEF-2 (AP FOR DS1 THRU DS5)	07137	7900880-01 1112-1	5	
		3	WASHER, LOCK, EXT TOOTH, NARROW TYPE, 3/8 (AP FOR DS1 THRU DS5)	78189	7901920-02 1120-12CPDD	5	
		4	LAMP, INCANDESCENT 28 VOLT, 40MA	96906	7902253-00 MS18209-387	5	
	E1 THRU E5	3	TERMINAL, STUD, INSUL, TAPPED 4-40NC-2B THD	71279	910185-01 570-3650-01-05	5	
		3	SCREW, MACH, PAN HD 4-40UNC-2A, 0.25 L (AP)	96906	908552-03 MS51957-13	5	
		3	WASHER, FLAT, ROUND, NO 4 (AP)	96906	4912548-00 MS15795-803	5	
	J01 J02 J03	3	CONNECTOR, RCPT, ELECTRICAL MALE, 85 CONTACT	81349	7902698-00 M81511/01E18- 85P1	3	
	J04	3	CONNECTOR, RCPT, ELECTRICAL MALE, 85 CONTACT	81349	7902698-03 M81511/01E18- 85P4	1	



FIG. & INDEX NO.	REF. DESIG.	IDENT	DESCRIPTION	MFR. CODE	UNIVAC PART NO. MFR. PART NO.	UNITS PER ASSY	USE ON CODE
23		4	CONTACT, ELECTRICAL, MALE	96906	7902484-00 MS90461-23-22	264	
		4	CONTACT, ELEC, CONN, MALE, ACCOM 30 AWG WIRE	02660	7902484-04 348-100-5047P02	76	
		4	CONTACT, ELECTRICAL, MALE CRIMP TYPE, 20-24 AWG WIRE	96906	7902892-02 M39029/01-20	121	
		4	PLUG, SEALING, CONTACT	96906	7902852-00 M81511/15-22	78	
	J05	3	CONNECTOR, RCPT, ELEC, FEMALE	90536	7073338-00	1	
		3	SCREW, MACH, PAN HD 6-32UNC-2A, 3/8 L (AP)	96906	4912531-02 MS51957-28	4	
		4	CONTACT, ELEC, WIRE WRAP, FEMALE	90536	7050014-00	560	
		4	BUSHING, CONT, WIRE WRAP, FEMALE	90536	7050015-00	560	
	R1	3	RESISTER, VAR, CMPSN, 500K OHM PORM 10 PCT, 350V, 0.8W	01121	7902036-11 L7152	1	
		3	KNOB, CONTROL, ROUND, SIZE 7 (USED ON R1)	96906	912052-00 MS91528-1N1B	1	
	S1	3	SWITCH, PUSH, 2SPDT CONT, 5 AMP 250V, BLACK BUTTON	91929	910271-01 2PB11T2	1	
		3	NUT, PLAIN, ROUND, KNURLED 0.473-32NS-2B (AP)	72653	7901628-00 8926	1	
	S2 S6 THRU S24 S26 THRU S41 S45 THRU S76 S78 THRU S95 S97 THRU S118 S120 THRU S124 S129 THRU S137	3	SWITCH, PUSH, TSTRZ, IND TYPE SPST NODB CONTACT, W/NEON LAMP CLEAR LENS	07137	7902334-00 TBL3533A22	122	
		3	NUT, PLAIN, ROUND, KNURLED 3/8-32NEF-2, BK (AP)	07137	7900880-01 1112-1	122	

## PARTS LIST

## Group Assembly Parts List

FIG. & INDEX NO.	REF. DESIG.	QUANTITY	DESCRIPTION	MFR. CODE	UNIVAC PART NO. MFR. PART NO.	UNITS PER ASSY	USE ON CODE
23		3	WASHER, LOCK, EXT, NARROW TYPE 3/8 SIZE (AP)	78189	7901920-02 1120-12CPDD	122	
	S3 S4 S44 S125 THRU S128 S143 THRU S148	3	SWITCH, TOGGLE, DPDT CONTACT 2 POSITION	91929	7900925-00 23AT402T2	13	
		3	NUT, PLAIN, ROUND, KNURLED 0.473-32NS-2B (AP)	72653	7901628-00 8926	13	
	S5 S25 S77 S96 S119	3	SWITCH, PUSH, SPST NODB CONTACT	07137	7901856-00 MBS3394A26	5	
		3	NUT, PLAIN, ROUND, KNURLED 3/8-32NEF-2, BK (AP)	07137	7900880-01 1112-1	5	
		3	WASHER, LOCK, INT, NARROW TYPE 3/8 SIZE (AP)	78189	905212-02 1220-02	5	
	S42 S140	3	SWITCH, TOGGLE, 2SPDT CONTACT 3 POSITION, 250 VAC, 5 AMP	91929	7900635-02 13AT416T2	2	
	S43 S141 S142	3	SWITCH, TOGGLE, 2SPDT CONTACT 3 POSITION, 250 VAC, 5 AMP	91929	7900635-01 13AT418T2	3	
	S138 S139	3	SWITCH, TOGGLE, 2SPDT CONTACT 3 POSITION, 250 VAC, 5 AMP	91929	7900635-00 13AT417T2	2	
		3	NUT, PLAIN, ROUND, KNURLED 0.473-32NS-2B (AP)	72653	7901628-00 8926	7	
	S162	3	SWITCH, PUSH, MINIATURE 2SPDT CONTACT	96906	7902578-00 MS27240-1	1	
		3	BLOCK, MOUNTING, SWITCH (AP)	90536	7071156-00	1	
		3	SCREW, MACH, FLAT HD 6-32UNC-2A, 0.5 L (AP)	96906	4912512-03 MS51959-30	2	
-8		3	HANDLE, BOW, OVAL, TAPPED 10-32UNF-2B	08730	7902188-00 SS015	1	
		3	SCREW, MACH, PNH, CROSS REC 10-32UNF-2A BY 0.375 IN. L (AP)	96906	4912534-01 MS51958-64	2	
		3	WASHER, LOCK, SPRING, NO 10 (AP)	96906	4912550-03 MS35338-138	2	

## Group Assembly Parts List

## PARTS LIST

FIG. & INDEX NO.	REF. DESIG.	INDENT	DESCRIPTION	MFR. CODE	UNIVAC PART NO. MFR. PART NO.	UNITS PER ASSY	USE ON CODE
23		3	WASHER, FLAT, NO. 10 (AP)	96906	4912548-03 MS15795-808	2	
-9		3	GUARD, LATCH, FRONT COVER	90536	7073350-01	1	
		3	SCREW, MACH, PNH, 6-32UNC-2A 0.438 L (AP)	96906	4912531-03 MS51957-29	1	
		3	WASHER, FLAT, NO. 6 (AP)	96906	4912548-01 MS15795-805	2	
-10		3	LATCH, COVER FRONT	90536	7073349-01	1	
		3	SCREW, CAP, SCH, 4-40UNC-3A 5/16 L (AP)	96906	911603-37 MS16995-9	1	
		3	WASHER, FLAT, NO. 4 (AP)	96906	4912548-00 MS15795-803	2	
-11		3	LATCH, CONTAINER TYPE	90536	7073352-00	4	
		3	SCREW, SHOULDER, 0.25 IN. DIA SHLDR, 10-32UNF THD (AP)	90536	7073353-00	4	
		3	WASHER, FLAT, NO. 0.25 (AP)	96906	902991-08 MS960-C416L	4	
		3	STANDOFF (AP)	90536	7073355-00	1	
		3	NUT, SELF-LOCKING, HEX 10-32UNF-3B (AP)	75237	7900866-04 H42M3	4	
-12		3	LATCH, CONTAINER TYPE, 350 LBS 2.8 L	71286	7902674-01 51L7-1AB	4	
		3	SCREW, MACH, PNH, 6-32UNC-2B 5/16 L (AP)	96906	4912531-01 MS51957-27	8	
		3	SCREW, MACH, PAN HD 6-32UNC-2A, 7/16 L (AP)	96906	4912531-03 MS51957-29	8	
		3	NUT, SELF-LOCKING, HEX 6-32UNC-3B (AP)	72963	907627-01 L79NM107-62	8	
-13		3	SPRING, CHASSIS LOCKING, RH	90536	7071625-00	1	
-14		3	SPRING, CHASSIS LOCKING, LH	90536	7071625-01	1	
		3	SCREW, MACH, PNH, 4-40UNC-2A 0.25 L (AP FOR IND 13 AND 14)	96906	908552-03 MS51957-13	2	
-15		3	BLOCK, CHASSIS MTG, RH	90536	7073369-00	1	
-16		3	BLOCK, CHASSIS MTG, LH	90536	7073368-00	1	
		3	SCREW, CAP, SCH, 6-32UNC-2A 11/16 L (AP FOR IND 15 AND 16)	96906	911604-08 MS16995-17	4	

## PARTS LIST

## Group Assembly Parts List

FIG. & INDEX NO.	REF. DESIG.	QUANTITY	DESCRIPTION	MFR. CODE	UNIVAC PART NO. MFR. PART NO.	UNITS PER ASSY	USE ON CODE
23-17		3	BUS BAR, GROUND	90536	7073345-00	1	
-18		3	INSULATOR, BUS BAR, GROUND	90536	7073347-00	1	
-19		3	BUS BAR, POWER	90536	7073346-00	1	
-20		3	INSULATOR, BUS BAR, POWER	90536	7073348-00	1	
-21		3	CARD, GUIDE, LH	90536	7073334-00	1	
-22		3	CARD, GUIDE, RH	90536	7073333-00	1	
-23		3	PLATE, SPACER, CARD GUIDE	90536	7073335-00	2	
-24		3	CLAMP, LOOP, NYLON, P STYLE	95987	907747-07 1/2-6	3	
-25		3	CLAMP, LOOP, NYLON, P STYLE	95987	907747-06 7/16-6	1	
		3	SCREW, MACH, PAN HD, 10-32UNF-2A 1/2 L (AP FOR IND 24)	96906	4912534-00 MS51958-63	3	
		3	SCREW, MACH, PAN HD, 10-32UNF-2A 7/16 L (AP FOR IND 25)	96906	908555-03 MS51958-63	1	
		3	WASHER, FLAT, NO 10 (AP FOR IND 24 AND 25)	96906	4912548-03 MS15795-808	4	
-26		3	BRACKET, CABLE SUPPORT	90536	7073336-00	3	
		3	SCREW, MACH, PAN HD 4-40UNC-2A, 5/16 L (AP)	96906	908552-04 MS51957-14	12	
		3	WASHER, FLAT, NO 4 (AP)	96906	4912548-00 MS15795-803	12	
-27		3	STANDOFF	90536	7073355-00	1	
		3	SCREW, MACH, PAN HD 10-32UNC-2A, 7/16 L (AP)	96906	908555-03 MS51958-62	1	
		3	WASHER, FLAT, NO 10 (AP)	96906	4912548-03 MS15795-808	1	
-28		3	PANEL, CONSOLE	90536	7073331-00	1	
		3	SCREW, MACH, PAN HD 6-32UNC-2A, 1/2 L (AP)	96906	4912531-04 MS51957-30	20	
		3	WASHER, FLAT, NO 6 (AP)	96906	4912548-01 MS15795-805	20	
-29		3	SPRING, GROUNDING	90536	7216307-00	2	B
		3	SCREW, MACH, PAN HD 4-40UNC-2A, 5/16 L (AP)	96906	908552-04 MS51957-14	4	B

Group Assembly Parts List

PARTS LIST

FIG. & INDEX NO.	REF. DESIG.	QUANTITY	DESCRIPTION	MFR. CODE	UNIVAC PART NO. MFR. PART NO.	UNITS PER ASSY	USE ON CODE
23		3	WASHER, FLAT, NO 4 (AP)	96906	4912548-00 MS15795-803	4	B
	W1	3	CABLE ASSEMBLY, 184 L (FOR NLA SEE FIG 6-24)	90536	7072513-04	1	
	W2	3	CABLE ASSEMBLY, 184 L (FOR NLA SEE FIG 6-24)	90536	7072513-05	1	
	W3	3	CABLE ASSEMBLY, 184 L (FOR NLA SEE FIG 6-24)	90536	7072513-06	1	
	W4	3	CABLE ASSEMBLY, 184 L (FOR NLA SEE FIG 6-24)	90536	7072513-07	1	

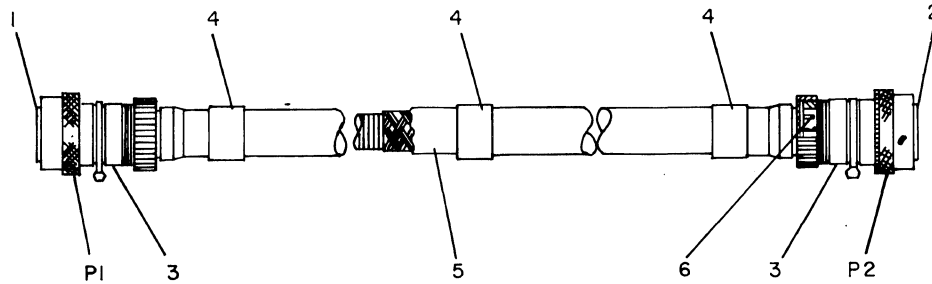


Figure 6-24. Cable Assembly

FIG. & INDEX NO.	REF. DESIG.	QTY	DESCRIPTION	MFR. CODE	UNIVAC PART NO. MFR. PART NO.	UNITS PER ASSY	USE ON CODE
6-24	w1	3	CABLE ASSEMBLY, 184 IN. L	90536	7072513-04	REF	A
	w2		CABLE ASSEMBLY, 184 IN. L	90536	7072513-05	REF	B
	w3		CABLE ASSEMBLY, 184 IN. L	90536	7072513-06	REF	C
	w4		CABLE ASSEMBLY, 184 IN. L (FOR NHA SEE FIG 6-23)	90536	7072513-07	REF	D
	w1P1	4	CONNECTOR, PLUG, ELECTRICAL MALE, 85 CONTACT	81349	7902700-04 M81511/06E18-85P5	1	A
	w2P1	4	CONNECTOR, PLUG, ELECTRICAL MALE, 85 CONTACT	81349	7902700-03 M81511/06E18-85P4	1	B
	w3P1	4	CONNECTOR, PLUG, ELECTRICAL MALE, 85 CONTACT	81349	7902700-02 M81511/06E18-85P3	1	C
	w4P1	4	CONNECTOR, PLUG, ELECTRICAL MALE, 85 CONTACT	81349	7902700-01 M81511/06E18-85P2	1	D
	w1P2	4	CONNECTOR, PLUG, ELECTRICAL FEMALE, 85 CONTACT	81349	7902699-03 M81511/06E18-85S4	1	A
	w2P2	4	CONNECTOR, PLUG, ELECTRICAL FEMALE, 85 CONTACT	81349	7902699-00 M81511/06E18-85S1	3	BCD
	w3P2						
	w4P2						
	-1	4	CONTACT, ELECTRICAL CONNECTOR MALE (USED IN P1)	96906	7902484-00 MS90461-23-22	85	
	-2	4	CONTACT, ELECTRICAL CONNECTOR FEMALE (USED IN P2)	96906	7902484-01 MS90460-23-22	85	
	-3	4	ADAPTER, CABLE TO CONN, OUTSIDE 1-3/16-18NEF-2A THD, INSIDE 1-1/8-30UNS-2R THD	07418	7902622-02 J595-1812-2.5C4	2	
	-4	4	BAND, MARKER, BLANK ALUM, 4.75 IN. L		907514-00 COML	3	
	-5	4	CONDUIT, ASSEMBLY, METAL NEOPRENE COVERED	30463	7901042-03 C175R-0500-18000 A2A2	1	
	-6	4	WASHER, GROUND	90536	7216321-00	2	

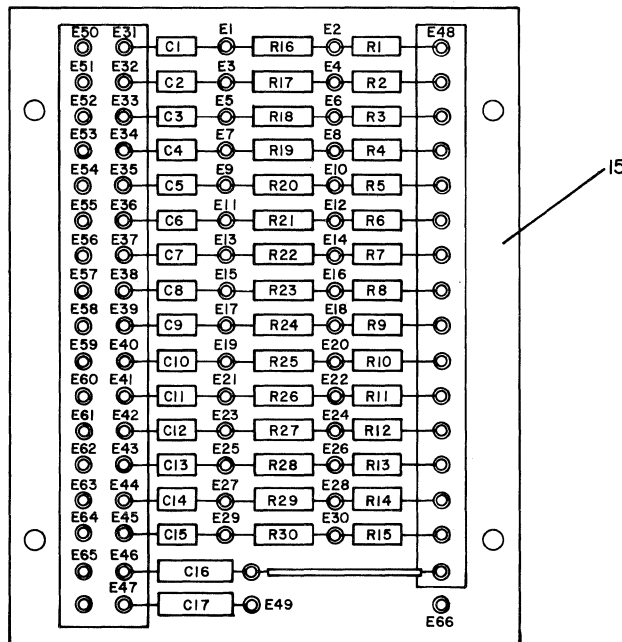
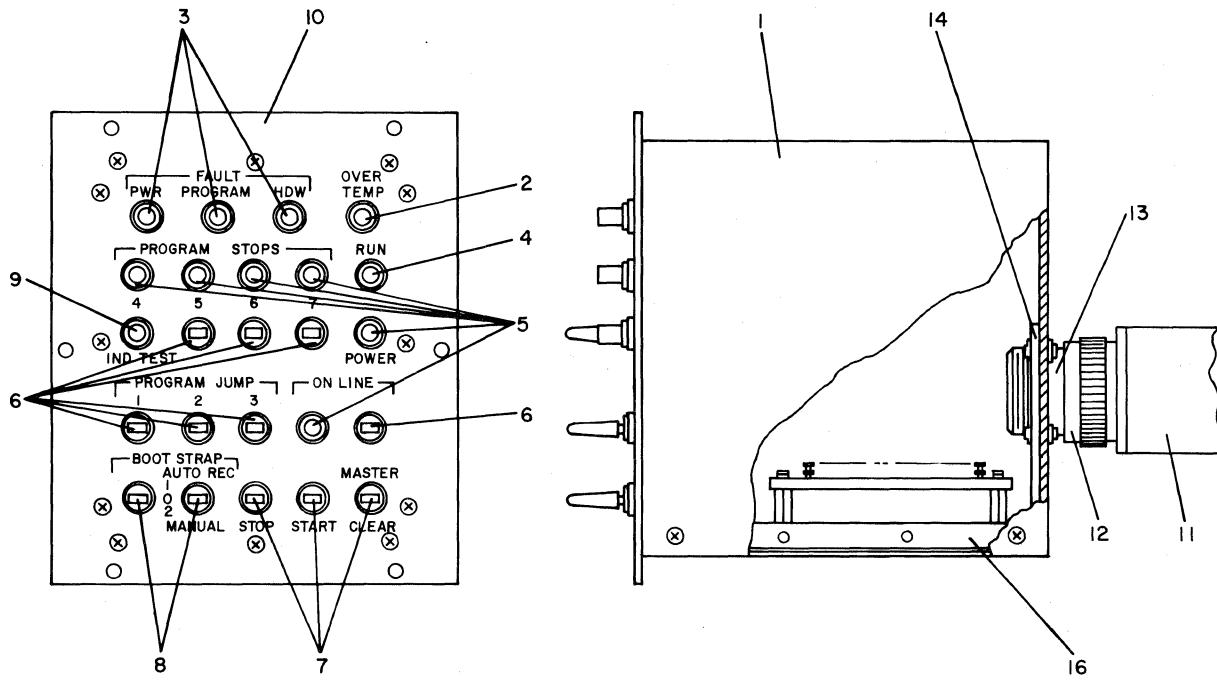


Figure 6-25. Remote Operating Control Unit Assembly

## PARTS LIST

## Group Assembly Parts List

FIG. & INDEX NO.	REF. DESIG.	QTY	DESCRIPTION	MFR. CODE	UNIVAC PART NO. MFR. PART NO.	UNITS PER ASSY	USE ON CODE
6-25		1	CONTROL UNIT ASSEMBLY REMOTE OPERATING	90536	7073204-00	1	
-1		2	COVER, REMOTE CONTROL	90536	7071689-00	1	
		2	SCREW, MACH, FLAT HD, SLOTTED, 4-40UNC-2A (AP)		910503-50 COML	8	
-2	DS1	2	INDICATOR TRANSISTORIZED WITH LAMP, RED	07137	7902802-01 TIL-4890A-27	1	
-3	DS2 DS3 DS4	2	INDICATOR TRANSISTORIZED WITH LAMP, RED	07137	7901971-01 TIL-3055B-27	3	
-4	DS5	2	INDICATOR TRANSISTORIZED WITH LAMP	07137	7901971-02 TIL-3055B-18	1	
		2	NUT, PLAIN, 3/8-32NEF-2 BLACK, (AP)	07137	7900880-01 1112-1	5	
		2	WASHER, LOCK EXTERNAL TOOTH, 3/8 L (AP)	78189	7901920-02 1120-12	5	
		3	LAMP, INCANDESCENT, 28 VOLT 40 MS (USED IN DS1 THRU DS5)	96906	7902253-00 MS18209-387	5	
-5	S1 THRU S5 S10	2	SWITCH, PUSH, WITH NEON LAMP, TRANSISTORIZED 1X CONTACT	07137	7902334-00 TBL-3533A-22	6	
-6	S6 THRU S9 S11 THRU S13	2	MICROSWITCH	91929	7903728-00 32AT44-T2	7	
-7	S14 THRU S16	2	MICROSWITCH	91929	7903727-02 31AT416-T2	3	
-8	S17 S18	2	MICROSWITCH	91929	7903727-00 31AT417-T2	2	
-9	S19	2	SWITCH, PUSH, 5AMPS 250V, 2C CONTACT	91929	910271-01 2PB11-T2	1	
		2	WASHER, LOCK EXTERNAL TOOTH, 3/8 L (AP)	78189	7901920-02 1120-12	6	
		2	NUT, PLAIN 3/8-32NEF-2 BLACK, (AP)	07137	7900880-01 1112-01	6	
		2	NUT, PLAIN, ROUND, NICKEL PLATE .473-32NS-2B (AP)	72653	7901628-00 8926	13	



FIG. & INDEX NO.	REF. DESIG.	QUANTITY	DESCRIPTION	MFR. CODE	UNIVAC PART NO. MFR. PART NO.	UNITS PER ASSY	USE ON CODE
25-10		2	PLATE, SWITCH MOUNTING	90536	7073204-00	1	
		2	SCREW, CROSS RECESSED SPECIAL (AP)	90536	7071634-09	12	
-11		2	ADAPTER, CABLE TO CONNECTOR RFI, ENVIRONMENTAL	31461	7902708-03 946-181631-10003	1	
-12		2	CONNECTOR, PLUG, ELECTRICAL FEMALE, 85 CONTACT	81349	7902699-03 M81511/01E18-85S4	1	
		2	PLUG, SEALING, CONTACT (USED IN IND 12)	81349	7902852-00 M81511/15-22	26	
		2	CONTACT, ELECTRICAL, CRIMP TYPE CONTACT, MALE (USED IN IND 12)	96906	7902484-04 MS90460-23-22	85	
-13	J01	2	CONNECTOR, RECEPTACLE ELECTRICAL, MALE, 85 CONTACT	81349	7902698-03 M81511/01E18-85P4	1	
		3	CONTACT, ELECTRICAL, CRIMP TYPE CONTACT, MALE (USED IN IND 13)	96906	7902484-00 MS90461-23-22	85	
		2	SCREW, MACH, PAN HD, 4-40UNC-2A, 5/16 L (AP)	96906	908552-04 MS51957-14	4	
		2	SCREW, MACH, PAN HD, 4-40UNC-2A, 1/4 L (AP)	96906	908552-03 MS51957-14	4	
		2	WASHER, FLAT, ROUND, NO 4 (AP)	96906	4912548-00 MS15795-803	8	
-14		2	BRACKET, CONNECTOR	90536	7071689-00	1	
		2	SCREW, MACH, FLAT HD 4-40UNC-2A, 7/16 L (AP)	96906	4912511-03 MS51959-16	4	
		2	NUT, SELF LOCKING, HEX 4-40UNC-3B (AP)	96906	4912796-00 M21044-C04	4	
	TB1	2	TERMINAL BOARD ASSEMBLY RES AND CAP NETWORK	90536	7073206-00	1	
		2	SCREW, MACH, PAN HD 6-32UNC-2A, 5/16 L (AP)	96906	4912531-01 MS51957-27	4	
		2	SPACER, SLEEVE, TAPPED (AP)	00328	7900749-05 S07-6	4	
		2	WASHER, FLAT, ROUND, NO 6 (AP)	96906	4912548-01 MS15795-805	4	
	C1 THRU C15	3	CAPACITOR, FIXED, ELECTROLYTIC 50V, .22UF, +-10 PCT	81349	7902696-69 CSR13G224KM	15	

## PARTS LIST

## Group Assembly Parts List

FIG. & INDEX NO.	REF. DESIG.	QTY	DESCRIPTION	MFR. CODE	UNIVAC PART NO. MFR. PART NO.	UNITS PER ASSY	USE ON CODE
25	C16 C17	3	CAPACITOR, FIXED, CERAMIC DIELECTRIC 100V, 22000PF +-20 PCT	81348	7900959-13 CK15AX223M	2	
	R1 THRU R15	3	RESISTOR, FIXED, COMPOSITION 5.6K OHM, +-5 PCT, 1/4 WATT	81349	4911672-51 RC07GF562J	15	
	R16 THRU R30	3	RESISTOR, FIXED, COMPOSITION 30 OHM, +-5 PCT, 1/2 WATT	81349	4911674-12 RC20GF300J	15	
-15		3	TERMINAL BOARD	90536	7073208-00	1	
-16		2	SUPPORT, BOTTOM	90536	7071688-00	1	
		2	SCREW, MACH, FLAT HD 6-32UNC-2A, 5/8 L (AP)	96906	4912512-04 MS51959-31	4	
		2	SCREW, MACH, PAN HD 6-32UNC-2A, 1/2 L (AP)	96906	4912531-04 MS51957-30	2	

PART NUMBER	FIG. & INDEX NO.	PART NUMBER	FIG. & INDEX NO.	PART NUMBER	FIG. & INDEX NO.
AN960-C4	6-11	CZ24BKC104	6- 2	MS15795-803	6- 9
AN960-C4	6-12	CZ24BKC104	6-11	MS15795-803	6-11
AN960-C4	6-13	CZ24BKC104	6-12	MS15795-803	6-13
AN960-C416	6- 3	CZ24BKC104	6-13	MS15795-803	6-14
AN960-C416	6- 5	CZ24BKC473	6-14	MS15795-803	6-15
AN960-C416	6- 7	CZ24BKB474	6-14	MS15795-803	6-17
AN960-C416	6- 9	CZ24BKC474	6-14	MS15795-803	6-18
AN960-C416	6-14	CZ24BKF224	6-14	MS15795-803	6-22
AN960-C416L	6-23	C175R-0500-18000	6-24-5	MS15795-803	6-23
AN960-C6	6- 3	A2A2		MS15795-803	6-25
AN960-C6	6-23	DEM9S	6- 2	MS15795-805	6- 2
AS-1/2,402.0+-1	6-20	DHD894	6-20	MS15795-805	6- 3
A19757	6- 3-37	FFG7128	6- 5-8	MS15795-805	6- 5
A19757	6- 5-7	FT9-6	6- 2	MS15795-805	6- 7
A19757	6- 7-9	HP10N	6-18-5	MS15795-805	6- 9
A19757	6- 9-8	HP13N	6-18-8	MS15795-805	6-14
A19757	6-14	HP8N	6-18-6	MS15795-805	6-18
A27P1X129	6-14	HP9N	6-18-7	MS15795-805	6-23
A33002	6-11-9	H42-02	6- 2	MS15795-805	6-25
A38PX164	6-14	H42M3	6-23	MS15795-807	6- 9
B4-1	6- 3	J595-1812-2.5C4	6-24-3	MS15795-808	6- 2
B4-1	6- 5	L7152	6-23	MS15795-808	6- 3
B4-1	6- 7	L79NKM-40	6-13	MS15795-808	6- 7
B4-1	6- 9	L79NKTm-40	6-14	MS15795-808	6- 9
B4-4	6- 3	L79NM107-62	6- 5	MS15795-808	6-14
B4-4	6- 5	L79NM107-62	6- 7	MS15795-808	6-23
B4-4	6- 7	L79NM107-62	6- 9	MS15795-810	6- 7
B4-4	6- 9	L79NM107-62	6-14	MS15795-810	6- 9
B4-7	6- 3	L79NM107-62	6-23	MS16995-10	6-11
B4-7	6- 7	L79NM408-82	6- 9	MS16995-17	6-23
B4-7	6- 9	L79NTE-048	6- 5	MS16995-18	6- 3
B510-200-40	6-11-3	L79NTE-048	6- 7	MS16995-9	6-23
B510-200-40	6-14	L79NTE-048	6- 9	MS18209-387	6-23
B510-200-40	6-15	MBS3394A26	6-23	MS18209-387	6-25
B510-200-40	6-17	MDL1S2F7-683	6- 2	MS18209-387	6- 2
B800-260-62	6-14	NE2V-N		MS18281-2	6- 2
B800-260-62	6-16	MEB6A1-16	6- 3	MS21044-C04	6-23
B800-260-62	6-17	MEB6A1-20	6- 7	MS21044-C04	6- 2
B800-320-62	6-11-7	MEB6A1-20	6-23-7	MS21044-C04	6- 3
B800-320-62	6-13	MHT7038	6-12	MS21044-C04	6-14
B800-320-62	6-15	MHT7082	6-16	MS21044-C06	6- 3
B800-320-62	6-17	MRAC20P436	6-15	MS21044-C06	6-18
CK05BX102K	6-17	MRAC20P436	6-17	MS24656-231	6-14
CK05BX473M	6-11	MRAC20SNSS436	6-14	MS24693-C25	6- 3
CK05BX473M	6-12	MRAC34PNSS436	6-11	MS25068-23	6- 2
CK05BX473M	6-13	MRAC34PNSS436	6-12	MS25271-A1	6- 2
CK06BX104K	6-13	MRAC34PNSS436	6-13	MS27240-1	6-23
CK15AX223M	6-25	MRAC34SNSS	6- 3-21	MS27418-1A	6- 2
CK15AX223M	6-23	MRAC34SNSS	6- 5-28	MS3102R20-15P	6- 2
CM06FD751G03	6-15	MRAC34SNSS	6- 7-55	MS3106R20-15S	6- 1-8
CSR13C336KR	6- 2	MRAC34SNSS	6- 9-34	MS3112E8-4S	6- 2
CSR13F685KR	6-13	MS15795-80	6- 2	MS3116F8-4P	6- 1-9
CSR13G224KM	6-25	MS15795-802	6- 5	MS33181-20C	6- 2-27
CSR13G224KM	6-20	MS15795-802	6- 9	MS35249-33	6- 9
CT45163	6- 1-11	MS15795-803	6-23	MS35338-09	6- 5
CZ24BKB104	6-14	MS15795-803	6- 3	MS35338-134	6- 5
CZ24BKB105	6-14	MS15795-803	6- 7	MS35338-134	6- 7

## PARTS LIST

## Numerical Index

PART NUMBER	FIG. & INDEX NO.	PART NUMBER	FIG. & INDEX NO.	PART NUMBER	FIG. & INDEX NO.
MS35338-134	6- 9	MS51957-29	6-3	MS51959-30	6- 3
MS35338-135	6- 3	MS51957-29	6- 7	MS51959-30	6- 5
MS35338-135	6-15	MS51957-29	6- 9	MS51959-30	6- 7
MS35338-135	6-18	MS51957-29	6-18	MS51959-30	6- 9
MS35338-136	6- 2	MS51957-3	6- 7	MS51959-30	6-14
MS35338-136	6- 3	MS51957-3	6- 9	MS51959-30	6-23
MS35338-136	6- 5	MS51957-3	6-11	MS51959-31	6-25
MS35338-136	6- 7	MS51957-3	6-12	MS51959-31	6- 7
MS35338-136	6- 9	MS51957-30	6-23	MS51959-31	6- 9
MS35338-136	6-14	MS51957-30	6-25	MS51959-4	6- 5
MS35338-136	6-18	MS51957-30	6- 3	MS51959-4	6- 7
MS35338-138	6-23	MS51957-31	6-14	MS51959-4	6- 9
MS35338-138	6- 3	MS51957-31	6-23	MS51959-43	6- 5
MS35338-138	6- 5	MS51957-32	6- 3	MS51959-43	6- 7
MS35338-138	6- 7	MS51957-33	6-18	MS51959-43	6- 9
MS35649-224	6- 5	MS51957-44	6- 3	MS51959-43	6-14
MS35649-224	6- 7	MS51957-48	6- 3	MS51959-45	6- 3
MS35649-224	6- 9	MS51957-5	6-12	MS51959-46	6- 9
MS35649-264	6- 2	MS51957-5	6-13	MS51959-47	6- 7
MS51021-10	6- 9	MS51957-5	6-16	MS51959-47	6- 9
MS51929-29	6- 7	MS51957-6	6-12	MS51960-65	6- 3
MS51957-12	6-18	MS51957-8	6-13	MS51960-65	6- 5
MS51957-13	6- 9	MS51957-8	6-17	MS51960-65	6- 7
MS51957-13	6-23	MS51957-9	6-16	MS51960-65	6- 9
MS51957-13	6-14	MS51958-61	6-14	MS51960-65	6-14
MS51957-13	6-18	MS51958-62	6-23	MS90460-23-22	6- 1
MS51957-14	6- 3	MS51958-63	6- 3	MS90460-23-22	6- 2
MS51957-14	6-15	MS51958-63	6- 5	MS90460-23-22	6-24-2
MS51957-14	6-18	MS51958-63	6- 7	MS90460-23-22	6-25
MS51957-14	6-23	MS51958-63	6- 9	MS90461-23-22	6- 3
MS51957-14	6-25	MS51958-63	6-14	MS90461-23-22	6-23
MS51957-15	6-11	MS51958-63	6-23	MS90461-23-22	6-24-1
MS51957-15	6-12	MS51958-64	6-23	MS90461-23-22	6-25
MS51957-15	6-13	MS51959-12	6- 7	MS91528-1N1B	6-23
MS51957-15	6-15	MS51959-13	6- 2	MSR6A20-20	6-23-6
MS51957-15	6-16	MS51959-13	6-11	MSR6A3-20	6- 7
MS51957-15	6-17	MS51959-13	6-13	MSR6A8-16	6- 3
MS51957-15	6-18	MS51959-13	6-15	MTB16A3	6- 3
MS51957-15	6-23	MS51959-13	6-21	MTB16A4	6- 3
MS51957-16	6- 2	MS51959-14	6- 3	MTB20A4	6- 7
MS51957-16	6- 3	MS51959-14	6- 5	MTB20A4	6-23-4
MS51957-16	6- 5	MS51959-14	6- 7	M21044-C04	6-25
MS51957-16	6- 7	MS51959-14	6- 9	M24308/3-1	6- 2
MS51957-16	6- 9	MS51959-15	6- 3	M39019/5-70	6- 2
MS51957-16	6-18	MS51959-15	6- 5	M39019/5-80	6- 2
MS51957-17	6-13	MS51959-15	6- 7	M39029/01-16	6- 3
MS51957-17	6-16	MS51959-15	6- 9	M39029/01-20	6- 7
MS51957-18	6-12	MS51959-15	6-16	M39029/01-20	6-23
MS51957-19	6-15	MS51959-15	6-17	M5757/10-151	6- 2
MS51957-27	6-23	MS51959-16	6-25	M81511/01E18-85P1	6- 3-26
MS51957-27	6-25	MS51959-16	6-14	M81511/01E18-85P1	6-23
MS51957-27	6- 5	MS51959-17	6- 3	M81511/06E18-85P1	6-24
MS51957-27	6- 9	MS51959-17	6-14	M81511/06E18-85P2	6-24
MS51957-27	6-23	MS51959-29	6- 3	M81511/01E18-85P2	6- 3-25
MS51957-28	6-18	MS51959-29	6- 5		
MS51957-28	6-23	MS51959-29	6- 9		
MS51957-29	6-23	MS51959-30	6- 2		

PART NUMBER	FIG. & INDEX NO.	PART NUMBER	FIG. & INDEX NO.	PART NUMBER	FIG. & INDEX NO.
M81511/06E18-85P3	6-24	RL07S202G	6-20	007 NEOPRENE 70 +-10 SHORE A	6- 9
M81511/01E18-85P4	6-23	RL07S272G	6-20	013-2006	6-11-14
M81511/06E18-85P4	6-24	RL07S302G	6-20	1N2995B	6-11
M81511/01E18-85P4	6-25-13	RL07S562G	6-20	1N2995B	6-12
M81511/06E18-85P5	6-24	RL07S751G	6-20	1N2995B	6-13
M81511/06E18-85P6	6- 1-10	RL20S152G	6-13	1N3600	6-14
M81511/06E18-85S1	6- 1	RL20S162G	6-15	1N3611	6-11
M81511/06E18-85S1	6-24	RL20S302G	6-12	1N3611	6-12
M81511/06E18-85S2	6- 1	RL20S511G	6-14	1N3611	6-13
M81511/01E18-85S2	6- 2	RL20S561G	6-15	1N3611	6-20
M81511/01E18-85S3	6- 2	RL42S103G	6-15	1N3890	6-12
M81511/06E18-85S4	6-24	RL42S104G	6- 2	1N3890	6-17
M81511/01E18-85S4	6- 2	RL42S273G	6-14	1N3893	6-15
M81511/01E18-85S4	6-25-12	RL42S303G	6-15	1N4942	6-17
M81511/01E18-85S5	6- 2	RL42S750G	6-12	1N4944	6-11
M81511/01E18-85S6	6- 2	RW69V202	6-17	1N4944	6-12
M81511/15-22	6-23	RW69V430	6-11	1N4944	6-13
M81511/15-22	6- 1	RW69V511	6-11	1N4944	6-15
M81511/15-22	6- 3	SDT7825	6-17	1N4944	6-17
M81511/15-22	6-25	SE205D02	6- 2	1N4965	6-17
M81511/18-18	6- 2-28	SM2379	6-20	1N4969	6-16
RC07GF562J	6-25	SP4166	6-12	1N4977	6-15
RC20GF300J	6-25	SP4167	6-17	1N4991	6-11
RC20GF300J	6-20	SREC34SN937	6-14	1N4991	6-12
RE60G1R00	6-12	SREC34PN937	6-16	1N4991	6-13
RE60G1R00	6-15	SR1595	6-13	1/2-6	6-23-24
RE60G2R00	6-12	SS015	6-23-8	100-1014S55	6- 7
RE60G2R00	6-17	SS1	6-18-14	100-1014S55	6-14
RE60G4R99	6-12	ST250L4	6-11	100-1016P55	6-15
RE60G4R99	6-13	ST-SMITURC2	6-14-11	100-1016S55	6-14
RE60GR100	6-17	ST-SMITURC2	6-11-8	100-1018P55	6-11
RE60GR499	6-16	S07-6	6-25	100-1018P55	6-12
RE65G1400	6-16	S642-1816D-2.5-4 (30P)	6- 1	100-1018P55	6-13
RE65G1910	6-11	S642-1816D-2.5-4 (30P)	6- 1-12	100-1018P55	6-17
RE65G1910	6-12	TBL3533A22	6- 2	100-1018S55	6- 3
RE65G1910	6-13	TBL3533A22	6-23	100-1018S55	6- 5
RE65G75R0	6-15	TBL-3533A-22	6-25-5	100-1018S55	6- 7
RL07S201G	6-11	TIL3055B18	6-23	100-1018S55	6- 9
RL07S201G	6-12	TIL3055B18	6- 2	100-1018S56	6-14
RL07S201G	6-13	TIL3055B27	6- 2	100-1018S56	6- 3
RL07S201G	6-14	TIL3055B27	6-23	100-1020P55	6-12
		TIL3055B27	6- 2	100-1020P55	6-13
		TIL4890A27	6-23	100-1020P55	6-15
		TIL4890A27	6- 2	100-1020P55	6-17
		TIL-3055B-18	6-25-4	100-1020S55	6- 5
		TIL-3055B-27	6-25-3	100-1020S55	6- 7
		TIL-4890A-27	6-25-2	100-1020S55	6- 9
		7050015B	6- 7	100-1020S55	6-14
		006 NEOPRENE 70 +-10 SHORE A	6-14	100-1022P55	6-11
		007 NEOPRENE 70 +-10 SHORE A	6- 3	100-1022P55	6-12
		007 NEOPRENE 70 +-10 SHORE A	6- 5	100-1022P55	6-13
		007 NEOPRENE 70 +-10 SHORE A	6- 7	100-1022P55	6-15
		007 NEOPRENE 70 +-10 SHORE A	6- 5	100-1022P55	6-17
		007 NEOPRENE 70 +-10 SHORE A	6- 7	100-1022S55	6-14
		007 NEOPRENE 70 +-10 SHORE A	6- 7	100-1024P55	6-11
		007 NEOPRENE 70 +-10 SHORE A	6- 7	100-1024P55	6-12

## PARTS LIST

## Numerical Index

PART NUMBER	FIG. & INDEX NO.	PART NUMBER	FIG. & INDEX NO.	PART NUMBER	FIG. & INDEX NO.
100-1024P55	6-13	21-20312-134-	6- 5	4018-15 SLOTTED	6-13
100-1024P55	6-15	28-20003-309		430M1	6- 2
100-1024P55	6-17	21-20312-134-	6- 7	4911672-51	6-25
100-1024S55	6- 3	28-20003-309		4911674-12	6-20
100-1024S55	6- 3	21-20312-134-	6- 9	4911674-12	6-25
100-1024S55	6- 5	28-20003-309		4912503-02	6-13
100-1024S55	6- 7	2279-06-02	6-11-13	4912503-06	6-13
100-1024S55	6- 9	23AT402T2	6- 2	4912511-00	6- 2
100-1024S55	6-14	23AT402T2	6-23	4912511-00	6-11
100-4020P62	6-16	240-1271-05	6- 2	4912511-00	6-13
100-4020S62	6-14	247-00	6- 7-27	4912511-00	6-15
100-4024P62	6-16	247-01	6- 7-30	4912511-00	6-21
11-15001-105-	6- 3	247-02	6- 7-31	4912511-01	6- 3
12-10000-000		247-05	6- 3-43	4912511-01	6- 5
11-15001-105-	6- 5-41	247-06	6- 5-20	4912511-01	6- 7
12-10000-000		247-06	6- 9-14	4912511-01	6- 9
11-15001-105-	6- 7-40	2642-31050-N253	6-13	4912511-02	6- 3
12-10000-000		2642-31050-N253	6-14	4912511-02	6- 5
11-15001-105-	6- 9-37	2642-31050-N253	6-16	4912511-02	6- 7
12-10000-000		2676-15746-T093	6- 9	4912511-02	6- 9
11-20004-105-	6- 2	270WS	6- 2	4912511-02	6-16
12-20000-000		277WS	6- 2	4912511-02	6-17
1112-1	6- 2	3-18388	6-14	4912511-03	6-14
1112-1	6-23	3XL5PORM1PCT	6-13	4912511-03	6-25
1112-1	6-25	3XL7.5PORM1PCT	6-13	4912511-04	6- 3
1112-12	6- 2	31AT416T2	6- 2	4912511-04	6-14
1120-12	6-25	31AT416-T2	6-25-7	4912512-02	6- 3
1120-12CPDU	6- 2	31AT417T2	6- 2	4912512-02	6- 5
1120-12CPDU	6-23	31AT417-T2	6-25-8	4912512-02	6- 7
1218-02	6-12	3157138-00	6-21	4912512-02	6- 9
1220-02	6-23	3157139-02	6- 2	4912512-03	6- 2
1220516C3150Z1	6-13	3157139-04	6-15	4912512-03	6- 3
13AT416T2	6- 2	3157139-05	6-23	4912512-03	6- 5
13AT416T2	6-23	32AT444T2	6- 2	4912512-03	6- 7
13AT417T2	6- 2	32AT44-T2	6-25-6	4912512-03	6- 9
13AT417T2	6-23	348-100-500S02	6- 2	4912512-03	6-14
13AT418T2	6-23	348-100-5047P02	6- 1	4912512-03	6-23
1890-00	6-21-2	348-100-5047P02	6- 3	4912512-04	6- 7
1890-00	6-22-6	348-100-5047P02	6-23	4912512-04	6- 9
2PB11T2	6- 2	3610120-	6-14-13	4912512-04	6-25
2PB11T2	6-23	3610012		4912513-00	6- 5
2PB11-T2	6-25-9	4BTF2-45-12	6-12	4912513-00	6- 7
20418-2	6- 2	4BTF2-45-12	6-15	4912513-00	6- 9
20JX31	6- 2	4BTF2-45-12	6-16	4912513-00	6-14
2154	6-17	4BTF2-45-12	6-17	4912513-02	6- 3
21-15022-105-	6- 3	4BTF2-45-2	6-11	4912513-03	6- 9
22-10000-516		4BTF2-49-12	6-11	4912513-04	6- 3
21-15022-105-	6- 5	4BTF2-49-12	6-12	4912513-04	6- 7
22-10000-516		4BTF2-49-12	6-15	4912513-04	6- 9
21-15022-105-	6- 7	4BTF2-49-12	6-16	4912515-02	6- 3
22-10000-516		4BTF2-49-12	6-17	4912515-02	6- 5
21-15022-105-	6- 9	4BTF2-52-12	6-13	4912515-02	6- 7
22-10000-516		4BTF2-56-12	6-13	4912515-02	6- 9
21-20201-134-	6-14	4005-15 SLOTTED	6-11-5	4912515-02	6-14
5290008		4005-15 SLOTTED	6-15	4912523-01	6-22
21-20312-134-	6- 3	4005-15 SLOTTED	6-16	4912523-02	6- 7
28-20003-309		4005-15 SLOTTED	6-17	4912523-02	6-15

PART NUMBER	FIG. & INDEX NO.	PART NUMBER	FIG. & INDEX NO.	PART NUMBER	FIG. & INDEX NO.
4912523-02	6-22	4912548-01	6- 5	5291027	6- 2
4912523-03	6-11	4912548-01	6- 7	53250	6- 1-14
4912523-03	6-12	4912548-01	6- 9	5593375	6- 5-29
4912523-03	6-13	4912548-01	6-14	5593375	6- 7-38
4912523-04	6-12	4912548-01	6-18	5593375	6- 9-35
4912523-04	6-14	4912548-01	6-25	570-3650-01-05	6-23
4912523-04	6-15	4912548-02	6- 9	5894603	6-14
4912523-04	6-16	4912548-03	6- 2	6050	6- 2
4912523-04	6-17	4912548-03	6- 3	62355S0440	6-18
4912523-05	6- 7	4912548-03	6- 7	7/16-6	6-23-25
4912523-05	6- 9	4912548-03	6- 9	7012817-06	6- 7
4912523-06	6-12	4912548-03	6-14	7012817-06	6- 9
4912531-01	6-23	4912548-03	6-23	7022564-00	6- 3-34
4912531-01	6-25	4912548-04	6- 7	7022564-00	6- 5-4
4912531-01	6- 5	4912548-04	6- 9	7022564-00	6- 7-6
4912531-01	6- 9	4912548-09	6- 2	7022564-00	6- 9-5
4912531-01	6-23	4912548-09	6- 5	7022564-00	6-14-3
4912531-02	6-18	4912548-09	6- 9	7022569-01	6- 5-25
4912531-03	6- 3	4912548-09	6-23	7022569-01	6- 7-25
4912531-03	6- 7	4912550-00	6- 3	7022569-01	6- 9-19
4912531-03	6- 9	4912550-00	6-15	7022572-00	6- 3
4912531-03	6-18	4912550-00	6-18	7022572-01	6- 3
4912531-03	6-23	4912550-01	6- 2	7022572-02	6- 9
4912531-04	6- 3	4912550-01	6- 3	7022581-01	6- 3-48
4912531-04	6-23	4912550-01	6- 5	7022581-01	6- 5-14
4912531-04	6-25	4912550-01	6- 7	7022581-01	6- 7-11
4912531-05	6-14	4912550-01	6- 9	7022581-01	6- 9-10
4912531-05	6-23	4912550-01	6-14	7022581-02	6- 5-12
4912531-06	6- 3	4912550-01	6-18	7022581-02	6- 7-10
4912532-03	6- 3	4912550-01	6-18	7022581-02	6- 9-12
4912534-00	6- 3	4912550-03	6- 3	7022582-00	6- 3-46
4912534-00	6- 5	4912550-03	6- 5	7035853-00	6-12
4912534-00	6- 7	4912550-03	6- 7	7035853-00	6-13
4912534-00	6- 9	4912550-03	6-23	7035853-00	6-14
4912534-00	6-14	4912550-09	6- 5	7035853-00	6-16
4912534-00	6-23	4912550-09	6- 7	7035853-00	6-17
4912534-01	6-23	4912550-09	6- 9	7050014-00	6-23
4912535-01	6- 9	4912552-00	6- 9	7050014-01	6- 2-18
4912540-01	6- 2	4912552-01	6- 5	7050014-01-	6- 3
4912540-04	6- 5	4912552-01	6- 9	7050015B	
4912540-04	6- 7	4912552-04	6- 2	7050014-01-	6- 5
4912540-04	6- 9	4912794-01	6- 3	7050015B	
4912548-00	6- 2	4912796-00	6- 2	7050014-01	6- 9
4912548-00	6- 3	4912796-00	6- 3	7050015B	
4912548-00	6- 7	4912796-00	6-14	7050014-01-	6- 7
4912548-00	6- 9	4912796-00	6-23	7050015R	
4912548-00	6-11	4912796-00	6-25	7050014-01-	6-14
4912548-00	6-13	4912796-01	6- 3	7050015R	
4912548-00	6-14	4912796-01	6-18	7050014-01-	6- 3
4912548-00	6-15	4913630-01	6- 3-21	7050015W	
4912548-00	6-17	4913630-01	6- 5-28	7050014-01-	6- 5
4912548-00	6-18	4913630-01	6- 7-55	7050015W	
4912548-00	6-22	4913630-01	6- 9-34	7050014-01-	6- 9
4912548-00	6-23	5000-003-16	6- 3	7050015W	
4912548-00	6-25	5000-003-20	6-23-5	7050014-02-	6- 3
4912548-01	6- 2	51L7-1AB	6-23-12	7050015B	
4912548-01	6- 3	520	6-11-4	7050014-02-	6- 5
				7050015B	

## PARTS LIST

## Numerical Index

PART NUMBER	FIG. & INDEX NO.	PART NUMBER	FIG. & INDEX NO.	PART NUMBER	FIG. & INDEX NO.
7050014-02-	6- 7	7065809-00	6- 9-6	7071525-00	6- 5-9
7050015B		7065809-00	6-14-5	7071525-00	6- 7-23
7050014-02-	6- 9	7065812-00	6- 7-42	7071525-00	6- 9-30
7050015B		7065812-01	6- 7-44	7071525-01	6- 5-9
7050014-02-	6-14	7065812-02	6- 9-43	7071525-01	6- 7-23
7050015B		7065812-03	6- 7-48	7071525-01	6- 9-30
7050014-02-	6- 3	7065812-04	6- 7-51	7071526-00	6- 5
7050015BL		7065812-05	6- 7-46	7071526-00	6- 7
7050014-02-	6- 5	7065812-06	6- 5-39	7071526-00	6- 9
7050015BL		7065812-06	6- 9-44	7071527-00	6- 7
7050014-02-	6- 7	7066792-00	6-11-1	7071528-00	6- 7-58
7050015BL		7066792-00	6-13	7071530-02	6- 7-2
7050014-02-	6- 9	7066792-00	6-14	7071546-00	6- 7-54
7050015BL		7066792-00	6-15	7071556-00	6- 5
7050014-02-	6- 3	7066792-00	6-17	7071556-00	6- 9
7050015W		7069735-00	6-23	7071565-00	6- 3-62
7050014-02-	6- 5	7071111-00	6- 3-49	7071566-00	6- 3-59
7050015W		7071111-01	6- 5-13	7071566-01	6- 3-60
7050014-02-	6- 5-40	7071111-01	6- 7-12	7071566-01	6- 9-46
7050015W		7071112-01	6- 3-23	7071570-00	6- 1-1
7050014-02-	6- 7	7071112-01	6- 5-38	7071570-01	6- 1-1
7050015W		7071112-01	6- 9-40	7071571-00	6- 3
7050014-02-	6- 7-39	7071112-02	6- 5-32	7071572-00	6- 3-7
7050015W		7071112-02	6- 9-39	7071575-00	6- 3-30
7050014-02-	6- 9	7071112-03	6- 5-33	7071576-00	6- 3-32
7050015W		7071112-03	6- 9-41	7071577-00	6- 3-31
7050014-02-	6- 9-36	7071156-00	6-23	7071578-00	6- 3-33
7050015W		7071469-00	6- 2-24	7071579-00	6- 3-65
7050014-02-	6-14	7071474-00	6- 2-5	7071580-00	6- 3-27
7050015W		7071476-00	6- 2-13	7071581-00	6- 3-38
7050015-00	6-23	7071482-00	6- 2-2	7071582-00	6- 3-39
7050015-00	6- 2-19	7071490-00	6-18-1	7071583-00	6- 3-40
7050016-00	6-22-1	7071492-00	6-22	7071584-00	6- 3
7050016-01	6- 2-20	7071493-00	6-22	7071585-00	6- 3-9
7050017-00	6- 2-21	7071494-00	6-22-4	7071586-00	6- 3-41
7050017-00	6-22-2	7071494-01	6-22-5	7071590-00	6- 3-66
7056119-02	6- 3	7071495-00	6-22-3	7071591-00	6- 3-42
7056763-01	6-23	7071499-00	6- 2-26	7071593-00	6- 3-44
7056888-00	6- 7-28	7071500-00	6- 2	7071594-00	6- 3-58
7056888-02	6- 7-29	7071501-00	6- 2	7071595-00	6- 3-57
7056892-01	6- 7-41	7071504-00	6- 2-22	7071596-00	6- 3-68
7056892-02	6- 7-43	7071507-00	6- 2	7071597-00	6- 3-3
7065678-01	6- 2-23	7071509-00	6- 2	7071597-01	6- 3-3
7065707-00	6- 3-5	7071510-00	6- 2-6	7071598-00	6- 3
7065718-01	6- 3	7071511-00	6- 2-7	7071599-00	6- 3
7065718-01	6- 5	7071512-00	6- 2-8	7071600-01	6- 3-1
7065718-01	6- 7	7071513-00	6- 2-9	7071608-00	6- 3-47
7065718-01	6- 9	7071513-01	6- 2-10	7071609-00	6- 3-8
7065718-01	6-14	7071513-02	6- 2-11	7071610-00	6- 3
7065808-00	6- 3-36	7071515-00	6- 2-4	7071611-00	6- 3
7065808-00	6- 5-6	7071517-00	6- 2-3	7071612-00	6- 3-22
7065808-00	6- 7-8	7071519-00	6- 2-12	7071614-00	6- 3-14
7065808-00	6- 9-7	7071520-00	6- 1-3	7071614-01	6- 3-20
7065808-00	6-14-6	7071520-01	6- 1-3	7071615-00	6- 3-12
7065809-00	6- 3-35	7071521-00	6- 7	7071615-01	6- 3-16
7065809-00	6- 5-5	7071521-01	6- 7	7071616-00	6- 3-10
7065809-00	6- 7-7	7071522-00	6- 7	7071617-00	6- 3-19



PART NUMBER	FIG. & INDEX NO.	PART NUMBER	FIG. & INDEX NO.	PART NUMBER	FIG. & INDEX NO.
7071618-00	6- 3-18	7071725-01	6-15	7071778-03	6-13
7071619-00	6- 3-15	7071729-00	6-15-2	7071778-03	6-16
7071619-01	6- 3-13	7071735-00	6-15	7071778-04	6-12
7071619-02	6- 3-17	7071736-00	6-15	7071778-04	6-17
7071619-03	6- 3-11	7071741-00	6-15	7071778-06	6-17
7071623-00	6-23-1	7071750-00	6-15	7071778-07	6-13
7071625-00	6-23-13	7071750-01	6-15	7071778-08	6-15
7071625-01	6-23-14	7071750-02	6-12	7071778-09	6-12
7071627-00	6-23-3	7071750-03	6-16	7071778-09	6-13
7071630-00	6- 1-5	7071750-04	6-13	7071778-10	6-11
7071630-01	6- 1-5	7071750-05	6-11	7071778-12	6-11
7071631-00	6-14-1	7071750-05	6-12	7071778-12	6-12
7071631-01	6-14-1	7071750-05	6-13	7071778-12	6-17
7071633-00	6-14-2	7071750-06	6-13	7071778-13	6-11
7071634-00	6- 5	7071750-07	6-12	7071778-13	6-17
7071634-01	6-14	7071750-08	6-17	7071780-00	6-11-6
7071634-02	6- 5	7071750-09	6-11	7071780-00	6-12
7071634-02	6- 7	7071750-09	6-17	7071780-00	6-13
7071634-02	6- 9	7071750-10	6-17	7071780-00	6-15
7071634-02	6-14	7071750-11	6-17	7071780-01	6-17
7071634-03	6- 3	7071750-12	6-17	7071782-00	6-12
7071634-03	6- 5	7071750-13	6-12	7071782-00	6-13
7071634-03	6- 7	7071750-15	6-11	7071784-00	6-11
7071634-03	6- 9	7071750-16	6-11	7071784-00	6-13
7071634-03	6-14	7071750-17	6-11	7071785-00	6-11
7071634-04	6- 3	7071751-00	6-15	7071785-00	6-12
7071634-04	6- 5	7071753-00	6-15	7071785-00	6-13
7071634-04	6- 7	7071754-00	6-11-2	7071786-00	6-11-10
7071634-04	6- 9	7071754-00	6-13	7071786-00	6-12-4
7071634-05	6-14	7071754-00	6-14	7071786-00	6-13-6
7071634-09	6-25	7071754-00	6-15	7071787-00	6-11-11
7071634-10	6- 9	7071754-00	6-17	7071787-00	6-12-5
7071637-00	6-14	7071761-00	6-13-1	7071787-00	6-13-7
7071637-01	6-14	7071762-00	6-11-15	7071795-00	6-13-3
7071644-00	6-14	7071762-00	6-13-2	7071800-00	6-13
7071688-00	6-25-16	7071763-00	6-13-8	7071812-01	6-11
7071689-00	6-25-1	7071764-00	6-11	7071812-01	6-12
7071689-00	6-25-14	7071764-00	6-12	7071812-01	6-13
7901698-06	6- 3	7071764-00	6-13	7071845-00	6- 2-1
7071700-00	6-14	7071764-01	6-11	7071847-00	6-18-9
7071701-00	6-14-12	7071764-01	6-12	7071847-02	6-18-10
7071703-01	6-14-15	7071764-01	6-13	7071857-00	6-18
7071704-01	6-14-16	7071765-00	6-13	7071857-01	6-18
7071706-00	6-14	7071766-01	6-13	7071857-02	6-18
7071707-00	6-14-8	7071767-00	6-13-4	7071857-03	6-18
7071709-00	6-14	7071771-00	6-13-5	7071857-04	6-18
7071710-00	6-14	7071775-00	6-13	7071857-05	6-18
7071711-00	6-14	7071777-00	6-11	7071857-06	6-18
7071715-00	6-14-7	7071777-00	6-12	7071857-07	6-18
7071716-00	6-14-4	7071777-00	6-13	7071857-08	6-18
7071719-00	6-14-10	7071778-01	6-11	7071857-09	6-18
7071720-00	6-14	7071778-01	6-13	7071857-10	6-18
7071720-01	6-14	7071778-01	6-17	7071857-11	6-18
7071721-00	6-15-3	7071778-02	6-12	7071857-12	6-18
7071724-00	6-14	7071778-02	6-13	7071858-00	6-18
7071724-00	6-15	7071778-02	6-15	7071866-00	6- 6-6
7071724-00	6-17	7071778-03	6-11	7071867-00	6-10-24

## PARTS LIST

## Numerical Index

PART NUMBER	FIG. & INDEX NO.	PART NUMBER	FIG. & INDEX NO.	PART NUMBER	FIG. & INDEX NO.
7071880-00	6- 7-3	7073124-01	6- 3-63	7073210-00	6- 3-67
7071881-00	6-12	7073124-01	6- 5-36	7073210-00	6- 5-19
7071884-00	6-12	7073125-00	6- 7-1	7073210-00	6- 7-19
7071885-00	6-12	7073127-00	6- 9-20	7073210-00	6- 9-31
7071888-01	6-12	7073128-00	6- 7-37	7073211-00	6- 3-61
7071891-00	6-12-2	7073132-00	6- 7-15	7073214-00	6- 7-4
7071891-01	6-12-3	7073132-01	6- 5-18	7073217-00	6- 7-53
7071892-00	6-12	7073132-01	6- 9-22	7073219-00	6- 3-51
7071895-00	6-12	7073133-00	6- 7-32	7073219-01	6- 3-50
7071896-00	6-12	7073133-01	6- 5-24	7073221-00	6- 1-1
7071909-00	6-12-1	7073133-01	6- 9-18	7073227-00	6-21-4
7071914-00	6-12	7073134-00	6- 9-23	7073228-00	6-21-1
7071914-00	6-13	7073135-00	6- 5-2	7073229-00	6-21-3
7071946-00	6-11-12	7073135-00	6- 9-1	7073230-XX	6- 1-15
7071948-00	6-11	7073137-00	6- 5-42	7073232-00	6- 3-29
7071950-00	6-11	7073138-00	6- 5-26	7073232-02	6- 5-11
7071965-00	6-11-17	7073138-00	6- 9-32	7073232-02	6- 7-22
7071969-00	6-11-16	7073139-00	6- 5-27	7073232-02	6- 9-29
7071970-00	6-11	7073139-00	6- 9-33	7073232-03	6- 5-10
7071980-00	6- 3-6	7073142-00	6- 7-45	7073232-03	6- 7-21
7071981-00	6-11	7073143-00	6- 7-47	7073232-03	6- 9-28
7071982-00	6-11	7073148-00	6- 7-18	7073238-00	6-18
7071983-00	6-11	7073148-00	6- 9-13	7073250-XX	6- 1
7071987-03	6-11	7073148-01	6- 5-17	7073258-00	6- 2-15
7072513-04	6-23	7073149-00	6- 5	7073260-00	6- 1-6
7072513-05	6-23	7073150-00	6- 7-13	7073260-04	6- 1-6
7072513-06	6-23	7073150-00	6- 9-26	7073260-05	6- 1-6
7072513-07	6-23	7073151-00	6- 5-21	7073260-09	6- 1-6
7073075-00	6-14	7073151-00	6- 9-15	7073260-10	6- 1-6
7073076-00	6-16	7073152-00	6- 5-22	7073260-14	6- 1-6
7073082-00	6-15-1	7073153-00	6- 7-50	7073260-15	6- 1-6
7073082-00	6-16-1	7073154-00	6- 7-52	7073260-17	6- 1-6
7073082-00	6-17-1	7073155-00	6- 7-49	7073261-00	6- 2-30
7073083-00	6-16-2	7073156-00	6- 5-31	7073261-01	6- 2-30
7073084-00	6-16	7073156-00	6- 9-45	7073261-02	6-2-30
7073086-00	6-16-3	7073169-00	6- 9-42	7073261-03	6- 2-30
7073089-00	6-14	7073169-01	6- 5-30	7073291-XX	6- 1-18
7073089-00	6-16	7073170-00	6- 7-56	7073295-00	6-18-11
7073090-02	6-16	7073172-00	6- 7	7073298-00	6-18-15
7073100-00	6-16	7073172-01	6- 5-37	7073301-02	6- 1-17
7073110-00	6- 1-1	7073173-00	6- 7-26	7073302-00	6- 1-17
7073115-00	6- 5-34	7073173-01	6- 9-24	7073303-02	6- 1-17
7073115-00	6- 7-57	7073175-00	6-14	7073304-00	6- 1-17
7073116-00	6- 7-24	7073176-01	6-17	7073305-00	6- 2
7073116-00	6- 9-21	7073185-00	6-17	7073305-04	6- 2
7073116-01	6- 7-24	7073186-00	6-17	7073306-00	6- 2
7073116-01	6- 9-21	7073187-00	6-17-3	7073306-01	6- 2
7073117-00	6- 5-23	7073190-00	6-17	7073307-00	6- 2-17
7073118-00	6- 5-15	7073191-00	6-17-2	7073307-01	6- 2-17
7073118-00	6- 7-14	7073194-00	6-17-4	7073308-00	6- 2-16
7073118-00	6- 9-25	7073198-00	6-20-1	7073320-00	6- 1-2
7073120-00	6- 7-36	7073199-00	6- 2	7073320-01	6- 1-2
7073121-00	6- 7-33	7073200-01	6-14	7073321-00	6- 5
7073122-00	6- 7-34	7073202-00	6-14-14	7073321-01	6- 5
7073123-00	6- 7-35	7073204-00	6-25-10	7073322-00	6- 5
7073124-00	6- 3-64	7073206-00	6-25	7073324-00	6- 5-3
7073124-00	6- 5-35	7073208-00	6-25-15	7073325-00	6- 5

PART NUMBER	FIG. & INDEX NO.	PART NUMBER	FIG. & INDEX NO.	PART NUMBER	FIG. & INDEX NO.
7073325-00	6- 7	7111420-00	6- 8-9	7111981-00	6-10-80
7073325-00	6- 9	7111436-00	6- 8-1	7111987-00	6-10-39
7073327-00	6- 7-20	7111440-00	6- 8-11	7112010-00	6-10-88
7073327-00	6- 9-27	7111446-00	6-10-68	7112015-00	6-10-89
7073330-00	6- 1-7	7111451-00	6 10-67	7112025-00	6- 6-7
7073330-01	6- 1-7	7111457-01	6- 8-3	7112025-00	6-10-62
7073331-00	6-23-28	7111460-00	6- 8	7112036-00	6-10-60
7073333-00	6-23-22	7111465-00	6- 8-5	7112040-00	6-10-64
7073334-00	6-23-21	7111470-00	6- 8-4	7112045-00	6-10-63
7073335-00	6-23-23	7111476-00	6 10-66	7112050-00	6- 6-5
7073336-00	6-23-26	7111482-00	6 10-65	7112050-00	6-10-27
7073338-00	6-23	7111485-02	6- 6-21	7112055-00	6-10-78
7073339-00	6-23	7111485-02	6- 8-15	7112061-00	6-10-77
7073344-00	6-23	7111485-02	6-10-84	7112065-00	6-10-76
7073345-00	6-23-17	7111490-02	6- 6-14	7112077-00	6-10-70
7073346-00	6-23-19	7111490-02	6- 8-8	7112081-00	6-10-61
7073347-00	6-23-18	7111490-02	6-10-40	7112085-00	6-10-81
7073348-00	6-23-20	7111516-01	6- 6-23	7112090-00	6-10-72
7073349-01	6-23-10	7111545-02	6- 6-12	7112096-00	6-10-71
7073350-01	6-23-9	7111560-00	6- 6-25	7112101-00	6-10-74
7073352-00	6-23-11	7111580-00	6- 6-20	7112106-00	6-10-69
7073353-00	6-23	7111605-00	6-10-44	7112112-00	6-10-25
7073355-00	6-23	7111610-00	6- 6-9	7112130-00	6-23
7073355-00	6-23-27	7111610-00	6-10-46	7112135-00	6-23
7073368-00	6-23-16	7111615-00	6- 8-13	7112140-00	6-23
7073369-00	6-23-15	7111620-00	6- 8-2	7112290-00	6- 6-3
7073375-00	6- 1-5	7111635-00	6-10-87	7112290-00	6-10-6
7073375-04	6- 1-5	7111655-02	6-10-79	7112298-00	6-10-13
7073376-00	6-14	7111665-00	6- 6-4	7112310-00	6-10-55
7073380-00	6- 5-1	7111665-00	6- 8-7	7112315-00	6-10-47
7073380-00	6- 9-2	7111675-00	6-10-86	7112320-00	6-10-54
7073381-00	6-13	7111692-00	6- 6-24	7112331-00	6-10-56
7073382-00	6-13	7111692-00	6-10-38	7112335-00	6-10-3
7073400-00	6- 1-1	7111700-02	6- 8-14	7112365-00	6-10-82
7073400-01	6- 1-1	7111700-03	6- 6-22	7112370-00	6-10-83
7073401-00	6- 3	7111700-03	6-10-85	7112820-00	6-10-35
7073426-00	6-18-13	7111750-00	6- 6-1	7112825-00	6-10-32
7073427-00	6-18-4	7111750-00	6-10-5	7112830-00	6-10-34
7073429-00	6-18-12	7111755-00	6- 6-2	7112835-00	6-10-33
7073430-00	6-18-2	7111755-00	6-10-52	7112840-00	6-10-36
7073431-00	6-18	7111867-00	6-10-24	7112845-00	6-10-28
7073432-00	6-18-3	7111877-00	6-10-37	7112850-00	6-10-8
7073433-00	6-18	7111886-00	6-10-43	7112855-00	6-10-29
7073448-XX	6- 1-18	7111890-00	6-10-42	7112860-00	6-10-31
7073479-01	6-23-2	7111895-00	6-10-45	7112865-00	6-10-26
7073524-00	6- 2-25	7111905-02	6- 6-11	7112870-00	6-10-30
7073536-XX	6- 1-18	7111910-00	6- 6-26	7112876-00	6-10-23
7073540-00	6- 1-4	7111915-00	6- 6-17	7112880-00	6-10-9
7073540-01	6- 1-4	7111920-00	6- 6-18	7112887-00	6-10-20
7073541-00	6- 9	7111926-00	6- 6-13	7112891-00	6-10-1
7073541-01	6- 9	7111930-00	6- 6-16	7112895-00	6-10-2
7073542-00	6- 9	7111935-00	6- 6-15	7112900-00	6-10-22
7073544-00	6- 9-3	7111940-00	6- 6-10	7112907-00	6-10-21
7074003-XX	6- 1-16	7111945-00	6- 6-8	7112910-00	6-10-10
7111005-00	6- 6-19	7111955-00	6-10-51	7112917-00	6-10-11
7111400-00	6- 8-12	7111965-00	6-10-41	7112920-00	6-10-91
7111405-00	6- 8-10	7111970-00	6-10-4	7112927-00	6-10-12

## PARTS LIST

## Numerical Index

PART NUMBER	FIG. & INDEX NO.	PART NUMBER	FIG. & INDEX NO.	PART NUMBER	FIG. & INDEX NO.
7112931-00	6-10-14	79LH1660-40	6- 7	7900880-01	6-25
7112935-00	6-10-18	79LH1660-40	6- 9	7900891-00	6- 2
7112941-00	6-10-15	79LH1660-40	6-11	7900902-00	6- 2
7112945-00	6-10-90	79LH1660-40	6-12	7900925-00	6- 2
7112950-00	6-10-17	79LH1660-40	6-13	7900925-00	6-23
7112961-00	6-10-53	79LH1660-40	6-14	7900959-13	6-23
7112965-00	6-10-16	79LH1660-40	6-15	7900959-13	6-25
7112970-00	6-10-7	79LH1660-40	6-17	7901024-01	6- 2-27
7112975-00	6-10-58	7900038-00	6-20	7901042-03	6-24-5
7112980-00	6-10-59	7900106-00	6-14	7901084-04	6- 3-24
7112985-00	6-10-73	7900182-21	6-12	7901084-04	6- 5-16
7113340-00	6-10-50	7900182-72	6-15	7901084-04	6- 7-5
7113346-00	6-10-49	7900182-82	6-14	7901084-04	6- 9-4
7113350-00	6-10-48	7900182-83	6-15	7901084-04	6-14-9
7113526-00	6-10-19	7900182-96	6- 2	7901087-01	6- 2-29
7119090-00	6- 9-9	7900183-14	6-11	7901102-24	6-17
7119091-00	6- 9	7900183-14	6-12	7901102-83	6-11
7119091-01	6- 9	7900183-14	6-13	7901102-83	6-12
72L1-1AB-ROUND- HEAD-PIN	6- 2-29	7900183-14	6-14	7901102-83	6-13
72L2-2-2AB	6- 3-24	7900183-28	6-20	7901102-97	6-13
72L2-2-2AB	6- 5-16	7900183-38	6-20	7901126-00	6-20
72L2-2-2AB	6- 7-5	7900183-41	6-20	7901238-00	6-16
72L2-2-2AB	6- 9-4	7900183-42	6-20	7901250-03	6-13
72L2-2-2AB	6-14-9	7900183-49	6-20	7901250-04	6-11-5
7214357-00	6-11	7900184-24	6-17	7901250-04	6-15
7214357-00	6-12	7900184-25	6-15	7901250-04	6-16
7214357-00	6-13	7900184-35	6-13	7901250-04	6-17
7214357-00	6-15	7900184-36	6-15	7901314-01	6-11
7214365-01	6- 2	7900184-42	6-12	7901314-01	6-12
7214384-00	6- 1-13	7900184-42	6-14	7901314-01	6-13
7214384-01	6- 1-13	7900260-35	6-11	7901628-00	6-23
7215053-01	6- 7-17	7900260-35	6-12	7901628-00	6-25
7215054-01	6- 7-16	7900260-35	6-13	7901628-01	6- 2
7216300-00	6- 2	7900403-00	6- 2	7901637-05	6-13
7216306-00	6-18-16	7900533-00	6- 2	7901692-01	6-14
7216307-00	6-23-29	7900539-01	6-18-14	7901692-03	6-14
7216315-00	6- 2	7900608-00	6- 2	7901692-04	6-14
7216321-00	6-24-6	7900635-00	6- 2	7901692-06	6-14
7216326-00	6- 2	7900635-00	6-23	7901692-07	6- 2
7216326-01	6- 2	7900635-01	6-23	7901692-07	6-11
7216328-00	6- 9	7900635-02	6- 2	7901692-07	6-12
7216360-00	6- 9	7900635-02	6-23	7901692-07	6-13
7216361-00	6- 9-16A	7900737-01	6- 5-8	7901692-09	6-14
7216362-00	6- 9-17	7900749-05	6-25	7901692-17	6-14
7216363-00	6- 9-38	7900755-00	6-17	7901698-06	6- 5
7216364-00	6- 9-16	7900756-00	6-12	7901698-06	6- 7
7216965-00	6-10-75	7900784-58	6-20	7901698-06	6- 9
7217061-00	6-10-57	7900851-01	6- 3	7901698-07	6- 3
79LH1660-26	6-12	7900851-01	6- 5-41	7901698-07	6- 5
79LH1660-26	6-13	7900851-01	6- 7-40	7901698-07	6- 9
79LH1660-26	6-14	7900851-01	6- 9-37	7901698-08	6- 3
79LH1660-26	6-15	7900852-01	6- 2	7901698-08	6- 5
79LH1660-26	6-16	7900860-00	6- 2	7901698-08	6- 5-40
79LH1660-26	6-16	7900866-00	6- 2	7901698-08	6- 7
79LH1660-26	6-17	7900866-04	6-23	7901698-08	6- 7-39
79LH1660-40	6- 3	7900880-01	6- 2	7901698-08	6- 9
79LH1660-40	6- 5	7900880-01	6-23	7901698-08	6- 9-36

PART NUMBER	FIG. & INDEX NO.	PART NUMBER	FIG. & INDEX NO.	PART NUMBER	FIG. & INDEX NO.
7901698-09	6- 3	7901968-08	6-17	7902611-01	6- 3
7901698-09	6- 5	7901968-11	6-11-7	7902611-01	6- 5
7901698-09	6- 7	7901968-11	6-13	7902611-01	6- 7
7901698-09	6- 9	7901968-11	6-15	7902611-01	6- 9
7901698-10	6- 3	7901968-11	6-17	7902622-02	6-24-3
7901698-10	6- 5	7901968-13	6-11-3	7902645-01	6-11-13
7901698-10	6- 7	7901968-13	6-14	7902674-01	6-23-12
7901698-10	6- 9	7901968-13	6-15	7902696-69	6-20
7901698-13	6-14	7901968-13	6-17	7902696-69	6-25
7901739-00	6- 7-27	7901971-01	6- 2	7902698-00	6-23
7901739-01	6- 7-30	7901971-01	6-23	7902698-00	6- 3-26
7901739-02	6- 7-31	7901971-01	6-25-3	7902698-01	6- 3-25
7901739-05	6- 3-43	7901971-02	6- 2	7902698-03	6-23
7901739-06	6- 5-20	7901971-02	6-23	7902698-03	6-25-13
7901739-06	6- 9-14	7901971-02	6-25-4	7902699-00	6- 1
7901761-00	6- 2	7902036-11	6-23	7902699-00	6-24
7901765-00	6-21-2	7902065-25	6-13	7902699-01	6- 1
7901765-00	6-22-6	7902067-00	6-11	7902699-03	6-24
7901766-00	6-15	7902067-00	6-12	7902699-03	6-25-12
7901766-00	6-17	7902067-00	6-13	7902700-01	6-24
7901782-01	6-14	7902067-00	6-20	7902700-02	6-24
7901792-00	6-14	7902072-00	6-19-2	7902700-03	6-24
7901820-00	6- 1-9	7902072-01	6-19-3	7902700-04	6-24
7901842-00	6- 5-29	7902167-00	6- 2-14	7902700-05	6- 1-10
7901842-00	6- 7-38	7902178-84	6-15	7902701-01	6- 2
7901842-00	6- 9-35	7902184-14	6-16	7902701-02	6- 2
7901844-01	6- 3-37	7902184-27	6-11	7902701-03	6- 2
7901844-01	6- 5-7	7902184-27	6-12	7902701-04	6- 2
7901844-01	6- 7-9	7902184-27	6-13	7902701-05	6- 2
7901844-01	6- 9-8	7902185-00	6-17	7902708-03	6- 1
7901844-01	6-14	7902188-00	6-23-8	7902708-03	6- 1-12
7901848-05	6-11	7902253-00	6-23	7902708-03	6-25-11
7901848-05	6-12	7902253-00	6-25	7902786-00	6-11-4
7901848-05	6-15	7902253-00	6- 2	7902788-16	6-18
7901848-05	6-16	7902334-00	6-23	7902794-88	6-15
7901848-05	6-17	7902334-00	6-25-5	7902799-00	6-19-1
7901848-06	6-11	7902334-00	6- 2	7902802-01	6- 2
7901848-06	6-12	7902350-00	6- 2	7902802-01	6-23
7901848-06	6-15	7902462-04	6- 1-11	7902802-01	6-25-2
7901848-06	6-16	7902474-10	6- 3	7902804-01	6-14
7901848-06	6-17	7902474-10	6- 5	7902817-02	6-14
7901848-07	6-13	7902474-10	6- 7	7902833-03	6-13
7901848-08	6-13	7902474-10	6- 9	7902833-03	6-14
7901856-00	6-23	7902484-00	6-23	7902833-03	6-16
7901859-00	6-17	7902484-00	6-24-1	7902833-05	6- 9
7901859-03	6-16	7902484-00	6-25	7902834-00	6-12
7901859-05	6-12	7902484-00	6- 3	7902834-00	6-17
7901859-05	6-15	7902484-01	6-24-2	7902834-02	6-15
7901859-06	6-12	7902484-01	6- 1	7902843-01	6-11
7901859-06	6-17	7902484-01	6- 2	7902848-09	6- 2-28
7901859-11	6-12	7902484-04	6-23	7902852-00	6-23
7901859-11	6-13	7902484-04	6-25	7902852-00	6-25
7901920-02	6- 2	7902484-04	6- 1	7902852-00	6- 1
7901920-02	6-23	7902484-04	6- 3	7902852-00	6- 3
7901920-02	6-25	7902484-05	6- 2	7902863-04	6-14
7901968-08	6-14	7902487-00	6-14-13	7902866-02	6-16
7901968-08	6-16	7902578-00	6-23	7902867-02	6-14

## PARTS LIST

## Numerical Index

PART NUMBER	FIG. & INDEX NO.	PART NUMBER	FIG. & INDEX NO.	PART NUMBER	FIG. & INDEX NO.
7902891-02	6- 3	7903148-00	6- 9	905819-05	6- 3
7902891-03	6- 3	7903148-00	6-14	905819-05	6- 5
7902891-10	6- 7	7903169-00	6-16	905819-05	6- 7
7902891-10	6-23-4	7903169-01	6-16	906009-03	6- 5
7902892-00	6- 3	7903169-02	6-14	906009-03	6- 7
7902892-02	6- 7	7903174-00	6-14	906009-03	6- 9
7902892-02	6-23	7903506-00	6-11-9	906056-01	6-12
7902892-02	6-23-5	7903656-00	6-14	906056-01	6-13
7902896-00	6- 3	7903656-03	6-14	906056-01	6-14
7902896-01	6- 7	7903656-04	6-14	906056-01	6-15
7902896-01	6-23-7	7903727-00	6-25-8	906056-01	6-16
7902896-04	6- 7	7903727-00	6- 2	906056-01	6-17
7902896-16	6-23-6	7903727-02	6- 2	906056-03	6- 3
7902896-24	6- 3	7903727-02	6-25-7	906056-03	6- 5
7903003-00	6- 3-28	7903728-00	6- 2	906056-03	6- 7
7903021-00	6- 2	7903728-00	6-25-6	906056-03	6- 9
7903031-01	6-14	7956504-23	6- 3-4	906056-03	6-11
7903044-00	6- 3	7956504-47	6- 9	906056-03	6-12
7903044-00	6- 5	7957088-00	6- 9-11	906056-03	6-13
7903044-00	6- 7	823-21SUB4	6- 2-14	906056-03	6-14
7903044-00	6- 9	85967-1LP	6-19-3	906056-03	6-15
7903044-02	6- 3	85969-1LP	6-19-2	906056-03	6-17
7903060-00	6- 2	86201-1	6-19-1	906710-01	6-14
7903063-00	6- 2	8926	6-23	906906-00	6- 2
7903069-11	6- 2	8926	6-25	907034-02	6-11-8
7903069-43	6-13	900128-03	6-18-8	907034-02	6-14-11
7903070-41	6- 2	900129-07	6-18-6	907035-01	6-11-14
7903070-47	6- 2	900129-08	6-18-7	907454-01	6-13
7903079-01	6-11	900129-09	6-18-5	907455-02	6-12
7903079-01	6-12	901372-04	6-17	907455-02	6-13
7903079-01	6-13	902991-03	6-11	907514-00	6-24-4
7903079-01	6-15	902991-03	6-12	907627-01	6- 5
7903079-01	6-17	902991-03	6-13	907627-01	6- 7
7903081-00	6- 1-14	902991-04	6- 3	907627-01	6- 9
7903085-00	6- 2	902991-04	6-23	907627-01	6-14
7903085-01	6- 2	902991-07	6- 3	907627-01	6-23
7903093-11	6-17	902991-07	6- 5	907627-02	6- 9
7903093-15	6-16	902991-07	6- 7	907747-06	6-23-25
7903093-23	6-15	902991-07	6- 9	907747-07	6-23-24
7903093-37	6-11	902991-07	6-14	908552-03	6- 9
7903093-37	6-12	902991-08	6-23	908552-03	6-18
7903093-37	6-13	903160-03	6- 9	908552-03	6-23
7903132-02	6- 7	904656-00	6- 2	908552-03	6-25
7903132-02	6- 9	905056-03	6- 9	908552-04	6- 3
7903132-02	6-11	905078-02	6- 5	908552-04	6-15
7903132-02	6-12	905078-02	6- 7	908552-04	6-18
7903132-04	6-12	905078-02	6- 9	908552-04	6-23
7903132-04	6-13	905212-02	6-23	908552-04	6-25
7903132-04	6-16	905411-04	6- 1-8	908552-05	6-11
7903132-05	6-12	905418-04	6- 2	908552-05	6-12
7903132-08	6-13	905454-00	6- 2	908552-05	6-13
7903132-08	6-17	905690-05	6- 3	908552-05	6-15
7903132-09	6-16	905690-05	6- 5	908552-05	6-16
7903132-32	6- 3	905690-05	6- 7	908552-05	6-17
7903133-15	6- 3	905690-05	6- 9	908552-05	6-18
7903148-00	6- 3-2	905819-00	6- 9	908552-05	6-23
7903148-00	6- 7	905819-04	6-14	908552-06	6- 2

Numerical Index

PARTS LIST

PART NUMBER	FIG. & INDEX NO.	PART NUMBER	FIG. & INDEX NO.	PART NUMBER	FIG. & INDEX NO.
908552-06	6- 3	910878-04	6-15		
908552-06	6- 5	910879-00	6- 3		
908552-06	6- 7	910879-00	6- 5		
908552-06	6- 9	910879-00	6- 7		
908552-06	6-18	910879-00	6- 9		
908552-07	6-16	910879-00	6-14		
908552-08	6-13	910879-01	6-14		
908552-08	6-14	910879-02	6- 5		
908552-09	6-12	910879-02	6- 7		
908552-11	6-15	910879-02	6- 9		
908552-12	6-18	910879-02	6-14		
908553-10	6-18	910879-03	6- 3		
908555-03	6-23	910879-03	6- 5		
908555-15	6-14	910879-03	6- 7		
908951-00	6- 2	910879-03	6- 9		
909479-07	6-13	910879-03	6-14		
909479-08	6-13	910879-04	6-14		
910185-01	6-23	910879-05	6- 7		
910229-01	6- 3	910879-05	6-14		
910229-01	6- 5	911351-00	6- 2		
910229-01	6- 7	911603-03	6-13		
910229-01	6- 9	911603-04	6-11		
910229-04	6- 3	911603-37	6-23		
910229-04	6- 5	911604-08	6-23		
910229-04	6- 7	911604-11	6- 3		
910229-04	6- 9	912052-00	6-23		
910229-07	6- 9	940229-07	6- 3		
910271-01	6- 2	946-181631-10003	6-25-11		
910271-01	6-23				
910271-01	6-25-9				
910299-07	6- 7				
910503-02	6- 5				
910503-02	6- 7				
910503-03	6- 7				
910503-03	6- 9				
910503-50	6-25				
910509-22	6-11				
910509-48	6-11				
910509-62	6-17				
910878-00	6-11				
910878-00	6-12				
910878-00	6-13				
910878-00	6-15				
910878-00	6-17				
910878-01	6-11				
910878-01	6-12				
910878-01	6-13				
910878-01	6-15				
910878-01	6-17				
910878-02	6-12				
910878-02	6-13				
910878-02	6-15				
910878-02	6-17				
910878-03	6-11				
910878-03	6-12				
910878-03	6-13				
910878-03	6-17				