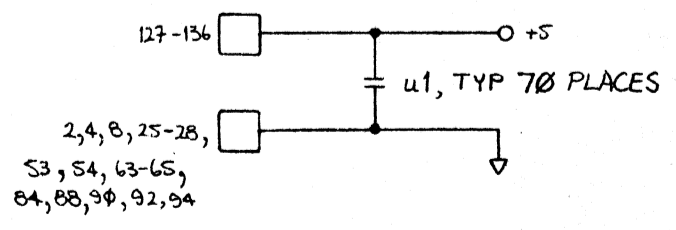
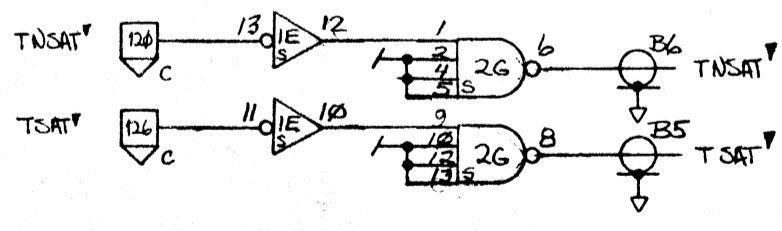
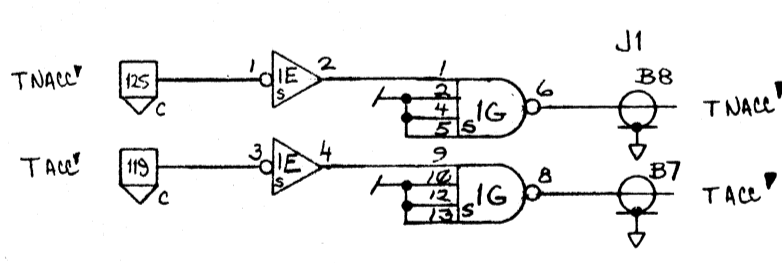
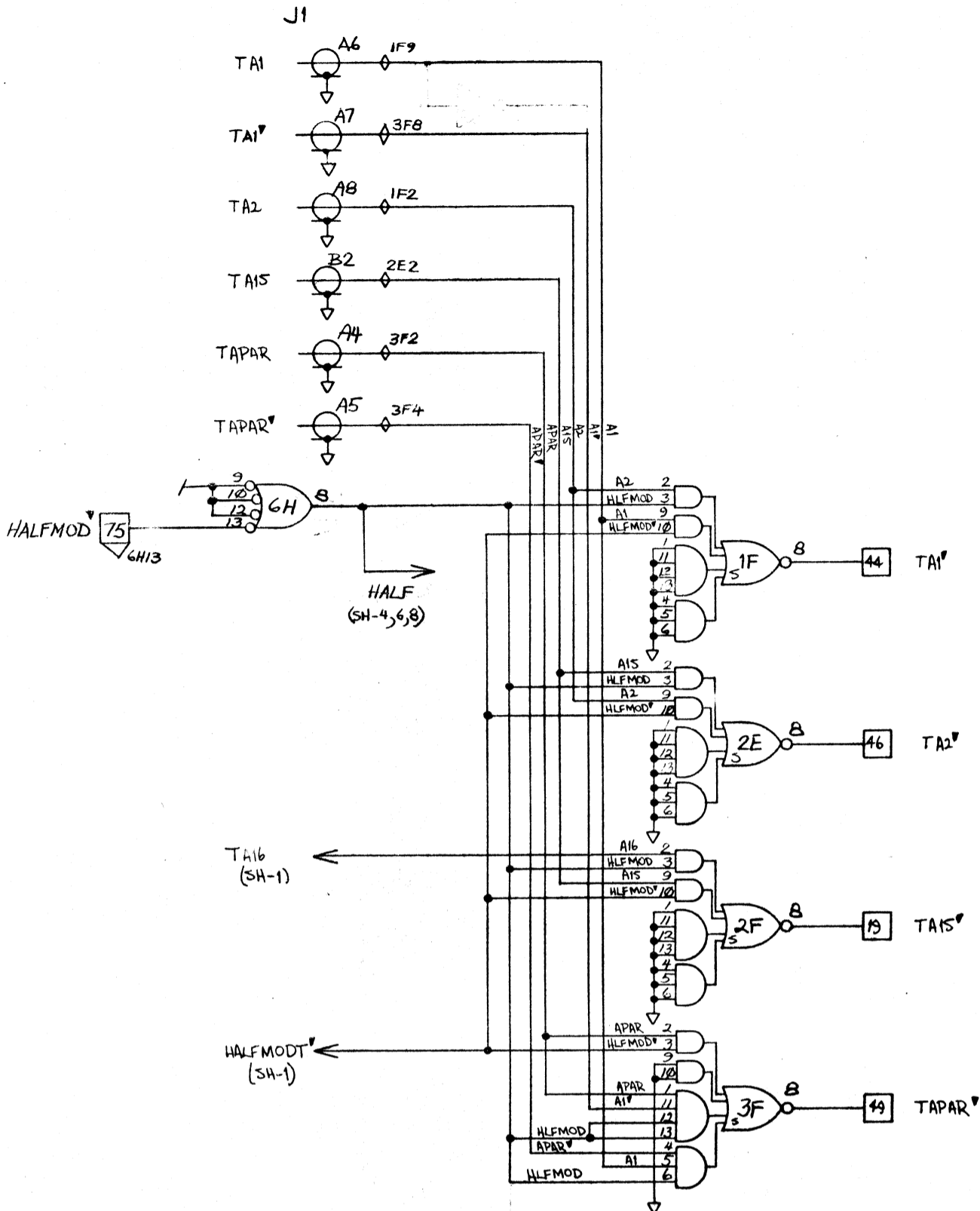


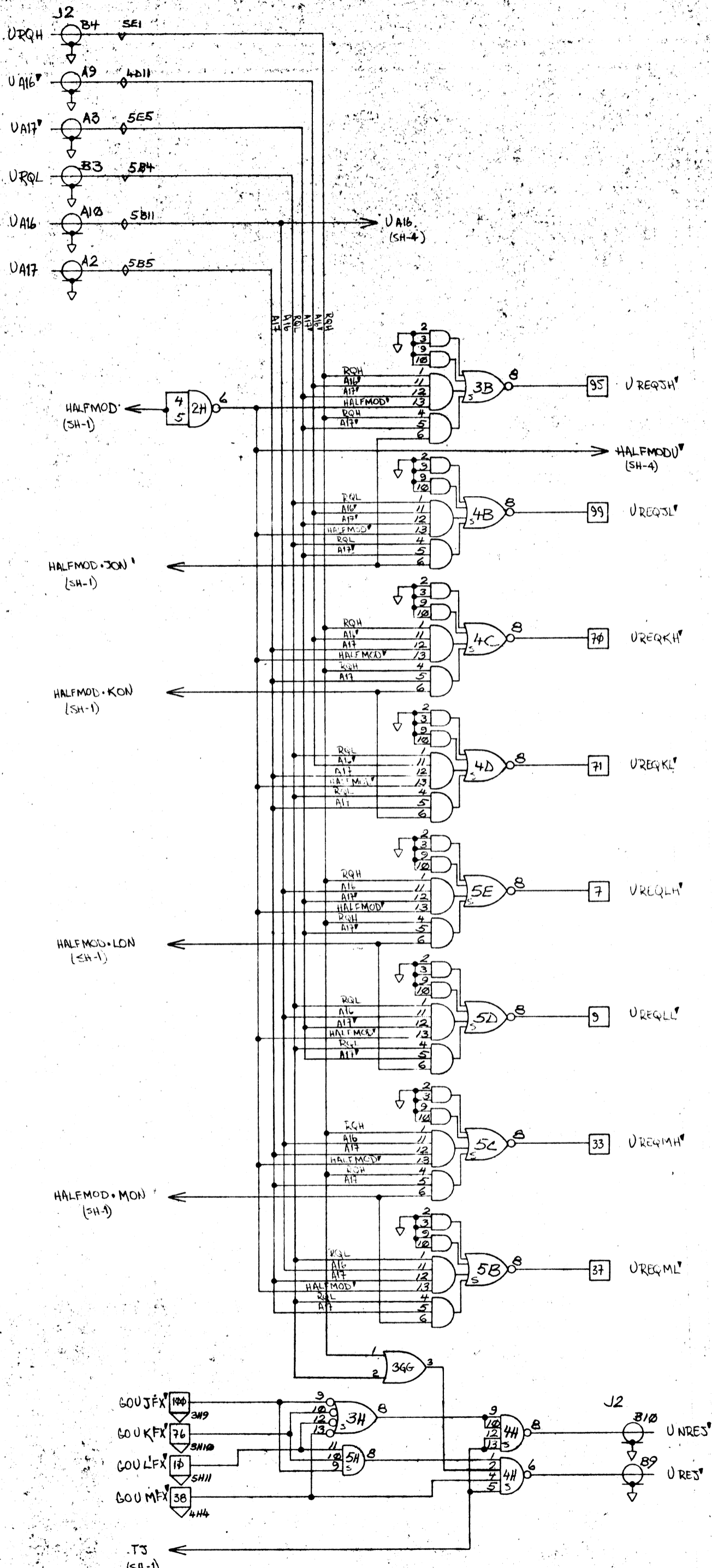
Note:
 1. ALL GATES H-LOGIC UNLESS SPECIFIED.
 2. \Rightarrow
 3. \Rightarrow

		RELEASED LAST VERSION 10/23/73
DESIGNED ABRODORICH DEWOLGE	DRAWN E. FISHER	TITLE REQUEST/RESPONSE
PROJECT FM A22	SHEET 1 OF 8	REVISIONS DATE BY APPROVED
L91004 .1		

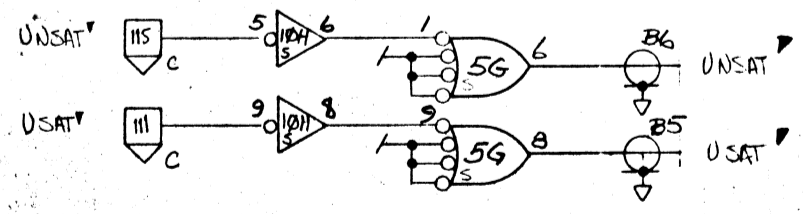
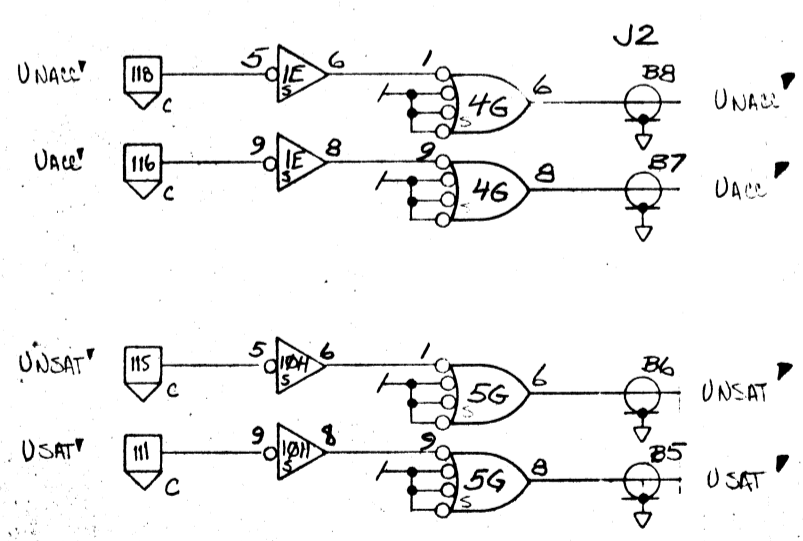
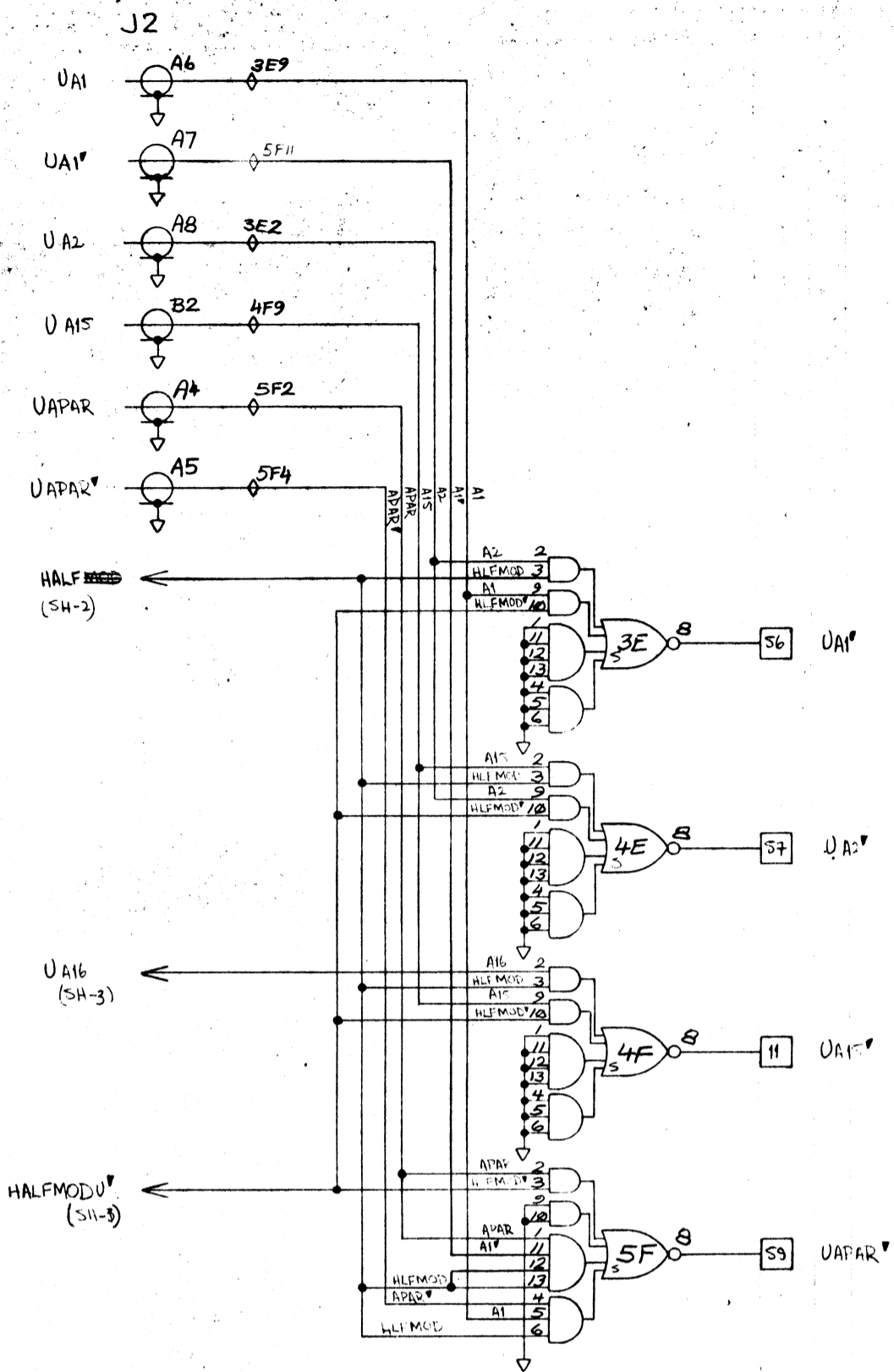


- 16, 18, 22, 30, 32, 35, 36, 39-43, 50, 58, 70, 80, 83, 97, 112, 122
- SPARES

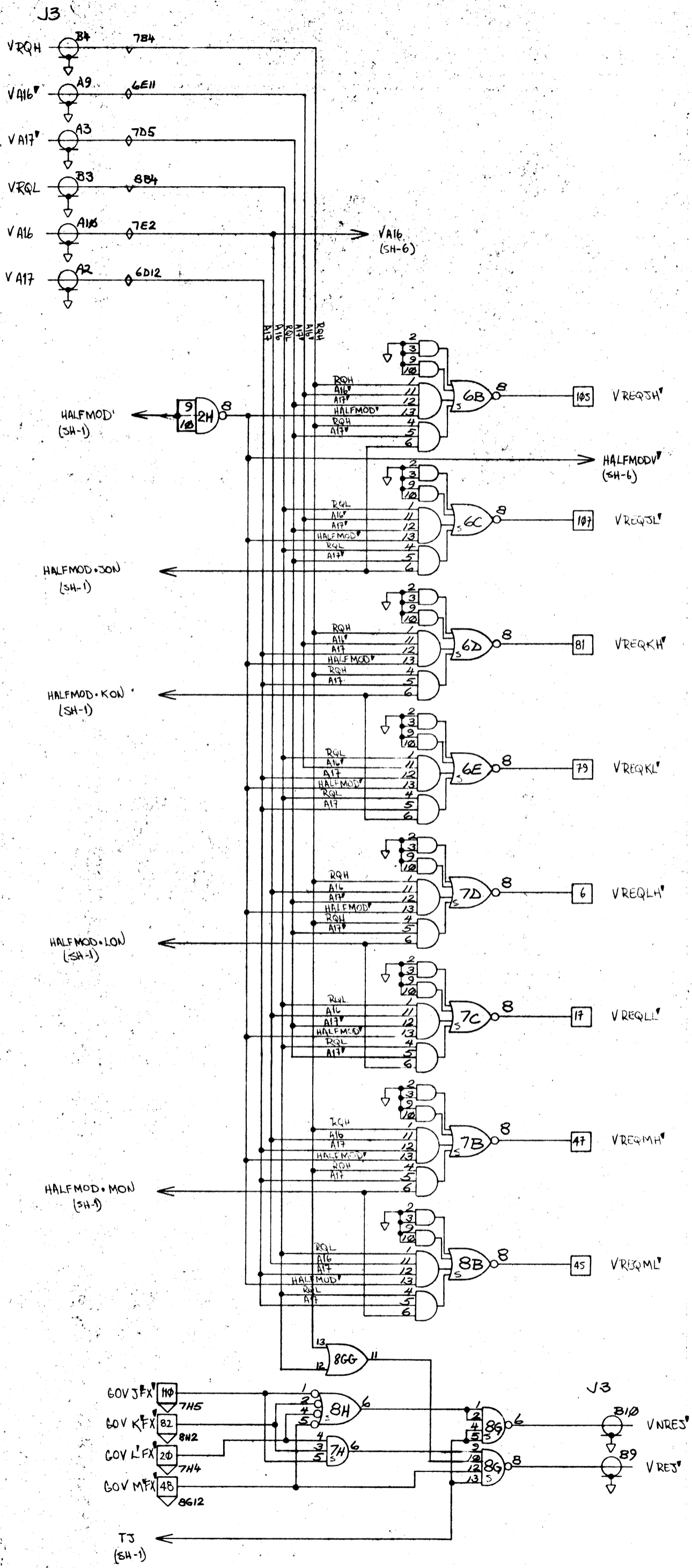
DESIGNED BY	W. Friedrich
REL. CHGR	VEDDAGE
CHKD BY	R. E. H. S. U.
DATE	12/2/73
PROJECT	FM A22
SHEET	2 OF 8
REV.	L31094.1
REQUEST/RESPONSE	



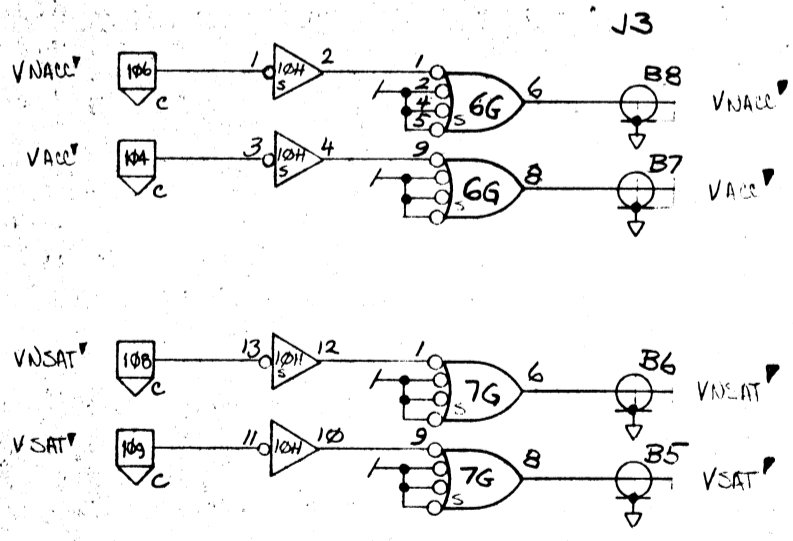
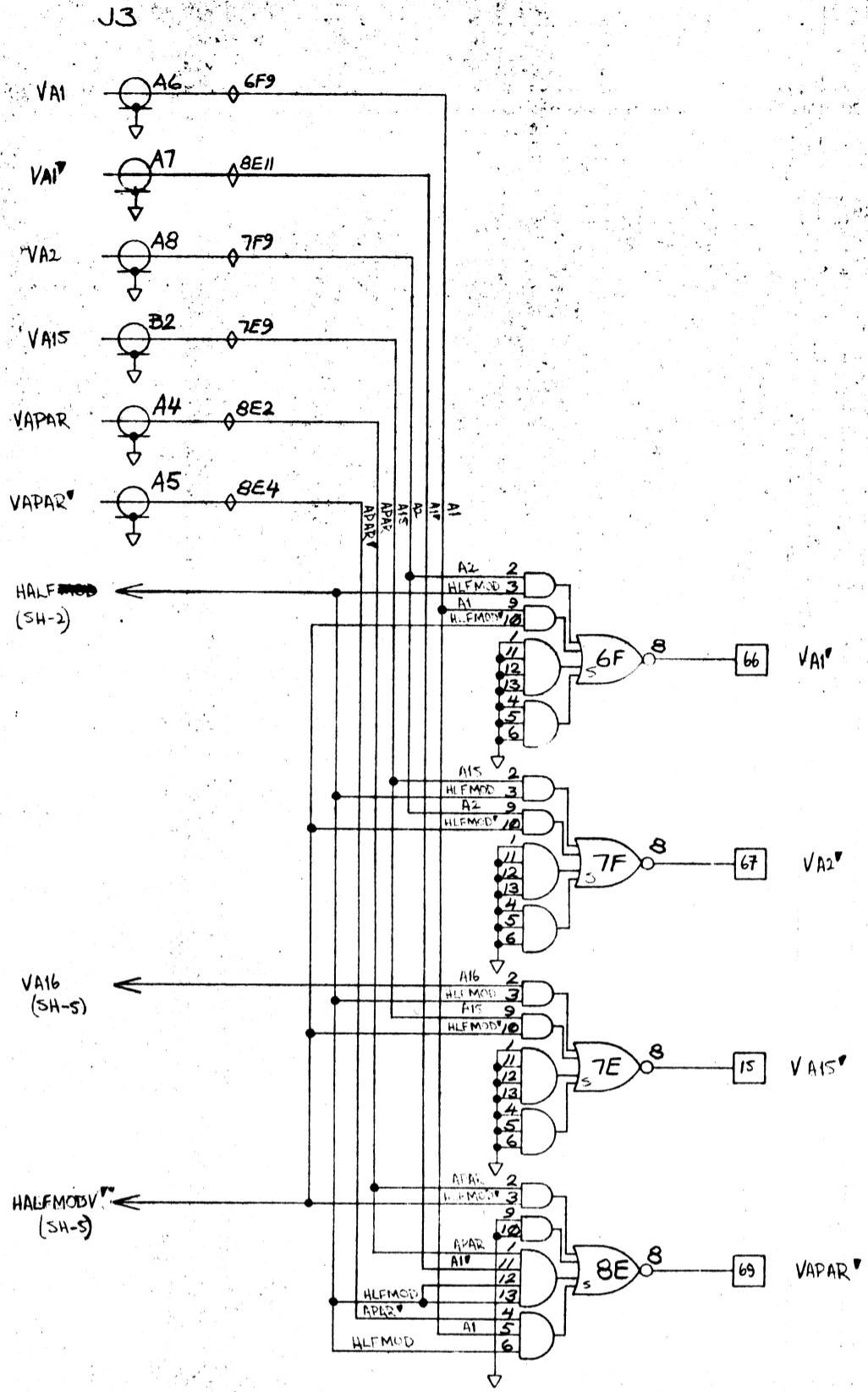
RELEASED 10/17/73	LAST REVISION 10/17/73
AUTHOR D. E. DODGE	TITLE REQUEST/RESPONSE
SCALE 8 EDISON	PART FM A22
SHEET 3 OF 8	DATE 10/10/41



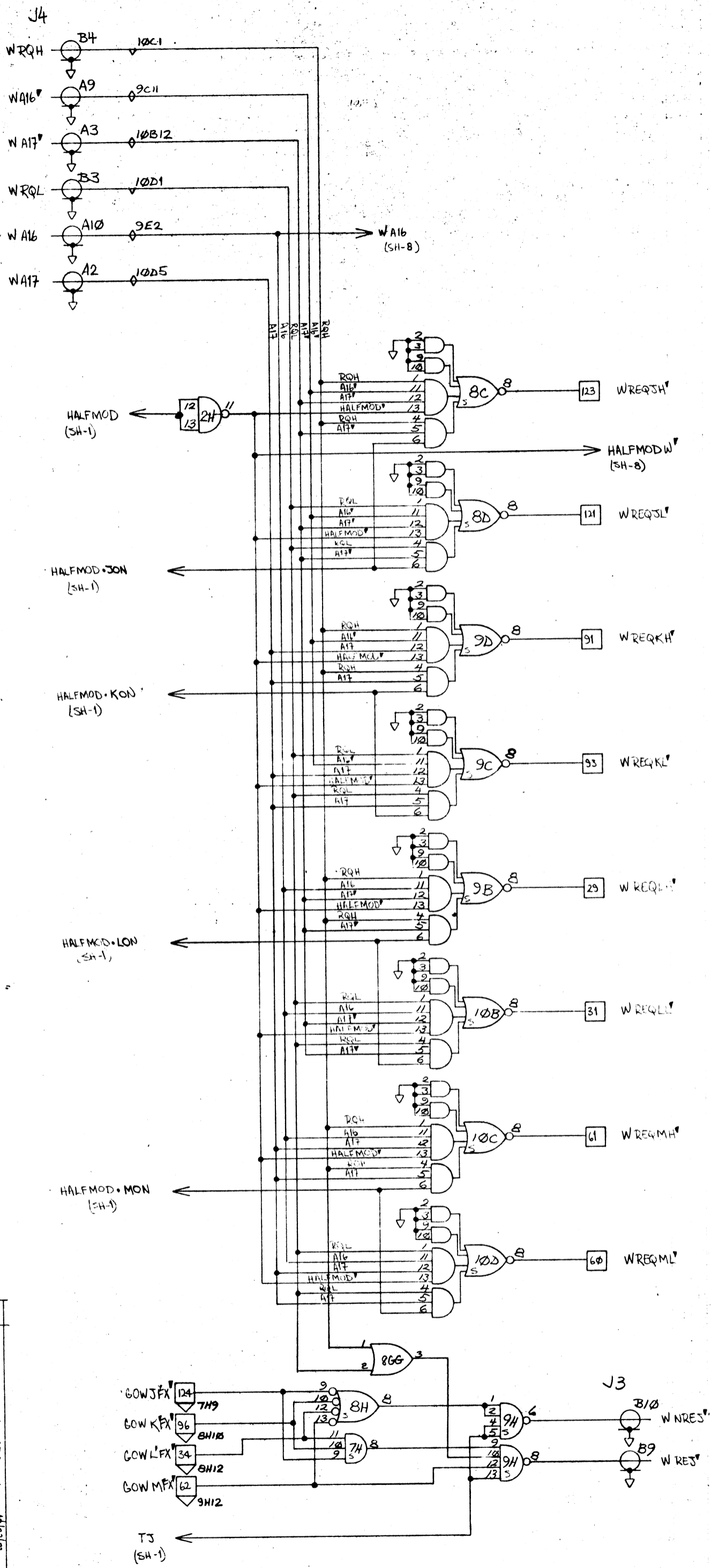
RELEASED LAST REVISION 10/21/75	TITLE REQUEST/RESPONSE
AUTHOR A. B. ... DATE 4 8	REVISIONS 1 FM A22 L01044A-1



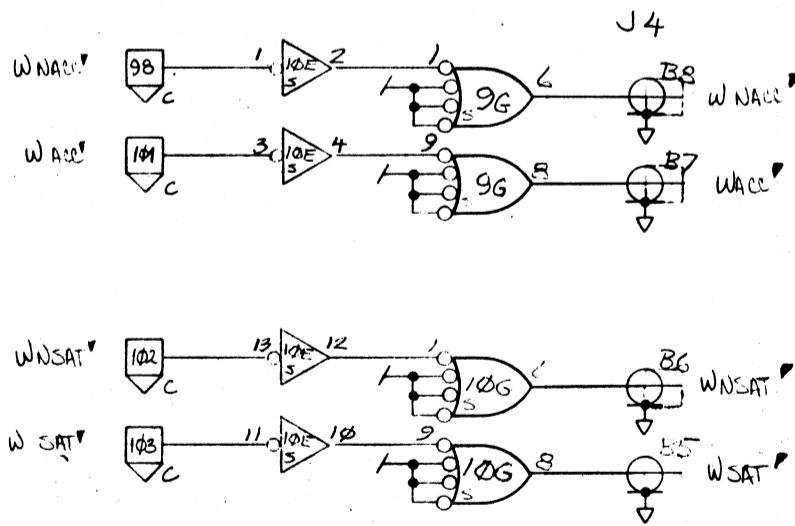
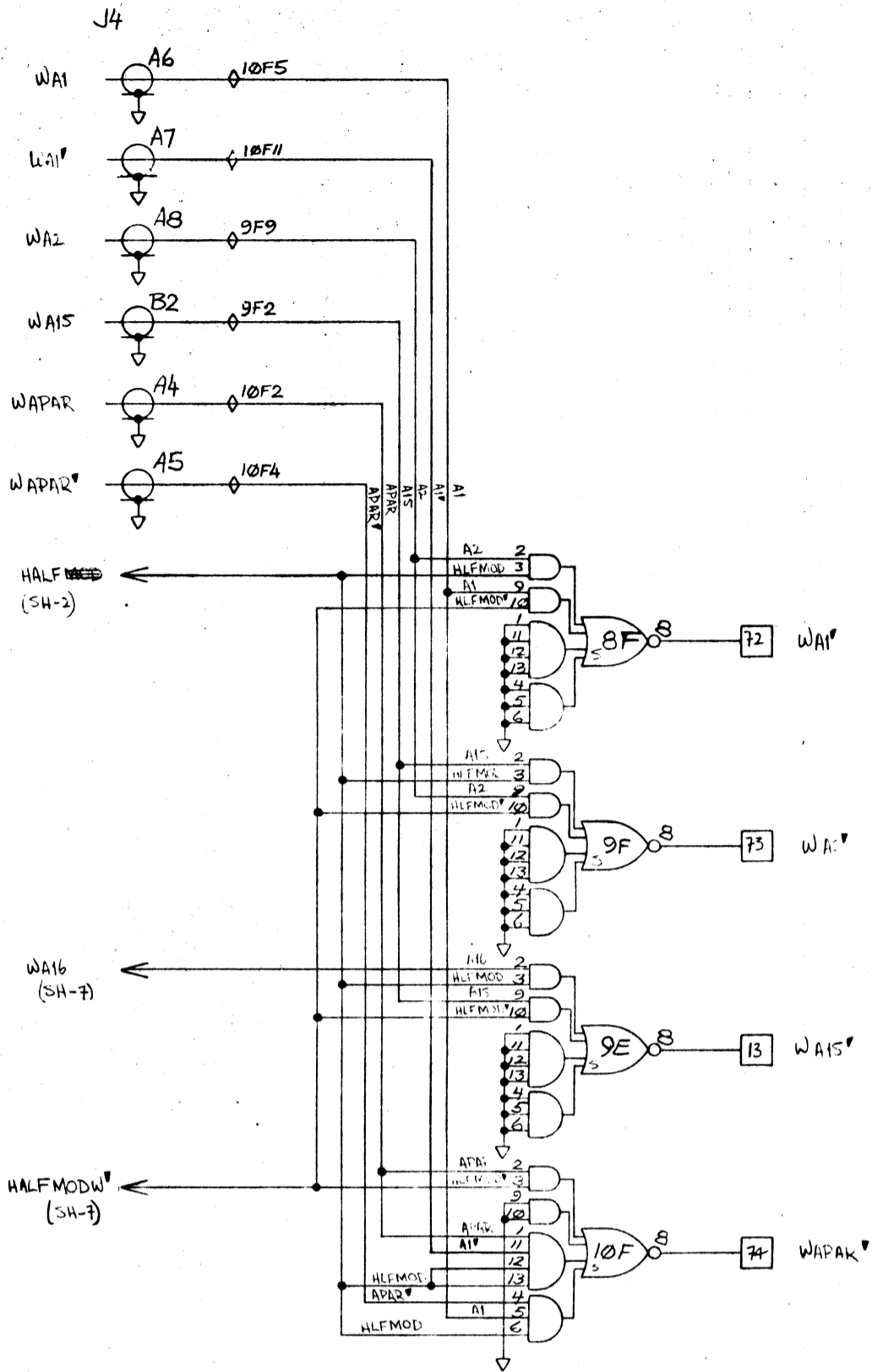
NO. 10 RELEASED LAST REVISION 11/23/73	TITLE REQUEST/RESPONSE
AUTHORITY D. S. Dodge K. Edisa	PROJECT FM A22
SHEET S B	NO. 191041



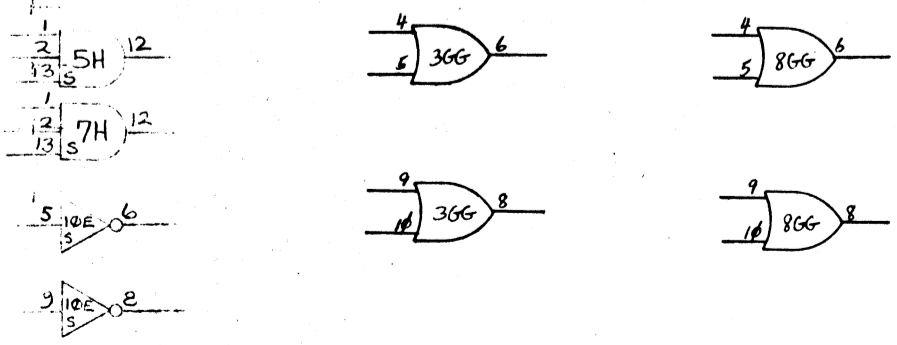
NO.	0
RELEASED	LAST REVISION
	4/23/75
DESIGNED BY	REVISIONS
APPROVED BY	
DATE	
SCALE	
PROJECT	REQUEST/RESPONSE
NO.	FM A22
REV.	6 8
DATE	4/18/74-1



RELEASED LAST REVISION 10/23/73	TITLE REQUEST/RESPONSE
REVISIONS 1 2 3 4 5 6 7 8 9 10 11 12 13 14 15 16 17 18 19 20 21 22 23 24 25 26 27 28 29 30 31 32 33 34 35 36 37 38 39 40 41 42 43 44 45 46 47 48 49 50	PROJECT FM A22 L91004



SPARES



	RELEASED	LAST REVISION	18/23/73
	REQUEST/RESPONSE		
PROJECTED R. Edusa R. Edusa	DESIGNED DE Dolger	CHECKED FM A22	DATE 8 8 1973
TITLE REQUEST/RESPONSE			APPROVED L01004.1