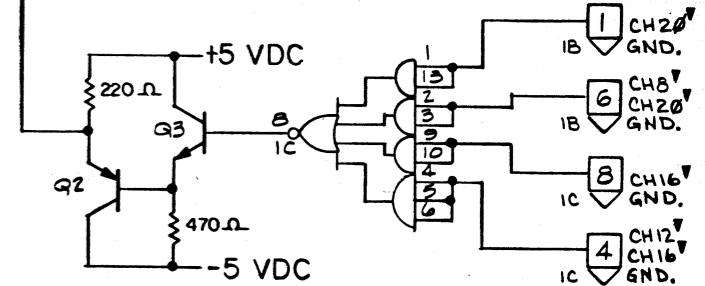


NOTES: UNLESS OTHERWISE SPECIFIED;

- 1) ALL NPN TRANSISTORS ARE P/N QT-93646
- 2) ALL PNP TRANSISTORS ARE P/N QT93640
- 3) ALL I.C.S PART NO. ARE ;  
 A) R $\phi$ -R $\phi$ ; 2 EACH, Q116303  
 B) R $\phi$ X; 2 EACH, Q117303
- 4) ALL RESISTORS ARE 1/8W,  $\pm$ 10%
- 5) ALL DIODES ARE P/N QD10805
- 6) FOR ELECTRICAL BREAK DOWN ON CIRCUIT "A", SEE SHT 3 THRU 10
- 7) FOR ELECTRICAL BREAK DOWN ON CIRCUIT "B", SEE SHT 2.
- 8) UNUSED GATES :  
 A) 4 INPUT ; 1G6 OUTPUT  
 1G1, 2, 4 & 5 INPUTS  
 B) 4 INPUT ; 5/2AG OUTPUT  
 5/2A1, 2, 4 & 5 INPUTS
9. \* INDICATES FAST IC MODULE.
10. ALL INDUCTORS CONSIST OF 20 TURNS OF #40 GA. MAGNET WIRE, WRAPED AROUND 100- $\Omega$  RESISTOR IN PARALLEL.



A14, 20, 25

NO.	ADDED CLOCK PULL-UP RESISTORS 1-5-72		
NO.	DESCRIPTIONS	DATE	DRAWN APPROVED
Berkeley Computer Corporation			
SCALE: NONE	APPROVED BY:	DRAWN BY: R.B.W.	
DATE: 18 JULY 69		REVISED: 12/9/69 A.C.	
TITLE: HOLDING REGISTER			
MASTER			DRAWING NUMBER: L00248.02

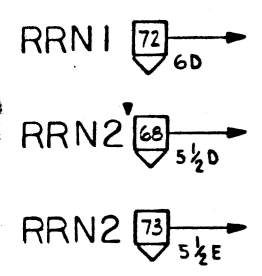
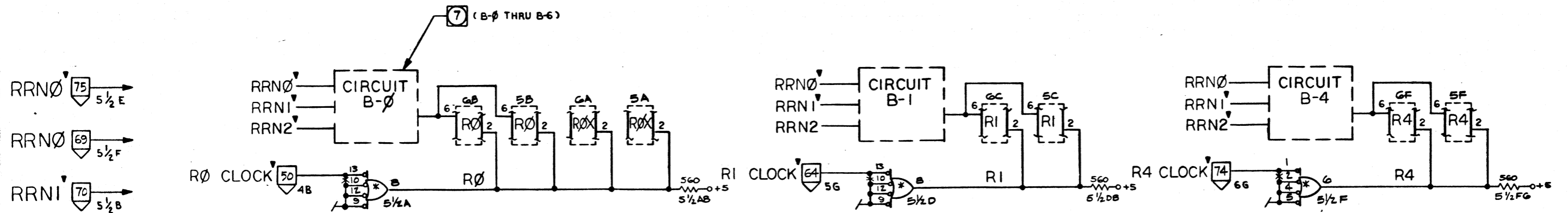
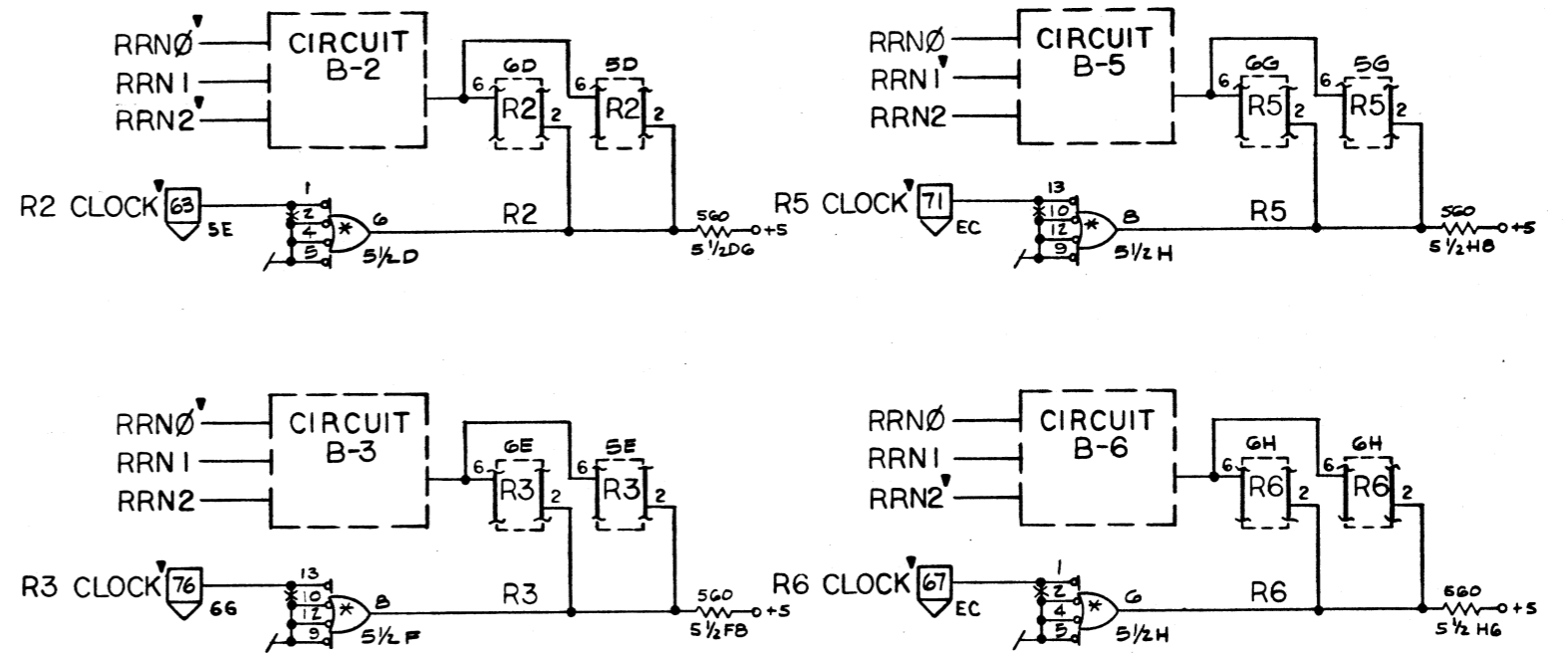
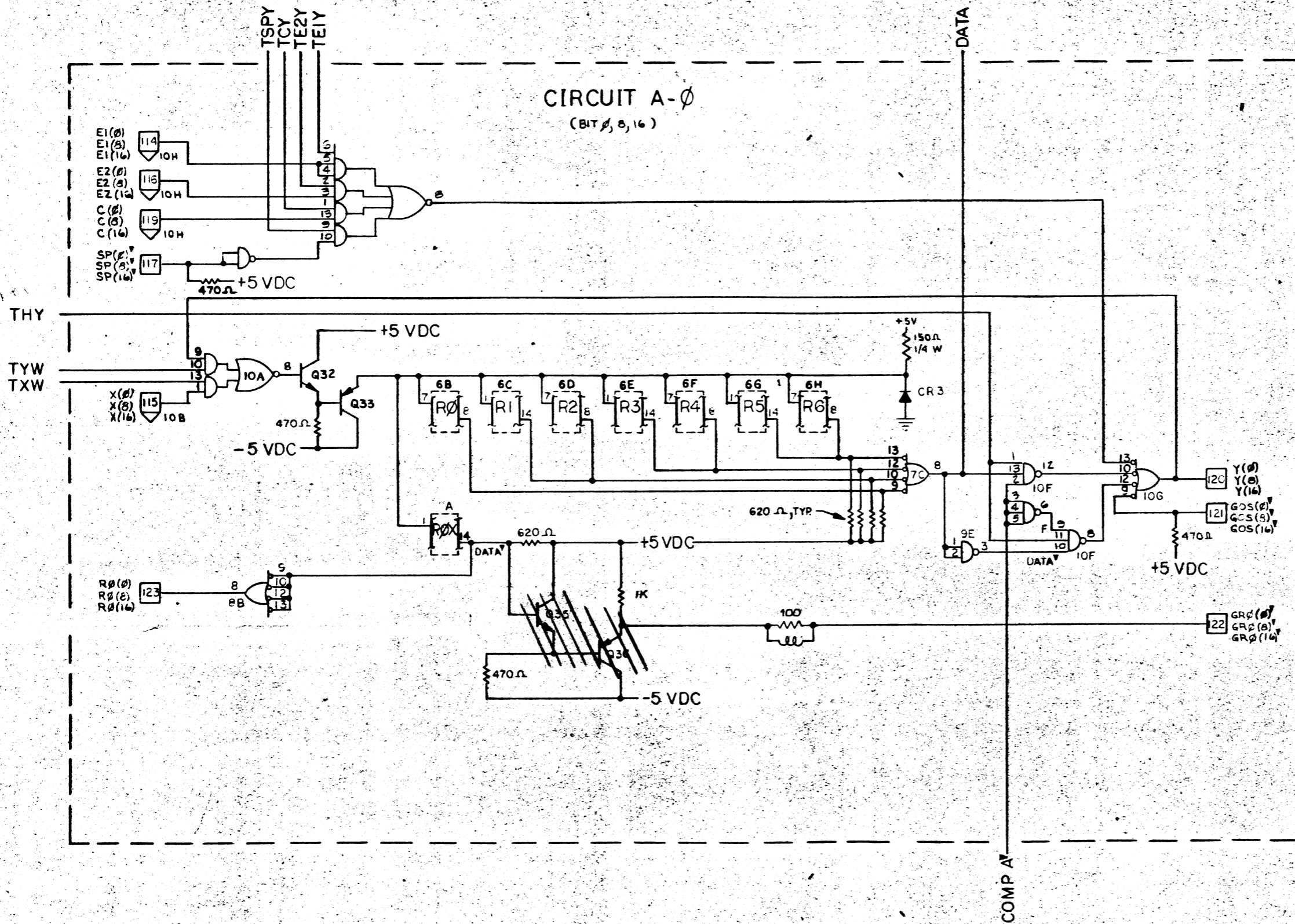


TABLE 1	
CIRCUIT B-n	
(n IS THE CIRCUIT NO., 0 THRU 6)	



A14, 20, 25

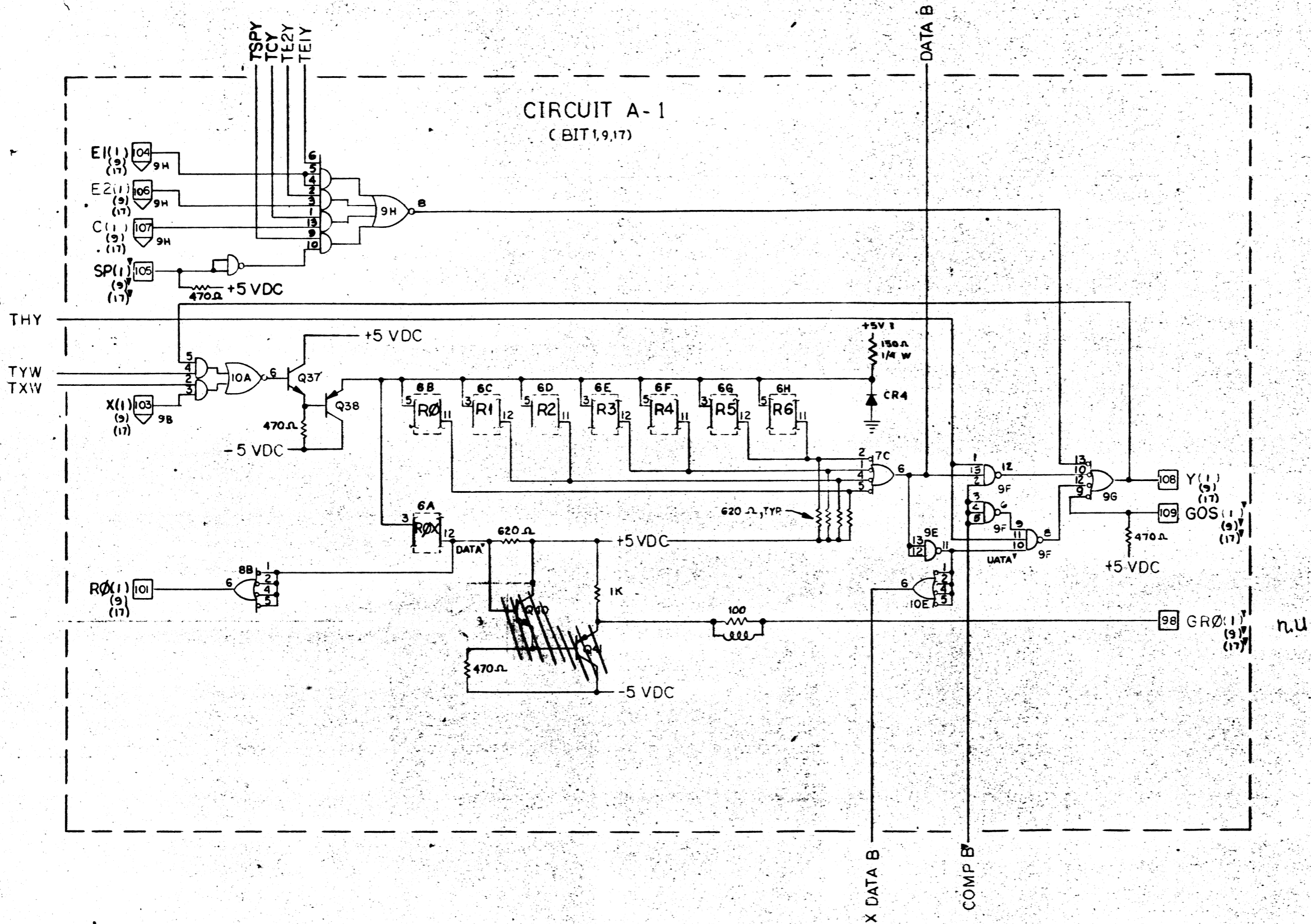
berkeley Computer Corporation		
SCALE: NONE	APPROVED BY:	DRAWN BY: R. BOUL
DATE: 18 JULY 69		REVISED: 12/9/68 HC
TITLE: HOLDING REGISTER		
MASTER		DRAWING NUMBER: L00248.2



n.u.

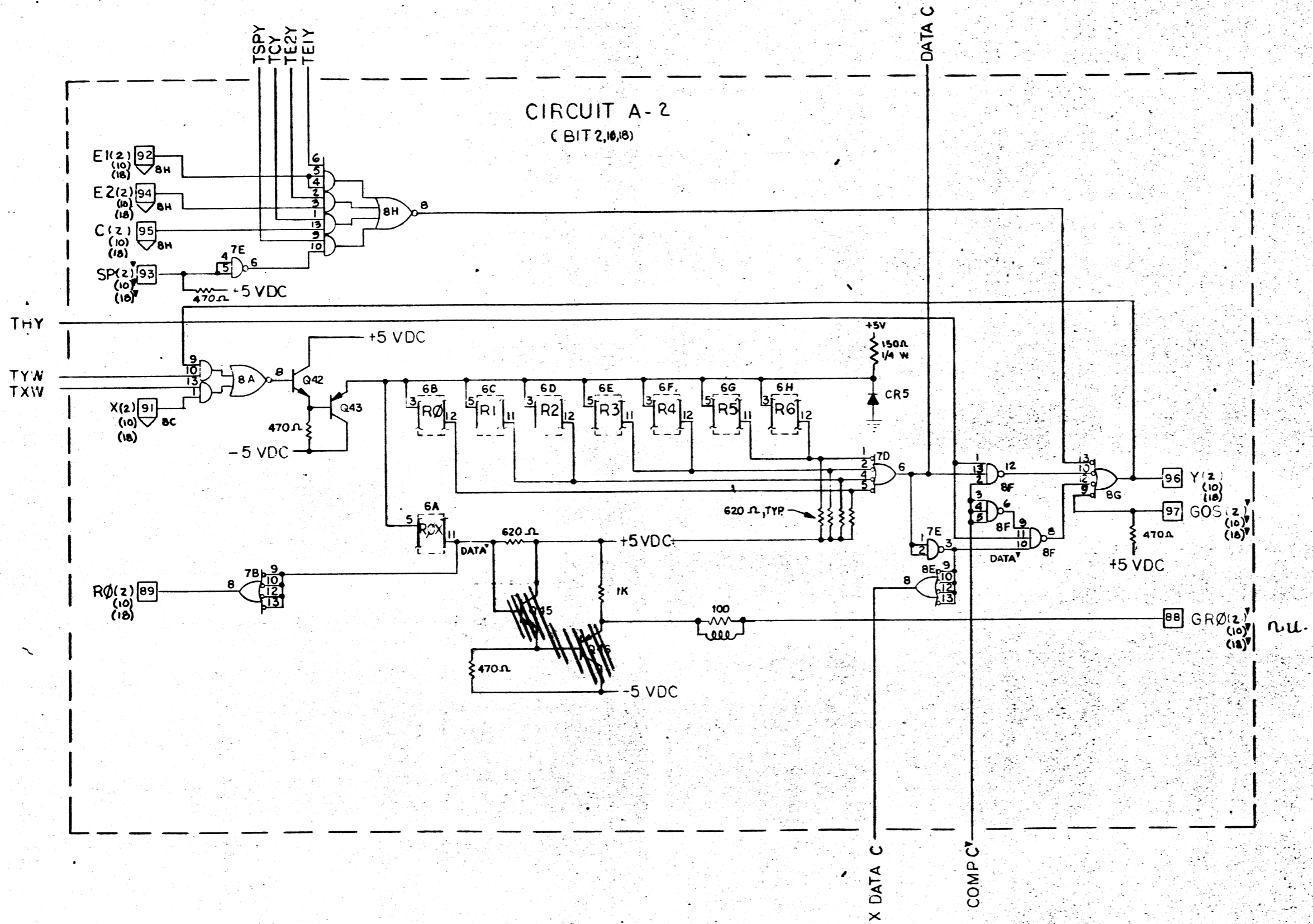
A4, 20, 25

Berkeley Computer Corporation		
ORIGIN: NONE	APPROVED BY:	DATE: 18 JULY 69
<b>HOLDING REGISTER</b>		
FIRST USED ON MI M5CH	LOC 248.2	SH 3 OF 10



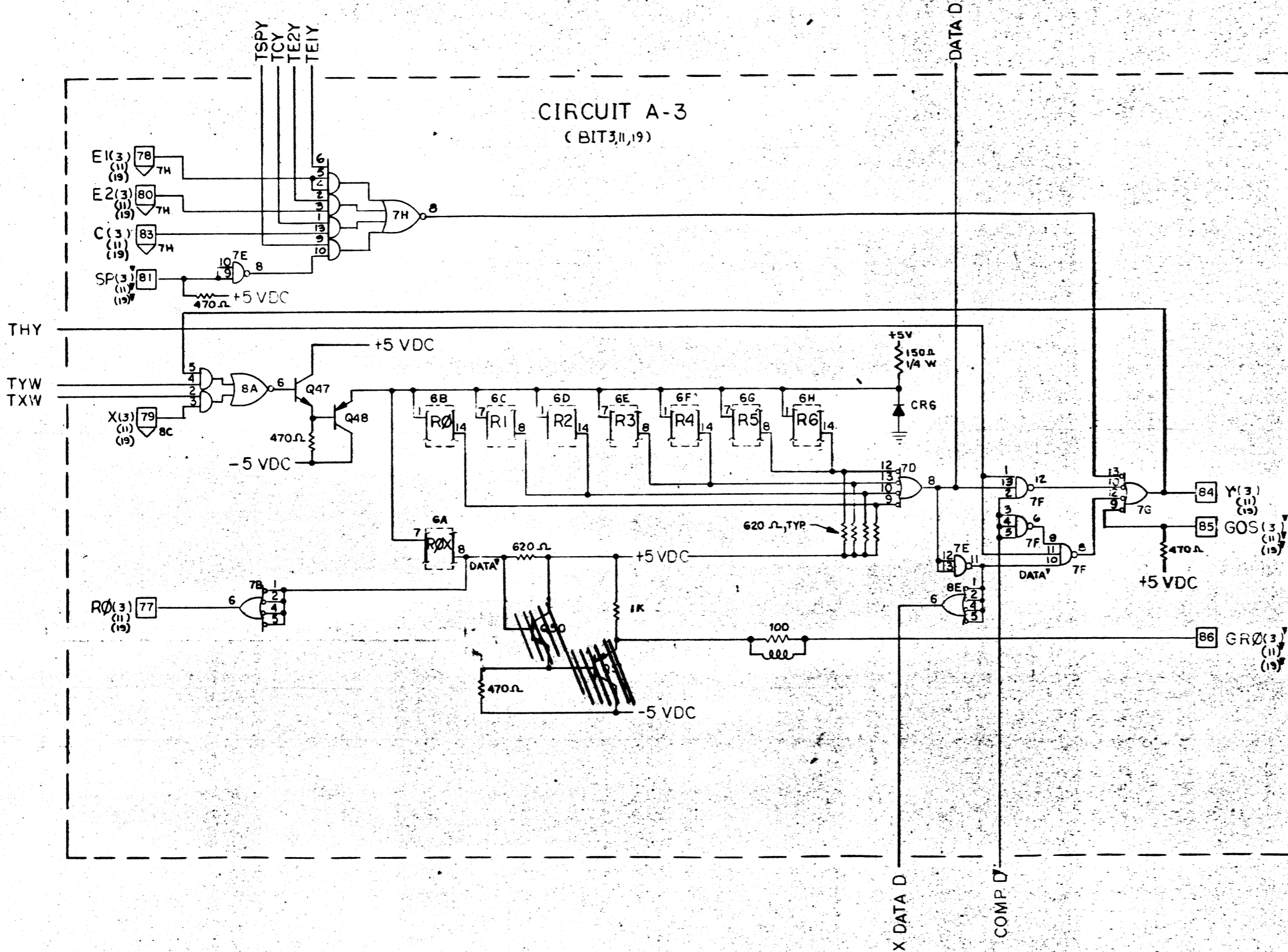
AM, 20, 25

Berkeley Computer Corporation		
DESIGN: NCNE	APPROVED BY:	DRAWN BY: EBN
DATE: 19 JULY 59		REVISION: 12-9-69 R.C.
<b>HOLDING REGISTER</b>		
FIRST USED ON M1 MSCH		DRAWING NUMBER: L00248.1



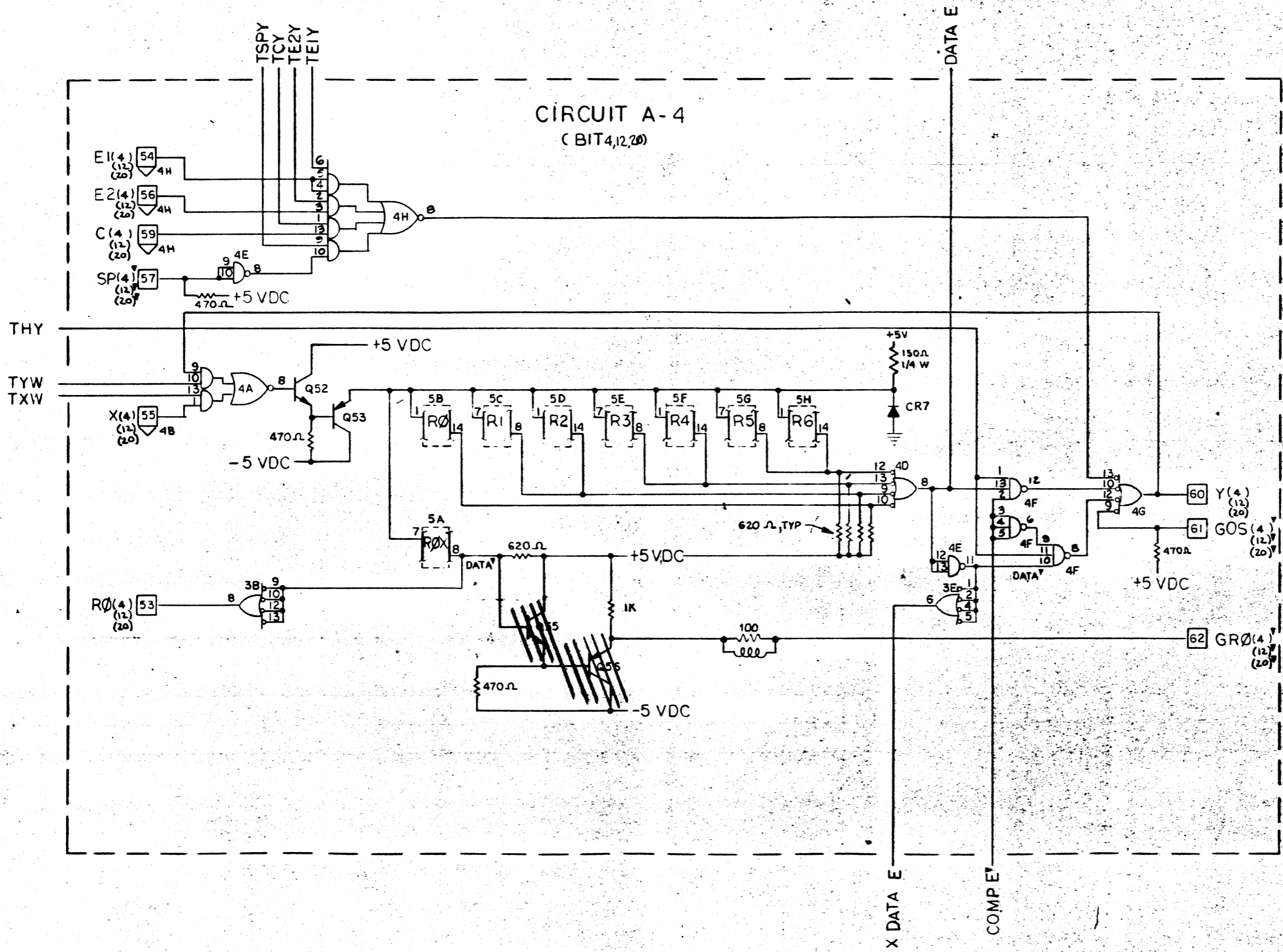
A14, 20, 25

Berkeley Computer Corporation		
DESIGN: NONE	APPROVED BY:	DESIGNED BY: P. D. ...
DATE: 19 JULY 59		REVISED: 12/16/59 H.C.
<b>HOLDING REGISTER</b>		
FIRST USE ON MI MSCH		DRAWING NUMBER: L00248



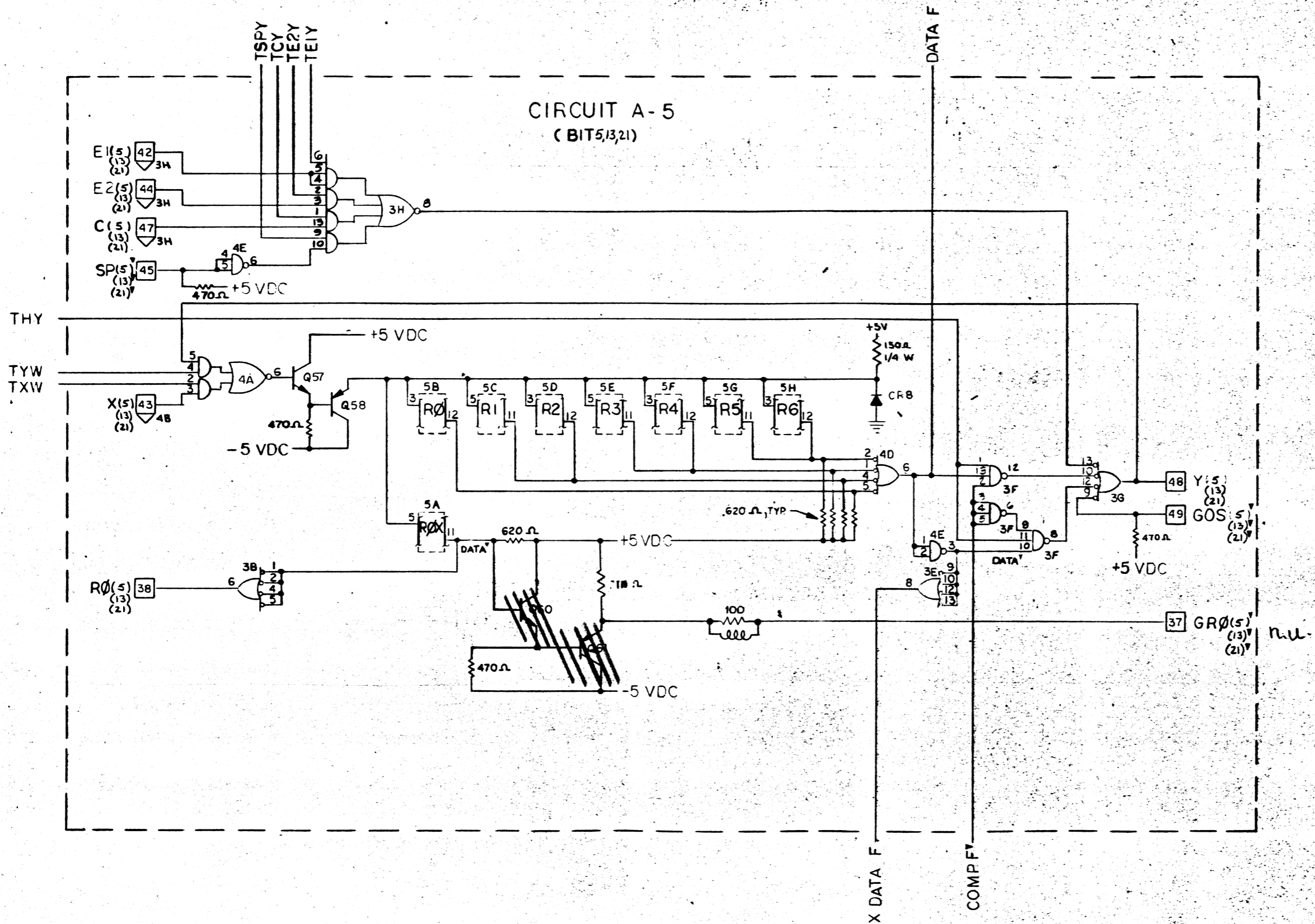
A14, 20, 25

<b>Berkeley Computer Corporation</b>	
DESIGN: NONE	APPROVED BY: <i>E.S.</i>
DATE: 19 JULY -69	REVISED: 12/19/69
<b>HOLDING REGISTER</b>	
FIRST-USED ON MI MSCH	QUALIFIED NUMBER: L00248.2



A4, 20, 25

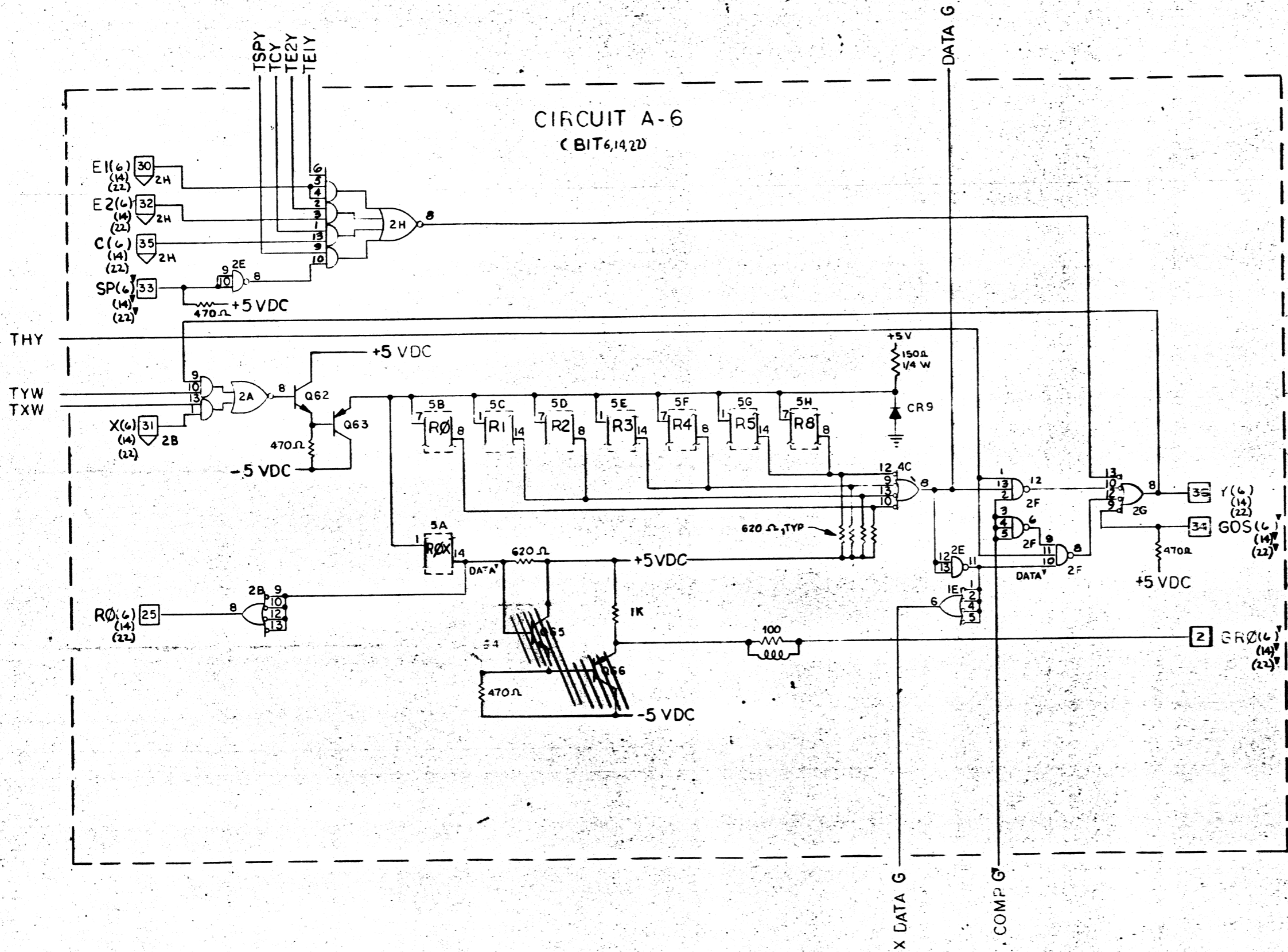
<b>berkeley Computer Corporation</b>		
MODEL: NONE	APPROVED BY:	DESIGNED BY: E. B. ...
DATE: 15 JULY 69		REVISED: 12/1969 B-C
<b>HOLDING REGISTER</b>		
FIRST USED ON MI MSCH		DRAWING NUMBER: L00248.2
SH 7 OF 10		



A14, 20, 25

<b>Berkeley Computer Corporation</b>		
SCALE: NONE	APPROVED BY:	DRAWN BY: E. J. ...
DATE: 19 JULY 59		REVISED: 12/26/59 AC
<b>HOLDING REGISTER</b>		
FIRST USED ON: MI, MSCH		DRAWING NUMBER: L002482

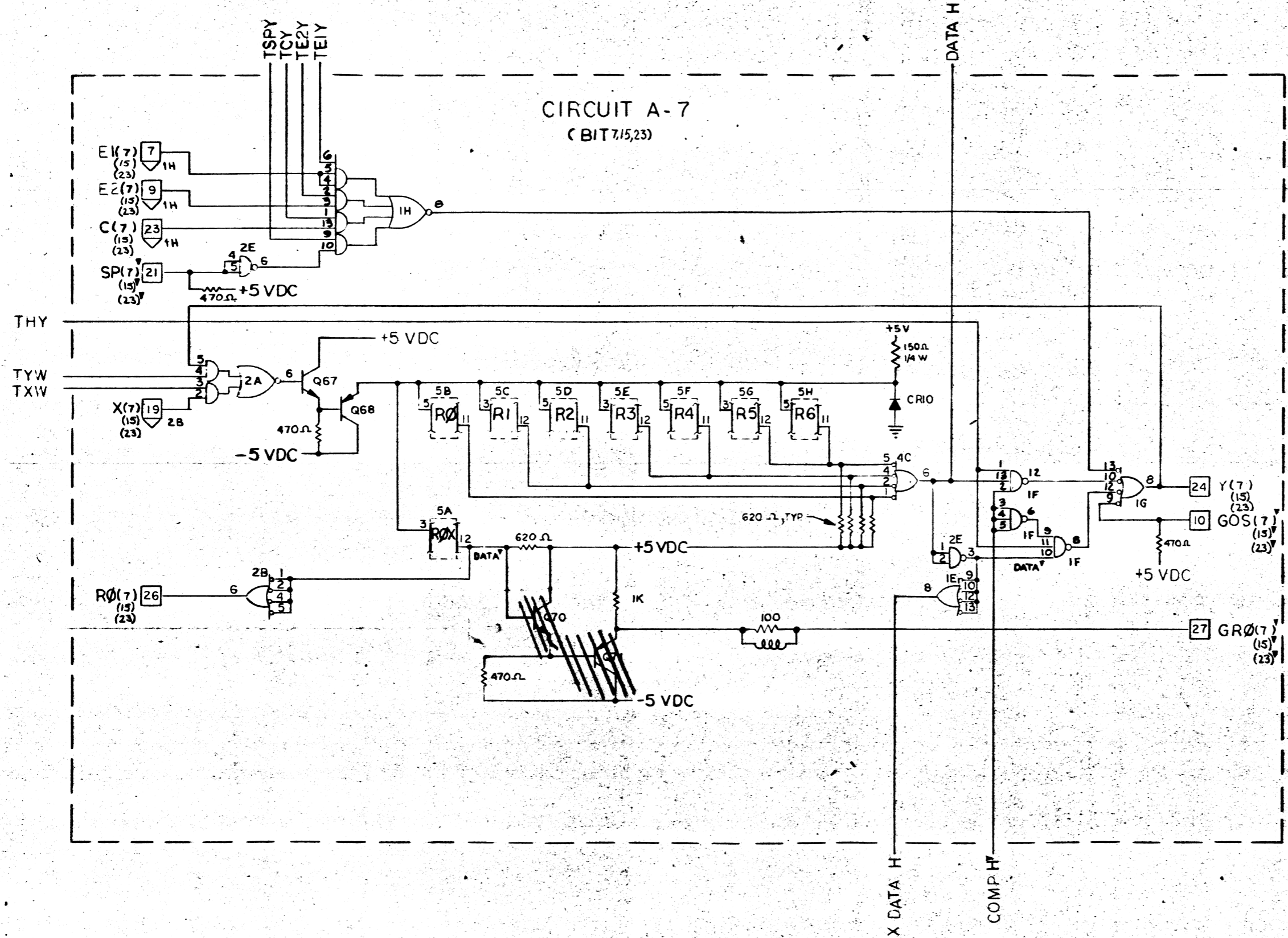




A14, 20, 25

Berkeley Computer Corporation		
SCALE: NONE	APPROVED BY:	DESIGNED BY: P.D.W.
DATE: 19 JULY 69		REVISED: 12349 BC
<b>HOLDING REGISTER</b>		
FIRST USED ON MI MSCH		100248.2

CIRCUIT A-7  
(BIT 7,15,23)



A14, 20, 25

Berkeley Computer Corporation		
SCALE: NONE	APPROVED BY:	DRAWN BY: P.P.
DATE: 15 JULY 69	REVISED H.C. 12/9/69	
<b>HOLDING REGISTER</b>		
FIRST USED ON MI MSCH	DRAWING NUMBER: L002482	