

ASSEMBLY PARTS LIST

BUILD ARC

PRINT DATE	PAGE	E
06-07-82	1	548

DIV.		ASSEMBLY NUMBER		CD	REV.	DWG.	DESCRIPTION	MC	STATUS	STATUS DATE	FILE DATE			
0500		40894002		1	L	N	SYS LOGIC BOOK 3630/40/50E	V	REL	06-11-77	PROD ENG 04-10-79			
T FIND NO	LI	PART NUMBER	CD	M	QUANTITY	U/M	PART DESCRIPTION	MC	YLD	E.C. NO. IN	E.C. NO. OUT	S/N	WK IN	WK OUT
000	01	00001377	1		1		PC 3-RING BINDER 1" STC, BLACK	V						
001	01	00092062	9		1		PC SPINE CD FOR 40894002, 1"	N						
002	01	00090097	7		1		PC STC FORM 0097, E.C. HISTORY	D						
003	01	00009275	9		1		PC LOGIC MANUAL USAGE	D						
004	01	40894010	4		1		PC 3630/40/50E LOGIC PPL	N						
							0005 TOTAL LINES							

LOGIC MANUAL USAGE

THE FOLLOWING IS A BRIEF EXPLANATION OF THE PROPER USE AND UPDATE PROCEDURE OF SYSTEM LOGIC MANUALS.

EACH MACHINE TYPE HAS ITS OWN LOGIC MANUAL. EVERY MANUAL IS STRUCTURED IN THE SAME MANNER. THE SYSTEM LOGIC TLA (TOP LEVEL ASSEMBLY) AT THE FRONT OF EVERY BOOK WORKS AS AN INDEX FOR THE CONTENTS OF THE MANUAL. IT LIST EACH SYSTEM LOGIC GROUP IN ORDER BY LOCATION WITHIN THE MANUAL.

THE SYSTEM LOGIC GROUP APL LISTS THE PAGES OF LOGIC THAT SUPPORT A SPECIFIC CARD. THE CARD PART NUMBER IS REFERENCED IN THE PART DESCRIPTION OF THE SYSTEM LOGIC GROUP.

EXAMPLE:
SYS LOG GRP, 40091303, DC

WHEN THE CARD PART NUMBER CHANGES, THE SYSTEM LOGIC GROUP APL PART NUMBER CHANGES, EXCEPT WHEN MORE THAN ONE CARD PART NUMBER CAN BE SUPPORTED BY THE SAME LOGIC. SHOULD THIS BE THE CASE, THE SYSTEM LOGIC GROUP APL PART NUMBER WILL REMAIN THE SAME AND THE PART DESCRIPTION WILL CONTAIN BOTH CARD PART NUMBERS.

EXAMPLE:
SYS LOG GRP, 40091303/403, DC

AN E.C. RELEASED REQUIRING UPDATE TO LOGIC MANUALS WILL CONSIST OF EITHER LOGIC PAGES AND A SYSTEM LOGIC GROUP APL OR A NEW SYSTEM LOGIC TLA, SYSTEM LOGIC GROUP APL AND SYSTEM LOGIC PAGES. IF ONLY THE LOGIC WITHIN THE EXISTING GROUP APL CHANGES, YOU REPLACE THE OLD GROUP APL WITH THE NEW SYSTEM LOGIC GROUP APL HAVING THE SAME PART NUMBER AND SHOWING PAGE REPLACEMENT.

IF THE CARD PART NUMBER HAS CHANGED AND A NEW GROUP APL PART NUMBER IS CREATED, YOU WILL HAVE TO REPLACE THE TLA WHICH CALLS OUT THE NEW SYSTEM LOGIC GROUP APL AND ITS NEW LOGIC PAGES. IF SOME OF THE EXISTING LOGIC PAGES WITHIN THE GROUP DO NOT CHANGE, REPLACEMENTS WILL NOT BE SUPPLIED, ONLY NEW PAGES RELEASED IN THE E.C. PACKAGE.

DATE 11/27/79

P/N 9275-9

ASSEMBLY PARTS LIST

PRINT DATE	PAGE	E.C.
01-13-83	1	162

DIV.		ASSEMBLY NUMBER		CD	REV.	DWG.	DESCRIPTION			MC	STATUS	STATUS DATE		FILE DATE			
0500		40894010		4	Y	N	3630/40/50E LOGIC PPL			N	REL	10-25-82		3600 12-09-82			
T	FIND NO	LI	PART NUMBER	CD	M	QUANTITY	U/M	PART DESCRIPTION			MC	YLD	E.C. NO. IN	E.C. NO. OUT	S/N	WK IN	WK OUT
	010	01	40841000	9		1	PC	SYS LOGIC, YA PAGES			N						
	020	01	40842001	6		1	PC	SYS LGC, TB PAGES 30/4050E			N						
	030	04	40843102	1		1	PC	SYS LOG, TC CD P/N 40624207/307			N		2732	2908		7744	7830
	030	05	40843124	5		1	PC	SYS LOG, GP, TC, 40624208/308			N		2908				7830
	030	06	403181001			1	✓	✓ ↓ ↓ ↓ ↓ 40624308/309					3924	3924		8316	8316
	031	01	401707001	4		1	PC	SYS LGC GP, TC, 40624510, PC			N		3139				8311
	040	01	40844000	6		1	PC	SYS LOG GRP, TD CD P/N 16102			N			3107			8006
	040	02	40844071	7		1	PC	SYS LOG GRP TD CD P/N 40326303			N		3107				8006
	041	01	40844099	8		1	PC	SYS LGC GP, TD, 40326403, PC			N		3504				8206
	042	01	402280801	0		1	PC	SYS LGC GP, TD, 40326503, PC			N		3562				8327
	050	01	40845000	5		1	PC	SYS LOG, TF CD P/N 16103			N			2905			7830
	050	02	40845004	7		1	PC	SYS LGC GP, TF, 40310301, PC			N		2905				7830
	051	01	40845152	4		1	PC	SYS LGC GP, TF, 40310401, PC			N		3074				8216
	052	01	402582301	6		1	PC	SYS LGC GP, TF, MULTI/PN, PC			N		3584				8312
	060	03	40846061	6		1	PC	SYS LOG, TG CD PN 40628205			N		2767	3024		7745	8010
	070	01	40846066	5		1	PC	SYS LOG GRP, TG CD P/N 40628306			N		2767	3024		7810	8010
	070	02	40846006	1		1	PC	SLG, TG, MULTI, PNS, PC			N		3024				8010
	080	01	40847000	3		1	PC	SYS LOGIC, TH CARD			N		2422				7644
	090	01	40848000	2		1	PC	SYS LOG, TJ CD MULT CARD P/N'S			N						
	100	01	40849000	1		1	PC	SYS LOG TK P/N'S 40192201/301			N						
	110	01	40850100	5		1	PC	SYS LOG GRP, TL CD, P/N 40207302			N						
	120	01	40851000	6		1	PC	SYS LOGIC, TP CD P/N 16271			N			1659			7639
	120	04	40851006	3		1	PC	SLG, TP, P/NS 17923, 18371			N		1625	2763		7718	7811
	120	05	40851008	9		1	PC	SLG TP CD, P/N 40625401			N		2763				7811
	125	01	40851016	2		1	PC	SYS LOG, TP CD P/N 40322305/40			N		2989	3064		7848	7934

ASSEMBLY PARTS LIST

PRINT DATE	PAGE	E.C. NO.
11-16-82	2	3562

DIV.		ASSEMBLY NUMBER		CD	REV.	DWG.	DESCRIPTION			MC	STATUS	STATUS DATE		FILE DATE				
0500		40894010		4	Y	N	3630/40/50E LOGIC PPL			N	REL	10-25-82		3600 11-01-82				
T FIND NO.	LI	PART NUMBER		CD	M	QUANTITY	U/M	PART DESCRIPTION			MC	YLD	E.C. NO. IN	E.C. NO. OUT	S/N	WK IN	WK OUT	
125	02	40851017		0		1		PC	SYS LOG GRP,TP 75IPS			N		3064			7934	
130	01	40856000		1		1		PC	SLG IQ CD P/N 16359			N			2765			7828
130	02	40856040		7		1		PC	TQ936,COM SPEED MOD VALUES			D		2765	2765A		7828	7837
130	03	40856042		3		1		PC	SYS.LOG.GR,TQ P/N 40626201			N		2765A			7837	
140	01	40852000		5		1		PC	SYS LOG,TS CD,P/N12183			N			3725			8247
140	02	402555101		3		1		PC	SYS LGC GP,TS,MULTI PN,PC			N		3725			8247	
150	05	40970009		3		1		PC	SYS LOG,TV CD,40160420/21/22			N		2842	3555		7746	8220
150	06	40970084		6		1		PC	SYS LGC GP,TV CD,40160423/24			N		3555			8220	
160	01	40970011		9		1		PC	SYS LOG GRP,TV CD 40160521/22			N		3555	3555		8220	8220
160	02	40970012		7		1		PC	SYS LGC GP,TV CD,40160523/24			N		3555			8220	
170	01	40854000		3		1		PC	SYS LGC GP,P.S.36XXR			N			2487			7641
170	02	40854002		9		1		PC	SYS LGC GP,P.S.,30/40/50E			N		2487			7641	
180	01	40855000		2		1		PC	SYS LGC GP,TV,MULTI/PN,PC			N						
0037 TOTAL LINES																		

ASSEMBLY PARTS LIST

BUILD ARC

PRINT DATE	PAGE	E.C. NO.
03-25-82	1	2487

DIV.	ASSEMBLY NUMBER	CD	REV.	DWG.	DESCRIPTION	MC	STATUS	STATUS DATE	FILE DATE					
0500	40841000	9	C	N	SYS LOGIC, TA PAGES	N	REL	12-18-75	36XX	03-07-77				
T FIND NO	LI	PART NUMBER	CD	M	QUANTITY	U/M	PART DESCRIPTION	MC	YLD	E.C. NO. IN	E.C. NO. OUT	S/N	WK IN	WK OUT
001	01	40841021	5		1		PC TA 111,I/O TAILGATE	D			2487			7641
001	02	40841024	9		REF		PC TA111,I/O TAILGATE	D		2487			7641	
002	01	40841022	3		REF		PC TA 136,INT SENSE BYTE MUX	D						
003	01	40841023	1		REF		PC TA 141,INT CMD DECODES	D						
0004 TOTAL LINES														

	INPUT TAGS									WRITE BUS							OUTPUT TAGS									
	TAG AND MUX IN BITS								THESE TAGS ARE AVAILABLE TO THE TCU NON-MULTIPLEXED				P	Ø	1	2	3	4	5	6	7	STATUS CONTROL	REWIND	REWIND UNLOAD		
	Ø	1	2	3	4	5	6	7	END OF TAPE	LOAD POINT	NOT READY	WRITE INHIBIT	3600 "Ø"=34XX "1"=36XX													
STATUS BYTE 1	MOD 4	MOD 2	MOD 1	NRZI	7TRACK	READ	BACKWD	NFP						NA												
STATUS BYTE 1 (MODIFIED)	MOD 4	"1" = OFFLINE "Ø" = ONLINE	MOD 1	NRZI	TACH	READ	BACKWD	NFP					"1"=36XX 34XX MUX "Ø"=34XX NON-MUX	NA							×					
STATUS BYTE 2	CRSD TAPE	2D "1"= GCR/PE "Ø"=GCR/PE	LOOP WRITE TO READ (DATA)	LOOP TAG TO MUX BUS	GCR	DATA SECURITY ERASE	UNIT CK	ERASE ONLY						COMMAND DECODES SHOWN BELOW							×	×				
SENSE BYTE DATA (MUX BUS)									SENSE BYTE DECODE																	
SENSE BYTE Ø	NOT ASSIGNED												×									×	×	×		
SENSE BYTE 1	7TRACK TIE-DOWN	RE-SERVED	DUAL DENSITY	NRZI STATUS	SPARE MOD	COMP MOD 4	COMP MOD 2	COMP MOD 1					×								×	×				
SENSE BYTE 2	TOP/BOTTOM - TOP "1"=TOP "Ø"=BOTT	LEFT COLUMN FAIL	RIGHT COLUMN FAIL	RESET KEY	DATA SECURITY ERASE FAIL	ERASE HEAD FAIL	RE-SERVED	LOAD CHECK					×								×	×				
SENSE BYTE 3	TU SERIAL NUMBER (HIGH ORDER)												×									×	×			
SENSE BYTE 4	TU SERIAL NUMBER (LOW ORDER)												×										×	×		
SENSE BYTE 5	RE-SERVED	TU ID	TU ID	TU ID	TU EC LEVEL								×									×	×			
SENSE BYTE 6 (LOOP FE REG)	CONTENTS OF FE REG IS AVAILABLE ON THE MUX IN BUS.												×										×	×		
SENSE BYTE 7	NOT ASSIGNED												×											×	×	
TU FE REGISTER	STATUS BYTE 1A ACTIVE ON MUX IN BUS												×	WRITE BUS CONTENTS ARE STORED IN REG. REG. OUTPUTS AVAILABLE TO MUX BUS BY ACTIVATING SENSE BYTE 6							×	×	×			

- NOTE
- 3600 TAG IS AVAILABLE ON MULTIPLEXED TAPE UNITS ONLY.
 - STATUS BYTE 2, SENSE BYTE DATA, AND COMMAND DECODE ARE AVAILABLE ON MULTIPLEXED TAPE UNITS ONLY.

42 LINE INTERFACE
STATUS AND SENSE BYTE FORMAT &
COMMAND DECODING

TA
1
3
6

TA136, INTERFACE SENSE BYTE MUX

PRES. E.C. 1881
PREV. E.C.
DATE 10-27-75

REV A
MACH. VERS.
GBL. ROT.

CD. LOC.
GATE FRAME

CD. PN.
CD. TYPE
PG. PN. 40841022-3

TA
1
3
6

	INPUT TAGS									WRITE BUS							OUTPUT TAGS																
	TAG AND MUX IN BITS								THESE TAGS ARE AVAILABLE TO THE TCU NON-MULTIPLICED				P	0	1	2	3	4	5	6	7	STATUS CONTROL	REWIND	REWIND UNLOAD									
	0	1	2	3	4	5	6	7	END OF TAPE	LOAD POINT	NOT READY	WRITE INHIBIT	3600	07=24XX	11=36XX																		
STATUS BYTE 1	MOD 4	MOD 2	MOD 1	NRZI	7 TRACK	READ	BACKWD	NFP																									
STATUS BYTE 1 A	MOD 4	"1"=OFF-LINE "0"=ON-LINE	MOD 1	NRZI	TACH	READ	BACKWD	NFP					11=36XX 24XX MUX 07=24XX NON-MUX																				
STATUS BYTE 2	CRSD TAPE	"1"=SCR PE	LOOP WRITE TO READ (DATA) BUS	LOOP TAG TO MUX (DATA) BUS	GCR	DATA SECURITY ERASE	UNIT CK	ERASE ONLY																									
DATA AVAILABLE ON MUX BUS AS SHOWN BELOW									COMMAND DECODE																								
SET/RESET ERASE ONLY	STATUS BYTE 2 IS ACTIVE WHEN THE LOGIC CONDITION STATUS CONTROL 2 * REWIND * REWIND/UNLOAD IS ACTIVE																																
SENSE RESET																																	
DATA SECURITY ERASE																																	
SET OPPOSITE DENSITY																																	
LOOP TAG TO MUX BUS										SET BACKWD	SET READ	GO	SET NRZI	SET WRITE	METER OUT	SET REWIND UNLOAD	SET REWIND																
LOOP WRITE TO READ (WRITE BUS TO READ BUS)																																	
SPARE																																	
SET R/W SPAR CHECK	STATUS BYTE 2 IS ACTIVE ON THE MUX IN BUS																																
TU FE REGISTER	STATUS BYTE 1A ACTIVE ON MUX IN BUS																																

NOTE: 1. 3600 TAG IS AVAILABLE ON MULTIPLICED TAPE UNITS ONLY.
2. STATUS BYTE 2, SENSE BYTE DATA, AND COMMAND DECODE ARE AVAILABLE ON MULTIPLICED TAPE UNITS ONLY.

42 LINE INTERFACE
STATUS AND SENSE BYTE FORMAT &
COMMAND DECODING

TA141

TA141, INTERFACE COMMAND DECODES

PREV. E.C. 1881
DATE 10-27-75
REV A
MACH. VERS. GBL. ROT.

CD. LOC. GATE FRAME

CD. P.N. CD. TYPE PG. P.N. 40841023-1

TA141

ASSEMBLY PARTS LIST

PRINT DATE	PAGE	E.C. NO.
05-20-82	1	3664

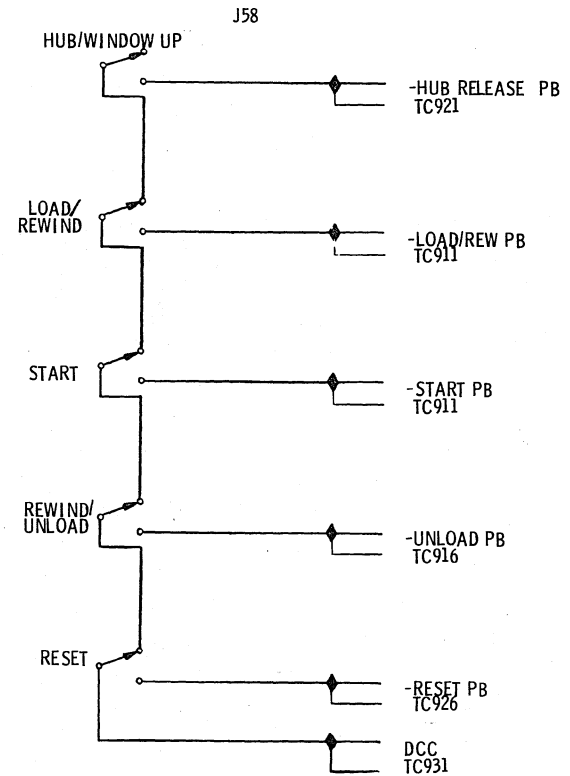
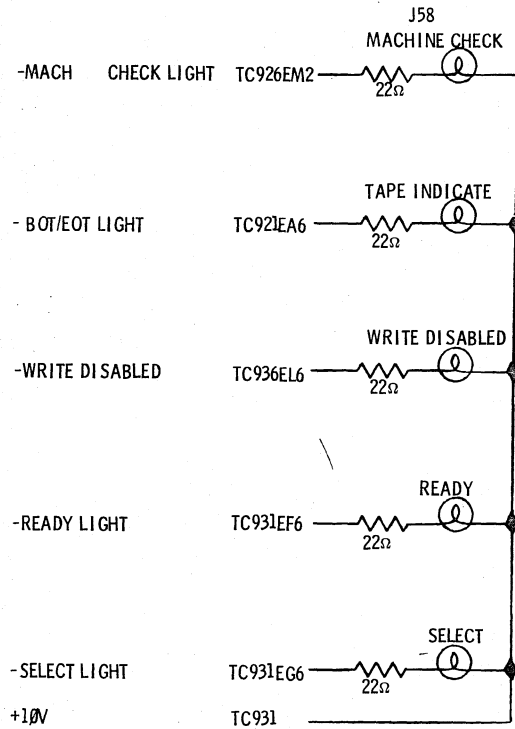
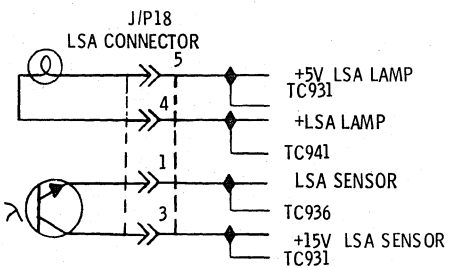
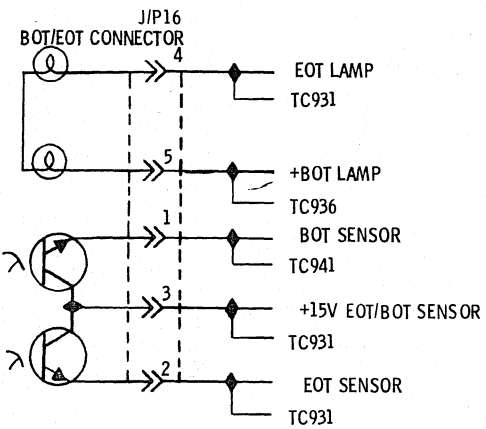
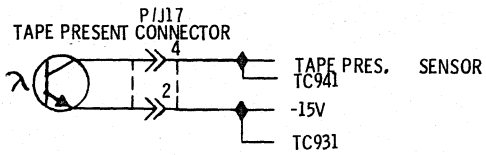
DIV.		ASSEMBLY NUMBER		CD	REV.	QTY.	DESCRIPTION			MC	STATUS	STATUS DATE		FILE DATE				
0500		40842001		6	H	N	SYS LGC GP, TB30140150E PC			N	REL	05-11-82		3600E 05-18-82				
T	FIND NO.	LI	PART NUMBER	CD	M	QUANTITY	U/M	PART DESCRIPTION			MC	YLD	E.C. NO. IN	E.C. NO. OUT	S/N	WK IN	WK OUT	
	001	01	40842021	4		1		PC	TB 101, OP PANEL, PHOTO SENSORS			D			2487			7641
	001	02	40842062	8		REF		PC	TB101, OPER PANEL, PHOTO SENSOR			D		2487			7641	
	002	01	40842022	2		1		PC	TB 106, SENSE SWITCHES			D			2487			7641
	002	02	40842063	6		REF		PC	TB106, SENSE SWITCHES			D		2487	3664		7641	8224
	002	03	402303001	5		REF		PC	TB 106, SENSE SWITCHES			D		3664			8224	
	003	01	40842023	0		1		PC	TB 111, ELAPSED T-MET			D			2487			7641
	003	02	40842064	4		REF		PC	TB111, ELAPSED TIME METER			D		2487			7641	
	004	01	40842025	5		1		PC	TB 126, CAP SYS INTRC.			D			2470			7640
	004	02	40842048	7		1		PC	TB126, CAPSTAN SYS INTRC			D		2470	2487		7640	7641
	004	03	40842066	9		1		PC	TB122, 3600E COL SNSR 75-125IP			D		2487	2585		7641	7720
	004	04	40842078	4		1		PC	TB122, 36XXE COL SENS 200 IPS			D		2585	2878		7720	7817
	004	05	40842066	9		REF		PC	TB122, 3600E COL SNSR 75-125IP			D		2878			7817	
	005	01	40842032	1		1		PC	TB122, COL SENSORS, 3600E			D			2487			7641
	005	02	40842074	3		1		PC	TB126, CAPSTAN SYSTEM INTRC			D		2487	2625		7641	7718
	005	03	40842082	6		REF		PC	TB126, CAPSTAN SYS INTERCONN			D		2625	3017		7718	7930
	005	04	40842106	3		REF		PC	TB126, CAPSTAN SYS INTERCONNECTI			D		3017			7930	
	006	01	40842033	9		1		PC	TB132, RL SYS INTC LOW SPEED E			D			2878			7817
	006	02	40842091	7		REF		PC	TB133 REEL SYS INTC 75-125IPS			D		2878			7817	
	007	01	40842035	4		1		PC	TB138, DCC DISTRIBUTION			D			2878			7817
	007	02	40842092	5		REF		PC	TB136 DCC&AUX. SUPPLY DIST.			D		2878			7817	
	008	01	40842036	2		REF		PC	TB139, DC VOLT DISTRIBUTION			D			2878			7817
	008	02	40842093	3		REF		PC	TB137 DC VOLT DISTRIBUTION			D		2878			7817	
	009	01	40842038	8		1		PC	TB149 DIST. 50HZ, 75 TO 125 IDS			D			2878			7817
	009	02	40842094	1		REF		PC	TB147 AC DIST, 50HZ, 75-125IPS			D		2878			7817	
	010	01	40842044	6		1		PC	TB150, AC DIST, 60HZ, 75-125 IPS			D			2878			7817
	010	02	40842095	8		REF		PC	TB148 AC DIST, 60HZ, 75-125IPS			D		2878			7817	
	011	01	40842039	6		1		PC	TB201, TACH AND MOTOR CKT			D			2487			7641
	011	02	40842067	7		REF		PC	TB201, TACH CKT			D		2487			7641	
	012	01	40842040	4		1		PC	TB206 SCR PWR CONTROL ASSY #1			D			2487			7641

ASSEMBLY PARTS LIST

BOILED ARC

PRINT DATE	PAGE	E.C.
5-20-82	2	3664

DIV.	ASSEMBLY NUMBER	CD	REV.	DWG.	DESCRIPTION	MC	STATUS	STATUS DATE	FILE DATE						
0500	40842001	6	H	N	SYS LGC GP, TB30140150E PC	N	REL	05-11-82	3600E 05-18-82						
T	FIND NO	LI	PART NUMBER	CD	M	QUANTITY	U/M	PART DESCRIPTION	MC	YLD	E.C. NO. IN	E.C. NO. OUT	S/N	WK IN	WK OUT
	012	02	40842068	5		1		PC TB206 SCR PWR CONTROL ASSY #1	D		2487	2878		7641	7817
	012	03	40842096	6		REF		PC TB206 SCR PWR CNTL, 75-125IPS	D		2878			7817	
	013	01	40842041	2		1		PC TB211, 36XXE RESISTOR BOX	D			2878			7817
	013	02	40842097	4		REF		PC TB211 RESISTOR BOX 75-125 YPS	D		2878			7817	
0033 TOTAL LINES															



T
B
1
0
1



TB101, OPERATOR PANEL, PHOTO SENSORS

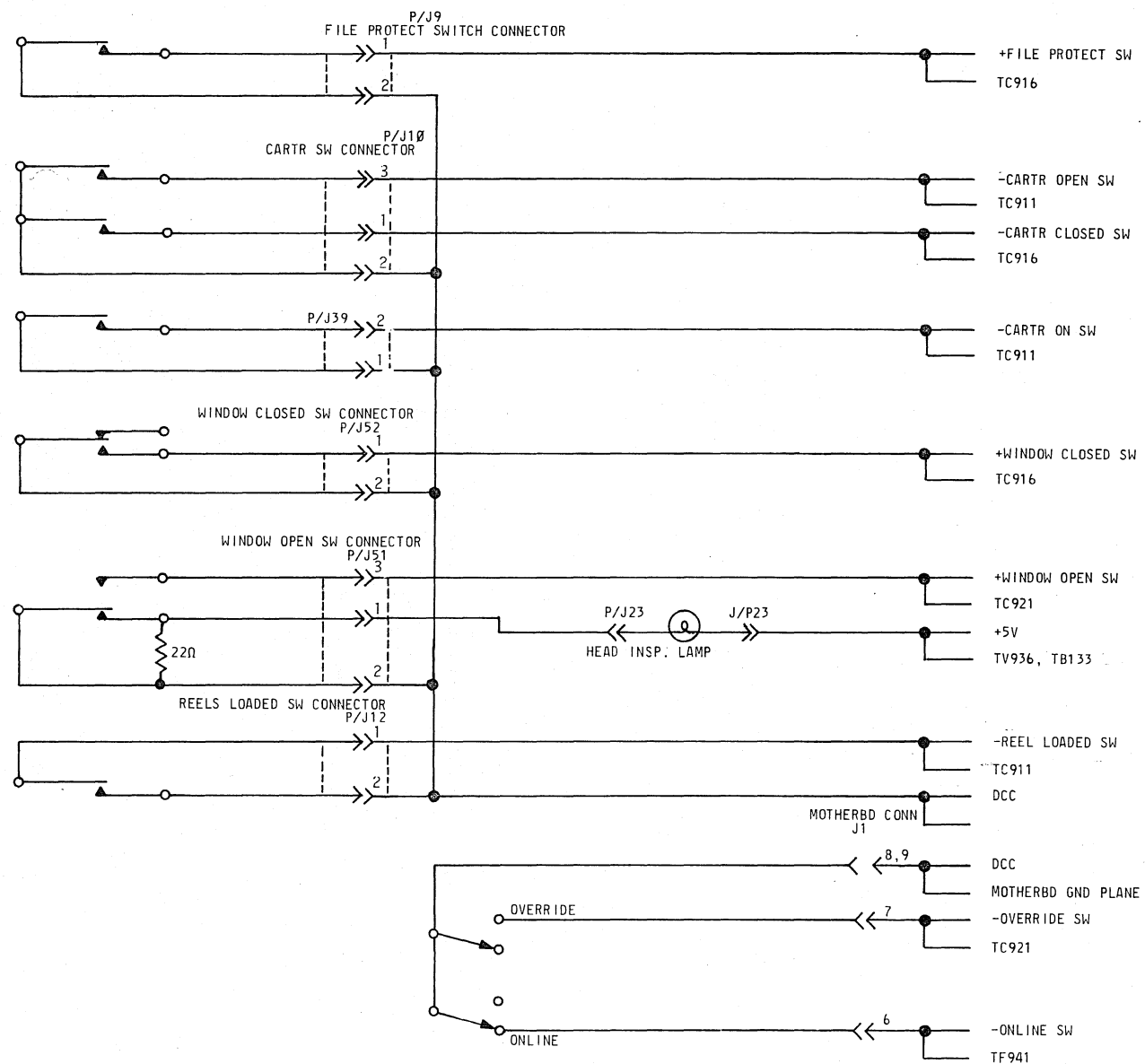
PRES. E.C. 2487
PREV. E.C. DATE 9-23-76

REV. A
MACH. VERS. 34XXR/36XX
G.B.L. ROT.

CD. LOC. GATE FRAME

CD. P.N. CD. TYPE PG. P.N. 40842062-8

T
B
1
0
1



T
B
1
0
6

SE TB106, SENSE SWITCHES

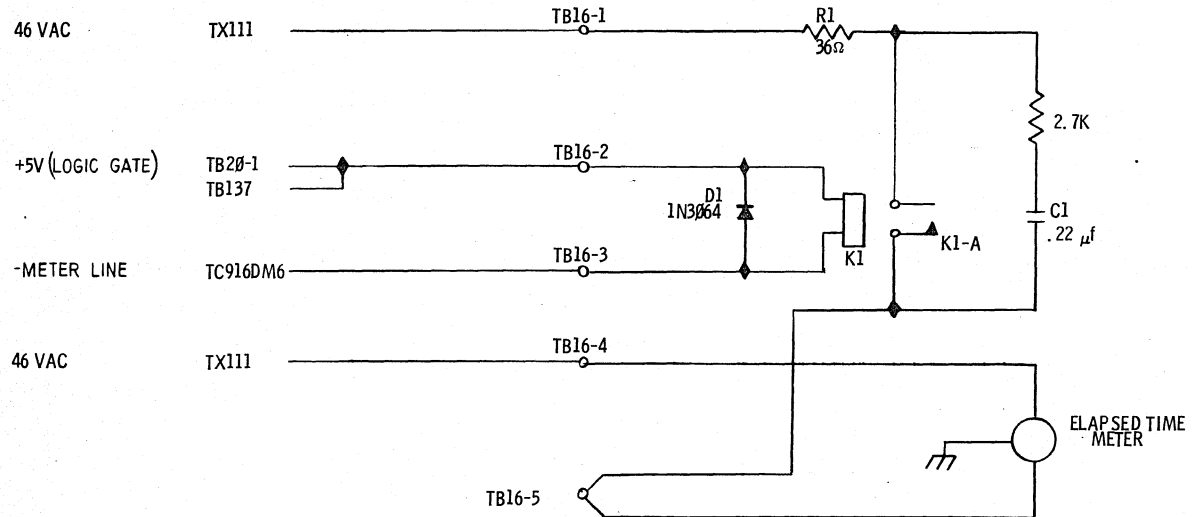
PREV. E.C. 3664
 PREV. E.C. 2487
 DATE 5-18-82

REV. A
 MACH. VERS. GBL. ROT.

CD. LOC. GATE FRAME

CD. P.N. CD. TYPE
 PG. P.N. 4023080 -01

T
B
1
0
6



T
B
1
1
1

STG TB111, ELAPSED TIME METER

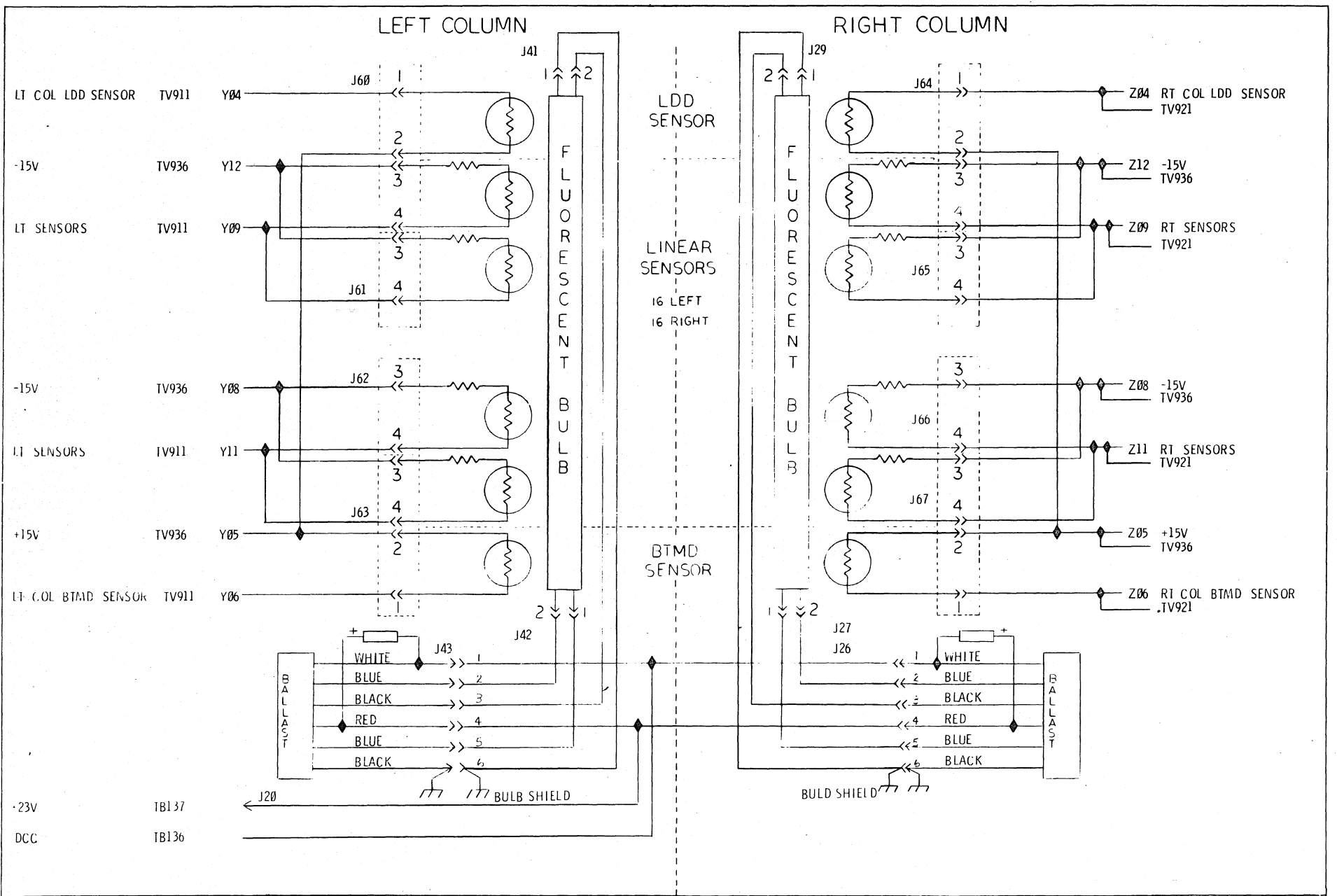
PREV. E.C. 2487
 PREV. E.C. DATE 9-23-76

REV A
 MACH. VERS. GBL. ROT.

CD. LOC. GATE FRAME

CD. P.N. CD. TYPE PG. P.N. 40842064-4

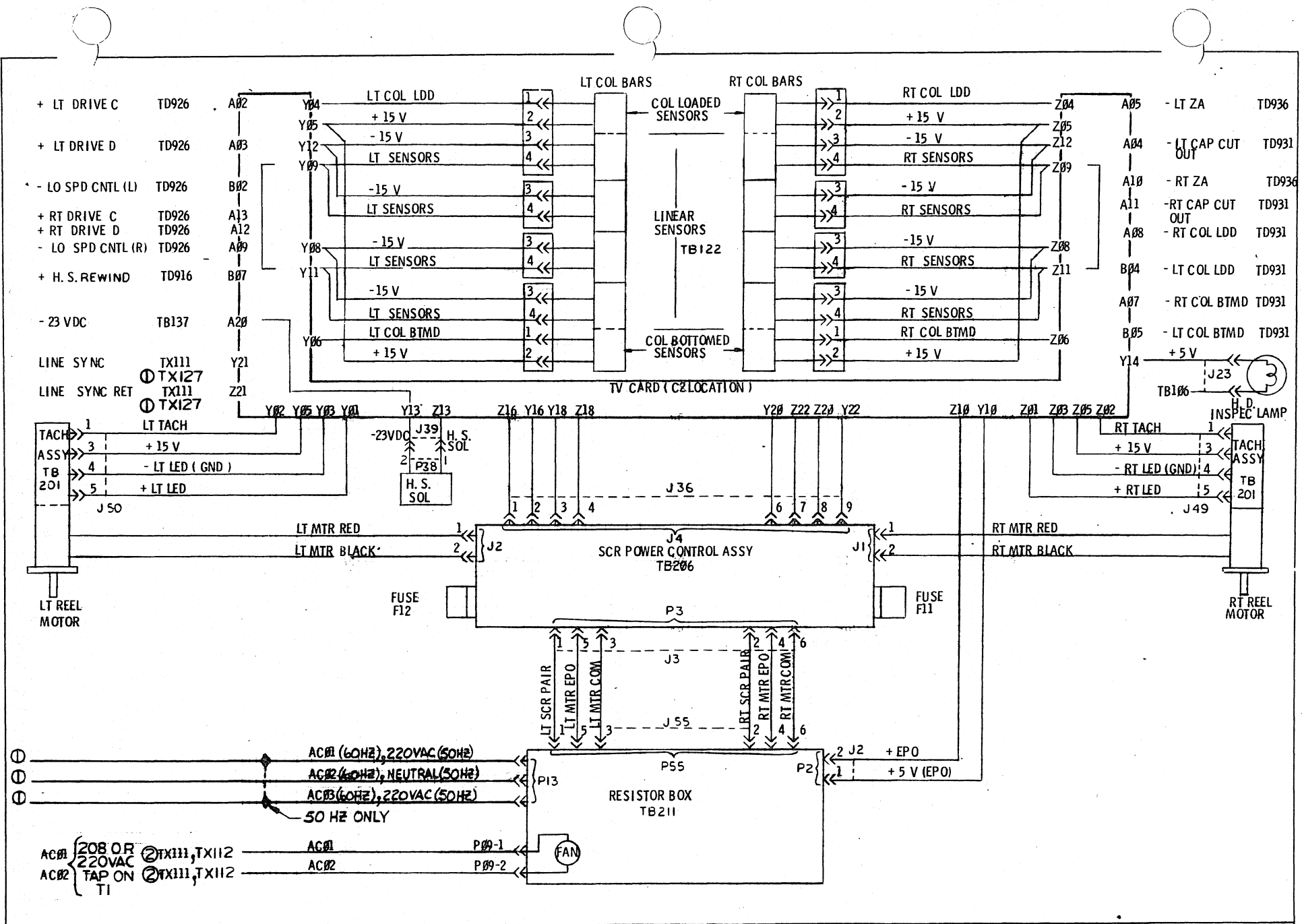
T
B
1
1
1



TB
22

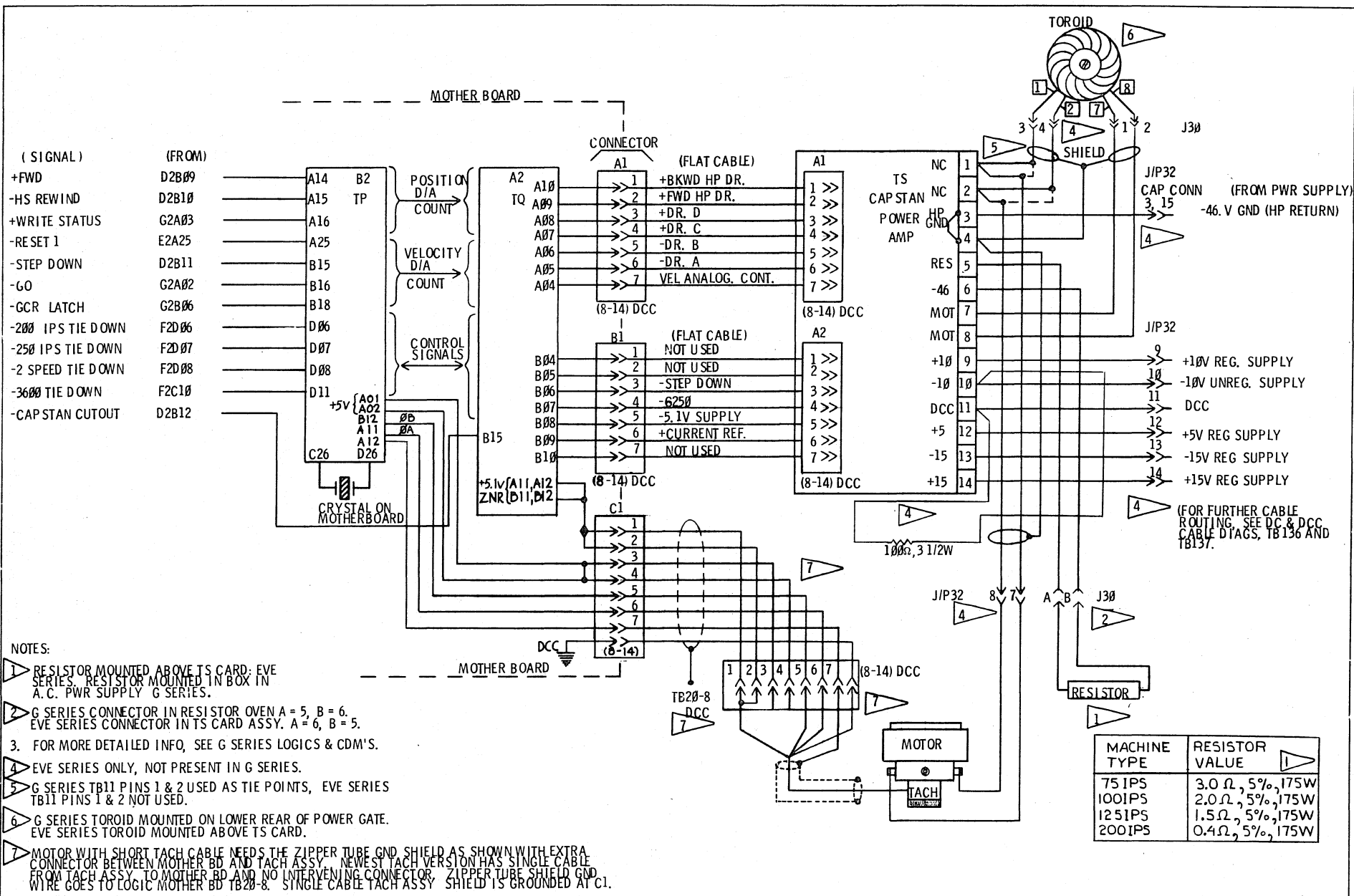
TB122 3609F COLUMN SENSORS					
PRES. E.C.	52142	REV	MACH. 36XXE SERIES	CD. LOC.	CD. P.N.
PREV. E.C.	2585	.C	VERS. GBL. ROT.	GATE FRAME	CD. TYPE
DATE	12-06-76				PG. P.N.
					40842066-9

1
2
2



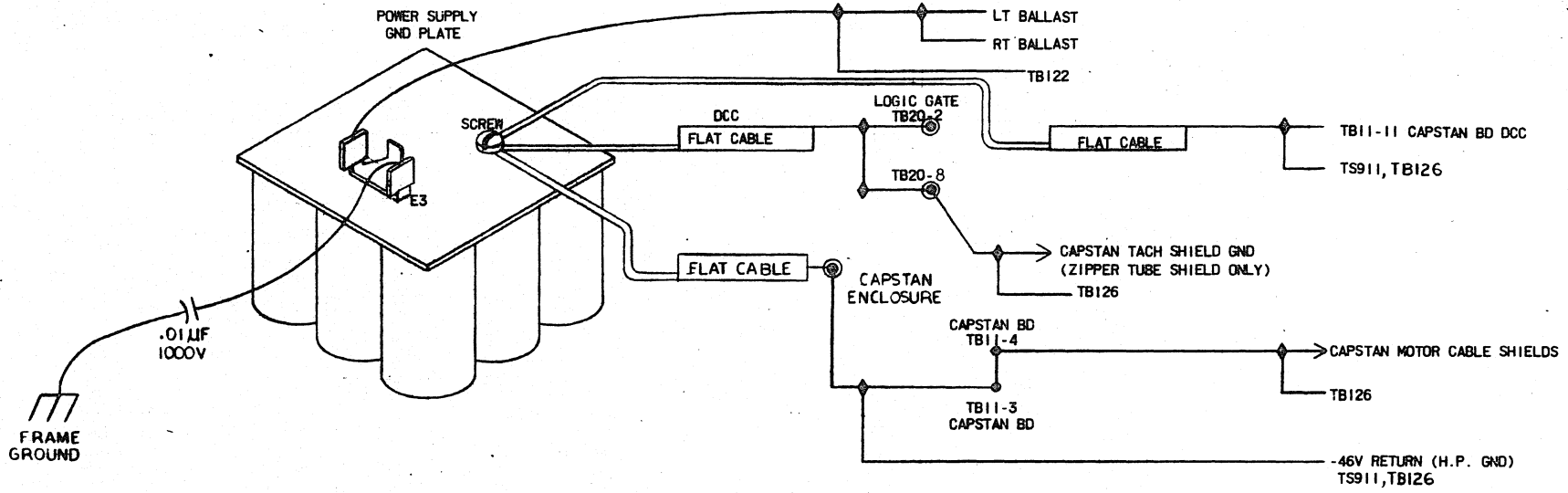
NOTE: ① TX111 TB 148 FOR 60HZ
 TX127 TB 147 FOR 50HZ
 ② TX111 FOR 60HZ
 TX112 FOR 50HZ

TB133, REEL SYSTEM INTERCONNECTS, 75-125 IPS		CD. LOC. GATE FRAME		CD. P.N. CO. TYPE	
PRES. E.C. 2878	REV. A	MACH. VERB. OBL. ROT.	40842091-7		T B 1 3 3
PREV. E.C. 2447	DATE 4-13-78				

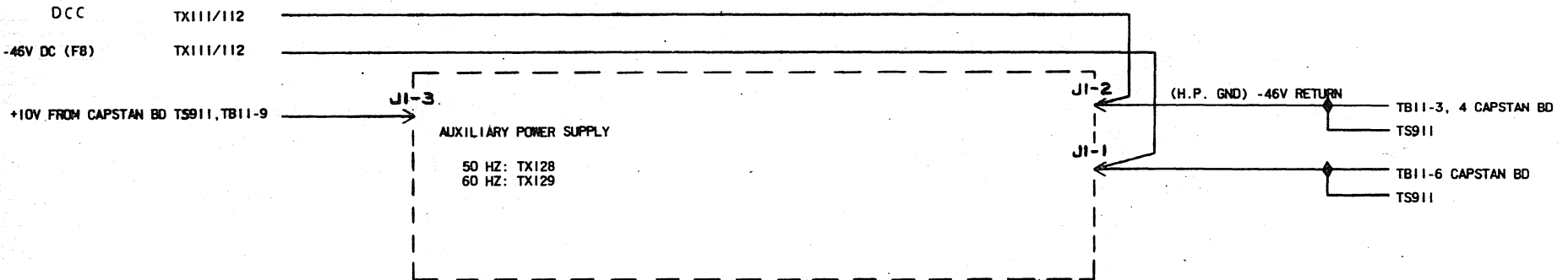


TB126, CAPSTAN SYSTEM INTERCONNECTIONS

REV. E.C. 3017 REV. E.C. 2625 DATE 5-14-79	REV. A	MACH. VERS. 34XXR/36XX GBL. ROT.	CD. LOC. GATE FRAME	CD. P.N. 40842106-3 CD. TYPE PG. P.N.
--	--------	-------------------------------------	---------------------	--



VOLTAGE AND GROUND DISTRIBUTION FOR AUXILIARY SUPPLY AND CLIPPER ASSY.
(USED ON 200 IPS ONLY)



NOTE:

1. AUXILIARY SUPPLY IS LOCATED IN THE PNEUMATICS SUPPLY COMPARTMENT. THE CLIPPER ASSY. IS LOCATED IN THE AUXILIARY SUPPLY. (200 IPS ONLY).

TBI36, DC COMMON & AUXILIARY SUPPLY DISTRIBUTION

PREV. E.C. 2878
REV. E.C. 2487
DATE 4-13-78

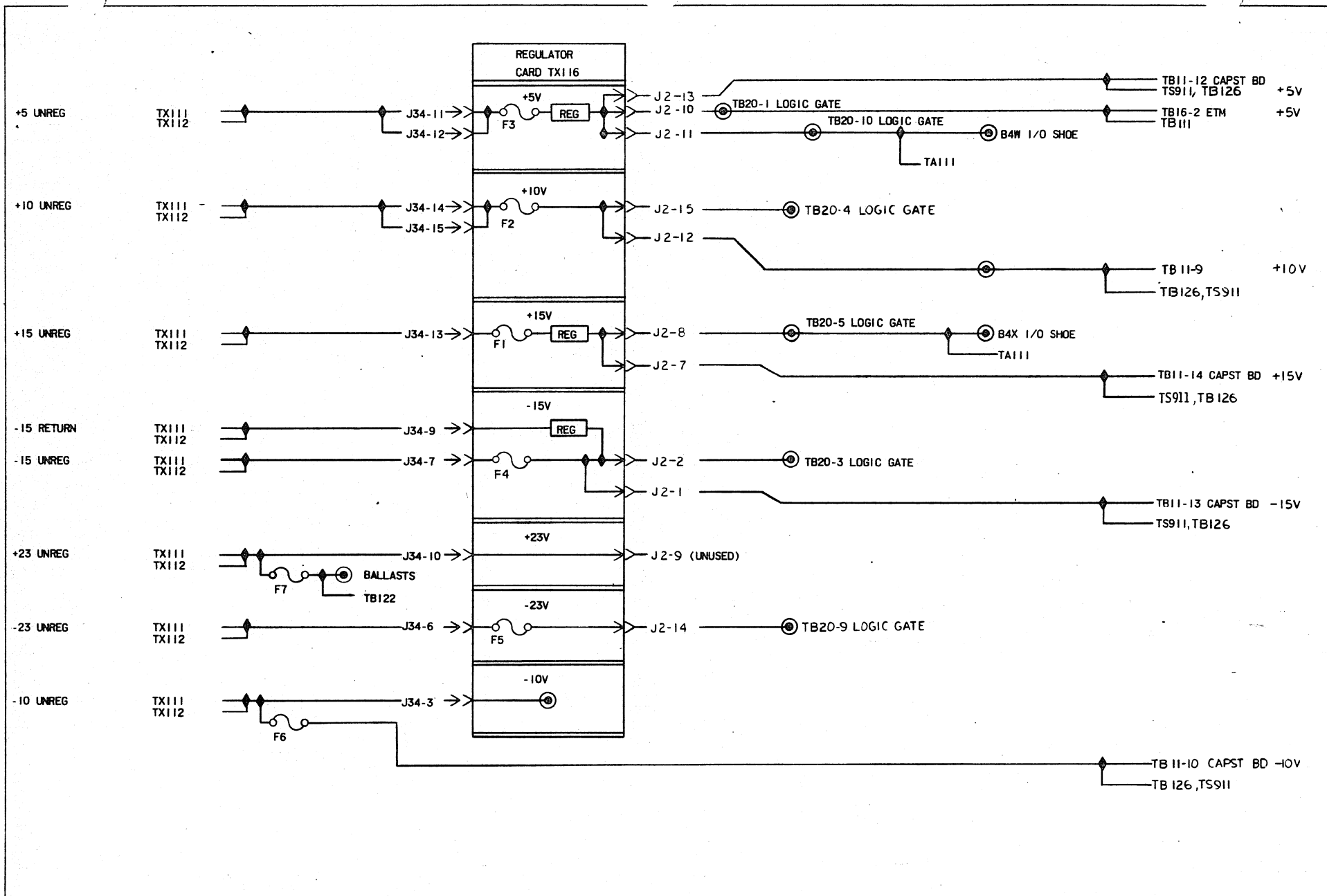
REV. A
MACH. 3600E
VERS. OBL. ROT.

CD. LOC. GATE FRAME

CD. RN. CO. TYPE PG. RN. 40842092-5

T
B
1
3
6

T
B
1
3
6



NOTE: SEE PAGE TB136 FOR AUXILIARY SUPPLY AND CLIPPER ASSY. DC AND GROUND DISTRIBUTION.
(200 IPS ONLY)

TB137. DC VOLTAGE DISTRIBUTION

PRES. E.C. 2879
PREV. E.C. 2487
DATE 4-14-73

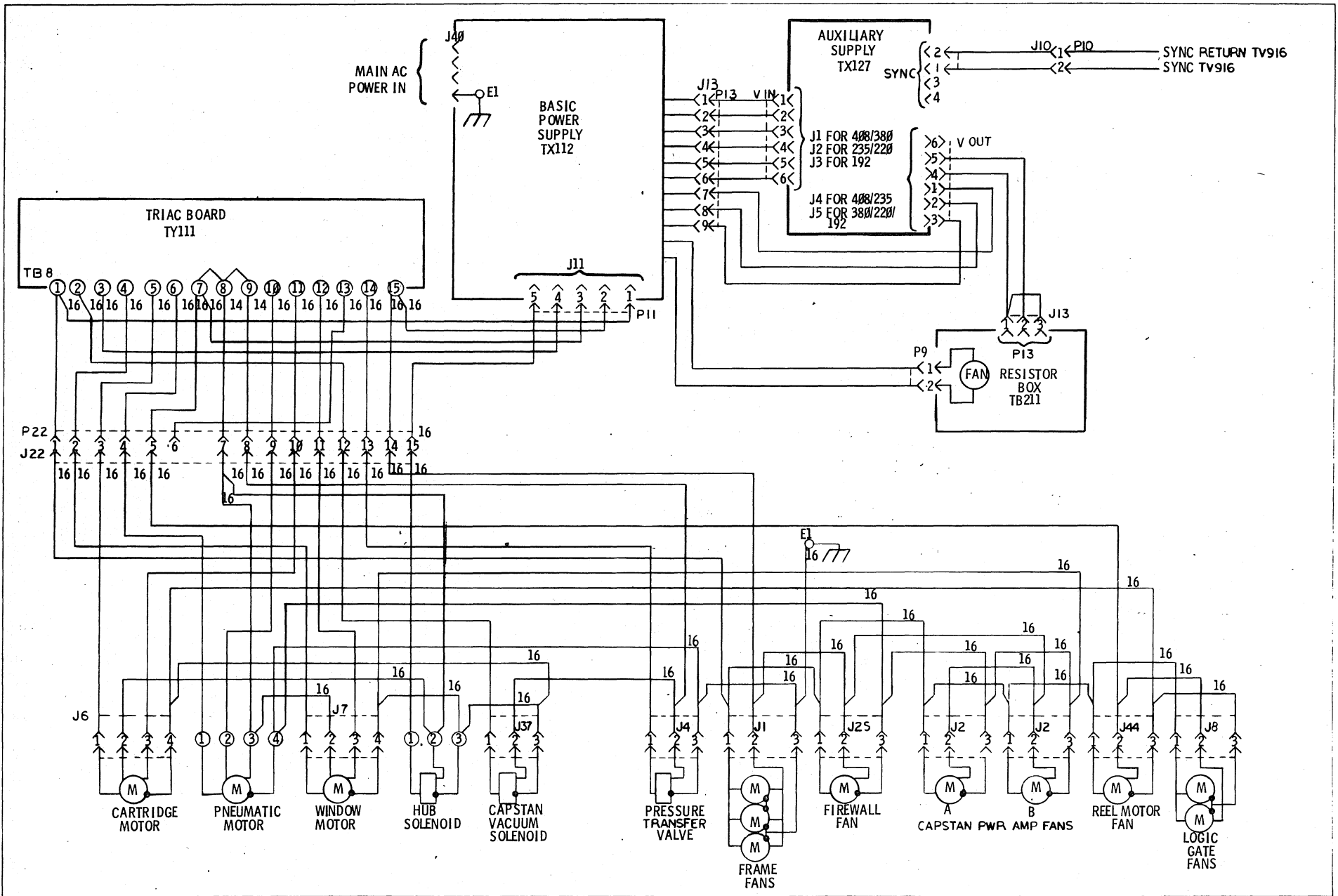
REV A
MACH. 3600E
VERS.
OBL. ROT.

CD. LOC.
GATE
FRAME

CD. P.N.
CD. TYPE
PG. P.N. 40842093-3

T
B
1
3
7

T
B
1
3
7



T
B
1
4
7

STC TB147, AC DISTRIBUTION, 50 HZ, 75 TO 125 IPS

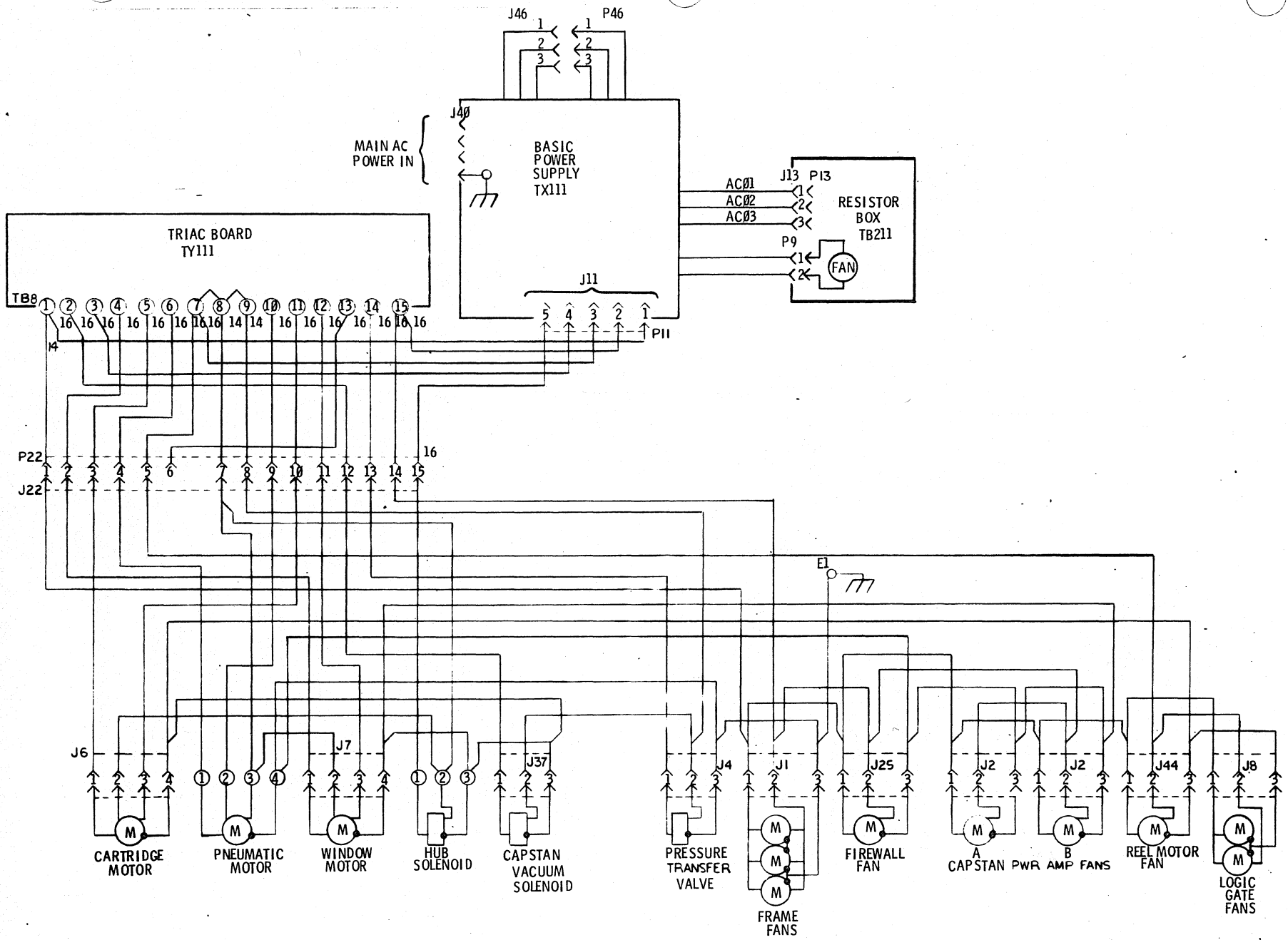
PRE. E.C. 2878
PREV. E.C. 32088
DATE 4-13-78

REV
A MACH.
VERS.
GBL. ROT.

CD. LOC.
GATE
FRAME

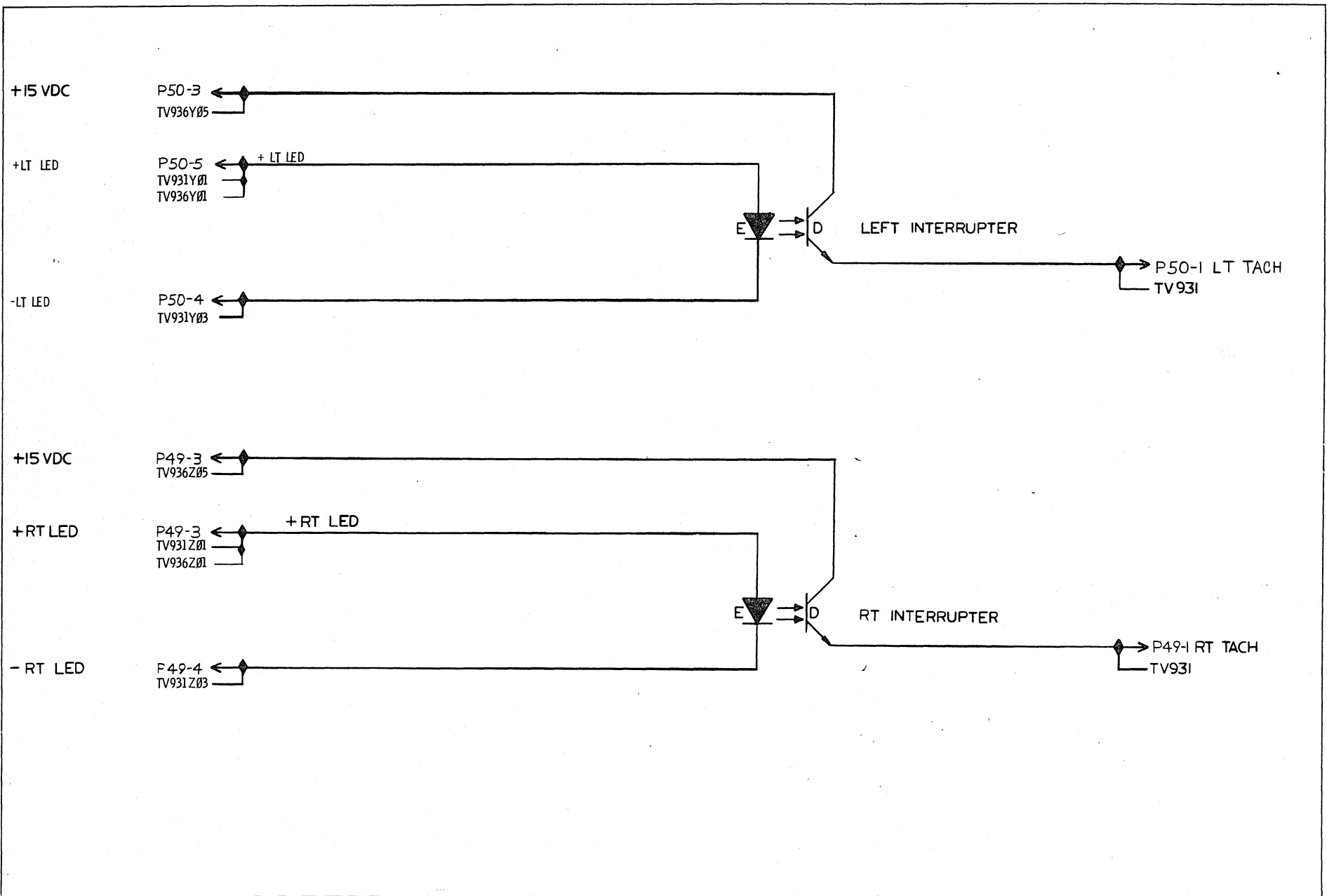
CD. P.N.
CD. TYPE TB
PG. P.N. 40842094-1

T
B
1
4
7

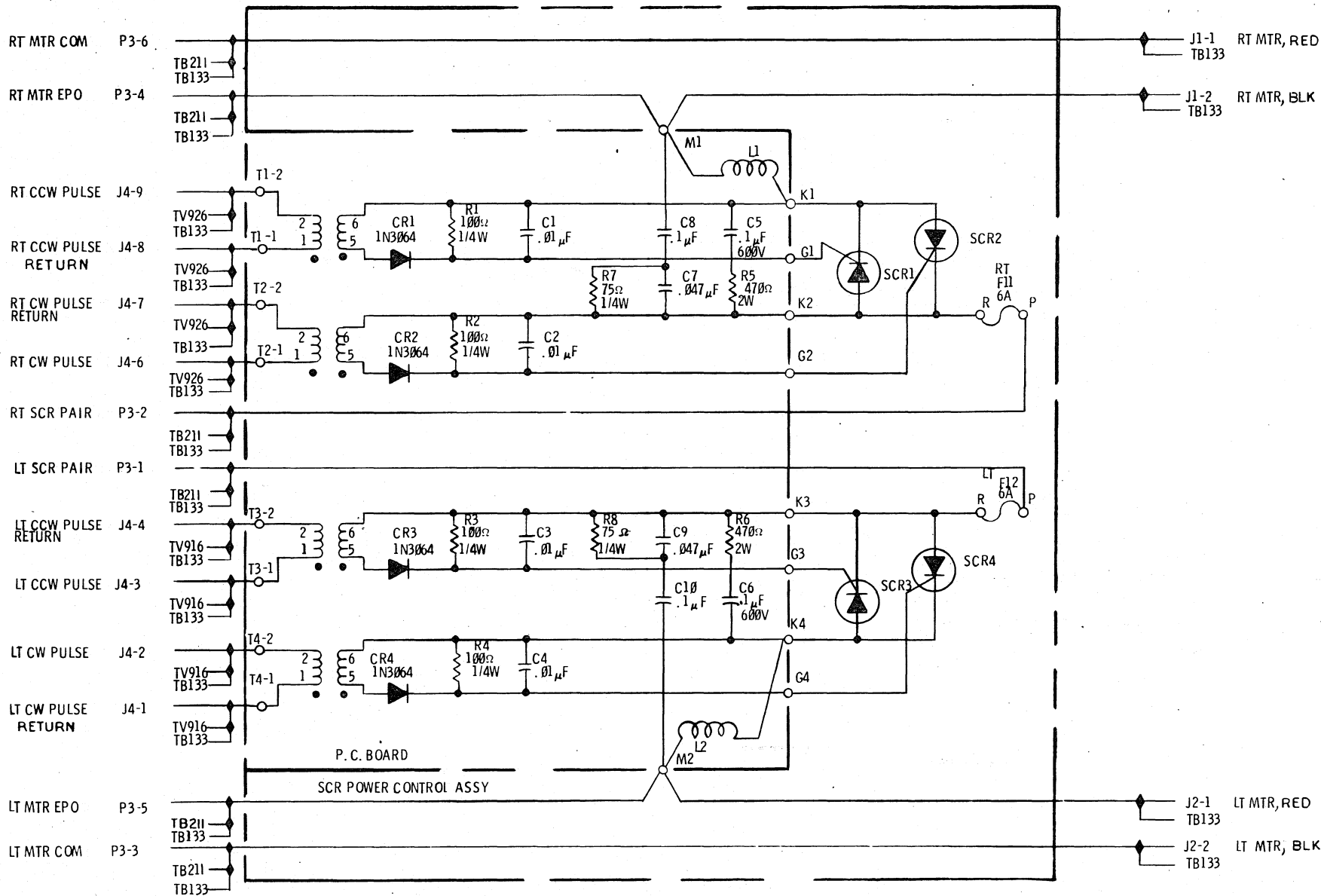


T
B
1
4
8

TB148, AC DISTRIBUTION, 60 HZ, 75-125 IPS				CD. LOC. GATE FRAME	CD. P.N. CD. TYPE PG. P.N. 40842095-8	T B 1 4 8
PRES. E. C. 2878 PREV. E. C. 32088 DATE 4-13-78	REV A	MACH. VERS. GBL. ROT.	CD. P.N. CD. TYPE PG. P.N. 40842095-8			
TB148, AC DISTRIBUTION, 60 HZ, 75-125 IPS						



T B 2 0 1	TB201, TACH CKT				T B 2 0 1
	PREV. E.C. DATE	2487 9-23-76	REV A	MACH. VERS. GBL. ROT.	
	CD. LOC. GATE FRAME	CD. P.N. CD. TYPE PG. P.N.	40842067-7		



TB206

TB206 S.C.R. POWER CONTROL ASSY (75-125 IPS)

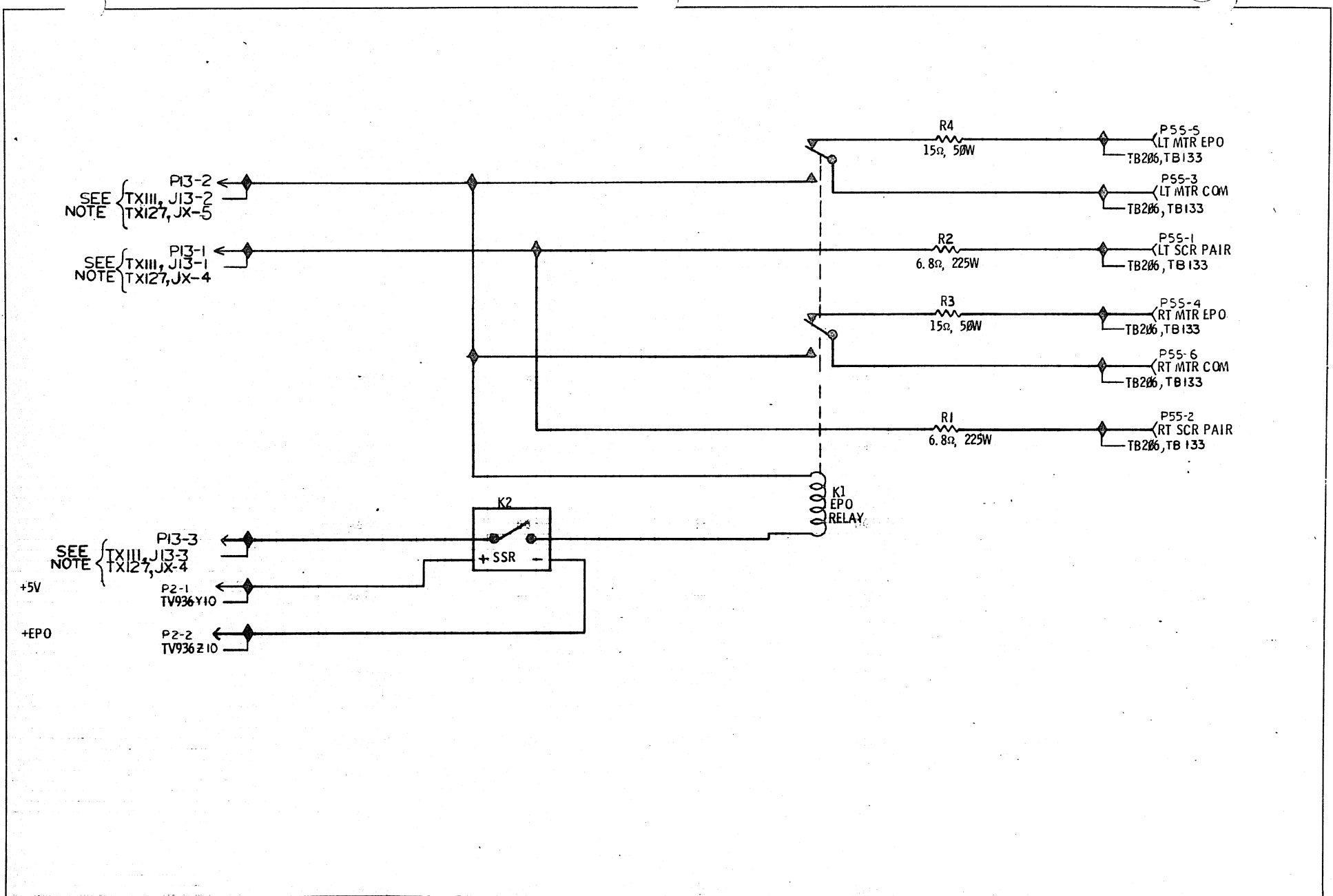
PRES. E.C. 287B
 PREV. E.C. 2487
 DATE 4-12-78

REV A
 MACH. VERS. 6BL ROT.

CD. LOC. GATE FRAME

CD. P.N. CD. TYPE PG. P.N. 40842096-6

TB206



NOTE TXIII FOR 60HZ (J13), REF TB148
 TX127 FOR 50HZ (J4 OR J5), REF TB147

TB211 , RESISTOR BOX, 75/125 IPS		CD. LOC. GATE FRAME	CD. P.N. CD. TYPE PG. P.N. 40842097-4
PREV. E.C. 2878 PREV. E.C. 2447 DATE 4-13-78	REV A	MACH. VERS. OBL. ROT.	TB 1

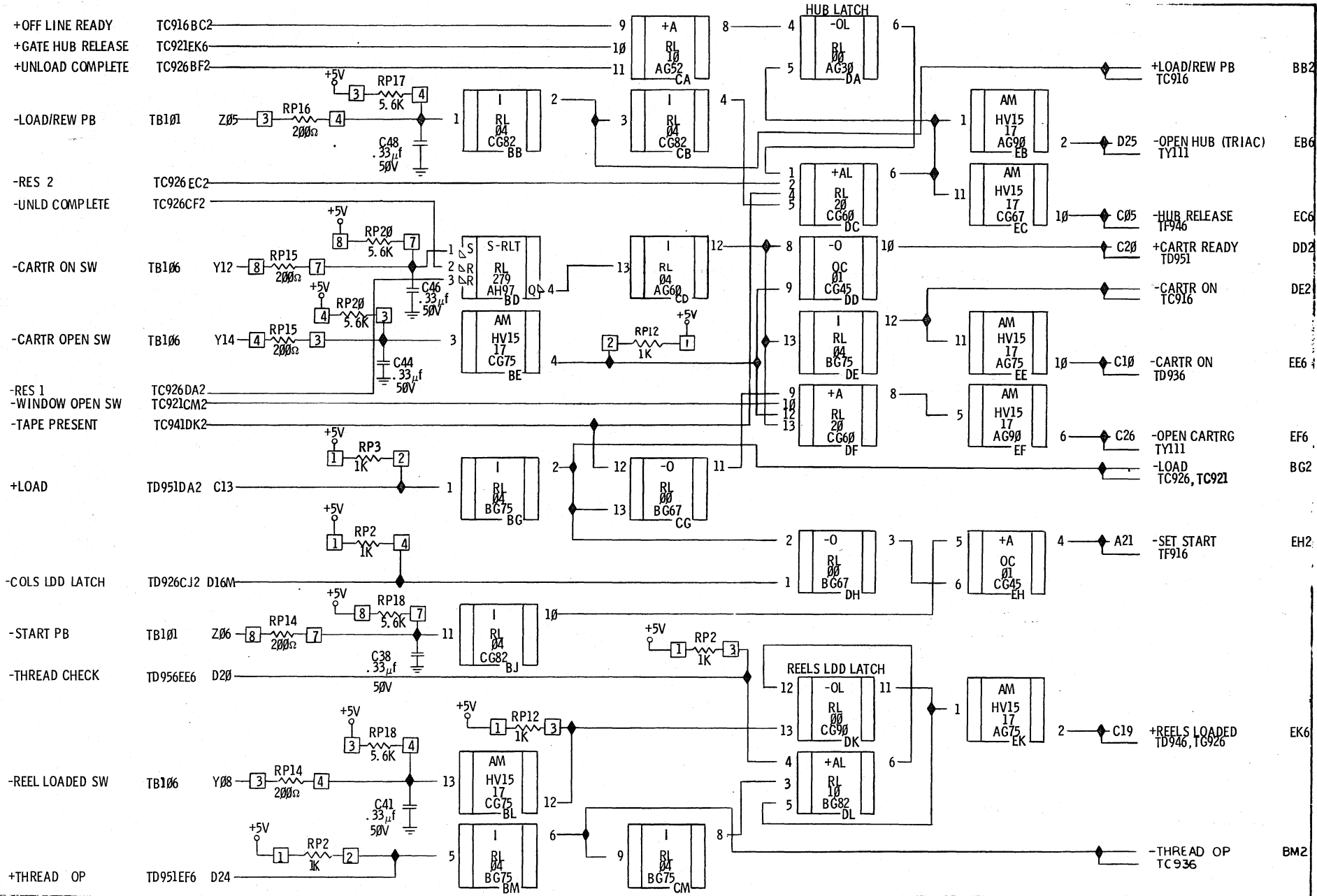
ST TECHNOLOGY CORP.

ASSEMBLY PARTS LIST

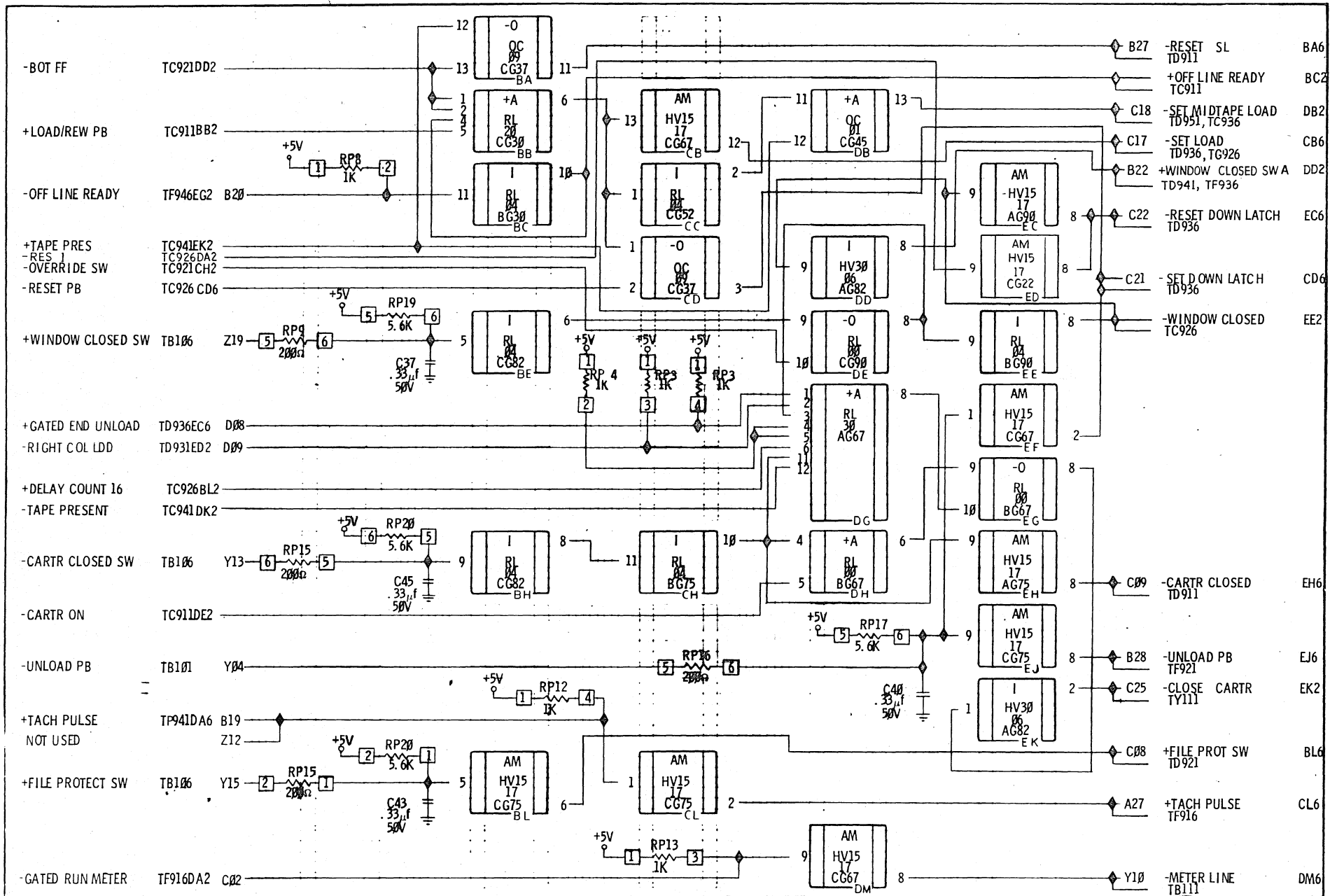
BUILD ARC

PRINT DATE	PAGE	E.C. NO.
03-25-82	1	3924 3017

DIV	ASSEMBLY NUMBER	CD	REV.	DWG.	DESCRIPTION	MC	STATUS	STATUS DATE	FILE DATE					
0500	403181001 40843124	5	B	N	SYS LOG, GR, TC, 40624208/388 <i>209/309</i>	M	REL	06-15-78 36XX	07-23-79					
T FIND NO	LI	PART NUMBER	CD	M	QUANTITY	U/M	PART DESCRIPTION	MC	YLD	E.C. NO. IN	E.C. NO. OUT	S/N	WK IN	WK OUT
001	01	40843105	6		REF	PC	TC 911, SYS LOGIC	D						
002	01	40843106	2		REF	PC	TC916, SYS LOGIC	D						
003	01	40843119	5		REF	PC	TC 921, SYS. LOGIC	D						
004	01	40843108	8		REF	PC	TC926, SYS LOG	D			3017		7930	7930
004	02	40843127	8		REF	PC	TC 926, SYS LOGIC	D		3017			7930	
005	01	40843059	3		REF	PC	TC931, SYS LOGIC	D			3017			7930
005	02	40843126	0		REF	PC	TC 931, SYS LOGIC	D		3017			7930	
006	01	40843109	6		REF	PC	TC936, SYS LOGIC	D						
	+	<i>403178501</i>			+	+	+			<i>3924</i>	<i>3924</i>		<i>8316</i>	<i>8316</i>
007	01	40843062	7		REF	PC	TC941, SYS LOGIC	D						
0009 TOTAL LINES														



TC 911	TC911, SYS LOGIC				TC 911
	PRES. E.C. 2732 PREV. E.C. DATE 8 30 77	REV. A MACH. TU VERS. GBL. ROT.	CD. LOC E2 GATE FRAME	CD. PN. TC CD. TYPE TC PG. PN. 40843105-4	

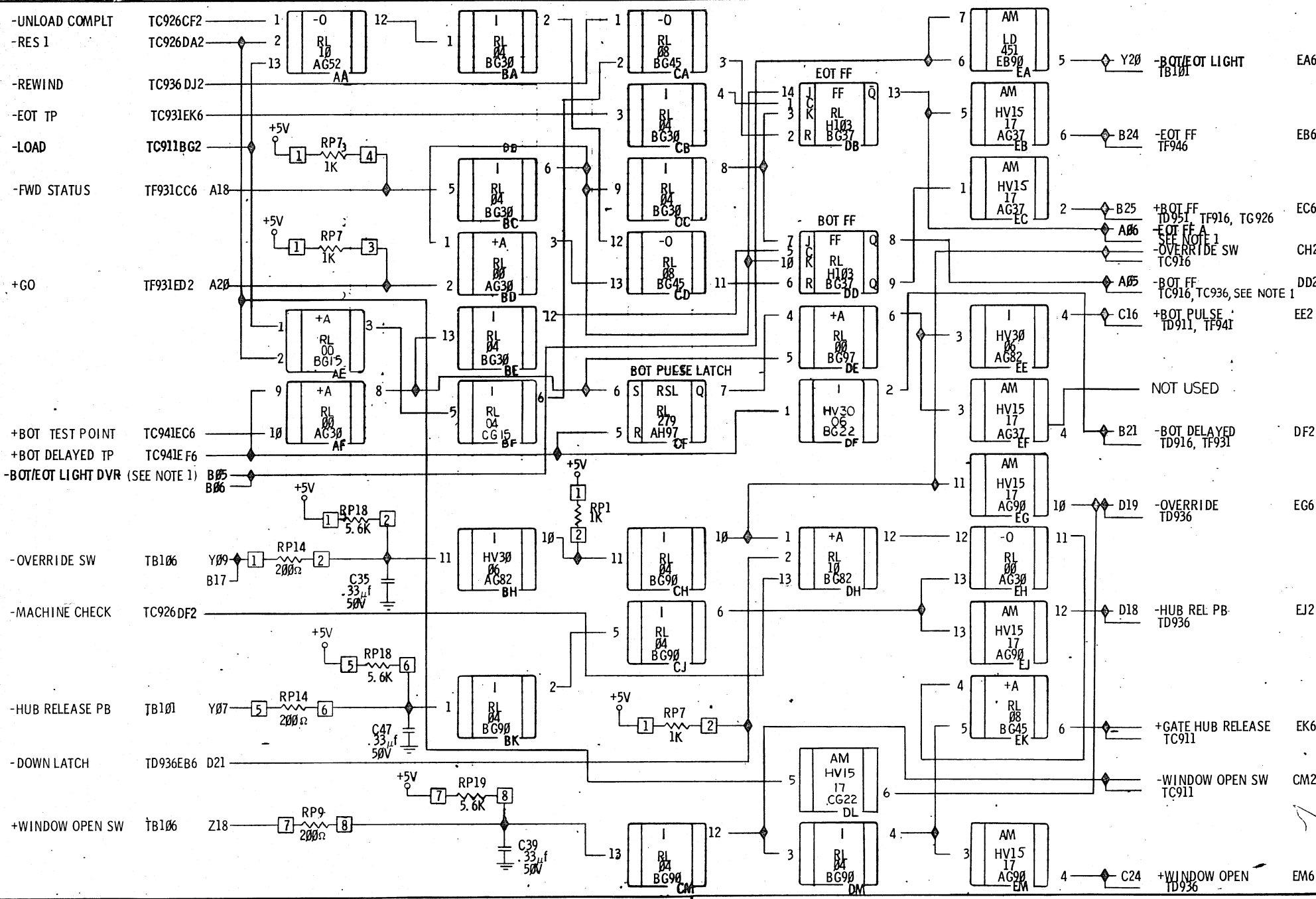


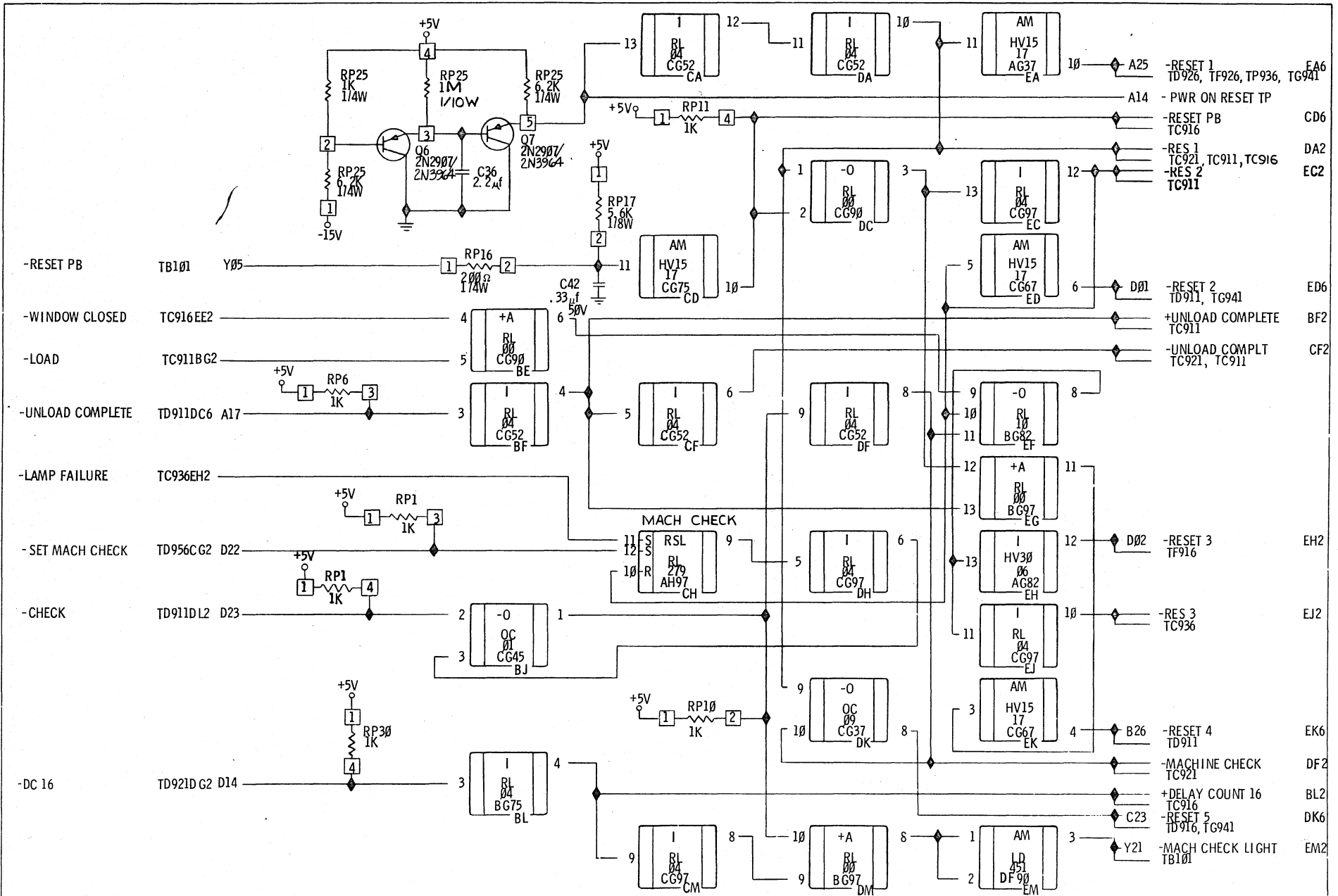
TC916, SYS LOGIC

PREV. E.C. DATE	2732 8/30/77	REV. A	MACH. VRS. OBL. ROT.	TU	CD. LOC. GATE FRAME	E2	CD. P.N. PG. P.N.	TC 40843106.2
-----------------	-----------------	--------	----------------------	----	---------------------	----	-------------------	------------------

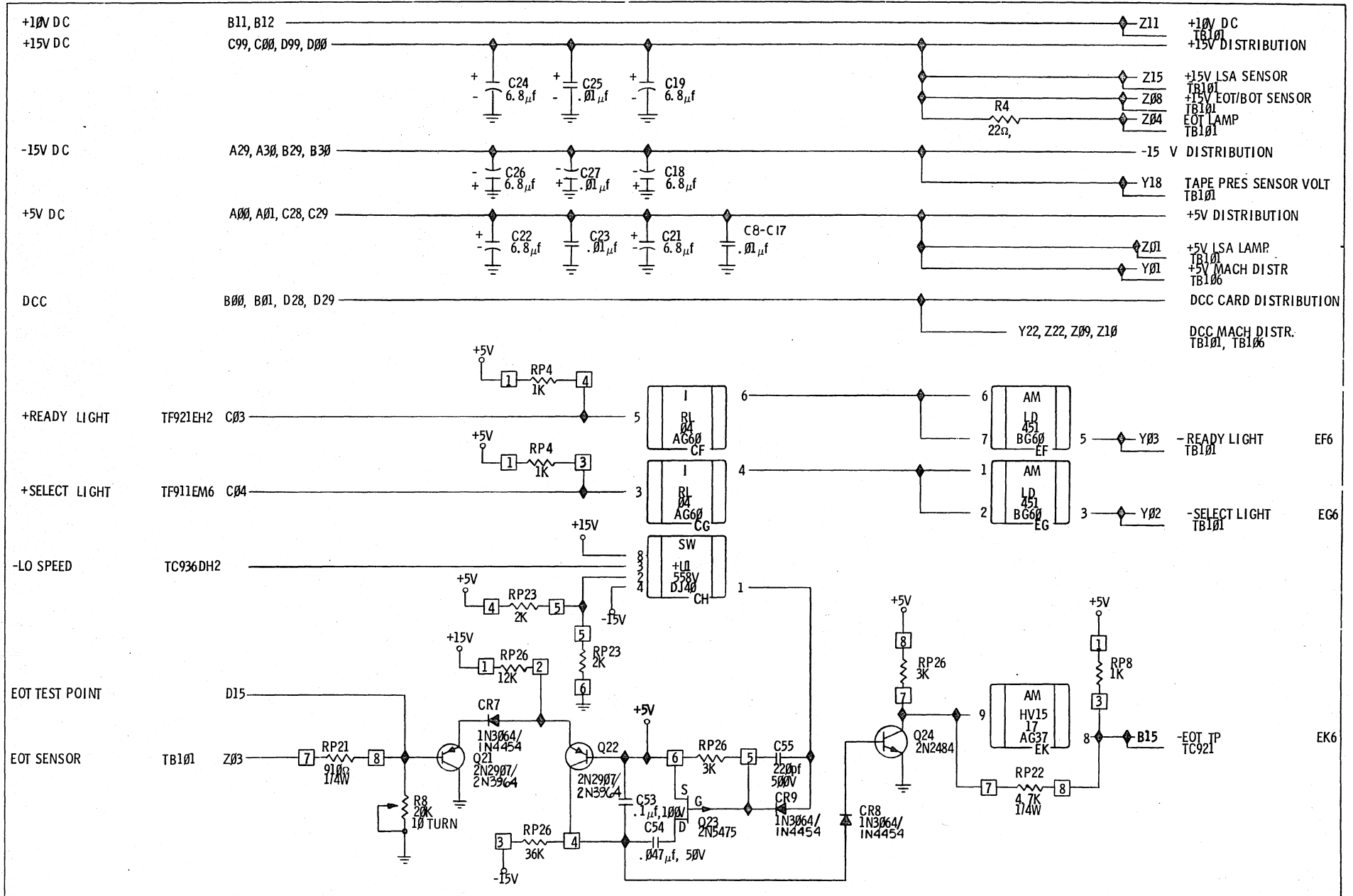
TC916

9
1
6

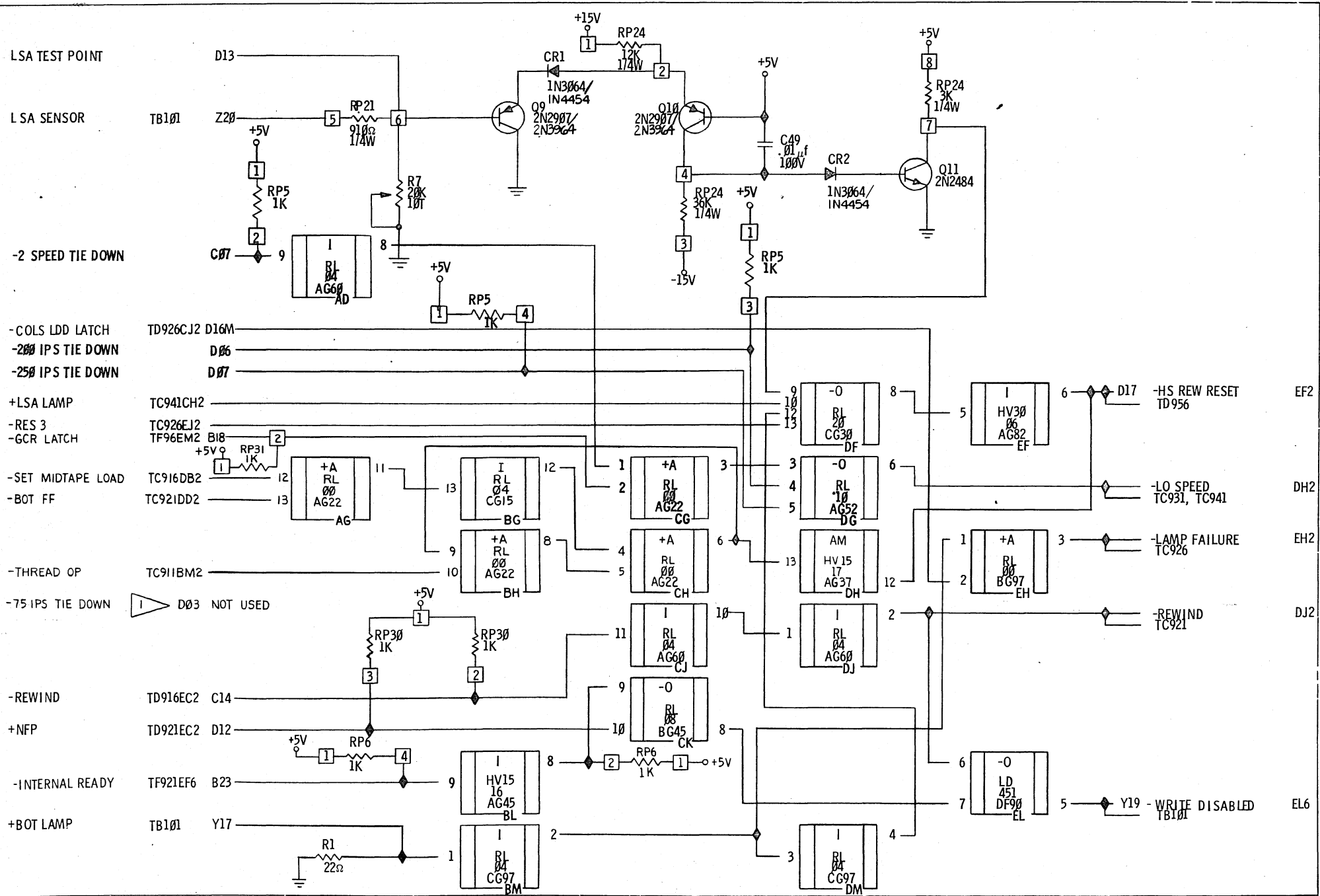




TC 926	TC926, SYS LOGIC				TC 926		
	PRES. E.C. 3017	REV. A	MACH. TU	CD LOC. E2		CD. P.N. 40843127-8	
	PREV. E.C. 2452		VERS. 2	GATE			CD. TYPE TC
	DATE 5-11-77		GBL. ROT.	FRAME			

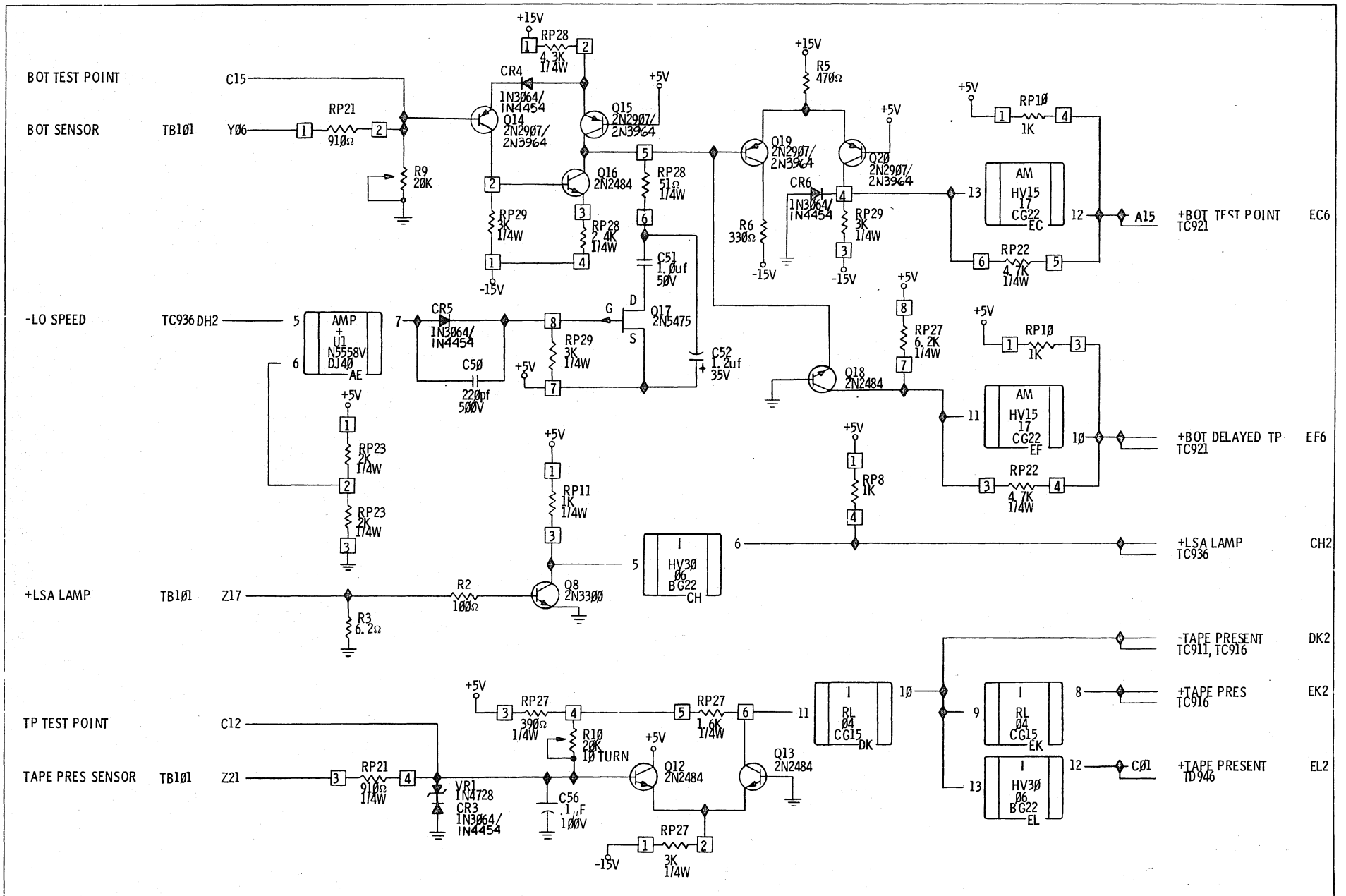


TC931	TC931, SYS LOGIC				TC931
	PRES. E.C. 3017 PREV. E.C. 2852 DATE 5-14-79	REV. C	MACH. TU VERS. GBL. ROT.	CD. LOC. E2 GATE FRAME	



NOT USED ON THIS LAYOUT. SEE SYSTEM LOGICS FOR OTHER LAYOUT.

TC936, SYS LOGIC				T
PRES. E.C. 2852	REV. B	MACH. TU	CD. LOC. E2	C
PREV. E.C. 2732		VERS. GBL. ROT.	CD. P.N. TC	9
DATE V15/78			PG. P.N. 40843109-6	3
				6

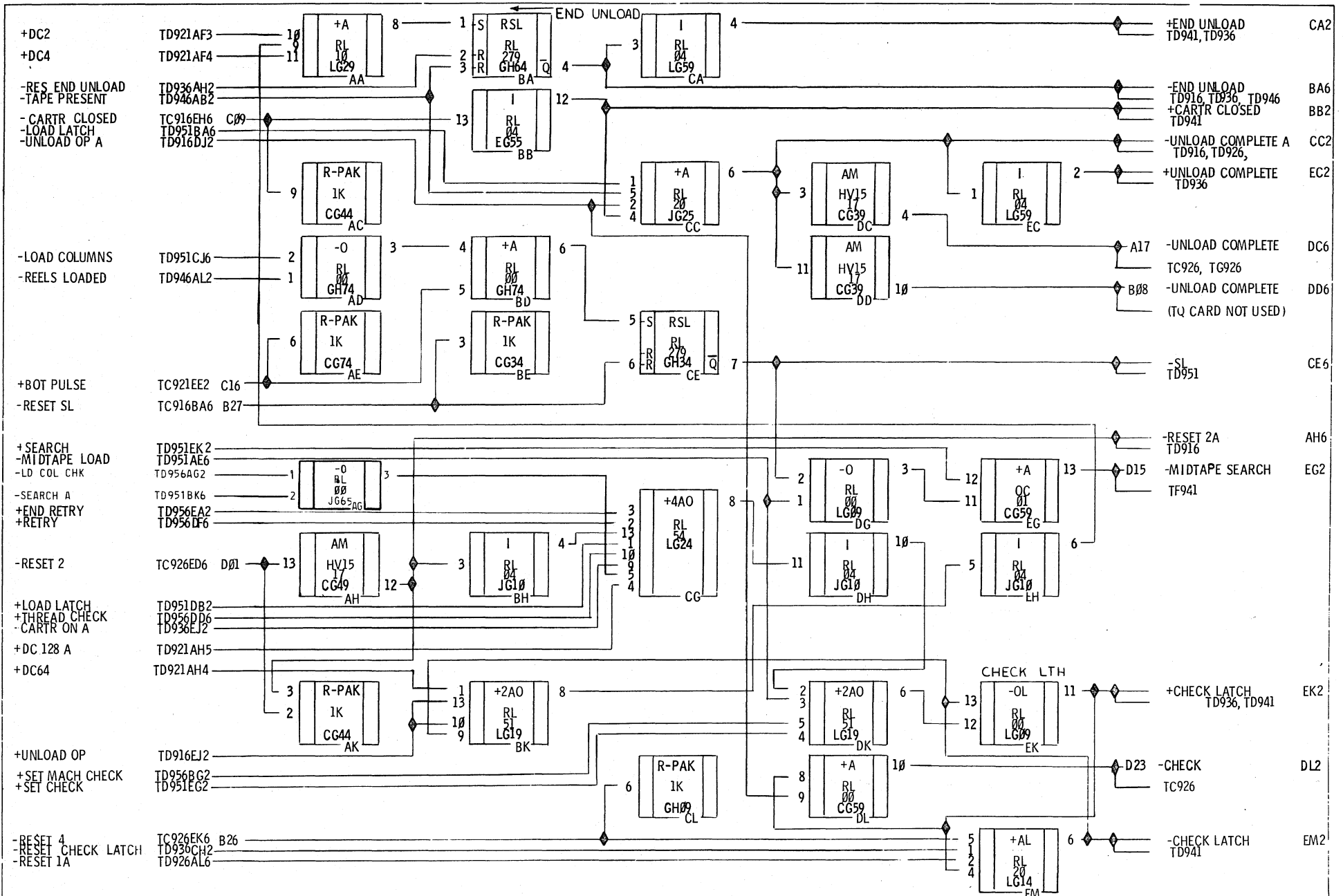


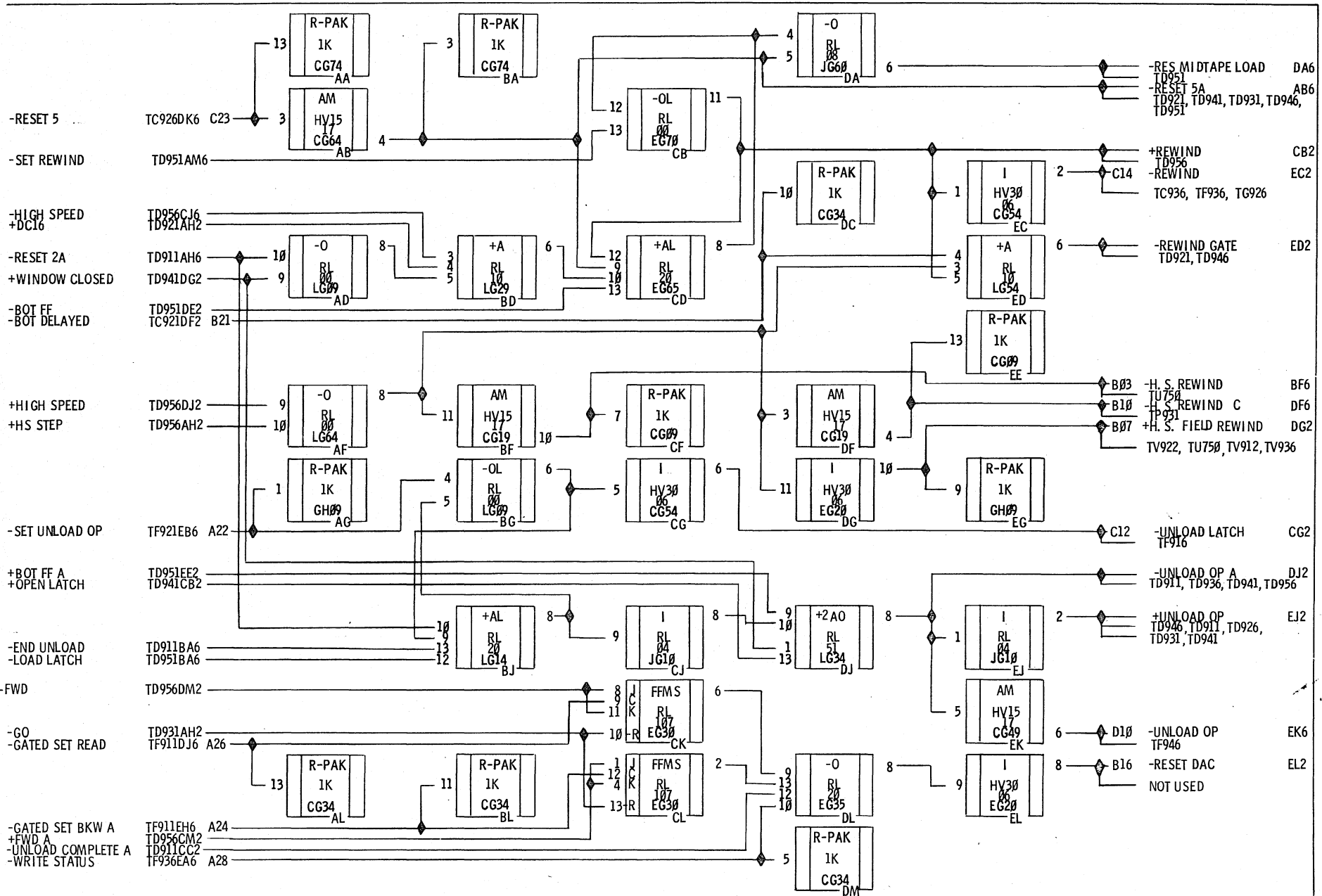
TC 941	TC941, SYS LOGIC				TC 941
	PRES. E.C. 2852 PREV. E.C. 2732 DATE 1-15-78	REV C	MACH. TU VERS. GBL. ROT.	CD. LOC. E2 GATE FRAME	

ASSEMBLY PARTS LIST

BUILD ARC

DIV.	ASSEMBLY NUMBER	CD	REV.	DWG.	DESCRIPTION	MC	STATUS	STATUS DATE	FILE DATE						
0500	40844071	7	B	N	SYS LOG GRP TD CD P/N40326303	N	REL	01-07-82	3600E	01-11-82					
T	FIND NO	LI	PART NUMBER	CD	M	QUANTITY	U/M	PART DESCRIPTION	MC	YLD	E.C. NO. IN	E.C. NO. OUT	S/N	WK IN	WK OUT
	000	01	40844063	4		REF	PC	TD 903 IC LOCATION CHART	D		3504			8206	
	001	01	40844067	5		REF	PC	TD 911 SYS LOGIC	D						
	002	01	40844038	6		REF	PC	TD916,SYS LOGIC	D						
	003	01	40844068	3		REF	PC	TD 921,SYS LOGIC	D						
	004	01	40844070	9		REF	PC	TD 926,SYS LOGIC	D			3504			8206
	004	02	40844090	7		REF	PC	SYS LGC,TD 926,PC	D		3504			8206	
	005	01	40844041	0		REF	PC	TD931,SYS LOGIC	D			3504			8206
	005	02	40844089	9		REF	PC	SYS LGC,TD 931,PC	D		3504			8206	
	006	01	40844060	0		REF	PC	TD 936, SYS LOGIC	D						
	007	01	40844069	1		REF	PC	TD 941 SYS LOGIC	D						
	008	01	40844053	5		REF	PC	TD 946,SYS LOGIC	D						
	009	01	40844065	9		REF	PC	TD951,SYS LOGIC	D						
	010	01	40844066	7		REF	PC	TD 956 SYS LOGIC	D						
	900	01	40326303	1		REF	PC	CKT CD,TD,PC ASSY	S		3504			8206	
								0014 TOTAL LINES							



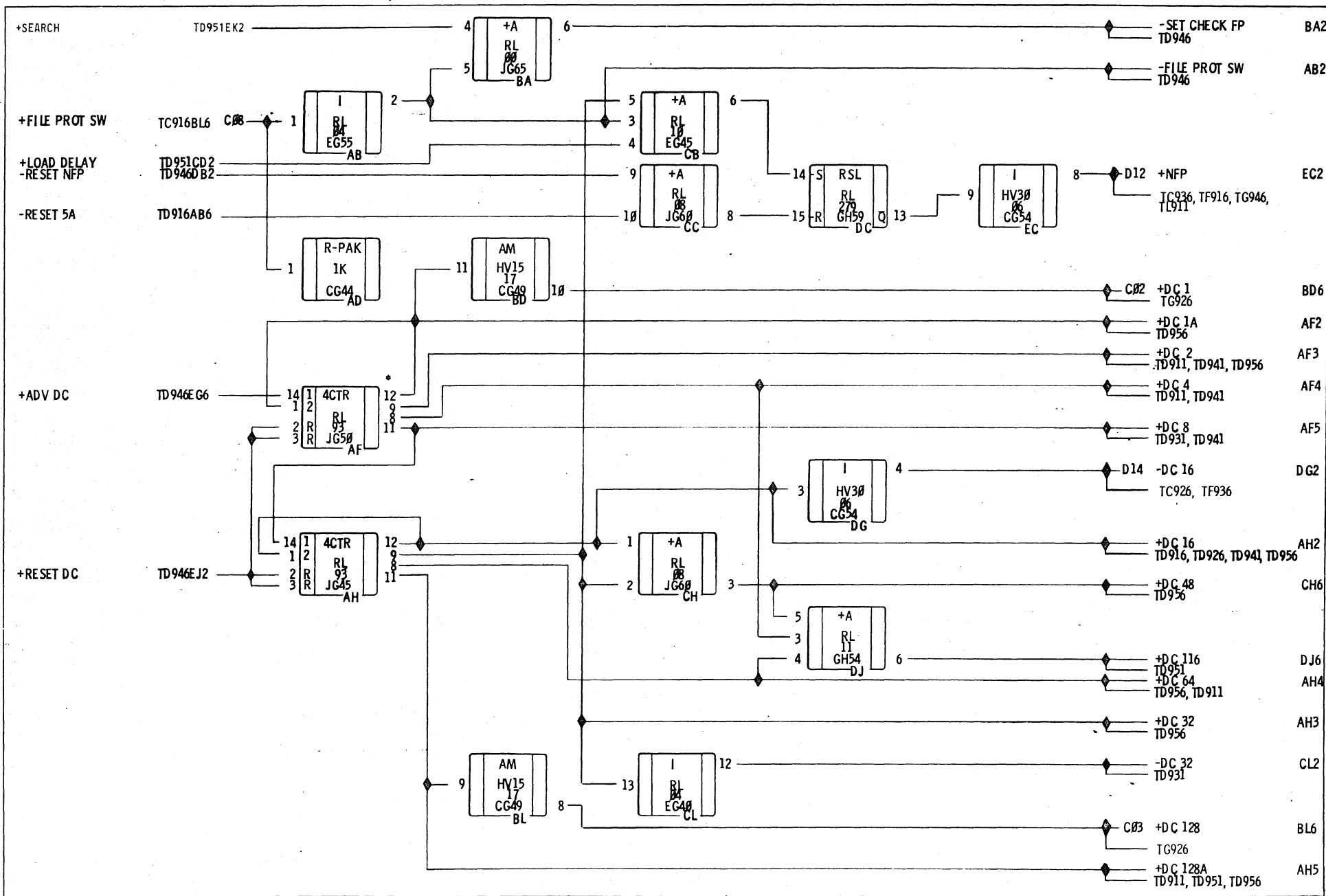


TD916, SYS LOGIC

I
D
9
1
6

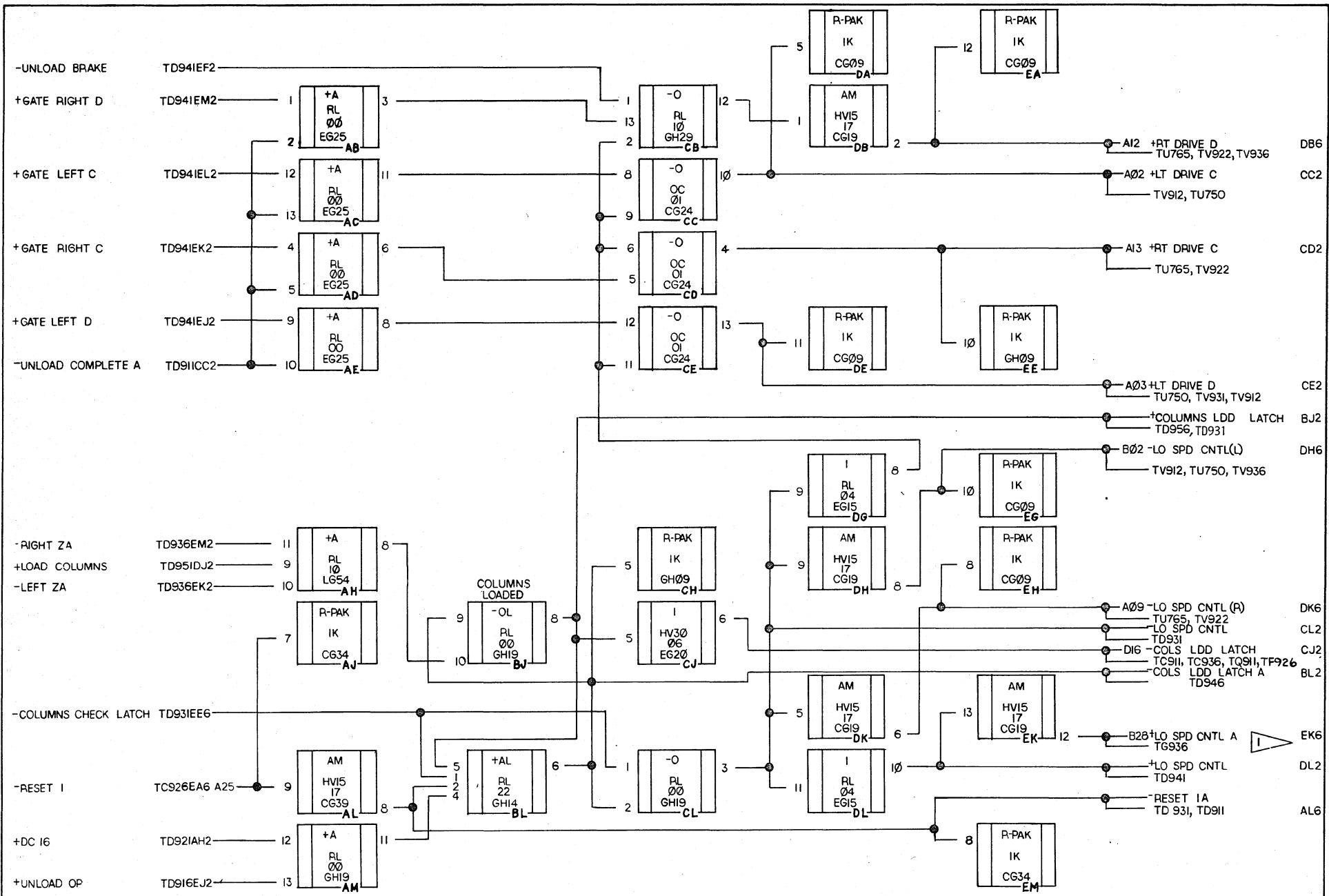
I
D
9
1
6

PRES. E.C. 2487	REV A	MACH. TU	CD. LOC. D2	CD. P.N.
PREV. E.C.		VERS.	GATE	CD. TYPE TD
DATE 9-23-76		GBL. ROT.	FRAME	PG. PN. 40844038-6



1
D
9
2
1

TD921, SYS LOGIC				1 D 9 2 1
PRES. E.C.	3107	REV.	A	CD. LOC. D2 FRAME
PREV. E.C.	2487	MACH. TU		
DATE	10/23/79	VERS. GBL. ROT.		
		CD. P.N.	40326303-1	CD. P.N. PG. PN.
		CD. TYPE	TD	
				40844068-3



TD926

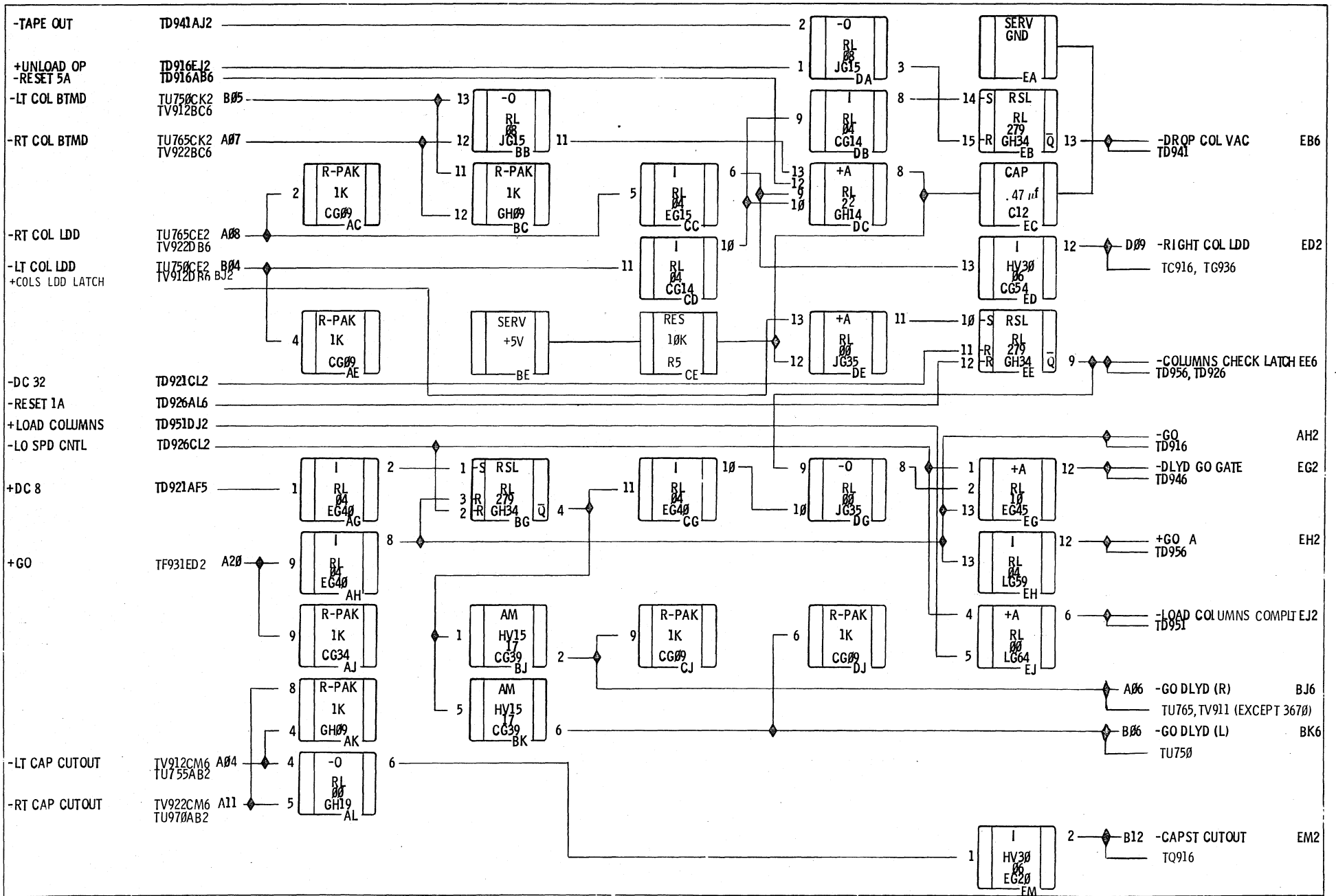
TU FOR 3600 G MACHINES
 TV FOR 3600 E MACHINES

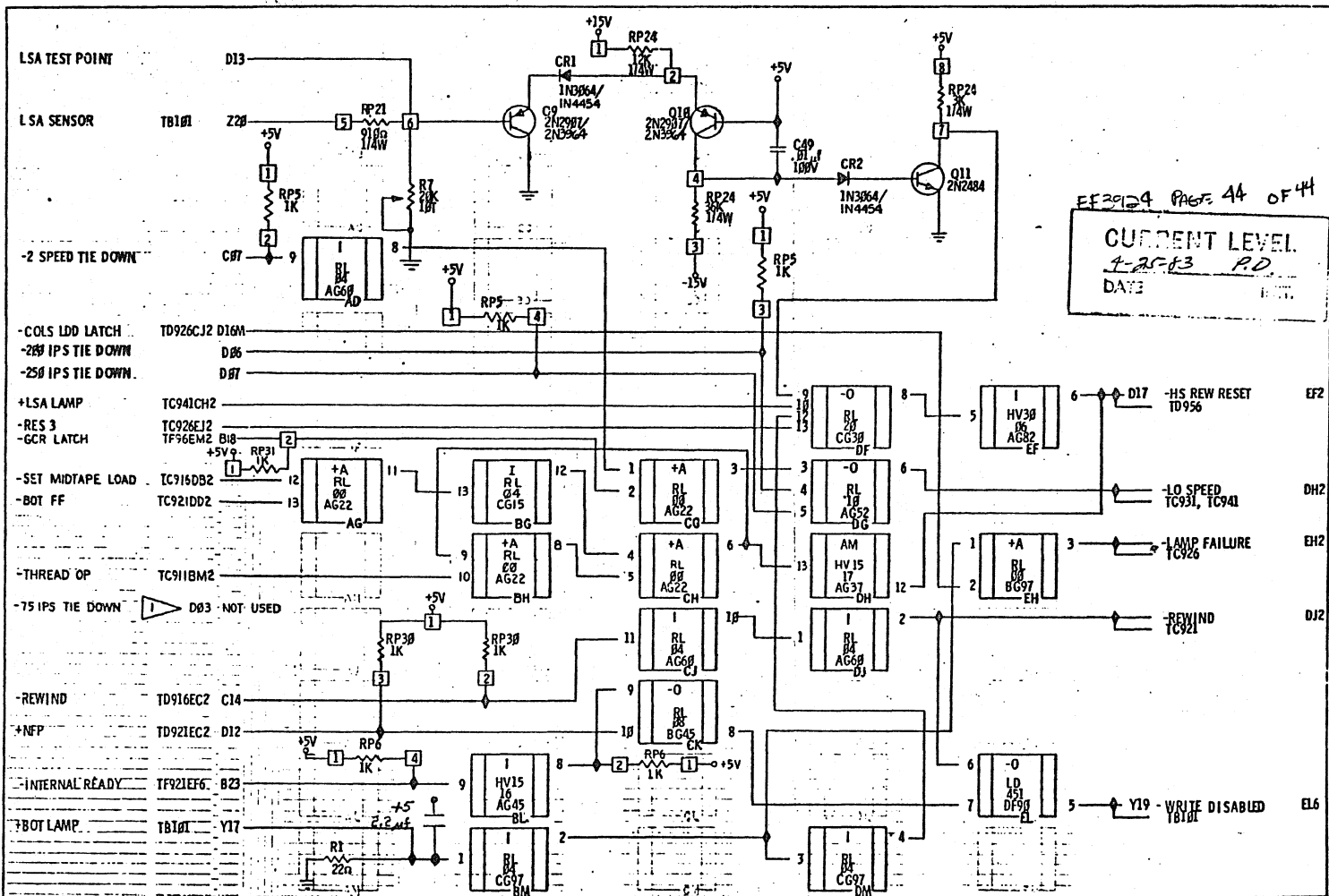
TG 936 OUTPUT ON 36XXE ONLY

TD926, SYS LOGIC, STD

PRES. E.C. 3504 PREV. E.C. NONE DATE 1-14-82	REV A MACH. TU VERS. GBL. ROT.	CD. LOC. D2 GATE FRAME	CD. PN. CD. TYPE TD PG. PN. 40844090-7
--	---	------------------------------	--

TD926





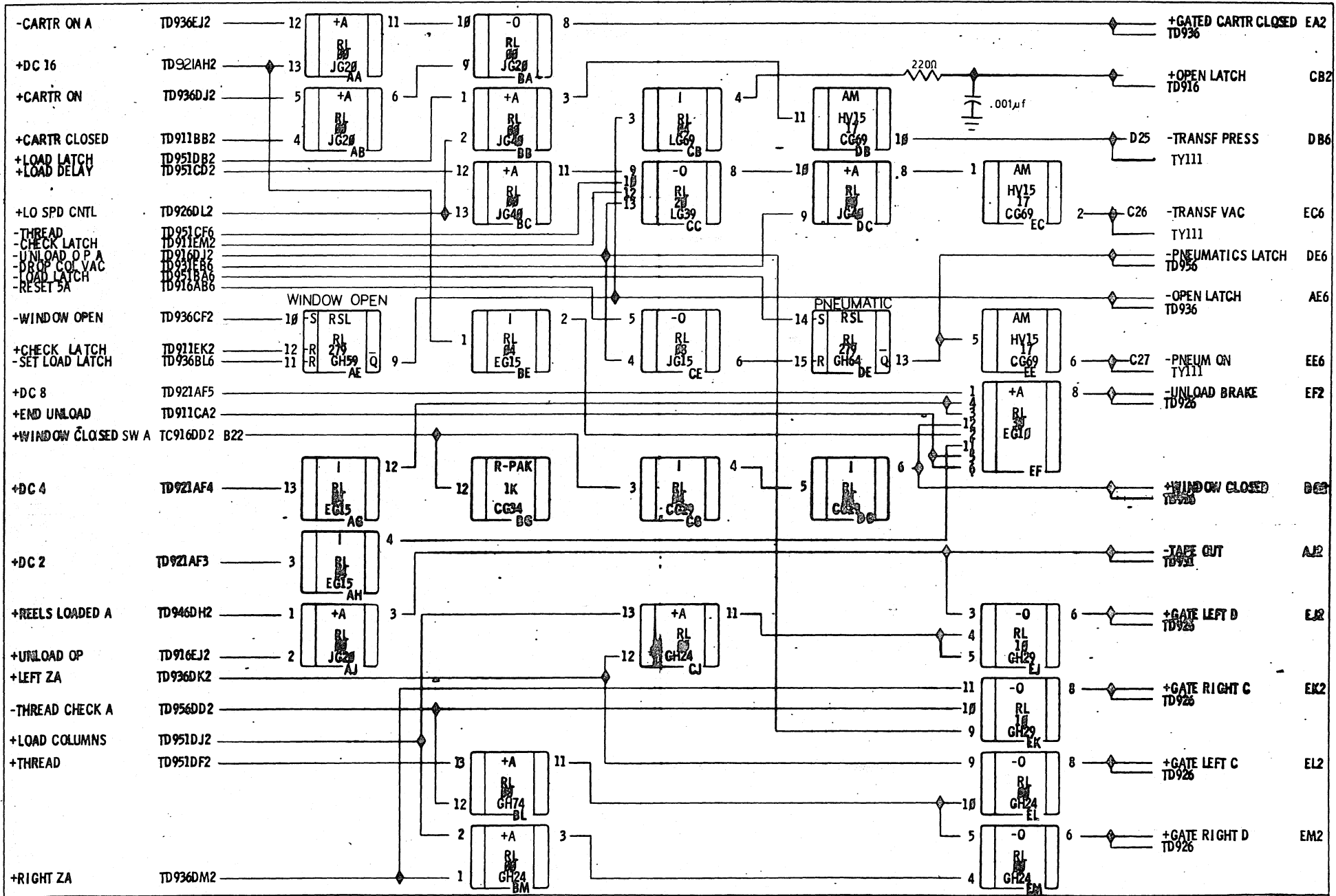
EF3924 PAGE 44 OF 44
CURRENT LEVEL
 1-25-83 RD
 DATE

NOT USED ON THIS LAYOUT-- SEE SYSTEM LOGICS FOR OTHER LAYOUT.

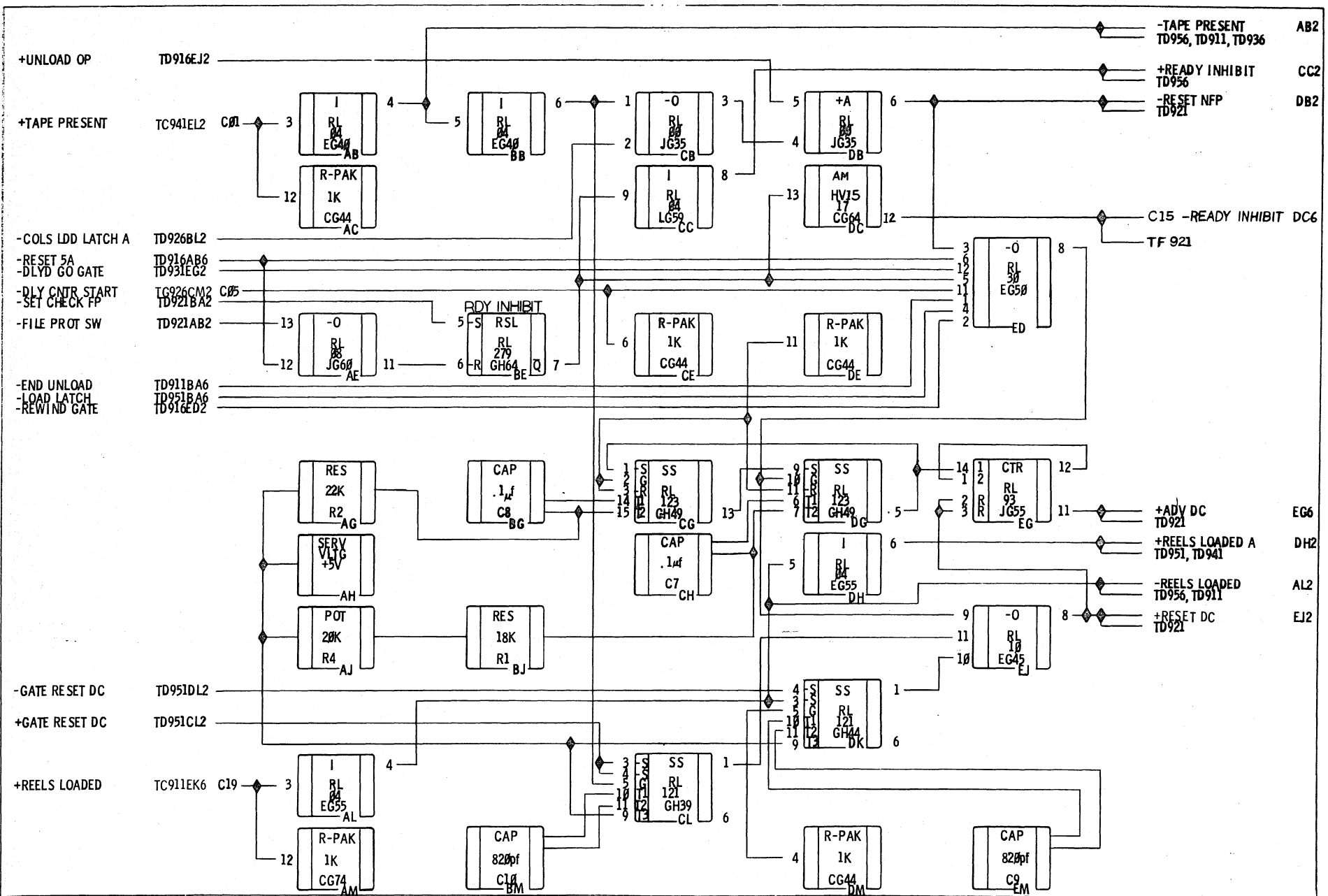
IC936 SYS LOGIC	REV B	MACH TU	CD LOC E2	CD P.N.
DESIGNED 2/82	REV B	VERS	GATE	CD TYPE TC
DATE 1/15/78	QBL ROT		FRAME	PG P.N. 300-3109-6

2852

4031785-01



I D 9 4 1	TD941, SYS LOGIC				I D 9 4 1
	PREV. E.C. 3107 DATE 10-18-79	REV A	MACH. TU VERS. OBL. ROT.	CD. LOC. D2 GATE FRAME	

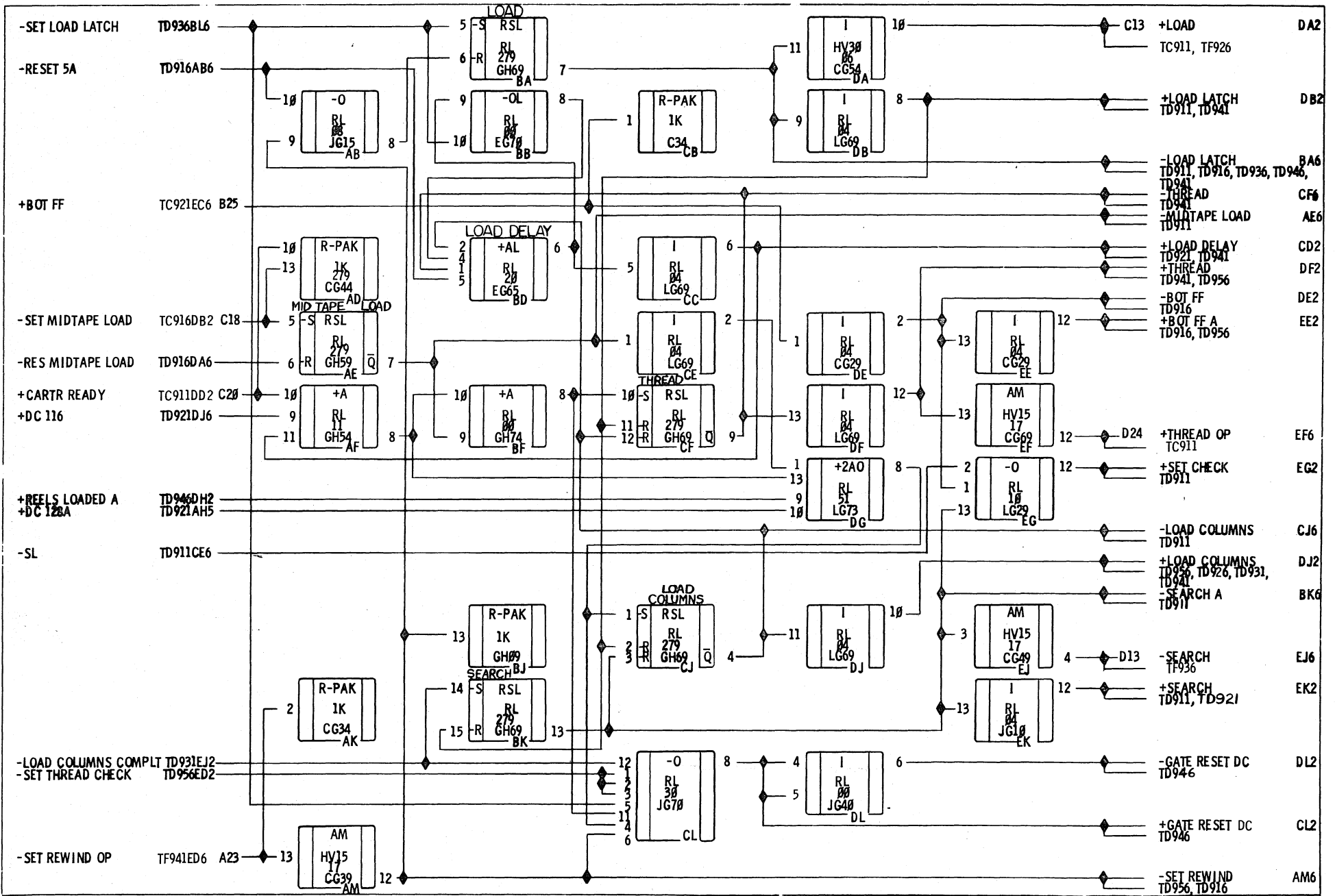


TD946, SYS LOGIC

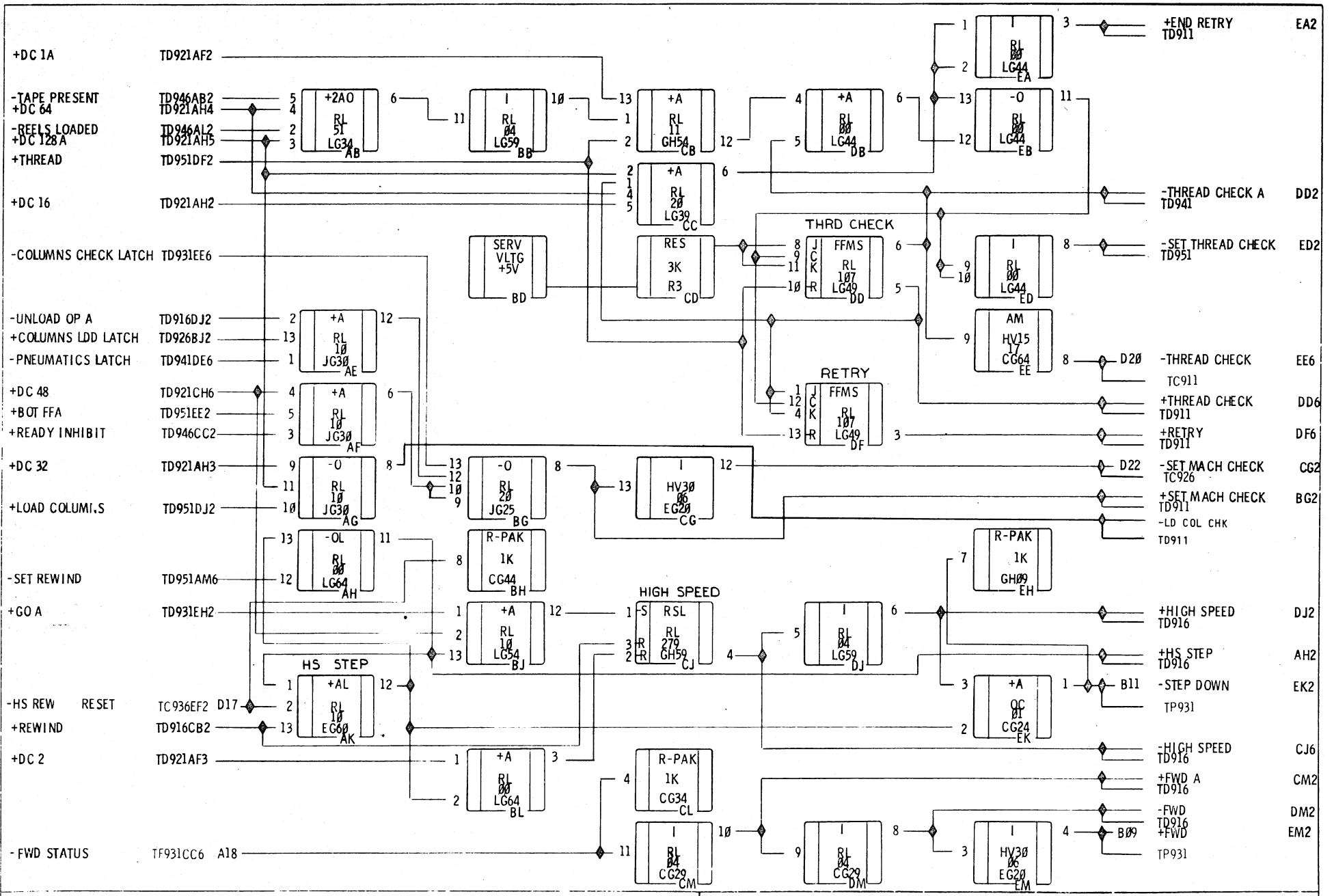
PRES. E.C. 3017 PREV. E.C. 2487 DATE 5-11-79	REV. A MACH. TU VERS. 9BL. ROT.	CD. LOC. D2 GATE FRAME	CD. P.N. TD CD. TYPE TD PG. PN. 40844053-5
--	---------------------------------------	---------------------------	--

TD 946

TD 946



TD951, SYS LOGIC				D 9 5 1
PRES. E. C. 3107	REV. A	MACH. TU	CD. LOC. D2	
PREV. E. C. 3017		VERS. GBL. ROT.	GATE FRAME	
DATE 10-18-79			CD. P.N. 40326303-1 CD. TYPE TD PG. P.N. 40844065-9	



ASSEMBLY PARTS LIST

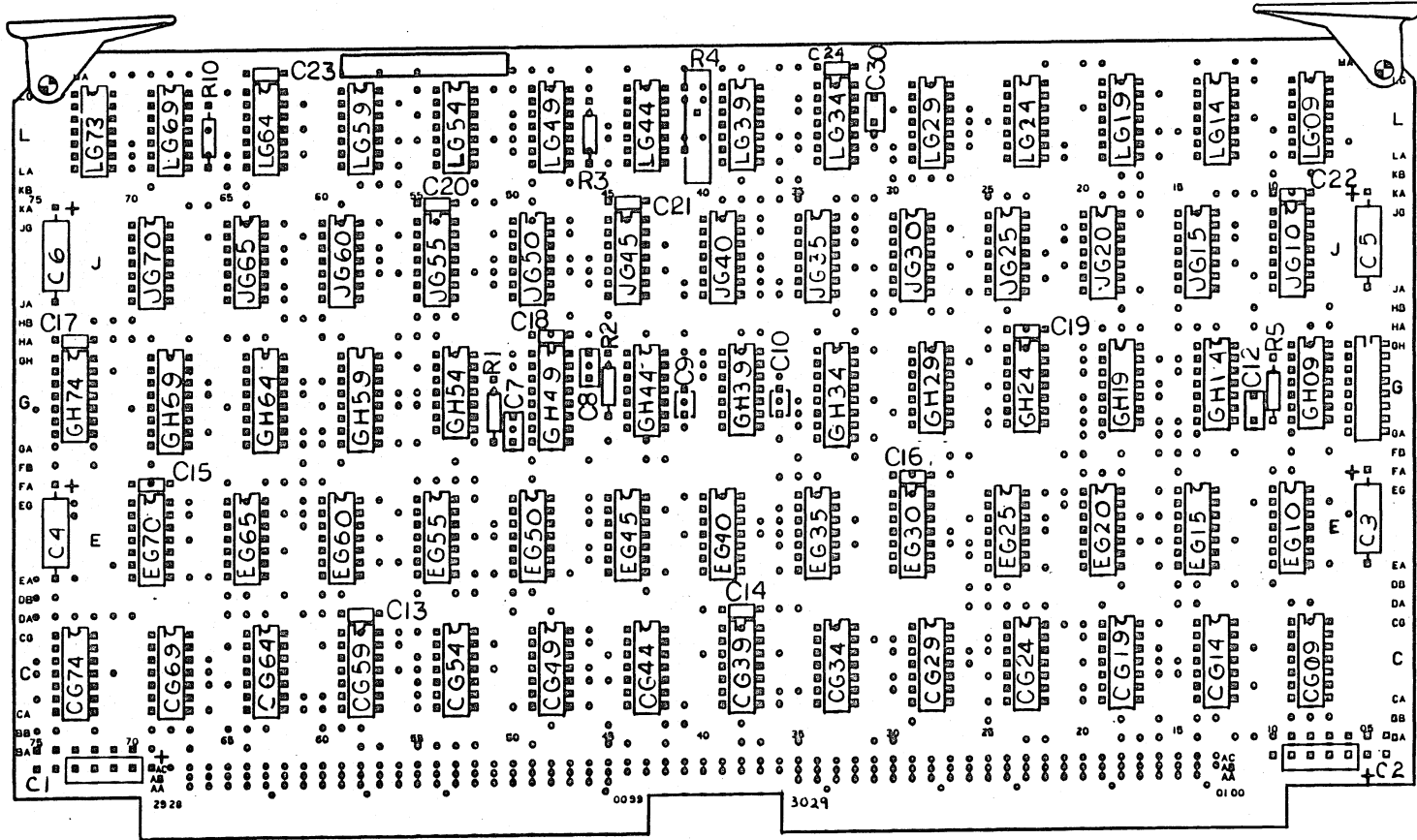
BUILD ARC

PRINT DATE


03-25-82

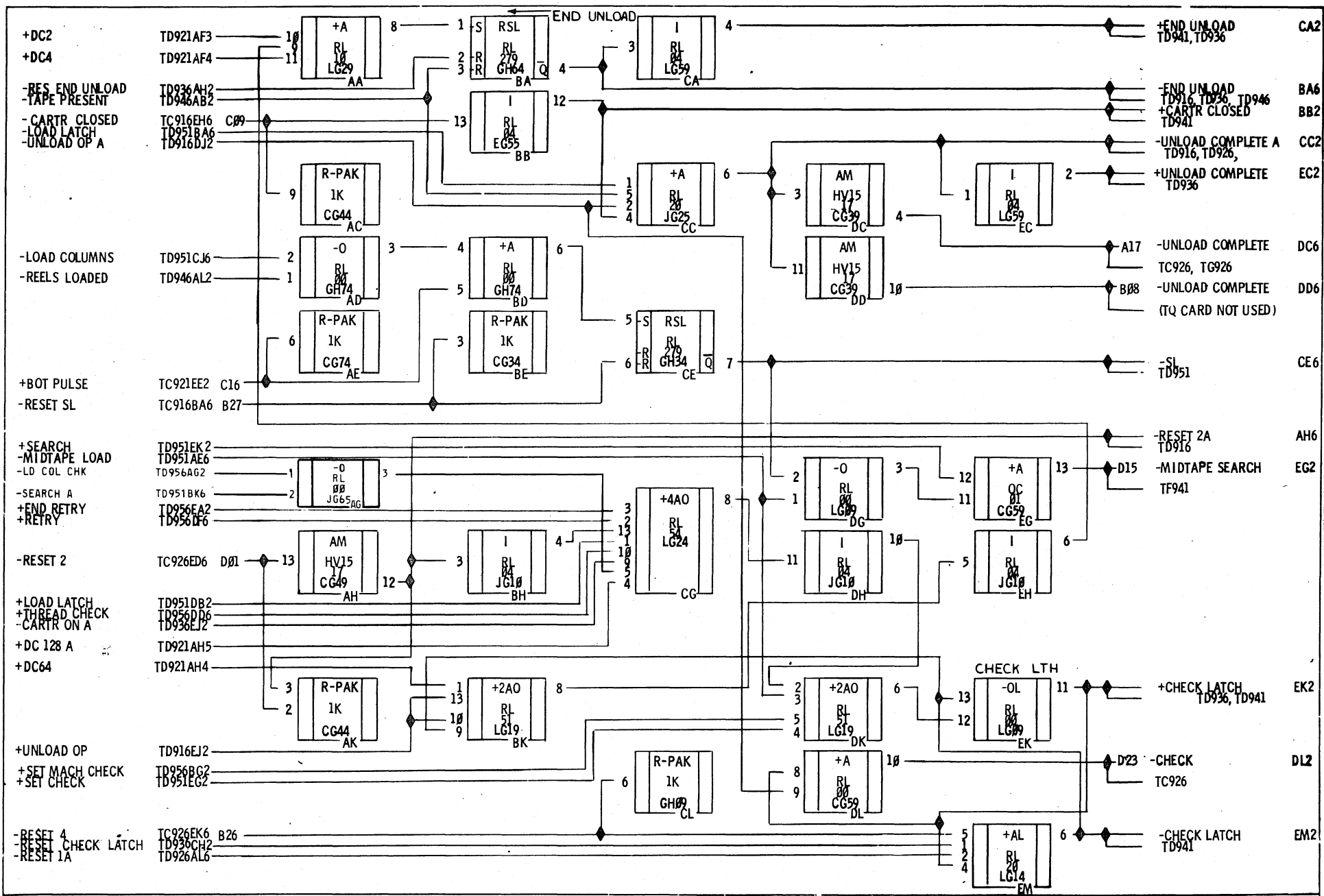
1

D.V.		ASSEMBLY NUMBER	CD	REV.	DWG.	DESCRIPTION			MC	STATUS	STATUS DATE				
0500		40844099	B	A	N	SYS LCC CP,TD,40326403,PC			N	REL	01-07-82	3600E	01-11-82		
T	FIND NO	LI	PART NUMBER	CD	M	QUANTITY	U/M	PART DESCRIPTION	MC	YLD	E.C. NO. IN	E.C. NO. OUT	S/N	WK IN	WK OUT
	001	01	402206201	4		REF		PC CD LGC,AB001TD,PC	D						
	011	01	40844067	5		REF		PC TD 911 SYS LOGIC	D						
	016	01	40844038	6		REF		PC TD916,SYS LOGIC	D						
	021	01	40844068	3		REF		PC TD 921,SYS LOGIC	D						
	026	01	40844090	7		REF		PC SYS LGC,TD 926,PC	D						
	031	01	40844089	9		REF		PC SYS LGC,TD 931,PC	D						
	036	01	40844060	0		REF		PC TD 936, SYS LOGIC	D						
	041	01	40844069	1		REF		PC TD 941 SYS LOGIC	D						
	046	01	40844053	5		REF		PC TD 946,SYS LOGIC	D						
	051	01	40844065	9		REF		PC TD951,SYS LOGIC	D						
	056	01	40844066	7		REF		PC TD 956 SYS LOGIC	D						
	500	01	40326403	9		REF		PC CKT CD,TD,PC ASSY	S						
								0012 TOTAL LINES							



A
B
C
D
E
F
G
H
I

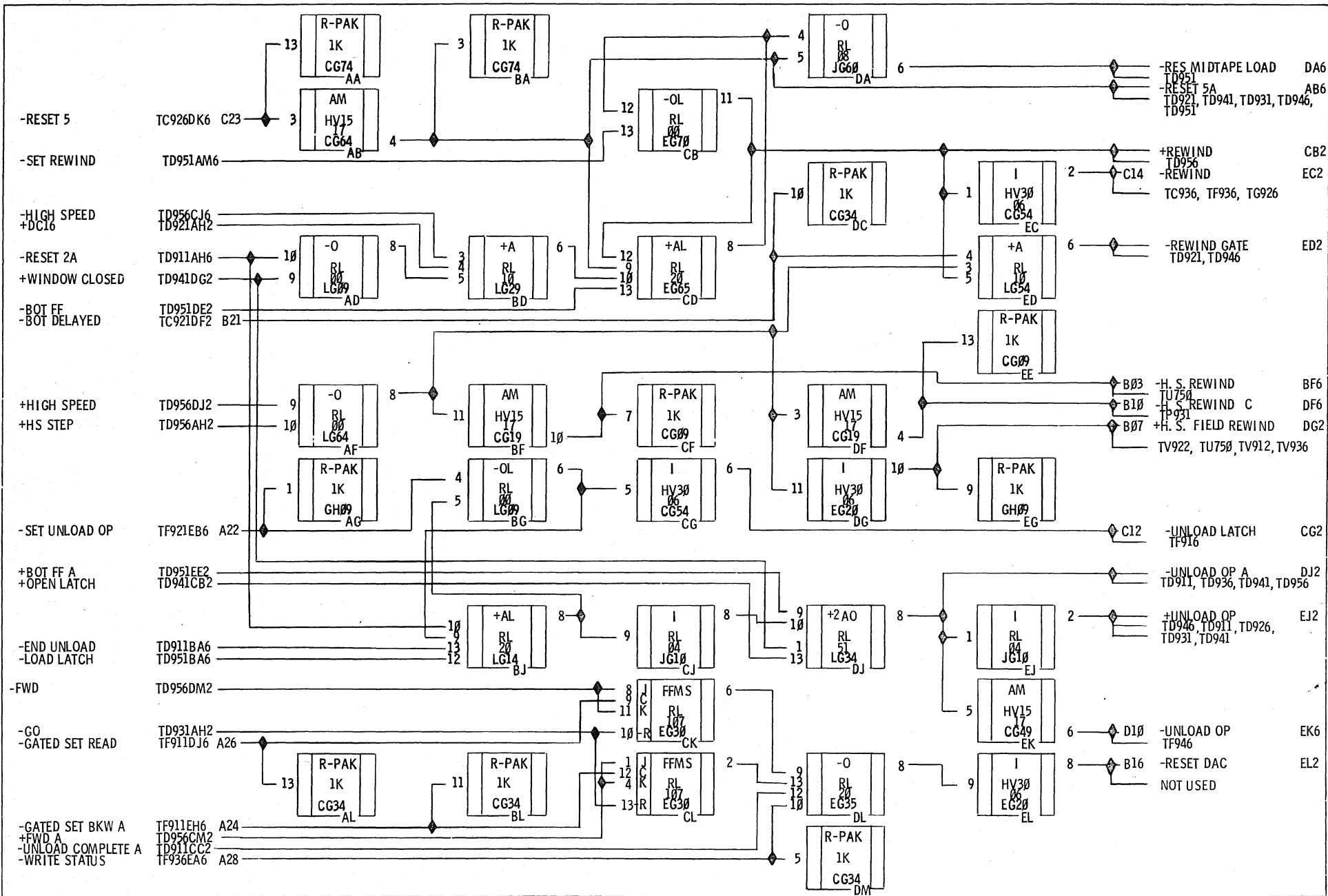
 CKT CD, TD, PC ASSY.		CD. LOC. 02 GATE FRAME		CD. P.N. 40326403 CD. TYPE TD PG. P.N. 4022062-01	A B C D E F G H I
PRES. E.C. DATE	3504 NONE	MACH. 3600 VERS. GBL. ROT.	CD. P.N. 40326403 CD. TYPE TD PG. P.N. 4022062-01		

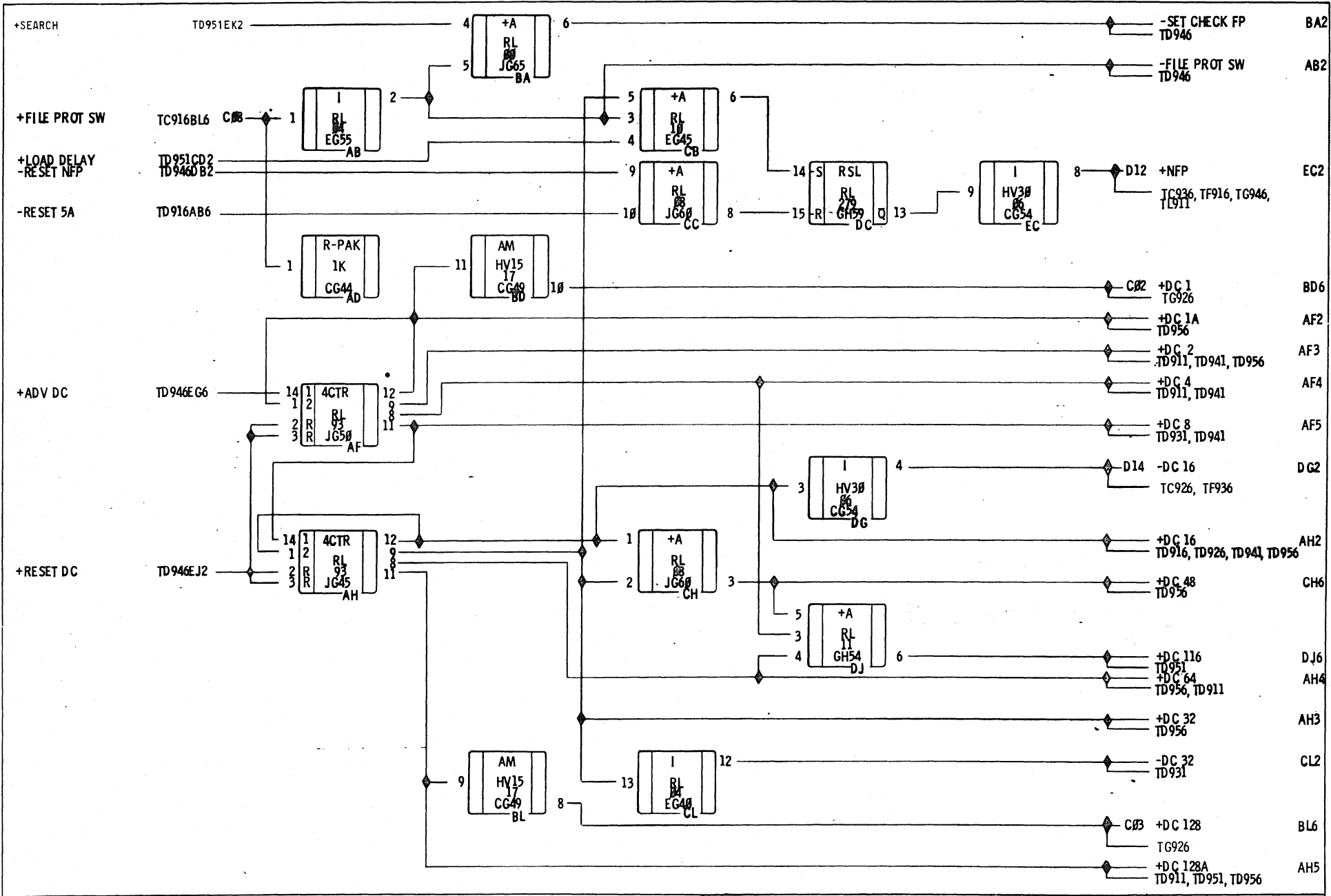


TD911, SYS LOGIC					
PRES. E.C. DATE	3107 3017 10/23/79	REV. A	MACH. VERS. GBL. ROT.	TU	CD. LOC. GATE FRAME
					D2
CD. P.N.	40326303-1	CD. TYPE	TD	PS. P.N.	40844067-5

D
1

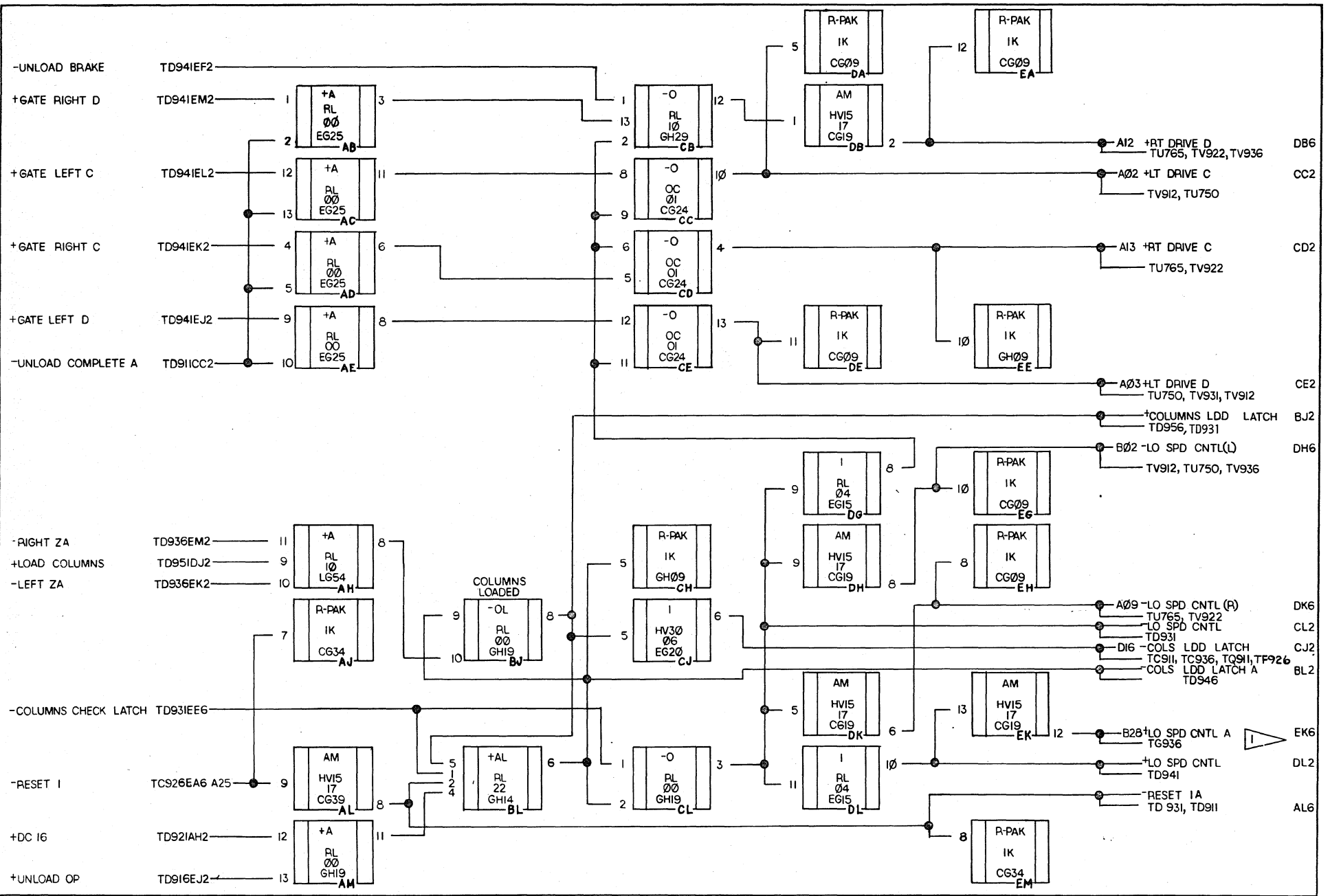
D
1





D
9
2
1

TD921, SYS LOGIC				D 9 2 1
PRES. E.C. 3107 PREV. E.C. 2487 DATE 10/23/79	REV. A MACH. TU VERS. GBL. ROT.	CD. LOC. D2 GATE FRAME	CD. P.N. 40326303-1 CD. TYPE TD PG. P.N. 40844068-3	D 9 2 1

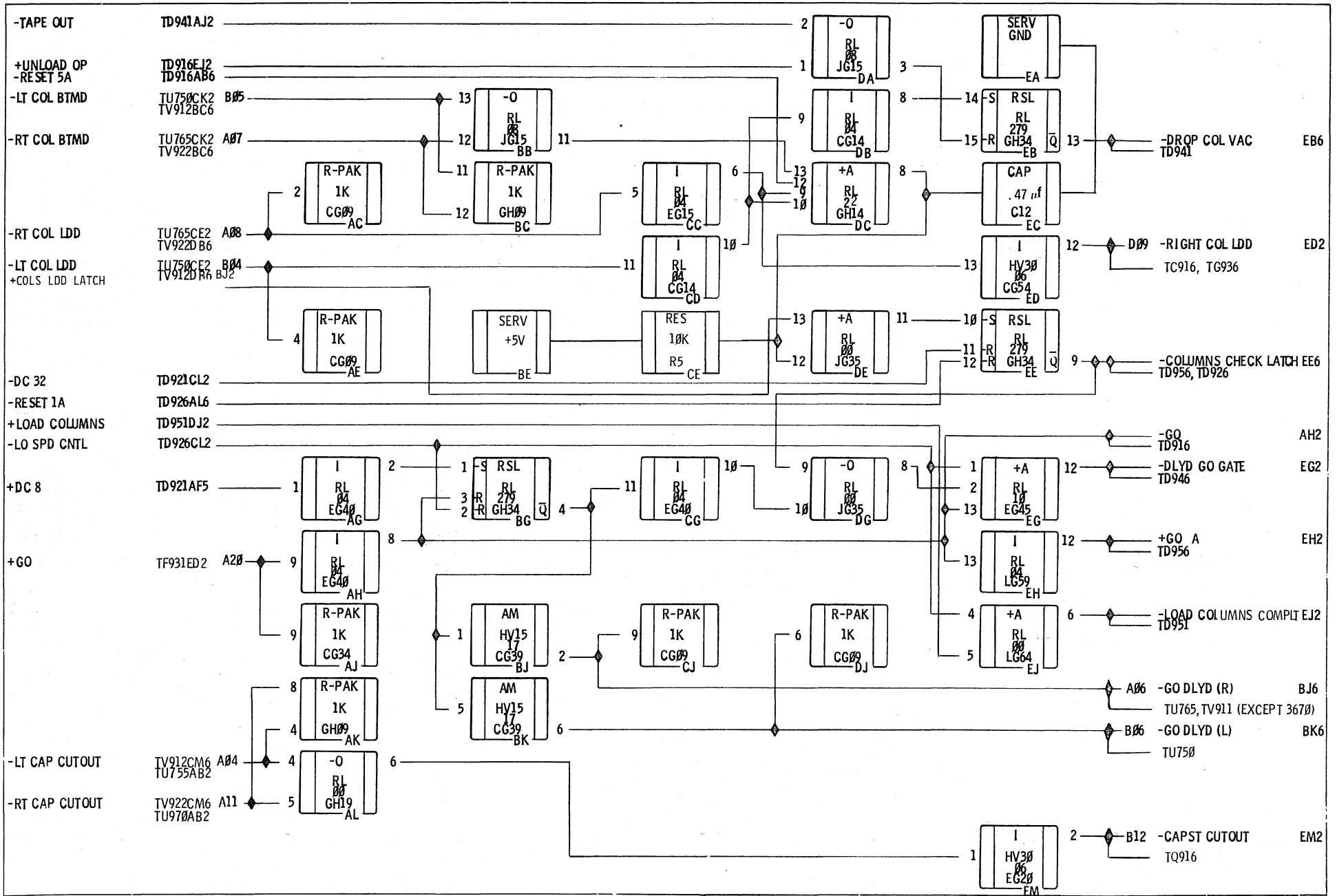


T
D
9
2
6

"TU" FOR 3600 G MACHINES
 "TV" FOR 3600 E MACHINES

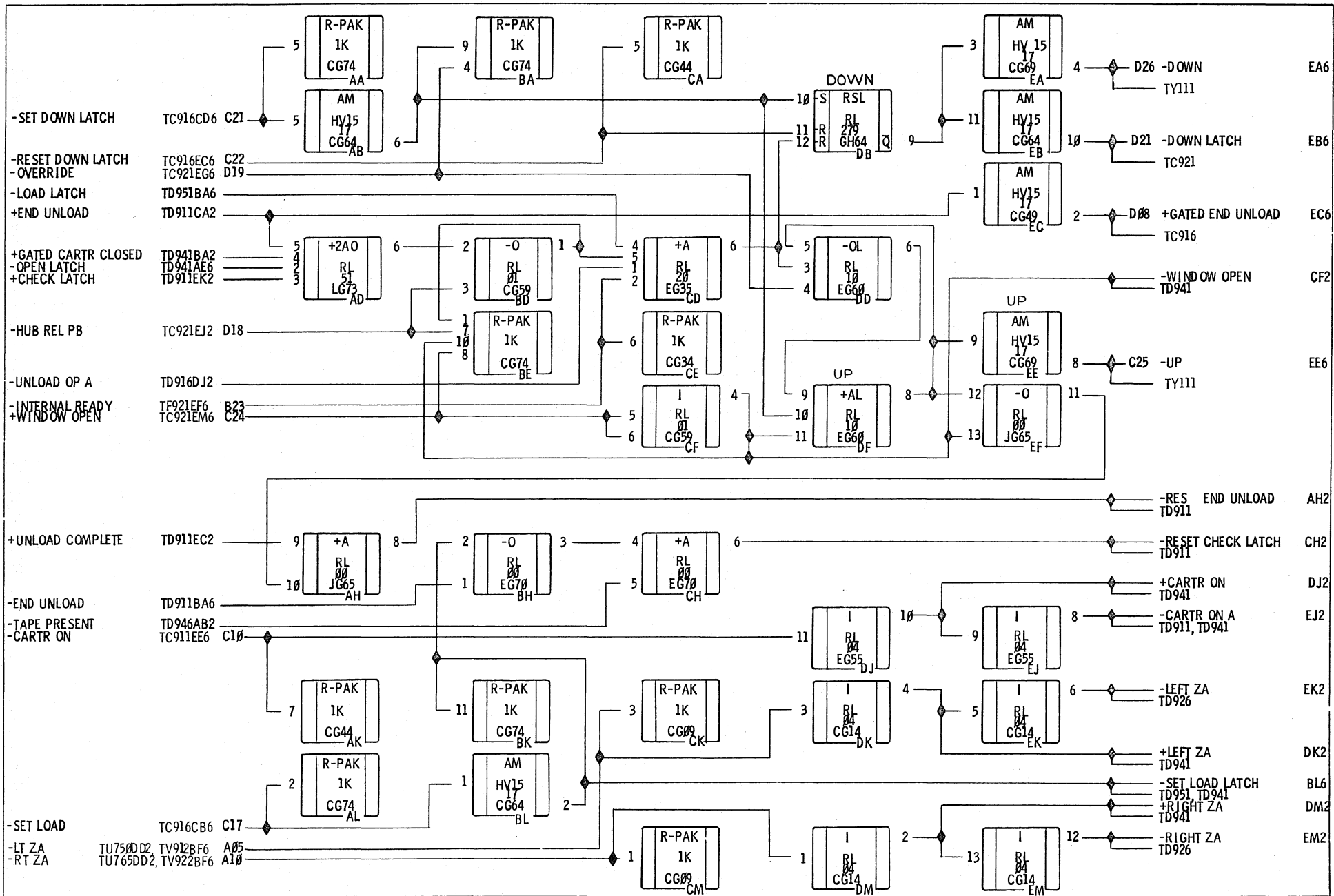
TG 936 OUTPUT ON 36XXE ONLY

TD926, SYS LOGIC, STD		T D 9 2 6	
PRES. E.C. 3504 PREV. E.C. NONE DATE 1-14-82	REV A	MACH. TU VERS. GBL. ROT.	CD. LOC. D2 CD. TYPE TD PG. RN. 40844090-7



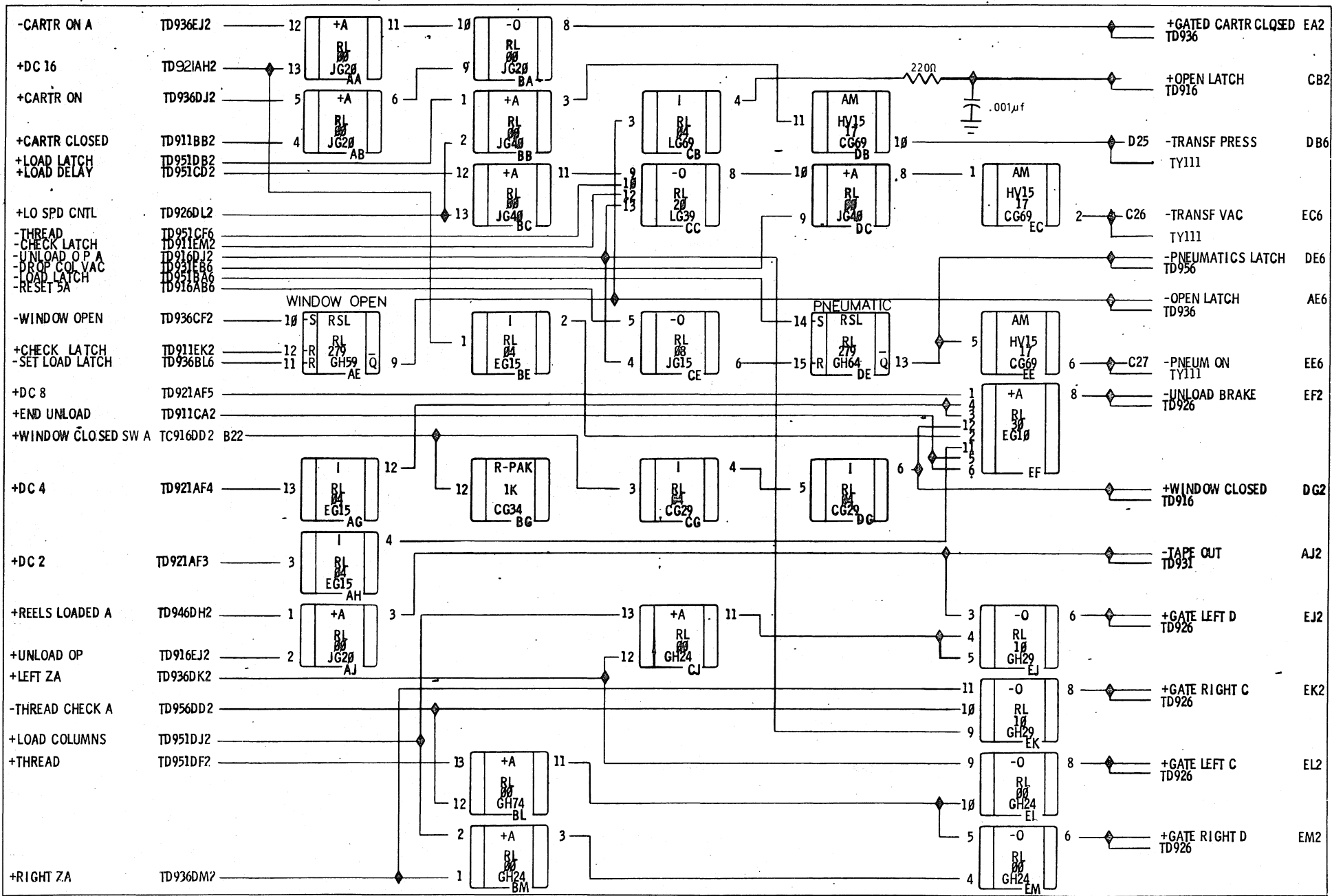
TD931

TD931, SYS LOGIC				TD 931
PRES. E.C. 3504	REV. A	MACH. TU	CD. LOC. D2	CD. P.N.
PREV. E.C. NONE		VERS. GBL. ROT.	GATE FRAME	CD. TYPE TD
DATE 1-14-82				PG. PN. 40844089 -9

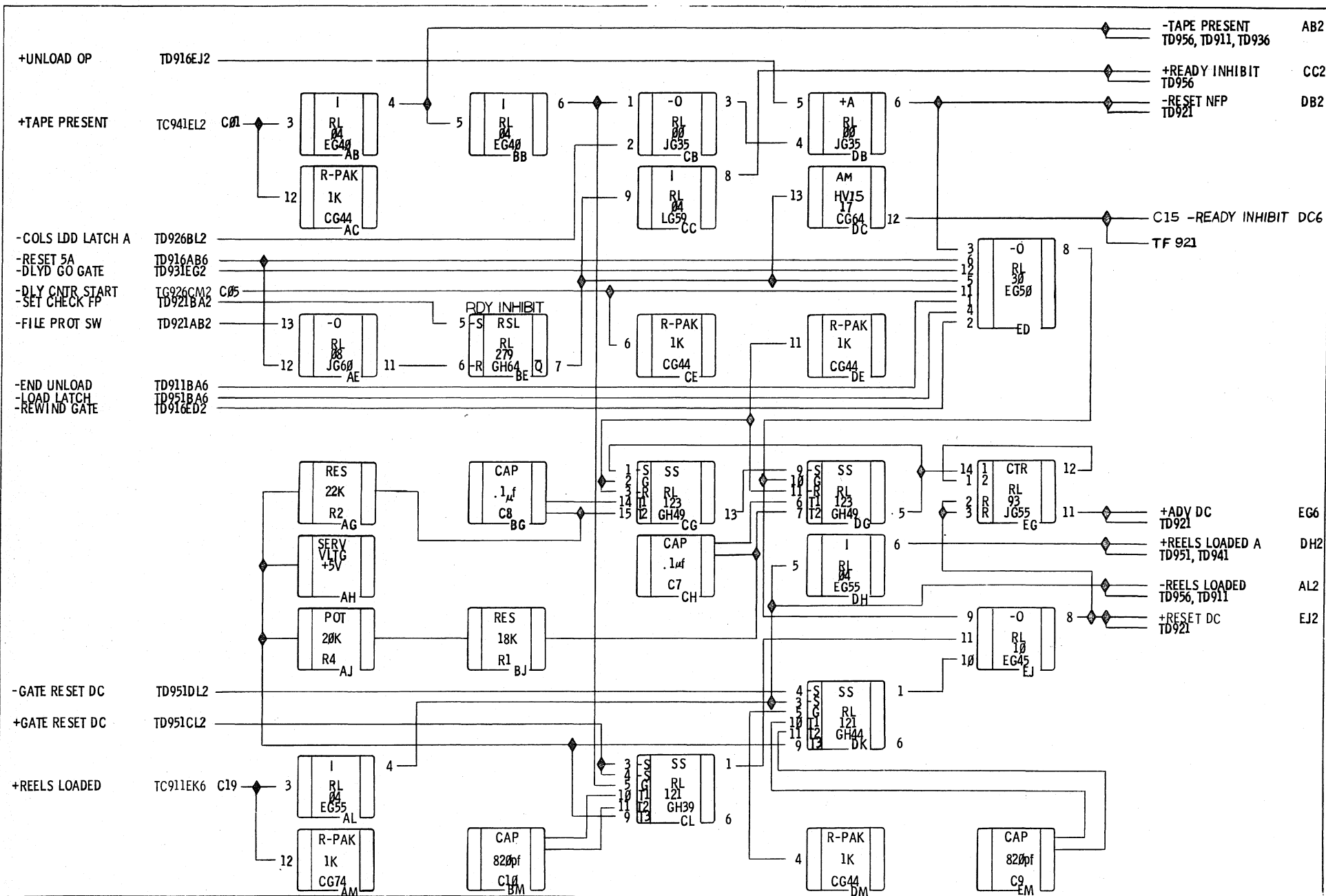


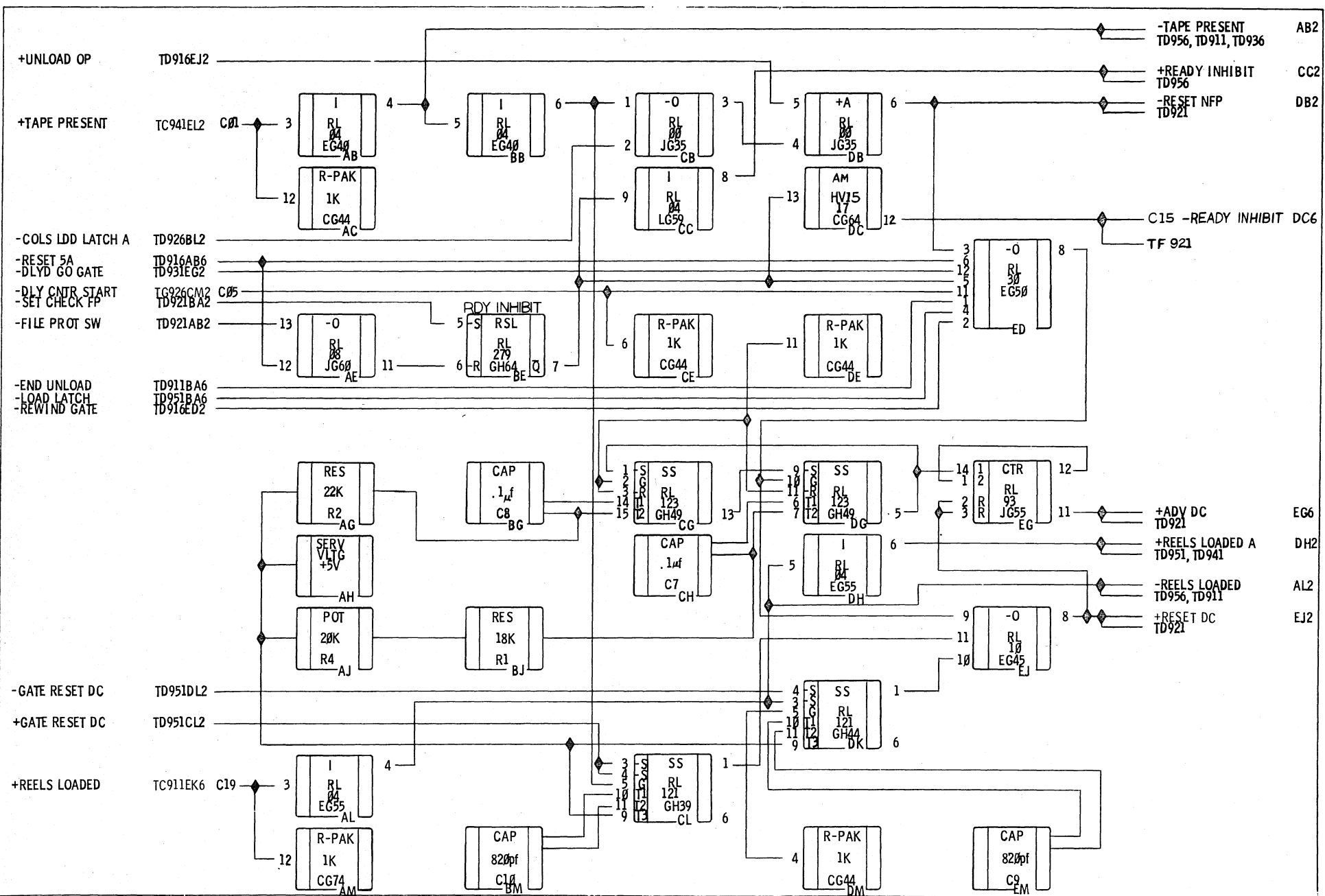
TD
9
3
6

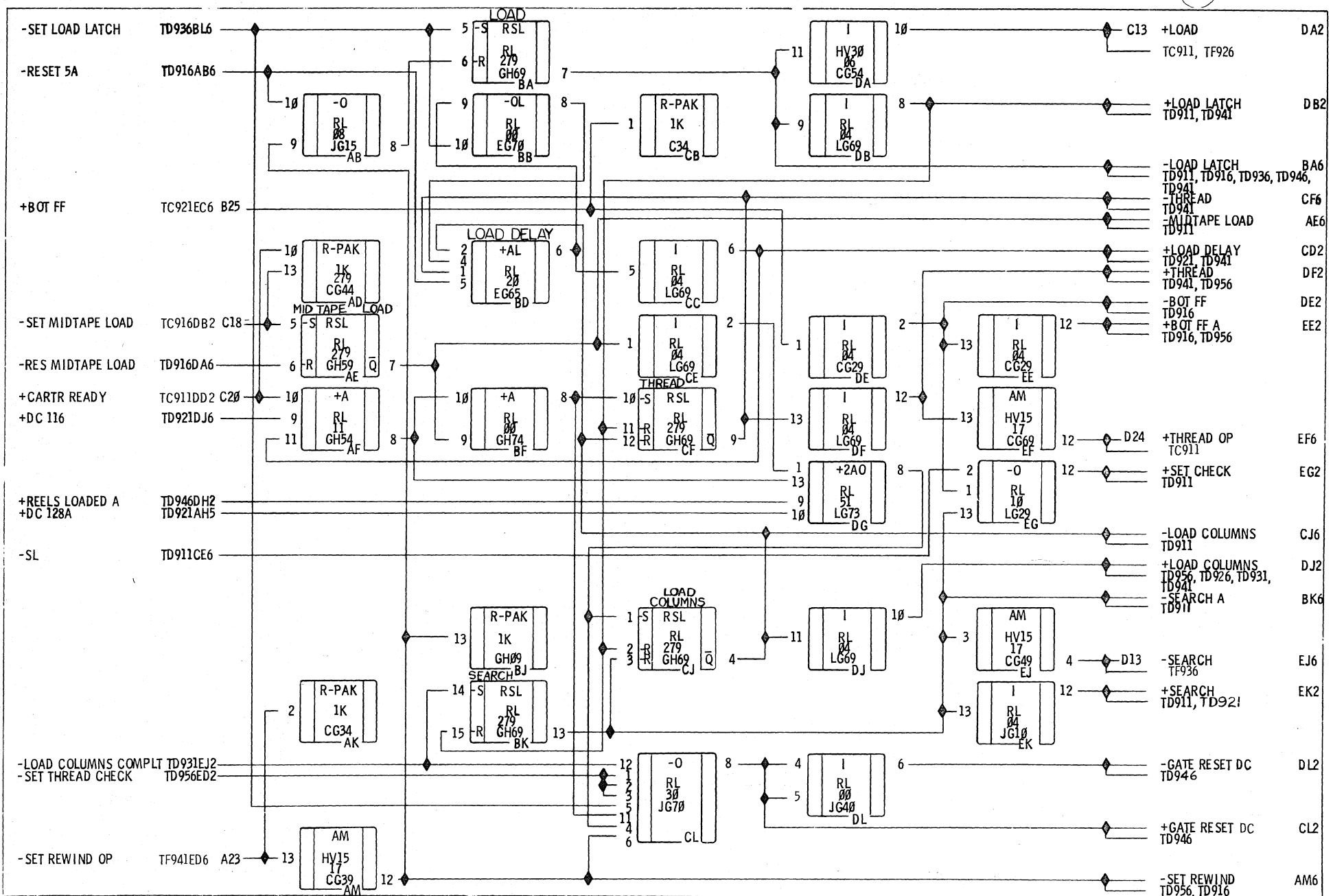
TD936, SYS LOGIC				TD 9 3 6
PRES. E.C. 3017	REV A	MACH. TU	CD. LOC. D2	CD. P.N. TD CD. TYPE TD PG. P.N. 40844060-0
PREV. E.C. 2487		VERS.		
DATE 5-11-79		GBL. ROT.		



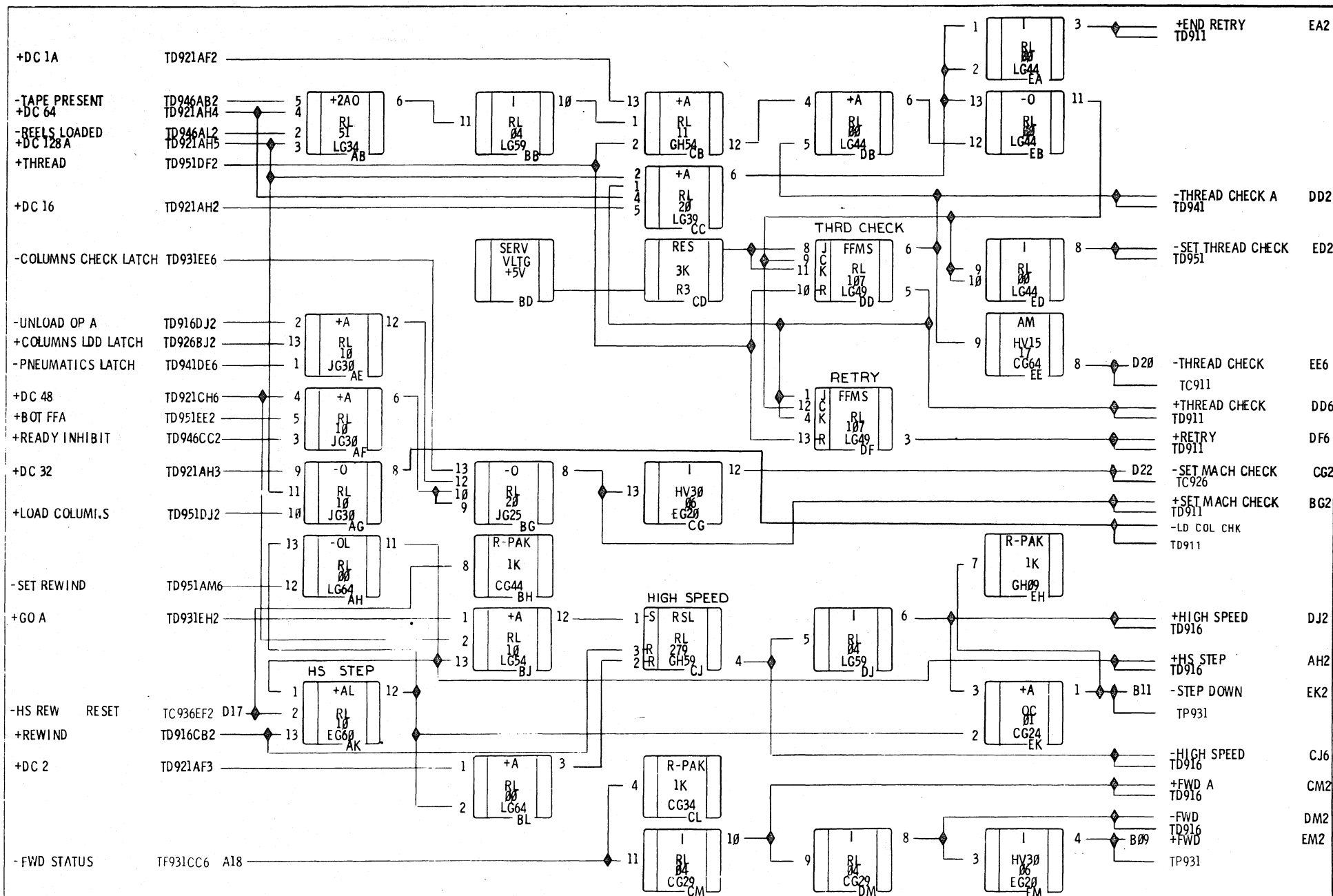
T D 9 4 1	TD941, SYS LOGIC				I D 9 4 1
	PRES. E.C. 3107	REV. A	MACH. TU	CD. LOC. D2	
	PREV. E.C. 3017		VERS.	GATE	
	DATE 10-18-79		GBL. ROT.	FRAME	
			CD. P.N. 40326303-1	CD. TYPE TD	I D 9 4 1
			PG. P.N. 40844069-1		







TD951, SYS LOGIC					
PRE. E. C. 3107	REV. A	MACH. TU	CD. LOC. D2	CD. P.N. 40326303-1	1 D 9 5 1
PREV. E. C. 3017	A	VERS. GBL. ROT.	GATE FRAME	CD. TYPE TD	
DATE 10-18-79				PG. P.N. 10844065-9	

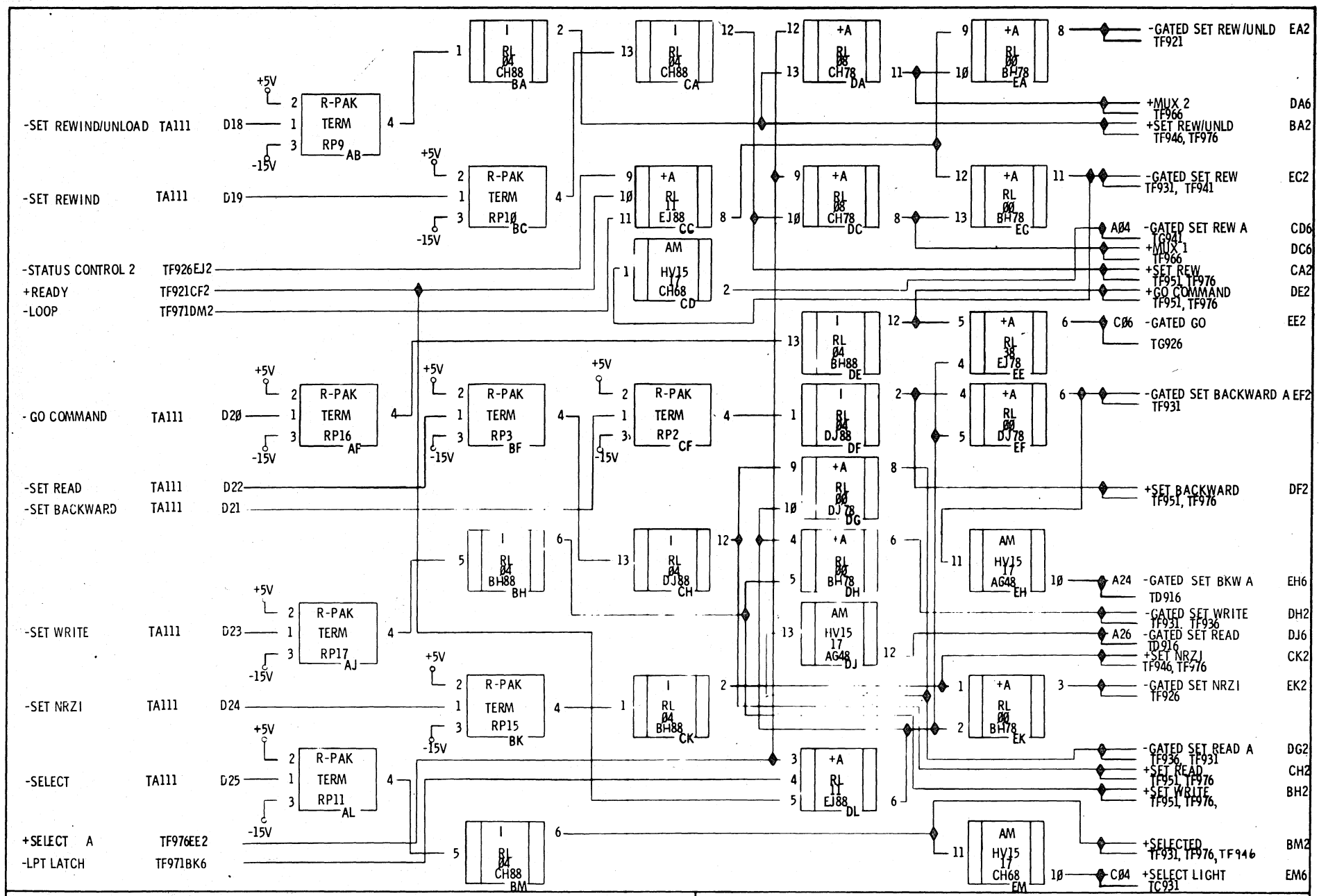


ASSEMBLY PARTS LIST

BUILD ARC

PRINT DATE	PAGE	E.
03-25-82	1	-074

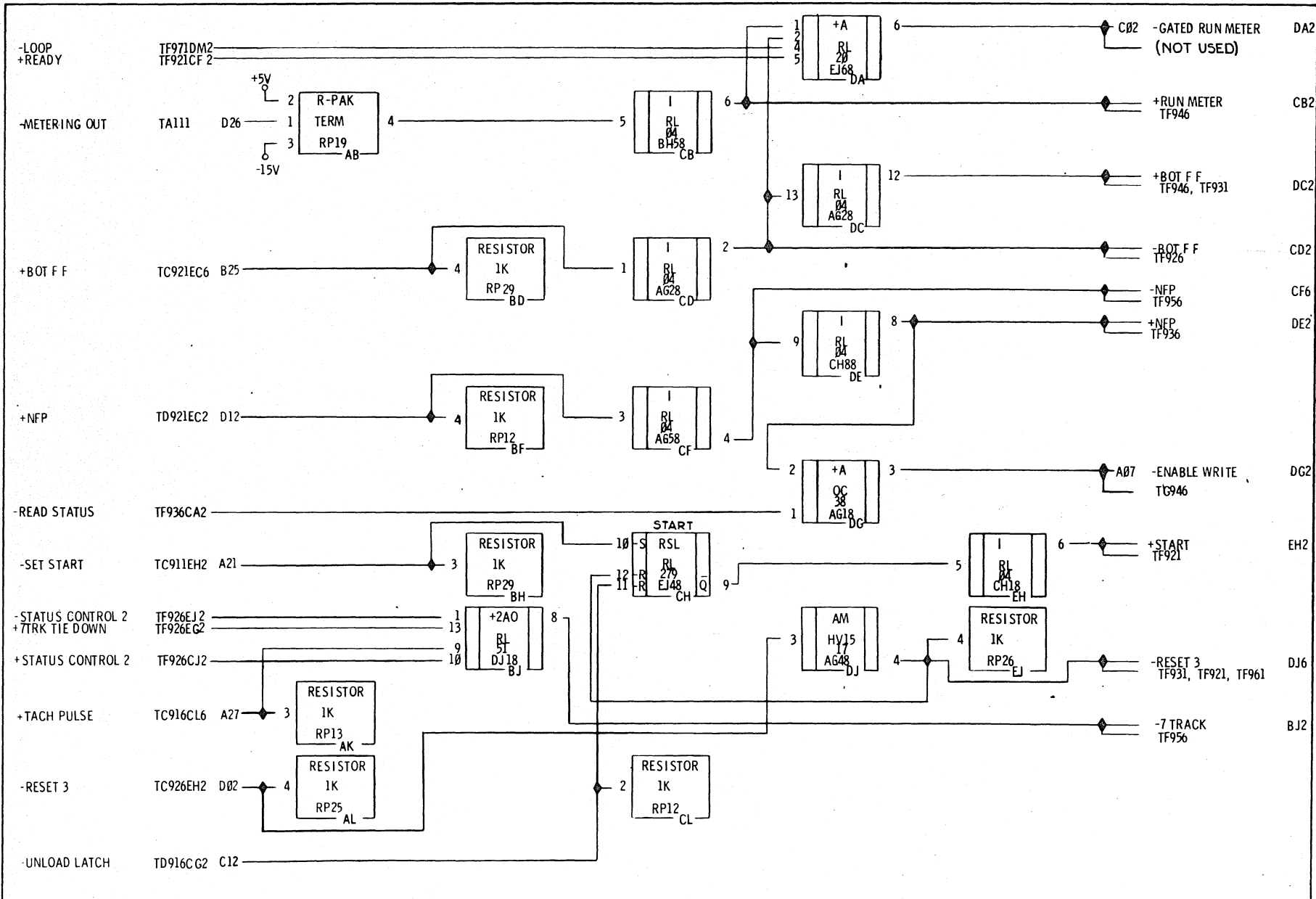
DIV.		ASSEMBLY NUMBER		CD	REV.	DWG.	DESCRIPTION			MC	STATUS	STATUS DATE	FILE DATE			
0500		40845004		7	C	N	SYS LGC GP,TF,40310301,PC			N	REL	01-08-82	3600		02-08-82	
T	FIND NO	LI	PART NUMBER	CD	M	QUANTITY	U/M	PART DESCRIPTION		MC	YLD	E.C. NO. IN	E.C. NO. OUT	S/N	WK IN	WK OUT
	001	01	40845068	2		REF	PC	TF 911,SYS LOGIC		D						
	002	01	40845069	0		REF	PC	TF 916,SYS LOGIC		D			3017			7930
	002	02	40845082	3		REF	PC	TF 916,SYS LOGIC,SIE/CII		D		3017			7930	
	003	01	40845070	8		REF	PC	TF 921,SYS LOGIC		D			3017			7930
	003	02	40845147	4		REF	PC	TF 921,SYS LOGIC		D		3017			7930	
	004	01	40845071	6		REF	PC	TF 926,SYS LOGIC		D						
	005	01	40845072	4		REF	PC	TF 931,SYS LOGIC		D						
	006	01	40845073	2		REF	PC	TF 936,SYS LOGIC		D						
	007	01	40845074	0		REF	PC	TF 941,SYS LOGIC		D						
	008	01	40845075	7		REF	PC	TF 946,SYS LOGIC		D						
	009	01	40845076	5		REF	PC	TF 951,SYS LOGIC		D						
	010	01	40845077	3		REF	PC	TF 956,SYS LOGIC		D						
	011	01	40845078	1		REF	PC	TF 961,SYS LOGIC		D						
	012	01	40845079	9		REF	PC	TF 966,SYS LOGIC		D						
	013	01	40845080	7		REF	PC	TF 971,SYS LOGIC		D						
	014	01	40845081	5		REF	PC	TF 976,SYS LOGIC		D						
	501	01	40310301	3		REF	PC	CKT CD,TF,PC,ASSY		S		3074			8216	
								0017 TOTAL LINES								

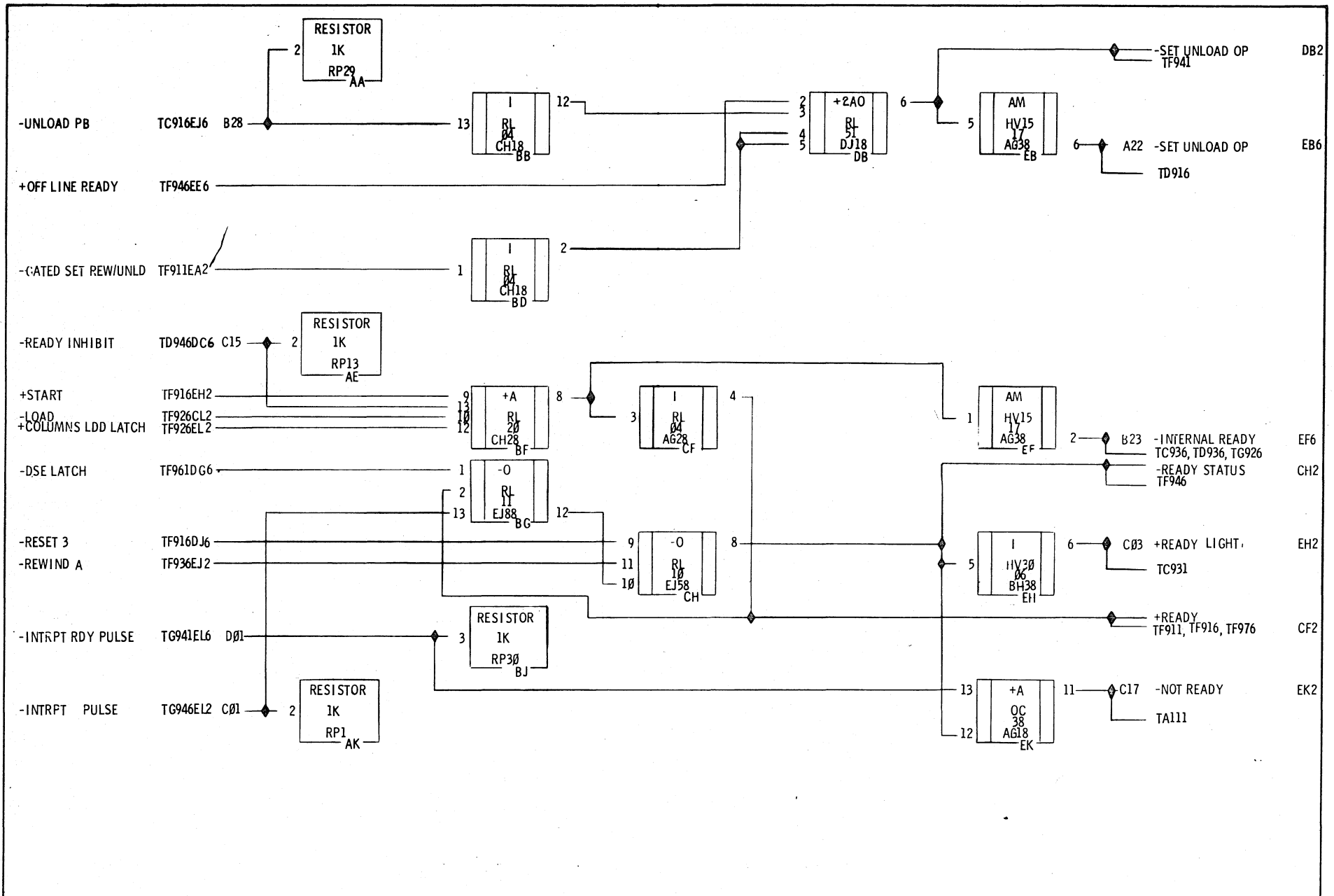


1
F
9
1
1

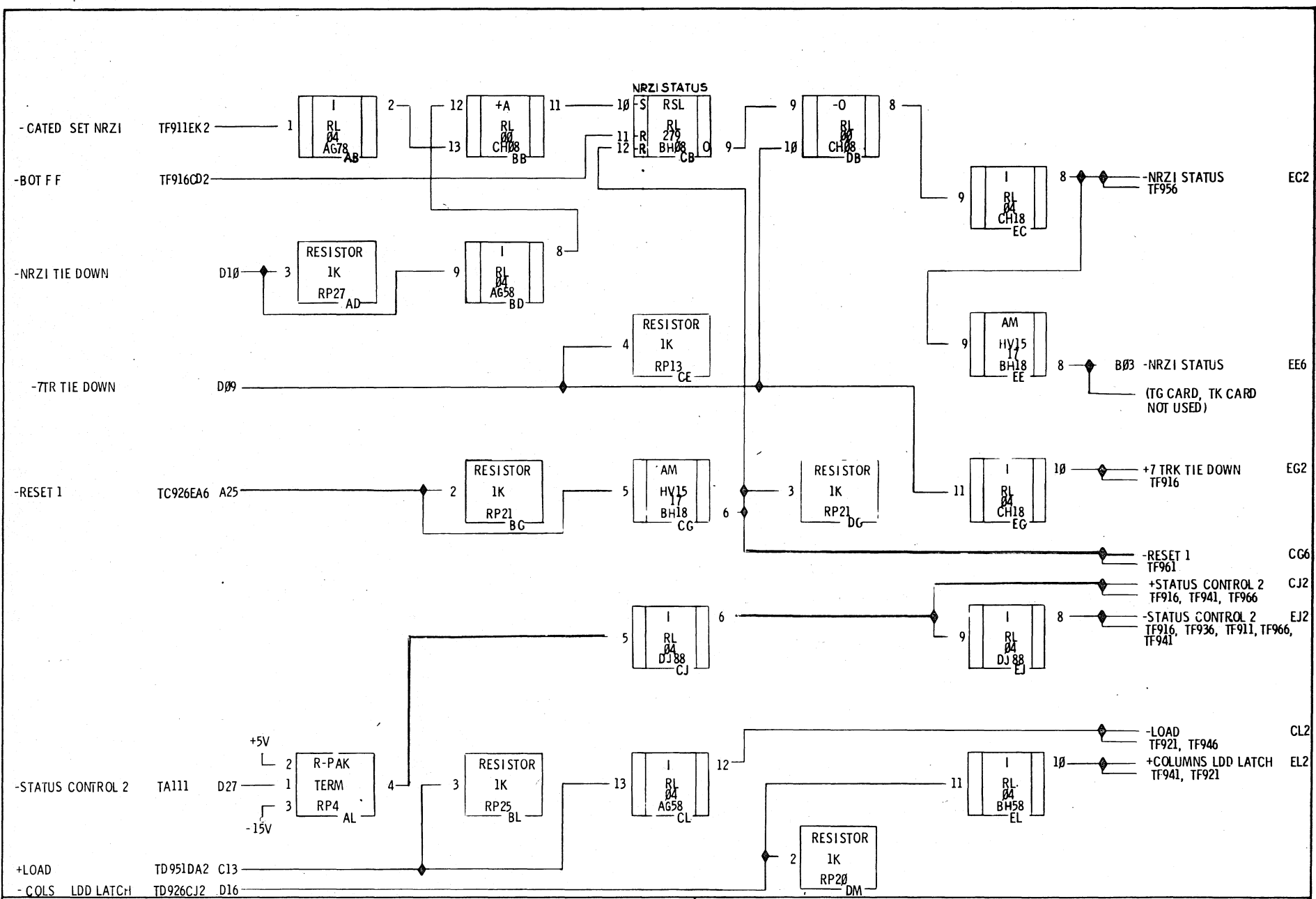
TF911, SYS LOGIC				CD. LOC. G2 GATE FRAME	CD. P.N. 40310301 CD. TYPE TF PG. P.N. 40845068-2
PREV. E.C. 2405 REV. A	MACH. TU VERS.	DATE 5-18-78	GBL. ROT.		

1
F
9
1
1

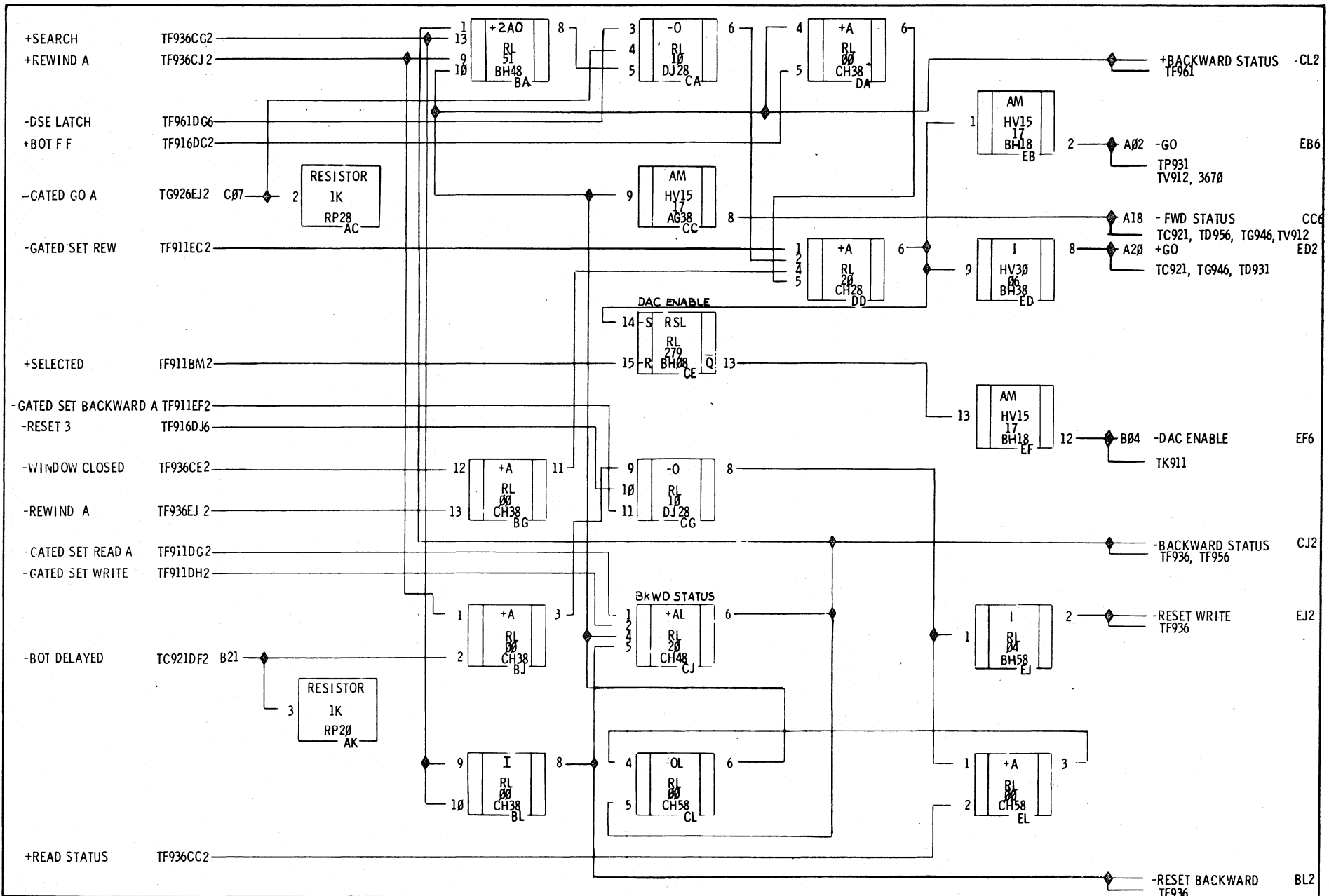




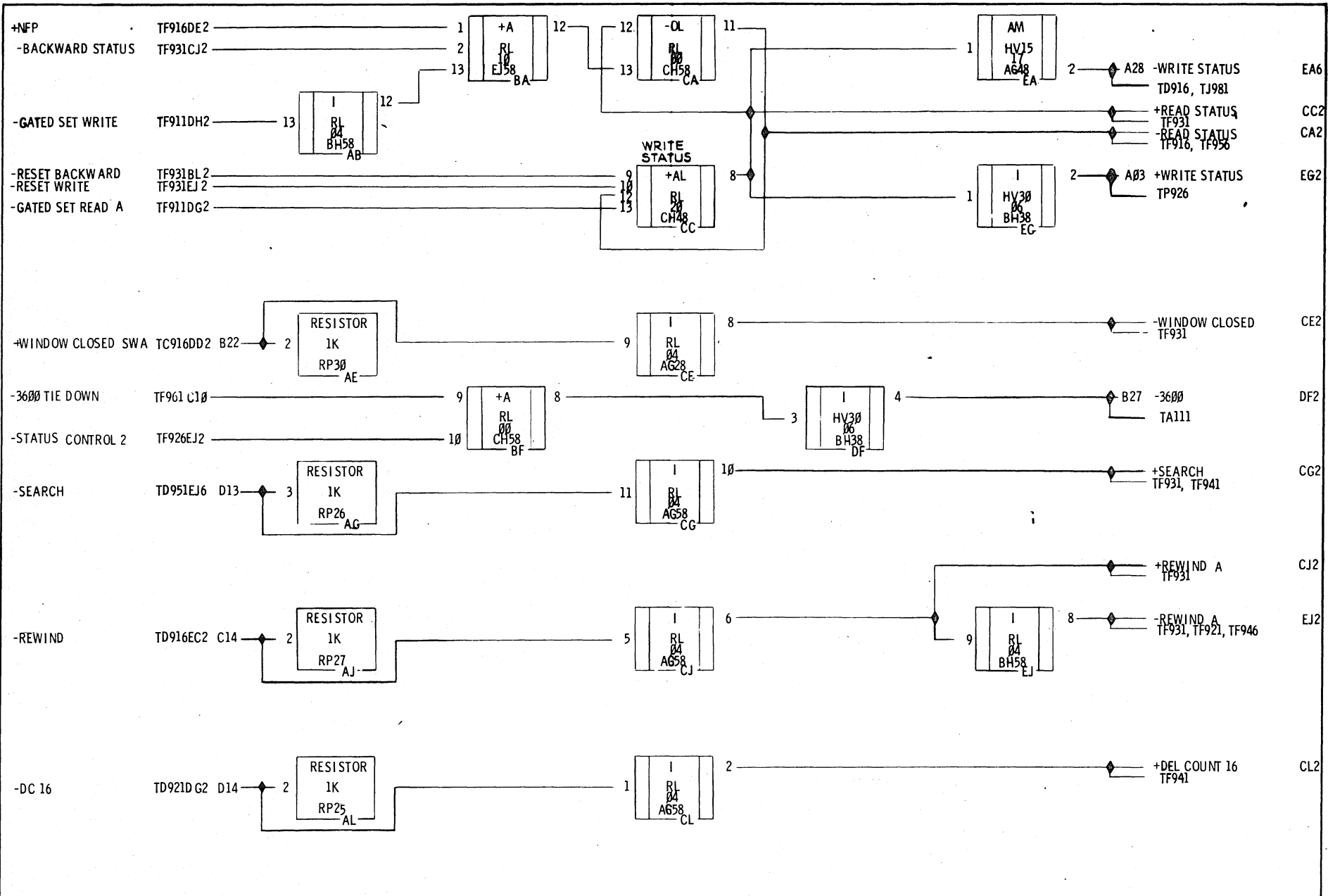
TF921	TF921, SYS LOGIC				TF921	
	PRES. E.C. 3017 PREV. E.C. 2905 DATE 5-11-79	REV. A	MACH. TU VERS. GBL. ROT.	CD. LOC. G2 GATE FRAME		CD. P.N. TF PG. P.N. 40845147-4

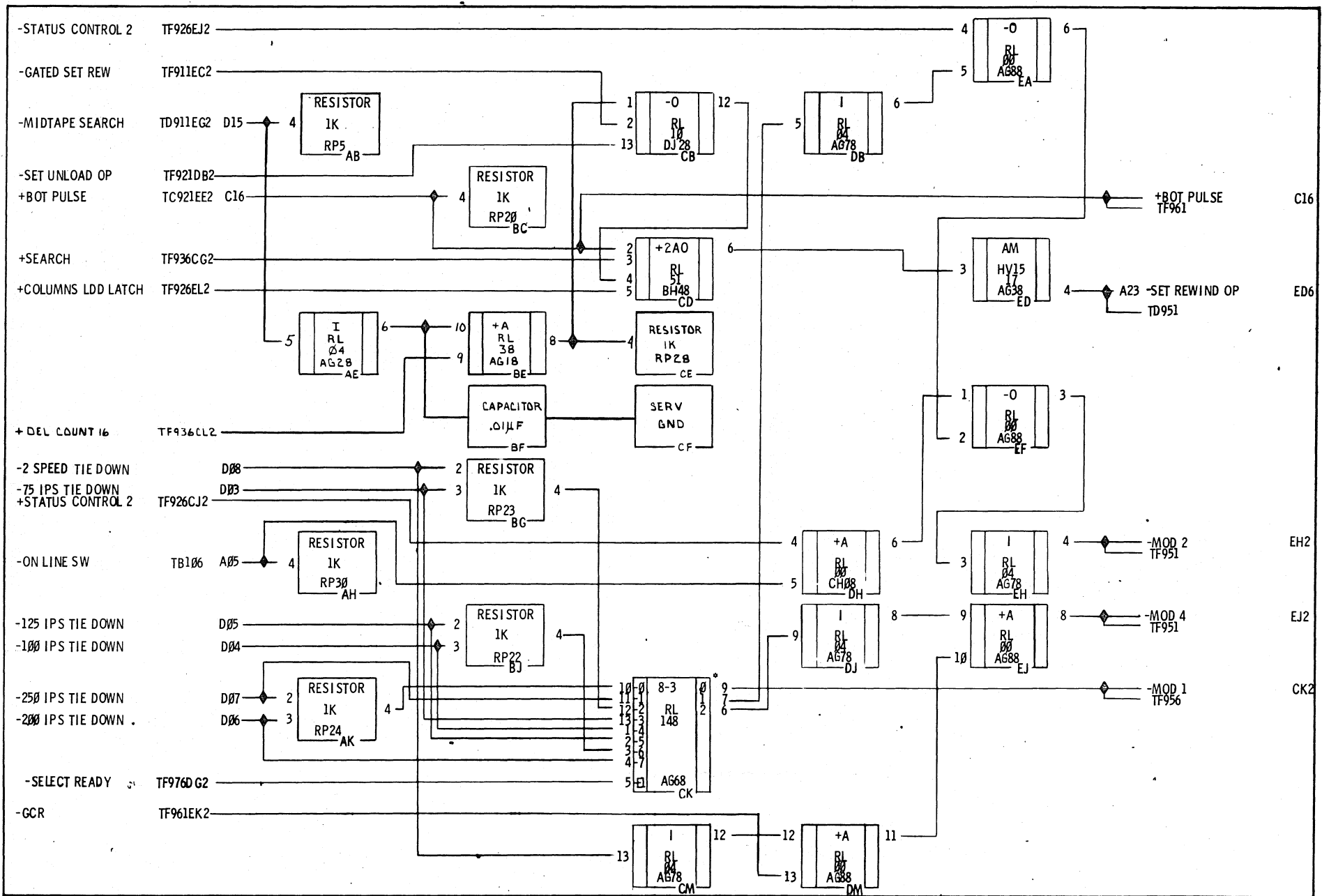


TF 926	TF926, SYS LOGIC				TF 926	
	PRES. E.C. 2905	REV. A	MACH. TU	CD. LOC. G2		CD. PN.
	PREV. E.C. 1881	VERS.	VERS.	GATE		CD. TYPE
	DATE 5-18-78	GBL. ROT.	GBL. ROT.	FRAME		PG. PN. TE 40845071-6



TF 931	TF931, SYS LOGIC					TF 931
	PREV. E.C. 2405	REV. A	MACH. TU	CD. LOC. G2	CD. P.N. TF	
	PREV. E.C. 2487		VERS. GBL. ROT.	GATE FRAME	PG. P.N. 40845072-4	
	DATE 5-18-78					





TF941, SYS LOGIC

PREV. E.C. 2905
 PREV. E.C. 1891
 DATE 5-18-78

REV A

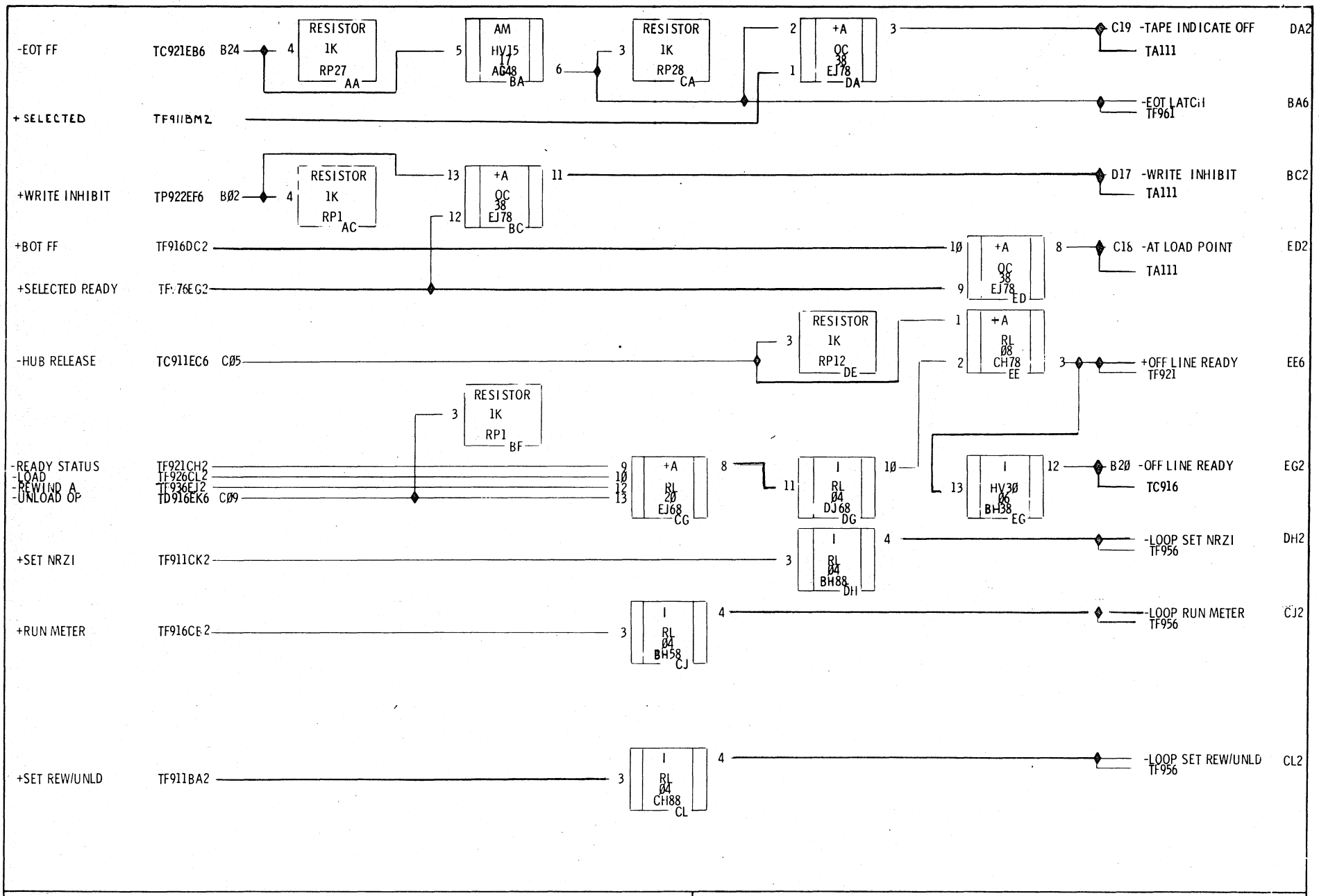
MACH. TU
 VERS.
 OBL. ROT.

CD. LOC. G2
 GATE FRAME

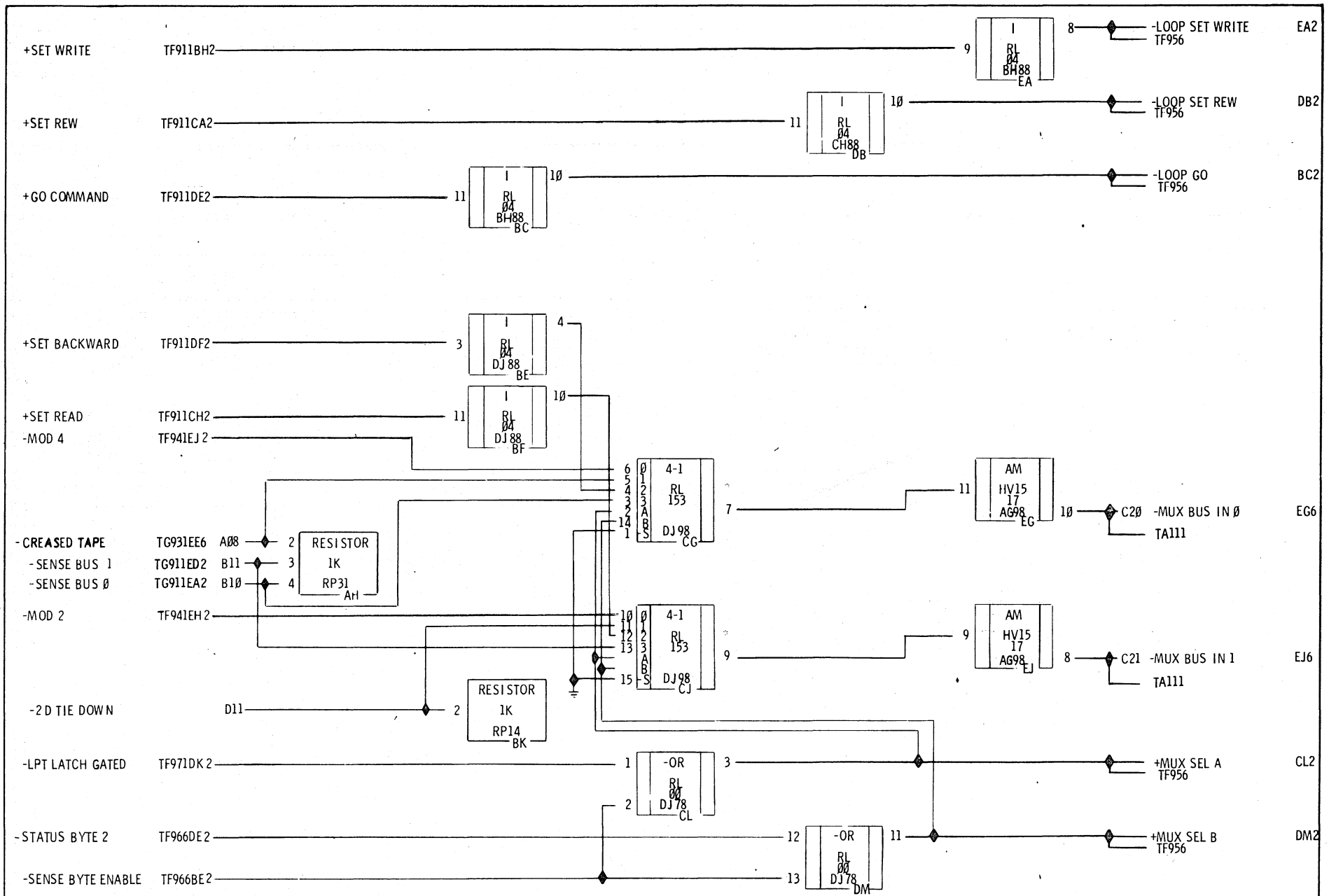
CD. P.N.
 CD. TYPE TF
 P.G. RN. 48845074-B

TF941

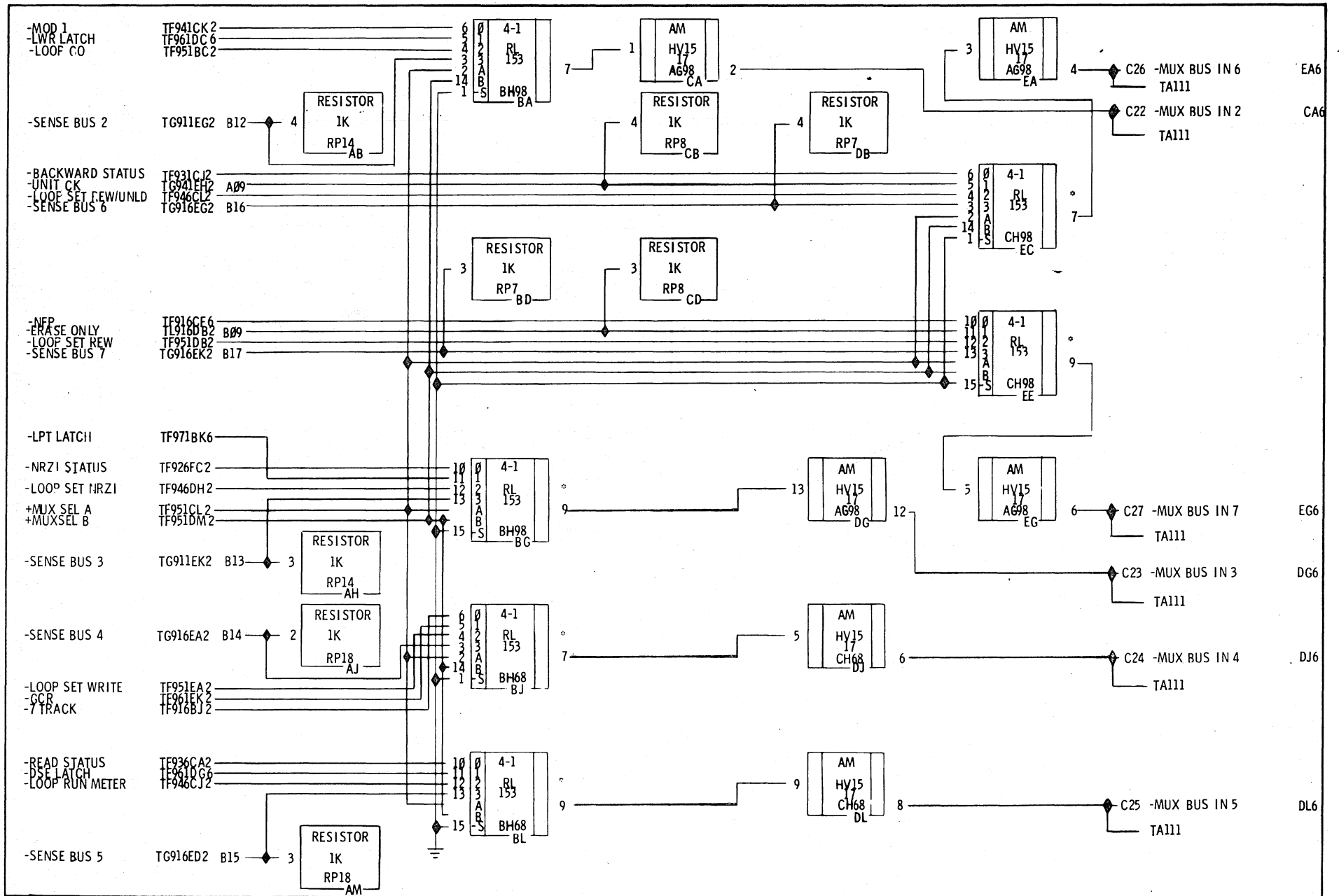
TF
 9
 4
 1

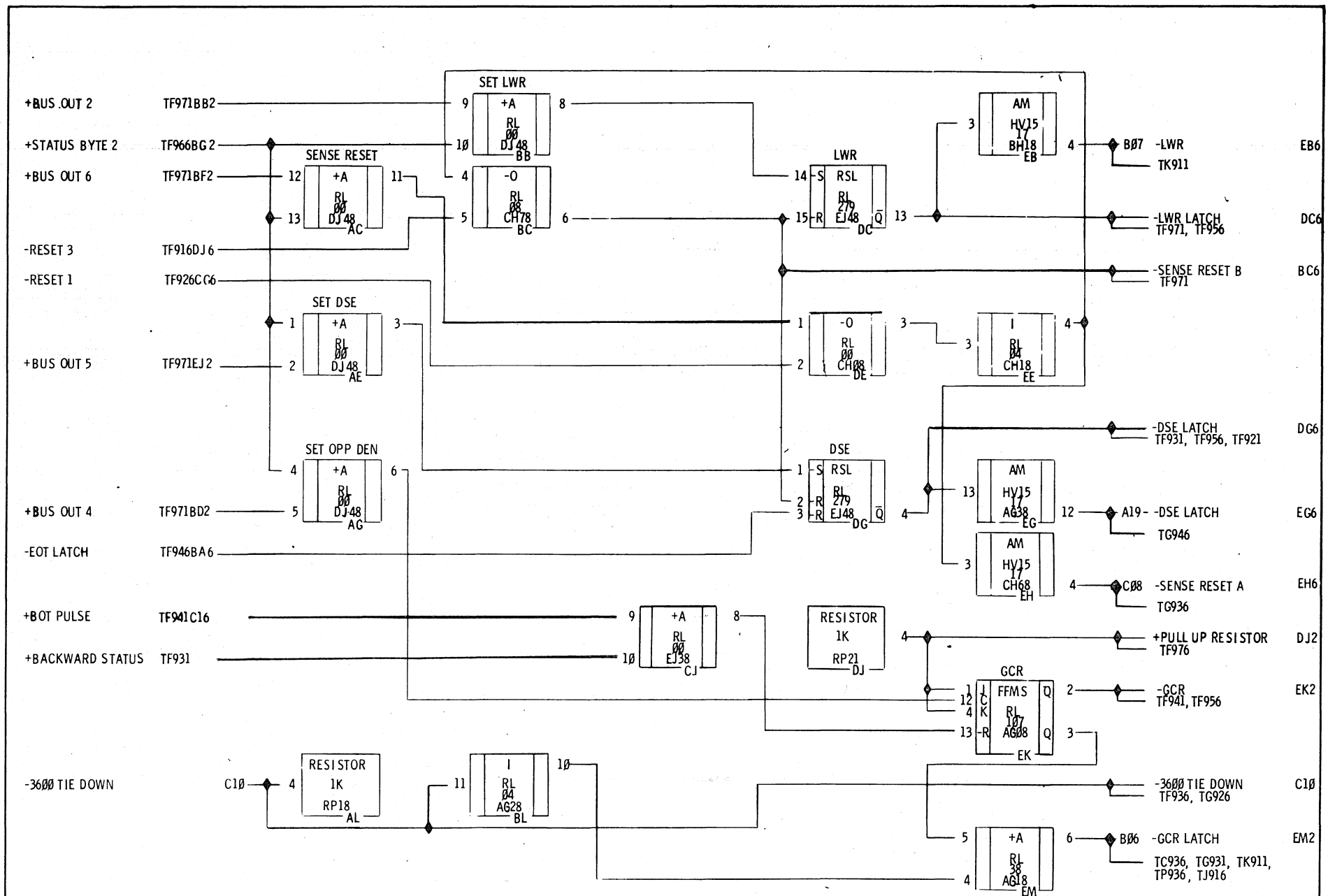


TF 9 4 6	TF946, SYS LOGIC				TF 9 4 6
	DES. E.C. 2905	REV. A	MACH. TU	CD. LOC. G2	
	PREV. E.C. 1881		VERS.	CD. TYPE TF	
	DATE 5-18-78		GBL. ROT.	PG. PN. 40845075-7	



TF951	TF951, SYS LOGIC				TF951	
	PRES. E.C. 2105	REV A	NACH. TU	CD. LOC. G2		CD. P.N. TF PG. P.N. 40845076-5
	PREV. E.C. 2187		VERS.	GATE		
	DATE 5-18-78		GBL. ROT.	FRAME		

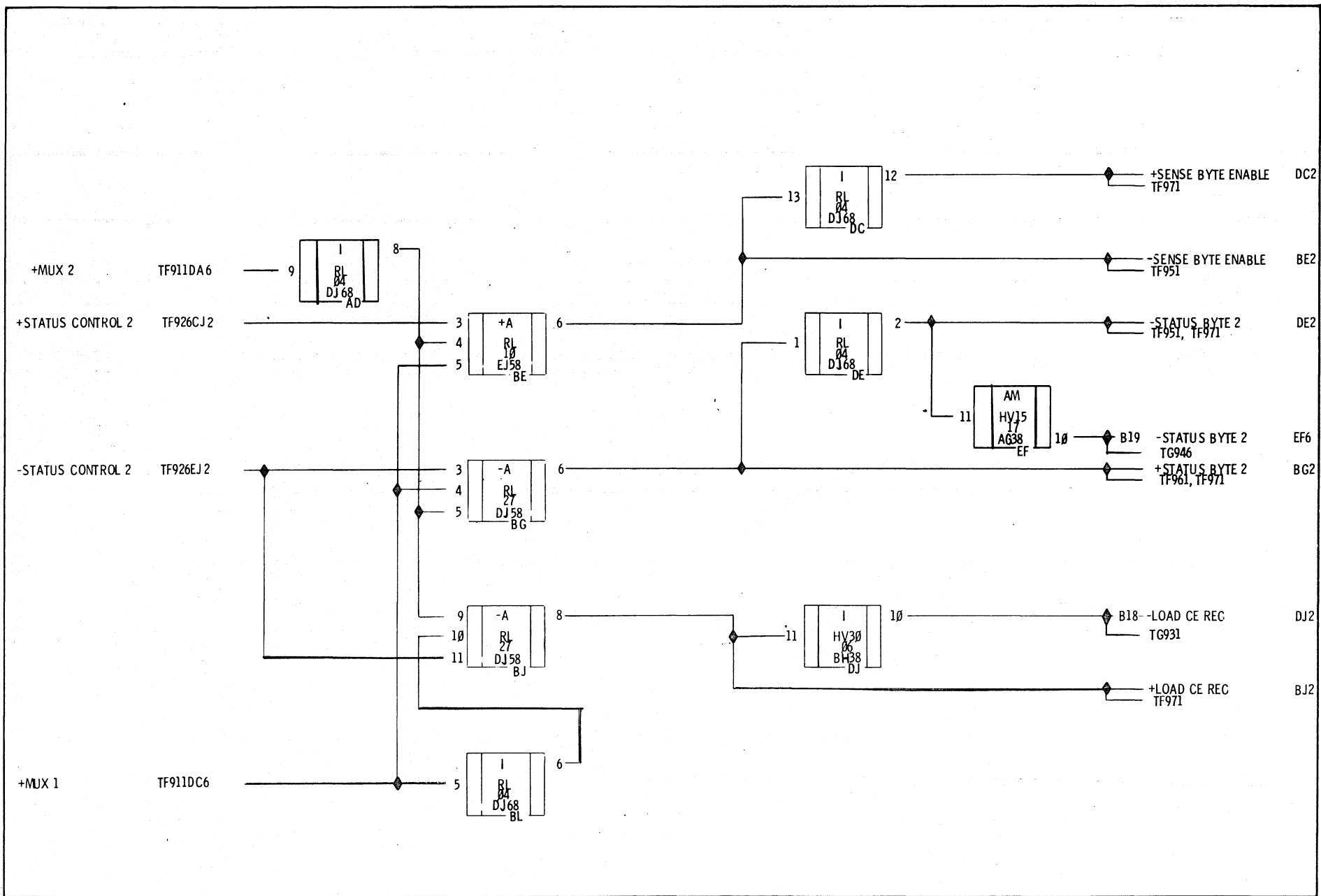




TF961, SYS LOGIC

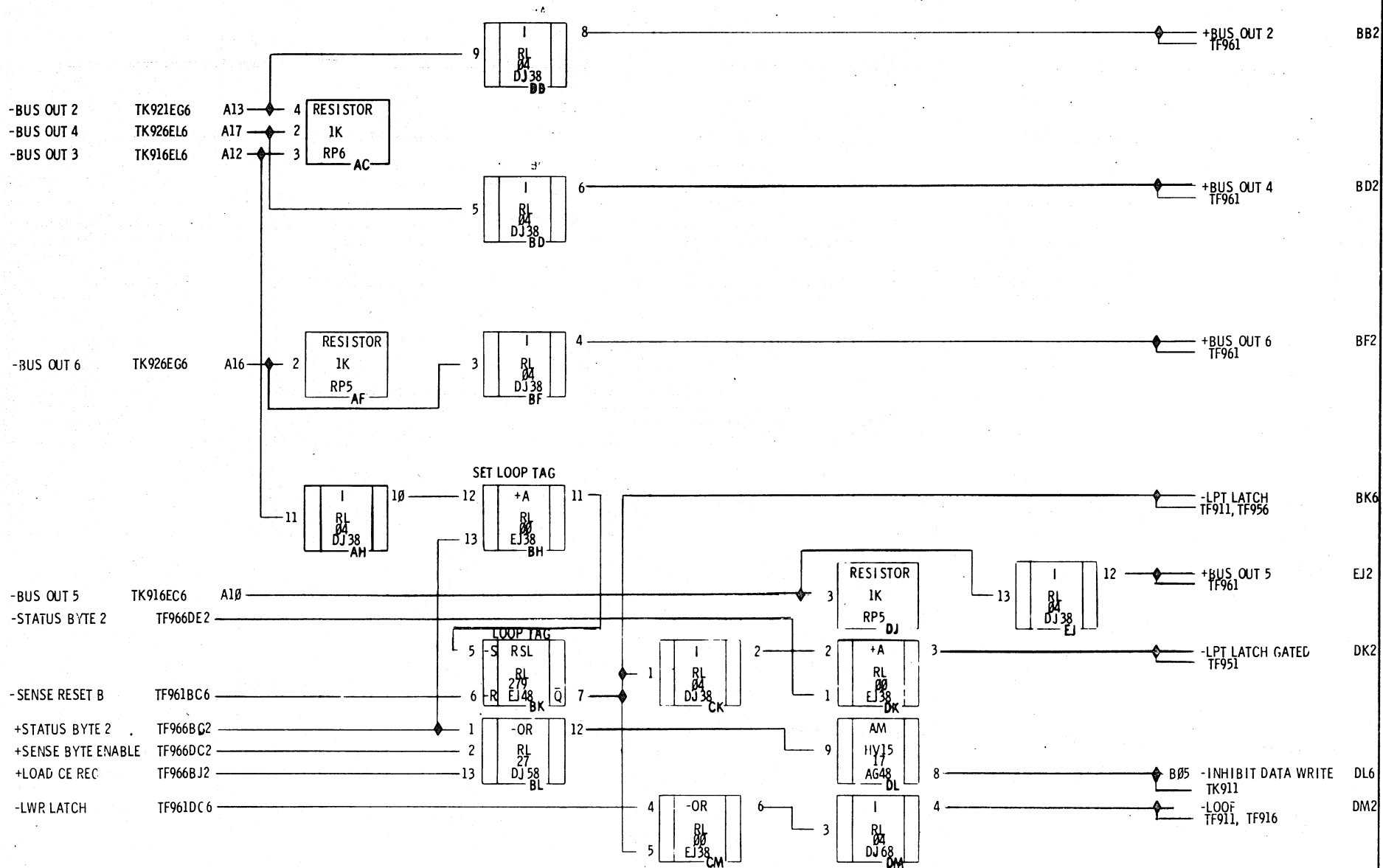
PRES. E.C. 2405 PREV. E.C. 1681 DATE 5-18-78	REV. A	MACH. TU VERS. GBL. ROT.	CD. LOC. G2 GATE FRAME	CD. P.N. TF CD. TYPE TF PG. P.N. 40845078-1	T F 9 0 1
--	--------	--------------------------------	---------------------------	---	-----------------------

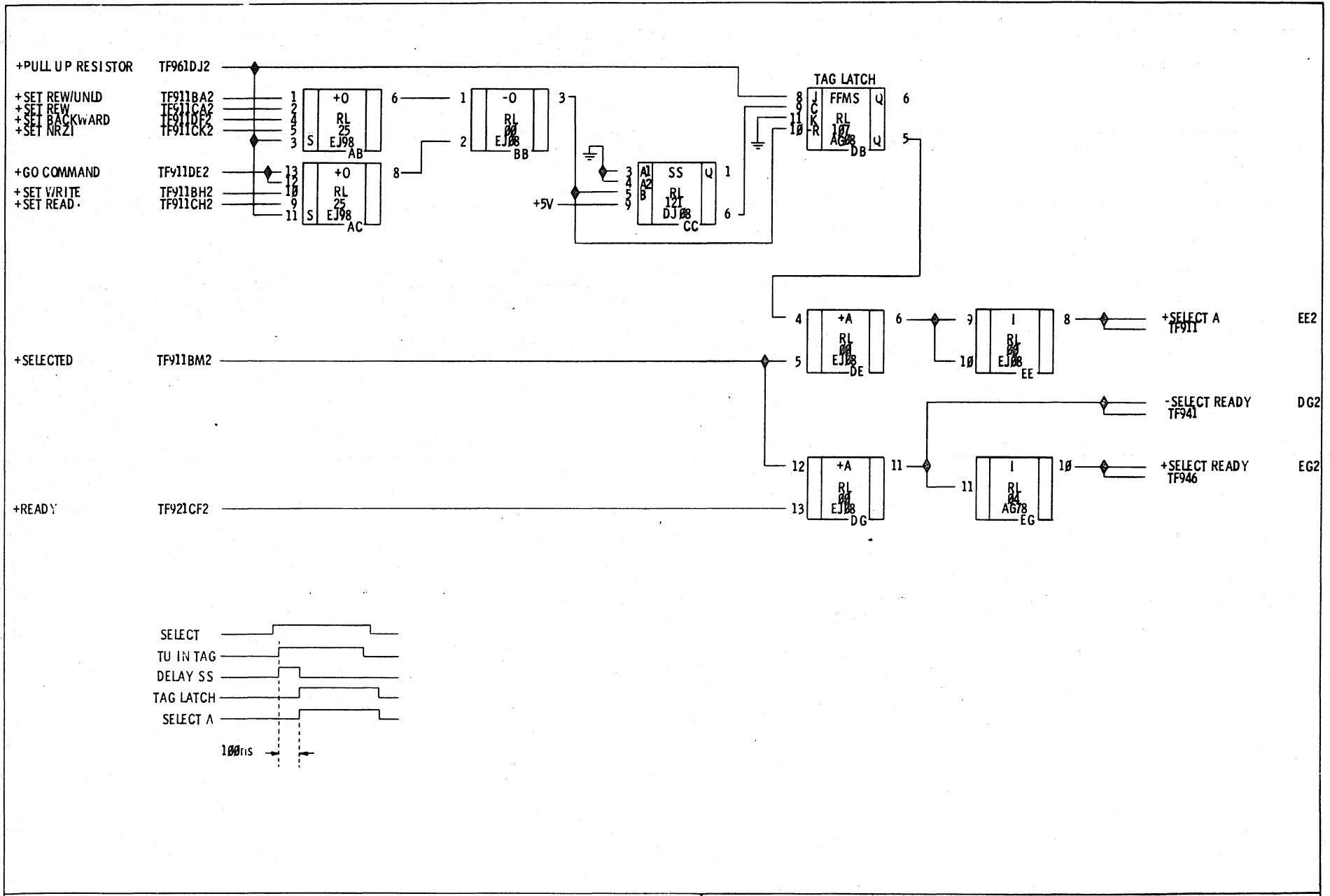
TF961



TF
9
6
6

TF966, SYS LOGIC				TF 9 6 6
PRES. E.C. 2905 PREV. E.C. 1881 DATE 5-18-78	REV A	MACH. TU VERS. SBL. ROT.	CD. LOC. G2 GATE FRAME	CD. P.N. CD. TYPE TF PG. PN. 40845079-9



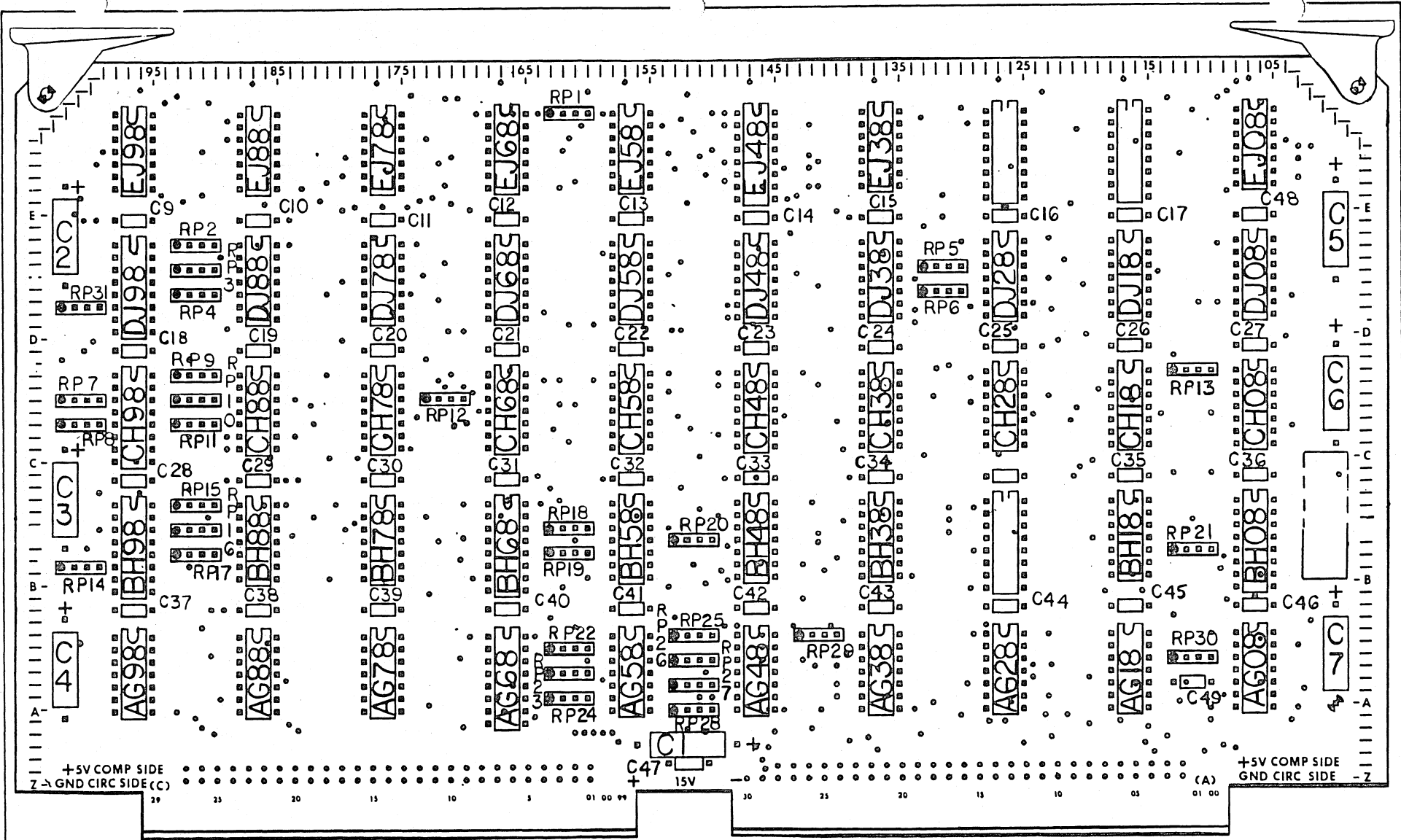


ASSEMBLY PARTS LIST

BUILD ARC

PRINT DATE	PAGE	F
02-09-82	1	24

DIV	ASSEMBLY NUMBER	CD	REV.	DWG.	DESCRIPTION	MC	STATUS	STATUS DATE	FILE DATE						
0500	40845152	A	A	N	SYS LCC GP,TF,40310401,PC	N	REL	C1-08-82	3600	01-21-82					
T	FIND NO.	LI	PART NUMBER	CD	M	QUANTITY	U/M	PART DESCRIPTION	MC	YLD	E.C. NO. IN	E.C. NO. OUT	S/N	WK IN	WK OUT
	000	01	402208801	9		REF	PC	CD LOGIC,AB001,TF,PC	D						
	011	01	40845068	2		REF	PC	TF 911,SYS LOGIC	D						
	016	01	40845082	3		REF	PC	TF 916,SYS LOGIC,SIE/CII	D						
	021	01	40845147	4		REF	PC	TF 921,SYS LOGIC	D						
	026	01	40845071	6		REF	PC	TF 926,SYS LOGIC	D						
	031	01	40845072	4		REF	PC	TF 931,SYS LOGIC	D						
	036	01	40845073	2		REF	PC	TF 936,SYS LOGIC	D						
	041	01	40845074	0		REF	PC	TF 941,SYS LOGIC	D						
	046	01	40845075	7		REF	PC	TF 946,SYS LOGIC	D						
	051	01	40845076	5		REF	PC	TF 951,SYS LOGIC	D						
	056	01	40845077	3		REF	PC	TF 956,SYS LOGIC	D						
	061	01	40845078	1		REF	PC	TF 961,SYS LOGIC	D						
	066	01	40845079	9		REF	PC	TF 966,SYS LOGIC	D						
	071	01	40845080	7		REF	PC	TF 971,SYS LOGIC	D						
	076	01	40845081	5		REF	PC	TF 976,SYS LOGIC	D						
	500	01	40310401	1		REF	PC	CKT CD,TF,PC ASSY	S						
								0016 TOTAL LINES							



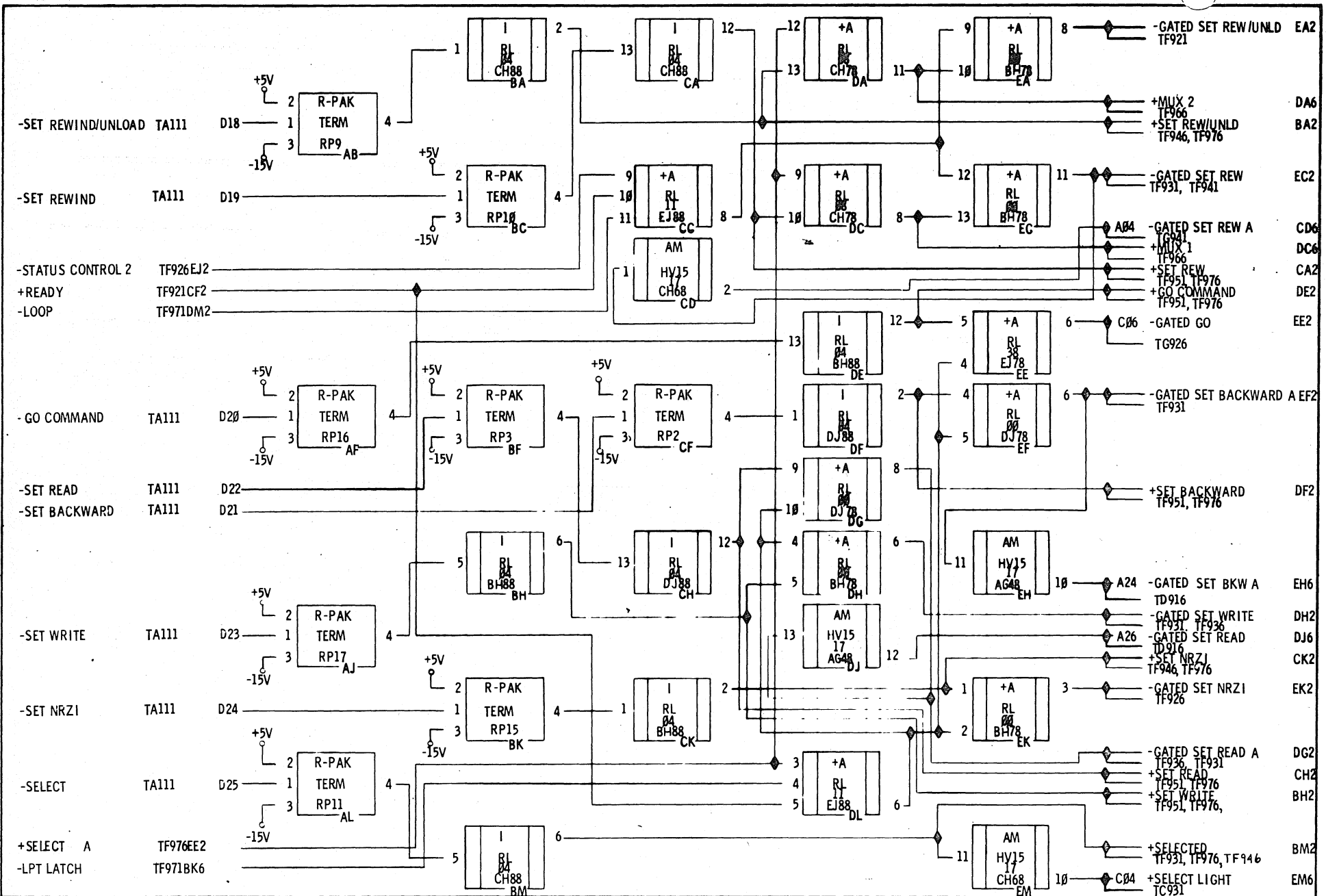
COMPONENT SIDE

AB001

GAF Polytrac 033

PRES. E.C. 3074 PREV. E.C. NONE DATE		MACH. VERS. GBL. ROT.	CD. LOC. GATE FRAME	CD. PN. CD. TYPE TF PG. PN. 4022088-01	AB001
--	--	--------------------------	---------------------------	--	-------

CKT CD, TF, PC ASSY.



TF911, SYS LOGIC

PREV. E.C. 2405
 PREV. E.C. 2487
 DATE 5-18-78

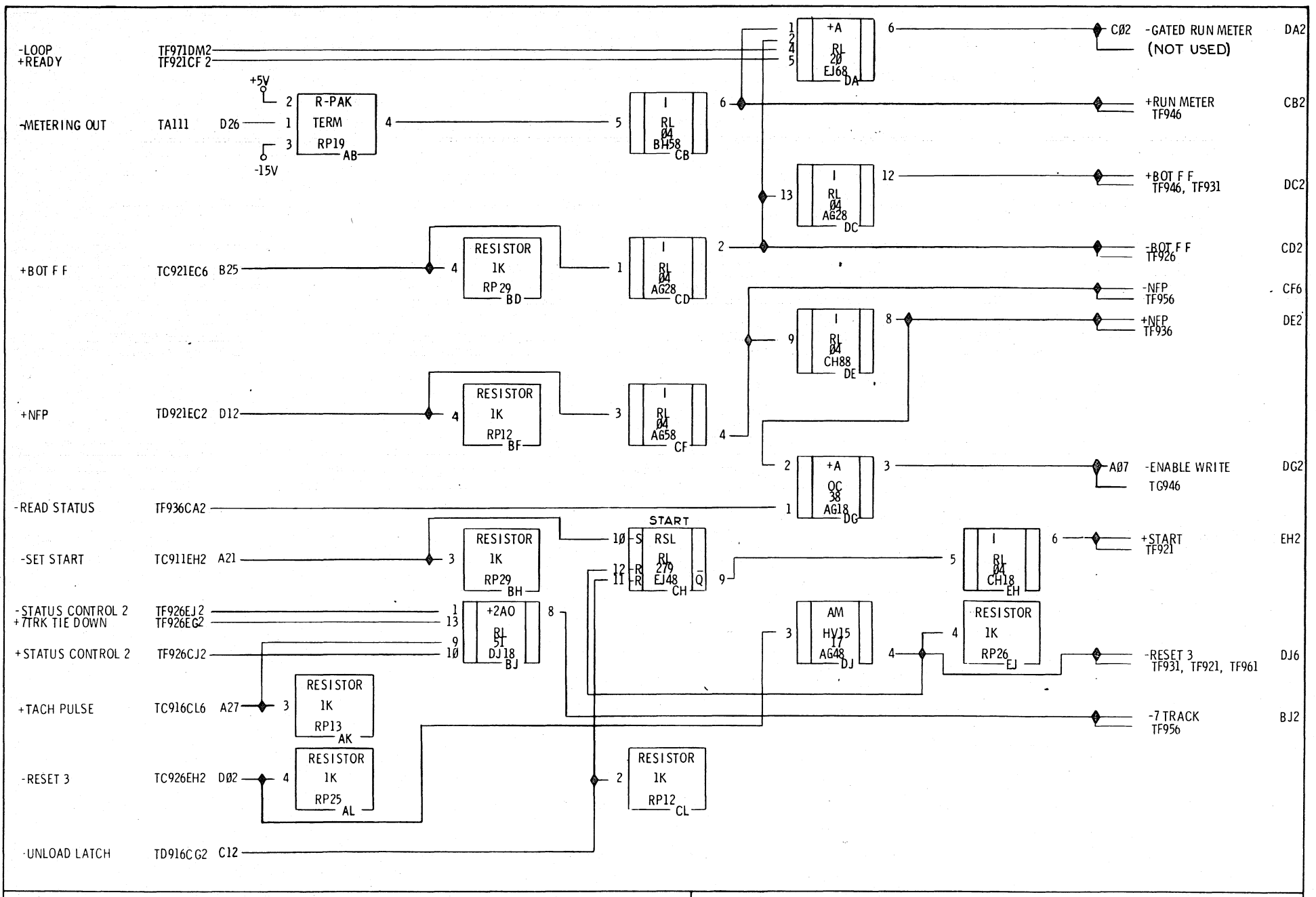
REV A
 MACH. TU
 VERS.
 OBL. ROT.

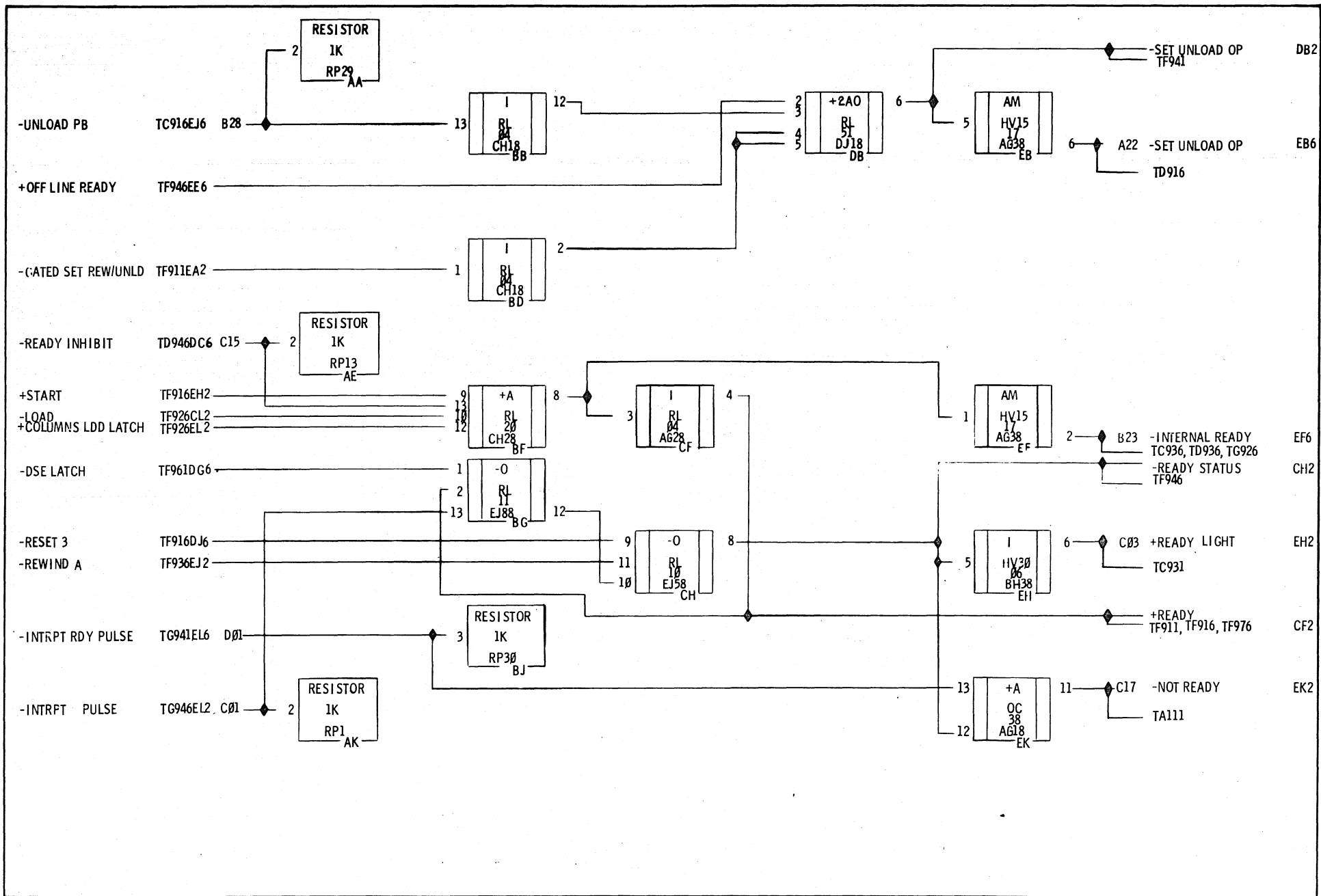
CD. LOC. G2
 GATE
 FRAME

CD. P.N. 40310301
 CD. TYPE TF
 PG. P.N. 40845068-2

F
O
I
I

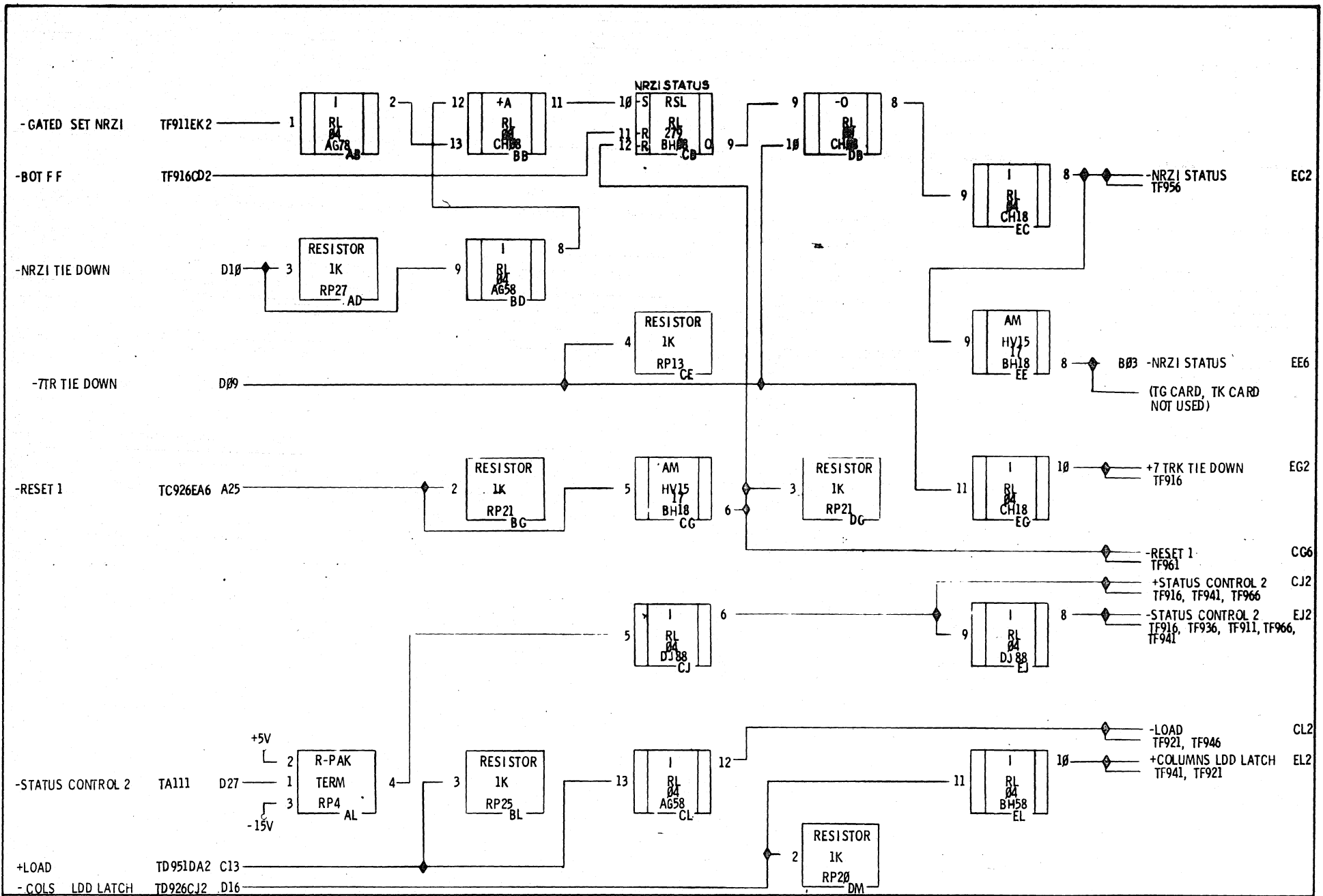
F
O
I
I



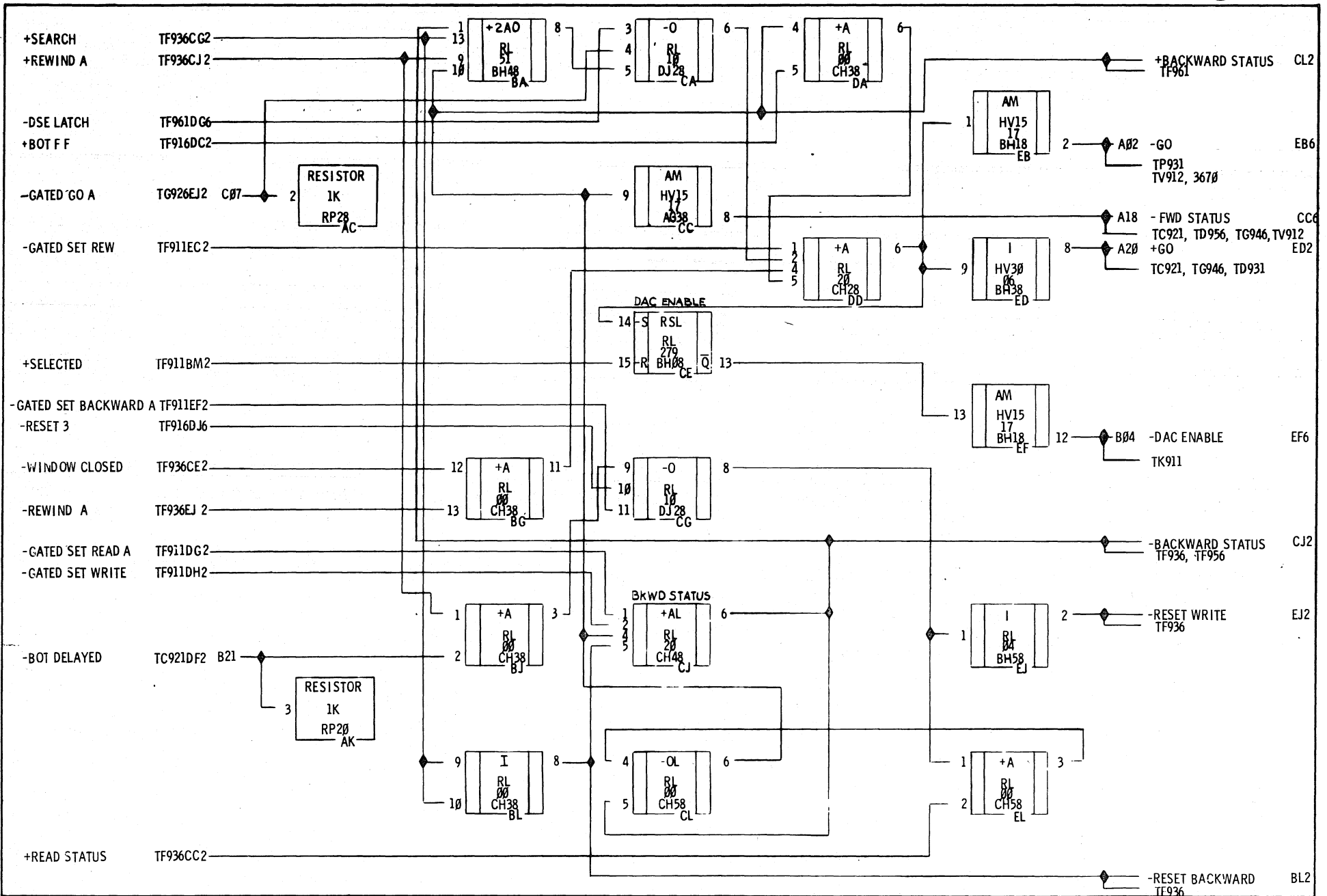


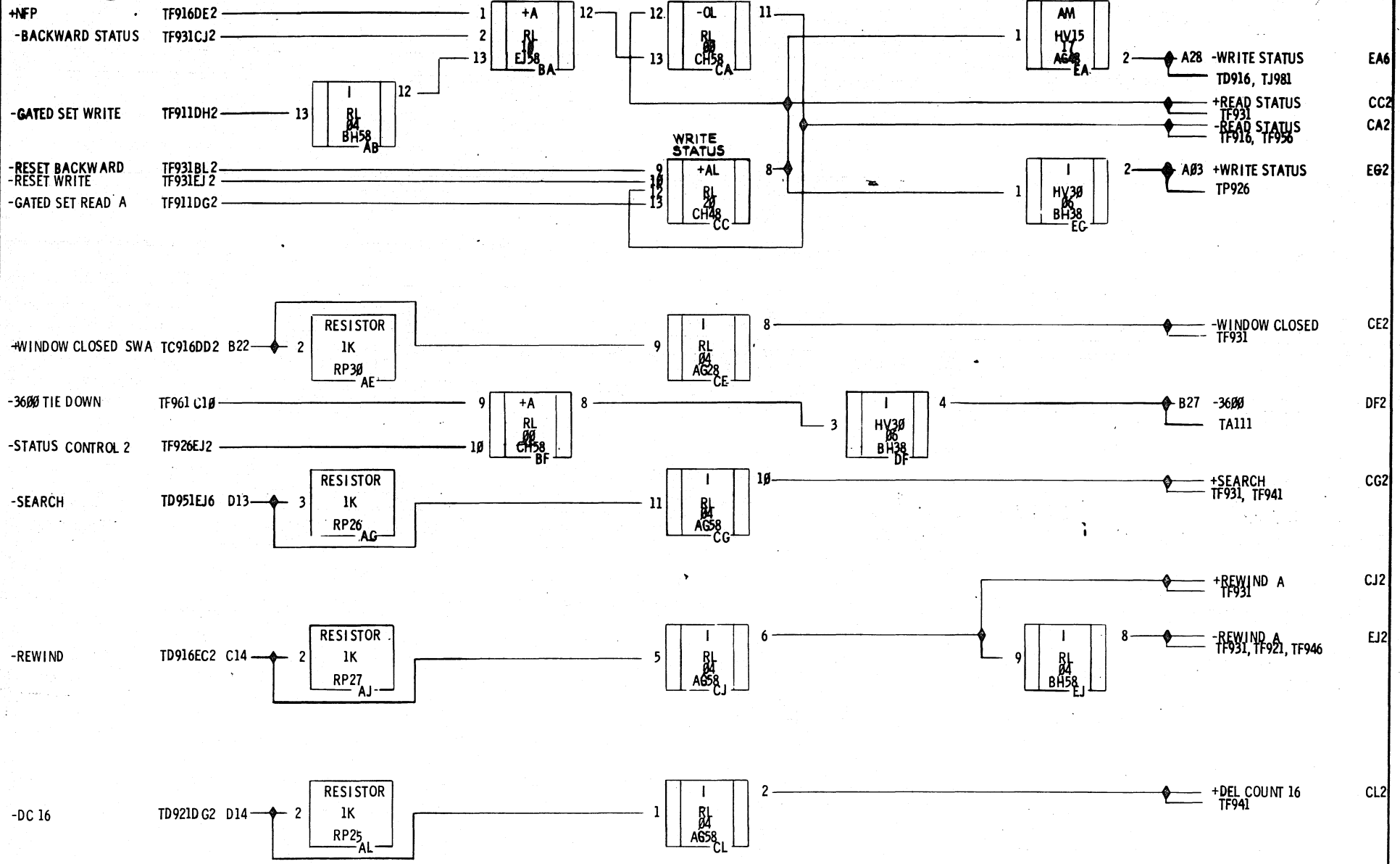
TF
921

TF921, SYS LOGIC				TF 921
PREV. E.C. 3017 DATE 5-11-79	REV A	MACH. TU VERS. GDL. ROT.	CD. LOC. G2 GATE FRAME	CD. P.N. TF CD. TYPE PG. PN. 40845147-4



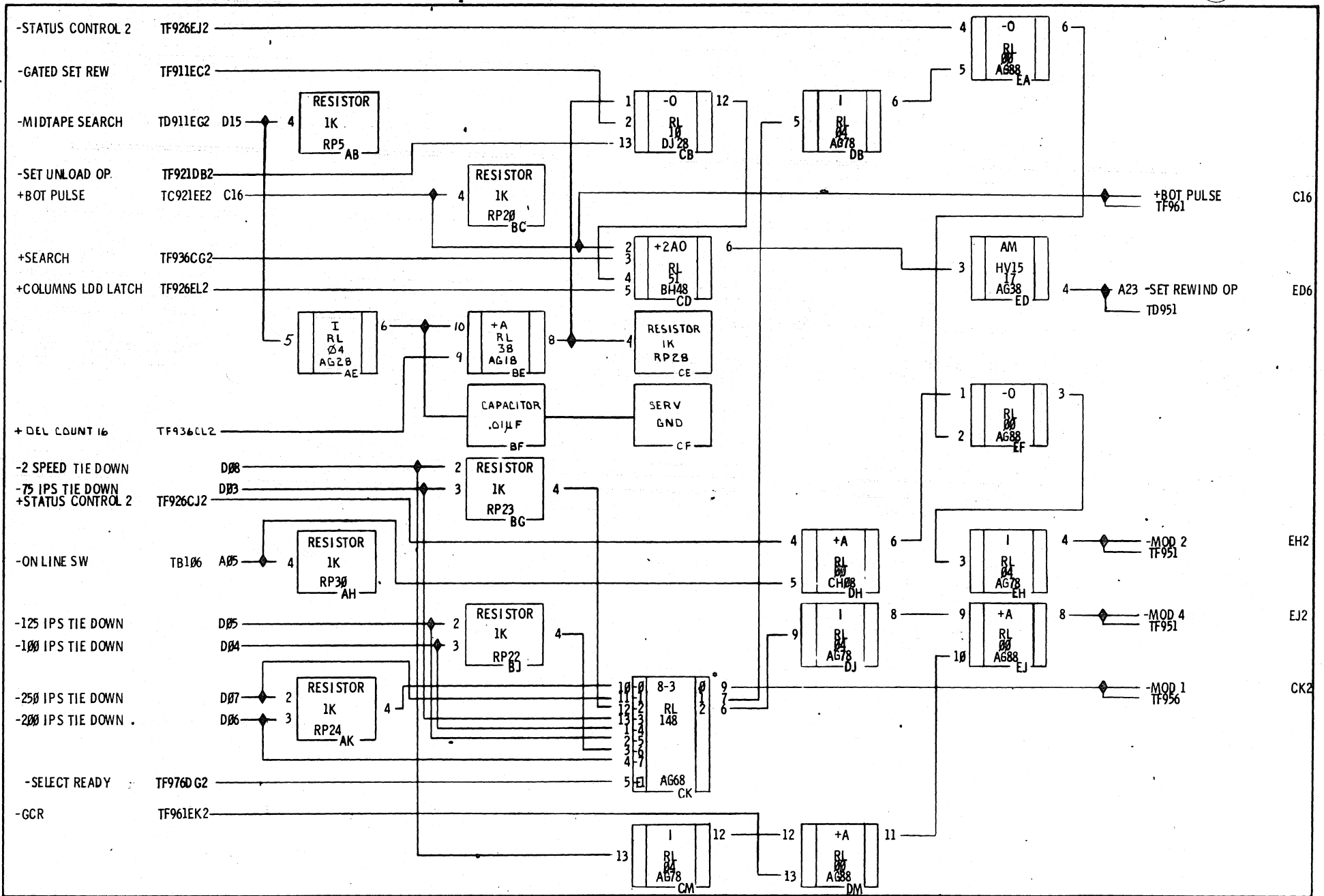
TF926	TF926, SYS LOGIC				TF926
	PRES. E.C. 2905 PREV. E.C. 1681 DATE 5-18-78	REV. A MACH. TU VERS. OBL. ROT.	CD. LOC. G2 GATE FRAME	CD. RN. CD. TYPE TE PG. RN. 40845071-6	





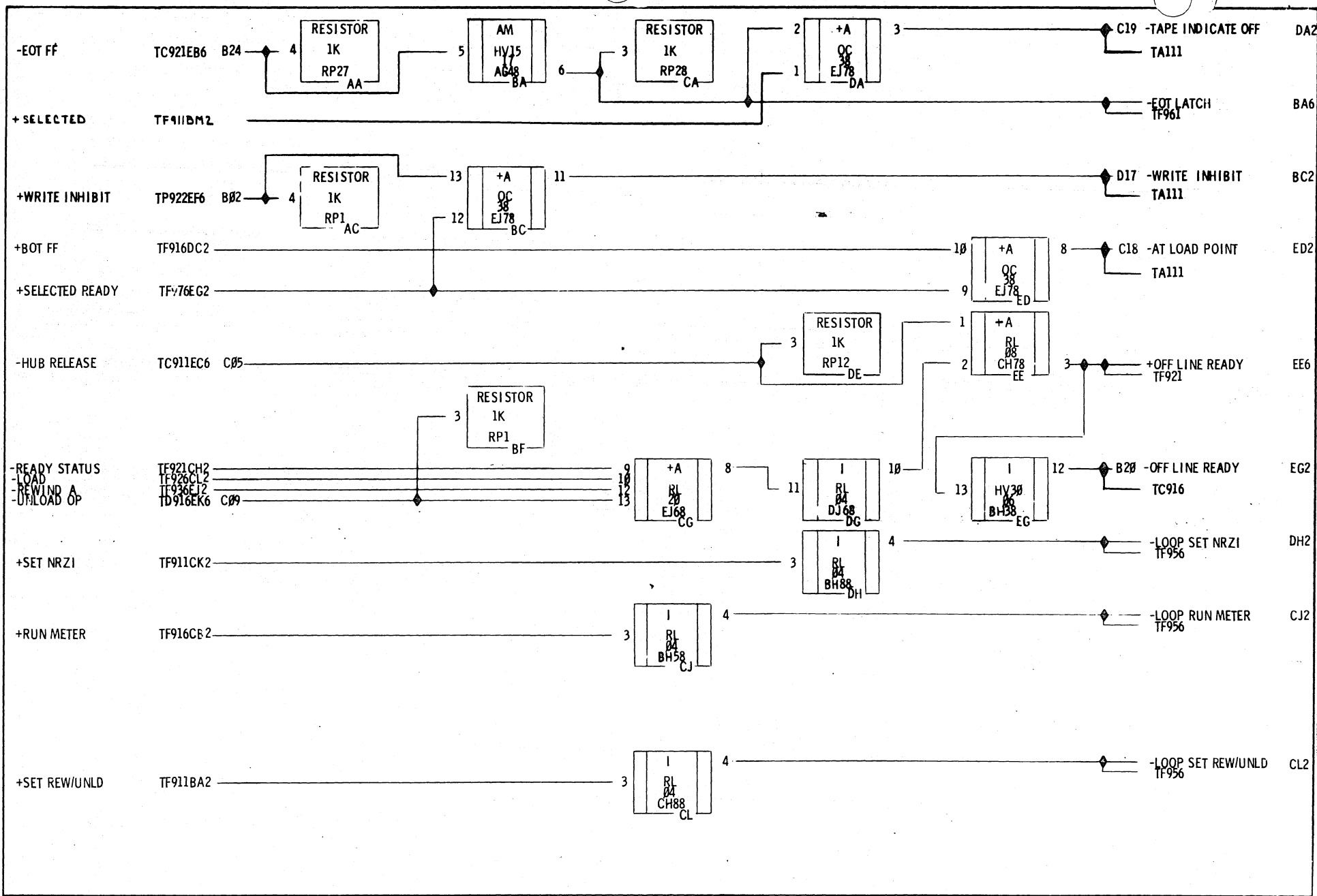
TF936

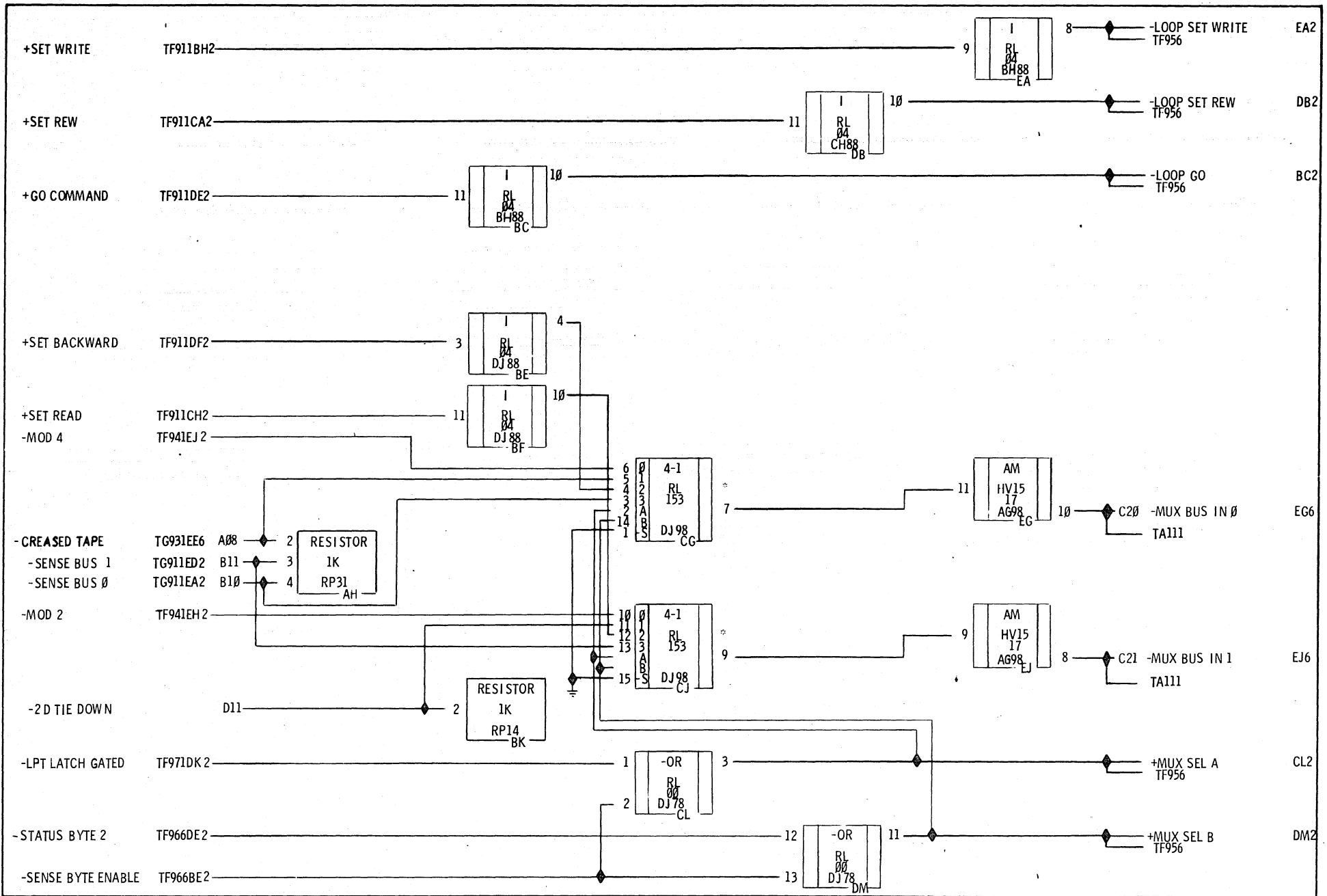
TF936, SYS LOGIC				TF 9 3 6
PREL. E.C. 2905	REV. A	MACH. TU	CD. LOC. G2	CD. PN. CD. TYPE TF PG. PN. 40845073-2
PREV. E.C. 1681		VERO.		
DATE 5-18-78		GBL. ROT.		

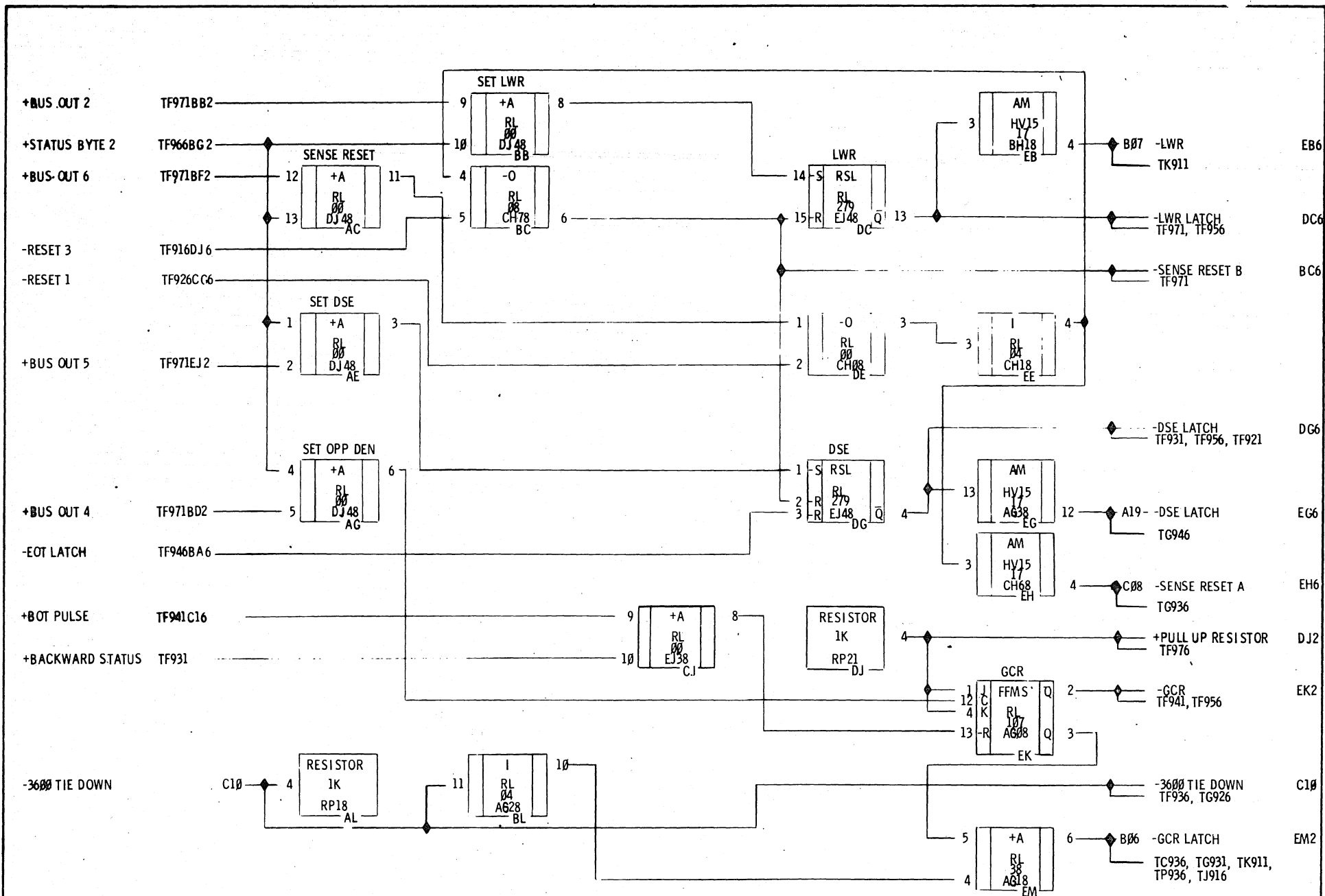


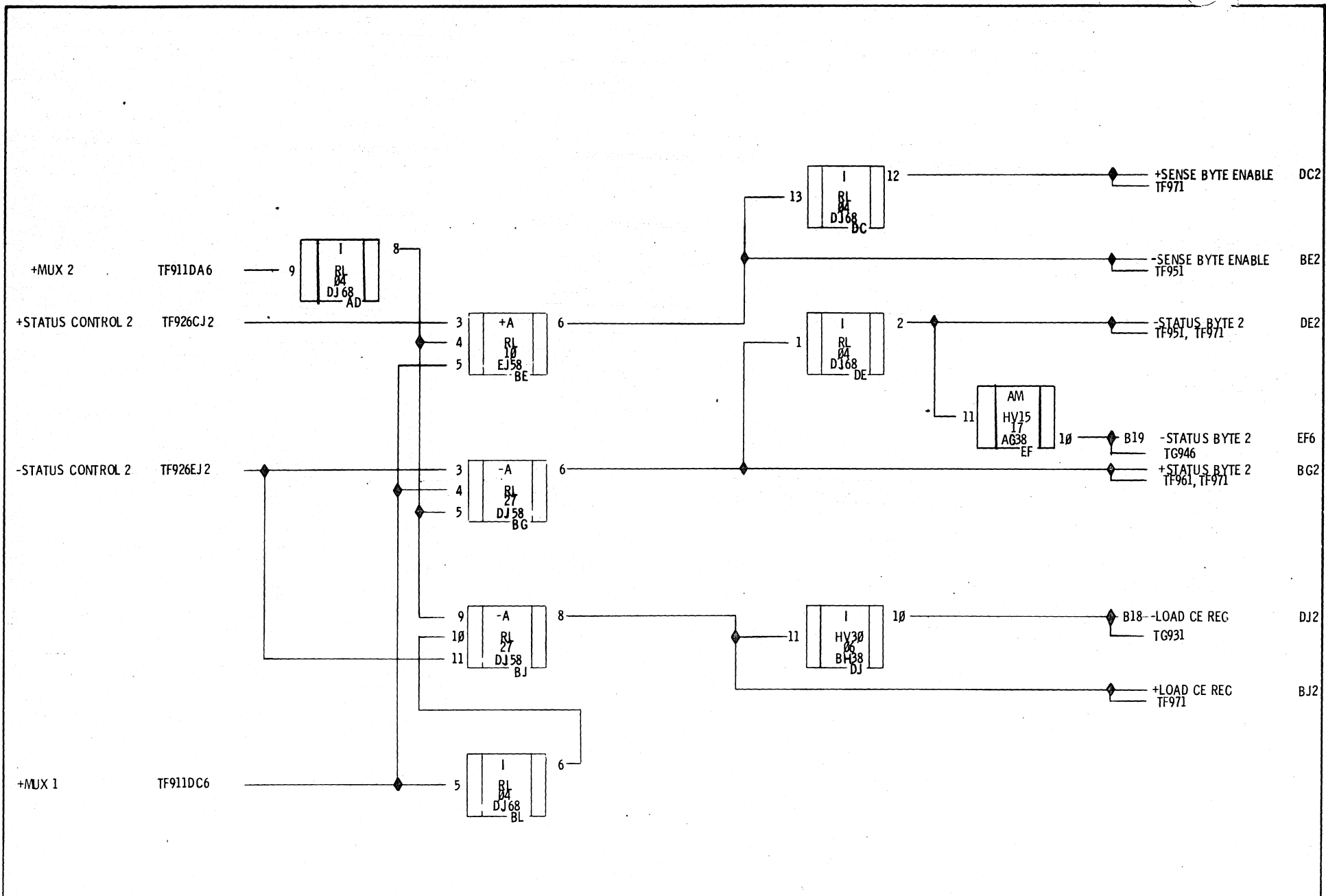
TF
941

TF941, SYS LOGIC				TF 941
PREV. E.C. 2905	REV A	SACH. TU	CD. LOC. G2	CD. P.N. TF
PREV. E.C. 1891		VERB. GBL. ROT.	CD. TYPE	PG. RN.
DATE 5-18-78			15074-0	1



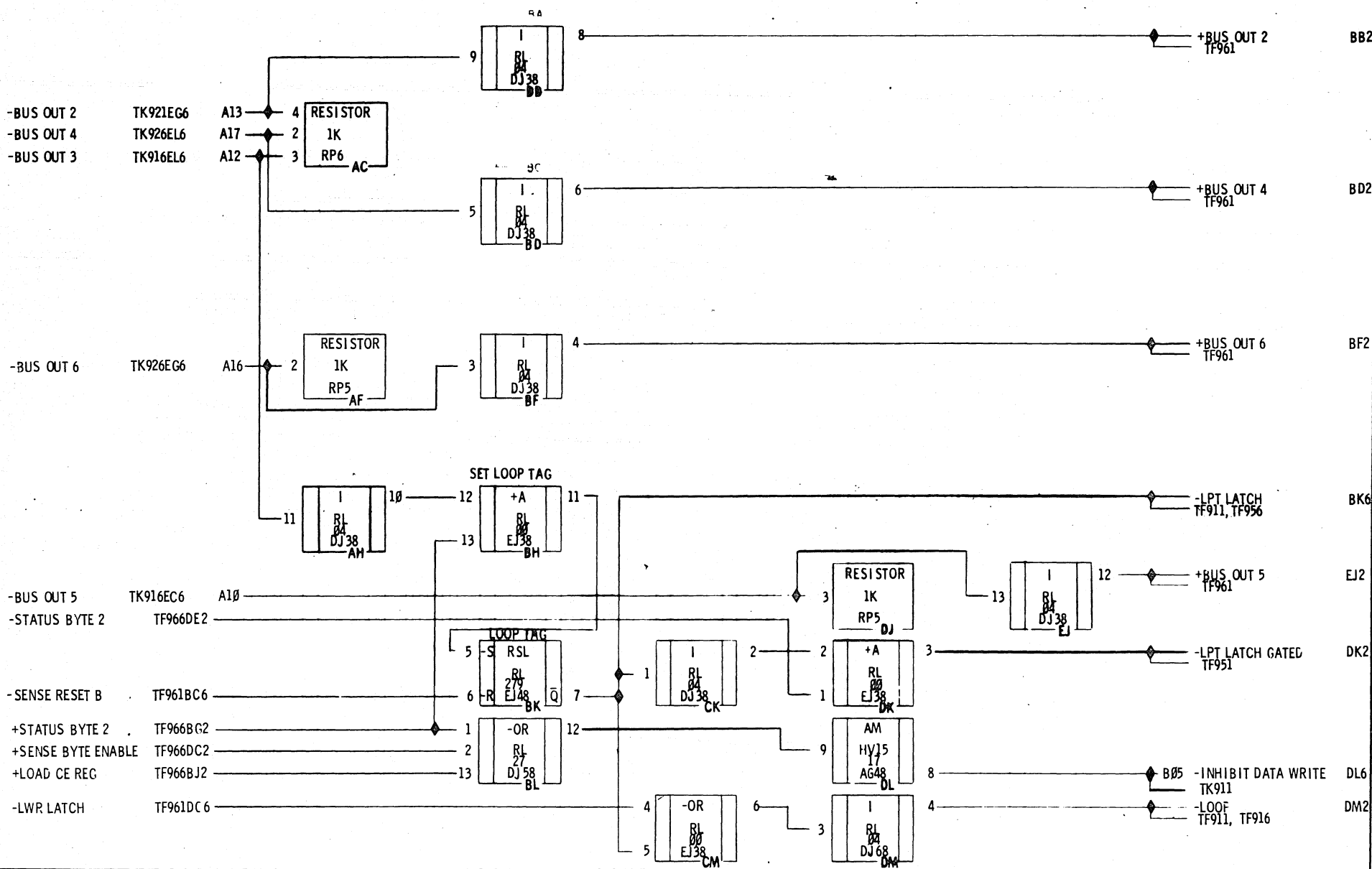






TF
9
6
6

TF966, SYS LOGIC				TF 9 6 6
PRES. E.C. 2905 PREV. E.C. 1881 DATE 5-18-78	REV A	MACH. TU VERS. GBL. ROT.	CD. LOC. G2 GATE FRAME	CD. P.N. CD. TYPE TF PG. PN. 40845079-9

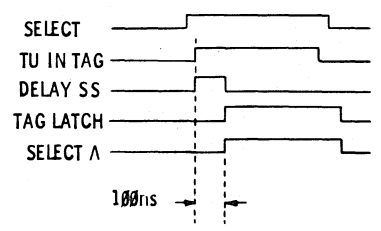
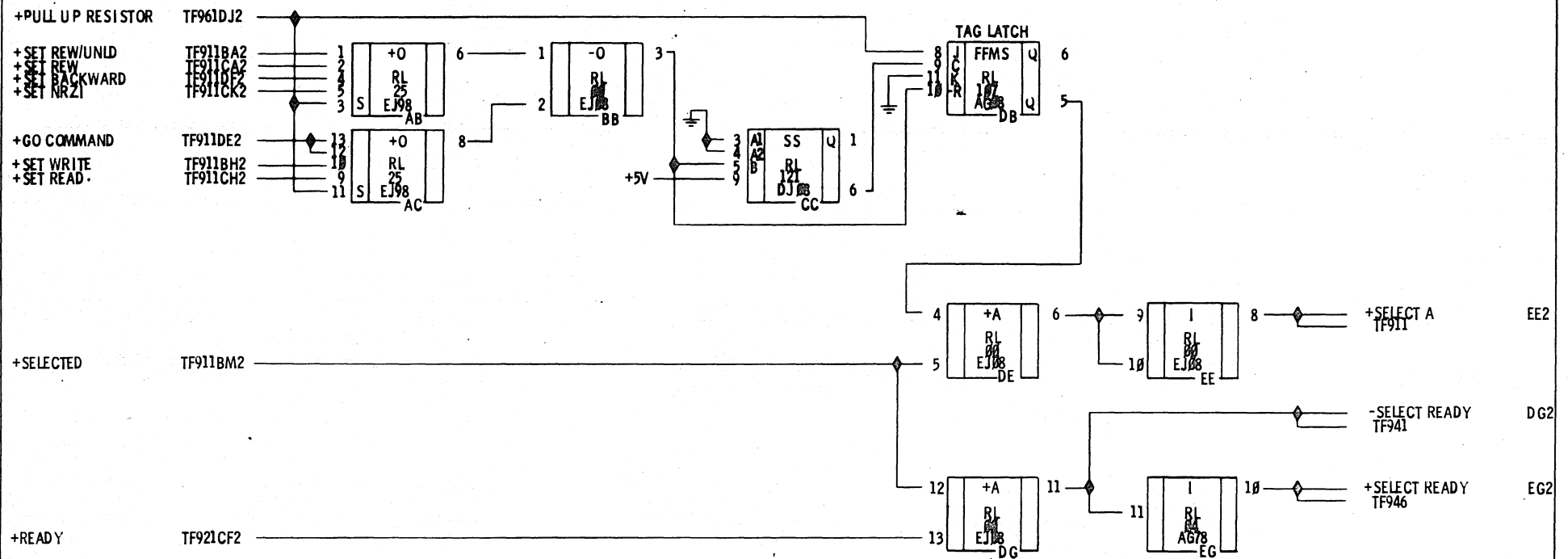


TF971

TF971, SYS LOGIC

PRES. E.C. 2505 PREV. E.C. 1881 DATE 5-78-78	REV. A	MACH. TU VERS. OBL. ROT.	CD. LOC. G2 GATE FRAME	CD. P.N. TF PG. PN. 40845080-7
--	--------	--------------------------------	------------------------------	-----------------------------------

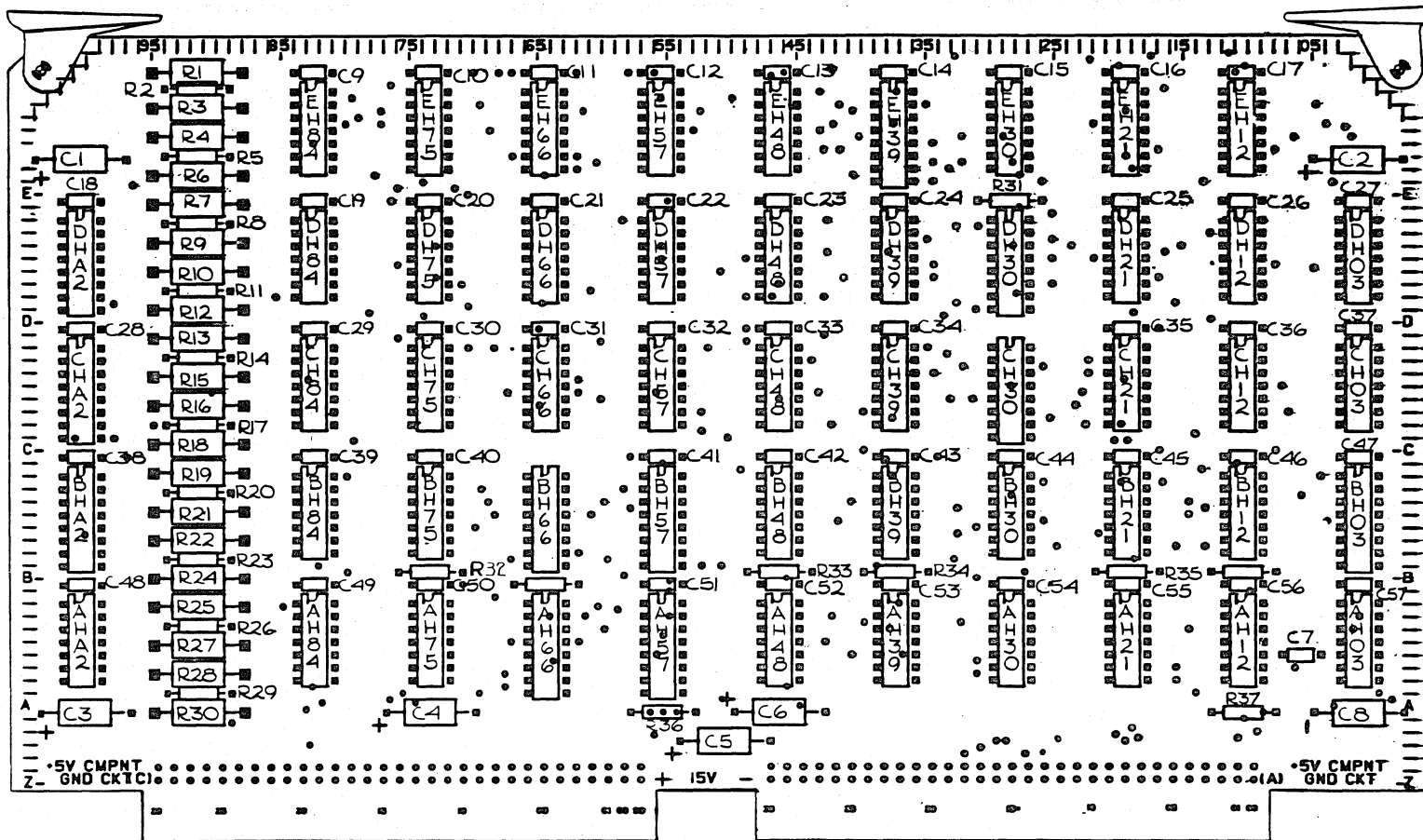
E677



ASSEMBLY PARTS LIST

PRINT DATE	PAGE	C. NO.
1. 57-82	1	584

DIV.	ASSEMBLY NUMBER	CD	REV.	DWG.	DESCRIPTION	MC	STATUS	STATUS DATE	FILE DATE					
0500	402582301	6	A	N	SYS LGC GP,TF,MULTI/PN,PC	N	REL	09-29-82	3600 10-07-82					
T FIND NO	LI	PART NUMBER	CD	M	QUANTITY	U/M	PART DESCRIPTION	MC	YLD	E.C. NO. IN	E.C. NO. OUT	S/N	WK IN	WK OUT
001	01	402246301	4		REF	PC	CD LGC,AB001,TF,PC	D						
008	01	402246401	2		REF	PC	SYS LGC,TF908,PC	D						
009	01	402246701	5		REF	PC	SYS LGC,TF909,PC	D						
010	01	402246501	9		REF	PC	SYS LGC,TF910,PC	D						
011	01	402247301	3		REF	PC	SYS LGC,TF911,PC	D						
016	01	402247201	5		REF	PC	SYS LGC,TF916,PC	D						
021	01	402247101	7		REF	PC	SYS LGC,TF921,PC	D						
026	01	402247401	1		REF	PC	SYS LGC,TF926,PC	D						
031	01	402246901	1		REF	PC	SYS LGC,TF931,PC	D						
036	01	402247001	9		REF	PC	SYS LGC,TF936,PC	D						
041	01	402247601	6		REF	PC	SYS LGC,TF941,PC	D						
046	01	402247501	8		REF	PC	SYS LGC,TF946,PC	D						
051	01	402247801	2		REF	PC	SYS LGC,TF951,PC	D						
056	01	402247901	0		REF	PC	SYS LGC,TF956,PC	D						
061	01	402248001	8		REF	PC	SYS LGC,TF961,PC	D						
066	01	402248101	6		REF	PC	SYS LGC,TF966,PC	D						
071	01	402247701	4		REF	PC	SYS LGC,TF971,PC	D						
076	01	402246801	3		REF	PC	SYS LGC,TF976,PC	D						
500	01	40310501	8		REF	PC	CKT CD,TF,PC ASSY	S						
501	01	402546201	3		REF	PC	CKT CD,TF,PC ASSY	S						
502	01	52056301	6		REF	PC	CKT CD,TF,PC ASSY	S						



COMPONENT SIDE

A
B
0
0
1

NOTE: CD PN'S 40310501
40335401
52056301
4025462-01

TF CARD, INTERFACE 1

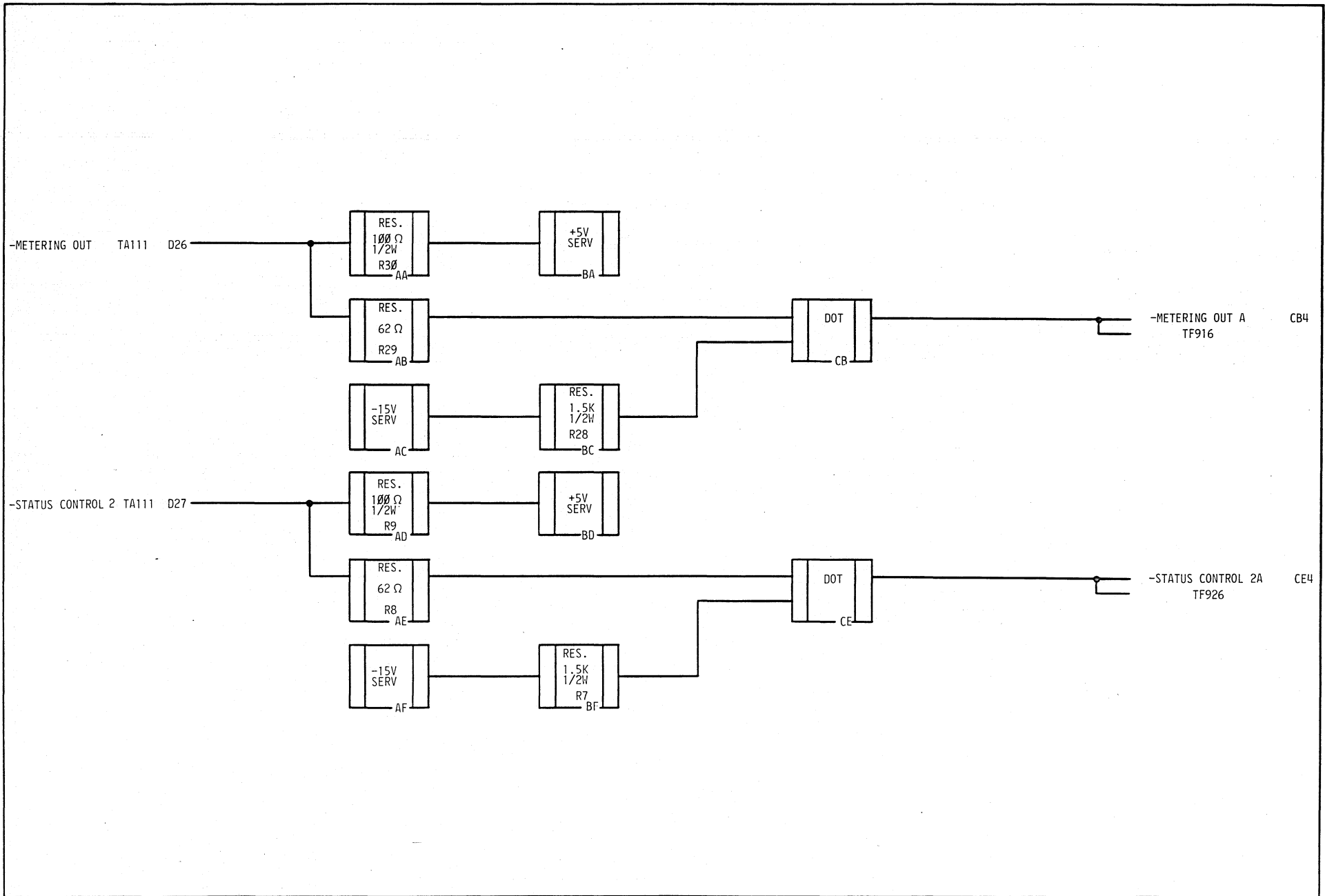
PRES. E.C. 3584
PREV. E.C. NONE
DATE 10-4-62

MACH. T.U.
VERS.
GBL. ROT.

CD. LOC. G2
GATE FRAME

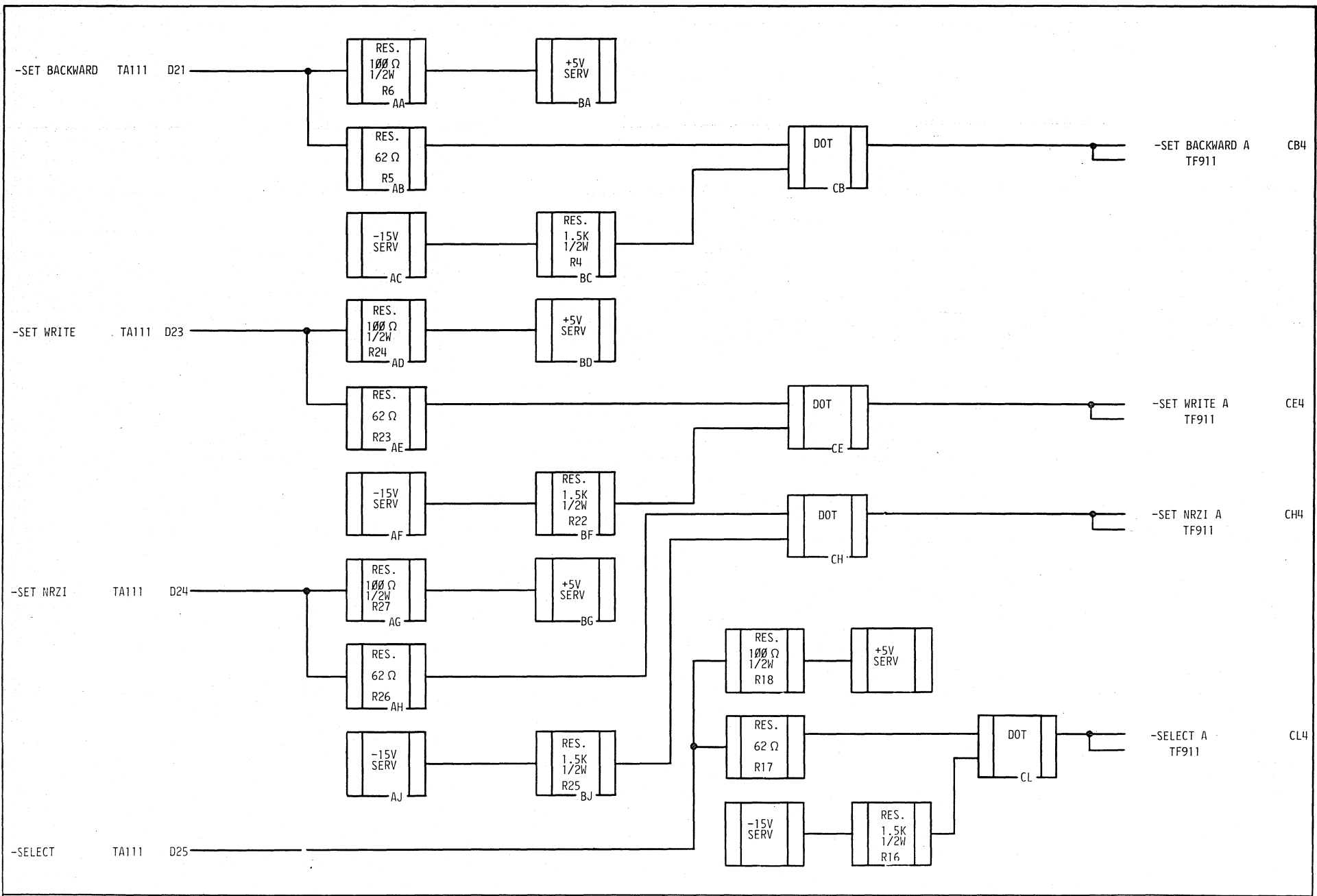
CD. PN. SEE NOTE
CD. TYPE TF
PG. RN. 4022463-01

A
B
0
0
1

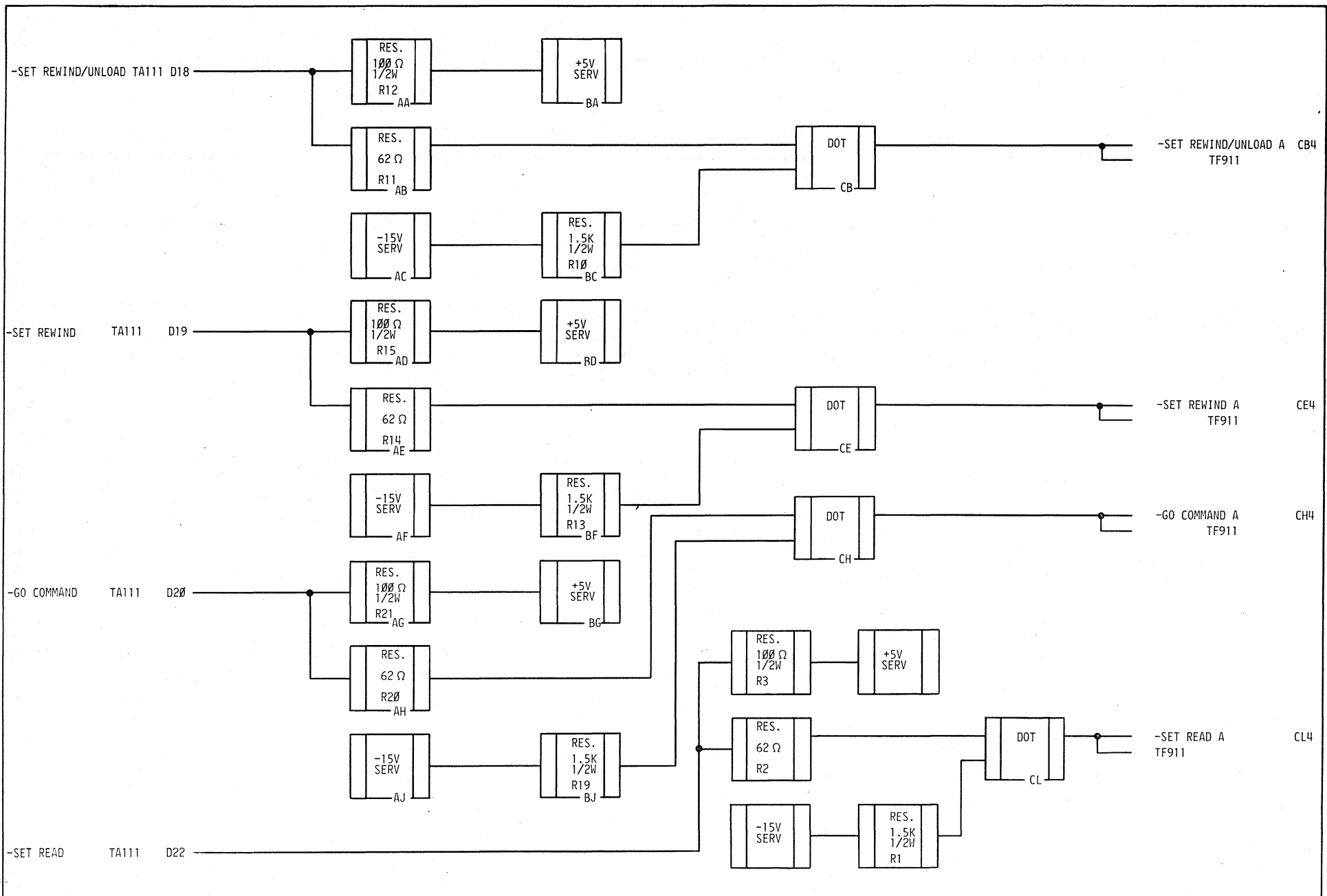


TF908

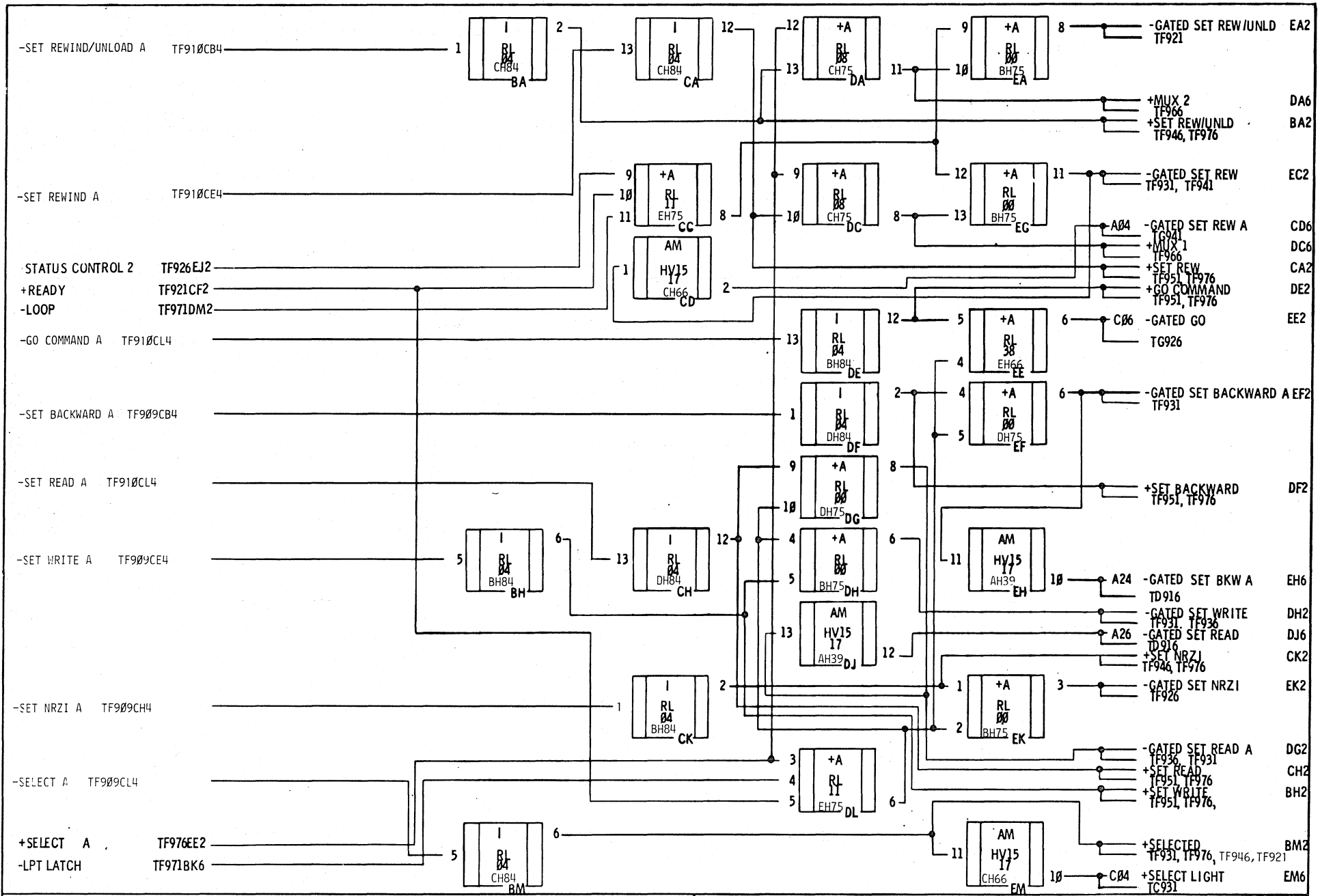
TF908, SYSTEM LOGIC				TF908
PRES. E.C.	3584	MACH. T.U.	CD. LOC.	G2
PREV. E.C.	NONE	VERS.	GATE	
DATE	10-4-82	GBL. ROT.	FRAME	
			CD. P.N.	TF
			CD. TYPE	4022464-01
			PG. P.N.	

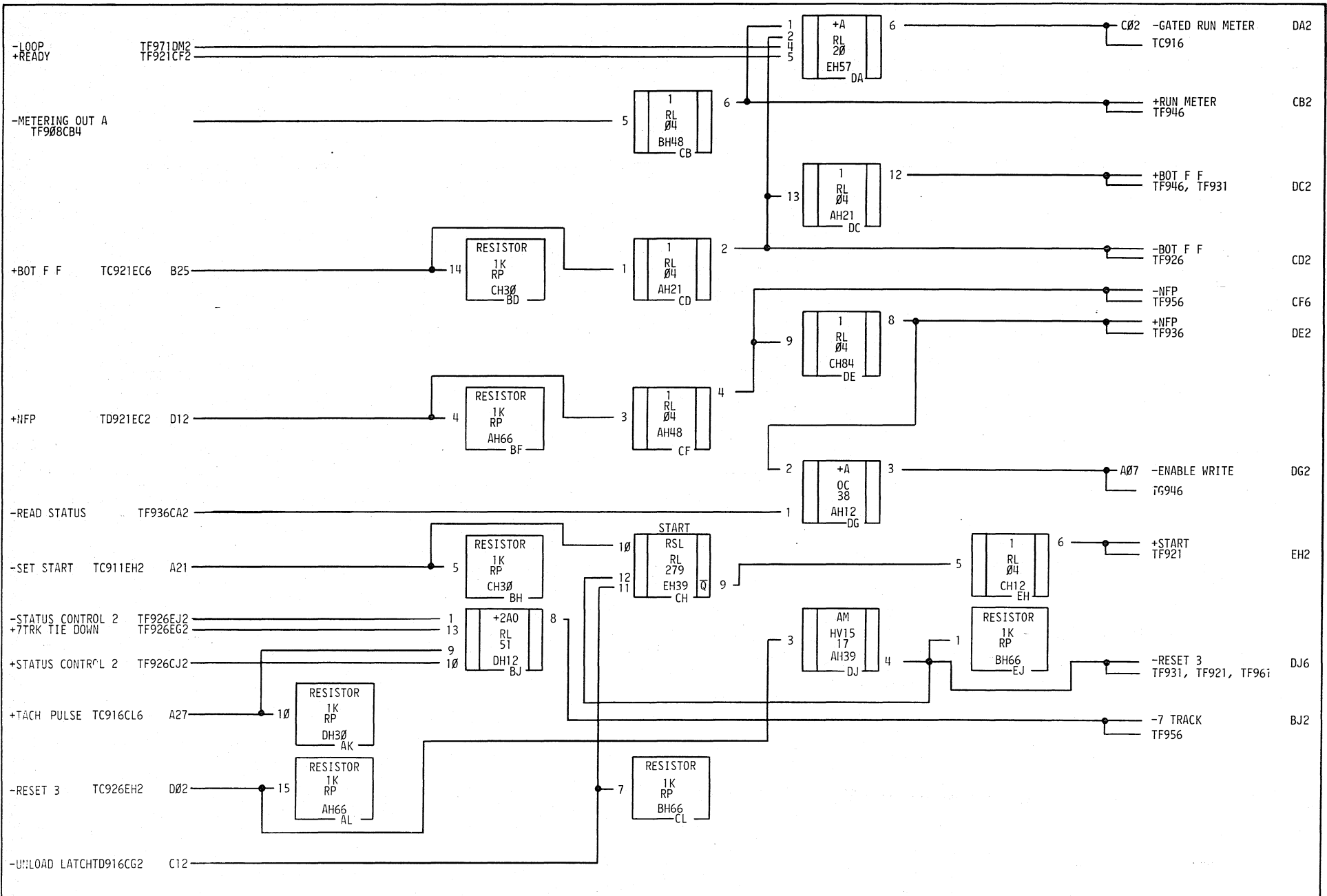


TF909	TF909, SYSTEM LOGIC				TF909
	PRES. E.C. 3584 PREV. E.C. NONE DATE 10-4-82	MACH. VERS. T.U. GBL. ROT.	CD. LOC. 62 GATE FRAME	CD. P.N. TF PG. P.N. 4022467-01	

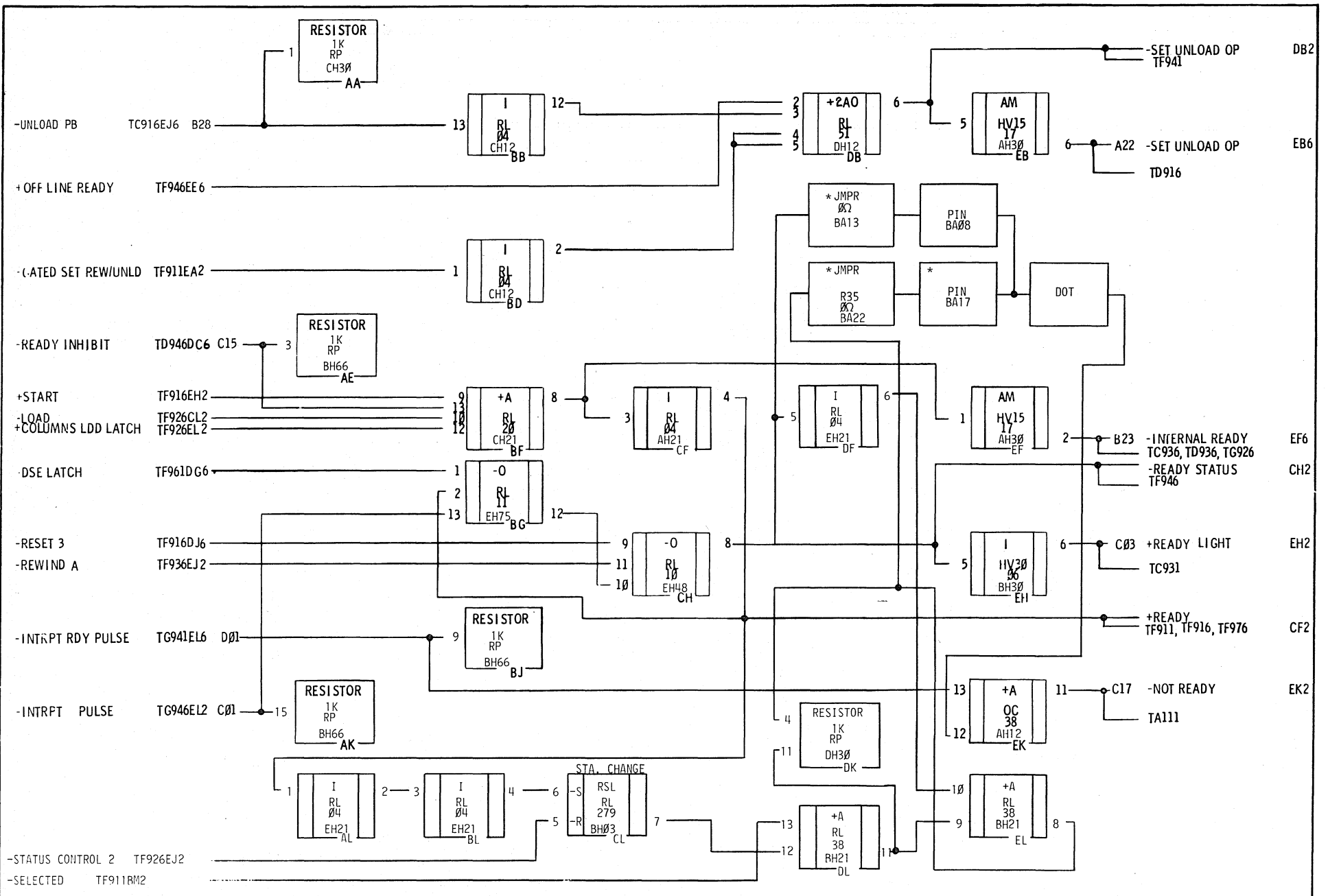


TF 9 1 0	TF910 SYS. LOGIC				TF 9 1 0
	PRES. E.C. 3584	MACH. T.U.	CD. LOC. G2	CD. P.N.	
	PREV. E.C. 110MF	VERS.	GATE	CD. TYPE TF	
	DATE 10-4-82	GBL. ROT.	FRAME	PG. P.N. 4022465-01	





TF916 SYS. LOGIC			
PRES. E.C. 3584	MACH. TU	CD. LOC. G2	CD. P.N.
PREV. E.C. NONE	VERS. GBL. ROT.	GATE FRAME	CD. TYPE TF
DATE 10-4-82			PG. P.N. 4022472-01



*R35 RESISTOR AT LOCATION BA22 AND BA17 SHOULD BE THE ONLY ONE USED DESIGNATED AS R35.

TF921, SYS LOGIC

PRES. E.C. 3534
 PREV. E.C. NONE
 DATE 10-4-82

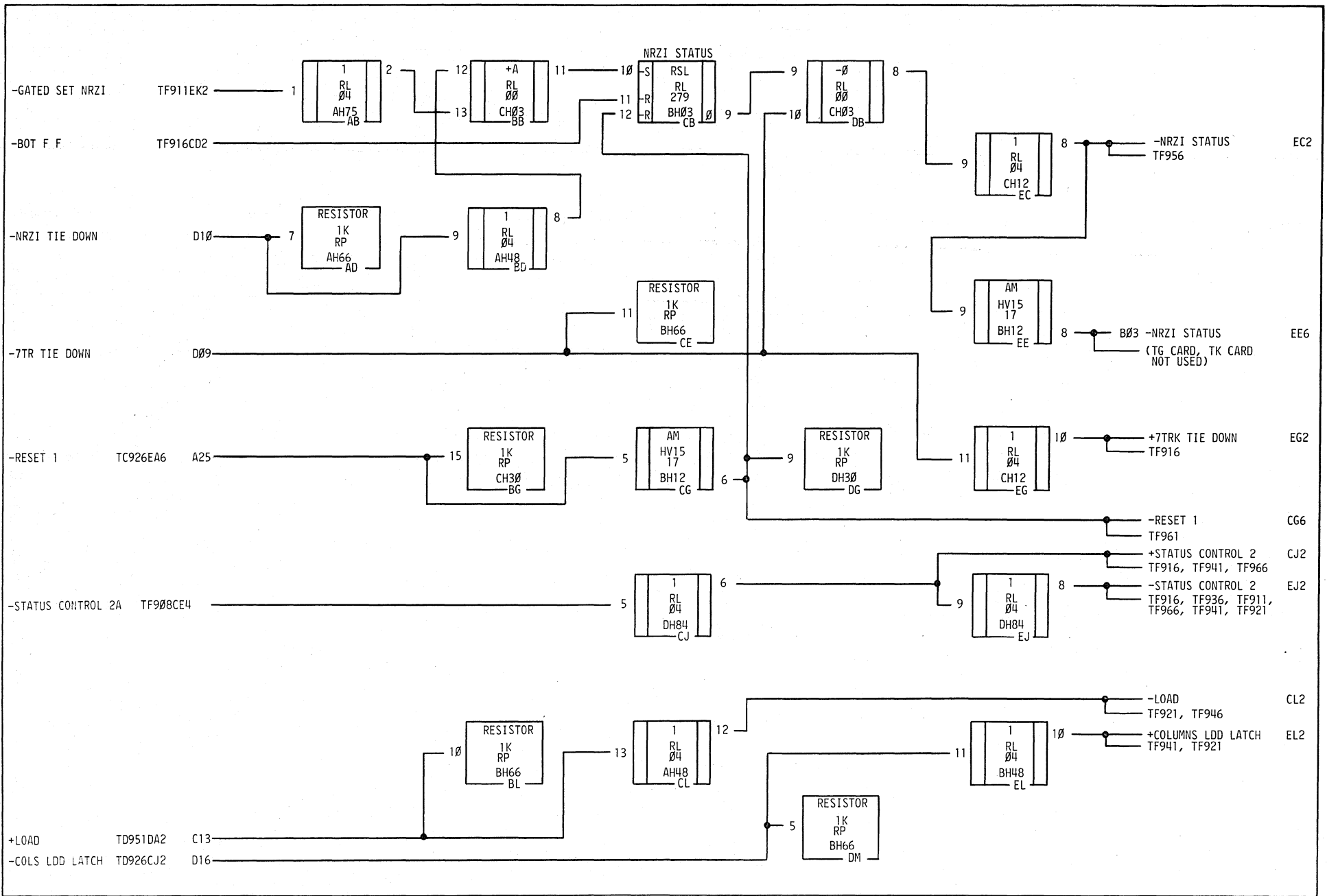
REV. A
 MACH. TU
 VERS.
 GBL. ROT.

CD. LOC. G2
 GATE FRAME

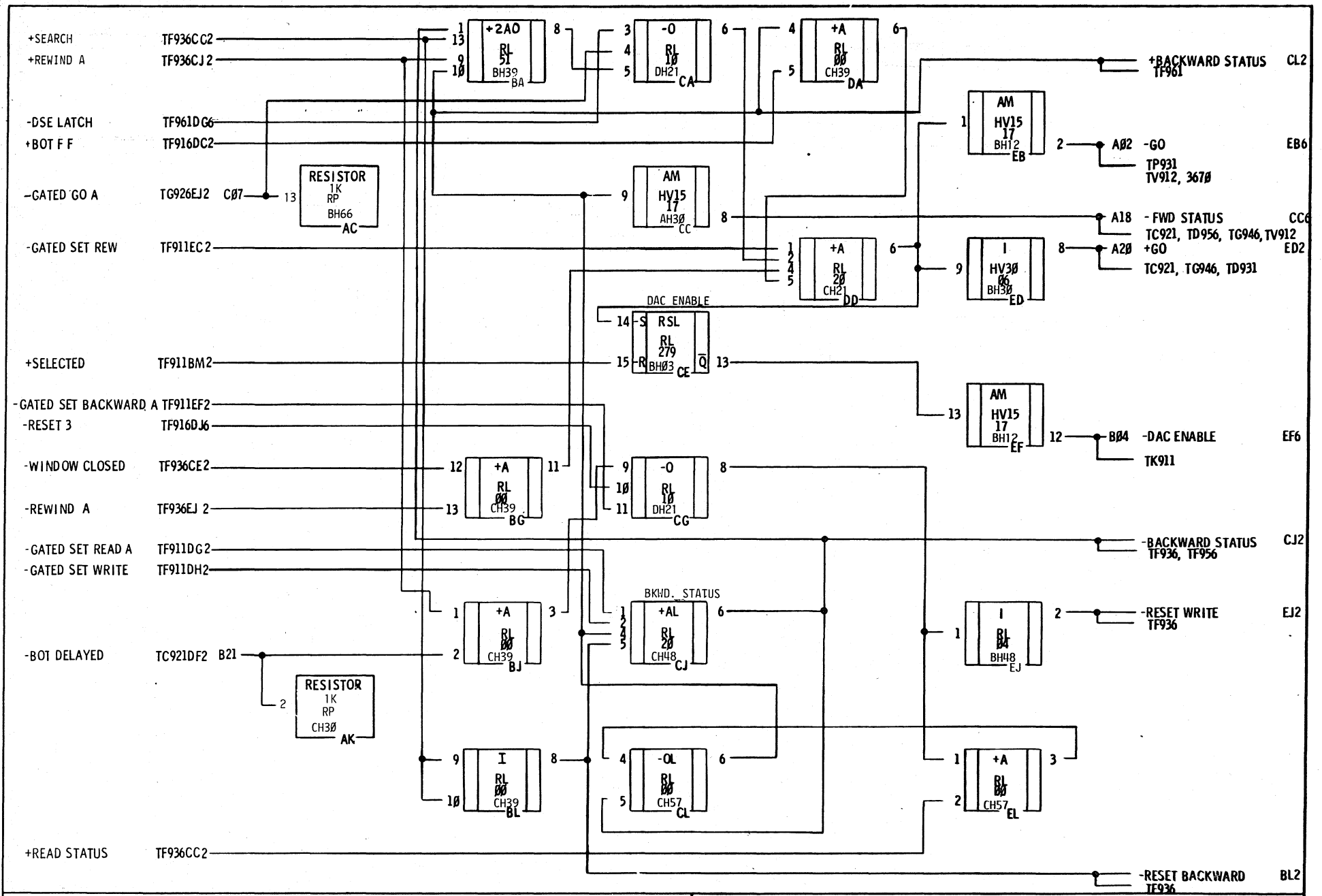
CD. P.N.
 CD. TYPE TF
 PG. P.N. 4022471-01

TF
9
2
1

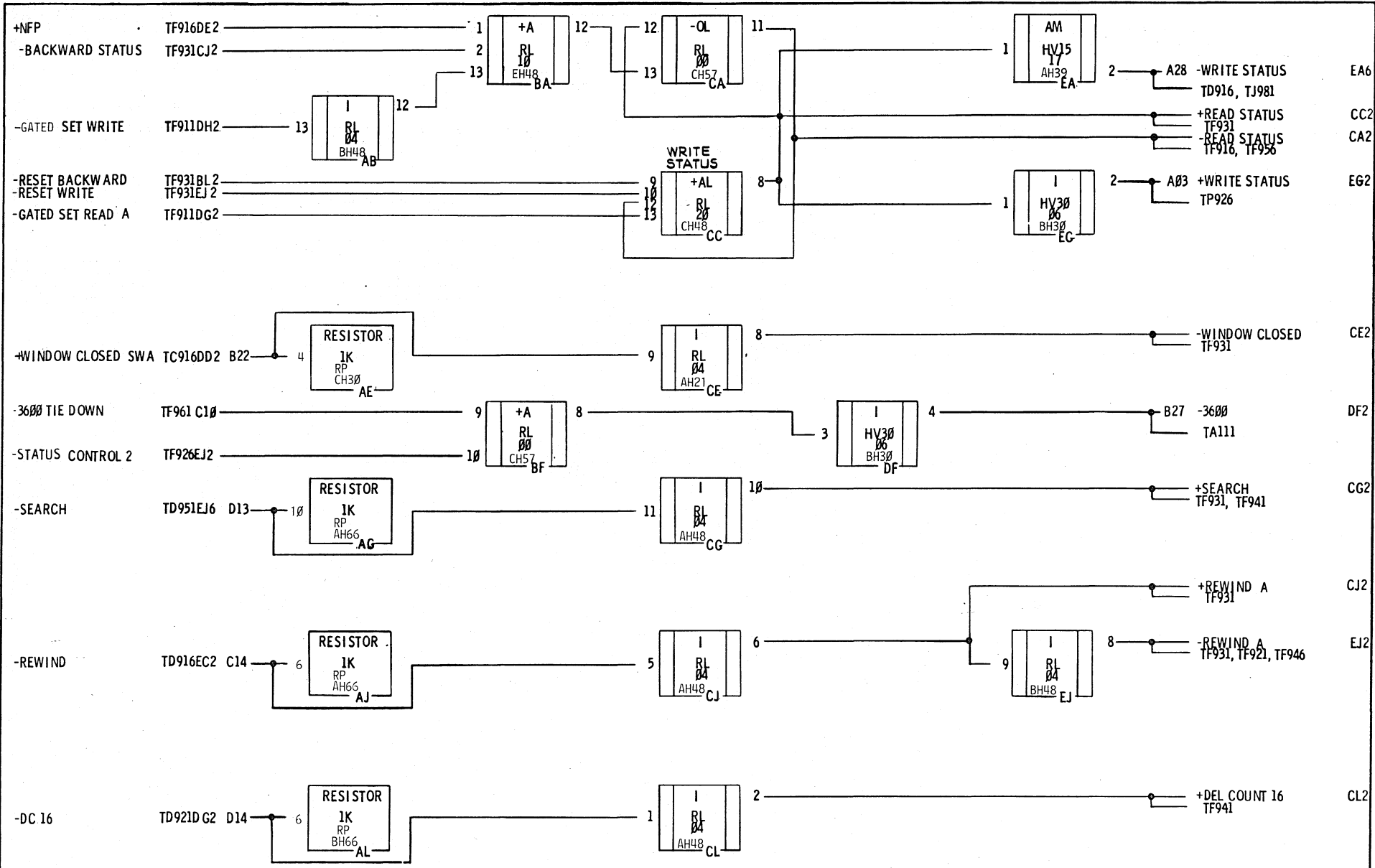
TF
9
2
1

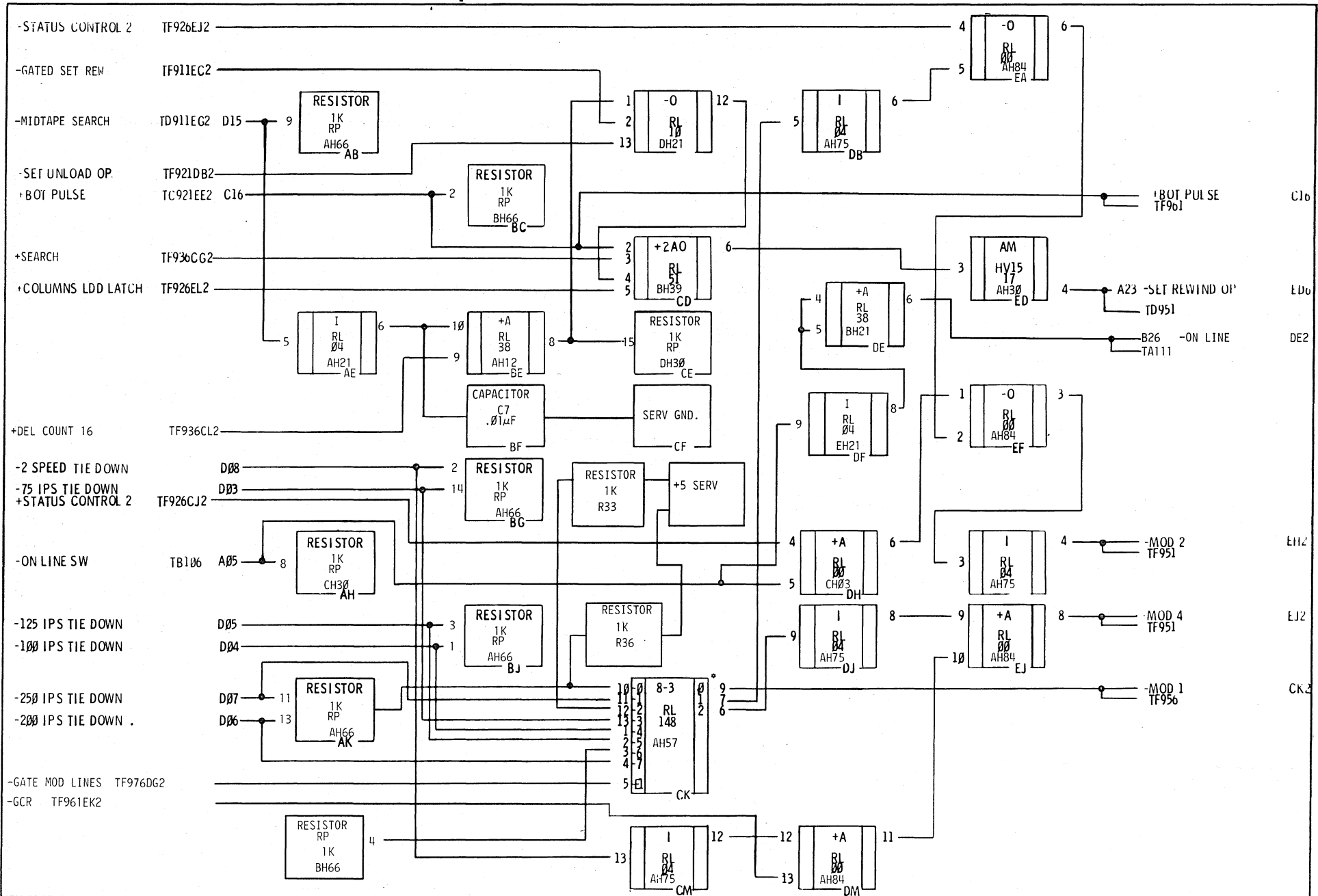


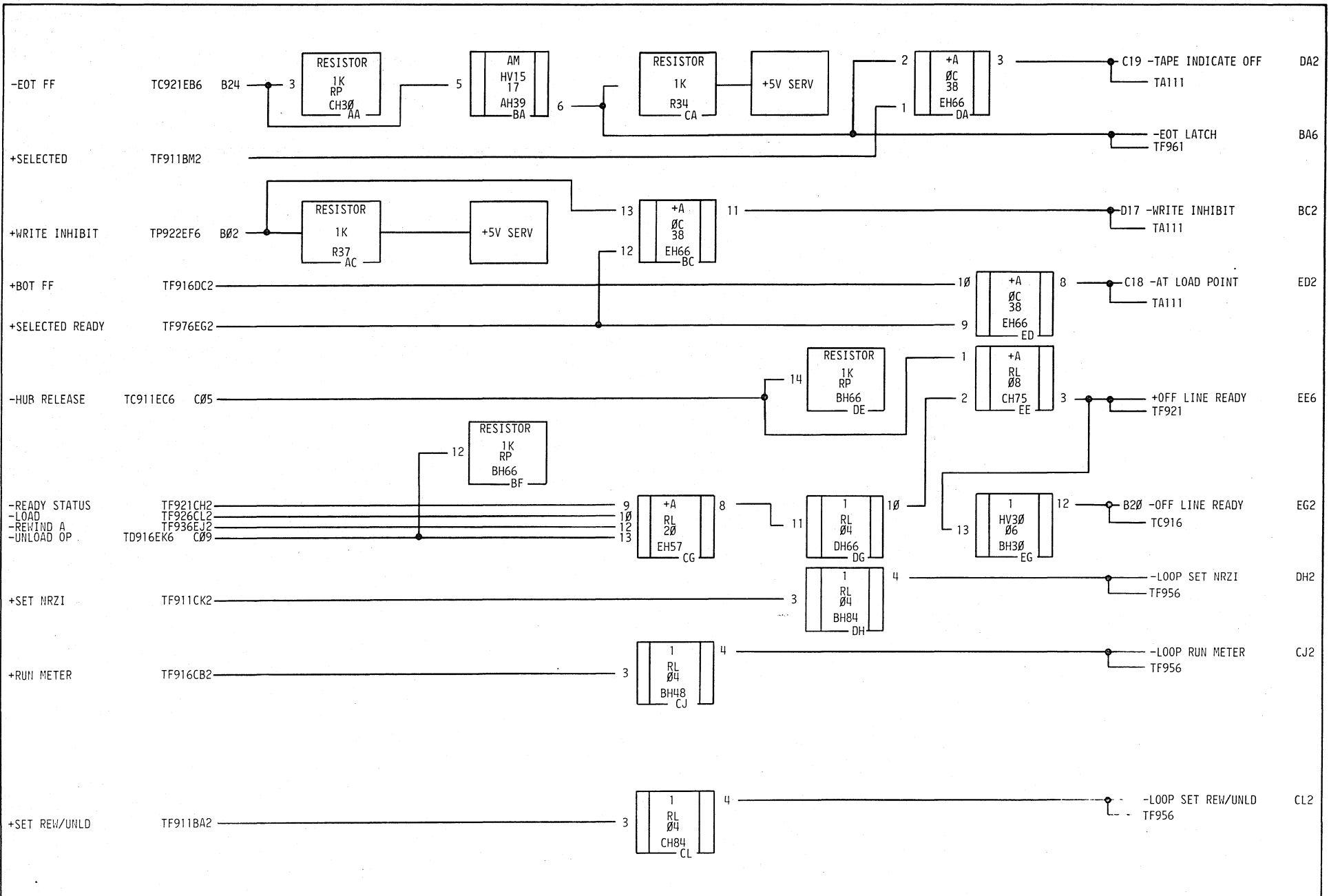
T F 9 2 6	TF926, SYS. LOGIC				T F 9 2 6
	PRES. E.C. 3594 PREV. E.C. 1009E DATE 10-4-82	MACH. TU VERS. GBL. ROT.	CD. LOC. G2 GATE FRAME	CD. P.N. TF CD. TYPE PG. RN. 4022474-01	



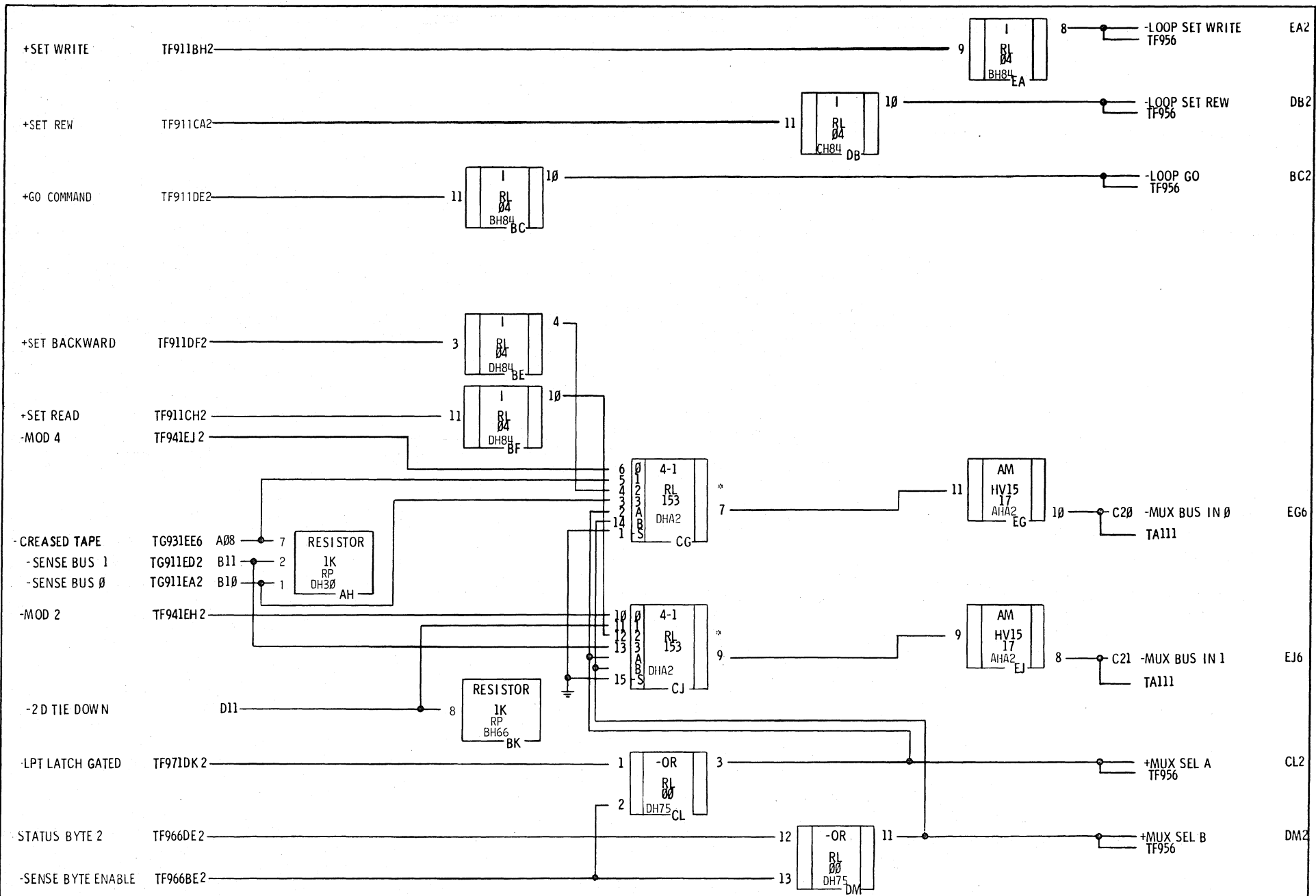
TF931		TF931, SYS LOGIC				TF931	
PREV. E.C.	3584	REV.	A	MACH. TU	CD LOC. G2	CD. RN.	TF
DATE	10-4-82	PREV. E.C.	NONE	VERS.	GATE	CD. TYPE	TF
				GBL. ROT.	FRAME	PG. RN.	4022469-01







TF 946	TF946, SYS. LOGIC				TF 946				
	PRES. E.C.	3584	MACH. VRS.	TU		CD. LOC.	G2	CD. P.N.	TF
	PREV. E.C.	NONE	GBL. ROT.			GATE FRAME		PG. PN.	4022475-01
	DATE	10-4-82							



TF951

TF951, SYS LOGIC

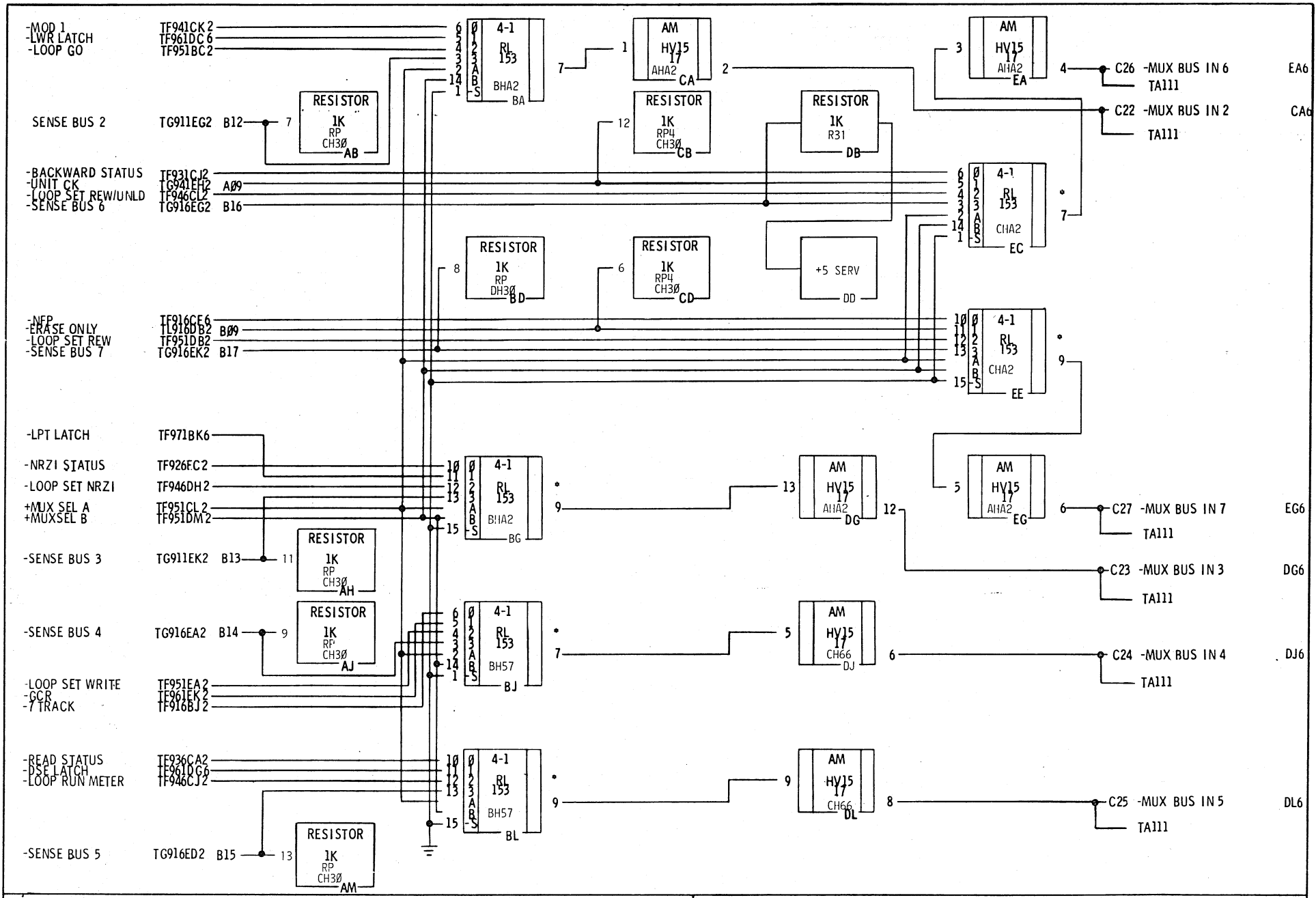
PRES. E.C. 3584
 PREV. E.C. NONE
 DATE 10-4-82

REV. A
 MACH. TU
 VERS. GBL. ROT.

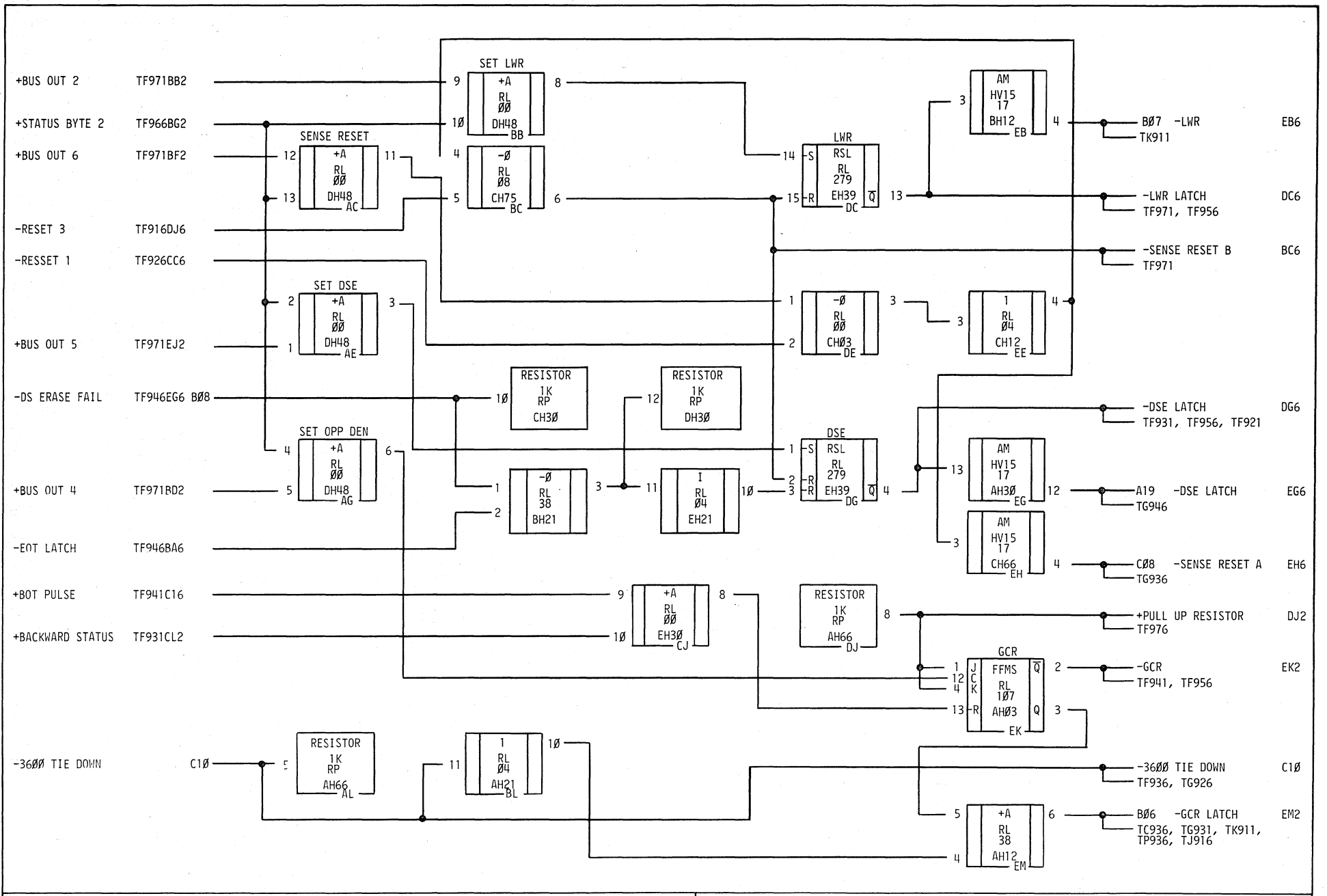
CD. LOC. G2
 GATE FRAME

CD. P.N. TF
 CD. TYPE TF
 PG. P.N. 4022478-01

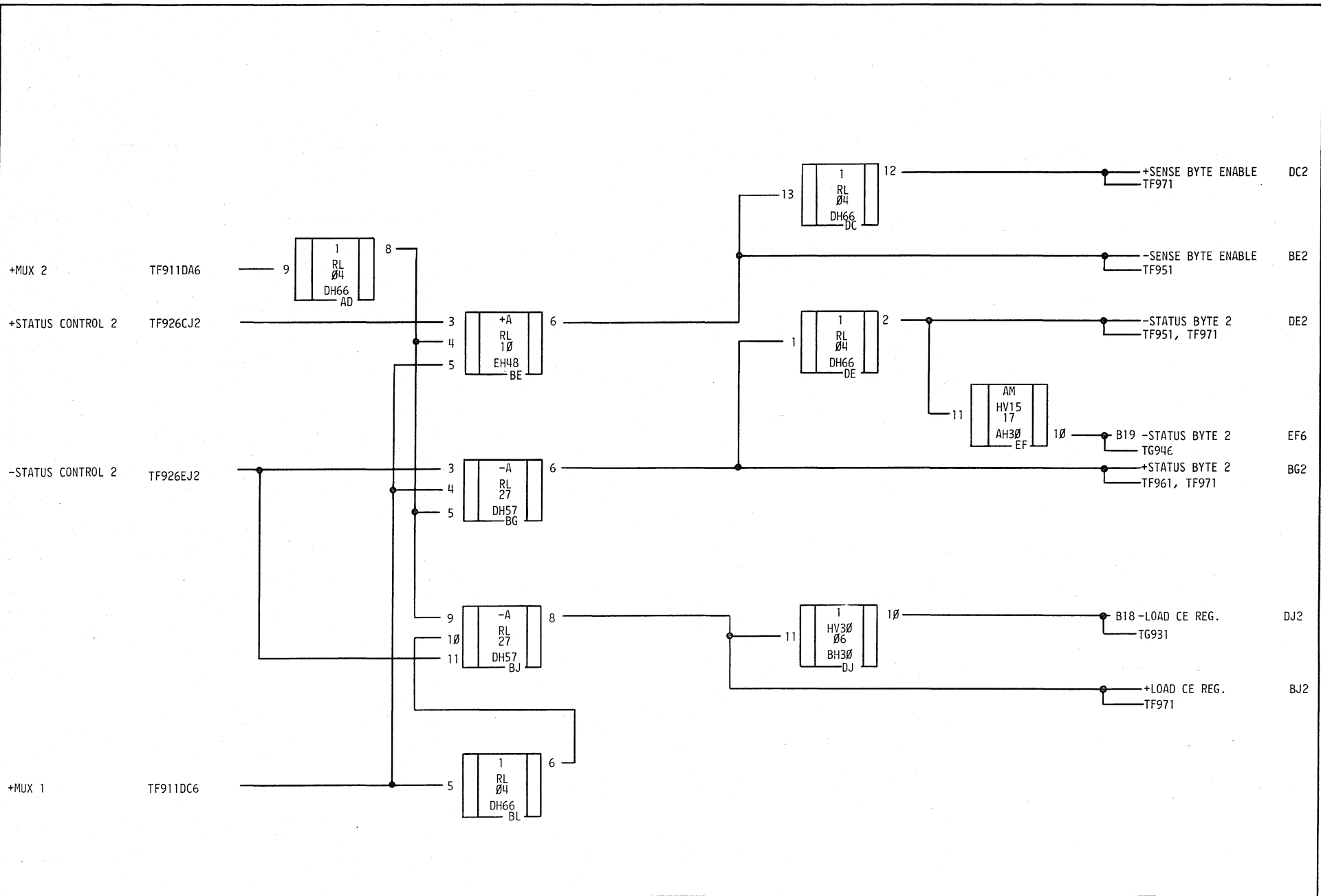
TF951



TF956	TF956, SYS LOGIC				TF956
	PRES. E.C. DATE	3584 NONE 10-4-82	REV. A	MACH. TU VERS. 08L. ROT.	
	CD. LOC. GATE FRAME	G2	CD. P.N. TF PG. P.N. 4022479-01		



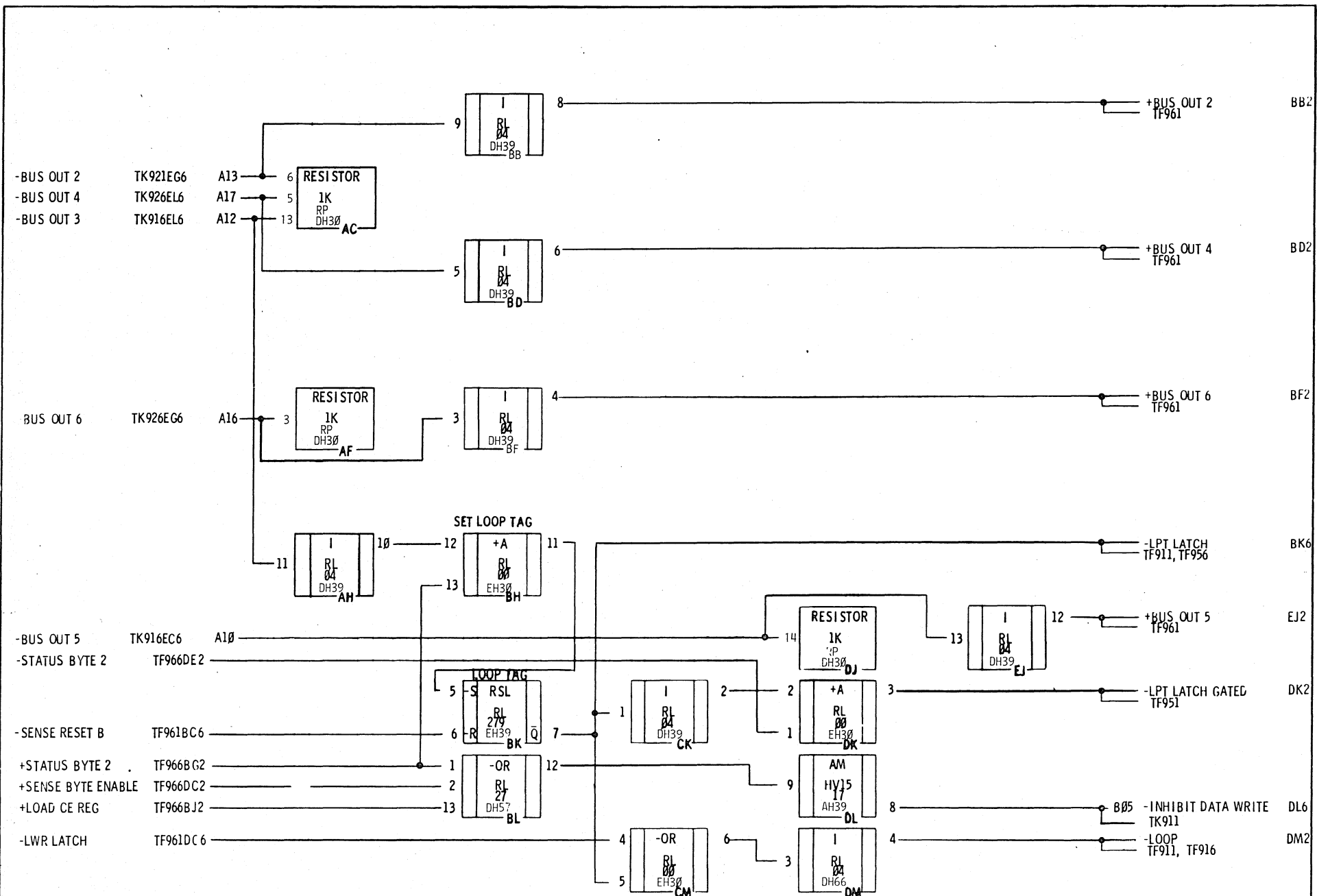
TF 961	TF961, SYSTEM LOGIC				TF 961	
	PRES. E.C.	3584	MACH. TU	CD. LOC.		G2
	PREV. E.C.	NONE	VERS.	GATE		CD. P.N.
	DATE	10-4-82	GBL. ROT.	FRAME		TF PG. P.N. 4022480-01



TF
9
6
6

GAF Polytrace 033

TF966, SYS. LOGIC				TF 9 6 6
PRES. E.C.	3584	MACH. TU	CD. LOC. G2	CD. P.N. CD. TYPE TF PG. PN. 4022481-01
PREV. E.C.	NONE	VERS.	GATE	
DATE	10-4-82	GBL. ROT.	FRAME	



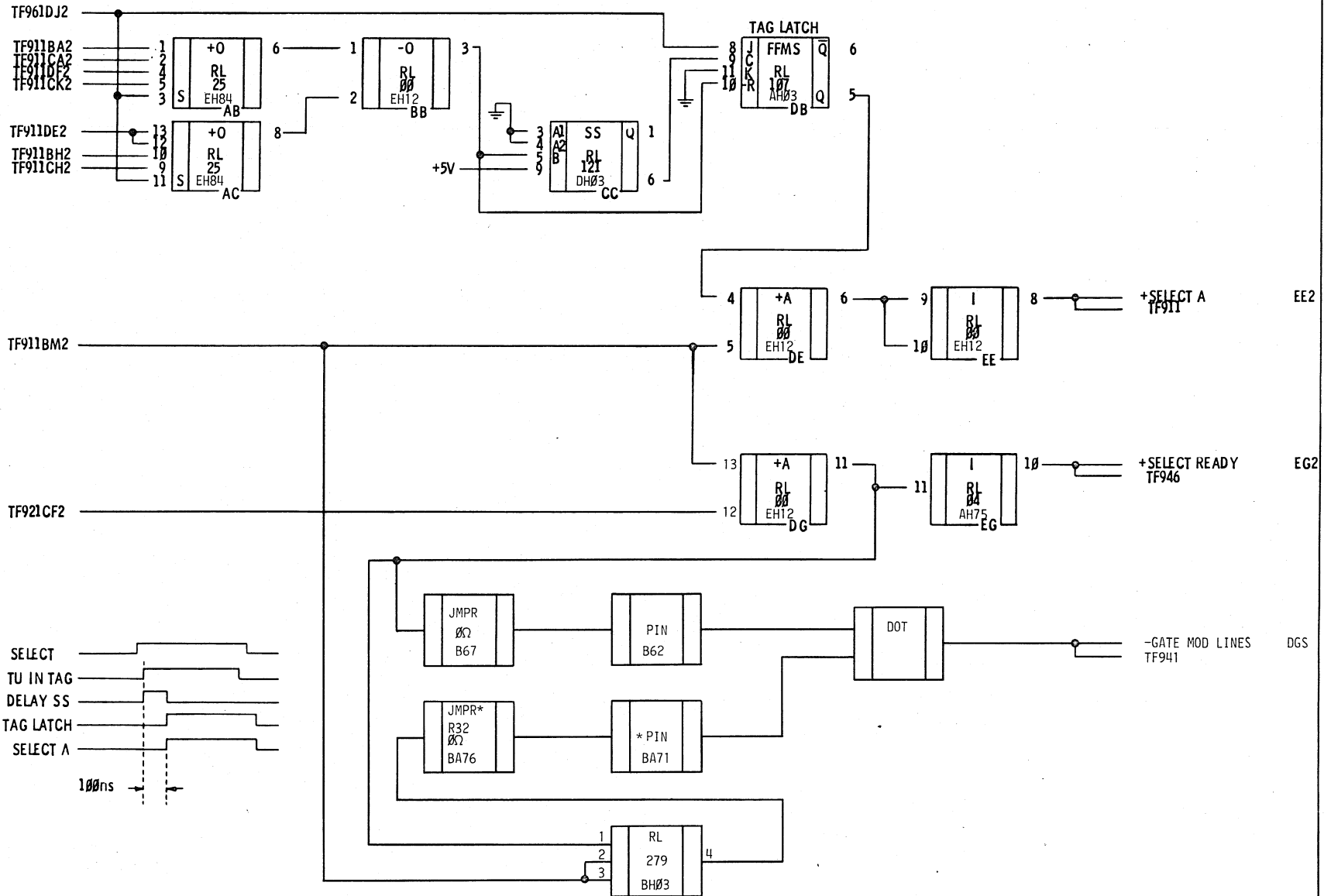
+PULL UP RESISTOR

+SET REW/UNLD
+SET REW
+SET BACKWARD
+SET NRZ1

+GO COMMAND
+SET VWRITE
+SET READ

+SELECTED

+READY



*Ω JUMPER AT LOCATION BA76 AND BA71 SHOULD BE THE ONLY ONE USED. DESIGNATED AS R32.

TF976, SYS LOGIC		T.U.		G2		TF	
PRES. E.C.	3584	REV. A	MACH. VERS.	CD. LOC. GATE FRAME	CD. P.N. TF	PG. P.N. 4022468-01	
PREV. E.C.	NONE		GBL. ROT.				
DATE	10-4-82						

1
9
7
6

1
9
7
6

ASSEMBLY PARTS LIST

BUILD ARC

PRINT DATE	PAGE	E.C. NO.
03-25-82	1	18

DIV.	ASSEMBLY NUMBER	CD	REV.	DWG.	DESCRIPTION	MC	STATUS	STATUS DATE	FILE DATE						
0500	40846006	1	B	N	SLG, TG, MULTI, PNS, PC	N	REL	12-17-81	36RX 02-24-82						
T	FIND NO	LI	PART NUMBER	CD	M	QUANTITY	U/M	PART DESCRIPTION	MC	YLD	E.C. NO. IN	E.C. NO. OUT	S/N	WK IN	WK OUT
	000	01	40846098	8		REF		PC IC LOCATION CHART TG903	D		3518			8212	
	001	01	40846047	5		REF		PC TG911, SYS LOGIC	D						
	002	01	40846026	9		REF		PC TG 916, SYS LOGIC	D						
	003	01	40846027	7		REF		PC TG 921, SYS LOGIC	D						
	004	01	40846083	0		REF		PC TG926, SYS LOGIC	D						
	005	01	40846078	0		REF		PC TG931, SYS LOGIC	D						
	006	01	40846076	4		REF		PC TG 936, SYS LOGIC	D						
	007	01	40846087	1		REF		PC TG 941 SYS LOGIC	D						
	008	01	40846077	2		REF		PC TG 946, SYS LOGIC	D						
	500	01	40628207	9		REF		PC CKT CD, TG, 3600 PC ASSY	S		3518			8212	
	501	01	40628307	7		REF		PC CKTCD, TG, 3600 PC ASSY	S		3518			8212	
	502	01	40628407	5		REF		PC CKT CD, TG, PC ASSY	S		3518			8212	
								0012 TOTAL LINES							

IC SIZE		LOC JH70		IC SIZE 14 LOC JH65		IC SIZE 14 LOC JH60		IC SIZE 14 LOC JH55		IC SIZE 14 LOC JH50		IC SIZE 14 LOC JH45		IC SIZE 14 LOC JH40		IC SIZE 14 LOC JH35		IC SIZE 14 LOC JH30		IC SIZE 14 LOC JH25		IC SIZE 14 LOC JH20		IC SIZE 14 LOC JH15		IC SIZE 14 LOC JH10					
PIN	IC S/N	PIN	IC S/N	PIN	IC S/N	PIN	IC S/N	PIN	IC S/N	PIN	IC S/N	PIN	IC S/N	PIN	IC S/N	PIN	IC S/N	PIN	IC S/N	PIN	IC S/N	PIN	IC S/N	PIN	IC S/N	PIN	IC S/N	PIN	IC S/N		
		3	TG91BJ	1	TG926CC	1	TG926CA	3	TG926CB	3	TG926CC	2	TG926EC	1	TG946BC	2	TG926EE	6	TG936DK	3	TG926CH	2	TG926EF	6	TG936DK	3	TG926CH	2	TG926EK		
		6	TG926CF	4	TG926CF	4	TG926DA	4	TG926DB	4	TG926DB	4	TG926FG	3	TG946CC	4	TG936AL	8	TG936DM	6	TG941CC	4	TG936AE	8	TG936DM	6	TG941CC	4	TG936AE		
		8	TG926BM	10	TG926BM	11	TG926BD	11	TG926BB	8	TG926BF	6	TG926L	5	TG946DC	6	TG941F	10	TG936EM	8	TG946CB	6	TG936AE	12	TG936DM	6	TG941CC	4	TG936AE		
		11	TG926AA	13	TG926AA	12	TG926BD	12	TG926BR	11	TG926FF	8	TG926L	6	TG941BH	8	TG936EF	10	TG936EM	8	TG946CB	6	TG936AE	11	TG936CK	8	TG946DB	10	TG941AH		
													10	TG946BR	10	TG936EM							11	TG936CK	8	TG946DB	10	TG941AH	12	TG941DF	
													12	TG946CD	12	TG946EC															
*5V			14		14		5		5		14		14		14		14		14		14		14		14		14		14		14
GND			GND		GND		GND		GND		GND		GND		GND		GND		GND		GND		GND		GND		GND		GND		GND

IC SIZE		LOC GH74		IC SIZE 14 LOC GH69		IC SIZE 14 LOC GH64		IC SIZE 14 LOC GH59		IC SIZE 14 LOC GH54		IC SIZE 14 LOC GH49		IC SIZE 16 LOC GH44		IC SIZE 14 LOC GH39		IC SIZE 14 LOC GH34		IC SIZE 16 LOC GH29		IC SIZE 16 LOC GH24		IC SIZE 14 LOC GH19		IC SIZE 16 LOC GH14		IC SIZE 14 LOC GH09		
PIN	IC S/N	PIN	IC S/N	PIN	IC S/N	PIN	IC S/N	PIN	IC S/N	PIN	IC S/N	PIN	IC S/N	PIN	IC S/N	PIN	IC S/N	PIN	IC S/N	PIN	IC S/N	PIN	IC S/N	PIN	IC S/N	PIN	IC S/N	PIN	IC S/N	
		3	TG926FJ	3	TG926D	2	TG926CA	6	TG926DH	2	TG931CB	4	TG926DC	2	TG936DA	3	TG936CD	4		6	TG921EL	2	TG946EE	4	TG941BC	8	TG941EF			
		6	TG926B	4	TG926DA	8	TG931DB	4	TG931CD	7	TG936CE	4	TG936DD	6	TG936BC	12	TG941DM	7	TG921EL	4	TG946EL	7	TG941BB	7	TG941BB	7	TG941DF			
		8	TG926B	6	TG926CD	6	TG931DB	6	TG931BD	9	TG936DB	6	TG936DE	8	TG936BD	8	TG936BD	9	TG921EL	6	TG941EL	9	TG941FE	7	TG941BB	7	TG941DF			
		11	TG926CM	11	TG926BF	8	TG926BF	8	TG931EA	13	TG936EA	8	TG936EB	11	TG936BE	11	TG936BE	15		8	TG926EK	13	TG941DC							
													10	TG926BG	10	TG926CE				10	TG916EG									
													12	TG926CG	12	TG936EG	12	TG936CC			12	TG916EK								
*5V			14		14		14		14		14		16		14		14		14		16		14		16		14		14	
GND			GND		GND		GND		GND		GND		GND		GND		GND		GND		GND		GND		GND		GND		GND	

IC SIZE		LOC EH70		IC SIZE 16 LOC EH65		IC SIZE 16 LOC EH60		IC SIZE 16 LOC EH55		IC SIZE 16 LOC EH50		IC SIZE 16 LOC EH45		IC SIZE 16 LOC EH40		IC SIZE 16 LOC EH35		IC SIZE 14 LOC EH30		IC SIZE 14 LOC EH25		IC SIZE 14 LOC EH20		IC SIZE 14 LOC EH15		IC SIZE 16 LOC EH10			
PIN	IC S/N	PIN	IC S/N	PIN	IC S/N	PIN	IC S/N	PIN	IC S/N	PIN	IC S/N	PIN	IC S/N	PIN	IC S/N	PIN	IC S/N	PIN	IC S/N	PIN	IC S/N	PIN	IC S/N	PIN	IC S/N	PIN	IC S/N	PIN	IC S/N
		6	TG916DL	6	TG916DE	6	TG916DH	6	TG911DH	6	TG911DE	6	TG911DB	1	TG931CE	1	TG931EF	2	TG921BA	2	TG921BC	2	TG921BG	2	TG921BK	3	TG946DL	4	TG941BF
														8	TG931CM	8	TG931EM	4	TG921CA	4	TG921CG	4	TG921CK	6	TG941CE	7	TG946EJ		
														9		6	TG921BD	6	TG921BD	6	TG921BL	6	TG921BE	8	TG946DG	9	TG946CM		
														10		8	TG921CD	8	TG921CL	8	TG921CE	11	TG946BH	13	TG946EG				
														11	TG931CK	11	TG931EK	10	TG921CB	10	TG921CH	10	TG941BE						
														14	TG931CH	14	TG931EH	12	TG921BB	12	TG921BH	12	TG941CG						
														15															
														16															
*5V			16		16		16		16		16		5		5		14		14		14		14		14		16		16
GND			GND		GND		GND		GND		GND		GND		GND		GND		GND		GND		GND		GND		GND		GND

IC SIZE		LOC K74		IC SIZE 16 LOC K69		IC SIZE 14 LOC K64		IC SIZE 14 LOC K59		IC SIZE 16 LOC K54		IC SIZE 14 LOC K49		IC SIZE 16 LOC K44		IC SIZE 14 LOC K39		IC SIZE 14 LOC K34		IC SIZE 14 LOC K29		IC SIZE 14 LOC K24		IC SIZE 14 LOC K19		IC SIZE 14 LOC K14		IC SIZE 14 LOC K09	
PIN	IC S/N	PIN	IC S/N	PIN	IC S/N	PIN	IC S/N	PIN	IC S/N	PIN	IC S/N	PIN	IC S/N	PIN	IC S/N	PIN	IC S/N	PIN	IC S/N	PIN	IC S/N	PIN	IC S/N	PIN	IC S/N	PIN	IC S/N	PIN	IC S/N
		6	TG916DB	1	TG941AA	1	TG926AK	6	TG911DI	1	TG911CJ	2	TG911AB	3	TG911AB	3	TG911CL	3	TG911CF	3	TG911ED	3	TG911EG	4	TG936AD	4	TG936AD	4	TG936AD
*5V			16		14		14		16		14		14		14		14		14		14		14		14		14		14
GND			GND		GND		GND		GND		GND		GND		GND		GND		GND		GND		GND		GND		GND		GND

NOTES:
 CD P/N: 40628407
 40628307
 40628207
 COMPONENT SIDE

SI . TG983, IC LOCATION CHART

PREL. E.C. 3518 PREV. E.C. NONE DATE 1/4/82	REV A	MACH. TU VERS. GBL. ROT.	CD. LOC. F2 GATE FRAME	CD. PN. . SEE NOTES CD. TYPE TG PG. PN. 40846090
---	-------	--------------------------------	---------------------------	--

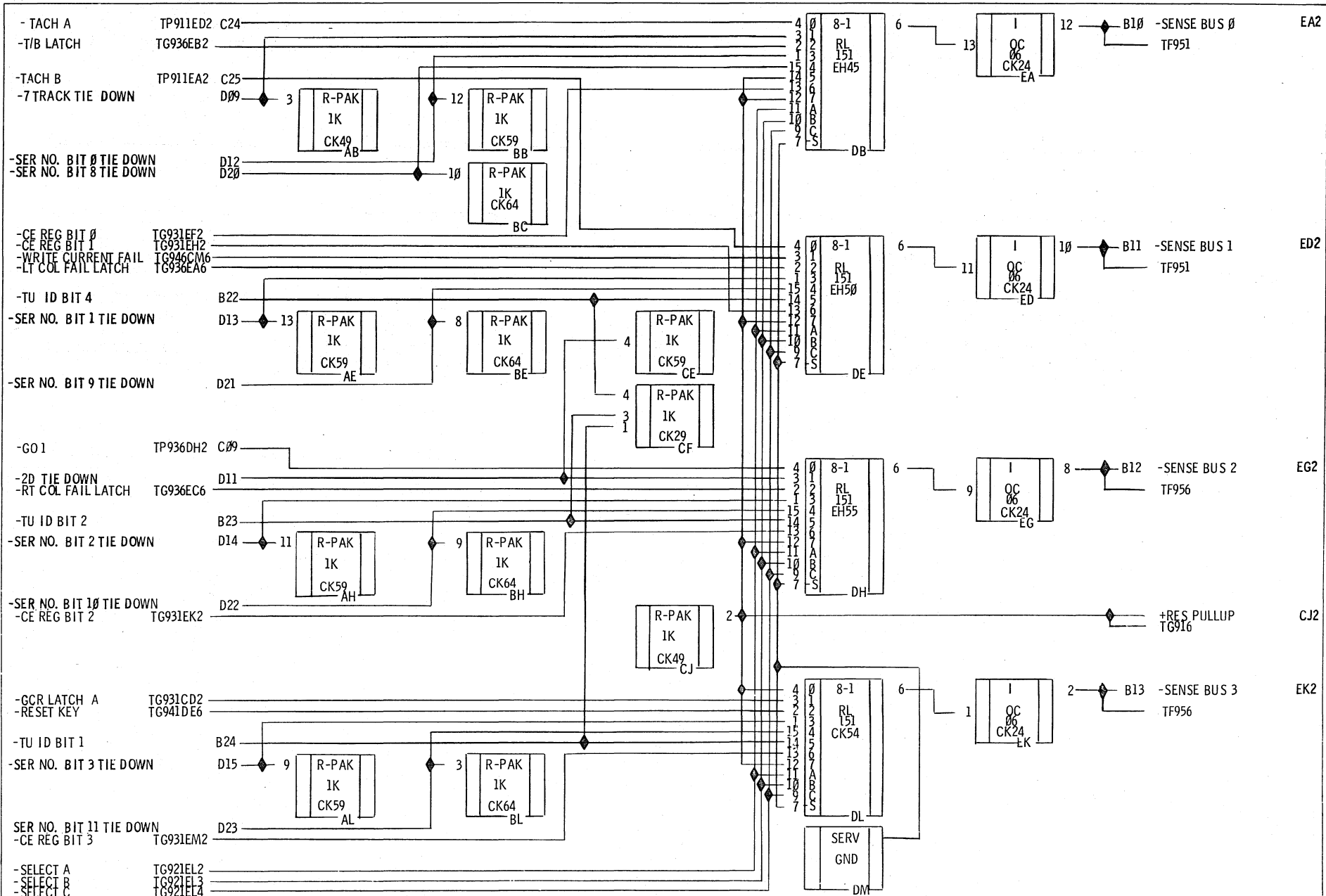
T
G
9
8
3

ASSEMBLY PARTS LIST

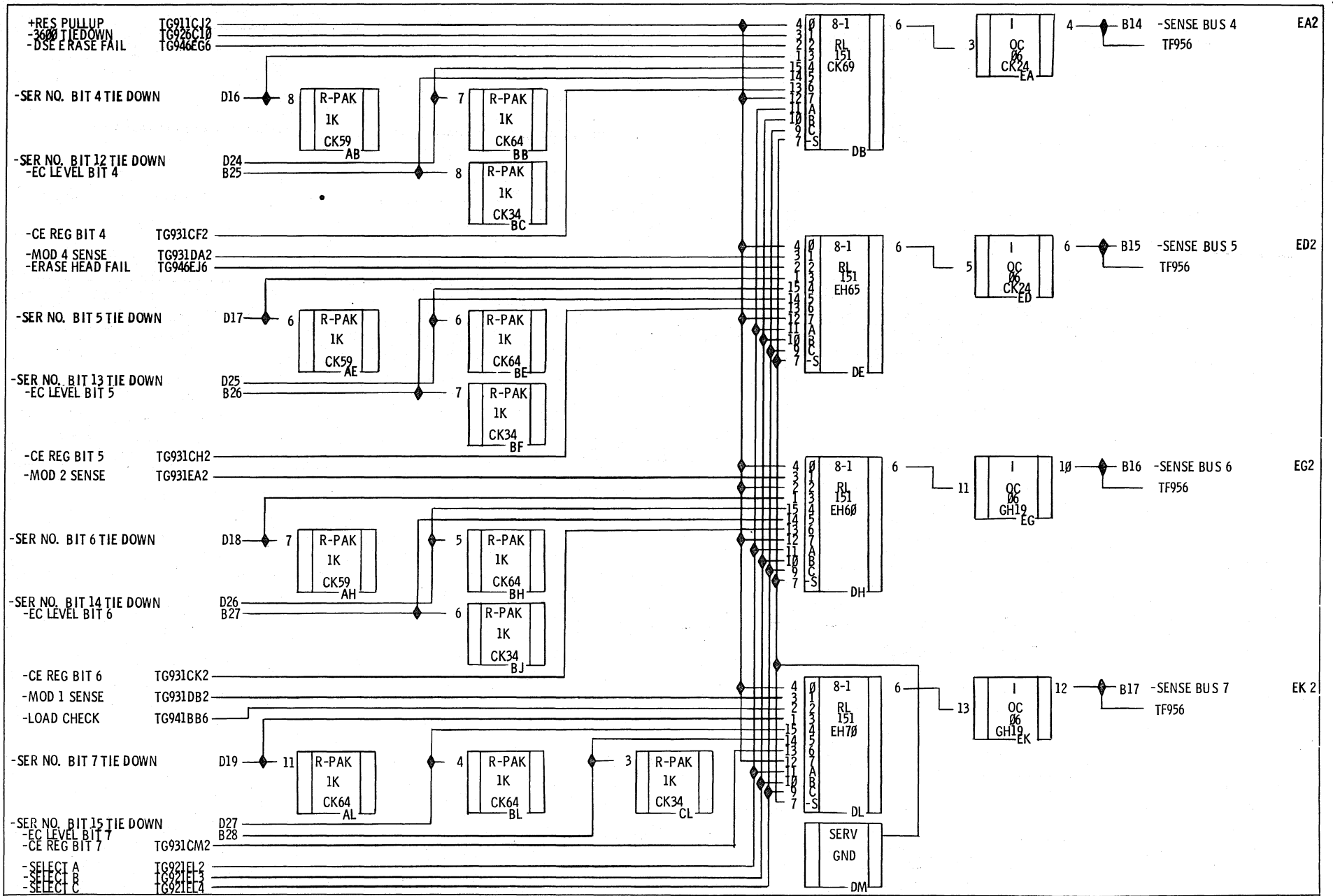
BUILD ARC

DIV.	ASSEMBLY NUMBER	CD	REV.	DWG.	DESCRIPTION	MC	STATUS	STATUS DATE	FILE DATE
0500	40846006	1	B	N	SLG, TG, MULTI, PNS, PC	N	REL	12-17-81	36XX 02-24-82

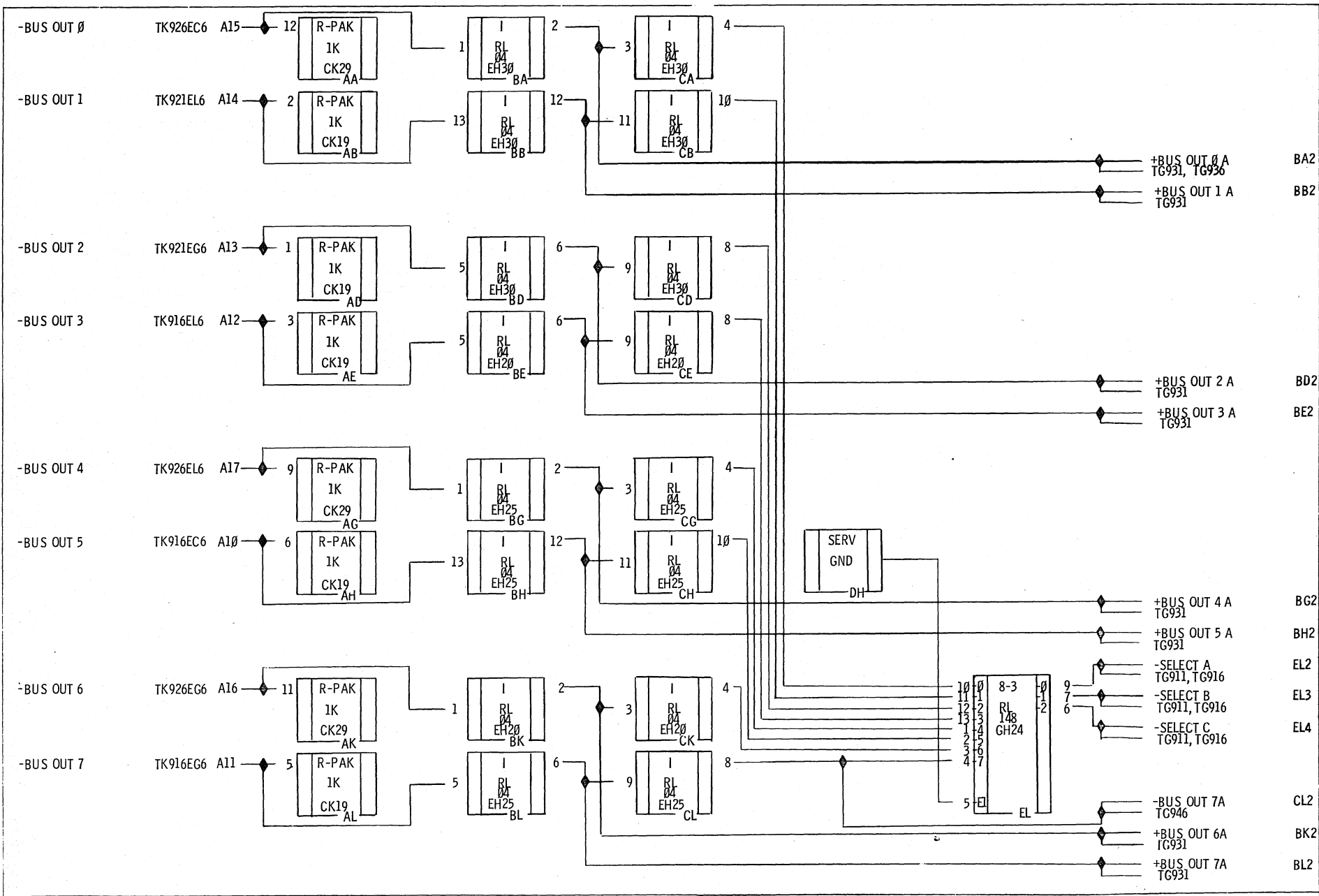
T	FIND NO	LI	PART NUMBER	CD	M	QUANTITY	U/M	PART DESCRIPTION	MC	YLD	E.C. NO. IN	E.C. NO. OUT	S/N	WK IN	WK OUT
	000	01	40846098	8		REF		PC IC LOCATION CHART TG903	D		3518			8212	
	001	01	40846047	5		REF		PC TG911, SYS LOGIC	D						
	002	01	40846026	9		REF		PC TG 916, SYS LOGIC	D						
	003	01	40846027	7		REF		PC TG 921, SYS LOGIC	D						
	004	01	40846083	0		REF		PC TG926, SYS LOGIC	D						
	005	01	40846078	0		REF		PC TG931, SYS LOGIC	D						
	006	01	40846076	4		REF		PC TG 936, SYS LOGIC	D						
	007	01	40846087	1		REF		PC TG 941 SYS LOGIC	D						
	008	01	40846077	2		REF		PC TG 946, SYS LOGIC	D						
	500	01	40628207	9		REF		PC CKT CD, TG, 3600 PC ASSY	S		3518			8212	
	501	01	40628307	7		REF		PC CKTCD, TG, 3600 PC ASSY	S		3518			8212	
	502	01	40628407	5		REF		PC CKT CD, TG, PC ASSY	S		3518			8212	
								0012 TOTAL LINES							



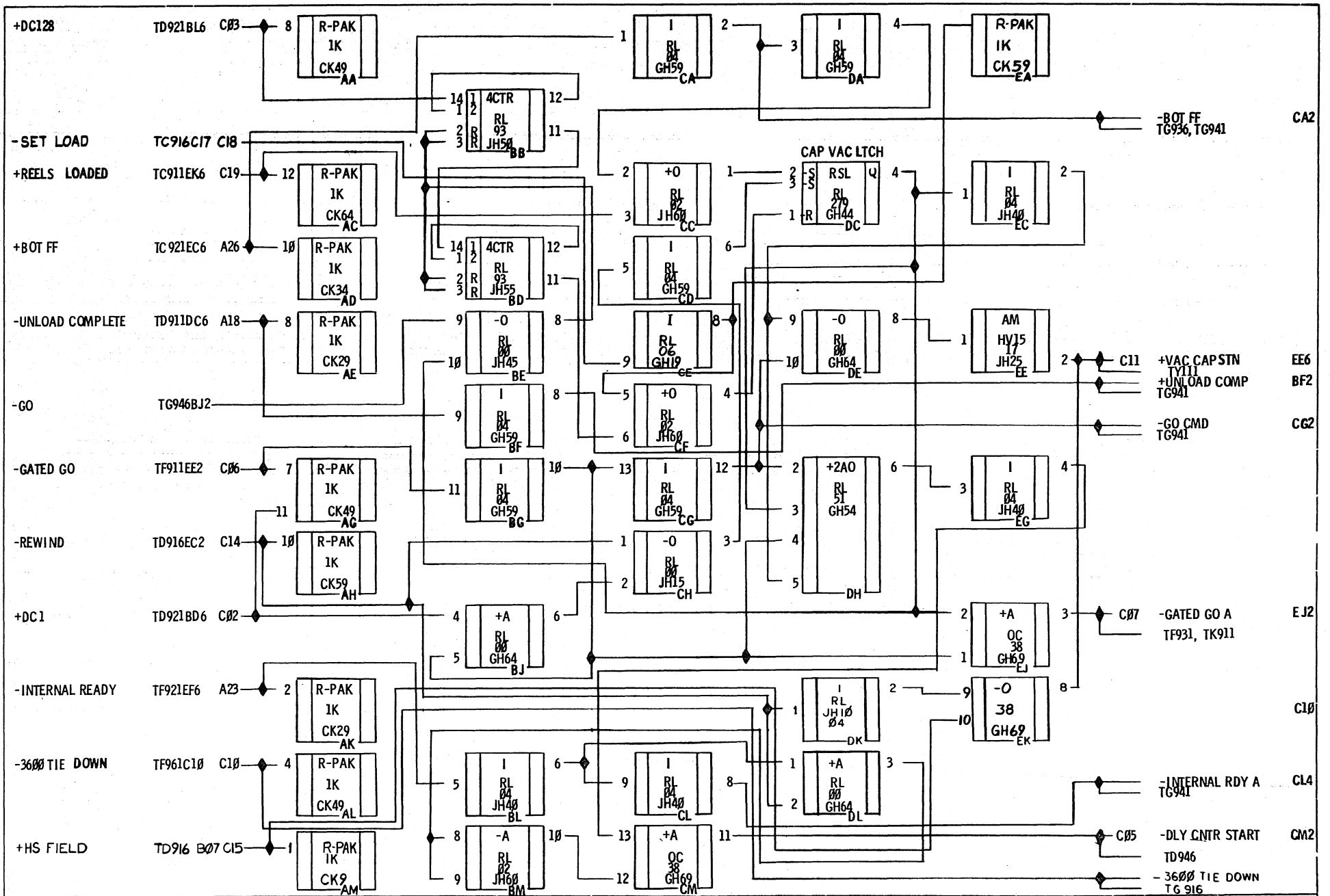
TG 911	TG911, SYS LOGIC				TG 911	
	PRES. E.C. 2625	REV. A	MACH. VRS. TU	CD. LOC. F2		CD. P.N. TG
	PREV. E.C.	DATE 4.19.77	GBL. POT.	FRAME		PG. P.N. 40846047-5



TG 916	TG916, SYS LOGIC				TG 916	
	PRES. E.C. 1881	REV B	MACH. TU	CD. LOC. F2		CD. P.N.
	PREV. E.C. 1820	VERS. GBL. ROT.	GATE	FRAME		PG. P.N. TG 40846026-9
	DATE 10-27-75					



TG921	TG921, SYS LOGIC				TG921	
	PRES. E.C. 1881	REV. B	MACH. TU	CD. LOC. F2		CD. R.N.
	PREV. E.C. 1820		VERS. B	GATE		CD. TYPE TG
	DATE 10-27-75		GBL. ROT.	FRAME		PG. PN. 40846027-7

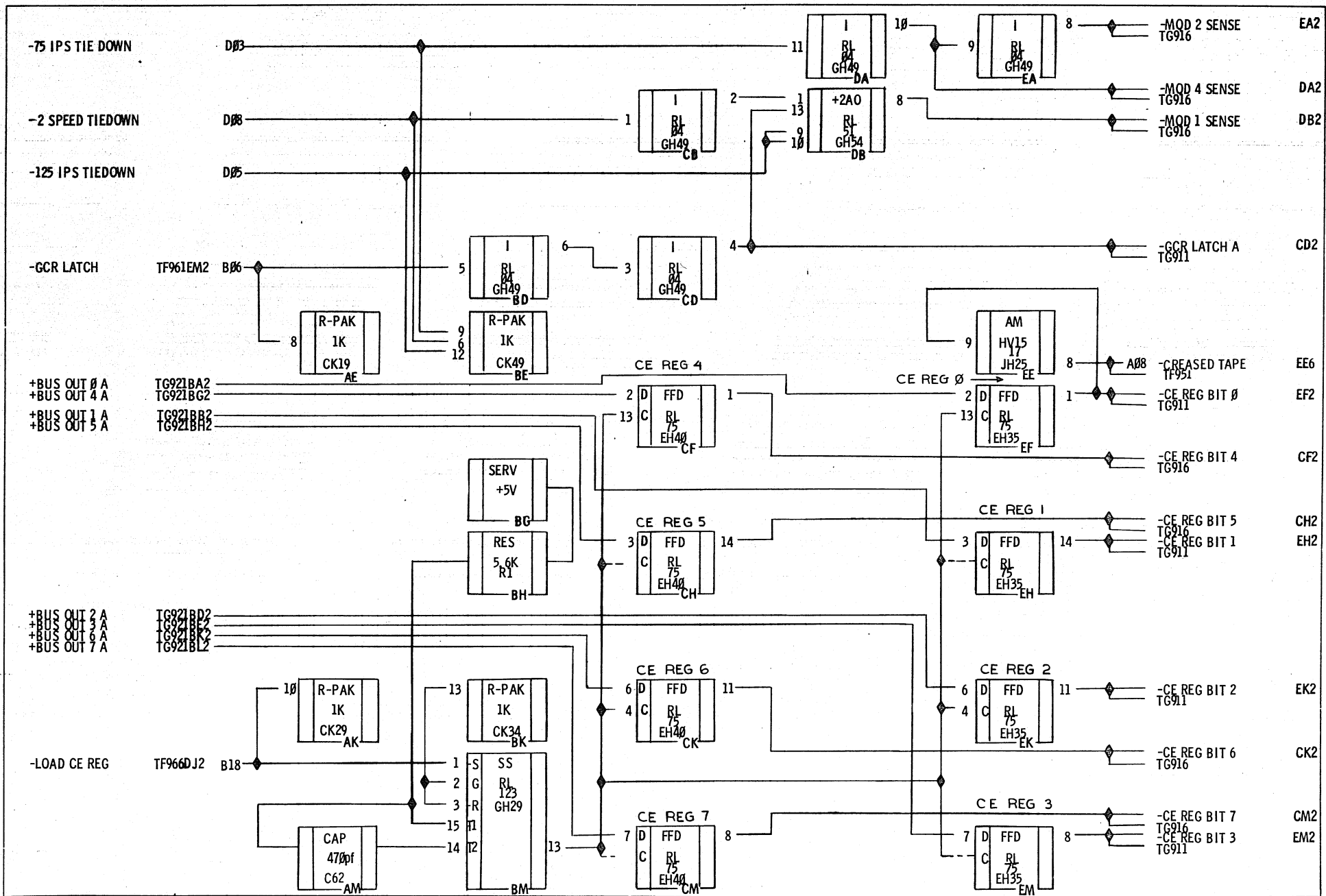


TG926, SYS LOGIC

PRES. E.C. 4 PREV. E.C. 3 DATE 11-1-79	REV B	MACH. VERS. GBL. ROT.	TU	CD. LOC. F2 GATE FRAME	CD. R.N. CD. TYPE TC PG. RN. 498468-83
--	-------	--------------------------	----	---------------------------	--

TG926

TG926



TG931

TG931, SYS LOGIC

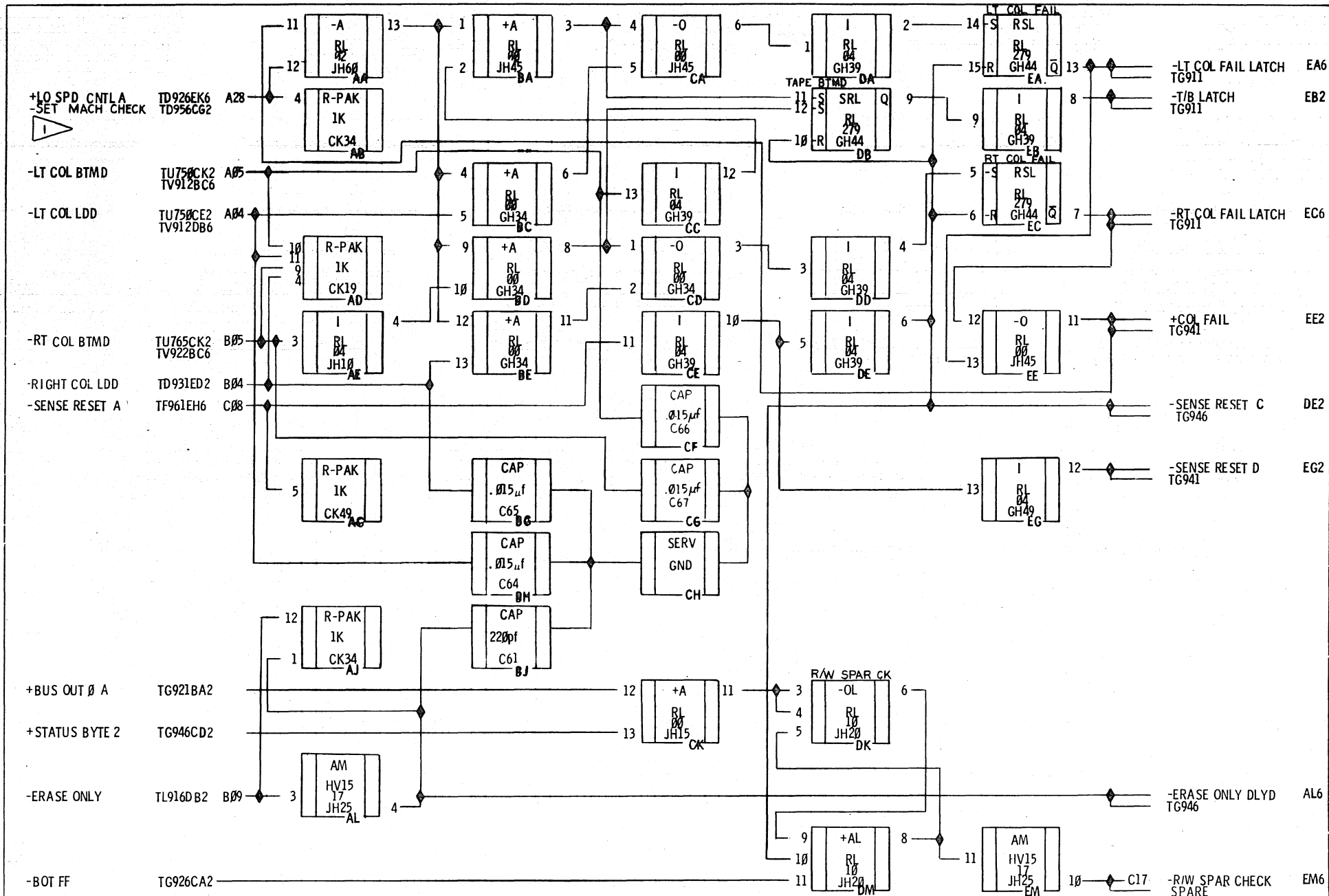
PRES. E.C. 3017
 PREV. E.C. 2487
 DATE 5-11-79

REV. A
 MACH. TU
 VERS. GBL. ROT.

CD. LOC. F2
 GATE FRAME

CD. P.N. TG
 CD. TYPE TG
 PG. P.N. 40846078-0

TG931



NOTES:
 1. -SET MACH CHECK INPUT FOUND ON 36XXG'S AND 36XXC'S ONLY. +LO SPD CNTLA FOUND ON EVE DRIVES ONLY.

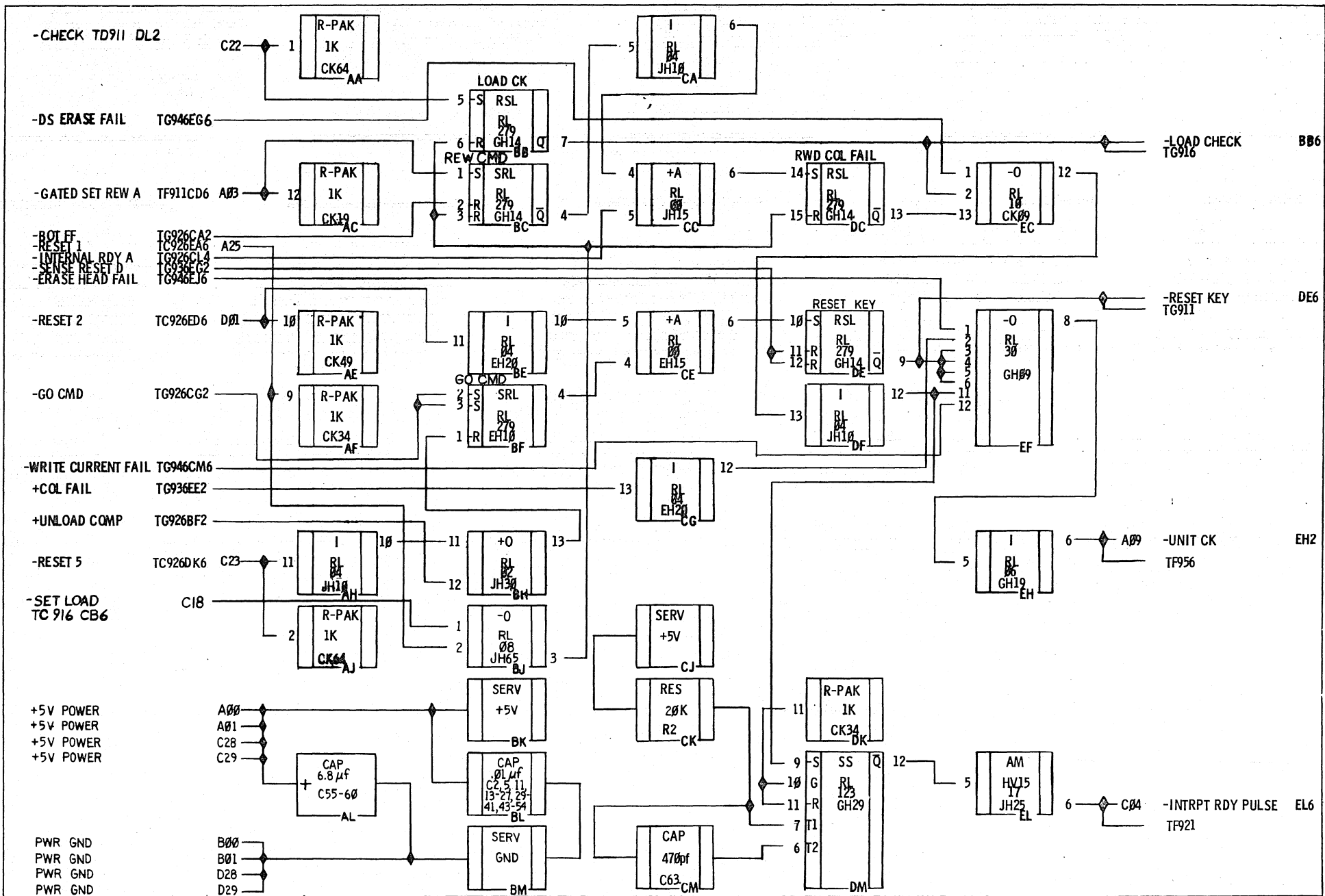
NOTES CONTINUED:
 2. "TU" FOR 36XXG MACHINES "TV" FOR 36XXE MACHINES

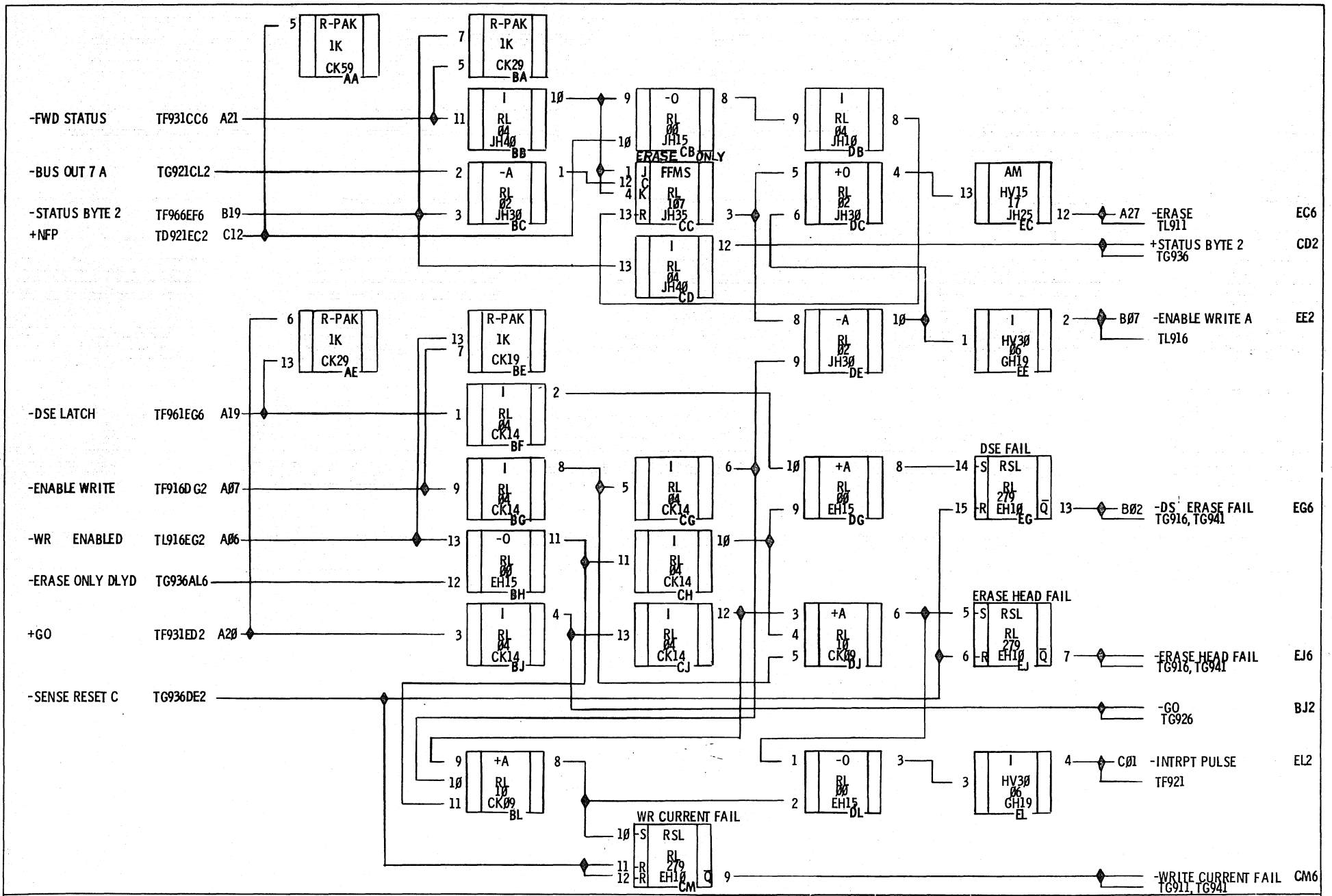
TG936, SYS LOGIC

PRES. E.C. 3017 PREV. E.C. 2978 DATE 5-14-79	REV. A	MACH. VERS. GBL. ROT.	TU	CD. LOC. F2 GATE FRAME	CD. P.N. TG CD. TYPE TG PG. P.N. 40846076-4
--	--------	-----------------------	----	---------------------------	---

TG936

TG936



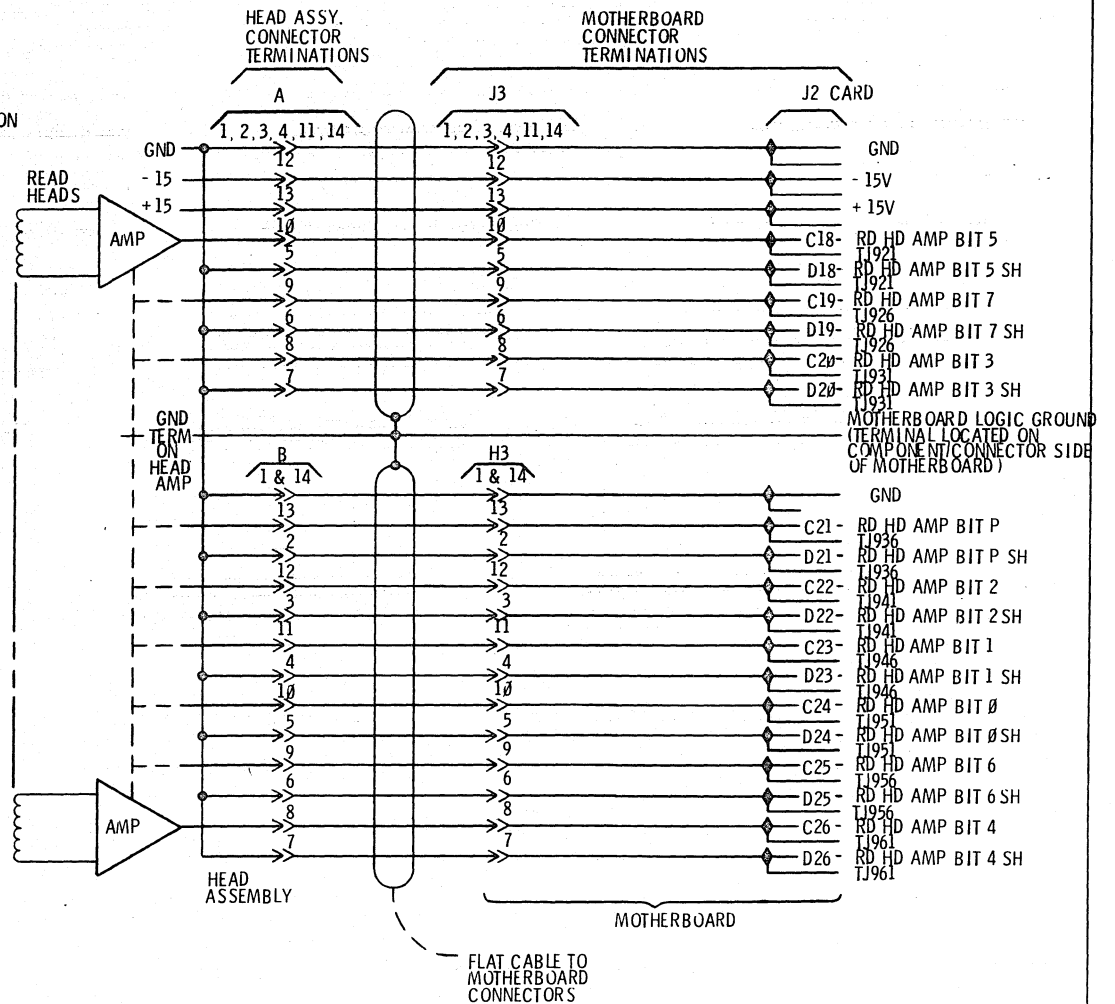
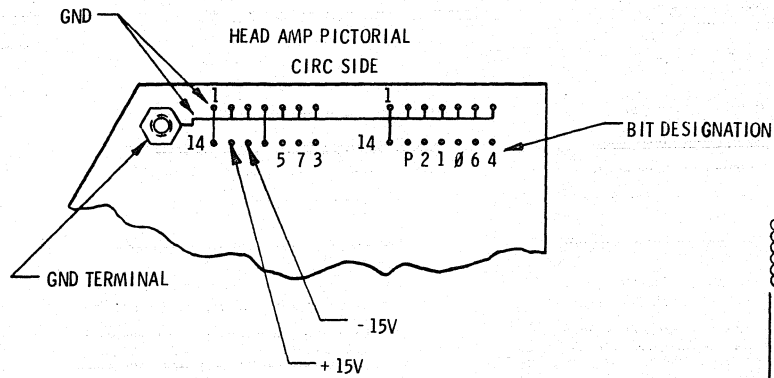


T
C
9
4
6

ASSEMBLY PARTS LIST

BUILD ARC

DIV.	ASSEMBLY NUMBER	CD	REV.	DWG.	DESCRIPTION	MC	STATUS	STATUS DATE	FILE DATE					
0500	40847000	3	B	N	SYS LOGIC, TN CARD	N	REL	08-24-76	3600-EVE	03-07-77				
TFIND NO	LI	PART NUMBER	CD	M	QUANTITY	U/M	PART DESCRIPTION	MC	YLD	E.C. NO. IN	E.C. NO. OUT	S/N	WK IN	WK OUT
001	01	40847001	1		1	PC	THIII HEAD AND AMP ASSY	D			2487			7641
001	02	40847002	9		REF	PC	THIII HEAD AND AMP ASSY	D		2487			7641	
							0002 TOTAL LINES							



GROUND	TL911Z01	Z01	WR CABLE SHIELD	WRITE HEADS
WR HD COIL (N) BIT 5	TL926Z21	Z21		
WR HD CTR TAP BIT 5	TL926Z18	Z18		
WR HD COIL (S) BIT 5	TL926Z20	Z20		
WR HD COIL (N) BIT 7	TL931Y21	Y21		
WR HD CTR TAP BIT 7	TL931Y17	Y17		
WR HD COIL (S) BIT 7	TL931Y19	Y19		
WR HD COIL (N) BIT 3	TL936Y20	Y20		
WR HD CTR TAP BIT 3	TL936Y18	Y18		
WR HD COIL (S) BIT 3	TL936Y18	Y18		
WR HD COIL (N) BIT P	TL941Z09	Z09		
WR HD CTR TAP BIT P	TL941Z15	Z15		
WR HD COIL (S) BIT P	TL941Z08	Z08		
WR HD COIL (N) BIT 2	TL946Y08	Y08		
WR HD CTR TAP BIT 2	TL946Z14	Z14		
WR HD COIL (S) BIT 2	TL946Y09	Y09		
WR HD COIL (N) BIT 1	TL951Y07	Y07		
WR HD CTR TAP BIT 1	TL951Z13	Z13		
WR HD COIL (S) BIT 1	TL951Y06	Y06		
WR HD COIL (N) BIT 0	TL956Z05	Z05		
WR HD CTR TAP BIT 0	TL956Z12	Z12		
WR HD COIL (S) BIT 0	TL956Z02	Z02		
WR HD COIL (N) BIT 6	TL961Y05	Y05		
WR HD CTR TAP BIT 6	TL961Z11	Z11		
WR HD COIL (S) BIT 6	TL961Y02	Y02		
WR HD COIL (N) BIT 4	TL966Y04	Y04		
WR HD CTR TAP BIT 4	TL966Z10	Z10		
WR HD COIL (S) BIT 4	TL966Y03	Y03		
- ERASE HEAD	TL911Y22	Y22		ERASE HEAD
+ ERASE HEAD	TL911Z22	Z22		

TH111, HEAD AND AMP ASSEMBLY

PRES. E.C. 2487	REV. A	MACH. 36XX	CD. LOC. GATE FRAME	CD. P.N. 40847002-9
PREV. E.C. DATE 9-23-76		VERS. GBL. ROT.		PG. PN.

TH111

TH111

ASSEMBLY PARTS LIST

BUILD ARC

PRINT DATE	PAGE	E.C.
03-25-82	1	187

DIV.	ASSEMBLY NUMBER	CD	REV.	DWG.	DESCRIPTION	MC	STATUS	STATUS DATE	FILE DATE					
0500	40848000	2	C	N	SYS LOG, TJ CD MULT CARD P/N'S	N	REL	12-18-75	3600	11-08-77				
T FIND NO	LI	PART NUMBER	CD	M	QUANTITY	U/M	PART DESCRIPTION	MC	YLD	E.C. NO. IN	E.C. NO. OUT	S/N	WK IN	WK OUT
001	01	40848026	7		1	PC	TJ 916, SYS LOGIC	D			2487			7641
001	02	40848025	9		REF	PC	TJ 906, NOTE PAGE	D		2487			7641	
002	01	40848027	5		1	PC	TJ 921, SYS LOGIC	D			2487			7641
002	02	40848026	7		REF	PC	TJ 916, SYS LOGIC	D		2487			7641	
003	01	40848028	3		1	PC	TJ 926, SYS LOGIC	D			2487			7641
003	02	40848064	8		REF	PC	TJ921, SYS LOGIC	D		2487			7641	
004	01	40848029	1		1	PC	TJ 931, SYS LOGIC	D			2487			7641
004	02	40848065	5		REF	PC	TJ926, SYS LOGIC	D		2487			7641	
005	01	40848030	9		1	PC	TJ 936, SYS LOGIC	D			2487			7641
005	02	40848066	3		REF	PC	TJ931, SYS LOGIC	D		2487			7641	
006	01	40848031	7		1	PC	TJ 941, SYS LOGIC	D			2487			7641
006	02	40848067	1		REF	PC	TJ936, SYS LOGIC	D		2487			7641	
007	01	40848032	5		1	PC	TJ 946, SYS LOGIC	D			2487			7641
007	02	40848068	9		REF	PC	TJ941, SYS LOGIC	D		2487			7641	
008	01	40848033	3		1	PC	TJ 951, SYS LOGIC	D			2487			7641
008	02	40848069	7		REF	PC	TJ946, SYS LOGIC	D		2487			7641	
009	01	40848034	1		1	PC	TJ 956, SYS LOGIC	D			2487			7641
009	02	40848070	5		REF	PC	TJ951, SYS LOGIC	D		2487			7641	
010	01	40848035	8		1	PC	TJ 961, SYS LOGIC	D			2487			7641
010	02	40848071	3		REF	PC	TJ956, SYS LOGIC	D		2487			7641	
011	01	40848041	6		1	PC	TJ 991, SYS LOGIC	D			2487			7641
011	02	40848072	1		REF	PC	TJ961, SYS LOGIC	D		2487			7641	
012	01	40618301	2		REF	PC	RD PREAMP&DAC 3650/3450R	S		2422	2487		7644	7644
012	02	40848041	6		REF	PC	TJ 991, SYS LOGIC	D		2487			7644	
013	01	40619301	1		REF	PC	RD PREAMP&DAC 3670/3470	S		2422			7644	
014	01	40622302	4		REF	PC	RP PREAMP&DAC 3630/3430R TJ	S		2422			7644	
015	01	40623302	3		REF	PC	RC PREAMP & DAC 3640/3440R TJ	S		2422			7644	



SEE TABLE BELOW

MACHINE MODEL & PART NO.	FIND NO. 14 P/N & DESC.	FIND NO. 15 P/N & DESC.	FIND NO. 17 P/N & DESC.	FIND NO. 18 P/N & DESC.	FIND NO. 19 P/N & DESC.	FIND NO. 23 P/N & DESC.	FIND NO. 24 P/N & DESC.	FIND NO. 28 P/N & DESC.
3650/3450R 40618301	10051062 CAP, MICA, 2,100, 360 pf	10051042 CAP, MICA, 2,100, 937 pf	10051061 CAP, MICA, 2,100, 1600 pf	10048003 CAP, FM, 10, 50, .01 uf	10051049 CAP, MICA, 2,100, 2210 pf	10058022 INDUCTOR, SHLD, 22 uh	10058021 INDUCTOR, SHLD, 30 uh	10046201 RES, MF, 1/8, 1%, 76.8 ohm
3670/3470R 40619301	10051104 CAP, MICA, 2,100, 170 pf	10051105 CAP, MICA, 2,100, 570 pf	10051106 CAP, MICA, 2,100, 1170 pf	10048058 CAP, FM, PE, 5, 80, .018 uf	10051078 CAP, MICA, 2,100, 720 pf	10058050 INDUCTOR, SHLD, 12 uh	10058022 INDUCTOR, SHLD, 22 uh	10046059 RES, MF, 1/8, 1%, 20 ohm
3640/3440R 40623301	10051115 CAP, MICA, 2,100 510 pf	10051006 CAP, MICA, 2,100, 1350 pf	10051117 CAP, MICA, 2,100, 2720 pf	10048018 CAP, FM, 5, 80, .033 uf	10051116 CAP, MICA 2,100, 2650 pf	10058021 INDUCT, SHLD, 30 uh	10058009 INDUCT, SHLD, 47 uh	10046059 RES, MF, 1/8, 1%, 20 ohm
3630/3430R 40622302-4	10051032 CAP, MICA 2,100, 540 pf	10051046 CAP, MICA, 2,100, 1770 pf	10051023 CAP, MICA 2,100, 3700 pf	10048023 CAP, FM 5, 80, .047 uf	10048510 CAP, FM 2,100V, 5600 pf	10058055 INDUCT, SHLD, 39 uh	10058038 INDUCT, SHLD, 68 uh	10046059 RES, MF, 1/8, 1%, 20 ohm



SEE SYS LOGIC CONTENTS PAGE OR TJ906



TJ906, NOTE PAGE

PREV. E.C. 1881
DATE 11-17-75

REV A
MACH. VERS. SBL. ROT.

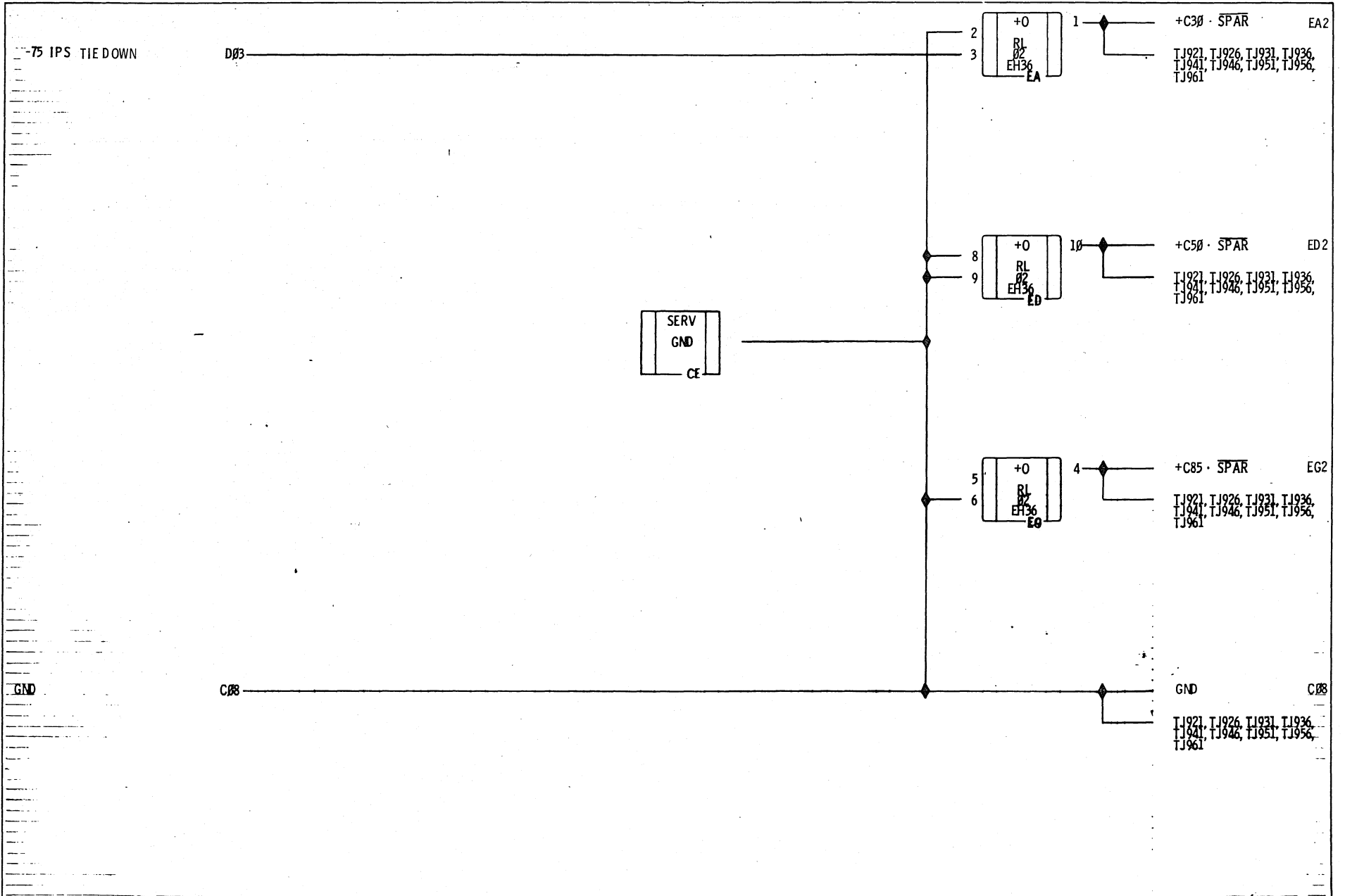
CD. LOC. J2
DATE FRAME

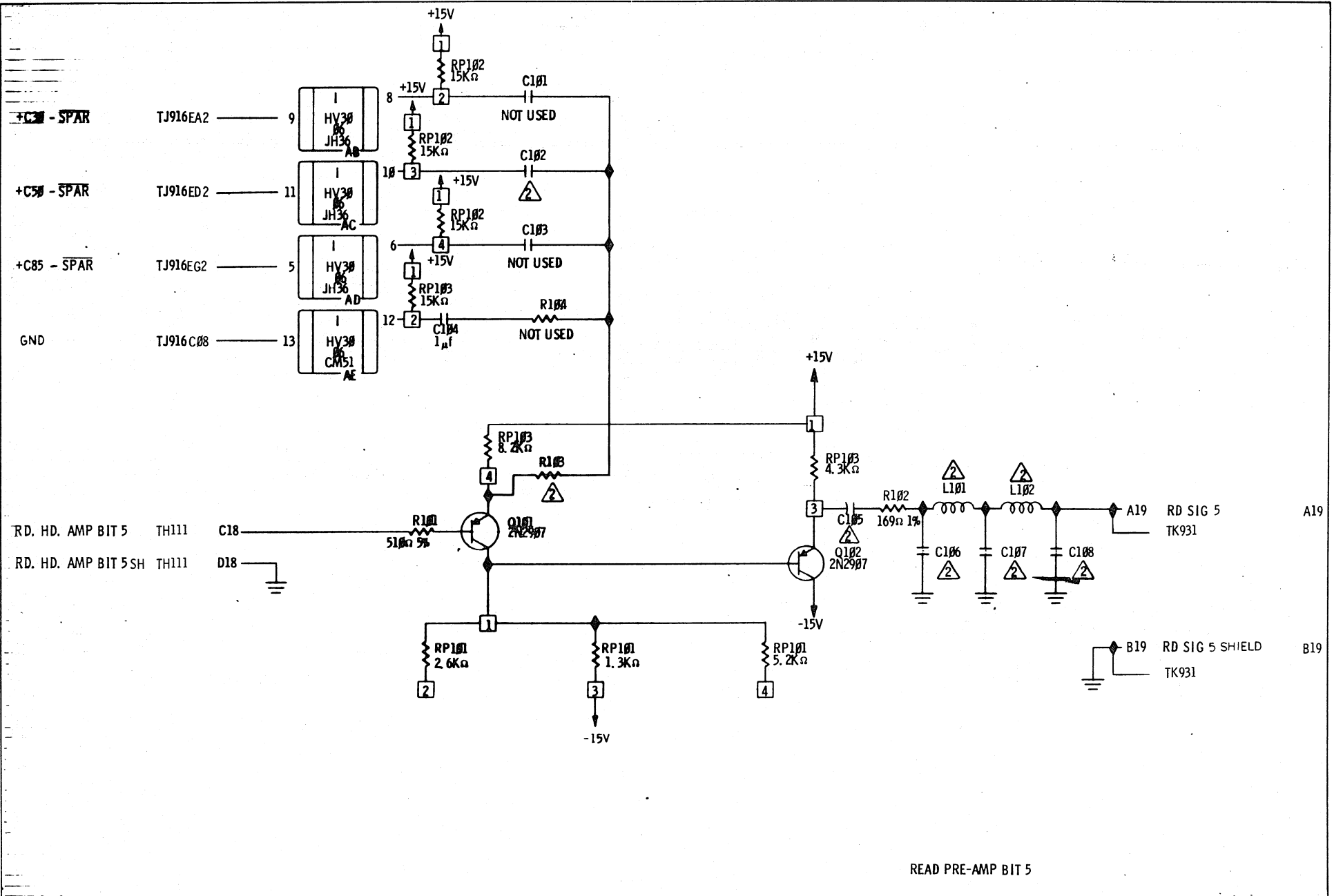
CD. P.N. TJ
CD. TYPE P8, P.N. 40848025-9



6092

6092

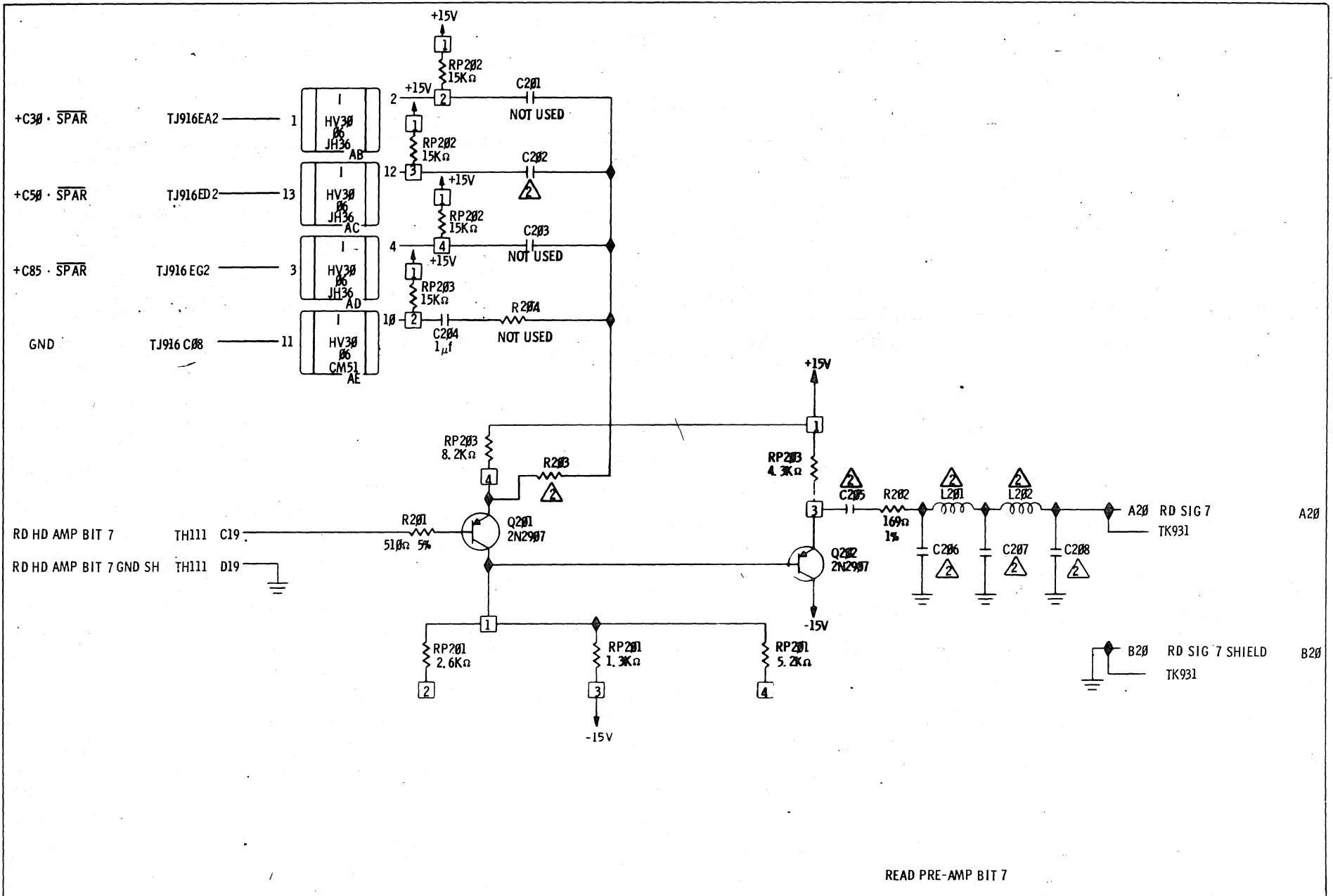




READ PRE-AMP BIT 5

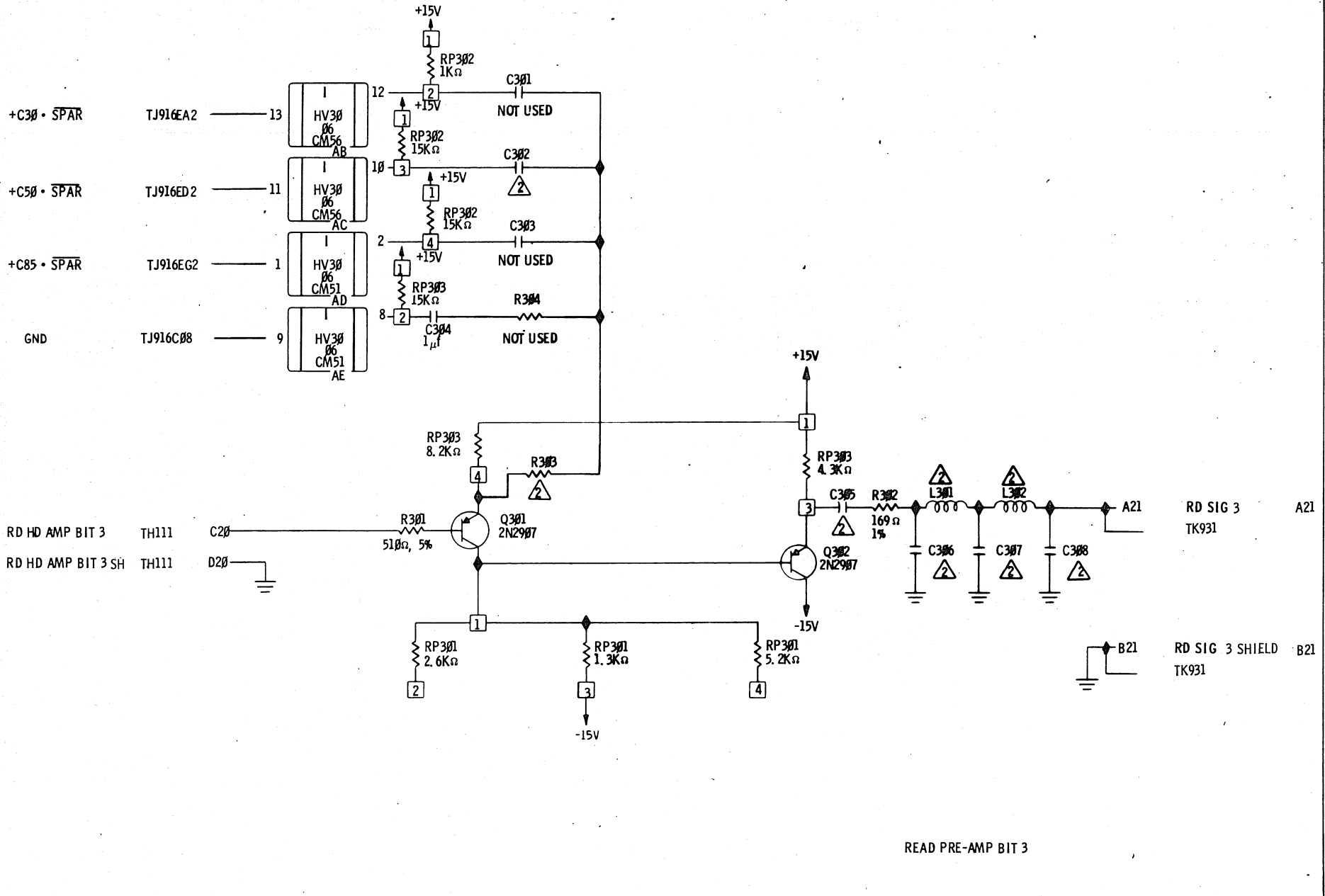
1 STL SYS LOGIC CONTAINS OR TJ906.
 2 - SEE TJ906
 3
 4

TJ921, SYS LOGIC		REV A		CD. LOC. J2		CD. P.N. TJ	
PREV. E.C. DATE	2487 9-23-76	MACH. VERS. GBL. ROT.		CD. TYPE	478480 64-8	TJ 9 2 1	



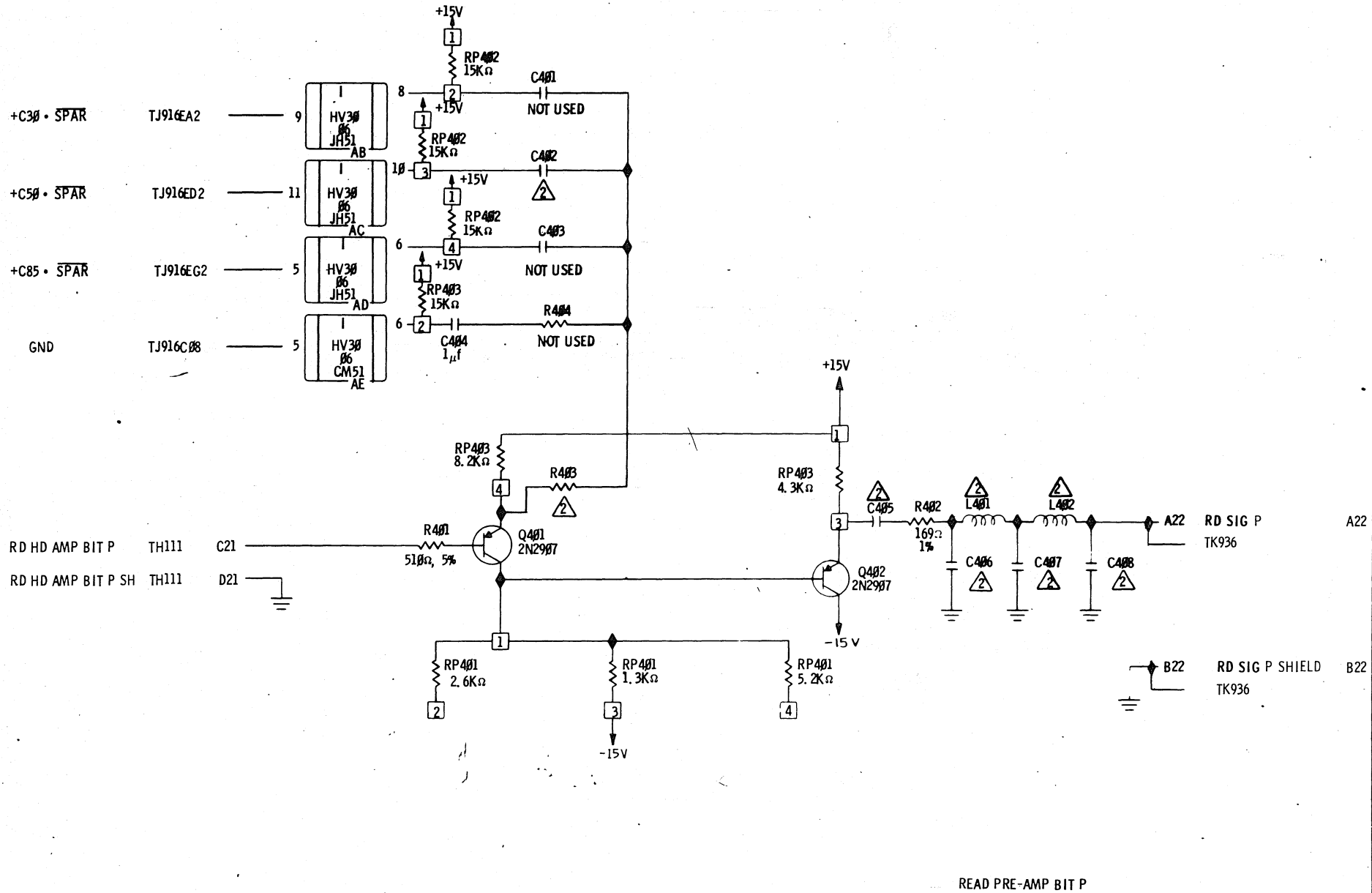
READ PRE-AMP BIT 7

1 9 2 6	SEE SYS LOGIC CONTENTS PAGE OR TJ906	TJ926, SYS LOGIC	PRES. E.C. 2487	REV. A	MACH. VERS.	CD. LOC. J2	CD. P.N.	TJ 9 2 6
	SEE TJ906		DATE 9-23-76	GBL. ROT.	GATE FRAME	PG. PN. 40848065-5		
	READ PRE-AMP BIT 7							



READ PRE-AMP BIT 3

9 3 1	△ SEE SYS LOGIC CONTENTS PAGE OR TJ906 △	TJ931, SYS LOGIC		△ T J 9 3 1	
	△ SEE TJ906	PRES. E.C. 2487 PREV. E.C. DATE 9-23-76	REV A MACH. VERS. GBL. ROT.		CD. LOC. J2 GATE FRAME
		CD. P.N. CD. TYPE TJ PG. P.N. 40848066-3			



READ PRE-AMP BIT P

SEE SYS LOGIC CONTENTS PAGE OR TJ906
SEE TJ906

TJ 936, SYS LOGIC

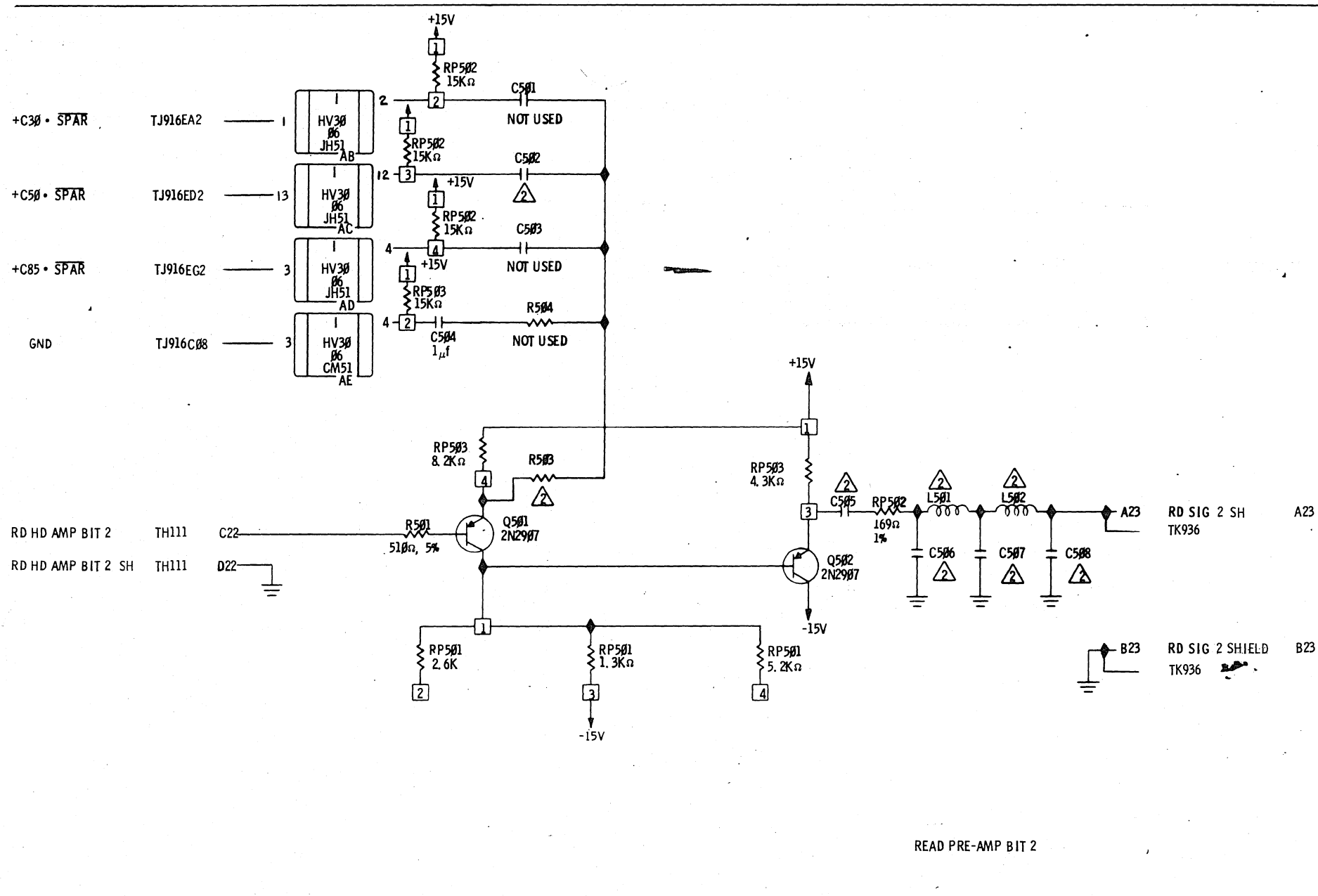
PRES. E.C. 2487
PREV. E.C.
DATE 9-23-76

REV A
MACH. VERS.
G.B.L. ROT.

CD. LOC. J2
GATE FRAME

CD. P.N. TJ
PG. PN. 40848067-1

TJ 936



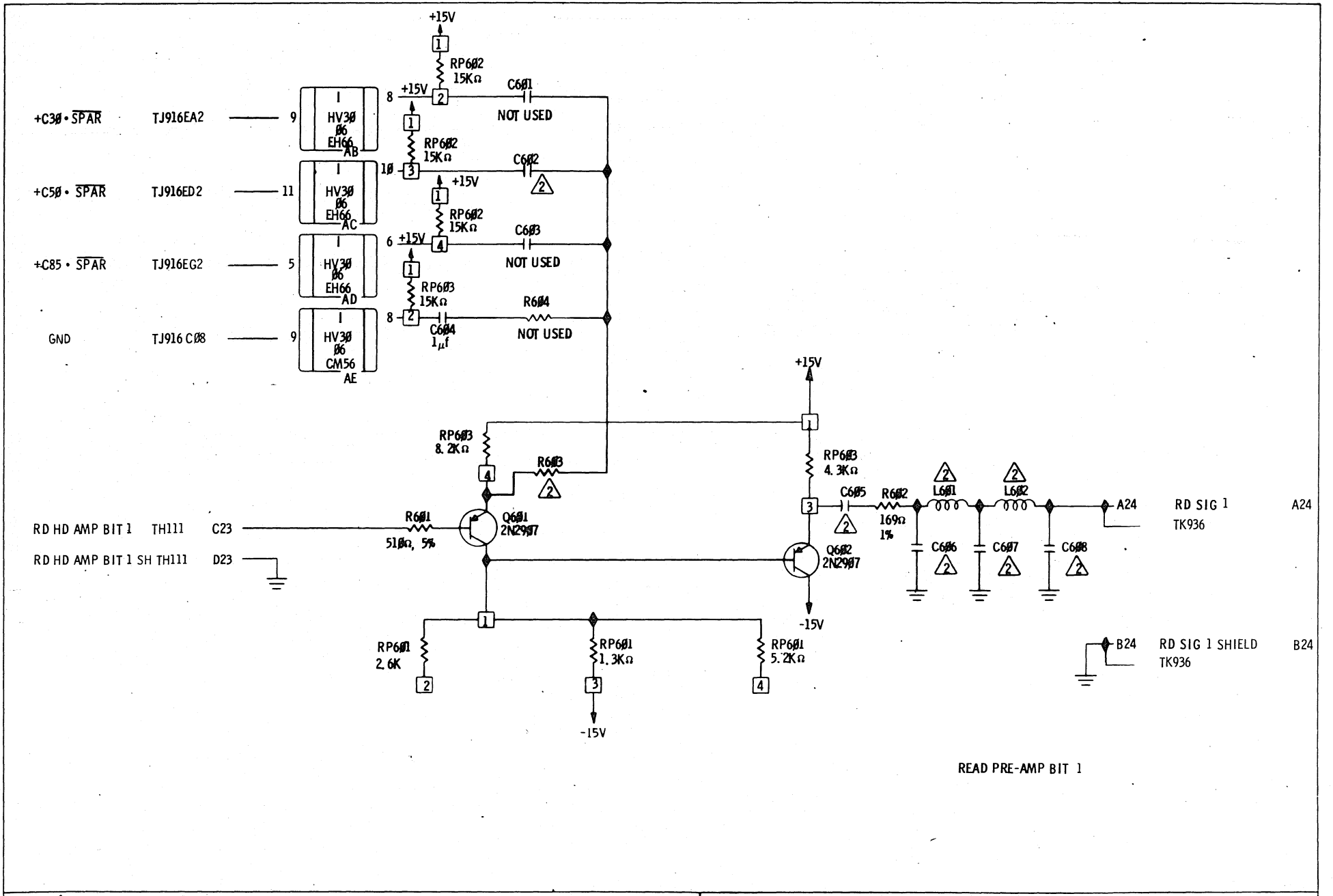
READ PRE-AMP BIT 2

- ① SEE SYS LOGIC CONTENTS SHEET OR TJ906
- ② SEE TJ906

TJ941, SYS LOGIC		REV A		CD. LOC. J2		CD. P.N. CD. TYPE PG. P.N.	
PRE. E.C. 2487	DATE 9-23-76	MACH. VERS. GBL. ROT.		GATE FRAME			TJ941 40848068-9

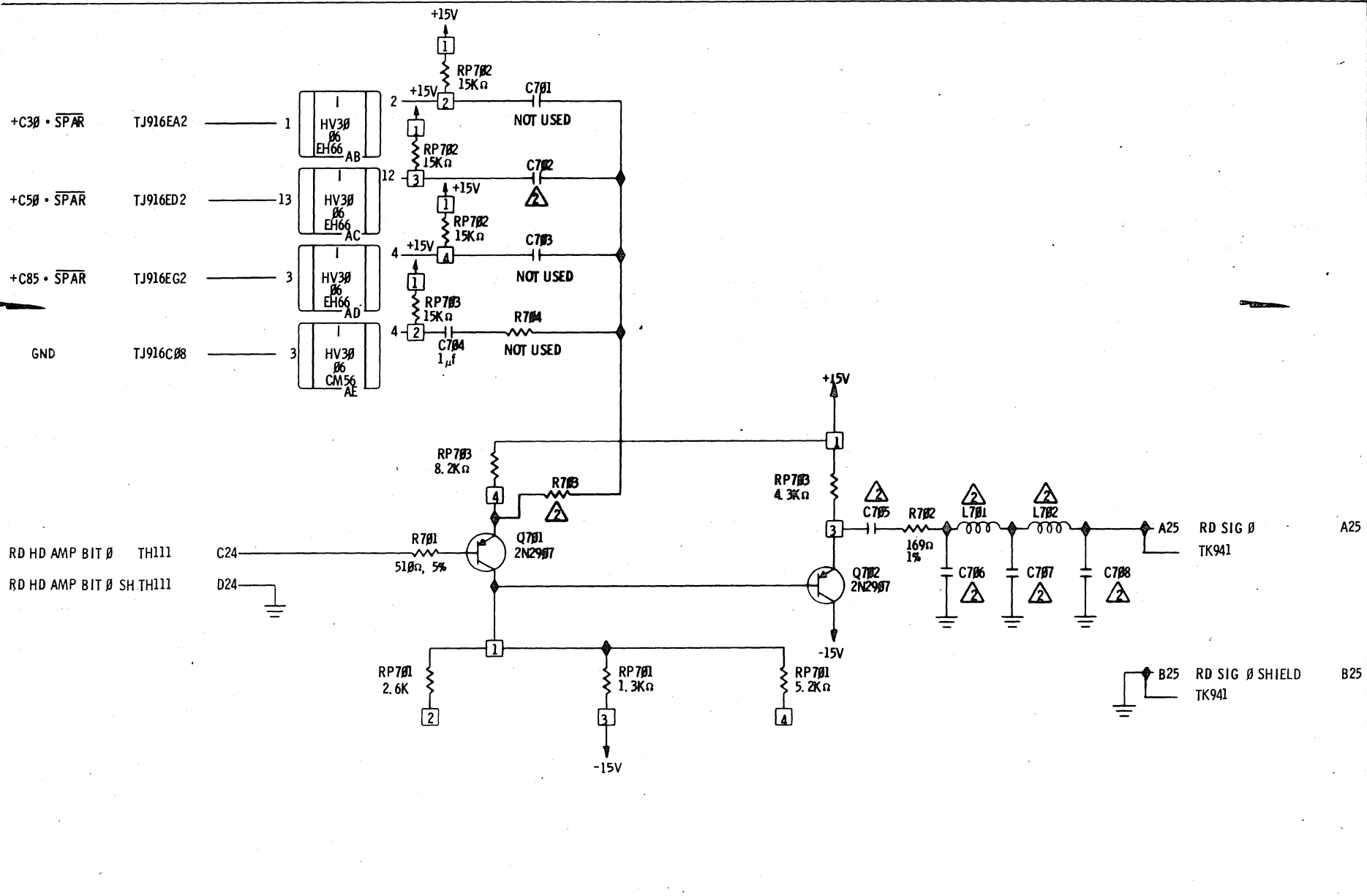
TJ
9
4
1

TJ
9
4
1



READ PRE-AMP BIT 1

J 9 4 6	△ SEE SYS LOGIC CONTENTS PAGE OR TJ906 △	TJ946, SYS LOGIC			TJ 9 4 6
	△ SEE TJ906	PRES. E.C. 2487 PREV. E.C. 9-23-76 DATE	REV. A	MACH. VRS. OBL. ROT.	
				CD. LOC. J2 GATE FRAME	
				CD. P.N. TJ CD. TYPE PG. P.N. 40848069-7	



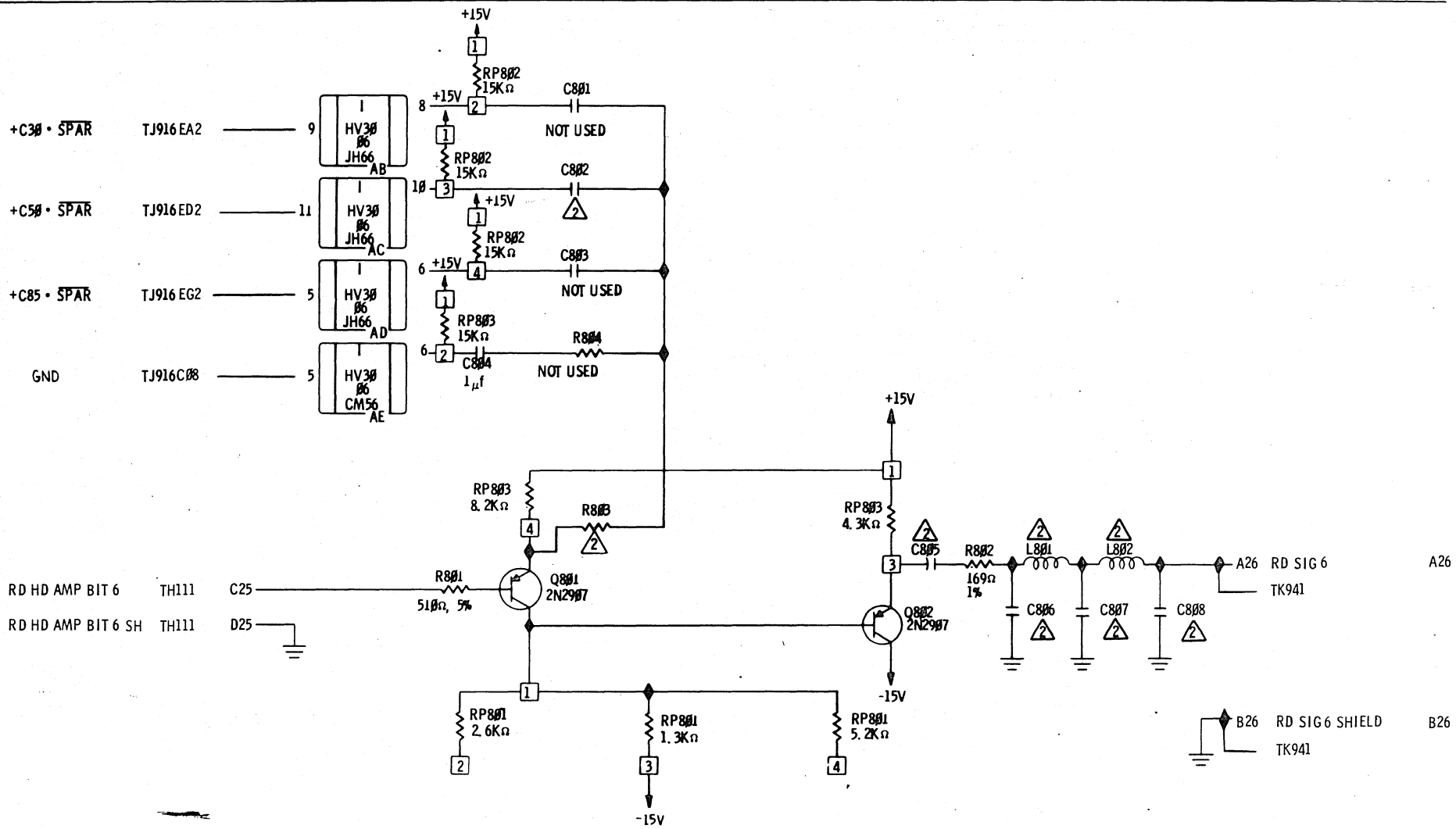
READ PRE-AMP BIT 0

SEE SYS LOGIC CONTENTS PAGE OR TJ906
SEE TJ906

TJ951, SYS LOGIC		REV A		CD. LOC. J2		CD. P.N. TJ	
PRES. E.C. DATE	2487 9-23-76	MACH. VERS. GBL. ROT.		GATE FRAME		PG. PN. 48848070-5	

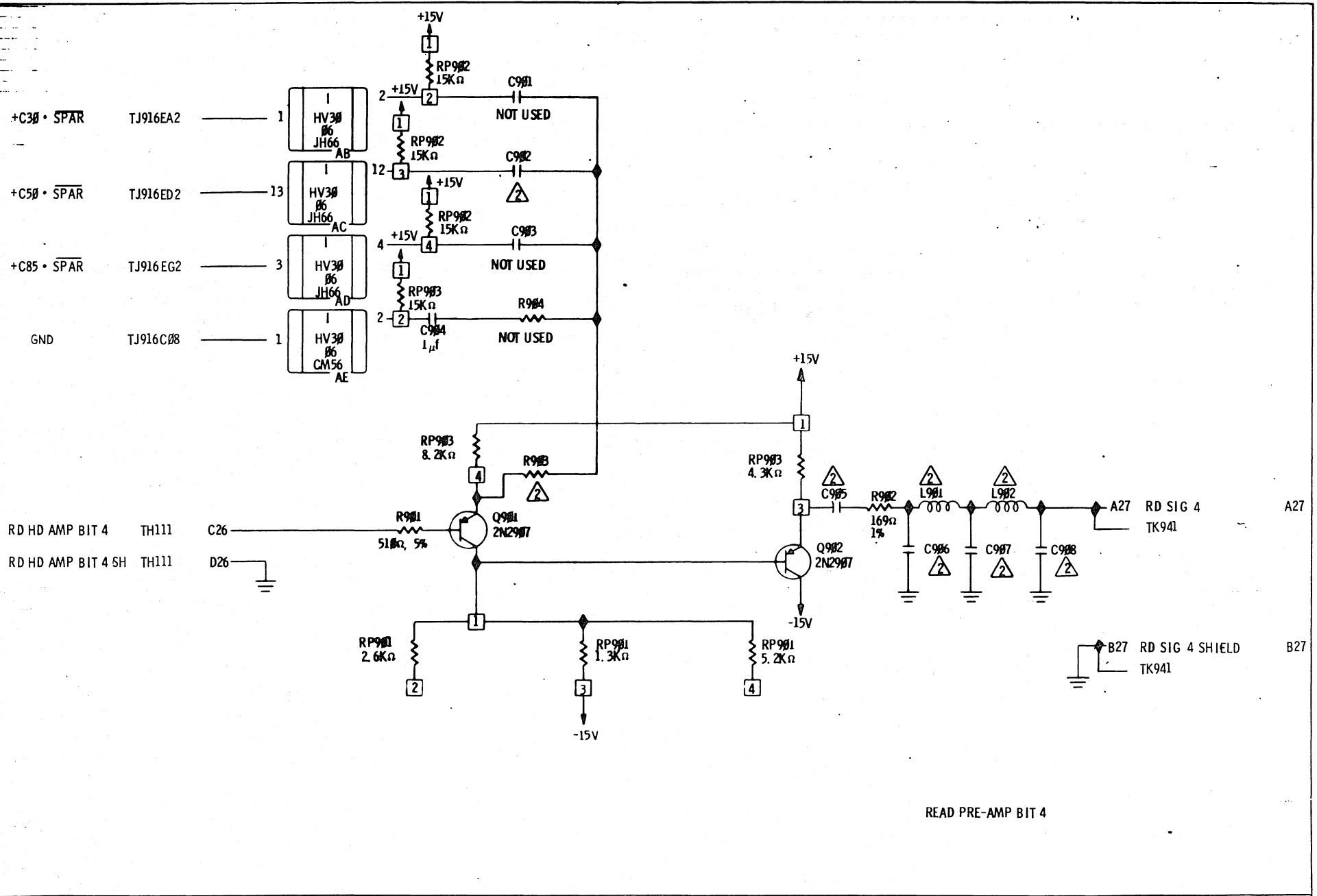
9
5

9
5
1



READ PRE-AMP BIT 6

1 9 5 6	SEE SYS LOGIC CONTENTS PAGE OR TJ906	TJ956, SYS LOGIC			T J 9 5 6
	SEE TJ906	PRES. E.C. 2487 PREV. E.C. DATE 9-23-76	REV. A	MACH. VERS. GBL. ROT.	
		CD. LOC. J2 GATE FRAME	CD. P.N. TJ CD. TYPE 4084807L-3		



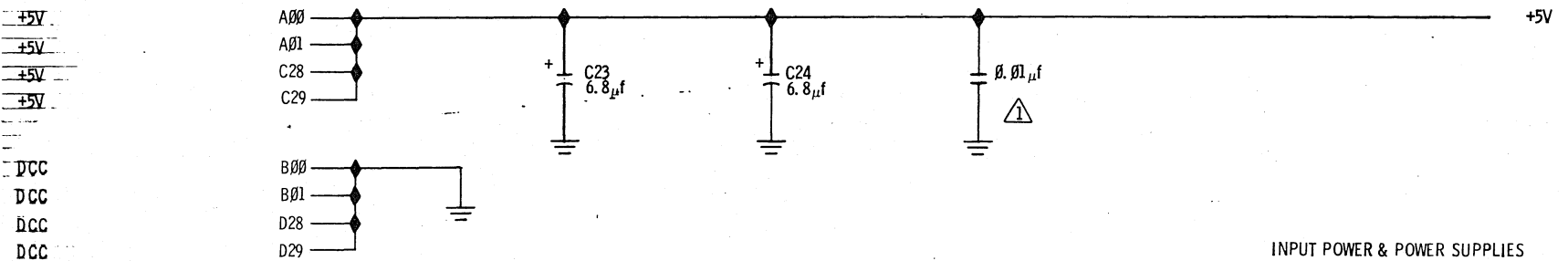
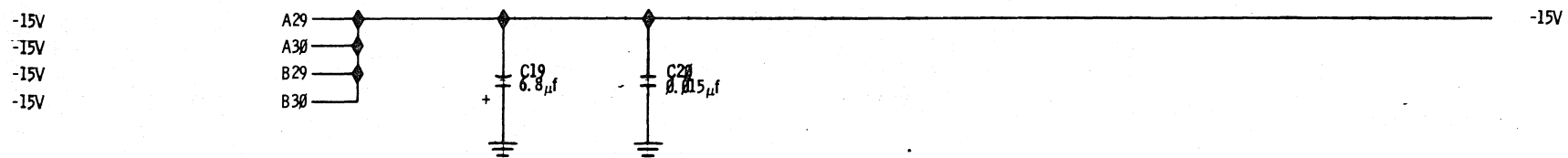
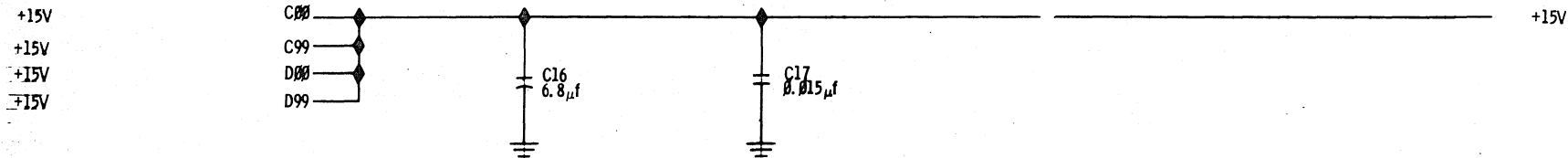
READ PRE-AMP BIT 4

⚠ SEE SYS LOGIC CONTENTS PAGE OR TJ906 ⚠
 ⚠ SEE TJ906

TJ961, SYS LOGIC		CD. LOC. J2		CD. P.N. TJ	
PRE. E.C. 2487	REV A	MACH. VERS. 9-23-76	GATE FRAME	CD. TYPE TJ	PG. PN. 40848072-1
DATE		GBL. ROT.			

TJ
9
6

TJ
9
6



INPUT POWER & POWER SUPPLIES

⚠ .01 μf C26, C27, C28, C31, C46 C47, & C48 BETWEEN +5V & GND AT THE IC'S
 2 SEE SYS LOGIC CONTENTS PAGE OR TJ906 ⚠

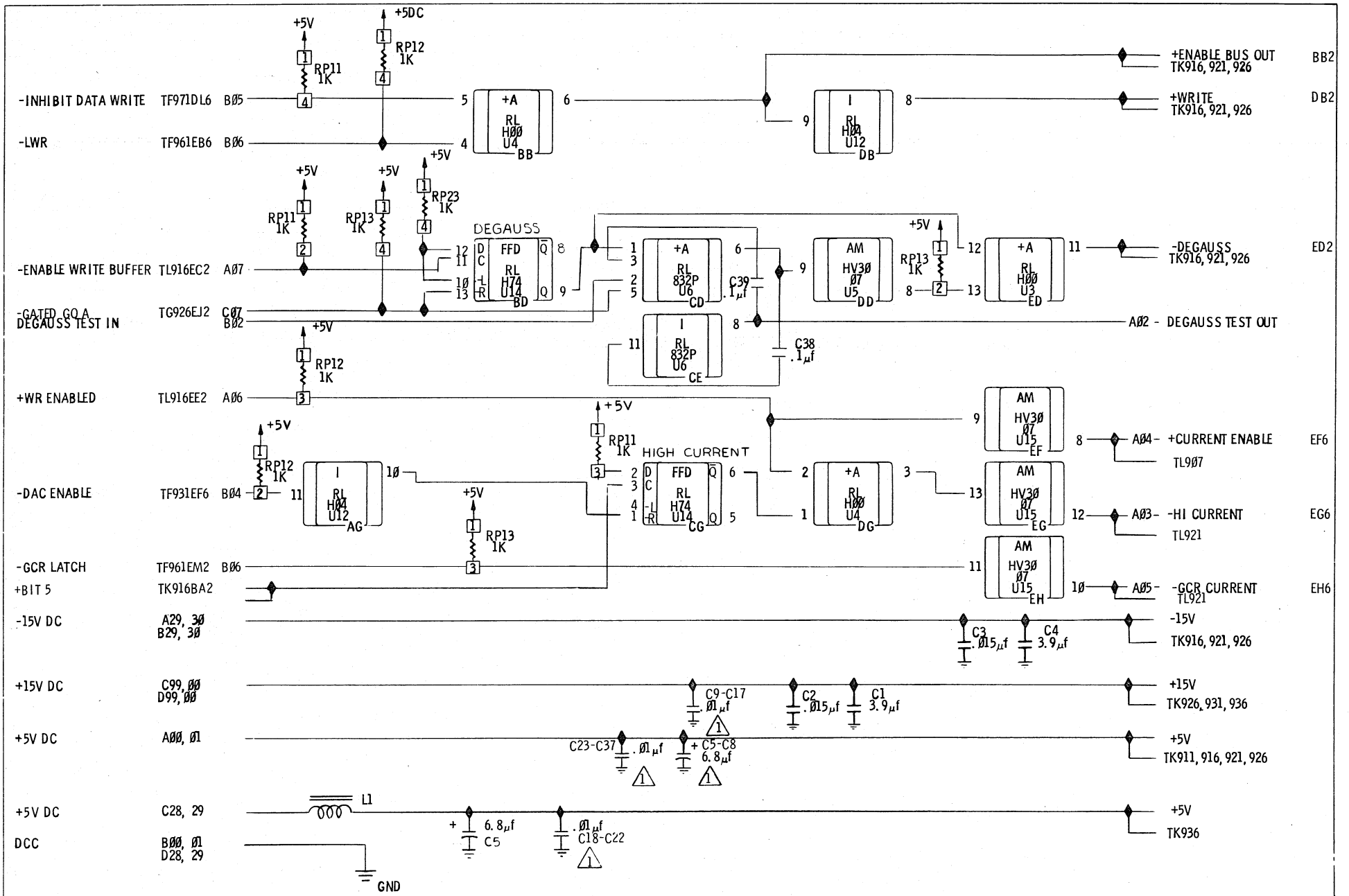
TJ991, SYS LOGIC					
PRES. E.C. 1881	REV A	MACH. VERS.	CD. LOC. J2	CD. P.N.	J
PREV. E.C.		GBL. ROT.	GATE	CD. TYPE TJ	9
DATE 11-17-75			FRAME	PG. P.N. 48848041-6	1

M.L.

ASSEMBLY PARTS LIST

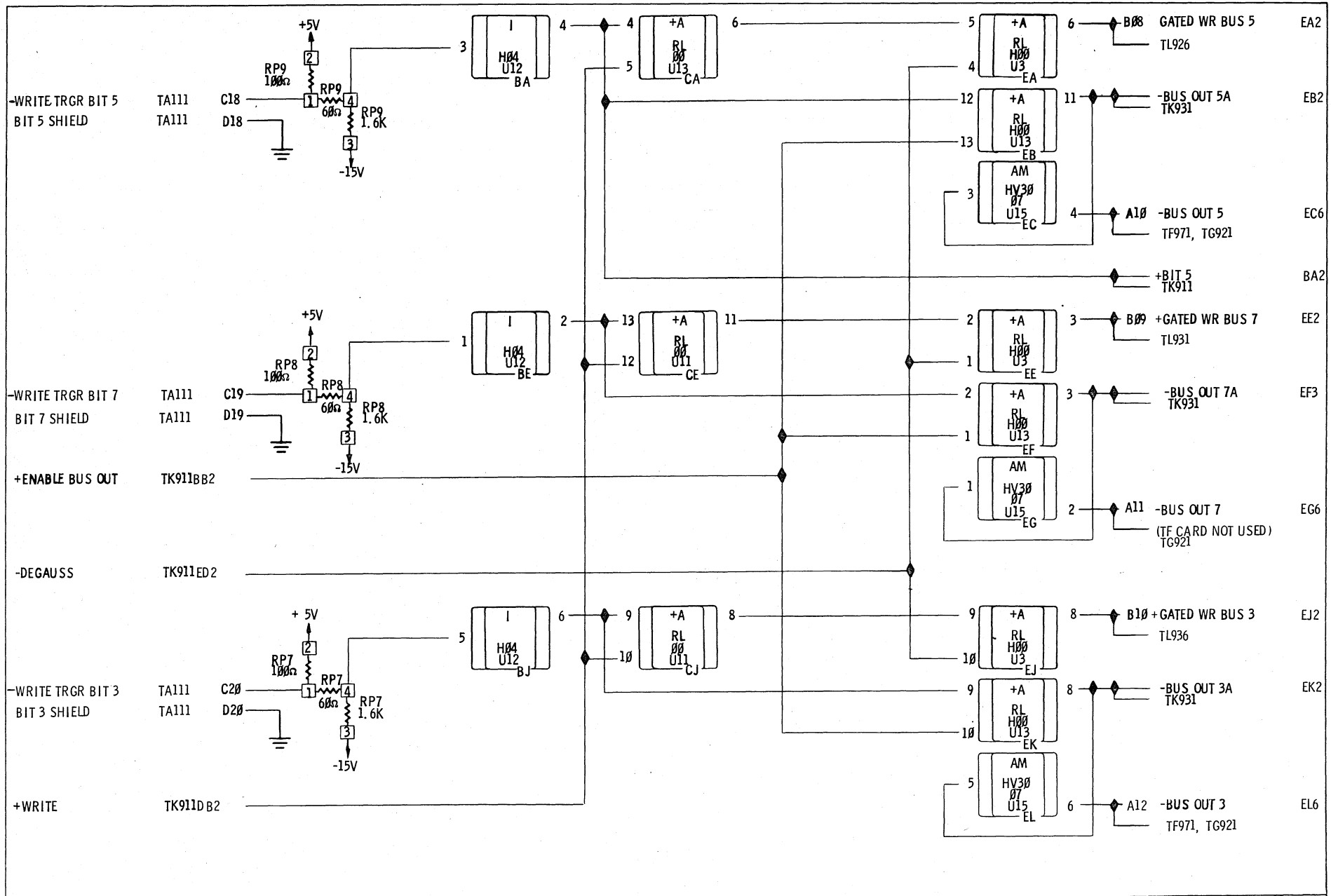
BUILD ARC

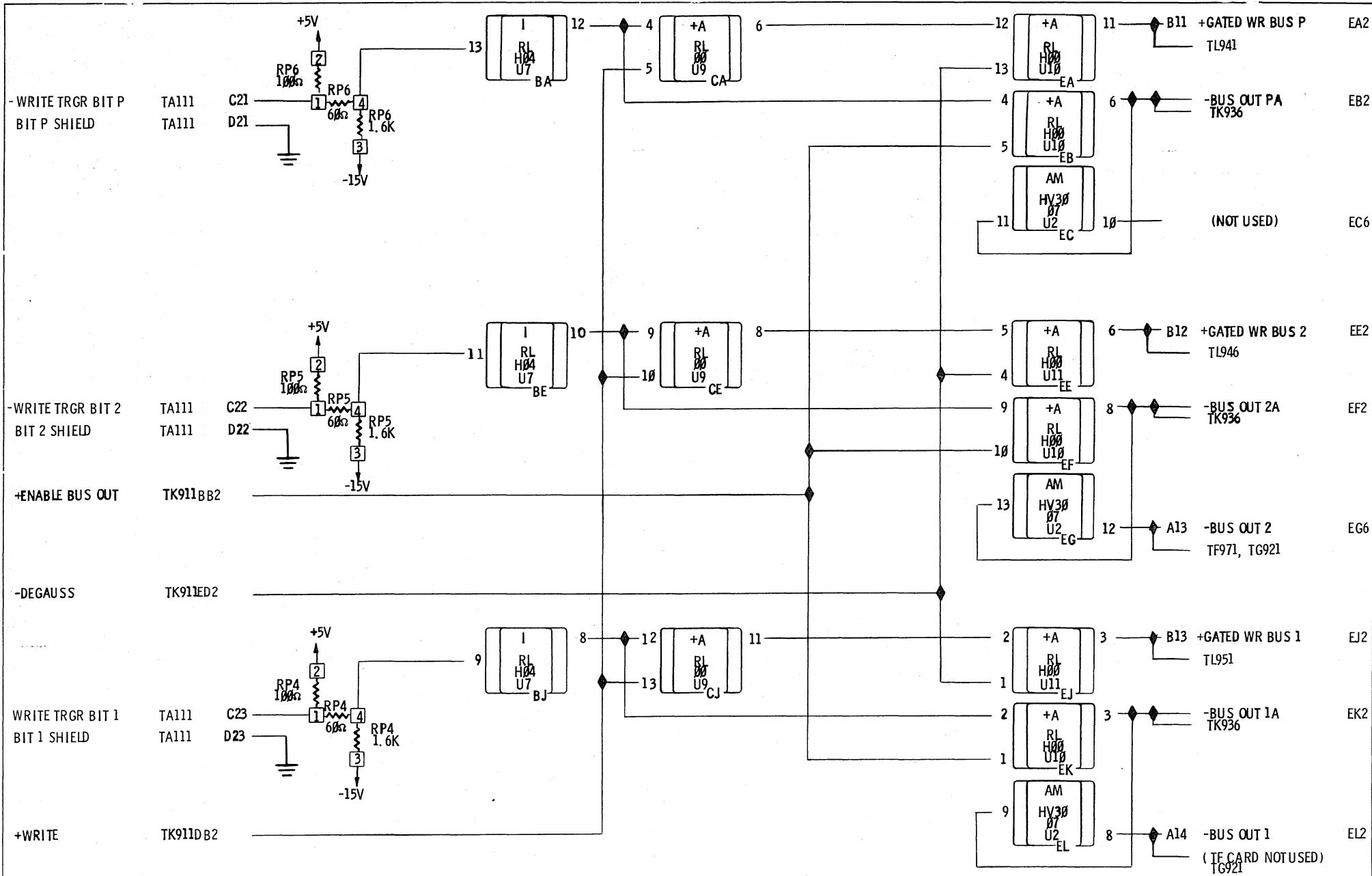
DIV.	ASSEMBLY NUMBER	CD	REV.	DWG.	DESCRIPTION	MC	STATUS	STATUS DATE	FILE DATE					
0500	40849000	1	D	N	SYS LOG TK P/N'S 40192201/301	N	REL	12-18-75	3600	07-23-79				
T FIND NO	LI	PART NUMBER	CD	M	QUANTITY	U/M	PART DESCRIPTION	MC	YLD	E.C. NO. IN	E.C. NO. OUT	S/N	WK IN	WK OUT
001	01	40849025	8		1	PC	TK 911,SYS LOGIC	D			2487			7641
001	02	40849032	4		REF	PC	TK911,SYS LOGIC	D		2487	3017		7641	7930
001	03	40849040	7		REF	PC	TK 911,SYS LOGIC	D		3017			7930	
002	01	40849026	6		1	PC	TK 916,SYS LOGIC	D			2487			7641
002	02	40849033	2		REF	PC	TK916,SYS LOGIC	D		2487			7641	
003	01	40849027	4		1	PC	TK 921,SYS LOGIC	D			2487			7641
003	02	40849034	0		REF	PC	TK921,SYS LOGIC	D		2487			7641	
004	01	40849028	2		1	PC	TK 926,SYS LOGIC	D			2487			7641
004	02	40849035	7		REF	PC	TK926,SYS LOGIC	D		2487			7641	
005	01	40849029	0		1	PC	TK 931,SYS LOGIC	D			2487			7641
005	02	40849036	5		REF	PC	TK931,SYS LOGIC	D		2487			7641	
006	01	40849030	8		REF	PC	TK 936,SYS LOGIC	D						
007	01	40849031	6		REF	PC	TK 941,SYS LOGIC	D						
0013 TOTAL LINES														



△ THESE FILTER CAPACITORS ARE DISTRIBUTED THROUGHOUT THE BOARD.

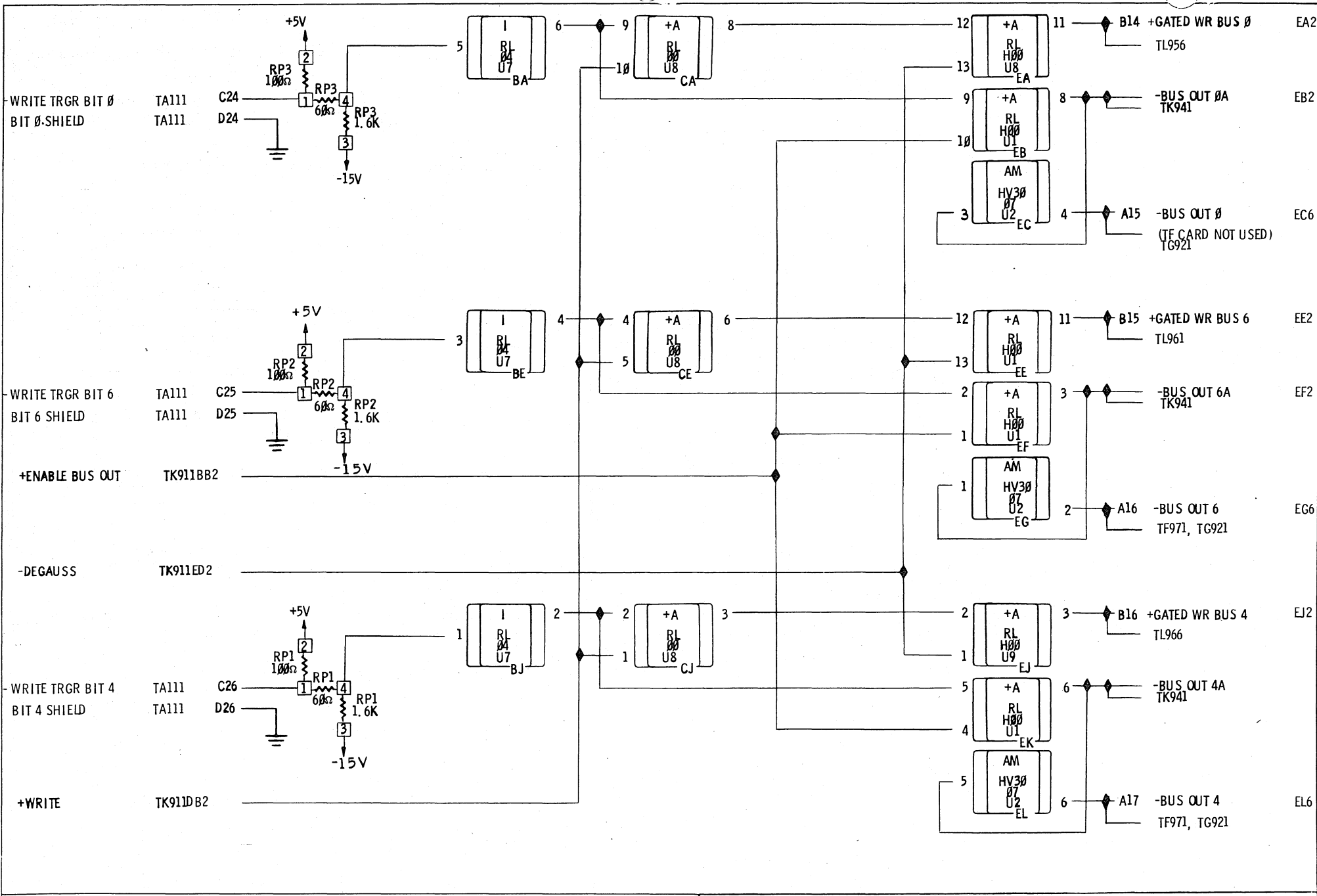
TK 9 1 1	SIE TK911, SYS LOGIC		CD. LOC. H2	CD. P.N. TK CD. TYPE TK PG. P.N. 408490407
	PRE. E.C. 3017	REV A		
	PREV. E.C. 2487	MACH. VERS. GBL. ROT.		
	DATE 5-14-79			





TK
9
2
1

TK921, SYS LOGIC		TK 9 2 1	
PRES. E.C. 2487	REV A	MACH. VERS. GBL. ROT.	CD. LOC. H2
PREV. E.C.			CD. P.N.
DATE 9-23-76			CD. TYPE TK
			PG. PN. 40849034-0
			CD. TYPE TK
			PG. PN. 40849034-0



TK
926

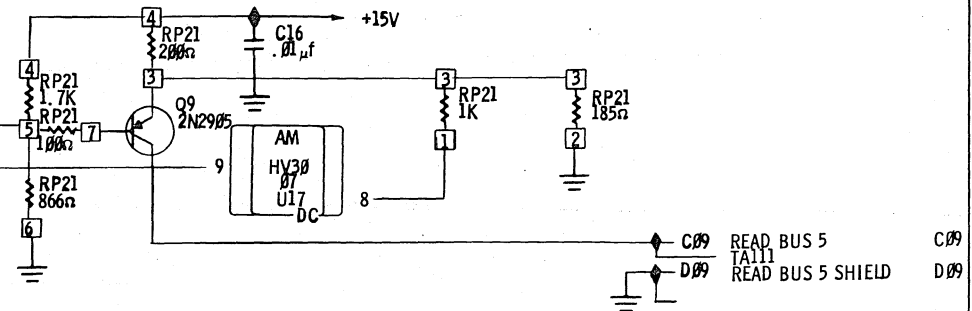
TK926, SYS LOGIC		CD. LOC. H2 GATE FRAME	CD. P.N. CD. TYPE TK PG. P.N. 48849035-7	K 9 2 6
PRES. E.C. 2487 PREV. E.C. DATE 9-23-76	REV. A MACH. VERS. GBL. ROT.			

RD SIG 5
RD SIG 5 SHIELD

-BUS OUT 5 A

TJ921A19 A19
TJ921B19 B19

TK916EB2

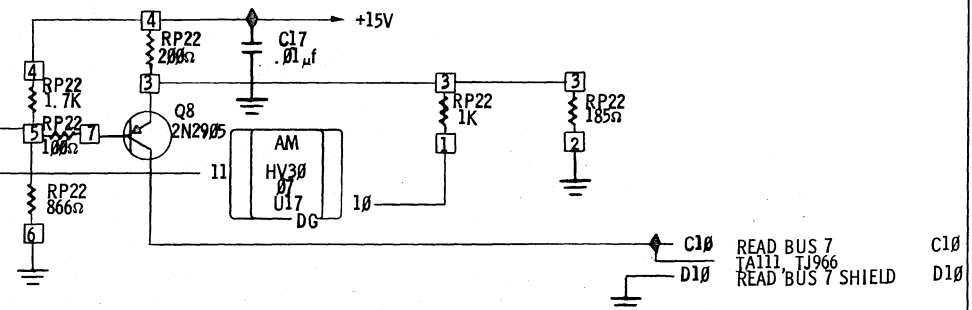


RD SIG 7
RD SIG 7 SHIELD

-BUS OUT 7 A

TJ926A20 A20
TJ926B20 B20

TK916EF3

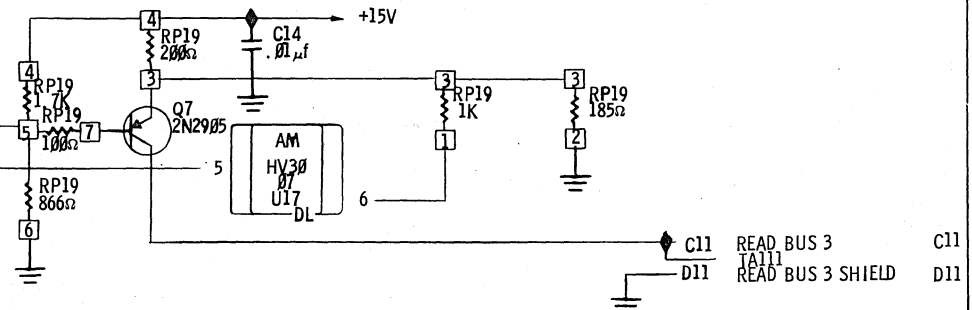


RD SIG 3
RD SIG 3 SHIELD

-BUS OUT 3 A

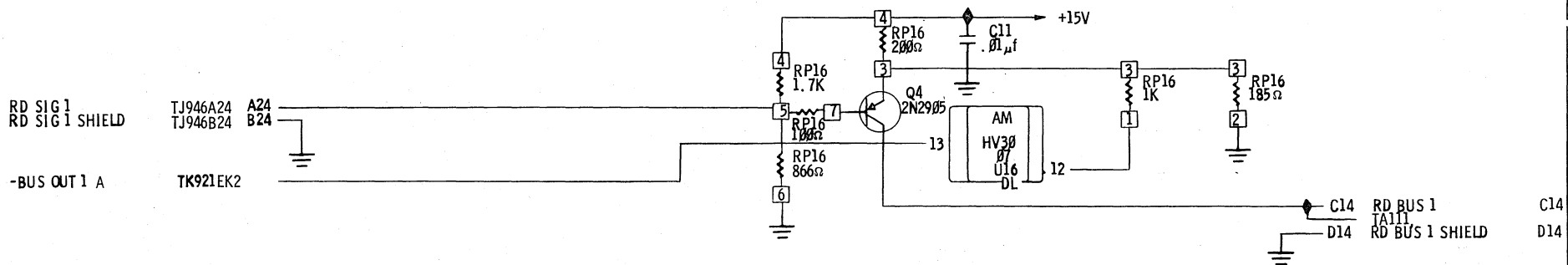
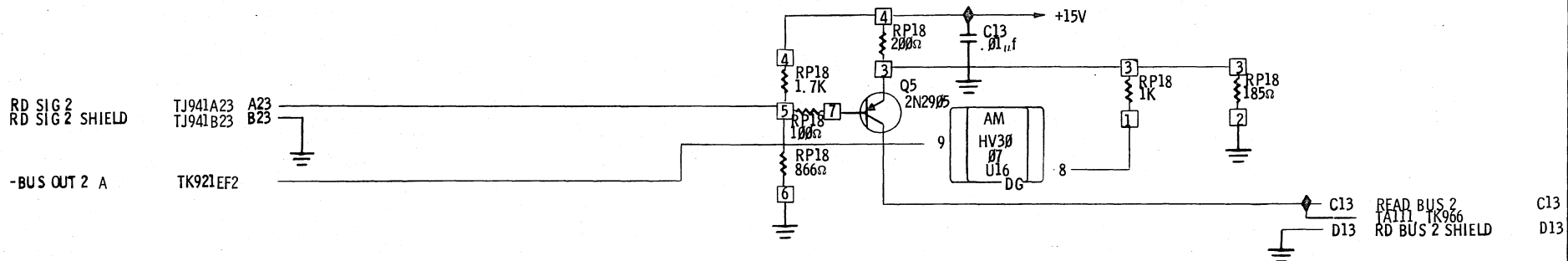
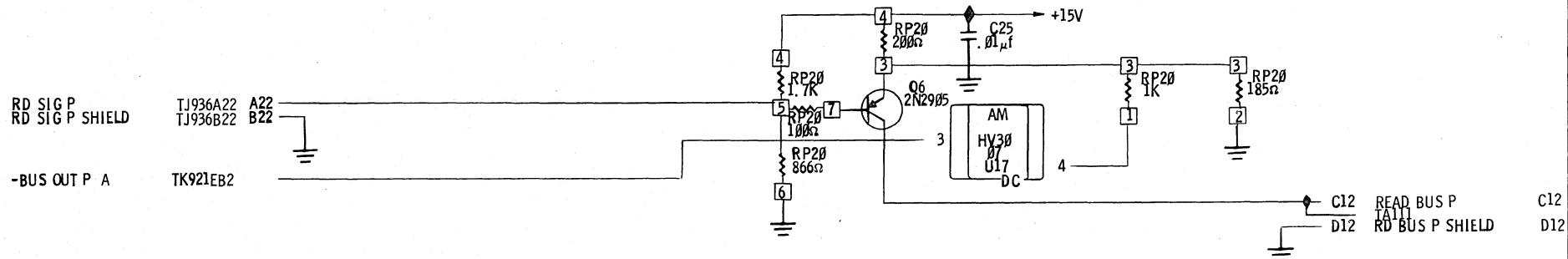
TJ931A21 A21
TJ931B21 B21

TK916EK2



TK931, SYS LOGIC		TK931	
PRES. E.C. 2487 PREV. E.C. DATE 9-23-76	REV A	MACH. VERS. GBL. ROT.	CD. LOC. H2 GATE FRAME
CD. P.N. TK CD. TYPE 40849036-5 PG. PN.		C11 D11	

TK931



TK
93
6

TK936, SYS LOGIC

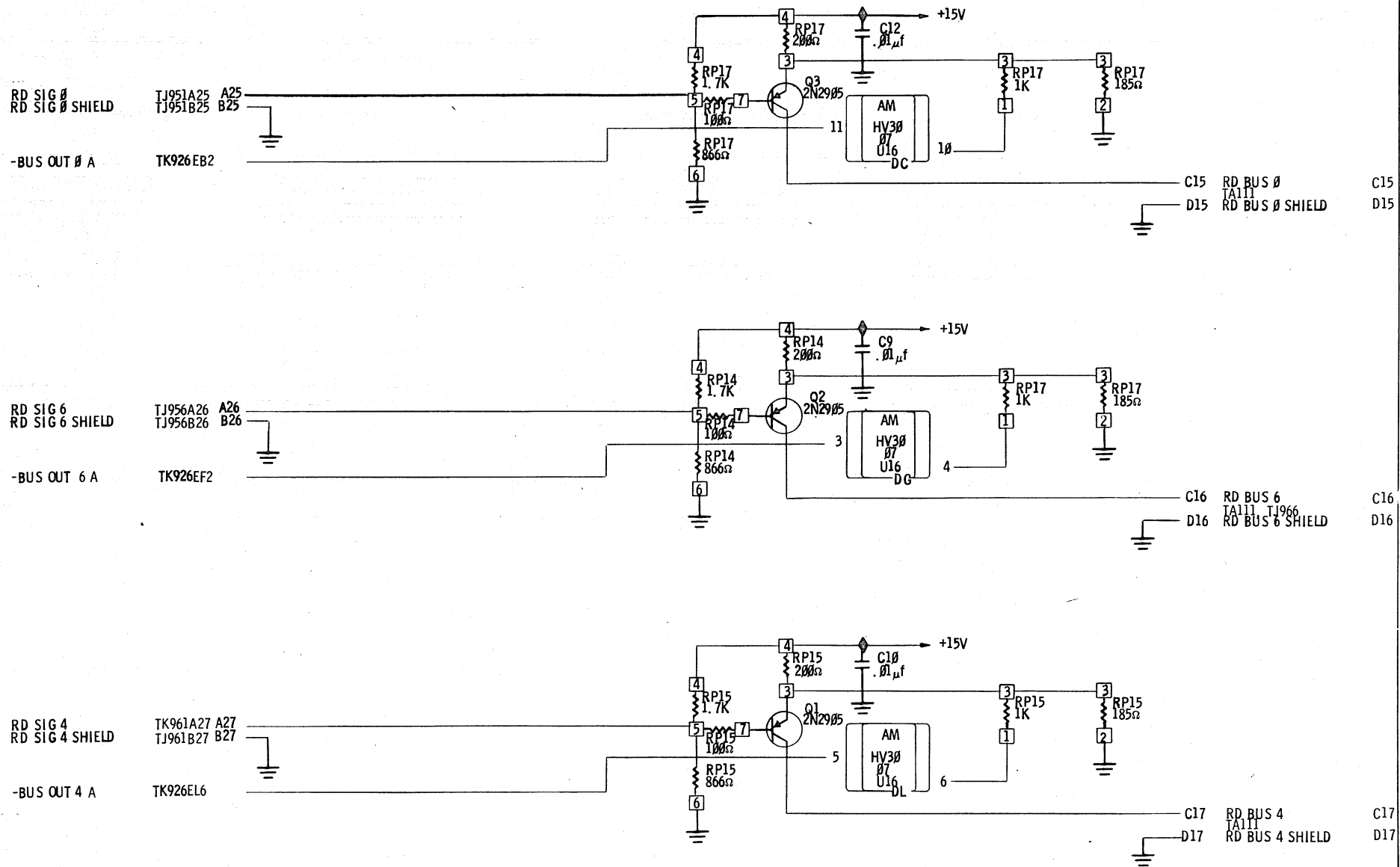
PRES. E.C. 1881
PREV. E.C.
DATE 11-10-75

REV A
MACH. VERS.
GBL. ROT.

CD. LOC. H2
GATE FRAME

CD. P.N. TK
CD. TYPE
PG. P.N. 40849030-6

TK
93
6



TK
941

TK941, SYS LOGIC				TK 941
PRES. E.C. 1881	REV A	MACH. VRS.	CD.LOC. H2	CD.P.N.
PREV. E.C.		GBL. ROT.	GATE FRAME	CD.TYPE TK
DATE 11-10-75				PG.PN. 40849031-6

ASSEMBLY PARTS LIST

PRINT DATE	PAGE	E.C. NO.
06-25-81	1	87

DIV.		ASSEMBLY NUMBER		CD	REV.	DWG.	DESCRIPTION			MC	STATUS	STATUS DATE		FILE DATE				
0500		40850100		5	C	N	SYS.LOG.GRP.TL CD,P/N40207302			N	REL	03-11-76		36 XX 01-24-78				
T	FIND NO	LI	PART NUMBER	CD	M	QUANTITY	U/M	PART DESCRIPTION			MC	YLD	E.C. NO. IN	E.C. NO. OUT	S/N	WK IN	WK OUT	
	001	01	40850127	8		REF	PC	SYS LOG.,TL907, PWP UP&DOWN			D			2487			7641	7641
	001	02	40850125	2		REF	PC	CDM,TL905,NOTE PAGE			D		2487				7641	
	002	01	40850128	6		REF	PC	SYS LOG,TL911,ERASE CKT.			D			2487				7641
	002	02	40850145	0		REF	PC	TL907,SYS LOG, PWR UP & DOWN			D		2487				7641	
	003	01	40850129	4		REF	PC	SYS LOG,TL916,HD CTR TAP CNTL			D			2487			7641	7641
	003	02	40850146	8		REF	PC	TL911,SYS LOGIC,ERASE CKT			D		2487				7641	
	004	01	40850130	2		REF	PC	SYS.LOG,TL921,WR CURR.CNTLCKT			D			2487				7641
	004	02	40850147	6		REF	PC	TL916,SYS LOG,HD CTR TAP CNTL			D		2487				7641	
	005	01	40850030	4		REF	PC	TL 926,SYS LOGIC BIT 5			D			2487			7641	7641
	005	02	40850148	4		REF	PC	TL921,SYS LOG,CURR CNTL CKT			D		2487				7641	
	006	01	40850031	2		REF	PC	TL 931,SYS LOGIC BIT 7			D			2487				7641
	006	02	40850039	5		REF	PC	TL926,SYS LOG,BIT 5 WR HD DR			D		2487				7641	
	007	01	40850032	0		REF	PC	TL 936,SYS LOGIC BIT 3			D			2487				7641
	007	02	40850040	3		REF	PC	TL931,SYS LOG,BIT 7 WR HD DR			D		2487				7641	
	008	01	40850033	8		REF	PC	TL 941,SYS LOGIC BIT P			D			2487				7641
	008	02	40850041	1		REF	PC	TL936,SYS LOG,BIT 3 WR HD DR			D		2487				7641	
	009	01	40850034	6		REF	PC	TL 946,SYS LOGIC BIT 2			D			2487				7641
	009	02	40850042	9		REF	PC	TL941,SYS LOG,BIT P WR HD DR			D		2487				7641	
	010	01	40850035	3		REF	PC	TL 951,SYS LOGIC BIT 1			D			2487				7641
	010	02	40850043	7		REF	PC	TL946,SYS LOG,BIT 2 WR HD DR			D		2487				7641	
	011	01	40850036	1		REF	PC	TL 956,SYS LOGIC BIT 0			D			2487				7641
	011	02	40850044	5		REF	PC	TL951,SYS LOG,BIT 1 WR HD DR			D		2487				7641	
	012	01	40850037	9		REF	PC	TL 961,SYS LOGIC BIT 6			D			2487				7641
	012	02	40850045	2		REF	PC	TL956,SYS LOG,BIT 0 WR HD DR			D		2487				7541	
	013	01	40850038	7		REF	PC	TL 966,SYS LOGIC BIT 4			D			2487				7641
	013	02	40850046	0		REF	PC	TL961,SYS LOG,BIT 6 WR HD DR			D		2487				7641	
	014	01	40207302	7		REF	PC	WR DRIVER ASSY 3670/3470R-TL			S		2422	2487		7544	7644	

ASSEMBLY PARTS LIST

PRINT DATE	PAGE	E.C.
06-25-81	2	2487

DIV.	ASSEMBLY NUMBER	CD	REV.	DWG.	DESCRIPTION	MC	STATUS	STATUS DATE	FILE DATE						
0500	40850100	5	C	N	SYS.LOG.GRP.TL CD,P/N40207302	N	REL	03-11-76	36XX	01-24-78					
T	FIND NO	LI	PART NUMBER	CD	M	QUANTITY	U/M	PART DESCRIPTION	MC	YLD	E.C. NO. IN	E.C. NO. OUT	S/N	WK IN	WK OUT
	014	02	40850047	8		REF	PC	TL966,SYS LOG,BIT 4 WR HD DR	D		2487			7644	
	015	01	40224302	6		REF	PC	WR DRIVER ASSY-3650/3450R TL	S		2422	2487		7644	7644
	015	02	40207302	7		REF	PC	WR DRIVER ASSY 3670/3470R-TL	S		2487			7644	
	016	01	40233303	3		REF	PC	WR DRIVER ASSY-3630/3430R-TL	S		2422	2487		7644	7644
	016	02	40224302	6		REF	PC	WR DRIVER ASSY-3650/3450R TL	S		2487			7644	
	017	01	40234303	2		REF	PC	WR DRIVER ASSY-3640/3440R-TL	S		2422	2487		7644	7644
	017	02	40233303	3		REF	PC	WR DRIVER ASSY-3630/3430R-TL	S		2487			7644	
	018	01	40234303	2		REF	PC	WR DRIVER ASSY-3640/3440R-TL	S		2487			7641	
0035 TOTAL LINES															



ASM P/N	MACHINE	R102-902		C102-902		C103-903		R25	
		P/N & DESCRIPTION	FIND NO.	P/N & DESCRIPTION	FIND NO.	P/N & DESCRIPTION	FIND NO.	P/N & DESCRIPTION	FIND NO.
40233303	3630/3430R	10034360-7, RES, CC, 1/2 W, 5%, 36Ω	20	10048057-3, CAP, FM, PC, 2, 100, 9100 pf	31	NOT USED	30	10046580-6, RES, MF, 1/8 W, 1%, 1.33 K	17
40234303	3640/3440R	10033628-8, PES, CC, 1/4 W, 5%, 6.2Ω	20	10048061-5, CAP, FM, PE, 5, 50, .0047 μf	31	NOT USED	30	10046024-5, RES, MF, 1/8 W, 1%, 1.37K	17
40224302	3650/3450R	10033918-3, RES, CC, 1/4 W, 5%, 9.1Ω	20	10048021-9, CAP, FM, PE, 10, 50, .0039 μf	31	NOT USED	30	10046028-6, RES, MF, 1/8 W, 1%, 1.43KΩ	17
40207302	3670/3470R	10097243-9 JUMPER	20	10048060-7, CAP, FM, PE, 5, 80, .0027 μf	31	NOT USED	30	10046032-8, RES, MF, 1/8 W, 1%, 1.5KΩ	17



ALL RESISTORS 1/4W, 5% UNLESS OTHERWISE NOTED.

R42		R103-903, R104-904	
P/N & DESCRIPTION	FIND NO.	P/N & DESCRIPTION	FIND NO.
10046163-1, RES, MF, 1/8 W, 1%, 4.99 KΩ	67	10036101-3, RES, CC, 2 W, 5%, 100Ω	21
10046214-2, RES, MF, 1/8 W, 1%, 8.87 KΩ	67	10036151-8, RES, CC, 2 W, 5%, 150Ω	21
NONE	67	10036151-8, RES, CC, 2 W, 5%, 150Ω	21
NONE	67	10036151-8, RES, CC, 2 W, 5%, 150Ω	21

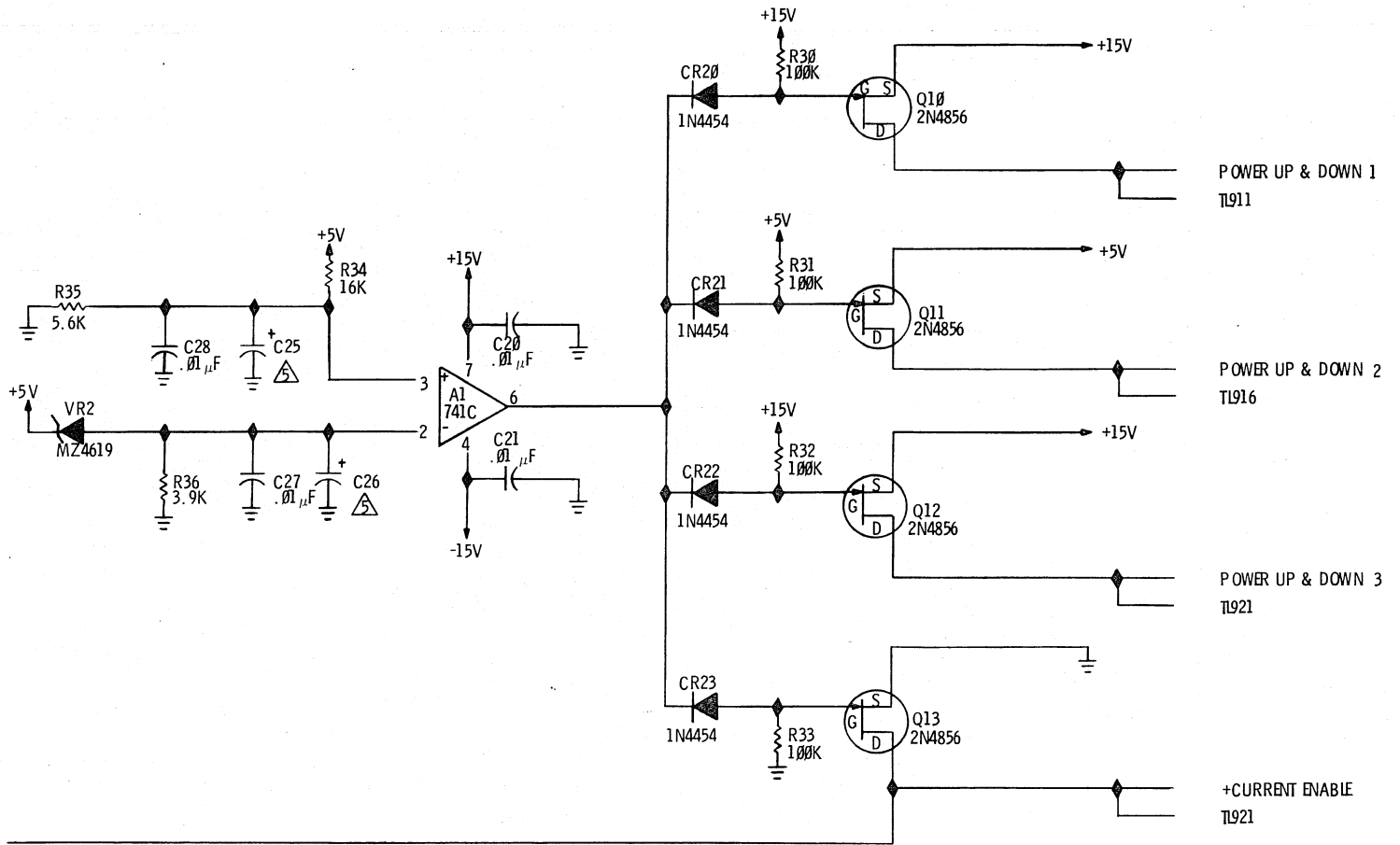


TL905, NOTE PAGE

PRES. E.C. 2316	REV A	MACH. 3600/3400R	CD. LOC. L2	CD. P.N.	CD. TYPE TL FG. P.N. 40850125-2
PREV. E.C.		VERS.	GATE		
DATE 1-30-76		GBL. ROT.	FRAME		

TL905

TL905



+CURRENTENABLE TK911EF6 B04

NOTES:

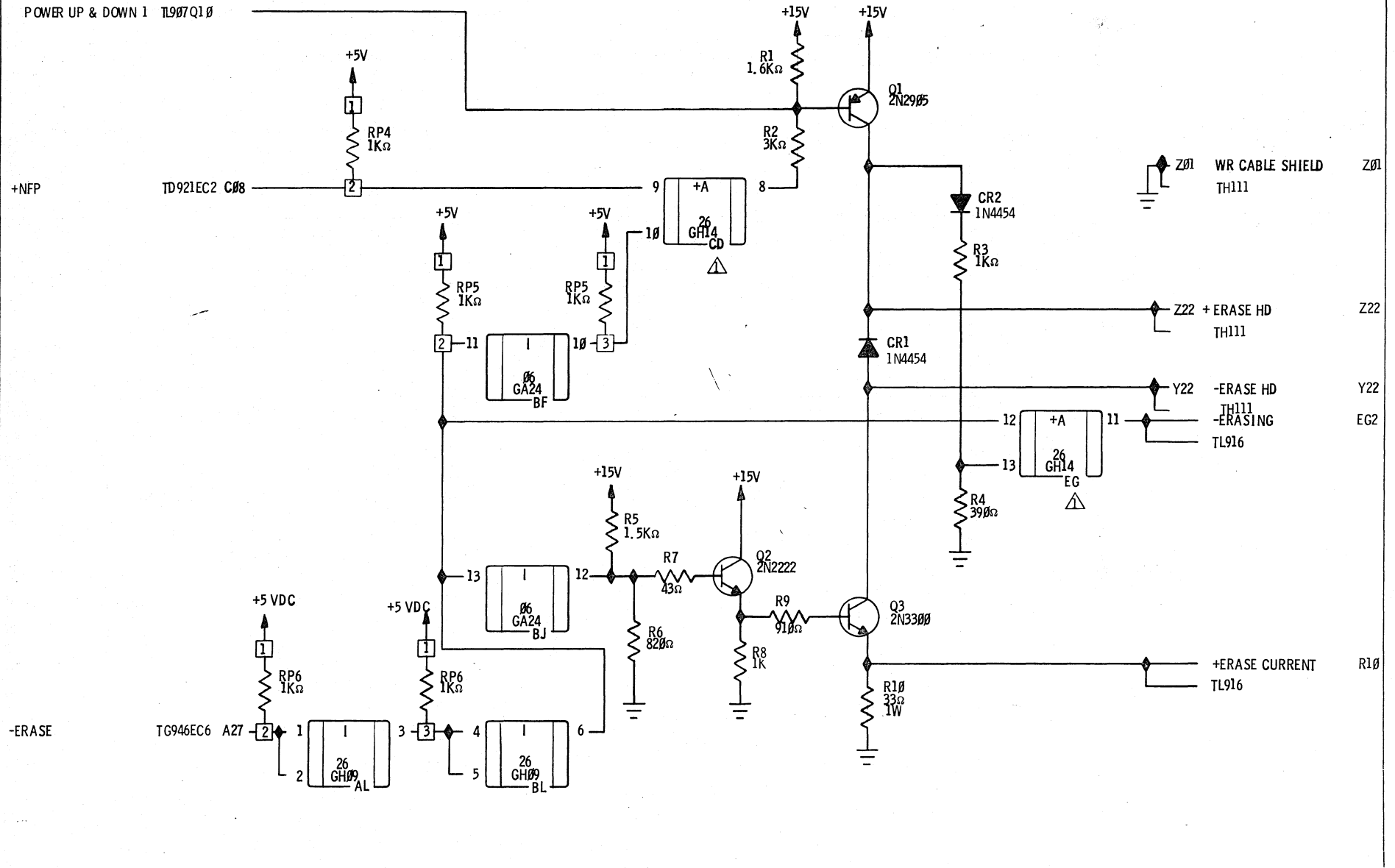
- SEE PAGE TL905
- NOT USED

TL907, SYS LOGIC, POWER UP AND DOWN					
PRES. E.C.	2487	REV	A	MACH.	360013400R
PREV. E.C.		DATE	9-23-76	VERS.	GBL. ROT.
CD. LOC.	L2	CD. TYPE	TL	CD. P.N.	40850145-0
GATE		FRAME		PG. P.N.	

TL907

TL907

POWER UP & DOWN 1 TL911Q10

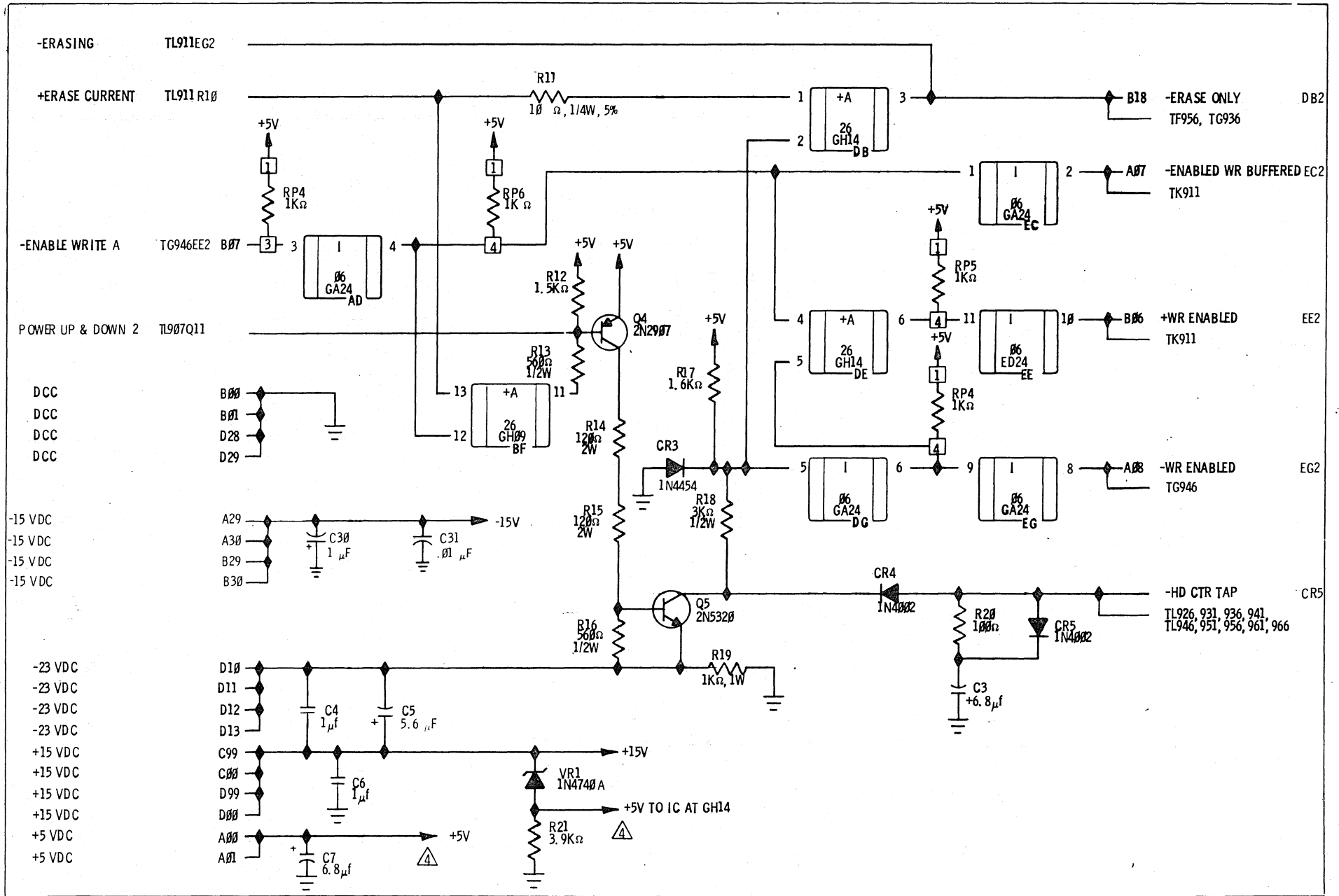


NOTE

- 1 THIS IC IS POWERED THROUGH A 10V ZENER TO +15 VOLTS
- 2 SEE PAGE TL905

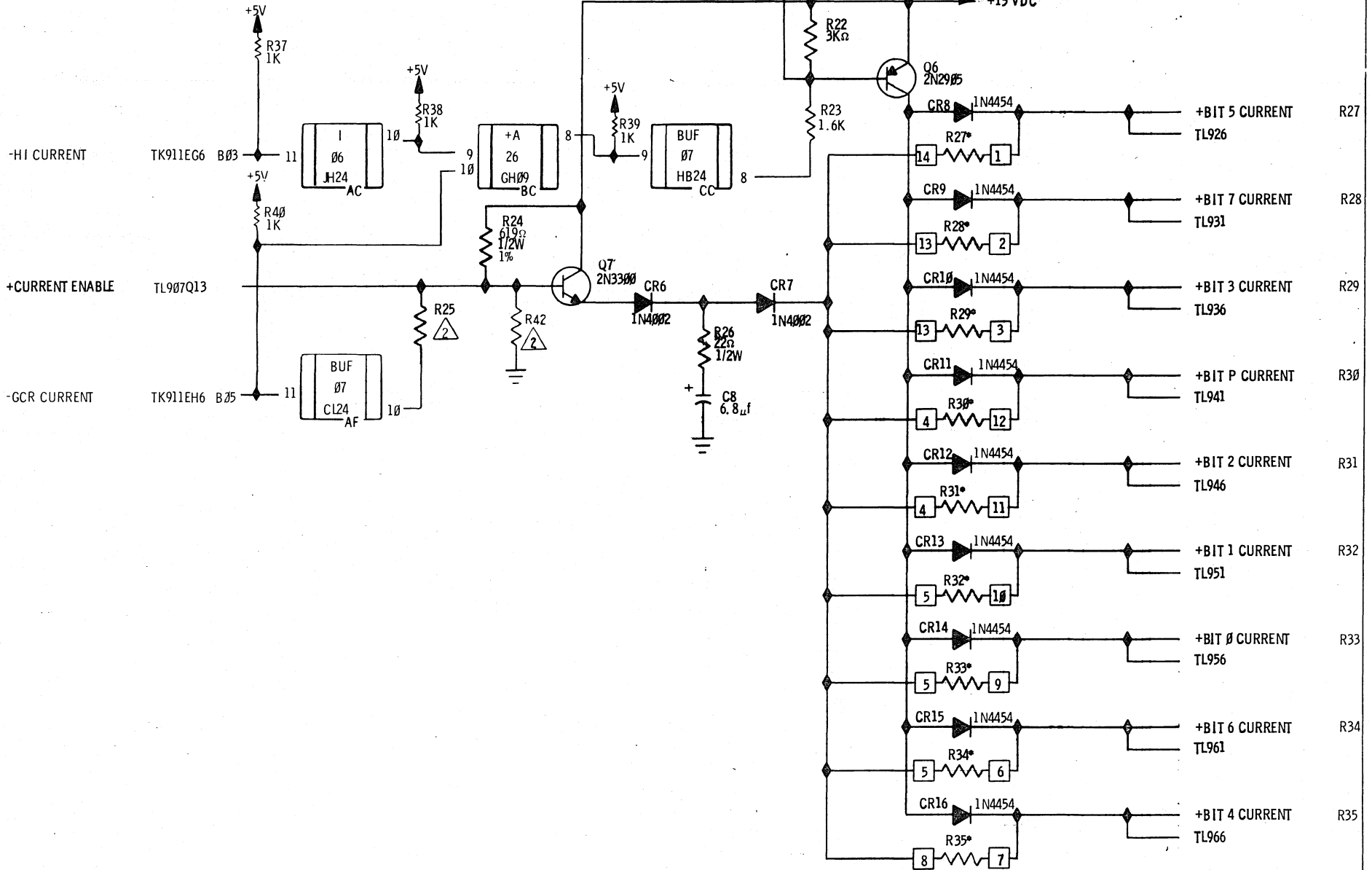
TL911, SYS LOGIC, ERASE CKT

<p>REV A</p> <p>DATE 9-23-76</p>	<p>PREV. E.C. 2487</p> <p>DATE</p>	<p>MACH. 3600/3400R</p> <p>VERS. GBL. ROT.</p>	<p>CD. LOC. L2</p> <p>GATE FRAME</p>	<p>CD. P.N. TL911</p> <p>CD. TYPE PG. P.N. 40850146-8</p>
----------------------------------	------------------------------------	--	--------------------------------------	---



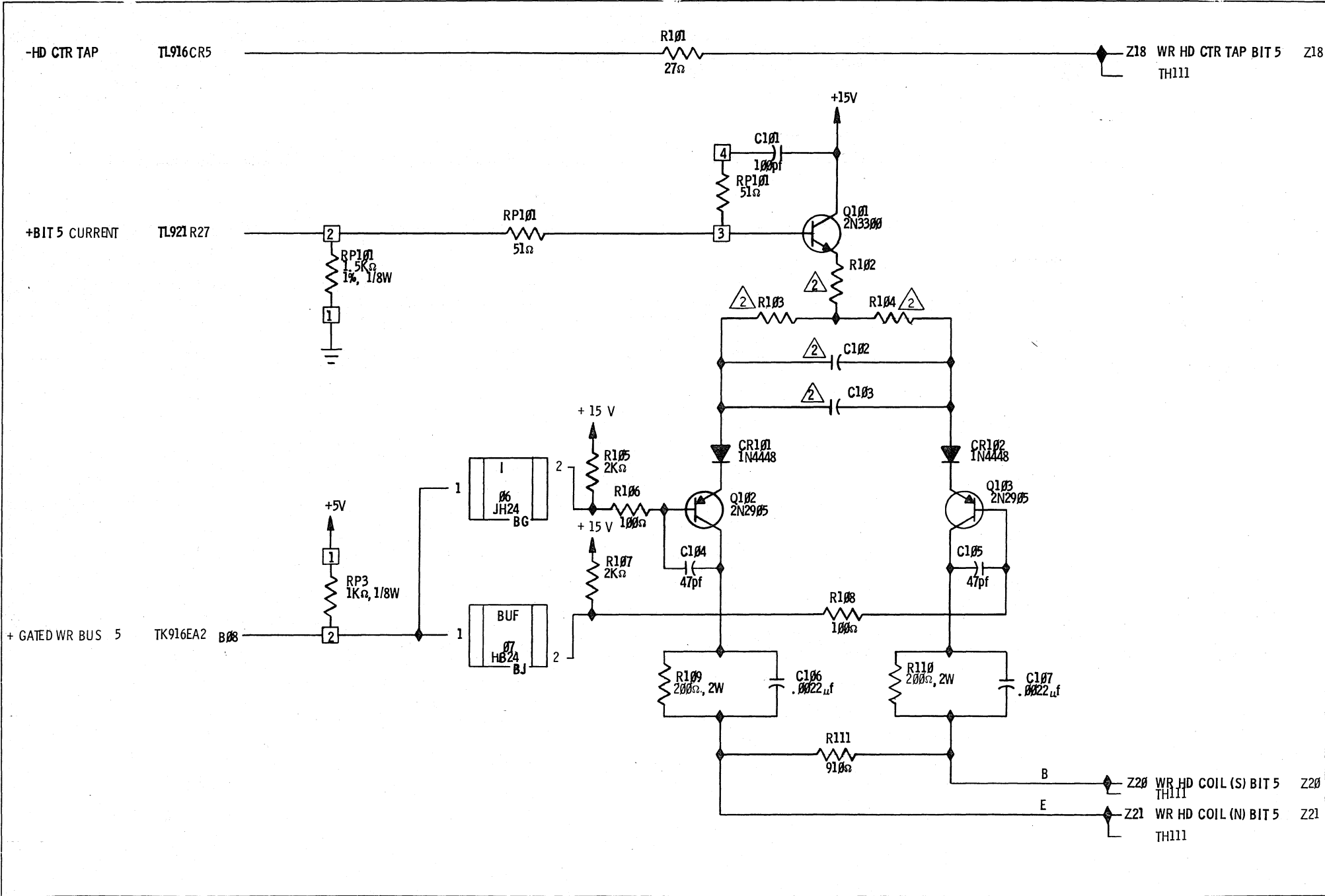
NOTES:	SEE PAGE TL905	TL916, SYS LOGIC, HD CTR TAP CNTRL CKT			T L 9 1 6
	C13-16 ARE DECOUPLING CAPS. PLACED NEAR TL LOGIC CHIPS.	PRES. E.C. 2487 PREV. E.C. DATE 9-23-76	REV. A MACH. 3600/3400R VERS. GBL. ROT.	CD. LOC. L2 GATE FRAME	

POWER UP & DOWN 3 TL907Q12



NOTE: *THESE RESISTORS ARE LOCATED IN RESISTOR MODULE P/N 11101 WHICH IS SERIAL NUMBERED TO MATCH THE HEAD SERIAL NUMBER. THE VALUE OF EACH RESISTOR VARIES ACCORDING TO THE HEAD CHARACTERISTICS. SEE PAGE TL905

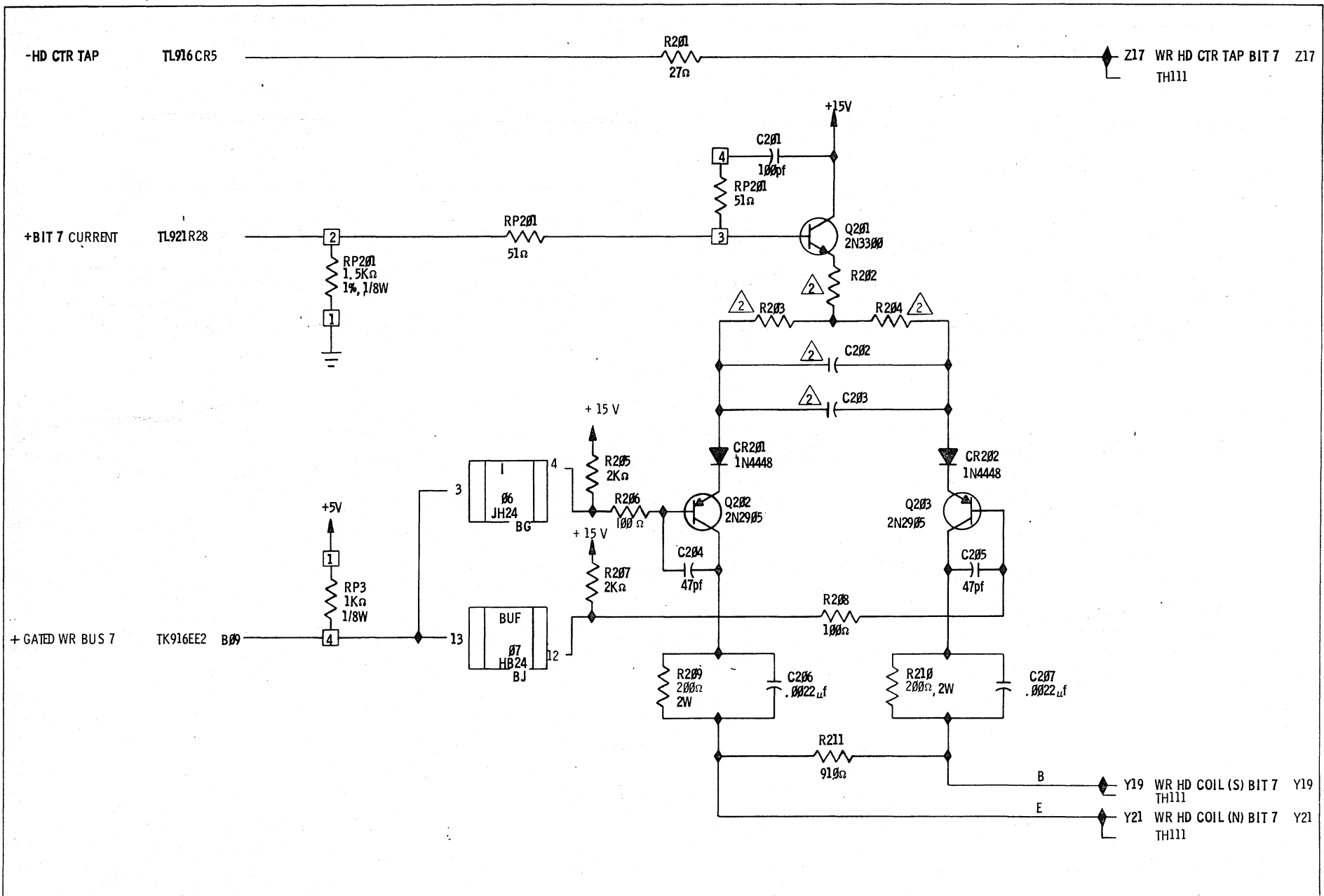
TL921, SYS LOGIC, WRCURRENT CONTROL CKT		CD. P.N. TL 921 CD. TYPE TL PG. PN. 40850148-4	
PRES. E.C. 2487 PREV. E.C. DATE 9-23-76	REV A	MACH. VERS. 360013400R GBL. ROT.	CD. LOC. L2 GATE FRAME



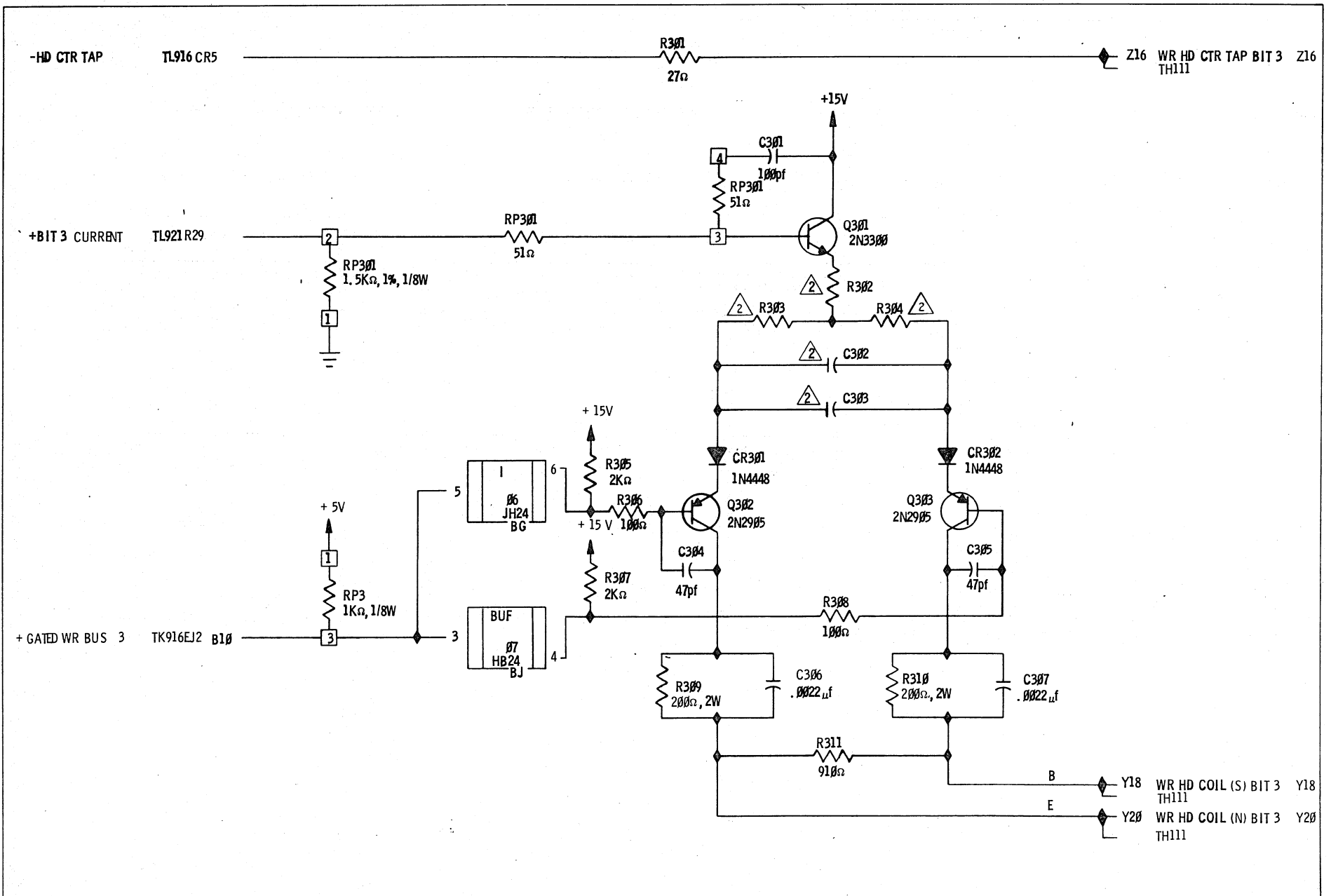
NOTES: SEE PAGE TL905

TL926

TL926, SYS LOGIC, BIT 5 WR HD DR		CD. LOC. L2 GATE FRAME	CD. P.N. CD. TYPE PG. PN 40850039-5	TL926
PRES. E.C. 2487 PREV. E.C. DATE 9-23-76	REV. A MACH. VERS. 3600/3400R SBL. ROT.			



TL 9 3 1	NOTES:	SEE PAGE TL905	TL931, SYS LOGIC, BIT 7 WR HD DR				TL 9 3 1	
	△		PRES. E.C. 2487	REV A	MACH. 3600/3400R	CD. LOC. L2		CD. P.N. △
			PREV. E.C.	DATE 9+23-76	GBL. ROT.	GATE FRAME		CD. TYPE TL
								PG. P.N. 40850040-3



NOTES:

SEE PAGE TL905

TL936, SYS LOGIC, BIT 3 WR HD DR

PRES. E.C. 2487
 PREV. E.C.
 DATE 9-23-76

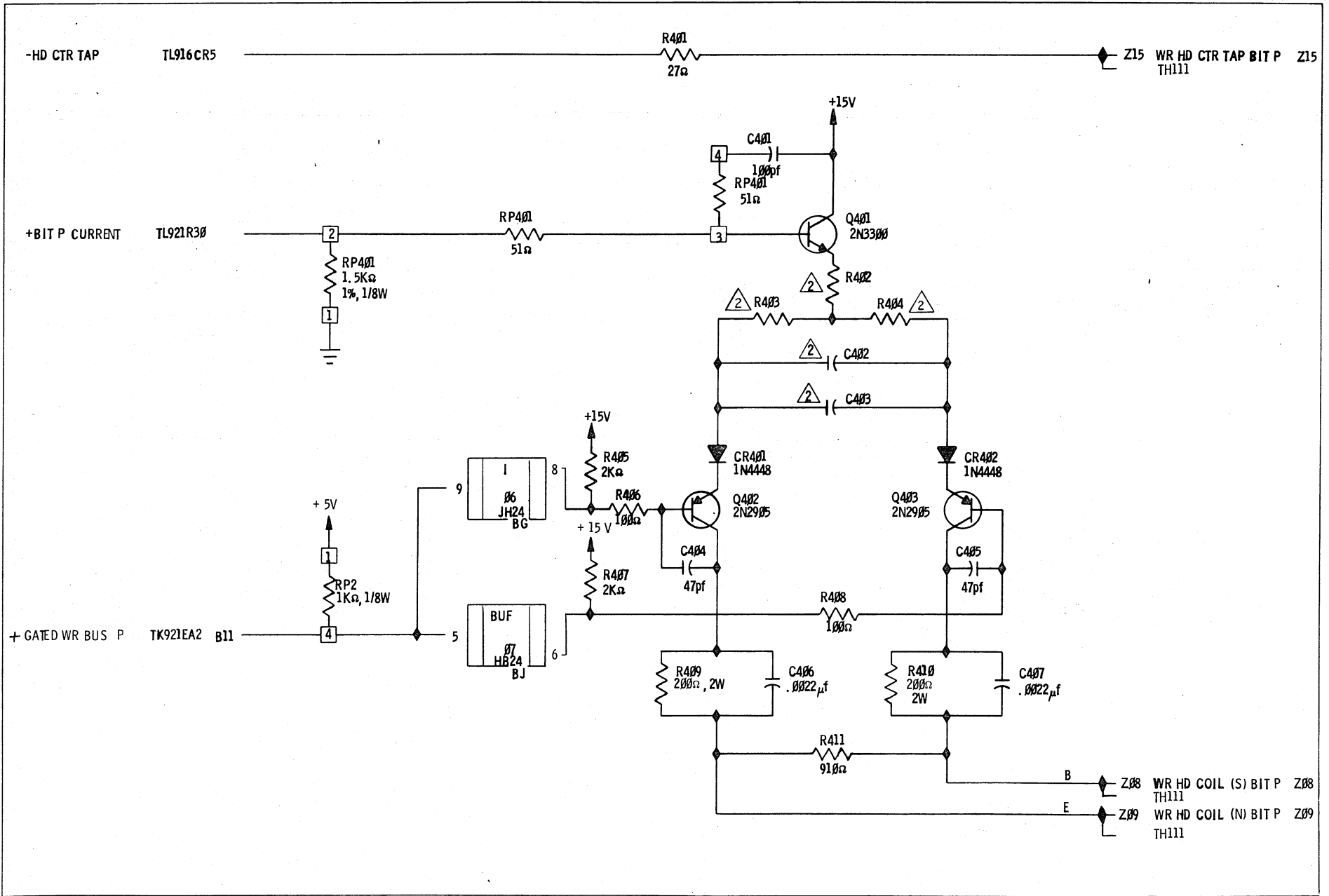
REV A
 MACH. VERS. 3600/3400R
 GBL. ROT.

CD. LOC. L2
 GATE FRAME

CD. P.N. TL
 PG. P.N. 40850041-1

1
L
9
3
6

1
L
9
3
6



NOTES:



SEE PAGE T1.905

TL941, SYS LOGIC, BIT P WR HD DR

PRES. E.C. 2487
 PREV. E.C.
 DATE 9-23-76

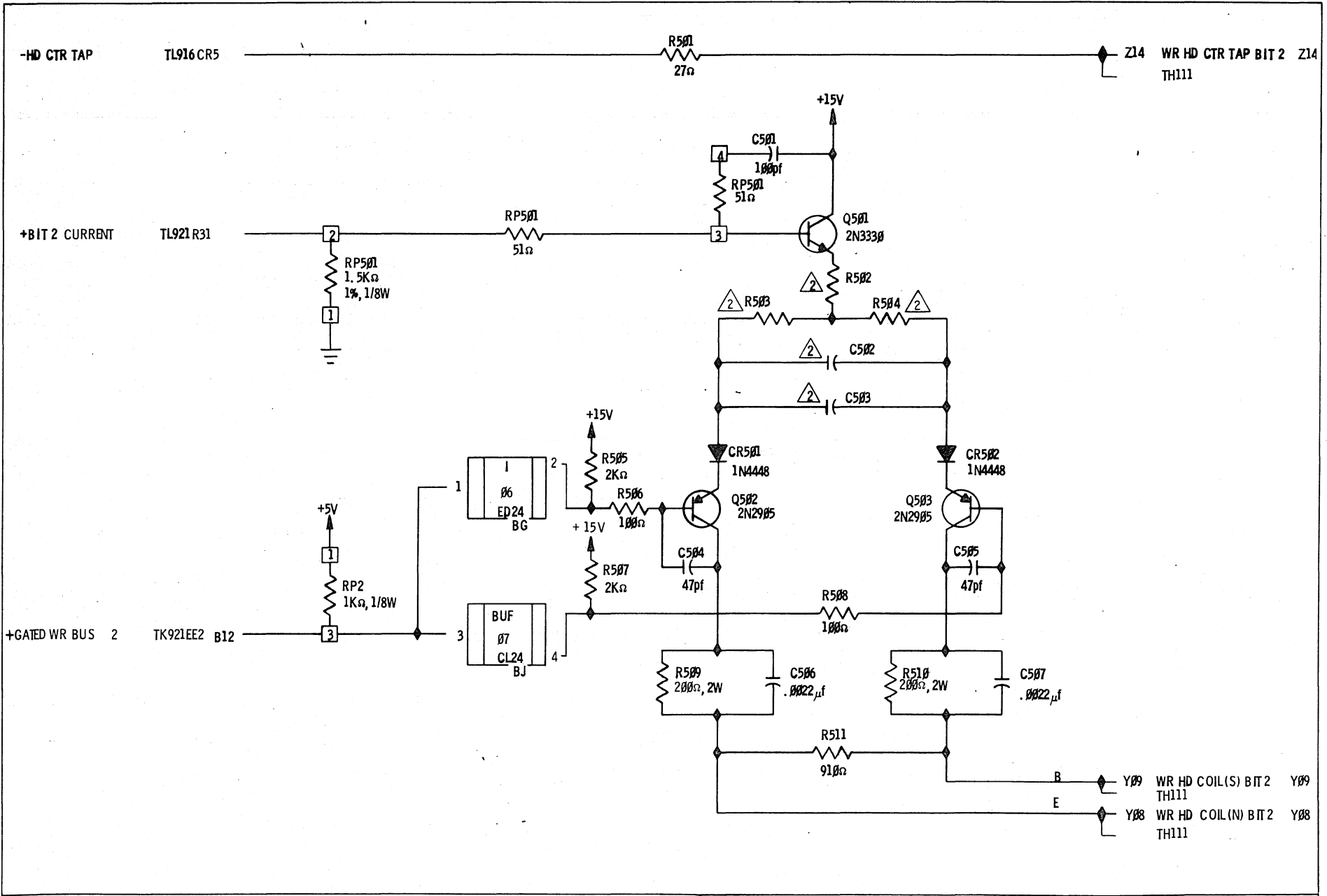
REV. A
 MACH. 3600/3400R
 VERS. GBL. ROT.

CD. LOC. L2
 GATE FRAME

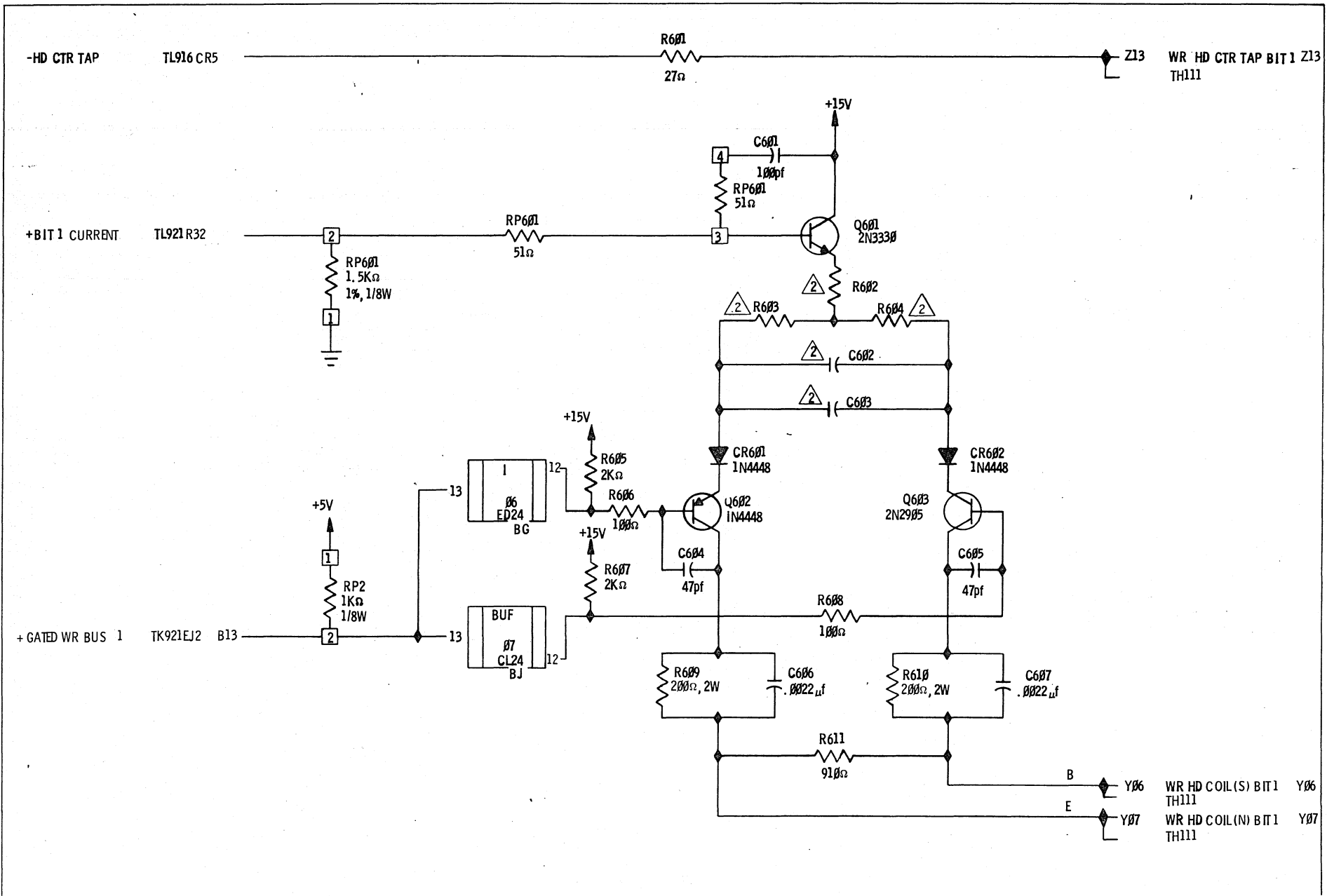
CD. P.N. TL
 PG. PN. 40850042-9

T
9
4
1

T
9
4
1



TL 9 4 6	NOTES:	TL946, SYS LOGIC, BIT 2 WR HD DR		CD. LOC. L2 GATE FRAME	CD. P.N. TL CD. TYPE TL PG. P.N. 40850043-7	TL 9 4 6	
	SEE PAGE TL905	REV. A	MACH. 3600/3400R				
		PREV. E.C. 2487	DATE 9-23-76				CD. P.N. 40850043-7



NOTES:

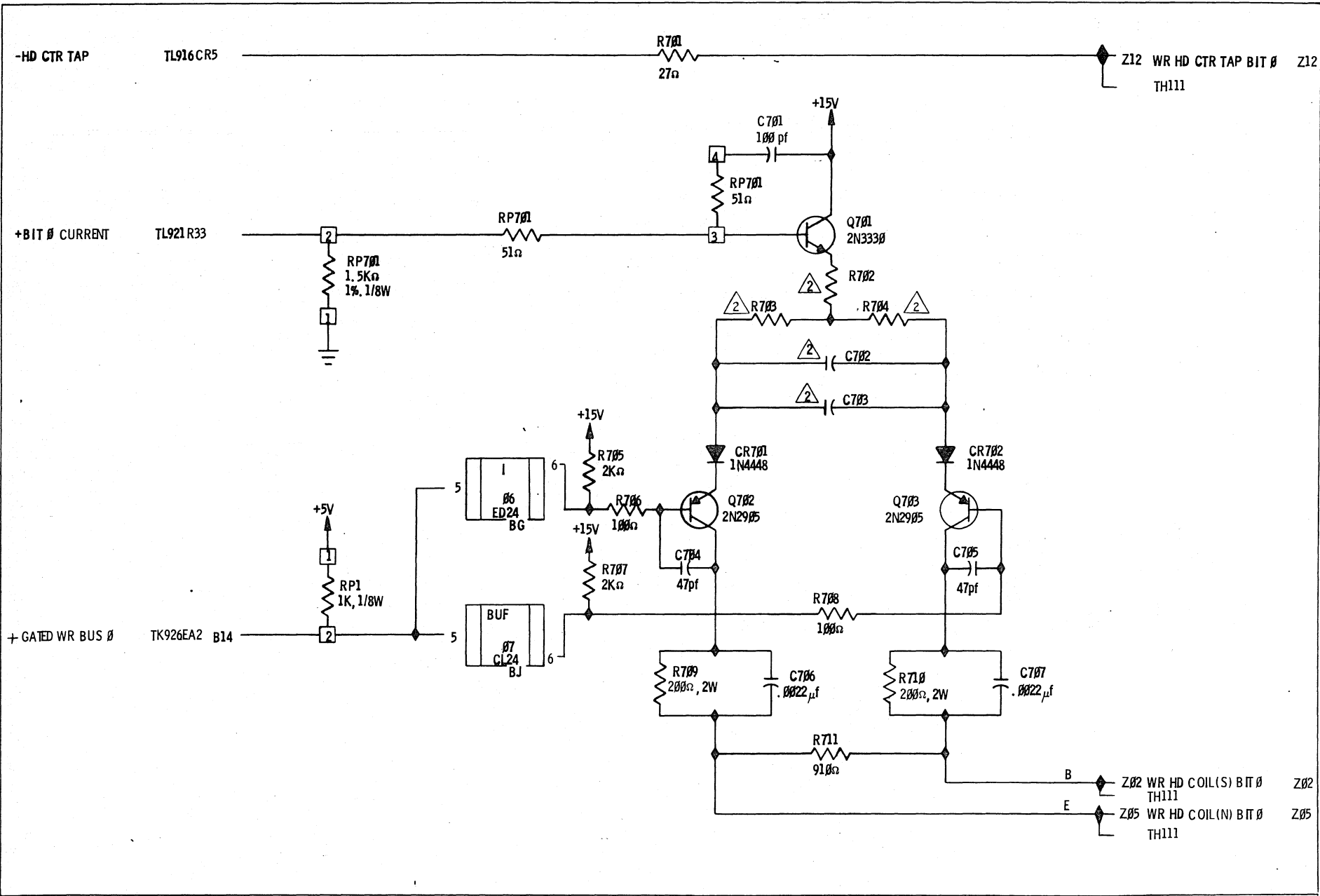


SEE PAGE TL905

TL951, SYS LOGIC, BIT 1 WR HD DR					
PRES. E.C.	2487	REV	A	MACH.	3600/3400R
PREV. E.C.		DATE	9-23-76	VERS.	GBL. ROT.
CD. LOC.	L2	CD. P.N.		CD. TYPE	TL
GATE	FRAME	PG. P.N.	408500 44-5		

6
5
1

6
5
1



NOTES:



SEE PAGE TL905

TL956, SYS LOGIC, BIT 0 WR HD DR

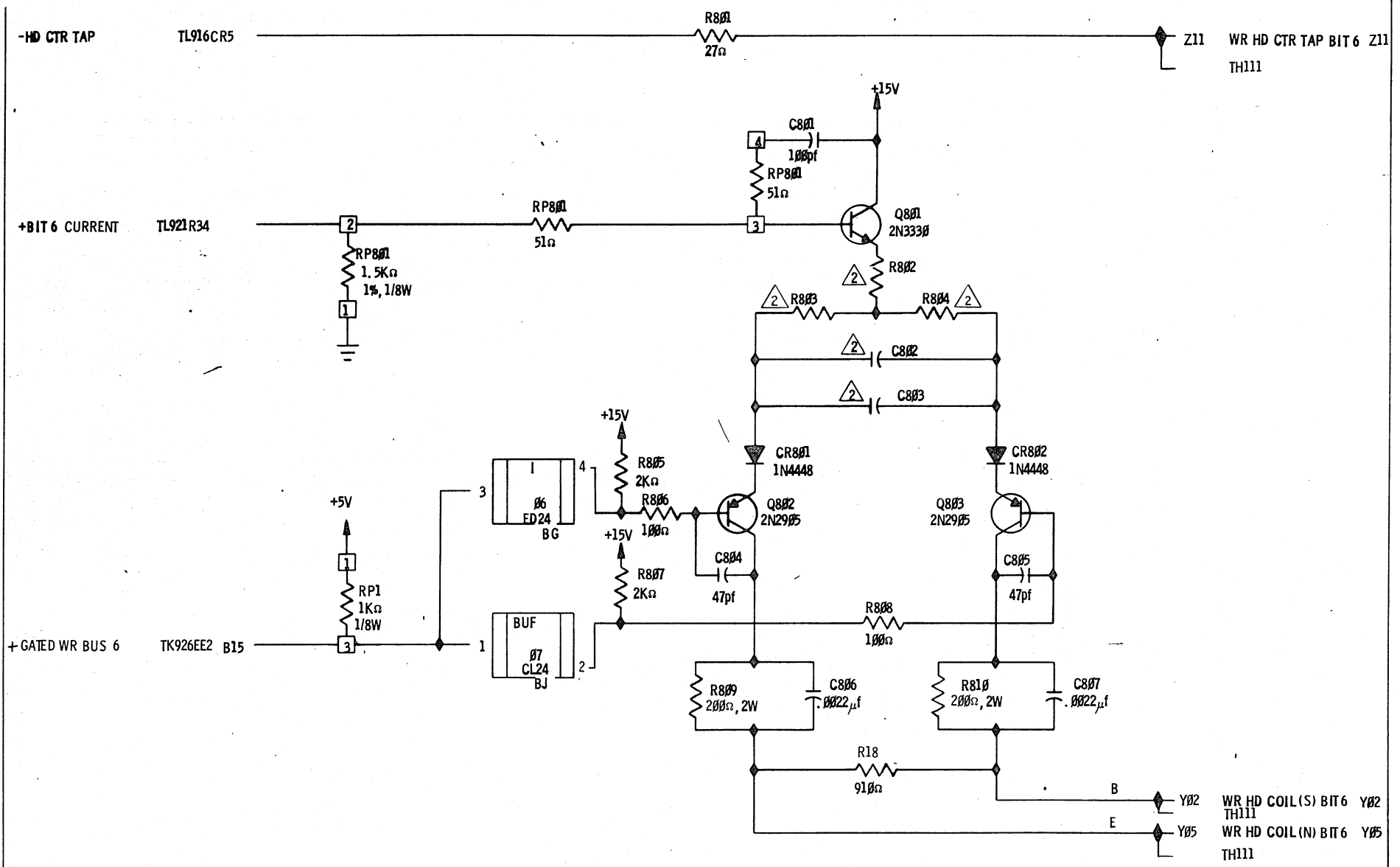
PREV. E.C. DATE
2487
9-23-76

REV. A
MACH. VERS. 3600/3400R
OBL. ROT.

CD. LOC. L2
GATE FRAME

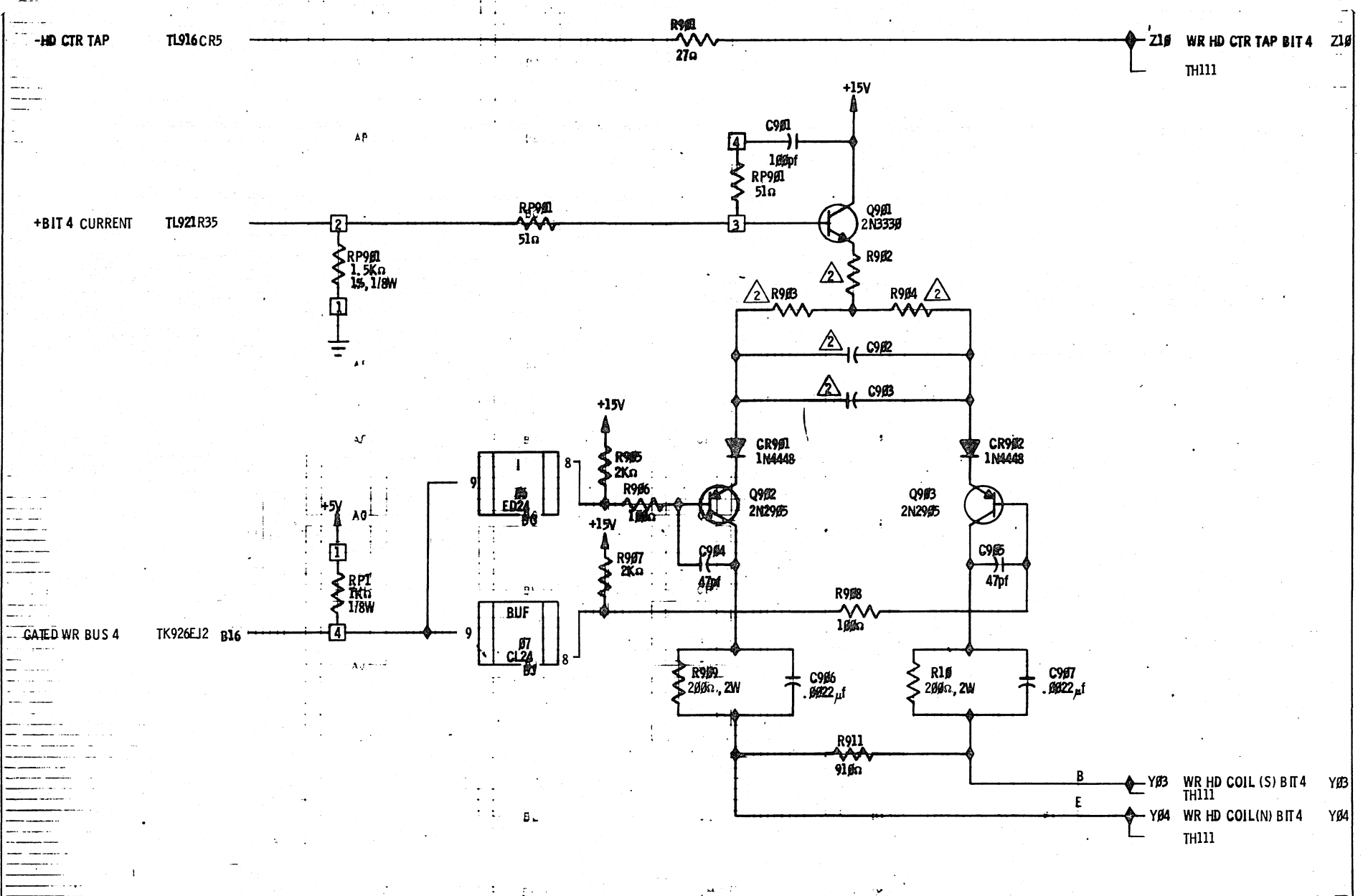
CD. P.N. TL
CD. TYPE TL
PG. P.N. 40850045-2

1
9
5
6



NOTE S:
 SEE PAGE TL905

TL961, SYS LOGIC, BIT 6 WR HD DR		REV A		CD. LOC. L2		CD. P.N. TL 48500460	
PRES. E.C. 2487	MACH. VERS. 360013400R	GATE FRAME	L2		PG. PN. 48500460		1
DATE 9-23 76	GBL. ROT.					9	1



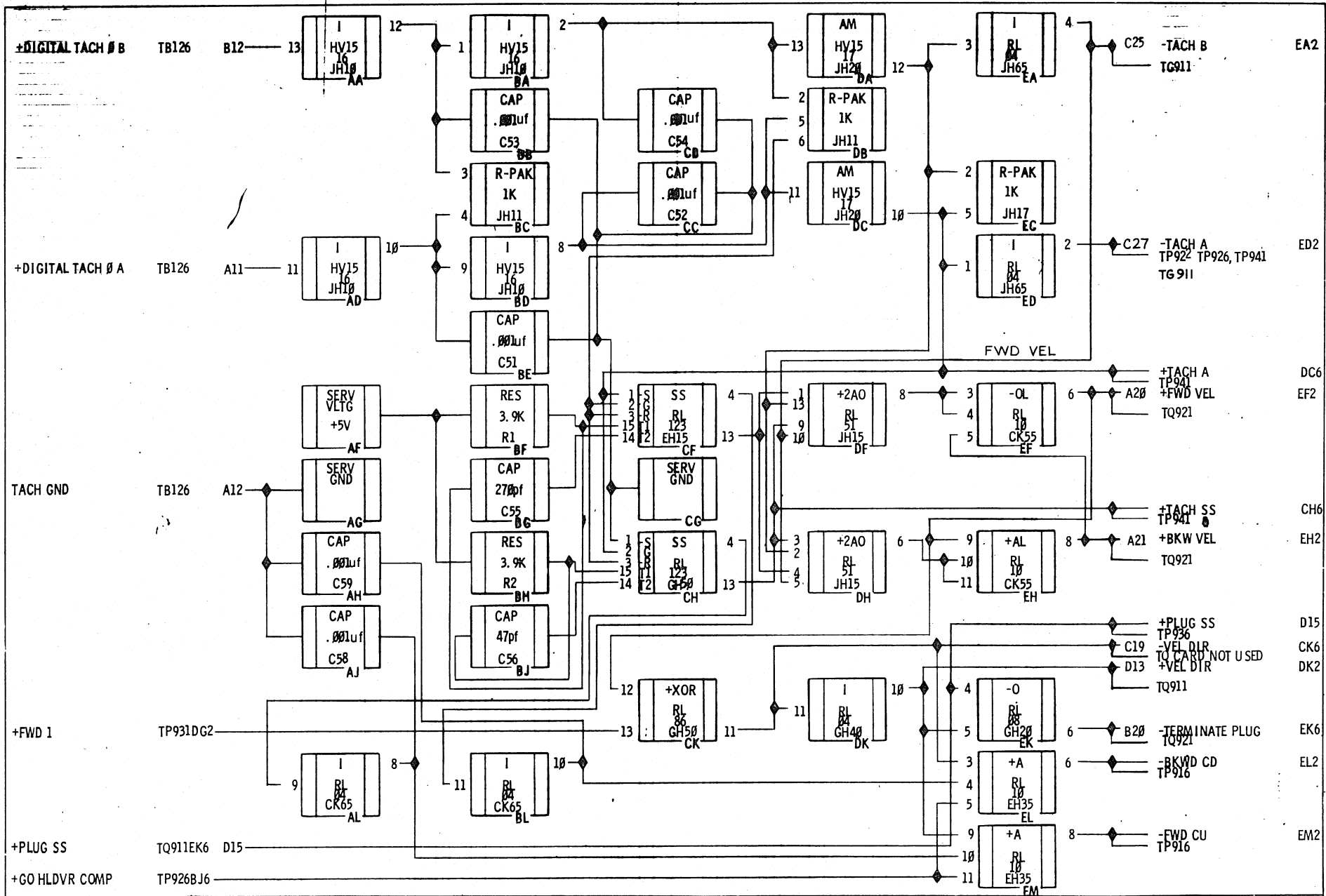
NOTES:
 1. SEE PAGE TL905

TL966, SYS LOGIC, BIT 4WR HD DR		CD. P.N. L2		CD. P.N. TL 40850047-8	
PREV. E.C. DATE	2487 9-23-76	REV. A	MACH. VERS. 3600/3400R	CD. LOC. GATE FRAME	TL 905

ASSEMBLY PARTS LIST

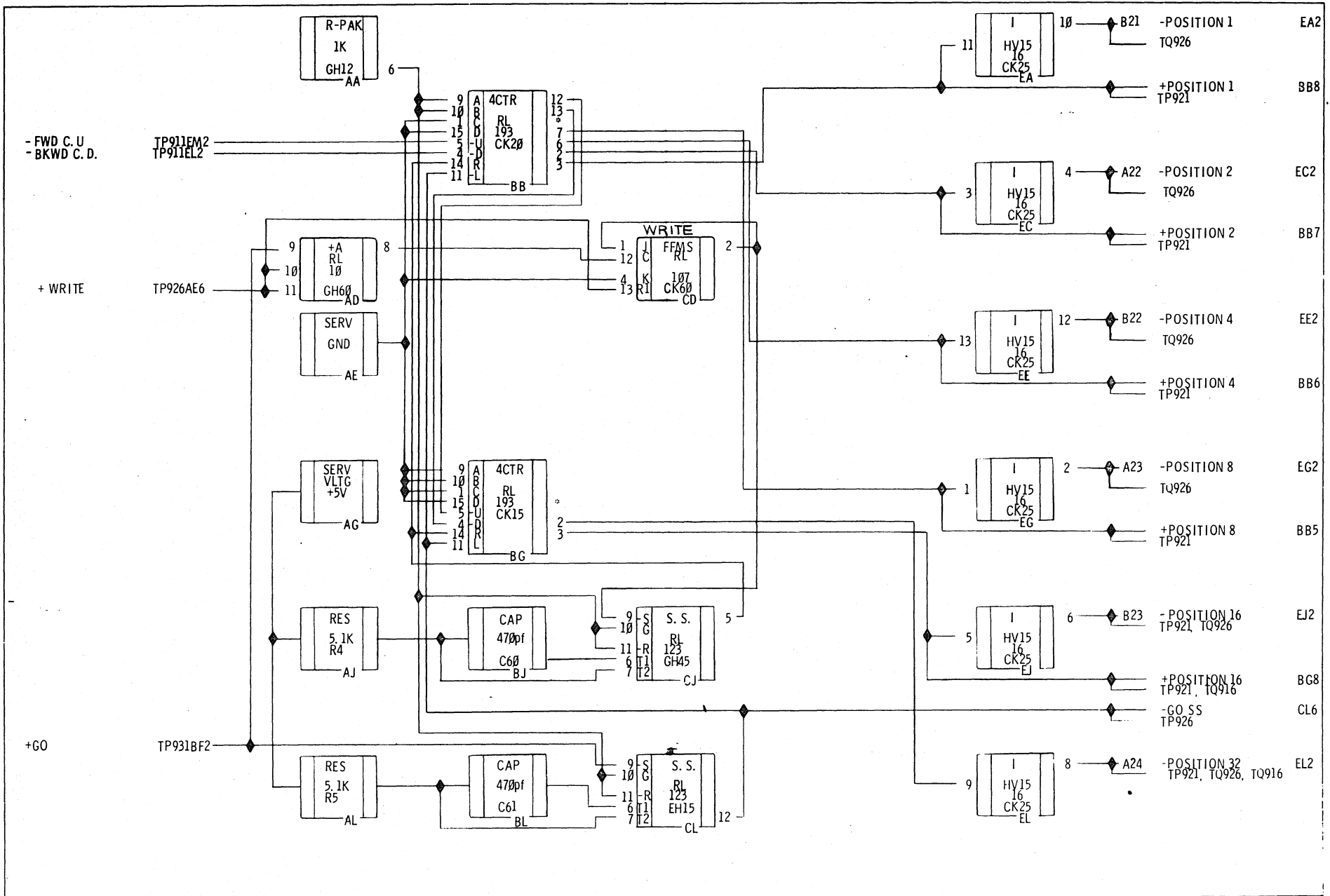
BUILD ARC

DIV	ASSEMBLY NUMBER	CD	REV.	DWG.	DESCRIPTION	MC	STATUS	STATUS DATE	FILE DATE					
0500	40851008	9	B	N	SLG TP CD, P/N 40625401	N	REL	11-08-77	05-06-80					
T FIND NO	LI	PART NUMBER	CD	M	QUANTITY	U/M	PART DESCRIPTION	MC	YLD	E.C. NO. IN	E.C. NO. OUT	S/N	WK IN	WK OUT
001	01	40851050	1		REF	PC	TP911, SYS LOGIC	D			3017			7930
001	02	40851082	4		REF	PC	TP911, SYS LOGIC	D		3017			7930	
002	01	40851042	8		REF	PC	TP916, SYS LOGIC	D			3017			7930
002	02	40851083	2		REF	PC	TP916, SYS LOGIC	D		3017			7930	
003	01	40851041	0		REF	PC	TP921, SYS LOGIC	D						
004	01	40851028	7		REF	PC	TP 922, SYS LOGIC	D			3017			7930
004	02	40851067	5		REF	PC	TP 922, SYS LOGIC	D		3017			7930	
005	01	40851039	4		REF	PC	TP926, SYS LOGIC	D			3017			7930
005	02	40851068	3		REF	PC	TP926, SYS LOGIC	D		3017			7930	
006	01	40851030	3		REF	PC	TP 931, SYS LOGIC	D			3017			7930
006	02	40851069	1		REF	PC	TP 931, SYS LOGIC	D		3017			7930	
007	01	40851051	9		REF	PC	TP936, SYS LOGIC	D			3017			7930
007	02	40851070	9		REF	PC	TP936, SYS LOGIC	D		3017			7930	
008	01	40851043	6		REF	PC	TP941, SYS LOGIC	D			3017			7930
008	02	40851071	7		REF	PC	TP941, SYS LOGIC	D		3017			7930	
009	01	40851033	7		REF	PC	TP 946 SYS LOGIC	D						
0016 TOTAL LINES														

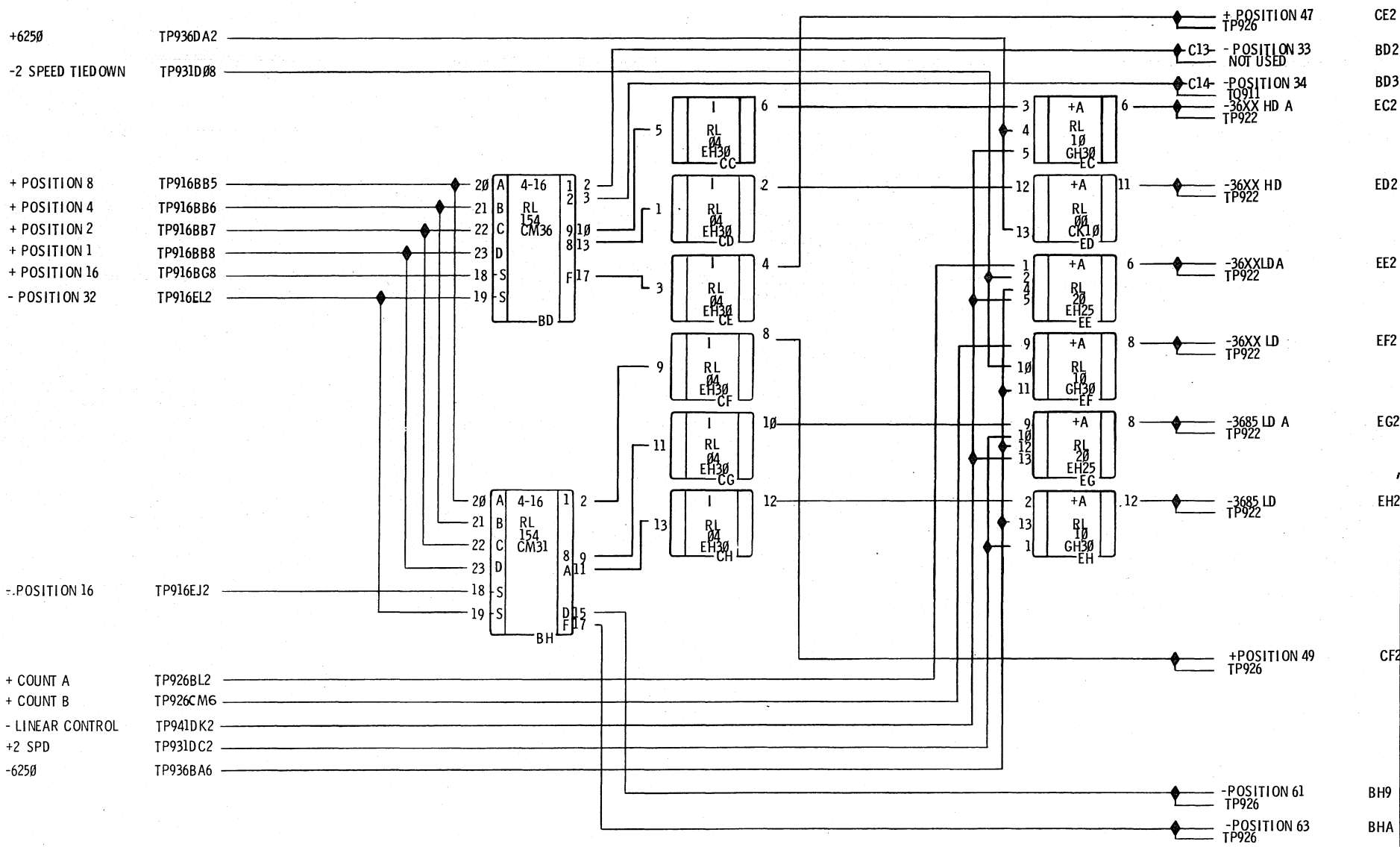


TP911, SYS LOGIC		CD. LOC. B2		CD. P.N. TP	
PREV. E.C. 3017	REV. A	MACH. TU	CD. LOC. B2	CD. TYPE TP	40851082-4
DATE 5-14-79		VERS. OBL. ROT.	GATE FRAME	P6. P.N.	

TP911



TP 16	TP916, SYS LOGIC				TP 9 1 6
	PRES. E.C. 3017	REV A	MACH. TU	CD. LOC. B2	
	PREV. E.C. 2487		VERS. GBL. ROT.	CD. P.N. TP	
	DATE 5-11-79			PG. RN. 40851083-2	

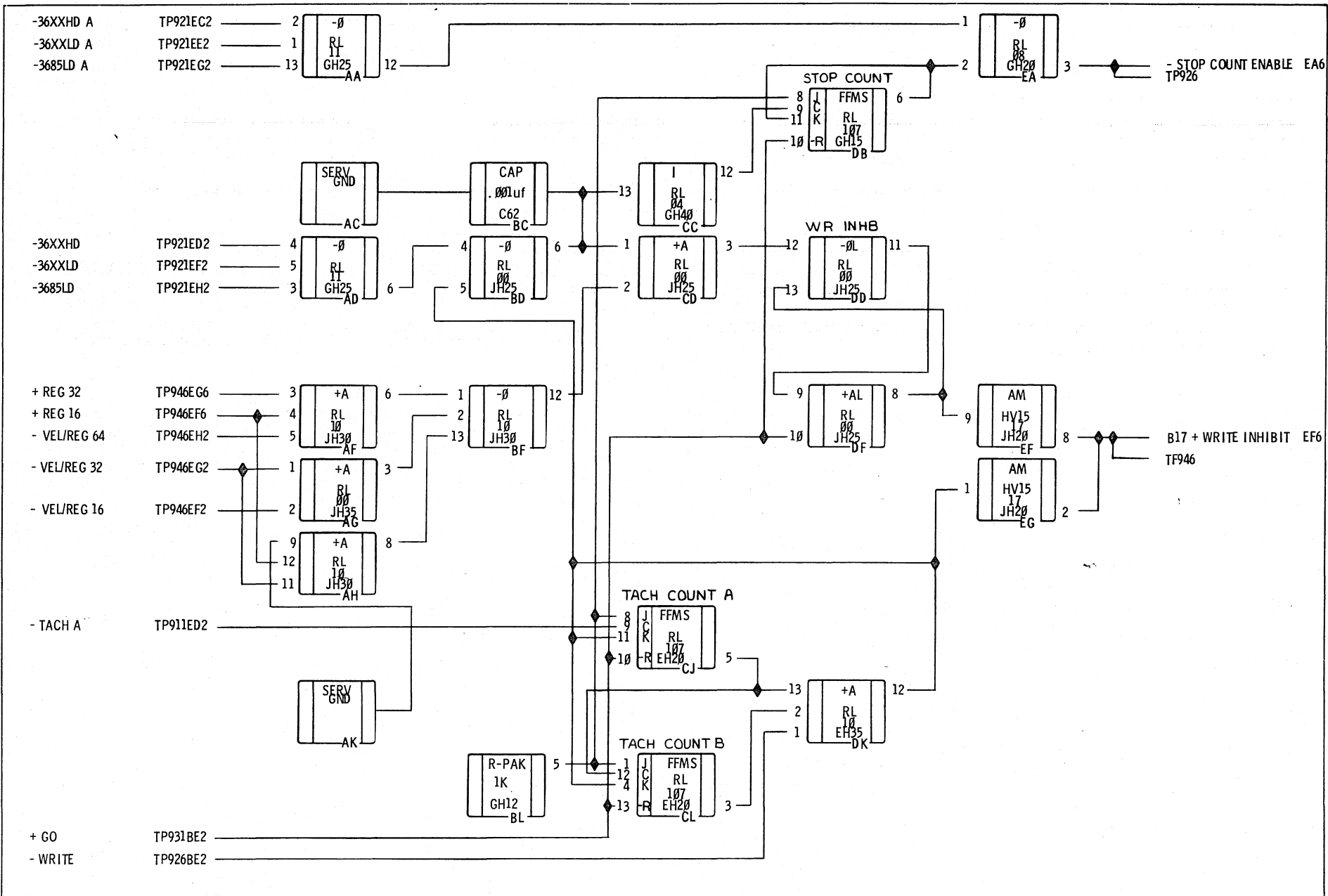


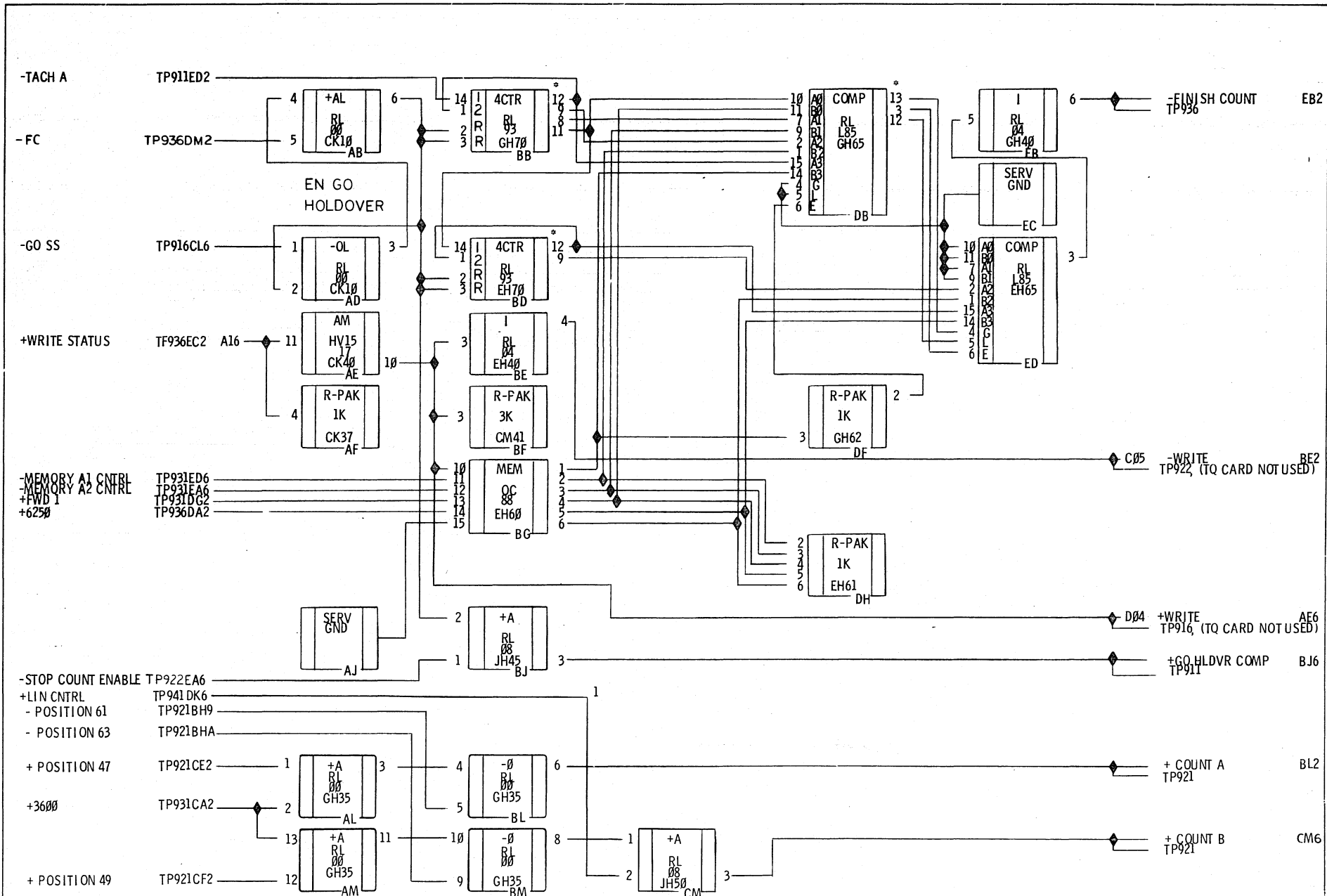
TP921, SYS LOGIC

TP921	REV A	MACH. TU VERS. GBL. ROT.	CD. LOC. B2	CD. P.N. CD. TYPE FG. P.N.
TP921	12-1-76			TP 40851041-0

TP921

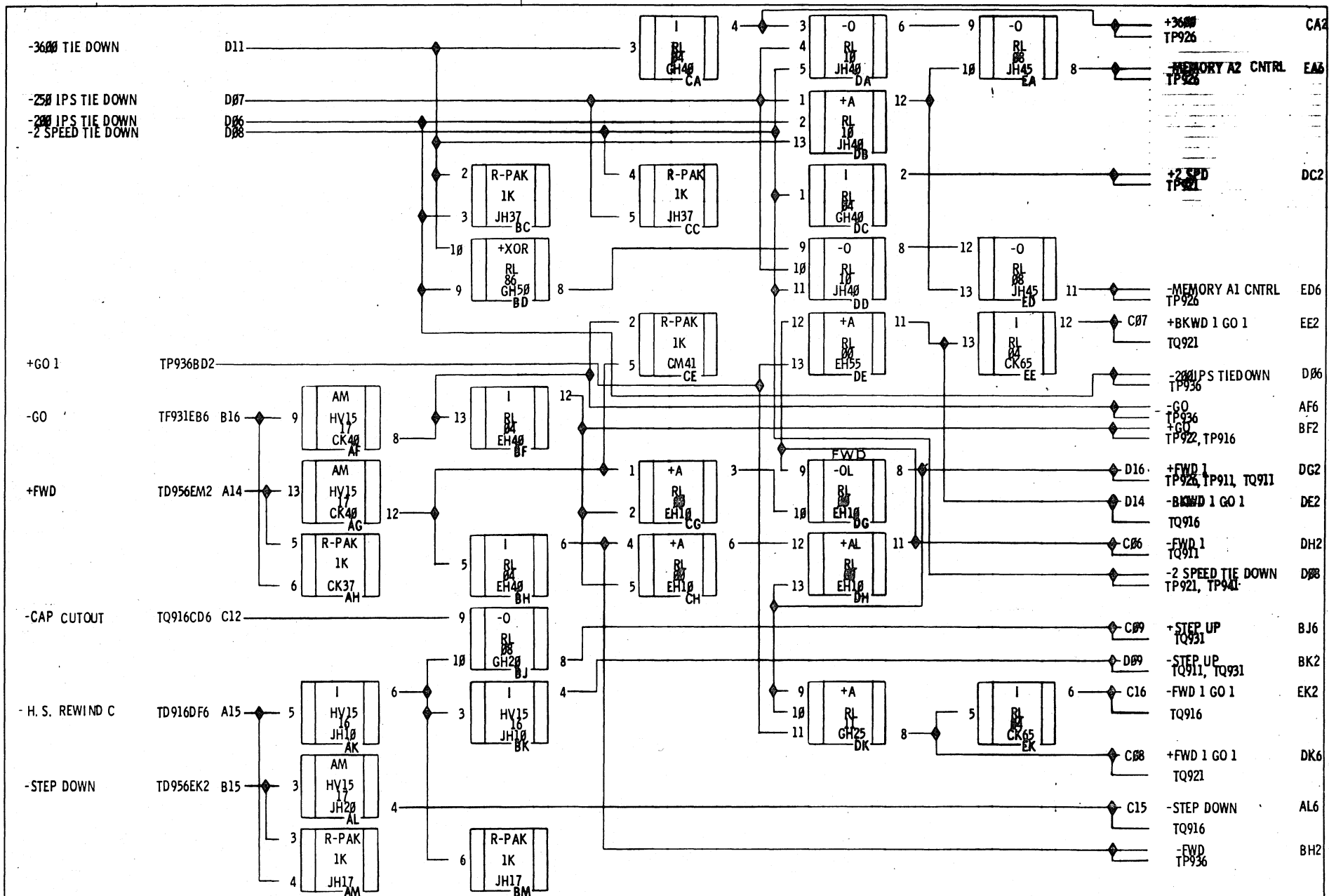
TP921





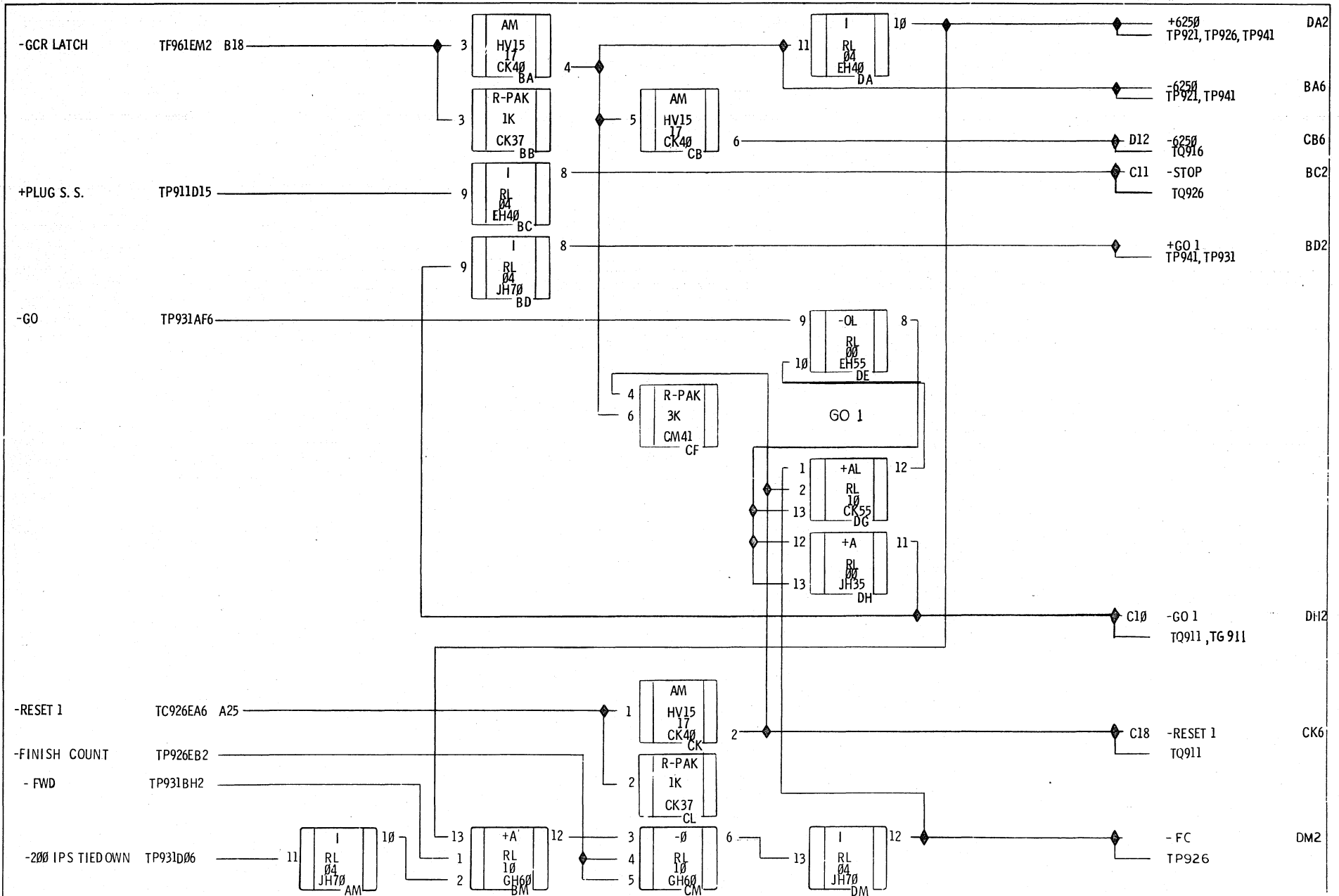
TP926

TP926



1-3001

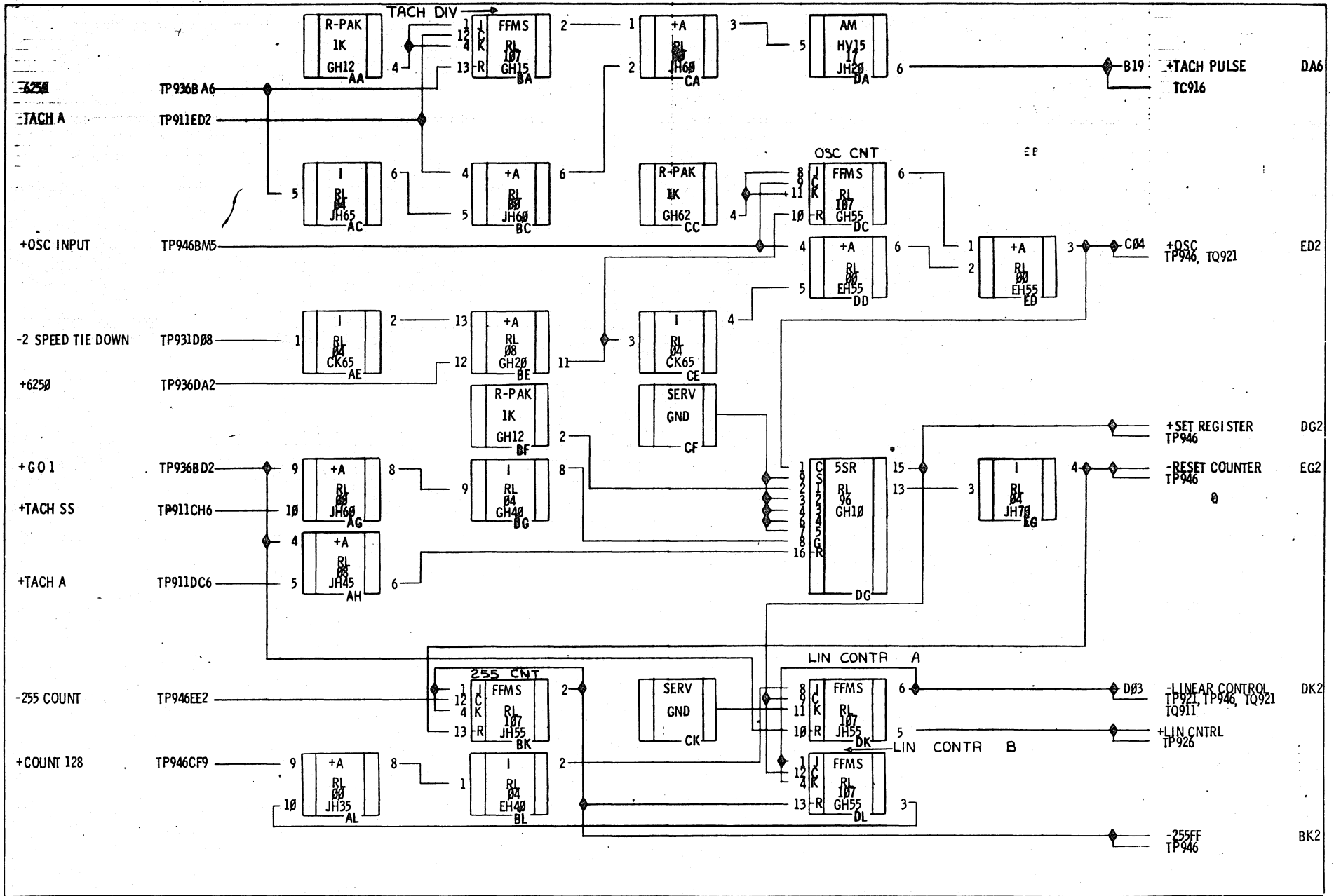
TP
9
3
1

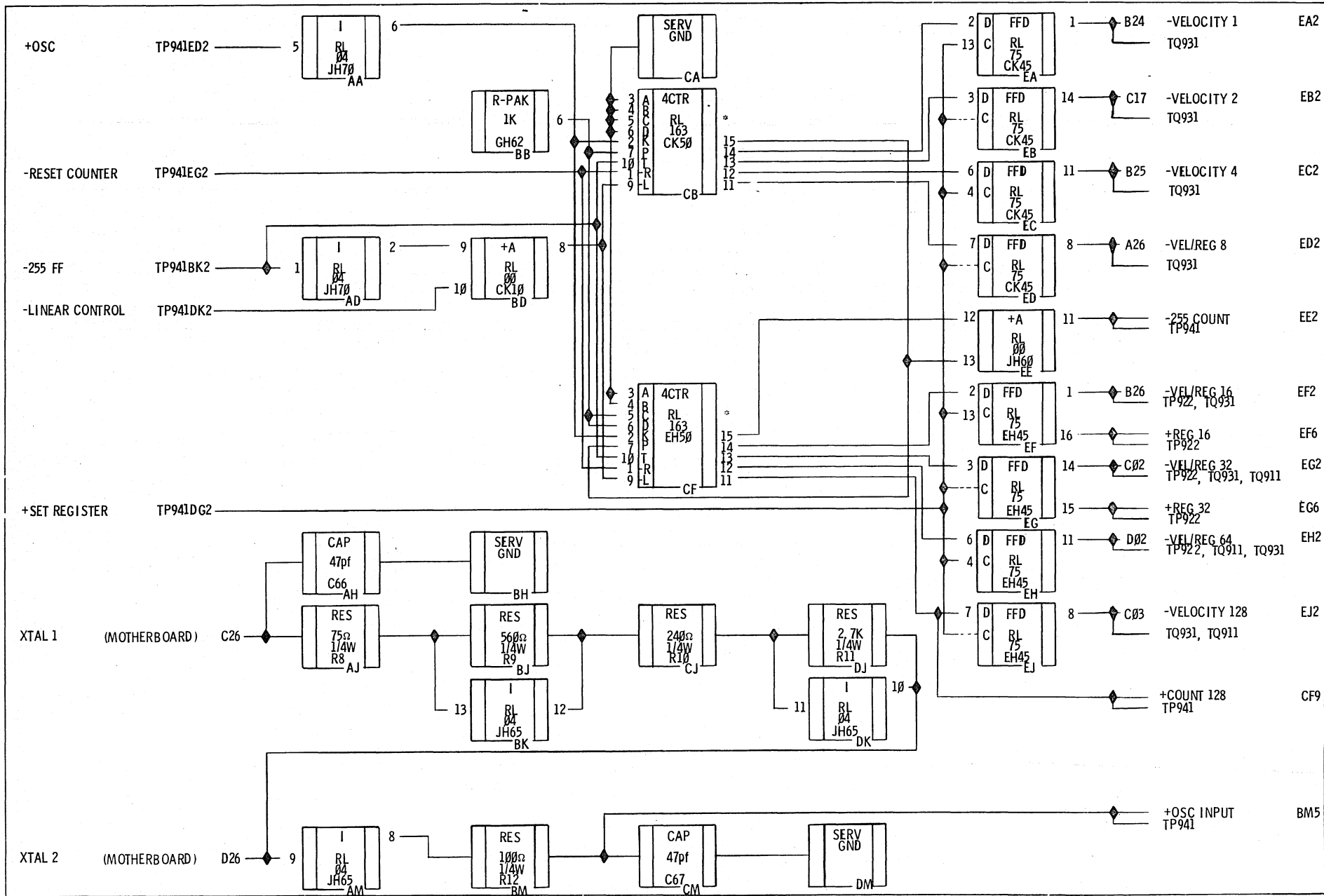


TP936, SYS LOGIC		REV A		MACH. TU		CD. LOC. B2		CD. P.N.	
PREV. E.C. 3017	DATE 5-11-79	VERS. A	CHL. ROT.	GATE	FRAME	TP	TP	TP	TP
				40851070-9					

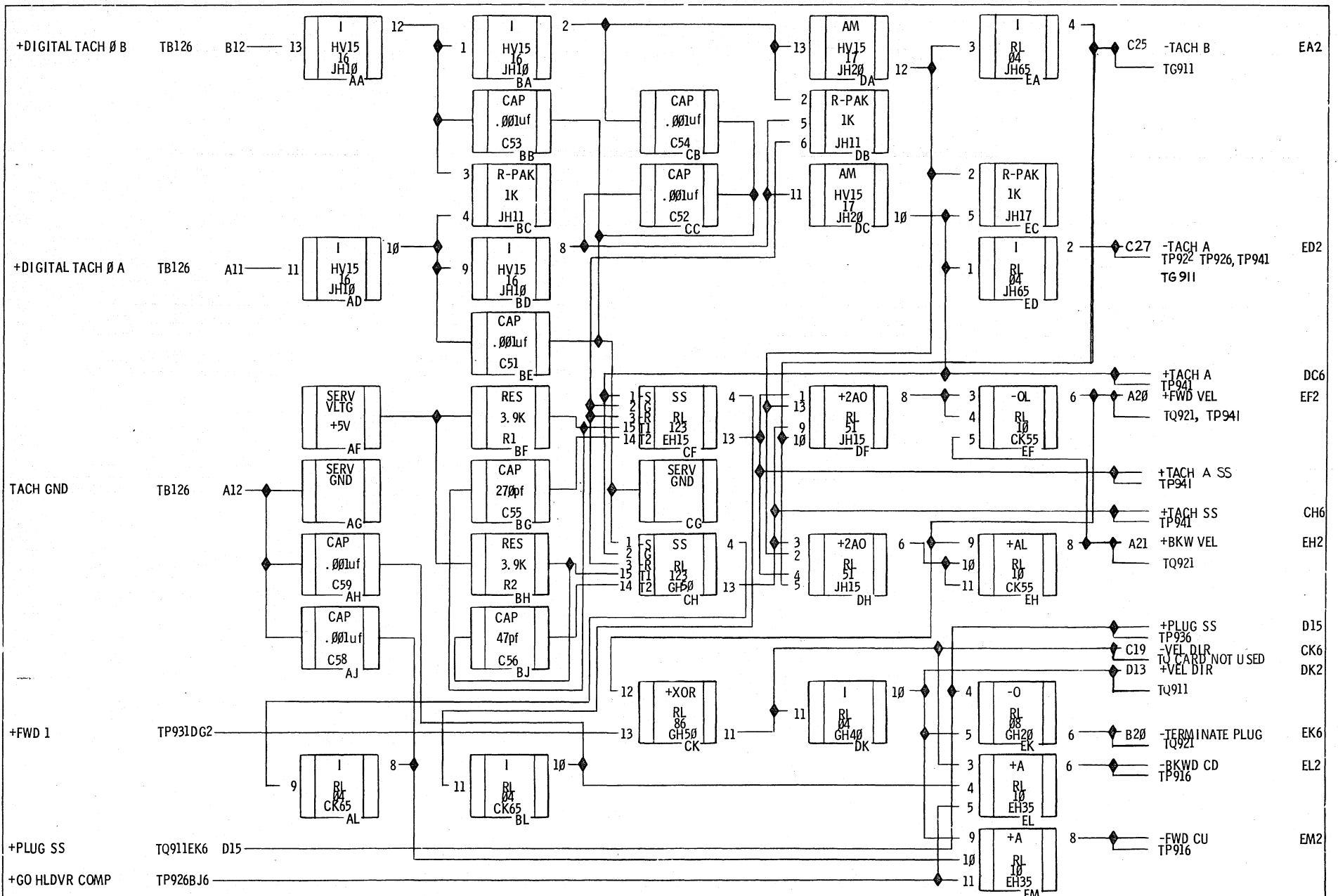
TP
9
3
6

TP
9
3
6





TP946, SYS LOGIC				TP 9 4 6
PRES. E.C. DATE	1881 REV. E.C. 10-27-75	REV. A	MACH. TU VERS. GBL. ROT.	CD. LOC. B2 GATE FRAME
		CD. P.N. TP PG. P.N. 40851033-7		

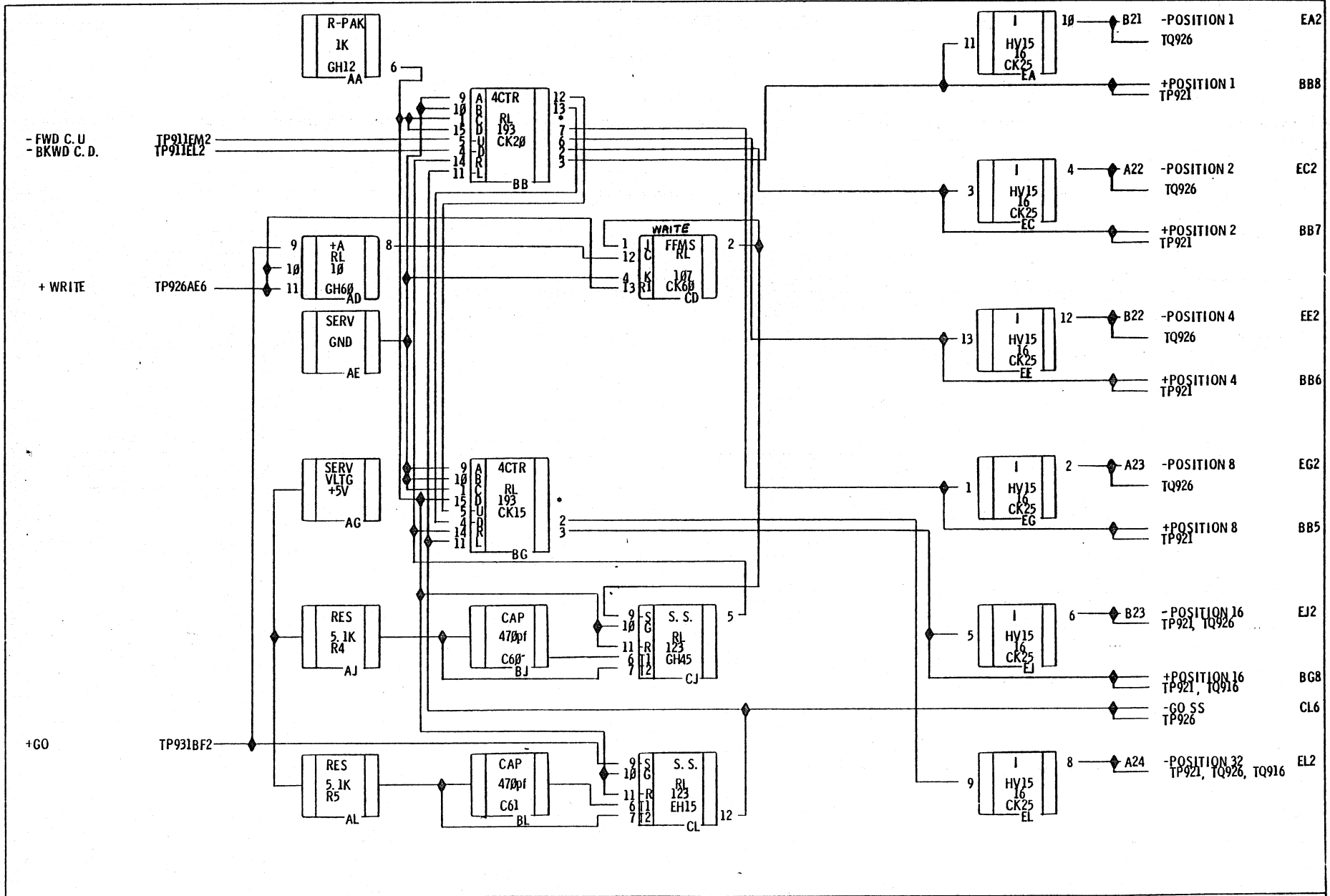


TP911, SYS LOGIC, FOR 3630 ONLY

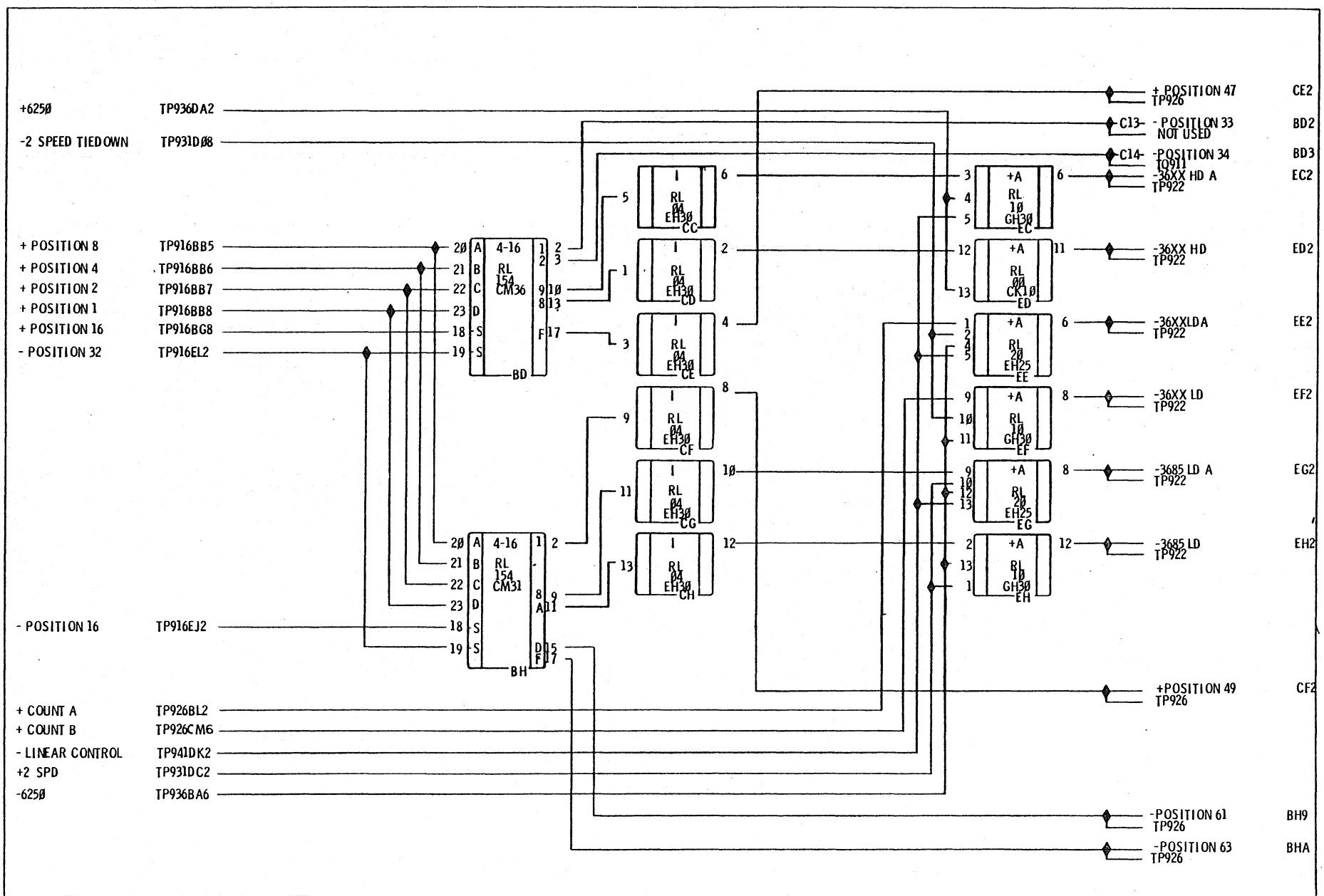
PRES. E.C. 2989 REV. E.C. 2625 DATE 11-16-78	REV. A	MACH. TU 3630 VERS. GBL. ROT.	CD. LOC. B2 GATE FRAME	CD. PN. TP CD. TYPE TP PG. PN. 40851060-0
--	--------	----------------------------------	---------------------------	---

TP911

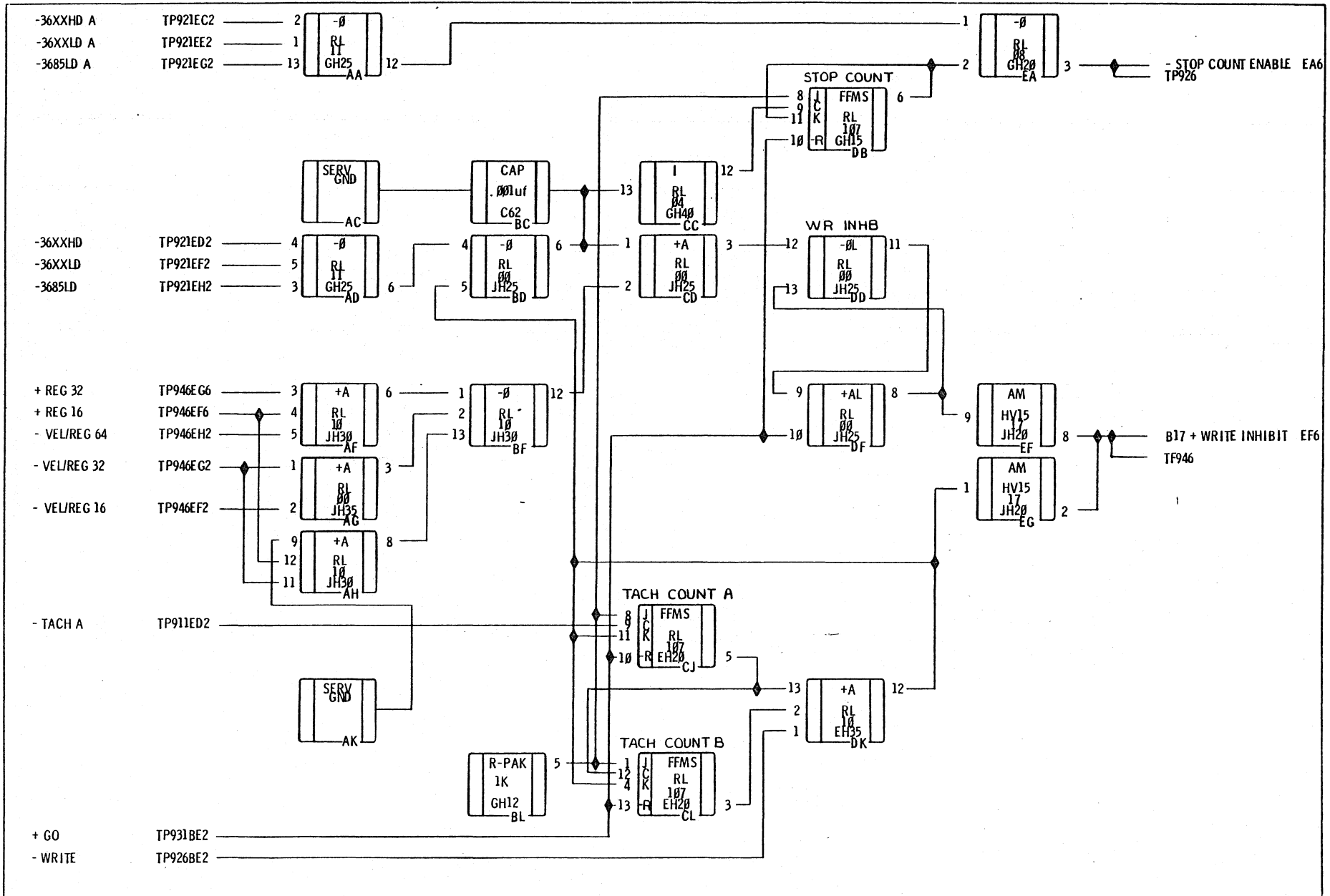
TP911



T P 9 1 6	TP916, SYS LOGIC, 75 I/P5					T P 9 1 6
	PRES. E.C. 3035	REV. A	MACH. TU	CD. LOC. B2	CD. P.N.	
	PREV. E.C. 2487		VERS. GBL. ROT.	GATE FRAME	CD. TYPE TP	
	DATE 2-20-79				PG. P.N. 4851066-7	



1001	TP921, SYS LOGIC										1001
	PRES. E.C.	1807	REV	A	MACH. TU		CD. LOC.	B2	CD. FN.		
	PREV. E.C.				VERS.		GATE		CD. TYPE	TP	
	DATE	12-1-76			ORL. ROT.		FRAME		Pg. FN.	48851041-0	

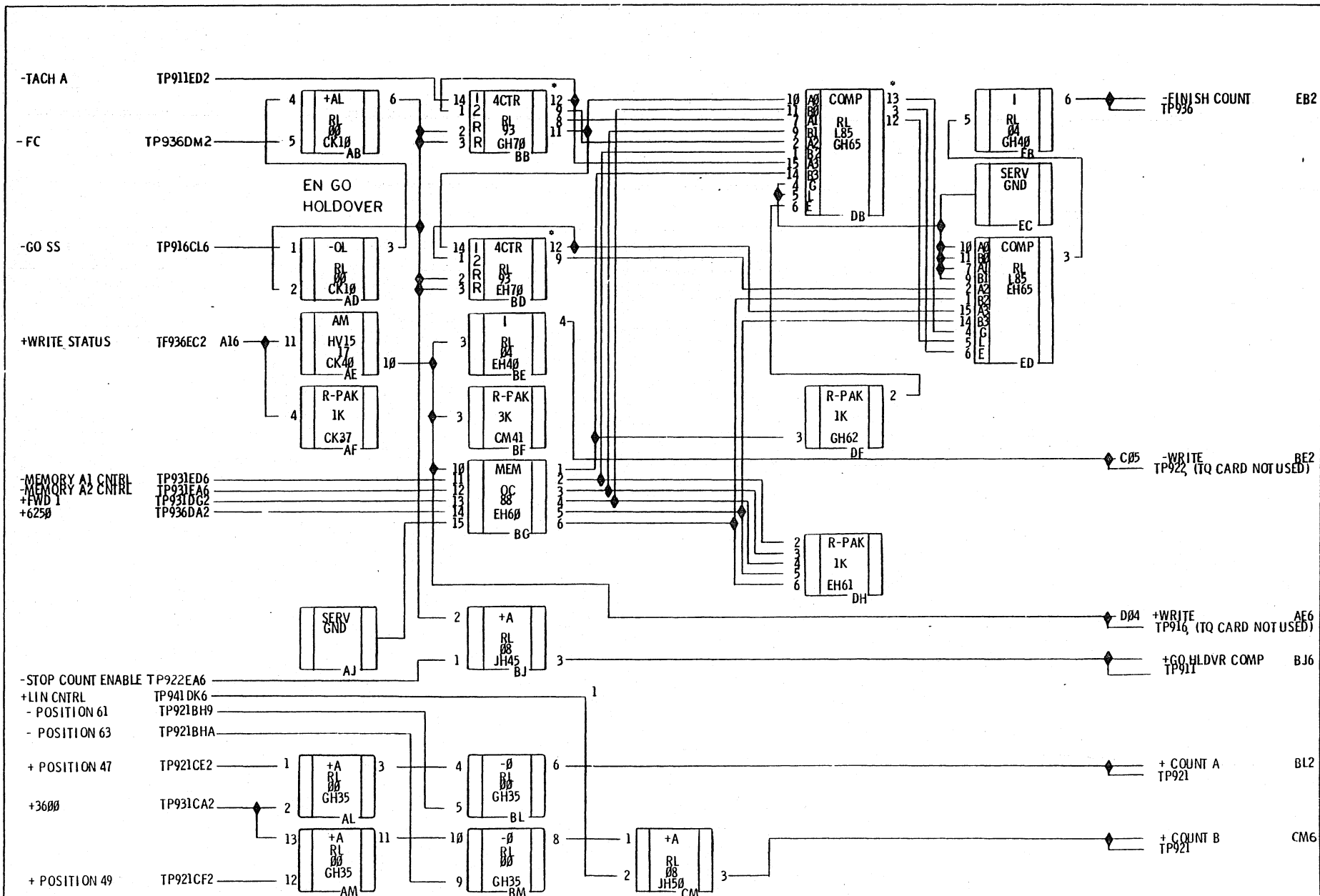


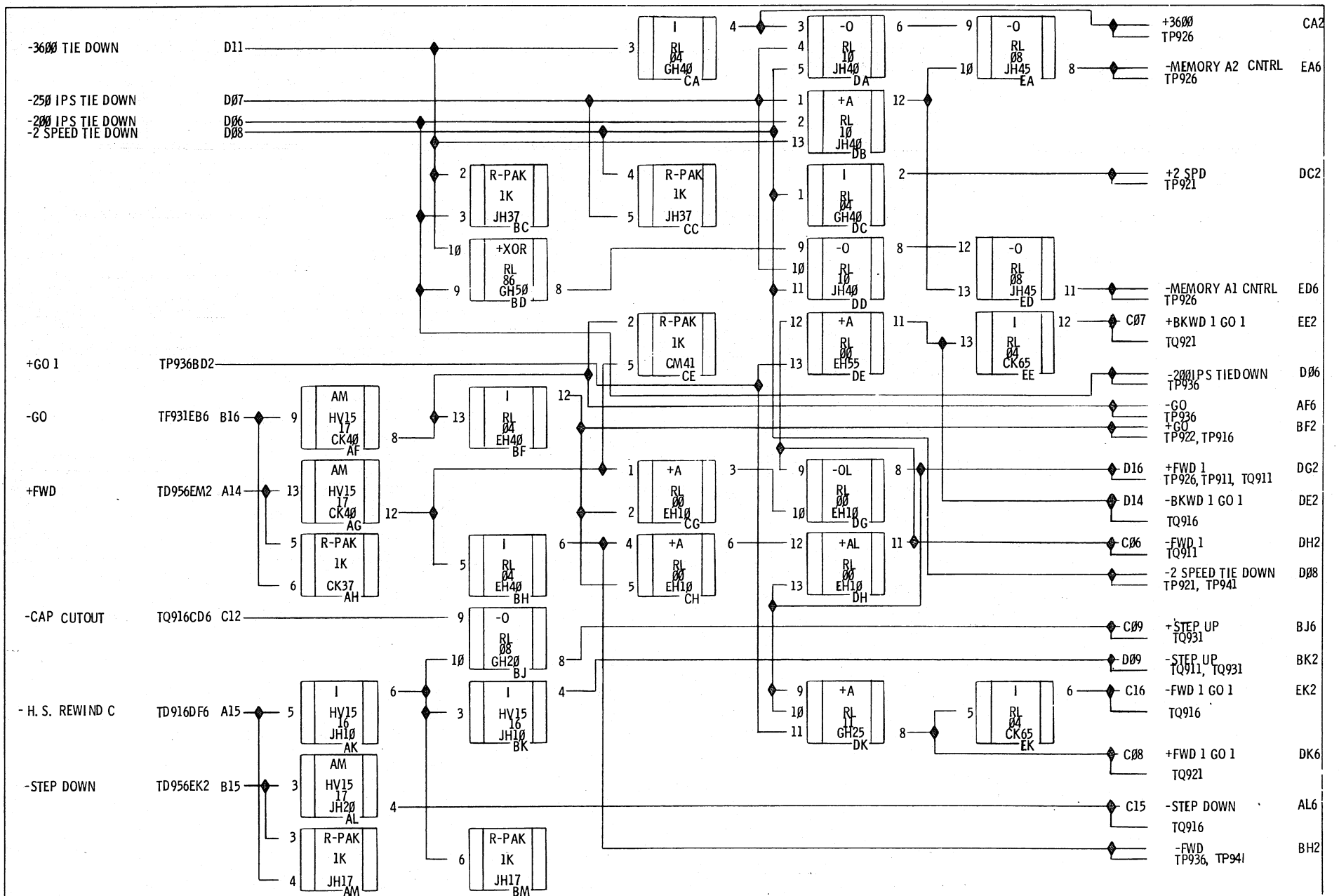
TP922, SYS LOGIC

PRES. E.C. 3017 PREV. E.C. 1881 DATE 5-11-79	REV. A	MACH. TU VERS. OBL. ROT.	CD. LOC. B2 GATE FRAME	CD. PN. CD. TYPE TP PG. RN. 40851067-5
--	--------	--------------------------------	---------------------------	--

TP922

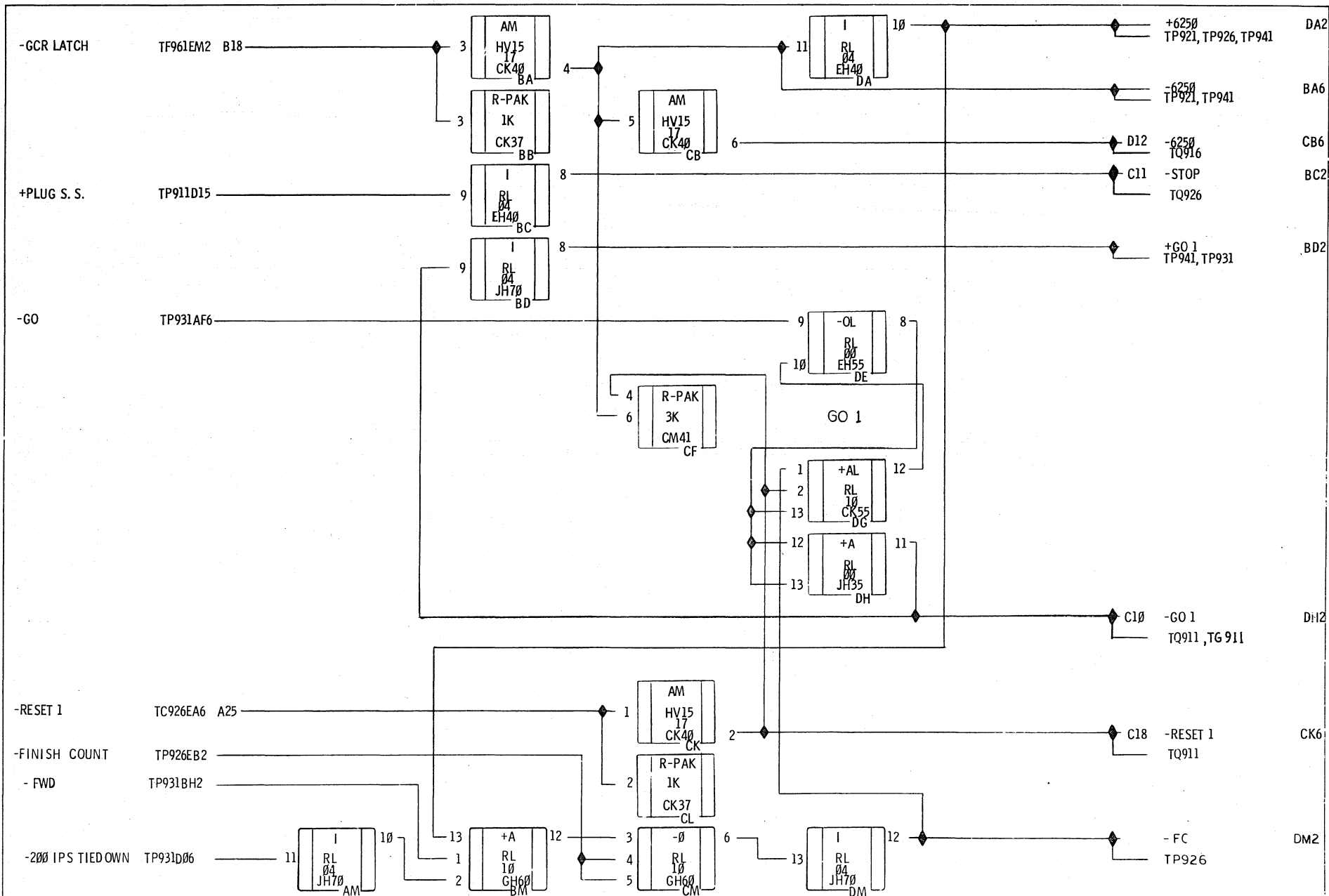
TP922





TP931, SYS LOGIC, FOR 3630 ONLY

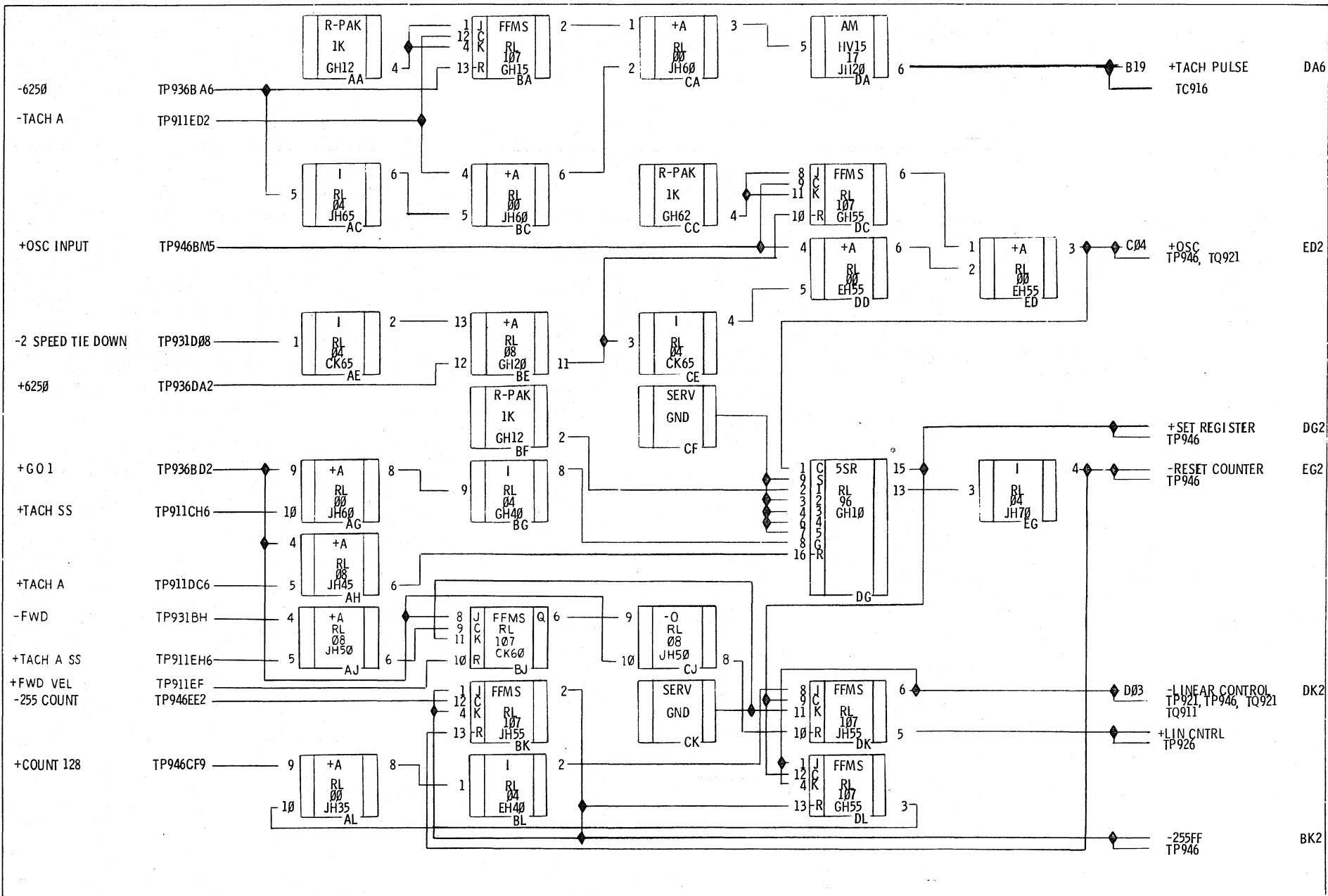
TP931	REV A	MACH. VERS. TU 3630	CD. LOC. B2	CD. P.N. TP 40851062-6
1	DATE 11-16-78	GBL. ROT.	FRAME	PG. PN.



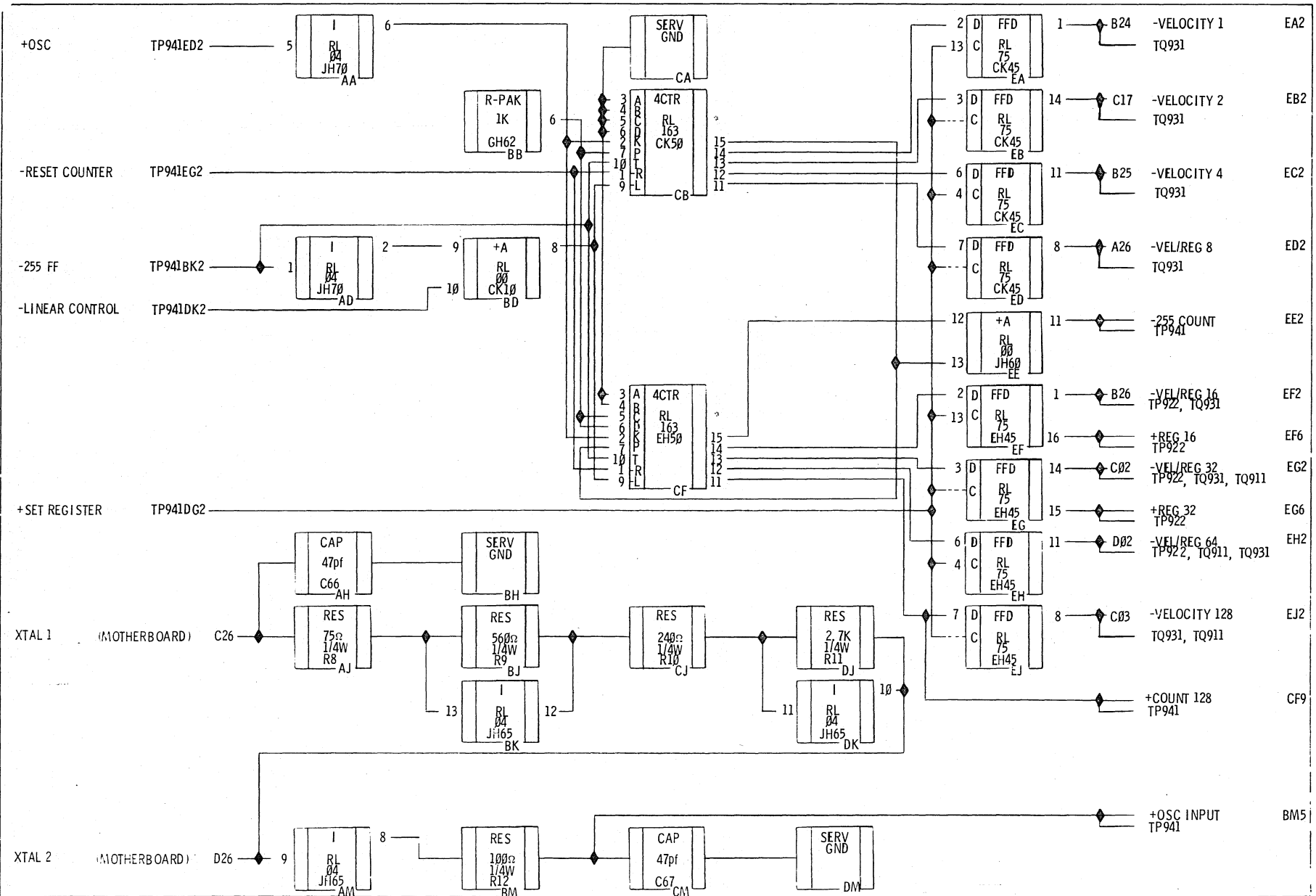
		TP936, SYS LOGIC					
PRES. E.C. 3017	REV. A	MACH. TU	CD. LOC. B2	CD. P.N.	TP		
PREV. E.C. 2625		VERS.	GATE	CD. TYPE	TP		
DATE 5-11-79		CSL. ROT.	FRAME	PG. PN.	40851070-9		

TP
9
3
6

TP
9
3
6



TP 9 4 1	TP941, SYSLOGIC, FOR 3630 ONLY										TP 9 4 1
	PREV. E.C. 2989	REV A	MACH. TU 3630	CD. LOC. B2	CD. P.N.	TP					
	PREV. E.C. 2487		VERS. GBL. ROT.	FRAME	PG. P.N.	40851061-8					
	DATE 11-16-78										

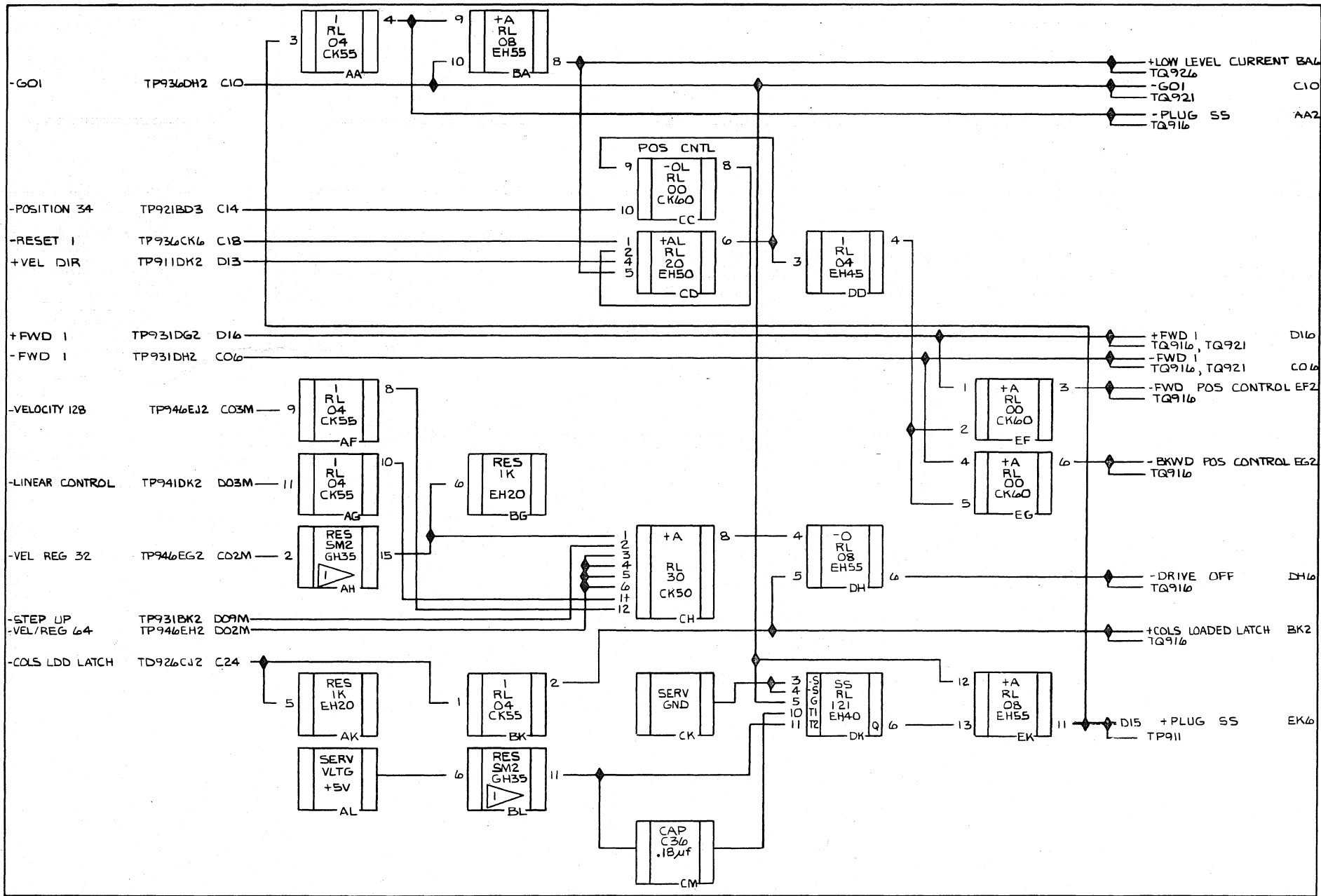


TP946, SYS LOGIC				CD. LOC. B2 GATE FRAME	CD. P.N. CD. TYPE TP PG. P.N. 40851033-7	T P 9 4 6
PRES. E.C. 1881 PREV. E.C. DATE 10-27-75	REV. A	MACH. TU VERS. GBL. ROT.				

ASSEMBLY PARTS LIST

BUILD ARC

DIV		ASSEMBLY NUMBER		CD	REV.	DWG.	DESCRIPTION			MC	STATUS	STATUS DATE		FILE DATE		
0500		40856042		3	D	N	SYS. LOG. GR. TO P/N 40626201			N	REL	09-11-78 3600		11-27-79		
T	FIND NO	LI	PART NUMBER	CD	M	QUANTITY	U/M	PART DESCRIPTION		MC	YLD	E.C. NO. IN	E.C. NO. OUT	S/N	WK IN	WK OUT
	001	01	40856032	4		REF	PC	TQ911, SYS LOGIC		D			3017			7930
	001	02	40856045	6		REF	PC	TQ 911, SYS LOGIC		D		3017			7930	
	002	01	40856038	1		REF	PC	TQ916, SYS LOGIC		D						
	003	01	40856039	9		REF	PC	TQ921, SYS LOGIC		D						
	004	01	40856028	2		REF	PC	TQ 926, SYS LOGIC		D						
	005	01	40856029	0		REF	PC	TQ 931 SYS LOGIC		D						
	006	01	40856040	7		REF	PC	TQ936, CDM SPEED MOD VALUES		D			52176			7910
	006	02	40856044	9		REF	PC	TQ 936, SYS LOG, SPEED MODULE V		D		52176	3236		7910	7947
	006	03	40856047	2		REF	PC	TQ936, SYS LOG, SPD MODULES		D		3236			7947	
								0009 TOTAL LINES								



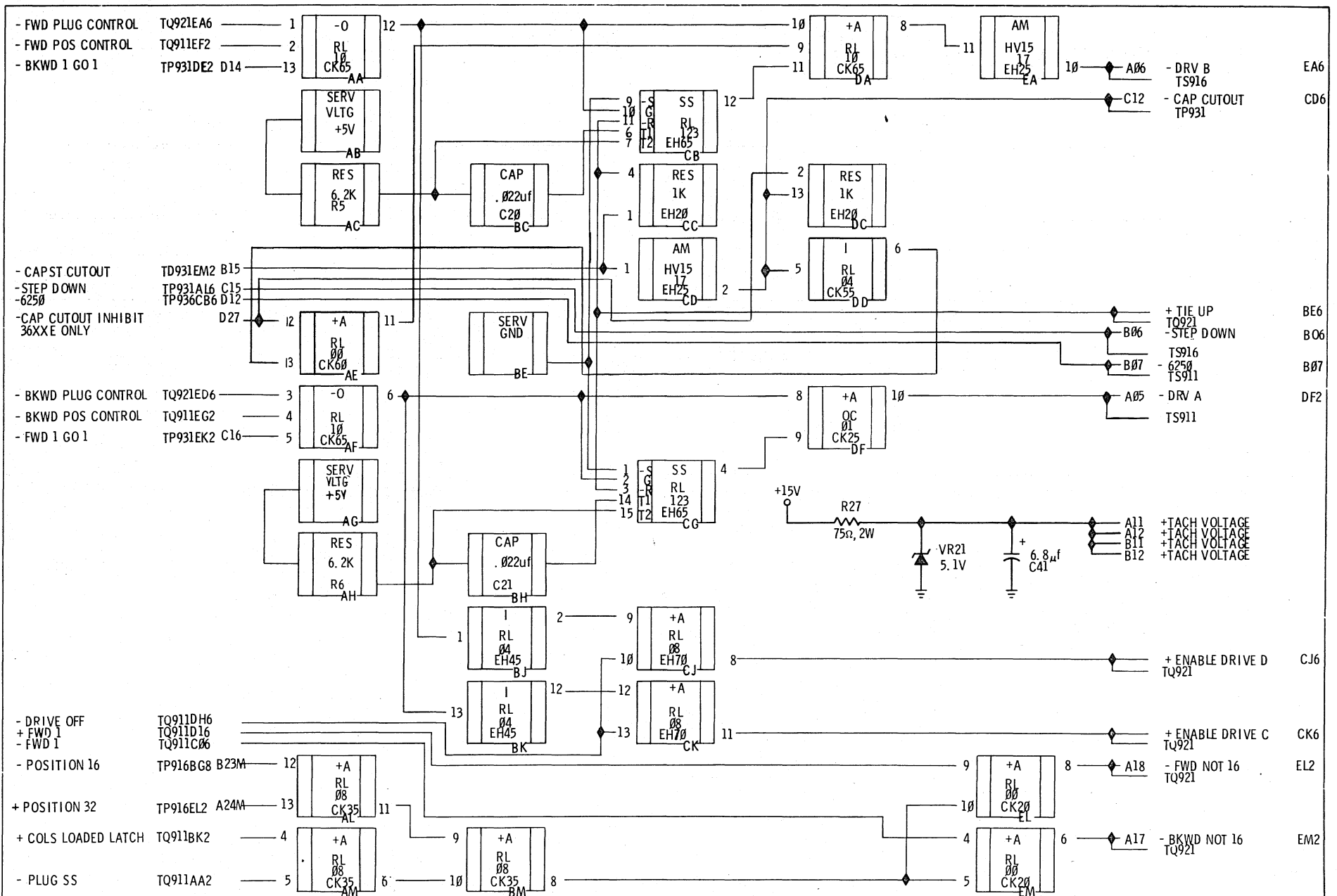
NOTES



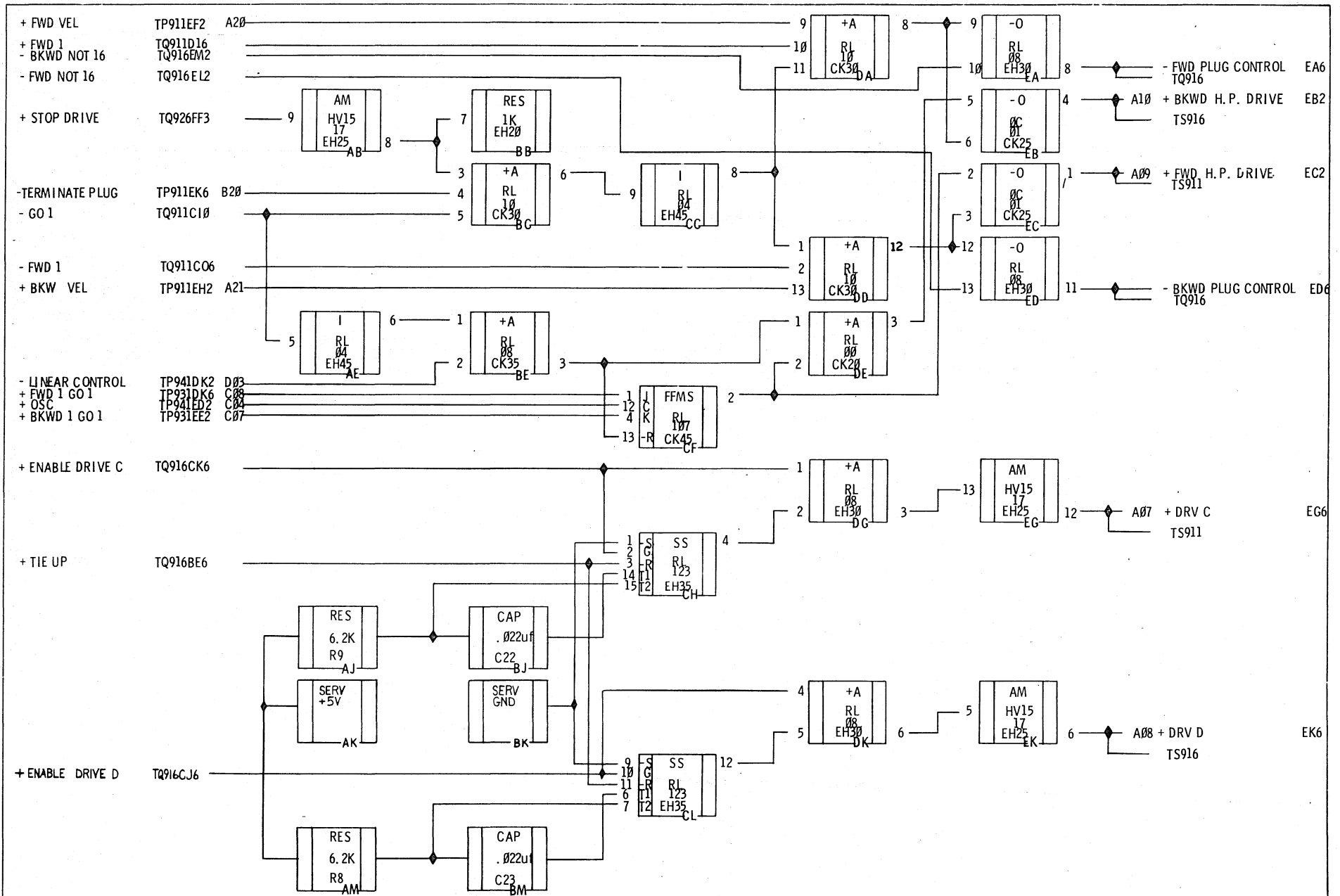
SPEED MODULE VALUES; SEE PAGE TQ934

TQ911, SYS LOGIC

PRES. E.C. 3017	REV A	MACH. VERS. 08L ROT.	CD. LOC. A7	CD. P.N. TQ	TQ911
PREV. E.C. 2487			GATE FRAME	CD. TYPE TQ	
DATE 5-11-79				PG. PN. 40836045-6	



TQ916	TQ916, SYS LOGIC				TQ916	
	PRES. E.C. 2765	REV. A	MACH. VERS.	CD. LOC. A2		CD. P.N. TU
	PREV. E.C. 2487	DATE 9-23-76	GBL. ROT.	GATE FRAME		PG. P.N. 40856038-1

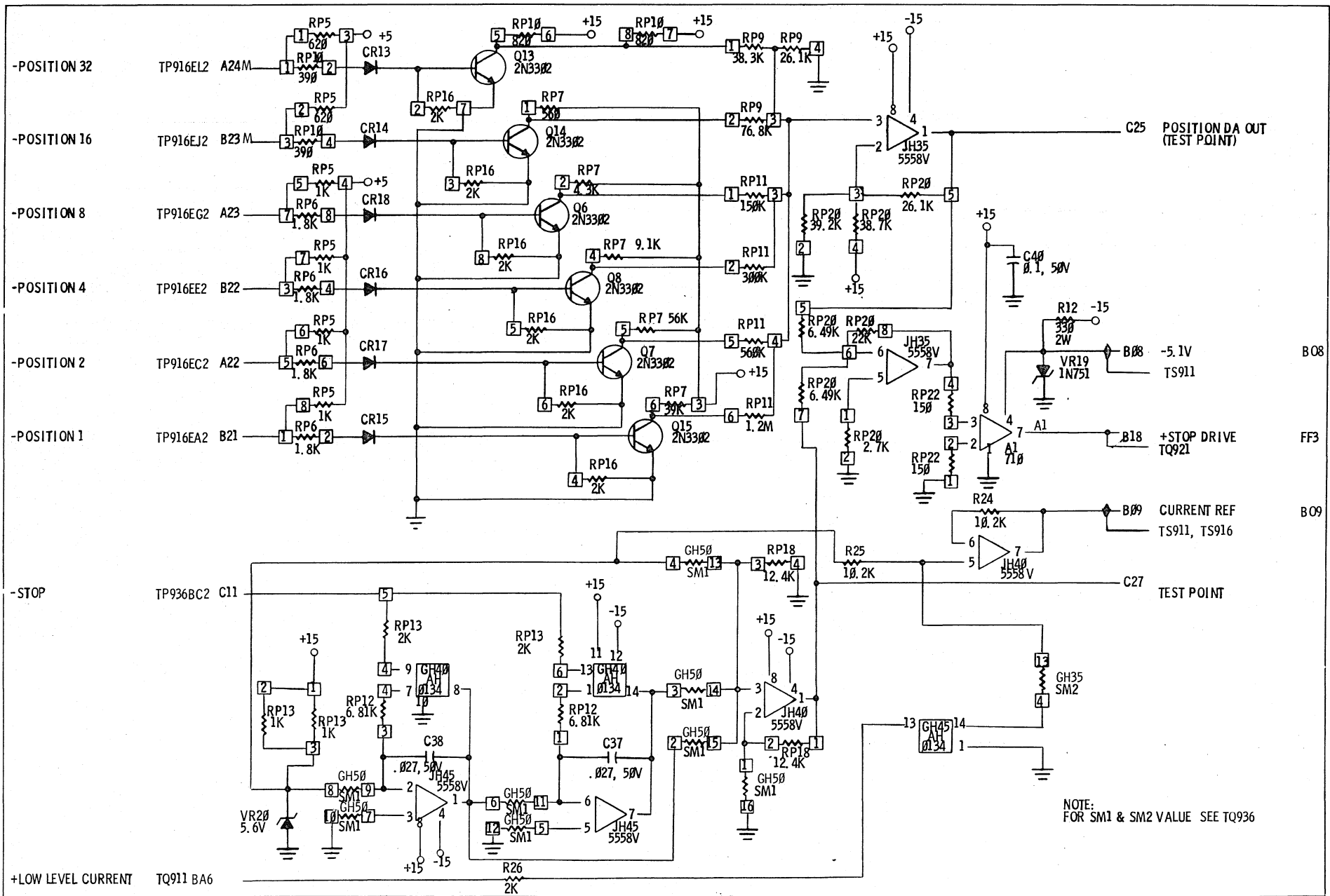


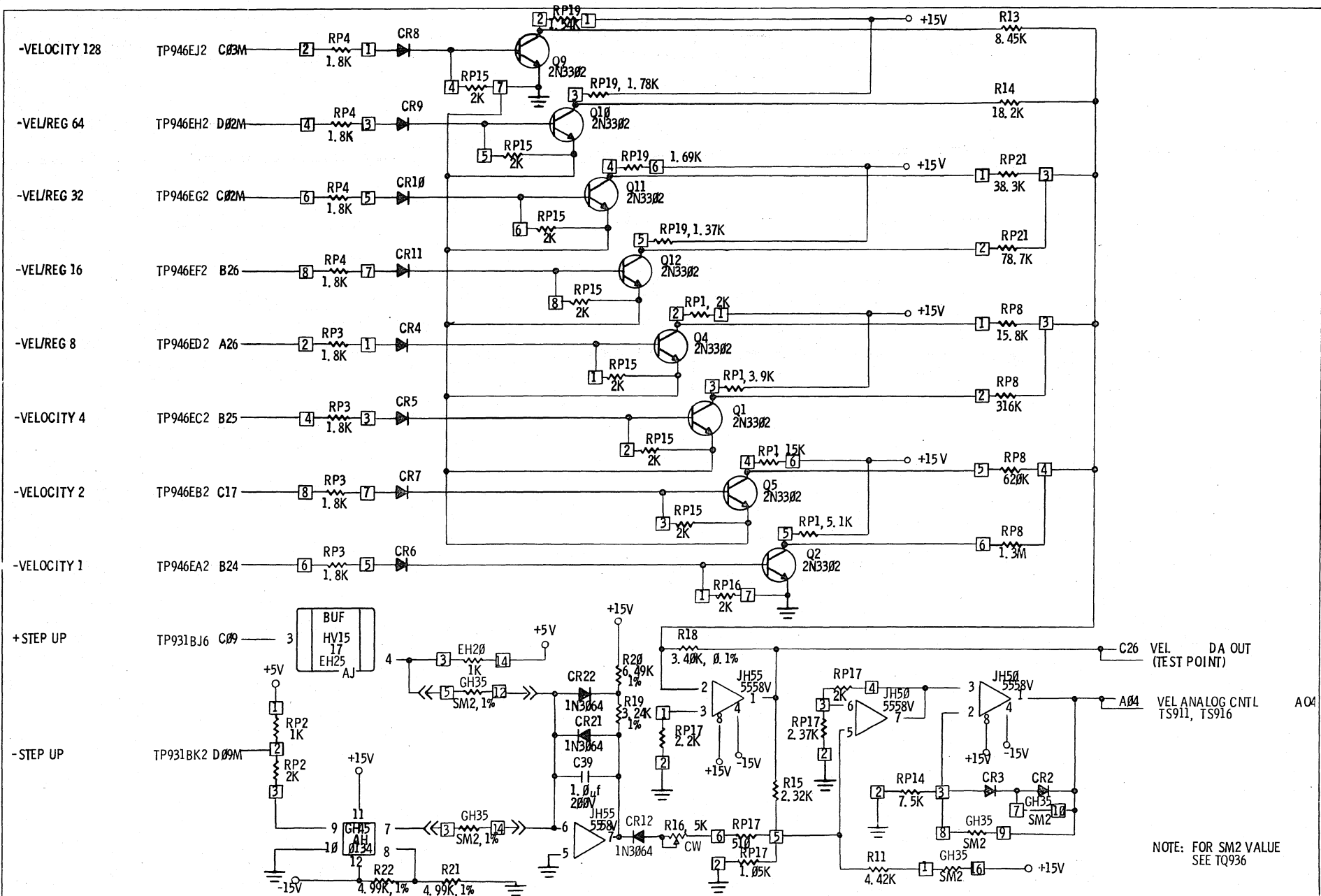
TQ921, SYS LOGIC

PRES. E.C. 2765 PREV. E.C. 2487 DATE 9-23-76	REV. MACH. A VERS. OBL. ROT.	CD. LOC. A2 GATE FRAME	CD. PN. TQ CD. TYPE TQ PG. PN. 40856039-9
--	---------------------------------	---------------------------	---

TQ921

TQ921





T
Q
9
3
1

SIE		TQ931, SYS LOGIC		CD. LOC. A2		CD. P.N. TQ	
PRE. E.C. 1881	REV. A	MACH. VERS. 10-27-75	GBL. ROT.	GATE FRAME	PG. P.N. 40856029-0		

1001

PINS	SM1 MACHINE TYPE & MODULE P/N					
	75 IPS P/N 16930 OR P/N 10087075-7		100 IPS P/N 16231 OR P/N 10087036-9	125 IPS P/N 11459 OR P/N 10087022-9		200 IPS P/N 11342 OR P/N 10087002-1
1-16	4.02K, 1%		2.26K, 1%	3.65K, 1%		2.15K, 1%
2-15	953K, 1%		5.49K, 1%	8.66K, 1%		5.23K, 1%
3-14	12.7K, 1%		6.19K, 1%	13.7K, 1%		6.19K, 1%
4-13	14.7K, 1%		9.76K, 1%	11.8K, 1%		8.87K, 1%
5-12	76.8K, 1%		102K, 1%	82K, 5%		51K, 5%
6-11	76.8K, 1%		102K, 1%	80.6K, 1%		51.1K, 1%
7-10	76.8K, 1%		102K, 1%	82K, 5%		51K, 5%
8-9	76.8K, 1%		102K, 1%	80.6K, 1%		51.1K, 1%

PINS	SM2 MACHINE TYPE & MODULE P/N					
	75 IPS P/N 16931 OR P/N 10087076-5		100 IPS P/N 16306 OR P/N 10087050-0	125 IPS P/N 16305 OR P/N 10087049-2		200 IPS P/N 16304 OR P/N 10087048-4
1-16	20Ω, 5%		20Ω, 5%	20Ω, 5%		20Ω, 5%
2-15						
3-14	4.75K, 1%		4.75K, 1%	4.75K, 1%		4.75K, 1%
4-13			40.2K, 1%	16.2K, 1%		5.90K, 1%
5-12	1.3MEG, 5%		1.3MEG, 5%	1.3MEG, 5%		1.3MEG, 5%
6-11	124K, 1%		10.0K, 1%	6.04K, 1%		8.06K, 1%
7-10	SHORT		SHORT	SHORT		SHORT
8-9	20K, 5%		20K, 5%	20K, 5%		20K, 5%

ASSEMBLY PARTS LIST

BUILD ARC

DIV.		ASSEMBLY NUMBER		CD	REV.	DWG.	DESCRIPTION		MC	STATUS	STATUS DATE		FILE DATE		
0500		40852000		5	E	N	SYS LOG, TS CD, P/N12183		N	REL	12-18-75		3600 12-05-77		
T FIND NO	LI	PART NUMBER	CD	M	QUANTITY	U/M	PART DESCRIPTION		MC	YLD	E.C. NO. IN	E.C. NO. OUT	S/N	WK IN	WK OUT
001	01	40852024	5		1		PC	TS 911, SYS LOGIC	D			2487			7641
001	02	40852027	8		REF		PC	TS911, SYS LOGIC	D		2487			7641	
002	01	40852025	2		1		PC	TS 916, SYS LOGIC	D			2487			7641
002	02	40852028	6		REF		PC	TS916, SYS LOGIC	D		2487			7641	
003	01	40852026	0		1		PC	TS 921, SYS LOGIC, SPEED MODULE	D			2487			7641
003	02	40852029	4		REF		PC	TS921, SYS LOGIC, SPEED MODULE	D		2487	2739		7641	7749
003	03	40852030	2		REF		PC	TS921, SYS LOGIC, SPEED MODULE	D		2739			7749	
004	01	00012183	0		REF		PC	CAPSTAN PWR AMP-3670	S		2422			7644	
005	01	00012184	8		REF		PC	CAPSTAN PWR AMP-3650	S		2422	2688		7644	7721
005	02	00012184	8		REF		PC	CAPSTAN PWR AMP-3650	S		2688			7721	
006	01	00012185	5		REF		PC	CAPSTAN PWR AMP-3630G	S		2422	2688		7644	7721
006	02	00023501	0		REF		PC	CAPSTAN PWR AMP-3640	S		2688			7721	
007	01	00012186	3		REF		PC	3630E CAPSTAN PWR AMP	S		2422	2688		7644	7721
007	02	00012185	5		REF		PC	CAPSTAN PWR AMP-3630G	S		2688			7721	
0014 TOTAL LINES															

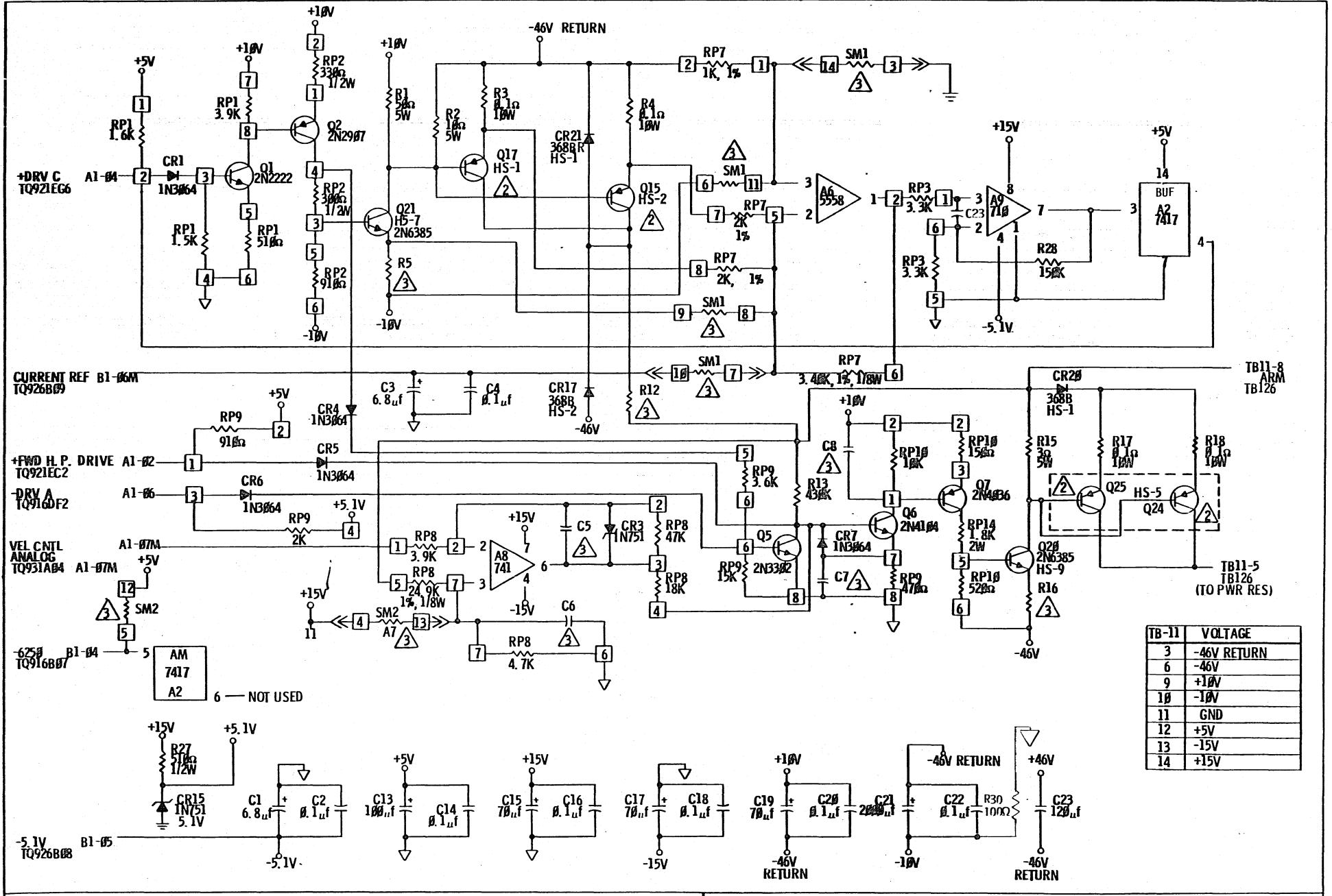
SEI TECHNOLOGY CORP.

ASSEMBLY PARTS LIST

BUILD ARC DOC

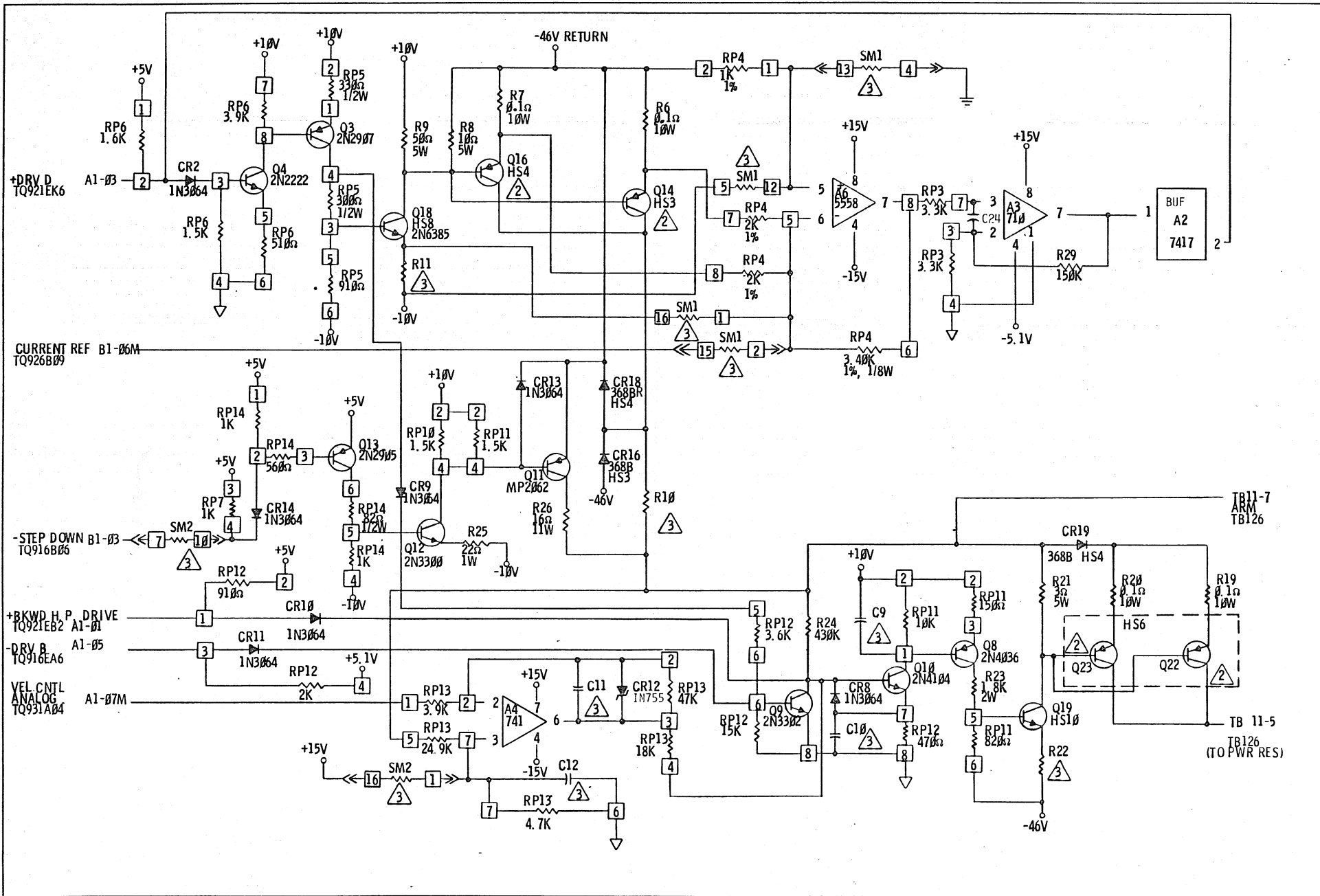
PRINT DATE	PAGE	E.C. NO.
10-20-82	1	3725

DIV.	ASSEMBLY NUMBER	CD	REV.	DWG.	DESCRIPTION	MC	STATUS	STATUS DATE	FILE DATE					
0500	402555101	3	A	N	SYS LGC GP,TS,MULTI PN,PC	N	REL	10-08-82	3600 10-18-82					
FIND NO.	LI	PART NUMBER	CD	M	QUANTITY	U/M	PART DESCRIPTION	MC	YLD	E.C. NO. IN	E.C. NO. OUT	S/N	WK IN	WK OUT
500	01	402551201	5		REF		PC CKT CD,TS,PC ASSY	S						
501	01	402552201	4		REF		PC CKT CD,TS,PC ASSY	S						
502	01	402553201	3		REF		PC CKT CD,TS,PC ASSY	S						
503	01	402554201	2		REF		PC CKT CD,TS,PC ASSY	S						
911	01	402544301	3		REF		PC SYS LGC,TS9118PC	D						
916	01	402544201	5		REF		PC SYS LGC,TS916,PC	D						
921	01	40852030	2		REF		PC TS921,SYS LOGIC,SPEED MODULE	D						
0007 TOTAL LINES														



Terminal	VOLTAGE
3	-46V RETURN
6	-46V
9	+10V
10	-10V
11	GND
12	+5V
13	-15V
14	+15V

HIGH SPEED DRIVE C, DRIVE A, SUPPLIES, DECOUPLING
 ALL RESISTORS ARE 1/4W 5% UNLESS OTHERWISE NOTED
 J 14/16, Q15/17, Q22/23 & Q24/25 ARE MATCHED PAIRS (2N5884)
 FOR VALUE AND PART NO. SEE TS921.



NOTES: 1. ALL RESISTORS ARE 1/4W 5% UNLESS OTHERWISE SPECIFIED.

△ Q14/16, Q15/17, Q22/23 & Q24/25 ARE MATCHED PAIRS (2N5884).

△ FOR VALUE & PART NO. SEE TS921.

TS916

TS916, SYS LOGIC

PRES. E.C. 3725
PREV. E.C. NONE
DATE 10-12-82

REV A
MACH. VERS.
GBL. ROT.

CD LOC. 3B
GATE PWR
FRAME

CD.P.N. 4025442-01
CD TYPE TS
PG. PN.

5916

CAPSTAN POWER AMP. ASSEMBLIES												
ASSEMBLIES	P/N 12183 (200 IPS)			P/N 12184 (125 IPS)			P/N 12185 (100 IPS, 75 IPS)					
COMPONENTS	F/N	PART NO.	VALUE	F/N	PART NO.	VALUE	F/N	PART NO.	VALUE	F/N	PART NO.	VALUE
RESISTOR R5, 11	31	10043091	1.6Ω	31	10043148	2.5Ω	31	10043149	4.7Ω	31		
RESISTOR R16, 22	32	10043090	1.3Ω	32	10043074	5Ω	32	10043150	18Ω	32		
RESISTOR R10, 12	90	10082033	SHORT	34	10043087	0.1Ω	34	10043151	0.27Ω	90		
CAPACITOR C5, 6, 11, 12	56	10048053	.0068μf	56	10048019	.0033μf	56	10048019	.0033μf	56		
CAPACITOR C8, 9	57	10048038	.0016μf	57	10047012	.001μf	57	10047012	.001μf	57		
CAPACITOR C7, 10	58	10048040	.0021μf	58	10048040	.0021μf	58	10048040	.0021μf	58		

SPEED MODULE PART NO.							
DRIVE	ASSY NO.	SM - 1	SM - 2	DRIVE	ASSY NO.	SM - 1	SM - 2
75 IPS	12185	10087038-5	10087045-0				
100 IPS	12185	10087040-1	10087020-3				
125 IPS	12184	10087041-9	10087046-8				
200 IPS	12183	10087032-8	10087047-6				

SM - 1 VALUES							
PIN NO.			10087038-5	10087040-1	10087041-9	10087032-8	16227
			3630	3640	3650	3670	3685
1 & 16			93.1K	93.1K	49.9K	32.4K	49.9K
2 & 15			14.0K	11.0K	9.31K	5.36K	6.65K
3 & 14			2.74K	2.61K	2.49K	2.21K	2.26K
4 & 13			2.74K	2.61K	2.49K	2.05K	2.26K
5 & 12			93.1K	93.1K	49.9K	32.4K	49.9K
6 & 11			93.1K	93.1K	49.9K	32.4K	49.9K
7 & 10			14.0K	11.0K	9.31K	6.19K	6.65K
8 & 9			93.1K	93.1K	49.9K	32.4K	49.9K

SM - 2 VALUES							
PIN NO.			10087045-0	10087020-3	10087046-8	10087047-6	16228
			3630	3640	3650	3670	3685
1 & 16			75.0K	56.2K	45.3K	30.1K	45.3K
2 & 15			OPEN	OPEN	OPEN	OPEN	17.4K
3 & 14			OPEN	OPEN	OPEN	OPEN	17.4K
4 & 13			75.0K	56.2K	45.3K	30.1K	45.3K
5 & 12			OPEN	OPEN	OPEN	OPEN	510Ω 5%
6 & 11			OPEN	OPEN	OPEN	OPEN	1K 5%
7 & 10			SHORT	SHORT	SHORT	SHORT	SHORT
8 & 9			OPEN	OPEN	OPEN	OPEN	2K 5%

10001

TS921, SYS LOGIC, SPEED MODULE

PRES. E.C. 2739
PREV. E.C. 2487
DATE 11-18-77

REV A
MACH. VERS.
GBL. RGT.

CD. LOC. 3B
GATE FRAME PWR

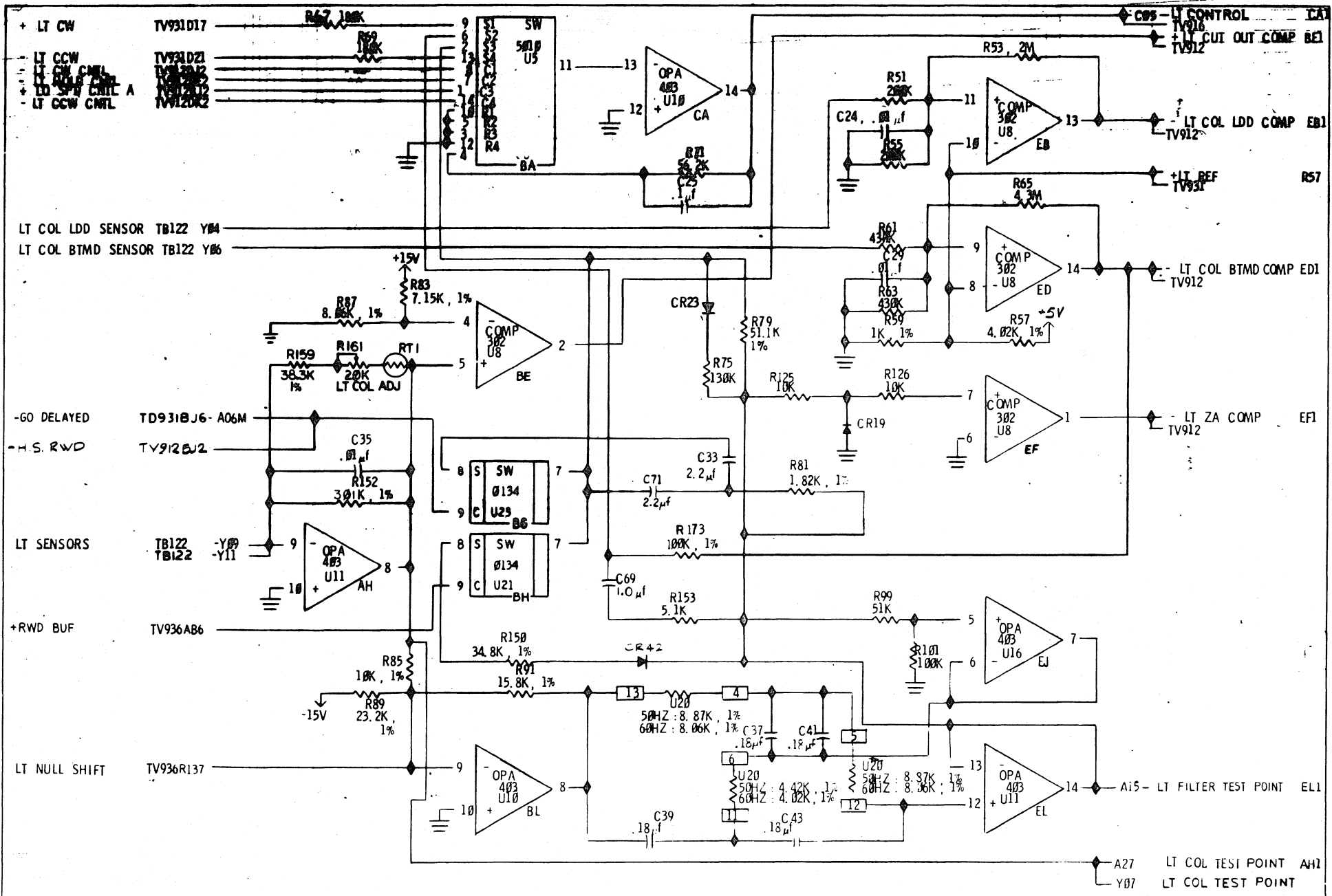
CD. P.N. SEE TS921
CD. TYPE TS
PG. PN. 40852030-2

10001

ASSEMBLY PARTS LIST

PRINT DATE	PAGE	E
06-09-82	1	55

DIV.		ASSEMBLY NUMBER		CD	REV.	DWG.	DESCRIPTION			MC	STATUS	STATUS DATE		FILE DATE		
0500		40970084		6	A	N	SYS LGC GP,TV CD,40160423/24			N	REL	05-20-82		3600E 06-07-82		
T	FIND NO	LI	PART NUMBER	CD	M	QUANTITY	U/M	PART DESCRIPTION		MC	YLD	E.C. NO. IN	E.C. NO. OUT	S/N	WK IN	WK OUT
	000	01	40970083	8		REF	PC	TV903,IC LOCATION CHART		D						
	011	01	40970069	7		REF	PC	TV911,SYS LOG,LT REEL		D						
	012	01	40970040	8		REF	PC	TV912,SYS LOGIC,LT RL		D						
	016	01	40970068	9		REF	PC	TV916,SYS LOGIC,LT REEL		D						
	021	01	40970065	5		REF	PC	TV921,SYS LOGIC, RT REEL		D						
	022	01	40970042	4		REF	PC	TV922,SYS LOGIC,RT RL		D						
	026	01	40970031	7		REF	PC	TV 926,SYS LOGIC RT RL		D						
	031	01	40970052	3		REF	PC	TV931,SYS LOGIC,LT & RT YACH		D						
	036	01	402309101	2		REF	PC	TV936,SYS LOGIC,MISC CKTS		D						
	500	01	40160423	6		REF	PC	CKT CD,TV,PC,		S						
	501	01	40160424	4		REF	PC	CKT CD,TV,PC,		S						
								0011 TOTAL LINES								

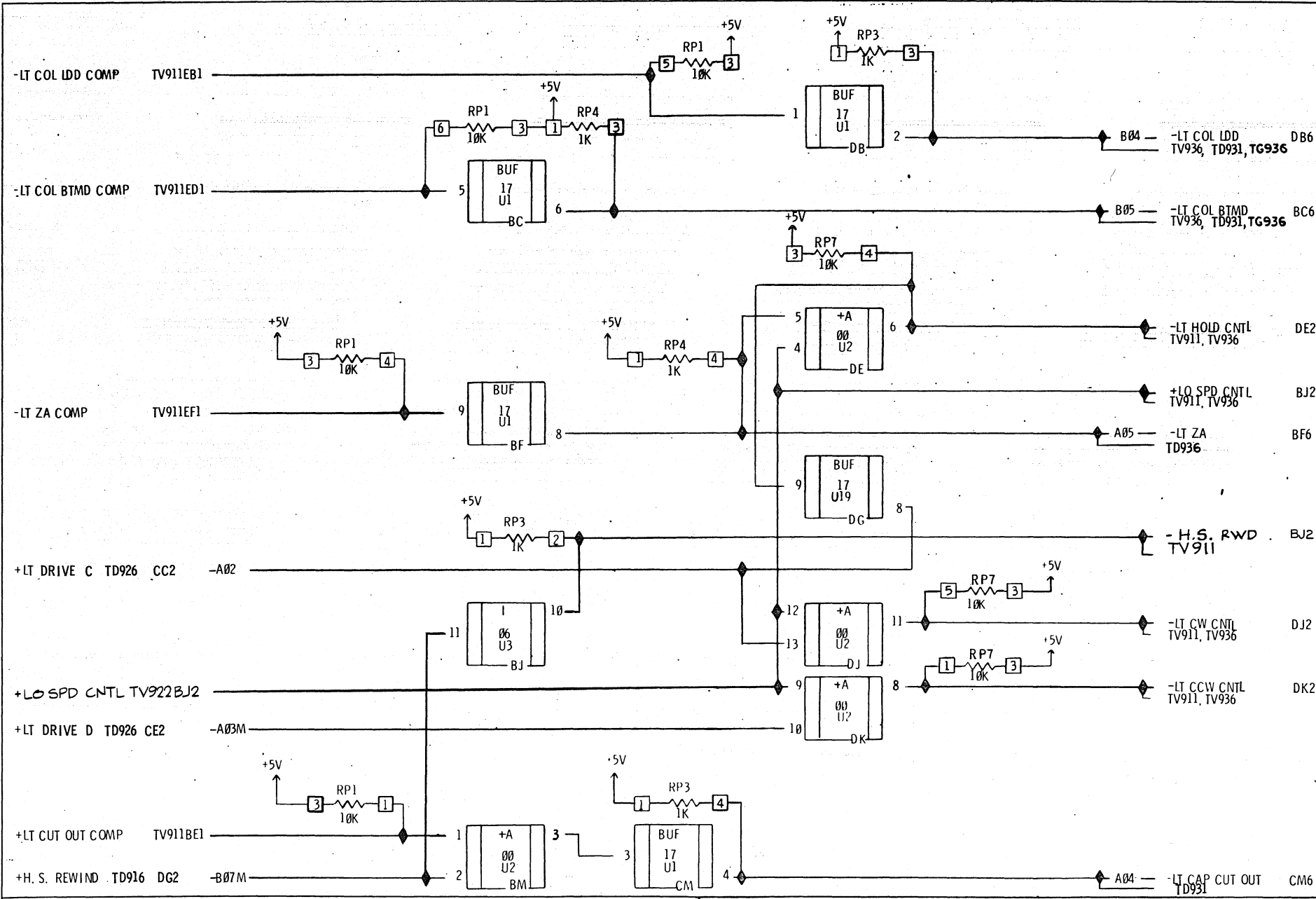


NOTES: 1. U20, 50HZ, P.N. 12338-0 OR 1008702 4-5
 60HZ, P.N. 12255-6 OR 10087031-0
 2. ALL DIODES ARE TYPE IN3064, OR EQUIVALENT, UNLESS OTHERWISE INDICATED.

TV911, SYS LOGIC, 1T REEL		REV A		CD. LOC. GATE FRAME		CD. P.N. 40160420/21/22 CD. TYPE TV PG. P.N. 40970069-7	
PRES. E.C. 2739	DATE 11-18-77	MACH. 3630/40/50E	VER. 8BL. ROT.				

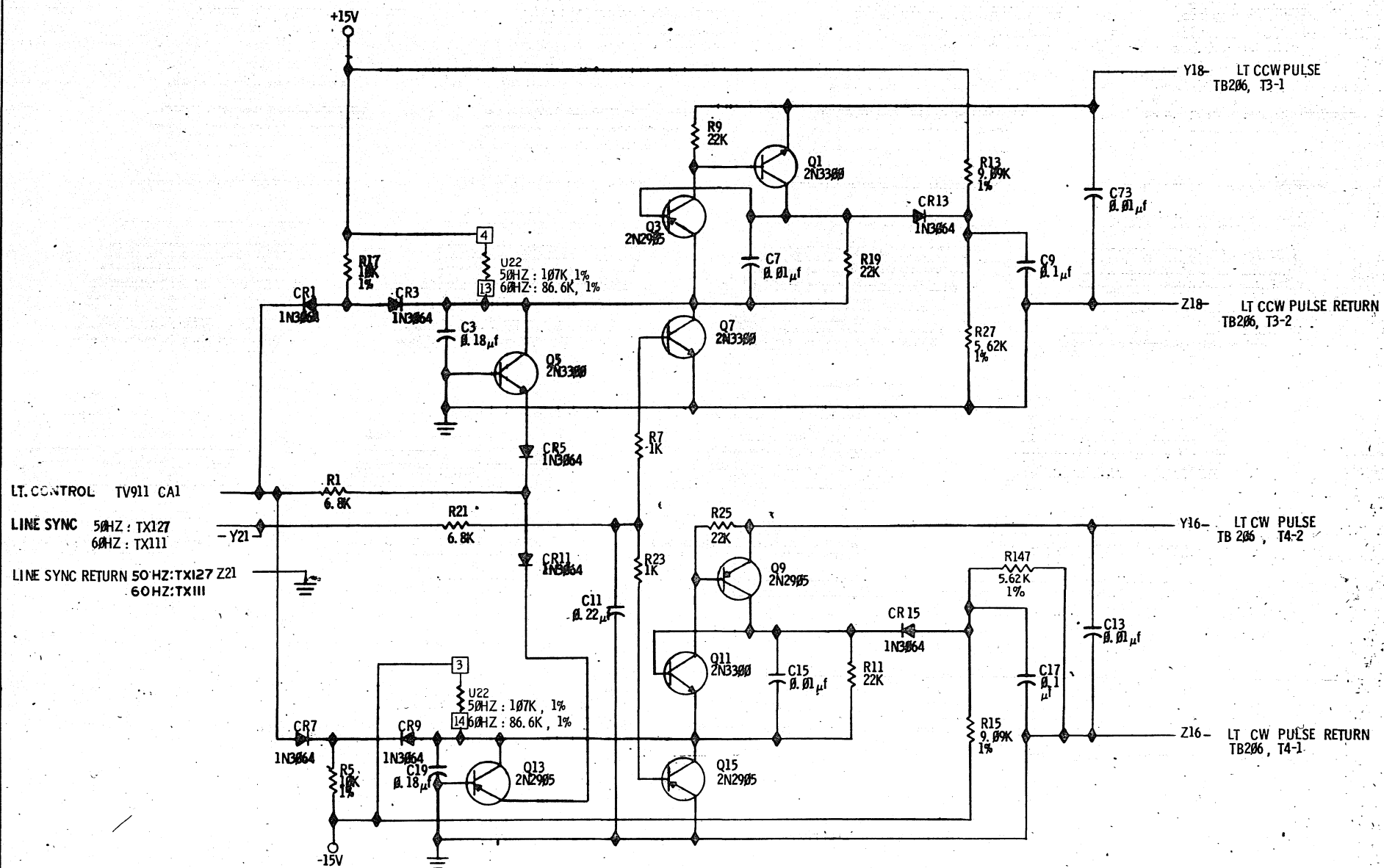
TV911

TV911



TV
9
1
2

TV912, SYS LOGIC, LT REEL				TV 9 1 2	
PRES. E.C. 2498	REV. A	MACH. 3630/40/50E	CD. LOC. GATE FRAME	CD. P.N. TV PG. P.N. 40970040-B	
PREV. E.C. DATE 12-13-76		VER. GBL. ROT.			

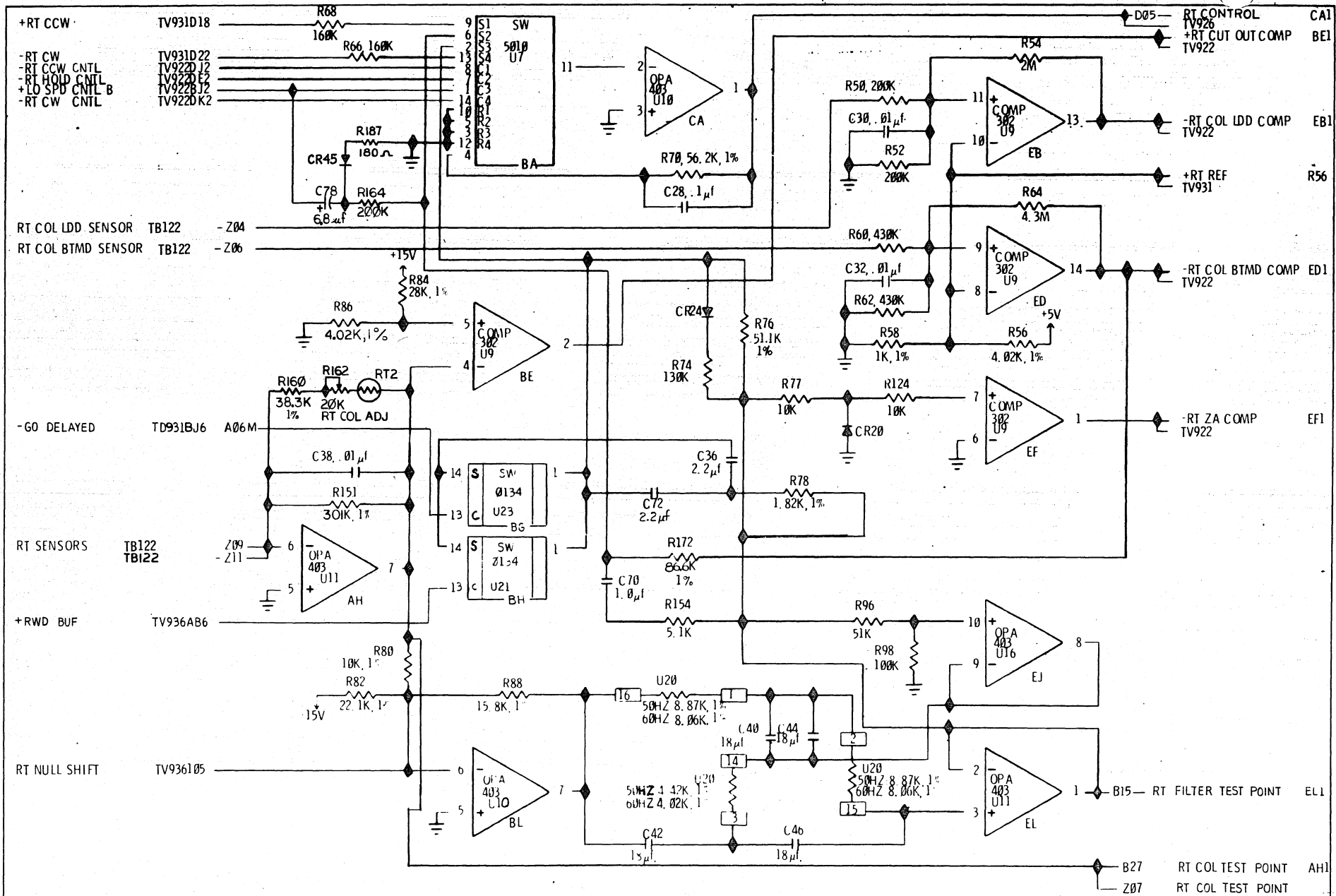


NOTES: 1. U22, 50 HZ P/N 12376-0 OR 10087029-4
 60 HZ P/N 12377-8 OR 10087030-2
 2. ALL DIODES ARE TYPE 1N3064, OR EQUIVALENT, UNLESS OTHERWISE INDICATED.

TV916, SYS LOGIC, LI REEL		REV	MACH. 3630/40/50E	CD. LOC.	CD. P.N.
PRES. E.C. 2739	DATE 11-18-77	A	VER.	FRAME	TV
PREV. E.C. 2422			GBL. ROT.		PB. P.N. 40970068-9

TV
9
1
6

TV
9
1
6



NOTES: ALL DIODES ARE TYPE IN3064, OR EQUIVALENT, UNLESS OTHER INDICATED.

TV721, SYS LOGIC, RT REEL

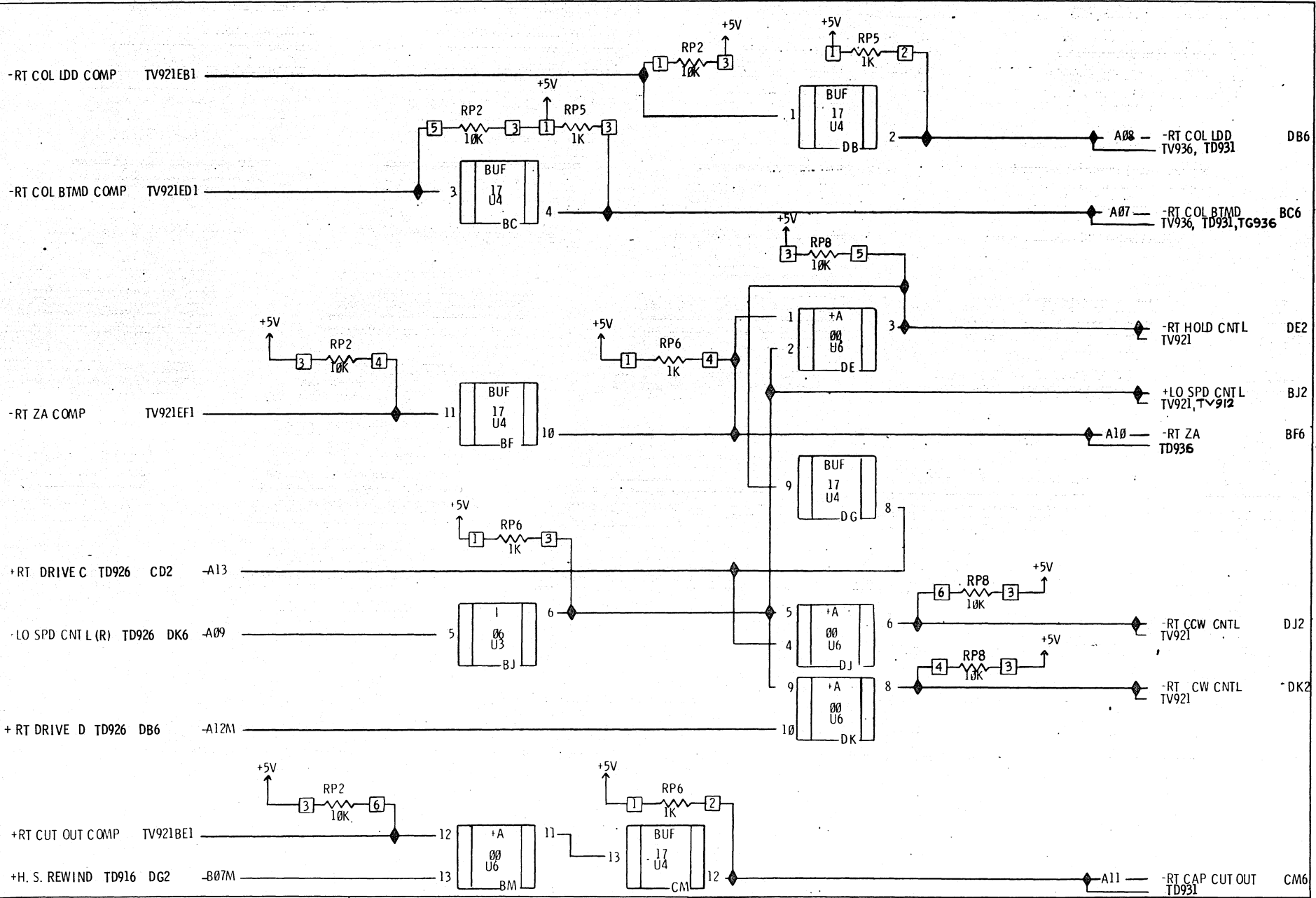
PRES. E.C. 2842
PREV. E.C.
DATE 11-8-77

REV. A
MACH. 3630/40/50E
VERS. GBL. ROT.

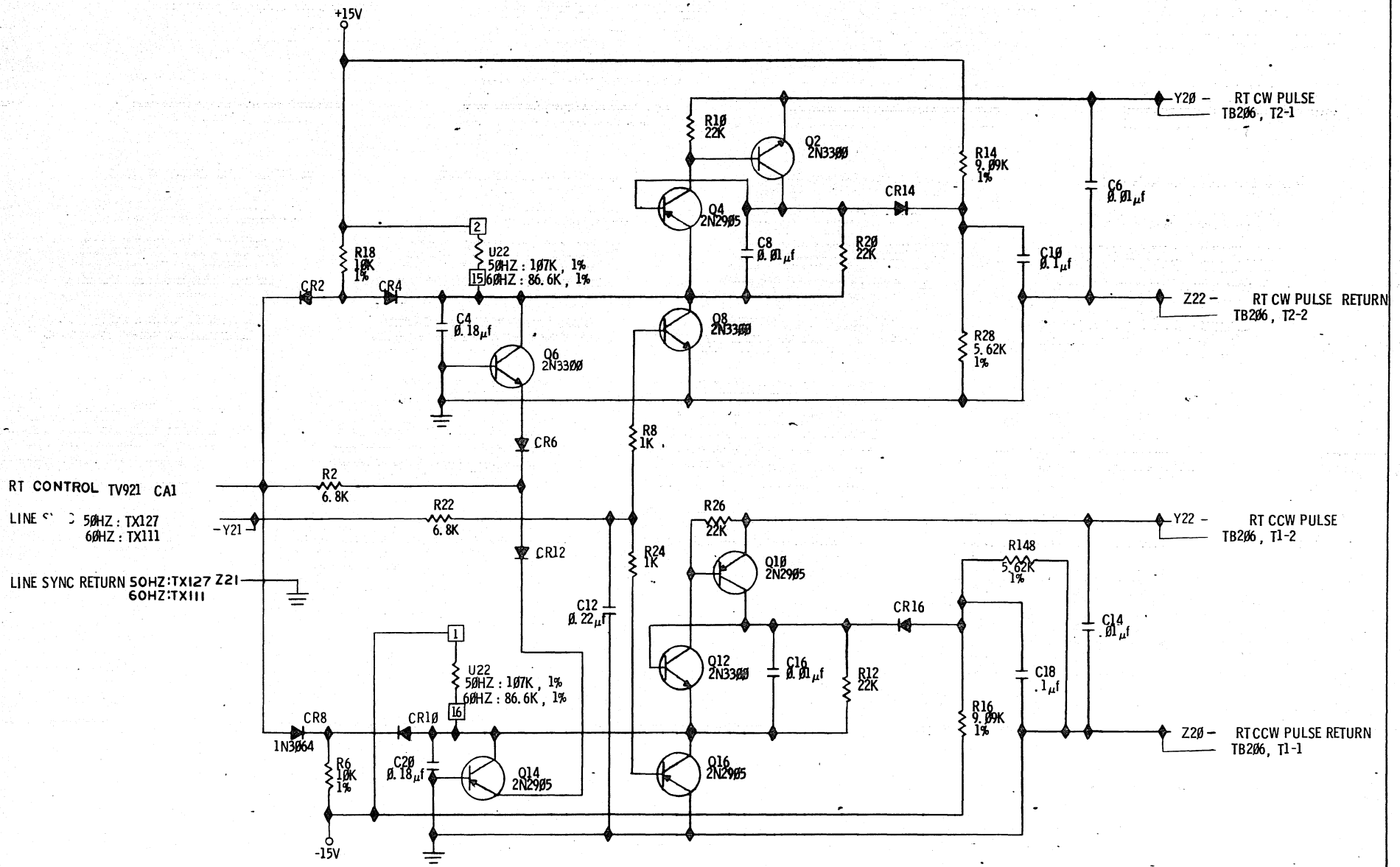
CD. LOC. GATE FRAME

CD. PN. TV
CD. TYPE PG. PN. 40970065-5

TV 921



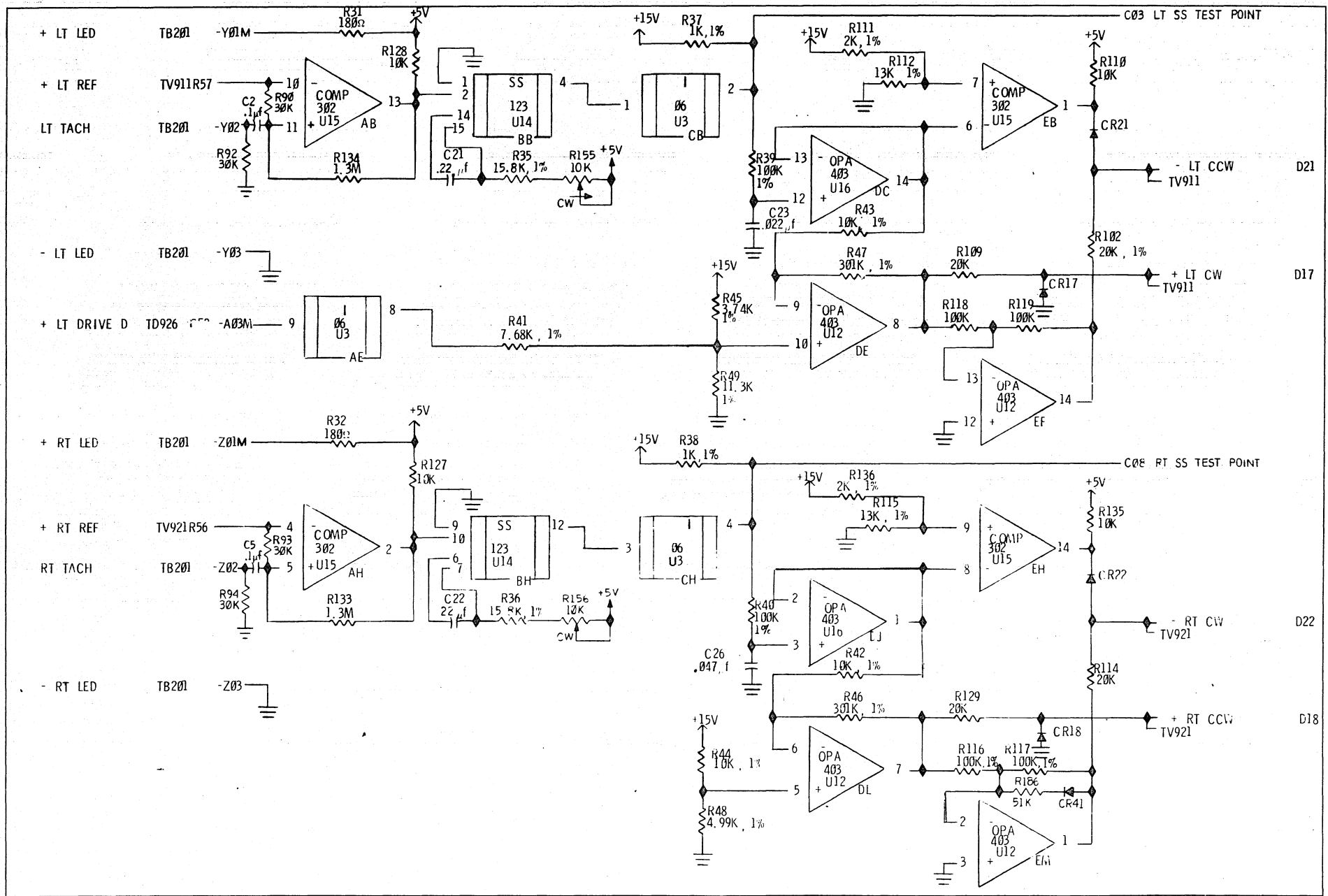
TV922, SYS LOGIC, RT REEL				CD. LOC. GATE FRAME	CD. PN. CD. TYPE TV PG. PN. 40970042-4	TV 9 2 2
PRES. E.C. 2498 PREV. E.C. DATE 12-13-76	REV A	MACH. 3630/40/SOE VERS. GBL. ROT.				



RT CONTROL TV921 CA1
 LINE SYNC 50HZ: TX127
 60HZ: TX111
 LINE SYNC RETURN 50HZ: TX127 Z21
 60HZ: TX111

Y20 - RT CW PULSE
 TB206, T2-1
 Z22 - RT CW PULSE RETURN
 TB206, T2-2
 Y22 - RT CCW PULSE
 TB206, T1-2
 Z20 - RT CCW PULSE RETURN
 TB206, T1-1

TV926	NOTES: 1. ALL DIODES ARE TYPE IN3064, OR EQUIVALENT, UNLESS OTHERWISE INDICATED.				TV926, SYS LOGIC, RT REEL		TV926
	PREV. E.C. DATE	2422 5-10-76	REV. A	MACH. VERS. 3630/40/50E	CD. LOC. GATE FRAME	CD. P.N. 40970031-7	



NOTES: 1. ALL DIODES ARE TYPE IN3064, OR EQUIVALENT, UNLESS OTHERWISE INDICATED.

TV931, SYS LOGIC, LT & RT TACH

PRES. E.C. 2648
REV. E.C.
DATE 8-16-77

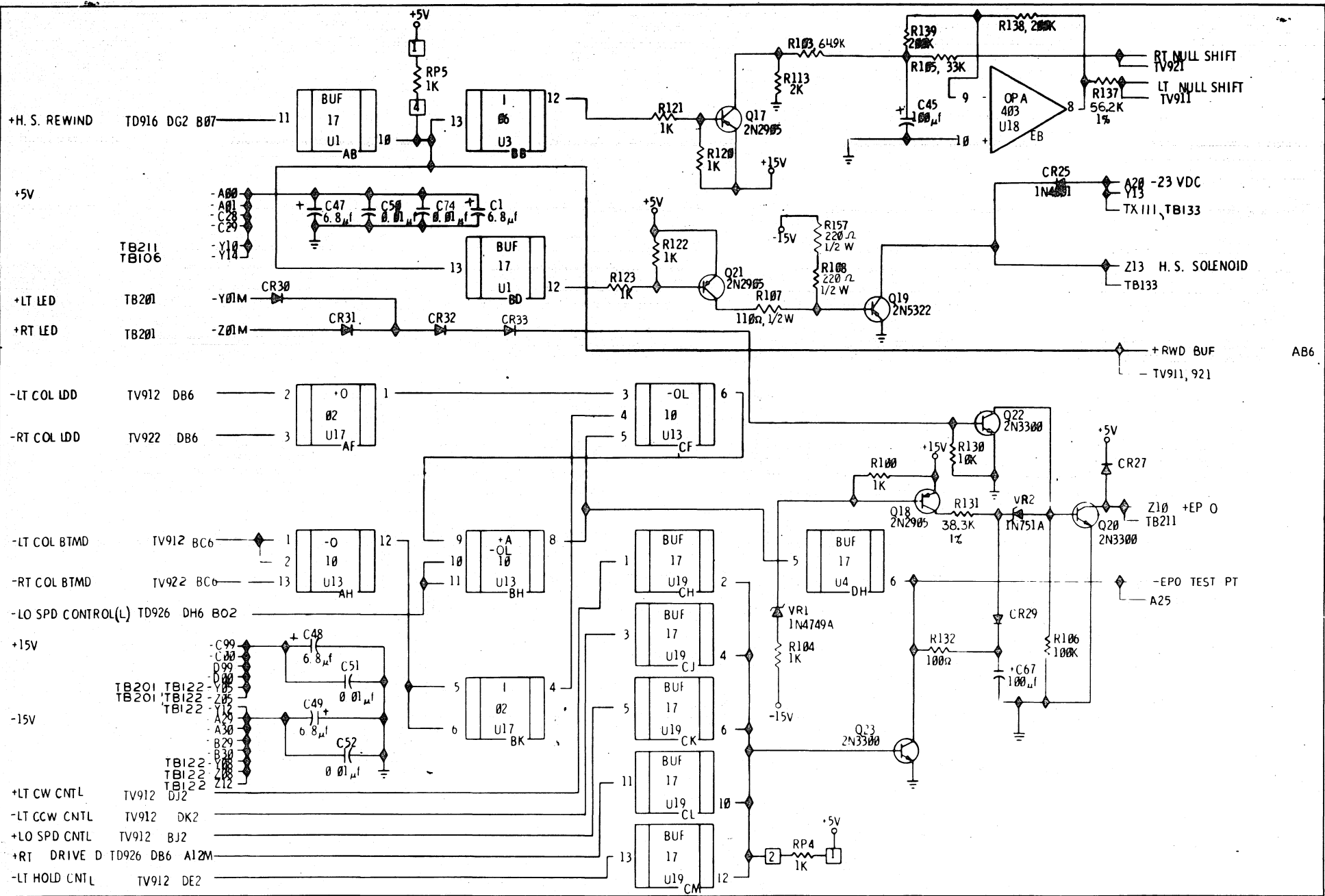
REV. A
MACH. 3630/40/50E
VRS.
GBL. ROT.

CD. LOC.
GATE
FRAME

CD. P.N.
CD. TYPE TV
PG. P.N. 40970052-3

TV
9
3
1

TV
9
3
1



NOTES: ALL DIODES ARE TYPE 1N3064 OR EQUIVALENT, UNLESS OTHERWISE INDICATED.

TV936, SYSLOGIC, MISC. CKTS

PREV. E.C. 3555
 PREV. E.C. 2648
 DATE 5-26-82

REV. A
 MACH. VRS. 3630/40/50E
 SBL. ROT.

CD. LOC. GATE FRAME

CD. P.N. TV
 CD. TYPE 102.3091-01
 PG. P.N.

1
 3
 6

1
 3
 6

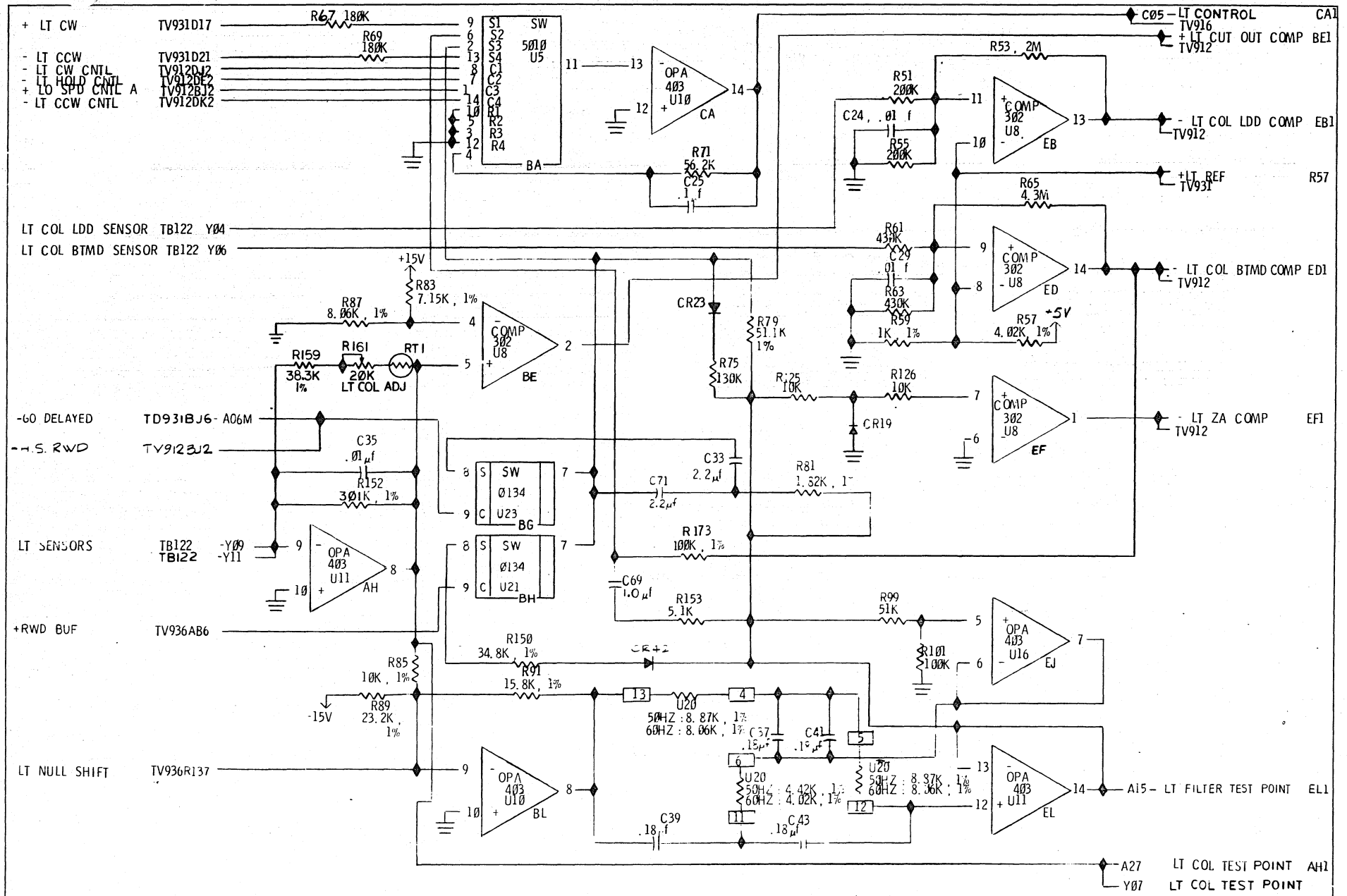
ASSEMBLY PARTS LIST

BOILED ARC DATA

PRINT DATE	PAGE	E.C.
06-07-82	1	15

DIV.	ASSEMBLY NUMBER	CD	REV.	DWG.	DESCRIPTION	MC	STATUS	STATUS DATE	FILE DATE
0500	40970012	7	A	N	SYS LGC GP, TV CD, 40160523/24	N	REL	05-20-82	3600E 06-07-82

T	FIND NO	LI	PART NUMBER	CD	M	QUANTITY	U/M	PART DESCRIPTION	MC	YLD	E.C. NO. IN	E.C. NO. OUT	S/N	WK IN	WK OUT
	000	01	40970080	4		REF	PC	TV903, IC LOCATION	D						
	011	01	40970059	8		REF	PC	TV911, SYS LOGIC, LT REEL	D						
	012	01	40970040	8		REF	PC	TV912, SYS LOGIC, LT RL	D						
	016	01	40970071	3		REF	PC	TV916, SYS LOG, LT RL	D						
	021	01	40970065	5		REF	PC	TV921, SYS LOGIC, RT REEL	D						
	022	01	40970042	4		REF	PC	TV922, SYS LOGIC, RT RL	D						
	026	01	40970072	1		REF	PC	TV926, SYS LOG RT, RL	D						
	031	01	40970061	4		REF	PC	TV931, SYS LOGIC, LT & RT TACH	D						
	036	01	402309201	0		REF	PC	TV936, SYS LOGIC, MISC CKTS	D						
	500	01	40160523	3		REF	PC	CKT CD, TV, PC, 50HZ, 3630/40/50E	S						
	501	01	40160524	1		REF	PC	CKT CD, TV, PC, ASSY, 60HZ	E S						
								0011 TOTAL LINES							



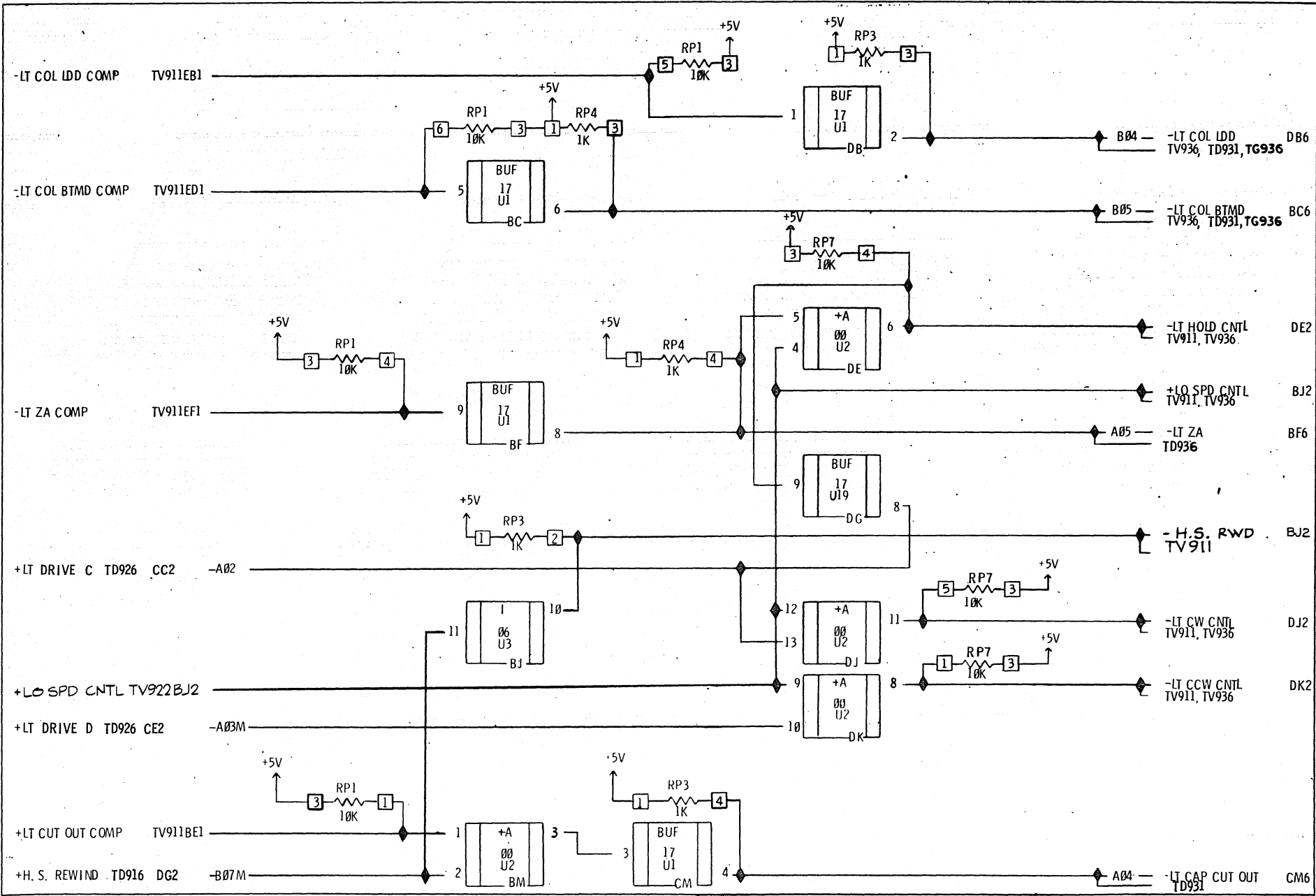
NOTES: 1. U20, 50HZ, P/N 12338-G OR P/N 10087024-5
 60HZ, P/N 12255-6 OR P/N 10087031-0
 2. ALL DIODES ARE TYPE IN3064, OR EQUIVALENT, UNLESS OTHERWISE INDICATED.

TV911, SYS LOGIC, LT REEL					TV 9 1 1
PRES. E.C. 2742	REV A	MACH. 3630/40/SOE	CD. LOC. GATE FRAME	CD. P.N. 40160517/18/19	
PREV. E.C.		VERS. 6BL. ROT.		CD. TYPE TV	
DATE 11-10-77				PG. P.N. 40970059-8	

03

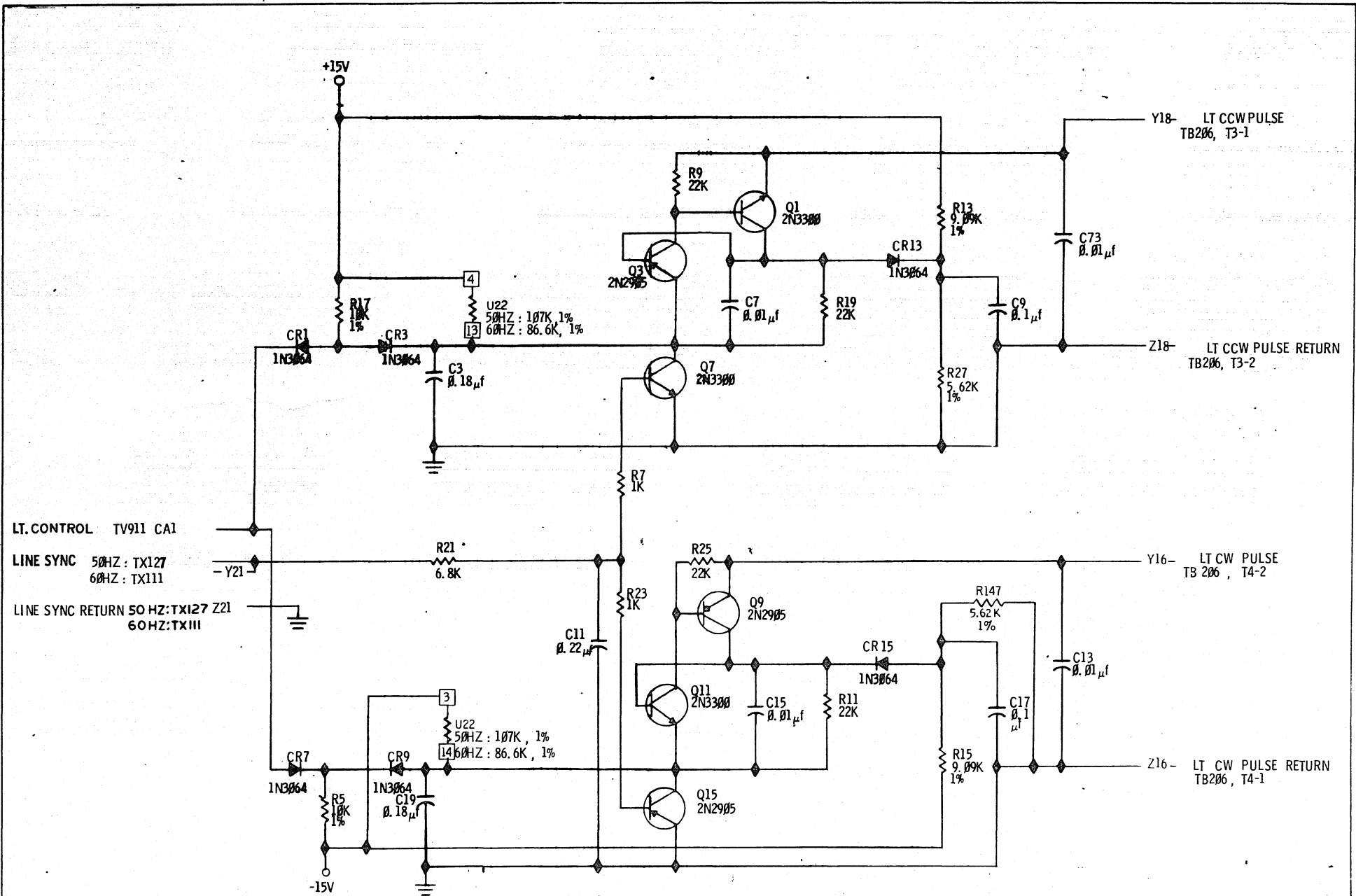
02

01



TV
912

TV912, SYS LOGIC, LT REEL		TV 912
PRES. E.C. 2498	REV. A	MACH. 3630/40/50E
PREV. E.C. DATE 12-13-76	VER. GBL. ROT.	CD. LOC. GATE FRAME
CD. RN. TV		CD. TYPE TV
PG. RN. 409700400		



- NOTES: 1. U22, 50 HZ P/N 12376-0 OR 10087029-4
 60 HZ P/N 12377-8 OR 10087030-2
 2. ALL DIODES ARE TYPE 1N3064, OR EQUIVALENT, UNLESS OTHERWISE INDICATED.

TV916, SYS LOGIC, LT RLEL

PRES. E.C. 3207
 PREV. E.C. 2742
 DATE 1-9-80

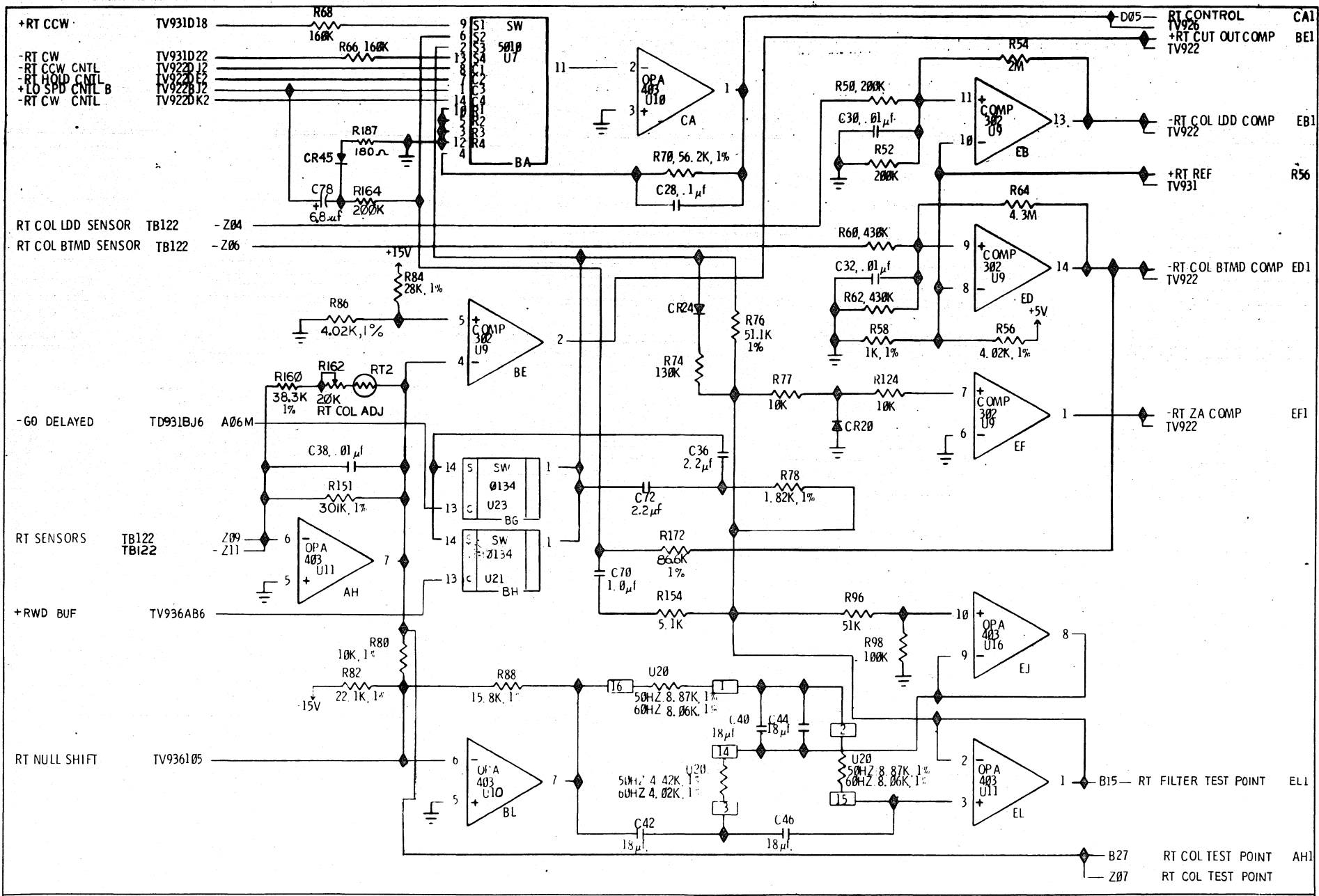
REV
 A

MACH. 3630/40/50E
 VERS.
 GBL. ROT.

CD. LOC.
 GATE
 FRAME

CD. P.N. TV
 CD. TYPE
 PG. P.N. 40973371-3

TV
 9
 1
 6



NOTES: ALL DIODES ARE TYPE IN3064, OR EQUIVALENT, UNLESS OTHER INDICATED.

TV921, SYS LOGIC, RT REEL

PRES. E.C. 2842
REV. E.C. 11-8-77
DATE

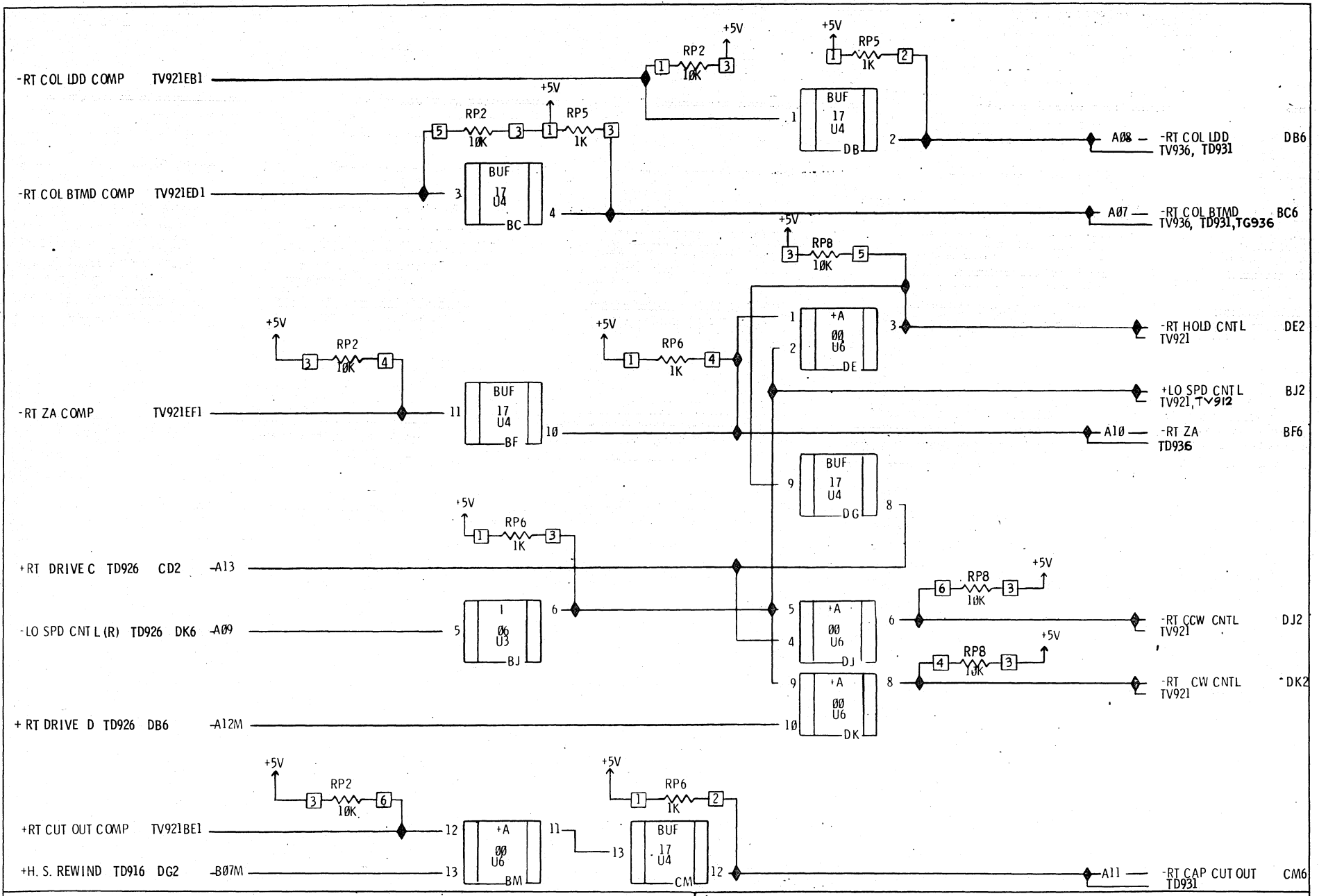
REV. A
MACH. 3630/40/50E
VERS. ROT.

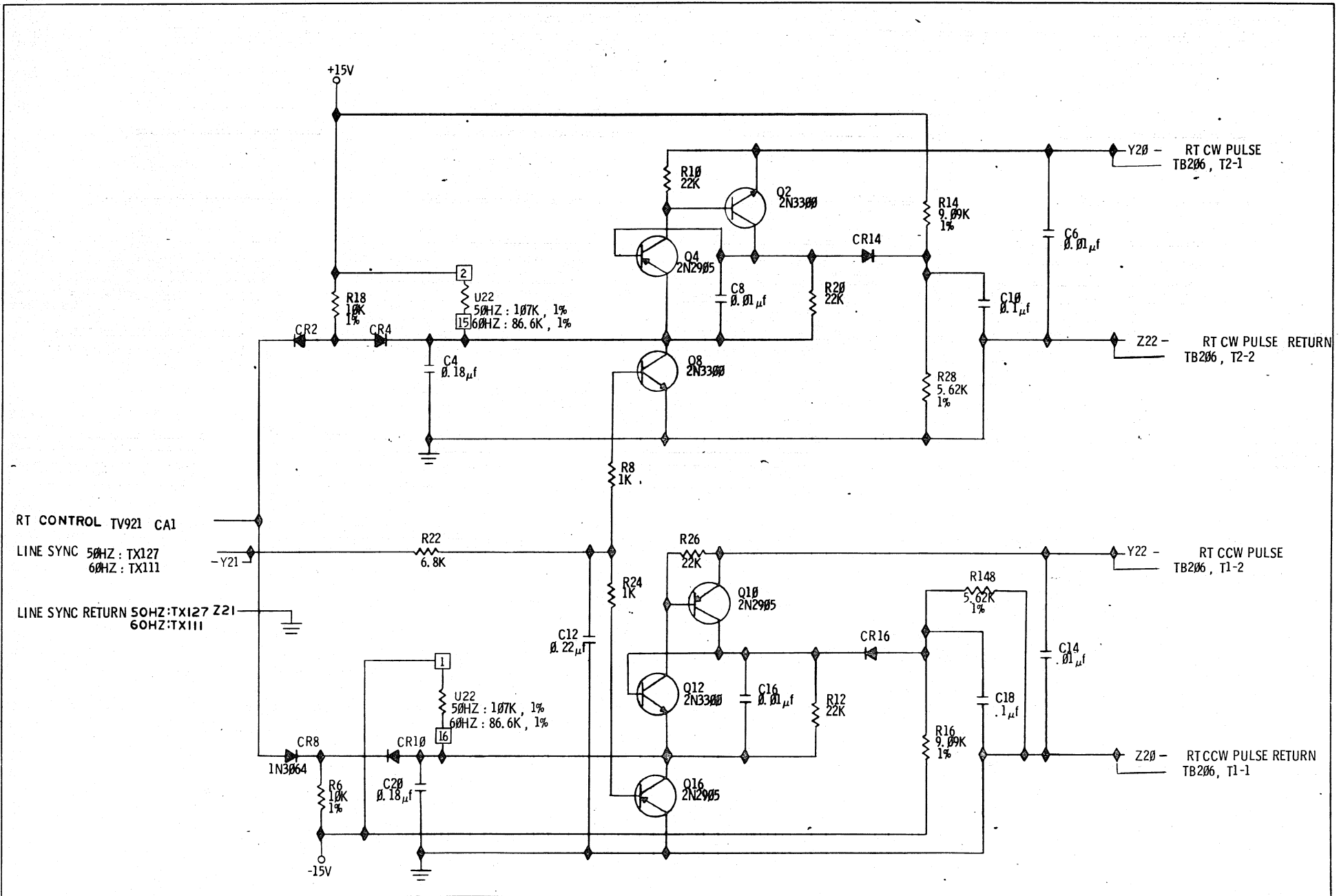
CD. LOC. GATE FRAME

CD. P.N. TV
CD. TYPE TV
PG. P.N. 40970065-5

TV921

TV921





NOTES: 1. ALL DIODES ARE TYPE IN3064, OR EQUIVALENT, UNLESS OTHERWISE INDICATED.

TV926, SYSLOGIC, RT REEL

PREV. E.C. 3207
 PREV. E.C. 2422
 DATE 1-9-80

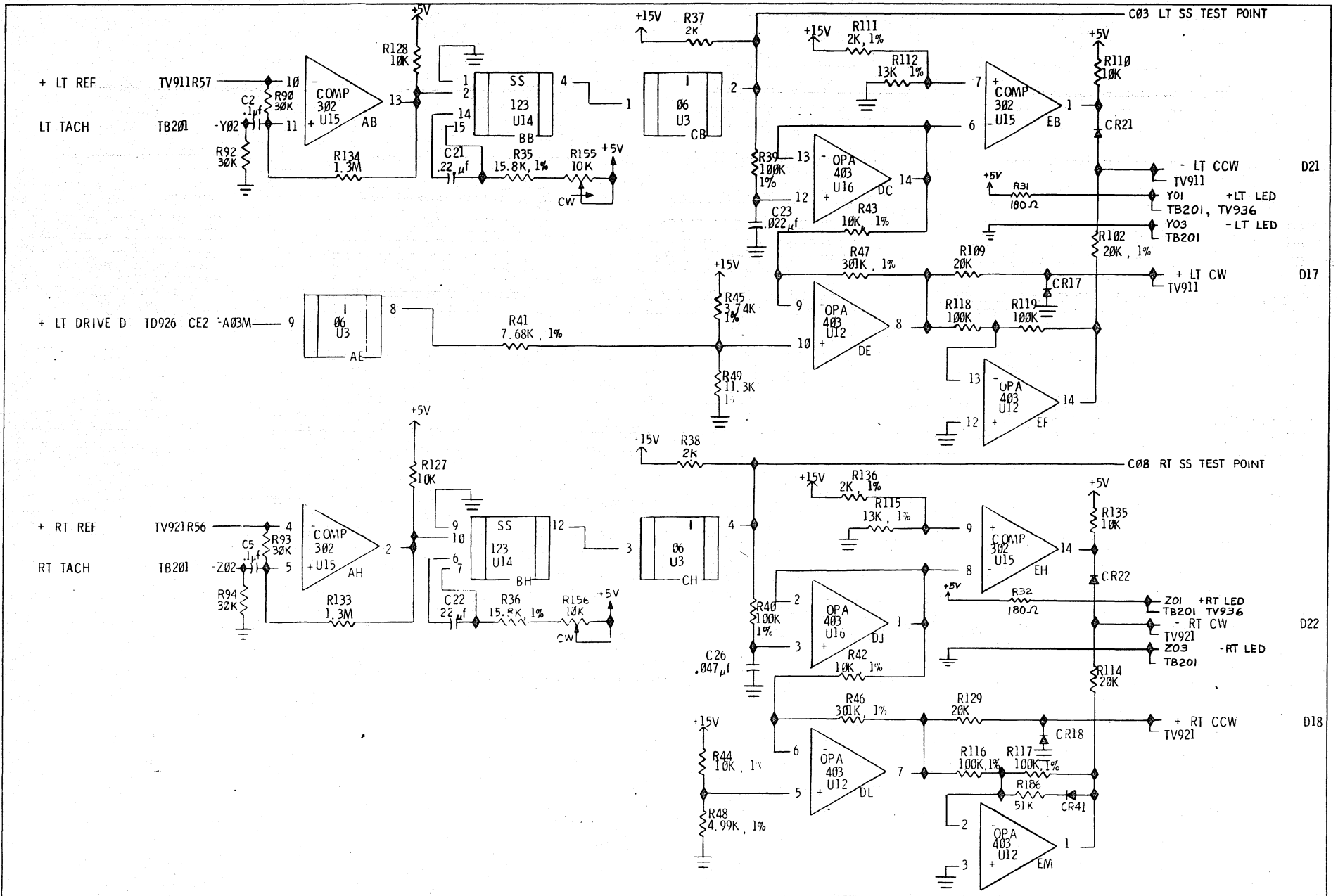
REV. A
 MACH. 3630/40/50E
 VERS. SBL. ROT.

CD. LOC. GATE FRAME

CD. P.N. CD. TYPE TV PG. P.N. 409703 72-1

V
9
2
6

T
V
9
2
6

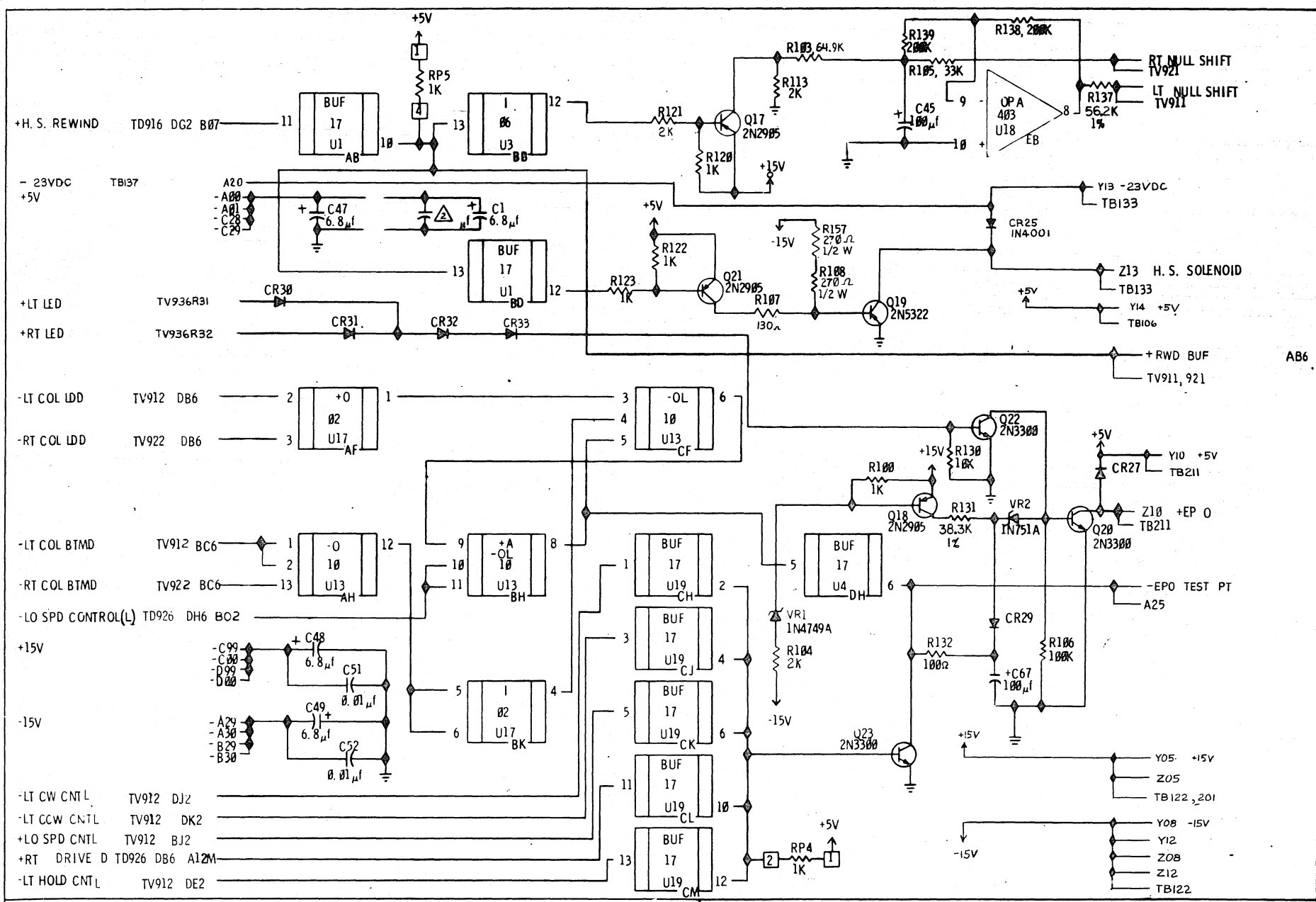


NOTES: 1. ALL DIODES ARE TYPE IN3064, OR EQUIVALENT, UNLESS OTHERWISE INDICATED.

TV931, SYSLOGIC, LT & RT TACH		CD. LOC. GATE FRAME		CD. P.N. TV 40970061-4	
PRES. E.C. 2742	REV. A	MACH. 3630/40/50E	GATE VERS. IBL. ROT.		CD. TYPE IV
PREV. E.C.					PG. P.N. 40970061-4
DATE 8-16-77					

TV931

TV931



NOTES: 1. ALL DIODES ARE TYPE IN3064, OR EQUIVALENT, UNLESS OTHERWISE INDICATED.
 2. .01μf CAPACITORS BETWEEN +5V AND GND AT THE IC'S: C50, 53, 55-66, 74.

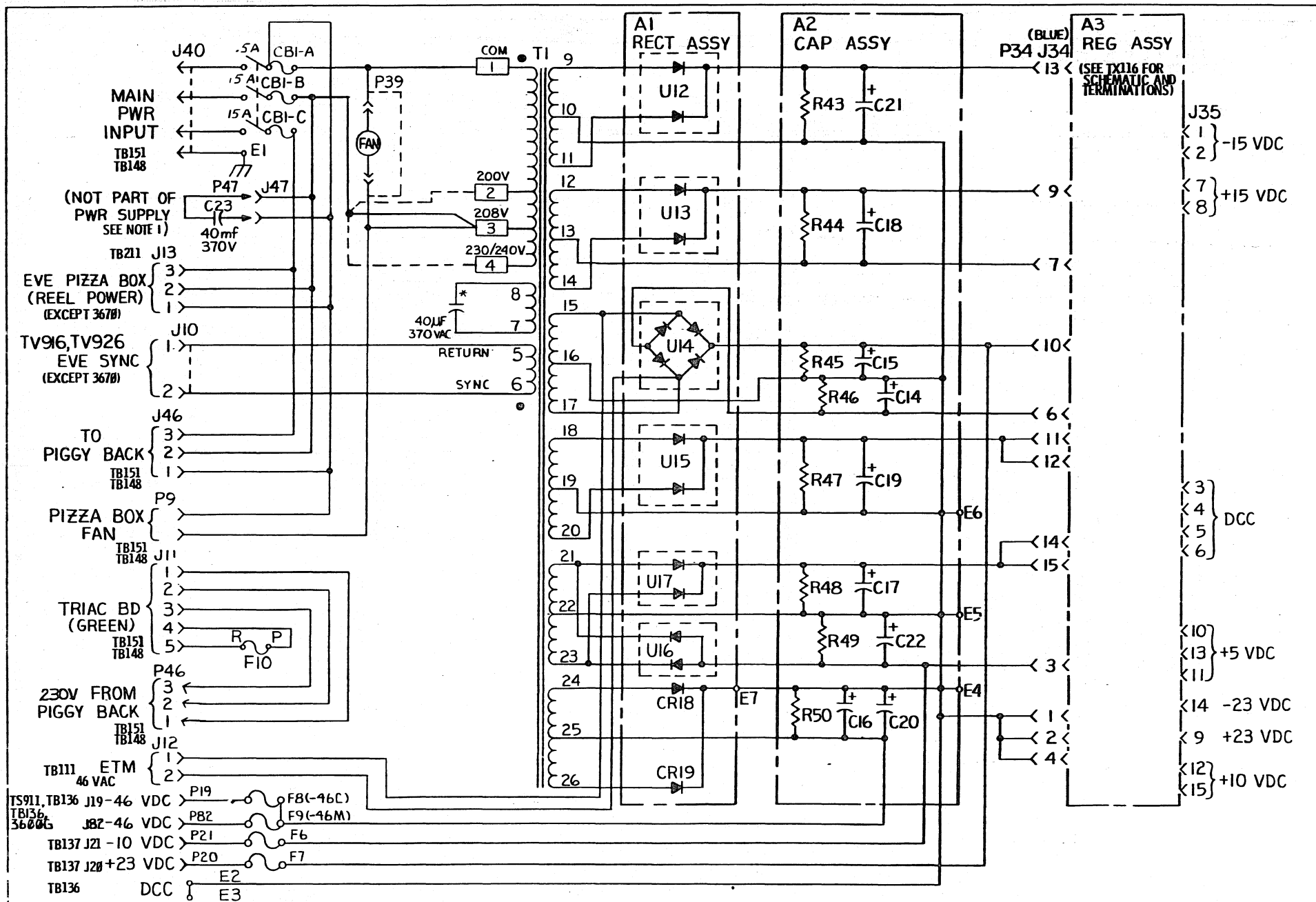
TV936, SYSLOGIC, MISC. CKTS		REV A		MACH 3630/40/50E		CD. LOC. GATE FRAME		CD. RN. TV	
FRS E.C. 3555	REV. E.C. 3207	DATE 5-26-82	VERB. GBL. ROT.					CD. TYPE	TV
								PN. RN.	4023092-01

T
V
9
3
6

T
V
9
3
6

ASSEMBLY PARTS LIST

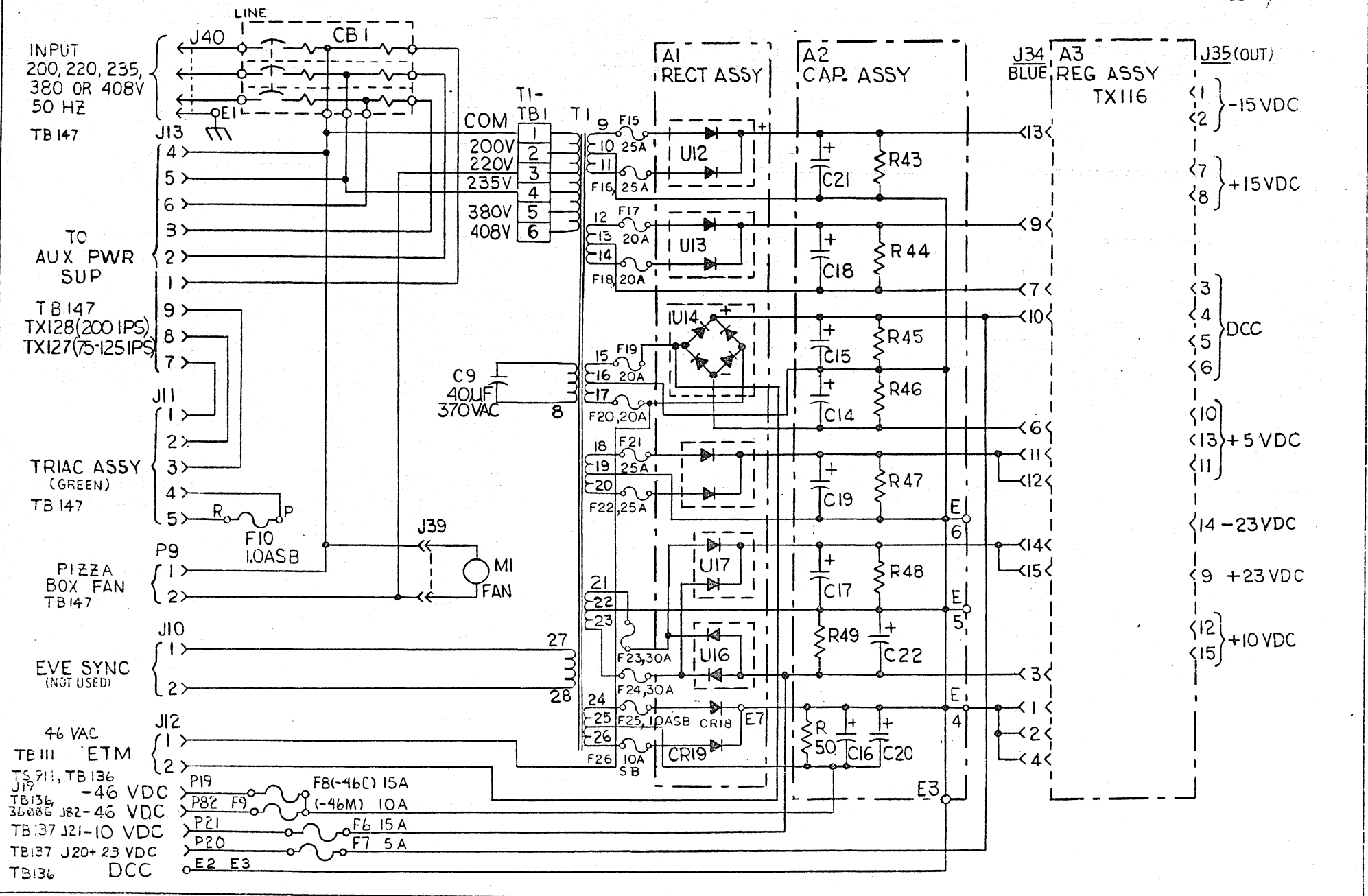
DIV.		ASSEMBLY NUMBER		CD	REV.	DWG.	DESCRIPTION			MC	STATUS	STATUS DATE		FILE DATE				
0500		40854002		9	N	N	SYS LGC GP,P.S.,30/40/50E			N	REL	06-18-82		3600 07-06-82				
T	FIND NO	LI	PART NUMBER	CD	M	QUANTITY	U/M	PART DESCRIPTION			MC	YLD	E.C. NO. IN	E.C. NO. OUT	S/N	WK IN	WK OUT	
	001	01	40854029	2		1	PC	TX 111 SCHEM,BAS PWR SUP,60HZ			D			2487			7641	7641
	001	02	40854036	7		1	PC	TX111,SCHEM,BAS PWR SUP 60HZ			D		2487	2878		7641	7817	
	001	03	40854042	5		REF	PC	TX111 SCHEM,BASIC PWR SUP60HZ			D		2878	2943		7817	8102	
	001	04	40854049	0		1	PC	TX111,SCHEM,BASICPWR SUP60HZ			D		2943			8102	8102	
	001	05	40854042	5		REF	PC	TX111 SCHEM,BASIC PWR SUP60HZ			D		2943			8102	8113	
	001	06	40854049	0		1	PC	TX111,SCHEM,BASICPWR SUP60HZ			D		2943	PLC 5017		8113	8202	
	001	07	40854057	3		REF	PC	TX111SCHEM,BASIC PWR SUP,60HZ			D		PLC 5017	3567		8202	8229	
	001	08	40854063	1		REF	PC	TX111,SCHEM,BASIC PWR SUP 60H			D		3567	3567A		8229	8229	
	001	09	402328701	6		REF	PC	SYS LGC,TX111,P.S.,60HZ			D		3567A			8229		
	002	01	40854025	0		1	PC	TX112 50HZ PWR SUPPLY ASSY TD			D			2487			7817	
	002	02	40854035	9		1	PC	TX112,SCHEM,50HZ PWR SUP ASSY			D		2487	2878		7817	7817	
	002	03	40854043	3		REF	PC	TX112 SCHEM 50HZ PWR SUPP TD			D		2878	2943		7817	8102	
	002	04	40854050	8		1	PC	TX112,SCHEM,50HZ PWR,SUPTD			D		2943			8102	8102	
	002	05	40854043	3		REF	PC	TX112 SCHEM 50HZ PWR SUPP TD			D		2943			8102	8113	
	002	06	40854050	8		1	PC	TX112,SCHEM,50HZ PWR,SUPTD			D		2943	PLC 5017		8113	8202	
	002	07	40854056	5		REF	PC	TX112SCHEM,50HZ TD P.S			D		PLC 5017			8202		
	004	01	40854022	7		1	PC	TX 116,REG.BD.SCHEM			D			2506			7817	
	004	02	40854033	4		1	PC	REGULATOR BOARD SCHEMATIC			D		2506	2487		7817	7817	
	004	03	40854034	2		1	PC	TX116,REGULATOR BD SCHEMATIC			D		2487	2499		7817	7817	
	004	04	40854041	7		1	PC	TX116,REG BD SCHEMATIC,TYPET2			D		2499	2878		7817	7817	
	004	05	40854044	1		REF	PC	TX116 REG BD SCHEM TYPE TZ			D		2878	2597		7817	7909	
	004	06	40854048	2		1	PC	TX116,REG BD SCHEM,TYPE TZ			D		2597	3088		7909	7912	
	004	07	40854052	4		REF	PC	TX116 REG.BOARD SCHEM,TZ			D		3088	3146		7912	8037	
	004	08	40854054	0		REF	PC	TX116REG.BOARD SCHEM.TZ			D		3146			8037		
	005	01	40854026	8		1	PC	TX127 AUX PWR SUPPLY 75/125IP			D			2878			7817	
	005	02	40854045	8		REF	PC	TX127 AUX PWR SUPP75-125IPS			D		2878			7817		
	006	01	40854053	2		REF	PC	TX116.REG.BOARD SCHEM,TZ			D		3146	3403		8037	8042	
	006	02	40854055	7		REF	PC	TX116,REG,BOARD SCHEM,TZ			D		3403	3546		8042	8151	
	006	03	40854062	3		REF	PC	TX116,REG,BOARD SCHEM TZ			D		3546			8151		
								0029 TOTAL LINES										



NOTES: 1. C23 IS LOCATED BETWEEN TAILGATE AND FIREWALL FOR DRIVES WITHOUT PIGGY BACK. P46 PLUGS TO J46. WIRE FROM CBI-B TO T1 IS SHOWN CONNECTED TO 208V INPUT. DOTTED LINES INDICATE ALTERNATE CONNECTIONS FOR OTHER VOLTAGES. FOR 200 IPS MACHINES, C23 IS CONNECTED TO J147 (REF TB 148).

2. TB151 FOR 3500G.
TB148 FOR 3600G.

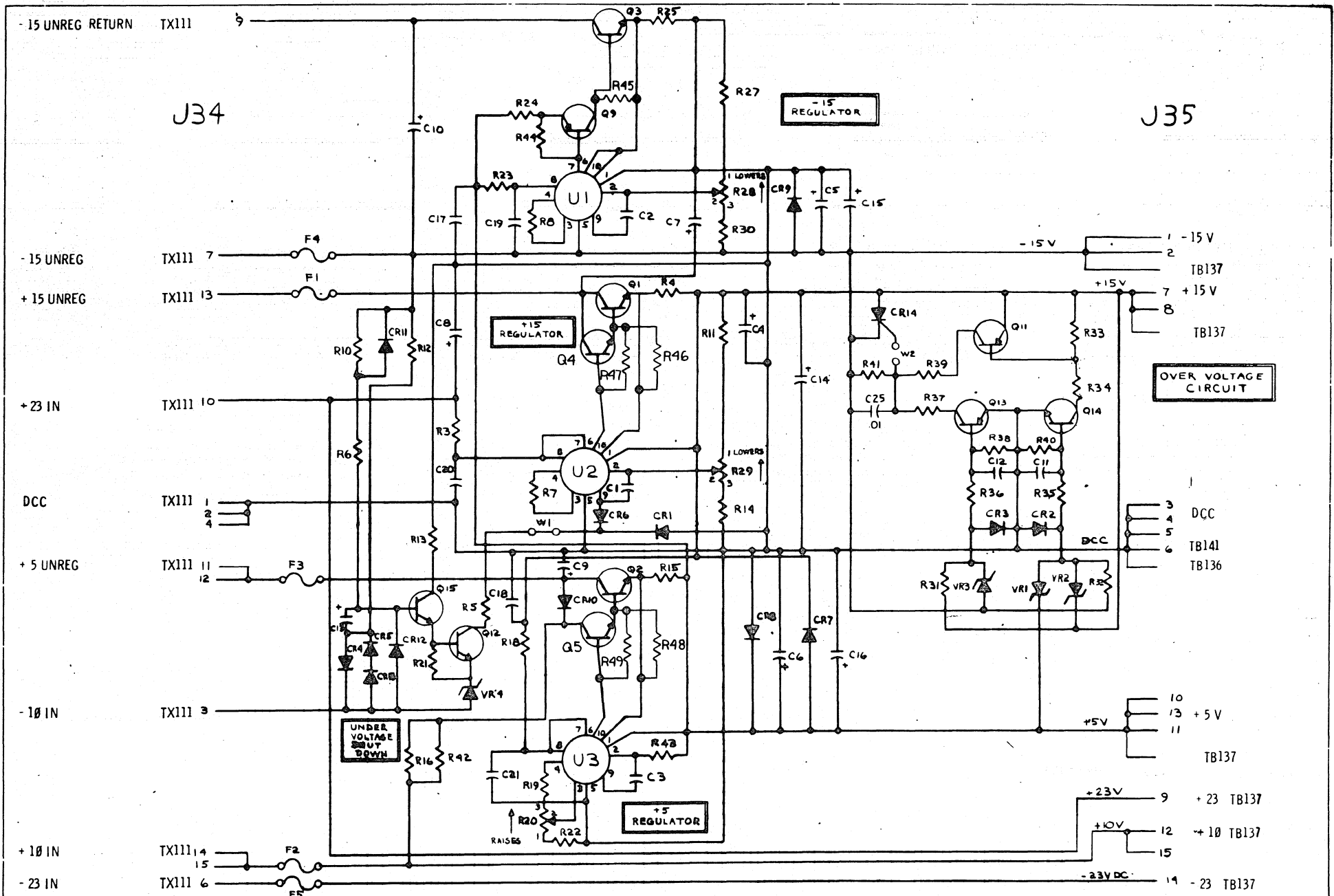
		SYS LGC, TX111, P.S., 60HZ		CD. LOC. GATE FRAME	CD. PN. CD. TYPE PG. PN. 4023287-01
PRES. E.C. 3567A PREV. E.C. NONE DATE 6-22-82	REV. A	MACH. VERS. GBL. ROT.	T X I I		



TX112, SCHEM- 50HZ T.D. P.S.				
PREV. E.C. 3411	REV A	MACH. VERC. GBL. ROT.	CD. LOC. W/A 16078	CD. P.N. 40854056-5
DATE			GATE FRAME	PG. RN. 40854056-5

T
X
1
2

T
X
1
2



TX116, REGULATOR BOARD SCHEMATIC, TYPE TZ

PREV. E.C. 3146
 PREV. E.C. 3088
 DATE 2-21-80

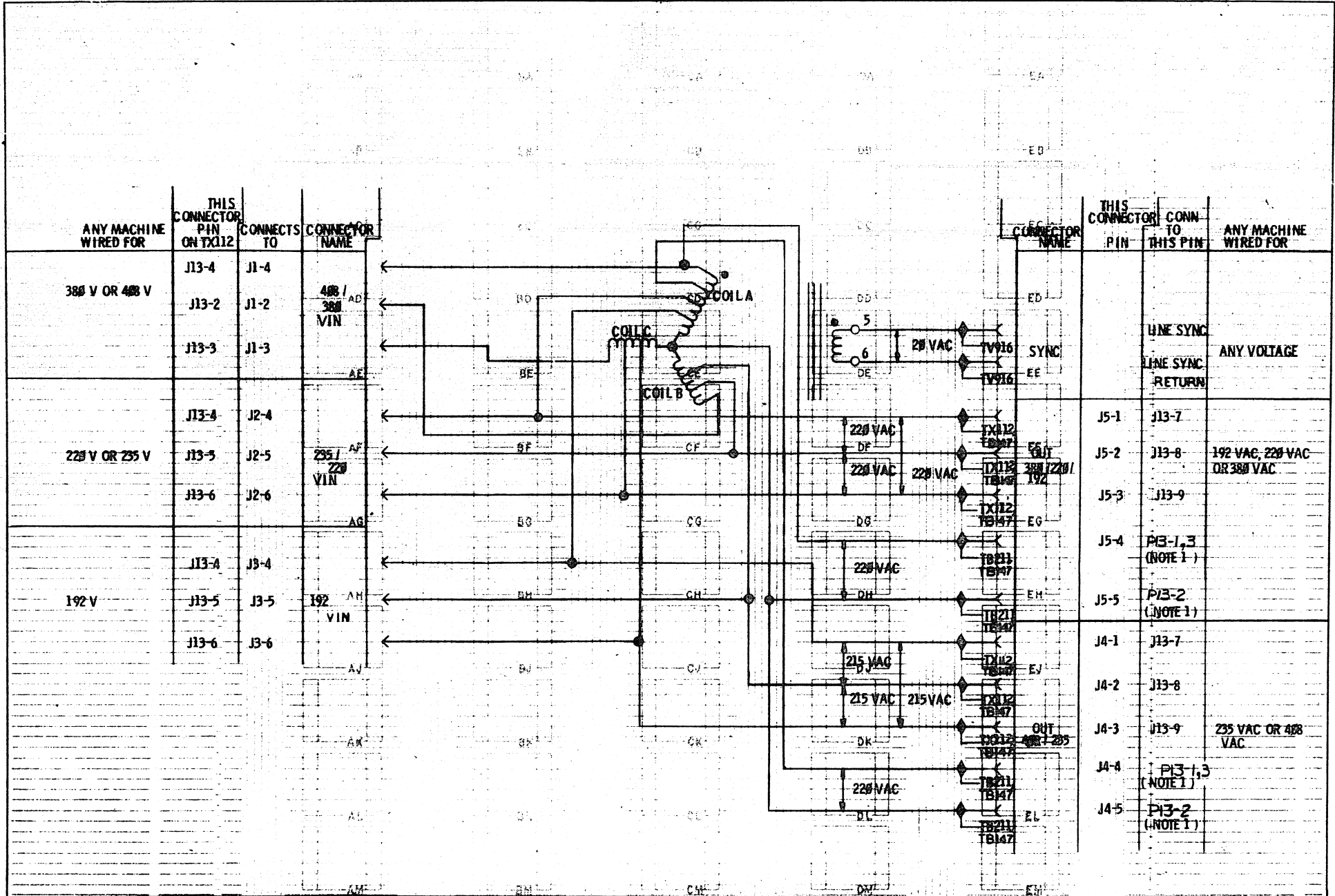
REV. A
 MACH. VERS.
 SBL. ROT.

CD. LOC. GATE FRAME

CD. P.N. 40184405-5
 CD. TYPE REGULATOR
 P.G. P.N. 40854054-0

TX116

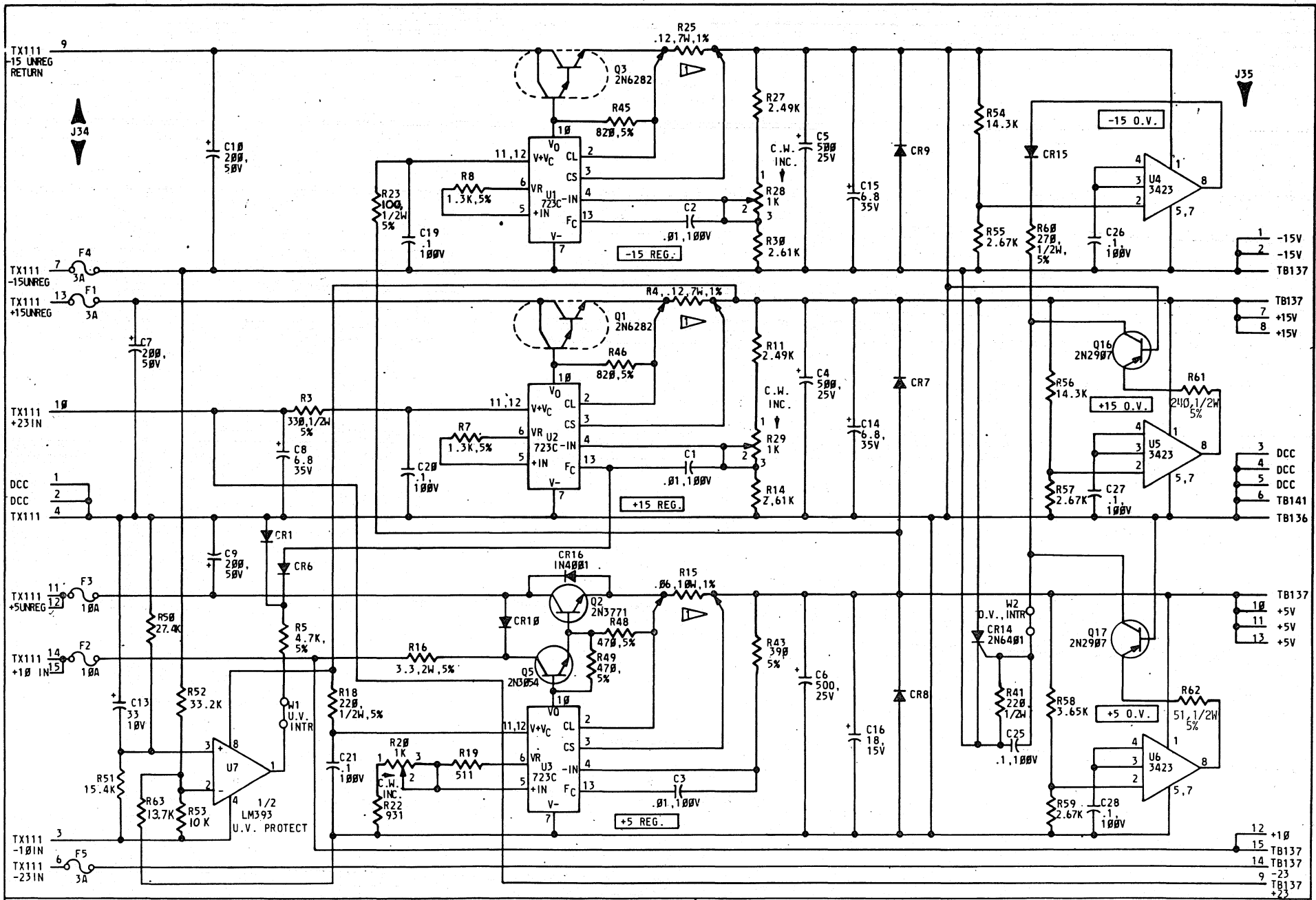
TX116



ANY MACHINE WIRED FOR	THIS CONNECTOR PIN ON TX127	CONNECTS TO	CONNECTOR NAME	THIS CONNECTOR PIN TO THIS PIN	ANY MACHINE WIRED FOR	
380 V OR 488 V	J13-4	J1-4	488 / 380 VIN	LINE SYNC	ANY VOLTAGE	
	J13-2	J1-2				
	J13-3	J1-3				
220 V OR 235 V	J13-4	J2-4	235 / 220 VIN	LINE SYNC RETURN	ANY VOLTAGE	
	J13-5	J2-5				
	J13-6	J2-6				
192 V	J13-4	J3-4	192 VIN	J5-1	J13-7	
	J13-5	J3-5		J5-2	J13-8	192 VAC, 220 VAC OR 380 VAC
	J13-6	J3-6		J5-3	J13-9	
				J5-4	P13-1,3 (NOTE 1)	
				J5-5	P13-2 (NOTE 1)	
				J4-1	J13-7	
				J4-2	J13-8	
				J4-3	J13-9	235 VAC OR 488 VAC
				J4-4	P13-1,3 (NOTE 1)	
				J4-5	P13-2 (NOTE 1)	

① THIS CONNECTOR PIN IS ON TB211 (RESISTOR BOX ASSY)

TX127 AUX. PWR. SUPPLY; 75/125IPS, 50 HZ		CD LOC. DATE FRAME	CD. PN. CD. TYPE PG. PN. 40854045-8
FORM E.C. 2878 PREV. E.C. 2447 DATE 4-12-78	REV. A	ISS. VERN. 108L. NOT.	Y X 1 2 7



NOTES:

- | | |
|---|--|
| 1 | THIS IS A FOUR-POINT MEASUREMENT. |
| 2 | ALL RESISTORS ARE 1/4W, 1% UNLESS NOTED, AND EXCEPTING POTENTIOMETERS (20%). |
| 3 | ALL CAPS IN MICROFARADS. |
| 4 | CR1, 6, 15 ARE 1N4454. |
| 5 | CR7, 8, 9, 10 ARE 1N5402. |
| 6 | ALL UNUSED PINS ON U7 CONNECTED TO PIN 4 |
| 7 | SET POTENTIOMETERS FULL CCH BEFORE POWER-UP/VOLTAGE ADJUST. |

REGULATOR BOARD SCHEMATIC

PRES. E.C. 3546
 PREV. E.C. 3403
 DATE 12/11/67

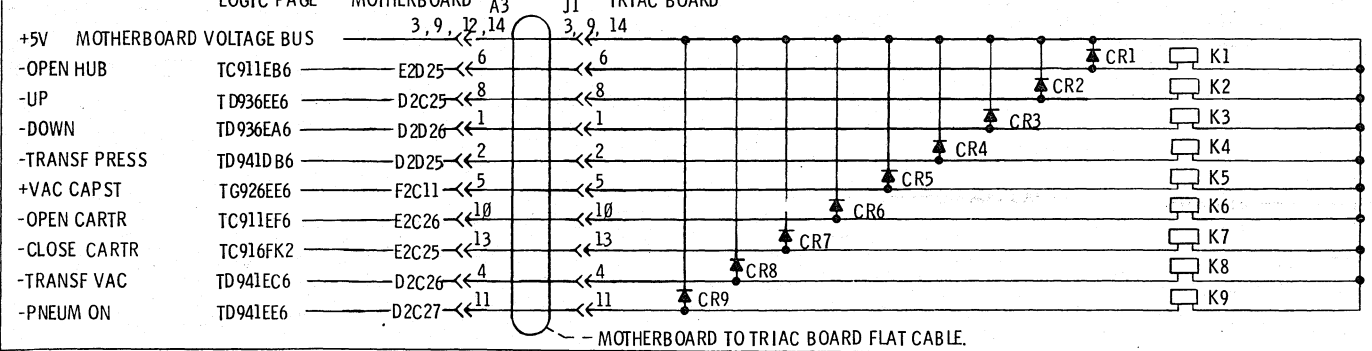
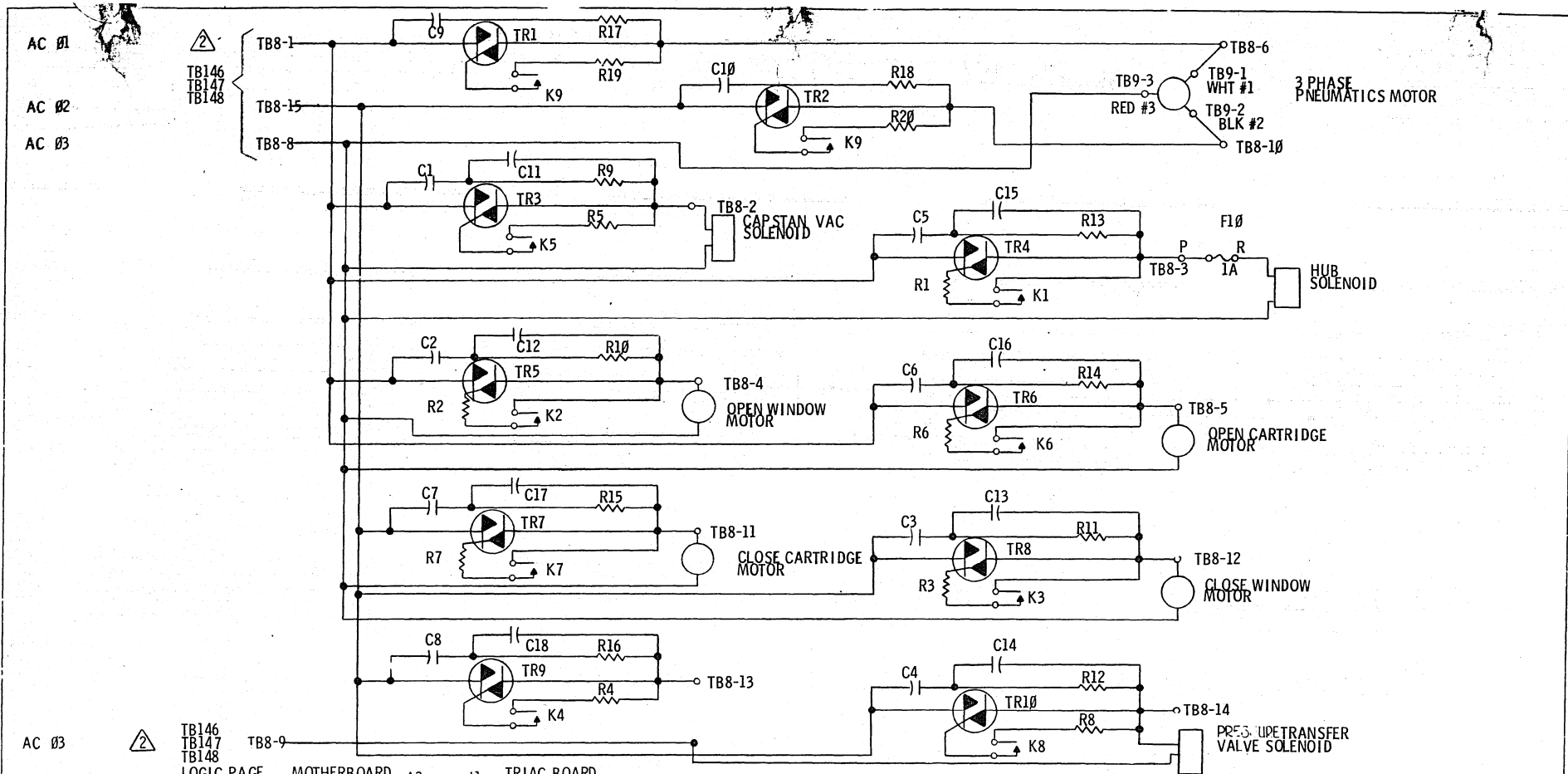
MACH.
 VERS.
 GBL. ROT.

CD. LOC.
 GATE
 FRAME

CD. P.N. 40184608-4
 CD. TYPE T2
 PG. P.N. 40854062-3

T
 X
 1
 1
 6

DIV.		ASSEMBLY NUMBER		CD	REV.	DWG.	DESCRIPTION			MC	STATUS	STATUS DATE		FILE DATE				
0500		40855000		2	F	N	SYS LGC GP, TY, MULTI/PN, PC			N	REL	11-08-82		3600				
FIND NO	LI	PART NUMBER		CD	M	QUANTITY	U/M	PART DESCRIPTION			MC	YLD	E.C. NO. IN	E.C. NO. OUT	S/N	WK IN	WK OUT	
001	01	40855021		8		1		PC	TY 111, TRIAC BD SCHEM 50160HZ			D			2487		7541	
001	02	40855022		6		REF		PC	TY111, TRIAC BD SCH 50160 CYC			D		2487	2848		7541	7746
001	03	40855023		4		REF		PC	TY111, TRIAC BD SCH 50/60 CYC			D		2848			7746	
002	01	00016204		0		REF		PC	CKT CD, TY, PC, ASSY			S		2422			7544	
003	02	00016205		7		REF		PC	CKT CD, TY, PC, ASSY			S		2422			7544	
004	01	40332201		9		REF		PC	CKT CD, TY PC ASSY			S		3151	3765		8129	8246
004	02	40332202		7		REF		PC	CKT CD, TY PC ASSY			S		3765			8246	
0007 TOTAL LINES																		



- MOTHERBOARD TO TRIAC BOARD FLAT CABLE.

NOTES: 1. WARNING-LINE VOLTAGE PRESENT ON BOARD

TY11, TRIAC BOARD SCHEM 50/60 CYCLE

PRES. E.C. 2245	REV A	MACH. 36XX	CD. LOC. 16205
PREV. E.C. 22088		VERS. GBL. ROT.	CD. TYPE
DATE 11-22-77			PG. PN. 40855023-4

⚠ TB146 FOR 3600G.
TB147 FOR 3600E, 50 HZ.
TB148 FOR 3600E, 60 HZ.