

AVALANCHE TAPE UNIT

PN COMPATIBILITY LISTING

PN 95523

LIST OF EFFECTIVE PAGES

PUBLICATION NUMBER: 95523
 ORIGINAL ISSUE DATE: 06/06/83
 CURRENT ISSUE DATE: 07/01/84

TOTAL NUMBER OF PAGES IN THIS VOLUME IS 24, CONSISTING OF THE FOLLOWING PAGES:

| TITLE | PAGE NO. | PAGE LEVEL | EC DATE |
|-------------------------------|----------|------------|---------|
| COVER..... | | | |
| LIST OF EFFECTIVE PAGES..... | II | | 07/84 |
| INTRODUCTION..... | 1-1 | | |
| | 1-2 | | |
| | 1-3 | | |
| | 1-4 | | |
| PN CROSS REFERENCE INDEX..... | 2-1 | | |
| MBD INTERCONNECT | 3-1 | 49439 | 01/84 |
| MBD INTERLOCK, DISABLE | 3-1.1 | 49464 | 03/84 |
| AK VOLTAGE REGULATOR | 3-2 | 49556 | 05/84 |
| DP DATA PATH | 3-3 | 49501 | 04/84 |
| EB EOT/BOT | 3-4 | 49471 | 04/84 |
| IF INTERFACE/CONTROLLER | 3-5 | 49444 | 01/84 |
| IF INTERFACE/CONTROLLER | 3-5A | 49569 | 04/84 |
| IF INTERFACE/CONTROLLER | 3-5B | 49626 | 06/84 |
| KK OP PANEL CD | 3-6 | 49630 | 06/84 |
| NK VOLTAGE REGULATOR | 3-7 | 49414 | 01/84 |
| PK SHORT CIRCUIT DETECT | 3-8 | 49195 | 05/84 |
| RD AMPLIFY & DETECT READ | 3-9 | 49499 | 04/84 |
| SV SERVO CONTROL | 3-10 | 49510 | 04/84 |
| WR WR DRIVERS SENSOR CKTRY | 3-11 | 49611 | 06/84 |
| DG EXTERNAL OPERATOR CONTROL | 3-12 | 49603 | 07/84 |

INTRODUCTION

THIS MANUAL CONTAINS THREE PARTS:

1. INTRODUCTION - WHICH DEFINES THE CONTENT OF THE MANUAL AND EXPLAINS HOW TO USE IT.
2. RESERVED FOR FUTURE USE.
3. TU COMPATIBILITY - WHICH CONTAIN THE PART NUMBER COMPATIBILITY PAGES FOR THE TAPE UNIT (TU).

DOWNWARD COMPATIBLE: A NEW ASSEMBLY (USUALLY A HIGHER PN) IS A DIRECT REPLACEMENT (DOWNWARD COMPATIBLE) FOR AN OLD ASSEMBLY (USUALLY A LOWER PN) WHEN IT DOES NOT DEGRADE MACHINE PERFORMANCE. DOWNWARD COMPATIBILITY IS INDICATED WHEN BOTH ASSEMBLIES HAVE THE SAME COMPATIBILITY NUMBER.

UPWARD COMPATIBLE: AN OLD ASSEMBLY (USUALLY A LOWER PN) IS EQUIVALENT TO (UPWARD COMPATIBLE) AND MAY DIRECTLY REPLACE A NEW ASSEMBLY (USUALLY A HIGHER PN) IF ITS USE DOES NOT AFFECT MACHINE PERFORMANCE. UPWARD COMPATIBILITY IS INDICATED WHEN ASSEMBLIES HAVING THE SAME COMPATIBILITY NUMBER ARE ALSO INDICATED AS "EQUIVALENT" IN THE "DESCRIPTION OF EC" FIELD.

EACH PAGE IN THE COMPATIBILITY SECTION CONTAINS THE COMPATIBILITY INFORMATION FOR A SINGLE CARD TYPE. IT SHOWS THE HISTORY OF ENGINEERING CHANGES (EC'S) THAT RESULTED IN PART NUMBER CHANGES FOR THAT CARD. IT ALSO SHOWS WHICH PART NUMBERS ARE OBSOLETE AND WHAT PART NUMBERS CAN BE USED TO REPLACE THEM.

FOR SOME CARDS, THE FUNCTIONAL CHANGES THAT RESULTED IN NEW PART NUMBERS WILL NOT FUNCTION WITHOUT CORRESPONDING MACHINE REWORK. THIS USUALLY RESULTS IN A COMPATIBILITY NUMBER

CHANGE FOR THE NEW ASSEMBLY. THE "DESCRIPTION OF EC" FIELD WILL SUMMARIZE THE CHANGES. THE FIELD APL DEFINING THE REQUIRED REWORK WILL BE LISTED IN A SEPARATE COLUMN NEXT TO THE EC NUMBER.

IF THE COMPATIBILITY NUMBER DOES NOT CHANGE, THE NEW CARD WILL PERFORM AT LEAST THE SAME FUNCTIONS AS THE OLDER CARD.

COMPATIBILITY AND OBSOLESCENCE

ANY PART NUMBER THAT IS PREFIXED WITH AN ASTERISK (*) IS AN OBSOLETE PART NUMBER. OBSOLETE MEANS THAT THE PART WILL NO LONGER BE SUPPLIED. IF AN OBSOLETE PART IS ORDERED, THE FIELD PARTS CRIB WILL SUBSTITUTE A PART THAT IS DOWNWARD COMPATIBLE OR EQUIVALENT TO THE PART NUMBER ORDERED.

FOR SOME CIRCUIT CARDS, ALL PART NUMBERS OF THE CARD AT A PARTICULAR COMPATIBILITY NUMBER HAVE BEEN OBSOLETE, LEAVING NO AVAILABLE REPLACEMENTS AT THAT COMPATIBILITY NUMBER. THIS SITUATION OCCURS WHEN A CARD IS OBSOLETE BY A MANDATORY EC. IF A REPLACEMENT IS ORDERED FOR AN OBSOLETE CARD FOR WHICH THERE IS NO REPLACEMENT AT THE COMPATIBILITY NUMBER, IT IS POSSIBLE THAT ONE OR MORE MANDATORY EC'S ARE MISSING FROM THE MACHINE. CHECK THE EC HISTORY LOG FOR THAT MACHINE, AND THE COMPATIBILITY PAGE FOR THAT CARD FOR "DESCRIPTION OF EC" AND THE APPLICABLE APL NUMBERS. UPDATE THE MACHINE SUCH THAT A REPLACEMENT CARD OF A HIGHER COMPATIBILITY NUMBER CAN BE USED. (IT MAY BE NECESSARY TO ORDER THE INDICATED APL WHICH WILL PRODUCE THE CORRECT CARD NEEDED).

DOWNWARD COMPATIBILITY IS DESIGNATED BY THE COMPATIBILITY NUMBER TO THE RIGHT OF THE PART NUMBER. A CARD OF A GIVEN PART NUMBER IS DOWNWARD COMPATIBLE WITH ALL THOSE LOWER PART NUMBER CARDS THAT HAVE THE SAME COMPATIBILITY NUMBER. THIS MEANS IT CAN BE USED TO REPLACE ANY OF THE LOWER PART NUMBER CARDS HAVING THE SAME COMPATIBILITY NUMBER WITHOUT REQUIRING REWORK TO THE CARD OR MACHINE.

FOR EXAMPLE:

| CARD PN | COMP. NO. | DESCRIPTION OF EC | EC NO. | FIELD APL |
|-----------|-----------|---|--------|-----------|
| *42150101 | 1 | IR - W/W BOARD | 40020 | NONE |
| *42150102 | 1 | ADD REWORK | 40030 | NONE |
| 42150202 | 1 | IMBED REWORK - EQUIV TO 102 | 40040 | 8612 |
| *42150203 | 2 | ADD REWORK. REQUIRED MBD AT LEVEL _____. | 40050 | 8619 |
| 42150204 | 2 | ADD REWORK | 40060 | NONE |

IN THE ABOVE EXAMPLE:

P/N 42150 101 CAN REPLACE ONLY ITSELF.

P/N 42150 102 CAN REPLACE ITSELF OR P/N 42150101 (OR -202 BECAUSE IT IS EQUIVALENT).

P/N 42150 202 CAN REPLACE ITSELF, P/N 42150101 OR P/N 42150102.

P/N 42150 203 CAN REPLACE ONLY ITSELF. (CAN NOT REPLACE LOWER LEVEL CARDS UNLESS MBD CHANGE OR OTHER PREREQUISITE IS INSTALLED).

P/N 42150 204 CAN REPLACE ITSELF AND -203. (CAN NOT REPLACE LOWER LEVEL CARDS UNLESS MBD CHANGE OR OTHER PREREQUISITE IS INSTALLED).

* THE ASTERISK TO THE LEFT OF A PART NUMBER INDICATES THAT THE PART IS OBSOLETE AND IS NO LONGER SUPPORTED BY MANUFACTURING. THE HIGHEST LEVEL PART FOR EACH COMPATIBILITY LEVEL SHOULD NOT CARRY AN ASTERISK BECAUSE MANUFACTURING MUST SUPPORT FIELD SPARES UNTIL ALL MACHINES HAVE BEEN BROUGHT TO THE NEXT COMPATIBILITY LEVEL.

CAUTION

UPWARD COMPATIBILITY EXISTS ONLY IF TWO CARDS WITH THE SAME COMPATIBILITY NUMBER ARE DESCRIBED AS "EQUIVALENT" IN THE "DESCRIPTION OF EC" FIELD. ANY OTHER SUBSTITUTION OF A LOWER PART NUMBER CARD FOR A HIGHER PART NUMBER CARD REQUIRES A GREAT DEAL OF CAUTION. SUCH PRACTICE MAY RESULT IN NOISE PROBLEMS, TIMING PROBLEMS, DIAGNOSTIC ERRORS, ETC. ANY ATTEMPT TO UTILIZE SUCH A LOWER PART NUMBER CARD REQUIRES ENSURING THAT FUNCTIONAL CHANGES OR IMPROVEMENTS MISSING FROM THE LOWER PART NUMBER CARD WILL NOT RESULT IN CUSTOMER SYSTEM OPERATION DEGRADATION. REFERENCE THE DESCRIPTION OF EACH CHANGE MISSING FROM THE CARD AND ENSURE THAT NO MACHINE WIRING CHANGES OR COMPANION CHANGES TO OTHER CARDS WERE REQUIRED AT THE TIME THE HIGHER PART NUMBER WAS INSTALLED ORIGINALLY. USAGE IN THIS MANNER IS NOT RECOMMENDED AND SHOULD BE AVOIDED IF POSSIBLE.

UPDATING THE MANUAL

TO UPDATE THE MANUAL, INSERT THE NEW PAGES ACCORDING TO THE NEW LIST OF EFFECTIVE PAGES. REMOVE AND DISCARD ANY PAGES THAT ARE REPLACED BY A LATER EC LEVEL, OR ARE SHOWN AS DELETED FROM THE LIST OF EFFECTIVE PAGES.

COMMENTS CONCERNING THE CONTENT OF THIS MANUAL SHOULD BE DIRECTED TO TAPE PUBLICATIONS SERVICES AT THE ADDRESS BELOW. IN CASE OF ERRORS, PLEASE GIVE SPECIFIC PAGE AND LINE REFERENCES, WHERE APPROPRIATE. FOR A REPLY INCLUDE NAME AND ADDRESS.

REQUESTS FOR ADDITIONAL COPIES OF THIS MANUAL SHOULD BE DIRECTED TO THE FIELD CRIB VIA FIELD INVENTORY SYSTEM (FIS) TERMINALS.

THIS PUBLICATION WAS PREPARED BY STORAGE TECHNOLOGY CORPORATION, TAPE PUBLICATIONS SERVICES, MD AD, P.O. BOX 98, LOUISVILLE, COLORADO 80028.

PN CROSS REFERENCE INDEX - 95523 TAPE UNIT

THIS PAGE INTENTIONALLY LEFT BLANK.

CD TYPE: MBD
CD LOC : MOTHERBOARD
MACHINE: 2920 TAPE UNIT
DESCRIPTION - INTERCONNECT CARDS & CABLES
PG EC LEVEL - 49439 DATE 01/24/84

| CARD PN | COMP. NO. | DESCRIPTION OF EC | EC NO. | FIELD APL. |
|-----------|--------------|---|--------|---------------|
| 402637103 | 1 | INITIAL RELEASE TO ENGINEERING. | 49240 | NONE |
| | | RELEASE OF COMPATIBILITY | 49291 | |
| 402637104 | 2 | REMOVE RELAY | 49294 | NONE |
| 402637105 | 2 | ADD A JUMPER BRAID BETWEEN DC RETURN AND CHASSIS AT THE MBD. | 49439 | NONE |

CD TYPE: MBD, INTERLOCK DISABLE
CD LOC : MOTHERBOARD
MACHINE: 2920 TAPE UNIT
DESCRIPTION - INTERCONNECT CARDS AND CABLES
PG EC LEVEL - 49464 DATE 02/29/84

| CARD PN | COMP. NO. | DESCRIPTION OF EC | EC NO. | FIELD APL. |
|-----------|--------------|---|--------|---------------|
| 403469901 | 1 | INITIAL RELEASE OF MBD (P/N 402637105 WITH INTERLOCK DISABLE JUMPER INSTALLED). | 49464 | NONE |

CD TYPE: AR
 CS LOC : POWER SUPPLY
 MACHINE: 2920 TAPE UNIT
 DESCRIPTION - VOLTAGE REGULATOR
 PG EC LEVEL - 49556 DATE 05/17/84

| CARD PN | COMP. NO. | DESCRIPTION OF EC | EC NO. | FIELD APL. |
|------------|-----------|--|--------|------------|
| *402214303 | 1 | INITIAL RELEASE TO ENGINEERING | 49245 | NONE |
| | | RELEASE OF COMPATIBILITY | 49291 | |
| *402214304 | 1 | SCR TRIG CIRCUIT IS IMPROVED (+/- 38VDC) +/- 26VDC BLEEDER CURRENT IS INCREASED. +5VDC PERFORMANCE IS IMPROVED. EQUIVALENT TO 402214404. | 49367 | NONE |
| *402214404 | 1 | INITIAL RELEASE OF IMBED. EQUIVALENT TO 402214304. | 49367 | NONE |
| 402214305 | 1 | REROUTE HOLES AND TRACE EQUIV. TO 402214405. | 49556 | NONE |
| 402214405 | 1 | REROUTE HOLES AND TRACE EQUIV. TO 402214305. | 49556 | NONE |

CD TYPE: DP
 CD LOC : A5
 MACHINE: 2920 TAPE UNIT
 DESCRIPTION - DATA PATH
 PG EC LEVEL - 49501 DATE 04/09/84

| CARD PN | COMP. NO. | DESCRIPTION OF EC | EC NO. | FIELD APL. |
|------------|-----------|--|--------|------------|
| *402252304 | 1 | INITIAL RELEASE TO ENGINEERING. | 49203 | NONE |
| | | RELEASE OF COMPATIBILITY | 49291 | |
| *403118201 | 1 | I.R. OF DP CARD USING 68 PIN LSI CHIPS.EQUIVALENT TO 403118301. | 49307 | NONE |
| *403118301 | 1 | I.R. OF EMBED TO ELIMINATE BUS BARS AND TO USE 4 LAYERS. EQUIVALENT TO 403118201. | 49403 | NONE |
| 403118202 | 1 | THE XTM CMOS CHIP REQUIRES Z3 ALL OUT. Z2 AND ANY TRACK IN Z3. THE MINIMUM PE TAPE MARK IS Z3 ALL OUT AND Z2. EQUIV. TO 403118302. | 49501 | NONE |
| 403118302 | 1 | SAME AS ABOVE EQUIV. TO 403118202. | 49501 | NONE |

CD TYPE: EOT/BOT
CD LOC : DECK
MACHINE: 2920 TAPE UNIT
DESCRIPTION - END OF TAPE/BEGINNING OF TAPE
PG EC LEVEL - 49504 DATE 04/24/84

| CARD PN | COMP. NO. | DESCRIPTION OF EC | EC NO. | FIELD APL. |
|------------|--------------|--|--------|---------------|
| *403081201 | 1 | INITIAL RELEASE | 49204 | NONE |
| *403081202 | 1 | ADD NOSE TO HOUSING TO ASSURE PROPER TAPE-SENSOR DISTANCE. | 49376 | NONE |
| *403081303 | 2 | INITIAL RELEASE OF IMBED. | 49471 | 68356 |
| 403081304 | 2 | ADD HOLE FOR LOCATING PIN AND GROOVE TO REDUCE INTERNAL REFLECTION TO HOUSING. MUST BE INSTALLED CONCURRENTLY WITH EC 49563. F/B 68451. | 49504 | 68441 |

CD TYPE: IF
 CD LOC : A3
 MACHINE: 2920 TAPE UNIT
 DESCRIPTION - INTERFACE/CONTROLLER CARD
 PG EC LEVEL - 49569 DATE 04/24/84

| CARD PN | COMP. NO. | DESCRIPTION OF EC | EC NO. | FIELD APL. |
|------------|-----------|--|--------|------------|
| *403222304 | 3 | RELEASE OF 4 LAYERS XIF EQUIVALENT TO 40222204. | 49392 | NONE |
| *403222205 | 3 | CHANGE MICRO-CODE A1-12 EQUIVALENT TO 403222305. RELEASES A MANDATORY F/B. | 49477 | 68352 |
| *403222305 | 3 | CHANGE MICRO-CODE A1-12 EQUIVALENT TO 403222205. RELEASES A MANDATORY F/B. | 49477 | 68352 |
| *403222206 | 3 | CHANGE MICROCODE A1-13 EQUIV. TO 403222306. RELEASES MANDATORY F/B. | 49543 | 68418 |
| *403222306 | 3 | CHANGE MICROCODE A1 13 EQUIV. TO 403222206. RELEASES MANDATORY F/B. | 49543 | 68418 |
| *403222207 | 3 | CHANGE MICROCODE A1-14 EQUIV. TO 403222307. RELEASES MANDATORY F/B. | 49569 | 68449 |
| *403222307 | 3 | CHANGE MICROCODE A1-14 EQUIV. TO 403222207. RELEASES MANDATORY F/B. | 49569 | 68449 |

CD TYPE: IF
 CD LOC : AB
 MACHINE: 292X TAPE UNIT
 DESCRIPTION - INTERFACE CONTROLLER CARD
 PG EC LEVEL - 49626 DATE 06/07/84

| CARD PN | COMP. NO. | DESCRIPTION OF EC | EC NO. | FIELD APL. |
|------------|-----------|---|--------|------------|
| *403222208 | 3 | CHANGE MICROCODE A1-15 EQUIV. TO 403222308. RELEASES MANDATORY F/B. | 49576 | 68455 |
| *403222308 | 3 | CHANGE MICROCODE A1-15 EQUIV. TO 403222208. RELEASES MANDATORY F/B. | 49576 | 68455 |
| *403222209 | 3 | CHANGE MICROCODE A1-16 EQUIV. TO 403222309. RELEASES MANDATORY F/B. | 49582 | 68489 |
| *403222309 | 3 | CHANGE MICROCODE A1-16 EQUIV. TO 403222209. RELEASES MANDATORY F/B. | 49582 | 68489 |
| *403222210 | 3 | REWORK DIAGNOSTICS MICROCODE TO RETIGGER WATCHDOG TIMER. EQUIV. TO 403222310. | 49598 | 68497 |
| *403222310 | 3 | REWORK DIAGNOSTICS MICROCODE TO RETIGGER WATCHDOG TIMER. EQUIV. TO 403222210. | 49598 | 68497 |
| 403222211 | 3 | IMPROVE LOCK-OUT DETECTION OF Z80. EQUIV. TO 403222311. RELEASES MANDATORY F/B. | 49626 | 68517 |
| 403222311 | 3 | IMPROVE LOCK-OUT DETECTION OF Z80. EQUIV. TO 403222211. RELEASES MANDATORY F/B. | 49626 | 68517 |

CD TYPE: KK
CD LOC : OP PANEL
MACHINE: 2920 TAPE UNIT
DESCRIPTION - OP PANEL
PG EC LEVEL - 49630 DATE 06/84

| CARD PN | COMP. NO. | DESCRIPTION OF EC | EC NO. | FIELD APL. |
|------------|--------------|------------------------------------|--------|---------------|
| *402051301 | 1 | INITIAL RELEASE TO ENGINEERING. | 49031 | NONE |
| | | RELEASE OF COMPATIBILITY | 49291 | |
| 402051302 | 1 | CORRECT MOUNTING HOLE POSITION | 49630 | NONE |

CD TYPE: NK
CD LOC : POWER SUPPLY
MACHINE: 2920 TAPE UNIT
DESCRIPTION - VOLTAGE REGULATOR
PG EC LEVEL - 49414 DATE 01/13/84

| CARD PN | COMP. NO. | DESCRIPTION OF EC | EC NO. | FIELD APL. |
|------------|--------------|---|--------|---------------|
| 402213301 | 1 | DARLINGTON DR XSTR-INT CONFIG | 49223 | NONE |
| *402213302 | 1 | CHANGED TRANSISTOR FROM TIP120 TO D44H11 SWITCHING XSTR INITIAL RELEASE. | 49223 | NONE |
| | | RELEASE OF COMPATIBILITY | 49291 | |
| 402213402 | 1 | CHANGED FILM TO PLACE FEED THROUGH PADS ON HOLES 1-5 ON COMPONENT SIDE. INITIAL RELEASE. | 49414 | NONE |

CB TYPE: PK
 CB LOC : POWER SUPPLY
 MACHINE: 2920 TAPE UNIT
 DESCRIPTION - SHORT CIRCUIT DETECT
 PG EC LEVEL - 49195 DATE 05/17/84

| CARD PN | COMP. NO. | DESCRIPTION OF EC | EC NO. | FIELD APL. |
|------------|-----------|---|--------------------|------------|
| *402055304 | 1 | INITIAL RELEASE TO ENGINEERING. RELEASE OF COMPATIBILITY | 49241 49291 | NONE |
| *402055305 | 1 | TIMING CONSTANT C4 INCREASED. GAIN CHANGED AND TRANSFORMER NOTES CLARIFIED. MAGNETICSHIELD ADDED TO DIP RELAY TO PREVENT OPERATION DUE TO TRANSFORMER LEAKAGE FLUX. | 49255 | |
| *402055306 | 1 | MOUNTING HOLES CHANGED TO SLOTTED HOLES TO ALLOW EASIER MOUNTING TO TRANSFORMER. | 49368 | NONE |
| *402055307 | 2 | CUT TRACE RUNNING UNDER TBI ON PK CARD. TRACE IS CUT IN 5 PLACES TO ELIMINATE ALL POSSIBLE SHORT CIRCUITS. REWORK WIRE IS ADDED RESTORE ORIGINAL CONNECTION. | 49545 | 68416. |
| 402055308 | 2 | ADDING A CAPACITOR TO FORCE CB TO TRIP WHEN FERRO CAP WINDING IS SHORTED:REPLACING READ REPLAY WITH MECHANICAL RELAY TO IMPROVE IMMUNITY TO STRAY FIELDS FROM TRANSFORMER. EQUIV. TO 402055408. | 49195 | NONE |
| 402055408 | 2 | ADDING A CAPACITOR TO FORCE CB TO TRIP WHEN FERRO CAP WINDING IS SHORTED:REPLACING READ REPLAY WITH MECHANICAL RELAY TO IMPROVE IMMUNITY TO STRAY FIELDS FROM TRANSFORMER. EQUIV. TO 402055308. | 49195 | NONE |

CD TYPE: RD
 CD LOC : A6
 MACHINE: 2920 TAPE UNIT
 DESCRIPTION - AMPLIFY & DETECT READ HEAD DATA
 PG EC LEVEL - 49499 DATE 04/03/84

| CARD PN | COMP. NO. | DESCRIPTION OF EC | EC NO. | FIELD APL. |
|------------|-----------|--|--------|------------|
| *402261303 | 1 | INITIAL RELEASE TO ENGINEERING | 49225 | NONE |
| | | RELEASE OF COMPATIBILITY | 49291 | |
| *402261304 | 2 | REDUCE WRITE AMP SENSE THRESHOLD FROM 25% TO 15%. CONCURRENT WITH EC40306 IF CARD 402042204. | 49301 | NONE |
| *402261305 | 2 | ALLOWS REAR CABLE TO BE LOCKED. | 49422 | NONE |
| 402261306 | 2 | ENABLES READ CABLE TO BE LOCKED TO RD CARD. CONCURRENT WITH EC 49389A, F/B 68340. | 49499 | 68338 |

CD TYPE: SV
 CD LOC : A1
 MACHINE: 2920 TAPE UNIT
 DESCRIPTION - SERVO CONTROL
 PG EC LEVEL - 49510 DATE 04/13/84

| CARD PN | COMP. NO. | DESCRIPTION OF EC | EC NO. | FIELD APL. |
|------------|-----------|---|--------|------------|
| *402239203 | 1 | INITIAL RELEASE | 49227 | NONE |
| | | RELEASE OF COMPATIBILITY | 49387 | |
| | | | 49291 | |
| *402239307 | 1 | RELEASE OF 300 LEVEL | 49269 | NONE |
| *402239308 | 1 | ADD RESISTOR TO EPO DRIVER THRESHOLD. | 49336 | NONE |
| *402239309 | 2 | ADD "DOOR AJAR" INTERLOCK CIRCUITRY. MACHINES WITHOUT INTERLOCK SWITCH MUST HAVE MOTHERBOARD JUMPER (B02 TO A02) INSTALLED. | 49250 | NONE |
| | | | 49250A | 68360 |
| 402239310 | 3 | DISABLE BOTH REEL MOTOR DRIVERS WHEN REELS SHOULD BE STILL. | 49510 | 68437 |

CD TYPE: WR
 CD LOC: A4
 MACHINE: 2920 TAPE UNIT
 DESCRIPTION - WR DRIVERS SENSOR CIRCUITRY
 PG EC LEVEL - 49611 DATE: 06/01/84

| CARD PN | COMP. NO. | DESCRIPTION OF EC | EC NO. | FIELD APL. |
|------------|-----------|---|--------|------------|
| *402273203 | 1 | INITIAL RELEASE 200 LEVEL. EQUIV TO 402273304 | 49200 | NONE |
| *402273304 | 1 | IR 300 LEVEL. FUNC EQUIV TO 402273203 | 49262 | NONE |
| | | RELEASE OF COMPATIBILITY | 49291 | |
| *402273305 | 1 | CHANGE U18 TO A SCHMITT- TRIGGER DEVICE TO ACCOMODATE ALL VENDORS OF U3. ALL 402273304 CARDS SHIPPED ARE OK. | 49357 | NONE |
| *402273306 | 1 | REDUCE RFI RADIATION THROUGH REDUCED PE AC BIAS IN GCR MODE. | 49416 | NONE |
| *402273307 | 1 | BY-PASS "WRITE CURRENT ON" ELIMINATES NOISE PROBLEMS DURING WRITE OPERATION WHICH CAUSES F91 FAILURES. REPLACED WITH "ENABLE WRITE CURRENT". | 49474 | NONE |
| 402273308 | 2 | CHANGE OUTPUT TIMING OF WR CARD TRIANGLE GENERATOR BY CHANGING VALUE OF ONE CAPACITOR, MUST BE INSTALLED CONCURRENTLY WITH EC49504 F/B 68441. | 49563 | 68451 |
| 402273309 | 2 | ADD 120 HZ FILTER TO LEADER SENSE ADD 1 CAP & 1 RESISTOR. IMPROVE FREQUENCY RESPONSE OF BOT-TAPE PRESENT CIRCUIT BY CHANGING R39, R44,R45. CHANGE TIMING OF TRIANGLE GENERATOR. TURN ON TAPE-PRESENT LED WITH A SQUARE WAVE INSTEAD OF A RAMP. EC49504 F/B68441 IS A PREREQUISITE. | 49611 | 68514 |

CD TYPE: DG
CD LOC : XX
MACHINE: 2920 TAPE UNIT
DESCRIPTION - EXTERNAL OPERATOR CONTROL
PG EC LEVEL - 49449 DATE 07/10/84

| CARD PN | COMP. NO. | DESCRIPTION OF EC | EC NO. | FIELD APL. |
|------------|--------------|-----------------------------------|--------|---------------|
| *403378201 | 1 | INITIAL RELEASE OF NEW LAYOUT. | 49449 | NONE |
| 403378202 | 1 | CHANGE 10UF CAP TO 6.8UF | 49603 | NONE |



Storage Technology Corporation
TECHNOLOGY CORP.

ASSEMBLY PARTS LIST
BUILD ARC DOC

| | | |
|------------|------|----------|
| PRINT DATE | PAGE | E.C. NO. |
| 07-03-84 | 1 | 49603 |

| DIV. | ASSEMBLY NUMBER | CD | REV. | DWG. | DESCRIPTION | MC | STATUS | STATUS DATE | FILE DATE | | | | | |
|-----------|-----------------|-------------|------|------|--------------------|-----|----------------------------------|-------------|---------------|------------|--------------|-----|-------|--------|
| 0500 | 403096201 | 5 | BG | N | 292X TLA LOGIC SET | N | REL | 06-05-84 | 292X 06-28-84 | | | | | |
| T Find no | LI | PART NUMBER | CD | M | QUANTITY | U/M | PART DESCRIPTION | MC | YLD | E.C. NO IN | E.C. NO. OUT | S/N | WK IN | WK OUT |
| 009 | 01 | 403225501 | 2 | | 1 | PC | CD LGC GP, MBD, 402637103, PC | N | | | 49294 | | | 8343 |
| 009 | 02 | 403225502 | 0 | | 1 | PC | SYS LGC GP MBD, MACRO | N | | 49294 | | | 8343 | |
| 010 | 01 | 402630301 | 8 | | 1 | PC | CD LGC GP, AK, 402214303, PC | N | | | 49367 | | | 8406 |
| 010 | 02 | 402630302 | 6 | | 1 | PC | CD LGC GP, AK 402214304, PC | N | | 49367 | 49556 | | 8406 | 8424 |
| 010 | 03 | 402630303 | 4 | | 1 | PC | CD LGC GP AK 402214305 PC | N | | 49556 | | | 8424 | |
| 015 | 01 | 403395101 | 5 | | 1 | PC | CD LGC GP, AK, 402214404, PC | N | | 49367 | 49556 | | 8419 | 8424 |
| 015 | 02 | 403395102 | 3 | | 1 | PC | CD LGC GP AK 402214405 PC | N | | 49556 | | | 8424 | |
| 019 | 01 | 403442001 | 0 | | 1 | PC | CD LGC GP DG, 403378201, PC | N | | 49449 | 49603 | | 8408 | 8423 |
| 019 | 02 | 403442002 | 8 | | 1 | PC | CD LGC GP DG, 403378202, PC | N | | 49603 | | | 8423 | |
| 020 | 01 | 403221501 | 6 | | 1 | PC | CD LGC GP, DP 402252304, PC | N | | | 49287 | | | 8343 |
| 020 | 02 | 403339001 | 6 | | 1 | PC | CD LGC GP, DP, 403118201/301, PC | N | | 49287 | 49501 | | 8343 | 8424 |
| 020 | 03 | 403339002 | 4 | | 1 | PC | CD LGC GP DP 403118202/302 | N | | 49501 | | | 8424 | |
| 025 | 01 | 403444101 | 6 | | 1 | PC | CD LGC GRP EB 403081304 | N | | 49504 | | | 8415 | |
| 030 | 01 | 403225101 | 1 | | 1 | PC | CD LGC GP IF 402042205 PC | N | | | 49287 | | | 8343 |
| 030 | 02 | 403339101 | 4 | | 1 | PC | CD LGC GP, IF, 403222201, PC | N | | 49287 | 49383 | | 8343 | 8348 |
| 030 | 03 | 403339102 | 2 | | 1 | PC | CD LGC GP, IF, 403222202, PC | N | | 49383 | 49423 | | 8348 | 8350 |
| 030 | 04 | 403339103 | 0 | | 1 | PC | CD LGC GP, IF, 403222203, PC | N | | 49423 | 49444 | | 8350 | 8402 |
| 030 | 05 | 403339104 | 8 | | 1 | PC | CD LGC GP, IF, 403222204, PC | N | | 49444 | 49392 | | 8402 | 8405 |
| 030 | 06 | 403339105 | 5 | | 1 | PC | CD LGC GP IF 403222204/304 PC | N | | 49392 | 49477 | | 8405 | 8405 |
| 030 | 07 | 403339106 | 3 | | 1 | PC | CD LGC GP IF 403222205/305 PC | N | | 49477 | 49543 | | 8405 | 8416 |
| 030 | 08 | 403339107 | 1 | | 1 | PC | CD LGC GP IF 403222206/306 PC | N | | 49543 | 49569 | | 8416 | 8416 |
| 030 | 09 | 403339108 | 9 | | 1 | PC | CD LGC GP IF 403222207/307 | N | | 49569 | 49576 | | 8416 | 8416 |
| 030 | 10 | 403339109 | 7 | | 1 | PC | CD LGC GP IF 403222208/308 | N | | 49576 | 49582 | | 8416 | 8419 |
| 030 | 11 | 403339110 | 5 | | 1 | PC | CD LGC GP IF 403222210/310 | N | | 49582 | 49598 | | 8419 | 8419 |
| 030 | 12 | 403339111 | 3 | | 1 | PC | CD LGC GP IF 40333210/310 | N | | 49598 | 49626 | | 8419 | 8423 |
| 030 | 13 | 403339112 | 1 | | 1 | PC | CD LGC GP IF 403222211/311 | N | | 49626 | | | 8423 | |
| 040 | 01 | 403215701 | 0 | | 1 | PC | CD LGC GP, KK402051301, PC | N | | | | | | |
| 050 | 01 | 403193001 | 1 | | 1 | PC | CD LGC GP, NK, 402213302, PC | N | | | 44914 | | | 8422 |
| 050 | 02 | 403193002 | 9 | | 1 | PC | CD LGC GP, NK, MULTI/PN, PC | N | | 44914 | | | 8422 | |
| 060 | 01 | 402631001 | 3 | | 1 | PC | CD LGC GP, PK, 402055304, PC | N | | | 49287 | | | 8343 |
| 060 | 02 | 402631002 | 1 | | 1 | PC | CD LGC GP, PK, 402055306, PC | N | | 49287 | 49545 | | 8343 | 8412 |



Storage Technology Corporation

TECHNOLOGY CORP.

ASSEMBLY PARTS LIST
BUILD ARC DOC

| | | |
|------------|------|----------|
| PRINT DATE | PAGE | E.C. NO. |
| 07-03-84 | 2 | 49603 |

| DIV. | ASSEMBLY NUMBER | CD | REV. | DWG. | DESCRIPTION | MC | STATUS | STATUS DATE | | | FILE DATE | | | |
|------------------|-----------------|-------------|------|------|--------------------|-----|----------------------------------|-------------|------|-------------|--------------|-----|-------|--------|
| 0500 | 403096201 | 5 | BG | N | 292X TLA LOGIC SET | N | REL | 06-05-84 | 292X | | 06-28-84 | | | |
| T Find no | LI | PART NUMBER | CD | M | QUANTITY | U/M | PART DESCRIPTION | MC | YLD | E.C. NO. IN | E.C. NO. OUT | S/N | WK IN | WK OUT |
| 060 | 03 | 402631003 | 9 | | 1 | PC | CD LGC GP PK 402055307, PC | N | | 49545 | 49195 | | 8412 | 8435 |
| 060 | 04 | 402631004 | 7 | | 1 | PC | CD LGC GP PK 402055308/408 PC | N | | 49195 | | | 8435 | |
| 070 | 01 | 403221601 | 4 | | 1 | PC | CD LGC GP, RD, 402261303, PC | N | | | 49287 | | | 8343 |
| 070 | 02 | 403221602 | 2 | | 1 | PC | CD LGC GP, RD, 402261304, PC | N | | 49287 | 49461 | | 8343 | 8418 |
| 070 | 03 | 403221603 | 0 | | 1 | PC | CD LGC GP, RD, 402261305/306, PC | N | | 49461 | | | 8418 | |
| 080 | 01 | 403215901 | 6 | | 1 | PC | DC LGC GP, SV, 402239203, PC | N | | | 49336 | | | 8338 |
| 090 | 01 | 403216001 | 4 | | 1 | PC | CD LGC GP, SV, 402239307, PC | N | | | 49336 | | | 8338 |
| 090 | 02 | 403216002 | 2 | | 1 | PC | CD LGC GP, SV, 402239308, PC | N | | 49336 | 49250 | | 8338 | 8406 |
| 090 | 03 | 403216003 | 0 | | 1 | PC | CD LGC GP, SV 402239309, PC | N | | 49250 | 49510 | | 8406 | 8416 |
| 090 | 04 | 403216004 | 8 | | 1 | PC | CD LGC GP, SV, 402239310, PC | N | | 49510 | | | 8416 | |
| 100 | 01 | 403057401 | 8 | | 1 | PC | CD LGC GP, WR, 402273203, PC | N | | | 49357 | | | 8341 |
| 110 | 01 | 402542001 | 1 | | 1 | PC | CD LGC GP, WR, PC ASSEMBLY | N | | | 49357 | | | 8341 |
| 110 | 02 | 402542002 | 9 | | 1 | PC | CD LGC GP, WR, 402273305, PC | N | | 49357 | 49416 | | 8341 | 8401 |
| 110 | 03 | 402542003 | 7 | | 1 | PC | CD LGC GP, WR 402273306, PC | N | | 49416 | 49474 | | 8401 | 8404 |
| 110 | 04 | 402542004 | 5 | | 1 | PC | CD LGC GP WR 402273307 PC | N | | 49474 | 49563 | | 8404 | 8415 |
| 110 | 05 | 402542005 | 2 | | 1 | PC | CD LGC GP, WR, 402273308, PC | N | | 49563 | 49611 | | 8415 | 8422 |
| 110 | 06 | 402542006 | 0 | | 1 | PC | CD LGC GP WR, 402273309 | N | | 49611 | | | 8422 | |
| 130 | 01 | 402631101 | 1 | | 1 | PC | SYS LOGIC GP, PWR SUPPLY | N | | | | | | |
| 0049 TOTAL LINES | | | | | | | | | | | | | | |



Storage Technology Corporation
TECHNOLOGY CORP.

ASSEMBLY PARTS LIST
BUILD ARC DOC

| | | |
|------------|------|----------|
| PRINT DATE | PAGE | E.C. NO. |
| 06-28-84 | 1 | 49621 |

| DIV. | ASSEMBLY NUMBER | CD | REV. | DWG. | DESCRIPTION | MC | STATUS | STATUS DATE | FILE DATE | | | | | | |
|------|-----------------|----|-------------|------|----------------------|----------|--------|-----------------------|---------------|-----|------------|--------------|-----|-------|--------|
| 0500 | 403225502 | 0 | D | N | SYS LGC GP MBD,MACRO | N | REL | 05-29-84 | 292X 06-07-84 | | | | | | |
| T | Find no | LI | PART NUMBER | CD | M | QUANTITY | U/M | PART DESCRIPTION | MC | YLD | E.C. NO IN | E.C. NO. OUT | S/N | WK IN | WK OUT |
| | 001 | 01 | 402563101 | 3 | | REF | PC | CD LGC, SC010, PC | D | | | 49473 | | | 8410 |
| | 001 | 02 | 402563102 | 1 | | REF | PC | SYS LGC, SC010, MACRO | D | | 49473 | | | 8410 | |
| | 002 | 01 | 402563201 | 1 | | REF | PC | SYS LGC, SC020, MACRO | D | | | | | | |
| | 003 | 01 | 402563301 | 9 | | REF | PC | SYS LGC, IF010, MACRO | D | | | | | | |
| | 004 | 01 | 402563401 | 7 | | REF | PC | SYS LGC IF020, MACRO | D | | | | | | |
| | 005 | 01 | 402563501 | 4 | | REF | PC | SYS LGC IF030, MACRO | D | | | | | | |
| | 006 | 01 | 402563601 | 2 | | REF | PC | SYS LGC WR010, MACRO | D | | | | | | |
| | 007 | 01 | 402563701 | 0 | | REF | PC | SYS LGC, DP010, MACRO | D | | | | | | |
| | 008 | 01 | 402563801 | 8 | | REF | PC | SYS LGC, DT010, MACRO | D | | | | | | |
| | 009 | 01 | 402563901 | 6 | | REF | PC | SYS LGC, DT020, MACRO | D | | | | | | |
| | 010 | 01 | 402564001 | 4 | | REF | PC | CD LGC, MC010, PC | D | | | 49294 | | | 8342 |
| | 010 | 02 | 402564002 | 2 | | 1 | PC | SYS LGC, MC010, MACRO | D | | 49294 | | | 8342 | |
| | 011 | 01 | 402564101 | 2 | | REF | PC | SYS LGC, OP010, MACRO | D | | | | | | |
| | 012 | 01 | 402564201 | 0 | | REF | PC | SYS LGC, GS010, MACRO | D | | | | | | |
| | 013 | 01 | 402564301 | 8 | | REF | PC | SYS LGC, HV010, MACRO | D | | | | | | |
| | 014 | 01 | 402564401 | 6 | | REF | PC | CD LGC, HP010, PC | D | | | 49294 | | | 8342 |
| | 014 | 02 | 402564402 | 4 | | 1 | PC | SYS LGC, HP010, MACRO | D | | 49294 | | | 8342 | |
| | 015 | 01 | 402564501 | 3 | | REF | PC | SYS LGC, IH010, MACRO | D | | | | | | |
| | 016 | 01 | 402564601 | 1 | | REF | PC | SYS LGC, IC010, MACRO | D | | | | | | |
| | 017 | 01 | 402564701 | 9 | | REF | PC | SYS LGC LV010, MACRO | D | | | | | | |
| | 018 | 01 | 402564801 | 7 | | REF | PC | CD LGC, SS010, PC | D | | | 49473 | | | 8410 |
| | 018 | 02 | 402564802 | 5 | | REF | PC | SYS LGC SC010 MACRO | D | | 49473 | | | 8410 | |
| | 019 | 01 | 402564901 | 5 | | REF | PC | CD LGC, RL010, PC | D | | | 49294 | | | 8342 |



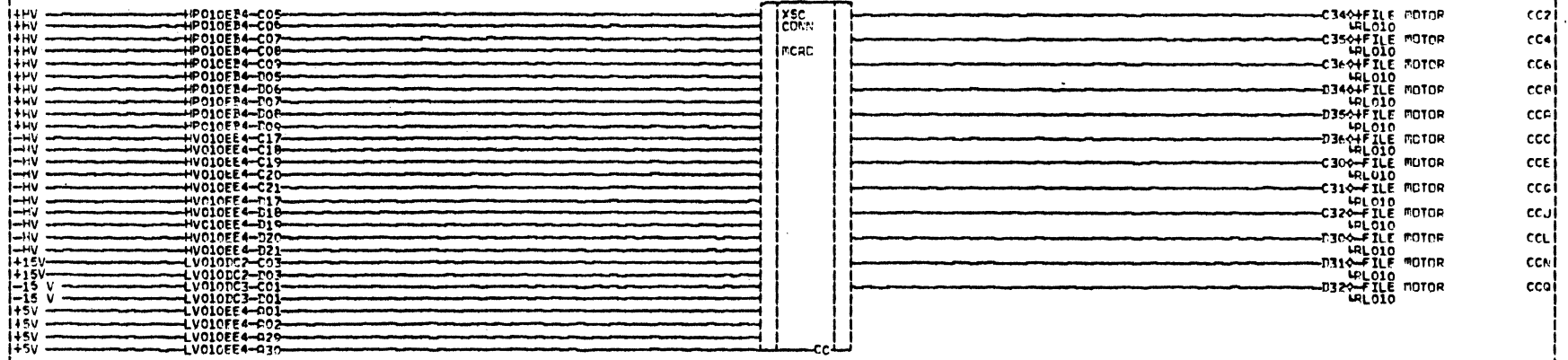
Storage Technology Corporation
TECHNOLOGY CORP.

ASSEMBLY PARTS LIST
BUILD ARC DOC

| | | |
|------------|------|----------|
| PRINT DATE | PAGE | E.C. NO. |
| 06-28-84 | 2 | 49621 |

| DIV. | ASSEMBLY NUMBER | CD | REV. | DWG. | DESCRIPTION | MC | STATUS | STATUS DATE | FILE DATE | | | | | |
|------------------|-----------------|-------------|------|------|-----------------------|-----|-----------------------|-------------|------------------|------------|--------------|-----|-------|--------|
| 0500 | 403225502 | 0 | D | N | SYS LGC GP MBD, MACRO | N | REL | 05-29-84 | 292X 06-07-84 | | | | | |
| T Find no | LI | PART NUMBER | CD | M | QUANTITY | U/M | PART DESCRIPTION | MC | YLD | E.C. NO IN | E.C. NO. OUT | S/N | WK IN | WK OUT |
| 019 | 02 | 402564902 | 3 | | 1 | PC | SYS LGC, RL010, MACRO | D | | 49294 | | | 8342 | |
| 020 | 01 | 402565001 | 3 | | REF | PC | SYS LGC, ZZ010, MACRO | D | | | | | | |
| 021 | 01 | 402565101 | 1 | | REF | PC | SYS LGC, ZZ020, MACRO | D | | | | | | |
| 101 | 01 | 402239310 | 4 | | REF | PC | CKT CD SV, PC ASSY | S | | 49621 | | | 8423 | |
| 102 | 01 | 403222210 | 3 | | REF | PC | CKT CD, IF, PC ASSY | S | | 49621 | | | 8423 | |
| 103 | 01 | 403222310 | 1 | | REF | PC | CKT, CD, IF, PC, ASSY | S | | 49621 | | | 8423 | |
| 104 | 01 | 402273308 | 5 | | REF | PC | CKT CD WR PC ASSY | S | | 49621 | 49611 | | 8423 | 8423 |
| 104 | 02 | 402273309 | 3 | | REF | PC | CKT CD WR PC ASSY | S | | 49611 | | | 8423 | |
| 105 | 01 | 403118202 | 7 | | REF | PC | CKTCD DP PC ASSY | S | | 49621 | | | 8423 | |
| 106 | 01 | 403118302 | 5 | | REF | PC | CKT CD DP PC ASSY | S | | 49621 | | | 8423 | |
| 107 | 01 | 402261306 | 3 | | REF | PC | CKT CD, RD, PC ASSY | S | | 49621 | | | 8423 | |
| 0034 TOTAL LINES | | | | | | | | | | | | | | |

A B C D E

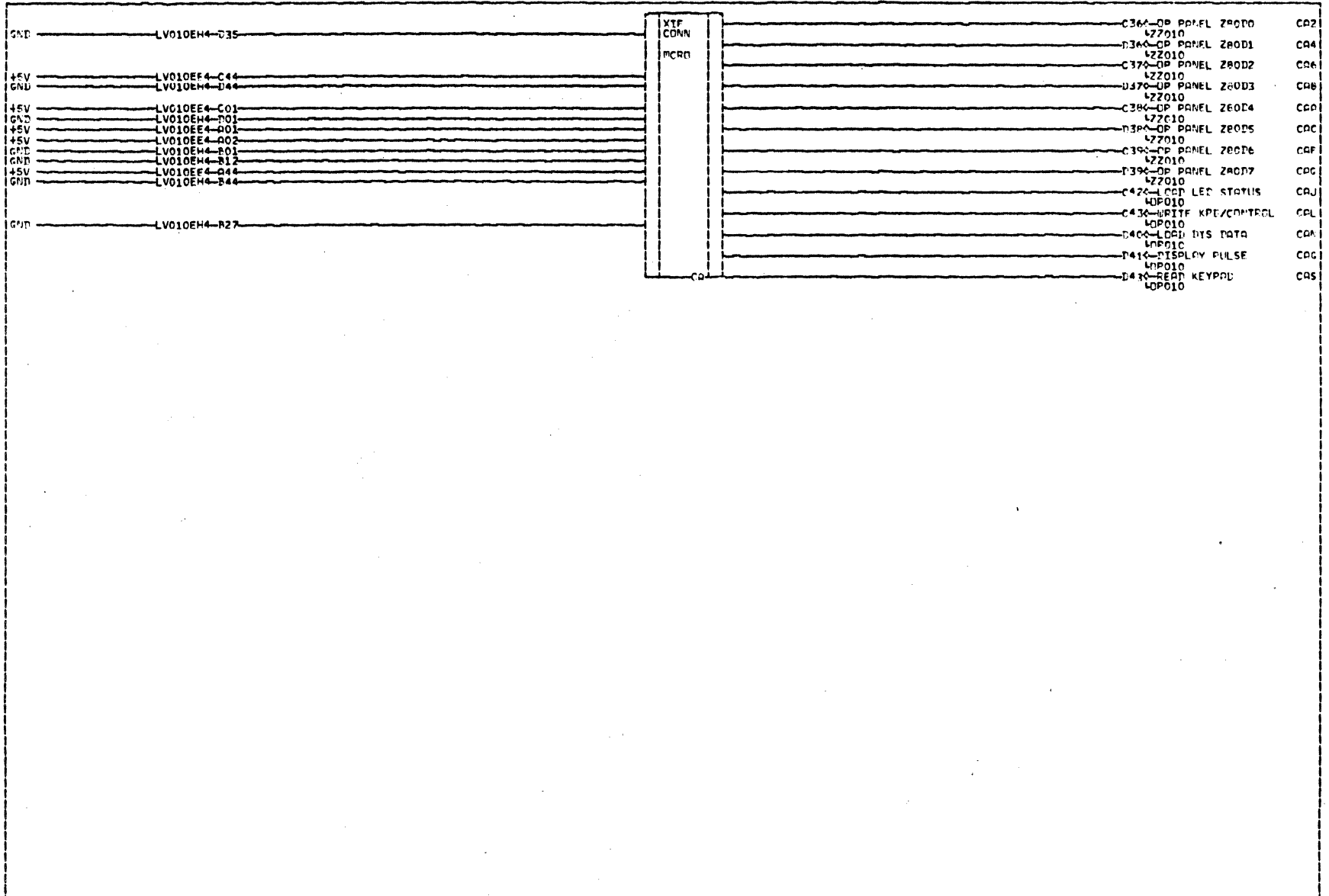


SC
CD

| SERVD CARD | | | |
|------------|----------|------|---------------------|
| AM | PAGE | REFS | SYSTEM PAGE |
| PAGE | | | FLYER FC PROTOTYP |
| F.c.c. | | | STRIPING METHOD: |
| PREV. E.C. | 11/07/83 | | MACHINE: AVALAN |
| DATE | 49240 | | CD, LDC, A1 |
| | | | PS RI: 4025632-01-1 |

SC
CO
2
0

A B C D E



| | | | | | | | | | |
|-----------------------|----------------|------|------|---------------|------------|----------|-----------------------|-----------|------------------|
| I F O 2 0 | PROCESSOR CARD | | | | | | I F O 2 0 | | |
| | AM | PAGE | REPS | SYSTEM PAGE | PREV. E.C. | CC49240 | | MACHINE 1 | AV-LAN |
| | | | | FLYER FC | PREV. E.C. | | | IC | LDC |
| | | | | WIRING METHOD | DATE | 06/06/83 | | PG | PN. 4024634-01-7 |

A B C D E

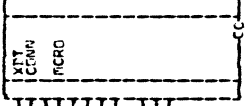
| | | | | | | | | | | | | | | | | | |
|------------------|------------------|-------------------|------------------|------------------|------------------|------------------|------------------|------------------|------------------|------------------|------------------|------------------|------------------|------------------|------------------|------------------|------------------|
| CP7 | CP8 | CP9 | CPA | CPB | CPC | CPD | CPE | CPF | CPG | CPH | CPJ | CPK | CL2 | CL4 | CL6 | CL8 | CLC |
| WRITE TRG 0 | WRITE TRG 1 | WRITE TRG 2 | WRITE TRG 3 | WRITE TRG 4 | WRITE TRG 5 | WRITE TRG 6 | WRITE TRG 7 | | | | | | | | | | |
| PP010CF6-007 | DP010CF8-007 | JP010U3-4-00 | DP010CF0-505 | DP010CFE-005 | EP010CF0-005 | EP010CFJ-004 | JP010CFL-004 | JP010CFM-003 | | | | | | | | | |
| 0424+READ DATA P | 0415+PHASE PTR 0 | 0420+MASTER CLK P | 0404+READ DATA 0 | 0404+READ DATA 0 | 0404+READ DATA 0 | 0404+READ DATA 0 | 0404+READ DATA 0 | 0404+READ DATA 0 | 0404+READ DATA 0 | 0404+READ DATA 0 | 0404+READ DATA 0 | 0404+READ DATA 0 | 0404+READ DATA 0 | 0404+READ DATA 0 | 0404+READ DATA 0 | 0404+READ DATA 0 | 0404+READ DATA 0 |
| LP010 | LP010 | LP010 | LP010 | LP010 | LP010 | LP010 | LP010 | LP010 | LP010 | LP010 | LP010 | LP010 | LP010 | LP010 | LP010 | LP010 | LP010 |

| | | | | | | | | | | | | | | | | | | | | | |
|------------------|------------------|-------------------|------------------|-------------------|------------------|-------------------|------------------|-------------------|------------------|-------------------|------------------|-------------------|------------------|-------------------|------------------|-------------------|------------------|-------------------|------------------|-------------------|-------|
| CF2 | CF4 | CF6 | CF8 | CF0 | CF2 | CF4 | CF6 | CF8 | CF0 | CF2 | CF4 | CF6 | CF8 | CF0 | CF2 | CF4 | CF6 | CF8 | CF0 | | |
| | | | | | | | | | | | | | | | | | | | | | |
| | | | | | | | | | | | | | | | | | | | | | |
| 0244+READ DATA 6 | 0234+PHASE PTR 6 | 0240+MASTER CLK 6 | 0234+PHASE PTR 6 | 0240+MASTER CLK 6 | 0234+PHASE PTR 6 | 0240+MASTER CLK 6 | 0234+PHASE PTR 6 | 0240+MASTER CLK 6 | 0234+PHASE PTR 6 | 0240+MASTER CLK 6 | 0234+PHASE PTR 6 | 0240+MASTER CLK 6 | 0234+PHASE PTR 6 | 0240+MASTER CLK 6 | 0234+PHASE PTR 6 | 0240+MASTER CLK 6 | 0234+PHASE PTR 6 | 0240+MASTER CLK 6 | 0234+PHASE PTR 6 | 0240+MASTER CLK 6 | |
| LP010 | LP010 | LP010 | LP010 | LP010 | LP010 | LP010 | LP010 | LP010 | LP010 | LP010 | LP010 | LP010 | LP010 | LP010 | LP010 | LP010 | LP010 | LP010 | LP010 | LP010 | LP010 |

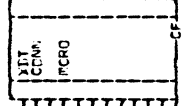
| | | | | |
|------------------|------------------|-------------------|------------------|-------------------|
| CL2 | CL4 | CL6 | CL8 | CLC |
| | | | | |
| | | | | |
| 0264+READ DATA 4 | 0254+PHASE PTR 4 | 0260+MASTER CLK 4 | 0254+PHASE PTR 4 | 0260+MASTER CLK 4 |
| LP010 | LP010 | LP010 | LP010 | LP010 |

| | | |
|---------------------------|-------------------------|----------------------|
| XDT COMM MICRO | XDT COMM MICRO | XDT COMM MICRO |
| SYSTEM PAGE PAGE # 100 | REF. CARD PAGE # 100 | DATE 06/06/83 |
| AM PAGE P. 100 | DEFS P. 100 | PAGES P. 100 |
| WIPING METHOD P. 100 | PAGES P. 100 | PAGES P. 100 |
| PAGES P. 100 | PAGES P. 100 | PAGES P. 100 |
| PAGES P. 100 | PAGES P. 100 | PAGES P. 100 |

A B C D E F G H I J K L M



V010E4-C01
 V010E4-C02
 V010E4-C03
 V010E4-C04
 V010E4-R01
 V010E4-R15
 V010E4-R44
 V010E4-R19
 V010E4-R21



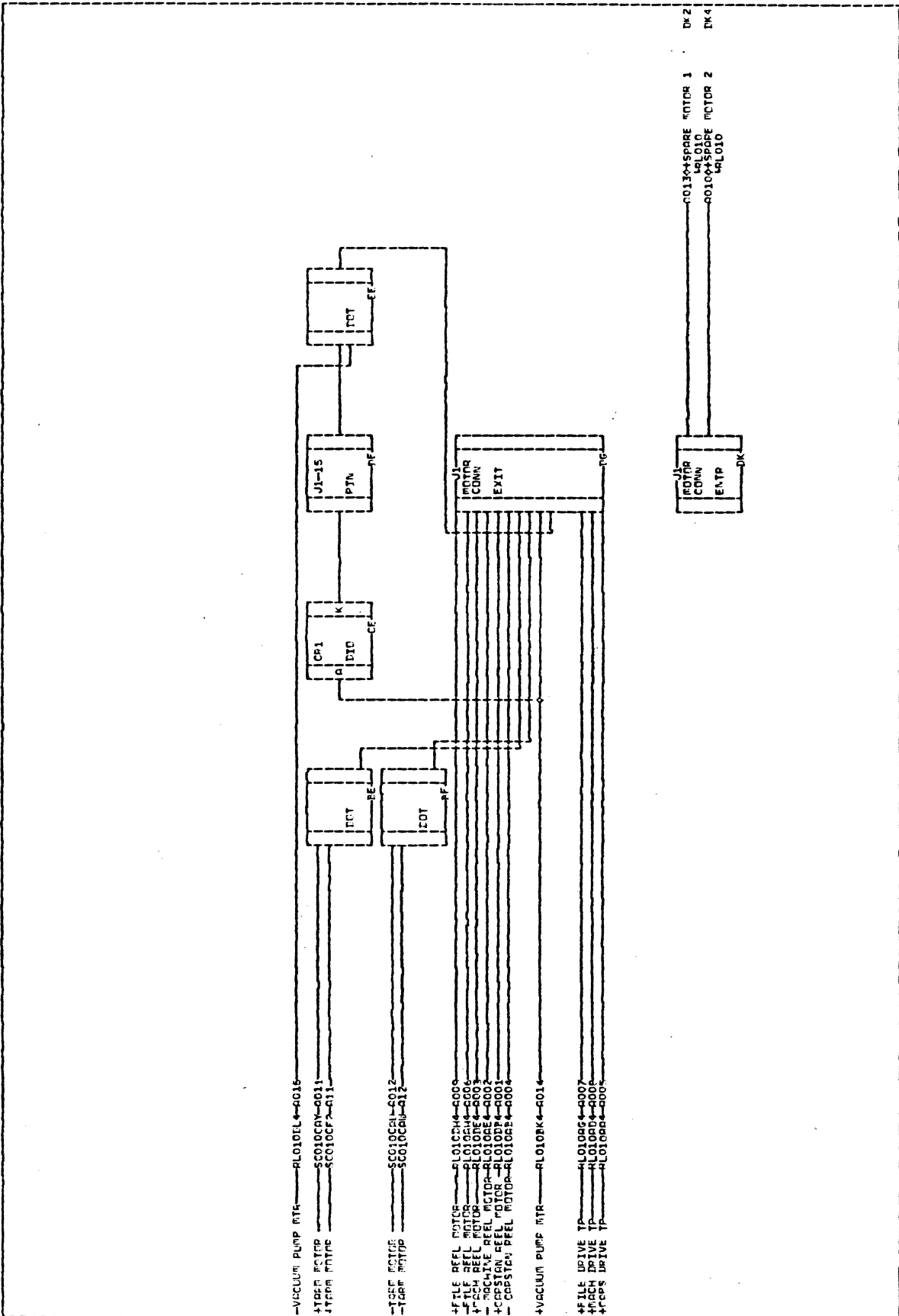
V010E4-C01
 V010E4-C02
 V010E4-C03
 V010E4-C04
 V010E4-R01
 V010E4-R15
 V010E4-R44
 V010E4-R19
 V010E4-R21

-0174-ADP SENSOR P
 -0174-ADP SENSOR A
 -0144-ADP SENSOR 1
 -0144-ADP SENSOR 2
 -0144-ADP SENSOR 3
 -0144-ADP SENSOR 4
 -0144-ADP SENSOR 5
 -0130-ADP SENSOR 6
 -0130-ADP SENSOR 7

CC2
 CC4
 CC6
 CC8
 CC10
 CC12
 CC14
 CC16

| | | | | | | | | | | | | | | | | | | | | | | | | | | | |
|--|-----|----------|-------------|--------|------|----------|-------|----|----------|--------|--------|--------|----------|-------|--------|----------|--------|--------|-------|----------|--------|----|----------|--------|--------|------|----------|
| 1 | 2 | 3 | 4 | 5 | 6 | 7 | 8 | 9 | 10 | 11 | 12 | 13 | 14 | 15 | 16 | 17 | 18 | 19 | 20 | | | | | | | | |
| DR | PRG | REFS | SYSTEM PAGE | IPRES | EC | EC4240 | IPRES | EC | EC4240 | IPRES | EC | EC4240 | IPRES | EC | EC4240 | IPRES | EC | EC4240 | IPRES | EC | EC4240 | | | | | | |
| FLYER | PC | PROTOTYP | WIRING | METHOD | DATE | 08/06/83 | FLYER | PC | PROTOTYP | WIRING | METHOD | DATE | 08/06/83 | FLYER | PC | PROTOTYP | WIRING | METHOD | DATE | 08/06/83 | FLYER | PC | PROTOTYP | WIRING | METHOD | DATE | 08/06/83 |
| ARCHIVE EVALON ICD, LDC, AB PG. NO. 4058:10-01-6 | | | | | | | | | | | | | | | | | | | | | | | | | | | |

A B C D E



| | | | | | | | | |
|----|---|-----------------|----------|------------|------------|------------|------------|----------------|
| EC | 1 | MOTOR CONNECTOR | DATE | PREV. E.C. | PREC. E.C. | PREC. E.C. | PREC. E.C. | MACHINE SYMBOL |
| 1 | 1 | | 06/22/83 | EC43796 | EC43796 | EC43796 | EC43796 | |
| 0 | 1 | | | | | | | |
| 1 | 1 | | | | | | | |

XTCN 01/17/84

A B C D E F G H I J K L M

17
CONN
ENTR
CC

| | | | |
|-------------------|--------------|--------------------|-----|
| LOAD LED STATUS | IF020CQJ-808 | R02-OP PANEL Z8000 | CC2 |
| WRITE KPR/CONTROL | IF020CAL-809 | F02-OP PANEL Z8001 | CC4 |
| LOAD DIS DATA | IF020CAN-806 | L2Z010 | CC6 |
| DISPLAY PULSE | IF020CQJ-807 | R03-OP PANEL Z8002 | CCF |
| TRAP KEYPAD | IF020CQJ-808 | R03-OP PANEL Z8003 | CCG |
| +5V | LV01DEE-801 | R04-OP PANEL Z8004 | CCA |
| +5V | LV01DEE-810 | L2Z010 | CCC |
| CP-D | LV01DEH-806 | L2Z010 | CCG |
| CP-D | LV01CEH-807 | R05-OP PANEL Z8005 | CCG |
| CP-D | LV01CEH-810 | L2Z010 | CCG |
| CP-D | LV01CEH-807 | R05-OP PANEL Z8007 | CCG |
| CP-D | LV01CEH-801 | L2Z010 | CCG |

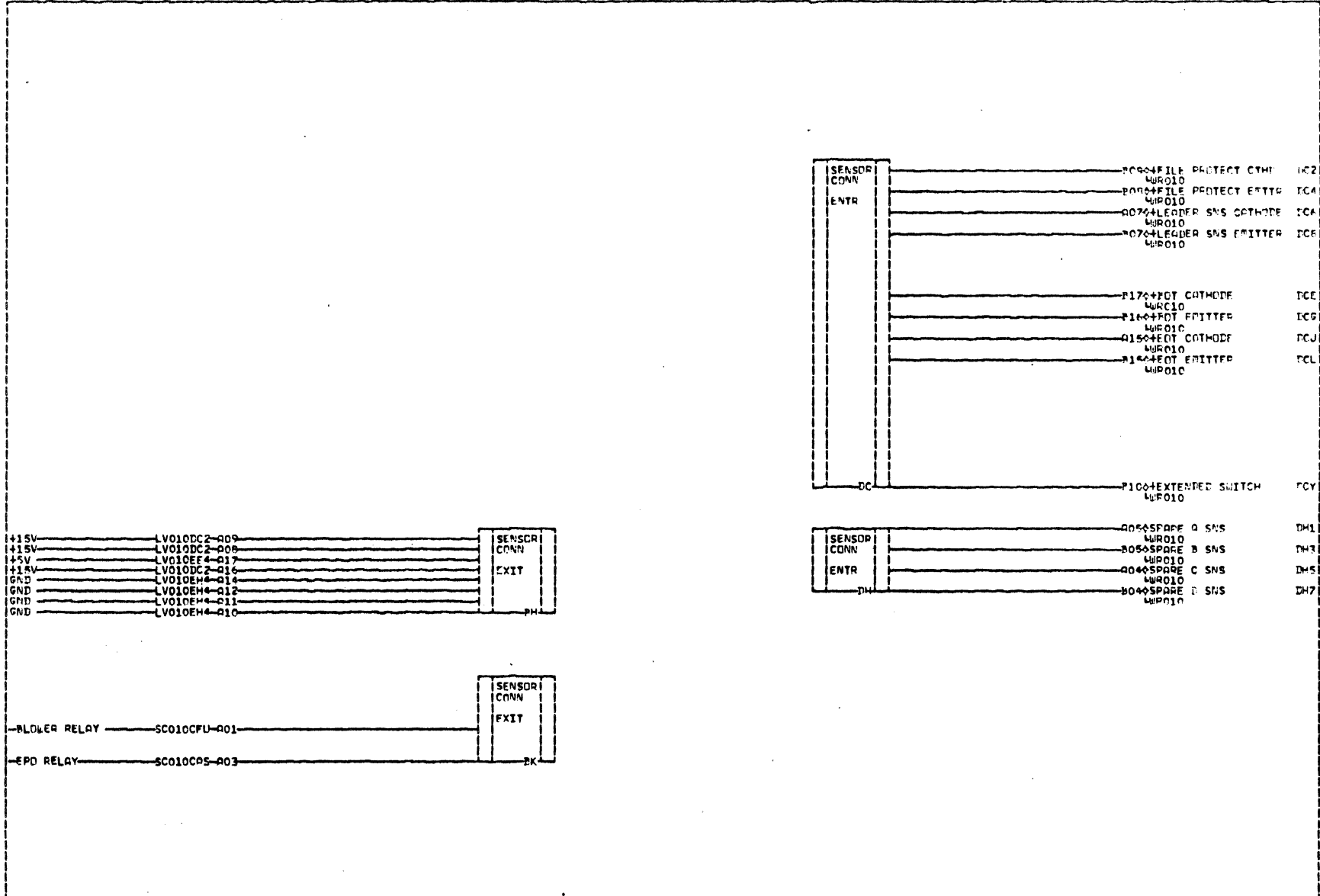
| | |
|---|---|
| 0 | D |
| 0 | P |
| 0 | 0 |
| 0 | 0 |

OPERATOR PANEL CONNECTOR

| | |
|-----------------|---------------------|
| SYSTEM PAGE | PARIS, E.C. EG49240 |
| FLYER EC | PARIS, E.C. EG49240 |
| WIRING METHOD 1 | DATE: 08/08/83 |

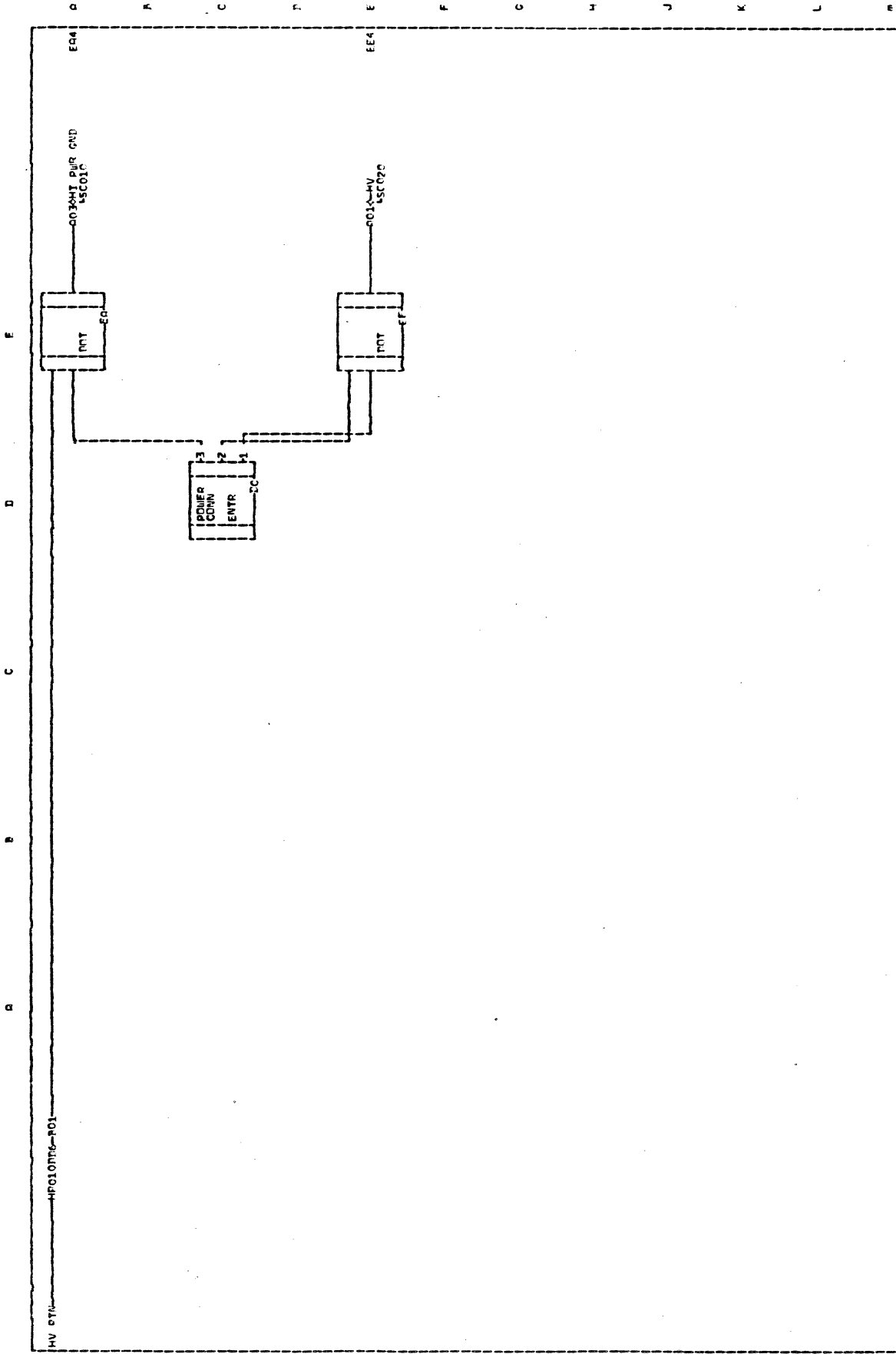
MACHINE: 49440H
 MFG. NO. 4028041-01-2
 JOB No. 4028041-01-2

A B C D E



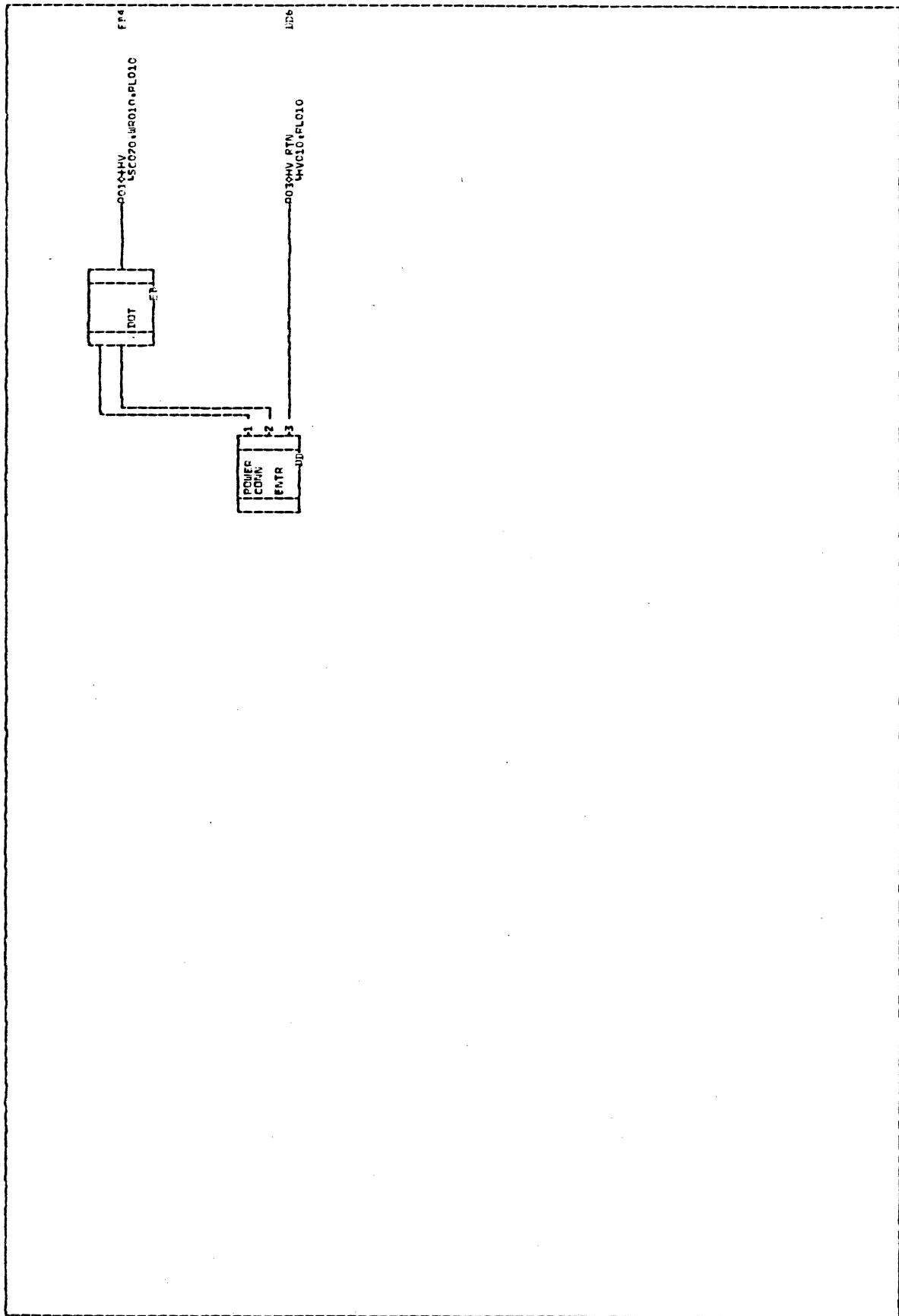
0
1
0

| GENERAL SENSORS CONNECTOR | | | | 0 |
|---------------------------|------|------|------------------------|---|
| LP | PAGE | REFS | SYSTEM PAGE | 0 |
| PAGE | | | FLYER FC PROTOTYP | 1 |
| E.C. | | | WIRING METHOD: PC DATE | 0 |
| | | | PREV. E.C. 10/05/83 | |
| | | | DATE | |
| | | | PC NO. 4025642-01-0 | |



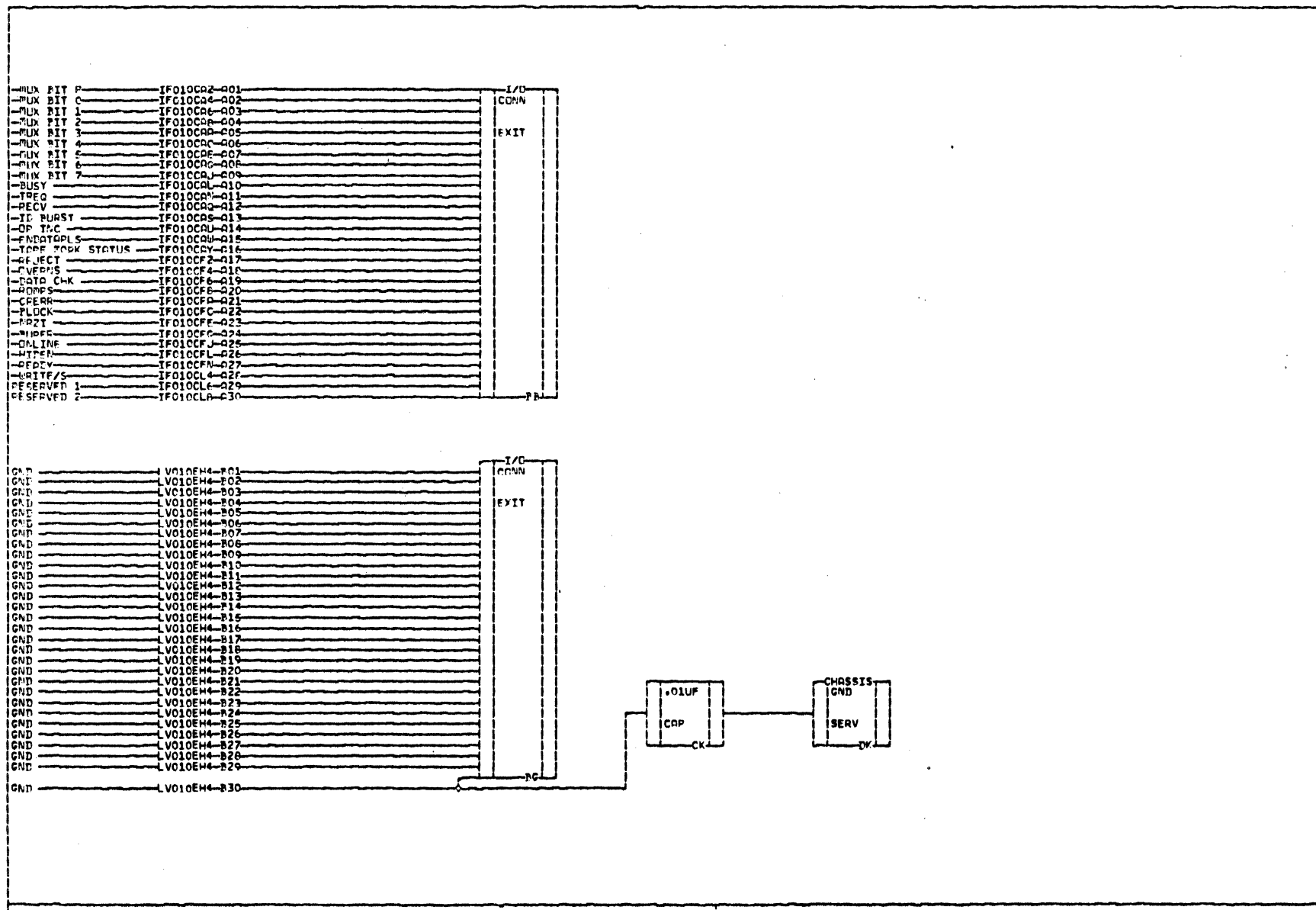
| | | | |
|--------|------------------------|-----------------|----------|
| HV 010 | HIGH VOLTAGE CONNECTOR | | H V |
| 1 | DC PAGE | SYSTEM PAGE | 1 |
| 0 | REFS | FLYER EC | 0 |
| 1 | | PROTOTYP | 0 |
| 0 | | IDENTIF. METHOD | 1 |
| | | DATE | 0 |
| | | PREV. E.C. | 06/06/83 |
| | | EC | EC49240 |
| | | DESIGNER | INDHNET |
| | | DATE | 06/06/83 |
| | | PROJECT | INDHNET |
| | | REV. | 01-8 |

A B C D E F G H I J K L M



| | | | | |
|-------------------|-------------------|---|--|--|
| HP 0 0 0 | HP 0 0 0 | HIGH POSITIVE VOLTAGE COLLECTOR SYSTEM POSE ALYER EC PROTOTYP WIRING METHODODE | PRES. E.C. EC43294 CP. LOC. JS DATE 08/02/81 | MACHINE: AVALAN CP. LOC. JS PG. NO. 4028644-02-1 |
|-------------------|-------------------|---|--|--|

A B C D E



A
B
C
D
E
F
G
H
J
K
L
M

I
H
O
1
0

| INTERFACE CONNECTOR (1935 M4) | | | |
|-------------------------------|------|------|--------------------------|
| AM | PAGE | REFS | SYSTEM PAGE |
| AGE | | | FLYER EC PROTOTYP |
| E.C. | | | WIRING METHOD: |
| | | | PREV. E.C. EC49240 |
| | | | PREV. E.C. DATE 06/06/83 |
| | | | MACHINE: AVALAN |
| | | | CP. LOC. J5 |
| | | | PC PN. 4025645-01-1 |

I
H
O
1
0

A B C D E F G H I J K L M

| | | |
|------|----------------|------|
| IO | CONN | ENTR |
| IO2 | -010-MTU ADP C | |
| IO4 | -LIF010 | |
| IO6 | -020-MTU ADR 1 | |
| IO8 | -LIF010 | |
| IO10 | -LIF010 | |
| IO12 | -030-CMD 1 | |
| IO14 | -LIF010 | |
| IO16 | -005-C&D 2 | |
| IO18 | -LIF010 | |
| IO20 | -006-CMD 3 | |
| IO22 | -LIF010 | |
| IO24 | -077-TR 0 | |
| IO26 | -000-START | |
| IO28 | -LIF010 | |
| IO30 | -000-STR 0 | |
| IO32 | -LIF010 | |
| IO34 | -010-TECK | |
| IO36 | -LIF010 | |
| IO38 | -LIF010 | |
| IO40 | -021-SLK 1 | |
| IO42 | -LIF010 | |
| IO44 | -022-SLK 0 | |
| IO46 | -LIF010 | |
| IO48 | -023-SLK 1 | |
| IO50 | -LIF010 | |
| IO52 | -024-SLK 2 | |
| IO54 | -LIF010 | |

| | | |
|-----|--------------|------|
| IO | CONN | EXIT |
| GND | -LV010M4-B01 | |
| GND | -LV010M4-B02 | |
| GND | -LV010M4-B03 | |
| GND | -LV010M4-B04 | |
| GND | -LV010M4-B05 | |
| GND | -LV010M4-B06 | |
| GND | -LV010M4-B07 | |
| GND | -LV010M4-B08 | |
| GND | -LV010M4-B09 | |
| GND | -LV010M4-B10 | |
| GND | -LV010M4-B11 | |
| GND | -LV010M4-B12 | |
| GND | -LV010M4-B13 | |
| GND | -LV010M4-B14 | |
| GND | -LV010M4-B15 | |
| GND | -LV010M4-B16 | |
| GND | -LV010M4-B17 | |
| GND | -LV010M4-B18 | |
| GND | -LV010M4-B19 | |
| GND | -LV010M4-B20 | |
| GND | -LV010M4-B21 | |
| GND | -LV010M4-B22 | |
| GND | -LV010M4-B23 | |
| GND | -LV010M4-B24 | |
| GND | -LV010M4-B25 | |
| GND | -LV010M4-B26 | |
| GND | -LV010M4-B27 | |
| GND | -LV010M4-B28 | |
| GND | -LV010M4-B29 | |
| GND | -LV010M4-B30 | |

| | | |
|------|-------------|------|
| IO | STATE | ENTR |
| IO2 | -011-DATA P | |
| IO4 | -LIF010 | |
| IO6 | -012-DATA 0 | |
| IO8 | -LIF010 | |
| IO10 | -013-DATA 1 | |
| IO12 | -LIF010 | |
| IO14 | -014-DATA 2 | |
| IO16 | -LIF010 | |
| IO18 | -015-DATA 3 | |
| IO20 | -LIF010 | |
| IO22 | -016-DATA 4 | |
| IO24 | -LIF010 | |
| IO26 | -017-DATA 5 | |
| IO28 | -LIF010 | |
| IO30 | -018-DATA 6 | |
| IO32 | -LIF010 | |
| IO34 | -019-DATA 7 | |
| IO36 | -LIF010 | |

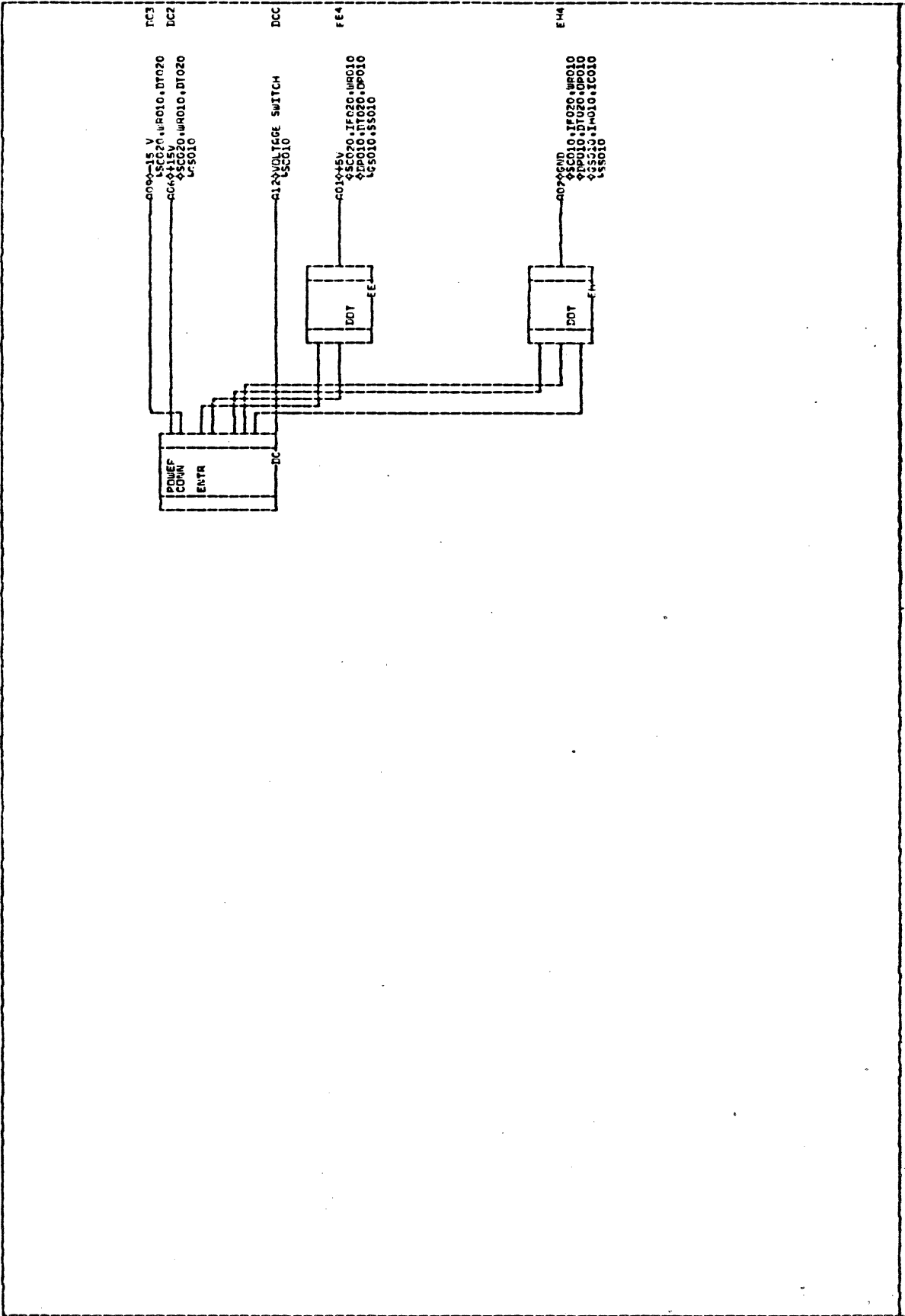
| | | |
|------|---------------|------|
| IO | CONN | EXIT |
| IO2 | -F010CFD-026 | |
| IO4 | -F010CFE-027 | |
| IO6 | -F010CFI-028 | |
| IO8 | -F010CFJ-029 | |
| IO10 | -F010CFK-030 | |
| IO12 | -F010CFM-031 | |
| IO14 | -F010CFN-032 | |
| IO16 | -F010CFY-028 | |
| IO18 | -FILE PROTECT | |
| IO20 | -REV STATUS | |
| IO22 | -F010CL2-030 | |

| | | |
|------|----------------|------|
| IO | CONN | EXIT |
| IO2 | -010-MTU ADP C | |
| IO4 | -LIF010 | |
| IO6 | -020-MTU ADR 1 | |
| IO8 | -LIF010 | |
| IO10 | -LIF010 | |
| IO12 | -030-CMD 1 | |
| IO14 | -LIF010 | |
| IO16 | -005-C&D 2 | |
| IO18 | -LIF010 | |
| IO20 | -006-CMD 3 | |
| IO22 | -LIF010 | |
| IO24 | -077-TR 0 | |
| IO26 | -000-START | |
| IO28 | -LIF010 | |
| IO30 | -000-STR 0 | |
| IO32 | -LIF010 | |
| IO34 | -010-TECK | |
| IO36 | -LIF010 | |
| IO38 | -LIF010 | |
| IO40 | -021-SLK 1 | |
| IO42 | -LIF010 | |
| IO44 | -022-SLK 0 | |
| IO46 | -LIF010 | |
| IO48 | -023-SLK 1 | |
| IO50 | -LIF010 | |
| IO52 | -024-SLK 2 | |
| IO54 | -LIF010 | |

| | | |
|------|-------------|------|
| IO | STATE | ENTR |
| IO2 | -011-DATA P | |
| IO4 | -LIF010 | |
| IO6 | -012-DATA 0 | |
| IO8 | -LIF010 | |
| IO10 | -013-DATA 1 | |
| IO12 | -LIF010 | |
| IO14 | -014-DATA 2 | |
| IO16 | -LIF010 | |
| IO18 | -015-DATA 3 | |
| IO20 | -LIF010 | |
| IO22 | -016-DATA 4 | |
| IO24 | -LIF010 | |
| IO26 | -017-DATA 5 | |
| IO28 | -LIF010 | |
| IO30 | -018-DATA 6 | |
| IO32 | -LIF010 | |
| IO34 | -019-DATA 7 | |
| IO36 | -LIF010 | |

| | | |
|------|---------------|------|
| IO | CONN | EXIT |
| IO2 | -F010CFD-026 | |
| IO4 | -F010CFE-027 | |
| IO6 | -F010CFI-028 | |
| IO8 | -F010CFJ-029 | |
| IO10 | -F010CFK-030 | |
| IO12 | -F010CFM-031 | |
| IO14 | -F010CFN-032 | |
| IO16 | -F010CFY-028 | |
| IO18 | -FILE PROTECT | |
| IO20 | -REV STATUS | |
| IO22 | -F010CL2-030 | |

A B C D E F G H J K L M



| | | | |
|-----------------------|----------------------|------------|----------|
| LOW VOLTAGE CONNECTOR | SYSTEM PAGE | PREP. E.C. | 49240 |
| ALYER EC | PROTOTYP | DATE | 01/04/84 |
| WIRING METHOD | | | |
| DR PAGE | REFS | | |
| PAGE | | | |
| P.C.C. | | | |
| LOW VOLTAGE CONNECTOR | MACHINE SYMBOL | | |
| | CR. LOC. JB | | |
| | PG. NO. 4028643-01-R | | |

A B C D E F G H J K L E

SERVO
SENSOR
ENTR

1150+CARSTON PHASE A DC2
15CC10
1150+CARSTON PHASE B DC4
15CC10
1150+SPARE A SERVO DC6
15CC10
1150+MACH PHASE A SIGNAL DC8
15CC10
1150+SPARE A SERVO DC9
15CC10
1150+MACH PHASE B SIGNAL DC10
15CC10
1150+SPARE C SERVO DC11
15CC10
1150+FILE PHASE A SIGNAL DC12
15CC10
1150+SPARE D SERVO DC13
15CC10
1150+FILE PHASE B SIGNAL DC14
15CC10
1150+MACH INDEX DC15
15CC10
1150+SPARE E SERVO DC16
15CC10
1150+FILE INDEX DC17
15CC10
1150+MACH INDEX DC18
15CC10

SERVO
SENSOR
EXIT

V010E4-015
V010E4-013
V010E4-011
V010E4-009
V010E4-007
V010E4-005
V010E4-014
V010E4-012
V010E4-010
V010E4-008
V010E4-006
V010E4-005
V010E4-003
V010E4-001
V010E4-002

| | | | |
|--------------------------|----------------------|--------------------|------------------------|
| SERVO SECTORS CONNECTORS | | MACHINE AVAILON | |
| — CM PAGE | — SYSTEM PAGE | — PRES. E.C. 49473 | — CD. L.C. J9 |
| — PAGE | — IFLYER EC PORTATYS | — PRES. E.C. 49240 | — PG. PN. 402564a-02-1 |
| — F.C. | — JUMPING METHOD | — DATE | — PG. PN. 402564a-02-1 |

A B C D E

A
B
C
D
E
F
G
H
J
K
L
M

| | | |
|------------------|---------------|-----|
| --CP PANEL Z80D0 | OP010CC2-EM02 | DCY |
| --CP PANEL Z80D0 | IF020CA2-GC36 | |
| --CP PANEL Z80D1 | OP010CC4-EB02 | |
| --CP PANEL Z80D1 | IF020CA4-GD36 | |
| --CP PANEL Z80D2 | OP010CC6-EB03 | |
| --CP PANEL Z80D2 | IF020CA6-GC37 | |
| --CP PANEL Z80D3 | OP010CC8-EB03 | |
| --CP PANEL Z80D3 | IF020CA8-GD37 | |
| --CP PANEL Z80D4 | OP010CC9-EB04 | |
| --CP PANEL Z80D4 | IF020CA9-GC38 | |
| --CP PANEL Z80D5 | OP010CC5-EB04 | |
| --CP PANEL Z80D5 | IF020CA5-GD38 | |
| --CP PANEL Z80D6 | OP010CC7-EB05 | |
| --CP PANEL Z80D6 | IF020CA7-GC39 | |
| --CP PANEL Z80D7 | OP010CC6-EB05 | |
| --CP PANEL Z80D7 | IF020CA6-GD39 | |

| | | |
|--------------|---------------|-----|
| --TAPE BUS P | DP010CA2-FA03 | DCY |
| --TAPE BUS P | IF030CA2-GA03 | |
| --TAPE BUS 0 | DP010CA4-FA03 | |
| --TAPE BUS 0 | IF030CA4-GA03 | |
| --TAPE BUS 1 | DP010CA6-FA04 | |
| --TAPE BUS 1 | IF030CA6-GA04 | |
| --TAPE BUS 2 | DP010CA8-FA04 | |
| --TAPE BUS 2 | IF030CA8-GA04 | |
| --TAPE BUS 3 | DP010CA9-FA05 | |
| --TAPE BUS 3 | IF030CA9-GA05 | |
| --TAPE BUS 4 | DP010CAC-FA05 | |
| --TAPE BUS 4 | IF030CAC-GA05 | |
| --TAPE BUS 5 | DP010CAE-FA06 | |
| --TAPE BUS 5 | IF030CAE-GA06 | |
| --TAPE BUS 6 | DP010CCF-FA06 | |
| --TAPE BUS 6 | IF030CCF-GA06 | |
| --TAPE BUS 7 | DP010CAJ-FA07 | |
| --TAPE BUS 7 | IF030CAJ-GA07 | |

2
2
0
1
0

REV 3
REV 2
REV 1

| | | | | | |
|---------------------|------|------|-------------------|--------------------|---------------------|
| BIDIRECTIONAL BUSES | | | | 2 | |
| OP | PAGE | REFS | SYSTEM PAGE | PREV. E.C. FC49240 | MACHINE QUALAN |
| PAGE | | | FLYER FC PROTOTYP | PREV. E.C. | CD. LOC. 22** |
| E.C. | | | UTRING METHOD | DATE 06/04/83 | PG. NO. 402550-01-3 |

A B C D E

CNT

| | |
|------------|--------------|
| +Z60 BIT 0 | IF03OCF4-GR1 |
| +Z60 BIT 1 | IF03OCF4-GR1 |
| +Z60 BIT 2 | IF03OCF4-GR1 |
| +Z60 BIT 3 | IF03OCF4-GR1 |
| +Z60 BIT 4 | IF03OCF4-GR1 |
| +Z60 BIT 5 | IF03OCF4-GR1 |
| +Z60 BIT 6 | IF03OCF4-GR1 |
| +Z60 BIT 7 | IF03OCF4-GR1 |
| +Z60 BIT 8 | IF03OCF4-GR1 |
| +Z60 BIT 9 | IF03OCF4-GR1 |
| +Z60 BIT 0 | IF03OCF4-GR1 |
| +Z60 BIT 1 | IF03OCF4-GR1 |
| +Z60 BIT 2 | IF03OCF4-GR1 |
| +Z60 BIT 3 | IF03OCF4-GR1 |
| +Z60 BIT 4 | IF03OCF4-GR1 |
| +Z60 BIT 5 | IF03OCF4-GR1 |
| +Z60 BIT 6 | IF03OCF4-GR1 |
| +Z60 BIT 7 | IF03OCF4-GR1 |
| +Z60 BIT 8 | IF03OCF4-GR1 |
| +Z60 BIT 9 | IF03OCF4-GR1 |
| +Z60 BIT 0 | IF03OCF4-GR1 |
| +Z60 BIT 1 | IF03OCF4-GR1 |
| +Z60 BIT 2 | IF03OCF4-GR1 |
| +Z60 BIT 3 | IF03OCF4-GR1 |
| +Z60 BIT 4 | IF03OCF4-GR1 |
| +Z60 BIT 5 | IF03OCF4-GR1 |
| +Z60 BIT 6 | IF03OCF4-GR1 |
| +Z60 BIT 7 | IF03OCF4-GR1 |
| +Z60 BIT 8 | IF03OCF4-GR1 |
| +Z60 BIT 9 | IF03OCF4-GR1 |
| +Z60 BIT 0 | IF03OCF4-GR1 |
| +Z60 BIT 1 | IF03OCF4-GR1 |
| +Z60 BIT 2 | IF03OCF4-GR1 |
| +Z60 BIT 3 | IF03OCF4-GR1 |
| +Z60 BIT 4 | IF03OCF4-GR1 |
| +Z60 BIT 5 | IF03OCF4-GR1 |
| +Z60 BIT 6 | IF03OCF4-GR1 |
| +Z60 BIT 7 | IF03OCF4-GR1 |
| +Z60 BIT 8 | IF03OCF4-GR1 |
| +Z60 BIT 9 | IF03OCF4-GR1 |

FP

ENT

| | |
|------------|--------------|
| +Z60 BIT 6 | IF03OCF4-GR1 |
| +Z60 BIT 7 | IF03OCF4-GR1 |
| +Z60 BIT 8 | IF03OCF4-GR1 |
| +Z60 BIT 9 | IF03OCF4-GR1 |
| +Z60 BIT 0 | IF03OCF4-GR1 |
| +Z60 BIT 1 | IF03OCF4-GR1 |
| +Z60 BIT 2 | IF03OCF4-GR1 |
| +Z60 BIT 3 | IF03OCF4-GR1 |
| +Z60 BIT 4 | IF03OCF4-GR1 |
| +Z60 BIT 5 | IF03OCF4-GR1 |
| +Z60 BIT 6 | IF03OCF4-GR1 |
| +Z60 BIT 7 | IF03OCF4-GR1 |
| +Z60 BIT 8 | IF03OCF4-GR1 |
| +Z60 BIT 9 | IF03OCF4-GR1 |
| +Z60 BIT 0 | IF03OCF4-GR1 |
| +Z60 BIT 1 | IF03OCF4-GR1 |
| +Z60 BIT 2 | IF03OCF4-GR1 |
| +Z60 BIT 3 | IF03OCF4-GR1 |
| +Z60 BIT 4 | IF03OCF4-GR1 |
| +Z60 BIT 5 | IF03OCF4-GR1 |
| +Z60 BIT 6 | IF03OCF4-GR1 |
| +Z60 BIT 7 | IF03OCF4-GR1 |
| +Z60 BIT 8 | IF03OCF4-GR1 |
| +Z60 BIT 9 | IF03OCF4-GR1 |

EP

NZ 0 2 0

| | | | |
|-----------------------|------------------|---------------------|----------------------|
| 280 NITROFECTONAL PUS | SYSTEM PAGE | PAGES: P.C. FC49240 | ARCHIVE: OVALON |
| | FLYER FC PROTYPE | PREV: E.C. | CD, LOC. 7288 |
| | SLIPING METHOD: | DATE 05/04/83 | Pg. No. 402888J-01-1 |

01/17/84

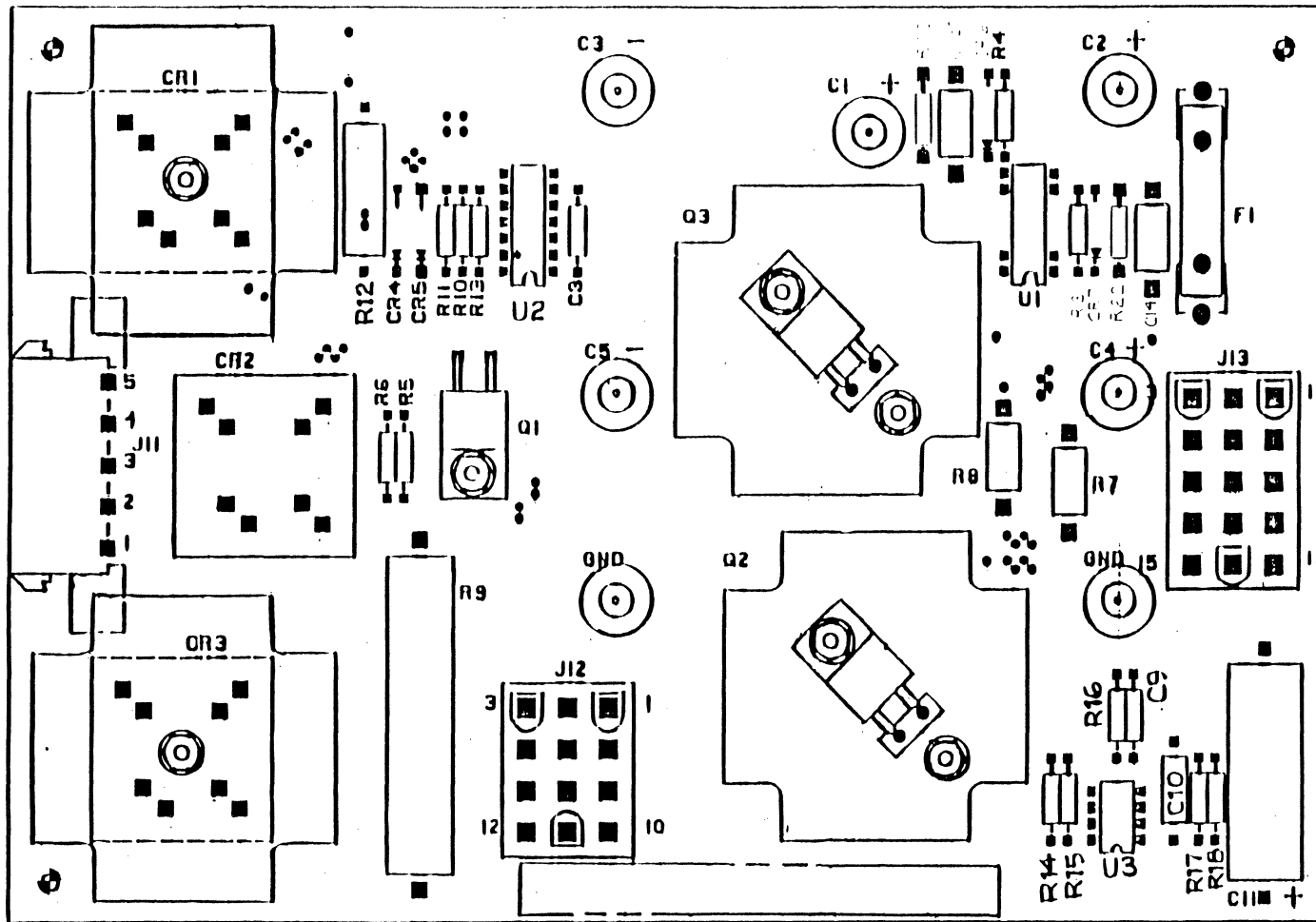


Storage Technology Corporation
TECHNOLOGY CORP.

ASSEMBLY PARTS LIST
BUILD ARC DOC

| | | |
|------------|------|----------|
| PRINT DATE | PAGE | E.C. NO. |
| 06-28-84 | 1 | 49556 |

| DIV. | ASSEMBLY NUMBER | CD | REV. | DWG. | DESCRIPTION | MC | STATUS | STATUS DATE | FILE DATE | | | | | |
|------------------|-----------------|-------------|------|------|---------------------------|-----|-----------------------------|-------------|---------------|-------------|--------------|-----|-------|--------|
| 0500 | 402630303 | 4 | C | N | CD LGC GP AK 402214305 PC | N | REL | 05-04-84 | 292X 05-10-84 | | | | | |
| T Find no | LI | PART NUMBER | CD | M | QUANTITY | U/M | PART DESCRIPTION | MC | YLD | E.C. NO. IN | E.C. NO. OUT | S/N | WK IN | WK OUT |
| 000 | 01 | 403042102 | 0 | | REF | PC | CD LGC, AB0018AK, PC | D | | | | | | |
| 001 | 01 | 402505903 | 3 | | REF | PC | AK CARD SCHEMATIC | D | | 49556 | 49556 | | 8419 | 8419 |
| 001 | 02 | 402505904 | 1 | | REF | PC | AK REGULATOR CARD SCHEMATIC | D | | 49556 | | | 8419 | |
| 500 | 01 | 402214304 | 6 | | REF | PC | CKT CD, AK, PC ASSY | S | | | 49556 | | | 8419 |
| 500 | 02 | 402214305 | 3 | | REF | PC | CKTCD AK PC ASSY | S | | 49556 | | | 8419 | |
| 0005 TOTAL LINES | | | | | | | | | | | | | | |



A
B
C

GAF Polytrace 035

AK CARD

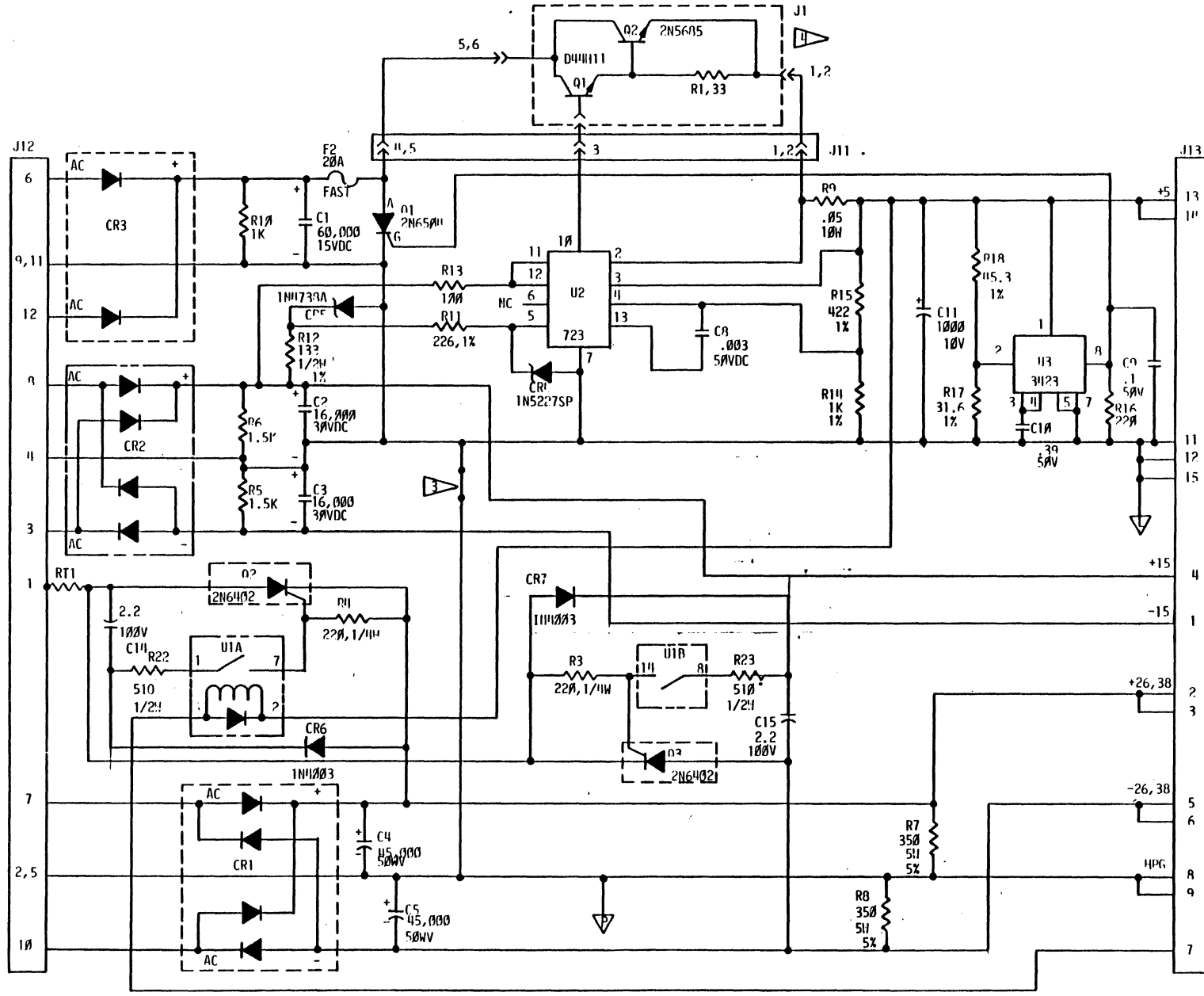
PRES. E.C. 40367
 PREV. E.C. 40295
 DATE 2-3-59

MACH. AVALANCHE
 VERS. 9
 GBL. ROT.

CD. LOC. POWER SUPPLY
 GATE
 FRAME

CD. RN. 402143RX
 CD. TYPE
 PG. RN. 403J421-J2

A
B
C



NOTES: UNLESS OTHERWISE SPECIFIED

1. ALL CAPACITORS ARE IN MICROFARADS.
2. ALL RESISTORS ARE IN OHMS, 1/4W, 5%.
3. CAPACITOR PLATE CONNECTION.

4. THIS PORTION OF CIRCUIT LOCATED EXTERNALLY ON NK CAPD, P/N 43941. REFERENCE DESIGNATORS ARE UNIQUE TO COMPONENTS LOCATED ON THE NK CARD.
5. DASHED LINE ENCLOSURES ARE MOUNTED ON HEAT SINK.



AK REGULATOR CARD SCHEMATIC

PREV. E.C. 49556
 PREV. E.C. 49367
 DATE 5-9-61

MACH. AVALANCHE
 VERS. GBL. ROT.

CD. LOC. POWER SUPPLY
 GATE FRAME

CD. P.N.
 CD. TYPE
 PG. P.N. 4425059-04

AK
 00
 1

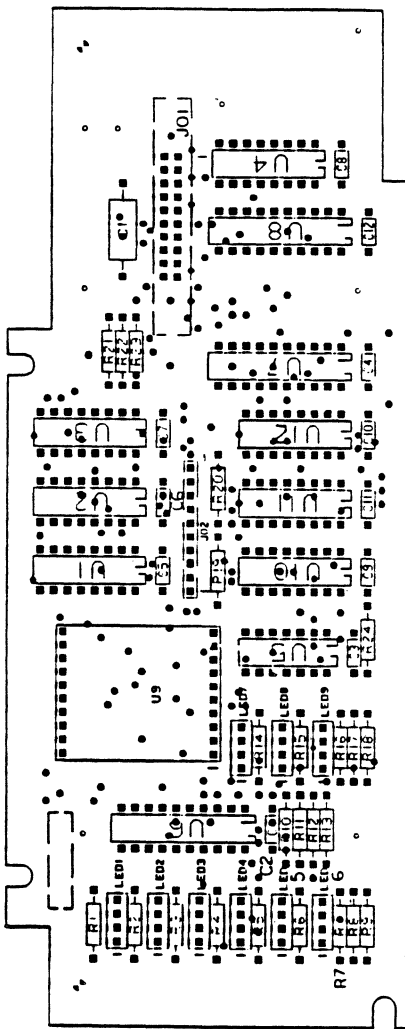


Storage Technology Corporation
TECHNOLOGY CORP.

ASSEMBLY PARTS LIST
BUILD ARC DOC

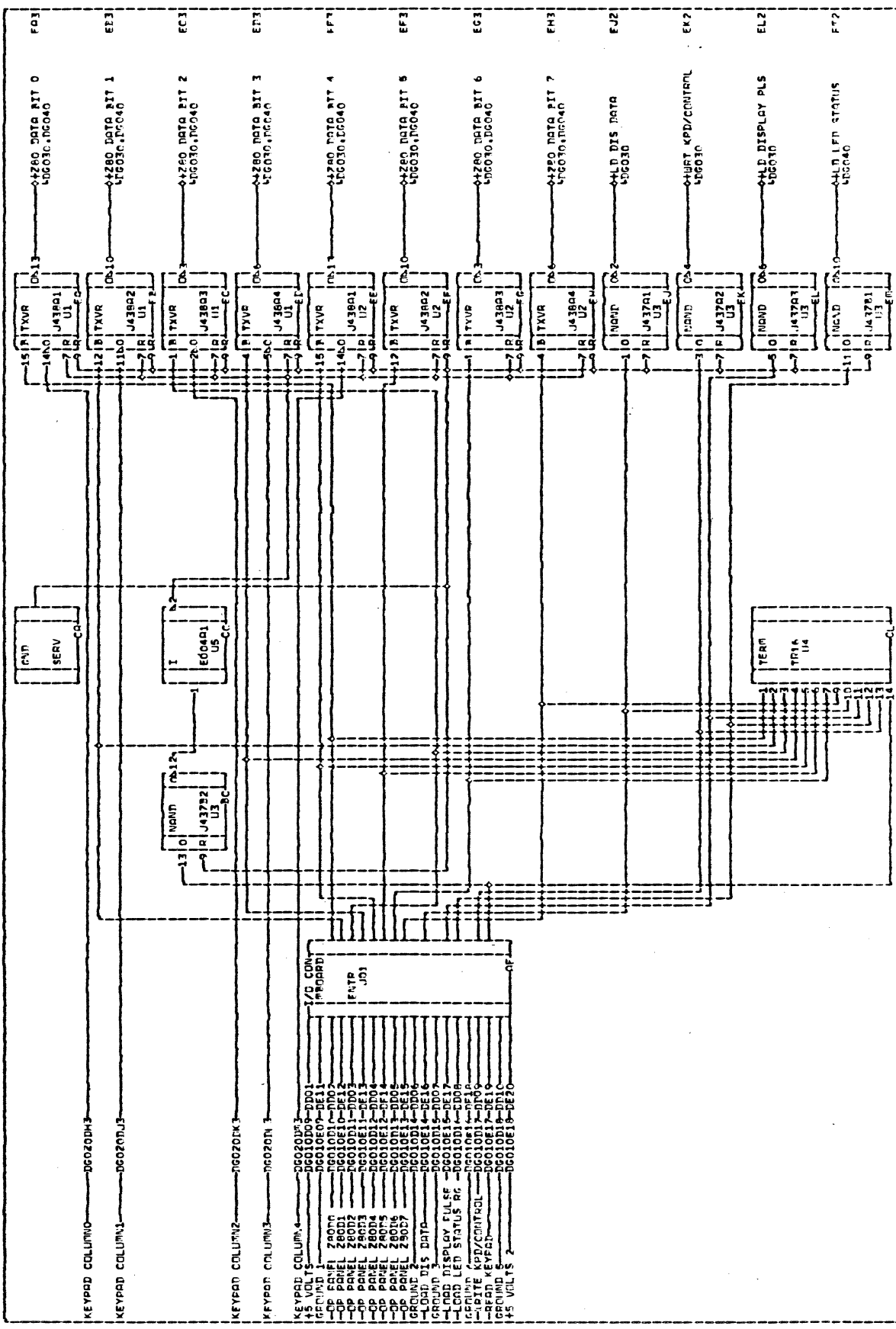
| | | |
|------------|------|----------|
| PRINT DATE | PAGE | E.C. NO. |
| 06-19-84 | 1 | 49603 |

| DIV. | | ASSEMBLY NUMBER | | CD | REV. | DWG. | DESCRIPTION | | | MC | STATUS | STATUS DATE | | | FILE DATE | | |
|---------|----|-----------------|--|----|------|----------|------------------|-------------------|--|----|--------|-------------|------------|--------------|-----------|----------|--------|
| 0500 | | 403442002 | | 8 | B | N | CD LGC GP DG PC | | | N | REL | 06-05-84 | | 292X | | 06-11-84 | |
| Find no | LI | PART NUMBER | | CD | M | QUANTITY | U/M | PART DESCRIPTION | | | MC | YLD | E.C. NO IN | E.C. NO. OUT | S/N | WK IN | WK OUT |
| 001 | 01 | 403444001 | | 8 | | REF | PC | CD LGC, AB001, DG | | | D | | | 49603 | | | 8424 |
| 001 | 02 | 403444002 | | 6 | | REF | PC | CD LGC AB001 DG | | | D | | 49603 | | | 8424 | |
| 010 | 01 | 403442101 | | 8 | | REF | PC | CD LGC, DG010, PC | | | D | | | | | | |
| 020 | 01 | 403442201 | | 6 | | REF | PC | CD LGC DG020, PC | | | D | | | | | | |
| 030 | 01 | 403442301 | | 4 | | REF | PC | CD LGC DG030, PC | | | D | | | | | | |
| 040 | 01 | 403442401 | | 2 | | REF | PC | CD LGC DG040, PC | | | D | | | | | | |
| 050 | 01 | 403442501 | | 9 | | REF | PC | CD LGC DG050, PC | | | D | | | | | | |
| 060 | 01 | 403442601 | | 7 | | REF | PC | CD LGC DG060, PC | | | D | | | | | | |
| 500 | 01 | 403378201 | | 4 | | REF | PC | CKT CD DG PC ASSY | | | S | | | 49603 | | | 8424 |
| 500 | 02 | 403378202 | | 2 | | REF | PC | CKT CD DG PC ASSY | | | S | | 49603 | | | 8424 | |
| | | | | | | | 0010 TOTAL LINES | | | | | | | | | | |



| | | | | | |
|---|---|---|----------------------------------|---|-----------------------------|
| A | B | 0 | 0 | 0 | 1 |
| CD. P.N. 4033782-XX CD. TYPE DG P.G. P.N. 40334110-02 | | | CD. LOC. GATE FRAME | | MACH. VERS. GBL. ROT. |
| AB PAGE, DG CARD 49603 09099 6-13-80 | | | PRES. E.C. PREV. E.C. DATE | | MACH. VERS. GBL. ROT. |
| A | B | 0 | 0 | 0 | 1 |

A B C D E

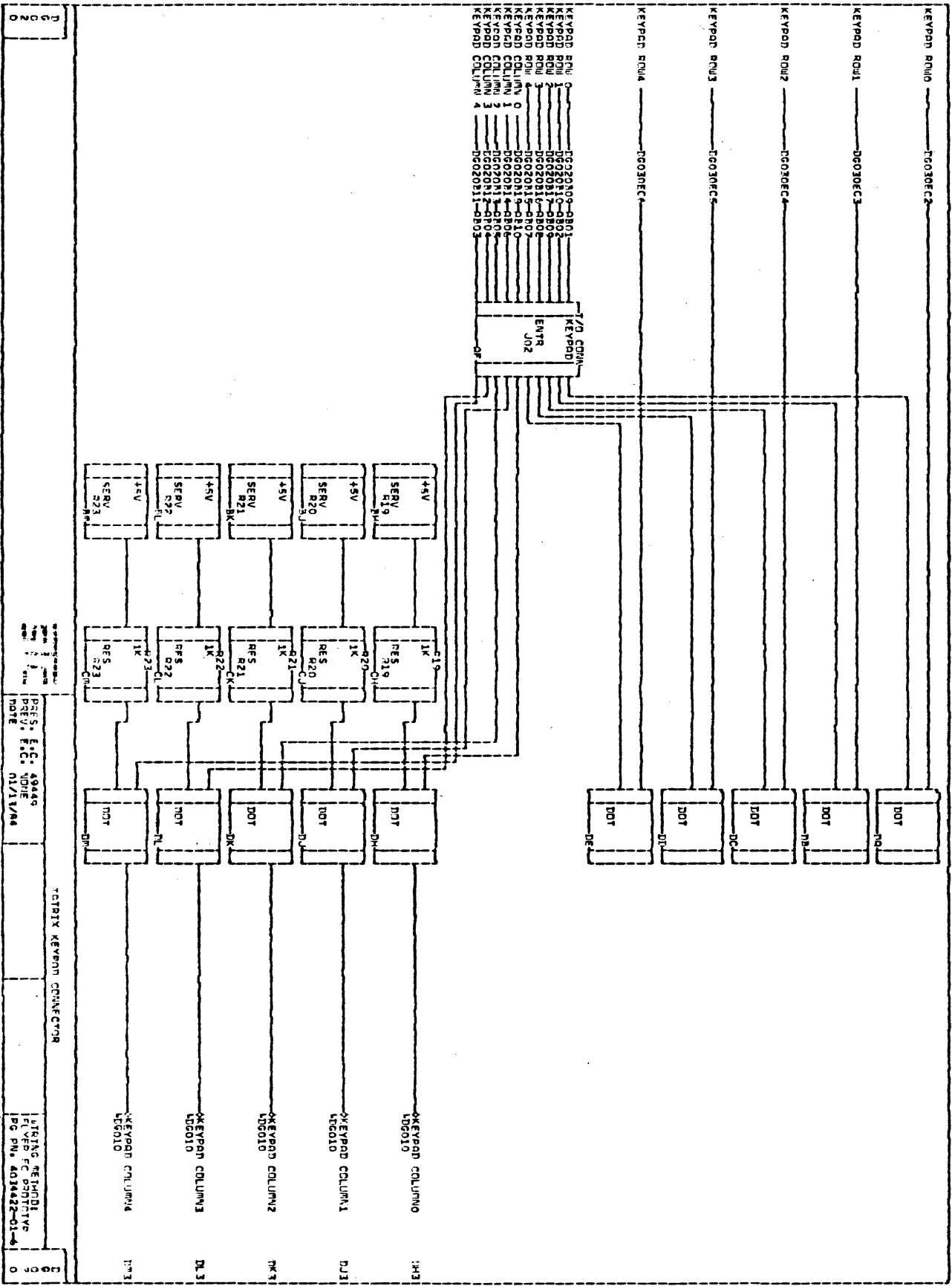


| | | | |
|-----|---|---|---|
| 1 | 0 | 0 | 0 |
| 2 | 0 | 0 | 0 |
| 3 | 0 | 0 | 0 |
| 4 | 0 | 0 | 0 |
| 5 | 0 | 0 | 0 |
| 6 | 0 | 0 | 0 |
| 7 | 0 | 0 | 0 |
| 8 | 0 | 0 | 0 |
| 9 | 0 | 0 | 0 |
| 10 | 0 | 0 | 0 |
| 11 | 0 | 0 | 0 |
| 12 | 0 | 0 | 0 |
| 13 | 0 | 0 | 0 |
| 14 | 0 | 0 | 0 |
| 15 | 0 | 0 | 0 |
| 16 | 0 | 0 | 0 |
| 17 | 0 | 0 | 0 |
| 18 | 0 | 0 | 0 |
| 19 | 0 | 0 | 0 |
| 20 | 0 | 0 | 0 |
| 21 | 0 | 0 | 0 |
| 22 | 0 | 0 | 0 |
| 23 | 0 | 0 | 0 |
| 24 | 0 | 0 | 0 |
| 25 | 0 | 0 | 0 |
| 26 | 0 | 0 | 0 |
| 27 | 0 | 0 | 0 |
| 28 | 0 | 0 | 0 |
| 29 | 0 | 0 | 0 |
| 30 | 0 | 0 | 0 |
| 31 | 0 | 0 | 0 |
| 32 | 0 | 0 | 0 |
| 33 | 0 | 0 | 0 |
| 34 | 0 | 0 | 0 |
| 35 | 0 | 0 | 0 |
| 36 | 0 | 0 | 0 |
| 37 | 0 | 0 | 0 |
| 38 | 0 | 0 | 0 |
| 39 | 0 | 0 | 0 |
| 40 | 0 | 0 | 0 |
| 41 | 0 | 0 | 0 |
| 42 | 0 | 0 | 0 |
| 43 | 0 | 0 | 0 |
| 44 | 0 | 0 | 0 |
| 45 | 0 | 0 | 0 |
| 46 | 0 | 0 | 0 |
| 47 | 0 | 0 | 0 |
| 48 | 0 | 0 | 0 |
| 49 | 0 | 0 | 0 |
| 50 | 0 | 0 | 0 |
| 51 | 0 | 0 | 0 |
| 52 | 0 | 0 | 0 |
| 53 | 0 | 0 | 0 |
| 54 | 0 | 0 | 0 |
| 55 | 0 | 0 | 0 |
| 56 | 0 | 0 | 0 |
| 57 | 0 | 0 | 0 |
| 58 | 0 | 0 | 0 |
| 59 | 0 | 0 | 0 |
| 60 | 0 | 0 | 0 |
| 61 | 0 | 0 | 0 |
| 62 | 0 | 0 | 0 |
| 63 | 0 | 0 | 0 |
| 64 | 0 | 0 | 0 |
| 65 | 0 | 0 | 0 |
| 66 | 0 | 0 | 0 |
| 67 | 0 | 0 | 0 |
| 68 | 0 | 0 | 0 |
| 69 | 0 | 0 | 0 |
| 70 | 0 | 0 | 0 |
| 71 | 0 | 0 | 0 |
| 72 | 0 | 0 | 0 |
| 73 | 0 | 0 | 0 |
| 74 | 0 | 0 | 0 |
| 75 | 0 | 0 | 0 |
| 76 | 0 | 0 | 0 |
| 77 | 0 | 0 | 0 |
| 78 | 0 | 0 | 0 |
| 79 | 0 | 0 | 0 |
| 80 | 0 | 0 | 0 |
| 81 | 0 | 0 | 0 |
| 82 | 0 | 0 | 0 |
| 83 | 0 | 0 | 0 |
| 84 | 0 | 0 | 0 |
| 85 | 0 | 0 | 0 |
| 86 | 0 | 0 | 0 |
| 87 | 0 | 0 | 0 |
| 88 | 0 | 0 | 0 |
| 89 | 0 | 0 | 0 |
| 90 | 0 | 0 | 0 |
| 91 | 0 | 0 | 0 |
| 92 | 0 | 0 | 0 |
| 93 | 0 | 0 | 0 |
| 94 | 0 | 0 | 0 |
| 95 | 0 | 0 | 0 |
| 96 | 0 | 0 | 0 |
| 97 | 0 | 0 | 0 |
| 98 | 0 | 0 | 0 |
| 99 | 0 | 0 | 0 |
| 100 | 0 | 0 | 0 |

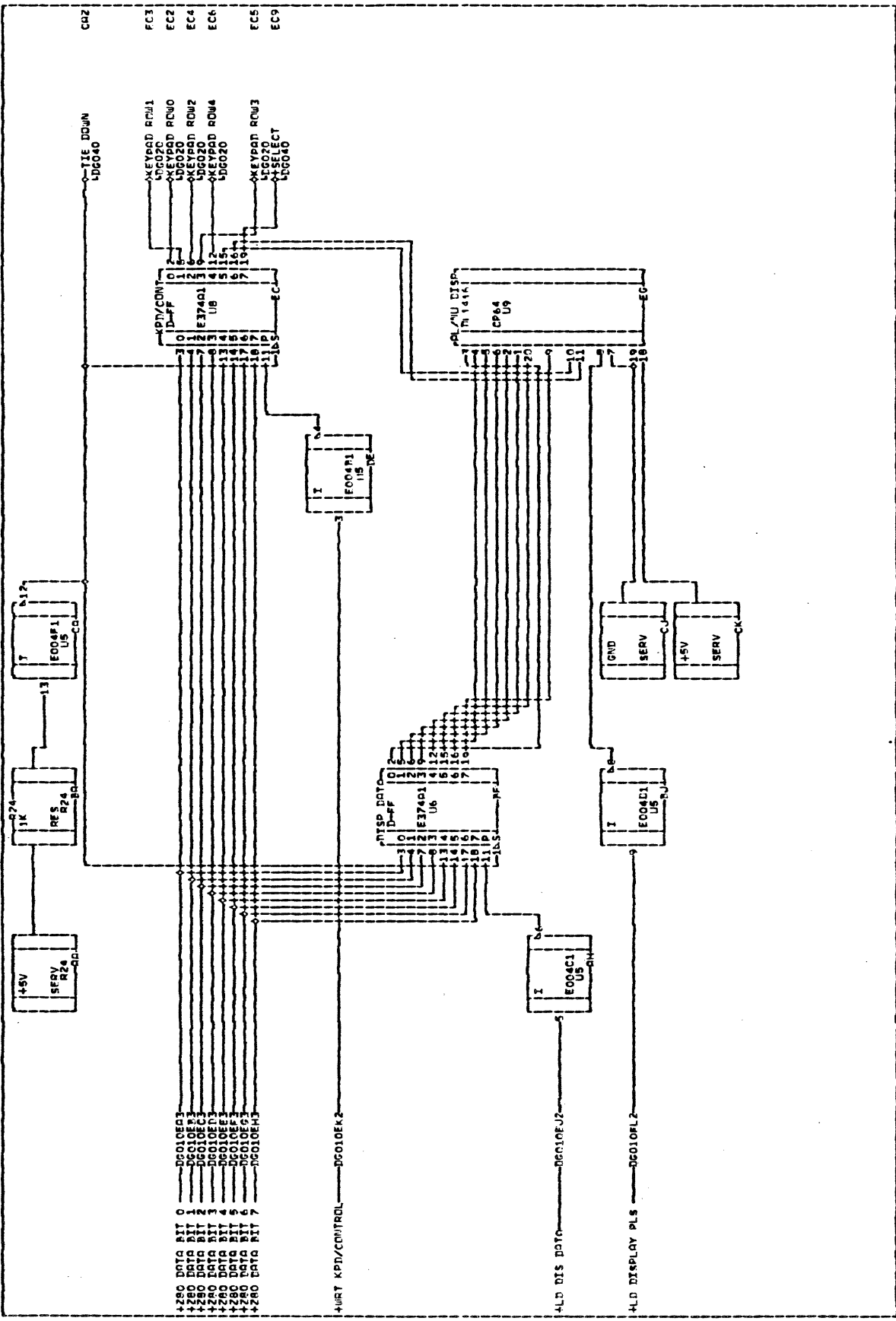
OP PANEL CONNECTOR AND INTERFACE

DESIGNED BY: E.C. ADAMS
 DRAWN BY: P.B. WARD
 DATE: 01/13/84

PC EN. 4034421-01

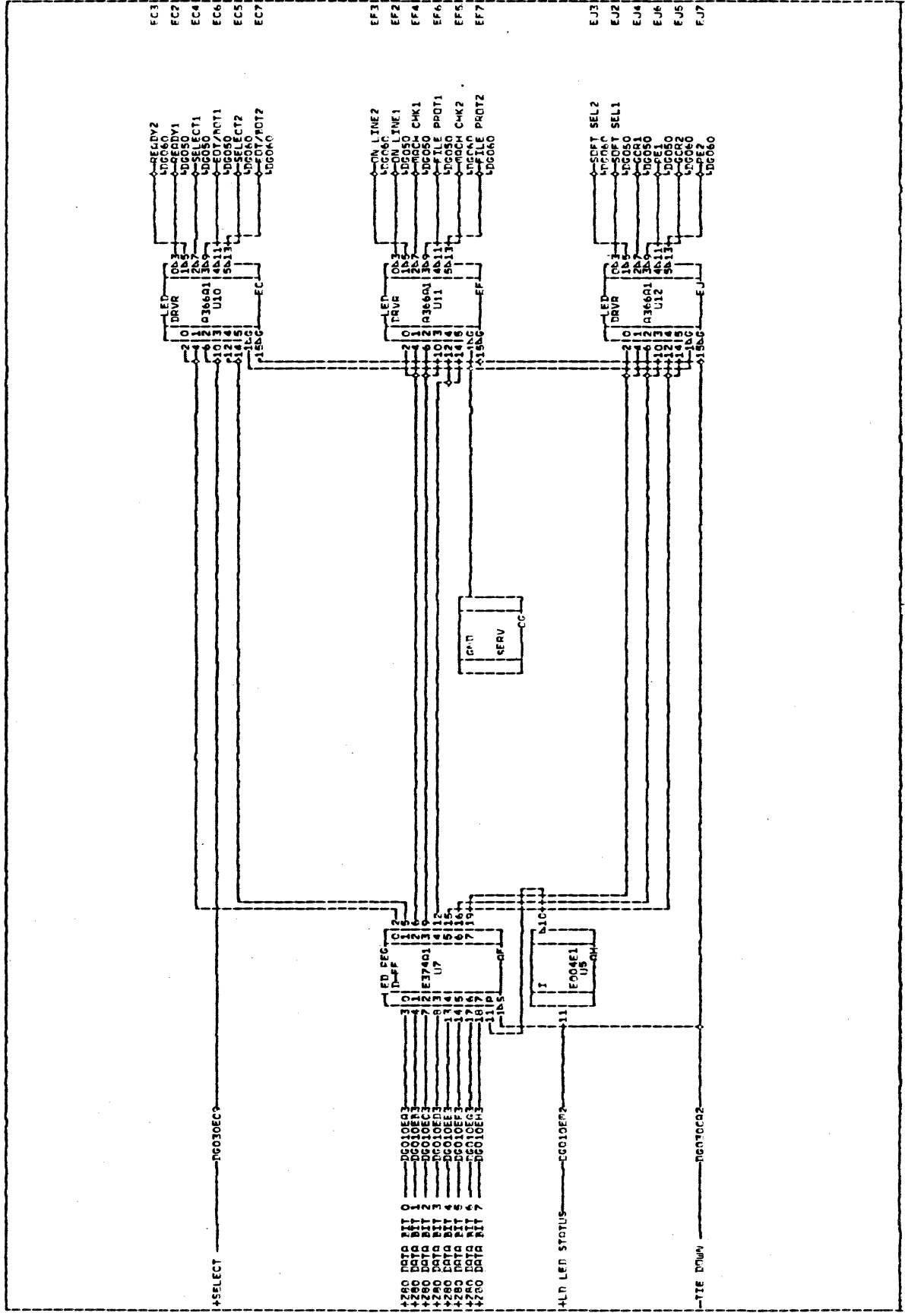


100181X KEYBOARD CONNECTOR
 DESIGNED BY: [Name]
 CHECKED BY: [Name]
 DATE: 01/11/84
 LISTED REVISIONS:
 1. PCB P/N: 4014422-01-4



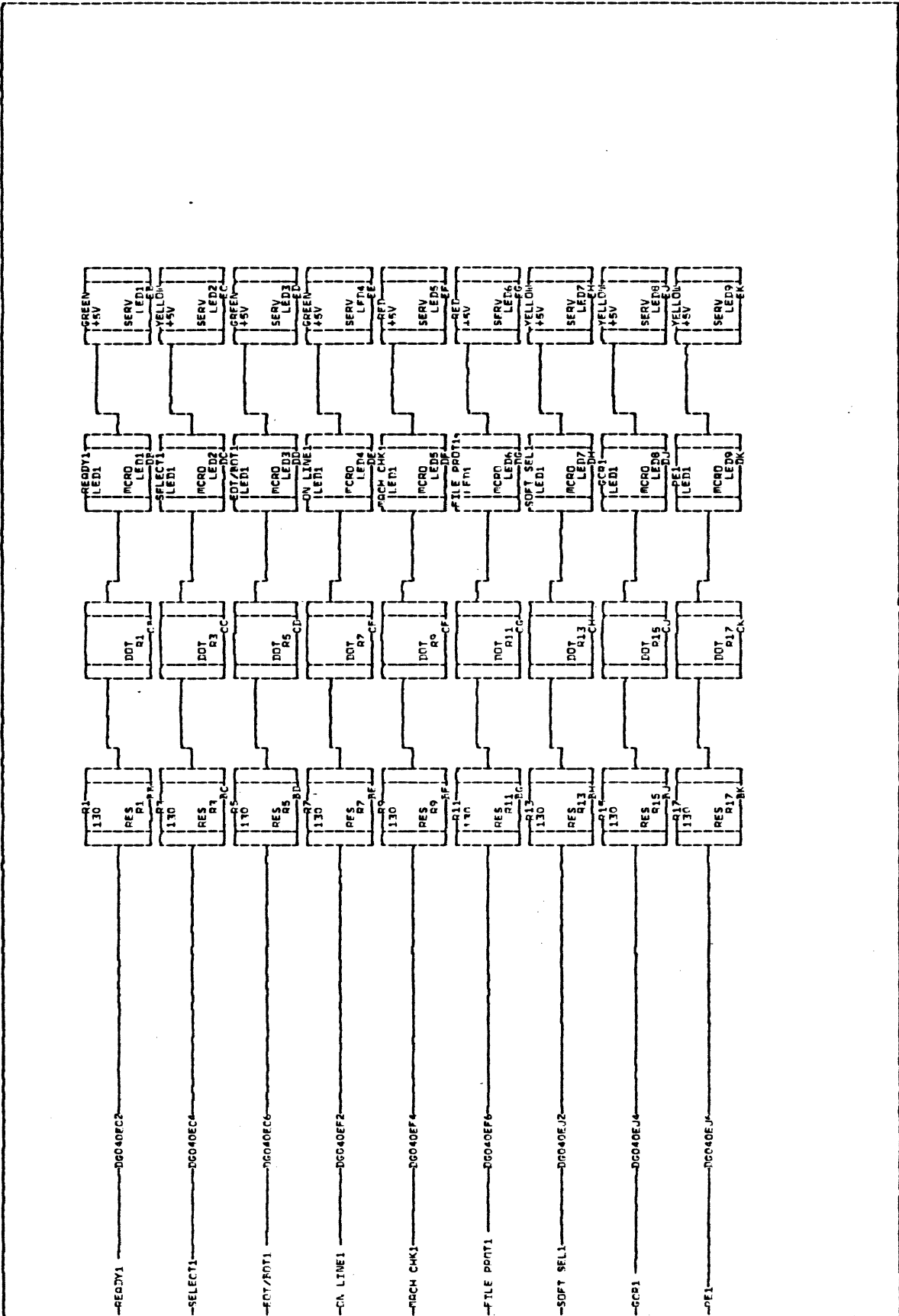
| | | | |
|----------------|---------------|--|---|
| 0000 C | | MATRIX KEYBOARD WRITE REG AND ALPHABETIC DISPLAY (M1416) | |
| DES. E.C. 4948 | DATE 01/11/84 | DRAWING METHOD/TYPE PCB FILE 403443-01-4 | 0 |

A B C D E



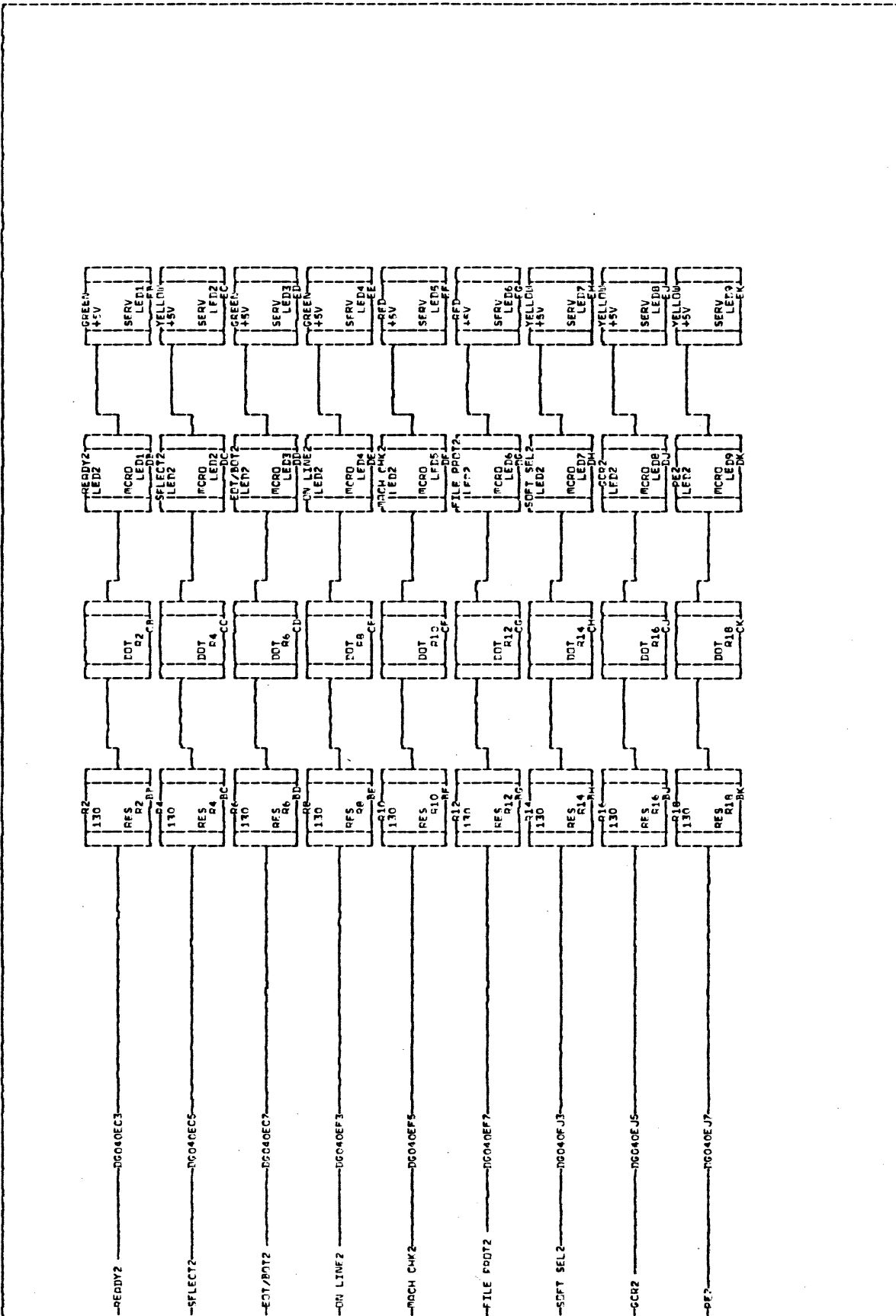
| | | | |
|---|--|----------------|-----------------------|
| 0 | OP PANEL LED STATUS REGISTER AND DRIVERS | DATE: 01/13/84 | DESIGNER: [Signature] |
| 0 | | DATE: 01/13/84 | DESIGNER: [Signature] |
| 0 | | DATE: 01/13/84 | DESIGNER: [Signature] |
| 0 | | DATE: 01/13/84 | DESIGNER: [Signature] |

A B C D E



| | | | |
|------|---------------------------------|--------------------------------|---|
| 0000 | DP PANEL LED1 STATUS INDICATORS | STATS RETURN DATE: 01/13/84 | 0 |
| 0000 | RES: E-C: 49449 | DATE: 01/13/84 | 0 |
| 0000 | DATE: 01/13/84 | DATE: 01/13/84 | 0 |
| 0000 | DATE: 01/13/84 | DATE: 01/13/84 | 0 |

D P C E F G H J K L M



| | | |
|------|---------------------------------|------|
| 0000 | UP PANEL LED2 STATUS INDICATORS | 0000 |
| 0000 | RES. E.C. 4949 | 0000 |
| 0000 | REV. E.C. NAME | 0000 |
| 0000 | DATE 01/13/84 | 0000 |
| 0000 | NOTE | 0000 |
| 0000 | RES. E.C. 4949 | 0000 |
| 0000 | REV. E.C. NAME | 0000 |
| 0000 | DATE 01/13/84 | 0000 |
| 0000 | NOTE | 0000 |
| 0000 | RES. E.C. 4949 | 0000 |
| 0000 | REV. E.C. NAME | 0000 |
| 0000 | DATE 01/13/84 | 0000 |
| 0000 | NOTE | 0000 |

ASSEMBLY PARTS LIST

BUILD ARC DJC

| | | |
|------------|------|----------|
| PRINT DATE | PAGE | E.C. NO. |
| 05-17-84 | 1 | 49501N |

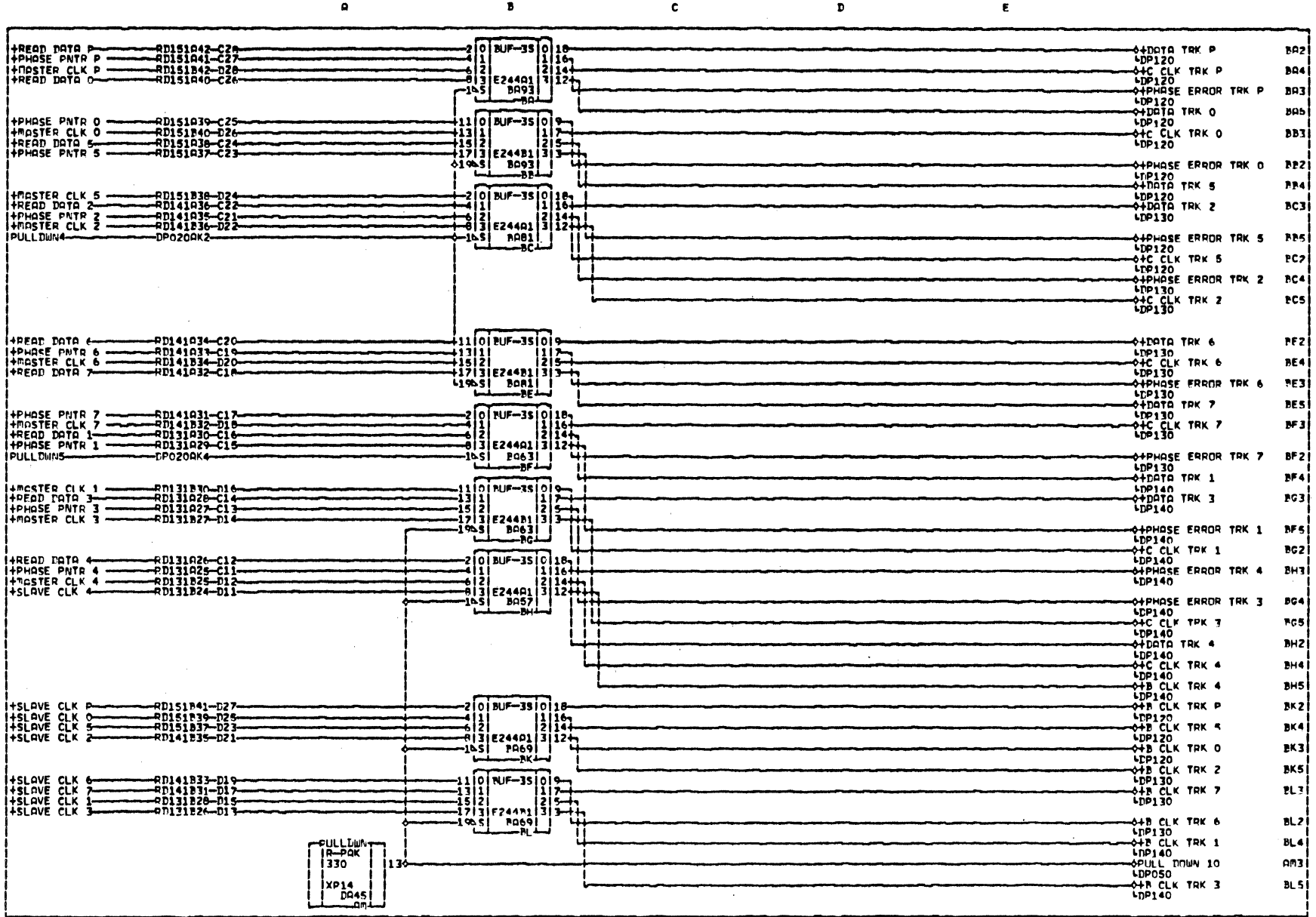
| DIV. | ASSEMBLY NUMBER | CD | REV. | DWG. | DESCRIPTION | MC | STATUS | STATUS DATE | FILE DATE | | | | | | |
|------|-----------------|----|-------------|------|----------------------------|----------|--------|-----------------------|---------------|-----|-------------|--------------|-------|-------|--------|
| 0500 | 403339002 | 4 | D | N | CD LGC GP DP 403118202/302 | N | REL | 05-09-84 | 292X 05-14-84 | | | | | | |
| T | FIND NO | LI | PART NUMBER | CD | M | QUANTITY | U/M | PART DESCRIPTION | MC | YLD | E.C. NO. IN | E.C. NO. OUT | S/N | WK IN | WK OUT |
| | 000 | 01 | 403276901 | 2 | | REF | | PC CD LGC DP,AM391,PC | D | | | 49403 | 49403 | | 8420 |
| | 000 | 02 | 403276902 | 0 | | REF | | PC CD LGC DP,AM110,PC | D | | 49403 | 49501N | | 8420 | 8422 |
| | 000 | 03 | 403276903 | 8 | | REF | | PC CD LGC DP AM011 PC | D | | 49501N | | | 8422 | |
| | 010 | 01 | 403277001 | 0 | | REF | | PC CD LGC DP010,PC | D | | | 49403 | | | 8420 |
| | 010 | 02 | 403277002 | 8 | | REF | | PC CD LGC,DP010,PC | D | | 49403 | | | 8420 | |
| | 020 | 01 | 403277103 | 4 | | REF | | PC CD LGC DP020 PC | D | | 49501 | | | 8414 | |
| | 030 | 01 | 403277201 | 6 | | REF | | PC CD LGC DP030,PC | D | | | 49403 | | | 8420 |
| | 030 | 02 | 403277202 | 4 | | REF | | PC CD LGC,DP030,PC | D | | 49403 | | | 8420 | |
| | 040 | 01 | 403277301 | 4 | | REF | | PC CD LGC DP040,PC | D | | | | | | |
| | 050 | 01 | 403277401 | 2 | | REF | | PC CD LGC DP050,PC | D | | | | | | |
| | 060 | 01 | 403277501 | 9 | | REF | | PC CD LGC DP060,PC | D | | | | | | |
| | 061 | 01 | 403277602 | 5 | | REF | | PC CD LGC DP061 PC | D | | 49501 | | | 8414 | |
| | 070 | 01 | 403277701 | 5 | | REF | | PC CD LGC DP070,PC | D | | | | | | |
| | 080 | 01 | 403277801 | 3 | | REF | | PC CD LGC DP080,PC | D | | | | | | |
| | 090 | 01 | 403277901 | 1 | | REF | | PC CD LGC DP090,PC | D | | | | | | |
| | 100 | 01 | 403278001 | 9 | | REF | | PC CD LGC DP100,PC | D | | | | | | |
| | 105 | 01 | 403278101 | 7 | | REF | | PC CD LGC DP105,PC | D | | | | | | |
| | 110 | 01 | 403278201 | 5 | | REF | | PC CD LGC DP110,PC | D | | | 49403 | | | 8420 |
| | 110 | 02 | 403278202 | 3 | | REF | | PC CD LGC,DP110,PC | D | | 49403 | | | 8420 | |
| | 120 | 01 | 403278301 | 3 | | REF | | PC CD LGC DP1208PC | D | | | | | | |
| | 130 | 01 | 403278401 | 1 | | REF | | PC CD LGC DP130,PC | D | | | | | | |
| | 140 | 01 | 403278501 | 8 | | REF | | PC CD LGC DP140,PC | D | | | | | | |
| | 150 | 01 | 403278601 | 6 | | REF | | PC CD LGC DP150,PC | D | | | | | | |

ASSEMBLY PARTS LIST

BUILD ARC DTC

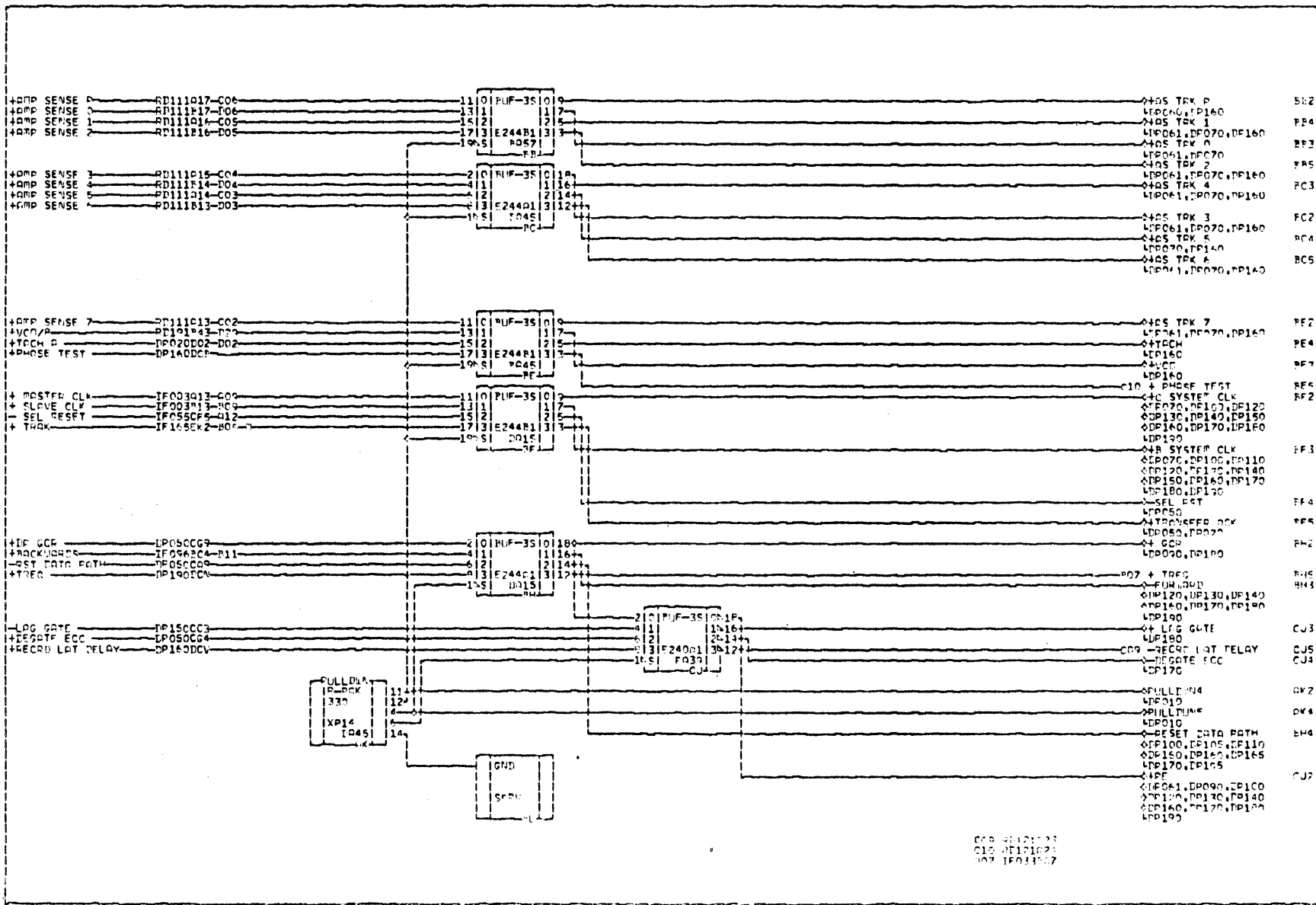
| | | |
|------------|------|----------|
| PRINT DATE | PAGE | E.C. NO. |
| 05-17-84 | 2 | 49501N |

| DIV. | | ASSEMBLY NUMBER | | CD | REV. | DWG. | DESCRIPTION | | | MC | STATUS | STATUS DATE | | FILE DATE | | | | |
|------|---------|-----------------|-------------|----|------|----------|----------------------------|------------------|-------------------|----|--------|-------------|-------------|--------------|-------|-------|--------|------|
| 0500 | | 403339002 | | 4 | D | N | CD LGC GP DP 403118202/302 | | | N | REL | 05-09-84 | 292X | 05-14-84 | | | | |
| T | FIND NO | LI | PART NUMBER | CD | M | QUANTITY | U/M | PART DESCRIPTION | | | MC | YLD | E.C. NO. IN | E.C. NO. OUT | S/N | WK IN | WK OUT | |
| | 160 | 01 | 403278702 | 2 | | REF | | PC | CD LGC DP160 PC | | | D | | 49501 | | | 8414 | |
| | 165 | 01 | 403278801 | 2 | | REF | | PC | CD LGC DP165,PC | | | D | | | | | | |
| | 167 | 01 | 403278901 | 0 | | REF | | PC | CD LGC DP167,PC | | | D | | | | | | |
| | 170 | 01 | 403279001 | 8 | | REF | | PC | CD LGC DP170,PC | | | D | | | | | | |
| | 180 | 01 | 403279101 | 6 | | REF | | PC | CD LGC DP180,PC | | | D | | | | | | |
| | 190 | 01 | 403279201 | 4 | | REF | | PC | CD LGC DP190,PC | | | D | | | | | | |
| | 195 | 01 | 403279301 | 2 | | REF | | PC | CD LGC DP195,PC | | | D | | | | | | |
| | 200 | 01 | 403279401 | 0 | | REF | | PC | CD LGC DP200,PC | | | D | | | | | | |
| | 200 | 02 | 403279402 | 8 | | REF | | PC | CD LGC,DP200,PC | | | D | | 49403 | 49403 | | 8420 | 8420 |
| | 500 | 01 | 403118202 | 7 | | REF | | PC | CKTCD DP PC ASSY | | | S | | 49501 | | | 8414 | |
| | 501 | 01 | 403118302 | 5 | | REF | | PC | CKT CD DP PC ASSY | | | S | | 49501 | | | 8414 | |
| | | | | | | | | | 0034 TOTAL LINES | | | | | | | | | |

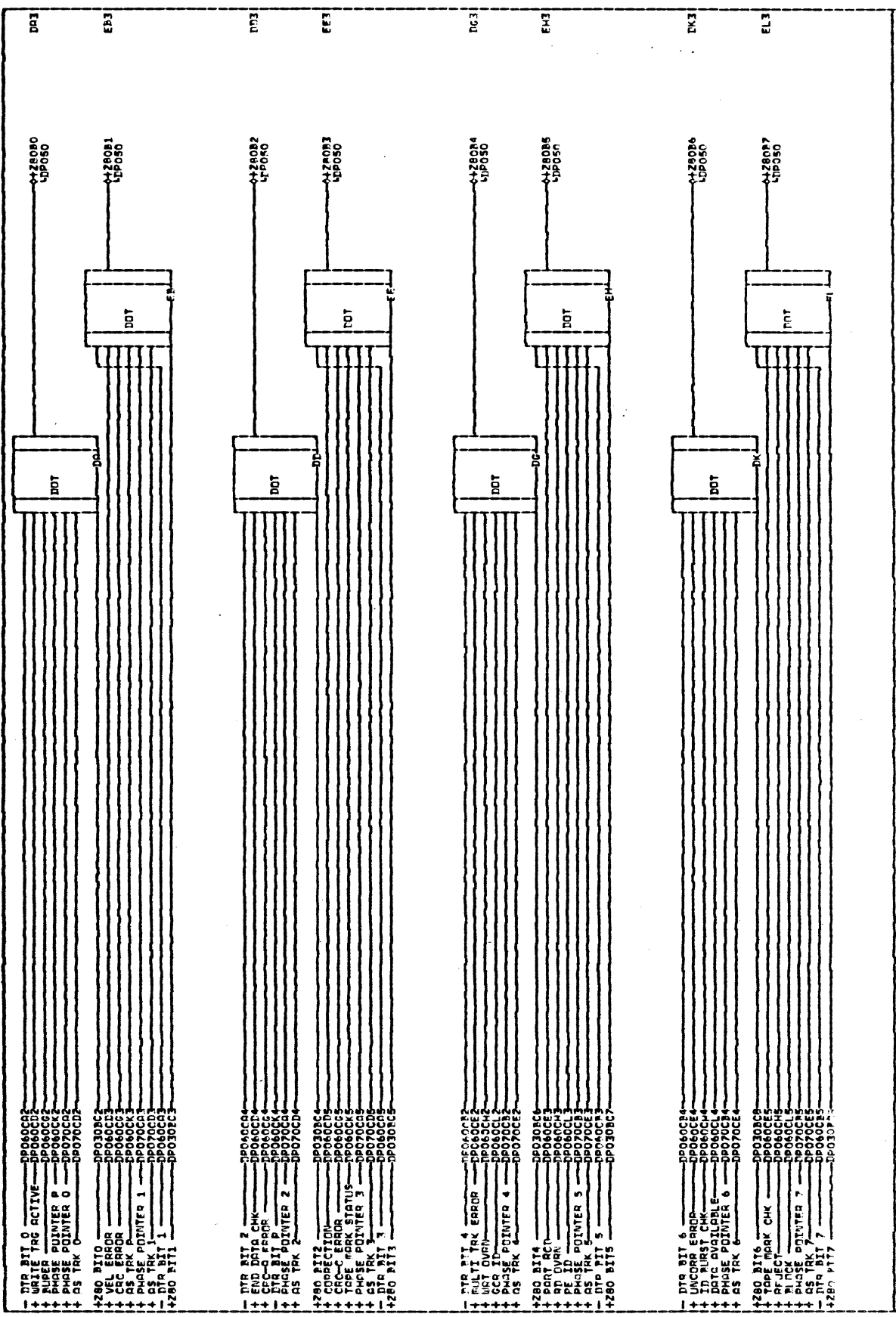


PULLDOWN
R-PAK
330
XP14
DQ45
am

| | | | | | |
|------------------|------------------|----------------------|----|--|------------------|
| D P O O | DATA BUFFERS | | | | D P O O |
| | DES. E.C. 49403 | DESIGN METHOD | PC | | |
| | PREV. E.C. 49307 | FILE NO. FC 001010YD | 1 | | |
| | DATE 12/15/83 | PG. NO. 4032770-02-8 | | | |

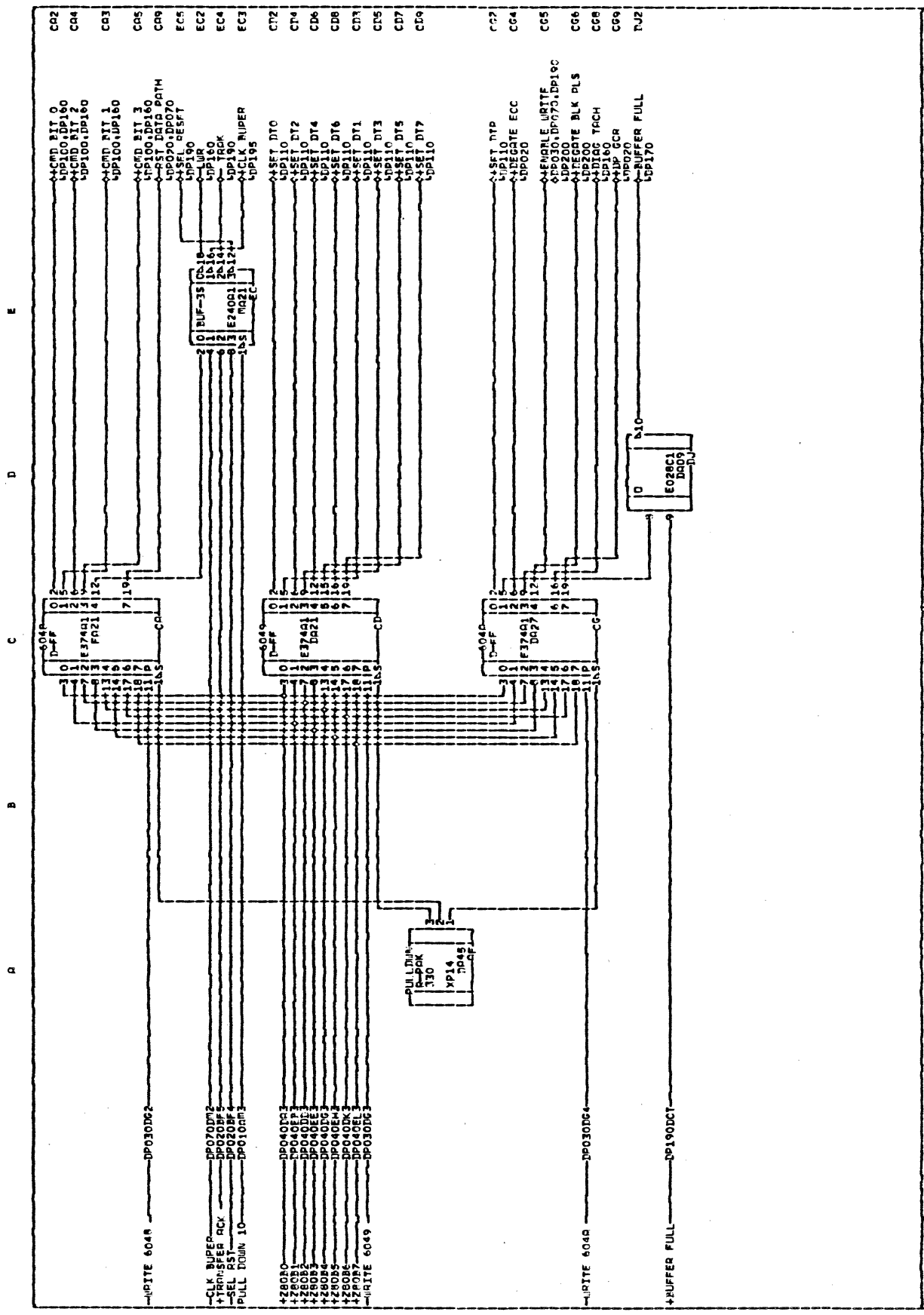


A B C D E F G H J K L M



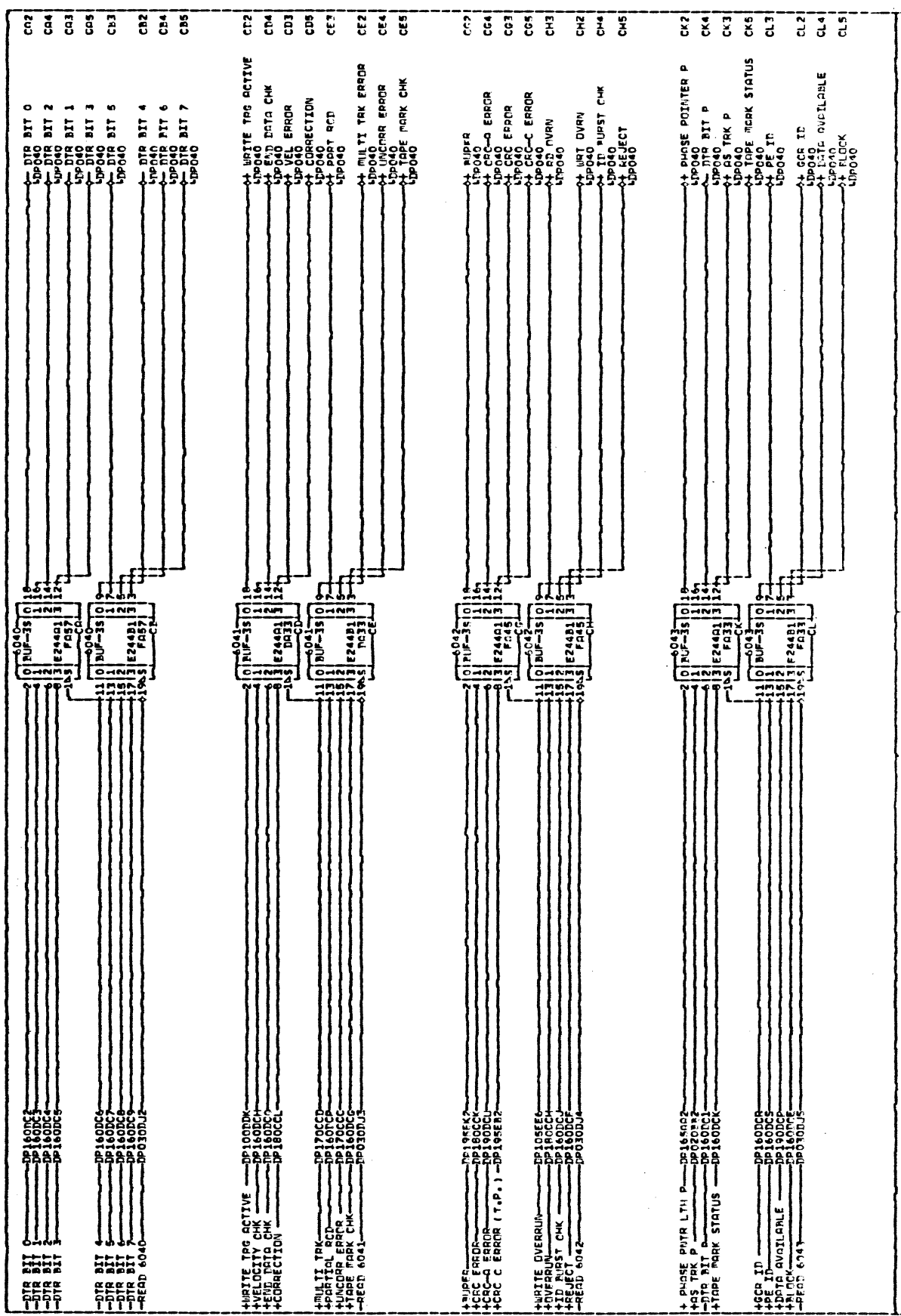
| | | | | |
|------------------|-------------------|------------------------|---------|---|
| PHES: E.C. 49307 | DATE | 06/23/83 | 780 NIS | 0 |
| PREV: E.C. | DATE | | | 0 |
| IRING METHOD: FC | IRING EC: 60131YP | IRING PN: 4032774-01-1 | | 0 |
| 0 | 0 | 0 | 0 | 0 |

A B C D E F G H J K L M



| | |
|---------------------|------|
| 280 WRITE REGISTERS | |
| WRITING METHODS | PC 0 |
| FLYED EC PRINT/TP | 5 |
| PC SN. 401774-01-2 | 0 |
| PRES. E.C. 49307 | |
| PREV. E.C. 03/14/84 | |
| NOTE | |

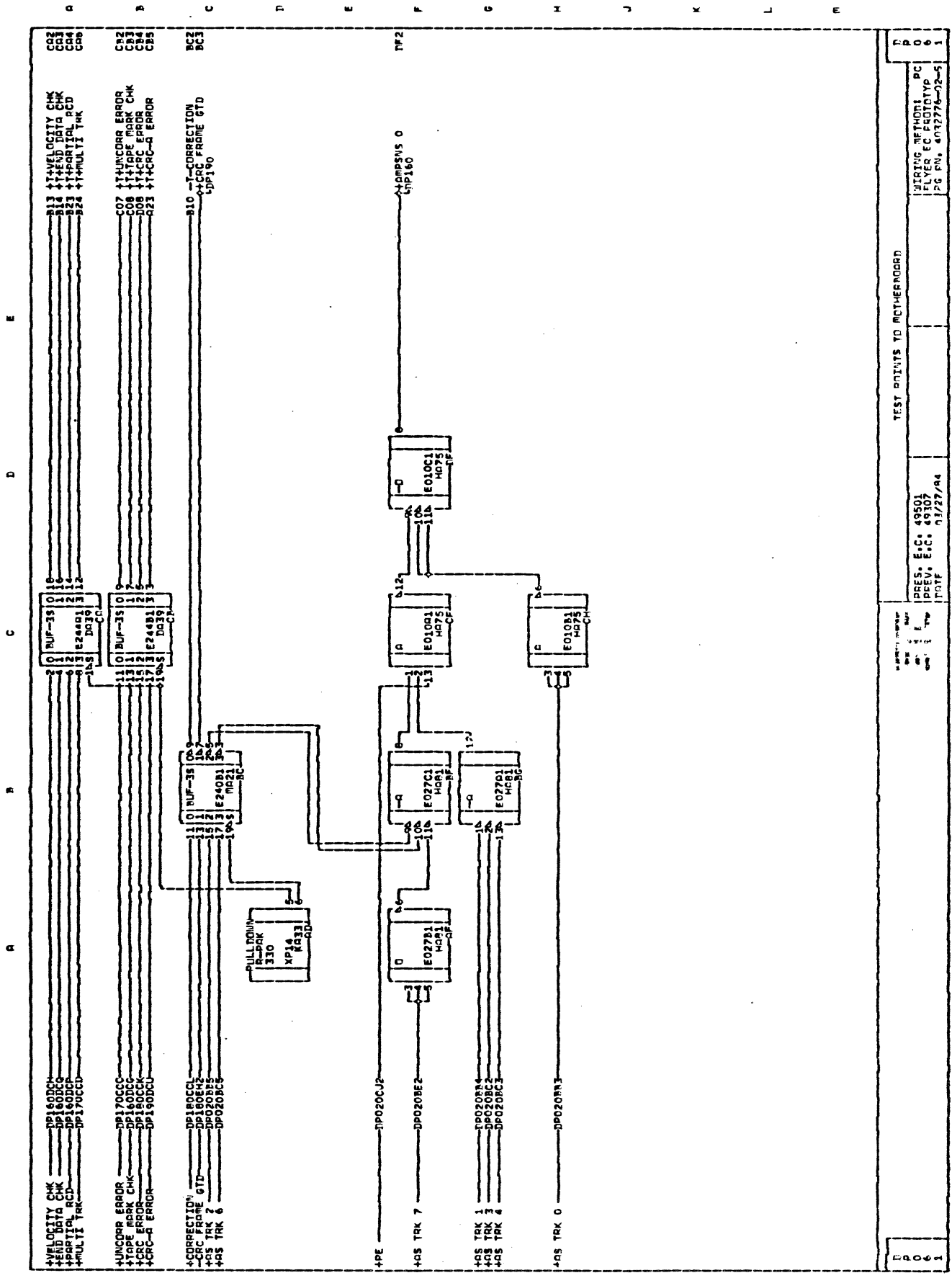
A B C D E



| C | D | E | F |
|---|---|---|---|
| 0 | 0 | 0 | 0 |
| 0 | 0 | 0 | 0 |
| 0 | 0 | 0 | 0 |
| 0 | 0 | 0 | 0 |

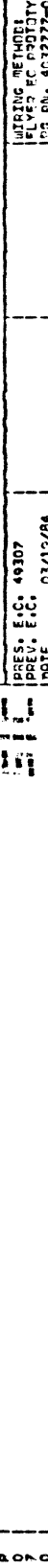
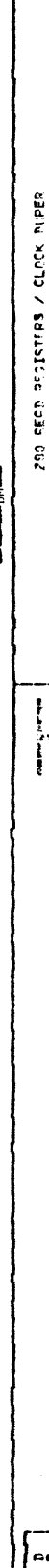
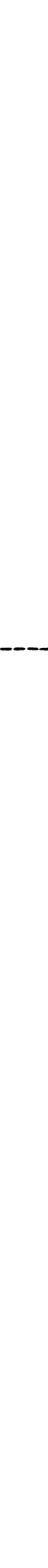
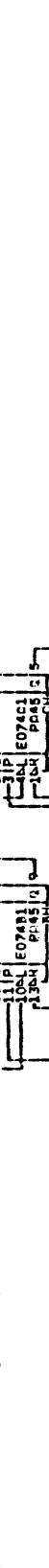
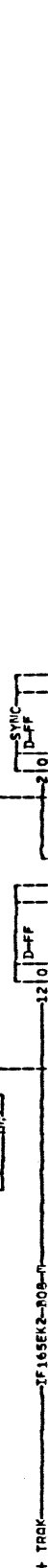
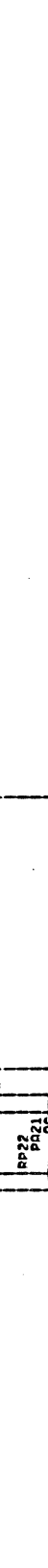
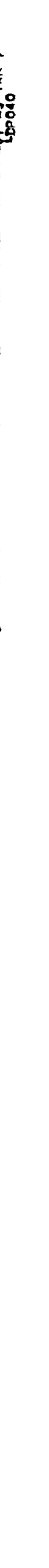
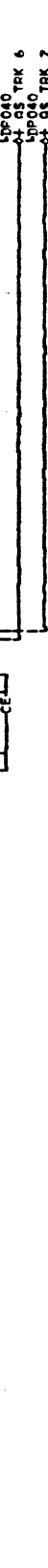
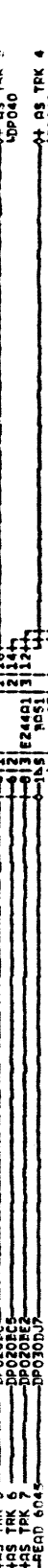
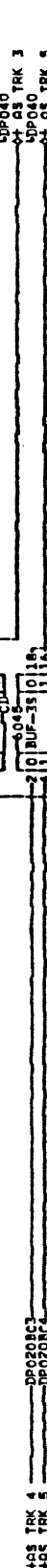
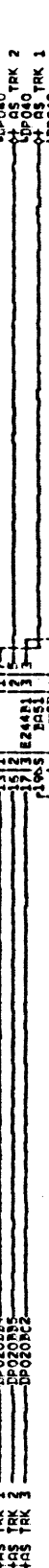
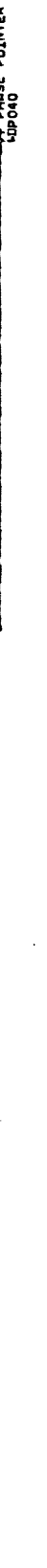
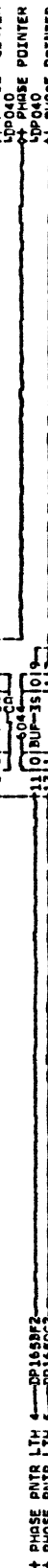
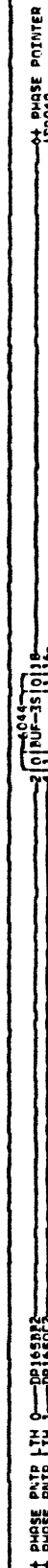
Z80 READ REGISTERS

| | |
|-------------------|---------------------|
| IPRES. E&C: 49307 | WORKING METHOD: PC |
| PREV. E&C: | FLYER: EC PROTOTYPE |
| DATE: 08/23/83 | PC PN: 4012775-01-0 |

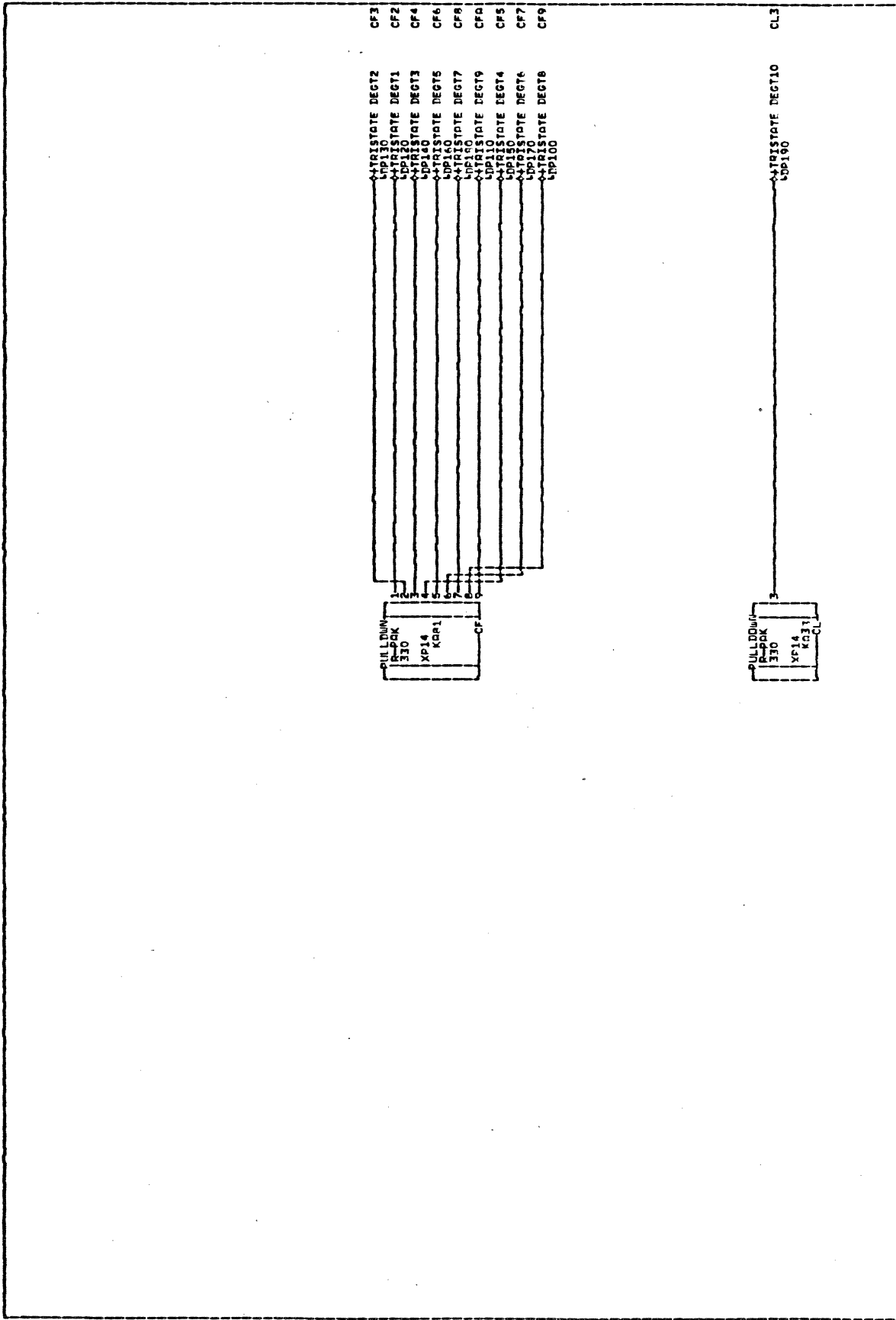


| | | | |
|-----------|----------------------------|------------------|----------------|
| PCB 00001 | TEST POINTS TO MOTHERBOARD | REV: E.C. 49501 | DATE: 01/27/84 |
| PCB 00002 | | PREV: E.C. 49307 | |
| PCB 00003 | | | |
| PCB 00004 | | | |
| PCB 00005 | | | |
| PCB 00006 | | | |
| PCB 00007 | | | |
| PCB 00008 | | | |
| PCB 00009 | | | |
| PCB 00010 | | | |
| PCB 00011 | | | |
| PCB 00012 | | | |
| PCB 00013 | | | |
| PCB 00014 | | | |
| PCB 00015 | | | |
| PCB 00016 | | | |
| PCB 00017 | | | |
| PCB 00018 | | | |
| PCB 00019 | | | |
| PCB 00020 | | | |
| PCB 00021 | | | |
| PCB 00022 | | | |
| PCB 00023 | | | |
| PCB 00024 | | | |
| PCB 00025 | | | |
| PCB 00026 | | | |
| PCB 00027 | | | |
| PCB 00028 | | | |
| PCB 00029 | | | |
| PCB 00030 | | | |
| PCB 00031 | | | |
| PCB 00032 | | | |
| PCB 00033 | | | |
| PCB 00034 | | | |
| PCB 00035 | | | |
| PCB 00036 | | | |
| PCB 00037 | | | |
| PCB 00038 | | | |
| PCB 00039 | | | |
| PCB 00040 | | | |
| PCB 00041 | | | |
| PCB 00042 | | | |
| PCB 00043 | | | |
| PCB 00044 | | | |
| PCB 00045 | | | |
| PCB 00046 | | | |
| PCB 00047 | | | |
| PCB 00048 | | | |
| PCB 00049 | | | |
| PCB 00050 | | | |
| PCB 00051 | | | |
| PCB 00052 | | | |
| PCB 00053 | | | |
| PCB 00054 | | | |
| PCB 00055 | | | |
| PCB 00056 | | | |
| PCB 00057 | | | |
| PCB 00058 | | | |
| PCB 00059 | | | |
| PCB 00060 | | | |
| PCB 00061 | | | |
| PCB 00062 | | | |
| PCB 00063 | | | |
| PCB 00064 | | | |
| PCB 00065 | | | |
| PCB 00066 | | | |
| PCB 00067 | | | |
| PCB 00068 | | | |
| PCB 00069 | | | |
| PCB 00070 | | | |
| PCB 00071 | | | |
| PCB 00072 | | | |
| PCB 00073 | | | |
| PCB 00074 | | | |
| PCB 00075 | | | |
| PCB 00076 | | | |
| PCB 00077 | | | |
| PCB 00078 | | | |
| PCB 00079 | | | |
| PCB 00080 | | | |
| PCB 00081 | | | |
| PCB 00082 | | | |
| PCB 00083 | | | |
| PCB 00084 | | | |
| PCB 00085 | | | |
| PCB 00086 | | | |
| PCB 00087 | | | |
| PCB 00088 | | | |
| PCB 00089 | | | |
| PCB 00090 | | | |
| PCB 00091 | | | |
| PCB 00092 | | | |
| PCB 00093 | | | |
| PCB 00094 | | | |
| PCB 00095 | | | |
| PCB 00096 | | | |
| PCB 00097 | | | |
| PCB 00098 | | | |
| PCB 00099 | | | |
| PCB 00100 | | | |

PHASE PTR0 LTH 0 DP145B2 DP145B2 DP145B2 DP145B2
 PHASE PTR1 LTH 1 DP145B2 DP145B2 DP145B2 DP145B2
 PHASE PTR2 LTH 2 DP145B2 DP145B2 DP145B2 DP145B2
 PHASE PTR3 LTH 3 DP145B2 DP145B2 DP145B2 DP145B2
 PHASE PTR4 LTH 4 DP145B2 DP145B2 DP145B2 DP145B2
 PHASE PTR5 LTH 5 DP145B2 DP145B2 DP145B2 DP145B2
 PHASE PTR6 LTH 6 DP145B2 DP145B2 DP145B2 DP145B2
 PHASE PTR7 LTH 7 DP145B2 DP145B2 DP145B2 DP145B2
 READ 6044 DP030D7 DP030D7 DP030D7 DP030D7



A B C D E

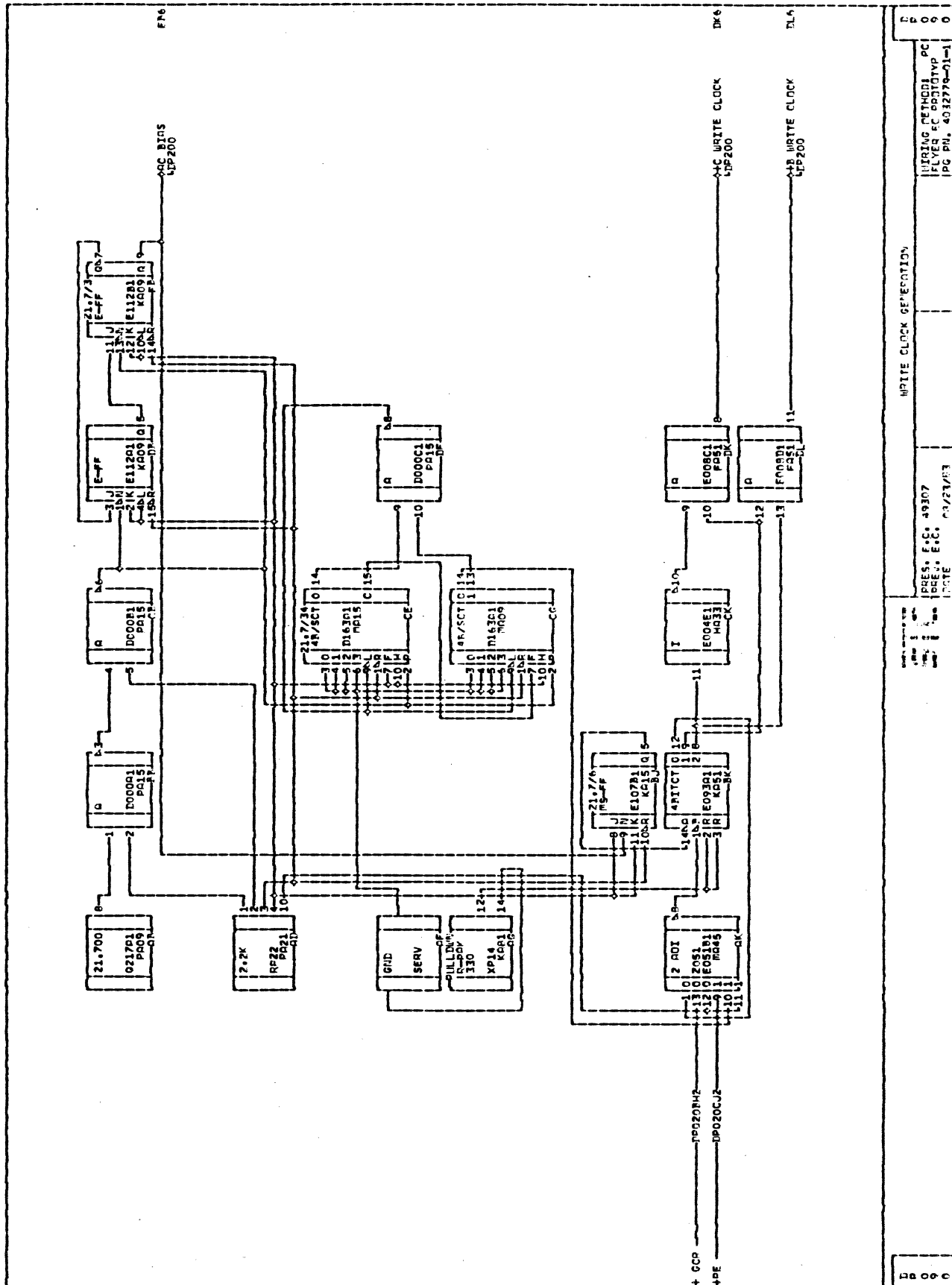


PROB C

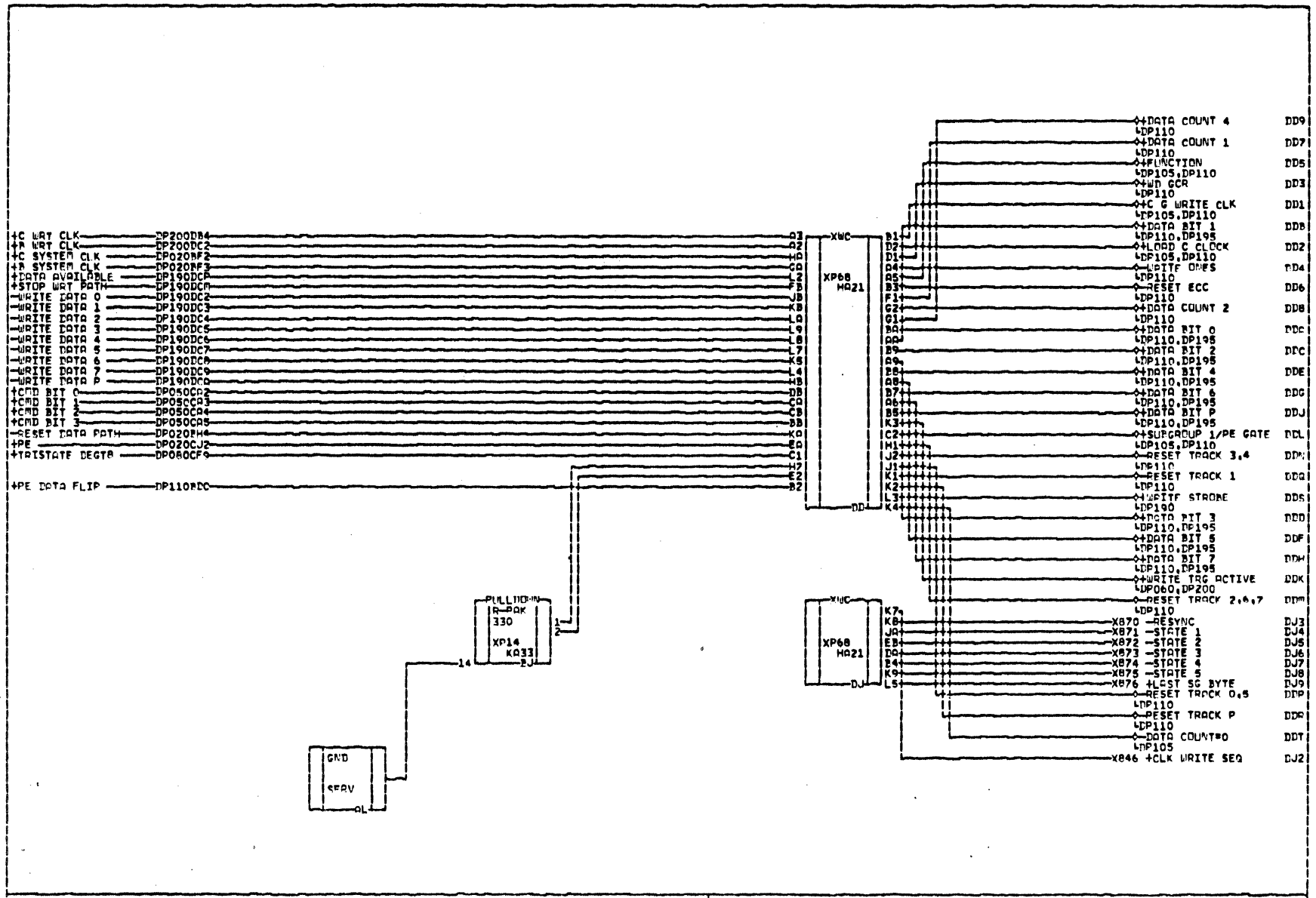
TRISTATE DEGTES

PRES: E.C. 49307
PREV: E.C. 74/23/43
DATE

UTRING METHUDI PC
FLYER EC PROTOTYP
PC PH. 4012779-01-3

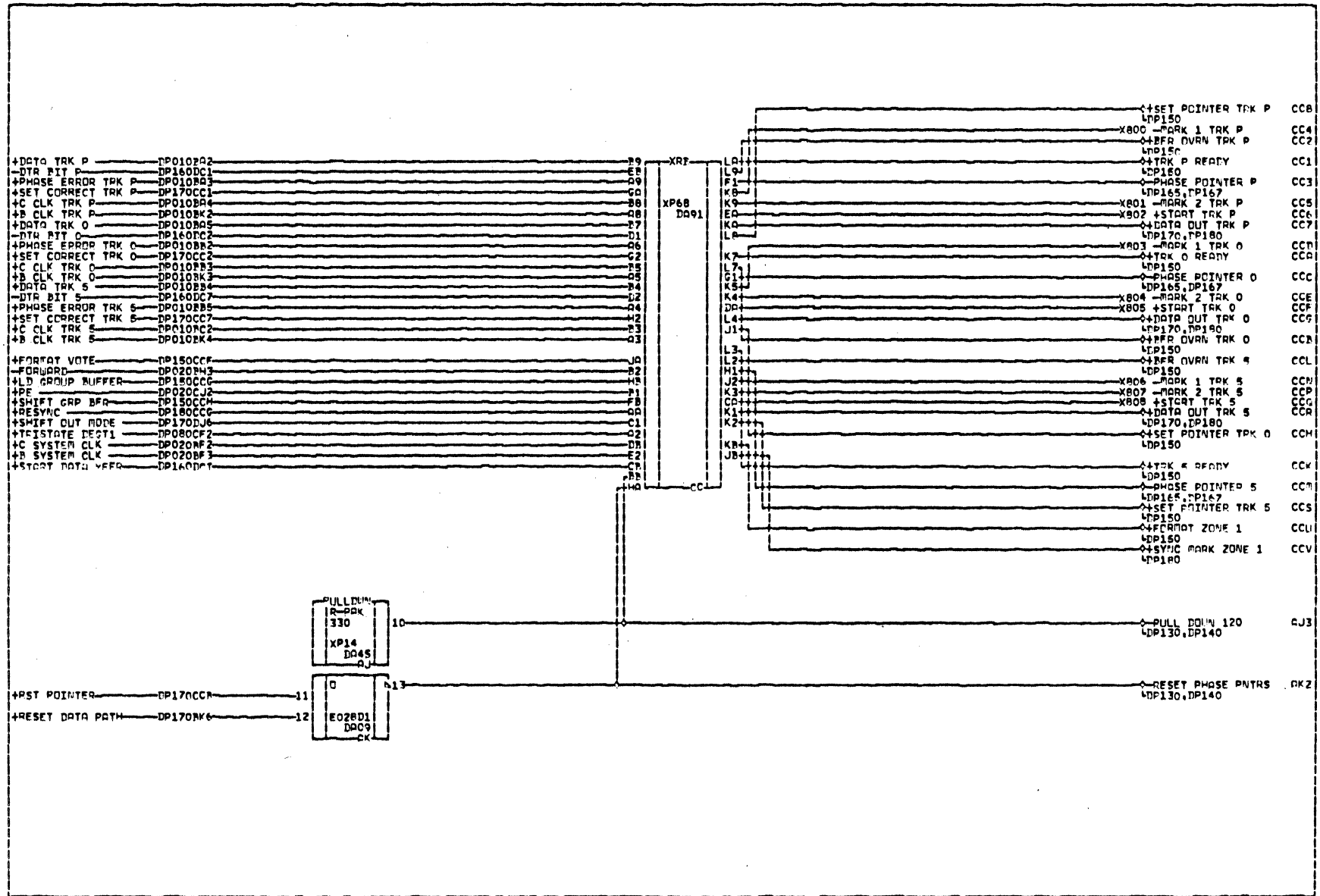


| | | | | |
|-----|---|---|---|---|
| 0 | 0 | 0 | 0 | 0 |
| 1 | 0 | 0 | 0 | 0 |
| 2 | 0 | 0 | 0 | 0 |
| 3 | 0 | 0 | 0 | 0 |
| 4 | 0 | 0 | 0 | 0 |
| 5 | 0 | 0 | 0 | 0 |
| 6 | 0 | 0 | 0 | 0 |
| 7 | 0 | 0 | 0 | 0 |
| 8 | 0 | 0 | 0 | 0 |
| 9 | 0 | 0 | 0 | 0 |
| 10 | 0 | 0 | 0 | 0 |
| 11 | 0 | 0 | 0 | 0 |
| 12 | 0 | 0 | 0 | 0 |
| 13 | 0 | 0 | 0 | 0 |
| 14 | 0 | 0 | 0 | 0 |
| 15 | 0 | 0 | 0 | 0 |
| 16 | 0 | 0 | 0 | 0 |
| 17 | 0 | 0 | 0 | 0 |
| 18 | 0 | 0 | 0 | 0 |
| 19 | 0 | 0 | 0 | 0 |
| 20 | 0 | 0 | 0 | 0 |
| 21 | 0 | 0 | 0 | 0 |
| 22 | 0 | 0 | 0 | 0 |
| 23 | 0 | 0 | 0 | 0 |
| 24 | 0 | 0 | 0 | 0 |
| 25 | 0 | 0 | 0 | 0 |
| 26 | 0 | 0 | 0 | 0 |
| 27 | 0 | 0 | 0 | 0 |
| 28 | 0 | 0 | 0 | 0 |
| 29 | 0 | 0 | 0 | 0 |
| 30 | 0 | 0 | 0 | 0 |
| 31 | 0 | 0 | 0 | 0 |
| 32 | 0 | 0 | 0 | 0 |
| 33 | 0 | 0 | 0 | 0 |
| 34 | 0 | 0 | 0 | 0 |
| 35 | 0 | 0 | 0 | 0 |
| 36 | 0 | 0 | 0 | 0 |
| 37 | 0 | 0 | 0 | 0 |
| 38 | 0 | 0 | 0 | 0 |
| 39 | 0 | 0 | 0 | 0 |
| 40 | 0 | 0 | 0 | 0 |
| 41 | 0 | 0 | 0 | 0 |
| 42 | 0 | 0 | 0 | 0 |
| 43 | 0 | 0 | 0 | 0 |
| 44 | 0 | 0 | 0 | 0 |
| 45 | 0 | 0 | 0 | 0 |
| 46 | 0 | 0 | 0 | 0 |
| 47 | 0 | 0 | 0 | 0 |
| 48 | 0 | 0 | 0 | 0 |
| 49 | 0 | 0 | 0 | 0 |
| 50 | 0 | 0 | 0 | 0 |
| 51 | 0 | 0 | 0 | 0 |
| 52 | 0 | 0 | 0 | 0 |
| 53 | 0 | 0 | 0 | 0 |
| 54 | 0 | 0 | 0 | 0 |
| 55 | 0 | 0 | 0 | 0 |
| 56 | 0 | 0 | 0 | 0 |
| 57 | 0 | 0 | 0 | 0 |
| 58 | 0 | 0 | 0 | 0 |
| 59 | 0 | 0 | 0 | 0 |
| 60 | 0 | 0 | 0 | 0 |
| 61 | 0 | 0 | 0 | 0 |
| 62 | 0 | 0 | 0 | 0 |
| 63 | 0 | 0 | 0 | 0 |
| 64 | 0 | 0 | 0 | 0 |
| 65 | 0 | 0 | 0 | 0 |
| 66 | 0 | 0 | 0 | 0 |
| 67 | 0 | 0 | 0 | 0 |
| 68 | 0 | 0 | 0 | 0 |
| 69 | 0 | 0 | 0 | 0 |
| 70 | 0 | 0 | 0 | 0 |
| 71 | 0 | 0 | 0 | 0 |
| 72 | 0 | 0 | 0 | 0 |
| 73 | 0 | 0 | 0 | 0 |
| 74 | 0 | 0 | 0 | 0 |
| 75 | 0 | 0 | 0 | 0 |
| 76 | 0 | 0 | 0 | 0 |
| 77 | 0 | 0 | 0 | 0 |
| 78 | 0 | 0 | 0 | 0 |
| 79 | 0 | 0 | 0 | 0 |
| 80 | 0 | 0 | 0 | 0 |
| 81 | 0 | 0 | 0 | 0 |
| 82 | 0 | 0 | 0 | 0 |
| 83 | 0 | 0 | 0 | 0 |
| 84 | 0 | 0 | 0 | 0 |
| 85 | 0 | 0 | 0 | 0 |
| 86 | 0 | 0 | 0 | 0 |
| 87 | 0 | 0 | 0 | 0 |
| 88 | 0 | 0 | 0 | 0 |
| 89 | 0 | 0 | 0 | 0 |
| 90 | 0 | 0 | 0 | 0 |
| 91 | 0 | 0 | 0 | 0 |
| 92 | 0 | 0 | 0 | 0 |
| 93 | 0 | 0 | 0 | 0 |
| 94 | 0 | 0 | 0 | 0 |
| 95 | 0 | 0 | 0 | 0 |
| 96 | 0 | 0 | 0 | 0 |
| 97 | 0 | 0 | 0 | 0 |
| 98 | 0 | 0 | 0 | 0 |
| 99 | 0 | 0 | 0 | 0 |
| 100 | 0 | 0 | 0 | 0 |



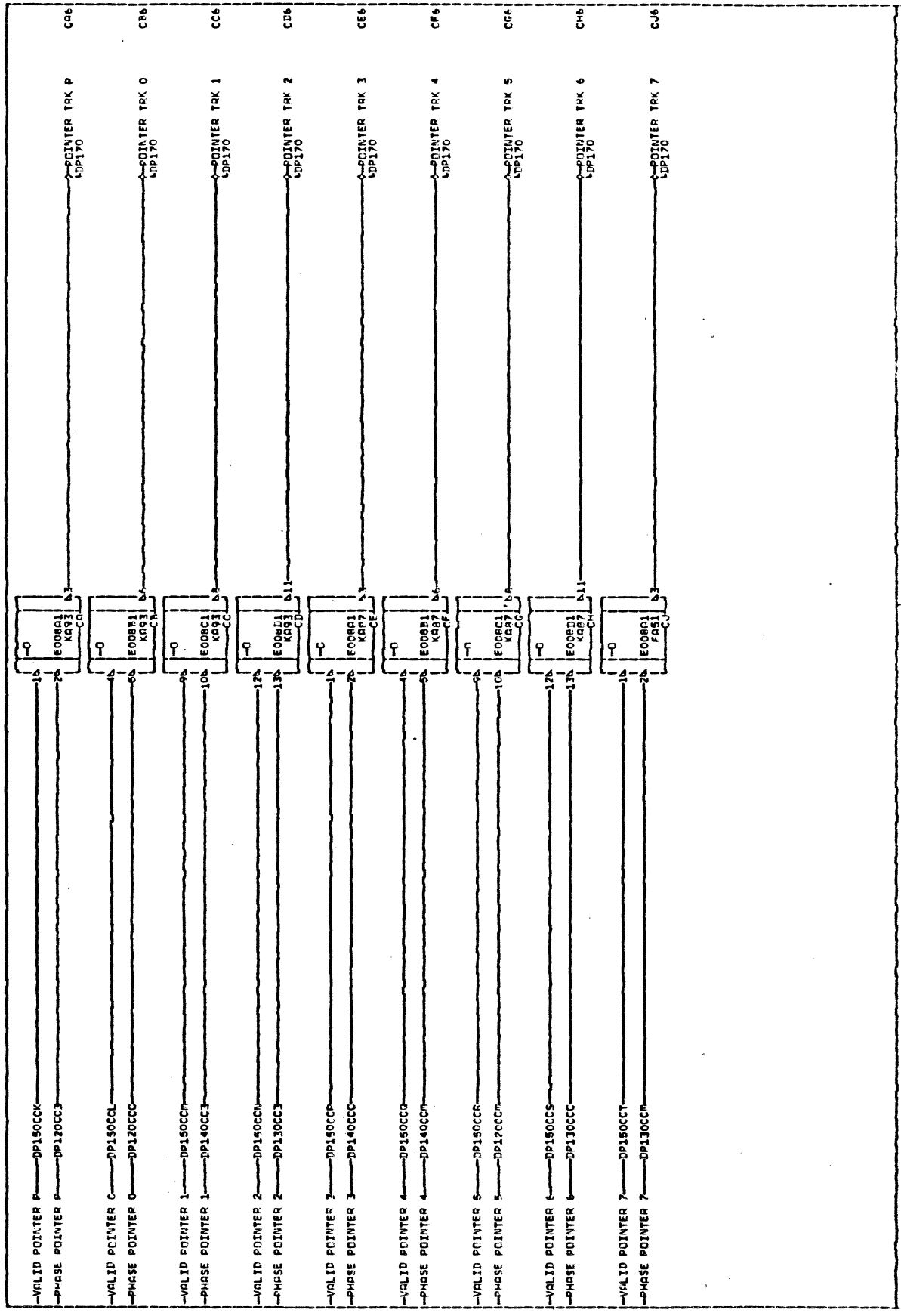
| | | | | | |
|-----------------------|----------|-----------|------------|----------------|----|
| D P 1 0 0 | DATE | REV. E.C. | PREP. E.C. | DRAWING METHOD | PC |
| | 08/27/81 | 49307 | FLYER EC | 01-9 | 0 |
| | DATE | REV. E.C. | PREP. E.C. | DRAWING METHOD | PC |

A B C D E



| | | | | |
|-----------------------|---|--------------------------|--|-----------------------|
| D P 1 2 0 | PREL. E.C. 49307 PREV. E.C. DATE 09/27/83 | SKEW BUFFER BITS P. C. 5 | LITERING METHOD: PC FLYER FC PROTOTYP PG. NO. 4072787-01-3 | D P 1 2 0 |
|-----------------------|---|--------------------------|--|-----------------------|

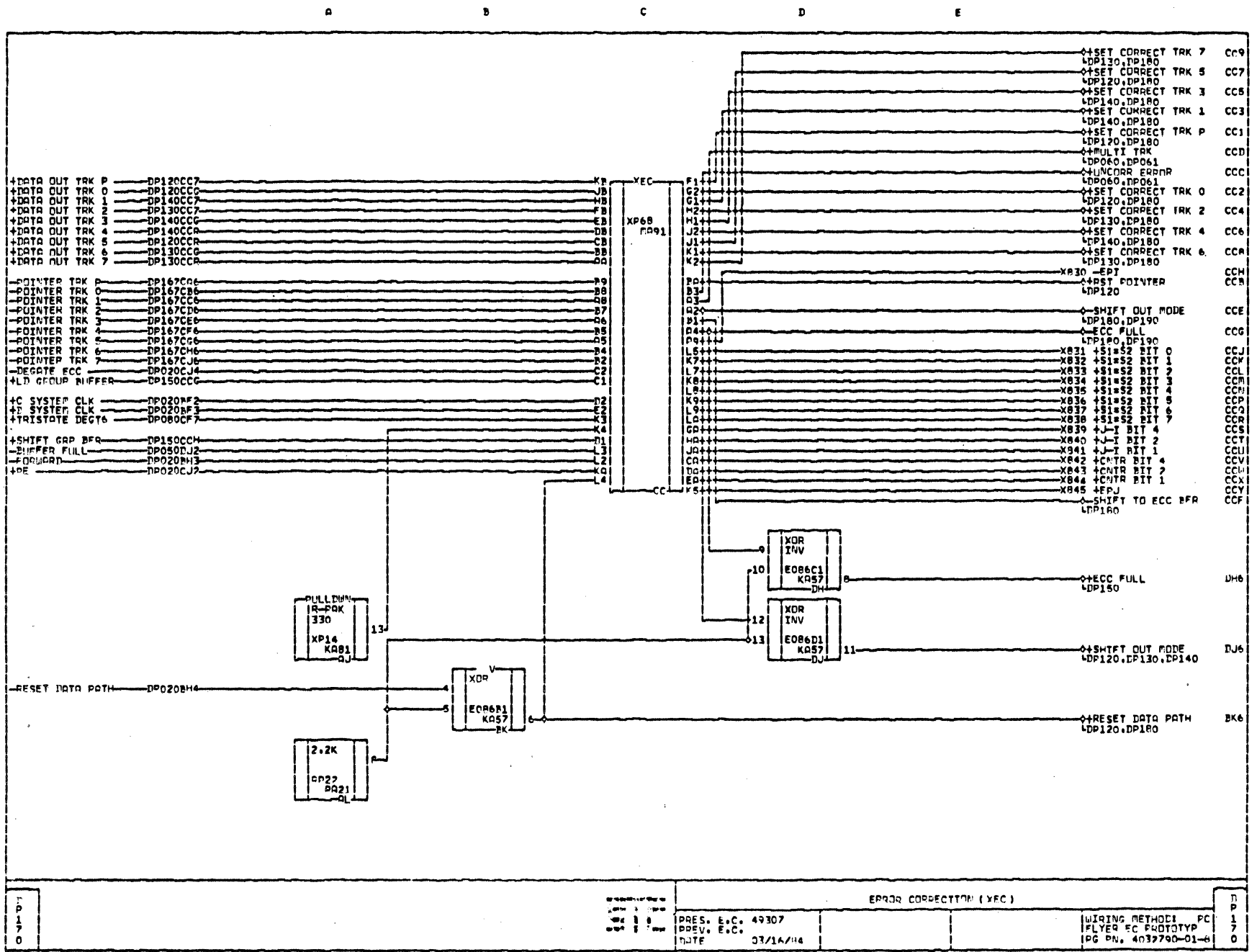
A B C D E



| | | | | | | | | |
|---------------|---------------|---------------|---------------|---------------|---------------|---------------|---------------|---------------|
| PCINTER TRK P | PCINTER TRK O | PCINTER TRK 1 | PCINTER TRK 2 | PCINTER TRK 3 | PCINTER TRK 4 | PCINTER TRK 5 | PCINTER TRK 6 | PCINTER TRK 7 |
| LDP170 | LDP170 | LDP170 | LDP170 | LDP170 | LDP170 | LDP170 | LDP170 | LDP170 |

| | | | | | | | | |
|---------------|---------------|---------------|---------------|---------------|---------------|---------------|---------------|---------------|
| PCINTER TRK P | PCINTER TRK O | PCINTER TRK 1 | PCINTER TRK 2 | PCINTER TRK 3 | PCINTER TRK 4 | PCINTER TRK 5 | PCINTER TRK 6 | PCINTER TRK 7 |
| LDP170 | LDP170 | LDP170 | LDP170 | LDP170 | LDP170 | LDP170 | LDP170 | LDP170 |

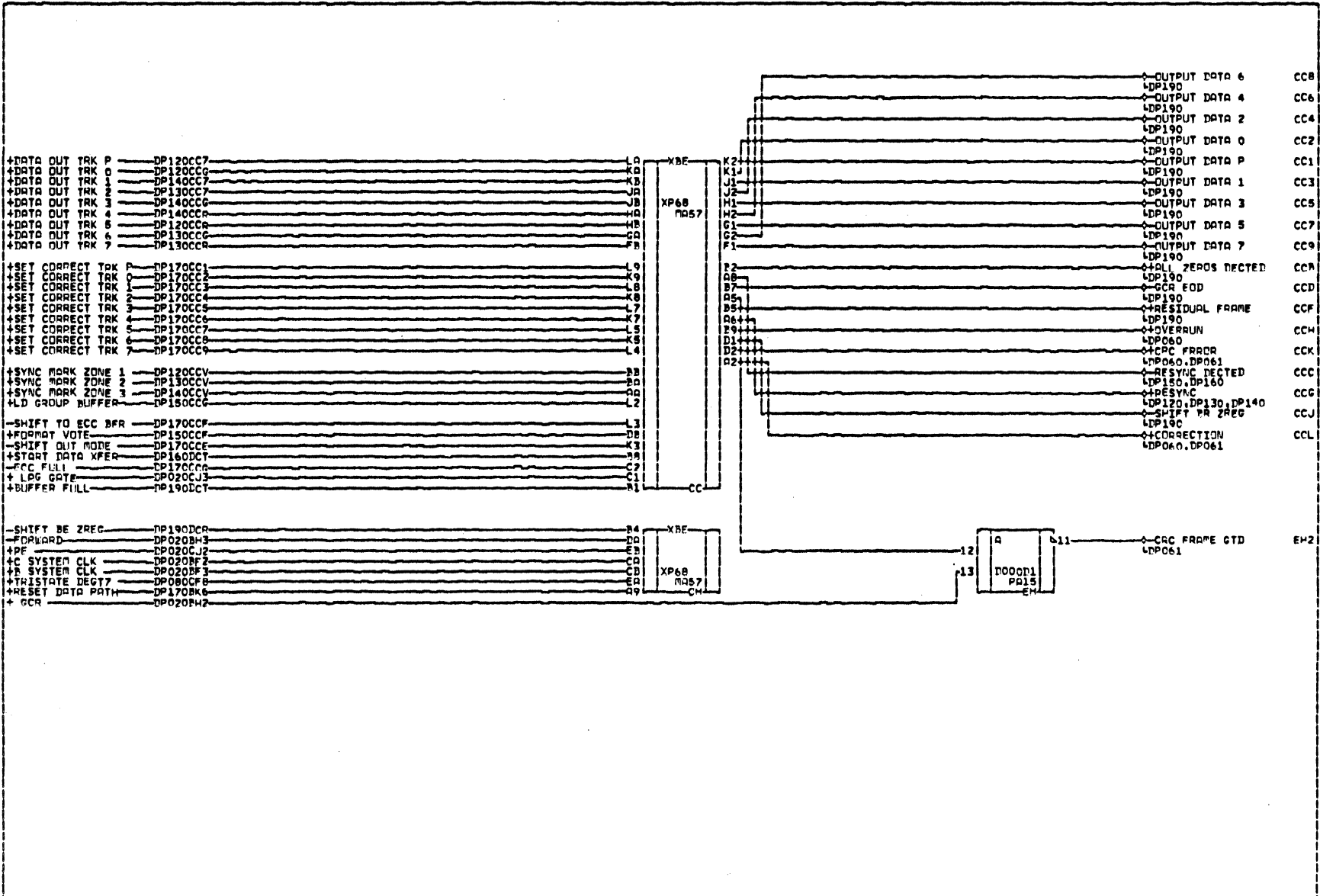
| | | | | | | | | |
|---------------|---------------|---------------|---------------|---------------|---------------|---------------|---------------|---------------|
| PCINTER TRK P | PCINTER TRK O | PCINTER TRK 1 | PCINTER TRK 2 | PCINTER TRK 3 | PCINTER TRK 4 | PCINTER TRK 5 | PCINTER TRK 6 | PCINTER TRK 7 |
| LDP170 | LDP170 | LDP170 | LDP170 | LDP170 | LDP170 | LDP170 | LDP170 | LDP170 |



| | | | | |
|------------------|------------------------|----------------------|-------------------|------------------|
| P 1 7 0 | ERROR CORRECTION (XFC) | | | P 1 7 0 |
| | PRES. E.C. 49307 | WIRING METHOD: PC | FLYER EC PROTOTYP | |
| | DATE 07/16/84 | IPG PN. 4032790-01-6 | | |

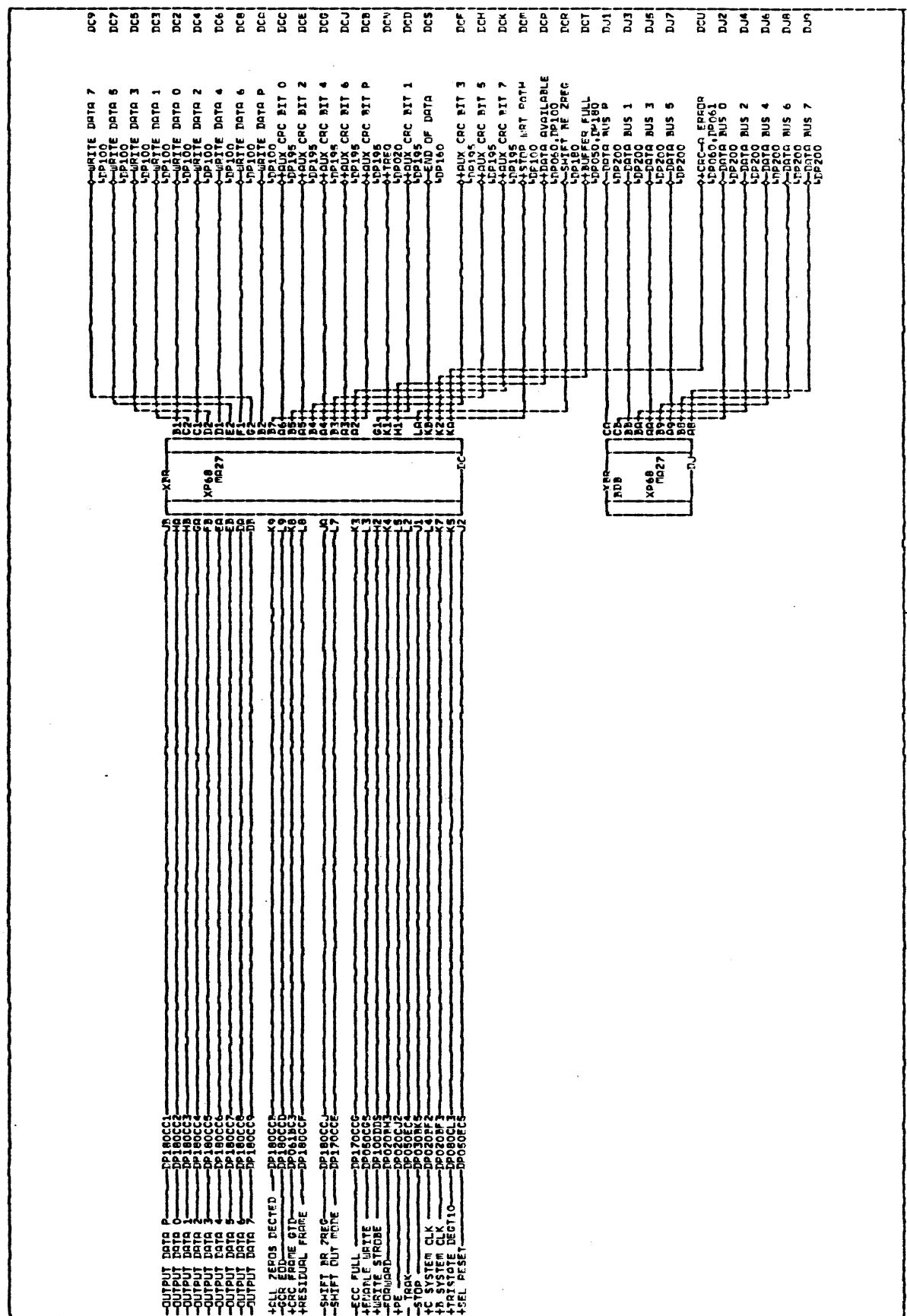
A B C D E

A
B
C
D
E
F
G
H
J
K
L
T



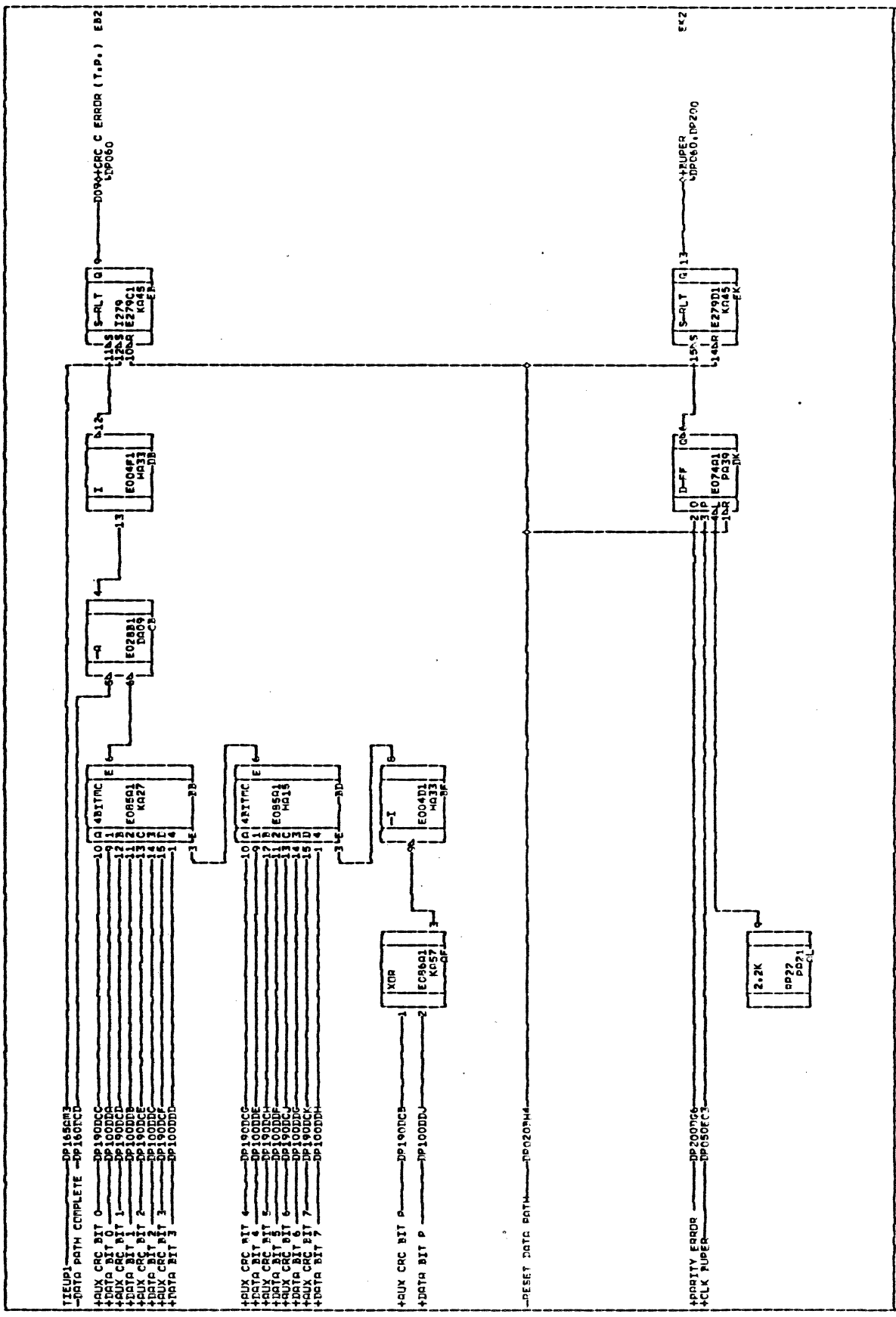
| | | | | | |
|-----------------------|---|---------------|---------------|--|-----------------------|
| D P 1 8 0 | XP68 PA57 XP68 PA57 CM | DOOD1 PA15 EM | BACKEND (MFE) | WIRING METHOD 11 PC FLYER EC PROTOTYP PG. NO. 4032791-01-6 | D P 1 8 0 |
| | PRES. E.C. 49307 PREV. E.C. DATE 08/23/83 | | | | |

A B C D E

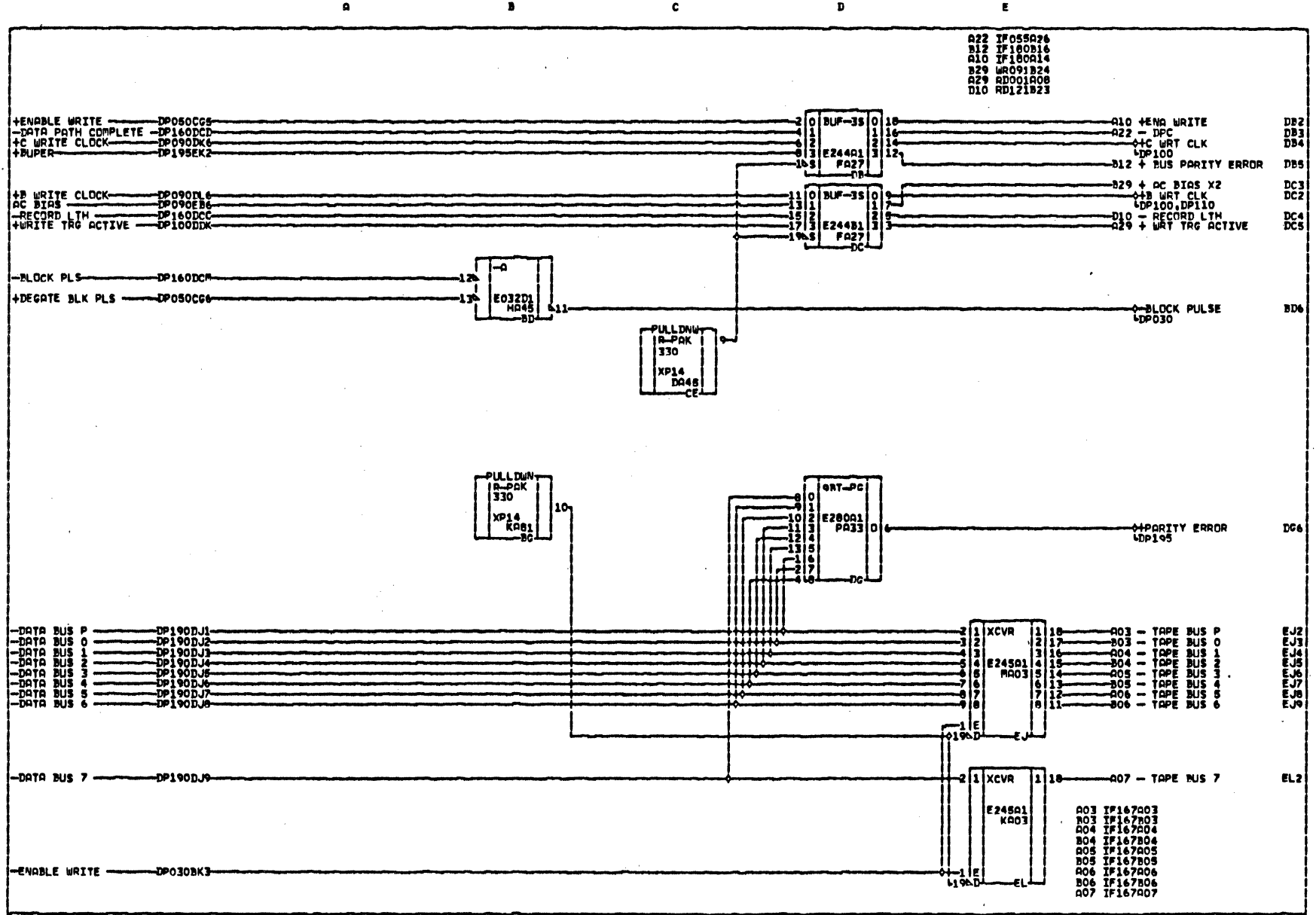


| | | | | |
|-----|------------------|-----|------------------------|----|
| DC9 | WRITE DATA 7 | DC9 | DATA PATH BUFFER (XMR) | PC |
| DC7 | WRITE DATA 5 | DC7 | | 1 |
| DC5 | WRITE DATA 3 | DC5 | | 3 |
| DC3 | WRITE DATA 1 | DC3 | | 5 |
| DC2 | WRITE DATA 0 | DC2 | | 7 |
| DC4 | WRITE DATA 2 | DC4 | | 9 |
| DC6 | WRITE DATA 4 | DC6 | | 11 |
| DC8 | WRITE DATA 6 | DC8 | | 13 |
| DC1 | WRITE DATA P | DC1 | | 15 |
| ECC | LCP100 CRC BIT 0 | ECC | | 17 |
| DCE | LCP195 CRC BIT 2 | DCE | | 19 |
| DCG | LCP195 CRC BIT 4 | DCG | | 21 |
| DCJ | LCP195 CRC BIT 6 | DCJ | | 23 |
| DCB | LCP195 CRC BIT P | DCB | | 25 |
| DCN | LCP195 CRC BIT 1 | DCN | | 27 |
| DCD | END OF DATA | DCD | | 29 |
| DCS | LCP160 | DCS | | 31 |
| DCF | LCP195 | DCF | | 33 |
| ECH | LCP195 | ECH | | 35 |
| DCK | LCP195 | DCK | | 37 |
| DCM | STOP INT PATH | DCM | | 39 |
| DCP | DATA AVAILABLE | DCP | | 41 |
| DCR | SHIFT RR ZREG | DCR | | 43 |
| DCT | REGISTER FULL | DCT | | 45 |
| DJ1 | DATA BUS P | DJ1 | | 47 |
| DJ3 | DATA BUS 1 | DJ3 | | 49 |
| DJ5 | DATA BUS 3 | DJ5 | | 51 |
| DJ7 | DATA BUS 5 | DJ7 | | 53 |
| DCU | LCP200 | DCU | | 55 |
| DJ2 | LCP200 EPEND | DJ2 | | 57 |
| DJ4 | DATA BUS 0 | DJ4 | | 59 |
| DJ6 | DATA BUS 2 | DJ6 | | 61 |
| DJ8 | DATA BUS 4 | DJ8 | | 63 |
| DJ9 | DATA BUS 6 | DJ9 | | 65 |
| | DATA BUS 7 | | | 67 |

A B C D E



| | | | | |
|---|----------|-----------|---------------------|----|
| 1 | 2 | 3 | 4 | 5 |
| PE AUX-CRC COMPARE, CORRECTION, AND RUPER LATCHES | | | | |
| DESIGNER | DATE | REV. E.C. | WIRING METHOD | FC |
| | 07/16/84 | 49307 | FLYER EC PRATTYS | 1 |
| | | | IPC NO. 407293-01-2 | 5 |



A22 IF055A74
 B12 IF180B16
 A10 IF180A14
 B29 WR091B24
 A29 A0001A08
 D10 AD121B23

A
 B
 C
 D
 E
 F
 G
 H
 J
 K
 L
 M

D
 P
 V
 O

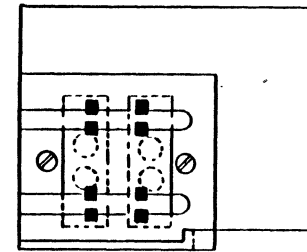
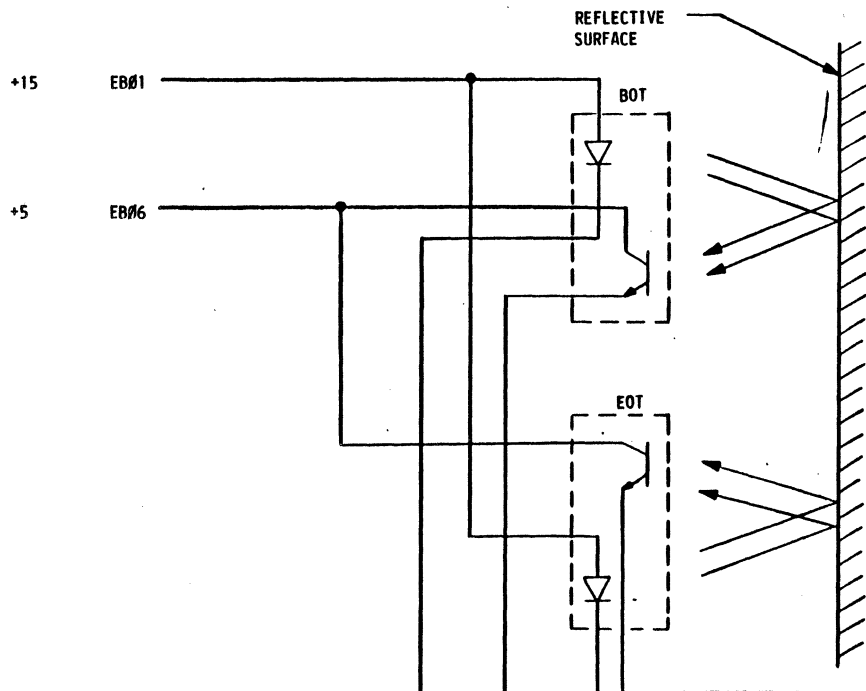


PRES. E.C. 49403
 PREV. E.C. 49307
 DATE 12/15/83

OUTPUTS

WIRING METHOD: PC
 FLYER EC PROTOTYP
 PG. PN. 4032794-02-8

D
 P
 V
 O



COMPONENT SIDE

- EB05 +EOT EMITTER
WR201
- EB04 +BOT EMITTER
WR201
- C26 EB02 +BOT CATHODE
WR191
- EB03 +EOT CATHODE
WR191



GAF Polytone 033

| | | | |
|--|-----------------|----------|---------------------|
| EB EB CARD AB PAGE/SYSTEM LOGIC | | | |
| PRES. E.C. 49504 | MACH. AVALANCHE | CD. LOC. | CD. P.N. 4030813-XX |
| PREV. E.C. NONE | VERS. | GATE | CD. TYPE EB |
| DATE 4-17-84 | GBL. NOT. | FRAME | PG. P.N. 4034442-01 |

A B 0 0 1



Storage Technology Corporation
TECHNOLOGY CORP.

ASSEMBLY PARTS LIST
BUILD ARC DOC

| | | |
|------------|------|----------|
| PRINT DATE | PAGE | E.C. NO. |
| 07-11-84 | 1 | 49626P |

| DIV. | | ASSEMBLY NUMBER | | CD | REV. | DWG. | DESCRIPTION | | | MC | STATUS | STATUS DATE | FILE DATE | | | |
|------|---------|-----------------|-------------|----|------|------|----------------------------|--|--|----|--------|-------------|---------------|-----|-------|--------|
| 0500 | | 403339112 | | 1 | P | N | CD LGC GP 1F 403222211/311 | | | N | REL. | 07-02-84 | 292X 07-10-84 | | | |
| T | Find no | LI | PART NUMBER | CD | QTY | U/M | PART DESCRIPTION | | | MC | YLD | E.C. NO IN | E.C. NO. OUT | S/N | WK IN | WK OUT |
| | 000 | 01 | 403409707 | 3 | REF | PC | CD LGC AM059 PC | | | D | | 49598 | 49626 | | 8419 | 8423 |
| | 000 | 02 | 403409708 | 1 | REF | PC | CD LGC AM059 PC | | | D | | 49626 | 49649 | | 8423 | 8428 |
| | 000 | 03 | 403409709 | 9 | REF | PC | CD LGC AM059 PC | | | D | | 49649 | | | 8428 | |
| | 001 | 01 | 403408802 | 3 | REF | PC | CD LGC IF001 PC | | | D | | 49598 | | | 8419 | |
| | 003 | 01 | 403408901 | 3 | REF | PC | CD LOG, IF003, PC | | | D | | | | | | |
| | 005 | 01 | 403409001 | 1 | REF | PC | CD LOG, IF005, PC | | | D | | | | | | |
| | 010 | 01 | 403409101 | 9 | REF | PC | CD LOG, IF010, PC | | | D | | | | | | |
| | 015 | 01 | 403409201 | 7 | REF | PC | CD LOG, IF015, PC | | | D | | | | | | |
| | 017 | 01 | 403409301 | 5 | REF | PC | CD LOG, IF017, PC | | | D | | | | | | |
| | 020 | 01 | 403409401 | 3 | REF | PC | CD LOG, IF020, PC | | | D | | | | | | |
| | 022 | 01 | 403409501 | 0 | REF | PC | CD LOG, IF022, PC | | | D | | | | | | |
| | 025 | 01 | 403409601 | 8 | REF | PC | CD LOG, IF025, CP | | | D | | | | | | |
| | 030 | 01 | 403457001 | 2 | REF | PC | CD LOG, IF030, PC | | | D | | | | | | |
| | 033 | 01 | 403409801 | 4 | REF | PC | CD LOG, IF033, PC | | | D | | | | | | |
| | 035 | 01 | 403409901 | 2 | REF | PC | CD LOG, IF035, PC | | | D | | | | | | |
| | 038 | 01 | 403410001 | 8 | REF | PC | CD LOG, IF038, PC | | | D | | | | | | |
| | 040 | 01 | 403410101 | 6 | REF | PC | CD LOG, IF040, PC | | | D | | | | | | |
| | 045 | 01 | 403410201 | 4 | REF | PC | CD LOG, IF045, PC | | | D | | | | | | |
| | 050 | 01 | 403410301 | 2 | REF | PC | CD LOG, IF050, PC | | | D | | | | | | |
| | 051 | 01 | 403410401 | 0 | REF | PC | CD LOG, IF051, PC | | | D | | | | | | |
| | 052 | 01 | 403410501 | 7 | REF | PC | CD LOG, IF052, PC | | | D | | | | | | |
| | 055 | 01 | 403410601 | 5 | REF | PC | CD LOG, IF055, PC | | | D | | | | | | |



Storage Technology Corporation
TECHNOLOGY CORP.

ASSEMBLY PARTS LIST
BUILD ARC DOC

| | | |
|------------|------|----------|
| PRINT DATE | PAGE | E.C. NO. |
| 07-11-84 | 2 | 49626P |

| DIV. | | ASSEMBLY NUMBER | | CD | REV. | DWG. | DESCRIPTION | | | MC | STATUS | STATUS DATE | | | FILE DATE | |
|-----------|----|-----------------|----|----|----------|------|----------------------------|--|--|----|--------|-------------|--------------|-----|---------------|--------|
| 0500 | | 40339113 | | 1 | P | N | CD LGC GP 1F 403222211/311 | | | N | REL | 07-02-84 | | | 292X 07-10-84 | |
| T Find no | LI | PART NUMBER | CD | M | QUANTITY | U/M | PART DESCRIPTION | | | MC | YLD | E.C. NO. IN | E.C. NO. OUT | S/N | WK IN | WK OUT |
| 058 | 01 | 403457101 | 0 | | REF | PC | CD LOG, IF058, PC | | | D | | | | | | |
| 060 | 01 | 403410802 | 9 | | REF | PC | CD LGC IF060 PC | | | D | | 49598 | | | 8419 | |
| 061 | 01 | 403410902 | 7 | | REF | PC | CD LGC IF061 PC | | | D | | 49598 | 49626 | | 8419 | 8423 |
| 061 | 02 | 403410903 | 5 | | REF | PC | CD LGC IF061 NC | | | D | | 49626 | 49626P | | 8423 | 8423 |
| 061 | 03 | 403410904 | 3 | | REF | PC | CD LGC IF061 PC | | | D | | 49626P | | | 8423 | |
| 065 | 01 | 403411001 | 7 | | REF | PC | CD LOG, IF065, PC | | | D | | | | | | |
| 095 | 01 | 403411102 | 3 | | REF | PC | CD LGC IF095 PC | | | D | | 49598 | | | 8419 | |
| 096 | 01 | 403411201 | 3 | | REF | PC | CD LOG, IF096, PC | | | D | | | | | | |
| 098 | 01 | 403411301 | 1 | | REF | PC | CD LOG, IF098, PC | | | D | | | | | | |
| 099 | 01 | 403411401 | 9 | | REF | PC | CD LOG, IF099, PC | | | D | | | | | | |
| 100 | 01 | 403411501 | 6 | | REF | PC | CD LOG, IF100, PC | | | D | | | | | | |
| 105 | 01 | 403411601 | 4 | | REF | PC | CD LOG, IF105, PC | | | D | | | | | | |
| 107 | 01 | 403411701 | 2 | | REF | PC | CD LOG, IF107, PC | | | D | | | | | | |
| 110 | 01 | 403411801 | 0 | | REF | PC | CD LOG, IF110, PC | | | D | | | | | | |
| 113 | 01 | 403411901 | 8 | | REF | PC | CD LOG IF113, PC | | | D | | | | | | |
| 115 | 01 | 403412001 | 6 | | REF | PC | CD LOG IF115, PC | | | D | | | | | | |
| 120 | 01 | 403412101 | 4 | | REF | PC | CD LOG IF120, PC | | | D | | | | | | |
| 125 | 01 | 403412201 | 2 | | REF | PC | CD LOG IF125, PC | | | D | | | | | | |
| 130 | 01 | 403412301 | 0 | | REF | PC | CD LOG IF130, PC | | | D | | | | | | |
| 135 | 01 | 403412401 | 8 | | REF | PC | CD LOG IF135, PC | | | D | | | | | | |
| 140 | 01 | 403412501 | 5 | | REF | PC | CD LOG IF140, PC | | | D | | | | | | |
| 142 | 01 | 403412601 | 3 | | REF | PC | CD LOG IF142, PC | | | D | | | | | | |

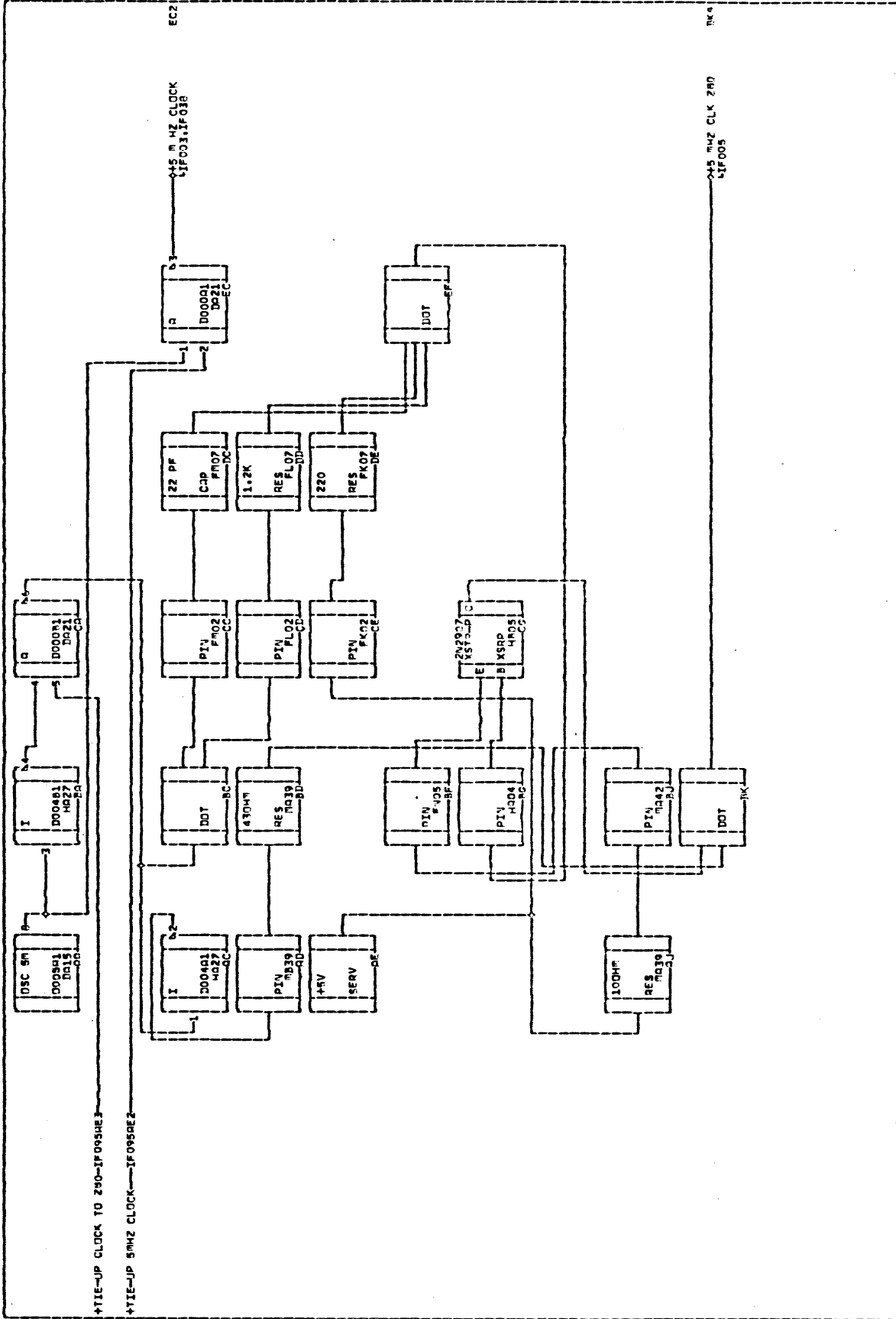


Storage Technology Corporation
TECHNOLOGY CORP.

ASSEMBLY PARTS LIST
BUILD ARC DOC

| | | |
|------------|------|----------|
| PRINT DATE | PAGE | E.C. NO. |
| 07-11-84 | 3 | 49626P |

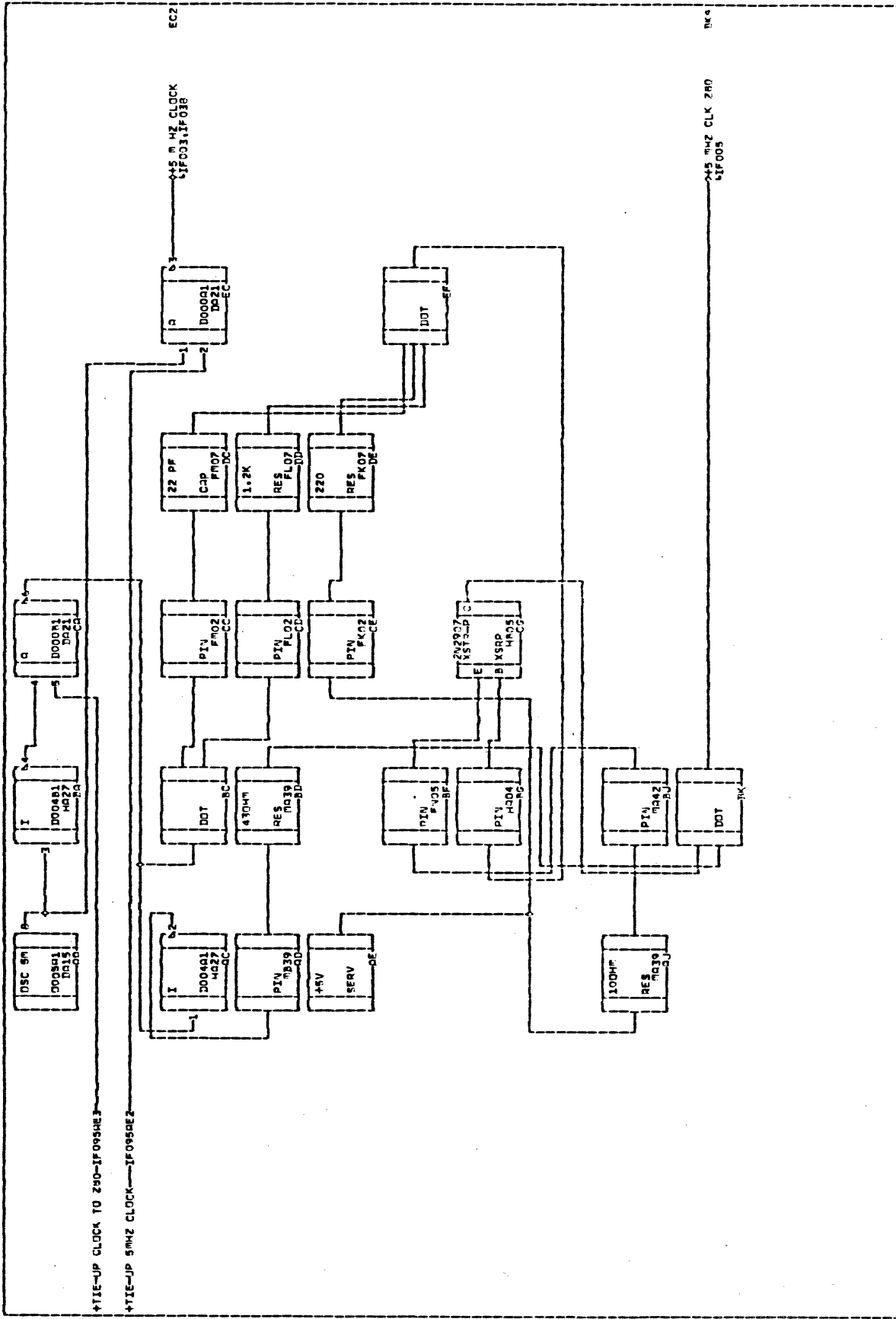
| DIV. | ASSEMBLY NUMBER | CD | REV. | DWG. | DESCRIPTION | MC | STATUS | STATUS DATE | FILE DATE | | | | | |
|------------------|-----------------|-------------|------|------|----------------------------|-----|--------------------|-------------|---------------|------------|--------------|-----|-------|--------|
| 0500 | 403339113 | 1 | P | N | CD LGC GP 1F 403222211/311 | N | REL | 07-02-84 | 292X 07-10-84 | | | | | |
| T Find no | LI | PART NUMBER | CD | M | QUANTITY | U/M | PART DESCRIPTION | MC | YLD | E.C. NO IN | E.C. NO. OUT | S/N | WK IN | WK OUT |
| 143 | 01 | 403412701 | 1 | | REF | PC | CD LOG IF143,PC | D | | | | | | |
| 145 | 01 | 403412801 | 9 | | REF | PC | CD LOG IF145,PC | D | | | | | | |
| 150 | 01 | 403412901 | 7 | | REF | PC | CD LOG IF150,PC | D | | | | | | |
| 155 | 01 | 403413001 | 5 | | REF | PC | CD LOG IF155,PC | D | | | | | | |
| 156 | 01 | 403413101 | 3 | | REF | PC | CD LOG IF156,PC | D | | | | | | |
| 157 | 01 | 403413201 | 1 | | REF | PC | CD LOG IF157,PC | D | | | | | | |
| 160 | 01 | 403413301 | 9 | | REF | PC | CD LOG IF160,PC | D | | | | | | |
| 165 | 01 | 403413401 | 7 | | REF | PC | CD LOG IF165,PC | D | | | | | | |
| 167 | 01 | 403413501 | 4 | | REF | PC | CD LOG IF167,PC | D | | | | | | |
| 168 | 01 | 403413601 | 2 | | REF | PC | CD LOG IF168,PC | D | | | | | | |
| 170 | 01 | 403413701 | 0 | | REF | PC | CD LOG IF 170,PC | D | | | | | | |
| 175 | 01 | 403413801 | 8 | | REF | PC | CD LOG IF175,PC | D | | | | | | |
| 180 | 01 | 403413901 | 6 | | REF | PC | CD LOG IF IF180 PC | D | | | | | | |
| 500 | 01 | 403222310 | 1 | | REF | PC | CKT,CD,IF,PC,ASSY | S | | 49598 | 49626 | | 8419 | 8423 |
| 500 | 02 | 403222311 | 9 | | REF | PC | CKT CD 1F PC ASSY | S | | 49626 | | | 8423 | |
| 501 | 01 | 403222210 | 3 | | REF | PC | CKT CD, IF,PC ASSY | S | | 49598 | 49626 | | 8419 | 8423 |
| 501 | 02 | 403222211 | 1 | | REF | PC | CKT CD 1F PC ASSY | S | | 49626 | | | 8423 | |
| 0060 TOTAL LINES | | | | | | | | | | | | | | |



| | | | | |
|-----|----------|----|------|-------|
| REV | DATE | BY | CHKD | APP'D |
| 1 | 05/15/31 | | | |
| 1 | 05/15/31 | | | |
| 0 | 05/15/31 | | | |
| 0 | 05/15/31 | | | |
| 0 | 05/15/31 | | | |
| 1 | 05/15/31 | | | |

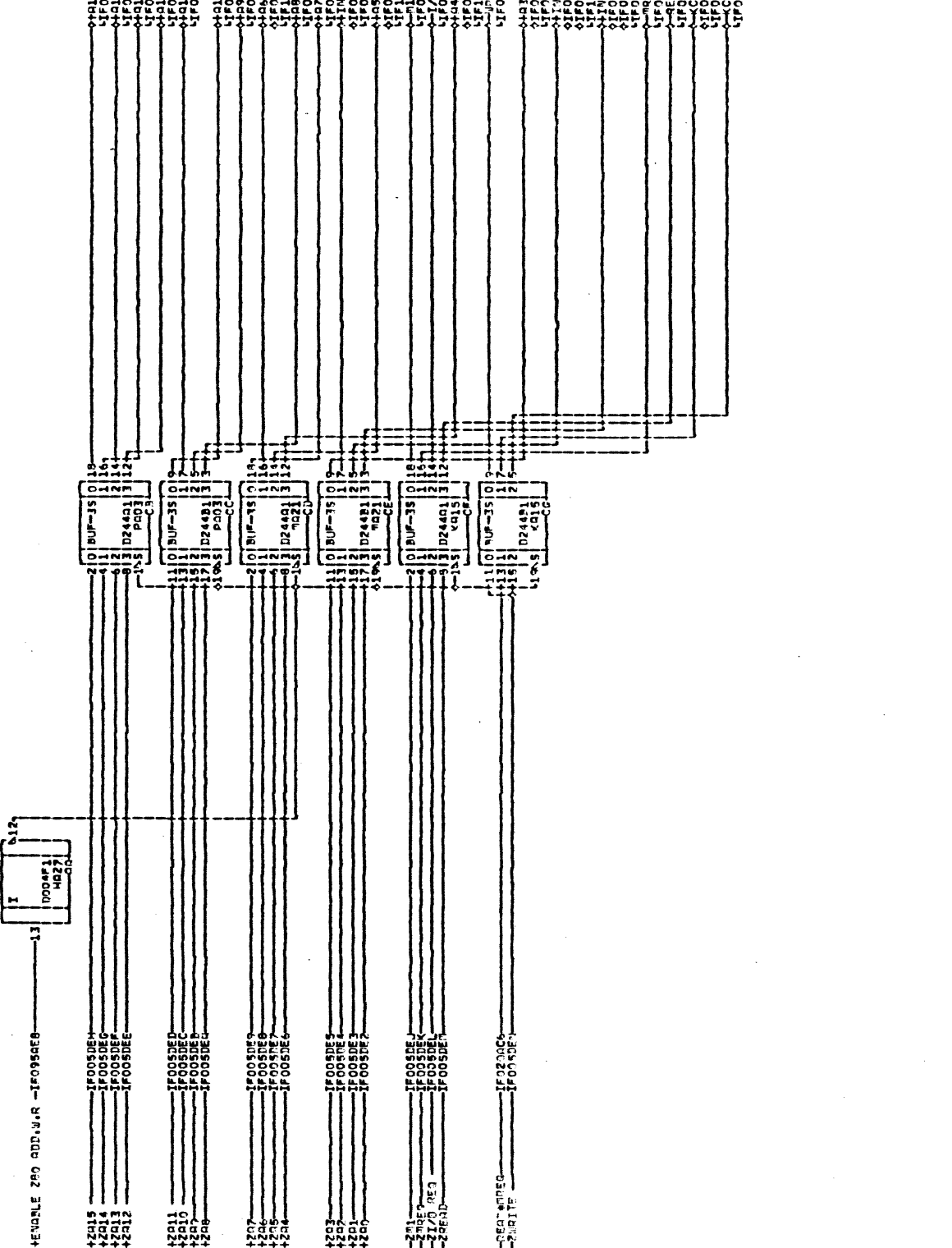
2000 CLK DRIVER CIRCUIT
 DESIGNED BY: E.C. 4938
 DRAWN BY: E.C. 4932
 CHECKED BY: E.C. 4932
 DATE: 05/15/31

LIVING METHOD PC
 FLVFR FC 000311YP
 PC PN, 4034088-02-3



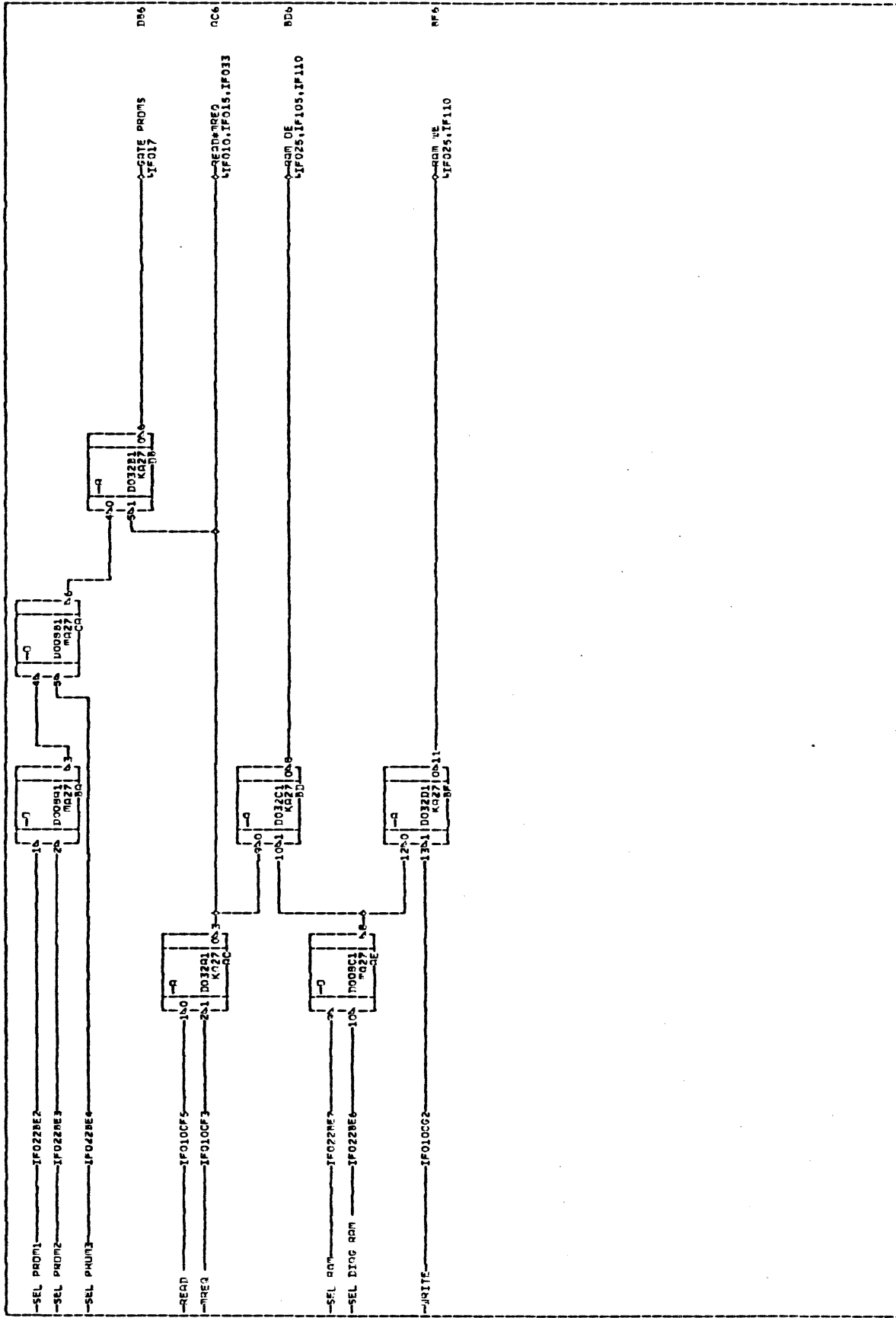
| | | | |
|---|-------------------------|--------------|--------------|
| 1 | 2MHz CLK DRIVER CIRCUIT | STATS METHOD | PC |
| 0 | | FLYER FC | ADDITVBS |
| 0 | | PG PN. | 403408B-02-3 |
| 1 | | DATE | 05/15/73 |
| | | DES: EIC | 4939 |
| | | DRS: EIC | 4939 |

A B C D E
 1 2 3 4 5 6 7 8 9 10 11 12 13 14 15 16 17 18 19 20 21 22 23 24 25 26 27 28 29 30 31 32 33 34 35 36 37 38 39 40 41 42 43 44 45 46 47 48 49 50 51 52 53 54 55 56 57 58 59 60 61 62 63 64 65 66 67 68 69 70 71 72 73 74 75 76 77 78 79 80 81 82 83 84 85 86 87 88 89 90 91 92 93 94 95 96 97 98 99 100



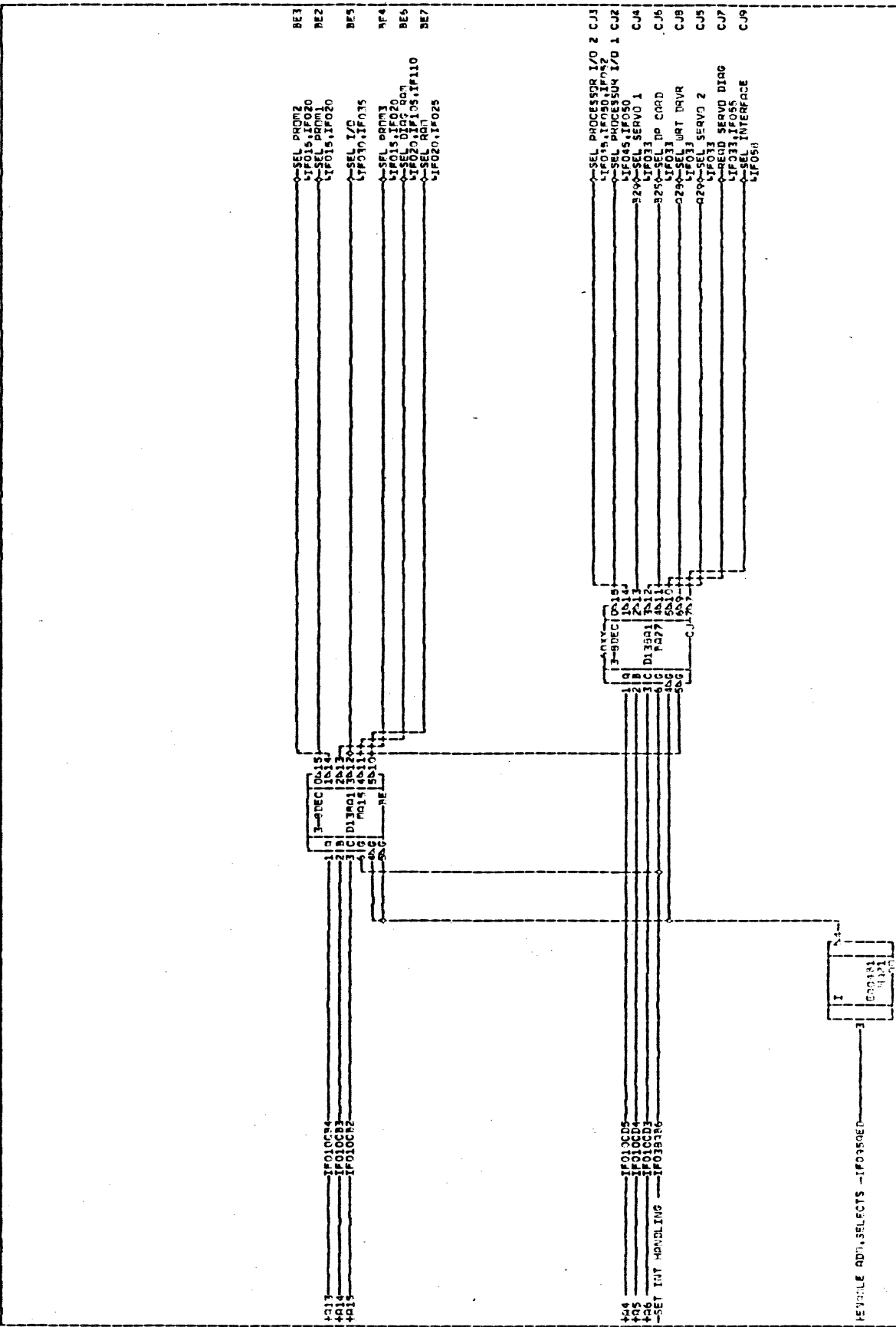
| | | | | |
|---|--|--------------------|----------------|--------------------|
| 1 | 240 COUNTERS AND ADDRESS BUS BUFFERING | ISSUES: E.C. 49392 | DATE: 07/30/83 | WORKING METHOD: PC |
| 0 | | PREP: E.C. | | LEVEL: EC |
| 0 | | DATE | | IDENTITY: 01-9 |
| 0 | | | | PS PN: 431491-01-9 |

A B C D E



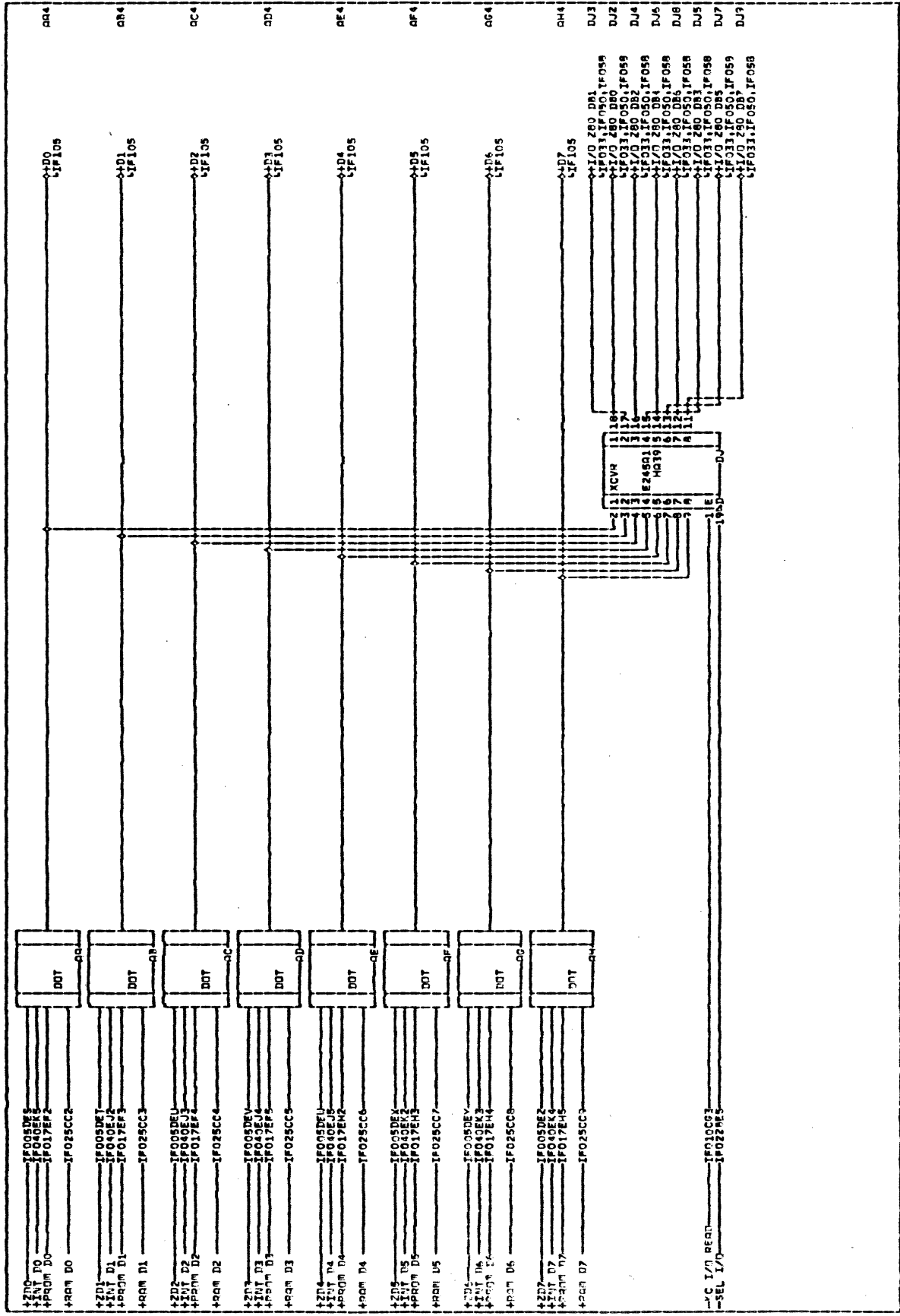
| | | | | | |
|--------|------|----|------|------|---|
| REV. 0 | DATE | BY | CHKD | APPD | DESCRIPTION |
| 1 | | | | | EPROM AND RAM READ/WRITE/STATE CONTROLS |
| 2 | | | | | DES: EIC: 4332 |
| 3 | | | | | PREP: EIC: 26/30/83 |
| 4 | | | | | NOTE: EIC: 26/30/83 |
| 5 | | | | | PC PN: 4031034-01-1 |
| 6 | | | | | |

A B C D E

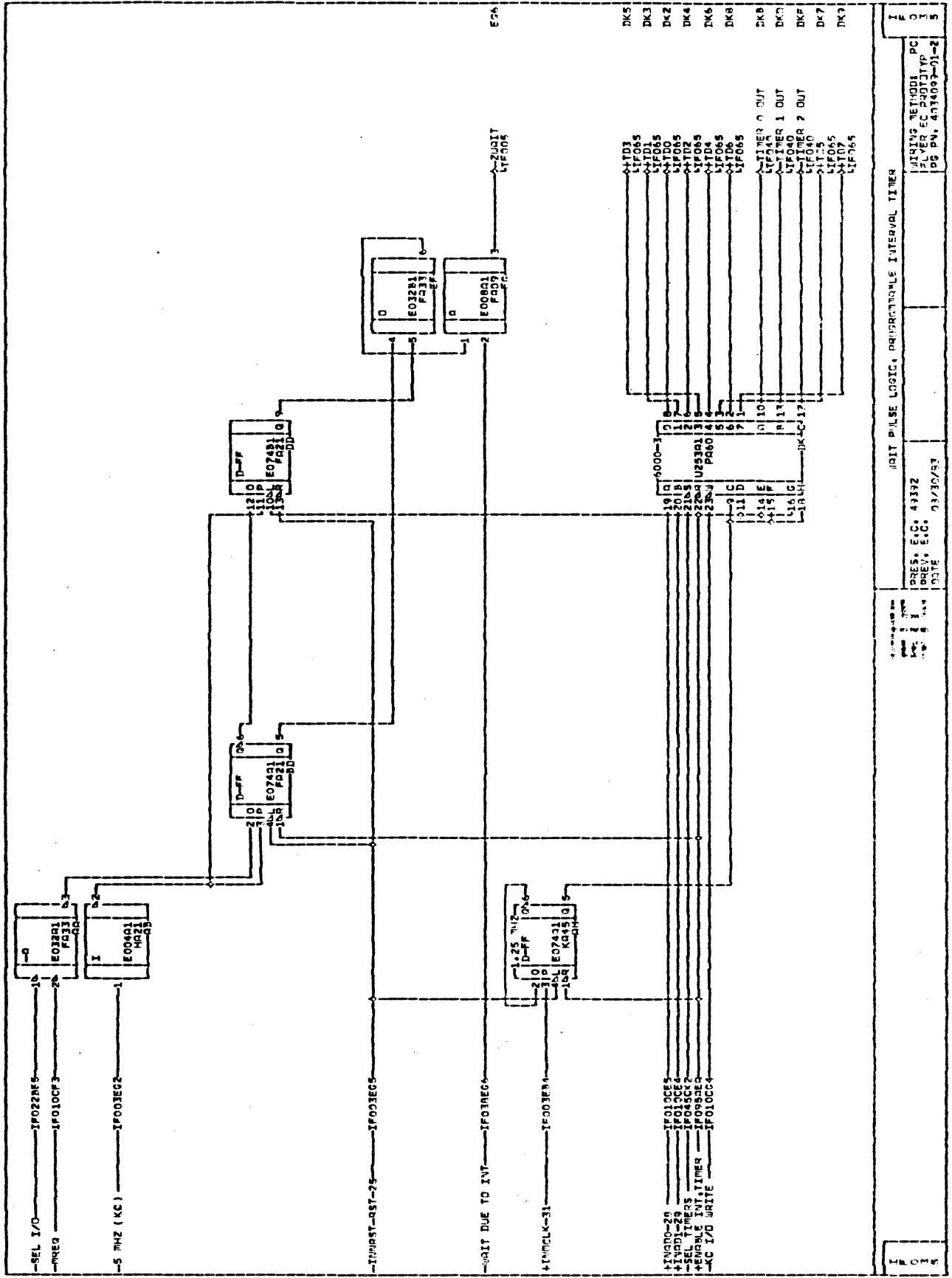


| | | | | | | | | | | | | | | | | | | | | | | | | | | | | | | | | | | | | | | | | | | | | | | | | | | | | | | | | | | | | | | | | | | | | | | | | | | | | | | | | | | | | | | | | | | | | | | | | | | | |
|------------------------------|---|---|---|---|---|---|---|---|----|---------------------|----|----|----|----|----|----|----|----|----|---------------------|----|----|----|----|----|----|----|----|----|----|----|----|----|----|----|----|----|----|----|----|----|----|----|----|----|----|----|----|----|----|----|----|----|----|----|----|----|----|----|----|----|----|----|----|----|----|----|----|----|----|----|----|----|----|----|----|----|----|----|----|----|----|----|----|----|----|----|----|----|----|----|----|----|----|----|----|----|----|-----|
| 1 | 2 | 3 | 4 | 5 | 6 | 7 | 8 | 9 | 10 | 11 | 12 | 13 | 14 | 15 | 16 | 17 | 18 | 19 | 20 | 21 | 22 | 23 | 24 | 25 | 26 | 27 | 28 | 29 | 30 | 31 | 32 | 33 | 34 | 35 | 36 | 37 | 38 | 39 | 40 | 41 | 42 | 43 | 44 | 45 | 46 | 47 | 48 | 49 | 50 | 51 | 52 | 53 | 54 | 55 | 56 | 57 | 58 | 59 | 60 | 61 | 62 | 63 | 64 | 65 | 66 | 67 | 68 | 69 | 70 | 71 | 72 | 73 | 74 | 75 | 76 | 77 | 78 | 79 | 80 | 81 | 82 | 83 | 84 | 85 | 86 | 87 | 88 | 89 | 90 | 91 | 92 | 93 | 94 | 95 | 96 | 97 | 98 | 99 | 100 |
| MEMORY AND CARD SELECT LINES | | | | | | | | | | SERVO ADDRESS | | | | | | | | | | SERVO | | | | | | | | | | | | | | | | | | | | | | | | | | | | | | | | | | | | | | | | | | | | | | | | | | | | | | | | | | | | | | | | | | | | | | | | | | | | | | | |
| ADDRESS: E.C. 43382 | | | | | | | | | | ADDRESS: E.C. 43382 | | | | | | | | | | ADDRESS: E.C. 43382 | | | | | | | | | | | | | | | | | | | | | | | | | | | | | | | | | | | | | | | | | | | | | | | | | | | | | | | | | | | | | | | | | | | | | | | | | | | | | | | |
| DATE: 31/10/73 | | | | | | | | | | DATE: 31/10/73 | | | | | | | | | | DATE: 31/10/73 | | | | | | | | | | | | | | | | | | | | | | | | | | | | | | | | | | | | | | | | | | | | | | | | | | | | | | | | | | | | | | | | | | | | | | | | | | | | | | | |
| DRAWN: E.C. | | | | | | | | | | DRAWN: E.C. | | | | | | | | | | DRAWN: E.C. | | | | | | | | | | | | | | | | | | | | | | | | | | | | | | | | | | | | | | | | | | | | | | | | | | | | | | | | | | | | | | | | | | | | | | | | | | | | | | | |
| BY: 4034098-01-0 | | | | | | | | | | BY: 4034098-01-0 | | | | | | | | | | BY: 4034098-01-0 | | | | | | | | | | | | | | | | | | | | | | | | | | | | | | | | | | | | | | | | | | | | | | | | | | | | | | | | | | | | | | | | | | | | | | | | | | | | | | | |

A B C D E

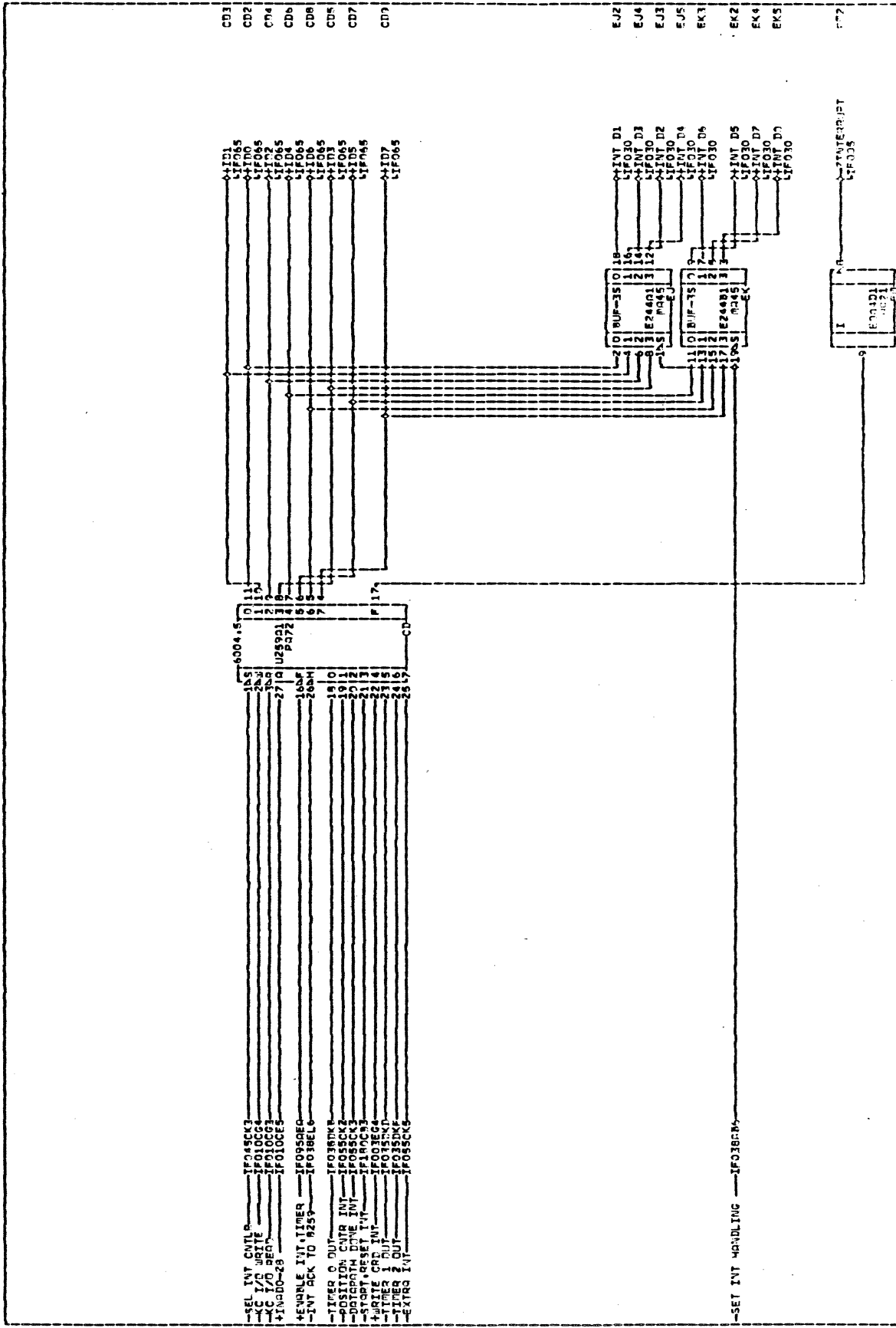


| | | | | | | | | | |
|-------------------------------|---|---|---|---|---|---|---|---|----|
| 1 | 2 | 3 | 4 | 5 | 6 | 7 | 8 | 9 | 10 |
| Q | R | S | T | U | V | W | X | Y | Z |
| Z80 CPU, PRDT, DVD RAM 15 BUS | | | | | | | | | |
| PRES. E.C. 49392 | | | | | | | | | |
| PREV. E.C. 09/10/A3 | | | | | | | | | |
| DATE | | | | | | | | | |
| DRAWING (E.L.D.D1) PC | | | | | | | | | |
| DRAWING (E.C.) | | | | | | | | | |
| DRAWING (S.134373-01-2) | | | | | | | | | |



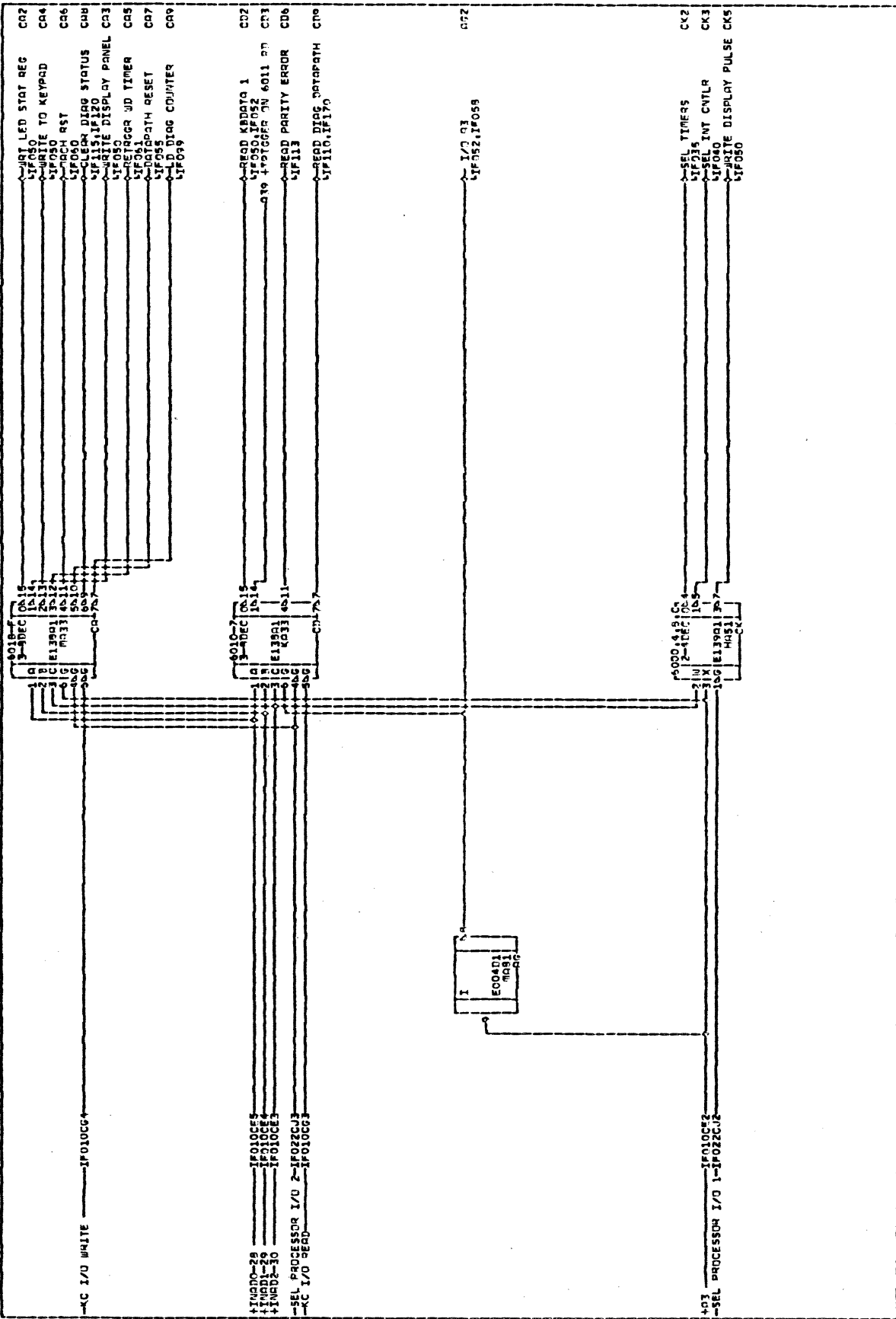
| | | | | | | | | | | | | | | | | | | | | | | | | | | | | | | | | | | | | | | | | | | | | | | | | | | | | | | | | | | | | | | | | | | | | | | | | | | | | | | | | | | | | | | | | | | | | | | | | | | | |
|---|---|---|---|---|---|---|---|---|----|---|----|----|----|----|----|----|----|----|----|--|----|----|----|----|----|----|----|----|----|----|----|----|----|----|----|----|----|----|----|----|----|----|----|----|----|----|----|----|----|----|----|----|----|----|----|----|----|----|----|----|----|----|----|----|----|----|----|----|----|----|----|----|----|----|----|----|----|----|----|----|----|----|----|----|----|----|----|----|----|----|----|----|----|----|----|----|----|----|-----|
| 1 | 2 | 3 | 4 | 5 | 6 | 7 | 8 | 9 | 10 | 11 | 12 | 13 | 14 | 15 | 16 | 17 | 18 | 19 | 20 | 21 | 22 | 23 | 24 | 25 | 26 | 27 | 28 | 29 | 30 | 31 | 32 | 33 | 34 | 35 | 36 | 37 | 38 | 39 | 40 | 41 | 42 | 43 | 44 | 45 | 46 | 47 | 48 | 49 | 50 | 51 | 52 | 53 | 54 | 55 | 56 | 57 | 58 | 59 | 60 | 61 | 62 | 63 | 64 | 65 | 66 | 67 | 68 | 69 | 70 | 71 | 72 | 73 | 74 | 75 | 76 | 77 | 78 | 79 | 80 | 81 | 82 | 83 | 84 | 85 | 86 | 87 | 88 | 89 | 90 | 91 | 92 | 93 | 94 | 95 | 96 | 97 | 98 | 99 | 100 |
| | | | | | | | | | | WAIT PULSE LOGIC, PROPORTIONAL INTERVAL TIMER | | | | | | | | | | DES: E.C. 4332 REV: E.C. 3003/TP DATE: 03/30/87 DB: PN, 433003-01-2 | | | | | | | | | | | | | | | | | | | | | | | | | | | | | | | | | | | | | | | | | | | | | | | | | | | | | | | | | | | | | | | | | | | | | | | | | | | | | | | |

A B C D E
 F G H J K L



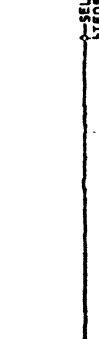
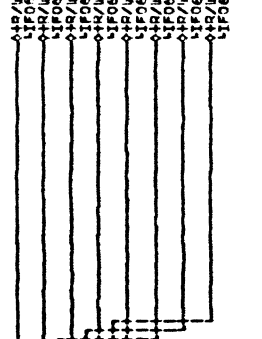
| | | | | |
|---|-----------------------------|------------------|----------------------|----|
| 1 | INTERRUPT CONTROLLER - 8259 | DESIGN: EC 49332 | REVISION: EC 5001775 | PC |
| 2 | | DATE: 08/30/93 | | 0 |
| 3 | | | | 0 |
| 4 | | | | 0 |

A B C D E

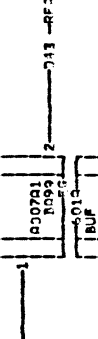


| | | | | |
|------------------------------|---|---|---|---|
| 1 | 2 | 3 | 4 | 5 |
| 1 | 2 | 3 | 4 | 5 |
| 4C 0020 I/O ADDRESS DECODING | | | | |
| DES: EIC: 49392 | | | | |
| PREJ: EIC: 08/10/93 | | | | |
| DATE | | | | |
| WIRING METHOD: PC | | | | |
| REV: EC 007/17/93 | | | | |
| PG. NO. 101102-01-5 | | | | |

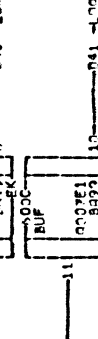
A B C D E
 I/O 280 DB0 -IF030D12
 I/O 280 DB1 -IF030D13
 I/O 280 DB2 -IF030D14
 I/O 280 DB3 -IF030D15
 I/O 280 DB4 -IF030D16
 I/O 280 DB5 -IF030D17
 I/O 280 DB6 -IF030D18
 I/O 280 DB7 -IF030D19
 I/O 280 DB8 -IF030D20
 -KC I/O READ -IF010CC1
 -SEL PROCESSOR I/O 1-IF022C2
 -SEL PROCESSOR I/O 2-IF022C3
 -READ KEYPAD 1-IF045C2
 -WRITE TO KEYPAD-IF045C4
 -WRITE LED STAT REG -IF045C2
 -WRITE DISPLAY PANEL-IF045C3
 -WRITE DISPLAY PULSE-IF045C5



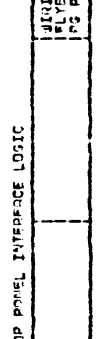
D43 -READ KEYPAD KK010
 C43 -WRITE KPD/CONTROL
 D42 -LOAD LED STATUS REG KK010
 D40 -LOAD DISPLAY DATA KK010
 D41 -LOAD DISPLAY PULSE KK010



D43 -READ KEYPAD KK010
 C43 -WRITE KPD/CONTROL
 D42 -LOAD LED STATUS REG KK010
 D40 -LOAD DISPLAY DATA KK010
 D41 -LOAD DISPLAY PULSE KK010



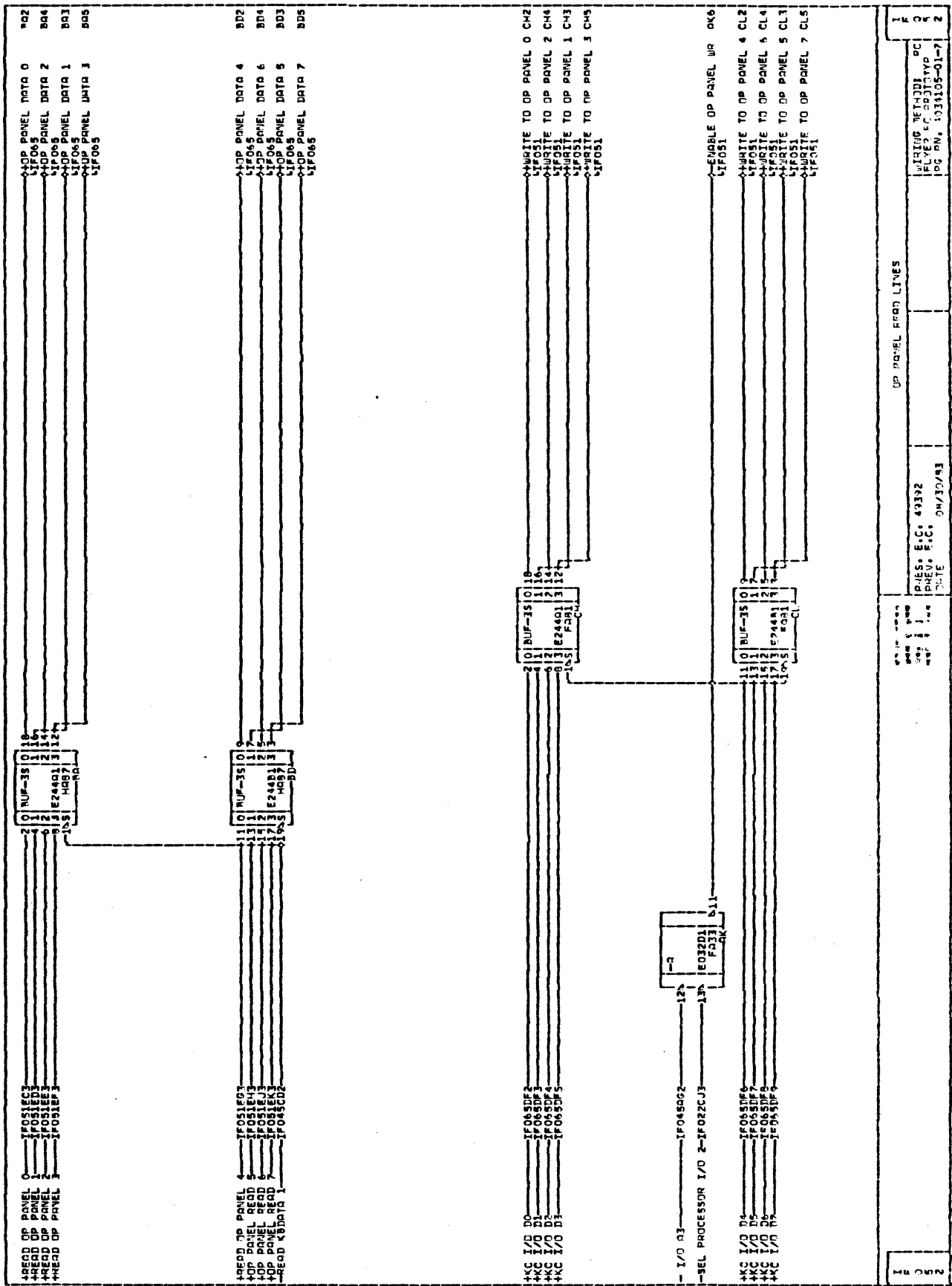
D43 -READ KEYPAD KK010
 C43 -WRITE KPD/CONTROL
 D42 -LOAD LED STATUS REG KK010
 D40 -LOAD DISPLAY DATA KK010
 D41 -LOAD DISPLAY PULSE KK010



D43 -READ KEYPAD KK010
 C43 -WRITE KPD/CONTROL
 D42 -LOAD LED STATUS REG KK010
 D40 -LOAD DISPLAY DATA KK010
 D41 -LOAD DISPLAY PULSE KK010

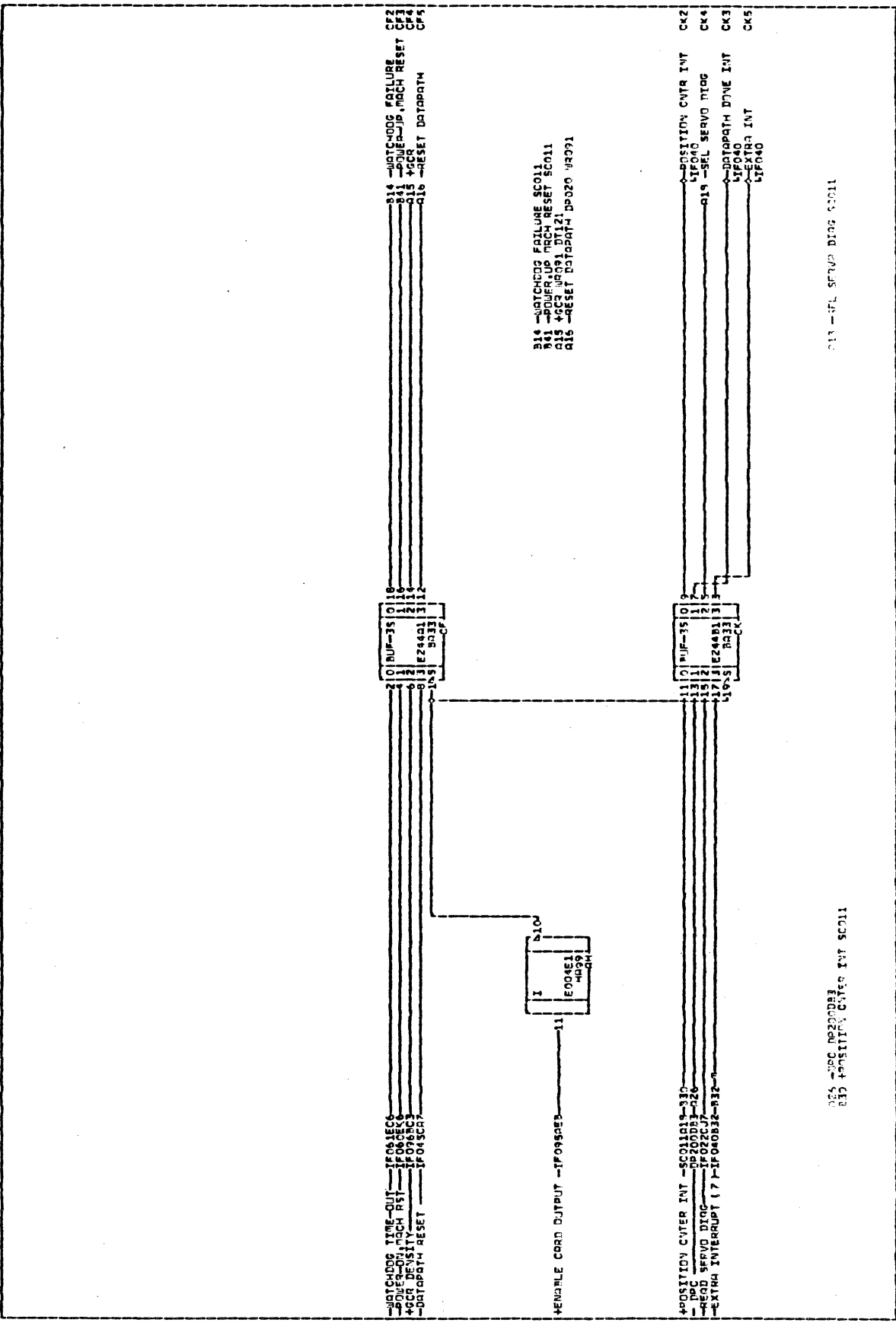
| REV | DATE | BY | CHKD | DESCRIPTION |
|-----|----------|-----|------|--------------------------|
| 1 | 08/30/83 | ... | ... | OP PANEL INTERFACE LOGIC |
| 2 | ... | ... | ... | ... |
| 3 | ... | ... | ... | ... |

A B C D E



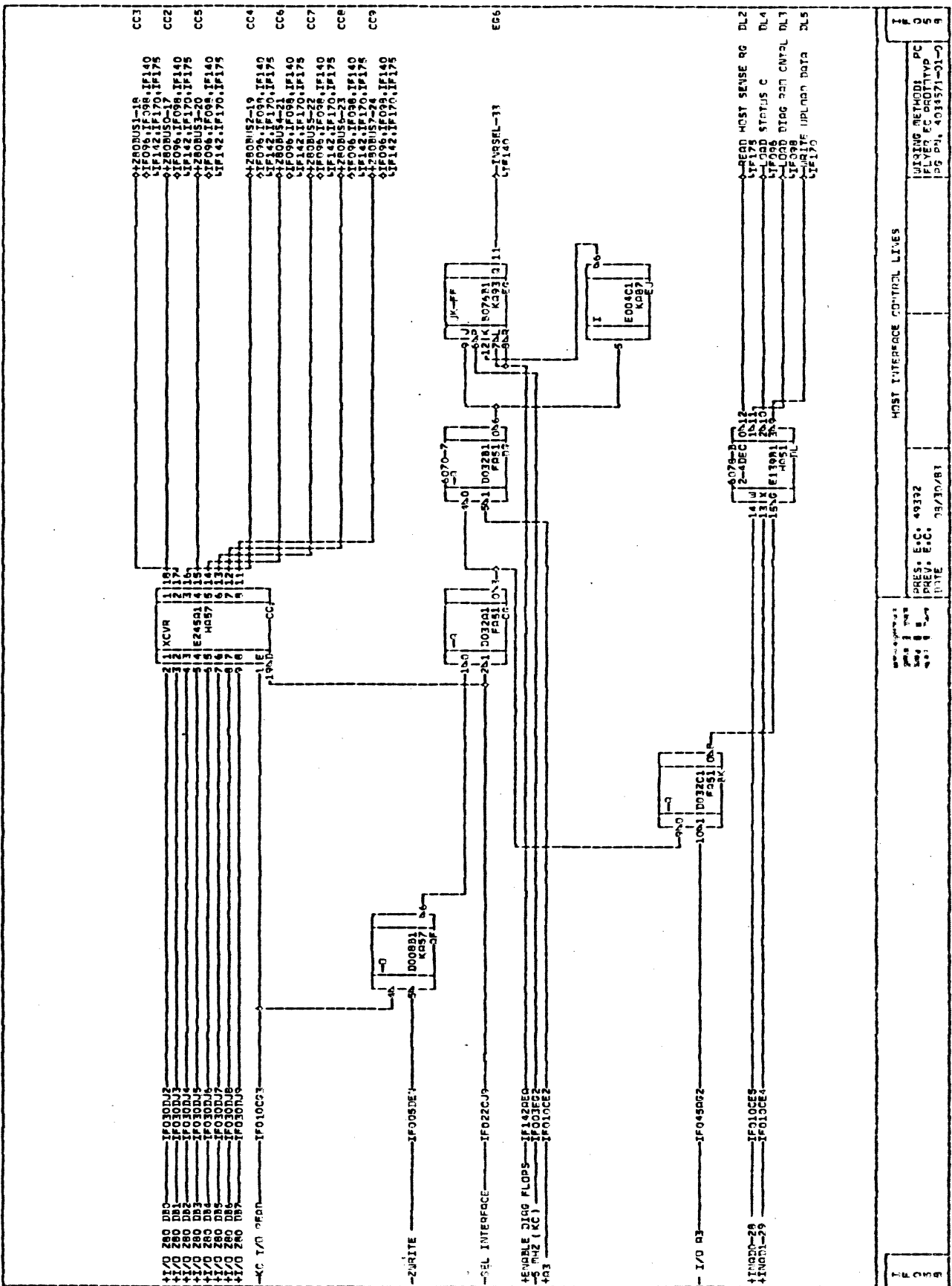
| | | | |
|---------------------|---------------------|---------------------|---------------------|
| 1 | 2 | 3 | 4 |
| OP PANEL READ LINES | OP PANEL READ LINES | OP PANEL READ LINES | OP PANEL READ LINES |
| DATE | DATE | DATE | DATE |
| DESIGNED BY | DESIGNED BY | DESIGNED BY | DESIGNED BY |
| DATE | DATE | DATE | DATE |
| PC NO. 403105-01-7 | PC NO. 403105-01-7 | PC NO. 403105-01-7 | PC NO. 403105-01-7 |

A B C D E

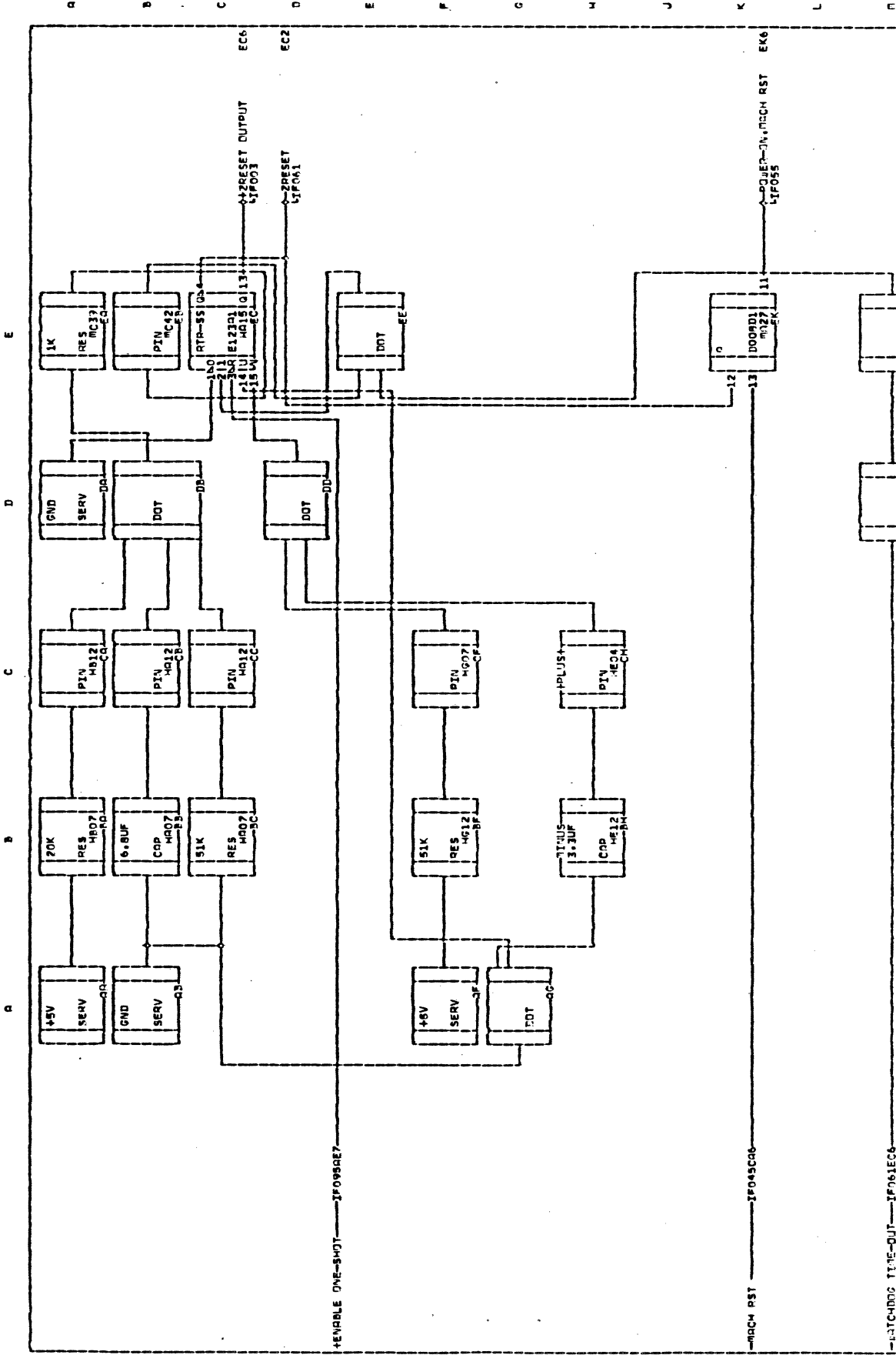


| | | | |
|---|---------------------------|---------------------|----------------------|
| 1 | PROCESSOR INPUT BUFFER/IG | OPER. E.C. 49392 | PC |
| 2 | | PREV. E.C. 04/30/83 | FLYER FC POSITION/VP |
| 3 | | DATE | 196 PW, 4034106-01-5 |
| 4 | | | |
| 5 | | | |

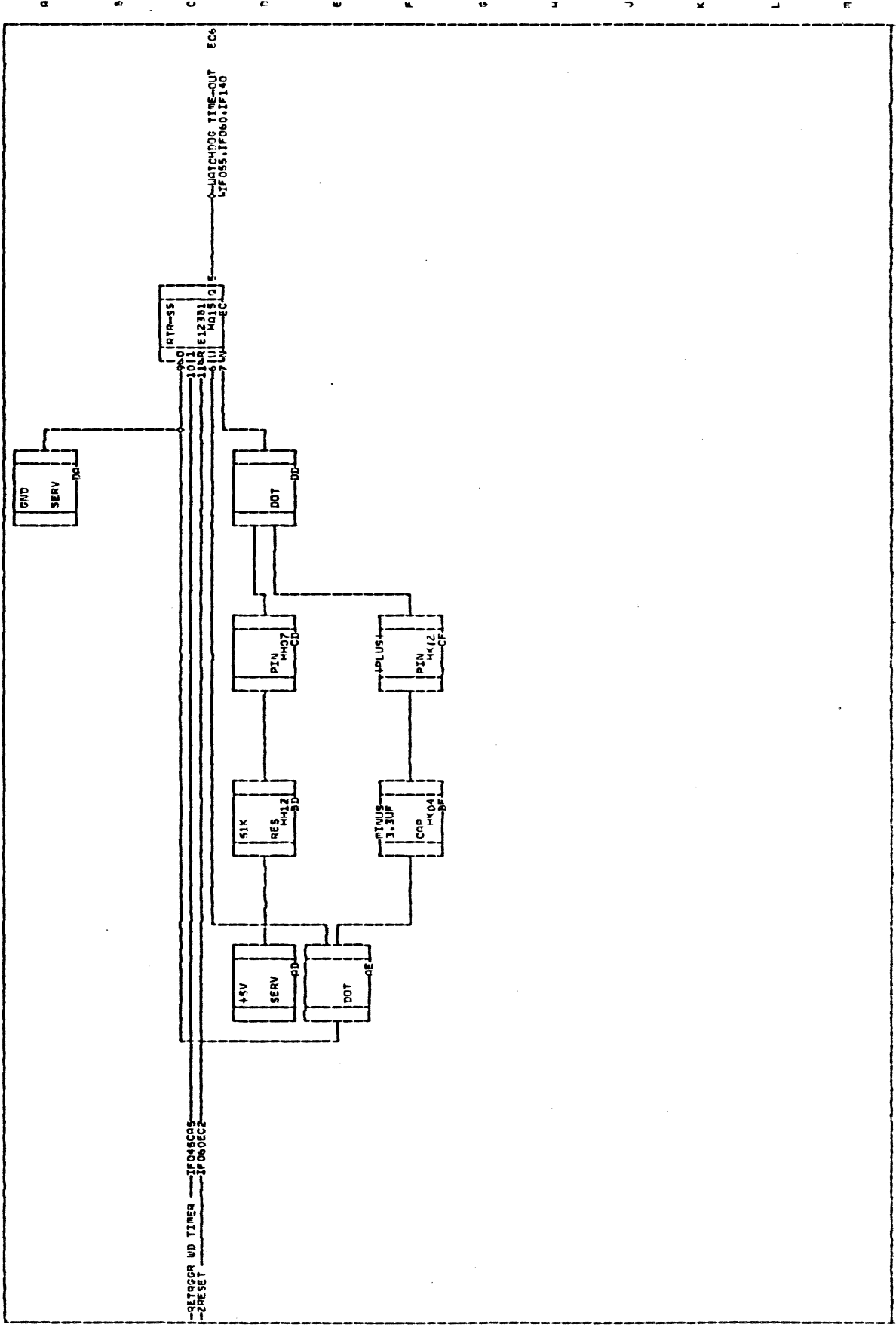
A B C D E



| HOST INTERFACE CONTROL LINES | |
|------------------------------|----------------------|
| DL2 | READ HOST SENSE RG |
| DL4 | STATUS C |
| DL3 | LOAD DIAG DATA |
| DL5 | WRITE UPLDND DATA |
| DL1 | EXISTING METHOD PC |
| DL2 | FLVET EC PROTTYP PC |
| DL3 | ISE PNL 4034571-01-0 |
| DL4 | |
| DL5 | |



| | | | | | | | | | | | | | | | | | | | |
|--|---|---|---|---|---|---|---|---|----|----|----|----|--|----|----|----|----|----|----|
| 1 | 2 | 3 | 4 | 5 | 6 | 7 | 8 | 9 | 10 | 11 | 12 | 13 | 14 | 15 | 16 | 17 | 18 | 19 | 20 |
| MATCH DCG TIMER AND POWER-ON RESET LOGIC | | | | | | | | | | | | | J101: 100K J102: 100K J103: 100K J104: 100K J105: 100K J106: 100K J107: 100K J108: 100K J109: 100K J110: 100K J111: 100K J112: 100K J113: 100K J114: 100K J115: 100K J116: 100K J117: 100K J118: 100K J119: 100K J120: 100K | | | | | | |
| MATCH DCG TIMER AND POWER-ON RESET LOGIC | | | | | | | | | | | | | PRES. EIC: 49589 PREV. EIC: 49792 DATE: 05/21/84 | | | | | | |
| MATCH DCG TIMER AND POWER-ON RESET LOGIC | | | | | | | | | | | | | J101: 100K J102: 100K J103: 100K J104: 100K J105: 100K J106: 100K J107: 100K J108: 100K J109: 100K J110: 100K J111: 100K J112: 100K J113: 100K J114: 100K J115: 100K J116: 100K J117: 100K J118: 100K J119: 100K J120: 100K | | | | | | |



| | | | |
|---------|---------|--------------|---------|
| IF04SC9 | IF06EC2 | RTN-35 TIMER | IF06EC2 |
| IF06EC2 | IF06EC2 | IF06EC2 | IF06EC2 |
| IF06EC2 | IF06EC2 | IF06EC2 | IF06EC2 |
| IF06EC2 | IF06EC2 | IF06EC2 | IF06EC2 |
| IF06EC2 | IF06EC2 | IF06EC2 | IF06EC2 |
| IF06EC2 | IF06EC2 | IF06EC2 | IF06EC2 |

IF06EC2
IF06EC2
IF06EC2
IF06EC2
IF06EC2
IF06EC2

WATCHDOG TIME-OUT
LFF085.IF060.IF140

RTN-35
1 1011
2 11AR E12381
3 6U H018
4 7W EC

45V SERV (DD)
DOT (DE)

51K RES (BD)
PTN (CD)
PTN PLUS (CF)

3.3UF CAP (BF)

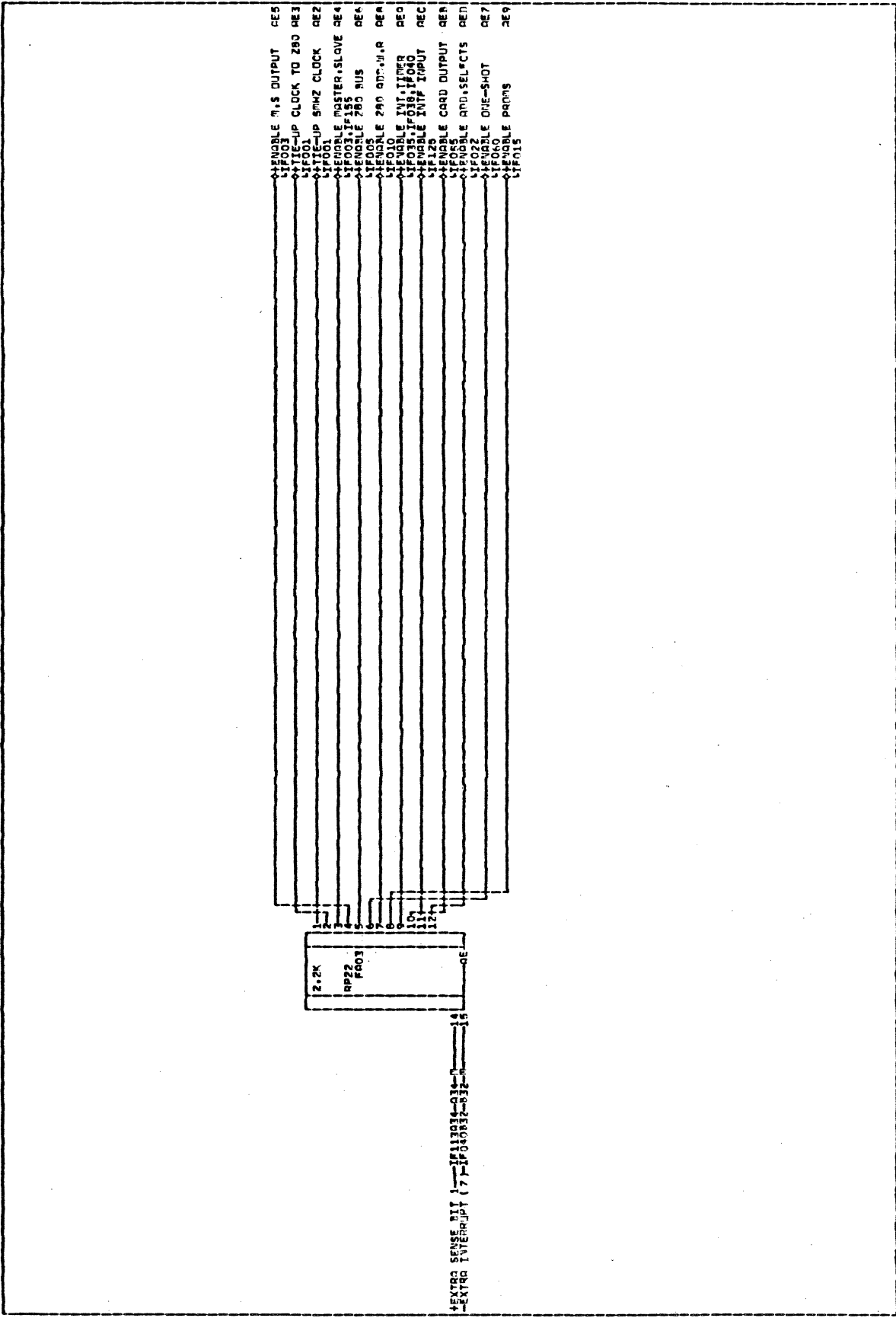
RESET (IF04SC9)
RTC-35 WD TIMER (IF06EC2)

WIRING METHOD: PC
PLT: EC
PC No. 403107-04-7

PRES. E.C.: 4426P
PREV. E.C.: 4426C
DATE: 11/15/74

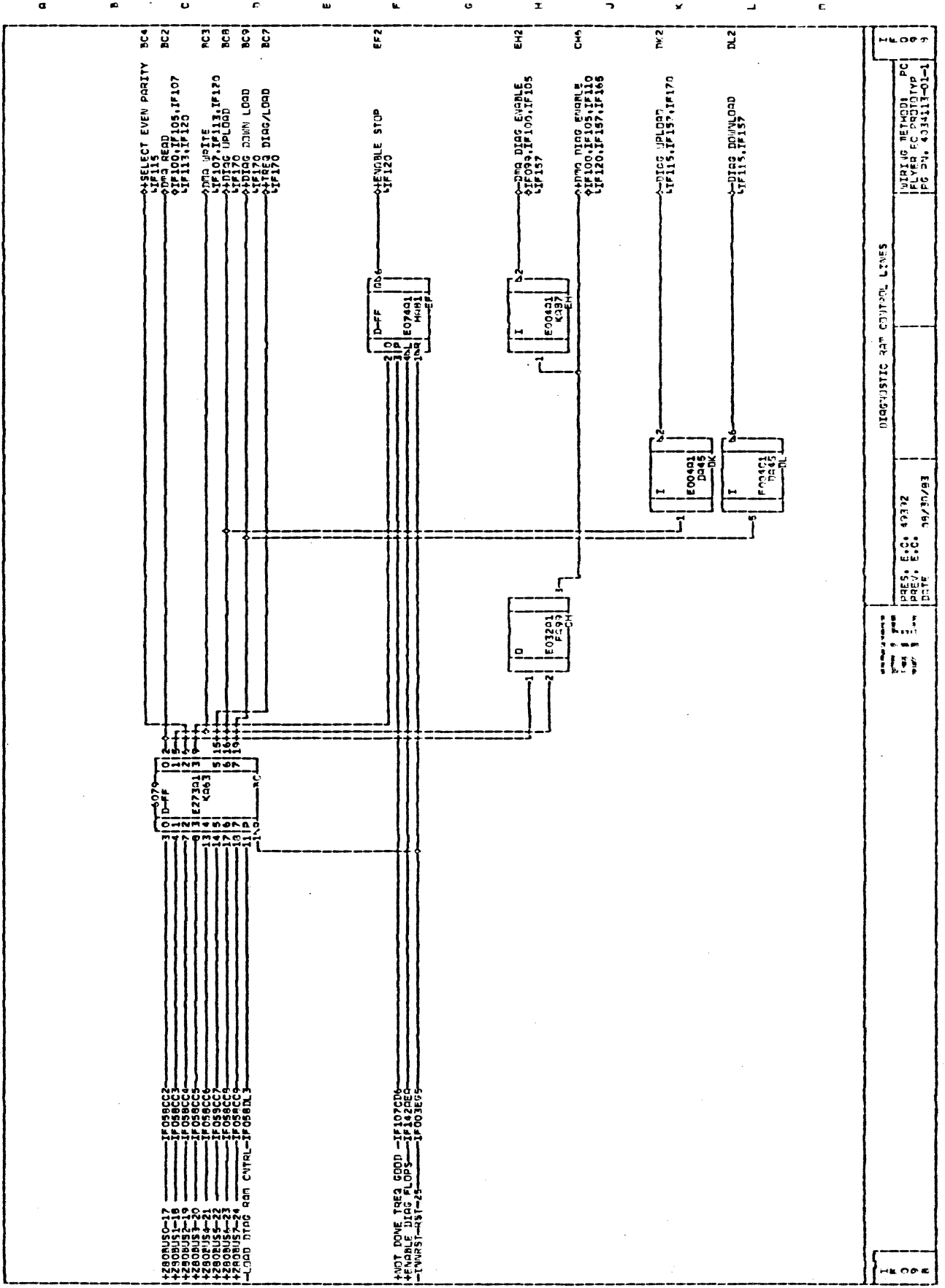
IF06EC2

A B C D E

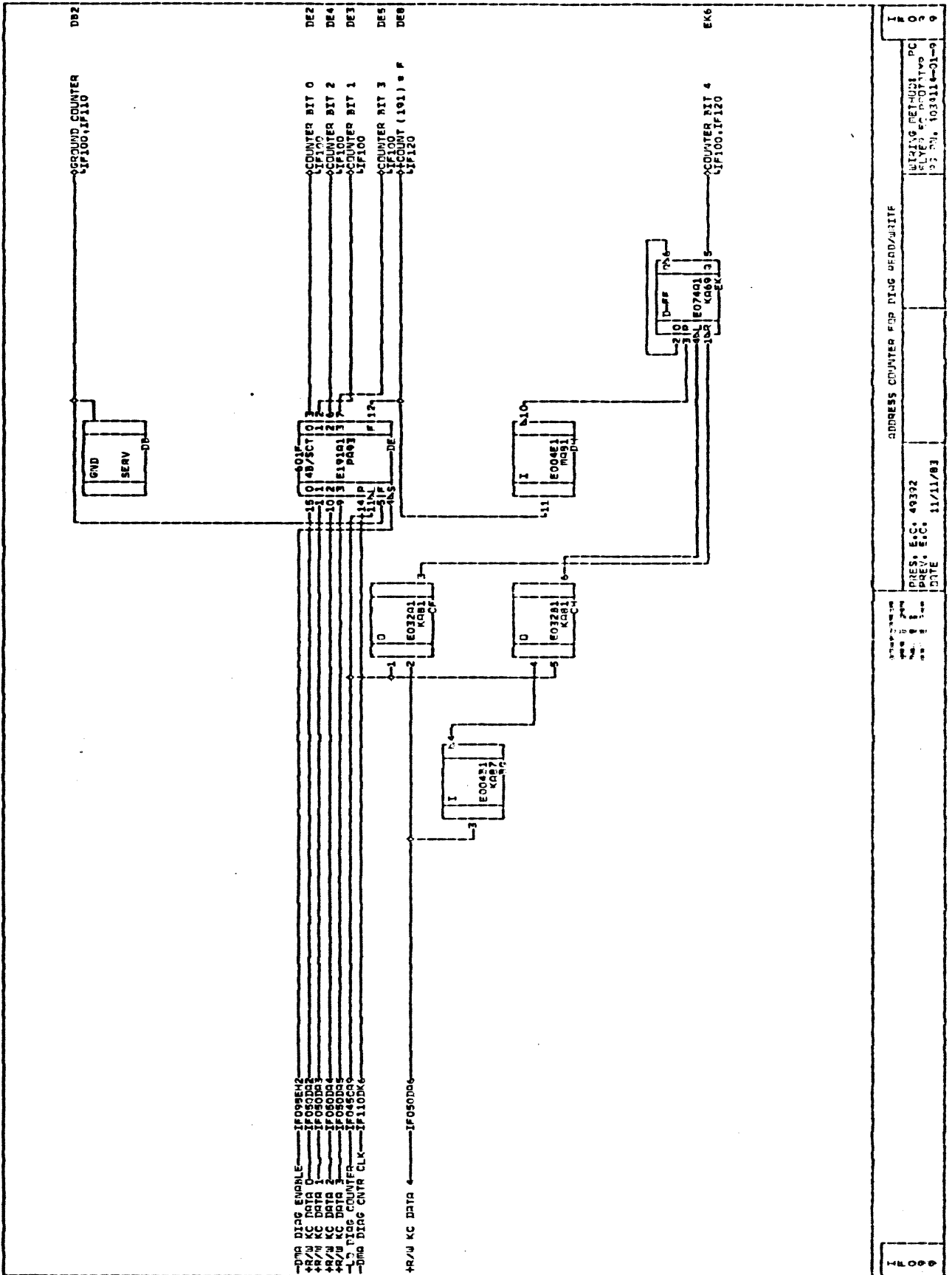


- ENABLE N.S OUTPUT DE5
- PULL-UP CLOCK TO 280 RE3
- PULL-UP 5MHz CLOCK DE2
- ENABLE MASTER.SLOVE RE4
- ENABLE 280 BUS RE4
- ENABLE 280 INT. I.R DE4
- ENABLE INT. TIMER DE0
- ENABLE INT. INPUT REC
- ENABLE CARD OUTPUT DE8
- ENABLE ADDR. SELECTS DE0
- ENABLE ONE-SHOT DE7
- ENABLE PROMS DE9

| | | | | | | |
|---|-----|----|-----|-----|------|--------------------------|
| DATE | REV | BY | CHK | APP | DATE | DESCRIPTION |
| | | | | | | |
| DIES: E.C. 4918 DREW: E.C. 4912 DATE: 05/15/84 | | | | | | TIE-UP AND PULL-UP WORKS |
| WIRING METHODS FLYER NO. P310174 P2 PN. 401411-02-1 | | | | | | 0 9 5 |

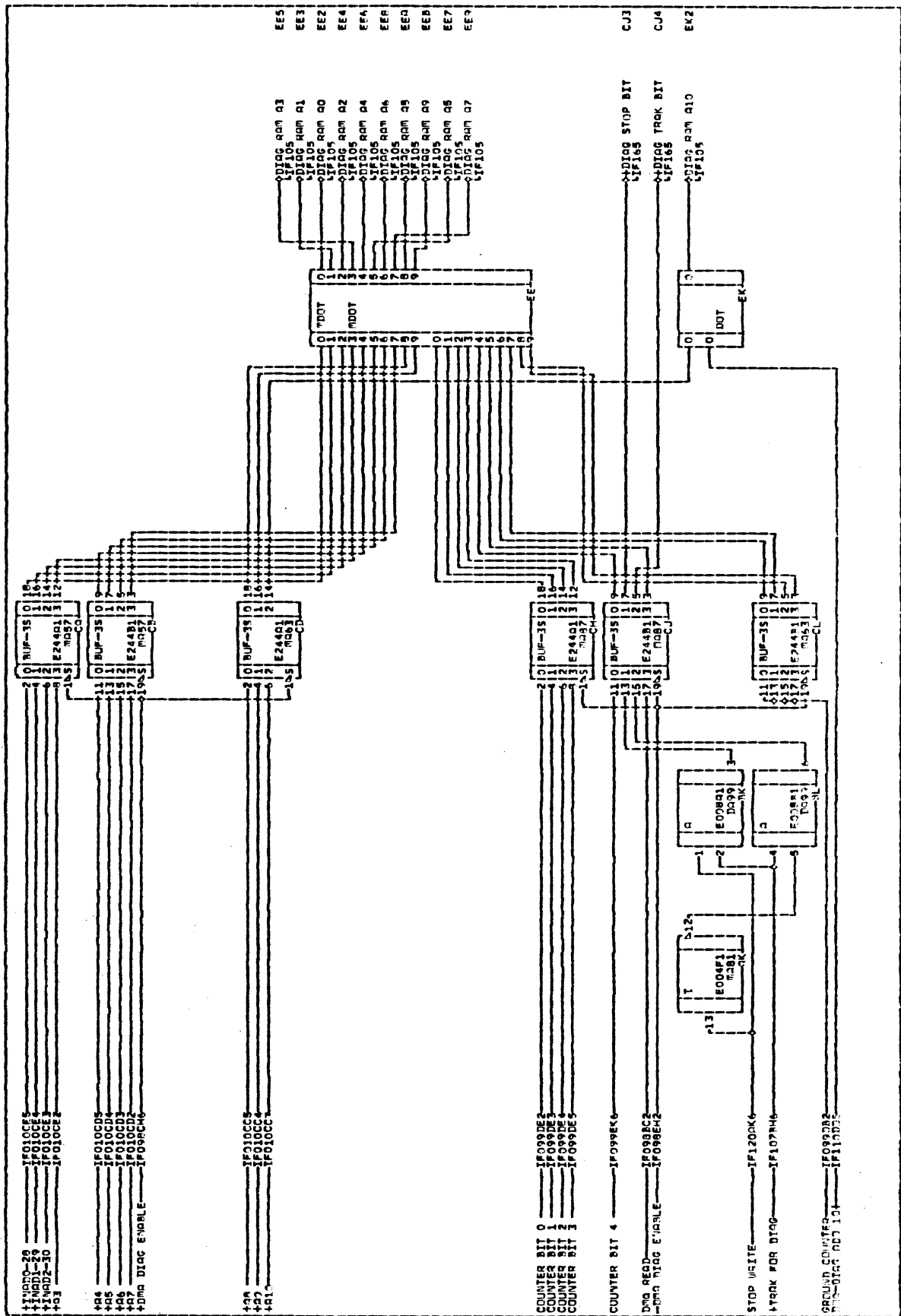


| | | | | | | | | |
|------------------------------|---|---|---------------------|---|---|---------------------|---|---|
| 1 | 2 | 3 | 4 | 5 | 6 | 7 | 8 | 9 |
| DIAGNOSTIC 327 CONTROL LINES | | | PRESS: E.C. 4932 | | | DATE: 09/30/83 | | |
| WIRING METHOD: PC | | | PREV: E.C. 000101VP | | | PC 24, 4334113-01-1 | | |
| FLYER: EC 000101VP | | | DATE: 09/30/83 | | | PC 24, 4334113-01-1 | | |

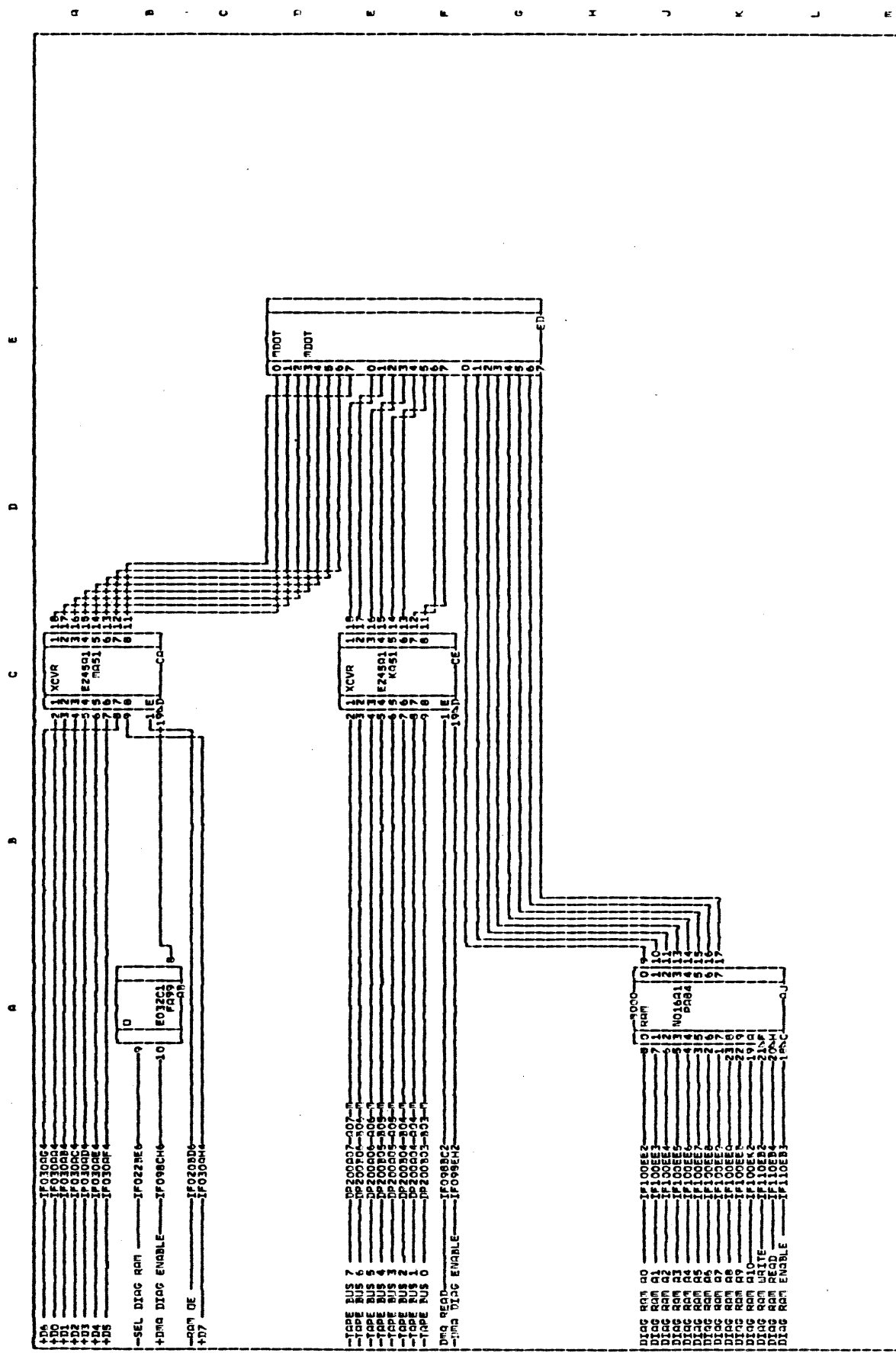


| | | |
|------------------------------------|------------------|---|
| ADDRESS COUNTER FOR PIIG WEND/UNIT | PIIG REM-UNIT PC | 1 |
| | REVISED | 0 |
| | DATE 10/11/83 | 9 |
| DES: EIC 49392 | | |
| REV: EIC | | |
| DATE 11/11/83 | | |

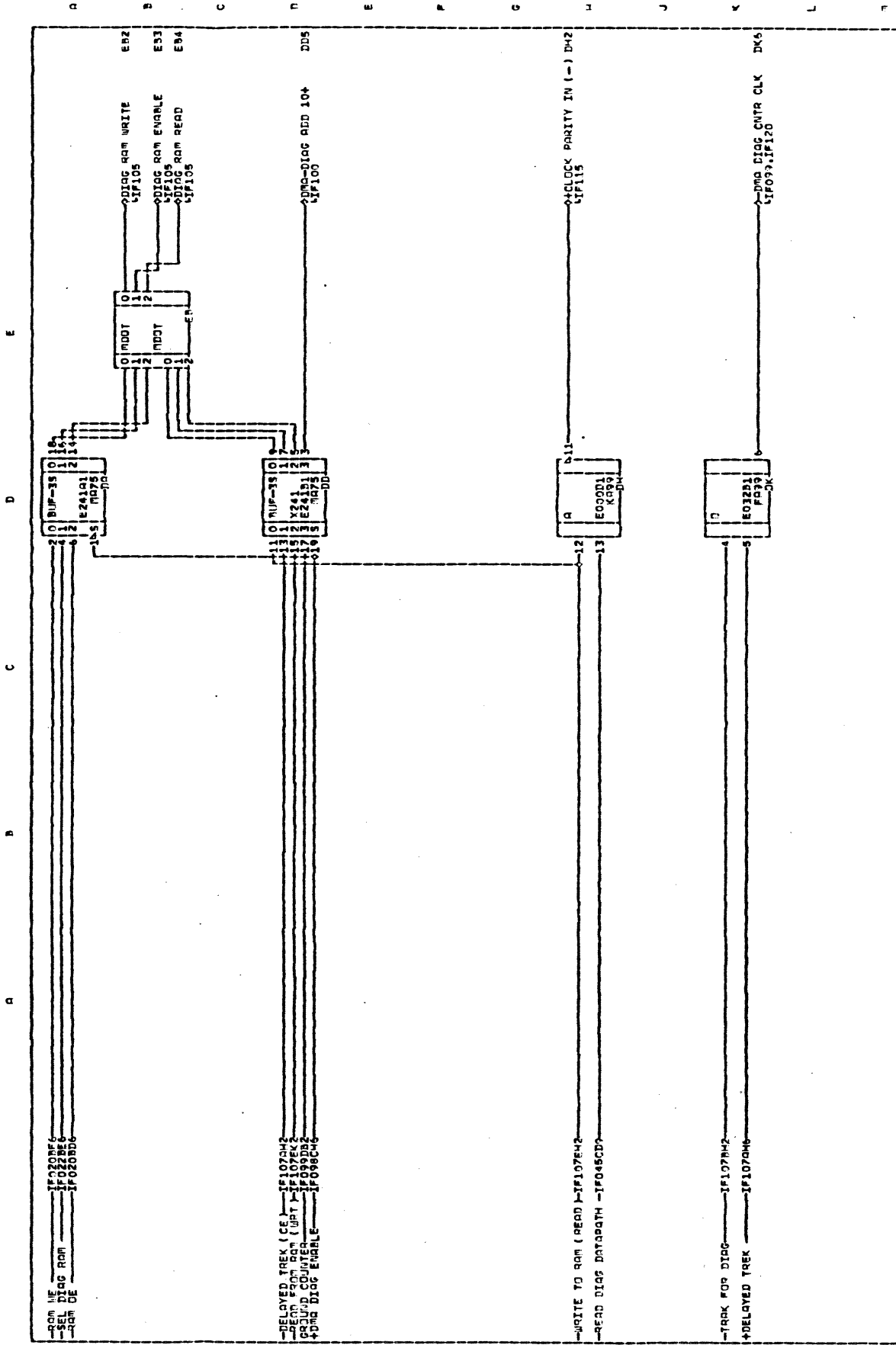
A B C D E F G H J K L
 1 2 3 4 5 6 7 8 9 10 11 12 13 14 15 16 17 18 19 20 21 22 23 24 25 26 27 28 29 30 31 32 33 34 35 36 37 38 39 40 41 42 43 44 45 46 47 48 49 50 51 52 53 54 55 56 57 58 59 60 61 62 63 64 65 66 67 68 69 70 71 72 73 74 75 76 77 78 79 80 81 82 83 84 85 86 87 88 89 90 91 92 93 94 95 96 97 98 99 100



| | | | | | | | | | | | | | | | | | | | | | | | | | | | | | | | | | | | | | | | | | | | | | | | | | | | | | | | | | | | | | | | | | | | | | | | | | | | | | | | | | | | | | | | | | | | | | | | | | | | |
|---|---|---|---|---|---|---|---|---|----|------------------------------|----|----|----|----|----|----|----|----|----|---|----|----|----|----|----|----|----|----|----|----|----|----|----|----|----|----|----|----|----|----|----|----|----|----|----|----|----|----|----|----|----|----|----|----|----|----|----|----|----|----|----|----|----|----|----|----|----|----|----|----|----|----|----|----|----|----|----|----|----|----|----|----|----|----|----|----|----|----|----|----|----|----|----|----|----|----|----|----|-----|
| 1 | 2 | 3 | 4 | 5 | 6 | 7 | 8 | 9 | 10 | 11 | 12 | 13 | 14 | 15 | 16 | 17 | 18 | 19 | 20 | 21 | 22 | 23 | 24 | 25 | 26 | 27 | 28 | 29 | 30 | 31 | 32 | 33 | 34 | 35 | 36 | 37 | 38 | 39 | 40 | 41 | 42 | 43 | 44 | 45 | 46 | 47 | 48 | 49 | 50 | 51 | 52 | 53 | 54 | 55 | 56 | 57 | 58 | 59 | 60 | 61 | 62 | 63 | 64 | 65 | 66 | 67 | 68 | 69 | 70 | 71 | 72 | 73 | 74 | 75 | 76 | 77 | 78 | 79 | 80 | 81 | 82 | 83 | 84 | 85 | 86 | 87 | 88 | 89 | 90 | 91 | 92 | 93 | 94 | 95 | 96 | 97 | 98 | 99 | 100 |
| | | | | | | | | | | DIAGNOSTIC RAM ADDRESS LINES | | | | | | | | | | WIRING METHOD: PC DRAWN BY: EC/PRO/STP DATE: 08/30/93 | | | | | | | | | | | | | | | | | | | | | | | | | | | | | | | | | | | | | | | | | | | | | | | | | | | | | | | | | | | | | | | | | | | | | | | | | | | | | | | |



| | | | |
|-------|-------------------------|---|--|
| HELOS | PARASITIC RM DATA LINES | DES: E.C. 49392 PREP: E.C. DATE: 11/11/83 | WIRING METHOD: PC SHEET: EC 00077YP JOB PN: 4036116-01-1 |
|-------|-------------------------|---|--|

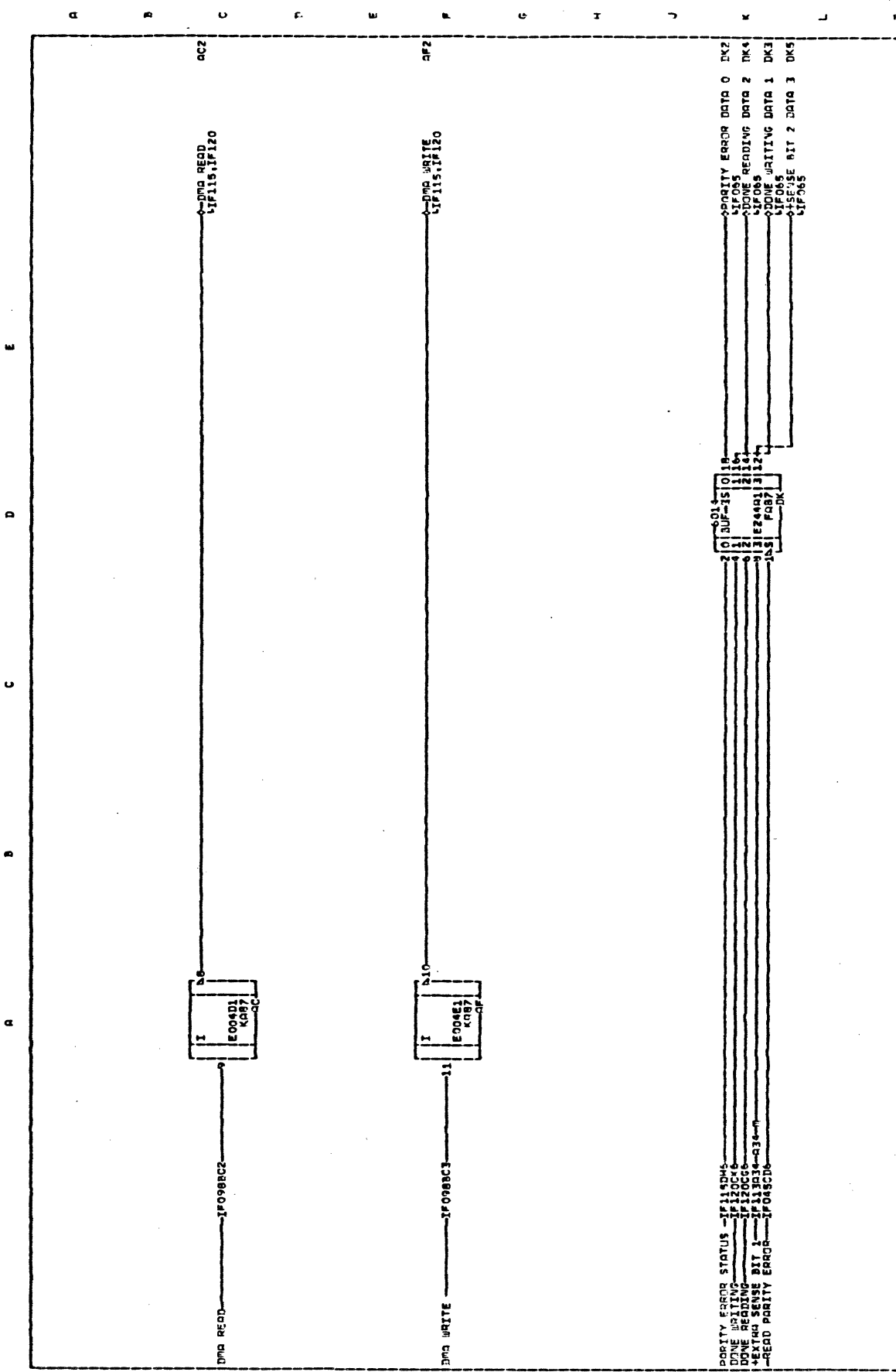


| | | | |
|----|----|----|----|
| 1 | 1 | 1 | 1 |
| 2 | 2 | 2 | 2 |
| 3 | 3 | 3 | 3 |
| 4 | 4 | 4 | 4 |
| 5 | 5 | 5 | 5 |
| 6 | 6 | 6 | 6 |
| 7 | 7 | 7 | 7 |
| 8 | 8 | 8 | 8 |
| 9 | 9 | 9 | 9 |
| 10 | 10 | 10 | 10 |

DIAGNOSTIC R/T SELECT LINES

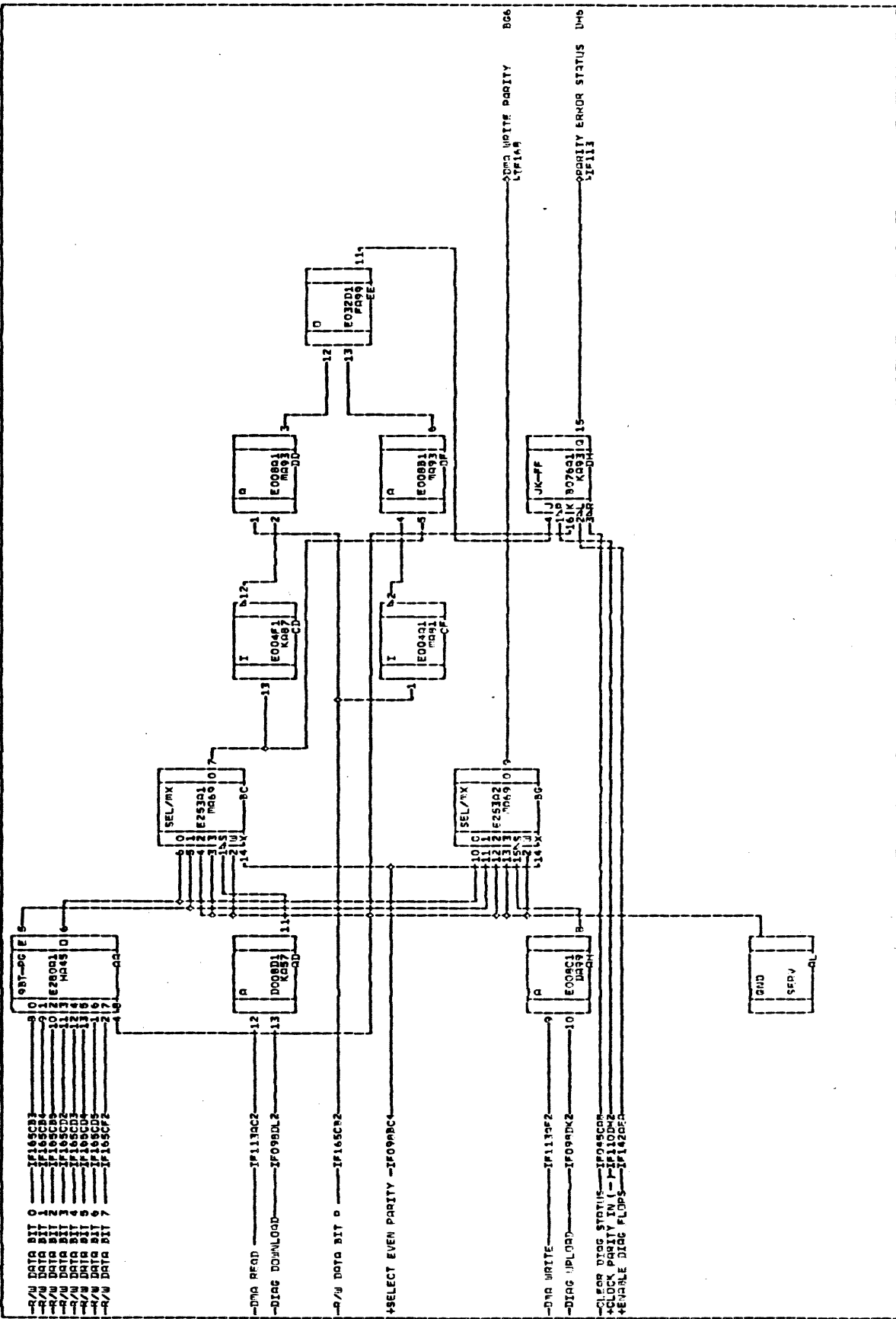
PRES: EIC-4932
 DATE: 5/8 08/30/83

UTTING METHOD: PC
 CLM: EC
 PS: 04, 01418-01-0



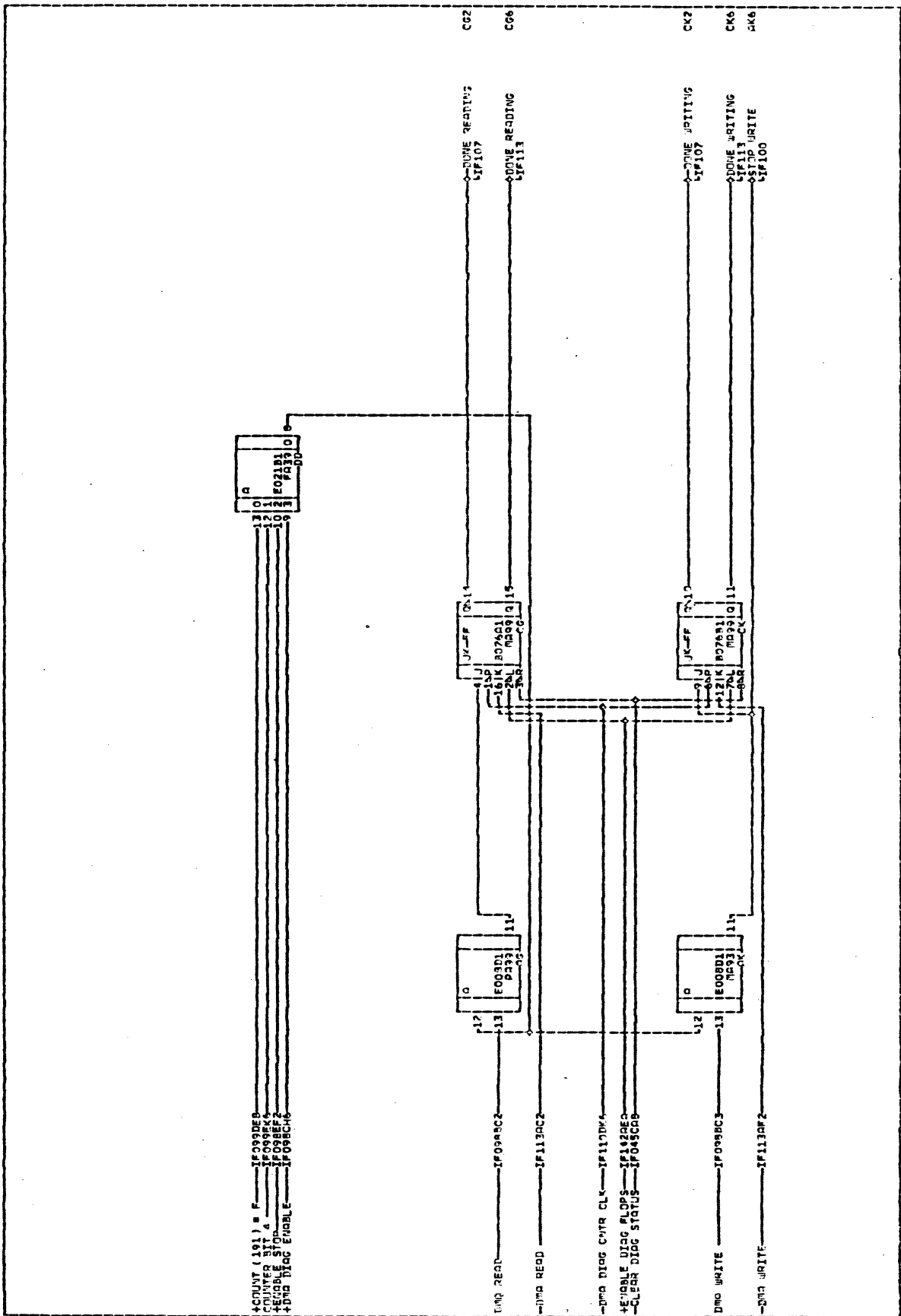
| | | | |
|-------------------------|----------|-----------|---------------------|
| DIAGNOSTIC ACT CONTROLS | | | |
| 1 | 1 | 1 | 1 |
| TEST | DATE | PRG, E.C. | WITTING METHOD, PC |
| 09/30/83 | 09/30/83 | 4332 | FLYER FC PROTOTYP |
| | | | PG. NO. 434119-21-9 |

A B C D E



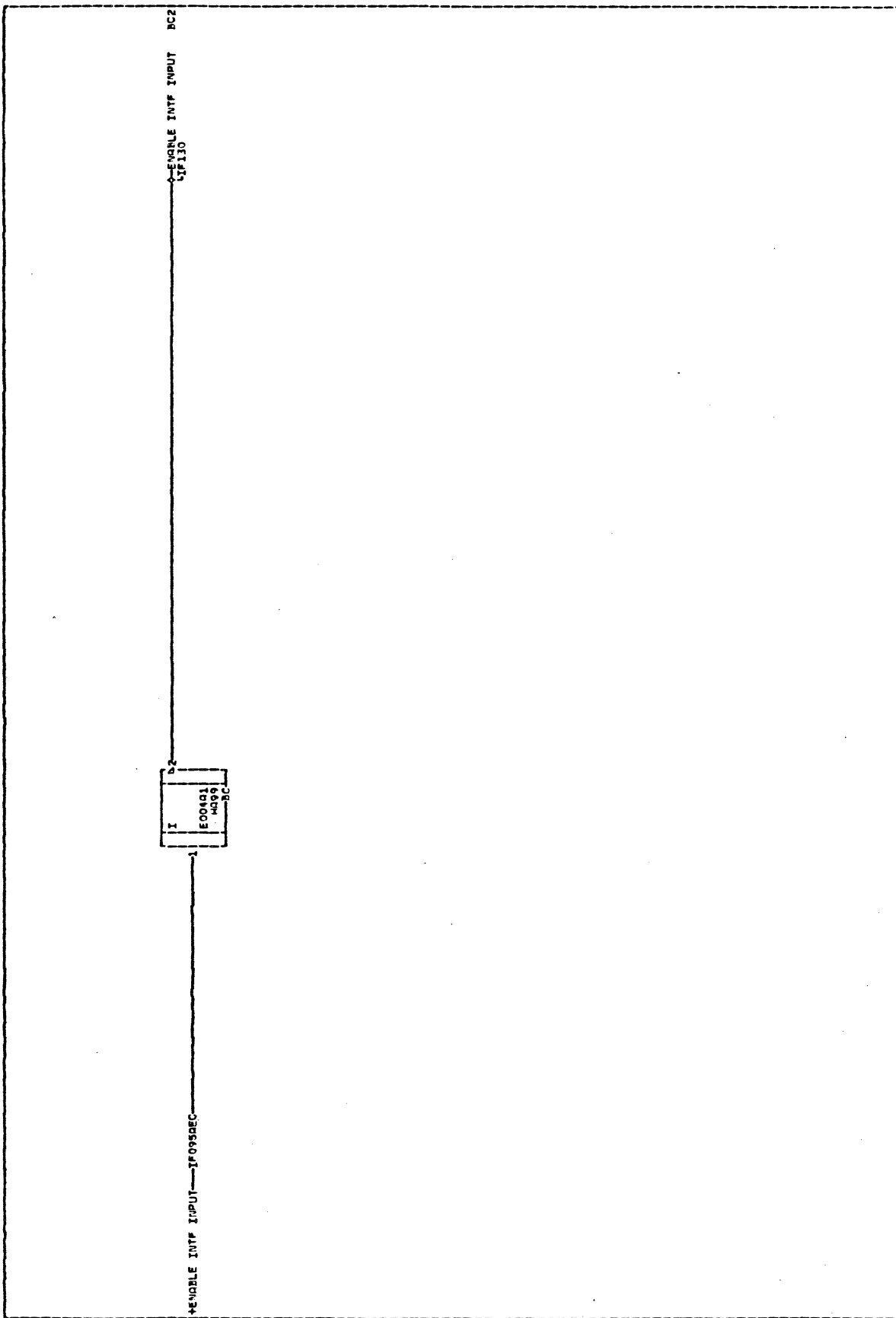
| | | |
|---|---------------|--------------|
| DIAGNOSTIC 40M PARITY BIT GENERATOR/CHECKER | WIRING METHOD | PC |
| DATE: 4/1/72 | FILED SC | ORIGINATOR |
| REV: 1 | PG. NO. | 4030120-01-6 |
| DATE: 01/30/73 | | |

A B C D E



| | | | | | | | | | |
|---|---|---|---|---|---|---|---|-----------------------|----|
| 1 | 2 | 3 | 4 | 5 | 6 | 7 | 8 | 9 | 10 |
| DIAGNOSTIC ROP STOP/DOME GENERATOR | | | | | | | | WIRING METHOD: PC | |
| | | | | | | | | FLYER EC 304737P | |
| | | | | | | | | REV. 01, 4034121-01-4 | |
| PREP. E.C. 49372 PREV. E.C. DATE 11/11/83 | | | | | | | | | |

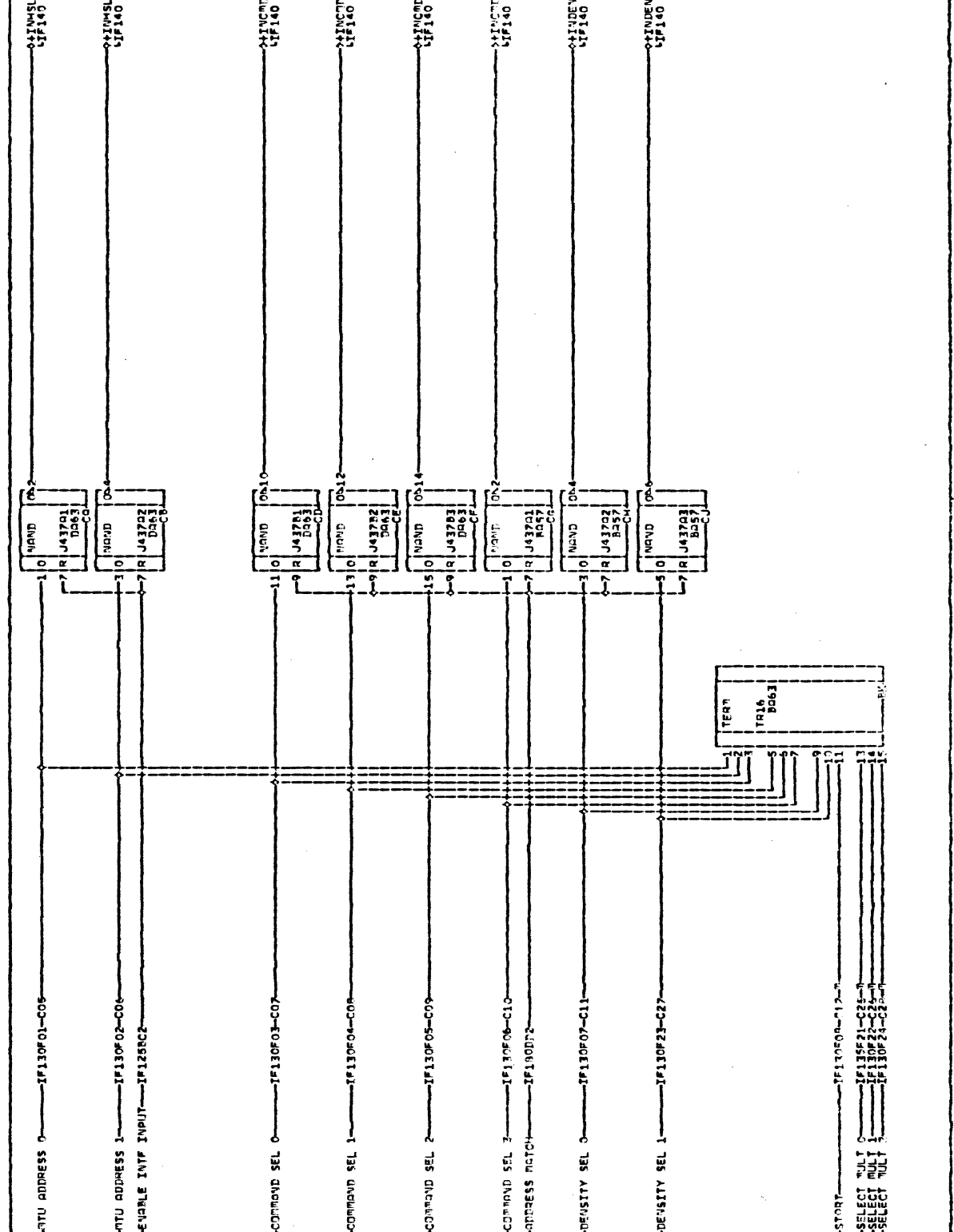
A B C D E F G H I J K L M



| | | | | |
|------------------|---|----------------------|---------------------|----------------------|
| 1 | 2 | 3 | 4 | 5 |
| GROUND TIPS/PLES | | DES: E.C. 99392 | DATE: E.C. 21/20/91 | PC: P.C. 111122-01-2 |
| REVISIONS | | REV: 1 | DATE: 21/20/91 | PC: P.C. 111122-01-2 |
| DESCRIPTION | | PC: P.C. 111122-01-2 | | |



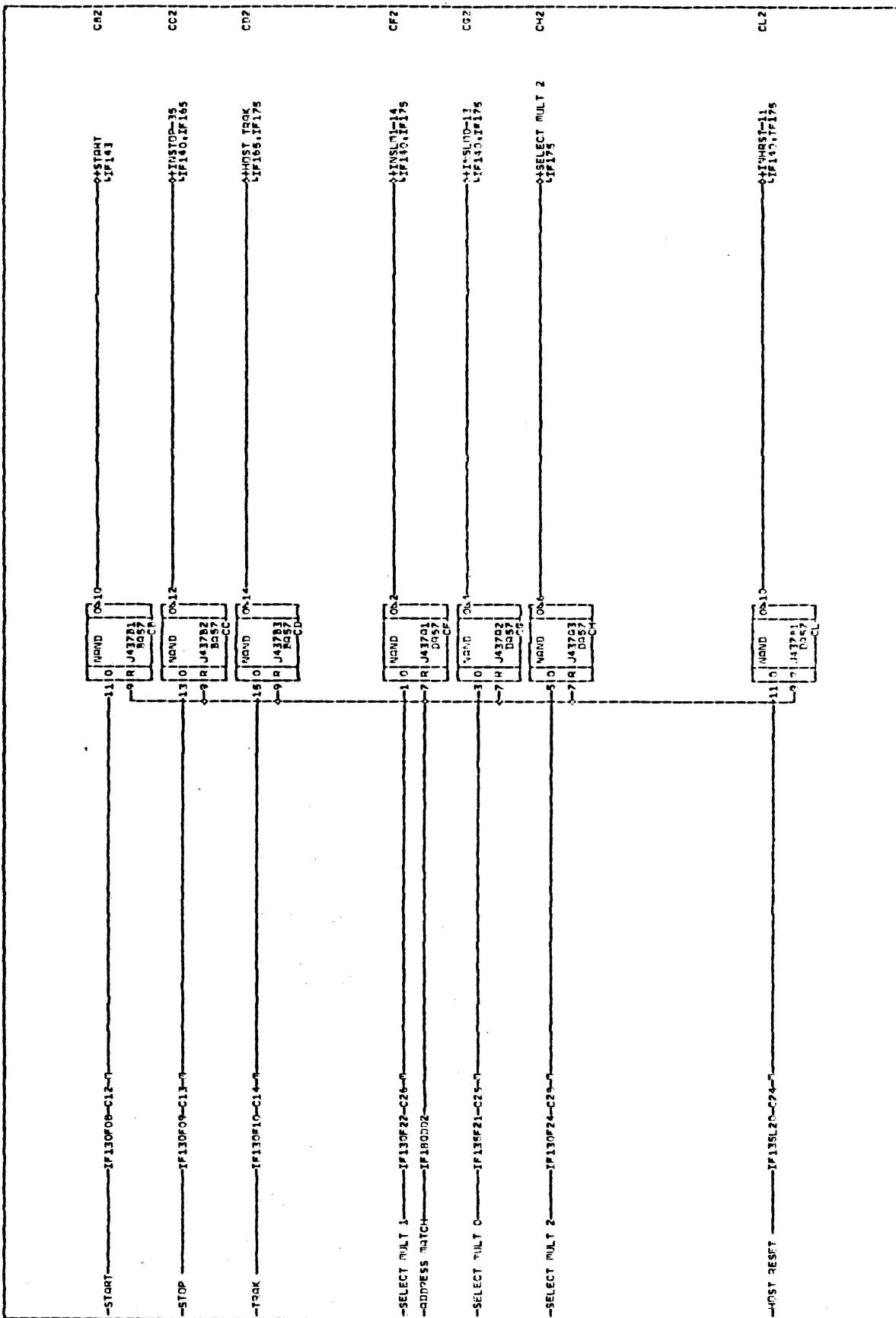
RTU ADDRESS 0 IF130F01-C06
 RTU ADDRESS 1 IF130F02-C06
 VARIABLE INTF INPUT IF125RC2
 COMMAND SEL 0 IF130F03-C07
 COMMAND SEL 1 IF130F04-C08
 COMMAND SEL 2 IF130F05-C09
 COMMAND SEL 3 IF130F06-C10
 ADDRESS MATCH IF130F07-C11
 DENSITY SEL 0 IF130F07-C11
 DENSITY SEL 1 IF130F23-C27
 START IF130F08-C12
 SELECT MULT 0 IF135F21-C25
 SELECT MULT 1 IF130F22-C26
 SELECT MULT 2 IF130F23-C27



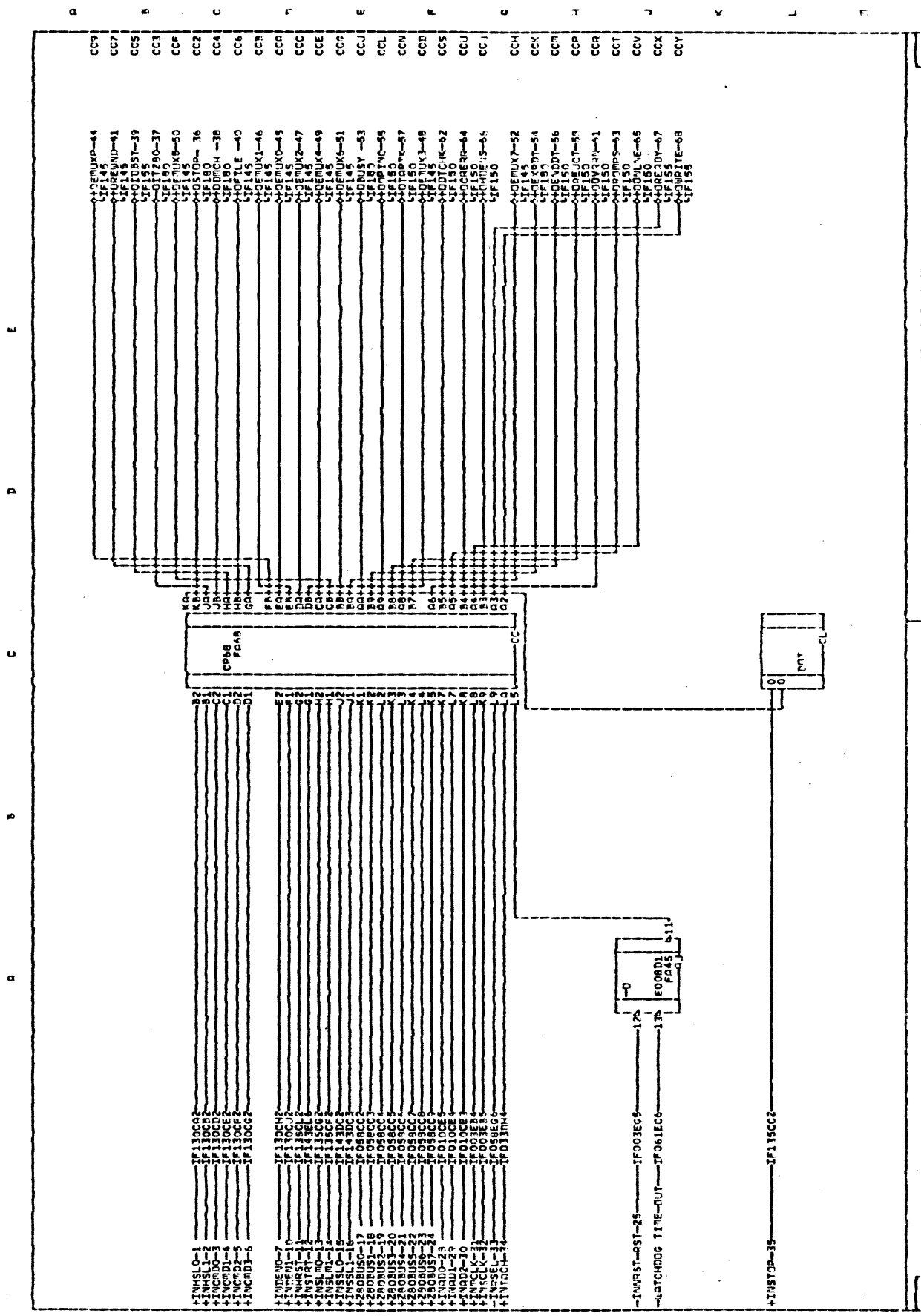
| PC | PC | PC | PC |
|----|----|----|----|
| 1 | 1 | 1 | 1 |
| 1 | 1 | 1 | 1 |
| 0 | 0 | 0 | 0 |

MUST INPUT COMMAND, SELECT, AND DENSITY LINES
 DES: E.C. 49392
 DES: E.C. 08/31/83
 DATE

A B C D E

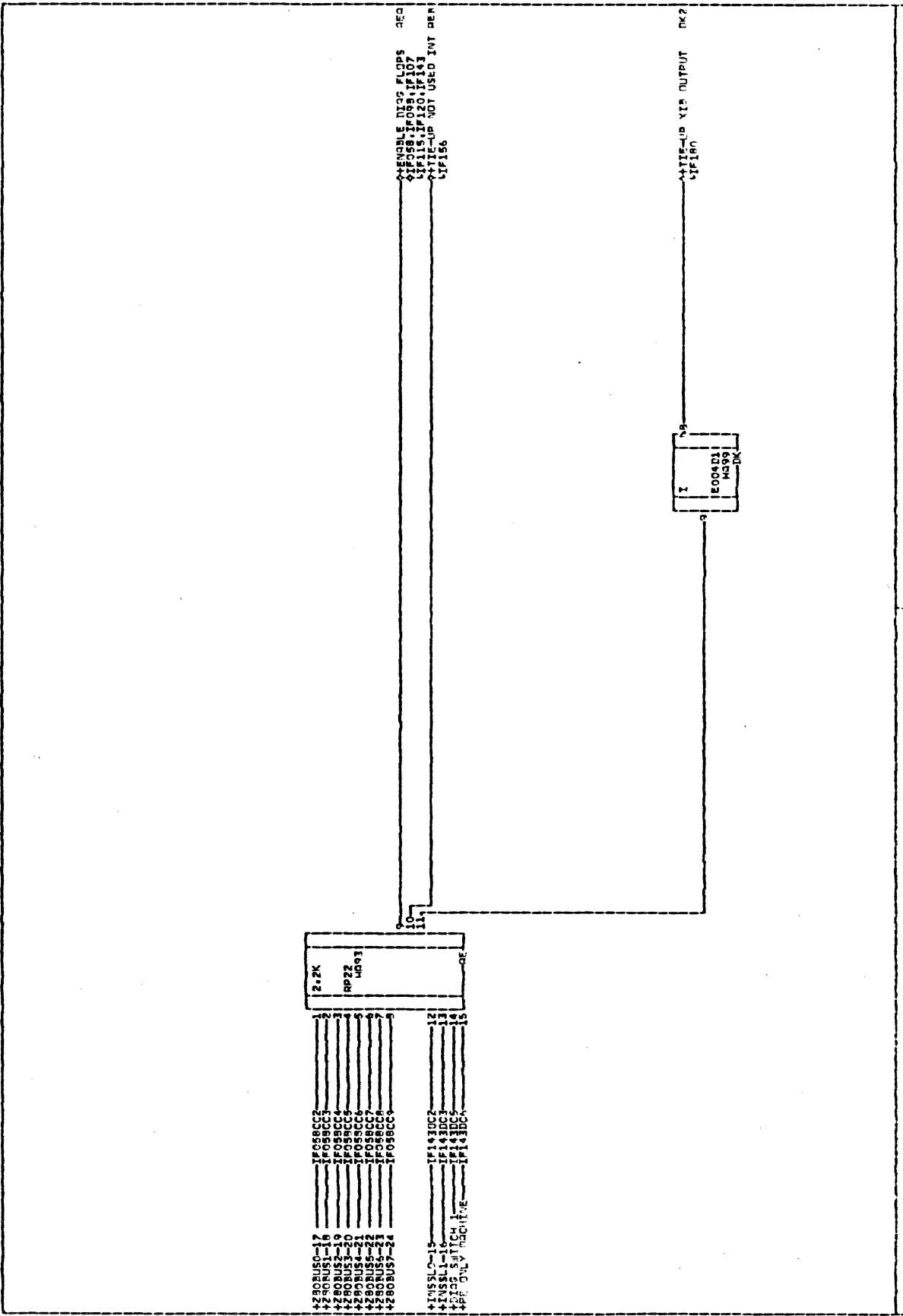


| | | | |
|---|-----------------------|--|--|
| 1 | INTERPAGE TRAJT LINES | | |
| 2 | PREP. E.C. 41322 | | |
| 3 | PREP. E.C. 4071749 | | |
| 4 | DATE 03/30/83 | | |
| 5 | WORKING METHOD | | |
| 6 | FLYER PC ROOT/TP | | |
| 7 | PC DN. 404124-01-3 | | |



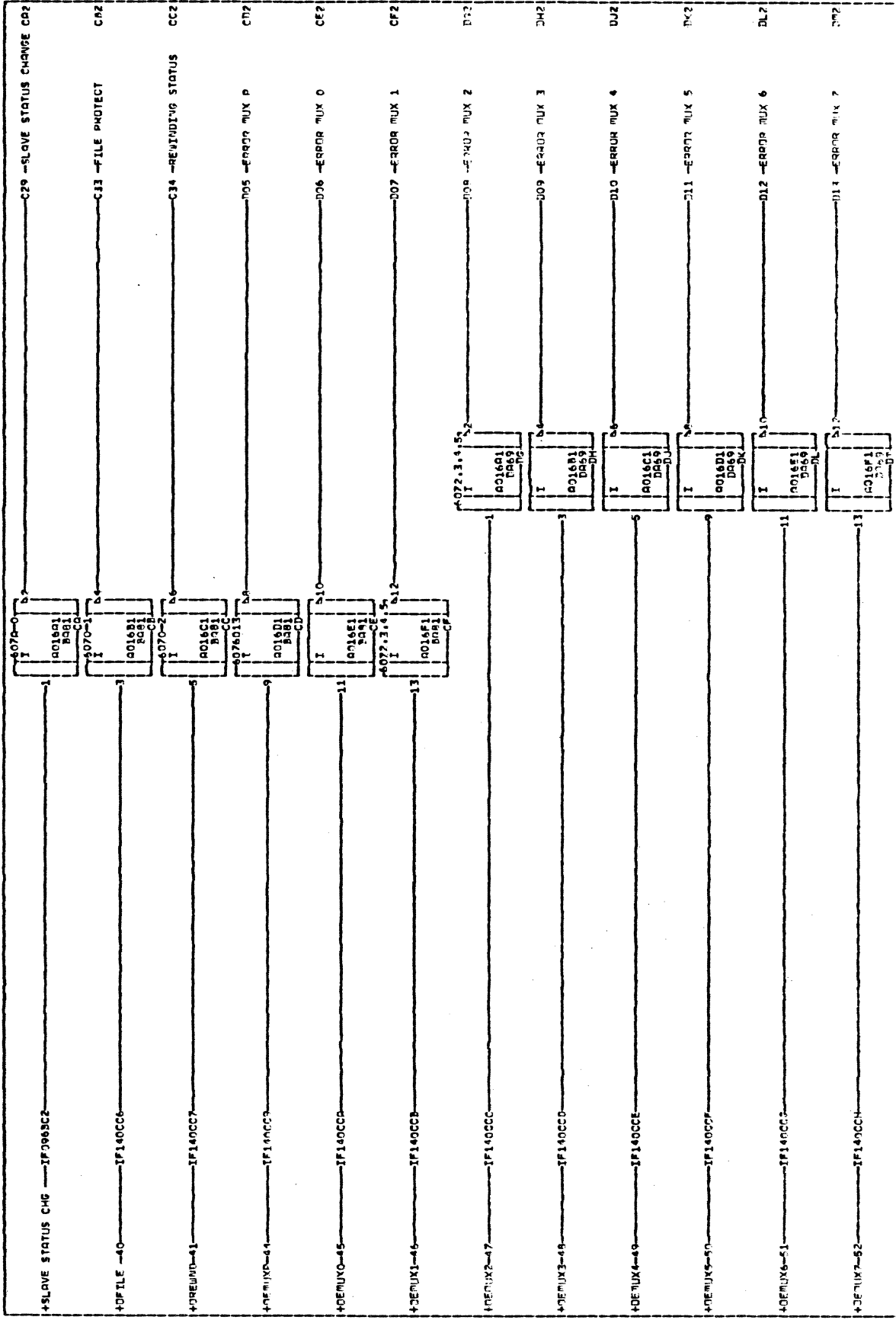
| | | | |
|---------------------------|---------------|-------------|----------|
| 1 | 1 | 4 | 0 |
| XTA INTERPACE BUFFER CHIP | | | REV. 1.0 |
| DESIGN: E.C. 49332 | DATE: 9/13/73 | PREV. E.C.: | DATE: |
| XTA INTERPACE BUFFER CHIP | | | REV. 1.0 |
| DESIGN: E.C. 49332 | | | REV. 1.0 |
| DATE: 9/13/73 | | | REV. 1.0 |
| PREV. E.C.: | | | REV. 1.0 |
| DATE: | | | REV. 1.0 |
| XTA INTERPACE BUFFER CHIP | | | REV. 1.0 |
| DESIGN: E.C. 49332 | | | REV. 1.0 |
| DATE: 9/13/73 | | | REV. 1.0 |
| PREV. E.C.: | | | REV. 1.0 |
| DATE: | | | REV. 1.0 |

A B C D E



| | | | | | |
|-----|-----|------|----------|-------------|----------|
| REV | 1 | DATE | 03/10/83 | DESIGNED BY | PC |
| REV | 2 | DATE | | CHECKED BY | PC |
| REV | 3 | DATE | | APPROVED BY | PC |
| REV | 4 | DATE | | DATE | 03/10/83 |
| REV | 5 | DATE | | NOTE | |
| REV | 6 | DATE | | | |
| REV | 7 | DATE | | | |
| REV | 8 | DATE | | | |
| REV | 9 | DATE | | | |
| REV | 10 | DATE | | | |
| REV | 11 | DATE | | | |
| REV | 12 | DATE | | | |
| REV | 13 | DATE | | | |
| REV | 14 | DATE | | | |
| REV | 15 | DATE | | | |
| REV | 16 | DATE | | | |
| REV | 17 | DATE | | | |
| REV | 18 | DATE | | | |
| REV | 19 | DATE | | | |
| REV | 20 | DATE | | | |
| REV | 21 | DATE | | | |
| REV | 22 | DATE | | | |
| REV | 23 | DATE | | | |
| REV | 24 | DATE | | | |
| REV | 25 | DATE | | | |
| REV | 26 | DATE | | | |
| REV | 27 | DATE | | | |
| REV | 28 | DATE | | | |
| REV | 29 | DATE | | | |
| REV | 30 | DATE | | | |
| REV | 31 | DATE | | | |
| REV | 32 | DATE | | | |
| REV | 33 | DATE | | | |
| REV | 34 | DATE | | | |
| REV | 35 | DATE | | | |
| REV | 36 | DATE | | | |
| REV | 37 | DATE | | | |
| REV | 38 | DATE | | | |
| REV | 39 | DATE | | | |
| REV | 40 | DATE | | | |
| REV | 41 | DATE | | | |
| REV | 42 | DATE | | | |
| REV | 43 | DATE | | | |
| REV | 44 | DATE | | | |
| REV | 45 | DATE | | | |
| REV | 46 | DATE | | | |
| REV | 47 | DATE | | | |
| REV | 48 | DATE | | | |
| REV | 49 | DATE | | | |
| REV | 50 | DATE | | | |
| REV | 51 | DATE | | | |
| REV | 52 | DATE | | | |
| REV | 53 | DATE | | | |
| REV | 54 | DATE | | | |
| REV | 55 | DATE | | | |
| REV | 56 | DATE | | | |
| REV | 57 | DATE | | | |
| REV | 58 | DATE | | | |
| REV | 59 | DATE | | | |
| REV | 60 | DATE | | | |
| REV | 61 | DATE | | | |
| REV | 62 | DATE | | | |
| REV | 63 | DATE | | | |
| REV | 64 | DATE | | | |
| REV | 65 | DATE | | | |
| REV | 66 | DATE | | | |
| REV | 67 | DATE | | | |
| REV | 68 | DATE | | | |
| REV | 69 | DATE | | | |
| REV | 70 | DATE | | | |
| REV | 71 | DATE | | | |
| REV | 72 | DATE | | | |
| REV | 73 | DATE | | | |
| REV | 74 | DATE | | | |
| REV | 75 | DATE | | | |
| REV | 76 | DATE | | | |
| REV | 77 | DATE | | | |
| REV | 78 | DATE | | | |
| REV | 79 | DATE | | | |
| REV | 80 | DATE | | | |
| REV | 81 | DATE | | | |
| REV | 82 | DATE | | | |
| REV | 83 | DATE | | | |
| REV | 84 | DATE | | | |
| REV | 85 | DATE | | | |
| REV | 86 | DATE | | | |
| REV | 87 | DATE | | | |
| REV | 88 | DATE | | | |
| REV | 89 | DATE | | | |
| REV | 90 | DATE | | | |
| REV | 91 | DATE | | | |
| REV | 92 | DATE | | | |
| REV | 93 | DATE | | | |
| REV | 94 | DATE | | | |
| REV | 95 | DATE | | | |
| REV | 96 | DATE | | | |
| REV | 97 | DATE | | | |
| REV | 98 | DATE | | | |
| REV | 99 | DATE | | | |
| REV | 100 | DATE | | | |

A B C D E



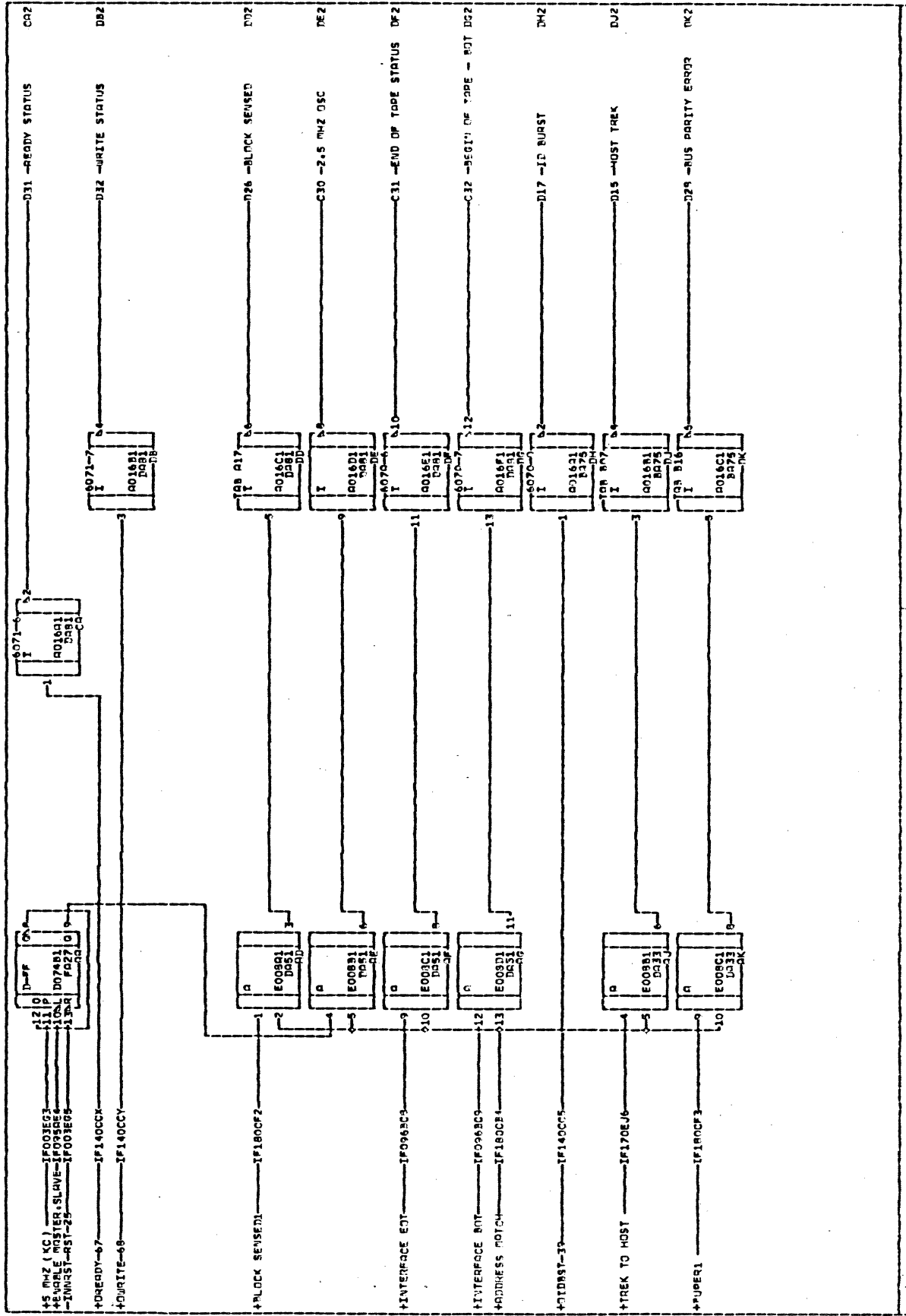
| | | | | |
|---|---|---|---|---|
| 1 | 2 | 3 | 4 | 5 |
| 1 | 1 | 1 | 1 | 1 |
| 1 | 1 | 1 | 1 | 1 |
| 1 | 1 | 1 | 1 | 1 |
| 1 | 1 | 1 | 1 | 1 |

HOST OUTPUT LINES FROM INTERFACE CHIP

| | |
|------------------|---------------|
| PREV: E.C. 49342 | DATE 08/20/98 |
| PREV: E.C. 49342 | DATE 08/20/98 |
| PREV: E.C. 49342 | DATE 08/20/98 |
| PREV: E.C. 49342 | DATE 08/20/98 |

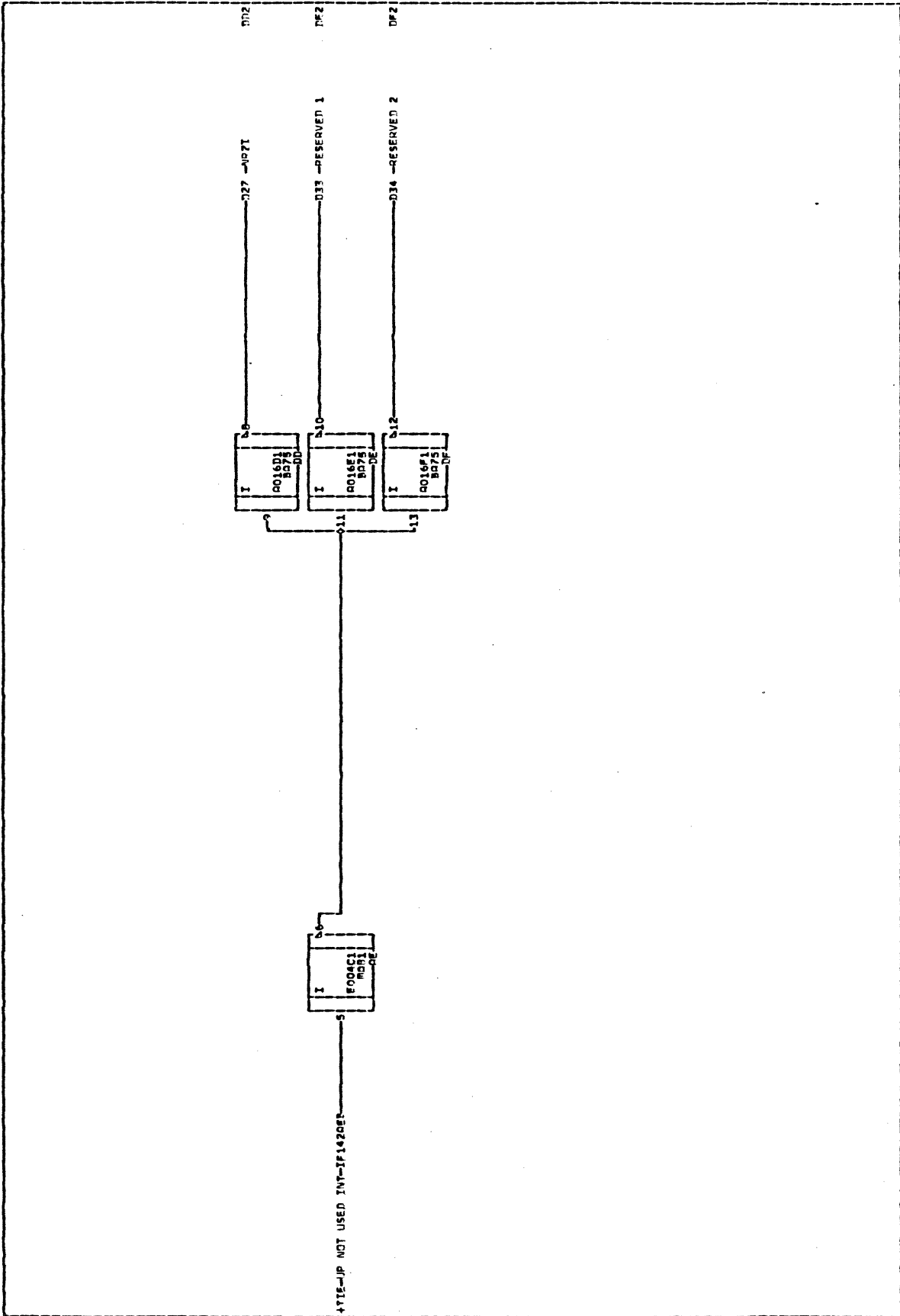
| | | | | |
|---|---|---|---|---|
| 1 | 2 | 3 | 4 | 5 |
| 1 | 1 | 1 | 1 | 1 |
| 1 | 1 | 1 | 1 | 1 |
| 1 | 1 | 1 | 1 | 1 |
| 1 | 1 | 1 | 1 | 1 |

A B C D E



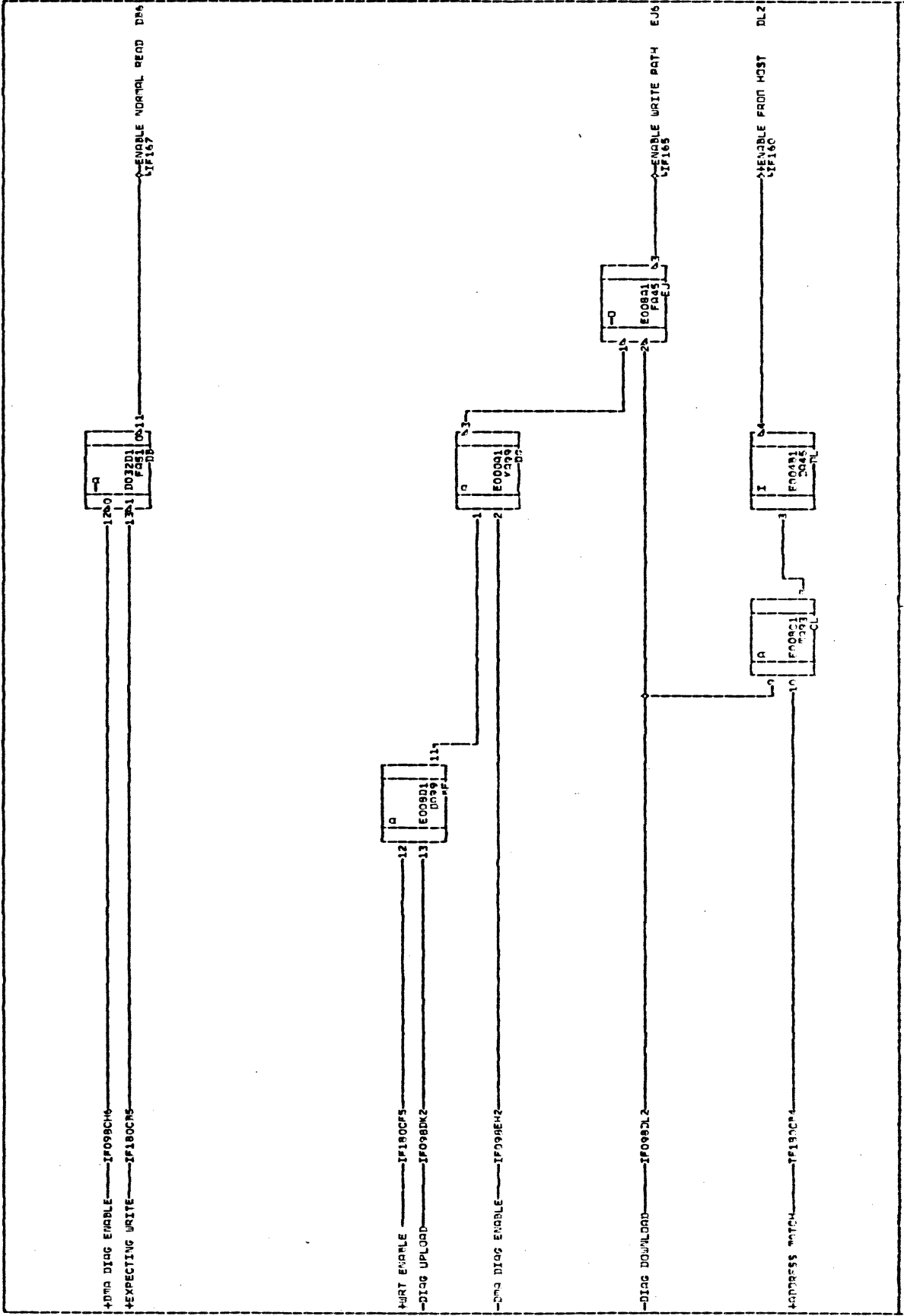
| | | | | | | | | | | | | | | | | | | | | | | | | | | | | | | | | | | | | | | | | | | | | | | | | | | | | | | | | | | | | | | | | | | | | | | | | | | | | | | | | | | | | | | | | | | | | | | | | | | | |
|--|---|---|---|---|---|---|---|---|----|------------------|----|----|----|----|----|----|----|----|----|----------------|----|----|----|----|----|----|----|----|----|---------------------|----|----|----|----|----|----|----|----|----|---------------------|----|----|----|----|----|----|----|----|----|--------------------|----|----|----|----|----|----|----|----|----|----|----|----|----|----|----|----|----|----|----|----|----|----|----|----|----|----|----|----|----|----|----|----|----|----|----|----|----|----|----|----|----|----|----|----|----|----|----|----|-----|
| 1 | 2 | 3 | 4 | 5 | 6 | 7 | 8 | 9 | 10 | 11 | 12 | 13 | 14 | 15 | 16 | 17 | 18 | 19 | 20 | 21 | 22 | 23 | 24 | 25 | 26 | 27 | 28 | 29 | 30 | 31 | 32 | 33 | 34 | 35 | 36 | 37 | 38 | 39 | 40 | 41 | 42 | 43 | 44 | 45 | 46 | 47 | 48 | 49 | 50 | 51 | 52 | 53 | 54 | 55 | 56 | 57 | 58 | 59 | 60 | 61 | 62 | 63 | 64 | 65 | 66 | 67 | 68 | 69 | 70 | 71 | 72 | 73 | 74 | 75 | 76 | 77 | 78 | 79 | 80 | 81 | 82 | 83 | 84 | 85 | 86 | 87 | 88 | 89 | 90 | 91 | 92 | 93 | 94 | 95 | 96 | 97 | 98 | 99 | 100 |
| REAL TIME OUTPUT LINES AND READY AND WRITE TO HOST | | | | | | | | | | PRES. EIC: 49392 | | | | | | | | | | DATE: 08/30/83 | | | | | | | | | | WRITING RE-HEAD, PC | | | | | | | | | | L PER EC PROTECTING | | | | | | | | | | PC NO. 404119-01-5 | | | | | | | | | | | | | | | | | | | | | | | | | | | | | | | | | | | | | | | | | | | | | | | | | |

P B C D E

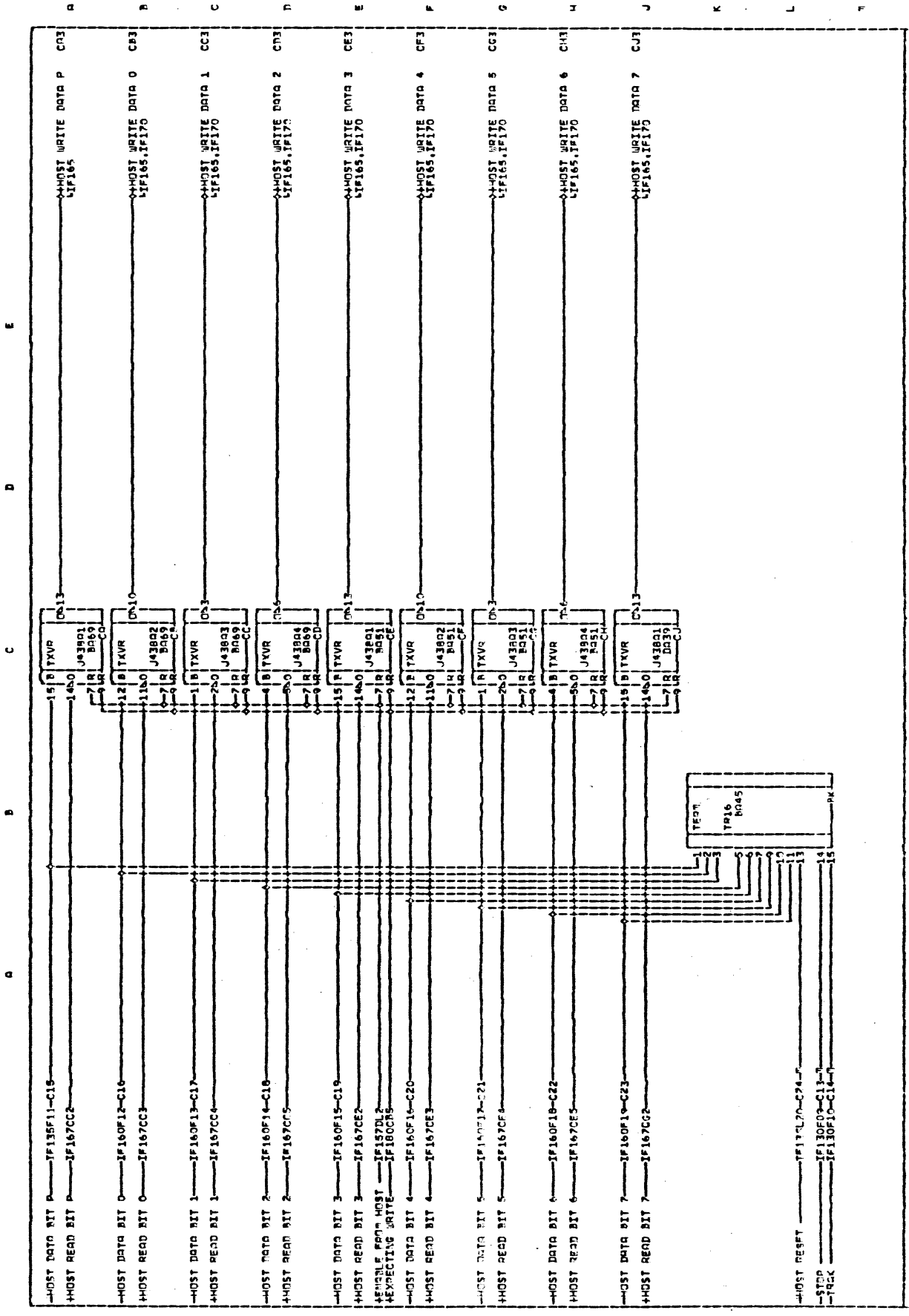


| | | | |
|---------------------|----------------|---------------------------|---|
| 1 | 2 | 3 | 4 |
| INT-FP NOT USED | INT-FP120B | EXTRA OUTPUT PINS TO HOST | TIMING METHOD: PC FLYER EC PROTOTYP P5 PIN: 428131-21-3 |
| PREP. E.C.: 49302 | DATE: 03/20/83 | | |
| REV. E.C.: 03/20/83 | | | |
| DATE: | | | |

A B C D E

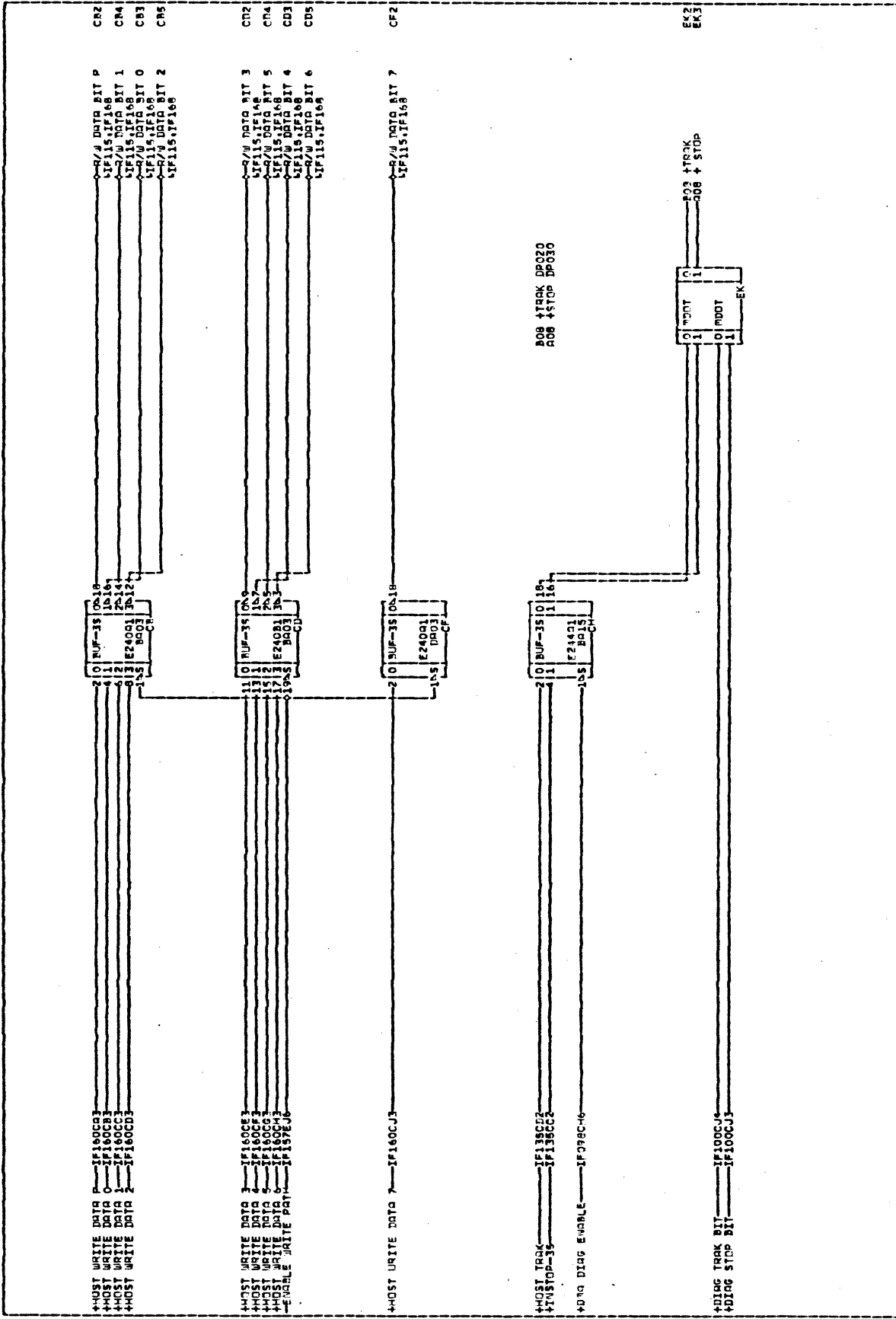


| | | | |
|---|---|---|--------------------|
| 1 | ENABLE CIRCUIT FOR PENDING DATA TO MEMORY | 1 | TESTING METHOD: PC |
| 2 | | 2 | FLYER EC BOOT UP |
| 3 | | 3 | 19 JAN, 1983-01-1 |



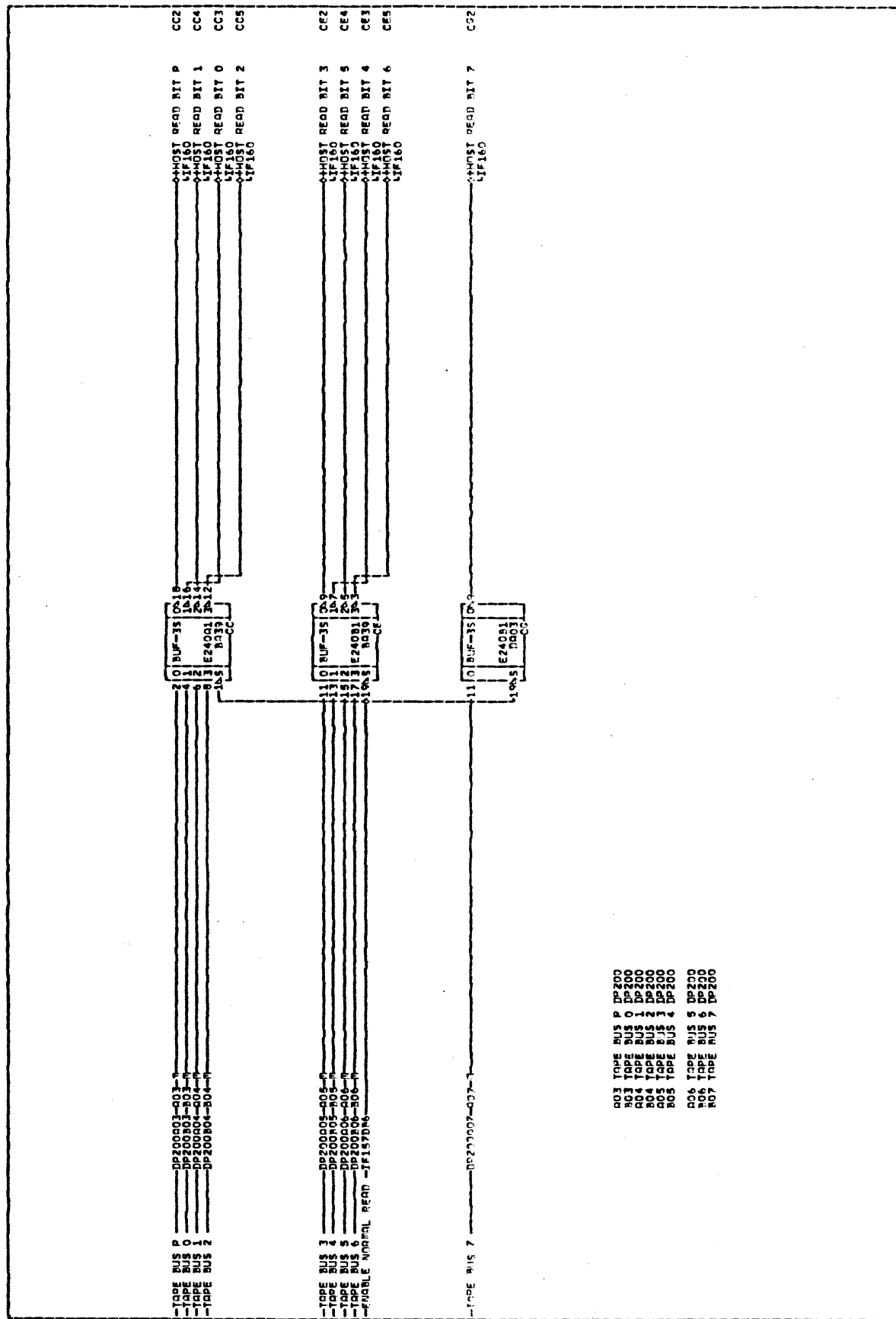
| | | | | | | | | | | | | | | | |
|---------------------|---|---|---|---|---|---|---|---|---|----|----|----|----|----|----|
| 0 | 1 | 2 | 3 | 4 | 5 | 6 | 7 | 8 | 9 | 10 | 11 | 12 | 13 | 14 | 15 |
| DATA BIT LINES | | | | | | | | | | | | | | | |
| PHES, E.C. 49392 | | | | | | | | | | | | | | | |
| PREV. E.C. 03/30/81 | | | | | | | | | | | | | | | |
| DATE | | | | | | | | | | | | | | | |
| TESTING METHOD: PCI | | | | | | | | | | | | | | | |
| FLYER SC: PROTOYO | | | | | | | | | | | | | | | |
| PG 04, 403413-01-9 | | | | | | | | | | | | | | | |

A B C D E



| | | | | |
|-----------------------------|----------|----------|---|------|
| 1 | 2 | 3 | 4 | 5 |
| DATE | ISSUED | REVISED | DATE | DATE |
| | 08/11/33 | 08/11/33 | | |
| DATA LINE TO NUTPATH COUNTS | | | DRAWING NUMBER REVISED QUANTITY PG. NO. 401813-01-7 | |
| PROJECT: E.C. 49392 | | | DATE: 08/11/33 | |
| DESIGNER: E.C. | | | DATE: 08/11/33 | |

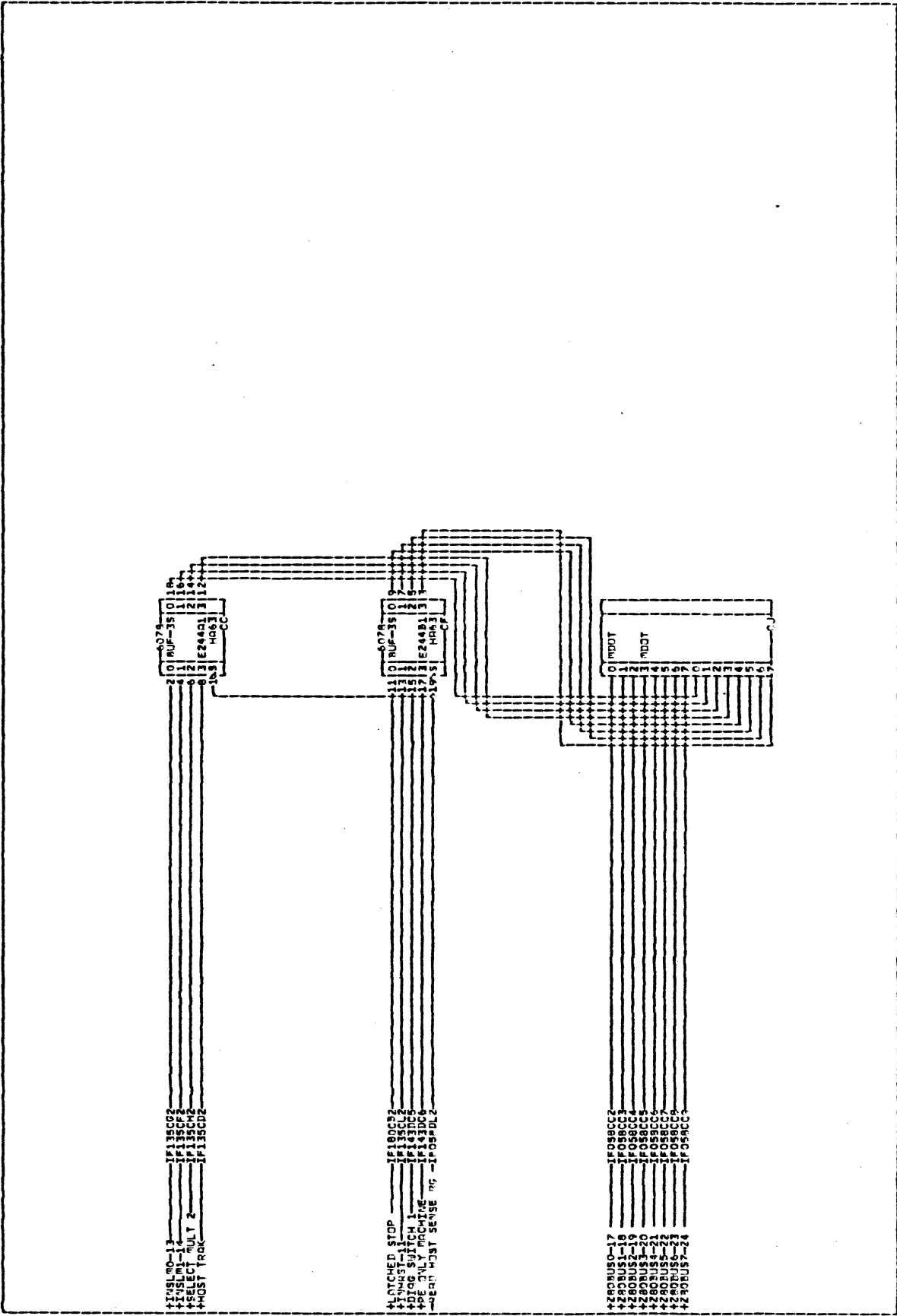
A B C D E F G H J K L T



DP20000-803
 DP20000-804
 DP20000-805
 DP20000-806
 DP20000-807

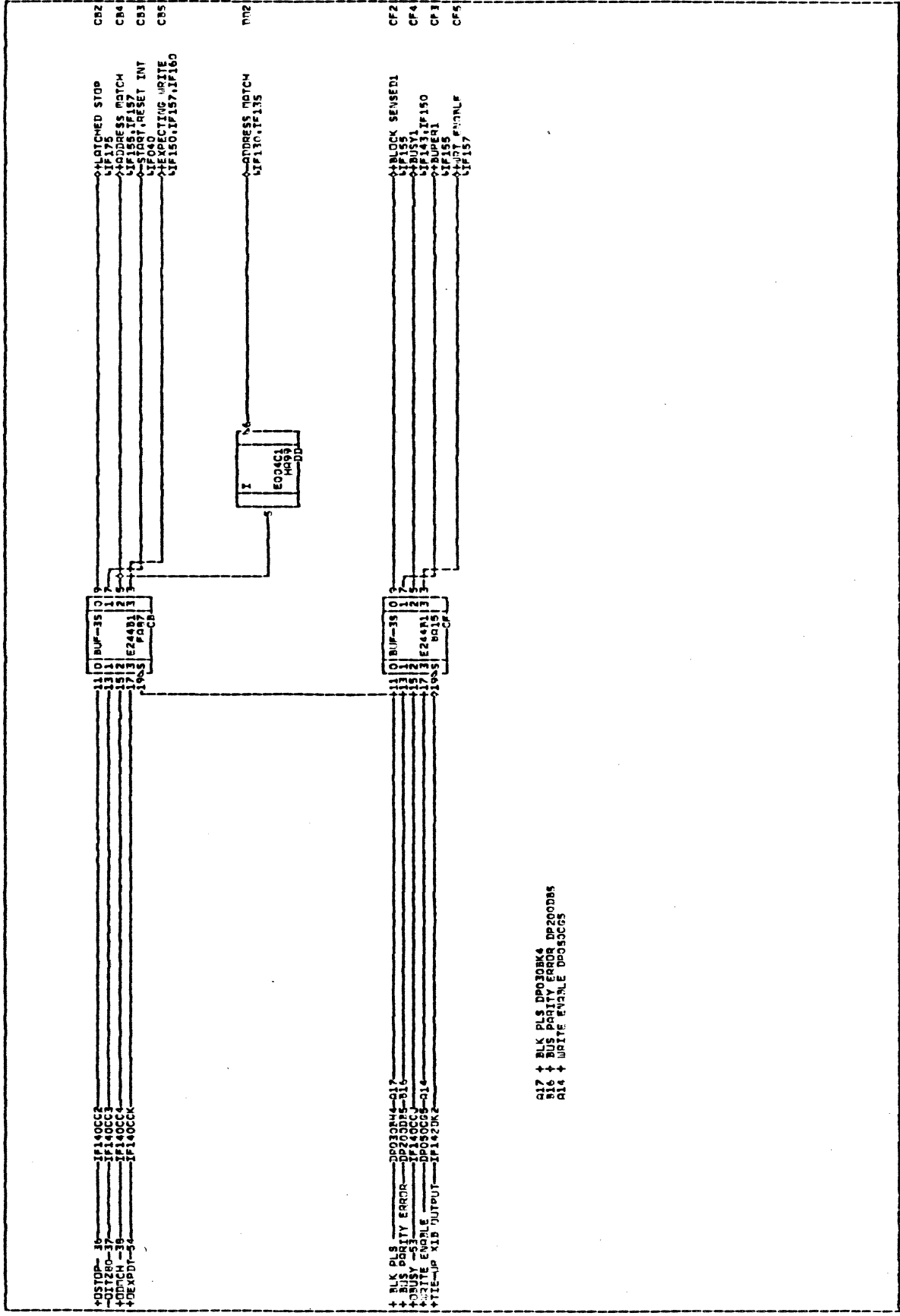
| | | | | | | |
|-------------|--------------|--------------|--------------|--------------|--------------|--------------|
| 1 | 2 | 3 | 4 | 5 | 6 | 7 |
| DP20000-803 | DP20000-804 | DP20000-805 | DP20000-806 | DP20000-807 | DP20000-808 | DP20000-809 |
| DP20000-810 | DP20000-811 | DP20000-812 | DP20000-813 | DP20000-814 | DP20000-815 | DP20000-816 |
| DP20000-817 | DP20000-818 | DP20000-819 | DP20000-820 | DP20000-821 | DP20000-822 | DP20000-823 |
| DP20000-824 | DP20000-825 | DP20000-826 | DP20000-827 | DP20000-828 | DP20000-829 | DP20000-830 |
| DP20000-831 | DP20000-832 | DP20000-833 | DP20000-834 | DP20000-835 | DP20000-836 | DP20000-837 |
| DP20000-838 | DP20000-839 | DP20000-840 | DP20000-841 | DP20000-842 | DP20000-843 | DP20000-844 |
| DP20000-845 | DP20000-846 | DP20000-847 | DP20000-848 | DP20000-849 | DP20000-850 | DP20000-851 |
| DP20000-852 | DP20000-853 | DP20000-854 | DP20000-855 | DP20000-856 | DP20000-857 | DP20000-858 |
| DP20000-859 | DP20000-860 | DP20000-861 | DP20000-862 | DP20000-863 | DP20000-864 | DP20000-865 |
| DP20000-866 | DP20000-867 | DP20000-868 | DP20000-869 | DP20000-870 | DP20000-871 | DP20000-872 |
| DP20000-873 | DP20000-874 | DP20000-875 | DP20000-876 | DP20000-877 | DP20000-878 | DP20000-879 |
| DP20000-880 | DP20000-881 | DP20000-882 | DP20000-883 | DP20000-884 | DP20000-885 | DP20000-886 |
| DP20000-887 | DP20000-888 | DP20000-889 | DP20000-890 | DP20000-891 | DP20000-892 | DP20000-893 |
| DP20000-894 | DP20000-895 | DP20000-896 | DP20000-897 | DP20000-898 | DP20000-899 | DP20000-900 |
| DP20000-901 | DP20000-902 | DP20000-903 | DP20000-904 | DP20000-905 | DP20000-906 | DP20000-907 |
| DP20000-908 | DP20000-909 | DP20000-910 | DP20000-911 | DP20000-912 | DP20000-913 | DP20000-914 |
| DP20000-915 | DP20000-916 | DP20000-917 | DP20000-918 | DP20000-919 | DP20000-920 | DP20000-921 |
| DP20000-922 | DP20000-923 | DP20000-924 | DP20000-925 | DP20000-926 | DP20000-927 | DP20000-928 |
| DP20000-929 | DP20000-930 | DP20000-931 | DP20000-932 | DP20000-933 | DP20000-934 | DP20000-935 |
| DP20000-936 | DP20000-937 | DP20000-938 | DP20000-939 | DP20000-940 | DP20000-941 | DP20000-942 |
| DP20000-943 | DP20000-944 | DP20000-945 | DP20000-946 | DP20000-947 | DP20000-948 | DP20000-949 |
| DP20000-950 | DP20000-951 | DP20000-952 | DP20000-953 | DP20000-954 | DP20000-955 | DP20000-956 |
| DP20000-957 | DP20000-958 | DP20000-959 | DP20000-960 | DP20000-961 | DP20000-962 | DP20000-963 |
| DP20000-964 | DP20000-965 | DP20000-966 | DP20000-967 | DP20000-968 | DP20000-969 | DP20000-970 |
| DP20000-971 | DP20000-972 | DP20000-973 | DP20000-974 | DP20000-975 | DP20000-976 | DP20000-977 |
| DP20000-978 | DP20000-979 | DP20000-980 | DP20000-981 | DP20000-982 | DP20000-983 | DP20000-984 |
| DP20000-985 | DP20000-986 | DP20000-987 | DP20000-988 | DP20000-989 | DP20000-990 | DP20000-991 |
| DP20000-992 | DP20000-993 | DP20000-994 | DP20000-995 | DP20000-996 | DP20000-997 | DP20000-998 |
| DP20000-999 | DP20000-1000 | DP20000-1001 | DP20000-1002 | DP20000-1003 | DP20000-1004 | DP20000-1005 |

A B C D E



| | | |
|---|--------------------------|-------------|
| 1 | INTERFACE SENSE REGISTER | 0078 MUF-35 |
| 2 | | 0078 MUF-35 |
| 3 | | 0078 MUF-35 |
| 4 | | 0078 MUF-35 |
| 5 | | 0078 MUF-35 |
| 6 | | 0078 MUF-35 |

A B C D E



| | | | |
|-------------|-------------|-------------|-------------|
| HE 470 | DATE | DATE | DATE |
| DESIGNED BY | DESIGNED BY | DESIGNED BY | DESIGNED BY |
| DATE | DATE | DATE | DATE |
| REV. 1 | REV. 1 | REV. 1 | REV. 1 |
| REV. 2 | REV. 2 | REV. 2 | REV. 2 |
| REV. 3 | REV. 3 | REV. 3 | REV. 3 |
| REV. 4 | REV. 4 | REV. 4 | REV. 4 |
| REV. 5 | REV. 5 | REV. 5 | REV. 5 |
| REV. 6 | REV. 6 | REV. 6 | REV. 6 |
| REV. 7 | REV. 7 | REV. 7 | REV. 7 |
| REV. 8 | REV. 8 | REV. 8 | REV. 8 |
| REV. 9 | REV. 9 | REV. 9 | REV. 9 |
| REV. 10 | REV. 10 | REV. 10 | REV. 10 |
| REV. 11 | REV. 11 | REV. 11 | REV. 11 |
| REV. 12 | REV. 12 | REV. 12 | REV. 12 |
| REV. 13 | REV. 13 | REV. 13 | REV. 13 |
| REV. 14 | REV. 14 | REV. 14 | REV. 14 |
| REV. 15 | REV. 15 | REV. 15 | REV. 15 |
| REV. 16 | REV. 16 | REV. 16 | REV. 16 |
| REV. 17 | REV. 17 | REV. 17 | REV. 17 |
| REV. 18 | REV. 18 | REV. 18 | REV. 18 |
| REV. 19 | REV. 19 | REV. 19 | REV. 19 |
| REV. 20 | REV. 20 | REV. 20 | REV. 20 |
| REV. 21 | REV. 21 | REV. 21 | REV. 21 |
| REV. 22 | REV. 22 | REV. 22 | REV. 22 |
| REV. 23 | REV. 23 | REV. 23 | REV. 23 |
| REV. 24 | REV. 24 | REV. 24 | REV. 24 |
| REV. 25 | REV. 25 | REV. 25 | REV. 25 |
| REV. 26 | REV. 26 | REV. 26 | REV. 26 |
| REV. 27 | REV. 27 | REV. 27 | REV. 27 |
| REV. 28 | REV. 28 | REV. 28 | REV. 28 |
| REV. 29 | REV. 29 | REV. 29 | REV. 29 |
| REV. 30 | REV. 30 | REV. 30 | REV. 30 |
| REV. 31 | REV. 31 | REV. 31 | REV. 31 |
| REV. 32 | REV. 32 | REV. 32 | REV. 32 |
| REV. 33 | REV. 33 | REV. 33 | REV. 33 |
| REV. 34 | REV. 34 | REV. 34 | REV. 34 |
| REV. 35 | REV. 35 | REV. 35 | REV. 35 |
| REV. 36 | REV. 36 | REV. 36 | REV. 36 |
| REV. 37 | REV. 37 | REV. 37 | REV. 37 |
| REV. 38 | REV. 38 | REV. 38 | REV. 38 |
| REV. 39 | REV. 39 | REV. 39 | REV. 39 |
| REV. 40 | REV. 40 | REV. 40 | REV. 40 |
| REV. 41 | REV. 41 | REV. 41 | REV. 41 |
| REV. 42 | REV. 42 | REV. 42 | REV. 42 |
| REV. 43 | REV. 43 | REV. 43 | REV. 43 |
| REV. 44 | REV. 44 | REV. 44 | REV. 44 |
| REV. 45 | REV. 45 | REV. 45 | REV. 45 |
| REV. 46 | REV. 46 | REV. 46 | REV. 46 |
| REV. 47 | REV. 47 | REV. 47 | REV. 47 |
| REV. 48 | REV. 48 | REV. 48 | REV. 48 |
| REV. 49 | REV. 49 | REV. 49 | REV. 49 |
| REV. 50 | REV. 50 | REV. 50 | REV. 50 |
| REV. 51 | REV. 51 | REV. 51 | REV. 51 |
| REV. 52 | REV. 52 | REV. 52 | REV. 52 |
| REV. 53 | REV. 53 | REV. 53 | REV. 53 |
| REV. 54 | REV. 54 | REV. 54 | REV. 54 |
| REV. 55 | REV. 55 | REV. 55 | REV. 55 |
| REV. 56 | REV. 56 | REV. 56 | REV. 56 |
| REV. 57 | REV. 57 | REV. 57 | REV. 57 |
| REV. 58 | REV. 58 | REV. 58 | REV. 58 |
| REV. 59 | REV. 59 | REV. 59 | REV. 59 |
| REV. 60 | REV. 60 | REV. 60 | REV. 60 |
| REV. 61 | REV. 61 | REV. 61 | REV. 61 |
| REV. 62 | REV. 62 | REV. 62 | REV. 62 |
| REV. 63 | REV. 63 | REV. 63 | REV. 63 |
| REV. 64 | REV. 64 | REV. 64 | REV. 64 |
| REV. 65 | REV. 65 | REV. 65 | REV. 65 |
| REV. 66 | REV. 66 | REV. 66 | REV. 66 |
| REV. 67 | REV. 67 | REV. 67 | REV. 67 |
| REV. 68 | REV. 68 | REV. 68 | REV. 68 |
| REV. 69 | REV. 69 | REV. 69 | REV. 69 |
| REV. 70 | REV. 70 | REV. 70 | REV. 70 |
| REV. 71 | REV. 71 | REV. 71 | REV. 71 |
| REV. 72 | REV. 72 | REV. 72 | REV. 72 |
| REV. 73 | REV. 73 | REV. 73 | REV. 73 |
| REV. 74 | REV. 74 | REV. 74 | REV. 74 |
| REV. 75 | REV. 75 | REV. 75 | REV. 75 |
| REV. 76 | REV. 76 | REV. 76 | REV. 76 |
| REV. 77 | REV. 77 | REV. 77 | REV. 77 |
| REV. 78 | REV. 78 | REV. 78 | REV. 78 |
| REV. 79 | REV. 79 | REV. 79 | REV. 79 |
| REV. 80 | REV. 80 | REV. 80 | REV. 80 |
| REV. 81 | REV. 81 | REV. 81 | REV. 81 |
| REV. 82 | REV. 82 | REV. 82 | REV. 82 |
| REV. 83 | REV. 83 | REV. 83 | REV. 83 |
| REV. 84 | REV. 84 | REV. 84 | REV. 84 |
| REV. 85 | REV. 85 | REV. 85 | REV. 85 |
| REV. 86 | REV. 86 | REV. 86 | REV. 86 |
| REV. 87 | REV. 87 | REV. 87 | REV. 87 |
| REV. 88 | REV. 88 | REV. 88 | REV. 88 |
| REV. 89 | REV. 89 | REV. 89 | REV. 89 |
| REV. 90 | REV. 90 | REV. 90 | REV. 90 |
| REV. 91 | REV. 91 | REV. 91 | REV. 91 |
| REV. 92 | REV. 92 | REV. 92 | REV. 92 |
| REV. 93 | REV. 93 | REV. 93 | REV. 93 |
| REV. 94 | REV. 94 | REV. 94 | REV. 94 |
| REV. 95 | REV. 95 | REV. 95 | REV. 95 |
| REV. 96 | REV. 96 | REV. 96 | REV. 96 |
| REV. 97 | REV. 97 | REV. 97 | REV. 97 |
| REV. 98 | REV. 98 | REV. 98 | REV. 98 |
| REV. 99 | REV. 99 | REV. 99 | REV. 99 |
| REV. 100 | REV. 100 | REV. 100 | REV. 100 |

ASSEMBLY PARTS LIST

BUILD ARC DOC

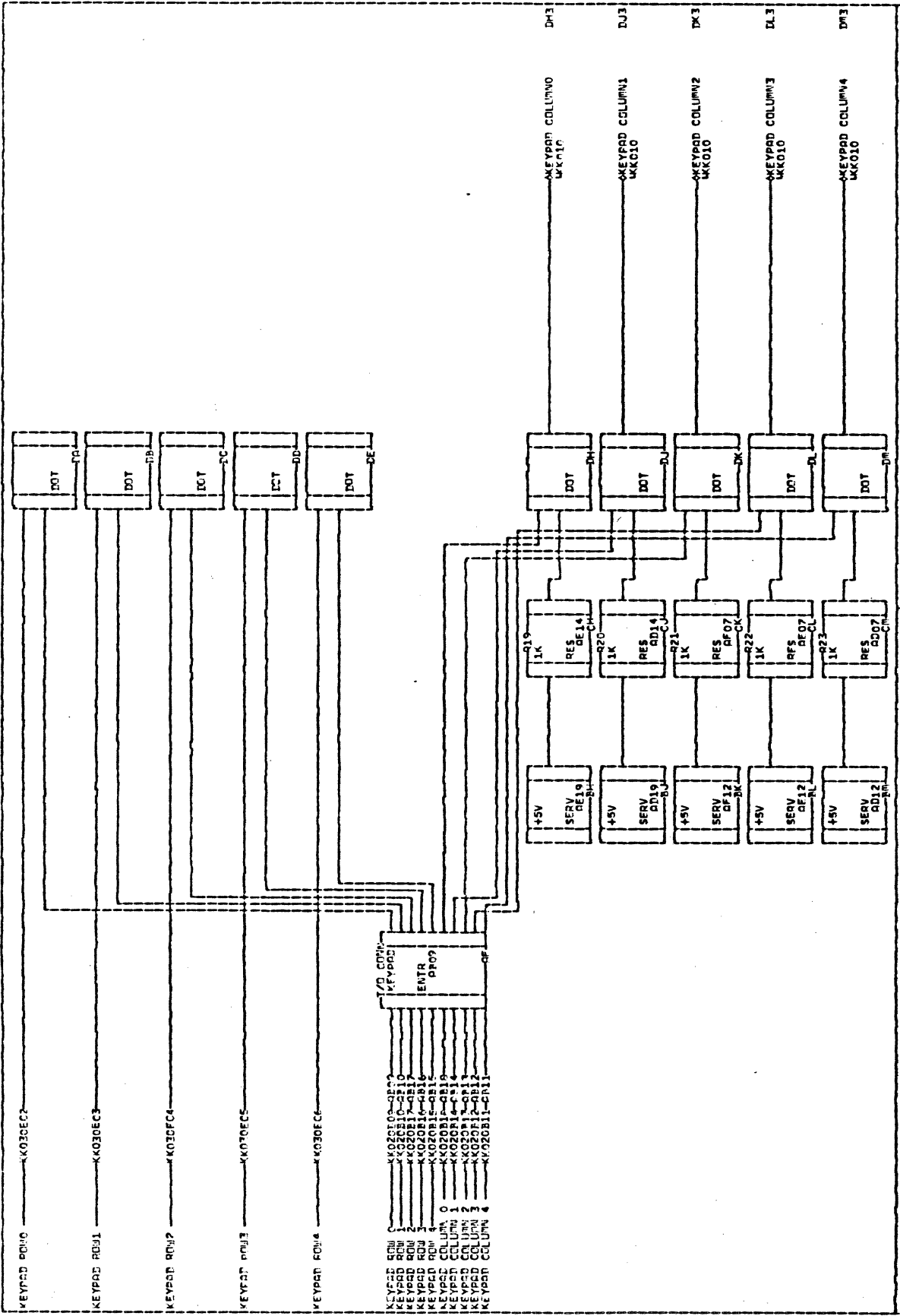
| DIV. | ASSEMBLY NUMBER | CD | REV. | DWG. | DESCRIPTION | MC | STATUS | STATUS DATE | FILE DATE | | | | | |
|----------|-----------------|-------------|------|------|----------------------------|-----|----------------------|-------------|---------------|-------------|--------------|-----|-------|--------|
| 0500 | 403215701 | 0 | A | N | CD LGC GP, KK402051301, PC | N | REL | 05-20-83 | 2920 05-26-83 | | | | | |
| TFIND NO | LI | PART NUMBER | CD | M | QUANTITY | U/M | PART DESCRIPTION | MC | YLD | E.C. NO. IN | E.C. NO. OUT | S/N | WK IN | WK OUT |
| 000 | 01 | 403181901 | 6 | | REF | | PC CD LGC, AM051, PC | D | | | | | | |
| 010 | 01 | 403182001 | 4 | | REF | | PC CD LGC, KK010, PC | D | | | | | | |
| 020 | 01 | 403182101 | 2 | | REF | | PC CD LGC, KK020, PC | D | | | | | | |
| 030 | 01 | 403182203 | 6 | | REF | | PC CD LGC, KK030, PC | D | | | | | | |
| 040 | 01 | 403182301 | 8 | | REF | | PC CD LGC, KK040, PC | D | | | | | | |
| 050 | 01 | 403182401 | 6 | | REF | | PC CD LGC, KK050, PC | D | | | | | | |
| 060 | 01 | 403182501 | 3 | | REF | | PC CD LGC, KK060, PC | D | | | | | | |
| | | | | | | | 0007 TOTAL LINES | | | | | | | |

| LLOC P060 | LLOC P061 | LLOC P062 | LLOC P063 | LLOC P064 | LLOC P065 | LLOC P066 | LLOC P067 | LLOC P068 | LLOC P069 | LLOC P070 | LLOC P071 | LLOC P072 | LLOC P073 | LLOC P074 | LLOC P075 | LLOC P076 | LLOC P077 | LLOC P078 | LLOC P079 | LLOC P080 |
|--|---|--|---|--|---|--|---|--|---|--|---|--|---|--|---|--|---|--------------------------------------|---------------------------|----------------|
| MEZ GNDP060 GNDP061 GNDP062 GNDP063 GNDP064 GNDP065 GNDP066 GNDP067 GNDP068 GNDP069 GNDP070 GNDP071 GNDP072 GNDP073 GNDP074 GNDP075 GNDP076 GNDP077 GNDP078 GNDP079 GNDP080 | MEZ GNDP061 GNDP062 GNDP063 GNDP064 GNDP065 GNDP066 GNDP067 GNDP068 GNDP069 GNDP070 GNDP071 GNDP072 GNDP073 GNDP074 GNDP075 GNDP076 GNDP077 GNDP078 GNDP079 GNDP080 | MEZ GNDP062 GNDP063 GNDP064 GNDP065 GNDP066 GNDP067 GNDP068 GNDP069 GNDP070 GNDP071 GNDP072 GNDP073 GNDP074 GNDP075 GNDP076 GNDP077 GNDP078 GNDP079 GNDP080 | MEZ GNDP063 GNDP064 GNDP065 GNDP066 GNDP067 GNDP068 GNDP069 GNDP070 GNDP071 GNDP072 GNDP073 GNDP074 GNDP075 GNDP076 GNDP077 GNDP078 GNDP079 GNDP080 | MEZ GNDP064 GNDP065 GNDP066 GNDP067 GNDP068 GNDP069 GNDP070 GNDP071 GNDP072 GNDP073 GNDP074 GNDP075 GNDP076 GNDP077 GNDP078 GNDP079 GNDP080 | MEZ GNDP065 GNDP066 GNDP067 GNDP068 GNDP069 GNDP070 GNDP071 GNDP072 GNDP073 GNDP074 GNDP075 GNDP076 GNDP077 GNDP078 GNDP079 GNDP080 | MEZ GNDP066 GNDP067 GNDP068 GNDP069 GNDP070 GNDP071 GNDP072 GNDP073 GNDP074 GNDP075 GNDP076 GNDP077 GNDP078 GNDP079 GNDP080 | MEZ GNDP067 GNDP068 GNDP069 GNDP070 GNDP071 GNDP072 GNDP073 GNDP074 GNDP075 GNDP076 GNDP077 GNDP078 GNDP079 GNDP080 | MEZ GNDP068 GNDP069 GNDP070 GNDP071 GNDP072 GNDP073 GNDP074 GNDP075 GNDP076 GNDP077 GNDP078 GNDP079 GNDP080 | MEZ GNDP069 GNDP070 GNDP071 GNDP072 GNDP073 GNDP074 GNDP075 GNDP076 GNDP077 GNDP078 GNDP079 GNDP080 | MEZ GNDP070 GNDP071 GNDP072 GNDP073 GNDP074 GNDP075 GNDP076 GNDP077 GNDP078 GNDP079 GNDP080 | MEZ GNDP071 GNDP072 GNDP073 GNDP074 GNDP075 GNDP076 GNDP077 GNDP078 GNDP079 GNDP080 | MEZ GNDP072 GNDP073 GNDP074 GNDP075 GNDP076 GNDP077 GNDP078 GNDP079 GNDP080 | MEZ GNDP073 GNDP074 GNDP075 GNDP076 GNDP077 GNDP078 GNDP079 GNDP080 | MEZ GNDP074 GNDP075 GNDP076 GNDP077 GNDP078 GNDP079 GNDP080 | MEZ GNDP075 GNDP076 GNDP077 GNDP078 GNDP079 GNDP080 | MEZ GNDP076 GNDP077 GNDP078 GNDP079 GNDP080 | MEZ GNDP077 GNDP078 GNDP079 GNDP080 | MEZ GNDP078 GNDP079 GNDP080 | MEZ GNDP079 GNDP080 | MEZ GNDP080 |

PRESENT EC 40031 DATE 04/14/82
PREV EC MOVE PAGE PN 4031019-01 CD TYPE KK
CD PN 402051301R
FLEVEL PRODTOTYP

OP PANEL - KEYPAD INTERFACE, Q/L/NU DISPLAY, AND STATUS LEADS

G F E D C B A



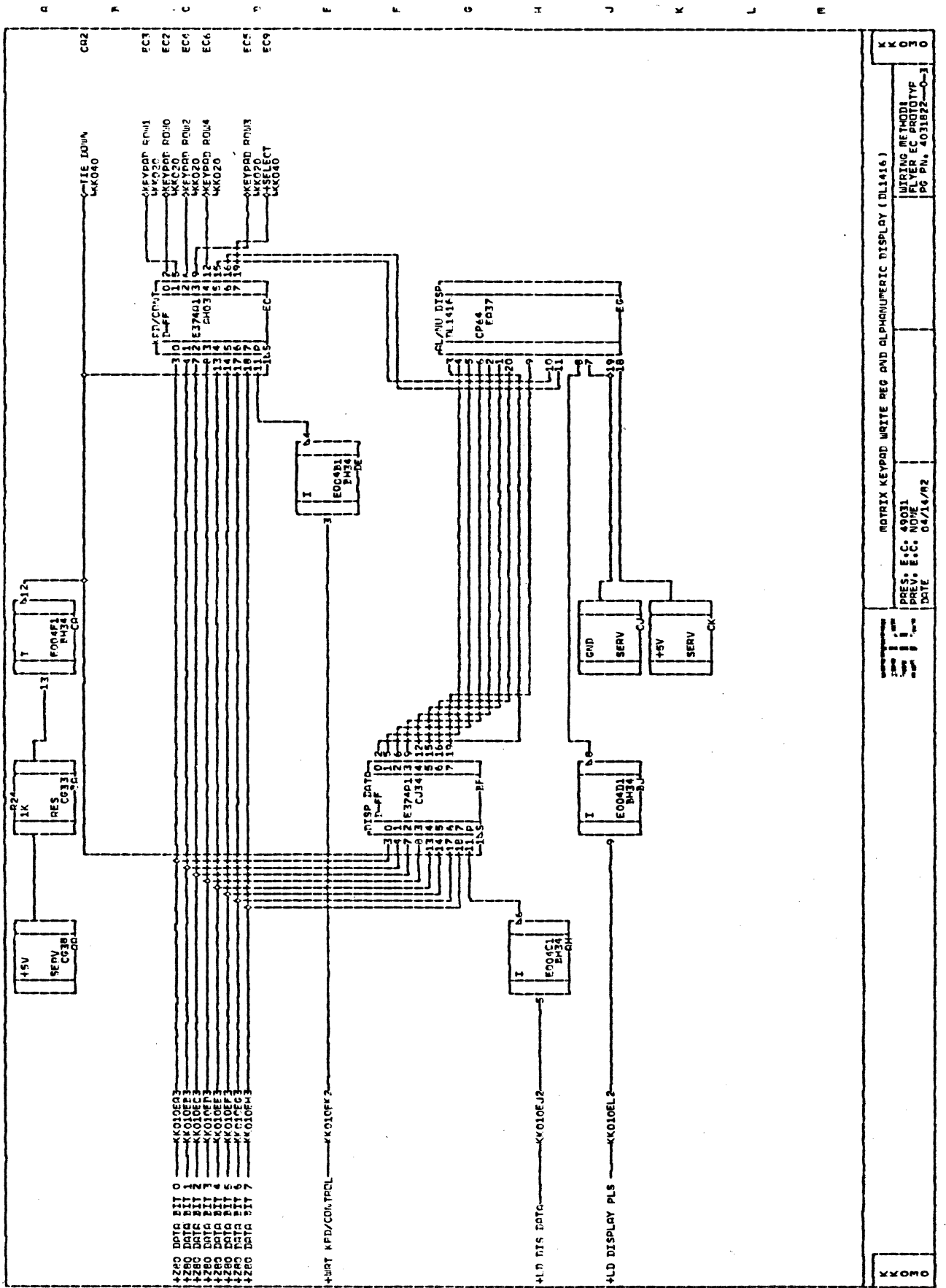
K K O 2 0

MATRIX KEYPAD CONNECTOR

PRES. E.C. 49031
 PREV. E.C. NONE
 DATE 04/06/92

WORKING METHOD
 FLYER EC PROTOTYP
 PG. PN. 4031RZ1-0-1

K K O 2 0



XX000

MATRIX KEYPAD WRITE REG AND ALPHANUMERIC DISPLAY (DL4416)

PREV. E.C. NO. 49031

DATE 04/14/82

DATE 04/14/82

DATE 04/14/82

DATE 04/14/82

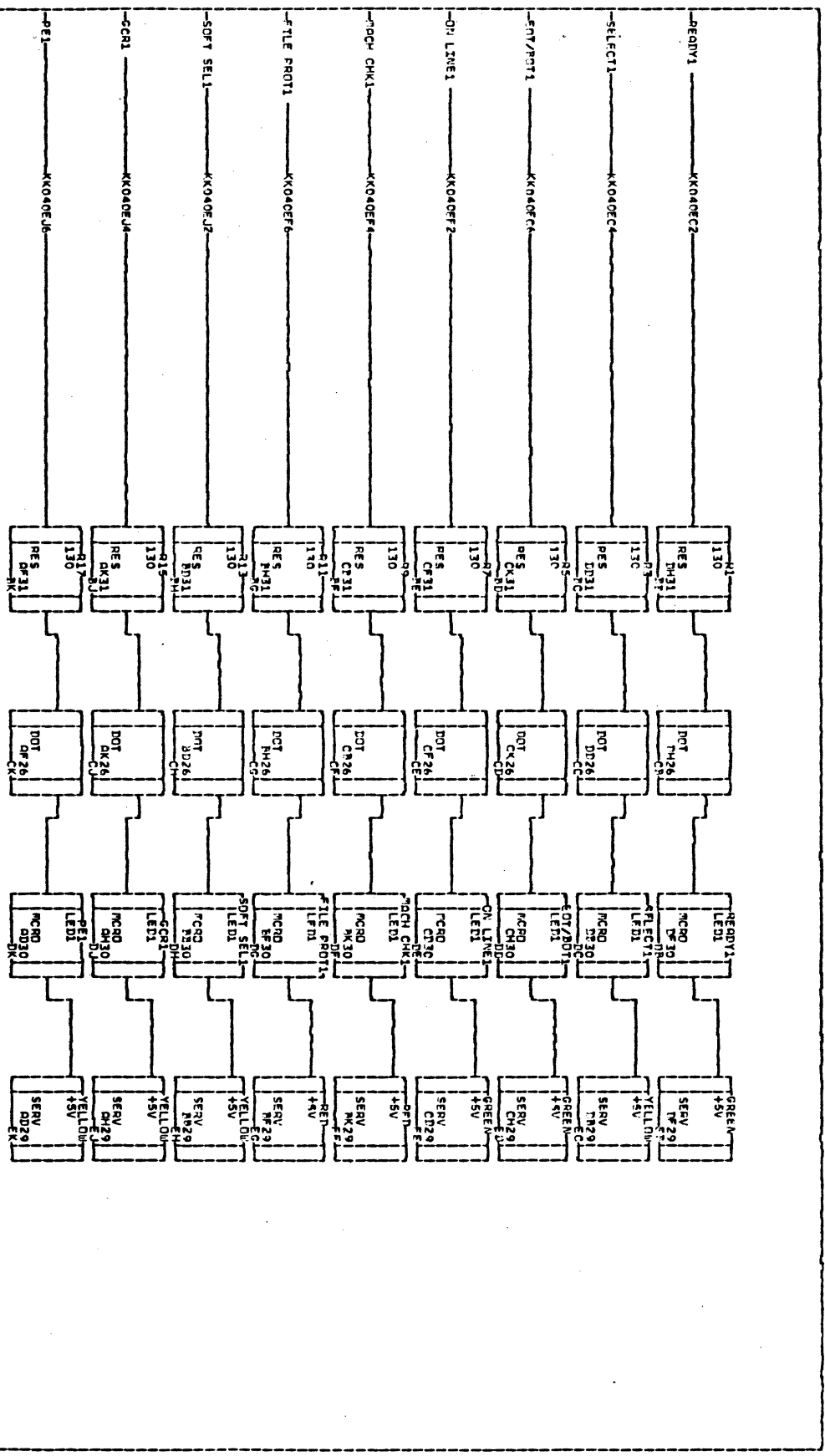
DATE 04/14/82

DATE 04/14/82

DATE 04/14/82

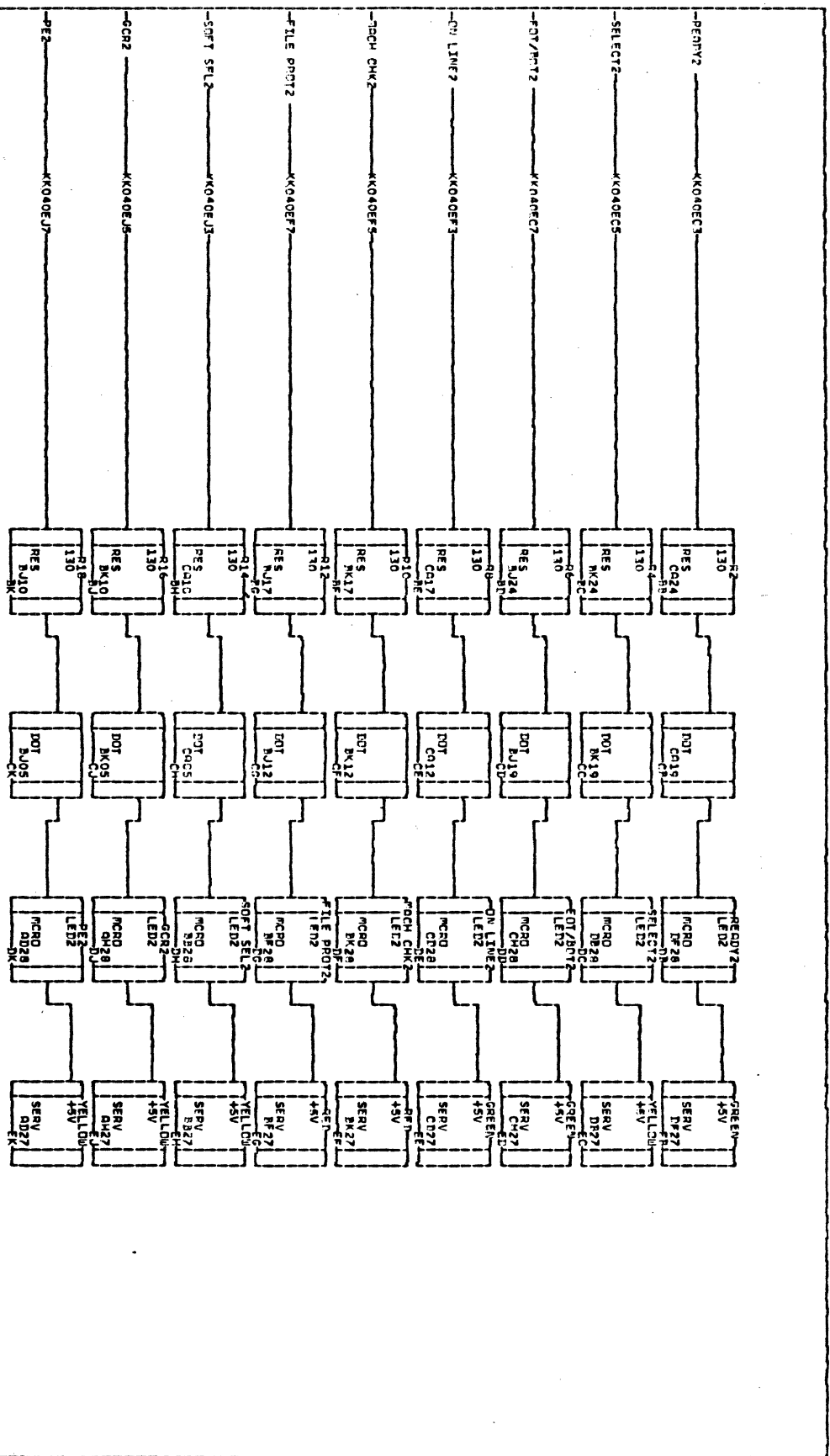
DATE 04/14/82

Q B C D E



KX080
 DP PANEL LED1 STATUS INDICATORS
 PRES. E.C. 40331
 DATE 01/11/82
 WIRING METHOD:
 FLYER EC PROTOTYPE
 PC PN, 4031824-0-1
 KX080

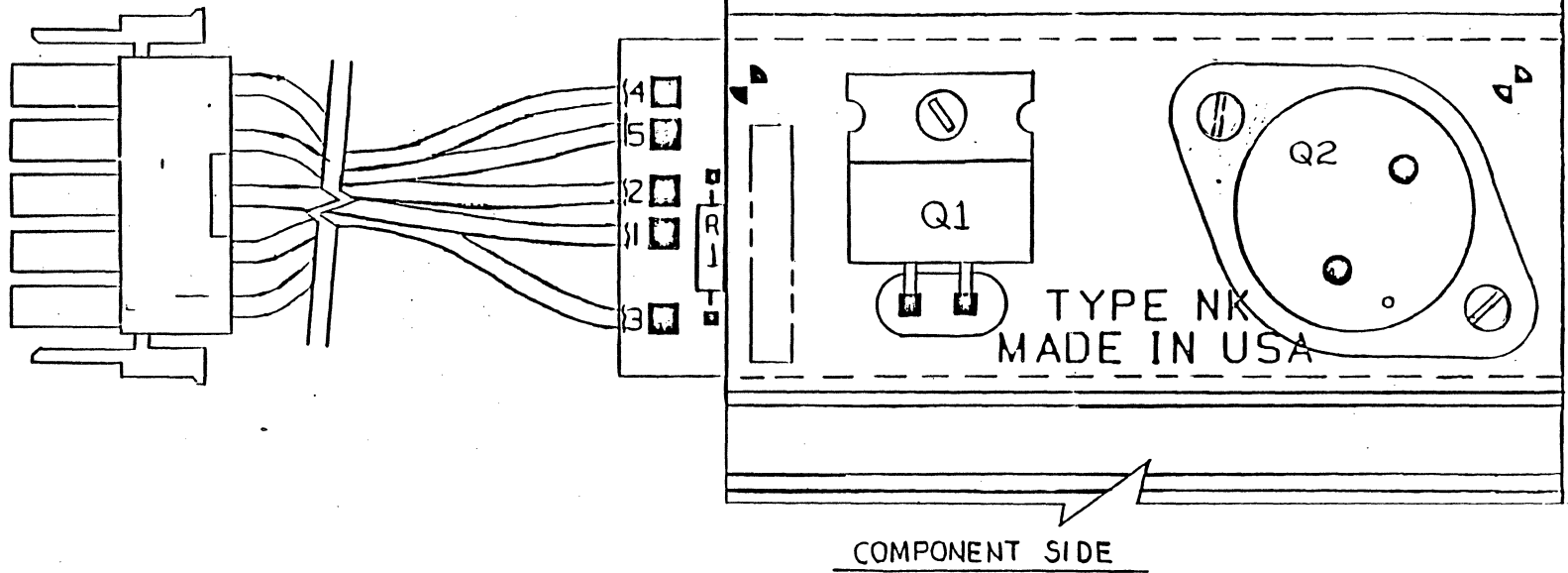
9
B
C
D
E



RES. E.C. 40031
DATE 04/17/82

OP POWER LED2 STATUS INDICATORS

10/10/81
PC PN, 501825-0-1



ARR
1

GAF Polytrace 033

SIC

NK AB PAGE

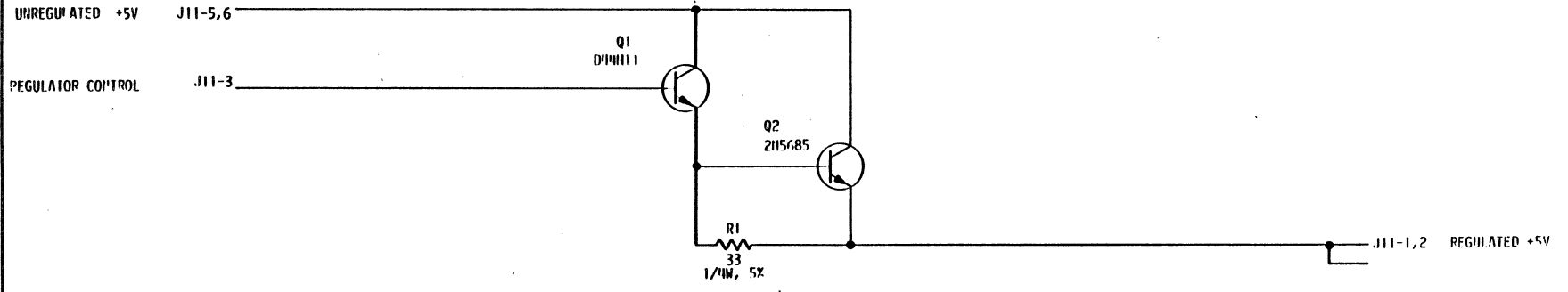
PRES. E.C. 49414
PREV. E.C. 49223
DATE 1-11-84

MACH. 2920
VERS.
GBL. ROT.

CD. LOC. POWER SUPPLY
GATE
FRAME

CD. P.N. 40221344X
CD. TYPE NK
PG. P.N. 4031637-02

AB
1



NOTES: UNLESS OTHERWISE SPECIFIED.

1. ALL COMPONENTS ON THE HK CARD ARE ALSO MOUNTED ON A HEATSINK.



HK CARD SCHEMATIC

PREV. E.C. 49414
 PREV. E.C. 49223
 DATE 1-11-84

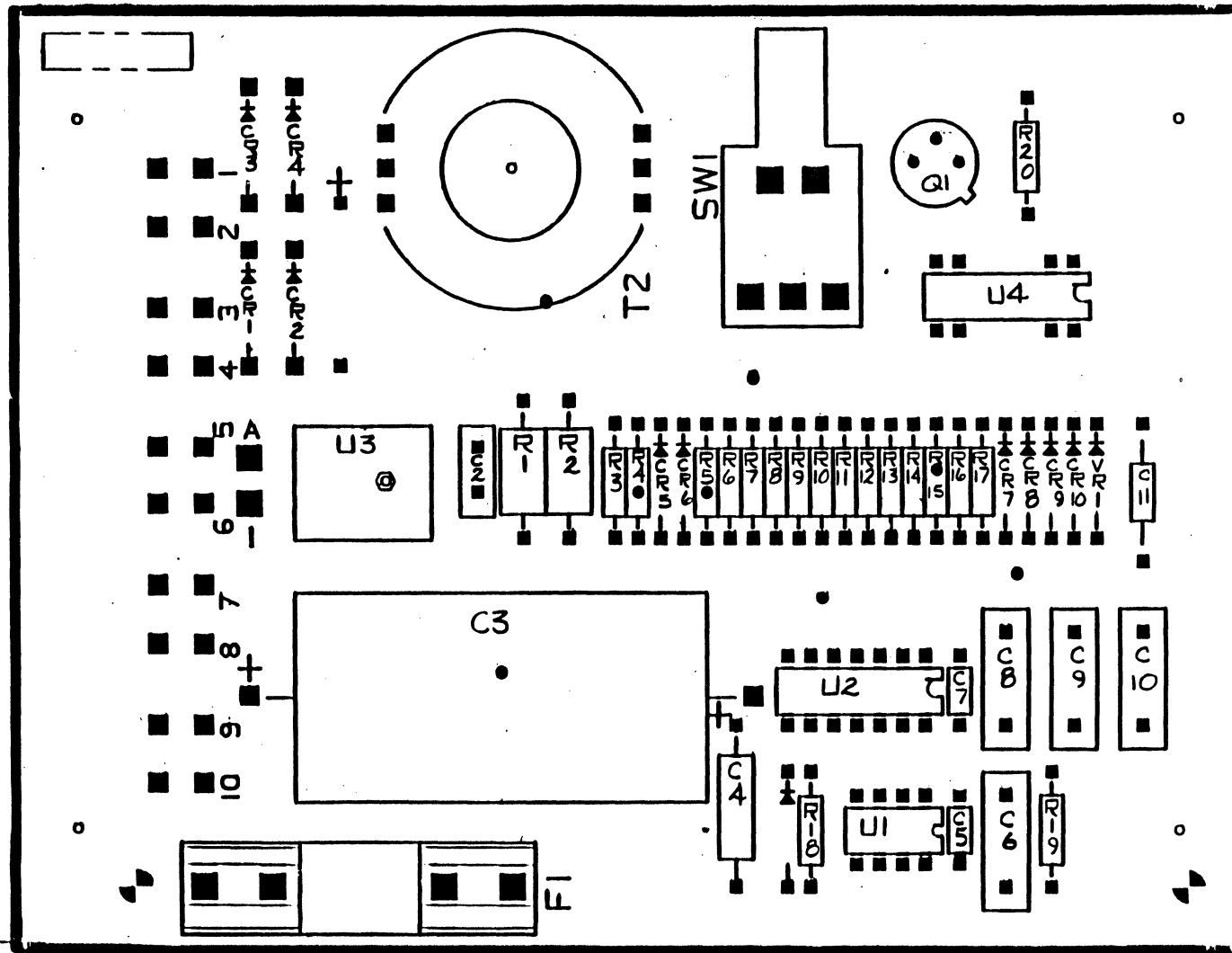
MACH. 2920
 VERS.
 GBL. ROT.

CD. LOC. POWER SUPPLY
 GATE
 FRAME

CD. P.N. 40322134XX
 CD. TYPE NK
 PG. P.N. 4032221-02

11
 K
 0
 2

N
 K
 0
 2



AB001

GAF Polytrace 033



PK CARD

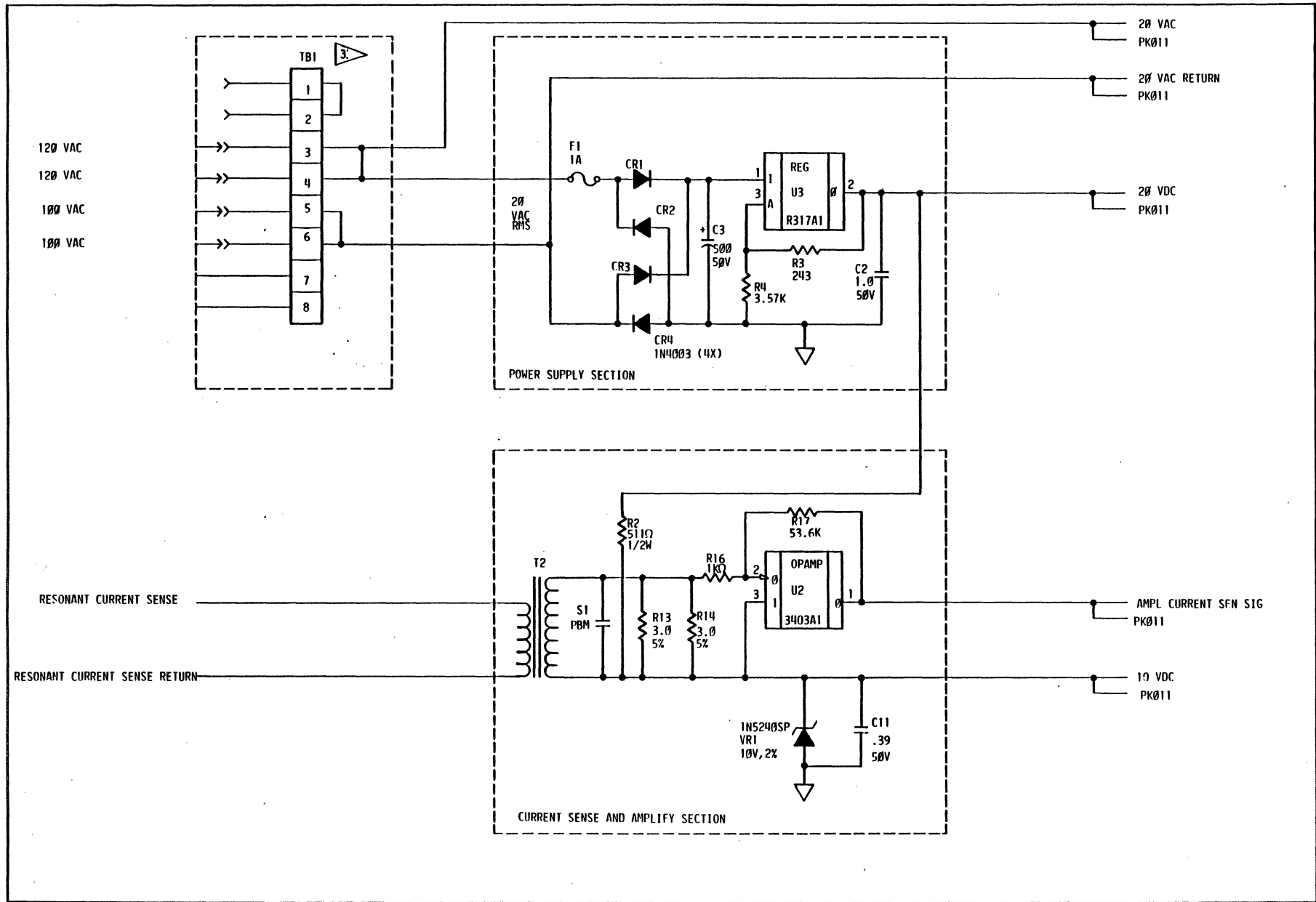
PRES. E.C. 110515
 PREV. E.C. 110255
 DATE 11-2-84

MACH. 2921
 VERS. 08L. ROT.

CD. LOC. POWER SUPPLY
 GATE FRAME

CD. P.N. 40205536
 CD. TYPE PK
 PG. P.N. 4030420-03

AB001

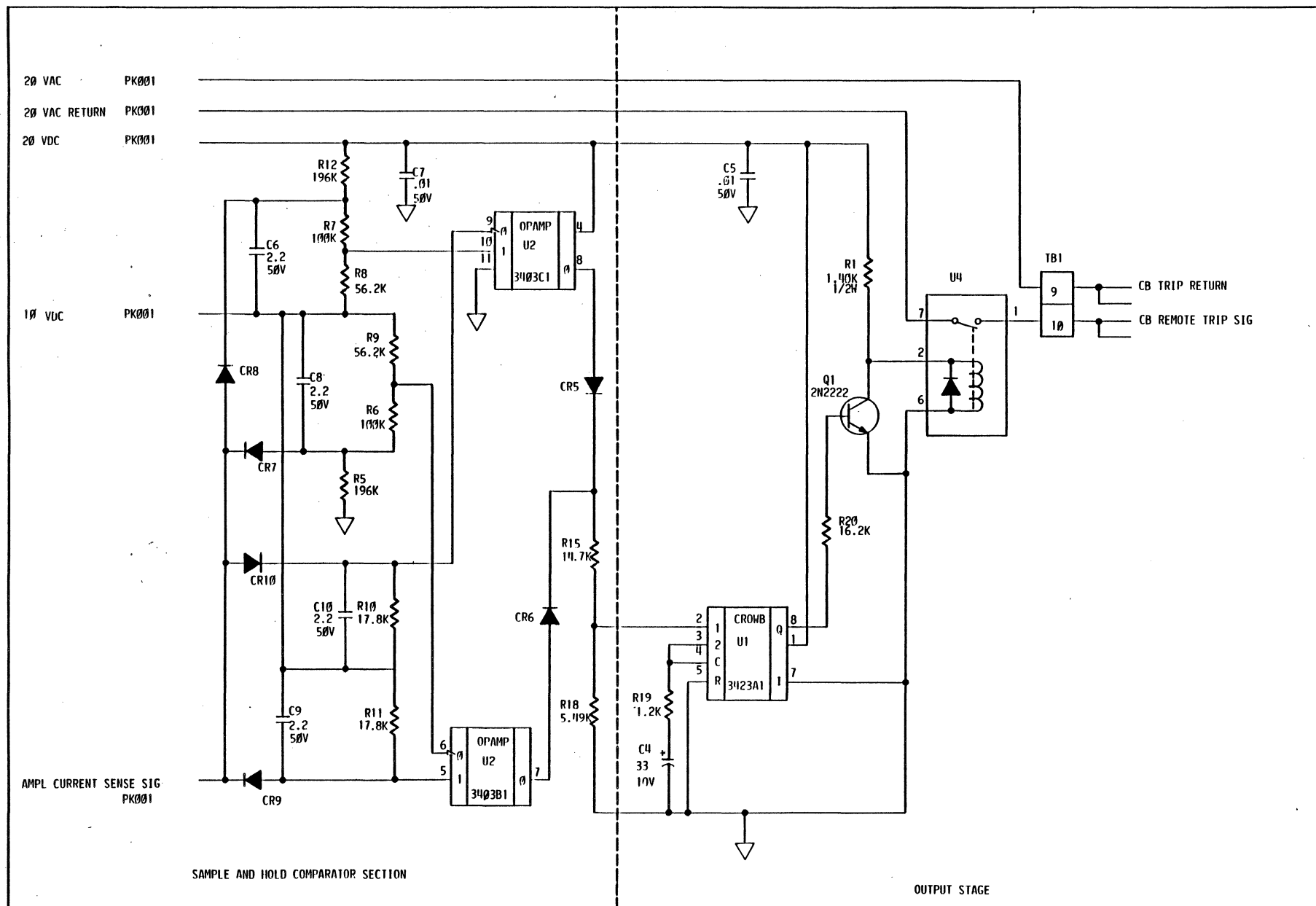


PK
001

NOTES: UNLESS OTHERWISE SPECIFIED
 1. ALL RESISTANCE VALUES ARE IN OHMS, 1% METALLIC FILM.
 2. ALL CAPACITANCE VALUES ARE IN MICROFARADS.
 3. TBI SHOWN WIRED FOR 120V. ALTERNATE WIRING CONFIGURATION SHOWN ON WIRING DIAGRAM.

| | | | |
|-------------------------------|-----------------|-----------------------|----------------------|
| PK SHORT CKT DETECT SCHEMATIC | | | |
| DES. E.C. 402551 | MACH. AVALANCHE | CD. LOC. POWER SUPPLY | CD. P.N. 402055306 |
| PREV. E.C. 402411 | VERS. GBL. ROT. | GATE FRAME | CD. TYPE PK |
| DATE 9-19-03 | | | PG. P.N. 4026681-0 2 |

PK
001



NOTES: UNLESS OTHERWISE SPECIFIED
 1. ALL DIODES ARE 1N4154
 2. ALL RESISTANCE VALUES ARE IN OHMS, 1% METALLIC FILM.
 3. ALL CAPACITANCE VALUES ARE IN MICROFARADS.
 4. TB1 SHOWN WIRED FOR 120V ALTERNATE WIRING CONFIGURATION SHOWN ON WIRING DIAGRAM.

| | | | | | |
|-----------|--|------------------------------------|-------------------------------------|---|-----------|
| PK 001 | PK SHORT CKT DETECT SCHEMATIC | | | | PK 001 |
| | PRES. E.C. 49255 PREV. E.C. 49211 DATE 9-19-83 | MACH. AVALANCHE VERS. GBL. ROT. | CD. LOC. POWER SUPPLY GATE FRAME | CD. P.N. 402055306 CD. TYPE PK PG. P.N. 4026686-0 2 | |

3040702



Storage Technology Corporation

TECHNOLOGY CORP.

ASSEMBLY PARTS LIST
BUILD ARC DOC

| | | |
|------------|------|----------|
| PRINT DATE | PAGE | E.C. NO. |
| 05-25-84 | 1 | 49499 |

| DIV. | | ASSEMBLY NUMBER | | CD | REV. | DWG. | DESCRIPTION | | | MC | STATUS | STATUS DATE | FILE DATE | | | |
|-----------|----|-----------------|----|----|----------|------|-------------------------------|--|--|----|--------|-------------|---------------|-----|-------|--------|
| 0500 | | 403221603 | | 0 | D | N | CD LGC GP RD 40226/305/306 PC | | | N | REL | 03-26-84 | 292X 04-03-84 | | | |
| T Find no | LI | PART NUMBER | CD | M | QUANTITY | U/M | PART DESCRIPTION | | | MC | YLD | E.C. NO IN | E.C. NO. OUT | S/N | WK IN | WK OUT |
| 000 | 01 | 403220103 | 2 | | REF | PC | CD LGC AB001 PC | | | D | | | | | | |
| 001 | 01 | 403220203 | 0 | | REF | PC | CD LGC AB002 PC | | | D | | | | | | |
| 002 | 01 | 402512203 | 9 | | REF | PC | CD LGC RD001 PC | | | D | | | | | | |
| 011 | 01 | 402512302 | 9 | | REF | PC | CD LGC RD011 PC | | | D | | | | | | |
| 021 | 01 | 402512402 | 7 | | REF | PC | CD LGC RD021 PC | | | D | | | | | | |
| 031 | 01 | 402512502 | 4 | | REF | PC | CD LGC RD031 PC | | | D | | | | | | |
| 041 | 01 | 402512602 | 2 | | REF | PC | CD LGC RD041 PC | | | D | | | | | | |
| 051 | 01 | 402512702 | 0 | | REF | PC | CD LGC RD051 PC | | | D | | | | | | |
| 061 | 01 | 402512802 | 8 | | REF | PC | CD LGC RD061 PC | | | D | | | | | | |
| 071 | 01 | 402512902 | 6 | | REF | PC | CD LGC RD071 PC | | | D | | | | | | |
| 081 | 01 | 402513002 | 4 | | REF | PC | CD LGC RD081 PC | | | D | | | | | | |
| 091 | 01 | 402513102 | 2 | | REF | PC | CD LGC RD091 PC | | | D | | | | | | |
| 101 | 01 | 402513202 | 0 | | REF | PC | CD LGC RD101 PC | | | D | | | | | | |
| 111 | 01 | 402513302 | 8 | | REF | PC | CD LGC RD111 PC | | | D | | | | | | |
| 121 | 01 | 402513402 | 6 | | REF | PC | CD LGC RD121 PC | | | D | | | | | | |
| 131 | 01 | 402513502 | 3 | | REF | PC | CD LGC RD131 PC | | | D | | | | | | |
| 141 | 01 | 402513602 | 1 | | REF | PC | CD LGC RD141 PC | | | D | | | | | | |
| 151 | 01 | 402513702 | 9 | | REF | PC | CD LGC RD151 PC | | | D | | | | | | |
| 161 | 01 | 402513801 | 9 | | REF | PC | CD LGC, RD161, PC | | | D | | | | | | |
| 171 | 01 | 402513901 | 7 | | REF | PC | CD LGC, RD171, PC | | | D | | | | | | |
| 181 | 01 | 402514002 | 3 | | REF | PC | CD LGC RD181 PC | | | D | | | | | | |



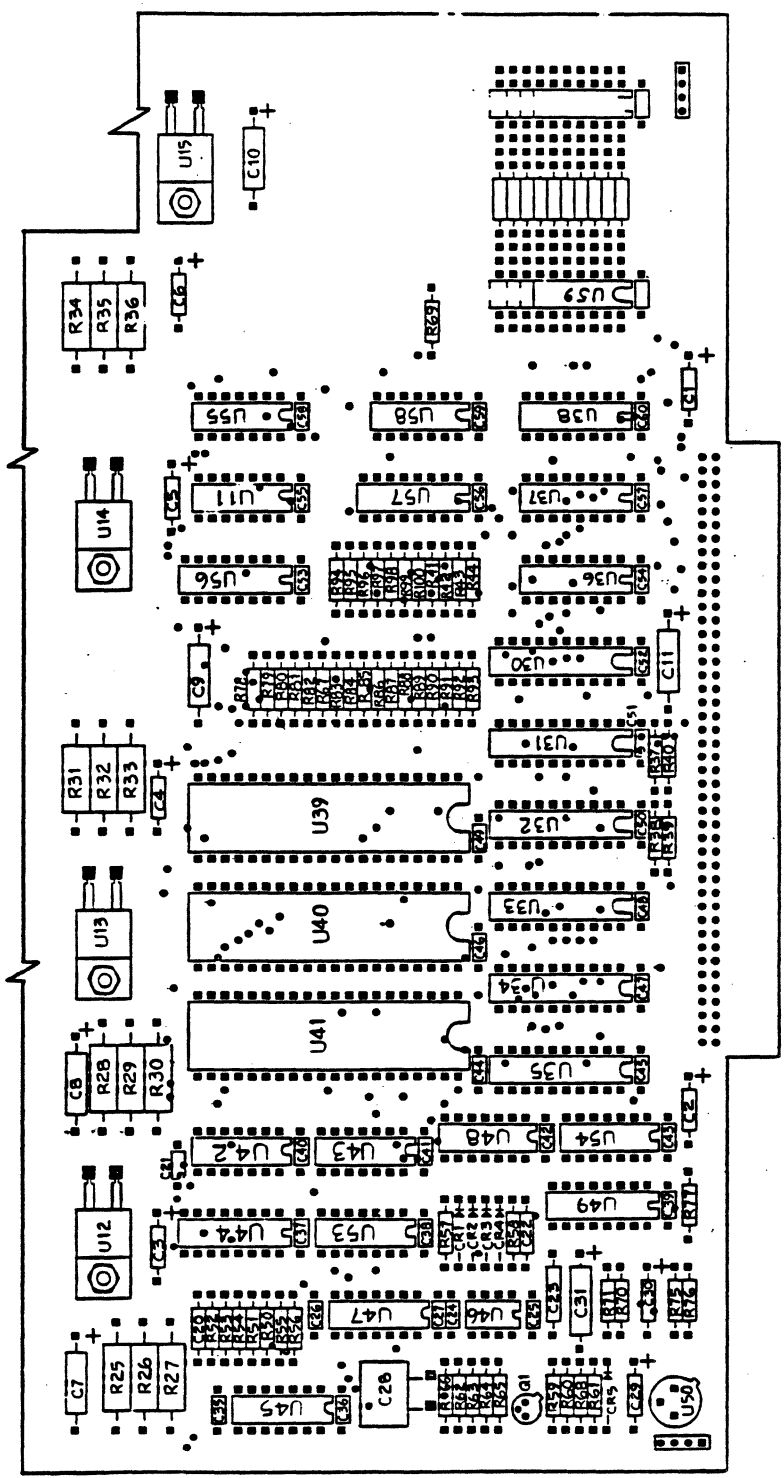
Storage Technology Corporation

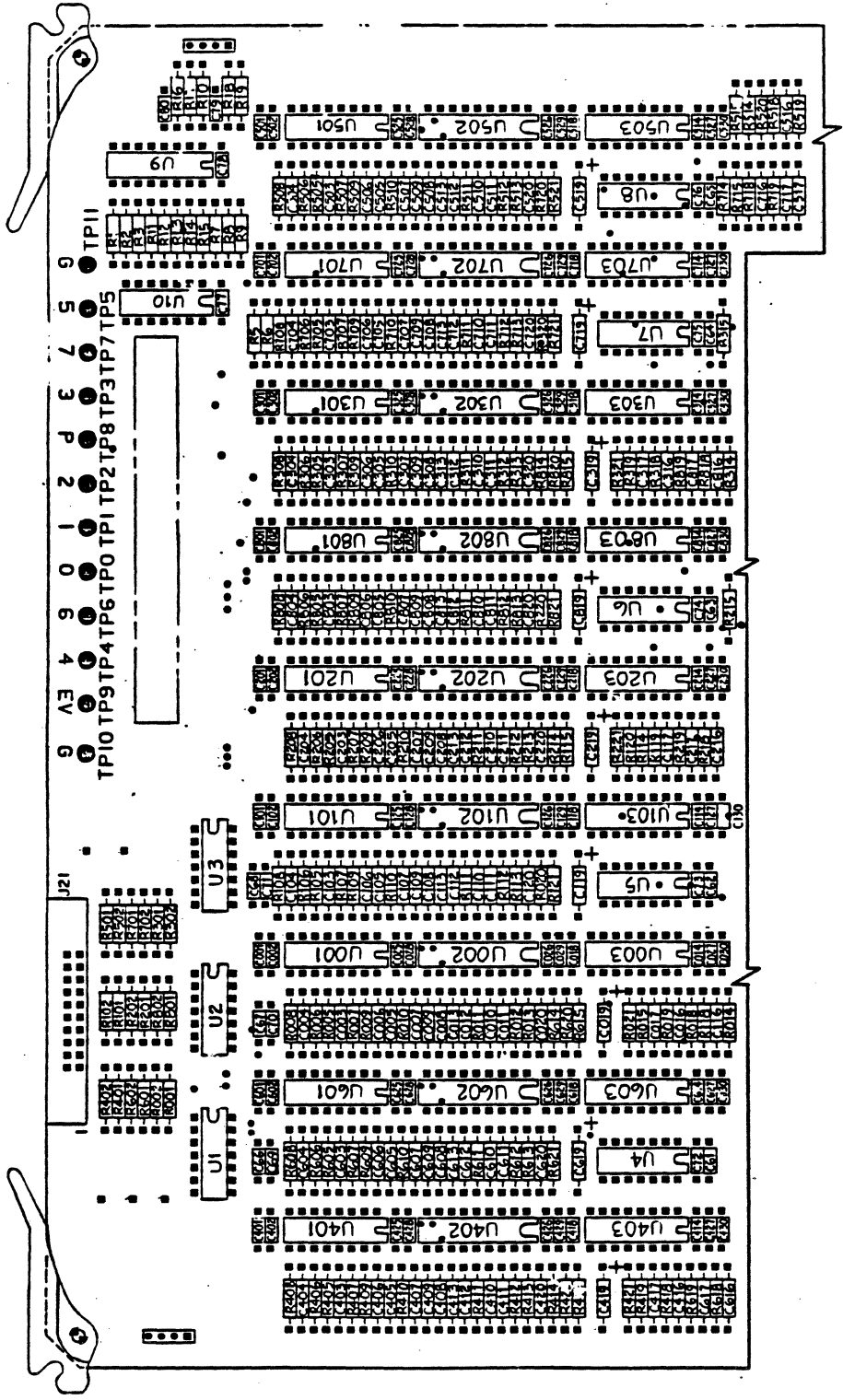
TECHNOLOGY CORP.

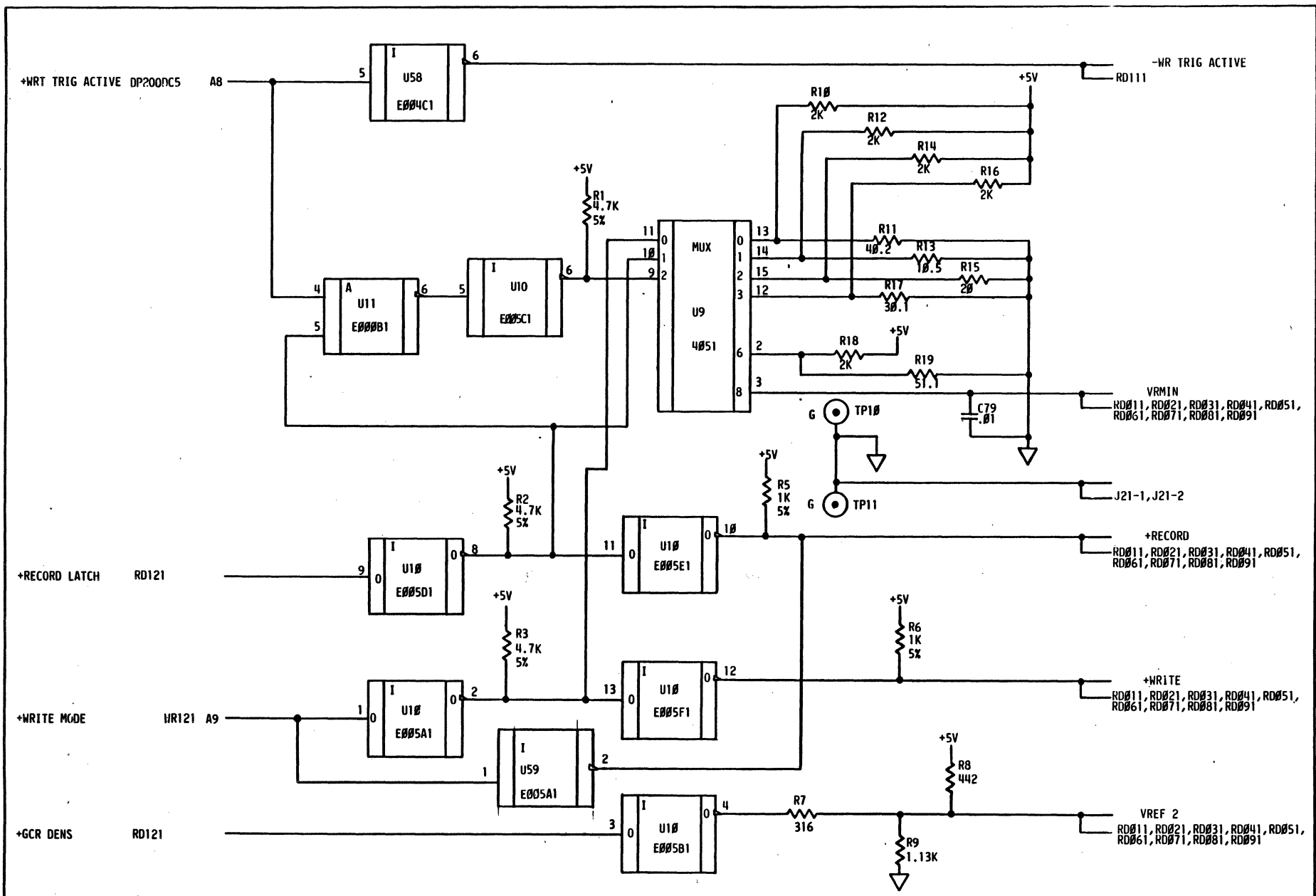
ASSEMBLY PARTS LIST
BUILD ARC DOC

| | | |
|------------|------|----------|
| PRINT DATE | PAGE | E.C. NO. |
| 05-25-84 | 2 | 49499 |

| DIV. | ASSEMBLY NUMBER | CD | REV. | DWG. | DESCRIPTION | MC | STATUS | STATUS DATE | FILE DATE | | | | | |
|-----------|-----------------|-------------|------|------|-------------------------------|-----|-------------------|-------------|---------------|------------|--------------|-----|-------|--------|
| 0500 | 403221603 | 0 | D | N | CD LGC GP RD 40226/305/306 PC | N | REL | 03-26-84 | 292X 04-03-84 | | | | | |
| T Find no | LI | PART NUMBER | CD | M | QUANTITY | U/M | PART DESCRIPTION | MC | YLD | E.C. NO IN | E.C. NO. OUT | S/N | WK IN | WK OUT |
| 191 | 01 | 402514102 | 1 | | REF | PC | CD LGC RD191 PC | D | | | | | | |
| 201 | 01 | 402514201 | 1 | | REF | PC | CD LGC, RD201, PC | D | | | | | | |
| 211 | 01 | 402514302 | 7 | | REF | PC | CD LGC RD211 PC | D | | | | | | |
| | | | | | | | 0024 TOTAL LINES | | | | | | | |







RD001

NOTES: UNLESS OTHERWISE SPECIFIED

1. U9, MUX, 4051, +5V @ PIN 16, -5V @ PIN 7, GND @ PINS 6 & 8.

RD001

READ CARD, COMMON CONTROLS FOR AMP SENSE

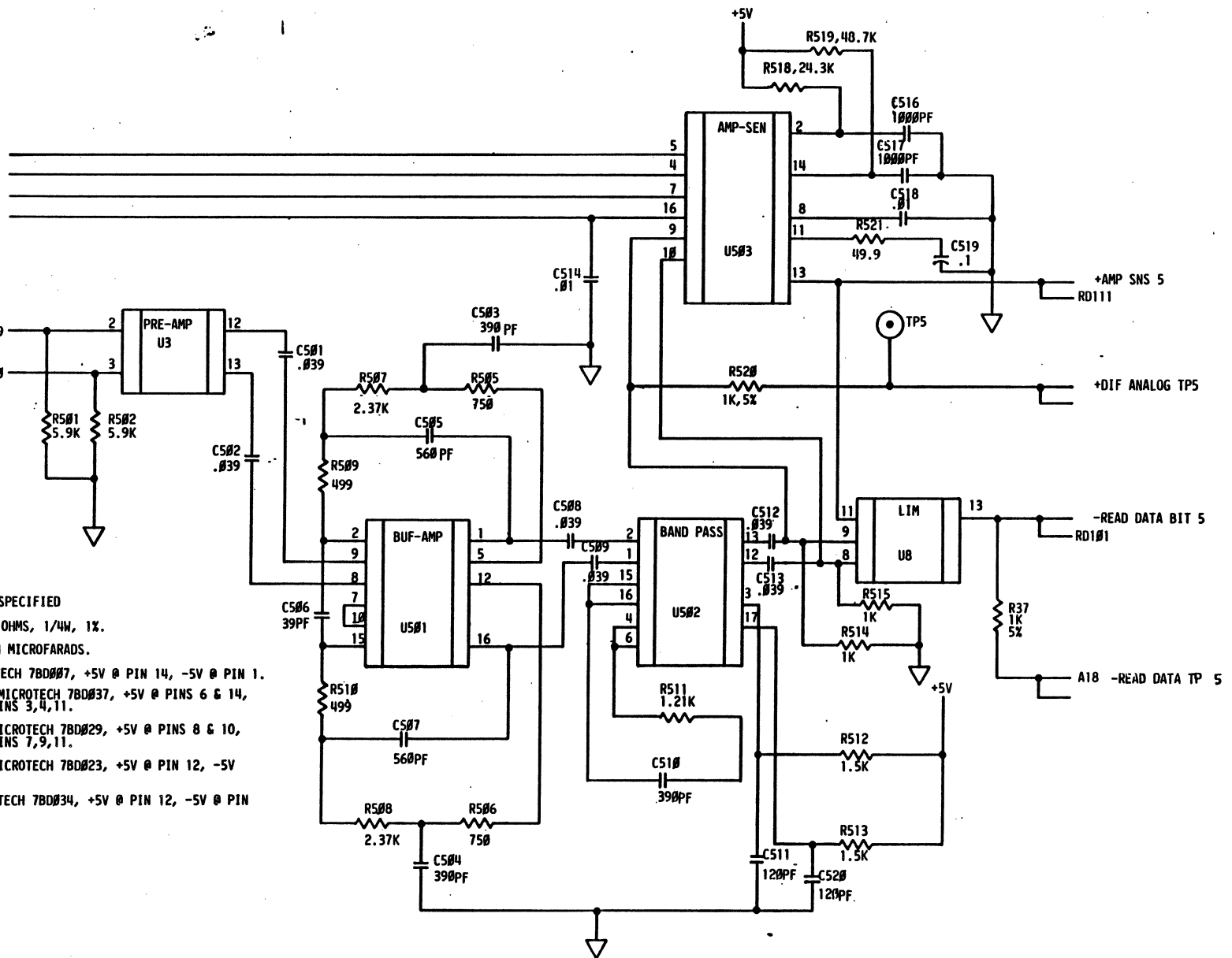
| | | | |
|--|------------------------------------|---------------------------|---|
| PRES. E.C. 49461 PREV. E.C. 49371 DATE 2-15-70 | MACH. AVALANCHE VERS. GBL. ROT. | CD. LOC. A6 GATE FRAME | CD. P.N. 4022613-XX CD. TYPE RD PG. P.N. 4025122-03 |
|--|------------------------------------|---------------------------|---|

+WRITE RD001
 +RECORD RD001
 VRMIN RD001
 VREF 2 RD001

+READ HD ANALOG J21-19
 -READ HD ANALOG J21-20

NOTES: UNLESS OTHERWISE SPECIFIED

1. ALL RESISTORS ARE IN OHMS, 1/4W, 1%.
2. ALL CAPACITORS ARE IN MICROFARADS.
3. U3 PREAMP, STC MICROTECH 78D007, +5V @ PIN 14, -5V @ PIN 1.
4. U501 AMP/BUFFER, STC MICROTECH 78D037, +5V @ PINS 6 & 14, -5V @ PIN 13, GND @ PINS 3,4,11.
5. U502 BAND PASS, STC MICROTECH 78D029, +5V @ PINS 8 & 10, -5V @ PIN 18, GND @ PINS 7,9,11.
6. U503 AMP SENSE, STC MICROTECH 78D023, +5V @ PIN 12, -5V @ PIN 6, GND @ PIN 1.
7. U8 LIMITER, STC MICROTECH 78D034, +5V @ PIN 12, -5V @ PIN 10, GND @ PINS 3,5.



RD
 001
 1

READ A/D AND AMP SENSE BIT 5

PRES. E.C. 49461
 PREV. E.C. 49301
 DATE 2-15-84

MACH. AVALANCHE
 VERS.
 OBL. ROT.

CD. LOC.
 GATE
 FRAME

CD. P.N.
 CD. TYPE RD
 PG. P.N. 4025123-02

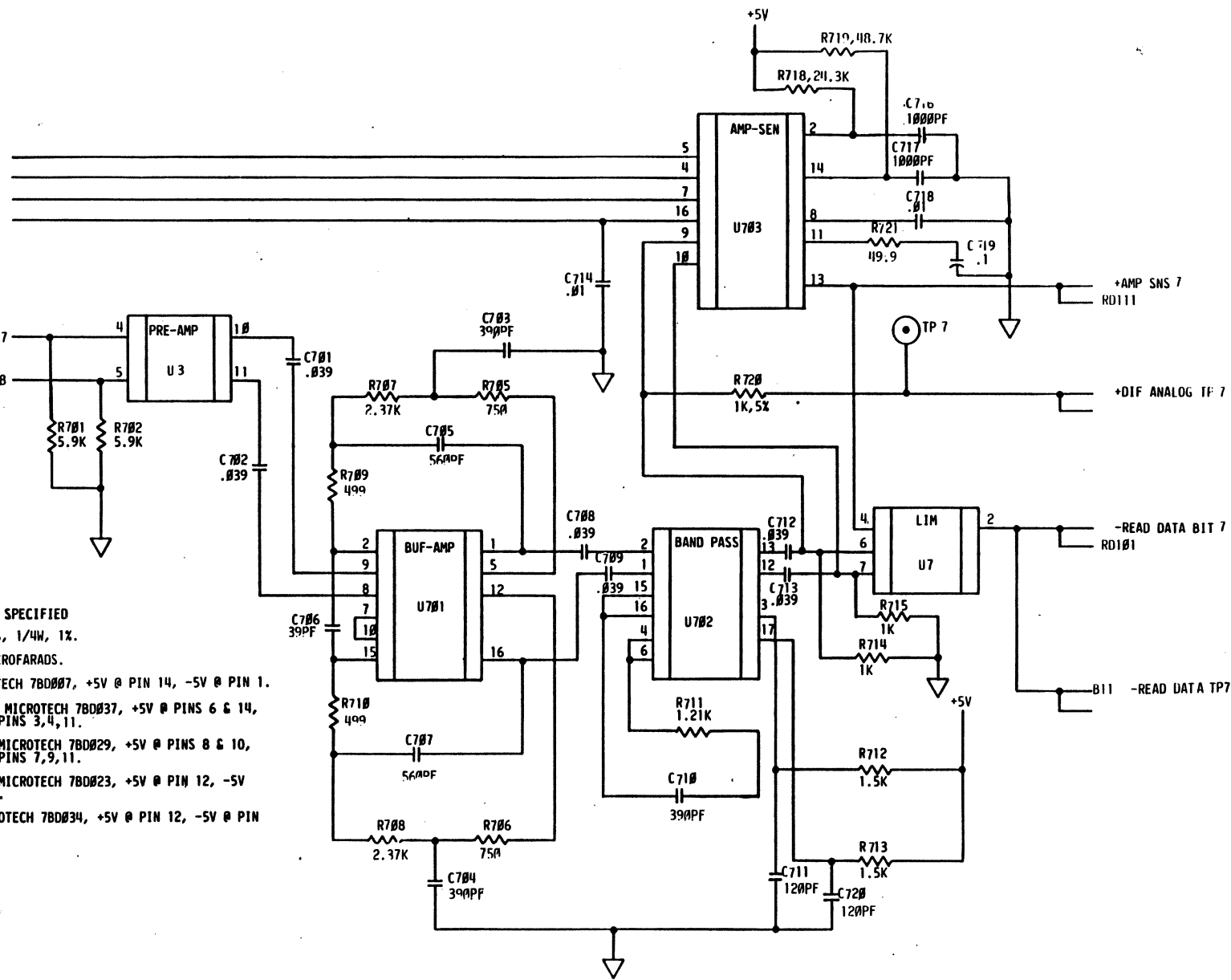
RD
 001
 1

+WRITE RD001
 +RECORD RD001
 VRMIN RD001
 VREF 2 RD001

+READ HD ANALOG J21-17
 -READ HD ANALOG J21-18

NOTES: UNLESS OTHERWISE SPECIFIED

1. RESISTORS ARE IN OHMS, 1/4W, 1%.
2. CAPACITORS ARE IN MICROFARADS.
3. U3 PREAMP, STC MICROTECH 78D007, +5V @ PIN 14, -5V @ PIN 1.
4. U701 AMP/BUFFER, STC MICROTECH 78D037, +5V @ PINS 6 & 14, -5V @ PIN 13, GND @ PINS 3,4,11.
5. U702 BAND PASS, STC MICROTECH 78D029, +5V @ PINS 8 & 10, -5V @ PIN 18, GND @ PINS 7,9,11.
6. U703 AMP SENSE, STC MICROTECH 78D023, +5V @ PIN 12, -5V @ PIN 6, GND @ PIN 1.
7. U7 LIMITER, STC MICROTECH 78D034, +5V @ PIN 12, -5V @ PIN 10, GND @ PINS 3,5.



STC READ A/D AND AMP SENSE BIT 7

PREV. E.C. 49161
 PREV. E.C. 49301
 DATE 2-15-84

MACH. AVALANCHE
 VERS.
 GBL. NOT.

CD. LOC.
 GATE
 FRAME

CD. PN.
 CD. TYPE RD
 PG. PN. 4025124-02

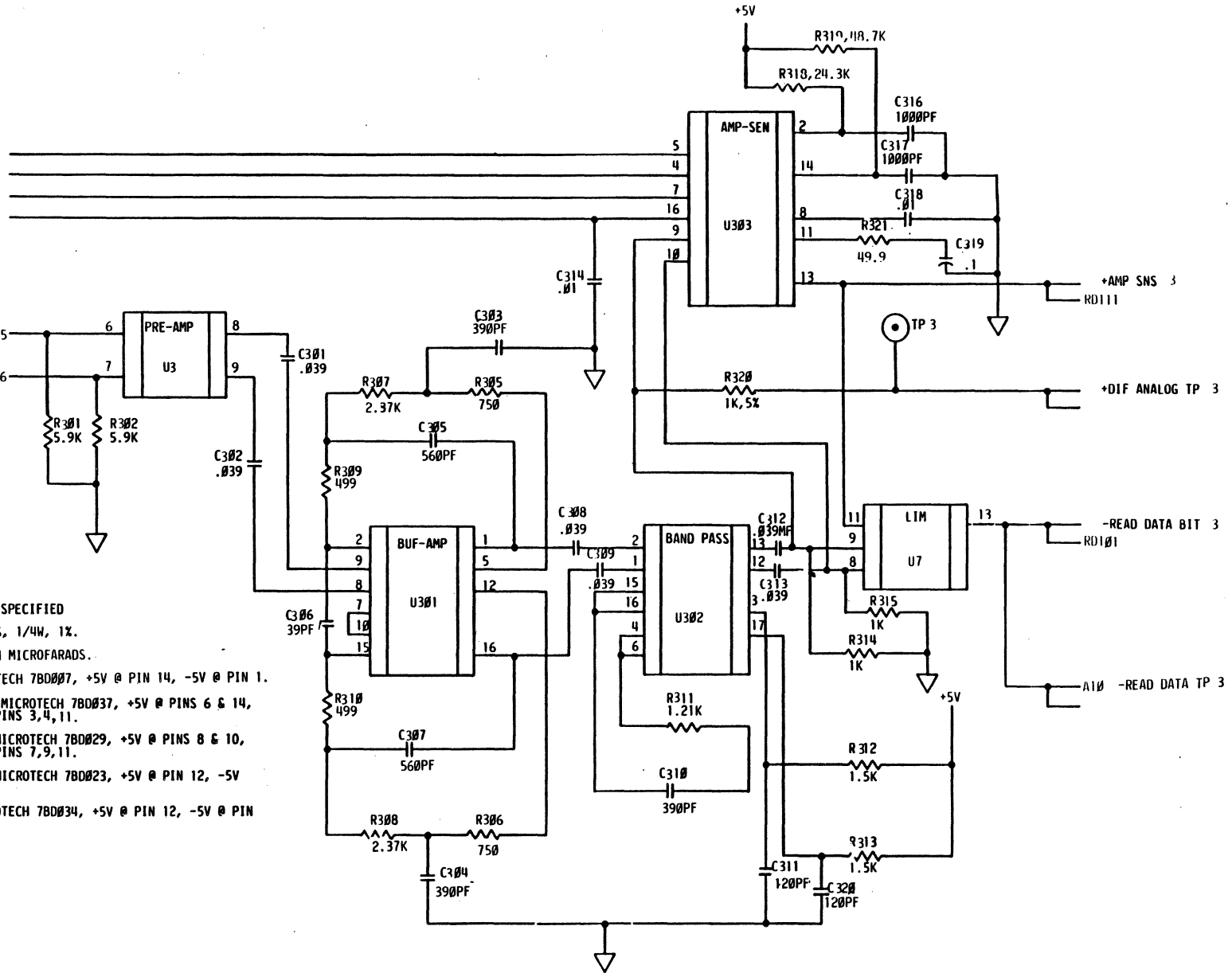
RD
 02
 1

+WRITE RD001
 +RECORD RD001
 VRMIN RD001
 VREF 2 RD001

+READ HD ANALOG J21-15
 -READ HD ANALOG J21-16

NOTES: UNLESS OTHERWISE SPECIFIED

1. RESISTORS ARE IN OHMS, 1/4W, 1%.
2. ALL CAPACITORS ARE IN MICROFARADS.
3. U3 PREAMP, STC MICROTECH 7BD007, +5V @ PIN 14, -5V @ PIN 1.
4. U301 AMP/BUFFER, STC MICROTECH 7BD037, +5V @ PINS 6 & 14, -5V @ PIN 13, GND @ PINS 3,4,11.
5. U302 BAND PASS, STC MICROTECH 7BD029, +5V @ PINS 8 & 10, -5V @ PIN 18, GND @ PINS 7,9,11.
6. U303 AMP SENSE, STC MICROTECH 7BD023, +5V @ PIN 12, -5V @ PIN 6, GND @ PIN 1.
7. U7 LIMITER, STC MICROTECH 7BD034, +5V @ PIN 12, -5V @ PIN 10, GND @ PINS 3,5.



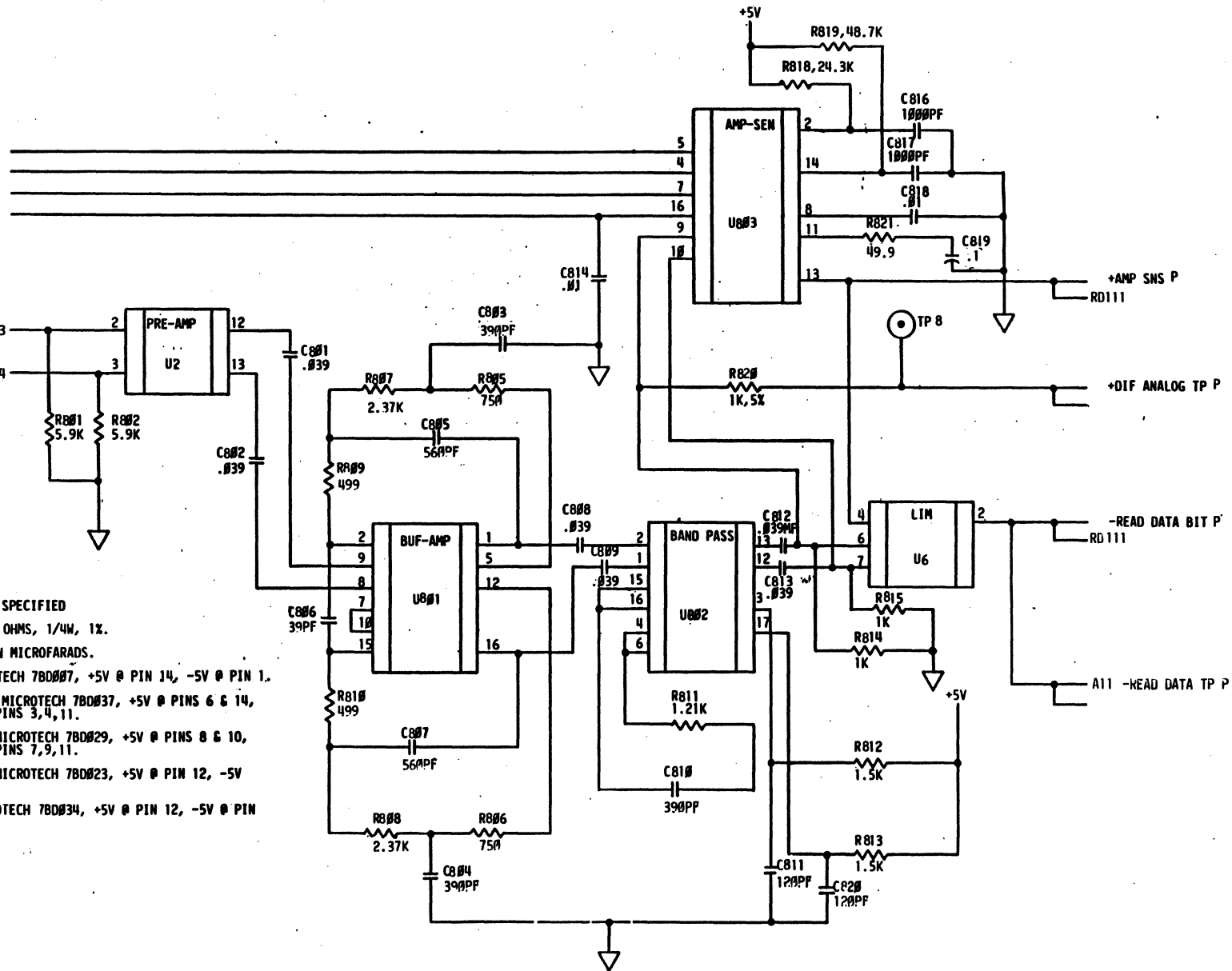
RD
 0
 3
 1

+WRITE RD001
 +RECORD RD001
 VRMIN RD001
 VREF 2 RD001

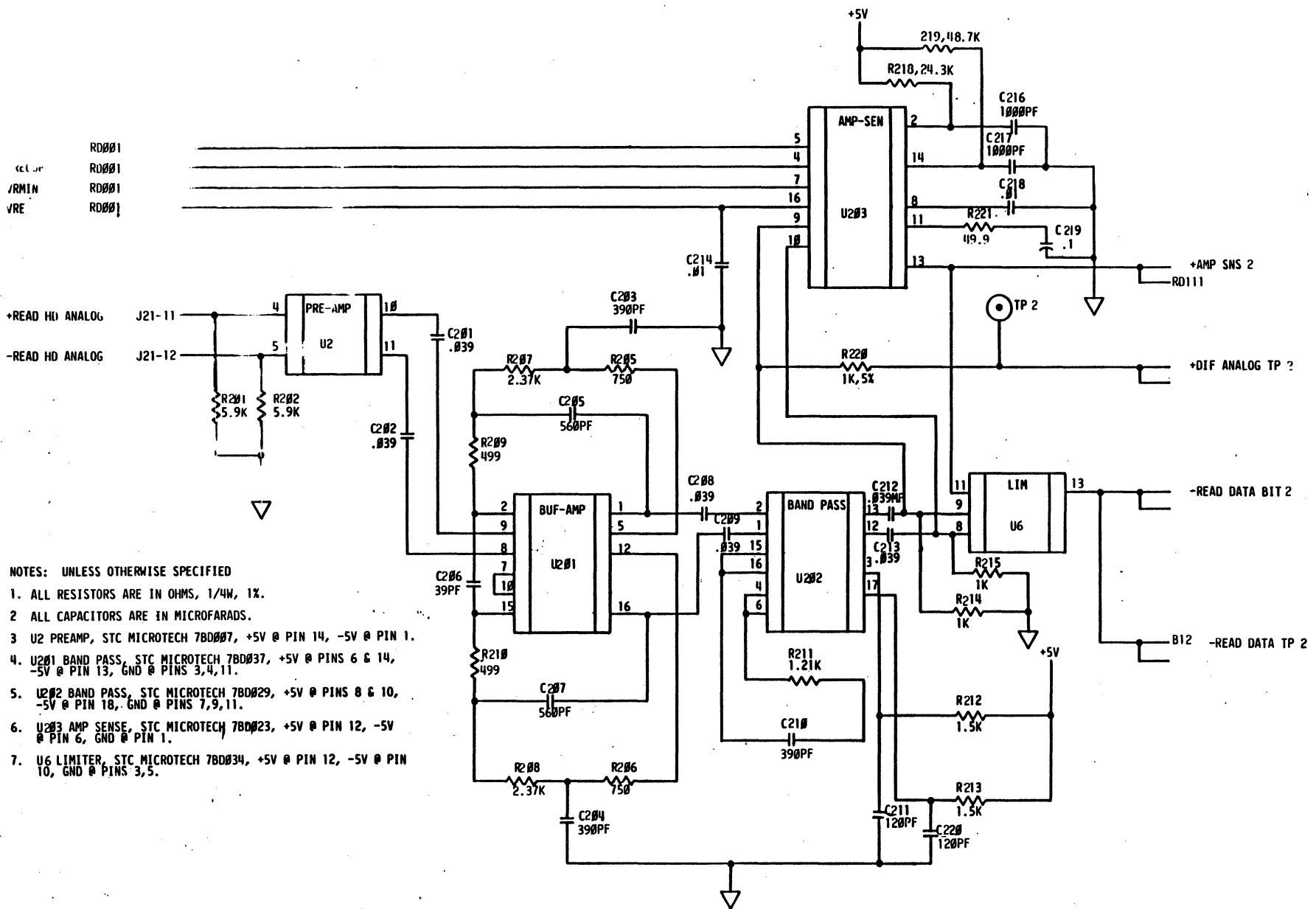
+READ HD ANALOG J21-13
 -READ HD ANALOG J21-14

NOTES: UNLESS OTHERWISE SPECIFIED

1. ALL RESISTORS ARE IN OHMS, 1/4W, 1%.
2. ALL CAPACITORS ARE IN MICROFARADS.
3. U2 PREAMP, STC MICROTECH 78D007, +5V @ PIN 14, -5V @ PIN 1.
4. U001 AMP/BUFFER, STC MICROTECH 78D037, +5V @ PINS 6 & 14, -5V @ PIN 13, GND @ PINS 3,4,11.
5. U002 BAND PASS, STC MICROTECH 78D029, +5V @ PINS 8 & 10, -5V @ PIN 18, GND @ PINS 7,9,11.
6. U003 AMP SENSE, STC MICROTECH 78D023, +5V @ PIN 12, -5V @ PIN 6, GND @ PIN 1.
6. LIMITER, STC MICROTECH 78D034, +5V @ PIN 12, -5V @ PIN 6, GND @ PINS 3,5.



RD001
 <L J1 RD001
 J1MIN RD001
 VRE RD001



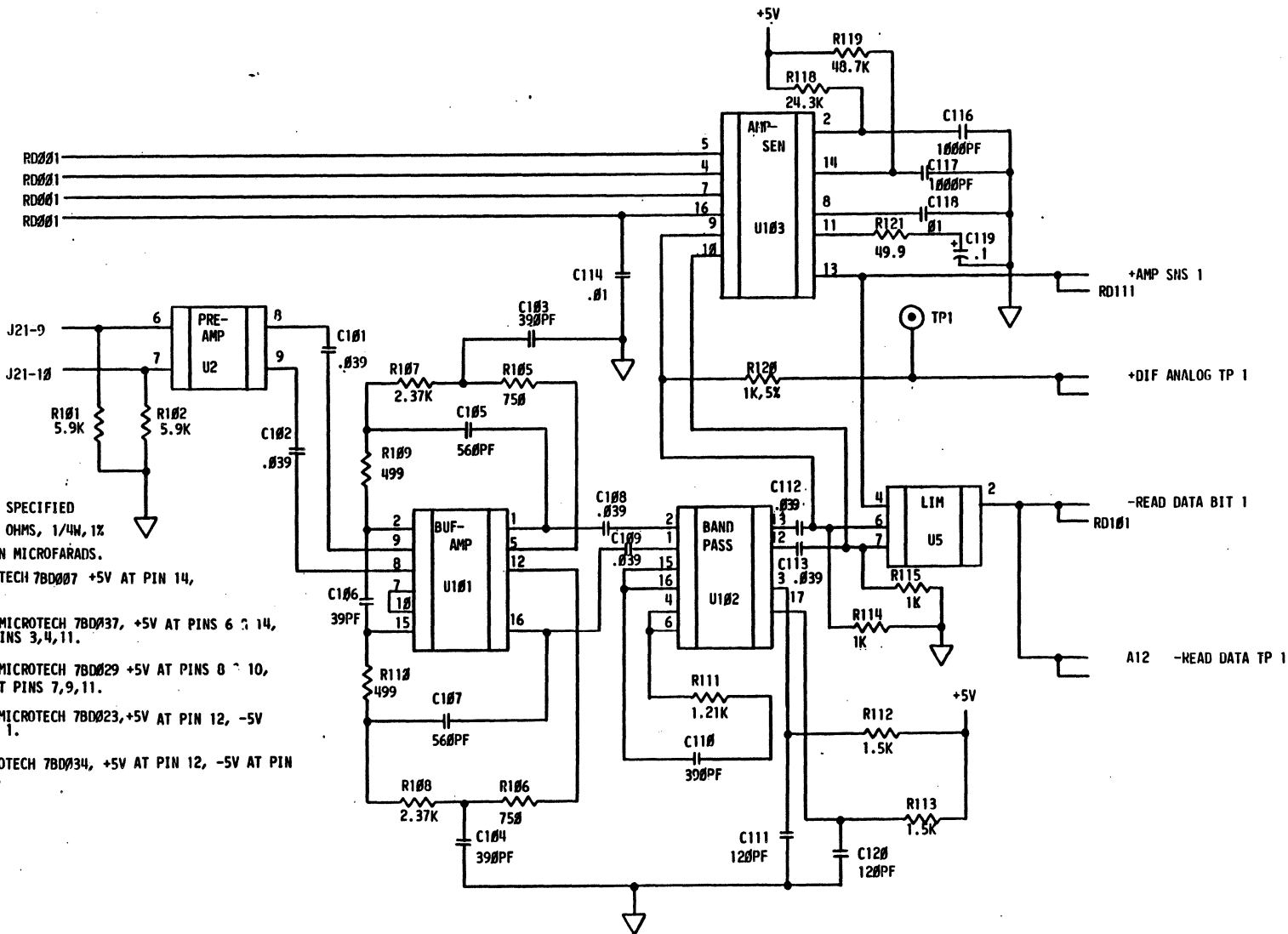
- NOTES: UNLESS OTHERWISE SPECIFIED
1. ALL RESISTORS ARE IN OHMS, 1/4W, 1%.
 2. ALL CAPACITORS ARE IN MICROFARADS.
 3. U2 PREAMP, STC MICROTECH 78D007, +5V @ PIN 14, -5V @ PIN 1.
 4. U01 BAND PASS, STC MICROTECH 78D037, +5V @ PINS 6 & 14, -5V @ PIN 13, GND @ PINS 3,4,11.
 5. U02 BAND PASS, STC MICROTECH 78D029, +5V @ PINS 8 & 10, -5V @ PIN 18, GND @ PINS 7,9,11.
 6. U03 AMP SENSE, STC MICROTECH 78D023, +5V @ PIN 12, -5V @ PIN 6, GND @ PIN 1.
 7. U6 LIMITER, STC MICROTECH 78D034, +5V @ PIN 12, -5V @ PIN 10, GND @ PINS 3,5.

+WRITE
+RECORD
VRMIN
VREF 2

+READ HD ANALOG
-READ HD ANALOG

NOTES: UNLESS OTHERWISE SPECIFIED

1. ALL RESISTORS ARE IN OHMS, 1/4W, 1%
2. ALL CAPACITORS ARE IN MICROFARADS.
3. U2 PREAMP, STC MICROTECH 7BD007 +5V AT PIN 14, AND -5V AT PIN 1.
4. U101 AMP/BUFFER STC MICROTECH 7BD037, +5V AT PINS 6 & 14, -5V AT PIN 13, GND PINS 3,4,11.
5. U102 BAND PASS, STC MICROTECH 7BD029 +5V AT PINS 8 & 10, -5V AT PIN 10, GND AT PINS 7,9,11.
6. U103 AMP SENSE, STC MICROTECH 7BD023, +5V AT PIN 12, -5V AT PIN 6, GND AT PIN 1.
7. U5 LIMITER, STC MICROTECH 7BD034, +5V AT PIN 12, -5V AT PIN 10, GND AT PINS 3,5.



R
D
0
6
1

READ A/D AND AMP SENSE BIT 1

PRES. E.C. 49461
PREV. E.C. 49331
DATE 2-15-84

MACH. AVALANCHE
VERS.
GBL. ROT.

CD. LOC.
GATE
FRAME

CD. P.N.
CD. TYPE RD
PG. P.N. 4025128-02

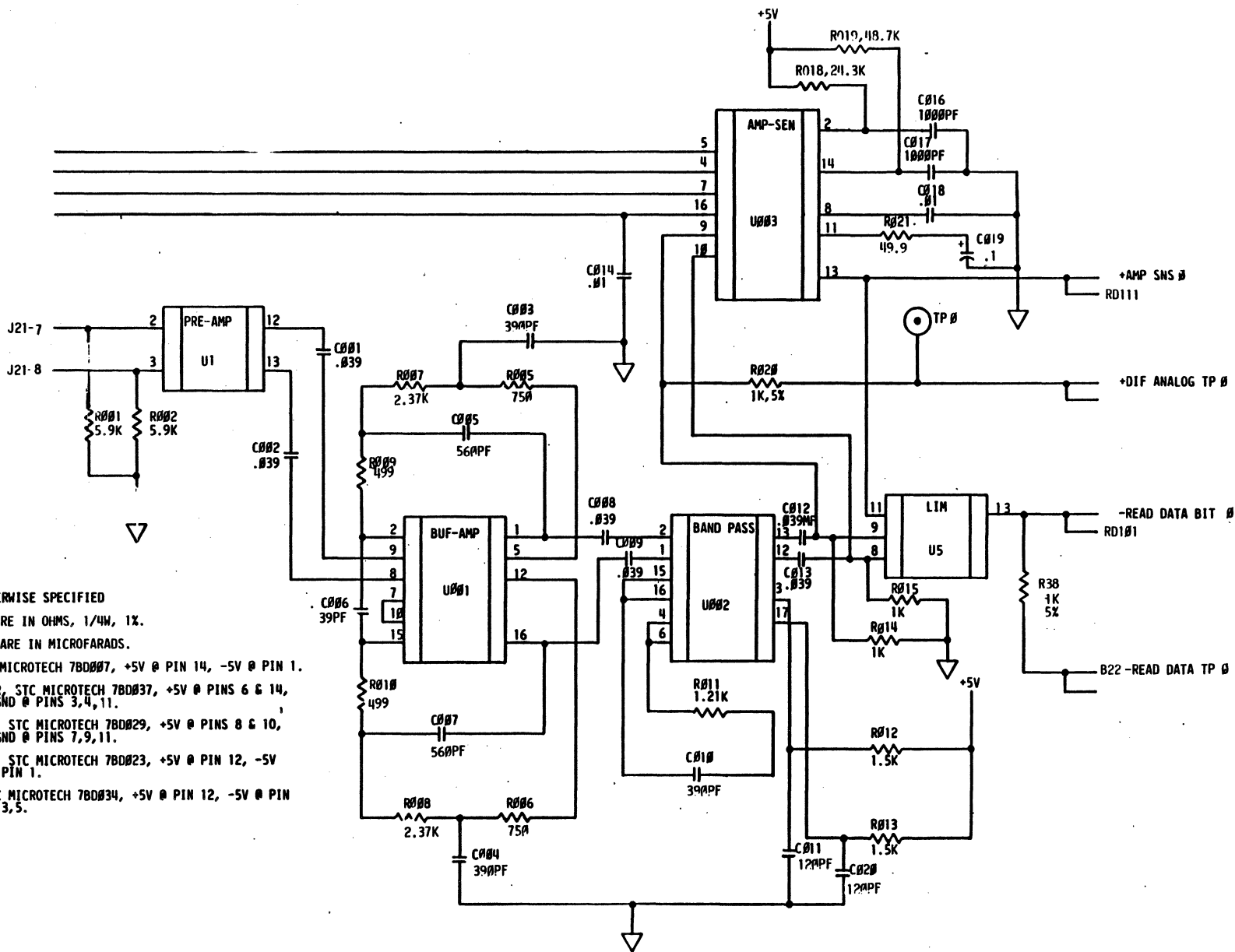
R
D
0
6
1

+WRITE RD001
 +RECORD RD001
 VRMIN RD001
 VREF 2 RD001

+READ HD ANALOG J21-7
 -READ HD ANALOG J21-8

NOTES: UNLESS OTHERWISE SPECIFIED

1. ALL RESISTORS ARE IN OHMS, 1/4W, 1%.
2. ALL CAPACITORS ARE IN MICROFARADS.
3. U1 PREAMP, STC MICROTECH 78D007, +5V @ PIN 14, -5V @ PIN 1.
4. U001 AMP/BUFFER, STC MICROTECH 78D037, +5V @ PINS 6 & 14, -5V @ PIN 13, GND @ PINS 3,4,11.
5. U002 BAND PASS, STC MICROTECH 78D029, +5V @ PINS 8 & 10, -5V @ PIN 18, GND @ PINS 7,9,11.
6. U003 AMP SENSE, STC MICROTECH 78D023, +5V @ PIN 12, -5V @ PIN 6, GND @ PIN 1.
7. U5 LIMITER, STC MICROTECH 78D034, +5V @ PIN 12, -5V @ PIN 10, GND @ PINS 3,5.



READ A/D AND AMP SENSE BIT

PRES. E.C. 49461
 PREV. E.C. 49391
 DATE 2-15-81

MACH. AVALANCHE
 VERS.
 GBL. ROT.

CD. LOC.
 GATE
 FRAME

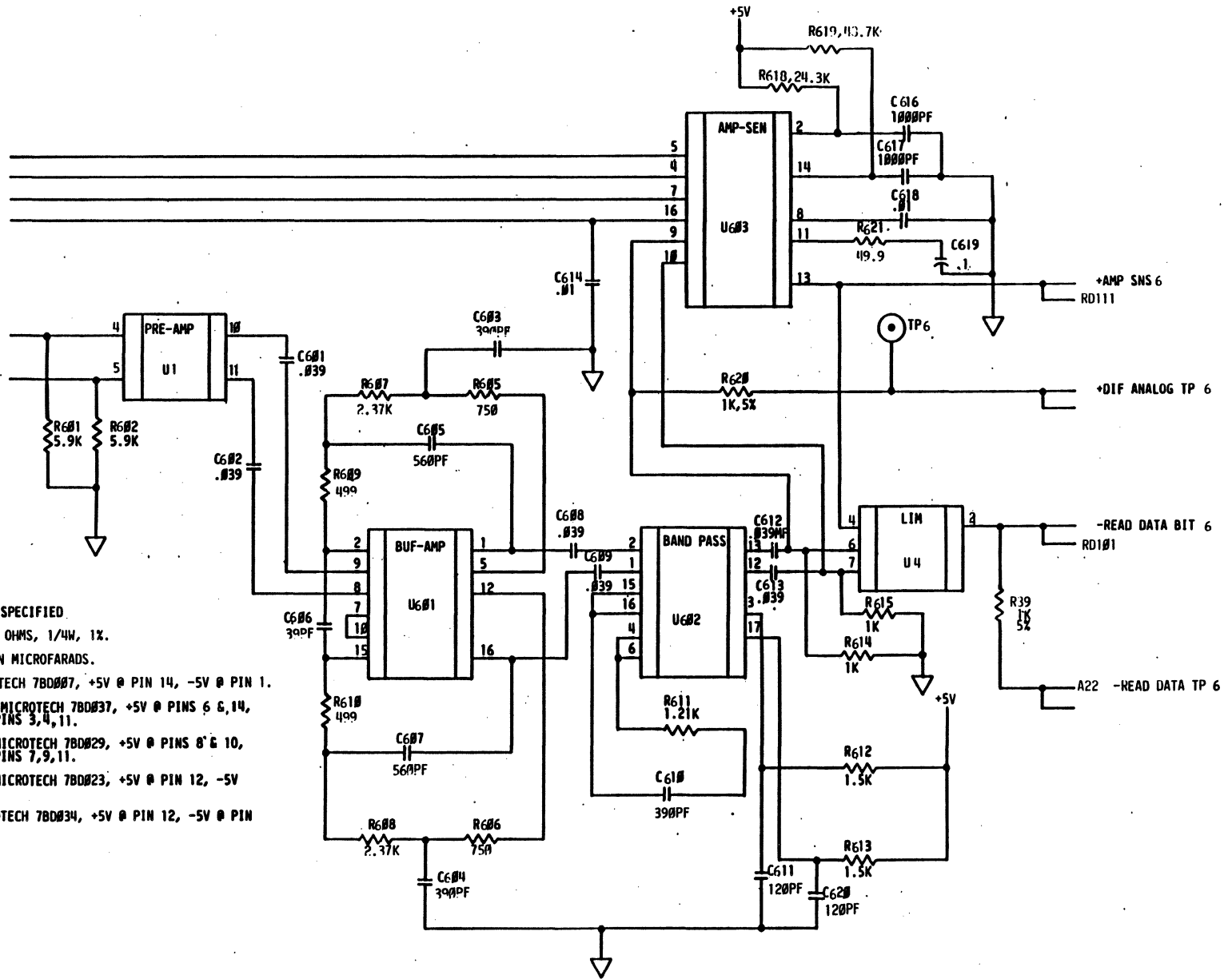
CD. RN. RD
 CD. TYPE
 PG. RN. 4025129-02

+WRITE RD001
 +RECORD RD001
 VRMIN RD001
 VREF 2 RD001

+READ HD ANALOG J21-5
 -READ HD ANALOG J21-6

NOTES: UNLESS OTHERWISE SPECIFIED.

1. ALL RESISTORS ARE IN OHMS, 1/4W, 1%.
 2. ALL CAPACITORS ARE IN MICROFARADS.
3. U1 PREAMP, STC MICROTECH 78D007, +5V @ PIN 14, -5V @ PIN 1.
4. U601 AMP/BUFFER, STC MICROTECH 78D037, +5V @ PINS 6 & 14, -5V @ PIN 13, GND @ PINS 3,4,11.
5. U602 BAND PASS, STC MICROTECH 78D029, +5V @ PINS 8 & 10, -5V @ PIN 18, GND @ PINS 7,9,11.
6. U603 AMP SENSE, STC MICROTECH 78D023, +5V @ PIN 12, -5V @ PIN 6, GND @ PIN 1.
7. U4 LIMITER, STC MICROTECH 78D034, +5V @ PIN 12, -5V @ PIN 10, GND @ PINS 3,5.



RD001

| | | | |
|------------------------------|-----------------|---------------------|----------------------|
| READ A/D AND AMP SENSE BIT 6 | | | |
| PRES. E.C. 49461 | MACH. AVALANCHE | CD. LOC. GATE FRAME | CD. P.N. CD. TYPE RD |
| PREV. E.C. 49301 | VERS. OBL. ROT. | | PG. P.N. 4025130-02 |
| DATE 2-15-84 | | | |

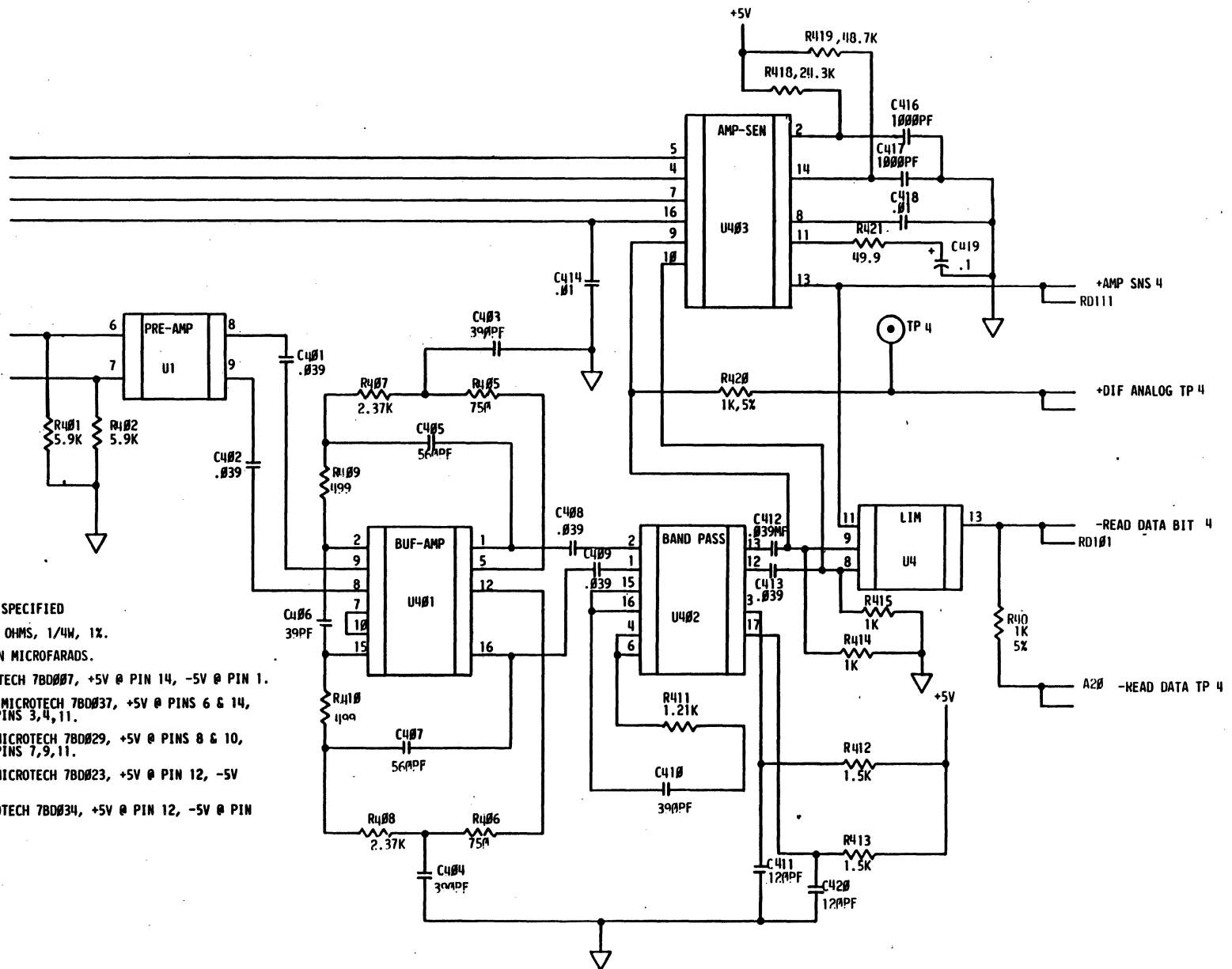
RD001

+WRITE RD001
 +RECORD RD001
 VRMIN RD001
 VREF 2 RD001

+READ HD ANALOG J21-3
 -READ HD ANALOG J21-4

NOTES: UNLESS OTHERWISE SPECIFIED

1. ALL RESISTORS ARE IN OHMS, 1/4W, 1%.
2. ALL CAPACITORS ARE IN MICROFARADS.
3. U1 PREAMP, STC MICROTECH 78D007, +5V @ PIN 14, -5V @ PIN 1.
4. U401 AMP/BUFFER, STC MICROTECH 78D037, +5V @ PINS 6 & 14, -5V @ PIN 13, GND @ PINS 3,4,11.
5. U402 BAND PASS, STC MICROTECH 78D029, +5V @ PINS 8 & 10, -5V @ PIN 18, GND @ PINS 7,9,11.
6. U403 AMP SENSE, STC MICROTECH 78D023, +5V @ PIN 12, -5V @ PIN 6, GND @ PIN 1.
7. U4 LIMITER, STC MICROTECH 78D034, +5V @ PIN 12, -5V @ PIN 10, GND @ PINS 3,5.



RD

9
1

READ A/D AND AMP SENSE BIT 4

PRES. E.C. 49461
 PREV. E.C. 19301
 DATE 2-15-84

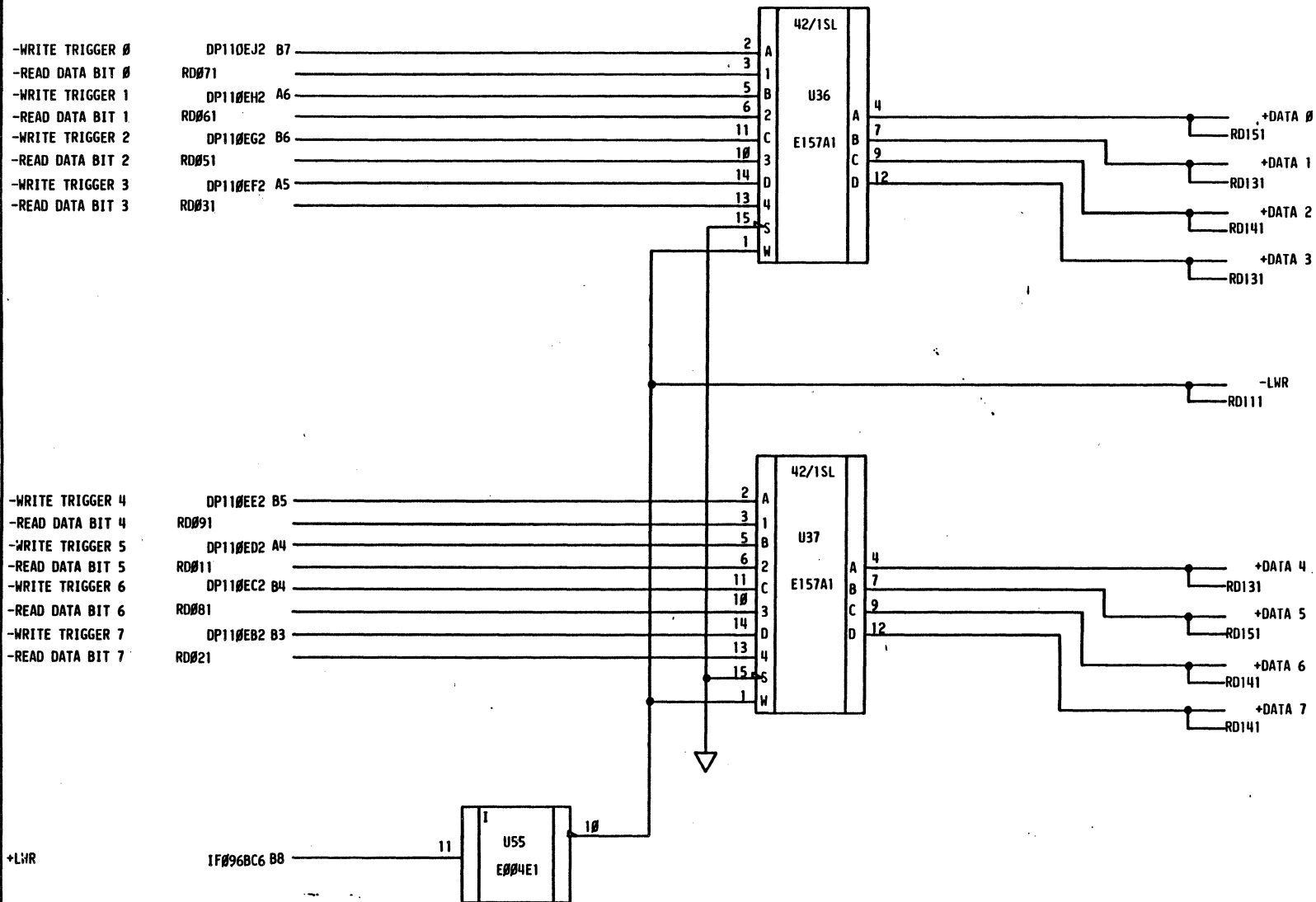
MACH. AVALANCHE
 VERS.
 08L. NOT.

CD. LOC.
 GATE
 FRAME

CD. RN.
 CD. TYPE RD
 PG. RN. 425131-02

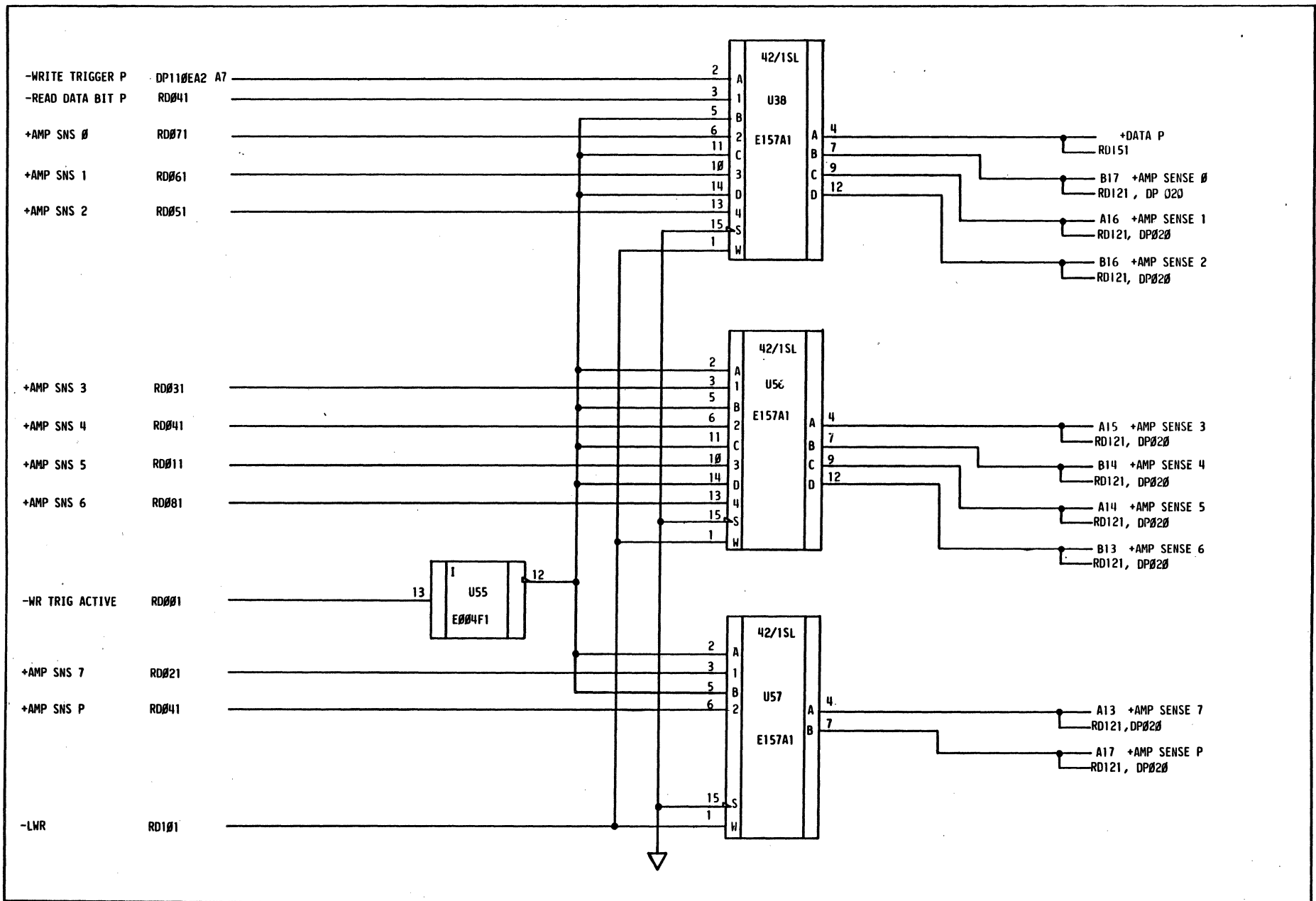
RD

9
1



NOTES: UNLESS OTHERWISE SPECIFIED
 1. ALL RESISTORS ARE IN OHMS, 1/4W, 1%.
 2. ALL CAPACITORS ARE IN MICROFARADS.

| | | | | |
|-----------------------------|-----------------|---------------------|---------------------|--------------|
| LOOP-WRITE-TO-READ DATA MUX | | | | RD 0 1 |
| PRES. E.C. 40461 | MACH. AVALANCHE | CD. LOC. GATE FRAME | CD. P.N. RD | |
| PREV. E.C. 40301 | VERS. GBL. ROT. | | CD. TYPE | |
| DATE 2-15-04 | | | PG. P.N. 4025132-02 | |



NOTES: UNLESS OTHERWISE SPECIFIED
 1. ALL RESISTORS ARE IN OHMS, 1/4W, 1%.
 2. ALL CAPACITORS ARE IN MICROFARADS.

LOOP-WRITE-TO-READ AMP SENSE I/OX

PRES. E.C. 49461
 PREV. E.C. 49371
 DATE 2-15-81

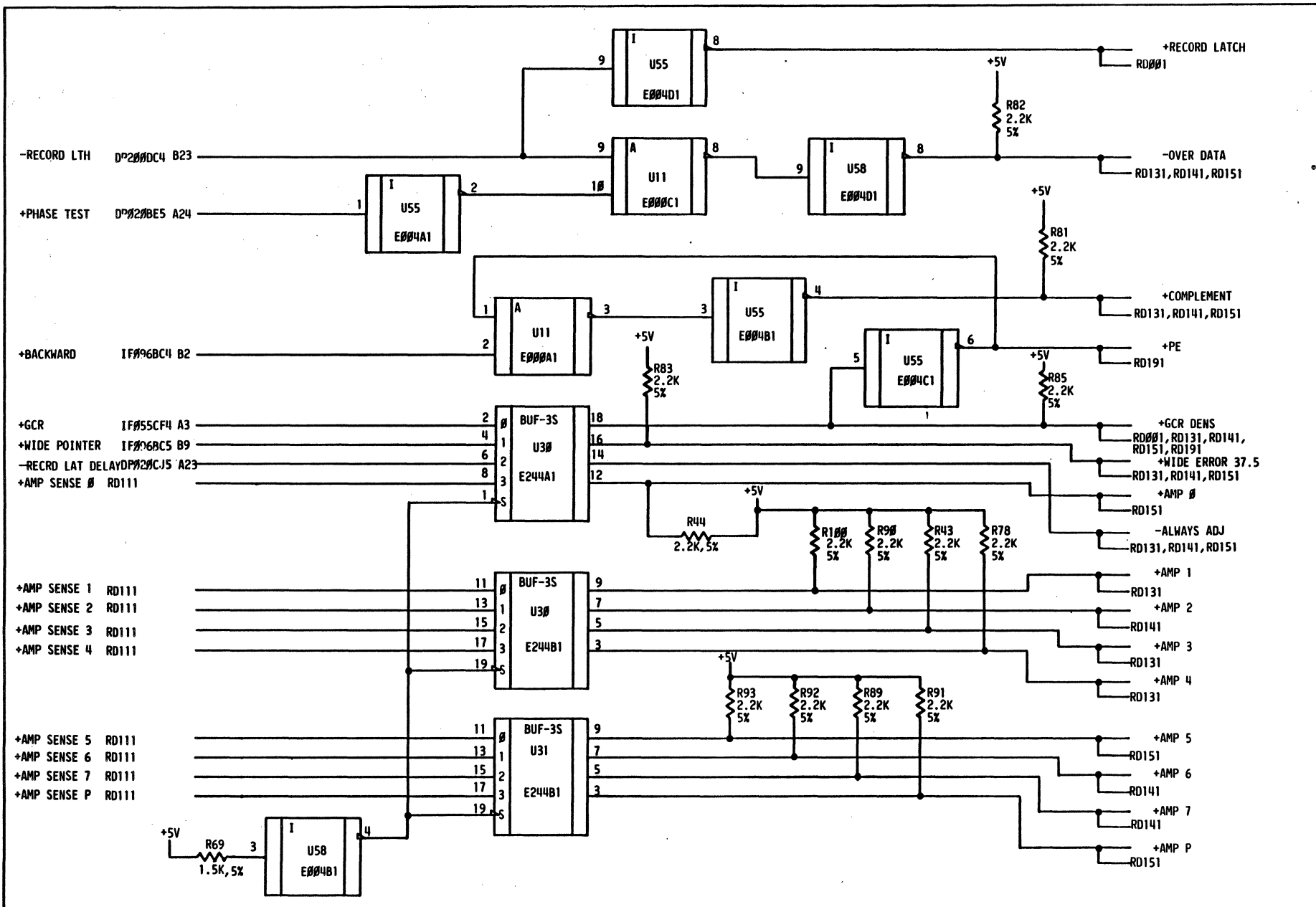
MACH. AVALANCHE
 VERS. ROT.
 OBL. ROT.

CD. LOC.
 GATE
 FRAME

CD. RN.
 CD. TYPE RD
 PG. RN. 4025133-02

R
D
1
1
1

R
D
1
1
1



NOTES: UNLESS OTHERWISE SPECIFIED
 1. ALL RESISTORS ARE IN OHMS, 1/4W, 1%.
 2. ALL CAPACITORS ARE IN MICROFARADS.

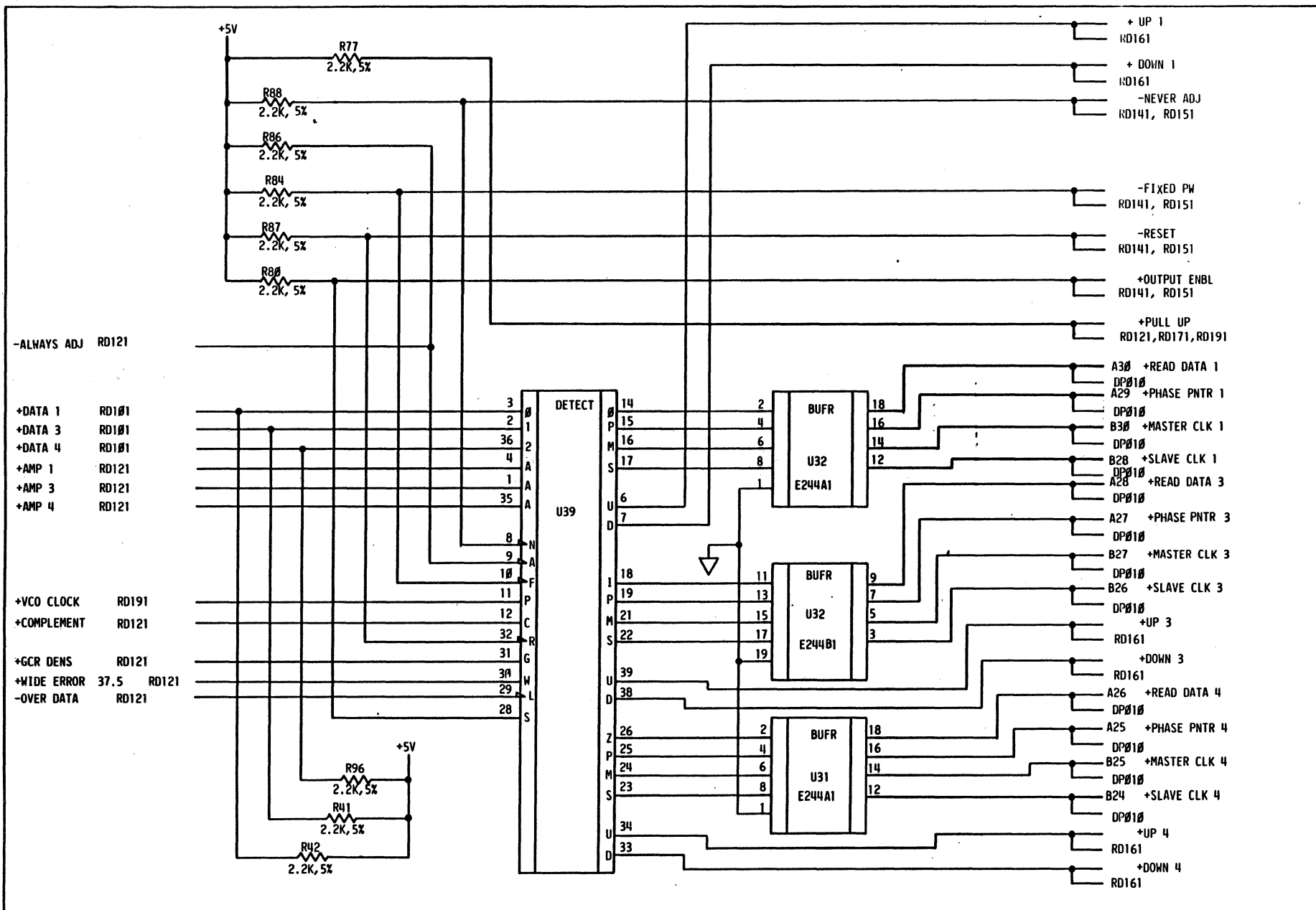
CNOS CHIP INPUT BUFFERS

PRES. E.C. 40461
 PREV. E.C. 49301
 DATE 2-15-01

MACH. AVALANCHE
 VERS.
 OBL. ROT.

CD. LOC.
 GATE
 FRAME

CD. P.N. RD
 CD. TYPE RD
 PG. P.N. 4025134-02



-ALWAYS ADJ RD121

+DATA 1 RD101
 +DATA 3 RD101
 +DATA 4 RD101
 +AMP 1 RD121
 +AMP 3 RD121
 +AMP 4 RD121

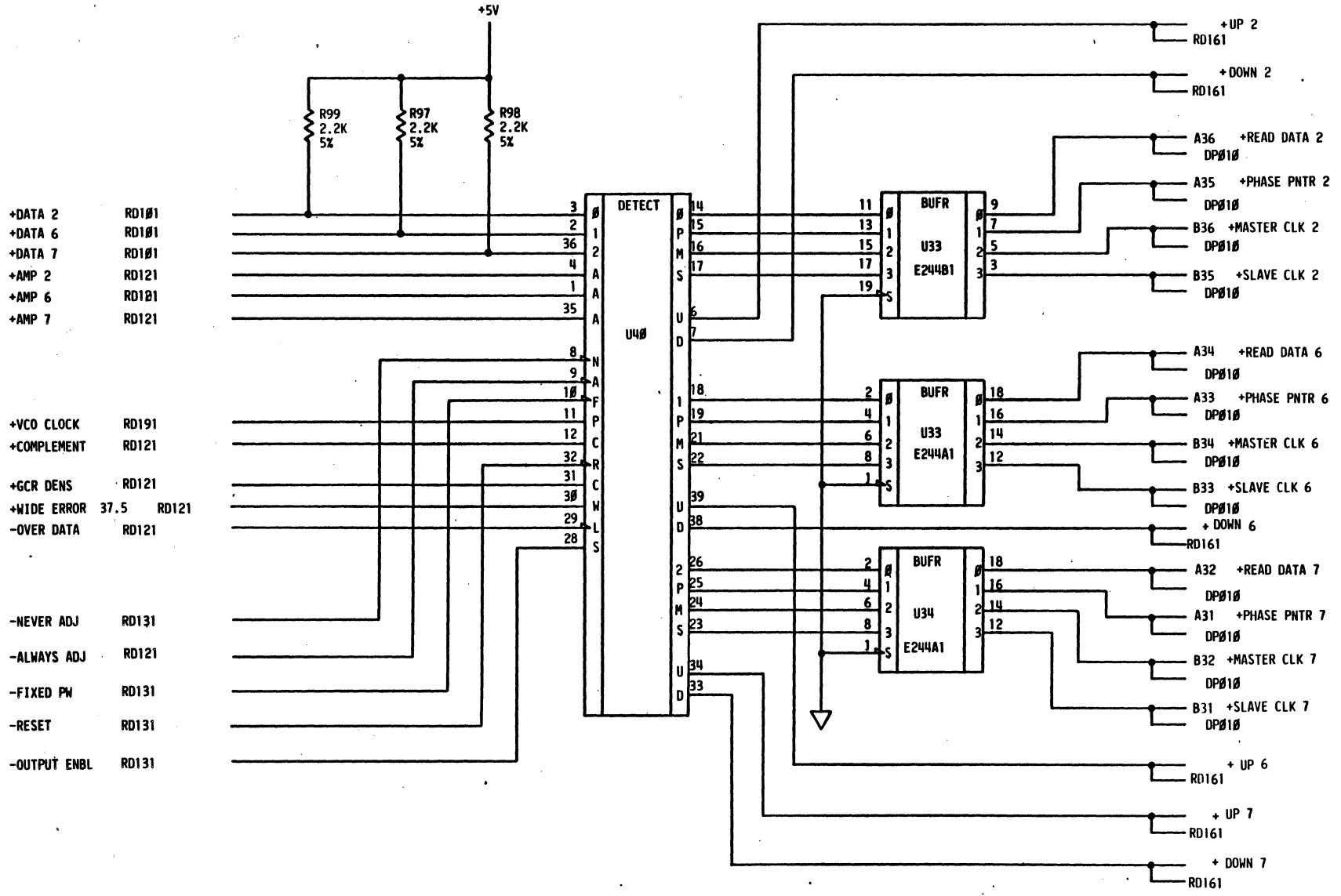
+VCO CLOCK RD191
 +COMPLEMENT RD121

+GCR DENS RD121
 +WIDE ERROR 37.5 RD121
 -OVER DATA RD121

NOTES: UNLESS OTHERWISE SPECIFIED
 1. ALL RESISTORS ARE IN OHMS, 1/4W, 1%.
 2. ALL CAPACITORS ARE IN MICROFARADS.

DATA & PHASE DETECTION, TRACKS 1, 3, 4

| | | | |
|--|---------------------------------------|---------------------------|--|
| PRES. E.C. 40161 PREV. E.C. 49301 DATE 2-15-84 | MACH. AVALANCHE VERN. OBL. ROT. | CD. LOC. GATE FRAME | CD. RN. CD. TYPE RD PG. RN. 4025135-02 |
|--|---------------------------------------|---------------------------|--|



- +DATA 2 RD101
- +DATA 6 RD101
- +DATA 7 RD101
- +AMP 2 RD121
- +AMP 6 RD101
- +AMP 7 RD121

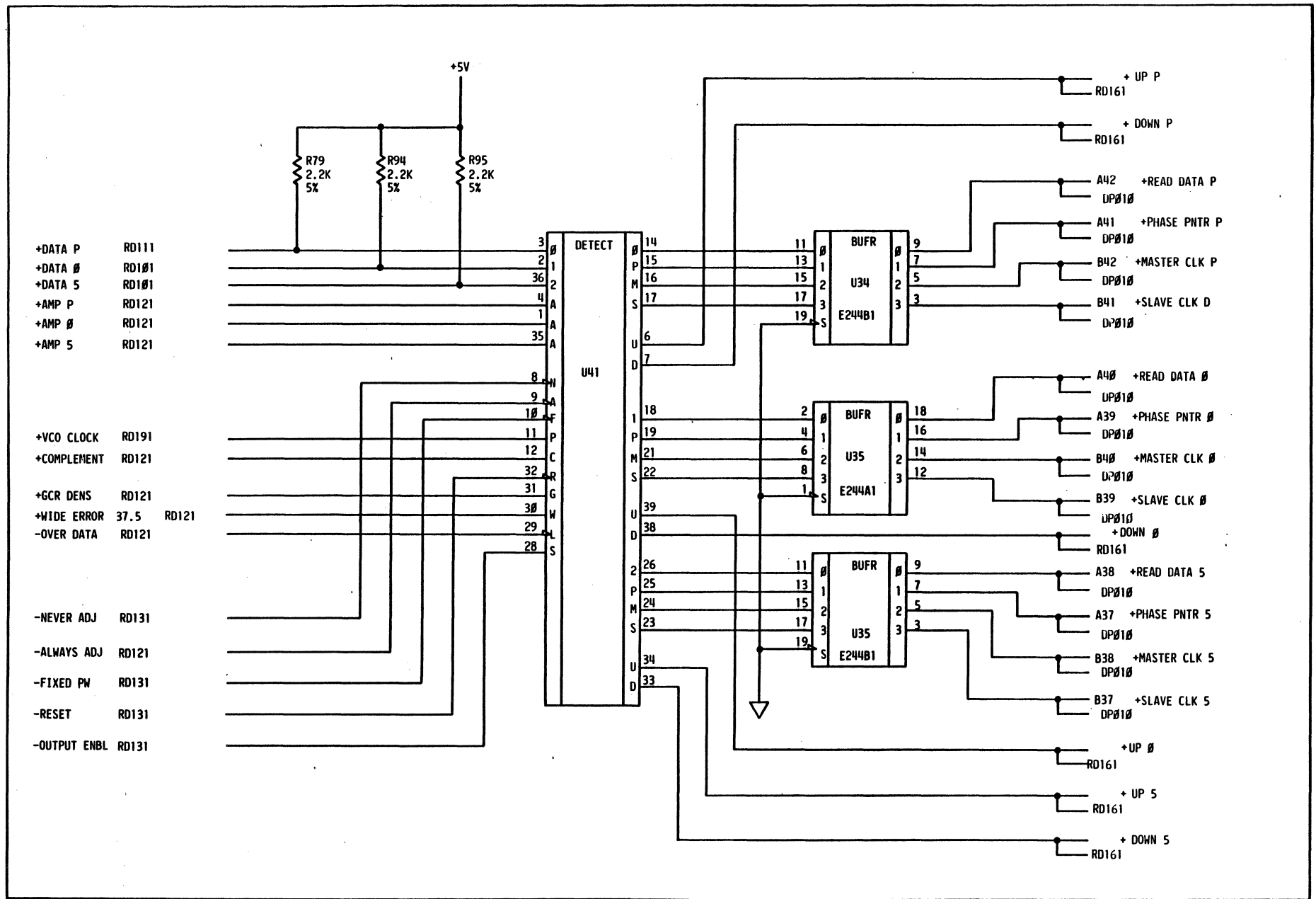
- +VCO CLOCK RD191
- +COMPLEMENT RD121

- +GCR DENS RD121
- +WIDE ERROR 37.5 RD121
- OVER DATA RD121

- NEVER ADJ RD131
- ALWAYS ADJ RD121
- FIXED PW RD131
- RESET RD131
- OUTPUT ENBL RD131

NOTES: UNLESS OTHERWISE SPECIFIED
 1. ALL RESISTORS ARE IN OHMS, 1/4W, 1%.
 2. ALL CAPACITORS ARE IN MICROFARADS

| | | | |
|--|---------------------------------------|---------------------------|---|
| DATA & PHASE DETECTION, TRACKS 2, 6, 7 | | | |
| PRES. E.C. 49461 PREV. E.C. 49371 DATE 2-15-04 | MACH. AVALANCHE VERS. GDL. ROT. | CD. LOC. GATE FRAME | CD. PN. CD. TYPE RU PG. PN. 425136-02 |



NOTES: UNLESS OTHERWISE SPECIFIED

1. ALL RESISTORS ARE IN OHMS, 1/4W, 1%.
2. ALL CAPACITORS ARE IN MICROFARADS.

DATA & PHASE DETECTION, TRACKS P, Ø, 5

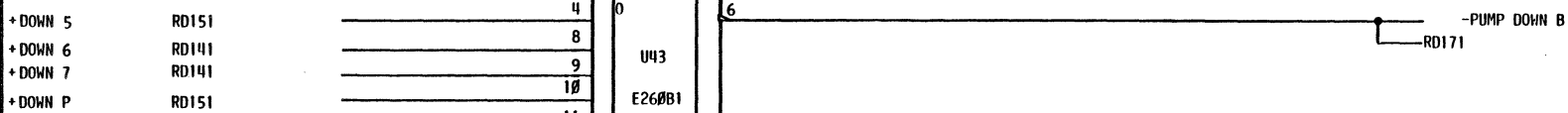
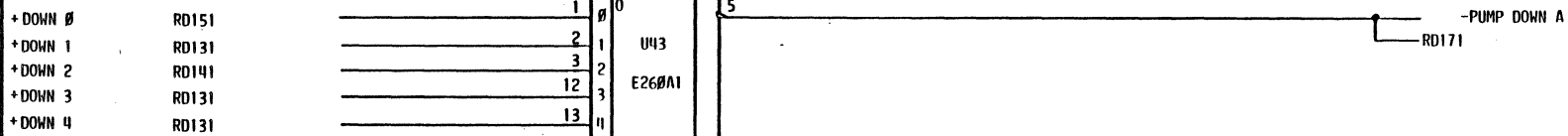
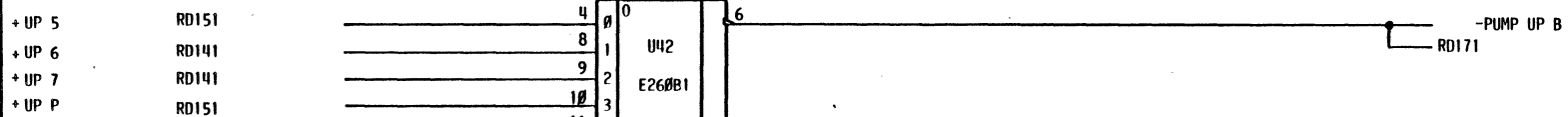
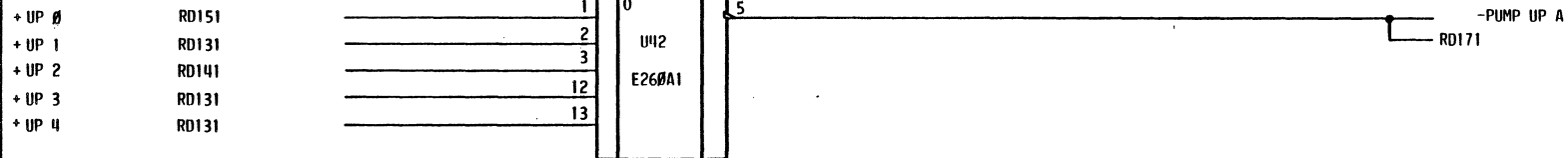
PRES. E.C. 4Ø461
 PREV. E.C. 4Ø3Ø1
 DATE 2-15-Ø4

MACH. AVALANCHE
 VERS.
 ØBL. ROT.

CD. LOC.
 GATE
 FRAME

CD. RN.
 CD. TYPE RD
 PØ. RN. 4Ø25137-Ø2

RD 1 5 T



NOTES: UNLESS OTHERWISE SPECIFIED

1. ALL RESISTORS ARE IN OHMS, 1/4W, 1%.
2. ALL CAPACITORS ARE IN MICROFARADS.



COMBINED UP & DOWN CORRECTIONS

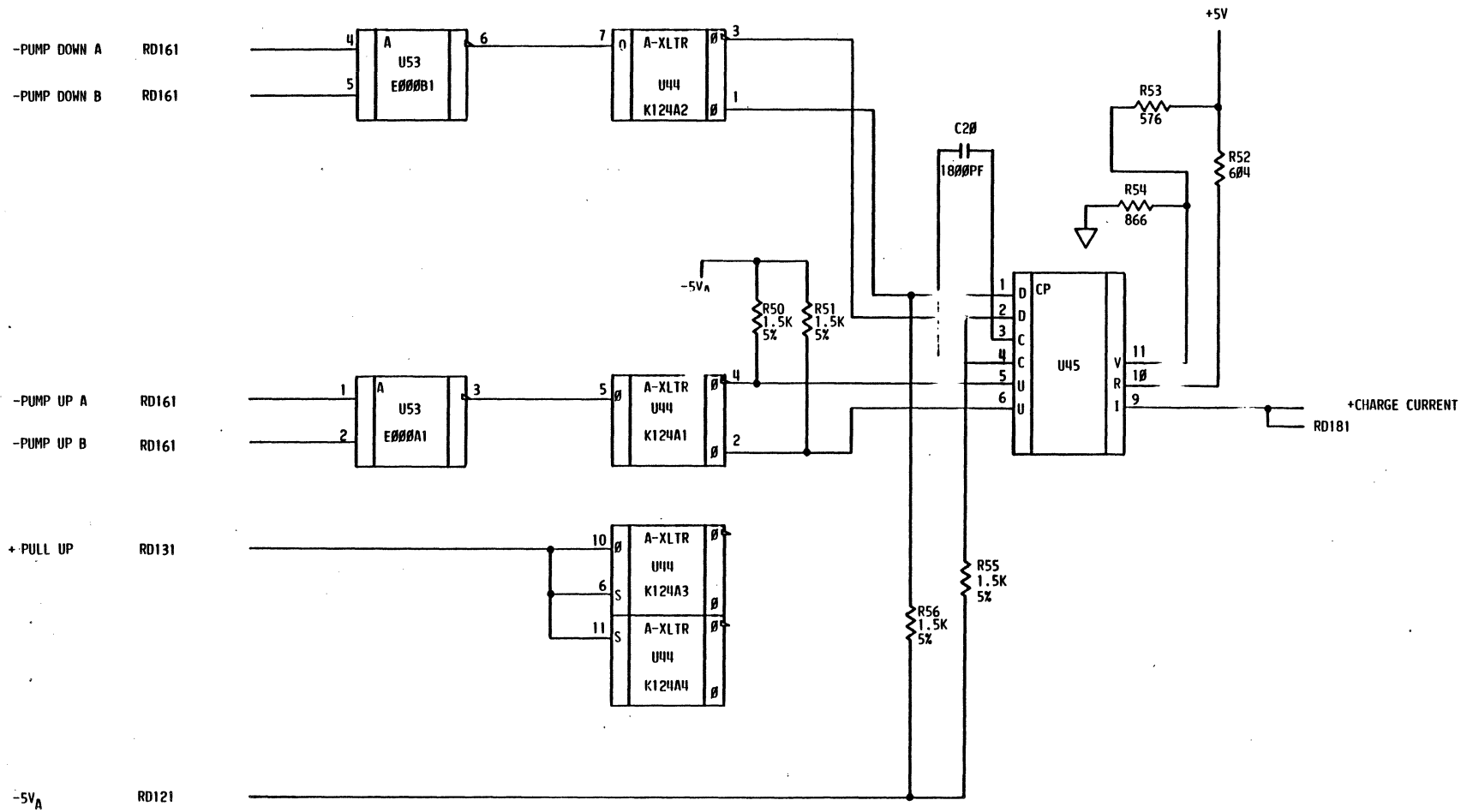
PREV. E.C. 49301
 PREV. E.C. 49225
 DATE 8-29-83

MACH. AVALANCHE
 VERS.
 GBL. ROT.

CD. LOC.
 GATE
 FRAME

CD. P.N. RD
 CD. TYPE
 PG. P.N. 4Ø25138-Ø1

RD
 161

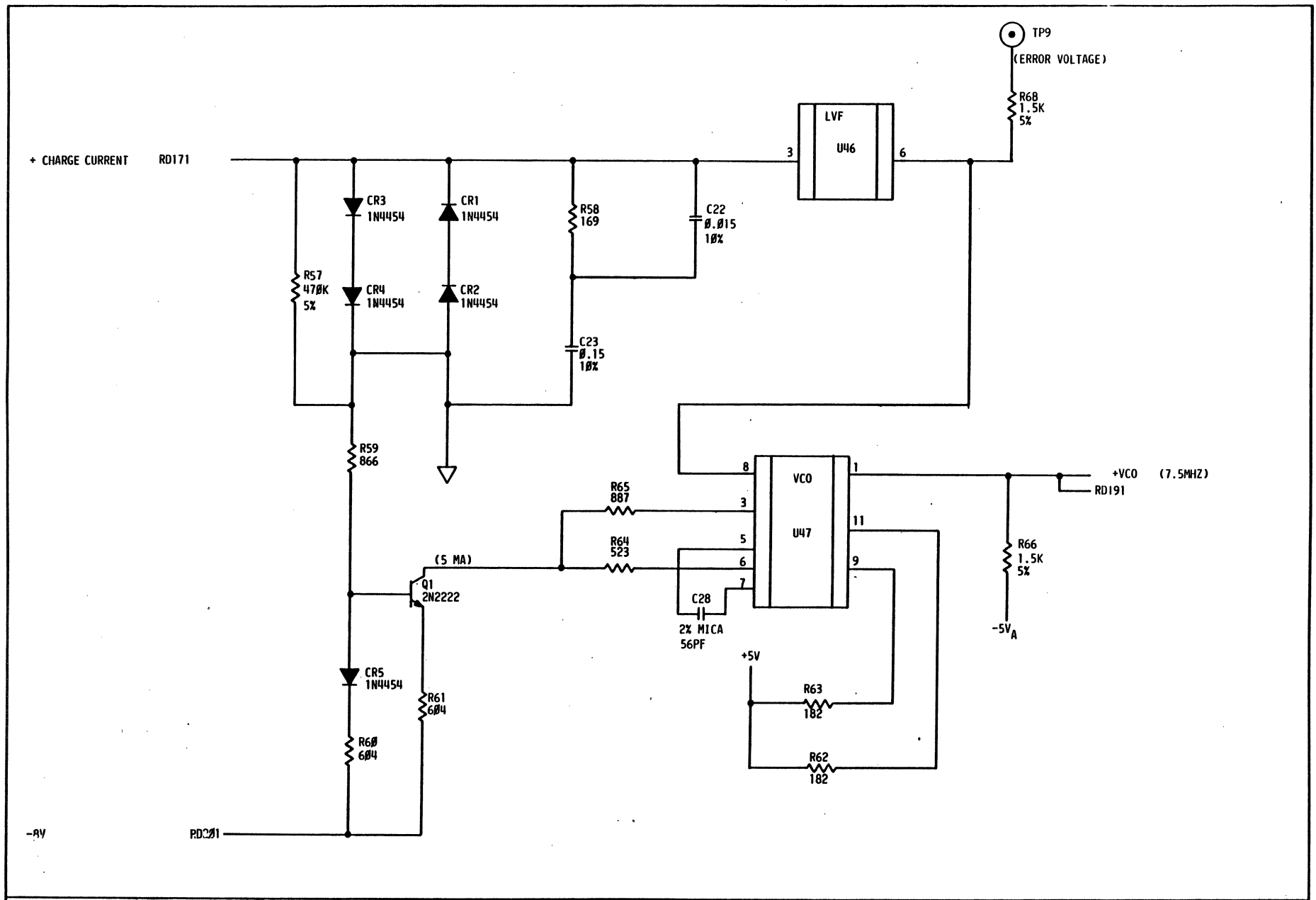


- NOTES: UNLESS OTHERWISE SPECIFIED
1. ALL RESISTORS ARE IN OHMS, 1/4W, 1%.
 2. ALL CAPACITORS ARE IN MICROFARADS.
 3. U44 HAS +5V TO PIN 9, -5VA TO PIN 8, GROUND TO PIN 16.
 4. U45 HAS +5V TO PIN 13, GROUND TO PINS 8 AND 14, -8V TO PINS 7 AND 12.

| | | | |
|--|---------------------------------------|---------------------|---|
| PLL CHARGE PUMP | | | |
| PRES. E.C. 49301 PREV. E.C. 49225 DATE 8-29-83 | MACH. AVALANCHE VERS. GBL. ROT. | CD. LOC. GATE FRAME | CD. P.N. RD CD. TYPE RD PG. P.N. 4025139-01 |

RD 171

RD 171



NOTES: UNLESS OTHERWISE SPECIFIED

1. RESISTORS ARE IN OHMS, 1/4W, 1%.
2. ALL CAPACITORS ARE IN MICROFARADS.
3. U46 HAS +5V TO PIN 7, -8V TO PIN 4.
4. U47 HAS +5V TO PIN 10, -5VA TO PIN 13, GROUND TO PIN 2.



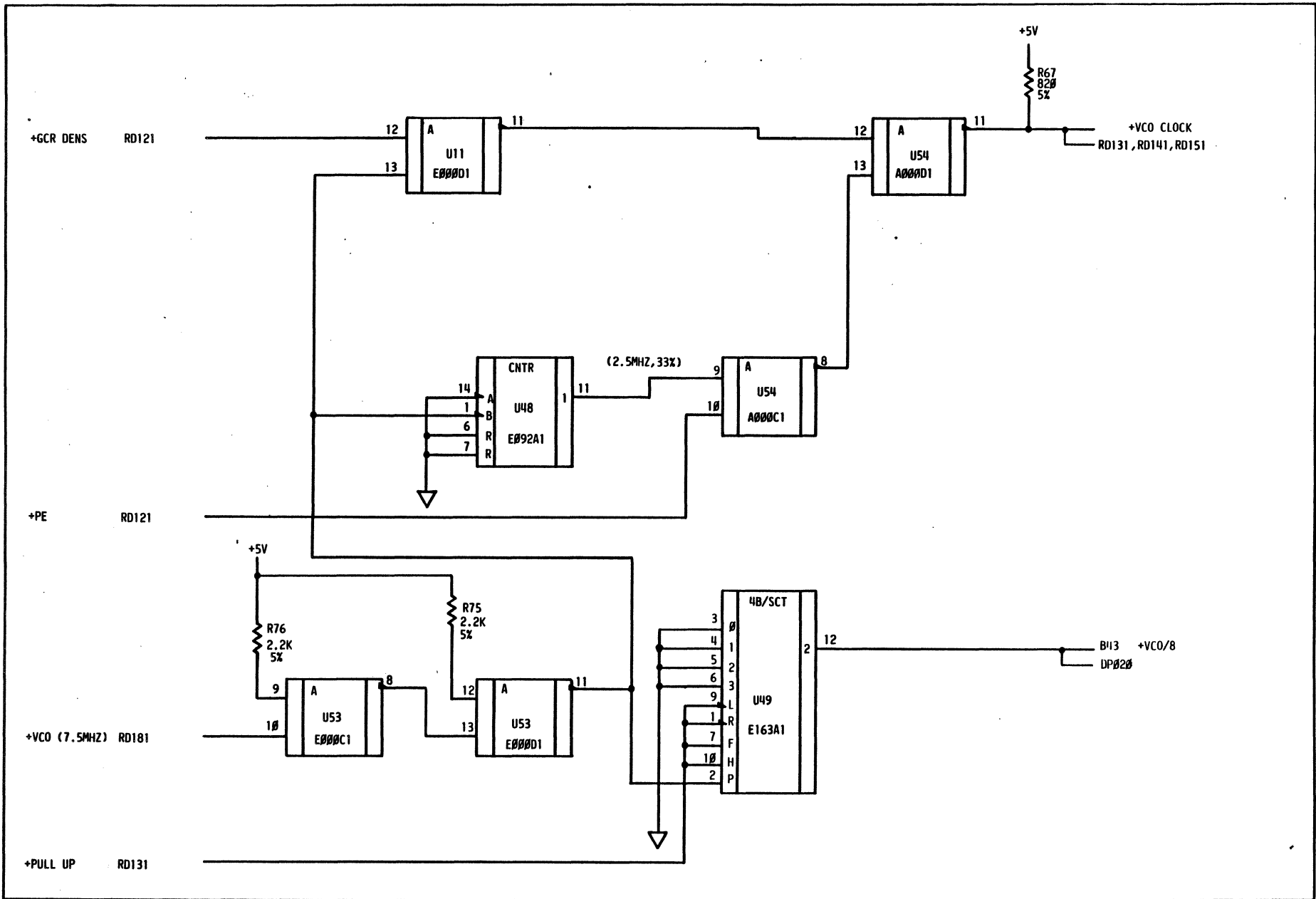
PLL FILTER & VCO

PREV. E.C. 49461
 PREV. E.C. 49301
 DATE 2-15-01

MACH. AVALANCHE
 VERS.
 GBL. ROT.

CD. LOC.
 GATE
 FRAME

CD. P.N.
 CD. TYPE RD
 PG. P.N. 4025140-02



NOTES: UNLESS OTHERWISE SPECIFIED
 1. ALL RESISTORS ARE IN OHMS, 1/4W, 1%.
 2. ALL CAPACITORS ARE IN MICROFARADS.

PREV. E.C. 49461
 PREV. E.C. 49301
 DATE 2-15-04

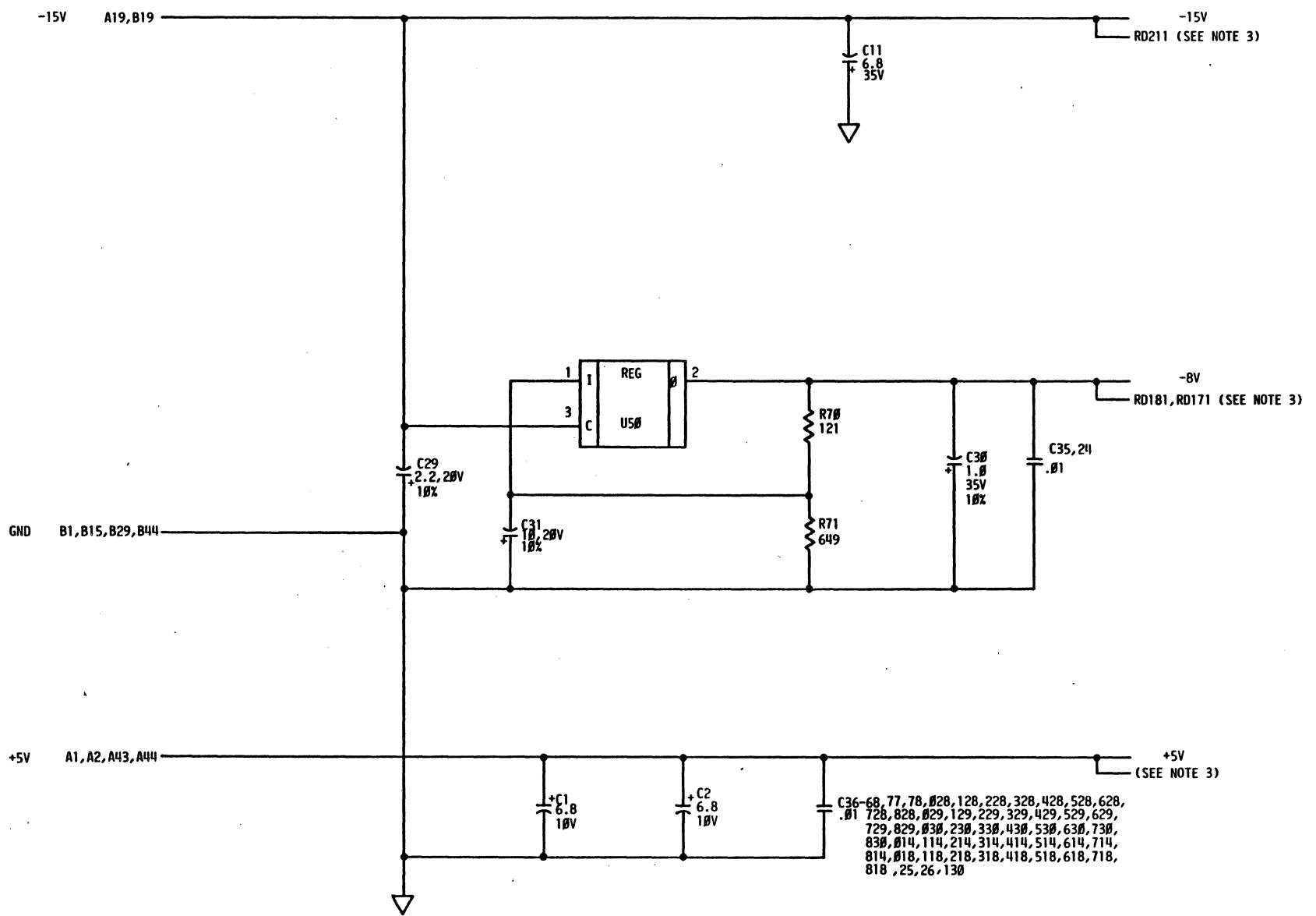
CLOCK SELECT

MACH. AVALANCHE
 VERS. GBL. ROT.

CD. LOC. GATE
 FRAME

CD. P.N. RD
 PG. P.N. 4025141-02

RD
 1
 9
 1



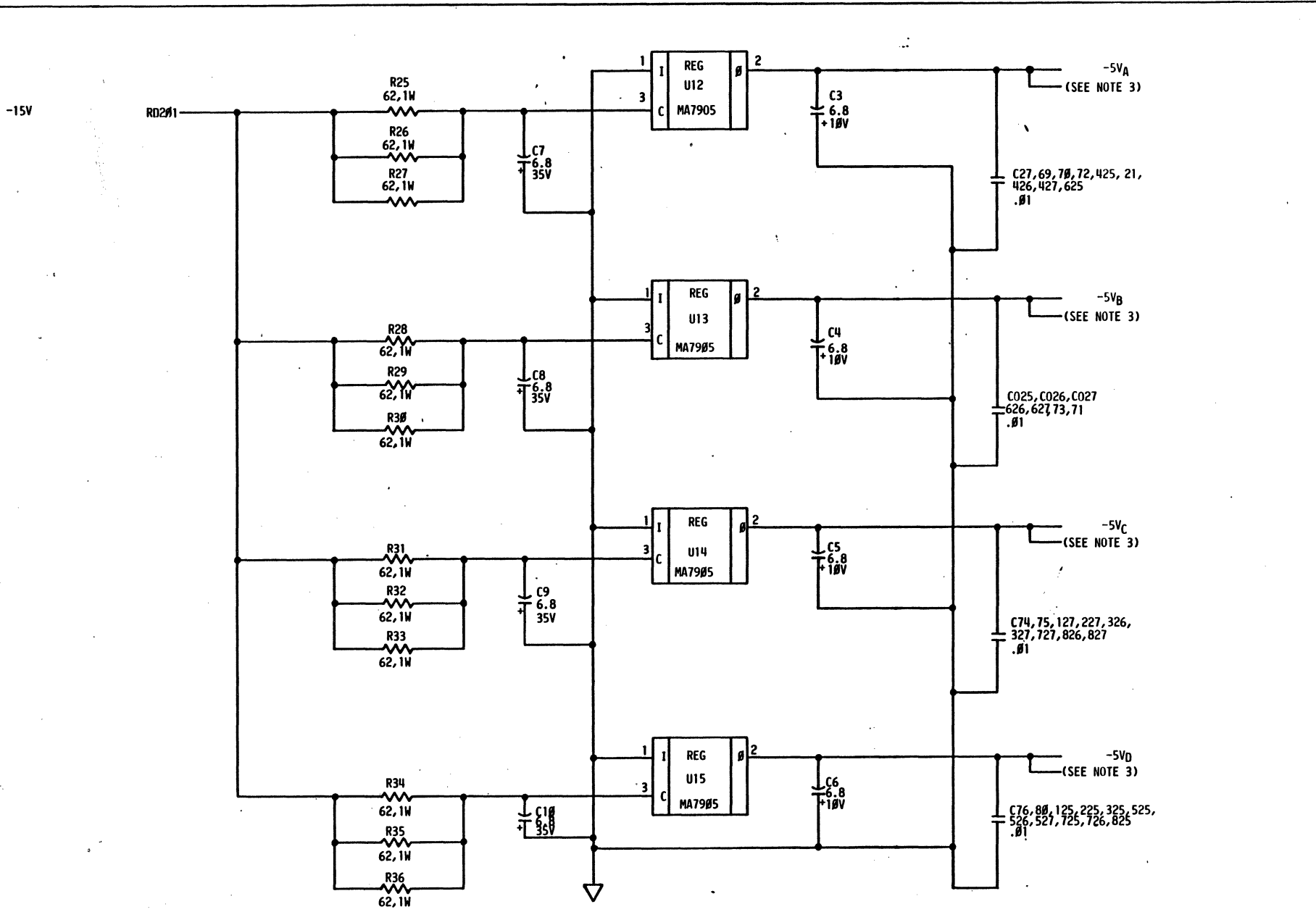
NOTES: UNLESS OTHERWISE SPECIFIED

1. ALL RESISTORS ARE IN OHMS, 1/4W, 1%
2. ALL CAPACITORS ARE IN MICROFARADS.
3. THESE LINES ARE CONNECTED TO INTERNAL POWER & GROUND PLANES.

| | | | |
|------------------|-----------------|----------|---------------------|
| -8V REG | | | |
| PRES. E.C. 49371 | MACH. AVALANCHE | CD. LOC. | CD. P.N. |
| PREV. E.C. 49225 | VERS. | GATE | CD. TYPE RD |
| DATE 8-29-83 | GDL. ROT. | FRAME | PG. P.N. 4025142-01 |

RD 201

RD 201



NOTES: UNLESS OTHERWISE SPECIFIED
 1. ALL RESISTORS ARE IN OHMS, 1/4W, 1%.
 2. ALL CAPACITORS ARE IN MICROFARADS.
 3. THESE LINES ARE CONNECTED TO INTERNAL POWER & GROUND PLANES.

| | | | | |
|---|--|---------------------------------------|---------------------------|--|
| READ POWER AND DECOUPLING PRES. E.C. 110461 PREV. E.C. 40331 DATE 2-15-04 | | MACH. AVALANCHE VERS. SBL. ROT. | CD. LOC. GATE FRAME | CD. P.N. CD. TYPE RD PG. P.N. 4025143-02 |
|---|--|---------------------------------------|---------------------------|--|

RD211

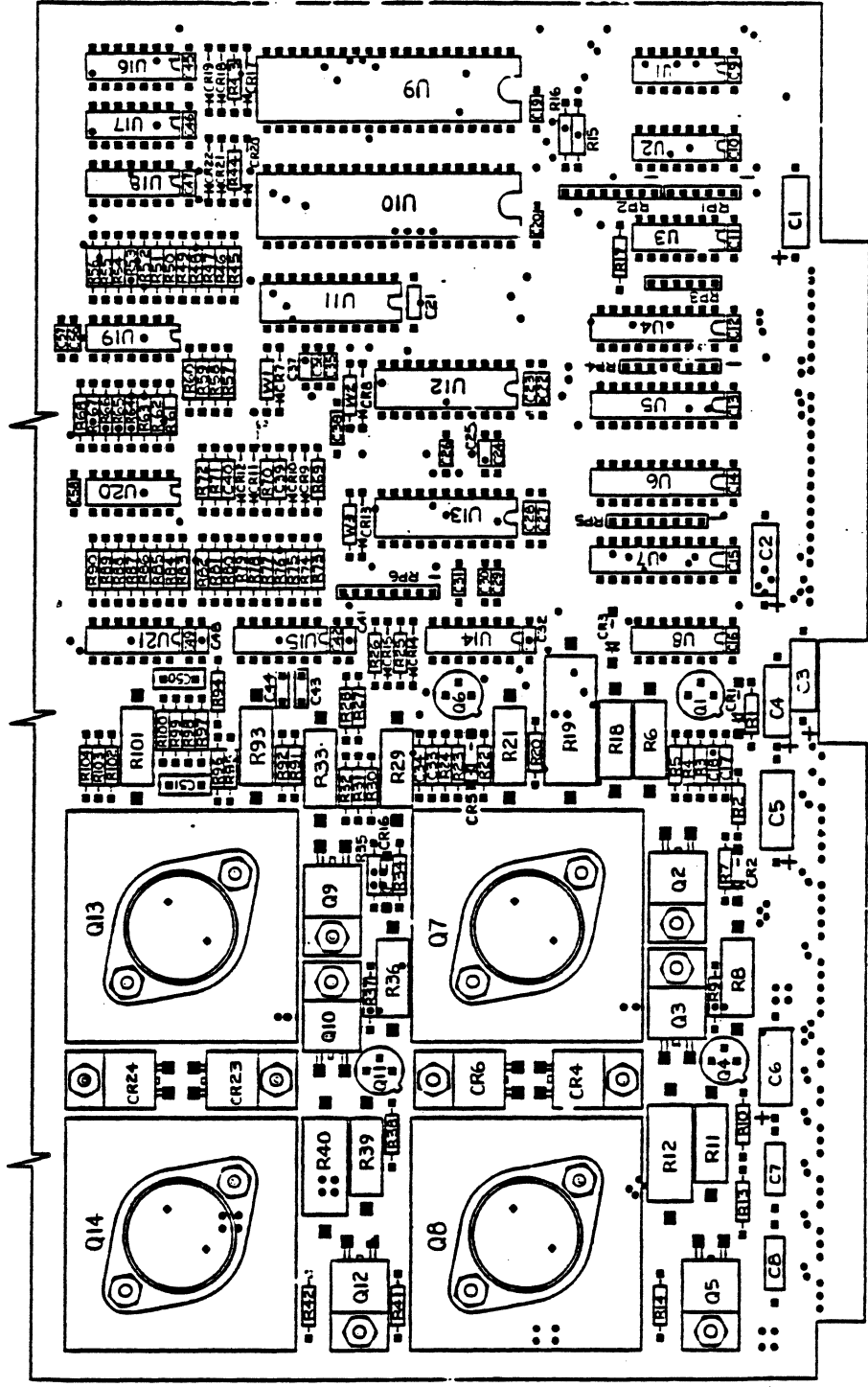
RD211

ASSEMBLY PARTS LIST

BUILT ARC DOC

| | | |
|------------|------|----------|
| PRINT DATE | PAGE | E.C. NO. |
| 04-17-84 | 1 | 49510 |

| DIV. | ASSEMBLY NUMBER | CD | REV. | DWG. | DESCRIPTION | MC | STATUS | STATUS DATE | FILE DATE | | | | | | |
|------|-----------------|----|-------------|------|---------------------------|----------|--------|------------------|---------------|-----|-------------|--------------|-----|-------|--------|
| 0500 | 403216004 | 8 | D | N | CD LGC GP,SV 4022393108PC | N | REL | 04-04-84 | 292X 04-10-84 | | | | | | |
| T | FIND NO | LI | PART NUMBER | CD | M | QUANTITY | U/M | PART DESCRIPTION | MC | YLD | E.C. NO. IN | E.C. NO. OUT | S/N | WK IN | WK OUT |
| | 001 | 02 | 403219903 | 8 | | REF | PC | CD LGC,AB001,PC | D | | | | | | |
| | 002 | 02 | 403220004 | 2 | | REF | PC | CD LGC,AB002,PC | D | | | | | | |
| | 003 | 01 | 403074701 | 0 | | REF | PC | CD LGC,SV001,PC | D | | | | | | |
| | 005 | 01 | 403074801 | 8 | | REF | PC | CD LGC,SV005,PC | D | | | | | | |
| | 011 | 01 | 403074902 | 4 | | REF | PC | CD LGC,SV011,PC | D | | | | | | |
| | 021 | 01 | 403075002 | 2 | | REF | PC | CD LGC,SV021,PC | D | | | | | | |
| | 031 | 01 | 403075101 | 2 | | REF | PC | CD LGC,SV031,PC | D | | | | | | |
| | 041 | 01 | 403075202 | 8 | | REF | PC | CD LGC,SV041,PC | D | | | | | | |
| | 051 | 01 | 403075303 | 4 | | REF | PC | CD LGC,SV051,PC | D | | | | | | |
| | 061 | 01 | 403075402 | 4 | | REF | PC | CD LGC,SV061,PC | D | | | | | | |
| | 071 | 02 | 403075502 | 1 | | REF | PC | CD LGC,SV071,PC | D | | | | | | |
| | 081 | 01 | 403075602 | 9 | | REF | PC | CD LGC,SV081,PC | D | | | | | | |
| | 091 | 01 | 403075701 | 9 | | REF | PC | CD LGC,SV091,PC | D | | | | | | |
| | 101 | 01 | 403075801 | 7 | | REF | PC | CD LGC,SV101,PC | D | | | | | | |
| | 111 | 01 | 403075901 | 5 | | REF | PC | CD LGC,SV111,PC | D | | | | | | |
| | 121 | 01 | 403076001 | 3 | | REF | PC | CD LGC,SV121,PC | D | | | | | | |
| | 131 | 01 | 403076101 | 1 | | REF | PC | CD LGC,SV131,PC | D | | | | | | |
| | 141 | 01 | 403076201 | 9 | | REF | PC | CD LGC,SV141,PC | D | | | | | | |
| | 151 | 01 | 403076301 | 7 | | REF | PC | CD LGC,SV151,PC | D | | | | | | |
| | 161 | 01 | 403076401 | 5 | | REF | PC | CD LGC,SV161,PC | D | | | | | | |
| | 171 | 02 | 403076502 | 0 | | REF | PC | CD LGC,SV171,PC | D | | | | | | |



SV AD PAGE

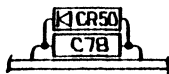
PREP. E.C. 49510
 WASH. AVALANCHE
 DATE 1-12-61

GO. LOC. A1
 FRAME

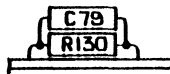
CD. P.M. SV
 PO. NO. 4832199- B3



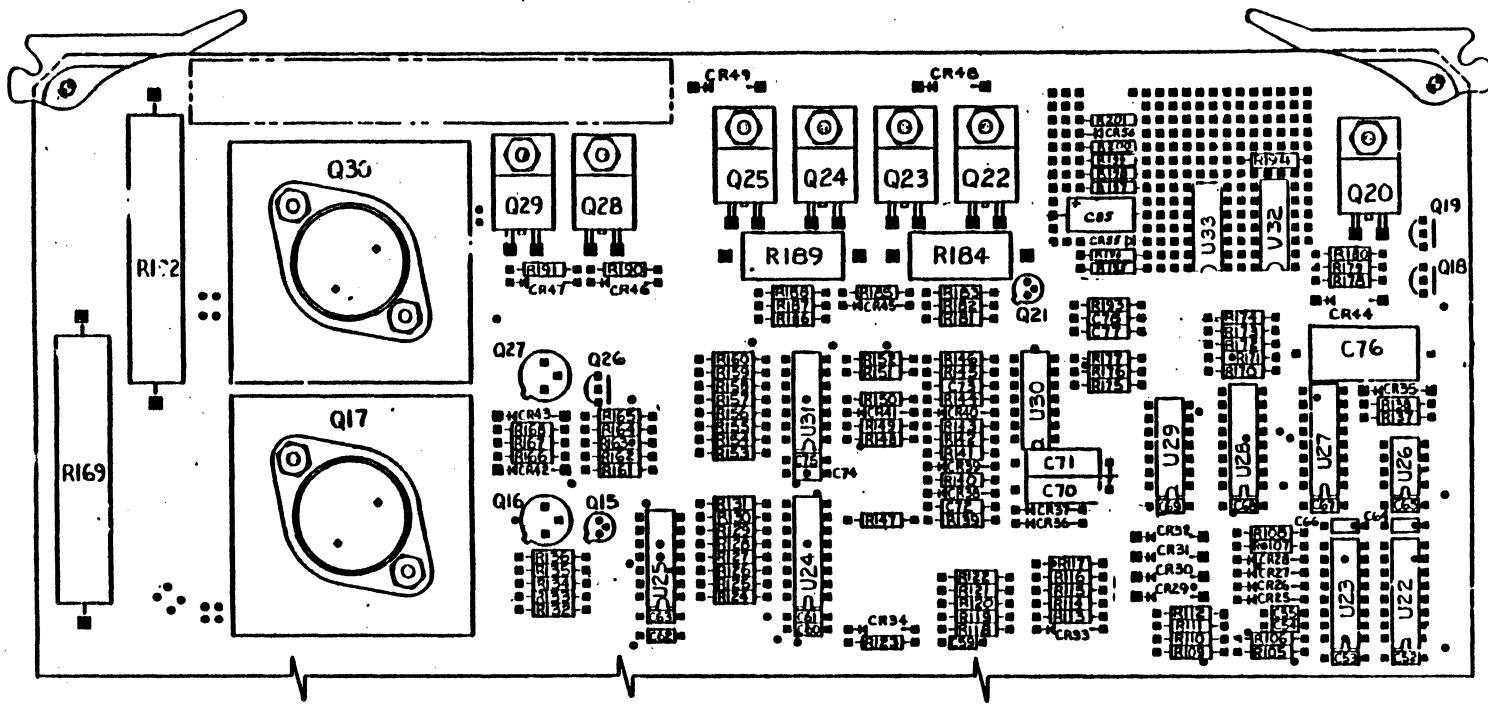
VIEW F
NO SCALE
CR50



VIEW E
NO SCALE
CR50



VIEW G
NO SCALE
C79



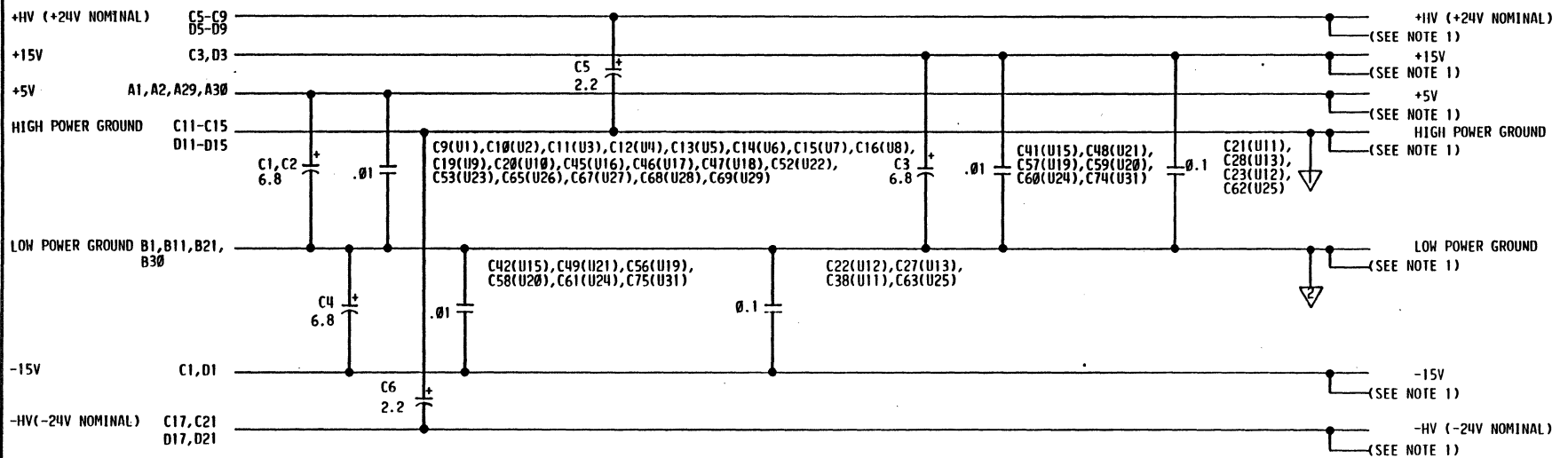
48222

GAF Polytron 833

| | | | |
|---------------------|-----------------|-------------|--------------------|
| SV AD PAGE SHEET OF | | | |
| PREV. E.C. 49510 | MACH. AVALANCHE | CD. LOC. A1 | C.D. RM. 4822293XX |
| DATE 4-12-04 | VERS. SBL. ROT. | DATE FRAME | CD. TYPE SV |
| | | | PG. PM 4832200-04 |

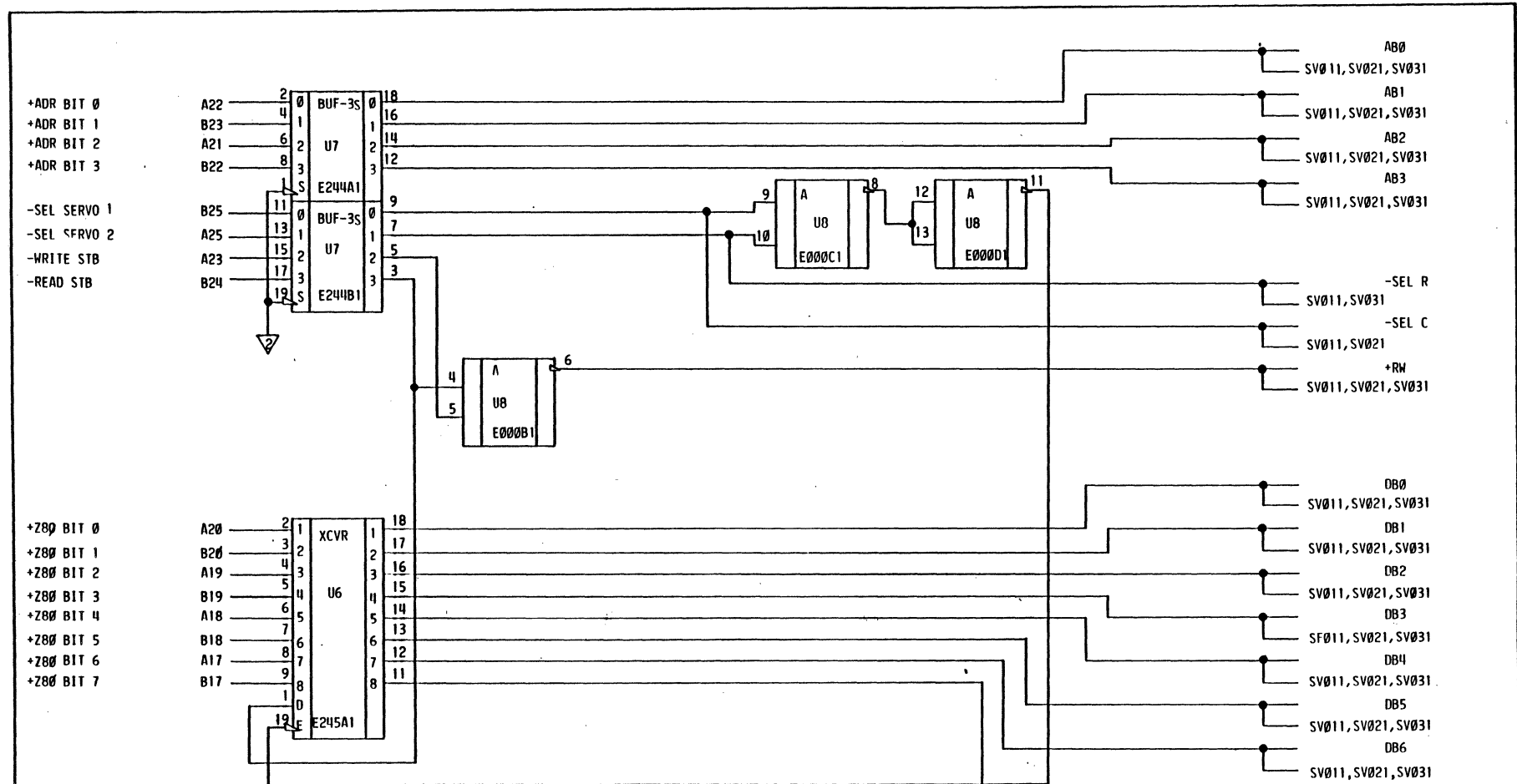
TABLE A - POWER AND GROUND CONNECTIONS AND DECOUPLING CAPS

| REFERENCE DESIGNATOR | TYPE | +15V | +5V | LPG | -15V |
|----------------------|-------------|-----------------------------------|-----|------|------|
| U8 | 74LS00 | | 14 | 7 | |
| U18, U29 | 74LS04 | | 14 | 7 | |
| U16, U17 | 7406 | | 14 | 7 | |
| U11 | 74LS08 | | 14 | 7 | |
| U3 | 74LS14 | | 14 | 7 | |
| U2 | 74LS38 | | 14 | 7 | |
| U22, U23 | 74LS123 | | 16 | 8 | |
| U28 | 74LS174 | | 16 | 8 | |
| U4, U5, U7 | 74LS244 | | 20 | 10 | |
| U6 | 74LS245 | | 20 | 10 | |
| U27 | 74LS257 | | 16 | 8 | |
| U10 | XCS SV CARD | | 40 | 20 | |
| U9 | XRS SV CARD | | 40 | 20 | |
| U11, U12, U13 | NE5018 | 19 | | 1,22 | 17 |
| U24 | DG201 | 13 | | 5 | 4 |
| U26 | NE555 | | 8 | 1 | |
| U25, U15 | TL084 | 4 | | | 11 |
| U19, U20 | LM339 | 3 | | | 12 |
| U21, U31 | LM324 | 4 | | | 11 |
| RP2, RP4, RP5, RP6 | 2.2K X 7 | | 1 | | |
| RP3 | 3K X 5 | | 1 | | |
| RP1 | 2K X 5 | | 1 | | |
| U14 | 7406 | FOR CONNECTIONS SEE SV111 & SV141 | | | |
| U30 | LM339 | FOR CONNECTIONS SEE SV051 | | | |



NOTES: UNLESS OTHERWISE SPECIFIED
 1. THESE LINES ARE EXTERNAL POWER AND GROUND PLANES
 2. CAPACITORS ARE IN MICROFARADS (μF).

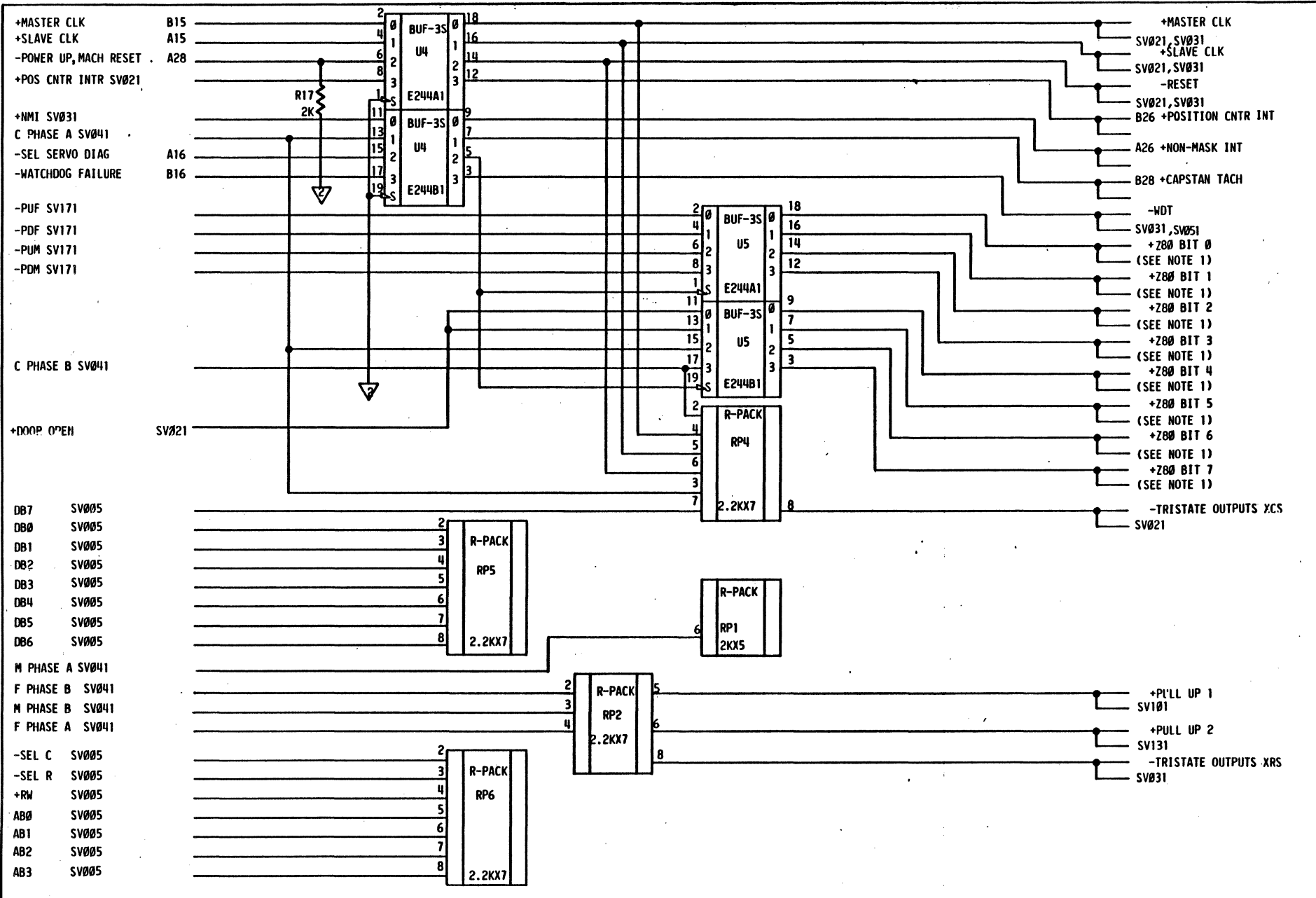
| | | | |
|---|---------------------------------------|--|--------------|
| SV CARD POWER AND GROUND CONNECTIONS | | CD. P.N. 4022393XX CD. TYPE SV PG. P.N. 4030747-01 | |
| PRES. E.C. 49269 PREV. E.C. NONE DATE 8-29-83 | MACH. AVALANCHE VERS. SBL. ROT. | CD. LOC. GATE FRAME | SV 0 1 |



- NOTES: UNLESS OTHERWISE SPECIFIED
1. ALL RESISTORS ARE 1/4 WATT, 5%, AND VALUES ARE IN OHMS.
 2. ALL CAPACITANCE VALUES ARE IN MICROFARADS (μF).
 3. ∇ DENOTES HIGH POWER GROUND
 \triangle DENOTES LOW POWER GROUND
 4. POWER SUPPLIES: +5V
 -15V
 +15V
 +14V (+24V NOMINAL)
 -14V (-24V NOMINAL)
 5. TRACES CARRYING HIGH CURRENT HAVE NOT BEEN SPECIALLY MARKED ON THIS SCHEMATIC.

54855

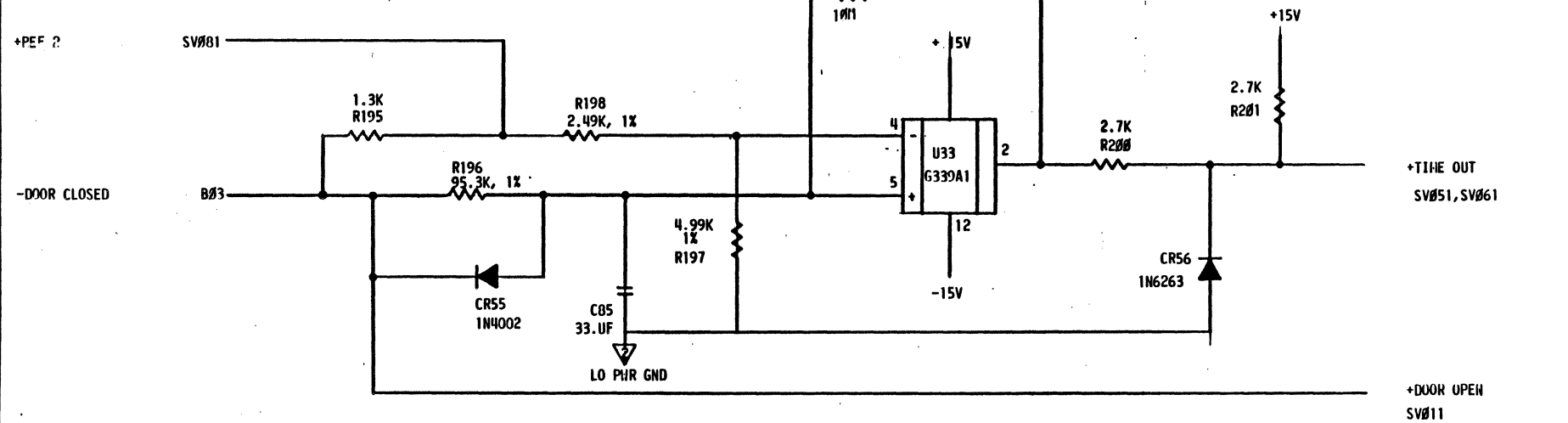
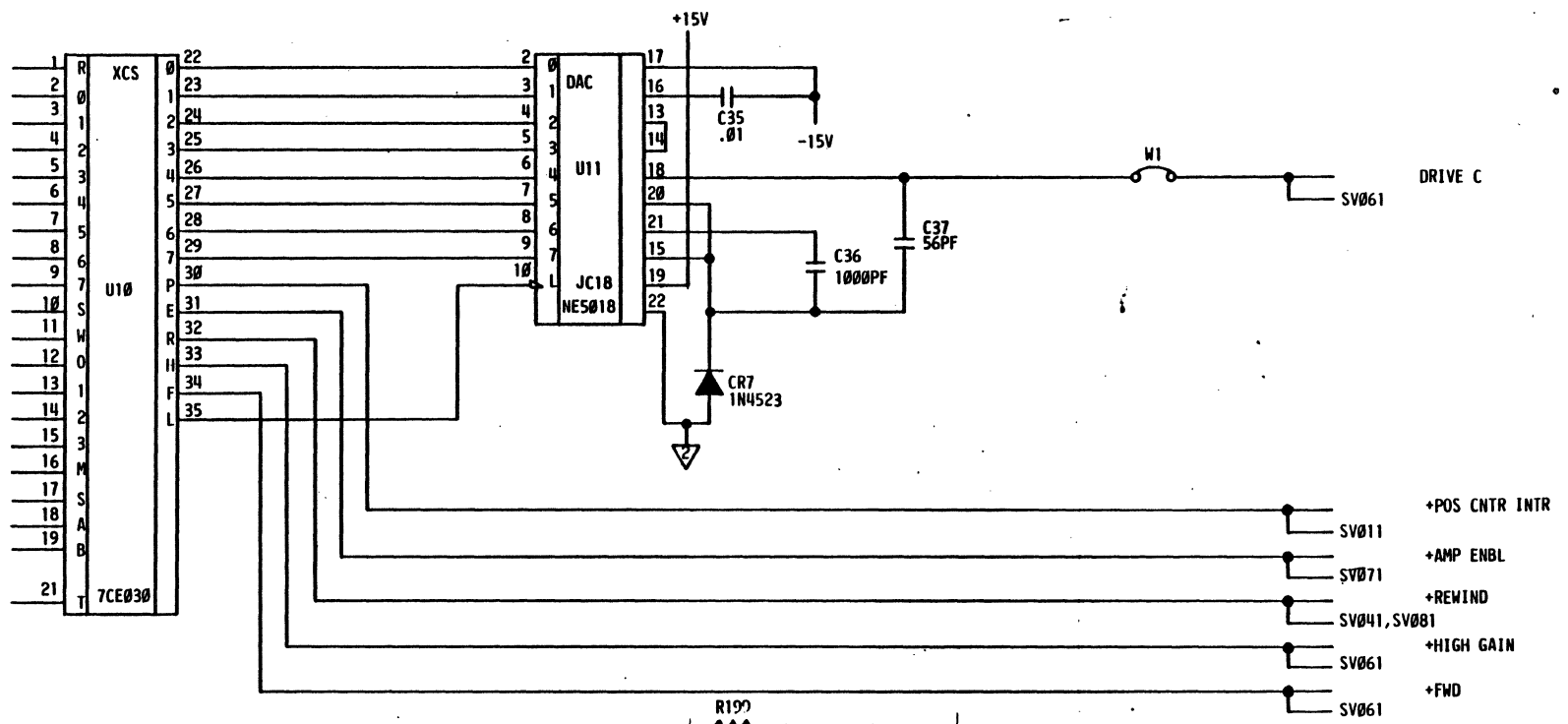
| | | | |
|---|---------------------------------------|-------|---------------------------|
| AVALANCHE SERVO CARD: MICROPROCESSOR INTERFACE | | 54855 | |
| PRES. E.C. 49269 PREV. E.C. NONE DATE 8-29-83 | MACH. AVALANCHE VERS. GBL. ROT. | | CD. LOC. GATE FRAME |
| CD. P.N. 4022393XX CD. TYPE SV PG. P.N. 4030748-01 | | | |
| GAF Polytrace 033 | | | |



NOTES: UNLESS OTHERWISE SPECIFIED
 1. THESE LINES ARE TIED TO THE TABS ON PAGE SV005.

| | | | |
|---|---------------------------------|---------------------------|---|
| AVALANCHE SERVO CARD: MICROPROCESSOR INTERFACE, LSI PULL-UPS | | | |
| PRES. E.C. 49259 PREV. E.C. 49269 DATE 2-23-84 | MACH. AVA VERS. GBL. ROT. | CD. LOC. GATE FRAME | CD. P.N. 4022393X CD. TYPE SV PG. P.N. 4030749-02 |

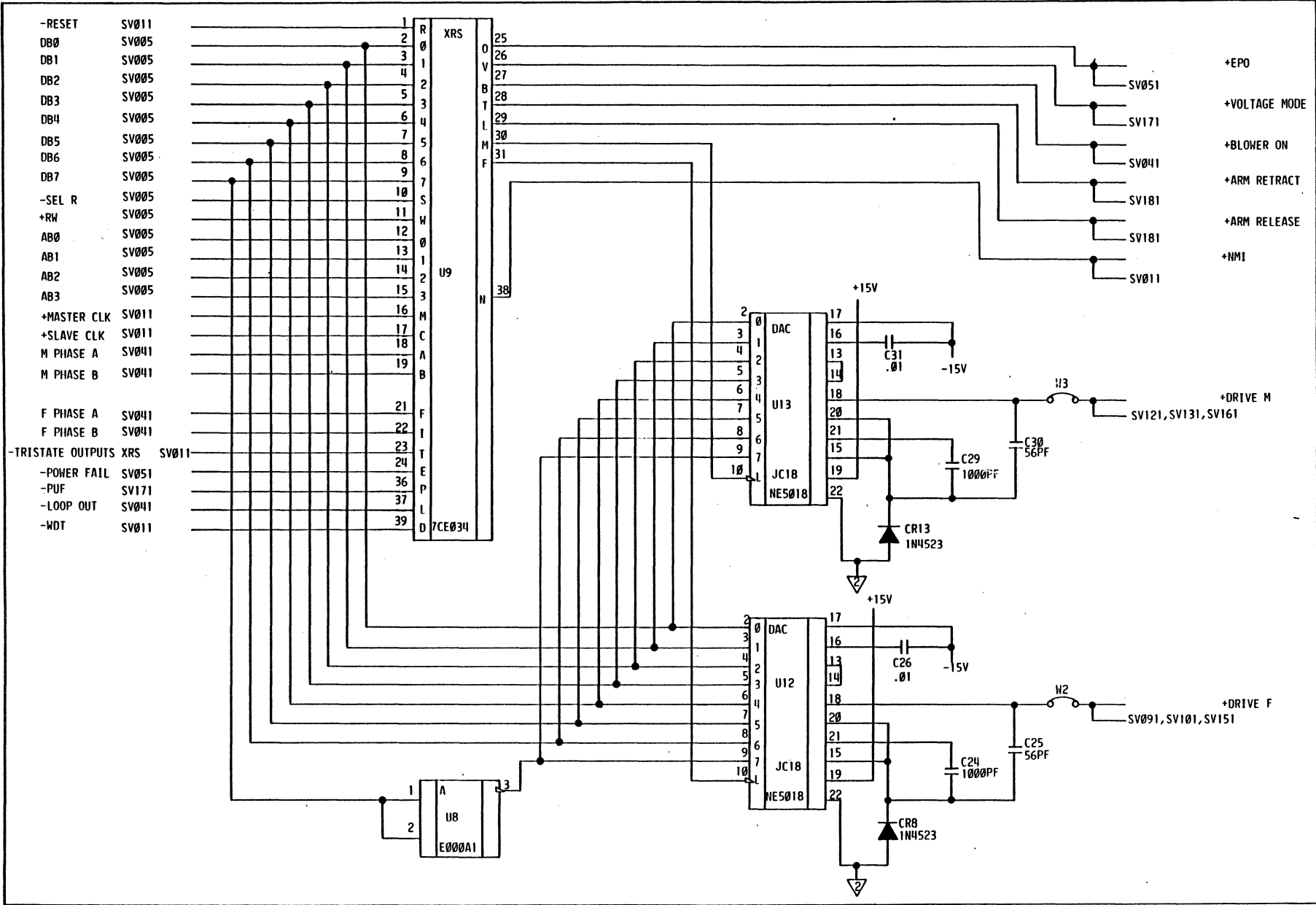
-RESET SV011
 DB0 SV005
 DB1 SV005
 DB2 SV005
 DB3 SV005
 DB4 SV005
 DB5 SV005
 DB6 SV005
 DB7 SV005
 -SEL C SV005
 +RW SV005
 AB0 SV005
 AB1 SV005
 AB2 SV005
 AB3 SV005
 +MASTER CLK SV011
 +SLAVE CLK SV011
 C PHASE A SV041
 C PHASE B SV041
 -TRISTATE OUTPUTS XCS SV011



NOTES: UNLESS OTHERWISE SPECIFIED
 1. ALL CAPACITORS ARE IN MICROFARADS (μF).

AVALANCHE SERVO CARD:
 XCS LSI AND CAPSTAN DAC

| | | | |
|---|---------------------------------------|---------------------------|--|
| PRES. E.C. 49250 PREV. E.C. 49209 DATE 2-23-84. | MACH. AVALANCHE VERS. OBL. ROT. | CD. LOC. GATE FRAME | CD. P.N. 4022393XX CD. TYPE SV PG. P.N. 4030750-02 |
|---|---------------------------------------|---------------------------|--|

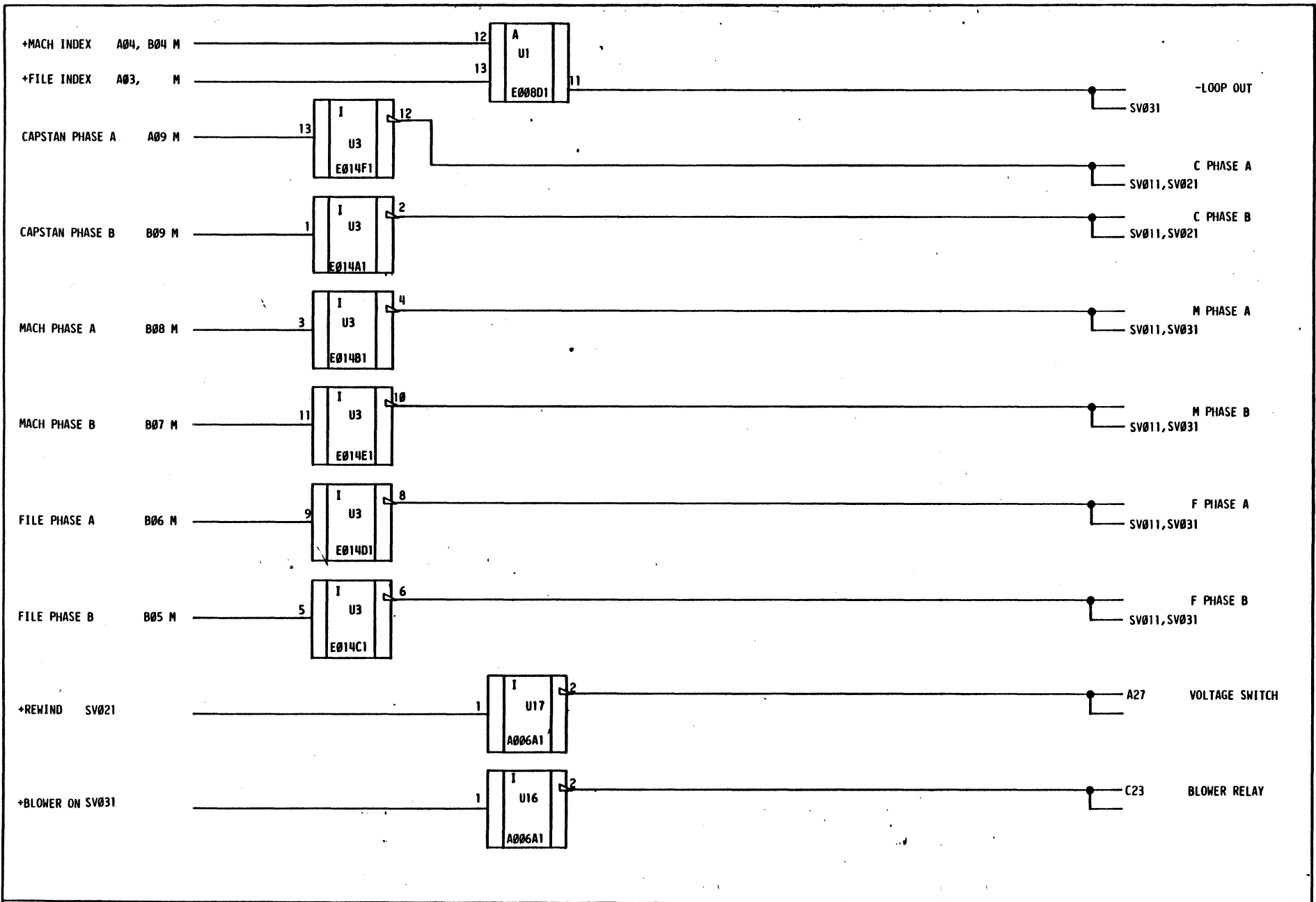


- RESET SV011
- DB0 SV005
- DB1 SV005
- DB2 SV005
- DB3 SV005
- DB4 SV005
- DB5 SV005
- DB6 SV005
- DB7 SV005
- SEL R SV005
- +RW SV005
- AB0 SV005
- AB1 SV005
- AB2 SV005
- AB3 SV005
- +MASTER CLK SV011
- +SLAVE CLK SV011
- M PHASE A SV041
- M PHASE B SV041
- F PHASE A SV041
- F PHASE B SV041
- TRISTATE OUTPUTS XRS SV011
- POWER FAIL SV051
- PUF SV171
- LOOP OUT SV041
- WDT SV011

- +EPO
- +VOLTAGE MODE
- +BLOWER ON
- +ARM RETRACT
- +ARM RELEASE
- +NMI

NOTES: UNLESS OTHERWISE SPECIFIED
 1. ALL CAPACITORS ARE IN MICROFARADS (μF).

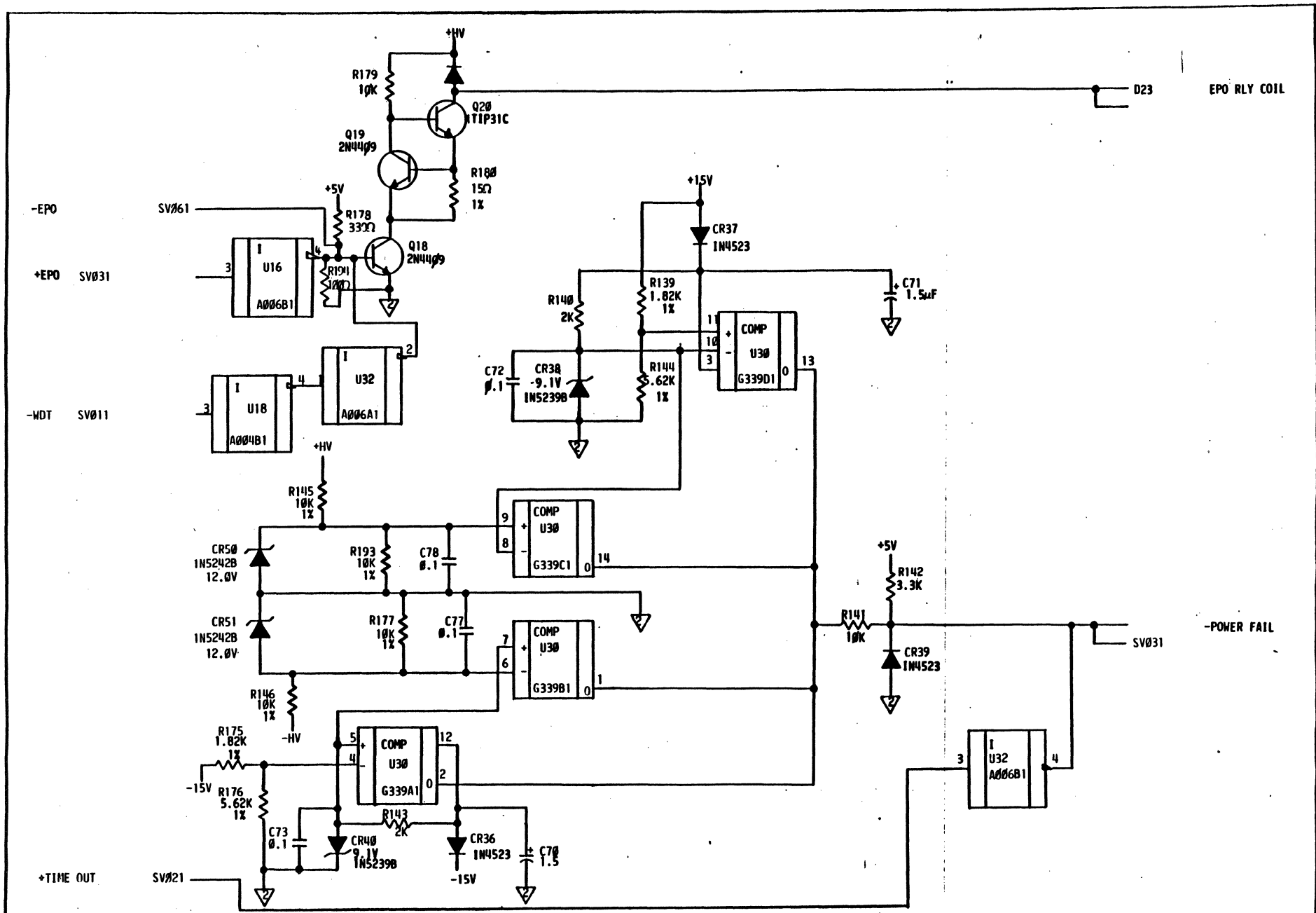
| | | | | |
|---|---------------------------------------|--|--|-------------------|
| | | AVALANCHE SERVO CARD: XRS LSI AND FILE AND MACHINE REEL DACS | | SV 0 3 1 |
| PRES. E.C. 49269 PREV. E.C. NONE DATE 8-29-83 | MACH. AVALANCHE VERS. GBL. ROT. | CD. LOC. GATE FRAME | CD. P.N. 4022393XX CD. TYPE SV PG. P.N. 4030751-01 | |



SV041

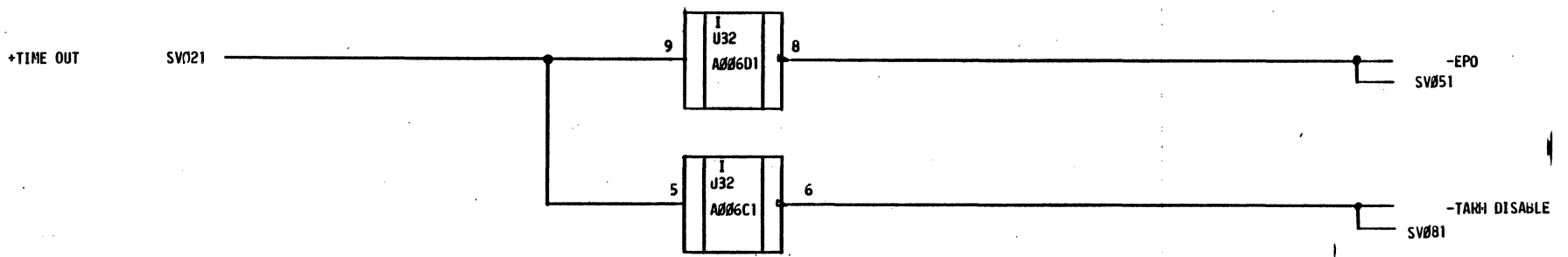
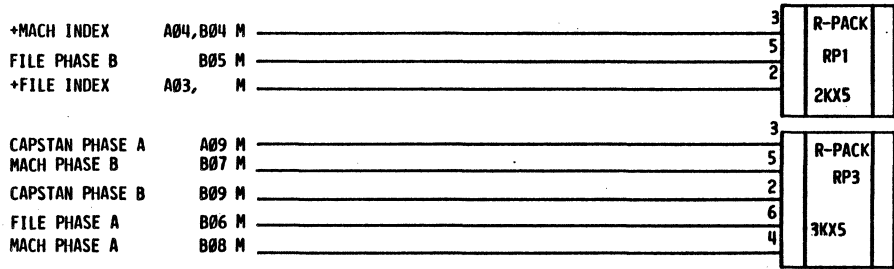
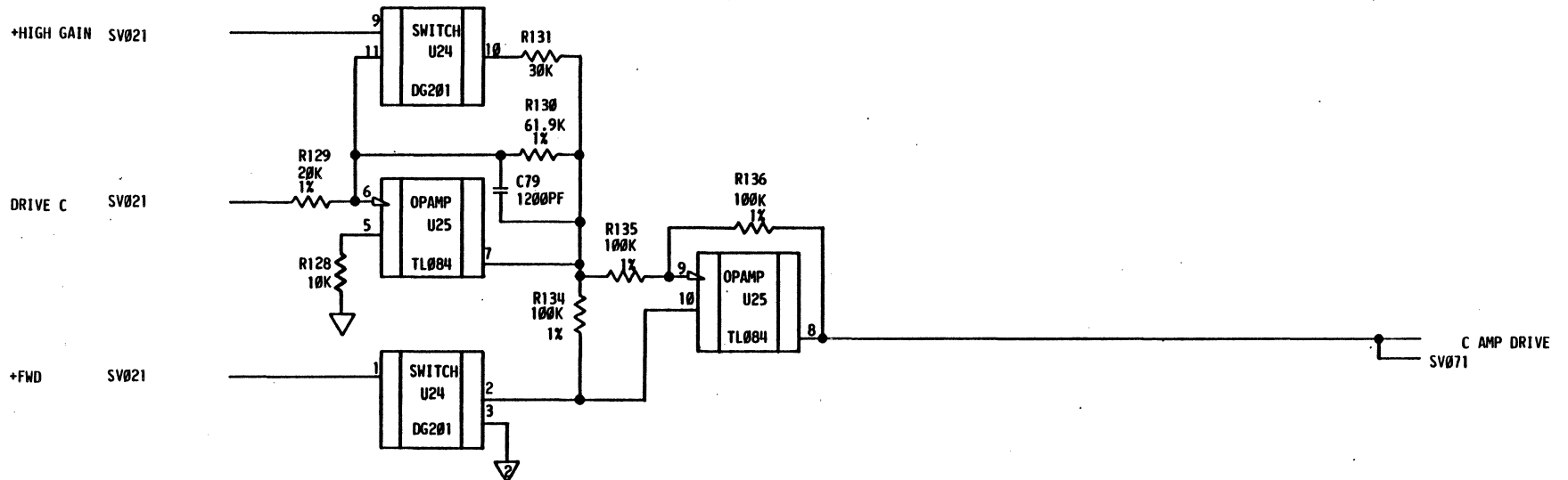
| | | | |
|--|---------------------------------------|---------------------------|--|
| AVALANCHE SERVO CARD: OPTICAL TRANSDUCER INTERFACE AND RELAY CONTROL SWITCHES | | | |
| PRES. E.C. 49250 PREV. E.C. 49269 DATE 2-23-04 | MACH. AVALANCHE VERS. OBL. ROT. | CD. LOC. GATE FRAME | CD. P.N. 4022393XX CD. TYPE SV PG. P.N. 4030752-02 |

SV041



NOTES: UNLESS OTHERWISE SPECIFIED
 1. RESISTORS ARE 1/4W, 5% AND VALUES ARE IN OHMS.
 2. ALL CAPACITORS ARE IN MICROFARADS (μF).

| | | | |
|---|---------------------------------------|---------------------------|---|
| AVALANCHE SERVO CARD: EPO RELAY DRIVER AND UNDERVOLTAGE DETECTOR | | | |
| PRES. E.C. 49250 PREV. E.C. 49336 DATE 2-23-84 | MACH. AVALANCHE VERS. OBL. ROT. | CD. LOC. GATE FRAME | CD. P.N. 4822393XX CD. TYPE SV P.Q. P.N. 4838753-03 |



NOTES: UNLESS OTHERWISE SPECIFIED
 1. RESISTORS ARE IN 1/4W, 5% AND VALUES ARE IN OHMS.

AVALANCHE SERVO CARD:
 CAP AMP-GAIN & SIGN SW OP TRANSDUCER INPUT PULLUP RES.

PRES. E.C. 40250
 PREV. E.C. 40260
 DATE 2-23-01

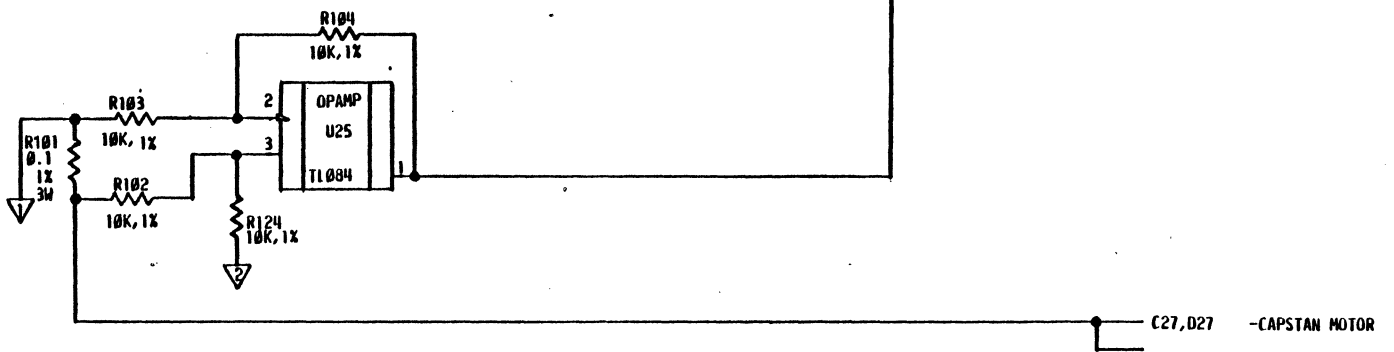
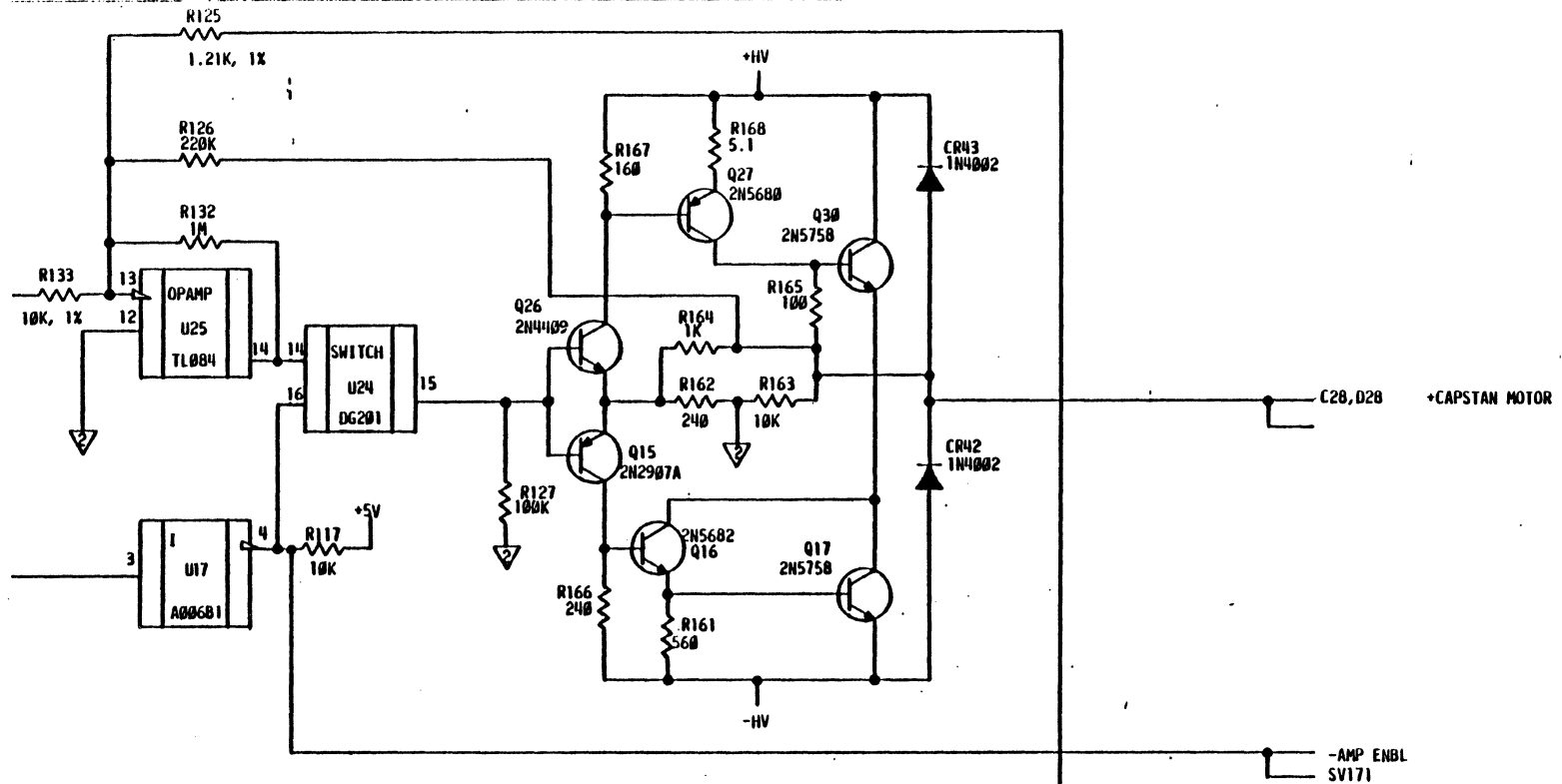
MACH. AVALANCHE
 VERS.
 OBL. ROT.

CD. LOC.
 GATE
 FRAME

CD. P.N. 4022393XX
 CD. TYPE
 PG. P.N. 4030754-02

C AMP DRIVE SV061

+AMP ENBL SV021



NOTES: UNLESS OTHERWISE SPECIFIED

1. RESISTORS ARE 1/4W, 5% AND VALUES ARE IN OHMS.

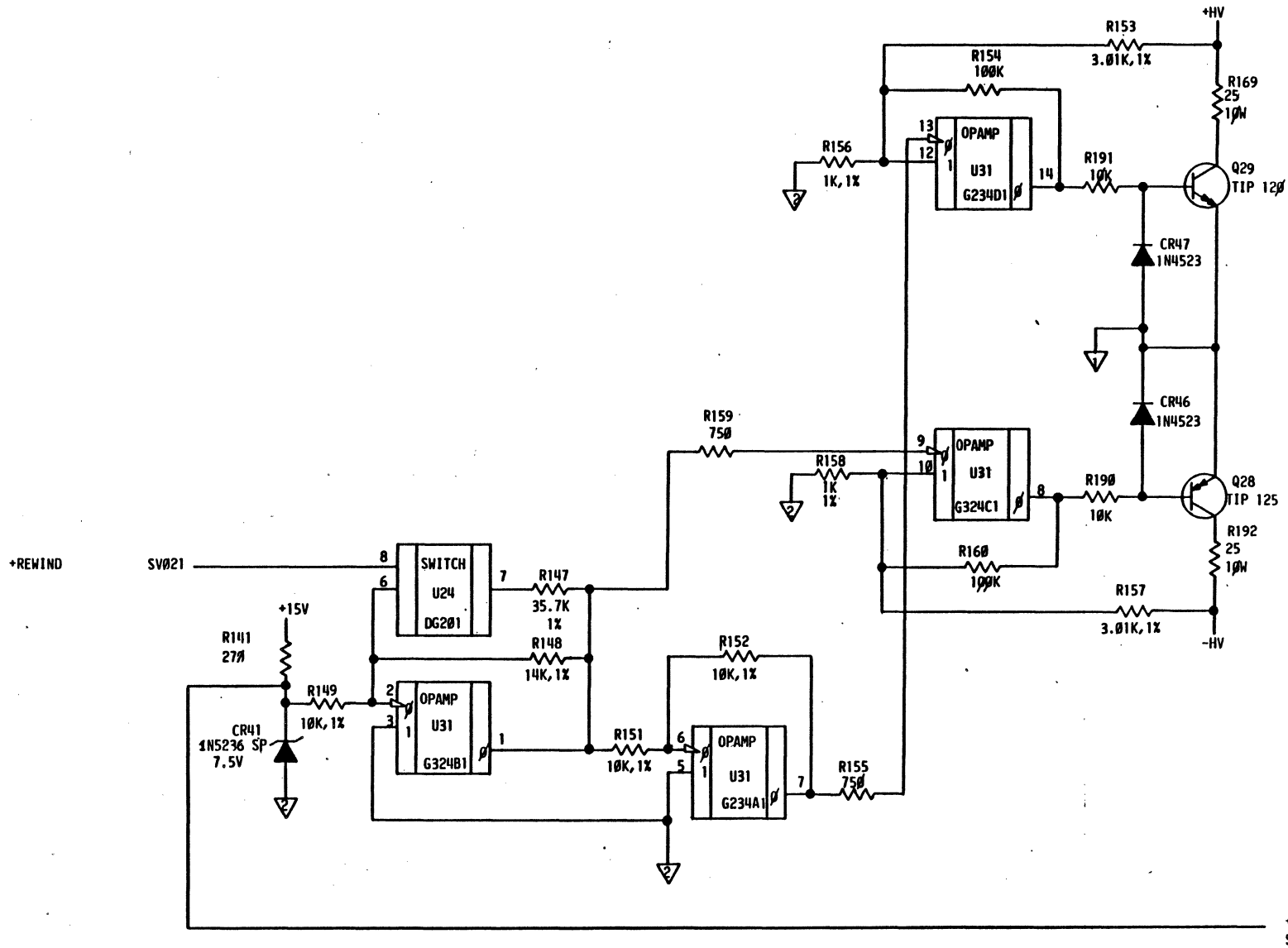
AVALANCHE SERVO CARD:
CAP AMP-PWR STAGE & CURRENT SENSE AMP

PRES. E.C. 49510
PREV. E.C. 49269
DATE 4-12-84

MACH. AVALANCHE
VERS.
OBL. ROT.

CD. LOC.
GATE
FRAME

CD. P.N. 4022393XX
CD. TYPE SV
PG. P.N. 4030755-02



+REF 2
Sv021

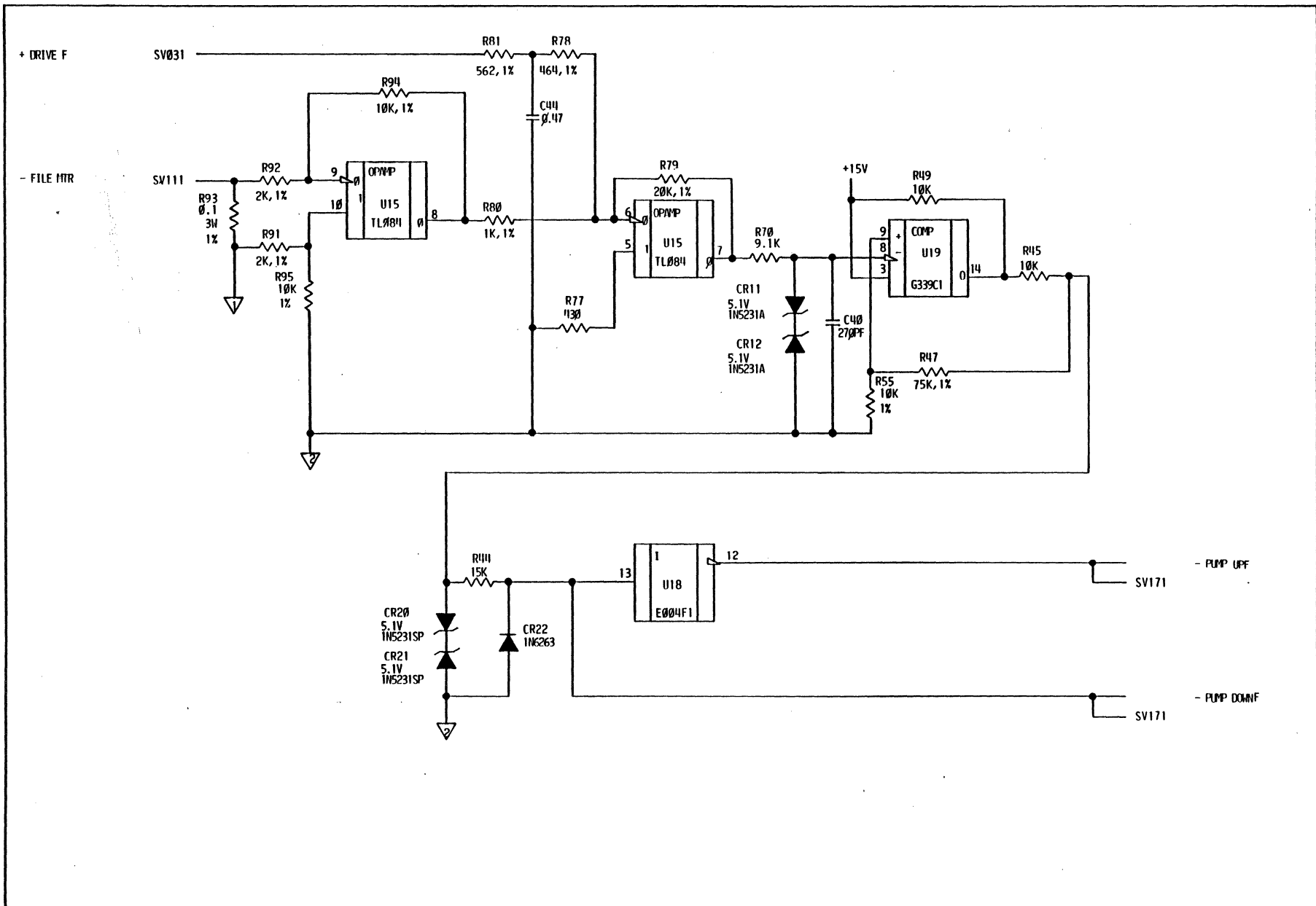
NOTES: UNLESS OTHERWISE SPECIFIED

1. RESISTORS ARE 1/4W, 5% AND VALUES ARE IN OHMS.

| | | | |
|---|---------|-----------------|---------------------|
| AVALANCHE SERVO CARD: HIGH VOLTAGE SHUNT REGULATOR | | | |
| PRES. E.C. | 49250 | MACH. AVALANCHE | CD. LOC. |
| PREV. E.C. | 49269 | VERS. | GATE |
| DATE | 2-23-04 | 8BL. ROT. | FRAME |
| | | | CD. P.N. 4022393XX |
| | | | CD. TYPE SV |
| | | | PG. P.N. 4030756-02 |

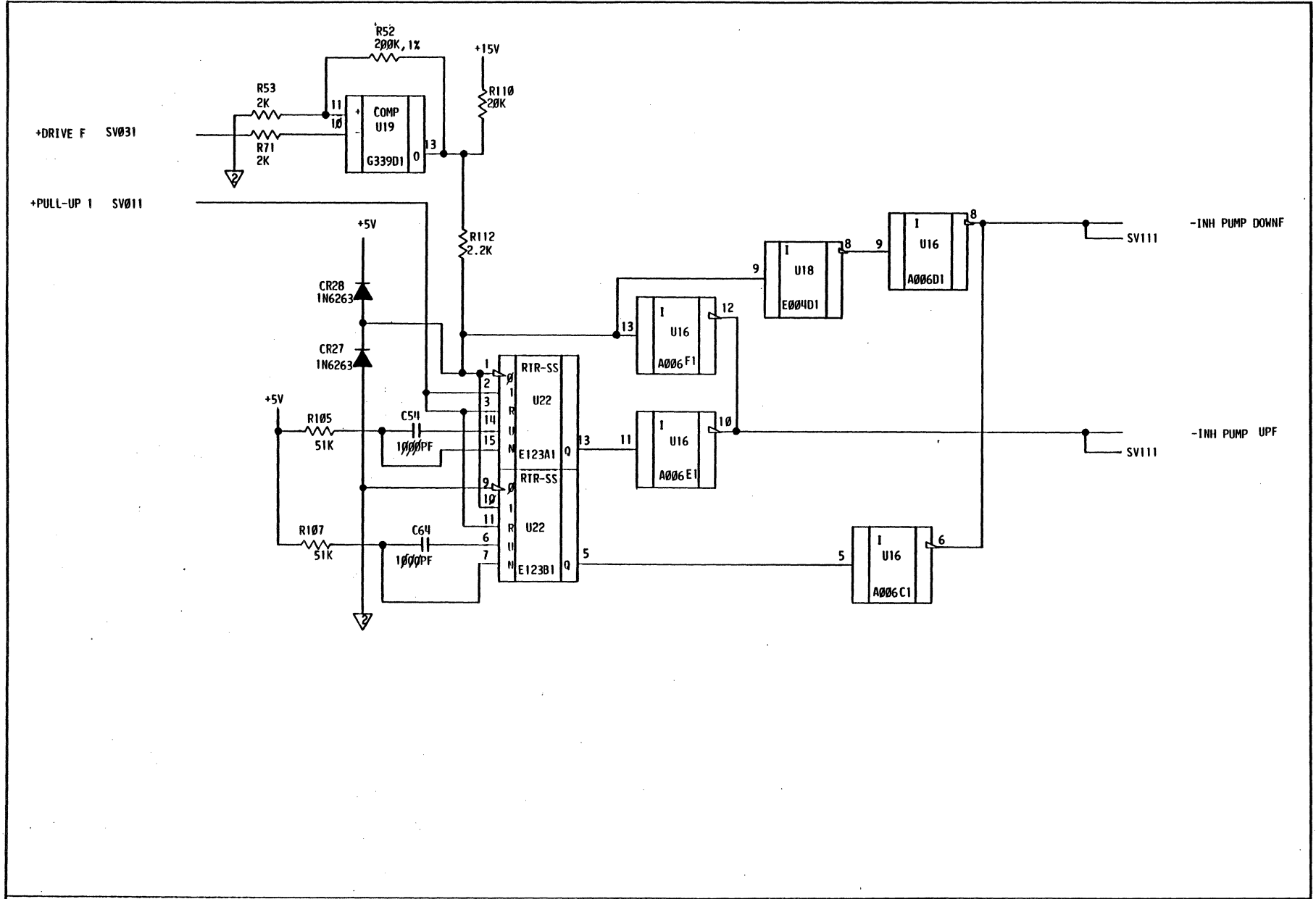
SV001

SV001



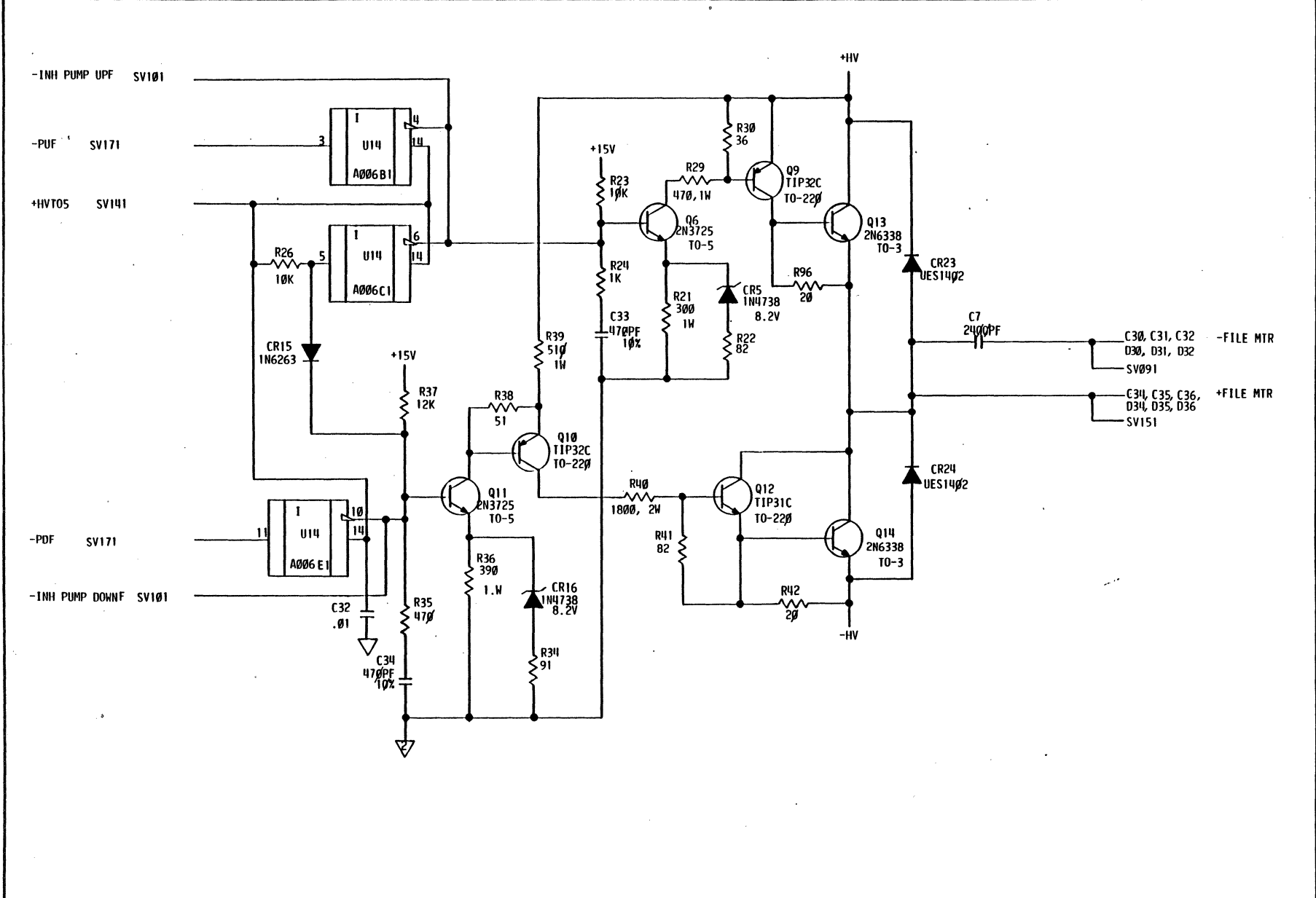
NOTES: UNLESS OTHERWISE SPECIFIED
 1. RESISTORS ARE 1/4W, 5% AND VALUES ARE IN OHMS.
 2. CAPACITORS ARE IN MICROFARADS (UF).

| | | | | |
|---|-----------------------------------|---|--|--|
| | | AVALANCHE SERVO CARD: FILE MOTOR SWITCHING MODULATOR | | |
| PRES. E.C. 49269 PREV. E.C. NONE DATE 8-29-83 | MACH. AVLANCHE VERS. GBL. ROT. | CD. LOC. GATE FRAME | CD. P.N. 4022393XX CD. TYPE SV PG. P.N. 4030757-01 | |



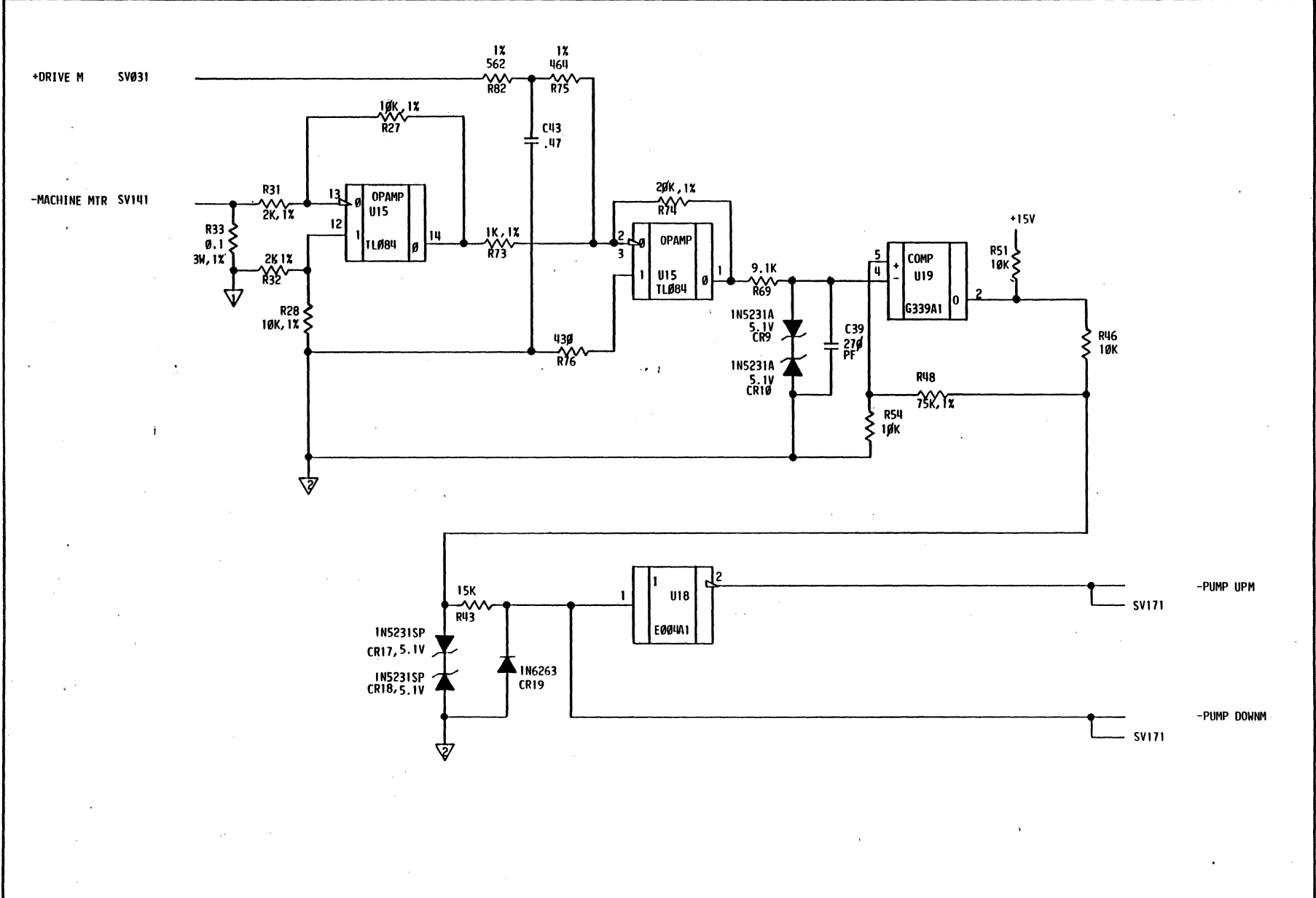
NOTES: UNLESS OTHERWISE SPECIFIED.
 1. RESISTORS ARE 1/4W, 5% AND VALUES ARE IN OHMS.

| | | | | |
|--|--|---------------------------------------|---------------------------|--|
| | AVALANCHE SERVO CARD: FILE MOTOR AMPLIFIER TURN-AROUND DELAY CIRCUIT | | | |
| | PRES. E.C. 49269 PREV. E.C. NONE DATE 8-29-83 | MACH. AVALANCHE VERS. GBL. ROT. | CD. LOC. GATE FRAME | CD. P.N. 4022393XX CD. TYPE SV PG. P.N. 4030758-01 |



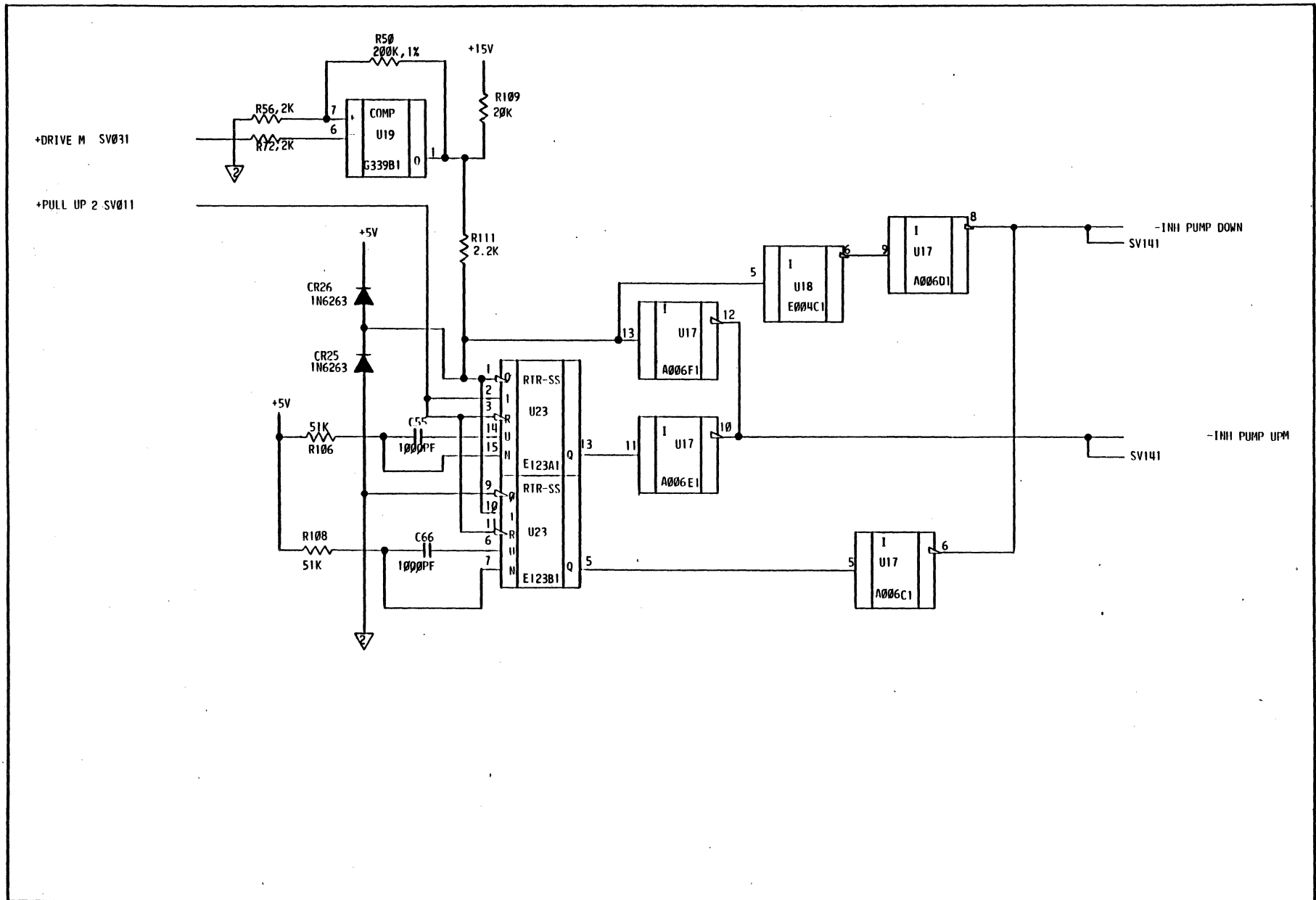
NOTES: UNLESS OTHERWISE SPECIFIED.
 1. RESISTORS ARE 1/4W, 5% AND VALUES ARE IN OHMS.
 2. CAPACITORS ARE IN MICROFARADS (μF).

| | | | |
|--|--|--|------------------------------------|
| | | AVALANCHE SERVO CARD: FILE MOTOR POWER AMPLIFIER | |
| | | PRES. E.C. 49269 PREV. E.C. NONE DATE 8-29-83 | MACH. AVALANCHE VERS. GBL. ROT. |



NOTES: UNLESS OTHERWISE SPECIFIED.
 1. RESISTORS ARE 1/4W, 5% AND VALUES ARE IN OHMS.
 2. CAPACITORS ARE IN MICROFARADS (μF).

| | | | | | |
|------------|---------|--|----------|--|-----------------------|
| | | AVALANCHE SERVO CARD: MACHINE MOTOR SWITCHING MODULATOR | | CD. P.N. 4022393XX CD. TYPE SV PG. P.N. 4030760-01 | S V 1 2 1 |
| PRES. E.C. | 49269 | MACH. AVALANCHE | CD. LOC. | | |
| PREV. E.C. | NONE | VERS. | GATE | | |
| DATE | 8-29-83 | GBL. ROT. | FRAME | | |



NOTES: UNLESS OTHERWISE SPECIFIED
 1. RESISTORS ARE 1/4W, 5% AND VALUES ARE IN OHMS.



AVALANCHE SERVO CARD:
 MACHINE MOTOR AMPLIFIER TURN-AROUND CIRCUIT

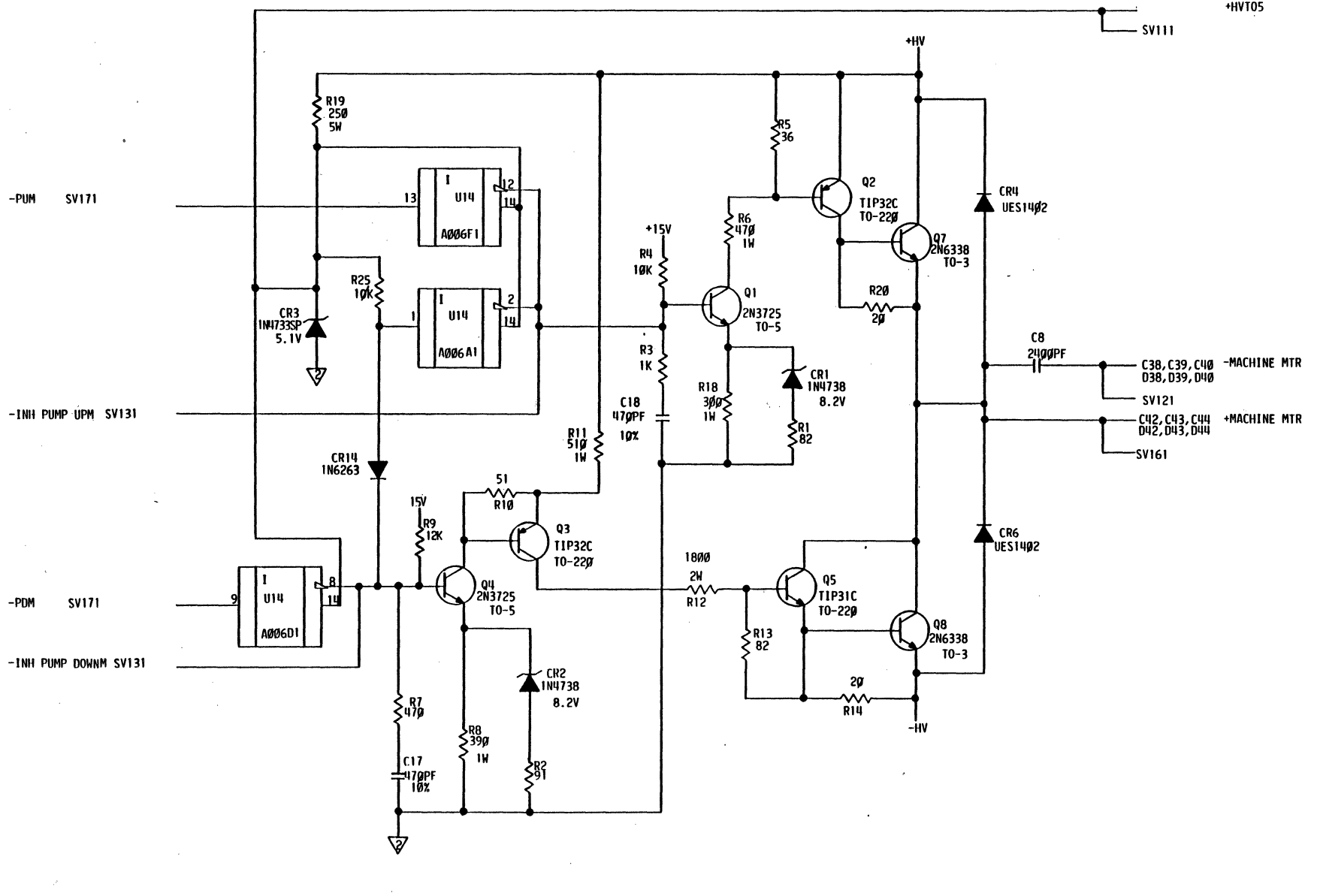
PRES. E.C. 49269
 PREV. E.C. NONE
 DATE 8-29-83

MACH. AVALANCHE
 VERS.
 GBL. ROT.

CD. LOC.
 GATE
 FRAME

CD. P.N. 4022393XX
 CD. TYPE SV
 PG. P.N. 4030761-01

+HVT05



SV171

NOTES: UNLESS OTHERWISE SPECIFIED
 1. RESISTORS ARE 1/4W, 5% AND VALUES ARE IN OHMS.

AV AVALANCHE SERVO CARD
 MACHINE MOTOR POWER AMPLIFIER

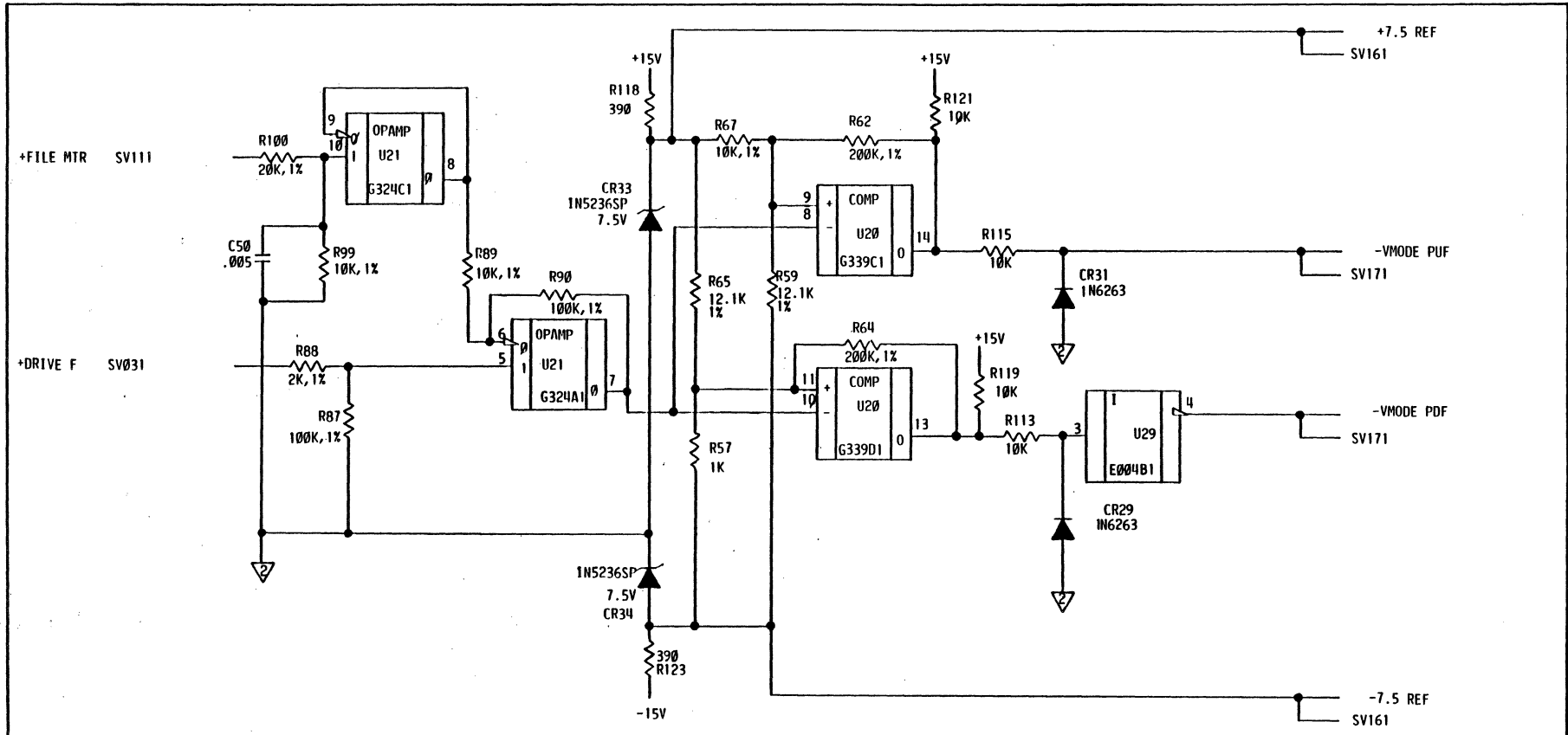
PREV. E.C. 49269
 PREV. E.C. NONE
 DATE 8-29-83

MACH. AVALANCHE
 VERS.
 GBL. ROT.

CD. LOC.
 GATE
 FRAME

CD. P.N. 4022393XX
 CD. TYPE SV
 PG. P.N. 4030762-01

SV171



NOTES: UNLESS OTHERWISE SPECIFIED
 1. RESISTORS ARE 1/4W, 5% AND VALUES ARE IN OHMS.
 2. CAPACITORS ARE IN MICROFARADS (μF).

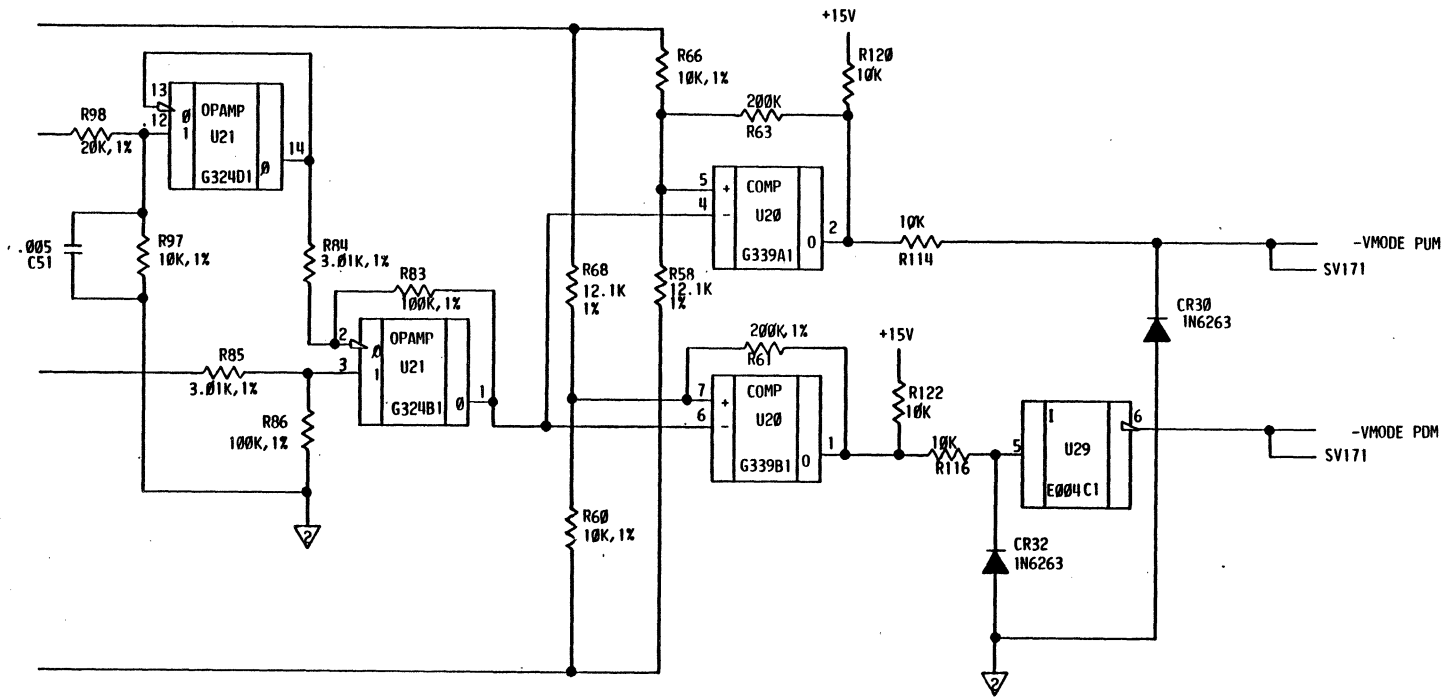
| | | | | | |
|----------------------------------|--------------------------|--|---------------------------|--|-------------------|
| | | AVALANCHE SERVO CARD: FILE MOTOR VOLTAGE MODE MODULATOR | | CD. P.N. 4022393XX CD. TYPE SV PG. P.N. 4030763-01 | SV 1 5 1 |
| PRES. E.C. PREV. E.C. DATE | 49269 NONE 8-29-83 | MACH. AVALANCHE VERS. OBL. ROT. | CD. LOC. GATE FRAME | | |
| GAF Polytrace 033 | | | | | |

+7.5 REF SV151

+MACHINE MTR SV141

+DRIVE M SV031

-7.5 REF SV151



NOTES: UNLESS OTHERWISE SPECIFIED.

1. RESISTORS ARE 1/4W, 5% AND VALUES ARE IN OHMS.
2. CAPACITORS ARE IN MICROFARADS (μ F).



AVALANCHE SERVO CARD:

MACHINE MOTOR VOLTAGE MODE MODULATOR

PRES. E.C. 49269
 PREV. E.C. NONE
 DATE 8-29-83

MACH. AVALANCHE
 VERS.
 OBL. ROT.

CD. LOC.
 GATE
 FRAME

CD. P.N. 4022393XX
 CD. TYPE SV
 PG. P.N. 4030764-01

SV161

SV161

-PUMP UPF SV091
 -PUMP DOWNF SV091
 -PUMP DOWNM SV121
 -PUMP UPM SV121

-VMODE PUF SV151

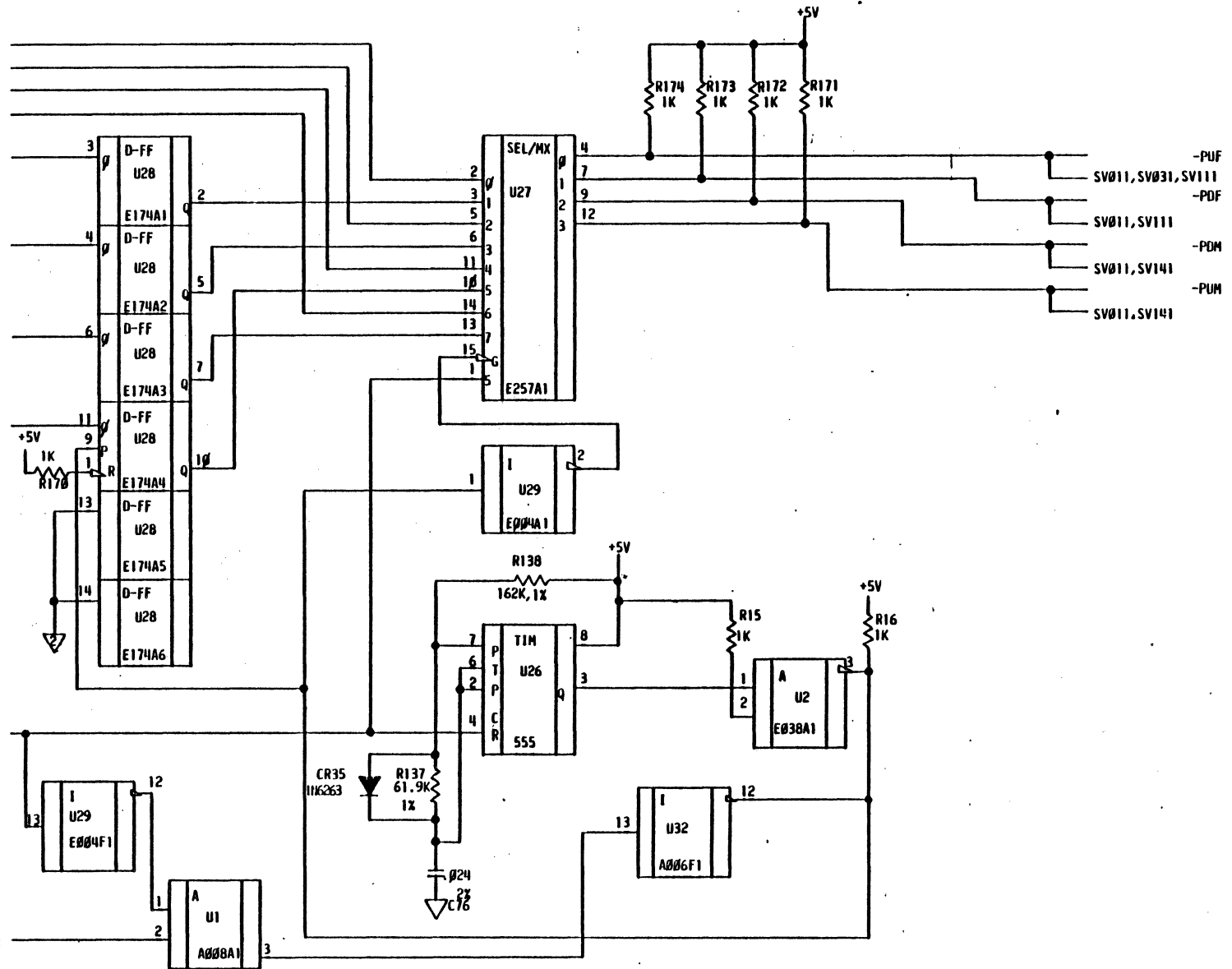
-VMODE PDF SV151

-VMODE PUM SV161

-VMODE PDM SV161

+VOLTAGE MODE SV031

-AMP ENBL SV071



NOTES: UNLESS OTHERWISE SPECIFIED
 1. RESISTORS ARE 1/4W, 5% AND VALUES ARE IN OHMS.
 2. CAPACITORS ARE IN MICROFARADS (μF).

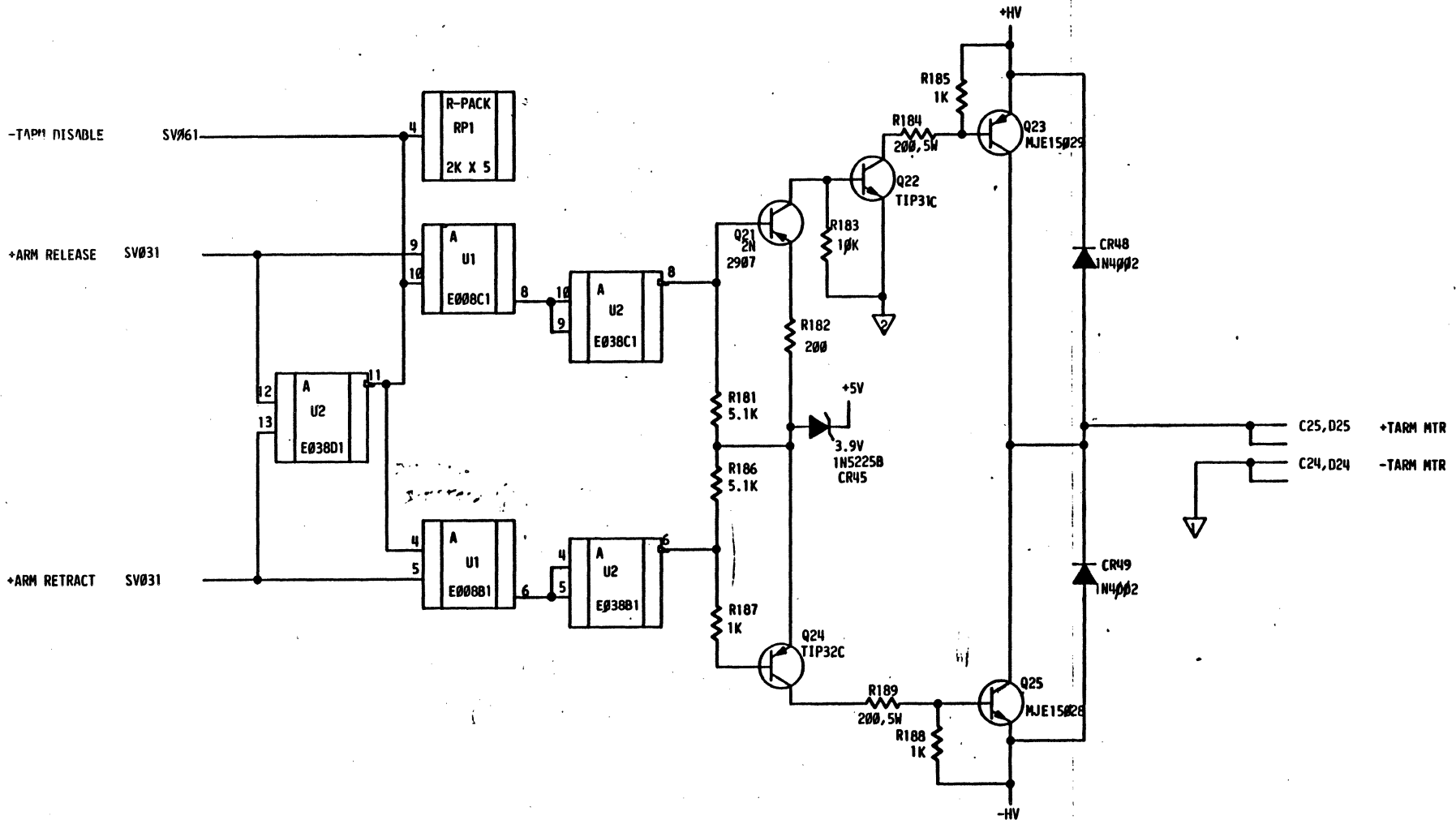
AVANCE SERVO CARD:
 CURRENT/VOLTAGE MODE SELECTOR AND VOLTAGE MODE TIME BASE

PRES. E.C. 49510
 PREV. E.C. 49269
 DATE 4-12-84

MACH. AVALANCHE
 VERS.
 08L. ROT.

CD. LOC.
 GATE
 FRAME

CD. P.N. 4022393XX
 CD. TYPE SV
 PG. P.N. 4030765-02



NOTES: UNLESS OTHERWISE SPECIFIED
 1. RESISTORS ARE 1/4W, 5% AND VALUES ARE IN OHMS
 2. CAPACITORS ARE IN MICROFARADS (μF).

| | | | |
|---|--|--|---|
| AVALANCHE SERVO CARD: TENSION ARM RETRACTION DRIVER | | CD. LOC. GATE FRAME | CD. P.N. 4022393XX CD. TYPE SV PG. P.N. 4030766-02 |
| PRES. E.C. 49250 PREV. E.C. 49269 DATE 2-23-04 | MACH. AVALANCHE VERS. OBL. ROT. | | |



Storage Technology Corporation
TECHNOLOGY CORP.

ASSEMBLY PARTS LIST
BUILD ARC DOC

| | | |
|------------|------|----------|
| PRINT DATE | PAGE | E.C. NO. |
| 06-20-84 | 1 | 49611 |

| DIV. | | ASSEMBLY NUMBER | | CD | REV. | DWG. | DESCRIPTION | | | MC | STATUS | STATUS DATE | | FILE DATE | | |
|-----------|----|-----------------|----|----|----------|------|-------------------------|--|--|----|--------|-------------|--------------|---------------|-------|--------|
| 0500 | | 402542006 | | 0 | F | N | CD LGC GP WR, 402273309 | | | N | REL | 05-30-84 | | 292X 06-04-84 | | |
| T Find no | LI | PART NUMBER | CD | M | QUANTITY | U/M | PART DESCRIPTION | | | MC | YLD | E.C. NO IN | E.C. NO. OUT | S/N | WK IN | WK OUT |
| 000 | 01 | 403219301 | 5 | | REF | PC | CD LGC, AB001, WR, PC | | | D | | | 49611 | | | 8423 |
| 000 | 02 | 403219302 | 3 | | REF | PC | CD LGC, AB001, WR, PC | | | D | | 49611 | | | 8423 | |
| 001 | 01 | 403219401 | 3 | | REF | PC | CD LGC, AB002, WR, PC | | | D | | | 49611 | | | 8423 |
| 001 | 02 | 403219402 | 1 | | REF | PC | CD LGC AB001, WR, PC | | | D | | 49611 | | | 8423 | |
| 002 | 01 | 403072101 | 5 | | REF | PC | CD LGC, WR001, PC | | | D | | | | | | |
| 011 | 01 | 403072201 | 3 | | REF | PC | CD LGC, WR011, PC | | | D | | | | | | |
| 021 | 01 | 403072301 | 1 | | REF | PC | CD LGC, WR021, PC | | | D | | | | | | |
| 031 | 01 | 403072401 | 9 | | REF | PC | CD LGC, WR031, PC | | | D | | | | | | |
| 041 | 01 | 403072501 | 6 | | REF | PC | CD LGC, WR041, PC | | | D | | | | | | |
| 051 | 01 | 403072601 | 4 | | REF | PC | CD LGC, WR051, PC | | | D | | | | | | |
| 061 | 01 | 403072701 | 2 | | REF | PC | CD LGC, WR061, PC | | | D | | | | | | |
| 071 | 01 | 403072801 | 0 | | REF | PC | CD LGC, WR071, PC | | | D | | | | | | |
| 081 | 01 | 403072901 | 8 | | REF | PC | CD LGC, WR081, PC | | | D | | | | | | |
| 091 | 01 | 403073001 | 6 | | REF | PC | CD LGC, WR091, PC | | | D | | | 49416 | | | 8351 |
| 091 | 02 | 403073002 | 4 | | REF | PC | CD LGC, WR091 | | | D | | 49416 | | | 8351 | |
| 101 | 01 | 403073101 | 4 | | REF | PC | CD LGC, WR101, PC | | | D | | | | | | |
| 111 | 01 | 403073201 | 2 | | REF | PC | CD LGC, WR111, PC | | | D | | | 49474 | | | 8403 |
| 111 | 02 | 403073202 | 0 | | REF | PC | CD LGC WR111 | | | D | | 49474 | | | 8403 | |
| 121 | 01 | 403073301 | 0 | | REF | PC | CD LGC, WR121, PC | | | D | | | | | | |
| 131 | 01 | 403073401 | 8 | | REF | PC | CD LGC, WR131, PC | | | D | | | | | | |
| 141 | 01 | 403073501 | 5 | | REF | PC | CD LGC, WR141, PC | | | D | | | | | | |
| 151 | 01 | 403073601 | 3 | | REF | PC | CD LGC, WR151, PC | | | D | | | | | | |
| 161 | 01 | 403073701 | 1 | | REF | PC | CD LGC, WR161, PC | | | D | | | 49474 | | | 8403 |



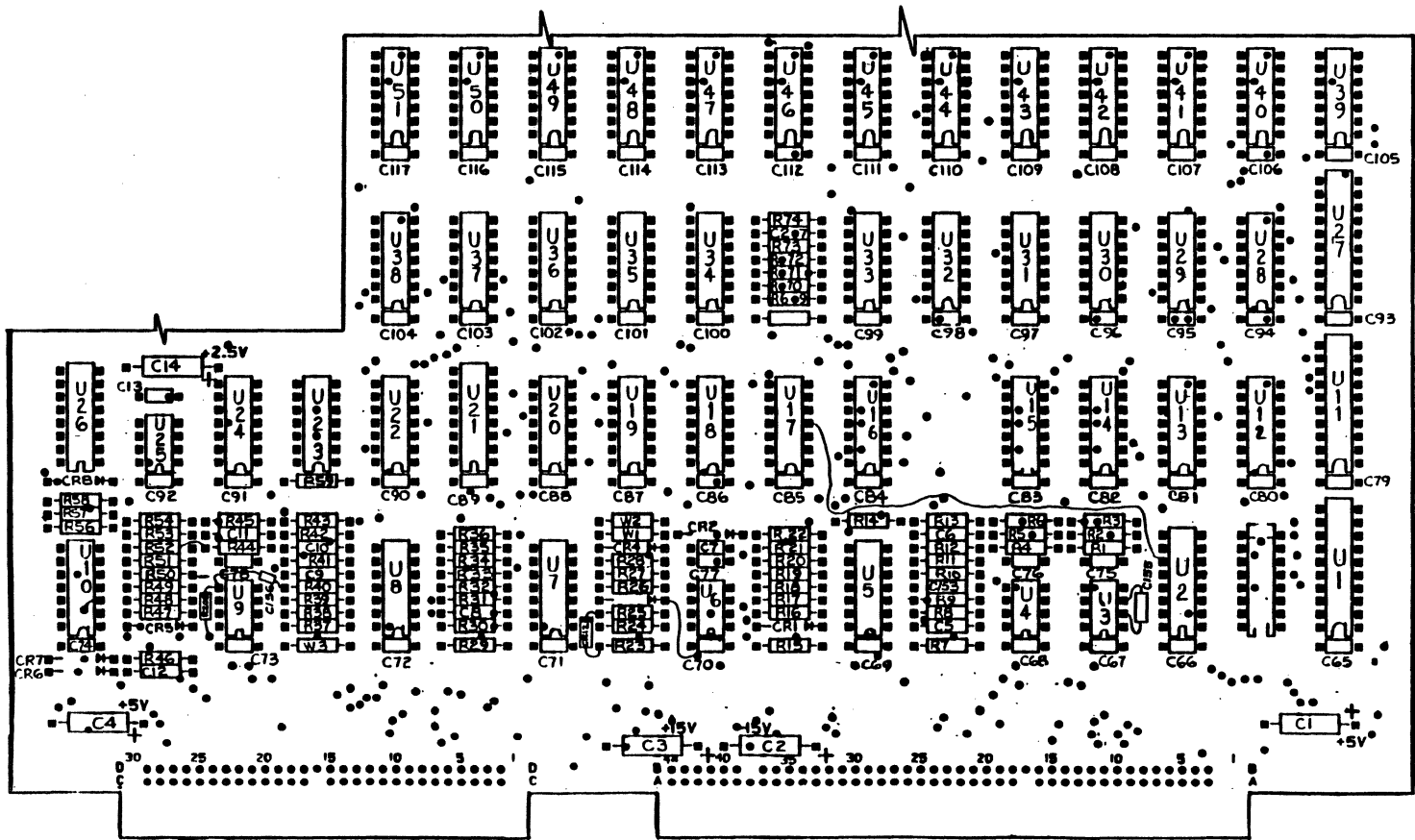
Storage Technology Corporation

TECHNOLOGY CORP.

ASSEMBLY PARTS LIST
BUILD ARC DOC

| | | |
|------------|------|----------|
| PRINT DATE | PAGE | E.C. NO. |
| 06-20-84 | 2 | 49611 |

| DIV. | | ASSEMBLY NUMBER | | CD | REV. | DWG. | DESCRIPTION | | | MC | STATUS | STATUS DATE | FILE DATE | | | |
|-----------|----|-----------------|----|----|----------|------|-------------------------|--|--|----|--------|-------------|---------------|-----|-------|--------|
| 0500 | | 402542006 | | 0 | F | N | CD LGC GP WR, 402273309 | | | N | REL | 05-30-84 | 292X 06-04-84 | | | |
| T Find no | LI | PART NUMBER | CD | M | QUANTITY | U/M | PART DESCRIPTION | | | MC | YLD | E.C. NO IN | E.C. NO. OUT | S/N | WK IN | WK OUT |
| 161 | 02 | 403073702 | 9 | | REF | PC | CD LGC WR161 | | | D | | 49474 | | | 8403 | |
| 171 | 01 | 403073803 | 5 | | REF | PC | CD LGC, PG, WR171 | | | D | | | 49611 | | | 8423 |
| 171 | 02 | 403073804 | 3 | | REF | PC | CD LGC WR171 | | | D | | 49611 | | | 8423 | |
| 181 | 01 | 403073901 | 7 | | REF | PC | CD LGC, WR181, PC | | | D | | | 49611 | | | 8423 |
| 181 | 02 | 403073902 | 5 | | REF | PC | CD LGC WR181 | | | D | | 49611 | | | 8423 | |
| 191 | 01 | 403074003 | 1 | | REF | PC | CD LGC PG WR191 | | | D | | | | | | |
| 201 | 01 | 403074102 | 1 | | REF | PC | CD LGC PG WR201 | | | D | | | 49611 | | | 8423 |
| 201 | 02 | 403074103 | 9 | | REF | PC | CD LGC WR201 | | | D | | 49611 | | | 8423 | |
| 211 | 01 | 403074201 | 1 | | REF | PC | CD LGC, WR211, PC | | | D | | | | | | |
| 221 | 01 | 403074302 | 7 | | REF | PC | CD LGC, WR221, PC | | | D | | | 49611 | | | 8423 |
| 221 | 02 | 403074303 | 5 | | REF | PC | CD LGC WR221 | | | D | | 49611 | | | 8423 | |
| 231 | 01 | 403074402 | 5 | | REF | PC | CD LGC, WR231, PC | | | D | | | | | | |
| 241 | 01 | 403074501 | 4 | | REF | PC | CD LGC, WR241, PC | | | D | | | | | | |
| 500 | 01 | 402273305 | 1 | | REF | PC | CKT CD, WR, PC ASSY | | | S | | | 49416 | | | 8351 |
| 500 | 02 | 402273306 | 9 | | REF | PC | CKT CD, WR, PC ASSY | | | S | | 49416 | 49474 | | 8351 | 8403 |
| 500 | 03 | 402273307 | 7 | | REF | PC | CKT CD WR PC ASSY | | | S | | 49474 | 49611 | | 8403 | 8423 |
| 500 | 04 | 402273309 | 3 | | REF | PC | CKT CD WR PC ASSY | | | S | | 49611 | | | 8423 | |
| | | | | | | | 0040 TOTAL LINES | | | | | | | | | |



A
B
0
1

WR AB PAGE SHEET 1 OF 2

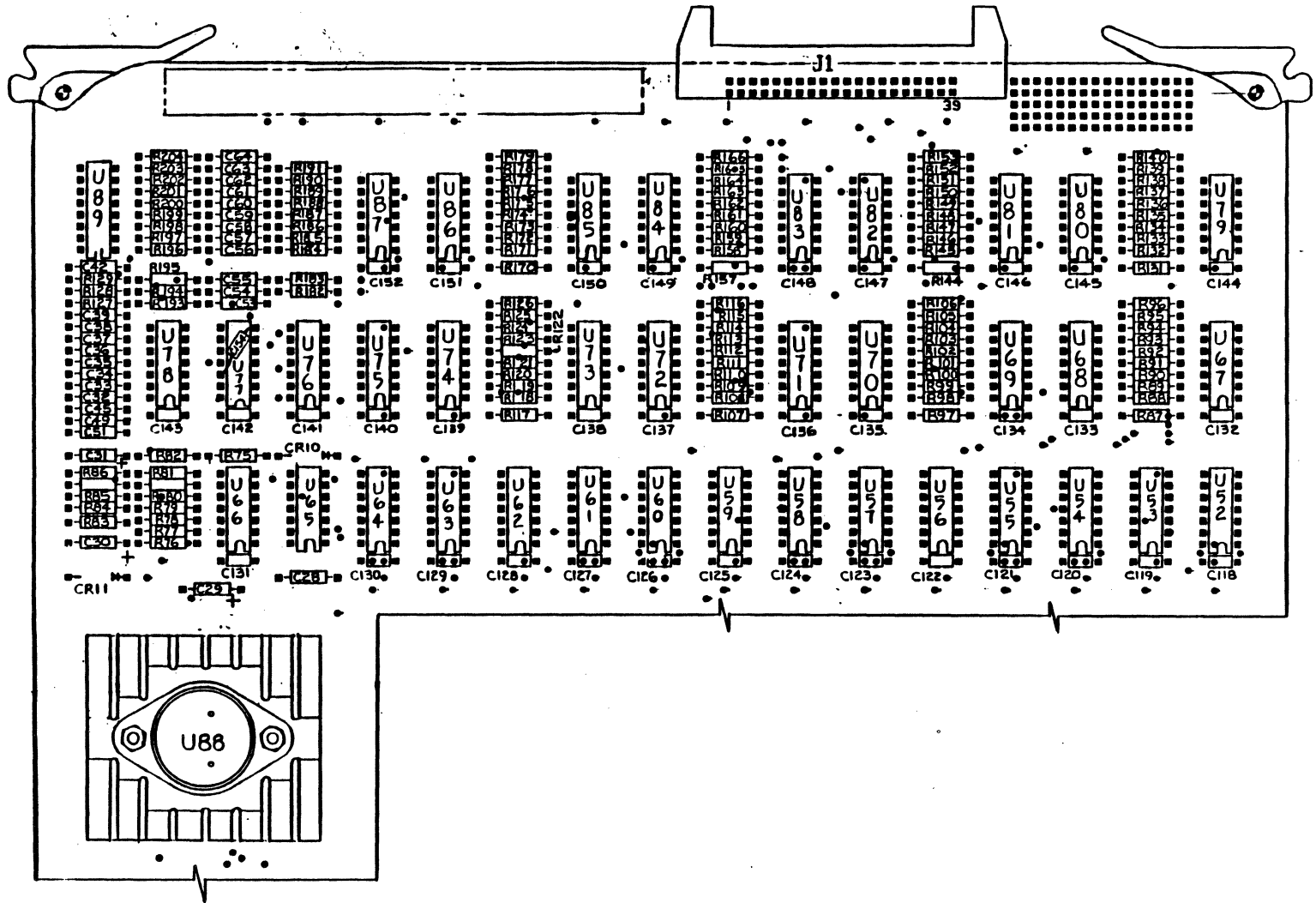
PREV. E.C. 49611
 PREV. E.C. 49262
 DATE 6/8/84

MACH. AVALANCIE
 VERS.
 GBL. ROT.

CD. LOC. A4
 GATE
 FRAME

CD. P.N. 4022733-XX
 CD. TYPE HR
 PG. P.N. 4032193-02

A
B
0
1



AB002



WR AB PAGE SHEET 2 OF 2

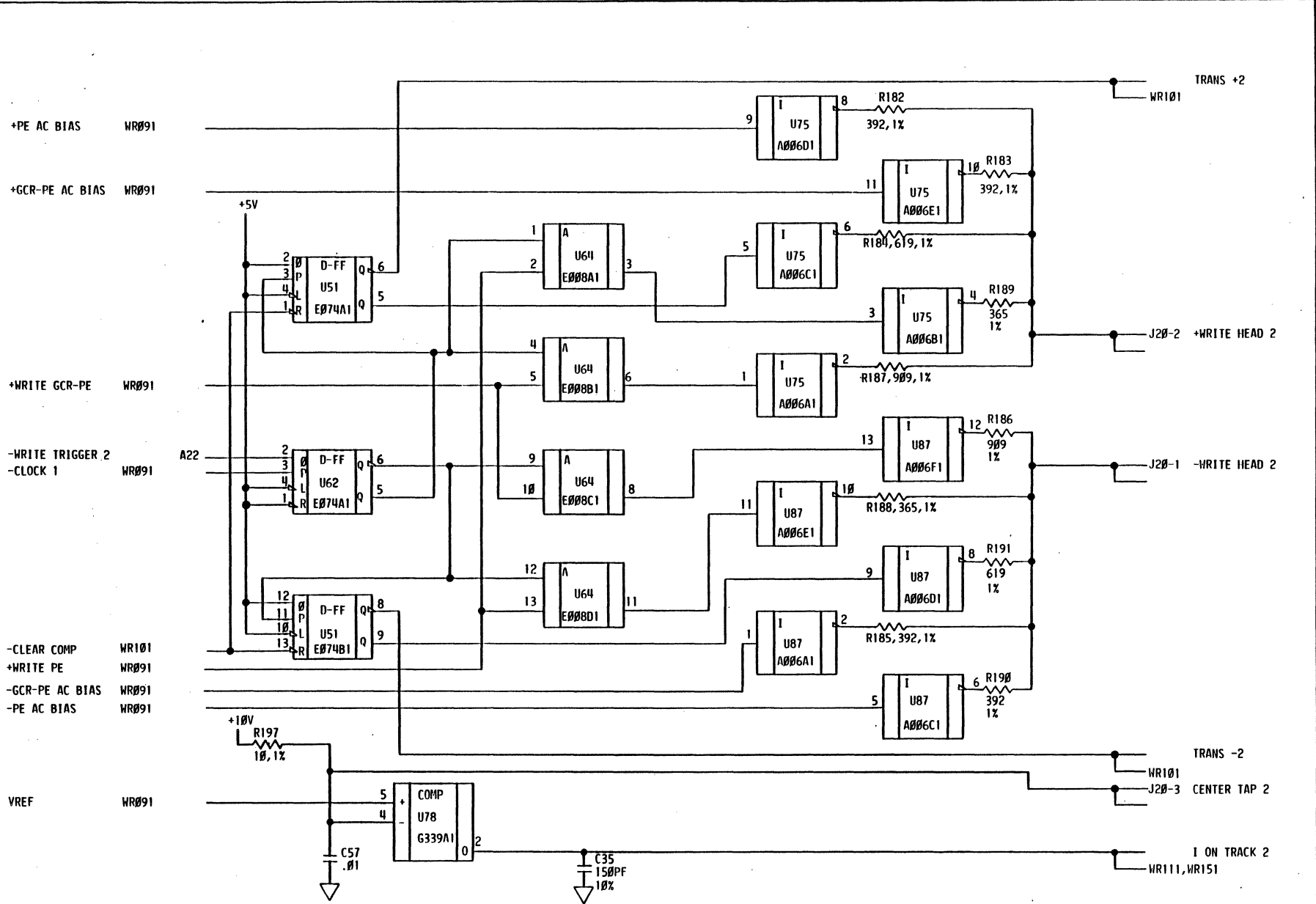
PRE. E.C. 49611
 PREV. E.C. 49262
 DATE 6-8-84

MACH. AVALANCHE
 VERS.
 GBL. ROT.

CD. LOC. A4
 GATE
 FRAME

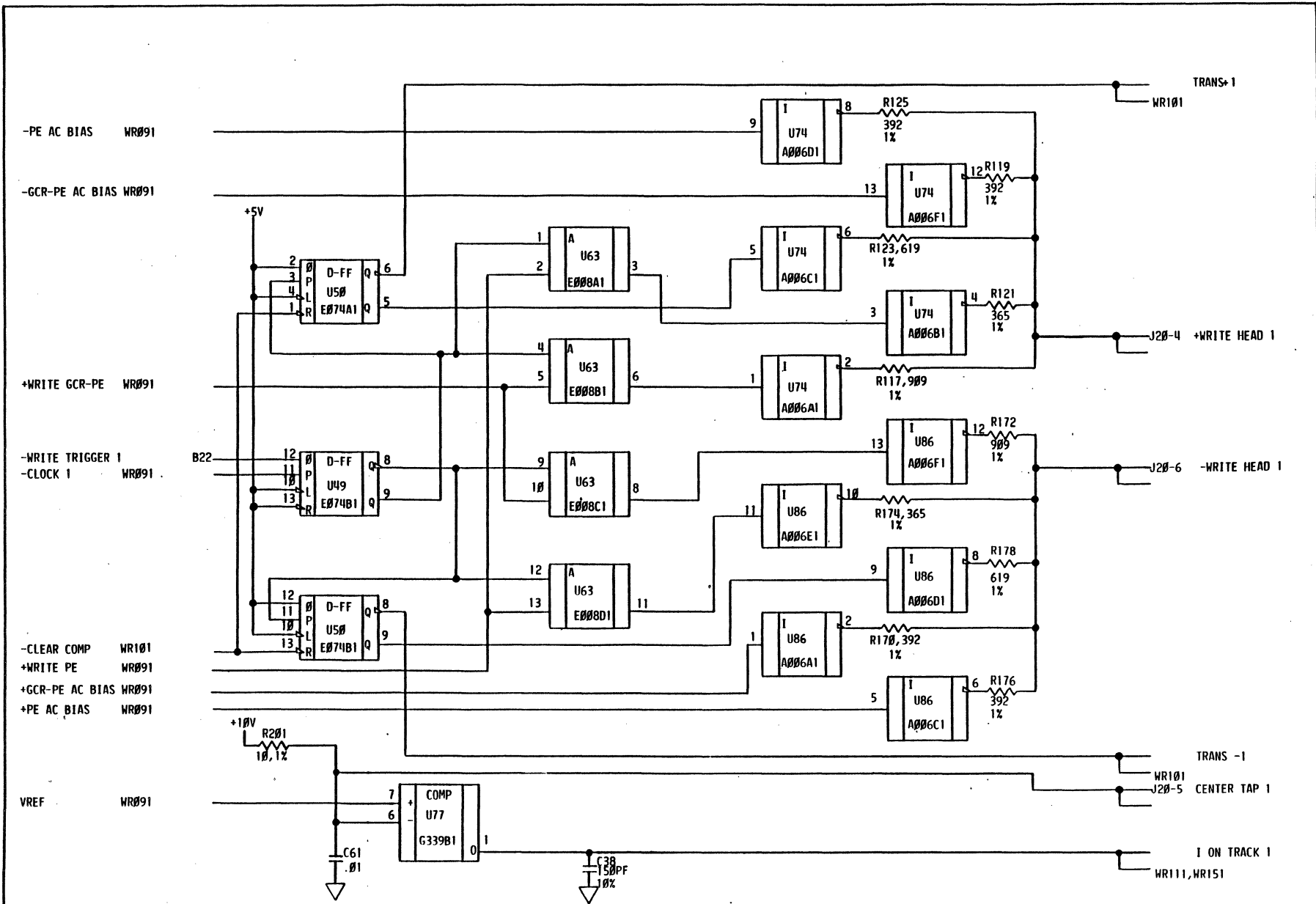
CD. RN. 4022733-XX
 CD. TYPE WR
 PG. RN. 4032194-02

AB002



NOTES: UNLESS OTHERWISE SPECIFIED.
 1. ALL RESISTORS ARE 1/4W, 5% AND VALUES ARE IN OHMS.
 2. ALL CAPACITORS ARE IN MICROFARADS (μF).
 3. FOR POWER, GROUND CONNECTIONS AND DECOUPLING CAPS SEE PAGE WR241.

| | | | |
|----------------------------------|--------------------------|---------------------------------------|---------------------------|
| TRACK 2 | | | |
| PRES. E.C. PREV. E.C. DATE | 40262 NONE 7-19-83 | MACH. AVALANCHE VERS. GBL. ROT. | CD. LOC. GATE FRAME |
| | | CD. P.N. CD. TYPE PG. P.N. | WR 4030721-01 |

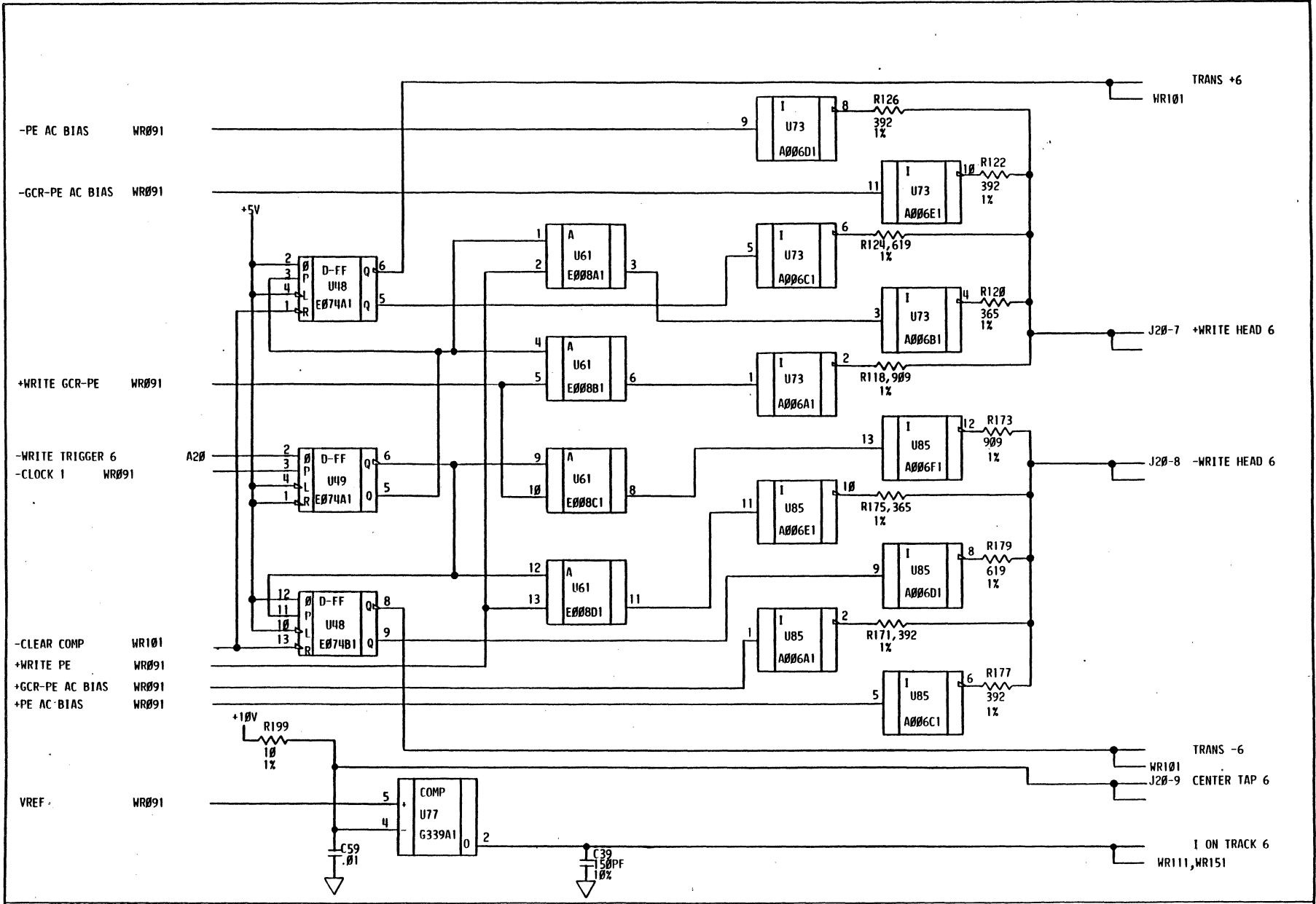


NOTES: UNLESS OTHERWISE SPECIFIED
 1. ALL RESISTORS ARE 1/4W, 5% AND VALUES ARE IN OHMS.
 2. ALL CAPACITORS ARE IN MICROFARADS (μF).
 3. FOR POWER, GROUND CONNECTIONS AND DECOUPLING CAPS SEE PAGE WR241.

TRACK 1

| | | | | | |
|----------------------------------|--------------------------|---------------------------------------|---------------------------|----------------------------------|------------------|
| PRES. E.C. PREV. E.C. DATE | U9262 NONE 7-19-83 | MACH. AVALANCHE VERS. G8L. ROT. | CD. LOC. GATE FRAME | CD. P.N. CD. TYPE PG. P.N. | WR 4030722-01 |
|----------------------------------|--------------------------|---------------------------------------|---------------------------|----------------------------------|------------------|

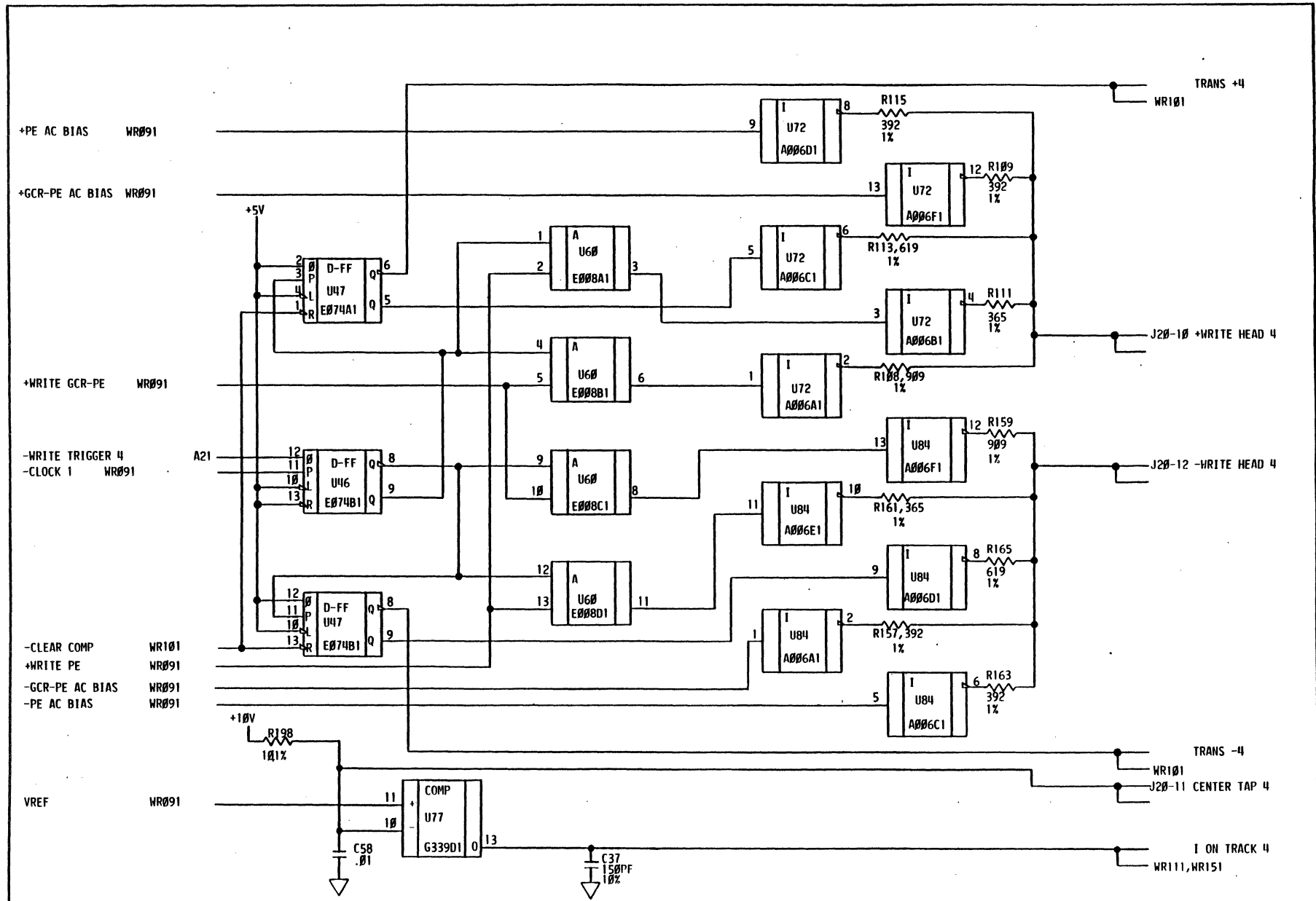
GAF Polytrace 033



NOTES: UNLESS OTHERWISE SPECIFIED

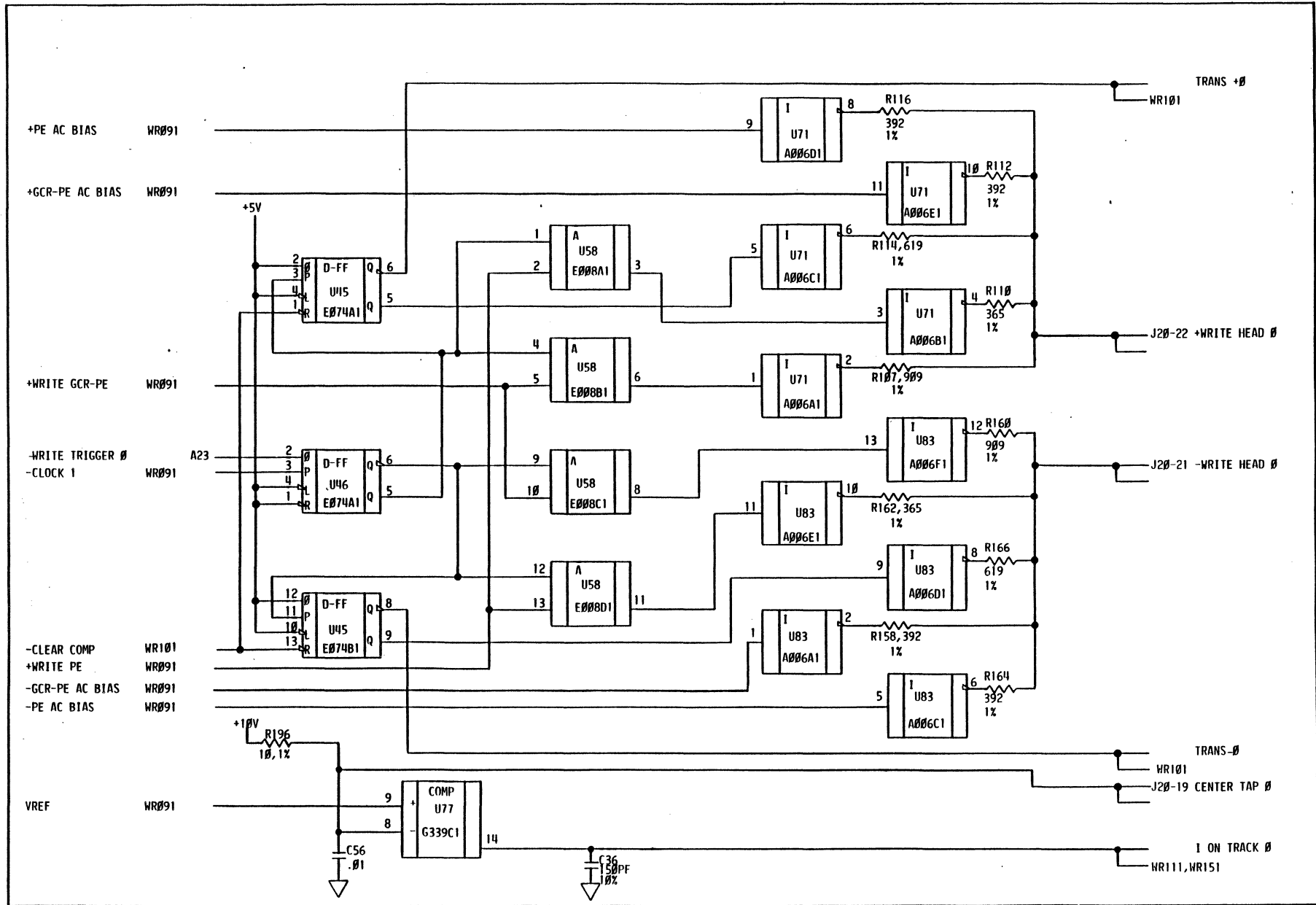
1. ALL RESISTORS ARE 1/4W, 5% AND VALUES ARE IN OHMS.
2. ALL CAPACITORS ARE IN MICROFARADS (μF).
3. FOR POWER, GROUND CONNECTIONS AND DECOUPLING CAPS SEE PAGE WR241.

| | | | | | | | |
|----------------------------------|--------------------------|--------------------------|--|---------------------------|--|--|--|
| TRACK 6 | | MACH. AVALANCHE VERS. | | CD. LOC. GATE FRAME | | CD. P.N. CD. TYPE PG. P.N. | |
| PRES. E.C. PREV. E.C. DATE | 49262 NONE 7-19-83 | GBL. ROT. | | 4030723-01 | | WR101 J20-9 CENTER TAP 6 1 ON TRACK 6 WR111, WR151 | |



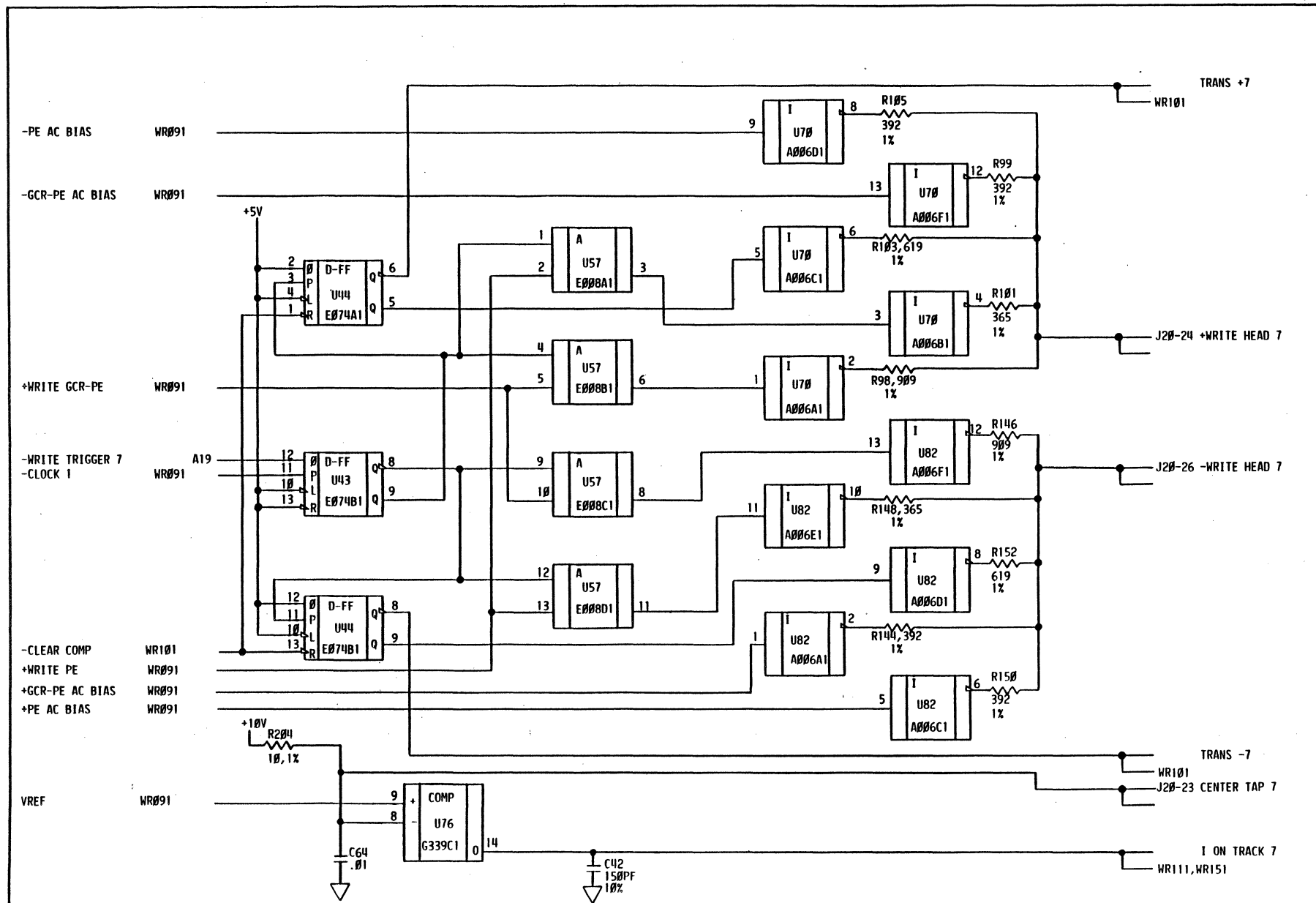
- NOTES: UNLESS OTHERWISE SPECIFIED
1. ALL RESISTORS ARE 1/4W, 5% AND VALUES ARE IN OHMS.
 2. ALL CAPACITORS ARE IN MICROFARADS (μ F).
 3. FOR POWER, GROUND CONNECTIONS AND DECOUPLING CAPS SEE PAGE WR211.

| | | | | | | | |
|----------------------------------|--------------------------|------------------------------------|--|------------------------|--|--|--|
| TRACK 4 | | MACH. AVALANCHE VERS. GBL. ROT. | | CD. LOC. GATE FRAME | | CD. P.N. HR CD. TYPE PG. PN. 4030724-01 | |
| PRES. E.C. PREV. E.C. DATE | 49262 NONE 7-19-83 | | | | | | |



- NOTES: UNLESS OTHERWISE SPECIFIED
1. ALL RESISTORS ARE 1/4W, 5% AND VALUES ARE IN OHMS.
 2. ALL CAPACITORS ARE IN MICROFARADS (µF).
 3. FOR POWER, GROUND CONNECTIONS AND DECOUPLING CAPS SEE PAGE WR241.

| | | | | | | | |
|------------|---------|------------------------------------|-----------|---------------------|------------|---|---------------|
| TRACK Ø | | MACH. AVALANCHE VERS. 08L. ROT. | | CD. LOC. GATE FRAME | | CD. RN. CD. TYPE HR 4030725-01 PG. PN. | |
| PRES. E.C. | 49262 | MACH. VERS. | AVALANCHE | CD. LOC. | GATE FRAME | CD. RN. | HR 4030725-01 |
| PREV. E.C. | NONE | 08L. ROT. | | | | | |
| DATE | 7-19-83 | | | | | | |



NOTES: UNLESS OTHERWISE SPECIFIED

1. ALL RESISTORS ARE 1/4W, 5% AND VALUES ARE IN OHMS.
2. ALL CAPACITORS ARE IN MICROFARADS (μF).
3. FOR POWER, GROUND CONNECTIONS AND DECOUPLING CAPS SEE PAGE WR241.



TRACK 7

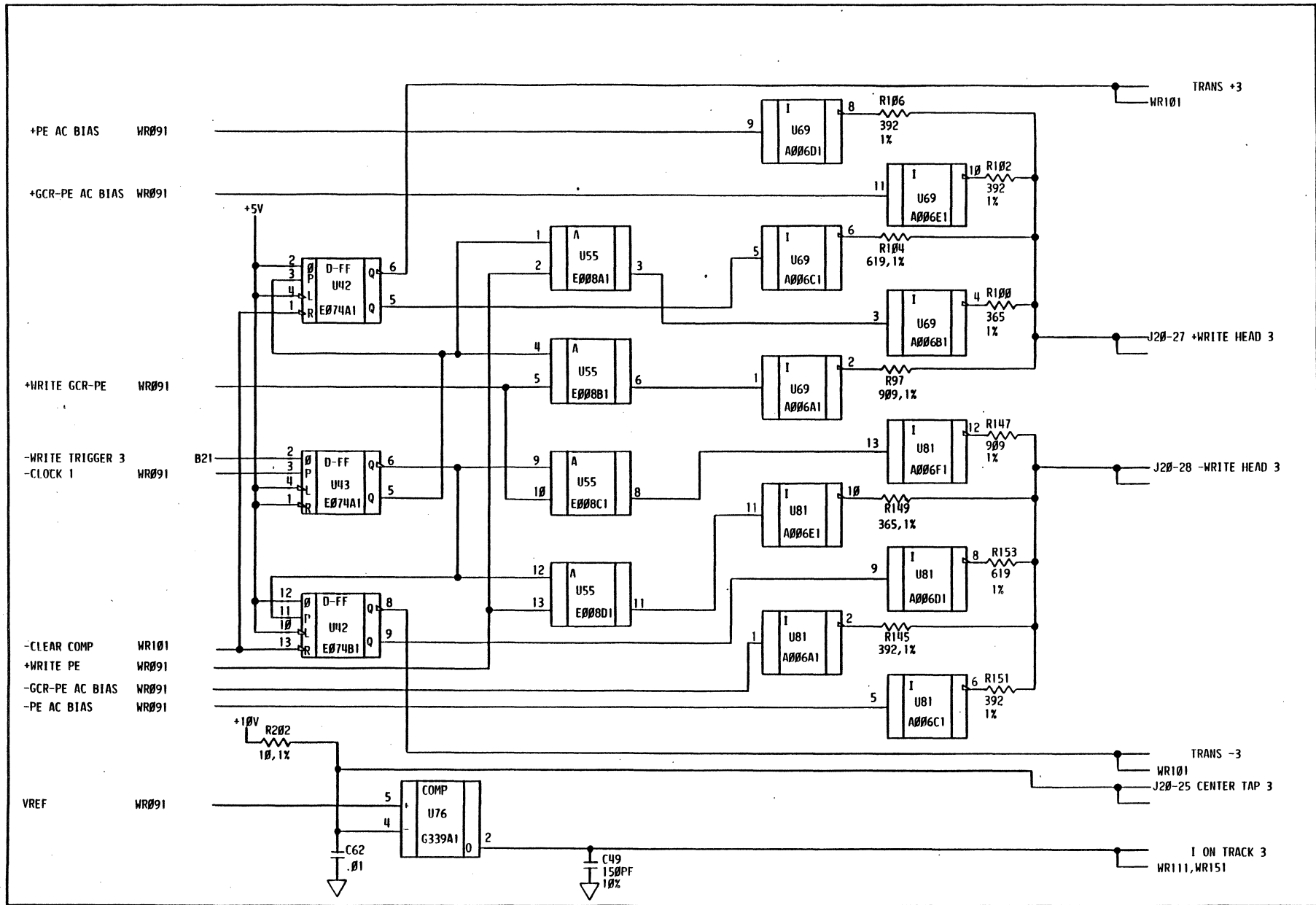
PRES. E.C. 49262
 PREV. E.C. NONE
 DATE 7-19-83

MACH. AVALANCHE
 VERS. GBL. ROT.

CD. LOC. GATE
 FRAME

CD. P.N. CD. TYPE WR
 PG. P.N. 4030726-01

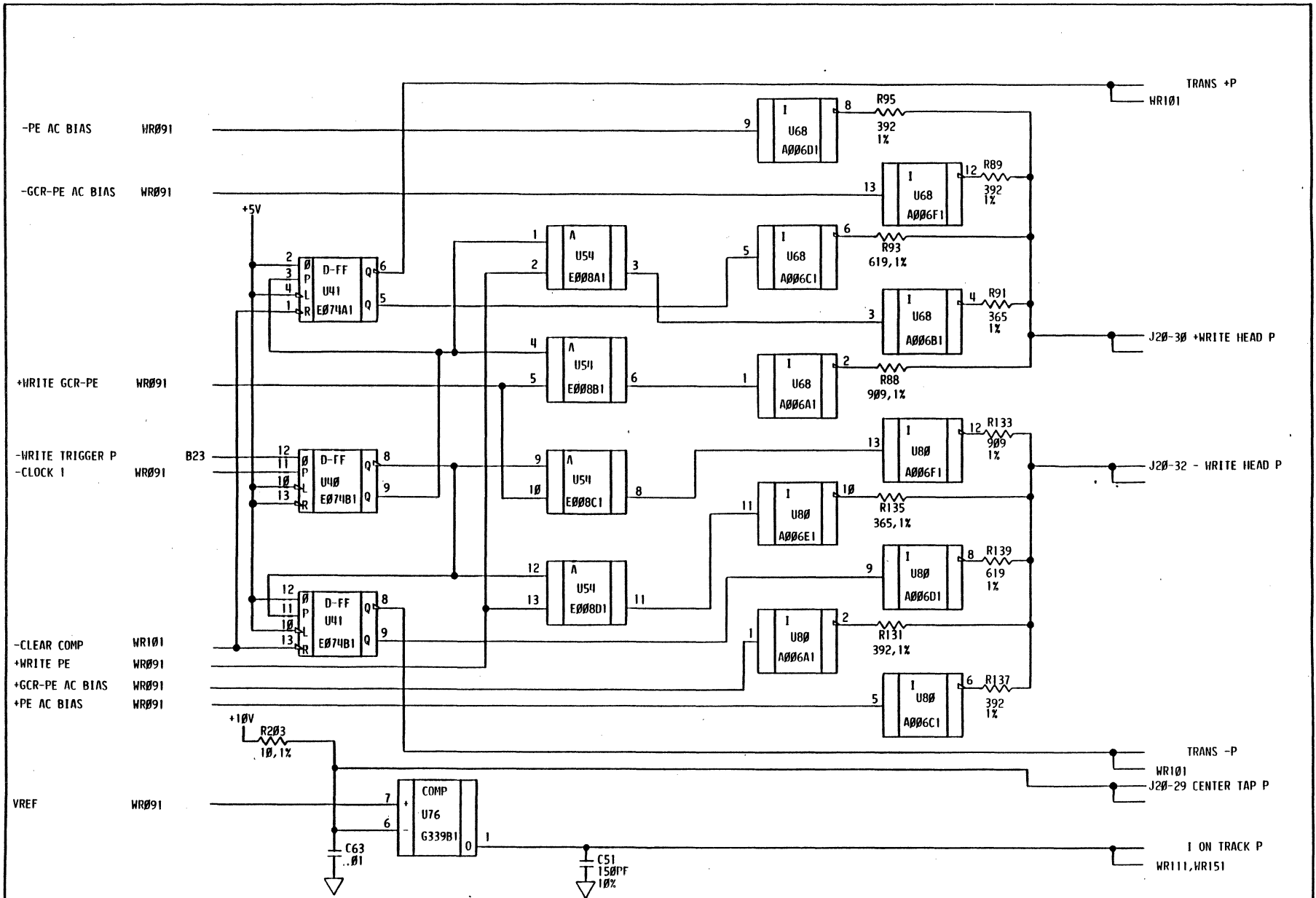
WR051



NOTES: UNLESS OTHERWISE SPECIFIED

1. ALL RESISTORS ARE 1/4W, 5% AND VALUES ARE IN OHMS.
2. ALL CAPACITORS ARE IN MICROFARADS (μ F).
3. FOR POWER, GROUND CONNECTIONS AND DECOUPLING CAPS SEE PAGE WR241.

| | | | | | | | | |
|---|--|------------------------------------|--|---------------------|--|------------------------------------|--|----------|
| TRACK 3 | | MACH. AVALANCHE VERS. 08L. ROT. | | CD. LOC. GATE FRAME | | CD. P.N. HR PG. P.N. 4030727-01 | | H 6 1 |
| PRES. E.C. 40262 PREV. E.C. NONE DATE 7-19-83 | | | | | | | | |



NOTES: UNLESS OTHERWISE SPECIFIED

1. ALL RESISTORS ARE 1/4W, 5% AND VALUES ARE IN OHMS.
2. ALL CAPACITORS ARE IN MICROFARADS (μ F).
3. FOR POWER, GROUND CONNECTIONS AND DECOUPLING CAPS SEE PAGE WR241.



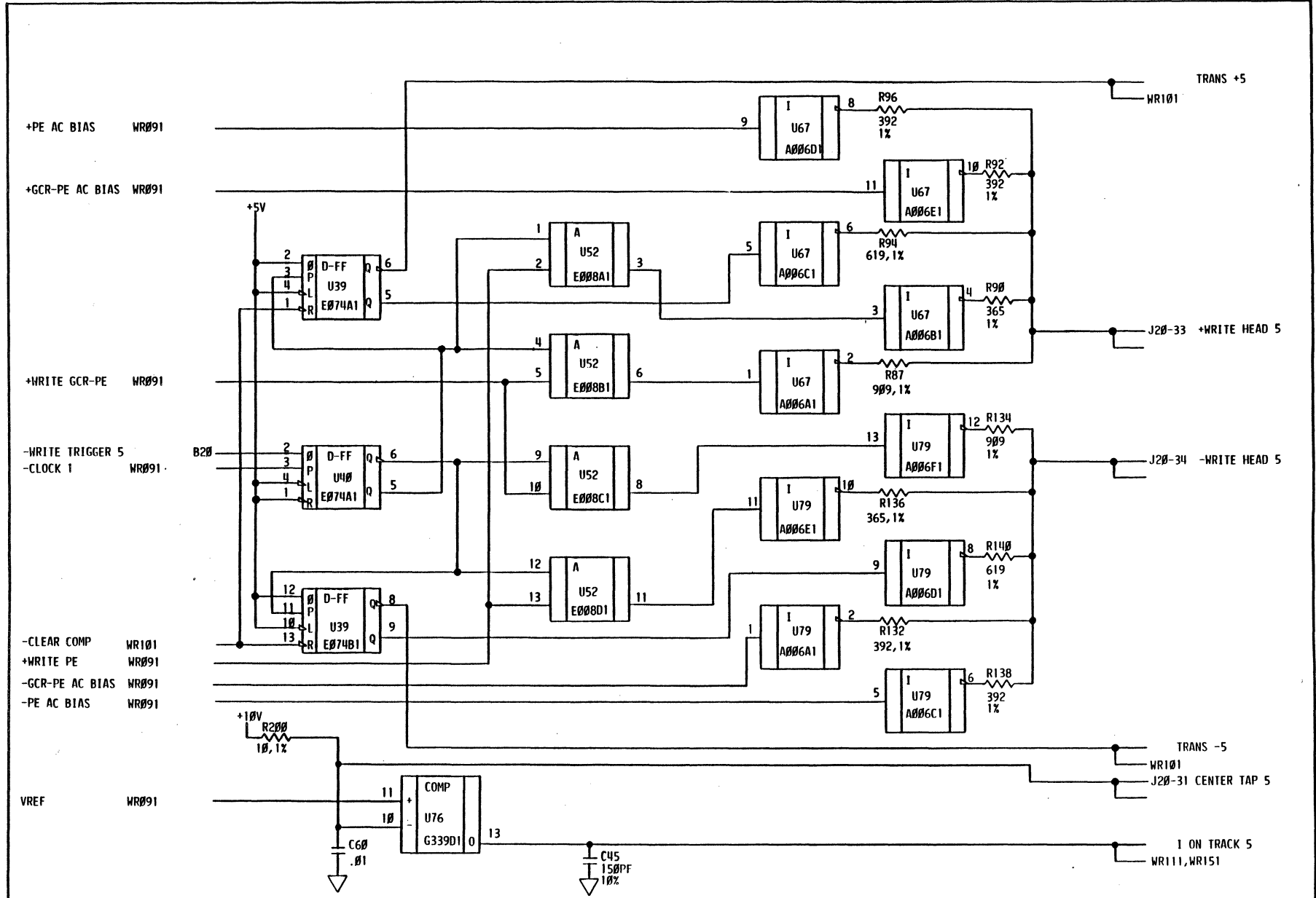
TRACK P

PREV. E.C. 49262
 DATE 7-19-83

MACH. AVALANCHE
 VERS. GBL. ROT.

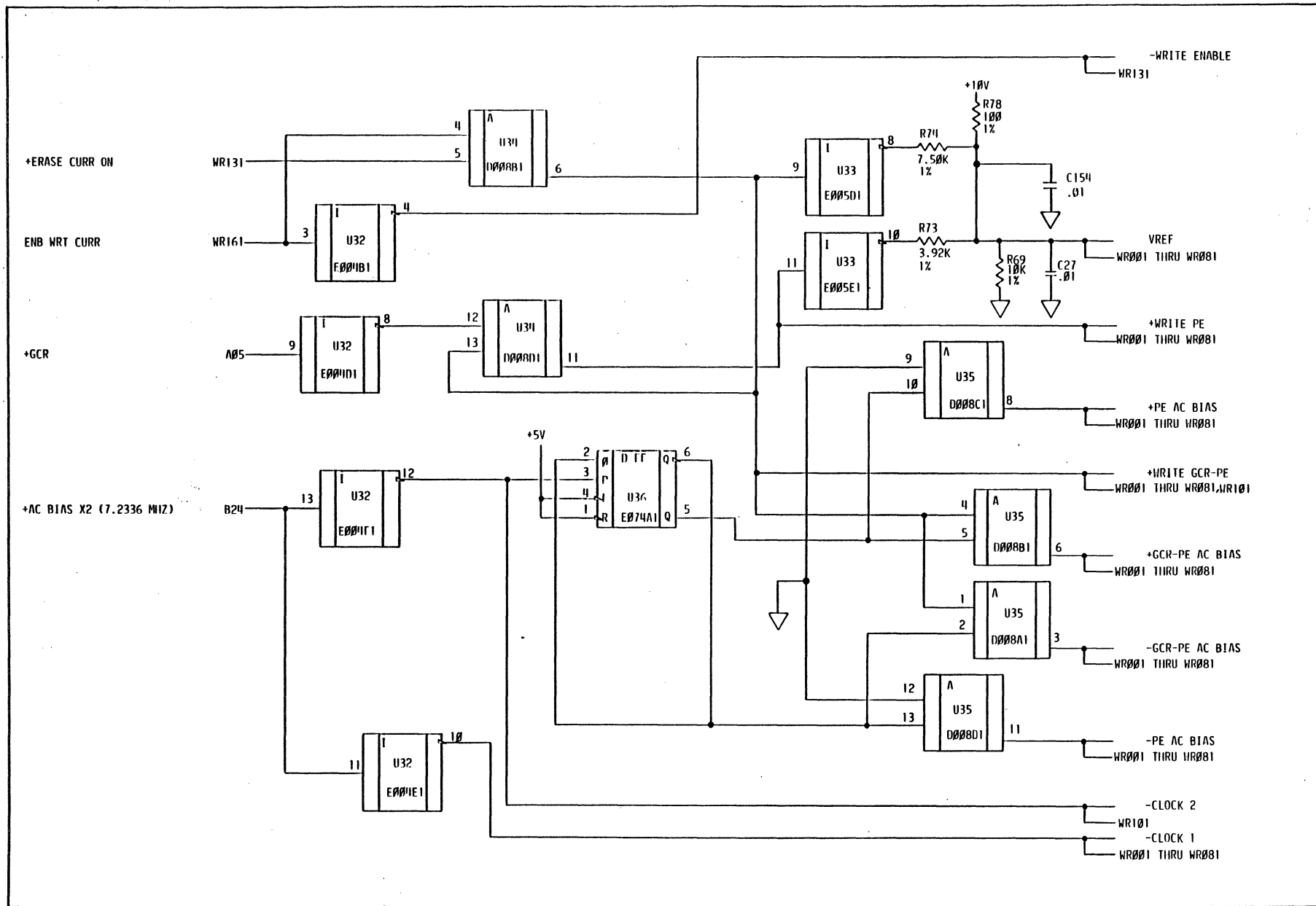
CD. LOC. GATE FRAME

CD. P.N. CD. TYPE HR
 PG. P.N. 4030728-01



NOTES: UNLESS OTHERWISE SPECIFIED
 1. ALL RESISTORS ARE 1/4W, 5% AND VALUES ARE IN OHMS.
 2. ALL CAPACITORS ARE IN MICROFARADS (uF).
 3. FOR POWER, GROUND CONNECTIONS AND DECOUPLING CAPS SEE PAGE WR241.

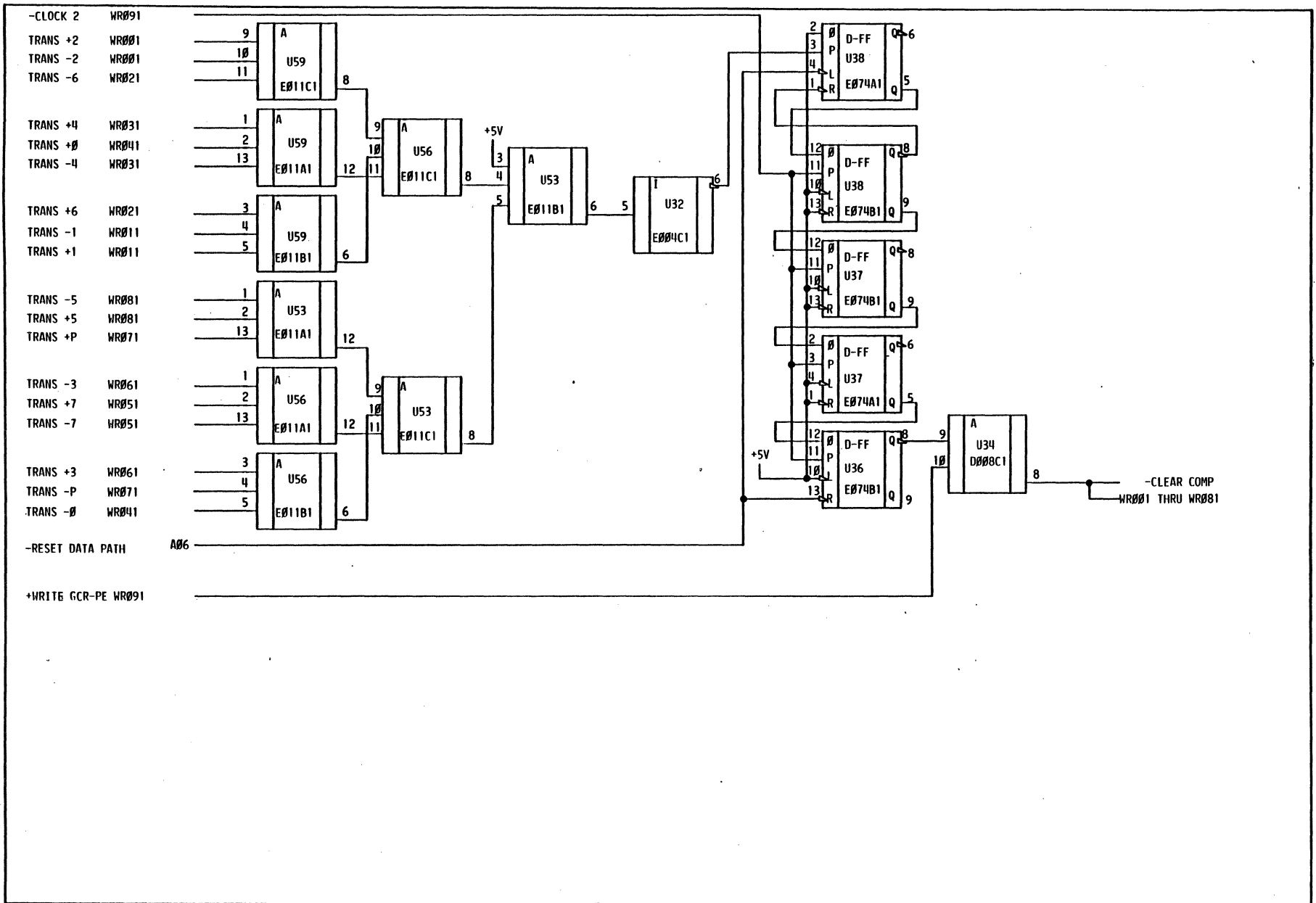
| | | | | |
|------------|---------|-----------|-----------|-------------------|
| TRACK 5 | | | | WR 0 8 1 |
| PRE. E.C. | 49262 | MACH. | AVALANCHE | |
| PREV. E.C. | NONE | VERS. | GATE | |
| DATE | 7-19-83 | GBL. ROT. | FRAME | |
| | | CD. LOC. | CD. P.N. | |
| | | | CD. TYPE | WR |
| | | | PG. PN. | 4030729-01 |



NOTES: UNLESS OTHERWISE SPECIFIED

1. ALL RESISTORS ARE 1/4W, 5% AND VALUES ARE IN OHMS.
2. ALL CAPACITORS ARE IN MICROFARADS (μ F).
3. FOR POWER, GROUND CONNECTIONS AND DECOUPLING CAPS SEE PAGE WR241.

| | | | | |
|------------------|-----------------|---------------------|----------------------|-------|
| SIL | | AC BIAS AND VREF | | WR 91 |
| PRES. E.C. 41116 | MACH. AVALANCHE | CD. LOC. GATE FRAME | CD. P.N. CD. TYPE WR | WR 91 |
| PREV. E.C. 41262 | VERS. OBL. ROT. | | PG. P.N. 4J3473J-02 | |
| DATE 1-27-91 | | | | |



NOTES: UNLESS OTHERWISE SPECIFIED

1. ALL RESISTORS ARE 1/4W, 5% AND VALUES ARE IN OHMS.
2. ALL CAPACITORS ARE IN MICROFARADS (μF).
3. FOR POWER, GROUND CONNECTIONS AND DECOUPLING CAPS SEE PAGE WR241.

| | | | |
|------------|---------|------------|------------|
| SIL | | CLEAR COMP | |
| PRES. E.C. | 49262 | MACH. | AVALANCHE |
| PREV. E.C. | NONE | VERS. | |
| DATE | 7-19-83 | GBL. ROT. | |
| CD. LOC. | GATE | CD. P.N. | NR |
| FRAME | | P.O. P.N. | 4030731-01 |

WR101

WR101

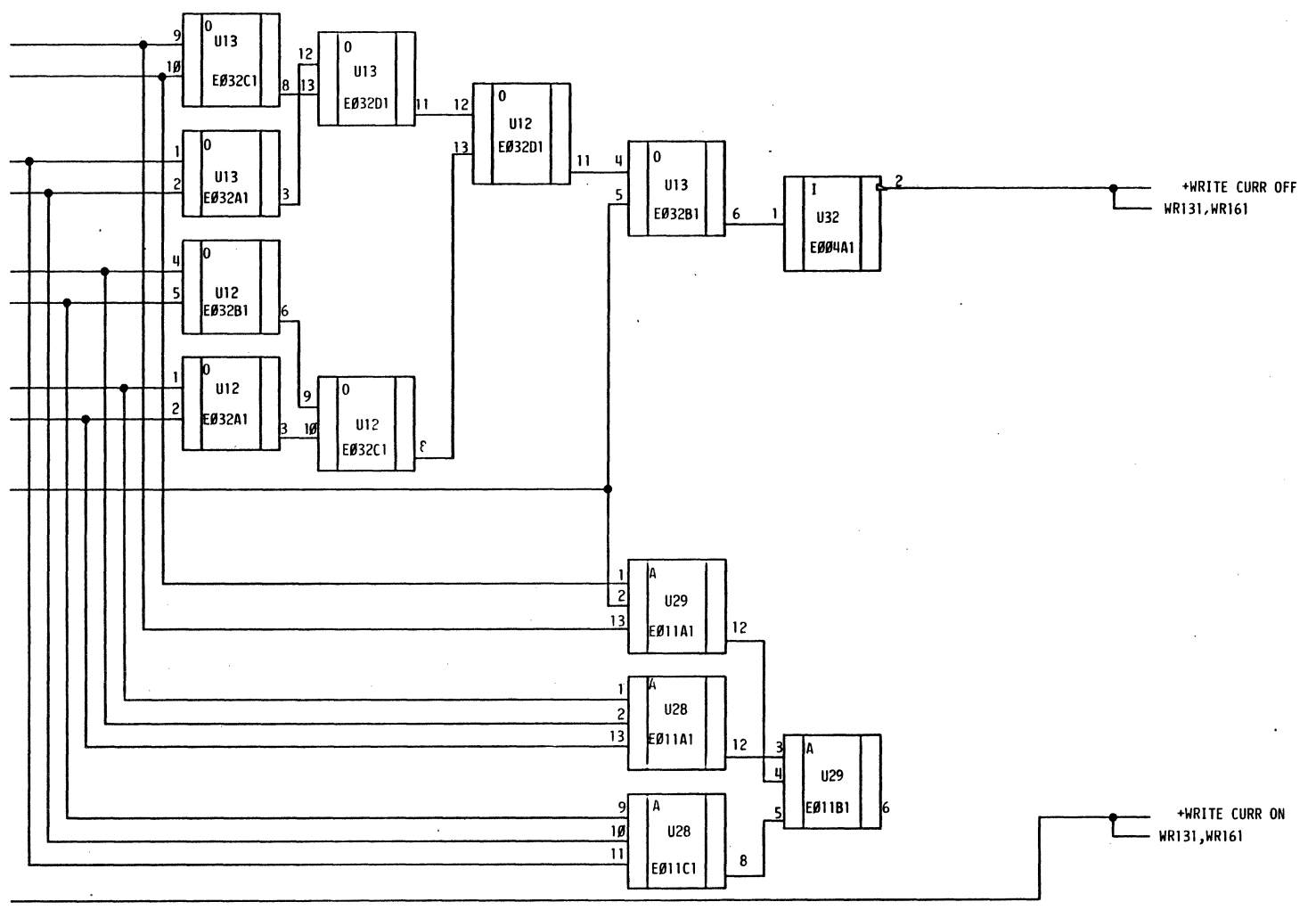
I ON TRACK 0 WR041
 I ON TRACK 2 WR001

 I ON TRACK 6 WR021
 I ON TRACK 1 WR011

 I ON TRACK 5 WR001
 I ON TRACK 7 WR051

 I ON TRACK 3 WR061
 I ON TRACK P WR071

 I ON TRACK 4 WR031



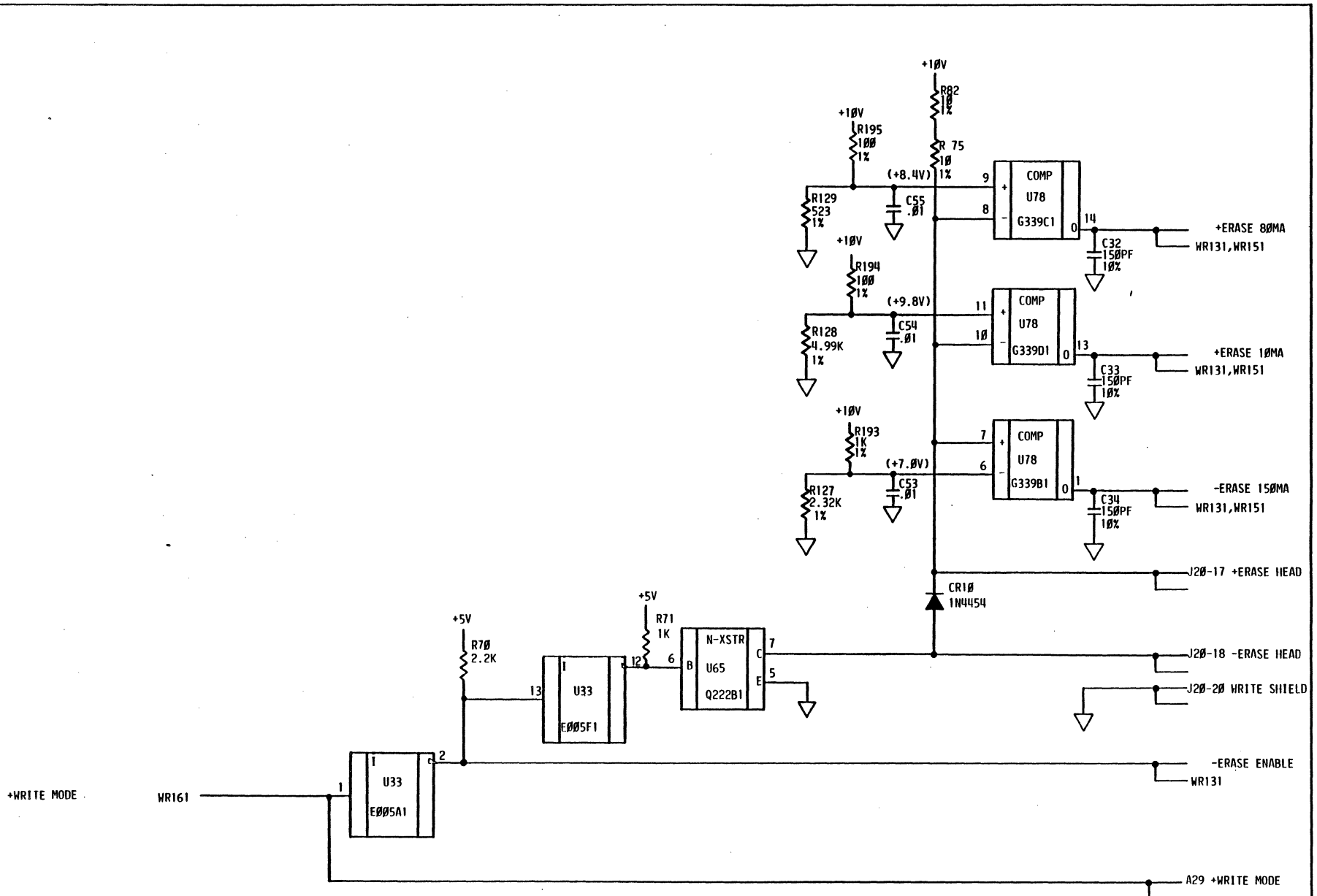
END WRT CURR WR161

NOTES: UNLESS OTHERWISE SPECIFIED

1. ALL RESISTORS ARE 1/4W, 5% AND VALUES ARE IN OHMS.
2. ALL CAPACITORS ARE IN MICROFARADS (μF).
3. FOR POWER, GROUND CONNECTIONS AND DECOUPLING CAPS SEE PAGE WP241.

WRITE CURRENT STATUS

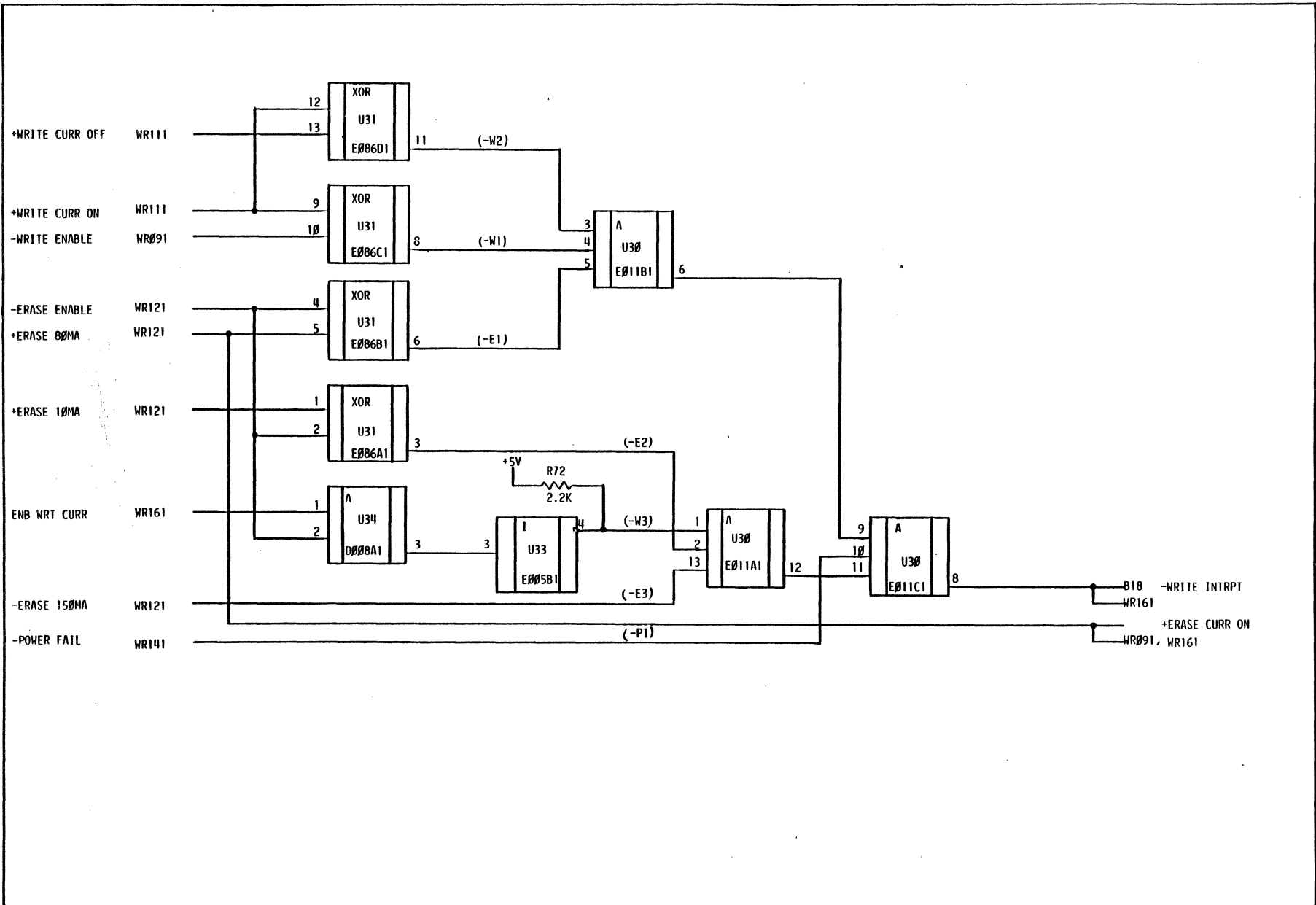
| | | | |
|---|---------------------------------------|---------------------------|--|
| PRES. E.C. 49474 PREV. E.C. 49262 DATE 2-9-84 | MACH. AVALANCHE VERS. GBL. ROT. | CD. LOC. GATE FRAME | CD. P.N. CD. TYPE WR PG. P.N. 4030732-02 |
|---|---------------------------------------|---------------------------|--|



NOTES: UNLESS OTHERWISE SPECIFIED.

1. ALL RESISTORS ARE 1/4W, 5% AND VALUES ARE IN OHMS.
2. ALL CAPACITORS ARE IN MICROFARADS (μF).
3. FOR POWER, GROUND CONNECTIONS AND DECOUPLING CAPS SEE PAGE WR241.

| ERASE | | | |
|------------|---------|-----------|------------|
| PRES. E.C. | 49262 | MACH. | AVALANCHE |
| PREV. E.C. | NONE | VERS. | |
| DATE | 7-19-83 | GBL. ROT. | |
| CD. LOC. | GATE | CD. P.N. | WR |
| FRAME | | PG. P.N. | 4030733-01 |

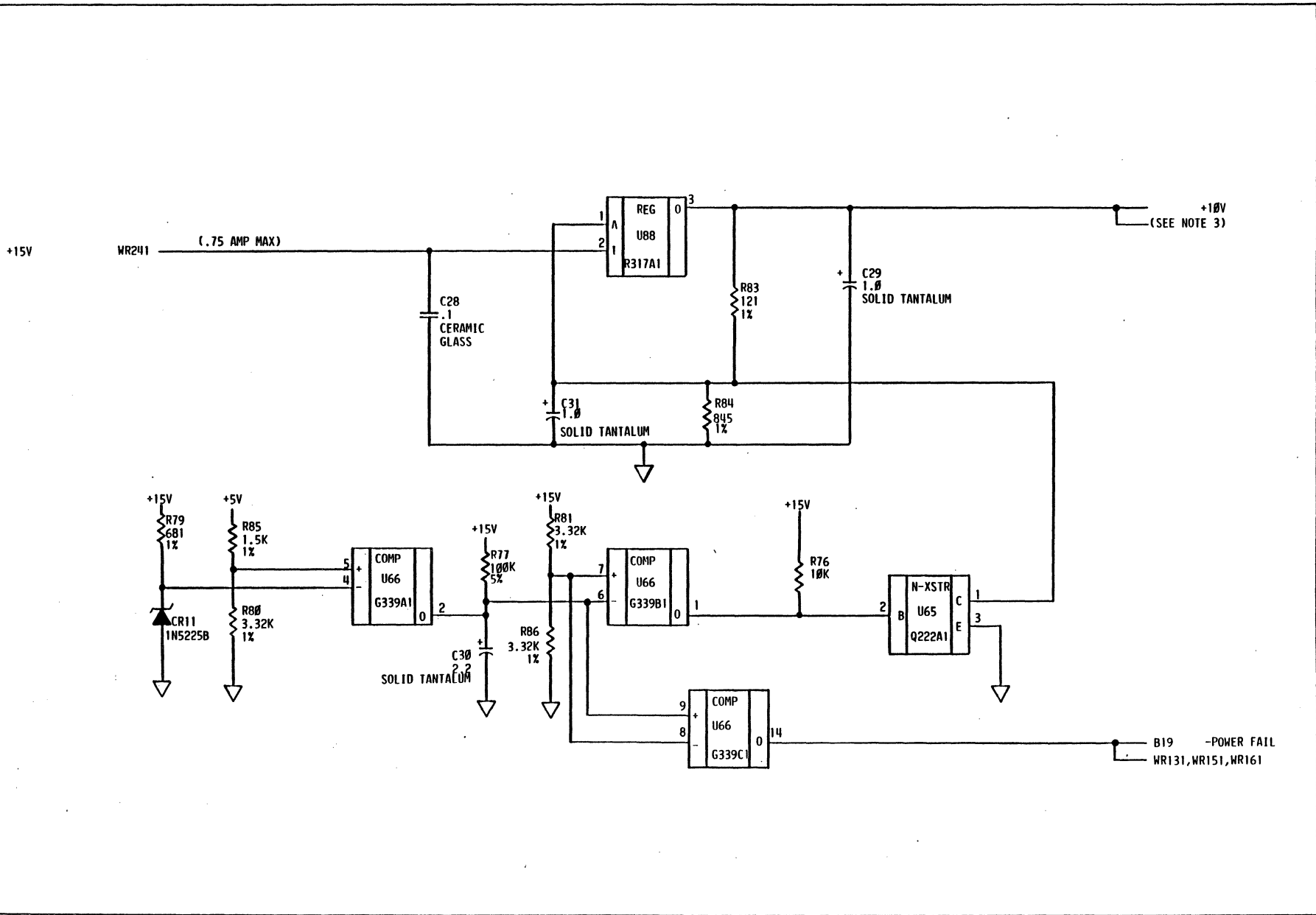


NOTES: UNLESS OTHERWISE SPECIFIED

1. ALL RESISTORS ARE 1/4W, 5% AND VALUES ARE IN OHMS.
2. FOR POWER, GROUND CONNECTIONS AND DECOUPLING CAPS SEE PAGE WR241.

WRITE INTERRUPT

| | | | | | |
|----------------------------------|--------------------------|---------------------------------------|---------------------------|----------------------------------|------------------|
| PRES. E.C. PREV. E.C. DATE | 49262 NONE 7-19-83 | MACH. VERS. AVALANCHE GBL. ROT. | CD. LOC. GATE FRAME | CD. P.N. CD. TYPE PG. P.N. | HR 4030734-01 |
|----------------------------------|--------------------------|---------------------------------------|---------------------------|----------------------------------|------------------|



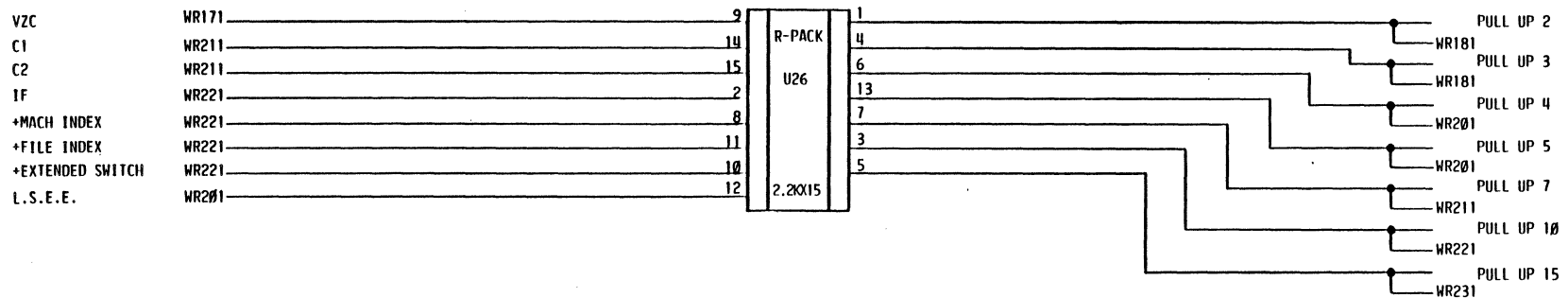
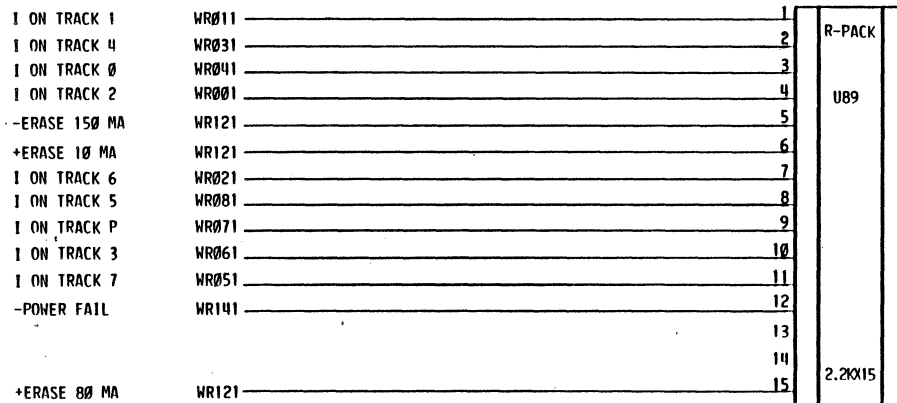
NOTES: UNLESS OTHERWISE SPECIFIED.

1. ALL RESISTORS ARE 1/4W, 5% AND VALUES ARE IN OHMS.
2. ALL CAPACITORS ARE IN MICROFARADS (μF).
3. THIS LINE IS CONNECTED TO +10 VOLT POWER BUS.
4. U88 PIN 3 IS CASE.
5. FOR POWER, GROUND CONNECTIONS AND DECOUPLING CAPS SEE PAGE WR241.

| | | | |
|--------------------|---------|-----------|------------|
| +10 VOLT REGULATOR | | | |
| PRES. E.C. | 49262 | MACH. | AVALANCHE |
| PREV. E.C. | NONE | VERS. | |
| DATE | 7-19-83 | GBL. ROT. | |
| CD. LOC. | GATE | CD. P.N. | WR |
| FRAME | | P.G. P.N. | 4030735-01 |

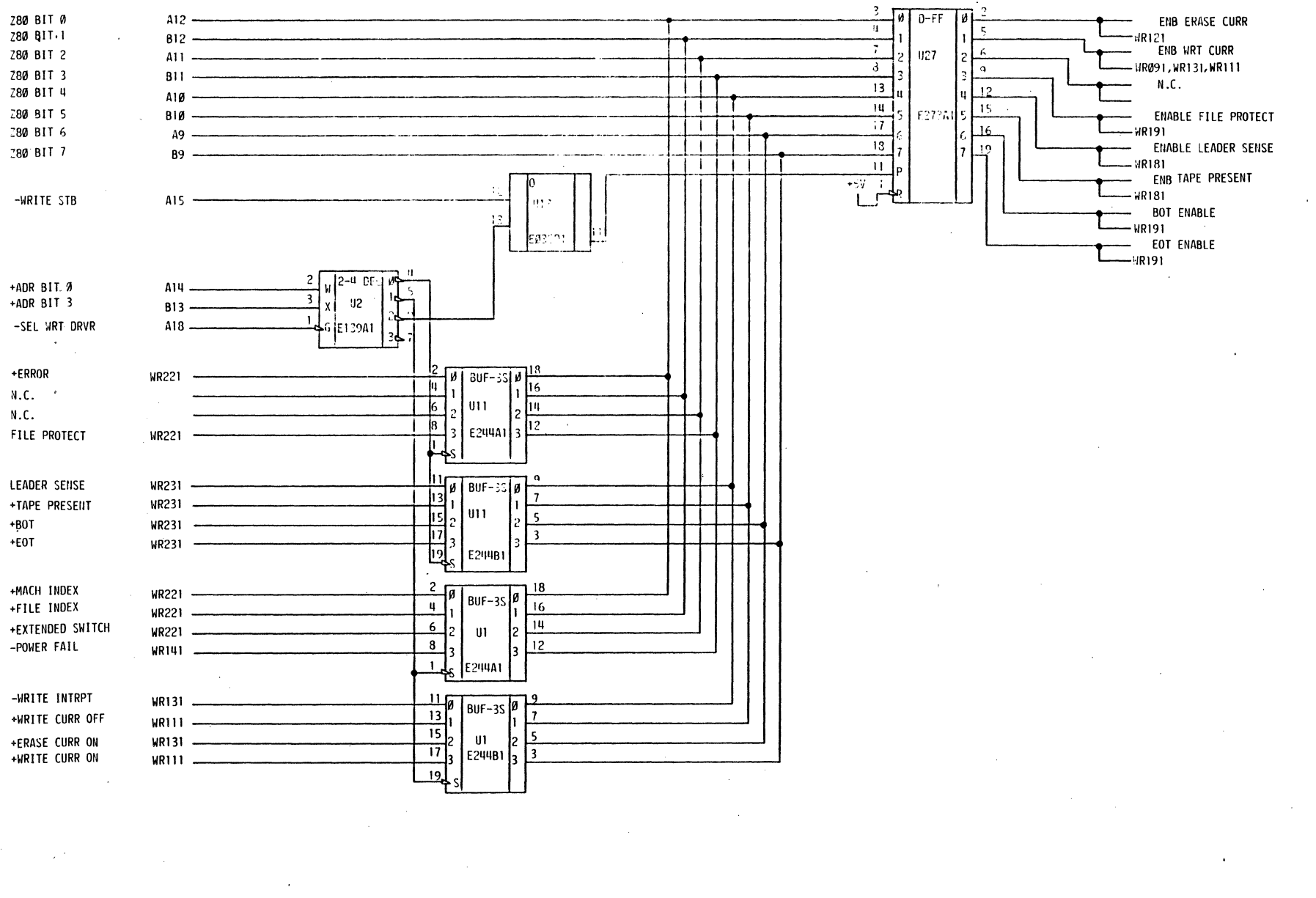
WR
1
4
1

WR
1
4
1



NOTES: UNLESS OTHERWISE SPECIFIED
 1. FOR POWER, GROUND CONNECTIONS AND DECOUPLING CAPS, SEE PAGE WR241

| | | | | | | | |
|------------------|--|-----------------|--|---------------------|--|-------------------|--|
| PRES. E.C. 49262 | | MACH. AVALANCHE | | CD. LOC. GATE FRAME | | CD. P.N. CD. TYPE | |
| PREV. E.C. NONE | | VERS. 7-19-83 | | GBL. ROT. | | WR 4030736-01 | |
| DATE | | | | | | | |



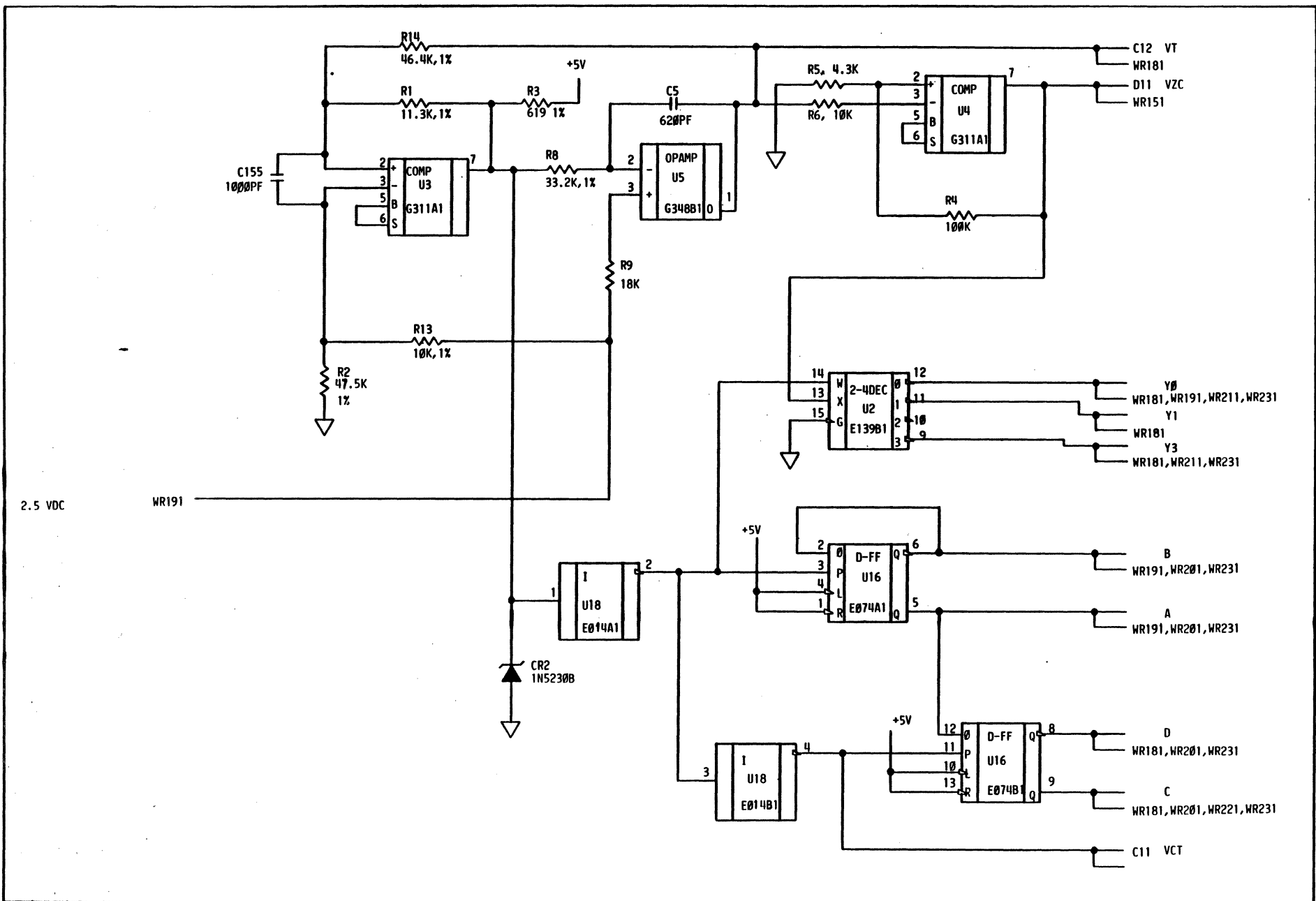
NOTES: UNLESS OTHERWISE SPECIFIED

1. RESISTORS ARE 1/4W, 5% AND VALUES ARE IN OHMS.
2. ALL CAPACITORS ARE IN MICROFARADS (μF).
3. FOR POWER, GROUND CONNECTIONS AND DECOUPLING CAPS SEE PAGE WR241.

| | | | |
|---|---------------------------------------|---------------------------|---|
| Z80 INTERFACE | | CD. LOC. GATE FRAME | CD. P.N. CD. TYPE PG. P.N. 4030737-02 |
| PRES. E.C. 49474 PREV. E.C. 49262 DATE 2-9-81 | MACH. AVALANCHE VERS. GBL. ROT. | | |

WR 161

WR 161



NOTES: UNLESS OTHERWISE SPECIFIED

1. ALL RESISTORS ARE 1/4W, 5%, AND VALUES ARE IN OHMS.
2. FOR POWER, GROUND CONNECTIONS AND DECOUPLING CAPS, SEE PAGE WR241.



TRIANGLE GENERATOR

PREV. E.C. 49611
 PREV. E.C. 49563
 DATE 6/8/84

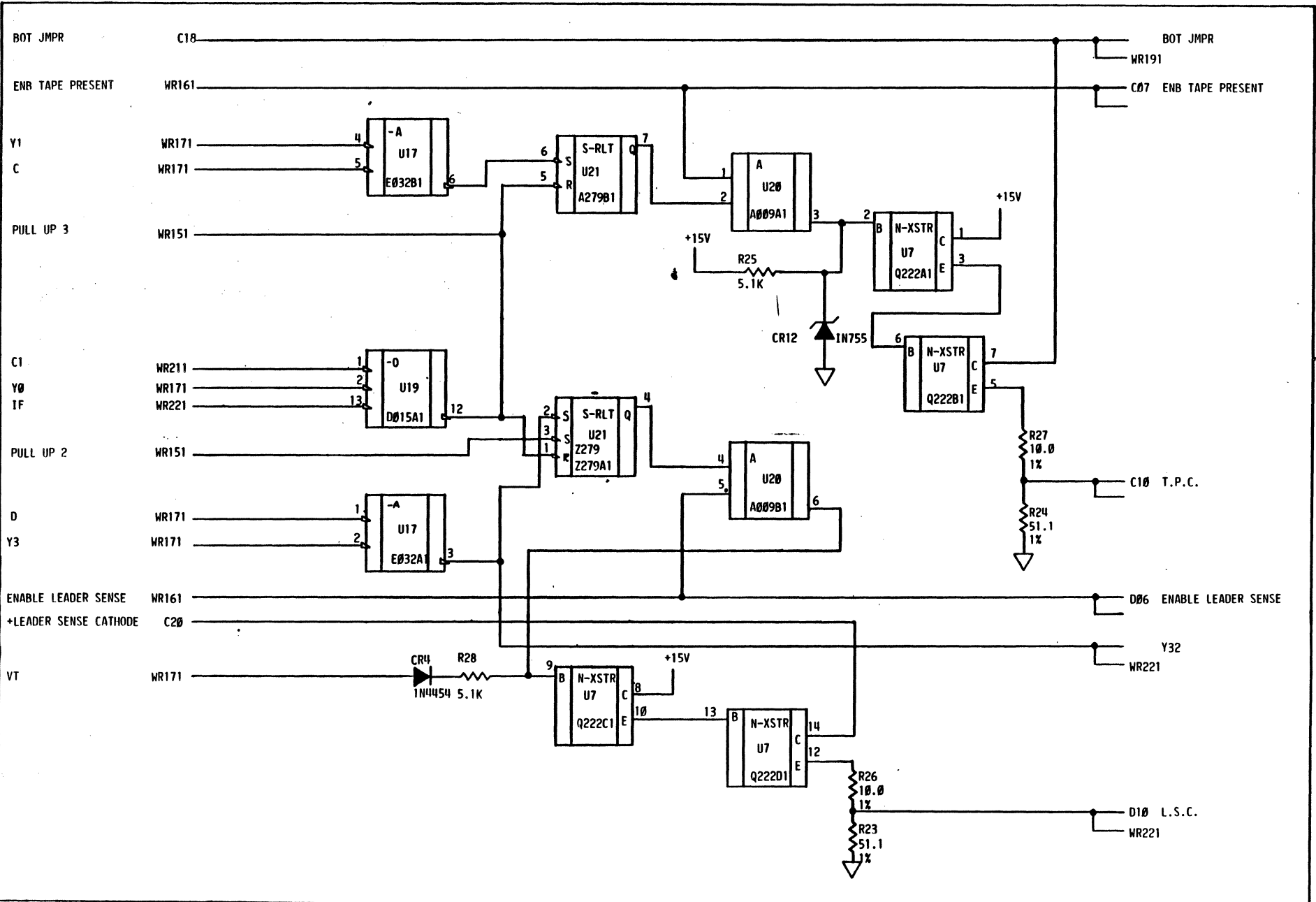
MACH. AVALANCHE
 VERS.
 OBL. ROT.

CD. LOC.
 GATE
 FRAME

CD. #N 4022733XX
 CD. TYPE WR
 PG. #N. 4030738-04

WR171

WR171

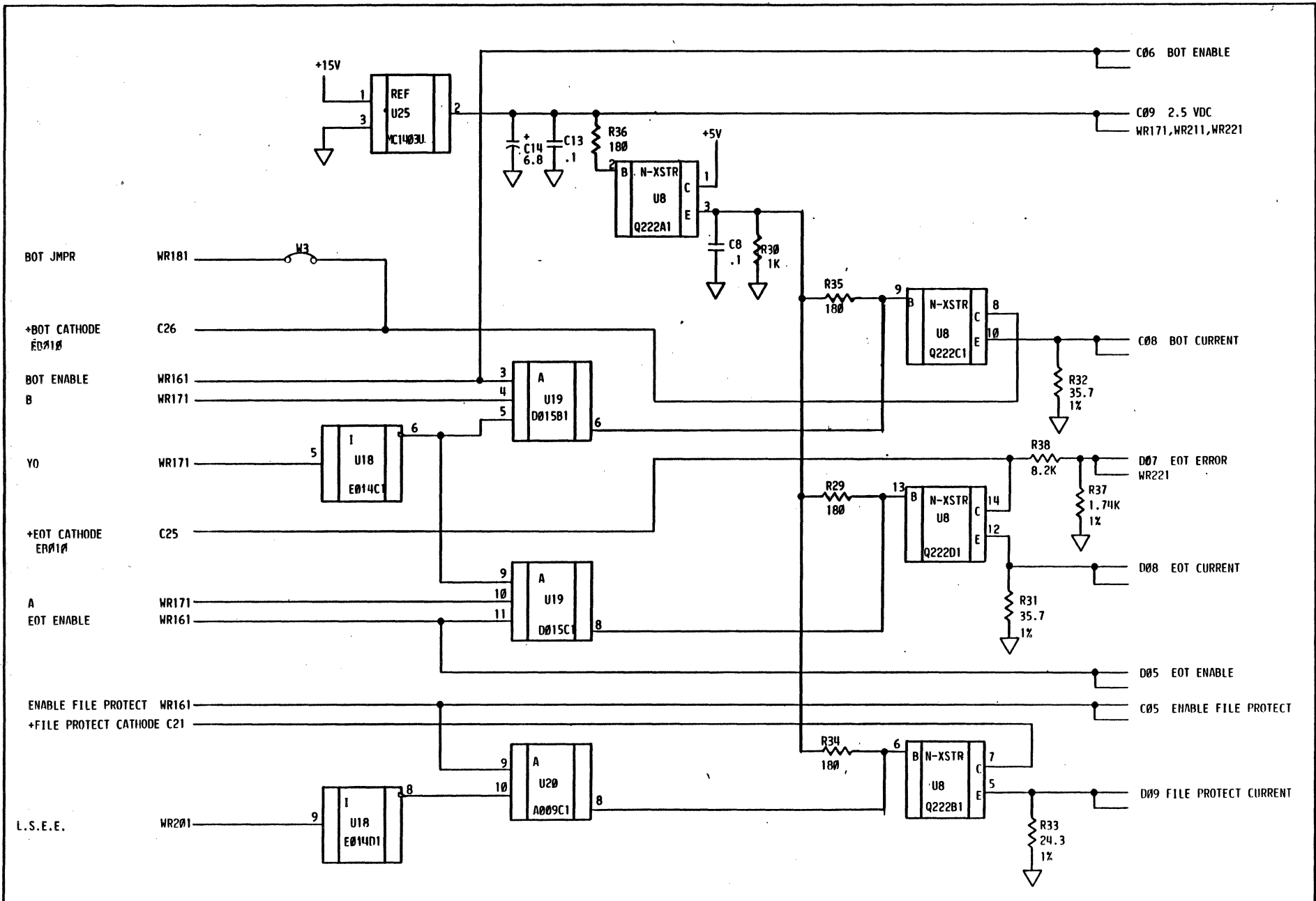


NOTES: UNLESS OTHERWISE SPECIFIED
 1. ALL RESISTORS ARE 1/4W, 5% AND VALUES ARE IN OHMS.
 2. FOR POWER, GROUND CONNECTIONS AND DECOUPLING CAPS, SEE PAGE WR211.

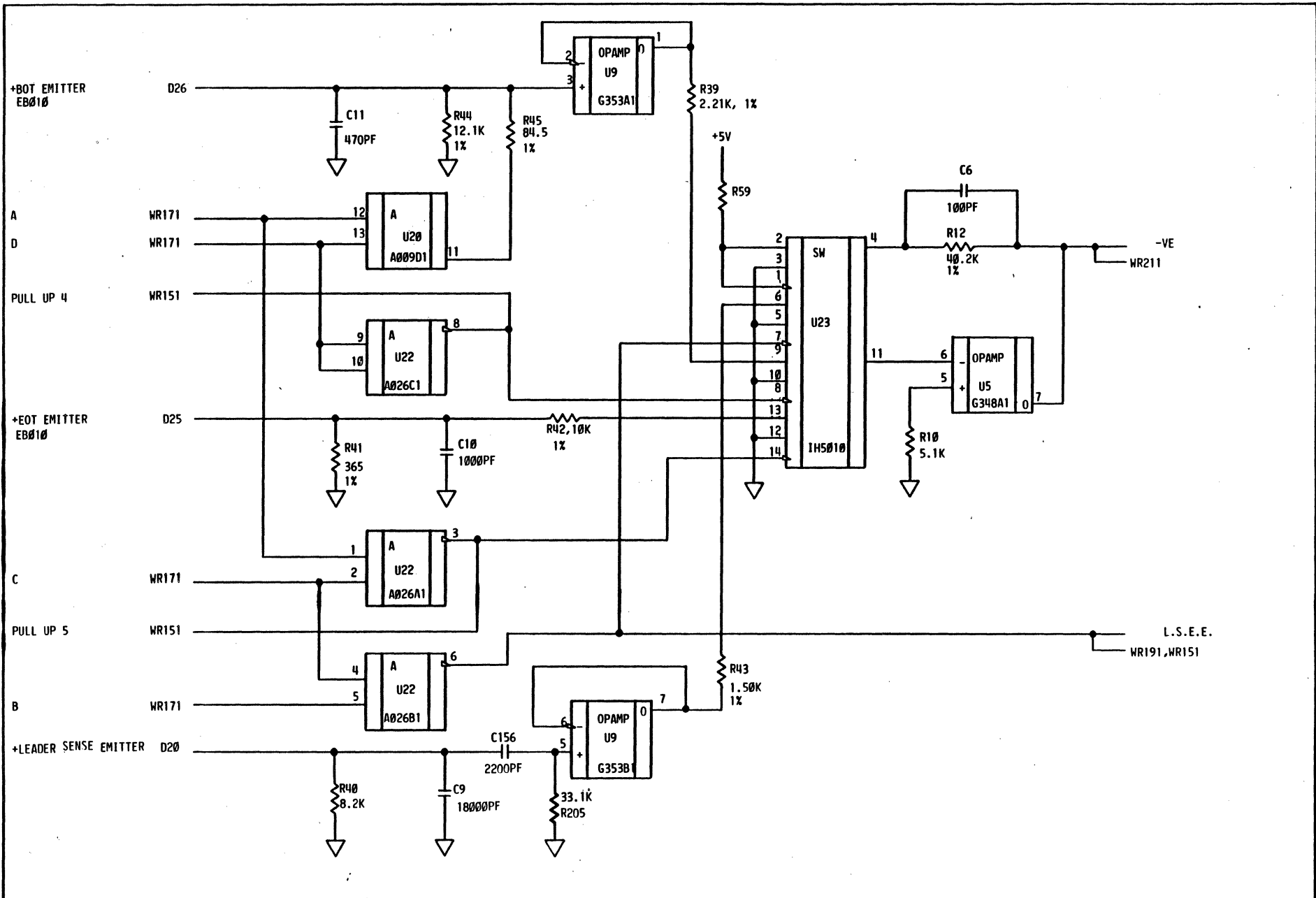
| | | | |
|-------------------------------|-----------------|----------|--------------------|
| L.S. AND T.P. CURRENT SOURCES | | | |
| PRES. E.C. 49611 | MACH. AVALANCHE | CD. LOC. | CD. EN. 402733XX |
| PREV. E.C. 49262 | VER. | GATE | CD. TYPE WR |
| DATE 6/8/84 | GBL. ROT. | FRAME | PG. PN. 4030739-02 |

WR 181

WR 181



| | | | | | |
|--------|---|----------------------------|-----------------|----------------------|----------|
| WR 101 | NOTES: UNLESS OTHERWISE SPECIFIED | 2.5V REG., CURRENT SOURCES | | WR 101 | |
| | 1. ALL RESISTORS ARE 1/4W, 5% AND VALUES ARE IN OHMS. | PRES. E.C. 49563 | MACH. AVALANCHE | | CD. LOC. |
| | 2. ALL CAPACITORS ARE IN MICROFARADS (μF). | PREV. E.C. 49357 | VERS. | | CD. TYPE |
| | 3. FOR POWER, GROUND CONNECTIONS AND DECOUPLING CAPS, SEE PAGE WR241. | DATE 4-23-84 | GBL. ROT. | PG. P.N. WR 30740-03 | |



NOTES: UNLESS OTHERWISE SPECIFIED.

1. ALL RESISTORS ARE 1/4W, 5% VALUES ARE IN OHMS.
2. FOR POWER, GROUND CONNECTIONS AND DECOUPLING CAPS, SEE PAGE WR241.
3. R59 IS NOT INSTALLED.



SIGNAL CONDITIONING

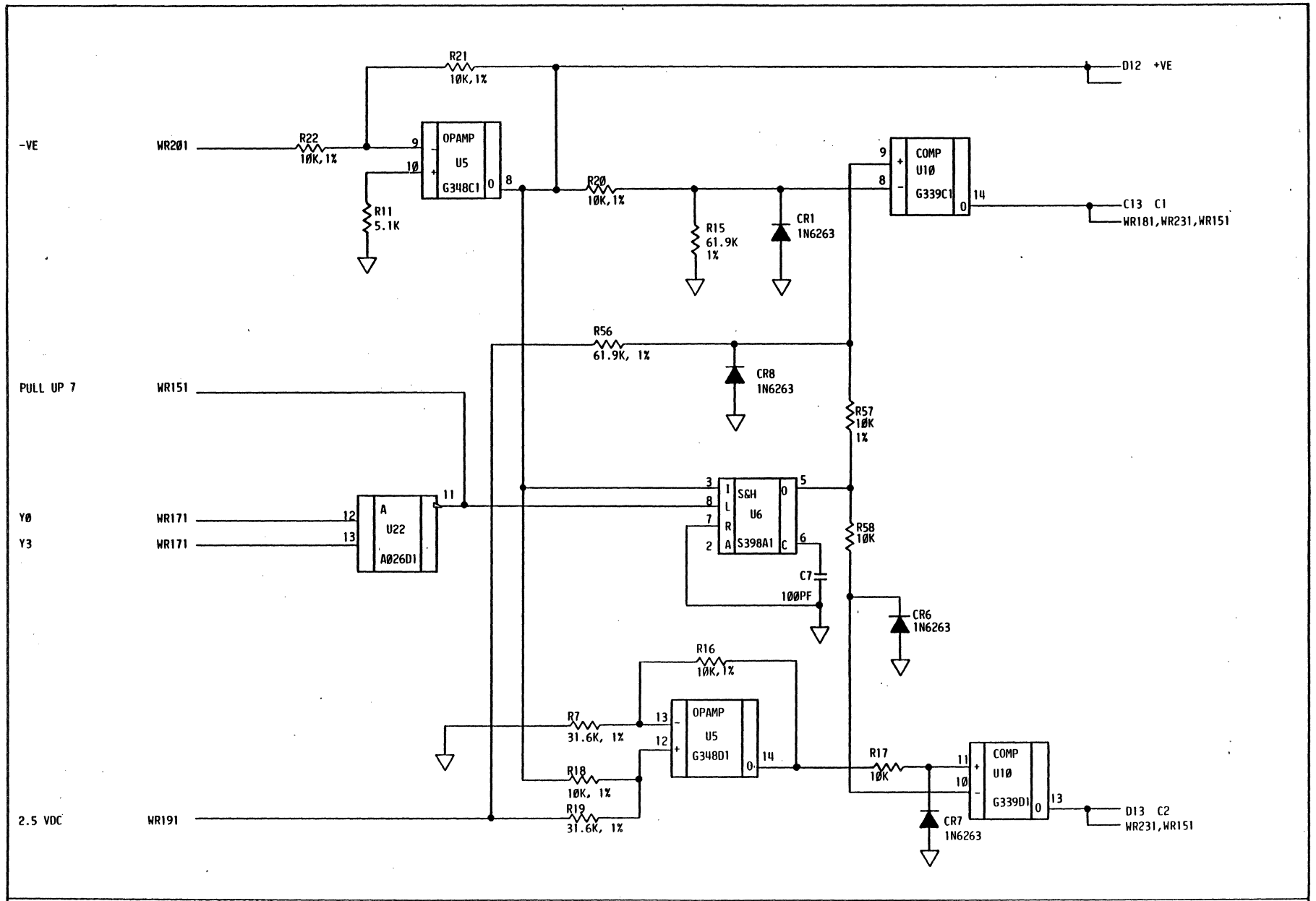
PREV. E.C. 49611
 PREV. E.C. 49563
 DATE 6/8/84

MACH. AVALANCHE
 VERS.
 GBL. ROT.

CD. LOC.
 GATE
 FRAME

CD. P.N. 4022733XX
 CD. TYPE WR
 PG. P.N. 4030741-03

WR241
 1



NOTES: UNLESS OTHERWISE SPECIFIED

1. ALL RESISTORS ARE 1/4W, 5% AND VALUES ARE IN OHMS
2. FOR POWER, GROUND CONNECTIONS AND DECOUPLING CAPS, SEE PAGE WR241.



DETECTION CIRCUITS

PRES. E.C. 49262
 PREV. E.C. NONE
 DATE 7-19-83

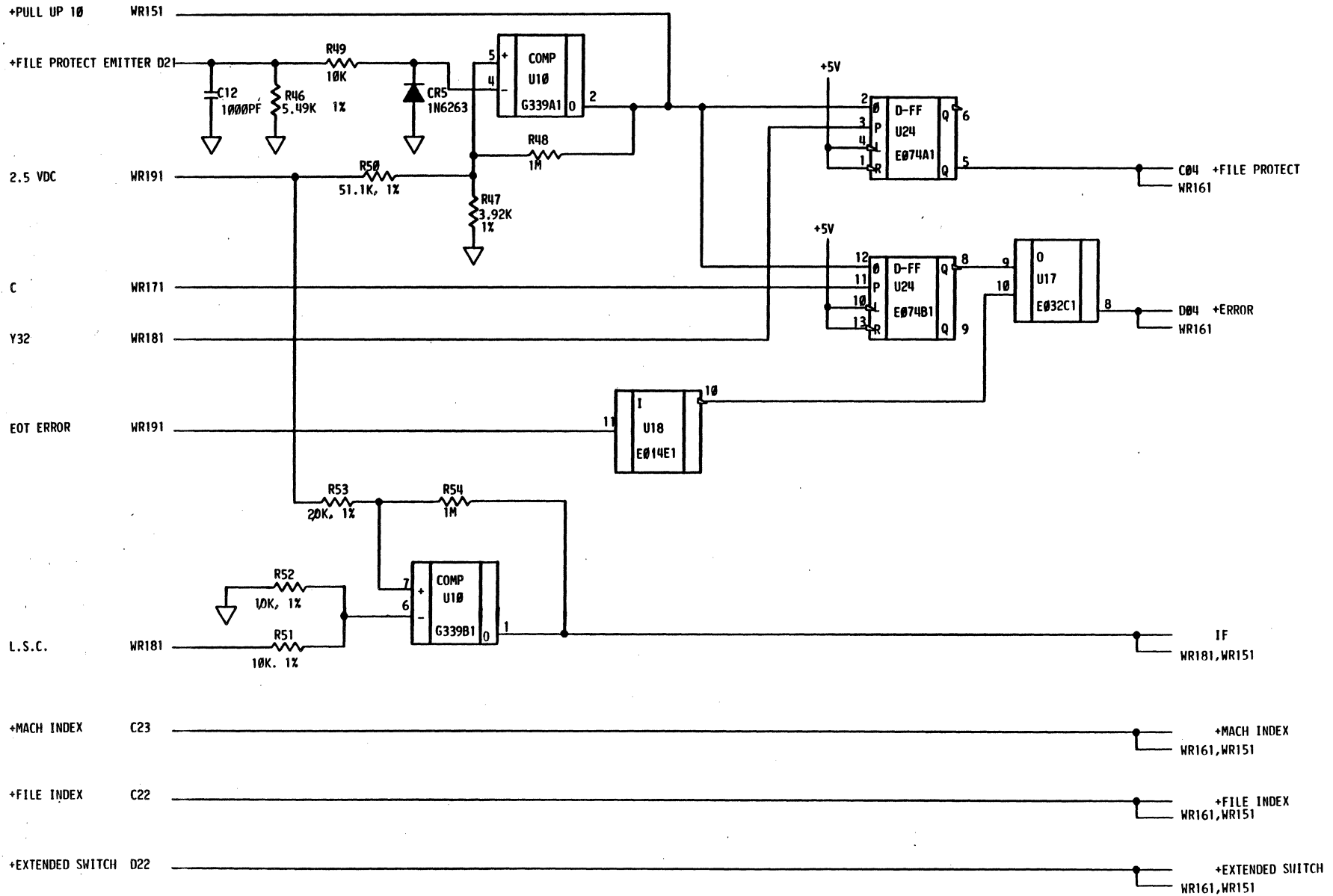
MACH. AVALANCHE
 VERS.
 OBL. ROT.

CD. LOC.
 GATE
 FRAME

CD. R.N.
 CD. TYPE WR
 PG. PN. 4030742-01

WR21

WR21



NOTES: UNLESS OTHERWISE SPECIFIED

1. ALL RESISTORS ARE IN 1/4W, 5% AND ARE IN OHMS.
2. FOR POWER, GROUND CONNECTIONS AND DECOUPLING CAPS, SEE PAGE WR241



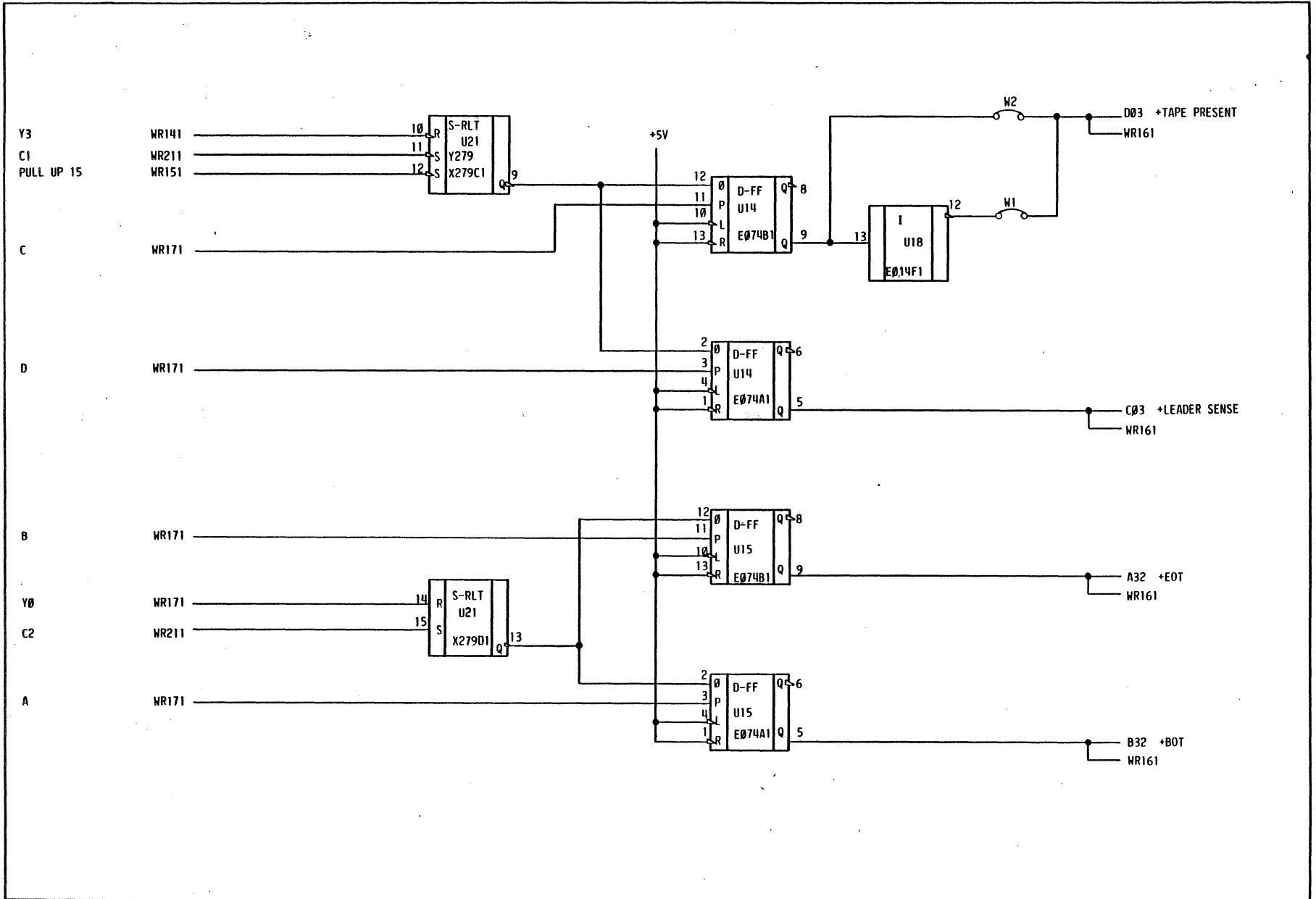
FILE PROTECT/ERROR

PREV. E.C. 49611
 PREV. E.C. 49357
 DATE 6/8/84

MACH. AVALANCHE
 VERS.
 GBL. ROT.

CD LOC.
 GATE
 FRAME

CD. P.N. 4022733XX
 CD. TYPE WR
 P.O. P.N. 40307113-03



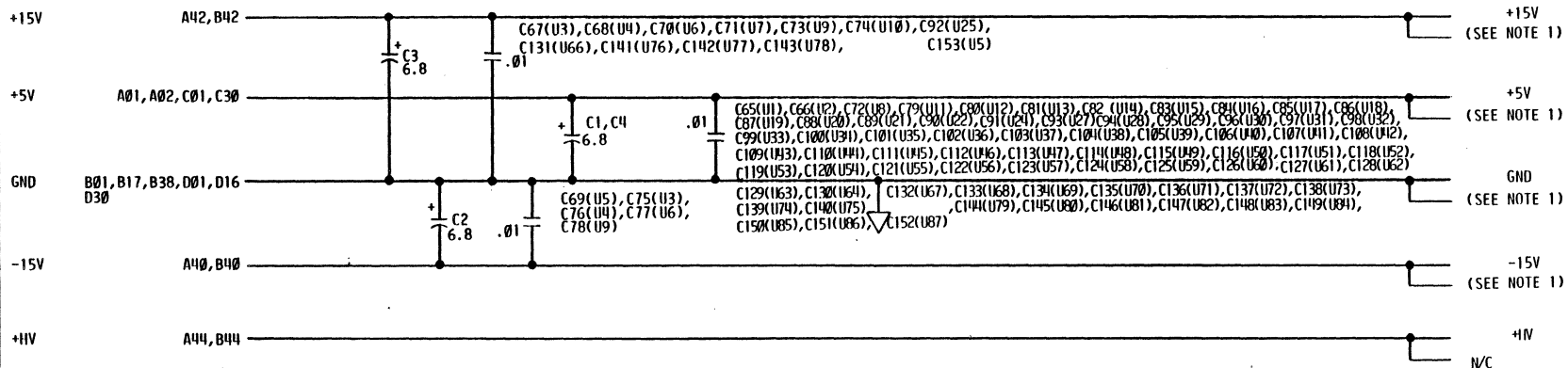
NOTES: UNLESS OTHERWISE SPECIFIED
 1. W1 IS NOT INSTALLED
 2. FOR POWER, GROUND CONNECTIONS AND DECOUPLING CAP, SEE PAGE WR241

| GAF | | DETECTION LOGIC | | CD. LOC. GATE FRAME | | CD. P.N. CD. TYPE HR PG. P.N. | |
|------------|----------|-----------------|--|---------------------|--|-------------------------------|------------|
| PRES. E.C. | 49357 | MACH. AVALANCHE | | | | | |
| PREV. E.C. | 49262 | VERS. | | | | | |
| DATE | 10-18-83 | GBL. ROT. | | | | | 4030744-02 |

| REFERENCE DESIGNATOR | TYPE | +15V | +5V | GND | -15V |
|-------------------------------|----------|------|-----|-----|------|
| U51, U62, U50, U49, U48, U47, | 74LS74 | | 14 | 7 | |
| U46, U45, U44, U43, U42, U41, | | | | | |
| U40, U39, U36, U38, U37, U16, | | | | | |
| U24, U14, U15 | | | | | |
| U64, U63, U61, U60, U58, U57, | 74LS08 | | 14 | 7 | |
| U55, U54, U52 | | | | | |
| U75, U87, U74, U68, U73, U85, | 7406 | | 14 | 7 | |
| U82, U70, U69, U81, U68, U80, | | | | | |
| U67, U79 | | | | | |
| U78, U77, U76, U66, U10 | LM339 | 3 | | 12 | |
| U32, U18 | 74LS04 | | 14 | 7 | |
| U34, U35 | 74S08 | | 14 | 7 | |
| U33 | 74LS05 | | 14 | 7 | |
| U59, U53, U56, U29, U28, U30 | 74LS11 | | 14 | 7 | |
| U13, U12, U17 | 74LS32 | | 14 | 7 | |
| U65, U7, U8 | MPQ2222A | | | | |
| U31 | 74LS86 | | 14 | 7 | |
| U88 | LM317 | | | | |
| U89, U26 | 2.2KX15 | | 16 | | |
| U2 | 74LS132 | | 16 | 8 | |
| U11, U1 | 74LS244 | | 20 | 10 | |
| U27 | 74LS273 | | 20 | 10 | |
| U3, U4 | LM311 | 8 | | 1 | 4 |
| U5 | LM348 | 4 | | | 11 |
| U21 | 74279 | | 16 | 8 | |
| U19 | 7415 | | 14 | 7 | |
| U20 | 7409 | | 14 | 7 | |

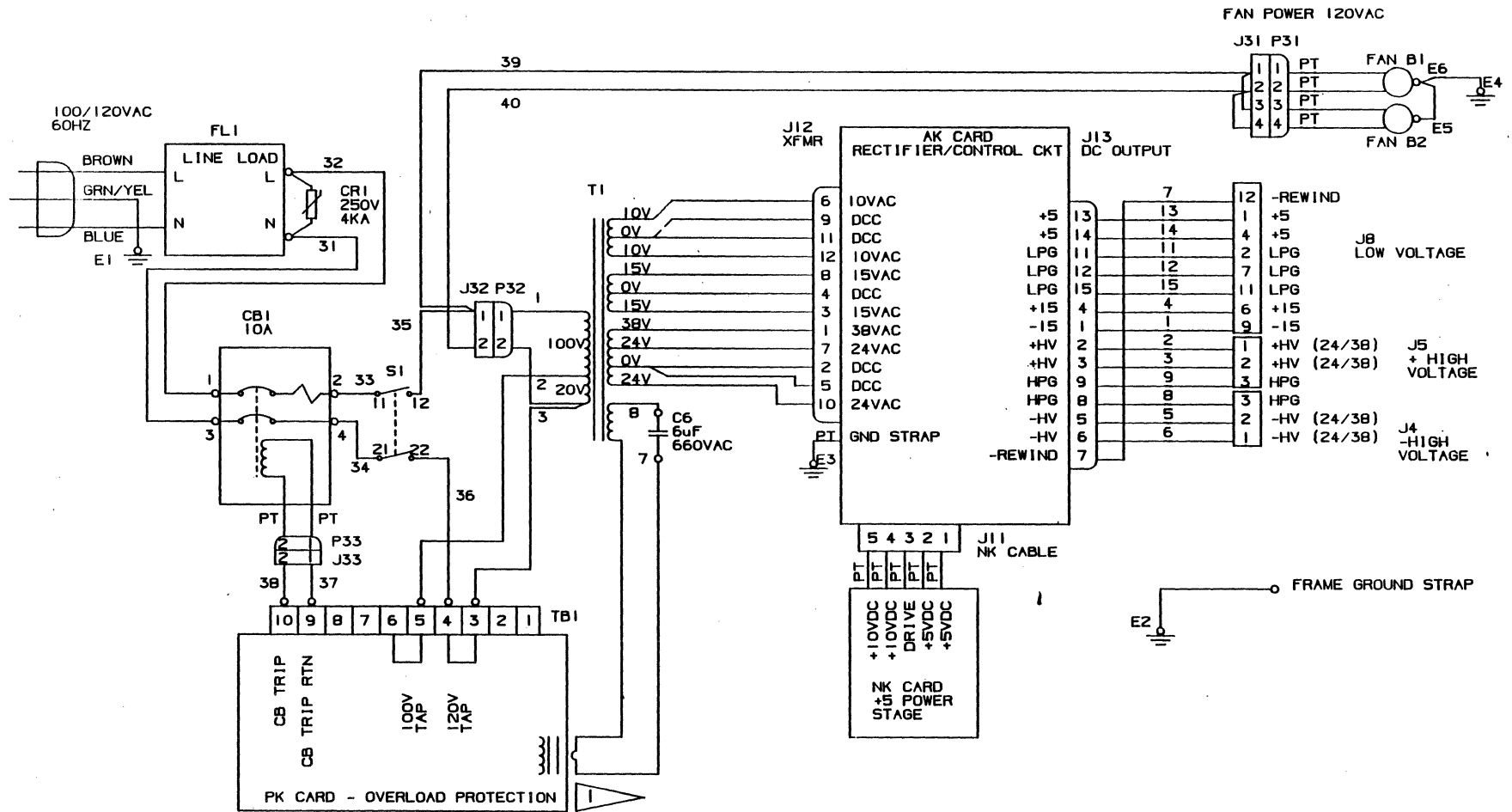
| REFERENCE DESIGNATOR | TYPE | +15V | +5V | GND | -15V |
|----------------------|--------|------|-----|-----|------|
| U22 | 7426 | | 14 | 7 | |
| U9 | LF353A | 8 | | | 4 |
| U23 | IH5010 | | | | |
| U6 | LF398 | 1 | | | 4 |

| REFERENCE DESIGNATOR | TYPE | PARTITIONS | AVAILABLE PINS |
|-------------------------------|----------|------------|----------------------|
| U74, U72, U70, U68 | 7406 | A006E1 | 11, 10 |
| U62 | 74LS74 | E074B1 | 12, 11, 10, 13, 8, 9 |
| U86, U87, U85, U84, U83, U82, | | | |
| U81, U80, U79 | 7406 | A006B1 | 3, 4 |
| U75, U73, U71, U69, U67 | 7406 | A006F1 | 13, 12 |
| U33 | 74LS05 | E005C1 | 5, 6 |
| U29 | 74LS11 | E011C1 | 9, 10, 11, 8 |
| U28 | 74LS11 | E011B1 | 3, 4, 5, 6, |
| U65 | MPQ2222A | Q222C1 | 9, 8, 10 |
| U65 | MPQ2222A | Q222D1 | 13, 14, 13 |
| U66 | LM339 | G339D1 | 11, 10, 12 |



NOTES: UNLESS OTHERWISE SPECIFIED
 1. THESE LINES ARE INTERNAL POWER AND GROUND PLANES.
 2. ALL CAPACITORS ARE IN MICROFARADS (μF).

| | | | | | |
|------------|---------|---------------------------------|-----------|----------|------------|
| SI | | POWER, GROUND, AND UNUSED GATES | | | |
| PRES. E.C. | 49262 | MACH. | AVALANCHE | CD. LOC. | |
| PREV. E.C. | NONE | VERS. | | GATE | |
| DATE | 7-19-83 | GBL. ROT. | | FRAME | |
| | | | | CD. R.N. | |
| | | | | CD. TYPE | HR |
| | | | | PG. RN. | 4030745-01 |



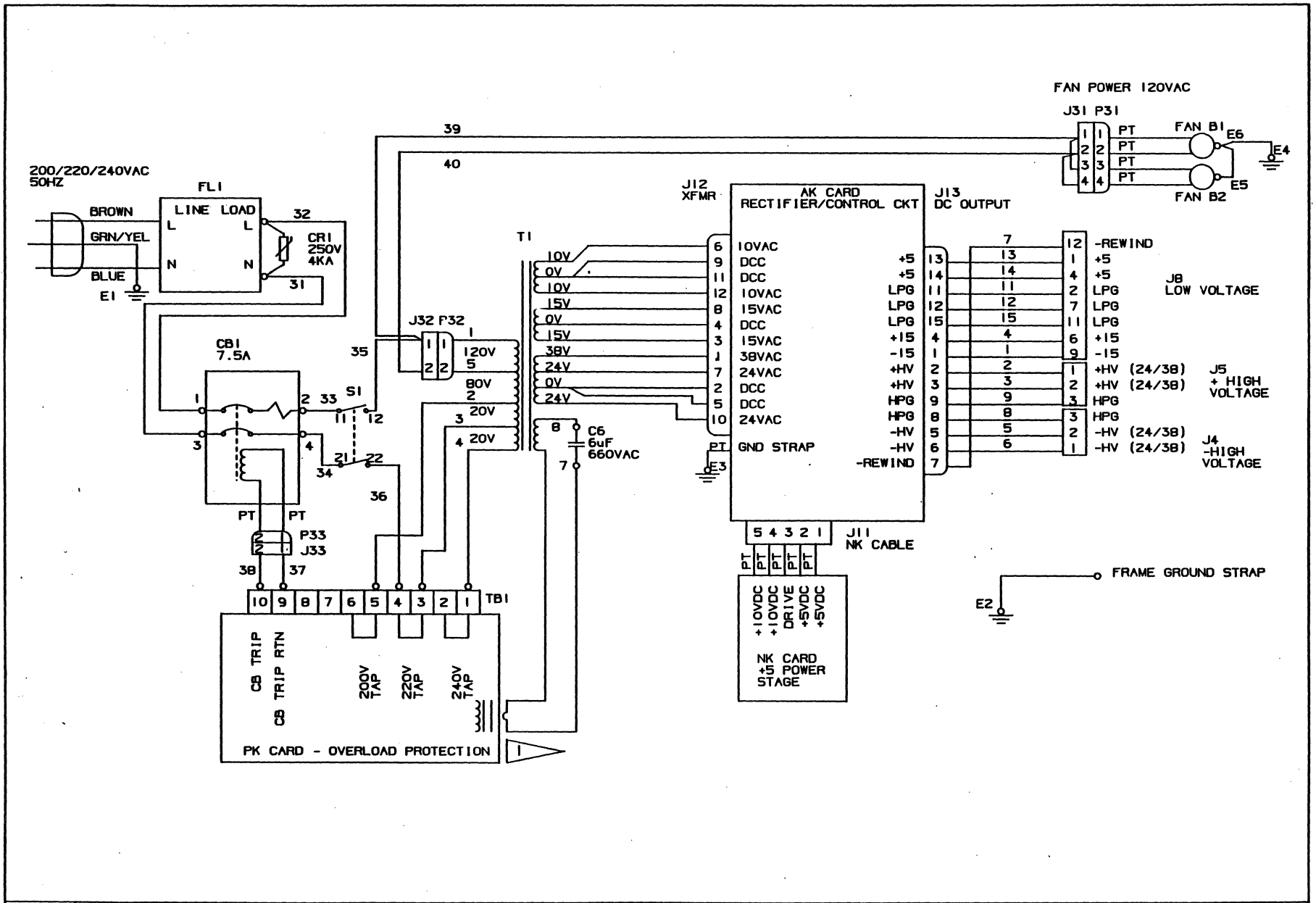
1-TURN WINDING MADE BY PASSING TRANSFORMER LEAD 7 THROUGH TOROID ON PK CARD

POWER SYSTEM BLOCK DIAGRAM, 60 HZ

| | | | |
|--------------------|-----------------|---------------------|---------------------------------------|
| PRES. E.C. 49260 | MACH. 2920 | CD. LOC. GATE FRAME | CD. P.N. CD. TYPE PG. P.N. 4030312-02 |
| PREV. E.C. NONE | VERS. GBL. ROT. | | |
| DATE SEPT 21, 1983 | | | |

B
D
O
I
O

B
D
O
I
O



1-TURN WINDING MADE BY PASSING TRANSFORMER LEAD 7 THROUGH TOROID ON PK CARD

| | | |
|--|-----------------|---------------------------------------|
| POWER SYSTEM BLOCK DIAGRAM, 50 HZ | | B D O I O |
| PRES. E.C. 49294 | MACH. 2920 | CD. LOC. GATE FRAME |
| PREV. E.C. 49222 | VERS. GBL. ROT. | CD. P.N. CD. TYPE PG. P.N. 4031827-02 |
| DATE 10-21-85 | | |

MASTER MACHINE LEVEL LISTING
 AVALANCHE

7/31/84
 PAGE: 1

F.C. MMLL

| CH | EC NO. | EIR NO. | F/B NO. | S T | MOD FEAT | INCORP DATE | SNBI | ECN |
|----|-----------|------------|------------|--------|-------------|----------------|--------|-----|
| 00 | 49141 | | | 1 | 2920 | 4/10/83 | 000001 | |
| | 49031 | | | 1 | 2920 | 5/31/83 | 000001 | |
| | 49168 | | | 1 | 2920 | 6/ 7/83 | 000001 | |
| | 49203 | | | 1 | 2920 | 6/ 8/83 | 000001 | |
| | 49223 | | | 1 | 2920 | 6/ 9/83 | 000001 | |
| | 49225 | | | 1 | 2920 | 6/15/83 | 000001 | |
| | 44964 | | | 1 | 2920 | 6/24/83 | 000001 | |
| | 49161 | | | 1 | 2920 | 6/24/83 | N/A | |
| | 49098 | | | 1 | 2920 | 6/24/83 | N/A | |
| | 49095 | | | 1 | 2920 | 6/24/83 | 000001 | |
| | 49193 | | | 1 | 2920 | 6/28/83 | N/A | |
| | 44970 | | | 1 | 2920 | 6/29/83 | N/A | |
| | 49200 | | | 1 | 2920 | 6/30/83 | 000001 | |
| | 49200N | | | 1 | 2920 | 6/30/83 | 000001 | |
| | 49206 | | | 1 | 2920 | 6/30/83 | N/A | |
| | 49206N | | | 1 | 2920 | 6/30/83 | N/A | |
| | 49121 | | | 1 | 2920 | 6/30/83 | N/A | |
| | 44949 | | | 1 | 2920 | 6/30/83 | N/A | |
| | 44963 | | | 1 | 2920 | 6/30/83 | N/A | |
| | 49131 | | | 1 | 2920 | 7/ 1/83 | N/A | |
| | 49245 | | | 1 | 2920 | 7/ 1/83 | 000001 | |
| | 44957 | | | 1 | 2920 | 7/ 1/83 | N/A | |
| | 49186 | | | 1 | 2920 | 7/ 1/83 | N/A | |
| | 49142 | | | 1 | 2920 | 7/13/83 | N/A | |
| | 49183 | | | 1 | 2920 | 7/13/83 | N/A | |
| | 49102 | | | 1 | 2920 | 7/13/83 | N/A | |
| | 44965 | | | 1 | 2920 | 7/13/83 | N/A | |
| | 49011 | | | 1 | 2920 | 7/13/83 | N/A | |
| | 49170 | | | 1 | 2920 | 7/14/83 | N/A | |
| | 49240 | | | 1 | 2920 | 7/14/83 | N/A | |
| | 49217 | | | 1 | 2920 | 7/14/83 | N/A | |
| | 49221 | | | 1 | 2920 | 7/14/83 | N/A | |
| | 49261 | | | 1 | 2920 | 7/15/83 | N/A | |
| | 49188 | | | 1 | 2920 | 7/15/83 | N/A | |
| | 44935 | | | 1 | 2920 | 7/15/83 | N/A | |
| | 49118 | | | 1 | 2920 | 7/15/83 | N/A | |
| | 49084 | | | 1 | 2920 | 7/15/83 | N/A | |
| | 49216 | | | 1 | 2920 | 7/18/83 | N/A | |
| | 49201 | | | 1 | 2920 | 7/19/83 | N/A | |
| | 49166 | | | 1 | 2920 | 7/21/83 | 000007 | |
| | 49166N | | | 1 | 2920 | 9/13/83 | 000007 | |
| | 49262 | | | 1 | 2920 | 7/20/83 | 000008 | |
| | | | | | | | THRU | |
| | | | | | | | 000010 | |
| | | | | | | | 000012 | |
| | | | | | | | 000015 | |
| | | | | | | | THRU | |
| | | | | | | | 000017 | |
| | | | | | | | 000020 | |
| | 49135 | | | 1 | 2920 | 7/20/83 | N/A | |
| | 44930 | | | 1 | 2920 | 7/20/83 | N/A | |
| | 49002 | | | 1 | 2920 | 7/20/83 | N/A | |
| | 44969 | | | 1 | 2920 | 7/20/83 | N/A | |
| | 49210 | | | 1 | 2920 | 7/21/83 | N/A | |

MASTER MACHINE LEVEL LISTING
 AVALANCHE

7/31/84
 PAGE: 2

T.C. MMLL

| CH | EC NO. | EIR .NO. | F/B NO. | S T | MOD FEAT | INCRP DATE | SNBI | ECN |
|------|--------|----------|---------|-----|----------|------------|--------|-----|
| | 49037 | | | 1 | 2920 | 7/21/83 | N/A | |
| | 49085 | | | 1 | 2920 | 7/21/83 | N/A | |
| | 44921 | | | 1 | 2920 | 7/21/83 | N/A | |
| | 49227 | | | 1 | 2920 | 7/26/83 | N/A | |
| | 49275 | | | 1 | 2920 | 7/27/83 | 000001 | |
| | | | | | | | 000009 | |
| | | | | | | | THRU | |
| | | | | | | | 000012 | |
| | | | | | | | 000015 | |
| | | | | | | | 000018 | |
| | | | | | | | 000023 | |
| 'L 2 | 49301 | | | 5 | 2920 | 8/25/83 | 000009 | |
| | | | | | | | THRU | |
| | | | | | | | 000012 | |
| | | | | | | | 000015 | |
| | | | | | | | 000018 | |
| | | | | | | | 000023 | |
| /L 3 | 49269 | | | 5 | 2920 | 8/25/83 | 000009 | |
| | | | | | | | THRU | |
| | | | | | | | 000012 | |
| | | | | | | | 000015 | |
| | | | | | | | 000018 | |
| | | | | | | | 000023 | |
| /L 4 | 49306 | | | 5 | 2920 | 8/25/83 | 000009 | |
| | | | | | | | THRU | |
| | | | | | | | 000012 | |
| | | | | | | | 000015 | |
| | | | | | | | 000018 | |
| | | | | | | | 000023 | |
| | 49220 | | | 1 | 2920 | 9/15/83 | 000025 | |
| | 49322 | | | 1 | 2920 | 9/ 7/83 | 000025 | |
| | 49294 | | | 1 | 2920 | 10/19/83 | 000025 | |
| | 49241 | | | 1 | 2920 | 7/27/83 | 000027 | |
| | 49093 | | | 1 | 2920 | 7/29/83 | N/A | |
| | 49222 | | | 1 | 2920 | 8/12/83 | 000027 | |
| /L 5 | 49318 | | | 5 | 2920 | 9/ 9/83 | 000012 | |
| | | | | | | | 000019 | |
| | | | | | | | 000023 | |
| | | | | | | | 000024 | |
| | | | | | | | 000026 | |
| | | | | | | | 000027 | |
| | | | | | | | 000028 | |
| | | | | | | | 000029 | |
| | 49184 | | | 1 | 2920 | 8/26/83 | 000019 | |
| | | | | | | | 000027 | |
| | | | | | | | 000029 | |
| | 49184P | | | 1 | 2920 | 9/23/83 | 000019 | |
| | | | | | | | 000027 | |
| | | | | | | | 000029 | |
| | 49304 | | | 1 | 2920 | 9/ 1/83 | N/A | |
| | 49291 | | | 1 | 2920 | 9/12/83 | N/A | |
| | 49288 | | | 1 | 2920 | 9/13/83 | N/A | |
| | 49323 | | | 1 | 2920 | 9/13/83 | N/A | |
| | 49187 | | | 1 | 2920 | 9/14/83 | N/A | |

MASTER MACHINE LEVEL LISTING
 AVALANCHE

7/31/84
 PAGE: 3

T.C. MMLL

| ICH FL | EC NO. | EIR NO. | F/B NO. | S T | MOD FEAT | INCRP DATE | SNBI | ECN |
|-----------|-----------|------------|------------|--------|-------------|---------------|--------|-----|
| | 49162 | | | 1 | 2920 | 9/14/83 | N/A | |
| | 49336 | | | 1 | 2920 | 9/29/83 | 000025 | |
| | | | | | | | 000029 | |
| | | | | | | | 000035 | |
| | | | | | | | 000036 | |
| | | | | | | | 000038 | |
| | | | | | | | 000040 | |
| | | | | | | | 000041 | |
| | | | | | | | 000045 | |
| | 49041 | | | 1 | 2920 | 8/17/83 | N/A | |
| | 49303 | | | 1 | 2920 | 8/24/83 | N/A | |
| | 49235 | | | 1 | 2920 | 8/24/83 | N/A | |
| | 49235N | | | 1 | 2920 | 2/17/84 | N/A | |
| | 49238 | | | 1 | 2920 | 7/20/83 | 000041 | |
| | 49189 | | | 1 | 2920 | 7/20/83 | 000042 | |
| | 49279 | | | 1 | 2920 | 7/19/83 | N/A | |
| | 49280 | | | 1 | 2920 | 8/10/83 | N/A | |
| | 49305 | | | 1 | 2920 | 8/29/83 | N/A | |
| | 49331 | | | 1 | 2920 | 9/21/83 | N/A | |
| | 49197 | | | 1 | 2920 | 9/28/83 | N/A | |
| | 49312 | | | 1 | 2920 | 9/30/83 | N/A | |
| | 49312N | | | 1 | 2920 | 12/ 9/83 | N/A | |
| | 49296 | | | 1 | 2920 | 10/10/83 | 000049 | |
| | 49365 | | | 1 | 2920 | 11/11/83 | N/A | |
| | 49362 | | | 1 | 2920 | 11/11/83 | 000049 | |
| | 49365 | | | 1 | 2920 | 11/15/83 | N/A | |
| | 49365 | | | 1 | 2920 | 11/28/83 | N/A | |
| | 49375 | | | 1 | 2920 | 11/28/83 | N/A | |
| | 49370 | | | 1 | 2920 | 12/16/83 | N/A | |
| | 49397 | | | 1 | 2920 | 11/29/83 | N/A | |
| | 49385 | | | 1 | 2920 | 11/29/83 | N/A | |
| | 49376 | | | 1 | 2920 | 11/30/83 | 000049 | |
| | 49302 | | | 1 | 2920 | 12/ 2/83 | N/A | |
| | 49406 | | | 1 | 2920 | 12/ 8/83 | N/A | |
| | 49394 | | | 1 | 2920 | 12/15/83 | N/A | |
| | 49393 | | | 1 | 2920 | 12/15/83 | N/A | |
| | 49402 | | | 1 | 2920 | 12/15/83 | N/A | |
| | 49398 | | | 1 | 2920 | 12/16/83 | N/A | |
| | 49370 | | | 1 | 2920 | 11/28/83 | 000049 | |
| | | | | | | | THRU | |
| | | | | | | | 000051 | |
| | | | | | | | 000053 | |
| | 49369 | | | 1 | 2920 | 12/20/83 | 000058 | |
| | 49355 | | | 1 | 2920 | 12/23/83 | 000067 | |
| 5/L 6 | 49423 | | | 5 | 2920 | 12/30/83 | 000109 | |
| | | | | | | | 000119 | |
| | | | | | | | 000121 | |
| | | | | | | | THRU | |
| | | | | | | | 000125 | |
| | | | | | | | 000127 | |
| | | | | | | | THRU | |
| | | | | | | | 000129 | |
| | | | | | | | 000137 | |
| | | | | | | | 000142 | |

MASTER MACHINE LEVEL LISTING
 AVALANCHE

7/31/84
 PAGE: 4

T.C. MMLL

| CH | EC NO. | EIR NO. | F/B NO. | S T | MOD FEAT | INCRP DATE | SNBI | ECN |
|-----|--------|---------|---------|-----|----------|------------|--|-----|
| | 49423A | | 68296 | 5 | 2920 | 1/21/84 | 000109 000119 000121 THRU 000125 000127 THRU 000129 000137 000142 | |
| | 49128 | | | 1 | 2920 | 1/13/84 | N/A | |
| | 49431 | | | 1 | 2920 | 1/13/84 | N/A | |
| L 7 | 49444 | | 68294 | 5 | 2920 | 1/16/84 | 000072 000085 000087 000101 000102 000111 000124 000125 000127 000128 000129 000171 000172 000174 000176 000177 000180 | |
| | 49439 | | | 1 | 2920 | 1/16/84 | 000072 000085 000087 000101 000102 000111 000119 THRU 000125 000127 000128 000129 000142 000143 000147 000148 000150 | |
| L 8 | 49435 | | 68270 | 5 | 2920 | 1/26/84 | 000072 000085 THRU 000087 000100 THRU 000102 000111 | |

MASTER MACHINE LEVEL LISTING
 AVALANCHE

7/31/84
 PAGE: 5

T.C. MMLL

| CH | EC NO. | EIR NO. | F/B NO. | S T | MOD FEAT | INCRP DATE | SNBI | ECN |
|-------|--------|---------|---------|-----|----------|------------|--------|-----|
| | | | | | | | 000112 | |
| | | | | | | | 000125 | |
| | | | | | | | 000126 | |
| | | | | | | | 000127 | |
| | | | | | | | 000142 | |
| | | | | | | | 000143 | |
| | | | | | | | 000147 | |
| | | | | | | | 000148 | |
| | | | | | | | 000150 | |
| | 49416 | | | 1 | 2920 | 1/16/84 | 000072 | |
| | | | | | | | 000085 | |
| | | | | | | | 000087 | |
| | | | | | | | 000101 | |
| | | | | | | | 000102 | |
| | | | | | | | 000111 | |
| | | | | | | | 000112 | |
| | | | | | | | 000119 | |
| | | | | | | | 000122 | |
| | | | | | | | 000124 | |
| | | | | | | | 000125 | |
| | | | | | | | 000127 | |
| | | | | | | | 000128 | |
| | | | | | | | 000129 | |
| | | | | | | | 000151 | |
| | | | | | | | 000153 | |
| | | | | | | | 000154 | |
| | | | | | | | 000155 | |
| | | | | | | | 000160 | |
| | 49428 | | | 1 | 2920 | 1/21/84 | N/A | |
| | 49398 | | | 1 | 2920 | 1/21/84 | N/A | |
| | 49341 | | | 1 | 2920 | 1/21/84 | N/A | |
| | 49342 | | | 1 | 2920 | 1/21/84 | N/A | |
| | 49343 | | | 1 | 2920 | 1/21/84 | N/A | |
| | 49344 | | | 1 | 2920 | 1/21/84 | N/A | |
| | 49345 | | | 1 | 2920 | 1/21/84 | N/A | |
| | 49346 | | | 1 | 2920 | 1/21/84 | N/A | |
| | 49347 | | | 1 | 2920 | 1/21/84 | N/A | |
| | 49348 | | | 1 | 2920 | 1/21/84 | N/A | |
| S/L 9 | 49477 | | 68352 | 5 | 2920 | 2/ 6/84 | 000125 | |
| | | | | | | | 000171 | |
| | | | | | | | 000174 | |
| | | | | | | | 000176 | |
| | | | | | | | 000188 | |
| | | | | | | | 000190 | |
| | | | | | | | 000192 | |
| | | | | | | | THRU | |
| | | | | | | | 000194 | |
| | | | | | | | 000196 | |
| | 49474 | | | 1 | 2920 | 2/ 6/84 | 000125 | |
| | | | | | | | 000190 | |
| | | | | | | | 000197 | |
| | | | | | | | THRU | |
| | | | | | | | 000212 | |
| | | | | | | | 000214 | |

MASTER MACHINE LEVEL LISTING
 AVALANCHE

7/31/84
 PAGE: 6

T.C. MMLL

| CH | EC NO. | EIR NO. | F/B NO. | S T | MOD FEAT | INCORP DATE | SNBI | ECN |
|-------|--------|---------|---------|-----|----------|-------------|--------|-----|
| | 49387 | | | 1 | 2920 | 2/ 3/84 | N/A | |
| | 49460 | | | 1 | 2920 | 2/ 3/84 | N/A | |
| | 49388 | | | 1 | 2920 | 2/ 3/84 | N/A | |
| | 49450 | | | 1 | 2920 | 2/ 3/84 | N/A | |
| | 49447 | | | 1 | 2920 | 2/ 3/84 | N/A | |
| | 49415 | | | 1 | 2920 | 2/ 3/84 | N/A | |
| | 49446 | | | 1 | 2920 | 2/ 3/84 | N/A | |
| | 49420 | | 68224 | 2 | 2920 | 2/10/84 | N/A | |
| | 49443 | | | 1 | 2920 | 2/10/84 | N/A | |
| | 49466 | | | 1 | 2920 | 2/10/84 | N/A | |
| | 49419 | | | 1 | 2920 | 2/17/84 | N/A | |
| | 49432 | | | 1 | 2920 | 2/17/84 | N/A | |
| | 49461 | | | 1 | 2920 | 2/17/84 | 099998 | |
| | 49396 | | | 1 | 2920 | 2/17/84 | N/A | |
| /L 10 | 49250 | | 68360 | 5 | 2920 | 2/29/84 | 000125 | |
| | | | | | | | 000171 | |
| | | | | | | | 000174 | |
| | | | | | | | 000176 | |
| | | | | | | | 000188 | |
| | | | | | | | 000190 | |
| | | | | | | | 000192 | |
| | | | | | | | THRU | |
| | | | | | | | 000194 | |
| | | | | | | | 000196 | |
| | | | | | | | THRU | |
| | | | | | | | 000213 | |
| | | | | | | | 000216 | |
| /L 12 | 49481 | | 68374 | 5 | 2920 | 3/ 5/84 | 000125 | |
| /L 13 | 49545 | | 68416 | 5 | 2920 | 3/15/84 | 000218 | |
| /L 14 | 49489 | | 68376 | 5 | 2920 | 3/30/84 | 000218 | |
| /L 15 | 49552 | | 68427 | 5 | 2920 | 4/10/84 | 000219 | |
| /L 16 | 49516 | | 68424 | 5 | 2920 | 4/10/84 | 000219 | |
| /L 17 | 49569 | | 68449 | 5 | 2920 | 4/10/84 | 000237 | |
| /L 18 | 49510 | | 68437 | 5 | 2920 | 4/10/84 | 000237 | |
| /L 19 | 49504 | | 68441 | 5 | 2920 | 4/13/84 | 000237 | |
| /L 20 | 49563 | | 68451 | 5 | 2920 | 4/10/84 | 000237 | |
| /L 21 | 49576 | | 68455 | 5 | 2920 | 4/10/84 | 000237 | |
| /L 22 | 49582 | | 68489 | 5 | 2920 | 5/15/84 | 000375 | |
| /L 23 | 49389 | | 68340 | 5 | 2920 | 6/ 1/84 | 001156 | |
| | | | | | | | THRU | |
| | | | | | | | 001162 | |
| | | | | | | | 000108 | |
| | | | | | | | 000195 | |
| | | | | | | | 000121 | |
| | | | | | | | 000317 | |
| | | | | | | | 000122 | |
| | | | | | | | 000186 | |
| | | | | | | | 000066 | |
| | | | | | | | 000118 | |
| | | | | | | | 000128 | |
| | | | | | | | 000129 | |
| | | | | | | | 000289 | |
| | | | | | | | 000317 | |
| | | | | | | | 000280 | |

MASTER MACHINE LEVEL LISTING
 AVALANCHE

7/31/84
 PAGE: 7

T.C. MMLL

| ACH | EC | EIR | F/B | S | MOD | INCRP | SNBI | ECN |
|-------|-------|-----|-------|---|------|---------|--------|-----|
| NO. | NO. | NO. | NO. | T | FEAT | DATE | | |
| | | | | | | | 000235 | |
| | | | | | | | 000093 | |
| | | | | | | | 000123 | |
| | | | | | | | 000299 | |
| | | | | | | | 000081 | |
| | | | | | | | 000294 | |
| | | | | | | | 000245 | |
| | | | | | | | 000292 | |
| | | | | | | | 000279 | |
| | | | | | | | 000289 | |
| | | | | | | | 001001 | |
| | | | | | | | 001007 | |
| | | | | | | | 001009 | |
| /L 24 | 49499 | | 68338 | 5 | 2920 | 6/ 1/84 | 001156 | |
| | | | | | | | THRU | |
| | | | | | | | 001162 | |
| /L 25 | 49598 | | 68497 | 5 | 2920 | 6/ 1/84 | 001005 | |
| /L 26 | 49626 | | 68517 | 5 | 2920 | 6/ 4/84 | 001206 | |
| | | | | | | | THRU | |
| | | | | | | | 001220 | |
| | | | | | | | 001277 | |
| | | | | | | | THRU | |
| | | | | | | | 001286 | |
| | | | | | | | 001340 | |
| | | | | | | | THRU | |
| | | | | | | | 001345 | |
| | | | | | | | THRU | |
| | | | | | | | 001228 | |
| | | | | | | | THRU | |
| | | | | | | | 001230 | |
| /L 27 | 49611 | | 68514 | 5 | 2920 | 6/ 4/84 | 001206 | |
| /L 28 | 49649 | | | 5 | 2920 | 7/10/84 | THRU | |
| /L 29 | 49709 | | 68576 | 5 | 2920 | 7/31/84 | 001674 | |
| | | | 00000 | | | | | |
| | | | | | | | 001227 | |
| | | | | | | | THRU | |
| | | | | | | | 001286 | |
| | | | | | | | 001340 | |
| | | | | | | | THRU | |
| | | | | | | | 001345 | |
| | | | | | | | 001228 | |
| | | | | | | | THRU | |
| | | | | | | | 001230 | |
| | | | | | | | 000282 | |
| | | | | | | | 000379 | |
| | | | | | | | THRU | |
| | | | | | | | 001035 | |