

Price: \$10.50

**SDS 930 COMPUTER
CENTRAL PROCESSOR**
Logic Layouts,
Current and History

SDS 900592C

July 1966

This publication incorporates all previous changes and supersedes all previous revisions including SDS 900592B-1 dated May 1965, revised July 1966.

SDS

SCIENTIFIC DATA SYSTEMS • 1649 Seventeenth Street • Santa Monica, Calif. • (213) 871-0960

LIST OF EFFECTIVE PAGES

Total number of pages is 166, as follows:

Page No.	Issue	Page No.	Issue
Title	July 1966		
A	July 1966		
1 thru 164	July 1966		

PAGE	CHG	PAGE	CHG	PAGE	CHG	PAGE	CHG	PAGE	CHG
1	A	61	A	121		181		241	
2	A	62	A	122		182		242	
3	A	63	A	123		183		243	
4	A	64	A	124		184		244	
5	A	65	A	125		185		245	
6	A	66	A	126		186		246	
7	A	67	A	127		187		247	
8		68	A	128		188		248	
9		69	A	129		189		249	
10		70	A	130		190		250	
11		71	A	131		191		251	
12		72	A	132		192		252	
13		73	A	133		193		253	
14		74	A	134		194		254	
15		75	A	135		195		255	
16		76	A	136		196		256	
17		77	A	137		197		257	
18		78	A	138		198		258	
19		79	A	139		199		259	
20		80	A	140		200		260	
21		81	A	141		201		261	
22		82	A	142		202		262	
23		83	A	143		203		263	
24		84	A	144		204		264	
25		85	A	145		205		265	
26		86	A	146		206		266	
27		87		147		207		267	
28	A	88		148		208		268	
29	A	89		149		209		269	
30	A	90		150		210		270	
31	A	91		151		211		271	
32	A	92		152		212		272	
33	A	93		153		213		273	
34	A	94		154		214		274	
35	A	95		155		215		275	
36	A	96		156		216		276	
37	A	97		157		217		277	
38	A	98		158		218		278	
39	A	99		159		219		279	
40	A	100		160		220		280	
41	A	101		161		221		281	
42	A	102		162		222		282	
43	A	103		163		223		283	
44	A	104		164		224		284	
45	A	105		165		225		285	
46	A	106		166		226		286	
47	A	107		167		227		287	
48	A	108		168		228		288	
49	A	109		169		229		289	
50	A	110		170		230		290	
51	A	111		171		231		291	
52	A	112		172		232		292	
53	A	113		173		233		293	
54	A	114		174		234		294	
55	A	115		175		235		295	
56	A	116		176		236		296	
57	A	117		177		237		297	
58	A	118		178		238		298	
59	A	119		179		239		299	
60	A	120		180		240		300	

NOTES:

1. REVISION LETTERS LISTED INDICATE STATUS OF EACH SHEET OF THIS MULTIPLE SHEET DRAWING.
2. CHECK INDIVIDUAL SHEETS FOR REVISION LETTER AGAINST THIS SHEET BEFORE USING THIS DRAWING.

REFERENCE DESIGNATIONS
ARE ABBREVIATED.
PREFIX THE DESIGNATION
WITH UNIT NUMBER
OR ASSEMBLY DESIGNATION
OR BOTH. (MIL. STD. 16B)

930
PAGE 1
A

930		106407		A	
DIAGRAM, LOGIC COMPUTER					
SIBS					
REVISIONS					
REV.	DESCRIPTION	DATE	BY	APP.	106407
1	REV. TO N.E.S.	7/7	7/7	7/7	A

A 106407

PAGE	CHG	PAGE	CHG	PAGE	CHG	PAGE	CHG	PAGE	CHG
1	B	61	A	121		181		241	
2	A	62	A	122		182		242	
3	A	63	A	123		183		243	
4	A	64	A	124		184		244	
5	A	65	B	125		185		245	
6	A	66	B	126		186		246	
7	A	67	A	127		187		247	
8		68	A	128		188		248	
9		69	A	129		189		249	
10		70	A	130		190		250	
11		71	A	131		191		251	
12		72	B	132		192		252	
13		73	B	133		193		253	
14		74	A	134		194		254	
15		75	A	135		195		255	
16		76	A	136		196		256	
17		77	A	137		197		257	
18		78	A	138		198		258	
19		79	A	139		199		259	
20		80	A	140		200		260	
21		81	A	141		201		261	
22		82	R	142		202		262	
23		83	A	143		203		263	
24		84	B	144		204		264	
25		85	A	145		205		265	
26		86	A	146		206		266	
27		87		147		207		267	
28	A	88		148		208		268	
29	A	89		149		209		269	
30	B	90		150		210		270	
31	A	91		151		211		271	
32	A	92		152		212		272	
33	A	93		153		213		273	
34	B	94		154		214		274	
35	A	95		155		215		275	
36	A	96		156		216		276	
37	A	97		157		217		277	
38	A	98		158		218		278	
39	A	99		159		219		279	
40	A	100		160		220		280	
41	A	101		161		221		281	
42	A	102		162		222		282	
43	A	103		163		223		283	
44	A	104		164		224		284	
45	A	105		165		225		285	
46	A	106		166		226		286	
47	A	107		167		227		287	
48	A	108		168		228		288	
49	A	109		169		229		289	
50	A	110		170		230		290	
51	A	111		171		231		291	
52	A	112		172		232		292	
53	B	113		173		233		293	
54	A	114		174		234		294	
55	A	115		175		235		295	
56	A	116		176		236		296	
57	A	117		177		237		297	
58	A	118		178		238		298	
59	A	119		179		239		299	
60	A	120		180		240		300	

NOTES:

- 1. REVISION LETTERS LISTED INDICATE STATUS OF EACH SHEET OF THIS MULTIPLE SHEET DRAWING.
- 2. CHECK INDIVIDUAL SHEETS FOR REVISION LETTER AGAINST THIS SHEET BEFORE USING THIS DRAWING.

REFERENCE DESIGNATIONS ARE ABBREVIATED. PREFIX THE DESIGNATION WITH UNIT NUMBER OR ASSEMBLY DESIGNATION OR BOTH. (MIL. STD. 16B)

930
PAGE 1
B

930	106407	8	REV. NO.	106407	REV. NO.	106407	REV. NO.	106407
			DESCRIPTION	DIAGRAM, LOGIC COMPUTER	DATE	10/27/54	BY	J. S. [unclear]
SCALE			DO NOT SCALE DRAWING			SHEET 7		
TITLE			SDS			SCIENTIFIC DATA SYSTEMS SALES, SERVICE, CALIFORNIA		

B | 106407

PAGE	CHG	PAGE	CHG	PAGE	CHG	PAGE	CHG	PAGE	CHG
1	C	61	A	121		181		241	
2	C	62	C	122		182		242	
3	C	63	A	123		183		243	
4	C	64	A	124		184		244	
5	A	65	B	125		185		245	
6	A	66	B	126		186		246	
7	A	67	A	127		187		247	
8		68	C	128		188		248	
9		69	A	129		189		249	
10		70	A	130		190		250	
11		71	A	131		191		251	
12		72	B	132		192		252	
13		73	B	133		193		253	
14		74	A	134		194		254	
15		75	A	135		195		255	
16		76	A	136		196		256	
17		77	A	137		197		257	
18		78	A	138		198		258	
19		79	A	139		199		259	
20		80	C	140		200		260	
21		81	A	141		201		261	
22		82	B	142		202		262	
23		83	A	143		203		263	
24		84	B	144		204		264	
25		85	A	145		205		265	
26		86	C	146		206		266	
27		87		147		207		267	
28	A	88		148		208		268	
29	A	89		149		209		269	
30	B	90		150		210		270	
31	A	91		151		211		271	
32	A	92		152		212		272	
33	A	93		153		213		273	
34	B	94		154		214		274	
35	A	95		155		215		275	
36	A	96		156		216		276	
37	A	97		157		217		277	
38	A	98		158		218		278	
39	A	99		159		219		279	
40	A	100		160		220		280	
41	A	101		161		221		281	
42	A	102		162		222		282	
43	A	103		163		223		283	
44	A	104		164		224		284	
45	A	105		165		225		285	
46	A	106		166		226		286	
47	A	107		167		227		287	
48	A	108		168		228		288	
49	A	109		169		229		289	
50	C	110		170		230		290	
51	A	111		171		231		291	
52	A	112		172		232		292	
53	B	113		173		233		293	
54	A	114		174		234		294	
55	A	115		175		235		295	
56	A	116		176		236		296	
57	A	117		177		237		297	
58	A	118		178		238		298	
59	A	119		179		239		299	
60	A	120		180		240		300	

NOTES:

1. REVISION LETTERS LISTED INDICATE STATUS OF EACH SHEET OF THIS MULTIPLE SHEET DRAWING.
2. CHECK INDIVIDUAL SHEETS FOR REVISION LETTER AGAINST THIS SHEET BEFORE USING THIS DRAWING.

REFERENCE DESIGNATIONS
ARE ABBREVIATED.
PREFIX THE DESIGNATION
WITH UNIT NUMBER
OR ASSEMBLY DESIGNATION
OR BOTH. (MIL. STD. 16B)

930
PAGE 1
C

930	106407	C	REV. 1	DESCRIPTION	DATE	APPROVED
			REV. 2	SEE REV EC	1/24/54	J. J. J.
			REV. 3	SEE REV EC	1/24/54	J. J. J.
			REV. 4	SEE REV EC	1/24/54	J. J. J.
DIAGRAM, LOGIC COMPUTER			106407 C			
930			106407 C			

C | 106407

PAGE	CHG	PAGE	CHG	PAGE	CHG	PAGE	CHG	PAGE	CHG
1	D	61	A	121		181		241	
2	C	62	C	122		182		242	
3	D	63	A	123		183		243	
4	C	64	A	124		184		244	
5	A	65	B	125		185		245	
6	A	66	B	126		186		246	
7	A	67	A	127		187		247	
8		68	C	128		188		248	
9		69	A	129		189		249	
10		70	A	130		190		250	
11		71	A	131		191		251	
12		72	B	132		192		252	
13		73	B	133		193		253	
14		74	A	134		194		254	
15		75	A	135		195		255	
16		76	A	136		196		256	
17		77	A	137		197		257	
18		78	D	138		198		258	
19		79	A	139		199		259	
20		80	D	140		200		260	
21		81	A	141		201		261	
22		82	R	142		202		262	
23		83	A	143		203		263	
24		84	D	144		204		264	
25		85	A	145		205		265	
26		86	C	146		206		266	
27		87		147		207		267	
28	A	88		148		208		268	
29	A	89		149		209		269	
30	B	90		150		210		270	
31	A	91		151		211		271	
32	A	92		152		212		272	
33	A	93		153		213		273	
34	B	94		154		214		274	
35	A	95		155		215		275	
36	A	96		156		216		276	
37	A	97		157		217		277	
38	A	98		158		218		278	
39	A	99		159		219		279	
40	A	100		160		220		280	
41	A	101		161		221		281	
42	A	102		162		222		282	
43	A	103		163		223		283	
44	A	104		164		224		284	
45	A	105		165		225		285	
46	A	106		166		226		286	
47	A	107		167		227		287	
48	A	108		168		228		288	
49	D	109		169		229		289	
50	D	110		170		230		290	
51	A	111		171		231		291	
52	A	112		172		232		292	
53	B	113		173		233		293	
54	A	114		174		234		294	
55	A	115		175		235		295	
56	A	116		176		236		296	
57	A	117		177		237		297	
58	A	118		178		238		298	
59	A	119		179		239		299	
60	D	120		180		240		300	

NOTES:

1. REVISION LETTERS LISTED INDICATE STATUS OF EACH SHEET OF THIS MULTIPLE SHEET DRAWING.
2. CHECK INDIVIDUAL SHEETS FOR REVISION LETTER AGAINST THIS SHEET BEFORE USING THIS DRAWING.

REFERENCE DESIGNATIONS
ARE ABBREVIATED.
PREFIX THE DESIGNATION
WITH UNIT NUMBER
OR ASSEMBLY DESIGNATION
OR BOTH. (MIL. STD. 168)

930
PAGE 1
D

930	106407	D	REVISIONS	
			REV.	DESCRIPTION
			A	SEE REV E
			B	SEE REV E
			C	SEE REV E
			D	SEE REV E

DIAGRAM, LOGIC
COMPUTER

930 106407 D

D/106407

PAGE	CHG	PAGE	CHG	PAGE	CHG	PAGE	CHG	PAGE	CHG
1	E	61	A	121		181		241	
2	E	62	C	122		182		242	
3	D	63	A	123		183		243	
4	C	64	A	124		184		244	
5	A	65	B	125		185		245	
6	A	66	B	126		186		246	
7	A	67	A	127		187		247	
8		68	E	128		188		248	
9		69	A	129		189		249	
10		70	A	130		190		250	
11		71	E	131		191		251	
12		72	B	132		192		252	
13		73	B	133		193		253	
14		74	A	134		194		254	
15		75	A	135		195		255	
16		76	A	136		196		256	
17		77	A	137		197		257	
18		78	D	138		198		258	
19		79	A	139		199		259	
20		80	D	140		200		260	
21		81	A	141		201		261	
22		82	B	142		202		262	
23		83	A	143		203		263	
24		84	D	144		204		264	
25		85	A	145		205		265	
26		86	C	146		206		266	
27		87		147		207		267	
28	A	88		148		208		268	
29	A	89		149		209		269	
30	B	90		150		210		270	
31	A	91		151		211		271	
32	A	92		152		212		272	
33	A	93		153		213		273	
34	E	94		154		214		274	
35	A	95		155		215		275	
36	A	96		156		216		276	
37	A	97		157		217		277	
38	A	98		158		218		278	
39	A	99		159		219		279	
40	A	100		160		220		280	
41	A	101		161		221		281	
42	A	102		162		222		282	
43	A	103		163		223		283	
44	E	104		164		224		284	
45	A	105		165		225		285	
46	A	106		166		226		286	
47	A	107		167		227		287	
48	A	108		168		228		288	
49	D	109		169		229		289	
50	D	110		170		230		290	
51	A	111		171		231		291	
52	A	112		172		232		292	
53	B	113		173		233		293	
54	A	114		174		234		294	
55	A	115		175		235		295	
56	A	116		176		236		296	
57	A	117		177		237		297	
58	A	118		178		238		298	
59	A	119		179		239		299	
60	D	120		180		240		300	

NOTES:

1. REVISION LETTERS LISTED INDICATE STATUS OF EACH SHEET OF THIS MULTIPLE SHEET DRAWING.
2. CHECK INDIVIDUAL SHEETS FOR REVISION LETTER AGAINST THIS SHEET BEFORE USING THIS DRAWING.

REFERENCE DESIGNATIONS ARE ABBREVIATED. PREFIX THE DESIGNATION WITH UNIT NUMBER OR ASSEMBLY DESIGNATION OR BOTH. (MIL. STD. 16B)

930
PAGE 1
E

930 DO NOT SCALE DRAWING 106407 E	TITLE DIAGRAM, LOGIC COMPUTER	SCALE 1:1	SHEET NO. 106407	SHEET /	
	SPS SYSTEMS SANTA MONICA, CALIFORNIA	DATE 10/1/67	DRAWN BY J. J. JONES	CHECKED BY J. J. JONES	APPROVED BY J. J. JONES
	REVISIONS	NO. 1	DESCRIPTION SEE REV E	DATE 10/1/67	BY J. J. JONES
	NO. 2	DESCRIPTION SEE REV E	DATE 10/1/67	BY J. J. JONES	APPROVED BY J. J. JONES
	NO. 3	DESCRIPTION SEE REV E	DATE 10/1/67	BY J. J. JONES	APPROVED BY J. J. JONES

106407

PAGE	CHG	PAGE	CHG	PAGE	CHG	PAGE	CHG	PAGE	CHG
1	F	61	A	121		181		241	
2	E	62	C	122		182		242	
3	D	63	A	123		183		243	
4	C	64	A	124		184		244	
5	A	65	E	125		185		245	
6	A	66	B	126		186		246	
7	A	67	A	127		187		247	
8		68	E	128		188		248	
9		69	A	129		189		249	
10		70	A	130		190		250	
11		71	F	131		191		251	
12		72	F	132		192		252	
13		73	B	133		193		253	
14		74	A	134		194		254	
15		75	A	135		195		255	
16		76	A	136		196		256	
17		77	A	137		197		257	
18		78	D	138		198		258	
19		79	A	139		199		259	
20		80	C	140		200		260	
21		81	A	141		201		261	
22		82	B	142		202		262	
23		83	A	143		203		263	
24		84	D	144		204		264	
25		85	A	145		205		265	
26		86	C	146		206		266	
27		87		147		207		267	
28	A	88		148		208		268	
29	A	89		149		209		269	
30	B	90		150		210		270	
31	A	91		151		211		271	
32	A	92		152		212		272	
33	A	93		153		213		273	
34	E	94		154		214		274	
35	A	95		155		215		275	
36	A	96		156		216		276	
37	A	97		157		217		277	
38	A	98		158		218		278	
39	A	99		159		219		279	
40	A	100		160		220		280	
41	A	101		161		221		281	
42	A	102		162		222		282	
43	A	103		163		223		283	
44	E	104		164		224		284	
45	A	105		165		225		285	
46	A	106		166		226		286	
47	A	107		167		227		287	
48	A	108		168		228		288	
49	D	109		169		229		289	
50	D	110		170		230		290	
51	A	111		171		231		291	
52	A	112		172		232		292	
53	B	113		173		233		293	
54	A	114		174		234		294	
55	A	115		175		235		295	
56	A	116		176		236		296	
57	A	117		177		237		297	
58	A	118		178		238		298	
59	A	119		179		239		299	
60	D	120		180		240		300	

NOTES:

1. REVISION LETTERS LISTED INDICATE STATUS OF EACH SHEET OF THIS MULTIPLE SHEET DRAWING.
2. CHECK INDIVIDUAL SHEETS FOR REVISION LETTER AGAINST THIS SHEET BEFORE USING THIS DRAWING.

REFERENCE DESIGNATIONS
ARE ABBREVIATED.
PREFIX THE DESIGNATION
WITH UNIT NUMBER
OR ASSEMBLY DESIGNATION
OR BOTH. (MIL. STD. 16B)

930
PAGE 1
F

REV.	DESCRIPTION	DATE	BY	CHKD.	DATE
A	SEE REVISION				
B	SEE REVISION				
C	SEE REVISION				
D	SEE REVISION				
E	SEE REVISION				
F	SEE REVISION				

930

DIAGRAM, LOGIC
COMPUTER

106407

F

DO NOT SCALE DRAWINGS

106407

PAGE	CHG	PAGE	CHG	PAGE	CHG	PAGE	CHG	PAGE	CHG
1	G	61	A	121		181		241	
2	E	62	C	122		182		242	
3	D	63	A	123		183		243	
4	C	64	A	124		184		244	
5	A	65	B	125		185		245	
6	A	66	G	126		186		246	
7	A	67	G	127		187		247	
8		68	E	128		188		248	
9		69	A	129		189		249	
10		70	A	130		190		250	
11		71	F	131		191		251	
12		72	B	132		192		252	
13		73	G	133		193		253	
14		74	A	134		194		254	
15		75	A	135		195		255	
16		76	A	136		196		256	
17		77	A	137		197		257	
18		78	D	138		198		258	
19		79	A	139		199		259	
20		80	D	140		200		260	
21		81	G	141		201		261	
22		82	B	142		202		262	
23		83	A	143		203		263	
24		84	G	144		204		264	
25		85	A	145		205		265	
26		86	C	146		206		266	
27		87		147		207		267	
28	A	88		148		208		268	
29	A	89		149		209		269	
30	B	90		150		210		270	
31	A	91		151		211		271	
32	A	92		152		212		272	
33	A	93		153		213		273	
34	E	94		154		214		274	
35	A	95		155		215		275	
36	A	96		156		216		276	
37	A	97		157		217		277	
38	A	98		158		218		278	
39	A	99		159		219		279	
40	A	100		160		220		280	
41	A	101		161		221		281	
42	A	102		162		222		282	
43	A	103		163		223		283	
44	E	104		164		224		284	
45	A	105		165		225		285	
46	G	106		166		226		286	
47	A	107		167		227		287	
48	A	108		168		228		288	
49	G	109		169		229		289	
50	G	110		170		230		290	
51	A	111		171		231		291	
52	A	112		172		232		292	
53	B	113		173		233		293	
54	A	114		174		234		294	
55	A	115		175		235		295	
56	A	116		176		236		296	
57	A	117		177		237		297	
58	A	118		178		238		298	
59	A	119		179		239		299	
60	D	120		180		240		300	

NOTES:

1. REVISION LETTERS LISTED INDICATE STATUS OF EACH SHEET OF THIS MULTIPLE SHEET DRAWING.
2. CHECK INDIVIDUAL SHEETS FOR REVISION LETTER AGAINST THIS SHEET BEFORE USING THIS DRAWING.

REFERENCE DESIGNATIONS ARE ABBREVIATED. PREFIX THE DESIGNATION WITH UNIT NUMBER OR ASSEMBLY DESIGNATION OR BOTH. (MIL. STD. 16B)

Effective S/N 3120
WIRE LIST 105237 L & R

930
PAGE 1
G

SCALE 9:30	DRAWING NUMBER 106407	TITLE DIAGRAM, LOGIC COMPUTER	SHEET NUMBER G	REVISIONS	
				NO.	DESCRIPTION
				1	SEE REV E
				2	SEE REV E
				3	SEE REV E
				4	SEE REV E
				5	SEE REV E
				6	SEE REV E
				7	SEE REV E

G/106407

PAGE	CHG	PAGE	CHG	PAGE	CHG	PAGE	CHG	PAGE	CHG
1	H	61	A	121		181		241	
2	E	62	C	122		182		242	
3	D	63	A	123		183		243	
4	C	64	A	124		184		244	
5	A	65	B	125		185		245	
6	A	66	G	126		186		246	
7	A	67	G	127		187		247	
8		68	H	128		188		248	
9		69	A	129		189		249	
10		70	A	130		190		250	
11		71	F	131		191		251	
12		72	B	132		192		252	
13		73	G	133		193		253	
14		74	A	134		194		254	
15		75	A	135		195		255	
16		76	A	136		196		256	
17		77	H	137		197		257	
18		78	D	138		198		258	
19		79	A	139		199		259	
20		80	D	140		200		260	
21		81	G	141		201		261	
22		82	R	142		202		262	
23		83	A	143		203		263	
24		84	H	144		204		264	
25		85	A	145		205		265	
26		86	H	146		206		266	
27		87		147		207		267	
28	A	88		148		208		268	
29	A	89		149		209		269	
30	B	90		150		210		270	
31	A	91		151		211		271	
32	A	92		152		212		272	
33	A	93		153		213		273	
34	E	94		154		214		274	
35	A	95		155		215		275	
36	A	96		156		216		276	
37	A	97		157		217		277	
38	A	98		158		218		278	
39	A	99		159		219		279	
40	A	100		160		220		280	
41	A	101		161		221		281	
42	A	102		162		222		282	
43	A	103		163		223		283	
44	E	104		164		224		284	
45	A	105		165		225		285	
46	G	106		166		226		286	
47	A	107		167		227		287	
48	A	108		168		228		288	
49	G	109		169		229		289	
50	H	110		170		230		290	
51	A	111		171		231		291	
52	A	112		172		232		292	
53	B	113		173		233		293	
54	A	114		174		234		294	
55	A	115		175		235		295	
56	A	116		176		236		296	
57	A	117		177		237		297	
58	A	118		178		238		298	
59	A	119		179		239		299	
60	D	120		180		240		300	

NOTES:
 1. REVISION LETTERS LISTED INDICATE STATUS OF EACH SHEET OF THIS MULTIPLE SHEET DRAWING.
 2. CHECK INDIVIDUAL SHEETS FOR REVISION LETTER AGAINST THIS SHEET BEFORE USING THIS DRAWING.

REFERENCE DESIGNATIONS ARE ABBREVIATED. PREFIX THE DESIGNATION WITH UNIT NUMBER OR ASSEMBLY DESIGNATION OR BOTH. (MIL. STD. 168)

Handwritten: 2500... No. 106407 B & G

930
PAGE 1
H

930	106407	H	DIAGRAM, LOGIC COMPUTER	SDS SYSTEMS DEVELOPMENT CORPORATION	REV. TO	DATE	BY	DESCRIPTION
					1			
					A			SEE REV E
					B			SEE REV E
					C			SEE REV E
					D			SEE REV E
					E			SEE REV E
					F			SEE REV E
					G			SEE REV E
					H			SEE REV E

H:106407

PAGE	CHG	PAGE	CHG	PAGE	CHG	PAGE	CHG	PAGE	CHG
1	J	61	A	121		181		241	
2	J	62	C	122		182		242	
3	D	63	A	123		183		243	
4	C	64	A	124		184		244	
5	A	65	B	125		185		245	
6	A	66	G	126		186		246	
7	A	67	G	127		187		247	
8		68	H	128		188		248	
9		69	J	129		189		249	
10		70	A	130		190		250	
11		71	F	131		191		251	
12		72	B	132		192		252	
13		73	G	133		193		253	
14		74	A	134		194		254	
15		75	A	135		195		255	
16		76	J	136		196		256	
17		77	J	137		197		257	
18		78	D	138		198		258	
19		79	A	139		199		259	
20		80	J	140		200		260	
21		81	G	141		201		261	
22		82	J	142		202		262	
23		83	J	143		203		263	
24		84	H	144		204		264	
25		85	A	145		205		265	
26		86	H	146		206		266	
27		87		147		207		267	
28	A	88		148		208		268	
29	A	89		149		209		269	
30	B	90		150		210		270	
31	A	91		151		211		271	
32	A	92		152		212		272	
33	A	93		153		213		273	
34	I	94		154		214		274	
35	A	95		155		215		275	
36	A	96		156		216		276	
37	A	97		157		217		277	
38	A	98		158		218		278	
39	A	99		159		219		279	
40	A	100		160		220		280	
41	A	101		161		221		281	
42	A	102		162		222		282	
43	A	103		163		223		283	
44	F	104		164		224		284	
45	A	105		165		225		285	
46	G	106		166		226		286	
47	A	107		167		227		287	
48	A	108		168		228		288	
49	C	109		169		229		289	
50	H	110		170		230		290	
51	A	111		171		231		291	
52	A	112		172		232		292	
53	B	113		173		233		293	
54	A	114		174		234		294	
55	A	115		175		235		295	
56	A	116		176		236		296	
57	A	117		177		237		297	
58	A	118		178		238		298	
59	A	119		179		239		299	
60	D	120		180		240		300	

NOTES:

1. REVISION LETTERS LISTED INDICATE STATUS OF EACH SHEET OF THIS MULTIPLE SHEET DRAWING.
2. CHECK INDIVIDUAL SHEETS FOR REVISION LETTER AGAINST THIS SHEET BEFORE USING THIS DRAWING.

REFERENCE DESIGNATIONS ARE ABBREVIATED. PREFIX THE DESIGNATION WITH UNIT NUMBER OR ASSEMBLY DESIGNATION OR BOTH. (MIL. STD. 16B)

930
PAGE 1
J

REV.	DESCRIPTION	CHG.	DATE	APPROVED
1	SEE REV E O			
2	SEE REV E O			
3	SEE REV E O			
4	SEE REV E O			
5	SEE REV E O			
6	SEE REV E O			
7	SEE REV E O			
8	SEE REV E O			
9	SEE REV E O			
10	SEE REV E O			
11	SEE REV E O			
12	SEE REV E O			
13	SEE REV E O			
14	SEE REV E O			
15	SEE REV E O			
16	SEE REV E O			
17	SEE REV E O			
18	SEE REV E O			
19	SEE REV E O			
20	SEE REV E O			
21	SEE REV E O			
22	SEE REV E O			
23	SEE REV E O			
24	SEE REV E O			
25	SEE REV E O			
26	SEE REV E O			
27	SEE REV E O			
28	SEE REV E O			
29	SEE REV E O			
30	SEE REV E O			
31	SEE REV E O			
32	SEE REV E O			
33	SEE REV E O			
34	SEE REV E O			
35	SEE REV E O			
36	SEE REV E O			
37	SEE REV E O			
38	SEE REV E O			
39	SEE REV E O			
40	SEE REV E O			
41	SEE REV E O			
42	SEE REV E O			
43	SEE REV E O			
44	SEE REV E O			
45	SEE REV E O			
46	SEE REV E O			
47	SEE REV E O			
48	SEE REV E O			
49	SEE REV E O			
50	SEE REV E O			
51	SEE REV E O			
52	SEE REV E O			
53	SEE REV E O			
54	SEE REV E O			
55	SEE REV E O			
56	SEE REV E O			
57	SEE REV E O			
58	SEE REV E O			
59	SEE REV E O			
60	SEE REV E O			

900592

DIAGRAM, LOGIC
COMPUTER

930

106407

J

106407

PAGE	CHG	PAGE	CHG	PAGE	CHG	PAGE	CHG	PAGE	CHG
1	K	61	A	121		181		241	
2	J	62	C	122		182		242	
3	D	63	A	123		183		243	
4	C	64	A	124		184		244	
5	A	65	B	125		185		245	
6	A	66	G	126		186		246	
7	A	67	G	127		187		247	
8		68	K	128		188		248	
9		69	J	129		189		249	
10		70	A	130		190		250	
11		71	F	131		191		251	
12		72	B	132		192		252	
13		73	G	133		193		253	
14		74	A	134		194		254	
15		75	A	135		195		255	
16		76	J	136		196		256	
17		77	J	137		197		257	
18		78	D	138		198		258	
19		79	A	139		199		259	
20		80	J	140		200		260	
21		81	G	141		201		261	
22		82	J	142		202		262	
23		83	J	143		203		263	
24		84	H	144		204		264	
25		85	A	145		205		265	
26		86	H	146		206		266	
27		87		147		207		267	
28	A	88		148		208		268	
29	A	89		149		209		269	
30	B	90		150		210		270	
31	A	91		151		211		271	
32	A	92		152		212		272	
33	A	93		153		213		273	
34	F	94		154		214		274	
35	A	95		155		215		275	
36	A	96		156		216		276	
37	A	97		157		217		277	
38	A	98		158		218		278	
39	A	99		159		219		279	
40	A	100		160		220		280	
41	A	101		161		221		281	
42	A	102		162		222		282	
43	A	103		163		223		283	
44	K	104		164		224		284	
45	A	105		165		225		285	
46	G	106		166		226		286	
47	A	107		167		227		287	
48	A	108		168		228		288	
49	G	109		169		229		289	
50	H	110		170		230		290	
51	A	111		171		231		291	
52	A	112		172		232		292	
53	B	113		173		233		293	
54	A	114		174		234		294	
55	A	115		175		235		295	
56	A	116		176		236		296	
57	A	117		177		237		297	
58	A	118		178		238		298	
59	A	119		179		239		299	
60	D	120		180		240		300	

NOTES:

1. REVISION LETTERS LISTED INDICATE STATUS OF EACH SHEET OF THIS MULTIPLE SHEET DRAWING.
2. CHECK INDIVIDUAL SHEETS FOR REVISION LETTER AGAINST THIS SHEET BEFORE USING THIS DRAWING.

REFERENCE DESIGNATIONS
ARE ABBREVIATED.
PREFIX THE DESIGNATION
WITH UNIT NUMBER
OR ASSEMBLY DESIGNATION
OR BOTH. (MIL. STD. 16B)

930
PAGE 1
K

930	DIAGRAM, LOGIC COMPUTER	106407	K	REVISIONS	
				CHK	DATE
				A	Rev. To Mark
				B	SEE REV EO
				C	SEE REV EO
				D	SEE REV EO
				E	SEE REV EO
				F	SEE REV EO
				G	SEE REV EO
				H	SEE REV EO
				J	SEE REV EO
				K	SEE REV EO

X 106407


PAGE	CHG	PAGE	CHG	PAGE	CHG	PAGE	CHG	PAGE	CHG
1	L	61	A	121		181		241	
2	J	62	C	122		182		242	
3	D	63	A	123		183		243	
4	C	64	A	124		184		244	
5	A	65	B	125		185		245	
6	A	66	C	126		186		246	
7	A	67	G	127		187		247	
8		68	K	128		188		248	
9		69	J	129		189		249	
10		70	A	130		190		250	
11		71	F	131		191		251	
12		72	B	132		192		252	
13		73	G	133		193		253	
14		74	A	134		194		254	
15		75	A	135		195		255	
16		76	J	136		196		256	
17		77	J	137		197		257	
18		78	D	138		198		258	
19		79	A	139		199		259	
20		80	J	140		200		260	
21		81	G	141		201		261	
22		82	J	142		202		262	
23		83	J	143		203		263	
24		84	H	144		204		264	
25		85	A	145		205		265	
26		86	H	146		206		266	
27		87		147		207		267	
28	A	88		148		208		268	
29	A	89		149		209		269	
30	B	90		150		210		270	
31	A	91		151		211		271	
32	A	92		152		212		272	
33	A	93		153		213		273	
34	F	94		154		214		274	
35	A	95		155		215		275	
36	A	96		156		216		276	
37	A	97		157		217		277	
38	A	98		158		218		278	
39	A	99		159		219		279	
40	A	100		160		220		280	
41	A	101		161		221		281	
42	L	102		162		222		282	
43	A	103		163		223		283	
44	K	104		164		224		284	
45	A	105		165		225		285	
46	G	106		166		226		286	
47	A	107		167		227		287	
48	A	108		168		228		288	
49	G	109		169		229		289	
50	L	110		170		230		290	
51	A	111		171		231		291	
52	A	112		172		232		292	
53	B	113		173				293	
54	A	114		174				294	
55	A	115				235		295	
56	A	116		176		236		296	
57	A	117		177		237		297	
58	A	118		178		238		298	
59	A	119		179		239		299	
60	D	120		180		240		300	

NOTES:

- 1. REVISION LETTERS LISTED INDICATE STATUS OF EACH SHEET OF THIS MULTIPLE SHEET DRAWING.
- 2. CHECK INDIVIDUAL SHEETS FOR REVISION LETTER AGAINST THIS SHEET BEFORE USING THIS DRAWING.

REFERENCE DESIGNATIONS ARE ABBREVIATED. PREFIX THE DESIGNATION WITH UNIT NUMBER OR ASSEMBLY DESIGNATION OR BOTH. (MIL. STD. 168)

930
PAGE 1
L

930	106407
DIAGRAM, LOGIC COMPUTER	
	

REV.	DESCRIPTION	DATE	BY	CHKD.
A	SEE REV E.O.			
B	SEE REV E.O.			
C	SEE REV E.O.			
D	SEE REV E.O.			
E	SEE REV E.O.			
F	SEE REV E.O.			
G	SEE REV E.O.			
H	SEE REV E.O.			
J	SEE REV E.O.			
K	SEE REV E.O.			
L	SEE REV E.O.			


106407

PAGE	CHG	PAGE	CHG	PAGE	CHG	PAGE	CHG	PAGE	CHG
1	N	61	A	121		181		241	
2	J	62	C	122		182		242	
3	D	63	A	123		183		243	
4	C	64	A	124		184		244	
5	A	65	B	125		185		245	
6	A	66	G	126		186		246	
7	A	67	G	127		187		247	
8		68	M	128		188		248	
9		69	J	129		189		249	
10		70	A	130		190		250	
11		71	M	131		191		251	
12		72	B	132		192		252	
13		73	G	133		193		253	
14		74	A	134		194		254	
15		75	A	135		195		255	
16		76	J	136		196		256	
17		77	J	137		197		257	
18		78	D	138		198		258	
19		79	A	139		199		259	
20		80	J	140		200		260	
21		81	G	141		201		261	
22		82	M	142		202		262	
23		83	J	143		203		263	
24		84	M	144		204		264	
25		85	A	145		205		265	
26		86	M	146		206		266	
27		87		147		207		267	
28	A	88		148		208		268	
29	A	89		149		209		269	
30	B	90		150		210		270	
31	A	91		151		211		271	
32	A	92		152		212		272	
33	A	93		153		213		273	
34	E	94		154		214		274	
35	A	95		155		215		275	
36	A	96		156		216		276	
37	A	97		157		217		277	
38	A	98		158		218		278	
39	A	99		159		219		279	
40	A	100		160		220		280	
41	A	101		161		221		281	
42	L	102		162		222		282	
43	A	103		163		223		283	
44	K	104		164		224		284	
45	A	105		165		225		285	
46	C	106		166		226		286	
47	A	107		167		227		287	
48	A	108		168		228		288	
49	G	109		169		229		289	
50	M	110		170		230		290	
51	A	111		171		231		291	
52	A	112		172		232		292	
53	B	113		173		233		293	
54	A	114		174		234		294	
55	A	115		175		235		295	
56	A	116		176		236		296	
57	A	117		177		237		297	
58	A	118		178		238		298	
59	A	119		179		239		299	
60	D	120		180		240		300	

NOTES:
 1. REVISION LETTERS LISTED INDICATE STATUS OF EACH SHEET OF THIS MULTIPLE SHEET DRAWING.
 2. CHECK INDIVIDUAL SHEETS FOR REVISION LETTER AGAINST THIS SHEET BEFORE USING THIS DRAWING.

REFERENCE DESIGNATIONS
 ARE ABBREVIATED.
 PREFIX THE DESIGNATION
 WITH UNIT NUMBER
 OR ASSEMBLY DESIGNATION
 OF BOTH (MIL. STD. 168)

930
 PAGE 1
 M

930 106407 M	DIAGRAM, LOGIC COMPUTER		REVISIONS	
			NO.	DESCRIPTION
			1	SEE REV E
			2	SEE REV E
			3	SEE REV E
			4	SEE REV E
			5	SEE REV E
			6	SEE REV E
			7	SEE REV E
			8	SEE REV E
			9	SEE REV E
			10	SEE REV E
			11	SEE REV E
			12	SEE REV E
			13	SEE REV E
			14	SEE REV E
			15	SEE REV E
			16	SEE REV E
			17	SEE REV E
			18	SEE REV E
			19	SEE REV E
			20	SEE REV E
			21	SEE REV E
			22	SEE REV E
			23	SEE REV E
			24	SEE REV E
			25	SEE REV E
			26	SEE REV E
			27	SEE REV E
			28	SEE REV E
			29	SEE REV E
			30	SEE REV E
			31	SEE REV E
			32	SEE REV E
			33	SEE REV E
			34	SEE REV E
			35	SEE REV E
			36	SEE REV E
			37	SEE REV E
			38	SEE REV E
			39	SEE REV E
			40	SEE REV E
			41	SEE REV E
			42	SEE REV E
			43	SEE REV E
			44	SEE REV E
			45	SEE REV E
			46	SEE REV E
			47	SEE REV E
			48	SEE REV E
			49	SEE REV E
			50	SEE REV E
			51	SEE REV E
			52	SEE REV E
			53	SEE REV E
			54	SEE REV E
			55	SEE REV E
			56	SEE REV E
			57	SEE REV E
			58	SEE REV E
			59	SEE REV E
			60	SEE REV E


A00	34	C0, C1, C2	46	F1, F1a, F2, F3	65
A0, A1, A2	31	C3 thru C11	47	F1 thru F3 Buffer	61
A3 thru A11	32	C12 thru C20	48	($\overline{F1}$ F3)	60
A12 thru A20	33	C21 thru C23	49		
A21 thru A23	34	C24	50		
A21, A22, A23 Buffer	74	C0 thru C23 Buffer	74		
(A0 ⊕ A1)	72	/C16/, /C17/	82		
(A1 ⊕ A2)	72	C0i thru C23i	75	Ø0 thru Ø7	61
(A2 ⊕ A3)	72	/Cm0/ /M0/ thru /Cm23/ /M23/	76	(Ø0 Tp Ia)	65
(A00 ⊕ Lx)	35	Cd0 thru Cd23	77	(Ø0 T8 Ia)	65
(A21 ⊕ C21)	35	(C10 C11)	74	(Ø3 05 06)	35
(A22 ⊕ C22)	35	/C21r/, /C22r/, /C23r/	76	(Ø3 Sk)	61
(A23 ⊕ C23)	35	Ck	49	(Ø7 03 04 05 06)	35
(Add 1, 2, 3)	53	Clock Distribution	84		
A _{l2} [*] , A _{l2} ^{**}	35	/Clx/	76		
A _{l2} , A _{l2} ^{***} , A _{l2} ^{****}	45	Cp, Cpr	50		
Anr	35	/Cpr/	76		
Ar1, Ar1 [*]	35	(Cp Ht)	50	G0	69
Ar3, Ar3 ^{**}	35	Cr3	49	(G0 Ht)	60
Ar3 [*] , Ar3 ^{****}	45	Cxi, Cxm	49		
		Cz	53		
				Ha1, 2, 3	51
B00	44			Ht	68
B0, B1, B2	36	Eax	73	Hx1, 2, 3	51
Bc2, B3, B4, B5	37	E2m0 - E3m2	85	Hx	51
Bc5, B6, B7, B8	38				
Bc8, B9, B10, B11	39	En	69		
Bc11, B12, B13, B14	40	End	69		
Bc14, B15, B16, B17	41	(En + En)	68		
Bc17, B18, B19, B20	42	/En + En/	81		
Bc20, B21, B22, B23	43	Eod	69	Ia	71
Bc23	44	/Eod/	80	/Ib/	78
B21 [*] , B22 [*] , B23 [*] , Bc23 [*]	74	Eom	69	/Ie/	78
Brl, Brl [*] , Brl ^{**}	45	/Eom/	76	Ij, Ir, Is	78
Bz0	45	/Eom/ [*]	82	IL	77
		(Eom C10 C11 C18 + Kmc)	60		
		Ex	68	Inr	71

930
PAGE 2
A


SCALE	DO NOT SCALE DRAWING	DATE	106407	REV	A	DESCRIPTION	COMPUTER	CHK	DATE	106407	REV	A
<p style="text-align: center;">SDS SHARED DATA SYSTEMS UNIVERSITY OF CALIFORNIA, SAN DIEGO</p> <p style="text-align: center;">DIAGRAM LOGIC COMPUTER</p>												

A106407

A00	34	C0, C1, C2	46	F1, F1a, F2, F3	65
A0, A1, A2	31	C3 thru C11	47	F1 thru F3 Buffer	61
A3 thru A11	32	C12 thru C20	48	($\overline{F1}$ F3)	60
A12 thru A20	33	C21 thru C23	49		
A21 thru A23	34	C24	50		
A21, A22, A23 Buffer	74	C0 thru C23 Buffer	74		
(A0 ⊕ A1)	72	/C16/, /C17/	82		
(A1 ⊕ A2)	72	C0i thru C23i	75	Φ0 thru Φ7	61
(A2 ⊕ A3)	72	/Cm0/ /M0/ thru /Cm23/ /M23/	76	(Φ0 Tp Ia)	65
(A00 ⊕ Ix)	35	Cd0 thru Cd23	77	(Φ0 T8 Ia)	65
(A21 ⊕ C21)	35	(C10 C11)	74	(Φ3 05 06)	35
(A22 ⊕ C22)	35	/C21r/, /C22r/, /C23r/	76	(Φ3 Sk)	61
(A23 ⊕ C23)	35	Ck	49	(Φ7 03 04 05 06)	35
(Add 1, 2, 3)	53	Clock Distribution	84		
A12*, A12**	35	/C1x/	76		
A12, A12***, A12****	45	Cp, Cpr	50		
Anr	35	/Cpr/	76		
Ar1, Ar1*	35	(Cp Ht)	50	G0	69
Ar3, Ar3**	35	Cr3	49	(G0 Ht)	60
Ar3*, Ar3***	45	Cxi, Cxm	49		
		Cz	53		
		Cpi	86		
		Cpu Parity	86		
		(Cp Ht)*	86		
		(Cp+Pio)	86		
				Hal, 2, 3	51
B00	44			Ht	68
B0, B1, B2	36	Eax	73	Hx1, 2, 3	51
Bc2, B3, B4, B5	37	E2m0 - E3m2	85	Hx	51
Bc5, B6, B7, B8	38				
Bc8, B9, B10, B11	39	En	69		
Bc11, B12, B13, B14	40	End	69		
Bc14, B15, B16, B17	41	(En + Ep)	68		
Bc17, B18, B19, B20	42	/En + En/	81		
Bc20, B21, B22, B23	43	Eod	69	Ia	71
Bc23	44	/Eod/	80	/Ib/	78
B21*, B22*, B23*, Bc23*	74	Eom	69	/Ie/	78
Brl, Brl*, Brl**	45	/Eom/	76	Ij, Ir, Is	78
Bz0	45	/Eom/*	82	IL	77
		(Eom C10 C11 C18 + Kmc)	60		
		Ex	68	Inr	71

SCALE		DO NOT SCALE DRAWING		SHEET 2	
 SCIENTIFIC DATA SYSTEMS SAN JOSE, CALIFORNIA					
TITLE DIAGRAM LOGIC COMPUTER					
DRAWING NO. 106407					
REVISIONS					
REV.	DESCRIPTION	DATE	BY	CHKD.	DATE
A	REVISED	11/1/67	J. M. S.	J. M. S.	11/1/67
C	SEE REV E O				

A00	34	C0, C1, C2	46	F1, F1a, F2, F3	65
A0, A1, A2	31	C3 thru C11	47	F1 thru F3 Buffer	61
A3 thru A11	32	C12 thru C20	48	(F1 F3)	60
A12 thru A20	33	C21 thru C23	49		
A21 thru A23	34	C24	50		
A21, A22, A23 Buffer	74	C0 thru C23 Buffer	74		
(A0 ⊕ A1)	72	/C16/, /C17/	82		
(A1 ⊕ A2)	72	C0i thru C23i	75	Q0 thru Q7	61
(A2 ⊕ A3)	72	/Cm0/ /M0/ thru /Cm23/ /M23/	76	(Q0 Tp Ia)	65
(A00 ⊕ Ix)	35	Cd0 thru Cd23	77	(Q0 T8 Ia)	65
(A21 ⊕ C21)	35	(C10 C11)	74	(Q3 05 06)	35
(A22 ⊕ C22)	35	/C21r/, /C22r/, /C23r/	76	(Q3 Sk)	61
(A23 ⊕ C23)	35	Ck	49	(Q7 03 04 05 06)	35
(Add 1, 2, 3)	53	Clock Distribution	84		
Al2*, Al2**	35	/Clx/	76		
Al2, Al2***, Al2****	45	Cp, Cpr	50		
Anr	35	/Cpr/	76		
Ar1, Ar1*	35	(Cp Ht)	50	G0	69
Ar3, Ar3**	35	Cr3	49	(G0 Ht)	60
Ar3*, Ar3***	45	Cxi, Cxm	49	(G0+Ht)	68
		Cz	53	(G0+Ht)	68
		Cpi	86		
		Cpu Parity	86		
		(Cp Ht)*	86		
		(Cp+Pio)	86		
		Cen	77	Hal, 2, 3	51
B00	44			Ht	68
B0, B1, B2	36	Eax	73	Hx1, 2, 3	51
Bc2, B3, B4, B5	37	E2m0 - E3m2	85	Hx	51
Bc5, B6, B7, B8	38				
Bc8, B9, B10, B11	39	En	69	Ia	71
Bc11, B12, B13, B14	40	End	69	Ib	78
Bc14, B15, B16, B17	41	(En + En)	68	Ic	78
Bc17, B18, B19, B20	42	/En + En/	81	Ij, Ir, Is	78
Bc20, B21, B22, B23	43	Eod	69	IL	77
Bc23	44	/Eod/	80	Inr	71
B21*, B22*, B23*, Bc23*	74	Eom	69		
Brl, Br1*, Br1**	45	/Eom/	76		
Bz0	45	/Eom/*	82		
		(Eom C10 C11 C18 + Kmc)	60		
		Ex	68		

		TITLE DIAGRAM LOGIC COMPUTER		DATE 106407		SHEET 2	
REVISIONS		NO.		DATE		APPROVED	
A	REVISION						
C	SEE REV ED						
E	SEE REV ED						
J	SEE REV ED						

Int	68	$\overline{Mgs}/$	81	Pot	69
$\overline{Ir0}, \overline{Ir1}, \overline{Ir2}$	82	$\overline{Mgz}/$	80	$\overline{Pot}/$	76
Iro thru Ir14	79	Mxc	60	$\overline{Pot}/^*$	82
Ix, ($\overline{Ix G0}$)	70	$\overline{Mxc}/$	78	Pr3	54
Iz0 thru Iz14	80				
		N5 thru N14	78	Q1 thru Q6	64
Ju	73				
Jz0 thru Jz5	62				
Jz6 thru Jz14	63				
		01 thru 06	65	Rad0, Rad1, Rad2	45
		01* thru 06* Buffer	60	Rc	73
		($\overline{02} \overline{04} \overline{05} \overline{06}$)	60	Rde	82
Kd0, Kd1, Kd2	75	(04 05 06)	35	Rd9 thru Rd14	82
Kf1	60	(04 $\overline{05}$ $\overline{06}$)	60	Rf	71
Kf2	60			Rn1, Rn2, Rn3	62
Kmc	60	(05 06)	60	Rr1, Rr2, Rr3	62
K0	71	/05/	76	Rsa	45
Kz	53	(05 $\overline{S4}$ $\overline{S5}$)	59	Rt	77
		(05 $\overline{S6}$ $\overline{S7}$ Sd2)	59	$\overline{Rt}/$	82
		Oc	65	Rti	46
		Of	70	$\overline{Rti}/$	76
		Ofe	53	Rwyl, Rwy2, Rwy3	62
Ls0A, Ls1A, Ls2A	85	Ofi	75	Rx (Rx + Tsr)	46
$\overline{Ls0}/, \overline{Ls1}/, \overline{Ls2}/$	82	Oxc	65	$\overline{Rx}/$	76
$\overline{Ls0}/$ thru $\overline{Ls14}/$	79			R9	82
$\overline{Lz0}/, \overline{Lz1}/, \overline{Lz2}/$	82			$\overline{R9}$	60
$\overline{Lz0}/$ thru $\overline{Lz14}/$	80				
		P0, P1, P2	54		
		P3 thru P14	55		
$\overline{M0}/ \overline{Cm0}/$ thru $\overline{M23}/ \overline{Cm23}/$	81	sP0, sP1, sP2	54	S1, S2	56
Mit	81	P11 thru P14i	75	S3 thru S8	57
$\overline{Mit}/$	80	Pin	69	S9 thru S14	58
Mgs, Mgz	68	$\overline{Pin}/$	76	($\overline{S6} \overline{S7} \overline{S8}$)	59


930
PAGE 5
A

930	06407	A	06407	A
DIAGRAM LOGIC COMPUTER	06407	A	06407	A
930	06407	A	06407	A
930	06407	A	06407	A

A106407

Int	68	$\overline{Mgs}/$	81	Pot	69
$\overline{Ir0}, \overline{Ir1}, \overline{Ir2}$	82	$\overline{Mgz}/$	80	$\overline{Pot}/$	76
Iro thru Ir14	79	Mxc	60	$\overline{Pot}/^*$	82
Ix, (Ix $\overline{G0}$)	70	$\overline{Mxc}/$	78	Pr3	54
Iz0 thru Iz14	80				
I/O Parity	86				
		N5 thru N14	78	Q1 thru Q6	64
Ju	73				
Jz0 thru Jz5	62				
Jz6 thru Jz14	63				
		01 thru 06	65	Rad0, Rad1, Rad2	45
		01* thru 06* Buffer	60	Rc	73
		($\overline{02} \overline{04} \overline{05} 06$)	60	Rde	82
Kd0, Kd1, Kd2	75	(04 05 06)	35	Rd9 thru Rd14	82
Kf1	60	(04 $\overline{05} \overline{06}$)	60	Rf	71
Kf2	60			Rn1, Rn2, Rn3	62
Kmc	60	(05 06)	60	Rr1, Rr2, Rr3	62
K0	71	/05/	76	Rsa	45
Kz	53	(05 $\overline{S4} \overline{S5}$)	59	Rt	77
(\overline{Kp} +Pio)	68	(05 $\overline{S6} \overline{S7} Sd2$)	59	$\overline{Rt}/$	82
		Oc	65	Rti	46
		Of	70	$\overline{Rti}/$	76
		Ofe	53	Rwy1, Rwy2, Rwy3	62
Ls0A, Ls1A, Ls2A	85	Ofi	75	Rx (Rx + Tsr)	46
$\overline{Ls0}/, \overline{Ls1}/, \overline{Ls2}/$	82	Oxc	65	$\overline{Rx}/$	76
$\overline{Ls0}/$ thru $\overline{Ls14}/$	79			R9	82
$\overline{Lz0}/, \overline{Lz1}/, \overline{Lz2}/$	82			$\overline{R9}$	60
$\overline{Lz0}/$ thru $\overline{Lz14}/$	80			(Rmp \overline{Kp})	50
		P0, P1, P2	54		
		P3 thru P14	55		
$\overline{M0}/ \overline{Cm0}/$ thru $\overline{M23}/ \overline{Cm23}/$	81	sP0, sP1, sP2	54	S1, S2	56
Mit	81	PH thru P141	75	S3 thru S8	57
$\overline{Mit}/$	80	Pin	69	S9 thru S14	58
Mgs, Mgz	68	$\overline{Pin}/$	76	($\overline{S6} \overline{S7} \overline{S8}$)	59
		Pio	86		

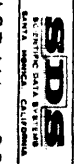
930
PAGE 3
C

930	106407	DIAGRAM . LOGIC COMPUTER	NO COPY BEYOND DRAWING	3
				
REVISIONS A. REL. TO P. 5. B. SEE REV. 10. C. SEE REV. 10.				106407 C

C | 106407 |

Int	68	$\overline{Mgs}/$	81	Pot	69
$\overline{Ir0}, \overline{Ir1}, \overline{Ir2}$	82	$\overline{Mgz}/$	80	$\overline{Pot}/$	76
Iro thru Ir14	79	Mxc	60	$\overline{Pot}/^*$	82
Ix, (Ix $\overline{G0}$)	70	$\overline{Mxc}/$	78	Pr3	54
Iz0 thru Iz14	80				
I/O Parity	86				
		N5 thru N14	78	Q1 thru Q6	64
Ju	73				
Jz0 thru Jz5	62				
Jz6 thru Jz14	63				
		01 thru 06	65	Rad0, Rad1, Rad2	45
		01* thru 06* Buffer	60	Rc	73
		($\overline{02} \overline{04} \overline{05} 06$)	60	Rde	82
Kd0, Kd1, Kd2	75	(04 05 06)	35	Rd9 thru Rd14	82
Kf1	60	(04 $\overline{05} \overline{06}$)	60	Rf	71
Kf2	60			Rn1, Rn2, Rn3	62
Kmc	60	(05 06)	60	Rr1, Rr2, Rr3	62
K0	71	/05/	76	Rsa	45
Kz	53	(05 $\overline{S4} \overline{S5}$)	59	Rt	77
(\overline{Kp} +Pio)	68	(05 $\overline{S6} \overline{S7} Sd2$)	59	$\overline{Rt}/$	82
		Oc	65	Rti	46
		Of	70	$\overline{Rti}/$	76
		Ofe	53	Rwy1, Rwy2, Rwy3	62
Ls0A, Ls1A, Ls2A	85	Ofi	75	Rx (Rx + Tsr)	46
$\overline{Ls0}/, \overline{Ls1}/, \overline{Ls2}/$	82	Oxc	65	$\overline{Rx}/$	76
$\overline{Ls0}/$ thru $\overline{Ls14}/$	79			R9	82
$\overline{Lz0}/, \overline{Lz1}/, \overline{Lz2}/$	82			$\overline{R9}$	60
$\overline{Lz0}/$ thru $\overline{Lz14}/$	80				
Kp RMP (T4+T5)	50				
		P0, P1, P2	54		
		P3 thru P14	55		
$\overline{M0}/ \overline{Cm0}/$ thru $\overline{M23}/ \overline{Cm23}/$	81	sP0, sP1, sP2	54	S1, S2	56
Mit	81	P1i thru P14i	75	S3 thru S8	57
$\overline{Mit}/$	80	Pin	69	S9 thru S14	58
Mgs, Mgz	68	$\overline{Pin}/$	76	($\overline{S6} \overline{S7} \overline{S8}$)	59
		Pio	86		


930
PAGE 3
D

930	06407	D
		
DIAGRAM LOGIC COMPUTER		
DO NOT SCALE DRAWING	SHEET 3	


D/106407

19/20

$(\overline{S12} \overline{S13} Sd2)$	59	$Xn1, Xn2, Xn3$	67
Sc	59	$Xn1^*, Xn2^*, Xn3^*$ Buffer	74
$(Sc + Sx 48)$	59	$Xn1, Xn2, Xn3$ Inputs	66
$(Sc + \emptyset 1 05 T2)$	59	$Xw1$	66
$Sd2$	59	$Xz1, Xz2, Xz3$	52
Sk	72		
$Skrz$	82		
Sks	74		
\overline{Skss}	60		
$/\overline{Skss}/$	78	$[\overline{Yf} (Y0 + \overline{Y9})]$	82
$/\overline{Ski}/$	78	$Yz1, Yz2, Yz3$	52
$/\overline{St}/$	76		
$/\overline{St}/$	82		
Sxc, Sxp, Sxn	59		
		Zrq	80
$T0, T1, T3, T5, T7, T8$	61		
$/\overline{T1}/$	78		
$/\overline{T3}/$	81		
$Temp^*$	81		
Tp, Tr	61		
$/\overline{Tpc}/$	76		
$(\overline{TpEnd} \overline{Sk})$	61		
\overline{Trq}	82		
Ts, Tsm, Tsr	73		
Tsm^*, \overline{Tsm}^*	79		
$/\overline{Tsm}/$	76		
$[\overline{Wf} (W0 + \overline{W9})]$	82		

 SD SYSTEMS DIVISION OF SPOONER CORPORATION 10000 WEST 10TH AVENUE DENVER, COLORADO 80231	DRAWING NO. 106407	SHEET A
	PROJECT DIAGRAM LOGIC COMPUTER	SCALE 930

$(\overline{S12} \overline{S13} Sd2)$	59	$Xn1, Xn2, Xn3$	67
Sc	59	$Xn1^*, Xn2^*, Xn3^*$ Buffer	74
$(Sc + Sx48)$	59	$Xn1, Xn2, Xn3$ Inputs	66
$(Sc + \Phi1 05 T2)$	59	$Xw1$	66
$Sd2$	59	$Xz1, Xz2, Xz3$	52
Sk	72		
$Skrz$	82		
Sks	74		
\overline{Skss}	60		
$/\overline{Skss}/$	78	$[\overline{Yf} (Y0 + \overline{Y9})]$	82
$/Ski/$	78	$Yz1, Yz2, Yz3$	52
$/St/$	76		
$\overline{St/}$	82		
Sxc, Sxp, Sxn	59		
		Zrq	80
$T0, T1, T3, T5, T7, T8$	61		
$/\overline{T1}/$	78		
$/\overline{T3}/$	81		
$Temp^*$	81		
Tp, Tr	61		
$/Tpc/$	76		
$(TpEnd \overline{Sk})$	61		
Trq	82		
Ts, Tsm, Tsr	73		
Tsm^*, \overline{Tsm}^*	79		
$/Tsm/$	76		
$(T4+T5)$	86		
$[\overline{Wf} (W0 + \overline{W9})]$	82		

 <p>SDS SCIENTIFIC DATA SYSTEM SANTA ANITA, CALIFORNIA</p>		<p>DIAGRAM LOGIC CCMPUTER</p>	
<p>REV. DESCRIPTION</p> <p>A REVISION</p> <p>C SEE REV E D</p>	<p>DATE</p> <p>APPROVED</p>	<p>930</p> <p>106407</p>	<p>DO NOT SCALE DRAWING</p> <p>SHEET 4</p>

	1	2	3	4	5	6	7	8	9	10	11	12	13	14	15	16	17	18	19	20	21	22	23	24	25	26	27	28	29	30	31	32		
A																																		
B	FB51	ZB50	ZB50	FB51	ZB50	FB51	FB51	ZB50	IB52	FB51	ZB50	FB51	FB51	ZB50	ZB50	FB51	IB58	FB51	IB58	FB51	IB58	IB57	IB57	IB56	IB58	FB51	IB52	ZB50	IB56	IB57	IB58	FB51		
C	A10 A9		A12 A11	A14 A13	A7 A6				A15 A8	A17 A16	A4 A3			A18 A5	A20 A19	A1 A0										A21 A2						A23 A22		
D	FB51	IB58	FB51	FB51	IB58	FB51	FB51	IB58	FB51	FB51	IB58	FB51	FB51	IB58	FB51	IB58	FB51	IB58	FB51	IB58	FB51	IB58	ZB50	IB58	IB58	FB51	IB58	IB58	IB56	FB51	IB58	FB51		
E	B9 Bc8	B11 B10	B12 Bc11	B14 B13	B6 Bc5		B8 B7	B15 Bc14	B17 B16	B3 Bc2		B5 B4	B18 Bc7	B20 B19	B0 B00											B2 B1			B21 Bc20		B23 B22			
F	FB51	IB58	IB58	FB51	IB58	FB51	FB51	IB58	FB51	IB58	FB51	IB58	FB51	IB58	FB51	IB52	FB51	IB58	IB58	IB57	IB52	IB58	FB51	IB58	IB58	IB57	IB57	FB51	FB51	FB51	FB51			
G	C10 C9		C12 C11	C14 C13	C7 C6			C15 C8	C17 C16	C4 C3			C18 C5	C20 C19	C1 C0											C21 C2					C23 C22	C24 Cp		
H	IB50	AB55	AB55	ZB50	AB55	AB53	NB57		IB52	IB52	AB55	AB55	AB55		AB51	AB51	FB52	FB54	ZB50	NB53	AB55	AB55	AB55	AB55	AB51	AB55	AB55	AB51	AB52	AB52	FB54	IB52		
I				△																													△	
J	I/O	I/O	I/O	ZB52	I/O		PInt	NB50	NB50	NB50	NB50	Z		NB50	Z											AB51		AB51	/CM/	/MO/				
K	P912	P910	P914		P916		P908					P910			P912																		P905	P905

	33	34	35	36	37	38	39	40	41	42	43	44	45	46	47	48	49	50	51	52	53	54	55	56	57	58	59	60	61	62	63	64		
A																																		
B	FB52	FB54		ZB50	IB52	IB57	FB52	FB52	FB54	FB54	FB54	IB57	IB57	IB56	IB57	IB57	IB57	IB56	FB54	IB52	IB52		FB54	IB52	IB52	ZB50	IB56	FB54				FB51	IB56	
C	Rc Ju Eax	Aoo					O1 O2 O3	O4 O5 O6	F1	F2	F3								Fla														Go En	
D	IB52	ZB50	IB58	IB58	IB58	IB58	IB52	FB54	FB52	FB52	IB58	FB54	IB56	IB58	IB52	DB50	DB50	DB50	ZB50									FB52	FB52	FB52	FB52	FB52	△	
E								Q1 Q2 Q3	Q4 Q5 Q6			Xw1				Xn1	Xn2	Xn3															△	
F	IB57	FB54	IB58	IB58	IB52	IB58	FB54	IB58	ZB50	ZB50	FB54	FB54	IB58	FB54	FB54	FB52	FB54	FB54	IB57	FB52	ZB50	IB56	IB56	ZB50	IB56	IB56	IB56	IB57	IB52					
G		Bc23					Cz					Ix	Of		Ko	Rf			E3M O12	Sk	Ia													
H	IB58	IB57	IB52	IB52	IB52	FB54	IB52	IB58	IB58	FB51	FB52	IB57	FB52	NB53	IB57	IB56	FB54	FB54	FB54	FB54	FB54	FB54	FB54	FB52	FB54	FB54	FB52	FB54	FB54	FB54	FB52	ZB50		
I																																		
J	LS1	LS1	LS2	LS2		AB51	AB51	AB51	AB51	AB55	AB55	AB55	AB55																					
K	P906	P906	P907	P907																														

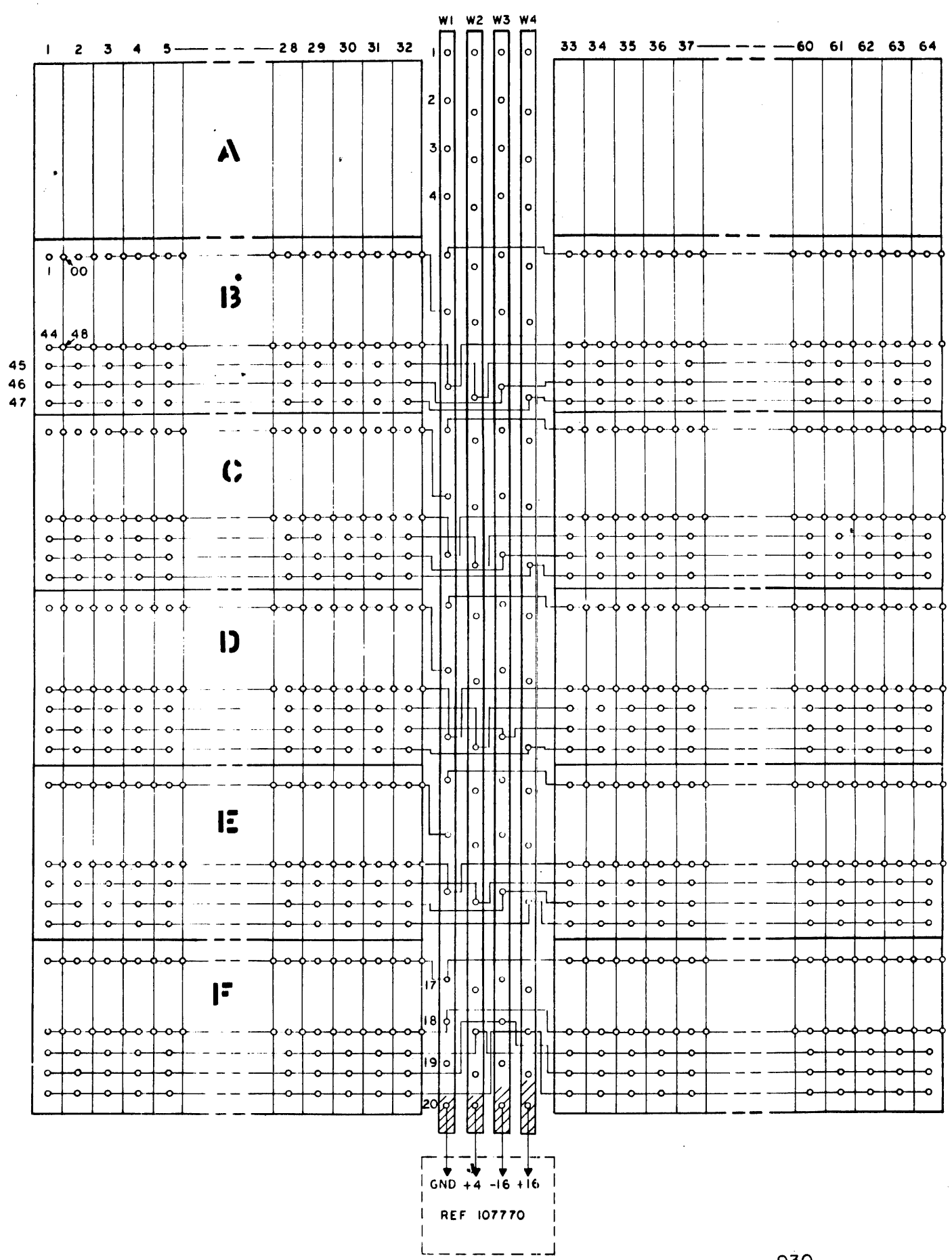
△ MULTIPLE ACCESSED MEMORY (MAM) OPTION. △ USE ZB68 WHEN (MAM) OPTION NOT ADDED.
 △ USE ZB52 WHEN 2ND MEMORY CHASSIS NOT ADDED. △ PARITY INTERRUPT OPTION.
 △ ADD IF IMCC 'C' AND OR'D' IS ADDED.

930
106407
A

DIAGRAM LOGIC
COMPUTER



REV.	DESCRIPTION	DATE	APPROVED
1	REL. TO REV. 1	7/14/67	



930
PAGE 6
A

REV		DESCRIPTION		DATE		BY	
A		REF TO MFG					

SDS
SCIENTIFIC DATA SYSTEMS
CORPORATION
SAN JOSE, CALIFORNIA

DIAGRAM, LOGIC
COMPUTER

930
DRAWING NO. 06407
DO NOT SCALE DRAWING
SHEET

MODULE LIST

ITEM	DESCRIPTION	MODEL	QTY.
1	DUAL FLIP FLOP	FB51	43
2	TRIPLE FLIP FLOP	FB52	14
3	NAND FLIP FLOP	FB54	34
4	NAND MODULE	IB52	21
5	NAND # 2	IB56	14
6	BAND NAND	IB57	20
7	NAND # 3	IB58	47
8	CABLE DRIVER	AB51	10
9	RECEIVER INV.	AB52	2
10	RECEIVER INV. BUFFER	AB53	1
11	CABLE DRIVER # 2	AB55	13
12	INTERFACE # 8 TO +4	NB50	4
13	SHIFT REGISTER	DB50	3
14	CLOCK GENERATOR	CB50	1
15	TERM. MOD. (+4)	ZB50	20
16	IND. INTERFACE	NB53	2
17	TERM. MOD. CABLE	ZB52	2
18	INTERFACE	NB57	1

ITEM	DESCRIPTION	DESIGNATION	QTY	SUPPLIER CODE SEE INDEX
1	CONNECTOR, SOLDER TAIL 47 CONTACT #7008-47	J1 THRU J64 B, C, D, E & F	320	62

930
PAGE 7
A

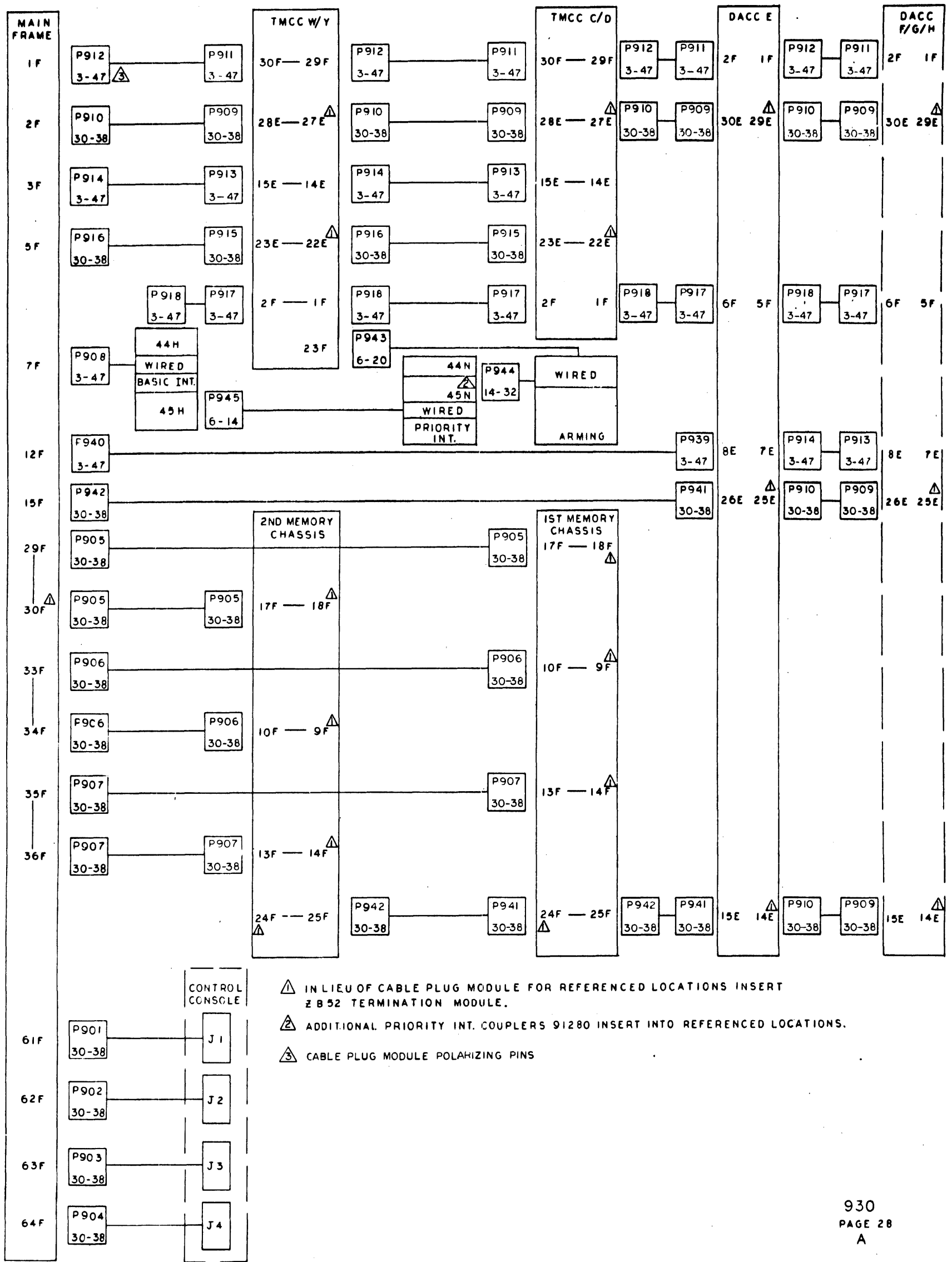
REV.	DESCRIPTION	DATE	BY
A	REL TO MFG.	7-24	JL


 SCIENTIFIC DATA SYSTEMS
 10000 WILSON BLVD
 BETHESDA, MARYLAND 20814
 PHONE (301) 470-0000
 TELETYPE (301) 470-0000
 FAX (301) 470-0000

DIAGRAM, LOGIC
COMPUTER

930	106407	A
-----	--------	---

106407 | A



- △ IN LIEU OF CABLE PLUG MODULE FOR REFERENCED LOCATIONS INSERT Z B 52 TERMINATION MODULE.
- △ ADDITIONAL PRIORITY INT. COUPLERS 91280 INSERT INTO REFERENCED LOCATIONS.
- △ CABLE PLUG MODULE POLARIZING PINS

930
PAGE 28
A

930	106407	A									
			DIAGRAM LOGIC COMPUTER								
SCALE	DRAWING NO.	REV.	REVISIONS								
DO NOT SCALE DRAWINGS	106407	A	<table border="1" style="width: 100%; border-collapse: collapse;"> <tr> <th>REV.</th> <th>DESCRIPTION</th> <th>DATE</th> <th>BY</th> </tr> <tr> <td> </td> <td> </td> <td> </td> <td> </td> </tr> </table>	REV.	DESCRIPTION	DATE	BY				
REV.	DESCRIPTION	DATE	BY								

106407 | A

	I/O (P912) (J1F)	I/O (P910) (J2F)	I/O (P914) (J3F)	I/O (P916) (J5F)	BASIC Inter. (P908) (J7F)	Z (P940) (J12F)	Z (P942) (J15F)	(P905) (J29F,30F)	
2	Cd0	/C10/o	/Skxz/o	/C21/o	(EomC10C11) o	/Rmp/o	/Eod/o	/Cm0//M0/o	2
3			/Koo/o			/Skxz/o			3
4	Cd1	/C11/o	/Kcc1x/o	/C22/o	Md o	/Kcc0/o	/R11/o	/Cm1//M1/o	4
5	Cd2	/C12/o	/Kcc2/o	/C23/o	(S1) o	/Kcc1/o	/Skss/o	/Cm2//M2/o	5
6			/Rd9/o		Cpu Parity o	/Kcc1b/o			6
7	Cd3	/C13/o	/Rd10/o	/Cdr/o		/Kcc1a/o	/Tpc/o	/Cm3//M3/o	7
8	Cd4	/C14/o	/Rd11/o	/Rr1/o	I/O Parity o	/Kcc1b/o	*/Mga/o	/Cm4//M4/o	8
9									9
10	Cd5	/C15/o	/Rd12/o	/Rr2/o	Int. Console 320	/Kcc1c/o	/Mxz/o	/Cm5//M5/o	10
11	Cd6	/C16/o	/Rd13/o	/Rr3/o		/Rd4/o	/Clock E/	/Cm6//M6/o	11
12			/Rd14/o		/Ioff/o	/Rd9/o			12
13	Cd7	/C17/o	/Rd15/o	/Rwy1/o	/TL/o	/Rd10/o	/Clock F/	/Cm7//M7/o	13
14	Cd8	/C18/o	/Rd16/o	/Rwy2/o	Int. Console 330	/Rd11/o	/Clock G/	/Cm8//M8/o	14
15			/Rd17/o		/N5/o	/Rd12/o			15
16	Cd9	/C19/o	/Rd18/o	/Rwy3/o	/N6/o	/Pd13/o	/Clock H/	/Cm9//M9/o	16
17	Cd10	/C20/o	/Rd19/o	/Rx/o	/N7/o	/Pd14/o	/Pot/o	/Cm10//M10/o	17
18									18
19	Cd11	/C21/o	/Rd20/o	/Tsm/o	/N8/o	/Td0/o	/Pir/o	/Cm11//M11/o	19
20	Cd12	/C22/o	/Rd21/o	/Tsr/o		/Td1/o	/Tsr/o	/Cm12//M12/o	20
21			/Rd22/o			/Td2/o			21
22	Cd13	/C23/o	/Rd23/o	/Os/o		/Td3/o	/Sr/o	/Cm13//M13/o	22
23	Cd14	/C24/o	/Rd24/o	/Clockwy/o	/S1**o	/Td4/o	/C1x4o	/Cm14//M14/o	23
24			/Tq/o		/Tj/o	/Td5/o			24
25	Cd15	/C25/o	/Yr (Y0+Y9)/o	/ClockCd/o	/Is/o	/Td6/o	/C1x/o	/Cm15//M15/o	25
26	Cd16	/C26/o	/Wr (W0+W9)/o	/Pot/o	/Tr/o	/Td7/o	/C1x/a	/Cm16//M16/o	26
27									27
28	Cd17	/C27/o	/Tr0/o	/Pir/o		/Td8/o	/C1x/o	/Cm17//M17/o	28
29	Cd18	/C28/o	/Tr1/o	/Rt1/o	/N9/o	/Td9/o	/C17x/o	/Cm18//M18/o	29
30			/Tr2/o		/N10/o	/Td10/o			30
31	Cd19	/C29/o	/Tr3/o	/Tpc/o	/N11/o	/Td11/o	/C17x/o	/Cm19//M19/o	31
32	Cd20	/C30/o	/Tr4/o	/Eom/o	/N12/o	/Td12/o		/Cm20//M20/o	32
33			/Tr5/o		/N13/o	/Td13/o			33
34	Cd21	/C31/o	/Tr6/o	/Skss/o	/N14/o	/Td14/o	/Z14/o	/Cm21//M21/o	34
35	Cd22	/C32/o	/Tr7/o	/C11/o		/Rd5/o	/Zb4/o	/Cm22//M22/o	35
36									36
37	Cd23	/C33/o	/Tr8/o	/C1x/o	/Ti/o	/Rd6/o	/Zd1/o	/Cm23//M23/o	37
38	R1		/Tr9/o	/St/o	/Tb/o	/Rd7/o	/Zd1/o	/Cm24//M24/o	38
39			/Tr10/o		/Te/o	/Rd4/o			39
40		* */M11/o	/Tr11/o	/En+En/o	/Ski/o	/Rd5/o	/Zr1/o	/M11/o	40
41			/Tr12/o			/Rd6/o		Overtemp	41
42			/Tr13/o		*/C17/o	/Rd7/o			42
43			/Tr14/o		*/C16/o	/Rd4/o		Md	43
44	0V								44
45	+4V								45
46	-16V								46
47	+16V								47

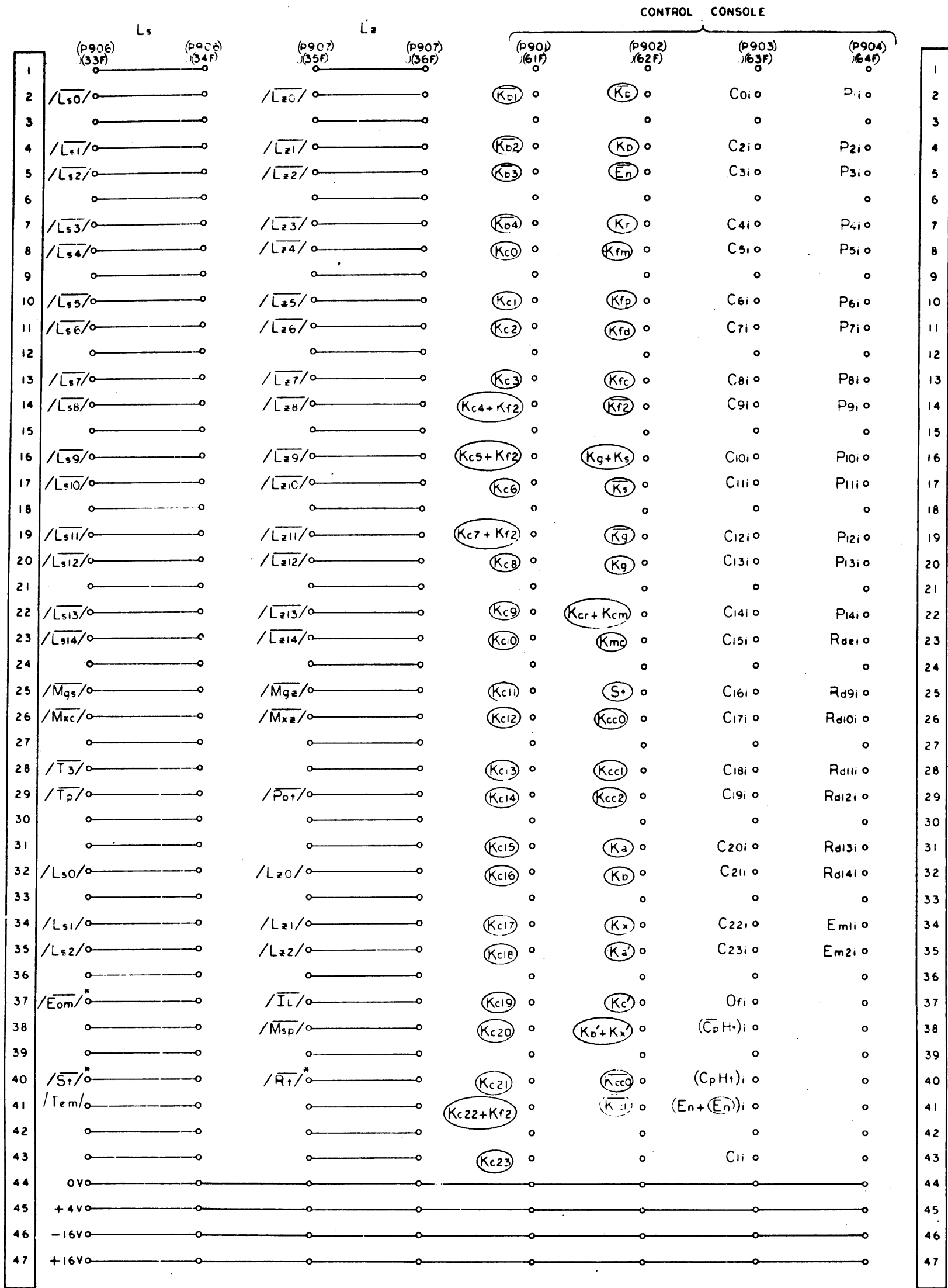
Δ 930C only

930
106407
A

DIAGRAM, LOGIC
COMPUTER

SIEMENS
106407 A

REV	DESCRIPTION	DATE	BY
1	REL. TO 106407		



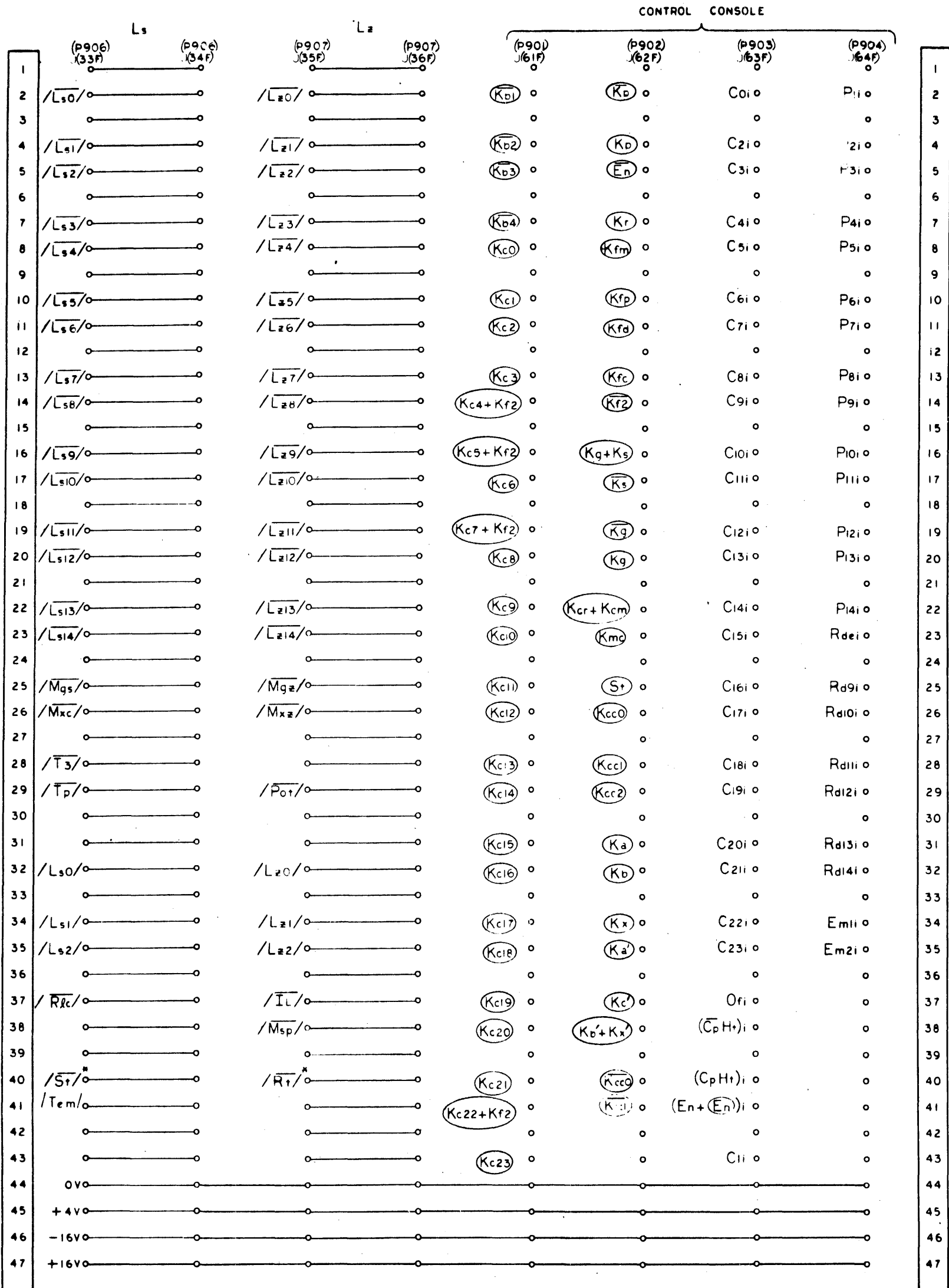
930
106407
A

DIAGRAM, LOGIC
COMPUTER



A|106407|

REV	DESCRIPTION	DATE	BY	APP
A	DELTA 1-5*	7/2	W.L.	M.P.M.



930
PAGE 30
B

930

106407

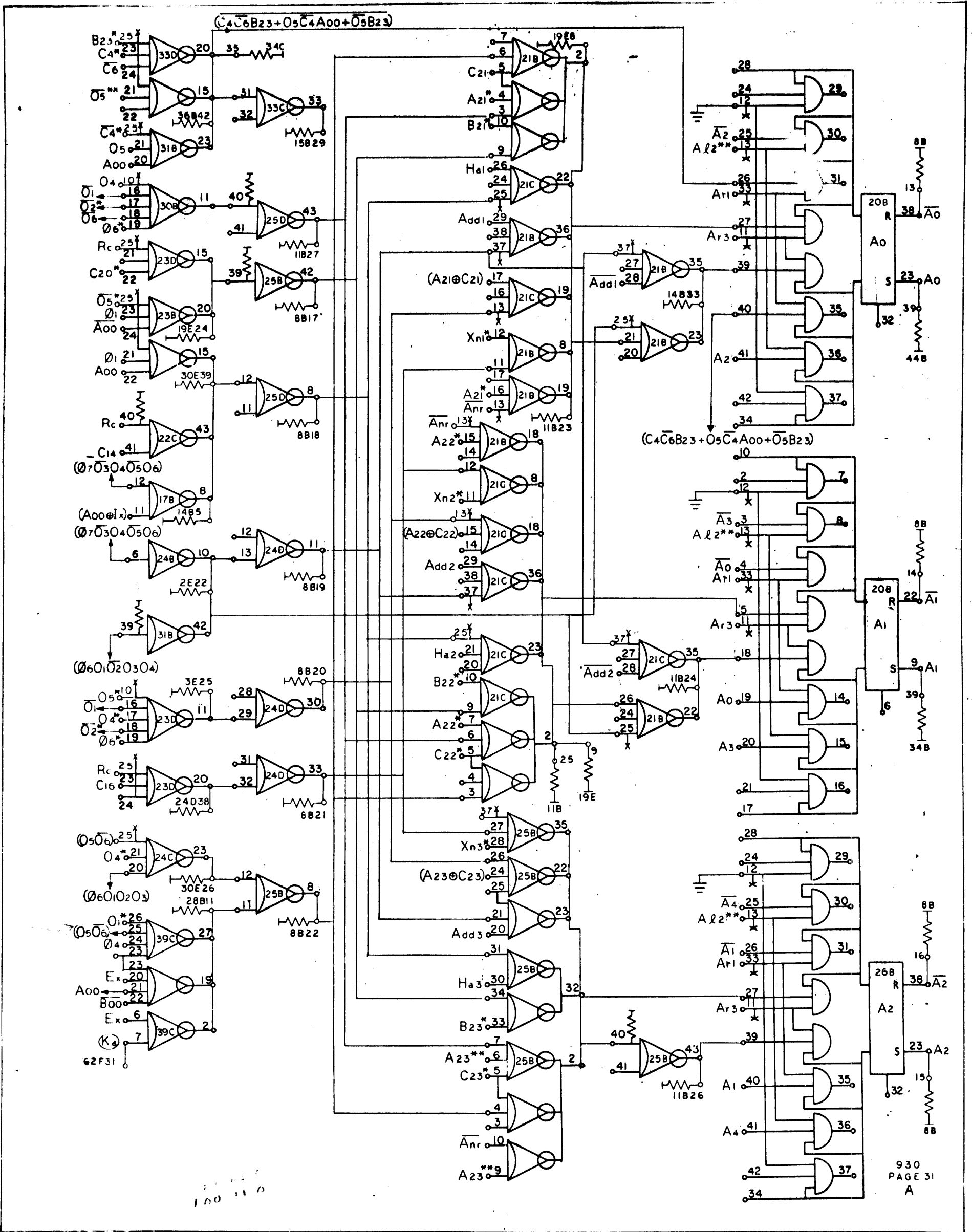
DIAGRAM, LOGIC
COMPUTER

SCALE: DO NOT SCALE DRAWING

29/92

REV	DESCRIPTION	DATE	BY	APP'D
A	DEL. - O / . 5.	7/14	W.H.G.	
B	SEE REV E	7/17	W.H.G.	

B|106407|



930
PAGE 31
A

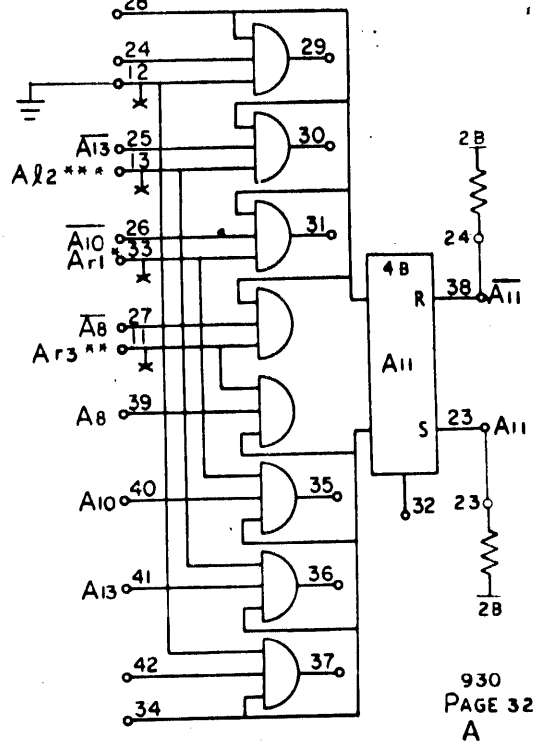
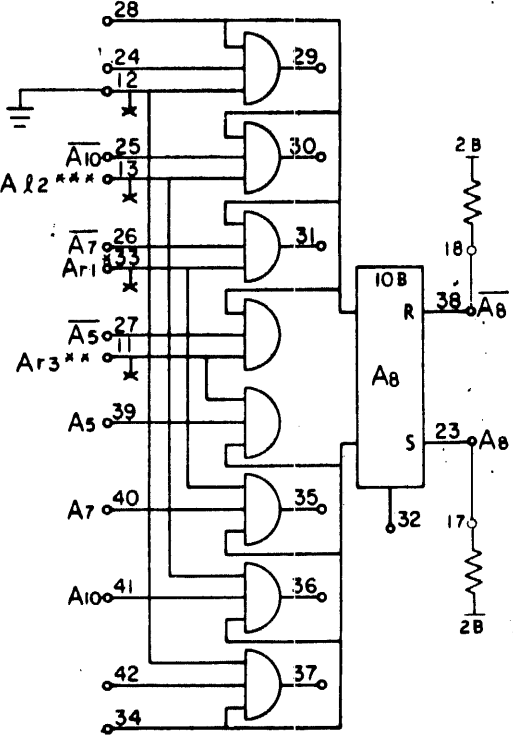
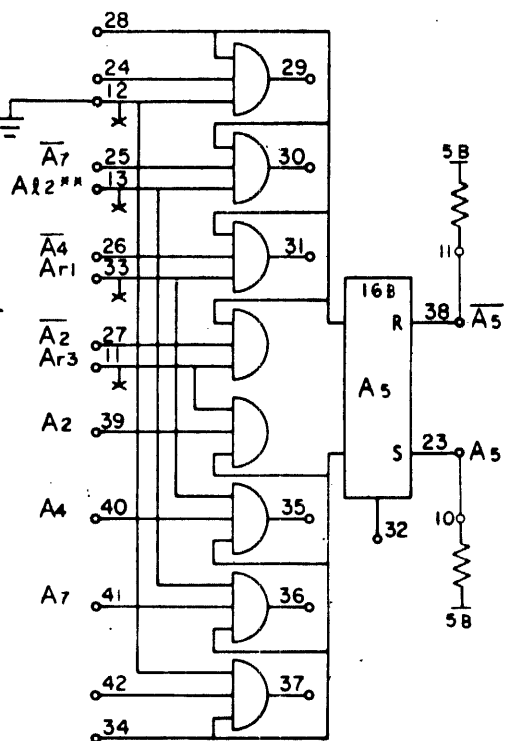
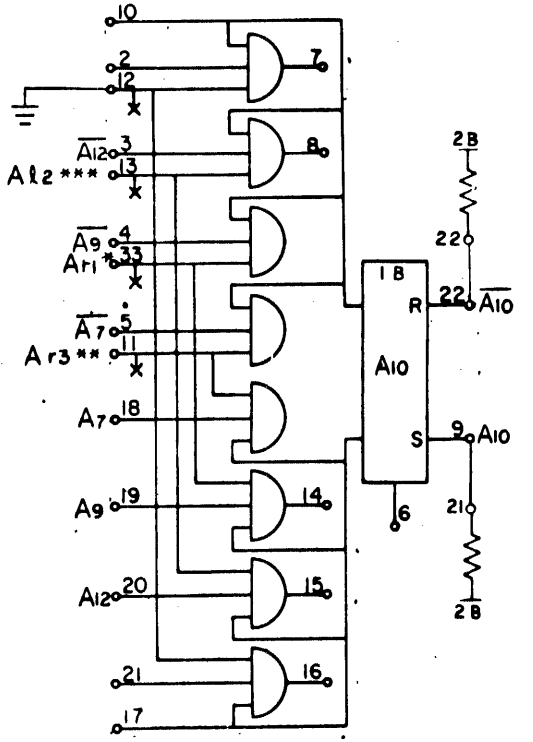
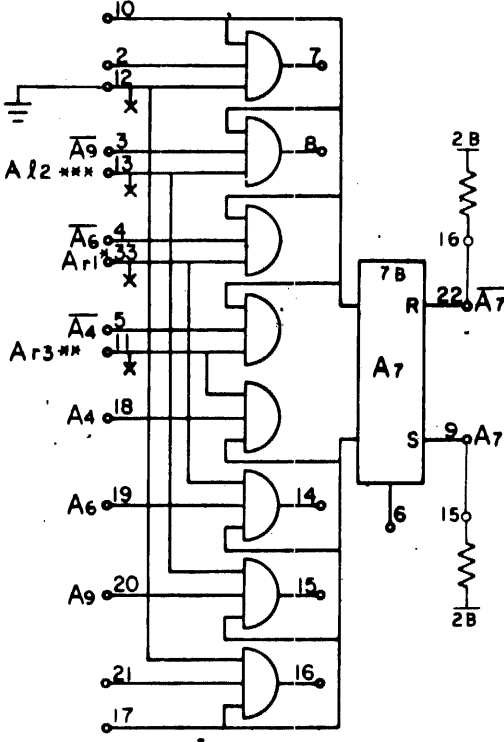
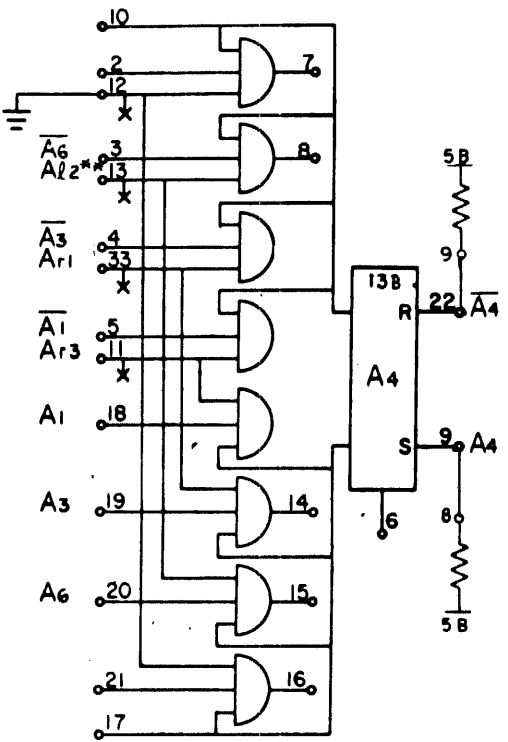
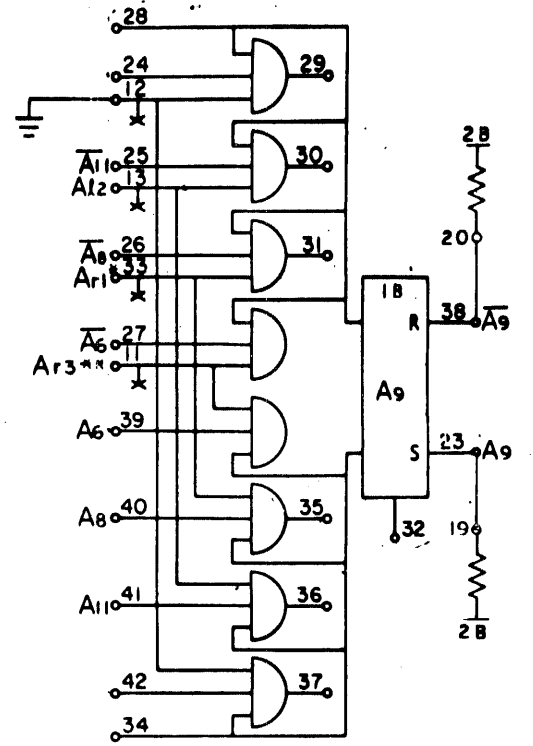
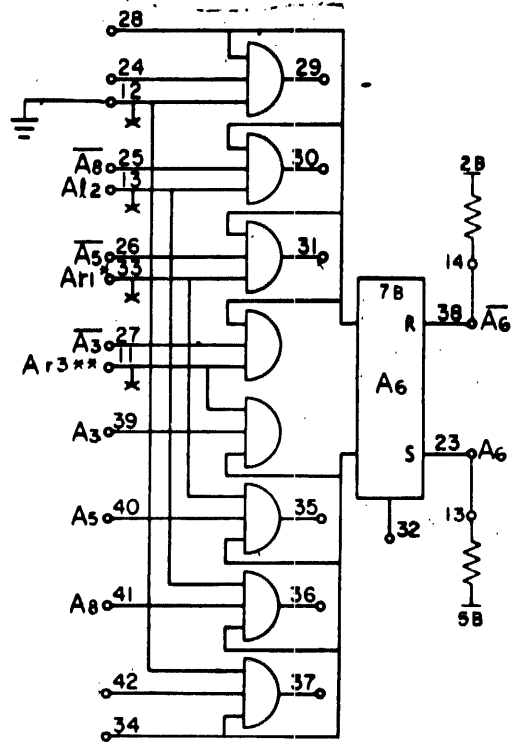
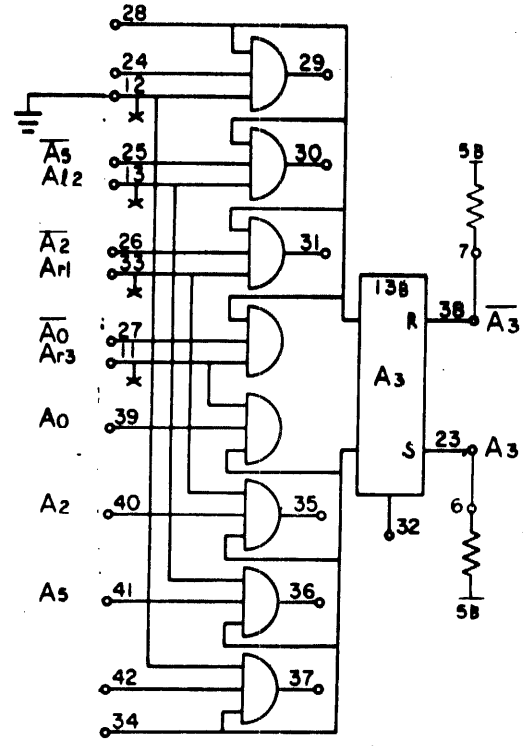
REV	DESCRIPTION	DATE	BY	106407
	REL. TO			
31				

31	106407/A
----	----------

31	106407	A
----	--------	---

31	106407	A
----	--------	---

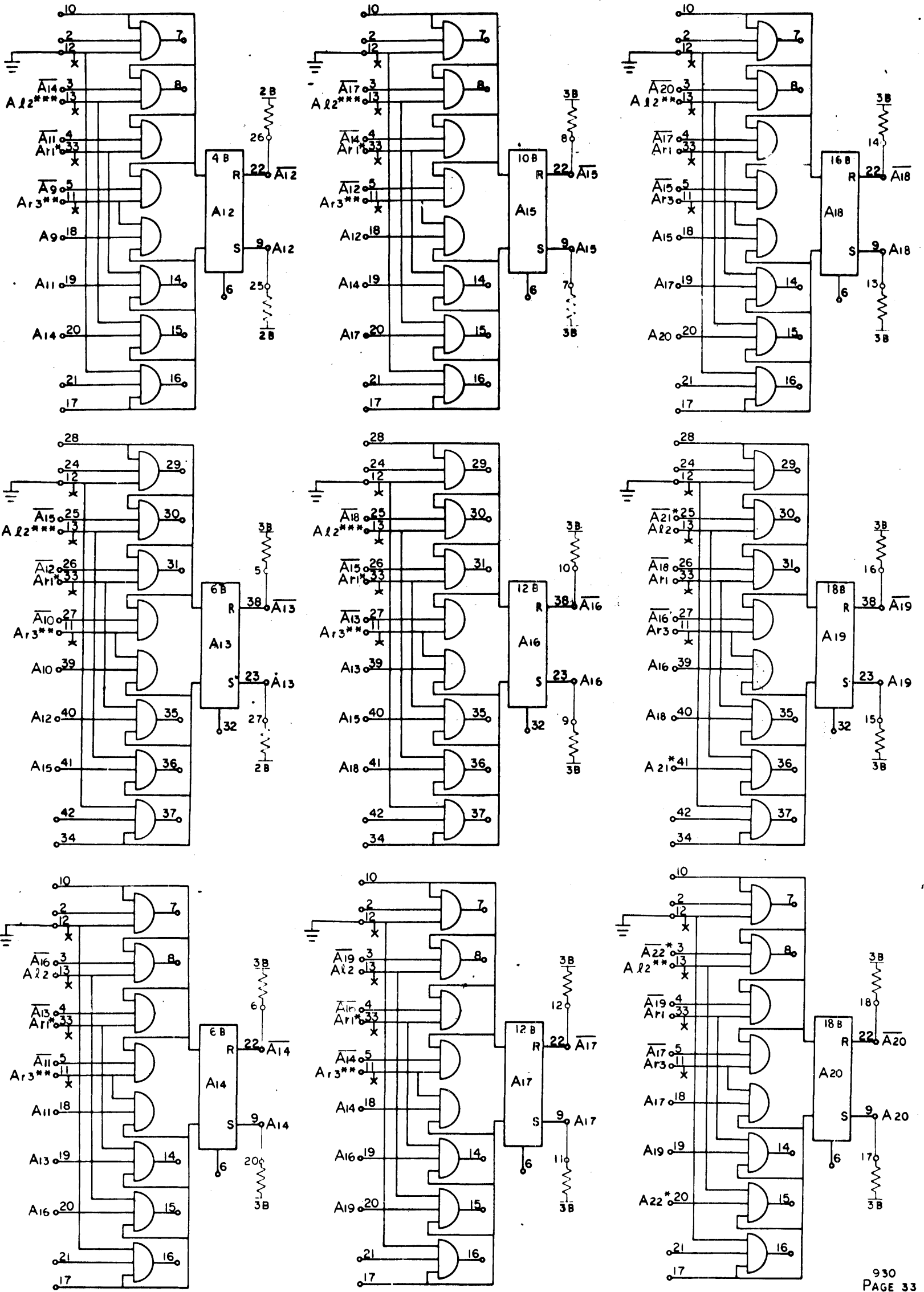
DIAGRAM, LOGIC
COMPUTER



930 PAGE 32 A

930		106407		A													
DIAGRAM, LOGIC COMPUTER																	
<table border="1"> <thead> <tr> <th>REV.</th> <th>DESCRIPTION</th> <th>DATE</th> <th>BY</th> <th>CHKD.</th> <th>APPROVED</th> </tr> </thead> <tbody> <tr> <td>1</td> <td>REV. TO M.E.G.</td> <td>7-27-54</td> <td>W.D.</td> <td></td> <td></td> </tr> </tbody> </table>						REV.	DESCRIPTION	DATE	BY	CHKD.	APPROVED	1	REV. TO M.E.G.	7-27-54	W.D.		
REV.	DESCRIPTION	DATE	BY	CHKD.	APPROVED												
1	REV. TO M.E.G.	7-27-54	W.D.														
<table border="1"> <thead> <tr> <th>REV.</th> <th>DESCRIPTION</th> <th>DATE</th> <th>BY</th> <th>CHKD.</th> <th>APPROVED</th> </tr> </thead> <tbody> <tr> <td>1</td> <td>REV. TO M.E.G.</td> <td>7-27-54</td> <td>W.D.</td> <td></td> <td></td> </tr> </tbody> </table>						REV.	DESCRIPTION	DATE	BY	CHKD.	APPROVED	1	REV. TO M.E.G.	7-27-54	W.D.		
REV.	DESCRIPTION	DATE	BY	CHKD.	APPROVED												
1	REV. TO M.E.G.	7-27-54	W.D.														

106407/A



REV. DESCRIPTION		DATE APPROVED	
A	REL TO V1FG	JE	2/14/54

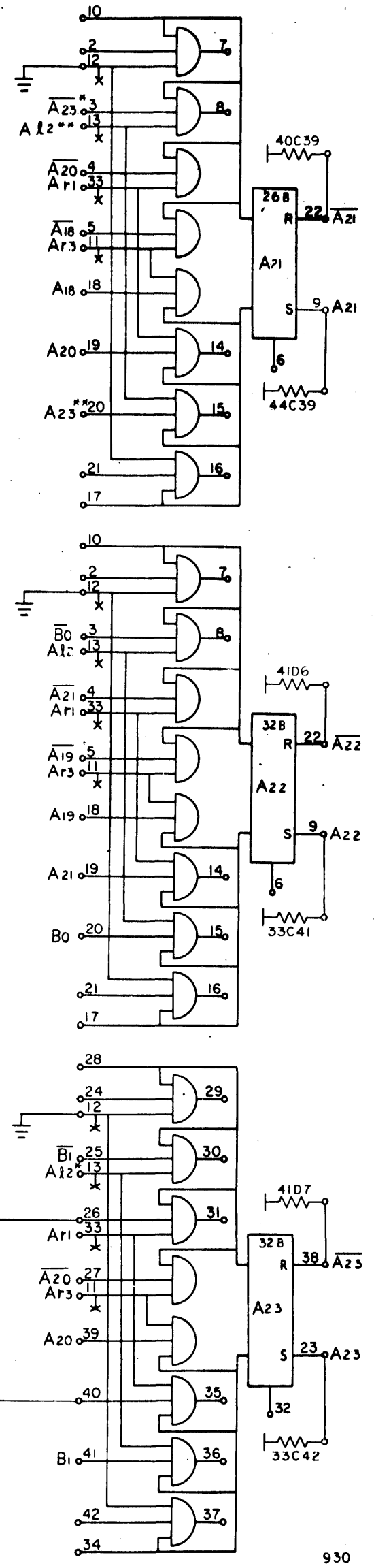
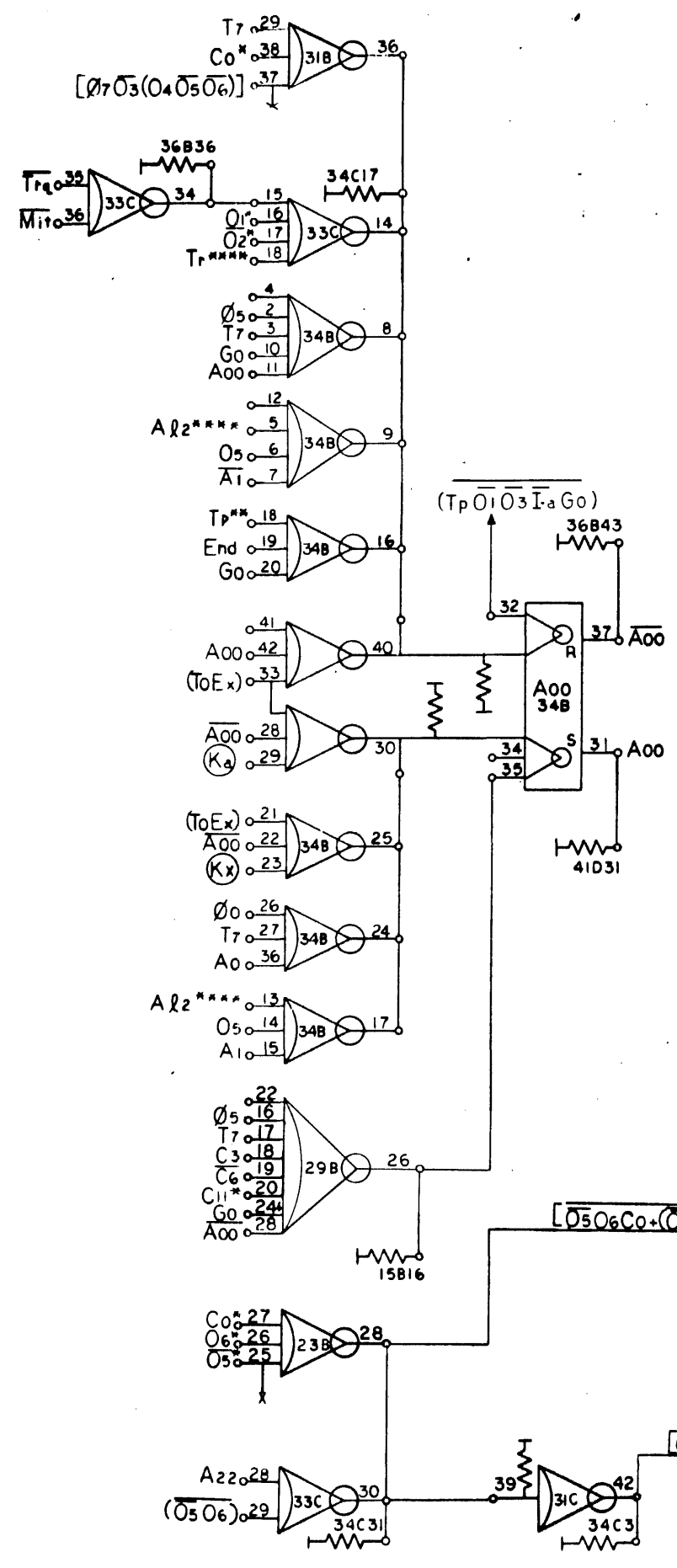
930	106407	A
-----	--------	---

33	106407/A
----	----------

DIAGRAM, LOGIC
COMPUTER



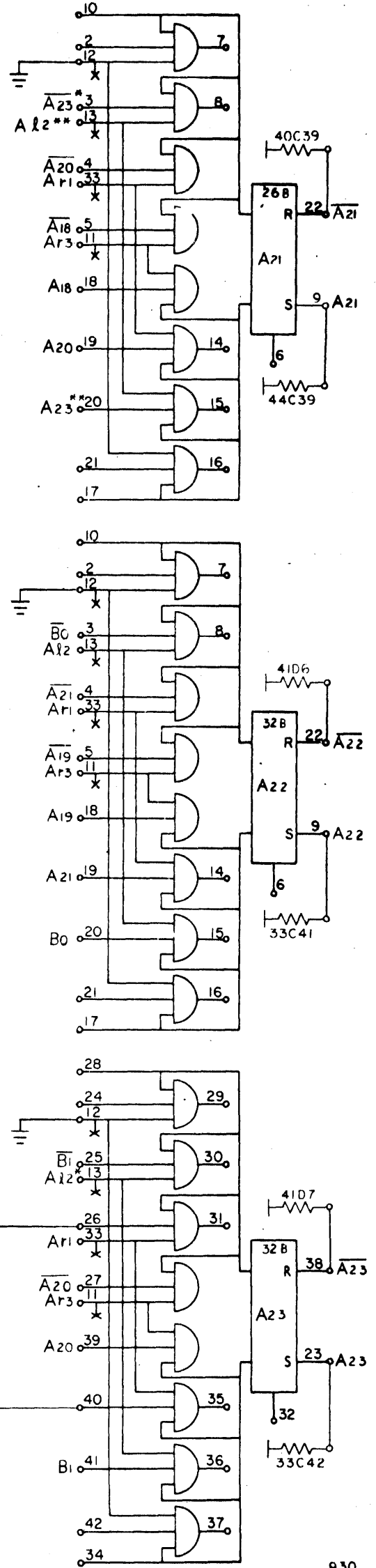
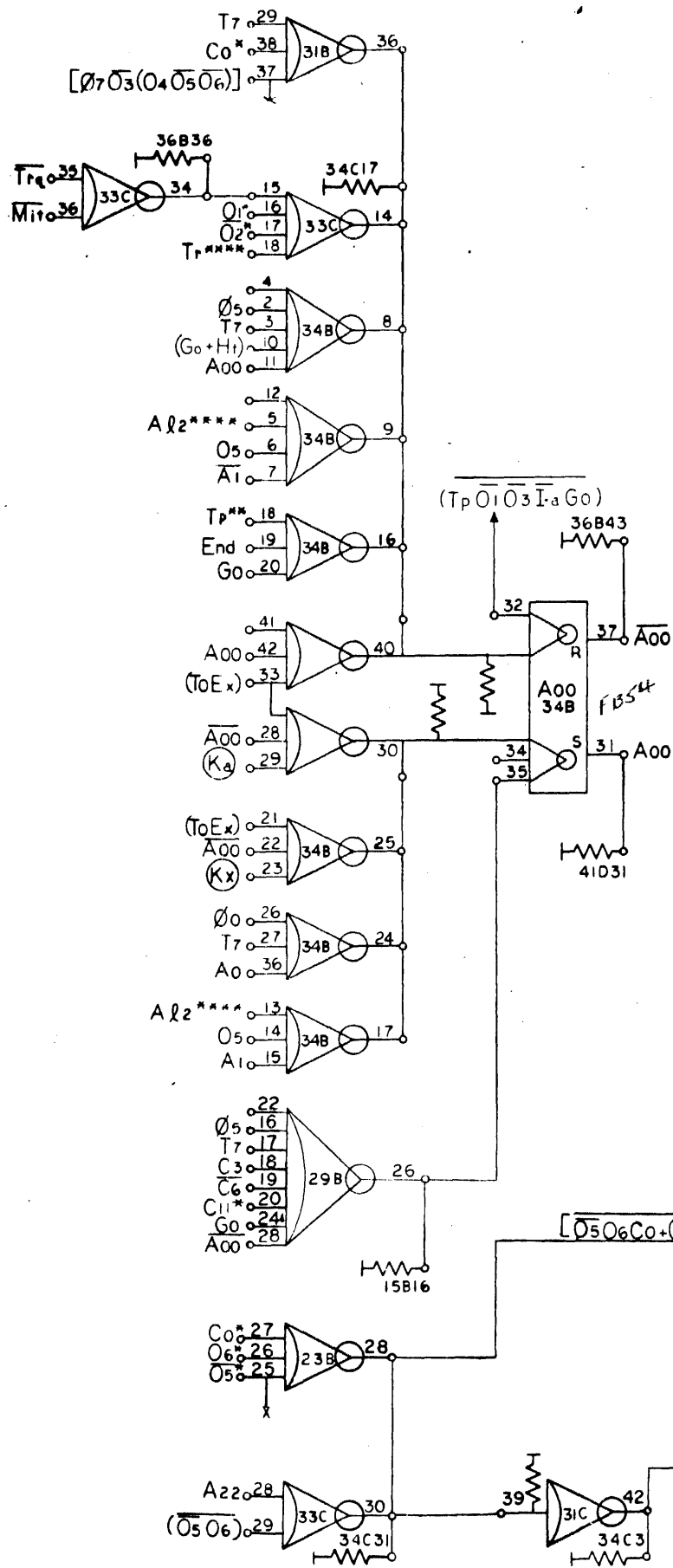
930 106407 A



930	106407	A
DIAGRAM, LOGIC COMPUTER		

REV.	DESCRIPTION	CHK.	DATE
A	REL. TO VFG	3/7	3/68

106407/A

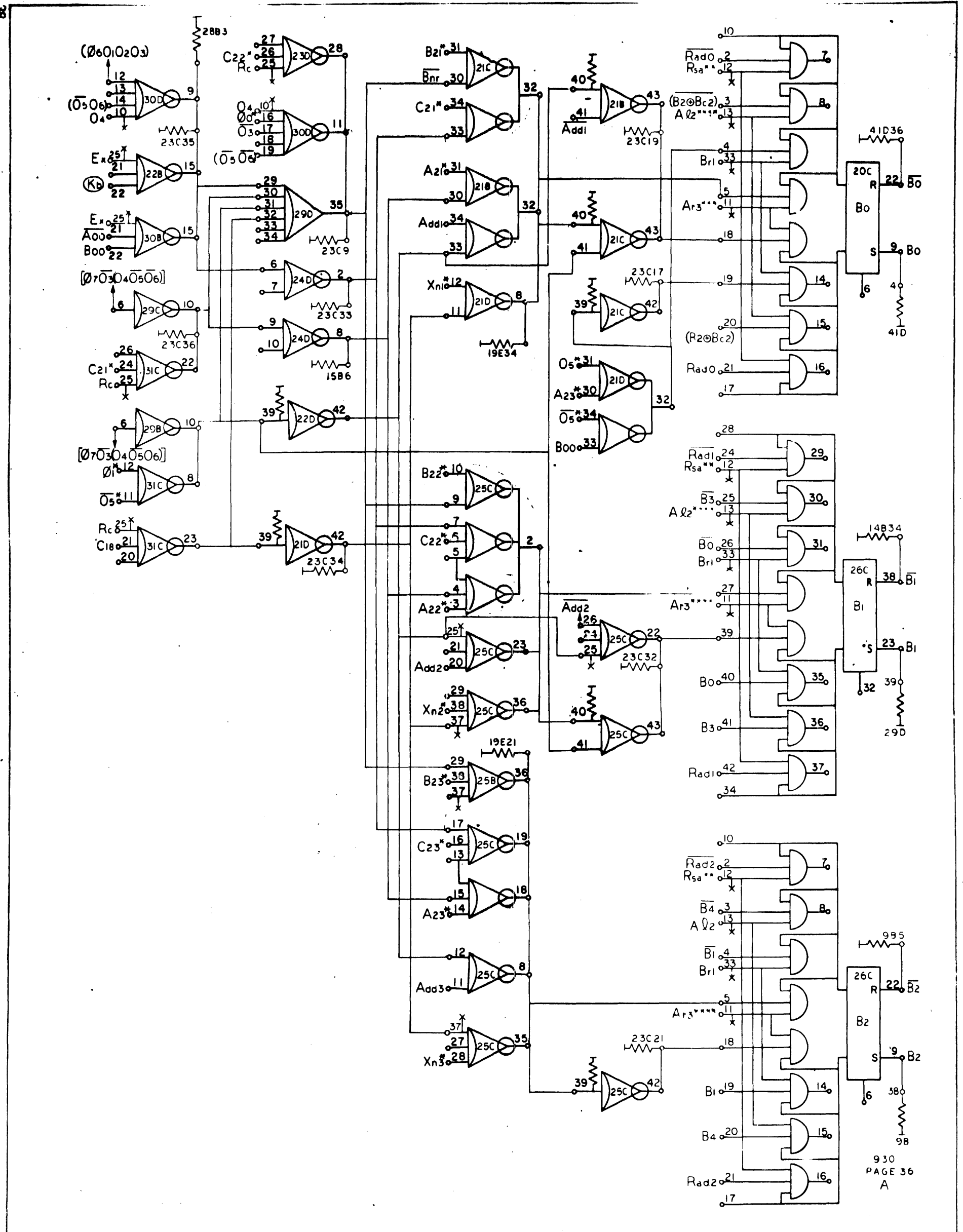


REV	DESCRIPTION	DATE	BY	CHKD	APPROVED
1	REL TO VEG	7/27/54	W. J. B.	W. J. B.	W. J. B.
2	SEE REV E	7/27/54	W. J. B.	W. J. B.	W. J. B.
3	SEE REV E	7/27/54	W. J. B.	W. J. B.	W. J. B.

930	106407	E
-----	--------	---

106407	E
--------	---

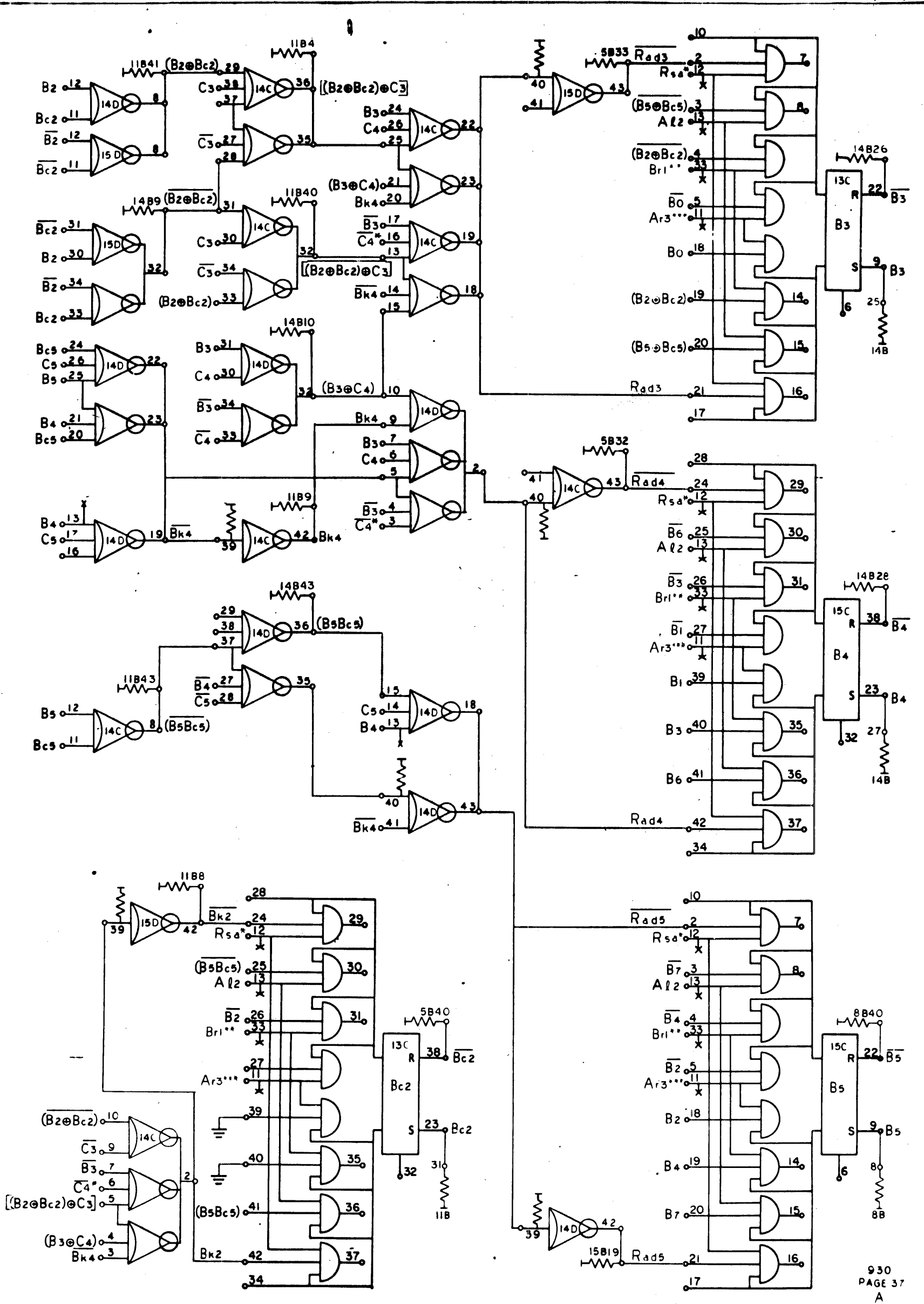
106407/E



930
PAGE 36
A

330		106407		A											
SDS SYSTEMS DEVELOPMENT CORPORATION SAN JOSE, CALIFORNIA															
TITLE DIAGRAM, LOGIC COMPUTER															
REVISIONS <table border="1"> <tr> <th>REV.</th> <th>DESCRIPTION</th> <th>DATE</th> <th>BY</th> <th>APPROVED</th> </tr> <tr> <td>A</td> <td>REL TO VFG</td> <td>7/14/64</td> <td>WKS</td> <td>WKS</td> </tr> </table>						REV.	DESCRIPTION	DATE	BY	APPROVED	A	REL TO VFG	7/14/64	WKS	WKS
REV.	DESCRIPTION	DATE	BY	APPROVED											
A	REL TO VFG	7/14/64	WKS	WKS											
106407 A															

106407A

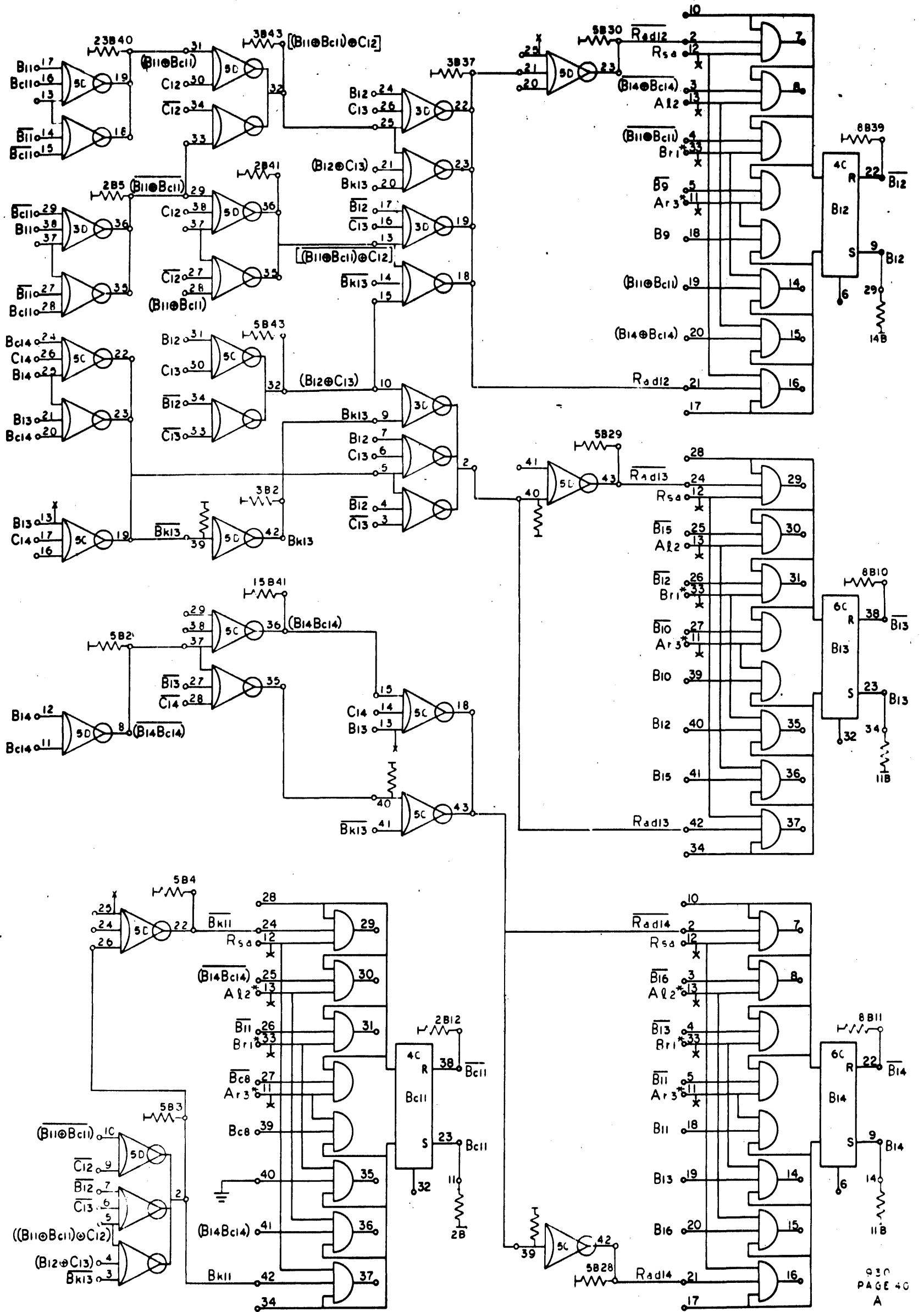


930
PAGE 37
A

REV. DESCRIPTION		DATE		BY	
1	REL TO VEG	10/27/54	10/27/54	W. J.
2					

930	106407	A
-----	--------	---

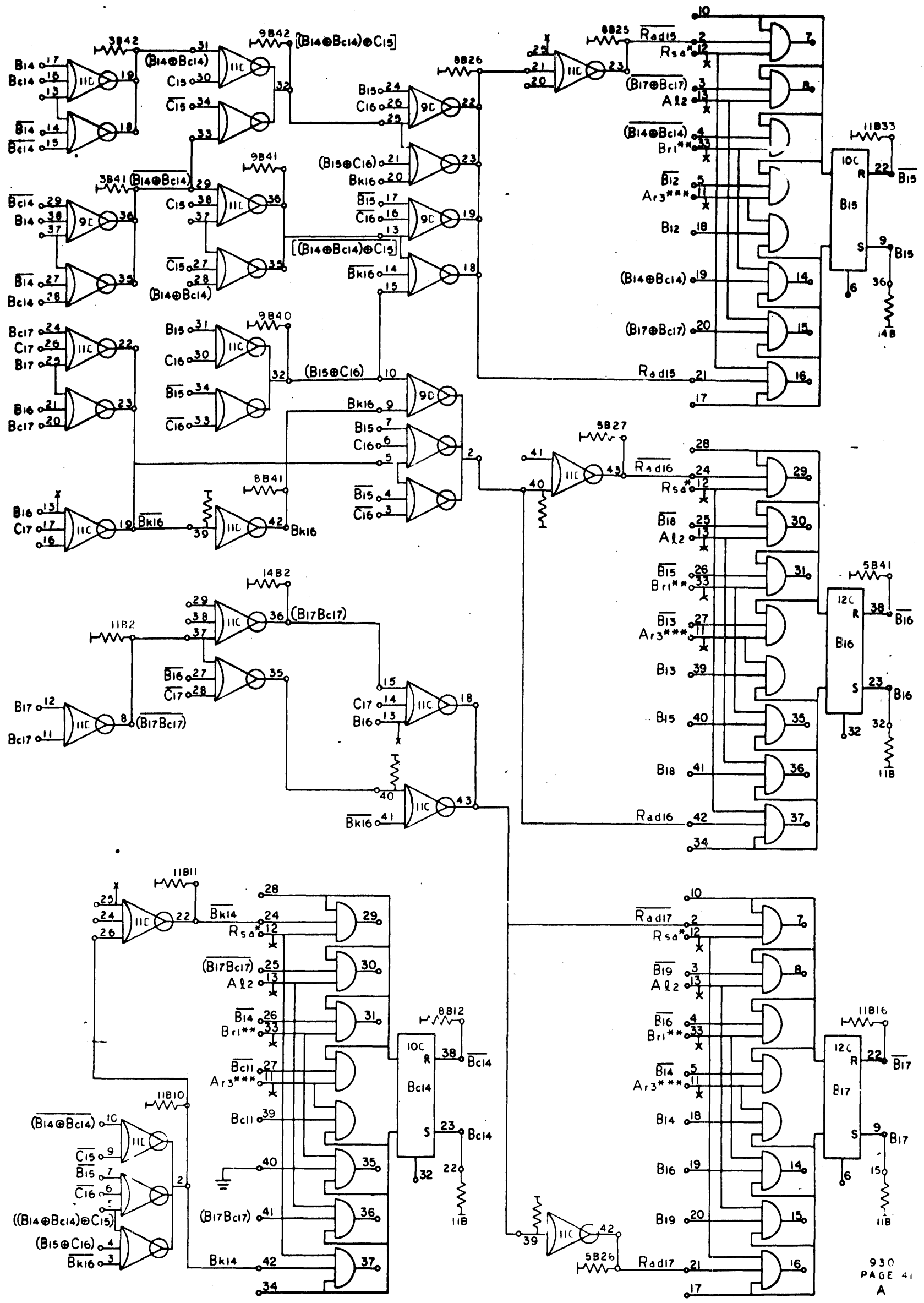
106407/A	DIAGRAM, LOGIC COMPUTER
----------	-------------------------



REVISIONS		NO.	DESCRIPTION	DATE	BY	APPROVED
A	NET TO MFG					

SCALE	930	DO NOT SCALE DRAWINGS	930
DATE	106407		
TITLE	DIAGRAM, LOGIC COMPUTER		
PROJECT	106407/A		
SCALE	A		

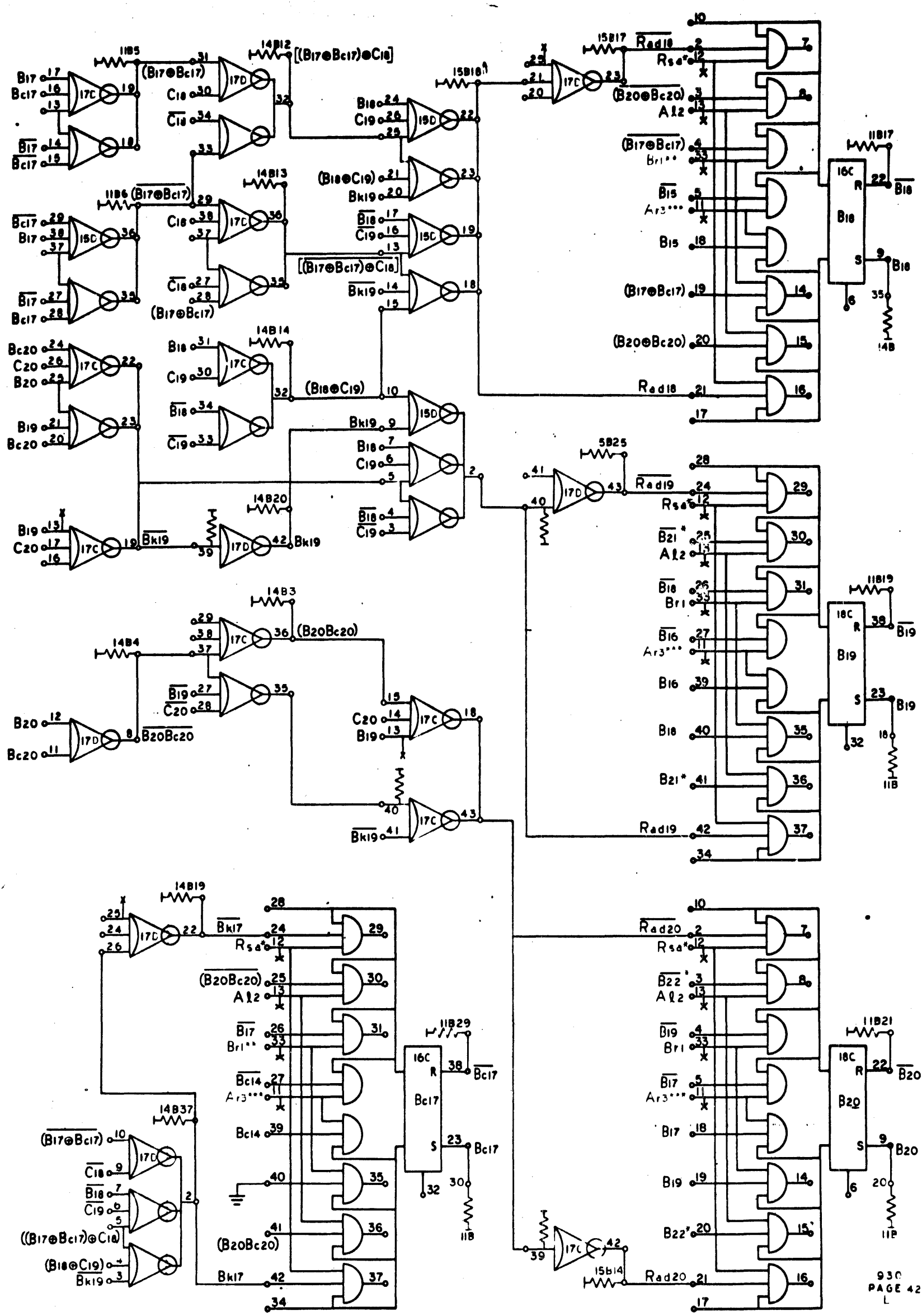
106407/A



930
PAGE 41
A

106407A

SCALE	930	DATE	106407	REV	DESCRIPTION	CHK	DATE
				A	DEL TO MFG		
SDP SCIENTIFIC DATA SYSTEMS 106407 A DIAGRAM, LOGIC COMPUTER				REVISIONS 106407 A 1/7/54 J. H.			



930
PAGE 42

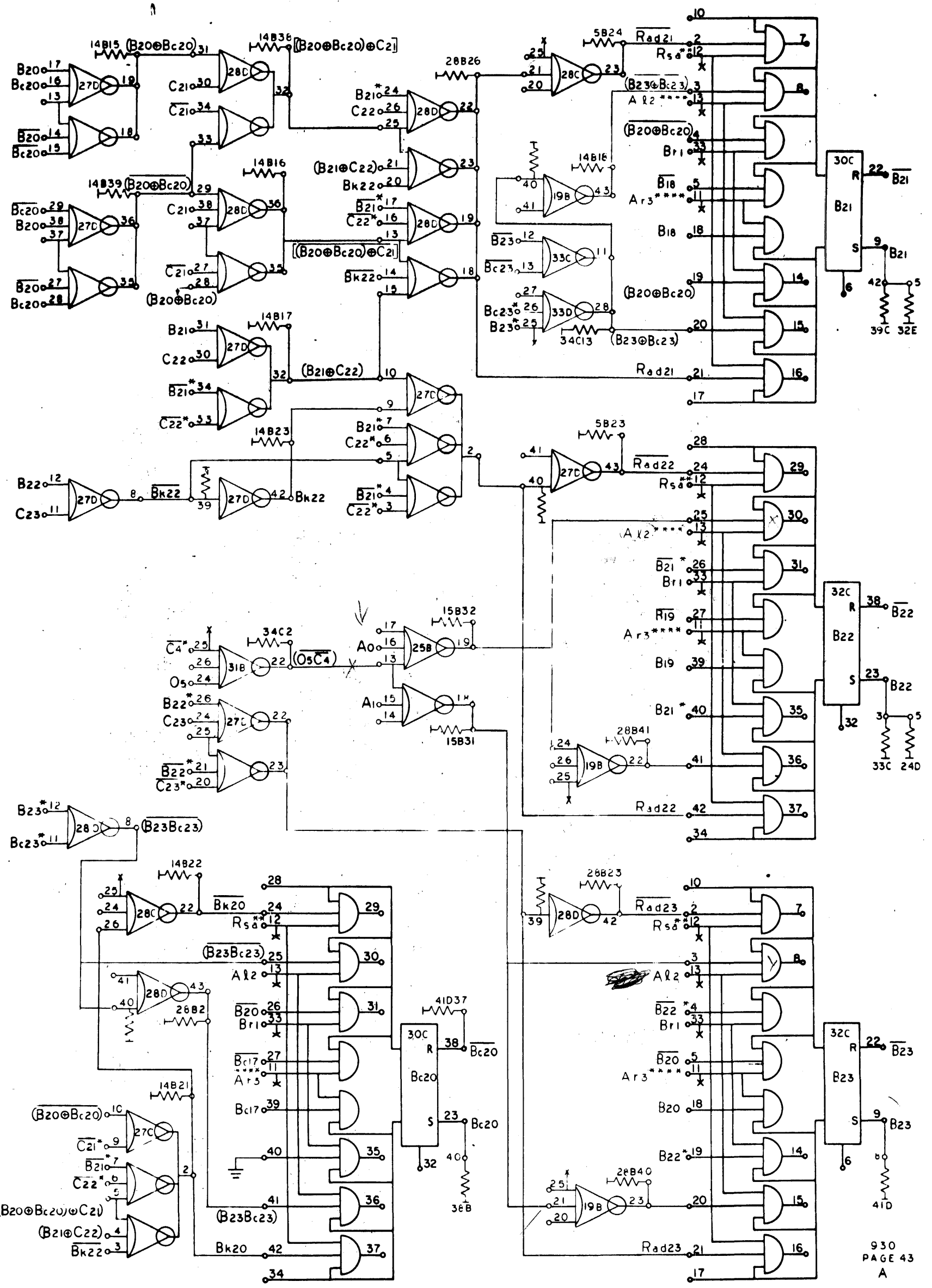
REV.	DESCRIPTION	DATE	BY	APP'D.
1	REVISION			
2	REVISION			
3	REVISION			
4	REVISION			
5	REVISION			
6	REVISION			
7	REVISION			
8	REVISION			
9	REVISION			
10	REVISION			
11	REVISION			
12	REVISION			
13	REVISION			
14	REVISION			
15	REVISION			
16	REVISION			
17	REVISION			
18	REVISION			
19	REVISION			
20	REVISION			
21	REVISION			
22	REVISION			
23	REVISION			
24	REVISION			
25	REVISION			
26	REVISION			
27	REVISION			
28	REVISION			
29	REVISION			
30	REVISION			
31	REVISION			
32	REVISION			
33	REVISION			
34	REVISION			
35	REVISION			
36	REVISION			
37	REVISION			
38	REVISION			
39	REVISION			
40	REVISION			
41	REVISION			
42	REVISION			
43	REVISION			
44	REVISION			
45	REVISION			
46	REVISION			
47	REVISION			
48	REVISION			
49	REVISION			
50	REVISION			

DIAGRAM, LOGIC
COMPUTER

930
106407

45/46

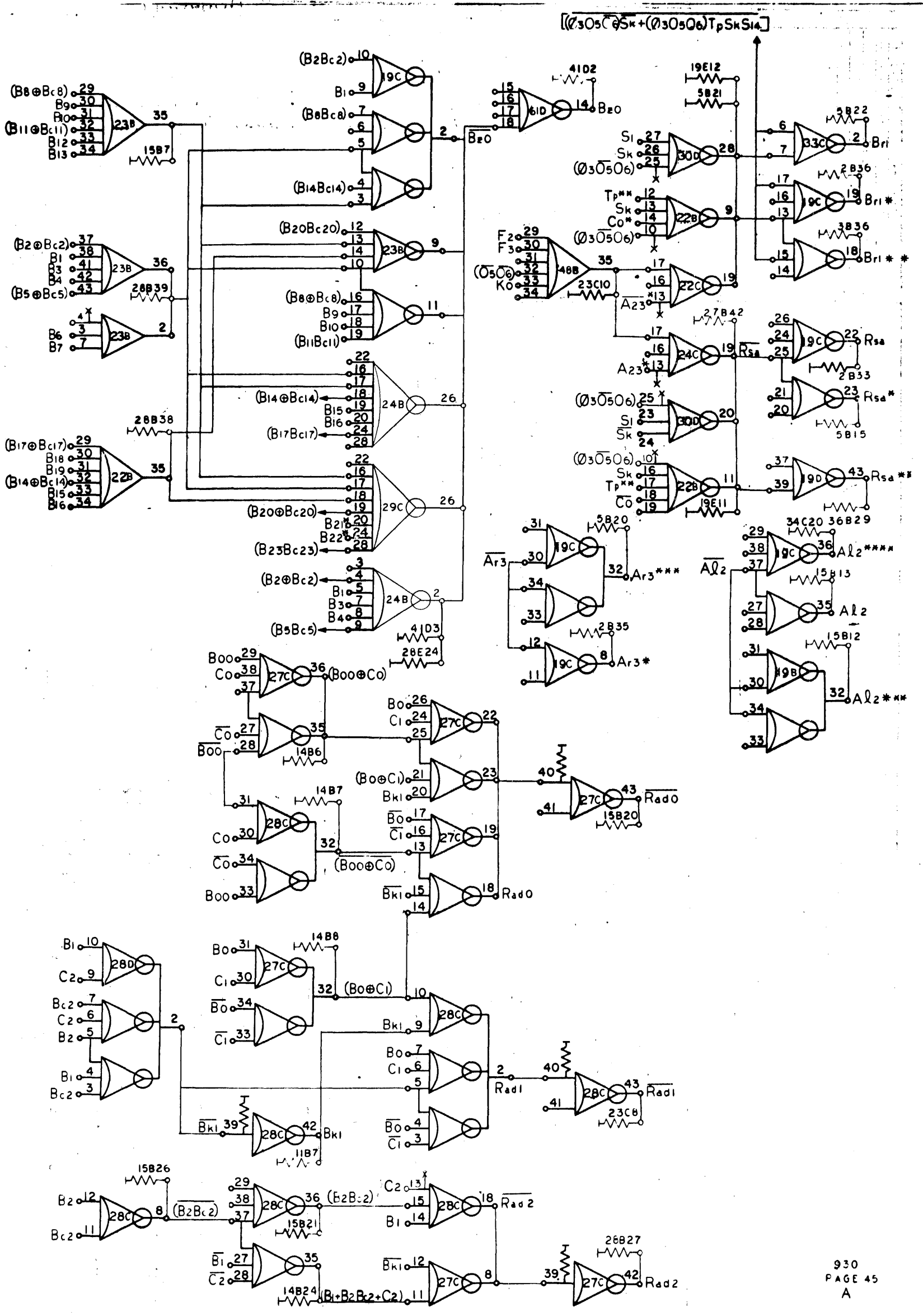
106407L



930
PAGE 43
A

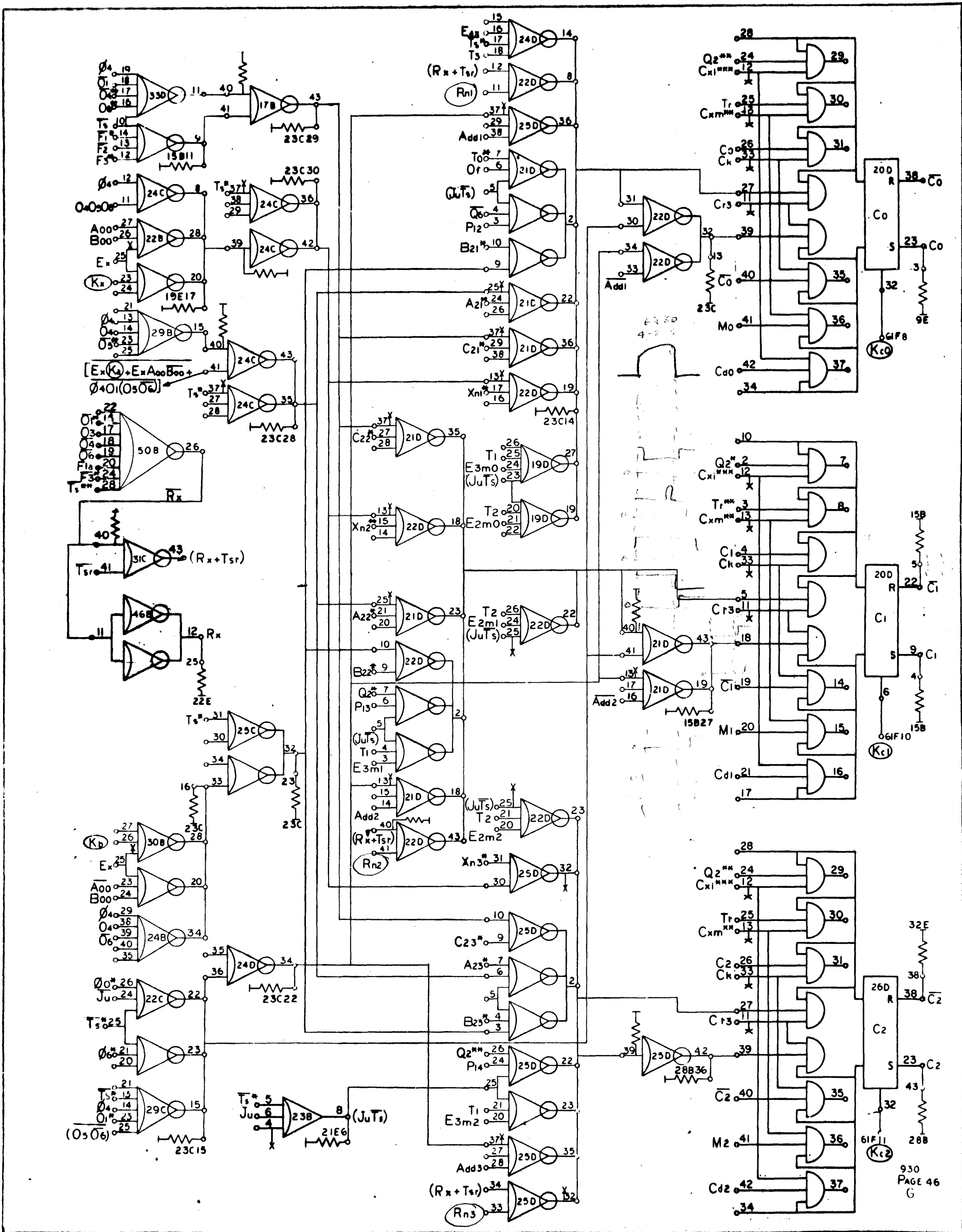
SCALE	330	REV	A	DESCRIPTION	RELEASED TO USE	DATE	1/28	APPROVED	1/28
	DO NOT SCALE DRAWING		30C		32C		32C		
TITLE		SIDS SCIENTIFIC DATA SYSTEMS MILITARY ELECTRONICS CORPORATION DIAGRAM, LOGIC COMPUTER							
DATE	106407	REV	A	DESCRIPTION	RELEASED TO USE	DATE	1/28	APPROVED	1/28

106407/A



930	106407	A	REVISIONS	
			DATE	APPROVED
DIAGRAM, LOGIC COMPUTER			DATE	APPROVED
106407/A			DATE	APPROVED

106407/A



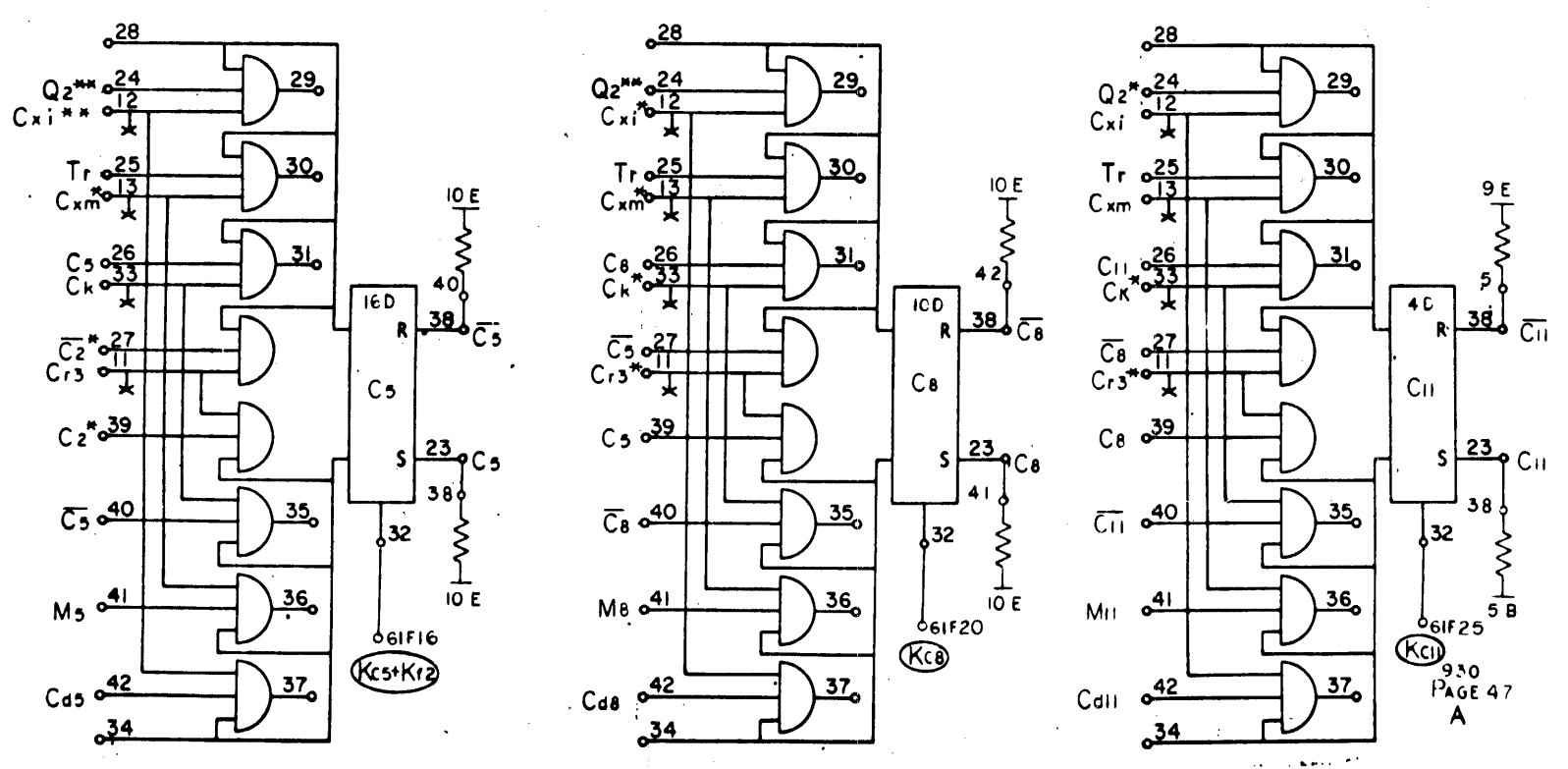
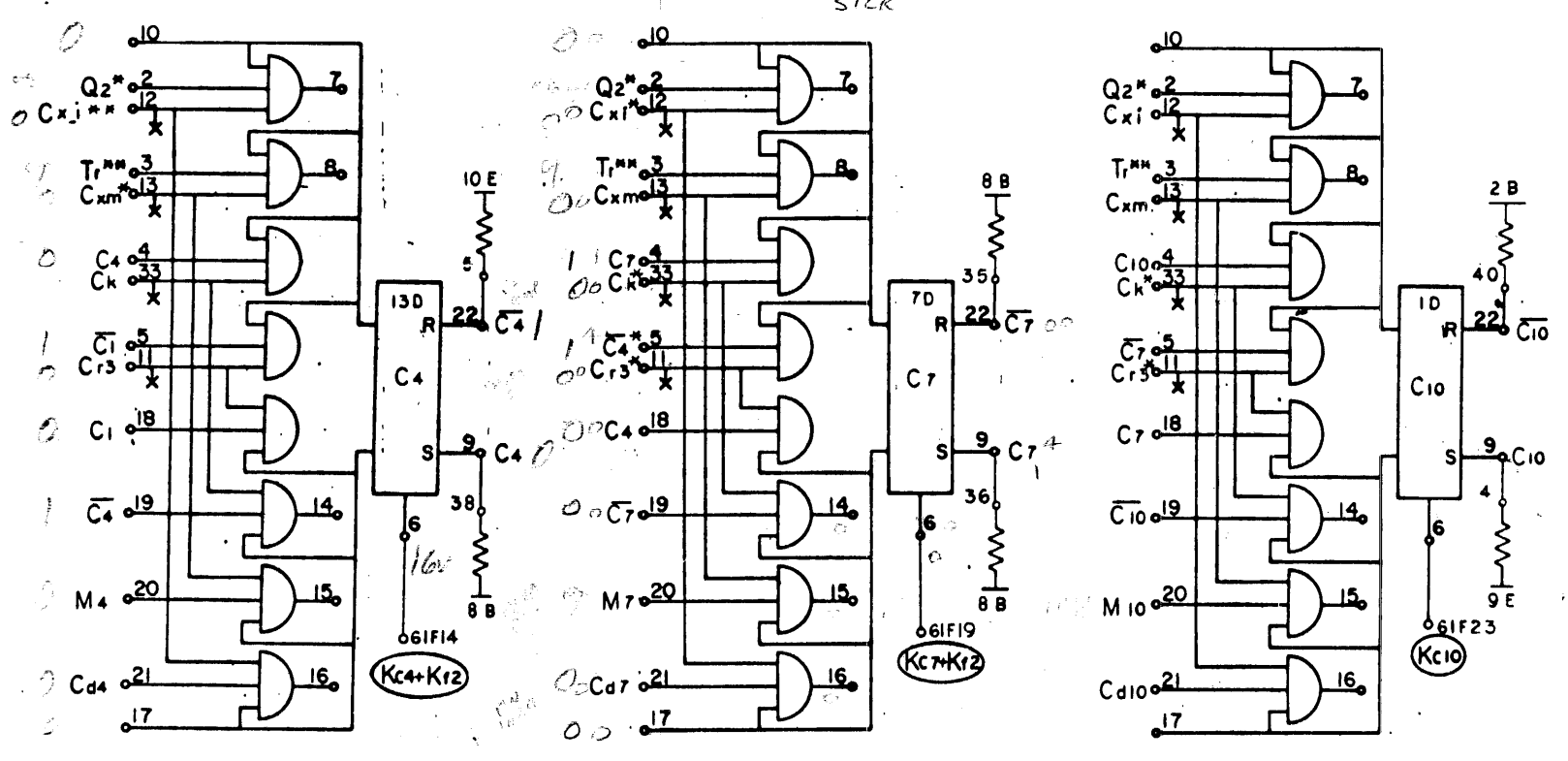
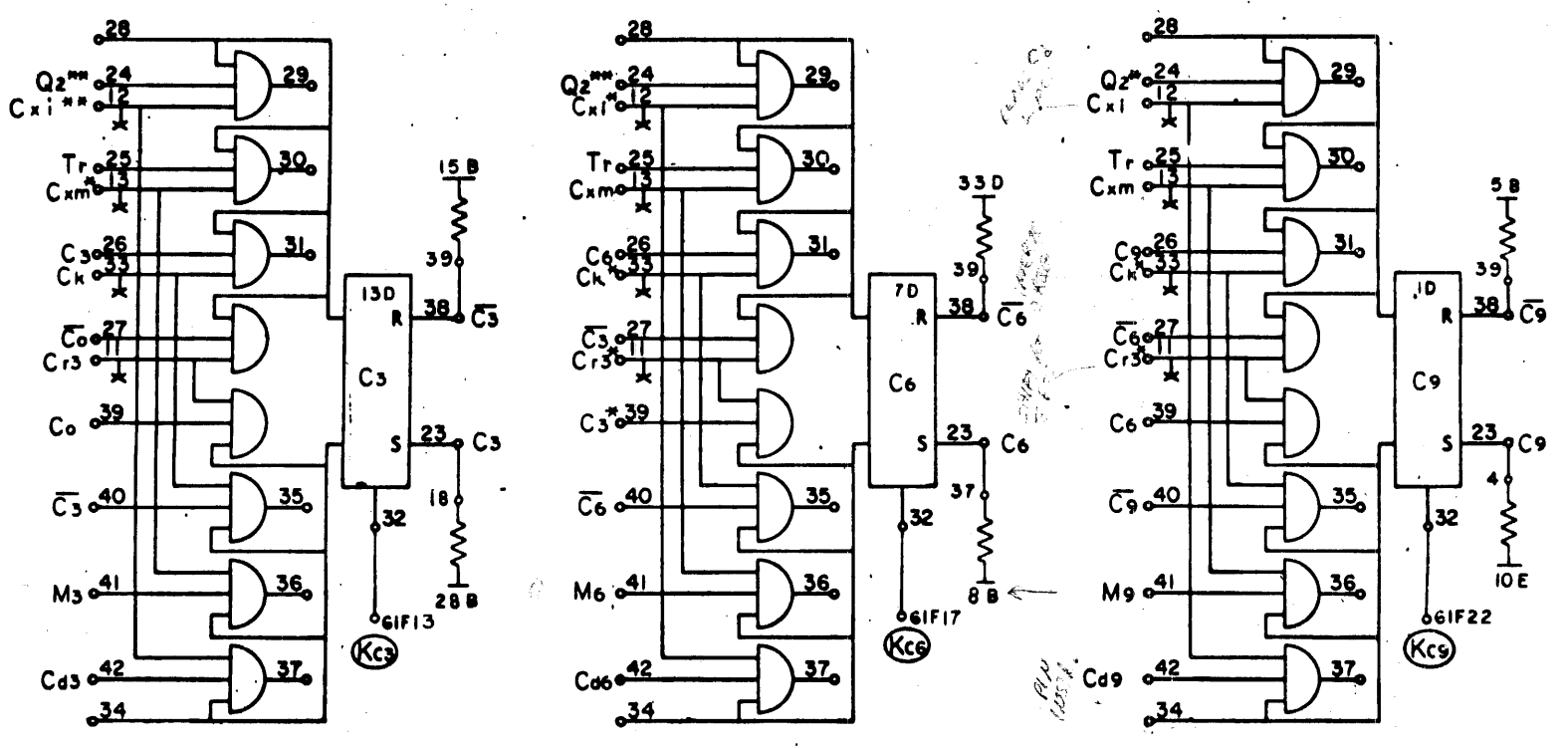
930
106407
G

DIAGRAM, LOGIC
COMPUTER

REV.	DESCRIPTION	DATE	BY	CHKD.
1	RELEASED TO A-3			
2	SEE REV E O			
3	SEE REV E O			
4	SEE REV E O			

106407/G

53/54



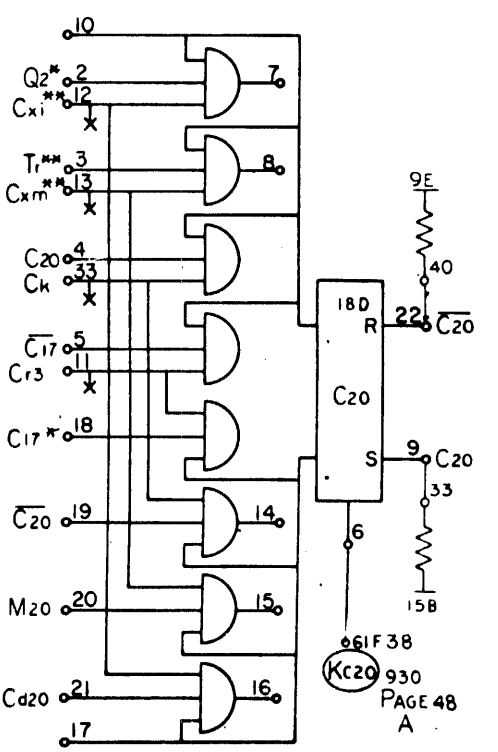
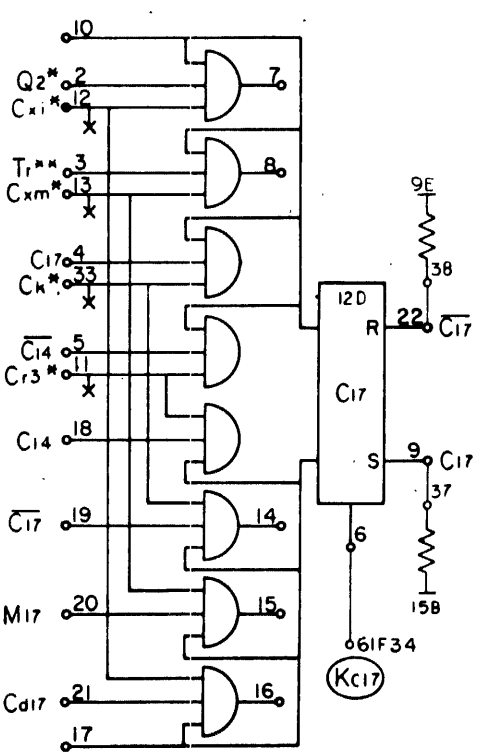
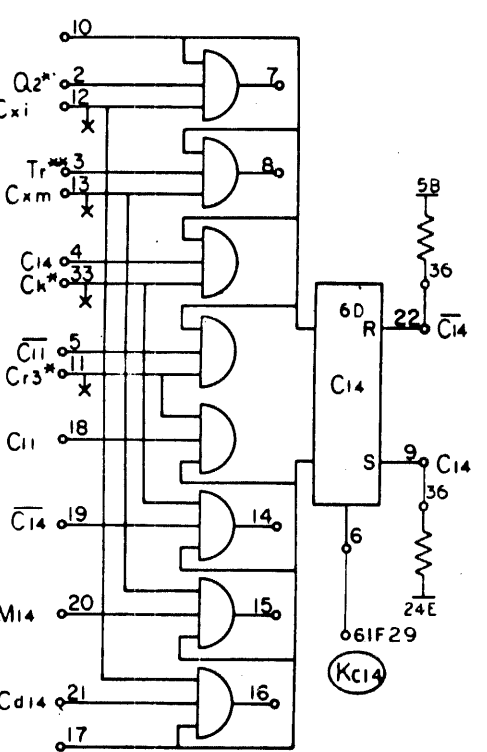
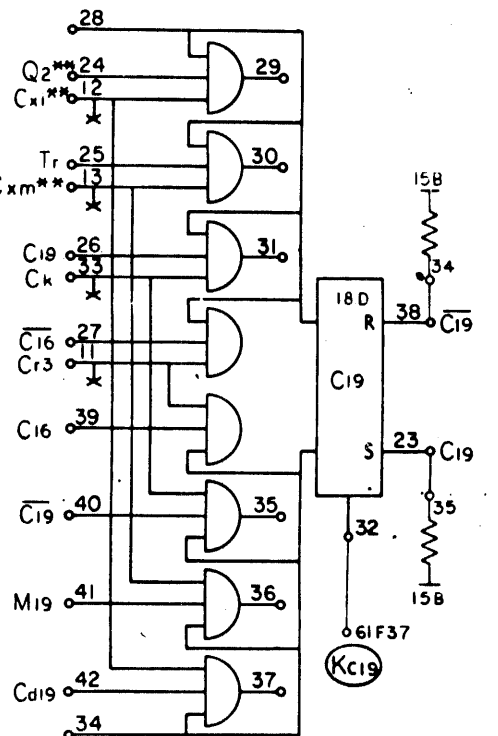
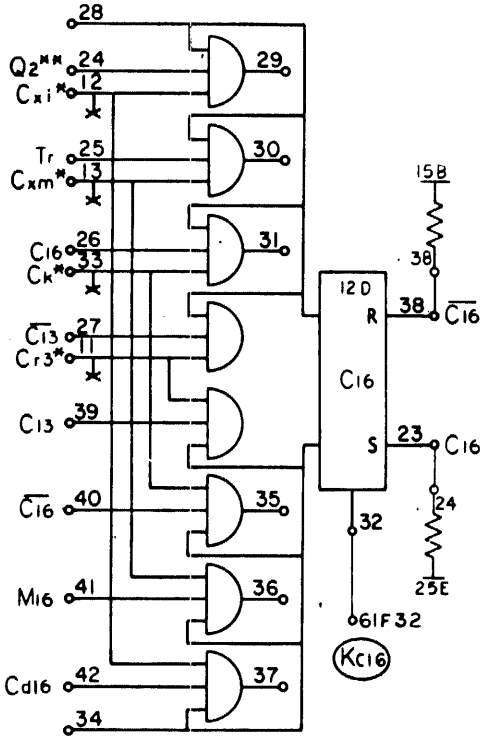
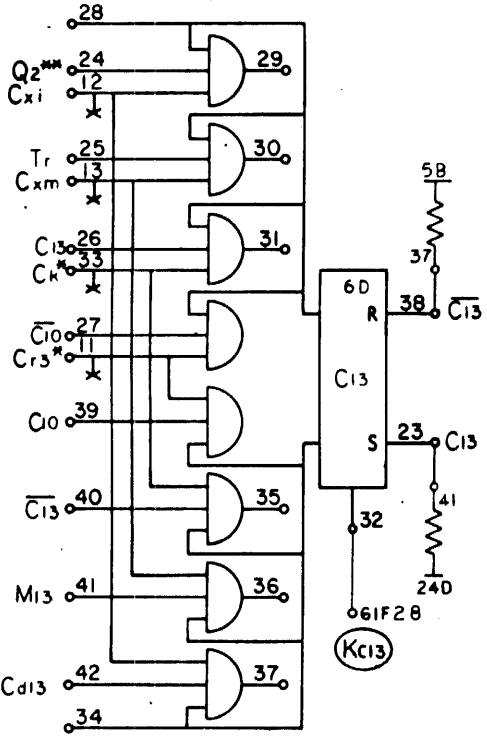
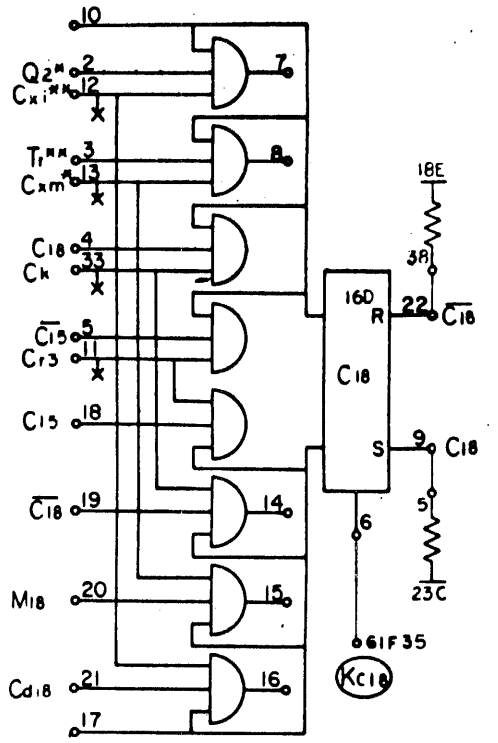
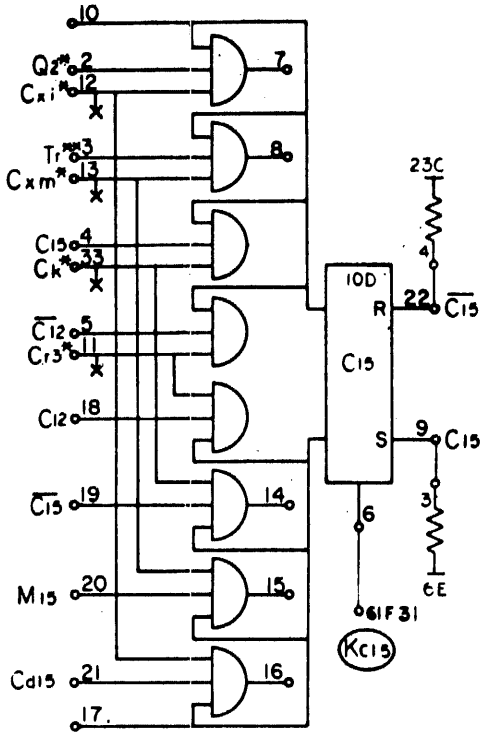
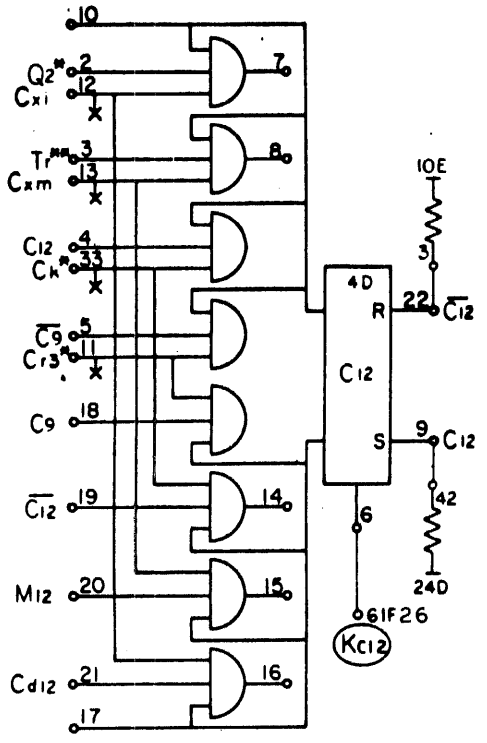
SICK

PAGE 47
A

REVISIONS		REV.	DESCRIPTION	DATE	BY	APPROVED
A	SELECTED C/W'S	57	9/16			

930	106407	A
-----	--------	---

106407/A	DIAGRAM, LOGIC COMPUTER
----------	----------------------------



PAGE 48
A

937
DO NOT SCALE DRAWINGS
SHEET

DIAGRAM, LOGIC
COMPUTER



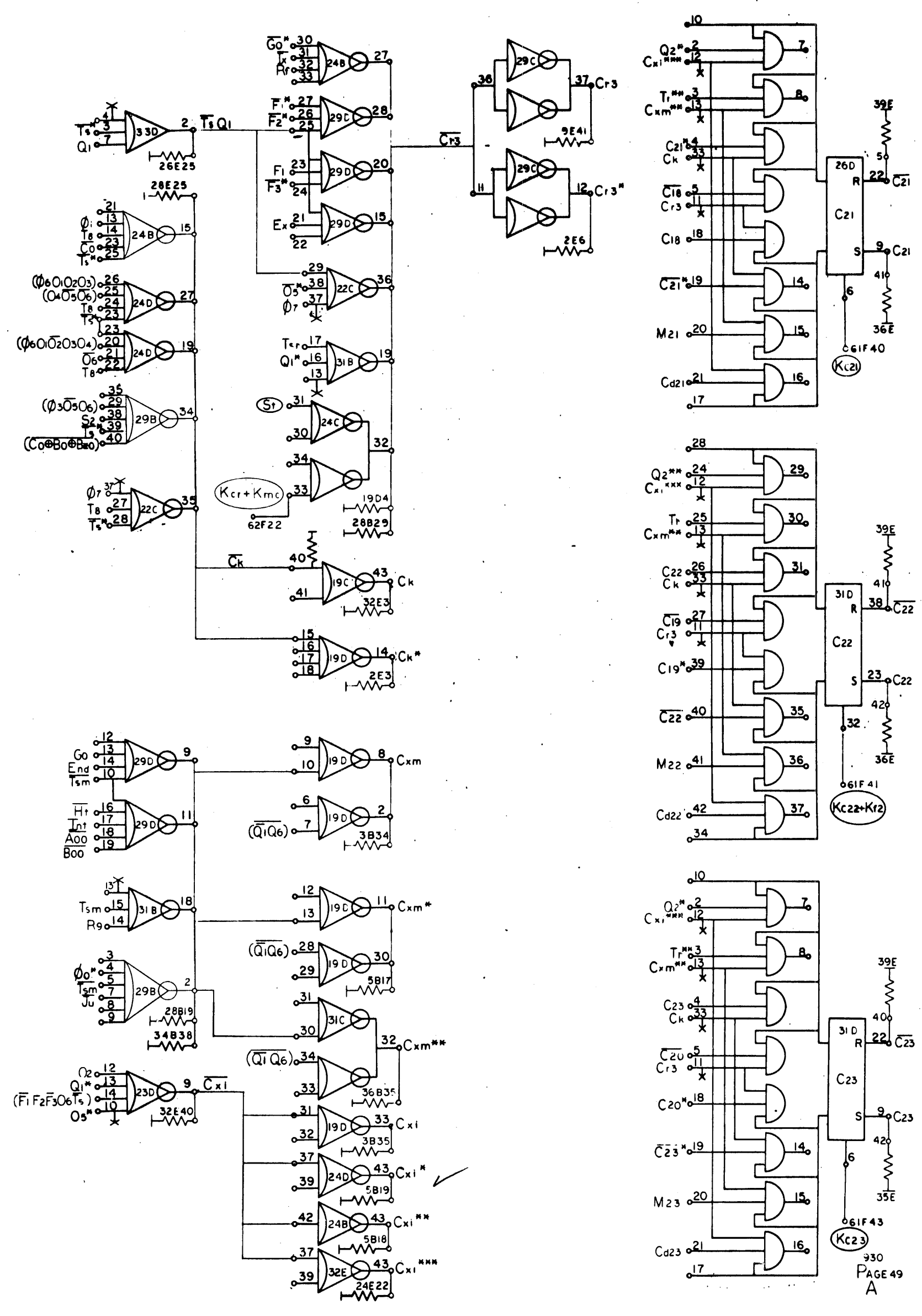
SHIPPING DATA SYSTEM
SANTA ANITA, CALIFORNIA

106407

A

REV.	DESCRIPTION	CHK.	DATE	APPROVED
A	RELEASED TO 4/72	WJ	7/48	

106407/A

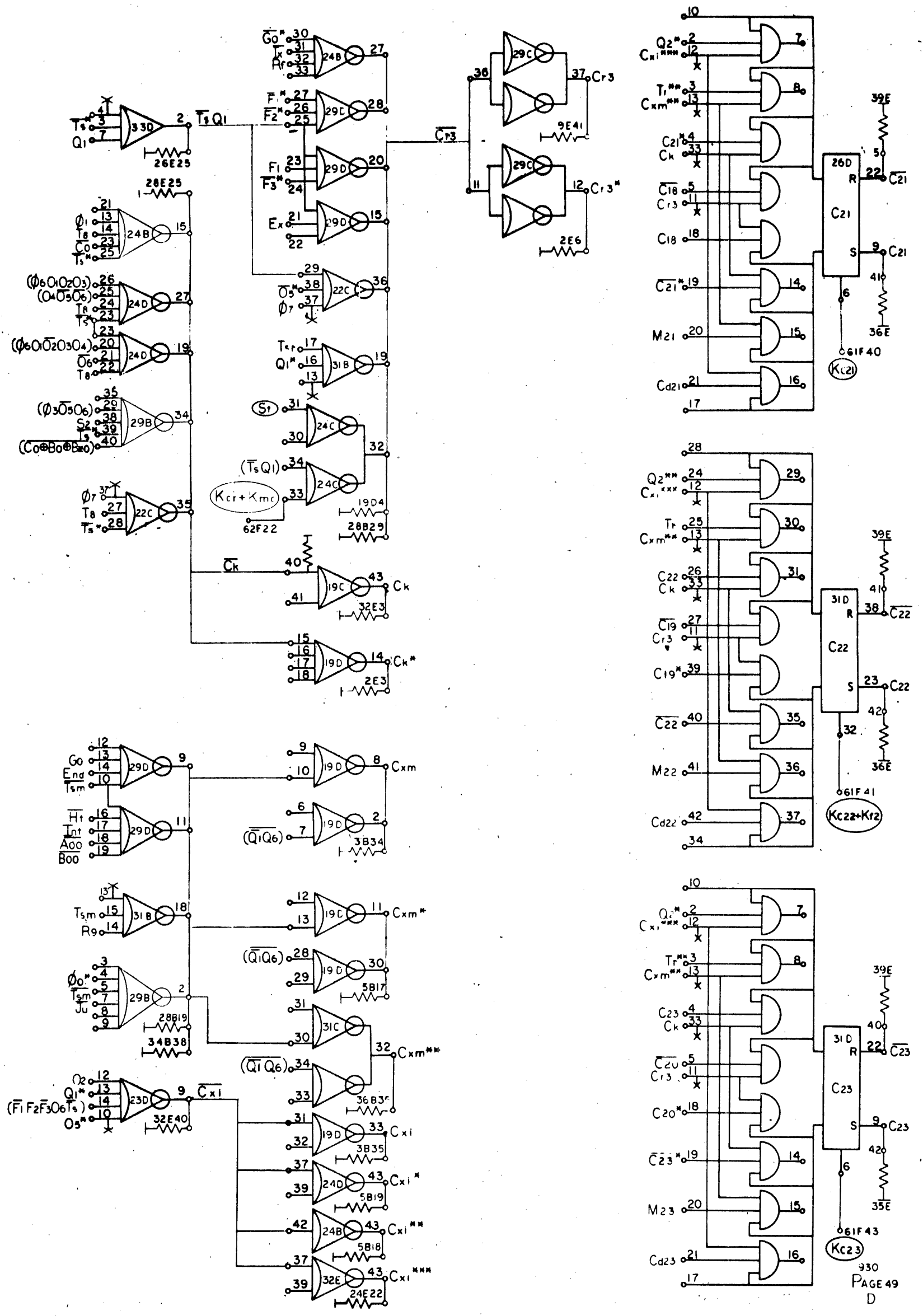


REV	DESCRIPTION	DATE	BY	APPROVED
1				

SDS
DIAGRAM, LOGIC
COMPUTER

930
106407
A

106407A

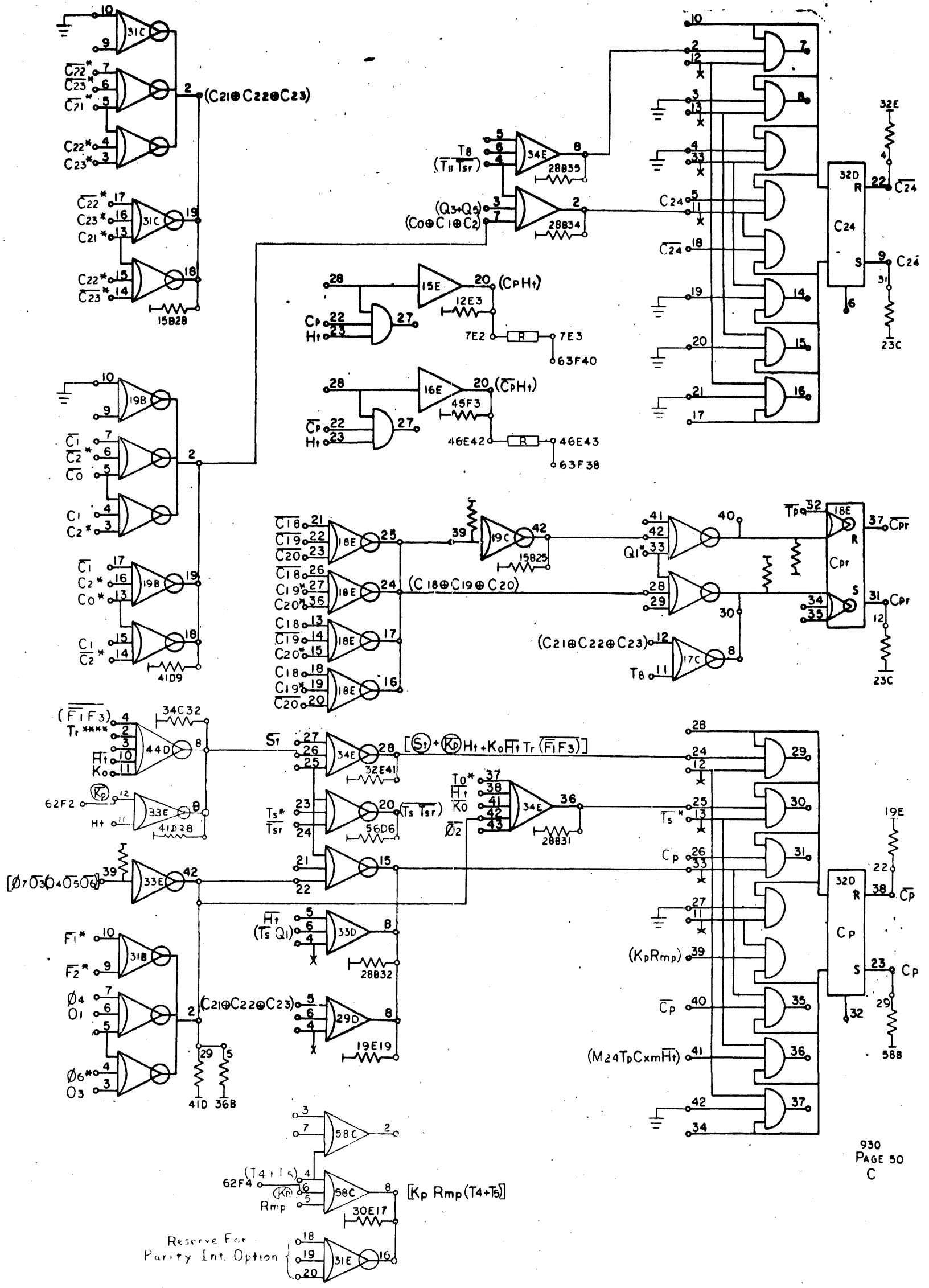


REV		DESCRIPTION		DATE		BY		CHECKED	
1	A	SEE REV E							
2	B	SEE REV E							
3	C	SEE REV E							
4	D	SEE REV E							

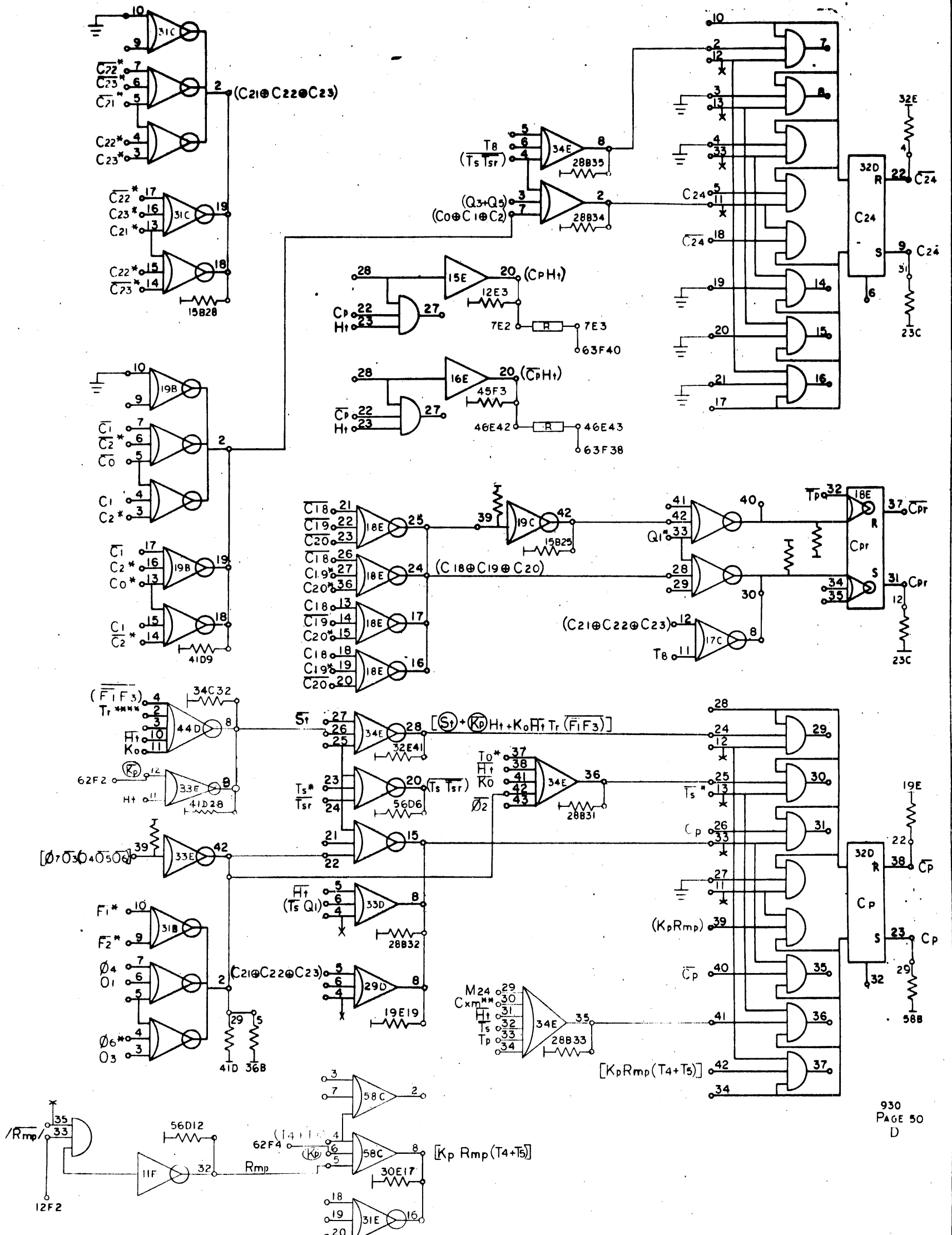
930	106407	D
-----	--------	---

106407	D
--------	---

106407/D



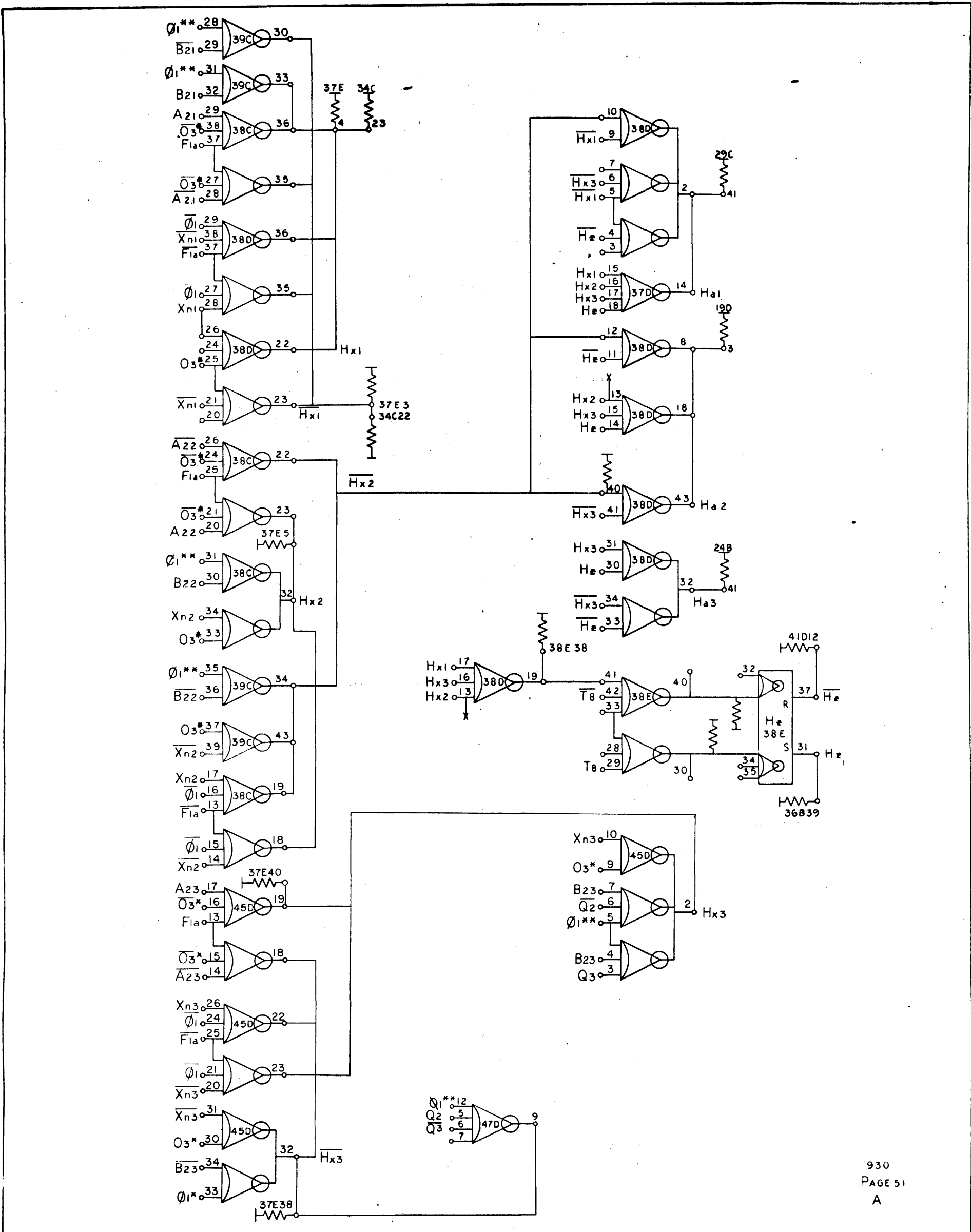
930	106407	C	REVISIONS	
			REV	DESCRIPTION
			1	SEE REV E0
			2	
			3	
			4	
			5	
			6	
			7	
			8	
			9	
			10	
			11	
			12	
			13	
			14	
			15	
			16	
			17	
			18	
			19	
			20	
			21	
			22	
			23	
			24	
			25	
			26	
			27	
			28	
			29	
			30	
			31	
			32	
			33	
			34	
			35	
			36	
			37	
			38	
			39	
			40	
			41	
			42	
			43	
			44	
			45	
			46	
			47	
			48	
			49	
			50	
			51	
			52	
			53	
			54	
			55	
			56	
			57	
			58	
			59	
			60	
			61	
			62	
			63	
			64	
			65	
			66	
			67	
			68	
			69	
			70	
			71	
			72	
			73	
			74	
			75	
			76	
			77	
			78	
			79	
			80	
			81	
			82	
			83	
			84	
			85	
			86	
			87	
			88	
			89	
			90	
			91	
			92	
			93	
			94	
			95	
			96	
			97	
			98	
			99	
			100	



930
PAGE 50
D

REVISIONS	
REV	DESCRIPTION
A	PRELIMINARY
B	SEE REV E
C	SEE REV E
D	SEE REV E

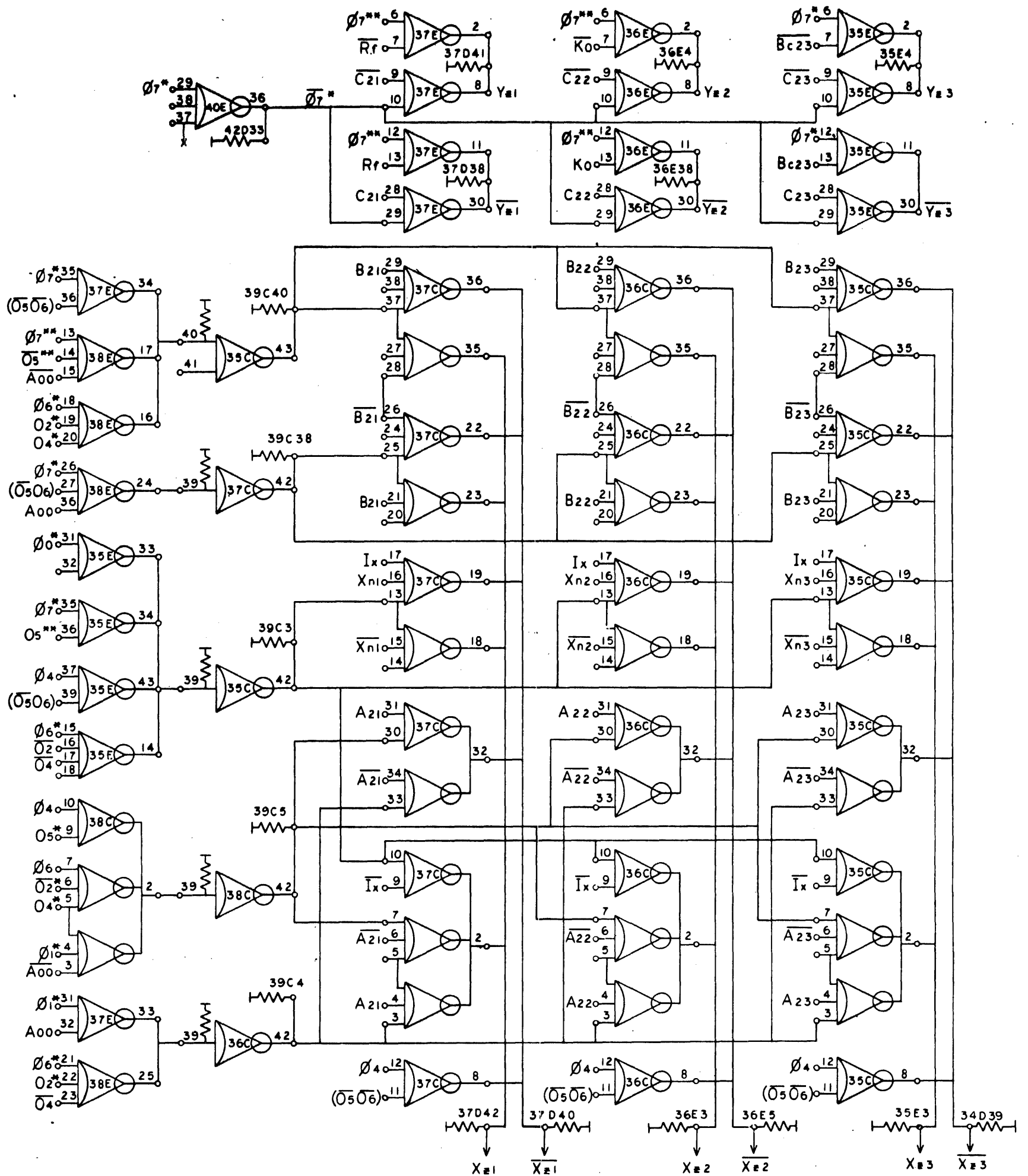
930	106407	D
DIAGRAM, LOGIC COMPUTER		
106407/D		



930
PAGE 51
A

330 106407 A	106407 A	DATE 10/1/67	APPROVED 	REVISIONS 1 A 10/1/67
		SIZE 106407	PART NO. 106407	DESCRIPTION COMPUTER LOGIC DIAGRAM

106407/A



SCALE: 930
DO NOT SCALE DRAWING

DIAGRAM, LOGIC
COMPUTER



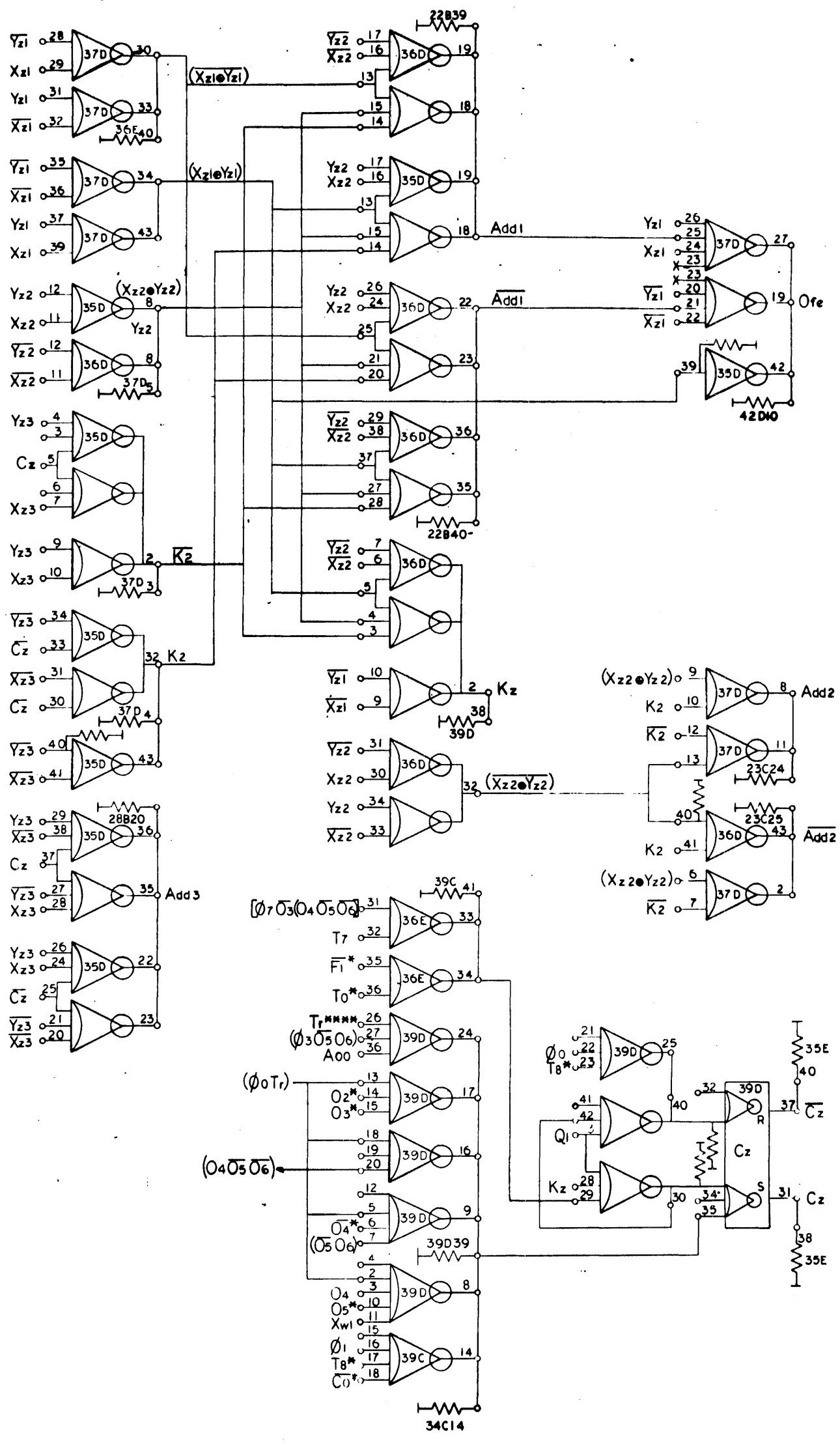
SCIENTIFIC DATA SYSTEMS
DAVIS, MISSOURI, U.S.A.

106407

A

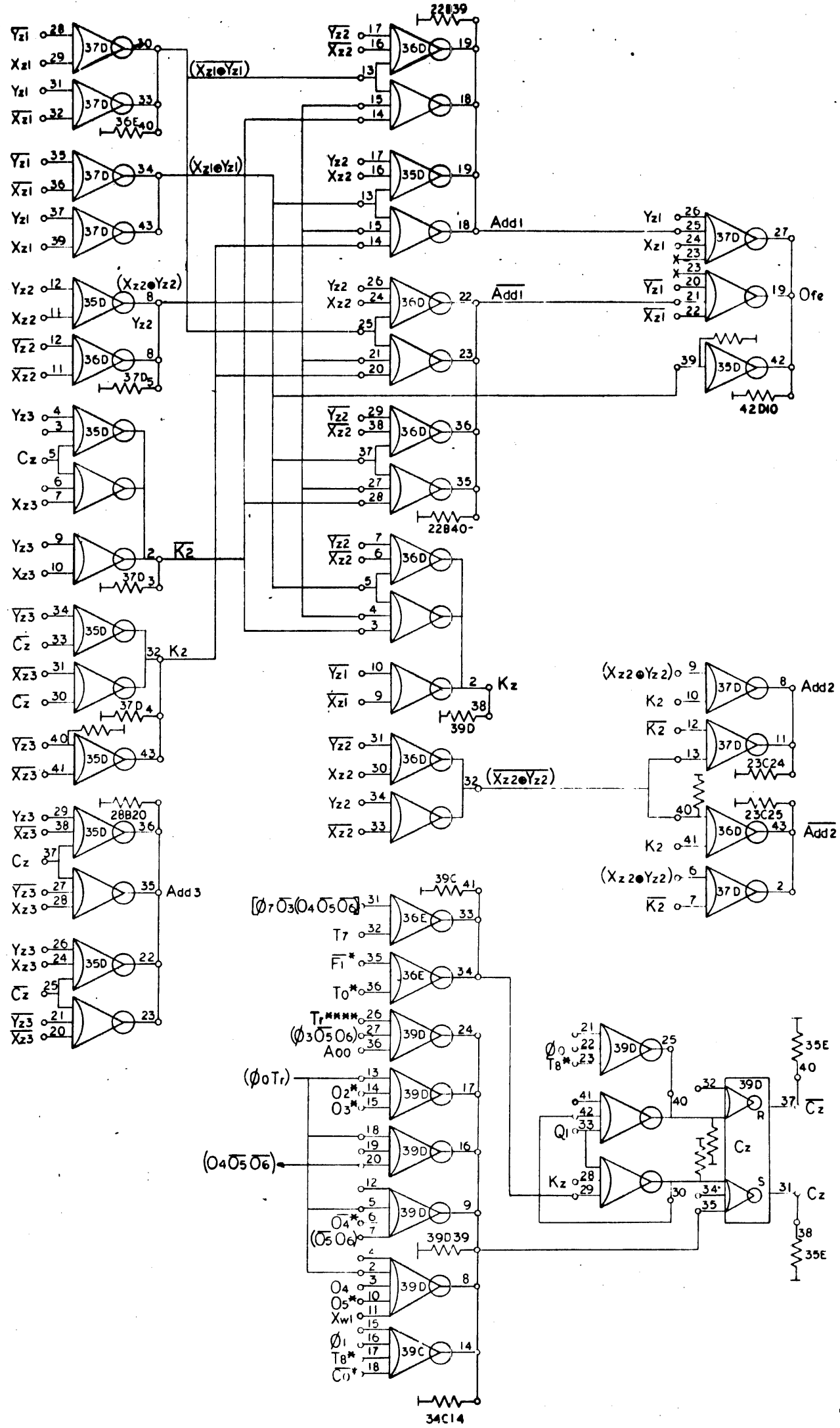
REVISIONS		DATE	BY	APP'D
A	DESCRIPTION			

106407/A



930	106407	A	REVISIONS		106407 A
			REV	DESCRIPTION	
930	106407	A	REV	DESCRIPTION	106407 A
DIAGRAM, LOGIC COMPUTER			REV	DESCRIPTION	106407 A
DO NOT SCALE DRAWING			REV	DESCRIPTION	106407 A

106407/A

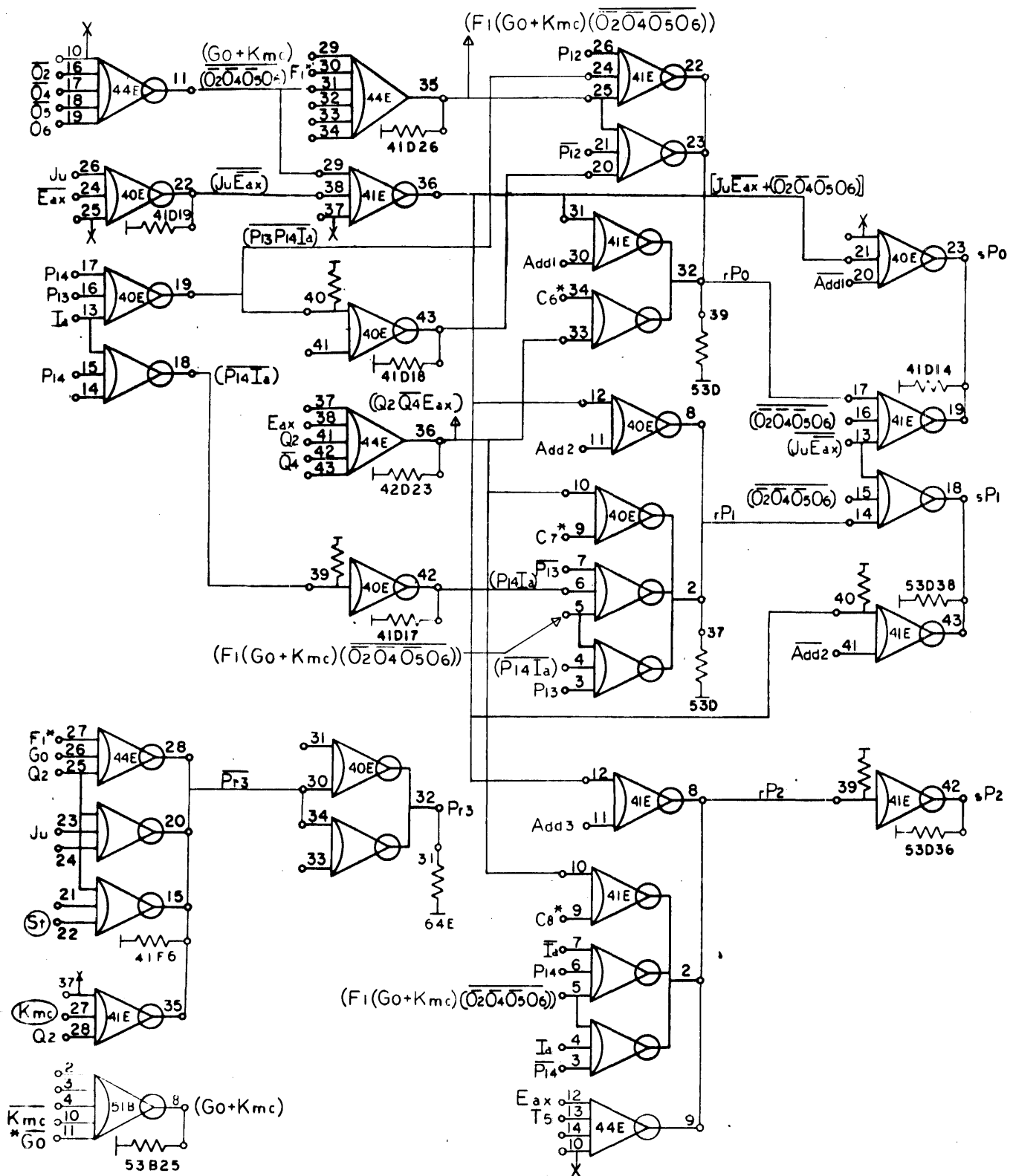
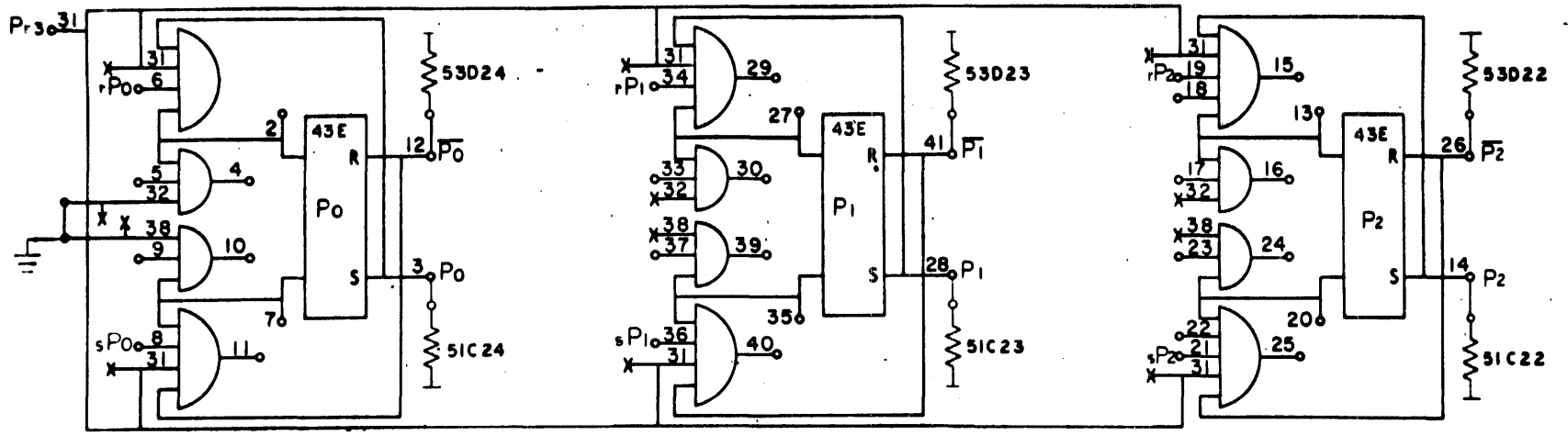


930
106407
B

DIAGRAM, LOGIC
COMPUTER

REV	DESCRIPTION	DATE	BY	APPROVED
A	SEE REV E O			
B	SEE REV E O			

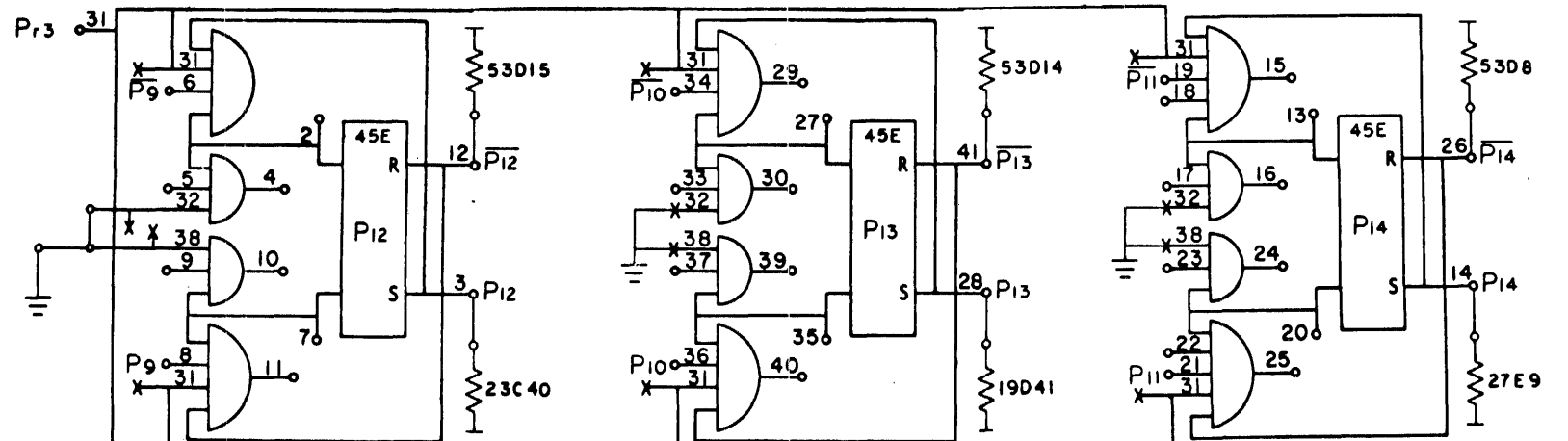
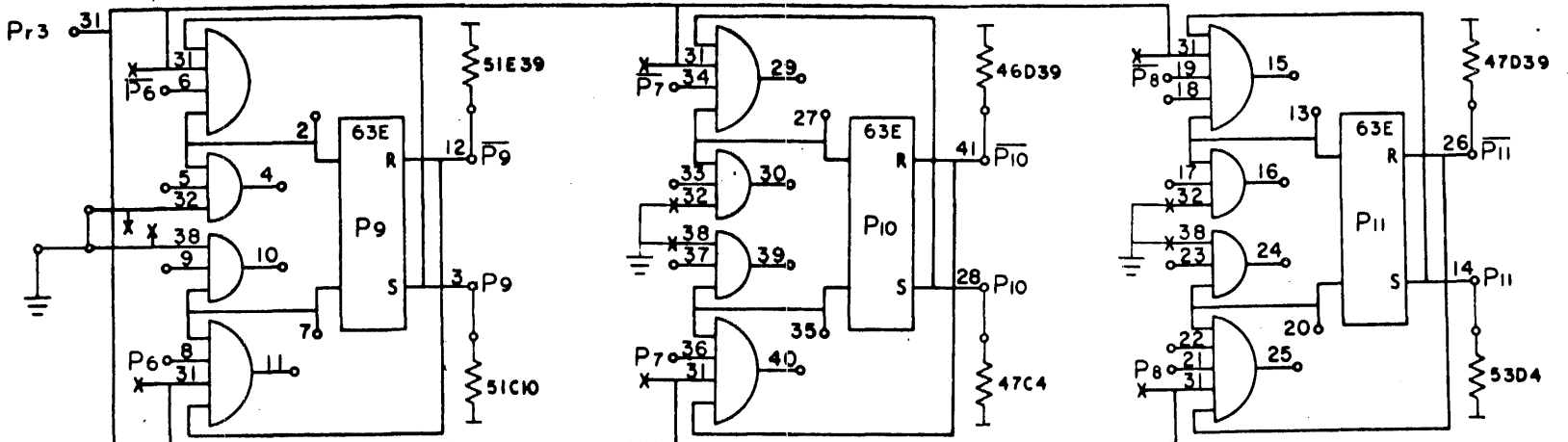
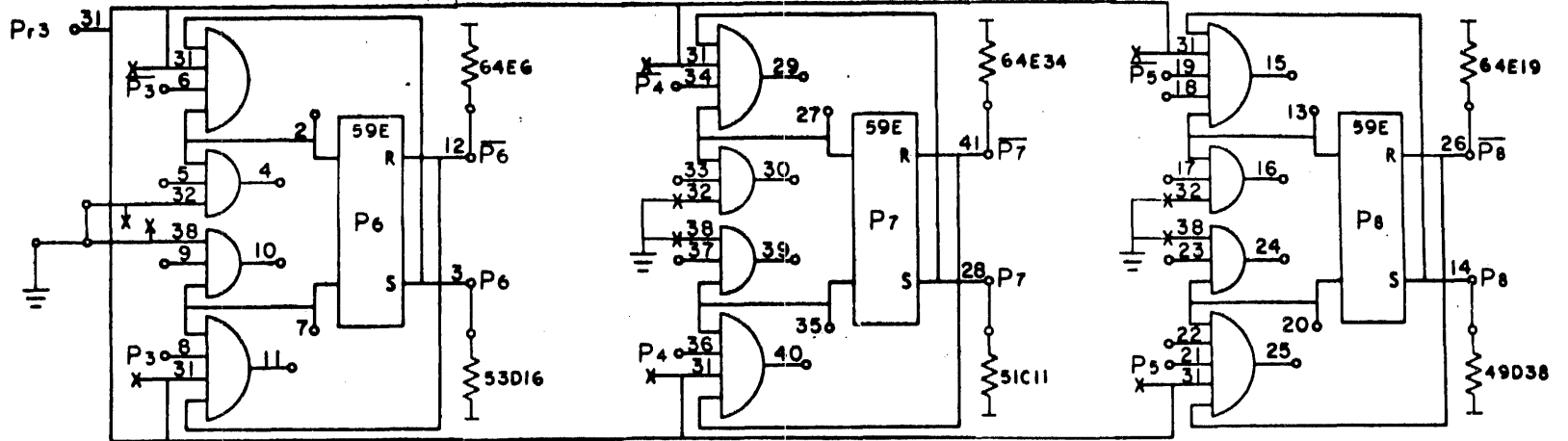
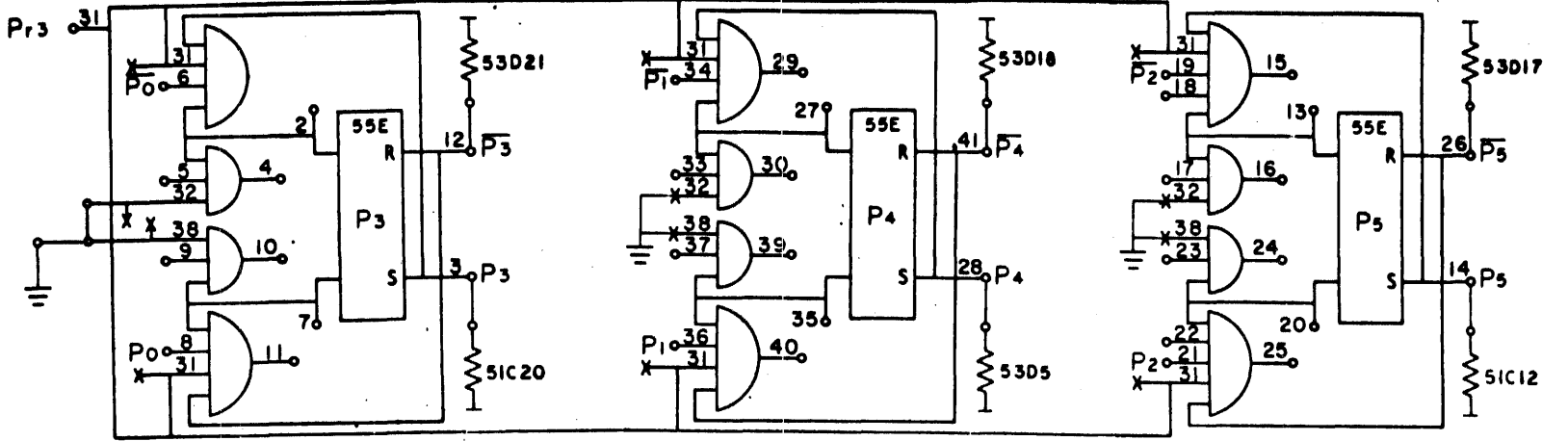
106407B



930
PAGE 54
A

930	106407	A	REVISIONS	
			NO	DESCRIPTION
TITLE			DATE	APPROVED
DIAGRAM, LOGIC COMPUTER			7/18	Shank
PARTS			DATE	
930			106407	A
73				

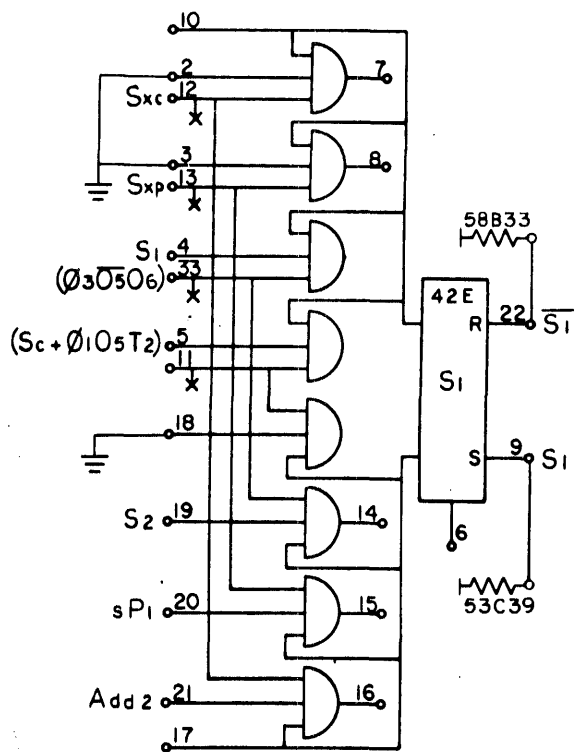
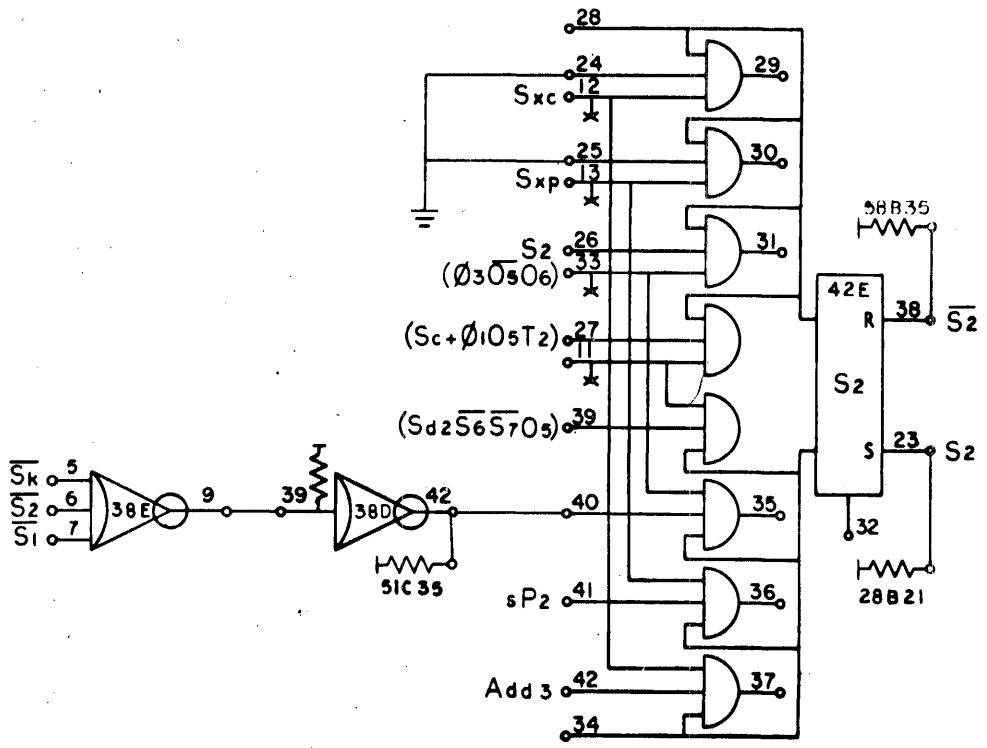
106407/A



REVISE		REVISIONS	
NO.	DESCRIPTION	DATE	BY
A			

930	106407	A
DIAGRAM, LOGIC COMPUTER		

106407/A



930
PAGE 56
A

REV	DESCRIPTION	CHK	DATE	APPROVED
A				

SIDS
SECURITY INFORMATION SYSTEMS
SANTA MONICA, CALIFORNIA

DIAGRAM, LOGIC
COMPUTER

930

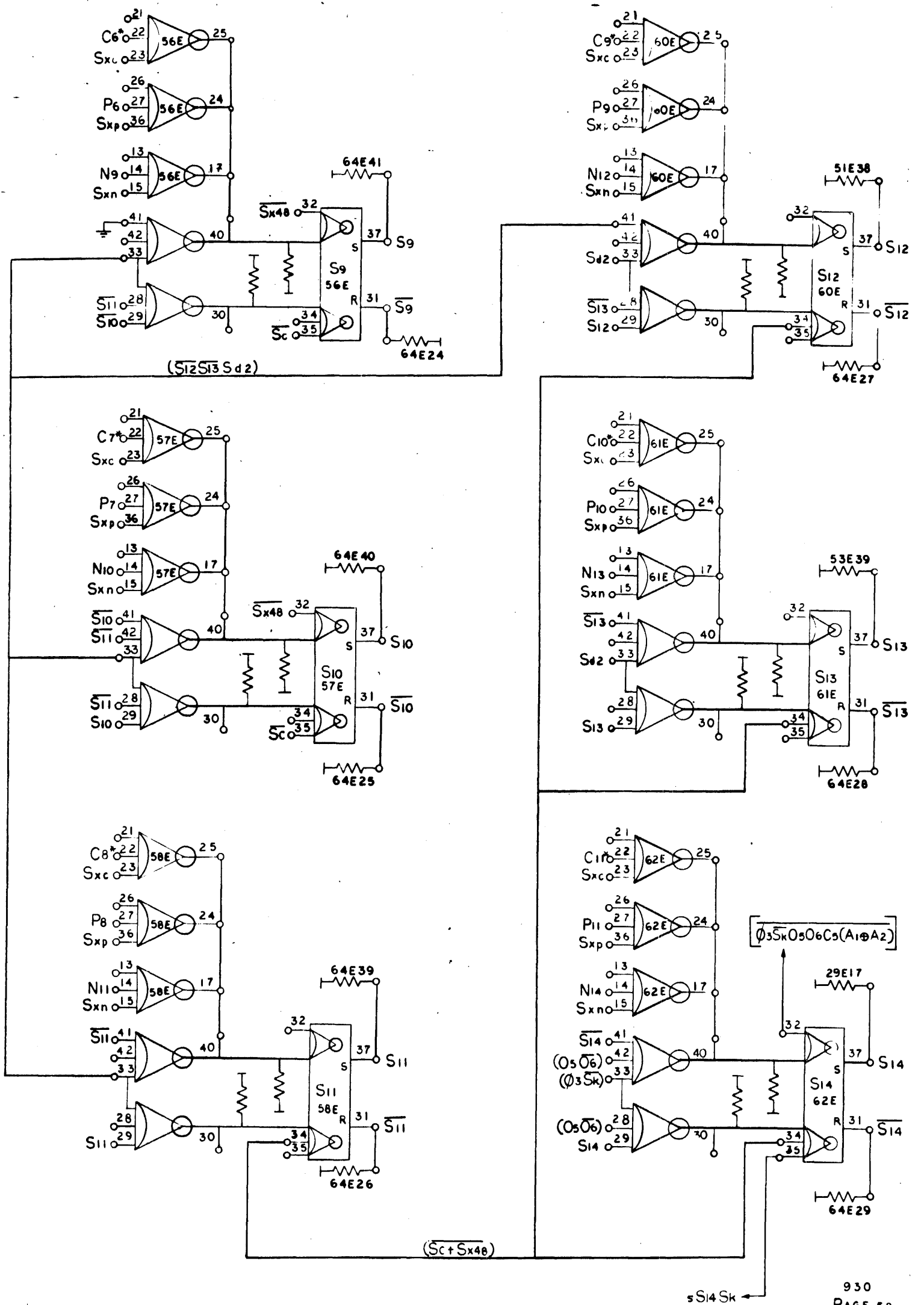
106407

A

DO NOT SCALE DRAWING

75

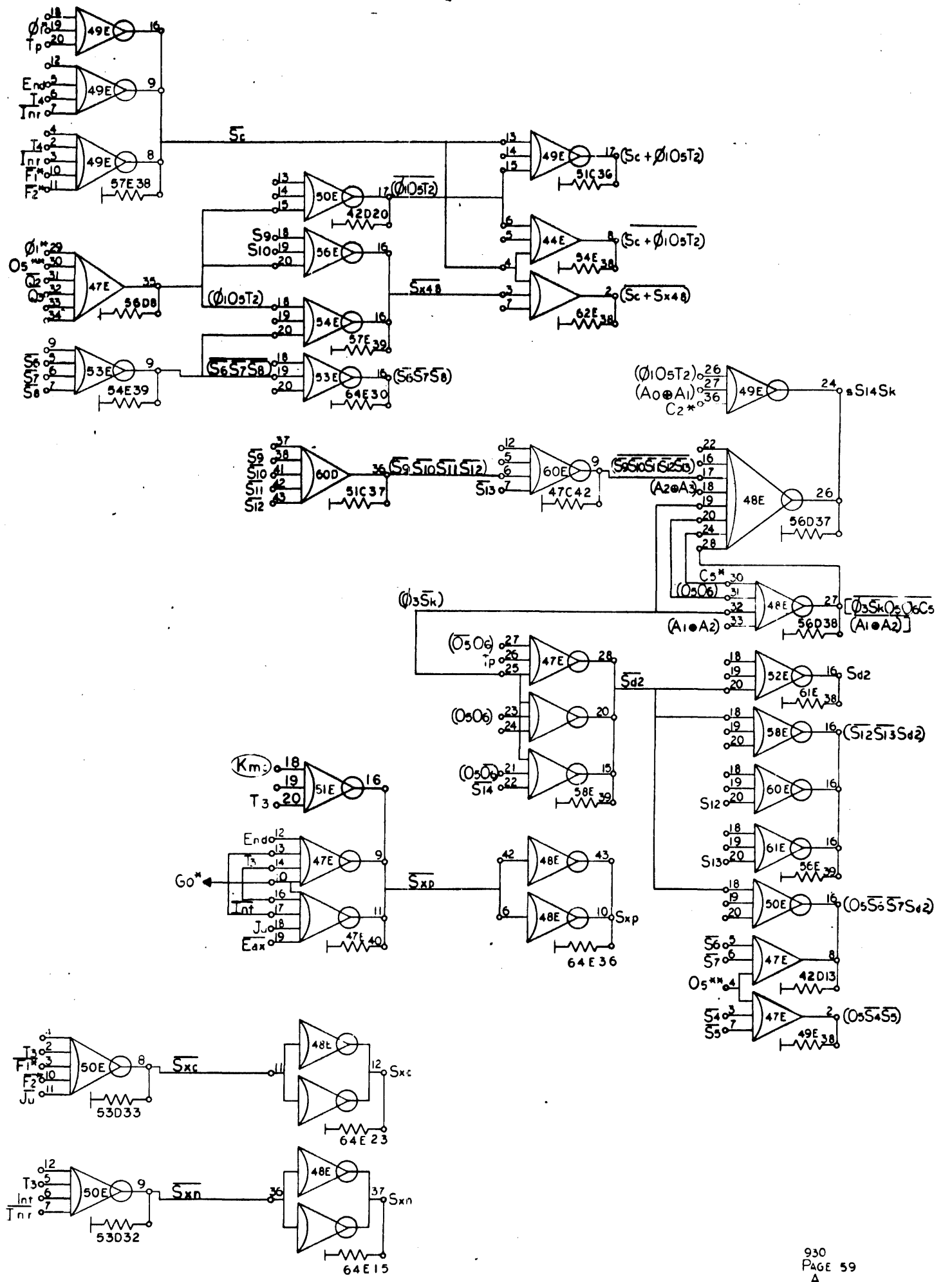
106407/A



930
PAGE 58
A

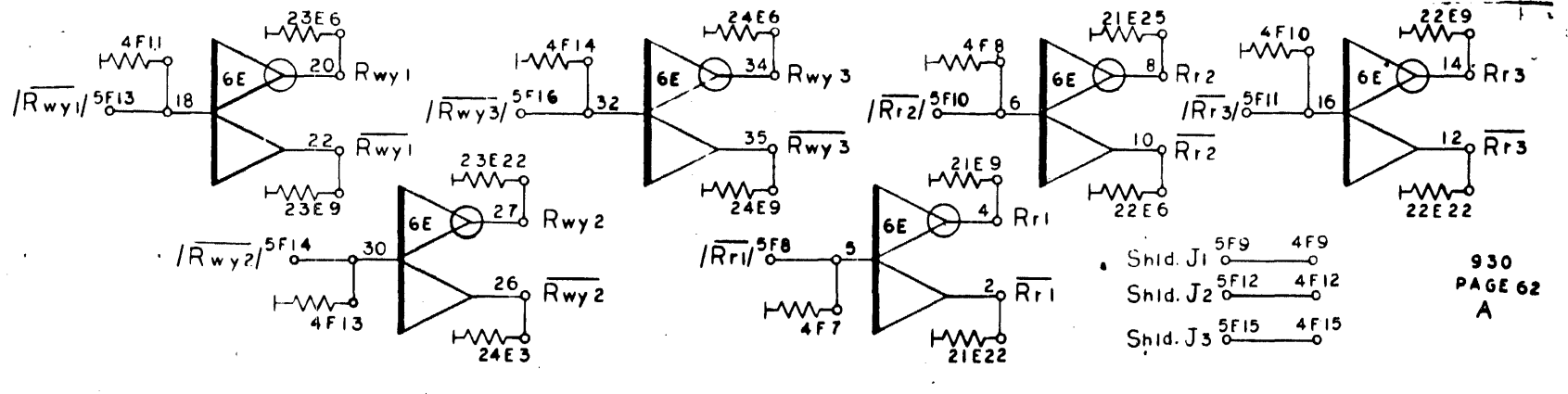
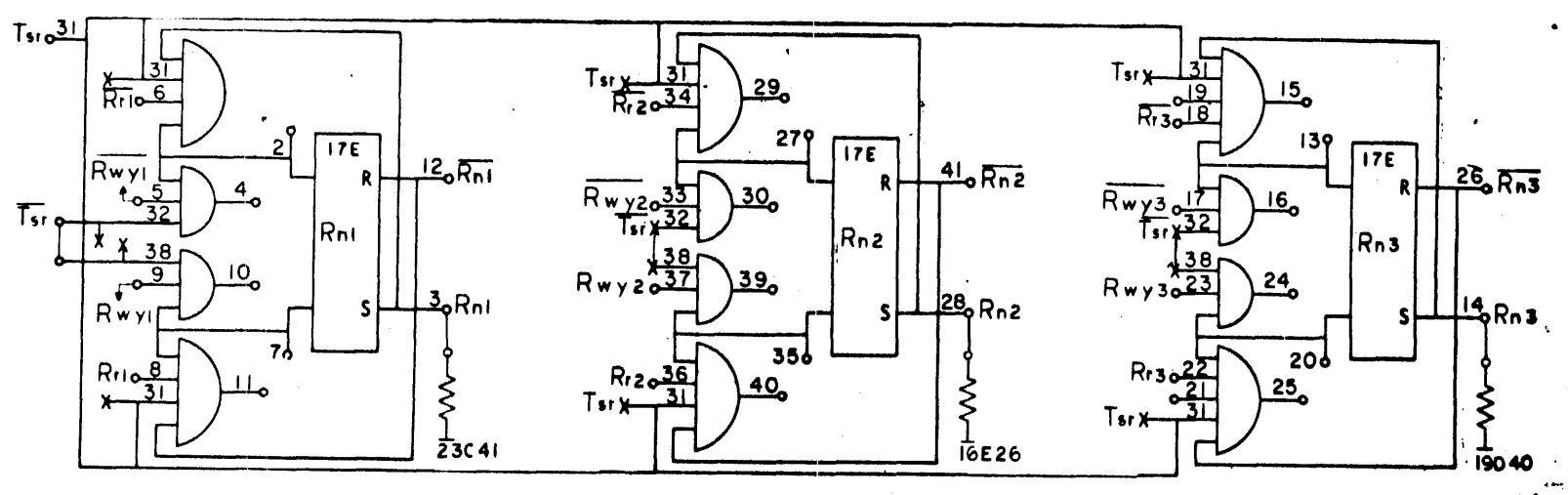
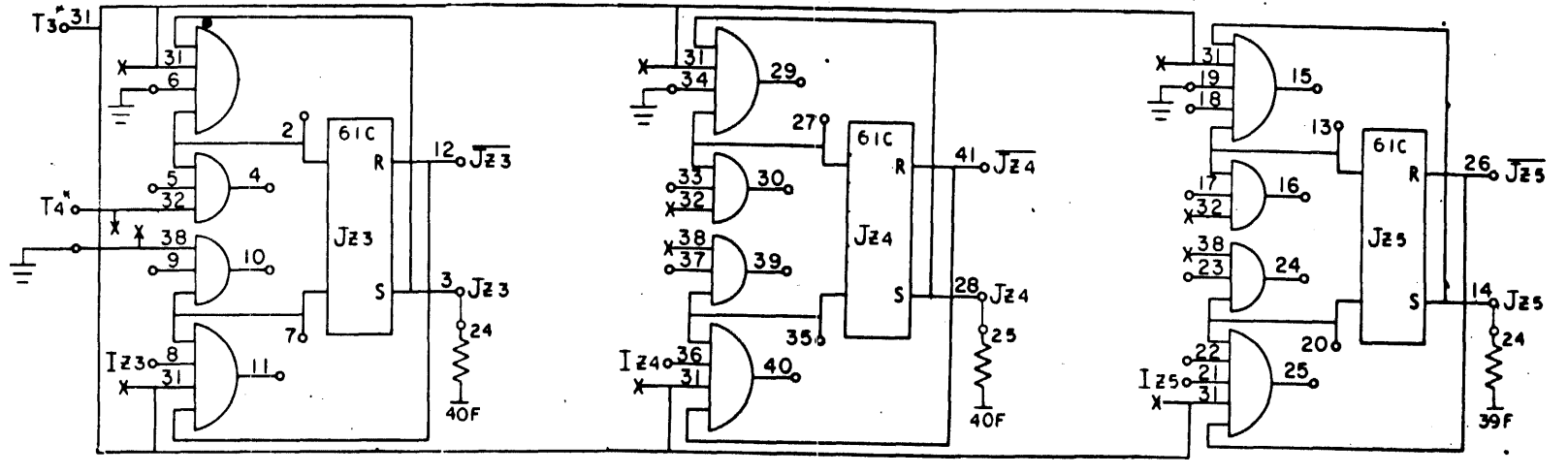
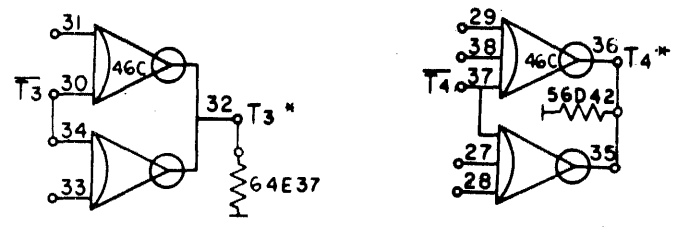
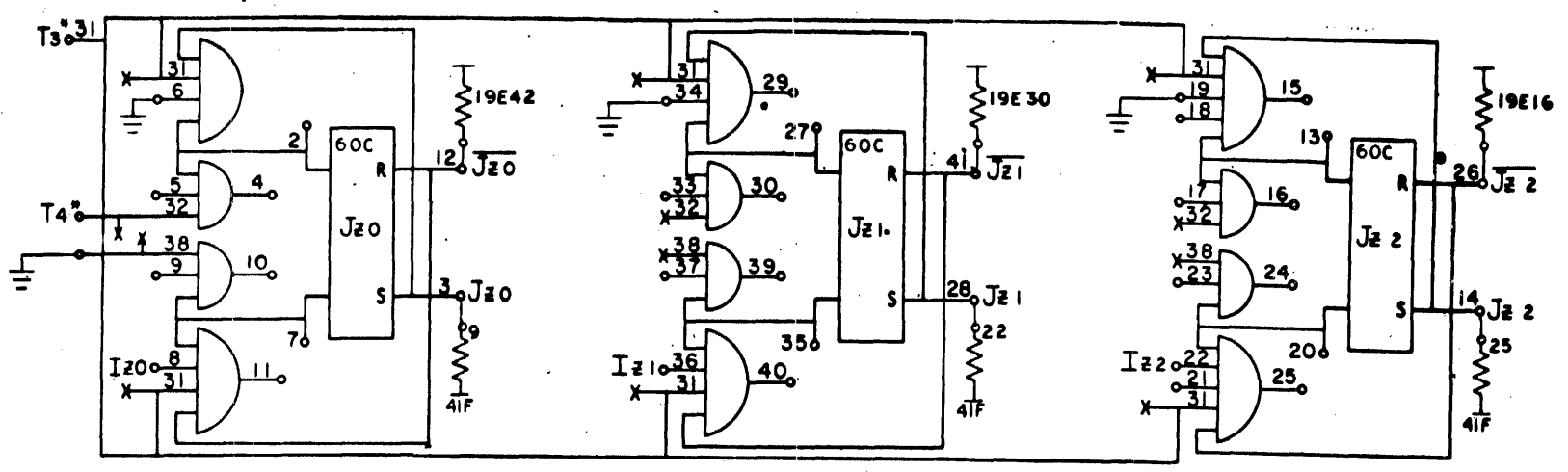
REV	DESCRIPTION	DATE	APPROVED
A	INITIALIZED TO VEG	1/16/64	Shannon
REVISIONS			
106407	A		
330	106407	A	
DIAGRAM, LOGIC COMPUTER			
DO NOT SCALE DIMENSIONS			

106407/A



REV	DESCRIPTION	DATE	BY
A	NEW DESIGN TO NEMA	1/18/58	SPURDIN
REVISIONS			
		106407	A
DIAGRAM, LOGIC COMPUTER			
SCALE	930	106407	A

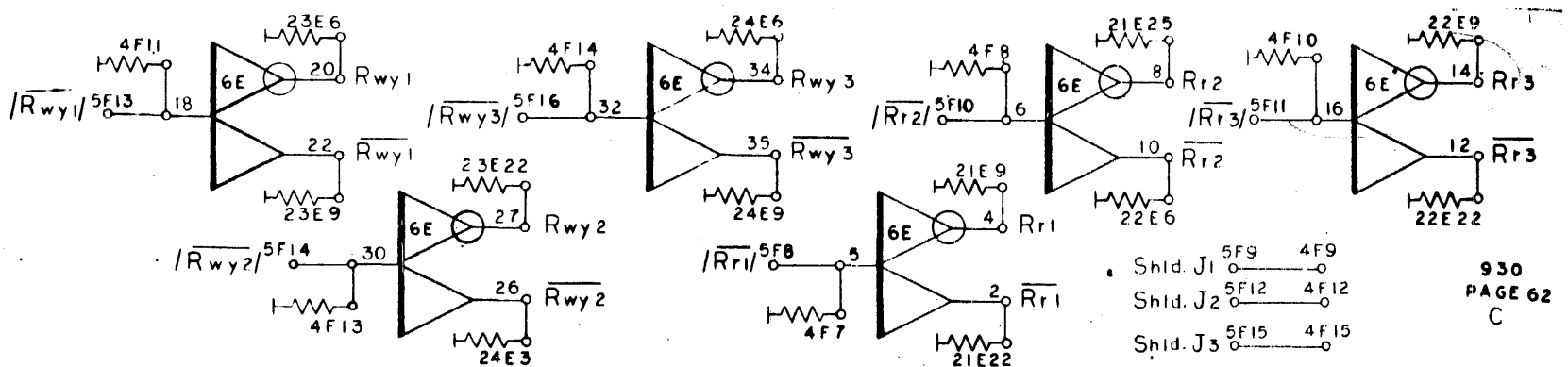
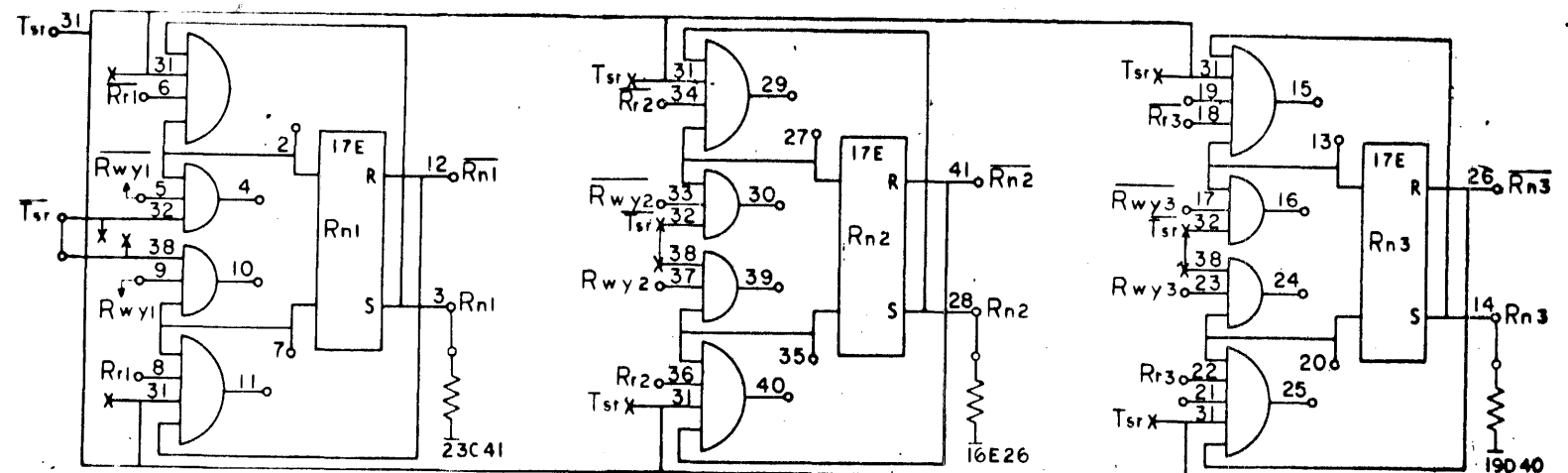
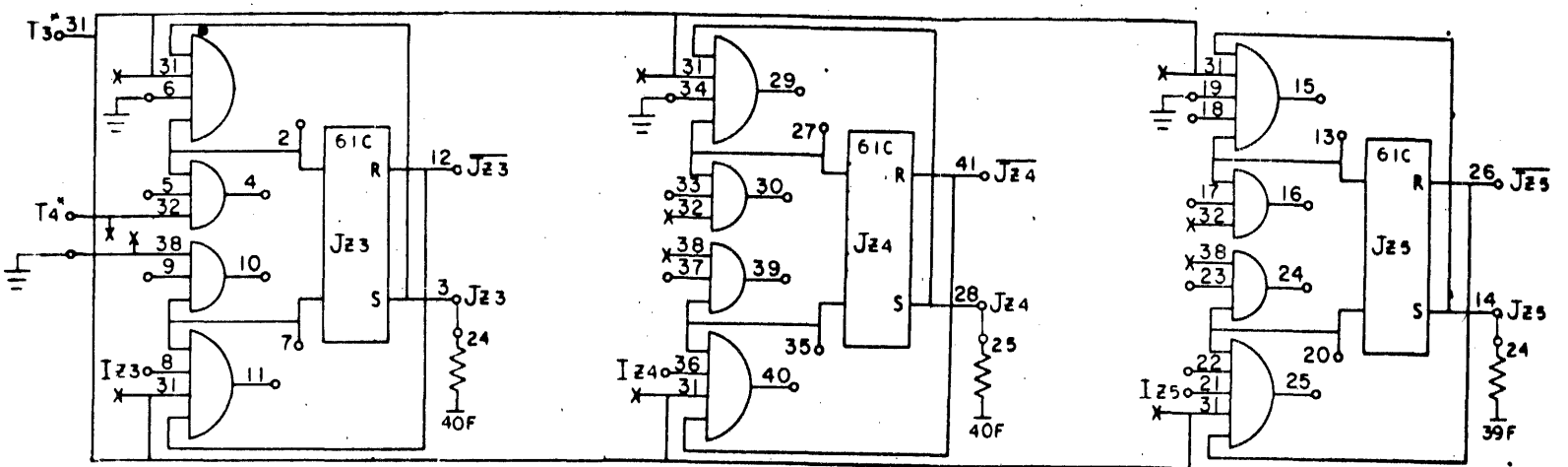
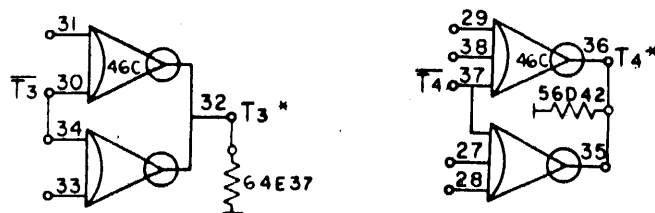
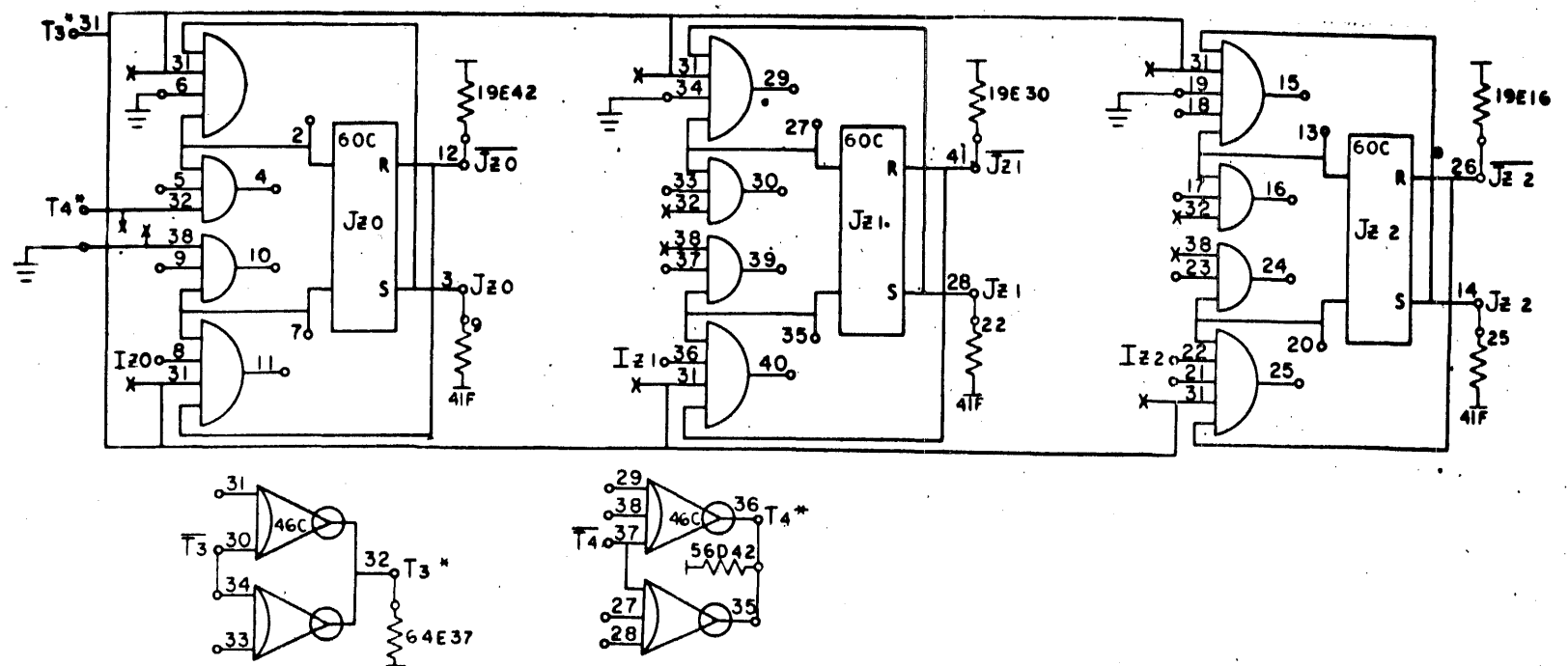
106407/A



930 PAGE 62 A

930	106407	A	REVISIONS	
			NO.	DESCRIPTION
TITLE SDS ADVANCED ELECTRONIC SYSTEMS DIAGRAM, LOGIC COMPUTER			106407	A
DO NOT SCALE DRAWING SHEET			DATE	APPROVED

106407/A



930
PAGE 62
C

(LE)

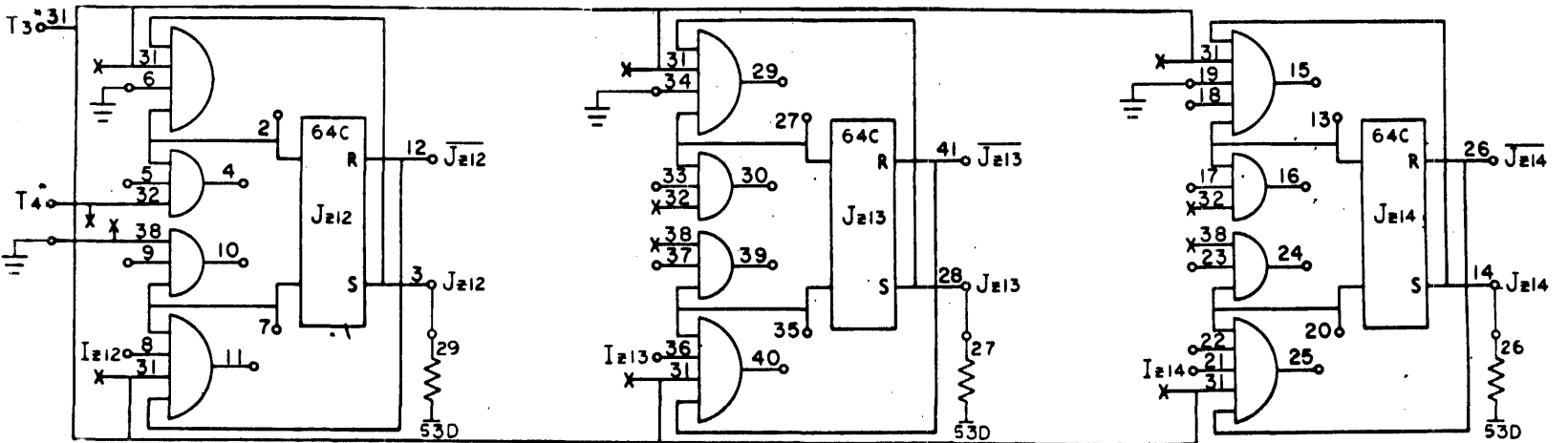
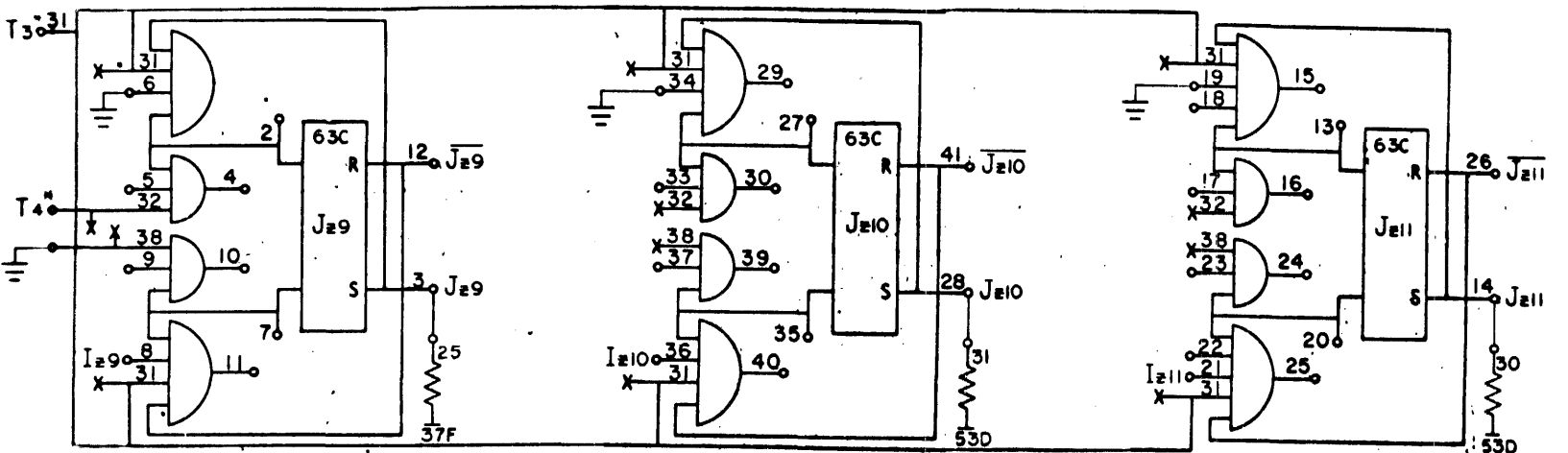
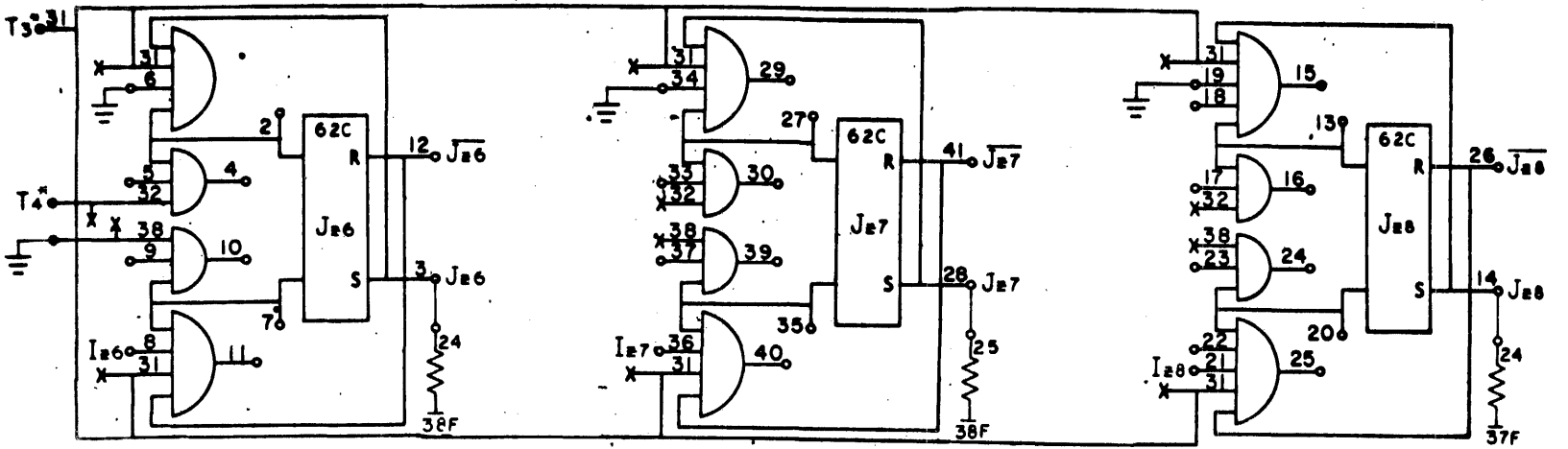
930
106407
C
83/84

DIAGRAM, LOGIC
COMPUTER

SOS

REV.	DESCRIPTION	CHK.	DATE
A	SEE REV. C		
C	SEE REV. C		

106407C



930
PAGE 63
A

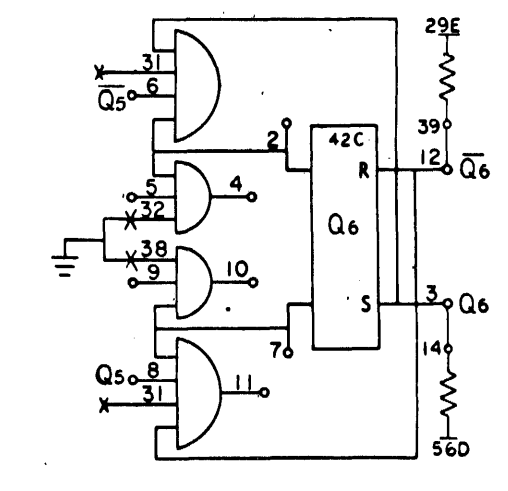
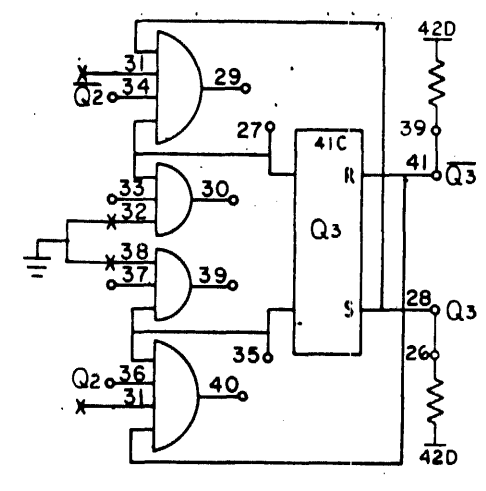
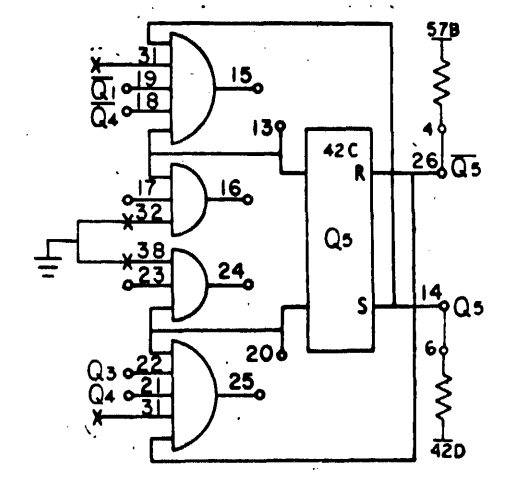
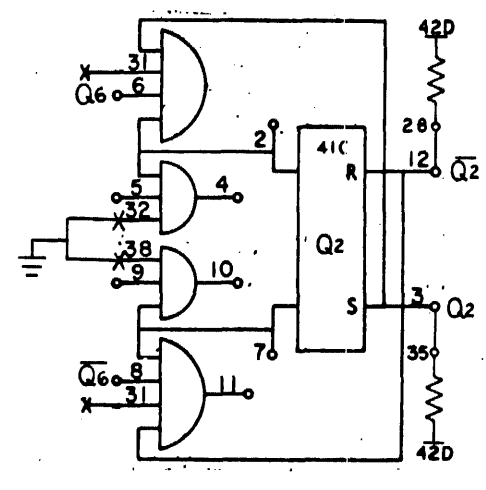
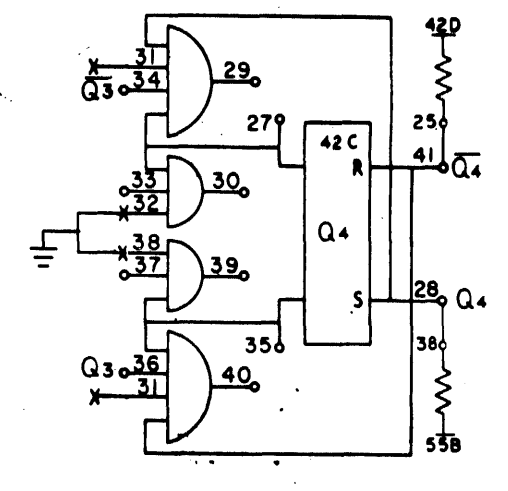
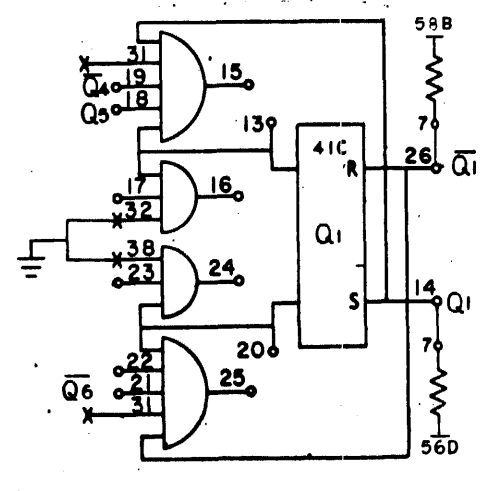
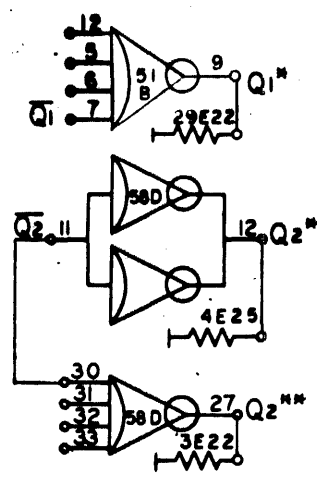
REV	DESCRIPTION	CHK	DATE	APPROVED
A	RELEASED	DM	7/13/53	[Signature]

SDS
RESEARCH DATA SYSTEM
CORPORATION
CHICAGO, ILLINOIS

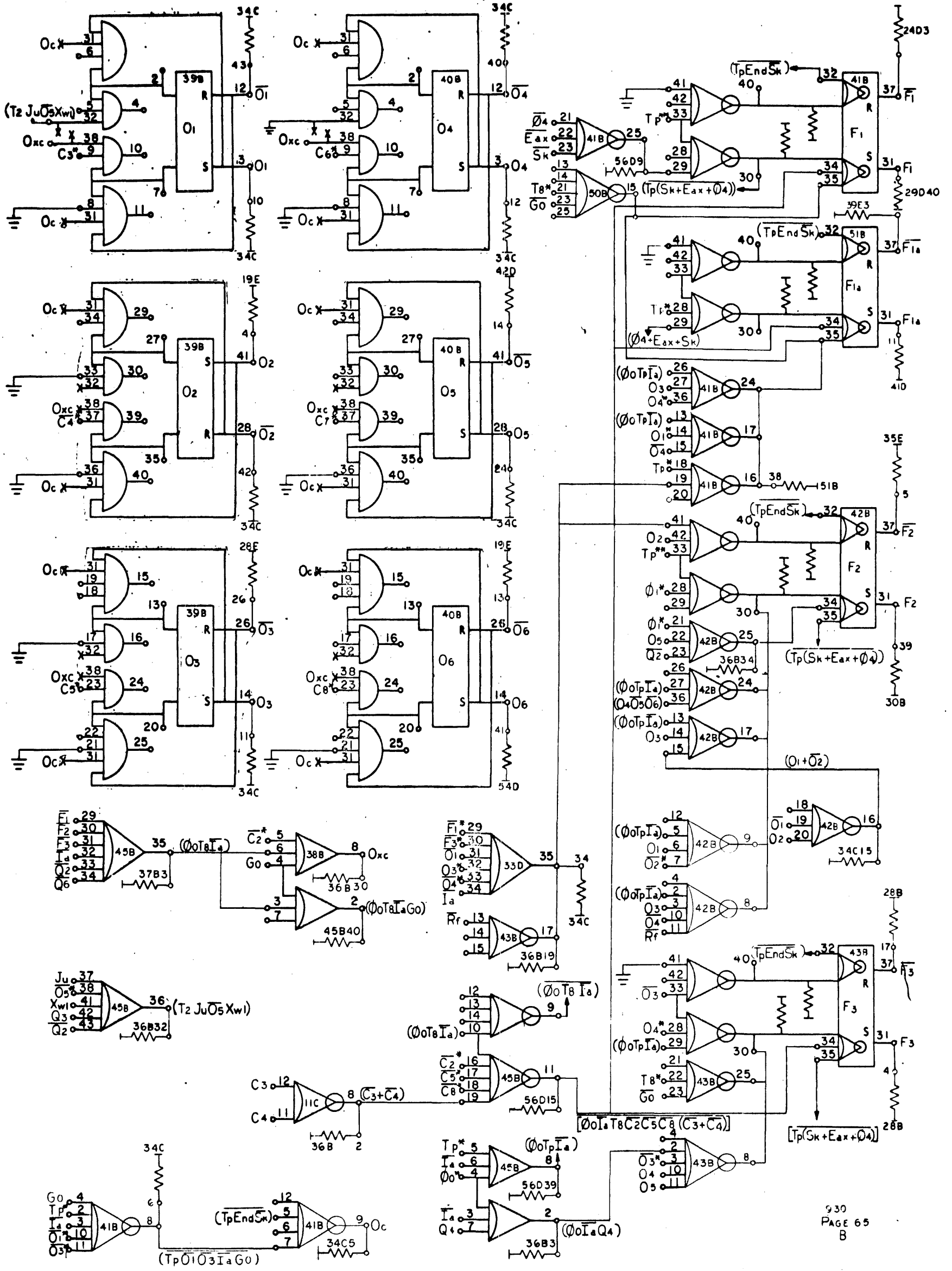
DIAGRAM, LOGIC
COMPUTER

930
106407
A

106407A



930		106407		A	
DIAGRAM, LOGIC COMPUTER					
SOS SCIENTIFIC DATA SYSTEMS					
REVISIONS					
REV	DESCRIPTION	CHK	DATE	APPROVED	
A	RELEASED TO MFG		5/16	SMAS	



930
PAGE 65
B

930
106407
B

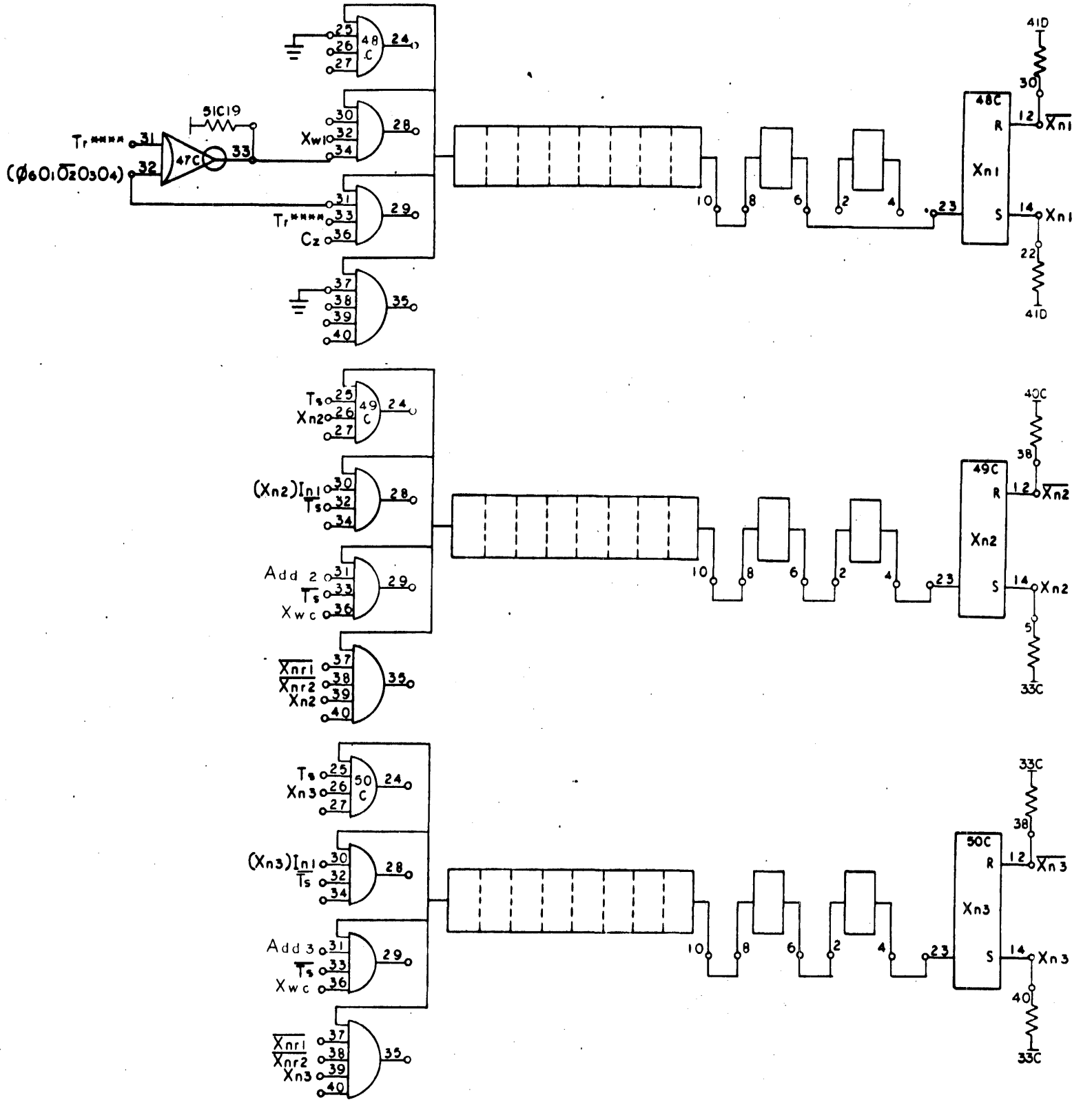
DIAGRAM, LOGIC
COMPUTER



SCIENTIFIC DATA SYSTEMS
SAN JOSE, CALIFORNIA

REV	DESCRIPTION	DATE	BY	APPROVED
A	SEE REV E			
B				

106407/B

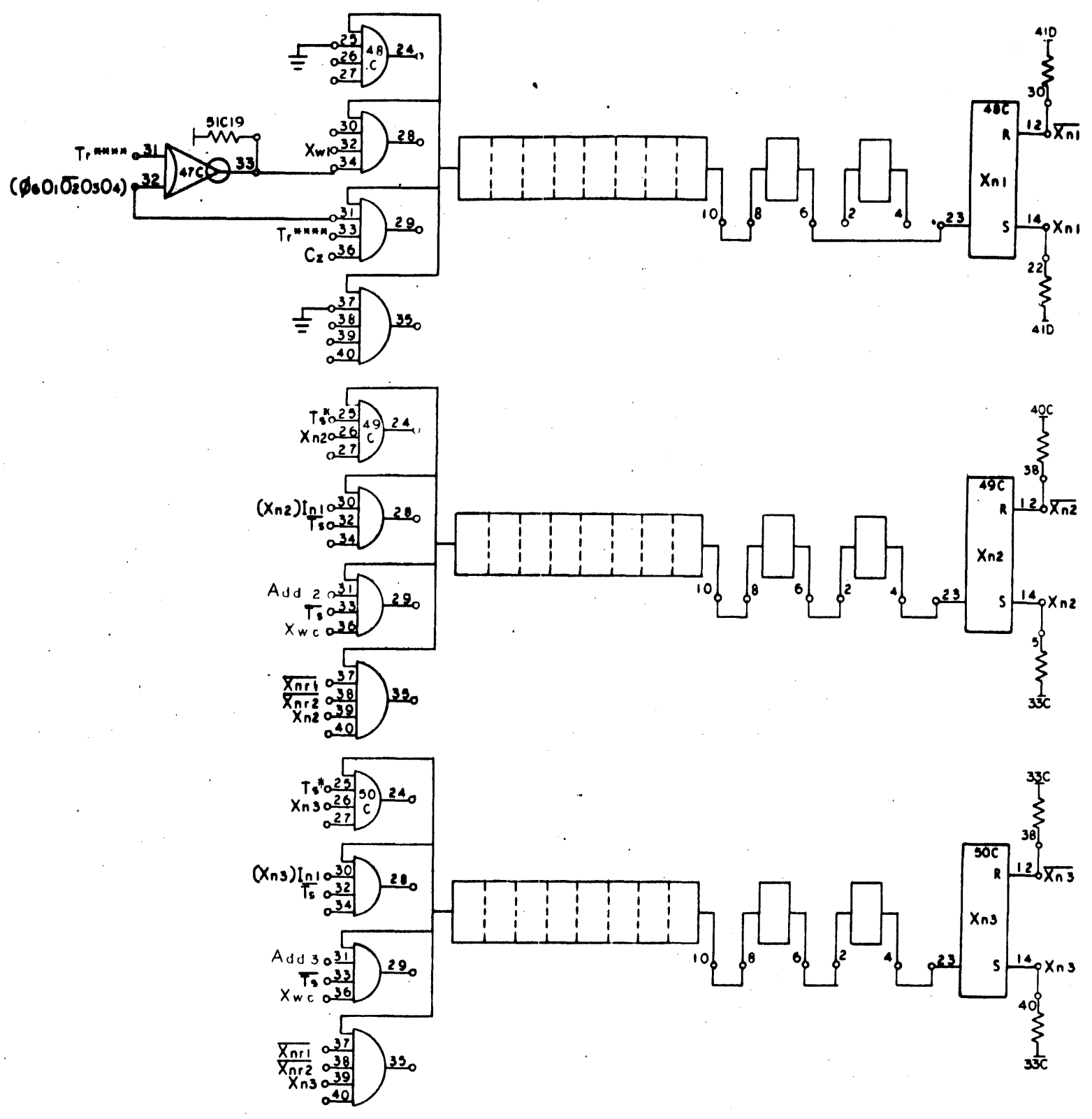


REVISIONS		106407	A
REV	DESCRIPTION	CHK	DATE
A	DESIGN	JL	2/14

33C	106407	A
SCALE	NO NOT SCALE DRAWING	93

DIAGRAM, LOGIC COMPUTER	

106407/A

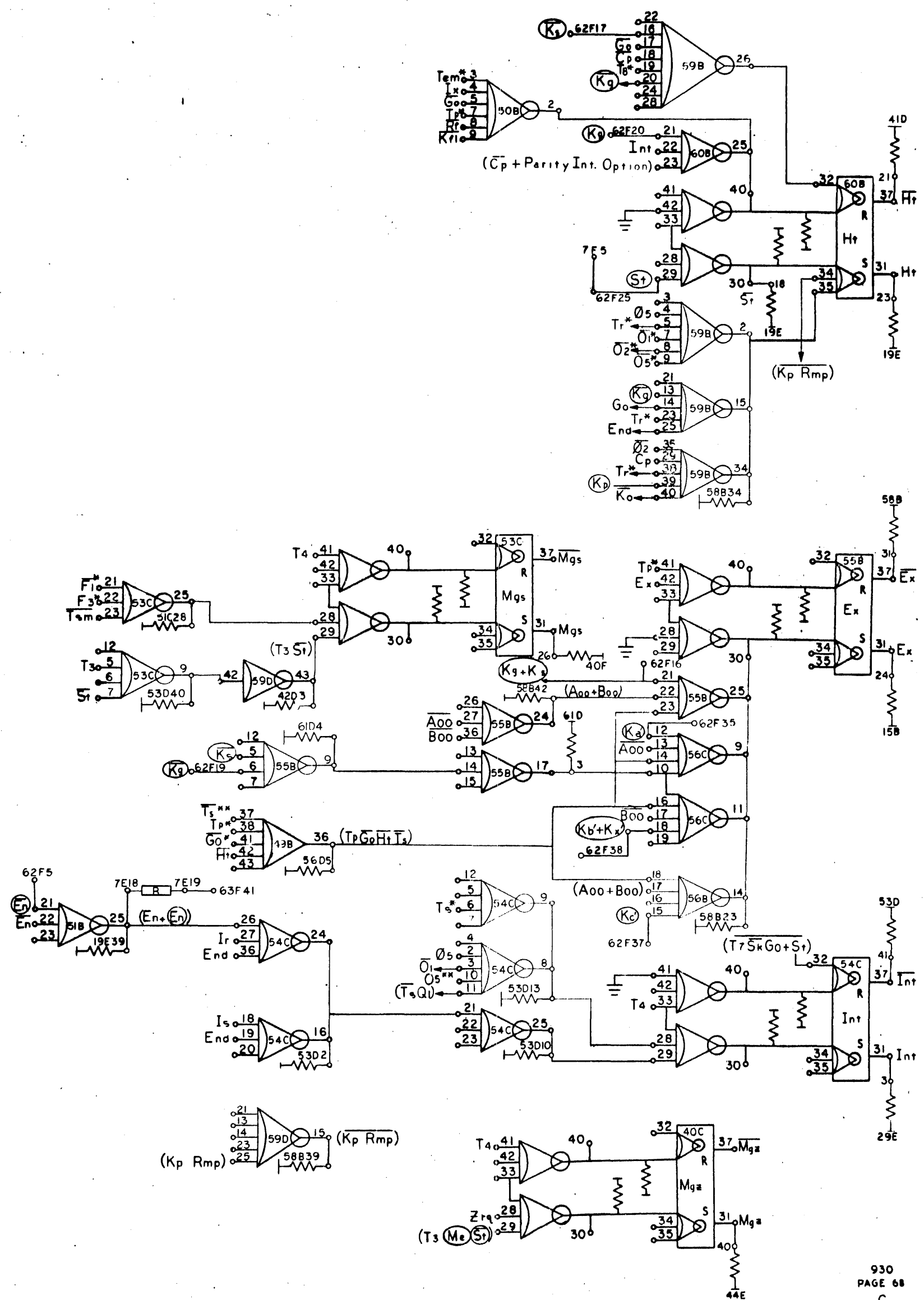


REVISIONS			
REV.	DESCRIPTION	DATE	APPROVED
A	SEE REV E	11/23/54	[Signature]
B	SEE REV E	11/23/54	[Signature]
G	SEE REV E	11/23/54	[Signature]

SIDS
SCIENTIFIC DATA SYSTEMS
DIAGRAM, LOGIC
COMPUTER

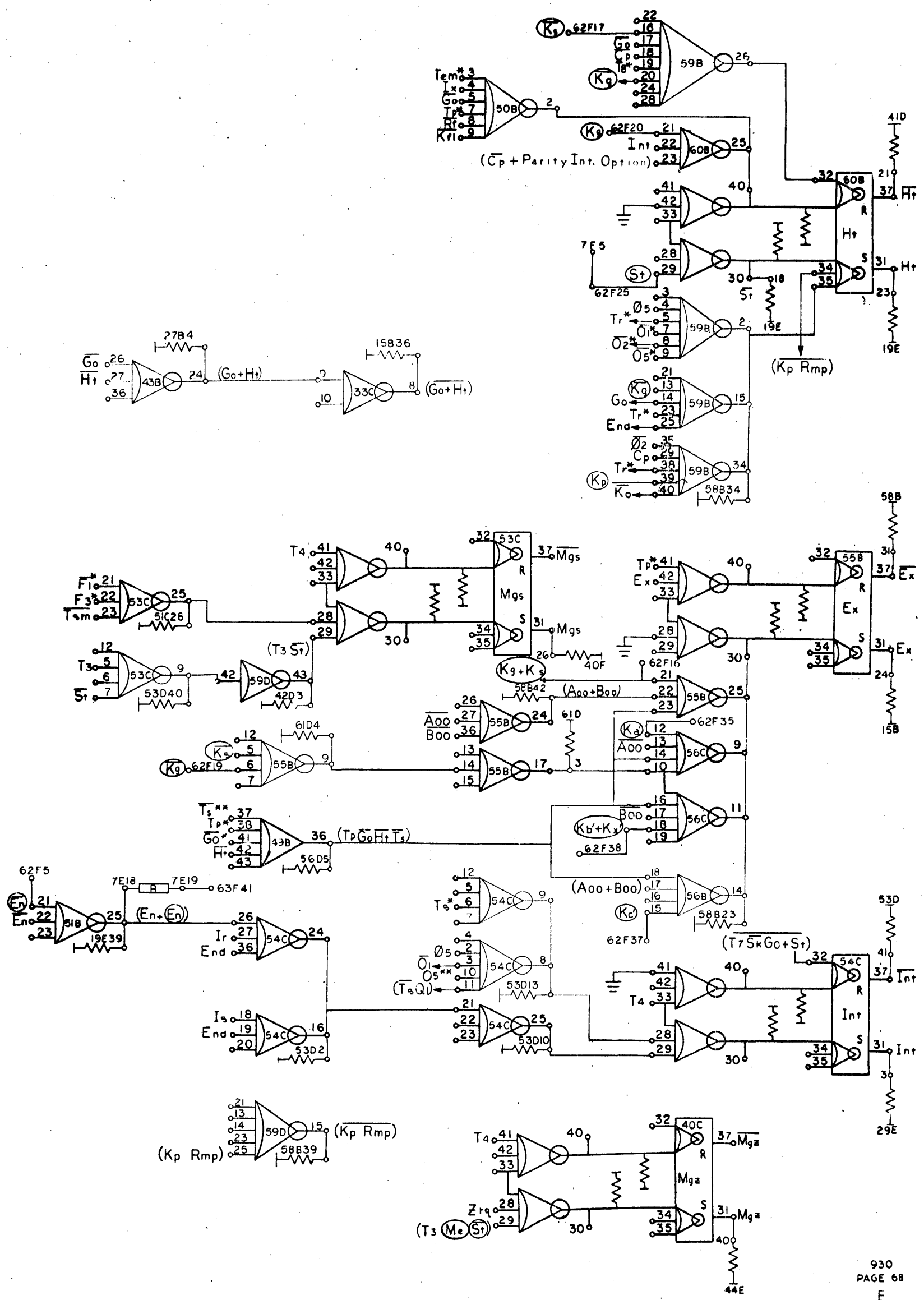
930
106407
G

106407G



930 106407 C	DIAGRAM LOGIC COMPUTER		SIOSS SYSTEMS INTERNATIONAL CORPORATION	
	REV. NO.	DATE	APPROVED	BY
	A RELEASED TO:	DATE	APPROVED	BY

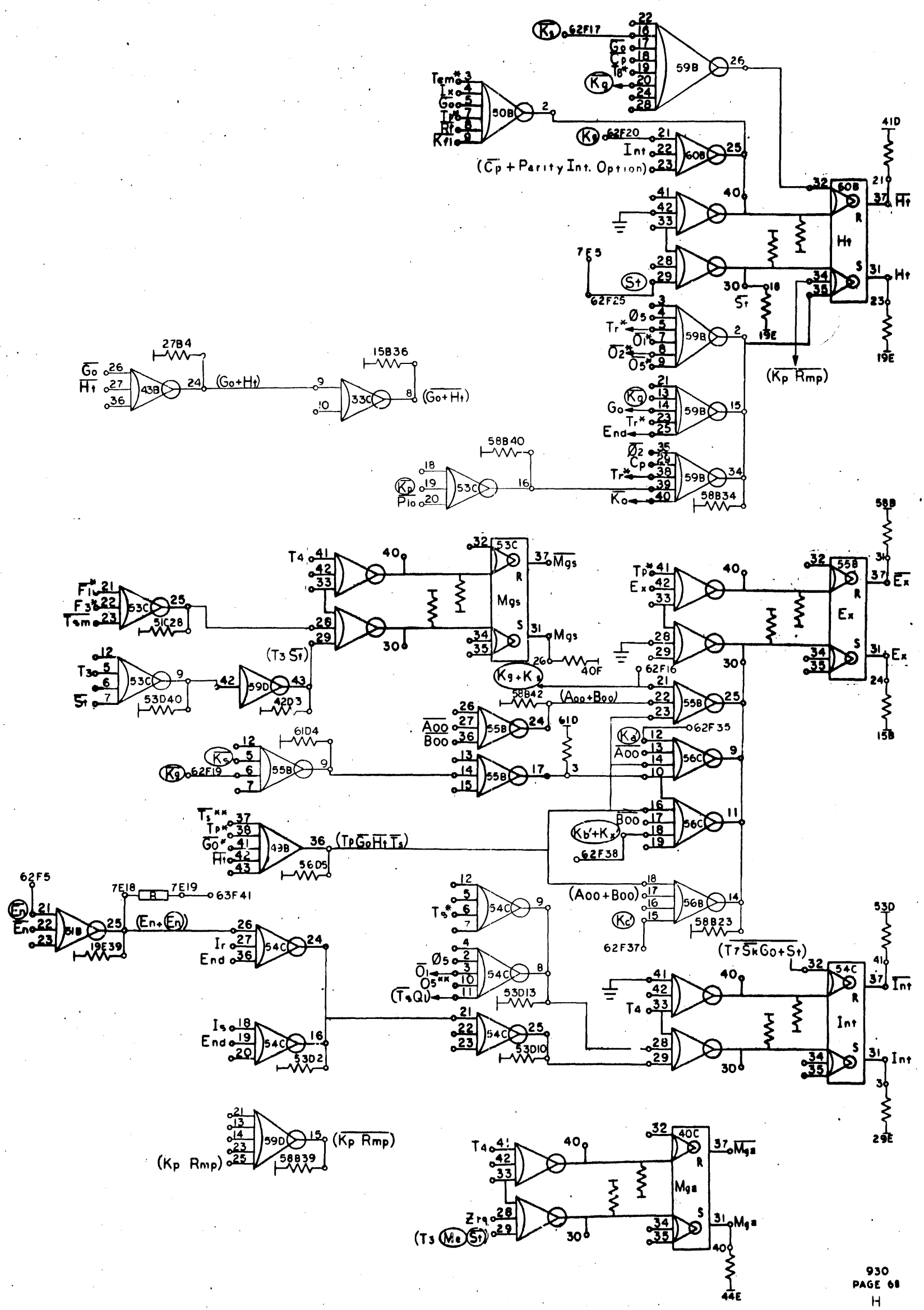
106407/C



930
PAGE 68
E

930 106407 E	SDS SYSTEMS DEVELOPMENT CORPORATION SAN JOSE, CALIF.		DIAGRAM, LOGIC COMPUTER	
	REVISIONS			
	REV	DESCRIPTION	DATE	BY
	A	PREPARED 72 MFG		
	C	SEE REV E		
E	SEE REV E			

106407/E

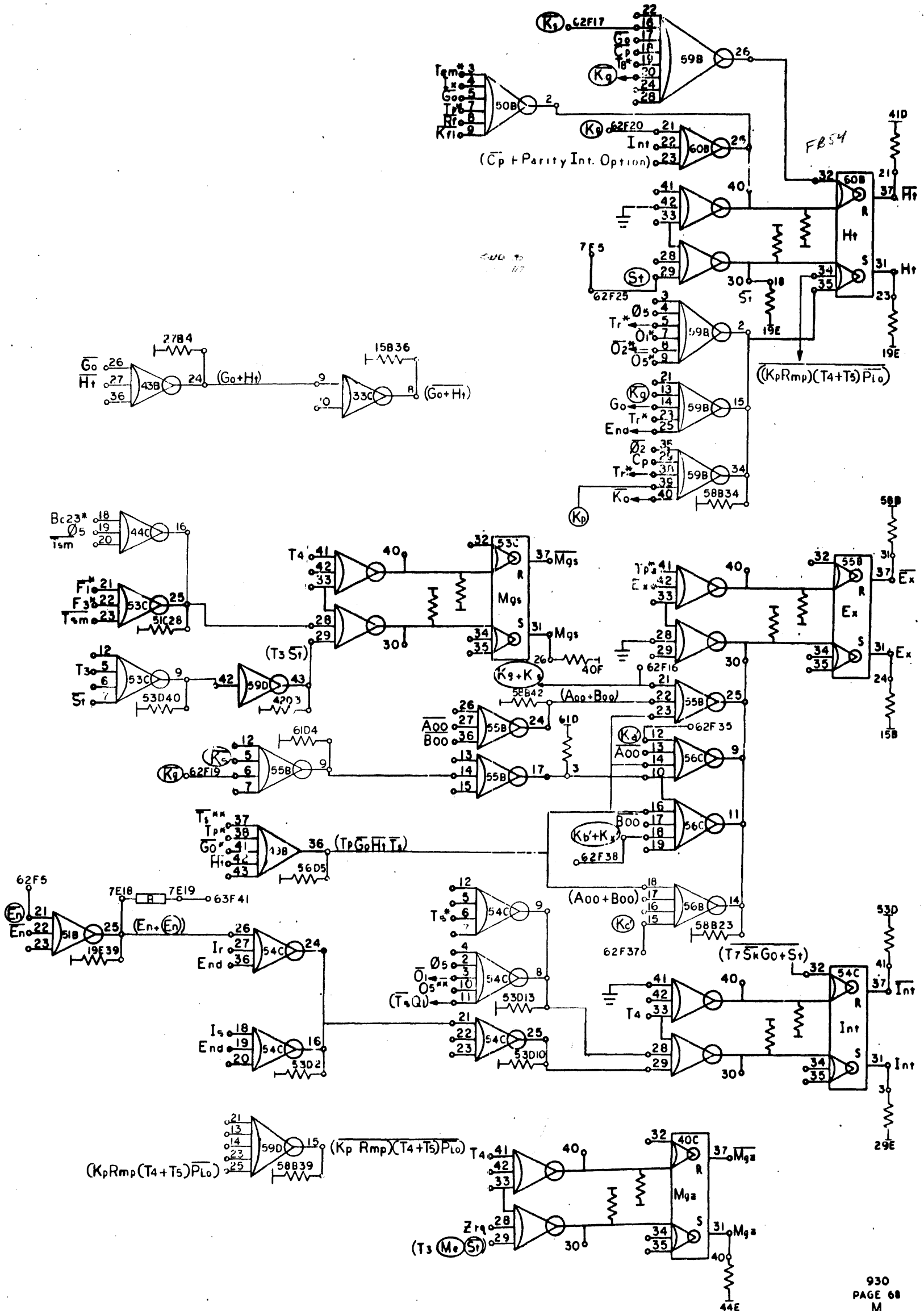


REVISIONS		DATE	BY	DESCRIPTION
A	RELEASED TO MFG	1/12/54
C	SEE REV E	1/12/54
E	SEE REV E	1/12/54
H	SEE REV E	1/12/54

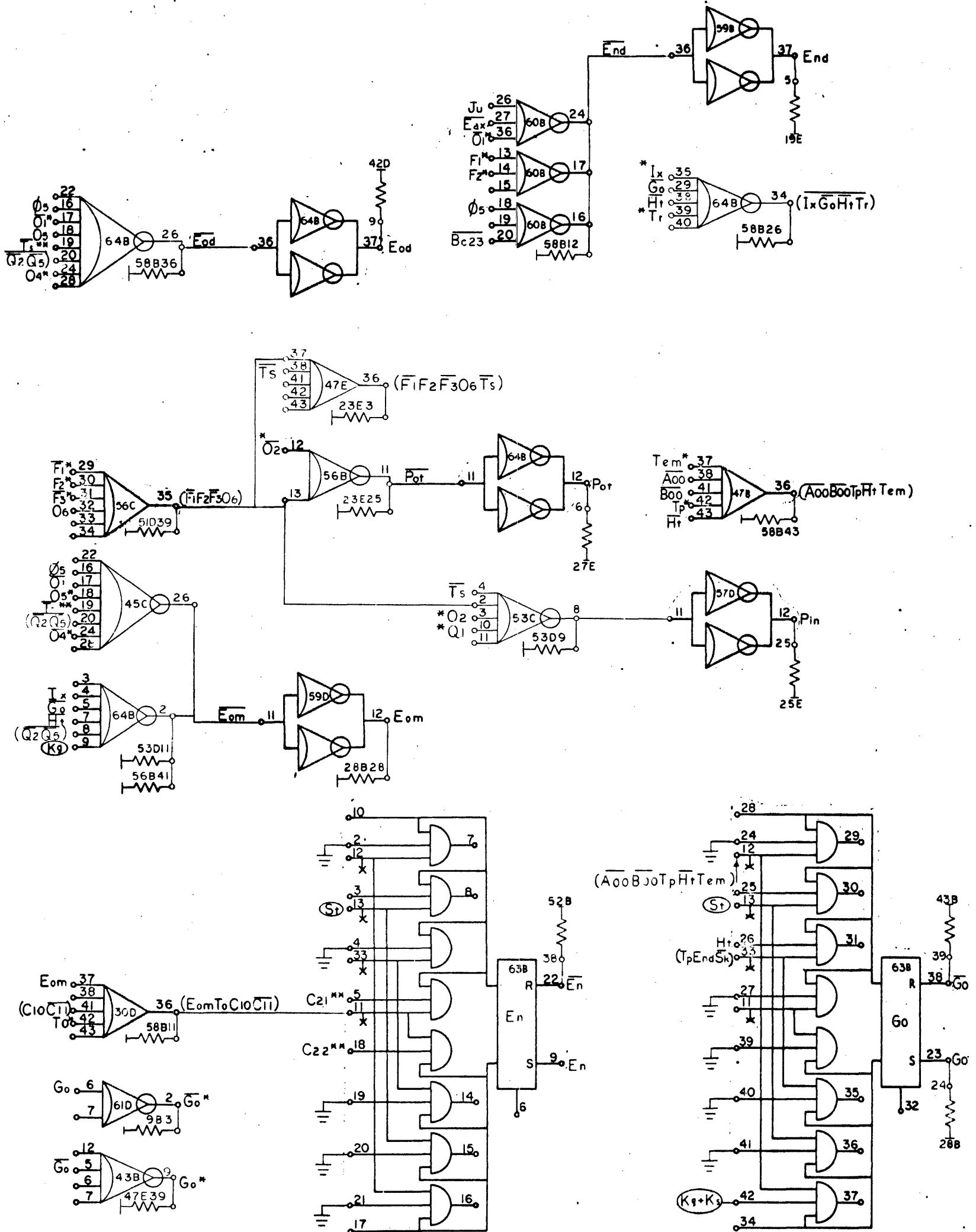
930	106407	H
-----	--------	---

DIAGRAM, LOGIC COMPUTER

106407/H

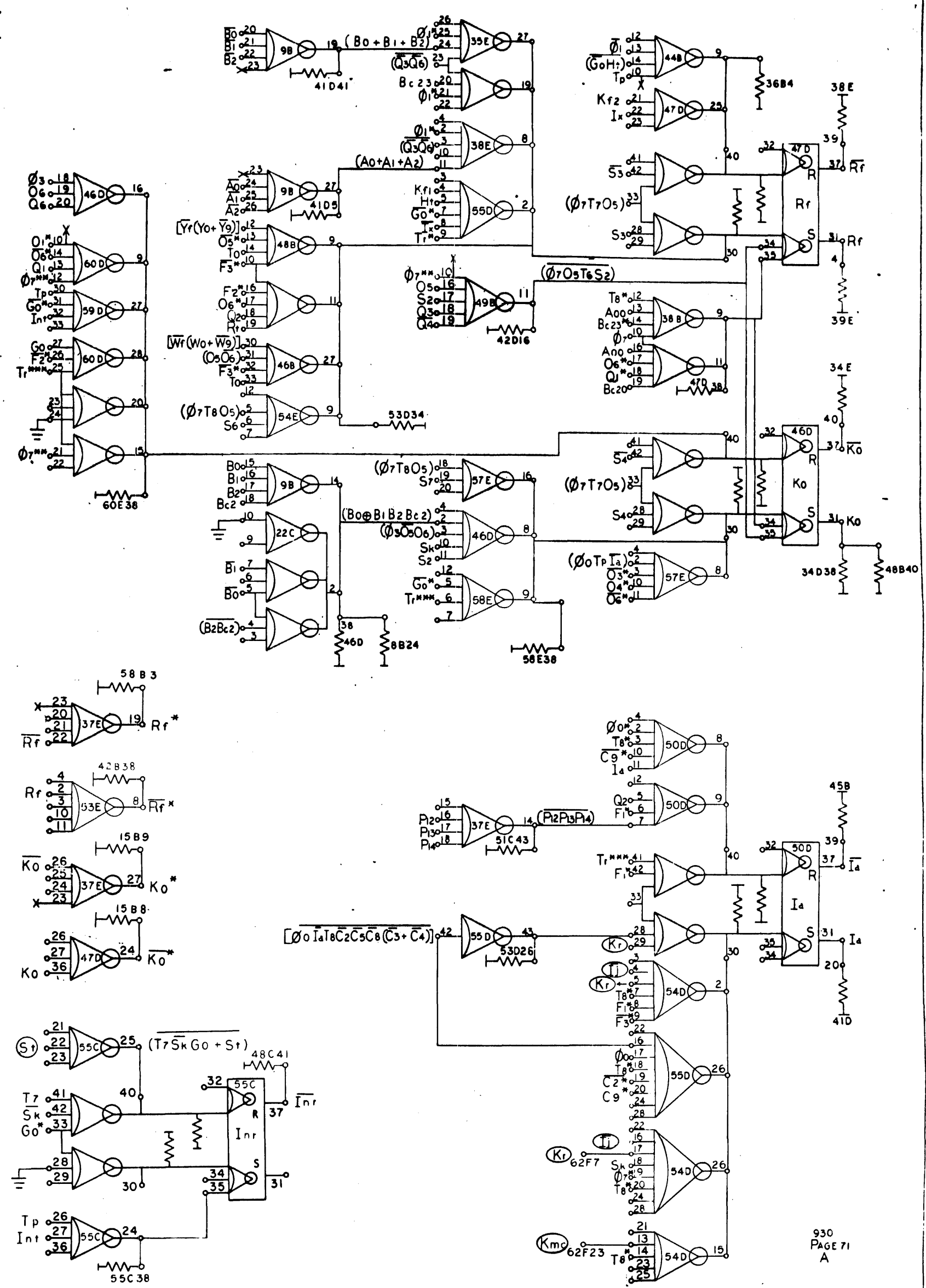


930	106407	M	DIAGRAM, LOGIC COMPUTER	REVISIONS	
				NO.	DESCRIPTION
				1	106407 J
				2	
				3	
				4	
				5	
				6	
				7	
				8	
				9	
				10	
				11	
				12	
				13	
				14	
				15	
				16	
				17	
				18	
				19	
				20	
				21	
				22	
				23	
				24	
				25	
				26	
				27	
				28	
				29	
				30	
				31	
				32	
				33	
				34	
				35	
				36	
				37	
				38	
				39	
				40	
				41	
				42	
				43	
				44	
				45	
				46	
				47	
				48	
				49	
				50	



93C		106407		J	
DIAGRAM, LOGIC COMPUTER					
TITLE: DIAGRAM, LOGIC COMPUTER DRAWING NO.: 106407 SHEET: 17					
REVISIONS: NO. DESCRIPTION DATE APPROVED					
1	REVISION				
2	REVISION				
3	REVISION				
4	REVISION				
5	REVISION				
6	REVISION				
7	REVISION				
8	REVISION				
9	REVISION				
10	REVISION				

106407/J

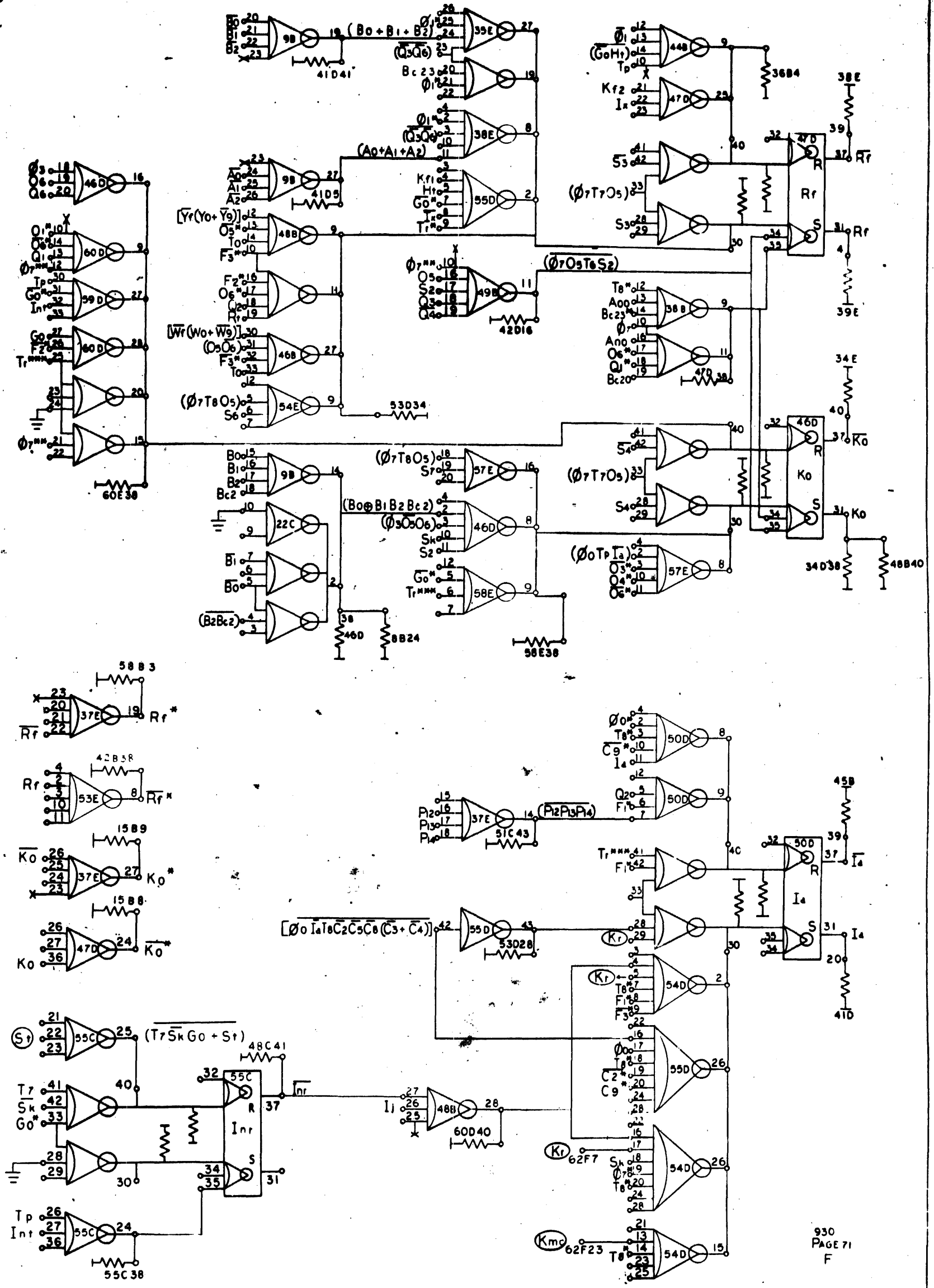


930
PAGE 71
A

930	106407	A	REV	DESCRIPTION	DATE	BY
			A	REVISION	106407	A

DIAGRAM, LOGIC
COMPUTER

106407/A



930 PAGE 71 F

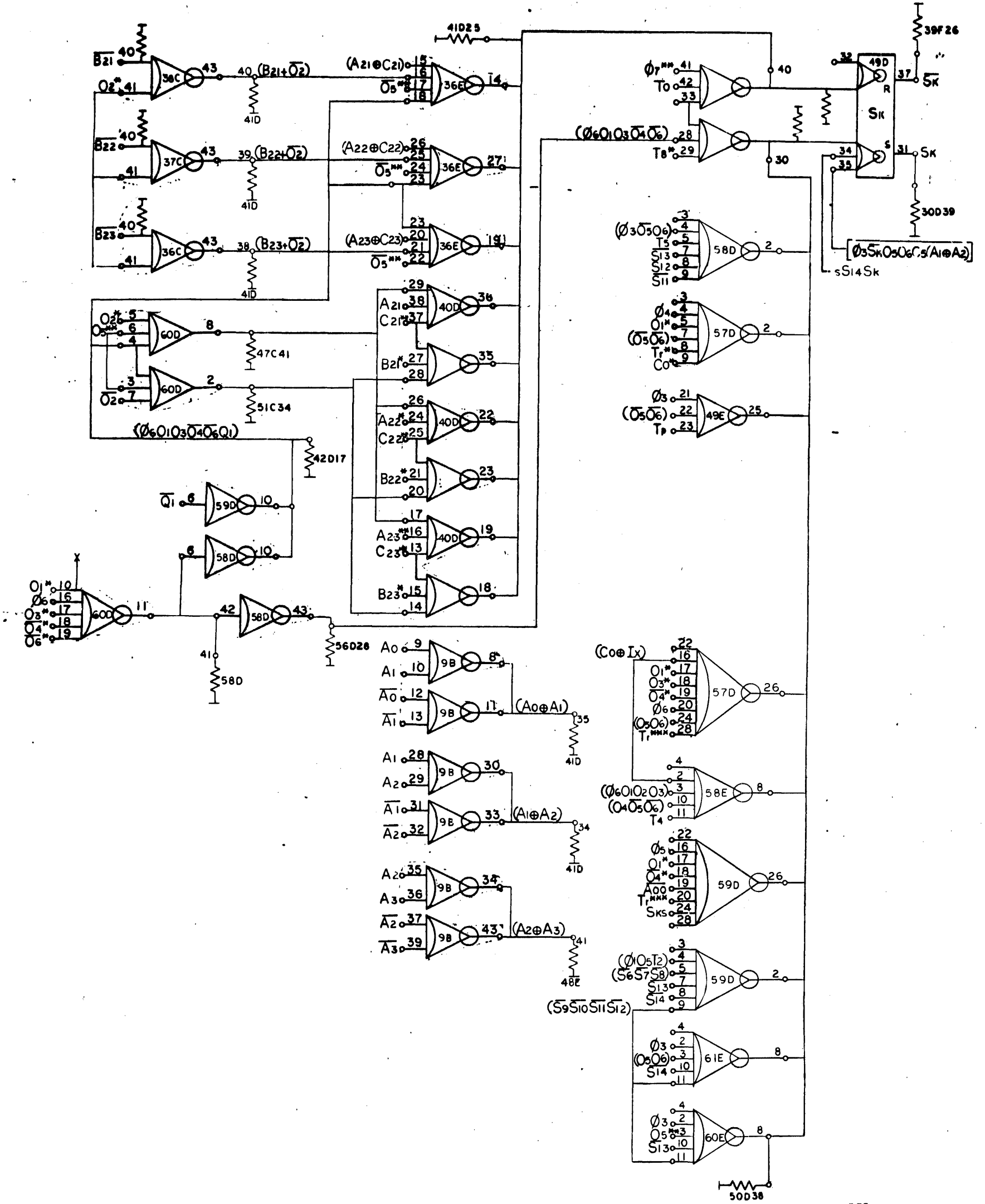
930 106407 F

DIAGRAM, LOGIC COMPUTER



REV	DESCRIPTION	DATE	BY	APP'D
A	SEE REV E	10/1/58
B	SEE REV E	10/1/58
E	SEE REV E	10/1/58
F	SEE REV E	10/1/58

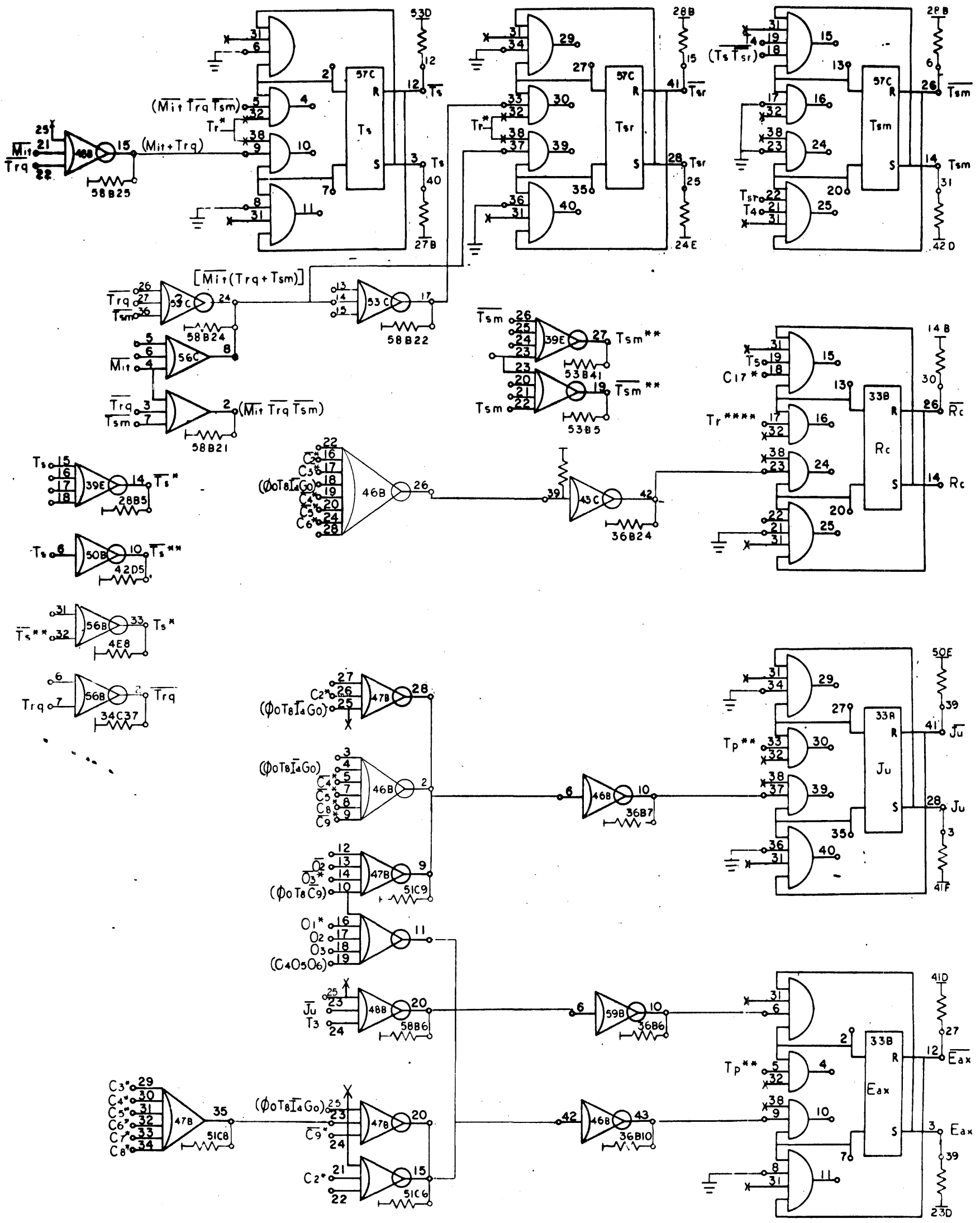
106407/F



930
PAGE 72
A

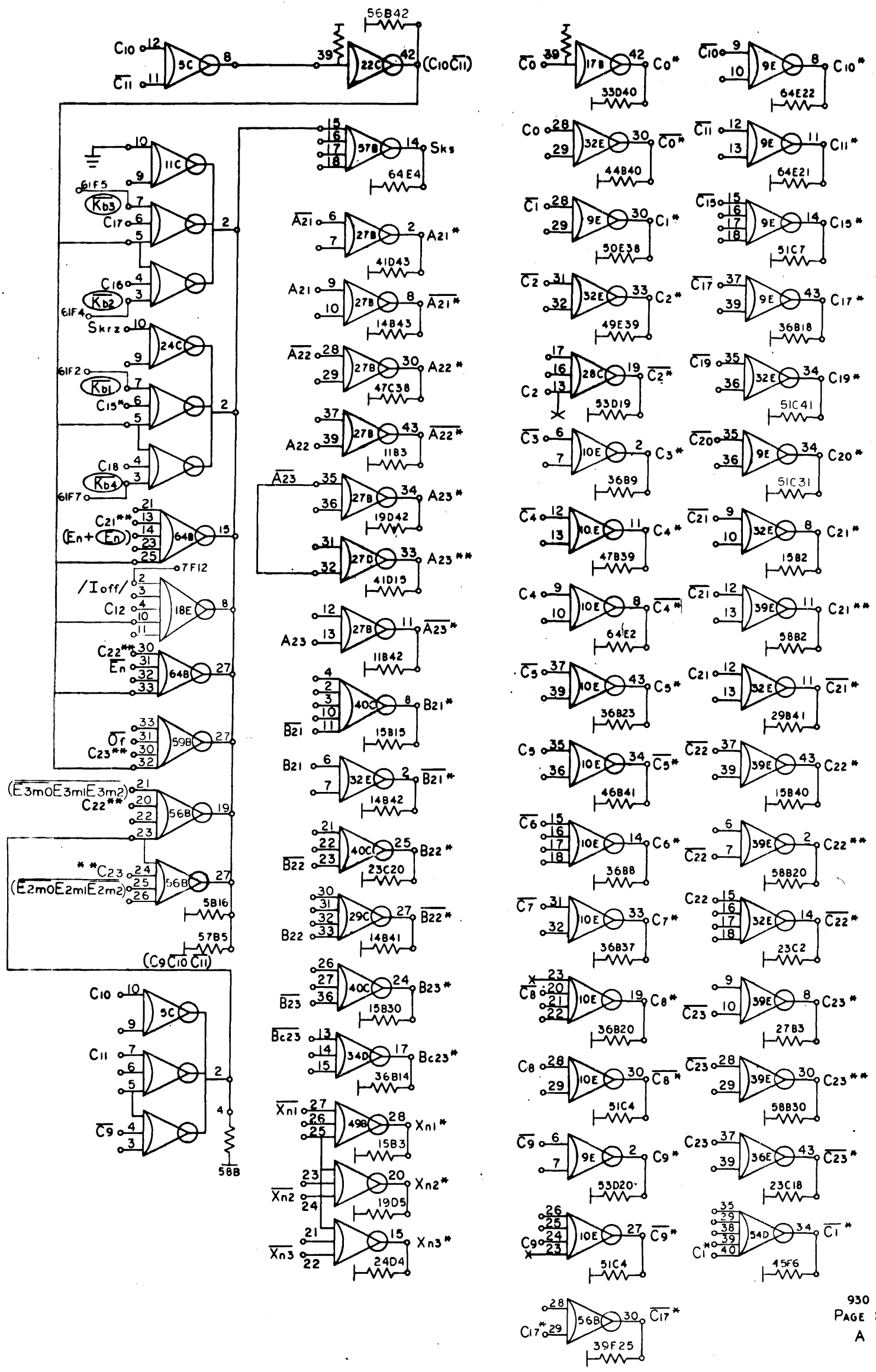
930	106407	A
DIAGRAM, LOGIC COMPUTER		
REV	DESCRIPTION	REVISED
A	RELEASED 9-7-55	106407 A

106407/A



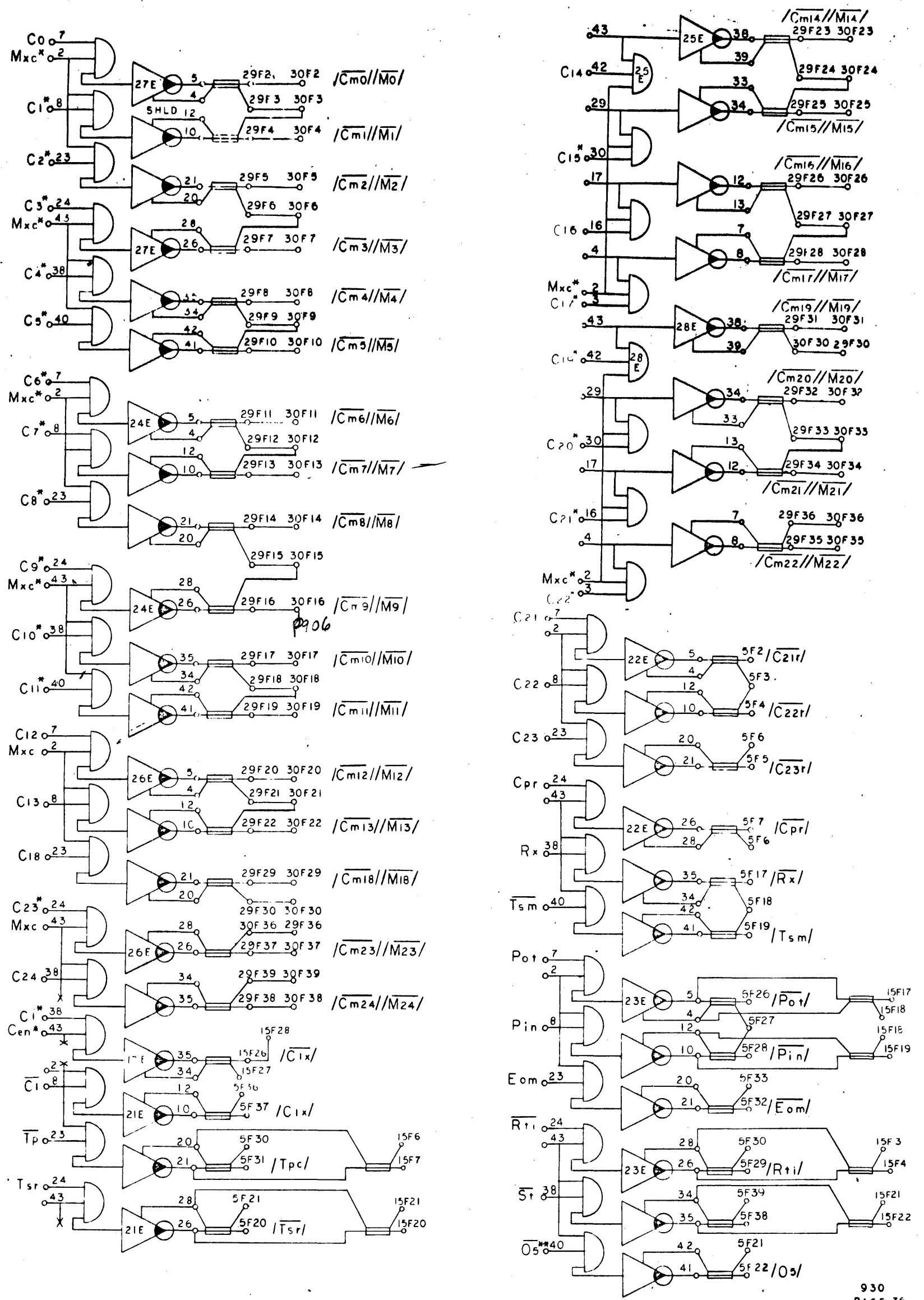
930	106407	A	DIAGRAM, LOGIC COMPUTER		REV	DESCRIPTION	CHK	DATE	APPROVED
					A	RELEASED TO HQS			

106407/A



930	106407	A
DIAGRAM, LOGIC COMPUTER		
NO. DESCRIPTION	DATE	APPROVED
A	10/15/55	[Signature]
REVISIONS		
NO.	DESCRIPTION	DATE
1	106407	10/15/55

106407/A



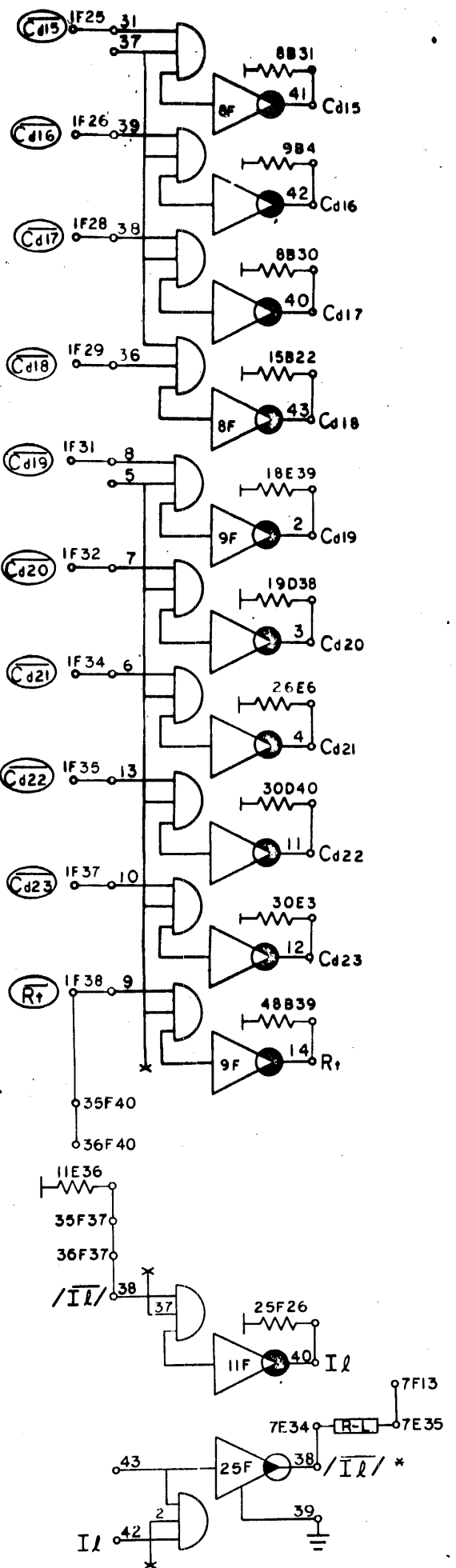
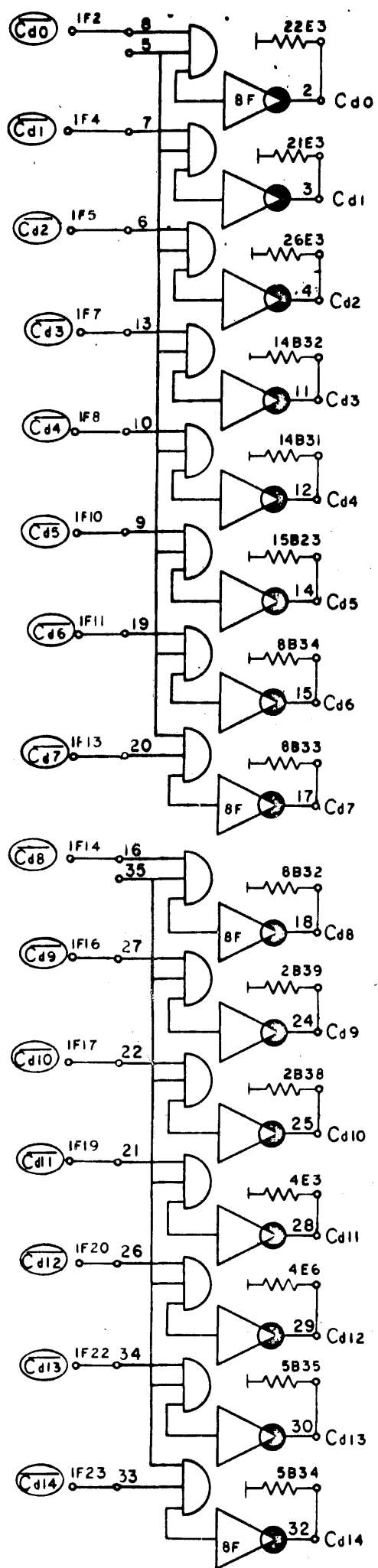
930
 106407
 J

SDS
 SYSTEMS DATA SYSTEMS
 DIVISION
 SAN JOSE, CALIFORNIA

DIAGRAM, LOGIC
 COMPUTER

REV.	DESCRIPTION	CHK.	DATE	APPROVED
A	REVISION 1			
J	SEE REV E O			

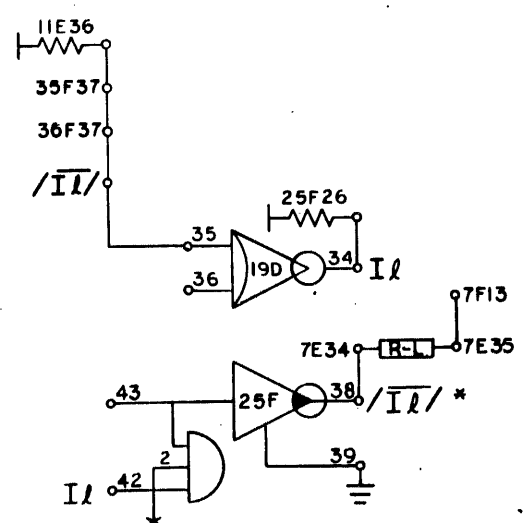
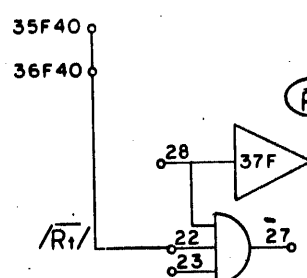
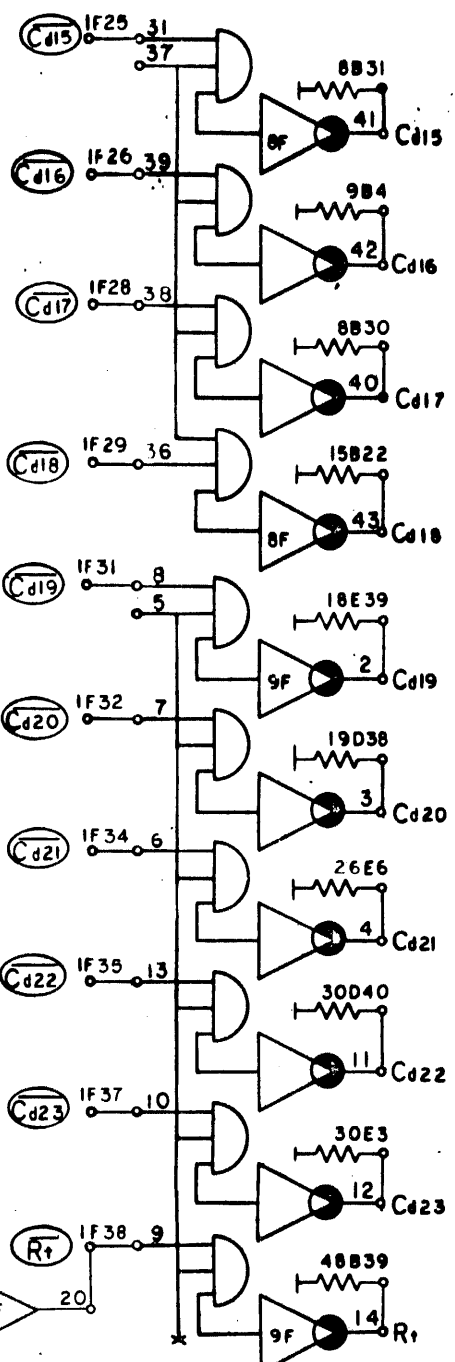
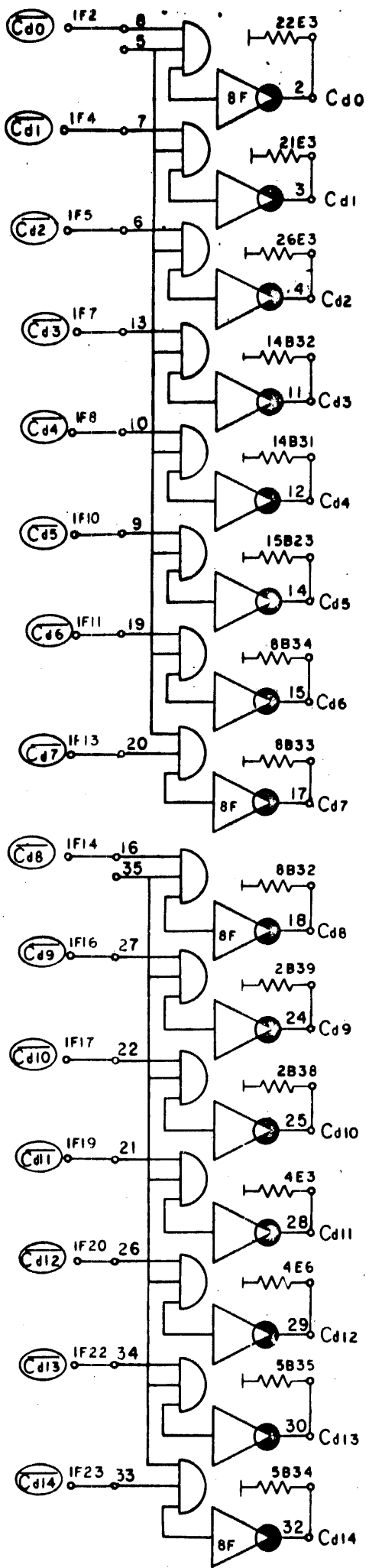
106407J



930
PAGE 77
A

930	106407	A
DIAGRAM, LOGIC COMPUTER		
REVISIONS	DATE	BY
A	RELEASE TO VEG	106407 A

106407/A



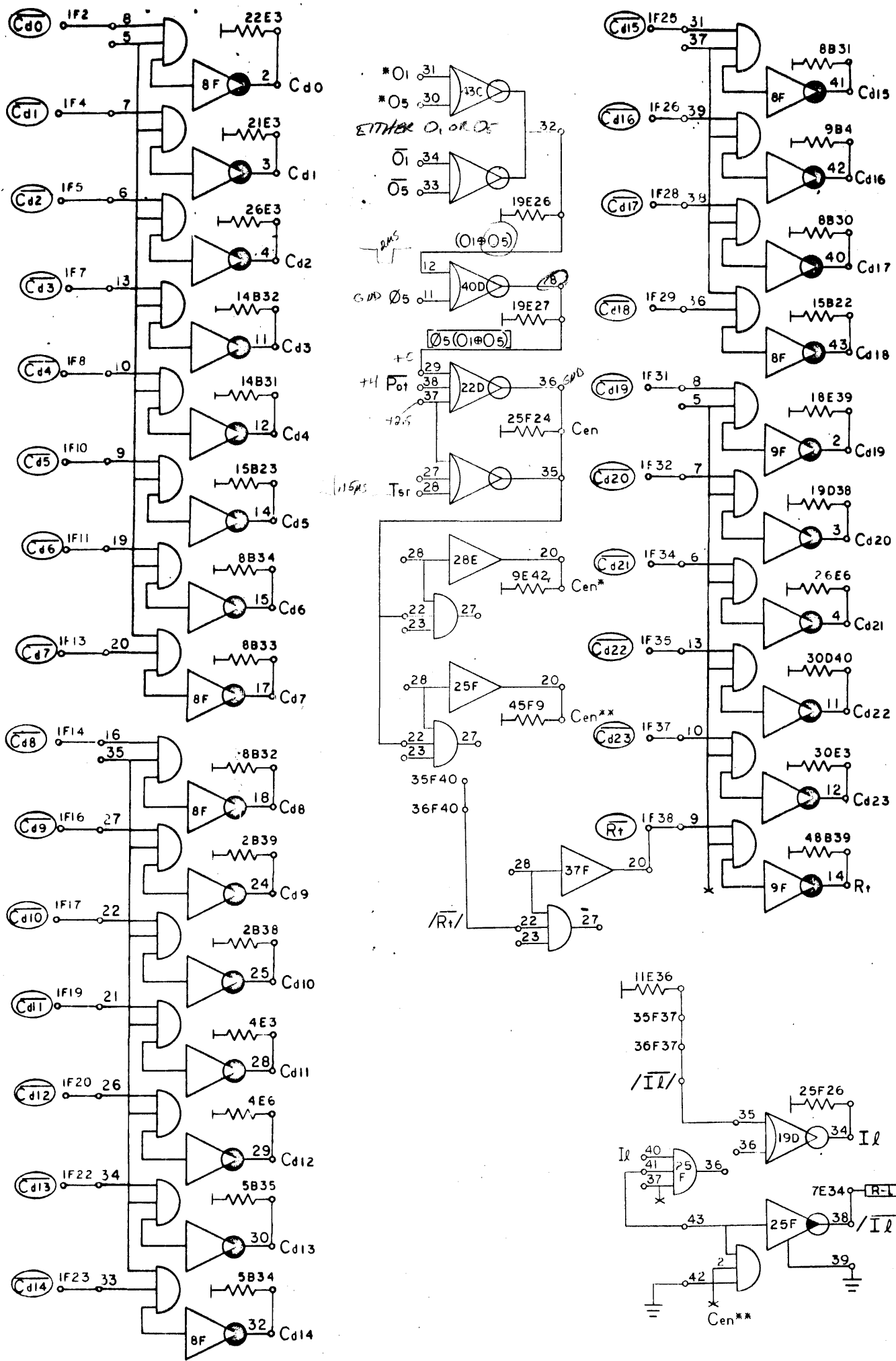
123 456
000 010
2 2

930
106407
H

SDS
DIAGRAM, LOGIC
COMPUTER

REV.	DESCRIPTION	DATE	BY	APPROVED
A	RELEASED TO MFG	5/27/64	W.M.	
B	SEE REV E	6/10/64	W.M.	
H	SEE REV E	6/10/64	W.M.	

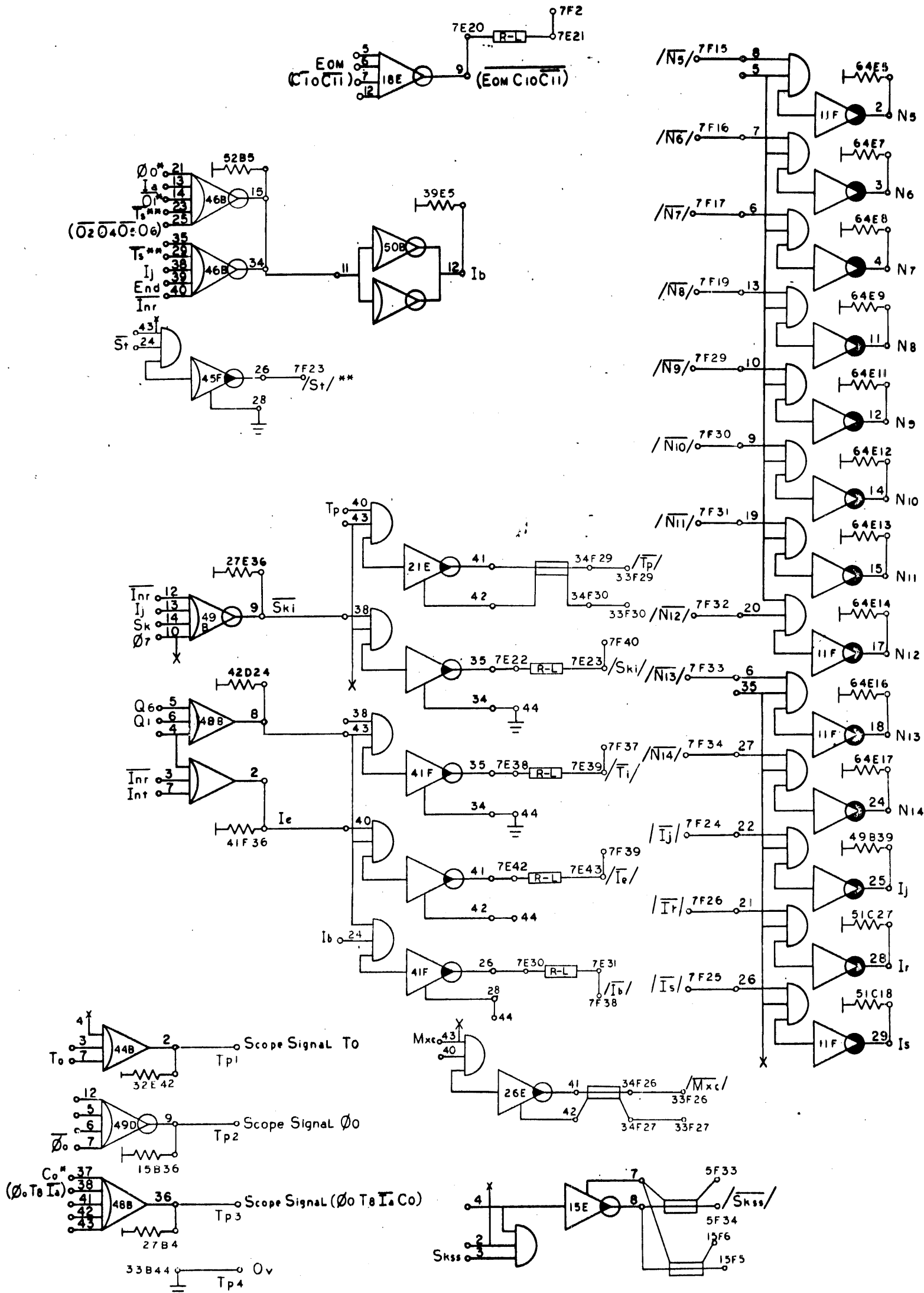
106407H



930	106407	J
SDS SYSTEMS DEVELOPMENT CORPORATION DIAGRAM, LOGIC COMPUTER		
12/1/72		

REV	DESCRIPTION	CHK	DATE	APPROVAL
A	SEE REV E0			
B	SEE REV E0			
H	SEE REV E0			
J	SEE REV E0			

106407J

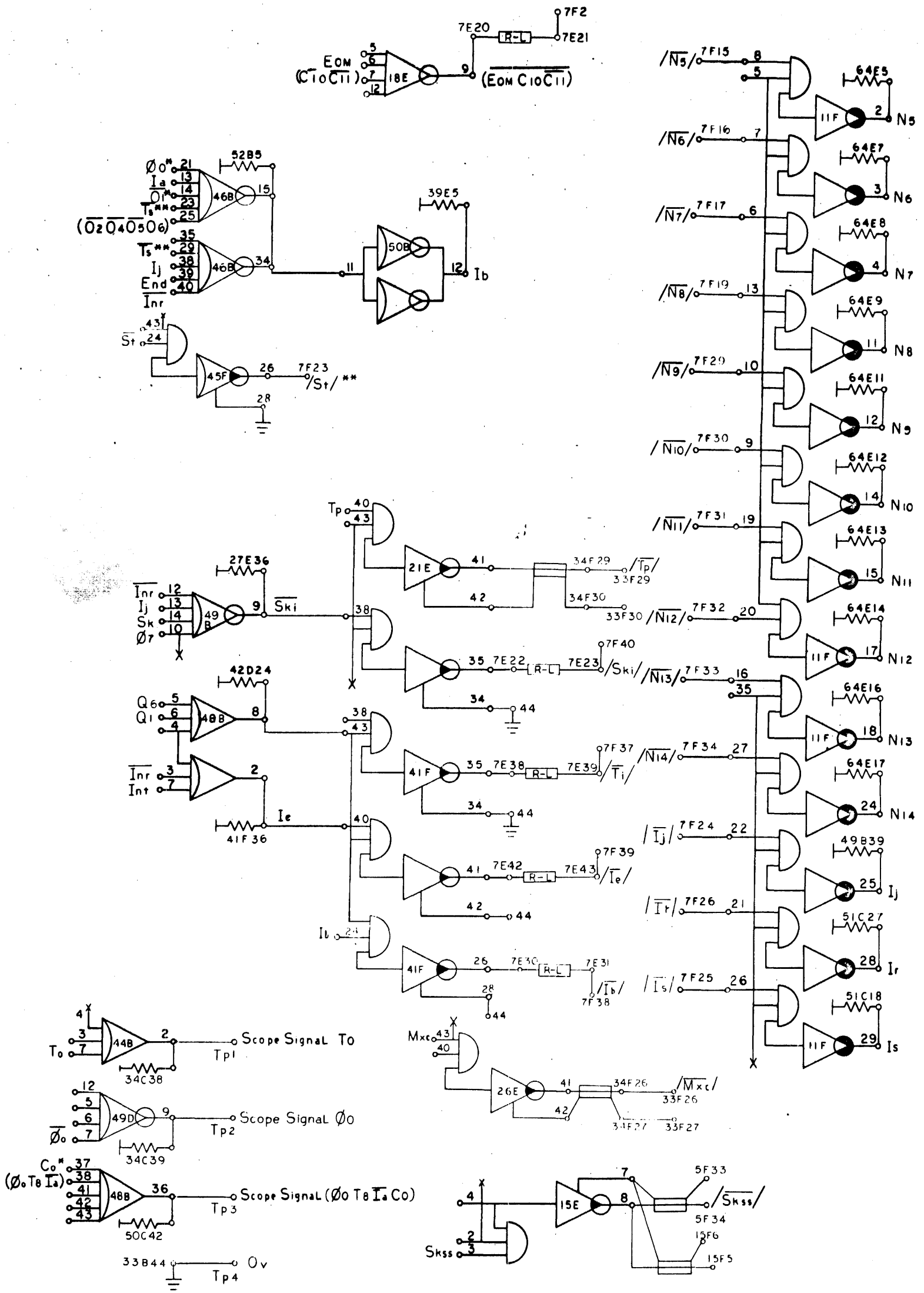


930
PAGE 78
A

930	106407	A	REVISIONS	
			REV	DESCRIPTION
106407 A 123			106407 A 123	

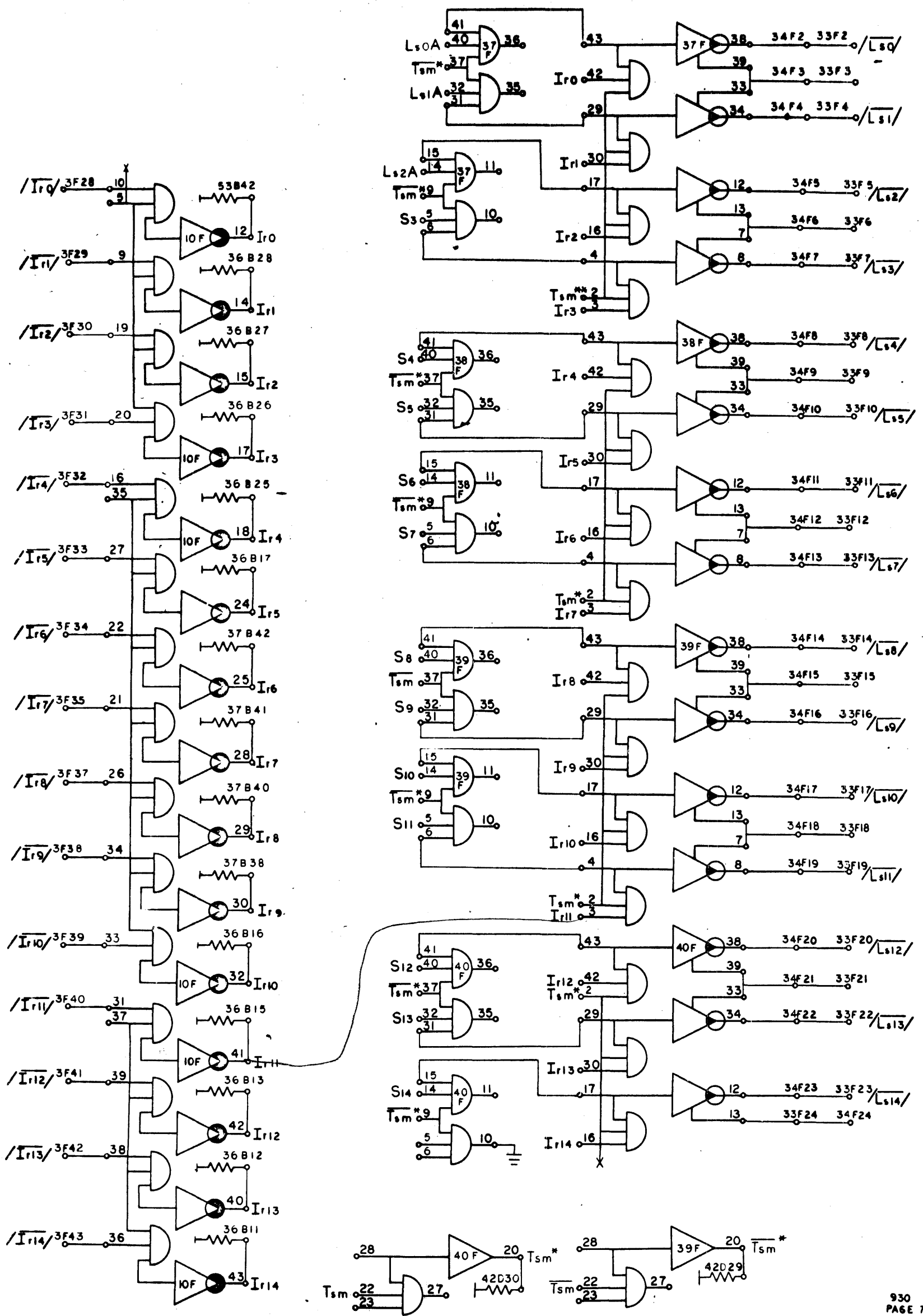
DIAGRAM LOGIC
COMPUTER

106407A



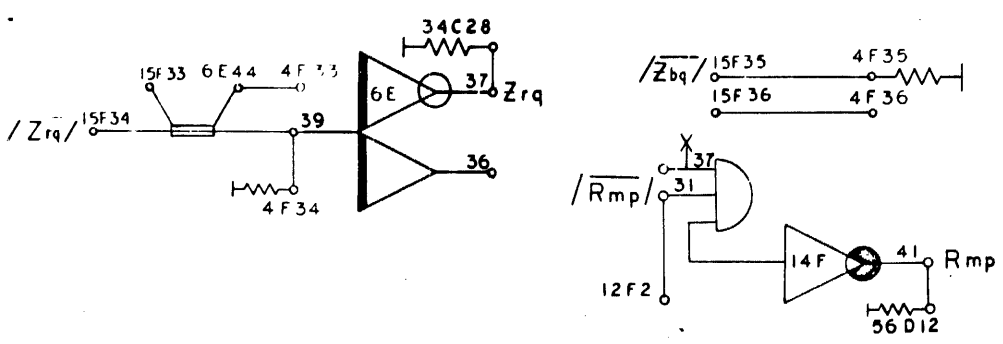
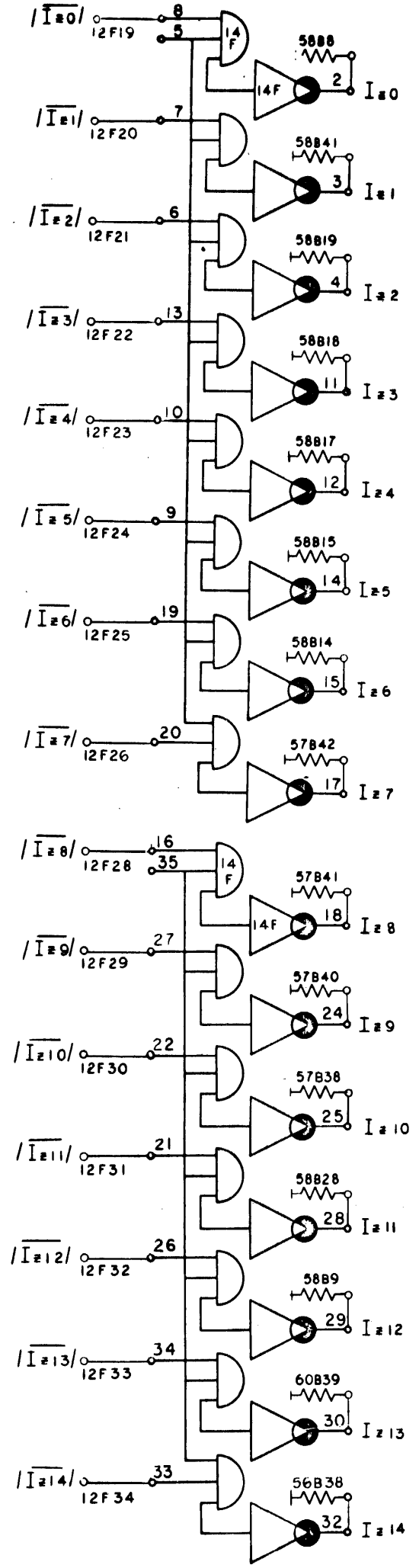
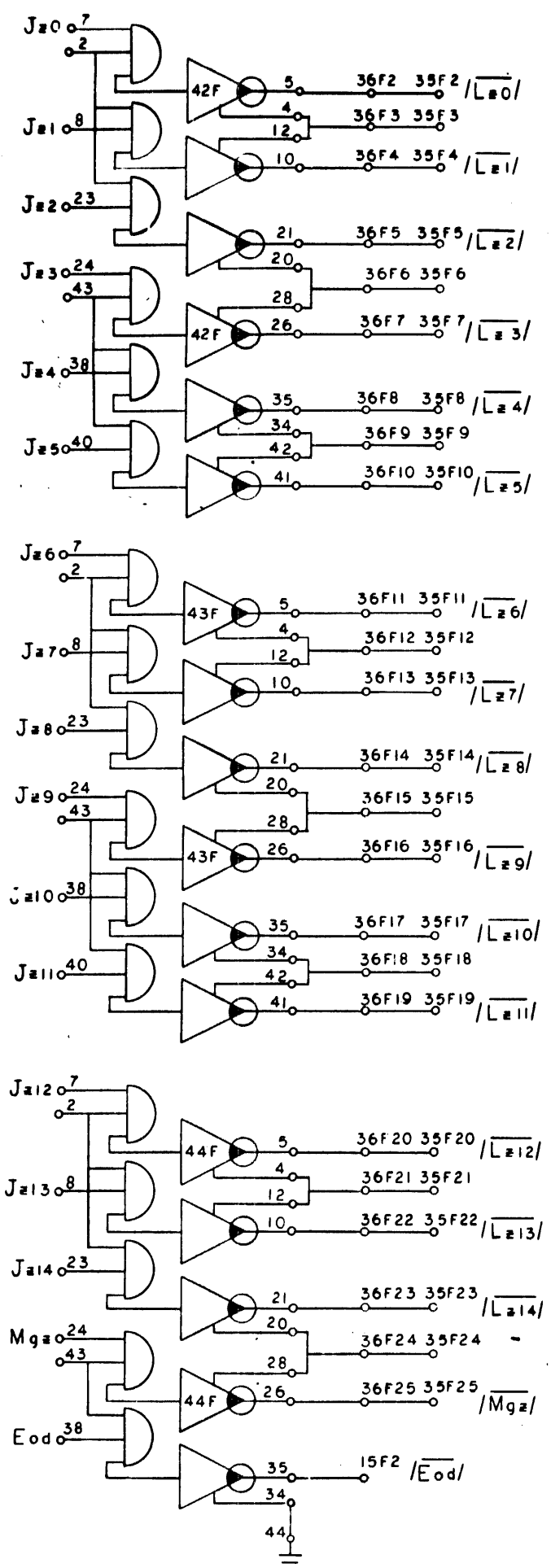
930 106407 D	SIDIS SYSTEMS DIVISION SPOKANE, IDAHO		DIAGRAM, LOGIC COMPUTER		REVISIONS 106407 D
	REV	DESCRIPTION	DATE	APPROVED	
	A	SEE REV E D	1/1/68		
	B	SEE REV E D	1/1/68		

106407/D



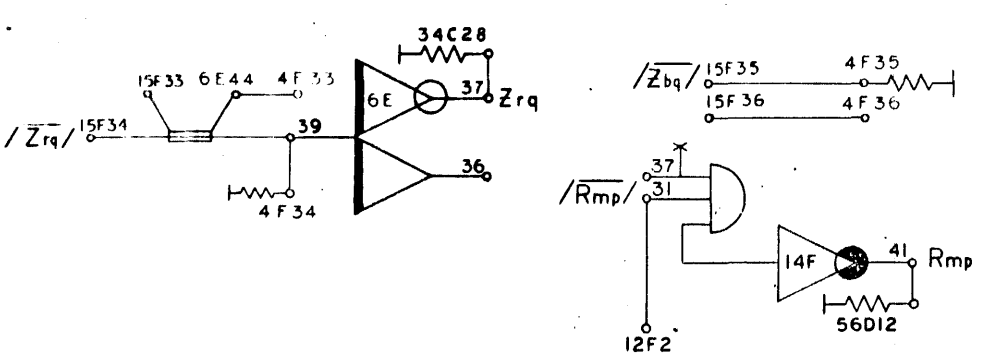
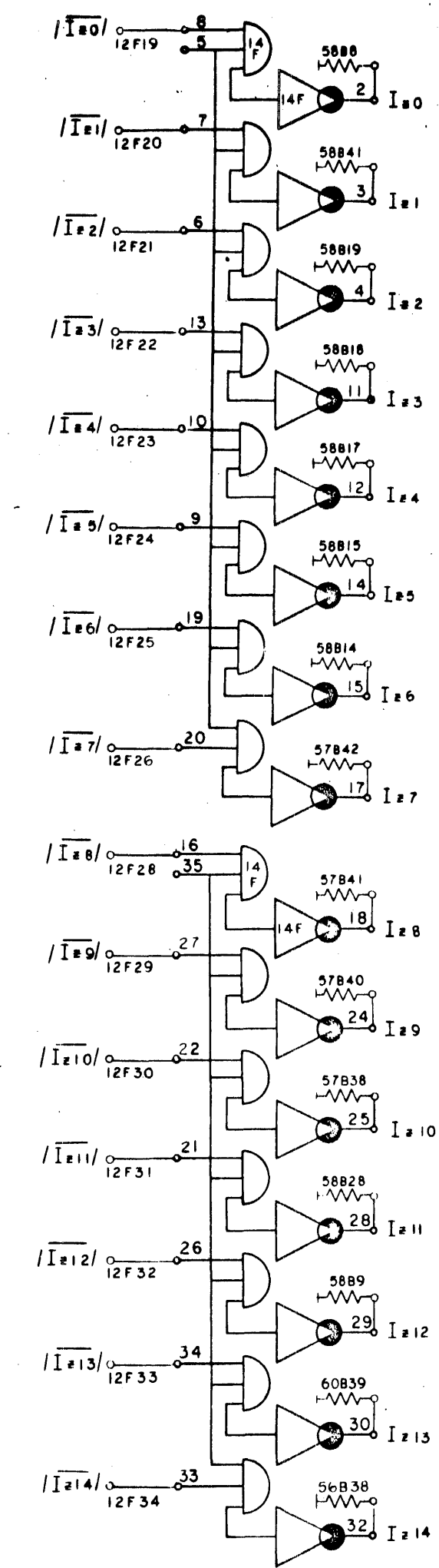
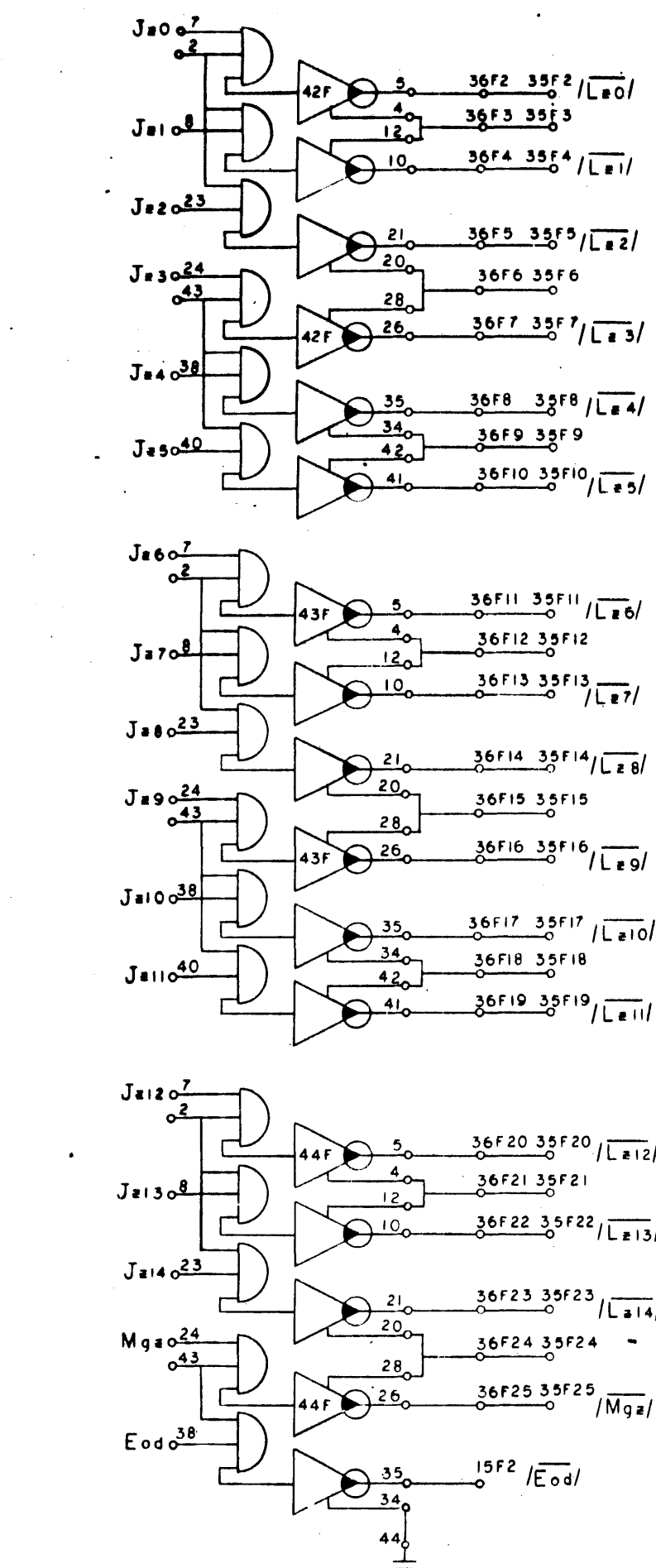
930	106407	A	REVISIONS	
			REV	DESCRIPTION
DIAGRAM, LOGIC COMPUTER			DATE	106407 A
125			APPROVED	

106407A



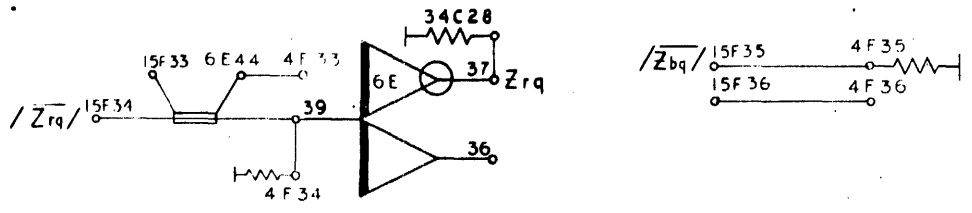
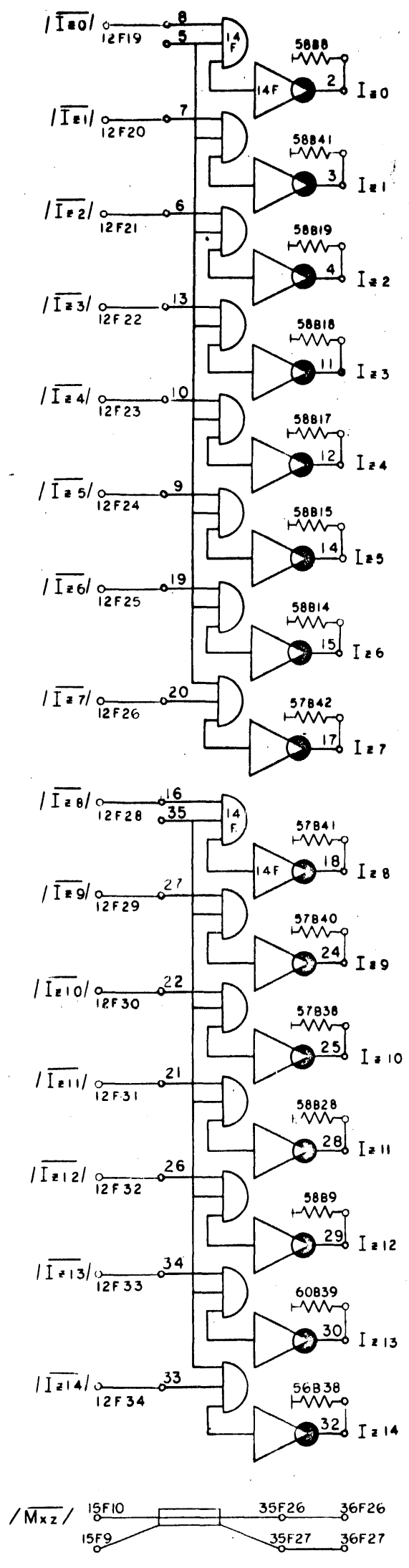
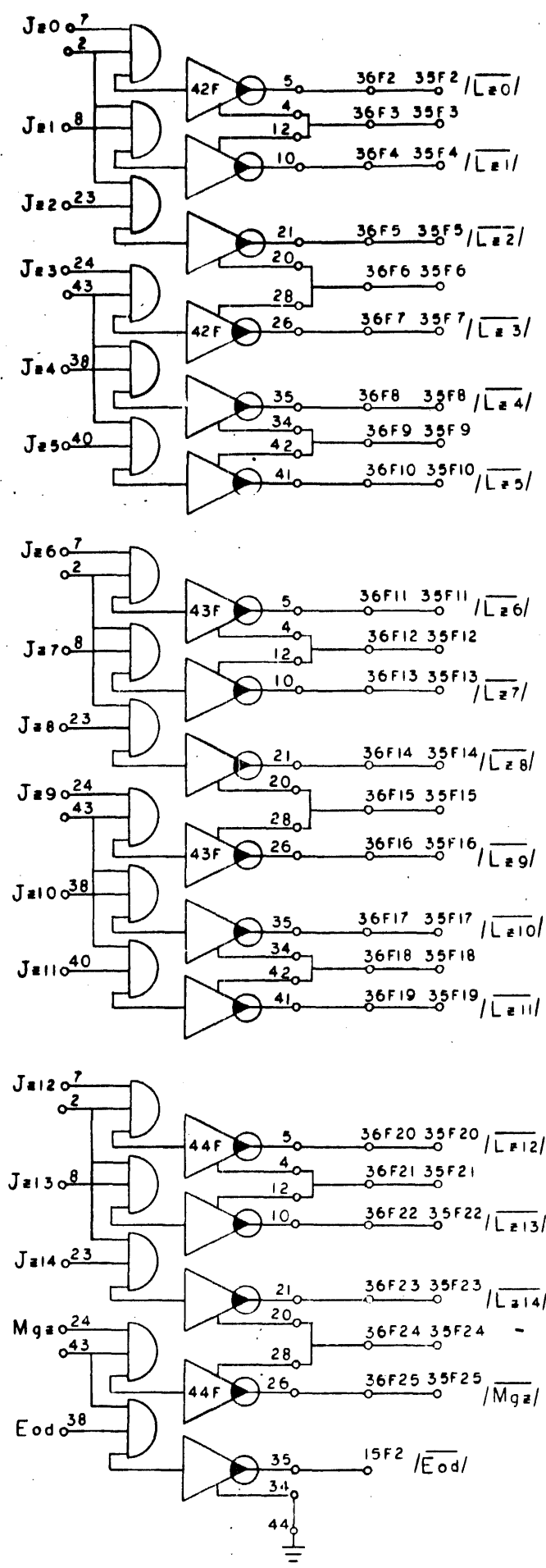
930	106407	A	REVISIONS	
			REV. NO.	DATE
DIAGRAM, LOGIC COMPUTER			106407	A

106407/A



930	106407	C	REVISIONS	
			REV	DESCRIPTION
			A	SELECTED I/F'S
			DATE	106407
			BY	
			APP'D	
			SEE REV E O	

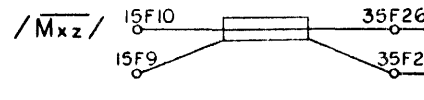
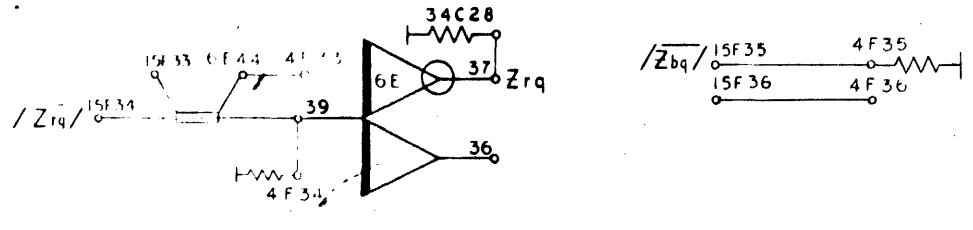
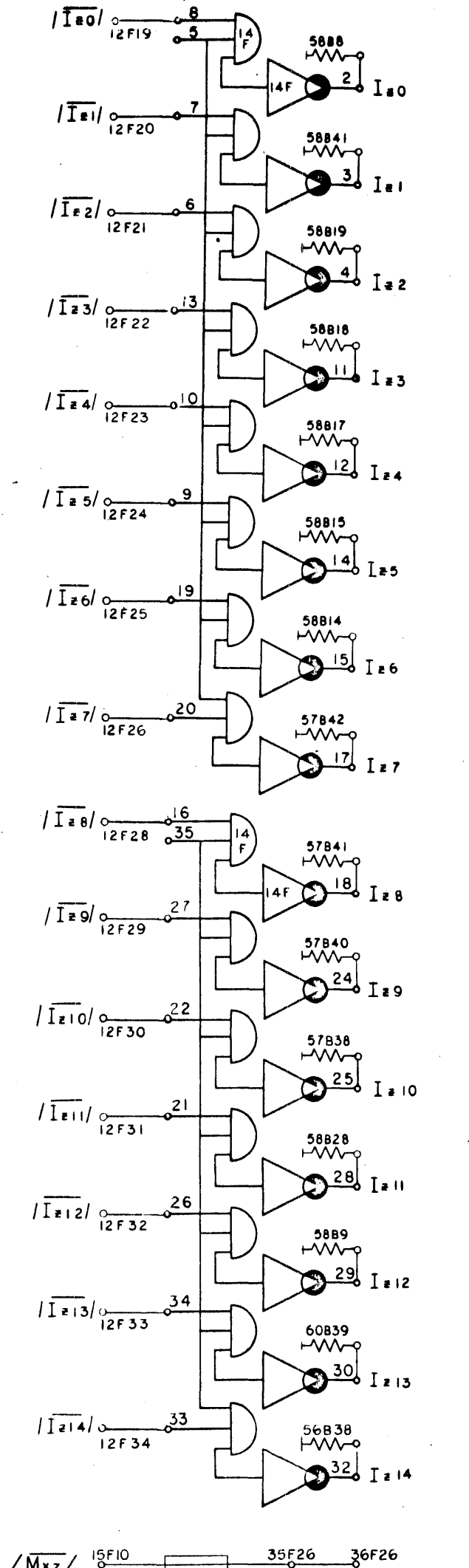
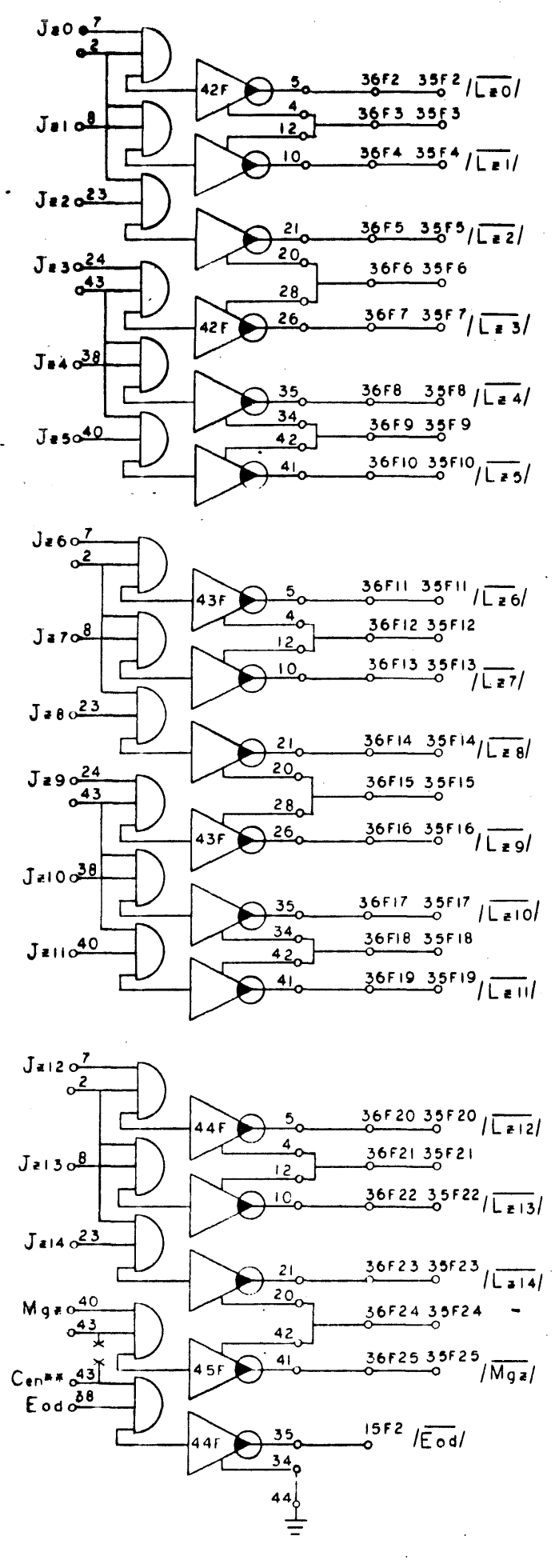
106407/C



REV	DESCRIPTION	DATE	APPROVED
A
C	SEE REV E0

930	106407	D
DIAGRAM, LOGIC COMPUTER		
SIDB		

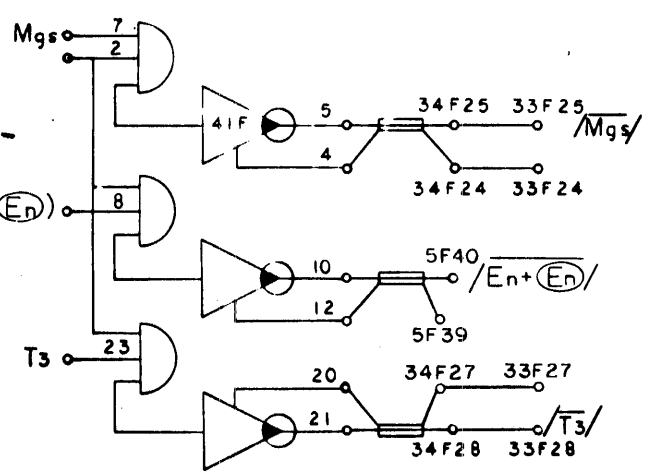
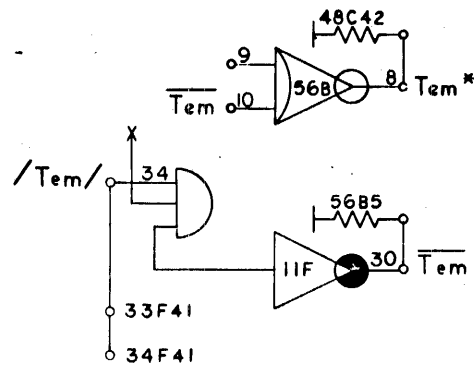
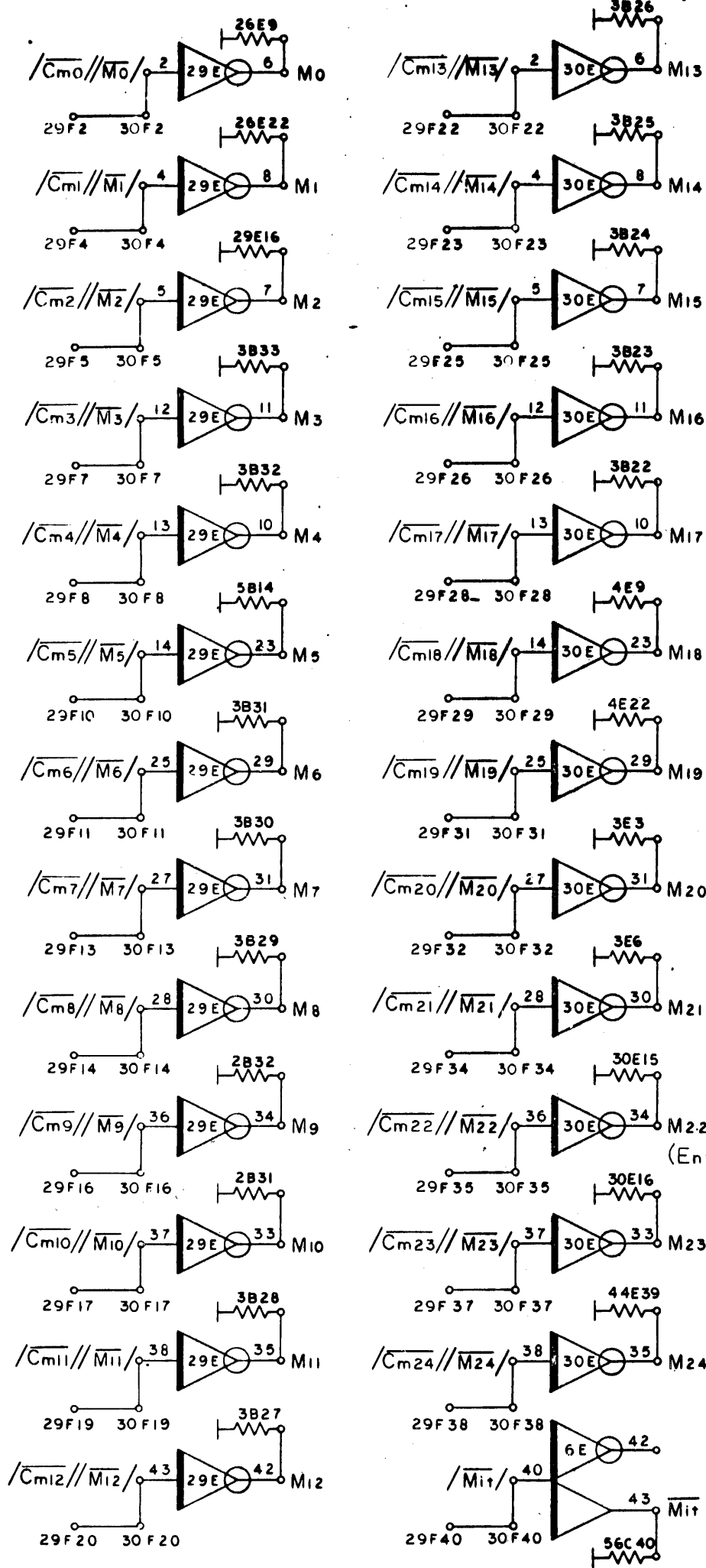
106407/C



930 106407 J	TITLE SDR DIGRAM, LOGIC COMPUTER	REV	DESCRIPTION	DATE	APPROVED
		A	SEE REV E O		
		C	SEE REV E O		
		J	SEE REV E O		

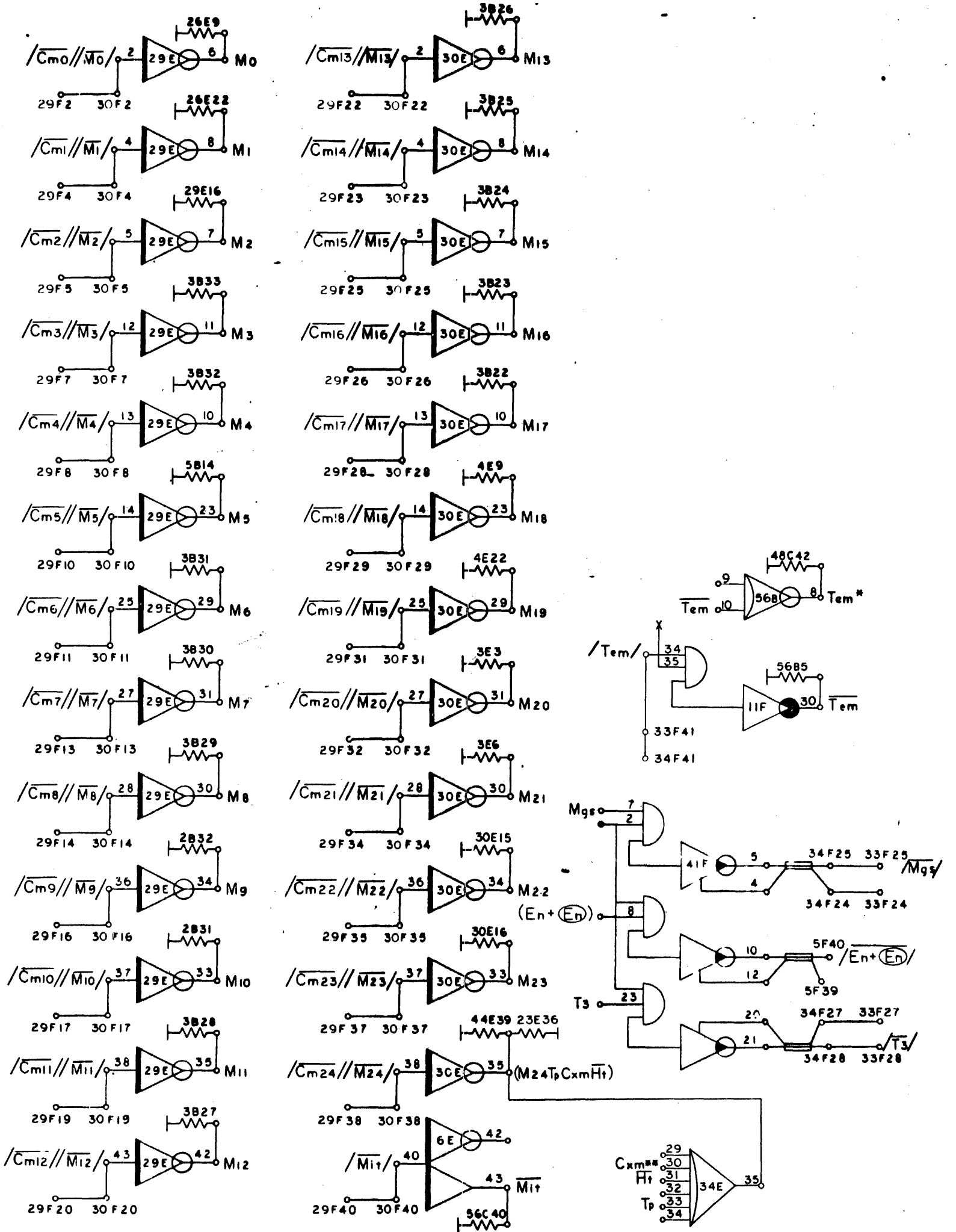
106407/J

129/130



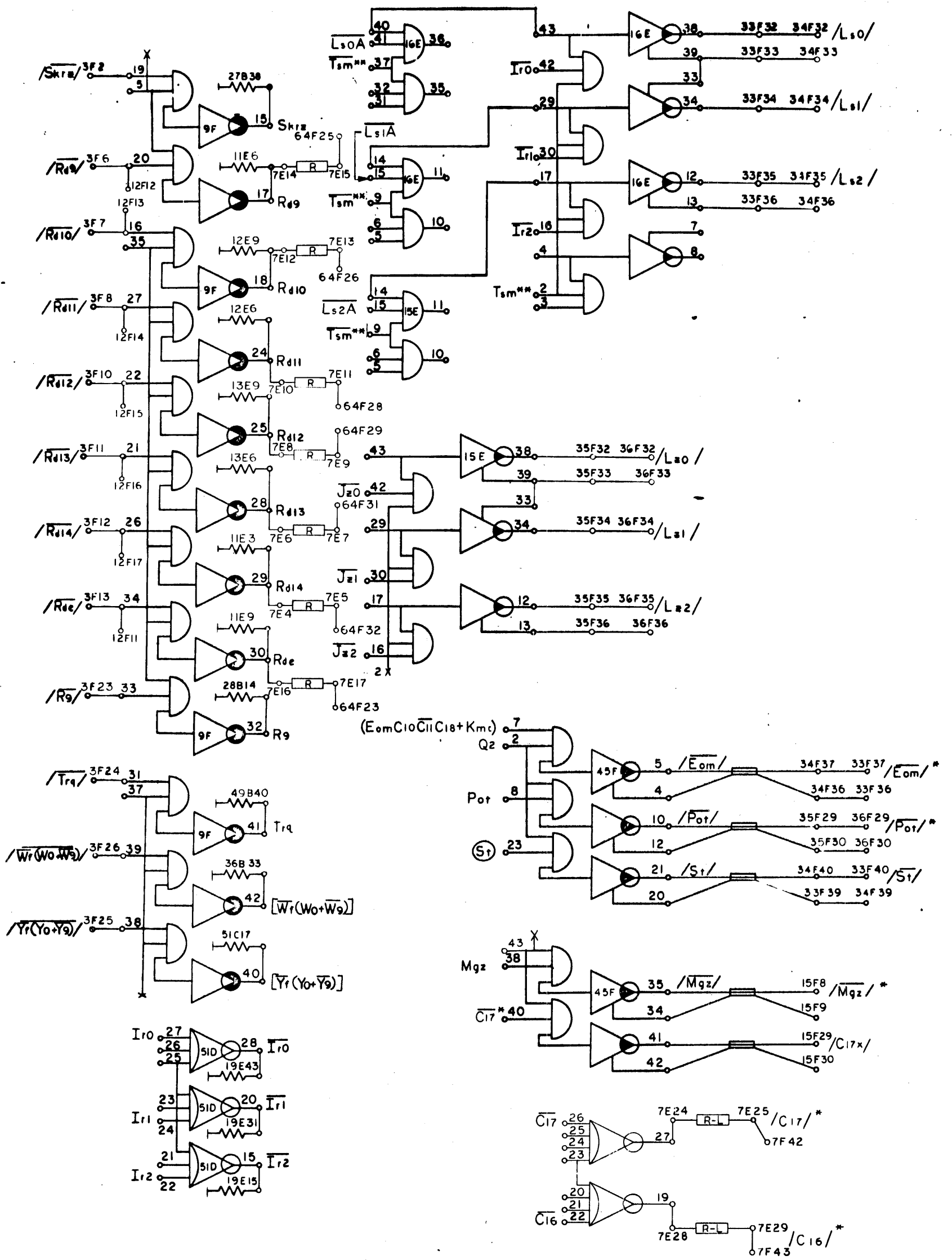
sync Mxc

930	106407	A
DIAGRAM, LOGIC COMPUTER		
REVISIONS A 106407 A 106407 A		



930 106407 G	SIOS SYSTEMS INCORPORATED 106407		DIAGRAM, LOGIC COMPUTER	
	REV.	DESCRIPTION	DATE	APPROVED
	1	DESIGNED	10/15/54	[Signature]
	2	SEE REV E D	11/15/54	[Signature]
	3	SEE REV E O	12/15/54	[Signature]

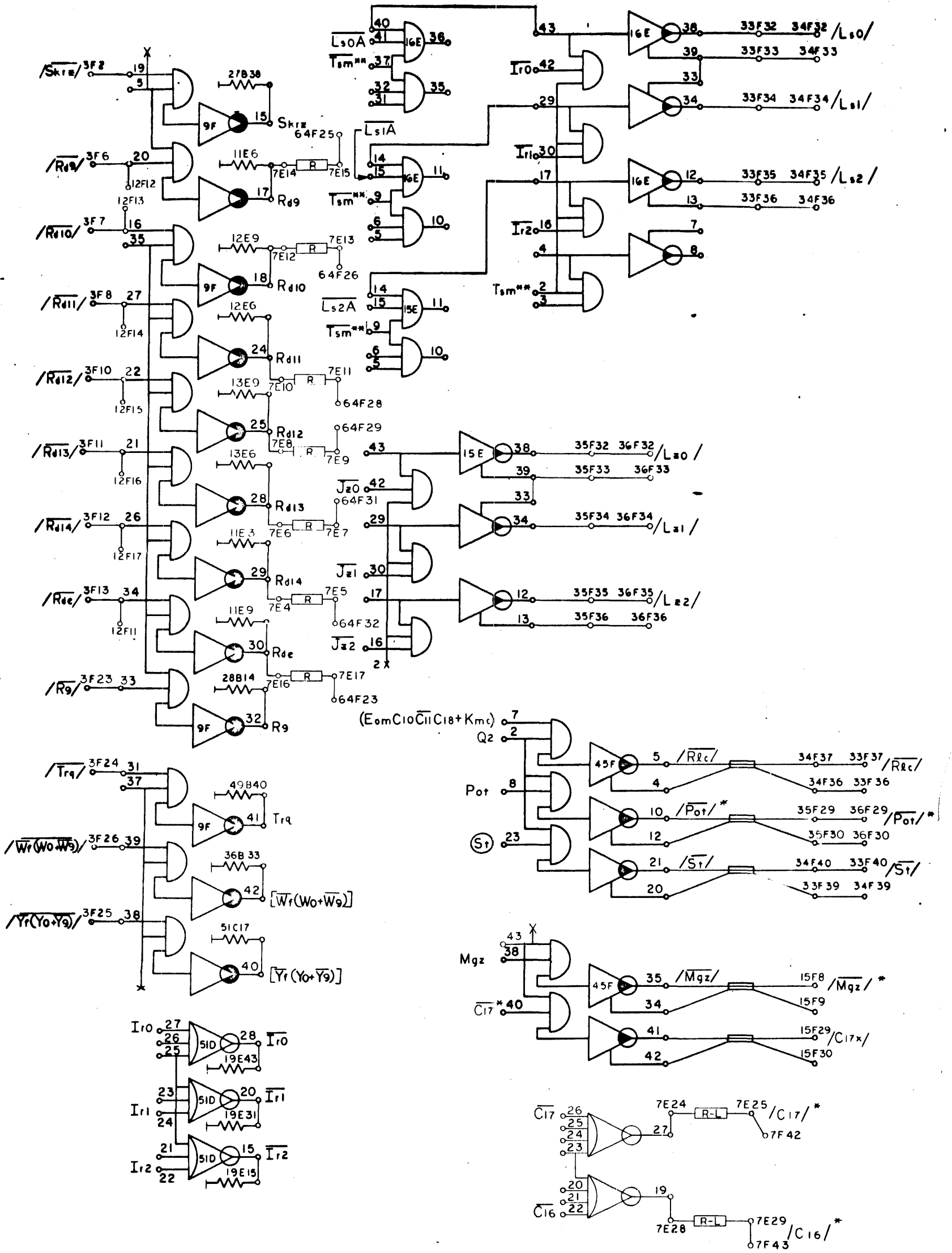
106407/G



930 106407 A	106407 A	106407 A
		106407 A

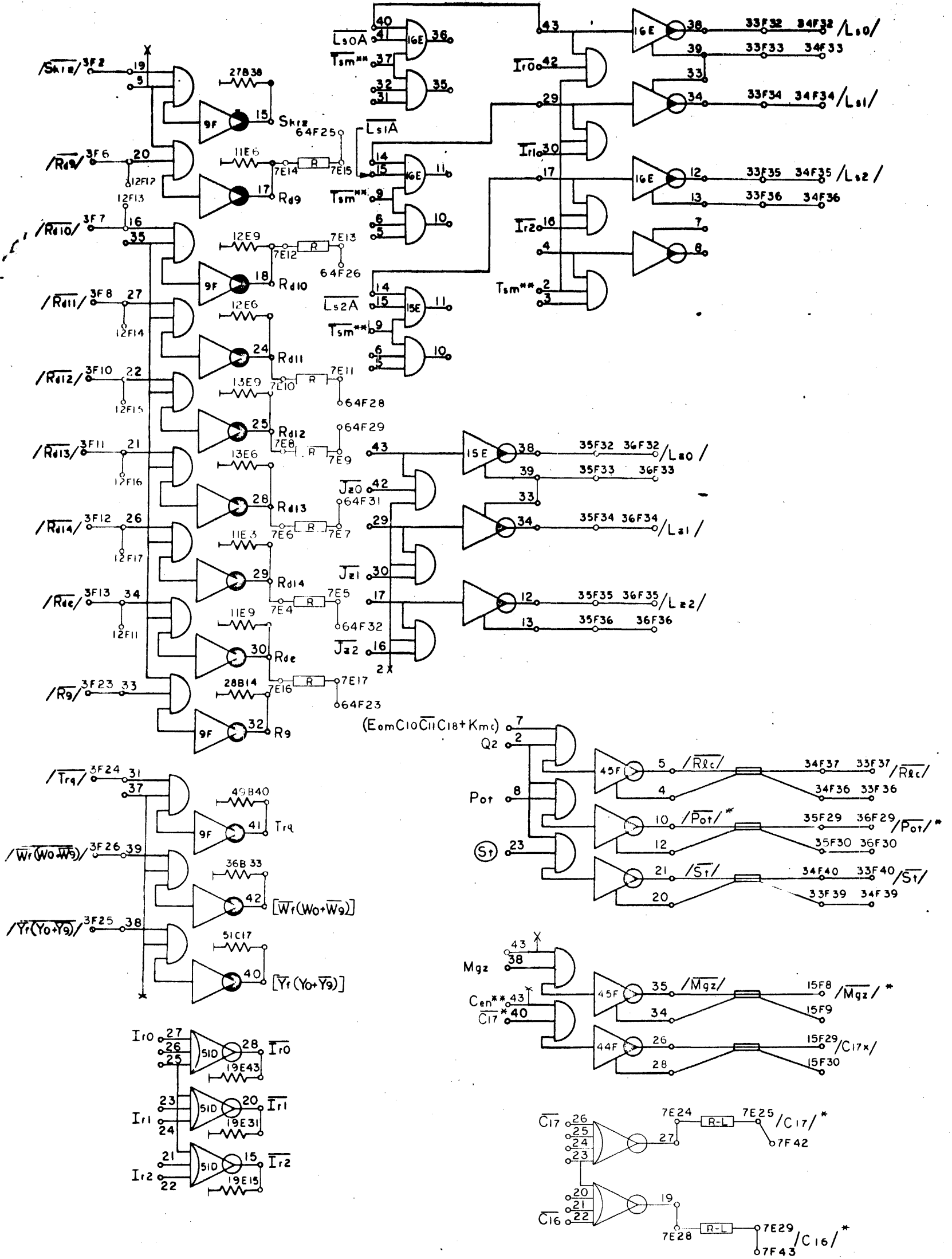
106407A

133



930	106407	B			DIAGRAM, LOGIC COMPUTER	REVISIONS	
			A BASED TO SEE REV E	DATE APPROVED BY		106407 B	

106407B



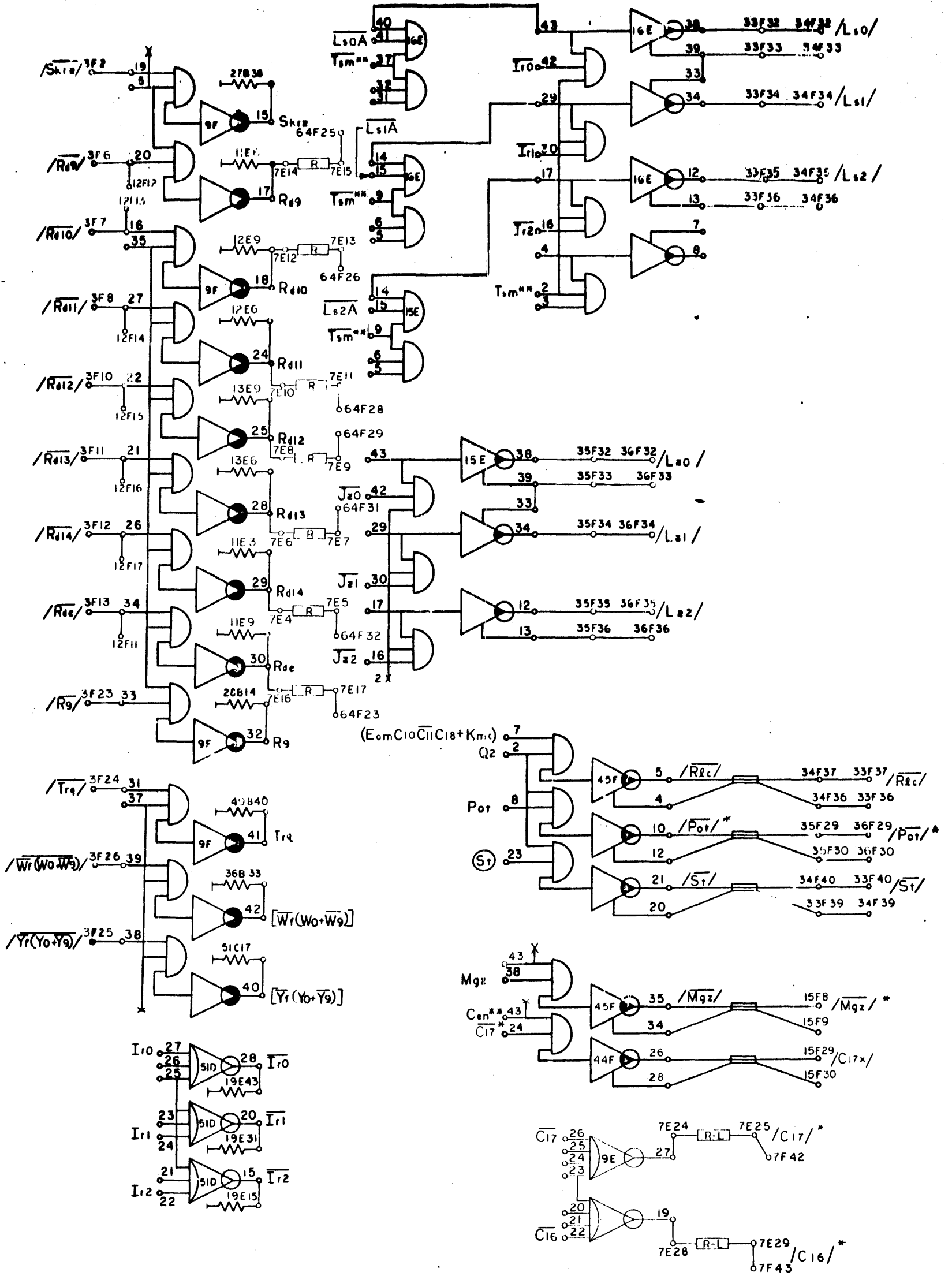
930
106407
J

DIAGRAM, LOGIC
COMPUTER



REV	DESCRIPTION	DATE	BY	CHKD
A	REVISION			
B	SEE REV E			
C	SEE REV E			

106407J

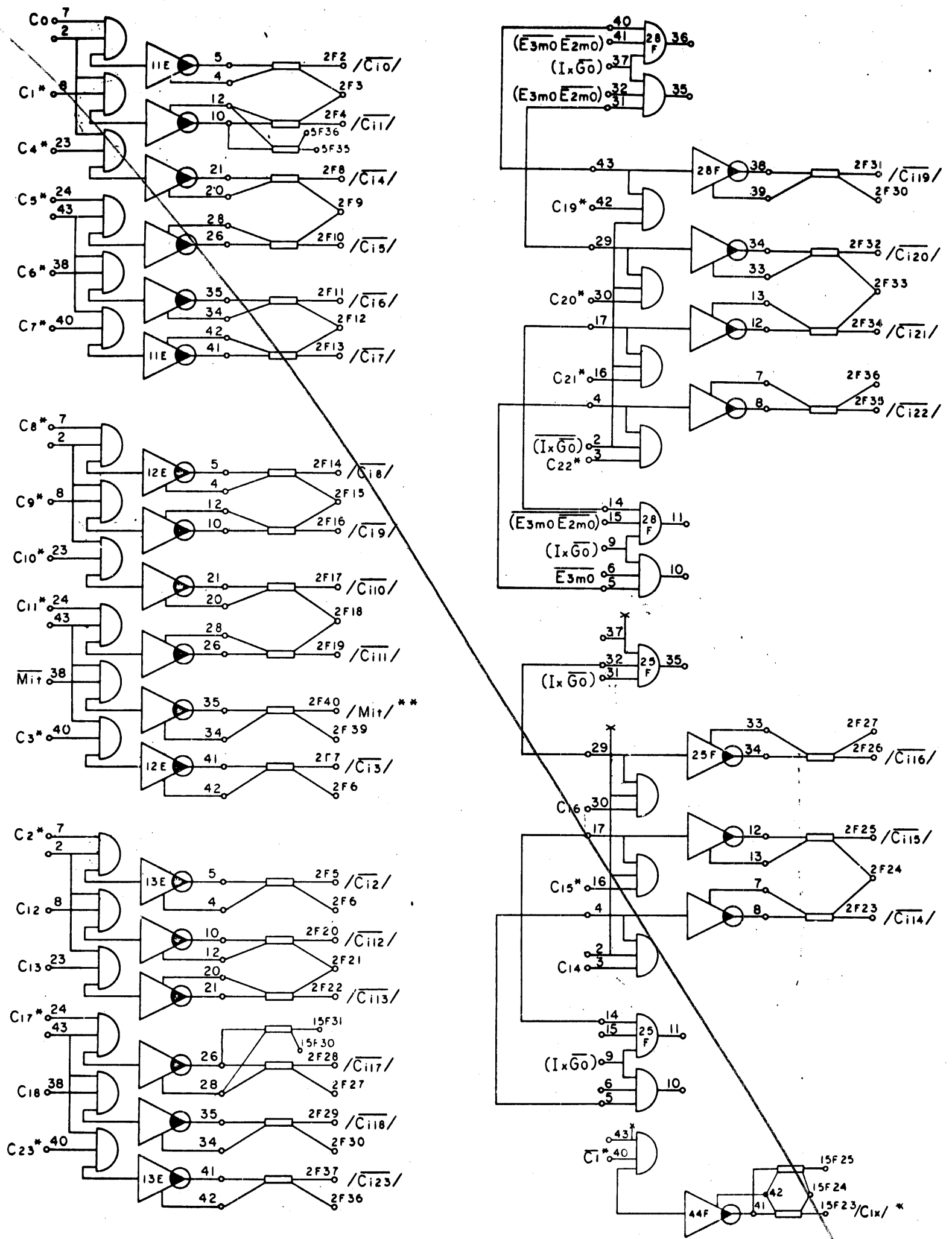


930
106407
M

DIAGRAM, LOGIC
COMPUTER



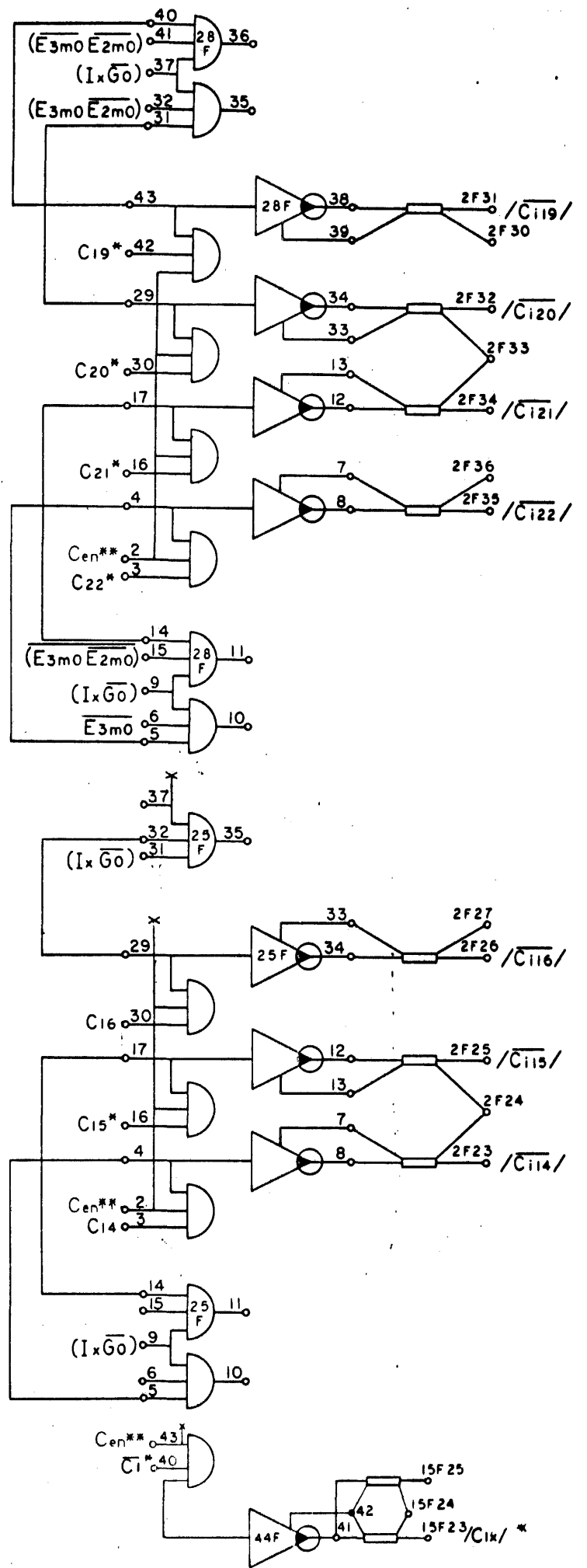
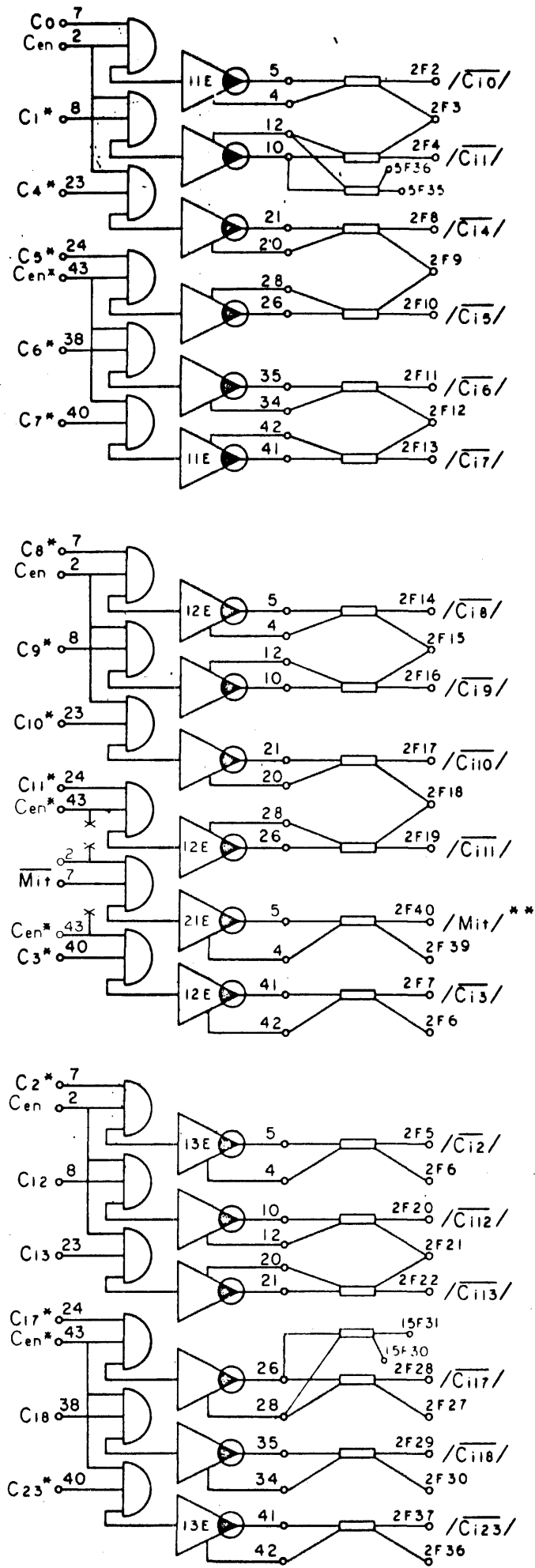
REV.	DESCRIPTION	DATE	BY	CHKD.
A	SEE REV. ED			
B	SEE REV. ED			
M	SEE REV. ED			



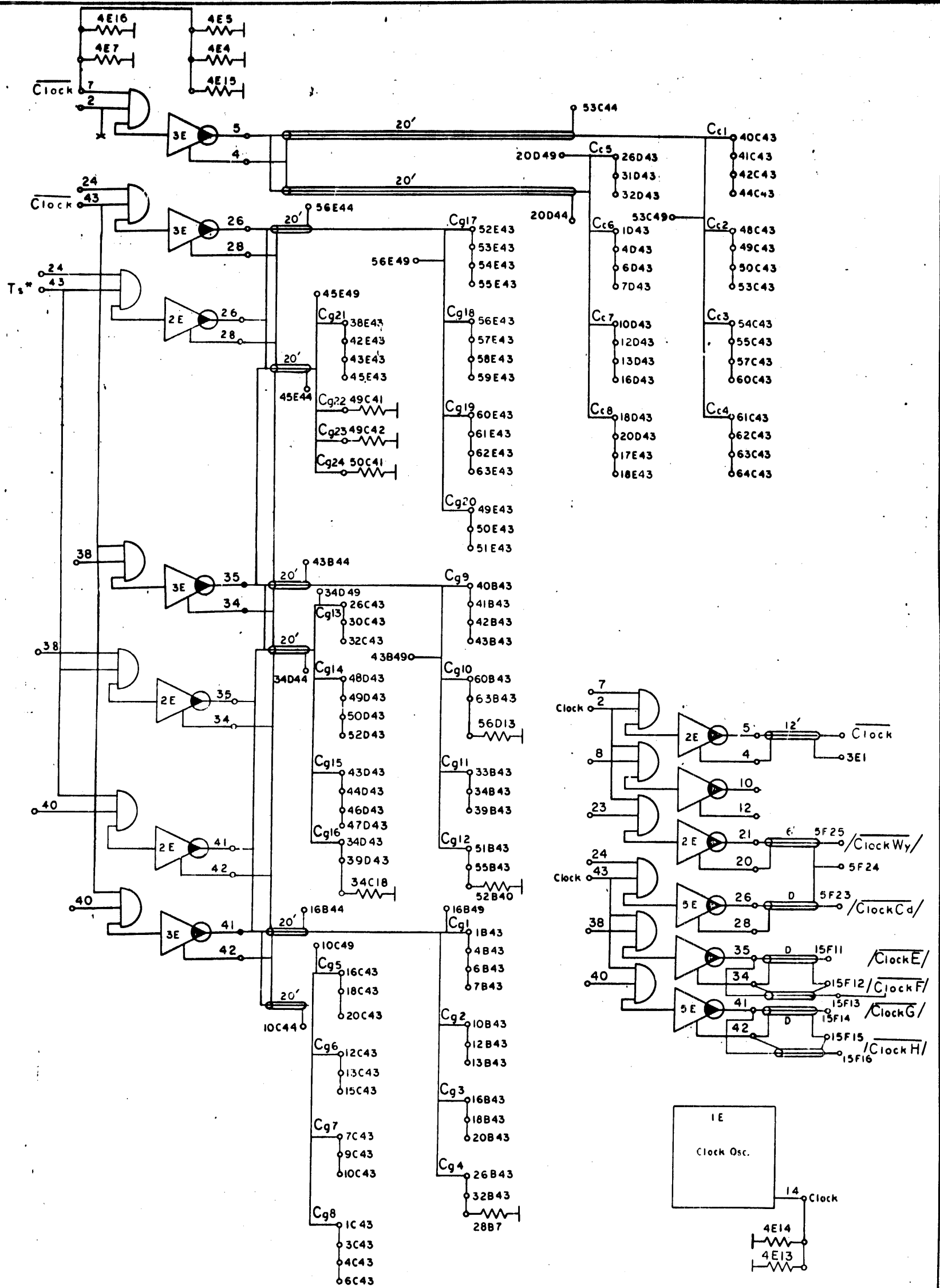
930
PAGE 83
A

930	106407	A	REVISIONS	
			NO.	DESCRIPTION
106407 A			1	RELEASED TO NRC
106407 A			2	REVISED

A 106407



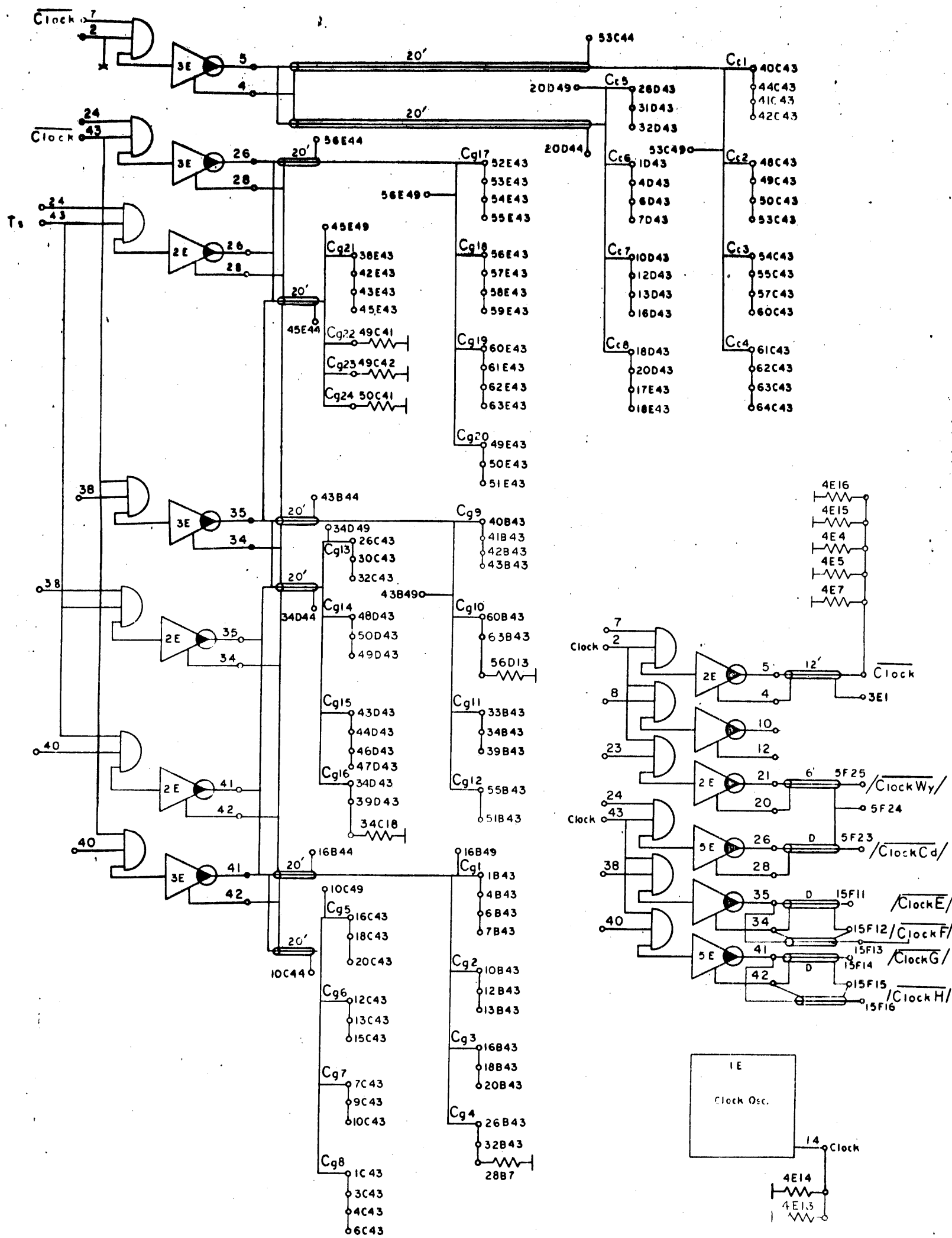
930	106407	J	REV	DESCRIPTION	DATE	BY
			A	RELEASED TO AIRS	11/1/65	J.M.
SCALE: DO NOT SCALE DRAWING			REVISIONS			
DIAGRAM, LOGIC COMPUTER			106407	J		
SDS						



930
PAGE 84
A

930	106407	A	REVISIONS	
			NOV 1954	106407 A
DESCRIPTION			DATE	APPROVED
RELEASED TO MITG			11/15/54	W. J. ...
DIAGRAM, LOGIC COMPUTER				
DO NOT SCALE DRAWING				
139				

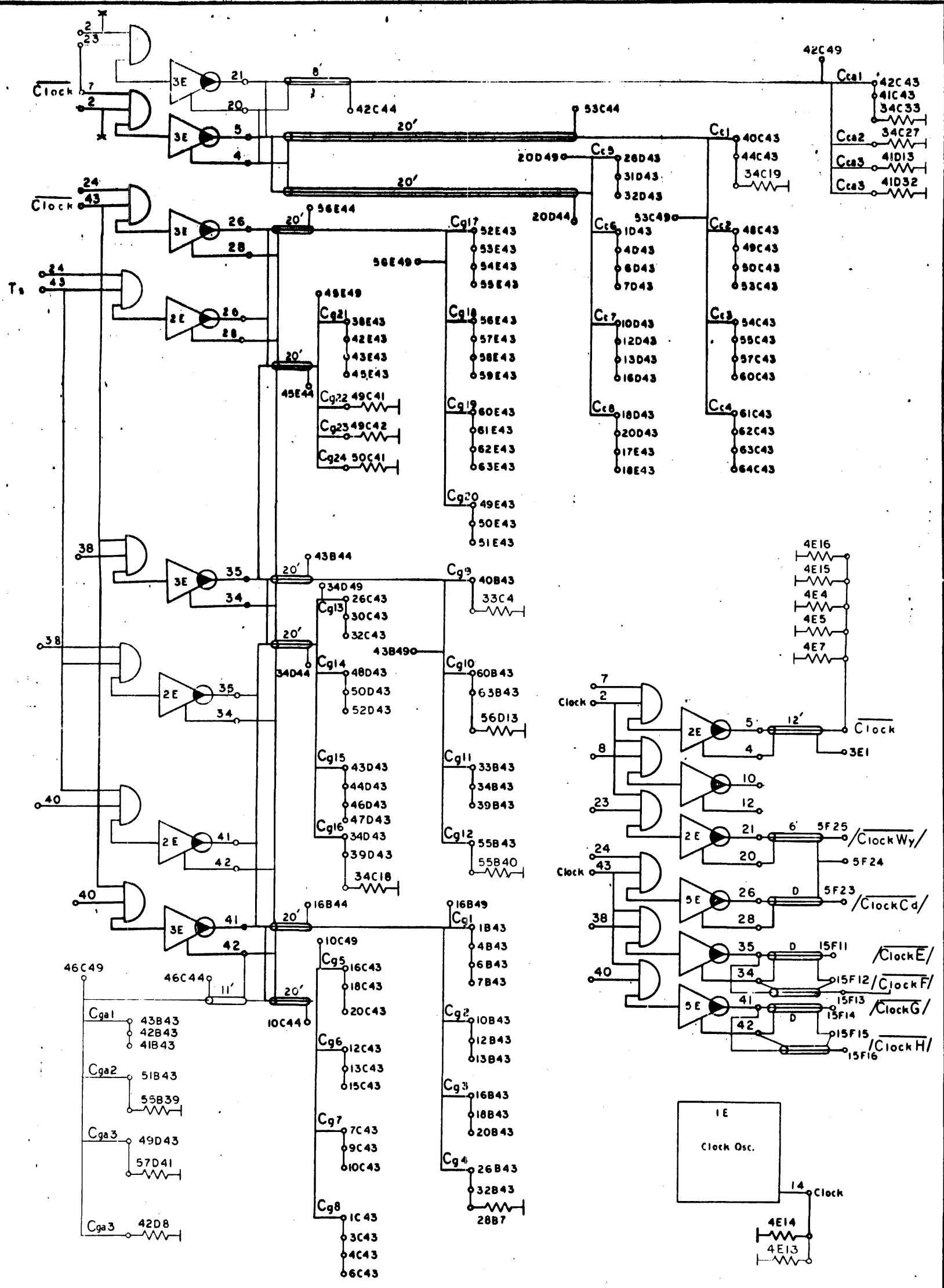
A|106407|



930
PAGE 84
D

930 106407 D	DIAGRAM, LOGIC COMPUTER		REVISIONS	
	A RELEASED TO AIG	DATE 7/16/54	BY J.M.K.	106407 D
	B SEE REV E	DATE	BY	106407 B
	D SEE REV E	DATE	BY	106407 D

D106407



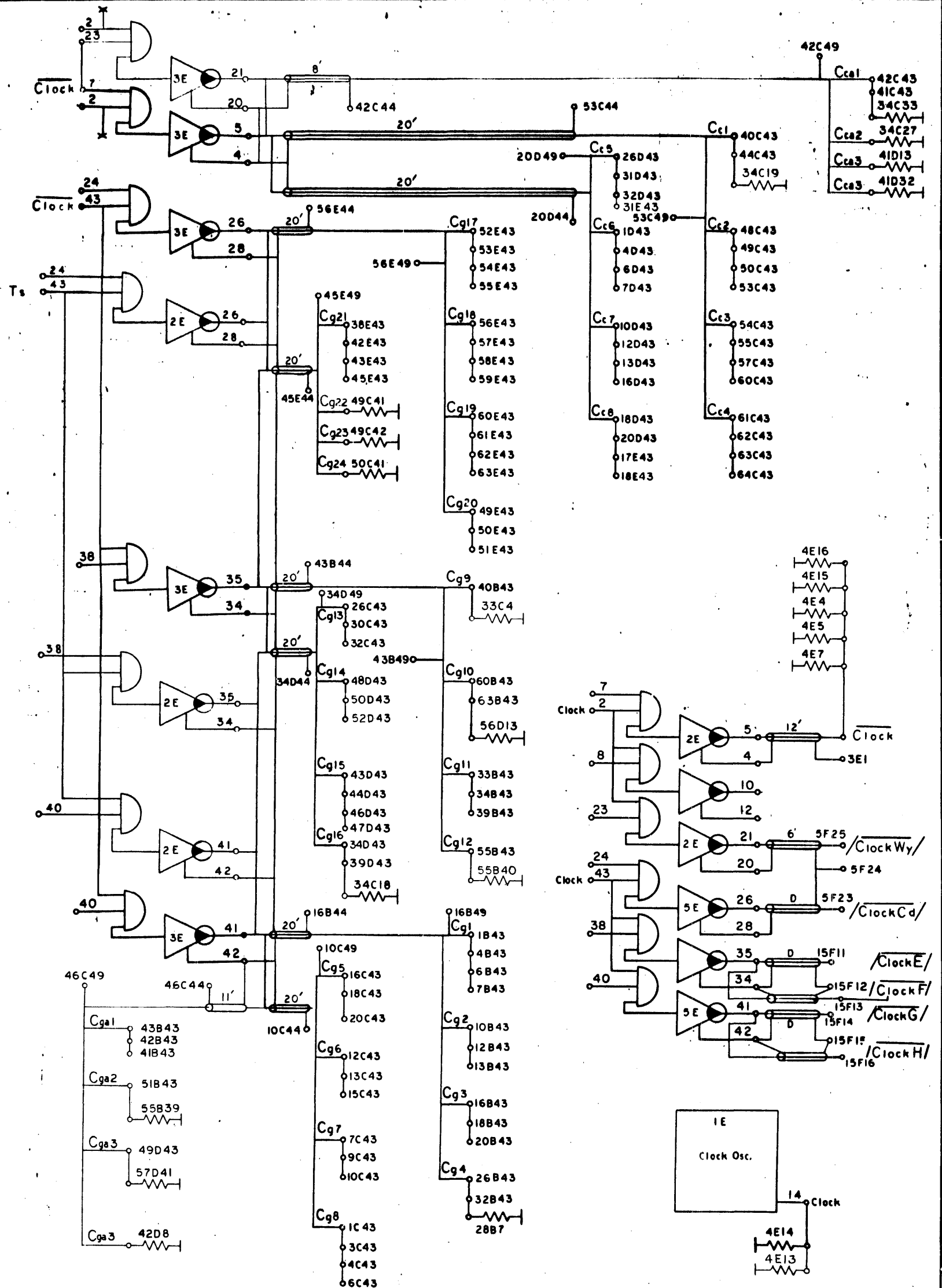
930
106407
G

DIAGRAM LOGIC
COMPUTER



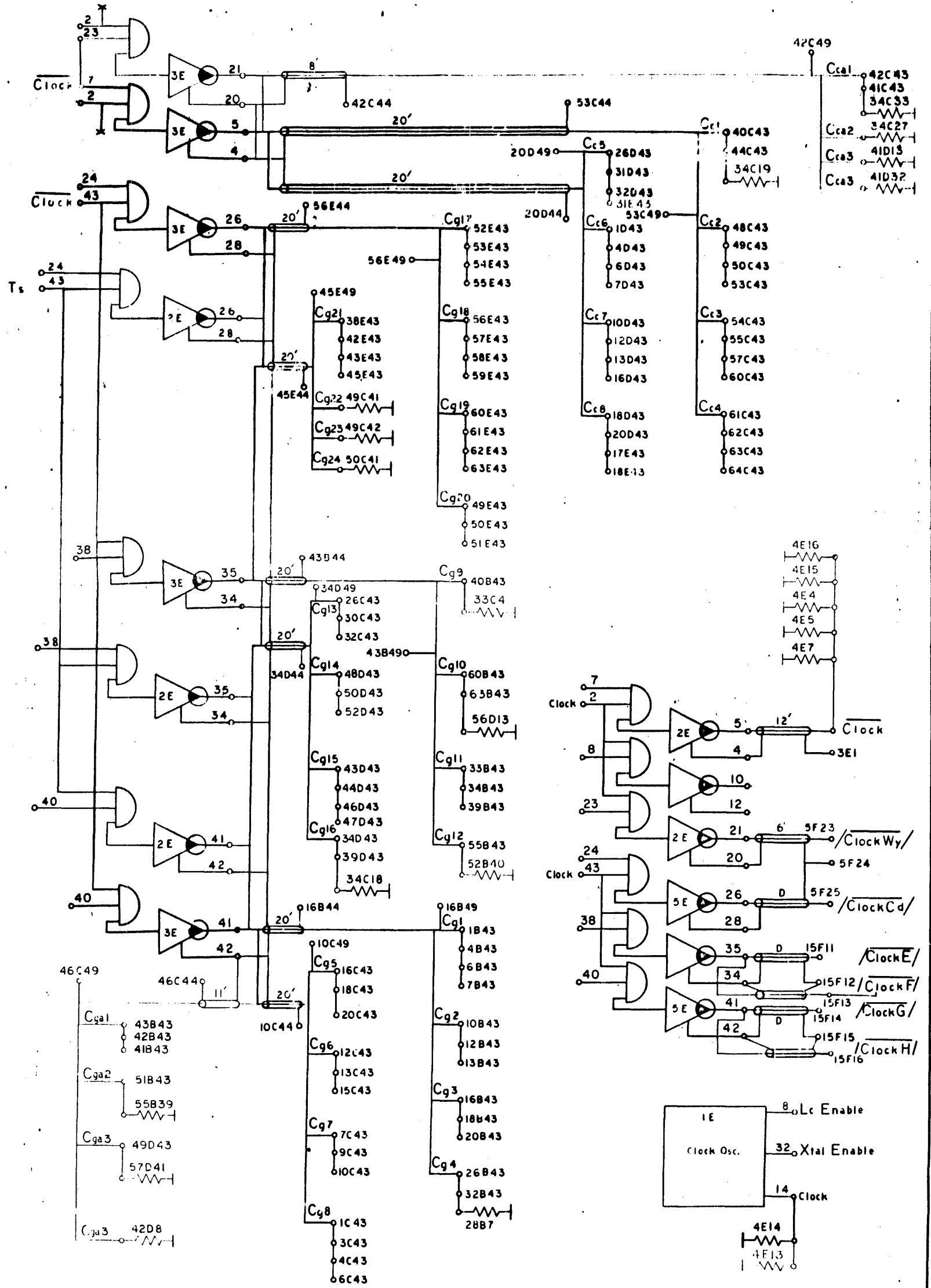
REV.	DESCRIPTION	DATE	BY
A	RELEASED TO AIFG		
B	SEE REV E O		
C	SEE REV E O		
D	SEE REV E O		
E	SEE REV E O		

G|106407



930	106407	H	143		DIAGRAM LOGIC COMPUTER	REVISIONS	
						A B C D E F G H	DESCRIPTION RELEASED TO MFG SEE REV ED SEE REV ED SEE REV ED SEE REV ED SEE REV ED SEE REV ED

H106407



930
PAGE 84
M

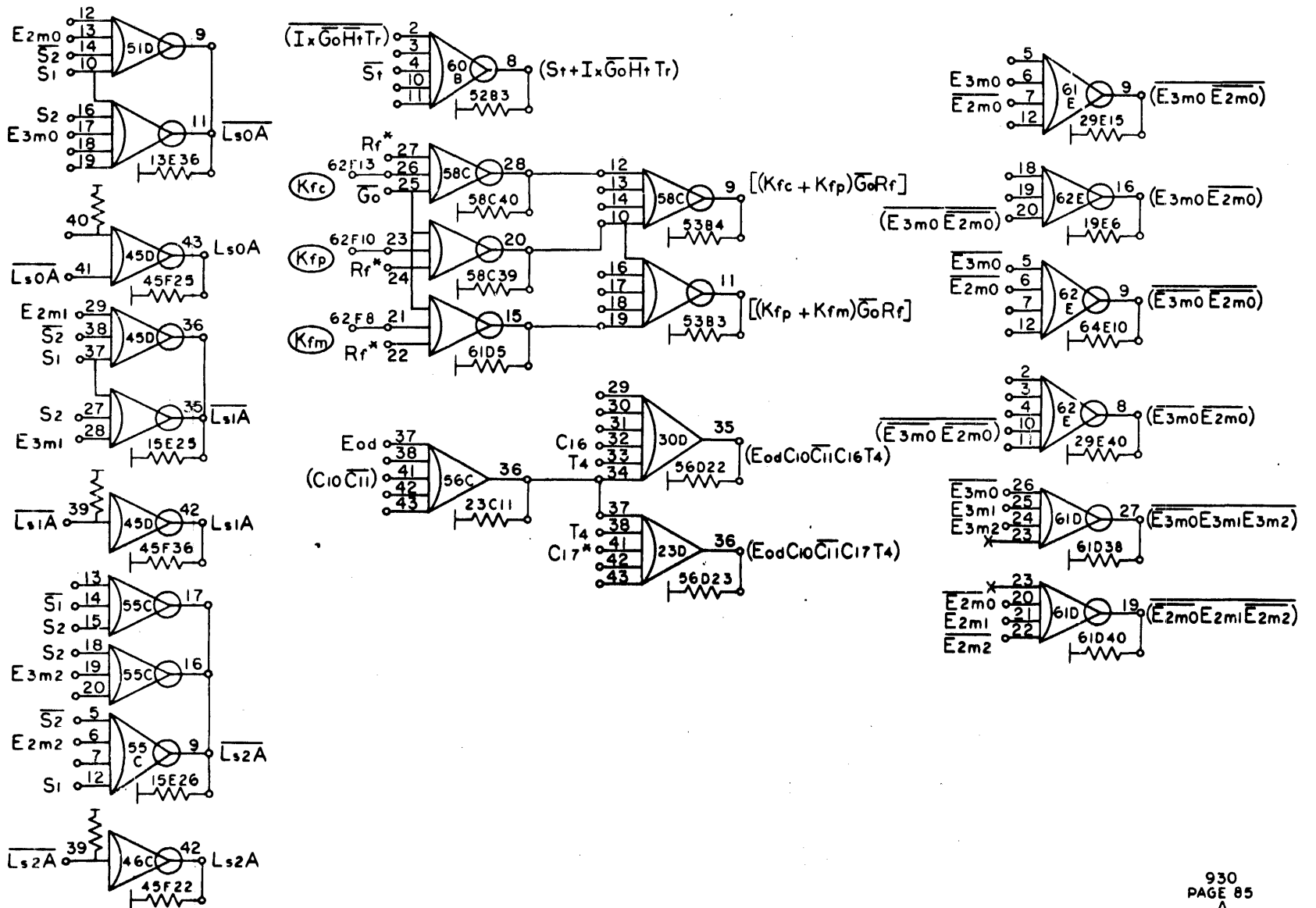
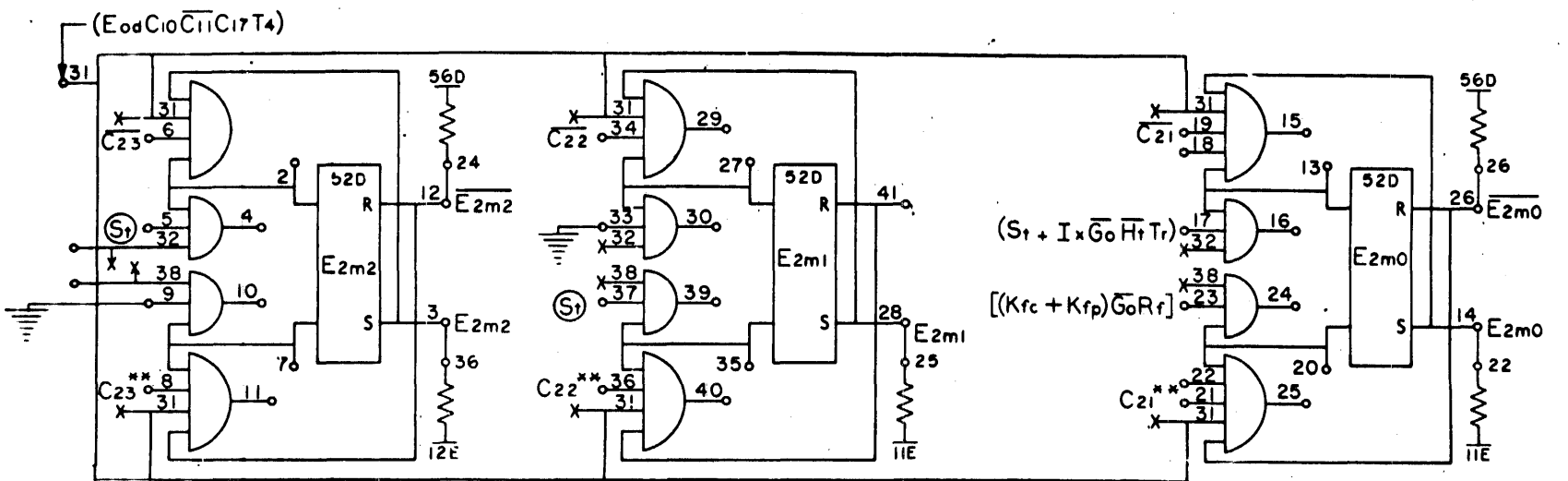
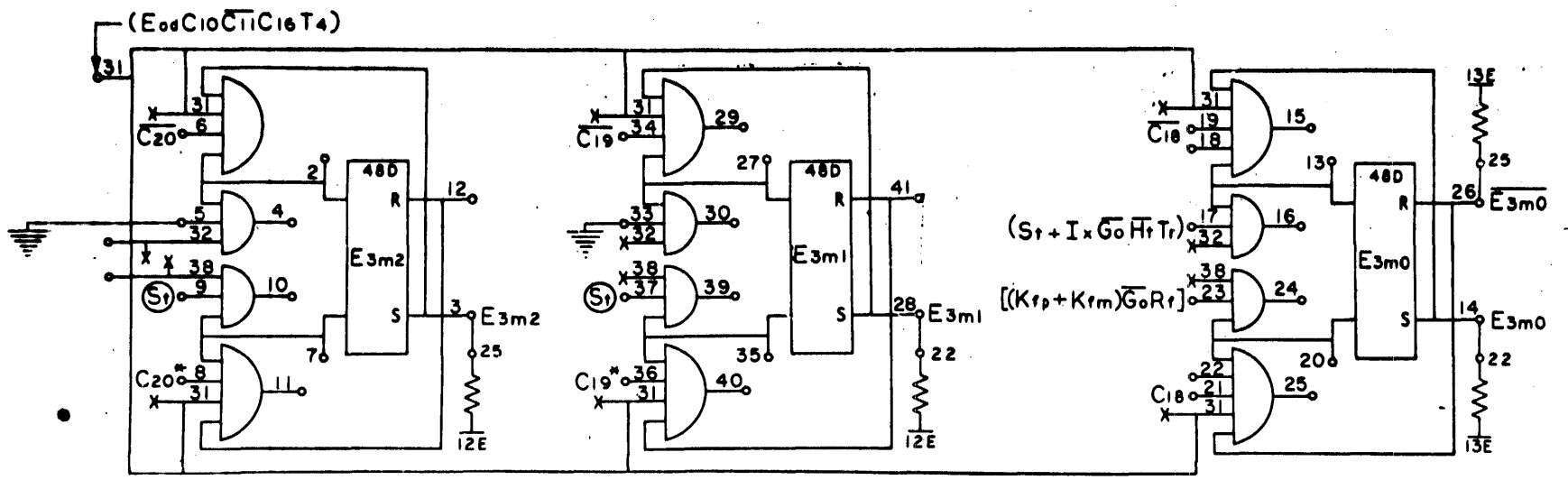
930
106407
M

DIAGRAM LOGIC
COMPUTER



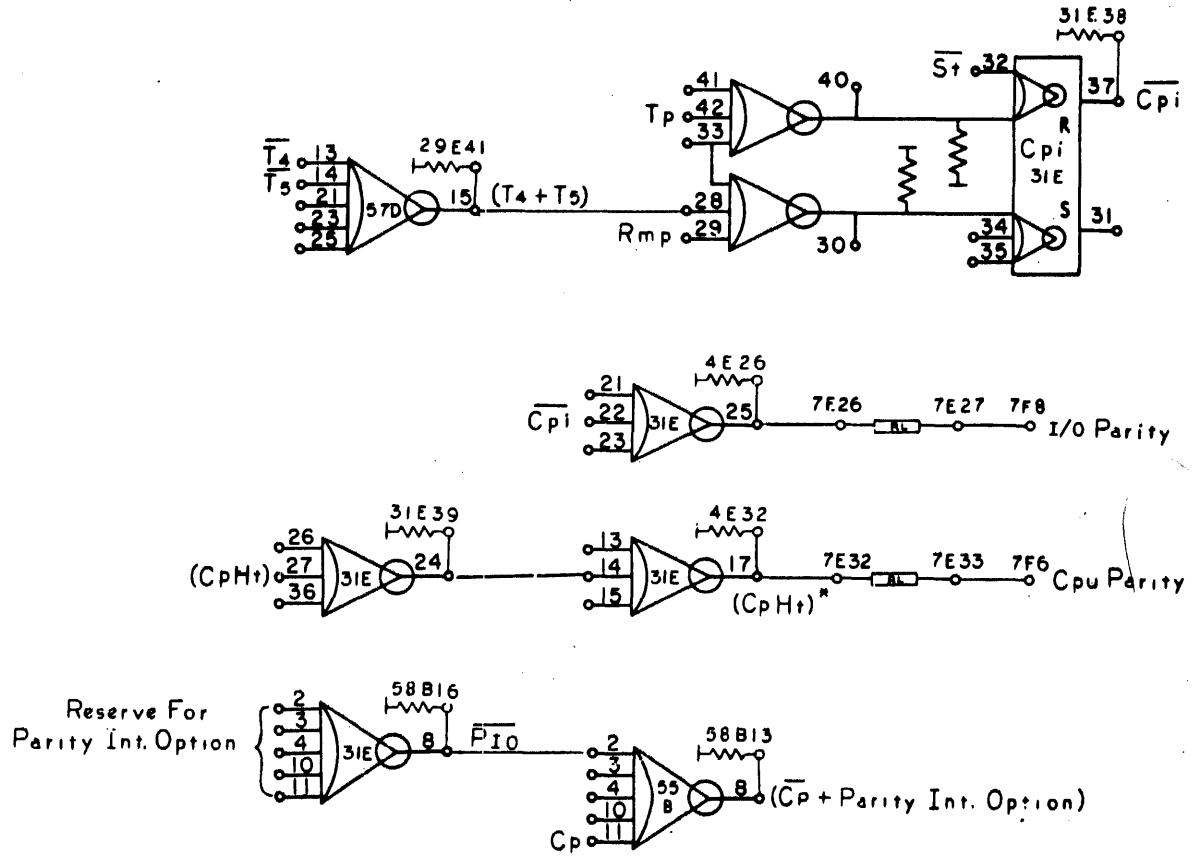
REV	DESCRIPTION	DATE	BY	CHKD
A	RELEASED TO AIFG	2/26/54		
B	SEE REV E			
D	SEE REV E			
G	SEE REV E			
H	SEE REV E			
M	SEE REV E			

106407



930	106407	DIAGRAM, LOGIC COMPUTER	REV.	DESCRIPTION	DATE	BY	CHKD.	APPROVED
			A	RELEASED TO MFG	5/27/66	R/66	SP/66	

106407/A



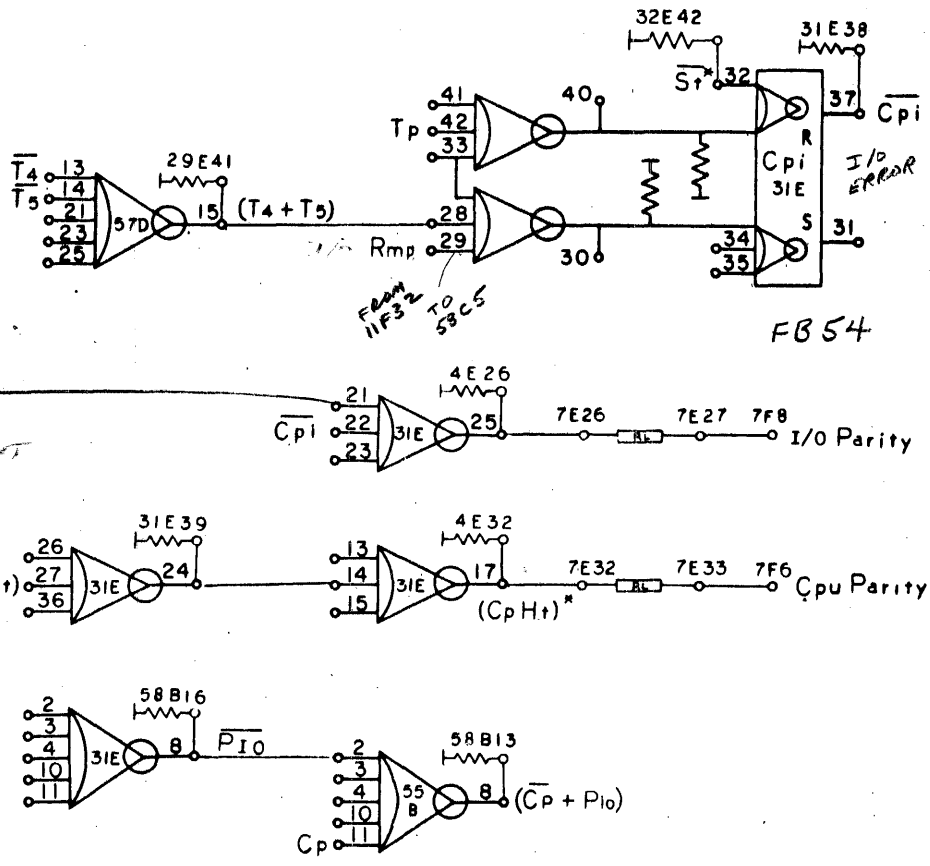
REVISIONS	
REV.	DESCRIPTION
A	REL TO MFG.

SDS
 GENERAL DATA SYSTEMS
 2001 W. 10TH AVENUE
 DENVER, COLORADO

DIAGRAM, LOGIC
 COMPUTER

930
 106407

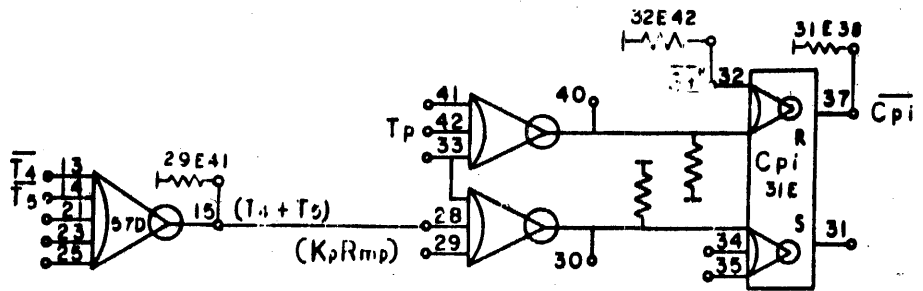
DO NOT SCALE DRAWING



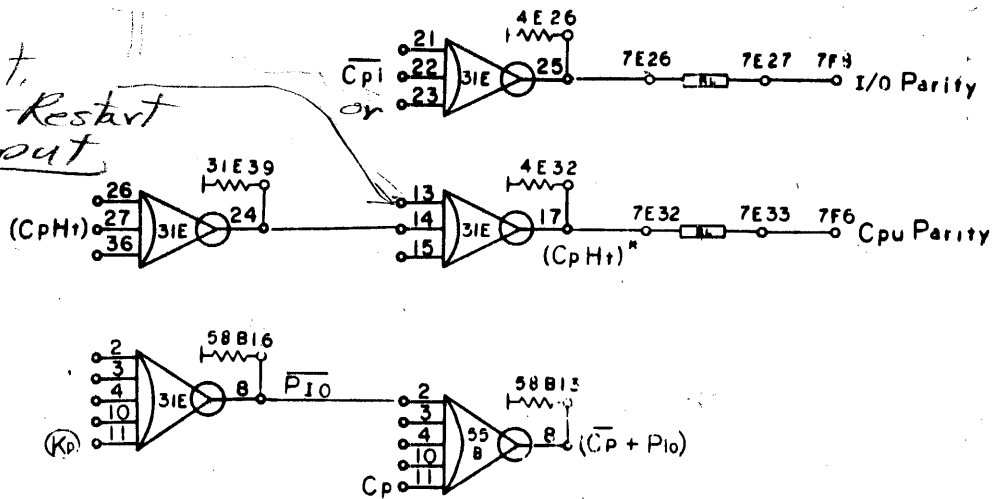
REVISIONS		DATE	APPROVED
A	REL. TO MFG.		
C	SEE REV E0		

SDS
DIAGRAM, LOGIC
COMPUTER

930
106407



Ext. Auto-Restart Input



NOTE:
ON 930 S.N. 3123 (NASA HOUSTON) THIS PAGE
IS REPLACED BY 113267.

REV.	DESCRIPTION	DATE	BY
A	REL. TO MFG.		
C	SEE REV. E D		
M	SEE REV. E D		

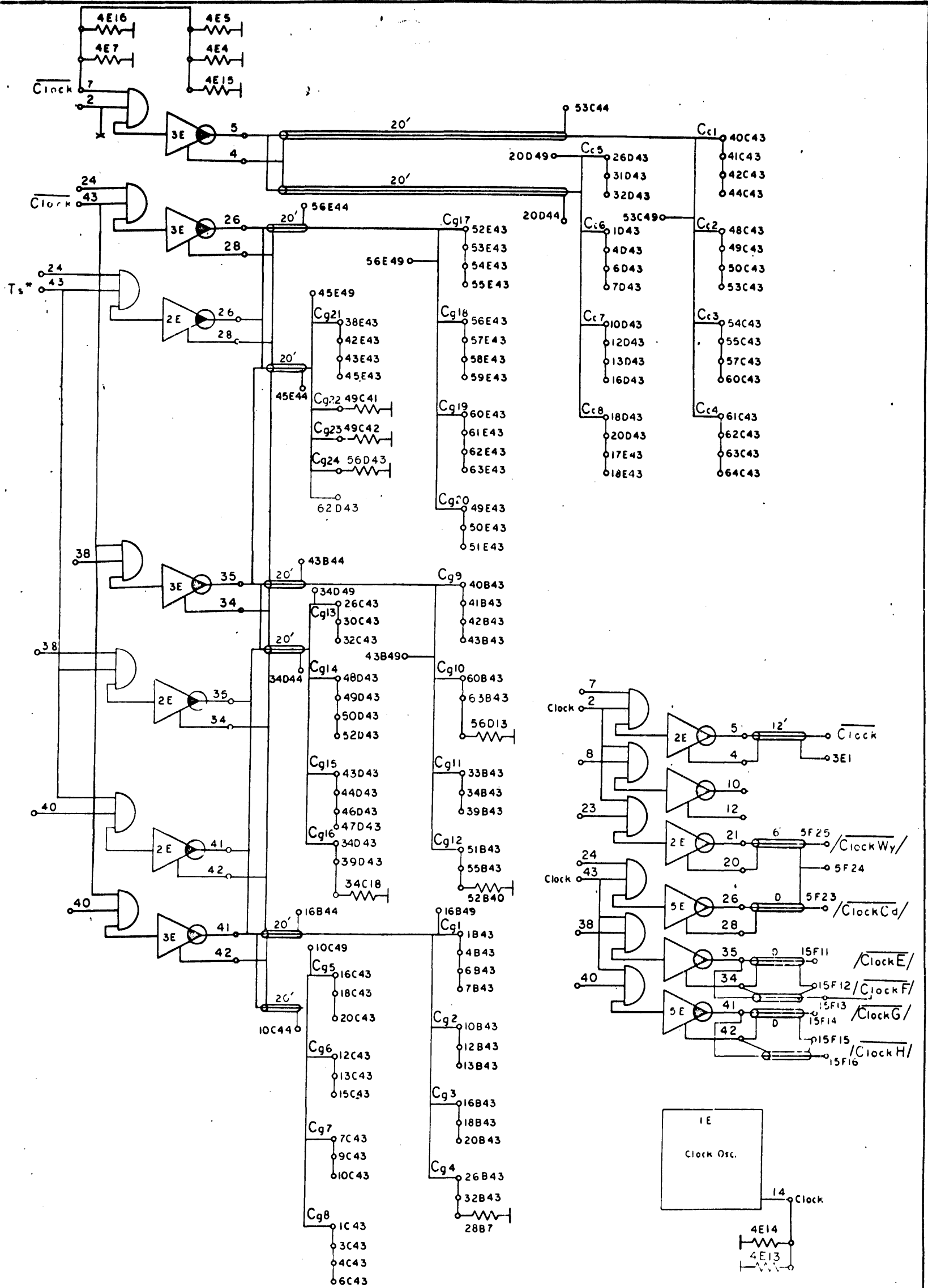
DIAGRAM, LOGIC
COMPUTER

930

106407

M

149/150



1. THIS PAGE REPLACES PAGE 84. 930 S/N 3105. (SHELL OPTION)

930(MOD)
PAGE 3
A

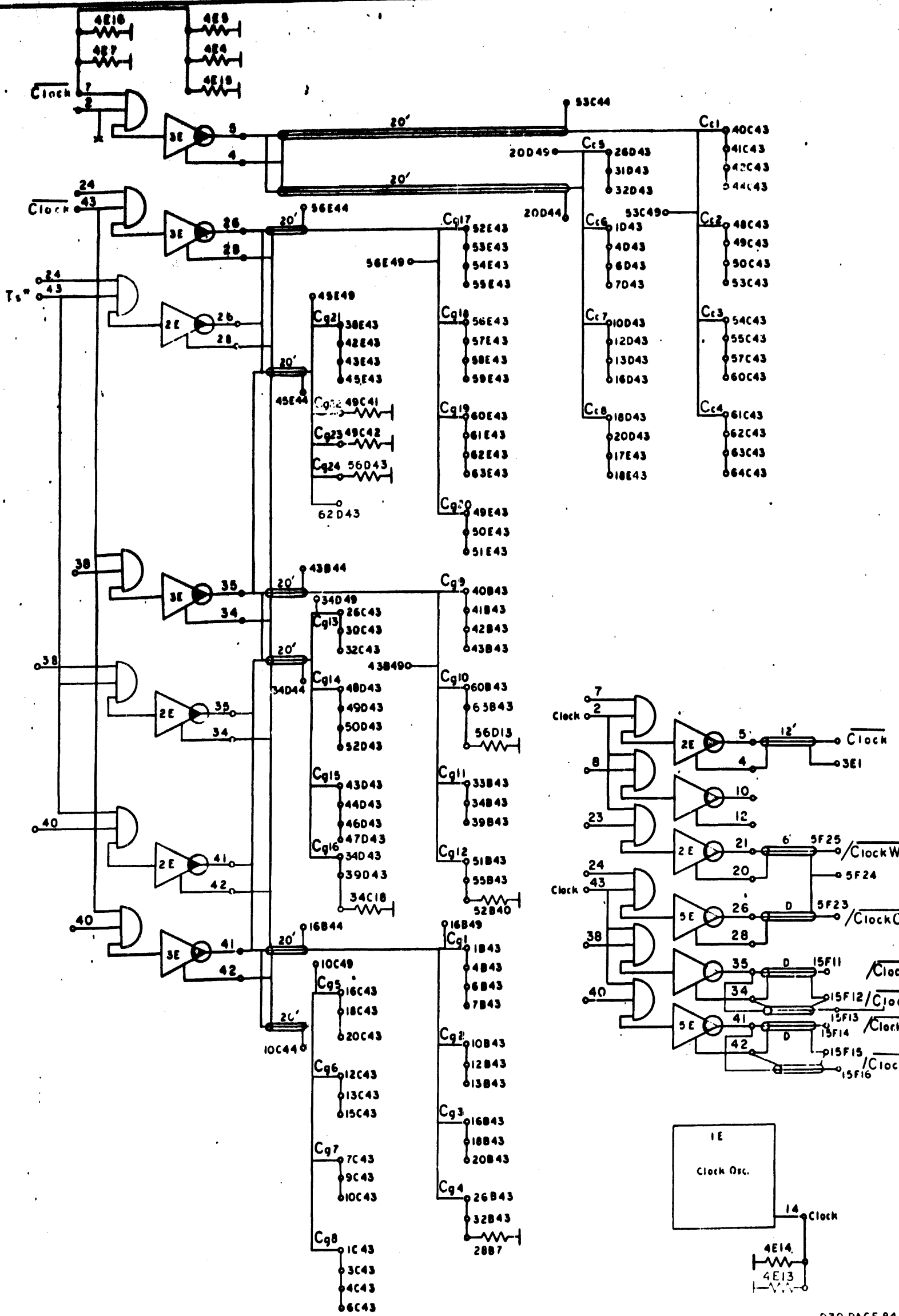
SHELL

930MOD	REV. NO.	103343
DO NOT SCALE DRAWING	DATE	
	BY	
	CHK	
	DATE	
	APPROVED	
	SIGNATURE	

DIAGRAM, LOGIC
COMPUTER

REV.	DESCRIPTION	CHK.	DATE
A	RELEASE TO 3115		

A108843



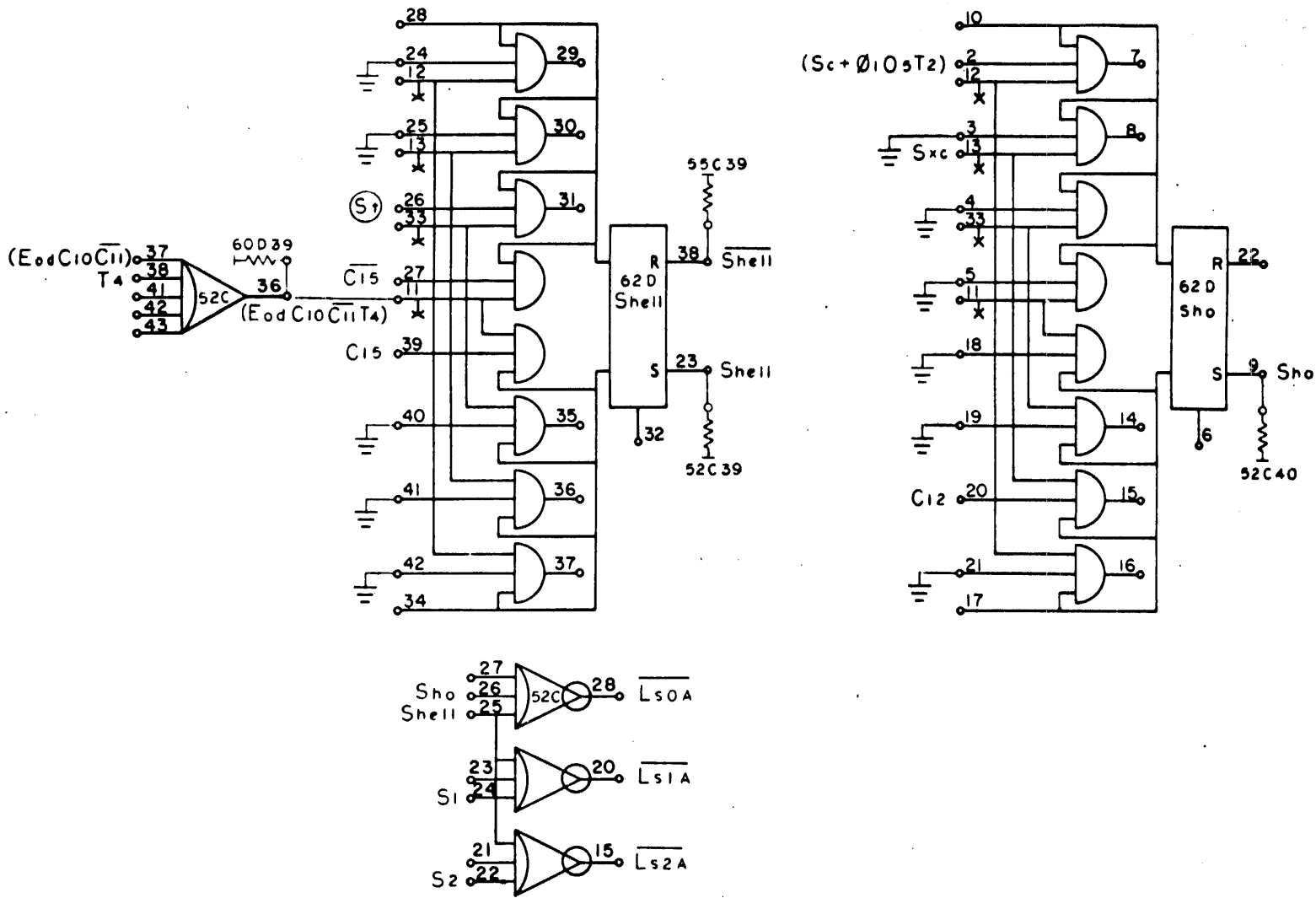
930 PAGE 84
91903
PAGE 3
B

91903
108843
B

DIAGRAM LOGIC
COMPUTER (MOD)

B 108843

REV.	DESCRIPTION	DATE	BY
1	ISSUED IN 10-1-57		
2	REV. REV. E.O.		
3			



1. THIS PAGE ADDED FOR 930 S/N 3105.(SHELL OPTION)

930 (MOD)
PAGE 4
A

SHELL

DIAGRAM, LOGIC
COMPUTER

SIDIS
SCIENTIFIC DATA SYSTEMS
SANTA MONICA, CALIFORNIA

930 MOD

REV. NO. 10-843

SCALE

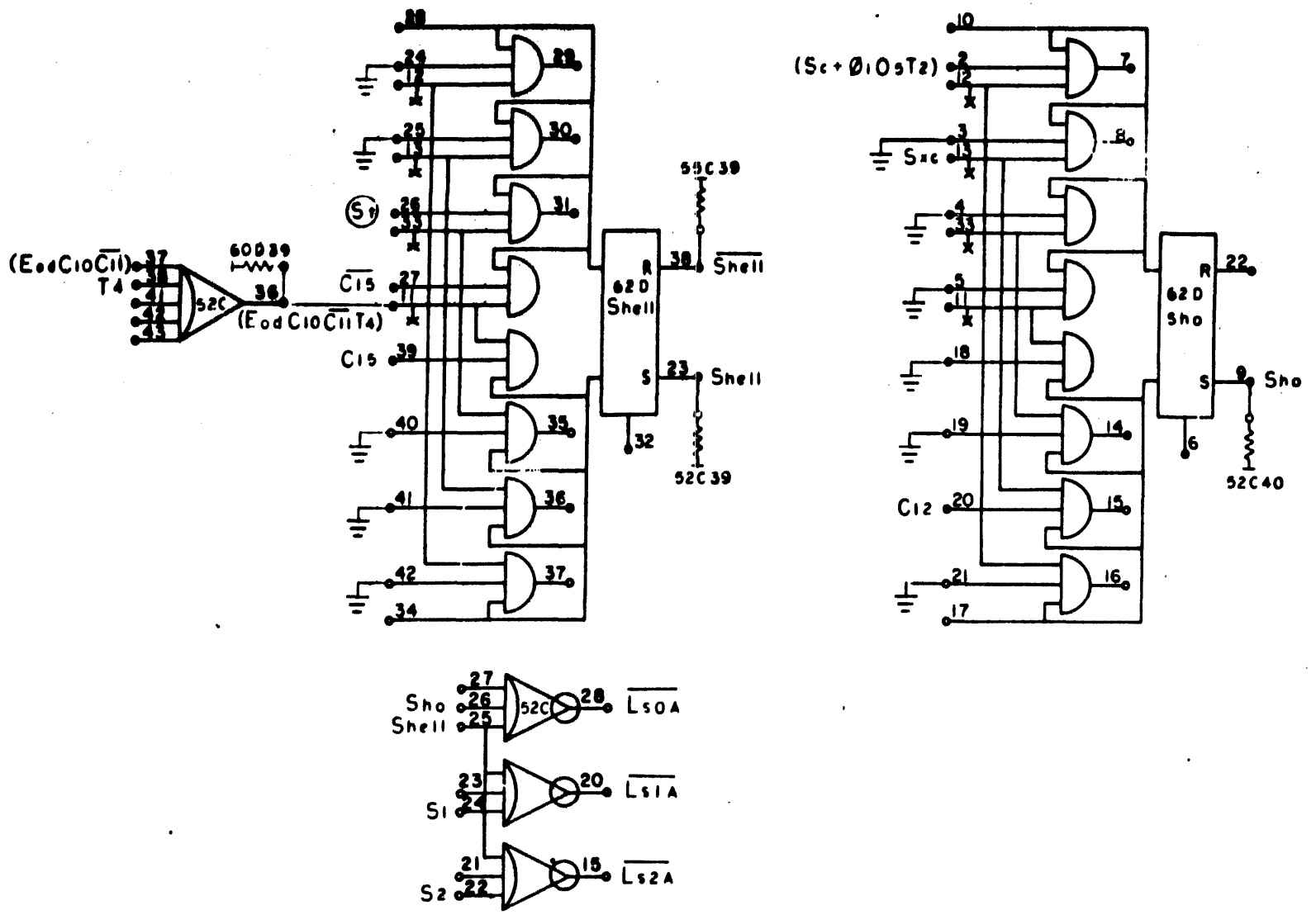
DO NOT SCALE DRAWINGS

SWIFT

REV.	DESCRIPTION	CHK.	DATE	APPROVED
4	REL TO MFG.			

REVISIONS

3543 1



91903
PAGE 4
B

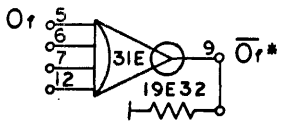
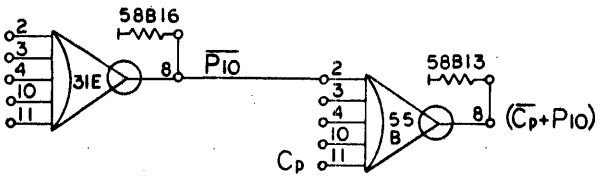
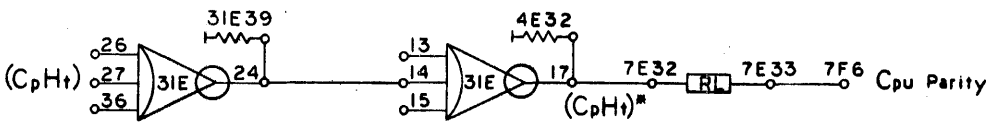
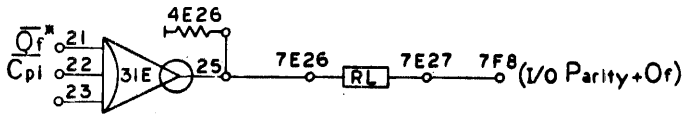
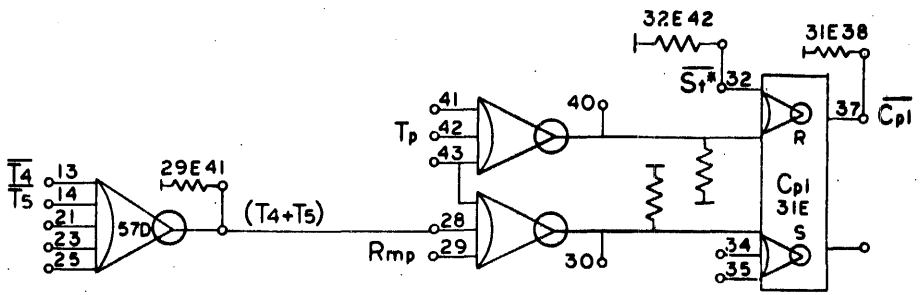
REV	DESCRIPTION	DATE	BY
4	RFL TO MFS		
B	SEE REV E.O.		

DIAGRAM, LOGIC
COMPUTER (MOD)

91903

105843

B



NOTES:
 THIS DWG REPLACES PAGE 86 OF 930 LOGIC
 DIAGRAM *106407, ON 930 S.N. 3123 (NASA HOUSTON)
 ONLY.

**NASA
 HOUSTON**

REV.	DESCRIPTION	CHK.	DATE	APPROVED
A	RELEASED TO MFG		1/17/67	

REV.	DESCRIPTION	CHK.	DATE	APPROVED
A	RELEASED TO MFG		1/17/67	

NO. IN DRAWING	1
DRAWING NO.	102480
PROJECT NAME	930(S.N.3123)
SCALE	1:1
DATE	11/3/67
BY	A