

This is the mod list for CPU-001 (CPU-D) as of 5:00 p.m. June 23, 1981.
This list accounts for test department findings and is proved by a board.

TRACE CUTS

- 1) -- Cut trace between U213-19 to U171-2 near U171 on the SOLDER SIDE
- 2)* -- Cut trace between R15 and C125 on the SOLDER SIDE
- 3)* -- Cut trace between U161-7 to U190-8 on the COMPONENT SIDE
- 4)* -- Cut trace between U255-15 to C125-2 on the COMPONENT SIDE
- 5) -- Cut trace between U232-15 to U222-6 on the SOLDER SIDE

LEG LIFTS

- 1) -- U246-1
- 2) -- U246-2

MOD WIRES TO SOCKETS AND SIP RESISTOR

- 1) -- U213-19 to U241-32 [PU-13] (pull-up for U213: See ECO CPU-D003)
- 2) -- U212-13 to U145-12 [SHIFT 00]
- 3) -- U212-14 to U145-11 [SHIFT 01]
- 4) -- U212-17 to U130-12 [SHIFT 02]
- 5) -- U212-18 to U130-11 [SHIFT 03]
- 6) -- U212-1 to U171-2 [ENAB DISPATCH]
- 7) -- U131-1 to U146-20 [+5]
- 8) -- U131-4 to U248-18 [Y INTR L]
- 9) -- U131-3 to U248-17 [X INTR L]
- 10) -- U131-2 to U248-13 [NET INTR L]
- 11)* -- U232-3 to U241-39 [UUA.03]
- 12) -- U161-7 to U190-7 [U.13]

OTHER MOD WIRES

- 1)* -- U212-19 to U222-9 [JMUX 05]
- 2)* -- U212-16 to U222-6 [JMUX 04]
- 3)* -- U212-15 to U222-2 [JMUX 03]
- 4)* -- U212-12 to U222-5 [JMUX 02]
- 5) -- U212-20 to U192-20 [+5]
- 6) -- U212-10 to U192-10 [GND]
- 7) -- U212-11 to U223-11 [LOAD MIR'C]
- 8) -- U253-8 to THE HOLE for U246-2 (NOT THE LL) [POWER DOWN L]
- 9) -- U253-9 to U143-16 [POWER DOWN H]
- 10) -- U253-10 to U255-4 [INIT]
- 11)* -- U255-15 to R15-2 [R15 LEAD NEAREST THE EDGE OF THE BOARD]

SPECIAL NOTE

** When installing C125, DO NOT INSERT NEGATIVE LEAD INTO BOARD!

- 1)* -- Put $\frac{1}{4}$ inch of TFT-200 18 over the negative lead and then connect
- 2)* -- the lead to U255-15 as you would a mod wire.

PRQ-PCB-CPU-D
SUBASSEMBLY DIRECTORY

<u>DRAWING NO.</u>	<u>DESCRIPTION</u>	<u>PAGE NO.</u>
PRQ-MD-0231-H	Card outlines : CPU & WW	Page 1 of 1
PRQ-SD-0700-01-A 3	CPU-D Subassembly Directory	Page 1 of 2
PRQ-SD-0700-02-A 3	CPU-D Subassembly Directory	Page 2 of 2
PRQ-SK-0700-01-A	PRQ-CPU-D-SK1-A	Page 1 of 2
PRQ-SK-0700-02-A	PRQ-CPU-D-SK2-A	Page 2 of 2
PRQ-TC-0700-01-A	CPU-D Table of Contents	Page 1 of 1
PRQ-SC-0700-01-A	Slices 0 : 1 AMUX	Page 1 of 32
PRQ-SC-0700-02-A	Slices 0 : 1 AMUX	Page 2 of 32
PRQ-SC-0700-03-A	Slices 2 : 3 AMUX	Page 3 of 32
PRQ-SC-0700-04-A	Slices 2 : 3 AMUX	Page 4 of 32
PRQ-SC-0700-05-A	Slice 4 AMUX	Page 5 of 32
PRQ-SC-0700-06-A	Slice 4 AMUX	Page 6 of 32
PRQ-SC-0700-07-A	Slices 0 : 1 BMUX	Page 7 of 32
PRQ-SC-0700-08-A	Slices 2 : 3 BMUX	Page 8 of 32
PRQ-SC-0700-09-A	Slice 4 BMUX	Page 9 of 32
PRQ-SC-0700-10-A	ALU; Result; 4 Write	Page 10 of 32
PRQ-SC-0700-11-A	MA-MDI-IOD	Page 11 of 32
PRQ-SC-0700-12-A	Raster Op In	Page 12 of 32
PRQ-SC-0700-13-A	Shifter	Page 13 of 32
PRQ-SC-0700-14-A	Raster Op In	Page 14 of 32
PRQ-SC-0700-15-A	Raster Op Out	Page 15 of 32
PRQ-SC-0700-16-A	Raster Op Control	Page 16 of 32
PRQ-SC-0700-17-A	Raster Op Control	Page 17 of 32
PRQ-SC-0700-18-A	Raster Op Control	Page 18 of 32
PRQ-SC-0700-19-A	Raster Op Control	Page 19 of 32
PRQ-SC-0700-20-A	Power Up and Boot	Page 20 of 32
PRQ-SC-0700-21-A	MEM State	Page 21 of 32
PRQ-SC-0700-22-A	Micro Address	Page 22 of 32
PRQ-SC-0700-23-A	Micro Address	Page 23 of 32
PRQ-SC-0700-24-A	DE Codes	Page 24 of 32
PRQ-SC-0700-25-A	DE Codes	Page 25 of 32

<u>DRAWING NO.</u>	<u>DESCRIPTION</u>	<u>PAGE NO.</u>
PRQ-SC-0700-26-A	DE Codes	Page 26 of 32
PRQ-SC-0700-27-A	Clock and DE Codes	Page 27 of 32
PRQ-SC-0700-28-A	Micro Store ROM	Page 28 of 32
PRQ-SC-0700-29-A	Micro Store RAM	Page 29 of 32
PRQ-SC-0700-30-A	Micro Register	Page 30 of 32
PRQ-SC-0700-31-A	Stack	Page 31 of 32
PRQ-SC-0700-32-A	Raster Op in B	Page 32 of 32
PRQ-GU-0700-01-A	Gate Utilization	Page 1 of 1
PRQ-PL-0700-01-A B	Parts List	Page 1 of 9
PRQ-PL-0700-02-A B	Parts List	Page 2 of 9
PRQ-PL-0700-03-A B	Parts List	Page 3 of 9
PRQ-PL-0700-04-A	Parts List	Page 4 of 9
PRQ-PL-0700-05-A B	Parts List	Page 5 of 9
PRQ-PL-0700-06-A B	Parts List	Page 6 of 9
PRQ-PL-0700-07-A B	Parts List	Page 7 of 9
PRQ-PL-0700-08-A	Parts List	Page 8 of 9
PRQ-PL-0700-09-A B	Parts List	Page 9 of 9

CHIPS page

CHIPS	page	
U1	HMI-7649-B5546[28]	(+20 PIN SOCKET) <SUB: AM27S29>
U2	HMI-7649-B5546[28]	(+20 PIN SOCKET) <SUB: AM27S29>
U3	SN74S374[30]	
U4	SN74LS04[31]	
U5	SN74S188[17]	(+16 PIN SOCKET) <SUB: TBP18SA030>
U6	HM1-7643-5[15]	(+18 PIN SOCKET)
U7	SN74S374[15]	
U8	MM2147-3[29]	
U9	MM2147-3[29]	
U10	SN74S374[30]	
U11	SN74LS240[6]	
U12	SN74S189[31]	
U13	93422	[5]
U14	93422	[9]
U15	SN74S240	[9]
U16	SN74S181	[10]
U17	SN74S373	[10,21]
U18	SN74S534	[5] <SUB: 67S376>
U19	SN74S188	[17] (+16 PIN SOCKET) <SUB: TBP18SA030>
U20	HM1-7643-5	[15] (+18 PIN SOCKET)
U21	SN74S534	[11] <SUB: 67S376>
U22	67S380	[11]
U23	MM2147-3	[29]
U24	MM2147-3	[29]
U25	SN74S158	[25]
U26	HM1-7643-5	[15] (+18 PIN SOCKET)
U27	SN74S534	[11] <SUB: 67S376>
U28	MM2147-3	[29]
U29	MM2147-3	[29]
U30	SN74S158	[25]
U31	SN74LS04	[31]
U32	AM25S10	[13]
U33	AM25S10	[13]
U34	SPARE	
U35	HM1-7643-5	[15] (+18 PIN SOCKET)
U36	67S380	[11]
U37	MM2147-3	[29]
U38	MM2147-3	[29]
U39	SN74S240	[4]
U40	MM2147-3	[29]



	CHIPS	PAGE	
	-----*		
U41	MM2147-3	[29]	
U42	SPARE		
U43	SN74S240	[4]	
U44	SN74S189	[31]	
U45	93422	[3]	
U46	93422	[8]	
U47	SN74S240	[8]	
U48	SN74S181	[10]	
U49	SN74S374	[10]	
U50	SPARE		
U51	AM25S10	[13]	
U52	SN74S373	[12]	
U53	SN74S534	[32]	<SUB: 67S376>
U54	SN74S225	[12]	
U55	SN74S534	[3]	<SUB: 67S376>
U56	MM2147-3	[29]	
U57	MM2147-3	[29]	
U58	SN74S74	[30]	
U59	SN74LS04	[31]	
U60	MM2147-3	[29]	
U61	MM2147-3	[29]	
U62	SN74S74	[30]	
U63	SN74S240	[4]	
U64	SN74S189	[31]	
U65	93422	[3]	
U66	93422	[8]	
U67	SN74S240	[8]	
U68	SN74S181	[10]	
U69	SN74S373	[10]	
U70	SPARE		
U71	AM25S10	[13]	
U72	SN74S534	[3]	<SUB: 67S376>
U73	MM2147-3	[29]	
U74	MM2147-3	[29]	
U75	SN74S74	[30]	
U76	AM25S10	[13]	
U77	SN74S534	[32]	<SUB: 67S376>
U78	SN74LS670	[3]	
U79	SN74LS670	[3]	
U80	HMI-7649-B5546	[28]	(+20 PIN SOCKET) <SUB: AM27S29>



Three Rivers Computer	
DATE CPU-D PARTS LIST	PROJECT PERQ
DRAWN BY T.R.	DESIGNED BY PERQ
DATE 1/25/78	PAGE 2 OF 9

	CHIPS	PAGE	
U81	HMI-7649-B5546	[28]	(+20 PIN SOCKET) <SUB: AM27S29> 74S472, TBP18S42>
U82	SN74S74	[30]	
U83	SN74LS04	[31]	
U84	AM25S10	[13]	
U85	SN74S373	[12]	
U86	SN74S225	[12]	
U87	SN74S374	[14]	
U88	SN74S374	[3]	
U89	MM2147-3	[29]	
U90	MM2147-3	[29]	
U91	SN74S175	[30]	
U92	SN74LS240	[2]	
U93	SN74S189	[31]	
U94	93422	[1]	
U95	93422	[7]	
U96	SN74S240	[7]	
U97	SN74S181	[10]	
U98	SN74S374	[10]	
U99	SN74S182	[10]	
U100	SN74S188	[17]	(+16 PIN SOCKET) <SUB: TBP18SA030>
U101	HMI-7643-5	[15]	(+18 PIN SOCKET)
U102	SN74S374	[15]	
U103	MM2147-3	[29]	
U104	MM2147-3	[29]	
U105	MM2147-3	[29]	
U106	MM2147-3	[29]	
U107	SN74S175	[30]	
U108	SN74S188	[17]	(+16 PIN SOCKET) <SUB: TBP18SA030>
U109	HMI-7643-5	[15]	(+18 PIN SOCKET)
U110	67S380	[11]	
U111	MM2147-3	[29]	
U112	MM2147-3	[29]	
U113	SN74S288	[26]	(+16 PIN SOCKET) <SUB: TBP18S030>
U114	SN74LS04	[31]	
U115	MM2147-3	[29]	
U116	MM2147-3	[29]	
U117	SN74S10	[24]	
U118	SN74LS240	[2]	
U119	SN74S169	[31]	
U120	SN74S189	[31]	



Three Rivers Computer	
TITLE: CPU-D PARTS LIST	DATE: 08/03
DESIGNED BY: [Signature]	DRAWING NO: 873-PL-074-03-3
CHECKED BY: [Signature]	PAGE 3 OF 9

CHIPS	PAGE	
U121	93422	[1]
U122	93422	[7]
U123	SN74S240	[7,26]
U124	SN74S181	[10]
U125	SN74S373	[10]
U126	SPARE	
U127	AM25S10	[13]
U128	AM25S10	[13]
U129	SN74S534	[32]
U130	HM1-7643-5	[15]
U131	785-1-R1K	[25]
U132	SN74S534	[11]
U133	67S380	[11]
U134	MM2147-3	[29]
U135	MM2147-3	[29]
U136	SN74S00	[20]
U137	MM2147-3	[29]
U138	MM2147-3	[29]
U139	SPARE	
U140	SN74S228	[26]
U141	SN74S10	[24]
U142	SN74S00	[24]
U143	SN74S374	[19]
U144	AM25S10	[13]
U145	HM1-7643-5	[15]
U146	SN74LS240	[2]
U147	MM2147-3	[29]
U148	MM2147-3	[29]
U149	SN74S374	[30]
U150	SN74S00	[21,24]
U151	SN74S08	[24,27,31]
U152	67S380	[26]
U153	SN74S374	[19]
U154	AM25S10	[13]
U155	SN74S240	[16]
U156	SN74S373	[12]
U157	SN74S534	[32]
U158	SN74S225	[12]
U159	SN74S534	[1]
U160	SN74S534	[1]

<SUB: 67S376>
 (+18 PIN SOCKET)
 <SUB: 4310R-101-102>
 <SUB: 67S376>
 (+16 PIN SOCKET) <SUB: TBP18S030>
 (+18 PIN SOCKET)

CHIPS		PAGE	
U161	HMI-7649-B5546	[28]	(+20 PIN SOCKET) <SUB: AM27S29>
U162	HMI-7649-B5546	[28]	(+20 PIN SOCKET) <SUB: AM27S29>
U163	AM27S29	[26]	(+20 PIN SOCKET)
U164	SN74S288	[26]	(+16 PIN SOCKET) <SUB: TBP18S030>
U165	SN74S374	[19]	
U166	AM25S10	[13]	
U167	SN74S240	[11]	
U168	MM2147-3	[29]	
U169	MM2147-3	[29]	
U170	SN74S374	[30]	
U171	SN74S288	[24]	(+16 PIN SOCKET) <SUB: TBP18S030>
U172	SN74S374	[26]	
U173	SN74S163	[26]	
U174	MM2147-3	[29]	
U175	MM2147-3	[29]	
U176	SN74S240	[22]	
U177	SN74S10	[21]	
U178	SN74S251	[26]	
U179	SPARE		
U180	HMI-7649-B5546	[18]	(+20 PIN SOCKET) <SUB: AM27S29>
U181	HMI-7649-B5546	[16]	(+20 PIN SOCKET) <SUB: AM27S29>
U182	AM27S29	[16]	(+20 PIN SOCKET)
U183	HMI-7649-B5546	[18]	(+20 PIN SOCKET) <SUB: AM27S29>
U184	SN74S240	[16]	
U185	SN74S373	[12]	
U186	SN74S225	[12]	
U187	SN74S374	[14]	
U188	SN74LS670	[1]	
U189	SN74LS670	[1]	
U190	MM2147-3	[29]	
U191	MM2147-3	[29]	
U192	SN74S240	[22]	
U193	SPARE		
U194	SN74S251	[26]	
U195	SN74S02	[27]	
U196	SN74S374	[1]	
U197	MM2147-3	[29]	
U198	MM2147-3	[29]	
U199	SN74S240	[22]	
U200	SN74S158	[21]	



Three Rivers Computer	
DATE	1973-07-27
DESIGNED BY	PERO
CHECKED BY	PERO
PAGE 5 OF 9	

CHIPS	PAGE	
U201	SN74S374	[25]
U202	SN74LS240	[25]
U203	SN74S373	[18]
U204	HM1-7643-5	[19] (+18 PIN SOCKET)
U205	SN74S373	[16]
U206	SN74S374	[18]
U207	SN74LS240	[25]
U208	MM2147-3	[29]
U209	MM2147-3	[29]
U210	MM2147-3	[29]
U211	MM2147-3	[29]
U212	67S380	[22]
U213	SN74S240	[22]
U214	SN74S30	[24]
U215	SN74S288	[26] (+16 PIN SOCKET) <SUB: TBP18S030>
U216	82S129	[19] (+16 PIN SOCKET) <SUB: 82S131, 74S287>
U217	SN74S374	[18, 19]
U218	HMI-7649-B5546	[18] (+20 PIN SOCKET) <SUB: AM27S29>
U219	SN74S37	[27]
U220	MM2147-3	[29]
U221	MM2147-3	[29]
U222	SN74S374	[22]
U223	SN74S374	[22]
U224	SN74S00	[25]
U225	SN74S20	[27, 31]
U226	TTLDL050	[27] (TECHNITROL DELAY LINE) <SUB: BELFUSE 0447-0050-02>
U227	SN74S10	[12]
U228	SN74S04	[18, 25, 27]
U229	SN74S374	[21]
U230	MM2147-3	[29]
U231	MM2147-3	[29]
U232	SN74S374	[22]
U233	SN74S374	[22]
U234	SN74S04	[19, 20, 24, 26]
U235	SN74S51	[21, 25]
U236	SN74S00	[18, 19]
U237	SN74S08	[16, 21, 32]
U238	SN74S00	[15, 25]
U239	HM1-7643-5	[21] (+18 PIN SOCKET)
U240	SN74S240	[23]



CHIPS	PAGE	
U241	AM2910	[23] (+40 PIN SOCKET)
U242	SN74S00	[19,24,25]
U243	SN74S00	[19,24]
U244	SN74S10	[27]
U245	SN74S10	[16,24,25]
U246	SN74S04	[19,20,21,31]
U247	SN74S138	[26]
U248	SN74S374	[25]
U249	HM1-7643-5	[21] (+18 PIN SOCKET)
U250	SN74S240	[23]
U251	SN74S240	[23]
U252	SPARE	
U253	SN74S00	[19,20,24]
U254	SN74S74	[19,20]
U255	SN74LS221	[20]
U256	SN74148	[25]
U257	HM1-7643-5	[21] (+18 PIN SOCKET)

RESISTORS

R1	330 OHM 10 PIN SIP	[17] #BECKMAN 785-1-R330# <SUB: BOURNS 4310R-101-331>
R2	1K OHM 1/4W 5%	[30] #AB CB1025#
R3	1K OHM 1/4W 5%	[1] #AB CB1025#
R4	270 OHM 1/4W 5%	[10] #AB CB2715#
R5	330 OHM 10 PIN SIP	[17] #BECKMAN 785-1-R330# <SUB: BOURNS 4310R-101-331>
R6	1K OHM 1/4W 5%	[20] #AB CB1025#
R7	THERMISTOR	[25] #FENWOL JA41J1#
R8	33 OHM 10 PIN SIP	[23] #BECKMAN 785-3-R33#
R9	33 OHM 10 PIN SIP	[23] #BECKMAN 785-3-R33#
R10	33 OHM 10 PIN SIP	[23] #BECKMAN 785-3-R33#
R11	33 OHM 10 PIN SIP	[23] #BECKMAN 785-3-R33#
R12	33 OHM 10 PIN SIP	[23] #BECKMAN 785-3-R33#
R13	1K OHM 1/4W 5%	[19] #AB CB1025#
R14	10K OHM 1/4W 5%	[20] #AB CB1035#
R15	39K OHM 1/4W 5%	[20] #AB CB3935#
R16	47 OHM 1/4W 5%	[20] #AB CB4705#



CAPACITORS

C1 THRU C12	2.2	TANTALUM CAP
C13	.01	CERAMIC CAP
C14	2.2	TANTALUM CAP
C15	.01	CERAMIC CAP
C16 THRU C18	2.2	TANTALUM CAP
C19	.01	CERAMIC CAP
C20	.01	CERAMIC CAP
C21	2.2	TANTALUM CAP
C22	2.2	TANTALUM CAP
C23 THRU C26	.01	CERAMIC CAP
C27	2.2	TANTALUM CAP
C28	2.2	TANTALUM CAP
C29	.01	CERAMIC CAP
C30 THRU C39	2.2	TANTALUM
C40	.01	CERAMIC
C41	.01	CERAMIC
C42 THRU C44	2.2	TANTALUM
C45	.01	CERAMIC
C46	.01	CERAMIC
C47 THRU C52	2.2	TANTALUM
C53	.01	CERAMIC
C54	2.2	TANTALUM
C55	.01	CERAMIC
C56	2.2	TANTALUM
C57	2.2	TANTALUM
C58	.01	CERAMIC
C59	.01	CERAMIC
C60	2.2	TANTALUM
C61	.01	CERAMIC
C62	2.2	TANTALUM
C63	2.2	TANTALUM
C64	.01	CERAMIC
C65	2.2	TANTALUM
C66	.01	CERAMIC
C67	.01	CERAMIC
C68 THRU C71	2.2	TANTALUM
C72	.01	CERAMIC
C73	.01	CERAMIC
C74	2.2	TANTALUM
C75	2.2	TANTALUM
C76	.01	CERAMIC
C77 THRU C80	2.2	TANTALUM
C81	.01	CERAMIC
C82	2.2	TANTALUM
C83	2.2	TANTALUM
C84	.01	CERAMIC
C85	2.2	TANTALUM
C86	.01	CERAMIC
C87	2.2	TANTALUM
C88	2.2	TANTALUM

CAPACITORS

C89	.01	CERAMIC	
C90	2.2	TANTALUM	
C91	.01	CERAMIC	
C92 THRU C96	2.2	TANTALUM	
C97 THRU C100	.01	CERAMIC	
C101	2.2	TANTALUM	
C102	2.2	TANTALUM	
C103	.01	CERAMIC	
C104 THRU C107	2.2	TANTALUM	
C108	.01	CERAMIC	
C109 THRU C111	2.2	TANTALUM	
C112 THRU C115	.01	CERAMIC	
C116 THRU C118	2.2	TANTALUM	
C119	.01	CERAMIC	
C120 THRU C130	2.2	TANTALUM	(FOR C125 & C128 SEE PAGE 20)

SOCKETS

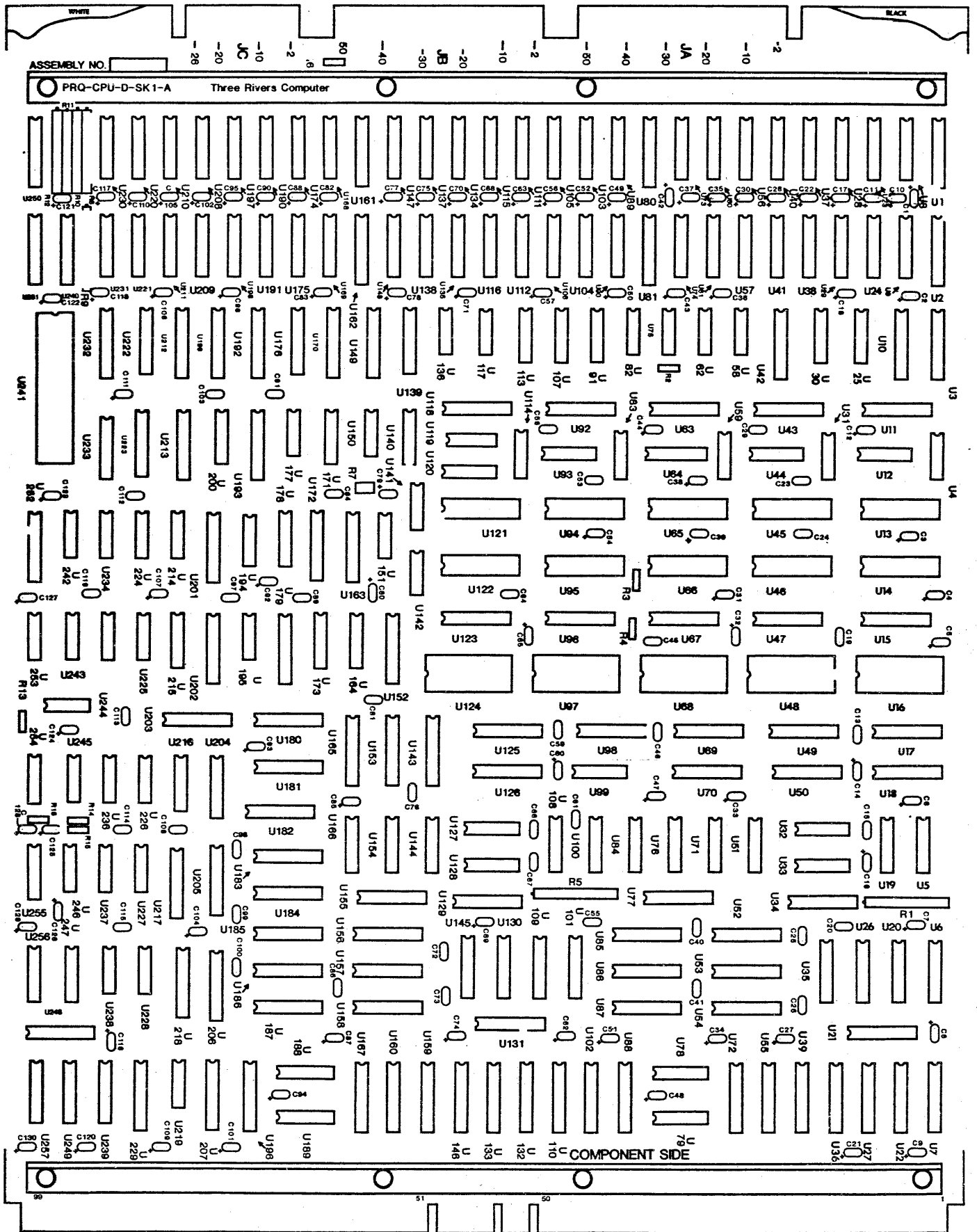
16 PIN SOCKET	#AUGAT 516AG37D# <SUB: 816AG11D> (U5,U19,U100,U108,U113,U140, U164,U171,U215,U216)
18 PIN SOCKET	#AUGAT 518AG37D# <SUB: 818AG11D> (U6,U20,U26,U35,U101,U109,U130, U145,U204,U239,U249,U257)
20 PIN SOCKET	#AUGAT 520AG37D# <SUB: 820AG11D> (U1,U2,U80,U81,U161,U162,U163, U180,U181,U182,U183,U218)
40 PIN SOCKET	#AUGAT 540AG37D# (U241)

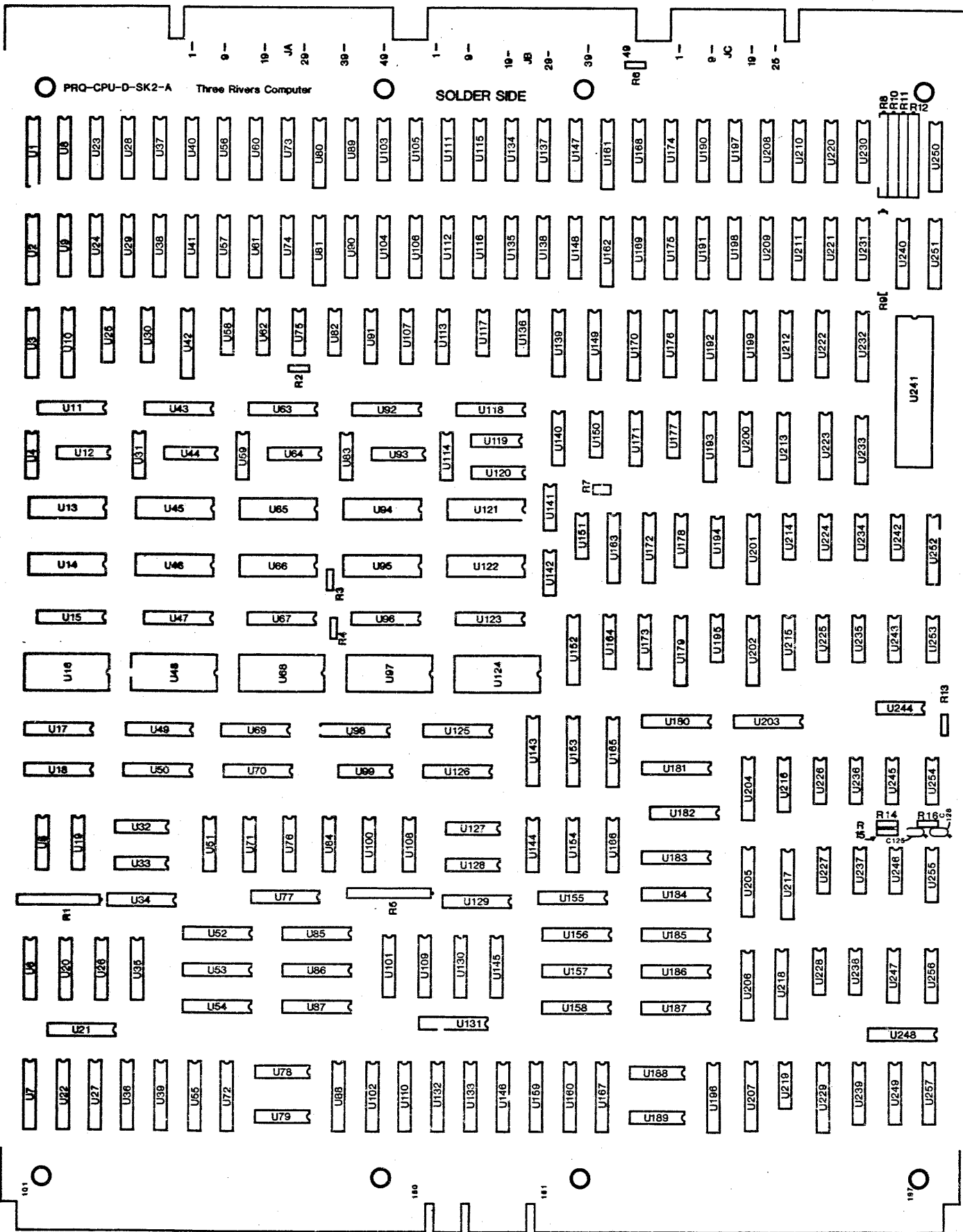
MISC

PRQ-PCB-CPU-D	(PHILWAY PRINTED CIRCUIT BOARD)
PRQ-HDW-STF-A	(QTY. 2, WELDED SHEET METAL STIFFENER)
107-BLK	(CALMARK CARD EJECTOR WITH ROLL PIN)
107-WHI	(CALMARK CARD EJECTOR WITH ROLL PIN)
GS4-7	(QTY. 8, STIMPSON RIVET)
3202	(QTY. 8, KEYSTONE #6 NYLON FLAT WASHER .062" THICK)



Three Rivers Computer			
DATE	CPUD 8-20-73	PROJ	2520
DRAWN BY	720-64-273-213	PAGE	3 of 9
CHECKED BY			





Legend:

Input Output
1, 2 3, 4

CPU-D

GATE UTILIZATION

<u>74LS04</u>	<u>U4</u>	<u>U31</u>	<u>U59</u>	<u>U83</u>	<u>U114</u>
1-2	31	31	31	31	31
3-4	31	31	31	31	31
5-6	31	31	31	31	31
9-8					
11-10					31
13-12	31	31	31	31	31

<u>74S02</u>	<u>U195</u>	<u>74S10</u>	<u>U177</u>	<u>U244</u>
2, 3 - 1	27	1, 2, 13 - 12	21	27
5, 6 - 4	27	3, 4, 5 - 6		
8, 9 - 10	27	9, 10, 11 - 8	21	
11, 12 - 13				

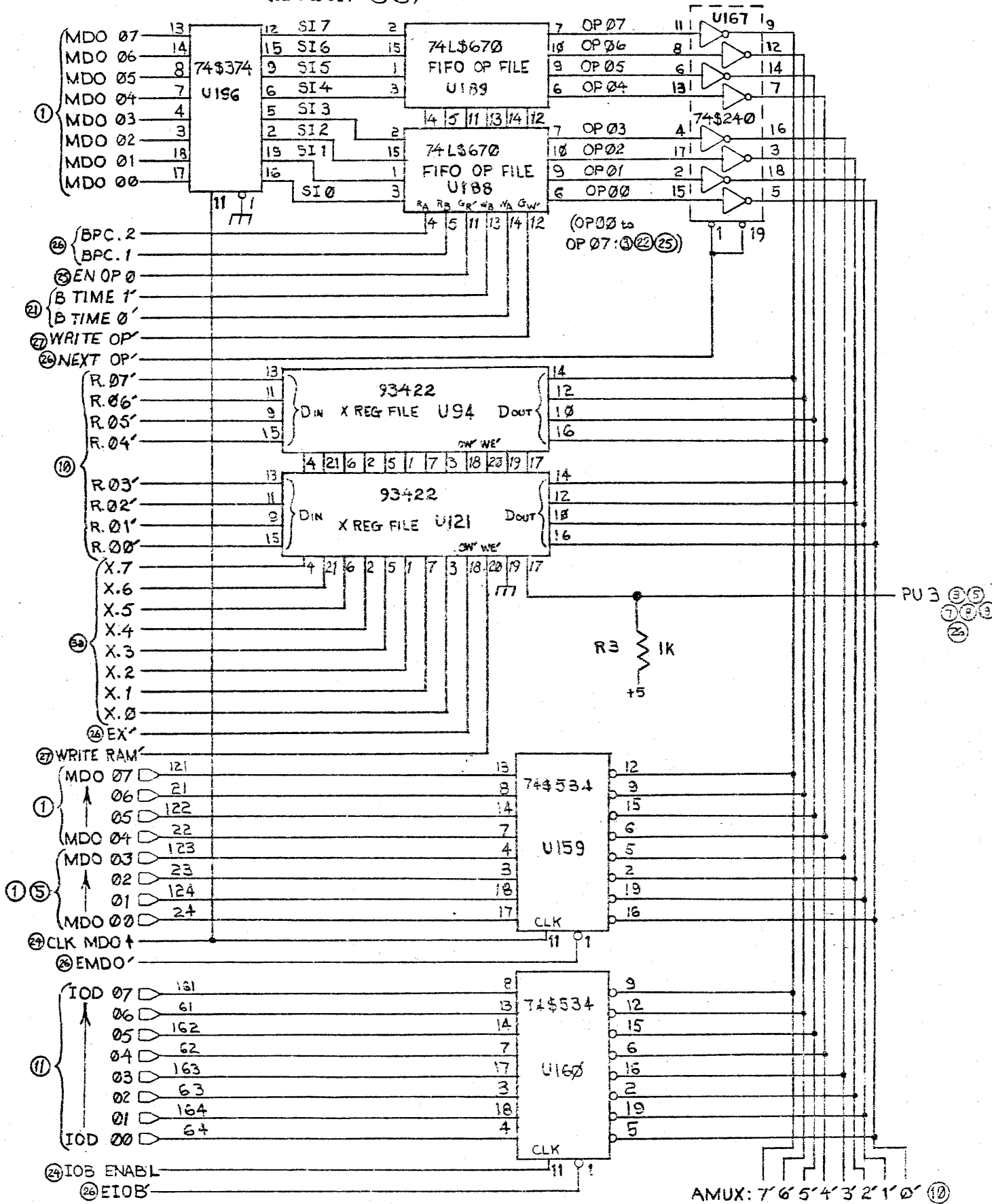
<u>74S04</u>	<u>U246</u>
1-2	Do not use
3-4	31
5-6	20
9-8	
11-10	21
13-12	19

<u>74S240</u>	<u>U96</u>	<u>U123</u>
2-18		26
4-16		26
6-14		26
8-12		
11-9	7	7
13-7	7	7
15-5	7	7
17-3	7	7

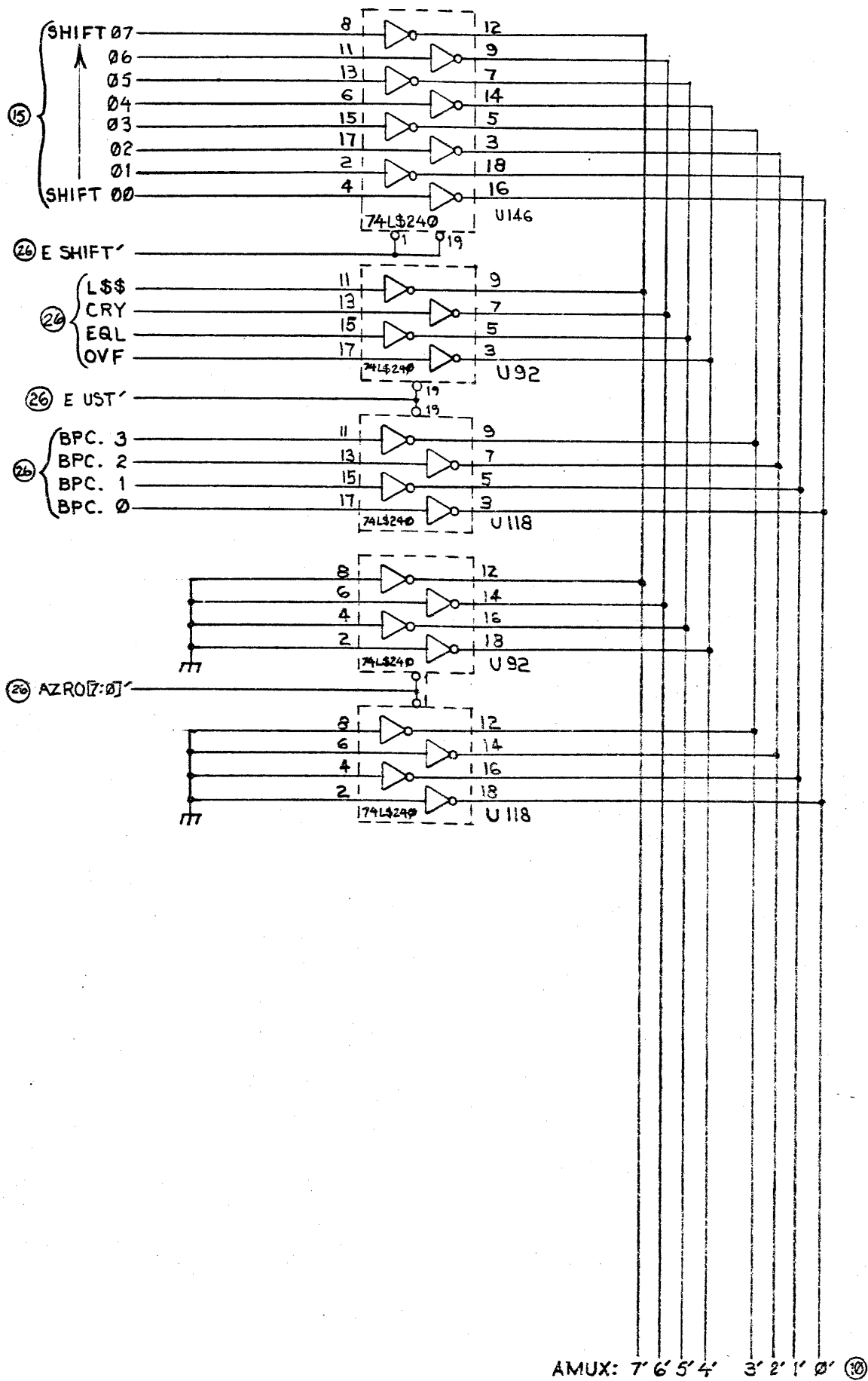
TABLE OF CONTENTS
 PRQ-PCB-CPU-D SCHEMATIX
 FEBRUARY 1981

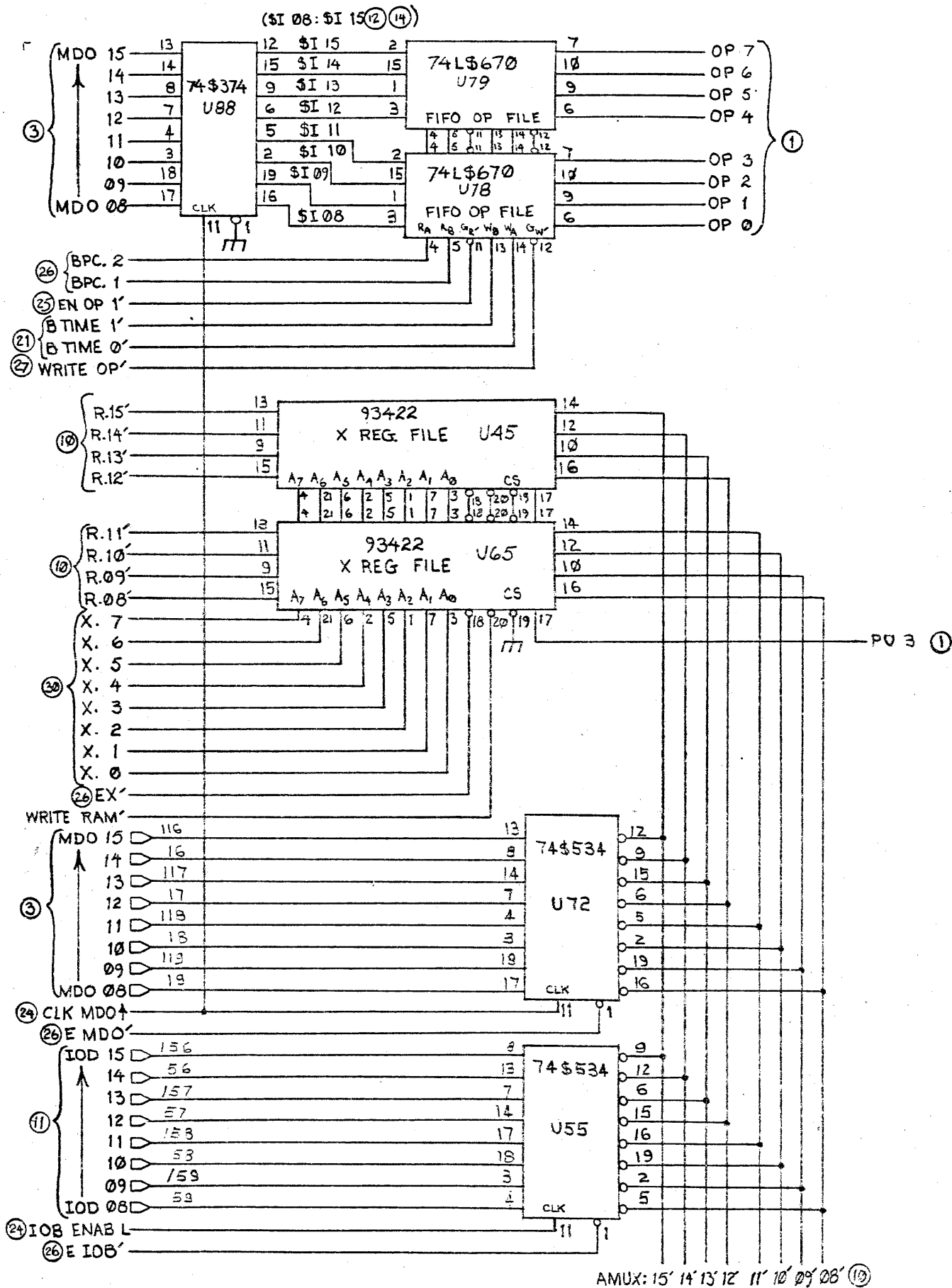
<u>TITLE</u>	<u>PAGE(S)</u>
Slices 0:1 AMUX	1, 2
Slices 2:3 AMUX	3, 4
Slices 4 AMUX	5, 6
Slices 0:1 BMUX	7
Slices 2:3 BMUX	8
Slices 4 BMUX	9
ALU; Result; U Write	10
MA - MDI - I/O B	11
Shifter	13
Raster Op In	12, 14, 32
Raster Op Out	15, 16
Raster Op Control	17, 18, 19
Power Up & Boot	20
MEM State	21
Micro Address	22, 23
Decodes	24, 25, 26
Clock & Decodes	27
Micro Store Rom	28
Micro Store Ram	29
Micro Register	30
Stack	31

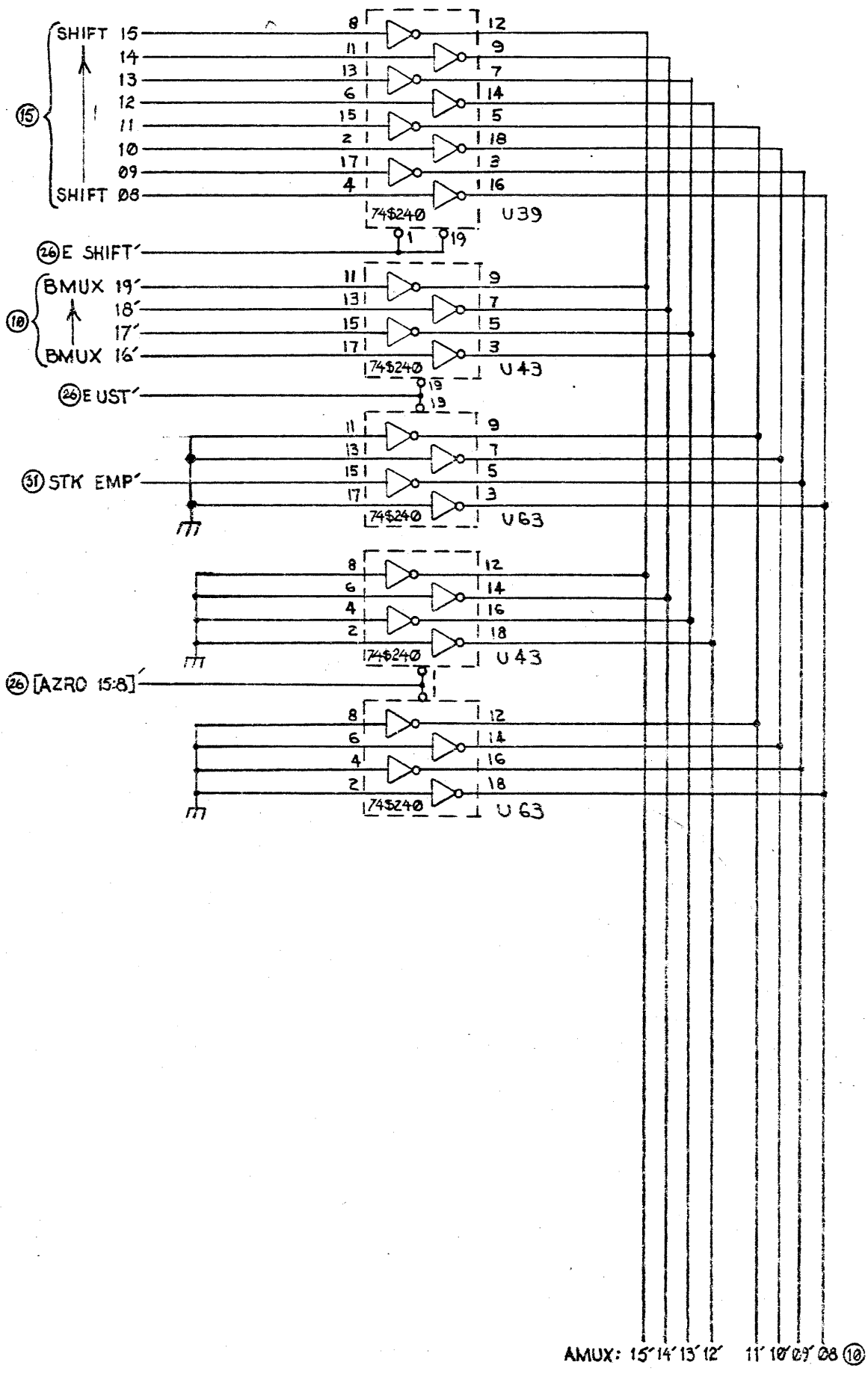
(SI 0 to SI 7: ⑫ ⑭)

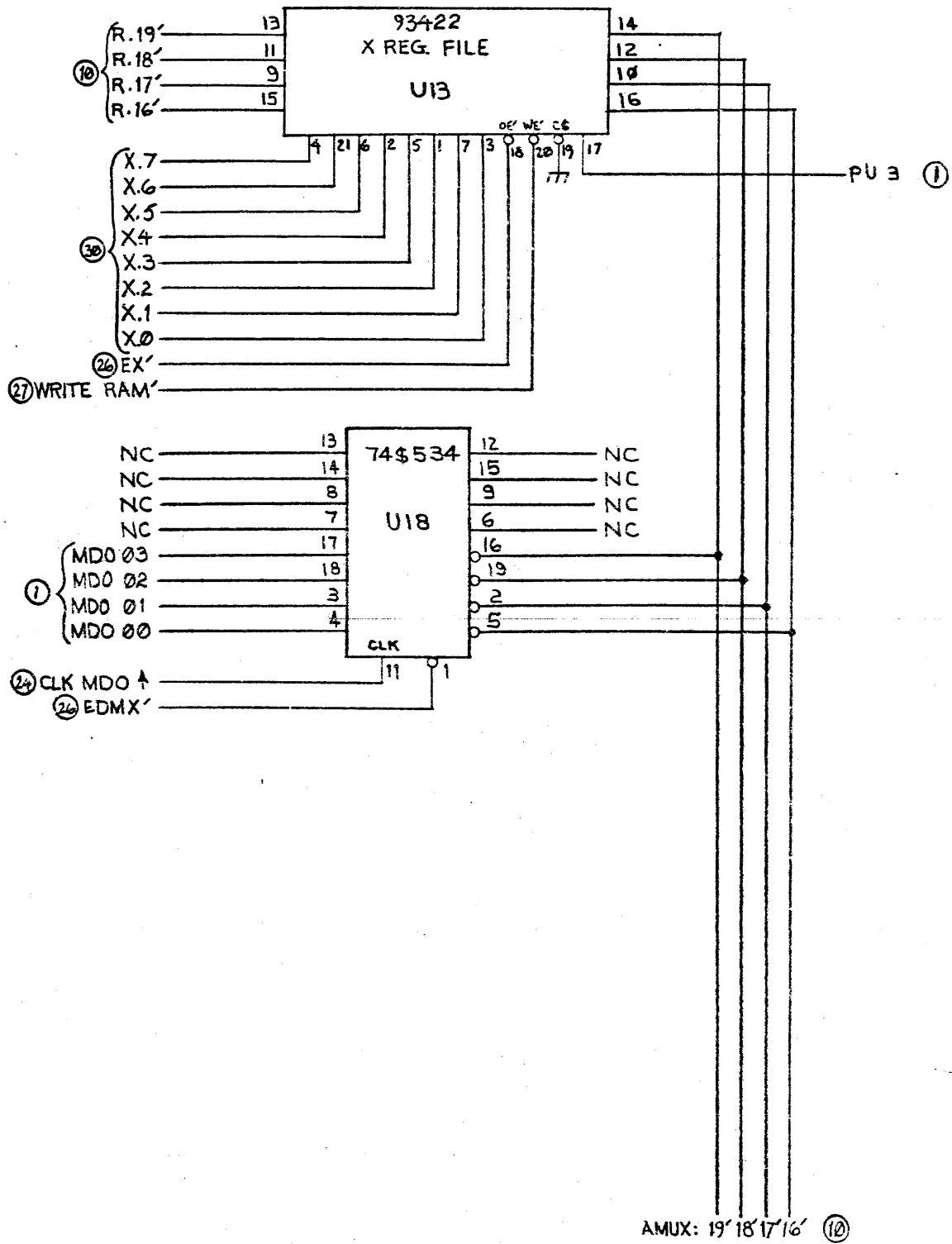


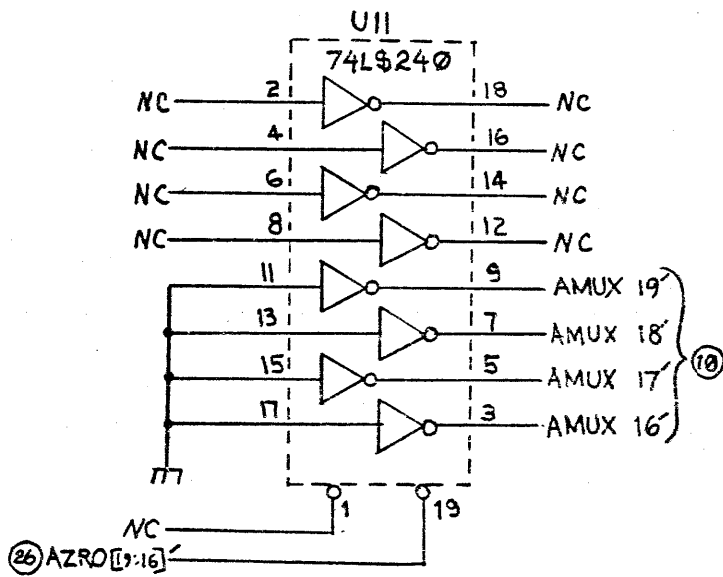
AMUX: 7'6'5'4'3'2'1'0' ⑩

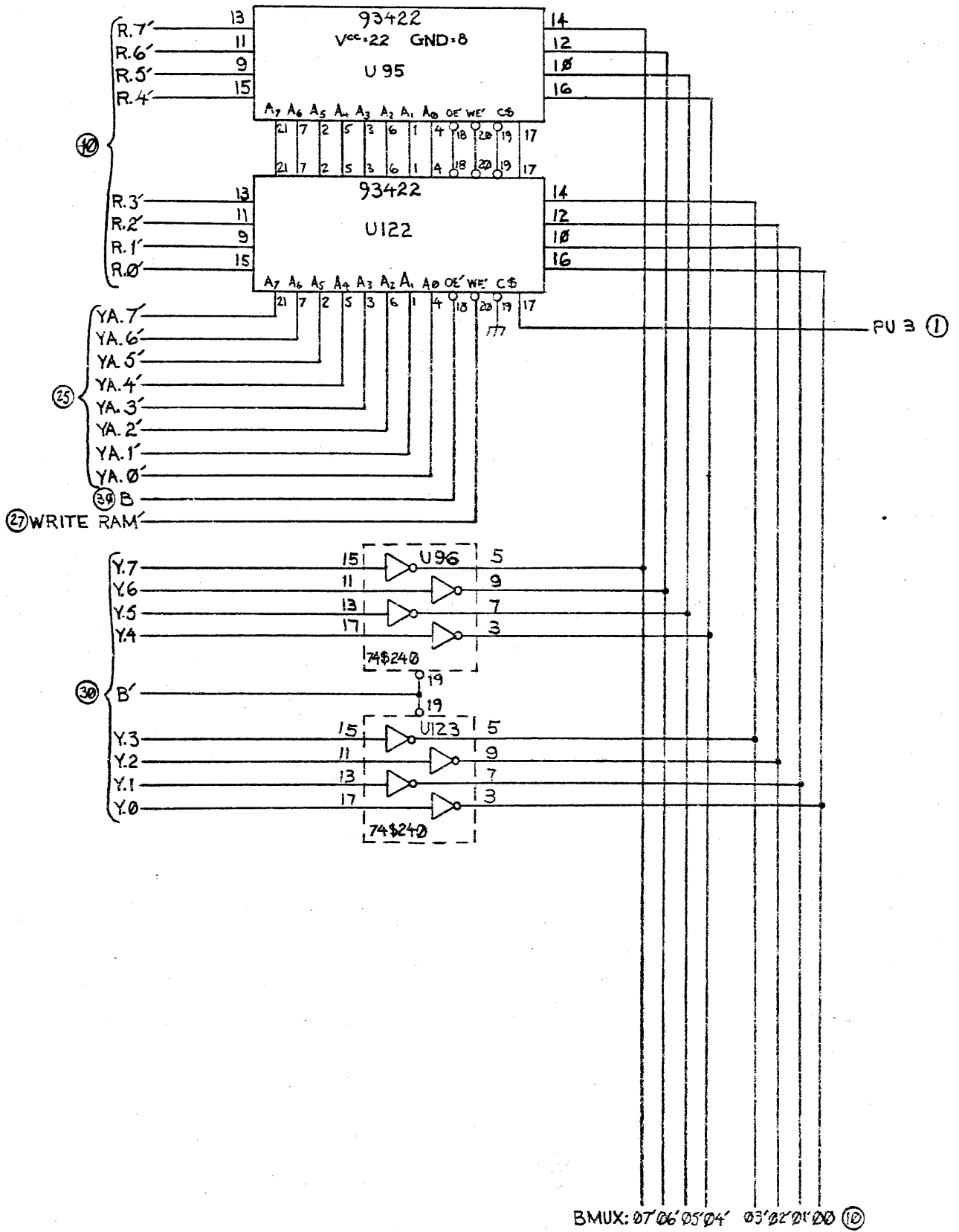


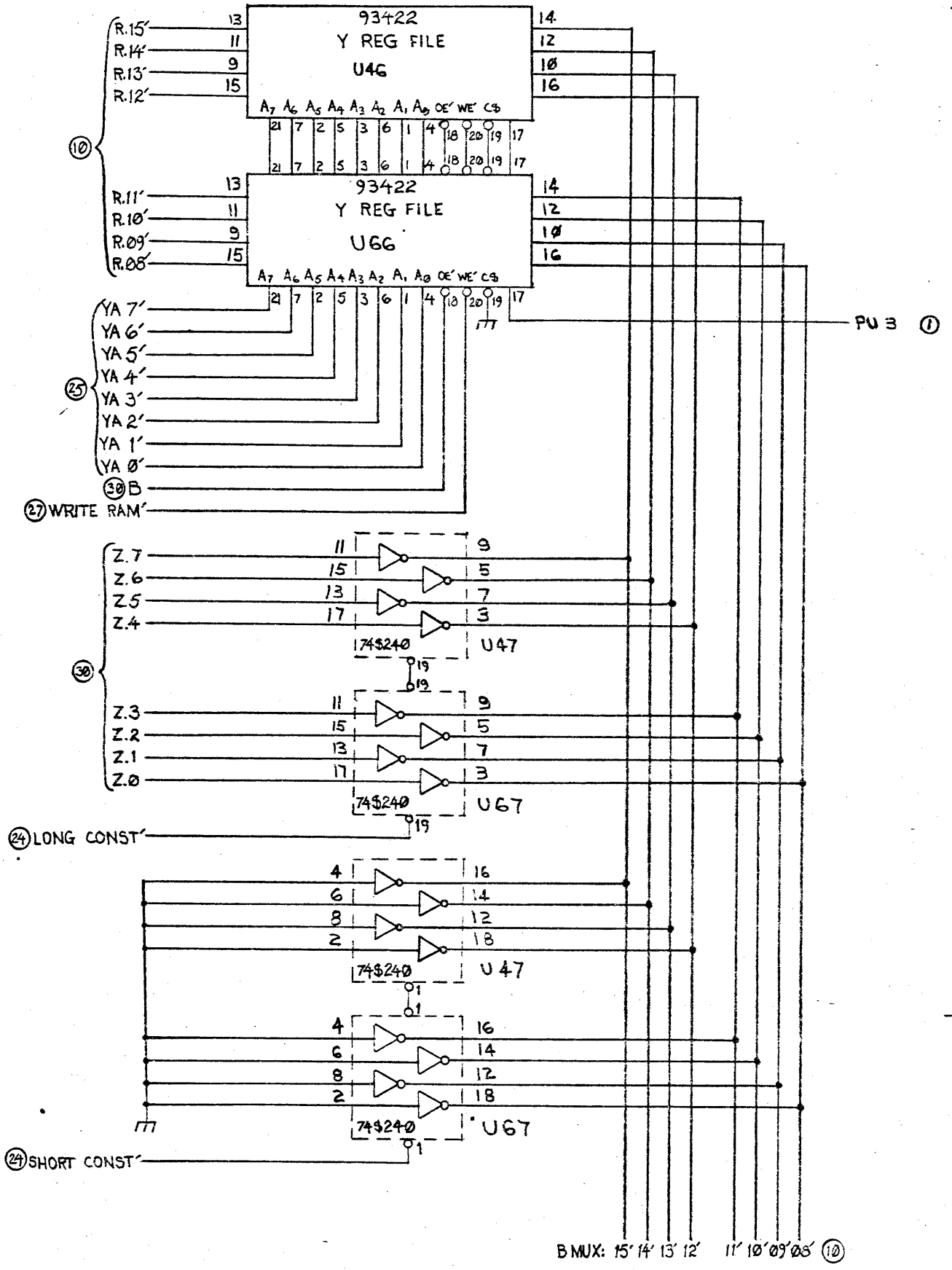


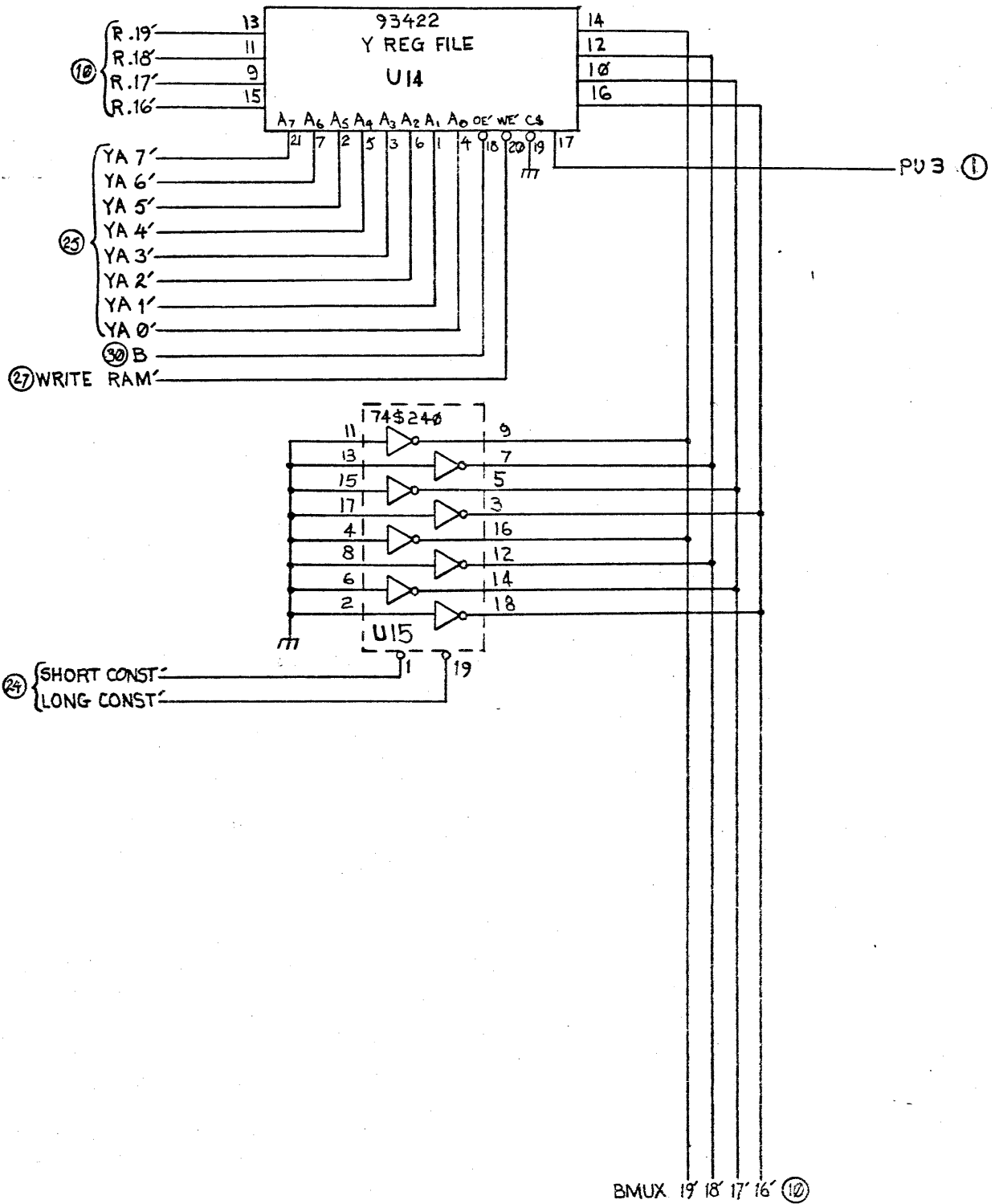


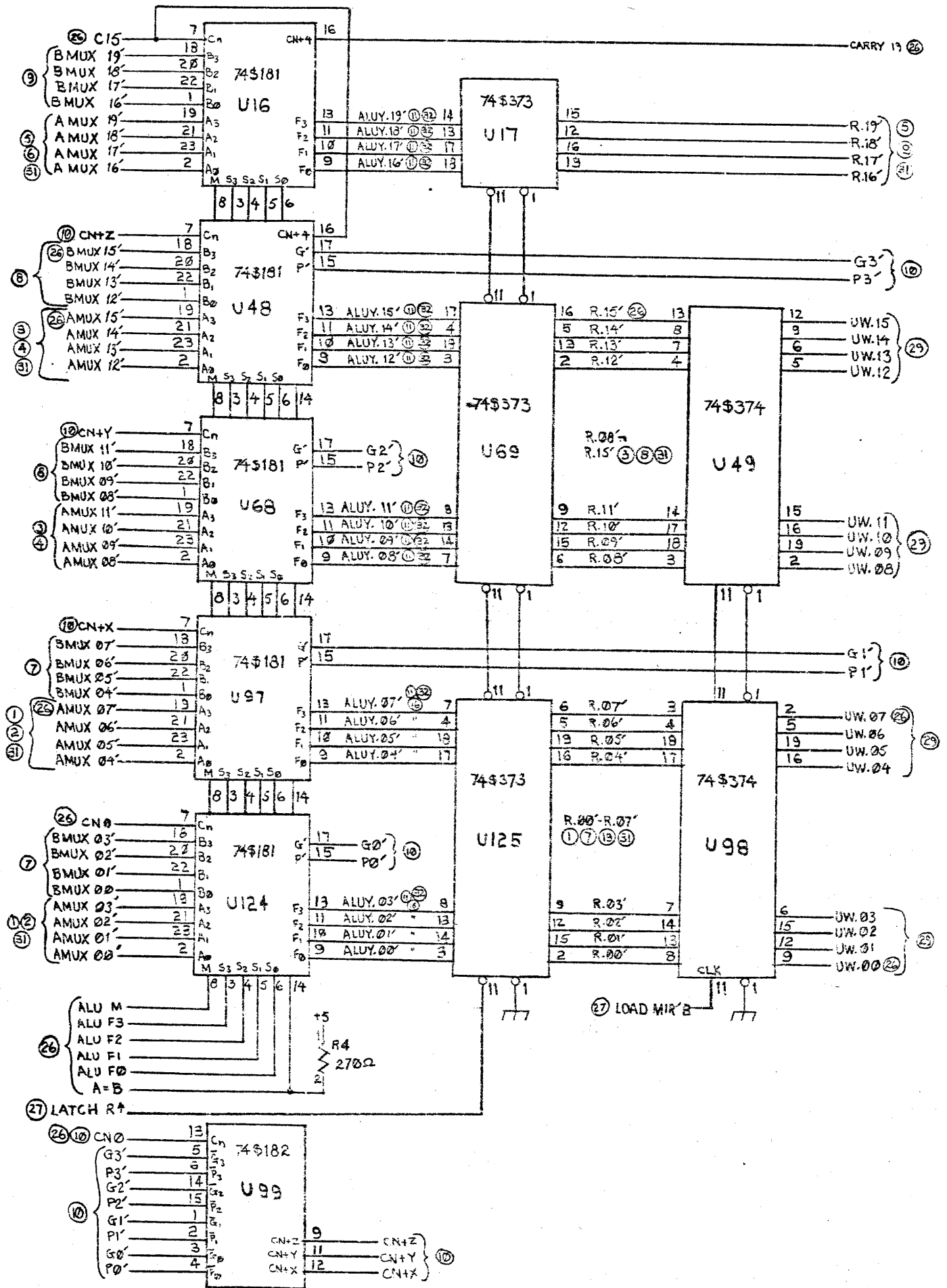


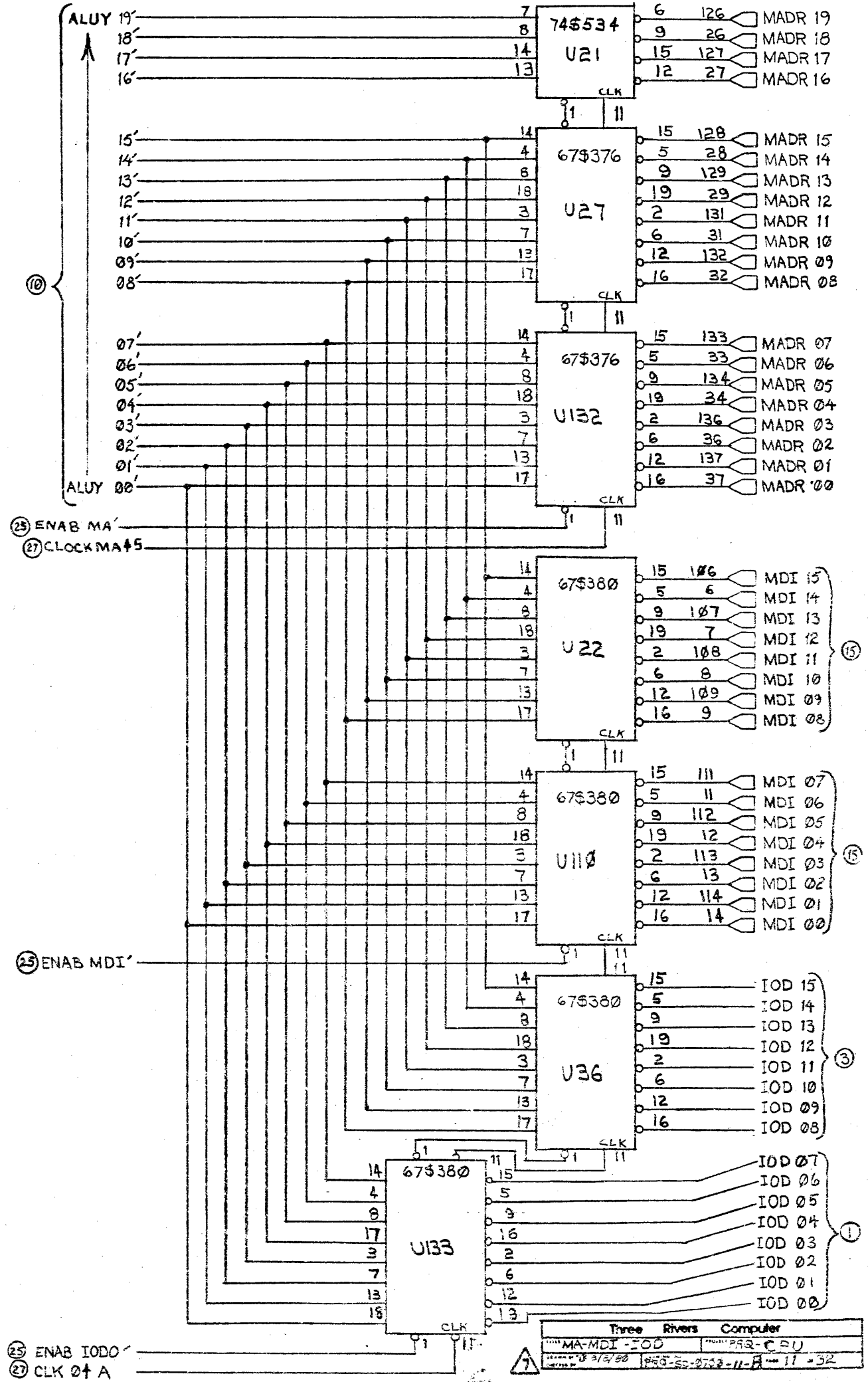


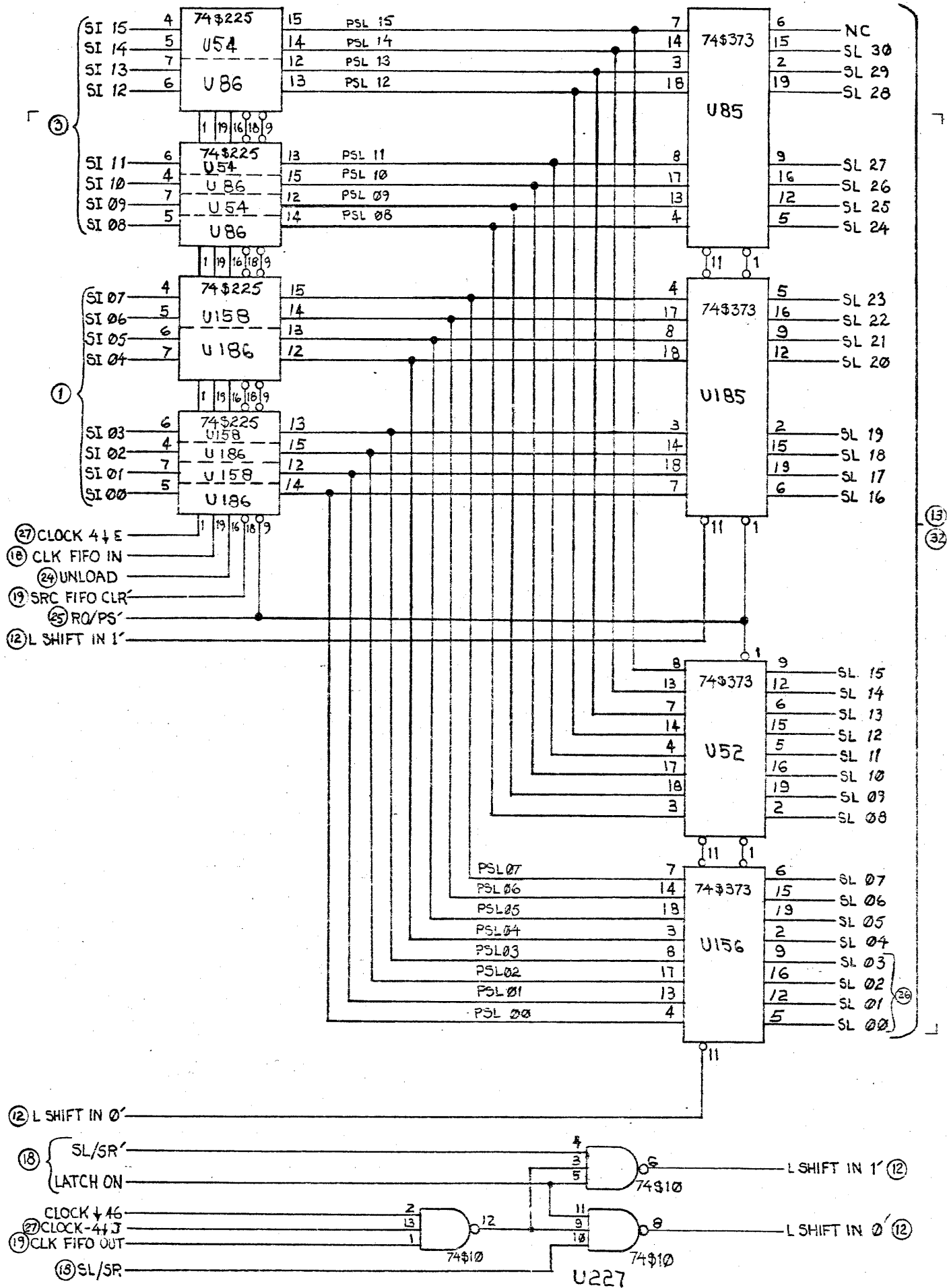


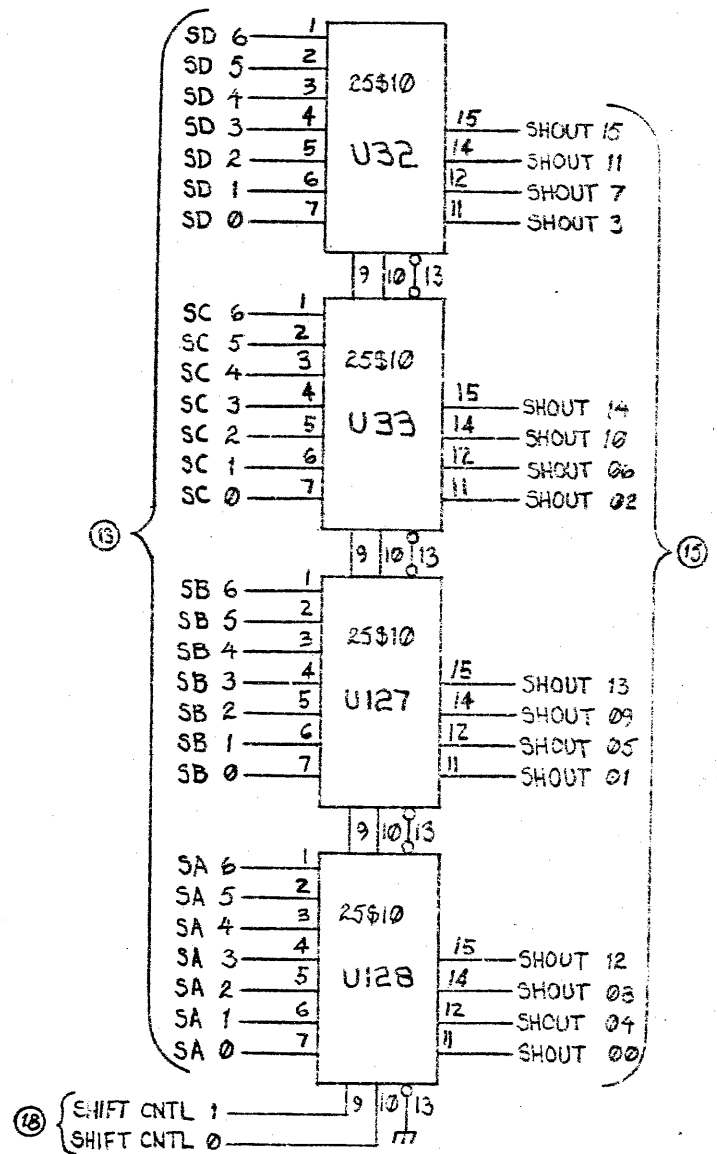
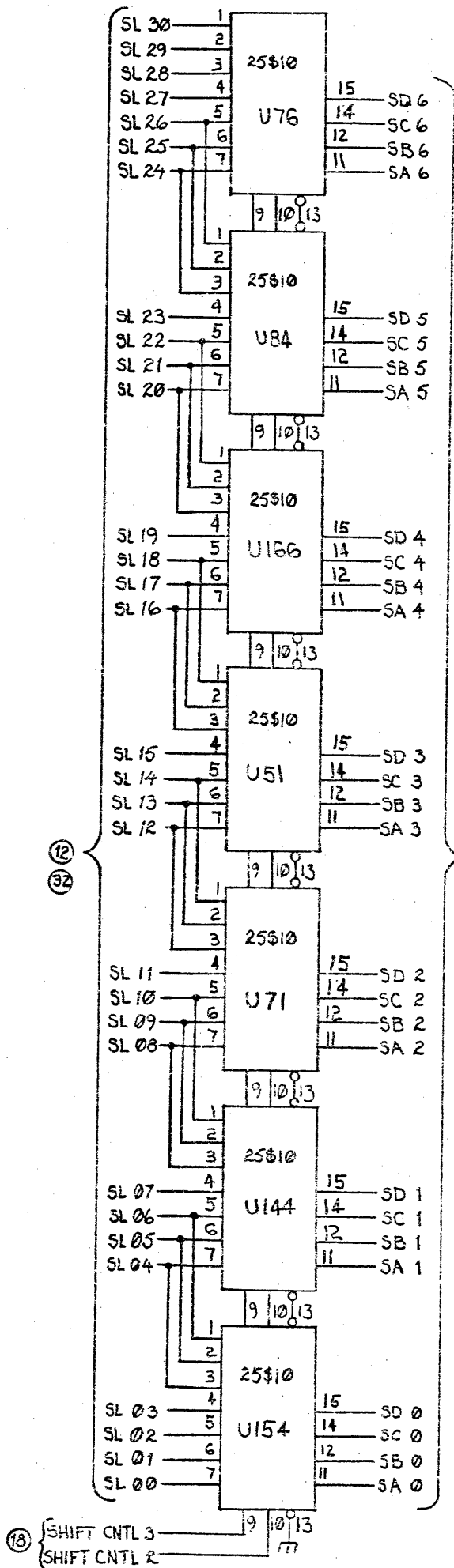


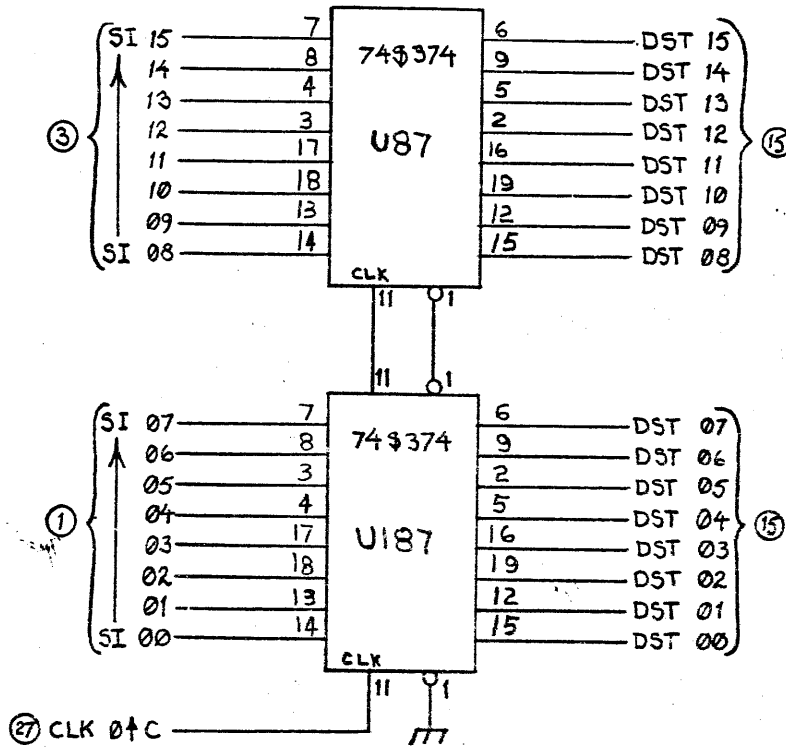


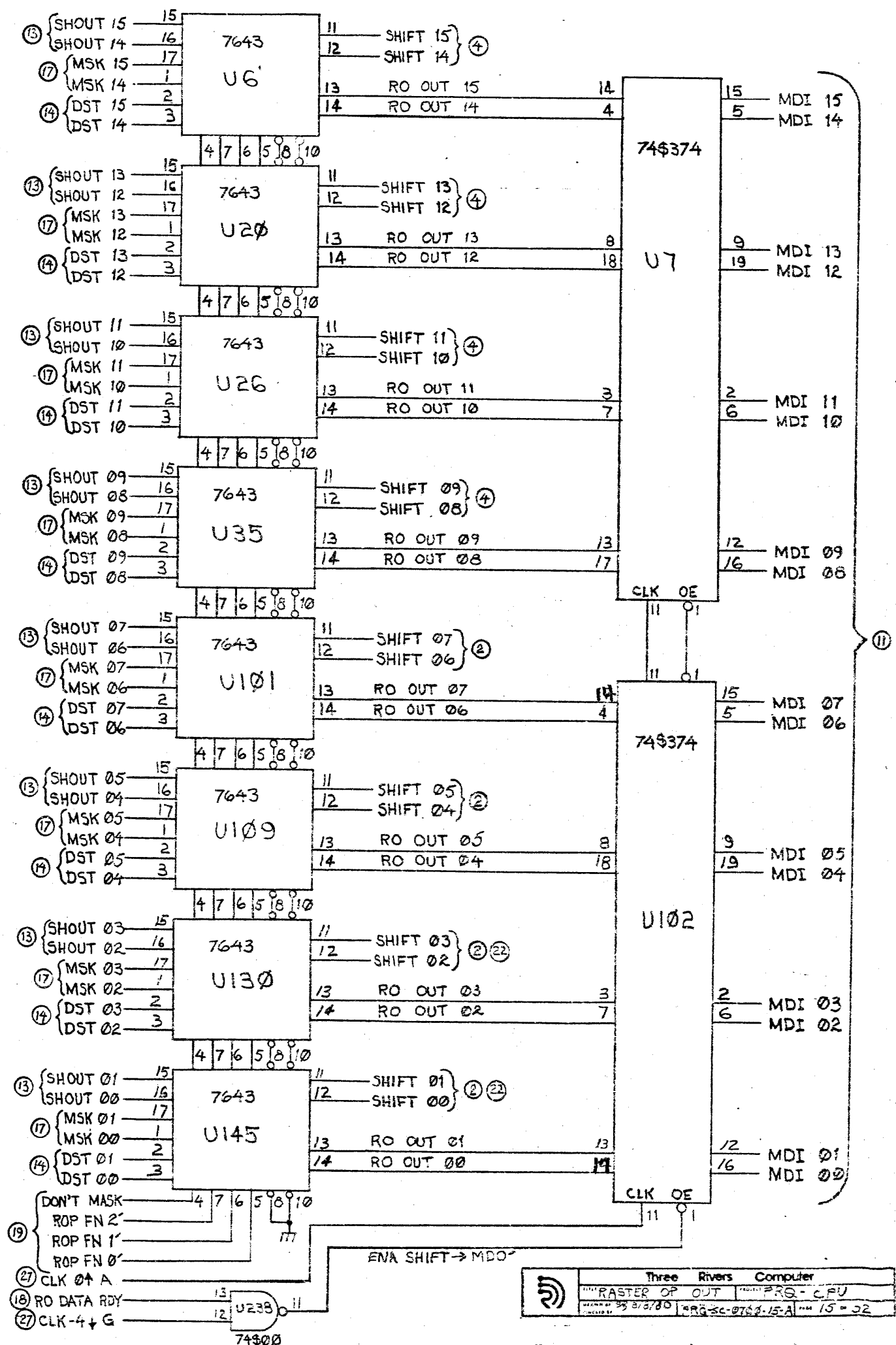


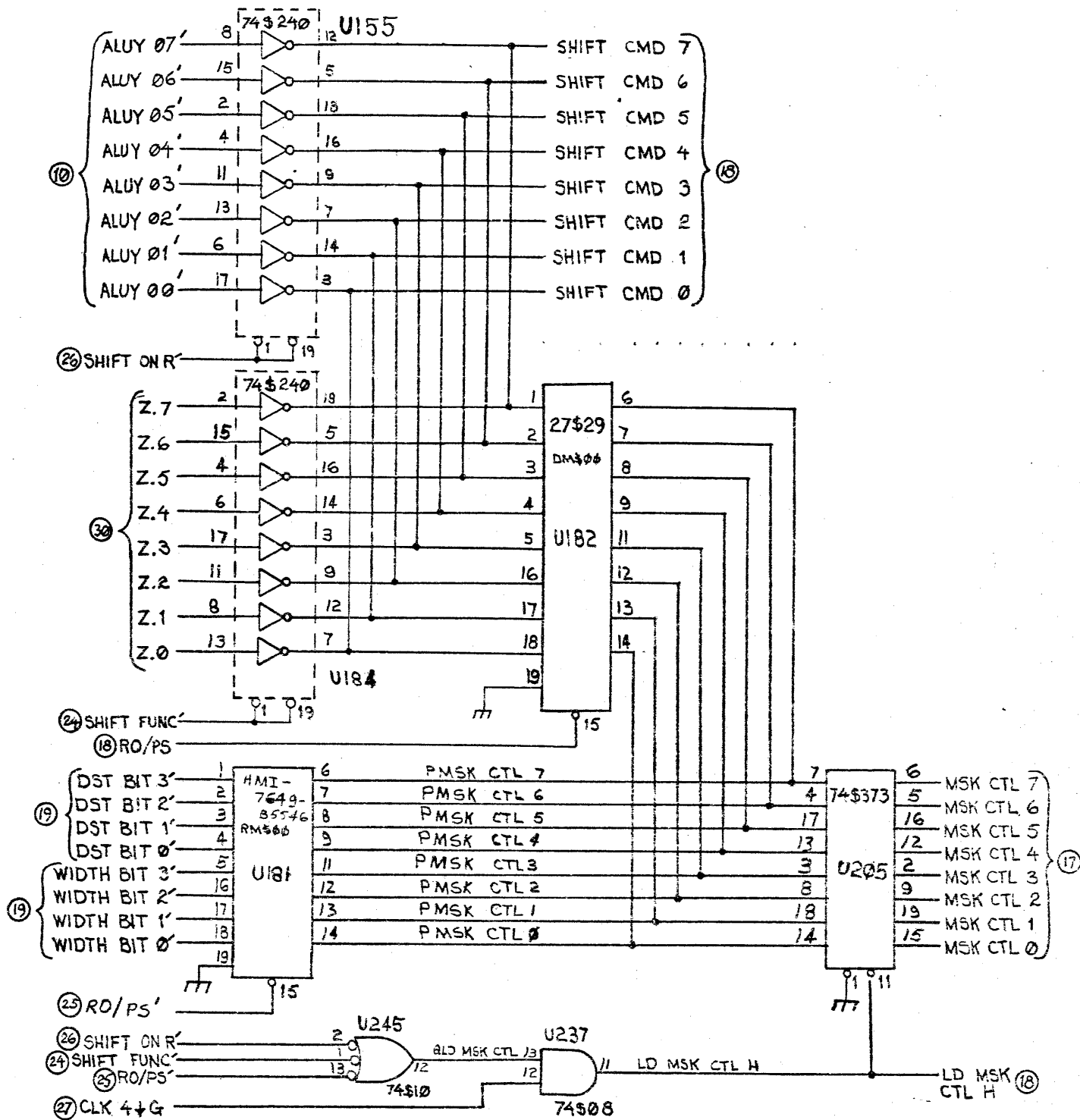


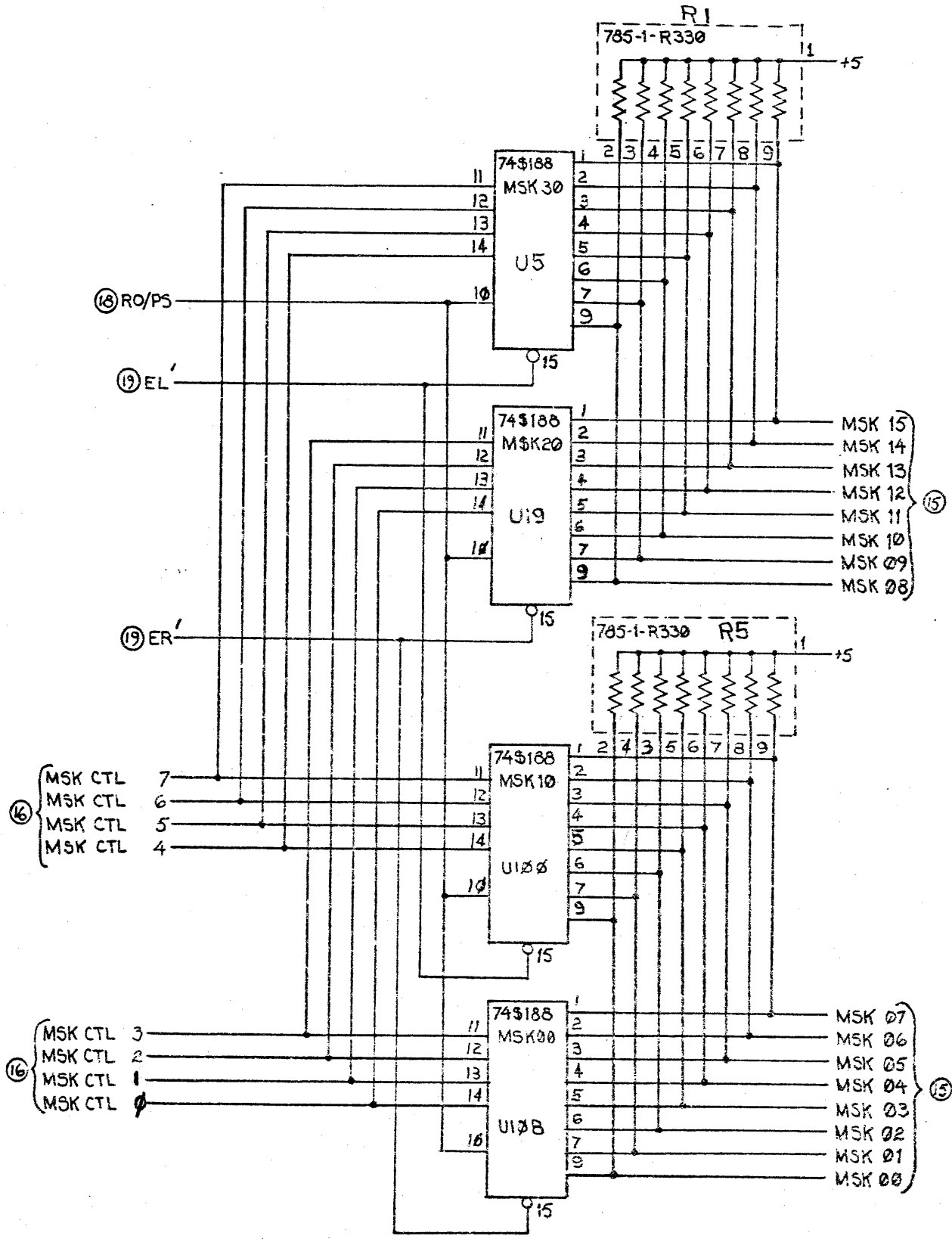


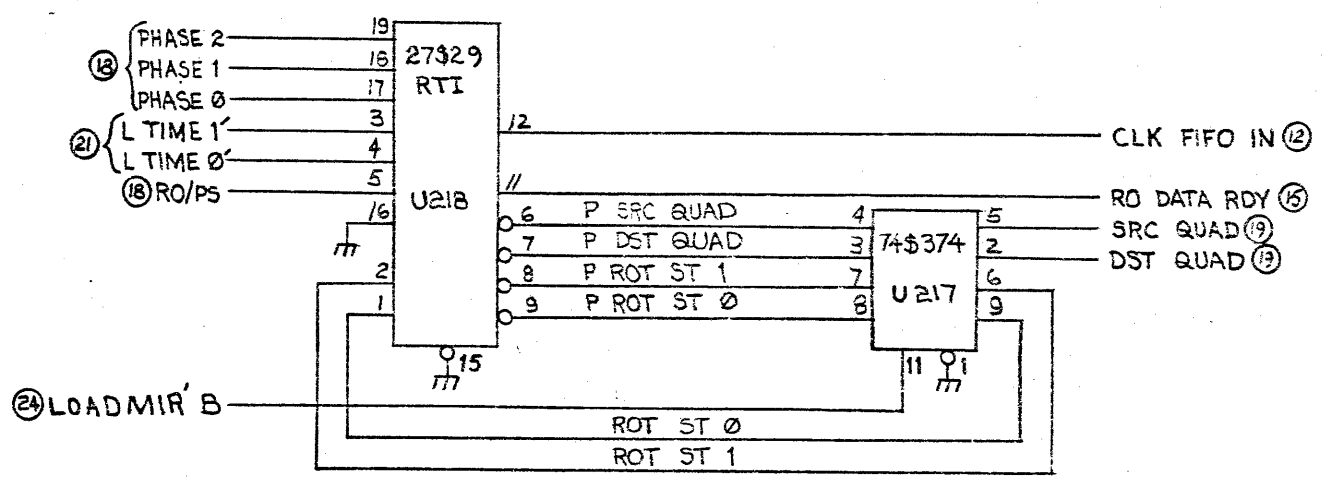
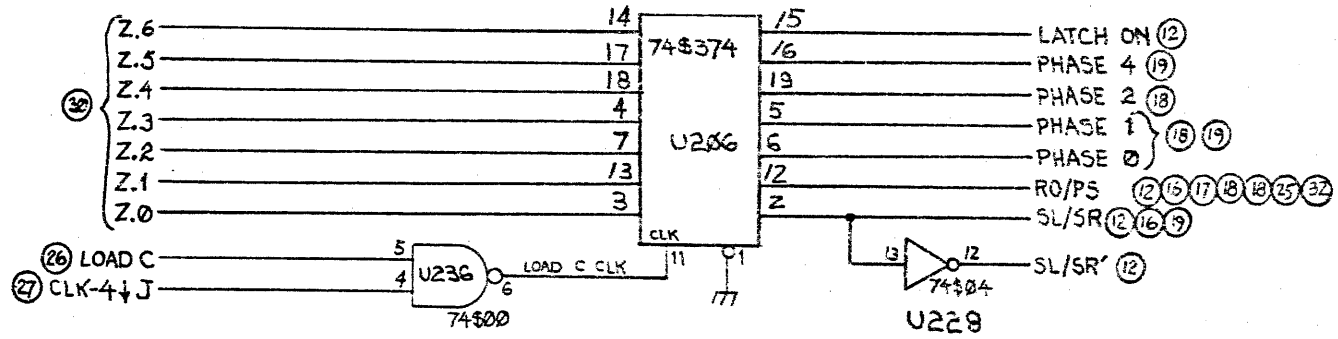
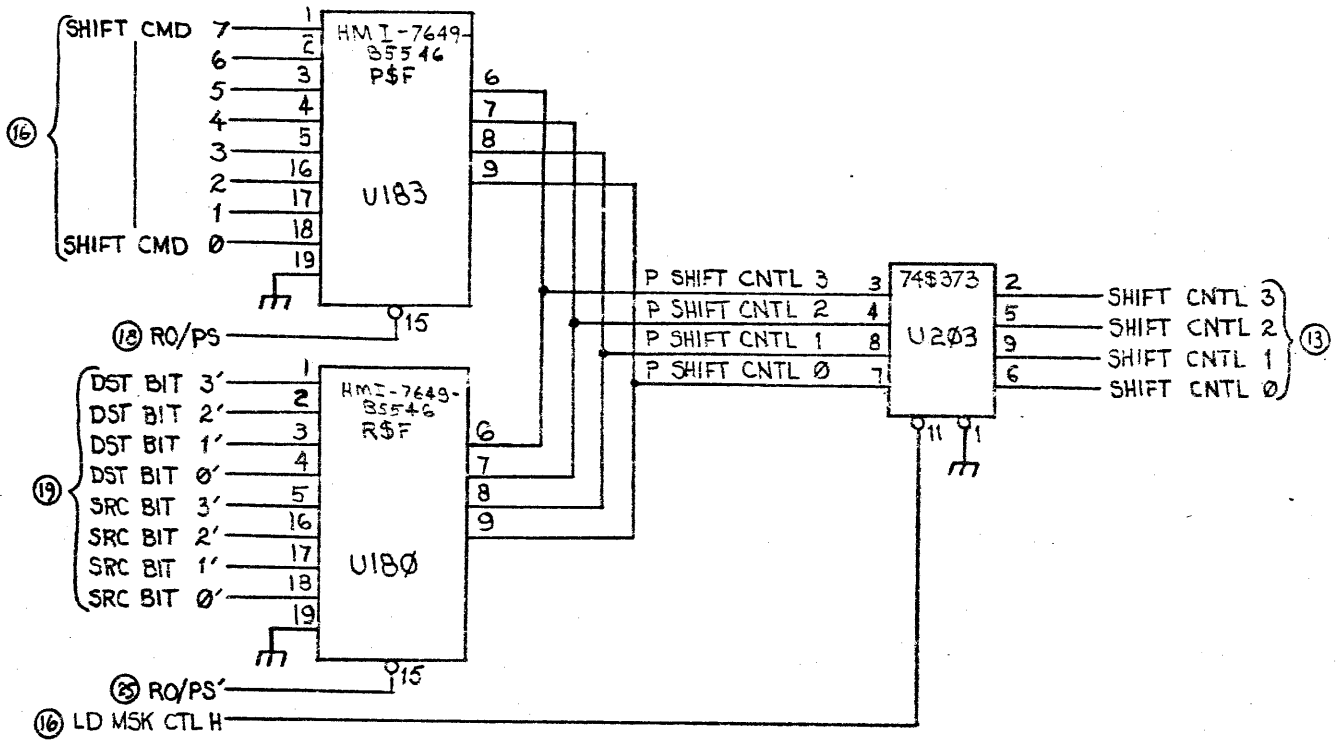


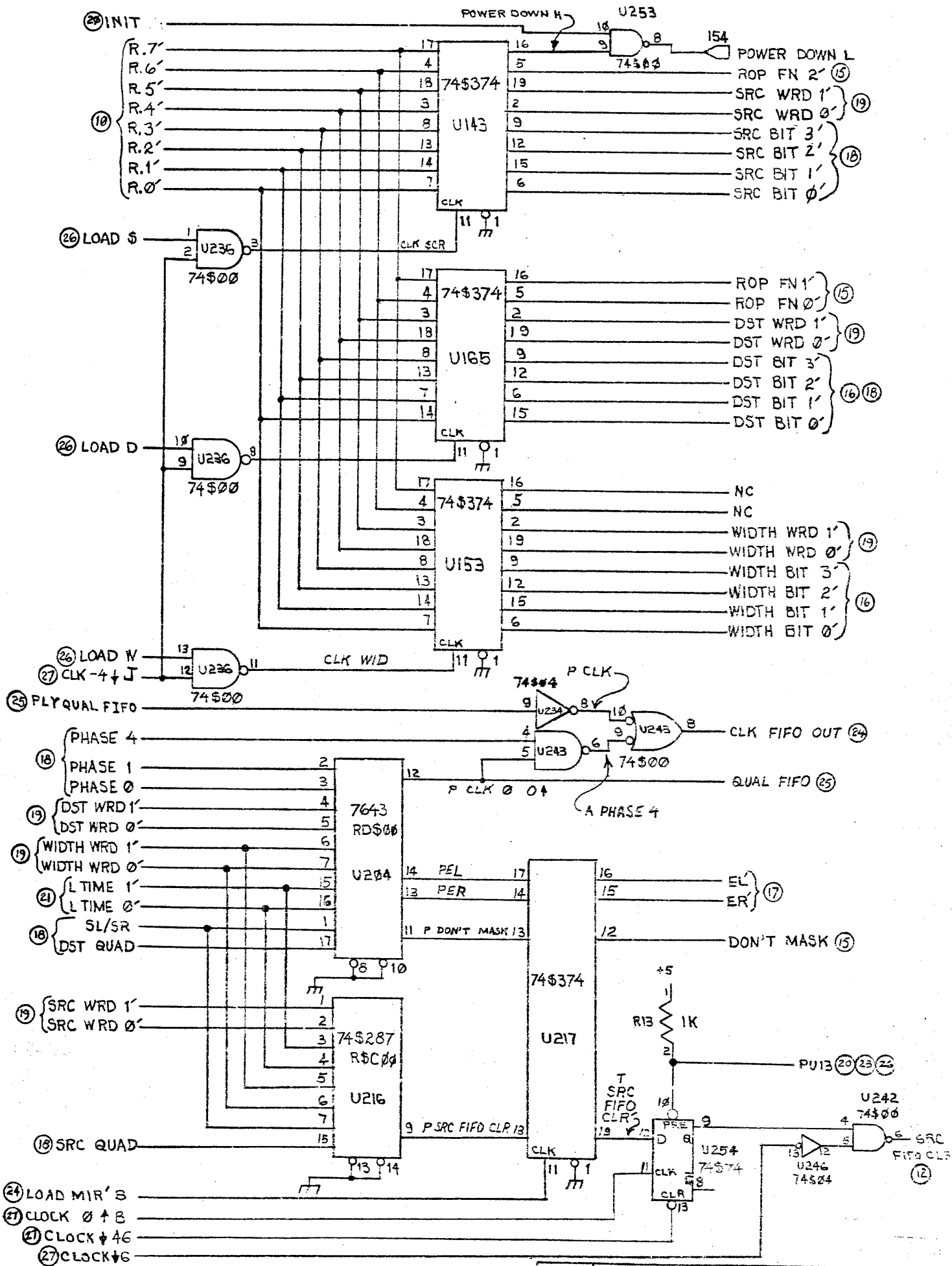


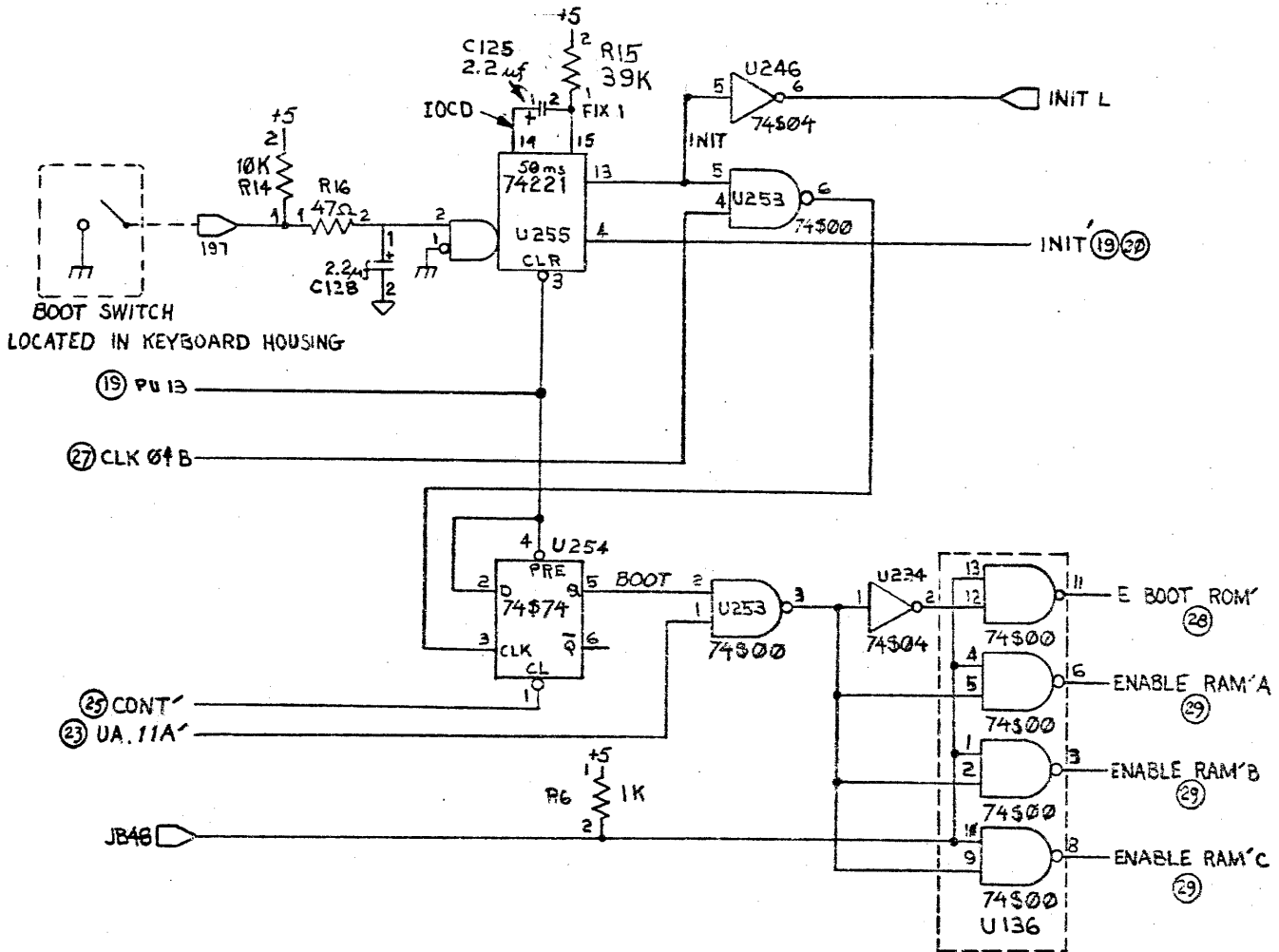


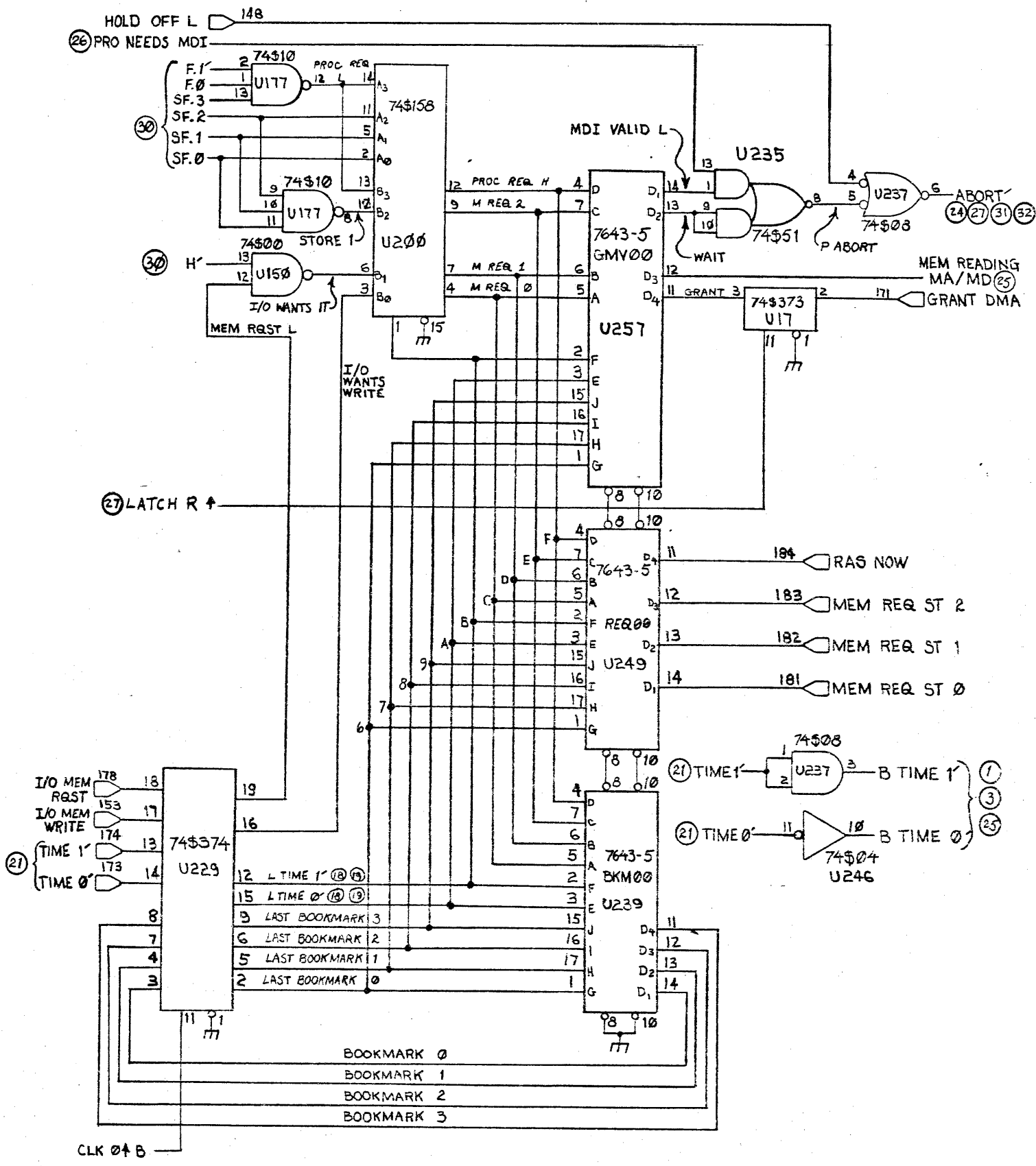


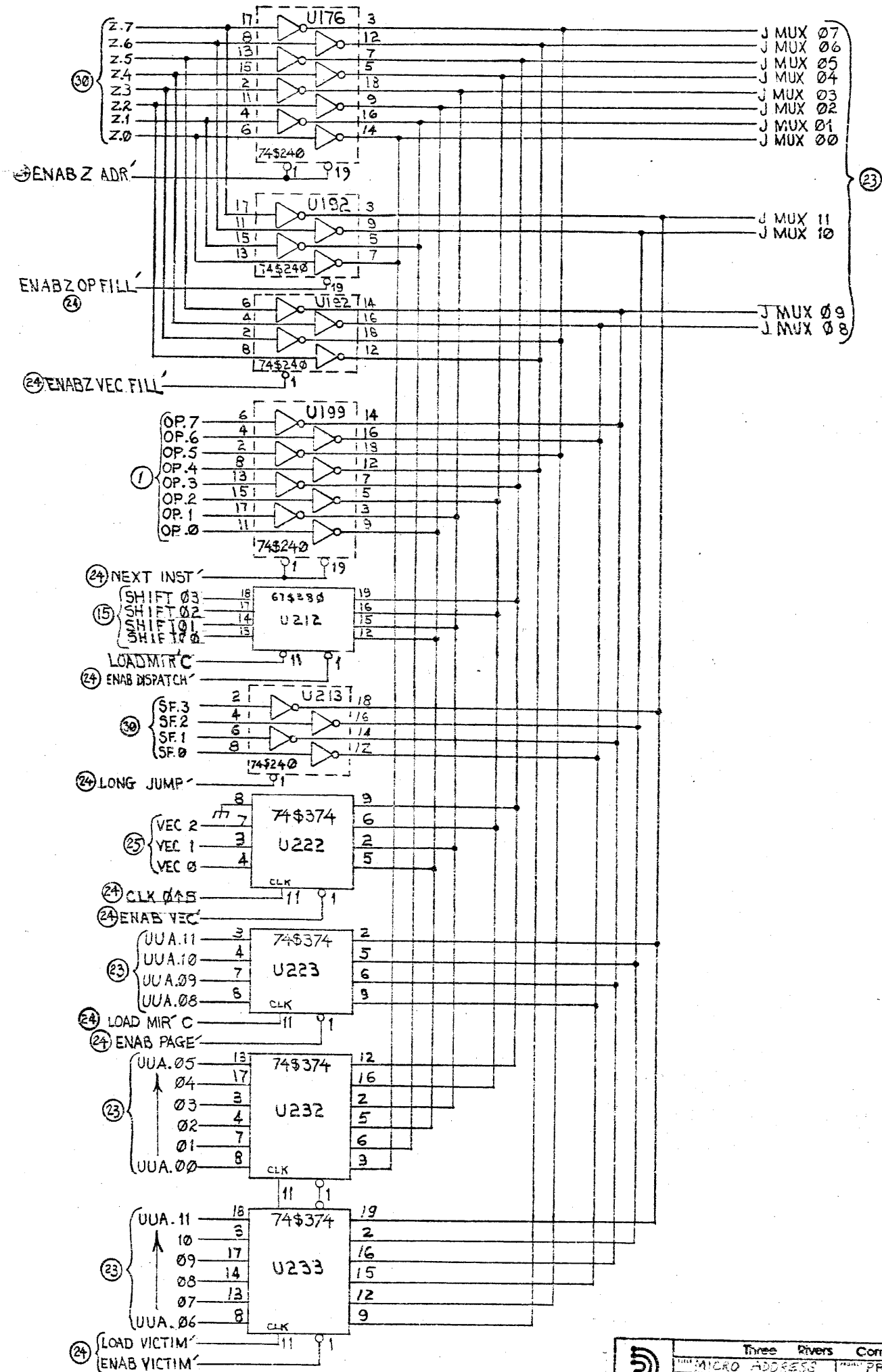


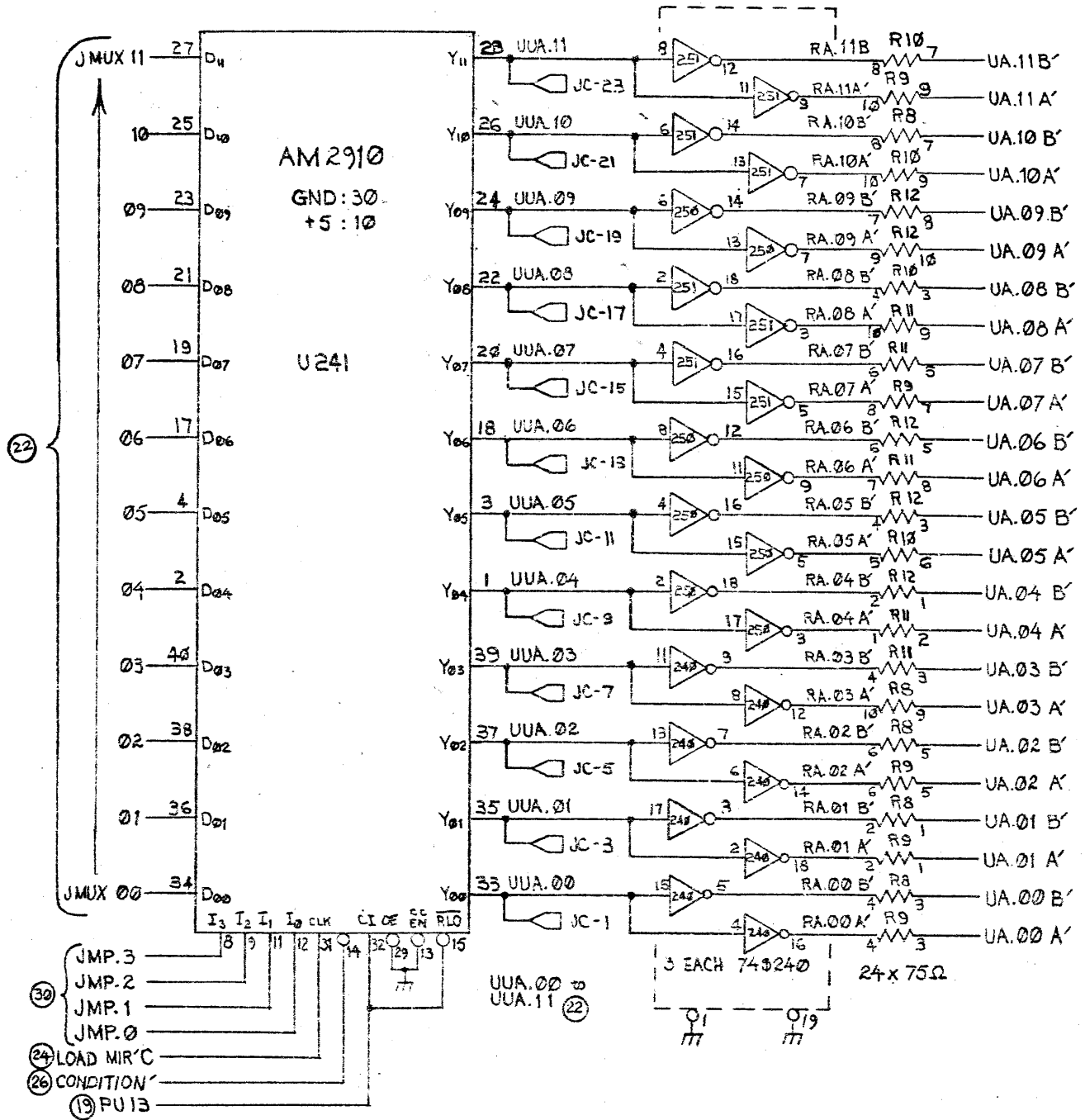


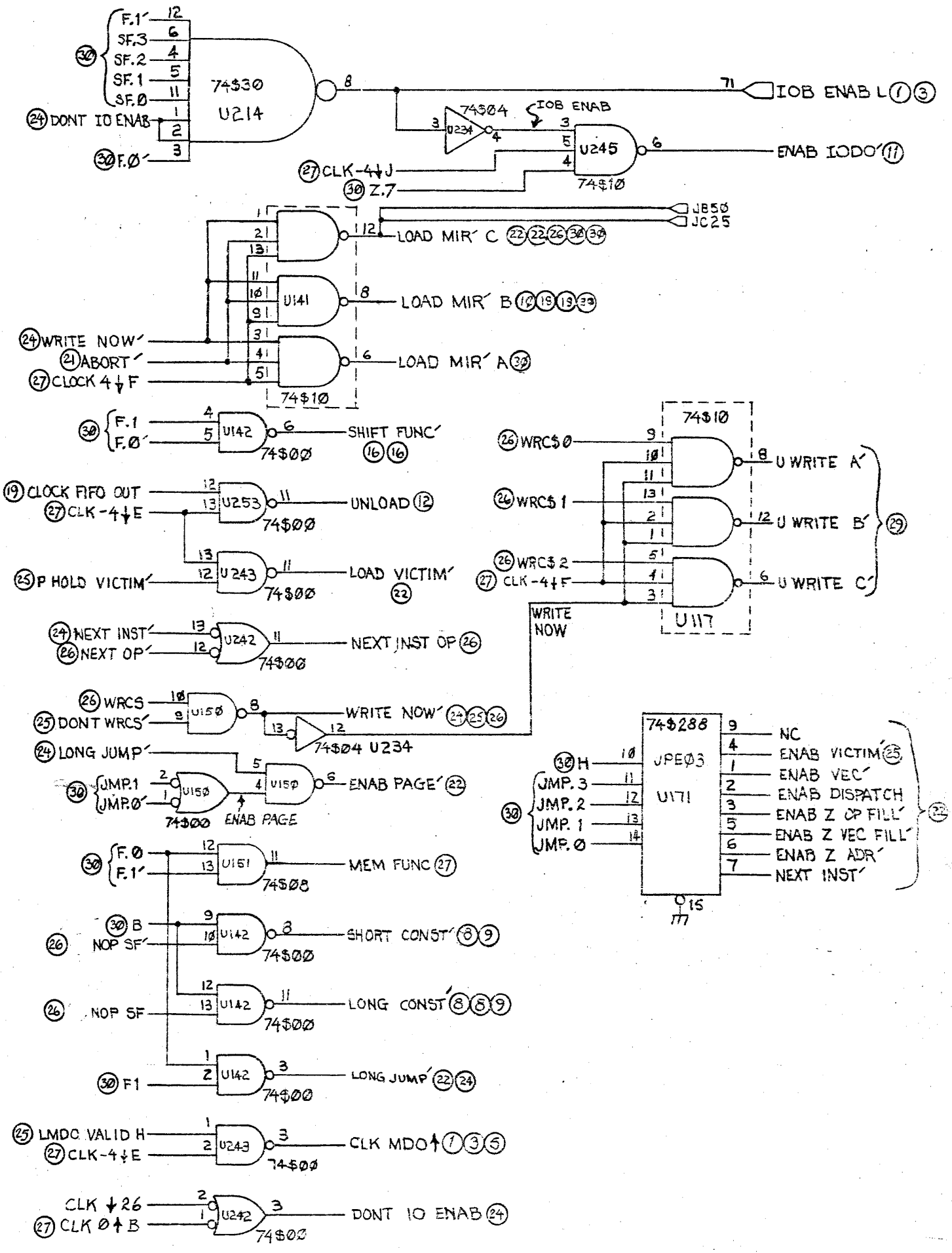


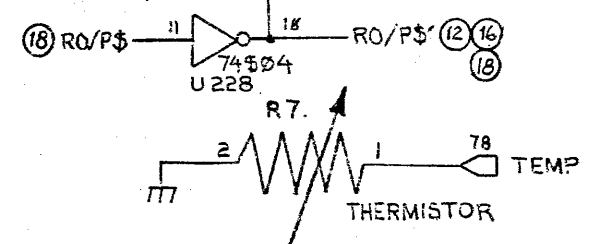
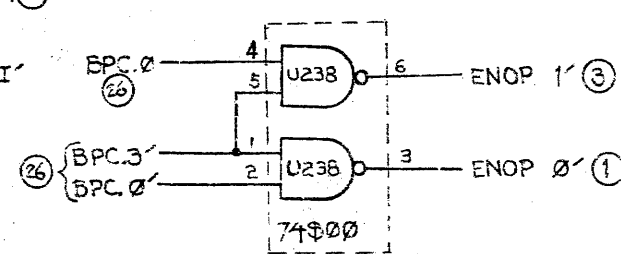
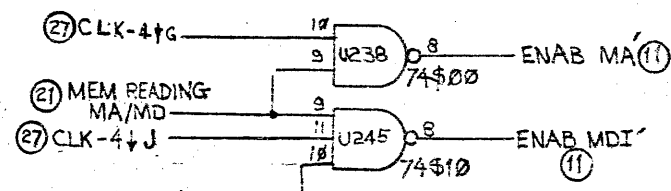
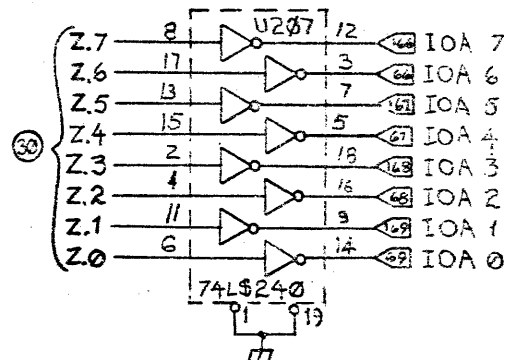
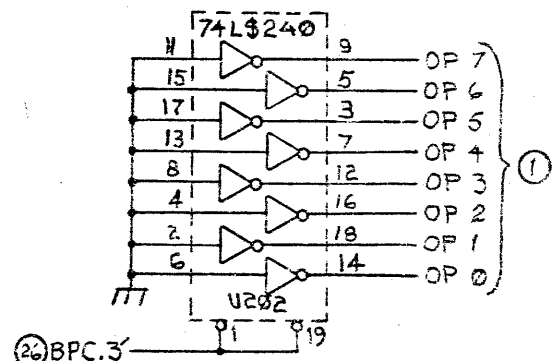
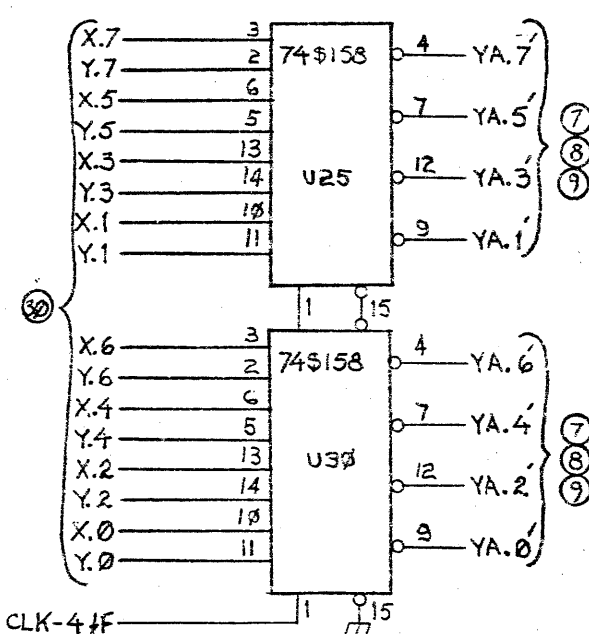
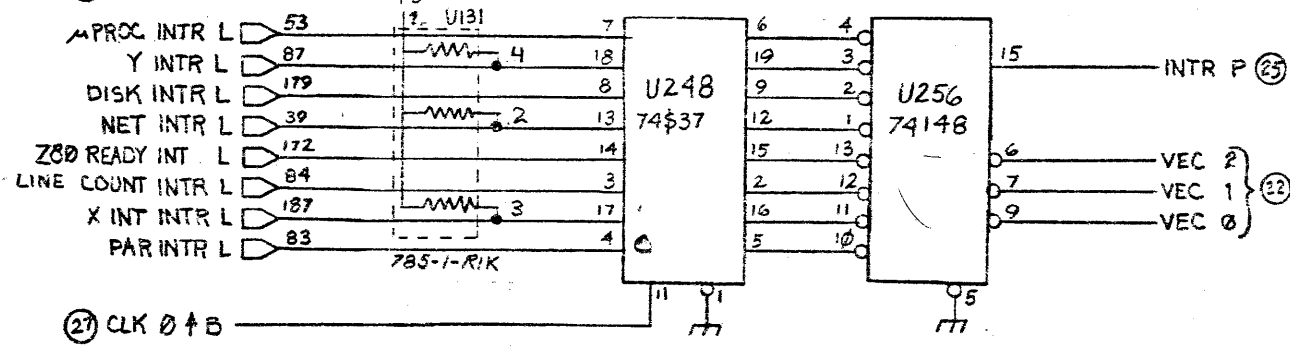
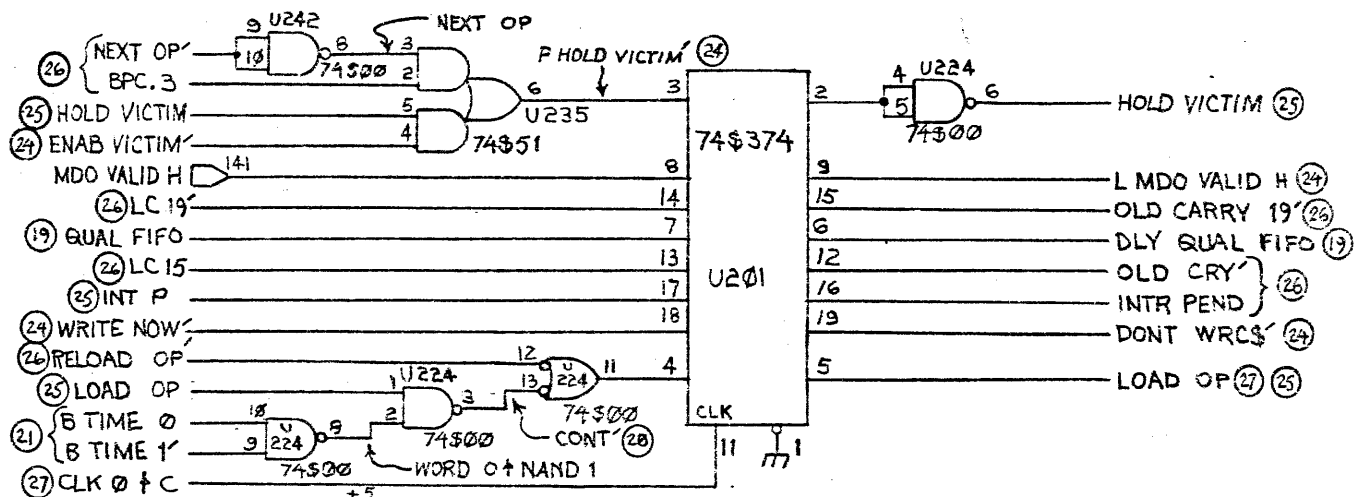


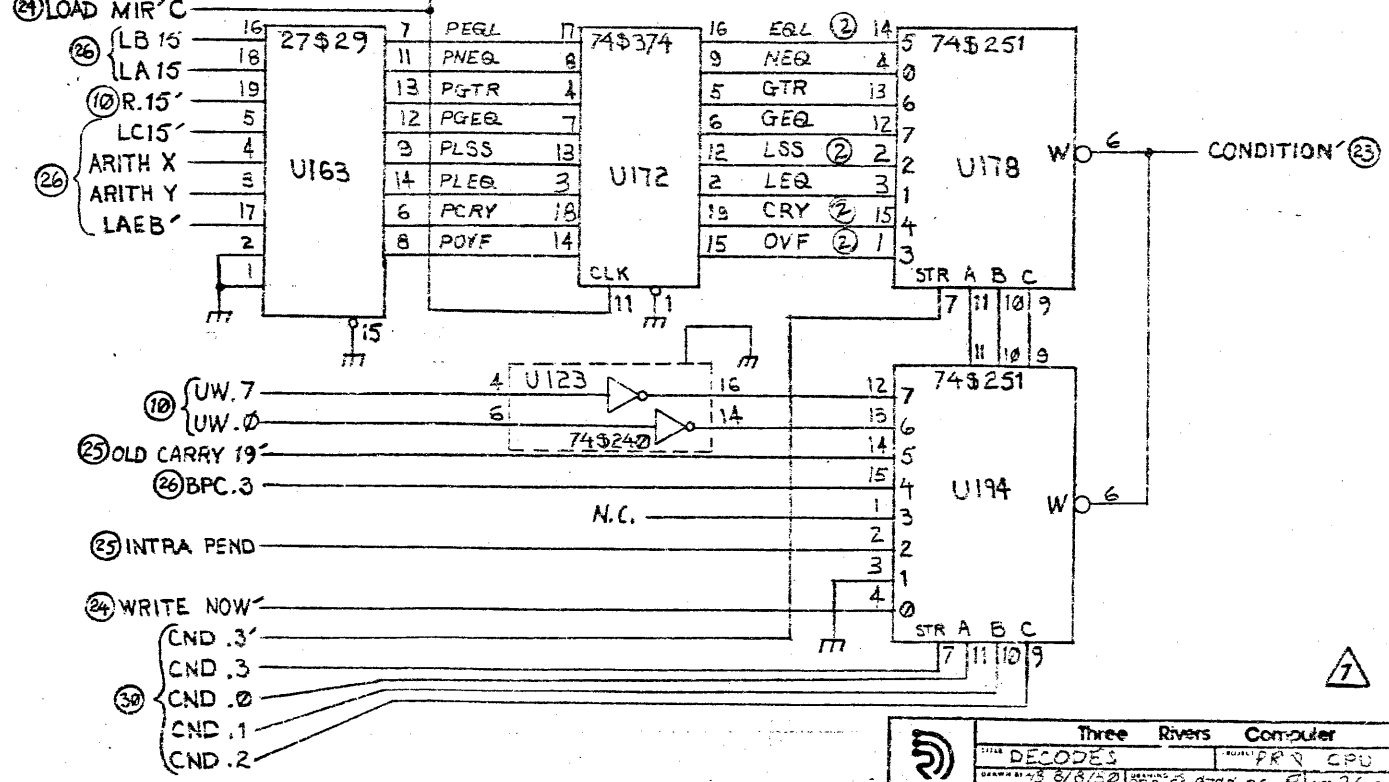
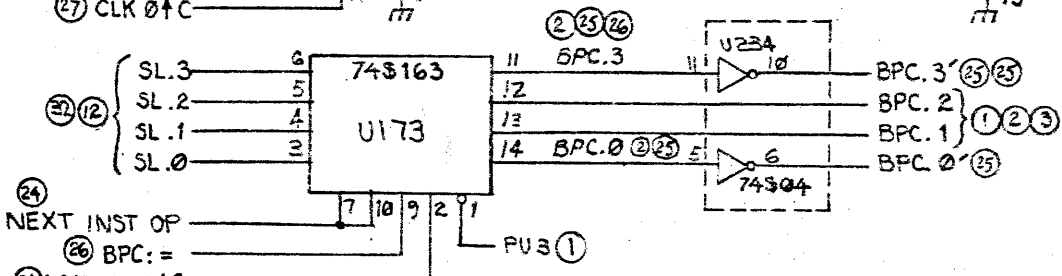
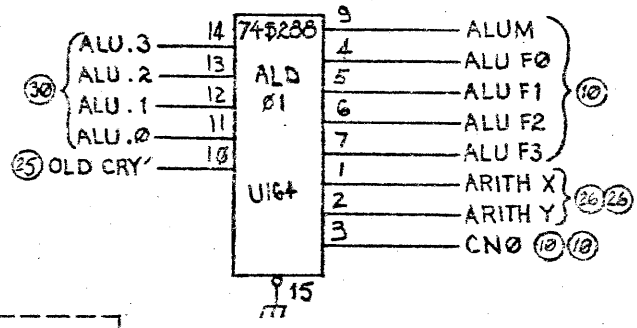
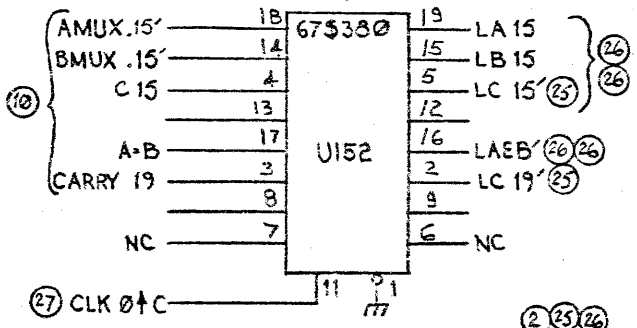
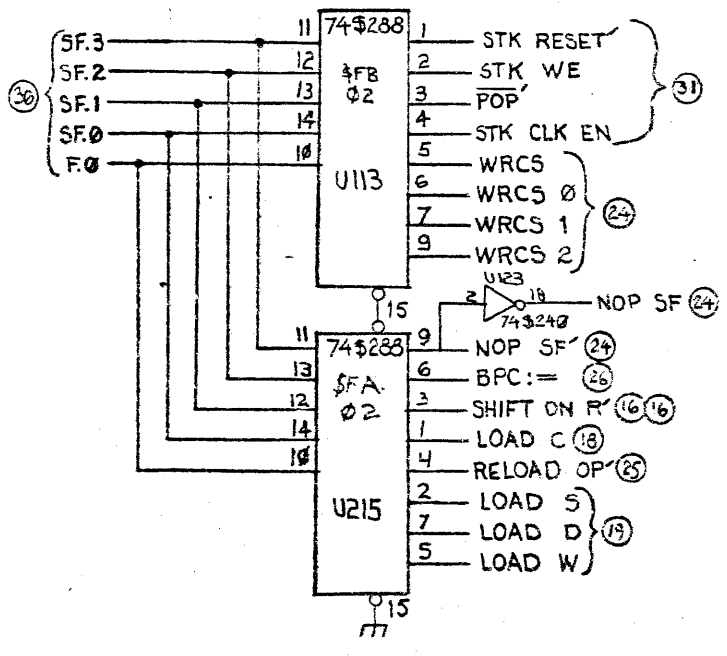
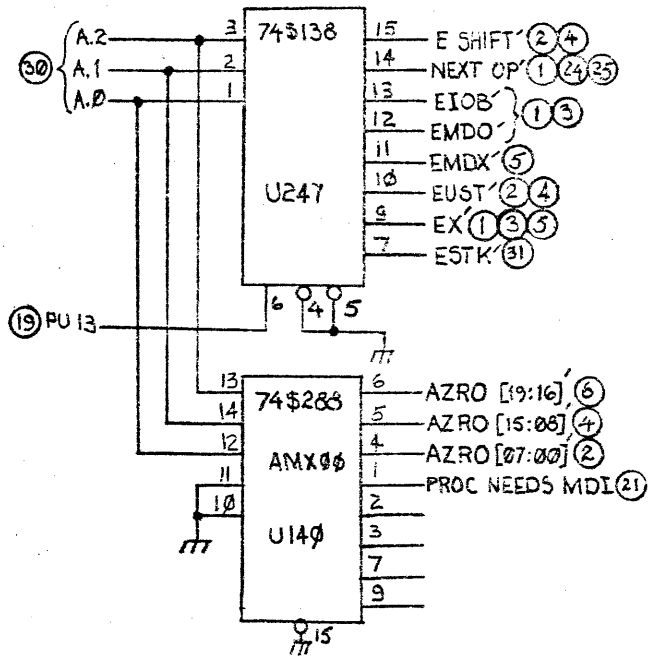


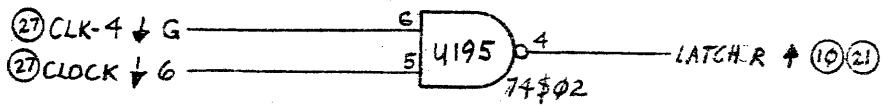
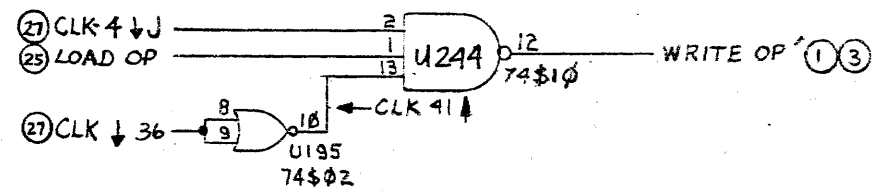
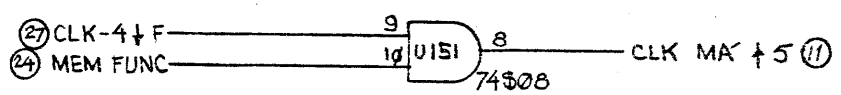
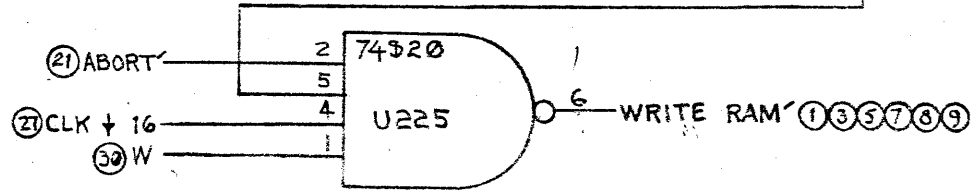
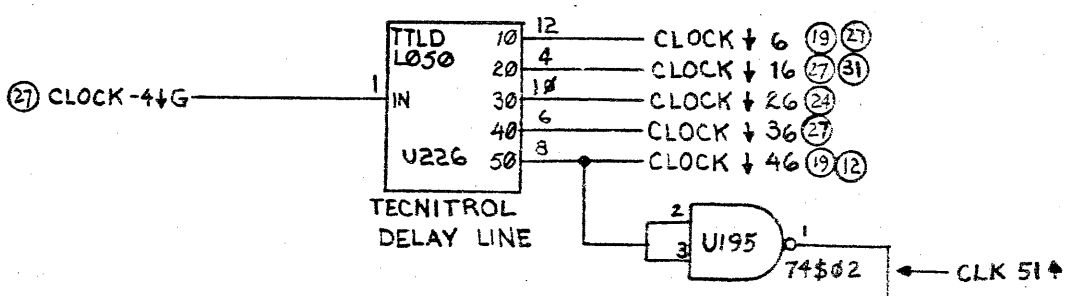
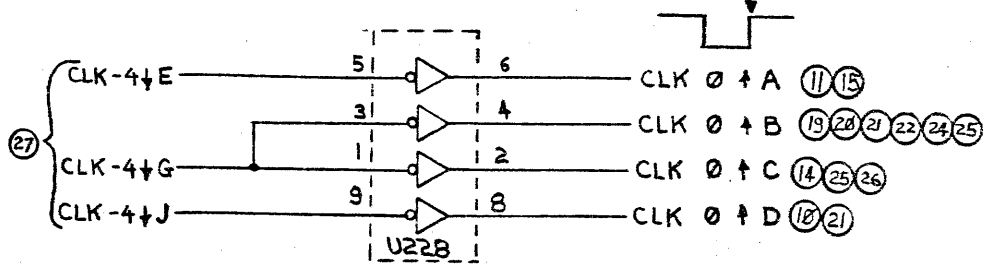
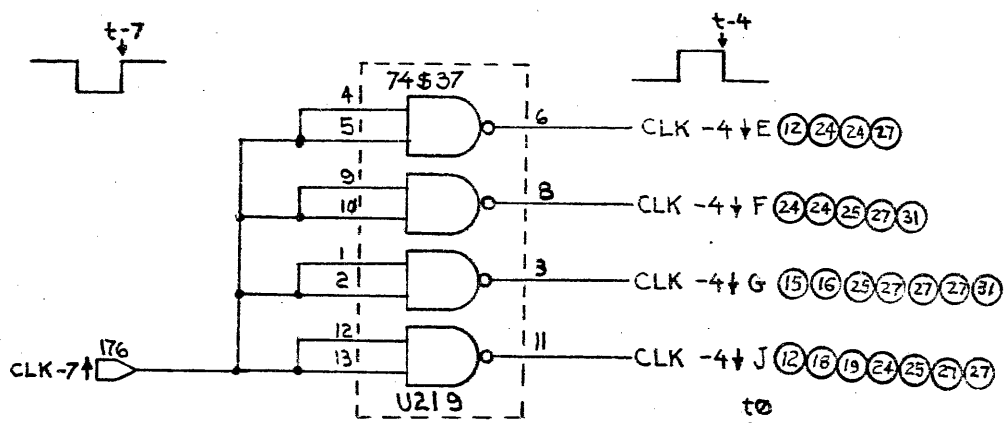


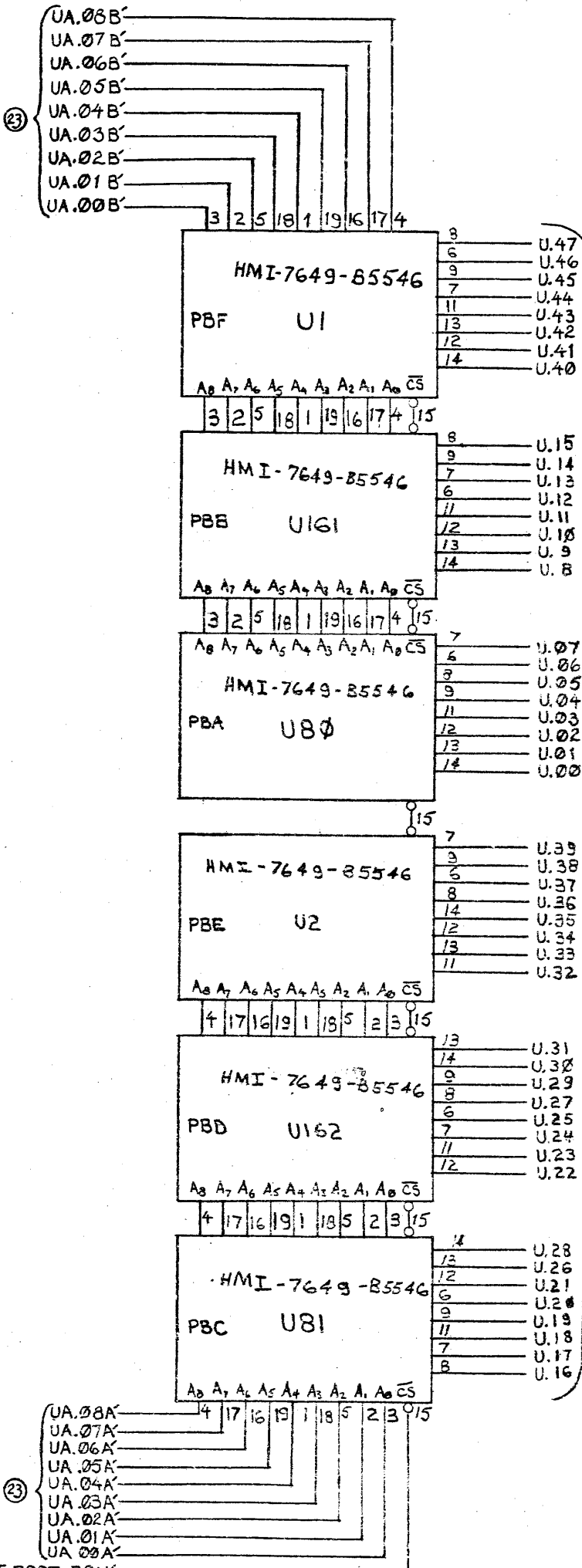












⑳ E BOOT ROM



