

**INTELLEC® SERIES III  
MICROCOMPUTER  
DEVELOPMENT SYSTEM  
CONSOLE OPERATING  
INSTRUCTIONS**

Order Number: 121609-003

Additional copies of this manual or other Intel literature may be obtained from:

Literature Department  
Intel Corporation  
3065 Bowers Avenue  
Santa Clara, CA 95051

The information in this document is subject to change without notice.

Intel Corporation makes no warranty of any kind with regard to this material, including, but not limited to, the implied warranties of merchantability and fitness for a particular purpose. Intel Corporation assumes no responsibility for any errors that may appear in this document. Intel Corporation makes no commitment to update nor to keep current the information contained in this document.

Intel Corporation assumes no responsibility for the use of any circuitry other than circuitry embodied in an Intel product. No other circuit patent licenses are implied.

Intel software products are copyrighted by and shall remain the property of Intel Corporation. Use, duplication or disclosure is subject to restrictions stated in Intel's software license, or as defined in ASPR 7-104.9(a)(9).

No part of this document may be copied or reproduced in any form or by any means without the prior written consent of Intel Corporation.

The following are trademarks of Intel Corporation and its affiliates and may be used only to identify Intel products:

BXP	Intel	Library Manager	Plug-A-Bubble
CREDIT	int <sub>e</sub> l	MCS	PROMPT
i	Intelelevision	Megachassis	RMX/80
ICE	Intellec	Micromainframe	System 2000
iCS	iRMX	Micromap	UPI
im	iSBC	Multibus	
Insite	iSBX	Multimodule	

REV.	REVISION HISTORY	DATE
-001	Original issue.	9/80
-002		12/80
-003	Adds information to support ISIS-II V4.2 and corrects information in previous edition.	11/81



This manual provides console operating instructions for the Intellec Series III Microcomputer Development System, an advanced system that provides dual operating environments, one for 8086/8088-based software and another for 8080/8085-based software.

This manual is designed to support new users as well as those who are already familiar with microcomputers.

Operation of this system requires version 4.1 or later of the ISIS-II operating system. Wherever 8086-based software is referenced in this manual, the information applies equally to 8088-based software.

This manual contains seven chapters and seven appendixes:

- Chapter 1, System Overview, describes the keyboard, control panel, screen, disk drives, and configurations supported.
- Chapter 2, System Operation, describes system start-up and shut-down, and disk formatting tutorials.
- Chapter 3, Device/File Management, describes device/file naming formats, device/file accessing, and disk directories.
- Chapter 4, Console Commands, describes and shows examples of the ISIS-II commands for storing, identifying, and manipulating your programs.
- Chapter 5, The Monitor, describes and shows examples of the Monitor commands for 8080/8085 program debugging.
- Chapter 6, DEBUG-86, describes and shows examples of the DEBUG-86 commands for 8086 program debugging.
- Chapter 7, Error Messages, gives a listing of error messages and recovery.
- Appendix A, Hexadecimal Paper Tape Format, describes the paper tape format used by the Monitor.
- Appendix B, Hexadecimal-Decimal Conversions, provides hexadecimal-to-decimal and decimal-to-hexadecimal conversions.
- Appendix C, ASCII Codes, shows ASCII codes, their meanings, and their values.
- Appendix D, Summary of ISIS-II Console Commands, provides a listing of all ISIS-II console commands and their syntax.
- Appendix E, Summary of Monitor Commands, provides a listing of all Monitor commands and their syntax.
- Appendix F, Summary of DEBUG-86 commands, provides a listing of all DEBUG-86 commands and their syntax.
- Appendix G, Summary of Error Messages, provides a listing of error messages.

The Intellec Series III Microcomputer Development System is part of the Microsystem 80 iAPX family of processors.

## Microsystem 80 Nomenclature

Over the last several years, the increase in microcomputer system and software complexity has given birth to a new family of microprocessor products oriented towards solving these increasingly complex problems. This new generation of

microprocessors is both powerful and flexible and includes many processor enhancements, such as numeric floating point extensions, I/O processors, and operating system functionality in silicon.

As Intel's product line has grown and evolved, its microprocessor product numbering system has become inadequate to name VLSI solutions involving the above enhancements.

In order to accommodate these new VLSI systems, we've allowed the 8086 family name to evolve into a more comprehensive numbering scheme, while still including the basis of the previous 8086 nomenclature.

We've adopted the following prefixes to provide differentiation and consistency among our Microsystem 80 related product lines:

iAPX — Processor Series  
iRMX — Operating Systems  
iSBC — Single Board Computers  
iSBX — MULTIMODULE Boards

Concentrating on the iAPX Series, two Processor Families are defined:

iAPX 86 — 8086 CPU based system  
iAPX 88 — 8088 CPU based system

With additional suffix information, configuration options within each iAPX system can be identified, for example:

iAPX 86/10 CPU Alone (8086)  
iAPX 86/11 CPU + IOP (8086 + 8089)  
iAPX 88/20 CPU + Math Extension (8088 + 8087)  
iAPX 88/21 CPU + Math Extension + IOP (8088 + 8087 + 8089)

This nomenclature is intended as an addition to rather than a replacement for, Intel's current part numbers. These new series level descriptions are used to describe the functional capabilities provided by specific configurations of the processors in the 8086 Family. The hardware used to implement each functional configuration is still described by referring to the parts involved (as is the case for the majority of the 8086 information described in this manual).

This improved nomenclature provides a more meaningful view of system capability and performance within the evolving Microsystem 80 architecture.

## Related Publications

For more information on the Intellec Series III Microcomputer Development System, see the following manuals:

- *Intellec Series III Microcomputer Development System Product Overview*, 121575
- *Intellec Series III Microcomputer Development System Programmer's Reference Manual*, 121618
- *Intellec Series III Microcomputer Development System Installation and Checkout Manual*, 121612
- *Intellec Series III Microcomputer Development System Schematic Drawings*, 121642
- *iAPX 86, 88 Family Utilities User's Guide*, 121616

- *ISIS-II CREDIT CRT-Based Text Editor User's Guide*, 9800902
- *iAPX 86,88 User's Manual*, 210201
- *ASM86 Language Reference Manual*, 121703
- *8086/8087/8088 Macro Assembler Operating Instructions for 8086-Based Development Systems*, 121628
- *An Introduction to ASM86*, 121689

## Auxiliary Product Manuals

The following manuals describe auxiliary products:

- *PL/M-86 User's Guide*, 121636
- *Pascal-86 User's Guide*, 121539
- *FORTTRAN-86 User's Guide*, 121570
- *MCS-80/85 Utilities User's Guide for 8080/8085-Based Development Systems*, 121617
- *8089 Macro Assembler User's Guide*, 9800938
- *ICE-86A Microsystem In-Circuit Emulator Operating Instructions for ISIS-II Users*, 9800714
- *ICE-88 In-Circuit Emulator Operating Instructions for ISIS-II Users*, 9800949
- *iSBC 957A Intellec-iSBC 86/12A Interface and Execution Package*, 9800743
- *8089 Real-Time Breakpoint Facility Operating Instructions for ICE-86A In-Circuit Emulator Users*, 162490
- *Model 740 Hard Disk Subsystem Operation and Checkout*, 9800943

Refer to the *Literature Guide*, 802800, for the most current information on available publications.

## Notational Conventions

UPPERCASE	Characters shown in uppercase must be entered in the order shown. You may enter the characters in uppercase or lowercase.
<i>italics</i>	Italics indicate variable information, such as <i>filename</i> or <i>address</i> .
[ ]	Brackets indicate optional arguments or parameters.
{ }	One and only one of the enclosed entries must be selected unless the field is also surrounded by brackets, in which case it is optional.
{ } ...	At least one of the enclosed items must be selected unless the field is also surrounded by brackets, in which case it is optional. The items may be used in any order unless otherwise noted.
...	Ellipses indicate that the preceding argument or parameter may be repeated.

**punctuation**

Punctuation other than ellipses, braces and brackets must be entered as shown. For example, the punctuation shown in the following command must be entered:

```
SUBMIT PLM86(PROGA,SRC,'9 SEPT 81')
```

**input lines**

In interactive examples, input lines and user responses are printed in white on black to differentiate input lines from system output.





# CONTENTS

<b>CHAPTER 1</b>	<b>PAGE</b>
<b>SYSTEM OVERVIEW</b>	
The Basic System .....	1-1
System Software Components .....	1-1
Dual Execution Modes .....	1-3
8080/8085 Execution Mode .....	1-3
8086 Execution Mode .....	1-3
The Intellec Terminal .....	1-4
The Display Area .....	1-4
The Keyboard .....	1-4
The Control Panel .....	1-6
Disk Drives .....	1-7
Disk Drive Configurations .....	1-8
Disk Format Characteristics .....	1-8
Flexible Disks .....	1-8
Hard Disks .....	1-8
Types of Disk Files .....	1-9

<b>CHAPTER 2</b>	
<b>SYSTEM OPERATION</b>	
Operation of Systems Containing Flexible Disks .....	2-1
Care of Flexible Disks .....	2-1
Flexible Disk System Operating Precautions .....	2-1
Flexible Disk System Start-up Procedure .....	2-2
Flexible Disk Insertion .....	2-2
Flexible Disk Removal .....	2-2
Flexible Disk System Shut-Down Procedure .....	2-4
Flexible Disk Formatting Procedures .....	2-5
Example 1—Formatting a Flexible Disk in a	
System Containing Multiple Flexible	
Disk Drives .....	2-5
Example 2—Formatting a Flexible Disk in a	
System Containing a Single Flexible	
Disk Drive .....	2-6
Operation of Systems Containing Hard Disk	
Drives .....	2-7
Hard Disk Subsystem Controls .....	2-7
Care of Hard Disks .....	2-7
Hard Disk Subsystem Operating Precautions .....	2-9
Hard Disk System Cold Start .....	2-9
Hard Disk Cartridge Installation .....	2-10
Hard Disk Cartridge Removal .....	2-12
Hard Disk Subsystem FAULT Operation .....	2-12
Hard Disk System Power-down Procedure .....	2-13
Hard Disk System Subsequent Start-up	
Procedure .....	2-13

<b>CHAPTER 3</b>	
<b>DEVICE/FILE MANAGEMENT</b>	
Device/File Accessing .....	3-1
Device Names .....	3-1
Filenames .....	3-2
Filename .....	3-2
Default Extensions .....	3-3

	<b>PAGE</b>
Disk File Pathname .....	3-3
Disk Directory .....	3-4
Filename .....	3-5
Blocks .....	3-5
Length .....	3-5
Attributes .....	3-5
Invisible .....	3-5
Write-protect .....	3-5
Format .....	3-6
System .....	3-6
The System Console .....	3-6
Line Editing .....	3-6
Operator-Controlled Pauses .....	3-7
Interrupting Program Execution .....	3-7
8080/8085 Execution Mode .....	3-7
8086 Execution Mode .....	3-8

<b>CHAPTER 4</b>	
<b>ISIS-II CONSOLE COMMANDS</b>	
Command Categories .....	4-1
Disk Maintenance Commands .....	4-1
File Maintenance Commands .....	4-1
8080/8085 Program Execution Commands .....	4-1
8086 Program Execution Commands .....	4-2
File Editing Commands .....	4-2
Program Control and Code Conversion	
Commands .....	4-2
Entering Commands .....	4-2
Command Syntax .....	4-3
Specifying Disk Files .....	4-3
Disk Maintenance Commands .....	4-3
IDISK—Disk Formatting Command .....	4-5
FORMAT—Disk Formatting Command .....	4-7
FIXMAP—Hard Disk Mapping Command .....	4-9
Mark Command .....	4-10
Free Command .....	4-11
List Command .....	4-12
Count Command .....	4-13
Record Command .....	4-14
Quit Command .....	4-14
Exit Command .....	4-15
FIXMAP Error Conditions .....	4-15
File Control Commands .....	4-17
Wild Card File Names .....	4-17
DIR—Disk Directory Listing .....	4-18
COPY—Copy a File .....	4-20
HDCOPY—Copy Hard Disk Tracks .....	4-23
DELETE—Delete a Disk File .....	4-26
RENAME—Rename a Disk File .....	4-27
ATTRIB—Change/Display Disk File Attributes ..	4-28
VERS—Display ISIS Utility Version Numbers .....	4-30
Program Execution Commands .....	4-30



# CONTENTS (Cont'd.)

	PAGE		PAGE
8080/8085 Program Execution Commands .....	4-31	Interrupting Program Execution .....	6-4
Filename—Direct Program Execution .....	4-31	Error Conditions .....	6-4
DEBUG—Transfer Control to Monitor .....	4-31	Expressions .....	6-4
SUBMIT—Non-Interactive Program Execution...	4-32	Operands .....	6-5
8086 Program Execution Commands .....	4-35	Numeric Constants .....	6-5
RUN—Activate the 8086 Execution Mode .....	4-35	Command Keywords .....	6-5
WORK—Change/Display Workfile Default		Keyword References .....	6-6
Drive .....	4-37	Register References .....	6-6
DATE—Change/Display System Date .....	4-38	Memory References .....	6-6
EXIT—Exit the RUN Program .....	4-39	Port References .....	6-8
		Symbolic References .....	6-8
		Statement Number Reference .....	6-9
		String Constants .....	6-10
<b>CHAPTER 5</b>		Operators .....	6-10
<b>THE MONITOR</b>		Relational Operators .....	6-12
System Initiation .....	5-1	Arithmetic Operators .....	6-12
I/O Interface .....	5-1	Content Operators .....	6-13
8080/8085 Program Development .....	5-1	Logical Operators .....	6-14
Command Categories .....	5-2	Arithmetic and Logical Semantic Rules .....	6-15
Entering Commands .....	5-3	Command Contexts .....	6-16
Command Syntax .....	5-3	Utility Commands .....	6-17
Entry Errors .....	5-4	DEBUG—Transfer Control to DEBUG-86 .....	6-17
Invalid Characters .....	5-4	EXIT—Exit DEBUG-86 .....	6-19
Address Value Errors .....	5-4	LOAD—Load 8086 Object Code .....	6-20
Checksum Errors .....	5-5	Execution Commands .....	6-21
Program Execution Commands .....	5-5	GO—Execute 8086 Instructions .....	6-21
G—Execute Command .....	5-5	GR—Change/Display Go Register .....	6-23
Monitor I/O Configuration Commands .....	5-7	STEP—Execute a Single Instruction .....	6-24
A - Assign Command .....	5-8	Change Commands .....	6-25
Q - Query Command .....	5-9	Change Register—Change Content of a Register ..	6-26
Memory Control Commands .....	5-9	Change Memory—Change Contents of Memory	
D - Display Command .....	5-10	Locations .....	6-27
F - Fill Command .....	5-10	Change Port—Change Contents of I/O Ports .....	6-29
M - Move Command .....	5-11	Display Commands .....	6-31
S - Substitute Command .....	5-12	Display Register—Display Contents of 8086	
X - Register Command (Display Form) .....	5-13	Registers .....	6-31
X - Register Command (Modify Form) .....	5-13	Display Memory—Display 8086 Memory .....	6-32
Paper Tape I/O Commands .....	5-15	Display Memory (ASM Form)—Display 8086	
R - Read Command .....	5-15	Memory in ASM Form .....	6-34
W - Write Command .....	5-16	Display Port—Display I/O Port Contents .....	6-36
E - End-of-File Command .....	5-16	Display Boolean—Display Boolean Value .....	6-37
N - Null Command .....	5-17	Display Stack—Display User Stack Contents .....	6-38
Utility Command .....	5-17	Evaluate—Display Integers in Five Bases .....	6-38
H - Hexadecimal Command .....	5-17	Symbol Manipulation Commands .....	6-40
		Define Symbol—Enter New Symbol .....	6-40
<b>CHAPTER 6</b>		Display Symbols—Display One or More Symbols ..	6-42
<b>DEBUG-86</b>		Display Lines—Display Statement Numbers .....	6-43
Command Categories .....	6-1	Display Modules—Display Module Names .....	6-44
Character Set .....	6-2	Change Symbols—Change Value of a Symbol .....	6-44
Invoking DEBUG-86 .....	6-3	Remove Symbols—Remove Symbols/Modules .....	6-46
Entering Commands .....	6-3	Set Domain—Establish Default Module .....	6-47
Continuation Lines .....	6-3	Compound Commands .....	6-48
Comments .....	6-3	REPEAT Command .....	6-48
Line Editing .....	6-4		



# CONTENTS (Cont'd.)

	PAGE
COUNT Command .....	6-50
IF Command .....	6-51
Nesting Compound Commands .....	6-52

## CHAPTER 7 ERROR MESSAGES

ISIS-II Error Routines .....	7-1
RUN Program Error Messages .....	7-6
DEBUG-86 Error Messages .....	7-7
Console Command Interface Errors .....	7-8
Other Console Command Interface Errors .....	7-9

## APPENDIX A HEXADECIMAL PAPER TAPE FORMAT

## APPENDIX B HEXADECIMAL-DECIMAL CONVERSION

## APPENDIX C ASCII CODES

## APPENDIX D SUMMARY OF ISIS-II COMMANDS

## APPENDIX E SUMMARY OF MONITOR COMMANDS

## APPENDIX F SUMMARY OF DEBUG-86 COMMANDS

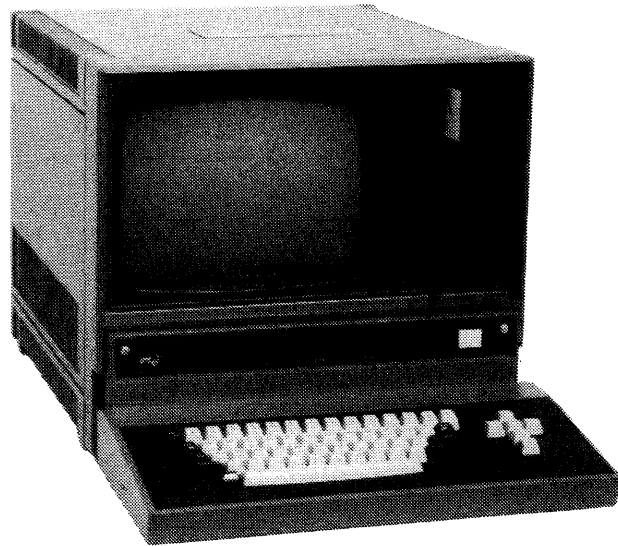
## APPENDIX G SUMMARY OF ERROR MESSAGES

## APPENDIX H MODEL 800 START-UP AND SHUT-DOWN PROCEDURES



# ILLUSTRATIONS

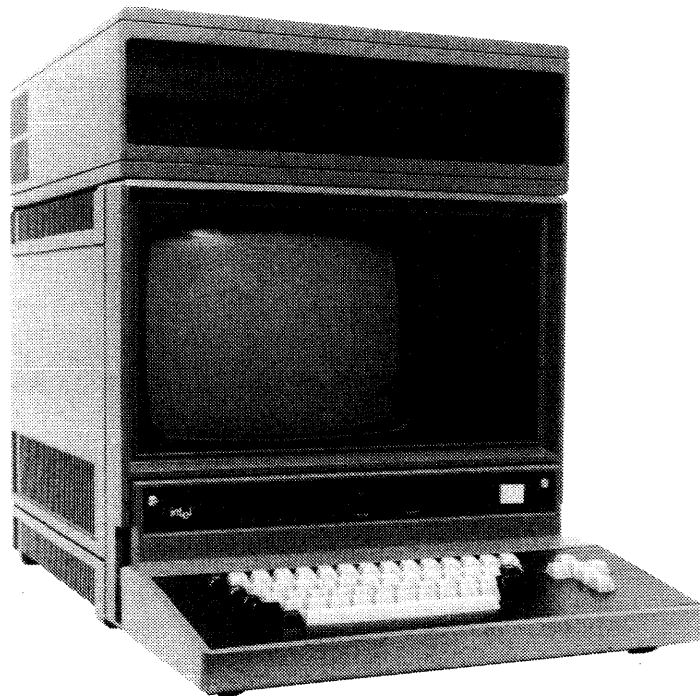
FIGURE	TITLE	PAGE	FIGURE	TITLE	PAGE
1-1	Basic System .....	1-2		Position .....	2-3
1-2	System with External Flexible Disk Drive Unit .....	1-2	2-2	Flexible Disk Insertion - Horizontal Position .....	2-3
1-3	System with Hard Disk Subsystem .....	1-3	2-3	Drive Door Release Button .....	2-4
1-4	The Display .....	1-4	2-4	Flexible Disk Write-Protect Tab .....	2-5
1-5	The Keyboard .....	1-5	2-5	Hard Disk Drive Subsystem .....	2-8
1-6	The Control Panel .....	1-6	2-6	Hard Disk Cartridge Installation .....	2-11
1-7	Flexible Disk Drives .....	1-7	3-1	Directory Listing Example .....	3-4
1-8	Flexible Disk .....	1-9	A-1	Paper Tape Record Format .....	A-1
1-9	Hard Disk Cartridge .....	1-9	H-1	Hard Disk Drive Subsystem .....	H-3
2-1	Flexible Disk Insertion - Vertical		H-2	Hard Disk Cartridge Installation .....	H-6



**Figure 1-1. Basic System**

121609-14

---



**Figure 1-2. System With External Flexible Disk Drive Unit**

121609-1

---



Figure 1-3. System With Hard Disk Subsystem

121609-2

---

## Dual Execution Modes

### 8080/8085 Execution Mode

The following functions operate in the 8080/8085 execution mode:

- All ISIS-II console commands except RUN and its subcommands
- Monitor commands

You load and execute your 8080/8085 executable programs by simply entering the name of your program.

### 8086 Execution Mode

The following functions operate in the 8086 execution mode:

- The RUN command, which invokes the 8086 mode
- The RUN subcommands, DATE, WORK, and EXIT
- DEBUG-86 commands

You load and execute your 8086 executable programs by entering the RUN command and the name of your program.

To use ISIS-II console commands, you must first exit to the 8080/8085 mode as described under the RUN and EXIT commands at the end of Chapter 4.

Each program displays a prompt character, as follows:

Program	Prompt	Mode
ISIS-II	- (hyphen)	8080/8085
Monitor	. (period)	8080/8085
RUN	> (angle bracket)	8086
DEBUG-86	* (asterisk)	8086

## The Intellec Terminal

This section describes the display area, keyboard, and control panel of the Intellec terminal.

### The Display Area

The video screen, shown in figure 1-4, has a display area that is 80 characters wide and 25 lines long.

Every character typed at the keyboard is displayed on the screen. A cursor (a blinking underscore) indicates where the next character will be entered.

You may use special features of the display when creating files with the CREDIT Text Editor (see the *ISIS-II CREDIT CRT-Based Text Editor User's Guide*).

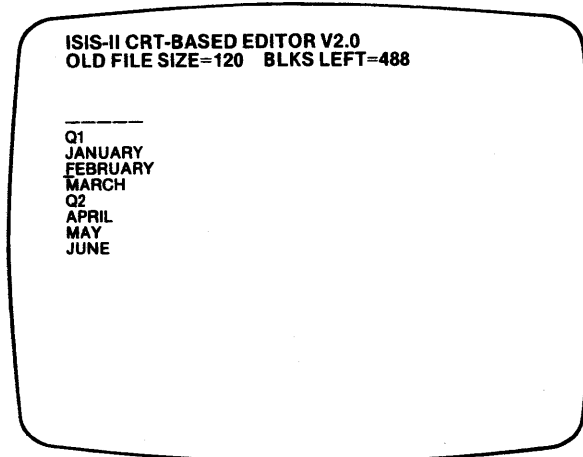


Figure 1-4. The Display

121609-3

### The Keyboard

The keyboard, shown in figure 1-5, is your interface with the system. From the keyboard you control the system, enter data and commands, and request data.

The data you enter at the keyboard is stored in a line editing buffer until you press the RETURN key or enter 122 characters. You can edit the contents of the line editing buffer with the line editing characters described in Chapter 3, Line Editing.

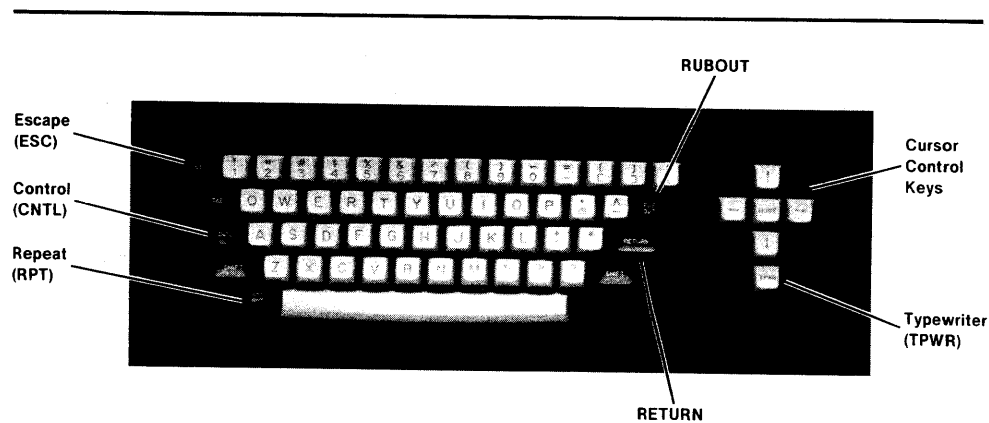


Figure 1-5. The Keyboard

121609-4

The keyboard is a typewriter-style electronic keyboard. In addition to the standard typewriter keys, the keyboard has other keys that perform specialized functions, as follows:

- |            |   |
|------------|---|
| CNTL       | The CNTL (Control) key changes the function of certain predefined alphabetic keys. A key whose function is changed by the CNTL key is called a control character. Control characters are defined throughout the manual. Examples are CNTL-R, CNTL-S, and CNTL-Q. To enter a control character, hold down the CNTL key and type the designated letter. A control character is entered into memory as one character, but is displayed with an up arrow, as in ↑R. |
| ESC        | The ESC (Escape) key terminates the line edited input in 8080/8085 mode. The ESC key displays as a dollar sign (\$).  |
| RPT        | The RPT (Repeat) key provides multiple entry of other keys. When RPT and a second key are held down, the function of the second key is repeated until the RPT key is released. For example, to delete several characters from the current input line, press both the RPT and the RUBOUT keys until the desired number of characters are deleted. The RPT key functions with all keys except the CNTL, SHIFT, HOME, and TPWR keys.                               |
| RUB<br>OUT | The RUBOUT key deletes the preceding character from both the display and the line editing buffer. Repeated usage is allowed.  |
| RETURN     | The RETURN key enters the carriage return and line feed characters. The use of the RETURN key in examples of input lines is indicated by <cr>.  |
| TPWR       | The TPWR (Typewriter) key provides lowercase entry (latched position) or uppercase entry (unlatched position) of alphabetic characters. The TPWR key functions with the alphabetic keys only.   |
| HOME       | The HOME key is used with the CREDIT Text Editor (see the <i>ISIS-II CREDIT CRT-Based Text Editor User's Guide</i> ).   |
| (arrows)   | The four keys with arrows are cursor control keys and are used with the CREDIT Text Editor.   |

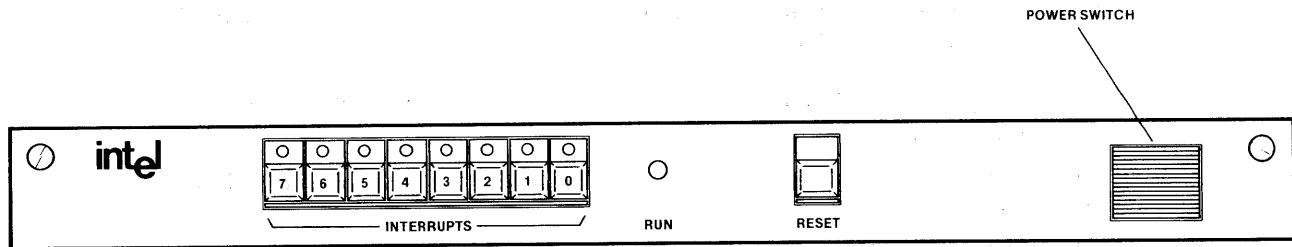


Figure 1-6. The Control Panel

121609-5

## The Control Panel

The system control panel, shown in figure 1-6, contains the following switches and/or indicators (right to left):

- |            |   |
|------------|---|
| POWER      | The POWER switch (square white button) turns on the power to the basic system console including the integral disk drive and gives control of the system to the Monitor.   |
| RESET      | If a system disk is in drive 0, the RESET switch loads the ISIS-II operating system into 8080/8085 memory and gives control of the system to ISIS-II; if a system disk is not in drive 0, it restarts the Monitor.  |
| RUN        | The RUN indicator light remains on while system power is on and the 8080/8085 processor is not in a halt state.   |
| INTERRUPTS |   |
| 0          | Interrupt 0 is a manual interrupt. When you press interrupt 0, processing terminates and control of the system is transferred to the Monitor.<br><br>In 8086 mode, you can use CNTL-D to interrupt processing and enter DEBUG-86.   |
| 1          | Interrupt 1 is a manual interrupt. When you press interrupt 1, processing terminates and control of the system is transferred to ISIS-II if a system disk is in drive 0.<br><br>In 8086 mode, you can use CNTL-C to interrupt processing and return control to RUN or ISIS-II depending on how RUN was invoked. |
| 2          | Interrupt 2 is reserved for system usage.   |
| 3,4,6,7    | Interrupts 3, 4, 6, and 7 can be used to generate Multibus interrupts if you make allowances for software products contained in your system.  |
| 5          | In 8086 mode, interrupt 5 must not be used.   |



## Disk Drives

Hard disk subsystem controls are described in Chapter 2 under Operation of Systems Containing Hard Disk Drives.

Flexible disk drives are shown in figure 1-7. The front of each disk drive consists of:

- A disk drive door
- A drive door release button, which opens the drive door and releases the disk for removal
- A drive indicator light, which is lit during disk input/output operations.

In addition, the external drive units shown in figure 1-7 (b) and (c) contain a power switch and on/off indicator light

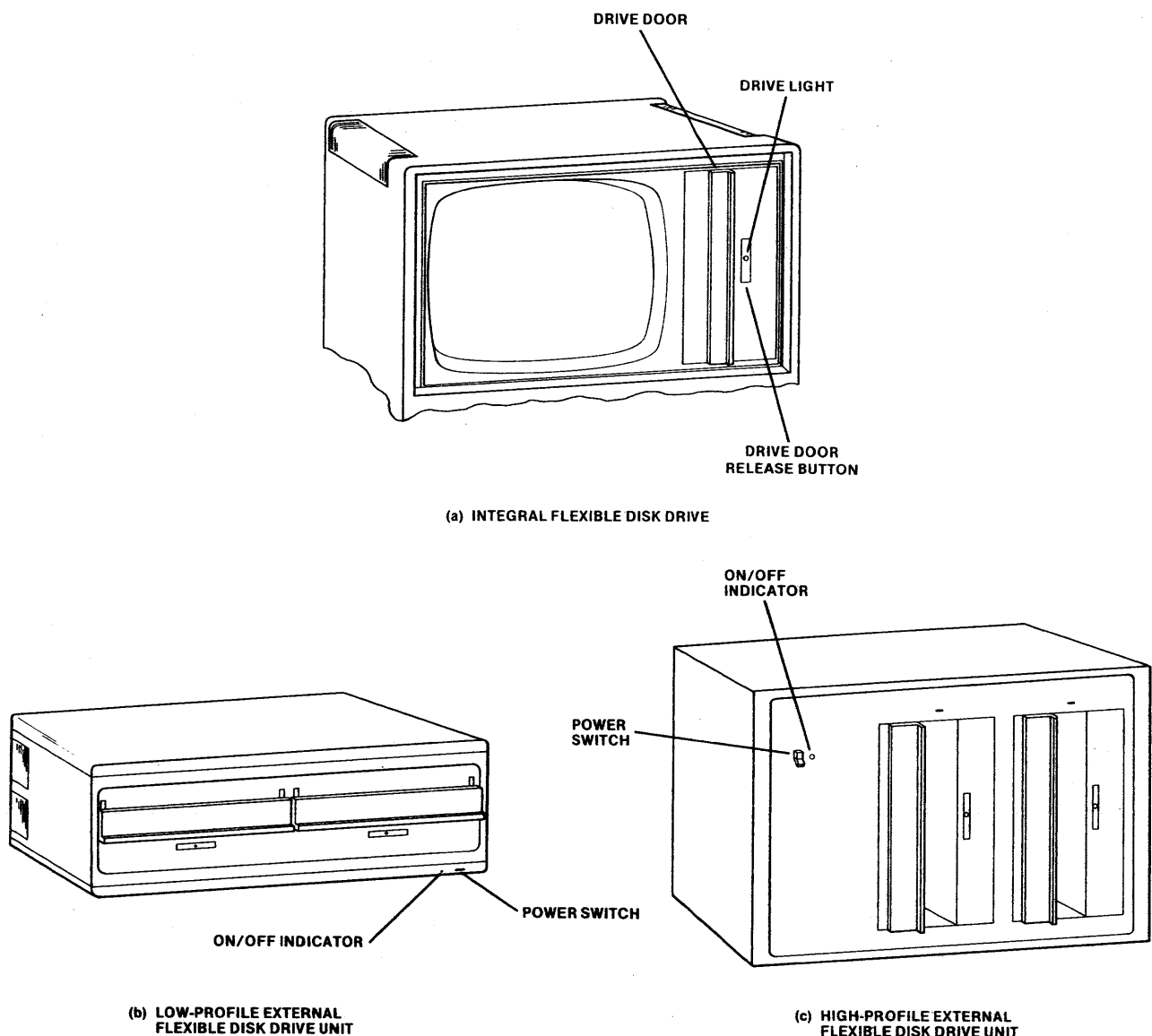


Figure 1-7. Flexible Disk Drives

## Disk Drive Configurations

The Series III supports up to eight drives, including single- and double-density flexible disk drives and hard disk drives. Table 1-1 describes the possible disk drive configurations and drive numbers for each.

You will note in table 1-1 that hard disk drives are always numbered drive 0 for the fixed hard disk platter, and drive 1 for the removable hard disk platter. Flexible disk drives, however, are assigned drive numbers according to the system configuration.

**Table 1-1. Series III Disk Drive Configurations**

Configuration	Drive Numbers									
	0	1	2	3	4	5	6	7	8	9
H + D	H-F	H-R	*	*	D	D	(D)	(D)		
H + IS	H-F	H-R	*	*	IS	*				
H + D + IS	H-F	H-R	*	*	D	D	(D)	(D)	IS	*
H + ID	H-F	H-R	*	*	ID	*			IS	*
H + ID + D	H-F	H-R	*	*	ID	*				
D	D	D	(D)	(D)			D	D		
IS	IS	*								
D + IS	D	D	(D)	(D)	IS	*				
ID	ID	*								
ID + D	ID	*	D	D						

H = Hard disk  
 F = fixed platter of hard disk  
 R = removable platter of hard disk  
 D = Double-density flexible disk  
 IS = Integrated single-density flexible disk  
 ID = Integrated double-density flexible disk  
 \* = Not available  
 Parentheses ( ) indicate optional drives within the particular configuration.

## Disk Format Characteristics

### Flexible Disks

The flexible disk used with the Intellec Series III Microcomputer Development System contains 77 tracks each. A flexible disk formatted in a single-density disk drive has 26 sectors per track; a flexible disk formatted in a double-density disk drive has 52 sectors per track. Each sector contains 128 bytes.

Once a flexible disk is formatted in a single- or double-density disk drive, it must be reformatted to be used in a drive of a different density. A flexible disk is shown in figure 1-8.

### Hard Disks

Hard disk platters contain 400 tracks on each of two surfaces. Each track has 36 sectors of 128 bytes. The system translates this data format into 200 logical tracks, with 144 logical sectors per logical track. Each hard disk subsystem contains two hard disk platters, a fixed platter in drive 0 and a removable cartridge in drive 1. A removable cartridge is shown in figure 1-9.

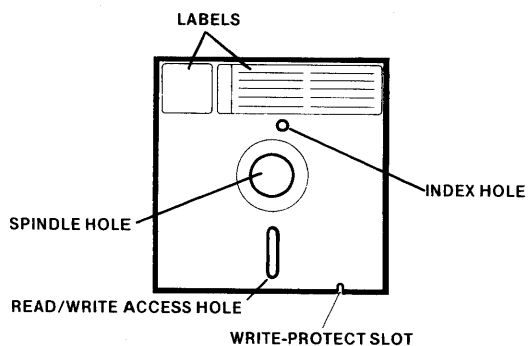


Figure 1-8. Flexible Disk

121609-7

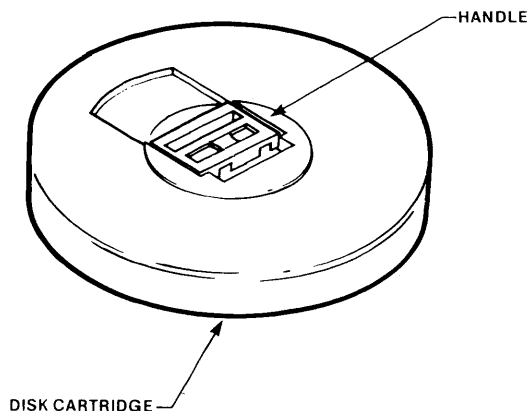


Figure 1-9. Hard Disk Cartridge

121609-8

## Types of Disk Files

A disk is either a system or non-system disk depending on the ISIS-II files contained on it:

- A system disk contains at least the files necessary to boot the operating system.
- A non-system disk contains only the files necessary for the creation and storage of files, leaving more space for data than on a system disk.

When the system is reset with an ISIS-II system disk in the appropriate drive, the operating system initializes and takes control of the system.

At system start-up, only the essential ISIS-II files are loaded into memory. ISIS-II command files remain on disk until you enter a command that calls them. The required programs are then loaded into memory and executed. After the command program has completed its functions, the memory it was using is again available. This technique gives you the full capabilities of the operating system and lets you reserve most of the memory space for your work.

Each file on a disk has a name. ISIS-II program files come with assigned names; you name each file you create. To access a file, you need only specify its name, not its address.

The four basic types of files are:

- Format files that are used by ISIS-II for disk formatting.
- System files that contain both the basic system programs and the command programs
- Program files that you create
- Data files that are used by your programs or by ISIS-II



This chapter provides tutorial information on how to operate an Intellec Series III system. The following functions are described:

- Care of disks
- Operating precautions
- Flexible disk insertion and removal
- Start-up and shut-down procedures for systems containing flexible disk drives
- Flexible disk formatting procedures
- Cold start and hard disk formatting procedures for systems containing a hard disk unit
- Hard disk cartridge installation and removal
- Subsequent start-up and power-down procedures for systems containing a hard disk unit

The first half of the chapter describes systems containing flexible disk drives; the second half describes systems containing hard disk drives. For start-up and shut-down procedures for Model 800 systems, see Appendix H.

## Operation of Systems Containing Flexible Disks

### Care of Flexible Disks

The flexible disk is a cost-effective and convenient medium for the storage of data. With proper care, you can ensure continued trouble-free reading and writing of flexible disk files. Specific precautions are:

- Return the flexible disk to its envelope when not in use
- Do not touch or clean the recording surface
- Do not smoke when handling the flexible disk
- Do not bend the flexible disk or use paper clips or other mechanical devices on it
- Use a felt tip pen on the disk label, not a pencil or ball point pen

For information concerning the operating and storage environment, see the *Intellec Series III Microcomputer Development System Installation and Checkout Manual*.

### Flexible Disk System Operating Precautions

The following actions can damage or modify the contents of a flexible disk:

- Turning on or turning off the power to the system or to an external disk drive unit with a flexible disk already inserted in the drive.
- Opening the disk drive door while the indicator light on the drive door release button is on.
- Removing a disk while the system is being booted and the ISIS-II prompt character is not displayed.
- Pressing the RESET switch while writing information on the flexible disk (i.e., the indicator light on the drive door is on).

## Flexible Disk System Start-up Procedure

To start up a system containing flexible disk drives only, follow these steps:

1. Turn on the power switch on the console control panel.
2. Press the RESET button. The system displays the Monitor sign-on message and prompt character (a period):

```
SERIES II MONITOR, Vx.y
```

(x.y is the version and release number of the Monitor.)

3. If you have an external disk drive unit attached to your system, turn on the power to the drive unit.
4. Insert the ISIS-II system flexible disk in drive 0 as described in the next section, Flexible Disk Insertion.
5. Press the RESET button. This loads the ISIS-II operating system files from disk into memory.

The system displays the ISIS-II sign-on message and prompt character (a hyphen):

```
ISIS-II, Vx.y
```

(x.y is the version and release number of ISIS-II.)

6. The system is now ready to accept a command from the console.

### NOTE

After you press RESET in step 5, the ISIS-II prompt (a hyphen) should be displayed. If the prompt displayed is a period (indicating that the Monitor is still in control), check for one of the following conditions: a non-system disk in drive 0, an incorrectly installed disk, or a disconnected drive.

## Flexible Disk Insertion

Before you insert a flexible disk, be sure that power to the system (and to the external flexible disk drive unit if any) is turned on.

If the drive door has a vertical opening, insert the flexible disk with the read/write slot first and the write-protect tab down (see figure 2-1).

If the drive door has a horizontal opening, insert the flexible disk with the read/write slot first and the write-protect tab to the left (see figure 2-2).

When the disk is inserted, close the drive door.

## Flexible Disk Removal

To remove a flexible disk from a disk drive, follow these steps:

1. Check that the last character displayed is the ISIS-II prompt character (a hyphen) indicating that ISIS-II is in control of the system.

If the last character displayed is not a hyphen, press interrupt 1.

2. Check that the indicator light on the drive door release button is off (see figure 2-3).

If the light remains on for more than 10 seconds and a read operation is not in progress, disengage the drive by pressing the RESET button, holding RESET pressed if necessary until the light goes out.

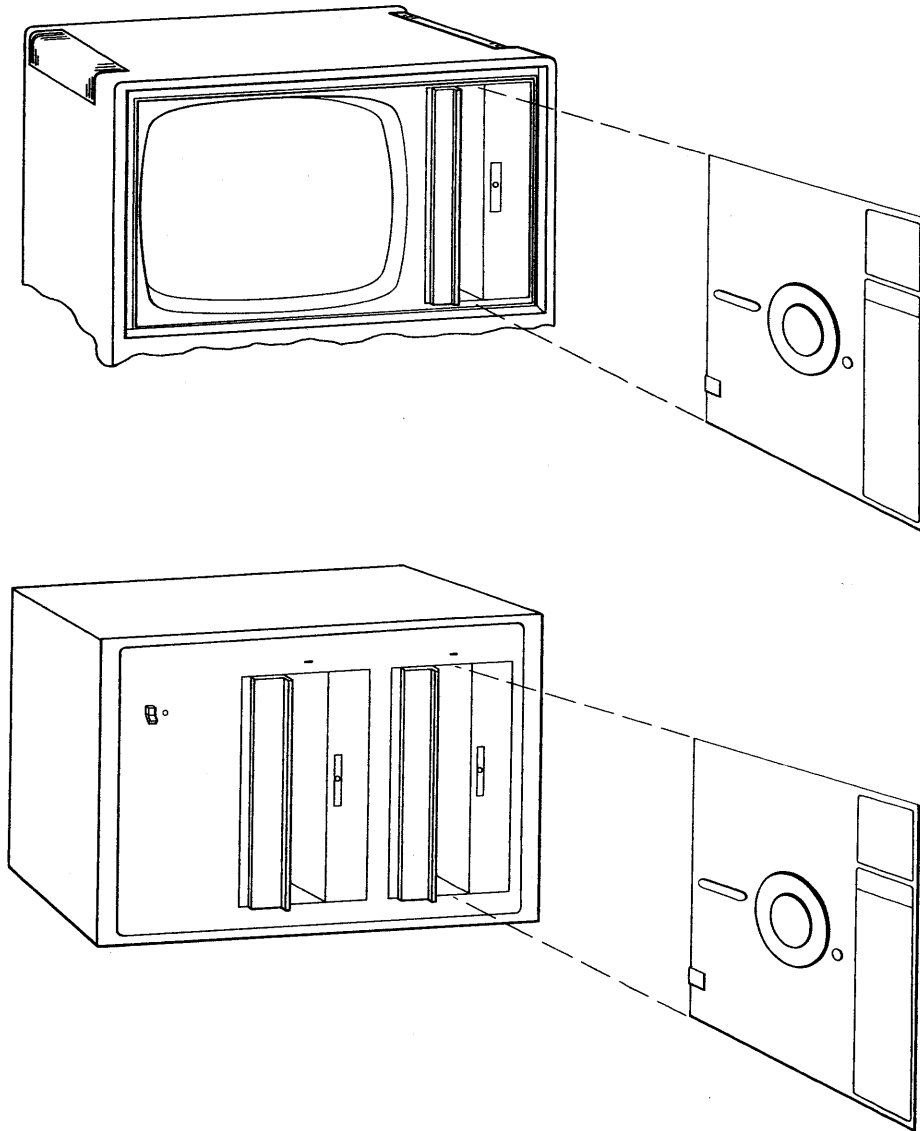


Figure 2-1. Flexible Disk Insertion, Vertical Position

121609-9

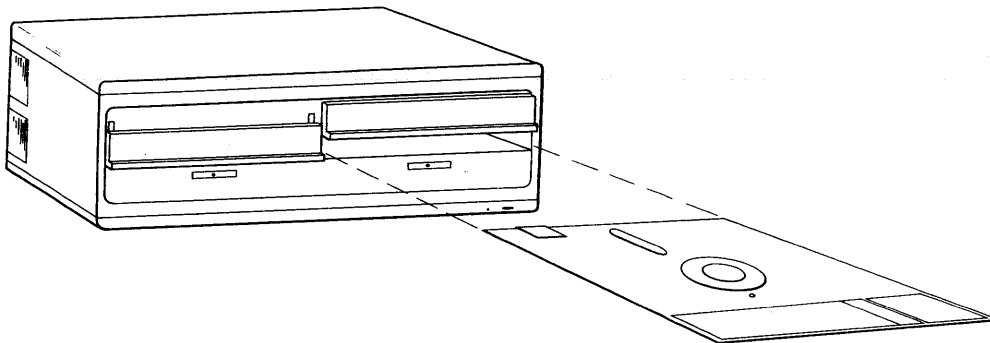


Figure 2-2. Flexible Disk Insertion, Horizontal Position

121609-10

3. Press the drive door release button. The door automatically opens and releases the flexible disk.
4. Remove the flexible disk and place it in its protective envelope.

### Flexible Disk System Shut-Down Procedure

When you are ready to turn off the system, follow these steps:

1. Remove all flexible disks as described in the preceding section.
2. Turn off the power switch on the external disk drive unit if any.
3. Turn off the power switch on the console control panel.

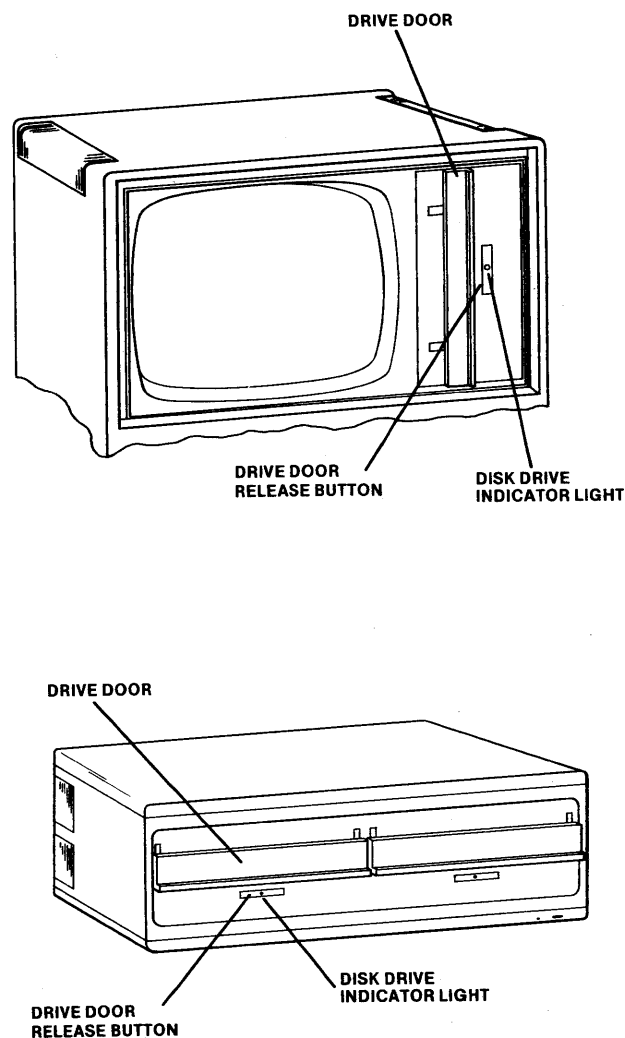


Figure 2-3. Drive Door Release Button

121609-12



## Flexible Disk Formatting Procedures

Before using a blank disk, you must format it. Examples below provide step-by-step disk formatting instructions for systems with multiple flexible disk drives and for systems with a single flexible disk drive.

The flexible disks required are:

- A source disk, referred to as the system or source disk, that contains ISIS-II system files.
- A blank disk, referred to as the output disk.

Before formatting a flexible disk, a reflective tab (provided with Intel disks) must be placed over an open write-protect slot, as shown in figure 2-4.

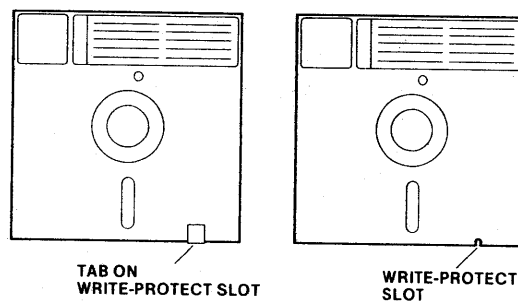


Figure 2-4. Flexible Disk Write-Protect Tab

121609-13

With the instructions given in example 1 you can produce any of three types of disks:

1. A basic system disk.
2. A basic non-system disk.
3. A duplicate back-up disk that contains all the files on the source disk. (It is a good idea to make a back-up copy of the important files on your disks.)

With the instructions given in example 2, you can produce types 1 and 3.

### Example 1—Formatting a Flexible Disk in a System Containing Multiple Flexible Disk Drives

1. Apply power to the system. Press the RESET button. The system displays the Monitor sign-on message and prompt (a period).
2. Apply power to the external disk drive unit.
3. Insert the system disk into drive 0.
4. Insert the output (blank) disk into drive 1.
5. Press the RESET button.

The system displays the ISIS-II sign-on message and prompt (a hyphen).

6. Enter one of the following commands:

To format a basic system disk:

```
-FORMAT :F1:MYDISK S<cr>
```

To format and create a duplicate back-up disk:

```
-FORMAT :F1:MYDISK A<cr>
```

To format a nonsystem disk:

```
-FORMAT :F1:MYDISK<cr>
```

7. The system displays the name of each file copied.
8. The disk is now ready to be used on the system.

For additional information and examples of the FORMAT command, see Chapter 4.

### Example 2—Formatting a Flexible Disk in a System Containing a Single Flexible Disk Drive

It is recommended that all disks used on a single disk system be formatted as a system disk and that you write-protect your source system disk in case the two disks are switched.

1. Turn on the system power and press the RESET switch. The system displays the Monitor sign-on message and prompt character (a period).
2. Insert a system disk into the disk drive.
3. Press the RESET button. The system displays the ISIS-II sign-on message and prompt character (a hyphen).
4. Enter the following command:

```
-IDISK :F0:MYDISK S <cr>
```

5. The system displays:  
SYSTEM DISK
6. The system then displays:  
LOAD OUTPUT DISK, THEN TYPE (CR)  
The system waits for you to remove the system disk, insert the output disk, and press the RETURN key.
7. The system then displays:  
LOAD SYSTEM DISK, THEN TYPE (CR)  
The system waits for you to remove the output disk, insert the system disk, and press the RETURN key.
8. When the new disk is formatted it can be used on the system as a system disk. To produce a duplicate back-up disk, continue with the remaining steps in this procedure.
9. When the ISIS-II prompt character (a hyphen) is displayed, enter the following command:

```
-COPY *.* TO *.* <cr>
```

where \*.\* is the wild card designation that matches all filenames. All files remaining on the source disk are copied to the output disk.

10. The system then displays:  
LOAD SOURCE DISK, THEN TYPE (CR)  
If the source disk is already inserted in the drive, press the RETURN key without swapping disks. If not, swap disks and press the RETURN key.
11. The system then displays:  
LOAD OUTPUT DISK, THEN TYPE (CR)  
Swap disks and press the RETURN key.
12. Repeat steps 10 and 11 in accordance with the messages displayed, if any.
13. The system displays the names of each file copied.
14. When the copy is completed, the new disk is a duplicate back-up disk.

For additional information on the IDISK and COPY commands, see Chapter 4.

## Operation of Systems Containing Hard Disk Drives

### Hard Disk Subsystem Controls

The front panel of the hard disk drive includes four backlighted operating switches and two status indicators (see figure 2-5 and table 2-1). A brush indicator and two cartridge holddown arms are mounted on the top of the disk drive. Two circuit breakers are positioned on the back panel.

Table 2-1. Hard Disk Drive Controls and Indicators

Control or Indicator	Function
MAIN Circuit Breaker (CB1)	Applies main ac to disk drive.
+34 VOLT Circuit Breaker (CB2)	Applies dc voltage to disk drive electronics; not accessible to operator (covered by switch plate).
START/STOP Switch/Indicator	Alternate-action switch with indicator. When pressed, applies power to spindle motor and initiates the first seek mode; indicator lights to indicate power is applied to spindle motor and spindle is rotating. When pressed the second time, removes power to spindle motor; indicator remains lighted until spindle stops rotating.  <b>NOTE</b>  The first seek mode is completely automatic and requires approximately 65 seconds to complete. In the event of a fault during this time, heads will automatically go to emergency retract and spindle will stop.
READY Indicator	Lights when spindle is up to speed, heads are loaded, and disk drive is ready for use.
ACTIVE Indicator	Lights when disk drive is actively engaged in any mode: direct seek (forward or reverse), return-to-zero seek, or read/write/erase.
FAULT Switch/Indicator	Lights when any fault (except power failure) exists. Pressing switch resets fault logic.
WRITE PROTECT/CART Switch/Indicator	Alternate-action switch with indicator. Prohibits writing or erasing on cartridge disk. Indicator lights to indicate that cartridge is protected.
WRITE PROTECT/FIXED Switch/Indicator	Alternate-action switch with indicator. Prohibits writing or erasing on fixed disk. Indicator lights to indicate that fixed disk is protected.
Brush Indicator	Indicates position of brush motor. Allows brush to be manually moved.
Cartridge Holddown Arms	Hold disk cartridge in place. Interlock circuits prevent arms from being lifted as long as spindle is rotating.

### Care of Hard Disks

The hard disk drive assembly is extremely sensitive to contaminants on the hard disk platter surface. The head does not make contact with the disk platter, but rides about 1.14 microns above it. If contaminants such as a human hair (100 microns in diameter), a smoke particle (6.35 microns), fingerprints, or dust come between the disk drive head and the platter surface, the contact will usually destroy both the head and the disk.

9. Wait until the READY indicator is lit (65 seconds).
10. At the console, enter the following command:  

```
-:F4:FORMAT :F0:ISISx.y S FROM 4<cr>
```

where x.y corresponds to the ISIS-II version and release number displayed in step 8 above. This step formats the fixed hard disk in drive 0 as a system hard disk. Wait until the formatting operation is completed (indicated by an ISIS-II prompt) before going to step 11.
11. Press the Interrupt 1 switch on the console control panel. Drive 0 is now the system disk drive.
12. To format the removable cartridge as a non-system disk, enter the following command:  

```
-FORMAT :F1:NONSYS.DSK<cr>
```
13. The system is now ready to accept another command from the console.

#### NOTE

All interrupt 1 and ISIS-II aborts reboot from the system hard disk in drive 0. The system flexible disk in drive 4 is required only for system start-up and reset (RESET switch) operations.

## Hard Disk Cartridge Installation

Stabilize the disk cartridge temperature to the disk drive environment before it is installed. Be sure that the disk is clean, then install it as follows (see figure 2-6):

1. Check that the MAIN circuit breaker (CB1) is ON.
2. Check that the START/STOP indicator is not lit.
3. Check that the brush indicator slot is aligned with the black line. If not, align it with a coin or similar object.
4. Raise the disk drive cover.
5. Lift the cartridge holddown arms.  
(If the arms are locked, the previous steps may not have been completed properly, or the drive may have malfunctioned. In the latter case, the cartridge must be removed by an Intel Service Representative.)
6. Separate the dust cover from the disk cartridge by sliding the cover release button to the side and lifting the cartridge handle. Remove and set the dust cover aside.
7. Check that brush indicator slot is aligned with the black line. If not, align it with a coin or similar object.
8. Gently place the disk cartridge onto the spindle hub with head opening toward rear of disk drive.
9. Rotate the cartridge slowly back and forth until it seats into detent.
10. Push the cartridge handle down.
11. Replace the dust cover, open end down, over the disk cartridge.
12. Position the cartridge holddown arms over the cartridge.
13. Close the disk drive cover.
14. Press the START/STOP switch. If the spindle motor does not rotate, disk cartridge is not installed properly (press START/STOP and perform steps 4 through 13 again).
15. If the spindle motor rotates, wait until the READY indicator is lit (65 seconds).

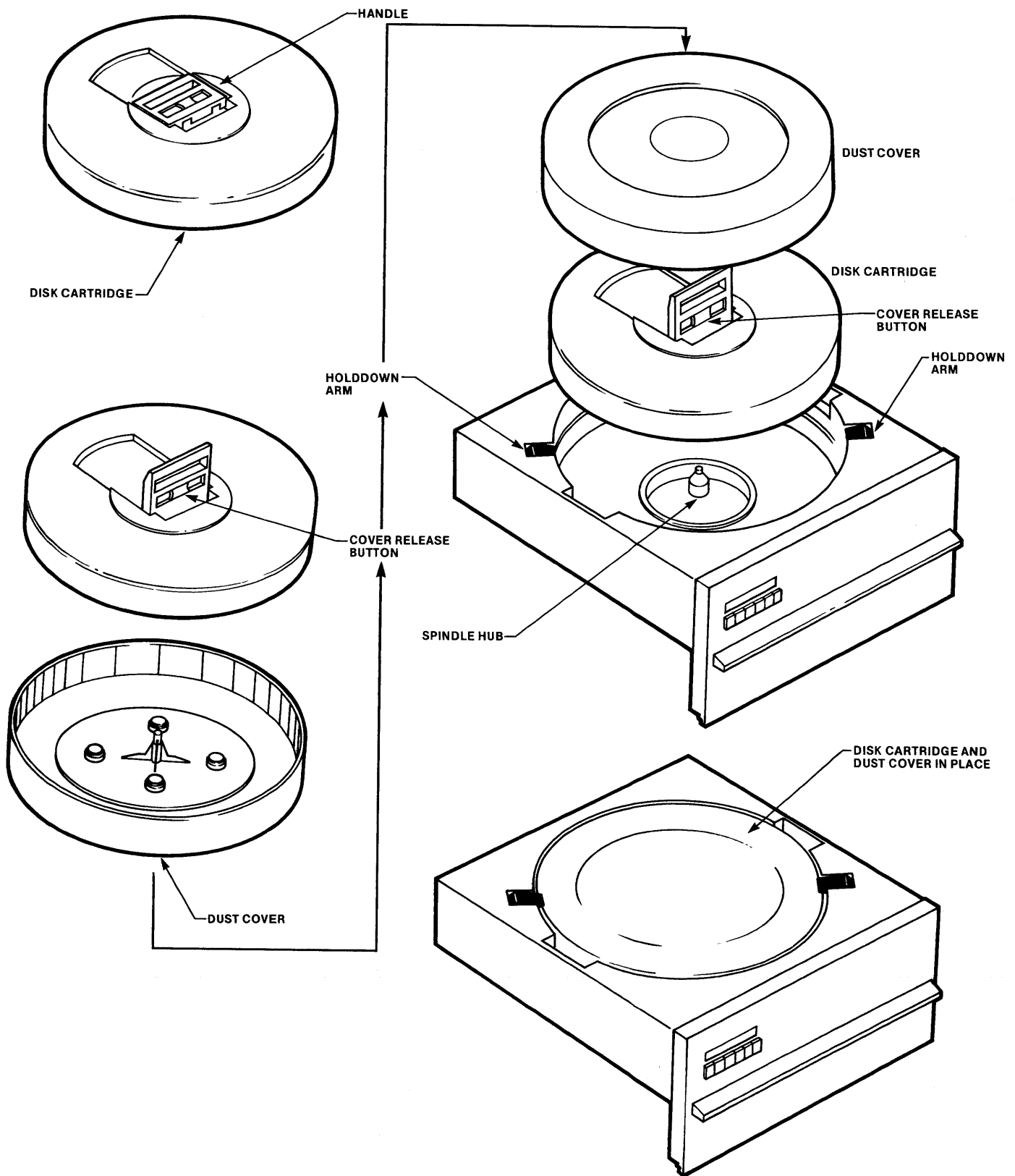


Figure 2-6. Hard Disk Cartridge Installation

## Hard Disk Cartridge Removal

To remove a hard disk cartridge, follow these steps:

1. Check that MAIN circuit breaker (CB1) is on and that the blower motor is on.

### NOTE

If the MAIN circuit breaker is on but the blower motor is not, the cartridge must be removed by a service representative.

2. Check that the START/STOP indicator is not lit.
3. Check that the brush indicator slot is aligned with the black line. If not, align it with a coin or similar object.
4. Raise the disk drive cover.
5. Lift the cartridge holddown arms.  
(If the arms are locked, the previous steps may not have been completed properly, or the drive may have malfunctioned. In the latter case, the cartridge must be removed by an Intel Service Representative.)
6. Remove cartridge dust cover and set aside.
7. Hold the cover release button, lift the cartridge handle, and lift the cartridge clear of the disk drive spindle.
8. Place the dust cover in position on disk cartridge and release the cover release button.

### NOTE

To prevent dust and foreign objects from entering the disk drive, never leave the unit open without a cartridge in place for an extended period of time.

## Hard Disk Subsystem FAULT Operation

The FAULT indicator comes on when a nondamaging fault exists, such as when more than one head is selected.

If a momentary power failure occurs, the FAULT indicator does not come on. In such an event, the hard disk heads go into emergency retract and the unit stops. The unit automatically restarts when power returns to normal.

If the FAULT indicator is lit, follow these steps:

1. Check that the system flexible disk is in drive 4.
2. Press the FAULT switch. If the FAULT indicator goes out, and remains out, resume normal operation. If not, continue with step 3.
3. Press the START/STOP switch to remove power from the spindle. Allow the spindle to stop, then press the START/STOP switch again. Allow the spindle to reach operating speed.  
If the FAULT indicator goes out, resume normal operation. If not, proceed to step 4.
4. Press the START/STOP switch to remove power from the spindle, and contact a service representative.

## Hard Disk System Power-down Procedure

To power-down the system, follow these steps:

1. Remove all flexible disks as described under the Flexible Disk Removal section.
2. Press the START/STOP switch. The following occurs:
  - The READY indicator extinguishes.
  - The heads retract.
  - The START indicator goes out after the spindle stops rotating.
  - The cartridge hold-down arm interlocks open.
3. Turn off power to the external disk drive unit, if any.
4. Turn off the power switch on the console control panel.

Note that the main power (CB1) to the hard disk subsystem is not turned off.

## Hard Disk System Subsequent Start-up Procedure

Once you have completed the cold-start procedure, you can follow the simplified start-up procedure given in this section for your day-to-day operations. This start-up procedure assumes the following:

- The flexible disk to be inserted in drive 4 and the fixed hard disk platter in drive 0 are both system disks and contain the same version of ISIS-II.  
If they do not contain the same version of ISIS-II, follow the instructions in the Hard Disk System Cold Start section.
- The main power to the hard disk subsystem (CB1) is left on 24 hours a day.

The day-to-day start-up procedure is as follows:

1. Apply power to the system console.
2. Press the RESET switch. The system displays the Monitor sign-on message and prompt character (a period):
 

```
SERIES II MONITOR, Vx.y
.
```

(x.y is the version and release number of the Monitor.)
3. Apply power to the external flexible disk drive unit if any.
4. Insert a system flexible disk in drive 4.
5. Press the START/STOP switch on the hard disk subsystem.
6. When the READY indicator is lit, press the RESET switch on the console.
7. The system displays the ISIS-II sign-on message and prompt character (a hyphen):
 

```
ISIS-II, Vx.y
-
```

(x.y is the version and release number of ISIS-II.)
8. The system is now ready to accept a command from the console. For example, to format the removable hard disk cartridge as a non-system disk, enter the following command:

```
-FORMAT :F1:NONSYS.DSK<cr>
```

For further information concerning disk formatting, see Chapter 4. For further information concerning the hard disk subsystem, see the *Model 740 Hard Disk Subsystem Operation and Checkout Manual*.

Standard devices are predefined devices for which I/O driver routines are specifically provided. System names assigned to standard devices are:

```

:F0:
through
:F9:      Directory on the disk in drive 0 ... 9
:TI:      Teletypewriter keyboard
:T0:      Teletypewriter printer
:TP:      Teletypewriter punch
:TR:      Teletypewriter reader
:VI:      Video terminal keyboard
:VO:      Video terminal screen
:HP:      High-speed paper tape punch
:HR:      High-speed paper tape reader
:LP:      Line printer

```

The generic devices, system console and byte bucket, do not exist in their own right, but provide flexibility for input or output of your data.

Logical names assigned to the device being used as the system console are:

```

:CI:      Console input file
:CO:      Console output file

```

The keyboard and screen are normally :CI: and :CO: respectively. However, you can establish some other device, such as a disk file, as :CI: or :CO: with the CONSOL system call.

You can use the byte bucket for data you do not want saved or displayed. The logical name assigned to the byte bucket is:

```

:BB:      Byte bucket

```

## Filenames

All ISIS-II files come with system-assigned names. When you create disk files with a text editor such as CREDIT, you assign a name to that file. The name may be expanded with an extension that further identifies the file.

### Filename

The term filename refers to both the name of the file and the extension, if any. Each new file you create must have a unique filename.

The general format for filename is:

```

name.extension
├──┬──
│  │  └── 1-3 alphanumeric characters
│  └── 1-6 alphanumeric characters
└──

```



where

*name* is a one- to six-character name you assign to a file. The characters must be alphabetic or numeric.

*.extension* is a one- to three-character modifier you create for *name*. An *.extension* is optional when the file is created, but if *.extension* is specified, it must always be used when referencing the file.

## Default Extensions

Default extensions are predefined extensions that the system assumes under certain programs when you do not supply one. Default extensions are designed to save you time when entering commands.

When you specify any 8086 filename with no extension under the RUN program, the system assumes an extension of .86. If you specify an extension (or a name and period with no extension, as in TEST2.), the default extension is not assumed.

When you specify an 8080/8085 filename with no extension, some ISIS-II programs and the language translators assume a default extension.

Examples of default extensions are:

.OBJ	Translator output
.86	ISIS-II RUN program
.CSD	ISIS-II SUBMIT program
.BAK	ISIS-II CREDIT program
.TMP	ISIS-II LINK, Locate, Lib, CREDIT, and RUN programs
.LNK	ISIS-II LINK program

These extensions are explained further under the individual commands. It is recommended that you do not assign such extensions to your source program's files.

## Disk File Pathname

The pathname for disk files is:

*:Fn:filename*

where

*:Fn:* refers to the directory of the disk in drive *n* that contains the target file. The value *n* is an integer between 0 and 9 inclusive. If *:Fn:* is not specified, *:F0:* is assumed. *filename* follows *:Fn:* with no intervening space, as in *:F1:MYPROG.*

The following example illustrates the file pathname as well as a common use of extensions.

<i>:F1:PROGA.SRC</i>	-for the source code
<i>:F1:PROGA.LST</i>	-for the listing from the translator
<i>:F1:PROGA.OBJ</i>	-for the object code
<i>:F1:PROGA.LNK</i>	-for the linked object code
<i>:F1:PROGA</i>	-for the code located at absolute addresses for execution

If the disk that contains these files is moved to drive 2, :Fn: becomes :F2:. :Fn: is dependent on the physical location of the disk.

Note that all these files have the same name and are distinguished only by the extension. Extensions allow you to distinguish between different files associated with a single program.

## Disk Directory

Files are accessed through a disk directory that keeps track of each file on the disk by its filename.

A directory on a flexible disk has space for 200 entries. A directory on a hard disk has space for 992 entries. This means that a flexible disk can contain up to 200 files, and a hard disk can contain up to 992.

A directory entry contains identifying information about a file. For example, it includes the following items:

- Filename
- Number of blocks allocated to the file
- Number of bytes in the file (length)
- Attributes

Figure 3-1 shows a directory listing obtained by using the DIR command.

---

```

DIRECTOR OF :FO:X409
NAME .EXT BLKS LENGTH ATTR NAME .EXT BLKS LENGTH ATTR
ISIS .DIR 26 3200 IF ISIS .MAP 5 512 IF
ISIS .TO 24 2944 IF ISIS .LAB 54 6784 IF
ISIS .BIN 94 11756 SIF ISIS .CLI 20 2407 SIF
ATTRIB 40 4909 WSI COPY 69 8489 WSI
DELETE 39 4824 WSI DIR 55 6815 WSI
EDIT 58 7240 WSI FIXMAP 52 6498 WSI
HDCOPY 48 5994 WSI HEXOBJ 34 4133 WSI
IDISK 63 7895 WSI LIB 82 10227 WSI
LINK 105 13074 WSI LINK .OVL 37 4578 WSI
LOCATE 120 15021 WSI OBJHEX 28 3337 WSI
RENAME 20 2346 WSI SUBMIT 39 4821 WSI
SYSTEM.LIB 24 2849 WS FPAL .LIB 74 9125 WSI
FORMAT 62 7789
1272
1272/4004 BLOCKS USED

```

Figure 3-1. Directory Listing Example

## Filename

Each filename in the directory includes the extension if any.

## Blocks

ISIS-II treats a file as a string of bytes. Space is allocated to a file in complete 128-byte blocks even though the last block in the file may be only partially used. In other words, a block is not shared by two files. When you delete a file, the blocks it occupied are released for reassignment by ISIS-II.

For every 62 blocks of data, another block is required for pointers that specify the location of files. You can calculate the number of data and pointer blocks required by a file of N bytes with the following formula:

$$63 * (N / 128) / 62$$

Any result containing a decimal fraction is rounded to the next higher integer. For example, a file of 9000 bytes requires

$$\begin{aligned} 63 * (9000 / 128) / 62 &= \\ 63 * 70.31 / 62 &= \\ 72.15 &= \\ 73 \text{ blocks required} \end{aligned}$$

## Length

The length of a file is the number of bytes contained. Length increases as a file is written and can be affected by other programs containing the system calls OPEN and SEEK.

## Attributes

Four attributes are associated with each file that may be set or reset (turned on or off) by the ATTRIB command or the ATTRIB system call:

- Invisible
- Write-protect
- Format
- System

When you create a file with the CREDIT Text Editor, or copy a file with the COPY command, no attributes are set. (The COPY command C switch copies attributes.)

**Invisible.** The invisible attribute prevents files from being listed by the DIR command unless you use the invisible (I) switch. System files on the system disks supplied with your system have this attribute set.

**Write-protect.** The write-protect attribute protects files from being modified, deleted, or renamed. However, write-protected files are overwritten by the IDISK and FORMAT commands.

## 8086 Execution Mode

Interrupt 1 performs the same functions in 8086 mode as in 8080/8085 mode.

To interrupt 8086 program execution and enter DEBUG-86, use CNTL-D.

To terminate 8086 program execution and close files, use CNTL-C. CNTL-C returns control to the 8086 RUN program if you are in interactive RUN mode, and to ISIS-II if you are in noninteractive RUN mode. For information on interactive and noninteractive RUN modes, see the RUN command at the end of Chapter 4.



# CHAPTER 4 ISIS-II CONSOLE COMMANDS

ISIS-II console commands perform the following basic tasks:

- Prepare a new disk for use by the system (i.e., format the disk)
- Create, delete, and revise files and directories
- Convert object file formats
- Execute your 8080/8085 programs
- Execute your 8086 programs

## Command Categories

The following ISIS-II console commands are associated with each of the preceding tasks:

### Disk Maintenance Commands

IDISK	Formats a new disk to a basic system or non-system disk.
FORMAT	Formats a new disk and copies files.
FIXMAP	Maps bad sectors on a hard disk.

### File Maintenance Commands

DIR	Displays the names of and information about the files listed within the disk directory.
COPY	Copies a file from one device to another.
HDCOPY	Copies one hard disk to another.
DELETE	Removes references to a file from the directory and frees disk storage space associated with that file.
RENAME	Changes the name of a disk file.
ATTRIB	Changes and/or displays the attribute(s) of a disk file.
VERS	Displays ISIS utility version numbers.

### 8080/8085 Program Execution Commands

<i>filename</i>	Loads and executes an 8080 or 8085 program named <i>filename</i>
SUBMIT	Enters a file that contains commands to be executed.
DEBUG	Loads an 8080 or 8085 program if specified, and gives control to the Monitor.

## 8086 Program Execution Commands

- RUN** Activates the 8086 execution mode and optionally executes an 8086 program. The following commands control 8086 processing in RUN mode:
- *filename* Executes an 8086 program named *filename* (see the RUN command).
  - **DEBUG** Loads an 8086 program if specified, and gives control to DEBUG-86. This command is described in Chapter 6.
  - **WORK** Changes or displays the default drive used for workfiles.
  - **DATE** Changes or displays the system date.
  - **EXIT** Exits the RUN program and returns control to ISIS-II.

## File Editing Commands

File creation and editing commands for the CREDIT Text Editor are described in the following manual:

- *ISIS-II CREDIT CRT-Based Text Editor User's Guide*

## Program Control and Code Conversion Commands

Program control commands (for Librarian, Linker, and Locator) and code conversion commands (for hexadecimal to/from object module format conversion) are described in the following manuals:

- *MCS-80/85 Utilities User's Guide for 8080/8085-Based Development Systems*
- *iAPX 86, 88 Family Utilities User's Guide*

## Entering Commands

Your communication with ISIS-II is through the system console. When you press RESET, ISIS-II signs on and issues its prompt character (a hyphen):

```
ISIS-II Vx.y
-
```

where x.y is the version and release number of ISIS-II.

You can enter a command whenever the ISIS-II prompt is displayed. Each command is entered as a command line and must be terminated by a carriage return or a line feed. When you press the RETURN key after entering a command line, a line feed is automatically entered.

You can intersperse comment lines with command lines. Begin each comment line with a semicolon.

You can correct or edit the current input line with the RUBOUT key. Other line editing characters are described in Chapter 3, Line Editing. Once the RETURN key is pressed that input line can no longer be edited.

The RUN and DEBUG-86 programs are the only ones that execute in the 8086 mode. If the system is in 8086 mode, you must exit to ISIS-II before entering any other ISIS-II command program.

## Command Syntax

The general syntax of ISIS-II console command is:

*command parameters*<cr>

where

*command* is the name of a command program.

*parameters* are one or more data required by the command. When you enter more than one parameter, separate them with commas or blank spaces unless noted otherwise under the individual commands. When a parameter consists of switches, they may be separated by spaces, but not by commas.

Parameters enclosed in brackets ([ ]) are optional. If an optional parameter is omitted, default actions are performed by ISIS-II commands as explained with each command.

In most cases a command is executed when the carriage return is encountered. Any exceptions are noted under the individual commands.

## Specifying Disk Files

The command syntax of many commands includes the following designation:

:Fn:*filename*

Where this format is shown, the following definitions apply unless otherwise noted under the individual command:

:Fn: refers to the directory of the disk in drive n that contains *filename*. The value n is an integer between 0 and 9 inclusive. If :Fn: is not specified, :F0: is assumed.

*filename* is the name (and extension if any) of the target file. Enter *filename* immediately after :Fn: with no intervening space, as in :F1:MYPROG.

## Disk Maintenance Commands

The commands described in this section are:

IDISK	Formats a disk as a system or non-system disk.
FORMAT	Formats a disk as a system or non-system disk and copies additional files.
FIXMAP	Maps bad sectors on hard disk.

A blank disk must be formatted with either the FORMAT or IDISK command before it can be used on the system. You can format the disk as any of the following:

- A basic system disk containing only the ISIS-II files necessary to start-up and operate the system and maintain the disk file directory.
- A basic non-system disk containing only the ISIS-II files necessary to maintain the disk file directory, leaving more space for data than on a system disk.
- A system or non-system disk containing additional ISIS-II files.

You must use IDISK or FORMAT to convert a non-system disk to a system disk.

If your system has at least two disk drives, use either the FORMAT or IDISK command. If your system has a single disk drive, use the IDISK command.

Use a disk formatted as either a single- or double-density disk only in a disk drive of the same density. If you wish to use that disk in a drive of a different density, format the disk again with FORMAT or IDISK in a drive of the desired density.

Table 4-1 shows the ISIS-II files copied for each FORMAT or IDISK command shown. Note that the COPY command must be used in conjunction with IDISK.

The information in this table applies only if your source disk files have the same file attributes set as those shown in the Attributes column.

**NOTE**

The F attribute is reserved for the basic format files listed in table 4-1. If you remove the F attribute from those files, your new disk will not be formatted properly. If you assign the F attribute to any other file, that file will not be copied by the FORMAT command.

**Table 4-1. Disk Formatting Example**

Type of File	File Name	Attributes**	FORMAT	FORMAT A	FORMAT S	IDISK	IDISK S	COPY	COPY S
ISIS-II basic format files	ISIS.DIR	IF	X	X	X	X	X		
	ISIS.MAP	IF	X	X	X	X	X		
	ISIS.T0	IF	X	X	X	X	X		
	ISIS.LAB	IF	X	X	X	X	X		
	*ISIS.BAD	IF	X	X	X	X	X		
	ISIS.OV0	IF	X	X	X	X	X		
ISIS-II basic system files	ISIS.BIN	SIF		X	X		X		
	ISIS.CLI	SIF		X	X		X		
ISIS-II system command files	ATTRIB	WSI		X	X				X
	COPY	WSI		X	X				X
	DELETE	WSI		X	X				X
	DIR	WSI		X	X				X
	• • •								
Notes:			(1)	(3)	(4)	(1)	(2)	(5)	(6)
<p>*ISIS.BAD is supplied with hard disk systems only                      **Attributes: I=Invisible F=Format S=System W=Write-protect</p> <p>(1) Formats a basic non-system disk.                      (2) Formats a basic system disk.                      (3) Formats a system disk and copies all other files on the source disk.                      (4) Formats a system disk and copies all other files that have the S attribute set.**                      (5) Copies any files that do not have the S attribute set.                      (6) Copies all other files that have the S attribute set.</p>									



## IDISK—Disk Formatting Command

The IDISK command formats a new disk for use with ISIS-II.

### Command Syntax

```
IDISK :Fn:label [switches]<cr>
```

where

:Fn: refers to the directory of the disk to be formatted. The value n is the number of the drive (0-9) where the blank disk is located.

*label* is the name to be given to the blank disk. The syntax of *label* is the same as for filename with up to six characters for name and three for extension. *Label* must follow :Fn: with no intervening space or comma, as in :F1:MYDISK.

*switches* are one or more of the following:

- S        Formats the new disk as a basic system disk. If S is not specified, the disk is formatted as a basic non-system disk.
- P        Specifies single drive mode. The system prompts for output and system disks, pausing to display the prompt messages and to allow changing of disks. If source and destination drives are the same, the P switch is the default.
- FROM n   Specifies the disk drive containing the source disk files needed for formatting the new disk. The value n is an integer 0-9 for drive numbers 0 through 9. If the FROM n switch is not specified, the default is to drive 0. If n is not a valid integer 0-9, an error message results. For example:

```
:F10:MYDISK, INCORRECTLY SPECIFIED FILE
```

### Description

IDISK copies only the files needed for a basic disk (whether system or non-system). A basic non-system disk contains only the files needed to format the disk: ISIS.DIR, ISIS.MAP, ISIS.TO, and ISIS.LAB, plus ISIS.BAD if a hard disk. For a basic system disk, IDISK copies two additional files: ISIS.BIN and ISIS.CLI.

If you want other files such as command files copied to the new disk, use the COPY command.

**Single Drive Systems.** You can use IDISK on single-drive or multiple-drive disk systems. On single drive systems, you are prompted to remove the disk and insert the blank disk. When the formatting is completed, you are prompted to insert the original system disk. See example 1.

**Hard Disk Systems.** The hard disk platter in drive 0 must be formatted as a system disk. See example 3 below.

When used with a hard disk, IDISK verifies each sector. If IDISK cannot read a sector reserved for an ISIS-II file, the following message is displayed:

```
FATAL BAD SPOT AT LOGICAL ADDRESS (ttt, sss), STATUS=nnnn
```

where ttt is the logical track address (in decimal), sss is the logical sector address (in decimal), and nnn is the hard disk error status (in hexadecimal).

If the unreadable sector does not correspond to an ISIS-II file, the following message is displayed:

```
BAD SPOT AT LOGICAL ADDRESS (ttt, sss), STATUS=nnnn
```

Since ISIS-II allocates hard disk sectors serially, if no mechanism existed to skip over bad hard disk sectors, the remaining sectors would remain unallocated and unusable. Instead, ISIS-II checks hard disk sectors for irregularities during FORMAT and IDISK operations. If a bad sector is encountered, it is allocated to ISIS.BAD and hard disk formatting continues.

**Examples**

1. This example formats a new disk in drive 0 as a basic system disk on a single-drive system. IDISK prompts for the new (output) disk and for the system disk. IDISK gives the disk the name SYS.V1. To copy other files on the newly formatted disk, use the COPY command for single drive systems described later in this chapter.

```
-IDISK :F0:SYS.V1 S<cr>
SYSTEM DISK
LOAD OUTPUT DISK, THEN TYPE (CR)
LOAD SYSTEM DISK, THEN TYPE (CR)
-
```

2. This example formats a new disk in drive 1 as a basic system disk and gives the disk the name NSYS.V1. The COPY command copies all other non-format files from the disk in drive 0 to the disk in drive 1.

```
-IDISK :F1:NSYS.V1 S<cr>
SYSTEM DISK
-COPY *.* TO :F1: C B<cr>
COPIED :F0:ATTRIB TO :F1:ATTRIB
COPIED :F0:COPY TO :F1:COPY
COPIED :F0:DELETE TO :F1:DELETE
.
.
.
-
```

3. This example formats a hard disk platter in drive 0 as a basic system disk and copies the basic files needed to format the disk from the system disk in drive 4. To copy other files onto the newly formatted disk, use the COPY command as shown in the previous example.

```
-:F4:IDISK SYSTEM.DSK S FROM 4<cr>
```

## FORMAT—Disk Formatting Command

The FORMAT command formats a new disk for use with ISIS-II and copies files to the new disk.

To format a disk on a system with a single flexible disk drive, use the IDISK command.

### Command Syntax

```
FORMAT :Fn:label [switches]<cr>
```

where

:Fn: refers to the directory of the disk to be formatted. The value n is the number of the drive (0-9) where the blank disk is located.

### NOTE

In versions of ISIS-II before version 4.0, :Fn: defaulted to :F1: in the FORMAT command. This default has been removed. If you have SUBMIT files that use this default, you must change them. You will receive an error message if you try to default to :F1:.

*label* is the name to be given to the disk. The syntax of *label* is the same as for filename with up to six characters for name and three for extension. *Label* must follow :Fn: with no intervening space or comma, as in :F1:MYDISK.

*switches* are one or more of the following, separated with spaces:

- A Copies all files to the specified disk except files (other than ISIS-II system format files) with the format attribute set. If the source disk is a system disk, the new disk becomes a system disk.
- S Copies the basic format files and all files with the system attribute set. If the source disk is a system disk, the new disk becomes a system disk. (The S switch functions differently under FORMAT than it does under IDISK.)
- FROM n Specifies the disk drive containing the disk files needed for formatting. n is an integer 0-9, for drives 0 through 9. If the FROM n switch is not specified, the default is to drive 0. If n is not a valid integer 0-9, an error message is displayed. For example:

```
:F10:MYDISK, INCORRECTLY SPECIFIED FILE
```

If you specify :F0: and no FROM n switch, or if you specify :F0: and FROM 0, the following error message is displayed:

```
CANNOT FORMAT FROM TARGET DRIVE
```

### Description

A disk is formatted as a system or non-system disk depending on the type of source disk used and on the switches specified in the FORMAT command.

When a system disk is formatted, FORMAT copies other files in addition to the basic format files.

A command may be truncated at any point after its first character. For example, M, MA, or MAR may be used to stand for Mark.

When a command calls for a disk address, that address should have the form:

*track, sector*[T]

where

*track* is a number from 0 to 199 that specifies the logical track address containing the bad sector.

*sector* is a number from 1 to 144 that specifies the logical sector address of the bad sector within the track.

T is an optional switch indicating that a group of 36 sectors should be processed.

The T switch is appropriate if the STATUS reported in the error message was 0001, 000A, or 000E. (See Chapter 7 for a description of status.)

If the T switch is present, the *sector* number specifies a group of 36 sectors on *track*:

If *sector* is in the range 1-36, that group of sectors is processed.

If *sector* is in the range 37-72, that group of sectors is processed.

If *sector* is in the range 73-108, that group of sectors is processed.

If *sector* is in the range 109-144, that group of sectors is processed.

Track and sector numbers, and the T switch, if present, should be separated by spaces. The track and sector numbers should be those reported in the error message that identified the bad sector.

### Mark Command

The Mark command changes the known state of a sector from good to bad.

The syntax of the Mark command is:

**MARK** *disk-address*<cr>

where

*disk-address* is the track-and-sector address of the sector to be marked as bad.

If the T switch is present, a group of 36 sectors is marked as bad. A sector known to be bad is not allocated to any file.

If the sector specified in the Mark command is not associated with an existing file, the sector is marked as bad. If the T switch is not present, the system displays:

**SECTOR MARKED**

If the T switch is present, no message appears when a single sector is marked; instead, when all 36 sectors have been processed, the system displays the message:

**TRACK PROCESSED**

If the sector belongs to an existing file, it cannot be marked as bad. Under any of the following conditions, the sector is not marked:

If the sector belongs to one of the required ISIS-II format files, the system displays:

```
(track,sector) REQUIRED BY ISIS-II
```

The system will be unreliable when the questionable disk is in use. You should format a new hard disk and copy your program and data files onto it.

If the sector is already known to be bad, marking the sector is redundant. The system displays:

```
(track,sector) ALREADY MARKED
```

If the sector belongs to a file other than a required format file, the system displays:

```
(track,sector) IN USE
```

If you know the name of the file, exit to ISIS-II and delete the file; then use FIXMAP to mark the bad sector. If you do not know the name of the file, follow this procedure:

1. Exit to ISIS-II, using either the Quit or the Exit command (described below).
2. Give the command

```
-COPY :Fn:*. * TO :Fn: Q C<cr>
```

where :Fn:\*. \* refers to the disk containing the source files, and the second :Fn: refers to another hard disk. The Q switch causes the system to query before copying each file. (See the description of COPY.)

- 3a. *If the copy is successful*, disk :Fn: contains a usable copy of the bad disk. Use FIXMAP to get a list of bad sectors on the bad disk; then use IDISK or FORMAT to reformat that disk, and use FIXMAP to mark any bad sectors missed by the formatting command.
- 3b. *If an error occurs while the disk is being copied*, write down the last filename displayed by Copy, as well as the track and sector numbers appearing in the error message. Use the Delete command to delete the bad file from the bad disk, then use FIXMAP to mark the bad sector. If an error occurs and prevents you from deleting the file, repeat step 2. The file you attempted to delete will not be copied to the new disk. Repeat step 3a.

**Example 1:** The following example illustrates the use of the Mark command:

```
*MARK 27 83<cr>
SECTOR MARKED
*MARK 27 83<cr>
(27,83) ALREADY MARKED
```

### Free Command

The Free command changes the known state of a sector from bad to good.

The syntax of the Free command is:

```
FREE disk-address<cr>
```

where

*disk-address* is the track-and-sector address of the sector to be freed for allocation.

If the T switch is present, a group of 36 sectors is freed. You might use this command if you had marked a sector by mistake.

If the sector specified in the Free command is known to be bad, it is freed for allocation. If the T switch is not present, the system displays:

```
SECTOR FREED
```

If the T switch is present, no message appears when a single sector is freed; instead, when all 36 sectors have been processed, the system displays the message:

```
TRACK PROCESSED
```

Under either of the following conditions, the sector is not freed:

If a sector is already free for allocation, freeing the sector is redundant. The system displays:

```
(track,sector) ALREADY FREE
```

If the sector is not free because it is in use by a file, the system displays:

```
(track,sector) NOT A BAD SECTOR
```

There is no reason to free a good sector that is part of an existing file.

**Example 2:** The following example illustrates the use of the Free command. Note that 8 5 T and 8 10 T identify the same group of 36 sectors, i.e., sectors 1-36 on track 8.

```
*FREE 180 51<cr>
SECTOR FREED
*MARK 8 5 T<cr>
TRACK PROCESSED
*FREE 8 10<cr>
SECTOR FREED
*FREE 8 10 T<cr>
(8,10) ALREADY FREE
TRACK PROCESSED
```

### List Command

The List command writes a list of all known bad sectors on the named file.

The syntax of the List command is:

```
LIST [filename]<cr>
```

where

[filename] is an optional parameter specifying the listing file.

The listing file may be either an output device or a disk file. It may not reside on the disk being fixed. If no filename is given, the list is printed on the console.

The format of the output is one sector per line, with track and sector numbers separated by a comma. The list includes all sectors marked by FIXMAP, as well as bad sectors found by IDISK and Format.

If there are no known bad sectors, the system displays:

```
NO BAD SECTORS
```

If output is directed to a device other than the console, the following message is displayed after the list is written to the device:

```
LIST WRITTEN
```

If the named file resides on the disk being fixed, the system displays:

```
CANNOT LIST TO TARGET DRIVE
```

**Example 3:** The following example illustrates the use of the List command. The list is written first to the console, then to a disk file.

```
*LIST<cr>
180,63
182,115
182,116
182,117
*LIST DISK.FIL<cr>
LIST WRITTEN
```

### Count Command

The Count command reports the number of known bad sectors on the disk.

The syntax of the Count command is:

```
COUNT<cr>
```

The command displays the following message on the console:

```
xxxxx BAD SECTORS
```

where

xxxxx is a decimal number, the number of known bad sectors on the disk. A sector that has not been marked, or a sector that has been marked and then freed, is not a known bad sector.

**Example 4:** The following example illustrates the use of the Count command:

```
*LIST<cr>
180,63
182,115
182,116
182,117
*COUNT<cr>
4 BAD SECTORS
```

## Record Command

The Record command records the changes specified by Mark and Free.

The syntax of the Record command is:

```
RECORD<cr>
```

When this command is entered, changes specified by Mark and Free are recorded on the disk.

If you intend to use the Exit command to leave the FIXMAP program, the Record command is unnecessary. (Exit is described below.) If you intend to use the Quit command, the Record command is required; otherwise, none of the marking and freeing specified during the work session—or since the last Record command—will actually take effect.

When the recording is complete, the system displays:

```
CHANGES RECORDED
```

If no sector has been marked or freed during the work session—or since the last Record command—the system displays:

```
NO CHANGES
```

*Example 5:* The following example illustrates the use of the Record command.

```
*RECORD<cr>
CHANGES RECORDED
*RECORD<cr>
NO CHANGES
```

## Quit Command

The Quit command stops the operation of FIXMAP and returns to ISIS-II.

The syntax of the Quit command is:

```
QUIT<cr>
```

If the Record command has not been given, changes specified by Mark and Free are not recorded on the disk.

*Example 6:* The following example illustrates the use of the Quit command. Note that the freeing of sector 12, 86 is not recorded on the disk; therefore, upon reentry to FIXMAP, that sector is still known as bad.

```
*FREE 12 86<cr>
SECTOR FREED
*QUIT<cr>
-FIXMAP 1<cr>
ISIS-II MAP FIXER Vx.y
*LIST<cr>
12,86
```



### Exit Command

The Exit command records changes and returns to ISIS-II.

The syntax of the Exit command is:

```
EXIT<cr>
```

The Exit command is equivalent to the Record command followed by the Quit command: changes specified by Mark and Free are recorded on the disk, and control returns to ISIS-II.

*Example 7:* The following example illustrates the use of the Exit command. (Compare this example with example 6, above.)

```
*FREE 12 86<cr>
SECTOR FREED
*EXIT<cr>
CHANGES RECORDED
-FIXMAP 1<cr>
ISIS-II MAP FIXER Vx.y
*LIST<cr>
NO BAD SECTORS
```

### FIXMAP Error Conditions

The following errors cause immediate termination of FIXMAP and a return to ISIS-II. If execution terminates as a result of one of these errors, work done since the last Record command is not recorded on the disk.

If no hard disk is present, the system displays:

```
USE ON HARD DISK SYSTEM ONLY
```

If no drive number is given in the FIXMAP command, or if an illegal switch is present, the system displays:

```
INVALID SYNTAX
```

If this message appears in response to a command within FIXMAP, it means that the command was typed incorrectly, and it does not terminate the session.

If the specified drive number is greater than 3, the system displays:

```
DRIVE NUMBER OUT OF RANGE
```

(In the maximum configuration of the system, the hard disk drives are numbered 0 and 1.)

If the disk does not exist in the system, is not on-line, or is not properly connected, the system displays:

```
ERROR 30 USER PC xxxx
```

where

xxxx is a hexadecimal number.

**Example 8:** The following example illustrates a typical work session with FIXMAP. You invoke the command and begin by getting a list of all bad sectors on the target drive (drive 1, as indicated in the FIXMAP command). The Count command reports that there are eight bad sectors, and the Record command shows that no sectors have been marked or freed during this work session. You free the last 36 sectors on the track containing track 170, sector 113; all sectors except the eight known bad sectors are already reported to be free. You mark track 170, sector 113 as a bad sector, and again list and count the number of bad sectors. This time, the Record command reports that changes have been made. You free the remaining bad sector, list again, and return to ISIS-II.

```

-FIXMAP 1<cr>
ISIS-II MAP FIXER V1.0
*LIST<cr>
170,113
170,114
170,115
170,116
170,117
170,118
170,119
170,120
*COUNT<cr>
8 BAD SECTORS
*RECORD<cr>
NO CHANGES
*FREE 170 113 T<cr>
(170,109) ALREADY FREE
(170,110) ALREADY FREE
(170,111) ALREADY FREE
(170,112) ALREADY FREE
(170,121) ALREADY FREE
(170,122) ALREADY FREE
(170,123) ALREADY FREE
(170,124) ALREADY FREE
(170,125) ALREADY FREE
(170,126) ALREADY FREE
(170,127) ALREADY FREE
(170,128) ALREADY FREE
(170,129) ALREADY FREE
(170,130) ALREADY FREE
(170,131) ALREADY FREE
(170,132) ALREADY FREE
(170,133) ALREADY FREE
(170,134) ALREADY FREE
(170,135) ALREADY FREE
(170,136) ALREADY FREE
(170,137) ALREADY FREE
(170,138) ALREADY FREE
(170,139) ALREADY FREE
(170,140) ALREADY FREE
(170,141) ALREADY FREE
(170,142) ALREADY FREE
(170,143) ALREADY FREE
(170,144) ALREADY FREE
TRACK PROCESSED
*MARK 170 113<cr>
SECTOR MARKED
*LIST<cr>
170, 113

```

```
*COUNT<cr>
1 BAD SECTOR
*RECORD<cr>
CHANGES RECORDED
*FREE 170 113<cr>
SECTOR FREED
*LIST<cr>
NO BAD SECTORS
*EXIT<cr>
CHANGES RECORDED
```

## File Control Commands

The commands described in this section are:

DIR	Lists the entries in the disk directory
COPY	Copies files from one device to another
HDCOPY	Copies files from one hard disk to another
DELETE	Erases filenames from the disk directory
RENAME	Changes the name of disk files
ATTRIB	Changes or displays the attributes of a disk file
VERS	Displays ISIS utility version numbers

## Wild Card File Names

The DIR, COPY, DELETE and ATTRIB commands allow you to specify filenames using a wild card construct. Either of two special wild card characters can replace some or all of the characters in a name or extension. The wild card characters mean match anything when the system searches a directory for a filename.

The two wild card characters are:

- An asterisk (\*) to specify a wild card match to any number of characters.
- A question mark (?) to specify a wild card match to single character.

The asterisk specifies a wild card match to any name and/or any extension in the directory. For example:

ABC.\*—means match any filename with the name ABC and any or no extension.

\*.PLM—means match any filename with the extension .PLM, such as A.PLM or MYPROG.PLM.

\*.\*—means match all filenames in the directory.

The asterisk can also specify a wild card match for the remainder of the name or extension except for the initial character. For example:

AB\*.HEX—means match any filename with AB as the first two characters of the name and HEX as the extension. This example would match: ABC.HEX, ABXYZ.HEX, AB.HEX.

\*B.HEX is illegal, since \* must follow the initial character.

Each question mark specifies a single character for a wild card match. For example:

A?B.HEX—means match any filename with A and B as the first and third characters of a three-character name and HEX as the extension. This example would match: ACB.HEX, AXB.HEX, AMB.HEX.

A??.\*—means match any filename with A as first character of a three-character name and any extension.

:device: cannot include a wild card character.

Wild card constructs enable you to specify multiple filenames with a single reference when using the DIR, ATTRIB, DELETE, and COPY commands. For example, you can copy multiple rough draft files to an output device by specifying:

```
-COPY CHAP?.DFT TO :LP:<cr>
```

## DIR—Disk Directory Listing

The DIR command lists the contents of a specific disk directory.

### Command Syntax

```
DIR [FOR filename][TO listfile][switches]<cr>
```

The positions of these fields are not fixed.

where

*filename* is the file (or group of files specified with the wild card construction) whose directory entry is to be listed. If FOR *filename* is omitted, the entire directory is listed. If *filename* is not a wild card name (that is, does not contain \* or ?), it is listed even if it has the invisible attribute.

*listfile* is the name of the file or output device such as :TO: or :HP: to contain the directory listing. If TO *listfile* is omitted, the listing is displayed on the screen.

*switches* are one or more of the following, separated by spaces:

- 0-9 Lists the directory of the disk in :F0:, :F1:, :F2:, ... :F9:. If omitted, the directory of the disk in drive 0 is listed. If more than one drive number is specified, only the rightmost one has effect. The drive number also overrides any device specification in FOR *filename*.
- I Lists all files, including files with the invisible attribute set. If omitted, only files with the invisible attribute not set are listed.
- F Gives fast output, listing only filenames.
- O Prints the directory in a single column format. The default is double column format.
- Z Prints the number of sectors presently used on the specified disk as a fraction of the number of available sectors.

- P Specifies single drive mode. After loading the command, the system pauses with the message:

```
LOAD SOURCE DISK, TYPE (CR)
```

After the source disk is loaded and the RETURN key is pressed, the requested directory is output to the specified device. The system then requests that the system disk be replaced:

```
LOAD SYSTEM DISK, TYPE (CR)
```

## Description

The DIR default is the directory output in two columns with the following headings:

```
DIRECTORY OF name.ext
```

```
NAME      .EXT    BLKS  LENGTH ATTR    NAME      .EXT    BLKS  LENGTH ATTR
```

where

*name.ext* is the label of the disk volume that is assigned by the FORMAT or IDISK command. It has the same syntax as a filename. Each item listed by DIR is explained in the section "Disk Directory" in Chapter 3. The directory listing shows the number of blocks in use and the total number of blocks within the disk (2002, 4004, or 28800).

## Examples

- The following example lists two files of a flexible disk on a single density system. The system files, which have the invisible attribute set, are not listed.

```
-DIR<cr>
```

```
DIRECTORY OF :F0: IS00AB.SYS
```

```
NAME      .EXT    BLKS  LENGTH ATTR    NAME      .EXT    BLKS  LENGTH ATTR
PROGA     .HEX     75    9263    W          SUMS                      51    6357
```

```
126
```

```
936/2002 BLOCKS USED
```

- The following is the same as example 1 except a fast listing is requested:

```
-DIR F<cr>
```

```
DIRECTORY OF :F0: IS00AB.SYS
```

```
PROGA.HEX
```

```
936/2002 BLOCKS USED
```

- The following example requests a directory listing of all format files be sent to the line printer. The format files have the invisible attribute, and ISIS.\* is a wild card filename, so the I switch must be specified.

```
-DIR I FOR ISIS.* TO :LP:<cr>
```

- A single-column fast directory listing of the double-density flexible disk in drive 1 is requested by the following command:

```
-DIR 1 F 0<cr>
```

```
DIRECTORY OF DISK :F1: ISI.V10
```

```
TYPE.M80
```

```
TYPE.HEX
```

```
TYPE
```

```
1337/4004 BLOCKS USED
```

## COPY—Copy a File

The COPY command copies files from one device to another.

### Command Syntax

```
COPY [:Fn:]infile [,...] TO {[:Fn:]outfile} [:device:] [switches]<cr>
```

where

*infile* is a file (or group of files when using the wild card construct) to be copied. The copy does not affect the contents of *infile*. If more than one *infile* is specified, they are concatenated in the order specified. When concatenating files, specify the full name and extension of each file. The wild card construct may not be used when concatenating files.

*outfile* is a file to be created or recreated. If :Fn: is not specified, :F0: is assumed. *outfile* must include the extension, if any. If *outfile* is not specified, :Fn: must be specified.

:*device*: is an output device, such as :LP:, :TO:, :HP:, or :CO:

*switches* are one or more of the following:

S Copies files with the system attribute set. For example, the command:

```
-COPY :F0:*. * TO :F1:*. * S<cr>
```

copies only files with the system attribute from drive 0 to drive 1.

N Copies files without the system or format attribute set.

P Specifies single drive mode. When files are to be copied between two disks on the same drive, the system prompts for disk swaps with the following messages:

```
LOAD SOURCE DISK, THEN TYPE (CR)
LOAD OUTPUT DISK, THEN TYPE (CR)
LOAD SYSTEM DISK, THEN TYPE (CR)
```

Q Specifies the query mode. The system displays the following message before a copy is performed: COPY *infile* TO *outfile*? A yes or y response causes the copy to be performed. Any other response causes the copy not to be performed.

C Creates *outfile* with the attributes set from the *infile*. For example, if file XYZ with the I attribute set is copied to the file ABC, the final file ABC will have the I attribute set.

If this switch is not specified, *outfile* is created with all attributes reset (off). This switch does not copy the format (F) attribute.

B Deletes an existing file without displaying the "ALREADY EXISTS" prompt. The existing file is deleted and recreated with new data.

U Opens *outfile* for update instead of deleting it. The "ALREADY EXISTS" message is suppressed. The length is not changed unless the copy causes an increase in the size of the file.

If U and B are both specified, the U function is performed.

## Description

When copying from one device to another, the destination can be disk files or physical devices. The copy must be made from an input device to an output device. For example, you can copy from the reader to the punch but not from the punch to the reader.

If *outfile* is an existing disk file and is not write protected, the following message is displayed:

```
outfile FILE ALREADY EXISTS
DELETE?
```

If you respond to the message with yes or y (followed by a carriage return), COPY deletes the existing file before making the copy. No action is performed if you give any other response.

If *outfile* is write protected, then the following message is output:

```
outfile WRITE PROTECTED
```

**Single Drive Mode.** The COPY command supports single disk drive systems. You can copy files from one disk to another using only a single drive. The command prompts for the source, output, and system disks as it needs them. If you specify a copy on a drive with no change in filename, the command assumes you want to swap disks and prompts for the swaps. For example, the command

```
-COPY ABC TO ABC <cr>
```

results in prompts to swap disks in drive 0. But the commands

```
-COPY ABC TO :F1:ABC<cr>
```

and

```
-COPY ABC TO DEF<cr>
```

do not result in prompts for disk swapping. You can also copy files between different disks on the same drive by specifying the P (pause) switch in the command.

**Wild Card Designations.** When you use wild card designations, the following rules apply:

- Every position in the *infile* that contains an \* must have a corresponding \* in the *outfile* name.
- Every position in the *infile* name that contains a ? must have corresponding ? or \* in the *outfile* name.
- The wild card characters cannot be used in device designations (you cannot specify :F\*:.).

To selectively copy files with the wild card construct, use the query mode. For example:

```
-COPY :F0:CHAP?.DFT TO :F1: Q<cr>
```

The system then displays the query message before copying each file.

**Copying to Another Disk.** The COPY command provides a special case for convenience when copying disk files to a different disk. If *outfile* is to have the same name as *infile*, you need not enter *outfile*. For example:

```
-COPY :F1:ABC.XYZ TO :F2:<cr>
```

is the same as specifying:

```
-COPY :F1:ABC.XYZ TO :F2:ABC.XYZ<cr>
```

This form can be used with wild card designations in *infile*:

```
-COPY :F1:*.* TO :F2:<cr>
```

At the end of the listing of files that were copied the following message is displayed if write-protected files have been encountered:

```
WRITE PROTECTED FILE ENCOUNTERED
```

### Possible Error Conditions

If you use a wild card designation when concatenating files, an error message is displayed:

```
-COPY A, BC.* TO D<cr>
WILD CARD DELIMITERS DURING CONCATENATE
```

When you use the concatenate operation, *outfile* must not have the same name as *infile*. If it does, the following error message results:

```
-COPY A,B TO B<cr>
SOURCE FILE EQUALS OUTPUT FILE ERROR
```

If the rules governing wild card designations are not followed, the following error message is displayed:

```
-COPY ABC.* TO D<cr>
FILE MASK ERROR
```

### Examples

1. This example copies three files to one, overwriting its contents:

```
-COPY CHAP1,CHAP2,CHAP3 TO BOOK<cr>
:F0:BOOK FILE ALREADY EXISTS,
DELETE? Y<cr>
APPENDED :F0:CHAP1 TO :F0:BOOK
APPENDED :F0:CHAP2 TO :F0:BOOK
APPENDED :F0:CHAP3 TO :F0:BOOK
-
```

2. Example 1 could have been done in the following way:

```
-COPY CHAP1,CHAP2,CHAP3 TO BOOK U<cr>
APPENDED :F0:CHAP1 TO :F0:BOOK
APPENDED :F0:CHAP2 TO :F0:BOOK
APPENDED :F0:CHAP3 TO :F0:BOOK
-
```



3. This example lists a file on the line printer:

```
-COPY BOOK TO :LP:<cr>
COPIED :F0:BOOK TO :LP:
-
```

4. This example displays a file on the console output device:

```
-COPY CHAP1 TO :CO:<cr>
(text of CHAP1)
COPIED :F0:CHAP1 TO :CO:
```

5. This example copies a file from the disk in drive 0 to the disk in drive 1:

```
-COPY PROA TO :F1:NEWPRG B<cr>
COPIED :F0:PROGA TO :F1:NEWPRG
-
```

6. This example copies system files from one disk to another on drive 0:

```
-COPY *.* TO *.* S<cr>
LOAD SOURCE DISK, THEN TYPE (CR)
LOAD OUTPUT DISK, THEN TYPE (CR)
COPIED :F0:ASM80 TO :F0:ASM80
.
.
LOAD SYSTEM DISK, THEN TYPE (CR)
```

If the files to be copied are quite large (exceeding the size of the available RAM) the LOAD SOURCE and LOAD OUTPUT messages will be displayed more than once. As each file is copied, a COPIED message is displayed. After the last file is copied, the LOAD SYSTEM message is displayed.

7. These examples show valid uses of wild card names with the COPY command:

```
-COPY :F1:*.* TO :F2<cr> (copy all files except those
                           with the FORMAT
                           attribute)

-COPY :F1:A??C TO :F0:D??E<cr>

-COPY :F1:*.* TO :F3: N<cr> (copy all non-system and
                             non-format files)

-COPY :F1:A????? TO :F0:B*.CPY<cr>
```

## HDCOPY—Copy Hard Disk Tracks

The HDCOPY command copies the contents of one hard disk to another hard disk on a track-by-track basis. The data transferred are verified during reading of the data into memory. HDCOPY formats the designation disk before writing data to it.

### Command Syntax

```
HDCOPY { indrive TO outdrive
        BACKUP } <cr>
```

where

*indrive* is the number of the drive containing the source hard disk.

*outdrive* is the number of the drive containing the destination hard disk.

Both drive numbers must be 0 or 1, but both cannot be the same drive number. Both drives must be a hard disk drive.

BACKUP is a switch that can be used to backup a removable hard disk platter.

## Description

If you specify BACKUP, the following actions occur:

- The contents of the disk in drive 1 are copied to the disk in drive 0.
- ISIS-II prompts for the backup disk to be placed in drive 1.
- The contents of the disk in drive 0 are copied to the disk in drive 1.
- ISIS-II prompts for a system disk to be placed in drive 1.
- The contents of the disk in drive 1 are copied to the disk in drive 0.

If a disk error is detected while reading from the source hard disk, the following message appears on the console device, and a sector of OFFH is written to the destination disk:

```
DISK ERROR-UNABLE TO READ FROM SOURCE DISK ON DRIVE M
LOGICAL ADDRESS (ttt, sss), STATUS = nnnn
```

If an error is detected when reading from or writing to the destination disk, the following message appears on the console device:

```
DISK ERROR-UNABLE TO WRITE TO DESTINATION DISK ON DRIVE N
LOGICAL ADDRESS (ttt, sss), STATUS = nnnn
```

In both cases, processing continues. You must decide whether or not to use the destination disk or to attempt to make a new copy (see FIXMAP command).

In these error messages, ttt is the logical track address (in decimal); sss is the logical sector address (in decimal); and nnnn is the hard disk error status (in hexadecimal) as described in Chapter 7.

As each track is copied to the destination disk, a T is printed on the console device. If no errors have been detected during a copy operation, the following message is displayed:

```
VERIFICATION OK
```

If errors have been detected, the following message is displayed:

```
BAD SECTORS ENCOUNTERED
```

## Possible Error Conditions

The source and destination drives cannot be the same drive number, or a fatal error results, and an error message is displayed:

```
SPECIFIED DRIVES NOT HARD DISK
```

**Examples:**

1. A sample HDCOPY command:

```
-HDCOPY 1 TO 0<cr>
LOAD DISK(S), THEN TYPE (CR)
DRIVE 1 DISK NAME MYDISK.123 IS SOURCE DISK
DRIVE 0 DISK WILL BE OVER-WRITTEN
OK TO CONTINUE?
y <cr>
TTTTTTTTTTTTTTTTTTTTTTTTTTTTTTTTTTTTTTTTTTTTTTTTTTTTTTTTTTTTTTTT
TTTTTTTTTTTTTTTTTTTTTTTTTTTTTTTTTTTTTTTTTTTTTTTTTTTTTTTTTTTTTTTT
TTTTTTTTTTTTTTTTTTTTTTTTTTTTTTTTTTTTTTTTTTTTTTTTTTTTTTTTTTTTTTTT
DRIVE 1 DISK NAME MYDISK.123 COPIED TO DRIVE 0
VERIFICATION OK
HARD DISK COPY COMPLETED
-
```

2. A sample HDCOPY command with the BACKUP switch:

```
-HDCOPY BACKUP<cr>
LOAD DISK IN DRIVE 1, THEN TYPE (CR)
DRIVE 1 DISK NAME MYDISK.123 IS SOURCE DISK
DRIVE 0 DISK WILL BE OVER-WRITTEN
OK TO CONTINUE?
y <cr>
TTTTTTTTTTTTTTTTTTTTTTTTTTTTTTTTTTTTTTTTTTTTTTTTTTTTTTTTTTTTTTTT
TTTTTTTTTTTTTTTTTTTTTTTTTTTTTTTTTTTTTTTTTTTTTTTTTTTTTTTTTTTTTTTT
TTTTTTTTTTTTTTTTTTTTTTTTTTTTTTTTTTTTTTTTTTTTTTTTTTTTTTTTTTTTTTTT
DRIVE 1 DISK NAME MYDISK.123 COPIED TO DRIVE 0
LOAD BACKUP DISK IN DRIVE 1, THEN TYPE (CR)
DRIVE 0 DISK NAME MYDISK.123 IS SOURCE DISK
DRIVE 1 DISK WILL BE OVER-WRITTEN
OK TO CONTINUE?
y <cr>
TTTTTTTTTTTTTTTTTTTTTTTTTTTTTTTTTTTTTTTTTTTTTTTTTTTTTTTTTTTTTTTT
TTTTTTTTTTTTTTTTTTTTTTTTTTTTTTTTTTTTTTTTTTTTTTTTTTTTTTTTTTTTTTTT
TTTTTTTTTTTTTTTTTTTTTTTTTTTTTTTTTTTTTTTTTTTTTTTTTTTTTTTTTTTTTTTT
DRIVE 0 DISK NAME MYDISK.123 COPIED TO DRIVE 1
LOAD SYSTEM DISK IN DRIVE 1, THEN TYPE (CR)
DRIVE 1 DISK NAME IS00AT.SYS IS SOURCE DISK
DRIVE 0 DISK WILL BE OVER-WRITTEN
OK TO CONTINUE?
y <cr>
TTTTTTTTTTTTTTTTTTTTTTTTTTTTTTTTTTTTTTTTTTTTTTTTTTTTTTTTTTTTTTTT
TTTTTTTTTTTTTTTTTTTTTTTTTTTTTTTTTTTTTTTTTTTTTTTTTTTTTTTTTTTTTTTT
TTTTTTTTTTTTTTTTTTTTTTTTTTTTTTTTTTTTTTTTTTTTTTTTTTTTTTTTTTTTTTTT
DRIVE 1 DISK NAME IS00AT.SYS COPIED TO DRIVE 0
VERIFICATION OK
HARD DISK COPY COMPLETED
```

## DELETE—Delete a Disk File

The DELETE command deletes specified directory entries.

### Command Syntax

```
DELETE [:Fn:]filename [Q] [, . . . [Q]] [P]<cr>
```

where

*filename* is the name of a file to be deleted. The wild card construction can be used to delete a group of files.

- Q Specifies the query mode. The system displays the following message before each file is deleted: *filename*, DELETE? A yes or y response causes the deletion. Any other response causes the deletion not to be performed.
- P Specifies single drive mode. The system displays prompt messages for disk swaps.

### Description

This command effectively removes the specified file or group of files from a disk, making the space it occupied available to ISIS-II for reassignment. A file with the write-protect or format attribute set cannot be deleted.

If *filename* is a file with neither the write-protect nor format attribute set, the file is deleted and a confirming message is sent to the console.

If *filename* does not exist, the following message is sent to the console where *filename* is that specified in the DELETE command:

```
filename, NO SUCH FILE
```

If the file cannot be deleted because it has the write-protect or format attributes set, the following message is sent to the console.

```
filename, WRITE PROTECTED
```

**Query Mode.** When you use the Q switch, the system displays the query message before deleting each file.

The query mode allows you to selectively delete files when using the wild card construct. For example:

```
-DELETE :Fn:CHAP?.* Q<cr>
```

The system then displays the query message for each file that matches the wild card construct.

**Single Drive Mode.** If you need to swap disks to delete files, specify the P (pause) switch with the command. Before the deletion is performed, the system displays:

```
LOAD SOURCE DISK, THEN TYPE (CR)
```

When the deletion is completed, the following message is displayed:

```
:Fn:filename, DELETED
LOAD SYSTEM DISK, THEN TYPE (CR)
-
```

### Examples:

1. This example deletes three files.
 

```
-DELETE CHAP?.*<cr>
:F0:CHAP1.TXT, DELETED
:F0:CHAP2.LST, DELETED
:F0:CHAP3.SRC, DELETED
-
```
2. This example shows an attempt to delete a write-protected file.
 

```
-DELETE PROGA.ASM<cr>
:F0:PROGA.ASM, WRITE PROTECTED
-
```
3. This example shows the deletion of a file using the P switch.
 

```
-DELETE PROGB.ASM P<cr>
LOAD SOURCE DISK, THEN TYPE (CR)
:F0:PROGB.ASM, DELETED
LOAD SYSTEM DISK, THEN TYPE (CR)
-
```

## RENAME—Rename a Disk File

The RENAME command changes the name of a disk file. Only the directory is affected.

### Command Syntax

```
RENAME [:Fn:]oldname TO [:Fn:]newname<cr>
```

where

:Fn: must be the same for both *oldname* and *newname*.

*oldname* is the name of an existing file whose write-protect or format attribute is not set. *oldname* follows :Fn: with no intervening space, as in :F2:MYPROG.

*newname* is the new name to be assigned to *oldname*. *newname* follows :Fn: with no intervening space, as in :F2:PROG1.

### Description

When you enter the command to change the name of an existing file to a new name that does not already exist, the system makes the change in the directory.

However, if another file with the new name already exists, the following message is displayed:

```
newname, ALREADY EXISTS, DELETE?
```

If the existing file is to be deleted, enter a Y or y followed by a carriage return. RENAME will delete the existing file and change the name of *oldname* in the directory.

If the existing file to be deleted is write-protected or if you enter any character other than Y or y, the existing file is not deleted and the file to be renamed is not renamed.

#### NOTE

RENAME cannot be used on nonsystem disks on a single drive system. To change the name of a nonsystem disk file with only a single drive, use the COPY command to copy the file to a file with the new name, then delete the old file with the DELETE command.

### Possible Error Conditions

If *oldname* is a nonexistent file, an error occurs.

If the :Fn: part of *oldname* does not match the :Fn: part of *newname*, an error occurs.

### Examples

1. The name of a file on drive 0 is changed from CHAP1 to CHAP.ONE:

```
-RENAME CHAP1 TO CHAP.ONE<cr>
```

-

2. An attempt is made to rename a write-protected file:

```
-RENAME NEWPRG.TXT TO PROGA.TXT<cr>
```

```
NEWPRG.TXT, WRITE PROTECTED
```

-

3. In this example, the new name is the name of an existing file.

```
-RENAME TEXT.BAK TO TEXT.OLD<cr>
```

```
TEXT.OLD, ALREADY EXISTS, DELETE? Y<cr>
```

-

## ATTRIB—Change/Display Disk File Attributes

The ATTRIB command changes and/or displays the specified attributes of a disk file.

### Command Syntax

```
ATTRIB [:Fn:]filename [attriblist] [Q]<cr>
```

where

*filename* is a disk file whose attributes are to be changed. The wild card construction can be used to change and/or display the attributes of a group of files.

*attriblist* is one or more of the following:

- |          |  |
|----------|--|
| I0 or I1 | Resets (I0) or sets (I1) the invisible attribute. When set, the file is not listed by the DIR command unless the I switch is specified in the DIR command. |
| W0 or W1 | Resets (W0) or sets (W1) the write-protect attribute. When set, the file cannot be opened for output or update, and cannot be deleted or renamed.          |

F0 or F1 Resets (F0) or sets (F1) the format attribute. Removal of the format attribute from system files will cause improper formatting of new system disks. This attribute is reserved for specific system files and should not be assigned to any other file. Assigning this attribute to any other file will cause that file not to be copied by the FORMAT command.

S0 or S1 Resets (S0) or sets (S1) the system attribute. When set, the file is copied to the disk being formatted by the FORMAT command when the S switch is used. This file is also copied by the COPY command when the S switch and wild card notation are used.

If two values of the same attribute are specified, for example both I0 and I1, the one rightmost in the command takes precedence.

Q Specifies query mode operation.

## Description

When you specify the Q switch, ATTRIB displays the following messages before changing the attributes of a file:

```
filename, MODIFY ATTRIBUTES?
```

Type a Y or y if you want the file attributes modified. Any other response causes ATTRIB to leave the attributes unchanged for the specified file and to go on to the next file in the group.

If a nonexistent disk file is specified, ATTRIB displays:

```
filename, NO SUCH FILE
```

If a non-disk file is specified, ATTRIB displays:

```
filename, NON-DISK DEVICE
```

When attributes for a file have been changed, the current attributes for the file are displayed.

## Examples

1. This example changes the write-protect attribute of a group of files:

```
-ATTRIB PROGA.* W1<cr>
      FILE          CURRENT ATTRIBUTES
      :FO:PROGA.SRC          W
      :FO:PROGA.OBJ          W
-
```

2. This example sets the system attribute for the TYPE program so it will be transferred onto new system disks (see FORMAT command).

```
-ATTRIB TYPE S1<cr>
      FILE          CURRENT ATTRIBUTES
      :FO:TYPE          S
-
```

## VERS—Display ISIS Utility Version Numbers

The VERS command displays the version number of user-specified ISIS command programs (e.g., DIR, ATTRIB, COPY, IDISK).

### Command Syntax

```
VERS [:Fn:]filename<cr>
```

where

*filename* is the name of the ISIS file on :Fn: whose version number is to be displayed.

### Description

The VERS command should be used to ensure that the version numbers of the ISIS command programs currently on your system are the same as (i.e., compatible with) the version number of the ISIS you signed on under.

### Examples

1. This program lists the version number of a compatible ISIS command program:

```
-VERS DELETE<cr>
V4.2
-
```

2. This example lists the version number of an incompatible ISIS command (the basic operating system version number is 4.2):

```
-VERS EDIT<cr>
V4.1
-
```

3. This example shows an attempt to list the version number of a non-ISIS file:

```
-VERS MYFILE.EXT<cr>
FILE DOES NOT CONTAIN A PROGRAM VERSION NUMBER
-
```

4. This example shows an attempt to list the version of a file not in the directory of the target device:

```
-VERS NONFIL<cr>
ERROR 13 USER PC 375B
-
```

## Program Execution Commands

You can call a program in three ways:

- Direct execution in which you must respond to any queries from the program and to any errors encountered during program execution.
- Debug execution in which the debugging provisions of the system aid you in identifying and locating program errors.
- Non-interactive execution in which you submit the program as a job to be handled by the system without any interaction on your part. You prepare a file that interacts with the program in the same manner as you would during direct execution of the program (see the SUBMIT command).



Two sets of execution commands are provided, one for your 8080- or 8085-based programs, and another for your 8086-based programs.

## 8080/8085 Program Execution Commands

The commands described in this section are:

<i>filename</i>	Loads and executes an 8080/8085 program named <i>filename</i> .
DEBUG	Loads an 8080/8085 program, if specified, and gives control to the Monitor.
SUBMIT	Enters a file that contains commands to be executed.

### Filename—Direct Program Execution

Your 8080/8085-based programs are loaded and executed by simply entering the name of the file. You may include parameters with the filename to provide control over the program to be executed. However, the program must be written to accept these parameters and must read the parameters from the line ending buffer. (Further details on parameters are given in the *Intellec Series III Microcomputer Development System Programmer's Reference Manual*.)

### DEBUG—Transfer Control to Monitor

The DEBUG command loads an executable 8080/8085 program, if specified, and passes control to the Monitor.

#### Command Syntax

```
-DEBUG [[:Fn:]filename [parameters]]<cr>
```

where

*:Fn*: is the directory on the drive *n* that contains the target file. *n* is any integer value between 0 and 9 inclusive. If *:Fn*: is not specified, *:F0*: is the default.

*filename* is any ISIS-II command or the file name of an executable program. The program must be an absolute object module. If *filename* is omitted, control transfers to the Monitor, but no program is loaded.

*parameters* are the normal parameters of the program to be executed.

#### Description

When your executable 8080/8085 program is loaded, the Monitor displays the contents of the program counter and prompts for a command with a period (.) on the system console.

To begin execution of the program, enter the Monitor G command. You may specify a starting address (entry point address) and up to two breakpoint addresses in the G command.

When execution of your program is suspended at the breakpoint address, you can use other Monitor commands to inspect and/or change the contents of memory and/or registers and then continue program execution from the point of suspension with another G command.

You can return to ISIS-II from the debug mode and reset the debug switch in one of the following ways:

- Enter the Monitor command G8.
- Execute an EXIT system call in the program being debugged.
- Press interrupt 1.

### Examples

1. This example executes a program named LIST in debug mode at a load address of 3680H:

```
-DEBUG LIST FILE.TXT<cr>
#3680
```

```
.G<cr>
```

(The LIST program is executed.)

2. This example executes the same program in debug mode, suspends execution at the specified breakpoint address, and then returns to ISIS-II with a G8 command instead of letting the program issue an EXIT system call:

```
-DEBUG LIST FILE.TXT<cr>
#3680
```

```
.G,-36A0<cr>
```

(Use Monitor commands to examine registers and memory when the breakpoint 36A0 is reached.)

```
.G8<cr>
```

```
ISIS-II, Vx.y
```

```
-
```

3. This example allows you to transfer to Monitor control with no program loaded. Return to ISIS-II by entering the Monitor G command with no address.

```
-DEBUG<cr>
#0008
```

## SUBMIT—Non-Interactive Program Execution

The SUBMIT command causes ISIS-II to take its commands from a disk file rather than the console.

### Command Syntax

```
SUBMIT [:Fn:]filename[(parameter[, . . .])9]<cr>
```

where

*filename* is the name (and extension, if any) of the file containing the command sequence definition (explained below). If extension is omitted, SUBMIT assumes the default extension *.CSD*.

*parameter* is an actual value that is to replace a formal parameter in the command sequence definition file. The maximum number of parameters allowed is 10. If you omit a parameter from the SUBMIT list, enter a comma in its place.

A parameter is a character string of up to 31 characters. Any ASCII character from 20H to 7AH is legal, except a comma, space, or right parenthesis. If a parameter contains a comma, space, or right parenthesis, enclose the parameter in quotation marks. To use a quotation mark inside a quoted parameter, use two quotation marks in its place. For example:

```
'TITLE('QUOTE (') SEARCH ROUTINE')'
```

is used in the final command as:

```
TITLE('QUOTE (') SEARCH ROUTINE')
```

## Description

SUBMIT uses two files:

- A command sequence definition (CSD) file that contains the command sequence definition. You create this file with formal parameters.
- A command sequence (CS) file that contains the command sequence to be executed. SUBMIT creates this file with the actual parameters supplied in your SUBMIT command replacing the formal parameters. The command sequence file has the same name as the command sequence definition file but with the extension CS. You should not modify this file.

SUBMIT reassigns the console input device to the CS file it has created and returns control to ISIS-II, which then executes the commands in the CS file. The CS file has a final command that restores the console input device to its former device assignment and deletes the CS file.

When you create the CSD file, specify formal parameters by using two characters, %*n*, where *n* is a digit from 0 through 9. You may place formal parameters anywhere in the CSD file. To enter a percent sign (%) that is not to be interpreted as a formal parameter, precede it by a CNTL/P character, as in ↑P%.

You can execute any program noninteractively that reads its commands from :CI:. To execute an 8086 program under SUBMIT, include the RUN command in the CSD file as shown in example 1 below.

The CSD file can also contain commands to the programs being run. If you use a SUBMIT command in a CSD file, it causes another CS file to be created. You can nest SUBMIT commands to any depth.

A CNTL-E (↑E) in a CS file switches the console input from the CS file to the initial system console, allowing interactive processing. To return control to the CS file, enter CNTL-E at the console. If control is *not* returned to the CS file, or if an error occurs after a command sequence has started processing, control returns to ISIS-II and the CS file is not deleted.

## NOTE

If a CS file returns control to the initial console device while entering commands in 8086 mode, CNTL-D and CNTL-C will lose their special meaning, i.e., they will not interrupt processing.

Any program running under SUBMIT must allow two buffers in addition to the open files and buffers required by the program itself. See the *Intellec Series III Microcomputer Development System Programmer's Reference Manual* for information on how to determine the base address of your program.

Any program running under SUBMIT should not contain the system call CONSOL.

### Examples

1. The following example shows a PL/M-86 compilation executed noninteractively on a 4-drive system. The PL/M-86 command has only three items that change. Using SUBMIT to enter the command automates the process, saving you keystrokes at the console.

The command sequence definition is in the file PLM86.CSD. See the *iAPX 86, 88 Family Utilities User's Guide* for an explanation of the controls in the PLM86 command. The file P86.CSD contains the following:

```
RUN PLM86 :F1:%0.%1 DEBUG XREF PRINT (:F3:%0.LST) DATE(%2)
```

This command sequence definition contains three formal parameters, indicated by %0, %1, and %2. The SUBMIT command used to start the compilation is as follows:

```
-SUBMIT P86(PROGA,SRC,'9 SEPT 80')<cr>
```

The command sequence created and executed by SUBMIT is shown as it would be echoed on the console output device:

```
-RUN PLM86 :F1:PROGA.SRC DEBUG XREF PRINT
(:F3:PROGA.LST) DATE(9 SEPT 80)

SERIES III PL/M-86 COMPILER, V1.0
PL/M-86 COMPILATION COMPLETE 0 PROGRAM ERROR(S)

-:F0:SUBMIT RESTORE P86.CS(:VI:)
-
```

2. This example shows a PL/M-80 compilation, a LINK, and a LOCATE executed from a SUBMIT file on a 2 flexible disk drive system. A CNTL-E is entered in the command sequence definition after the PL/M compilation so you can remove the compiler disk. When the regular system disk (with LINK and LOCATE) is mounted, you enter CNTL-E to resume processing. The text editor does not echo the ↑E; however, it is echoed when the SUBMIT file is executed.

The file CMPLNK.CSD in drive 1 contains the following command sequence definition. See the *MCS-80/85 Utilities User's Guide for 8080/8085-Based Development Systems* for an explanation of controls in the PLM80 command. The CMPLNK.CSD file contains:

```
PLM80 %0.%1 DEBUG XREF DATE(%2)
↑E
LINK %0.OBJ,SYSTEM.LIB TO %0.SAT&
PRINT(%0.MP1) MAP
LOCATE %0.SAT PRINT(%0.MP2) MAP
```

The SUBMIT command entered to compile, link, and locate PROGA.SRC follows:

```
-SUBMIT :F1:CMPLNK (:F1:PROGA,SRC,'3 OCT 81')<cr>
```

The command sequence actually executed is shown as it would be echoed on the console output device:

```
-PLM80 :F1:PROGA.SRC DEBUG XREF DATE(3 OCT 81)

ISIS-II PL/M-80 COMPILER V3.1
PL/M-80 COMPILATION COMPLETE 0 PROGRAM ERROR(S)

-↑E↑E
-LINK :F1:PROGA.OBJ,SYSTEM.LIB TO :F1:PROGA.SAT &
**PRINT(:F1:PROGA.MP1) MAP
-LOCATE :F1:PROGA.SAT PRINT(:F1:PROGA.MP2) MAP
-:F0:SUBMIT RESTORE :F1:CMPLNK.CS(:VI:)
-
```

## 8086 Program Execution Commands

The commands described in this section are:

RUN	Activates the 8086 execution mode and optionally executes an 8086 program.
<i>filename</i>	Loads and executes an 8086 program named <i>filename</i> (see the RUN command).
DEBUG	Loads an 8086 program, if specified, and gives control to DEBUG-86. This command is described in Chapter 6.
WORK	Changes or displays the default drive used for workfiles.
DATE	Changes or displays the system date.
EXIT	Exits the 8086 execution mode and returns control to ISIS-II.

### RUN—Activate 8086 Execution Mode

The RUN command activates the 8086 execution mode, and optionally loads and executes an 8086 program.

#### Command Syntax

```
RUN [[:Fn:]filename [parameters][;comments]]<cr >
```

where

*filename* is the name of your 8086 program. If you enter no extension, the system assumes a default extension of .86. For example, if you enter MYPROG as the filename, the system looks for MYPROG.86. This default extension is not assumed if you enter your own extension (or a period and no extension, as in MYPROG.).

*comment* is one or more ASCII characters not including a carriage return or line feed. Comments always begin with a semicolon.

## Description

When a RUN command requires more than one line, terminate each intermediate line with an intermediate line terminator that consists of an ampersand (&) followed by a carriage return. You can optionally insert a comment, preceded by a semicolon (;), between the ampersand and the carriage return. You can enter up to 120 characters before each line terminator.

When the RUN program is ready to accept a continued command line, it prompts with two angle brackets (>>).

You can enter a comment, preceded by a semicolon, either on a line containing a command or on a separate line. If you enter the comment on the same line as a command, place the comment after the command. If you begin the comment on a new line, use the line only for comments.

Your program can read the filename and parameters in the command line by calling the DQ\$GET\$ARGUMENT routine described in the *Intellec Series III Micro-computer Development System Programmer's Reference Manual*.

**Operating Modes.** You can operate the RUN program in interactive or noninteractive modes.

**Noninteractive Mode.** In this mode you invoke the RUN program and load and execute your 8086 program by entering one command. After program execution control returns directly to ISIS-II. You must re-enter RUN for each 8086 program to be executed.

Activate this mode as follows:

```
-RUN :F1:MYPROG<cr>
```

**Interactive Mode.** In this mode you invoke RUN first. RUN signs on; you then load and execute 8086 programs by entering each filename without re-entering RUN. After each program is executed, control returns to RUN.

Activate this mode as follows:

```
-RUN<cr>
```

The Run program signs on and issues its prompt character (>):

```
ISIS-II RUN 8086, Vx.y
>
```

where x.y is the version and release number of the Run program.

You can now execute successive programs by just entering the program name followed by a carriage return. After each program is executed, the RUN prompt character (>) is displayed.

To return to ISIS-II enter the EXIT command (explained later in this chapter).

**Interrupting Program Execution.** To terminate 8086 program execution and close files and return control to RUN or ISIS-II, use CNTL-C. CNTL-C returns control to the RUN program if you are in interactive RUN mode, and to ISIS-II if you are in noninteractive RUN mode.

To interrupt 8086 program execution and enter DEBUG-86, use CNTL-D.

Interrupt 1 performs the same functions in 8086 mode as in 8080/8085 mode. That is, when interrupt 1 is pressed, all open files are closed in their current state, the initial console becomes the current console, and control of the system is transferred to ISIS-II.

Do not use interrupt switch 0 while in the 8086 mode.

### Examples

1. To activate the 8086 execution mode and run one program (noninteractive mode):

```
-RUN :F1:AVG.SRC<cr>
```

2. To activate the 8086 execution mode and run several programs (interactive mode):

```
-RUN<cr>
ISIS-II RUN 8086, Vx.y
>ASM86 :F1:AVG.SRC<cr> (executes ASM86.86)
>:F1:AVG<cr> (executes AVG.86)
>:F1:AVG.<cr> (executes AVG)
>:F1:AVG.XYZ<cr> (executes AVG.XYZ)
>EXIT<cr>
-
```

## WORK—Change/Display Default Drive of Workfiles

The Work command changes or displays the default drive used for temporary workfiles in the 8086 execution mode.

### Command Syntax

```
[RUN] WORK [:Fn:]<cr>
```

where

:Fn: specifies the drive n that is to be set as the default drive for your temporary workfiles. n is an integer value between 0 and 9 inclusive. The initial system default is :F1: If :Fn: is not specified, the current default is displayed.

### Description

The system assigns filenames in the following form as system workfiles as they are created:

```
nnn.TMP
```

where

nnn are integer values between 000 and 999 inclusive.

If you create files with names of this form on the same disk, they are subject to deletion unless one of the following conditions exists:

- Your files have the write-protect attribute set.
- You use the WORK command to change the default drive being used for your workfiles.

For information on creating temporary workfiles, see the *Intellec Series III Microcomputer Development System Programmer's Reference Manual*.

The default drive is saved in the system file RUN.MAC and is obtained from this file whenever RUN is activated. The RUN.MAC file is assumed to be on the same drive specified for the RUN file. If it does not exist when the WORK command is entered, it is created on this disk.

If the system is already in the RUN program interactive mode, do not enter RUN on the WORK command line.

### Examples

1. To change the default drive to drive 0 in the interactive mode:  

```
>WORK :F0:<cr>
>
```
2. To display the default drive in the interactive mode:  

```
>WORK <cr>
:F0:
>
```
3. To change the default drive to drive 0 in the noninteractive mode:  

```
-RUN WORK :F0:<cr>
-
```
4. To display the default drive in the noninteractive mode:  

```
-RUN WORK<cr>
:F0:
-
```

## DATE—Change/Display System Date

The DATE command changes or displays the system date.

### Command Syntax

```
[RUN] DATE [nn/nn/nn]<cr>
```

where

nn is any integer value between 00 and 99 inclusive that specifies the date desired. If the date is not specified, the last date entered is displayed. The initial default date is 09/01/80.

### Description

You can enter the date in either the U.S. format (month/date/year) or the European format (date/month/year).

The system does not automatically update the date but saves the last date entered in the system file RUN.MAC and obtains it from this file upon each subsequent invocation of RUN. The RUN.MAC file is assumed to be on the same disk specified for the RUN file. If it does not exist when the DATE command is entered, it is created on this disk.



If the system is already in the RUN program interactive mode, do not enter RUN on the DATE command line.

### Examples

1. To enter the date December 15, 1981 in the interactive mode:

```
>DATE 12/15/81<cr>
>
```

2. To display the last date entered in the interactive mode:

```
>DATE<cr>
12/15/81
>
```

3. To enter the date March 1, 1981 in the noninteractive mode:

```
-RUN DATE 03/01/81<cr>
-
```

4. To display the last date entered in the noninteractive mode:

```
-RUN DATE<cr>
03/01/81
-
```

### EXIT—Exit the RUN Program

The EXIT command transfers control from the Run program to ISIS-II.

#### Command Syntax

```
EXIT<cr>
```

#### Description

Use the EXIT command to return to ISIS-II after an interactive RUN invocation (i.e., RUN was invoked by specifying RUN followed by a carriage return). You can enter an EXIT command whenever the RUN prompt character (>) is displayed.

#### Example

To exit the RUN program and return to ISIS-II:

```
>EXIT<cr>
```



The Monitor is a program stored in ROM that provides the following supervisory functions:

- Initiation of the system at start-up
- I/O interface to all standard peripheral devices except disks
- Software development of your 8080/8085-based programs

### System Initiation

The Monitor handles the initiation of the system when you first start up.

In a system without hard disk drives, the Monitor checks drive 0 for a system flexible disk. ISIS-II files are loaded from disk into memory and control is passed from the Monitor to ISIS-II. If a non-system disk is in drive 0, control is retained by the Monitor.

In a system with a hard disk drive, the Monitor checks drive 4 for a system flexible disk.

After ISIS-II is loaded, you can access the Monitor functions by pressing interrupt 0.

### I/O Interface

The Monitor handles I/O interface to the console, printer, paper tape reader, and punch. When an input or output operation to these devices is needed, ISIS-II calls the appropriate Monitor routine. When the operation is completed, the Monitor routine returns control to ISIS-II.

ISIS-II handles disk I/O (see Chapter 3).

### 8080/8085 Program Development

The Monitor provides a command set that enables you to debug your 8080/8085-based programs. Monitor commands allow you to:

- Display and modify memory and processor registers.
- Initiate execution of your 8080/8085 programs.
- Insert breakpoints into your 8080/8085 programs before execution.
- Read hexadecimal data from an external device into memory.
- Write hexadecimal data from memory to an external device.

## Command Categories

The commands described in this chapter are grouped as follows:

### Program Execution Commands

Execute (G)	Transfers control from the Monitor to the loaded program and optionally sets one or two breakpoints in the program
-------------	--

### Monitor I/O Configuration Commands

Assign (A)	Changes device assignment
Query (Q)	Displays the devices currently assigned

### Memory Control Commands

Display (D)	Displays a specified range of memory
Fill (F)	Fills a specified range of memory with a constant value
Move (M)	Copies the contents of a specified range of memory into another area of memory
Substitute (S)	Modifies memory on a byte-by-byte basis

### Register Command (X)

Display Form	Displays the contents of all registers
Modify Form	Changes the contents of a single register

### Paper Tape I/O Commands

Read (R)	Reads data from paper tape into memory
Write (W)	Writes data from memory to paper tape
End-of-File (E)	Writes an end-of-file record to paper tape
Null Leader/Trailer (N)	Writes null leader and trailer characters to paper tape

### Utility Command

Hexadecimal	Add and subtract two hexadecimal numbers
-------------	--

## Entering Commands

Your communication with the Monitor is through the system console. When you turn on the system power, the Monitor responds with the following sign-on message and a prompt character (a period) at the left side of the display:

```
SERIES II MONITOR, Vx.y
```

where

x.y is the version and release number of the Monitor.

To load an 8080/8085 program from disk into memory for debugging, enter the DEBUG command described in Chapter 4 specifying the name of the program to be debugged. For example:

```
-DEBUG :F1:MYPROG<cr>
```

Your program is now loaded, control of the system is passed to the Monitor, and the Monitor prompt character (a period) is displayed.

You can enter commands at the console anytime after the Monitor prompt character is displayed at the left margin.

Monitor commands are single alphabetic characters. Many commands have required or optional parameters. Parameters may be alphabetic or numeric as indicated under each command.

Numeric parameters are entered in hexadecimal format. The Monitor recognizes only the numeric characters 0 through 9 and the uppercase alphabetic characters A through F as legal hexadecimal digits. In this manual, hexadecimal numbers are shown with an H appended; however, do not enter the H in a Monitor command.

Normally, commands are executed when you press the return key on the keyboard. Any exceptions to this are fully explained in the individual command descriptions.

## Command Syntax

The general syntax of Monitor commands is:

```
command[parameters]<cr>
```

where:

*command* is the single alphabetic character for the command.

*parameters* are one or more variable data supplied with the command. Parameters can be numeric or alphabetic. When a numeric parameter is called for, it must be entered in hexadecimal form and is limited to four hexadecimal digits (0000H through FFFFH). Larger numbers can be entered, but only the four rightmost digits are used by the system. For example, the value 123456H is treated as 3456H by the system.

Where a comma is shown in the syntax, you can use either a comma or a space unless otherwise noted under the individual commands.

## Entry Errors

The Monitor checks for several error conditions:

- Invalid characters
- Address value errors
- Checksum errors

### Invalid Characters

The Monitor checks the validity of each character entered at the Console device. As soon as it encounters an invalid character, it displays a number sign (#) and aborts the command. It displays the prompt character on the next line and waits for more input. In the following example, 4 is rejected because it is not a valid command:

```
. 4#  
.
```

The first character entered must be a valid command, otherwise it is rejected by the Monitor.

### Address Value Errors

All addresses must be entered in hexadecimal. Any character other than 0-9 and A-F is rejected by the Monitor. In the following example, G is not a valid hexadecimal digit:

```
. D1000,1FFG#
```

Many commands require two addresses where the first address is lower than the second. If the first address is higher than the second, the operation will be performed on the single address specified as the first address. For example, suppose you meant to fill memory from address 900 to address 1000 with the constant FFH but entered the addresses in the opposite order as follows:

```
. F1000,900,FF<cr>
```

The Monitor would place a FF in address 1000H and do nothing else. No indication that an error occurred is given. You will only find the error when you notice that a single byte was filled instead of 100H bytes.

The valid range of address is 0000H through FFFFH. If addresses higher than FFFFH are entered, only the last four digits will be used when the command is executed. For example, if 10000H is entered instead of 1000H:

```
. F10000,900,FF<cr>
```

The command would have been evaluated as:

```
. F0000,900,FF
```

and memory from address 0 through 900 would have been filled with FF. This command would have erased some of the memory that the Monitor itself uses. No indication of this error is given except that the Monitor will not function correctly for some commands until you reboot the system.

## Checksum Errors

Object code punched onto paper tape by the Monitor or Assembler contains checksum digits, which permit the Monitor to detect improperly punched tape or a tape reader error condition when the tape is read in.

When the Monitor detects a checksum error when reading from an input device, such as a paper tape reader, it types the number sign (#) and stops reading the tape.

If a checksum error is detected, reread the tape from the beginning. If checksum errors continue, check the tape reader hardware or check the tape for damage.

## Program Execution Commands

The following command is described in this section:

Execute (G) Transfers control from the Monitor to the loaded program and optionally sets one or two breakpoints in the program

### G—Execute Command

The Execute command transfers control to the program at the address specified or implied in the command and optionally sets one or two breakpoints in the program to which control is passed.

#### Command Syntax

```
G[start-address][breakpoint1][,breakpoint2]<cr>
```

where

G is the Execute command code.

*start-address* is the address to be placed in the program counter. Control of the system is passed to this address. The address must be specified in hexadecimal.

*breakpoint1* and *breakpoint2* are points in the program where control is passed back to the Monitor. The breakpoints are entered in hexadecimal.

#### Description

The Execute command transfers control from the Monitor to your own program. You can specify the starting address and one or two breakpoints with the command. The starting address is optional. If it is not specified in the command, the address in the program counter is used. In the following conditions, you can be sure that the desired address is in the program counter:

- You interrupted your program with the interrupt 0 switch and you have done nothing to destroy the program's registers.
- You loaded the program from paper tape and the end-of-file record contained the entry point address. This entry point address is loaded into the program counter by the Monitor.

- You modified the program counter to your entry point address with the Register command.
- Your program returned control to the Monitor because a breakpoint was encountered.

A breakpoint is the address of an instruction within your program that, if fetched, results in the return of control to the Monitor. Breakpoints allow you to check the contents of registers or data fields in your program. When a breakpoint is reached, the instruction at the address is not executed before control is returned to the Monitor. The instruction at the breakpoint is executed when you return control to your program with the Execute command.

If breakpoints are specified, the Execute command functions differently than most of the Monitor commands. Before the carriage return is entered, the Monitor prompts for breakpoints if a comma is entered after typing G. Command entry is in the following sequence:

1. Enter the command code and, optionally, the start-address followed by a comma:  
`.G1FA,`
2. The Monitor displays a dash:  
`.G1FA,-`
3. Enter the first breakpoint address:  
`.G1FA,-22C`
4. Follow step 5 or 6 depending on how many breakpoints you want to set.
5. If a second breakpoint is not to be set, press RETURN:  
`.G1FA,-22C<cr>`
6. If a second breakpoint is to be set, enter another comma, enter the second breakpoint, and press RETURN:  
`.G1FA,-22C,-24E<cr>`

If the command contains a syntax error, no breakpoints are set. The command must be reentered and the breakpoints again specified.

When either of the breakpoints are reached and control is returned to the Monitor, or when control is returned to the Monitor because of an interrupt 0, both breakpoints are eliminated. If you want them when you resume execution of your program, you must specify them again.

There are two important points you must know when using breakpoints to debug and test your program:

- In saving the CPU status for your program, the Monitor uses the top 12 bytes of your program stack. This pushes the status of your registers and program counter onto the stack. You should be aware of this when examining the stack. When control is returned to your program, your registers are restored and the stack pointer is reset as if the breakpoint had never occurred.
- The interrupt system is enabled when the Monitor is entered. The Monitor cannot determine the state of the interrupt system just prior to exit from your program. It is assumed that the interrupt system was enabled and so interrupts are enabled when control is returned to your program. It is your responsibility to either enable or disable the interrupt system.

**Examples:**

1. To pass control to the program address in the program counter:  
`.G<cr>`
2. To pass control to the program whose entry point is 30A:  
`.G30A<cr>`
3. To pass control to the program whose entry is 30A and to set a breakpoint at address 400 within that program:  
`.G30A,-400<cr>`
4. To pass control to the program whose entry point is 30A and to set two breakpoints, at addresses 400 and 500, within that program:  
`.G30A,-400,-500<cr>`

**Monitor I/O Configuration Commands**

The Monitor has four logical system devices defined:

- Console
- Reader
- Punch
- List

You have the option of selecting the physical device that will perform the required logical device function. The Monitor commands that allow you to control the system I/O configuration are:

Assign (A)      Changes device assignment.

Query (Q)      Displays the devices currently assigned

The characteristics of each logical device and the physical devices that can be assigned to each logical device are as follows:

- The Console is an interactive, character-oriented input and output device. A teletypewriter and a CRT terminal have all these characteristics.
- The Reader is a character-oriented input device that transfers data on command and notifies the calling system when no more data is available. A paper tape reader meets these qualifications.
- The Punch is a character-oriented output device that accepts a character from the calling system and records it on an external medium. A paper tape punch meets these qualifications.
- The List device is a character-oriented output device that accepts a character from the calling program and records it on an external medium in human readable form. A line printer meets these qualifications.

A driver program is required for each physical device assigned. The physical devices for which the Monitor provides driver programs are:

- Teletype console with a keyboard, printer, paper tape reader, and punch. This type of device can be assigned to all the system devices.
- CRT devices with a keyboard that are compatible with the Intellec system. This type of device can be assigned to the Console or the List device.
- High speed paper tape reader. This type of device can be assigned to the Reader device.
- High speed paper tape punch. This type of device can be assigned to the Punch device.



- Line printer. This type of device can be assigned to the List device.
- Batch. This is a non-interactive mode in which CONSOLE input is read from the assigned READER device and written to the assigned LIST device. In preparing a command file for BATCH input, you should enter commands in exactly the same way as if the system were in interactive mode. Each command should end with a carriage return/line feed pair. The period (prompt) character generated by the Monitor in interactive mode should not appear as part of the command. Since the Monitor will continue to read from the READER until the CONSOLE is reassigned, the last command in the BATCH command file should reassign the CONSOLE to prevent the Monitor from reading off the end of the tape.

## A—Assign Command

You can assign one physical device to a system with the Assign command.

### Command Syntax

```
Alogical-device=physical-device <cr>
```

where

*A* is the Assign command code.

*logical-device* is the system device that is to be assigned a *physical-device*. The possible values for *logical-device* are:

C or CONSOLE  
R or READER  
P or PUNCH  
L or LIST

The equal sign (=) must be entered.

*physical-device* is the physical device that is to be assigned to the *logical-device*. The possible values of *physical-device* for each *logical-device* are:

Logical Device	Physical Device
CONSOLE	T or TTY (teletype terminal) C or CRT (compatible CRT terminal) B or BATCH (batch mode) 1 (user-defined device for which a user-written program is present)
READER	T or TTY (teletype terminal) P or PTR (high speed paper tape reader) 1 or 2 (user-defined devices for which user-written driver programs are present)
PUNCH	T or TTY (teletype terminal) P or PTP (high speed paper tape punch) 1 or 2 (user-defined devices on which user-written driver programs are present)
LIST	T or TTY (teletype terminal) C or CRT (compatible CRT terminal) L or LPT (line printer) 1 (user-defined device for which a user-written driver program is present)

## Examples

1. To assign a high-speed paper tape reader as the system Reader device:

```
.AR=P<cr>
```

or

```
.AREADER=PTR<cr>
```

2. To assign a CRT terminal as the system Console device:

```
.AC=C<cr>
```

or

```
.ACONSOLE=CRT<cr>
```

## Q—Query Command

The Query command displays the current status of the system I/O devices. It displays a list of the system devices and the physical devices assigned to them.

### Command Syntax

```
Q<cr>
```

where

Q is the Query command code. No parameters are allowed with this command.

### Example

To list the current assignments of system devices:

```
.Q<cr>
C=T
R=T
P=T
L=L
```

This response indicates that a teletype terminal is assigned as the Console, Reader, and Punch devices. A line printer is assigned as the *List* device, not the Console device.

## Memory Control Commands

There are four Monitor commands for accessing the 8080/8085 memory. The commands that only read memory can be used on RAM as well as PROM and ROM. The commands that write to memory can only effectively be used on RAM. If you specify ROM or PROM with these commands, no error indication is given but the write portion of the command is not executed.

The Memory control commands are:

- Display (D)      Displays a specified range of memory.
- Fill (F)         Overlays a specified range of RAM with a constant value.
- Move (M)        Copies the contents of a specified portion of memory into another RAM location.
- Substitute (S)   Modifies RAM on a byte-by-byte basis.

## D—Display Command

The Display command displays a section of memory formatted into lines of 16 bytes separated by spaces with the address of the first byte at the left margin.

### Command Syntax

*D start-address, end-address <cr>*

where

*D* is the Display command code.

*start-address* is the beginning of the memory range to be displayed. The address must be specified in hexadecimal. The *start-address* must be less than or equal to *end-address*. If *start-address* is equal to *end-address*, a single byte is displayed.

*end-address* is the end of the memory range to be displayed. The address must be specified in hexadecimal.

### Description

If the List device is not ready, the Display command will hang. To continue the operation, make the List device ready, or, if that isn't possible, press the interrupt 0 button on the main chassis.

### Example

To display the contents of memory locations 109H through 12AH:

```
.D109,12A<cr>
0109 09 0A 0B 0C 0D 0E 0F
0110 01 02 03 04 05 06 07 08 09 0A 0B 0C 0D 0E 0F
0120 01 02 03 04 05 06 07 08 09 0A
```

## F—Fill Command

The Fill command writes a specified 1-byte constant into a specified RAM area. If ROM or PROM is specified, no error is issued, and the command continues to completion even though the memory does not change.

### Command Syntax

*F start-address, end-address, constant <cr>*

where

*F* is the Fill command code.

*start-address* specifies the beginning of the memory range to be filled with the *constant*. The memory address must be entered in hexadecimal.

*end-address* specifies the last byte of the memory range to be filled with the *constant*. The memory address must be entered in hexadecimal.

*constant* is the byte to be written to the specified address range. The *constant* must be entered as a hexadecimal number.

### Description

If a character other than 0 through F is entered, the command is terminated and the prompt character (.) is displayed.

### Example

To initialize memory locations 20H through 2FH with 00H:

```
.F20,2F,0<cr>
```

## M—Move Command

The Move command copies a specified area of memory into an area of RAM.

### Command Syntax

```
Mstart-address,end-address,destination-address<cr>
```

where

*M* is the Move command code.

*start-address* is the address of the first byte to be moved. The address must be specified in hexadecimal.

*end-address* is the address of the last byte to be moved. The address must be specified in hexadecimal.

*destination-address* is the address to which the first byte (*start-address*) is to be moved. Each subsequent byte is moved to a location one higher than the last.

### Description

The move is done on a byte-by-byte basis, that is, the first byte of the specified area is copied to the new location, then the second byte is copied to the location following the first new location, and so forth. The data in the original location is not destroyed. Any data existing at the new location is overlaid.

Because the command works on a byte-by-byte basis, you should be careful when attempting to move a block of data to a location within the block. By the time the command reaches the end of the block, the data will have been overlaid by the first data moved.

### Examples

1. To move the data currently at address 0100H through 0200H to address 0400H through 0500H:

```
.M100,200,400<cr>
```

2. To move the data currently at address 1000H through 1FFFH to address 1500H through 24FFH:

```
.M1500,1FFF,1A00<cr>
```

```
.M1000,14FF,1500<cr>
```

- If you tried to do the above example with a single command as follows:

```
.M1000,1FFF,1500<cr>
```

the first 500H bytes would be copied as you expected, but the second 500H bytes would be a copy of the first 500H because bytes 1500H through 1FFFH were overlaid by the first 500H bytes.

## S—Substitute Command

The Substitute command displays memory locations on an individual basis and gives you the option of modifying each location as it is displayed.

### Command Syntax

```
S address, [databyte] [, [databyte]] [...] <cr>
```

where

S is the Substitute command code.

address specifies a RAM address. The address must be specified in hexadecimal.

data-byte specifies a single byte of data in hexadecimal that is to replace the byte currently at the location specified by address. This is an optional parameter. If it is not entered, the byte specified by address is not modified.

### Description

The Substitute command functions differently than most of the Monitor commands. The function of this command is performed before the carriage return (<cr>) is entered.

The Substitute command functions in the following manner:

- Enter the command code and the address followed by a comma:
 

```
.S100,
```
- The contents of the specified memory location followed by a dash is displayed:
 

```
.S100,FF-
```
- You can now do any of the following:
  - Modify the contents of the address by entering a new byte in hexadecimal:
 

```
.S100,FF-AA
```
  - Look at the next sequential byte of data by entering a comma:
 

```
.S100,FF-,00-
```
  - End the comma and not modify the data byte by pressing the carriage return key:
 

```
.S100,FF-<cr>
```
  - Any combination of the first two and finally ending with a carriage return:
 

```
.S100,FF-AA,00-,11-22<cr>
```

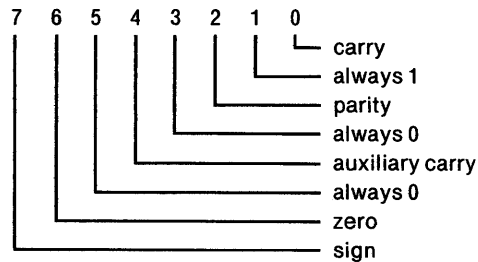
The example changes the first byte from FFH to AAH, leaves the second byte unchanged, and changes the third byte from 11H to 22H.

The registers you can display and modify and their symbols in the Monitor are:

### Symbol

A	CPU A register
B	CPU B register
C	CPU C register
D	CPU D register
E	CPU E register
F	CPU flag byte
H	CPU H register
I	Intellec interrupt mask
L	CPU L register
M	CPU H and L registers combined
P	CPU program counter
S	CPU stack pointer

The F register is packed with the CPU condition flags:



## X—Register Command (Display Form)

This form of the Register command displays the contents of all the registers. To modify register contents, use the modify form of the command.

### Command Syntax

X<cr>

where

X is the Register command code.

### Example

To display the contents of the Intellec registers:

.X<cr>

A=00 B=78 C=00 D=47 E=11 F=02 H=FC I=FC L=20 M=FC20 P=1024 S=CD10

## X—Register Command (Modify Form)

The modify form of the Register command allows you to display and optionally change the contents of the registers, one at a time.



## Paper Tape I/O Commands

The Monitor has four commands to support your use of paper tape:

Read (R)	Reads data from a paper tape into the memory.
Write (W)	Writes data from memory to paper tape.
End-of-File (E)	Writes an end-of-file record to paper tape.
Null Leader/Trailer (N)	Writes null leader and trailer characters to paper tape.

The Monitor reads and writes paper tape in hexadecimal format. This format is described in Appendix A.

### R—Read Command

The Read command reads a paper tape in hexadecimal format from the device assigned as the Reader and loads the data into memory at the location specified in the record.

#### Command Syntax

```
Rbias<cr>
```

where

R is the Read command code.

*bias* is a value (modulo 65,536) to be added to the load address contained in the paper tape record. The data is loaded at the memory location specified by the record address and the bias value. The bias value must be specified in hexadecimal. If there is no bias, a value of 0 must be used.

#### NOTE

The addition of the bias value does not imply that the code is relocatable. In some cases, the code would not be executed at the biased location.

#### Description

The data read is not changed in any way by the specification of a bias value.

#### Examples

1. To read a paper tape into memory:  

```
.R0<cr>
```
2. To read a paper tape into a memory location that is 1000H above the address specified in the tape record:  

```
.R1000<cr>
```



## W—Write Command

The Write command punches the contents of a specified memory area to the assigned punch device.

### Command Syntax

```
Wstart-address,end-address<cr>
```

where

W is the Write command code.

*start-address* is the first memory location to be punched onto the tape. The *start-address* must be specified in hexadecimal.

*end-address* is the last memory location to be punched into the tape. *end-address* must be specified in hexadecimal. The *end-address* must be higher than *start-address*.

### Description

The Write command does not put an end-of-file record on the paper tape. Thus you can punch non-contiguous areas of memory as a single file. The final record in a paper tape file must be an end-of-file record. After you have written the last memory area to tape, you must write an end-of-file record with the End-of-File command.

### Examples

- To write the contents of memory locations 200H through 3AFH to paper tape:  

```
.W200,3AF<cr>
```
- To write the contents of memory locations 450H through 54FH and locations 1000H through 1FFFH to paper tape as a single file:  

```
.W450,54F<cr>
.W1000,1FFF<cr>
```

## E—End-of-File Command

The End-of-File command punches an end-of-file record in all tapes written by a Write command.

Every paper tape file must have an end-of-file record as the last record. If the end-of-file record is missing, the reader will read off the end of the tape.

### Command Syntax

```
Eentry-point<cr>
```

where

E is the End-of-File command code.

*entry-point* is the entry point address of the program in the file to which the end-of-file record is being added. The *entry-point* must be specified in hexadecimal. A zero should be specified if an entry point address is not wanted.

### Description

You can specify an entry point address in the end-of-file record written with the End-of-File command. The entry point address is the address of the first instruction in the program to be executed. When this address is specified in the end-of-file record, the address is loaded into the program counter when the tape is read with a Read command. You can then execute the program by entering a simple Execute (G) command. If the load address field is 0, the program counter is not altered by the Read command.

### Examples

1. To punch an end-of-file record in a tape that has just been written by a Write command:

```
.E0<cr>
```

2. To punch an end-of-file record in a tape that has just been written and specify an entry point address to be used when the tape is read with a Read command:

```
.E1000<cr>
```

## N—Null Command

The Null command punches a 60 null character leader or trailer.

### Command Syntax

```
N<cr>
```

where

N is the Null command code.

### Description

The null character is a 00H. You should punch a leader before writing data to a tape and after the end-of-file record. It makes the tape easier to load and saves the data on the tape from the usual damage that tape ends incur through normal handling.

### Example

To punch a leader or trailer in a paper tape:

```
.N<cr>
```

## Utility Command

The utility command performs hexadecimal addition and subtraction.

## H—Hexadecimal Command

The Hexadecimal command adds and subtracts two hexadecimal numbers.

## Command Syntax

*Hnumber1, number2*<cr>

where

H is the Hexadecimal command code.

*number1* is the first number to be added. This number is used as minuend for the subtraction. The number must be entered in hexadecimal.

*number2* is the second number to be added. This number is used as the subtrahend for the subtraction.

## Description

The numbers can include up to four hexadecimal digits.

The command displays two four-digit values. The first is the addition of the two numbers and second is the subtraction. Negative numbers must be entered in their two's complement form.

If more than four digits are entered, the command uses the rightmost four digits. The leading digits are lost.

## Example

To add and subtract E49 (minuend) and 111 (subtrahend):

```
.HE49,111<cr>  
0F5A 0D38
```



DEBUG-86 is a program stored in ROM that provides symbolic debugging of your 8086 programs. DEBUG-86 provides an English language command set that enables you to:

- Initialize DEBUG-86 and load your program from a disk file.
- Specify starting and stopping conditions for program execution.
- Execute your program in real-time mode.
- Execute your program in single-step mode.
- Display and alter 8086 registers, memory locations, and I/O ports.

The files to be debugged by DEBUG-86 must contain executable 8086 object modules. This means that the translator output must be either linked and located to produce an 8086 absolute object module, or linked with the LINK86 BIND control to produce a Position-Independent Code (PIC) or Load-Time Locatable (LTL) object module. These processes are described in the *iAPX 86, 88 Family Utilities User's Guide*.

The development cycle for LTL code is faster because you don't have to locate your source code. The loader locates your code in memory as the code is reached.

Absolute object modules should be located at 7800H.

## Command Categories

### Utility Commands

DEBUG	Activates DEBUG-86.
EXIT	Exits DEBUG-86.
LOAD	Loads your program code into 8086 memory.

### Execution Commands

GO	Causes execution of your program until breakpoint conditions are met.
GR	Sets or displays the contents of the Go register.
STEP	Causes execution of a single program instruction.

### Change Commands

Change Register	Changes the contents of a single register or status flag.
Change Memory	Changes the contents of 8086 memory locations.
Change Port	Changes the contents of hardware I/O ports.

## Display Commands

Display Registers	Displays the contents of user 8086 registers.
Display Memory	Displays the contents of 8086 memory locations.
Display Memory (ASM form)	Displays the contents of 8086 memory locations in 8086 Assembly language mnemonics.
Display Port	Displays contents of I/O ports.
Display Stack	Displays contents of user's stack.
Display Boolean	Displays boolean value of input.
Evaluate	Displays a value in five number bases.

## Symbol Manipulation Commands

Define Symbols	Enters a new symbol in DEBUG-86 symbol table.
Display Symbols	Displays symbols and their values.
Display Lines	Displays statement numbers and their values.
Display Modules	Displays module names.
Change Symbols	Changes value and type of symbols.
Remove Symbols	Removes specified symbols or modules, or all modules, symbols, and statement numbers.
Set Domain	Sets a default module for statement number references.

## Compound Commands

Repeat	Causes looping of a command.
Count	Causes looping of a command.
If	Causes execution of a command if a specified condition is met.

## Character Set

The valid characters in the DEBUG-86 command language are:

- Upper and lower case alphabetic ASCII characters A through Z
- Digits 0 through 9
- Blank space or comma
- Carriage return/line feed
- \$ as a separator in combined words, as in DATA\$ENTRY
- Algebraic operators: +, -, \*, /
- Relational operators: =, <, >, <=, >=, <>
- The characters ?, @, &, :, ;, ., (, ), +, #, ,

All other characters are errors.

## Invoking DEBUG-86

You can invoke DEBUG-86 in either of two ways:

- Using the 8086 DEBUG command. This method allows 15k of memory for the DEBUG-86 symbol table, which means space for about 1500 symbols (assuming an average of 10 characters per symbol). However, no I/O buffers are allocated for your program regardless of the number of buffers you may have requested. (None are assumed necessary during debugging.)
- Using CNTL-D to interrupt your 8086 program execution and enter DEBUG-86. This method allows 3k of memory for the DEBUG-86 symbol tables, which means space for about 300 10-character symbols. Buffers are allocated as specified in your program.

## Entering Commands

Your communication with DEBUG-86 is through the system console. DEBUG-86 displays an asterisk prompt (\*) at the left margin when it is ready to accept a command from the console.

DEBUG-86 takes input from the console but does not interfere with the original command line.

For example:

```
>RUN [<cr>] DEBUG PLM86 PROG.SRC PRINT (:LP:) <cr>
```

will load the compiler and transfer control to DEBUG-86. DEBUG-86 does not read the parameters on this command line but goes back to the console for instruction. When the PL/M-86 program is finally executed, the command line parameters are still available to it using DQ\$GET\$ARGUMENT (see the *Intellect Series III Micro-computer Development System Programmer's Reference Manual*.)

You can enter up to 120 characters per input line before entering a line terminator (a carriage return or a line feed). On the Intellec terminal, a line feed is automatically entered when you press the RETURN key.

## Continuation Lines

A command line can consist of one or more input lines. If you need to continue a line, terminate it with one of the following intermediate line terminators:

- A line terminator embedded in a string that is enclosed in quotes.
- A line terminator preceded by an ampersand (&) that is not embedded in a quoted string or a comment.

In this case, characters entered between the ampersand and the line terminator are ignored and the ampersand is treated as a space.

When the system is ready to accept a continued line, it displays two asterisks (\*\*).

## Comments

You may use comments in any input line. Begin the comment with a semicolon (;). If the line contains commands, place the semicolon and comments after the commands. If you start an input line with a semicolon, use the line only for comments.

If you use an ampersand to continue a command line that also contains comments, place the ampersand before the semicolon. An ampersand that is embedded in a comment is ignored.

Comments are not stored internally. The main use of comments is to document an execution session while it is in progress.

## Line Editing

You can use ISIS-II line editing functions to correct errors in the current input line before you enter a line terminator. See Chapter 3 for a description of the line editing characters.

## Interrupting Program Execution

You can interrupt 8086 program execution and enter DEBUG-86 by using CNTL-D.

You can terminate 8086 program execution, close files, and return control to RUN by using CNTL-C. If CNTL-C is entered while the system is servicing a system call, a pause may occur before control is transferred.

Interrupt 1 performs the same functions in 8086 mode as in 8080/8085 mode. That is, when you press interrupt 1, all open files are closed in their current state, the initial console becomes the current console, and control is transferred to ISIS-II.

You should not use interrupt 0 while in the 8086 mode.

## Error Conditions

For syntax errors, DEBUG-86 displays the input line including the error followed by a number sign (#) and a carriage return.

For all errors, DEBUG-86 displays the following error message:

```
ERROR xxx
```

where

xxx is a decimal error number.

Error messages are defined in Chapter 7.

## Expressions

You can use expressions as command arguments to specify numeric values or boolean (true/false) conditions. An expression is a formula that evaluates to a number and represents one of the following;

- Pointer—a pair of 16-bit unsigned integers. The first integer of the pair is called the base and the other integer is called the displacement.
- Integer—a single 16-bit unsigned integer treated modulo 65536, where any bits beyond 16 bits are not used. This is a special case of pointer, with the base value equal to 0.

DEBUG-86 provides only unsigned-integer arithmetic on pointers and integers. Arithmetic operations are applied separately to bases and displacements (i.e., integer arithmetic is always 16-bit). Signed arithmetic is not provided.

The following are examples of expressions.

- Expressions containing a single value:  
3  
FFFFH
- Expressions containing operands, operators, and parentheses:  
2 + 3  
174/4  
0100H + 00FFH  
2 \* (6 + 4)  
(127 + 44)/20
- Expressions containing symbols:  
.SYMBA - 2  
..MOD1.SAM + 21

The following sections describe the operands and operators that you can use in expressions.

## Operands

You can reference the following types of operands:

- Numeric constant
- Command keywords
- Keyword references
- Register references
- Memory references
- Port references
- Symbolic references
- Statement number references
- String constants

### Numeric Constants

A numeric constant produces a fixed unsigned 16-bit integer value, and consists of decimal digits 0 through 9, the letters A through F (hexadecimal digits), and the suffix H for the number base. You do not have to enter the suffix H; it is the default base.

You can specify numbers in other bases by entering the suffix for the new base, as in 100T. The suffix T = decimal base, Q = octal base, and Y = binary base.

The Evaluate command displays constant values in five bases.

### Command Keywords

Command keywords are system-assigned names of command functions to be executed. Examples are LOAD, GO, STEP, REGISTER, FLAG, ASM, STACK, and EVALUATE.



## Keyword References

Keyword references are system-assigned names of system variables such as registers, status flags, ports and memory. Keyword references allow you to access system variables to display or modify their contents.

You can use keyword references in three ways:

- In an expression, as in `RAX+5*8`. The keyword value returned is the current contents of the referenced object.
- Alone as in `RAX<cr>`. The current contents of the referenced objects are displayed.
- On the left side of an equals sign as in `RAX = 5555<cr>`. The contents of the referenced object is set to the value on the right side.

If the value referenced is less than 16 bits, the system right-justifies the value and fills the unused high-order bits with zeroes. If the value is larger than 16 bits, the extra high-order bits are lost.

## Register References

To access a register, use the corresponding keyword reference listed in table 6-1.

The functions of all registers except the pseudo registers are described in *The 8086 Family User's Manual*. The pseudo registers are described under the GO command in this chapter.

## Memory References

When you reference a memory location, use the format:

*memory-type address*

where *memory-type* is one of the following:

BYTE, a one-byte integer value located at *address*.

WORD, a two-byte integer value with low byte at *address* and high byte at *address + 1*.

SINTEGER, same as BYTE.

INTEGER, same as WORD.

POINTER, a four-byte pointer value located at *address* through *address + 3*.

The value of *address* must be an integer.

Table 6-1. 8086 Register Keyword References

Type of Register	Keyword	8086 Register and Interpretation
General Registers	RAX	16-bit Accumulator
	RAH	High 8 bits of Accumulator
	RAL	Low 8 bits of Accumulator
	RBX	16-bit Base Register
	RBH	High 8 bits of Base Register
	RBL	Low 8 bits of Base Register
	RCX	16-bit Count Register
	RCH	High 8 bits of Count Register
	RCL	Low 8 bits of Count Register
	RDX	16-bit Data Register
RDH	High 8 bits of Data Register	
RDL	Low 8 bits of Data Register	
Pointer Registers	SP	16-bit Stack Pointer
	BP	16-bit Base Pointer
Index Registers	SI	16-bit Source Index
	DI	16-bit Destination Register
Segment Registers	CS	16-bit Code Segment Register
	DS	16-bit Data Segment Register
	SS	16-bit Stack Segment Register
	ES	16-bit Extra Segment Register
Status Registers	IP	16-bit Instruction Pointer Register
	RF	16-bit Flag Register
1-bit Flag Registers	AFL	Auxiliary-carry out of low byte to high byte
	CFL	Carry or borrow out of high byte
	DFL	Direction of string manipulation instruction
	IFL	Interrupt-enable (external)
	OFL	Overflow flag in signed arithmetic
	PFL	Parity
	SFL	Sign of the result of an operation
TFL	Trap used to place processor in single step mode for debugging	
ZFL	Zero indicates a zero value result of an operation	
Pseudo Registers	GR	Go register; controls breaking of real-time execution
	BR	Breakpoint registers
	BR0	Breakpoint register 0
	BR1	Breakpoint register 1

When you change memory or reference it in an expression, BYTE is equivalent to SINTEGER and WORD to INTEGER. However, when you display memory, the form of the display is either unsigned (BYTE, WORD) or signed (SINTEGER, INTEGER).

Examples:

```

BYTE 1000H
WORD 101
INTEGER.ABLE
POINTER CS:IP

```

### Port Reference

DEBUG-86 supports a maximum of 64K 8-bit (PORT) or 16-bit (WPORT) ports. To reference ports, use one of the following formats, depending on the size of port desired:

```

PORT address
WPORT address

```

Examples:

```

PORT 123
PORT RDX
WPORT 1FFH

```

### Symbolic References

DEBUG-86 maintains a symbol table and a source program statement number table that allow you to use symbolic addressing. The DEBUG-86 tables acquire symbols in two ways:

1. When you load your program with the LOAD command, your program symbol information is copied to the DEBUG-86 symbol tables.
2. When you use the Define Symbol command, you enter additional symbols into the symbol table for use during the debugging session.

The number of symbols possible depends on how DEBUG-86 was invoked:

- If you invoke DEBUG-86 with the 8086 DEBUG command, 15k of memory is available for the DEBUG-86 symbol tables. This provides space for about 1500 symbols (assuming an average of 10 characters per symbol.)
- If you invoke DEBUG-86 by interrupting 8086 program execution with CNTL-D, 3k of memory is available for the DEBUG-86 symbol tables. This provides space for about 300 10-character symbols.

A symbol table value is assigned to each symbol. This value represents either the address or the numeric value of the symbol. When you reference a symbol, you are retrieving its address or numeric value.

The following types of symbols and corresponding values are loaded into the tables:

Symbol Type	Value
Instruction and statement labels	Address of the instruction
Program variables	Address of the variable
Program constants	Constant numeric value
Module names	None assigned

In a PL/M-86 or PASCAL-86 program, a module name is the label of a simple DO block that is not nested in any other block. In an Assembly language program, a module name is a label that is the object of a NAME directive.

Symbols contained in a module are local to that module. To reference a symbol name that occurs in different modules, specify the desired module.

The symbol table is organized to preserve the modular structure of your program. Before code is loaded, the table contains a single unnamed module that always comes first. Named modules follow in the order in which they are loaded. Local symbols are stored in the named module in the order of their appearance. Symbols defined without a module name are stored in the unnamed module in the order in which they are defined.

When you enter a symbol reference as an operand, its value is obtained from the table and used in the associated expression. To reference a symbol, use the following format:

`[.module].symbol ...`

If you specify a module name, only that module is scanned; otherwise the entire table is scanned. When you specify more than one symbol, the table is scanned for the first occurrence of each symbol in sequence. The system returns a pointer containing the base and displacement address values for each symbol.

By assigning symbolic names to modules, procedures, and variables, you gain flexibility in retrieving interrelated variables. For example, assume that the symbol `.X` represents a variable that is used in procedures `PROCX`, `PROCY`, and `PROCZ` of module `MODA`. You could then retrieve the symbol `.X` in each procedure as follows:

```
..MODA.PROCX.X
..MODA.PROCY.X
..MODA.PROCZ.X
```

### Statement Number Reference

When you reference a statement number, you reference the first instruction generated by the compiler for the source statement. In other words, you are referencing the program location via the statement number.

If different modules (each with its own statement numbers) are linked, or if more than one module is loaded in the DEBUG-86 statement number table, specify a module name in the statement number reference, as follows:

`[.module]#statement-number`

The statement number is an integer value. If it does not have an explicit suffix, the default suffix is decimal. The value returned is a pointer value that is the absolute address of the first instruction generated by the compiler for the source statement.

Examples:

```
#45
..TEST1#12H
```

### String Constants

You can enter any ASCII character (ASCII codes 00H through 7FH) as a string constant by enclosing the character in single quotes. The operand value of a string constant is a 16-bit integer with the high-order bits set to 0, and the low-order seven bits set to the ASCII code. For example, the string constant 'A' has the value 0000000001000001Y (0041H).

Table 6-2 lists the printing ASCII characters and their corresponding hexadecimal codes. (A blank space means a nonprinting character.)

Table 6-2. ASCII Printing Characters and CODES (20H—7EH)

Character	Hex Code	Character	Hex Code	Character	Hex Code
Space (SP)	20	@	40		60
!	21	A	41	a	61
”	22	B	42	b	62
#	23	C	43	c	63
\$	24	D	44	d	64
%	25	E	45	e	65
&	26	F	46	f	66
,	27	G	47	g	67
(	28	H	48	h	68
)	29	I	49	i	69
*	2A	J	4A	j	6A
+	2B	K	4B	k	6B
,	2C	L	4C	l	6C
—	2D	M	4D	m	6D
.	2E	N	4E	n	6E
/	2F	O	4F	o	6F
0	30	P	50	p	70
1	31	Q	51	q	71
2	32	R	52	r	72
3	33	S	53	s	73
4	34	T	54	t	74
5	35	U	55	u	75
6	36	V	56	v	76
7	37	W	57	w	77
8	38	X	58	x	78
9	39	Y	59	y	79
:	3A	Z	5A	z	7A
;	3B	]	5B		7B
<	3C	/	5C	l	7C
=	3D	[	5D		7D
>	3E	^ (↑)	5E		7E
?	3F	— (←)	5F		

### Operators

An expression can contain any combination of unary and binary operators. A unary operator takes one operand, and a binary operator takes two operands.

Table 6-3 describes the operators you can use with DEBUG-86. The operators are shown as they are entered in expressions and are ranked in order of precedence from highest (1) to lowest (10).

For discussion, the operators are classed as shown in table 6-4.

Table 6-3. DEBUG-86 Operators

Precedence <sup>1</sup>	Operator	Unary Binary <sup>2</sup>	Effect <sup>3</sup>
1	:	u	Base, displacement integer connector for a pointer (e.g., 1234:5678 or CS:IP).
2	+	u	Unary plus.
	-	u	Unary minus, (-N) means (65536-N), the 2's complement of N, modulo 2 <sup>16</sup> .
3	*	b	Integer multiplication.
	/	b	Integer division. The result is the integer quotient; the remainder (if any) is lost.
	MOD	b	Modulo reduction. The remainder after division, expressed as an integer.
4	+	b	Addition.
	-	b	Subtraction.
6	content-operator <sup>4</sup>	u	Treats operand as memory or port address, returns the content of that address.
7	=	b	Is equal to. Result is either TRUE (FFFFH) or FALSE (0).
	>	b	Is greater than. Result is TRUE or FALSE.
	<	b	Is less than. Result is TRUE or FALSE.
	<>	b	Is not equal to. Result is TRUE or FALSE.
	>=	b	Is greater than or equal to. Result is TRUE or FALSE.
	<=	b	Is less than or equal to. Result is TRUE or FALSE.
8	NOT	u	Unary Logical (1's) complement. Bitwise 1 becomes 0, 0 becomes 1; TRUE becomes FALSE, FALSE becomes TRUE.
9	AND	b	Bitwise AND. If <i>both</i> corresponding bits are 1's, result has 1 in that bit; else 0. TRUE AND TRUE yields a TRUE result; any other combination is FALSE.
10	OR	b	Bitwise inclusive OR. If <i>either</i> corresponding bit is a 1, result has 1 in that bit; else 0. If either operand is TRUE, result is TRUE; else FALSE.
	XOR	b	Bitwise exclusive OR. If corresponding bits are different, result has 1 in that bit; else 0. If one operand is TRUE and the other is FALSE, result is TRUE; if both are TRUE or both are FALSE, result is FALSE.

**Notes:**

<sup>1</sup>1 = highest precedence (evaluated first), 10 = lowest precedence.

<sup>2</sup>u = unary, b = binary.

<sup>3</sup>Refer to text for additional details.

<sup>4</sup>content-operator is one of the tokens BYTE, WORD, SINTEGER, INTEGER, POINTER, PORT, or WPORT.

Table 6-4. Classes of Operators

Class	Operators
(Numeric) Arithmetic unary binary  Content unary	+,-, *,/,MOD,+,-,:  <i>content-operators</i>
(Boolean) Relational binary Logical unary binary	=,>,<,<>,>=,<=  NOT AND,OR,XOR
Unary	+,-, <i>content-operators</i> , NOT
Binary	*,/,MOD,+,-,:, <i>relational-operators</i> , AND,OR,XOR

**Relational Operators**

A relational operator calls for a comparison of its two operands. The six relational operators are shown in table 6-4. Each comparison evaluates to a result that is true (FFFFH) or false (0).

**Arithmetic Operators**

The DEBUG-86 scanner distinguishes unary “+” and “-” from binary “+” and “-” by context. (Unary “+” is superfluous, since it is the default.)

**Unary “-”.** A unary “-” applied to an integer means 2’s complement modulo 65536. In other words, (-N) evaluates to (65536-N). As DEBUG-86 uses only unsigned arithmetic, unary “-” does not apply to pointers.

**Binary “+”.** Binary “+” applies to pointer and integer values only and results in the arithmetic sum of its two operands.

When you add two integers, the result is treated modulo 65536 (any high-order bits after the sixteenth bit are dropped).

When you add a pointer and an integer, the displacement value of the pointer is summed with the integer modulo 65536 and the base value of the pointer is unchanged.

**Binary “-”.** Binary “-” applies to pointer and integer values only and results in the arithmetic difference to the two operands.

When you subtract an integer from another integer, the result is the 2’s complement difference. The result is treated modulo 65536, so that a negative result (-N) becomes (65536-N).

When you subtract an integer from a pointer, the result is the 2's complement difference of the pointer displacement and the integer modulo 65536, and the base value of the pointer remains unchanged.

When you subtract a pointer from another pointer (they must have the same base), the result is the 2's complement difference of the displacements modulo 65536, and the resulting base value is set to 0. An error occurs if the base values of the pointers are different.

**Binary “\*”, “/”, and “MOD”.** These operators apply only to integer operands and return only integer results.

Binary “\*” results in the multiplication of two integer operands, truncated to the low-order 16 bits.

Binary “/” causes the first integer operand to be divided by the second. The result is the integer quotient; the remainder, if any, is lost. Thus, (5/3) evaluates to (1).

Binary “MOD” returns the remainder after integer division as an integer result, and the quotient part of the division is lost. Thus, (5 MOD 3) evaluates to (2), the remainder of (5/3).

### Content Operators

Content operators are keywords that refer to the contents of memory locations and I/O ports. In expressions they function as unary operators with precedence immediately below subtraction. Table 6-5 summarizes the content operators.

To be used in an expression, a content operator must precede a single operand that is a valid address. A range of addresses (using a keyword such as TO or LENGTH) cannot be used in an expression.

**Table 6-5. Content Operators**

Operator	Content Returned
BYTE	1-byte integer value from the addressed location in user memory.
WORD	2-byte integer value from the addressed location in user memory.
SINTEGER	Same as BYTE.
INTEGER	Same as WORD.
POINTER	4-byte pointer value from the addressed location in user memory.
PORT	1-byte value from addressed 8-bit I/O port.
WPORT	2-byte value from addressed 16-bit I/O port.



**Logical Operators**

The four logical operators and corresponding examples are shown in table 6-6.

The logical operator NOT results in a 1's complement of an operand; a 16-bit operand is assumed.

The logical operators AND, OR, and XOR each compare a pair of bits. Each operator causes different results as shown in table 6-6.

**Table 6-6. Logical Operators**

Operator	Bit Comparison			Examples	
	Bit 1	Bit 2	Result	Operation	Result
NOT	1 0	N/A N/A	0 1	NOT 0 NOT 1 NOT 11110110Y NOT FFFFH NOT FFFEH	FFFFH FFFEH 1111111100001001Y 0 1
AND	0 0 1 1	0 1 0 1	0 0 0 1	0 AND 0 1010Y AND 1001Y FFFFH AND 0 FFFFH AND FFFFH 1 AND 0	0 1000Y 0 FFFFH 0
OR	0 0 1 1	0 1 0 1	0 1 1 1	0 OR 0 1 OR 0 1010Y OR 1001Y FFFFH OR 1 FFFFH OR FFFFH	0 1 1011Y FFFFH FFFFH
XOR	0 0 1 1	0 1 0 1	0 1 1 0	0 XOR 1 XOR 0 1010Y XOR 1001Y FFFFH XOR 0 FFFFH XOR FFFFH	0 1 11Y FFFFH 0

## Arithmetic and Logical Semantic Rules

Table 6-7 provides a summary of the semantic rules that apply to arithmetic and logical operations. The table specifies the function performed by each type of arithmetic and logical operation, the input required, and the result of the operation (output).

Table 6-7. Arithmetic and Logical Semantic Rules

Operation	Operators	Input	Output	Function
logical	AND, OR, XOR	2 integers	integer	Bitwise conjunction or disjunction of integers.
not	NOT	integer	integer	One's complement of an integer.
relational	<, >, <=, >=, <>, =	• 2 pointers, same base	integer	Logical test of relational expression. If the displacement integer values satisfy relational operation (true), then the output integer value = FFFFH. If the displacement integer values do not satisfy the relational operation (false), the output integer = 0. If the base values of the input pointers are not equal, an error occurs.
		• 2 integers	integer	
arithmetic	*, /, MOD	2 integers	integer	Unsigned product (*), quotient(/), or remainder (MOD) of two integers.
memory-content	BYTE, WORD, INTEGER, SINTEGER	pointer or integer	integer	Fetches content of memory location addressed by input value.
memory-content	POINTER	pointer or integer	pointer	Fetches content of memory location addressed by input value.
I/O-content	PORT, WPORT	integer	integer	Fetches content of I/O port (8-bit or 16-bit) addressed by input value.
+(binary)	+	• pointer, integer • integer, integer	pointer integer	Sum of the displacement values, same base as the pointer. Sum of the integers.
-(binary)	-	• 2 pointers with = base values	integer	Two's complement difference of displacement values. Error occurs if base values are unequal.
		• pointer & integer	pointer	Two's complement difference of pointer displacement value and integer input, same base as the pointer.
-(unary)	-	integer	integer	Two's complement of the input integer.
+(unary)	+	All types	same	No change.
override base/ construct pointer	:	• integer & pointer	pointer	Replaces current base value of pointer with input integer value.
		• 2 integers	pointer	Constructs new pointer with base value set to first input integer value and displacement set to second integer.

### Command Contexts

All expressions produce numeric values as results. The interpretation or use of the result depends on the command that contains the expression. Contexts that control the interpretation of an expression are summarized in table 6-8.

A numeric expression is an expression in a numeric command context which treats the result as a numeric value. All bits are significant.

A boolean expression is an expression in a boolean command context. Only integer values may be used in boolean contexts. The least significant bit (LSB) of the result is tested to obtain a TRUE or FALSE value. The result of a boolean expression is TRUE if its LSB is 1, FALSE if its LSB is 0.

A boolean expression uses relational and logical operators to manipulate TRUE/FALSE values. When a relational operator is evaluated, the result is either 0 (FALSE) or FFFFH (TRUE). These results can have a numeric interpretation, but relational operators have limited usefulness in numeric contexts.

When logical operators are applied to TRUE/FALSE values, the results are also boolean, as follows:

- NOT: NOT FALSE → TRUE  
NOT TRUE → FALSE
- AND: TRUE AND TRUE → TRUE  
TRUE AND FALSE → FALSE  
FALSE AND TRUE → FALSE  
FALSE AND FALSE → FALSE
- OR: TRUE OR TRUE → TRUE  
TRUE OR FALSE → TRUE  
FALSE OR TRUE → TRUE  
FALSE OR FALSE → FALSE
- XOR: TRUE XOR TRUE → FALSE  
TRUE XOR FALSE → TRUE  
FALSE XOR TRUE → TRUE  
FALSE XOR FALSE → FALSE

Table 6-8. Command Contexts

Type of Entry	Contexts	Interpretation	Limitations	Examples of Use
Numeric expression	Set and change commands, etc.	16-bit unsigned number; bit size may be reduced to fit destination.	All operands and operators allowed. Numeric constant without suffix is interpreted in hexadecimal radix.	IP = .AA*256T + 10FFFFH
Boolean expression	BOOL, IF, UNTIL, WHILE	LSB = 0 → FALSE LSB = 1 → TRUE	All operands and operators allowed. Numeric constants without suffix are interpreted in hexadecimal radix.	.AA AND .BB AND NOT .CC
Address	FROM, content-operator, partition	Pointer to memory or 16-bit (or fewer) address in memory or I/O.	Only arithmetic operators are allowed outside of the outermost parentheses. Constant without suffix are interpreted in hexadecimal radix.	GO FROM .BB + 10
Decimal number	statement-number	positive number	No operators are allowed outside the outermost parentheses. All constants without suffix are decimal.	

## Utility Commands

DEBUG-86 utility commands provide file management capabilities. The utility commands are:

- DEBUG Activates DEBUG-86.
- EXIT Exits DEBUG-86.
- LOAD Loads user program code into memory.

## DEBUG—Transfer Control to DEBUG-86

The Debug command activates DEBUG-86.

### Command Syntax

```
[[:Fn:]]RUN DEBUG [[:Fn:]]filename [parameters]]<cr>
```

where

RUN is a command keyword that invokes the 8086 execution mode.

DEBUG is a command keyword that invokes DEBUG-86.

*filename* is the name (including extension) of a program that is a valid absolute, PIC, or LTL 8086 object module. If no extension is specified, RUN adds an extension of .86. If filename ends with a period (as in MYPROG.), the null extension is assumed.

*parameters* is a series of one or more ASCII characters (separated by commas or spaces) representing variable data required by the user program and to be processed by the program.

### Abbreviation

None

### Description

You can operate DEBUG-86 in either interactive or noninteractive mode.

**Noninteractive Mode.** Specify DEBUG and optionally your program on the RUN activation line, as follows:

```
-[:Fn:]]RUN DEBUG [[:Fn:]]filename[(parameters)]]<cr>
```

DEBUG-86 signs on, then prompts for a command with an asterisk (\*):

```
DEBUG 8086, Vx.y
*
```

where x.y is the version and release of the DEBUG-86 program.

When you issue an EXIT command after the debugging session, control returns directly to ISIS-II.

Interactive Mode. Specify the RUN program only on the RUN activation line as follows:

```
-[:Fn:]RUN<cr>
```

RUN signs on, then prompts for a command with an angle bracket:

```
ISIS-II RUN 8086, Vx.y
>
```

where x.y is the version and release number of the RUN program.

Issue the DEBUG command and optionally specify your program as follows:

```
DEBUG [[:Fn:]filename[(parameters)]]<cr>
```

DEBUG-86 signs on, then prompts for a command with an asterisk.

When you issue the EXIT command after the debugging session, control returns to the RUN program which displays its prompt (>). The system remains in the RUN interactive mode, and you can execute or debug another 8086 program.

To return control to ISIS-II, issue an EXIT command to the RUN program.

**Loading Your Program.** You can load the program to be debugged in either of two ways:

Noninteractively, by specifying the program on the DEBUG command activation line. DEBUG-86 signs on after the program is loaded. This method allows your program to access parameters on the command line if you use DQ\$GET\$ARGUMENT, but does not load the DEBUG-86 symbol tables.

Interactively, by specifying only DEBUG on the command activation line. DEBUG-86 signs on without loading your program. You then load your program with the LOAD command explained later in this section. This method loads the DEBUG-86 symbol tables, but does not allow your program to access parameters on the command line. If you use this method, you must enter the entire filename including the default extension .86 that is added by RUN.

## Examples

1. To activate the 8086 interactive execution mode:

```
-RUN<cr>
ISIS-II RUN 8086, Vx.y
>DEBUG<cr>
DEBUG 8086, Vx.y
*
```

2. To transfer control directly to DEBUG-86:

```
-:F1:RUN DEBUG<cr>
DEBUG 8086, Vx.y
*
```

3. To load your 8086 program and transfer control to DEBUG-86 in one step:

```
-RUN DEBUG :F1:PROG2.86<cr>
DEBUG 8086, Vx.y
*
```

4. To transfer control directly to DEBUG-86 then load your program with the LOAD command:

```
-RUN DEBUG<cr>
DEBUG 8086, Vx.y
*LOAD :F1:PROG2.86<cr>
*
```

## EXIT—Exit DEBUG-86

The EXIT command exits DEBUG-86.

### Command Syntax

```
EXIT<cr>
```

where

EXIT is a command keyword that transfers control from DEBUG-86 to the RUN program in the interactive mode, or to ISIS-II in the noninteractive mode.

### Abbreviation

EXIT can be abbreviated to EXI.

### Description

In the noninteractive mode, the EXIT command operates as follows:

```
-RUN DEBUG<cr>
DEBUG 8086, Vx.y
*EXIT<cr>
-
```

In the interactive mode, the EXIT command operates as follows:

```
-RUN<cr>
ISIS-II RUN 8086, Vx.y
>DEBUG<cr>
DEBUG 8086, Vx.y
*EXIT<cr>
>EXIT<cr>
-
```

The last EXIT command is the RUN EXIT command (see Chapter 4, ISIS-II Console Commands).

For further information on interactive and noninteractive modes, see the DEBUG command explained on the previous page.

### Possible Error Conditions

None, except for possible ISIS-II errors that may occur when the system is in noninteractive mode and you are returning to ISIS-II.

**Example**

```
*EXIT<cr>
```

**LOAD—Load 8086 Object Code**

The Load command loads 8086 object code from the specified disk directory and file into 8086 memory. The Load command is the only way to load symbols and line numbers into the DEBUG-86 symbol table.

**Command Syntax**

```
LOAD [:Fn:]filename [ {NOSYMBOL } ... ] <cr>
```

where

*filename* is the complete name of a disk file that is a valid absolute, PIC or LTL 8086 object module. A default extension is not assumed; you must provide an extension.

NOSYMBOL is a modifier that prevents the program symbol table from being loaded.

NOLINE is a modifier that prevents the program line number table (in PL/M-86 or PASCAL-86 programs) from being loaded.

**Abbreviation**

LOAD can be abbreviated to LOA, NOSYMBOL to NOS, and NOLOAD to NOL.

**Description**

The Load command allows you to load the local symbols and their types if present, source statement numbers, module names, segment and group names, and object code from the specified file.

For absolute programs, no checking is done for RAM being present. If your program is located in the memory address space where no memory exists, no warnings will be given.

For PIC and LTL code, the loader allocates only existing memory. The system prevents code from piling up in 8086 memory beyond previously loaded PIC/LTL code by deallocating 8086 memory space before loading. The system inserts symbolic information in the associated module and symbol tables in the order encountered. A base and displacement value are loaded for all symbols and statement numbers.

You can enter the NOSYMBOL and NOLINE modifiers in any order or combination. When you use more than one modifier, separate them with spaces. A modifier may not be specified twice in the same load command.

### Possible Error Conditions

Invalid object files cause an error message to be displayed and abort the load operation.

Unsatisfied externals cause a warning to be displayed but do not abort the load operation.

### Examples

1. To load an absolute, PIC, or LTL file from a disk in drive 0:  
\*LOAD :F0:TEST.VR1<cr>
2. To load an absolute, PIC, or LTL file from a disk in drive 2 without loading program symbols:  
\*LOAD :F2:ABSOCO.DE2 NOSYMBOL<cr>
3. To load an absolute, PIC, or LTL file from a disk in drive 1 without loading the program statement numbers:  
\*LOAD :F1:COUNT.ONE NOLINE <cr>

### Execution Commands

This section describes the following commands:

- GO       Executes your program until breakpoint conditions are met.
- GR       Displays or changes the contents of GR.
- STEP     Executes a single program instruction.

These commands allow you to specify the address where execution is to begin, and to specify the conditions for halting and returning control to the console for further commands.

After your program code is loaded, DEBUG-86 initializes for execution by loading the instruction pointer (IP) and code segment register (CS) with the address specified by the loaded object module.

In PIC and LTL code, SS and SP, and DS or ES may also be present with CS:IP.

### GO—Execute 8086 Instructions

The GO command transfers control of the system to your program at the address specified or implied and executes instructions until breakpoint conditions, if any, are satisfied.

#### Command Syntax

```
GO [FROM address] { [FOREVER]
                   [TILL break-address [OR break-address]]
                   [TILL break-register [OR break-register]] } <cr>
```

where

FROM *address* specifies the address of the first instruction to be executed. If FROM *address* is omitted, execution begins at the address in the IP and CS. The *address* must specify the CS:IP content in the form nnnn:nnnn, as in 800:0 (leading zeros need not be entered).



**NOTE**

If *address* is entered in the form 8000, for example, a relative jump could add a displacement to the value in the IP and cause an overflow. The CS:IP then would not reflect the desired value.

FOREVER is a function keyword that disables all breakpoint conditions.

TILL is a keyword introducing one or more breakpoint conditions.

*break-address* is an integer expression entered as a pointer that references a 20-bit execution address.

*break-register* is one of the breakpoint registers, BR0 or BR1. The address for BR forms a 20-bit memory address where DEBUG-86 writes a one-byte interrupt to get control.

**Abbreviation**

GO can be abbreviated to G, FROM to F, and TILL to T.

**Description**

The GO command begins real-time execution, optionally loading the CS and IP with a starting address, and continues until the breakpoint conditions are satisfied.

**FOREVER Condition.** When you enter a simple GO FOREVER command, execution begins at the current CS:IP address and continues until one of the following occurs:

- You enter a CNTL-D character. (If your program disables 8086 interrupts, the abort is disabled.)
- A fatal error occurs (explained in Chapter 7).
- Your program executes a system call to the EXIT routine.

When you enter the CNTL-D character, the following operations occur:

- DEBUG-86 completes executing the current instruction or system call.
- Execution halts; the IP and CS contain the address of the next instruction to be executed.
- The next instruction to be executed is disassembled.
- The message PROCESSING ABORTED is displayed, acknowledging the user abort.

Instead of having your program execute forever, you may specify one or two breakpoints.

**Breakpoints.** A breakpoint is the address of a program instruction that results in the return of control to DEBUG-86. A breakpoint allows you to check the contents of registers or data fields at the specified point in your program.

When you enter a GO command with a breakpoint specified, DEBUG-86 saves the instruction at the breakpoint address, replaces it with a breakpoint instruction, and transfers control to your program. When the breakpoint is reached, DEBUG-86 regains control. When you GO again, DEBUG-86 restores the saved instruction and gives control to your program. The instruction at the breakpoint address is not executed until your program regains control.

If a breakpoint is set at the starting address for resuming execution, a single step is executed, then the GO command, to enable you to keep a breakpoint the same when executing loops.

**Breakpoint Registers.** This option uses the contents of the breakpoint registers, BR0 and BR1, as breakpoint addresses.

To change the contents of either breakpoint register, or BR when setting both registers to the same value, use the form:

```
*break-register = address<cr>
```

To display the contents of either the BR0 or BR1 breakpoint register, use the form:

```
*break-register<cr>
```

### Possible Error Conditions

Since DEBUG-86 must modify memory to get control, it cannot perform the break function in ROM. DEBUG-86 cannot enter GO with the 8086 Trap Flag (TFL) set.

### Examples

1. \*GO<cr>
2. \*GO FROM 780:2<cr>
3. \*GO FROM 780:2 TILL 780:9 OR 780:F<cr>
4. \*GO FROM .MOD.GO<cr>
5. \*G F .START T BR0<cr>
6. \*GO FOREVER<cr>

### GR Change/Display Go Register

The Go Register (GR) command changes or displays the contents of the go register.

#### Command Syntax

Display form:

```
GR<cr>
```

Change form:

$$GR = \left\{ \begin{array}{l} \text{FOREVER} \\ \text{TILL } \textit{break-address} \text{ [OR } \textit{break-address}] \\ \text{TILL } \textit{break-register} \text{ [OR } \textit{break-register}] \end{array} \right\} <cr>$$

where

**FOREVER** is a keyword that disables all breakpoint conditions. Execution stops only when you abort processing.

**TILL** is a keyword that introduces one or more breakpoint conditions.

*break-address* is an integer expression entered as a pointer that references a 20-bit execution address. The first *break-address* sets the contents of BR0; the second *break-address* sets the contents of BR1.

*break-register* is one of the breakpoint registers, BR0 or BR1 (or BR to denote both breakpoint registers), that is to be enabled.

### Abbreviation

TILL can be abbreviated to T.

### Description

The GR defines breakpoint conditions currently in force. By setting the contents of GR to a breakpoint condition (using the change form of the command), you do not have to re-enter the breakpoint conditions each time you restart execution with the GO command.

Entering GR<cr> displays the contents of GR.

### Possible Error Conditions

Error 126, Symbol does not exist.

Error 137, Module does not exist.

### Examples

1. \*GR<cr>  
\*
2. \*GR = FOREVER<cr>  
\*
3. \*GR = TILL BR1<cr>  
\*
4. \*GR = TILL BR0 OR BR1<cr>  
\*
5. \*GR = T 780:9 OR 780:F<cr>  
\*
6. \*GR = T 780:9 or 780:F<cr>

### STEP—Execute a Single Instruction

The STEP command causes the execution of a single instruction in your program.

#### Command Syntax

```
STEP [FROM address]<cr>
```

where

FROM *address* specifies the address where single step execution is to begin. If FROM *address* is omitted, the address in the IP and CS is used. The *address* must specify the CS:IP contents in the form nnnn:nnnn, as in 800:0 (leading zeros need not be entered).

#### NOTE

IF *address* is entered in the form 8000, for example, a relative jump could add a displacement to the value in the IP and cause an overflow. The CS:IP then would not reflect the desired value.

## Abbreviation

STEP can be abbreviated to S or STE, and FROM to F or FRO.

## Description

When the STEP command is first issued, it initializes the user environment for single-step execution, optionally loading a starting address, and executes one instruction step. A subsequent step is executed each time you enter the STEP (or S) command.

After each step, the system displays the disassembled instruction to be executed next. If the step command is embedded in a compound command (described later in this chapter) the next instruction to be executed is not disassembled. This gives you the ability to make multiple steps and lets you decide whether to disassemble or not with the ASM form of the Display Memory command.

The Step command is a powerful debugging feature for repeat loops (compound commands) where you can give the terminating condition (UNTIL or WHILE) and display system status and values after each step.

## Possible Error Conditions

Error 126, Symbols does not exist.  
Error 137, Module does not exist.

## Examples

1. \*STEP<cr>  
\*
2. \*STEP FROM 780:2<cr>  
\*
3. \*S F ..MOD.GO<cr>  
\*
4. \*S F 23 + 10<cr>  
\*
5. \*S FROM CS:(WORD .X); SHORT JUMP INDIRECT THROUGH .X<cr>  
\*
6. \*S F 23 + 10<cr>

## Change Commands

This section describes the Change commands that allow you to change the contents of 8086 registers, I/O ports, and memory. The Change commands are:

Change Register	Changes the contents of a single register or status flag.
Change Memory	Changes the contents of 8086 memory locations.
Change Port	Changes the contents of I/O ports

## Change Register—Change Content of a Register

The Change Register command changes the contents of a single 8086 processor register or status flag.

### Command Syntax

*register = change-exp<cr>*

where

*register* is one of the following keyword references:

8086 Register Type	Keyword References
8-bit registers	RAL, RAH, RBL, RBH, RCL, RCH, RDL, RDH
16-bit registers	RAX, RBX, RCX, RDX, SP, BP, SI, DI, SS, CS, DS, ES, IP, RF
1-bit status flags	CFL, PFL, AFL, ZFL, SFL, TFL, IFL, DFL, OFL

*change-exp* is a numeric expression specifying the new contents of *register*.

### Abbreviation

None

### Description

If *change-exp* contains fewer bits than the specified register, the bits are right-justified and the unspecified high-order bits are set to zeroes.

If *change-exp* contains more bits than the specified register, the extra high-order bits are lost.

### Possible Error Conditions

Error 148, Integer value required  
 Error 147, Pointer value required

### Examples

- To change the contents of AX to 0000H:  
 \*RAX = 0<cr>  
 \*
- To change the contents of IP to F23AH:  
 \*IP = F23A<cr>  
 \*
- To change the contents of CS to the word value located at WORD.SAM:  
 \*CS = WORD.SAM<cr>  
 \*

## Change Memory—Change Contents of Memory Locations

The Change Memory command changes the contents of one or more memory locations.

### Command Syntax

$$\text{memory-type address} \left\{ \begin{array}{l} [\text{TO end-address}] \\ [\text{LENGTH n}] \end{array} \right\} = \text{change-exp} [\dots]19\langle\text{cr}\rangle$$

where

*memory-type* is one of the following keywords: BYTE, WORD, SINTEGER, INTEGER, POINTER.

*address* is a memory location entered as a pointer value containing a base (which can be omitted if 0) and a displacement. If a range is accessed, *address* is the starting address. *address* can be either:

- A numeric expression, the result of which is an address modulo 65536.
- A memory content reference of the form (*memory-type address*), as in BYTE(WORD 1000). The content of the address or address pair inside the parentheses is treated as the address for the memory-type outside the parentheses.

TO *end-address* specifies the upper limit of a range of memory that is to be modified. The *end-address* must be greater than or equal to *address*. Both addresses must have the same base.

LENGTH *n* specifies the number of bytes, words, or pointers (depending on *memory-type*) to be modified. The value *n* must be an integer value.

*change-exp* is the value to replace the contents of the specified memory location. Up to 19 *change-exps* may be listed. The *change-exp* must be a pointer value if *memory-type* is a pointer; otherwise, it must be an integer value. The *change-exp* may be any of the following:

- A numeric expression, representing a single value.
- A string, enclosed in quotes, that represents consecutive bytes consisting of the ASCII equivalents of the string characters.
- A range of memory addresses, representing consecutive bytes, words, or double words of user memory.

### Abbreviation

BYTE can be abbreviated to BYT, WORD to WOR, SINTEGER to SIN, INTEGER to INT, POINTER to POI, and LENGTH to LEN

### Description

To change the contents of a single memory location, use the form:

$$\text{memory-type address} = \text{change-exp}\langle\text{cr}\rangle$$

To change the contents of a range of memory locations, use any of the following forms:

1.  $\text{memory-type address} = \text{change-exp} [\dots]19\langle\text{cr}\rangle$

In this form the upper limit of the destination range is implicit in the number of *change-exps* listed.

2. *memory-type* address TO *end-address* =  
`change-exp [, ...]19<cr>`

If the number of *change-exps* is smaller than the range, the system repeats values as necessary. If larger than the range, the extra values are lost and an error occurs.

With this form, you access memory depending on *memory-type* specified, as follows:

- **BYTE** or **SINTEGER**. You access each byte location in the range, including *address* and *end-address*.
  - **WORD** or **INTEGER**. Address pairs are accessed until *end-address* is reached. If *end-address* is the low address of a pair, the last word is formed from *end-address* and the next address.
  - **POINTER**. Address quadruples are accessed until *end-address* is reached. If *end-address* is the low address of a quadruple, the last pointer is formed from *end-address* and the next three addresses; if *end-address* is not the low address of a quadruple, the access ends after the previous quadruple.
3. *memory-type* address LENGTH n = `change-exp [, ...]19<cr>`

This form specifies the actual number of bytes, words, or pointers to be modified. Access can begin with even- or odd-numbered address. The range is filled as described under the second form above.

### Possible Error Conditions

Error 149, Invalid base error  
 Error 124, Partition bounds error  
 Error 148, Integer value required  
 Error 127, Memory failure  
 Error 139, Excessive data

### Examples

1. To change the byte contents of a single memory location 800:30H  
`*BYTE 800:30 = FF<cr>`  
 \*
2. To change the byte contents of a range of memory locations to a single value:  
`*BYTE 800:30 LEN 16 = 00H<cr>`  
 \*
3. To replace the byte contents of a range of memory locations with a list of new values:  
`*BYT 800:30 TO 800:FF = 12, 34, 56, 78, 9A, BC<cr>`  
 \*
4. To replace the word contents of a single memory location with the contents of the register IP:  
`*WORD 800:30 = IP<cr>`  
 \*
5. To increment the contents of a single memory location:  
`*WOR 800:30 = (WOR 708:F) + 1<cr>`  
 \*
6. To change the pointer contents of a single memory location:  
`*POINTER 800:30 = ABCD:1234<cr>`  
 \*

7. To replace the byte contents of a range of memory with a string:

```
*BYTE 800:30 = 'ABCDE'<cr>
```

\*

8. To replace the pointer contents of a range of memory with the contents of a second range of memory:

```
*POI 800:30 = POI 800:51 LEN 20<cr>
```

\*

9. To change the byte contents of a memory location referenced by a statement number:

```
*BYT #56 = FA<cr>
```

\*

## Change Port—Change Contents of I/O Ports

The Change Port command changes the contents of one or more I/O ports.

### Command Syntax

```
port-type address { [TO end-address] } = change-exp [, ... ]19<cr>  
                { [LENGTH n] }
```

where

*port-type* is one of the following:

- PORT—references the 8-bit port value at *address*.
- WPORT—references the 16-bit port value at *address* and *address* + 1, one byte at a time and not as a single 16-bit port value.

*address* is the address of an 8086 port and is an integer value between 0 through 65,535 inclusive. If a range of ports is specified, *address* is the starting address of the range.

TO *end-address* specifies the upper limit of a range of port addresses. The *end-address* is an integer value between 0 and 65,535 inclusive, and must be greater than or equal to *address*. Both addresses must have a base of zero.

LENGTH *n* specifies the number of port or word port addresses to be displayed. The value of *n* must be an integer.

*change-exp* is the value to replace the contents of the specified port. Up to 19 *change-exps* of the following types may be listed:

- A numeric expression that represents a single value.
- A string enclosed in quotes that represents consecutive bytes consisting of the ASCII equivalents of the string characters.
- A range of memory or port addresses, representing consecutive bytes or words of user memory or I/O ports.

### Abbreviation

PORT can be abbreviated to POR, WPORT to WPO, and LENGTH to LEN.



## Description

To change the contents of a single port, use the form:

```
port-type address = change-exp<cr>
```

To change the contents of a range of ports, use one of the following forms:

1. *port-type address = change-exp [,...]19<cr>*

The upper limit of the destination range is implicit in the number of *change-exps* listed.

2. *port-type address TO end-address = change-exp [,...]19<cr>*

If the number of *change-exps* is smaller than the range, values are repeated as necessary to fill the range. If the number is larger than the range, the excess values are lost and an error occurs.

3. *port-type address LENGTH n = change-exp [,...]19<cr>*

This form specifies the actual number of ports to be modified. Access can begin on an even- or odd-numbered address. The specified range is filled as described under No. 2 above.

## Possible Error Conditions

Error 148, Integer value required  
 Error 124, Partition bounds error  
 Error 139, Excessive data

## Examples

1. To change the contents of a single byte port:

```
*PORT D8 = 41<cr>
```

\*

2. To change the contents of a range of byte ports:

```
*PORT C0 = 11, 22, 33, 44, 55, 66<cr>
```

\*

3. To replace the contents of a range of ports with a string:

```
*PORT 1000 TO 1005 = 'ABCDE'<cr>
```

\*

4. To fill a range of ports with the same value:

```
*POR 1000 LEN 5 = FF<cr>
```

\*

5. To attempt to fill a range with too many values:

```
*POR 1000 TO 1002 = 11, 22, 33, FF<cr>
```

\*

An error message such as ERROR 140 is displayed.

## Display Commands

This section describes the commands that enable you to display the following systems elements:

- 8086 processor registers
- 8086 status registers
- Memory
- Ports
- Status flags

The Display commands are:

Display Registers	Displays contents of 8086 registers.
Display Memory	Displays contents of 8086 memory locations.
Display Memory (ASM Form)	Displays contents of 8086 memory locations in 8086 Assembly language mnemonics.
Display Port	Displays contents of I/O ports.
Display Stack	Displays contents of user's stack.
Display Boolean	Displays boolean value of input.
Evaluate	Displays an integer value in five number bases or a pointer value in five hexadecimal digits.

### Display Register—Display Contents of 8086 Registers

The Display Register command displays the contents of one or more 8086 processor registers and status flags.

#### Command Syntax

$$\left\{ \begin{array}{l} \text{register[, ...]19} \\ \text{REGISTER} \\ \text{FLAG} \end{array} \right\} \langle \text{cr} \rangle$$

where

*register* is any of the following keyword references (up to 19 can be entered, separated by spaces):

8086 Register Type	Keyword References
8-bit registers	RAL, RAH, RBL, RBH, RCL, RCH, RDL, RDH
16-bit registers	RAX, RBX, RCX, RDX, SP, BP, SI, DI, SS, CS, DS, ES, IP, RF
1-bit status flags	CFL, PFL, AFL, ZFL, SFL, TFL, IFL, DFL, OFL

**REGISTER** is a command keyword that causes the display of all the 16-bit 8086 registers.

**FLAG** is a command keyword that displays all the 1-bit status flags.

### Abbreviation

**REGISTER** can be abbreviated to **R** or **REG**, and **FLAG** to **FLA**.

### Description

The referenced values are displayed on 80-column-wide lines separated by spaces according to the appropriate format, as follows:

8-bit-register-name = byte  
 16-bit-register-name = word  
 status-flag-name = bit

### Possible Error Conditions

Syntactic errors are possible.

### Examples

- 1 To display the AX, BH, SP and AFL registers:

```
*RAX, RBH, SP, AFL<cr>
```

```
RAX=0001H RBH=2FH SP=FFE7H AFL=0<cr>
```

- 2 To display all nineteen 16-bit registers:

```
*REGISTER<cr> or *R<cr>
```

```
RAX=000H RBX=00A2H RCX=0001H RDX=0010H SP=000AH BP=0000H SI=0123H DI=0000H  

  CS=0000H DS=FF1EH SS=0000H ES=0000H RF=0000H IP=FABCH
```

- 3 To display the nine status flags:

```
*FLA<cr>
```

```
CFL=0 PFL=0 AFL=0 ZFL=0 SFL=0 TFL=1 IFL=0 DFL=0 OFL=0
```

## Display Memory—Display 8086 Memory

The Display Memory command displays the contents of one or more 8086 memory locations.

### Command Syntax

```
memory-type address { [TO end-address] } <cr>  

  { [LENGTH n] }
```

where

*memory-type* is one of the following keywords: BYTE, WORD, SINTEGER, INTERGER, POINTER.

*address* is a pointer value that contains a base (which need not be entered if 0) and a displacement and specifies an address of a memory location. If a range is specified, *address* is the starting address in the range. The *address* can be either:

- A numeric expression, the result of which becomes an address modulo 65536.
- A memory content reference in the form (*memory-type address*), as in BYTE(WORD 1000). The content of the address or address pair inside the parentheses is treated as the address for the memory-type outside the parentheses.

TO *end-address* specifies the upper limit of a range of memory. The *end-address* must be greater than or equal to *address*. Both addresses must have the same base.

LENGTH *n* specifies the number of bytes, words, or pointers to be displayed. The value *n* must be an integer.

### Abbreviation

BYTE can be abbreviated to BYT, WORD to WOR, SINTEGER to SIN, INTEGER to INT, POINTER to POI, and LENGTH to LEN

### Description

To display the contents of a single memory location, use the form:

```
memory-type address<cr>
```

To display the contents of a range of memory locations use either of two forms:

1. *memory-type address TO end-address*<cr>
2. *memory-type address LENGTH n*<cr>

In 1 and 2 above, memory is accessed as described under the Change Memory Command.

Each line of display contains the memory address of the first value followed by a maximum number of values depending on memory type, as follows: BYTE—16, WORD—8, SINTEGER—8, INTEGER—8, POINTER—4.

### Possible Error Conditions

Error 149, Differing bases  
Error 124, Partition bounds error

### Examples

1. To display the byte contents of location 800:30H:  
\***BYTE 800:30**<cr>  
BYT 0800:0030H=66H
2. To display the byte contents of locations 800:30H through 800:30H:  
\***BYT 800:30 LEN 10**<cr>  
BYT 0800:0030H=66H 6FH 72H 20H 70H 72H 6FH 67H 72H 61H
3. To display the word contents of location 800:30H:  
\***WORD 800:30** <cr>  
WOR 0800:0030H = EF06H

4. To display 16H words beginning at location 800:30H:  

```
*WOR 800:30 LEN 16<cr>
```

```
WOR 0800:0030H=6F66H 2072H 7270H 676FH 6172H 736DH
```
5. To display the pointer contents of location 800:30H:  

```
*POINTER 800:30<cr>
```

```
POI 0800:0030H=2072:6F66H
```
6. To display the POINTER contents of locations 800:30H through 800:3BH:  

```
*POI 800:30 TO 800:3B<cr>
```

```
POI 0800:0030H=2072:6F66H 676F:7270 736D:6172H
```

### Display Memory (ASM form)—Display 8086 Memory in ASM Form

The ASM form of the Display Memory command displays the contents of one or more 8086 memory locations in 8086 Assembly language mnemonics.

#### Command Syntax

```
ASM address {[[TO end-address]]} <cr>  

           {[[LENGTH n]]}
```

where

*address* is a pointer value that contains a base and a displacement and specifies an address of a memory location. If a range is specified, *address* is the starting address in the range. The *address* can be either:

- A numeric expression, the result of which becomes an address modulo 65536.
- A memory content reference in the form (*memory-type address*), as in BYTE(WORD 1000). The content of the address or address pair inside the parentheses is treated as the address for the memory-type outside the parentheses.

*TO end-address* specifies the upper limit of a range of memory. *end-address* must be greater than or equal to *address*. Both addresses must have the same base.

*LENGTH n* specifies the number of bytes, words, or pointers to be displayed. The value of *n* is an integer.

#### Abbreviation

LENGTH can be abbreviated to LEN

#### Description

The specified range of memory is disassembled into 8086 Assembly language in the following format:

Address	Prefix	Mnemonic	Operands	Comments
FF00:0390		IN	AL, DX	
FF00:0391		TEST	AL, 07H	
FF00:0393		JE	\$-06H	; SHORT

where

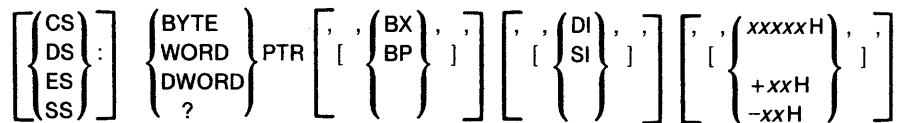
ADDR marks the first byte (or prefix) of the instruction in hexadecimal.

PREFIX identifies any prefix byte other than segment override (such as LOCK, REPE, REPNE) that may be specified. If none is specified, the column is blank.

MNEMONIC is the 8086/8087/8088 macro assembler mnemonic for the instruction.

OPERANDS define zero or more operands separated by commas. Register operands are any of the 8086 registers: AL, AH, BL, BH, CL, CH, DL, DH, AX, BX, CX, DX, SI, DI, BP, SP.

The disassembled memory operands used by DEBUG-86 have the following format:



Example: the display ES:BYTE PTR [BX] [SI] [+01H]  
represents the operand BYTE ES:(BX+SI+1)

where

- The first field is the segment register field and is only displayed if the instruction has a segment-override prefix.
- In the second field, an entry “?PTR” means that the type of the pointer cannot be determined from the context.

Example: LEA AX, ? PTR [34A0H]

- In the third and fourth fields the base register (BX, BP, and index register (DI, SI) fields are not displayed for direct memory operands. When these fields are displayed, they are enclosed in brackets.
- The last field is either a 16-bit unsigned (word) number, or a signed 8-bit (byte) number. The entry is displayed enclosed in brackets.
- At least one of the last three fields (base register, index register, number) is displayed for any memory operand.

### Examples

1. To display the contents of address 800:9C7H in ASM form:

```
*ASM 800:9C7<cr>
ADDR      PREFIX  MNEMONIC  OPERANDS      COMMENTS
0800:09C7H          MOV      AX, WORD PTR [1848H]
```

2. To display the contents of a range of addresses in ASM form:

```
*ASM 800:BBC LEN 5 <cr>
ADDR      PREFIX  MNEMONIC  OPERANDS      COMMENTS
0800:0BBCH          SBB      BYTE PTR [BX][SI],AL
0800:0BBEH          JE       $+39H      ;SHORT
0800:0BC0H          CALL     $+003BH    ;SHORT
```

## Display Port—Display I/O Port Contents

The Display Port command displays the contents of one or more I/O ports.

### Command Syntax

```
port-type address {[[TO end-address]]} [[LENGTH n]] <cr>
```

where

*port-type* is one of the following keywords:

- **PORT**—references the 8-bit port value at *address*.
- **WPORT**—references the 16-bit port value at *address* and *address + 1*, one byte at a time and not as a single 16-bit port value.

*address* is the address of an 8086 port and is an integer value between 0 through 65,535 inclusive. If a range is specified, *address* is the starting address of the range.

*TO end-address* specifies the upper limit of a range of port addresses. *end-address* is an integer value between 0 and 65,535 inclusive, and must be greater than or equal to *address*.

**LENGTH n** specifies the number of port or word port addresses to be displayed. The value *n* must be an integer.

### Abbreviation

PORT can be abbreviated to POR, WPORT to WPO, and LENGTH to LEN.

### Description

To display the contents of a single port, use the form:

```
port-type address<cr>
```

To display the contents of a range of ports, use either the *TO end-address* form or the **LENGTH n** form.

### Possible Error Conditions

- Error 148, Integer value required
- Error 124, Partition bounds error

### Examples

- To display the contents of the byte port at address 120H:  

```
*PORT 120<cr>
POR 0120H=BFH
```
- To display the contents of a range of byte ports:  

```
*PORT 120 TO 126<cr>
POR 0120H=BFH 7FH BFH 7FH BFH 7FH
```

- To display the contents of a single word port at address 120H:

```
*WPORT 120<cr>
```

```
WPO 0120H=7FBFH
```

- To display the contents of a range of word ports:

```
*WPORT 120 to 128<cr>
```

```
WPO 0120H=7FBFH 7FBFH 7FBFH 7BBFH 7BBFH
```

## Display Boolean—Display Boolean Value

The Display Boolean command displays the boolean value of the input value.

### Command Syntax

```
BOOL expression<cr>
```

where

*expression* is an integer expression, the result of which is evaluated to a boolean value. If the least significant bit of the result equals 1, the boolean value is TRUE; otherwise the boolean value is FALSE.

### Abbreviation

BOOL can be abbreviated to BOO.

### Description

A boolean expression is an expression that is contained in a boolean command context. The least significant bit of the result is tested to obtain a TRUE or FALSE value. Any integer value may be used in a boolean context.

A boolean expression uses relational and logical operators to manipulate TRUE/FALSE values. When a relational operator is evaluated, the result is always either 0 (FALSE) or FFFFH (TRUE).

### Possible Error Conditions

Error 148, Integer value required

### Examples

- To display the boolean value of FFH:

```
*BOO FF<cr>
```

```
TRUE
```

```
*
```

- To display the boolean value of an expression that includes logical and relational operators:

```
*BOO CS=DS AND IP > 50<cr>
```

```
FALSE
```

```
*
```



- To display the boolean value of an expression that includes a symbol:

```
*BOO BYTE .X - F2<cr>
FALSE
*
```

## Display Stack—Display User Stack Contents

The Display Stack command displays the contents of the user's stack.

### Command Syntax

```
STACK expression<cr>
```

where

*expression* is an integer expression, the value of which defines the number of words on the user stack to be displayed.

### Abbreviation

STACK can be abbreviated to STA.

### Description

The stack is located in user memory referenced by the pointer value SS:SP. The specified number of words are displayed from the top of the stack.

### Possible Error Conditions

Error 148, Integer value required  
Error 126, Symbol does not exist

### Examples

- To display the contents of five words at the top of the stack:
 

```
*STACK 5<cr>
WOR 0839:0DCCH=4100H 4342H 2045H 3D30H 6874H
```
- To display the contents of n stack words, where n is the word value stored at .SAM:
 

```
*STA .SAM<cr>
```

## EVALUATE—Display Integers in Five Bases

The Evaluate command displays integer values in binary, octal, decimal, hexadecimal, and ASCII, and pointer values in pointer and 20-bit forms.

### Command Syntax

```
EVALUATE expression [SYMBOLICALLY]<cr>
```

where

*expression* is an integer expression.

**SYMBOLICALLY** is a keyword that displays each numeric value output by the command as a symbol or a source statement, plus a remainder. The numeric value is assumed to be a pointer. If no symbol with a value less than the value being evaluated exists, it is displayed in pointer form.

### Abbreviation

EVALUATE can be abbreviated to EVA, and **SYMBOLICALLY** to **SYM**.

### Description

The Evaluate command translates integers from one base to another and computes a 20-bit address like that of a pointer. Any expression is evaluated to a single number and the result is displayed in binary, octal, decimal, hexadecimal, and ASCII bases.

In the four numeric bases, the **BYTE** and **WORD** values have a suffix and sufficient leading zeroes to contain the following number of digits.

	Hexadecimal (H)	Decimal (T)	Octal (Q)	Binary (Y)
BYTE	2	3	3	8
WORD	4	5	6	16

In base ASCII, characters are enclosed in single quotes (''); printing characters (ASCII codes 20H through 7EH after bit 7 is masked off) are displayed, while non-printing characters are suppressed.

If you specify the keyword **SYMBOLICALLY**, the system searches the symbol table for the symbol or statement number with the same base whose offset value is closest to but not greater than the value being output. If a symbol and a statement number have the same value, the symbol is used. The value is then displayed as either (symbol + numeric constant) or (statement number + numeric constant), where the numeric constant is the non-zero remainder in hexadecimal base. If no symbol or statement number has a value less than or equal to the value, it is output as a numeric constant.

### Possible Error Conditions

Error 126, Symbol or line does not exist  
Error 137, Module does not exist

### Examples

- To display the value of 4142H in the five bases:  

```
*EVA 4142<cr>
1000001010000Y 40502Q 16706T 4142H 'AB'
*
```
- To display the value of FFH + ADH in five bases:  

```
*EVA FF + AD<cr>
110101100Y 654Q 428T 1ACH ', '
*
```
- To display 111:0222H as a symbol or statement number plus remainder:  

```
*EVA 111:0222 SYM<cr>
0111:0222H
*
```

This example assumes that no symbol or statement number match.

4. To display 111:222H as a symbol or statement number plus remainder:

```
*EVA 111:222<cr>
..MOD1.SAM + 0021H
*
```

This example assumes that a matching symbol with an address at 111:201 has been selected.

## Symbol Manipulation Commands

The commands described in this section allow you to manipulate the symbols and statement numbers in the DEBUG-86 symbol and statement number tables. With these commands, you create and change symbols, and display and remove symbols, modules, and source statement numbers.

The Symbol Manipulation commands are:

DEFINE Symbol	Enters a new symbol in the table.
Display Symbols	Displays symbols and their values.
Display Lines	Displays statement numbers and associated absolute addresses.
Display Modules	Displays the names of all modules.
Change Symbols	Changes the value and type of symbols.
Remove Symbols	Removes specified symbols, or specified modules, or all modules, symbols, and statement numbers.
Set Domain	Establishes a default module for statement number references that do not contain a module name.

## Define Symbol—Enter New Symbol

The Define Symbol command enters new symbols in the DEBUG-86 symbol table.

### Command Syntax

```
DEFINE [..module].symbol = change-exp [OF memory-type]<cr>
```

where

*module* is the name of an existing program module, in which *symbol* is to be located. The *module* is prefixed by two periods (..).

*symbol* is a user-defined symbol to be entered into the symbol table for use during the debugging session. The *symbol* references a location in the symbol table, and is prefixed by a period (.).

*change-exp* is a numeric expression, the value of which is to be assigned to *symbol*. The *change-exp* represents an address of statement labels or variables, or the value of a constant.

OF *memory-type* specifies any of the following: BYTE, WORD, SINTEGER, INTEGER, or POINTER. If *memory-type* is omitted, *symbol* has no type.

## Abbreviation

DEFINE can be abbreviated to DEF.

## Description

The rules for defining new symbols are as follows:

You can use up to 122 characters for the symbol name, of which the first 31 characters must be a unique combination.

The first character in the symbol name must be an alphabetic character, or one of the two characters @ or ?. The remaining characters can be these characters or numeric digits.

You can specify the module that is to contain the new symbol. The module named must already exist in the table. The symbol is then placed in that module's section of the table. Symbols defined without a module are placed in the unnamed module at the head of the table.

The new symbol name may not duplicate a symbol name already present in the named module. However, the same symbol name may appear in different modules.

## Possible Error Conditions

Error 125, Symbol already exists  
Error 137, Module does not exist

## Examples

- To enter the byte symbol .BEGIN in the symbol table module ..MAIN with a value of F3H:  

```
*DEFINE ..MAIN.BEGIN = F3 OF BYTE<cr>
```
- To enter the untyped symbol .CAR into the symbol table with a value of 0000:0F00H:  

```
*DEF .CAR = 0000:0F00<cr>
```
- To enter the word symbol ENT1 into the symbol table with a value of .VAR + 10:  

```
*DEF .ENT1 = .VAR + 10 OF WOR<cr>
```
- To enter a pointer symbol .CAT2 into the symbol table with a value of 0700:0050H:  

```
*DEF .CAT2 = 0700:0050 OF POI<cr>
```
- To enter a pointer symbol .CAT2 in the module ..SUBRA with a value of 0000:00F0H:  

```
*DEF ..SUBRA.CAT2 = 0000:00F0 OF POI<cr>
```

## Display Symbols—Display One or More Symbols

The Display Symbols command displays one or more symbols (and modules if any).

### Command Syntax

```

      SYMBOL
      { [..module].symbol [.symbol] ... } <cr>

```

where

**SYMBOL** is a command keyword that causes the entire DEBUG-86 symbol table to be displayed, module by module.

*module* is the name of the program module in which *symbol* is located. The *module* is prefixed by two periods (..).

*symbol* is the name of a symbol that references a location in the symbol table. The *symbol* is prefixed by a period (.).

### Abbreviation

SYMBOL can be abbreviated to SYM.

### Description

To display a value from the symbol table, enter the symbol name (and module name if any). If the symbol desired is the first occurrence of that symbol in the symbol table, you do not need the module name. The symbol table value is displayed on the next line.

To display the entire symbol table, enter the command SYMBOL. Symbols are displayed module by module, starting with the unnamed module. Each module name is displayed at the head of that module's symbols. The value corresponding to each symbol is also displayed.

### Possible Error Conditions

Error 137, Module does not exist  
Error 126, Symbol does not exist

### Examples

1. To display the symbol .SAM:

```

* .SAM<cr>
.SAM=0200:1FE2H OF INT

```

2. To display the symbol .SAM located in module ..MYPROG:

```

* ..MYPROG.SAM<cr>
.SAM=0200:1FE2H OF INT

```

3. To display the entire symbol table:

```

* SYMBOL<cr>
.TEMP=0000.0001H
MODULE ..MAIN
.BEGIN=0800:0050H

```

```
.VAR=0800:0100H OF BYT
MODULE ..SUBR
.PROC=0800:0069H
.X=0800:0101H OF WOR
```

## Display Lines—Display Statement Numbers

The Display Lines command displays the value of a single source statement number or all statement numbers.

### Command Syntax

```
{LINE
[. .module]#statement-number} <cr>
```

where

*LINE* is a command keyword that displays all statement numbers and associated absolute addresses in the current domain. The module name is printed at the head of the module's line numbers when displaying all lines.

*module* is the name of the program module in which *statement-number* is located. It is prefixed by two periods.

*statement-number* is the source statement number. It is a numeric constant with a default suffix that is always decimal. It is prefixed by a number sign (#).

### Abbreviation

LINE can be abbreviated to LIN.

### Description

DEBUG-86 maintains a statement number table for PL/M-86 or PASCAL-86 program source codes. The statement numbers are assigned by the compiler. The address of the first instruction generated by each source statement corresponds to each source statement number in the table.

When you issue the command, LINE, each module name is printed at the head of the module's line numbers.

To display the value of a single source statement number and associated absolute address, specify the statement number prefixed by a number sign (#). If two or more modules have been compiled separately and contain the same statement numbers, specify the module name.

DEBUG-86 does not allow you to change the address corresponding to an existing statement number, or define any new statement numbers, or delete (remove) any statement numbers.

### Possible Error Conditions

Error 137, Module does not exist  
Error 126, Statement number does not exist

### Examples

1. To display the value from the number table of a single statement number:  

```
*#1<cr>
#1=0800:0050H
```
2. To display the value from the number table of a single statement number contained in a particular module:  

```
*..MAIN #2<cr>
#2=0800:0057H
```
3. To display the addresses of all the statement numbers in the statement number table:  

```
*LINE<cr>
MODULE ..MAIN
#1=0800:0050H
#2=0080:0057H
MODULE ..SUBR
#1=1140:0012H
#2=1140:0037H
#3=1140:00DFH
```

### Display Modules—Display Module Names

The Display Modules command displays the names of all the modules currently in the DEBUG-86 symbol table.

#### Command Syntax

```
MODULE<cr>
```

#### Abbreviation

MODULE can be abbreviated to MOD

#### Description

To display the names of all the modules currently in the symbol table, enter the keyword MODULE.

#### Possible Error Conditions

None

#### Example

```
*MODULE<cr>
MODULE ..MAIN
MODULE ..SUBR
```

### Change Symbols—Change Value of a Symbol

The Change Symbol command changes the value (and memory-type if specified) of a symbol.

## Command Syntax

```
[..module].symbol[..symbol ...] ... = change-exp [OF memory-type]<cr>
```

where

*module* is the name of the program module in which *symbol* is located and is prefixed by two periods (..).

*symbol* is the name of an existing symbol that references a location in the symbol table. Each *symbol* is prefixed by a period (.).

*change-exp* is a numeric expression of a pointer value to be assigned to *symbol* and represents either the address of statement labels or variables, or the value of a constant.

OF *memory-type* specifies the memory type of *symbol*: BYTE, WORD, SINTEGER, INTEGER, or POINTER. If OF *memory-type* is omitted, the symbol's memory type is not changed.

## Abbreviation

BYTE can be abbreviated to BYT, WORD to WOR, SINTEGER to SIN, INTEGER to INT, and POINTER to POI.

## Description

The Change Symbol command replaces the value (and memory-type if specified) of a symbol.

When the same symbol name exists in different modules, specify the name of the module containing the desired symbol.

## Possible Error Conditions

Error 137, Module does not exist  
Error 126, Symbol does not exist

## Examples

1. To change the value of a single symbol in the symbol table:

```
*.ABC = 2000<cr>
```

\*

2. To change the value and memory type of a symbol located in a particular module:

```
*..MAIN.DEF = 450 OF WOR<cr>
```

\*

3. To replace the value of a symbol with the sum of the values of two other symbols, and change the memory type:

```
*.TEMP = .ABC + ..MAIN.DEF OF WORD<cr>
```

\*



## Remove Symbols—Remove Symbols/Modules

The Remove Symbols command removes one or more symbols, or one or more modules, or all symbols and lines from the DEBUG-86 tables.

### Command Syntax

```
REMOVE { [ ..module ] symbol [ symbol... ] 19 , ... } <cr>
        SYMBOL
        MODULE ..module [ , ..module ] ...
```

where

*module* is the name of an existing program module in the symbol table, and is prefixed by two periods (.). Up to 19 modules can be listed at one time.

*symbol* is the name of an existing symbol in the symbol table, and is prefixed by a period (.). Up to 19 symbols can be listed at a time.

SYMBOL is a command modifier that deletes the entire current DEBUG-86 symbol table.

MODULE is a command modifier that deletes all the symbols and lines of the named module from the symbol and statement number tables. The object code is not affected.

### Abbreviation

REMOVE can be abbreviated to REM, SYMBOL to SYM, and MODULE to MOD.

### Description

To remove one or more symbols from the symbol table, use the first form of the command syntax. If the desired symbols occur in more than one module, specify the module name. The first occurrence of each symbol is deleted.

To remove all modules, symbols and statement numbers from both tables, use the second form of the command syntax.

To remove a single module, use the third form of the command syntax. Removing a module removes all symbols and statement line numbers lines in the module, but does not affect the object code.

When more than one module is listed, separate them with commas. When more than one symbol is listed, separate them with spaces.

### Possible Error Conditions

Error 139, More than 20 symbols entered  
 Error 137, Module does not exist  
 Error 126, Symbol does not exist

### Examples

1. To remove a single symbol from the symbol table:  

```
*REMOVE .ABC<cr>
```

\*
2. To remove a symbol from a particular module:  

```
*REMOVE ..MAIN.DEF<cr>
```

\*
3. To remove symbols from different modules:  

```
*REM .HIJ,.PARM1,..MAIN.TWO,.CARS,.CARS1..SUBR.XX<cr>
```

\*
4. To delete both the symbol table and the statement number table entirely:  

```
*REMOVE SYMBOL<cr>
```

\*
5. To remove a single module from the symbol and statement number tables:  

```
*REMOVE MODULE ..MAIN<cr>
```

\*
6. To remove three modules from the symbol and statement number tables:  

```
*REM MOD ..MAIN,..SUBR,..CALC<cr>
```

\*

### Set Domain—Establish Default Module

The Set Domain command establishes a specified module as the default module for statement number references.

#### Command Syntax

```
DOMAIN ..module<cr>
```

where

**DOMAIN** is a command keyword that establishes a default module for source statement number references.

*module* is the name of an existing program module in the statement number table and is prefixed by two periods (..).

#### Abbreviation

DOMAIN can be abbreviated to DOM.

#### Description

This command establishes a default module so that you need not specify the module name each time you reference a statement number contained in that module.

When the domain is set, you need not use module names on statement numbers while debugging that portion of the program.

**Possible Error Conditions**

Error 137, Module does not exist

**Example**

1. To establish the module ..MAIN as the default:

```
*DOMAIN ..MAIN<cr>
*
```

**Compound Commands**

The compound commands described in this section enhance the operation of DEBUG-86 by extending the power of the simple commands. A compound command is a control structure that contains zero or more commands.

The compound commands are:

REPEAT	A looping command
COUNT	A looping command
IF	A conditional execution command

The examples in this section are independent of each other. The introduction to each example gives the initial conditions for that example, and does not assume any results or conditions from any previous examples.

**REPEAT Command**

The REPEAT command executes zero or more DEBUG-86 commands in a loop; the loop can also contain zero or more logical conditions for termination.

The REPEAT command consists of the REPEAT keyword, zero or more commands of any type, zero or more exit conditions using WHILE or UNTIL, and the keyword END. Enter each of these elements on its own line of the console display. Terminate each input line with an intermediate carriage return (shown as *cr* in the command syntax). Terminate the last line, END, with a final carriage return to begin the sequence of execution.

**Syntax**

```
REPEAT<cr>
  [ command<cr>
    WHILE boolean-expression<cr>
    UNTIL boolean-expression<cr> ] ...
END<cr>
```

**Description**

After each intermediate carriage return, the system begins the next line with a period (giving an indented appearance), then the asterisk prompt to signal readiness to accept the next line. The END keyword can be entered as ENDR or ENDREPEAT; the characters after END serve as a form of “comment” to indicate which loop is being terminated.

The elements to be repeated are shown in brackets in the syntax. Each element can be a command, a WHILE clause, or an UNTIL clause. You can mix these elements in any order, using any number of each type of element.

Each command is executed when it is encountered on each iteration. After the command has been completely executed, the loop proceeds to the next element.

The WHILE and UNTIL keywords introduce exit clauses. The WHILE clause terminates execution of the loop when its boolean-expression evaluates FALSE. The UNTIL clause terminates the loop when its boolean-expression evaluates TRUE.

In both the WHILE and UNTIL clauses, the boolean-expression is evaluated each time the clause is encountered; that is, once per iteration. Evaluation at each iteration involves looking up the values of any references in the expression. Thus, the result can change with each evaluation.

The choice of WHILE or UNTIL is usually a matter of convenience—there is always a way to convert one into the other. For example, “WHILE bool-expr” is equivalent to “UNTIL NOT (bool-expr)”.

#### NOTE

To terminate execution of a REPEAT (or COUNT) loop, enter CNTL-D at the console. The DEBUG-86 command currently executing halts wherever it happens to be; if you are executing, the current instruction is completed before the break. DEBUG-86 responds to the CNTL-D character with the asterisk prompt.

To return to RUN and then optionally to ISIS-II, enter CNTL-C.

Here are some brief examples of the REPEAT command.

Example 1. Generate an ASCII table similar to table 6-2:

```
DEFINE .TEMP = 40H
REPEAT
  WHILE .TEMP <= 7EH
    EVALUATE .TEMP
    .TEMP = .TEMP + 1
  ENDR
```

Example 2. Single-step through the user program for each instruction until a repetitious routine (.DELAY) is reached:

```
REPEAT
  UNTIL CS:IP = .DELAY
  STEP
  ASM CS:IP
ENDR
```

Example 3. Using a complex combination of conditions in the boolean expression:

```
REPEAT
  UNTIL (CS:IP > .END XOR .VAR1 = 0) OR (.TEMP > 0 XOR .VAR2 = 1)
  STEP
  REGISTER
ENDR
```

Example 4. Execute from the start of the program (.START) until a breakpoint (.ERROR) is reached, display status registers, then continue execution, and displaying registers until a terminating condition (BYTE .VAR = 2) is reached:

```
REPEAT
  GO TILL .ERROR
  REGISTER
  UNTIL BYTE .VAR = 2
ENDR
```

## COUNT Command

Like REPEAT, the COUNT command sets up a loop. In addition to the WHILE and UNTIL clauses discussed under REPEAT, COUNT includes a loop counter that terminates the loop if no exit condition is met before the counter runs out.

The COUNT command has the form:

```
COUNT arithmetic-expression<cr>
  [ command<cr>
    [ WHILE boolean-expression<cr> ]
    [ UNTIL boolean-expression<cr> ] ] ...
END<cr>
```

The *arithmetic-expression* after COUNT controls the (maximum) number of iterations to be performed. If a numeric constant is used (for example, COUNT 10), DEBUG-86 interprets it in implicit hexadecimal base; in other words, any number entered after COUNT without an explicit radix is interpreted as a hexadecimal number.

If the entry after COUNT is an *arithmetic-expression*, it is evaluated to give the number of iterations. The COUNT expression is evaluated *once*, before any loop elements are encountered. It is not evaluated again on any iteration. The COUNT expression uses the values of any references it contains as they stand at the time of evaluation. For example, consider the following command sequence:

```
DEFINE .XX = 2
COUNT .XX
  .XX = .XX + 1
END
```

This loop goes through *two* iterations, although .XX has value 4 when the loop terminates.

The loop terminates when the number of iterations given by the COUNT expression has been performed *or* when an exit condition is tested and causes exit, *whichever comes first*. The following example illustrates this concept.

```
DEFINE .XX = 1
COUNT 5
  .XX = .XX + 1
  WHILE .XX < 5
END
```

To show that the loop terminates on the WHILE condition before the COUNT expression is exhausted, we can “track” the loop in operation. Table 6-9 shows the track.

**Table 6-9. Tracking a COUNT Command**

Iteration	.XX	.XX < 5
1	2	TRUE
2	3	TRUE
3	4	TRUE
4	5	FALSE

The loop terminates during the fourth iteration, when .XX < 5 becomes FALSE.

Conversely, the COUNT expression specifies the maximum number of iterations to be performed in case no exit clause produces an exit on any iteration. For example:

```
COUNT 10T
  UNTIL CS:IP = .DELAY
  STEP
  ASM CS:IP
END
```

In this command, the COUNT expression specifies a maximum of ten STEPs, in case the first instruction at .DELAY is not reached during any iteration.

With a REPEAT command or with a COUNT command that include one or more clauses, there may be no direct way to tell how many iterations occurred before the loop terminated. For these cases, you can insert a loop counter as a loop element. For example, to obtain table 6-9 as a display you could use the following sequence:

```
BASE = T
DEFINE .ITER = 0
DEFINE .XX = 1
COUNT 10T
  .XX = .XX + 1
  .ITER = .ITER + 1
  .ITER
  .XX
  BOOL .XX < 5
  WHILE .XX < 5
END
```

The command BOOL .XX < 5 produces a display of TRUE or FALSE.

The following example executes to a breakpoint, displays 8086 registers, then continues executing, breaking, and displaying for 10 iterations:

```
COUNT 10T
  GO TILL .PAUSE EXECUTED
  REGISTER
END
```

## IF Command

The IF command permits conditional execution in a command sequence. The IF command has the form:

```
IF boolean-expression [THEN]<cr>
  [command<cr>] ...
[ORIF boolean-expression [THEN]<cr>] ...
  [command<cr>] ...
[ELSE<cr>
  [command<cr>] ...]
END<cr>
```

The command must have the IF clause; the ORIF and ELSE clauses are optional. The command can include as many ORIF clauses as desired. The IF and ORIF clauses each contain a single condition (boolean expression). Any clause can contain none, one, or more commands. A clause with no commands simply produces an exit when its condition is TRUE.

DEBUG-86 examines each boolean expression in turn, clause by clause, looking for the first TRUE condition. If a TRUE condition is found, the commands in that clause are executed and the IF command terminates. If none of the conditions is TRUE, the commands in the ELSE clause are executed and the IF command terminates. If the ELSE clause is omitted and no condition is TRUE, the IF command terminates with no commands executed.

The END keyword is required to close off the IF command; it can be written as ENDIF to clarify nesting.

The following is an example of the IF command.

```

IP = 1
IF IP < 1
  EVALUATE 1
ORIF IP < 2
  EVALUATE 2
ORIF IP < 3
  EVALUATE 3
ELSE
  EVALUATE 4
END

```

This example displays the result of EVALUATE 2 and then terminates. The first condition (IF IP < 1) is FALSE, so EVALUATE 1 is skipped. The second condition (ORIF IP < 2) is TRUE, so EVALUATE 2 is executed and the IF command terminates. The third condition (ORIF IP < 3) is not tested, even though it happens to be TRUE.

In practice, however, the IF command is useful when it is nested in a REPEAT or COUNT loop rather than appearing at the top level. A nested IF command enables you to test conditions that can change (due to other commands in the loop), whereas when an IF command is at the top level the TRUE or FALSE state of any condition is known, or can be determined with the BOOL command. Thus, the result from the previous example can be obtained with fewer steps:

```

BOOL IP < 1 (Displays FALSE)
BOOL IP < 2 (Displays TRUE)
EVALUATE 2

```

## Nesting Compound Commands

The REPEAT, COUNT, and IF commands can be nested to provide a variety of control structures.

Each nested compound command must have its own END keyword. When entering a nested command sequence, you may wish to use the keywords ENDR, ENDC, and ENDIF to help you keep straight which command you intend to close off. DEBUG-86 does not check nesting levels at entry, and if an END is omitted, the resulting error makes it necessary to enter the entire command again.

Each nested REPEAT or COUNT command can contain its own exit clauses (WHILE or UNTIL). Each exit clause can terminate the loop that contains it, but has no effect on any outer loops or commands.

As an example of nesting, suppose you want to STEP through a program with disassembled display, but skip a repetitive timeout routine, .DELAY, that is called

with an 8086 short-call instruction several times during program execution. One way to achieve this effect is with the following command sequence:

```
REPEAT
  IF CS:IP = .DELAY
    IP = WORD SS:SP
    SP = SP + 2
  ENDIF
  STEP
  ASM CS:IP
ENDR
```

At each call to `.DELAY` in the program, the displacement of the return address for the call is pushed on the stack. The keyword `SP` refers to the stack pointer, and `SS` is the stack segment register; `SS:SP` is the address of the top of the stack where the return address is stored. The effects of the commands `IP = WORD SS:SP` and `SP = SP + 2` are to load the return address back into `IP` and reset the stack pointer just as if the return instruction at the end of `.DELAY` had been executed.

As another example of nesting, suppose the user code at statements #21 and #22 is incorrect or not written yet. The following sequence executes to the point where substitute code is to be inserted, inserts the code (equivalent to `IF MARK > 0 THEN PTR = PTR + 2` in PL/M), then continues executing beginning with statement #23 (the insertion is made any time execution reaches statement #21):

```
GO FROM .START TILL #21
REPEAT
  IF WORD .MARK > 0
    WORD .PTR = WORD .PTR + 2
  ENDIF
  GO FROM #23
ENDR
```

An exit can be made only when a condition is *tested*, not when it occurs. To cause an exit, the test must be placed at the point in the loop where the condition occurs. For example, consider the following command sequence:

```
REPEAT
  UNTIL IP = 1000H
  STEP
ENDR
```

In this command the condition `IP = 1000H` is tested after every `STEP`. If the sequence of `STEPS` reaches `IP = 1000H` as the next instruction, the loop will terminate. By contrast, consider this example:

```
REPEAT
  UNTIL IP = 1000H
  COUNT 10
  STEP
  ENDC
ENDR
```

In the second example, the condition `IP = 1000H` is tested after every *ten* `STEPS`. The loop exits only if `IP = 1000H` occurs at the *end* of some group of ten instructions. If `IP = 1000H` occurs *during* one of the groups of ten `STEPS`, the loop does not terminate because that condition is changed by subsequent `STEPS` before the test can be made.



If the command has more than one exit clause, each exit clause is tested when it is encountered. If the result at the moment of the test causes an exit, the loop terminates; otherwise, the loop proceeds to the next element.

The loop exits only when the current test causes it, even though some other clause in the loop would cause an exit if it could be tested at that moment. Consider this (artificial) example:

```
DEFINE .ZZ = 0
CS = 780
IP = 0
REPEAT
  UNTIL IP > 10H
  COUNT 5
  STEP
  ENDC
  ASM CS:IP
  WHILE .ZZ = 0
    .ZZ = .ZZ + 1
  ENDR
```

Assume for this example that the code being executed (with STEP) contains only two-byte instructions. Then, after the first time through the loop, IP = 0AH (10T) and .ZZ = 1. On the second iteration, the test IP > 10H is FALSE when it is encountered, so the STEP and ASM commands are executed again. At this point, IP > 10H is TRUE but since it is not tested, no exit occurs. Instead, the condition .ZZ = 0 is tested, found to be false, and the loop exits.



This chapter lists the error messages issued by ISIS-II, RUN, DEBUG-86, and nonresident system routines. Exception codes returned from system calls to the UDI are described in the *Intellec Series III Microcomputer Development System Programmer's Reference Manual*.

Error message numbers are allocated as follows:

- 1-99 inclusive — ISIS-II resident routines (8080/8085 mode)
- 100-119 inclusive — RUN command (8086 mode)
- 120-199 inclusive — DEBUG-86 (8086 mode)
- 200-255 inclusive — nonresident system routines (8080/8085 mode)

“Reference 1” in the explanation of error messages indicates that additional information is contained in the *Intellec Series III Microcomputer Development System Programmer's Reference Manual*.

## ISIS-II Error Routines (8080/8085 Mode)

Errors encountered by ISIS-II are either fatal or nonfatal. In the following lists fatal errors are noted as such. The other errors are generally nonfatal unless they are issued by the CONSOL system call (see tables 7-1 and 7-2).

A nonfatal error immediately halts processing and permits your program to take a recovery path of your choosing. The error number is returned to your program.

If an error occurs when you are entering a console command, the error is echoed followed by an error message. For example, the following input results in the error message shown:

```
-COPY :PR:CREDIT TO :F1:<cr>  
:PR:CREDIT, UNRECOGNIZED DEVICE NAME
```

A fatal error immediately halts processing but does not permit recovery. Control returns to ISIS-II which overlays some user program area with nonresident ISIS-II files, and displays the following error message:

```
ERROR nnn USER PC mmmm
```

where nnn is the error number and mmmm is the contents of the program counter when the error occurred.

In general, after displaying an error message, the system displays the ISIS-II prompt character (a hyphen) and waits for you to enter the corrected input.

The action taken in response to fatal errors depends on the setting of an internal system switch called the debug toggle. That switch indicates whether control is to return to ISIS-II (debug=0) or the Monitor (debug=1) when an error occurs.

Any of the following actions sets the debug toggle to one and transfers control to the Monitor:

- Pressing interrupt switch 0 while a program is running.
- Executing program load with the DEBUG switch specified in the command line.
- Executing a LOAD system call with a transfer value of 2.

Any of the following actions sets the debug toggle to zero, performs the operation listed, then transfers control to ISIS-II:

- Pressing interrupt switch 1 while a program is running. This action terminates processing.
- Executing an EXIT system call. This action terminates a program.
- Executing a LOAD system call with a transfer value of 1. This action loads an absolute object file.
- Executing a Monitor G8 command. This action exits the Monitor.

If the debug toggle is zero when a fatal error occurs, the following occur:

- All open files are closed in their current state, including :CI: and :CO:.
- The initial system console device is opened as :CI: and :CO:.
- A fresh copy of ISIS-II is read in from the disk, and ISIS-II prompts for a command with a hyphen (-).

If the debug toggle is set to one when a fatal error occurs, the following occur:

- All open files are left open.
- Control passes to the Monitor.
- Monitor prompts for a command with a period (.).

At this point Monitor commands can be used to examine registers and memory to try to determine the cause of the error. However, the program should not be restarted with a simple Monitor G command, because the ISIS-II restart address has not been saved. **DO NOT RESET THE SYSTEM AT THIS POINT.** A G8 command should be used instead so all files are closed. Rebooting does not close files.

**NOTE**

Although programs cannot be loaded in the ISIS-II area, the ISIS-II area is not protected from a running program. If a program should happen to destroy parts of ISIS-II, subsequent system calls may not operate correctly and input/output may destroy areas on your disk. This would happen mainly when an undebugged program is running. ISIS-II can always be restored by bootstrapping from a good system disk.

**Table 7-1. Nonfatal Error Numbers Returned by System Calls**

OPEN	3, 4, 5, 9, 12, 13, 14, 22, 23, 25, 28.
READ	2, 8.
WRITE	2, 6.
SEEK	2, 19, 20, 27, 31, 35.
RESCAN	2, 21.
CLOSE	2.
SPATH	4, 5, 23, 28.
DELETE	4, 5, 13, 14, 17, 23, 28, 32.
RENAME	4, 5, 10, 11, 13, 17, 23, 28.
ATTRIB	4, 5, 13, 23, 26, 28.
GETATT	4, 5, 13, 23, 28.
GETD	3, 4, 5, 13, 23.
CONSOL	None; all errors are fatal.
WHOCON	None.
ERROR	None.
LOAD	3, 4, 5, 12, 13, 22, 23, 28, 34.
EXIT	None.

Table 7-2. Fatal Errors Issued by System Calls

OPEN	1, 7, 24, 30, 33.
READ	24, 30, 33.
WRITE	7, 24, 30, 33.
SEEK	7, 24, 30, 33.
RESCAN	33.
CLOSE	33.
SPATH	33.
DELETE	1, 24, 30, 33.
RENAME	1, 24, 30, 33.
ATTRIB	1, 24, 30, 33.
GETATT	1, 24, 30, 33.
GETD	1, 24, 30, 33.
CONSOL	1, 4, 5, 12, 13, 14, 22, 23, 24, 28, 30, 33.
WHOCON	33.
ERROR	33.
LOAD	1, 15, 16, 24, 30, 33.

ISIS-II error messages codes are:

1. Fatal error. The memory area from 3000H to program origin is used for input/output buffers. Too few buffers were allocated to meet the current request in addition to earlier requests. See reference 1 for information on how to allocate buffers.
2. Illegal AFTN argument. The number supplied as an AFTN (active file table number) is inappropriate. Perhaps your program closed a file prematurely and then tried to read it. Active file table numbers are described in reference 1.
3. Fatal error. AFT (Active File Table) is full. At most, six files may be active at one time. You must close one of your open files before a file can successfully be opened. (Reference 1)
4. Incorrectly specified filename. You have possibly entered too many characters for filename, as in OLDFILE.1 (the maximum is six characters before the period, three after). Filename conventions are described in Chapter 3.
5. Unrecognized device name. You have entered an incorrect device name, as in :PR: for the line printer :LP:. Check the device names in Chapter 3.
6. Attempt to write to input device. An attempt has been made to write to an input device. You can only write to an output device, such as a line printer (:LP:). See Chapter 3 for information on devices.
7. Fatal error. The disk is full. Check that you have specified the intended disk.
8. Attempt to read from output device. Some devices, like the line printer (:LP:), are output only and cannot be read. The current operation either should not be a READ or needs to use a different device name. See Chapter 3 for devices.
9. Disk directory is full. There is no room on the target disk's directory to add an additional filename. The limit is 200 entries for flexible disks and 992 entries for hard platters.
10. Pathname is not on same disk. A system call was attempted (RENAME) that requires two pathnames on the same device but the specified pathnames did not specify the same device. (Reference 1)
11. File already exists. A filename identical to the one just used was found. Perhaps a different drive was intended, or a different spelling of the filename.
12. File is already open. Only console input (:CI:) and console output (:CO:) may be opened multiple times. If the spelling of the filename is correct, a flaw may exist in the program logic. For example, an earlier module may be using the file too soon or there may be an unintended loop.

13. No such file. The specified filename could not be found in the directory on the disk in the drive indicated by your command. A different drive or disk may have the file. For example, a console request to load a RUN file with a default extension of .86.
14. Write-protected file encountered. The intended operation (e.g., WRITE, RENAME, DELETE) could not be done because the specified file has the write-protect or format attribute set.
15. Fatal error. ISIS overwrite. The system detected an attempt to write into the area reserved for the ISIS resident files, i.e., below 3000H. Such an operation would create unpredictable results and is disallowed.
16. Fatal error. Bad load format. This error was possibly caused by a source-language file. Files to be loaded for 8080/8085 execution must be in absolute object module format.
17. Not a disk file. An attempt was made to reference a disk file on a wrong device type, with an improper pathname, such as :HP:FILE2 instead of :Fn:FILE2. File accessing conventions are described in Chapter 3.
18. Illegal ISIS commands. This error results when an ISIS system call is made with an illegal command number.
19. Attempted seek on non-disk file. Seeks on physical devices other than disk drives are invalid (:BB: is an exception and is valid). (Reference 1 gives information on the SEEK system call.)
20. Attempted back seek too far. The seek attempted to go beyond the beginning of the file; MARKER is set to zero. (Reference 1)
21. Can't rescan. The file was not opened for line-editing. (Reference 1)
22. Illegal access mode to open. Only 1, 2, and 3 are valid, meaning input (read), output (write), or update (both read and write). (Reference 1)
23. Missing filename. The system expected a filename, but one was not supplied.
24. Fatal error. Disk input/output hardware error. When error number 24 occurs, an additional message is displayed:

```
STATUS=00nn
D=x T=yyy S=zzz
```

where x represents the drive number, yyy the track address, zzz the sector address, and where nn has the following meanings:

For flexible disks:

01	Deleted record
02	Data field CRC error
03	Invalid address mark
04	Seek error
08	Address error
0A	ID field CRC error
0E	No address mark
0F	Incorrect data address mark
10	Data overrun or data underrun
20	Attempt to write on Write Protect
40	Drive has indicated a Write error
80	Drive not ready

## For hard disks:

- |    |   |
|----|---|
| 01 | ID field miscompare                       |
| 02 | Data field CRC error                      |
| 04 | Seek error                                |
| 08 | Bad sector address                        |
| 0A | ID field CRC error                        |
| 0B | Protocol violations                       |
| 0C | Bad track address                         |
| 0E | No ID address mark or sector not found    |
| 0F | Bad data field address mark               |
| 10 | Format error                              |
| 20 | Attempt to write on write-protected drive |
| 40 | Drive has indicated a write error         |
| 80 | Drive not ready                           |
25. Illegal echo file. An echo file must have an active file table number (AFTN) between 0 and 255, and must already be opened for output. Check that these conditions are met. (Reference 1)
  26. Illegal attribute identifier. This error refers to the second parameter to the ATTRIB system call routine. Check that you have specified a valid parameter. Only 0, 1, 2, or 3 is valid, meaning the invisible, system, write-protect, or format attributes, respectively. (Reference 1)
  27. Illegal seek command. An unsupported mode for the specified device was used in a seek command. (Reference 1)
  28. Missing extension. An expected file extension was not supplied.
  29. Fatal error. Premature EOF. An unexpected end of file was encountered from the console.
  30. Fatal error. Drive specified was not ready.
  31. Can't seek on write only file. Seeks can be executed only on read or update files. (Reference 1)
  32. Can't delete open file. You need to close the file before attempting to delete it. Verify the pathname. (Reference 1)
  33. Fatal error. Illegal system call parameter. A parameter was specified in a system call which is meant to be used as a pointer to a memory area intended for the receipt of data; however, ISIS found that this pointer was pointing to the memory space which ISIS occupies. ISIS will not allow a user to write into its memory space. (Reference 1)
  34. Fatal error. The return switch in a LOAD system call was not 0, 1 or 2, the only valid values. (Reference 1)
  35. Seek past EOF. An attempt was made to extend a file opened for input by seeking past end-of-file. (Reference 1)

## **RUN Program Error Messages (8086 Execution Mode)**

When an error occurs under the RUN program, both the error number and the error message are displayed. Processing halts and control returns to the RUN program. The system displays the RUN prompt (>) and waits for you to enter a new command.

Errors 117 through 119 are warnings. The system displays the warning message and processing continues.

- 101. **HARDWARE NOT RESPONDING (fatal error)**  
8086 hardware is not present or is malfunctioning.
- 102. **INVALID SYNTAX**  
RUN does not understand your request. Check the input line and re-enter.
- 103. **COMMAND LINE TOO LONG**  
The RUN activation line exceeds 120 characters.
- 104. **INSUFFICIENT MEMORY TO LOAD**  
The loader does not have enough 8086 memory to load the requested object file.
- 105. **MISMATCHED SOFTWARE/FIRMWARE**  
The version of RUN does not correctly operate with the 8086 firmware.
- 106. **ERROR 106 USER PC mmmm**  
where mmmm is the contents of the program counter and indicates a failing area in the operating system. This error should never occur; however, if it does, contact your Intel representative.
- 107. **ILLEGAL LOAD ADDRESS**  
Loader tried to load a user program into 8086 system memory. User 8086 memory begins at 7800H.
- 108. **INVALID OBJECT FILE**  
The file specified in a LOAD command is not a valid object file.
- 117. **UNRESOLVED SYMBOLS (warning)**  
The file just loaded contains externals that were not satisfied at link time. The file was loaded correctly except for references to the unsatisfied externals.
- 118. **RAM FAILURE (warning)**  
RAM failure was detected on the 8086 processor board.
- 119. **ROM CHECKSUM ERROR (warning)**  
ROM checksum error was detected on the 8086 processor board.

## DEBUG-86 Error Messages (8086 Execution Mode)

When an error occurs under DEBUG-86, the system displays the error number only, as follows:

```
ERROR xxx
```

where xxx is a decimal error number.

After the error number, the system displays the DEBUG-86 prompt (\*) and waits for you to enter a new command.

The following list defines DEBUG-86 error numbers:

120. Syntax error. The command line entered does not conform to the defined syntax.
121. Invalid token. The command line contains a token that does not follow the rules for a well-formed token.
122. No such line. The specified line number does not exist in the current module.
123. Inappropriate number. The value entered is not appropriate in the current context.
124. Partition bounds error. The partition values entered in a command are not correct. Either the left part of the partition is greater than the right part or the values of the partition extremes are out of range in the current context.
125. Symbol already exists. The symbol entered in a DEFINE command is already defined in the symbol table.
126. Symbol does not exist. The symbol referenced does not reside in the symbol table.
127. Memory failure. Data written to memory was not correctly read back. This error can be caused by writing data into non-existent or bad memory.
133. Null string error. A null string was used where a non-null string is required.
134. Memory overflow. Memory requirements of all dynamic tables exceed the amount of memory available. This error can be caused by an object module with too many symbols or line numbers.
135. Stack overflow. The capacity of a statically allocated stack internal to the diagnostic program has been exceeded.
136. Command too complex. The command complexity requires more memory than can be allocated.
137. Module does not exist. The specified module does not exist in the symbol table.
139. Excessive data. The amount of data to be inserted into a partition exceeds the size of the partition.
141. Unsuitable execute file. The file referenced in an execute command either contains code that is out-of-bounds for the execute command, or it is a main module.
142. Line too long. The command line was longer than 120 characters on a line.
143. Too many partitions. Number of partitions entered exceed the acceptable maximum of 19.
147. Pointer value required. A non-pointer value was used in a context that requires a pointer.
148. Integer value required. A non-zero base value was used in a context that requires an integer.
149. Differing bases. Two pointers with different bases were used in a context where pointers with the same base are required, e.g., the lower and upper bounds of a partition.



## Console Command Interface Errors (8080/8085 Execution Mode)

201. Unrecognized switch. Certain predefined switches (e.g., P, S, A, U, C) can be used depending on the ISIS-II command. Some commands that have switches are IDISK, FORMAT, and COPY. Check the specified command in Chapter 4.
202. Unrecognized delimiter A character was encountered that was invalid in a name and not known as a delimiter.
203. Invalid syntax. There is an error in the command as entered. The error may be an unrecognized keyword or a missing comma, for example.
206. Illegal disk label. The label supplied violates the rules for a valid disk label.
208. Checksum error. The bits of the records read do not add up properly. An inappropriate input or medium was supplied. There may be an error in the internal format of the specified file that may have occurred during translation or linking. Retranslate and relink the source module.
209. Relo file sequence error. An inappropriate input file was specified.
210. Insufficient memory. The required amount of RAM is not present.
211. Record too long. A record longer than allowed was encountered.
212. Illegal relo type. Relocation types must conform to Intel standard formats.
213. Fixup bounds error. The required address violated numeric bounds on addresses.
214. Illegal SUBMIT parameter. An error was made in the actual parameter to be substituted for a formal parameter in a command sequence file. (See the SUBMIT command in Chapter 4.)
215. Argument too long. The number of characters in the actual argument must not exceed 31.
216. Too many parameters. More parameters were supplied than defined.
217. Object record too short. This error may be caused by an I/O error in the file to be loaded.
218. Illegal record format. The record format did not match the Intel standard.
219. Phase error. The expected phase input (e.g., for the next step of a translation process) was not correctly supplied.
220. No end-of-file record in object module file. There is an error in the internal format of the specified file. Retranslate and relink the source module.
221. Segment overflow during LINK operation. The output segment cannot be greater than 64k bytes.
222. Unrecognized record in object module file. There is an error in the internal format of the specified file. Retranslate and relink the source module.
223. Fixup record pointer is incorrect. There is an error in the internal format of the specified file. Retranslate and relink the source module.
224. Illegal record sequence in object module file in LINK. There is an error in the internal format of the specified file that may have occurred during translation. Retranslate and relink the source module.
225. Illegal module name specified. An illegal or misspelled module name was entered.
226. Module name exceeds 31 characters. Module names exceeding 31 characters may not be used.
227. Command syntax requires left parenthesis. There is a missing left parenthesis in the command line. Re-enter the command correctly.

228. Command syntax requires right parenthesis. There is a missing right parenthesis in the command line. Re-enter the command correctly.
229. Unrecognized control specified in command. A character string other than the expected control keyword was entered. Enter the correct control keyword.
230. Duplicate symbol found. You have attempted to add a symbol that already exists.
231. File already exists. The file specified in a CREATE command already exists.
232. Unrecognized command. An illegal or misspelled command was entered.
233. Command syntax requires a TO clause. The command syntax requires a TO clause to specify the output file.
234. Filename illegally duplicated in command. The same filename is specified both as an input and output file.
235. File specified in command is not a library file. The specified file is not a library file.
236. More than 249 common segments in input files. You cannot have more than 249 common segments.
237. Specified common segment not found in object file. The input module does not contain the common segment specified in the command.
238. Illegal stack content record in object file. There is an error in the internal format of the specified file that may have occurred during the translation and link process. Retranslate and relink the source module.
239. No module header in input object file. There is an error in the internal format of the specified file. Retranslate and relink the source module.
240. Program exceeds 64k bytes. The output module to be placed in the output file exceeds the maximum of 64k bytes.

### **Other Console Command Interface Errors**

Additional 8080/8085 link and locate error messages are described in the *MCS-80/85 Utilities User's Guide for 8080/8085-Based Development Systems*.

All 8086 mode link and locate error messages that may occur during LINK86, LOC86, OH86, CREF86, and LIB86 operations are described in the *iAPX Family Utilities User's Guide*.



# APPENDIX A HEXADECIMAL PAPER TAPE FORMAT

Object code is stored on paper tape in an ASCII representation of the program in memory. The code is blocked into records, each of which contains the record type, length, type, memory load address, and checksum in addition to the data. Figure A-1 shows the frames of a tape record.

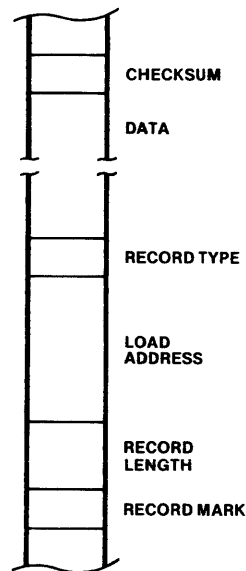


Figure A-1. Paper Tape Record Format

The Record Mark is a colon (3AH) and is used to signal the start of a record.

The Record Length is the count of the data bytes in the record. A record length of zero indicates end-of-file.

The Load Address specifies the address at which the first data byte will be loaded. The successive data bytes will be stored in successive memory locations.

The Record Type specifies the type of this record. All data records are type 0. End-of-file records can be type 0 or 1.

The Data consists of two frames per memory word. The data is represented by hexadecimal values 00H through FFH.

The Checksum is the negative of the sum of all 8-bit bytes in the record, beginning with the Record Length and ending with the last Data byte, evaluated modulo 256. The sum of all bytes in the record (including the checksum) should be zero.



# APPENDIX B HEXADECIMAL-DECIMAL CONVERSION

The following table is for hexadecimal to decimal and decimal to hexadecimal conversion. To find the decimal equivalent of a hexadecimal number, locate the hexadecimal number in the correct position and note the decimal equivalent. Add the decimal numbers.

To find the hexadecimal equivalent of a decimal number, locate the next lower decimal number in the table and note the hexadecimal number and its position. Subtract the decimal number from the table from the starting number. Find the difference in the table. Continue this process until there is no difference.

BYTE				BYTE			
HEX	DEC	HEX	DEC	HEX	DEC	HEX	DEC
0	0	0	0	0	0	0	0
1	4,096	1	256	1	16	1	1
2	8,192	2	512	2	32	2	2
3	12,288	3	768	3	48	3	3
4	16,384	4	1,024	4	64	4	4
5	20,480	5	1,280	5	80	5	5
6	24,576	6	1,536	6	96	6	6
7	28,672	7	1,792	7	112	7	7
8	32,768	8	2,048	8	128	8	8
9	36,864	9	2,304	9	144	9	9
A	40,960	A	2,560	A	160	A	10
B	45,056	B	2,816	B	176	B	11
C	49,152	C	3,072	C	192	C	12
D	53,248	D	3,328	D	208	D	13
E	57,344	E	3,584	E	224	E	14
F	61,440	F	3,840	F	240	F	15



# APPENDIX C ASCII CODES

Table C-1. ASCII Code List

Decimal	Octal	Hexadecimal	Character	Decimal	Octal	Hexadecimal	Character
0	000	00	NUL	64	100	40	@
1	001	01	SOH	65	101	41	A
2	002	02	STX	66	102	42	B
3	003	03	ETX	67	103	43	C
4	004	04	EOT	68	104	44	D
5	005	05	ENQ	69	105	45	E
6	006	06	ACK	70	106	46	F
7	007	07	BEL	71	107	47	G
8	010	08	BS	72	110	48	H
9	011	09	HT	73	111	49	I
10	012	0A	LF	74	112	4A	J
11	013	0B	VT	75	113	4B	K
12	014	0C	FF	76	114	4C	L
13	015	0D	CR	77	115	4D	M
14	016	0E	SO	78	116	4E	N
15	017	0F	SI	79	117	4F	O
16	020	10	DLE	80	120	50	P
17	021	11	DC1	81	121	51	Q
18	022	12	DC2	82	122	52	R
19	023	13	DC3	83	123	53	S
20	024	14	DC4	84	124	54	T
21	025	15	NAK	85	125	55	U
22	026	16	SYN	86	126	56	V
23	027	17	ETB	87	127	57	W
24	030	18	CAN	88	130	58	X
25	031	19	EM	89	131	59	Y
26	032	1A	SUB	90	132	5A	Z
27	033	1B	ESC	91	133	5B	[
28	034	1C	FS	92	134	5C	\
29	035	1D	GS	93	135	5D	]
30	036	1E	RS	94	136	5E	^
31	037	1F	US	95	137	5F	_
32	040	20	SP	96	140	60	`
33	041	21	!	97	141	61	a
34	042	22	“	98	142	62	b
35	043	23	#	99	143	63	c
36	044	24	\$	100	144	64	d
37	045	25	%	101	145	65	e
38	046	26	&	102	146	66	f
39	047	27	‘	103	147	67	g
40	050	28	(	104	150	68	h
41	051	29	)	105	151	69	i
42	052	2A	*	106	152	6A	j
43	053	2B	+	107	153	6B	k
44	054	2C	,	108	154	6C	l
45	055	2D	-	109	155	6D	m
46	056	2E	.	110	156	6E	n
47	057	2F	/	111	157	6F	o
48	060	30	0	112	160	70	p
49	061	31	1	113	161	71	q
50	062	32	2	114	162	72	r
51	063	33	3	115	163	73	s
52	064	34	4	116	164	74	t
53	065	35	5	117	165	75	u
54	066	36	6	118	166	76	v
55	067	37	7	119	167	77	w
56	070	38	8	120	170	78	x
57	071	39	9	121	171	79	y
58	072	3A	:	122	172	7A	z
59	073	3B	;	123	173	7B	
60	074	3C	<	124	174	7C	}
61	075	3D	=	125	175	7D	~
62	076	3E	>	126	176	7E	
63	077	3F	?	127	177	7F	DEL

Table C-2. ASCII Code Definition

Abbreviation	Meaning	Decimal Code
NUL	NULL Character	0
SOH	Start of Heading	1
STX	Start of Text	2
ETX	End of Text	3
EOT	End of Transmission	4
ENQ	Enquiry	5
ACK	Acknowledge	6
BEL	Bell	7
BS	Backspace	8
HT	Horizontal Tabulation	9
LF	Line Feed	10
VT	Vertical Tabulation	11
FF	Form Feed	12
CR	Carriage Return	13
SO	Shift Out	14
SI	Shift In	15
DLE	Data Link Escape	16
DC1	Device Control 1	17
DC2	Device Control 2	18
DC3	Device Control 3	19
DC4	Device Control 4	20
NAK	Negative Acknowledge	21
SYN	Synchronous Idle	22
ETB	End of Transmission Block	23
CAN	Cancel	24
EM	End of Medium	25
SUB	Substitute	26
ESC	Escape	27
FS	File Separator	28
GS	Group Separator	29
RS	Record Separator	30
US	Unit Separator	31
SP	Space	32
DEL	Delete	127



## APPENDIX D SUMMARY OF ISIS-II CONSOLE COMMANDS

This appendix provides a summary of command syntax for ISIS-II commands.

### Disk Maintenance Commands

#### IDISK—Disk Formatting Command

```
IDISK :Fn:label [switches]<cr>
```

where

*label* is the name to be given to the blank disk.

*switches* are one or more of the following:

- S        Formats the new disk as a basic system disk.
- P        Specifies single drive mode.
- FROM n   Specifies the disk drive containing the source disk files needed for formatting the new disk. The value n is an integer 0-9 for drive numbers 0 through 9. If the FROM n switch is not specified, the default is to drive 0.

#### FORMAT—Disk Formatting Command

```
FORMAT :Fn:label [switches]<cr>
```

where

*label* is the name to be given to the disk.

*switches* are one or more of the following:

- A        Copies all files to the specified disk except files (other than ISIS-II system format files) with the format attribute set.
- S        Copies the basic format files and all files with the system attribute set.
- FROM n   Specifies the disk drive containing the disk files needed for formatting. n is an integer 0-9, for drives 0 through 9. If the FROM n switch is not specified, the default is to drive 0.

#### FIXMAP—Hard Disk Mapping Command

```
FIXMAP drive<cr>
```

where

*drive* is the number of the hard disk drive on which the command is to operate; *drive* is an integer value of 0 or 1.

## FIXMAP Commands

Mark <i>disk-address</i>	Change the known state of a sector from good to bad.
Free <i>disk-address</i>	Change the known state of a sector from bad to good.
List <i>filename</i>	List all known bad sectors.
Count	List the number of known bad sectors.
Record	Record changes specified by Mark and Free.
Quit	Exit to ISIS-II without recording changes.
Exit	Record changes and exit to ISIS-II.

A *disk-address* takes the form:

```
track,sector[T]
```

where

*track* is a number from 0 to 199 that specifies the logical track address containing the bad sector.

*sector* is a number from 1 to 144 that specifies the logical sector address of the bad sector within the track.

T is an optional switch indicating that a group of 36 sectors should be processed.

## File Control Commands

### DIR—Disk Directory Listing

```
DIR [FOR filename][TO listfile][switches]<cr>
```

where

*filename* is the file (or group of files specified with the wild card construction) whose directory entry is to be listed.

*switches* are one or more of the following:

- 0-9 Lists the directory of the disk in :F0:, :F1:, :F2:, ... :F9:.
- I Lists all files, including files with the invisible attribute set.
- F Gives fast output, listing only filenames.
- O Prints the directory in a single column format.
- Z Prints the number of sectors presently used.
- P Specifies single drive mode.

### COPY—Copy a File

```
COPY [[:Fn:]]infile [,...] TO {[:Fn:][outfile]  
:device:} [switches]<cr>
```

where

*infile* is a file (or group of files when using the wild card construct) to be copied.

*outfile* is a file to be created or recreated.

*:device:* is an output device, such as :LP:, :TO:, :HP:, or :CO:



*switches* are one or more of the following:

- S Copies files with the system attribute set.
- N Copies files without the system or format attribute set.
- P Specifies single drive mode.
- Q Specifies the query mode.
- C Creates *outfile* with the attributes set from the infile.
- B Deletes an existing file without displaying the “ALREADY EXISTS” prompt.
- U Opens *outfile* for update instead of deleting it.

## HDCOPY—Copy Hard Disk Tracks

```
HDCOPY { indrive TO outdrive } <cr>
        BACKUP
```

where

*indrive* is the number of the drive containing the source hard disk.

*outdrive* is the number of the drive containing the destination hard disk.

Both drive numbers must be 0 or 1, but both cannot be the same drive number. Both drives must be a hard disk drive.

BACKUP is a switch that can be used to backup a removable hard disk platter.

## DELETE—Delete a Disk File

```
DELETE [:Fn:]filename [Q] [, . . . [Q]] [P]<cr>
```

where

*filename* is the name of a file to be deleted. The wild card construction can be used to delete a group of files.

- Q Specifies the query mode.
- P Specifies single drive mode.

## RENAME—Rename a Disk File

```
RENAME [:Fn:]oldname TO [:Fn:]newname<cr>
```

where

:Fn: must be the same for both *oldname* and *newname*.

*oldname* is the name of an existing file whose write-protect or format attribute is not set.

*newname* is the new name to be assigned to *oldname*.

**ATTRIB—Change/Display Disk File Attributes**

```
ATTRIB [:Fn:]filename [attriblist] [Q]<cr>
```

where

*filename* is a disk file whose attributes are to be changed. The wild card construction can be used to change and/or display the attributes of a group of files.

*attriblist* is one or more of the following:

I0 or I1	Resets (I0) or sets (I1) the invisible attribute.
W0 or W1	Resets (W0) or sets (W1) the write-protect attribute.
F0 or F1	Resets (F0) or sets (F1) the format attribute.
S0 or S1	Resets (S0) or sets (S1) the system attribute.
Q	Specifies query mode operation.

**VERS—Display ISIS Utility Version Numbers**

```
VERS [:Fn:]filename<cr>
```

where

*filename* is the name of the ISIS file on :Fn: whose version number is to be displayed.

**8080/8085 Program Execution Commands****Filename—Direct Program Execution**

```
[:Fn:]filename [parameters]
```

where

*parameters* are parameters needed by *filename*.

**DEBUG—Transfer Control to Monitor**

```
-DEBUG [[:Fn:]filename [parameters]]<cr>
```

where

*filename* is any ISIS-II command or the file name of an executable program.

*parameters* are the normal parameters of the program to be executed.

**SUBMIT—Non-Interactive Program Execution**

```
SUBMIT [:Fn:]filename[(parameter[, . . .])9]<cr>
```

where

*filename* is the name (and extension, if any) of the file containing the command sequence definition (explained below). If extension is omitted, SUBMIT assumes the default extension *.CSD*.

*parameter* is an actual value that is to replace a formal parameter in the command sequence definition file. The maximum number of parameters allowed is 10. If you omit a parameter from the SUBMIT list, enter a comma in its place.

A parameter is a character string of up to 31 characters.

## 8086 Program Execution Commands

### RUN—Activate 8086 Execution Mode

```
RUN [[:Fn:]filename [parameters][;comments]]<cr >
```

where

*filename* is the name of your 8086 program. If you enter no extension, the system assumes a default extension of .86.

*comment* is one or more ASCII characters not including a carriage return or line feed. Comments always begin with a semicolon.

### WORK—Change Default Drive for Workfiles

```
[RUN] WORK [[:Fn:]]<cr>
```

where

:Fn: specifies the drive n that is to be set as the default drive for your temporary workfiles. n is an integer value between 0 and 9 inclusive. The initial system default is :F1: If :Fn: is not specified, the current default is displayed.

### DATE—Change/Display System Date

```
[RUN] DATE [nn/nn/nn]<cr>
```

where

nn is any integer value between 00 and 99 inclusive that specifies the date desired. If the date is not specified, the last date entered is displayed. The initial default date is 09/01/80.

### EXIT

```
EXIT<cr>
```



# APPENDIX E

## SUMMARY OF MONITOR COMMANDS

This appendix provides a summary of the command syntax for Monitor commands.

### Program Execution Commands

#### G—Execute Command

`G[start-address][breakpoint1][,breakpoint2]<cr>`

### Monitor I/O Configuration Commands

#### A—Assign Command

`Alogical-device=physical-device <cr>`

The possible values of *physical-device* for each *logical-device* are:

Logical Device	Physical Device
CONSOLE	T or TTY (teletype terminal) C or CRT (compatible CRT terminal) B or BATCH (batch mode) 1 (user-defined device for which a user-written program is present)
READER	T or TTY (teletype terminal) P or PTR (high speed paper tape reader) 1 or 2 (user-defined devices for which user-written driver programs are present)
PUNCH	T or TTY (teletype terminal) P or PTP (high speed paper tape punch) 1 or 2 (user-defined devices on which user-written driver programs are present)
LIST	T or TTY (teletype terminal) C or CRT (compatible CRT terminal) L or LPT (line printer) 1 (user-defined device for which a user-written driver program is present)

#### Q—Query Command

`Q<cr>`

## Memory Control Commands

### D—Display Command

*Dstart-address, end-address<cr>*

### F—Fill Command

*Fstart-address, end-address, constant<cr>*

### M—Move Command

*Mstart-address, end-address, destination-address<cr>*

### S—Substitute Command

*Saddress, [databyte][, [databyte]][...]<cr>*

### X—Register Command (Display Form)

*X<cr>*

### X—Register Command (Modify Form)

*Xregister, [data] [, data] [, ...]<cr>*

## Paper Tape I/O Commands

### R—Read Command

*Rbias<cr>*

### W—Write Command

*Wstart-address, end-address<cr>*

### E—End-of-File Command

*Eentry-point<cr>*

### N—Null Command

*N<cr>*

## Utility Command

### H—Hexadecimal Command

*Hnumber1, number2<cr>*



# APPENDIX F

## SUMMARY OF DEBUG-86 COMMANDS

This appendix provides a summary of the command syntax of DEBUG-86 commands.

### Utility Commands

DEBUG-86 utility commands provide file management capabilities. The utility commands are:

#### DEBUG—Transfer Control to DEBUG-86

```
[ :Fn: ] RUN DEBUG [ [ :Fn: ] filename [ parameters ] ]
```

where

*filename* is the name (including extension) of a program that is a valid absolute, PIC, or LTL 8086 object module. If no extension is specified, RUN adds an extension of .86. If filename ends with a period (as in MYPROG.), the null extension is assumed.

*parameters* is a series of one or more ASCII characters (separated by commas or spaces) representing variable data required by the user program and to be processed by the program.

#### EXIT—Exit DEBUG-86

```
EXIT <cr>
```

#### LOAD—Load 8086 Object Code

```
LOAD [ :Fn: ] filename  $\left[ \begin{array}{l} \{ \text{NOSYMBOL} \} \\ \{ \text{NOLINE} \} \end{array} \right] \dots <cr>$ 
```

where

*filename* is the complete name of a disk file that is a valid absolute, PIC or LTL 8086 object module. A default extension is not assumed.

NOSYMBOL is a modifier that prevents the program symbol table from being loaded.

NOLINE is a modifier that prevents the program line number table (in PL/M-86 or PASCAL-86 programs) from being loaded.

## Execution Commands

### GO—Execute 8086 Instructions

$$\text{GO [FROM address] } \left\{ \begin{array}{l} \text{[FOREVER]} \\ \text{[TILL break-address [OR break-address]]} \\ \text{[TILL break-register [OR break-register]]} \end{array} \right\} \langle \text{cr} \rangle$$

where

*FROM address* specifies the address of the first instruction to be executed. If *FROM address* is omitted, execution begins at the address in the IP and CS. The *address* must specify the CS:IP content in the form nnnn:nnnn, as in 800:0 (leading zeros need not be entered).

*break-address* is an integer expression entered as a pointer that references a 20-bit execution address.

*break-register* is one of the breakpoint registers, BR0 or BR1. The address for BR forms a 20-bit memory address where DEBUG-86 writes a one-byte interrupt to get control.

### GR Command

Display form:

GR<cr>

Change form:

$$\text{GR} = \left\{ \begin{array}{l} \text{FOREVER} \\ \text{TILL break-address [OR break-address]} \\ \text{TILL break-register [OR break-register]} \end{array} \right\} \langle \text{cr} \rangle$$

where

*break-address* is an integer expression entered as a pointer that references a 20-bit execution address. The first *break-address* sets the contents of BR0; the second *break-address* sets the contents of BR1.

*break-register* is one of the breakpoint registers, BR0 or BR1 (or BR to denote both breakpoint registers), that is to be enabled.

### STEP—Execute a Single Instruction

STEP [FROM address]<cr>

where

*FROM address* specifies the address where single step execution is to begin. If *FROM address* is omitted, the address in the IP and CS is used. The *address* must specify the CS:IP contents in the form nnnn:nnnn, as in 800:0 (leading zeros need not be entered).



## Change Commands

### Change Register—Change Content of a Register

*register* = *change-exp*<cr>

where

*register* is one of the following keyword references:

8086 Register Type	Keyword References
8-bit registers	RAL, RAH, RBL, RBH, RCL, RCH, RDL, RDH
16-bit registers	RAX, RBX, RCX, RDX, SP, BP, SI, DI, SS, CS, DS, ES, IP, RF
1-bit status flags	CFL, PFL, AFL, ZFL, SFL, TFL, IFL, DFL, OFL

*change-exp* is a numeric expression specifying the new contents of *register*.

### Change Memory—Change Contents of Memory Locations

*memory-type* *address*  $\left\{ \begin{array}{l} \text{[TO } end\text{-address]} \\ \text{[LENGTH } n] \end{array} \right\} = change\text{-exp } [, \dots ] 19 <cr>$

where

*memory-type* is one of the following keywords: BYTE, WORD, SINTEGER, INTEGER, POINTER.

*address* is a memory location entered as a pointer value containing a base (which can be omitted if 0) and a displacement. If a range is accessed, *address* is the starting address.

TO *end-address* specifies the upper limit of a range of memory that is to be modified. The *end-address* must be greater than or equal to *address*. Both addresses must have the same base.

LENGTH *n* specifies the number of bytes, words, or pointers (depending on *memory-type*) to be modified. The value *n* must be an integer value.

*change-exp* is the value to replace the contents of the specified memory location. Up to 19 *change-exps* may be listed. The *change-exp* must be a pointer value if *memory-type* is a pointer; otherwise, it must be an integer value.

### Change Port—Change Contents of I/O Ports

*port-type* *address* { [TO *end-address*] } = *change-exp* [, ...]19<cr>  
 { [LENGTH *n*] }

where

*port-type* is one of the following:

- PORT—references the 8-bit port value at *address*.
- WPORT—references the 16-bit port value at *address* and *address* + 1, one byte at a time and not as a single 16-bit port value.

*address* is the address of an 8086 port and is an integer value between 0 through 65,535 inclusive. If a range of ports is specified, *address* is the starting address of the range.

TO *end-address* specifies the upper limit of a range of port addresses. The *end-address* is an integer value between 0 and 65,535 inclusive, and must be greater than or equal to *address*. Both addresses must have a base of zero.

LENGTH *n* specifies the number of port or word port addresses to be displayed. The value of *n* must be an integer.

*change-exp* is the value to replace the contents of the specified port.

## Display Commands

### Display Register—Display Contents of 8086 Registers

{ *register* [, ...]19 } <cr>  
 REGISTER  
 FLAG

where

*register* is any of the following keyword references (up to 19 can be entered, separated by spaces):

8086 Register Type	Keyword References
8-bit registers	RAL, RAH, RBL, RBH, RCL, RCH, RDL, RDH
16-bit registers	RAX, RBX, RCX, RDX, SP, BP, SI, DI, SS, CS, DS, ES, IP, RF
1-bit status flags	CFL, PFL, AFL, ZFL, SFL, TFL, IFL, DFL, OFL

REGISTER is a command keyword that causes the display of all the 16-bit 8086 registers.

FLAG is a command keyword that displays all the 1-bit status flags.

### Display Memory—Display 8086 Memory

$$\text{memory-type address } \left\{ \begin{array}{l} [\text{TO end-address}] \\ [\text{LENGTH } n] \end{array} \right\} \langle \text{cr} \rangle$$

where

*memory-type* is one of the following keywords: BYTE, WORD, SINTEGER, INTERGER, POINTER.

*address* is a pointer value that contains a base (which need not be entered if 0) and a displacement and specifies an address of a memory location. If a range is specified, *address* is the starting address in the range. The *address* can be either:

TO *end-address* specifies the upper limit of a range of memory. The *end-address* must be greater than or equal to *address*. Both addresses must have the same base.

LENGTH *n* specifies the number of bytes, words, or pointers to be displayed. The value *n* must be an integer.

### Display Memory—Display 8086 Memory in ASM Form

$$\text{ASM address } \left\{ \begin{array}{l} [\text{TO end-address}] \\ [\text{LENGTH } n] \end{array} \right\} \langle \text{cr} \rangle$$

where

*address* is a pointer value that contains a base and a displacement and specifies an address of a memory location. If a range is specified, *address* is the starting address in the range. The *address* can be either:

TO *end-address* specifies the upper limit of a range of memory. *end-address* must be greater than or equal to *address*. Both addresses must have the same base.

LENGTH *n* specifies the number of bytes, words, or pointers to be displayed. The value of *n* is an integer.

### Display Port—Display I/O Port Contents

$$\text{port-type address } \left\{ \begin{array}{l} [\text{TO end-address}] \\ [\text{LENGTH } n] \end{array} \right\} \langle \text{cr} \rangle$$

where

*port-type* is one of the following keywords:

- PORT—references the 8-bit port value at *address*.
- WPORT—references the 16-bit port value at *address* and *address* + 1, one byte at a time and not as a single 16-bit port value.

*address* is the address of an 8086 port and is an integer value between 0 through 65,535 inclusive. If a range is specified, *address* is the starting address of the range.

TO *end-address* specifies the upper limit of a range of port addresses. *end-address* is an integer value between 0 and 65,535 inclusive, and must be greater than or equal to *address*.

LENGTH *n* specifies the number of port or word port addresses to be displayed. The value *n* must be an integer.

## Display Boolean—Display Boolean Value

```
BOOL expression<cr>
```

where

*expression* is an integer expression, the result of which is evaluated to a boolean value. If the least significant bit of the result equals 1, the boolean value is TRUE; otherwise the boolean value is FALSE.

## Display Stack—Display User Stack Contents

```
STACK expression<cr>
```

where

*expression* is an integer expression, the value of which defines the number of words on the user stack to be displayed.

## EVALUATE—Display Integers in Five Bases

```
EVALUATE expression [SYMBOLICALLY]<cr>
```

where

*expression* is an integer expression.

SYMBOLICALLY is a keyword that displays each numeric value output by the command as a symbol or a source statement, plus a remainder.

## Symbol Manipulation Commands

### Define Symbol—Enter New Symbol

```
DEFINE [..module].symbol = change-exp [OF memory-type]<cr>
```

where

*module* is the name of an existing program module, in which *symbol* is to be located.

*symbol* is a user-defined symbol to be entered into the symbol table for use during the debugging session. The *symbol* references a location in the symbol table.

*change-exp* is a numeric expression, the value of which is to be assigned to *symbol*. The *change-exp* represents an address of statement labels or variables, or the value of a constant.

OF *memory-type* specifies any of the following: BYTE, WORD, SINTEGER, INTEGER, or POINTER. If *memory-type* is omitted, *symbol* has no type.

### Display Symbols—Display One or More Symbols

```
{ [ ..module ] SYMBOL [ .symbol ] ... } <cr>
```

where

*SYMBOL* causes the entire DEBUG-86 symbol table to be displayed.

*module* is the name of the program module in which *symbol* is located.

*symbol* is the name of a symbol that references a location in the symbol table.

### Display Lines—Display Statement Numbers

```
{ LINE [ ..module ] # statement-number } <cr>
```

where

*LINE* is a command keyword that displays all statement numbers and associated absolute addresses in the current domain.

*module* is the name of the program module in which *statement-number* is located.

*statement-number* is the source statement number. It is a numeric constant with a default suffix that is always decimal.

### Display Modules—Display Module Names

```
MODULE<cr>
```

### Change Symbols—Change Value of a Symbol

```
[ ..module ] . symbol [ .symbol ... ] ... = change-exp [ OF memory-type ] <cr>
```

where

*module* is the name of the program module in which *symbol* is located.

*symbol* is the name of an existing symbol that references a location in the symbol table.

*change-exp* is a numeric expression of a pointer value to be assigned to *symbol* and represents either the address of statement labels or variables, or the value of a constant.

*OF memory-type* specifies the memory type of *symbol*: BYTE, WORD, SINTEGER, INTEGER, or POINTER.

## Remove Symbols Command

```
REMOVE { [..module].symbol [.symbol...]19 , ... } <cr>
        SYMBOL
        MODULE ..module [,..module]...
```

where

*module* is the name of an existing program module in the symbol table. Up to 19 modules can be listed at one time.

*symbol* is the name of an existing symbol in the symbol table. Up to 19 symbols can be listed at a time.

SYMBOL is a command modifier that deletes the entire current DEBUG-86 symbol table.

MODULE is a command modifier that deletes all the symbols and lines of the named module from the symbol and statement number tables.

## Set Domain Command

```
DOMAIN ..module<cr>
```

where

DOMAIN is a command keyword that establishes a default module for source statement number references.

*module* is the name of an existing program module in the statement number table and is prefixed by two periods (..).

## Compound Commands

### REPEAT Command

```
REPEAT<cr>
  [ command<cr>
    WHILE boolean-expression<cr> ] ...
  UNTIL boolean-expression<cr>
END<cr>
```

### COUNT Command

```
COUNT arithmetic-expression<cr>
  [ command<cr>
    WHILE boolean-expression<cr> ] ...
  UNTIL boolean-expression<cr>
END<cr>
```

**IF Command**

```
IF boolean-expression [THEN]<cr>
  [command<cr>] ...
[ORIF boolean-expression [THEN]<cr>] ...
  [command<cr>] ...
[ELSE<cr>
  [command<cr>] ...]
END<cr>
```

**NOTE**

When error 24 occurs, an additional message is displayed:

```
STATUS=00nn
D=x T=yyy S=zzz
```

where x represents the drive number, yyy the track address, zzz the sector address, and where nn has the following meanings:

For flexible disks:

```
01 Deleted record
02 Data field CRC error
03 Invalid address mark
04 Seek error
08 Address error
0A ID field CRC error
0E No address mark
0F Incorrect data address mark
10 Data overrun or data underrun
20 Attempt to write on Write Protect
40 Drive has indicated a Write error
80 Drive not ready
```

For hard disks:

```
01 ID field miscompare
02 Data field CRC error
04 Seek error
08 Bad sector address
0A ID field CRC error
0B Protocol violations
0C Bad track address
0E No ID address mark or sector not found
0F Bad data field address mark
10 Format error
20 Attempt to write on write-protected drive
40 Drive has indicated a write error
80 Drive not ready
```

**RUN Program Error Messages (8086 Execution Mode)**

```
101. HARDWARE NOT RESPONDING (fatal error)
102. INVALID SYNTAX
103. COMMAND LINE TOO LONG
104. INSUFFICIENT MEMORY TO LOAD
105. MISMATCHED SOFTWARE/FIRMWARE
106. ERROR 106 USER PC mmmm
    where mmmm is the contents of the program counter
107. ILLEGAL LOAD ADDRESS
108. INVALID OBJECT FILE
117. UNRESOLVED SYMBOLS (warning)
118. RAM FAILURE (warning)
119. ROM CHECKSUM ERROR (warning)
```

**DEBUG-86 Error Messages (8086 Execution Mode)**

```
120. Syntax error
121. Invalid token
122. No such line
```



- 123. Inappropriate number
- 124. Partition bounds error
- 125. Symbol already exists
- 126. Symbol does not exist
- 127. Memory failure
- 133. Null string error
- 134. Memory overflow
- 135. Stack overflow
- 136. Command too complex
- 137. Module does not exist
- 139. Excessive data
- 141. Unsuitable execute file
- 142. Line too long
- 143. Too many partitions
- 147. Pointer value required
- 148. Integer value required
- 149. Differing bases

## **Console Command Interface Errors (8080/8085 Execution Mode)**

- 201. Unrecognized switch
- 202. Unrecognized delimiter
- 203. Invalid syntax
- 206. Illegal disk label
- 208. Checksum error
- 209. Relo file sequence error
- 210. Insufficient memory
- 211. Record too long
- 212. Illegal relo type
- 213. Fixup bounds error
- 214. Illegal SUBMIT parameter
- 215. Argument too long
- 216. Too many parameters
- 217. Object record too short
- 218. Illegal record format
- 219. Phase error
- 220. No EOF record in object module file
- 221. Segment overflow during LINK operation
- 222. Unrecognized record in object module file
- 223. Fixup record pointer is incorrect
- 224. Illegal record sequence in object module file in LINK
- 225. Illegal module name specified
- 226. Module name exceeds 31 characters
- 227. Command syntax requires left parenthesis
- 228. Command syntax requires right parenthesis
- 229. Unrecognized control specified in command
- 230. Duplicate symbol found
- 231. File already exists
- 232. Unrecognized command
- 233. Command syntax requires a TO clause
- 234. Filename illegally duplicated in command
- 235. File specified in command is not a library file
- 236. More than 249 common segments in input files
- 237. Specified common segment not found in object file
- 238. Illegal stack content record in object file
- 239. No module header in input object file
- 240. Program exceeds 64k bytes



# APPENDIX H MODEL 800 START-UP AND SHUT-DOWN PROCEDURES

## Operation of Systems Containing Flexible Disk Drives Only

### Model 800 Flexible Disk System Start-Up Procedure

The following procedure defines system start-up from power application through loading and execution:

1. Apply power to the system, disk drive, and terminal.
2. Insert an ISIS-II system disk in drive 0 (write protect slot first).
3. Close the drive door.
4. Press the top of the BOOT switch.
5. Press and release the top of the RESET switch.
6. Observe that the INTERRUPT 2 light goes on to indicate loading of ISIS-II. (Be sure INTERRUPT 2 is on before proceeding.)
7. Press the space bar of the terminal keyboard to select the console.
8. Observe that the INTERRUPT 2 light goes off to indicate receipt of the space bar entry.
9. Press the bottom of the BOOT switch to execute ISIS-II.

The system displays the ISIS-II sign-on message and prompt character (a hyphen):

```
ISIS-II, Vx.y  
-
```

(x.y is the version and release number of ISIS-II).

10. The system is now ready to accept a command from the terminal.

#### NOTE

After you perform step 9, the ISIS-II prompt (a hyphen) should be displayed. If the prompt displayed is a period (indicating that the Monitor is still in control), check for one of the following conditions: a non-system disk in drive 0, an incorrectly installed disk, or a disconnected drive.

### Model 800 Flexible Disk System Shut-Down Procedure

When you are ready to turn off the system, follow these steps:

1. Remove all flexible disks.
2. Turn off the power switch on the external disk drive unit.
3. Turn off the power switch on the terminal.
4. Turn off the power switch on the system control panel.

## Operation of Systems Containing Hard Disk Drives

### Hard Disk Subsystem Controls

The front panel of the hard disk drive includes four backlighted operating switches and two status indicators (see figure H-1 and table H-1). A brush indicator and two cartridge holddown arms are mounted on the top of the disk drive. Two circuit breakers are positioned on the back panel.

**Table H-1. Hard Disk Drive Controls and Indicators**

Control or Indicator	Function
MAIN Circuit Breaker (CB1)	Applies main ac to disk drive.
+34 VOLT Circuit Breaker (CB2)	Applies dc voltage to disk drive electronics; not accessible to operator (covered by switch plate).
START/STOP Switch/Indicator	Alternate-action switch with indicator. When pressed, applies power to spindle motor and initiates the first seek mode; indicator lights to indicate power is applied to spindle motor and spindle is rotating. When pressed the second time, removes power to spindle motor; indicator remains lighted until spindle stops rotating.
<p><b>NOTE</b></p> <p>The first seek mode is completely automatic and requires approximately 65 seconds to complete. In the event of a fault during this time, heads will automatically go to emergency retract and spindle will stop.</p>	
READY Indicator	Lights when spindle is up to speed, heads are loaded, and disk drive is ready for use.
ACTIVE Indicator	Lights when disk drive is actively engaged in any mode: direct seek (forward or reverse), return-to-zero seek, or read/write/erase.
FAULT Switch/Indicator	Lights when any fault (except power failure) exists. Pressing switch resets fault logic.
WRITE PROTECT/CART Switch/Indicator	Alternate-action switch with indicator. Prohibits writing or erasing on cartridge disk. Indicator lights to indicate that cartridge is protected.
WRITE PROTECT/FIXED Switch/Indicator	Alternate-action switch with indicator. Prohibits writing or erasing on fixed disk. Indicator lights to indicate that fixed disk is protected.
Brush Indicator	Indicates position of brush motor. Allows brush to be manually moved.
Cartridge Holddown Arms	Hold disk cartridge in place. Interlock circuits prevent arms from being lifted as long as spindle is rotating.

### Care of Hard Disks

The hard disk drive assembly is extremely sensitive to contaminants on the hard disk platter surface. The head does not make contact with the disk platter, but rides about 1.14 microns above it. If contaminants such as a human hair (100 microns in diameter), a smoke particle (6.35 microns), fingerprints, or dust come between the disk drive head and the platter surface, the contact will usually destroy both the head and the disk.

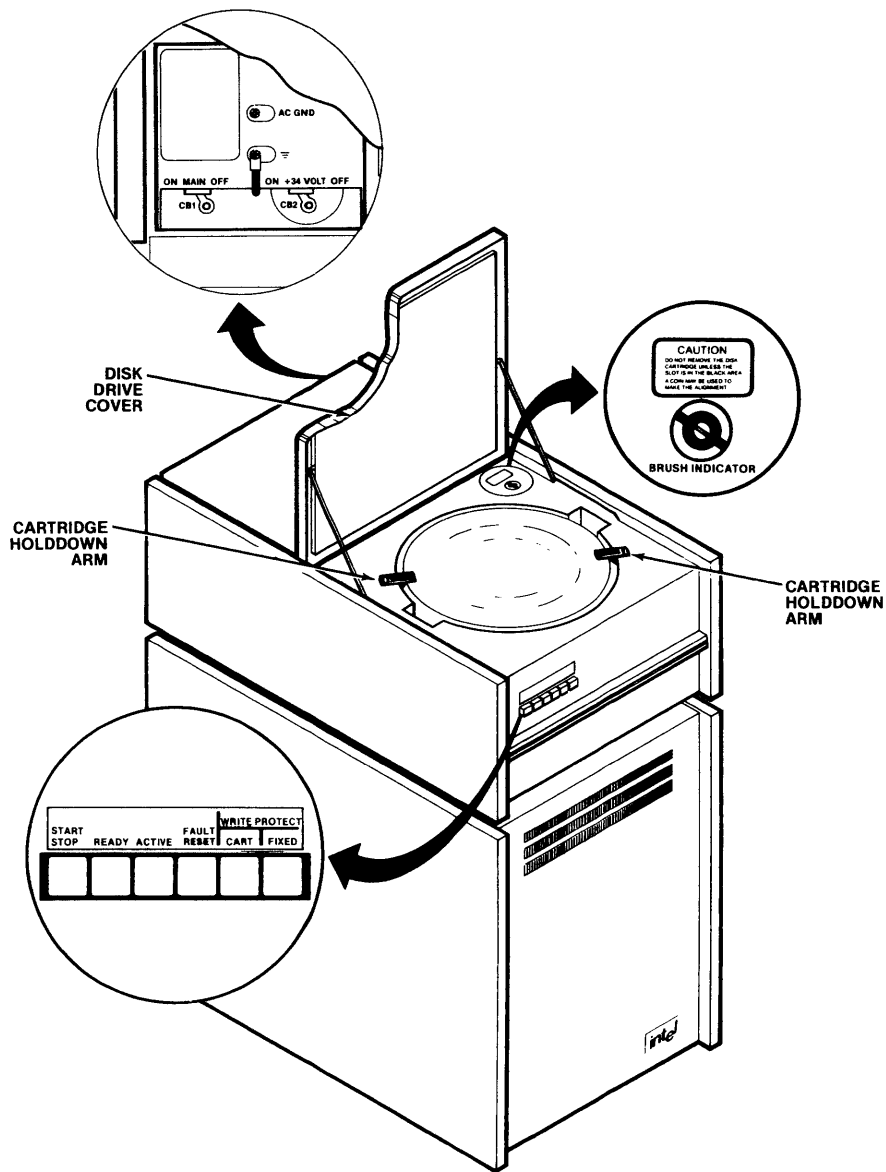
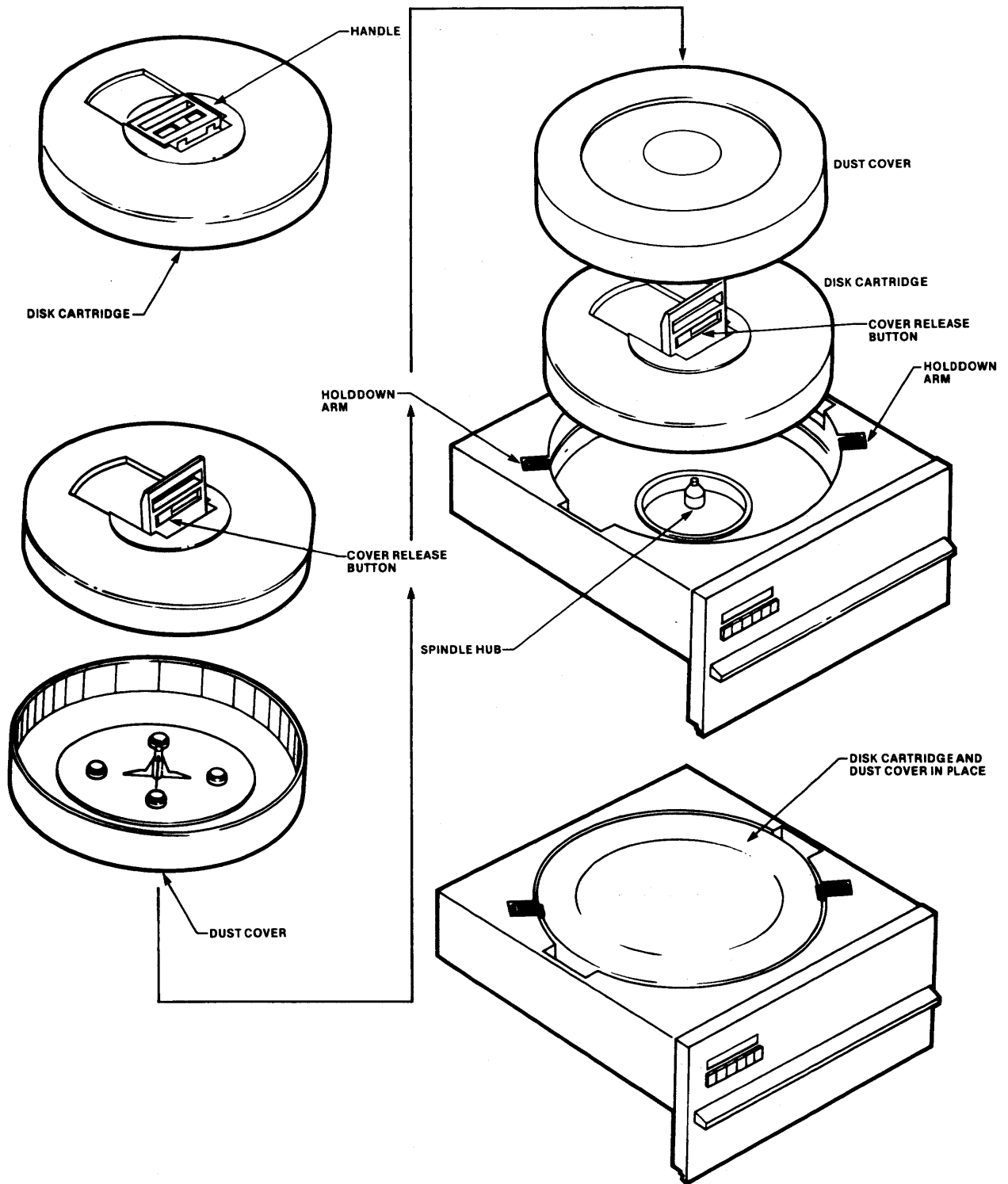


Figure H-1. Hard Disk Drive Subsystem

121609-6

Follow these precautions to ensure proper operation and maintain data integrity:

- Clean any dust or dirt from the cartridge cover and drive chassis with a lint-free cloth.
- Allow nothing to touch the disk surface.
- Inspect the disk surfaces periodically with a bright, directional light. If the disk is dirty or scratched, it must be serviced by your Intel service representative.
- Keep liquids away from the hard disk drive.
- Do not smoke in the hard disk drive area.
- When you first bring a cartridge into a new operating environment, allow at least one hour for the cartridge temperature to stabilize.



943-01

Figure H-2. Hard Disk Cartridge Installation

## Hard Disk Cartridge Removal

To remove a hard disk cartridge, follow these steps:

1. Check that MAIN circuit breaker (CB1) is on and that the blower motor is on.

### NOTE

If the MAIN circuit breaker is on but the blower motor is not, the cartridge must be removed by a service representative.

2. Check that the START/STOP indicator is not lit.
3. Check that the brush indicator slot is aligned with the black line. If not, align it with a coin or similar object.
4. Raise the disk drive cover.
5. Lift the cartridge holddown arms.  
(If the arms are locked, the previous steps may not have been completed properly, or the drive may have malfunctioned. In the latter case, the cartridge must be removed by an Intel Service Representative.)
6. Remove cartridge dust cover and set aside.
7. Hold the cover release button, lift the cartridge handle, and lift the cartridge clear of the disk drive spindle.
8. Place the dust cover in position on disk cartridge and release the cover release button.

### NOTE

To prevent dust and foreign objects from entering the disk drive, never leave the unit open without a cartridge in place for an extended period of time.

## Hard Disk Subsystem FAULT Operation

The FAULT indicator comes on when a nondamaging fault exists, such as when more than one head is selected.

If a momentary power failure occurs, the FAULT indicator does not come on. In such an event, the hard disk heads go into emergency retract and the unit stops. The unit automatically restarts when power returns to normal.

If the FAULT indicator is lit, follow these steps:

1. Check that the system flexible disk is in drive 4.
2. Press the FAULT switch. If the FAULT indicator goes out, and remains out, resume normal operation. If not, continue with step 3.
3. Press the START/STOP switch to remove power from the spindle. Allow the spindle to stop, then press the START/STOP switch again. Allow the spindle to reach operating speed.  
If the FAULT indicator goes out, resume normal operation. If not, proceed to step 4.
4. Press the START/STOP switch to remove power from the spindle, and contact a service representative.

## Model 800 Hard Disk System Power-down Procedure

To power-down the system, follow these steps:

1. Remove all flexible disks.
2. Press the START/STOP switch. The following occurs:
  - The READY indicator extinguishes.
  - The heads retract.
  - The START indicator goes out after the spindle stops rotating.
  - The cartridge hold-down arm interlocks open.
3. Turn off power to the external disk drive unit.
4. Turn off the power switch on the terminal.
5. Turn off the power switch on the system control panel.

Note that the main power (CB1) to the hard disk subsystem is not turned off.

## Model 800 Hard Disk System Subsequent Start-up Procedure

Once you have completed the cold-start procedure, you can follow the simplified start-up procedure given in this section for your day-to-day operations. This start-up procedure assumes the following:

- The flexible disk to be inserted in drive 4 and the fixed hard disk platter in drive 0 are both system disks and contain the same version of ISIS-II.  
If they do not contain the same version of ISIS-II, follow the instructions in the Model 800 Hard Disk System Cold Start section.
- The main power to the hard disk subsystem (CB1) is left on 24 hours a day.

The day-to-day start-up procedure is as follows:

1. Apply power to the system and to the terminal.
2. Apply power to the external flexible disk drive unit.
3. Insert a system flexible disk in drive 4.
4. Press the START/STOP switch on the hard disk subsystem.
5. When the READY indicator is lit, press the top of the BOOT switch.
6. Press and release the top of the RESET switch.
7. When the INTERRUPT 2 indicator is lit, press the space bar of the terminal.
8. Press the bottom of the BOOT switch.
9. The system displays the ISIS-II sign-on message and prompt character (a hyphen):
 

```
ISIS-II, Vx.y
-
```

(x.y is the version and release number of ISIS-II.)
10. The system is now ready to accept a command from the terminal. For example, to format the removable hard disk cartridge as a non-system disk, enter the following command:

```
-FORMAT :F1:NONSYS.DSK<cr>
```

For further information concerning disk formatting, see Chapter 4. For further information concerning the hard disk subsystem, see the *Model 740 Hard Disk Subsystem Operation and Checkout Manual*.



- 8080/8085 execution mode, 1-3, 4-29
- 8086 execution mode, 1-3, 4-34
- > (angle bracket)
  - RUN prompt, 4-35
- & (ampersand)
  - continuation lines, 4-35, 6-3
- \* (asterisk)
  - DEBUG-86 prompt, 6-1
  - wild card character, 4-17
- # (pound sign)
  - line-editing, 3-6
  - Monitor, 5-4
  - statement line number, 6-43
- ? (question mark)
  - wild card character, 4-17
- (hyphen)
  - ISIS-II prompt, 4-2
  
- A command, 5-8
- A switch (FORMAT), 4-7
- aborting commands, 1-6, 3-7
- accessing
  - devices, 3-1
  - files, 3-1
- ACTIVE indicator, 2-7, H-2
- AND operator, 6-14
- appending files, 4-20
- arithmetic
  - expressions, 6-4
  - operators, 6-10
  - rules, 6-15
- arrow keys, 1-5
- ASCII codes, 6-10, C-1
- ASM form, 6-34
- Assign (A) command, 5-8
- ATTRIB command, 4-28
- attributes, 3-4
  
- B switch (COPY), 4-20
- BACKUP switch (HDCOPY), 4-23
- basic disk
  - non-system disk, 4-3
  - system disk, 4-3
- basic system, 1-2
- BATCH, 5-8
- :BB:, 3-2
- binary operators, 6-12
- blocks, 3-4
- boolean expressions, 6-37
- breakpoints
  - DEBUG-86, 6-22
  - Monitor, 5-5
- BR, 6-22
- brush indicator, 2-7
- BYTE, 6-6
- byte bucket, 3-2
  
- C switch (COPY), 4-20
- calls, system, 3-1
- care of disks
  - flexible disks, 2-1
  - hard disks, 2-7, H-2
- carriage return key, 1-5
- cartridge holddown arms, 2-7, H-2
- CB1, 2-7
- Change Memory command, 6-27
- Change Port command, 6-30
- Change Register command, 6-26
- Change Symbols command, 6-46
- checksum errors (Monitor), 5-5
- :CI:, 3-2
- CNTL key, 1-5
- CNTL-C, 3-8
- CNTL-D, 3-8
- CNTL-E, 4-33
- CNTL-P, 3-6
- CNTL-Q, 3-7
- CNTL-R, 3-6
- CNTL-S, 3-7
- CNTL-X, 3-6
- CNTL-Z, 3-6
- :CO:, 3-2
- code conversion commands, 4-2
- comment lines
  - DEBUG-86, 6-3
  - ISIS-II
    - 8080/8085 mode, 4-2
    - 8086 mode, 4-35
- concatenation, 4-20
- compound commands, 6-48
  - COUNT command, 6-50
  - IF command, 6-51
  - nesting of, 6-52
  - REPEAT command, 6-48
- configurations, drives, 1-8
- console commands,
  - see ISIS-II console commands
- console device, 3-2, 5-8
- console, system, 3-6
- content operator, 6-13
- continuation lines, 6-3
- control characters, 1-3
  - CNTL-C, 3-8
  - CNTL-D, 3-8
  - CNTL-E, 4-33
  - CNTL-P, 3-6
  - CNTL-Q, 3-7
  - CNTL-R, 3-6
  - CNTL-S, 3-7
  - CNTL-X, 3-6
  - CNTL-Z, 3-6
- control panel, 1-6
- converting
  - absolute object code to hexadecimal, 4-2
  - decimal to hexadecimal, B-1
  - hexadecimal to absolute object code, 4-2
  - hexadecimal to decimal, B-1



- COPY command, 4-20
- copying a disk file, 4-20
  - hard disk, 4-20, 4-23
- COUNT command
  - DEBUG-86, 6-50
  - FIXMAP, 4-13
- creating and managing files, 3-1
- CREDIT text editor, 4-2
- CRT terminal, 1-4
- CS file (SUBMIT), 4-33
- CSD file (SUBMIT), 4-33
- cursor, 1-4
  
- D command, 5-10
- DATE command, 4-38
- DEBUG command
  - DEBUG-86, 6-17
  - Monitor, 4-30
- DEBUG-86, 6-1
- DEBUG-86 commands
  - Change commands
    - Memory, 6-27
    - Port, 6-30
    - Register, 6-26
    - Symbols, 6-46
  - COUNT command, 6-50
  - DEBUG command, 6-17
  - Define symbol command, 6-40
  - Display commands
    - Boolean, 6-37
    - Lines, 6-43
    - Memory, 6-32
    - Memory (ASM form), 6-34
    - Modules, 6-44
    - Port, 6-36
    - Registers, 6-31
    - Stack, 6-38
    - Symbols, 6-42
  - Evaluate command, 6-38
  - EXIT command, 6-19
  - GO command, 6-21
  - GO Register command, 6-24
  - GR command, 6-24
  - IF command, 6-51
  - LOAD command, 6-20
  - Remove Symbols command, 6-46
  - REPEAT command, 6-48
  - Set Domain command, 6-47
  - STEP command, 6-24
- debugging programs
  - DEBUG-86, 6-1
  - Monitor, 4-1
- decimal-to-hexadecimal conversions, B-1
- Define Symbol command, 6-40
- DELETE command, 4-26
- deleting
  - characters, 1-5, 3-6
  - file from directory, 4-26
- :device:, 3-1
- device/file accessing, 3-1
- device names, 3-1
- directory
  - contents, 3-4
  - listing, 4-18
- DIR command, 4-18
- disk drive units, 1-7
- disk insertion (flexible disk), 2-2
- disk installation (hard disk), 2-10, H-5
- disk removal
  - flexible disk, 2-2
  - hard disk cartridge, 2-12, H-7
- disks
  - addressing, 3-2
  - back-up, 2-5
  - care of, 2-1, 2-7, H-4
  - directory, 3-4, 4-18
  - drives, 1-7
  - flexible, 1-8
  - formatting, 2-5, 4-3
  - hard disk, 1-8
  - non-system, 1-9
  - recording characteristics, 1-8
  - system, 1-9
  - types, 1-9
- display, 1-4
- Display (D) command, 5-10
- Display Boolean command, 6-37
- Display Lines command, 6-43
- Display Memory (ASM form), 6-34
- Display Memory command, 6-32
- Display Modules command, 6-44
- Display Port command, 6-36
- Display Register command, 6-31
- Display Stack command, 6-38
- Display Symbols command, 6-42
- DOMAIN, 6-47
- double density disks, 1-8
- DQ\$GET\$ARGUMENT, 6-3
- drive configurations, 1-8
- drive units, 1-7
  
- E command, 5-16
- editing
  - characters, 3-6
  - files, 4-2
  - lines, 3-6
- END clause, 6-48
- End-of-File command, 5-16
- error messages, 7-1
  - console command interface, 7-8
  - DEBUG-86, 7-7
  - ISIS-II, 7-3
  - RUN, 7-6
- ESC key, 1-5
- Evaluate command, 6-38
- Execute (G) command, 5-5
- executing programs
  - 8080/8085 programs, 4-31
  - 8086 programs, 4-35
- execution modes, 1-2
- EXIT commands
  - DEBUG-86, 6-19
  - FIXMAP, 4-15
  - RUN, 4-34
- expressions, 6-4
- extensions, 3-3
- external disk drive units, 1-7

- F attribute, 3-5, 4-28
- F command, 5-11
- F switch, 4-18
- F0 (ATTRIB), 4-29
- F1 (ATTRIB), 4-29
- fatal errors, 7-1
- FAULT
  - operation, 2-12, H-7
  - switch/indicator, 2-7, H-2
- filenames (program execution)
  - 8080/8085 mode, 4-31
  - 8086 mode, 4-35
- filenames, 3-2
- files
  - accessing, 3-1
  - characteristics, 1-8
  - copying, 4-20
  - creating and editing, 4-2
  - deletion, 4-26
  - executing, 1-3, 4-30
  - extensions, 3-3
  - name format, 3-2
  - names, wild card, 4-17
  - types, 1-9
- Fill (F) command, 5-11
- FIXMAP command, 4-9
  - Count command, 4-13
  - Free command, 4-11
  - List command, 4-12
  - Mark command, 4-10
  - Quit command, 4-14
  - Record command, 4-14
- flexible disk, 1-8
  - care of, 2-1
  - formatting of, 2-5
  - insertion, 2-2
  - removal, 2-2
- FLAG, 6-31
- :Fn:, 3-3
- FOREVER, 6-21, 6-23
- format (F) attribute, 3-5, 4-29
- format files, 3-5, 4-4
- FORMAT command, 2-3, 4-4, 4-7
- Formatting of disks
  - Back-up disk, 2-5
  - Flexible disk, 2-5
  - FORMAT, 4-7
  - Hard disk, 2-9, 4-5, 4-7, 4-23, H-4
  - HDCOPY, 4-23
  - IDISK, 4-5
  - non-system disk, 2-5
  - single drive system, 2-6
- Free command (FIXMAP), 4-11
- front panel, 1-6
  
- G command, 5-5
- Go command, 6-21
- Go Register command, 6-23
- GR command, 6-23
  
- H command, 5-17
- hard disk cartridge
  - care of, 2-7, H-2
  - cartridge, 1-9
  - installation, 2-10, H-5
  - removal, 2-12, H-7
- hard disk system
  - controls, 2-7, H-2
  - power-down, 2-13, H-8
  - start-up, cold, 2-9, H-4
  - start-up, subsequent, 2-13, H-8
- HDCOPY command, 4-23
- hexadecimal
  - command, 5-17
  - paper tape format, A-1
  - to decimal conversion, B-1
- HOME key, 1-5
- :HP:, 3-2
- :HR:, 3-2
  
- I attribute, 3-5, 4-28
- I switch (DIR), 4-18
- I0 (ATTRIB), 4-27
- I1 (ATTRIB), 4-27
- IDISK command, 2-4, 4-3, 4-5
- IF command, 6-51
- initial system console, 3-6
- initiation of
  - disks, see FORMAT, 4-7
  - disks, see IDISK, 4-5
  - system, see Monitor, 5-1
- INTEGER, 6-6
- integers, 6-4
- integrated disk drive, 1-1
- Intellec terminal, 1-4
- interactive mode
  - DEBUG-86, 6-18
  - loading programs, 6-18
  - RUN, 4-35
- interfaces, peripherals, 1-1
- interrupt switches, 1-6
- interrupting program execution
  - 8080/8085 mode, 3-7
  - 8086 mode, 3-8
  - DEBUG-86, 6-4
- invisible (I) attribute, 3-5, 4-28
- I/O interface, 1-1, 4-1
- I/O Ports, 6-29
- ISIS-II console commands
  - ATTRIB, 4-28
  - COPY, 4-20
  - DEBUG (Monitor), 4-31
  - DELETE, 4-26
  - DIR, 4-18
  - filename, 4-31
  - FIXMAP, 4-9
  - FORMAT, 4-7
  - HDCOPY, 4-23
  - IDISK, 4-5
  - RENAME, 4-27
  - RUN, 4-34
  - SUBMIT, 4-32
  - VERS, 4-32
  
- keyboard, 1-5
- keyword references, 6-4
  
- Librarian, 4-2
- Linker, 4-2

- LINE, 6-43
- line editing, 3-6
- line feed, 1-5
- line terminators, intermediate, 6-3
- lines, display of, 6-14
- List command (FIXMAP), 4-12
- list device, 5-8
- LOAD command, 6-20
- Locator, 4-2
- logical device names, 3-1
- logical operators, 6-14
- looping commands, 6-48
- :LP:, 3-2
- M command, 5-11
- main circuit breaker, 2-7, H-2
- Mark command (FIXMAP), 4-10
- memory (8086)
  - ASM form, 6-34
  - change contents of, 6-27
  - display contents of, 6-32
  - keywords, 6-6
  - references, 6-6
  - types, 6-7
- memory control commands (8080/8085), 5-9
- messages, error, 7-1
- MOD (modulo reduction), 6-11
- Model 800, H-1
- MODULE, 6-44, 6-46
- module references, 6-9
- modules, display of, 6-44
- Monitor, 5-1
- Monitor commands
  - A command, 5-8
  - Assign command, 5-8
  - D command, 5-10
  - Display command, 5-10
  - E command, 5-16
  - End-of-File command, 5-16
  - Execute command, 5-5
  - F command, 5-11
  - Fill command, 5-11
  - G command, 5-5
  - H command, 5-17
  - Hexadecimal command, 5-17
  - M command, 5-11
  - Move command, 5-11
  - N command, 5-17
  - Null command, 5-17
  - Q command, 5-9
  - Query command, 5-9
  - R command, 5-15
  - Read command, 5-15
  - Register command, 5-13
  - S command, 5-12
  - Substitute command, 5-12
  - W command, 5-16
  - Write command, 5-16
  - X command, 5-13
- Move (M) command, 5-11
- N command, 5-17
- N switch (COPY), 4-20
- Nesting compound commands, 6-52
- NOLINE, 6-20
- non-fatal errors, 7-1
- noninteractive mode
  - DEBUG-86, 6-17
  - Loading programs, 6-18
  - RUN, 4-35
  - SUBMIT, 4-31
- NOSYMBOL, 6-20
- NOT operator, 6-14
- Notational conventions, iii
- Null command, 5-17
- Numeric constants, 6-5
- O switch (DIR), 4-18
- Operator-controlled pauses, 3-7
- operators
  - arithmetic, 6-10
  - content, 6-13
  - logical, 6-14
  - relational, 6-12
- OR operator, 6-14
- P switch
  - COPY, 4-20
  - DELETE, 4-26
  - DIR, 4-19
  - IDISK, 4-5
- paper tape punch, 5-7
- parameters, formal, 4-32
- pathnames, 3-1
- peripherals, 1-4, 4-1
- POINTER, 6-6
- pointers, 6-4
- ports (8086)
  - change contents, 6-29
  - display contents, 6-31
- POWER ON switch, 1-6
- prompt characters, 1-4
- PUNCH, 5-7
- Q command, 5-9
- Q switch
  - ATTRIB, 4-28
  - COPY, 4-20
  - DELETE, 4-26
- Query (Q) command, 5-9
- Query mode
  - ATTRIB, 4-28
  - COPY, 4-20
  - DELETE, 4-26
- Quit command (FIXMAP), 4-14
- R command, 5-15
- Read (R) command, 5-15
- READER, 5-8
- READY indicator, 2-7, H-2
- Record command (FIXMAP), 4-14
- REGISTER, 6-31
- Register (X) command, 5-13
- register keywords, 6-7
- registers (8086)
  - change contents, 6-26

- display contents, 6-31
- keywords, 6-7
- references, 6-7
- types, 6-7
- Remove Symbols command, 6-46
- RENAME command, 4-27
- REPEAT command, 6-48
- Repeat key, 1-5
- RESET switch, 1-6
- RETURN key, 1-5
- RPT key, 1-5
- RUBOUT key, 1-5, 3-6
- rules, arithmetic, 6-12
- RUN command, 4-35
- RUN indicator, 1-6
  
- S attribute, 3-6, 4-29
- S command, 5-12
- S switch
  - COPY, 4-20
  - FORMAT, 4-7
  - IDISK, 4-5
- S0 (ATTRIB), 4-29
- S1 (ATTRIB), 4-29
- Set Domain command, 6-47
- Shut-down
  - flexible disk system, 2-4
  - hard disk systems, 2-13, H-7
  - Model 800, H-1
- single-density disks, 1-8
- single drive mode
  - COPY, 4-20
  - DELETE, 4-26
  - DIR, 4-18
  - IDISK, 2-6, 4-5
- SINTEGER, 6-6
- software components, 1-1
- START-STOP switch/indicator, 2-7, H-2
- start-up of system
  - flexible disk systems, 2-2
  - hard disk systems
    - cold start, 2-9, H-4
    - subsequent start-up, 2-13, H-8
  - Model 800, H-1
- statement number references, 6-9
- statement number table, 6-8
- STEP command, 6-24
- string constants, 6-10
- SUBMIT command, 4-32
- Substitute command, 5-12
- suffix, 6-5
- SYMBOL, 6-42, 6-46
- symbol table, 6-8
- symbolic debugging, 6-1
- symbolic references, 6-8
- SYMBOLICALLY, 6-38
- Symbols
  - change command, 6-44
  - DEFINE command, 6-40
  - Display command, 6-42
  - Remove command, 6-46
- system calls, 3-1
- system console, 3-2, 3-6
  - changing system console, 3-6
  - current console, 3-6
  - initial console, 3-6
- System disk
  - basic, 2-3, 4-3
  - flexible, 2-3, 4-3
- system files, 3-6, 4-3
- system (S) attribute, 3-5, 4-28
- system software, 1-1
  
- T switch (FIXMAP), 4-10
- table, symbol, 6-8
- teletype, 5-8
- text editor, 4-2
- :TI:, 3-2
- TILL clause, 6-21
- :TO:, 3-2
- :TP:, 3-2
- TPWR key, 1-5
- :TR:, 3-2
- TTY, 5-8
- Typewriter key, 1-5
  
- U switch (COPY), 4-20
- unary operators, 6-12
- UNTIL clause, 6-48
  
- VERS command, 4-30
- version number display, 4-30
- :VI:, 3-2
- video screen, 1-4
- :VO:, 3-2
  
- W attribute, 3-5, 4-28
- W command, 5-16
- W0 (ATTRIB), 4-28
- W1 (ATTRIB), 4-28
- WHILE clause, 6-48
- Wild card filenames, 4-17
  - ATTRIB, 4-28
  - COPY, 4-20
  - DELETE, 4-26
  - DIR, 4-18
- WORD, 6-8
- WORK command, 4-37
- workfiles, 4-37
- write-protect (W) attribute, 3-5, 4-28
- WRITE PROTECT indicator/switch, 2-7
- write-protect slot, 2-5
- Write (W) command, 5-16
  
- X command
  - Display form, 5-14
  - Modify form, 5-14
- XOR operator, 6-10
  
- Z switch (DIR), 4-18



## REQUEST FOR READER'S COMMENTS

Intel's Technical Publications Departments attempt to provide publications that meet the needs of all Intel product users. This form lets you participate directly in the publication process. Your comments will help us correct and improve our publications. Please take a few minutes to respond.

Please restrict your comments to the usability, accuracy, readability, organization, and completeness of this publication. If you have any comments on the product that this publication describes, please contact your Intel representative. If you wish to order publications, contact the Intel Literature Department (see page ii of this manual).

1. Please describe any errors you found in this publication (include page number).

---

---

---

---

---

---

---

2. Does the publication cover the information you expected or required? Please make suggestions for improvement.

---

---

---

---

---

---

---

3. Is this the right type of publication for your needs? Is it at the right level? What other types of publications are needed?

---

---

---

---

---

---

---

4. Did you have any difficulty understanding descriptions or wording? Where?

---

---

---

---

---

---

---

5. Please rate this publication on a scale of 1 to 5 (5 being the best rating). \_\_\_\_\_

NAME \_\_\_\_\_ DATE \_\_\_\_\_

TITLE \_\_\_\_\_

COMPANY NAME/DEPARTMENT \_\_\_\_\_

ADDRESS \_\_\_\_\_

CITY \_\_\_\_\_ STATE \_\_\_\_\_ ZIP CODE \_\_\_\_\_  
(COUNTRY)

Please check here if you require a written reply.

**WE'D LIKE YOUR COMMENTS ...**

This document is one of a series describing Intel products. Your comments on the back of this form will help us produce better manuals. Each reply will be carefully reviewed by the responsible person. All comments and suggestions become the property of Intel Corporation.



**NO POSTAGE  
NECESSARY  
IF MAILED  
IN U.S.A.**



**BUSINESS REPLY MAIL**  
FIRST CLASS PERMIT NO. 1040 SANTA CLARA, CA

POSTAGE WILL BE PAID BY ADDRESSEE

**Intel Corporation  
Attn: Technical Publications M/S 6-2000  
3065 Bowers Avenue  
Santa Clara, CA 95051**



INTEL CORPORATION, 3065 Bowers Avenue, Santa Clara, California 95051 (408) **987-8080**

Printed in U.S.A.