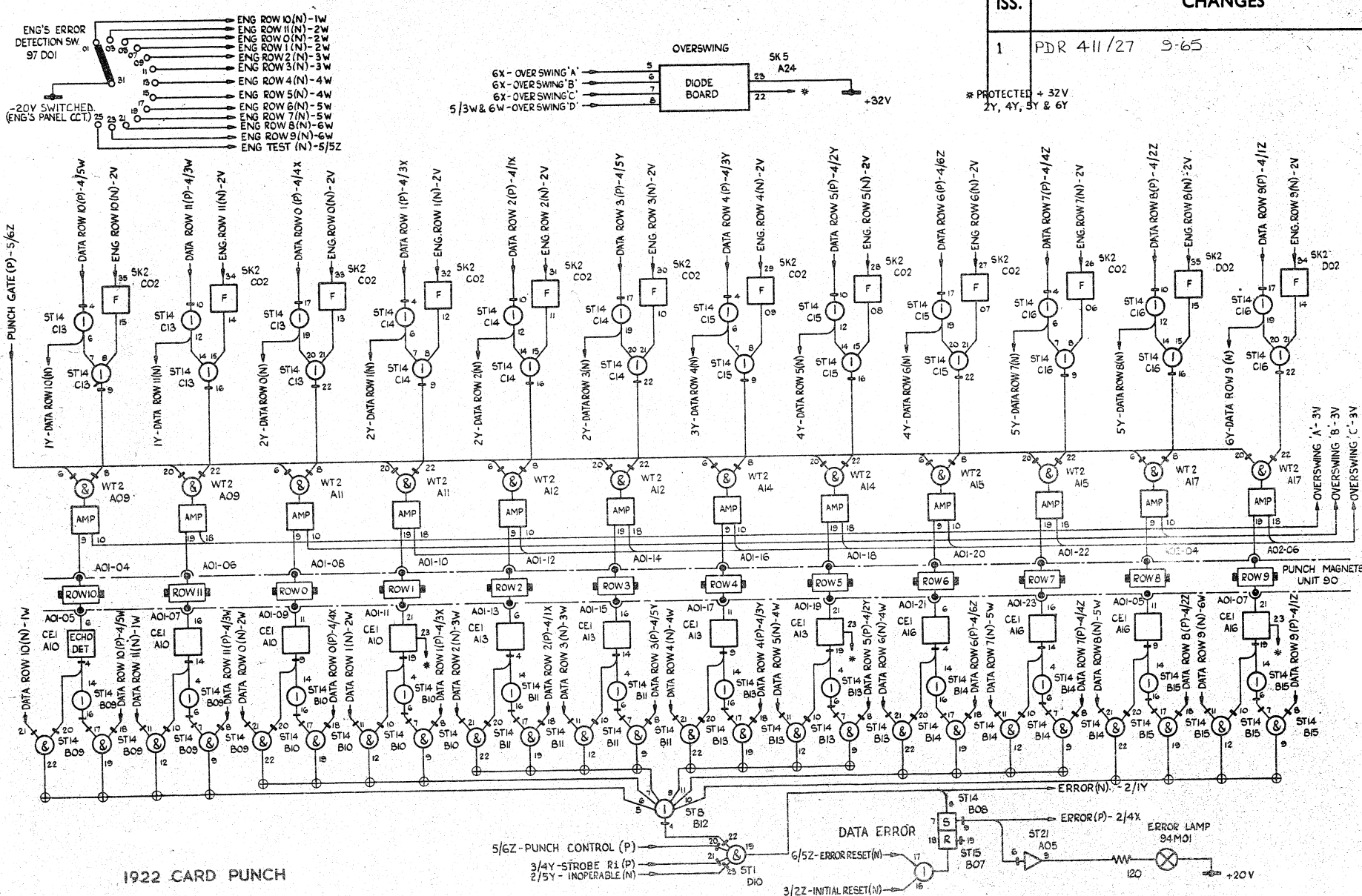


CONTENTS

	Diagram Nos.
Type 1922/1	5010659 Sheets 1-6
Type 1931-32	806830 Sheets 1-4 806831 Sheets 1-10

Logic Diagrams
for
Type 1922/1 Card Punch
and
Type 1931-32 Printer

DATE 24.3.64
 DRAWN BY M. FAYLOR
 NOTES: CKD. 254LL
 B. 65
 H. T. WHITE
 24/6/65



1922 CARD PUNCH

ISS.	CHANGES
1	PDR 4-11/27 9-65

* PROTECTED + 32V
 2Y, 4Y, 5Y & 6Y

IC.T LOGIC DIAGRAM

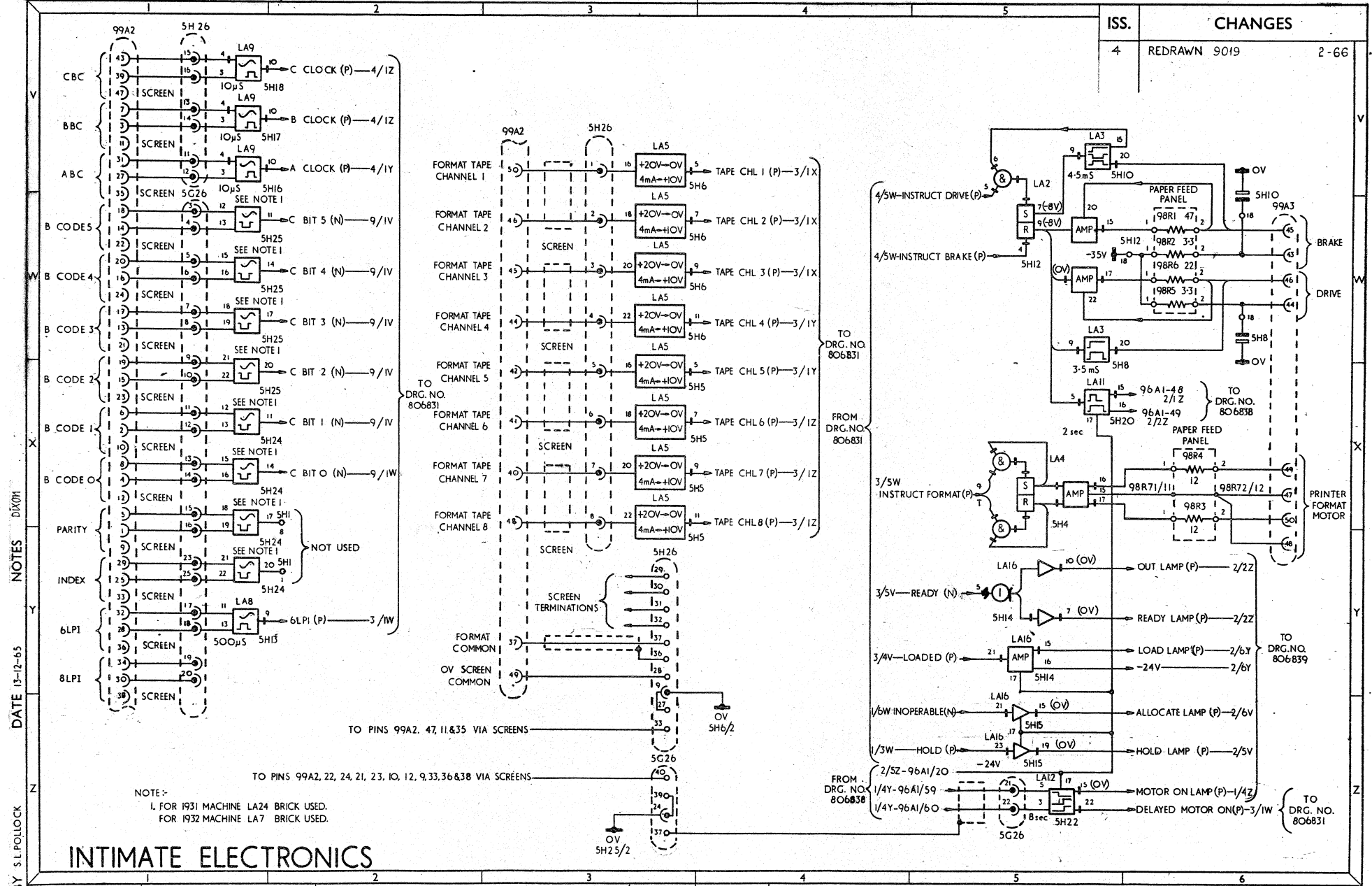
5010659 / 1 1

ASSEMBLY ISSUE SHEET

ISSUE	1	2	3	4	5	6	7	8	9	10	11	12	13	14	15	16	17	18	19	20
-------	---	---	---	---	---	---	---	---	---	----	----	----	----	----	----	----	----	----	----	----

ISSUE NUMBERS OF OTHER SHEETS AT THE TIME OF ISSUING THIS SHEET.

ISS.	CHANGES
4	REDRAWN 9019 2-66



NOTE:-
 1. FOR 1931 MACHINE LA24 BRICK USED.
 FOR 1932 MACHINE LA7 BRICK USED.

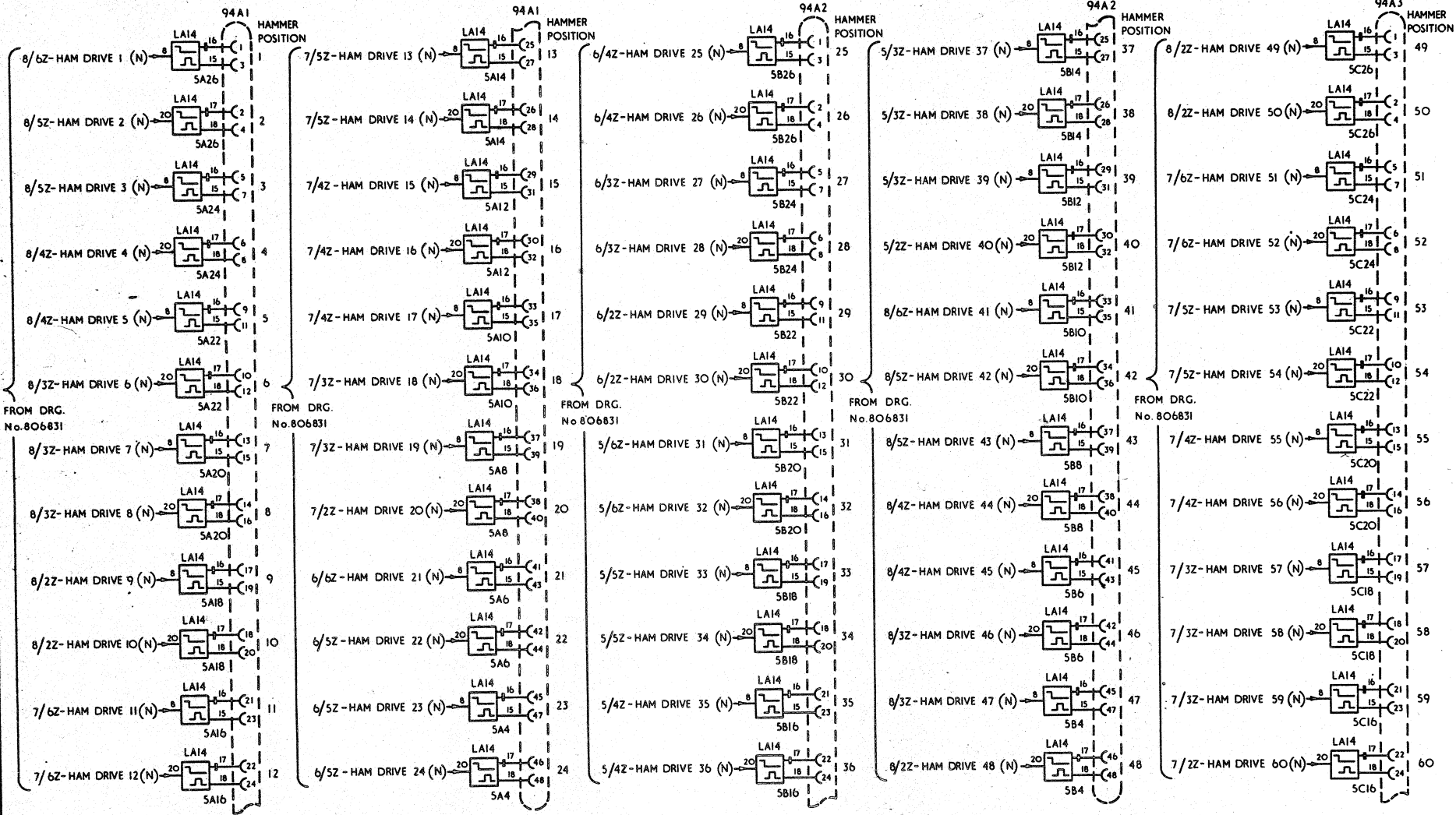
INTIMATE ELECTRONICS

DRAWN BY S.L. POLLOCK DATE 13-12-65 NOTES DIXON

	LOGIC DIAGRAM	806830 / 4	1	D	ISSUE 4 4 4																														
	DIAGRAM	ISSUE	SHEET	CAT.	SHEET																														
	<table border="1" style="width: 100%; border-collapse: collapse;"> <tr> <td>1</td><td>2</td><td>3</td><td>4</td><td>5</td><td>6</td><td>7</td><td>8</td><td>9</td><td>10</td><td>11</td><td>12</td><td>13</td><td>14</td><td>15</td><td>16</td><td>17</td><td>18</td><td>19</td><td>20</td><td>21</td><td>22</td><td>23</td><td>24</td><td>25</td><td>26</td><td>27</td><td>28</td><td>29</td><td>30</td> </tr> </table>					1	2	3	4	5	6	7	8	9	10	11	12	13	14	15	16	17	18	19	20	21	22	23	24	25	26	27	28	29	30
1	2	3	4	5	6	7	8	9	10	11	12	13	14	15	16	17	18	19	20	21	22	23	24	25	26	27	28	29	30						

HAMMER DRIVERS

ISS.	CHANGES	
4	REDRAWN 9019	2-66



INTIMATE ELECTRONICS

NOTE:
LA14 DELAY 1.45ms

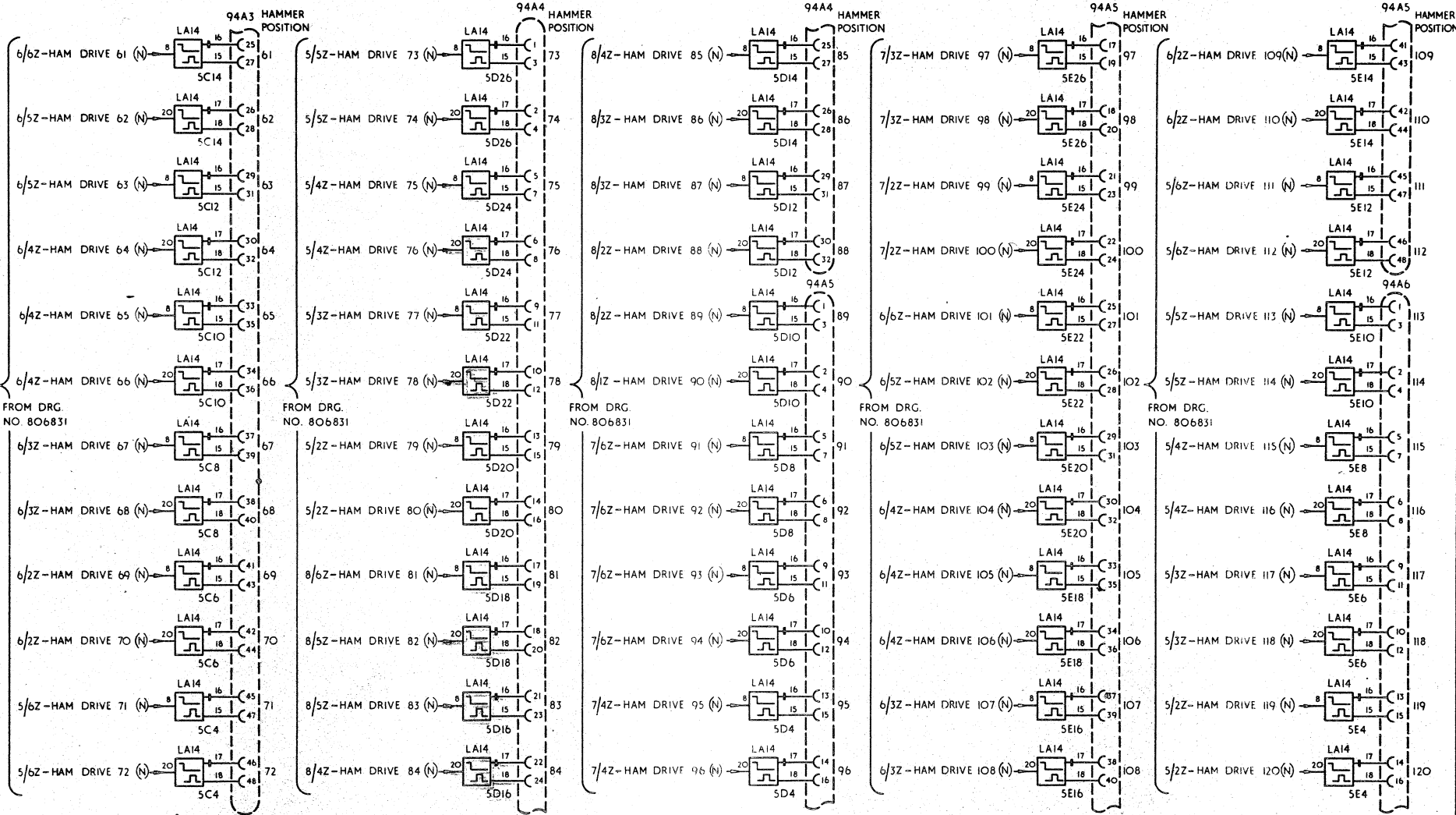
DRAWN BY G. HAMILTON DATE 8.12.65 NOTES

I.C.T.	LOGIC DIAGRAM	806830 / 4 2		D
		DIAGRAM	ISSUE SHEET	

ISSUE	4	4	4
SHEET	1	2	3
ISSUE NUMBERS OF OTHER SHEETS AT THE TIME OF ISSUING THIS SHEET.			

ISS.	CHANGES	
4	REDRAWN 9019	2-66

HAMMER DRIVERS



INTIMATE ELECTRONICS

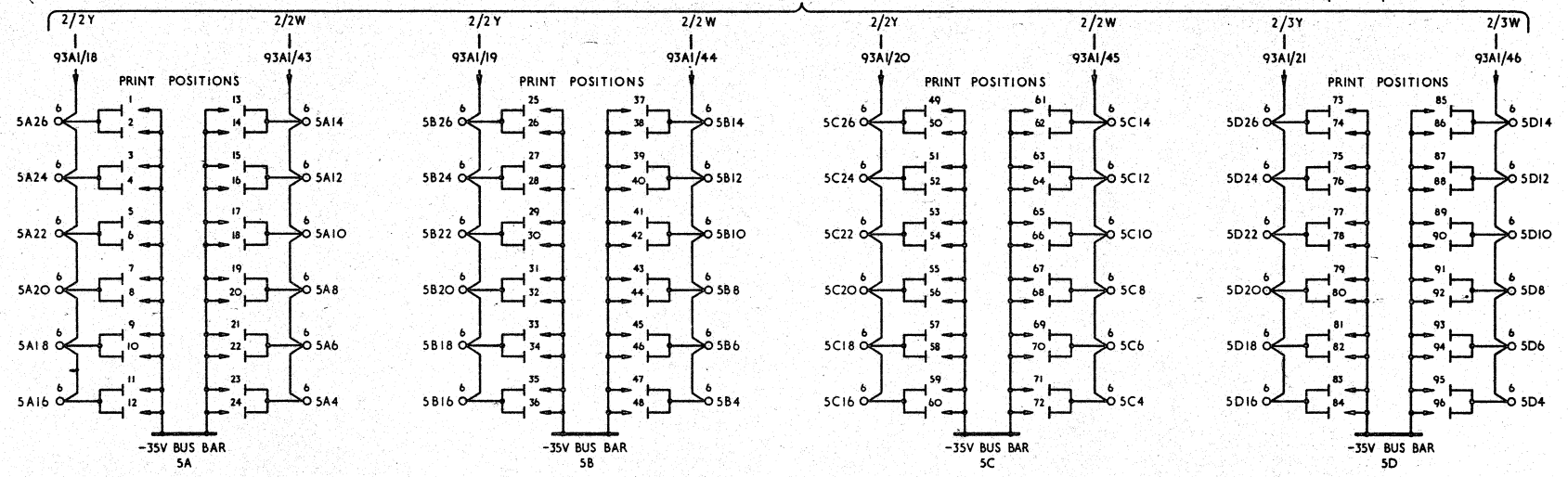
NOTE: - LA14 DELAY 1.45ms.

DRAWN BY J GENTLE DATE 9 12 65 NOTES

	LOGIC DIAGRAM	806830 / 4	3	D	ISSUE 4 4 4																														
	DIAGRAM		ISSUE SHEET	CAT.	<table border="1"> <tr> <td>SHEET</td> <td>1</td> <td>2</td> <td>3</td> <td>4</td> <td>5</td> <td>6</td> <td>7</td> <td>8</td> <td>9</td> <td>10</td> <td>11</td> <td>12</td> <td>13</td> <td>14</td> <td>15</td> <td>16</td> <td>17</td> <td>18</td> <td>19</td> <td>20</td> <td>21</td> <td>22</td> <td>23</td> <td>24</td> <td>25</td> <td>26</td> <td>27</td> <td>28</td> <td>29</td> <td>30</td> </tr> </table>	SHEET	1	2	3	4	5	6	7	8	9	10	11	12	13	14	15	16	17	18	19	20	21	22	23	24	25	26	27	28	29
SHEET	1	2	3	4	5	6	7	8	9	10	11	12	13	14	15	16	17	18	19	20	21	22	23	24	25	26	27	28	29	30					

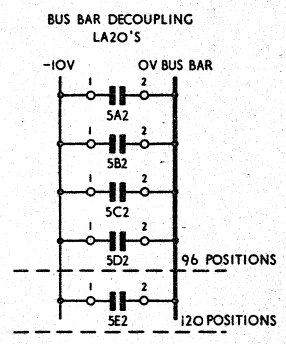
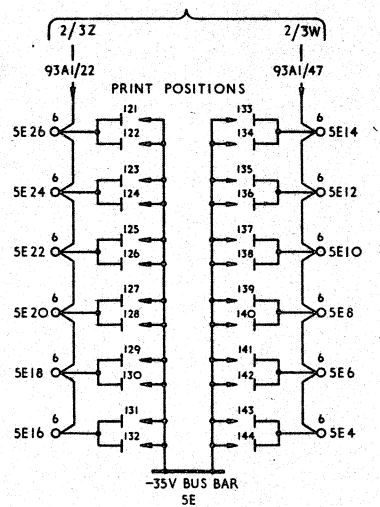
ISS.	CHANGES	
4	REDRAWN 9019	2-66

FROM DRG. NO. 806829



HAMMER DRIVE FUSE ALARMS

FROM DRG. NO. 806830



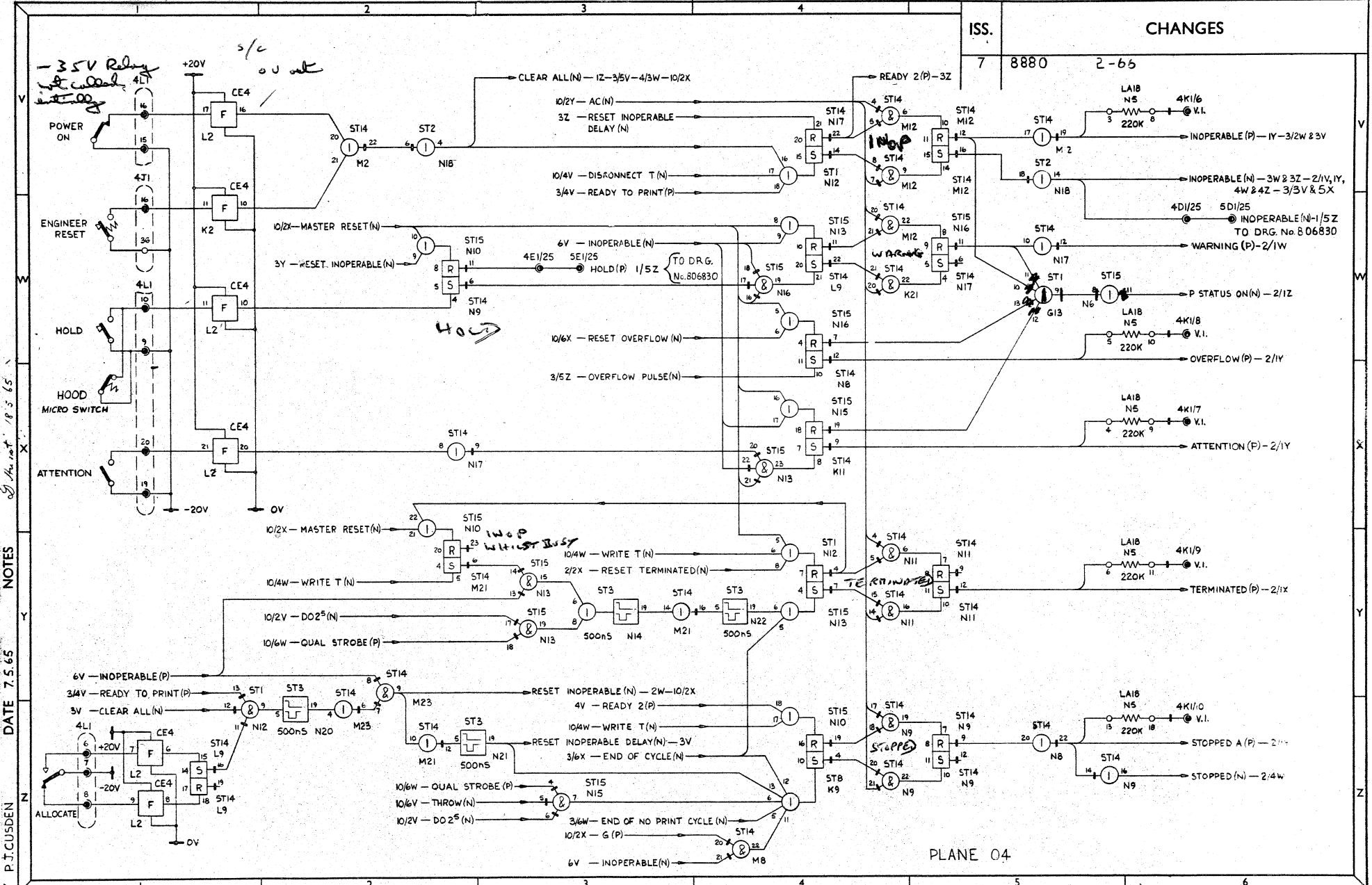
INTIMATE ELECTRONICS

HAMMER DRIVE FUSE ALARMS

DRAWN BY P. KILBY DATE 9-12-65 NOTES DIMEN

	LOGIC DIAGRAM	806830 / 4	4		ISSUE 4 4 4
	DIAGRAM	ISSUE SHEET	CAT.		SHEET 1 2 3 4 5 6 7 8 9 10 11 12 13 14 15 16 17 18 19 20 21 22 23 24 25 26 27 28 29 30
	ISSUE NUMBERS OF OTHER SHEETS AT THE TIME OF ISSUING THIS SHEET.				

DRAWN BY P. J. CUSDEN DATE 7.5.65



ISS. CHANGES

7	8880	2-65
		LA18 N5 4K1/6 V.I.
		INOPERABLE (P) - 1Y-3/2W & 3V
		INOPERABLE (N) - 3W & 3Z - 2/1V, 1Y, 4W & 4Z - 3/3V & 5X
		4D1/25 5D1/25 INOPERABLE (N) - 1/5Z TO DRG. No. 806830
		WARNING (P) - 2/1W
		P STATUS ON (N) - 2/1Z
		LA18 N5 4K1/8 V.I.
		OVERFLOW (P) - 2/1Y
		LA18 N5 4K1/7 V.I.
		ATTENTION (P) - 2/1Y
		LA18 N5 4K1/9 V.I.
		TERMINATED (P) - 2/1X
		LA18 N5 4K1/10 V.I.
		STOPPED A (P) - 2/1Y
		STOPPED (N) - 2/4W

PLANE 04



UNBUFFERED LOGIC INTERFACE AND CONTROL.

806831 / 7 1
DIAGRAM ISSUE SHEET

ISSUE	3	7	7	4	4	4	6	3																						
SHEET	1	2	3	4	5	6	7	8	9	10	11	12	13	14	15	16	17	18	19	20	21	22	23	24	25	26	27	28	29	30

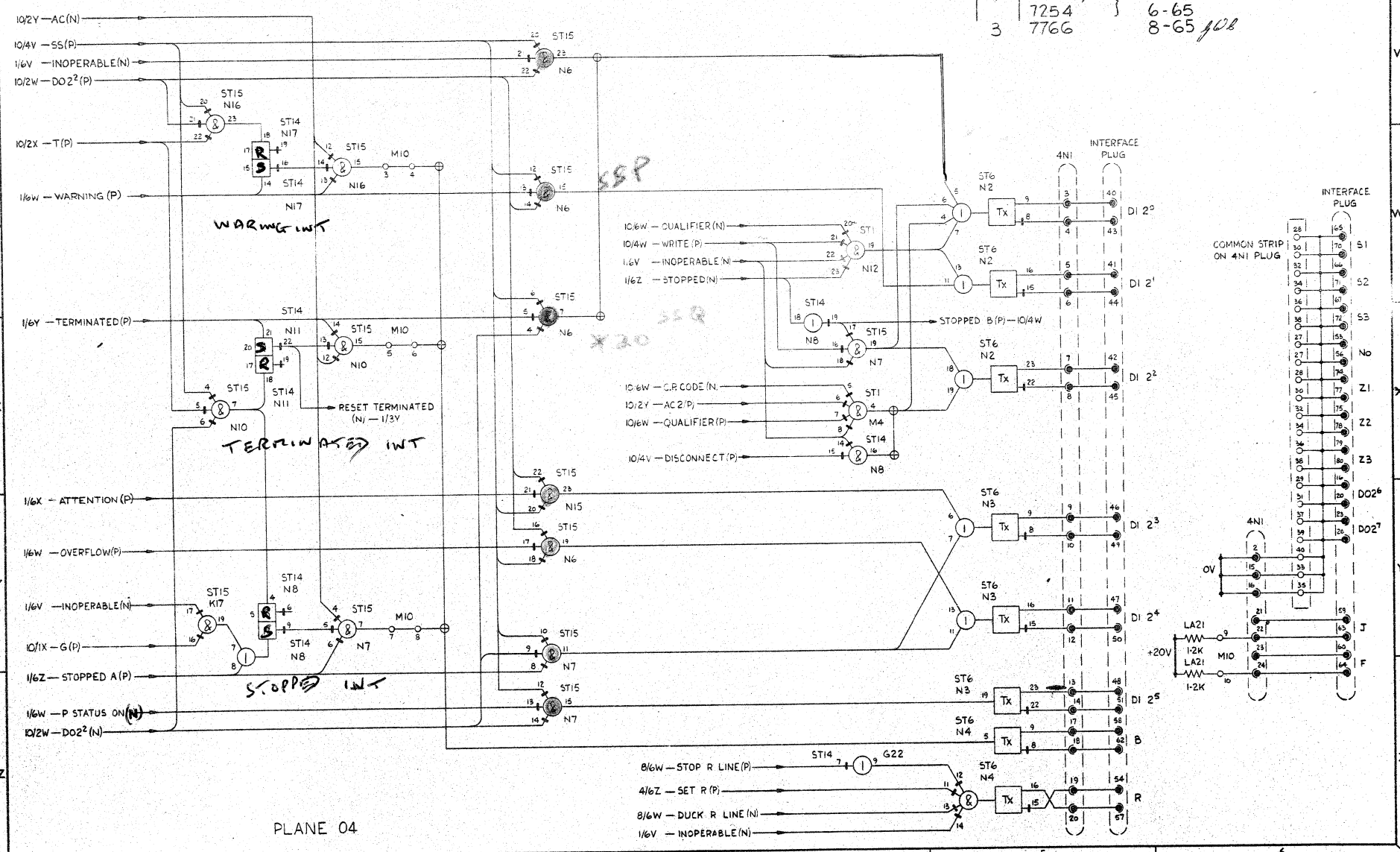
ISSUE NUMBERS OF OTHER SHEETS AT THE TIME OF ISSUING THIS SHEET.

DRAWN BY T. CUSDEN DATE 7.5.65

NOTES

V
W
X
Y
Z

ISS.	CHANGES
1	P422/5
2	7254
3	7766
	6-65
	8-65 JWB



PLANE 04

I.C.T. UNBUFFERED LOGIC INTERFACE AND CONTROL

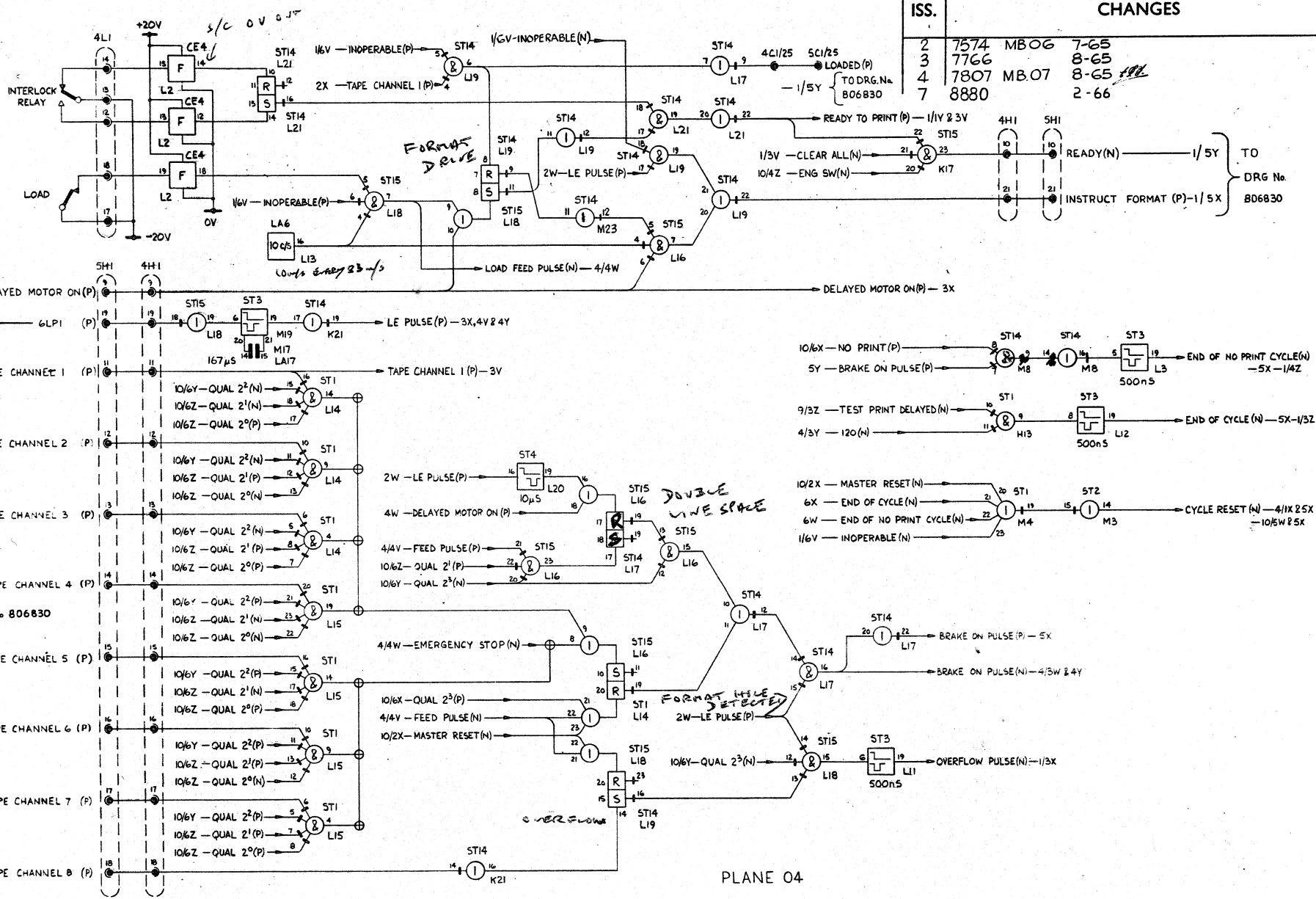
806831 / 3 2

DIAGRAM ISSUE SHEET

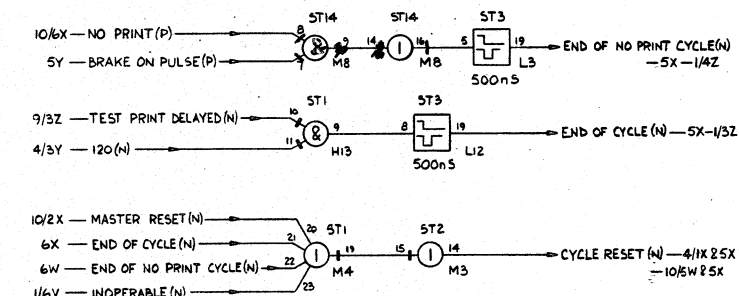
ISSUE	1	2	3	4	5	6	7	8	9	10	11	12	13	14	15	16	17	18	19	20	21	22	23	24	25	26	27	28	29	30
SHEET	1	2	3	4	5	6	7	8	9	10	11	12	13	14	15	16	17	18	19	20	21	22	23	24	25	26	27	28	29	30

ISSUE NUMBERS OF OTHER SHEETS AT THE TIME OF ISSUING THIS SHEET.

DRAWN BY P. COUSDEN DATE 7.5.65 NOTES 2. August 1965



ISS.	CHANGES			
2	7574	MB06	7-65	
3	7766		8-65	
4	7807	MB.07	8-65	1/1
7	8880		2-66	



PLANE 04

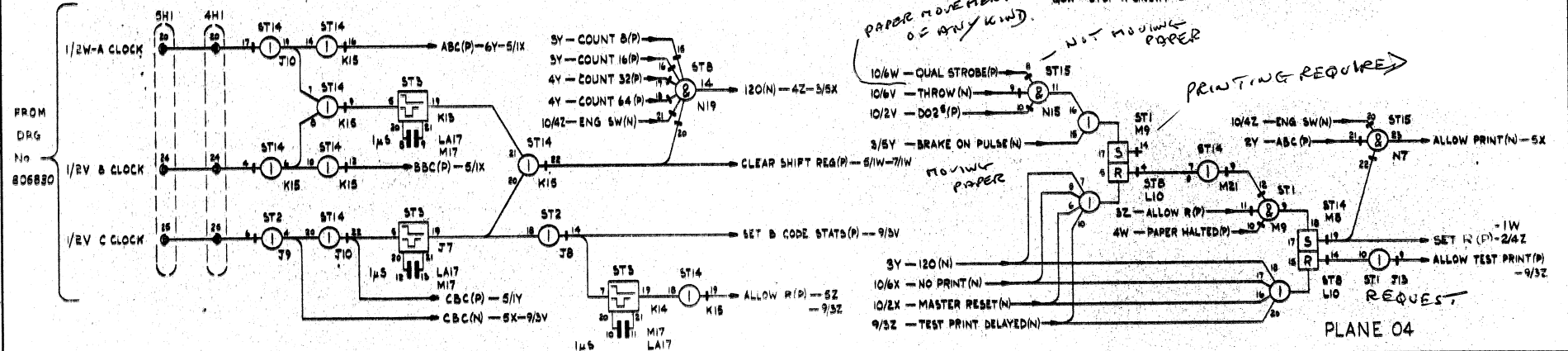
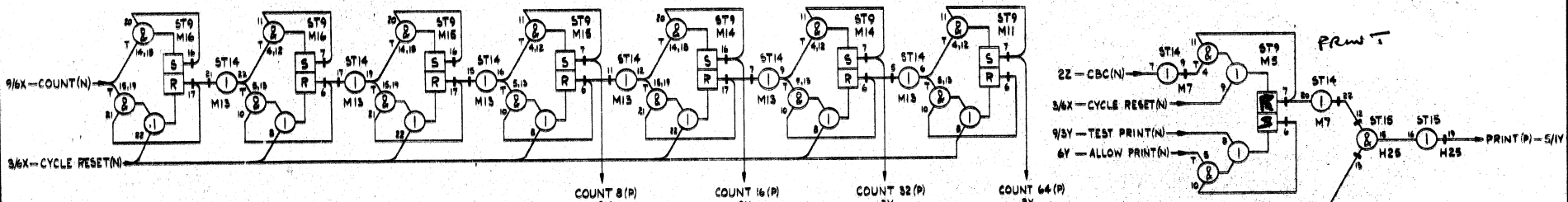
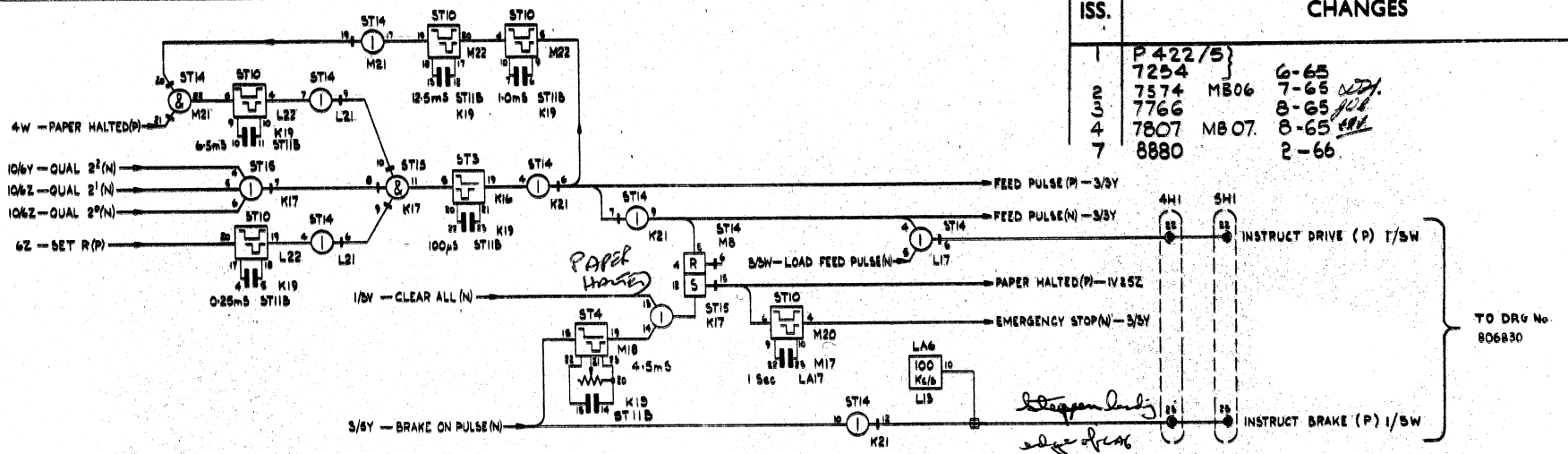
I.C.T. UNBUFFERED LOGIC INTERFACE AND CONTROL

806831 / 7 3

DIAGRAM ISSUE SHEET

ISSUE	7	3	7	1	1	1	1	3	1																					
SHEET	1	2	3	4	5	6	7	8	9	10	11	12	13	14	15	16	17	18	19	20	21	22	23	24	25	26	27	28	29	30
ISSUE NUMBERS OF OTHER SHEETS AT THE TIME OF ISSUING THIS SHEET.																														

ISS.	CHANGES	
1	P 422/5	
2	7254	6-65
3	7574 MB06	7-65 <i>copy</i>
4	7766	8-65 <i>plc</i>
7	7807 MB07	8-65 <i>add</i>
	8880	2-66



DRAWN BY P. GUSDEN DATE 7.5.65



UNBUFFERED LOGIC
INTERFACE AND
CONTROL

806831 / 7
DIAGRAM ISSUE SHEET

ISSUE	7	3	7	1	1	1	1	3	1																						
SHEET	1	2	3	4	5	6	7	8	9	10	11	12	13	14	15	16	17	18	19	20	21	22	23	24	25	26	27	28	29	30	
ISSUE NUMBERS OF OTHER SHEETS AT THE TIME OF ISSUING THIS SHEET.																															

PLANE 04

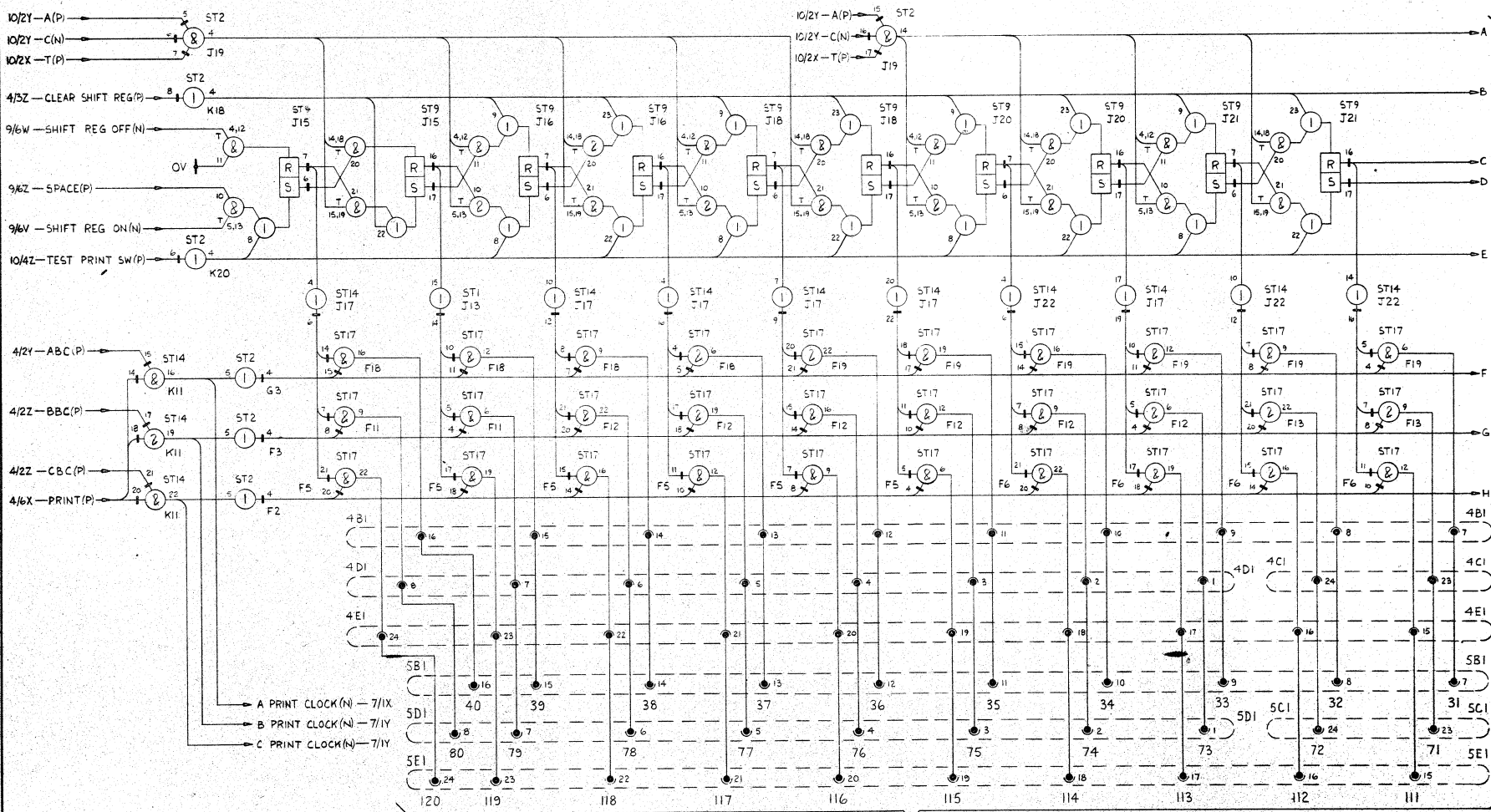
ISS.

CHANGES

1 P422/5 } 6-65
7254 }

PLANE 04

40 POSITION SHIFT REGISTER



SHEET 6
1W,IX&Y

NOTES Schmat 27/5/65

DATE 7.5.65

DRAWN BY PJCUSDEN



UNBUFFERED LOGIC
INTERFACE AND
CONTROL.

806831

DIAGRAM ISSUE SHEET 5

ISSUE | | | | | | | | | |

SHEET | 1 | 2 | 3 | 4 | 5 | 6 | 7 | 8 | 9 | 10 | 11 | 12 | 13 | 14 | 15 | 16 | 17 | 18 | 19 | 20 | 21 | 22 | 23 | 24 | 25 | 26 | 27 | 28 | 29 | 30

ISSUE NUMBERS OF OTHER SHEETS AT THE TIME OF ISSUING THIS SHEET.

ISS.

CHANGES

1 P 422 / 5 }
7254

6-65

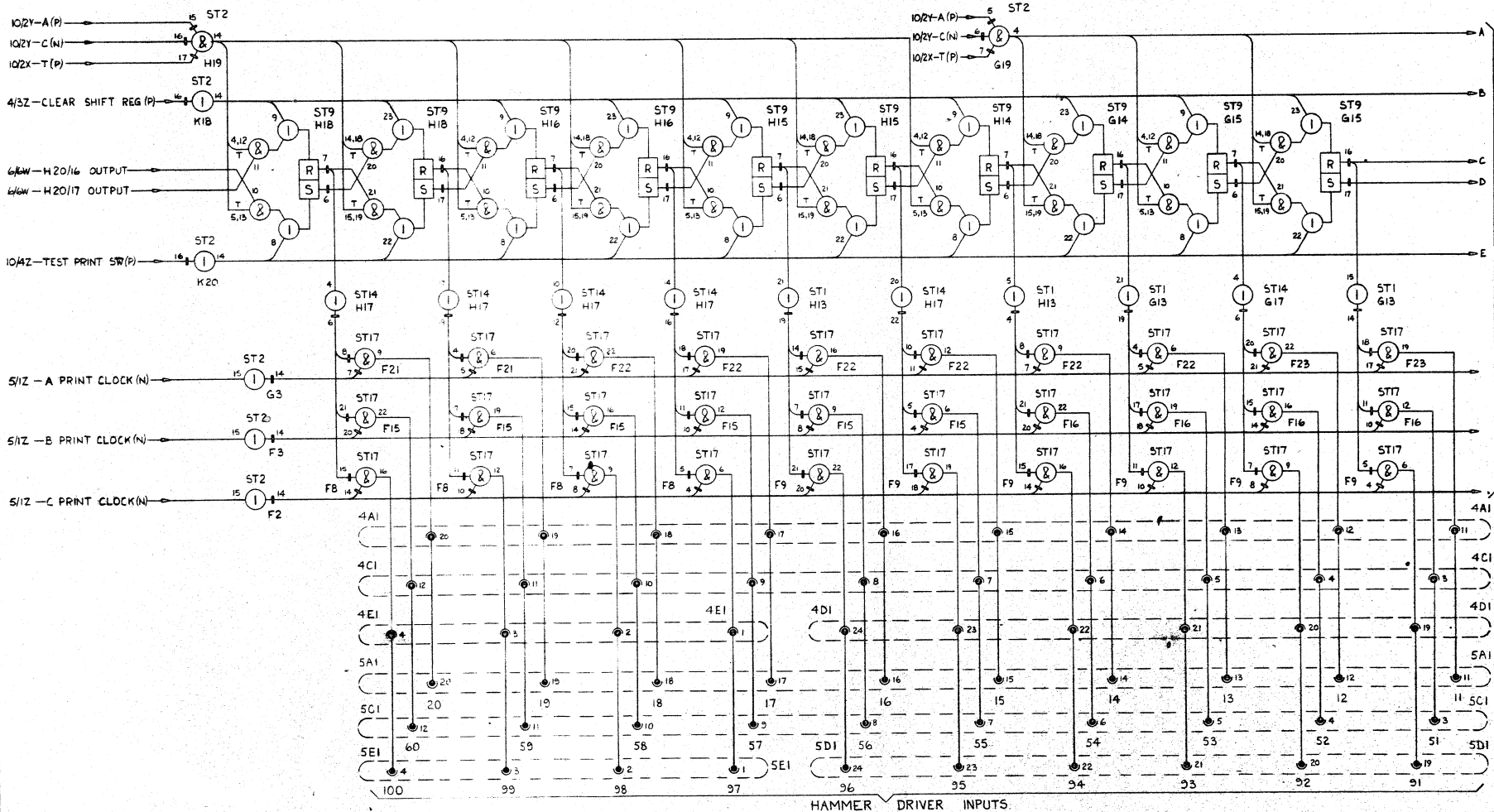
PLANE 04

SHIFT REGISTER

DRAWN BY P. J. CUSDEN DATE 7563

NOTES

37/5/65



SHEET B
1W, 1X
21Y

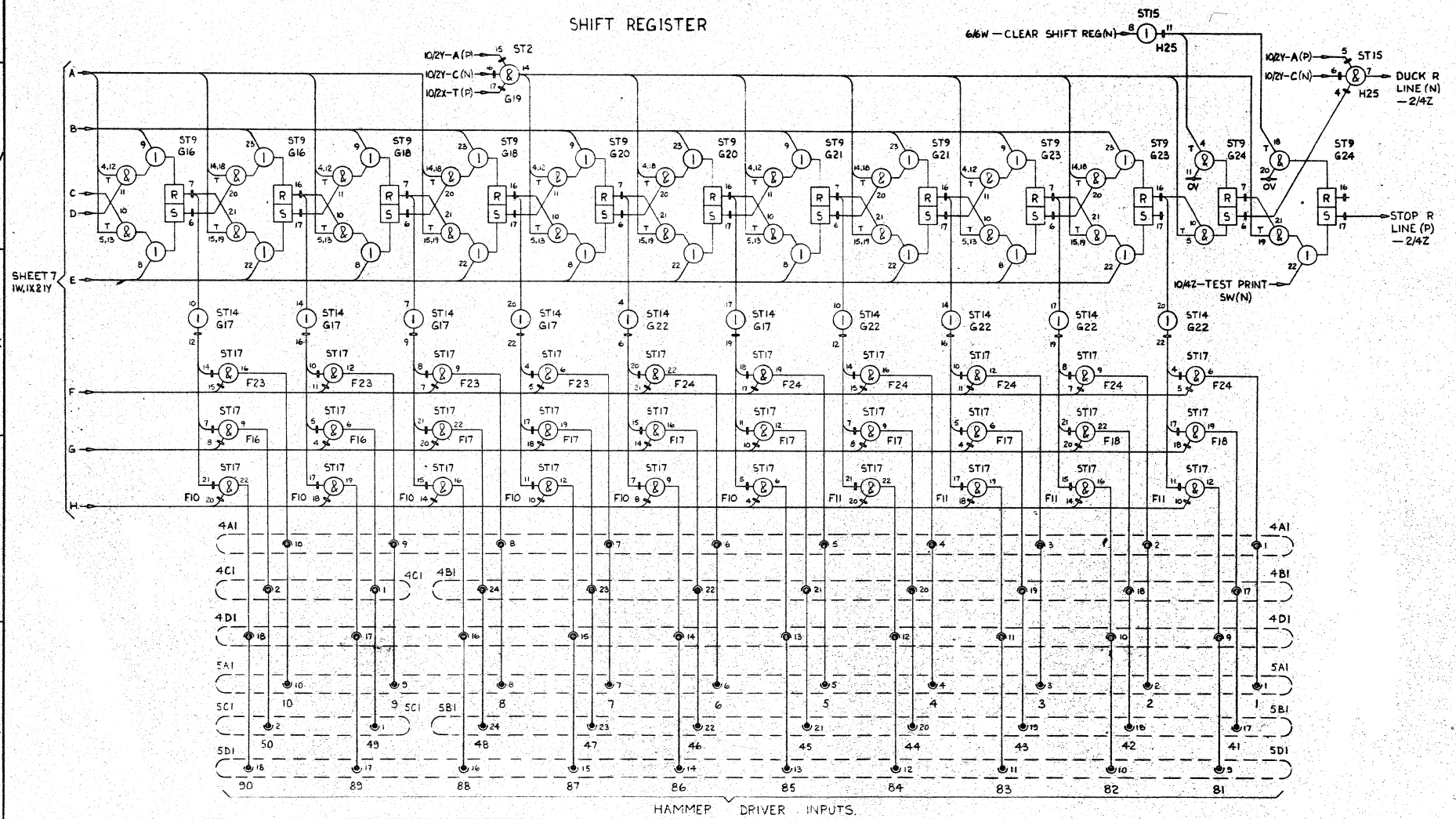
	UNBUFFERED LOGIC INTERFACE AND CONTROL.	806831	7	ISSUE	
	DIAGRAM	ISSUE	SHEET	SHEET	1 2 3 4 5 6 7 8 9 10 11 12 13 14 15 16 17 18 19 20 21 22 23 24 25 26 27 28 29 30
	ISSUE NUMBERS OF OTHER SHEETS AT THE TIME OF ISSUING THIS SHEET.				

ISS.

CHANGES

1	P 422 / 5 7254	6-65
---	-------------------	------

PLANE 04
SHIFT REGISTER



SHEET 7
 DATE 7.5.65
 DRAWN BY P.J. OUSDEN
 NOTES
 27/5/65

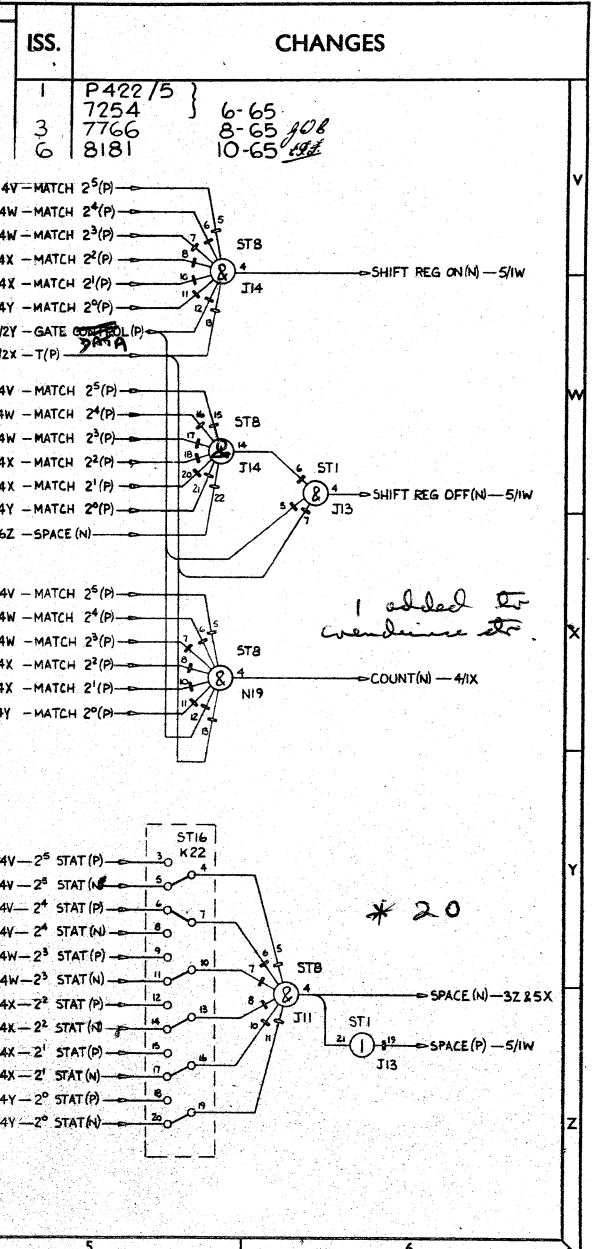
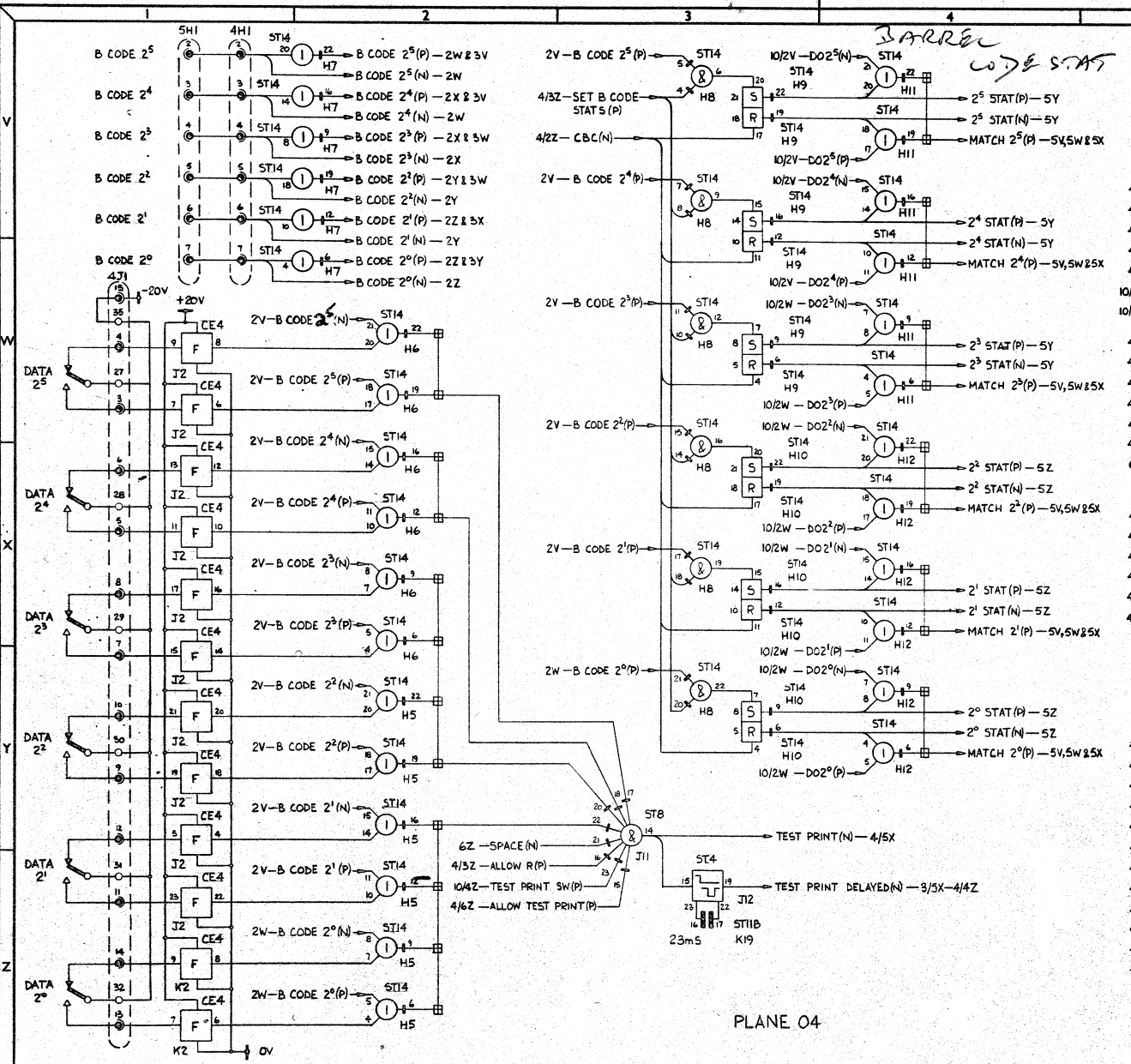


UNBUFFERED LOGIC
INTERFACE AND
CONTROL.

806831 / **8**
DIAGRAM ISSUE SHEET

ISSUE	1	2	3	4	5	6	7	8	9	10	11	12	13	14	15	16	17	18	19	20	21	22	23	24	25	26	27	28	29	30
SHEET	1	2	3	4	5	6	7	8	9	10	11	12	13	14	15	16	17	18	19	20	21	22	23	24	25	26	27	28	29	30
ISSUE NUMBERS OF OTHER SHEETS AT THE TIME OF ISSUING THIS SHEET.																														

DRAWN BY P. J. CUSDEN DATE 7.5.65



UNBUFFERED LOGIC
INTERFACE AND
CONTROL.

806831 / 6 9
DIAGRAM ISSUE SHEET

ISSUE 6 3 4 4 4 4 4 3

SHEET	1	2	3	4	5	6	7	8	9	10	11	12	13	14	15	16	17	18	19	20	21	22	23	24	25	26	27	28	29	30
-------	---	---	---	---	---	---	---	---	---	----	----	----	----	----	----	----	----	----	----	----	----	----	----	----	----	----	----	----	----	----

ISSUE NUMBERS OF OTHER SHEETS AT THE TIME OF ISSUING THIS SHEET.

