

**LOGIC DIAGRAMS**  
**for**  
**TYPE 1902-3 CENTRAL PROCESSORS**

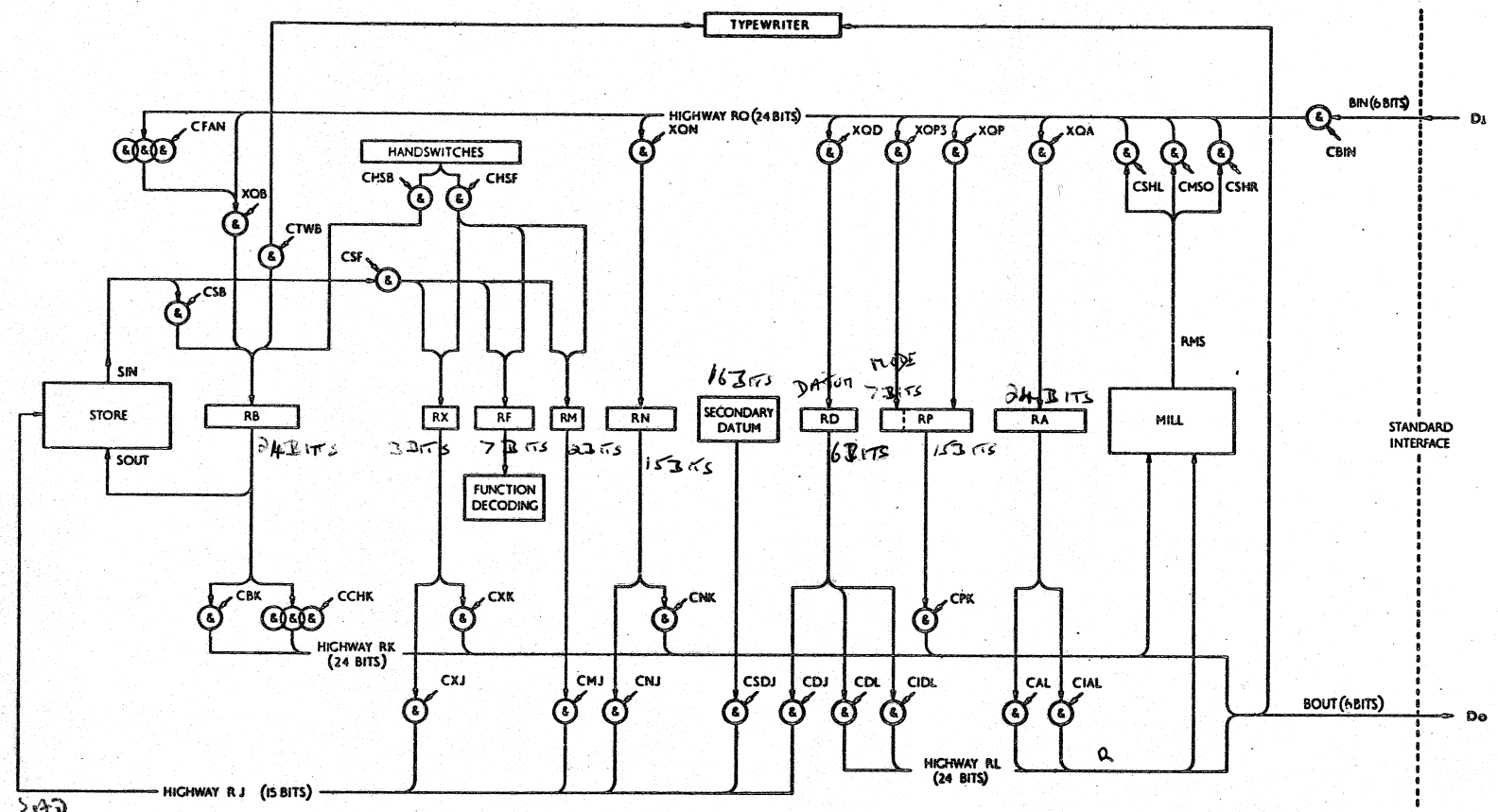
**CONTENTS**

**Type 1902-3 Central Processor**

**Diagram Nos.**  
**5006471 (56 Sheets)**

ISS.	CHANGES	
10	REDRAWN 8517	12-65

# BLOCK SCHEMATIC 1902/3 COMPUTER



NOTE.  
WITH BRICK SOURCES SUCH AS 2B14/37, THE ASTERISK DENOTES THAT 37 APPLIES TO THE PIN No. AND NOT THE MONITORING POINT ON THE PRICK.

DRAWN BY A LAME DATE 14-7-65 NOTED *Alto*



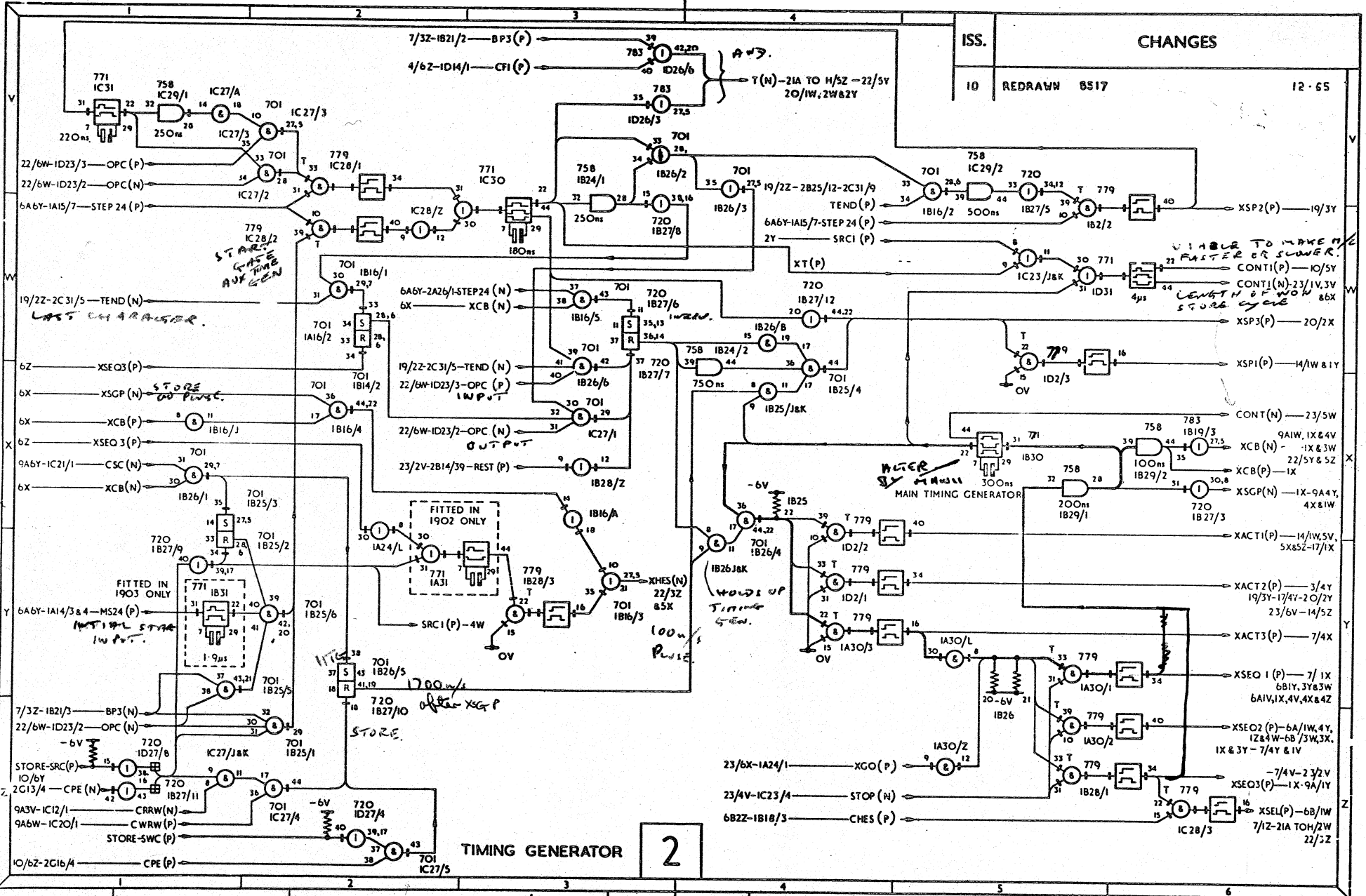
LOGIC DIAGRAM

5006471/10  
DIAGRAM

ISSUE SHEET

ISSUE																														
SHEET	1	2	3	4	5	6	7	8	9	10	11	12	13	14	15	16	17	18	19	20	21	22	23	24	25	26	27	28	29	30
ISSUE NUMBERS OF OTHER SHEETS AT THE TIME OF ISSUING THIS SHEET.																														

Edgewater Dept on line 400ms other side of T pulse.



ISS.	CHANGES	
10	REDRAWN 8517	12-65

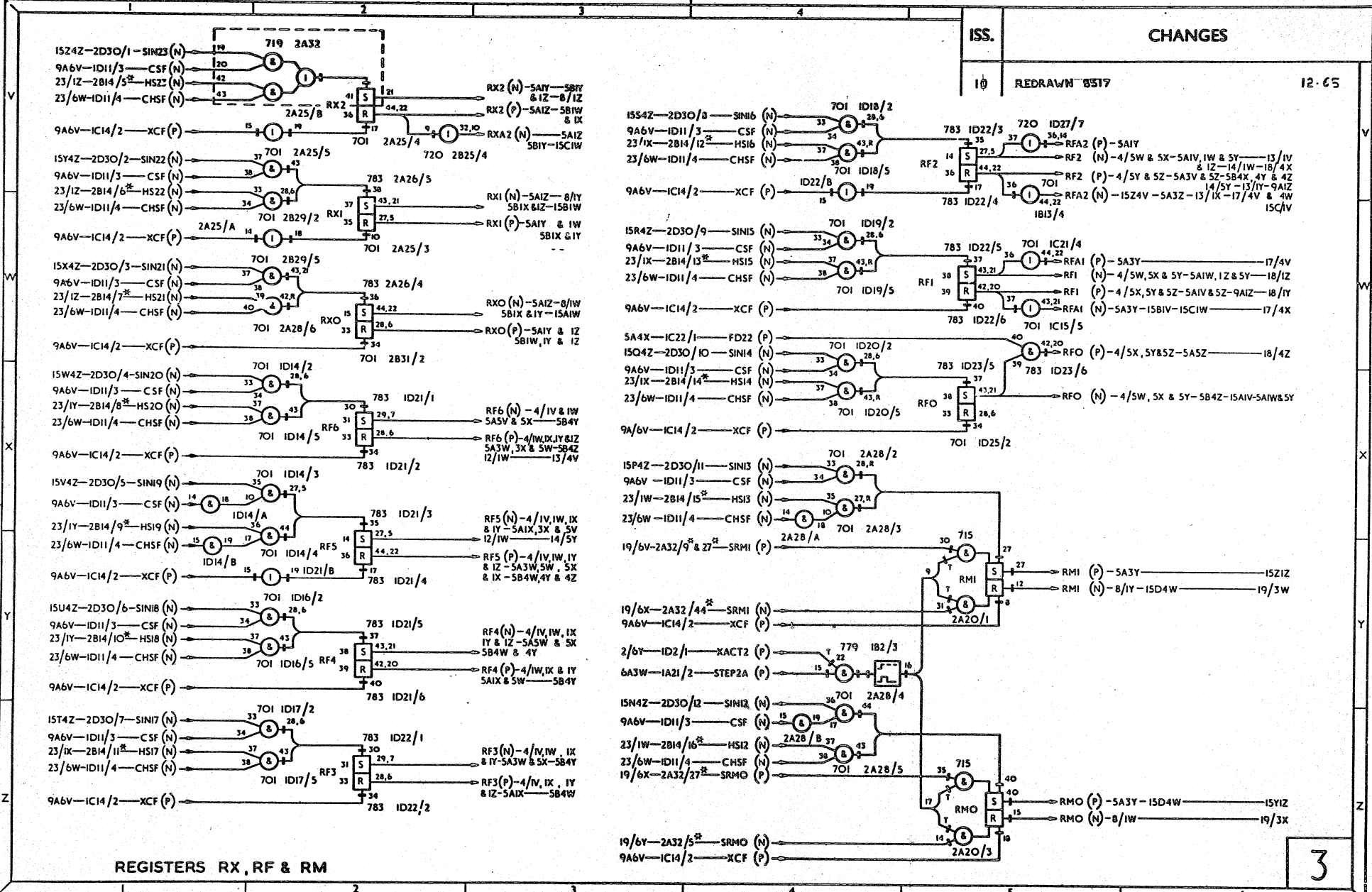
DATE 29 7 65  
 DRAWN BY A WILLIS  
 NOTES

LOGIC DIAGRAM

5006471 / 10 2  
 DIAGRAM ISSUE SHEET

ISSUE																														
SHEET	1	2	3	4	5	6	7	8	9	10	11	12	13	14	15	16	17	18	19	20	21	22	23	24	25	26	27	28	29	30
ISSUE NUMBERS OF OTHER SHEETS AT THE TIME OF ISSUING THIS SHEET.																														

DRAWN BY J. INGRAM DATE 12-8-65 NOTES 246 R-4



REGISTERS RX, RF & RM

ISS.	CHANGES
10	REDRAWN 8517
	12-65



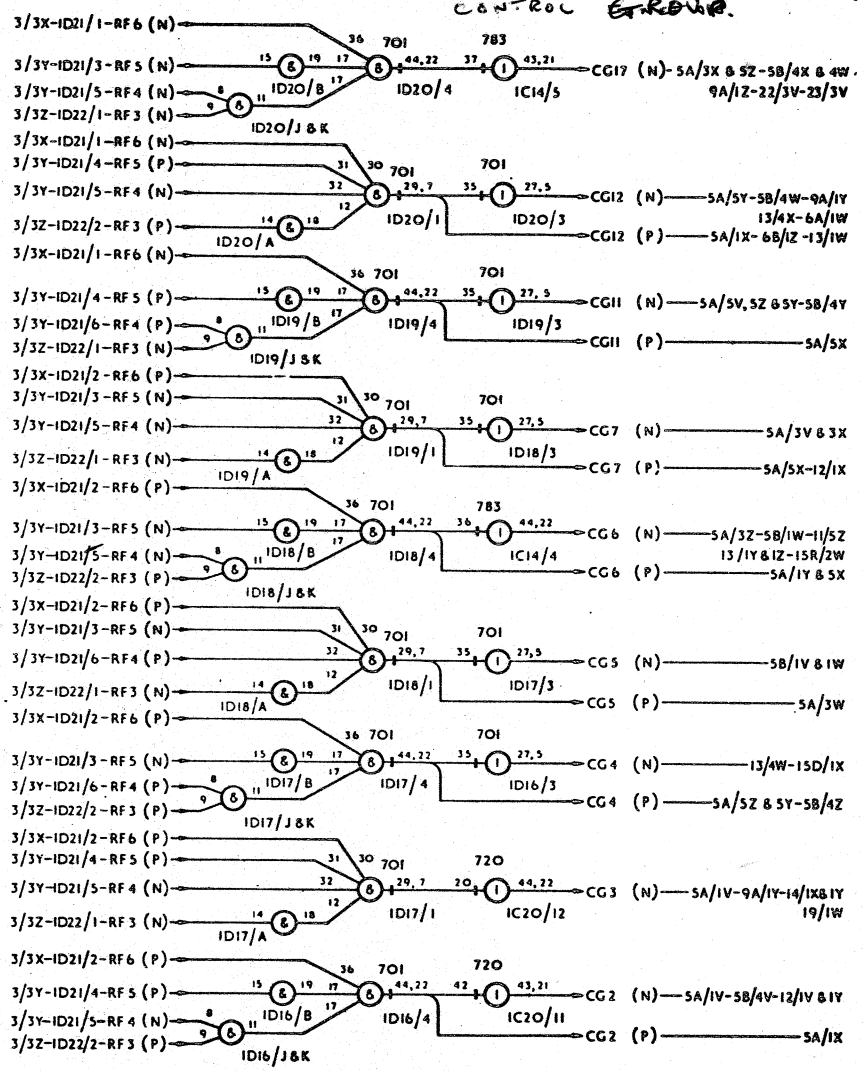
LOGIC DIAGRAM

5006471 / 10 3  
DIAGRAM ISSUE SHEET

ISSUE																														
SHEET	1	2	3	4	5	6	7	8	9	10	11	12	13	14	15	16	17	18	19	20	21	22	23	24	25	26	27	28	29	30
ISSUE NUMBERS OF OTHER SHEETS AT THE TIME OF ISSUING THIS SHEET.																														

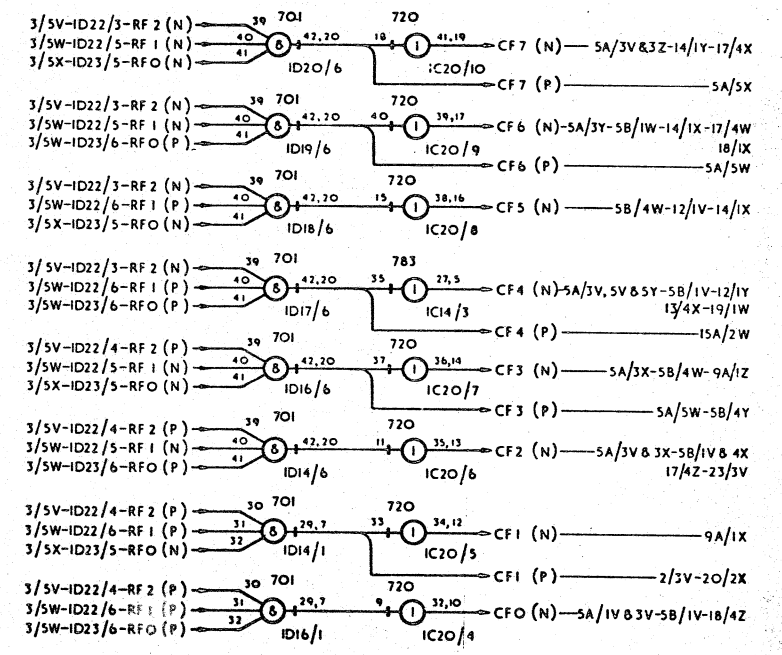


DRAWN BY L.E. GARNER DATE 15-7-65 NOTES: *See*



ISS.	CHANGES
10	REDRAWN 8517 12-65

**CONTROL FUNCTION**



LOGIC DIAGRAM

5006471 / 10 4

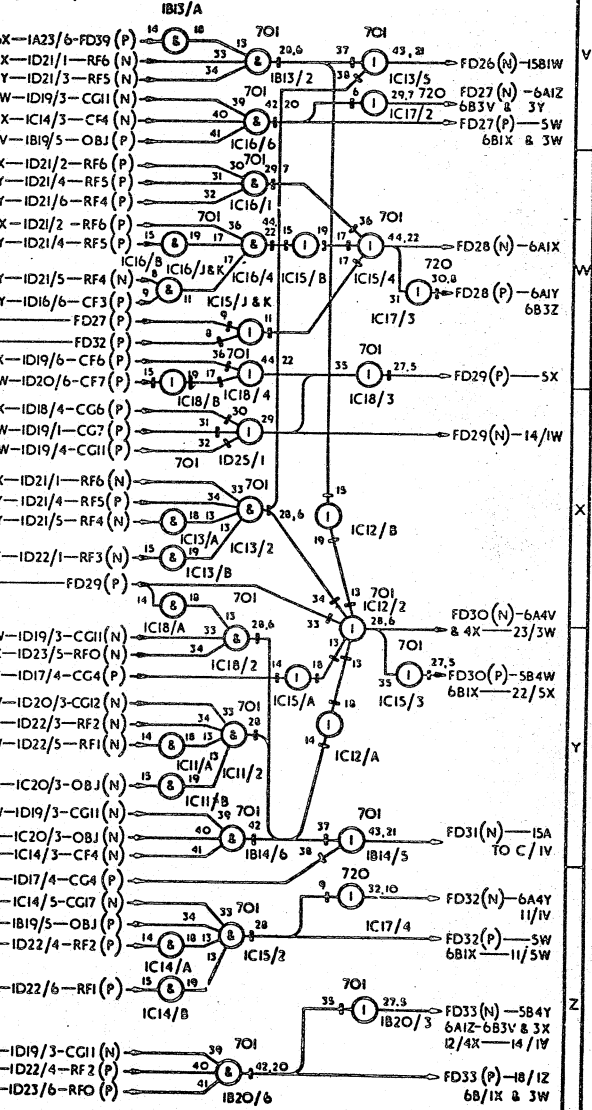
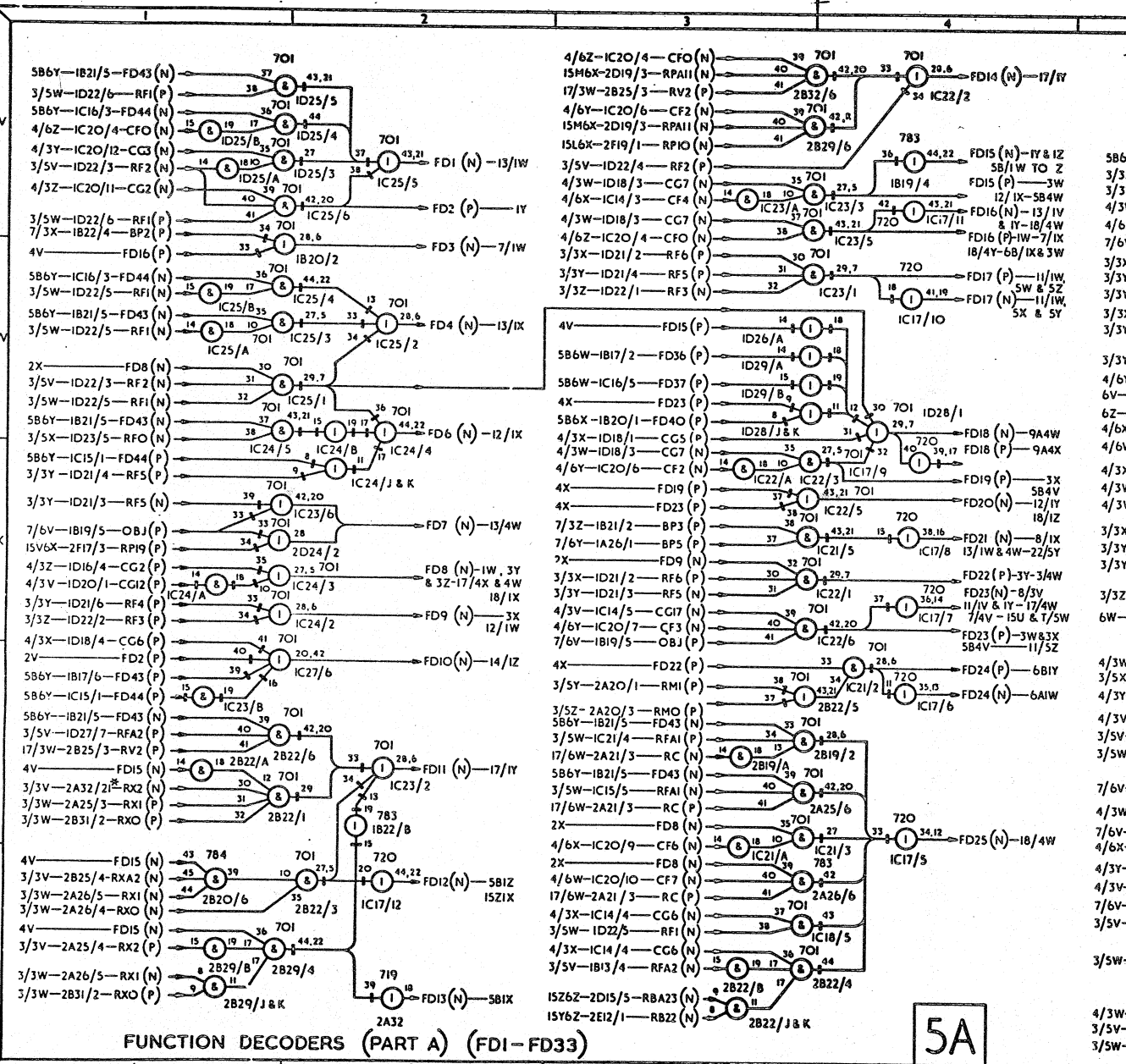
DIAGRAM ISSUE SHEET

ISSUE																															
SHEET	1	2	3	4	5	6	7	8	9	10	11	12	13	14	15	16	17	18	19	20	21	22	23	24	25	26	27	28	29	30	
ISSUE NUMBERS OF OTHER SHEETS AT THE TIME OF ISSUING THIS SHEET.																															

DATE 11-8-65  
DRAWN BY E.J. RAHIM  
NOTES 1/14/65

ISS. CHANGES

10 REDRAWN 8517 12-65



FUNCTION DECODERS (PART A) (FD1-FD33)

5A

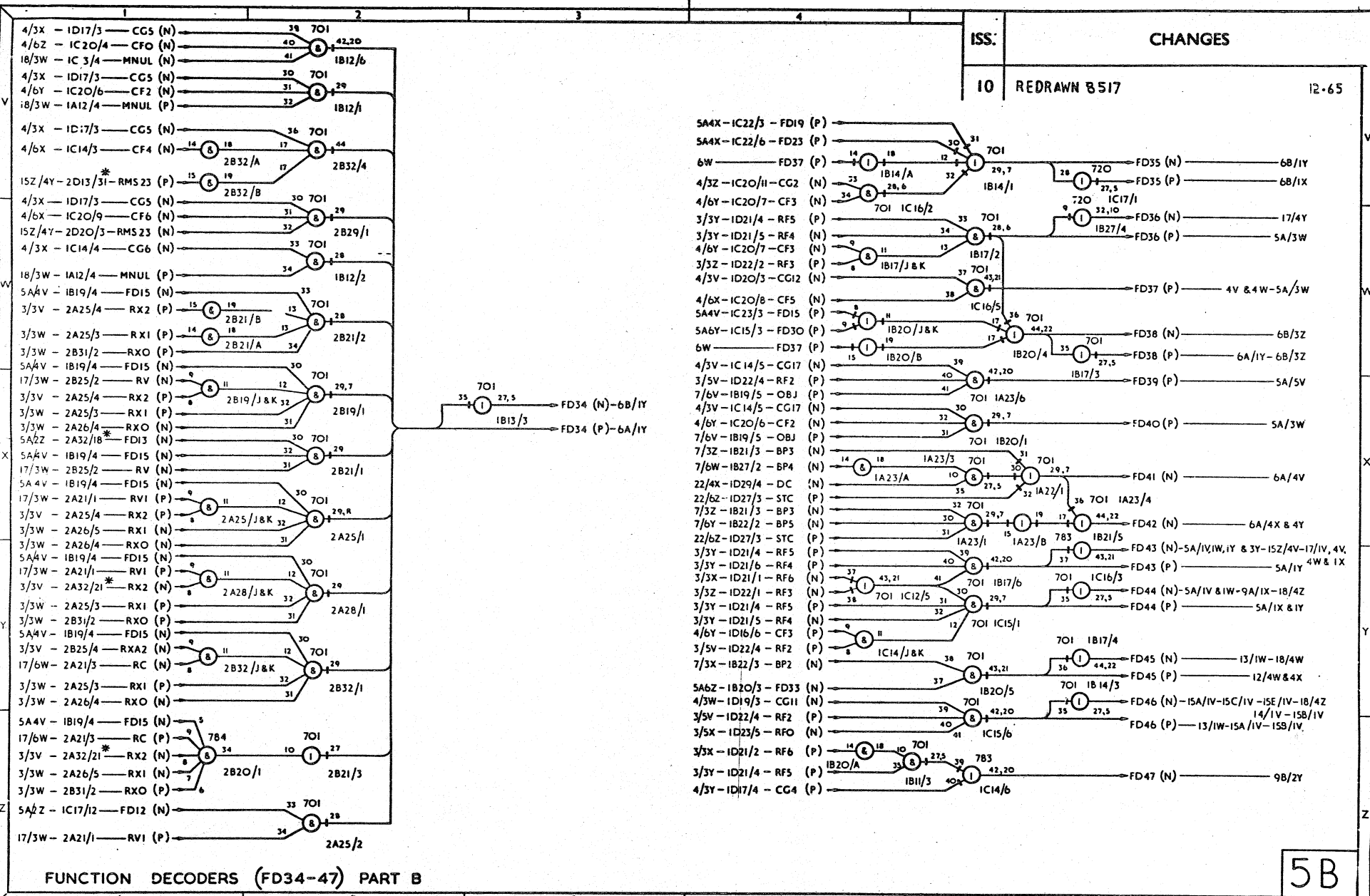


LOGIC DIAGRAM

5006471 / 10  
DIAGRAM ISSUE SHEET

ISSUE SHEET	1	2	3	4	5	6	7	8	9	10	11	12	13	14	15	16	17	18	19	20	21	22	23	24	25	26	27	28	29	30
ISSUE NUMBERS OF OTHER SHEETS AT THE TIME OF ISSUING THIS SHEET.																														

# 0 P 5  
 # 0 0  
 A 0 0  
 1  
 2  
 3  
 4  
 5  
 6  
 7  
 8  
 9  
 10  
 11  
 12  
 13  
 14  
 15  
 16  
 17  
 18  
 19  
 20  
 21  
 22  
 23  
 24  
 25  
 26  
 27  
 28  
 29  
 30



ISS: 10 REDRAWN 8517 12-65

FUNCTION DECODERS (FD34-47) PART B

5B



LOGIC DIAGRAM

5006471/10

6  
DIAGRAM ISSUE SHEET

ISSUE																														
SHEET	1	2	3	4	5	6	7	8	9	10	11	12	13	14	15	16	17	18	19	20	21	22	23	24	25	26	27	28	29	30
ISSUE NUMBERS OF OTHER SHEETS AT THE TIME OF ISSUING THIS SHEET.																														

DRAWN BY M. A. MITCHELL.

DRAWN BY J. INGRAM DATE 13-8-65 NOTES 444

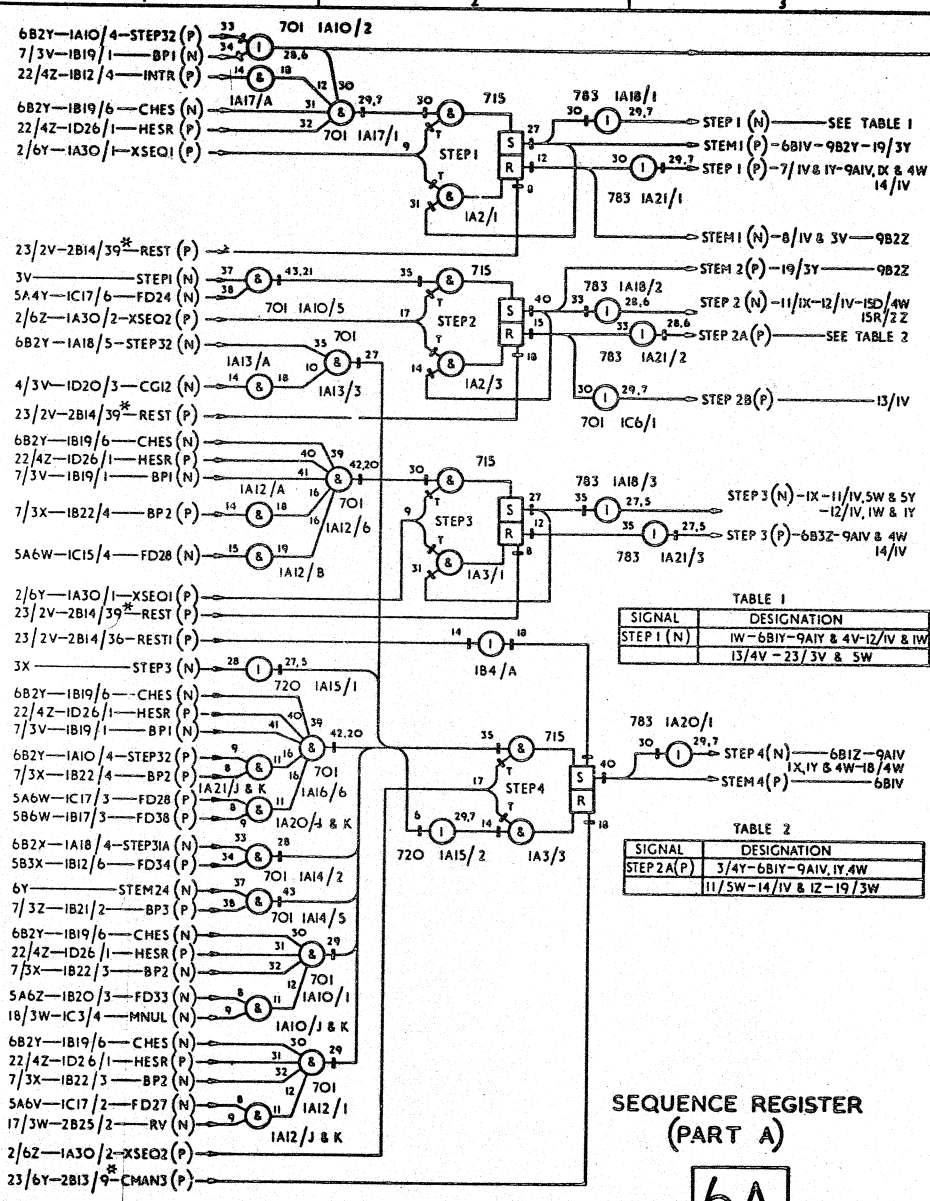


TABLE 1

SIGNAL	DESIGNATION
STEP 1 (N)	1W-6B1Y-9A1W & 4V-12/IV & 1W 13/4V-23/3V & 5W

TABLE 2

SIGNAL	DESIGNATION
STEP 2A (P)	3/4Y-6B1Y-9A1W, 1Y, 4W 11/5W-14/IV & 1Z-19/3W

SEQUENCE REGISTER  
(PART A)  
**6A**

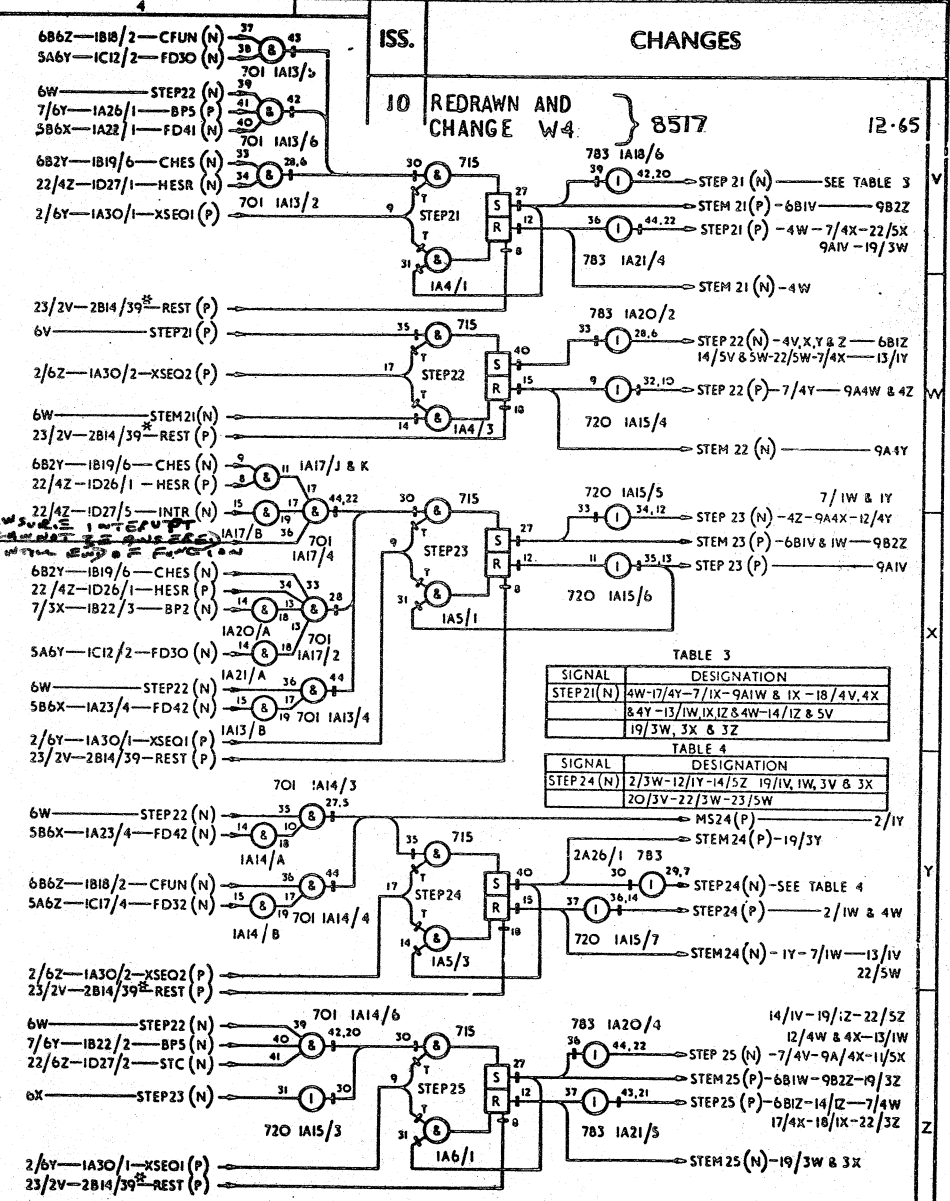


TABLE 3

SIGNAL	DESIGNATION
STEP 21 (N)	4W-17/4Y-7/IX-9A1W & 1X-18/4V, 4X 8/4Y-13/1W, 1X, 1Z & 4W-14/1Z & 5V 19/3W, 3X & 3Z

TABLE 4

SIGNAL	DESIGNATION
STEP 24 (N)	2/3W-12/1Y-14/5Z 19/1V, 1W, 3V & 3X 20/3V-22/3W-23/5W MS24 (P) 2/1Y

ISS. CHANGES  
**10 REDRAWN AND CHANGE W4**  
 8517  
 12-65

ISSUE SHEET

1	2	3	4	5	6	7	8	9	10	11	12	13	14	15	16	17	18	19	20	21	22	23	24	25	26	27	28	29	30
---	---	---	---	---	---	---	---	---	----	----	----	----	----	----	----	----	----	----	----	----	----	----	----	----	----	----	----	----	----

ISSUE NUMBERS OF OTHER SHEETS AT THE TIME OF ISSUING THIS SHEET.



LOGIC DIAGRAM

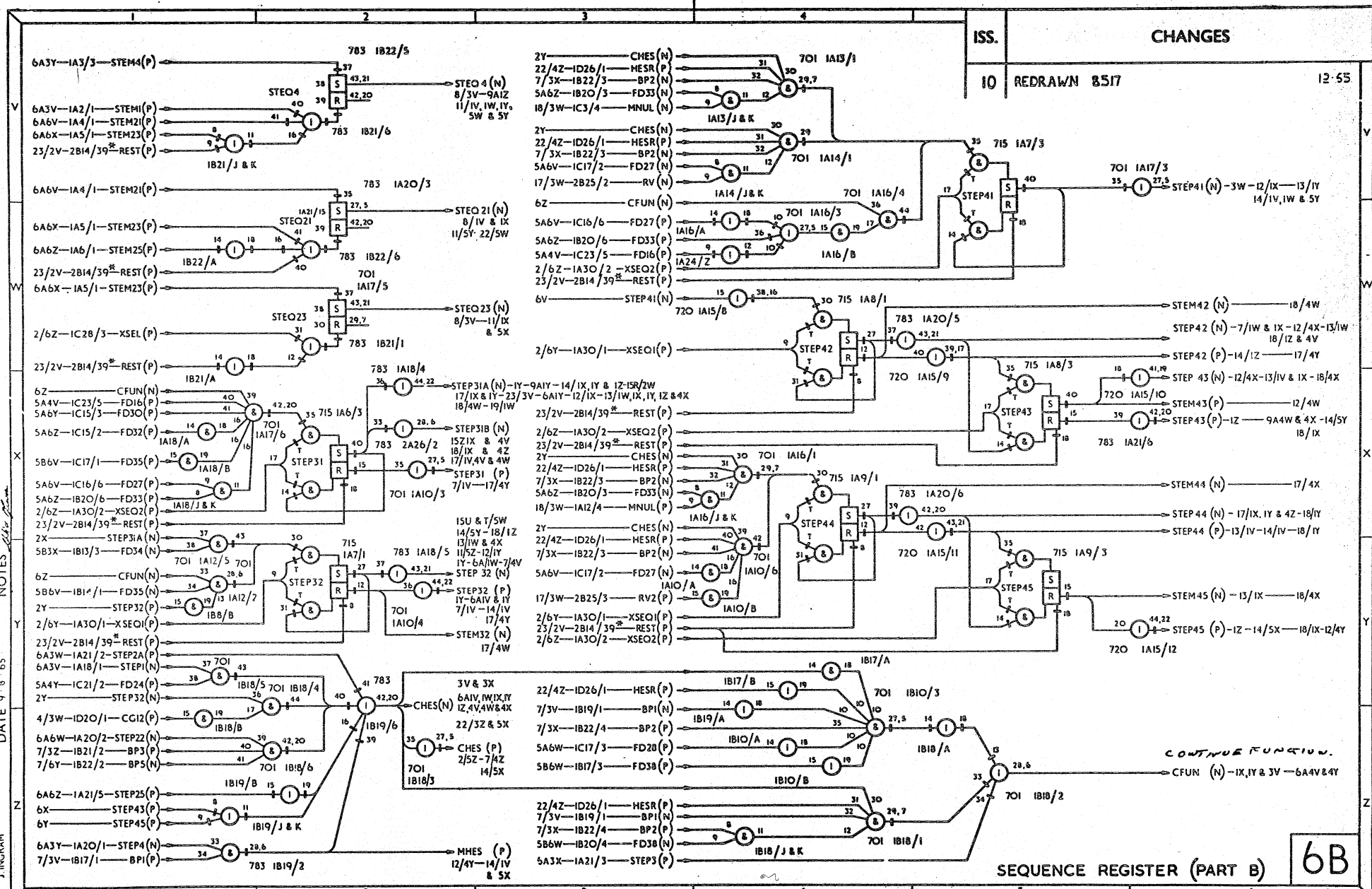
5006471 / 10 7  
 DIAGRAM ISSUE SHEET

ISS.

CHANGES

10 REDRAWN 8517

12-55



SEQUENCE REGISTER (PART B)

6B

DRAWN BY J. INGRAM DATE 9-0-65 NOTES



LOGIC DIAGRAM

5006471 / 10

8 ISSUE SHEET

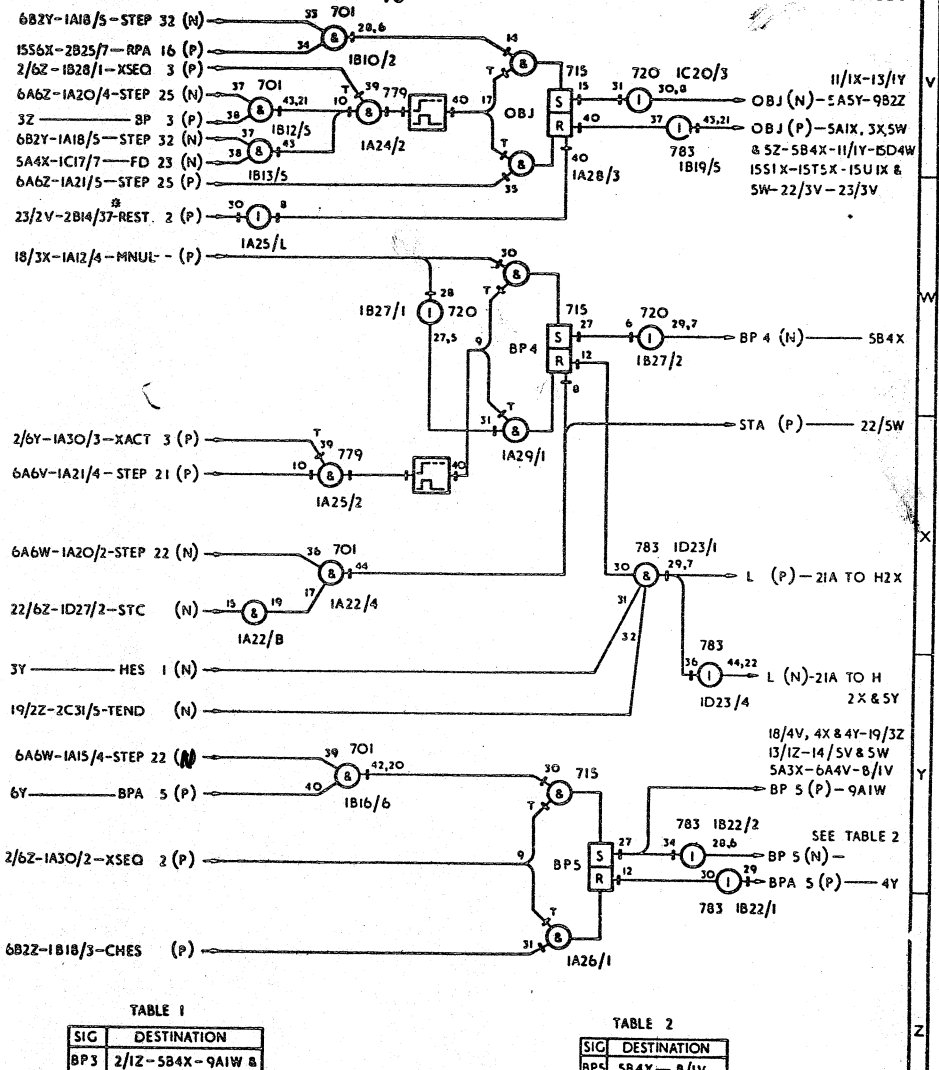
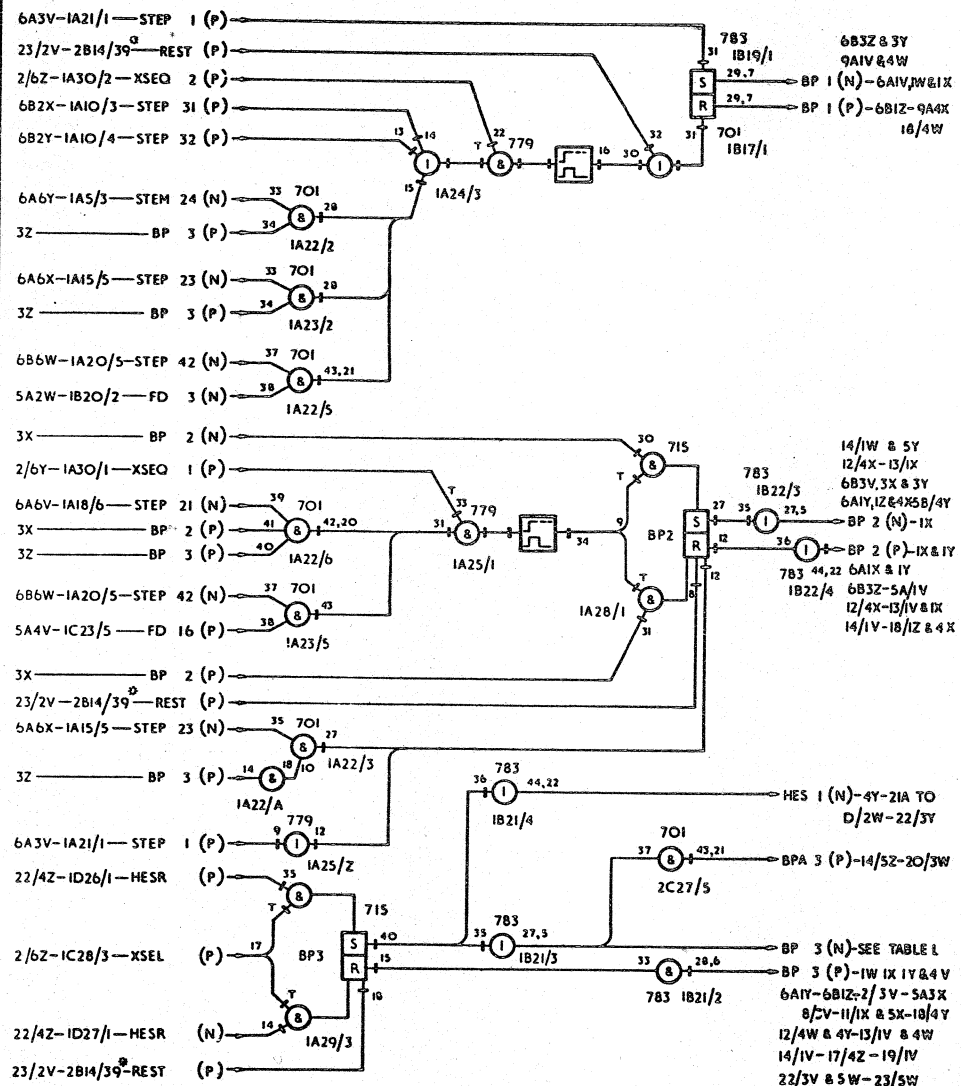
ISSUE	1	2	3	4	5	6	7	8	9	10	11	12	13	14	15	16	17	18	19	20	21	22	23	24	25	26	27	28	29	30
SHEET																														
ISSUE NUMBERS OF OTHER SHEETS AT THE TIME OF ISSUING THIS SHEET.																														

ISS.

CHANGES

10 REDRAWN 8517

12-55



CONTROL REGISTER (BPI-5)

TABLE 1

SIG	DESTINATION
BP3	2/1Z-5B4X-9A1W & 4X-11/5X & 5Y-12/1Y & 4X-13/1X,1Y & 2-18/4V & 4X-19/1W

TABLE 2

SIG	DESTINATION
BP5	5B4X-8/1V
(N)	6A4Z+13/1X & 4W-6B1Z-9A/1X

7

DRAWN BY M.A. MITCHELL DATE 12. 8. 65



LOGIC DIAGRAM

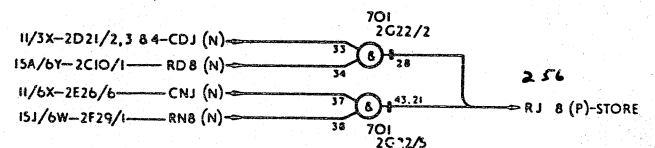
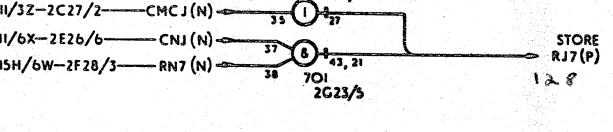
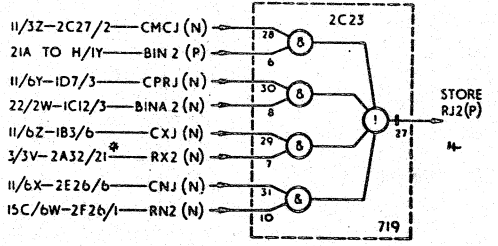
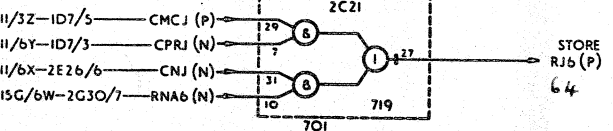
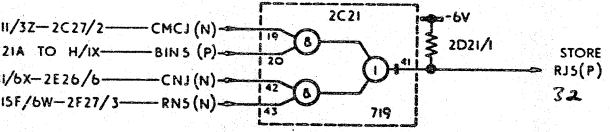
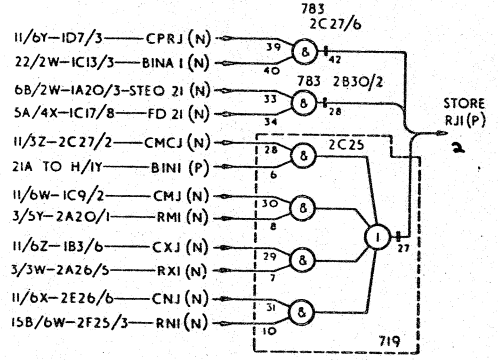
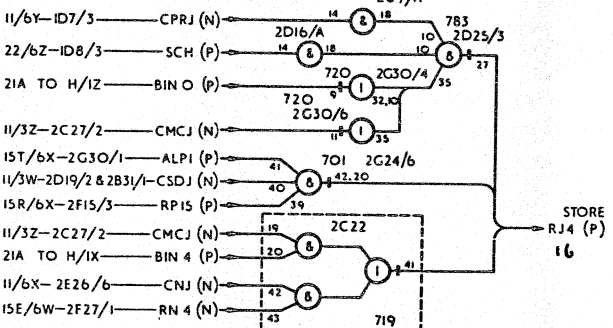
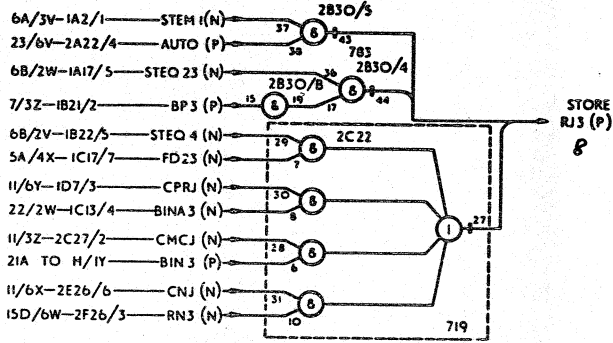
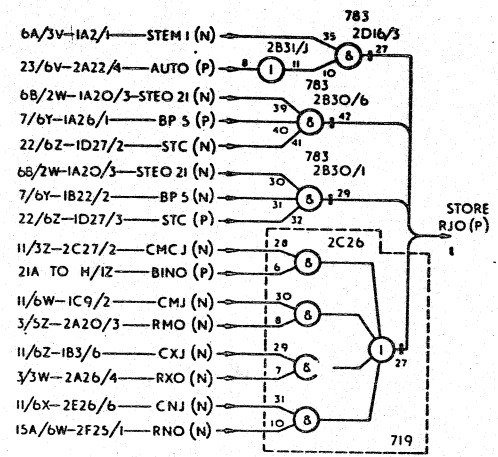
5006471 / 10 9  
DIAGRAM ISSUE SHEET

ISSUE

SHEET	1	2	3	4	5	6	7	8	9	10	11	12	13	14	15	16	17	18	19	20	21	22	23	24	25	26	27	28	29	30
-------	---	---	---	---	---	---	---	---	---	----	----	----	----	----	----	----	----	----	----	----	----	----	----	----	----	----	----	----	----	----

ISSUE NUMBERS OF OTHER SHEETS AT THE TIME OF ISSUING THIS SHEET.





STORE ADDRESSING

DRAWN BY M. TAYLOR DATE 10-8-65 NOTES: CHANGES

I.C.T. LOGIC DIAGRAM 5006471/10 10 ISSUE SHEET

SHEET	1	2	3	4	5	6	7	8	9	10	11	12	13	14	15	16	17	18	19	20	21	22	23	24	25	26	27	28	29	30
-------	---	---	---	---	---	---	---	---	---	----	----	----	----	----	----	----	----	----	----	----	----	----	----	----	----	----	----	----	----	----

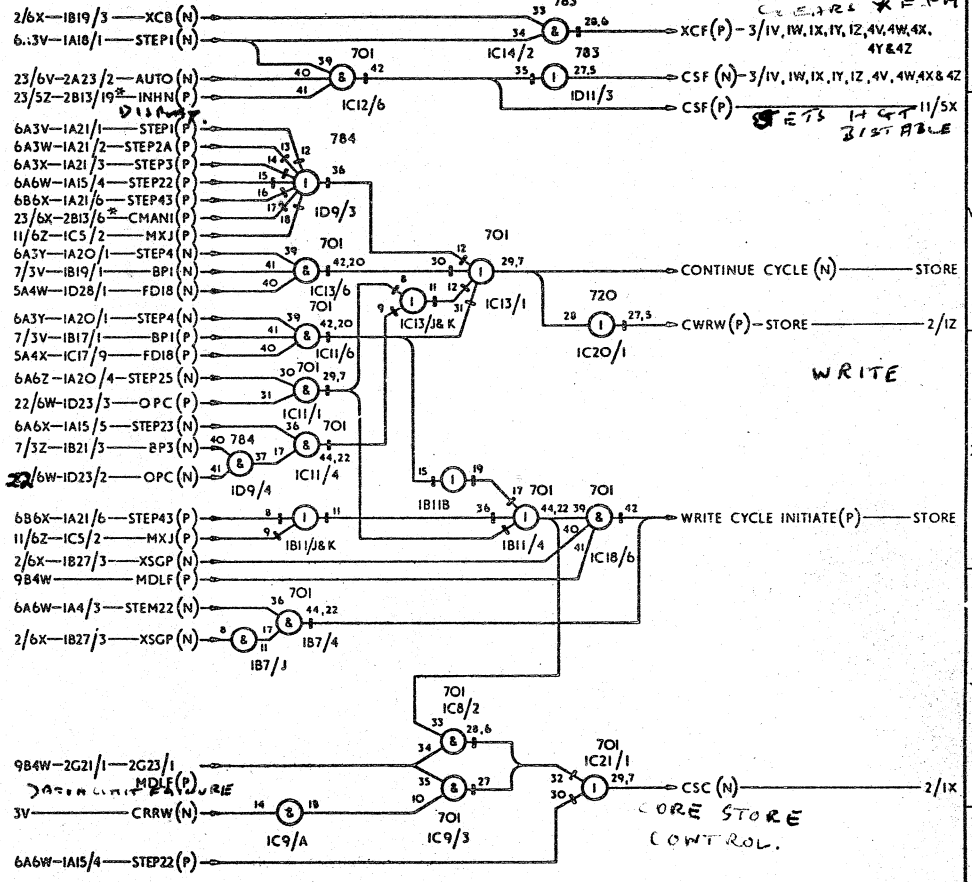
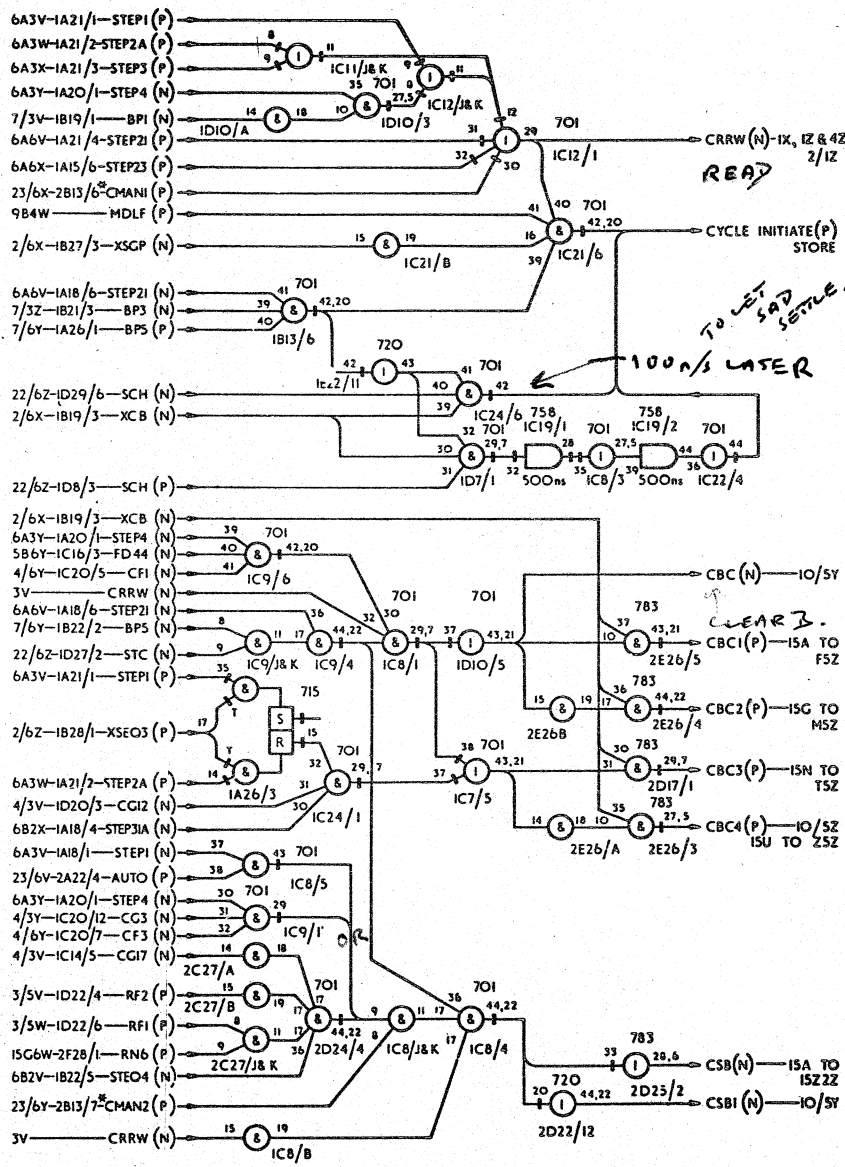
ISSUE NUMBERS OF OTHER SHEETS AT THE TIME OF ISSUING THIS SHEET.

ISS.

CHANGES

10 REDRAWN 8517

12-65



CONTROLS TO STORE (PART A)

9A

NOTES DATE 16 9 65 DRAWN BY E. J. RAHIN



LOGIC DIAGRAM

5006471 / 10 II

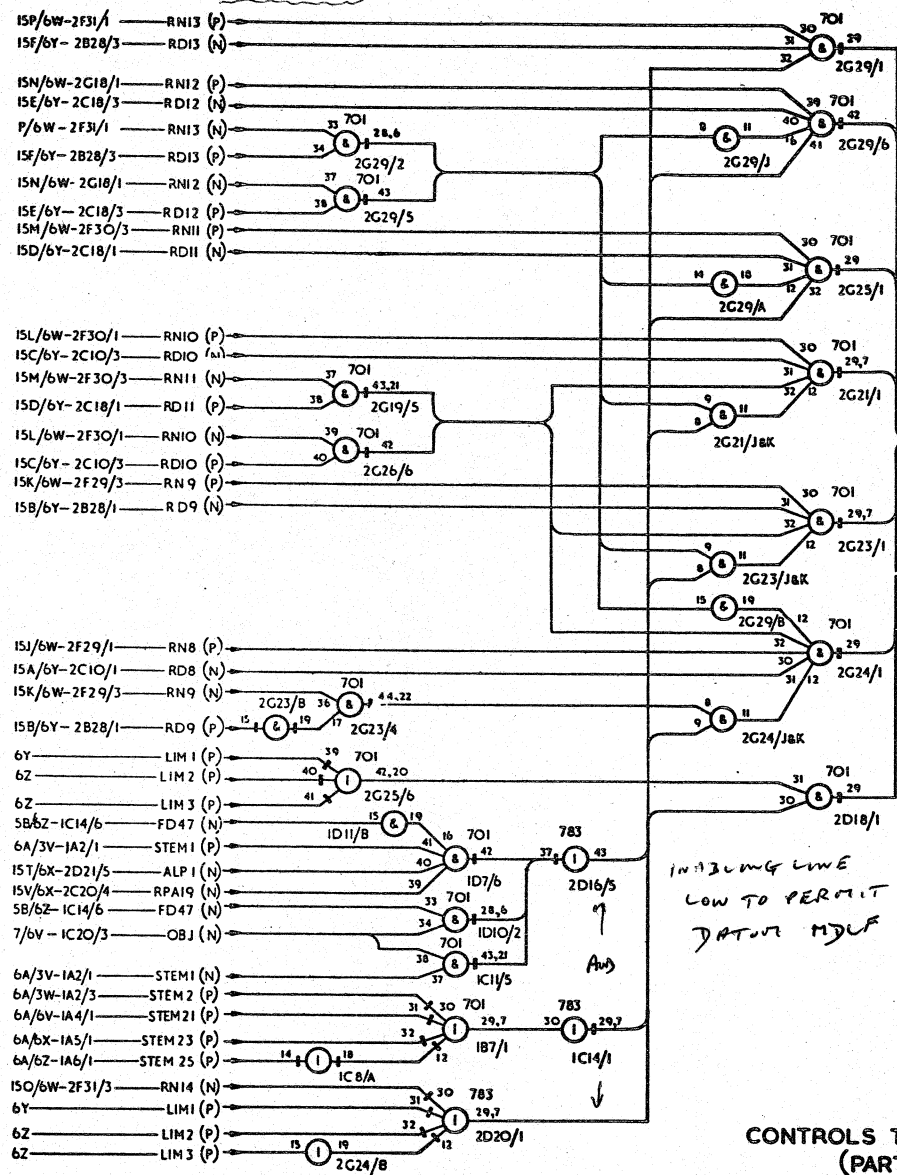
DIAGRAM ISSUE SHEET

ISSUE	1	2	3	4	5	6	7	8	9	10	11	12	13	14	15	16	17	18	19	20	21	22	23	24	25	26	27	28	29	30
ISSUE NUMBERS OF OTHER SHEETS AT THE TIME OF ISSUING THIS SHEET.																														



DRAWN BY A WILLIS DATE 21.7.65 NOTES *After Review*

ISS.	CHANGES	
10	REDRAWN 8517	12-65

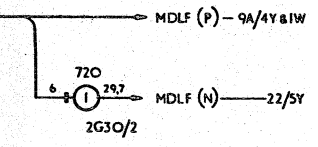


TO INDICATE THE LIMIT OF THE STORE LINKS MUST BE INSERTED IN 2G27 PINS 17,20,21 ACCORDING TO THIS LIMIT TABLE

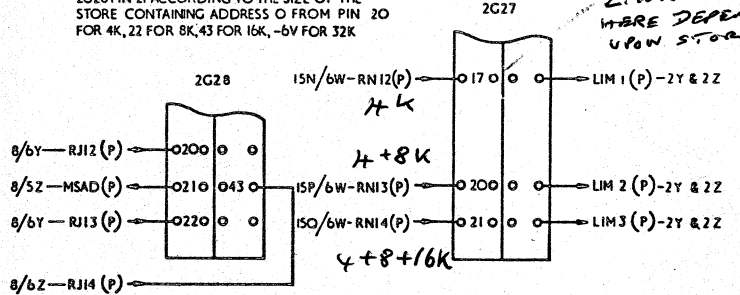
LIMIT TABLE

LIMIT	17	20	21
4K	→	→	→
8K	NO	→	→
16K	NO	NO	→
32K	NO	NO	NO

*INHIBIT = STEPS 2, 21, 23, 25*  
*ALLOWED: - OBJ STEP 1*  
*- OBJ GROUP 0-4*  
*- 00-04 STEP 1, RPI9 (BIT RPI)*



TO SIGNAL THE CORRECT ADDRESS BIT 2<sup>19</sup> TO THE STORES A LINK IS REQUIRED IN 2G28 PIN 21 ACCORDING TO THE SIZE OF THE STORE CONTAINING ADDRESS 0 FROM PIN 20 FOR 4K, 22 FOR 8K, 43 FOR 16K, -6V FOR 32K



*IN 1300G LINE LOW TO PERMIT DATA MDLF*

**CONTROLS TO STORE (PART B)**

*TO ADDRESS 32K STORE*

9 B

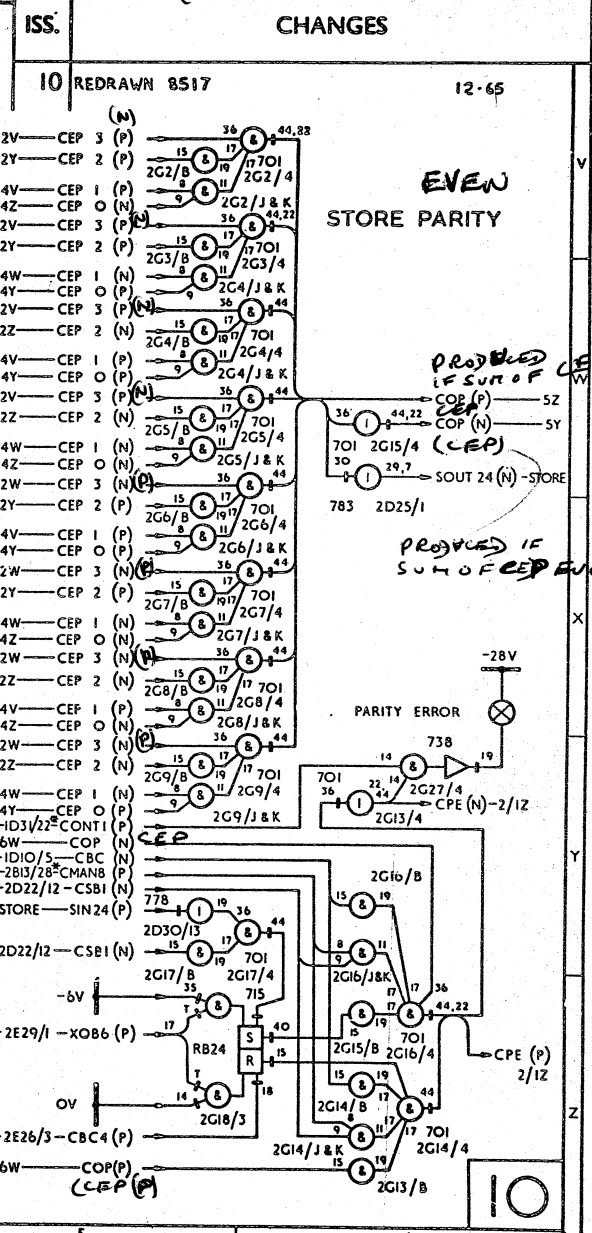


LOGIC DIAGRAM 5006471 / 10 12  
 DIAGRAM ISSUE SHEET

ISSUE SHEET	1	2	3	4	5	6	7	8	9	10	11	12	13	14	15	16	17	18	19	20	21	22	23	24	25	26	27	28	29	30
-------------	---	---	---	---	---	---	---	---	---	----	----	----	----	----	----	----	----	----	----	----	----	----	----	----	----	----	----	----	----	----

ISSUE NUMBERS OF OTHER SHEETS AT THE TIME OF ISSUING THIS SHEET.

ODD PARITY  
ALL CEP3 (P) NOW BECOME (N)  
COP BECOMES CEP



BECOMES SUM OF  
EVEN  
CEP3 (P)  
SV & SW

CEP1 (N)-SW,  
SX & SY

CEP O (P)-SW,  
SX & SY

CEP O (N)-SW,  
SW & SX

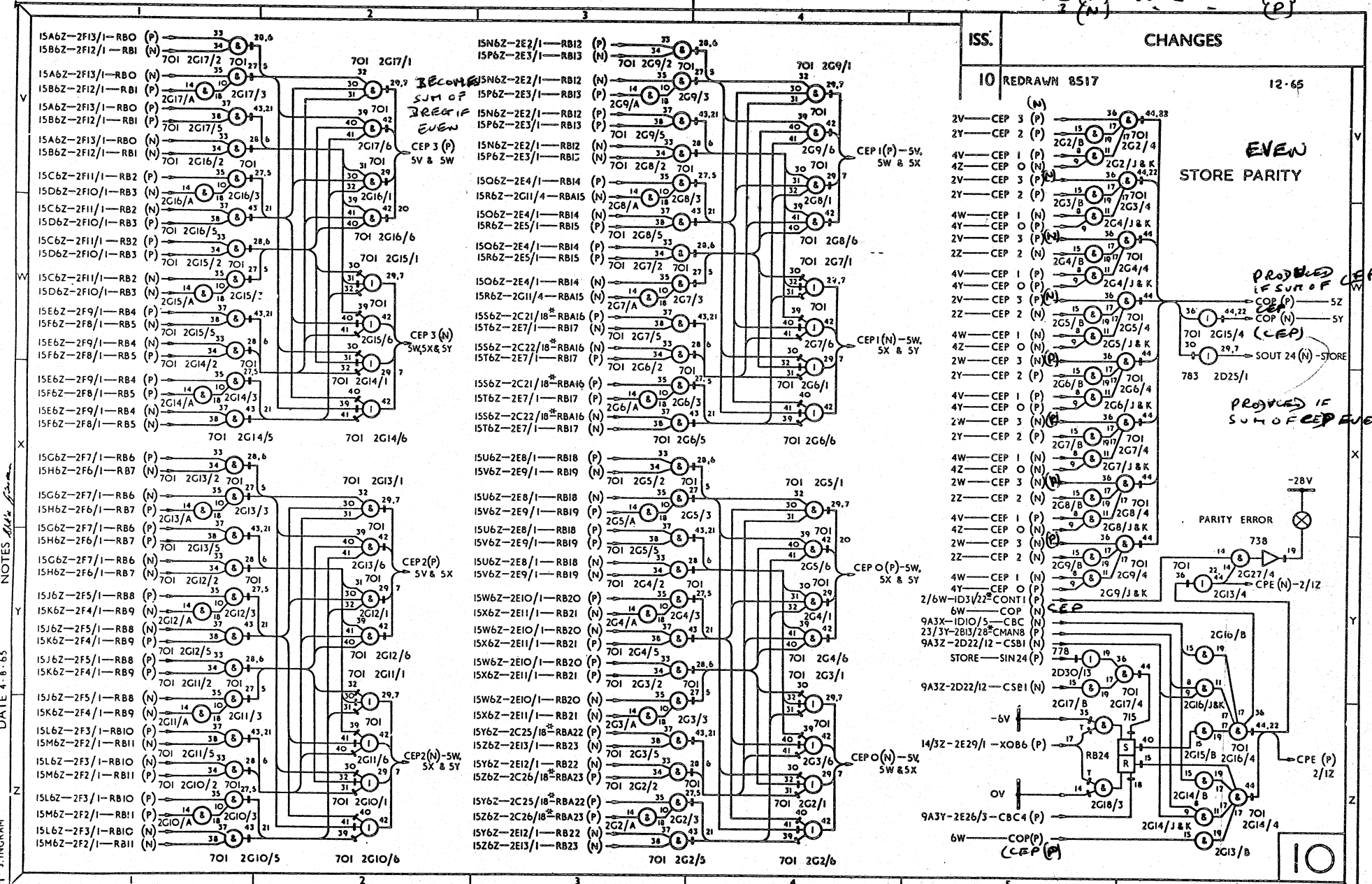
EVEN  
STORE PARITY

PROVIDED  
IF SUM OF CEP  
COP (P) - SZ  
COP (N) - SY  
701 2G15/4 (CEP)  
301 29.7  
SOUT 24 (N) - STORE  
783 2D25/1

PROVIDED IF  
SUM OF CEP EVEN.

PARITY ERROR

DATE 4-8-65  
DRAWN BY J. INGRAM



**I.C.T. LOGIC DIAGRAM**  
**5006471 / 10**  
DIAGRAM

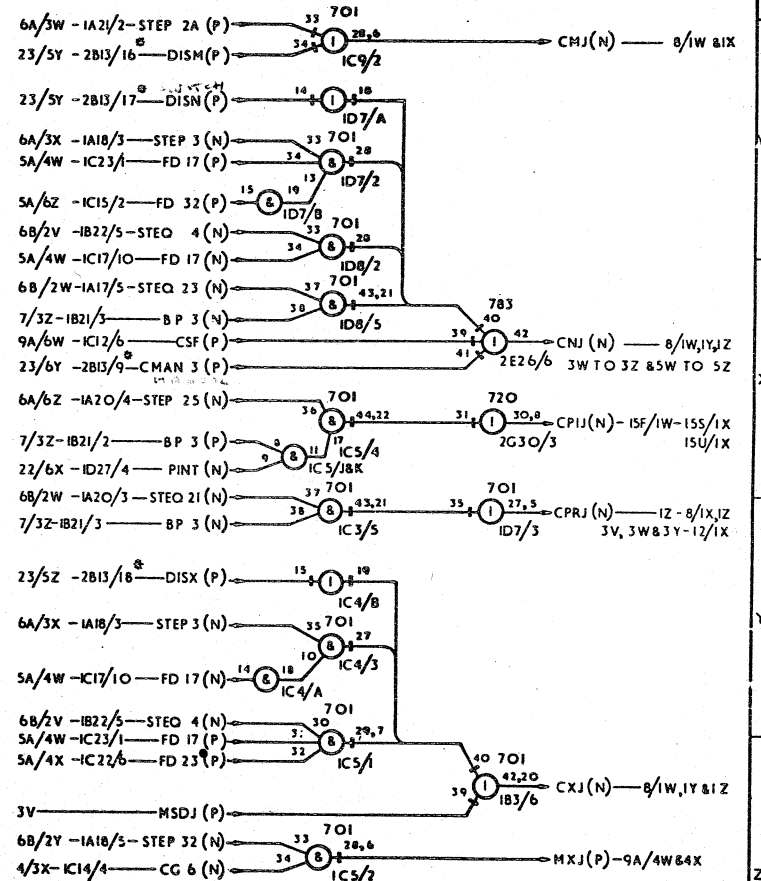
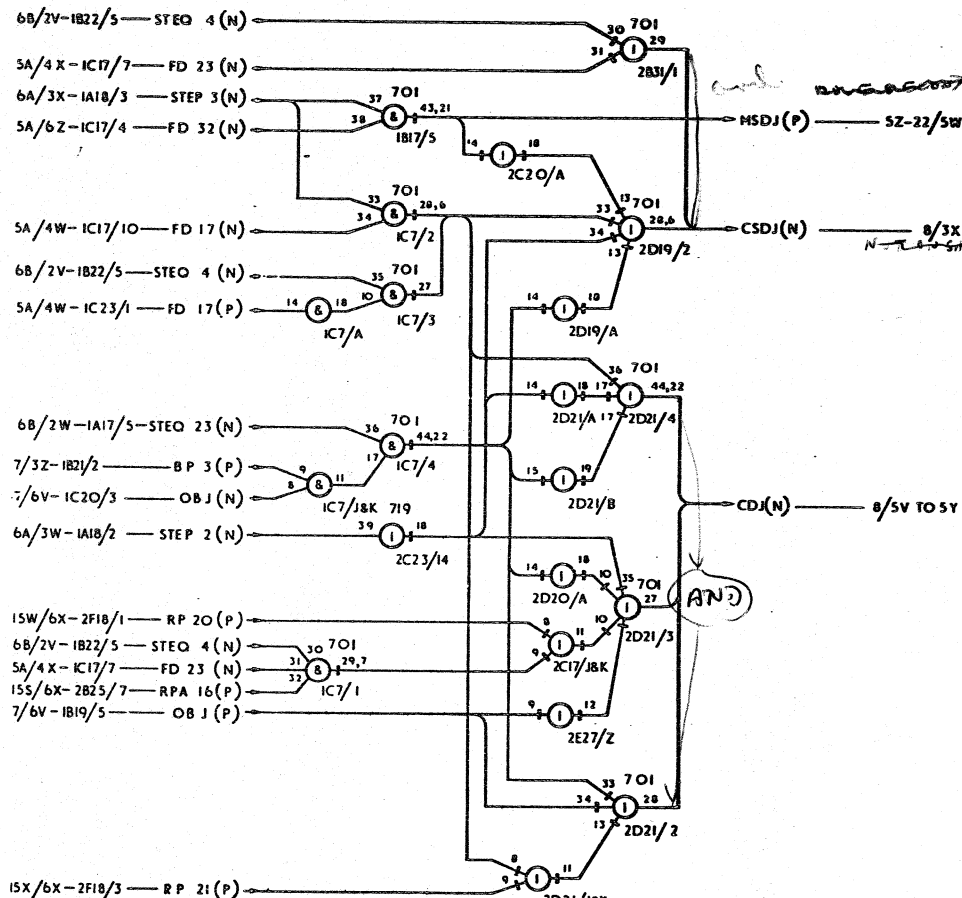
ISSUE SHEET

ISSUE SHEET

1	2	3	4	5	6	7	8	9	10	11	12	13	14	15	16	17	18	19	20	21	22	23	24	25	26	27	28	29	30
---	---	---	---	---	---	---	---	---	----	----	----	----	----	----	----	----	----	----	----	----	----	----	----	----	----	----	----	----	----

ISSUE NUMBERS OF OTHER SHEETS AT THE TIME OF ISSUING THIS SHEET.

ISS.	CHANGES
10	REDRAWN 8517 12-65



COMMON CONNECTIONS  
 ONLY MULTICHANNEL MULTI-STEP MECHANISM  
 NOTE 1: FOR CMC CONNECT TO SH(N)-DIAG. 21A TO H/4X  
 CHANNEL CONNECTIONS MUST BE FOR R. SEE EQUIPMENT SPECIFICATION  
 ONLY  
 CONTROLS TO HIGHWAY RJ.

DRAWN BY S.A. COOPER DATE 14.7.65 NOTES



LOGIC DIAGRAM

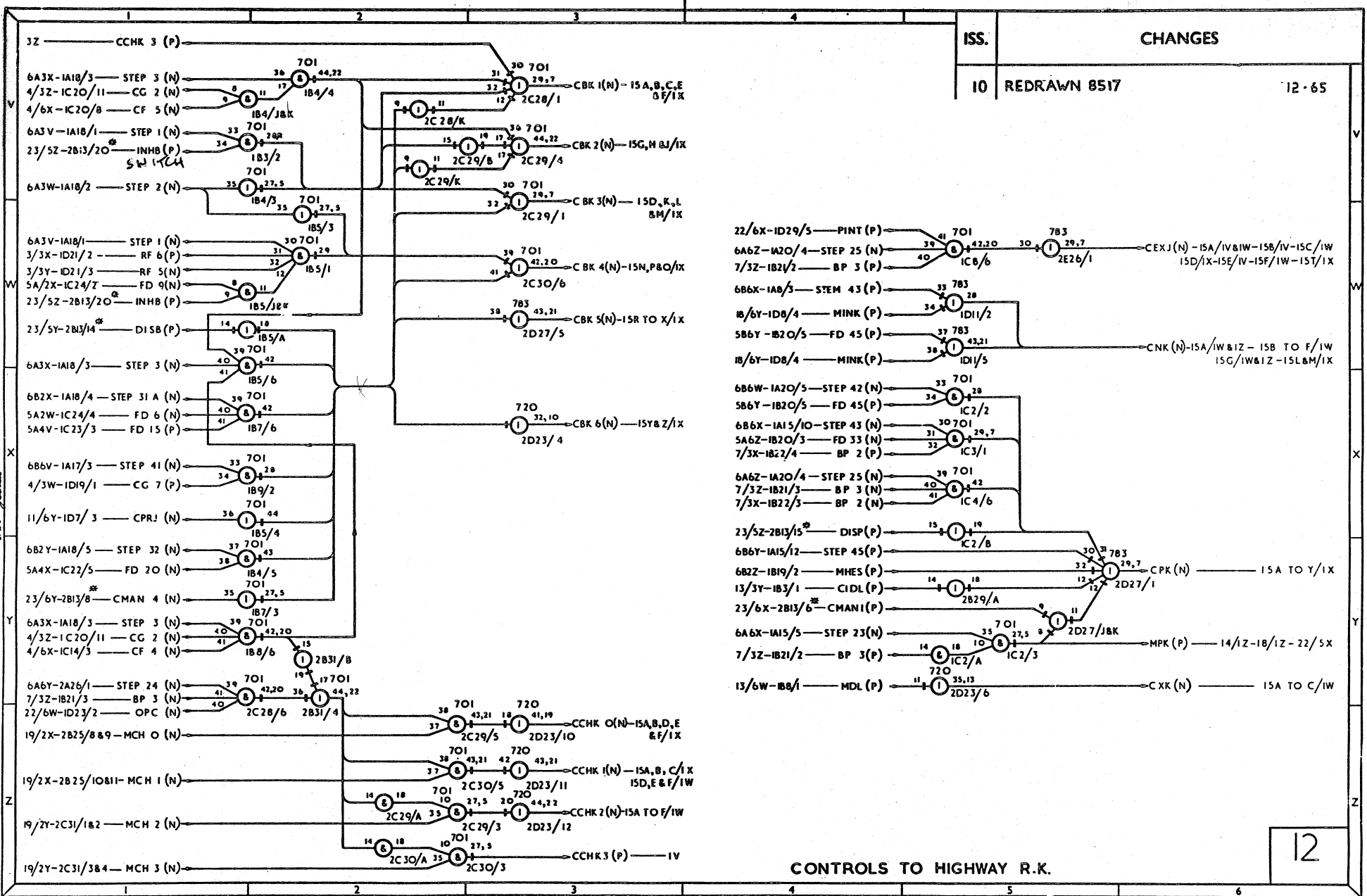
5006471/10 14  
 DIAGRAM ISSUE SHEET

ISSUE	SHEET																													
	1	2	3	4	5	6	7	8	9	10	11	12	13	14	15	16	17	18	19	20	21	22	23	24	25	26	27	28	29	30

ISSUE NUMBERS OF OTHER SHEETS AT THE TIME OF ISSUING THIS SHEET.

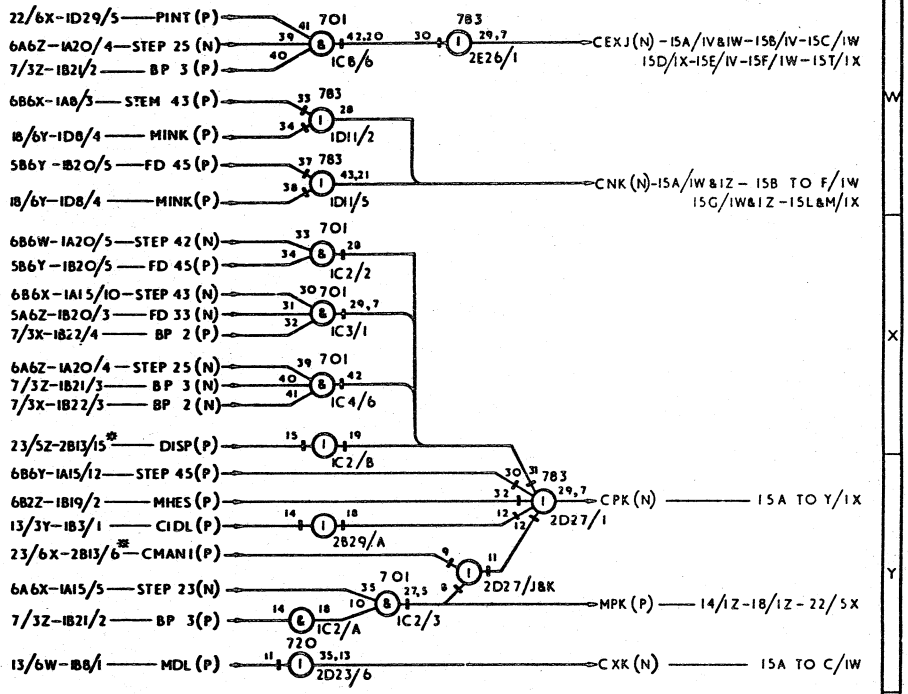
DATE 16.7.65 DRAWN BY S.A. COOPER

NOTES 2/2/64



ISS.	CHANGES
------	---------

10	REDRAWN 8517	12.65
----	--------------	-------



CONTROLS TO HIGHWAY R.K.

12

	LOGIC DIAGRAM	5006471/ 10	15	ISSUE SHEET
	DIAGRAM			
				ISSUE SHEET
				SHEET
				ISSUE NUMBERS OF OTHER SHEETS AT THE TIME OF ISSUING THIS SHEET.

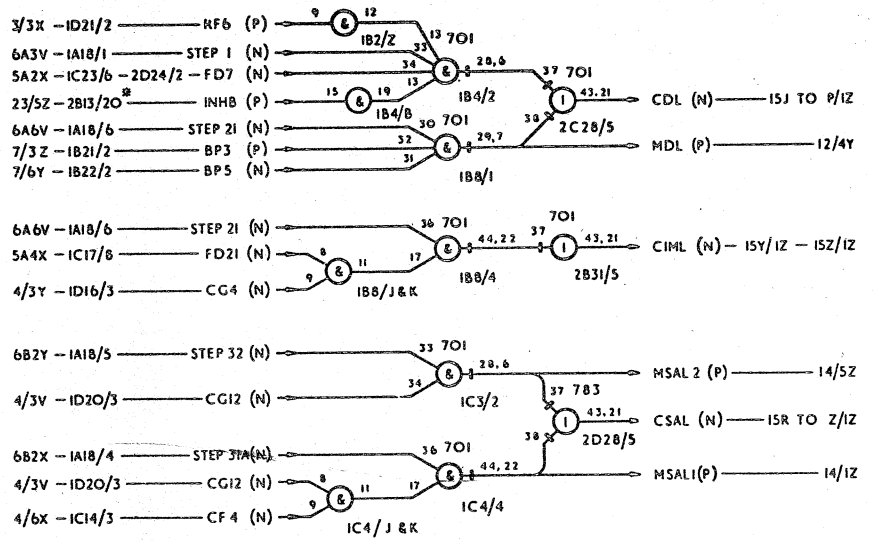
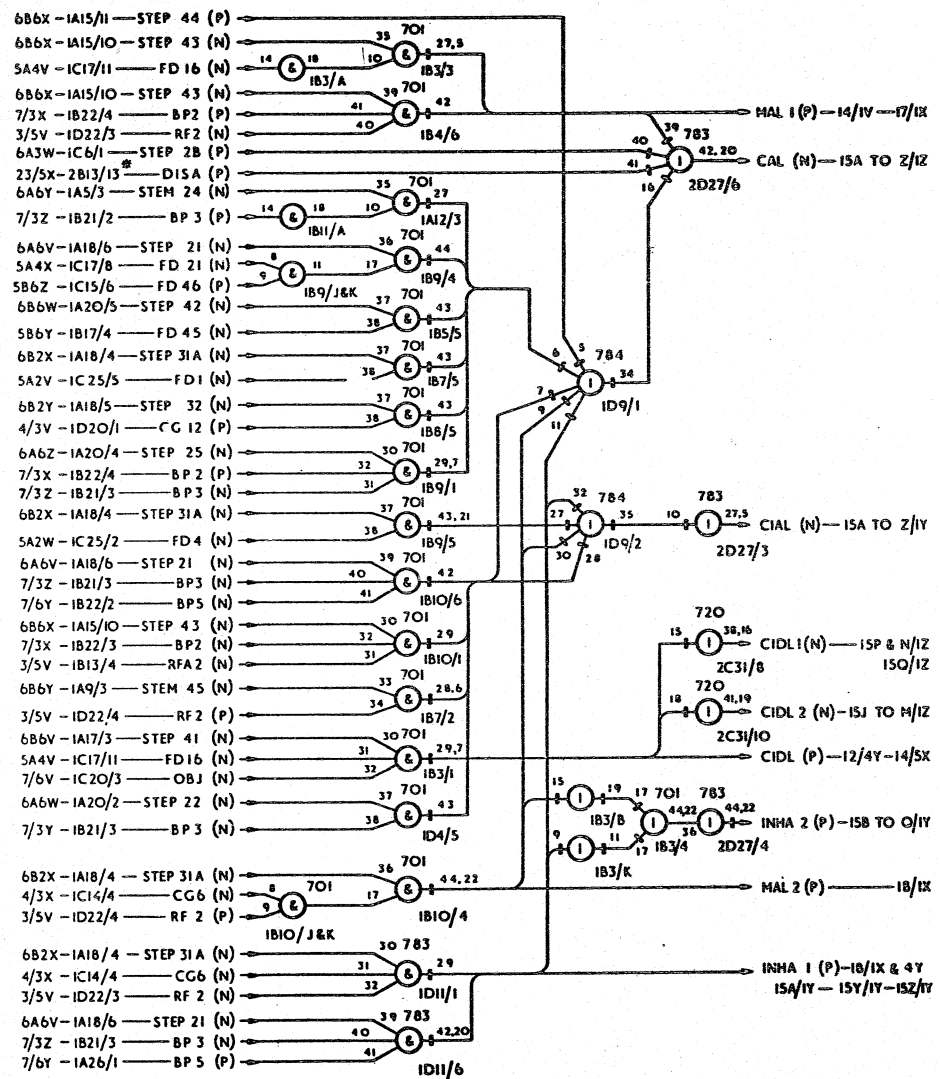
DRAWN BY V.M. SMITH. DATE 15-7-65. NOTES 4/11/65

ISS.

CHANGES

10. REDRAWN 8517

12-65



CONTROLS TO HIGHWAY RL

13



LOGIC DIAGRAM

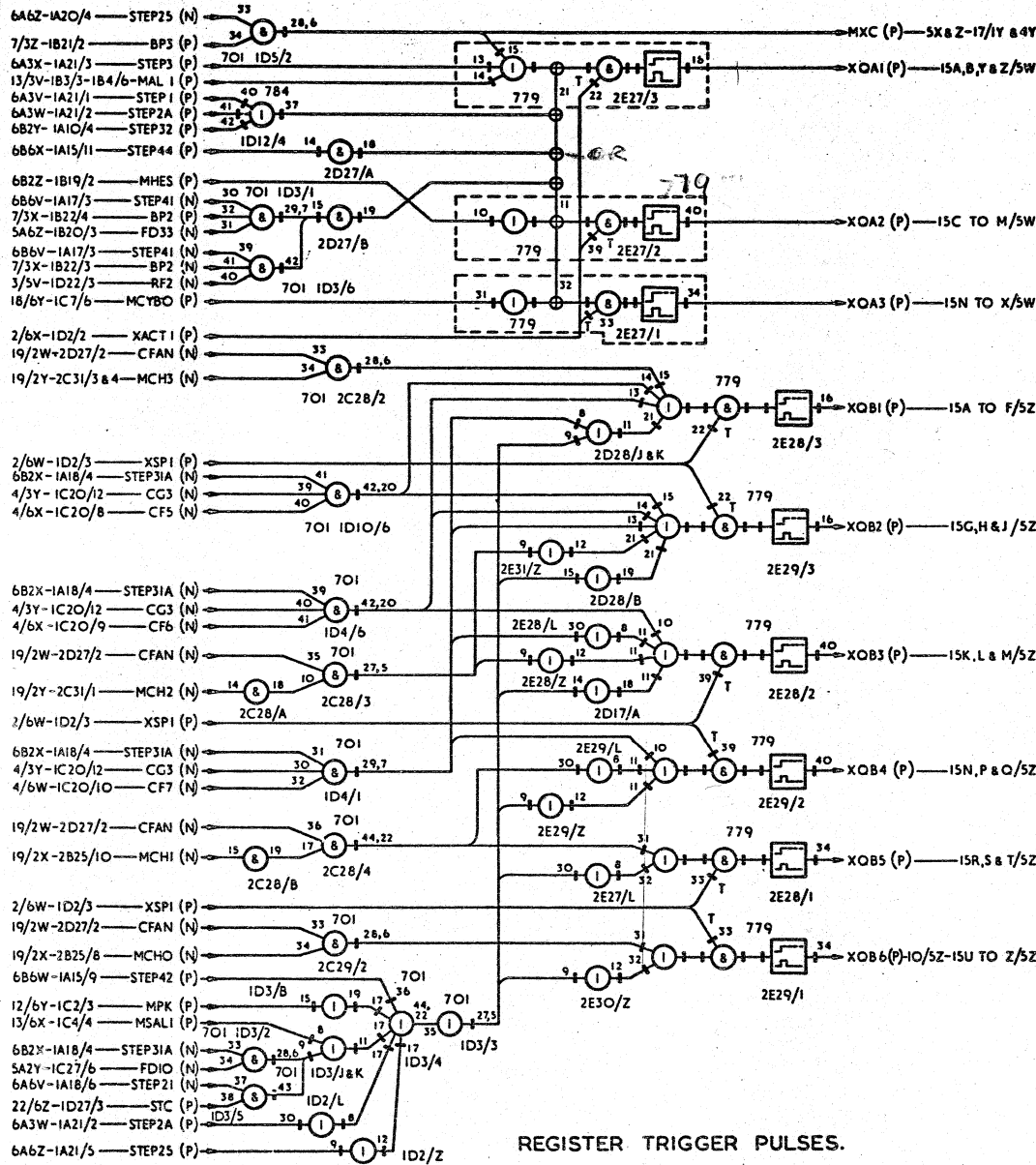
5006471/10 16  
DIAGRAM ISSUE SHEET

ISSUE

SHEET 1 2 3 4 5 6 7 8 9 10 11 12 13 14 15 16 17 18 19 20 21 22 23 24 25 26 27 28 29 30

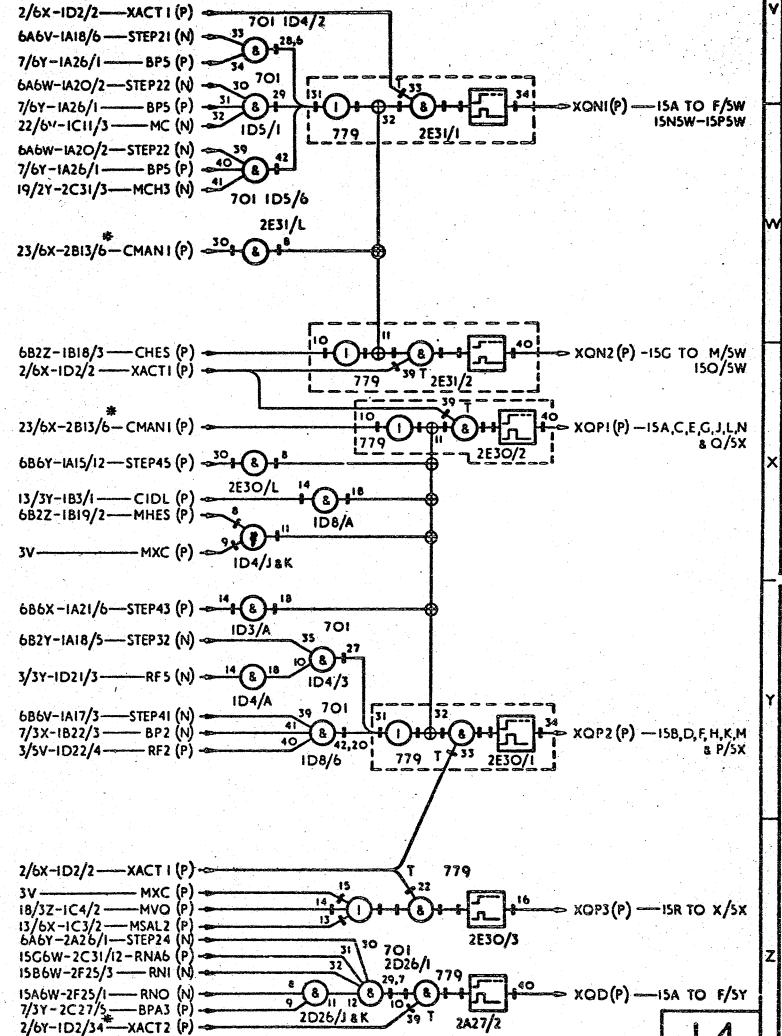
ISSUE NUMBERS OF OTHER SHEETS AT THE TIME OF ISSUING THIS SHEET.

DRAWN BY G.V. ACRAMAN DATE 26-8-65 NOTES See Ref. 14



REGISTER TRIGGER PULSES.

ISS:	CHANGES
10	REDRAWN 8517
	12.65



14



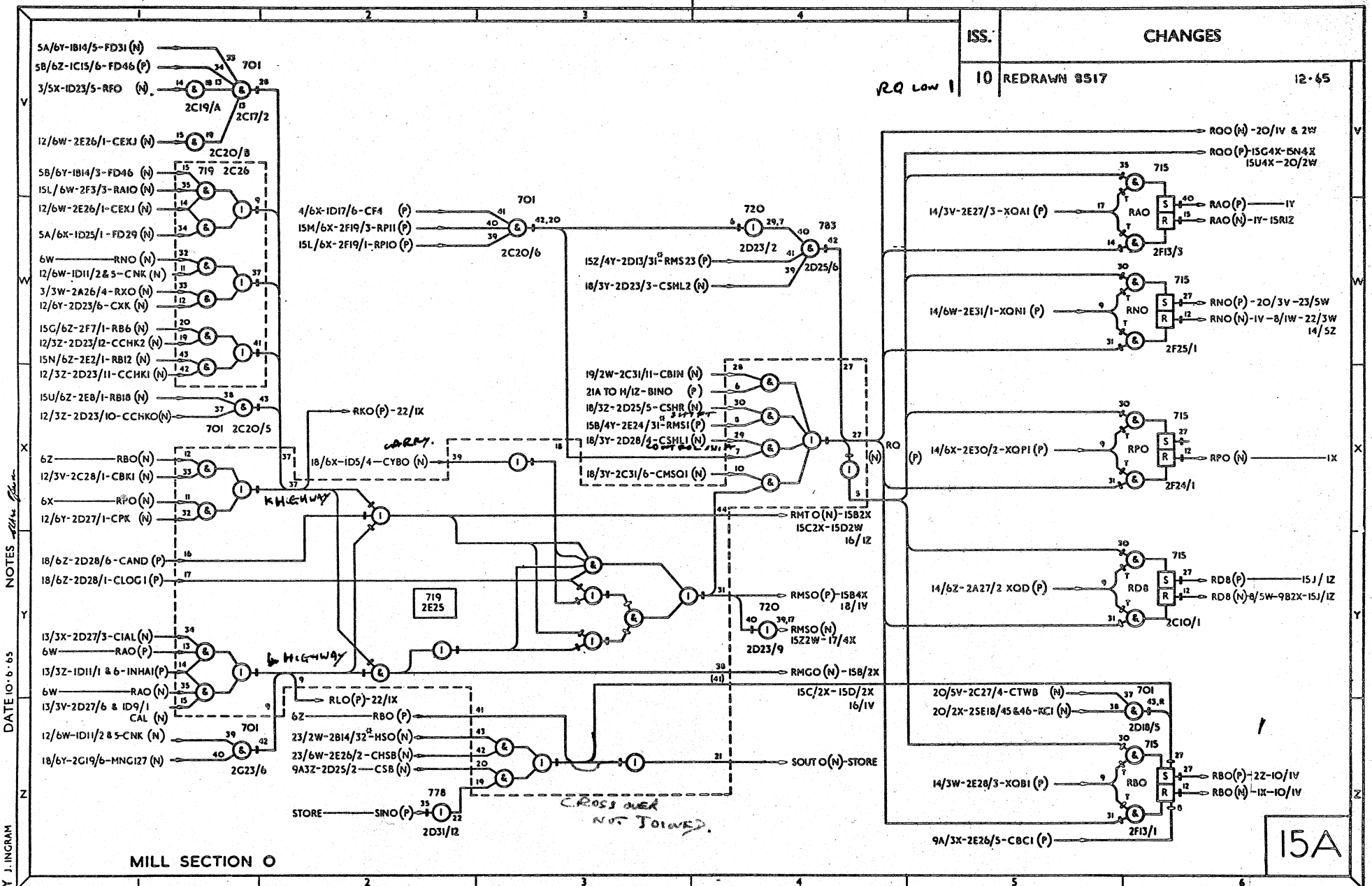
LOGIC DIAGRAM

5006471/10 17  
DIAGRAM ISSUE SHEET

ISSUE

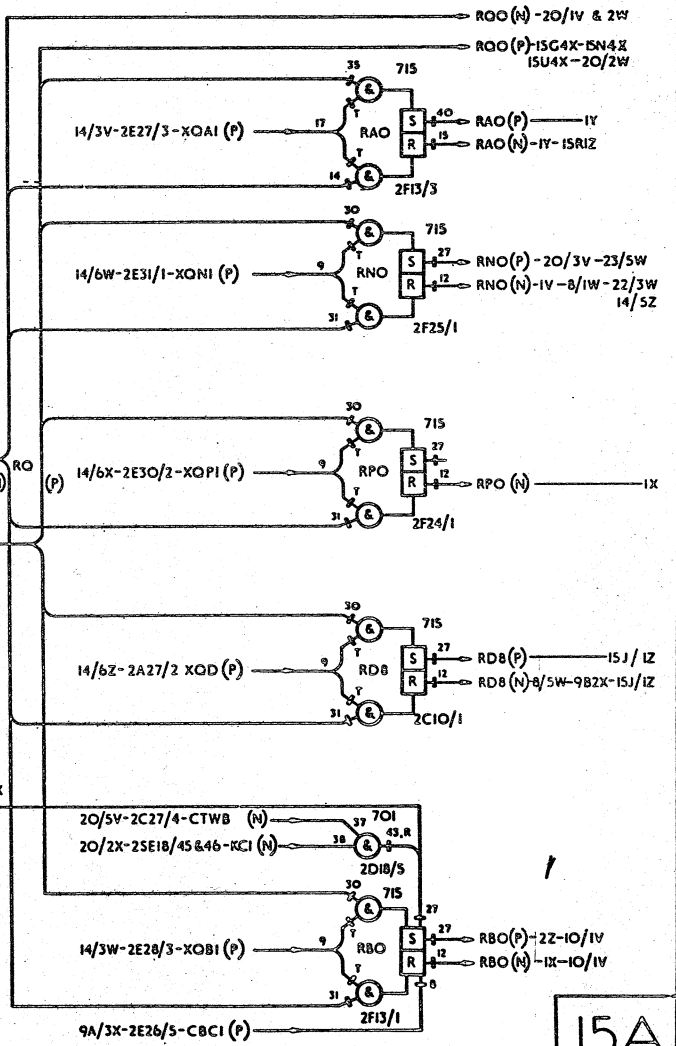
SHEET	1	2	3	4	5	6	7	8	9	10	11	12	13	14	15	16	17	18	19	20	21	22	23	24	25	26	27	28	29	30
-------	---	---	---	---	---	---	---	---	---	----	----	----	----	----	----	----	----	----	----	----	----	----	----	----	----	----	----	----	----	----

ISSUE NUMBERS OF OTHER SHEETS AT THE TIME OF ISSUING THIS SHEET.



ISS. CHANGES  
 10 REDRAWN 8517 12-65

RQ LOW 1



15A

MILL SECTION O

DRAWN BY J. INGRAM DATE 10-6-65 NOTES



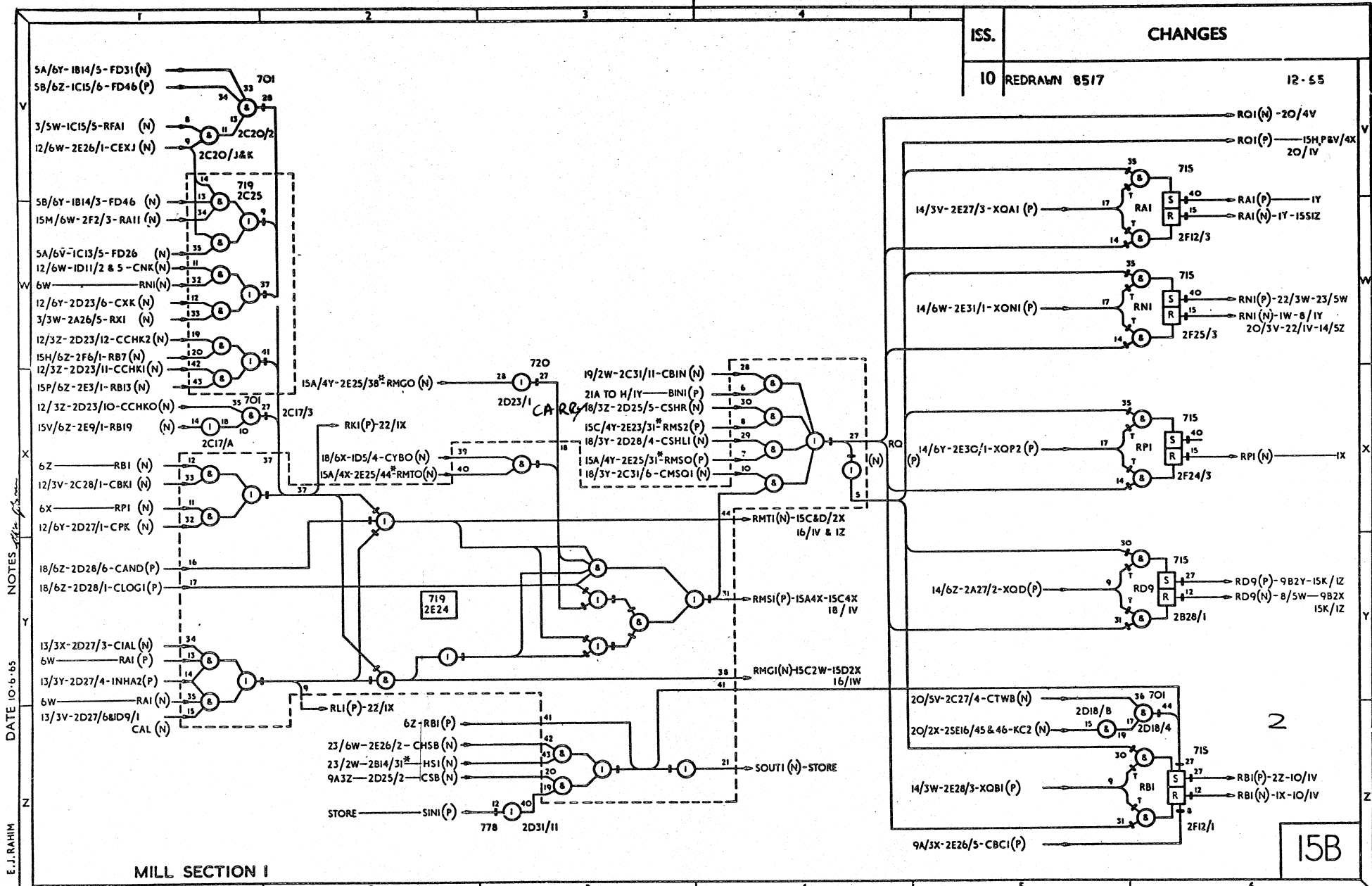
LOGIC DIAGRAM

5006471  
 DIAGRAM

/ 10 18  
 ISSUE SHEET

ISSUE																															
SHEET	1	2	3	4	5	6	7	8	9	10	11	12	13	14	15	16	17	18	19	20	21	22	23	24	25	26	27	28	29	30	
ISSUE NUMBERS OF OTHER SHEETS AT THE TIME OF ISSUING THIS SHEET.																															

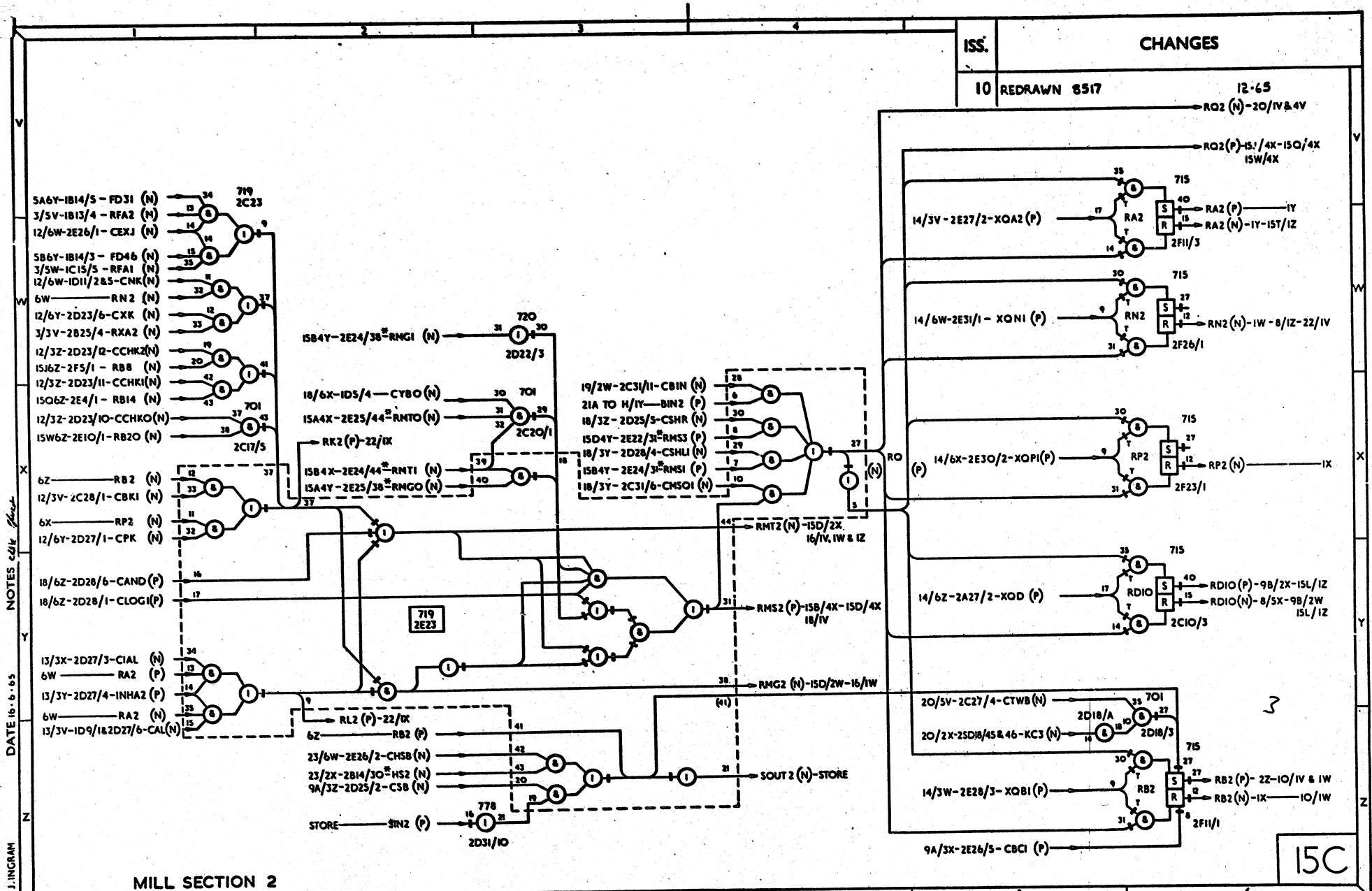




2

15B





ISS.	CHANGES	
10	REDRAWN 8517	12-65

DATE 10-6-65  
 DRAWN BY J. INGRAM  
 NOTES 464

MILL SECTION 2

15C

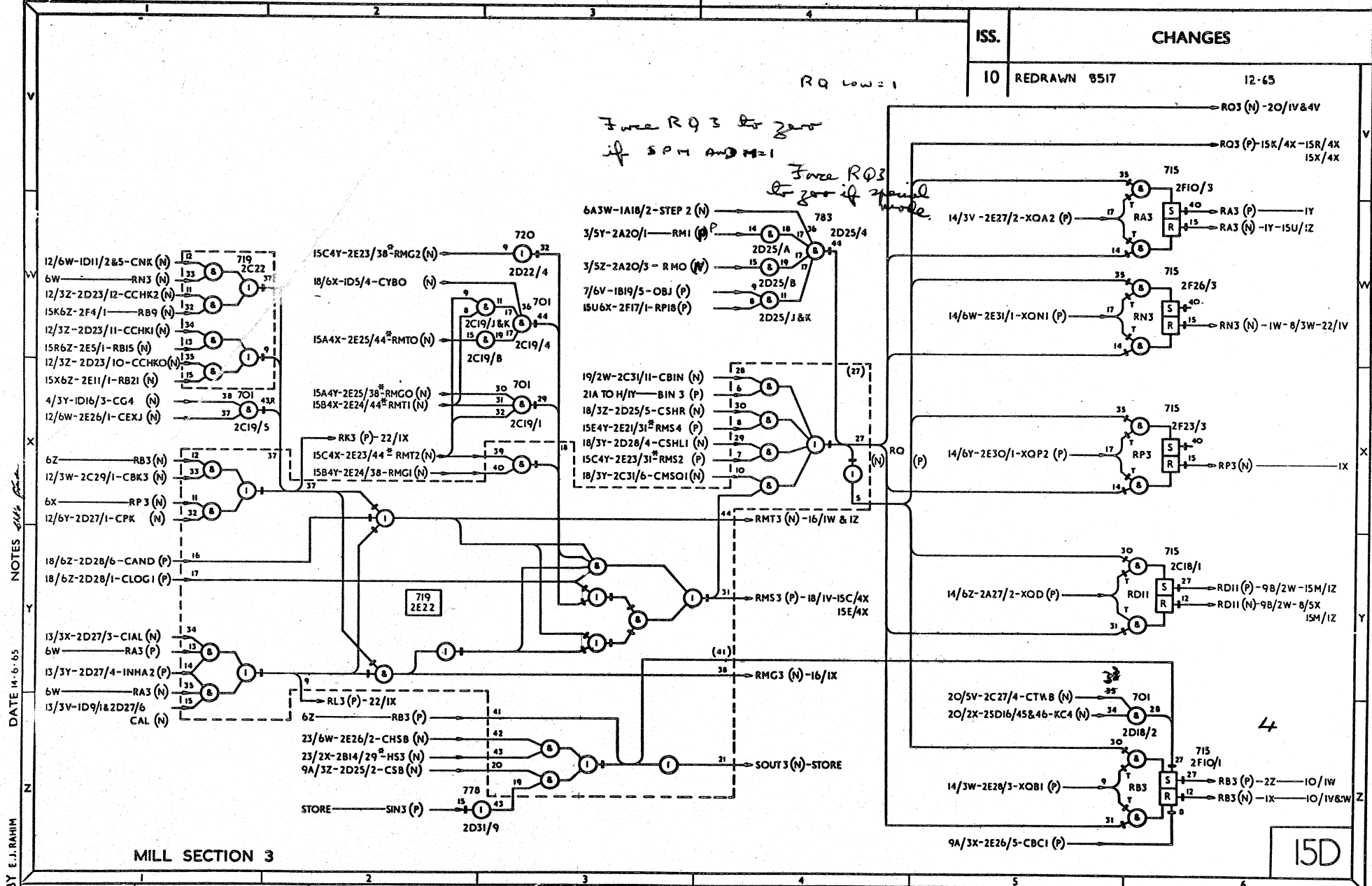


LOGIC DIAGRAM

5006471 / 10 20  
 DIAGRAM ISSUE SHEET

ISSUE

SHEET	1	2	3	4	5	6	7	8	9	10	11	12	13	14	15	16	17	18	19	20	21	22	23	24	25	26	27	28	29	30
ISSUE NUMBERS OF OTHER SHEETS AT THE TIME OF ISSUING THIS SHEET.																														



ISS.	CHANGES
10	REDRAWN 8517 12-65

Force RQ 3 to zero if SP1 AND M=1

Force RQ3 to zero if signal mode.

NOTES  
 DATE 14-6-65  
 DRAWN BY E.J. RAHIM

MILL SECTION 3

4

15D



LOGIC DIAGRAM

5006471 / 10 21  
 DIAGRAM ISSUE SHEET

ISSUE SHEET	1	2	3	4	5	6	7	8	9	10	11	12	13	14	15	16	17	18	19	20	21	22	23	24	25	26	27	28	29	30
ISSUE NUMBERS OF OTHER SHEETS AT THE TIME OF ISSUING THIS SHEET.																														

ISS.

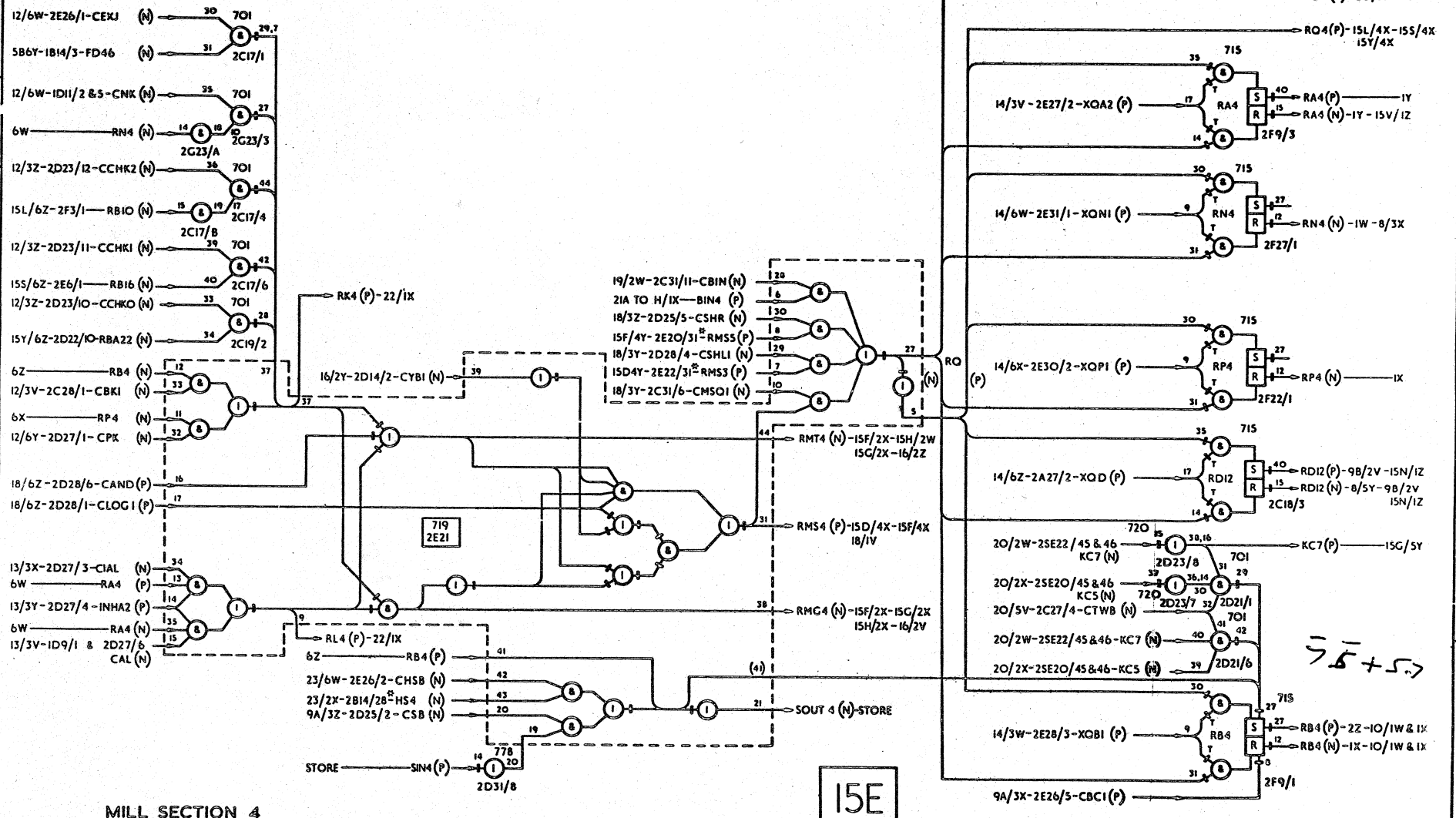
CHANGES

10 REDRAWN 8517

12-65

NOTES DATE 11-6-65

DRAWN BY E.J. RAHIM



MILL SECTION 4

15E



LOGIC DIAGRAM

5006471  
DIAGRAM

/ 10

22  
SHEET

ISSUE

SHEET	1	2	3	4	5	6	7	8	9	10	11	12	13	14	15	16	17	18	19	20	21	22	23	24	25	26	27	28	29	30
-------	---	---	---	---	---	---	---	---	---	----	----	----	----	----	----	----	----	----	----	----	----	----	----	----	----	----	----	----	----	----

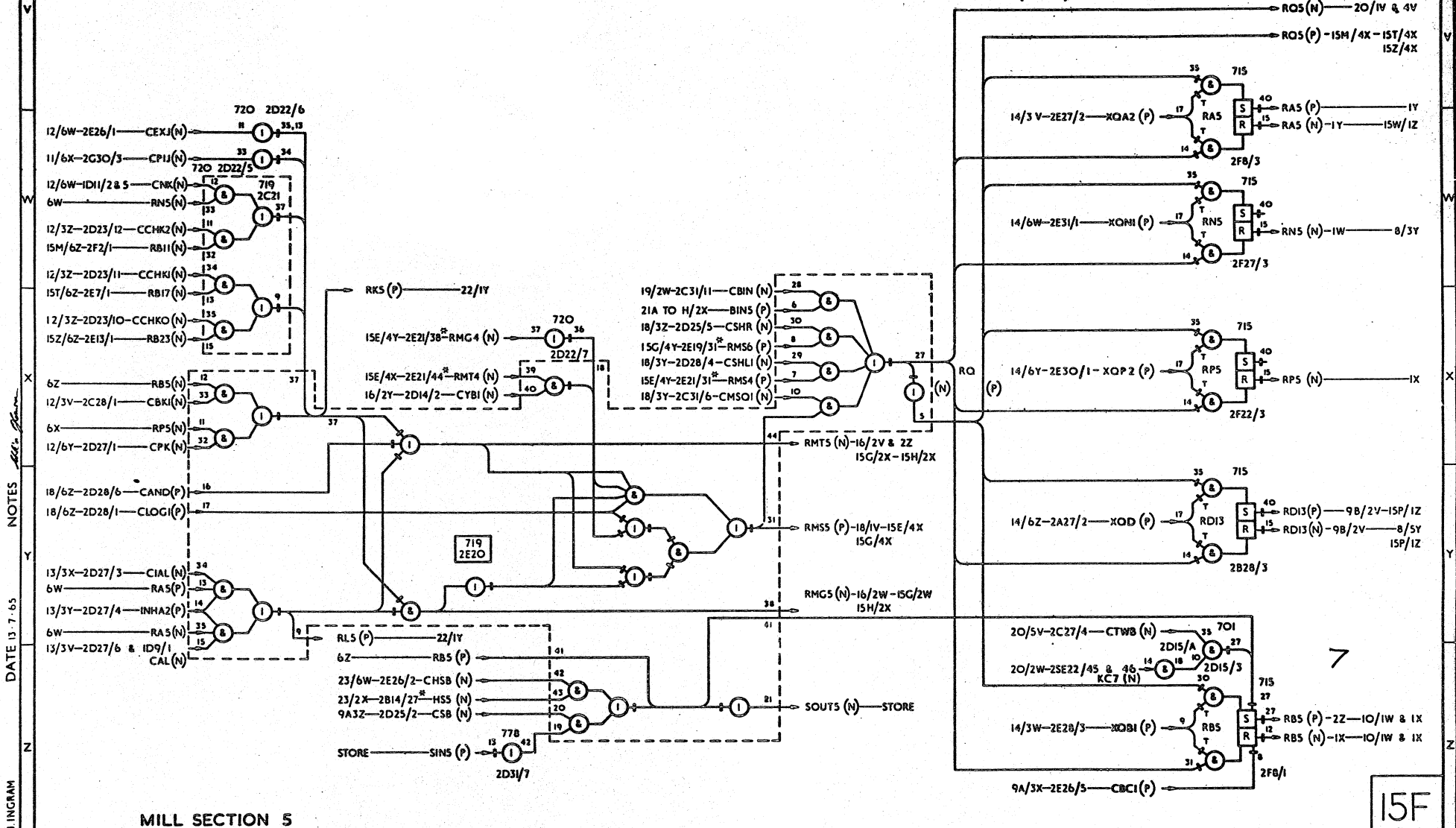
ISSUE NUMBERS OF OTHER SHEETS AT THE TIME OF ISSUING THIS SHEET.

ISS.

CHANGES

10 REDRAWN 6517

12-65



MILL SECTION 5



LOGIC DIAGRAM

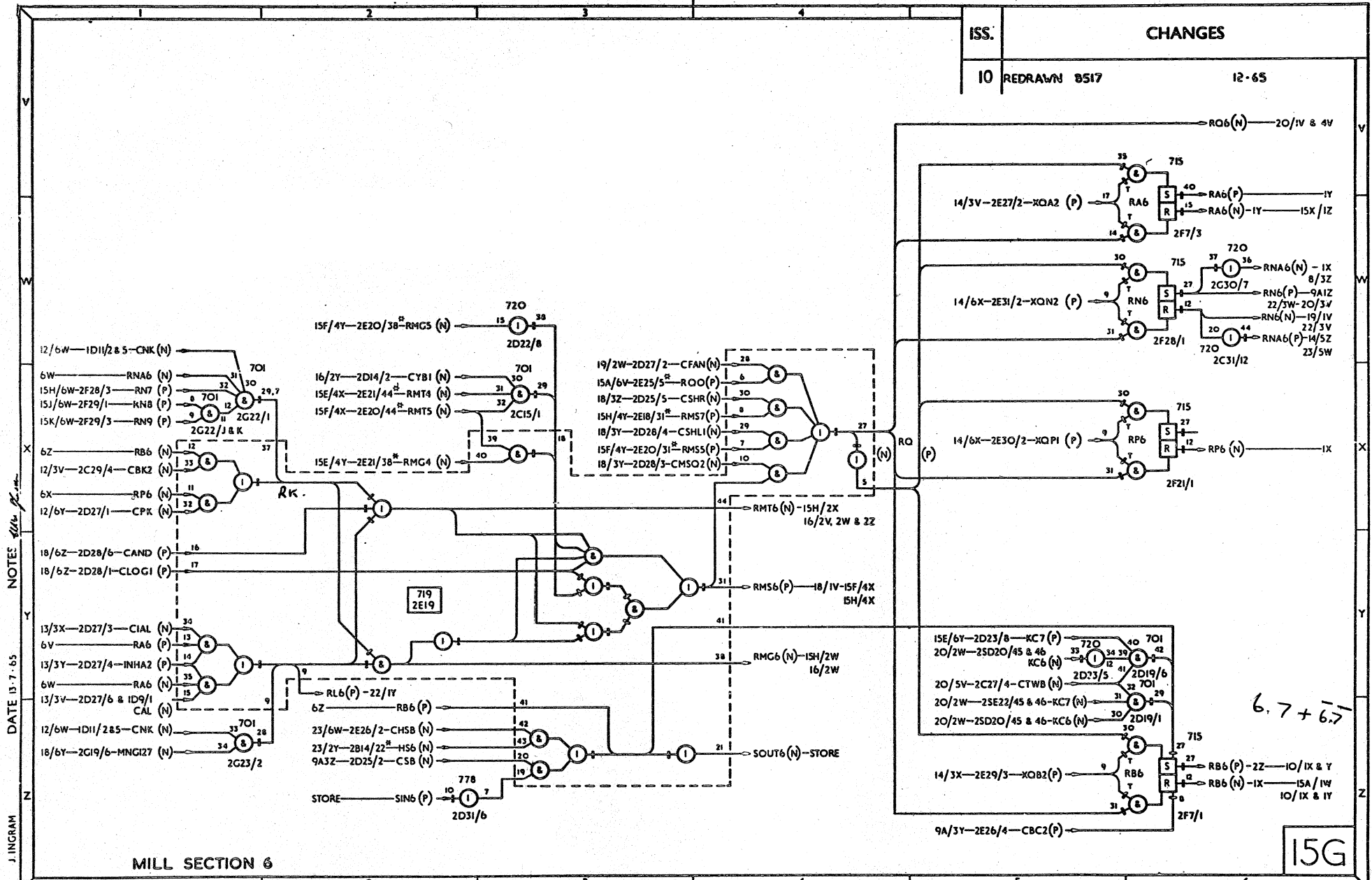
5006471 / 10 23

DIAGRAM ISSUE SHEET

ISSUE

SHEET	1	2	3	4	5	6	7	8	9	10	11	12	13	14	15	16	17	18	19	20	21	22	23	24	25	26	27	28	29	30
-------	---	---	---	---	---	---	---	---	---	----	----	----	----	----	----	----	----	----	----	----	----	----	----	----	----	----	----	----	----	----

ISSUE NUMBERS OF OTHER SHEETS AT THE TIME OF ISSUING THIS SHEET.



ISS.	CHANGES	
10	REDRAWN 8517	12-65

DRAWN BY J. INGRAM  
 DATE 13-7-65  
 NOTES 244 R.

MILL SECTION 6

15G

	LOGIC DIAGRAM	5006471 / 10 24	ISSUE
	DIAGRAM	ISSUE	SHEET
	ISSUE NUMBERS OF OTHER SHEETS AT THE TIME OF ISSUING THIS SHEET.		

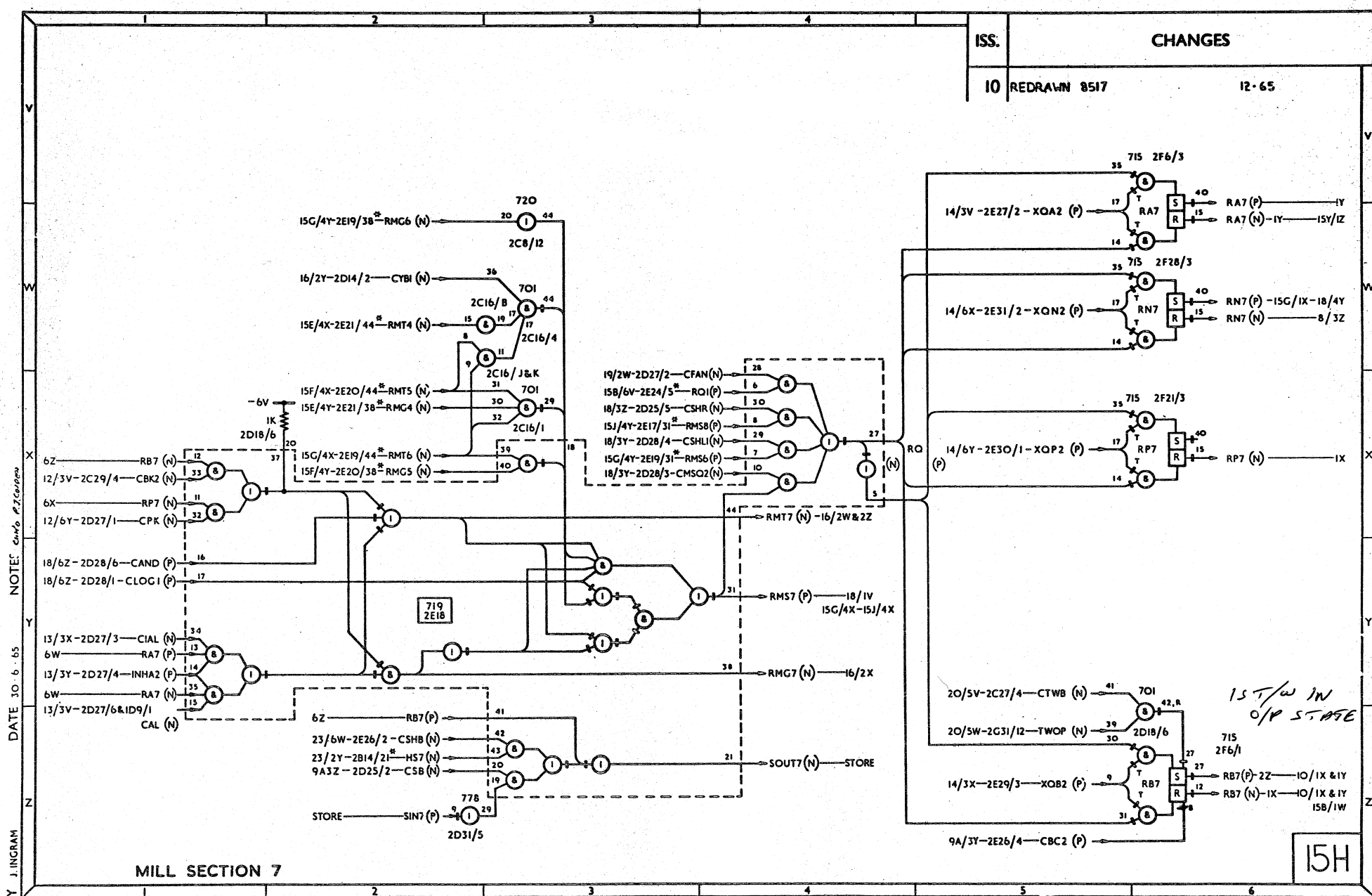
6.7 + 6.7

ISS.

CHANGES

10 REDRAWN 8517

12-65



MILL SECTION 7

NOTE: cmo #2, color

DATE 30-6-65

DRAWN BY J. INGRAM



LOGIC DIAGRAM

5006471 / 10 25  
 DIAGRAM ISSUE SHEET

ISSUE

SHEET	1	2	3	4	5	6	7	8	9	10	11	12	13	14	15	16	17	18	19	20	21	22	23	24	25	26	27	28	29	30
-------	---	---	---	---	---	---	---	---	---	----	----	----	----	----	----	----	----	----	----	----	----	----	----	----	----	----	----	----	----	----

ISSUE NUMBERS OF OTHER SHEETS AT THE TIME OF ISSUING THIS SHEET.

ISS.

CHANGES

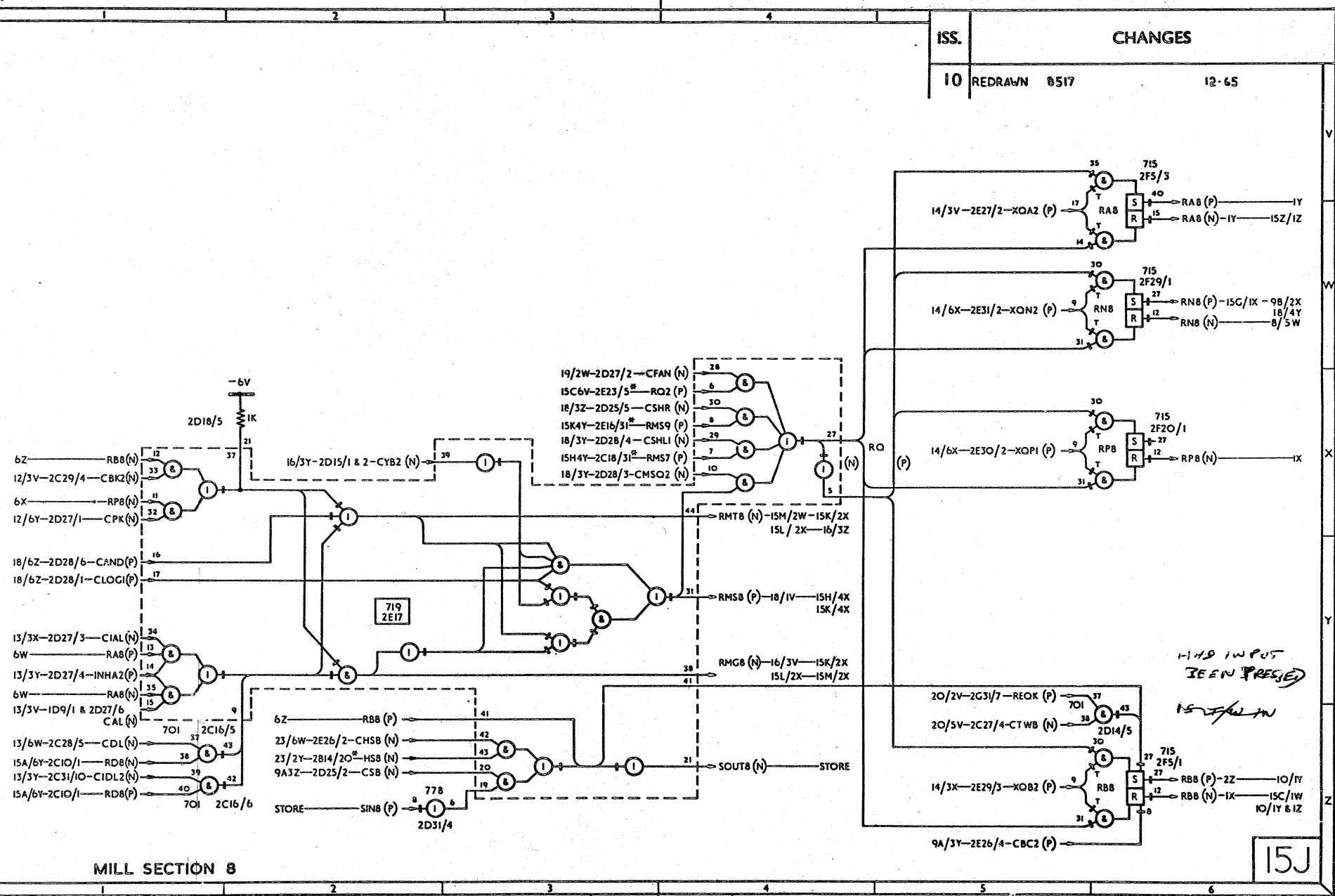
10 REDRAWN 8517

12-65

DATE 14-7-65

NOTES

DRAWN BY E. J. RAHIM



HAS INPUT  
ZEN PRESENCE  
IS FLOW

15J



LOGIC DIAGRAM

5006471 / 10 26  
DIAGRAM ISSUE SHEET

ISSUE	1	2	3	4	5	6	7	8	9	10	11	12	13	14	15	16	17	18	19	20	21	22	23	24	25	26	27	28	29	30	
SHEET																															
ISSUE NUMBERS OF OTHER SHEETS AT THE TIME OF ISSUING THIS SHEET.																															

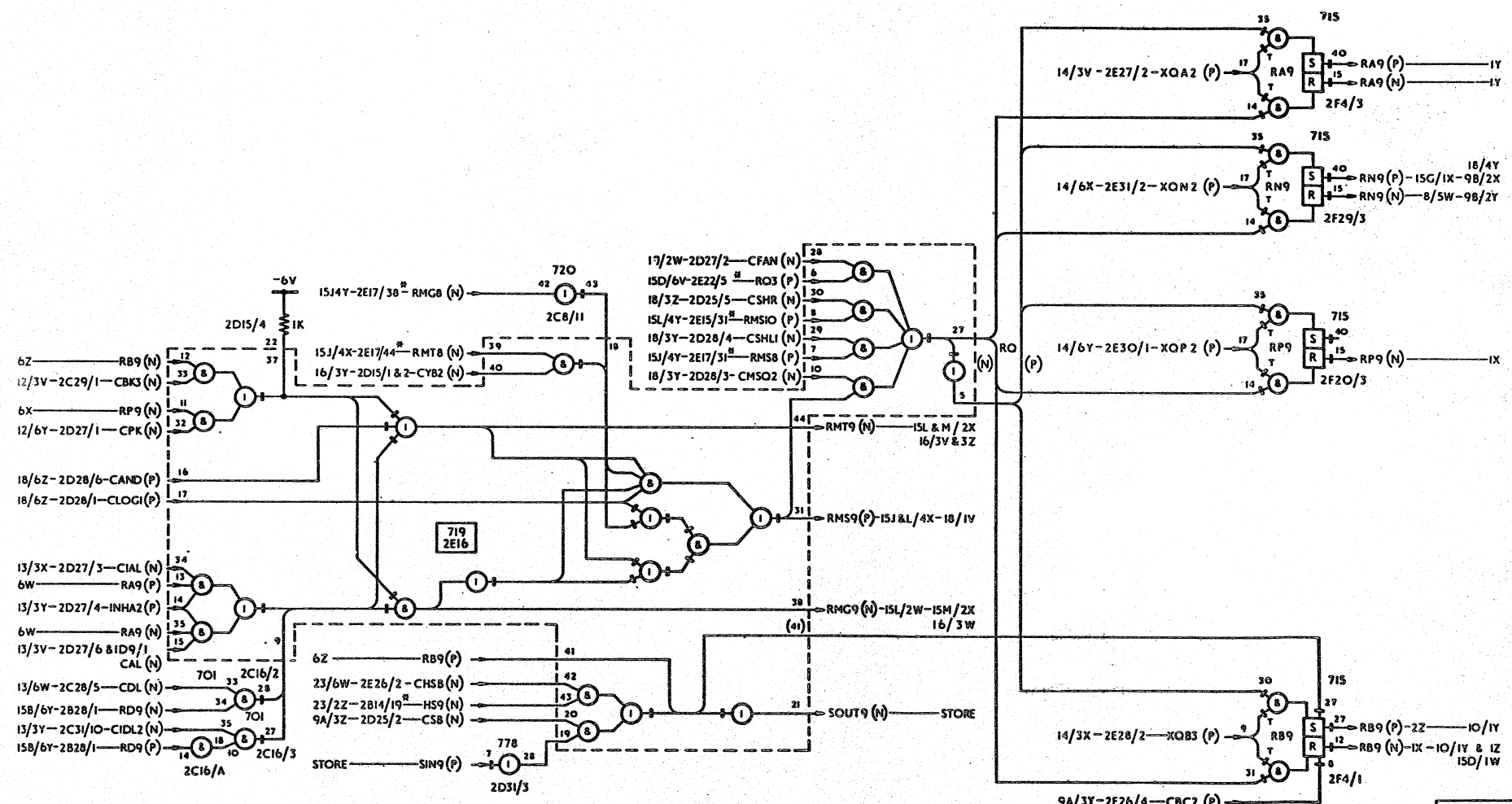
ISS:

CHANGES

10 REDRAWN 8517

12-65

DRAWN BY E. J. RAHIM DATE 30.6.65 NOTE



MILL SECTION 9

15K



LOGIC DIAGRAM

5006471 / 10 27  
DIAGRAM ISSUE SHEET

ISSUE	1	2	3	4	5	6	7	8	9	10	11	12	13	14	15	16	17	18	19	20	21	22	23	24	25	26	27	28	29	30
ISSUE NUMBERS OF OTHER SHEETS AT THE TIME OF ISSUING THIS SHEET.																														



ISS.

CHANGES

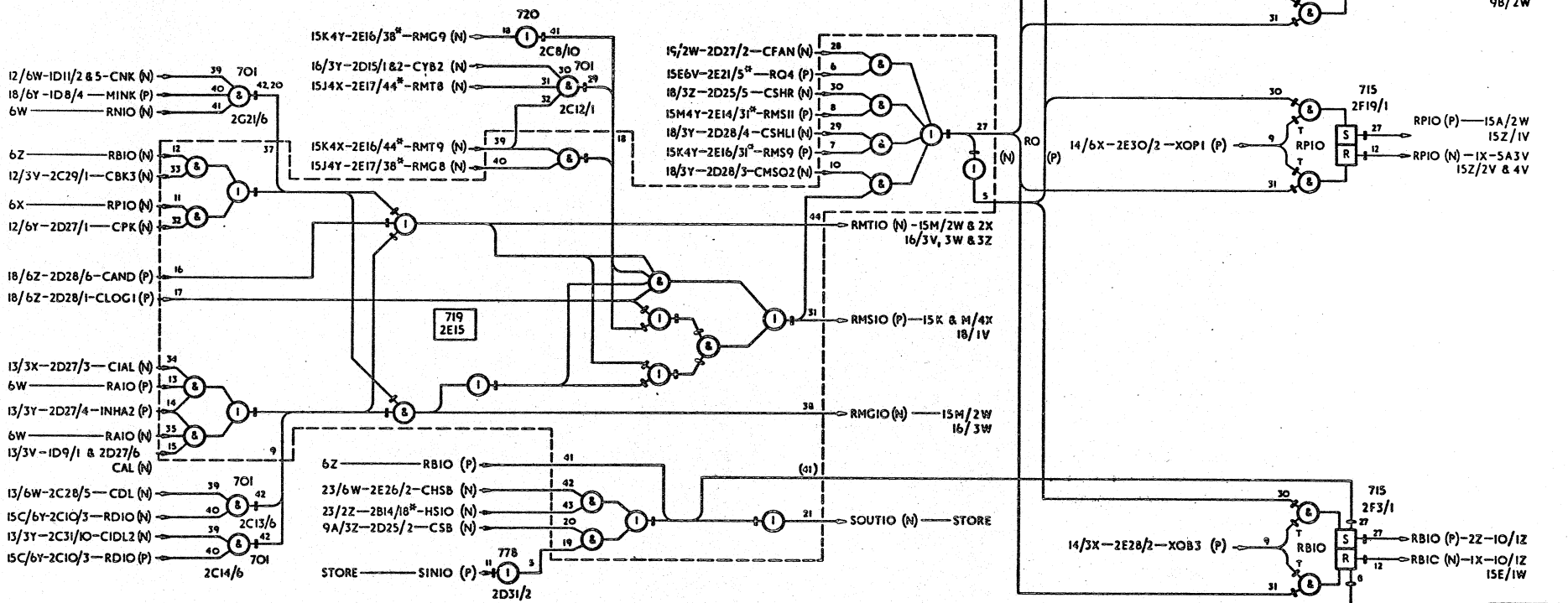
10 REDRAWN 8517

12-65

NOTES cms PJG/10/10/10

DATE 12.7.65

DRAWN BY E.J. RAHIM



MILL SECTION 10

15L



LOGIC DIAGRAM

5006471 / 10 28  
DIAGRAM ISSUE SHEET

ISSUE

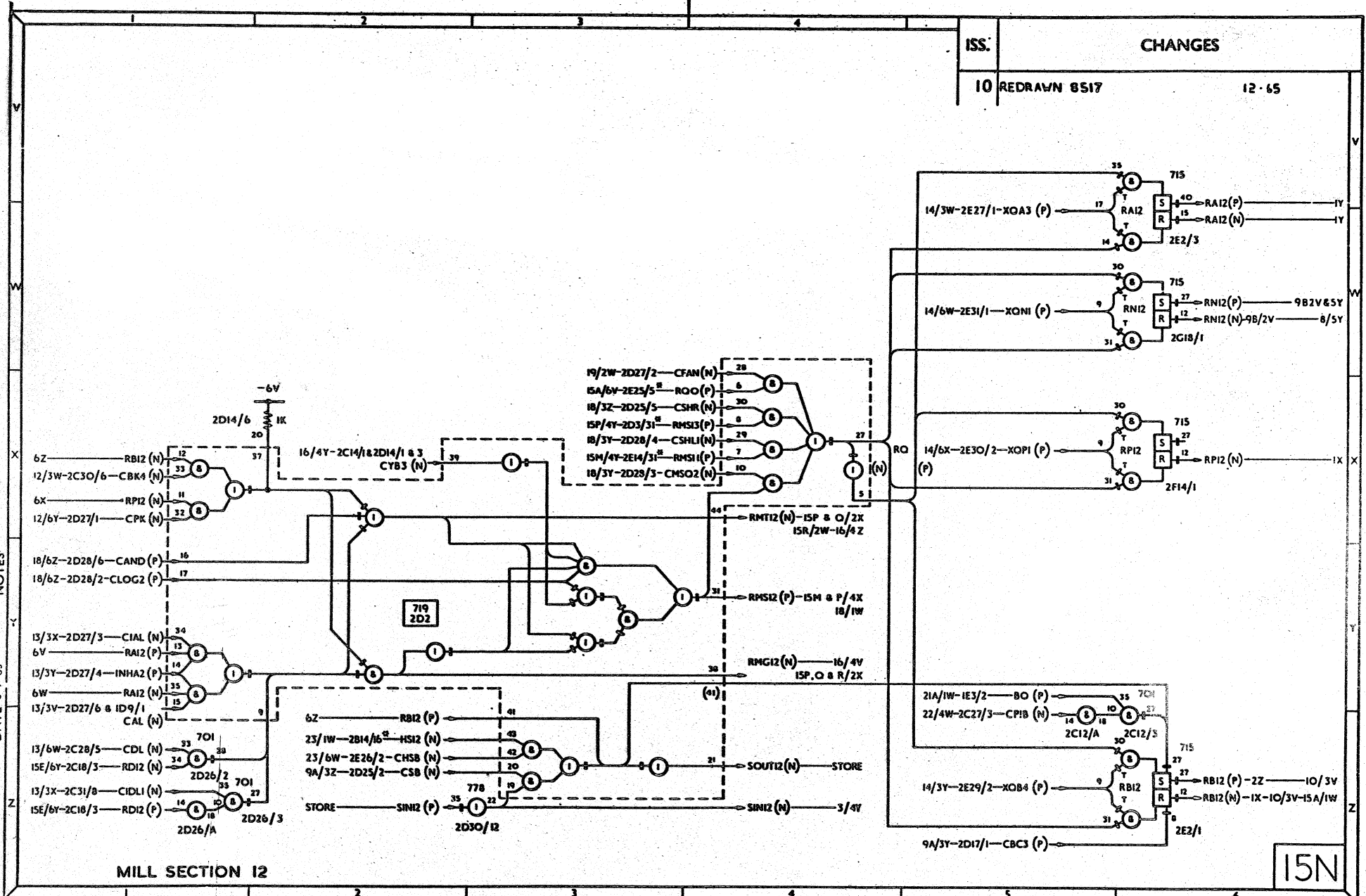
SHEET	1	2	3	4	5	6	7	8	9	10	11	12	13	14	15	16	17	18	19	20	21	22	23	24	25	26	27	28	29	30
-------	---	---	---	---	---	---	---	---	---	----	----	----	----	----	----	----	----	----	----	----	----	----	----	----	----	----	----	----	----	----

ISSUE NUMBERS OF OTHER SHEETS AT THE TIME OF ISSUING THIS SHEET.



ISS.	CHANGES	
10	REDRAWN 8517	12-65

DATE 8-7-65  
 DRAWN BY E.J. RAHIM



MILL SECTION 12

15N

	LOGIC DIAGRAM	5006471 / 10 30	ISSUE
	DIAGRAM	ISSUE SHEET	SHEET
	ISSUE NUMBERS OF OTHER SHEETS AT THE TIME OF ISSUING THIS SHEET.		

1	2	3	4	5	6	7	8	9	10	11	12	13	14	15	16	17	18	19	20	21	22	23	24	25	26	27	28	29	30
---	---	---	---	---	---	---	---	---	----	----	----	----	----	----	----	----	----	----	----	----	----	----	----	----	----	----	----	----	----



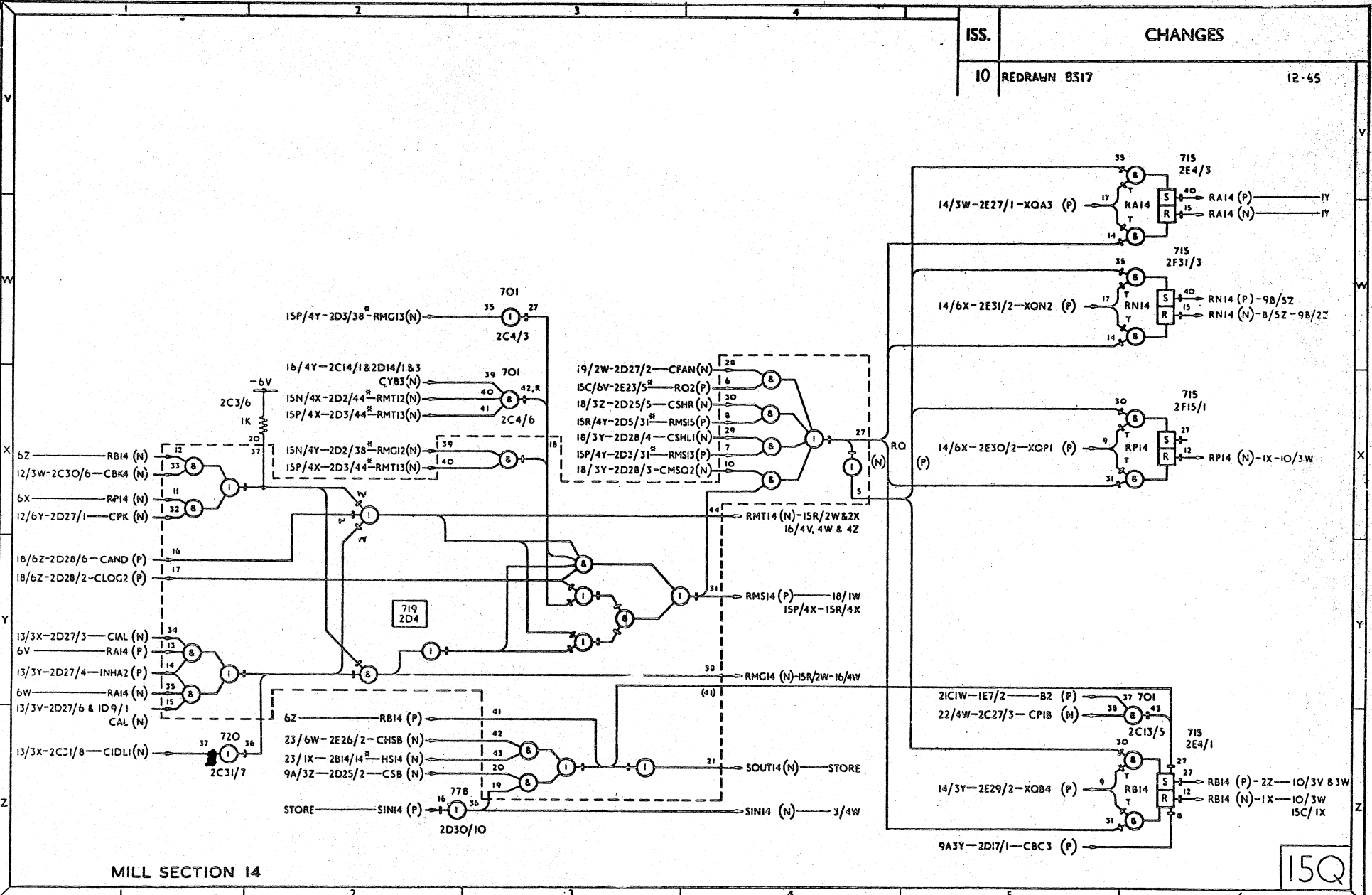
ISS.

CHANGES

10 REDRAWN 8517

12-65

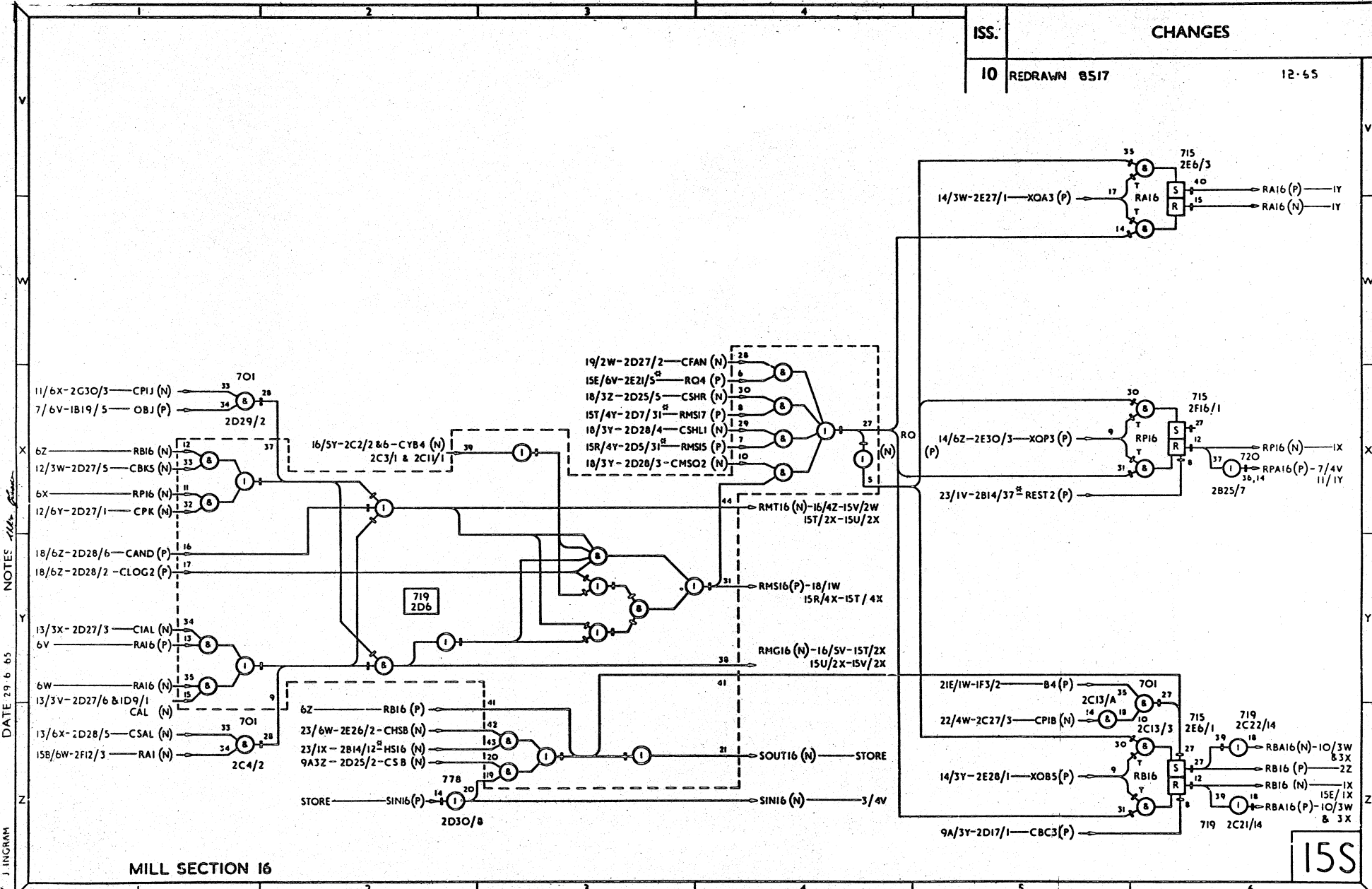
DRAWN BY E. J. RAHIM DATE 2-7-65 NOTES 214 1/2



	LOGIC DIAGRAM 5006471 / 10 32 DIAGRAM ISSUE SHEET	ISSUE SHEET												
		ISSUE NUMBERS OF OTHER SHEETS AT THE TIME OF ISSUING THIS SHEET.												



ISS.	CHANGES	
10	REDRAWN 8517	12-65



DRAWN BY J. INGRAM DATE 29.6.65 NOTES 166



LOGIC DIAGRAM

5006471 / 10 34  
 DIAGRAM ISSUE SHEET

ISSUE																														
SHEET	1	2	3	4	5	6	7	8	9	10	11	12	13	14	15	16	17	18	19	20	21	22	23	24	25	26	27	28	29	30
ISSUE NUMBERS OF OTHER SHEETS AT THE TIME OF ISSUING THIS SHEET.																														

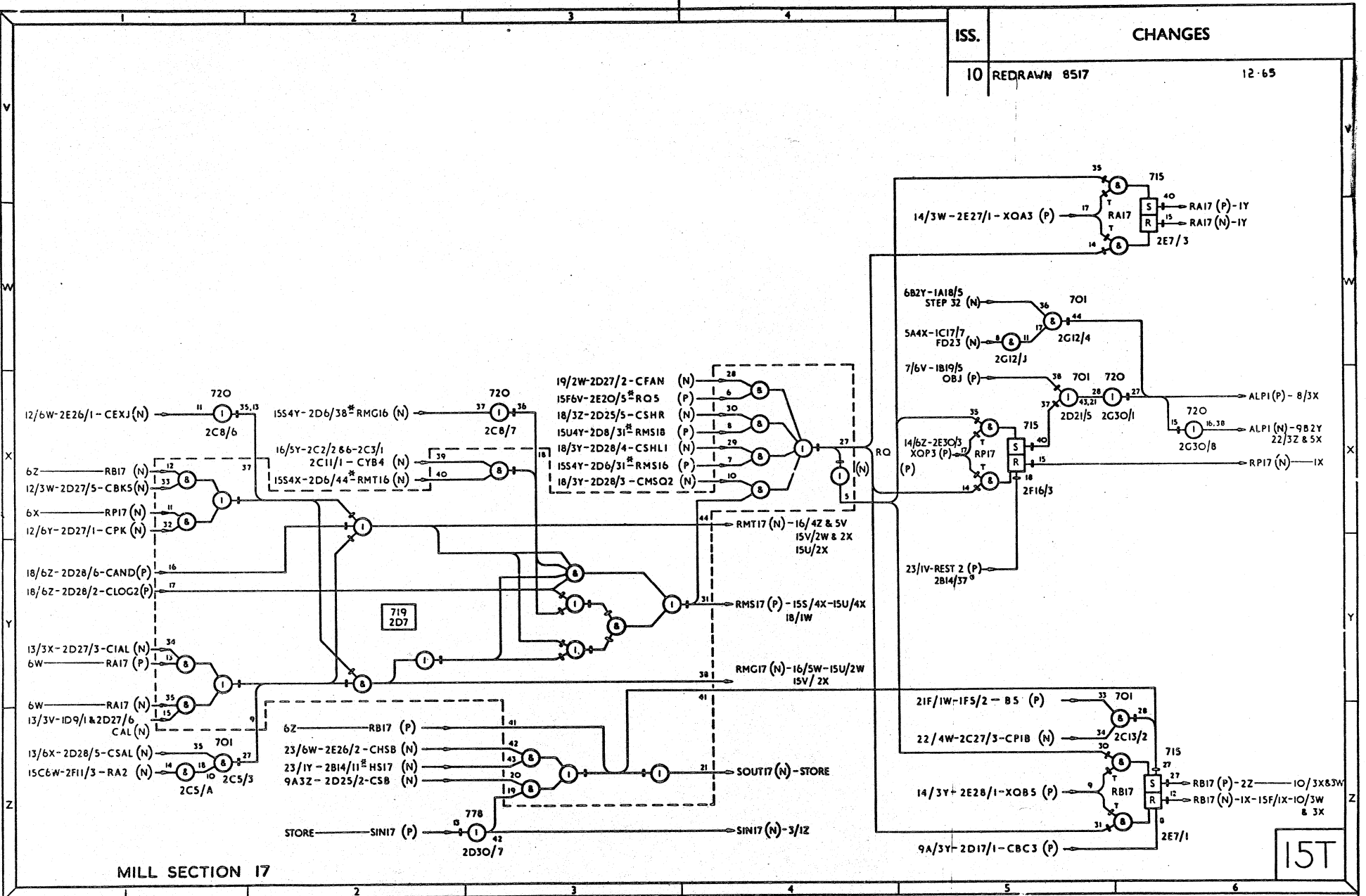
ISS.

CHANGES

10 REDRAWN 8517

12-65

DATE 23-6-65  
DRAWN BY J. INGRAM  
NOTES 442



MILL SECTION 17

15T



LOGIC DIAGRAM

5006471 / 10 35  
DIAGRAM ISSUE SHEET

ISSUE

SHEET	1	2	3	4	5	6	7	8	9	10	11	12	13	14	15	16	17	18	19	20	21	22	23	24	25	26	27	28	29	30
-------	---	---	---	---	---	---	---	---	---	----	----	----	----	----	----	----	----	----	----	----	----	----	----	----	----	----	----	----	----	----

ISSUE NUMBERS OF OTHER SHEETS AT THE TIME OF ISSUING THIS SHEET.



ISS.

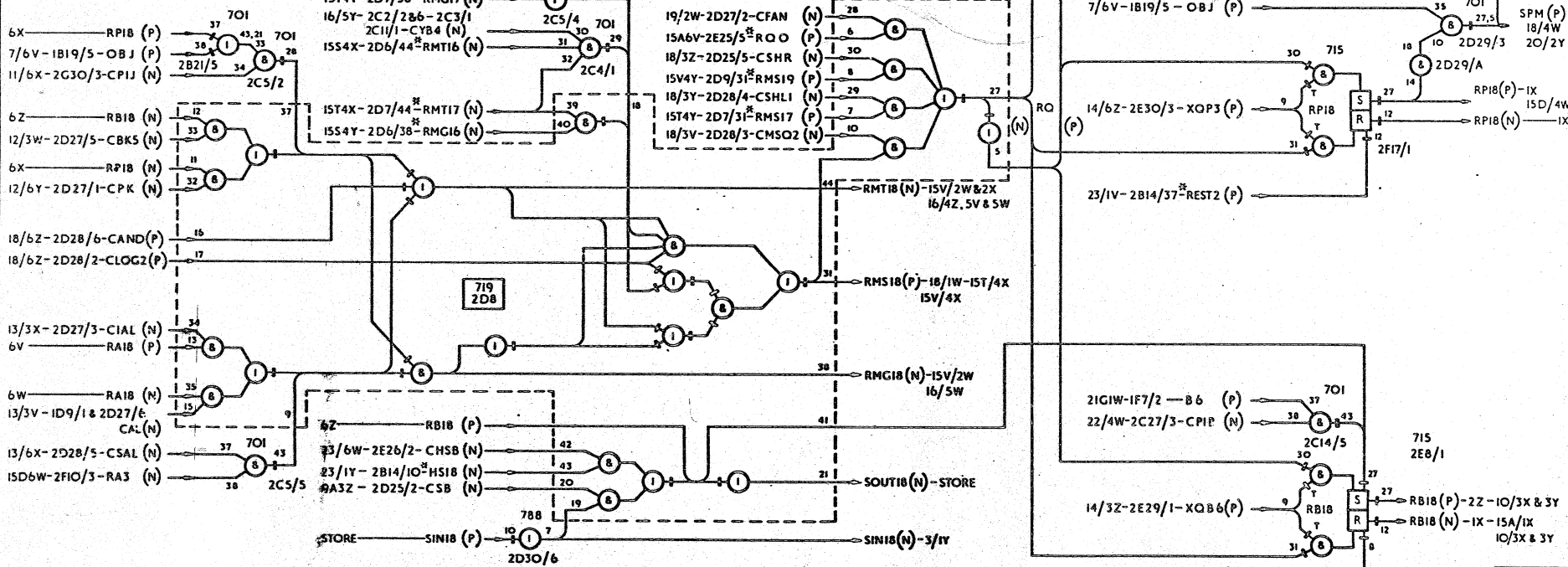
CHANGES

10

REDRAWN 8517

12-65

IF IN 035 SET RP18  
IF EXTRALCDE RP18 HELD ON



MILL SECTION 18

15U

DATE 23-6-65  
DRAWN BY J. INGRAM  
NOTE: See Section



LOGIC DIAGRAM

5006471 / 10 36  
DIAGRAM ISSUE SHEET

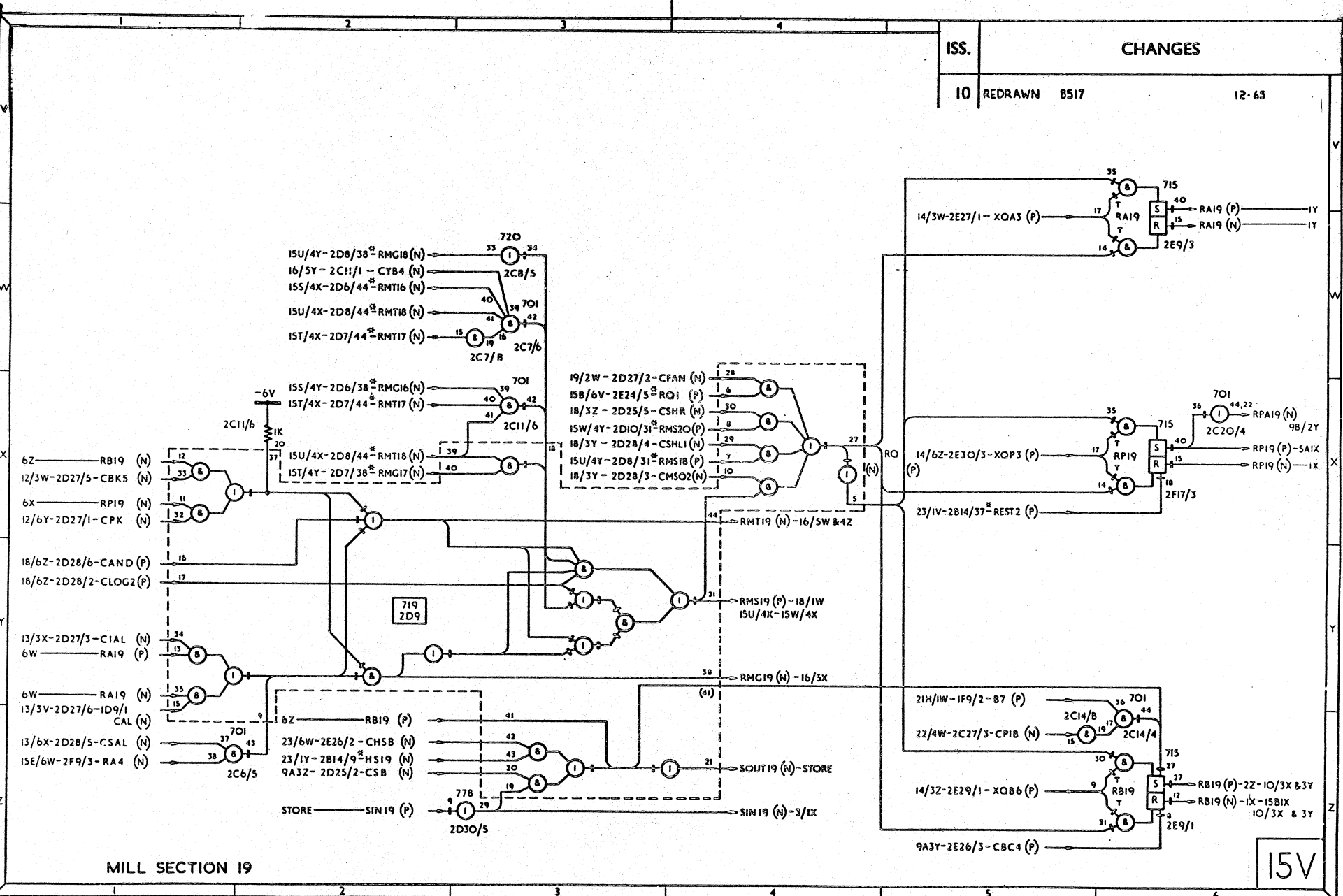
ISSUE

SHEET	1	2	3	4	5	6	7	8	9	10	11	12	13	14	15	16	17	18	19	20	21	22	23	24	25	26	27	28	29	30
-------	---	---	---	---	---	---	---	---	---	----	----	----	----	----	----	----	----	----	----	----	----	----	----	----	----	----	----	----	----	----

ISSUE NUMBERS OF OTHER SHEETS AT THE TIME OF ISSUING THIS SHEET.

ISS.	CHANGES		
10	REDRAWN	8517	12-65

DRAWN BY J INGRAM DATE 22-6-65



MILL SECTION 19

15V



LOGIC DIAGRAM  
 5006471 / 10 37  
 DIAGRAM ISSUE SHEET

ISSUE	SHEET																													
	1	2	3	4	5	6	7	8	9	10	11	12	13	14	15	16	17	18	19	20	21	22	23	24	25	26	27	28	29	30

ISSUE NUMBERS OF OTHER SHEETS AT THE TIME OF ISSUING THIS SHEET.



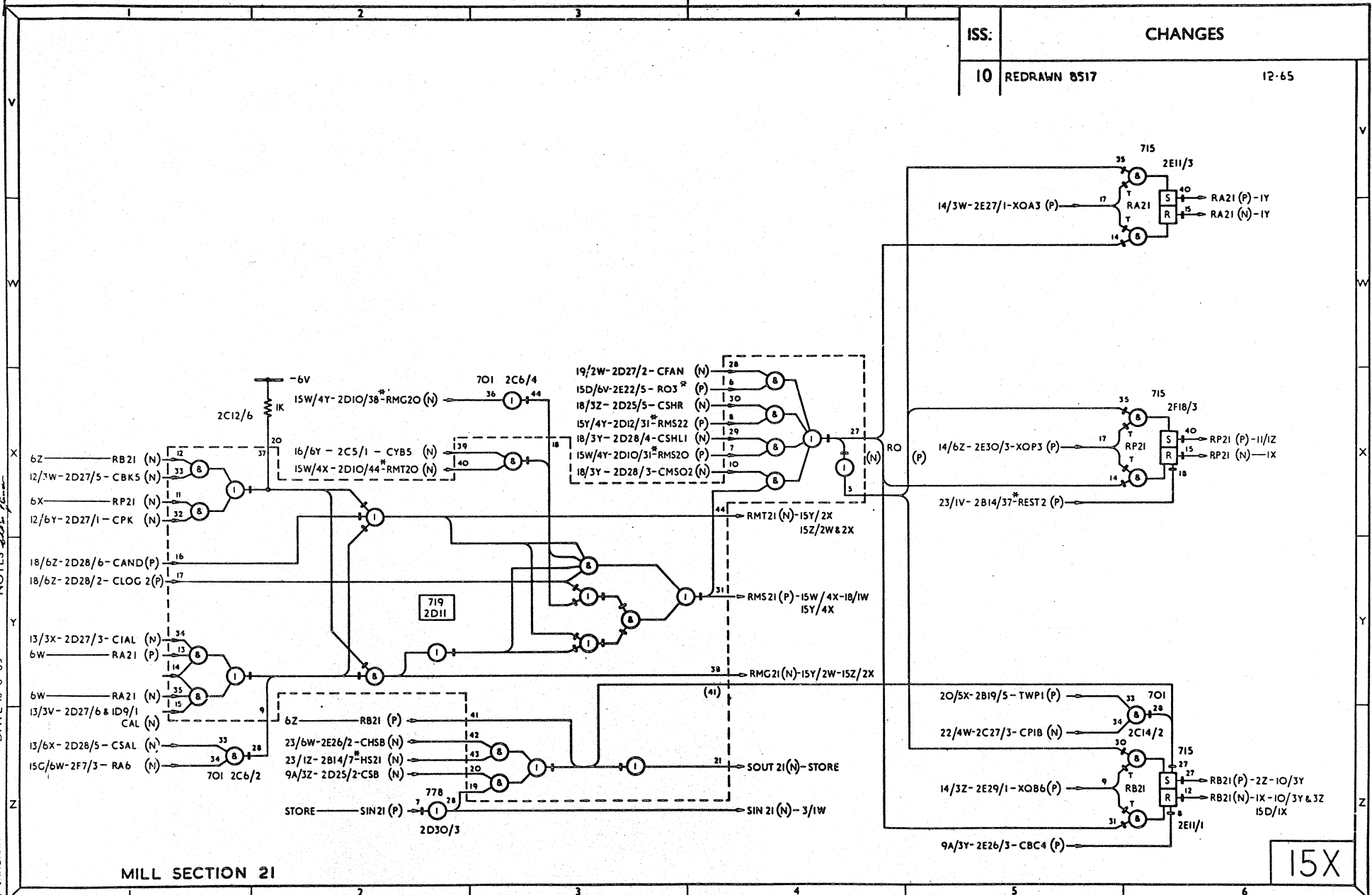
ISS:

CHANGES

10 REDRAWN 8517

12-65

DRAWN BY J INGRAM DATE 18-6-65 NOTES 22/4



MILL SECTION 21

I.C.T

LOGIC DIAGRAM

5006471 / 10  
DIAGRAM39  
ISSUE SHEET

ISSUE

SHEET	1	2	3	4	5	6	7	8	9	10	11	12	13	14	15	16	17	18	19	20	21	22	23	24	25	26	27	28	29	30
-------	---	---	---	---	---	---	---	---	---	----	----	----	----	----	----	----	----	----	----	----	----	----	----	----	----	----	----	----	----	----

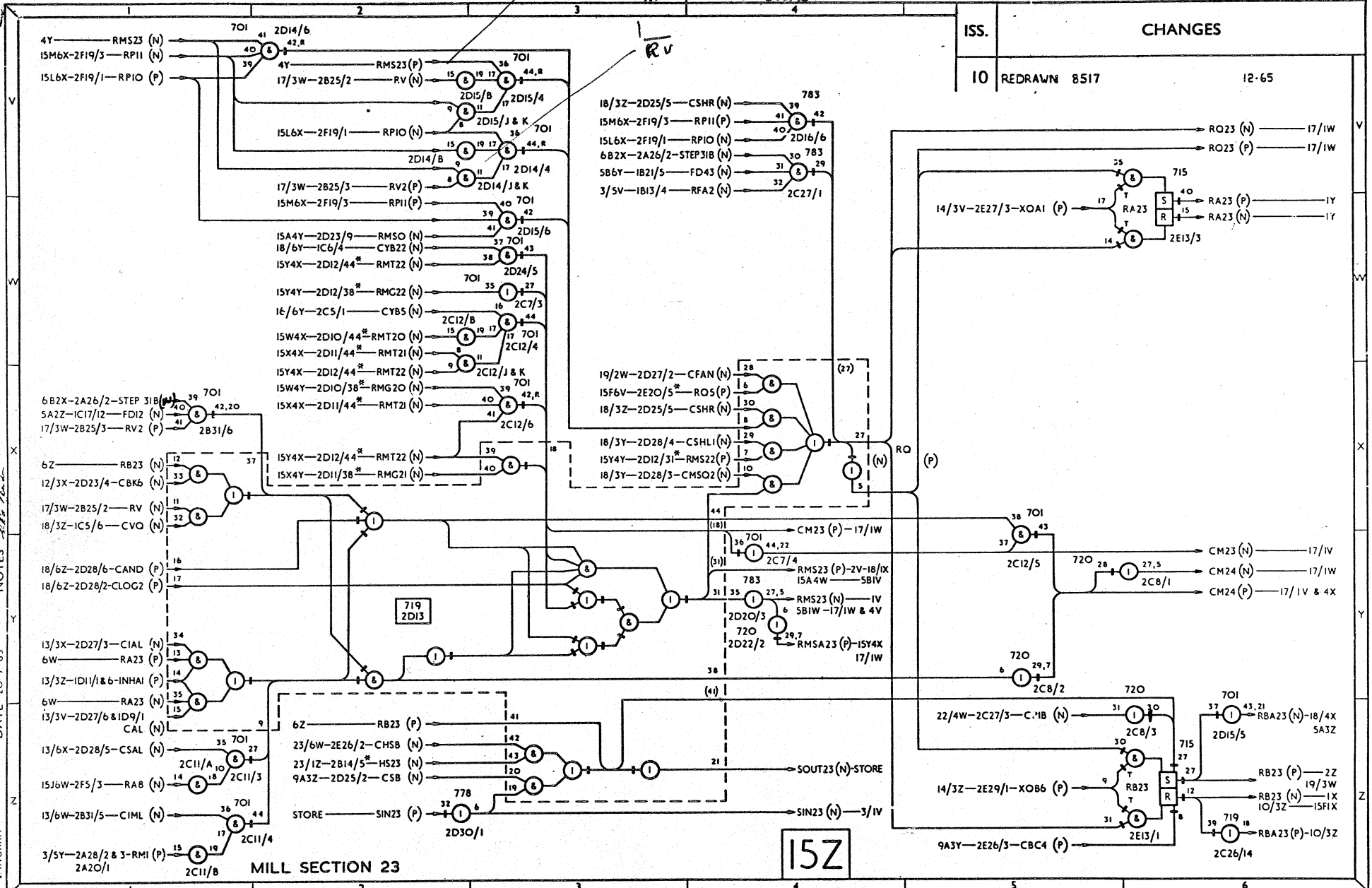
ISSUE NUMBERS OF OTHER SHEETS AT THE TIME OF ISSUING THIS SHEET.

813128 E



SPECIAL RV SET PROPAGATE  
START RIGHT SIGN!

ISS.	CHANGES	
10	REDRAWN 8517	12-65



MILL SECTION 23

15Z

DRAWN BY J INGRAM DATE 20-7-65 NOTES



LOGIC DIAGRAM

5006471 / 10

41

DIAGRAM

ISSUE

SHEET

ISSUE

SHEET 1 2 3 4 5 6 7 8 9 10 11 12 13 14 15 16 17 18 19 20 21 22 23 24 25 26 27 28 29 30

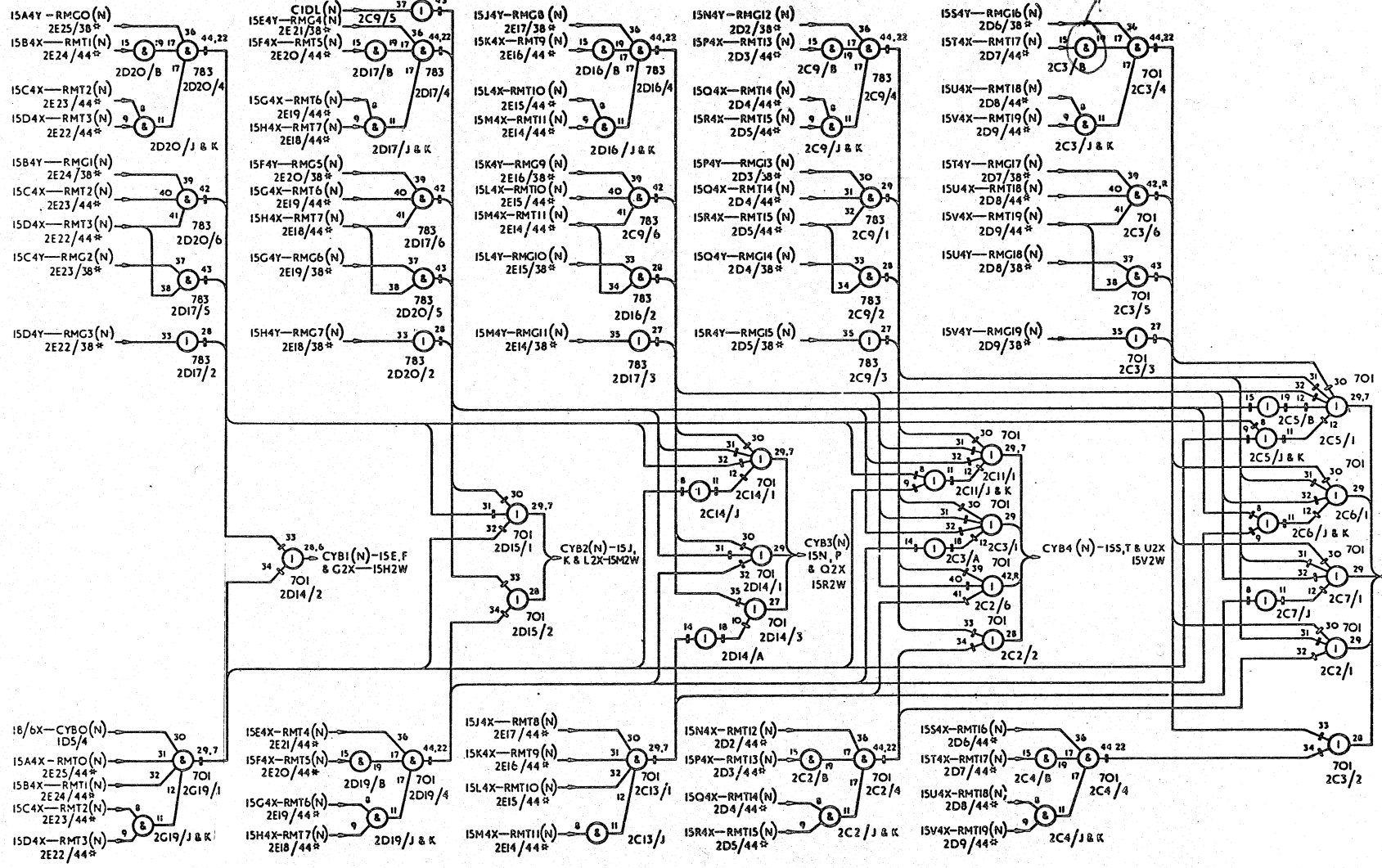
ISSUE NUMBERS OF OTHER SHEETS AT THE TIME OF ISSUING THIS SHEET.

ISS.

CHANGES

10 REDRAWN 8517

12-65



MILL CARRY SYSTEM

16

DRAWN BY E. J. RAHM DATE 10-8-65 NOTES ADD TO SHEET



LOGIC DIAGRAM

5006471 / 10 42  
DIAGRAM ISSUE SHEET

ISSUE

SHEET	1	2	3	4	5	6	7	8	9	10	11	12	13	14	15	16	17	18	19	20	21	22	23	24	25	26	27	28	29	30
ISSUE NUMBERS OF OTHER SHEETS AT THE TIME OF ISSUING THIS SHEET.																														



ISS.

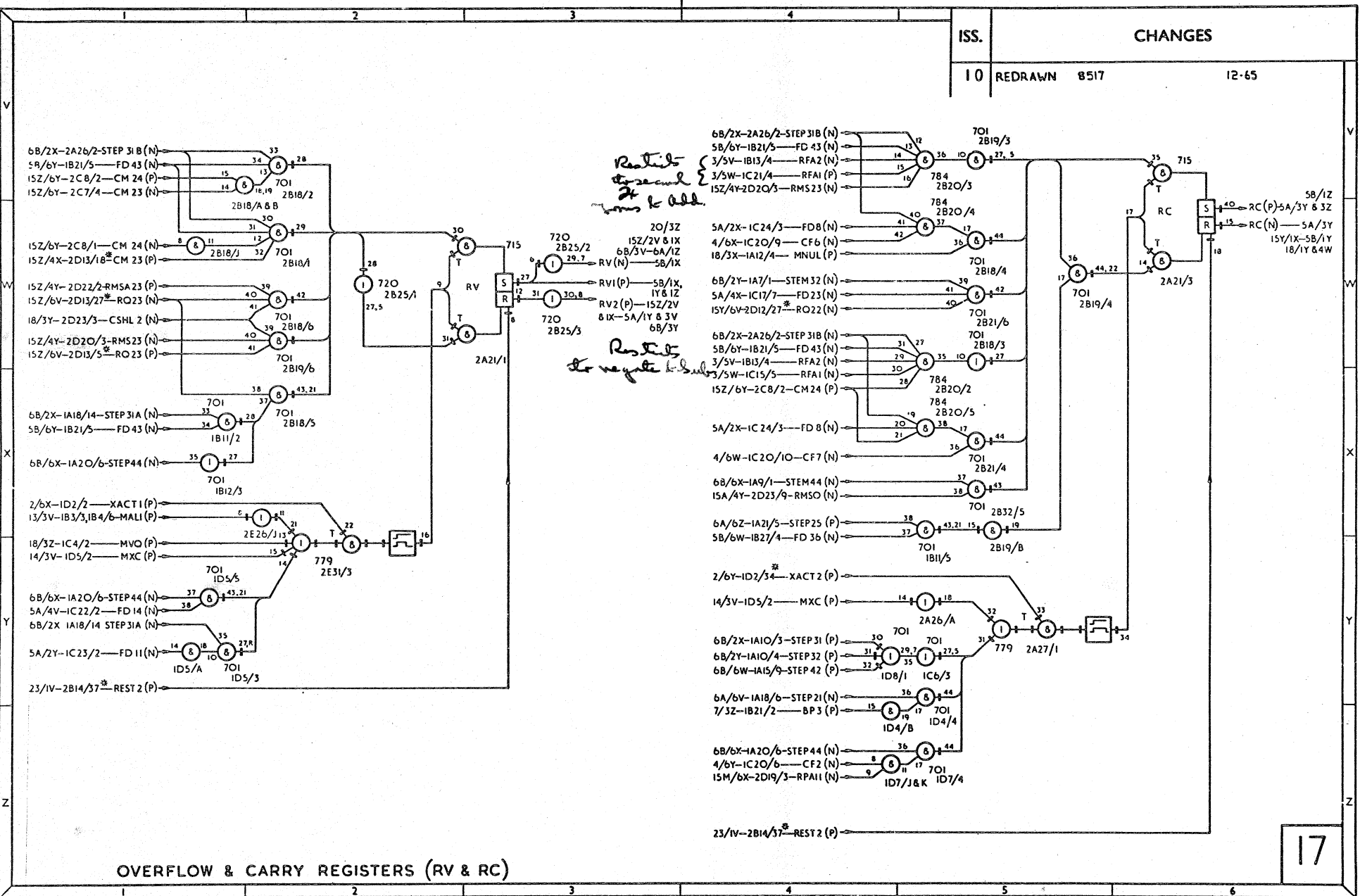
CHANGES

10 REDRAWN 8517

12-65

DRAWN BY M. TAYLOR DATE 11-8-65

NOTES



OVERFLOW & CARRY REGISTERS (RV & RC)

17



LOGIC DIAGRAM

5006471 / 10  
DIAGRAM ISSUE SHEET

43  
ISSUE SHEET

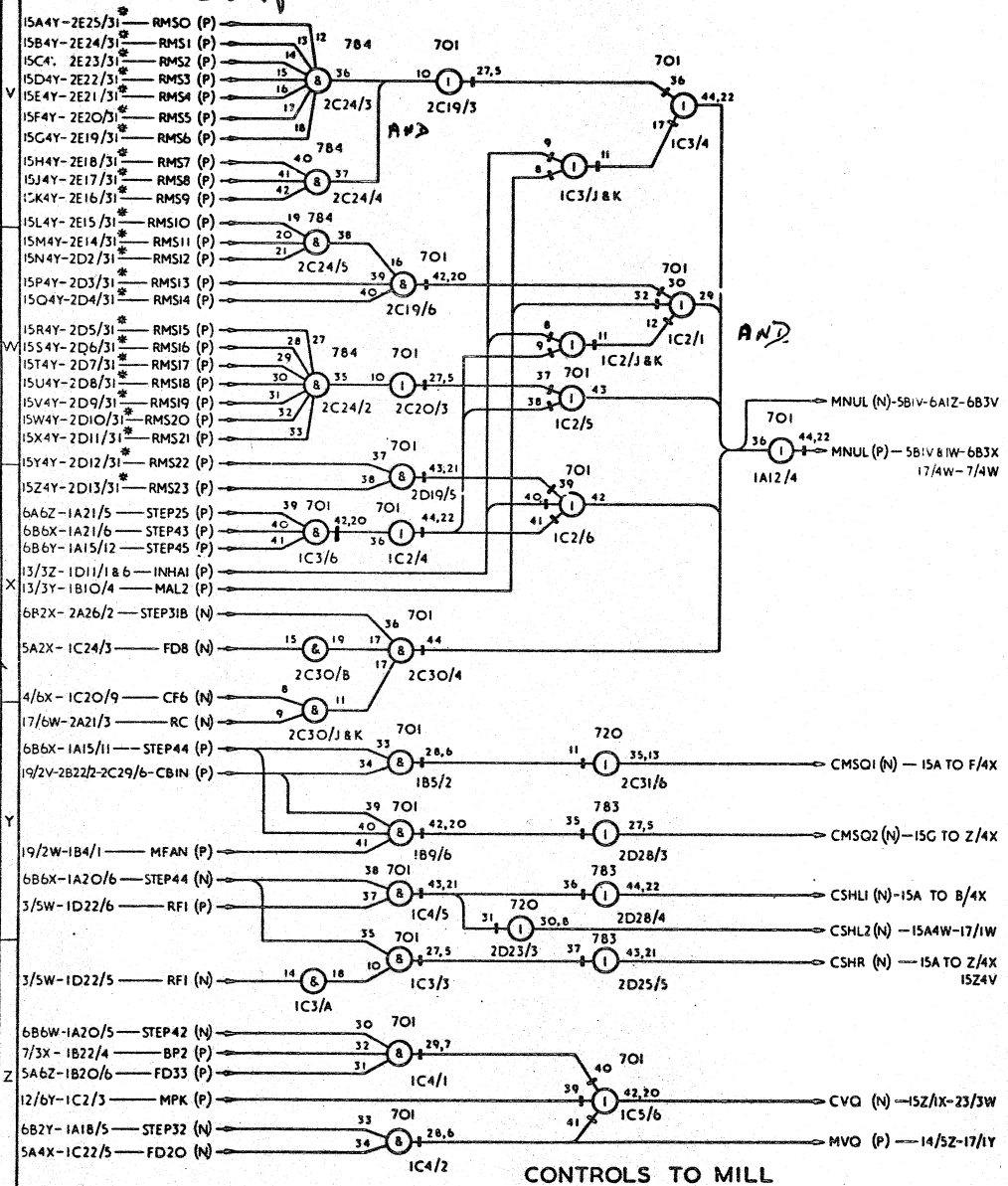
ISSUE

SHEET	1	2	3	4	5	6	7	8	9	10	11	12	13	14	15	16	17	18	19	20	21	22	23	24	25	26	27	28	29	30
-------	---	---	---	---	---	---	---	---	---	----	----	----	----	----	----	----	----	----	----	----	----	----	----	----	----	----	----	----	----	----

ISSUE NUMBERS OF OTHER SHEETS AT THE TIME OF ISSUING THIS SHEET.

DRAWN BY G.V. GRAMMAN DATE 23-7-65 NOTES 10/16 P. 10

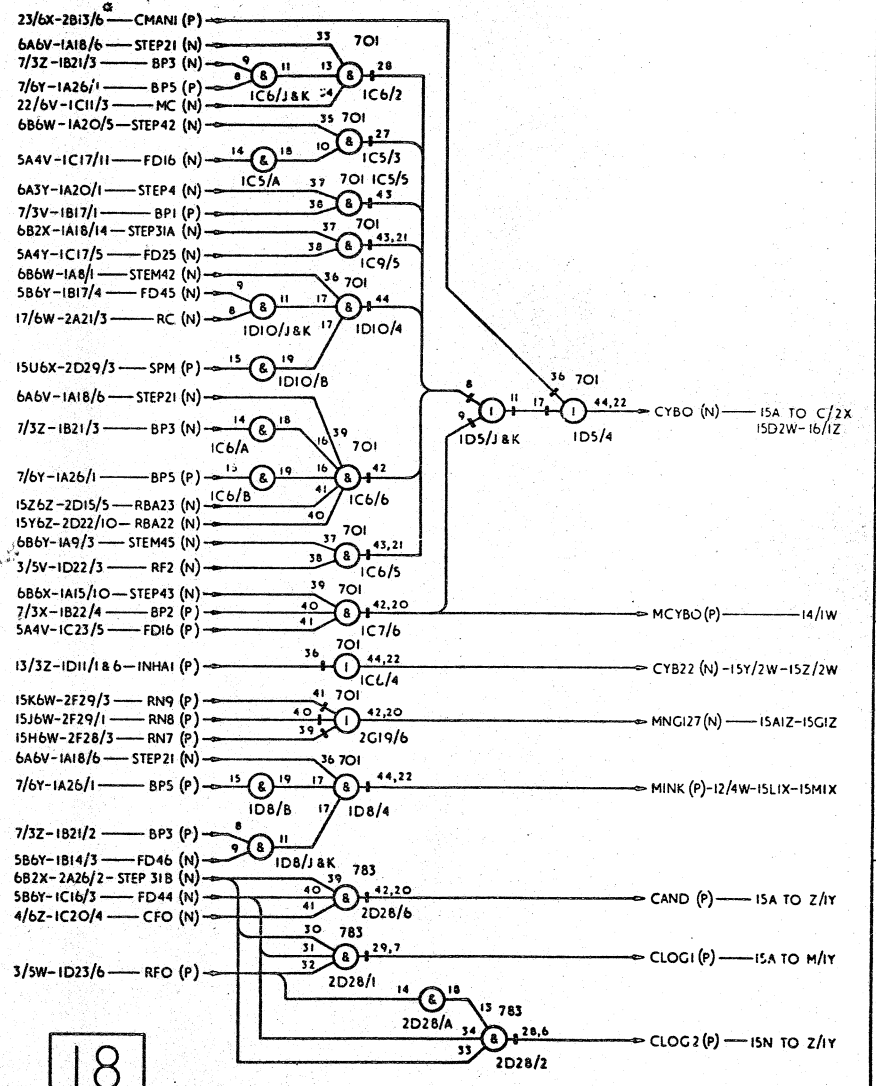
*Mill output*



CONTROLS TO MILL

ISS.	10	REDRAWN	BS17	12-65
------	----	---------	------	-------

CHANGES



18



LOGIC DIAGRAM

5006471/10 44  
DIAGRAM ISSUE SHEET

ISSUE

SHEET	1	2	3	4	5	6	7	8	9	10	11	12	13	14	15	16	17	18	19	20	21	22	23	24	25	26	27	28	29	30
ISSUE NUMBERS OF OTHER SHEETS AT THE TIME OF ISSUING THIS SHEET.																														

ISS.

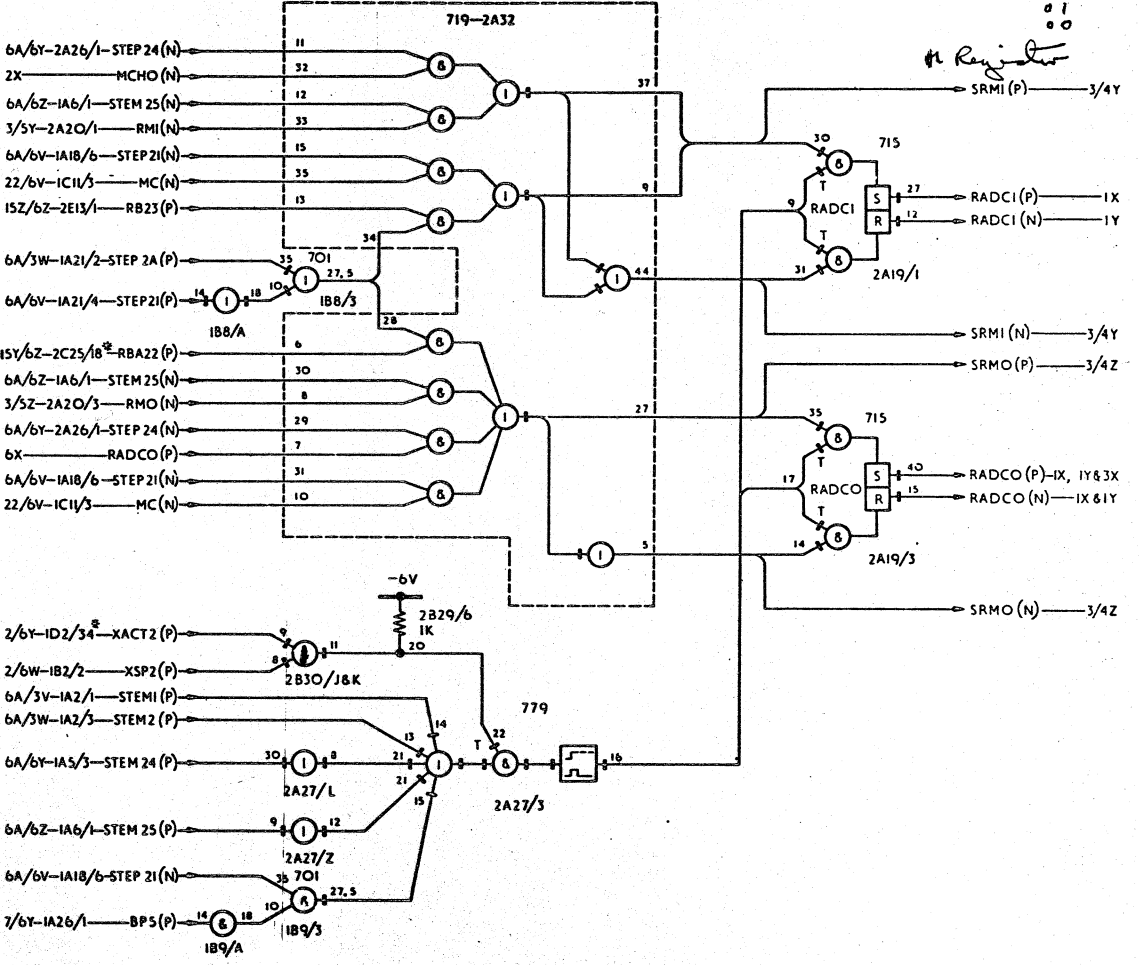
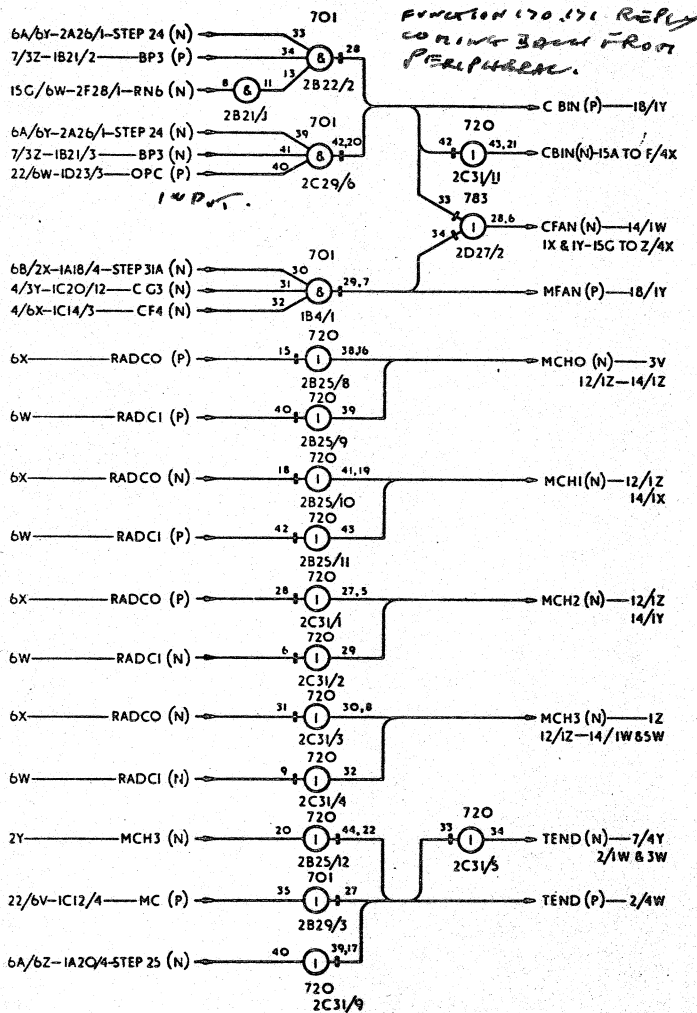
CHANGES

10 REDRAWN

8517

12-65

NOTES DATE 7-65 DRAWN BY H. TAYLOR



CHARACTER HANDLING



LOGIC DIAGRAM

5006471/10 45

DIAGRAM

ISSUE

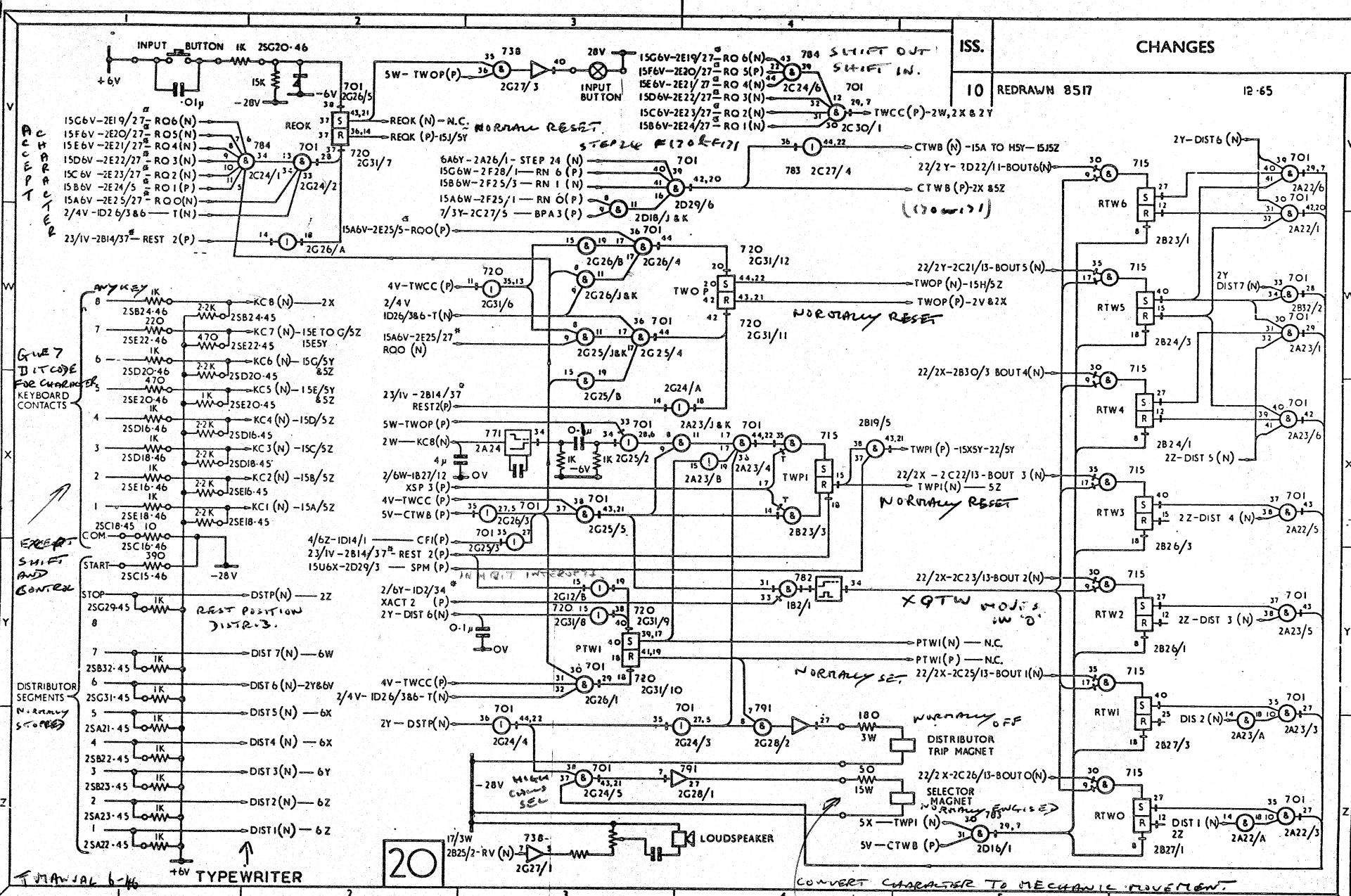
SHEET

ISSUE

SHEET	1	2	3	4	5	6	7	8	9	10	11	12	13	14	15	16	17	18	19	20	21	22	23	24	25	26	27	28	29	30
-------	---	---	---	---	---	---	---	---	---	----	----	----	----	----	----	----	----	----	----	----	----	----	----	----	----	----	----	----	----	----

ISSUE NUMBERS OF OTHER SHEETS AT THE TIME OF ISSUING THIS SHEET.

ACCEPT #175 NOT PRINTABLE.



**I.C.T.** LOGIC DIAGRAM **5006471 / 10 46**  
 DIAGRAM ISSUE SHEET

ISSUE

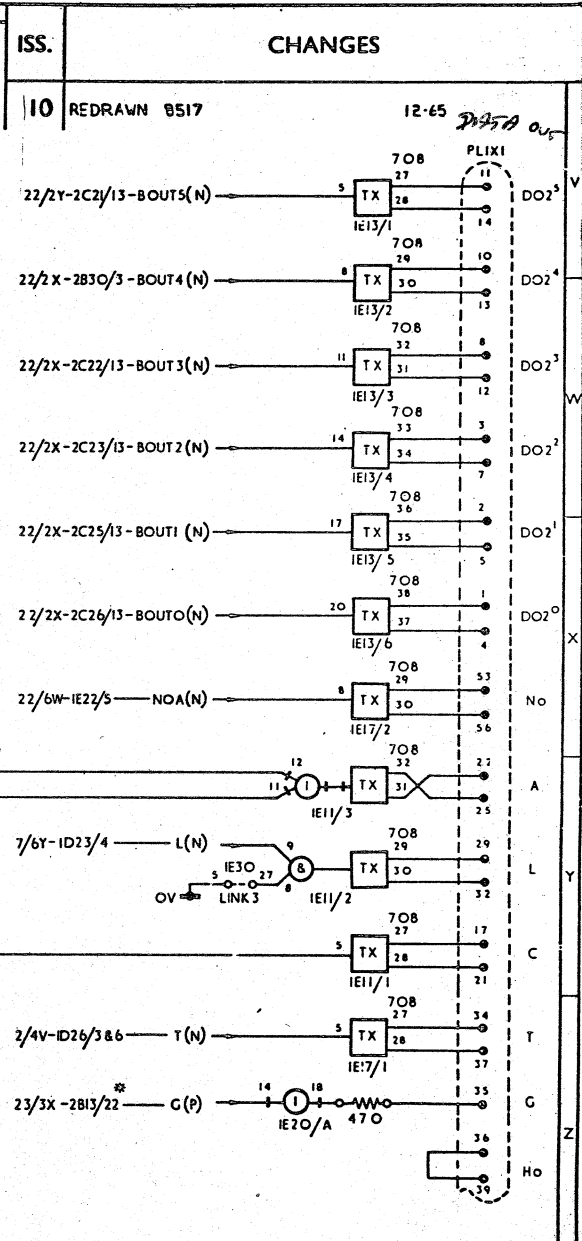
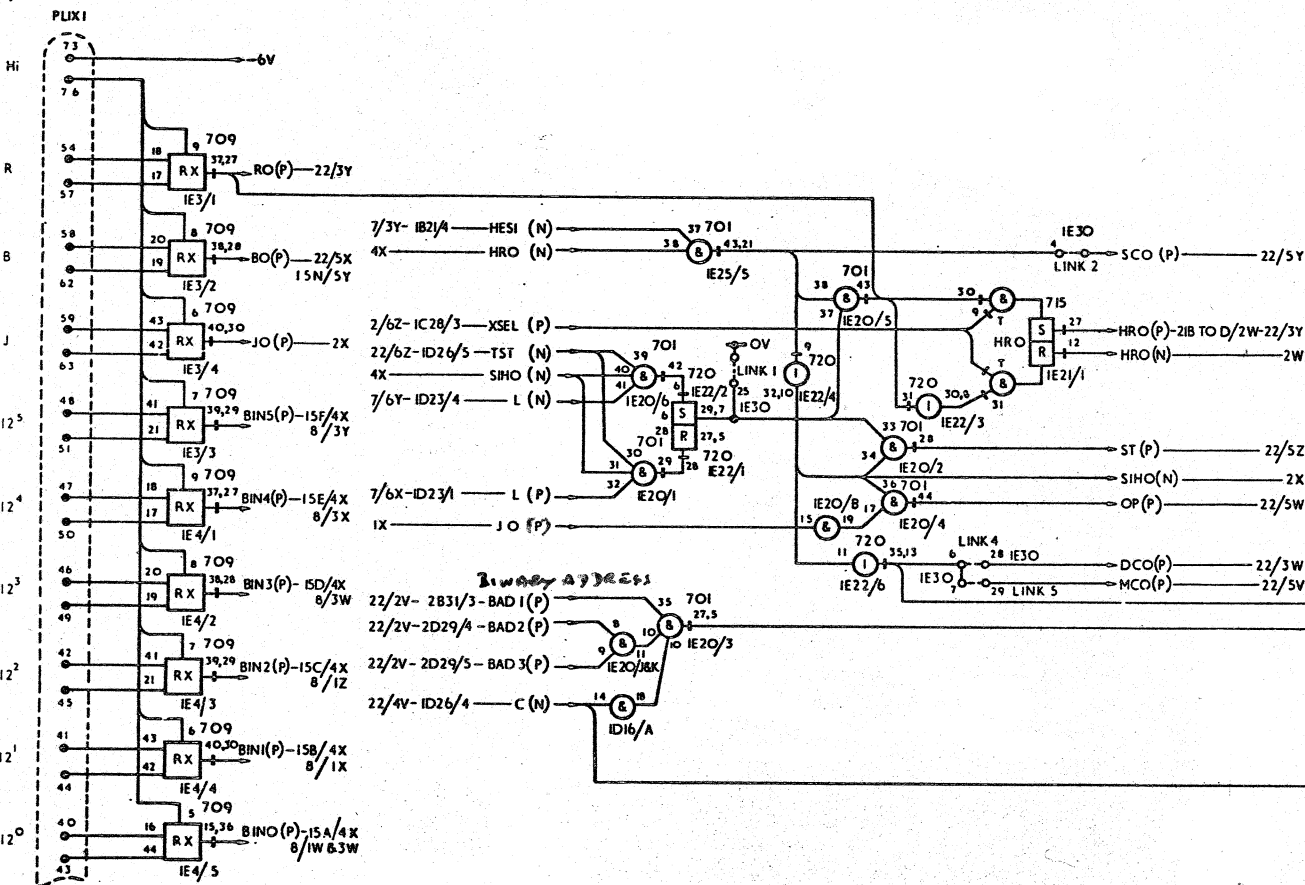
SHEET	1	2	3	4	5	6	7	8	9	10	11	12	13	14	15	16	17	18	19	20	21	22	23	24	25	26	27	28	29	30
-------	---	---	---	---	---	---	---	---	---	----	----	----	----	----	----	----	----	----	----	----	----	----	----	----	----	----	----	----	----	----

ISSUE NUMBERS OF OTHER SHEETS AT THE TIME OF ISSUING THIS SHEET.

TYPEWRITER REG  
 MOVE CURS IN FROM WITH 171

DRAWN BY S. COOPER DATE 23 6 65

DATA IN.



PERIPHERAL DEVICE TERMINAL N°O

21A



LOGIC DIAGRAM

5006471 / 10 47

DIAGRAM ISSUE SHEET

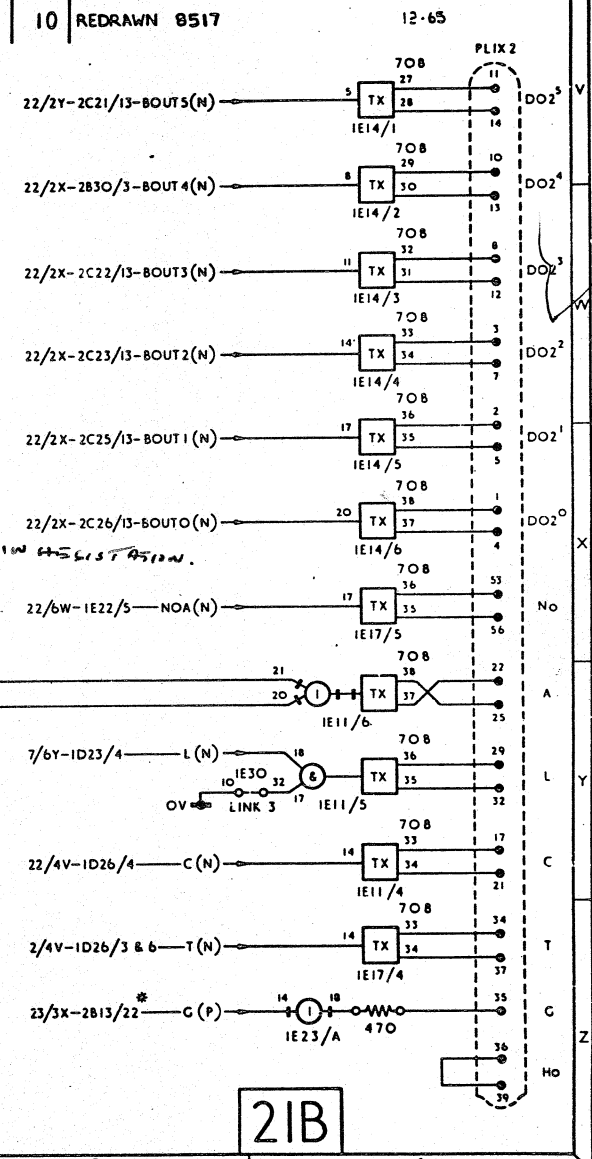
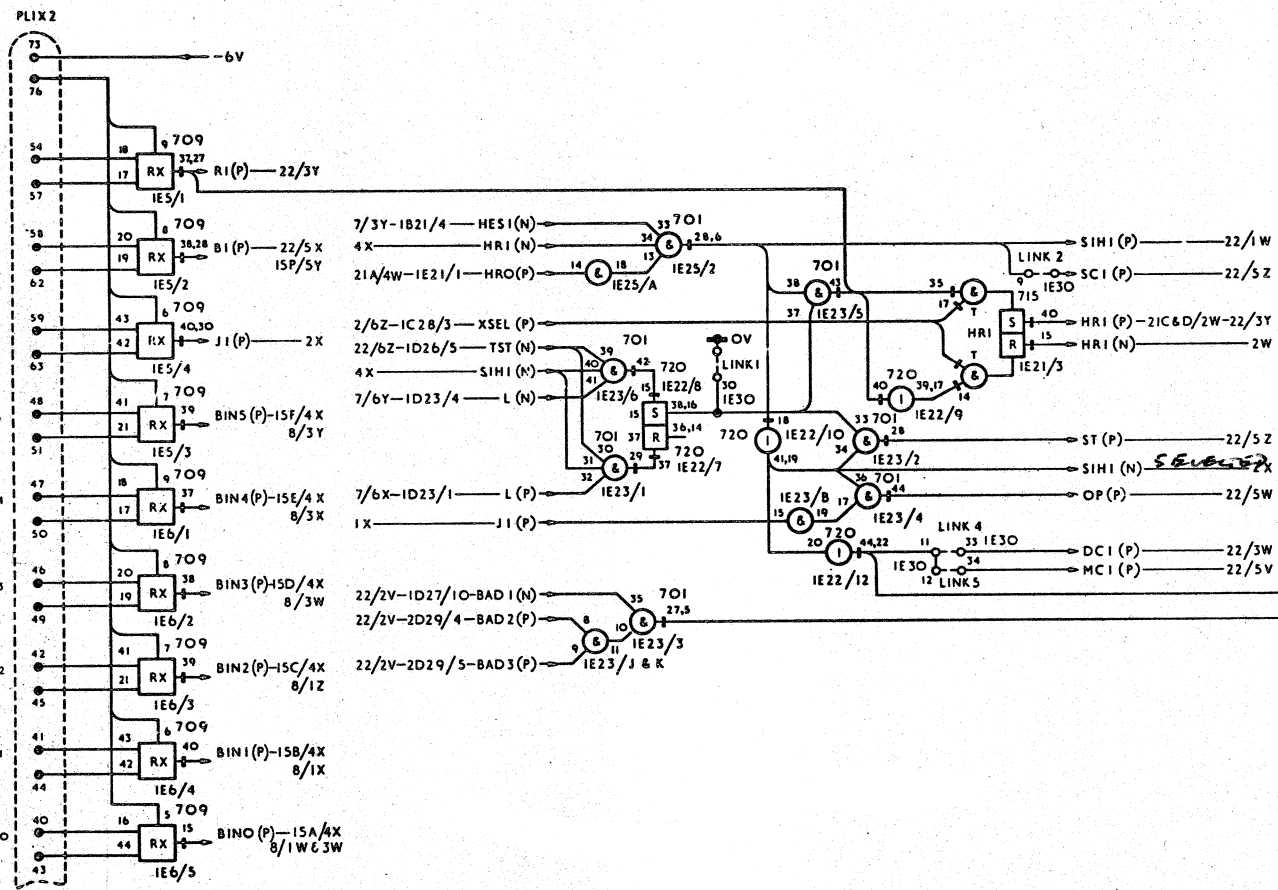
ISSUE

SHEET	1	2	3	4	5	6	7	8	9	10	11	12	13	14	15	16	17	18	19	20	21	22	23	24	25	26	27	28	29	30
-------	---	---	---	---	---	---	---	---	---	----	----	----	----	----	----	----	----	----	----	----	----	----	----	----	----	----	----	----	----	----

ISSUE NUMBERS OF OTHER SHEETS AT THE TIME OF ISSUING THIS SHEET.

DATE 30.7.65  
 NOTES  
 V  
 W  
 J  
 D12<sup>5</sup>  
 X  
 D12<sup>4</sup>  
 D12<sup>3</sup>  
 Y  
 D12<sup>2</sup>  
 D12<sup>1</sup>  
 D12<sup>0</sup>  
 Z

ISS.	CHANGES
10	REDRAWN 8517 12-65



PERIPHERAL DEVICE TERMINAL No 1

21B



LOGIC DIAGRAM

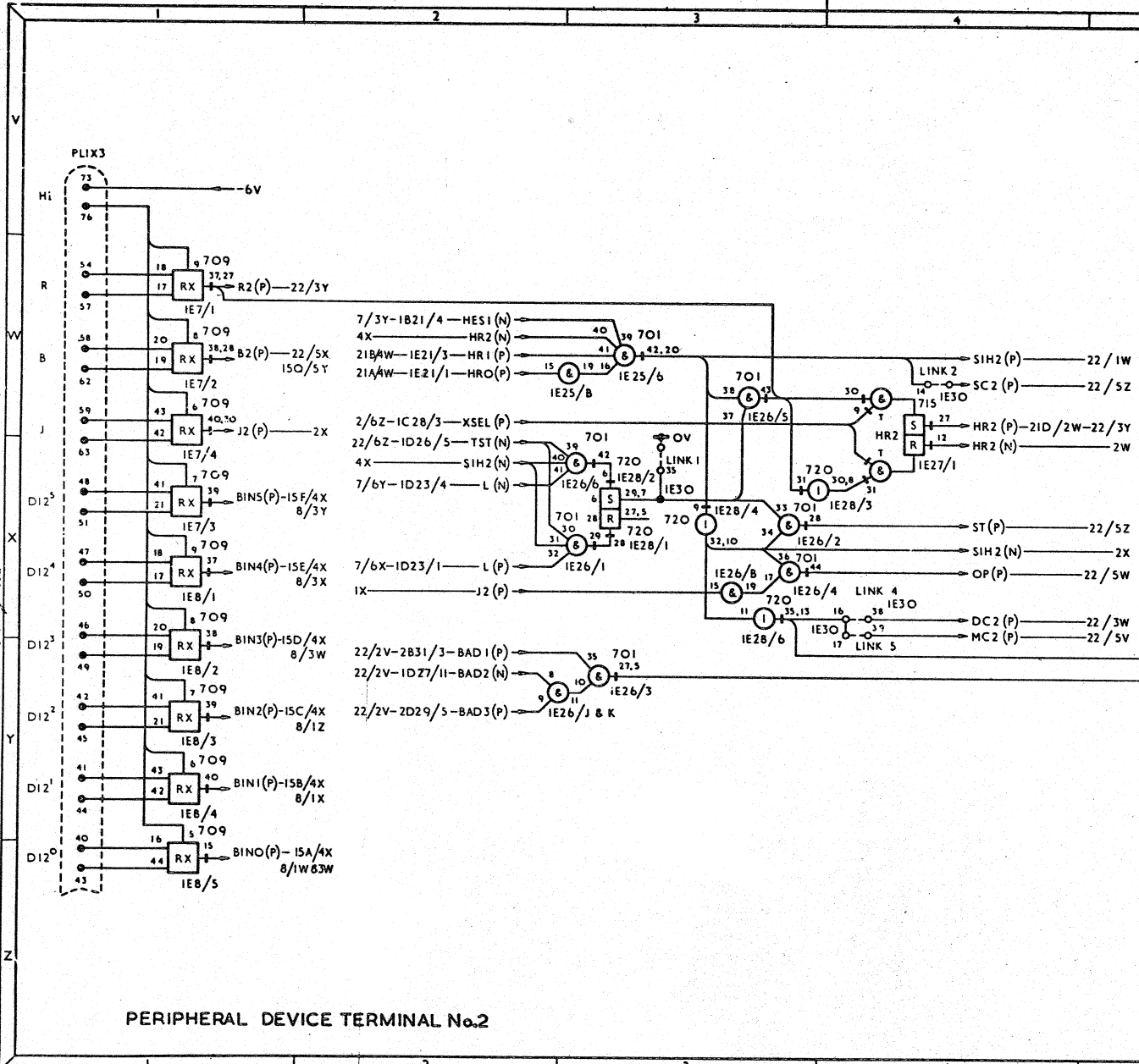
5006471 / 10 48  
 DIAGRAM ISSUE SHEET

ISSUE	SHEET																													
	1	2	3	4	5	6	7	8	9	10	11	12	13	14	15	16	17	18	19	20	21	22	23	24	25	26	27	28	29	30

ISSUE NUMBERS OF OTHER SHEETS AT THE TIME OF ISSUING THIS SHEET.

DRAWN BY A. NICKELS  
DATE 29.7.65

NOTES



ISS.	CHANGES	
10	REDRAWN 8517	12-65
		PLIX3
	22/2Y-2C21/13-BOUT 5(N)	TX 708 27 28 11 14 DO2 <sup>5</sup>
	22/2X-2B30/3-BOUT 4(N)	TX 708 29 30 10 13 DO2 <sup>4</sup>
	22/2X-2C22/13-BOUT 3(N)	TX 708 31 32 8 12 DO2 <sup>3</sup>
	22/2X-2C23/13-BOUT 2(N)	TX 708 33 34 3 12 DO2 <sup>2</sup>
	22/2X-2C25/13-BOUT 1(N)	TX 708 35 35 2 7 DO2 <sup>1</sup>
	22/2X-2C26/13-BOUT 0(N)	TX 708 36 37 1 5 DO2 <sup>0</sup>
	22/6W-IE22/5-NOA(N)	TX 708 29 30 53 56 No <sup>2</sup>
	7/6Y-ID23/4-L(N)	TX 708 29 30 22 25 A
	22/4V-ID26/4-C(N)	TX 708 27 28 17 21 C
	2/4V-ID26/3 & 6-T(N)	TX 708 27 28 34 37 T
	23/3X-2B13/22-C(P)	TX 708 14 18 35 39 G

21C



LOGIC DIAGRAM

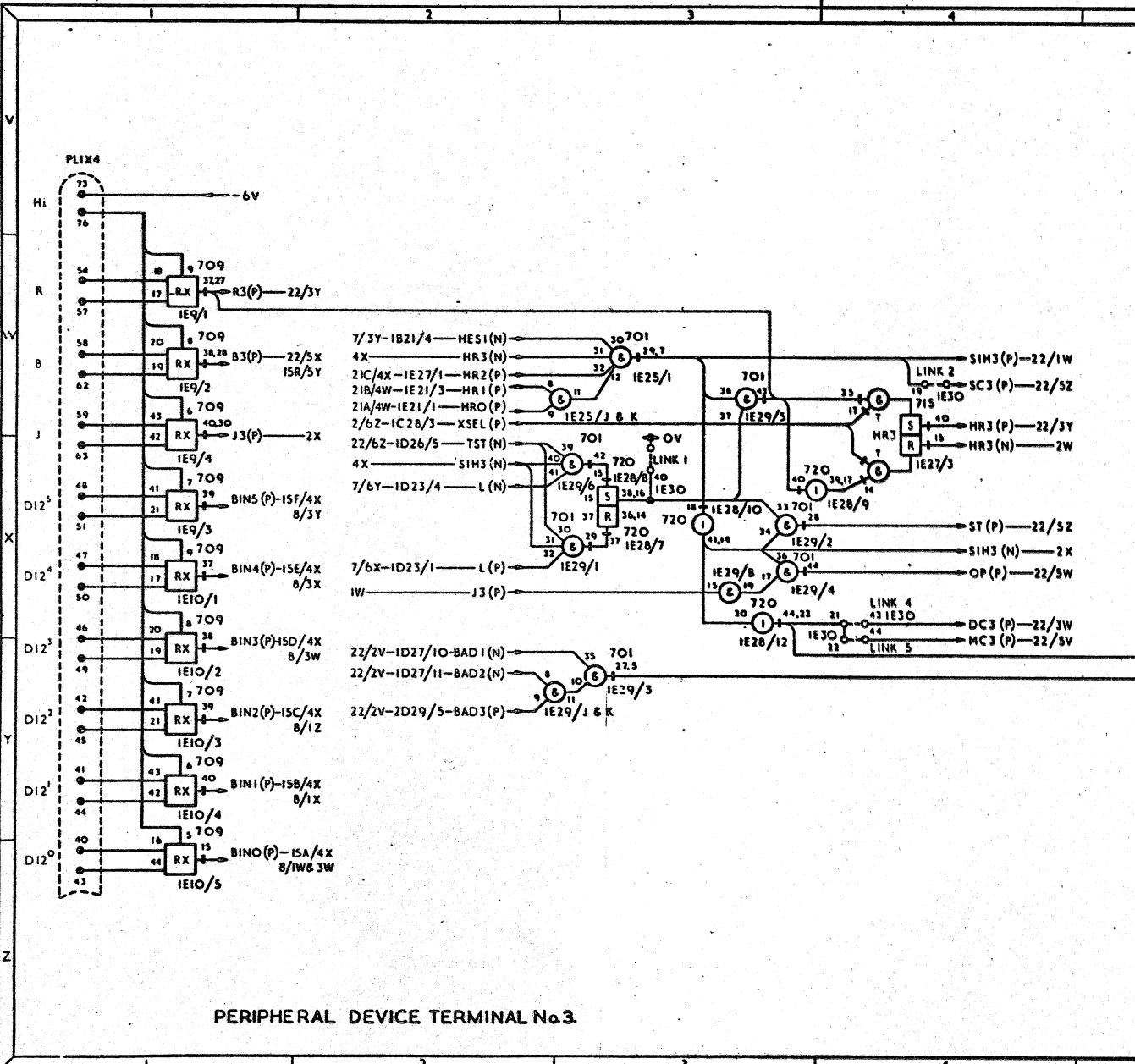
5006471 / 10 49  
DIAGRAM ISSUE SHEET

ISSUE	SHEET																													
	1	2	3	4	5	6	7	8	9	10	11	12	13	14	15	16	17	18	19	20	21	22	23	24	25	26	27	28	29	30

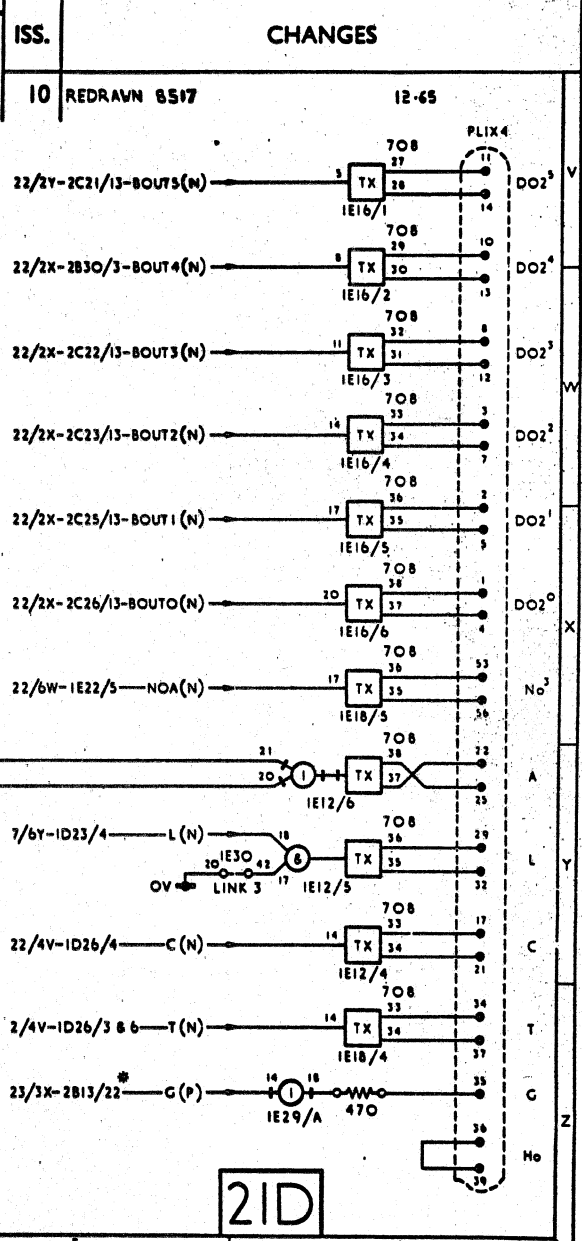
ISSUE NUMBERS OF OTHER SHEETS AT THE TIME OF ISSUING THIS SHEET.



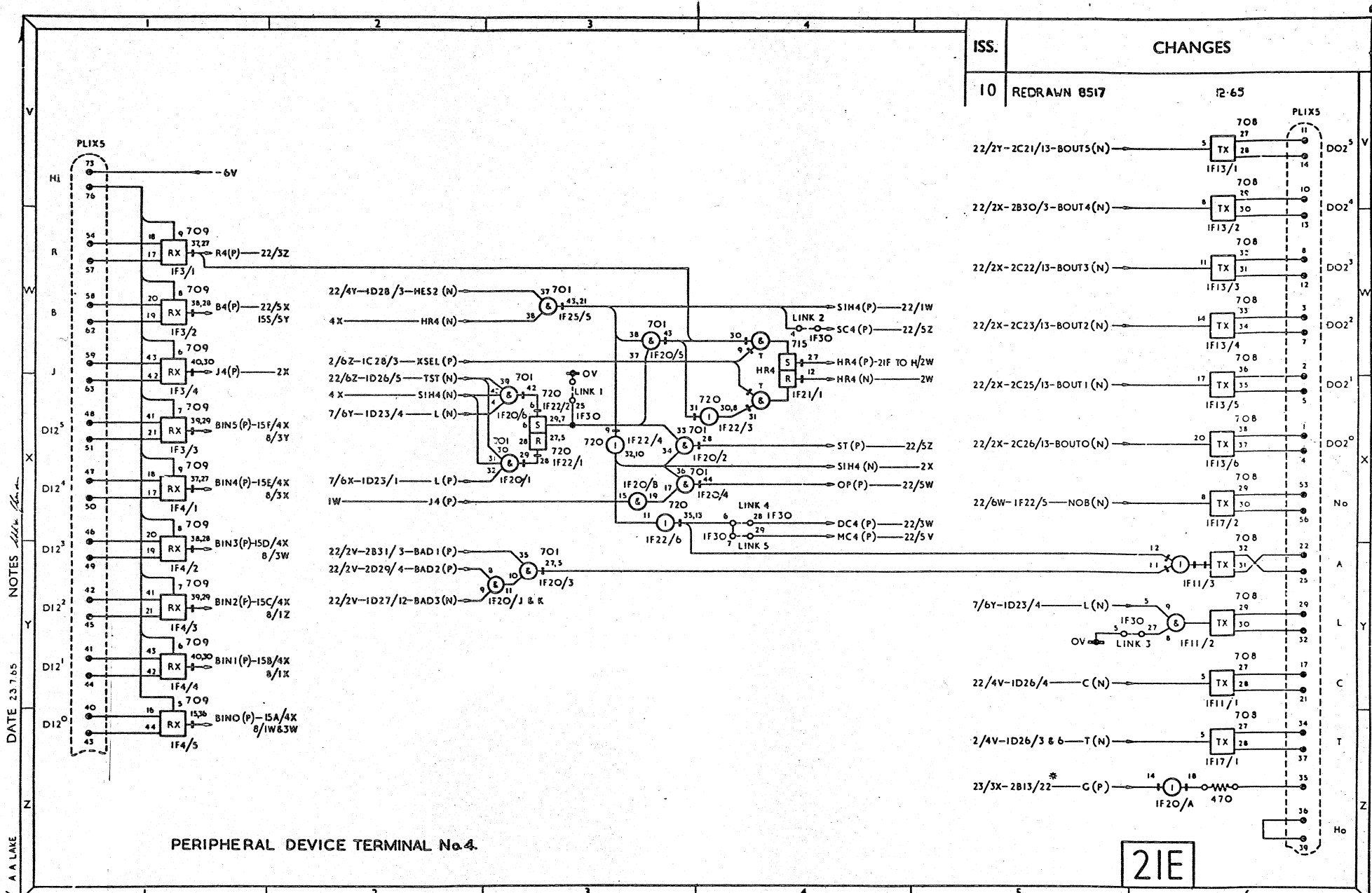
DRAWN BY A NICKELS DATE 16 7 65 NOTES 2200



PERIPHERAL DEVICE TERMINAL No.3.



21D



LOGIC DIAGRAM

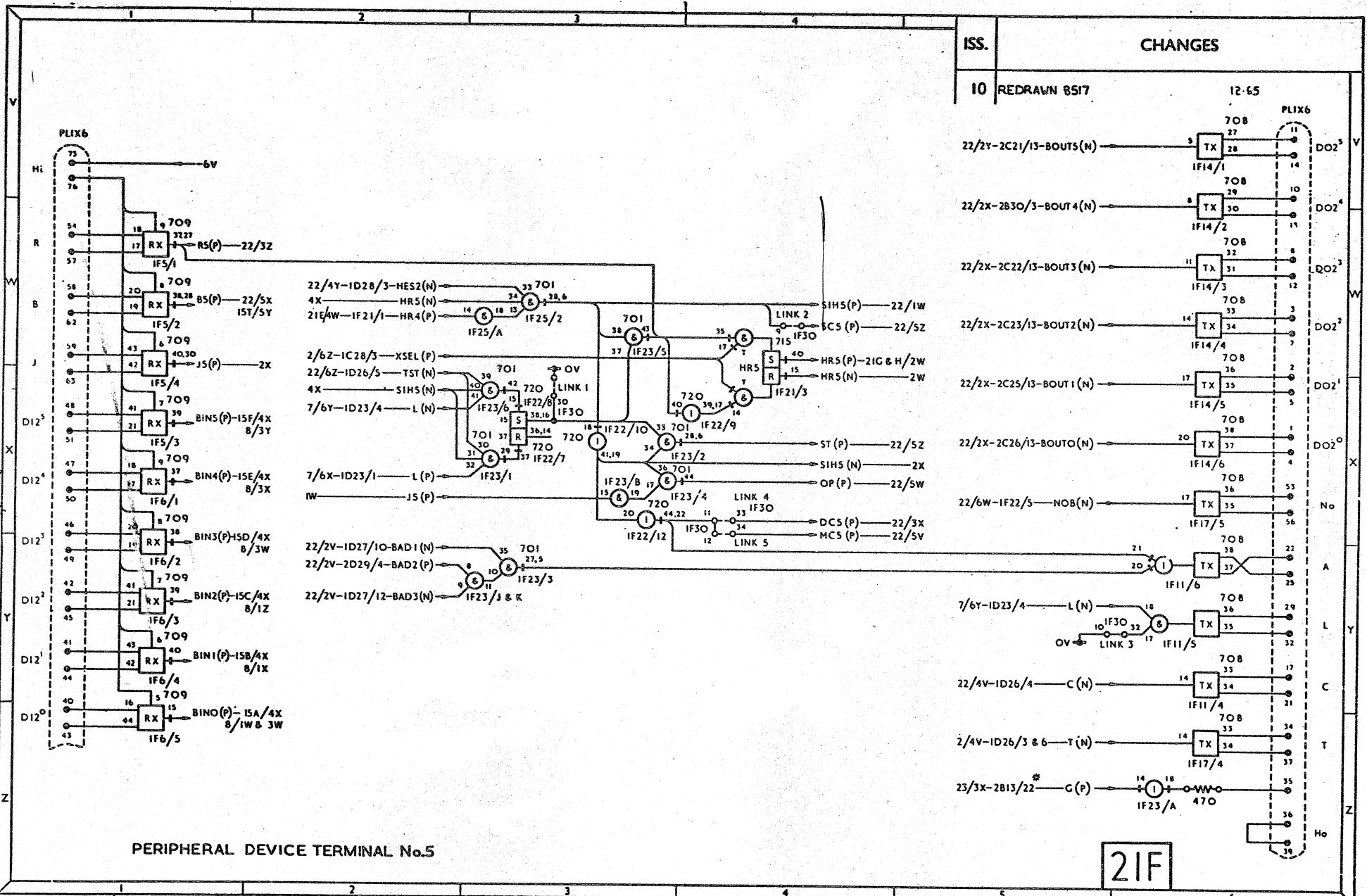
5006471 / 10

51 SHEET

ISSUE	1	2	3	4	5	6	7	8	9	10	11	12	13	14	15	16	17	18	19	20	21	22	23	24	25	26	27	28	29	30
ISSUE NUMBERS OF OTHER SHEETS AT THE TIME OF ISSUING THIS SHEET.																														

DATE 22.7.65

DRAWN BY A. NICKELS



PERIPHERAL DEVICE TERMINAL No.5

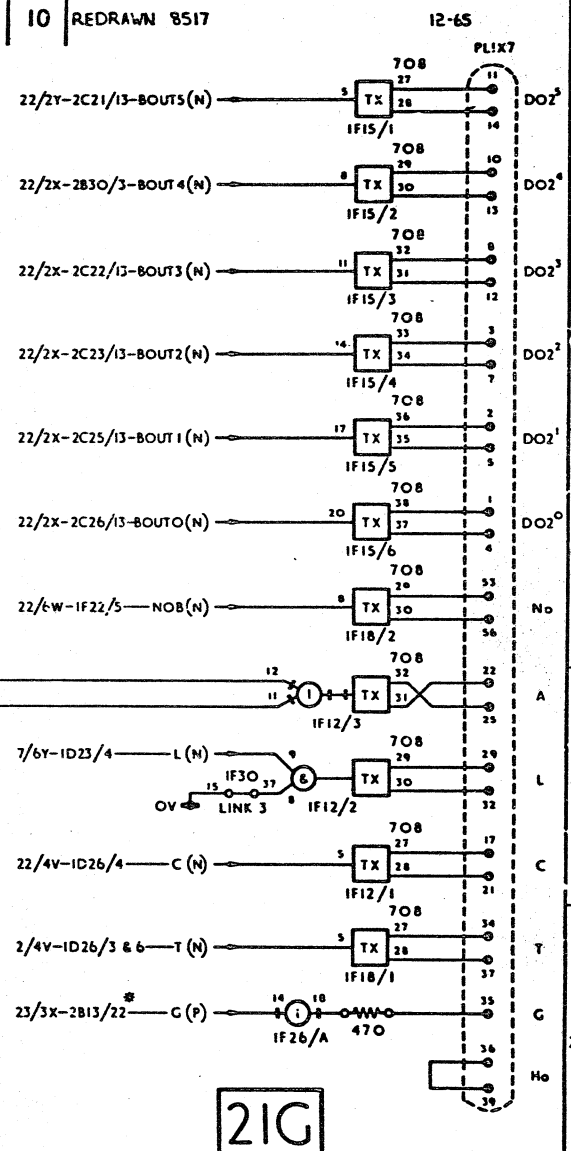
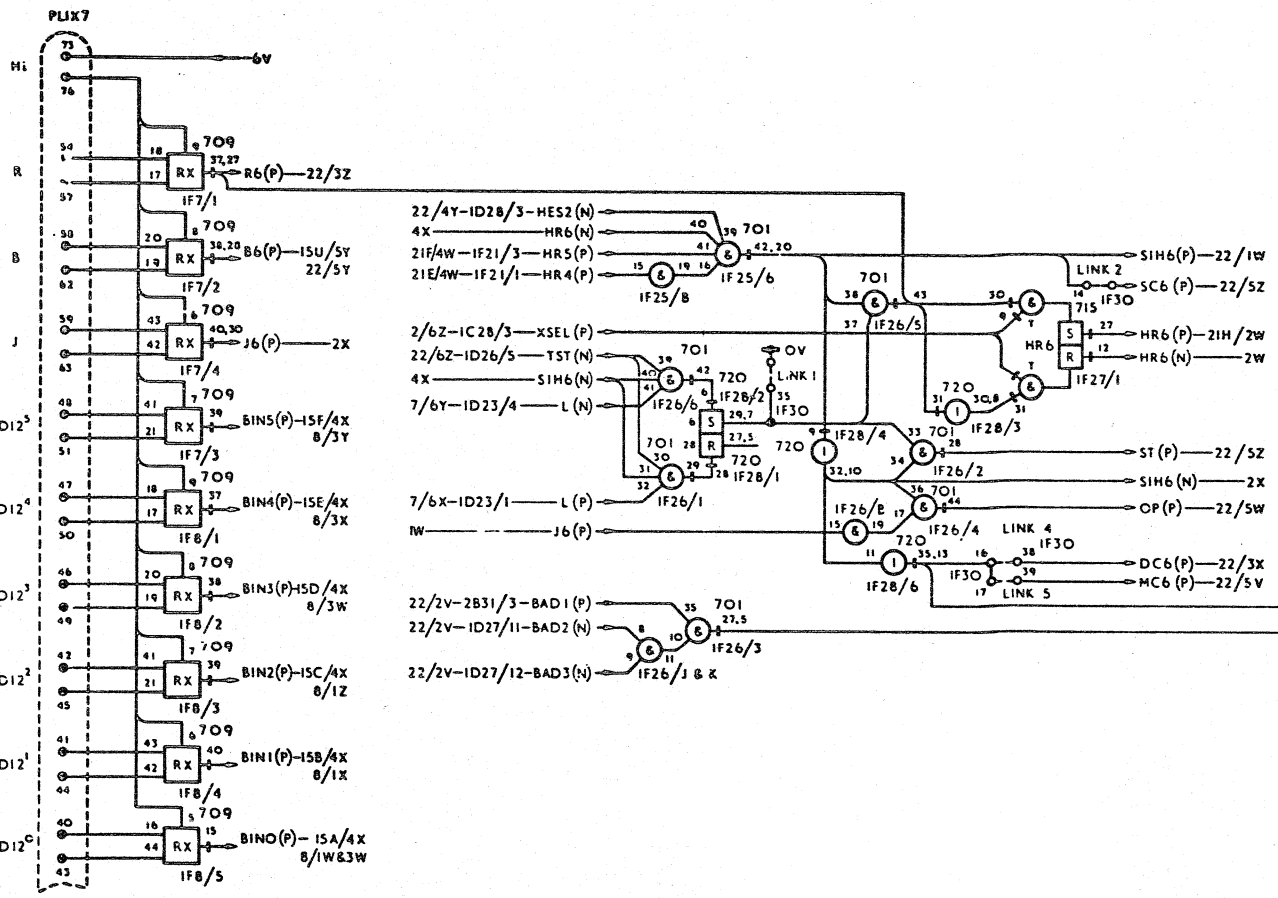
21F

ISS.	CHANGES	
10	REDRAWN 8517	12-65
	22/2Y-2C21/13-BOUT5(N)	DO2 <sup>5</sup>
	22/2X-2B30/3-BOUT4(N)	DO2 <sup>4</sup>
	22/2X-2C22/13-BOUT3(N)	QO2 <sup>3</sup>
	22/2X-2C23/13-BOUT2(N)	DO2 <sup>2</sup>
	22/2X-2C25/13-BOUT1(N)	DO2 <sup>1</sup>
	22/2X-2C26/13-BOUT0(N)	DO2 <sup>0</sup>
	22/6W-1F22/5-NOB(N)	No
	7/6Y-ID23/4	A
	22/4V-ID26/4	L
	2/4V-ID26/3 & 6-T(N)	C
	23/3X-2B13/22	T
		Ho

	LOGIC DIAGRAM 5006471 / 10 DIAGRAM ISSUE SHEET	ISSUE
		SHEET 1 2 3 4 5 6 7 8 9 10 11 12 13 14 15 16 17 18 19 20 21 22 23 24 25 26 27 28 29 30 ISSUE NUMBERS OF OTHER SHEETS AT THE TIME OF ISSUING THIS SHEET.

DATE 24 7 65  
DRAWN BY A NICKELS  
NOTES 444

ISS.	CHANGES
10	REDRAWN 8517 12-65



PERIPHERAL DEVICE TERMINAL No.6.

21G



LOGIC DIAGRAM

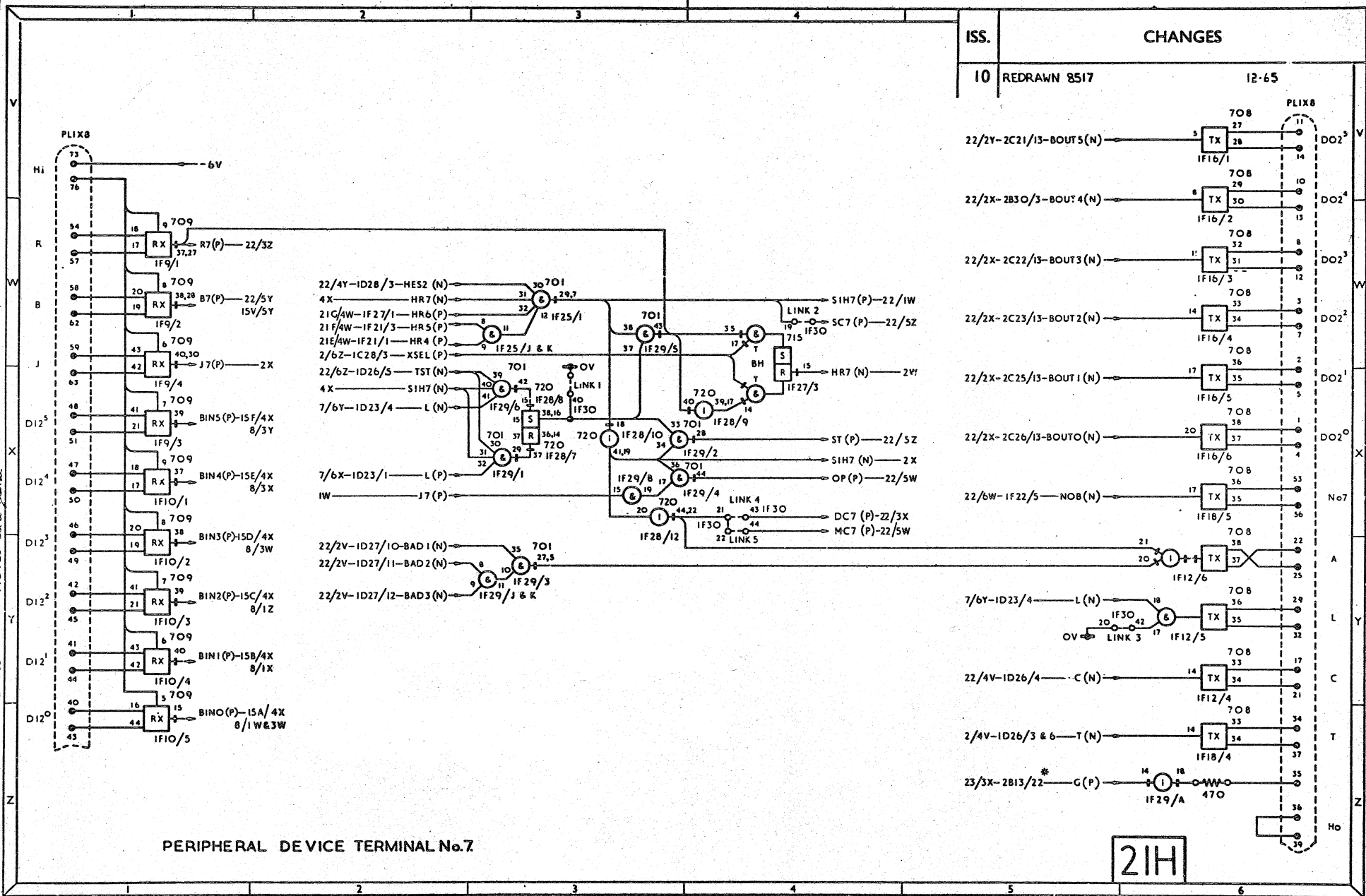
5006471 / 10 53  
DIAGRAM ISSUE SHEET

ISSUE	SHEET																																
	1	2	3	4	5	6	7	8	9	10	11	12	13	14	15	16	17	18	19	20	21	22	23	24	25	26	27	28	29	30	31	32	33
ISSUE NUMBERS OF OTHER SHEETS AT THE TIME OF ISSUING THIS SHEET.																																	

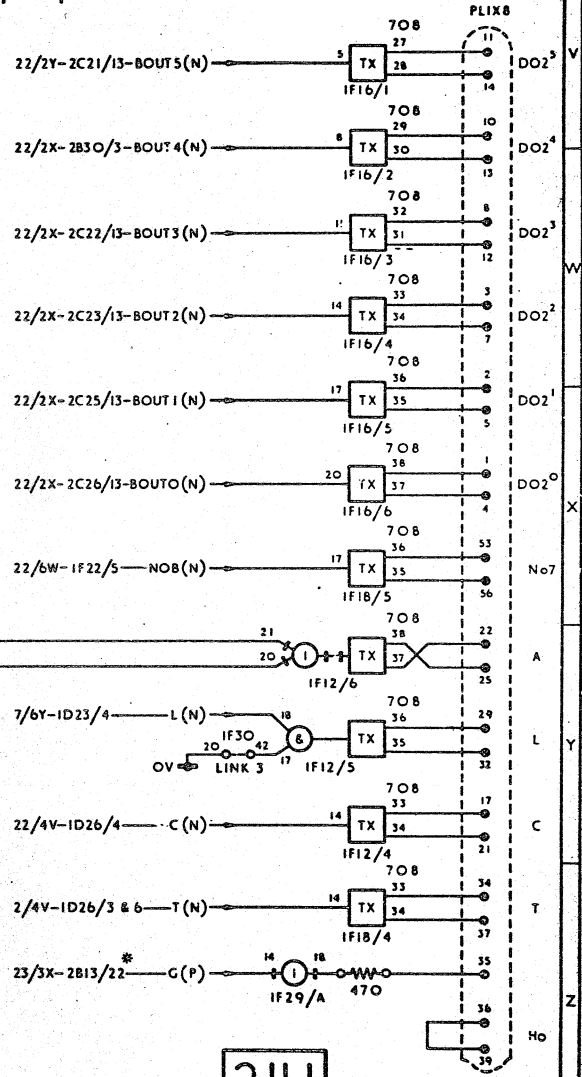
DATE 27-7-65

DRAWN BY A. A. LAKE

NOTES



ISS.	CHANGES
10	REDRAWN 8517
	12-65

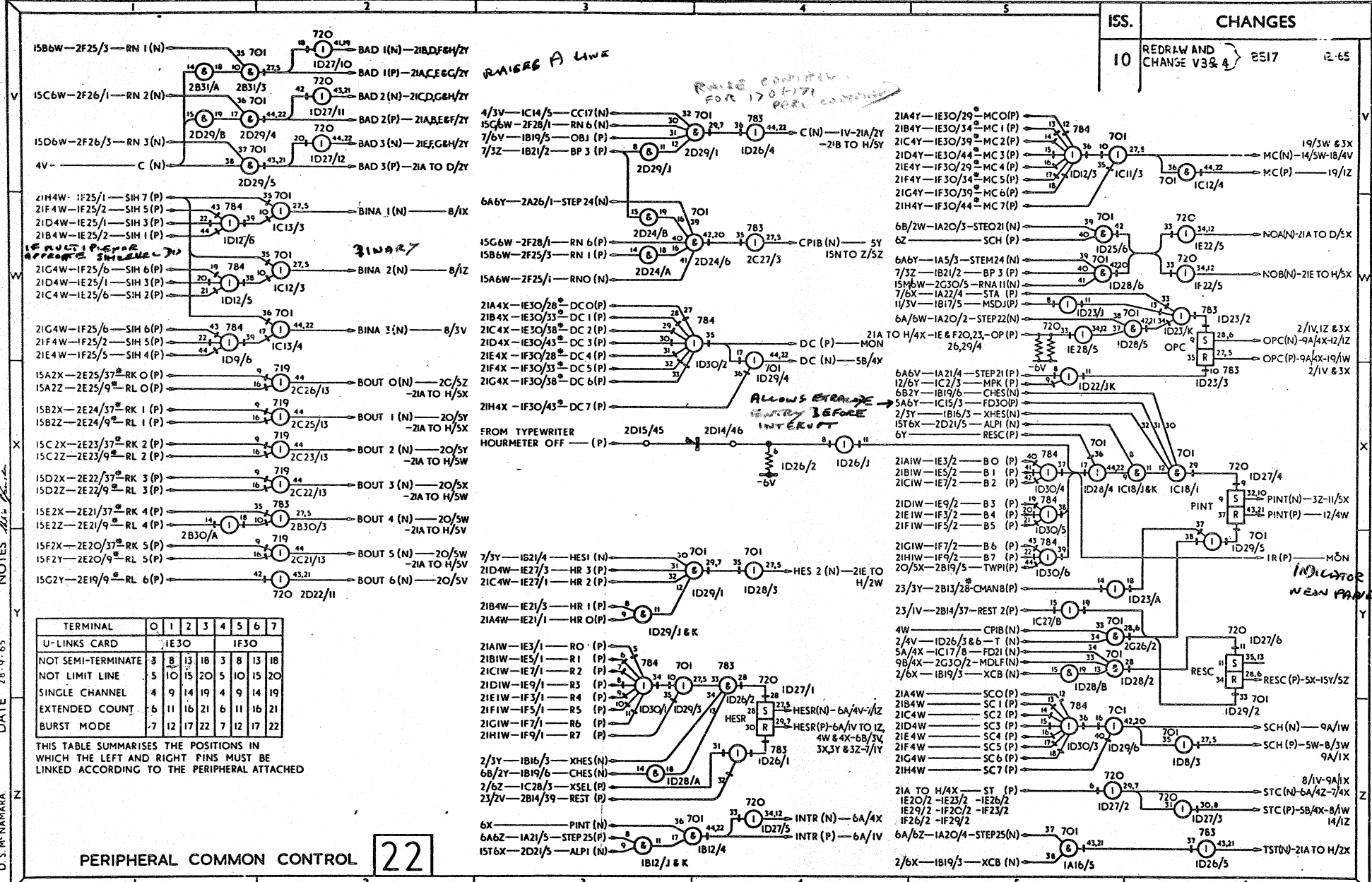


LOGIC DIAGRAM

5006471 / 10 54

DIAGRAM ISSUE SHEET

ISSUE																															
SHEET	1	2	3	4	5	6	7	8	9	10	11	12	13	14	15	16	17	18	19	20	21	22	23	24	25	26	27	28	29	30	
ISSUE NUMBERS OF OTHER SHEETS AT THE TIME OF ISSUING THIS SHEET.																															



RAISES A LINE

RAISE CONTROL FOR 170-171 PERI CONTROL

310927

ALLOWS STRAIGHT THROUGH BEFORE INTERRUPT

INDICATOR NEAR PANEL

TERMINAL	0	1	2	3	4	5	6	7
U-LINKS CARD		1E30					1F30	
NOT SEMI-TERMINATE	3	8	13	18	3	8	13	18
NOT LIMIT LINE	5	10	15	20	5	10	15	20
SINGLE CHANNEL	4	9	14	19	4	9	14	19
EXTENDED COUNT	6	11	16	21	6	11	16	21
BURST MODE	7	12	17	22	7	12	17	22

THIS TABLE SUMMARISES THE POSITIONS IN WHICH THE LEFT AND RIGHT PINS MUST BE LINKED ACCORDING TO THE PERIPHERAL ATTACHED

PERIPHERAL COMMON CONTROL 22

5006471 / 10 55  
 DIAGRAM ISSUE SHEET

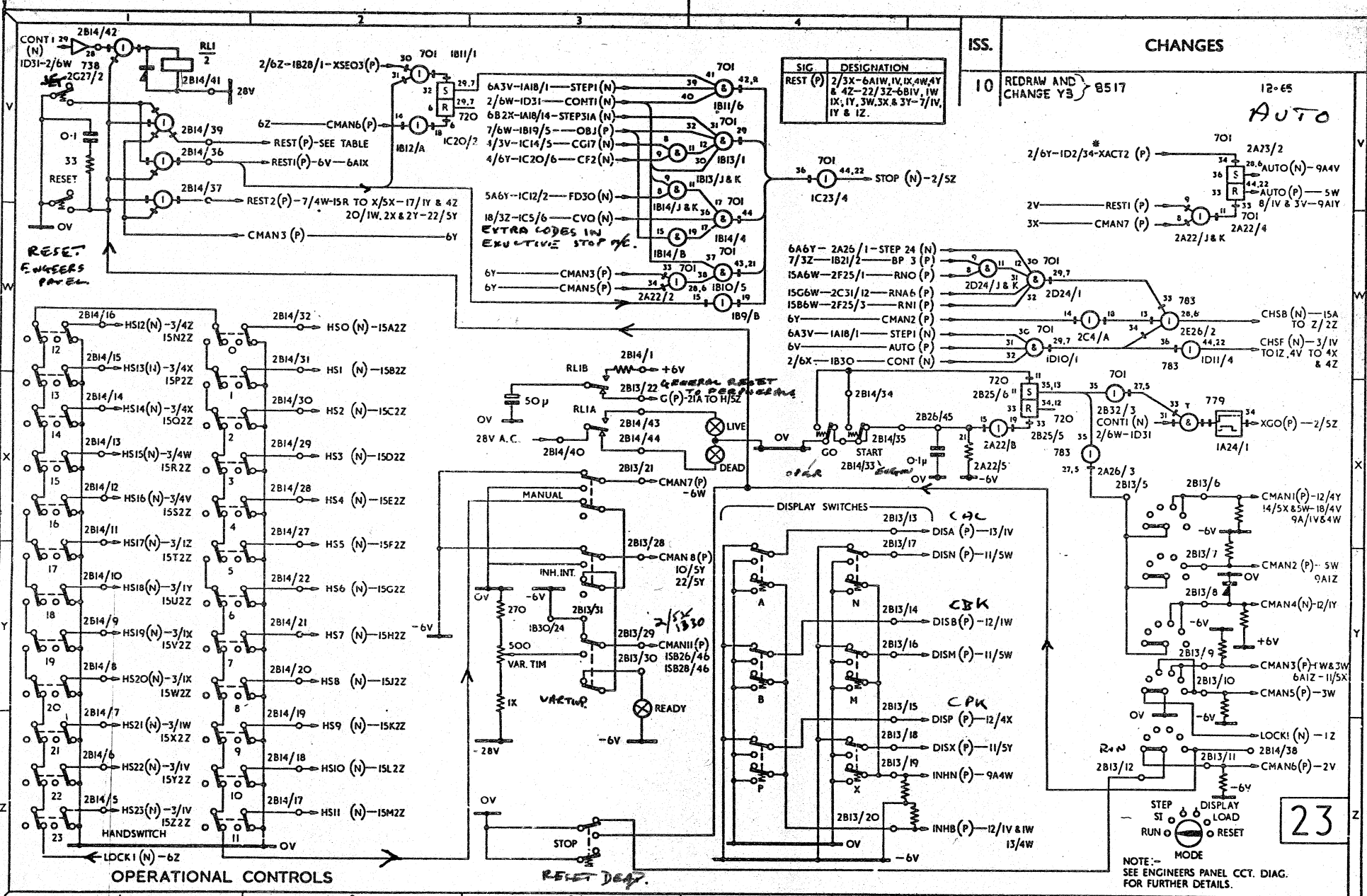
ISSUE	1	2	3	4	5	6	7	8	9	10	11	12	13	14	15	16	17	18	19	20	21	22	23	24	25	26	27	28	29	30
SHEET																														
ISSUE NUMBERS OF OTHER SHEETS AT THE TIME OF ISSUING THIS SHEET.																														

DRAWN BY D. S. HENAMARA DATE 28-9-65 NOTES 221-1-65

DRAWN BY J. INGRAM

DATE 5-7-65

NOTE: 4/16/65



ISS. CHANGES

10 REDRAW AND CHANGE Y3 B517 12-65

**AUTO**

**I-C-T** LOGIC DIAGRAM **5006471 / 10 56**

DIAGRAM ISSUE SHEET

ISSUE SHEET

1	2	3	4	5	6	7	8	9	10	11	12	13	14	15	16	17	18	19	20	21	22	23	24	25	26	27	28	29	30
---	---	---	---	---	---	---	---	---	----	----	----	----	----	----	----	----	----	----	----	----	----	----	----	----	----	----	----	----	----

ISSUE NUMBERS OF OTHER SHEETS AT THE TIME OF ISSUING THIS SHEET.