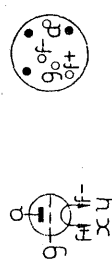
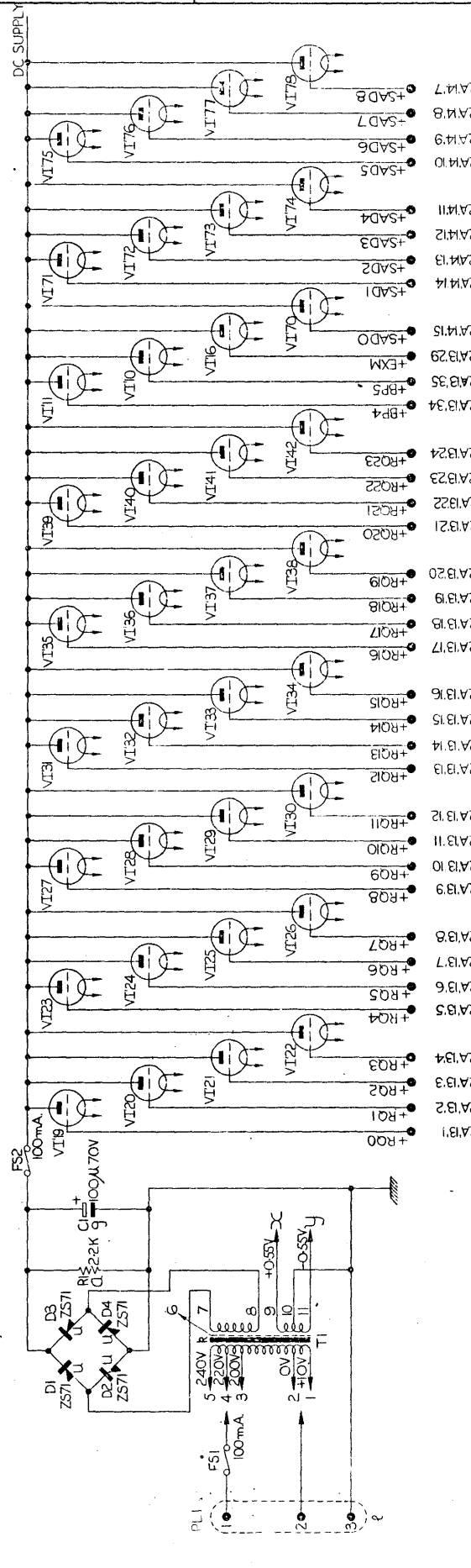


CHANGES

ISS.	IB2A050 6379 00	22-12-64
------	-----------------	----------

VI	19	20	21	22	23	24	25	26	27	28	29	30	31	32	33	34	35	36	37	38	39	40	41	42	70	71	72	73	74	75	76	77	78
MISC.	PLI	FSI	DI	TI	D8	RI	CI	FS2																									





CIRCUIT DIAGRAM FOR
ENGINEERS PANEL

ASSEMBLY

5 0 0 5 9 2 0 /

ISSUE

1

SHEET

2

ISSUE

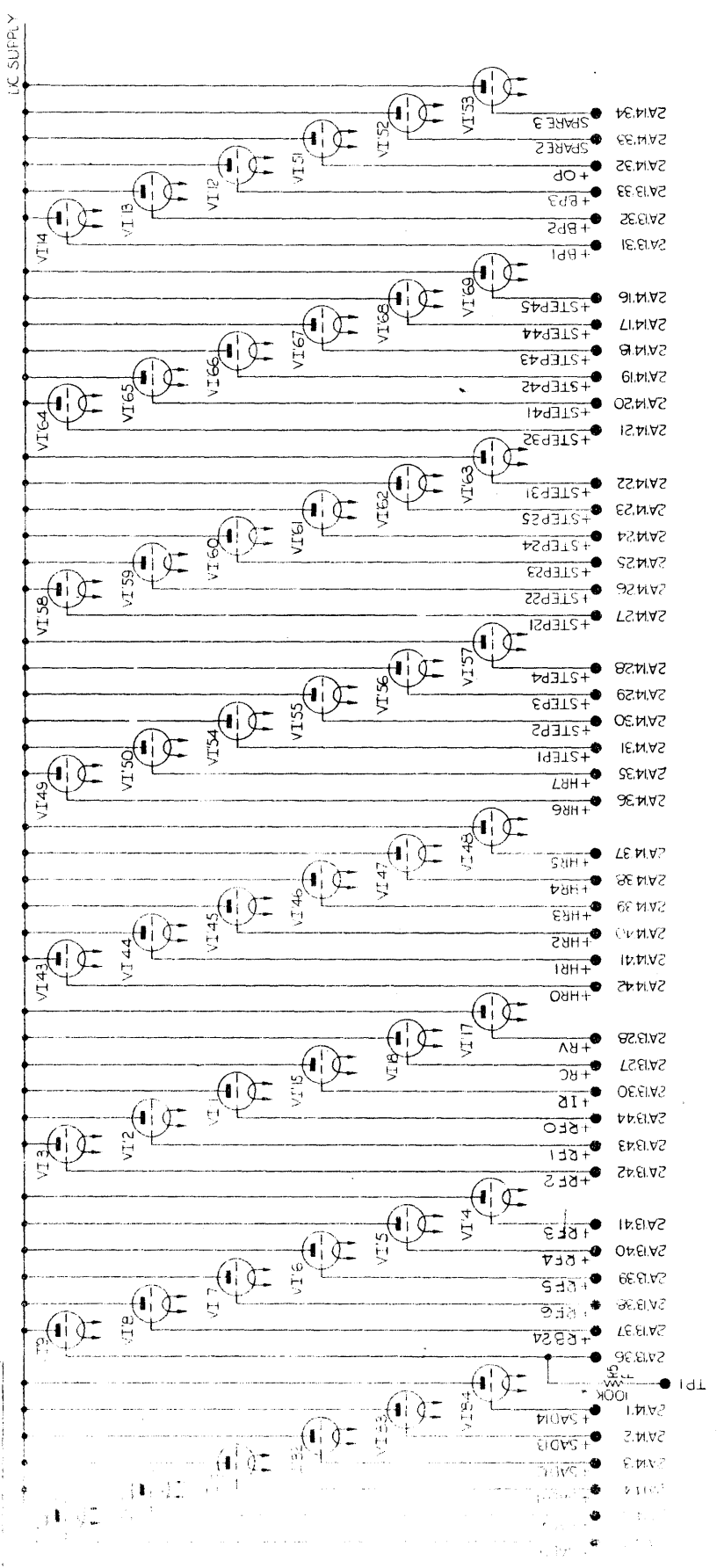
1 2 3 4 5 6 7 8 9 10 11 12 13 14 15 16 17 18 19 20

ISSUE NUMBERS OF OTHER SHEETS AT THE TIME OF ISSUING THIS SHEET.

DRAWN BY

DATE

NOTES



9	8	7	6	5	4	3	2	1	15	18	17	48	47	46	45	44	43	49	50	54	55	56	57	58	59	60	61	62	63	64	65	66	67	68	69	14	13	12	11	10	9	8	7	6	5	4	3	2	1	VI
---	---	---	---	---	---	---	---	---	----	----	----	----	----	----	----	----	----	----	----	----	----	----	----	----	----	----	----	----	----	----	----	----	----	----	----	----	----	----	----	----	---	---	---	---	---	---	---	---	---	----

CHANGES

182A 050 2370 22/2/64

ISS.

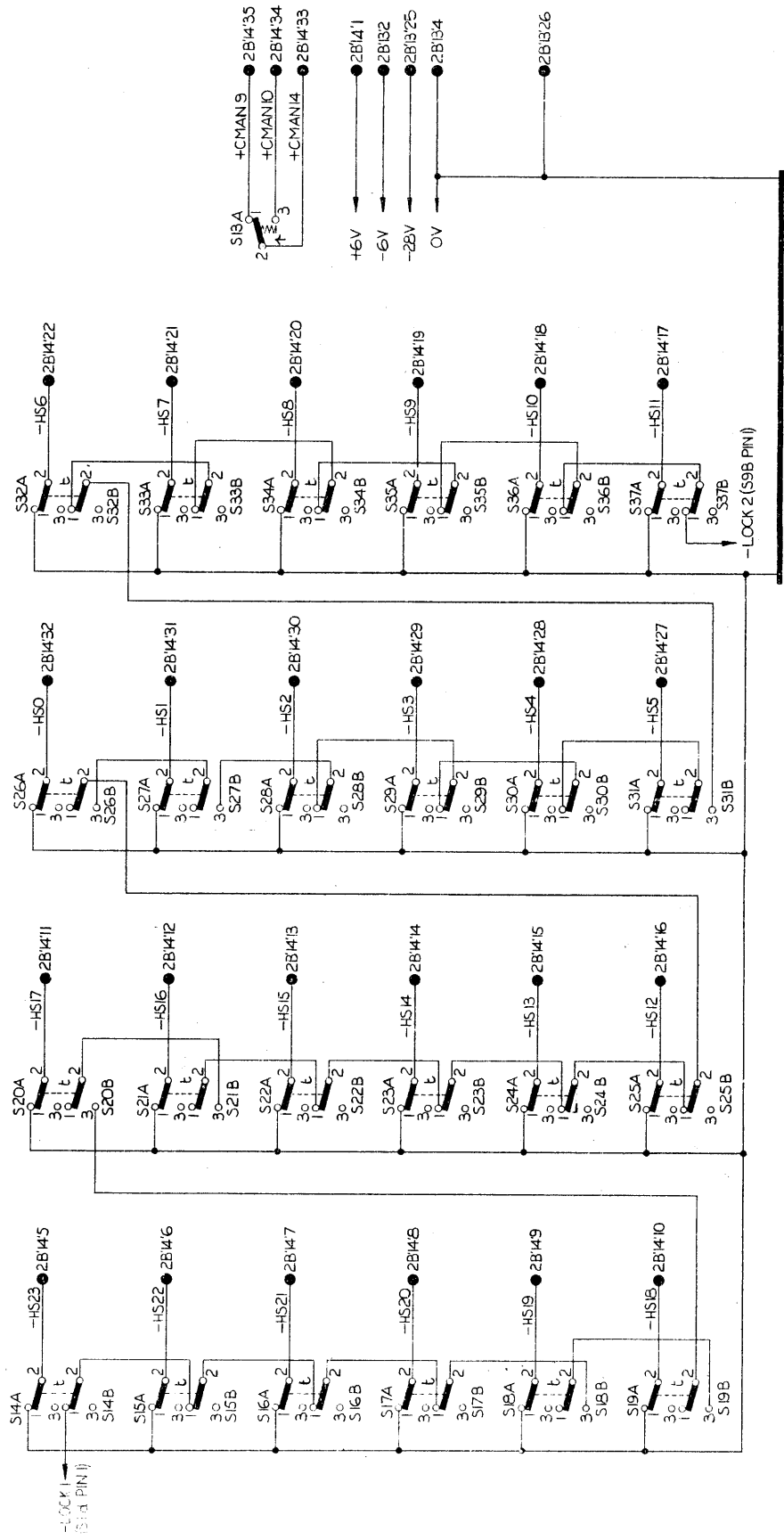
1

CHANGES

ISS.

1 182A 050 6379 90 22-12-64

14	20	32
15	21	33
16	22	34
17	23	35
18	24	36
19	25	37
S		IB S



ISSUE	1	2	3	4	5	6	7	8	9	10	11	12	13	14	15	16	17	18	19	20
SHEET	1	2	3	4	5	6	7	8	9	10	11	12	13	14	15	16	17	18	19	20
ISSUE NUMBERS OF OTHER SHEETS AT THE TIME OF ISSUING THIS SHEET																				

ISSUE	1	2	3				
SHEET	5	0	0	5	9	2	0
ASSEMBLY							
ISSUE	1						
SHEET	3						

CIRCUIT DIAGRAM FOR ENGINEERS PANEL



CHANGES

ISS.

182A 050 6379 00 22.12.44

8
9
10
11
12

5
6
7

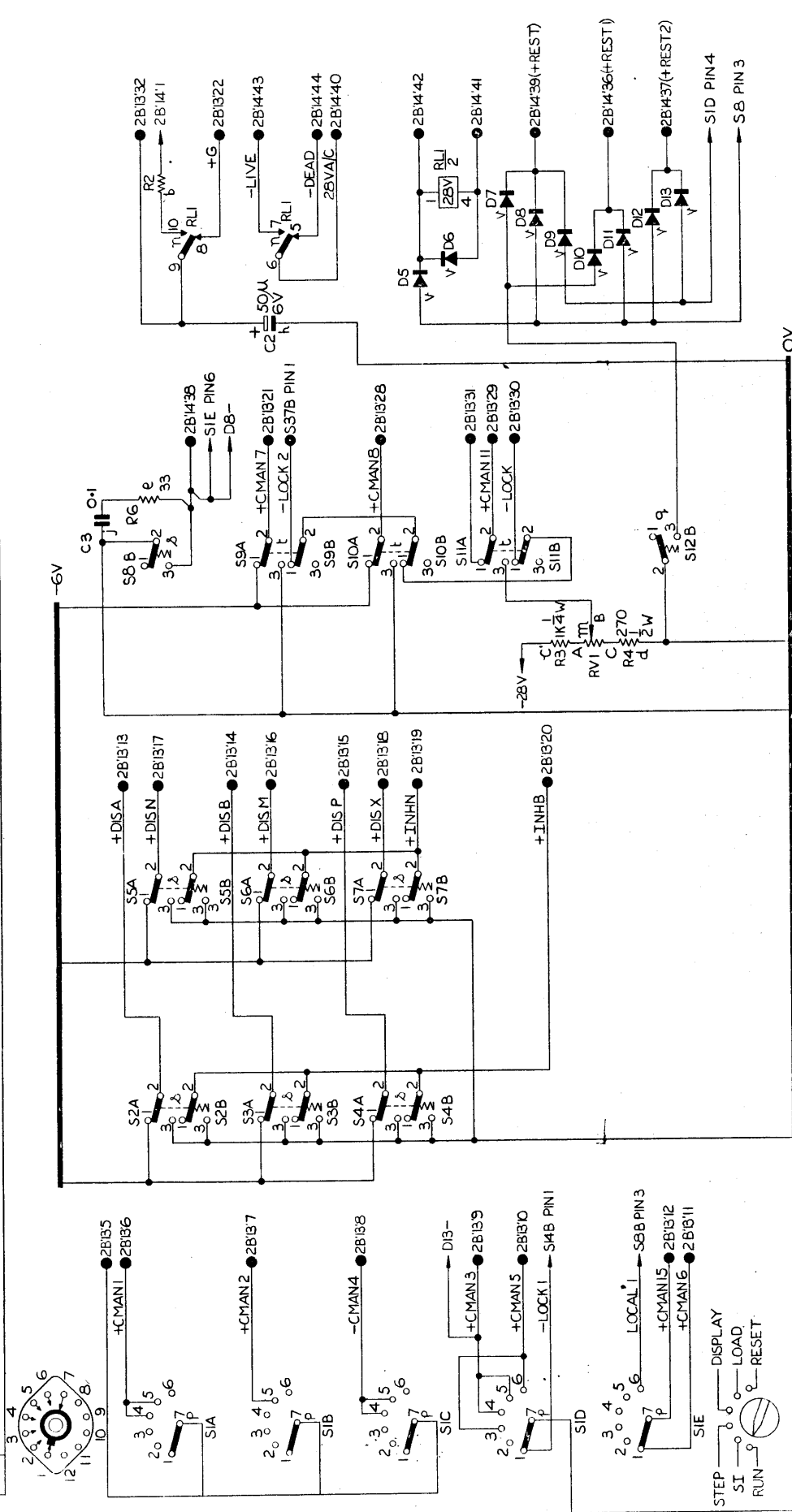
2
3
4

S
1
2
3
4
5
6
7
8
9
10
11
12

MISC. D6 D9 D8 D7 R1 R2 DO:DI1 D2 D3

C3 RG

R3 RVI R4



CIRCUIT DIAGRAM FOR ENGINEERS PANEL

ASSEMBLY

ISSUE 1

SHEET 4

ISSUE	1	2	3	4	5	6	7	8	9	10	11	12	13	14	15	16	17	18	19	20	
SHEET																					
ISSUE NUMBERS OF OTHER SHEETS AT THE TIME OF ISSUING THIS SHEET.																					

DRAWN BY

DATE

NOTES

ISS

CHANGES

1 182A 050
6379

22-12-64

KEY TO COMPONENT TYPES FOR
GUIDANCE ONLY. SEE PARTS LIST FOR
AUTHORITATIVE LIST

PAINTON MVIA ±5%	881311	a
PAINTON 92±5%	868450	b
WELWYN C81±5%	868487	c
WELWYN F20±7%	883512	d
WELWYN C20±5%	871091	e
ELECTROSIL NJ 60 ±2%	879797	f
LEMCO 765/302S +100 -20%70V	887603	g
PLESSEY CE24/1 +100 -20%6V	888000	h
TCC CP114G ±20%	866687	j
GARDNER TRANSFORMER	887605	k
PAINTON P4/MFS	858004	l
COLVERN CLR 1106/95 ±10%	889703	m
SIEMENS 8 HALSKE T+L & 162 b WITH TRF & 135 C 28V	888001	n
BELLING & LEE L754 OO SIZE	887994	all
MULLARD DM160 VALVE INDICATOR	867642	all
WAFER SWITCH 6 POS. 6 POLE	887990	p
THORN/AE E23839 b2R	887996	q
THORN/AE E23839 a2V	887997	t
DPDT BIASED TOGGLE SWITCH	850058	s
DPDT TOGGLE SWITCH	852188	u
FERRANTI ZS70 SERIES TYPE ZS71 WIRE ENDS	887602	u
MULLARD OA10	861028	v



CIRCUIT DIAGRAM
FOR ENGINEERS
PANEL

5005920 / 1
ASSEMBLY

ISSUE SHEET

5

ISSUE

1 1 1 1 1

SHEET

1 2 3 4 5 6 7 8 9 10 11 12 13 14 15 16 17 18 19 20

ISSUE NUMBERS OF OTHER SHEETS AT THE TIME OF ISSUING THIS SHEET