



S134-0052-1

IBM Series/1
4959 Input/Output Expansion Unit
Parts Catalog



S134-0052-1

IBM Series/1
4959 Input/Output Expansion Unit
Parts Catalog

Second Edition (MARCH 1982)

This publication is only for the purpose of ordering replaceable assemblies, subassemblies, and detail parts for the IBM Series/1 4959 Input/Output Expansion Unit.

Changes are periodically made to the information herein; any such changes will be reported in subsequent revisions or Technical Newsletters.

It is possible that this material may contain reference to, or information about, IBM products (machines and programs), programming, or services that are not announced in your country. Such references or information must not be construed to mean that IBM intends to announce such IBM products, programming, or services in your country.

Publications are not stocked at the address given below. Requests for copies of IBM publications should be made to your IBM representative or the IBM branch office serving your locality.

This publication could contain technical inaccuracies or typographical errors. A form for readers' comments is provided at the back of this publication. If the form has been removed, address your comments to IBM Corporation, Information Development, Department 27T, P. O. Box 1328, Boca Raton, Florida 33432. IBM may use or distribute any of the information you supply in any way it believes appropriate without incurring any obligation whatever. You may, of course, continue to use the information you supply.

Contents

HOW TO USE A PARTS CATALOGiv
VISUAL INDEXES	viii
CATALOG SECTION	1
Figure 1. I/O Expansion Unit Assembly. Sheet 1 of 3. Serial Number 22499 and Below	2
Figure 1. I/O Expansion Unit Assembly. Sheet 2 of 3. Serial Number 22499 and Below	4
Figure 1. I/O Expansion Unit Assembly. Sheet 3 of 3. Serial Number 22499 and Below	6
Figure 2. I/O Expansion Unit Assembly. Sheet 1 of 4. Serial Number 22500 and Above	8
Figure 2. I/O Expansion Unit Assembly. Sheet 2 of 4. Serial Number 22500 and Above	10
Figure 2. I/O Expansion Unit Assembly. Sheet 3 of 4. Serial Number 22500 and Above	12
Figure 2. I/O Expansion Unit Assembly with Two-Channel Switch. Sheet 4 of 4. Serial Number 22500 and Above	14
Figure 3. Switch Box Assembly for Two-Channel Switch. Serial Number 22500 and Above	16
Figure 4. Filter Assembly	17
Figure 5. Top Fan Cover Assembly. Serial Number 22499 and Below	18
Figure 6. Console Assembly	20
Figure 7. Communications Console Assembly	21
Figure 8. Blower Assembly. Serial Number 22500 and Above	22
Figure 9. Power Supply Assembly. Sheet 1 of 3. Serial Number 22499 and Below	24
Figure 9. Power Supply Assembly. Sheet 2 of 3. Serial Number 22499 and Below	26
Figure 9. Power Supply Assembly. Sheet 3 of 3. Serial Number 22499 and Below	28
Figure 10. Power Supply Assembly, 415 Watt. Serial Number 22500 and Above	30
Figure 11. Cable Assemblies with Component Parts. Sheet 1 of 2	32
Figure 11. Cable Assemblies with Component Parts. Sheet 2 of 2	34
NUMERICAL INDEX	X-1

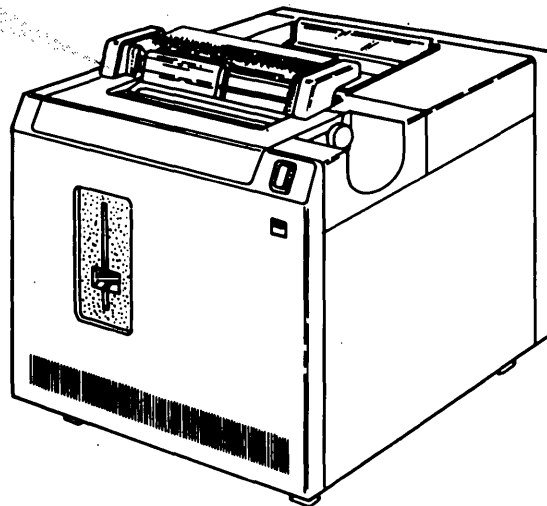
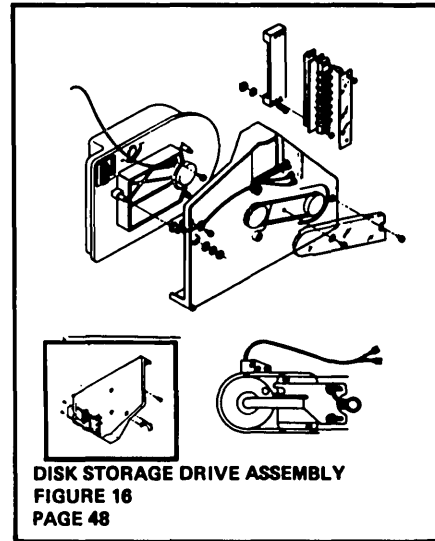
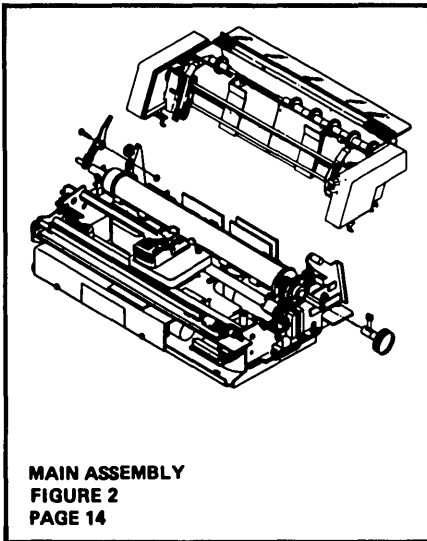
How to Use a Parts Catalog

PARTS CATALOG STRUCTURE

To find parts quickly, you should have a general understanding of the three major sections of this catalog:

- 1** Visual Index (machine assembly illustrations and page locations within the Catalog Section)
- 2** Catalog Section (assembly illustrations with accompanying parts lists)
- 3** Numerical Index (parts listed in numerical order with cross-references to applicable figure and index numbers within the Catalog Section)

1 **VISUAL INDEX** This is a starting point for locating a part in the Catalog Section



Note: If assembly name is known, locate page reference in catalog "Contents."

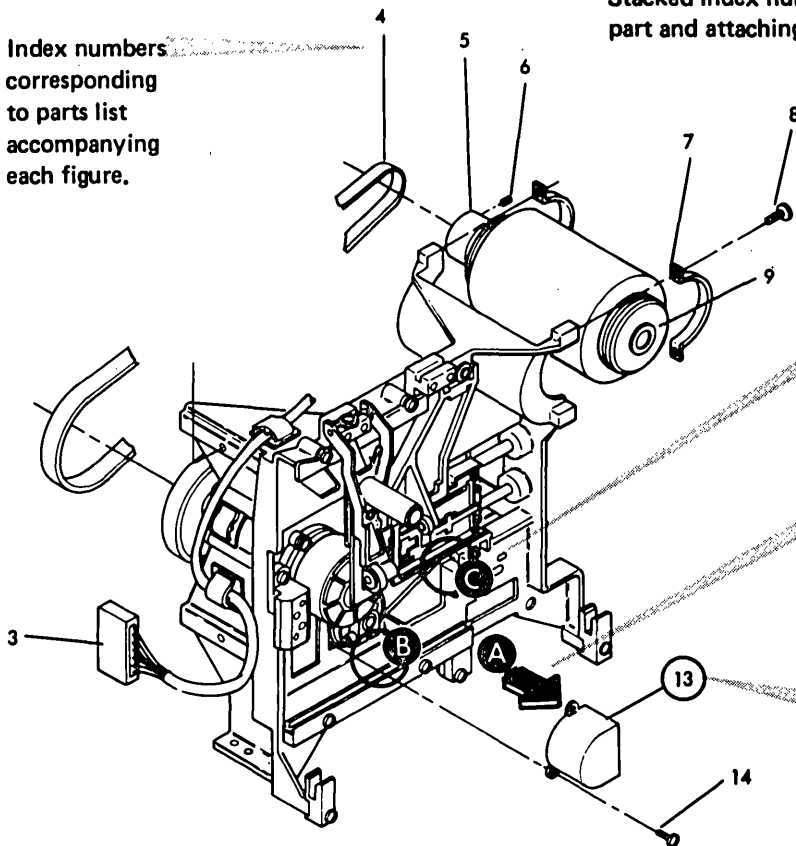
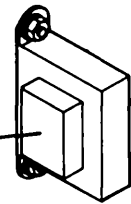
Higher or Lower
assembly reference.

SEE FIG. 13

Index numbers
corresponding
to parts list
accompanying
each figure.

Stacked index numbers show
part and attaching
hardware.

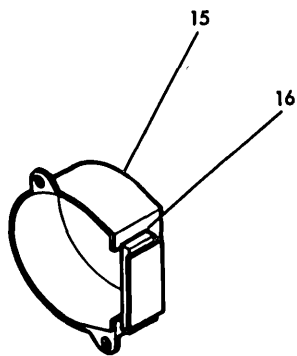
53
54
55
56



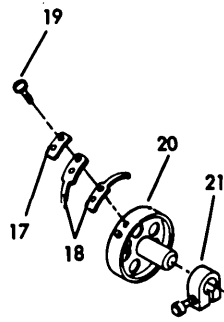
Circled letter indicates that part is
shown separately and broken down
within detail drawing ("Detail B")
and ("Detail C").

Circled letter with arrow is a key to
an assembly that cannot be seen
because of the perspective of the
figure. The assembly is shown
separately ("View A").

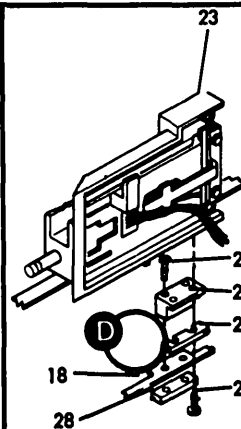
Circled index number indicates that
the item is broken down within the
parts list.



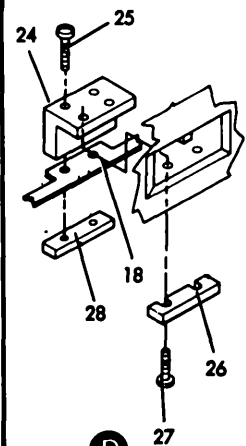
VIEW **A**



DETAIL **B**



DETAIL **C**



DETAIL **D**

2 CATALOG SECTION (parts list)

POWER SUPPLY ASB

FIGURE- INDEX NUMBER	PART NUMBER	UNITS PER ASM.	DESCRIPTION			
			1	2	3	4
3	5892856	REF				POWER SUPPLY ASB, NO. 1-110V 50 AND 60 HZ
	5692858	REF				POWER SUPPLY ASB, NO. 1-208V 50 AND 60 HZ
	1553193	REF				POWER SUPPLY ASB, NO. 1 AND 3-60 HZ LV
	1553194	REF				POWER SUPPLY ASB, NO. 1 AND 3-60 HZ HV
	1553195 NP	REF				POWER SUPPLY ASB, NO. 1 AND 3-50 HZ LV
	1553196 NP	REF				POWER SUPPLY ASB, NO. 1 AND 3-50 HZ HV
	1631389	REF				POWER SUPPLY ASB, NO. 1 AND 3-50 HZ LV-UK ONLY
	1631390	REF				POWER SUPPLY ASB, NO. 1 AND 3-50 HZ HV-UK ONLY
						FOR NEXT HIGHER ASB SEE LIST 2-21 AND 23 AND FOR ILLUSTRATION FIG. 3
- 1	NC NC.	1				. LABEL
- 2	645762	1				. LABEL
- 3	5691299	1				. COVER
- 4	6641935	4				. SCREW, EACH BIND HD 8-32X.250 LG ATT PT
- 5	1632336	1				. FUSE, 7A-USED CN 208V POWER SUPPLY NO. 1 NC FUSE REQUIRED CN 110V POWER SUPPLY
- 6	512137	1				. FUSE, 5A-USED CN 110V POWER SUPPLY NO. 1
- 6	1632336	1				. FUSE, 7A-USED CN 208V POWER SUPPLY NO. 1
- 7	5130278 NP	1				. LABEL-USED CN 208V POWER SUPPLY NO. 1
- 8	5130277	1				. LABEL-USED CN 110V POWER SUPPLY NO. 1
- 8	5130278	1				. LABEL-USED CN 208V POWER SUPPLY NO. 1
- 9	1553738	1				. POWER INPUT ASB FOR DETAIL BREAKDOWN SEE LIST 4
10	5E207	AR				. SCREW, EACH BIND HD 8-32 NC-2A X.250 LG ATT PT
- 11	5130276	1				. BRACKET
- 12	5E207	1				. SCREW, EACH BIND HD 8-32 NC-2A X.250 LG ATT PT
- 13	2546652	1				. TIE, CABLE
- 14	2100264	2				. RELIEF, CABLE STRAIN
- 15	55901	3				. WASHER, LOCK EXT .176EIA
- 16	5E207	3				. SCREW, EACH BIND HD 8-32 NC-2A X .250 LG

ITEM	MEANING
1 Similar Assemblies	Multiple assemblies having majority of identical parts are broken down on same list (common parts have same index number).
2 NP	Nonprocurable—parts not available separately; order next higher assembly.
3 Indenture	Shows the relationship of a part to its next higher assembly. For example: 1 2 3 4 MAIN ASSEMBLY <ul style="list-style-type: none"> • Detail parts of main assembly or • Assembly within main assembly • • Detail part of one-dot assembly or • • • Assembly within one-dot assembly • • • • Detail parts of two-dot assembly
4 NO NO.	No number—order detail parts separately or see defective part for part number.
5 Figure Number	Number of illustration for this index listing.
6 NR	Not recommended—not recommended for field replacement; order next higher assembly.
7 REF	Reference—Multiple assemblies on same list and figure called out and illustrated.
8 ATT PT	Attaching parts—listed following part to be attached.
9 AR	As required—use quantity as required.
10 Index Number	Numbers on figure correspond to part numbers on figure index number page.

3 NUMERICAL INDEX

NUMERICAL INDEX

The numerical index follows the catalog section. Use it to locate a part when you know the part number only. The index lists part numbers in numerical order along with all applicable figures and parts lists.

Part numbers in numerical order

References to figure, parts list, and part index number

PART NO.	LIST AND INDEX NO.	PART NO.	LIST AND INDEX NO.	PART NO.	LIST AND INDEX NO.	PART NO.	LIST AND INDEX NO.
10170	5 - 9	475124	5 - 1	1631385	3 - REF	5130276	3 - 7
55501	3 - 15	512137	3 - 6	1631390	3 - REF		3 - 8
56675	5 - 7	526378	5 - 4	1632336	3 - 5	5130347	5 - 5
58207	3 - 10	845762	3 - 2		3 - 6	5252807	5 - 3
	3 - 12	1553193	3 - REF	2100264	3 - 14	5651299	3 - 3
	3 - 1E	1553194	3 - REF	2546652	3 - 13	5651660	5 - REF
	5 - 2	1553195	3 - REF	2701001	5 - 5	5652446	5 - REF
236645	5 - 6	1553196	3 - REF	2701011	5 - 5	5652856	3 - REF
322766	5 - 10	1553738	3 - 9	5130276	3 - 11	5652856	3 - REF
351237	5 - 8	1631386	5 - REF	5130277	3 - 8	6641535	3 - 4

ORDERING PARTS

Refer to the Catalog Section when ordering parts. The example shown here should help guide you through a typical situation.

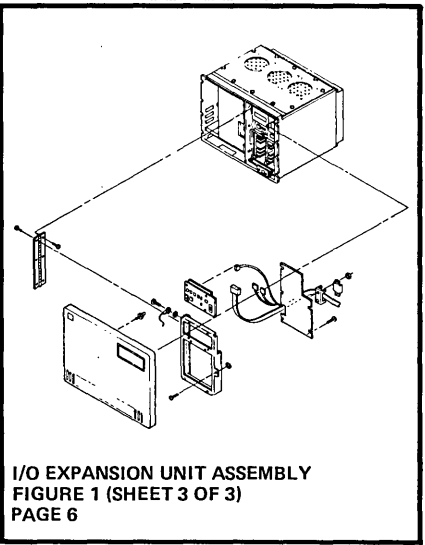
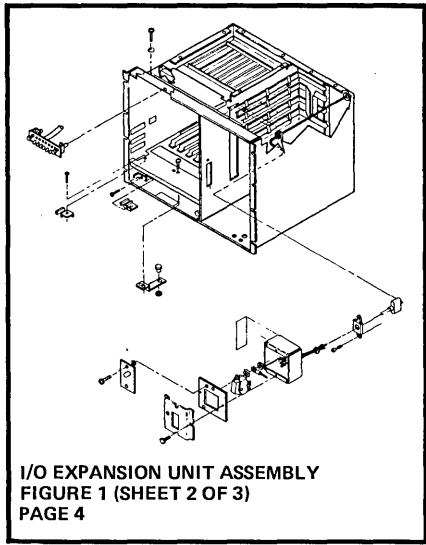
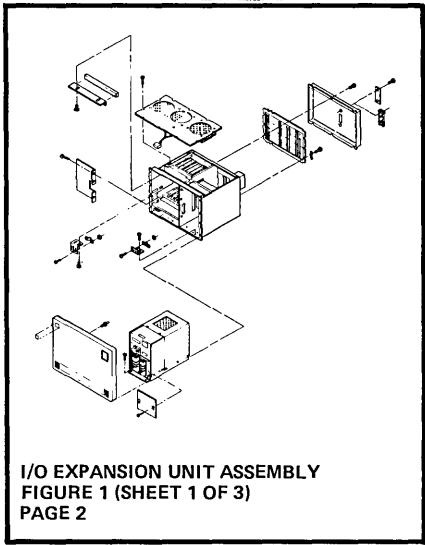
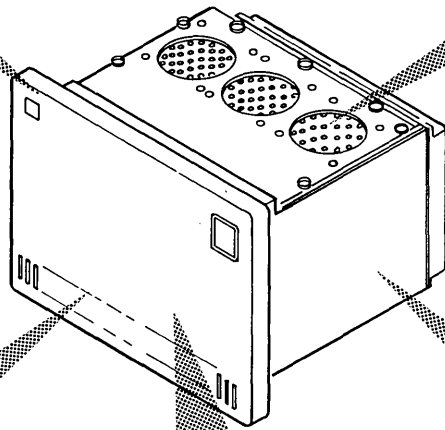
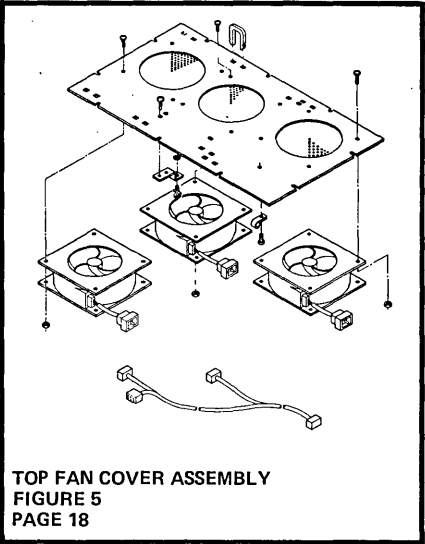
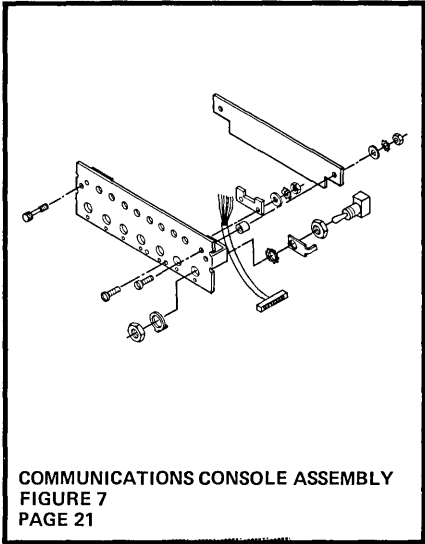
POWER SUPPLY

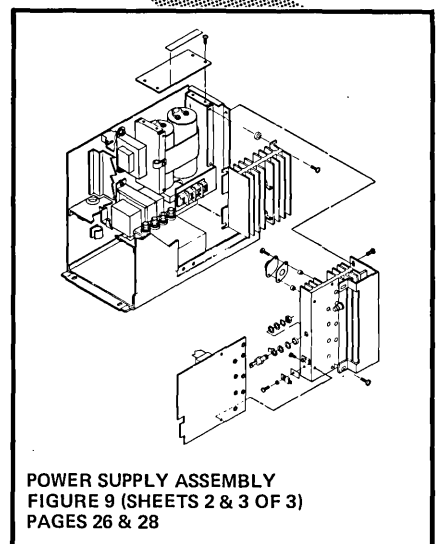
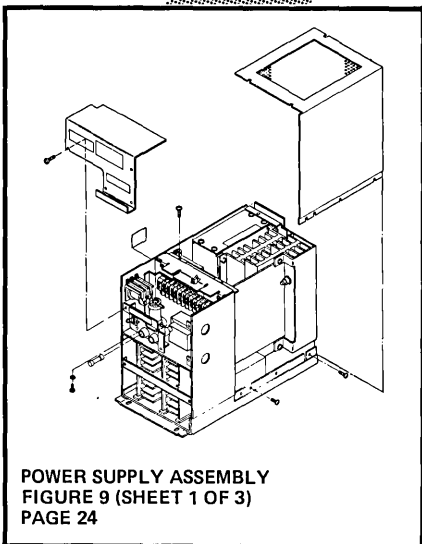
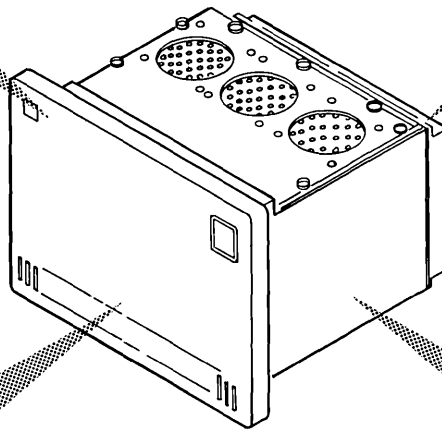
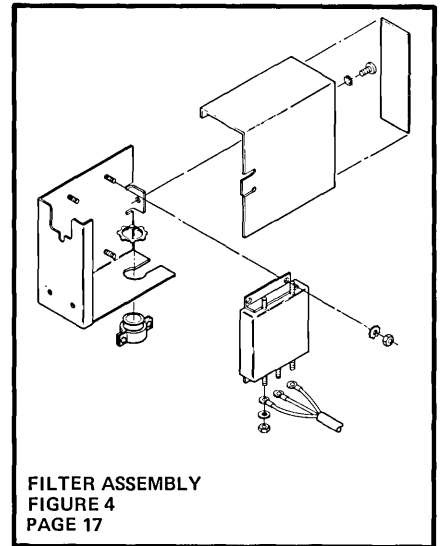
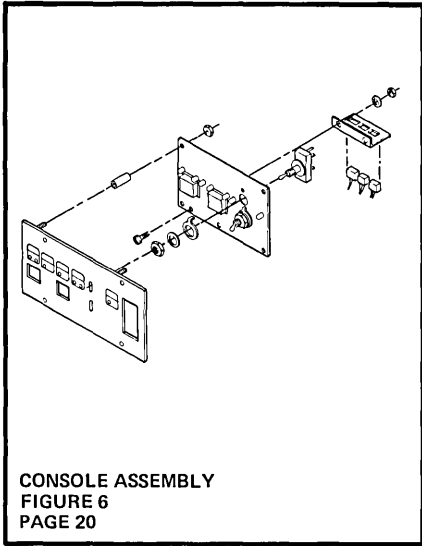
FIGURE-INDEX NUMBER	PART NUMBER	UNITS PER ASM.	DESCRIPTION				
			1	2	3	4	
5 -	5891860	REF	POWER SUPPLY, NC.3 60 HZ				
-	5892846	REF	POWER SUPPLY, NC.3 50 HZ				
-	1631386	REF	POWER SUPPLY, NC.3 50 HZ-UK ONLY FOR HIGH HIGHER ASM SEE LIST 3-25 AND FOR ILLUSTRATION FIG. 5				
- 1	475124	NR	1	. CLAMP, CAPACITIVE			
- 2	58207		2	. SCREW, EACH BIND HE 8-32 NC-2A X .250 LG			ATT FT
- 3	5252807		1	. CAPACITIVE, C3			
- 4	526378	REF	2	. COVER			
- 5	2701001		1	. TRANSFORMER, 60 HZ			
- 5	2701011		1	. TRANSFORMER, 50 HZ			
- 5	5130347		1	. TRANSFORMER, 50 HZ-UK ONLY			
- 6	236645		4	. SCREW, EACH BIND HE 10-32 X.250 LG			ATT FT
- 7	56075		1	. WASHER, ICCR EYE .204ID .204CD			
- 8	351237		1	. SHIELD			
- 9	10170		2	. SCREW, EACH BIND HE 6-32 X1/4 LG			
- 10	322766		1	. TERMINAL CASE, 6 TEL SCREW TERMINAL			

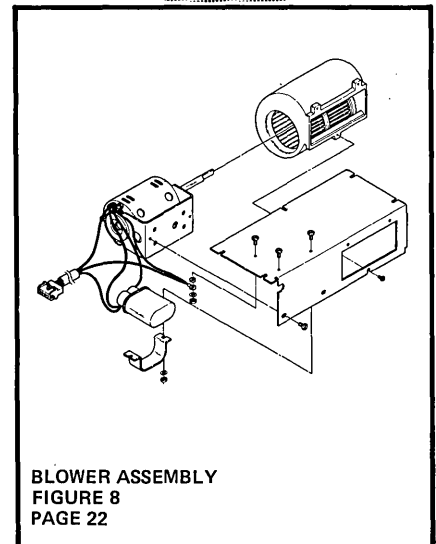
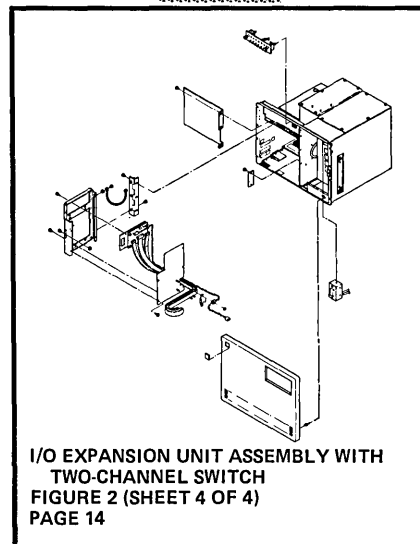
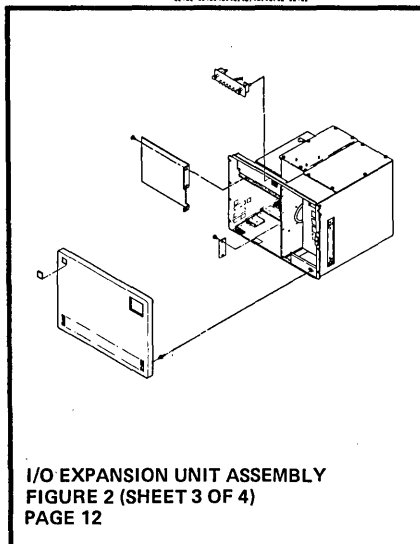
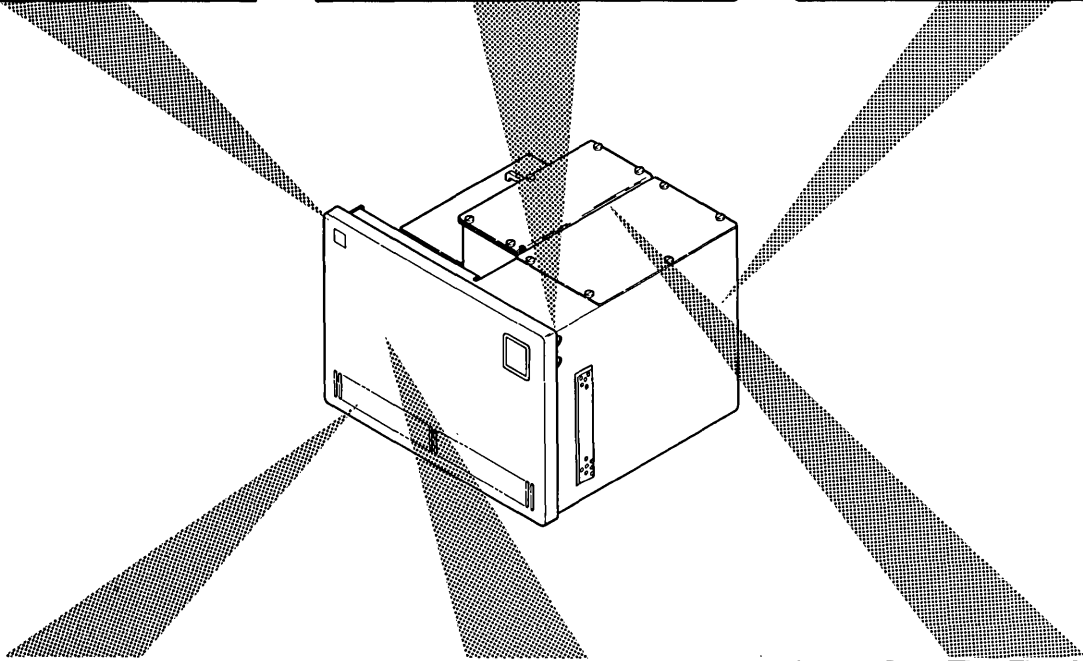
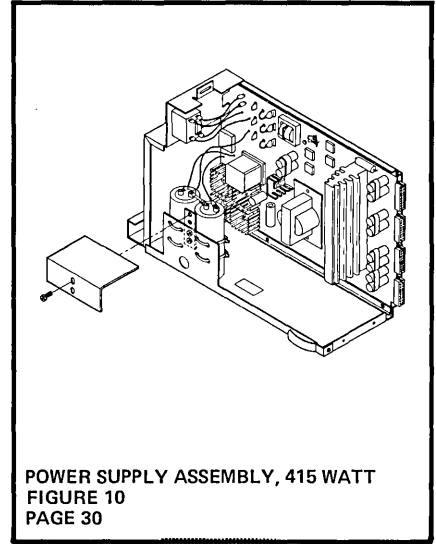
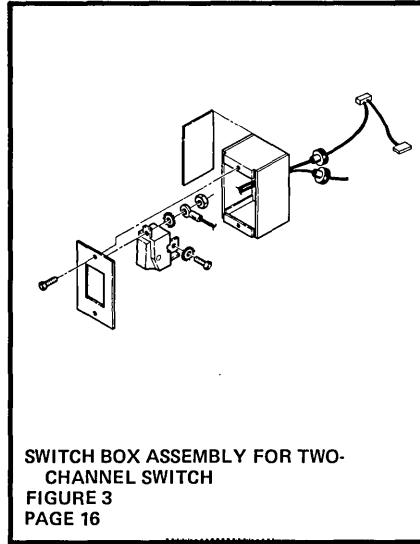
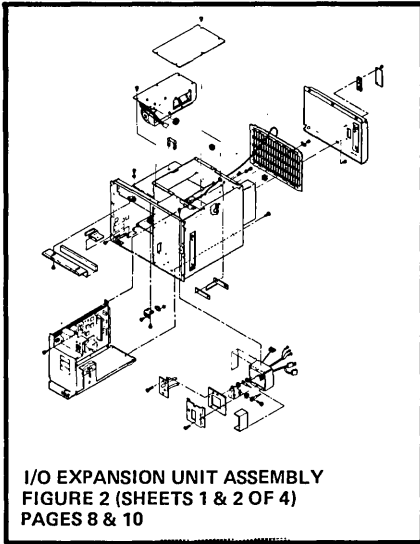
If, for example, you need the *power supply, no. 3, 60 HZ*, order part number 5891860 **A** (all one-dot items will also be received). See the explanation of the Catalog Section for information on how the leading dots are used in the parts listings. If you need the *transformer, 50 HZ-UK only*, order part number 5130347 **B** (all two-dot items will also be received except attaching parts). Each part may also be ordered separately except in the following cases:

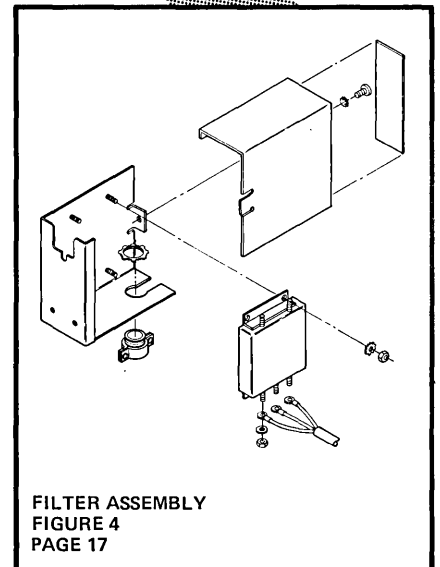
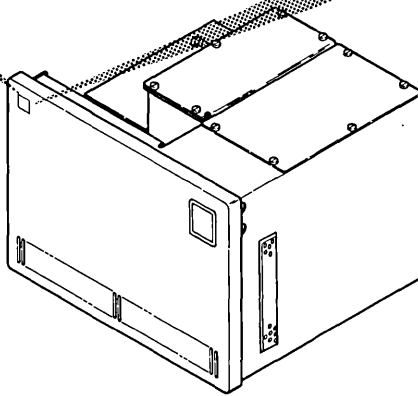
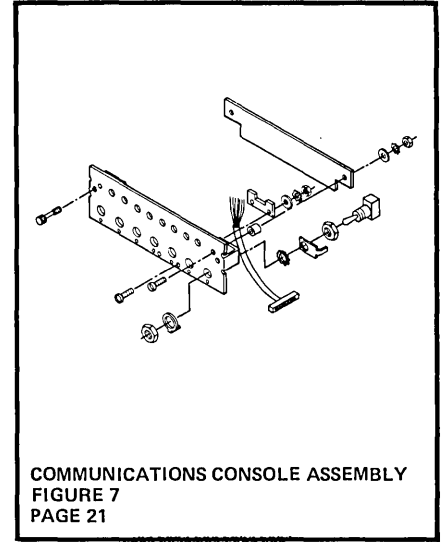
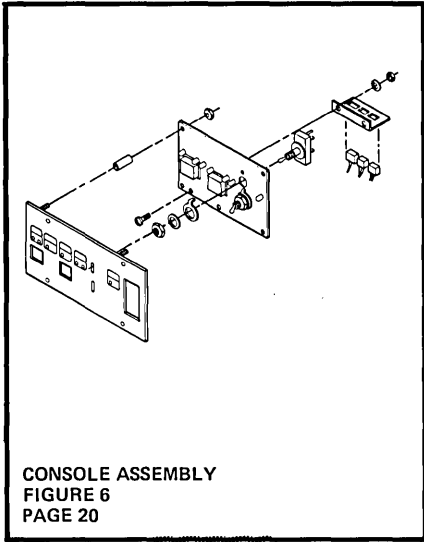
- Many detail parts are unavailable if they are part of an inseparable assembly or if they are part of an assembly that is ordered as a unit. In such cases they are noted NR or Not Recommended.
- Parts found on purchased assemblies may not have IBM part numbers. These parts are noted NP or Nonprocurable.

In either case, order the assembly rather than the detail parts.



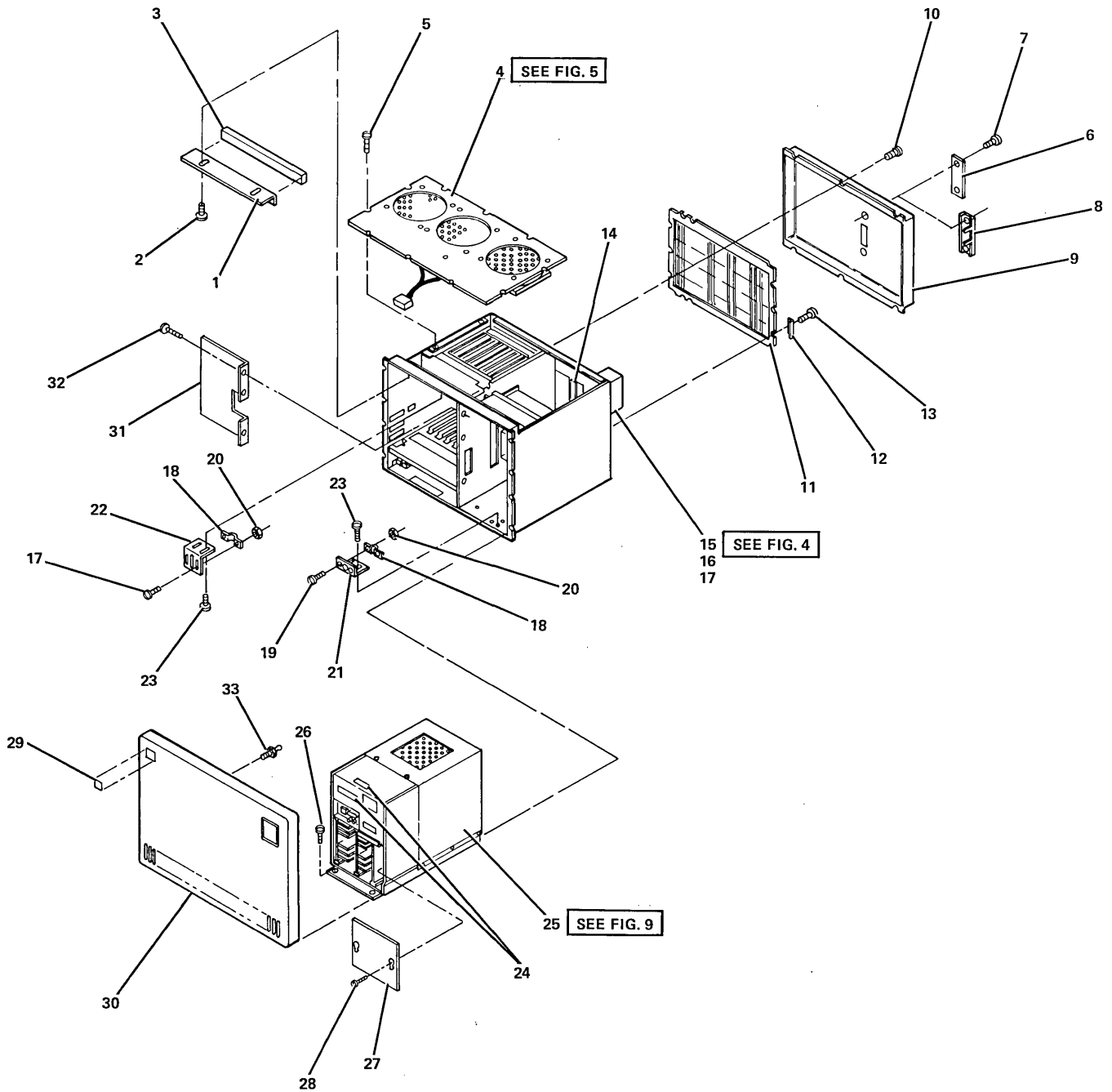






THIS PAGE INTENTIONALLY LEFT BLANK

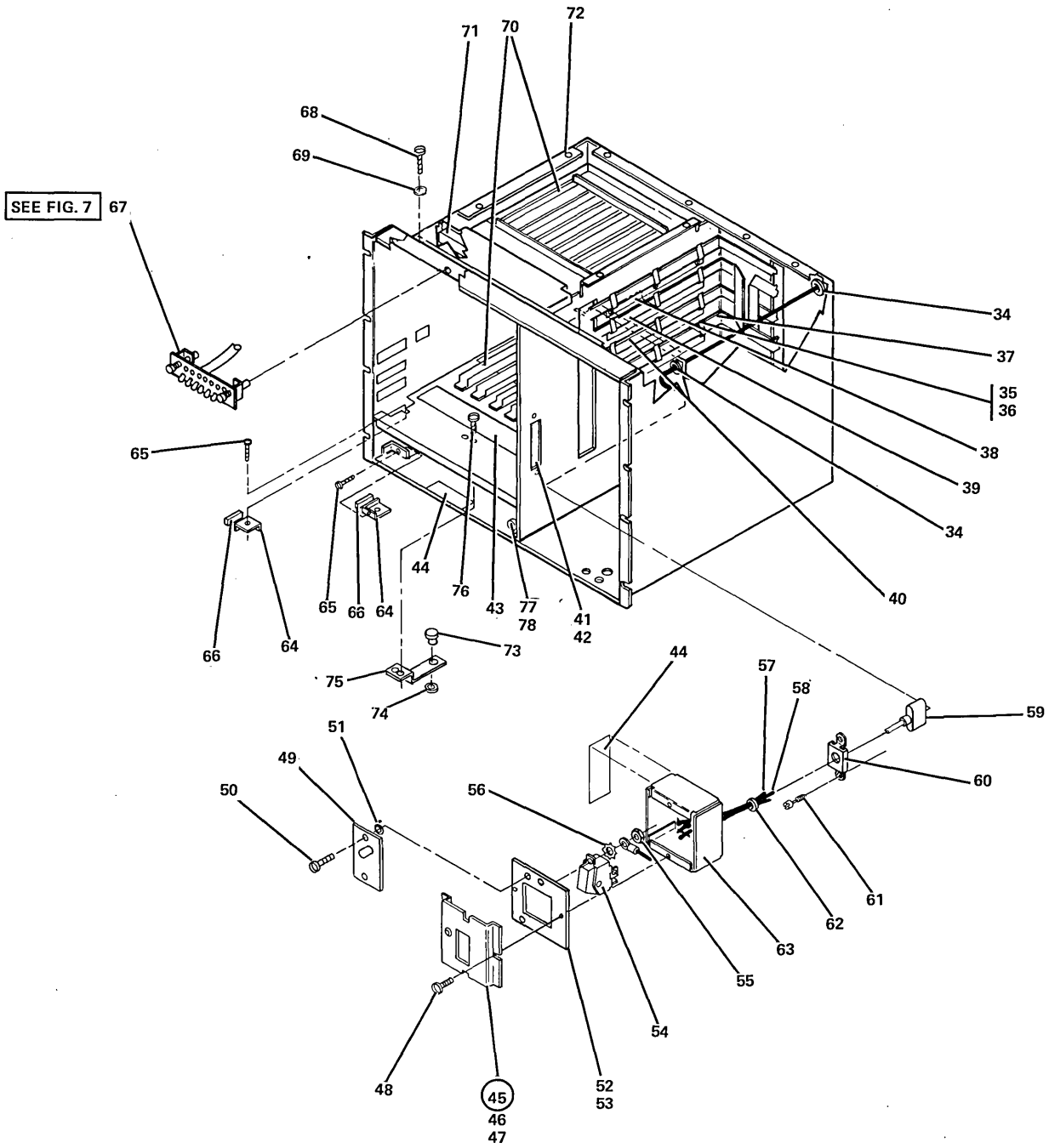
CATALOG SECTION



NOTE: Serial Number 22499 and Below

FIGURE 1. I/O EXPANSION UNIT ASSEMBLY. SHEET 1 OF 3. INDEX NOS. 1-33. SEE LIST 1.

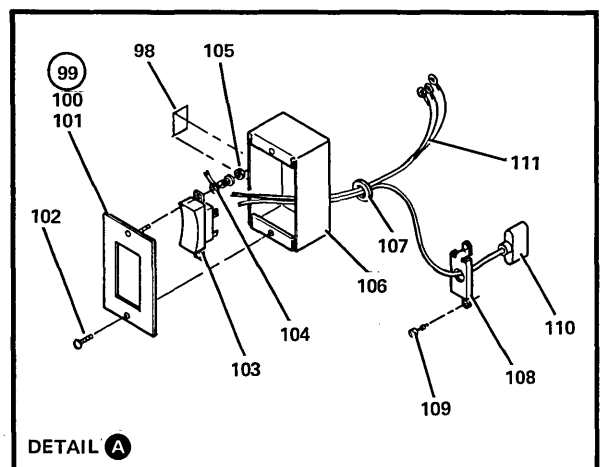
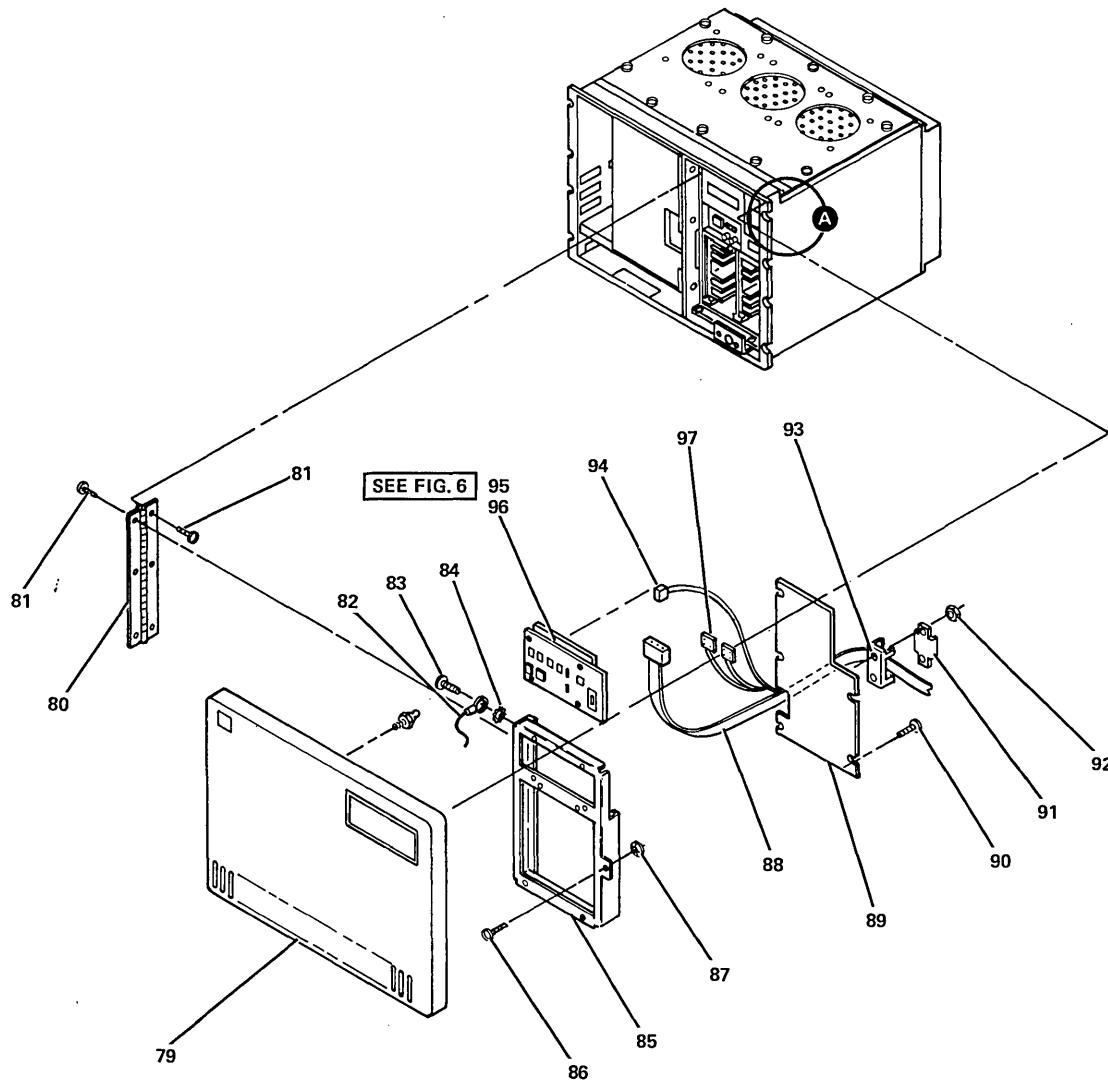
FIGURE- INDEX NUMBER	PART NUMBER	UNITS PER ASM.	DESCRIPTION			
			1	2	3	4
1 -	NO NO.	REF	I/O EXPANSION UNIT ASM SERIAL NO. 22499 AND BELOW FOR ILLUSTRATION SEE FIGURE 1			
- 1	1631007	1	. BRACKET,CABLE RETAINER			
- 2	10170	2	. SCREW,MACH-BIND HD 6-32 X 1/4 LG			
- 3	1631005	1	. FOAM			
- 4	1634933	1	. COVER ASM, TOP FAN FOR DETAIL BREAKDOWN SEE FIGURE 5			
- 5	10170	8	. SCREW,MACH-BIND HD 6-32 X 1/4 LG			
- 6	1637685	1	. PLATE			
- 7	221790	2	. SCREW,MACH BIND HD 8-32 X 3/16LG			
- 8	1637719	1	. CABLE, RETAINER			
- 9	1631010	1	. COVER			
- 10	10170	6	. SCREW,MACH-BIND HD 6-32 X 1/4 LG			
- 11	1631124	1	. BACKBOARD			
- 12	813179	16	. CLAMP			
- 13	811417	16	. SCREW,CAP-SOC HD 6-32 X 1/2 LG			
- 14	4410715	1	. PAD			
- 15	NO NO.	1	. FILTER ASM FOR DETAIL BREAKDOWN SEE FIGURE 4			
- 16	32042	3	. SCREW,MACH-BIND HD 10-32 X 3/8 LG			
- 17	56079	3	. WASHER, LOCK EXT T .204ID .4100D			
- 18	313453	3	. LATCH			
- 19	251970	6	. SCREW,MACH-PAN HD 4-40 X 1/4 LG			
- 20	37913	6	. NUT, JAM HEX 4-40 X .250 FL W			
- 21	1632719	2	. BRACKET			
- 22	1632150	1	. BRACKET			
- 23	10170	6	. SCREW,MACH-BIND HD 6-32 X 1/4 LG			
- 24	8327578	1	. LABEL, WARNING-ENGLISH			
- 24	8327540	1	. LABEL, WARNING-FR/CANADIAN			
- 24	8327583	1	. LABEL, WARNING-ITALIAN			
- 24	8327588	1	. LABEL, WARNING-GERMAN			
- 24	8327593	1	. LABEL, WARNING-SPANISH			
- 24	8327598	1	. LABEL, WARNING-FRENCH			
- 24	8327603	1	. LABEL, WARNING-JAPANESE ABOVE LABELS NOT WITH ASM MUST BE ORDERED SEPARATELY			
- 25	1637621	1	. POWER SUPPLY ASM FOR DETAIL BREAKDOWN SEE FIGURE 9			
- 26	236849	2	. SCREW,MACH BIND HD 10-32 X .250LG			
- 27	1634994	1	. SHIELD, SAFETY 50 HZ-WTC AND 50/60 HZ-JAPAN			
- 28	38235	2	. SCREW,MACH-BIND HD 6-32 X 5/16 LG 50 HZ WTC AND 50/60 HZ JAPAN			
- 29	1634854	1	. LOGO			
- 30	1632722	1	. COVER ASM, FRONT I/O			
- 31	1634786	1	. SHIELD, SAFETY 50 HZ-WTC AND 50/60 HZ-JAPAN			
- 32	251970	3	. SCREW,MACH-PAN HD 4-40 X 1/4 LG 50 HZ-WTC AND 50/60 HZ-JAPAN			
- 33	220839	3	. STUD			



NOTE: Serial Number 22499 and Below

FIGURE 1. I/O EXPANSION UNIT ASSEMBLY. SHEET 2 OF 3. INDEX NOS. 34-78. SEE LIST 1.

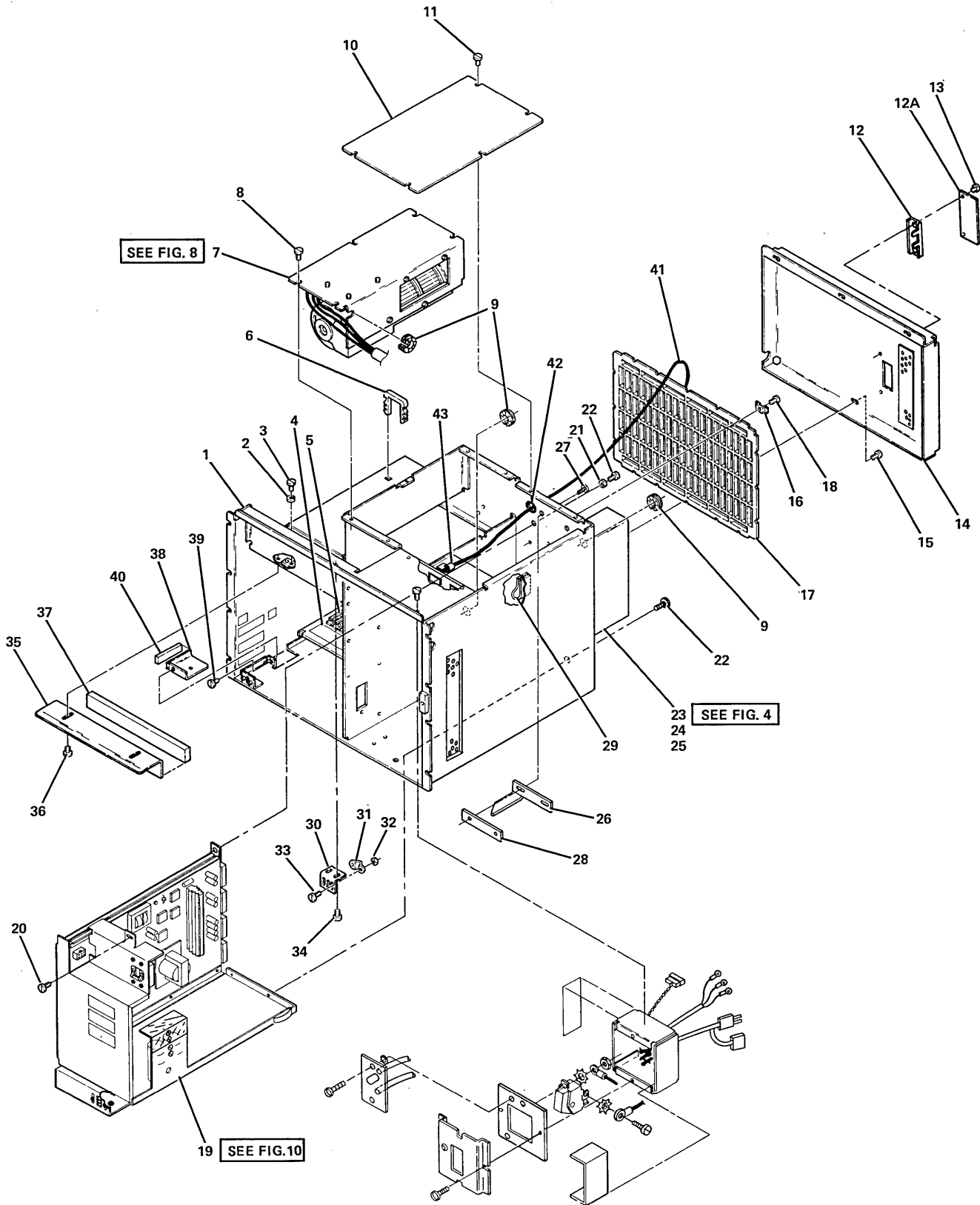
FIGURE- INDEX NUMBER	PART NUMBER	UNITS PER ASM.	DESCRIPTION					
			1	2	3	4		
1 - 34	473442	2	GROMMET,CATERPILLAR- 12.62 INCH LG	
- 35	1637720	4	CLIP, SPRING,CABLE RETAINER	
- 36	438548	12	SCREW,MACH-BIND HD 4-40 X 3/16 LG	ATT PT
- 37	1632067	1	CABLE ASM,S3 TO P4	
- 38	1632065	1	CABLE ASM,S2 TO P1	
- 39	1632066	1	CABLE ASM,S5 TO P2	
- 40	1632068	1	CABLE ASM,PWR SUPPLY-SIGNAL	
- 41	1634928	1	COVER	
- 42	438548	2	SCREW,MACH-BIND HD 4-40 X 3/16 LG	ATT PT
- 43	1637977	1	STRIP,MARKER	
- 44	8327578	1	LABEL,WARNING-ENGLISH	
- 44	8327540	1	LABEL,WARNING-FR/CANADIAN	
- 44	8327583	1	LABEL,WARNING-ITALIAN	
- 44	8327588	1	LABEL,WARNING-GERMAN	
- 44	8327593	1	LABEL,WARNING-SPANISH	
- 44	8327598	1	LABEL,WARNING-FRENCH	
- 44	8327603	1	LABEL,WARNING-JAPANESE	
							ABOVE LABELS NOT WITH ASM MUST BE ORDERED SEPARATELY	
- 45	4411485	1	SWITCH BOX ASM,U.S.,CANADA AND JAPAN	
- 45	4411487	1	SWITCH BOX ASM,FRANCE AND ITALY	
- 45	4411486	1	SWITCH BOX ASM,GERMANY	
- 45	8326732	1	SWITCH BOX ASM,U.K.	
- 46	81693	3	SCREW,MACH BIND HD 6-32 X 3/8 LG	ATT PT
- 47	1637708	1	BRACKET	
- 48	251970	2	SCREW,MACH-PAN HD 4-40 X 1/4 LG	ATT PT
- 49	1634988	1	CARD ASM	
- 50	186759	2	SCREW, MACH BIND HD 8-32 X .313 LG	ATT PT
- 51	521652	2	SPACER	ATT PT
- 52	1637707	1	PLATE,MCUNTING	
- 53	251970	2	SCREW,MACH-PAN HD 4-40 X 1/4 LG	ATT PT
- 54	1634668	1	SWITCH,ROCKER,POWER ON/OFF U.S.,CANADA,U.K. AND JAPAN	
- 54	1634990	1	SWITCH,ROCKER,POWER ON/OFF FRANCE,ITALY AND SPAIN	
- 54	1634989	1	SWITCH,ROCKER,POWER ON/OFF GERMANY	
- 55	37913	2	NUT,JAM HEX 4-40 X .250 FL W	ATT PT
- 56	338169	2	WASHER,LOCK EXT T 1/8 ID X 1/4 OD	ATT PT
- 57	1632768	1	CABLE ASM,PLUS 5 V DISTRIBUTION- I/O EXP	
- 58	1632199	1	CABLE ASM,FILTER TO SWITCH U.S.,CANADA AND JAPAN	
- 58	4414855	1	CABLE ASM,FILTER TO SWITCH GERMANY,FRANCE,ITALY AND U.K.	
- 59	1632198	1	POWER CABLE,SHIELDED U.S.,CANADA AND JAPAN	
- 59	4414854	1	CABLE ASM,INTERNAL POWER GERMANY,FRANCE,ITALY AND U.K.	
- 60	2704110	1	RETAINER,CABLE	
- 61	2704107	2	SCREW,CAPTIVE	ATT PT
- 62	6825891	1	GROMMET	
- 63	1637709	1	BOX,SWITCH	
- 64	1634926	2	CLAMP,INTERFACE CABLE	
- 65	251970	2	SCREW,MACH-PAN HD 4-40 X 1/4 LG	
- 66	1634927	2	FOAM	
- 67	1634580	1	CONSOLE ASM,COMMUNICATIONS FOR DETAIL BREAKDOWN SEE FIGURE 7	
- 68	221790	14	SCREW,MACH BIND HD 8-32 X 3/16LG	ATT PT
- 69	55901	14	WASHER,LOCK EXT T .176DIA	ATT PT
- 70	1632634	30	GUIDE,CARD	
- 71	1631005	1	FOAM	
- 72	1631002	1	CHASSIS,CARD FILE	
- 73	6837312	1	SWITCH,THERMAL	
- 74	2588053	1	CLIP	
- 75	4411313	1	BRACKET	
- 76	251970	2	SCREW,MACH-PAN HD 4-40 X 1/4 LG	ATT PT
- 77	2102364	1	CLAMP,CABLE .220 ID	
- 78	251970	1	SCREW,MACH-PAN HD 4-40 X 1/4 LG	ATT PT



NOTE: Serial Number 22499 and Below

FIGURE 1. I/O EXPANSION UNIT ASSEMBLY. SHEET 3 OF 3. INDEX NOS. 79-111. SEE LIST 1.

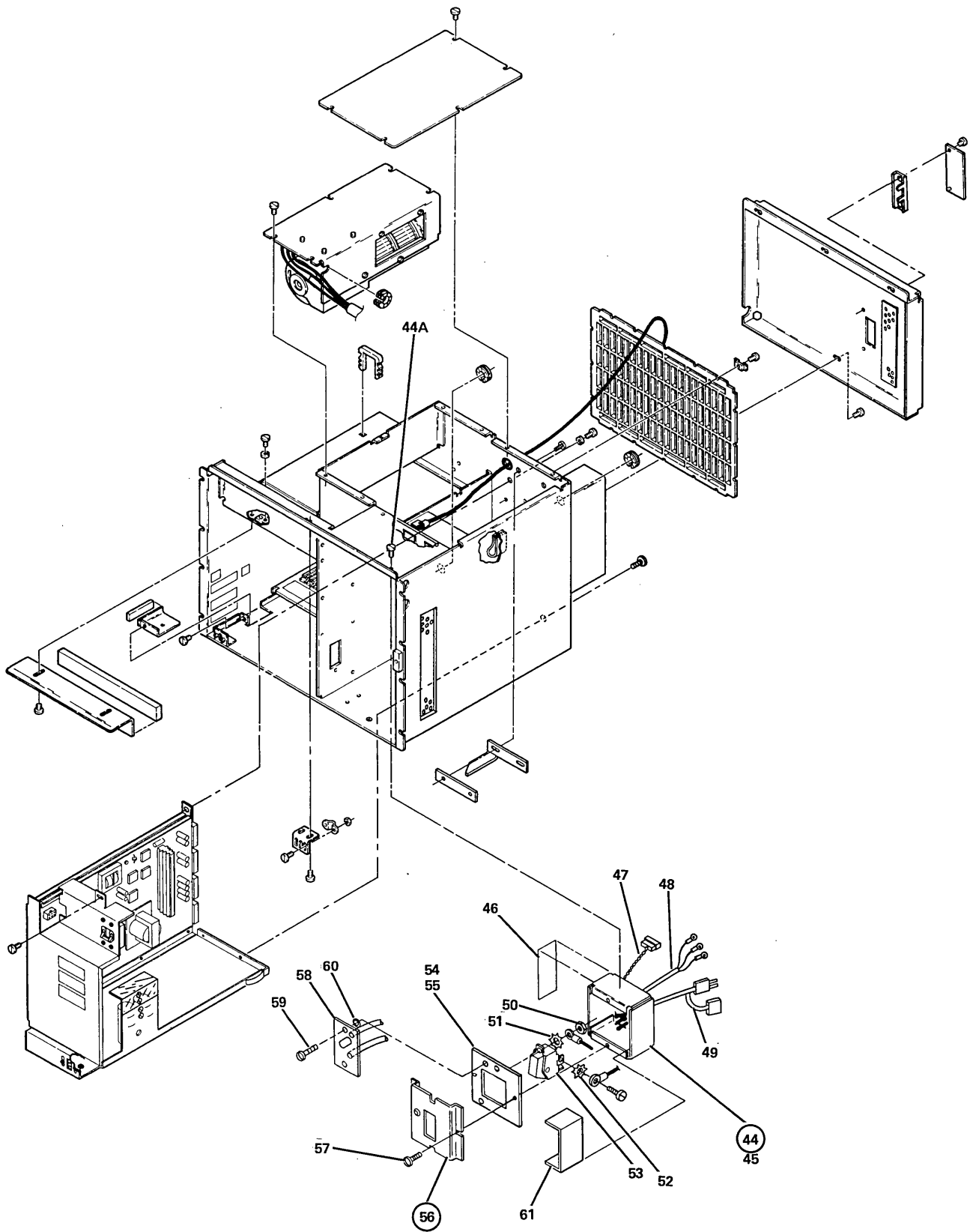
FIGURE- INDEX NUMBER	PART NUMBER	UNITS PER ASM.	DESCRIPTION			
			1	2	3	4
1			THE FOLLOWING PARTS ARE ONLY USED ON THE TWO- CHANNEL SWITCH MACHINES.			
- 79	4410999	1	. COVER ASM,FRONT I/O			
- 80	1631013	1	. HINGE,CONSOLE			
- 81	438548	6	. SCREW,MACH-BIND HD 4-40 X 3/16 LG			
- 82	1637857	1	. JUMPER ASM			
- 83	221790	2	. SCREW,MACH BIND HD 8-32 X 3/16LG			
- 84	55901	2	. WASHER,LCCK EXT T .176 DIA			
- 85	1637515	1	. FRAME,CONSOLE MTG			
- 86	55726	1	. SCREW,MACH BIND HD 6-32 X .188 LG			
- 87	1634599	1	. RETAINER, SCREW			
- 88	4413791	1	. CABLE ASM			
- 89	1637651	1	. COVER,-CONSOLE FRAME			
- 90	10170	5	. SCREW,MACH-BIND HD 6-32 X 1/4 LG			
- 91	2456425	1	. CLAMP			
- 92	257189	2	. NUT,PLAIN-HEX 8-32 X 0.343 W			
- 93	2456419	1	. GUIDE			
- 94	4413617	1	. CABLE ASM,CONSOLE POWER			
- 95	4413610	1	. CONSOLE ASM,U.S.,CANADA,U.K. AND JAPAN			
- 95	4413611	1	. CONSOLE ASM,FRENCH			
- 95	4413612	1	. CONSOLE ASM,GERMAN			
- 95	4413613	1	. CONSOLE ASM,ITALIAN			
- 95	8326716	1	. CONSOLE ASM,SPANISH			
			FOR DETAIL BREAKDOWN SEE FIGURE 6			
- 96	251970	4	. SCREW,MACH-PAN HD 4-40 X 1/4 LG			
- 97	6825498	1	. CABLE ASM			
- 98	8327578	1	. LABEL,WARNING-ENGLISH			
- 98	8327540	1	. LABEL,WARNING-FR/CANADIAN			
- 98	8327583	1	. LABEL,WARNING-ITALIAN			
- 98	8327588	1	. LABEL,WARNING-GERMAN			
- 98	8327593	1	. LABEL,WARNING-SPANISH			
- 98	8327598	1	. LABEL,WARNING-FRENCH			
- 98	8327603	1	. LABEL,WARNING-JAPANESE			
			ABOVE LABELS NOT WITH ASM MUST BE ORDERED SEPARATELY			
- 99	4411489	1	. SWITCH BOX ASM,U.S.,CANADA AND JAPAN			
- 99	4411490	1	. SWITCH BOX ASM,GERMANY			
- 99	4411491	1	. SWITCH BOX ASM,FRANCE,ITALY AND SPAIN			
- 99	8326730	1	. SWITCH BOX ASM,U.K.			
-100	10170	3	. SCREW,MACH-BIND HD 6-32 X 1/4 LG			
-101	1637516	1	. . PLATE ASM-SWITCH MTG			
-102	438548	3	. . SCREW,MACH-BIND HD 4-40 X 3/16 LG			
-103	1634668	1	. . SWITCH,ROCKER,POWER ON/OFF U.S.,CANADA,U.K AND JAPAN			
-103	1634989	1	. . SWITCH,ROCKER,POWER ON/OFF GERMANY			
-103	1634990	1	. . SWITCH,ROCKER,POWER ON/OFF FRANCE,ITALY AND SPAIN			
-104	338169	2	. . WASHER,LOCK EXT T 1/8 ID X 1/4 OD			
-105	37913	2	. . NUT,JAM HEX 4-40 X .250 FL W			
-106	1637710	1	. . BOX,SWITCH			
-107	6825891	1	. . GROMMET			
-108	2704110	1	. . RETAINER,CABLE			
-109	2704107	2	. . SCREW,CAPTIVE			
-110	1632198	1	. . POWER CABLE,SHIELDED U.S.,CANADA AND JAPAN			
-110	4414854	1	. . CABLE ASM,INTERNAL POWER GERMANY,FRANCE,ITALY AND U.K.			
-111	1632199	1	. . CABLE ASM,FILTER TO SWITCH U.S.,CANADA AND JAPAN			
-111	4414855	1	. . CABLE ASM,FILTER TO SWITCH GERMANY,FRANCE,ITALY AND U.K.			



NOTE: Serial Number 22500 and Above

FIGURE 2. I/O EXPANSION UNIT ASSEMBLY. SHEET 1 OF 4. INDEX NOS. 1-43. SEE LIST 2.

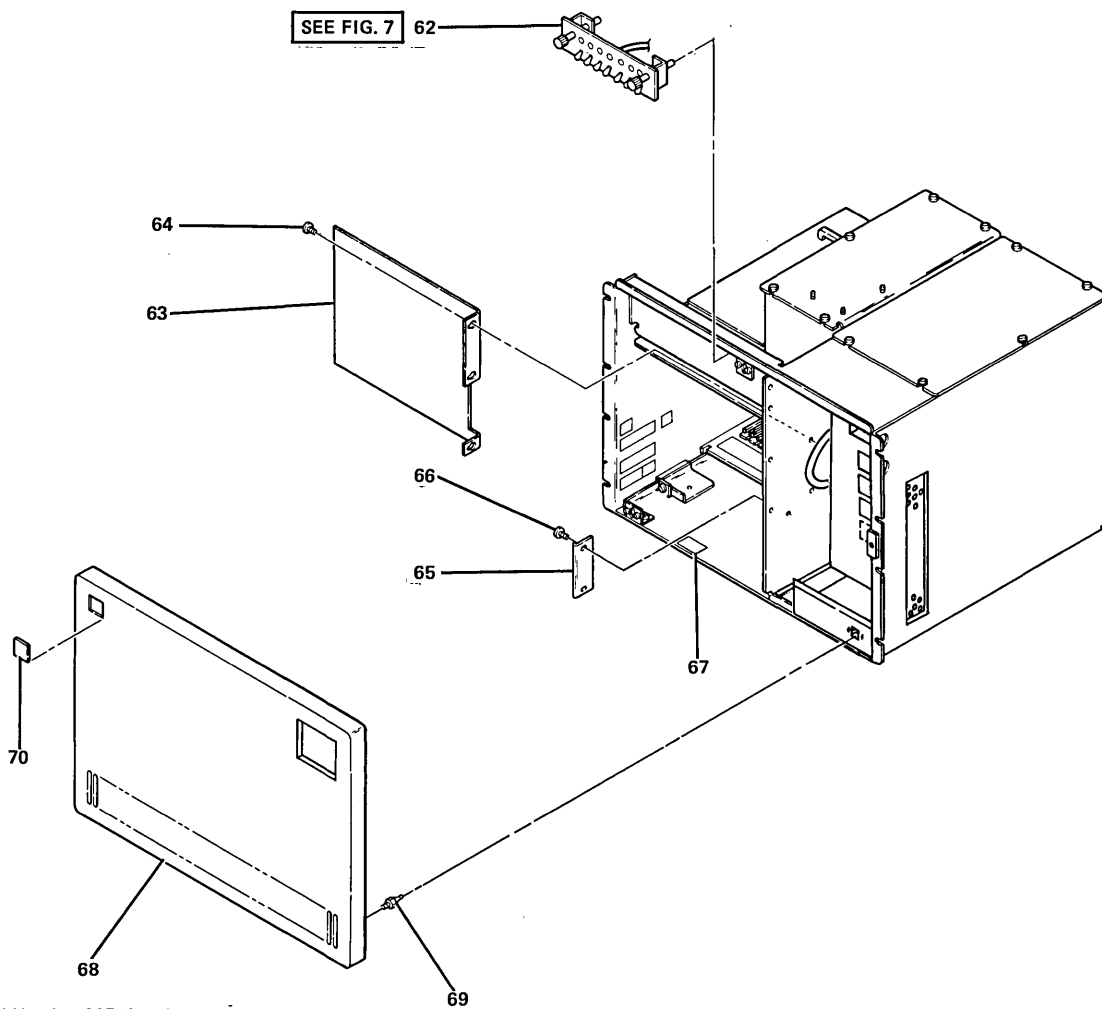
FIGURE- INDEX NUMBER	PART NUMBER		UNITS PER ASM.	DESCRIPTION			
	NO	NP		1	2	3	4
2 -			REF	I/O EXPANSION UNIT ASM SERIAL NO. 22500 AND ABOVE FOR ILLUSTRATION SEE FIGURE 2 ORDER APPROPRIATE LABELS FROM INDEX NO. 45			
- 1	6840320		1	. CHASSIS ASM			
- 2	55901		14	. WASHER, LOCK EXT T 0.176 DIA			
- 3	221790		14	. SCREW, MACH BIND HD- 8-32 X 3/16 LG			
- 4	1637977		1	. LABEL			
- 5	1632634		30	. GUIDE, CARD			
- 6	1634983		2	. RETAINER			
- 7	6838650		1	. BLOWER ASM, LO-VAC			
- 7	6838651		1	. BLOWER ASM, HI-VAC			
- 8	5350006		5	FOR DETAIL BREAKDOWN SEE FIGURE 8 . SCREW, THD FORM HEX WSHR HD- 6-32 X 1/4 L			
- 9	450827		3	. GROMMET			
- 10	6840347		1	. PLATE, TOP			
- 11	5350006		5	. SCREW, THD FORM HEX WSHR HD- 6-32 X 1/4 L			
- 12	1637719		1	. RETAINER, CABLE			
- 12A	1637685		1	. COVER			
- 13	221790		2	. SCREW, MACH BIND HD- 8-32 X 3/16 LG			
- 14	6840321		1	. COVER ASM			
- 15	5350006		4	. SCREW, THD FORM HEX WSHR HD- 6-32 X 1/4 L			
- 16	813179		16	. RETAINER			
- 17	6042571		1	. BACKBOARD			
- 18	811417		16	. SCREW, CAP SOC HD- 6-32 X 1/2 LG			
- 19	6844100		1	. POWER SUPPLY ASM, 415 W			
- 20	332620		1	FOR DETAIL BREAKDOWN SEE FIGURE 10 . SCREW, MACH BIND HD- 10-32 X .500 LG			
- 21	1622318		2	. WASHER, LOCK SPRING- 4.1 ID X 7.5 OD			
- 22	1621811		2	. SCREW, THD FORM HEX WSHR HD- M4 X 10 LG			
- 23	NO NO.		1	. FILTER ASM			
- 24	2181004		3	FOR DETAIL BREAKDOWN SEE FIGURE 4 . SCREW, THD FORM HEX WSHR HD- 10-32 X 3/8			
- 25	56079		3	. WASHER, LOCK EXT T- .204 ID .410 OD			
- 26	4498734		1	. BRACKET, GUIDE			
- 27	10170		2	. SCREW, MACH BIND HD- 6-32 X 1/4 LG			
- 28	6841107		1	. PLATE, NUT			
- 29	2596291		1	. CLAMP			
- 30	1632150		2	. BRACKET			
- 31	313453		2	. LATCH			
- 32	37913		4	. NUT, JAM HEX- 4-40 X 0.250			
- 33	251970		4	. SCREW, MACH PAN HD- 4-40 X 1/4 LG			
- 34	5350006		4	. SCREW, THD FORM HEX WSHR HD- 6-32 X 1/4 L			
- 35	1631007		1	. BRACKET, CABLE RETAINER			
- 36	10170		2	. SCREW, MACH BIND HD- 6-32 X 1/4 LG			
- 37	1631005		2	. FOAM			
- 38	1634926		1	. CLAMP, INTERFACE CABLE			
- 39	251970		1	. SCREW, MACH PAN HD- 4-40 X 1/4 LG			
- 40	1634927		1	. FOAM			
- 41	6840330		1	. CABLE, +5 V EXTERNAL			
- 42	1077722		1	. GROMMET			
- 43	2596275		1	. CLIP, CABLE			



NOTE: Serial Number 22500 and Above

FIGURE 2. I/O EXPANSION UNIT ASSEMBLY. SHEET 2 OF 4. INDEX NOS. 44-61. SEE LIST 2.

FIGURE- INDEX NUMBER	PART NUMBER	UNITS PER ASM.	DESCRIPTION			
			1	2	3	4
2 - 44	NO NO.					
- 44A	10170	3	.	.	SWITCH ASM	
- 45	6042347	1	.	.	SCREW	ATT PT
- 46	8327578	1	.	.	SWITCH BOX	
- 46	8327540	1	.	.	LABEL, WARNING-ENGLISH	
- 46	8327583	1	.	.	LABEL, WARNING-CANADIAN	
- 46	8327588	1	.	.	LABEL, WARNING-ITALIAN	
- 46	8327593	1	.	.	LABEL, WARNING-GERMAN	
- 46	8327598	1	.	.	LABEL, WARNING-SPANISH	
- 46	8327603	1	.	.	LABEL, WARNING-FRENCH	
- 46	6042356	1	.	.	LABEL, WARNING-JAPAN	
- 46	6042361	1	.	.	LABEL, WARNING-SWEDEN	
- 46	6042371	1	.	.	LABEL, WARNING-DENMARK	
- 46	6042376	1	.	.	LABEL, WARNING-NORWAY	
- 46	6042366	1	.	.	LABEL, WARNING-BELGIUM	
- 47	6042348	1	.	.	LABEL, WARNING-FINLAND	
- 48	6844363	1	.	.	CABLE ASM,+5 CONN(BULKHEAD MOUNTED)	
- 49	6844362	1	.	.	CABLE ASM,FILTER TO SWITCH	
- 50	37913	2	.	.	CABLE ASM,REF TO P/S AND BLOWER	
- 51	338169	2	.	.	NUT,JAM HEX- 4-40 X 0.250	
- 52	56722	4	.	.	WASHER,LOCK EXT T 1/8 ID X 1/4 OD	ATT PT
- 53	1634668	1	.	.	WASHER,LOCK EXT T- 0.150 ID	
- 53	1634989	1	.	.	SWITCH-U.S.,CANADA,U.K.,JAPAN	
- 53	1634990	1	.	.	SWITCH-GERMAN	
- 54	1637707	1	.	.	SWITCH-FRENCH,ITALY,SPAIN	
- 55	251970	2	.	.	PLATE,SWITCH	
- 56	1637708	1	.	.	SCREW,MACH PAN HD- 4-40 X 1/4 LG	ATT PT
- 57	251970	2	.	.	SWITCH,CONSOLE	
- 58	6042349	1	.	.	SCREW,MACH PAN HD- 4-40 X 1/4 LG	ATT PT
- 59	186759	2	.	.	CARD ASM	
- 60	521652	2	.	.	SCREW,MACH BIND HD- 8-32 X 0.313 LG	ATT PT
- 61	6042353	1	.	.	SPACER	ATT PT
			.	.	INSULATOR	

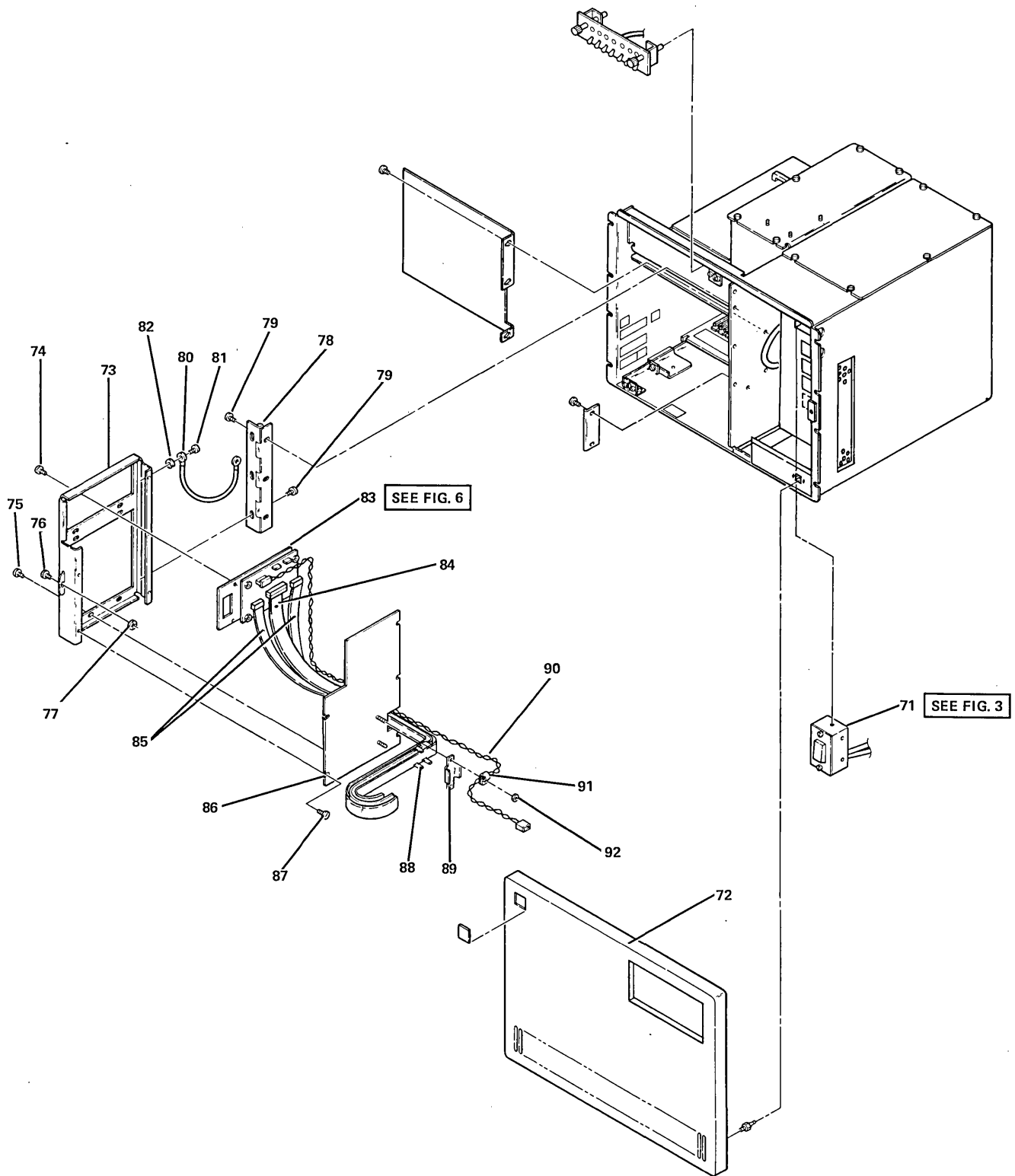


NOTE: Serial Number 22500 and Above

FIGURE 2. I/O EXPANSION UNIT ASSEMBLY. SHEET 3 OF 4. INDEX NOS. 62-70. SEE LIST 2.

FIGURE- INDEX NUMBER	PART NUMBER	UNITS PER ASM.	DESCRIPTION			
			1	2	3	4
2 - 62	1634580	1	. CONSOLE ASM FOR DETAIL BREAKDOWN SEE FIGURE 7			
- 63	1634786	1	. SHIELD, SAFETY 50 HZ-WTC AND 50/60 HZ-JAPAN			
- 64	251970	3	. SCREW, MACH PAN HD- 4-40 X 1/4 LG 50 HZ-WTC AND 50/60 HZ-JAPAN			
- 65	1634928	1	. COVER			
- 66	438548	2	. SCREW, MACH BIND HD- 4-40 X 3/16 LG			
- 67	8327578	1	. LABEL, WARNING-ENGLISH			
- 67	8327540	1	. LABEL, WARNING-CANADIAN			
- 67	8327583	1	. LABEL, WARNING-ITALIAN			
- 67	8327593	1	. LABEL, WARNING-SPANISH			
- 67	8327598	1	. LABEL, WARNING-FRENCH			
- 67	8327603	1	. LABEL, WARNING-JAPANESE			
- 67	6042356	1	. LABEL, WARNING-SWEDISH			
- 67	6042361	1	. LABEL, WARNING-DANISH			
- 67	6042371	1	. LABEL, WARNING-NORWEGIAN			
- 67	6042376	1	. LABEL, WARNING-BELGIUM			
- 67	6042366	1	. LABEL, WARNING-FINNISH ABOVE LABELS NOT WITH ASSEMBLY MUST BE ORDERED SEPARATELY			
- 68	1632722	1	. COVER ASM, FRONT I/O			
- 69	220839	3	. STUD			
- 70	1634854	1	. LOGO			

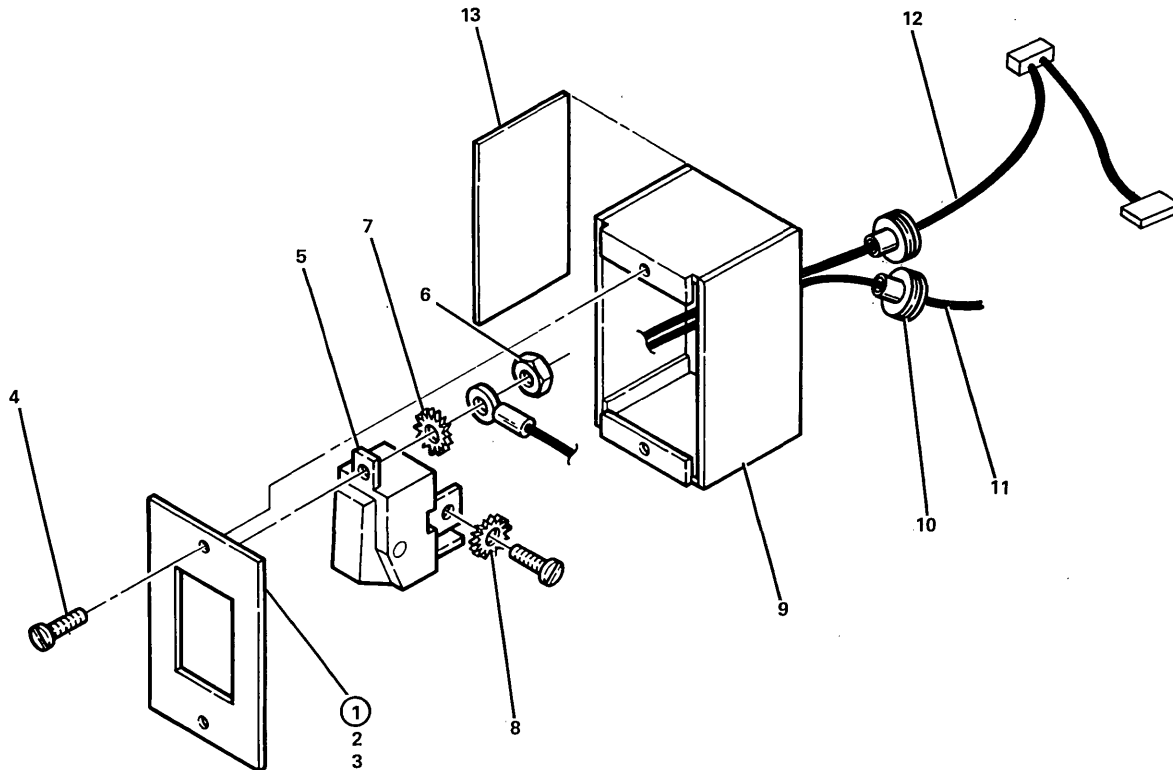
THIS PAGE INTENTIONALLY LEFT BLANK



NOTE: Serial Number 22500 and Above

FIGURE 2. I/O EXPANSION UNIT ASSEMBLY WITH TWO-CHANNEL SWITCH. SHEET 4 OF 4. INDEX NOS: 71-92. SEE LIST 2.

FIGURE- INDEX NUMBER	PART NUMBER	UNITS PER ASM.	DESCRIPTION			
			1	2	3	4
2 - 71	6844365	1	. SWITCH BCX ASM,U.S.,CANADA AND JAPAN			
- 71	6844366	1	. SWITCH BOX ASM,GERMANY			
- 71	6844367	1	. SWITCH BOX ASM,FRANCE,ITALY AND SPAIN			
			FOR DETAIL BREAKDOWN SEE FIGURE 3			
- 72	4410999	1	. COVER ASM,FRONT I/O			
- 73	1637651	1	. COVER,CONSOLE FRAME			
- 74	251970	4	. SCREW,MACH PAN HD- 4-40 X 1/4 LG			
- 75	438550	4	. SCREW,MACH BIND HD- 4-40 X 1/2 LG			
- 76	55726	1	. SCREW,MACH BIND HD- 6-32 X 3/16 LG			
- 77	1634599	1	. RETAINER,SCREW			
- 78	1631013	1	. HINGE,CONSOLE			
- 79	438548	6	. SCREW,MACH BIND HD- 4-40 X 3/16 LG			
- 80	1637857	1	. JUMPER ASM			
- 81	221790	2	. SCREW,MACH BIND HD- 8-32 X 3/16 LG			
- 82	55901	2	. WASHER,LOCK EXT T 0.176 DIA			
- 83	4413610	1	. CONSOLE ASM,U.S.,CANADA,U.K., AND JAPAN			
- 83	4413611	1	. CONSOLE ASM,FRENCH			
- 83	4413612	1	. CONSOLE ASM,GERMAN			
- 83	4413613	1	. CONSOLE ASM,ITALIAN			
- 83	4413616	1	. CONSOLE ASM,SPANISH			
			FOR DETAIL BREAKDOWN SEE FIGURE 6			
- 84	4413791	1	. CABLE ASM,CONSOLE SIGNAL			
- 85	6825498	2	. CABLE ASM,P.O.B.			
- 86	1637651	1	. COVER,CONSOLE FRAME			
- 87	10170	5	. SCREW,MACH BIND HD- 6-32 X 1/4 LG			
- 88	2456419	1	. GUIDE			
- 89	2456425	1	. CLAMP			
- 90	6042354	1	. CABLE ASM,+5 TO CONSOLE			
- 91	5213276	1	. CLAMP			
- 92	257189	2	. NUT,PLAIN HEX- 8-32 X 0.343			



NOTE: Serial Number 22500 and Above

FIGURE 3. SWITCH BOX ASSEMBLY FOR TWO-CHANNEL SWITCH. SEE LIST 3.

FIGURE- INDEX NUMBER	PART NUMBER	UNITS PER ASM.	DESCRIPTION			
			1	2	3	4
3 - 1	6844365	1	SWITCH BOX ASM, U.S., CANADA AND JAPAN			
- 1	6844366	1	SWITCH BOX ASM, GERMANY			
- 1	6844367	1	SWITCH BOX ASM, FRANCE, ITALY AND SPAIN SERIAL NO. 22500 AND ABOVE WITH TWO-CHANNEL SWITCH FOR NEXT HIGHER ASM SEE FIGURE 2-71 AND FOR ILLUSTRATION FIGURE 3			
- 2	10170	4	. SCREW, MACH BIND HD- 6-32 X 1/4 LG ATT PT			
- 3	1637516	1	. PLATE ASM, SWITCH MTG			
- 4	438548	2	. SCREW, MACH BIND HD- 4-40 X 3/16 LG ATT PT			
- 5	1634668	1	. SWITCH, ROCKER, POWER ON/OFF U.S., CANADA, U.K. AND JAPAN			
- 5	1634989	1	. SWITCH, ROCKER, POWER ON/OFF GERMANY			
- 5	1634990	1	. SWITCH, ROCKER, POWER ON/OFF FRANCE, ITALY AND SPAIN			
- 6	37913	2	. NUT, JAM HEX- 4-40 X 0.250 ATT PT			
- 7	338169	2	. WASHER, LOCK EXT T 1/8 ID X 1/4 OD ATT PT			
- 8	56722	4	. WASHER, LOCK EXT T- 0.150 ID			
- 9	6844361	1	. BOX, SWITCH			
- 10	4411494	2	. GROMMET			
- 11	6844363	1	. CABLE ASM, FILTER TO SWITCH			
- 12	6844362	1	. CABLE ASM, INTERNAL POWER			
- 13	8327578	1	. LABEL, WARNING-ENGLISH			
- 13	8327540	1	. LABEL, WARNING-FR/CANADIAN			
- 13	8327583	1	. LABEL, WARNING-ITALIAN			
- 13	8327588	1	. LABEL, WARNING-GERMAN			
- 13	8327593	1	. LABEL, WARNING-SPANISH			
- 13	8327598	1	. LABEL, WARNING-FRENCH			
- 13	8327603	1	. LABEL, WARNING-JAPANESE			
- 13	6042356	1	. LABEL, WARNING-SWEDEN			
- 13	6042361	1	. LABEL, WARNING-DENMARK			
- 13	6042371	1	. LABEL, WARNING-NORWAY			
- 13	6042376	1	. LABEL, WARNING-BELGIUM			
- 13	6042366	1	. LABEL, WARNING-FINLAND			

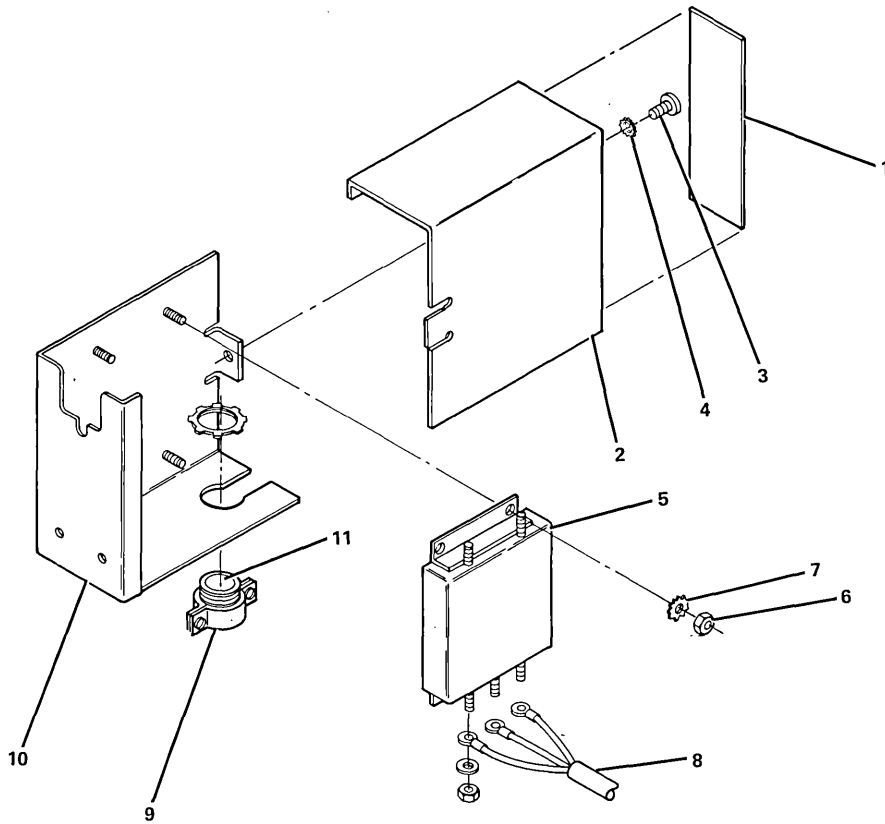
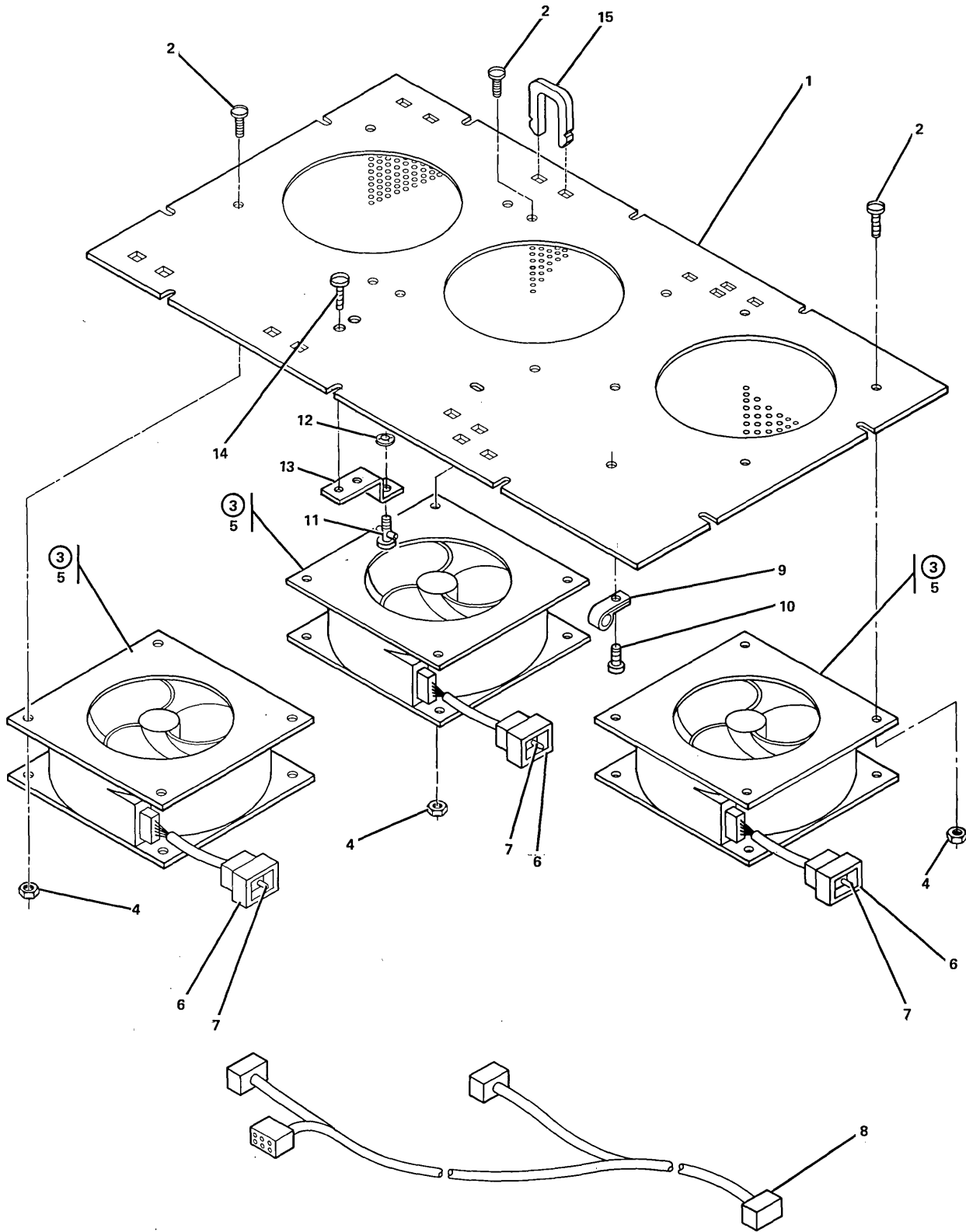


FIGURE 4. FILTER ASSEMBLY. SEE LIST 4.

FIGURE- INDEX NUMBER	PART NUMBER	UNITS PER ASM.	DESCRIPTION				
			1	2	3	4	
4 -	NO NO.	REF	FILTER ASM				
			FOR NEXT HIGHER ASM SEE FIGURES 1-15 AND 2-23 AND FOR ILLUSTRATION FIGURE 4				
- 1	8327578	1	. LABEL,WARNING-ENGLISH				
- 1	8327540	1	. LABEL,WARNING-FR/CANADIAN				
- 1	8327583	1	. LABEL,WARNING-ITALIAN				
- 1	8327588	1	. LABEL,WARNING-GERMAN				
- 1	8327593	1	. LABEL,WARNING-SPANISH				
- 1	8327598	1	. LABEL,WARNING-FRENCH				
- 1	8327603	1	. LABEL,WARNING-JAPANESE				
			ABOVE LABELS NOT WITH ASM MUST BE ORDERED SEPARATELY				
- 2	1637683	1	. COVER,CHASSIS				
- 3	236849	1	. SCREW,MACH BIND HD 10-32 X .250LG				ATT PT
- 4	56079	1	. WASHER,LOCK EXT T .204ID .410OD				ATT PT
- 5	1608101	1	. FILTER				
- 6	38051	4	. NUT,PLAIN HEX 6-32 X 1/4 FL W				ATT PT
- 7	56722	4	. WASHER,LOCK EXT T .150ID				ATT PT
- 8	1632776	1	. LINE CORD,110 V U.S. AND CANADA				
- 8	1632777	1	. LINE CORD,220 V U.S. AND CANADA				
- 8	4410154	1	. LINE CORD,100/200 V WTC				
- 8	4410159	1	. LINE CORD,100/200 V JAPAN				
- 9	2100264	1	. RELIEF,CABLE STRAIN				
- 10	1637517	1	. CHASSIS,FILTER				
- 11	515661	1	. INSERT,CABLE RELIEF,PLASTIC				



NOTE: Serial Number 22499 and Below

FIGURE 5. TOP FAN COVER ASSEMBLY. SEE LIST 5.

FIGURE- INDEX NUMBER	PART NUMBER	UNITS PER ASM.	DESCRIPTION			
			1	2	3	4
5 -	1634933	REF	COVER ASM, TCP FAN SERIAL NO. 22499 AND BELOW FOR NEXT HIGHER ASM SEE FIGURE 1-4 AND FOR ILLUSTRATION FIGURE 5			
- 1	1634932	1	. COVER, TOP FAN			
- 2	322550	12	. SCREW, MACH-BIND HD 6-32 X 1/2 LG			
- 3	1632730	3	. FAN			
- 4	311699	12	. NUT AND LOCK WASHER 6-32			
- 5	1637783	1	. . DUAL VOLT FAN 115/220 V AC			
- 6	609691	1	. . CONNECTOR			
- 7	609687	4	. . CONTACT			
- 8	1632921	1	. CABLE ASM, FULL FAN PAL 3X			
- 9	2102365	1	. CLAMP, LOOP- 0.330 ID 0.170 DIA MTG HOLF			
- 10	10170	1	. SCREW, MACH-BIND HD 6-32 X 1/4 LG			
- 11	6837313	1	. SWITCH, THERMAL			
- 12	2588053	1	. CLIP			
- 13	1637790	1	. BRACKET, THERMAL SWITCH MOUNTING			
- 14	81693	2	. SCREW, MACH BIND HD 6-32 X 3/8 LG			
- 15	1634983	1	. RETAINER, CABLE			
					ATT PT	
					ATT PT	
					ATT PT	

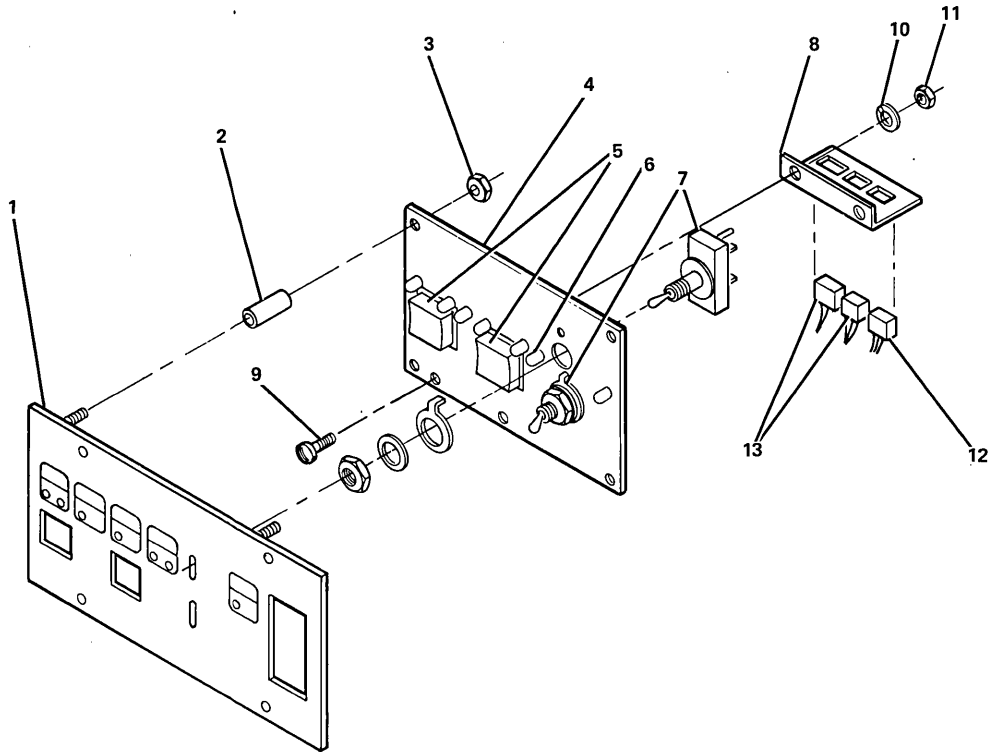


FIGURE 6. CONSOLE ASSEMBLY. SEE LIST 6.

FIGURE- INDEX NUMBER	PART NUMBER	UNITS PER ASM.	DESCRIPTION			
			1	2	3	4
6 -	4413610	REF	CONSOLE ASM,U.S.,CANADA,U.K AND JAPAN			
-	4413611	REF	CONSOLE ASM,FRENCH			
-	4413612	REF	CONSOLE ASM,GERMAN			
-	4413613	REF	CONSOLE ASM,ITALIAN			
-	8326716	REF	CONSOLE ASM,SPANISH			
			FOR NEXT HIGHER ASM SEE FIGURES 1-95 AND 2-83 AND FOR ILLUSTRATION FIGURE 6			
- 1	4413599	1	. PLATE,MOUNTING-U.S.,CANADA,U.K AND JAPAN			
- 1	4413607	1	. PLATE,MOUNTING-FRENCH			
- 1	4413608	1	. PLATE,MOUNTING-GERMAN			
- 1	4413609	1	. PLATE,MOUNTING-ITALIAN			
- 1	8326745	1	. PLATE,MOUNTING-SPANISH			
- 2	33454	4	. SPACER ATT PT			
- 3	257187	4	. NUT,HEX 6-32 ATT PT			
- 4	6825315	1	. CARD ASM			
- 5	1637616	2	. . SWITCH,PROGRAM LOAD			
- 6	2396767	8	. . LED			
- 7	5213731	2	. . SWITCH			
- 8	8327535	1	. . BRACKET			
- 9	81693	2	. . SCREW,MACH BIND HD 6-32 X 3/8 LG ATT PT			
- 10	56722	2	. . WASHER,LOCK EXT T .150ID ATT PT			
- 11	257187	2	. . NUT,HEX 6-32 ATT PT			
- 12	1847525	1	. . CONNECTOR,2 POS-J3			
- 13	1847527	2	. . CONNECTOR,3 POS-J1 AND J2			

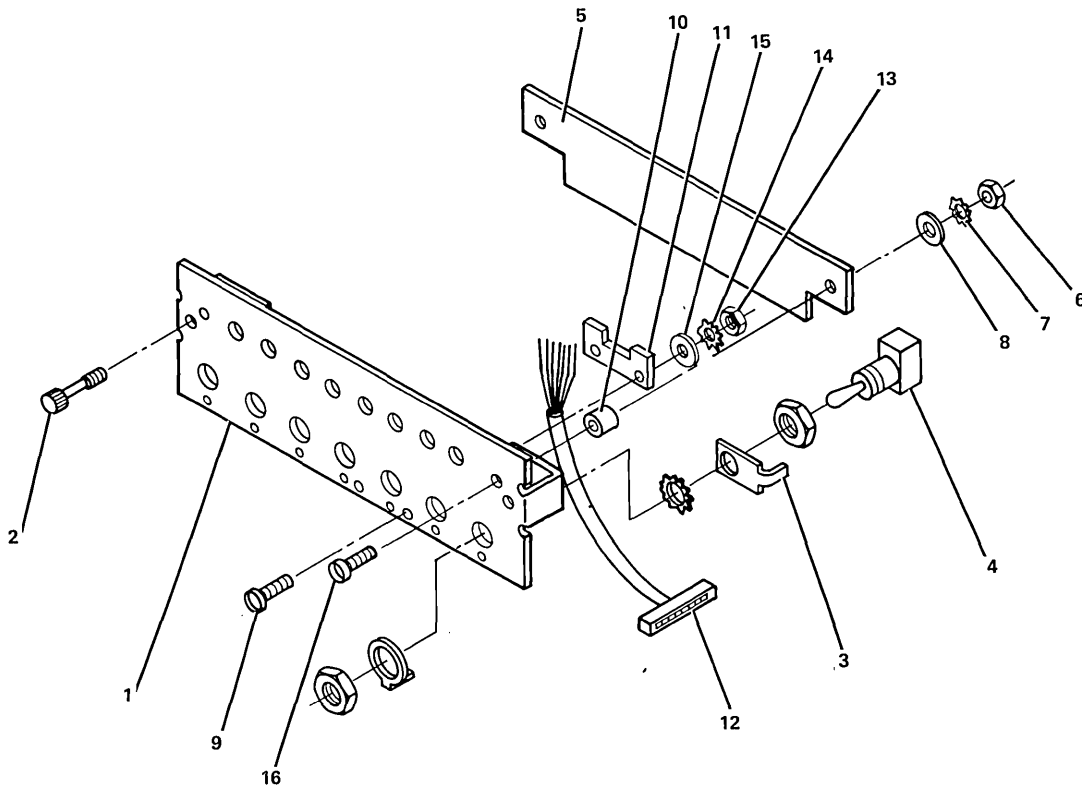
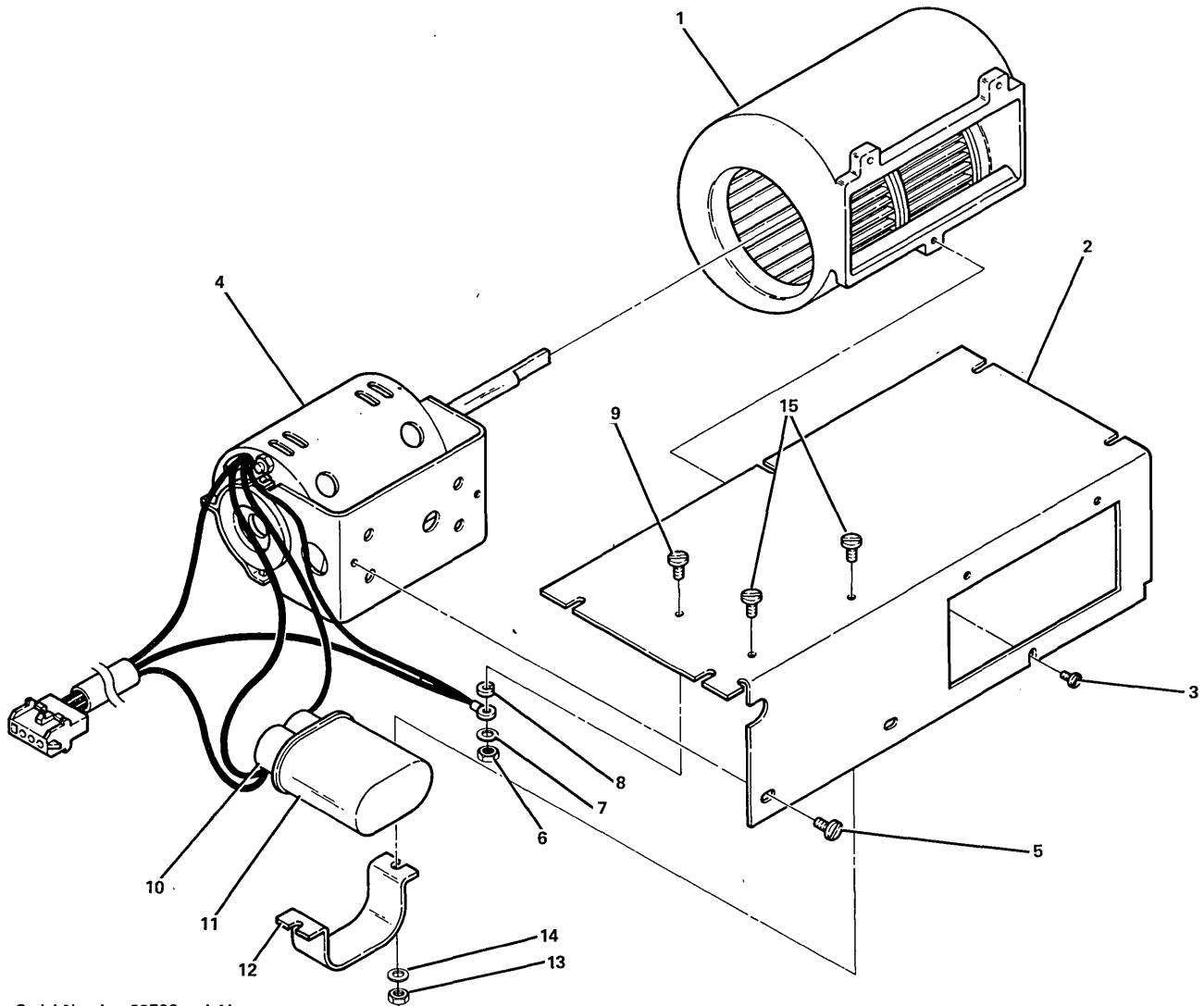


FIGURE 7. COMMUNICATIONS CONSOLE ASSEMBLY. SEE LIST 7.

FIGURE- INDEX NUMBER	PART NUMBER	UNITS PER ASM.	DESCRIPTION			
			1	2	3	4
7 -	1634580	REF	CONSOLE ASM, COMMUNICATIONS FOR NEXT HIGHER ASM SEE FIGURES 1-67 AND 2-62 AND FOR ILLUSTRATION FIGURE 7			
- 1	1637615	1	. CONSOLE			
- 2	1637786	2	. SCREW, CAPTIVE			
- 3	5762386	1	. TERMINAL			
- 4	5213731	8	. SWITCH			
- 5	1637854	1	. PANEL			
- 6	37913	2	. NUT, JAM HEX 4-40 X .250 FL W			
- 7	150209	2	. WASHER, LOCK-INT T NO. 4 X .270 OD			
- 8	257985	2	. WASHER, PLAIN .125ID X .250 OD			
- 9	438551	2	. SCREW, MACH BIND HD 4-40 X 1/2 LG			
- 10	815219	2	. SPACER			
- 11	5352958	1	. STRAIN RELIEF			
- 12	1632213	1	. CABLE ASM, INDICATOR PANEL			
- 13	37913	2	. NUT, JAM HEX 4-40 X .250 FL W			
- 14	150209	2	. WASHER, LOCK-INT T NO. 4 X .270 OD			
- 15	257985	2	. WASHER, PLAIN .125ID X .250 OD			
- 16	438551	2	. SCREW, MACH BIND HD 4-40 X 1/2 LG			

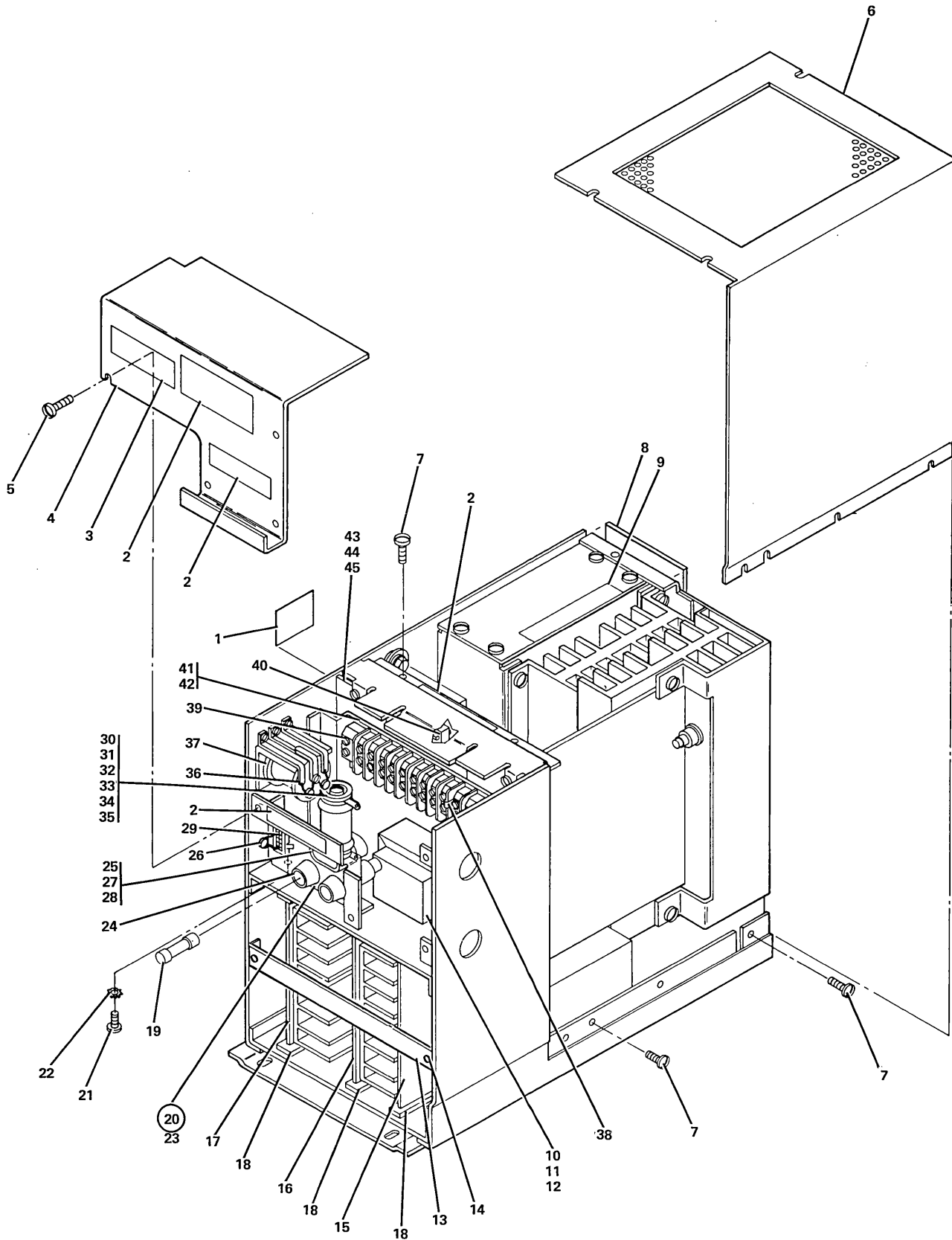


NOTE: Serial Number 22500 and Above

FIGURE 8. BLOWER ASSEMBLY. SEE LIST 8.

FIGURE- INDEX NUMBER	PART NUMBER	UNITS PER ASM.	DESCRIPTION			
			1	2	3	4
8 -	6838650	1	BLOWER ASM, IO-VAC			
-	6838651	1	BLOWER ASM, HI-VAC			
			SERIAL NO. 22500 AND ABOVE			
			FOR NEXT HIGHER ASM SEE FIGURE 2-7			
			AND FOR ILLUSTRATION FIGURE 8			
- 1	5468306	NR	. SCROLL AND WHEEL ASM			
- 2	6840318	NR	. PLATE, FAN			
- 3	10170	NR	. SCREW, MACH BIND HD- 6-32 X 1/4 LG			
- 4	6840350	NR	. MOTOR ASM, LO-VAC			
- 4	6840351	NR	. MOTOR ASM, HI-VAC			
- 5	443	NR	. SCREW, MACH FIL HD- 10-32 X 3/8 LG			
- 6	257187	NR	. NUT, HEX- 6-32			
- 7	257986	NR	. WASHER, FLAT NO. 6- 5/16 OD X .035 THK			
- 8	56722	NR	. WASHER, LOCK EXT T- 0.150 ID			
- 9	81693	NR	. SCREW, MACH BIND HD- 6-32 X 3/8 LG			
- 10	526378	NR	. COVER			
- 11	5252809	NR	. CAPACITOR, LO-VAC			
- 11	5252828	NR	. CAPACITOR, HI-VAC			
- 12	1145986	NR	. BRACKET			
- 13	257187	NR	. NUT, HEX- 6-32			
- 14	257986	NR	. WASHER, FLAT NO. 6- 5/16 OD X .035 THK			
- 15	322550	NR	. SCREW, MACH BIND HD- 6-32 X 1/2 LG			

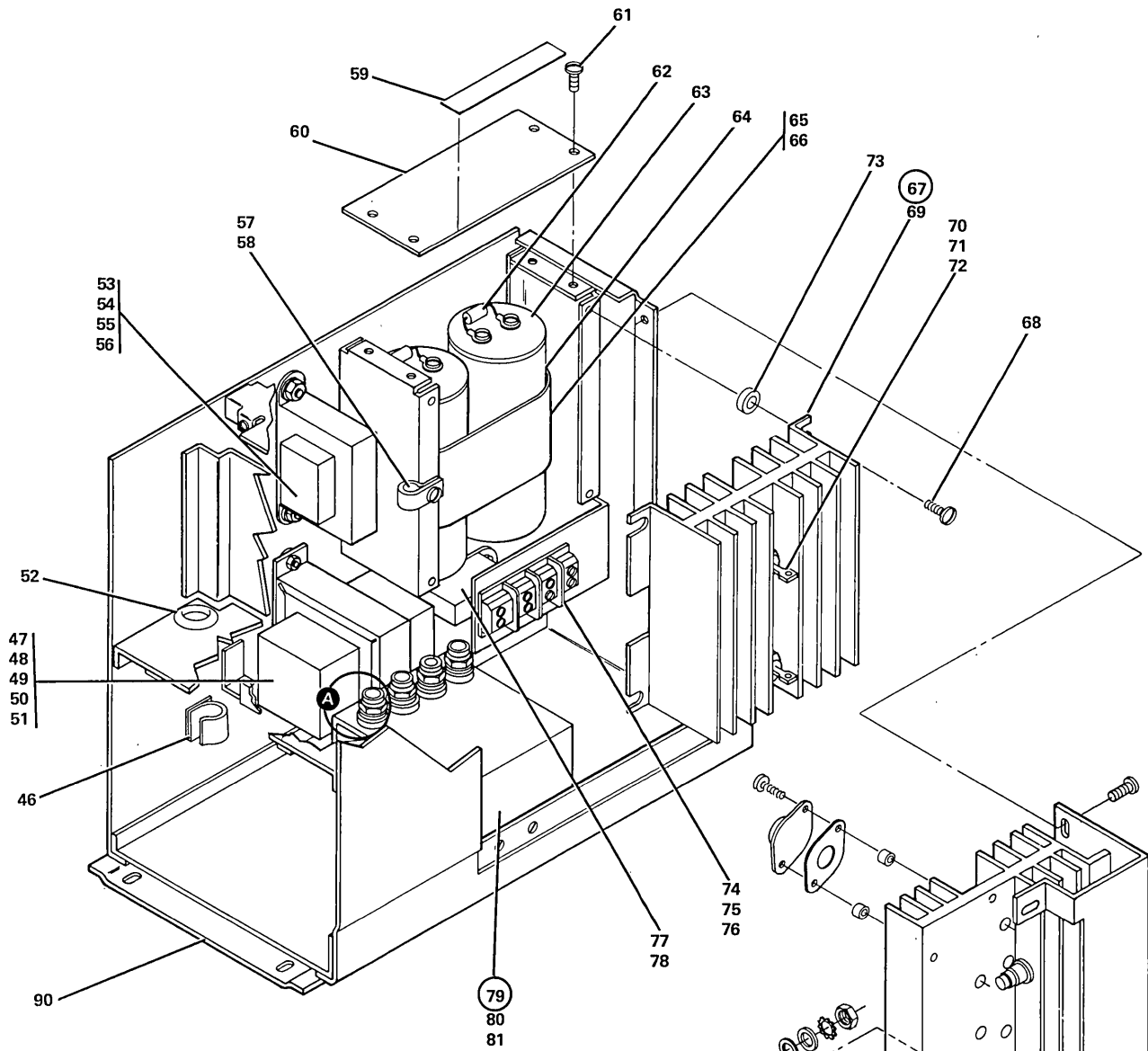
THIS PAGE INTENTIONALLY LEFT BLANK



NOTE: Serial Number 22499 and Below

FIGURE 9. POWER SUPPLY ASSEMBLY. SHEET 1 OF 3. INDEX NOS. 1-45. SEE LIST 9.

FIGURE- INDEX NUMBER	PART NUMBER	UNITS PER ASM.	DESCRIPTION			
			1	2	3	4
9 -	1637621	REF	POWER SUPPLY ASM SERIAL NO. 22499 AND BELOW FOR NEXT HIGHER ASM SEE FIGURE 1-25 AND FOR ILLUSTRATION FIGURE 3 ORDER APPROPRIATE LABEL FROM INDEX NO. 2			
- 1	1634511	1	. LABEL, OUTPUT CONNECTORS			
- 2	8327578	1	. LABEL, WARNING-ENGLISH			
- 2	8327540	1	. LABEL, WARNING-FR/CANADIAN			
- 2	8327583	1	. LABEL, WARNING-ITALIAN			
- 2	8327588	1	. LABEL, WARNING-GERMAN			
- 2	8327593	1	. LABEL, WARNING-SPANISH			
- 2	8327598	1	. LABEL, WARNING-FRENCH			
- 2	8327603	1	. LABEL, WARNING-JAPANESE ABOVE LABELS NOT WITH ASM MUST BE ORDERED SEPARATELY			
- 3	5892077	1	. LABEL			
- 4	1637623	1	. COVER, PRIME POWER			
- 5	55726	4	. SCREW, MACH BIND HD 6-32 X .188 LG			
- 6	1637622	1	. COVER, TOP			
- 7	55726	6	. SCREW, MACH BIND HD 6-32 X .188 LG			
- 8	6827117	1	. PAD			
- 9	1637839	1	. LABEL, CAUTION			
- 10	1637693	1	. TRANSFORMER			
- 11	10170	2	. SCREW, MACH-BIND HD 6-32 X 1/4 LG			
- 12	56722	1	. WASHER, LOCK EXT T .150ID			
- 13	4412998	1	. RETAINER			
- 14	38235	2	. SCREW, MACH-BIND HD 6-32 X 5/16 LG			
- 15	1634658	1	. CARD ASM, SEQUENCE			
- 16	4412933	1	. CARD ASM, 8.5/5 V			
- 17	4412932	1	. CARD ASM, 12 V			
- 18	1637632	6	. GUIDE, CARD			
- 19	511063	2	. FUSE, CARTRIDGE- 10 A 250 V AC/DC			
- 20	1637837	1	. CONNECTOR ASM			
- 21	10170	4	. SCREW, MACH-BIND HD 6-32 X 1/4 LG			
- 22	56722	2	. WASHER, LOCK EXT T .150ID			
- 23	1637838	1	. BRACKET, CONNECTOR MOUNTING			
- 24	4412938	2	. FUSEHOLDER			
- 25	4406541	1	. RECEPTACLE, 3-PRONG POWER			
- 26	5213736	1	. CAPACITOR			
- 27	2704109	2	. STUD			
- 28	338169	4	. WASHER, LOCK EXT T 1/8 ID X 1/4 OD			
- 29	609686	1	. CONNECTOR, 6 POS			
- 30	2392055	1	. RESISTOR			
- 31	438583	1	. SCREW			
- 32	55901	1	. WASHER, LOCK EXT T .176DIA			
- 33	2903	1	. WASHER, FL-NO. 6 X 1/2 OD X 1/32 THK			
- 34	510468	2	. WASHER, CUPPED- 1/64ID X 1/20D X 1/32 L			
- 35	321603	2	. WASHER, FLAT- 0.380ID X 0.6250D X 0.031			
- 36	472639	2	. CAPACITOR			
- 37	2283000	1	. RELAY, G.P.			
- 38	1143227	2	. JUMPER			
- 39	522850	1	. BLOCK, TERMINAL -10 POSITION			
- 40	2731837	1	. HOUSING			
- 41	522849	1	. STRIP, MARKER			
- 42	35739	4	. SCREW, MACH-BIND HD 6-32 X 7/16 LG			
- 43	1634934	1	. CARD ASM			
- 44	10170	4	. SCREW, MACH-BIND HD 6-32 X 1/4 LG			
- 45	236849	4	. SCREW, MACH BIND HD 10-32 X .250LG			



NOTE: Serial Number 22499 and Below

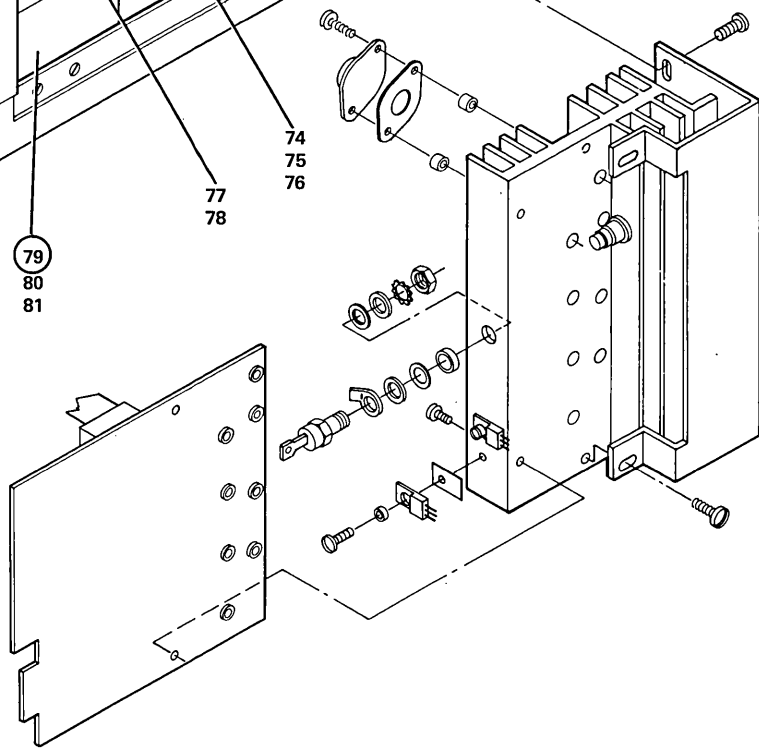
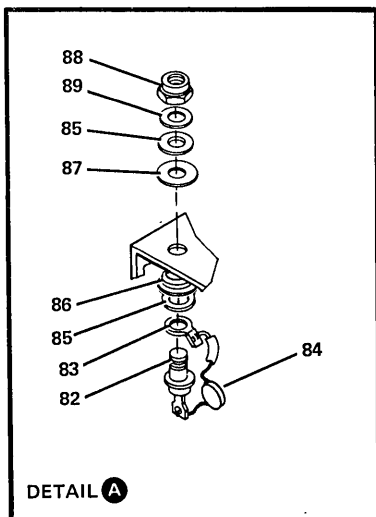
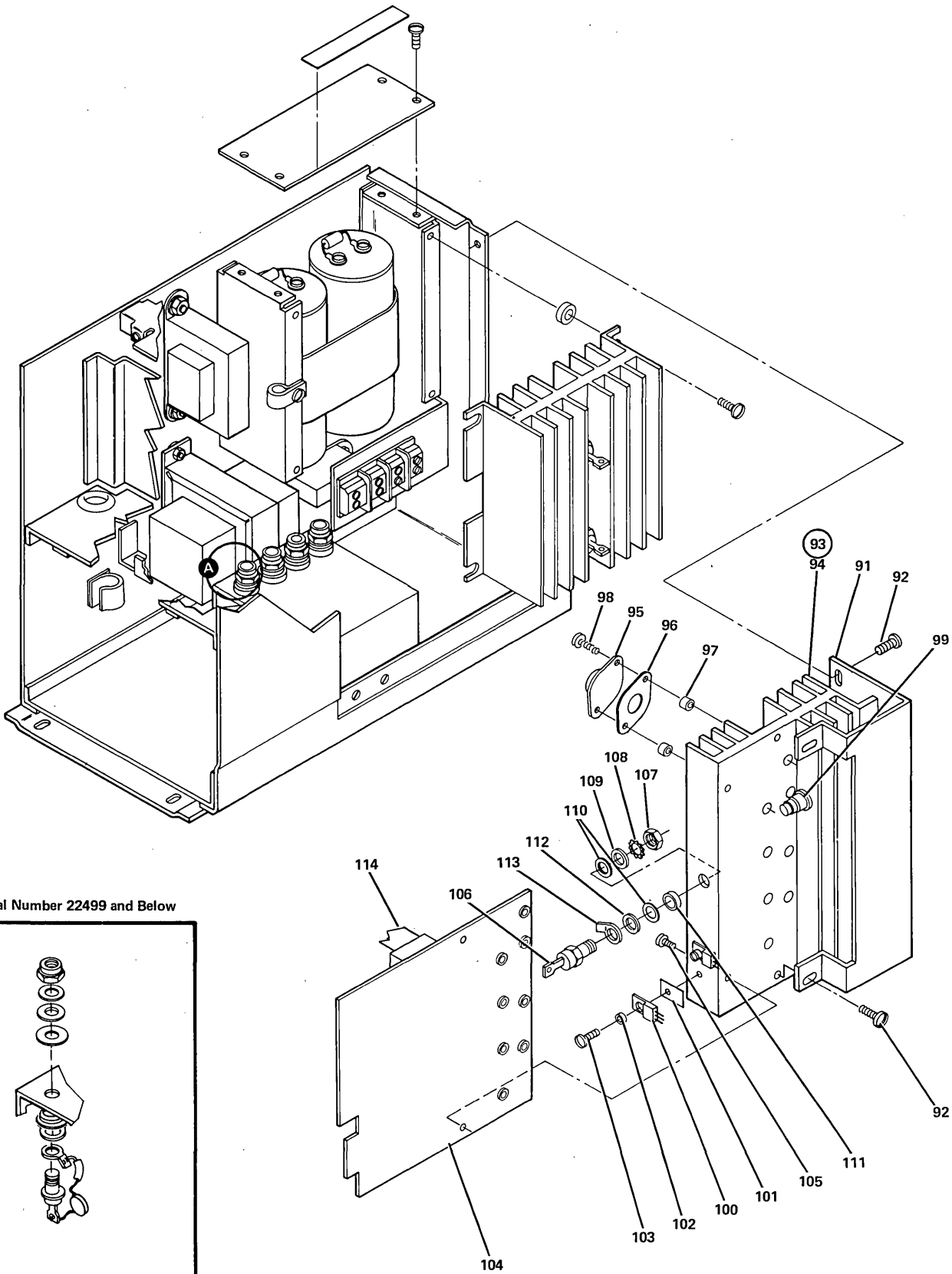


FIGURE 9. POWER SUPPLY ASSEMBLY. SHEET 2 OF 3. INDEX NOS. 46-90. SEE LIST 9.

FIGURE- INDEX NUMBER	PART NUMBER	UNITS PER ASM.	DESCRIPTION			
			1	2	3	4
9 - 46	2596291	1	.	CLAMP		
- 47	1637903	1	.	TRANSFORMER ASM		
- 48	58207	1	.	SCREW, MACH BIND HD 8-32 NC-2A X .250 LG	ATT	PT
- 49	34512	1	.	SCREW, MACH-BIND HD 8-32 X 3/8 LG	ATT	PT
- 50	257189	1	.	NUT, PLAIN-HEX 8-32 X 0.343 W	ATT	PT
- 51	55901	3	.	WASHER, LOCK EXT T .176DIA	ATT	PT
- 52	265059	1	.	GROMMET		
- 53	1637696	1	.	TRANSFORMER		
- 54	34512	2	.	SCREW, MACH-BIND HD 8-32 X 3/8 LG	ATT	PT
- 55	257189	2	.	NUT, PLAIN-HEX 8-32 X 0.343 W	ATT	PT
- 56	55901	3	.	WASHER, LOCK EXT T .176DIA	ATT	PT
- 57	533289	1	.	CLAMP		
- 58	81693	1	.	SCREW, MACH BIND HD 6-32 X 3/8 LG	ATT	PT
- 59	1637839	1	.	LABEL, CAUTION		
- 60	1637816	1	.	SHIELD, SAFETY		
- 61	10170	4	.	SCREW, MACH-BIND HD 6-32 X 1/4 LG	ATT	PT
- 62	1637697	2	.	RESISTOR ASM		
- 63	362206	2	.	SHIELD, CAPACITOR		
- 64	1582627	2	.	CAPACITOR, ELECTROLYTIC ALUMINUM, CAN TYPE		
- 65	1637698	1	.	BRACKET, -CAP MTG		
- 66	322551	2	.	SCREW, MACH BIND HD 6-32 X 3/4 LG	ATT	PT
- 67	1637692	1	.	HEATSINK ASM		
- 68	81693	4	.	SCREW, MACH BIND HD 6-32 X 3/8 LG	ATT	PT
- 69	1637630	1	.	HEATSINK		
- 70	1582810	2	.	RECTIFIER		
- 71	160017	2	.	NUT, HEX 1/4-28 X 7/16 FL W	ATT	PT
- 72	76574	2	.	WASHER, LOCK EXT T 1/4 ID X 1/2 OD	ATT	PT
- 73	337549	4	.	INSULATOR		
- 74	436972	1	.	BLOCK, TERMINAL		
- 75	607331	1	.	INSULATOR, TERMINAL BLOCK		
- 76	5528	4	.	SCREW, MACH BIND HD 8-32 X .625LG	ATT	PT
- 77	1637695	1	.	INDUCTOR		
- 78	221790	2	.	SCREW, MACH BIND HD 8-32 X 3/16LG	ATT	PT
- 79	4410719	1	.	HEATSINK ASM		
- 80	10170	3	.	SCREW, MACH-BIND HD 6-32 X 1/4 LG	ATT	PT
- 81	4410720	1	.	HEATSINK		
- 82	2396803	4	.	DIODE		
- 83	1637819	1	.	CABLE ASM		
- 84	472639	4	.	CAPACITOR		
- 85	4410752	8	.	WASHER, FLAT NO. 10 X .610 OD X 1/32 TH	ATT	PT
- 86	4410721	8	.	BUSHING	ATT	PT
- 87	8326813	8	.	BUSHING	ATT	PT
- 88	11598	4	.	NUT, HEX 10-32	ATT	PT
- 89	56079	4	.	WASHER, LOCK EXT T .204ID .410OD	ATT	PT
- 90	1637650	1	.	CHASSIS		



NOTE: Serial Number 22499 and Below

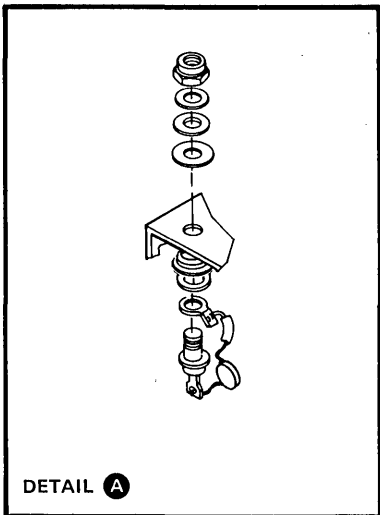
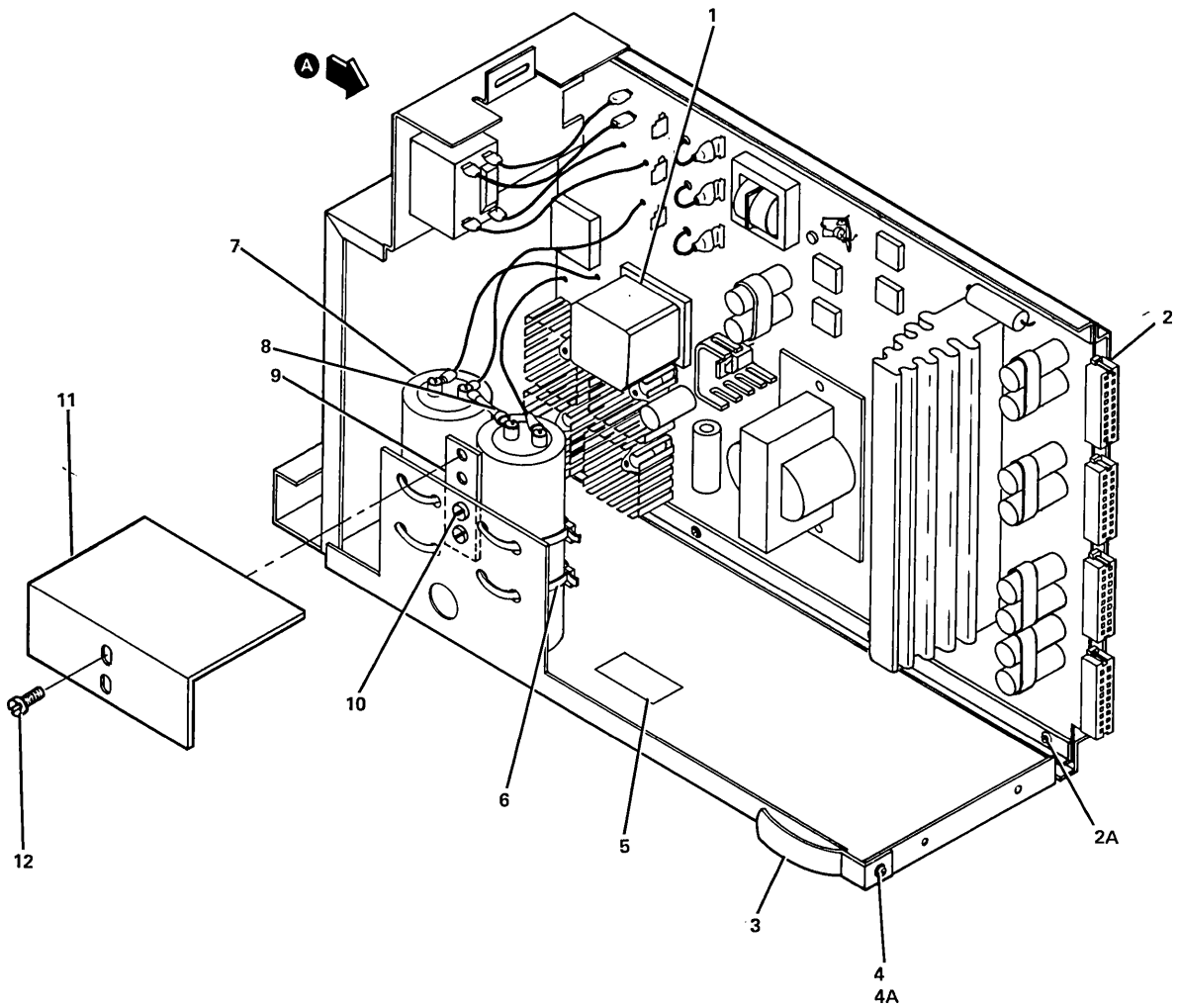


FIGURE 9. POWER SUPPLY ASSEMBLY. SHEET 3 OF 3. INDEX NOS. 91-114. SEE LIST 9.

FIGURE- INDEX NUMBER	PART NUMBER	UNITS PER ASM.	DESCRIPTION			
			1	2	3	4
9 - 91	1637821	1	.	BRACKET, MOUNTING		
- 92	10170	4	.	SCREW, MACH-BIND HD 6-32 X 1/4 LG	ATT PT	
- 93	6837344	1	.	CARD ASM, POWER		
- 94	1637699	1	.	HEATSINK		
- 95	2396783	4	.	TRANSISTOR		
- 96	1842438	4	.	INSULATOR		
- 97	4411057	8	.	BUSHING	ATT PT	
- 98	81693	8	.	SCREW, MACH BIND HD 6-32 X 3/8 LG	ATT PT	
- 99	2590821	1	.	SWITCH, THERMAL		
-100	2396682	2	.	TRANSISTOR		
-101	1634570	2	.	INSULATOR, TRANSISTOR		
-102	5564427	2	.	BUSHING	ATT PT	
-103	251970	2	.	SCREW, MACH-PAN HD 4-40 X 1/4 LG	ATT PT	
-104	1634906	1	.	CARD		
-105	81693	2	.	SCREW, MACH BIND HD 6-32 X 3/8 LG	ATT PT	
-106	2396801	1	.	DIODE		
				USED ON MACHINES WITHOUT EC 755406		
-106	8333807	1	.	DIODE		
				USED ON MACHINES WITH EC 755406		
-107	11598	1	.	NUT, HEX 10-32	ATT PT	
-108	9092	1	.	WASHER, LOCK SPLIT RING .194ID .337OD	ATT PT	
				USED ON MACHINES WITHOUT EC 755406		
-108	56079	1	.	WASHER, LOCK EXT T .204ID .410OD	ATT PT	
				USED ON MACHINES WITH EC 755406		
-109	4410752	1	.	WASHER, FLAT NO. 10 X .610 OD X 1/32 TH	ATT PT	
-110	2611165	1	.	WASHER	ATT PT	
				USED ON MACHINES WITHOUT EC 755406		
-110	8326813	2	.	BUSHING	ATT PT	
				USED ON MACHINES WITH EC 755406		
-111	4410721	1	.	BUSHING		
-112	4410752	1	.	WASHER, FLAT NO. 10 X .610 OD X 1/32 TH		
-113	316996	1	.	LUG, SOLDER TERMINAL		
-114	1637844	1	.	CABLE ASM, CAPS TO CONN		



NOTE: Serial Number 22500 and Above

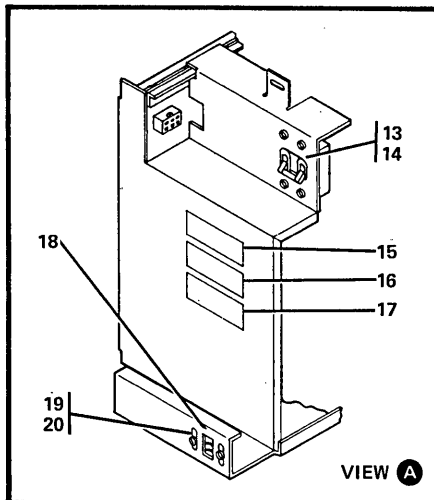


FIGURE 10. POWER SUPPLY ASSEMBLY, 415 WATT. SEE LIST 10.

FIGURE- INDEX NUMBER	PART NUMBER	UNITS PER ASM.	DESCRIPTION			
			1	2	3	4
10 -	6844100	1	POWER SUPPLY ASM,415 W SERIAL NO. 22500 AND ABOVE FOR NEXT HIGHER ASM SEE FIGURE 2-19 AND FOR ILLUSTRATION FIGURE 10			
- 1	1589008	1	. RELAY			
- 2	817329	4	. HOUSING,CCNECTOR 24 CONTACT			
- 2A	7362385	11	. SCREW,THD FORM HEX WSHR HD- M4 X 8 LG ATT PT			
- 3	6841094	1	. SPRING			
- 4	1621844	1	. SCREW,THD FORM PAN HD- M3 X 6 LG ATT PT			
- 4A	1622344	1	. WASHER,LOCK EXT T- 3.8 ID X 6 OD ATT PT			
- 5	6841100	1	. LABEL,HIGH VOLTAGE			
- 6	6031014	4	. STRAP			
- 7	1582627	2	. CAPACITOR,ELECTROLYTIC ALUMINUM,CAN TYPE ORDER INDEX NO. 6			
- 8	5759176	1	. JUMPER			
- 9	6030966	1	. BRACKET,SHIELD MOUNTING			
- 10	1621190	2	. BOLT,PAN HD- M4 X 8 LG ATT PT			
- 11	6830965	1	. SHIELD,SAFETY			
- 12	1621190	2	. BOLT,PAN HD- M4 X 8 LG ATT PT			
- 13	6844109	1	. CIRCUIT BREAKER ASM			
- 14	55726	4	. SCREW,MACH BIND HD- 6-32 X 3/16 LG ATT PT			
- 15	124943	1	. LABEL,HAZARDOUS AREA-ENGLISH			
- 16	1637972	1	. LABEL,SAFETY			
- 17	845762	1	. LABEL,INFORMATION-ENGLISH			
- 18	313453	1	. LATCH			
- 19	438548	2	. SCREW,MACH BIND HD- 4-40 X 3/16 LG ATT PT			
- 20	801402	2	. NUT ATT PT			

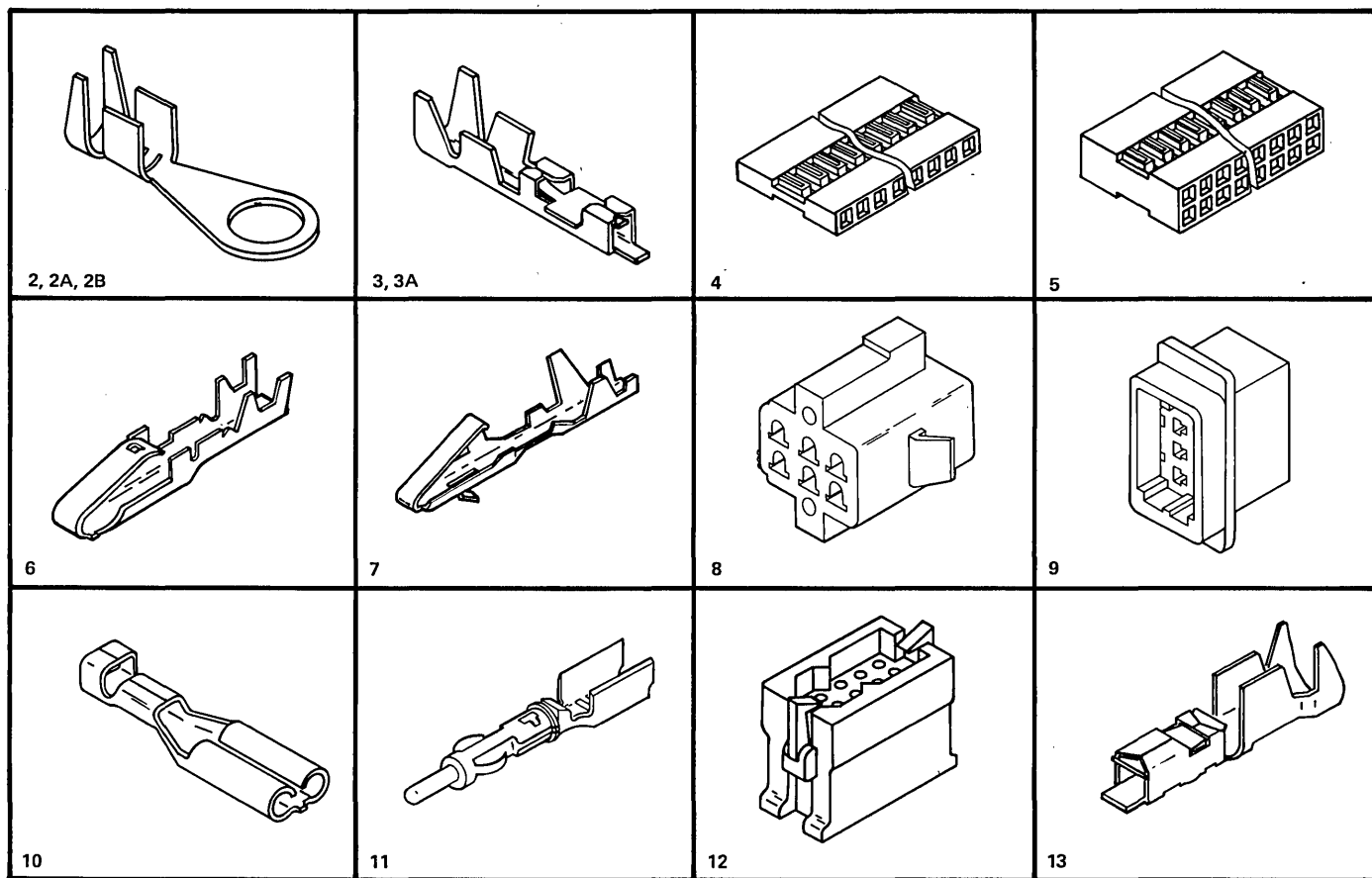


FIGURE 11. CABLE ASSEMBLIES WITH COMPONENT PARTS. SHEET 1 OF 2. SEE LIST 11.

FIGURE- INDEX NUMBER	PART NUMBER	UNITS PER ASM.	DESCRIPTION			
			1	2	3	4
11 - 2	483678	AR	.	TERMINAL,RING NO. 6	STUD 14-16AWG	
- 2A	483682	AR	.	TERMINAL,RING NO. 8	STUD 14-16AWG	
- 2B	483686	AR	.	TERMINAL,RING NO. 10	STUD 14-16AWG	
- 3	2637682	AR	.	PIN,CONTACT 22-26	AWG	
- 3A	2637690	AR	.	CONNECTOR,DISCRETE		
- 4	2731838	AR	.	HOUSING		
- 5	2731845	AR	.	HOUSING ASM,POLARIZED		
- 6	609687	AR	.	CONTACT		
- 7	2145170	AR	.	TERMINAL,QUICK DISCONNECT-	16/18AWG	
- 8	609686	AR	.	CONNECTOR,6 POS		
- 9	609691	AR	.	CONNECTOR		
- 10	2123393	AR	.	TERMINAL,QUICK DISCONNECT-	16/20AWG	
- 11	1550524	AR	.	PIN,CONTACT		
- 12	5131382	AR	.	CONNECTOR,PLUG-	12 PIN	
- 13	815934	AR	.	CONNECTOR,DISCRETE WIRE	22-36AWG	

FIGURE- INDEX NUMBER	PART NUMBER	UNITS PER ASM.	DESCRIPTION			
			1	2	3	4
11 -	NO NO.	REF	CABLE ASSEMBLIES WITH COMPONENT PARTS FOR ILLUSTRATION SEE FIGURE 11			
- 1	1143227		CABLE ASM			
- 1	1632065		CABLE ASM,S2 TO P1			
- 1	1632066		CABLE ASM,S5 TO P2			
- 1	1632067		CABLE ASM,S3 TO P4			
- 1	1632198		POWER CABLE,SHIELDED-U.S.,CANADA & JAPAN			
- 1	1632199		CABLE ASM,FILTER TO SWITCH FOR COMPONENT PARTS SEE INDEX NOS. 2,2A			
- 1	1632213		CABLE ASM,INDICATOR PANEL FOR COMPONENT PARTS SEE INDEX NOS. 3, 4,5			
- 1	1632768		CABLE ASM,PLUS 5V DISTRIBUTION-I/O EXP FOR COMPONENT PARTS SEE INDEX NOS. 3A, 6,7			
- 1	1632776		LINE CORD,110 V U.S. AND CANADA FOR COMPONENT PARTS SEE INDEX NO. 2A			
- 1	1632777		LINE CORD,220 V U.S. AND CANADA FOR COMPONENT PARTS SEE INDEX NO. 2A			
- 1	1632921		CABLE ASM,FULL PAN PAL 3X FOR COMPONENT PARTS SEE INDEX NOS. 6, 7,8,9,10			
- 1	1637844		CABLE ASM,CAPS TO CONN FOR COMPONENT PARTS SEE INDEX NOS. 2A, 2B,11,12			
- 1	1637857		JUMPER ASM FOR COMPONENT PARTS SEE INDEX NO. 2A			
- 1	4410154		LINE CORD,100/200 V WTC FOR COMPONENT PARTS SEE INDEX NO. 2A			
- 1	4410159		LINE CORD,100/200 V JAPAN FOR COMPONENT PARTS SEE INDEX NO. 2A			
- 1	4413617		CABLE ASM			
- 1	4413791		CABLE ASM			
- 1	4414854		CABLE ASM,INTERNAL POWER			
- 1	4414855		CABLE ASM,FILTER TO SWITCH FOR COMPONENT PARTS SEE INDEX NOS. 2,2A			
- 1	5759176		JUMPER			
- 1	6042348		CABLE ASM,+5 CONN (BULKHEAD MOUNTED)			
- 1	6042354		CABLE ASM,+5 TO CONSOLE			
- 1	6825498		CABLE ASM FOR COMPONENT PARTS SEE INDEX NOS. 13, 14,15			
- 1	6840330		CABLE ASM			
- 1	6844362		CABLE ASM,INTERNAL POWER			
- 1	6844363		CABLE ASM,FILTER TO SWITCH			

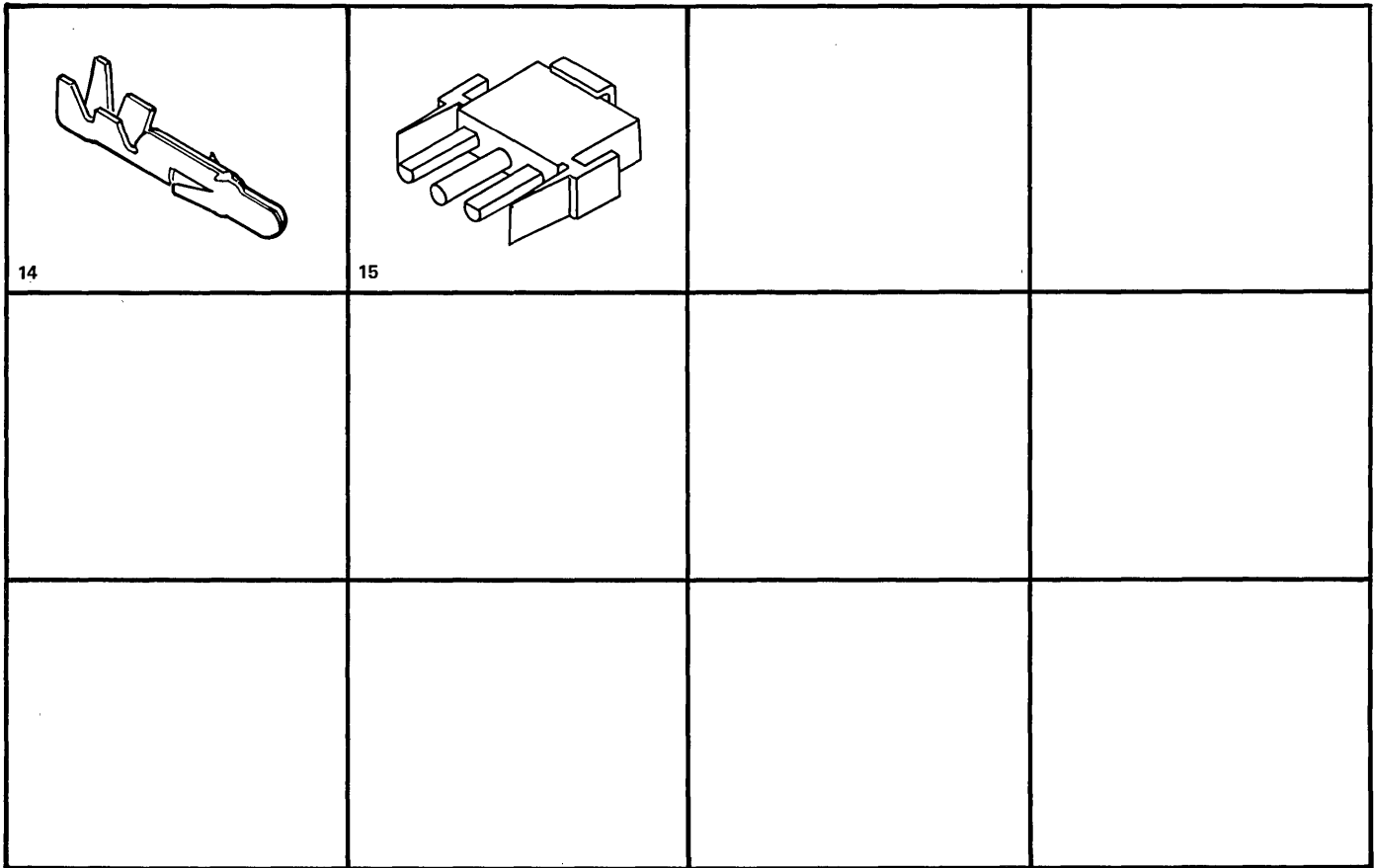


FIGURE 11. CABLE ASSEMBLIES WITH COMPONENT PARTS. SHEET 2 OF 2. SEE LIST 11.

FIGURE- INDEX NUMBER	PART NUMBER	UNITS PER ASM.	DESCRIPTION
11 - 14 - 15	1661131 1847526	AR AR	1 2 3 4 • TERMINAL, PIN • PLUG, 3 CIRCUIT

NUMERICAL INDEX

PART NO.	LIST AND INDEX NO.	PART NO.	LIST AND INDEX NO.	PART NO.	LIST AND INDEX NO.	PART NO.	LIST AND INDEX NO.
443	8 - 5	81693-CONT	9 -105	438551	7 - 9	1632199-CONT	1 -111
2903	9 - 33	124943	10 - 15		7 - 16		11 - 1
5528	9 - 76	150209	7 - 7	438583	9 - 31	1632213	7 - 12
9092	9 -108		7 - 14	450827	2 - 9		11 - 1
10170	1 - 2	160017	9 - 71	472639	9 - 36	1632634	1 - 70
	1 - 5	186759	1 - 50		9 - 84		2 - 5
	1 - 10		2 - 59	473442	1 - 34	1632719	1 - 21
	1 - 23	220839	1 - 33	483678	11 - 2	1632722	1 - 30
	1 - 90		2 - 69	483682	11 - 2A		2 - 68
	1 -100	221790	1 - 7	483686	11 - 2B	1632730	5 - 3
	2 - 27		1 - 68	510468	9 - 34	1632768	1 - 57
	2 - 36		1 - 83	511063	9 - 19		11 - 1
	2 - 44A		2 - 3	515661	4 - 11	1632776	4 - 8
	2 - 87		2 - 13	521652	1 - 51		11 - 1
	3 - 2		2 - 81		2 - 60	1632777	4 - 8
	5 - 10		9 - 78	522849	9 - 41		11 - 1
	8 - 3	236849	1 - 26	522850	9 - 39	1632921	5 - 8
	9 - .11		4 - 3	526378	8 - 10		11 - 1
	9 - 21		9 - 45	533289	9 - 57	1634511	9 - 1
	9 - 44	251970	1 - 19	607331	9 - 75	1634570	9 -101
	9 - 61		1 - 32	609686	9 - 29	1634580	1 - 67
	9 - 80		1 - 48		11 - 8		2 - 62
	9 - 92		1 - 53	609687	5 - 7		7 - REF
11598	9 - 88		1 - 65		11 - 6	1634599	1 - 87
	9 -107		1 - 76	609691	5 - 6		2 - 77
32042	1 - 16		1 - 78		11 - 9	1634658	9 - 15
33454	6 - 2		1 - 96	801402	10 - 20	1634668	1 - 54
34512	9 - 49		2 - 33	811417	1 - 13		1 -103
	9 - 54		2 - 39		2 - 18		2 - 53
35739	9 - 42		2 - 55	813179	1 - 12		3 - 5
37913	1 - 20		2 - 57		2 - 16	1634786	1 - 31
	1 - 55		2 - 64	815219	7 - 10		2 - 63
	1 -105		2 - 74	815934	11 - 13	1634854	1 - 29
	2 - 32		9 -103	817329	10 - 2		2 - 70
	2 - 50	257187	6 - 3	845762	10 - 17	1634906	9 -104
	3 - 6		6 - 11	1077722	2 - 42	1634926	1 - 64
	7 - 6		8 - 6	1143227	9 - 38		2 - 38
	7 - 13		8 - 13		11 - 1	1634927	1 - 66
38051	4 - 6	257189	1 - 92	1145986	8 - 12		2 - 40
38235	1 - 18		2 - 92	1550524	11 - 11	1634928	1 - 41
	9 - 14		9 - 50	1582627	9 - 64		2 - 65
55726	1 - 86		9 - 55		10 - 7	1634932	5 - 1
	2 - 76	257985	7 - 8	1582810	9 - 70	1634933	1 - 4
	9 - 5		7 - 15	1589008	10 - 1		5 - REF
	9 - 7	257986	8 - 7	1608101	4 - 5	1634934	9 - 43
	10 - 14		8 - 14	1621190	10 - 10	1634983	2 - 6
55901	1 - 69	265059	9 - 52		10 - 12		5 - 15
	1 - 84	311699	5 - 4	1621811	2 - 22	1634988	1 - 49
	2 - 2	313453	1 - 18	1621844	10 - 4	1634989	1 - 54
	2 - 82		2 - 31	1622318	2 - 21		1 -103
	9 - 32		10 - 18	1622344	10 - 4A		2 - 53
	9 - 51	316996	9 -113	1631002	1 - 72		3 - 5
	9 - 56	321603	9 - 35	1631005	1 - 3	1634990	1 - 54
56079	1 - 17	322550	5 - 2		1 - 71		1 -103
	2 - 25		8 - 15		2 - 37		2 - 53
	4 - 4	322551	9 - 66	1631007	1 - 1		3 - 5
	9 - 89	332620	2 - 20		2 - 35	1634994	1 - 27
	9 -108	337549	9 - 73	1631010	1 - 9	1637515	1 - 85
56722	2 - 52	338169	1 - 56	1631013	1 - 80	1637516	1 -101
	3 - 8		1 -104		2 - 78		3 - 3
	4 - 7		2 - 51	1631124	1 - 11	1637517	4 - 10
	6 - 10		3 - 7	1632065	1 - 38	1637615	7 - 1
	8 - 8		9 - 28		11 - 1	1637616	6 - 5
	9 - 12	362206	9 - 63	1632066	1 - 39	1637621	1 - 25
	9 - 22	436972	9 - 74		11 - 1		9 - REF
	9 - 48	438548	1 - 36	1632067	1 - 37	1637622	9 - 6
58207	9 - 72		1 - 42		11 - 1	1637623	9 - 4
76574	1 - 46		1 - 81	1632068	1 - 40	1637630	9 - 69
81693	5 - 14		1 -102	1632150	1 - 22	1637632	9 - 18
	6 - 9		2 - 66		2 - 30	1637650	9 - 90
	8 - 9		2 - 79	1632198	1 - 59	1637651	1 - 89
	9 - 58		3 - 4		1 -110		2 - 73
	9 - 68		10 - 19		11 - 1		2 - 86
	9 - 98	438550	2 - 75	1632199	1 - 58	1637683	4 - 2

NUMERICAL INDEX

PART NO.	LIST AND INDEX NO.	PART NO.	LIST AND INDEX NO.	PART NO.	LIST AND INDEX NO.	PART NO.	LIST AND INDEX NO.
1637685	1 - 6	2731837	9 - 40	5759176	10 - 8	8326730	1 - 99
	2 - 12A	2731838	11 - 4		11 - 1	8326732	1 - 45
1637692	9 - 67	2731845	11 - 5	5762386	7 - 3	8326745	6 - 1
1637693	9 - 10	4406541	9 - 25	5892077	9 - 3	8326813	9 - 87
1637695	9 - 77	4410154	4 - 8	6030966	10 - 9		9 - 110
1637696	9 - 53		11 - 1	6031014	10 - 6	8327535	6 - 8
1637697	9 - 62	4410159	4 - 8	6042347	2 - 45	8327540	1 - 24
1637698	9 - 65		11 - 1	6042348	2 - 47		1 - 44
1637699	9 - 94	4410715	1 - 14		11 - 1		1 - 98
1637707	1 - 52	4410719	9 - 79	6042349	2 - 58		2 - 46
	2 - 54	4410720	9 - 81	6042353	2 - 61		2 - 67
1637708	1 - 47	4410721	9 - 86	6042354	2 - 90		3 - 13
	2 - 56		9 - 111		11 - 1		4 - 1
1637709	1 - 63	4410752	9 - 85	6042356	2 - 46		9 - 2
1637710	1 - 106		9 - 109		2 - 67	8327578	1 - 24
1637719	1 - 8		9 - 112		3 - 13		1 - 44
	2 - 12	4410999	1 - 79	6042361	2 - 46		1 - 98
1637720	1 - 35		2 - 72		2 - 67		2 - 46
1637783	5 - 5	4411057	9 - 97		3 - 13		2 - 67
1637786	7 - 2	4411313	1 - 75	6042366	2 - 46		3 - 13
1637790	5 - 13	4411485	1 - 45		2 - 67		4 - 1
1637816	9 - 60	4411486	1 - 45		3 - 13		9 - 2
1637819	9 - 83	4411487	1 - 45	6042371	2 - 46	8327583	1 - 24
1637821	9 - 91	4411489	1 - 99		2 - 67		1 - 44
1637837	9 - 20	4411490	1 - 99		3 - 13		1 - 98
1637838	9 - 23	4411491	1 - 99	6042376	2 - 46		2 - 46
1637839	9 - 9	4411494	3 - 10		2 - 67		2 - 67
	9 - 59	4412932	9 - 17		3 - 13		3 - 13
1637844	9 - 114	4412933	9 - 16	6042571	2 - 17		4 - 1
	11 - 1	4412938	9 - 24	6825315	6 - 4		9 - 2
1637854	7 - 5	4412998	9 - 13	6825498	1 - 97	8327588	1 - 24
1637857	1 - 82	4413599	6 - 1		2 - 85		1 - 44
	2 - 80	4413607	6 - 1		11 - 1		1 - 98
	11 - 1	4413608	6 - 1	6825891	1 - 62		2 - 46
1637903	9 - 47	4413609	6 - 1		1 - 107		3 - 13
1637972	10 - 16	4413610	1 - 95	6827117	9 - 8		4 - 1
1637977	1 - 43		2 - 83	6830965	10 - 11	8327593	9 - 2
	2 - 4	4413611	6 - REF	6837312	1 - 73		1 - 24
1661131	11 - 14		1 - 95	6837313	5 - 11		1 - 44
1842438	9 - 96		2 - 83	6837344	9 - 93		1 - 98
1847525	6 - 12		6 - REF	6838650	2 - 7		2 - 46
1847526	11 - 15	4413612	1 - 95		8 - REF		2 - 67
1847527	6 - 13		2 - 83	6838651	2 - 7		3 - 13
2100264	4 - 9		6 - REF		8 - REF		4 - 1
2102364	1 - 77	4413613	1 - 95	6840318	8 - 2		9 - 2
2102365	5 - 9		2 - 83	6840320	2 - 1	8327598	1 - 24
2123393	11 - 10		6 - REF	6840321	2 - 14		1 - 44
2145170	11 - 7	4413616	2 - 83	6840330	2 - 41		1 - 98
2181004	2 - 24	4413617	1 - 94		11 - 1		2 - 46
2283000	9 - 37		11 - 1	6840347	2 - 10		2 - 67
2392055	9 - 30	4413791	1 - 88	6840350	8 - 4		3 - 13
2396682	9 - 100		2 - 84	6840351	8 - 4		4 - 1
2396767	6 - 6		11 - 1	6841094	10 - 3		9 - 2
2396783	9 - 95	4414854	1 - 59	6841100	10 - 5	8327603	1 - 24
2396801	9 - 106		1 - 110	6841107	2 - 28		1 - 44
2396803	9 - 82		11 - 1	6844100	2 - 19		1 - 98
2456419	1 - 93	4414855	1 - 58		10 - REF		2 - 46
	2 - 88		1 - 111	6844109	10 - 13		2 - 67
2456425	1 - 91		11 - 1	6844361	3 - 9		3 - 13
	2 - 89	4498734	2 - 26	6844362	2 - 49		4 - 1
2588053	1 - 74	5131382	11 - 12		3 - 12		9 - 2
	5 - 12	5213276	2 - 91		11 - 1	8333807	9 - 106
2590821	9 - 99	5213731	6 - 7	6844363	2 - 48		
2596275	2 - 43		7 - 4		3 - 11		
2596291	2 - 29	5213736	9 - 26		11 - 1		
	9 - 46	5252809	8 - 11	6844365	2 - 71		
2611165	9 - 110	5252828	8 - 11		3 - 1		
2637682	11 - 3	5350006	2 - 8	6844366	2 - 71		
2637690	11 - 3A		2 - 11		3 - 1		
2704107	1 - 61		2 - 15	6844367	2 - 71		
	1 - 109		2 - 34		3 - 1		
2704109	9 - 27	5352958	7 - 11	7362385	10 - 2A		
2704110	1 - 60	5468306	8 - 1	8326716	1 - 95		
	1 - 108	5564427	9 - 102		6 - REF		

READER'S COMMENT FORM

S134-0052-1

IBM Series/1 4959 Input/Output Expansion Unit Parts Catalog

Your comments assist us in improving the usefulness of our publications; they are an important part of the input used in preparing updates to the publications. IBM may use and distribute any of the information you supply in any way it believes appropriate without incurring any obligation whatever. You may, of course, continue to use the information you supply.

Please do not use this form for technical questions about the system or for requests for additional publications; this only delays the response. Instead, direct your inquiries or requests to your IBM representative or the IBM branch office serving your locality.

Corrections or clarifications needed:

Page	Comment
------	---------

Cut or Fold Along Line

Please indicate your name and address in the space below if you wish a reply.

Thank you for your cooperation. No postage stamp necessary if mailed in the U.S.A.
(Elsewhere, an IBM office or representative will be happy to forward your comments.)

Reader's Comment Form

Cut Along Line

Fold and tape

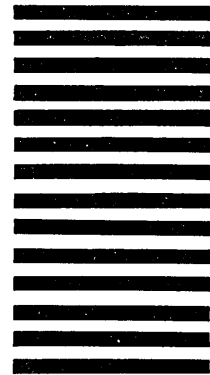
Please Do Not Staple

Fold and tape



NO POSTAGE
NECESSARY
IF MAILED
IN THE
UNITED STATES

BUSINESS REPLY MAIL
FIRST CLASS PERMIT NO. 40 ARMONK, NEW YORK
POSTAGE WILL BE PAID BY ADDRESSEE



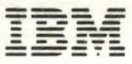
IBM Corporation
Information Development, Dept 27T
P.O. Box 1328
Boca Raton, Florida 33432

Fold and tape

Please Do Not Staple

Fold and tape





International Business Machines Corporation