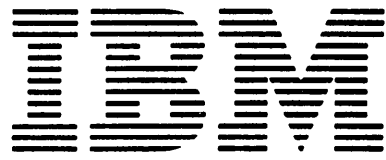




Maintenance Library

3047

**Power Unit
Parts Catalog**



Maintenance Library

3047

**Power Unit
Parts Catalog**

PREFACE

This Parts Catalog (PC) contains listing and illustrations of all replaceable assemblies, sub-assemblies and detail parts released on or before April 30, 1974.

Third Edition (May 1974)

This is a major revision of, and obsoletes S124-0127-1. Changes that affect this catalog are made periodically; any such changes will be reported in subsequent revisions or Technical Newsletters.

Requests for copies of IBM publications should be made to your IBM representative or to the IBM branch office serving your locality.

This manual has been prepared by the IBM System Products Division, Product Publications, Dept. K10, P. O. Box 6, Endicott, N. Y. 13760.

A form is provided at the back of this publication for reader's comments. If the form has been removed, comments may be sent to the above address. Comments become the property of IBM.

CONTENTS

HOW TO USE A PARTS CATALOG. ii

VISUAL INDEXES iv

Figure Page

1. Power Unit Final Assembly (2 Sheets) 1

2. Cooling Unit Assembly 6

2A. Cooling Unit Assembly 6A

2B. Cooling Unit Assembly 6C

3. Component Box Assembly 7

4. Light Panel Assembly 8

5. Motor Generator Assembly (2 Sheets) 9

6. Motor Generator Regulator Assembly 14

7. Motor Generator Frame Assembly 16

8. Cable Components. 18

NUMERICAL INDEX X-1

HOW TO USE THIS ILLUSTRATED PARTS CATALOG (IPC)

PART I

To find parts quickly, a general understanding of the structure of this catalog is necessary. The catalog is divided into three major sections:

- The Visual Index, containing overall views of the machine, with call-outs pointing to detailed figures.
- The Catalog Section, containing a pictorial breakdown of assemblies and subassemblies.
- The Numerical Index, which is a numerical list of all parts used in the machine, with cross-references to the figure on which the part is found.

VISUAL INDEX

The Visual Index, located before the Catalog Section, contains a reduced illustration of every figure in the Catalog Section. The reduced illustrations are tied together with flow arrows to form a natural progression from large assemblies to small assemblies and possibly subassemblies. In effect, a visual table of contents is formed by the Visual Index illustrations.

CATALOG SECTION

The Catalog Section contains the full-sized illustrations previously noted in the Visual Index. Index numbers on figures refer to corresponding entries in the Group Assembly Parts List accompanying each figure. Refer to part II for explanation of terms used in the Group Assembly Parts List.

NUMERICAL INDEX

The Numerical Index is located after the Catalog Section and contains a complete list, in numerical order, of all part numbers used on the machine. Listed with the part number is the index and figure number on which the part is illustrated. The numerical index makes it possible to locate a part when only the part number is known.

STACKED INDEX NUMBERS

Stacked Index numbers are used when showing a part and its attaching hardware. The sequence of a typical stack is shown at the right. The circled index number indicates the assembly is broken down within the figure.

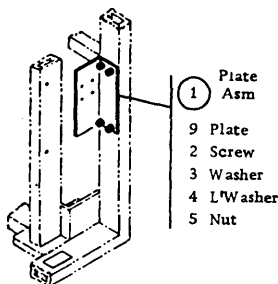


ILLUSTRATION NOTES

Cross-reference notes are directly on the illustration. The illustration's next higher assembly reference, normally located in the upper left corner of the page will read: "For Parts Not Shown See Figure X". If an assembly is referenced to a lower level figure, the note located next to the index number will read: "See Figure X."

DOUBLE LINED DETAIL BOX

The double lined box differentiates between parts shown on the basic model and parts related to a level and/or feature difference. An explanation of the level or feature difference is given in the double lined box.

FINDING A PART

The Visual Index is the starting point for locating a part. The illustrations in the Visual Index are reduced versions of all illustrations in the Catalog Section; therefore, the illustrations can be used to find the assembly containing the desired part. Use references to the detailed figure in the Catalog Section, or to another Visual Index illustration, to determine location of part number.

Once the detailed figure in the catalog section is determined, finding the part on the figure and referring to the listing for the part number and description is all that is required in most cases. If the first catalog section figure referenced shows the assembly containing the required part, the index number for the assembly will reference a lower-level figure where the assembly is broken down to its component parts. If the figure referenced by the Visual Index contains neither the part nor an assembly containing the part, it is then necessary to go to the next higher assembly figure. This figure should then contain the part or an assembly containing the part; if not, an even higher level figure must be used. Refer back to the Visual Index for some other figure that could show the desired part.

Note: Many detailed parts are unavailable, because they are part of an inseparable assembly (two or more parts welded or bonded together), or because they are part of an assembly purchased as a unit. If parts are found on a welded or bonded assembly, the following note follows the description of the assembly: "Assembly components are not replaceable." If the part is found on a purchased assembly, and the detail parts of this assembly do not have IBM part numbers, the note following the assembly description will read: "Assembly components are not available." In either case, you need to obtain the part number of the assembly, rather than the detailed part.

EXAMPLE FOR ORDERING PARTS

			REF
4 -	5726422	FAN ASM-P/S ENCLOSURE	
		FOR NEXT HIGHER ASSEMBLY SEE FIGURE 1-184	
		FOR ILLUSTRATION SEE FIGURE 4	
- 1	334921	TERMINAL RING- 18-22 AWG, #6 HOLE, INS	2
- 2	187854	SHIELD, TERMINAL BLOCK- 2 POS	1
- 3	210984	SCREW, RD HD MACH-6-32 X .250 LG	ATT PT 1
- 4	5357050	FAN ASM-NO CONNECTOR	1
- 5	32042	SCREW, MACH BIND. HD 10-32 X .375 LG	ATT PT 2
- 6	5357066	BLADE	1
- 7	5357067	MOTOR 208V/230V 60CY 220V 50CY	1
- 8	130434	SCREW, MACH-SLOTTED HEX HD 10-32 X .375 LG	ATT PT 2
- 9	56079	WASHER, LOCK-EXT T .195ID .410 OD	ATT PT 2
- 10	5726436	HEADER-POWER SUPPLY FAN	1

If the entire fan is required, part number 5726422 should be ordered (all one dot items will be received). If only the subassembly is required, part number 5357050 should be ordered (all two dot items will be received). Each part may be ordered individually.

HOW TO USE THIS ILLUSTRATED PARTS CATALOG (IPC)

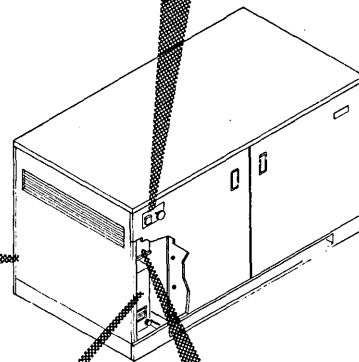
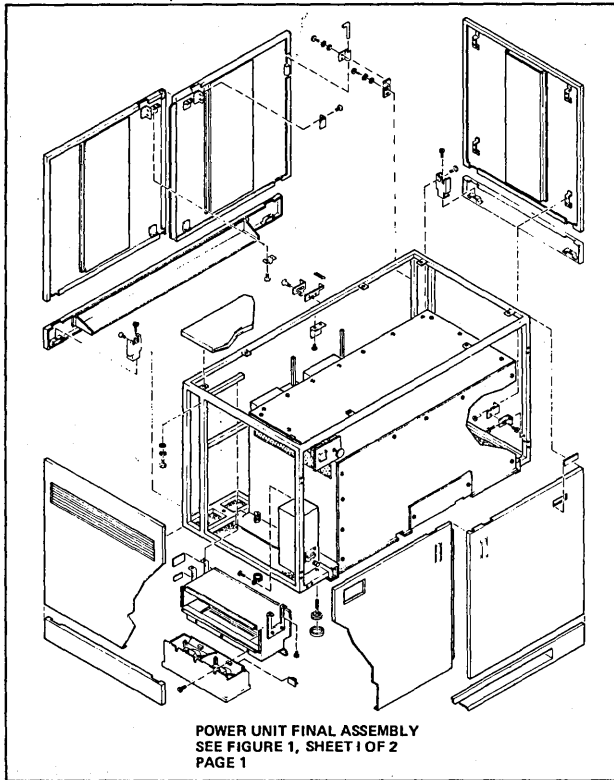
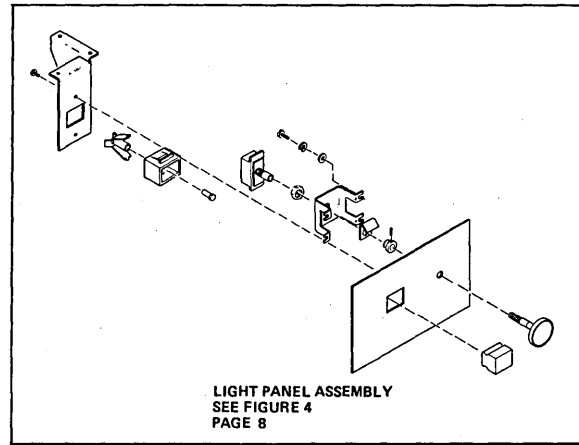
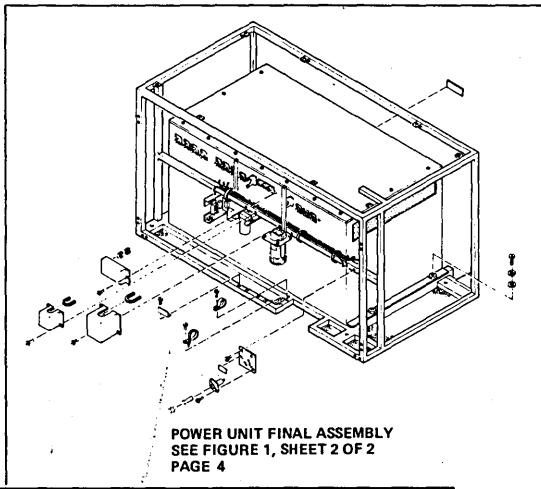
PART II

- ① **AR**
As Required (AR) in the units per assembly column denotes that the quantity is used as required.
- ② **ATT PT**
Attaching Parts: These parts are used to attach a subassembly to an assembly. The attaching parts are listed immediately following the part to be attached.
- ③ **"COMM"**
Commercial hardware: When this indication appears in the part number column, it denotes hardware procurable from normal commercial sources and not identified by an IBM part number.
- ④ **INDENTURE**
The relationship of a part to its next higher assembly is indicated by indentures. For example:

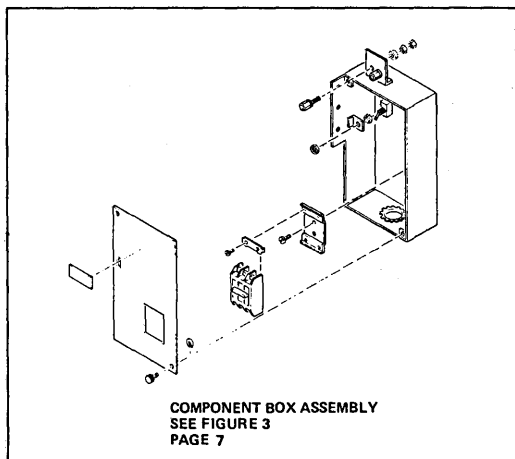
1	2	3	4
Unit			
·	Assemblies and Detail Parts of Unit		
·	Attaching Parts for Assemblies & Detail Parts		
·	·	Subassemblies	
·	·	Attaching Parts for Subassemblies	
·	·	Detail Parts for Subassemblies, etc.	
- ⑤ **NR**
The entry NR in the part number column denotes the part is procurable but not recommended for field replacement, and that the next higher assembly should be ordered.
- ⑥ **NP**
The entry NP in the part number column denotes the assembly is non-procurable and the detail parts should be ordered separately.
- ⑦ **NO NO.**
When this indication appears in the part number column, it denotes a group of parts for which no assembly part number has been assigned, and the detail parts should be ordered separately.
- ⑧ **REF**
This entry in the units per assembly column denotes an assembly which is completely assembled on a preceding illustration. Quantities for such items are found in its next higher assembly.
- ⑨ **SIMILAR ASSEMBLIES**
If two assemblies contain a majority of identical parts, they are broken down on the same list. Common parts are shown by one index number. Parts peculiar to one or the other of the assemblies are listed separately and identified by Usable On Code.
- ⑩ **USABLE ON CODE**
Part application and interchangeability is indicated by the usable on code. If this column is blank, the parts pertain to all equipment(s) covered. Two types of codes are used. The alphabetic code denotes similar assemblies and/or features: the numeric code denotes level. Refer to the beginning of each list for the explanation of the code(s).
- ⑪ **SUFFIX CODE**
The suffix code indicates the month (alphabetic) and the year (numeric) of the engineering change which affected interchangeability of the part.

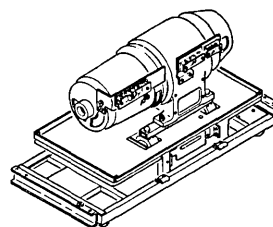
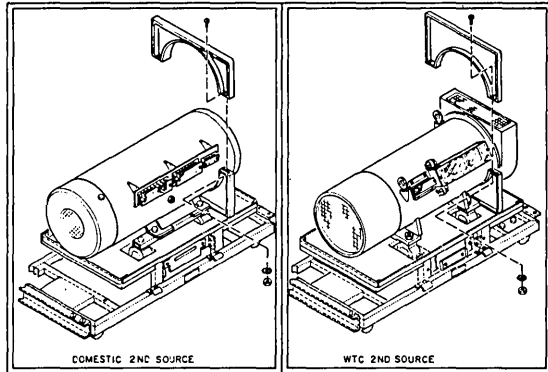
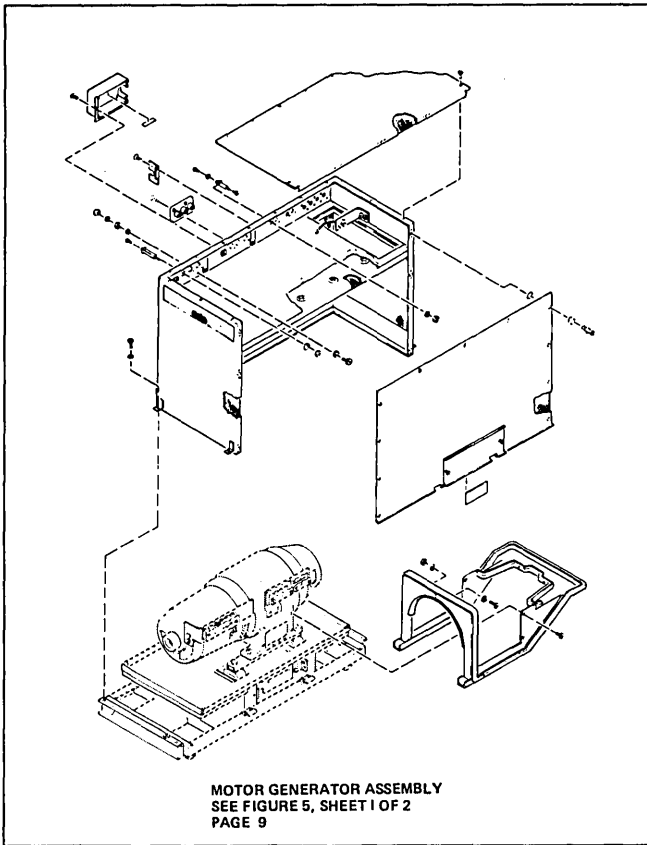
EXAMPLE OF PARTS LIST

LIST AND INDEX NO.	PART NO.	DESCRIPTION				UNITS PER ASM.	USABLE ON CODE
		1	2	3	4		
2-		DRIVE MOTOR ASSEMBLY					
		⑩ CODE A USED ON 60 HZ ONLY ⑪ CODE B USED ON 50 HZ ONLY CODE 1 USED ON ASM PRIOR TO B6 SUFFIX					⑩
-	2199376 NP				MOTOR ASM, DRIVE-115/220 VOLTS 60 HZ	⑧ REF	1A
-	2199386 NP				MOTOR ASM, DRIVE-220 VOLTS 50 HZ	REF	1B
		FOR NEXT HIGHER ASM SEE FIGURE 1-92 FOR ILLUSTRATION SEE FIGURE 2					
- 1	2204176				· PULLEY, 60 HZ	① 1	A
- 1	2199255				· PULLEY, 50 HZ	1	B
- 2	79842				· SETSCREW, SPLINE DR CUP PT 8-32 X 3/8 LG	② ATT PT	
- 3	2204116				· MOTOR ASM, 220V AC 60 HZ	1	A
- 4	NO NO.				· MOTOR ASM, 220V AC 50 HZ	1	B
- 5	5526				· SCREW, MACH BIND HD 8-32 X 0.625 LG	ATT PT	
- 6	2204082				· FERRULE, OUTER	1	
- 7	2204033				· FERRULE, INNER	1	
- 8	"COMM"				· MOTOR, 1/12 HP-220V 60 HZ	1	
- 8	2199258				· MOTOR, DRIVE - 220V 50 HZ	1	
- 9	2199401 NR				· PLATE, MOTOR MT-115/220 VOLTS 60 HZ	1	A
- 9	2199402 NR				· PLATE, MOTOR MT-220 VOLTS 50 HZ	1	B

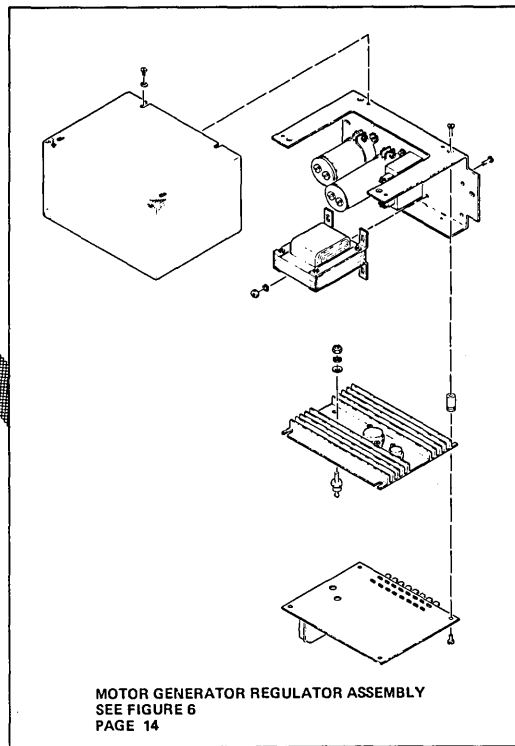
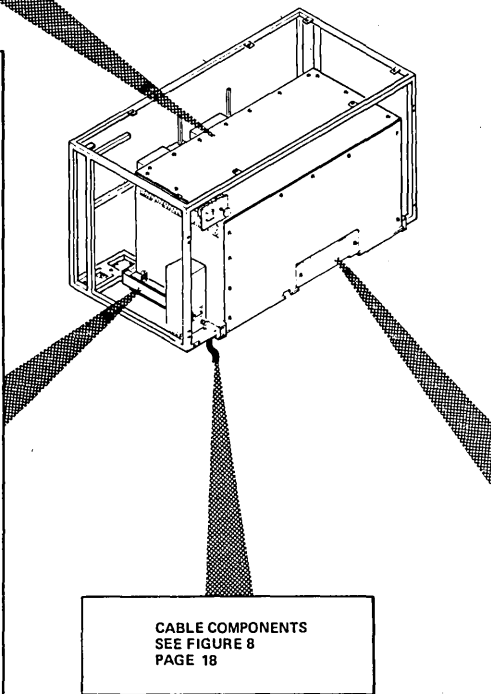
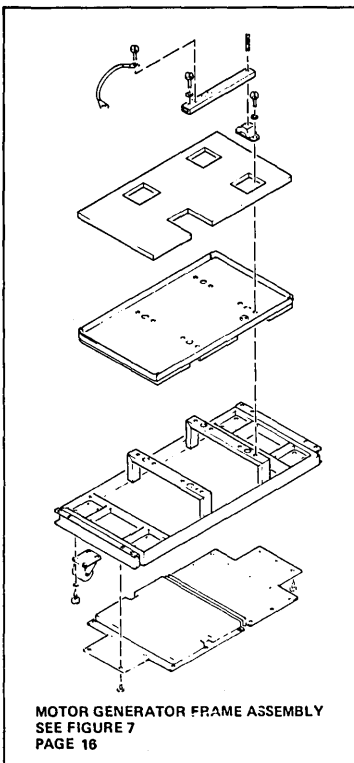


COOLING UNIT ASSEMBLY
SEE FIGURE 2, 2A, OR 2B





MOTOR GENERATOR ASSEMBLY
SEE FIGURE 5, SHEET 2 OF 2
PAGE 11



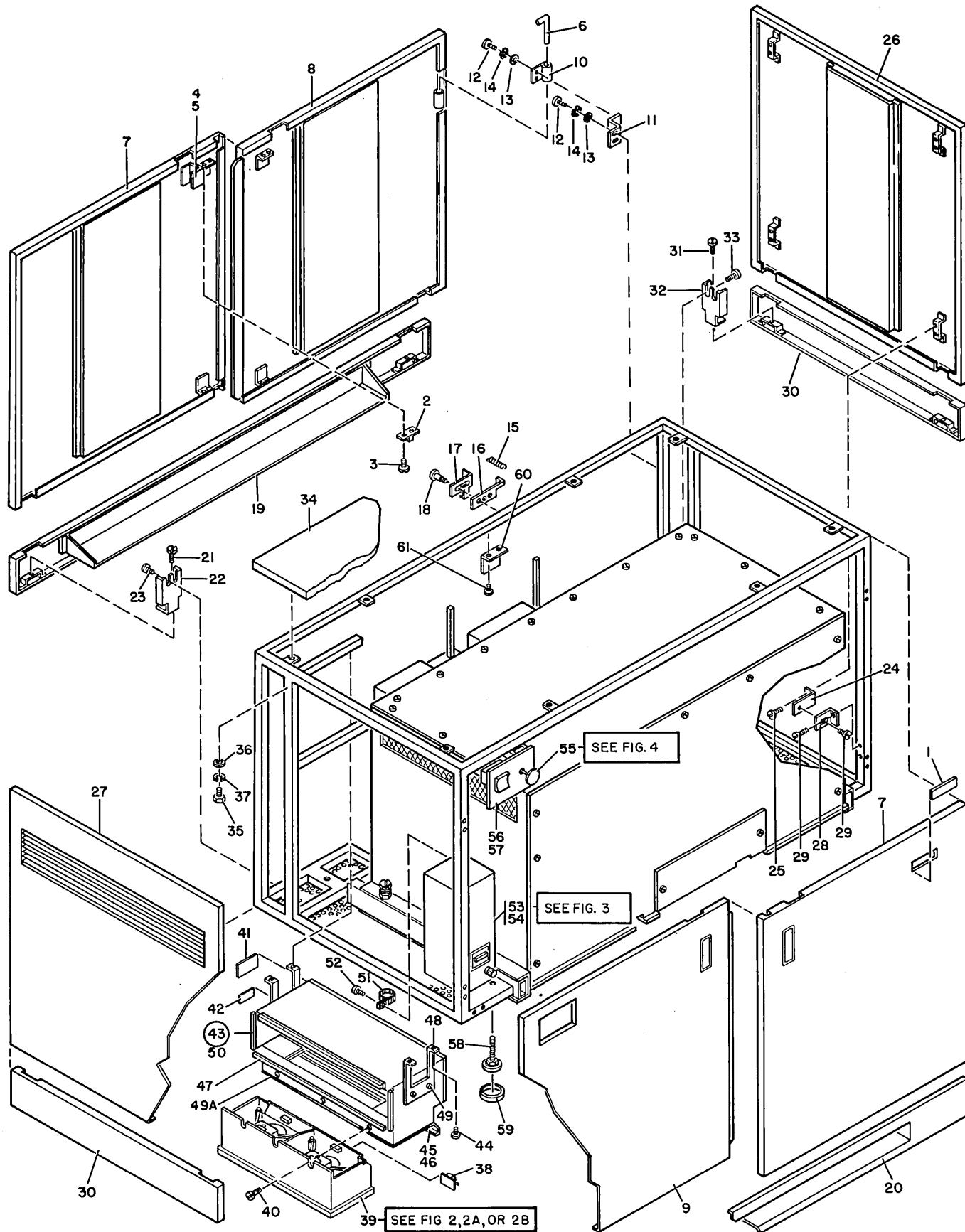


FIGURE 1. POWER UNIT FINAL ASSEMBLY. SHEET 1 OF 2. NOS. 1-61. SEE LIST 1.

FIGURE- INDEX NUMBER	PART NUMBER	DESCRIPTION	UNITS PER ASM.	USABLE ON CODE
		1 2 3 4 POWER UNIT FINAL ASSEMBLY		
1 -	1797271 NP	POWER UNIT FINAL ASSEMBLY FOR ILLUSTRATION SEE FIGURE 1	REF	
- 1	1797280	. NAMEPLATE, ENGLISH	2	
- 1	1797281	. NAMEPLATE, GERMAN	2	
- 1	1797282	. NAMEPLATE, FRENCH	2	
- 2	739278	. LATCH, MAGNETIC	14	
- 3	38235	. SCREW, MACH BD HD- 6-32 X 0.312 LG	28	ATT PT
- 4	1797295	. BRACKET, LATCH	2	
		USED ON WORLD TRADE		
- 5	38235	. SCREW, MACH BD HD- 6-32 X 0.312 LG	8	ATT PT
- 6	1797296	. PIN, HINGE	8	
- 7	1797251	. COVER ASSEMBLY, NAMEPLATE SPECIFY COLOR WHEN ORDERING	2	
- 8	1797252	. COVER ASSEMBLY, BACK LEFT SPECIFY COLOR WHEN ORDERING	1	
- 9	1797253	. COVER ASSEMBLY, LIGHT SPECIFY COLOR WHEN ORDERING	1	
- 10	1797260	. HINGE	8	
- 11	1797259	. BRACKET	8	
- 12	186759	. SCREW, MACH BD HD- 8-32 X 0.312 LG	16	ATT PT
- 13	22478	. WASHER, FL- 0.170 ID X 0.375 OD	16	ATT PT
- 14	55901	. LOCKWASHER, EXTERNAL TOOTH 0.176 ID X 0.3	16	ATT PT
- 15	214438	. SPRING	2	
- 16	833617	. BRACKET	2	
- 17	833618	. LATCH	2	
- 18	833616	. STUD	4	ATT PT
- 19	1797263	. KICK PLATE USED WITH RAISED FLOOR	1	
- 19	1797264	. KICK PLATE USED WITH NON-RAISED FLOOR	1	
- 20	1797263	. KICK PLATE	1	
- 21	28413	. SCREW, MACH BD HD- 10-32 X 0.312 LG	2	ATT PT
- 22	2630281	. BRACKET, KICKPLATE	2	
- 23	28413	. SCREW, MACH BD HD- 10-32 X 0.312 LG	4	ATT PT
- 24	1797257	. BRACKET	8	
- 25	186759	. SCREW, MACH BD HD- 8-32 X 0.312 LG	16	ATT PT
- 26	1797364	. COVER ASSEMBLY, END	1	
- 27	1797254	. COVER ASSEMBLY, END-LOUVERED	1	
- 28	1797256	. BRACKET	8	
- 29	186759	. SCREW, MACH BD HD- 8-32 X 0.312 LG	24	ATT PT
- 30	1797265	. KICK PLATE	2	
- 31	28413	. SCREW, MACH BD HD- 10-32 X 0.312 LG	4	ATT PT
- 32	2630281	. BRACKET, KICKPLATE	4	
- 33	28413	. SCREW, MACH BD HD- 10-32 X 0.312 LG	8	ATT PT
- 34	1797255	. TOP ASSEMBLY, TABLE	1	
- 35	36844	. SCREW, CAP SLOT HD 1/4-20 X 1/2 LG	8	ATT PT
- 36	3550	. WASHER, FL 1/4 X 9/16 OD X 0.050 THK	8	ATT PT
- 37	6935	. LOCKWASHER, SPLIT- 0.250 ID X 0.493 OD	8	ATT PT
- 38	825557	. CLAMP, SELF LOCKING	1	
- 39	1993535	. COOLING UNIT ASM, GATE- 50HZ	1	
- 39	1993536	. COOLING UNIT ASM, GATE- 60HZ	1	
- 39	1573502	. COOLING UNIT ASM, (3.2) WHEEL- 60 HZ PCB FOR DETAIL BREAKDOWN SEE FIGURE 2	1	
- 39	1574802	. COOLING UNIT ASM, (3.2) WHEEL- 60 HZ NON PCB FOR DETAIL BREAKDOWN SEE FIGURE 2A	1	
- 39	1574814	. COOLING UNIT ASM, 60 HZ NON PCB- (OPTIONAL)	1	
- 39	5548304	. COOLING UNIT ASM, 60 HZ- PCB (OPTIONAL) FOR DETAIL BREAKDOWN SEE LIST 2B-5	1	
- 40	28413	. SCREW, MACH BD HD- 10-32 X 0.312 LG	3	ATT PT
- 41	2542403	. LABEL, FUSE WARNING	1	
- 42	845762	. DECAL, VOLTAGE	1	
- 43	1797220	. DUCT ASM, COOLING	1	
- 44	186759	. SCREW, MACH BD HD- 8-32 X 0.312 LG	4	
- 45	1993102	. . ADAPTER ASM, COOLING UNIT	1	
- 46	28413	. . SCREW, MACH BD HD- 10-32 X 0.312 LG	3	ATT PT
- 47	1797297	. . SEAL, DUCT	AR	
- 48	1797262	. . BRACKET	2	
- 49	28413	. . SCREW, MACH BD HD- 10-32 X 0.312 LG	4	ATT PT
- 49A	838480	. . SEAL, PLENUM- 5.625 LG	1	
- 50	1797261	. . DUCT-COOLING	1	
- 51	825559	. STRAP, SFLF LOCKING	2	
- 52	28413	. SCREW, MACH BD HD- 10-32 X 0.312 LG	2	ATT PT
- 53	1797270	. BOX ASSEMBLY, COMPONENT FOR DETAIL BREAKDOWN SEE FIGURE 3	1	

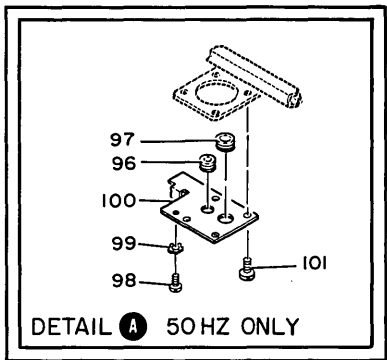
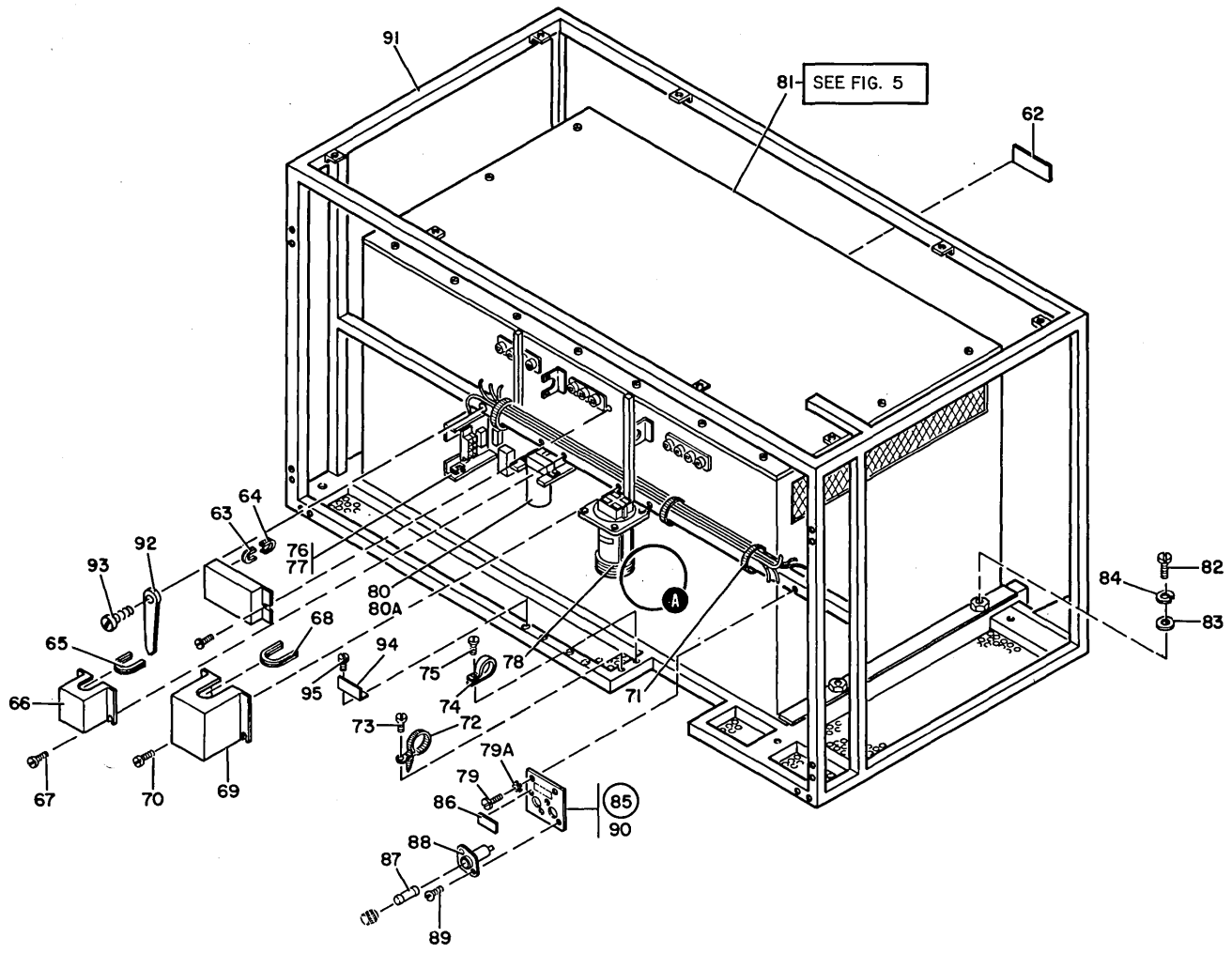


FIGURE 1. POWER UNIT FINAL ASSEMBLY. SHEET 2 OF 2. NOS. 62-101. SEE LIST 1.

FIGURE- INDEX NUMBER	PART NUMBER	DESCRIPTION	1 2 3 4				UNITS PER ASM.	USABLE ON CODE
1 - 62	1797375	. LABEL					1	
- 63	1797300	. GROMMET					1	
- 64	1797301	. GROMMET					1	
- 65	1797381	. GROMMET USED ON 60 HZ ONLY					1	
- 66	1797305	. COVER USED ON 60 HZ ONLY					1	
- 67	186759	. SCREW,MACH BD HD- 8-32 X 0.312 LG			ATT PT		2	
- 68	1797382	. GROMMET USED ON 60 HZ ONLY					1	
- 69	1797306	. COVER USED ON 60 HZ ONLY					1	
- 70	186759	. SCREW,MACH BD HD- 8-32 X 0.312 LG			ATT PT		2	
- 71	524519	. CABLE TIE					AR	
- 72	825559	. STRAP,SELF LOCKING					2	
- 73	28413	. SCREW,MACH BD HD- 10-32 X 0.312 LG USED ON 60HZ			ATT PT		1	
- 73	55918	. SCREW,MACH BIND HD 10-32 X 5/8 LG USED ON 50HZ			ATT PT		1	
- 74	322250	. CLAMP,CABLE- 1.000 ID X 0.199 MTG HOLE					1	
- 75	28413	. SCREW,MACH BD HD- 10-32 X 0.312 LG			ATT PT		1	
- 76	338164	. TERMINAL,FIXED TAB					1	
- 77	251970	. SCREW,MACH BD. HD. 4-40 X 1/4 LG			ATT PT		1	
- 78	1797242	. CABLE ASM,BLOWER- 50HZ					1	
- 78	1797247	. CABLE ASM,DIST- 100 AMP 60 HZ					1	
- 78	1797248	. CABLE ASM,CONTROL					1	
- 78	1797249	. CABLE,ASM,BLOWER- 60HZ FOR COMPONENT PARTS SEE FIGURE 8					1	
- 79	186759	. SCREW,MACH BD HD- 8-32 X 0.312 LG			ATT PT		2	
- 79A	55901	. LOCKWASHER,EXT TOOTH- 0.176 ID X 0.381 OD			ATT PT		4	
- 80	1797246	. CABLE ASM,DIST- 60 AMP 60 HZ					1	
- 80A	38235	. SCREW,MACH BD HD- 6-32 X 0.312 LG			ATT PT		2	
- 81	1795502	. MOTOR GENERATOR ASM,DOM 2ND SOURCE- 60 HZ					1	
- 81	1994550	. MOTOR GENERATOR ASM,DOM- 60 HZ					1	
- 81	1994560	. MOTOR GENERATOR,50 HZ					1	
- 81	1994751	. MOTOR GENERATOR,WT 1ST SOURCE- 50 HZ					1	
- 81	1994746	. MOTOR GENERATOR,WT 1ST SOURCE- 60 HZ					1	
- 81	1994752	. MOTOR GENERATOR ASM,WT 2ND SOURCE- 50 HZ					1	
- 81	2646871	. MOTOR GENERATOR ASM,WT 2ND SOURCE- 60 HZ FOR DETAIL BREAKDOWN SEE FIG 5					1	
- 82	4541	. SCREW,HEX HD- 0.375-16 X 2.000 LG			ATT PT		4	
- 83	453	. WASHER,FLAT			ATT PT		4	
- 84	10309	. WASHER,LOCK SPLIT 0.382 ID X 0.688 OD			ATT PT		4	
- 85	1797298	. PANEL ASM,FUSE					1	
- 86	2542402	. . LABEL,FUSE RATING					1	
- 87	252592	. . FUSE,1.25 AMP					2	
- 88	104615	. . FUSEHOLDER					2	
- 89	38235	. . SCREW,MACH BD HD- 6-32 X 0.312 LG			ATT PT		4	
- 90	1797269	. . PANEL,FUSE					1	
- 91	1797250	. FRAME					1	
- 92	825559	. CABLE STRAP,SELF LOCKING					1	
- 93	186759	. SCREW,MACH BD HD- 8-32 X 0.312 LG					1	
- 94	1797258	. BRACKET,LATCH					2	
- 95	186759	. SCREW,MACH BD HD- 8-32 X 0.312 LG					4	
- 96	2100837	. CLAMP,CABLE USED ON 50 HZ					1	
- 97	2281324	. CLAMP,CABLE USED ON 50 HZ					1	
- 98	186759	. SCREW,MACH BD HD- 8-32 X 0.312 LG					1	
- 99	55901	. LOCKWASHER,EXT TOOTH- 0.176 ID X 0.381 OD					1	
-100	1801144	. BRACKET USED ON 50 HZ					1	
-101	180894	. SCREW,MACH HEX HD- 1/4-20 X 0.375 LG			ATT PT		4	

FOR PARTS
NOT SHOWN
SEE FIG. 1
SHEET 1

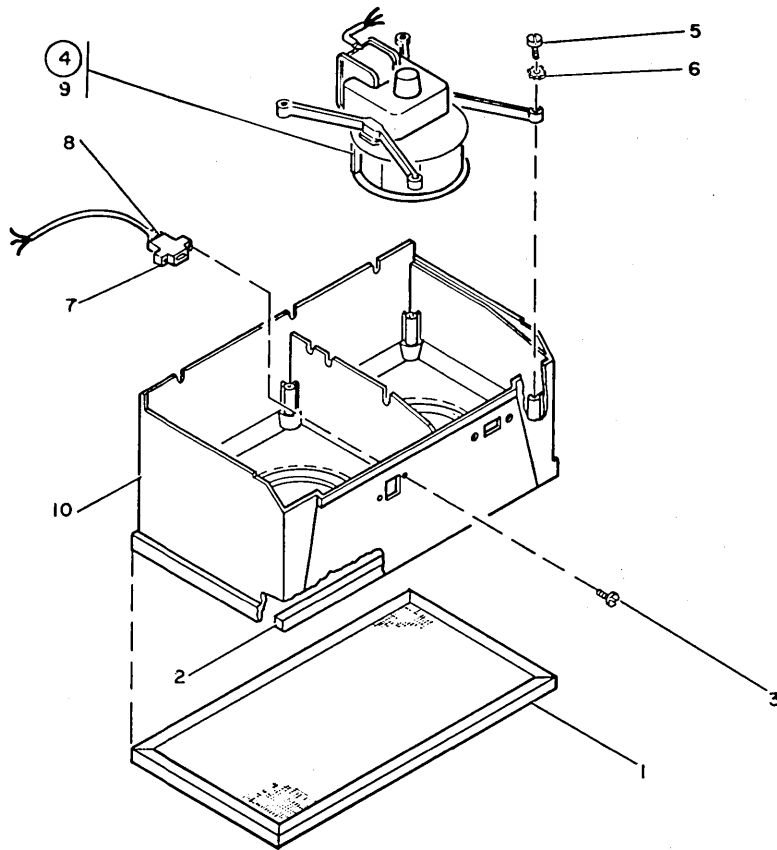


FIGURE 2. COOLING UNIT ASSEMBLY. SEE LIST 2.

LIST AND INDEX NUMBER	PART NUMBER	DESCRIPTION				UNITS PER ASM.	USABLE ON CODE
		1	2	3	4		
		COOLING UNIT ASSEMBLY					
2 -	1993535	COOLING UNIT ASM,GATE- 50HZ				REF	
-	1993536	COOLING UNIT ASM,GATE- 60HZ FOR NEXT HIGHER ASM SEE FIG 1-39 FOR ILLUSTRATION SEE FIGURE 2				REF	
- 1	1994488	. FILTER				1	
- 2	475465	. SEAL,COVER				AR	
- 3	2637289	. SCREW,SELF TAPPING- 8-18 X 0.625 LG				2	
- 4	1797462	. BLOWER AND CONNECTOR ASM- 50 HZ				2	
- 4	1797463	. BLOWER AND CONNECTOR ASM- 60 HZ				2	
- 5	2637289	. SCREW,SELF TAPPING- 8-18 X 0.625 LG				4	
- 6	60646	. WASHER,LOCK INT TEETH NO. 8 X 0.340 OD				4	
- 7	5353853	. . HOUSING,CONNECTOR				1	
- 8	5353854	. . CONTACT,MALE 16-20 WIRE				2	
- 9	1994490	. . BLOWER- 50HZ				1	
- 9	1994956	. . BLOWER- 60HZ				1	
- 10	1994960	. HOUSING,GATE BLOWER- 50HZ				1	
- 10	1993530	. HOUSING,GATE BLOWER				1	

FOR PARTS
NOT SHOWN
SEE FIG 1
SHEET 1

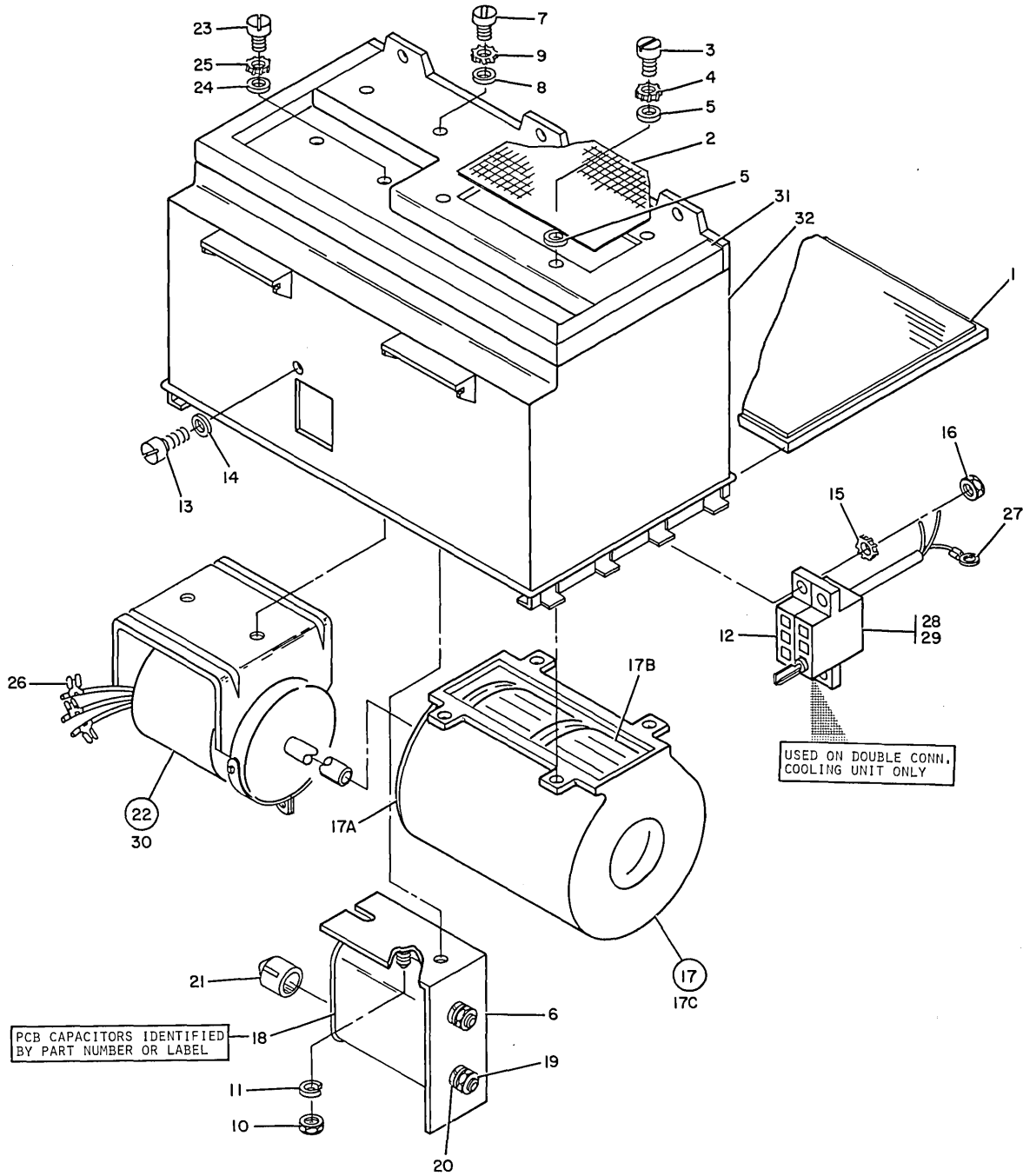


FIGURE 2A. COOLING UNIT ASSEMBLY. SEE LIST 2A.

FIGURE- INDEX NUMBER	PART NUMBER	DESCRIPTION	1 2 3 4				UNITS PER ASM.	USABLE ON CODE
		COOLING UNIT ASSEMBLY						
2A-	1573502	COOLING UNIT ASSEMBLY (3.2 WHEEL)- 60 HZ PCB FOR PCB IDENTIFICATION SEE INDEX 18					REF	
-	1574802	COOLING UNIT ASSEMBLY -(3.2 WHEEL)- 60 HZ NON PCB FOR NEXT HIGHER ASSEMBLY SEE FIGURE 1-39 FOR ILLUSTRATION SEE FIGURE 2A					REF	
- 1	1573513	. FILTER					1	
- 2	1573514	. SCREEN,SAFETY					1	
- 3	35739	. SCREW,MACH BD HD- 6-32 X 0.375 LG			ATT PT		AR	
- 4	56722	. LOCKWASHER,EXT TEETH- 0.150 ID X 0.320 O			ATT PT		4	
- 5	125145	. WASHER,FL- 0.140 ID X 0.500 X 0.031 THK			ATT PT		8	
- 6	1573510	. BRACKET					1	
- 7	81693	. SCREW,MACH BD HD- 6-32 X 0.375 LG			ATT PT		2	
- 8	125145	. WASHER,FL- 0.140 ID X 0.500 X 0.031 THK			ATT PT		2	
- 9	56722	. LOCKWASHER,EXT TEETH- 0.150 ID X 0.320 O			ATT PT		2	
- 10	11598	. NUT,HEX- 10-32 THD					2	
- 11	56079	. LOCKWASHER,EXT TEETH- 0.204 ID X 0.410 O					1	
- 12	5353853	. HOUSING,CONNECTOR					1	
		USED ON DOUBLE CONNECTOR ONLY						
- 13	322551	. SCREW			ATT PT		2	
- 14	257986	. WASHER,FL- 0.156 ID X 0.312 OD			ATT PT		2	
- 15	56722	. LOCKWASHER,EXT TEETH- 0.150 ID X 0.320 O			ATT PT		2	
- 16	257187	. NUT,HEX- 6-32 THD					2	
- 17	5468388	. SCROLL ASSEMBLY- 3.2 WHEEL					1	
- 17A	5446160 NR	. . BELL MOUTH,SCROLL					1	
- 17B	5468307 NR	. . WHEEL,BLOWER- 3.2					1	
- 17C	5446159 NR	. . SCROLL					1	
- 18	1573509	. CAPACITOR,PCB IDENTIFIED BY PART NUMBER OR LABEL					1	
- 18	5252857	. CAPACITOR,NON PCB					1	
- 19	11598	. NUT,HEX- 10-32 THD			ATT PT		2	
- 20	56079	. LOCKWASHER,EXT TEETH- 0.204 ID X 0.410 O			ATT PT		2	
- 21	526378	. INSULATOR,CAPACITOR TERMINAL					1	
- 22	1573507	. MOTOR ASM					1	
- 23	32042	. SCREW,MACH BD HD- 10-32 X 0.375 LG			ATT PT		2	
- 24	313385	. SPACER			ATT PT		2	
- 25	56079	. LOCKWASHER,EXT TEETH- 0.204 ID X 0.410 O			ATT PT		3	
- 26	517913	. . CLIP,TERMINAL					1	
- 27	1577465	. . TERMINAL,LUG-INS 10-12AWG NO.6 MTG HOLE					1	
- 28	5353853	. . HOUSING,CONNECTOR					1	
- 29	5353854	. . CONTACT,MALE 16-20 WIRE					3	
- 30	1573506	. . MOTOR ASM					1	
- 31	342470	. SEAL					AR	
- 32	1573505	. HOUSING- 3.2 WHEEL					1	

FOR PARTS
NOT SHOWN
SEE FIG 1
SHEET 1

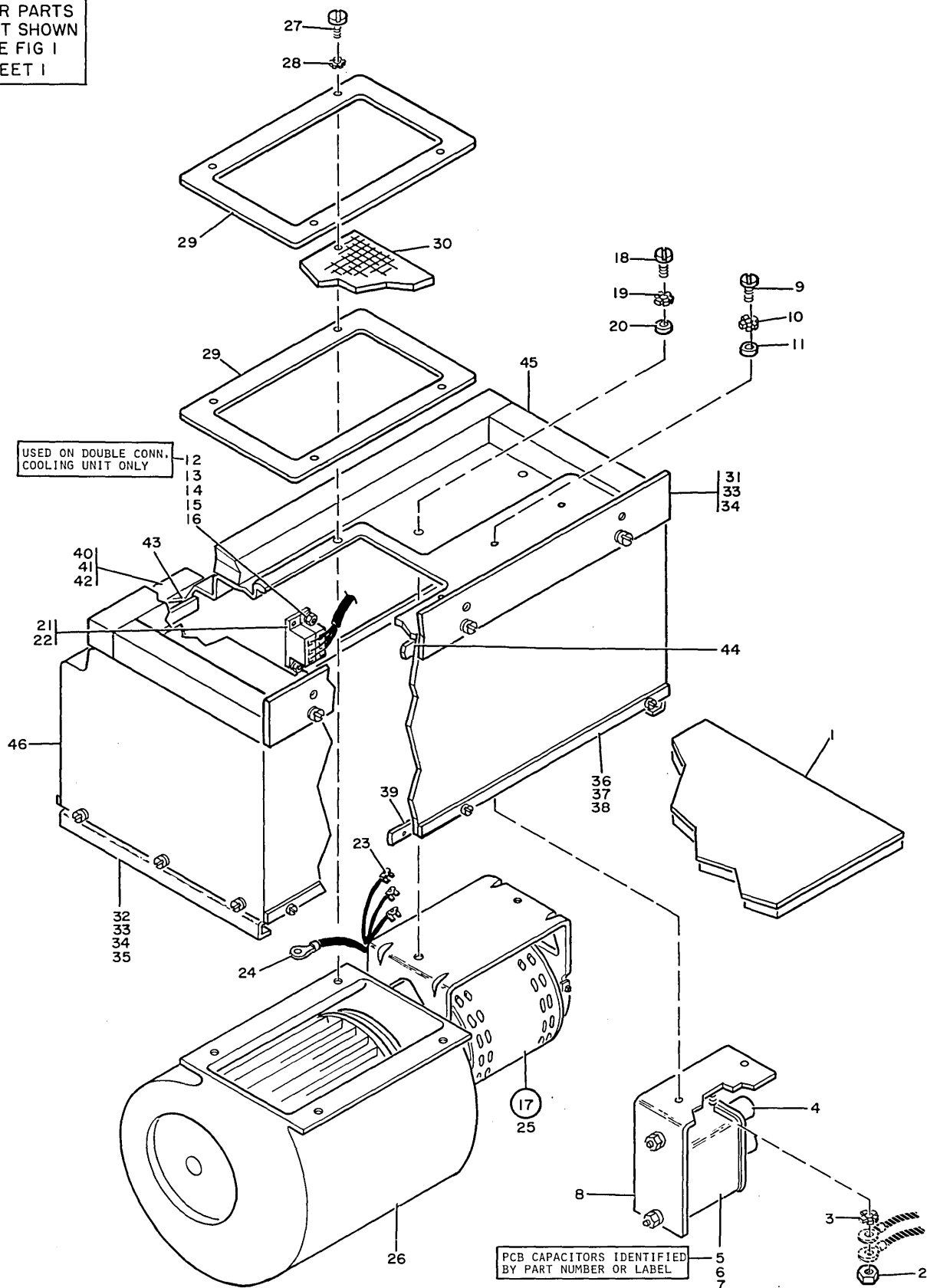


FIGURE 2B. COOLING UNIT ASSEMBLY. SEE LIST 2B.

FIGURE- INDEX NUMBER	PART NUMBER	DESCRIPTION				UNITS PER ASM.	USABLE ON CODE
		1	2	3	4		
		COOLING UNIT ASSEMBLY					
2B-	1574814	COOLING UNIT ASSEMBLY, 60 HZ NON PCB- (OPTIONAL)				REF	
-	5548304	COOLING UNIT ASSEMBLY, 60 HZ PCB- (OPTIONAL) FOR PCB IDENTIFICATION SEE INDEX 5 FOR NEXT HIGHER ASSEMBLY SEE FIGURE 1-39 FOR ILLUSTRATION SEE FIGURE 2B				REF	
- 1	1573513	. FILTER				1	
- 2	11598	. NUT, PLAIN HEX- 10-32 X 0.375 FL W				2	
- 3	56079	. LOCKWASHER, EXT T- 0.195 ID X 0.410 OD				1	
- 4	526378	. CAP, INSULATION				2	
- 5	5252857	. CAPACITOR, NON PCB				1	
- 5	1573509	. CAPACITOR, PCB				1	
		IDENTIFIED BY PART NUMBER OR LABEL					
- 6	11598	. NUT, PLAIN HEX- 10-32 X 0.375 FL W		ATT PT	2		
- 7	56079	. LOCKWASHER, EXT T- 0.195 ID X 0.410 OD		ATT PT	2		
- 8	1573510	. BRACKET				1	
- 9	81693	. SCREW, MACH BD HD- 6-32 X 0.250 LG		ATT PT	2		
- 10	56722	. LOCKWASHER, EXT TEETH- NO. 6		ATT PT	2		
- 11	466300	. WASHER, FL- 0.156 ID X 0.813 OD 0.625 THK		ATT PT	2		
- 12	5353853	. HOUSING- CONNECTOR RECEPTACLE 3 POS				1	
- 13	322552	. SCREW, MACH BD HD- 6-32 X 0.875 LG		ATT PT	2		
- 14	56722	. LOCKWASHER, EXT TEETH- NO. 6		ATT PT	2		
- 15	257986	. WASHER, PLAT- NO. 6				2	
- 16	257187	. NUT, PLAIN HEX- 6-32				2	
- 17	1573507	. MOTOR AND CONNECTOR ASM				1	
- 18	32042	. SCREW, MACH BD HD- 10-32 X 0.375 LG		ATT PT	2		
- 19	56079	. LOCKWASHER, EXT T- 0.195 ID X 0.410 OD		ATT PT	2		
- 20	600395	. WASHER- 0.203 ID				2	
- 21	535854	. CONTACT, MALE				3	
- 22	5353853	. HOUSING- CONNECTOR RECEPTACLE 3 POS				1	
- 23	517913	. TERMINAL, SLIP ON 18-16 AWG				3	
- 24	483678	. TERMINAL- RING NO. 6 14-16 AWG				1	
- 25	1573506	. MOTOR				1	
- 26	5468388	. SCROLL ASM				1	
- 27	81693	. SCREW, MACH BD HD- 6-32 X 0.250 LG		ATT PT	4		
- 28	56722	. LOCKWASHER, EXT TEETH- NO. 6		ATT PT	4		
- 29	5534589	. PLATE				2	
- 30	1573514	. GUARD				1	
- 31	5548313	. BRACKET				1	
- 32	5548310	. BRACKET				2	
- 33	322550	. SCREW, MACH BD HD- 6-32 X 0.500 LG		ATT PT	9		
- 34	56722	. LOCKWASHER, EXT TEETH- NO. 6		ATT PT	9		
- 35	257187	. NUT, PLAIN HEX- 6-32				6	
- 36	5534593	. PLATE				2	
- 37	81693	. SCREW, MACH BD HD- 6-32 X 0.250 LG		ATT PT	6		
- 38	56722	. LOCKWASHER, EXT TEETH- NO. 6		ATT PT	6		
- 39	5548312	. BAR				2	
- 40	5548314	. BRACKET				2	
- 41	322550	. SCREW, MACH BD HD- 6-32 X 0.500 LG		ATT PT	4		
- 42	56722	. LOCKWASHER, EXT TEETH- NO. 6		ATT PT	4		
- 43	5534592	. PLATE				2	
- 44	5534591	. PLATE				1	
- 45	342470	. SEAL				AR	
- 46	5548308	. HOUSING- DOUBLE CONN				1	
- 46	5548307	. HOUSING- SINGLE CONN				1	

FOR PARTS
NOT SHOWN
SEE FIG. 1
SHEET 1

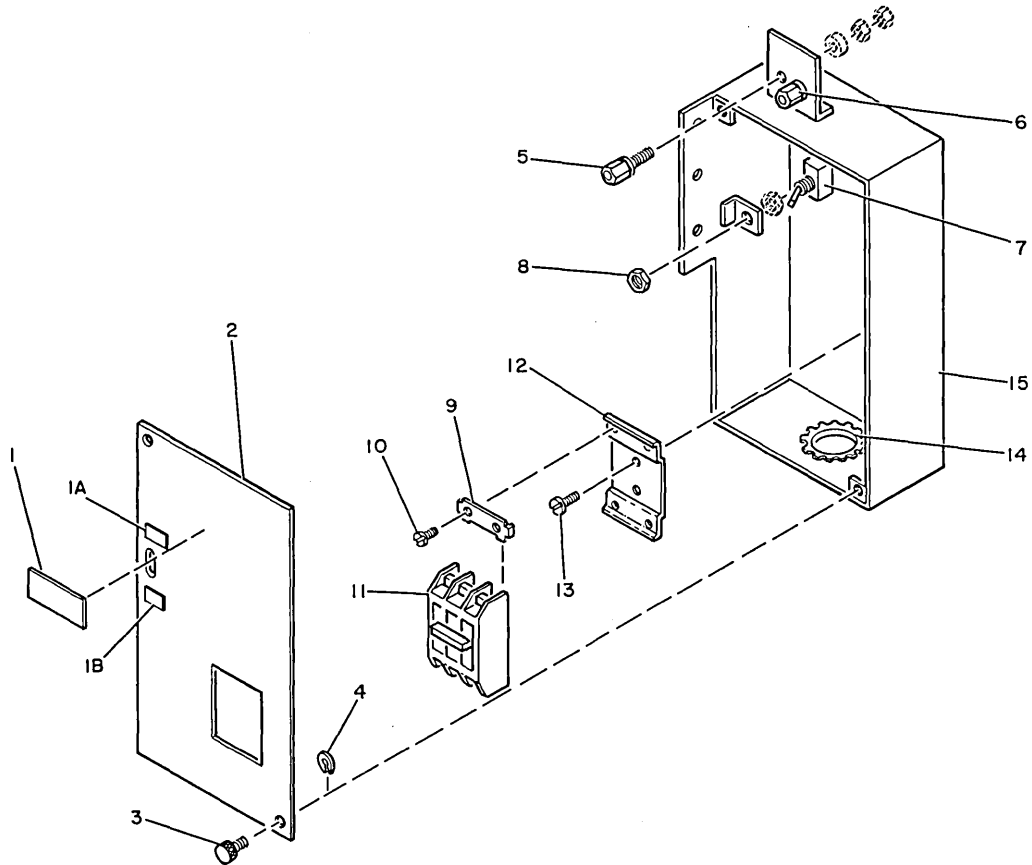


FIGURE 3. COMPONENT BOX ASSEMBLY. SEE LIST 3.

FIGURE- INDEX NUMBER	PART NUMBER	DESCRIPTION				UNITS PER ASM.	USABLE ON CODE
		1	2	3	4		
		BOX ASSEMBLY					
3 -	1797270	BOX ASSEMBLY, COMPONENT FOR NEXT HIGHER ASM SEE FIGURE 1-53 FOR ILLUSTRATION SEE FIGURE 3				REF	
- 1	1797299	. LABEL				1	
1A	1800991	. LABEL, ENABLE				1	
1B	1800992	. LABEL, DISABLE				1	
- 2	1797267	. COVER, BOX				1	
- 3	824673	. SCREW, KNURLED HD, FASTENING 10-32				ATT PT	2
- 4	257701	. CLIP				ATT PT	2
- 5	331065	. POST, BINDING- RED					1
- 6	320570	. POST, BINDING- BLACK					1
- 7	835273	. SWITCH, TOGGLE					1
- 8	179743	. NUT, HEX- 15/32-32 X 0.562 FL W				ATT PT	1
- 9	1994784	. CLAMP					2
- 10	186758	. SCREW, MACH BD HD- 8-32 X 0.437 LG					4
- 11	5214018	. CIRCUIT BREAKER, 3 POLE- 70A 240V					1
- 12	1797266	. BRACKET					1
- 13	58207	. SCREW, MACH BD HD- 8-32 X 0.250 LG					2
- 14	730432	. GROMMET, CATERPILLAR					5
- 15	1797268	. BOX					1

FOR PARTS
NOT SHOWN
SEE FIG. 1
SHEET 1

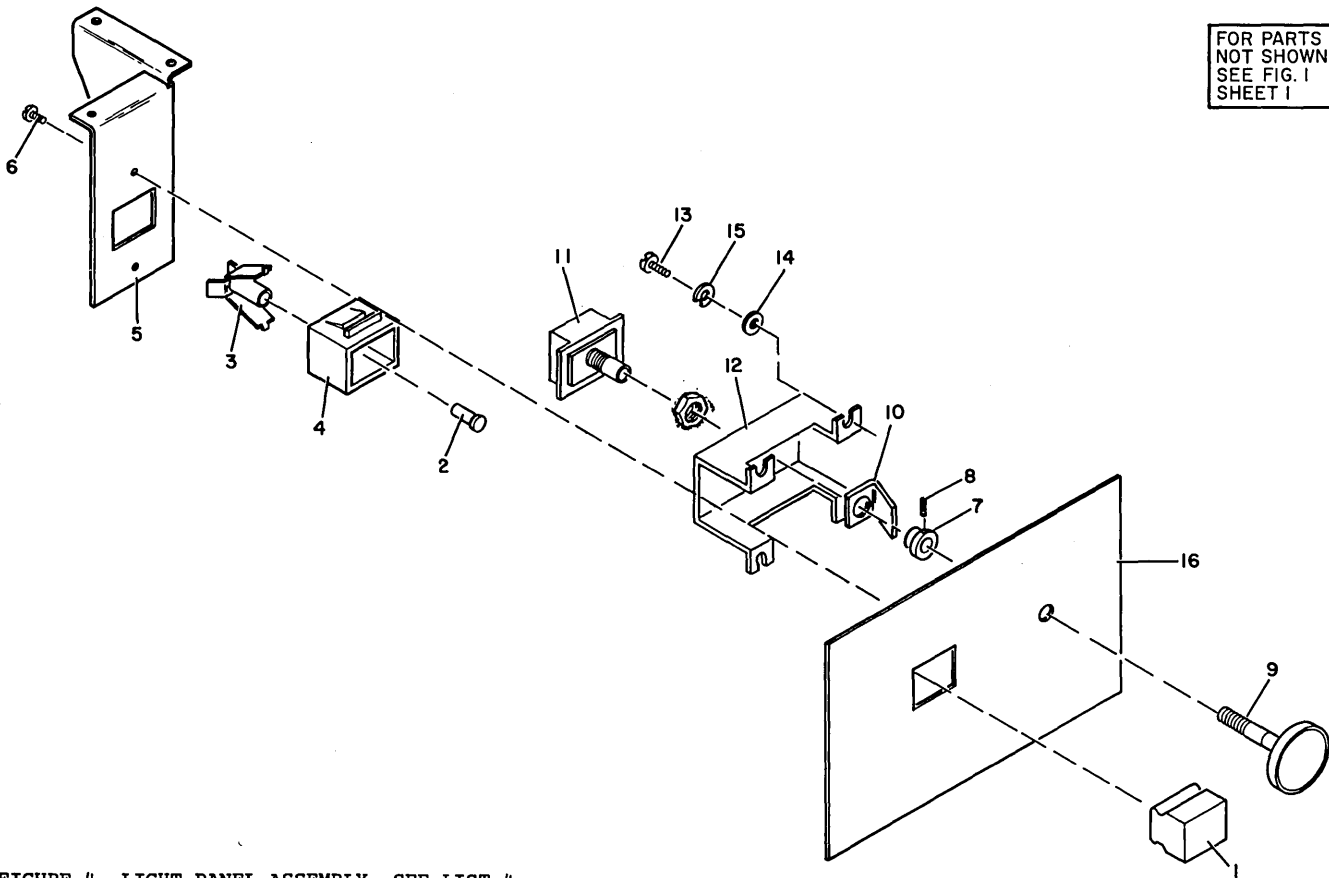


FIGURE 4. LIGHT PANEL ASSEMBLY. SEE LIST 4.

FIGURE- INDEX NUMBER	PART NUMBER	DESCRIPTION				UNITS PER ASM.	USABLE ON CODE
		1	2	3	4		
		PANEL ASSEMBLY					
4 -	1797393	PANEL ASM, LIGHT FOR NEXT HIGHER ASM SEE FIG 1-56 FOR ILLUSTRATION SEE FIGURE 4				REF	
- 1	821087	. LENS, POWER ON- WHITE				1	
- 2	2414970	. LAMP, INCANDESCENT INDICATOR				1	
- 3	827840	. SOCKET				1	
- 4	5373660	. HOUSING				1	
- 5	2602326	. BRACKET, LAMP				1	
- 6	251970	. SCREW, MACH BD. HD. 4-40 X 1/4 LG				2	ATT PT
- 7	482188	. COLLAR, PULL SWITCH DETENT				1	
- 8	257959	. SETSCREW, SPLINE DR CUP PT 4-40 X 3/16 LG				1	ATT PT
- 9	1993785	. KNOB ASM, PULL				1	
- 10	479999	. SPRING, SAFETY				1	
- 11	482219	. SWITCH, PUSH PULL DPDT				1	
- 12	725419	. BRACKET				1	
- 13	38235	. SCREW, MACH BD HD- 6-32 X 0.312 LG				4	ATT PT
- 14	257986	. WASHER, FL- 0.156 ID X 0.312 OD				4	ATT PT
- 15	56722	. LOCKWASHER, EXT TEETH 0.150 ID				4	ATT PT
- 16	1797376	. PLATE				1	

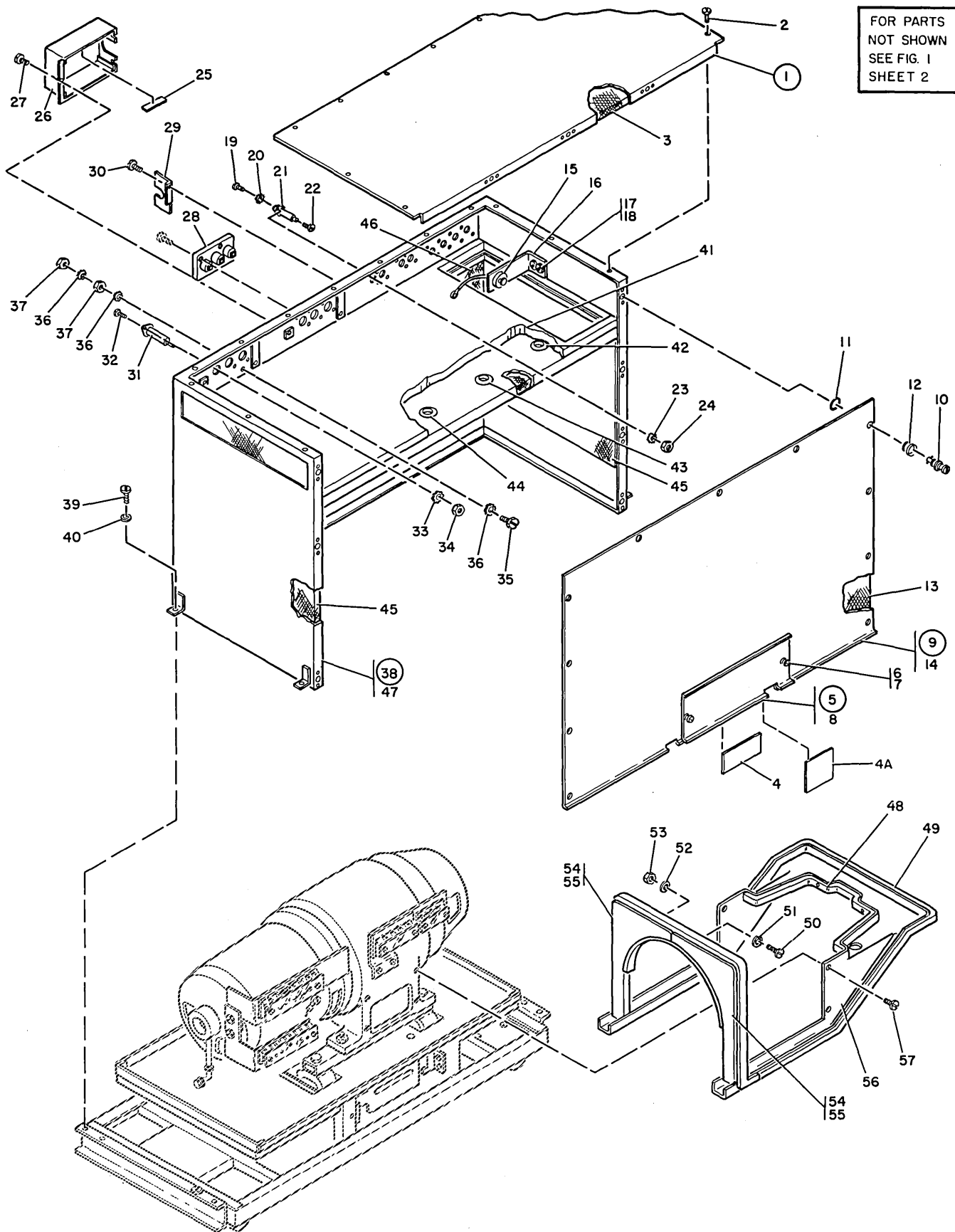


FIGURE 5. MOTOR GENERATOR ASSEMBLY. SHEET 1 OF 2. NOS. 1-57. SEE LIST 5.

FIGURE- INDEX NUMBER	PART NUMBER	DESCRIPTION	UNITS PER ASM.	USABLE ON CODE
		MOTOR GENERATOR ASSEMBLY		
5 -	1795502	MOTOR GENERATOR ASSEMBLY- 60 HZ DOM 2ND SOURCE	REF	
-	1994550	MOTOR GENERATOR ASSEMBLY-16KW 60 HZ	REF	
-	1994560	MOTOR GENERATOR ASSEMBLY-16KW 50 HZ	REF	
-	1994751	MOTOR GENERATOR ASSEMBLY- 50 HZ WT 1ST SOURCE	REF	
-	1994746	MOTOR GENERATOR ASSEMBLY- 16KW 60 HZ WT	REF	
-	1994752	MOTOR GENERATOR ASSEMBLY- 50 HZ WT 2ND SOURCE	REF	
-	2646871	MOTOR GENERATOR ASSEMBLY- WT 2ND SOURCE 60 HZ FOR NEXT HIGHER ASM SEE FIGURE 1-81 FOR ILLUSTRATION SEE FIGURE 5	REF	
- 1	1994559	. COVER ASM, TOP	1	
- 2	738378	. SCREW, THD FORMING PAN HD 8-32 X .250 LG ATT PT	13	
- 3	1994545	. . BAFFLE, ACOUSTICAL	1	
- 4	369207	. LABEL, VOLTAGE	1	
- 4A	2646982	. LABEL	1	
- 5	1994562	. COVER ASM, REGULATOR ACCESS	1	
- 6	824673	. . SCREW, KNURLED HD, FASTENING 10-32	2	
- 7	257701	. . CLIP, SPRING- 0.098 ID X 0.020 THK ATT PT	2	
- 8	1994535	. . BAFFLE, ACOUSTICAL	1	
- 9	1994563	. COVER ASM, FRONT	1	
- 10	124308	. . STUD	11	
- 11	312575	. . RING, SNAP ATT PT	11	
- 12	312573	. . GROMMET, FASTENER	11	
- 13	1994544	. . BAFFLE, ACOUSTICAL	1	
- 14	1994533	. . COVER, MG ENCLOSURE- FRONT	1	
- 15	2630320	. THERMOSTAT ASM	1	
- 16	824369	. BRACKET	1	
- 17	81693	. SCREW, MACH BD HD- 6-32 X 0.375 LG ATT PT	2	
- 18	257187	. NUT, HEX DBL CHAMFERED 6-32 X 0.3125 FL W ATT PT	2	
- 19	236849	. SCREW, MACH BD HD- 10-32 X 1/4 LG	8	
- 20	6364	. LOCKWASHER, SPLIT NO. 6 X 1/4 OD	8	
- 21	824687	. CAPACITOR, FIXED- 0.5MP, 20A, 100VDC	4	
- 22	322550	. SCREW, MACH-BIND HD 6-32 X 0.500 LG ATT PT	8	
- 23	56722	. LOCKWASHER, EXT T .150 ID ATT PT	8	
- 24	257187	. NUT, HEX DBL CHAMFERED 6-32 X 0.3125 FL W ATT PT	8	
- 25	369207	. LABEL, VOLTAGE	2	
- 25	405679	USED ON DOMESTIC MODELS . LABEL, VOLTAGE USED ON WORLD TRADE MODELS	2	
- 26	1993847	. SHIELD, FILTER	2	
- 27	34512	. SCREW, MACH BD HD- 8-32 X 0.375 LG ATT PT	6	
- 28	2646755	. FEED THRU ASM	3	
- 29	1994539	. BRACKET, STRAIN RELIEF	2	
- 30	34512	. SCREW, MACH BD HD- 8-32 X 0.375 LG ATT PT	4	
- 31	5213430	. CAPACITOR- 100AMP, 600 VDC	6	
- 32	332620	. SCREW, MACH BD HD- 10-32 X 0.500 LG ATT PT	12	
- 33	56079	. WASHER LOCK, EXT T .204 ID .410 OD ATT PT	12	
- 34	11598	. NUT, PLAIN HEX 10-32 ATT PT	12	
- 35	322570	. SCREW, MACH RH 1/4-20 X 1.000	1	
- 36	76574	. LOCKWASHER, EXT TEETH .250	3	
- 37	3960	. NUT, PLAIN HEX 1/4-20 X 7/16 FL W	3	
- 38	1993838	. ENCLOSURE ASM, MOTOR GENERATOR	1	
- 39	90261	. SCREW, BD HD- 1/4-20 X 0.4375 LG ATT PT	4	
- 40	6935	. LOCKWASHER, SPLIT 1/4 X 0.493 OD ATT PT	4	
- 41	1994537	. BAFFLE, TOP	1	
- 41	1994538	. BAFFLE, BOTTOM	1	
- 42	317367	. GROMMET	1	
- 43	198981	. GROMMET, 1.000 ID X 1.750 OD X 0.062 SLOT	1	
- 44	2100310	. GROMMET	1	
- 45	1994536	. BAFFLE, ACOUSTICAL- 19.78 X 21.25	1	
- 45	1994555	. BAFFLE, ACOUSTICAL- 16.75 X 19.78	1	
- 46	1994544	. BAFFLE, ACOUSTICAL	1	
- 47	1993844 NR	. HOUSING, MOTOR GENERATOR	1	
- 48	1994918	. SEAL, AIR	AR	
- 49	1994570	NOT USED ON 2ND SOURCE MODELS . SEAL, AIR	AR	
- 50	5677	NOT USED ON 2ND SOURCE MODELS . SCREW, MACH BD HD 10-32 NF X .750 LG	1	
- 51	76574	. LOCKWASHER, EXT TEETH .250 ID X 0.510 OD	1	
- 52	45690	. WASHER, FL NO.10 X 7/16 OD X 1/32 THK	1	
- 53	11598	. NUT, PLAIN HEX 10-32	1	
- 54	1994586	. BAFFLE, MG- RIGHT	1	
- 54	1994585	. BAFFLE, MG- LEFT	1	
- 55	5677	NOT USED ON 2ND SOURCE MODELS . SCREW, MACH BD HD- 10-32 X 0.750 LG ATT PT	4	
- 56	1994584 NR	. BAFFLE, MG- EXCITOR NOT USED ON 2ND SOURCE MODELS	1	

THIS PAGE INTENTIONALLY LEFT BLANK.

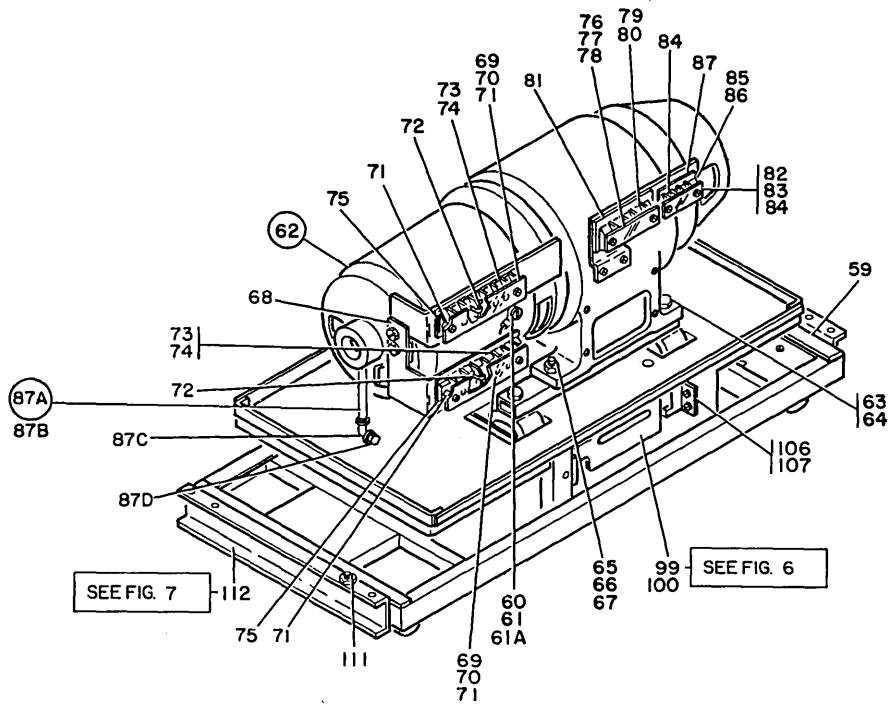
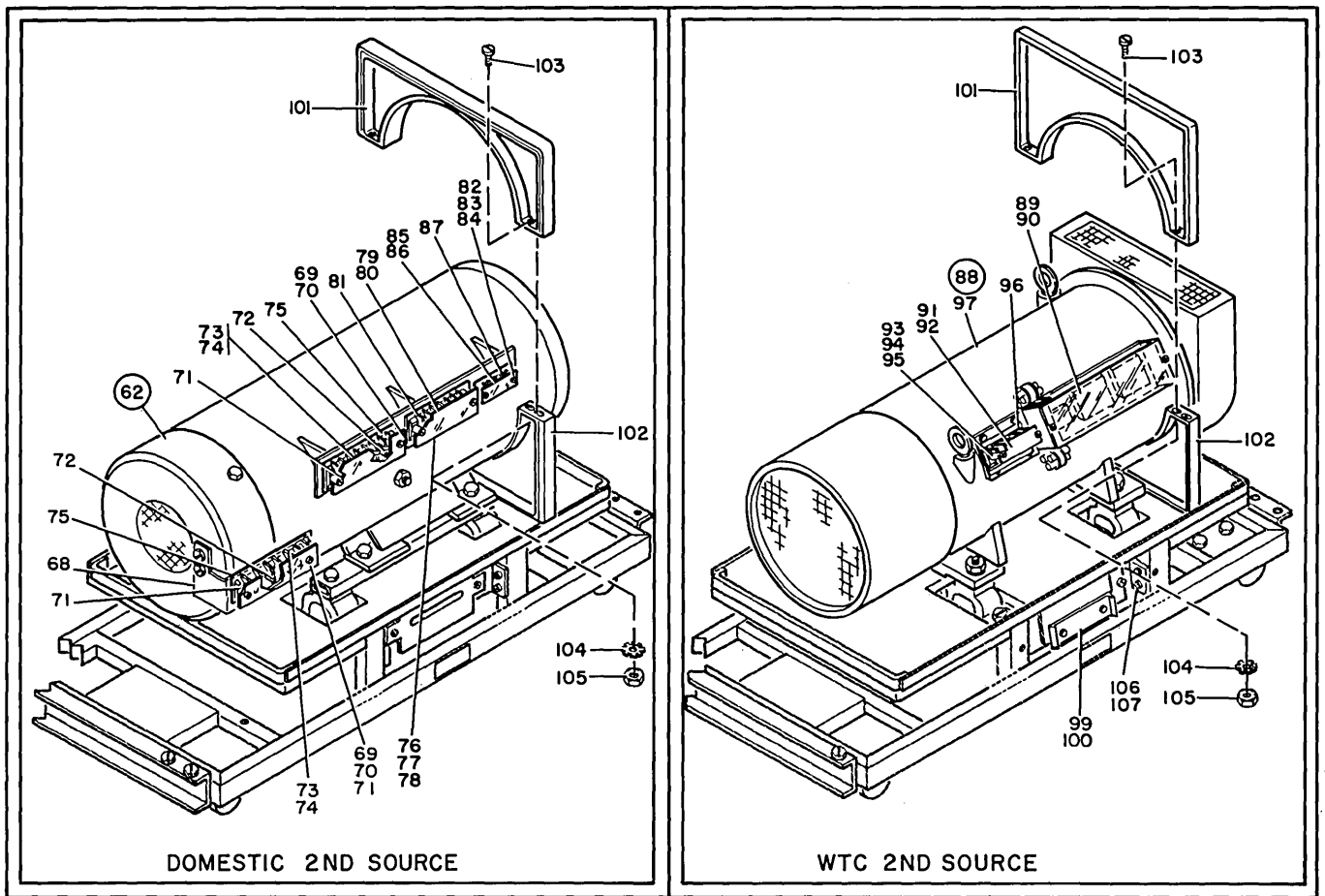


FIGURE 5. MOTOR GENERATOR ASSEMBLY. SHEET 2 OF 2. NOS. 58-112. SEE LIST 5.

FIGURE- INDEX NUMBER	PART NUMBER	DESCRIPTION				UNITS PER ASM.	USABLE ON CODE
		1	2	3	4		
5 - 58	1994541	.	GASKET			1	
- 59	1994543	.	GASKET			2	
- 60	1994568	.	JUMPER ASM			1	
- 61	38686	.	SCREW		ATT PT	1	
- 61A	3960	.	NUT, PLAIN HEX- 1/4-20 X 0.438 FL W		ATT PT	1	
- 62	1993831 NR	.	GENERATOR ASM- 16KW 60HZ			1	
- 62	1993841 NR	.	GENERATOR ASM- 16KW 50HZ USED ON DOMESTIC AND WTC 1ST SOURCE			1	
- 62	2646908 NR	.	GENERATOR ASM- 16KW 60 HZ USED ON DOMESTIC 2ND SOURCE ONLY			1	
- 63	186950	.	NUT, HEX 8-32		ATT PT	2	
- 64	130987	.	LOCKWASHER, SPLIT 1/2 X .879 OD		ATT PT	2	
- 65	186921	.	SCREW, SLOTTED HEX HD- 0.50-13 X 2.250 LG		ATT PT	2	
- 66	130987	.	LOCKWASHER, SPLIT 1/2 X .879 OD		ATT PT	2	
- 67	186950	.	NUT, HEX 8-32		ATT PT	2	
- 68	2646780	.	BRACKET			1	
- 69	1994582	.	SHIELD, SAFETY			1	
- 70	32042	.	SCREW, MACH BD HD- 10-32 X 0.375 LG.		ATT PT	2	
- 71	1994579	.	STANDOFF			2	
- 72	1994578	.	JUMPER, BLOCK			2	
- 73	1994574	.	BLOCK, TERMINAL-6 POSITION			1	
- 74	438601	.	SCREW, BD HD- 10-32 X .875 LG		ATT PT	2	
- 75	1994577	.	STRIP, MARKER			1	
- 76	1994581	.	SHIELD, SAFETY			1	
- 77	32042	.	SCREW, MACH BD HD- 10-32 X 0.375 LG.		ATT PT	2	
- 78	1994579	.	STANDOFF			2	
- 79	1994573	.	BLOCK, TERMINAL-4 POSITION			1	
- 80	438601	.	SCREW, BD HD- 10-32 X .875 LG		ATT PT	2	
- 81	1994576	.	STRIP, MARKER			1	
- 82	337193	.	SHIELD, TERMINAL BOARD 6 POSITION			1	
- 83	10170	.	SCREW, MACH BD HD- 6-32 X 0.250 LG		ATT PT	2	
- 84	210883	.	STUD, SHIELD MTG TAPPED NO6-32			2	
- 85	317131	.	BLOCK, 6 DBL SCREW TERMINAL			1	
- 86	38354	.	SCREW, MACH FIL HD 6-32 X 0.500 LG		ATT PT	2	
- 87	322266	.	STRIP, 6 POS NOS1 THRU 6 MARKER			1	
- 87A	1809480	.	DRAIN ASM, EXTENSION USED ON DOMESTIC AND WTC 1ST SOURCE			1	
- 87B	1809481	.	NIPPLE, LONG			1	
- 87C	1809483	.	ELBOW, FEMALE- 90 DEGREES			1	
- 87D	1809482	.	PLUG, MALE			1	
- 88	4120409 NR	.	GENERATOR ASM- 16KW 50 HZ USED ON WTC 2ND SOURCE ONLY			1	
- 88	4120446 NR	.	GENERATOR ASSEMBLY, 16 KW- 60 HZ USED ON WT 2ND SOURCE ONLY			1	
- 88	4120502	.	GENERATOR ASSEMBLY, 16 KW- 50 HZ USED ON WTC 2ND SOURCE ONLY			1	
- 88	4120503	.	GENERATOR ASSEMBLY, 16 KW- 60 HZ USED ON WTC 2ND SOURCE ONLY			1	
- 89	4120473	.	SHIELD, SAFETY			1	
- 90	32042	.	SCREW, MACH BD HD- 10-32 X 0.375 LG		ATT PT	4	
- 91	361537	.	SHIELD, SAFETY			1	
- 92	10170	.	SCREW, MACH BD HD- 6-32 X 0.250 LG		ATT PT	2	
- 93	522850	.	BLOCK, TERMINAL			1	
- 94	210883	.	STUD, SHIELD MTG- TAPPED 6-32		ATT PT	2	
- 95	322550	.	SCREW, MACH BD HD- 6-32 X 0.500 LG		ATT PT	2	
- 96	522849	.	STRIP, MARKER			1	
- 97	4119357 NR	.	GENERATOR ASSEMBLY			1	
- 99	2630430	.	MOTOR GENERATOR REGULATOR ASM USED ON DOMESTIC AND WTC 1ST SOURCE FOR DETAIL BREAKDOWN SEE FIGURE 6			1	
- 99	4120432	.	REGULATOR ASSEMBLY USED ON WTC MG 4120409 AND 4120446 ONLY			1	
- 99	4120447	.	REG ASSEMBLY USED ON WTC MG 4120502 AND 4120503 ONLY			1	
-100	10170	.	SCREW, MACH BD HD- NO. 6-32 X .250 LG		ATT PT	2	
-101	4056448	.	BAFFLE, AIR- UPPER USED ON WTC 2ND SOURCE ONLY			1	
-101	2646926	.	BAFFLE, AIR- UPPER USED ON DOMESTIC 2ND SOURCE ONLY			1	
-102	4056447	.	BAFFLE, AIR- LOWER USED ON WTC 2ND SOURCE ONLY			1	
-102	2646925	.	BAFFLE, AIR- LOWER USED ON DOMESTIC 2ND SOURCE ONLY			1	
-103	10170	.	SCREW, MACH BD HD- 6-32 X 0.250 LG		ATT PT	4	
-103	38688	.	SCREW, MACH HEX HD- 1/4-20 X 0.625 LG USED ON WTC 2ND SOURCE ONLY		ATT PT	4	
-104	55901	.	LOCKWASHER, EXT T- 0.176 ID X 0.625 LG USED ON WTC 2ND SOURCE ONLY		ATT PT	4	

FOR PARTS
NOT SHOWN
SEE FIG. 5

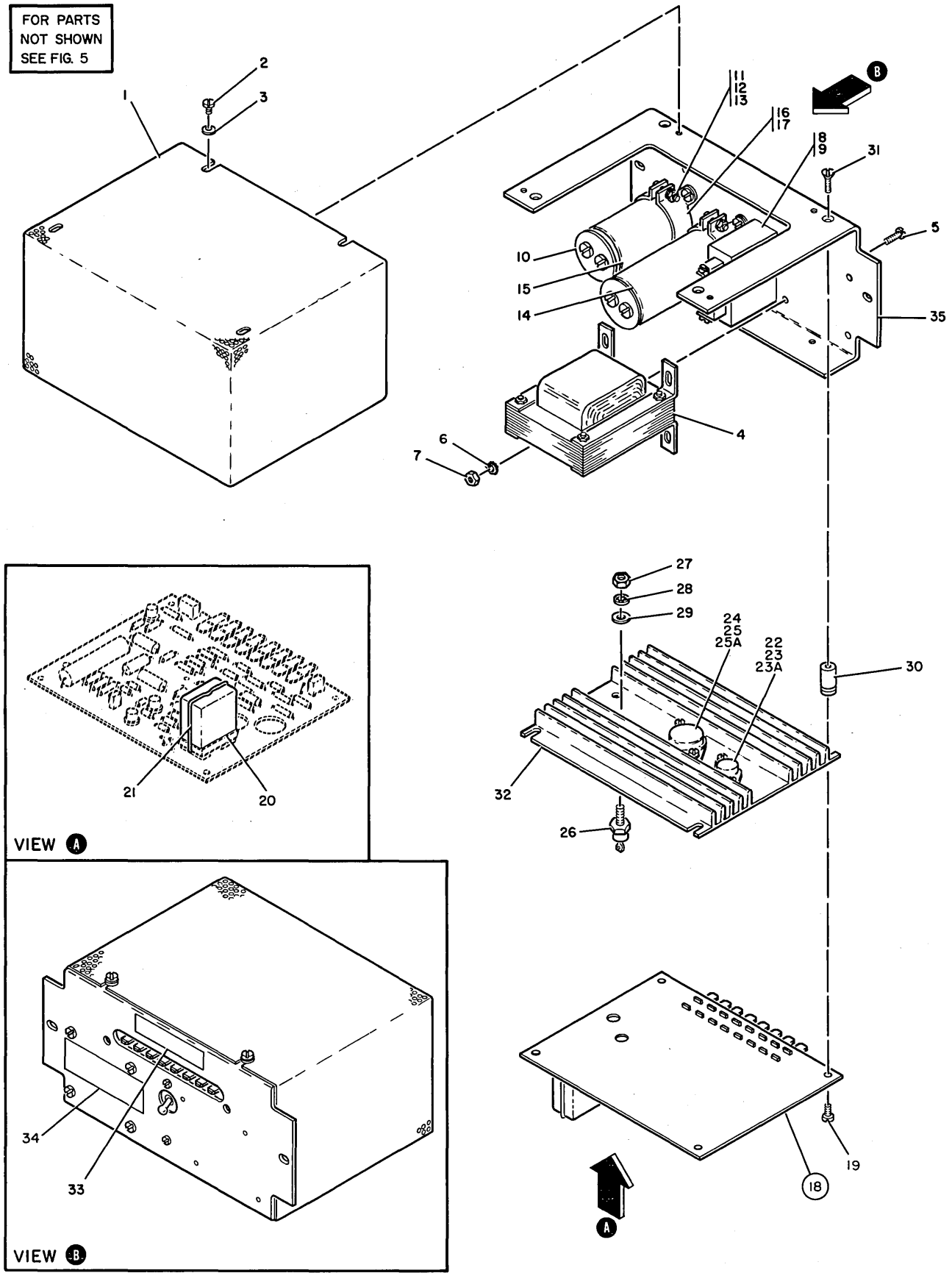


FIGURE 6. MOTOR GENERATOR REGULATOR ASSEMBLY. SEE LIST 6.

FIGURE- INDEX NUMBER	PART NUMBER	DESCRIPTION				UNITS PER ASM.	USABLE ON CODE
		1	2	3	4		
		MOTOR GENERATOR REGULATOR ASSEMBLY					
6 -	2630430	MOTOR GENERATOR REGULATOR ASM FOR NEXT HIGHER ASM SEE FIGURE 5-99 FOR ILLUSTRATION SEE FIGURE 6				REF	
- 1	2630422 NR	. COVER				1	
- 2	55726 NR	. SCREW,MACH BD HD- 6-32 X 0.188 LG ATT PT				6	
- 3	257986 NR	. WASHER,FLAT 0.156ID X .312OD X .035THK ATT PT				6	
- 4	2630425 NR	. TRANSFORMER				1	
- 5	25627 NR	. SCREW,MACH BD HD- 8-32 X 0.500 LG ATT PT				4	
- 6	55901 NR	. LOCKWASHER,EXTERNAL TOOTH 0.176 ID X 0.3 ATT PT				4	
- 7	257189 NR	. NUT,HEX 8-32 ATT PT				4	
- 8	2630080 NR	. PROTECTOR,CIRCUIT- 400HZ 1 POLE 15 AMPS				1	
- 9	10170 NR	. SCREW,MACH BD HD- NO. 6-32 X .250 LG ATT PT				2	
- 10	5261296 NR	. COVER				2	
- 11	322065 NR	. SCREW,MACH-BIND HD 6-32 X 0.625 LG				2	
- 12	6364 NR	. LOCKWASHER, SPLIT NO. 6 X 1/4 OD				2	
- 13	257187 NR	. NUT,HEX DBL CHAMFERED 6-32 X 0.3125 FL W				2	
- 14	483107 NR	. CAPACITOR,FXD ELECT- 3100UF P100M10% 25V				1	
- 15	5214406 NR	. CAPACITOR,ELECT- 950UF P75M10% 75V				1	
- 16	301768 NR	. BRACKET-THERMISTOR MOUNTING				2	
- 17	438566 NR	. SCREW,MACH BD HD- 6-32 X .125 LG ATT PT				4	
- 18	2630427 NR	. CONTROL CARD ASM				1	
- 19	81693 NR	. SCREW,MACH BD HD- 6-32 X 0.375 LG ATT PT				4	
- 20	5318968 NR	. RELAY				1	
- 21	5318966 NR	. RETAINER,RELAY				1	
- 22	2391347 NR	. TRANSISTOR				1	
- 23	38350 NR	. SCREW,MACH FIL H 6-32 X 1/4 LG ATT PT				2	
- 23A	24327 NP	. WASHER,FL- 0.156 ID X 0.625 OD				AR	
- 24	2391346 NR	. TRANSISTOR				1	
- 25	38350 NR	. SCREW,MACH FIL H 6-32 X 1/4 LG ATT PT				2	
- 25A	24327 NP	. WASHER,FL- 0.156 ID X 0.625 OD				AR	
- 26	598479 NR	. SEMICONDUCTOR DEVICE,D10 150V 10 AMP				2	
- 27	11598 NR	. NUT,PLAIN HEX 10-32 ATT PT				2	
- 28	56121 NR	. LOCKWASHER, INT TEETH NO. 10 X 0.381 OD				2	
- 29	45690 NR	. WASHER,FL NO. 10 X 7/16 OD X 1/32 THK				2	
- 30	2630424 NR	. STANDOFF				4	
- 31	316807 NR	. SCREW,PH- 6-32 X 0.375 LG ATT PT				4	
- 32	2630423 NR	. HEATSINK				1	
- 33	336823 NR	. LABEL,HIGH VOLTAGE				1	
- 34	1013160 NR	. LABEL				1	
- 35	2630421 NR	. CHASSIS				1	

FOR PARTS
NOT SHOWN
SEE FIG. 5

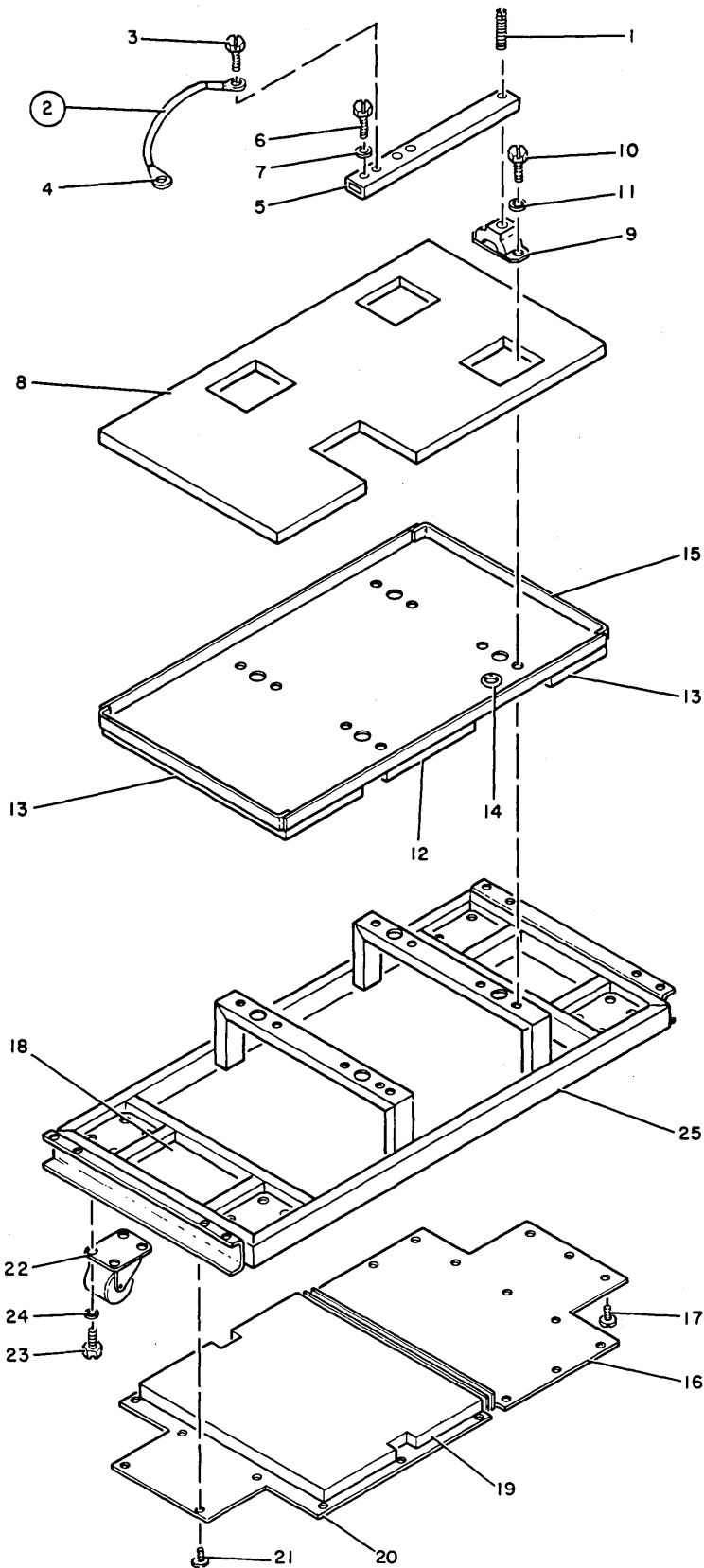


FIGURE 7. MOTOR GENERATOR FRAME ASSEMBLY. SEE LIST 7.

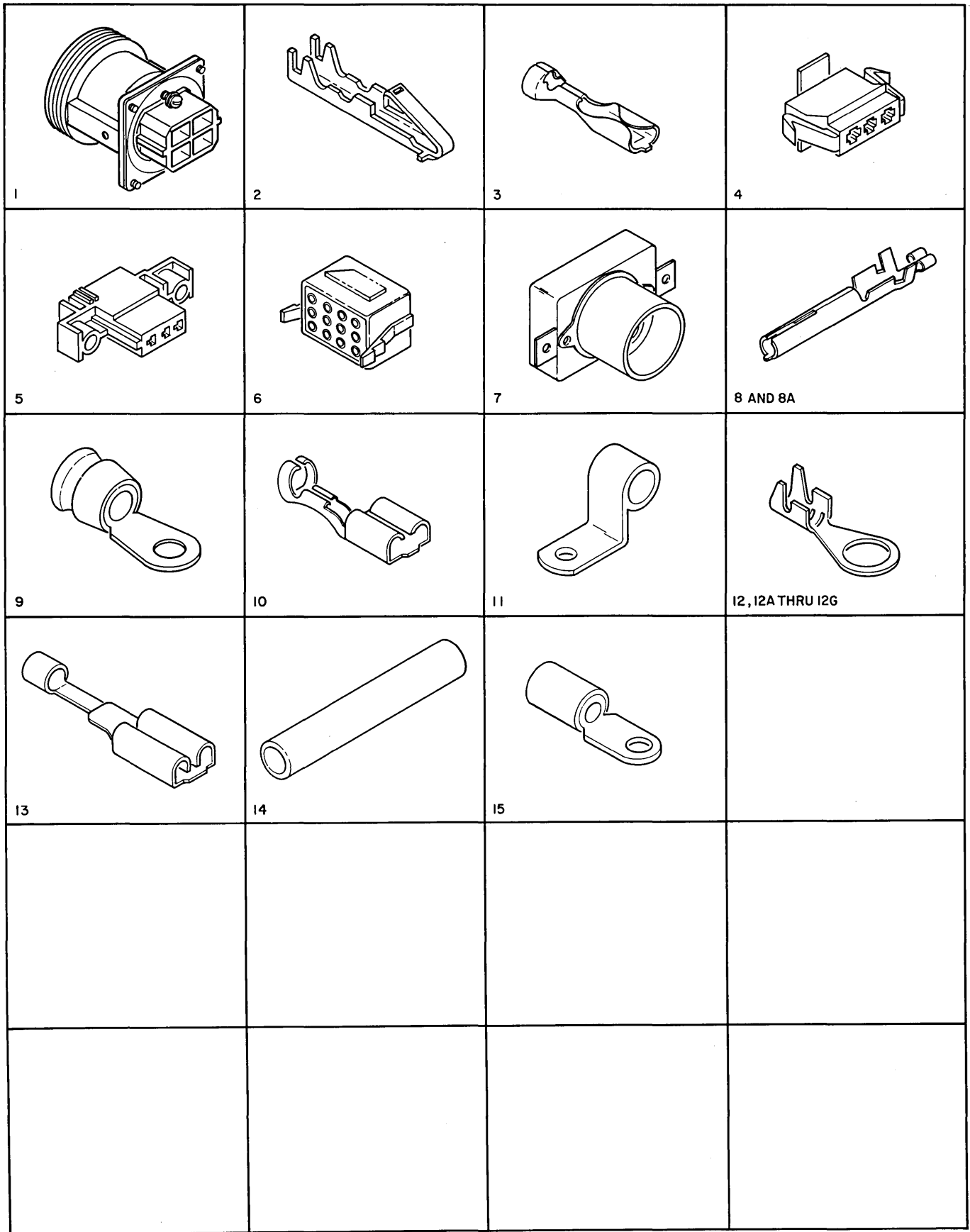


FIGURE 8. CABLE AND JUMPER ASSEMBLY COMPONENT PARTS. SEE LIST 8.



NUMERICAL INDEX

PART NO.	LIST AND INDEX NO.	PART NO.	LIST AND INDEX NO.	PART NO.	LIST AND INDEX NO.	PART NO.	LIST AND INDEX NO.
453	1 - 83	56079	2A- 11	257189	6 - 7	821087	4 - 1
3550	1 - 36		2A- 20	257701	3 - 4	824369	5 - 16
3960	5 - 37		2A- 25		5 - 7	824673	3 - 3
	5 - 61A		2B- 3	257959	4 - 8		5 - 6
4541	1 - 82		2B- 7	257986	2A- 14	824687	5 - 21
5677	5 - 50		2B- 19		2B- 15	825557	1 - 38
	5 - 55		5 - 33		4 - 14	825559	1 - 51
	5 - 57	56121	6 - 28		6 - 3		1 - 72
6364	5 - 20	56722	2A- 4	301768	6 - 16		1 - 92
	6 - 12		2A- 9	312573	5 - 12	827840	4 - 3
6935	1 - 37		2A- 15	312575	5 - 11	833616	1 - 18
	5 - 40		2B- 10	313385	2A- 24	833617	1 - 16
	5 -104		2B- 14	316807	6 - 31	833618	1 - 17
10170	5 - 83		2B- 28	317131	5 - 85	835273	3 - 7
	5 - 92		2B- 34	317367	5 - 42	838480	1 - 49A
	5 -100		2B- 38		7 - 14	839526	8 - 15
	5 -103		2B- 42	320570	3 - 6	845762	1 - 42
	6 - 9		4 - 15	322065	6 - 11	1013160	6 - 34
10305	7 - 10		5 - 23	322250	1 - 74	1166115	8 - 8
10309	1 - 84	58207	3 - 13	322266	5 - 87	1573502	1 - 39
	7 - 11		7 - 17	322550	2B- 33		2A- REF
11598	2A- 10		7 - 21		2B- 41	1573505	2A- 32
	2A- 19	59682	7 - 6		5 - 22	1573506	2A- 30
	2B- 2	60646	2 - 6		5 - 95		2B- 25
	2B- 6	76574	5 - 36	322551	2A- 13	1573507	2A- 22
	5 - 34		5 - 51	322552	2B- 13		2B- 17
	5 - 53		7 - 24	322570	5 - 35	1573509	2A- 18
	6 - 27	81693	2A- 7	331065	3 - 5		2B- 5
22478	1 - 13		2B- 9	332620	5 - 32	1573510	2A- 6
24327	6 - 23A		2B- 27	336823	6 - 33		2B- 8
	6 - 25A		2B- 37	337193	5 - 82	1573513	2A- 1
25627	6 - 5		5 - 17	338164	1 - 76		2B- 1
28413	1 - 21		6 - 19	342470	2A- 31	1573514	2A- 2
	1 - 23	82725	8 - 9		2B- 45		2B- 30
	1 - 31	90261	5 - 39	361537	5 - 91	1574802	1 - 39
	1 - 33	NO NO.	8 - REF	369207	5 - 4		2A- REF
	1 - 40	104615	1 - 88		5 - 25	1574814	1 - 39
	1 - 46	124308	5 - 10	405679	5 - 25		2B- REF
	1 - 49	125145	2A- 5	438566	6 - 17	1577465	2A- 27
	1 - 52		2A- 8	438601	5 - 74	1795502	1 - 81
	1 - 73	130987	5 - 64		5 - 80		5 - REF
	1 - 75		5 - 66	466300	2B- 11	1797220	1 - 43
	5 -107		7 - 7	475465	2 - 2	1797234	8 - 1
32042	2A- 23	179743	3 - 8	479999	4 - 10	1797242	1 - 78
	2B- 18	180894	1 -101	482188	4 - 7		8 - REF
	5 - 70	186758	3 - 10	482201	1 - 55	1797246	1 - 80
	5 - 77	186759	1 - 12	482219	4 - 11		8 - REF
	5 - 90		1 - 25	483107	6 - 14	1797247	1 - 78
34512	5 - 27		1 - 29	483619	8 - 14		8 - REF
	5 - 30		1 - 44	483677	8 - 12	1797248	1 - 78
35739	2A- 3		1 - 54	483678	2B- 24		8 - REF
36109	5 -105		1 - 61		8 - 12A	1797249	1 - 78
36844	1 - 35		1 - 67	483679	8 - 12B		8 - REF
38051	5 -105		1 - 70	483681	8 - 12C	1797250	1 - 91
38235	1 - 3		1 - 79	483685	8 - 12D	1797251	1 - 7
	1 - 5		1 - 93	483686	8 - 12E	1797252	1 - 8
	1 - 57		1 - 95	483688	8 - 12F	1797253	1 - 9
	1 - 80A		1 - 98	483690	8 - 12G	1797254	1 - 27
	1 - 89	186921	5 - 65	483759	8 - 11	1797255	1 - 34
	4 - 13	186950	5 - 63	502523	7 - 4	1797256	1 - 28
38350	6 - 23		5 - 67	513271	7 - 22	1797257	1 - 24
	6 - 25	198981	5 - 43	517913	2A- 26	1797258	1 - 60
38354	5 - 86	210883	5 - 84		2B- 23		1 - 94
38686	5 - 61		5 - 94	522849	5 - 96	1797259	1 - 11
	7 - 3	214438	1 - 15	522850	5 - 93	1797260	1 - 10
38688	5 -103	236849	5 - 19	524519	1 - 71	1797261	1 - 50
	7 - 23	236915	8 - 13	526378	2A- 21	1797262	1 - 48
45690	5 - 52	251970	1 - 77		2B- 4	1797263	1 - 19
	6 - 29		4 - 6	535854	2B- 21		1 - 20
55726	6 - 2	252592	1 - 87	598479	6 - 26	1797264	1 - 19
55901	1 - 14	257187	2A- 16	600395	2B- 20	1797265	1 - 30
	1 - 79A		2B- 16	609687	8 - 2	1797266	3 - 12
	1 - 99		2B- 35	725419	4 - 12	1797267	3 - 2
	5 -104		5 - 18	730432	3 - 14	1797268	3 - 15
	6 - 6		5 - 24	738378	5 - 2	1797269	1 - 90
55918	1 - 73		6 - 13	739278	1 - 2	1797270	1 - 53

PART NO.	LIST AND INDEX NO.	PART NO.	LIST AND INDEX NO.	PART NO.	LIST AND INDEX NO.	PART NO.	LIST AND INDEX NO.
1797270-CONT	3 - REF	1994573	5 - 79	5214406	6 - 15		
1797271	1 - REF	1994574	5 - 73	5252857	2A- 18		
1797280	1 - 1	1994576	5 - 81		2B- 5		
1797281	1 - 1	1994577	5 - 75	5261296	6 - 10		
1797282	1 - 1	1994578	5 - 72	5318966	6 - 21		
1797295	1 - 4	1994579	5 - 71	5318968	6 - 20		
1797296	1 - 6		5 - 78	5351177	8 - 10		
1797297	1 - 47	1994581	5 - 76	5353851	8 - 5		
1797298	1 - 85	1994582	5 - 69	5353852	8 - 3		
1797299	3 - 1	1994584	5 - 56	5353853	2 - 7		
1797300	1 - 63	1994585	5 - 54		2A- 12		
1797301	1 - 64	1994586	5 - 54		2A- 28		
1797305	1 - 66	1994746	1 - 81		2B- 12		
1797306	1 - 69		5 - REF		2B- 22		
1797364	1 - 26	1994751	1 - 81	5353854	2 - 8		
1797375	1 - 62		5 - REF		2A- 29		
1797376	4 - 16	1994752	1 - 81	5373660	4 - 4		
1797381	1 - 65		5 - REF	5412639	8 - 6		
1797382	1 - 68	1994784	3 - 9	5412643	8 - 8A		
1797393	1 - 56	1994918	5 - 48	5446159	2A- 17C		
	4 - REF	1994956	2 - 9	5446160	2A- 17A		
1797462	2 - 4	1994960	2 - 10	5468307	2A- 17B		
1797463	2 - 4	2100310	5 - 44	5468388	2A- 17		
1801144	1 -100	2100837	1 - 96		2B- 26		
1809480	5 - 87A	2101089	7 - 2	5534589	2B- 29		
1809481	5 - 87B	2175944	1 - 59	5534591	2B- 44		
1809482	5 - 87D	2175945	1 - 58	5534592	2B- 43		
1809483	5 - 87C	2232039	8 - 4	5534593	2B- 36		
1993102	1 - 45	2281324	1 - 97	5548304	1 - 39		
1993530	2 - 10	2391346	6 - 24		2B- REF		
1993535	1 - 39	2391347	6 - 22	5548307	2B- 46		
	2 - REF	2414970	4 - 2	5548308	2B- 46		
1993536	1 - 39	2542402	1 - 86	5548310	2B- 32		
	2 - REF	2542403	1 - 41	5548312	2B- 39		
1993785	4 - 9	2602264	8 - 7	5548313	2B- 31		
1993831	5 - 62	2602326	4 - 5	5548314	2B- 40		
1993838	5 - 38	2630080	6 - 8				
1993841	5 - 62	2630281	1 - 22				
1993843	7 - 25		1 - 32				
1993844	5 - 47	2630319	7 - 9				
1993845	7 - 20	2630320	5 - 15				
1993846	7 - 15	2630421	6 - 35				
1993847	5 - 26	2630422	6 - 1				
1993849	7 - 16	2630423	6 - 32				
1994488	2 - 1	2630424	6 - 30				
1994490	2 - 9	2630425	6 - 4				
1994533	5 - 14	2630427	6 - 18				
1994534	7 - 8	2630430	5 - 99				
1994535	5 - 8		6 - REF				
1994536	5 - 45	2630434	5 -106				
1994537	5 - 41	2637289	2 - 3				
1994538	5 - 41		2 - 5				
1994539	5 - 29	2641793	7 - 15				
1994541	5 - 58	2641809	7 - 8				
1994542	5 -111	2646755	5 - 28				
1994543	5 - 59	2646780	5 - 68				
1994544	5 - 13	2646871	1 - 81				
	5 - 46		5 - REF				
1994545	5 - 3	2646908	5 - 62				
1994548	7 - 5	2646925	5 -102				
1994550	1 - 81	2646926	5 -101				
	5 - REF	2646982	5 - 4A				
1994551	7 - 18	4056447	5 -102				
1994552	7 - 12	4056448	5 -101				
1994553	7 - 19	4066640	1 - 55				
1994554	7 - 13	4066641	1 - 55				
1994555	5 - 45	4119357	5 - 97				
1994557	7 - 1	4120409	5 - 88				
1994558	7 - 2	4120432	5 - 99				
1994559	5 - 1	4120446	5 - 88				
1994560	1 - 81	4120447	5 - 99				
	5 - REF	4120473	5 - 89				
1994562	5 - 5	4120502	5 - 88				
1994563	5 - 9	4120503	5 - 88				
1994568	5 - 60	5213430	5 - 31				
1994570	5 - 49	5214018	3 - 11				

READER'S COMMENT FORM

3047 Power Unit

Order No. S124-0127-2

- Did you find the part you needed in the catalog?
- If you *did not* find the part in the catalog, how did you obtain the correct part number?
- What parts were you unable to find? (Include numbers if you were able to determine them by alternate means.)
- If you *did* find the part you needed in the catalog, but had unusual difficulty locating it, please send us the part number and page number. Include a description of your difficulty if you wish.

We would appreciate your comments. If you wish a reply, be sure to include your name and address.

Reply Requested?

Yes

No

NAME

STREET

CITY

STATE ZIP CODE

YOUR COMMENTS, PLEASE

Your answers to the questions on the back of this form, together with your comments, will help us produce better publications for your use. Each reply will be carefully reviewed by the persons responsible for writing and publishing this material. All comments and suggestions become the property of IBM.

Please note: Requests for copies of publications and for assistance in utilizing your IBM system should be directed to your IBM representative or to the IBM branch office serving your locality.

Cut Along Line

Fold

Fold

FIRST CLASS
PERMIT NO. 170
ENDICOTT, N.Y.

BUSINESS REPLY MAIL
NO POSTAGE STAMP NECESSARY IF MAILED IN THE UNITED STATES



POSTAGE WILL BE PAID BY

IBM Corporation
Product Publications, K10
P.O. Box 6
Endicott, N. Y. 13760

Fold

Fold

3047 Power Unit (PC) Printed in U.S.A. S124-0127-2



International Business Machines Corporation
Data Processing Division
1133 Westchester Avenue, White Plains, New York 10604
(U.S.A. only)

IBM World Trade Corporation
821 United Nations Plaza, New York, New York 10017
(International)

3047

3047

LAB INSERT FOR FRONT COVER

S124-0127-2

3047 Power Unit (PC) Printed in U.S.A. S124-0127-2

IBM

**International Business Machines Corporation
Data Processing Division
1133 Westchester Avenue, White Plains, New York 10604
(U.S.A. only)**

**IBM World Trade Corporation
821 United Nations Plaza, New York, New York 10017
(International)**