

File No. S360-25(OS)
Order No. GY28-6638-1

Program Logic

IBM System/360 Operating System FORTRAN IV (G) Compiler Program Logic Manual

Program Number 360S-FO-520

This publication describes the internal logic of the FORTRAN IV (G) compiler.

Program Logic Manuals are intended for use by IBM customer engineers involved in program maintenance, and by systems programmers involved in altering the program design. Program logic information is not necessary for program operation and use; therefore, distribution of this manual is limited to persons with program maintenance or modification responsibilities.

The FORTRAN IV (G) compiler is a processing program of the IBM System/360 Operating System. It translates one or more source modules written in the FORTRAN language into an object module that can be processed into an executable load module by the linkage editor.

PREFACE

This publication provides customer engineers and other technical personnel with information describing the internal organization and operation of the FORTRAN IV (G) compiler. It is part of an integrated library of IBM System/360 Operating System Program Logic Manuals. Other publications required for an understanding of the FORTRAN IV (G) compiler are:

IBM System/360 Operating System:

Principles of Operation, Form A22-6821

FORTRAN IV Language, Form C28-6515

Introduction to Control Program Logic, Program Logic Manual, Form Y28-6605

FORTRAN IV (G and H) Programmer's Guide, Form C28-6817

Any reference to a Programmer's Guide in this publication applies to FORTRAN IV (G and H) Programmer's Guide, Form C28-6817. The FORTRAN IV (G) Programmer's Guide, Form C28-6639, (to which references may exist in this publication) has been replaced by the combined G and H Programmer's Guide.

Although not required, the following publications are related to this publication and should be consulted:

IBM System/360 Operation System:

Sequential Access Methods, Program Logic Manual, Form Y28-6604

Concepts and Facilities, Form C28-6535

Supervisor and Data Management Macro-Instructions, Form C28-6647

Linkage Editor, Program Logic Manual, Form Y28-6610

System Generation, Form C28-6554

This publication consists of two sections:

Section 1 is an introduction that describes the FORTRAN IV (G) compiler as a whole, including its relationship to the operating system. The major components of the compiler and relationships among them are also described in this section.

Section 2 consists of a discussion of compiler operation. Each component of the compiler is described in sufficient detail to enable the reader to understand its operation, and to provide a frame of reference for the comments and coding supplied in the program listing. Common data such as tables, blocks, and work areas is discussed only to the extent required to understand the logic of each component. Flowcharts are included at the end of this section.

Following Section 2, are appendixes that contain reference material.

If more detailed information is required, the reader should see the comments, remarks, and coding in the FORTRAN IV (G) program listing.

Second Edition (May 1968)

This is a major revision of, and makes obsolete, the previous edition, Form Y28-6638-0, and Technical Newsletters Y28-6384, Y28-6386, Y28-6388, and Y28-6820. Changes to the text, and small illustrations, are indicated by a vertical line to the left of the change; changed or added illustrations are denoted by the symbol * to the left of the caption.

The specifications contained in this publication, as amended by TNL Y28-6829, dated July 23, 1969, correspond to Release 18 and as further amended by TNL GY28-6847, dated January 15, 1971, correspond to Release 20 of the IBM System/360 Operating System.

Changes are periodically made to the specifications herein; any such changes will be reported in subsequent revisions or Technical Newsletters.

Requests for copies of IBM publications should be made to your IBM representative or to the IBM branch office serving your locality.

Address comments concerning the contents of this publication to IBM Corporation, Programming Publications, 1271 Avenue of the Americas, New York, N. Y. 10020.

IBM System/360 Operating System
FORTRAN IV (G) Compiler
Program Logic Manual

This Technical Newsletter, a part of Release 17 of the IBM System/360 Operating System, provides replacement pages for IBM System/360 Operating System: FORTRAN IV (G) Compiler Program Logic Manual, Form Y28-6638-1. These replacement pages remain in effect for subsequent releases unless specifically altered. Pages to be replaced and/or added are listed below.

Pages

Cover, preface	
19-20	145-146.1
27-32	153-154.1
35-38.1	157-158
39-40	177-178
45-46	185-186
53-54	191-192
67-68 (67.1 added)	221-224.1
69-70.1	225-226 (225.1 added)
71-72	229-230.1
77-78	253-254

Changes to the text, and small changes to illustrations, are indicated by a vertical line to the left of the change; changed or added illustrations are denoted by the symbol • to the left of the caption.

Summary of Amendments

New information about innermost DO loops with a possible extended range has been added. The information includes descriptions of two new routines, XTEND LABEL and EXTND TARGET LABEL, and changes to existing routines and flowcharts involved in phase 1 processing. There is also additional information about the NAMELIST table entries and the GET POLISH routine, and a description of the improvements made by the FORTRAN object-time library in the processing of BACKSPACE statements.

File this cover letter at the back of the publication to provide a record of changes.

File Number S360-25
Re: Order No. GY28-6638-1
This Newsletter No. GY28-6829
Date July 23, 1969
Previous Newsletter Nos. GY28-6826
GY28-6847

IBM System/360 Operating System
FORTRAN IV (G) Compiler
Program Logic Manual

This Technical Newsletter, a part of Release 18 of the IBM System/360 Operating System, provides replacement pages for IBM System/360 Operating System: FORTRAN IV (G) Compiler Program Logic Manual, Form Y28-6638-1. These replacement pages remain in effect for subsequent releases unless specifically altered. Pages to be replaced and/or added are listed below.

Pages

Cover, preface	49-52
7,8	55-58
13,14	75-76
17,18	113-114
35-36.1	167-170
43-44.1	175-176.1
45,46	209,210
	255-257

Changes to the text, and small changes to illustrations, are indicated by a vertical line to the left of the change; changed or added illustrations are denoted by the symbol • to the left of the caption.

Summary of Amendments

A description of the compiler statistics messages and the phases and subroutines which generate them is added. Illustrations of the formats of the messages are included.

File this cover letter at the back of the publication to provide a record of changes.

IBM / Technical Newsletter

File No. S360-25 (OS)
Re: Order No. GY28-6638-1
This Newsletter No. GY28-6847
Date: January 15, 1971
Previous Newsletter Nos. GY28-6826
GY28-6829

IBM System/360 Operating System
FORTRAN IV (G) Compiler
Program Logic Manual
© International Business Machines Corporation

This newsletter provides replacement pages for the publication
IBM System/360 Operating System: FORTRAN IV (G) Compiler
Program Logic Manual, Order No. GY28-6638-1.

The specifications contained in this publication correspond to
Release 20 of the IBM System/360 Operating System. Pages to be
replaced are listed below:

<u>Page(s)</u>	<u>Summary of Amendment(s)</u>
Cover-2	Release notice updated
7,8	List of illustrations updated
211-258	"Appendix F: Object-Time Library Subprograms" has been replaced in its entirety; new information has been added, obsolete information deleted, and existing information expanded and clarified (replacement pages are 211-258.10)
263-272	Index updated

Changes to the text and small changes to illustrations are indicated by a vertical line to the left of the change; changed or added illustrations are denoted by the symbol • to the left of the caption. File this cover letter at the back of the publication to provide a record of changes.

CONTENTS

SECTION 1: INTRODUCTION TO THE COMPILER	9	HEADOPT, Chart AC	35
Purpose of the Compiler	9	TIMEDAT, Chart AD	35
Machine Configuration	9	Output from IEYFORT	35
Compiler and System/360 Operating System	9	Phase 1 of the Compiler: Parse (IEYPAR)	36
Compiler Design	9	Flow of Phase 1, Chart 04	37
Limitations of the Compiler	9	PRINT and READ SOURCE, Chart BA	37
Compiler Implementation	10	STA INIT, Chart BB	38
POP Language	10	LBL FIELD XLATE, Chart BC	38
Compiler Organization	10	STA XLATE, Chart BD	38
Control Phase: Invocation (IEYFORT)	12	STA FINAL, Chart BE	39
Phase 1: Parse (IEYPAR)	12	ACTIVE END STA XLATE, Chart BF	39
Phase 2: Allocate (IEYALL)	12	PROCESS POLISH, Chart BG	39
Phase 3: Unify (IEYUNF)	12	Output from Phase 1	39
Phase 4: Gen (IEYGEN)	12	Polish Notation	39
Phase 5: Exit (IEYEXT)	13	Source Listing	42
Roll (IEYROL)	13	Phase 2 of the Compiler: Allocate (IEYALL)	44
Compiler Storage Configuration	15	Flow of Phase 2, Chart 05	45
Compiler Output	15	ALPHA LBL AND L SPROGS, Chart CA	45
Object Module	17	ALPHA SCALAR ARRAY AND SPROG, Chart CA	45
Components of the Object Module	17	PREP EQUIV AND PRINT ERRORS, Chart CB	45
Object Module General Register Usage	20	BLOCK DATA PROG ALLOCATION, Chart CC	46
Source Module Listing	20	PREP DMY DIM AND PRINT ERRORS, Chart CD	46
Object Module Listing	20	PROCESS DO LOOPS, Chart CE	46
Storage Maps	21	PROCESS LBL AND LOCAL SPROGS, Chart CF	46
Error Messages	21	BUILD PROGRAM ESD, Chart CG	46
Common Error Messages	21	ENTRY NAME ALLOCATION, Chart CH	46
Compiler Data Structures	21	COMMON ALLOCATION AND OUTPUT, Chart CI	47
Rolls and Roll Controls	21	EQUIV ALLOCATION PRINT ERRORS, Chart CK	47
ROLL ADR Table	22	BASE AND BRANCH TABLE ALLOC, Chart CL	47
BASE, BOTTOM, and TOP Tables	23	SCALAR ALLOCATE, Chart CM	47
Special Rolls	24	ARRAY ALLOCATE, Chart CN	47
Central Items, Groups, and Group Stats	24	PASS 1 GLOBAL SPROG ALLOCATE, Chart CO	48
Other Variables	26	SPROG ARG ALLOCATION, Chart CP	48
Answer Box	26	PREP NAMELIST, Chart CQ	48
Multiple Precision Arithmetic	26	LITERAL CONST ALLOCATION, Chart CR	48
Scan Control	26	FORMAT ALLOCATION, Chart CS	48
Flags	27	EQUIV MAP, Chart CT	48
Quotes	27	GLOBAL SPROG ALLOCATE, Chart CU	48
Messages	27	BUILD NAMELIST TABLE, Chart CV	48
Compiler Arrangement and General Register Usage	28	BUILD ADDITIONAL BASES, Chart CW	49
Pointers	29	DEBUG ALLOCATE, Chart CX	49
Drivers	30	Output From Phase 2	49
Operation Drivers	30	Error Messages Produced by Allocate	49
Control Drivers	31	Unclosed DO Loops	49
SECTION 2: COMPILER OPERATION	33	Storage Maps Produced by Allocate	50
Invocation Phase (IEYFORT)	33	Subprogram List	51
IEYFORT, Chart 00	33	Cards Produced by Allocate	51
IEYPRNT, Chart 00A4	33	Phase 3 of the Compiler: Unify (IEYUNF)	51
PRNTHD, Chart 01A2	34	Flow of Phase 3, Chart 07	52
IEYREAD, Chart 01A4	34	ARRAY REF ROLL ALLOTMENT, Chart DA	52
IEYPCH, Chart 02A3	34	CONVERT TO ADR CONST, Chart DB	52
PRNTMSG, Chart 03A1	34	CONVERT TO INST FORMAT, Chart DC	52
IEYMOR, Chart 01D1	34		
IEYNOCR	34		
IEYRETN, Chart 03A2	35		
OPTSCAN, Chart AA	35		
DDNAMES, Chart AB	35		

DO NEST UNIFY, Chart DD	53	Roll 16: ERROR MESSAGE Roll144
IEYROL Module	53	Roll 16: TEMP AND CONST Roll144
Phase 4 of the Compiler: Gen		Roll 17: ERROR CHAR Roll145
(IEYGEN)	53	Roll 17: ADCON Roll145
Flow of Phase 4, Chart 08	53	Roll 18: INIT Roll145
ENTRY CODE GEN, Chart EA	54	Roll 18: DATA SAVE Roll145
PROLOGUE GEN, Chart EB	54	Roll 19: EQUIVALENCE TEMP (EQUIV TEMP)	
EPILOGUE GEN, Chart EC	54	Roll145
GET POLISH, Chart ED	54	Roll 20: EQUIVALENCE HOLD (EQUIV HOLD)	
LBL PROCESS, Chart EF	54	Roll145
STA GEN, Chart EG	54	Roll 20: REG Roll146
STA GEN FINISH, Chart EH	55	Roll 21: BASE TABLE Roll146
Phase 5 of the Compiler: Exit (IEYEXT) .	55	Roll 22: ARRAY Roll146
Flow of Phase 5, Chart 09	55	Roll 23: DMY DIMENSION Roll147
PUNCH TEMP AND CONST ROLL, Chart FA	55	Roll 23: SPROG ARG Roll147
PUNCH ADR CONST ROLL, Chart FB	56	Roll 24: ENTRY NAMES Roll147
PUNCH CODE ROLL, Chart FC	56	Roll 25: GLOBAL DMY Roll148
PUNCH BASE ROLL, Chart FD	56	Roll 26: ERROR Roll148
PUNCH BRANCH ROLL, Chart FE	56	Roll 26: ERROR LBL Roll148
PUNCH SPROG ARG ROLL, Chart FF	56	Roll 27: LOCAL DMY Roll148
PUNCH GLOBAL SPROG ROLL, Chart FG . . .	57	Roll 28: LOCAL SPROG Roll149
PUNCH USED LIBRARY ROLL, Chart FH . . .	57	Roll 29: EXPLICIT Roll149
PUNCH ADCON ROLL, Chart FI	57	Roll 30: CALL LBL Roll149
ORDER AND PUNCH RLD ROLL, Chart FJ . .	57	Roll 30: ERROR SYMBOL Roll149
PUNCH END CARD, Chart FK	57	Roll 31: NAMELIST NAMES Roll149
PUNCH NAMELIST MPY DATA, Chart FL . .	57	Roll 32: NAMELIST ITEMS Roll150
Output From Phase 5	57	Roll 33: ARRAY DIMENSION Roll150
Roll 34: BRANCH TABLE Roll		Roll 35: TEMP DATA NAME Roll150
APPENDIX A: THE POP LANGUAGE127	Roll 36: TEMP POLISH Roll151
POP Instructions127	Roll 36: FX AC Roll151
Transmissive Instructions127	Roll 37: EQUIVALENCE Roll151
Arithmetic and Logical Instructions130	Roll 37: BYTE SCALAR Roll151
Decision Making Instructions131	Roll 38: USED LIB FUNCTION Roll152
Jump Instructions133	Roll 39: COMMON DATA Roll152
Roll Control Instructions133	Roll 39: HALF WORD SCALAR Roll152
Code Producing Instructions134	Roll 40: COMMON NAME Roll152
Address Computation Instructions134	Roll 40: TEMP PNTR Roll153
Indirect Addressing Instruction135	Roll 41: IMPLICIT Roll153
Labels135	Roll 42: EQUIVALENCE OFFSET Roll153
Global Labels135	Roll 42: FL AC Roll153
Local Labels136	Roll 43: LBL Roll153
Assembly and Operation136	Roll 44: SCALAR Roll154
POP Interpreter136	Roll 44: HEX CONST Roll154
Assembler Language References to POP		Roll 45: DATA VAR Roll154
Subroutines137	Roll 46: LITERAL TEMP (TEMP LITERAL)	
Global Jump Instructions137	Roll155
Local Jump Instructions138	Roll 47: COMMON DATA TEMP Roll155
Roll 47: FULL WORD SCALAR Roll		Roll 48: COMMON AREA Roll155
APPENDIX B: ROLLS USED IN THE COMPILER .	.140	Roll 48: NAMELIST ALLOCATION Roll155
Roll 0: LIB Roll140	Roll 49: COMMON NAME TEMP Roll156
Roll 1: SOURCE Roll140	Roll 50: EQUIV ALLOCATION Roll156
Roll 2: IND VAR Roll141	Roll 51: RLD Roll156
Roll 2: NONSTD SCRIPT Roll141	Roll 52: COMMON ALLOCATION Roll156
Roll 3: NEST SCRIPT Roll141	Roll 52: LOOP CONTROL Roll156
Roll 4: POLISH Roll141	Roll 53: FORMAT Roll157
Roll 4: LOOP SCRIPT Roll142	Roll 54: SCRIPT Roll157
Roll 5: LITERAL CONST Roll142	Roll 55: LOOP DATA Roll157
Roll 7: GLOBAL SPROG Roll142	Roll 56: PROGRAM SCRIPT Roll158
Roll 8: FX CONST Roll143	Roll 56: ARRAY PLEX Roll158
Roll 9: FL CONST Roll143	Roll 57: ARRAY REF Roll159
Roll 10: DP CONST Roll143	Roll 58: ADR CONST Roll159
Roll 11: COMPLEX CONST Roll143	Roll 59: AT Roll159
Roll 12: DP COMPLEX CONST Roll143	Roll 60: SUBCHK Roll160
Roll 13: TEMP NAME Roll143	Roll 60: NAMELIST MPY DATA Roll160
Roll 13: STD SCRIPT Roll144	Roll 62: GENERAL ALLOCATION Roll160
Roll 14: TEMP Roll144	Roll 62: CODE Roll160
Roll 15: DO LOOPS OPEN Roll144		
Roll 15: LOOPS OPEN Roll144		

Roll 60: NAMELIST MPY DATA Roll160	Input/Output Operations177
Roll 62: GENERAL ALLOCATION Roll160	Formatted Read and Write Statements177
Roll 62: CODE Roll160	Second List Item, Formatted177
Roll 63: AFTER POLISH Roll161	Second List Array, Formatted178
Work and Exit Rolls161	Final List Entry, Formatted178
WORK Roll161	Unformatted Read and Write Statements178
EXIT Roll161	Second List Item, Unformatted178
		Second List Array, Unformatted178
APPENDIX C: POLISH NOTATION FORMATS163	Final List Entry, Unformatted178
General Form163	Backspace, Rewind, and Write Tapemark178
Labeled Statements163	STOP and PAUSE Statements179
Array References163	NAMELIST READ and WRITE179
ENTRY Statement164	DEFINE FILE Statement179
ASSIGN Statement164	FIND Statement179
Assigned GO TO Statement164	Direct Access READ and WRITE	
Logical IF Statement164	Statements179
RETURN Statement164	FORMAT Statements180
Arithmetic and Logical Assignment		FORMAT Beginning and Ending	
Statement164	Parentheses180
Unconditional GO TO Statement165	Slashes180
Computed GO TO Statement165	Internal Parentheses180
Arithmetic IF Statement165	Repetition of Individual FORMAT	
DO Statement165	Specifications180
CONTINUE Statement166	I, F, E, and D FORMAT Codes180
PAUSE and STOP Statements166	A FORMAT Code180
END Statement166	Literal Data180
BLOCK DATA Statement166	X FORMAT Code181
DATA Statement and DATA in Explicit		T FORMAT Code181
Specification Statements166	Scale Factor-P181
I/O List167	G FORMAT Code181
Input Statements167	L FORMAT Code181
FORMATTED READ167	Z FORMAT Code181
NAMELIST READ168	Debug Facility181
UNFORMATTED READ168	DEBUG Statement181
READ Standard Unit168	Beginning of Input/Output181
Output Statements168	End of Input/Output181
FORMATTED WRITE168	UNIT Option181
NAMELIST WRITE169	TRACE Option182
UNFORMATTED WRITE169	SUBTRACE Option182
PRINT169	INIT Option182
PUNCH169	SUBCHK Option183
Direct Access Statements169	AT Statement183
READ, Direct Access169	TRACE ON Statement183
WRITE, Direct Access170	TRACE OFF Statement183
FIND170	DISPLAY Statement183
DEFINE FILE170		
END FILE Statement170	APPENDIX E: MISCELLANEOUS REFERENCE	
REWIND Statement171	DATA185
BACKSPACE Statement171	Parse Label List185
Statement Function171	Supplementary Parse Label List185
FUNCTION Statement171	Allocate Label List193
Function (Statement or Subprogram)		Supplementary Allocate Label List193
Reference171	Unify Label List196
Subroutine Statement171	Supplementary Unify Label List196
CALL Statement172	Gen Label List198
Debug Facility Statements172	Supplementary Gen Label List198
AT172	Exit Label List208
TRACE ON172	Supplementary Exit Label List208
TRACE OFF172		
DISPLAY173	APPENDIX F: OBJECT-TIME LIBRARY	
APPENDIX D: OBJECT CODE PRODUCED BY		SUBPROGRAMS212
THE COMPILER175	Library Functions212
Branches175	Composition of the Library212
Computed GO TO Statement175	System Generation Options212
DO Statement175	Module Summaries213
Statement Functions176	Library Interrelationships214
Subroutine and Function Subprograms176	Initialization215
		Input/Output Operations216

Define File218	Compiler-Directed Errors: IHCIBERH228
Sequential Read/Write Without Format .218		Program Interrupts229
Initial Call218	Action for Interrupts 9, 11, 12,	
Second Call219	13, and 15229
Additional List Item Calls219	Action for Interrupt 6229
Final Call219	Library-Detected Errors230
System Block Modification and		Without Extended Error Handling230
Reference219	With Extended Error Handling231
Error Conditions220	Abnormal Termination Processing231
Sequential READ/WRITE With Format221	Codes 4 and 12231
Processing the Format Specification221	Codes 0 and 8231
Direct Access READ/WRITE Without		Extended Error Handling Facility232
Format224	Option Table--IHCUOPT232
Initialization Branch224	Altering the Option Table--IHCFOPT232
Successive Entries for List Items225	Error Monitor--IHCERRM233
Final Branch225	Extended Error Handling	
Error Conditions226	Trackback--IHCETRCH233
Direct Access READ/WRITE With Format226	Conversion234
FIND226	Mathematical and Service Routines234
READ And WRITE Using NAMELIST226	Mathematical Routines234
Read226	Service Subroutines234
Write227	IHCFDVCH (Entry Name DVCHK)234
Error Conditions227	IHCFOVER (Entry Name OVERFL)235
Stop and Pause (Write-to-Operator)227	IHCFSLIT (Entry Names SLITE,	
Stop227	SLITET)235
Pause227	IHCSEXIT (Entry Name EXIT)235
Backspace227	IHCFDUMP (Entry Names DUMP and	
Rewind228	PDUMP)235
End-File228	IHCDEBUG236
Error Handling228	Termination239
		GLOSSARY259
		INDEX263

ILLUSTRATIONS

FIGURES

Figure 1. Overall Operation of the Compiler	11	Figure 14. Quotes Used in the Compiler	27
Figure 2. Compiler Organization Chart	14	Figure 15. Compiler Arrangement with Registers	28
Figure 3. Compiler Storage Configuration	15	Figure 16. Calling Paths for Library Routines	215
Figure 4. Compiler Output	16	Figure 17. Control Flow for Input/output Operations	217
Figure 5. Object Module Configuration	17	Figure 18. IHCUATBL: The Data Set Assignment	239
Figure 6. Example of Use of Save Area	18	Figure 19. DSRN Default Value Field of IHCUATBL Entry	240
Figure 7. Roll Containing K Bytes of Information	23	Figure 20. Format of a Unit Block for a Sequential Access Data Set	240
Figure 8. Roll Containing L Bytes of Reserved Information and K Bytes of New Information	24	Figure 21. Format of a Unit Block for a Direct Access Data Set	242
Figure 9. Roll With a Group Size of Twelve	25	Figure 22. General Form of the Option Table (IHCUOPT)	242.1
Figure 10. Roll with Variable Group Size	25	Figure 23. Preface of the Option Table (IHCUOPT)	242.2
Figure 11. First Group Stats Table	26	Figure 24. Composition of an Option Table Entry	242.2
Figure 12. Second Group Stats Table	26	Figure 25. Original Values of Option Table Entries	242.3
Figure 13. Scan Control Variables	27		

TABLES

Table 1. Internal Configuration of Operation Drivers	31	Table 9. Routines Affected by Extended Error Handling Option	212
Table 2. Internal Configuration of Control Drivers (Part 1 of 2)	32	Table 10. Format Code Translations and Their Meanings	222
Table 3. Rolls Used by Parse	36	Table 11. IHCFCVTH Subroutine Directory	234
Table 4. Rolls Used by Allocate	44	Table 12. IHCDBUG Transfer Table	236
Table 5. Rolls Used by Unify	52	Table 13. DCB Default Values	240
Table 6. Rolls Used by Gen	53	Table 14. IHCFCOMH/IHCECOMH Transfer and Subroutine Table	242.3
Table 7. Rolls Used by Exit	55		
Table 8. POP Instruction Cross-Reference List	139		

CHARTS

Chart 00.	IEYFORT (Part 1 of 4)	59	Chart CV.	BUILD AND PUNCH	
Chart 01.	IEYFORT (Part 2 of 4)	60		NAMELIST TABLES	97
Chart 02.	IEYFORT (Part 3 of 4)	61	Chart CW.	BUILD BASES	98
Chart 03.	IEYFORT (Part 4 of 4)	62	Chart CX.	DEBUG ALLOCATE	99
Chart AA.	OPTSCAN	63	Chart 07.	PHASE 3 - UNIFY	100
Chart AB.	DDNAMES	64	Chart DA.	BUILD ARRAY REF ROLL	101
Chart AC.	HEADOPT	65	Chart DB.	MAKE ADDRESS CONSTANTS	102
Chart AD.	TIMEDAT	66	Chart DC.	CONSTRUCT INSTRUCTIONS	103
Chart 04.1.	PHASE 1 - PARSE (Part 1 of 2)	67	Chart DD.	PROCESS NESTED LOOPS	104
Chart 04.2.	PHASE 1 - PARSE (Part 2 of 2)	68	Chart 08.	PHASE 4 - GEN	105
Chart BA.	WRITE LISTING AND READ SOURCE	68	Chart EA.	GENERATE ENTRY CODE	106
Chart BB.	INITIALIZE FOR PROCESSING STATEMENT	69	Chart EB.	PROLOGUE CODE GENERATION	107
Chart BC1.	PROCESS LABEL FIELD (Part 1 of 2)	70	Chart EC.	EPILOGUE CODE GENERATION	108
Chart BC2.	PROCESS LABEL FIELD (Part 2 of 2)	70	Chart ED.	MOVE POLISH NOTATION	109
Chart BD.	PROCESS STATEMENT	71	Chart EF.	PROCESS LABELS	110
Chart BE.	COMPLETE STATEMENT AND MOVE POLISH	72	Chart EG.	GENERATE STMT CODE	111
Chart BF.	PROCESS END STATEMENT	73	Chart EH.	COMPLETE OBJECT CODE	112
Chart BG.	PROCESS POLISH	74	Chart 09.	PHASE 5 - IEYEXT	113
Chart 05.	PHASE 2 - ALLOCATE (Part 1 of 2)	75	Chart FA.	PUNCH CONSTANTS AND TEMP STORAGE	114
Chart 06.	PHASE 2 - ALLOCATE (Part 2 of 2)	76	Chart FB.	PUNCH ADR CONST ROLL	115
Chart CA.	MOVE BLD NAMES TO DATA VAR ROLL	77	Chart FC.	PUNCH OBJECT CODE	116
Chart CB.	PREPARE EQUIVALENCE DATA	78	Chart FD.	PUNCH BASE TABLE	117
Chart CC.	ALLOCATE BLOCK DATA	79	Chart FE.	PUNCH BRANCH TABLE	118
Chart CD.	PREPROCESS DUMMY DIMENSIONS	80	Chart FF.	PUNCH SUBPROGRAM ARGUMENT LISTS	119
Chart CE.	CHECK FOR UNCLOSED DO LOOPS	81	Chart FG.	PUNCH SUBPROGRAM ADDRESSES	120
Chart CF.	CONSTRUCT BRANCH TABLE ROLL	82	Chart FH.	COMPLETE ADDRESSES FROM LIBRARY	121
Chart CG.	ALLOCATE HEADING AND PUNCH ESD CARDS	83	Chart FI.	PUNCH ADDRESS CONSTANTS	122
Chart CH.	CHECK ASSIGNMENT OF FUNCTION VALUE	84	Chart FJ.	PUNCH RLD CARDS	123
Chart CI.	COMMON ALLOCATION	85	Chart FK.	PUNCH END CARDS	124
Chart CK.	EQUIVALENCE DATA ALLOCATION	86	Chart FL.	PUNCH NAMELIST TABLE POINTERS	125
Chart CL.	SAVE AREA, BASE AND BRANCH TABLE ALLOCATION	87	Chart G0.	IHCFCOMH/IHCECOMH (Part 1 of 4)	243
Chart CM.	ALLOCATE SCALARS	88	Chart G0.	IHCFCOMH/IHCECOMH (Part 2 of 4)	243.1
Chart CN.	ALLOCATE ARRAYS	89	Chart G0.	IHCFCOMH/IHCECOMH (Part 3 of 4)	243.2
Chart CO.	ADD BASES FOR SUBPROGRAM ADDRESSES	90	Chart G0.	IHCFCOMH/IHCECOMH (Part 4 of 4)	243.3
Chart CP.	ALLOCATE SUBPROGRAM ARGUMENT LISTS	91	Chart G1.	IHCFIOSH/IHCEFIOS (Part 1 of 2)	244
Chart CQ.	PREPARE NAMELIST TABLES	92	Chart G1.	IHCFIOSH/IHCEFIOS (Part 2 of 2)	244.1
Chart CR.	ALLOCATE LITERAL CONSTANTS	93	Chart G2.	IHCADIOSE/IHCEDIOS (Part 1 of 5)	245
Chart CS.	ALLOCATE FORMATS	94	Chart G2.	IHCADIOSE/IHCEDIOS (Part 2 of 5)	245.1
Chart CT.	MAP EQUIVALENCE	95	Chart G2.	IHCADIOSE/IHCEDIOS (Part 3 of 5)	245.2
Chart CU.	ALLOCATE SUBPROGRAM ADDRESSES	96	Chart G2.	IHCADIOSE/IHCEDIOS (Part 4 of 5)	245.3
			Chart G2.	IHCADIOSE/IHCEDIOS (Part 5 of 5)	246
			Chart G3.	IHCNAMEL	247
			Chart G4.	IHCFINTH/IHCFFNTH (Part 1 of 3)	248
			Chart G4.	IHCFINTH/IHCFFNTH (Part 2 of 3)	248.1

Chart G4.	IHCFINTH/IHCFINTH		
(Part 3 of 3)		248.2
Chart G5.	IHCADJUST	249
Chart G6.	IHCIBERH	250
Chart G7.	IHCSTAE (Part 1 of 2)		.251
Chart G7.	IHCSTAE (Part 2 of 2)		.252
Chart G8.	IHCERRM (Part 1 of 2)		.253
Chart G8.	IHCERRM (Part 2 of 2)		.254
Chart G9.	IHCFOPT (Part 1 of 3)		.255
Chart G9.	IHCFOPT (Part 2 of 3)		.256
Chart G9.	IHCFOPT (Part 3 of 3)		.257
Chart G10.	IHCTRCH/IHCERTCH	258
Chart G11.	IHCFDUMP	258.1
Chart G12.	IHCFEXIT	258.2
Chart G13.	IHCFSLIT	258.3
Chart G14.	IHCFOVER	258.4
Chart G15.	IHCFDVCH	258.5
Chart G16.	IHCDEBUG (Part 1 of 4)		.258.6
Chart G16.	IHCDEBUG (Part 2 of 4)		.258.7
Chart G16.	IHCDEBUG (Part 3 of 4)		.258.8
Chart G16.	IHCDEBUG (Part 4 of 4)		.258.9

This section contains general information describing the purpose of the FORTRAN IV (G) compiler, the minimum machine configuration required, the relationship of the compiler to the operating system, compiler design and implementation, and compiler output. The various rolls,¹ variables, registers, pointers, and drivers used by the compiler are also discussed.

PURPOSE OF THE COMPILER

The IBM System/360 Operating System FORTRAN IV (G) compiler is designed to accept programs written in the FORTRAN IV language as defined in the publication IBM System/360: FORTRAN IV Language, Form C28-6515.

The compiler produces error messages for invalid statements, and, optionally, a listing of the source module, storage maps, and an object module acceptable to the System/360 Operating System linkage editor.

MACHINE CONFIGURATION

The minimum system configuration required for the use of the IBM System/360 Operating System with the FORTRAN IV (G) compiler is as follows:

- An IBM System/360 Model 40 computer with a storage capacity of 128K bytes and a standard and floating-point instruction set.
- A device for operator communication, such as an IBM 1052 Keyboard Printer.
- At least one direct-access device provided for system residence.

COMPILER AND SYSTEM/360 OPERATING SYSTEM

The FORTRAN IV (G) compiler is a processing program of the IBM System/360

¹Most of the tables used by the compiler are called rolls. (Further explanation of rolls is given in "Rolls and Roll Controls.")

Operating System. As a processing program, the compiler communicates with the control program for input/output and other services. A general description of the control program is given in the publication IBM System/360 Operating System: Introduction to Control Program Logic, Program Logic Manual.

A compilation, or a batch of compilations, is requested using the job statement (JOB), the execute statement (EXEC), and data definition statements (DD). Alternatively, cataloged procedures may be used. A discussion of FORTRAN IV compilation and the available cataloged procedures is given in the publication IBM System/360 Operating System: FORTRAN IV (G) Programmer's Guide.

The compiler receives control initially from the calling program (e.g., job scheduler or another program that CALLS, LINKS to, or ATTACHes the compiler). Once the compiler receives control, it uses the QSAM access method for all of its input/output operations. After compilation is completed, control is returned to the calling program.

COMPILER DESIGN

The compiler will operate within a total of 80K bytes of main storage. This figure includes space for the compiler code, data management access routines, and sufficient working space to meet other storage requirements stated throughout this publication.

Any additional storage available is used as additional roll storage.

LIMITATIONS OF THE COMPILER

The System/360 Operating System FORTRAN IV (G) compiler and the object module it produces can be executed on all System/360 models from Model 40 and above, under control of the operating system control program. All input information must be written in either BCD or EBCDIC representation. The compiler is designed to process all properly written programs so that the object code produced by the compiler is compatible with the existing mathematical library subroutines.

If ten source read errors occur during the compilation, or if it is not possible to use SYSPRINT, the operation of the compiler is terminated. The operation of the compiler is also limited by the availability of main storage space. The compilation is terminated if:

- The roll storage area is exceeded
- Any single roll exceeds 64K bytes, thereby making it unaddressable
- The WORK or EXIT roll exceeds its allocated storage

Note: If any of these conditions occur during the first phase of the compilation, the statement currently being processed may be discarded; in this case, the compilation continues with the next statement.

COMPILER IMPLEMENTATION

The primary control and processing routines (hereafter referred to as "POP routines" or "compiler routines") of the compiler are primarily written in machine-independent pseudo instructions called POP instructions.

Interpretation of the pseudo instructions is accomplished by routines written in the System/360 Operating System assembler language. These routines (hereafter referred to as "POP subroutines") are an integral part of the compiler and perform the operations specified by the POP instructions, e.g., saving of backup information, maintaining data indicators, and general housekeeping.

Control of the compiler operation is greatly affected by source language syntax rules during the first phase of the compiler, Parse. During this phase, identifiers and explicit declarations encountered in parsing are placed in tables and a Polish notation form of the program is produced. (For further information on Polish notation, see Appendix C, "Polish Notation Formats.")

The compiler quite frequently uses the method of recursion in parsing, analysis, and optimization. All optimizing and code generating routines, which appear in later phases, operate directly on the tables and Polish notation produced by Parse.

The compiler is also designed so that reloading of the compiler is unnecessary in order to accomplish multiple compilations.

POP LANGUAGE

The FORTRAN IV (G) compiler is written in a combination of two languages: the System/360 Operating System assembler language, which is used where it is most efficient, and the POP language.

The POP language is a mnemonic macro programming language whose instructions include functions that are frequently performed by a compiler. POP instructions are written for assembly by the System/360 Operating System assembler, with the POP instructions defined as macros. Each POP instruction is assembled as a pair of address constants which together indicate an instruction code and an operand. A statement or instruction written in the POP language is called a POP. The POP instructions are described in Appendix A.

COMPILER ORGANIZATION

The System/360 Operating System FORTRAN IV (G) compiler is composed of a control phase, Invocation, and five processing phases (see Figure 1): Parse, Allocate, Unify, Gen, and Exit. The operating system names for these phases are, respectively, IEYFORT, IEYPAR, IEYALL, IEYUNF, IEYGEN, and IEYEXT. (The first level control and second level processing compiler routines used in each phase are shown in Figure 2.) In addition, Move is a pre-assembled work area, IEYROL.

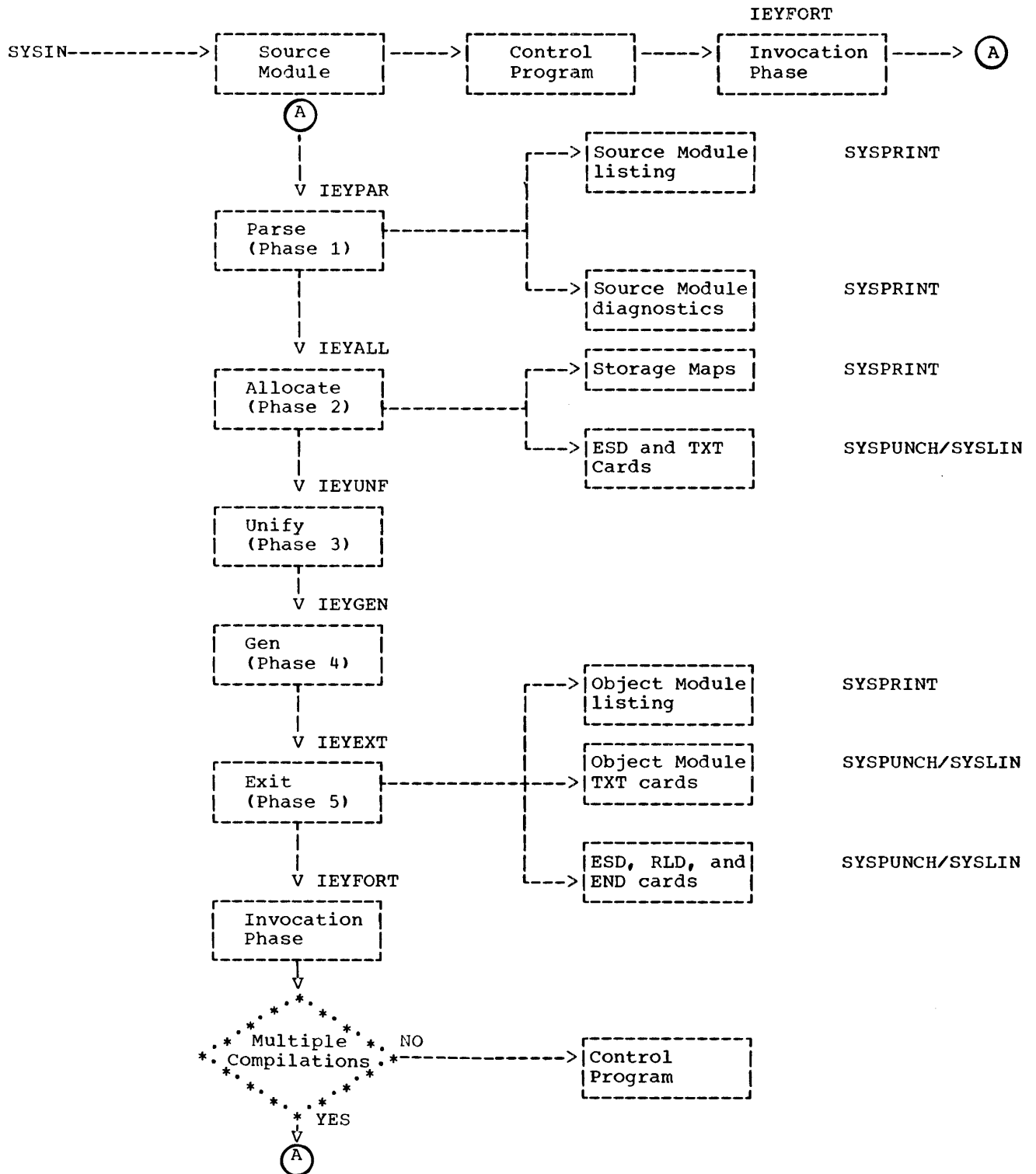


Figure 1. Overall Operation of the Compiler

Control Phase: Invocation (IEYFORT)

The Invocation phase (IEYFORT) is loaded upon invocation of the compiler and remains in core storage throughout compilation. It is entered initially from the calling program, from each module at the end of its processing, and from Exit after compilation is complete.

At the initial entry, the Invocation phase initializes bits in IEYFORT1 from the options specified by the programmer for the compilation, opens data sets, and fetches the modules IEYPAR, IEYALL, IEYUNF, IEYGEN, and IEYEXT via a series of LOAD macro instructions. These modules remain in core storage for a series of main program and subprogram compilations unless it is determined that additional space required for tables is not available. When this occurs, modules that precede the active one are deleted, and compilation is resumed. If more space is required, modules that follow the currently active one are deleted.

When a module completes processing, it returns to IEYFORT, which ensures the presence of the next module and transfers to it. During initialization for a subprogram, IEYFORT ensures that all modules are loaded.

The last entry is made from the Exit phase at the completion of a compilation. When the entry is made from Exit, the Invocation phase checks for multiple compilations. If another compilation is required, the compiler is reinitialized and the main storage space allocated for the expansion of rolls is assigned to the next compilation; otherwise, control is returned to the calling program.

Phase 1: Parse (IEYPAR)

Parse accepts FORTRAN statements in card format from SYSIN and scans these to produce error messages on the SYSPRINT data set, a source module listing (optional), and Polish notation for the program. The Polish notation is maintained on internal tables for use by subsequent phases. In addition, Parse produces the roll entries defining the symbols used in the source module.

Phase 2: Allocate (IEYALL)

Allocate, which operates immediately after Parse, uses the roll entries produced

by Parse to perform the storage allocation for the variables defined in the source module. The addressing information thus produced is then left in main storage to be used by the next phase.

The ESD cards for the object module itself, COMMON blocks and subprograms, and TXT cards for NAMELIST tables, literal constants and FORMAT statements are produced by Allocate on the SYSPUNCH and/or SYSLIN data sets. Error messages for COMMON and EQUIVALENCE statements, unclosed DO loops and undefined labels are produced on SYSPRINT; on the MAP option, maps of data storage are also produced.

Phase 3: Unify (IEYUNF)

The Unify phase optimizes the usage of general registers within DO loops by operating on roll data which describes array references. The optimization applies to references which include subscripts of the form $ax+b$, where a and b are positive constants and x is an active induction variable (that is, x is a DO-controlled variable and the reference occurs within the DO loop controlling it), and where the array does not have any adjustable dimensions. The addressing portion of the object instruction for each such array reference is constructed to minimize the number of registers used for the reference and the number of registers which must be changed as each induction variable changes.

Phase 4: Gen (IEYGEN)

Gen uses the Polish notation produced by Parse and the memory allocation information produced by Allocate. From this information, Gen produces the code, prologues, and epilogues required for the object module. In order to produce the object code, Gen resolves labeled statement references (i.e., a branch target label) and subprogram entry references.

The final output from Gen is a complete form of the machine language code which is internally maintained for writing by the Exit phase.

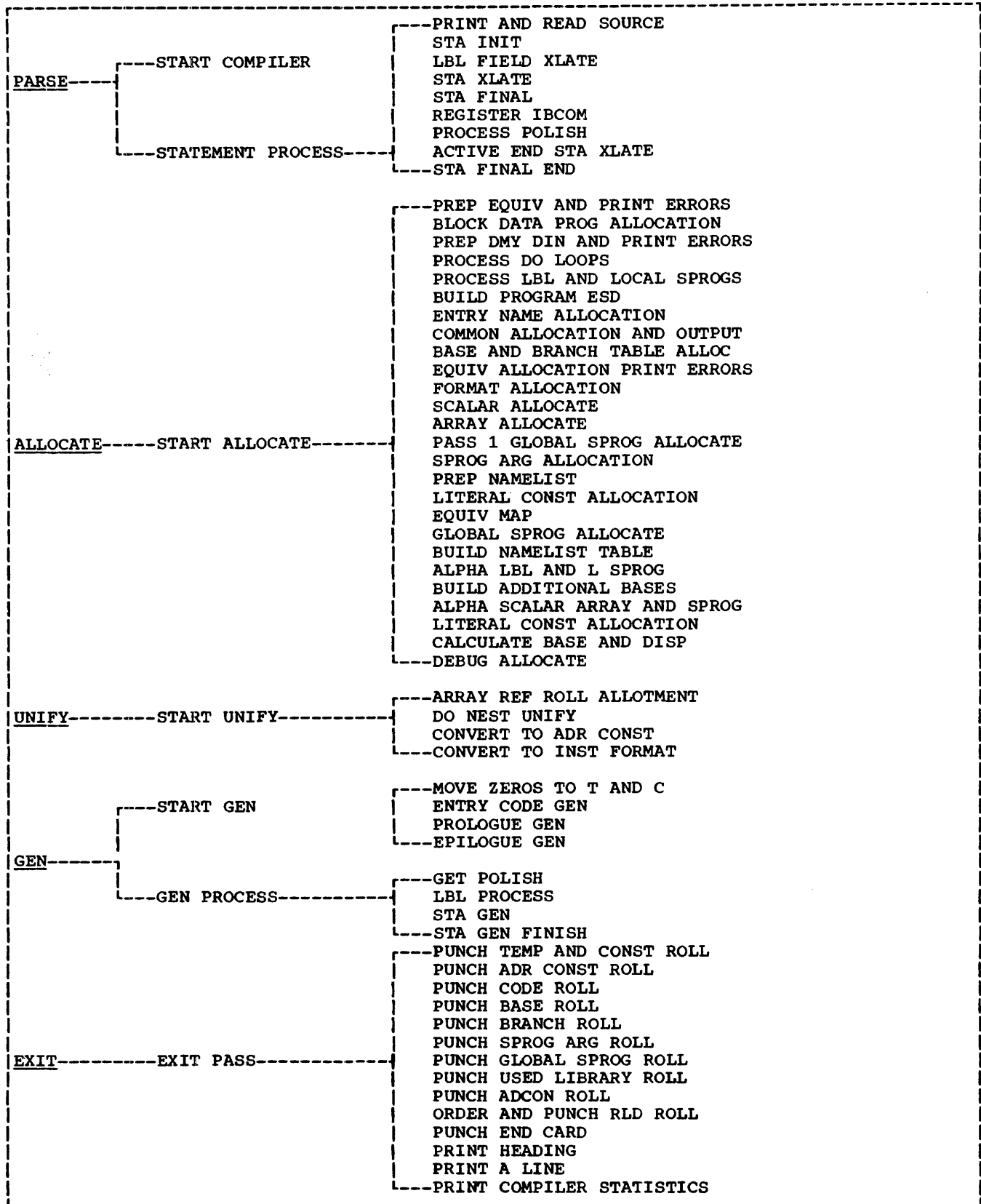
Phase 5: Exit (IEYEXT)

Exit, which is the last processing phase of the compiler, produces the TXT cards for the remaining portion of the object module, the RLD cards (which contain the relocatable information), and the END card. This output is placed optionally on the SYSLIN data set for linkage editor processing and/or SYSPUNCH if a card deck has been requested. Additionally, a listing of the generated code may be written on the SYS-

PRINT data set in a format similar to that produced by an assembly program.

Roll (IEYROL)

Roll contains static rolls and roll information always required for compiler operations. These are described under the heading "Rolls and Roll Controls" later in this section.



•Figure 2. Compiler Organization Chart

	Load Module Name	Components	Content or Function
Low Core	IEYFORT	IEYFORT	Invocation and control
		IEYFORT1	Option bits
		IEYFORT2	Loads and deletes other modules
		IEYROL	Roll statistics (bases, tops, bottoms)
			Group statistics (displacement group sizes)
			WORK roll
			EXIT roll
	IEYINT	POP Jump Table	
		POP machine language sub-routines	
Roll Storage is Allocated from this Area			
High Core	IEYPAR	IEYPAR	Parse phase
			Quotes and messages
	IEYALL	IEYALL	Allocate phase
	IEYUNF	IEYUNF	Unify phase
	IEYGEN	IEYGEN	Generate phase
	IEYEEXT	IEYEEXT	Exit phase

Figure 3. Compiler Storage Configuration

COMPILER STORAGE CONFIGURATION

Figure 3 illustrates the relative positions, but not the relative sizes of the component parts of the FORTRAN compiler as they exist in main storage. The component parts of each phase are described in Section 2.

COMPILER OUTPUT

The source module(s) to be compiled appear as input to the compiler on the SYSIN data set. The SYSLIN, SYSPRINT, and SYSPUNCH data sets are used (depending on the options specified by the user) to contain the output of the compilation.

The output of the compiler is represented in EBCDIC form and consists of any or all of the following:

- Object Module (linkage editor input)
- Source Module listing
- Object Module listing
- Storage maps
- Error messages (always produced)
- Relocatable card images for punching

The overall data flow and the data sets used for compilation are illustrated in Figure 4. The type of output is determined by compile time parameters.

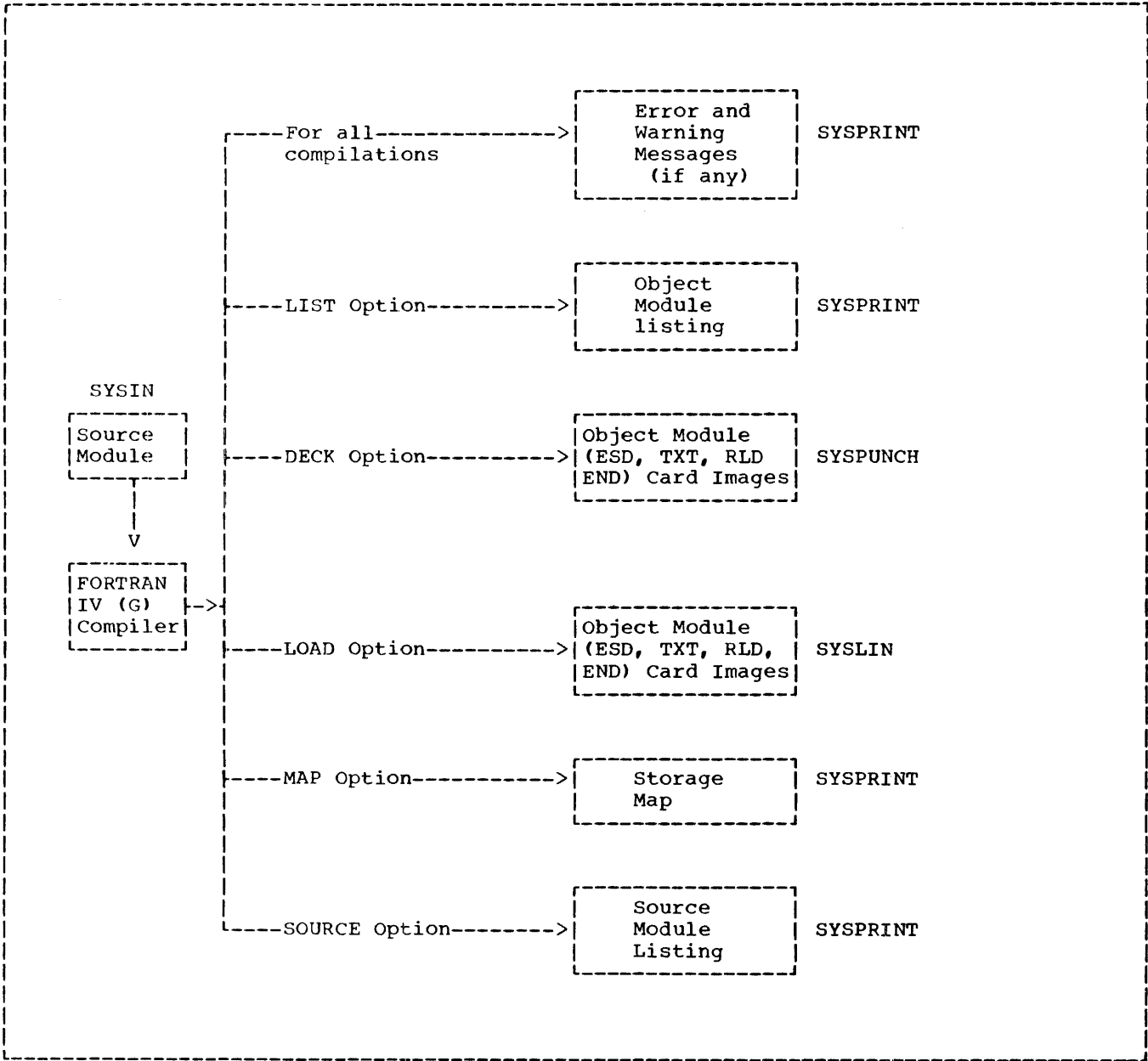
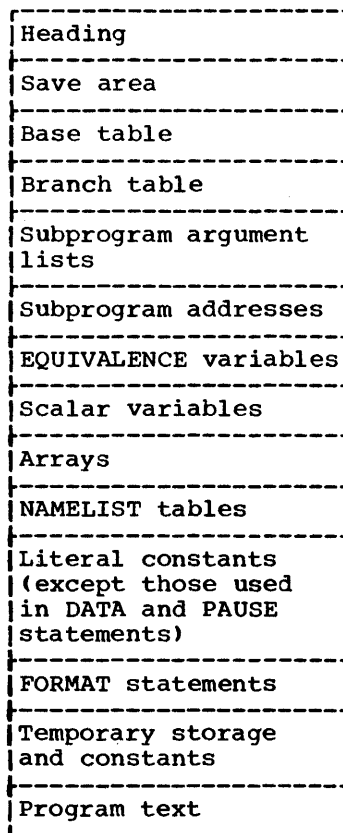


Figure 4. Compiler Output

OBJECT MODULE

The configuration of the object module produced by the FORTRAN IV (G) compiler is shown in Figure 5.

Entry point--->



• Figure 5. Object Module Configuration

Components of the Object Module

The following paragraphs describe the components of the object module produced by the FORTRAN IV (G) compiler.

HEADING: The object module heading includes all initializing instructions required prior to the execution of the body

of the object module. Among other functions, these instructions set general register 13 (see "Object Module General Register Usage") and perform various operations, depending on whether the program is a main program or a subprogram and on whether it calls subprograms. (See "Code Produced for SUBROUTINE and FUNCTION Subprograms.")

SAVE AREA: The save area, at maximum 72 bytes long, is reserved for information saved by called subprograms. Figure 6 shows an example of the use of this area in program Y, which is called by program X, and which calls program Z.

The first byte of the fifth word in the save area (Save Area of Y + 16) is set to all ones by program Z before it returns to program Y. Before the return is made, all general registers are restored to their program Y values.

BASE TABLE: The base table is a list of addresses from which the object module loads a general register prior to accessing data; the general register is then used as a base in the data referencing instruction.

Because an interval of 4096 bytes of storage can be referenced by means of the machine instruction D field, consecutive values representing a single control section in this table differ from each other by at least 4096 bytes. Only one base table entry is constructed for an array which exceeds 4096 bytes in length; hence, there is a possibility that an interval of more than 4096 bytes exists between consecutive values for a single control section in the table.

The addresses compiled into this table are all relative, and are modified by the linkage editor prior to object module execution. Those entries constructed for references to COMMON are modified by the beginning address of the appropriate COMMON block; those entries constructed for references to variables and constants within the object module itself are modified by the beginning address of the appropriate object module.

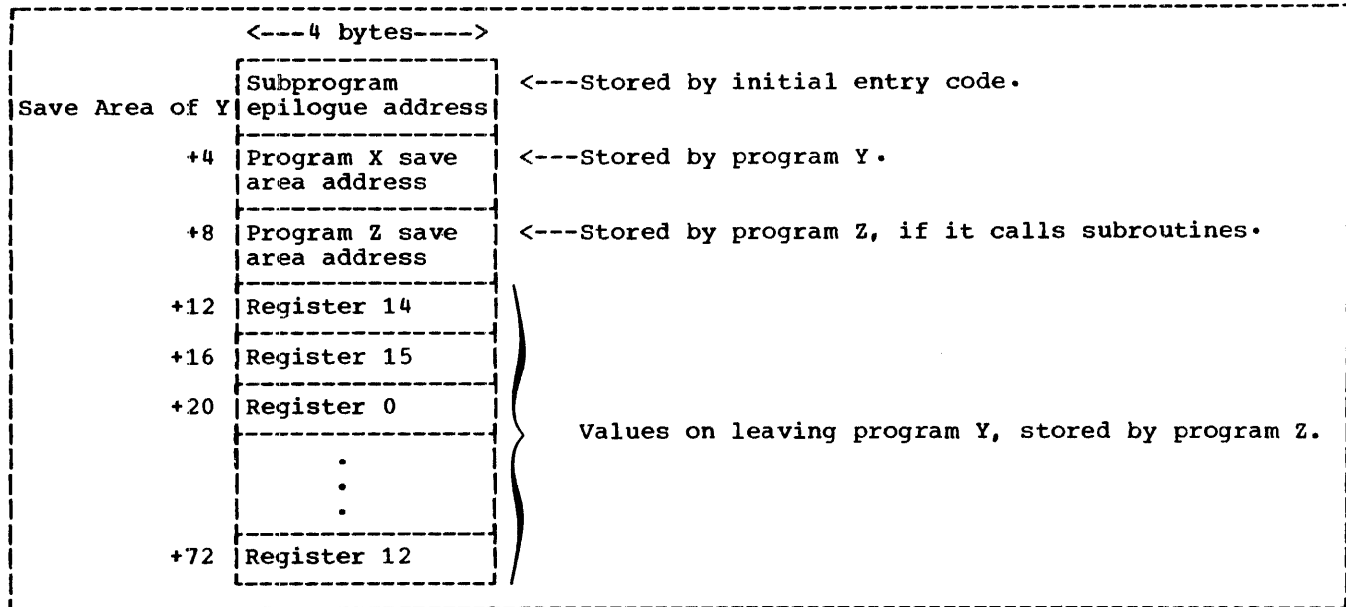


Figure 6. Example of Use of Save Area

BRANCH TABLE: This table contains one fullword entry for each branch target label (a label referred to in a branch statement) and statement function in the source module. In addition, one entry occurs for each label produced by the compiler in generating the object module. These labels refer to return points in DO loops and to the statement following complete Logical IF statements, and are called made labels.

In the object module code, any branch is performed by loading general register 14 (see "Object Module General Register Usage") from this table, and using a BCR instruction. The values placed in this table by the compiler are relative addresses. Each value is modified by the base address of the object module by the linkage editor.

SUBPROGRAM ARGUMENT LISTS: This portion of the object module contains the addresses of the arguments for all subprograms called. In calling a subprogram, the object module uses general register 1 to transmit a location in this table. The subprogram then acquires the addresses of its arguments from that location and from as many subsequent locations as there are arguments. The sign bit of the word containing the address of the last argument for each subprogram is set to one.

SUBPROGRAM ADDRESSES: This list contains one entry for each FUNCTION or SUBROUTINE subprogram referenced by the object module. The entry will hold the address of that subprogram when it is supplied by the linkage editor. The compiler reserves the correct amount of space for the list, based on the number of subprograms referred to by the source module.

EQUIVALENCE VARIABLES: This area of the object module contains unsubscripted variables and arrays, listed in EQUIVALENCE sets which do not refer to COMMON.

SCALAR VARIABLES: All non-subscripted variables which are not in COMMON and are not members of EQUIVALENCE sets appear in this area of the object module.

ARRAYS: All arrays which are not in COMMON, and are not members of EQUIVALENCE sets appear in this area of the object module.

NAMelist TABLES: For each NAMelist name and DISPLAY statement in the source module, a NAMelist table is constructed by the compiler and placed in this area of the object module. Each table consists of one entry for each scalar variable or array listed following the NAMelist name or in the DISPLAY statement, and begins with four words of the following form:

Word \ Byte	Byte			
	1	2	3	4
1	name field			
2				
3	not used			
4				

where the name field contains the NAMELIST name, right justified. For the DISPLAY statement, the name is DBGnn#, where nn is the number of the DISPLAY statement within the source program or subprogram.

Table entries for scalar variables have the following form:

Word \ Byte	Byte			
	1	2	3	4
1	name field			
2				
3	address field			
4				

where:

name field
 contains the name of the scalar variable, right justified.

address field
 contains the relative address of the variable within the object module.

type field
 contains zero to indicate a scalar variable.

mode field
 contains the mode of the variable, coded as follows:

- 2 = Logical, 1 byte
- 3 = Logical, fullword
- 4 = Integer, halfword
- 5 = Integer, fullword
- 6 = Real, double precision
- 7 = Real, single precision
- 8 = Complex, double precision
- 9 = Complex, single precision
- A = Literal (not currently compiler-generated)

NAMELIST table entries for arrays have the following form:

Word \ Byte	Byte			
	1	2	3	4
1	name field			
2				
3	address field			
4				
5	indicator	first dimension factor field		
6	not used	second dimension factor field		
7	not used	third dimension factor field		
.
.
etc.	.	.	.	etc.

where:

name field
 contains the name of the array, right justified.

address field
 contains the relative address of the beginning of the array within the object module.

mode field
 contains the mode of the array elements, coded as for scalar variables, above.

no. dimens.
 contains the number of dimensions in the array; this value may be 1-7.

length field
 contains the length of the array element in bytes.

indicator field
 is set to zero if the array has been defined to have variable dimensions; otherwise, it is set to nonzero.

first dimension factor field
 contains the total size of the array in bytes.

second dimension factor field
 contains the address of the second multiplier for the array (n1*L, where n1 is the size of the first dimension in elements, and L is the number of bytes per element).

third dimension factor field contains the address of the third multiplier for the array ($n1*n2*L$, where $n1$ is the size of the first dimension in elements, $n2$ is the size of the second dimension, and L is the number of bytes per element).

A final entry for each NAMELIST table is added after the last variable or array name to signify the end of that particular list. This entry is a fullword in length and contains all zeros.

LITERAL CONSTANTS: This area contains a list of the literal constants used in the source module, except for those specified in DATA and PAUSE statements.

FORMAT STATEMENTS: The FORMAT statements specified in the source module are contained in this area of the object module. The statements are in an encoded form in the order of their appearance in the source module. (See "Appendix D: Code Produced by the Compiler.") The information contains all specifications of the statement but not the word FORMAT.

TEMPORARY STORAGE AND CONSTANTS: This area always begins on a double precision boundary and contains, in no specific order, the constants required by the object module code and the space for the storage of temporary results during computations. Not all of the source module constants necessarily appear in this area, since as many constants as possible are used as immediate data in the code produced. Some constants may appear which are not present in the source module, but which have been produced by the compiler.

PROGRAM TEXT: If the object module contains statement functions, the code for these statements begins the program text and is preceded by an instruction that branches around them to the first executable statement of the program. (See "Statement Functions" in Appendix D for further explanation of this code.) Following the code for the statement functions is the code for the executable statements of the source module.

Object Module General Register Usage

The object module produced by the FORTRAN IV (G) compiler uses the System/360 general registers in the following way:

Register 0: Used as an accumulator.

Register 1: Used as an accumulator and to hold the beginning address of the argument list in branches to subprograms.

Register 2: Used as an accumulator.

Register 3: Used as an accumulator.

Registers 4 through 7: Contain index values as required for references to array variables, where the subscripts are linear functions of DO variables and the array does not have variable dimensions.

Registers 8 and 9: Contain index values as required for references to array variables, where the subscripts are of the form $x+c$, where x is a non DO-controlled variable and c is a constant.

Register 9: Contains index values as required for references to array variables where the subscripts are non-linear of the form $I*J$, where I and J are the variables.

Registers 10 through 12: Contain base addresses loaded from the base table.

Register 13: Contains the beginning address of the object module save area; this value is loaded at the beginning of program execution. Register 13 is also used for access to the base table, since the base table follows the save area in main storage.

Register 14: Contains the return address for subprograms and holds the address of branch target instructions during the execution of branch instructions.

Register 15: Contains the entry point address for subprograms as they are called by the object module.

SOURCE MODULE LISTING

The optional source module listing is a symbolic listing of the source module; it contains indications of errors encountered in the program during compilation. The error message resulting from an erroneous statement does not necessarily cause termination of compiler processing nor the discarding of the statement. Recognizable portions of declaration statements are retained, and diagnosis always proceeds until the end of the program.

OBJECT MODULE LISTING

The optional object module listing uses the standard System/360 Operating System

assembler mnemonic operation codes and, where possible, refers to the symbolic variable names contained in the source module. Labels used in the source module are indicated at the appropriate places in the object code listing.

STORAGE MAPS

The optional storage map consists of six independent listings of storage information. Each listing specifies the names and locations of a particular class of variable. The listings are:

- COMMON variables
- EQUIVALENCE variables
- Scalar variables
- Array variables
- NAMELIST tables
- FORMAT statements

A list of the subprograms called is also produced.

ERROR MESSAGES

Errors are indicated by listing the statement in its original form with the erroneous phrases or characters undermarked by the dollar sign character, followed by comments indicating the type of the error. This method is described in more detail in "Phase 1 of the Compiler: Parse (IEYPAR)."

Common Error Messages

The message NO CORE AVAILABLE is produced (through IEYFORT) by all phases of the compiler when the program being compiled exhausts the main storage space available to the compiler. This message is produced only when the PRESS MEMORY routine cannot provide unused main storage space on request from the compiler.

The message ROLL SIZE EXCEEDED is produced (through the Invocation phase, IEYFORT) by all phases of the compiler when the size of any single roll or rolls is greater than permitted. The following circumstances cause this message to be produced:

- The WORK roll exceeds the fixed storage space assigned to it.
- The EXIT roll exceeds the fixed storage space assigned to it.
- Any other roll, with the exception of the AFTER POLISH roll and the CODE roll, exceeds 64K bytes of storage. In this case, the capacity of the ADDRESS field of a pointer to the roll is exceeded and, therefore, the information on the roll is unaddressable. The AFTER POLISH and CODE rolls are excepted, since pointers to these rolls are not required.

The compilation terminates following the printing of either of these messages.

COMPILER DATA STRUCTURES

The POP language is designed to manipulate certain well-defined data structures.

Rolls, which are the tables primarily used by the compiler, are automatically handled by the POP instructions; that is, when information is moved to and from rolls, controls indicating the status of the rolls are automatically updated.

Items (variables) with fixed structures are used to maintain control values for rolls, to hold input characters being processed, and to record Polish notation, etc. These item structures are also handled automatically by the POP instructions.

The arrangement of the parts of the compiler is significant because of the extensive use of relative addressing in the compiler. General registers are used to hold base addresses, to control some rolls, and to assist in the interpretation of the POP instructions.

ROLLS AND ROLL CONTROLS

Most of the tables employed by the compiler are called rolls. This term describes a table which at any point in time occupies only as much storage as is required for the maximum amount of information it has held during the present compilation (exceptions to this rule are noted later). Another distinctive feature of a roll is that it is used so that the last information placed on it is the first information retrieved, -- it uses a "push up" logic.

With the exception of the WORK and EXIT rolls, the rolls of the compiler are maintained in an area called the roll storage area. The rolls in this area are both named and numbered. While the references to rolls in this document and in the compiler comments are primarily by name, the names are converted to corresponding numbers at assembly time and the rolls are arranged in storage and referred to by number.

If the roll storage area is considered to be one block of continuous storage, the rolls are placed in this area in ascending sequence by roll number; that is, roll 0 begins at the base address of the roll storage area; rolls 1, 2, 3, etc., follow roll zero in sequence, with the roll whose number is largest terminating the roll storage area.

Initially, all rolls except roll 0 are empty and occupy no space; this is accomplished by having the beginning and end of all rolls located at the same place. (Roll 0, the LIB roll, is a fixed-length roll which contains all of its data initially.) When information is to be placed on a roll and no space is available due to a conflict with the next roll, rolls greater in number than the roll in question are moved down (to higher addresses) to make the space available. This is accomplished by physically moving the information on the rolls a fixed number of storage locations and altering the controls to indicate the change. Thus, roll 0 never changes in size, location, or contents; all other rolls expand to higher addresses as required. When information is removed from a roll, the space which had been occupied by that information is left vacant; therefore, it is not necessary to move rolls for each addition of information.

With the exception of the area occupied by roll 0, the roll storage area actually consists of any number of non-contiguous blocks of 4096 bytes of storage. The space required for roll 0 is not part of one of these blocks. Additional blocks of storage are acquired by the compiler whenever current roll storage is exceeded. If the system is unable to fulfill a request for roll storage, the PRESS MEMORY routine is entered to find roll space that is no longer in use. If 32 or more bytes are found, the compilation continues. If fewer than 32 bytes are found, the compilation of the current program is terminated, the message NO CORE AVAILABLE is printed, and space is freed. If there are multiple programs, the next one is compiled.

The following paragraphs describe the controls and statistics maintained by the compiler in order to control the storage

allocation for rolls and the functioning of the "push up" logic.

ROLL ADR Table

The ROLL ADR table is a 1000-byte table maintained in IEYROL. Each entry in this table holds the beginning address of a block of storage which has been assigned to the roll storage area. The first address in the table is always the beginning address of roll 0. The second address is that of the first 4K-byte block of storage and, therefore, the beginning address of roll 1. Initially, the last address recorded on the table is the beginning address of a block which holds the CODE and AFTER POLISH rolls, with the CODE roll beginning at the first location in the block.

As information is recorded on rolls during the operation of the compiler, additional storage space may eventually be required. Whenever storage is needed for a roll which precedes the CODE roll, an additional 4K block is requested from the system and its address is inserted into the ROLL ADR table immediately before the entry describing the CODE roll base. This insertion requires that any entries describing the CODE and AFTER POLISH rolls be moved down in the ROLL ADR table. The information on all rolls following (greater in number than) the roll requiring the space is then moved down a fixed number of words. The roll which immediately precedes the CODE roll moves into the new block of storage. This movement of the rolls creates the desired space for the roll requiring it. The movement of rolls does not respect roll boundaries; that is, it is entirely possible that any roll or rolls may bridge two blocks of storage.

When additional storage space is required for the AFTER POLISH roll, a block is requested from the system and its beginning address is added to the bottom of the ROLL ADR table. When the CODE roll requires more space, a new block is added in the same manner, the AFTER POLISH roll is moved down into the new block, and the vacated space is available to the CODE roll.

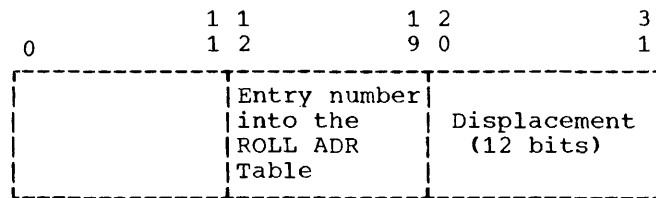
The CODE and AFTER POLISH rolls are handled separately because the amount of information which can be expected to reside on them makes it impractical to move them frequently in order to satisfy storage requirements for all other rolls. The CODE roll is also somewhat unique in that it is assigned a large amount of space before it is used; that is, the AFTER POLISH roll

does not begin at the same location as does the CODE roll.

BASE, BOTTOM, and TOP Tables

In order to permit dynamic allocation as well as to permit the use of the "push up" logic, tables containing the variables BASE, BOTTOM, and TOP are maintained to record the current status of each of the rolls. These variables indicate addresses of rolls. Information stored on rolls is in units of fullwords; hence, these addresses are always multiples of four. The length of each of the tables is determined by the number of rolls, and the roll number is an index to the appropriate word in each table for the roll.

Each of the variables occupies a fullword and has the following configuration:



The entry number points to an entry in the ROLL ADR table and, hence, to the beginning address of a block of roll storage. The displacement is a byte count from the beginning of the indicated storage block to the location to which the variable (BASE, BOTTOM, or TOP) refers.

It is significant to note that the displacement field in these variables occupies twelve bits. If the displacement field is increased beyond its maximum value (4095), the overflow increases the entry number into the ROLL ADR table; this is the desired result, since it simply causes the variable to point to the next entry in the table and effectively indicate the next location in the roll storage area, the beginning of the next block.

The first status variable for each roll, BASE, indicates the beginning address of that roll, minus four. The second variable, BOTTOM, indicates the address of the most recently entered word on the roll.

If the roll is completely empty, its BOTTOM is equal to its BASE; otherwise, BOTTOM always exceeds BASE by a multiple of four. Figure 7 illustrates a roll which contains information.

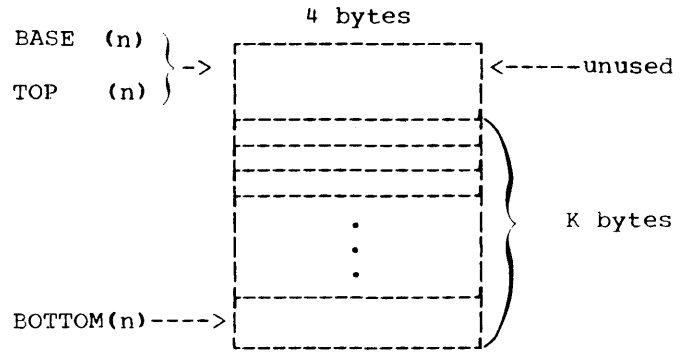


Figure 7. Roll Containing K Bytes of Information

When information is to be added to a roll, it is stored at the address pointed to by BOTTOM, plus four, and BOTTOM is increased by four. When a word is to be retrieved from a roll, it is read from the address specified by BOTTOM, and, under most circumstances, BOTTOM is reduced by four, thus indicating that the word is no longer occupied by the roll. This alteration of the value of BOTTOM is termed pruning. If the information retrieved from a roll is to remain on the roll as well as at the destination, BOTTOM is not changed. This operation is indicated by the use of the word "keep" in the POP instructions that perform it.

The current length (in bytes) of a roll is determined by subtracting its BASE from its BOTTOM. Note that this is true even though the entry number field appears in these variables, since each increase in entry number indicates 4096 bytes occupied by the roll. Thus, there is no limitation on the size of a roll from this source.

For each roll, an additional status variable, called TOP, is maintained. TOP enables the program to protect a portion of the roll from destruction, while allowing the use of the roll as though it were empty. Protecting a roll in this way is called reserving the roll. The contents of TOP (always greater than or equal to the contents of BASE) indicate a false BASE for the roll. The area between BASE and TOP, when TOP does not equal BASE, cannot be altered or removed from the roll. Ascending locations from TOP constitute the new, empty roll.

Like BASE, TOP points to the word immediately preceding the first word into which information can be stored. A value is automatically stored in this unused word when the roll is reserved; the value is the previous value of TOP, minus the value of BASE and is called the reserve mark. Storage of this value permits more than one segment of the roll to be reserved.

A single roll (roll n), then, containing K bytes of information, (where K is always a multiple of four) and having no reserved status, has the following settings for its status variables:

$$\text{BOTTOM} = \text{BASE} + K = \text{TOP} + K$$

Figure 7 also illustrates this roll. If the same roll contains L bytes reserved and K additional bytes of information, the settings of its status variables are as follows:

$$\text{BOTTOM} = \text{TOP} + K = \text{BASE} + L + K + 4$$

This roll is shown in Figure 8. Note that the relationships given above are valid because of the structure of the BASE, BOTTOM, and TOP variables.

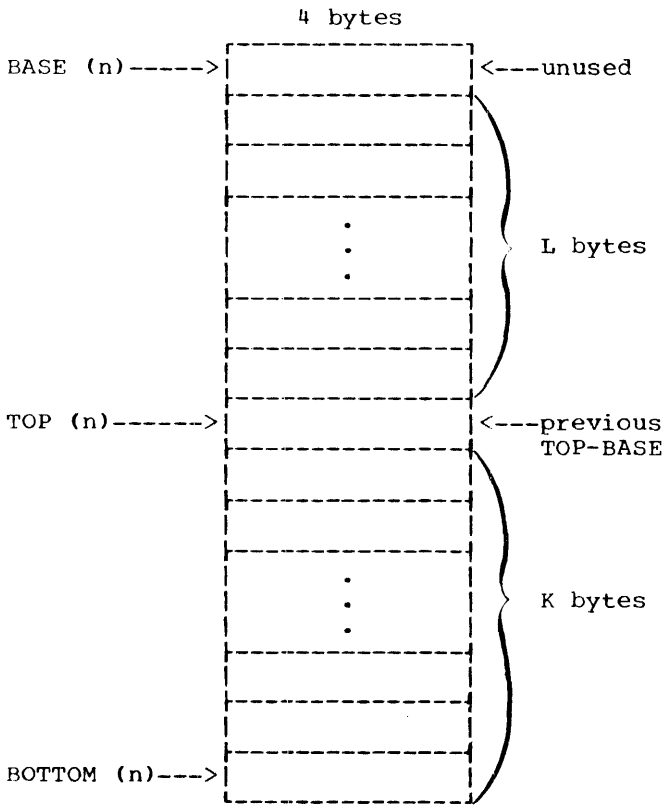


Figure 8. Roll Containing L Bytes of Reserved Information and K Bytes of New Information

Special Rolls

The WORK roll and the EXIT roll are special rolls in that they are not maintained in the roll storage area, but rather appear in IEYROL with a fixed amount of storage allocated to each. They are rolls

in the sense that they employ the same push up logic which is used for the other rolls; however, they are not numbered, and their controls are, therefore, not maintained in the tables used for the other rolls.

The WORK roll is used as a temporary storage area during the operations of the compiler. Because information is moved to and from the roll frequently it is handled separately from other rolls.

The EXIT roll warrants special treatment because it is used frequently in maintaining exit and entrance addresses for compiler routines.

The bottom of the WORK roll is recorded in general register 4, WRKADR; general register 5, EXTADR, holds the address of the bottom of the EXIT roll. These values are absolute addresses rather than in the format of the BOTTOM variable recorded for other rolls.

For a more detailed explanation of the WORK and EXIT rolls, see Appendix B "Rolls Used by the Compiler."

Central Items, Groups, and Group Stats

CENTRAL ITEMS: The items SYMBOL 1, SYMBOL 2, SYMBOL 3, DATA 0, DATA 1, DATA 2, DATA 3 and DATA 4, two bytes each in length, and DATA 5, eight bytes in length, contain variable names and constants. These items are called central due to the nature and frequency of their use. They occupy storage in the order listed, with DATA 1 aligned to a doubleword boundary.

In general, SYMBOL 1, 2, and 3 hold variable names; DATA 1 and 2 are used to hold real constants, DATA 3 and 4 to hold integer constants, DATA 1, 2, 3 and 4 to hold double precision and complex constants, and DATA 1, 2, 3, 4 and 5 to hold double-precision complex constants.

GROUPS: While the basic unit of information stored on rolls is a fullword, many rolls contain logically connected information which requires more than a singleword of storage. Such a collection of information is called a group and always occupies a multiple of four bytes. A word of a group of more than one word is sometimes called a runq of the group.

Regardless of the size of the group on a given roll, the item BOTTOM for the roll always points to the last word on the roll. Figure 9 shows a roll with a group size of twelve.

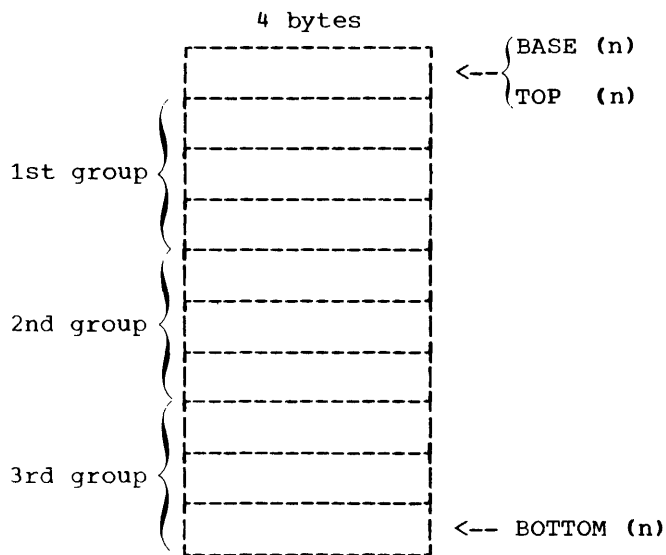


Figure 9. Roll With a Group Size of Twelve

For some rolls, the size of the group is not fixed. In these cases a construct called a "plex" is used. The first word of each plex holds the number of words in the plex, exclusive of itself; the remainder holds the information needed in the group. (See Figure 10.)

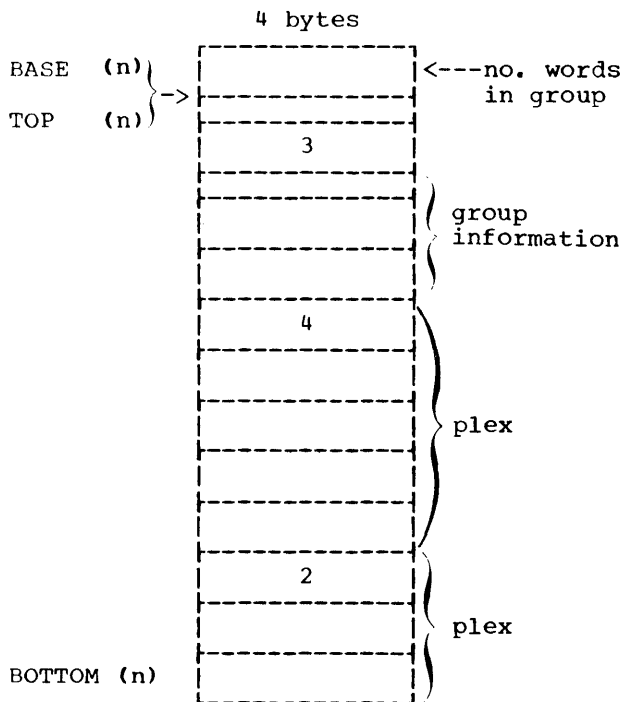


Figure 10. Roll with Variable Group Size

The assignment of roll storage does not respect group boundaries; thus, groups may be split between two blocks of roll storage.

• **GROUP STATS:** Since the size of the group varies from roll to roll, this characteristic of each roll must be tabulated in order to provide proper manipulation of the roll. In addition, the groups on a roll are frequently searched against the values held in the central items (SYMBOL 1, 2, 3, etc.,). Additional characteristics of the roll must be tabulated in order to provide for this function. Four variables tabulated in the group stats tables are required to maintain this information. (See Section 2 "IEYROL Module.")

The first group stats table contains a 1-word entry for each roll. The entry is divided into two halfword values. The first of these is the displacement in bytes from SYMBOL 1 for a group search; that is, the number of bytes to the right of the beginning of SYMBOL 1 from which a comparative search with the group on the roll should begin. This value is zero for rolls which contain variable names (since these begin in SYMBOL 1), eight for rolls which contain real, double-precision, complex or double-precision complex constants (since these begin in DATA 1), and twelve for rolls which contain integer constants.

The second value in the first group stats table is also a displacement; the distance in bytes from the beginning of the group on the roll to the byte from which a comparative search with the central items should begin.

The second group stats table also holds a 1-word entry for each roll; these entries are also divided into two halfword values. The first of these is the number of consecutive bytes to be used in a comparative search, and refers to both the group on the roll and the group in the central items with which it is being compared.

The second item in the second table is the size of the group on the roll, in bytes. For rolls which hold plexes, the value of this item is four.

For example, the DP CONST roll, which is used to hold the double-precision constants required for the object module, has an 8-byte group. The settings of the Group Stats for this roll are 8, 0, 8, and 8, respectively. The first 8 indicates that when this roll is searched in comparison with the central items, the search should begin eight bytes to the right of SYMBOL 1 (at DATA 1). The 0 indicates that there is no displacement in the group itself; that is, no information precedes the value to be compared in the group. The second 8 is the size of the value to be searched. The final 8 is the number of bytes per group on the roll.

The group stats for the ARRAY roll (which holds the names and dimension information of arrays) are 0, 0, 6, and 20. They indicate that the search begins at SYMBOL 1, that the search begins 0 bytes to the right of the beginning of the group on the roll, that the number of bytes to be searched is 6, and that the group 6 size on the roll is 20 bytes.

Figures 11 and 12 show the two group stats tables containing the information on the DP CONST roll and the ARRAY roll discussed above. It should be noted that the information contained on these two tables is arranged according to roll numbers. In other words, the group stats for roll 5 are in the sixth entry in the tables (starting with entry number 0).

4 bytes

DP CONST roll---	>	8	0
ARRAY roll---	>	0	0

Figure 11. First Group Stats Table

4 bytes

DP CONST roll---	>	8	8
ARRAY roll---	>	6	20

Figure 12. Second Group Stats Table

OTHER VARIABLES

In addition to the central items, several other variables used in the compiler perform functions which are significant to the understanding of the POP instructions. These are described in the following paragraphs.

Answer Box

The variable ANSWER BOX, which is recorded in the first byte of the first word of each EXIT roll group, is used to hold the true or false responses from POP instructions. The value "true" is represented by a nonzero value in this variable, and "false" by zero. The value is checked by POP jump instructions.

Multiple Precision Arithmetic

Most of the arithmetic performed in the compiler is fullword arithmetic. When double-precision arithmetic is required, the variables MPAC 1 and MPAC 2, four bytes each in length, are used as a double-precision register. These variables are maintained in main storage.

Scan Control

Several variables are used in the character scanning performed by the first processing phase of the compiler, Parse. Their names, and terms associated with their values, are frequently used in describing the POP instructions.

The variable CRRNT CHAR holds the source statement character which is currently being inspected; the variable is four bytes long. The position (scan arrow) of the current character within the input statement (its column number, where a continuous column count is maintained over each statement) is held in the low-order bit positions of the fullword variable CRRNT CHAR CNT.

Non-blank characters are called "active characters," except when literal or IBM card code information is being scanned. The variable LAST CHAR CNT, which occupies one word of storage, holds the column number of the active character previous to the one in CRRNT CHAR.

COMPILER ARRANGEMENT AND GENERAL REGISTER USAGE

Figure 15 shows the arrangement of the compiler in main storage with the Parse phase shown in detail. General registers that hold base locations within the compiler are shown pointing to the locations they indicate. Note that the labels CBASE and PROGRAM BASE 2 appear in each phase of the compiler; the general registers CONSTR and PGB2 contain the locations of those labels in the operating phase.

General register 2, PGB2, holds the beginning address of the global jump table, a table containing the addresses of compiler routines which are the targets of jump instructions. (See Appendix A for further discussion of this table and the way in which it is used.) The global jump table appears in each phase of the compiler and is labeled PROGRAM BASE 2; thus, the value held in general register 2 is changed at the beginning of each phase of the compiler.

Register	Label	Contents	
Invocation Phase			
POPPGB--->	POP TABLE	POP Jump Table	low storage
	POP SETUP	POP Machine Language Subroutines	
		Data for POP Subroutines	
ROLLBR--->	ROLL BASE	Roll Statistics (Bases, Tops, Bottoms)	
		Group Stats (Displacements, Group Sizes)	
		WORK Roll	
		EXIT Roll	
		ROLL ADR Table	
		Roll Storage	
		Roll Storage*	
CONSTR--->	CBASE	Parse Data Items	high storage
		Parse Routines	
PGB2----->	PROGRAM BASE 2	Parse Global Jump Table	
		Parse Routines containing assembler language branch targets	
		QUOTE BASE	
	MESSAGE BASE	Messages	
		PHASE 2: Allocate	
		PHASE 3: Unify	
		PHASE 4: Gen	
		PHASE 5: Exit	
*Roll storage is allocated in 4K-byte blocks, beginning from the higher end of storage contiguous with Parse. Additional blocks are obtained, as needed, from preceding (lower) 4K-byte blocks of storage.			

• Figure 15. Compiler Arrangement with Registers

Compiler routines which contain assembler language instructions and are either branched to by other assembler language instructions or which themselves perform internal branches, follow the global jump table. General register 2 is used as a base register for references to both the global jump table and these routines. Figure 15 shows this register in Parse.

General register 3, called POPADR in the compiler code, is used in the sequencing of the POP operations. It holds the address of the current POP, and is incremented by 2 as each POP is interpreted.

General register 4, called WRKADR, holds the address of the current bottom of the WORK roll.

General register 5, called EXTADR, holds the address of the current bottom of the EXIT roll.

General register 6, called POPXIT, holds the return location for POP subroutines. When POPs are being interpreted by POP SETUP, the return is to POP SETUP; when machine language instructions branch to the POPs, it is to the next instruction.

General register 7, called ADDR, holds the address portion of the current POP instruction (eight bits); it is also used in the decoding of the operation code portion of POP instructions.

General register 8, called POPPGB, holds the beginning address of the machine language code for the POP instructions and the POP jump table. Figure 15 shows this register, which is used as a base for references to these areas.

General register 9, called CONSTR, holds the beginning address of the data referred to by the compiler routines. This area precedes the routines themselves, and is labeled CBASE, as indicated in Figure 15. This register is, therefore, used as a base register for references to data as well as for references to the routines in the compiler; its value is changed at the beginning of each phase.

General register 10, ROLLBR, holds the beginning address of the roll area; that is, the beginning address of the base table (see Figure 15). The value in this register remains constant throughout the operation of the compiler.

General register 11, RETURN, holds return addresses for the POP subroutines.

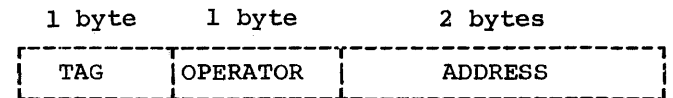
The remaining general registers are used temporarily for various purposes in the compiler.

POINTERS

Information defining a source module variable (its name, dimensions, etc.) is recorded by the compiler when the name of the variable appears in an Explicit specification or DIMENSION statement. For variables which are not explicitly defined, this information is recorded when the first use of the variable is encountered. All constants are recorded when they are first used in the source module.

All references to a given variable or constant are indicated by a pointer to the location at which the information defining that variable or constant is stored. The use of the pointer eliminates redundancy and saves compiler space.

The pointer is a 1-word value in the following format:



where:

TAG

is a 1-byte item whose value is represented in two parts: MODE, occupying the upper four bits, indicates whether the variable or constant is integer, real, complex or logical; SIZE, indicated in the lower four bits, specifies the length of the variable or constant (in bytes) minus one. (See Figure 15.1).

Value	MODE	Value	SIZE
0	Integer	0	1 byte
1	Real	1	2 bytes
2	Complex	3	4 bytes
3	Logical	7	8 bytes
4	Literal/ Hexadecimal	F	16 bytes

• Figure 15.1 TAG Field MODE and SIZE Values

OPERATOR

is a 1-byte item which contains the roll number of the roll on which the group defining the constant or variable is stored.

ADDRESS

is a 2-byte item which holds the relative address (in bytes) of the group which contains the information for the constant or variable; the address is relative to the TOP of the roll.

The pointer contains all the information required to determine an absolute location in the roll storage area. The roll number (from the OPERATOR field) is first used as an index into the TOP table. The ADDRESS field of the pointer is then added to the TOP, and the result is handled as follows:

1. Its entry number field (bits 12 through 19) is used as an index into the ROLL ADR table.
2. Its displacement field (bits 20 through 31) is added to the base address found in the ROLL ADR table. The result of step 2 is the address indicated by the pointer.

Example: Using a pointer whose OPERATOR field contains the value 2 and whose ADDRESS field contains the value 4, and the following tables:

TOP	ROLL ADR																				
<table style="border-collapse: collapse; width: 100%;"> <tr> <td style="border-right: 1px dashed black; padding: 2px 10px;">0</td> <td style="border-right: 1px dashed black; padding: 2px 10px;"></td> <td style="padding: 2px 10px;"></td> </tr> <tr> <td style="border-right: 1px dashed black; padding: 2px 10px;">1</td> <td style="border-right: 1px dashed black; padding: 2px 10px;"></td> <td style="padding: 2px 10px;"></td> </tr> <tr> <td style="border-right: 1px dashed black; padding: 2px 10px;">2</td> <td style="border-right: 1px dashed black; padding: 2px 10px; text-align: center;">2</td> <td style="padding: 2px 10px; text-align: center;">20</td> </tr> <tr> <td style="border-right: 1px dashed black; padding: 2px 10px;"></td> <td style="border-right: 1px dashed black; padding: 2px 10px; text-align: center;">⋮</td> <td style="padding: 2px 10px; text-align: center;">⋮</td> </tr> </table>	0			1			2	2	20		⋮	⋮	<table style="border-collapse: collapse; width: 100%;"> <tr> <td style="border-right: 1px dashed black; padding: 2px 10px;">0</td> <td style="padding: 2px 10px;"></td> </tr> <tr> <td style="border-right: 1px dashed black; padding: 2px 10px;">1</td> <td style="padding: 2px 10px;"></td> </tr> <tr> <td style="border-right: 1px dashed black; padding: 2px 10px;">2</td> <td style="padding: 2px 10px; text-align: center;">1000</td> </tr> <tr> <td style="border-right: 1px dashed black; padding: 2px 10px;"></td> <td style="padding: 2px 10px; text-align: center;">⋮</td> </tr> </table>	0		1		2	1000		⋮
0																					
1																					
2	2	20																			
	⋮	⋮																			
0																					
1																					
2	1000																				
	⋮																				

the location 1024 is determined. Note that for larger values in the pointer and in TOP, the entry number field of TOP can be modified by the addition of ADDRESS. In this case the result of the addition holds 2 and 24 in the entry number and displacement fields, respectively.

Since relative addresses are recorded in pointers, it is not necessary to alter a pointer when the roll pointed to is moved. Note also that the relative address in the pointer may exceed 4096 bytes with no complication of the addressing scheme. The only limitation on the size of a roll comes about because of the size of the ADDRESS field of the pointer: 16 bits permit values less than 64K bytes to be represented.

For the purposes of object code generation, the mode and size of the constant or variable is available to influence the type of operations which can be employed, e.g., integer or floating, fullword, or doubleword.

DRIVERS

In the generation of Polish notation from the source language statements, "drivers" are also used. These "drivers" are values that are one word long and have the same format as the pointer. The two types of drivers used by the compiler are discussed in the following paragraphs.

Operation Drivers

One type of driver is the operation driver, which indicates arithmetic or logical operations to be performed. The fields of the driver are:

TAG

is a 1-byte item whose value is represented in two parts: MODE, occupying the upper four bits, indicates the mode of the operation, e.g., integer, floating-point, complex or logical; SIZE, indicated in the lower four bits, specifies the length of the result of the operation (in bytes) minus one.

OPERATOR

is a 1-byte item containing a value which indicates the operation to be performed, e.g., addition, subtraction, etc. The values for OPERATOR are larger than the number of any roll, and hence, also serve to distinguish a driver from a pointer.

ADDRESS

is a 2-byte item containing a value which indicates the "forcing strength" of the operation specified by the driver; its values range from zero to ten.

The forcing strengths associated with the operation drivers are given in Table 1.

Table 1. Internal Configuration of Operation Drivers

Driver	TAG ¹	OPERATOR	ADDRESS (Forcing Strength)
Sprog ²	00	40	00 00
Power	00	42	00 01
Unary Minus	00	43	00 02
Multiply	00	44	00 03
Divide	00	45	00 03
Add	00	46	00 04
Subtract	00	47	00 04
GT	00	48	00 05
GE	00	49	00 05
LT	00	4A	00 05
LE	00	4B	00 05
EQ	00	4C	00 05
NE	00	4D	00 05
NOT	00	4E	00 06
AND	00	4F	00 07
OR	00	50	00 08
Plus and Below Phony ³	00	3F	00 09
EOE ⁴	00	3F	00 0A

¹The MODE and SIZE settings are placed in the driver when it is used.
²Indicates a function reference.
³Used to designate the beginning of an expression.
⁴Means "end of expression" and is used for that purpose.

Control Drivers

The other type of driver used in the generation of Polish notation is called the control driver. It is used to indicate the type of the statement for which code is to be written. The control driver may also designate some other control function such as an I/O list, an array reference, or an error linkage.

The fields of the control driver differ from those of the operation driver in that zero is contained in the TAG field, 255 in the OPERATOR field (the distinguishing mark for control drivers), and a unique value in the ADDRESS field. The value in the ADDRESS field is an entry number into a table of branches to routines that process each statement type or control function; it is used in this way during the operations of Gen. The formats of the operation drivers and control drivers are given in Appendix E.

Table 1 lists the operation drivers and the values contained in each field. The control drivers are given in Table 2. The ADDRESS field is the only field given because the TAG and OPERATOR fields are constant. All values are represented in hexadecimal.

•Table 2. Internal Configuration of Control Drivers (Part 1 of 2)

<u>Driver</u>	<u>ADDRESS</u>
AFDS	8
ARRAY	23C
ASSIGN	20
ASSIGNED GOTO	1C
ASSIGNMENT	4
AT	68
BSREF	34
CALL	2C
CGOTO	18
CONTINUE	28
DATA	3C
DEFINE FILE	44
DIRECT IO	200
DISPLAY ID	74
DO	10
DUMMY	68
END	C
END=	20C
ERROR LINK 1	54
ERROR LINK 2	58
ERROR LINK 3	5C

•Table 2. Internal Configuration of Control Drivers (Part 2 of 2)

<u>Driver</u>	<u>ADDRESS</u>
ERR=	210
EXP and ARG	480
FIND	4C
FORMAT	208
FORMAT STA	30
GOTO	14
IF	24
IOL DO CLOSE	218
IOL DO DATA	21C
IO LIST	214
LOGICAL IF	60
NAMELIST	204
PAUSE	38
READ WRITE	48
RETURN	50
STANDARD PRINT UNIT	234
STANDARD PUNCH UNIT	238
STANDARD READ UNIT	230
STOP	64
SUBPROGRAM	40
TRACE OFF	70
TRACE ON	6C

This section describes in detail the Invocation phase and the five processing phases of the compiler and their operation. The IEYROL module is also described.

INVOCATION PHASE (IEYFORT)

The Invocation phase is the compiler control phase and is the first and last phase of the compiler. (The logic of the phase is illustrated in Chart 00.) If the compiler is invoked in an EXEC statement, control is received from the operating system control program. However, control may be received from other programs through use of one of the system macro instructions: CALL, LINK, or ATTACH.

IEYFORT performs compiler initialization, expansion of roll storage assignment, input/output request processing, and compiler termination. The following paragraphs describe these operations in greater detail.

IEYFORT, CHART 00

IEYFORT is the basic control routine of the Invocation phase. Its operation is invoked by the operating system or by another program through either the CALL, LINK, or ATTACH macro instructions. The execution of IEYFORT includes scanning the specified compiler options, setting the ddnames for designated data sets, initializing heading information, and acquiring time and date information from the system.

IEYFORT sets pointers and indicators to the options, data sets, and heading information specified for use by the compiler. The options are given in 40 or fewer characters, and are preceded in storage by a binary count of the option information. This character count immediately precedes the first location which contains the option data. The options themselves are represented in EBCDIC.

On entry to IEYFORT, general register 1 contains the address of a group of three or fewer pointers. Pointer 1 of the group holds the beginning address of an area in storage that contains the execute options specified by the programmer (set in the OPTSCAN routine).

Pointer 2 contains the address of the list of DD names to be used by the compiler (set in the DDNAMES routine).

Pointer 3 contains the address of the heading information. Heading data may designate such information as the continuation of pages, and the titles of pages.

If the FORTRAN compiler is invoked by the control program (i.e., called by the system), pointers 2 and 3 are not used. However, if the compiler is invoked by some other source, all pointers may be used. The latter condition is determined through an interrogation of the high order bit of a pointer. If this bit is set, the remaining pointers are nonexistent. Nevertheless, pointers 1 and 3 may exist while pointer 2 is nonexistent; in this case, pointer 2 contains all zeros.

During the operation of IEYFORT, the SYSIN and SYSPRINT data sets are always opened through use of the OPEN macro instruction. The SYSLIN and SYSPUNCH data sets are also opened depending upon the specification of the LOAD and DECK options. The block sizes of these data sets are set to 80, 120, 80 and 80, respectively. These data sets may be blocked or unblocked (RECFM=F, FB, or FBA) depending upon the DCB specification in the DD statements. IEYFORT concludes the compiler initialization process with a branch to the first processing phase of the compiler, Parse (IEYPAR).

From this point in the operation of the compiler, each processing phase calls the next phase to be executed. However, the Invocation phase is re-entered periodically when the compiler performs such input/output operations as printing, punching, or reading. The last entry to the Invocation phase is at the completion of the compiler operation.

IEYPRNT, Chart 00A4

IEYPRNT is the routine that is called by the compiler when any request for printing is issued. The routine sets and checks the print controls such as setting the line count, advancing the line count, checking the lines used, and controlling the spacing before and after the printing of each line. These control items are set, checked, and inserted into the SYSPRINT control format,

and the parameter information and print addresses are initialized for SYSPRINT.

If there is an error during the printing operation, EREXITPR sets the error code resulting from the print error. Any error occurring during an input/output operation results in a termination of compiler operation.

PRNTHD, Chart 01A2

PRNTHD is called by IEYPRNT after it has been determined that the next print operation begins on a new page. The program name and the new page number placed into the heading format and any parameter information and origin addresses are inserted into the SYSPRINT format. If an optional heading is specified by the programmer, it is inserted into the print line format. A PUT macro instruction is issued to print the designated line, and all print controls are advanced for the next print operation.

IEYREAD, Chart 01A4

IEYREAD is called by the compiler at the time that a read operation is indicated. It reads input in card format from SYSIN using the GET macro instruction. IEYREAD can handle concatenated data sets.

If an error occurs during the read operation, the routine EREXITIN is called. This routine checks the error code generated and prints the appropriate error message.

IEYPCH, Chart 02A3

When a punch output operation is requested by the compiler, control is transferred to the IEYPCH routine. The LOAD and DECK options are checked to determine what output to perform.

Any errors detected during output result in a transfer of control to the EREXITPC, for SYSPUNCH, or EREXITLN, for SYSLIN, routine. The routine sets a flag so that no further output is placed on the affected file.

PRNTMSG, Chart 03A1

PRNTMSG is called when any type of message is to be printed. The print area is initialized with blanks and the origin and displacement controls are set. The message is printed in two segments; each segment is inserted into the print area after the complete message length is determined and the length and origin of each segment has been calculated. Once the entire message has been inserted, the carriage control for printing is set and control is transferred to the system to print the message.

IEYMOR, Chart 01D1

IEYMOR is called when additional roll storage area is needed for compiler operation. This routine may be entered from any of the processing phases of the compiler. The GETMAIN macro instruction is issued by this routine and transfers control to the system for the allocation of one 4K-byte block of contiguous storage. The system returns to IEYMOR with the absolute address of the beginning of the storage block in general register 1. Once the requested storage space has been obtained, IEYMOR returns to the invoking phase. If the system is unable to allocate the requested storage, inactive modules of the compiler are deleted. Those preceding the currently active module are deleted first; then those following it are deleted, if necessary. Should additional space be needed after all inactive modules are deleted, compiler operations are terminated.

When IEYMOR returns to the invoking phase with the absolute address of the storage block in general register 1, the invoking phase then stores the contents of register 1 in the ROLL ADR table.

The ROLL ADR table is used by the compiler to record the addresses of the different blocks of storage that have been allocated for additional roll capacity. The contents of the table are later used in IEYRETN for releasing of the same storage blocks.

IEYNOCR

IEYNOCR is called by PRESS MEMORY (IEYPAR) whenever it is unable to obtain at least 32 bytes of unused storage. IEYNOCR prints the message NO CORE AVAILABLE, branches to a subroutine that checks to see if there are any source language cards to be disregarded, and then exits to IEYRETN.

IEYRETN, Chart 03A2

The compiler termination routine (IEYRETN) is invoked by Exit (IEYEXT) or by one of the input/output routines after the detection of an error.

The routine first obtains the error condition code returned by the compiler and tests this value against any previous value received during the compilation. The compiler communications area for the error code is set to the highest code received and a program name of "Main" is set in the event of multiple compilations. The routine then checks general register 1 for the address of the ROLL ADR table. Each entry of the ROLL ADR table indicates the beginning of a 4K-byte block of roll storage that must be released. A FREEMAIN macro instruction is issued for each block of storage indicated in the table until a zero entry is encountered (this denotes the end of the ROLL ADR table).

The presence of more than one source module in the input stream is checked by interrogating the end-of-file indication and the first card following this notation. If another compilation is indicated, the line, card, and page count control items are reinitialized and all save registers used by the Invocation phase are restored. The number of diagnostic messages generated for the compilation is added to a total count for the multiple compilation and the diagnostic error count is reset to zero. The first processing phase of the compiler, Parse (IEYPAR), is called and the operation of the compiler proceeds as described in the previous paragraphs and those pertaining to the processing phases.

If another compilation is not indicated, a check is made to determine if there was a multiple compilation. If there was a multiple compilation, an indication of the total number of diagnostic messages generated for all of the compilations is printed. Also, routine IEYFINAL closes the data set files used by the compiler (by means of the CLOSE macro instruction). The terminal error condition code is obtained and set for the return to the invoking program, and all saved registers are restored before the return is made.

Routine IEYFINAL also receives control from other compiler routines when an input/output error is detected.

OPTSCAN, Chart AA

OPTSCAN determines the existence of the parameters specifying the compiler options. If options are specified, the validity of each option is checked against the parameter table and the pointer to these options is set once the options have been validated. The program name is noted depending upon the presence or absence of the NAME parameter. However, if these options are not specified, the first pointer of the group of three supplied to the compiler by the system contains zero.

DDNAMES, Chart AB

DDNAMES scans the entries made for the names of the data sets to be used by the compiler. The entries corresponding to SYSN, SYSIN, SYSPRINT, and SYSPUNCH are checked; if an alternate name has been provided, it is inserted into the DCB area.

HEADOPT, Chart AC

HEADOPT determines the existence of the optional heading information. If such information exists, its length is determined, it is centered for printing, and then is inserted into the Printmsg Table, with pointer 3 being set.

TIMEDAT, Chart AD

TIMEDAT serves only to obtain the time and date information from the system and to insert the data into the heading line.

OUTPUT FROM IEYFORT

The following paragraphs describe the error messages produced during the operation of the Invocation phase. These messages denote the progress of the compilation, and denote the condition which results in the termination of the compiler.

IEY028I NO CORE AVAILABLE - COMPILATION TERMINATED

The system was unable to provide a 4K-byte block of additional roll storage and PRESS MEMORY was entered. It, too, was unable to obtain space. The condition code is 16.

IEY029I DECK OUTPUT DELETED

The DECK option has been specified, and an error occurred during the process of punching the designated output. No error condition code is generated for this error.

IEY030I LINK EDIT OUTPUT DELETED

The LOAD option has been specified, and an error occurred during the process of generating the load module. The condition code is 16.

IEY031I ROLL SIZE EXCEEDED

This message is produced when: (1) The WORK or EXIT roll has exceeded the storage capacity assigned; or (2) Another roll used by the compiler has exceeded 64K bytes of storage, thus making it unaddressable. (This condition applies to all rolls except the AFTER POLISH and CODE rolls.) The condition code is 16.

IEY032I NULL PROGRAM

This message is produced when an end-of-data set is encountered on the input data set prior to any valid source statement. The condition code is 0.

IEY034I I/O ERROR [COMPILATION TERMINATED]
xxx...xxx

This message is produced when an input/output error is detected during compilation. If the error occurred on SYSPUNCH, compilation is continued and the COMPILATION TERMINATED portion of the message is not printed. The condition code is 8. If the error occurred on SYSIN, SYSPRINT, or SYSLIN, compilation is terminated. The condition code is 16. xxx...xxx is the character string formatted by the SYNADAF macro instruction. For an interpretation of this information, see the publication IBM System/360 Operating System: Supervisor and Data Management Macro-Instructions, Form C28-6647.

IEY035I UNABLE TO OPEN ddname

This message is produced when the required ddname data definition card is missing or the ddname is misspelled.

Multiple Compilations

The following message appears at the end of a multiple compilation to indicate the total number of errors that occurred. The message will not appear if the compiler is terminated because of an error condition or if the compilation consisted of only one main or one subprogram.

STATISTICS NO DIAGNOSTICS THIS STEP

or

STATISTICS nnn DIAGNOSTICS THIS STEP

where:

nnn is the total number of diagnostic messages for the multiple compilation expressed as a decimal integer.

PHASE 1 OF THE COMPILER: PARSE (IEYPAR)

The first processing phase of the FORTRAN IV (G) compiler, Parse, accepts FORTRAN statements in card format as input and translates them. Specification statements are translated to entries on rolls which define the symbols of the program. Active statements are translated to Polish notation. The Polish notation and roll entries produced by Parse are its primary output. In addition, Parse writes out all erroneous statements and the associated error messages. Parse produces a full source module listing when the SOURCE option is specified.

The following description of Parse consists of two parts. The first part, "Flow of Phase 1," describes the overall logic of the phase by means of both narrative and flowcharts.

The second part, "Output from Phase 1," describes the Polish notation produced by Parse. The construction of this output, from which subsequent phases produce object code, is the primary function performed by Parse. See Appendix C for the Polish format for each statement type.

The source listing format and the error messages produced by Parse are also discussed.

The rolls manipulated by Parse are listed in Table 3 and are mentioned in the following description of the phase. At the first mention of a roll, its nature is briefly described. See Appendix B for a complete description of a format of a roll.

Table 3. Rolls Used by Parse

Roll		Roll	
No.	Roll Name	No.	Roll Name
0	Lib	28	Local Sprog
1	Source	29	Explicit
2	Ind Var	30	Call Lbl
4	Polish	31	Namelist Names
5	Literal Const	32	Namelist Items
6	Hex Const	33	Array Dimension
7	Global	35	Temp Data Name
8	Fx Const	36	Temp Polish
9	F1 Const	37	Equivalence
10	Dp Const	38	Used Lib
11	Complex Const		Function
12	Dp Complex Const	39	Common Data
13	Temp Name	40	Common Name
14	Temp	41	Implicit
14	Error Temp	42	Equivalence Offset
15	DO Loops Open	43	Lbl
16	Error Message	44	Scalar
17	Error Char	45	Data Var
18	Init	46	Literal Temp
19	Xtend Lbl	53	Format
20	Xtend Target Lbl	54	Script
22	Array	55	Loop Data
24	Entry Names	56	Program Script
25	Global Dmy	59	AT
26	Error	60	Subchk
27	Local Dmy	63	After Polish

FLOW OF PHASE 1, CHART 04

START COMPILER initializes the operation of Parse, setting flags from the user options, reading and writing out (on option) any initial comment cards in the source module, and leaving the first card of the first statement in an input area. This routine concludes with the transfer of control to STATEMENT PROCESS.

STATEMENT PROCESS (G0631) controls the operation of Parse. The first routine called by STATEMENT PROCESS is PRINT AND READ SOURCE. On return from that routine, the previous source statement and its error messages have been written out (as defined by user options), and the statement to be processed (including any comment cards) plus the first card of the next statement will be on the SOURCE roll. (This roll holds the source statements, one character per byte.) STATEMENT PROCESS then calls STA INIT to initialize for the processing of the statement and LBL FIELD XLATE to process the label field of the statement.

On return from LBL FIELD XLATE, if an error has been detected in the label field or in column 6, STATEMENT PROCESS restarts. Otherwise, STA XLATE and STA FINAL are called to complete the translation of the source statement. On return from STA FINAL, if the last statement of the source module has not been scanned, STATEMENT PROCESS restarts.

When the last card of a source module has been scanned, STATEMENT PROCESS determines whether it was an END card; if not, it writes a message. The routine then sets a flag to indicate that no further card images should be read, and calls PRINT AND READ SOURCE to write out the last statement for the source listing (depending on whether the SOURCE option was specified or was indicated as the default condition at system generation time).

When no END card appears, two tests are made: (1) If the last statement was an Arithmetic IF statement, the Polish notation must be moved to the AFTER POLISH roll; (2) If the last statement was of a type which does not continue in sequence to the next statement (e.g., GO TO, RETURN), no code is required to terminate the object module, and the Polish notation for an END statement is constructed on the POLISH roll. If the NEXT STA LBL FLAG is off, indicating that the last statement was not of this type, the Polish notation for a STOP or RETURN statement is constructed on the POLISH roll, depending on whether the source module is a main program or a subprogram.

After the Polish notation for the STOP or RETURN has been constructed on the POLISH roll, the Polish notation for the END statement is then constructed.

Parse keeps track of all inner DO loops that may possibly have an extended range. Parse tags the LABEL roll entries for those labels within the DO loops that are possible re-entry points from an extended range. These tags indicate the points at which general registers 4 through 7 must be restored. The appropriate LOOP DATA roll groups are also tagged to indicate to the Gen phase which of the inner DO loops may possibly have an extended range. Gen then produces object code to save registers 4 through 7.

After processing the last statement of the source module, a pointer to the LOOP DATA roll is placed on the SCRIPT roll, the IND VAR roll is released, and, if the source module was a main program, the routine REGISTER IBCOM (G0707) is called to record IBCOM as a required subprogram. For all source modules, the information required for Allocate is then moved to the appropriate area, and the Parse phase is terminated.

PRINT and READ SOURCE, Chart BA

PRINT AND READ SOURCE (G0837) serves three functions:

1. It writes out the previous source statement and its error messages as indicated by user options.
2. It reads the new source statement to be processed, including any comment cards, as well as the first card of the statement following the one to be processed.
3. It performs an initial classification of the statement to be processed.

The statement to be written out is found on the SOURCE roll. One line at a time is removed from this roll and placed in a 120-byte output area from which it is written out. The new statement being read into the SOURCE roll is placed in an 80-byte input area and replaces the statement being written out as space on the SOURCE roll becomes available. Any blank card images in the source module are eliminated before they reach the SOURCE roll. Comment cards are placed on the SOURCE roll exactly as they appear in the source module. The last card image placed on the SOURCE roll is the first card of the source statement following the one about to be

processed; therefore, any comment cards that appear between two statements are processed with the statement which precedes them. When an END card has been read, no further reading is performed.

The initial classification of the statement that occurs during the operation of this routine determines, at most, two characteristics about the statement to be processed: (1) If it is a statement of the assignment type, i.e., either an arithmetic or logical assignment statement or a statement function, or (2) If it is a Logical IF statement, whether the statement "S" (the consequence of the Logical IF) is an assignment statement. Two flags are set to indicate the results of this classification for later routines.

At the conclusion of this routine, all of the previous source statements and their errors have been removed from the SOURCE roll and are written out. In addition, all of the statements to be processed (up to and including the first card of the statement following it) have been placed on the SOURCE roll.

STA INIT, Chart BB

STA INIT (G0632) initializes for the Parse processing of a source statement. It sets the CRRNT CHAR CNT and the LAST CHAR CNT to 1, and places the character from column 1 of the source card in the variable CRRNT CHAR.

It then determines, from a count made during input of the statement, the number of card images in the statement; multiplying this value by 80, STA INIT sets up a variable (LAST SOURCE CHAR) to indicate the character number of the last character in the statement.

The routine finally releases the TEMP NAME roll and sets several flags and variables to constant initial values before returning to STATEMENT PROCESS.

LBL FIELD XLATE, Chart BC

LBL FIELD XLATE (G0635) first saves the address of the current WORK and EXIT roll bottoms. It then inspects the first six columns of the first card of a statement. It determines whether a label appears, and records the label if it does. If any errors are detected in the label field or in column 6 of the source card, LBL FIELD XLATE records these errors for later print-

ing and returns to STATEMENT PROCESS (through SYNTAX FAIL) with the ANSWER BOX set to false.

Pointers to all labels within DO loops are placed on the XTEND LBL roll. Labels that are jump targets (other than jumps within the DO loop) are tagged to indicate to Gen at which points to restore general registers 4 through 7.

If the statement being processed is the statement following an Arithmetic IF statement, LBL FIELD XLATE moves the Polish notation for the Arithmetic IF statement to the AFTER POLISH roll after adding a pointer to the label of the present statement to it.

STA XLATE, Chart BD

Under the control of STA XLATE (G0636) the source module statement on the SOURCE roll is processed and the Polish notation for that statement is produced on the POLISH roll, which holds Polish notation for source statements, one statement at a time. Errors occurring in the statement are recorded for writing on the source module listing.

The addresses of the bottoms of the WORK and EXIT rolls are saved. Then, if the statement is of the assignment type (the first flag set by PRINT AND READ SOURCE is on), STA XLATE ensures that a BLOCK DATA subprogram is not being compiled and falls through to ASSIGNMENT STA XLATE (G0637). If a BLOCK DATA subprogram is being compiled, STA XLATE returns after recording an invalid statement error message. If the statement is not of the assignment type, a branch is made to LITERAL TEST (G0640), which determines the nature of the statement from its first word(s), and branches to the appropriate routine for processing the statement. The names of the statement processing routines indicate their functions; for example, DO statements are translated by DO STA XLATE, while Computed GO TO statements are translated by CGOTO STA XLATE.

With the exception of LOGICAL IF STA XLATE, the statement processing routines terminate their operation through STA XLATE EXIT. LOGICAL IF STA XLATE moves the second flag set by PRINT AND READ SOURCE (which indicates whether the statement "S" is an assignment statement) into the first flag, and calls STA XLATE as a subroutine

for the translation of the statement "S."
When all of the Logical IF statement,
including "S," has been translated, LOGICAL
IF STA XLATE also terminates through STA
XLATE EXIT.

STA XLATE EXIT (G0723) determines
whether errors in the statement are of a

severity level which warrants discarding
the statement. If such errors exist, and
the statement is active (as opposed to a
specification statement), the Polish nota-
tion produced for the statement is removed
and replaced by an invalid statement driver
before a return is made to STATEMENT
PROCESS. Otherwise, the Polish notation is
left intact, and a return is made to
STATEMENT PROCESS.

STA FINAL, Chart BE

STA FINAL (G0633) increases the statement number by one for the statement just processed. It then determines whether any Polish notation has been produced on the POLISH roll; if no Polish notation is present, STA FINAL returns to STATEMENT PROCESS.

If the statement produced Polish notation of a type which may not close a DO loop, STA FINAL bypasses the check for the close of a DO loop. Otherwise, STA FINAL determines whether the label (if there is one) of the statement corresponds to the label of the terminal statement of a DO loop. If so, the label pointer (or pointers, if the statement terminates several DO loops) is removed from the DO LOOPS OPEN roll, which holds pointers to DO loop terminal statements until the terminal statements are found.

When the statement is the target of a DO loop, extended range checking is continued. DO loops which have no transfers out of the loop are eliminated as extended range candidates. In addition, the nest level count is reduced by one and the information concerning the array references in the closed loop is moved from the SCRIPT roll to the PROGRAM SCRIPT roll.

STA FINAL then places the label pointer (if it is required) on the Polish notation for the statement, and, at STA FINAL END, adds the statement number to the Polish.

Except when the statement just processed was an Arithmetic IF statement, STA FINAL END terminates its operation by moving the Polish notation for the statement to the AFTER POLISH roll. In the case of the Arithmetic IF, the Polish notation is not moved until the label of the next statement has been processed by LBL FIELD XLATE. When the Polish notation has been moved, STA FINAL returns to STATEMENT PROCESS.

ACTIVE END STA XLATE, Chart BF

ACTIVE END STA XLATE (G0642) is invoked by STATEMENT PROCESS when the END card has been omitted and the last statement in the source module has been read. If the last statement was not a branch, the routine determines whether a subprogram or a main program is being terminated. If it is a subprogram, the Polish notation for a RETURN is constructed; if it is a main program, the Polish notation for a STOP statement is constructed. If the last statement was a branch, this routine returns without doing anything.

PROCESS POLISH, Chart BG

PROCESS POLISH (G0844) moves a count of the number of words in the Polish notation for a statement, and the Polish notation for that statement, to the AFTER POLISH roll.

OUTPUT FROM PHASE 1

The output from Parse is the Polish notation and roll entries produced for source module active statements, the roll entries produced for source module specification statements, and the source module listing (on option SOURCE) and error messages. The following paragraphs describe the Polish notation and the source and error listings. See Appendix B for descriptions of roll formats.

Polish Notation

The primary output from Phase 1 of the compiler is the Polish notation for the source module active statements. This representation of the statements is produced one statement at a time on the POLISH roll. At the end of the processing of each statement, the Polish notation is transferred to the AFTER POLISH roll, where it is held until it is required by later phases of the compiler.

The format of the Polish notation differs from one type of statement to another. The following paragraphs describe the general rules for the construction of Polish notation for expressions. The specific formats of the Polish notation produced for the various FORTRAN statements are given in Appendix C.

Polish notation is a method of writing arithmetic expressions whereby the traditional sequence of "operand₁" "operation" "operand₂" is altered to a functional notation of "operation" "operand₂" "operand₁." Use of this notation has the advantage of eliminating the need for brackets of various levels to indicate the order of operations, since any "operand" may itself be a sequence of the form "operation" "operand" "operand," to any level of nesting.

Assuming expressions which do not include any terms enclosed in parentheses, the following procedure is used to construct the Polish notation for an expression:

1. At the beginning of the expression, an artificial driver is placed on the WORK roll; this driver is the Plus and Below Phony driver, and has a lower forcing strength than any arithmetic or logical operator. (Forcing strengths are given in Table 1.)
2. As each variable name or constant in the expression is encountered, a pointer to the defining group is placed on the POLISH roll.
3. When an operator is encountered, the corresponding driver is constructed and it is compared with the last driver on the WORK roll:
 - a. If the current driver has a higher forcing strength than the driver on the bottom of the WORK roll (the "previous" driver, for the purposes of this discussion), the current driver is added to the WORK roll and the analysis of the expression continues.
 - b. If the current driver has a forcing strength which is lower than or equal to the forcing strength of the previous driver, then:
 - (1) If the previous driver is the Plus and Below Phony driver, the current driver replaces the previous driver on the WORK roll (this situation can only occur when the current driver is an EOE driver, indicating the end of the expression) and the analysis of the expression is terminated.
 - (2) If the previous driver is not the Plus and Below Phony driver, the previous driver is removed from the WORK roll and placed on the POLISH roll, and the comparison of the current driver against the previous driver is repeated (that is, using the same current driver, this procedure is repeated from 3).

The sequence of operations which occurs when the analysis of an expression is terminated removes the EOE driver from the WORK roll.

Example 1: The expression $A + B$ produces the Polish notation

A
B
+

where:

A represents a pointer to the defining group for the variable A

+ represents the Add driver. This notation is produced from the top down; when it is read from the bottom up, the sequence described above for Polish notation is satisfied.

Explanation: The following operations occur in the production of this Polish notation:

1. The Plus and Below Phony driver is placed on the WORK roll.
2. A pointer to A is placed on the POLISH roll.
3. An Add driver is constructed and compared with the Plus and Below Phony driver on the bottom of the WORK roll; the Add driver has a higher forcing strength and is therefore added to the WORK roll (according to rule 3a, above).
4. A pointer to B is placed on the POLISH roll.
5. An EOE (end of expression) driver is constructed and compared with the Add driver on the bottom of the WORK roll; the EOE driver has a lower forcing strength, and the Add driver is therefore removed from the WORK roll and added to the POLISH roll (rule 3b2).
6. The EOE driver is compared with the Plus and Below Phony driver on the bottom of the WORK roll; the EOE driver has a lower forcing strength, and therefore (according to rule 3b1) replaces the Plus and Below Phony driver on the WORK roll.
7. The analysis of the expression is terminated and the EOE driver is removed from the WORK roll. The Polish notation for the expression is on the POLISH roll.

Example 2: The expression $A + B / C$ produces the Polish notation

A
B
C
/
+

which, read from the bottom up, is $+ / C B A$.

Explanation: The following operations occur in the production of this Polish notation:

1. The Plus and Below Phony driver is placed on the WORK roll.
2. A pointer to A is placed on the POLISH roll.
3. An Add driver is constructed and compared with the Plus and Below Phony driver; the Add driver has the higher forcing strength and is placed on the WORK roll.
4. A pointer to B is placed on the POLISH roll.
5. A Divide driver is constructed and compared with the Add driver; the Divide driver has the higher forcing strength and is placed on the WORK roll.
6. A pointer to C is placed on the POLISH roll.
7. An EOE driver is constructed and compared with the Divide driver; since the EOE driver has the lower forcing strength, the Divide driver is moved to the POLISH roll.
8. The EOE driver is compared with the Add driver; since the EOE driver has the lower forcing strength, the Add driver is moved to the POLISH roll.
9. The EOE driver is compared with the Plus and Below Phony driver; since the EOE driver has the lower forcing strength, it replaces the Plus and Below Phony driver on the WORK roll, and the analysis of the expression terminates with the removal of one group from the WORK roll.

Example 3: The expression $A / B - C$ produces the Polish notation

A
B
/
C
-

which, read from the bottom up, is $- C / B A$.

Explanation: The following operations occur in the production of this Polish notation:

1. The Plus and Below Phony driver is placed on the WORK roll.

2. A pointer to A is placed on the POLISH roll.
3. A Divide driver is constructed and compared with the Plus and Below Phony driver; the Divide driver has the higher forcing strength and is added to the WORK roll.
4. A pointer to B is placed on the POLISH roll.
5. A Subtract driver is constructed and compared with the Divide driver; the Subtract driver has a lower forcing strength, therefore the Divide driver is moved to the POLISH roll.
6. The Subtract driver is compared with the Plus and Below Phony driver; the Subtract driver has the higher forcing strength and is added to the WORK roll.
7. A pointer to C is placed on the POLISH roll.
8. An EOE driver is constructed and compared with the Subtract driver; since the EOE driver has a lower forcing strength, the Subtract driver is moved to the POLISH roll.
9. The EOE driver is compared with the Plus and Below Phony driver; the EOE driver replaces the Plus and Below Phony driver on the WORK roll and the analysis of the expression is terminated.

Recursion is used in the translation of an expression when a left parenthesis is found; therefore, the term enclosed in the parentheses is handled as a separate expression. The following three examples illustrate the resulting Polish notation when more complicated expressions are transformed:

<u>Expression</u>	<u>Polish Notation</u>
1. $A - B * (C + D)$	$- ** DCBA$
2. $(A - B) / (C * D)$	$/* DC - BA$
3. $X / Z / (X - C) + C * * X$	$+ ** XC / - CX / ZX$

The following should be noted with respect to the exponentiation operation:

- Exponentiations on the same level are scanned right to left. Thus, the expression $A ** B ** C ** D$ is equivalent to the expression $A ** (B ** (C ** D))$.
- Two groups are added to the POLISH roll to indicate each exponentiation operation. The first of these is the Power driver; the second is a pointer to the group on the global subprogram roll (GLOBAL SPROG roll) which defines the

required exponentiation routine. Thus, the expression A ** B produces the following Polish notation:

Pointer to A
Pointer to B
Power driver
Pointer to exponentiation routine

The concept of Polish notation is extended in the FORTRAN IV (G) compiler to include not only the representation of arithmetic expressions, but also the representation of all parts of the active statements of the FORTRAN language. The particular notation produced for each type of statement is described in Appendix C. Once an entire source statement has been produced on the POLISH roll, phase 1 copies this roll to the AFTER POLISH roll and the processing of the next statement begins with the POLISH roll empty.

Source Listing

The secondary output from Parse is the source module listing. If a source listing is requested by the user (by means of the option SOURCE), source module cards are listed exactly as they appear on the input data set with error messages added on separate lines of the listing. If no source module listing is requested, Parse writes only erroneous statements and their error messages.

The following paragraphs describe the error recording methods used in phase 1, the format of the source listing and the error messages generated.

ERROR RECORDING: As a rule, Parse attempts to continue processing source statements in which errors are found. However, certain errors are catastrophic and cause Parse to terminate processing at the point in the statement where the error occurred.

Statements which cannot be compiled properly are replaced by a call to the FORTRAN error routine IHCIBERH.

Throughout Parse, three techniques of error recording are used. The first of these is used when the error is not catastrophic. This method records the character position in the statement at which the error was detected (by means of IEYLCE, IEYLCT, or IEYLCF instructions) and the number of the error type on the ERROR roll; after recording this information, Parse continues to scan the statement.

The second and third techniques of error recording are used when the error detected

is catastrophic, at least to part of the statement being scanned. The second technique is a jump to an error recording routine, such as ALLOCATION FAIL or SUBSCRIPTS FAIL, which records the error and jumps to FAIL. The third technique is the use of one of the instructions, such as IEYCSF or IEYQSF, which automatically jump to SYNTAX FAIL if the required condition is not met. SYNTAX FAIL also exits through FAIL.

If the statement being processed is active and errors have been detected in it, FAIL removes any Polish notation which has been produced for the statement from the POLISH roll, replacing it with an error indicator. FAIL then restores WORK and EXIT roll controls to their condition at the last time they were saved and returns accordingly.

Some translation routines modify the action of the FAIL routine through the use of the IEYJPE instruction so that FAIL returns immediately to the location following the IEYJPE instruction. The translation routine can then resume the processing of the statement from that point.

FORMAT OF THE SOURCE MODULE LISTING: Error information for a source module card containing errors appears on the listing lines immediately following that card. For each error encountered, a \$ sign is printed beneath the active character preceding the one which was being inspected when the error was detected. The only exception would be in the case of a SYNTAX error. In such a case, the \$ sign undermarks the character being inspected when the error is detected. The listing line which follows the printed card contains only the \$ sign markers.

The next line of the listing describes the marked errors. The errors are numbered within the card (counting from one for the first error marked); the number is followed by a right parenthesis, the error number, and the type of the error. Three errors are described on each line, for as many lines as are required to list all the marked errors on the source card.

The following is an illustration of the printed output from phase 1:

```

DIMENSION ARY(200), BRY(200) CRY(5,10,10)
$
1) IEY004I COMMA
.
.
IF (AA + BB) 15, 20, 250000
$
1) IEY010I SIZE
ARY(J) = BRY
$
1) IEY002I LABEL      2) IEY012I SUBSCRIPT
GTO 30
$
1) IEY013I SYNTAX

```

ERROR TYPES: The types of errors detected and reported by Parse are described in the following paragraphs. For each error type, the entire message which appears on the source output is given; the condition code and a description of the causes of this error follows the message.

IEY001I ILLEGAL TYPE: This message is associated with the source module statement when the type of a variable is not correct for its usage. Examples of situations in which this message would be given are: (1) The variable in an Assigned GO TO statement is not an integer variable; (2) In an assignment statement, the variable on the left of the equal sign is of logical type and the expression on the right side is not. The condition code is 8.

IEY002I LABEL: This message appears with a statement which should be labeled and is not. Examples of such statements are: (1) A FORMAT statement; (2) The statement following a GO TO statement. The condition code for the error is 0.

IEY003I NAME LENGTH: The name of a variable, COMMON block, NAMELIST, or subprogram exceeds six characters in length. If two variable names appear in an expression without a separating operation symbol, this message is produced. The condition code is 4.

IEY004I COMMA: A comma is supposed to appear in a statement and it does not. The condition code is 0.

IEY005I ILLEGAL LABEL: The usage of a label is invalid for example, if an attempt is made to branch to the label of a FORMAT statement, ILLEGAL LABEL is produced. The condition code is 8.

IEY006I DUPLICATE LABEL: A label appearing in the label field of a statement is already defined (has appeared in the label field of a previous statement). The condition code is 8.

IEY007I ID CONFLICT: The name of a variable or subprogram is used improperly, in the sense that a previous statement or a previous portion of the present statement has established a type for the name, and the present usage is in conflict with that type. Examples of such situations are: (1) The name listed in a CALL statement is the name of a variable, not a subprogram; (2) A single name appears more than once in the dummy list of a statement function; (3) A name listed in an EXTERNAL statement has already been defined in another context. The condition code is 8.

IEY008I ALLOCATION: Storage assignments specified by a source module statement cannot be performed due to an inconsistency between the present usage of a variable name and some prior usage of that name, or due to an improper usage of a name when it first occurs in the source module. Examples of the situations causing the error are: (1) A name listed in a COMMON block has been listed in another COMMON block; (2) A variable listed in an EQUIVALENCE statement is followed by more than seven subscripts. The condition code is 8.

IEY009I ORDER: The statements of a source module are used in an improper sequence. This message is produced, for example, when: (1) An IMPLICIT statement appears as anything other than the first or second statement of the source module; (2) An ENTRY statement appears within a DO loop. The condition code is 8.

IEY010I SIZE: A number used in the source module does not conform to the legal values for its use. Examples are: (1) The size specification in an Explicit specification statement is not one of the acceptable values; (2) A label which is used in a statement exceeds the legal size for a statement label; (3) An integer constant is too large. The condition code is 8.

IEY011I UNDIMENSIONED: A variable name indicates an array (i.e., subscripts follow the name), and the variable has not been dimensioned. The condition code is 8.

IEY012I SUBSCRIPT: The number of subscripts used in an array reference is either too large or too small for the array. The condition code is 8.

IEY013I SYNTAX: The statement or part of a statement to which it refers does not conform to FORTRAN IV syntax. If a statement cannot be identified, this error message is used. Other cases in which it appears are: (1) A non-digit appears in the label field; (2) Fewer than three labels follow the expression in an Arithmetic IF statement. The condition code is 8.

IEY014I CONVERT: In a DATA statement or in an Explicit specification statement containing data values, the mode of the constant is different from the mode of the variable with which it is associated. The compiler converts the constant to the correct mode. Therefore, this message is simply a notification to the programmer that the conversion is performed. The condition code is 0.

IEY015I NO END CARD: The source module does not contain an END statement. The condition code is 0.

IEY016I ILLEGAL STA.: The statement to which it is attached is invalid in the context in which it has been used. Examples of situations in which this message appears are: (1) The statement S in a Logical IF statement (the result of the true condition) is a specification statement, a DO statement, etc.; 2) An ENTRY statement appears in the source module and the source module is not a subprogram. The condition code is 8.

IEY017I ILLEGAL STA. WRN : A RETURN I statement appears in any source module other than a SUBROUTINE subprogram. The condition code is 0.

IEY018I NUMBER ARG: A reference to a library subprogram appears with the incorrect number of arguments specified. The condition code is 4.

IEY027I CONTINUATION CARDS DELETED: More than 19 continuation lines were read for 1 statement. All subsequent lines are skipped until the beginning of the next statement is encountered. The condition code is 8.

IEY033I COMMENTS DELETED: More than 30 comment lines were read between the initial lines of 2 consecutive statements. The 31st comment line and all subsequent comment lines are skipped until the beginning of the next statement is encountered. (There is no restriction on the number of comment lines preceding the first statement.) The condition code is 0.

IEY036I ILLEGAL LABEL WRN: The label on this nonexecutable statement has no valid use beyond visual identification, and may produce errors in the object module if the same label is the target of a branch-type statement. (Only branches to executable statements are valid.) This message is produced, for example, when an END statement is labeled. The message is issued as a warning only. The condition code is 4.

IEY037I PREVIOUSLY DIMENSIONED WRN.: The array flagged has been previously dimensioned. The dimensions that were given first are used. Examples of this error are (1) a DIMENSION statement defining an array with a subsequent COMMON statement defining the same array with new dimensions, or (2) array dimensions specified in a Type statement and also in a subsequent DIMENSION and/or COMMON statement. The condition code is 4.

IEY038I SIZE WRN.: A variable has data initializing values that exceed the size of the scalar, the array, or the array element. Examples of this error are (1) the specification REAL A/'ABCDE'/ where A has not been previously dimensioned (i.e., A is a scalar), or (2) the specification DATA A(1)/7H ABCDEFG/ where A has been previously dimensioned. The condition code is 4.

PHASE 2 OF THE COMPILER: ALLOCATE (IEYALL)

Phase 2 of the compiler performs the assignment of storage for the variables defined in the source module. The results of the allocation operations are entered on tables which are left in storage for the next phase. In addition, Allocate writes (on option) the object module ESD cards, the TXT cards for NAMELIST tables, literal constants, and FORMAT statements, and produces error messages and storage maps (optionally) on the SYSPRINT data set.

The following paragraphs describe the operations of Allocate in two parts. The first part, "Flow of Phase 2," describes the overall logic of the phase by means of narrative and flowcharts.

The second part, "Output from Phase 2," describes the error messages and memory maps which are produced on the source module listing during the operation of the phase, as well as the ESD and TXT cards produced. It also describes the types of error detection performed during Allocate.

Rolls manipulated by Allocate are listed in Table 4, and are briefly described in context. Detailed descriptions of roll structures are given in Appendix B.

Table 4. Rolls Used by Allocate

Roll		Roll	
No.	Roll Name	No.	Roll Name
1	Source	39	Halfword
5	Literal Const		Scalar
7	Global Sprog	40	Common Name
14	Temp	41	Implicit
15	Do Loops Open	42	Equivalence
18	Init		Offset
19	Equip Temp	43	Lbl
20	Equip Hold	44	Scalar
21	Base Table	45	Data Var
22	Array	47	Common Data
23	Dmy Dimension		Temp
24	Entry Names	48	Namelist
25	Global Dmy		Allocation
26	Error Lbl	48	Common Area
27	Local Dmy	49	Common Name
28	Local Sprog		Temp
29	Explicit	50	Equip
30	Error Symbol		Allocation
31	Namelist Names	52	Common
32	Namelist Items		Allocation
34	Branch Table	53	Format
37	Equivalence	60	Subchk
37	Byte Scalar	68	General
38	Used Lib		Allocation
	Function		
39	Common Data		

FLOW OF PHASE 2, CHART 05

START ALLOCATION (G0359) controls the operation of the Allocate phase. The primary function of this routine is to call the subordinate routines which actually perform the operations of the phase.

The operation of Allocate is divided into three parts: the first part performs initialization; the second part (called pass 1) makes an estimate of the number of base table entries required to accommodate the data in the object module; the third part actually assigns storage locations for the object module components, leaving indications of the assignment in main storage for use by subsequent phases.

The first part of Allocate's operation is performed by calling the routines ALPHA LBL AND L SPROG, PREP EQUIV AND PRINT ERRORS, BLOCK DATA PROG ALLOCATION, PREP DMY DIM AND PRINT ERRORS, PROCESS DO LOOPS, PROCESS LBL AND LOCAL SPROGS, BUILD PROGRAM ESD, ENTRY NAME ALLOCATION, COMMON ALLOCATION AND OUTPUT, and EQUIV ALLOCATION PRINT ERRORS.

After return from EQUIV ALLOCATION PRINT ERRORS, START ALLOCATION initializes for and begins pass 1. The variable PROGRAM BREAK, which is used to maintain the relative address being assigned to an object module component, is restored after being destroyed during the allocation of COMMON and EQUIVALENCE. The groups in the BASE TABLE roll (which becomes the object module base table) are counted, and the value ten is added to this count to provide an estimate of the size of the object module base table. The BASE TABLE roll is then reserved so that groups added to the roll can be separated from those used in the count. The value one is assigned to the variable AREA CODE, indicating that storage to be assigned is all relative to the beginning of the object module and carries its ESD number.

When these operations are complete, START ALLOCATION calls BASE AND BRANCH TABLE ALLOC, and upon return from this routine again increases the variable PROGRAM BREAK by the amount of storage allocated to EQUIVALENCE. START ALLOCATION continues its operation by calling BUILD ADDITIONAL BASES, PREP NAMELIST, SCALAR ALLOCATE, ARRAY ALLOCATE, PASS 1 GLOBAL SPROG ALLOCATE, SPROG ARG ALLOCATION, LITERAL CONST ALLOCATION and FORMAT ALLOCATION.

After the operation of FORMAT ALLOCATION, the last part of Allocate is begun. The variable PROGRAM BREAK is re-initialized to the value it was assigned

prior to pass 1. The BASE TABLE roll groups are counted to determine the total size of the roll after groups have been added by pass 1; again, five extra groups (or ten words) are added to the count to provide for data values which will appear in the object module, but which are not yet defined. The PASS 1 FLAG is then turned off, and START ALLOCATION calls DEBUG ALLOCATE, ALPHA SCALAR ARRAY AND SPROG, BASE AND BRANCH TABLE ALLOC, GLOBAL SPROG ALLOCATE, SPROG ARG ALLOCATION, EQUIV MAP, SCALAR ALLOCATE, ARRAY ALLOCATE, BUILD NAMELIST TABLE, LITERAL CONST ALLOCATION, and FORMAT ALLOCATION.

At RELEASE ROLLS, START ALLOCATION concludes its operation by releasing rolls, increasing the PROGRAM BREAK to ensure that the next base begins on a doubleword boundary, and calling CALCULATE BASE AND DISP and BUILD ADDITIONAL BASES in order to guarantee that at least three bases are allotted for the TEMP AND CONST roll. After this calculation, Allocate prepares for and relinquishes control to Unify.

ALPHA LBL AND L SPROGS, Chart CA

This routine (G0543) is the first routine called by START ALLOCATION. It moves the binary labels from the LBL roll and the statement function names from the LOCAL SPROG roll to the DATA VAR roll. The order of the labels and statement function names on their respective rolls is maintained, and the location on the DATA VAR roll at which each begins is recorded. The names are moved because Allocate destroys them in storing allocation information, and Exit needs them for writing the object module listing.

ALPHA SCALAR ARRAY AND SPROG, Chart CA

This routine moves the names of scalars, arrays, and called subprograms to the DATA VAR roll from the rolls on which they are placed by Parse. The order of names is preserved and the beginning location for each type of name on the DATA VAR roll is saved.

PREP EQUIV AND PRINT ERRORS, Chart CB

Subscript information on the EQUIVALENCE OFFSET roll (which indicates the subscripts used in EQUIVALENCE statements in the source module) is used by this routine

(G0362) to calculate the relative addresses of array elements referred to in statements. (Pointers to the EQUIVALENCE CFFSET roll are found on the EQUIVALENCE roll for all subscripted references in EQUIVALENCE statements.) The addresses computed are relative to the beginning of the array. When an array reference in a source module EQUIVALENCE statement is outside the array, designates an excessive number of dimensions, or specifies too few dimensions, an error message is printed by this routine.

BLOCK DATA PROG ALLOCATION, Chart CC

This routine (G0361) controls the allocation of data specified in DATA, COMMON, DIMENSION, EQUIVALENCE, and Type statements in a BLOCK DATA subprogram. Since all data specified in EQUIVALENCE must be allocated under COMMON, this routine registers an error upon encountering on the EQUIVALENCE roll. The routine terminates with a jump to RELEASE ROLLS (G0360), which, in turn, terminates the Allocate phase.

PREP DMY DIM AND PRINT ERRCRS, Chart CD

This routine (G0365) constructs the DMY DIMENSION roll, placing a pointer to the ENTRY NAMES roll group defining the ENTRY with which a dummy array is connected, and a pointer to the array for each dummy array containing a dummy dimension.

Before the roll is constructed, this routine ensures that each array having dummy dimensions is itself a dummy, and that each dummy dimension listed for the array is either in COMMON or is a global dummy variable in the same call. If any of these conditions are not satisfied, error messages are written.

PROCESS DO LOOPS, Chart CE

This routine (G0371) inspects the DO LOOPS OPEN roll for the purpose of determining whether DO loops opened by the source module have been left unclosed; that is, whether the terminal statement of a DO loop has been omitted from the source module. The DO LOOPS OPEN roll holds pointers to labels of target statements for DO loops until the loops are closed. If any information is present on this roll, loops have been left unclosed.

On encountering information on the DO LOOPS OPEN roll, this routine records the undefined labels for listing as DO loop errors, and (on option) lists them. It also sets the high order bit of the TAG field of the LBL roll group which refers to the undefined label to zero; this indicates to Gen that the loop is not closed.

PROCESS LBL AND LOCAL SPROGS, Chart CF

This routine (G0372) constructs the BRANCH TABLE roll, which is to become the object module branch table. The routine first processes the LBL roll. For each branch target label found on that roll, a new BRANCH TABLE roll group is constructed, and the label on the LBL roll is replaced with a pointer to the group constructed. Undefined labels are also detected and printed during this process.

When this operation is complete, the LOCAL SPROG roll (which lists the names of all statement functions) is inspected, and for each statement function, a group is added to the BRANCH TABLE roll, and part of the statement function name is placed with a pointer to the constructed group.

BUILD PROGRAM ESD, Chart CG

This routine (G0374) constructs and punches the ESD cards for the object module itself (the program name) and for each ENTRY to the object module. It also assigns main storage locations to the object module heading by increasing the PROGRAM BREAK by the amount of storage required.

ENTRY NAME ALLOCATION, Chart CH

This routine (G0376) does nothing if the source module is other than a FUNCTION subprogram. If, however, the source module is a FUNCTION, this routine places the names of all ENTRIES to the source module on the EQUIVALENCE roll as a single EQUIVALENCE set; it also ensures that the ENTRY name has been used as a scalar in the routine. If the variable has not been used, an appropriate error message is printed and the scalar variable is defined by this routine.

COMMON ALLOCATION AND OUTPUT, Chart CI

This routine (G0377) allocates all COMMON storage, one block at a time, generating the COMMON ALLOCATION roll (which holds the name, base pointer, and displacement for all COMMON variables) in the process. Groups are added to the BASE TABLE roll as they are required to provide for references to variables in COMMON. The ESD cards for COMMON are constructed and written out. All errors in COMMON allocation are written on the source listing and the map of COMMON storage is also written (on option).

EQUIV ALLOCATION PRINT ERRORS, Chart CK

This routine (G0381) allocates storage for EQUIVALENCE variables, creating the EQUIVALENCE ALLOCATION roll in the process. For each variable appearing in an EQUIVALENCE set, except for EQUIVALENCE variables which refer to COMMON (which have been removed from the EQUIVALENCE roll during the allocation of COMMON storage), the name of the variable and its address are recorded.

The information pertaining to EQUIVALENCE sets is stored on the EQUIV ALLOCATION roll in order of ascending addresses. Required bases are added to the BASE TABLE roll, and all remaining EQUIVALENCE errors are printed.

BASE AND BRANCH TABLE ALLOC, Chart CL

This routine (G0437) assigns main storage for the object module save area, base table, and branch table. The required base table entries are added as needed, PROGRAM BREAK is increased, and the base pointer and displacement for each of these areas is recorded in a save area for use by Gen. During pass 1 of Allocate, this assignment of storage is tentative and depends on the estimate of the size of the base table. The second time this routine is operated, the actual number of base table entries required in the object module has been determined by pass 1 and the space allocation is final.

SCALAR ALLOCATE, Chart CM

Each group on the SCALAR roll is inspected by this routine (G0397), which defines all nonsubscripted variables. It

allocates storage for the variables listed on the roll, except for those which are in COMMON or members of EQUIVALENCE sets. The first time SCALAR ALLOCATE operates, it determines the number of base table entries required to accommodate references to the object module scalar variables. The information on the SCALAR roll is not altered, nor is any other roll built or modified by the routine.

At the second operation of the routine, the SCALAR roll is modified, and the actual storage locations (represented by the base pointer and displacement) to be occupied by the scalar variable are either computed and stored on the SCALAR roll or copied from the COMMON or EQUIV ALLOCATION roll to the SCALAR roll.

All "call by name" dummy variables are placed on the FULL WORD SCALAR roll; as each remaining scalar is inspected, its mode is determined. If it is of size 8 or 16 (double-precision real or single- or double-precision complex), storage is allocated immediately. If the variable does not require doubleword alignment, it is moved to one of three rolls depending on its size: FULL WORD SCALAR, HALF WORD SCALAR, or BYTE SCALAR.

When all groups on the SCALAR roll have been processed in this manner, the variables on the FULL WORD SCALAR roll, then the HALF WORD SCALAR roll, then the BYTE SCALAR roll are assigned storage. The map of scalars is produced (on option) by this routine.

ARRAY ALLOCATE, Chart CN

This routine (G0401), like SCALAR ALLOCATE, is called twice by START ALLOCATE. The first time it is called, it determines the number of base table entries required for references to the object module arrays. The second time the routine is operated, it actually assigns storage for the arrays, and records the appropriate base pointer and displacement on the ARRAY roll.

As each array name is found on the ARRAY roll, it is compared with those on the COMMON, EQUIV, and GLOBAL DMY rolls. For COMMON and EQUIVALENCED arrays, the allocation information is copied from the appropriate roll. Since all dummy arrays are "call by name" dummies, dummy array groups are always replaced with pointers to the GLOBAL DMY roll. For each array to be assigned storage, new base table entries are constructed as required. In no case is more than one base used for a single array.

Since arrays are allocated in the order of their appearance, some unused storage space may appear between consecutive arrays due to the required alignment. The array map is produced (on option) by this routine.

PASS 1 GLOBAL SPROG ALLOCATE, Chart CO

This routine (G0402) counts the groups on the GLOBAL SPROG and USED LIB FUNCTION rolls (which hold, respectively, the non-library and library subprogram names referred to in the source module) to determine the number of base table entries required for references to the subprogram addresses region of the object module. The required BASE TABLE roll groups are added.

SPROG ARG ALLOCATION, Chart CP

This routine (G0442) adds the number of arguments to subprograms (and thus, the number of words in the argument list area of the object module) to the PROGRAM BREAK, thus allocating storage for this portion of the object module. BASE TABLE roll groups are added as required.

PREP NAMELIST, Chart CQ

This routine (G0443) determines the amount of main storage space required for each object module NAMELIST table. The NAMELIST ALLOCATION roll is produced during this routine's operation; it contains, for each NAMELIST data item, the name of the item and a pointer to the SCALAR or ARRAY roll group defining it. If any data name mentioned in a NAMELIST is not the name of a scalar or array, the appropriate error message is printed by this routine.

The NAMELIST NAMES roll is left holding the NAMELIST name and the absolute location of the beginning of the corresponding object module NAMELIST table. Required BASE TABLE roll groups are added by this routine.

LITERAL CONST ALLOCATION, Chart CR

This routine (G0444) is called twice by START ALLOCATION. Its first operation determines the number of BASE TABLE roll groups which should be added to cover the

literal constants in the object module. The second operation of the routine actually assigns storage for all literal constants (except those appearing in source module DATA and PAUSE statements) and writes (on option) the TXT cards for them.

FORMAT ALLOCATION, Chart CS

This routine (G0445) is called twice by START ALLOCATION. The first time it is called is during the operation of pass 1. In pass 1, the PROGRAM BREAK is increased by the number of bytes occupied by each FORMAT.

The second time that FORMAT ALLOCATION is called, each FORMAT is written out and the FORMAT roll is rebuilt. The base and displacement information and a pointer to the label of the FORMAT statement are the contents of the rebuilt FORMAT group. The map of the FORMAT statements used in the object module is also written out (on option) by this routine.

EQUIV MAP, Chart CT

This routine (G0441) adjusts the values on the EQUIVALENCE ALLOCATION roll to the corrected (for the correct allocation of the base table, since this routine operates after the completion of pass 1) base pointer and displacement, and constructs the BASE TABLE roll groups required. The map of EQUIVALENCE variables is produced (on option) by this routine.

GLOBAL SPROG ALLOCATE, Chart CU

This routine (G0403) goes through the GLOBAL SPROG and USED LIB FUNCTION rolls, inserting the base pointer and displacement for each of the subprograms listed there; this is the allocation of storage for the subprogram addresses region of the object module. The ESD cards for the subprograms are written, the required BASE TABLE roll groups are added, and a list of the subprograms called is produced (on option).

BUILD NAMELIST TABLE, Chart CV

This routine (G0405) operates after pass 1 of Allocate. It uses the NAMELIST NAMES roll in determining the base and displace-

ment for each NAMELIST reference in the source module. The BASE TABLE roll groups are added as required. The PROGRAM BREAK is increased as indicated, and the TXT cards are written out according to the base and displacement calculations for each entry on the NAMELIST ALLOCATION roll. A map of the NAMELIST tables is produced (on option) by this routine.

BUILD ADDITIONAL BASES, Chart CW

This routine (G0438) is called whenever it may be necessary to construct a new BASE TABLE roll group. It determines whether a new base is required and, if so, constructs it.

DEBUG ALLOCATE, Chart CX

This routine (G0545) processes the information on the INIT and SUBCHK rolls, marking the groups on the SCALAR, ARRAY, and GLOBAL DMY rolls which define the variables listed. When all the information on the SUBCHK roll has been processed, the routine returns.

OUTPUT FROM PHASE 2

The following paragraphs describe the output from Allocate: error messages, maps, and cards. Allocate also produces roll entries describing the assignment of main storage. See Appendix B for descriptions of the roll formats.

Error Messages Produced by Allocate

The source module listing, with error indications and error messages for the errors detected during initial processing of the source statements, is produced by phase 1 of the compiler. Certain program errors can occur, however, which cannot be detected until storage allocation takes place. These errors are detected and reported (if a listing has been requested), at the end of the listing by ALLOCATE; the error messages are described in the following paragraphs.

FUNCTION ERROR: When the program being compiled is a FUNCTION subprogram, a check is made to determine whether a scalar with the same name as the FUNCTION and each

ENTRY is defined. If no such scalars are listed on the SCALAR roll, the message

IEY019I FUNCTION ENTRIES UNDEFINED

is written on the source module listing. The message is followed by a list of the undefined names. The condition code is 4.

COMMON ERRORS: Errors of two types can exist in the definitions of EQUIVALENCE sets which refer to the COMMON area. The first type of error exists because of a contradiction in the allocation specified, e.g., the EQUIVALENCE sets (A,B(6),C(2)) and (B(8),C(1)). The second error type is due to an attempt to extend the beginning of the COMMON area, as in COMMON A,B,C and EQUIVALENCE (A,F(10)).

An additional error in the assignment of COMMON storage occurs if the source program attempts to allocate a variable to a location which does not fall on the appropriate boundary. Since each COMMON block is assumed to begin on a double-precision boundary, this error can be produced in either (or both) the COMMON statement and an EQUIVALENCE statement which refers to COMMON.

When each block of COMMON storage has been allocated, the message

IEY020I COMMON BLOCK / / ERRORS

is printed if any error has been detected (the block name is provided). The message is followed by a list of the variables which could not be allocated due to the errors. The condition code is 4.

Unclosed DO Loops

If DO loops are initiated in the source module, but their terminal statements do not exist, Allocate finds pointers to the labels of the nonexistent terminal statements on the DO LOOPS OPEN roll. If pointers are found on the roll, the message

IEY021I UNCLOSED DC LOOPS

is printed, followed by a list of the labels which appeared in DO statements and were not defined in the source module. The condition code is 8.

UNDEFINED LABELS: If any labels are used in the source module but are not defined, they constitute label errors. Allocate checks for this situation. At the conclusion of this check, the message

IEY022I UNDEFINED LABELS

is printed. If there are undefined labels used in the source module, they are listed on the lines following the message. The condition code is 8.

EQUIVALENCE ERRORS: Allocation errors due to the arrangement of EQUIVALENCE statements which do not refer to COMMON variables may have two causes. The first of these is the conflict between two EQUIVALENCE sets; for example, (A,B(6),C(3)) and (B(8),C(1)).

The second is due to incompatible boundary alignment in the EQUIVALENCE set. The first variable in each EQUIVALENCE set is assigned to its appropriate boundary, and a record is kept of the size of the variable. Then, as each variable in the set is processed, if any variable of a greater size requires alignment, the entire set is moved accordingly. If any variable is encountered of the size which caused the last alignment, or of lower size, and that variable is not on the appropriate boundary, this error has occurred.

If EQUIVALENCE errors of either of these types occur, the message

IEY023I EQUIVALENCE ALLOCATION ERRORS

is printed. The message is followed by a list of the variables which could not be allocated according to source module specifications. The condition code is 4.

Another class of EQUIVALENCE error is the specification, in an EQUIVALENCE set, of an array element which is outside the array. These errors are summarized under the heading

IEY024I EQUIVALENCE DEFINITION ERRORS

on the source module listing. The condition code is 4.

DUMMY DIMENSION ERRORS: If variables specified as dummy array dimensions are not in COMMON and are not global dummy variables, they constitute errors. These are summarized under the heading

IEY025I DUMMY DIMENSION ERRORS

on the source module listing. The condition code is 4.

BLOCK DATA ERRORS: If variables specified within the BLOCK DATA subprogram have not also been defined as COMMON, they constitute errors. The message

IEY026I BLOCK DATA PROGRAM ERRORS

is produced on the source module listing followed by a summarization of the variables in error. The condition code is 4.

Storage Maps Produced by Allocate

Allocate produces the storage maps described below during its operations; these maps are printed only if the MAP option is specified by the programmer.

COMMON MAP: The map of each COMMON block is produced by Allocate. The map is headed by two title lines; the first of these is

COMMON / name / MAP SIZE n

and the second is the pair of words

SYMBOL LOCATION

printed five times across the line. The title lines are followed by a list of the variables assigned to the COMMON block and their relative addresses, five variables per line, in order of ascending relative addresses. The name contained within the slashes is the name of the COMMON block. The amount of core occupied by the block (n) is given in hexadecimal and represents the number of bytes occupied.

Subprogram List

Allocate prints a list of the subprograms called by the source module being compiled. This list is printed only if the MAP option is specified by the programmer. The subprogram list is headed by the line

SUBPROGRAMS CALLED

and contains the names of the subroutines and functions referred to in the source module.

SCALAR MAP: The scalar map is produced by Allocate and consists of two title lines, the first of which reads

SCALAR MAP

and the second of which is identical to the second title line of the COMMON maps. The

title is followed by a list of the non-COMMON scalar variables, five variables per line, and their relative addresses, in order of ascending relative addresses.

ARRAY MAP: The first title line of the array map reads

ARRAY MAP

In all other respects, the array map is identical to the scalar map.

EQUIVALENCE MAP: The first title line of the map of EQUIVALENCE sets reads

EQUIVALENCE DATA MAP

The second line for both maps is standard. The variables listed in the EQUIVALENCE map are those not defined as COMMON.

NAMelist MAP: This map shows the locations of the NAMelist tables. The first title line reads

NAMelist MAP

and the second line is standard. The symbol listed is the NAMelist name associated with each of the tables.

FORMAT MAP: This map gives the labels and locations of FORMAT statements. The first title line is

FORMAT STATEMENT MAP

and the second title is the same as the others described. The symbol listed is the label of the FORMAT statement.

Cards Produced by Allocate

Allocate produces both ESD and TXT cards, provided that a DECK option or a LOAD option has been specified by the programmer. All ESD cards required by the object module are produced during this phase. These include cards for the CSECT in which the object module is contained for each COMMON block and for each subprogram referred to by the object module.

The ESD cards that are produced by Allocate are given in the following order according to type:

ESD, type 0 - contains the name of the program and indicates the beginning of the object module.

ESD, type 1 - contains the entry point to a SUBROUTINE or FUNCTION subprogram, or the name specified in the NAME option, or the name MAIN. The name designated on the card indicates where control is given to begin execution of the module.

ESD, type 2 - contains the names of subprograms referred to in the source module by CALL statements, EXTERNAL statements, explicit function references, and implicit function references.

ESD, type 5 - contains information about each COMMON block.

The TXT cards produced during this phase fill the following areas of the object module:

- The NAMelist tables
- The literal constants
- The FORMAT statements

The other TXT cards required for the object module are produced by later phases of the compiler.

PHASE 3 OF THE COMPILER: UNIFY (IEYUNF)

The third phase of the compiler optimizes the subscripting operations performed by the object module by deciding, on the basis of frequency of use, which subscript expressions within DO loops are to appear in general registers, and which are to be maintained in storage.

The following paragraphs, "Flow of Phase 3," describe the operation of Unify by means of narrative and flowcharts.

The rolls manipulated by Unify are listed in Table 5 and are mentioned in the following discussion of the phase; these rolls are briefly described in context. See Appendix B for a complete description of any roll used in the phase.

Table 5. Rolls Used by Unify

<u>Roll Number</u>	<u>Roll Name</u>
2	Nonstd Script
3	Nest Script
4	Loop Script
13	Std Script
14	Temp
20	Reg
21	Base Table
22	Array
52	Loop Control
54	Script
55	Loop Data
56	Program Script
57	Array Ref
58	Adr Const

FLOW OF PHASE 3, CHART 07

START UNIFY (G0111) controls the operation of this phase of the compiler. It initializes for the phase by setting the proper number of groups on the ARRAY REF roll to zero (this function is performed by the routine ARRAY REF ROLL ALLOTMENT) and moving the information transmitted on the PROGRAM SCRIPT roll to the SCRIPT roll. When the initialization is complete, the reserve blocks on the SCRIPT roll are in order from the outermost loop of the last source module DO nest (at the top of the roll) to the innermost loop of the first source module DO nest (at the bottom of the roll).

After initialization, START UNIFY begins the optimizing process by inspecting the last group of a reserve block on the SCRIPT roll; a value of zero in this group indicates the end of the SCRIPT roll information. When the value is nonzero, DO NEST UNIFY is called to process the information for an entire nest of DO loops. On return from this routine, the nest has been processed; the count of temporary storage locations required is updated, and START UNIFY repeats its operations for the next nest of loops.

When all loops have been processed, START UNIFY makes a complete pass on the ARRAY REF roll, setting up the instruction format for the array references from pointers which have been left on the roll (CONVERT TO INST FORMAT actually sets up the instruction fields). When all groups on the ARRAY REF roll have been processed, a jump is made to CONVERT TO ADR CONST. This routine sets up groups as required on the ADR CONST roll from data on the LOOP CONTROL roll. When the LOOP CONTROL roll has been processed, this routine terminates the Unify phase by calling Gen.

ARRAY REF ROLL ALLOTMENT, Chart DA

This routine (G0145) constructs the ARRAY REF roll. The groups on this roll are initialized with values of zero. Pointers to the roll have been placed on the SCRIPT roll and in the Polish notation by Parse, but information has not actually been put on the roll before this routine is called. The number of groups required has been transmitted from Parse.

CONVERT TO ADR CONST, Chart DE

This routine (G0113) constructs the ADR CONST roll from the base address information on the LOOP CONTROL roll.

When the third word of the LOOP CONTROL roll group contains an area code and displacement, Unify requires a base address which it does not find in the base table. Since no values can be added to the base table by Unify, the required value must be placed in the temporary storage and constant area of the object module. The ADR CONST roll holds the information required for Exit to place the value in a temporary storage and constant location and to produce the RLD card required to get the proper modification of the value in that location at load time. This routine builds that information on the ADR CONST roll by allocating the temporary storage and constant locations for the area codes and displacement values it finds on the LOOP CONTROL roll. See Appendix B for further explanation of the rolls involved.

CONVERT TO INST FORMAT, Chart DC

This routine (G0112) sets up the first word (zero rung) of each ARRAY REF roll group by testing the contents of the later words (the register rungs) of the same roll. The result is the skeleton of the instruction to be used for an array reference. When the second and third words of the group point to a general register, they are shifted into the appropriate position and inserted into the zero rung. (See Appendix B for the configuration of the ARRAY REF roll group.) At each entry to this routine, one word is processed and that word is cleared to zero before the routine exits.

DO NEST UNIFY, Chart DD

This routine (G0115) first initializes for the processing of one nest of DO loops. For each DO loop, a reserve block exists on the SCRIPT roll and one group exists on the LOOP DATA roll. These blocks and groups are ordered so that, reading from the bottom of the rolls up, a nest level of one indicates the end of a nest of loops; that is, for each nest, the bottom block represents the inner loop and the top block represents the outer loop.

DO NEST UNIFY serves a control function in this phase, arranging information to be processed by DO LOOP UNIFY and LEVEL ONE UNIFY; it is these latter routines which actually perform the optimization of subscripting by means of register assignment. The main result of the optimization is that in the initialization code for each loop, only that portion of each subscript which depends on the DO loop variable is computed.

DO LOOP UNIFY expects to find a reserved block on the bottom of the NEST SCRIPT roll describing a loop one nest level deeper than the loop described by the bottom reserved block on the SCRIPT roll. Moreover, both the block on the SCRIPT roll and the block on the NEST SCRIPT roll must already reflect the allocation of arrays by Allocate; that is, both blocks must have been processed by NOTE ARRAY ALLOCATION DATA, another routine called by DO NEST UNIFY. This arrangement is required so that DO LOOP UNIFY can pass information from the loop being processed (on the NEST SCRIPT roll) to the next outer loop (on the SCRIPT roll).

A special case is made of the reserved block describing a loop of nest level one, since there is no outer loop to which information can be passed. The routine LEVEL ONE UNIFY processes in place of DO LOOP UNIFY in this case; it expects to find the reserved block describing the level one loop on the NEST SCRIPT roll.

IEYROL MODULE

The IEYROL module is loaded into main storage by program fetch, along with the Invocation phase and the five processing phases. It contains two static rolls (the WORK roll and the EXIT roll), roll statistics, group stats, and the ROLL ADR table. Throughout the operation of the compiler, it maintains a record of the storage space allocated by the control program to the dynamic rolls.

Phase 4 of the Compiler: Gen (IEYGEN)

Gen produces object code from the Polish notation and roll information left by previous phases of the compiler. The code produced by this phase appears, one statement at a time, on the CODE roll, and is saved there until it is written out by EXIT.

The following paragraphs, "Flow of Phase 4," describe the operation of this phase by means of narrative and flowcharts.

The rolls manipulated by Gen are listed in Table 6 and are mentioned in the following description of the phase; these rolls are briefly described in context. See Appendix B for a complete description of all of the rolls used in the phase.

Table 6. Rolls Used by Gen

Roll		Roll	
No.	Roll Name	No.	Roll Name
1	Source	24	Entry Names
4	Polish	25	Global Dmy
8	Fx Const	34	Branch Table
9	F1 Const	36	Fx Ac
10	Dp Const	40	Temp Pntr
11	Complex Const	42	F1 Ac
12	Dp Complex Const	43	Lbl
14	Temp	44	Scalar
15	Do Loops Open	45	Data Var
15	Loops Open	52	Loop Control
16	Temp and Const	55	Loop Data
17	Adcon	56	Array Plex
18	Data Save	57	Array Ref
22	Array	59	At
23	Dmy Dimension	62	Code
23	Sprog Arg	63	After Polish

FLOW OF PHASE 4, CHART 08

START GEN (G0491) initializes for the operation of the Gen phase. It then calls ENTRY CODE GEN to produce the object heading code and PROLOGUE GEN and EPILOGUE GEN for the required prologues and epilogues. On return from EPILOGUE GEN, START GEN falls through to GEN PROCESS.

GEN PROCESS (G0492) controls the repetitive operations of Gen. It first calls GET POLISH, which moves the Polish notation for one statement from the AFTER POLISH roll to the POLISH roll. Using the Polish notation just moved, GEN PROCESS determines whether the statement to be processed was labeled; if it was, the routine LBL PROCESS is called. If the source statement was not

labeled, or when LBL PROCESS returns, GEN PROCESS calls STA GEN and STA GEN FINISH. On return from STA GEN FINISH, GEN PROCESS restarts.

The termination of the Gen phase of the compiler occurs when an END statement has been processed. END STA GEN jumps directly to TERMINATE PHASE after the object code is produced, rather than returning to GEN PROCESS. TERMINATE PHASE is described in Chart EG and in the accompanying text.

ENTRY CODE GEN, Chart EA

ENTRY CODE GEN (G0499) first determines whether the source module is a subprogram. If it is not, the heading code for a main program is placed on the CODE roll, the location counter is adjusted, and the routine returns.

If the source module is a subprogram, ENTRY CODE GEN determines the number of entries to the subprogram, generates code for the main entry and for each secondary entry and, when all required entry code has been produced, it then returns.

PROLOGUE GEN, Chart EB

PROLOGUE GEN (G0504) processes the main entry and each additional ENTRY to the source subprogram, producing the required prologues. Prologue code transfers arguments as required and is, therefore, not produced if no arguments are listed for the ENTRY. The prologue code terminates with a branch to the code for the appropriate entry point to the subprogram; in preparation for the insertion of the address of that entry point, this routine records the location of the branch instruction on the ENTRY NAMES roll. If the source module is not a subprogram, PROLOGUE GEN exits.

EPILOGUE GEN, Chart EC

EPILOGUE GEN (G0508) processes the main entry and each additional ENTRY to a subprogram, producing the required epilogues. Epilogue code returns argument values and returns to the calling program. If this routine determines that the source module is not a subprogram, main program prologue and epilogue code are produced.

GET POLISH, Chart ED

This routine (G0712) moves the Polish notation for a single statement from the

AFTER POLISH roll to the POLISH roll. The Polish notation is moved from the beginning of the AFTER POLISH roll, and a pointer is maintained to indicate the position on the roll at which the next statement begins.

Note: Unlike the other rolls, data from the AFTER POLISH roll is obtained on a first-in first-out basis (i.e., the BASE rather than the BOTTOM pointer is used). This is done to maintain the sequence of the source program.

LBL PROCESS, Chart EF

LBL PROCESS (G0493) stores the label pointer left on the WORK roll by GEN PROCESS in STA LBL BOX. It then inspects the LBL roll group defining the label, and determines whether the label is a jump target. If so, the base register table is cleared to indicate that base values must be reloaded.

If the label is not the target of a jump, or when the base register table has been cleared, the AT roll is inspected. For each AT roll entry (and, therefore, AT statement) referring to the labeled statement being processed, made labels are constructed for the debug code and for the next instruction in line, pointers to these labels are recorded on the AT roll, and an unconditional branch to the debug code is placed on the CODE roll.

When all AT references to the present label have been processed, an instruction is placed on the CODE roll to inform Exit that a label was present and that a branch table entry may be required. Then, if the trace flag is on (indicating the presence of the TRACE option in the source DEBUG statement), the debug linkage for TRACE and the binary label are placed on the CODE roll. If the trace flag is off, or when the code has been completed, LBL PROCESS returns.

STA GEN, Chart EG

STA GEN (G0515) uses the control driver left on the WORK roll by GEN PROCESS to index into a jump table (STA RUN TABLE), jumping to the appropriate routine for constructing the object code for the specific type of statement being processed. This operation is called a "run" on the driver; other "runs" occur in Gen for building specific instructions or for generating data references.

The names of the code generating routines indicate the functions they perform;

for example, assignment statements are processed by ASSIGNMENT STA GEN, while GO TO statements are processed by GO TO STA GEN. These routines construct the code for the statement on the CODE roll and, when the code is complete, return to GEN PROCESS.

END STA GEN processes the END statement and provides the normal termination of the Gen phase by jumping to TERMINATE PHASE after producing the code. The code produced for the END statement is identical to that for the STOP statement if a main program is being compiled or a RETURN statement if a subprogram is being compiled. If an AT statement precedes the END, an unconditional branch instruction is constructed to return from the debug code to the main line of code.

TERMINATE PHASE (G0544) prepares for and calls the Exit phase of the compiler.

STA GEN FINISH, Chart EH

STA GEN FINISH (G0496) determines whether the present statement is the closing statement of any DO loops; if it is, this routine generates the code required for the DO loop closing and repeats the check for additional loops to be closed.

When all DO closings have been processed, STA GEN FINISH resets pointers to temporary locations, clears accumulators, and returns to GEN PROCESS.

PHASE 5 OF THE COMPILER: EXIT (IEYEXT)

Exit produces the SYSPUNCH and/or SYSLIN output requested by the programmer, except for the ESD cards and TXT card produced by the Allocate phase. It also produces the listing of the object module on SYSPRINT, if it has been requested by the programmer.

The description of this phase of the compiler is divided into two parts. The first of these, "Flow of Phase 5," describes the overall logic of the phase by means of narrative and flowcharts.

The second part of the description of the phase, "Output from Phase 5," describes the output written by the phase.

The rolls used by Exit are listed in Table 7, and are briefly described in context. For further description of rolls, see Appendix B.

Table 7. Rolls Used by Exit

Roll Number	Roll Name
7	Global Sprog
16	Temp and Const
17	ADCON
20	CSECT
23	Sprog Arg
38	Used Lib Function
45	BCD
46	Base Table
51	RLD
52	Branch Table
58	Adr Const
62	Code

FLOW OF PHASE 5, CHART O9

The routine EXIT PASS (G0381) controls the operation of this phase. After initializing, this routine calls PUNCH NAMELIST MPY DATA and PUNCH TEMP AND CONST ROLL. The routine PUNCH ADR CONST ROLL is then called and, if an object module listing was requested, the heading for that listing is written out.

After this operation, EXIT PASS calls PUNCH CODE ROLL, records the memory requirements for the code, and prints the compiler statistics. PUNCH BASE ROLL, PUNCH BRANCH ROLL, PUNCH SPROG ARG ROLL, PUNCH GLOBAL SPROG ROLL, PUNCH USED LIBRARY ROLL, PUNCH ADCON ROLL, ORDER AND PUNCH RLD ROLL, and PUNCH END CARD are then called in order. On return from the last of these, EXIT PASS releases rolls and exits to the Invocation phase of the compiler.

PUNCH TEMP AND CONST ROLL, Chart FA

This routine (G0382) initializes the location counter for the temporary storage and constant area of the object module. It then initializes a pointer to the TEMP AND CONST roll and begins the processing of that roll from top to bottom. Each group on the roll is moved to the output area; when the output area is full, a TXT card is written. When the entire TEMP AND CONST roll has been processed, a jump is made to PUNCH PARTIAL TXT CARD, which writes out any partial TXT card remaining in the output area and returns to EXIT PASS.

PUNCH ADR CONST ROLL, Chart FB

The information on the ADR CONST roll is used by this routine (G0383) to produce TXT cards for temporary storage and constant area locations which contain addresses. RLD roll entries are also produced to cause correct modification of those locations by the linkage editor. The beginning address of the temporary storage and constant area is computed. Then, for each ADR CONST roll entry, the TEMP AND CONST roll pointer is added to that value to produce the address at which an address constant will be stored. This address is placed in the TXT card and on the RLD roll, the address constant from the ADR CONST roll initializes that location, and the area code from the ADR CONST roll is placed on the RLD roll. (See Appendix B for roll descriptions.)

PUNCH CODE ROLL, Chart FC

PUNCH CODE ROLL (G0384) initializes a location counter and a pointer to the CODE roll. Inspecting one group at a time, it determines the nature of the word. If it is a statement number, PUNCH CODE ROLL simply stores it and repeats the operation with the next word.

If a group is a constant, it is placed in the output area for SYSPUNCH and/or SYSLIN. This category includes literals which appear in-line and, thus, the constant to be written may occupy several groups on the roll.

Groups representing code are placed in the output area and, if an object module listing has been requested, the line entered into the output area is listed before it is punched. The contents of the DATA VAR roll are used for the listing of the operands.

If the group on the CODE roll is an indication of the definition of an address constant, the location counter is stored accordingly, and the operation of the routine continues with the next group.

PUNCH CODE ROLL also determines whether the group is an indication of the definition of a label, if it is, the routine defines the label on the BRANCH TABLE roll as required, inserts the label in the output line for the object module listing and repeats with the next group on the roll.

When all groups on the roll have been processed, a transfer to PUNCH PARTIAL TXT

CARD is made; that routine writes out any incomplete TXT card which may be in the output area, and returns to EXIT PASS.

PUNCH BASE ROLL, Chart FD

PUNCH BASE ROLL (G0399) initializes a pointer to the BASE TABLE roll and initializes the location counter to the beginning address of the object module base table. It then enters each group on the BASE TABLE roll into the TXT card output area; it also records the object module ESD number and the location counter on the RLD roll for later production of the RLD cards. Whenever the output area is full, a TXT card is written. When all groups on the BASE TABLE roll have been processed, the routine makes a jump to PUNCH PARTIAL TXT CARD, which writes out any incomplete card in the output area and returns to EXIT PASS.

PUNCH BRANCH ROLL, Chart FE

This routine (G0400) first initializes a pointer to the BRANCH TABLE roll, and the location counter to the beginning location of the object module branch table. When these operations are completed, the routine inspects the BRANCH TABLE roll from top to bottom, making the requisite entries on the RLD roll and entering the addresses from the roll in the TXT card output area. TXT cards are written when the output area is full. When all BRANCH TABLE roll groups have been processed, the routine jumps to PUNCH PARTIAL TXT CARD, which writes out any incomplete card in the output area and returns to EXIT PASS.

PUNCH SPROG ARG ROLL, Chart FF

PUNCH SPROG ARG ROLL (G0402) initializes a pointer to the SPROG ARG roll and initializes the location counter to the beginning address of the subprogram arguments area of the object module.

The routine then inspects the groups on the SPROG ARG roll. If the first word of the group contains the value zero (indicating an argument whose address will be stored dynamically), the group is placed in the TXT card output area, and the card is written if the area is full. The routine then repeats with the next group on the roll.

If the SPROG ARG roll group does not contain zero, the group is then inspected to determine whether it refers to a temporary location. If it does, the correct location (address of the temporary storage and constant area plus the relative address within that area for this location) is determined. The required RLD roll entries are then made, the address is moved to the output area, and PUNCH SPROG ARG ROLL repeats this process with the next group on the roll.

If the group from the SPROG ARG roll contained neither a zero nor a temporary location, the argument referenced must have been a scalar, an array, a label or a subprogram. In any of these cases, a base table pointer and a displacement are on the pointed roll. From these, this routine computes the location of the variable or label or the subprogram address, enters it in the TXT card output area, and records the RLD information required on the RLD roll. The routine then repeats with the next group on the SPROG ARG roll.

This routine exits to EXIT PASS through PUNCH PARTIAL TXT CARD when all SPROG ARG roll groups have been processed.

PUNCH GLOBAL SPROG ROLL, Chart FG

This routine (G0403) first inverts the GLOBAL SPROG roll and moves one word from that roll to the WORK roll. If these actions indicate that there is no information on the roll, the routine exits.

Otherwise, for each group on the GLOBAL SPROG roll, this routine enters the ESD number for the subprogram and the location at which its address is to be stored on the RLD roll. The routine also writes a word containing the value zero for each subprogram listed (these words become the object module subprogram addresses region). When all groups on the GLOBAL SPROG roll have been processed, the routine exits through PUNCH PARTIAL TXT CARD, which writes out any incomplete card remaining in the output area before returning to EXIT PASS.

PUNCH USED LIBRARY ROLL, Chart FH

This routine (G0404) performs the same function for the USED LIB FUNCTION roll that the previous routine performs for the GLOBAL SPROG roll, thus completing the subprogram addresses region of the object module. The techniques used for the two rolls are identical.

PUNCH ADCON ROLL, Chart FI

This routine (G0405) returns immediately to EXIT PASS if there is no information on the ADCON roll. Otherwise, it writes out one TXT card for each group it finds on the roll, obtaining the area code, the address constant, and the address of the constant from the ADCON roll. The ESD number and the address of the constant are placed on the RLD roll for subsequent processing. A TXT card is punched containing the constant. The operation of PUNCH ADCON ROLL terminates when all groups on the roll have been processed.

ORDER AND PUNCH RLD ROLL, Chart FJ

This routine (G0416) sorts the RLD roll and processes the groups on that roll, producing the object module RLD cards. The card images are set up, and the RLD cards are actually written out as they are completed. When all information on the roll has been processed, this routine returns to EXIT PASS.

PUNCH END CARD, Chart FK

PUNCH END CARD (G0424) produces the object module END card. It moves the required information into the card image and initiates the write operation; it then returns to EXIT PASS.

PUNCH NAMELIST MPY DATA, Chart FL

This routine (G0564) is responsible for the punching of TXT and RLD cards for those words in the object module NAMELIST tables which contain pointers to array dimension multipliers. The multipliers themselves are placed on the TEMP AND CONST roll. The required information is found on the NAMELIST MPY DATA roll; when all groups have been processed, this routine returns to EXIT PASS.

OUTPUT FROM PHASE 5

Four types of output are produced by the Exit phase of the compiler: TXT cards, RLD cards, the object module listing, and the compiler statistics. The cards are produced on SYSPUNCH and/or SYSLIN, according to the user's options. The listing, if

requested, is produced on SYSPRINT. The compiler statistics for the compilation are produced on SYSPRINT.

The formats of the TXT and RLD cards are described in the publication IBM System/360 Operating System: Linkage Editor Program Logic Manual. The object module listing consists of the following fields:

- Location, which is the hexadecimal address relative to the beginning of the object module control section, of the displayed instruction.
- Statement number (entitled STA NUM), which is the consecutive statement number assigned to the source module statement for which the displayed instruction is part of the code produced. This value is given in decimal.
- Label, which is the statement label, if any, applied to the statement for which the code was produced. The statement label is given in decimal.
- Operation code (entitled OP), which is the symbolic operation code generated.
- Operand, which is given in assembly format but does not contain any variable names.
- Operand (entitled BCD OPERAND), which contains the symbolic name of the variable referred to in the source module statement which resulted in the code.

The compiler statistics are the final output from phase 5. The formats for the messages which provide compiler statistics for the compilation are as follows:

```
*OPTIONS IN EFFECT* option{,option}...  
*OPTIONS IN EFFECT* option{,option}...  
*STATISTICS* SOURCE STATEMENTS=nnnnnnnn1,  
PROGRAM SIZE=nnnnnnnn2
```

and

```
*STATISTICS* NO DIAGNOSTICS GENERATED
```

or

```
*STATISTICS* nnn DIAGNOSTICS GENERATED,  
HIGHEST SEVERITY CODE IS n
```

where:

nnnnnnnn₁ is the number of source statements expressed as a decimal integer.

nnnnnnnn₂ is the size, in bytes, of the object module expressed as a decimal integer.

nnn is the number of diagnostics generated expressed as a decimal integer.

n is the condition code.

The first statistics message (giving source statements and program size) is suppressed whenever a BLOCK DATA subprogram is compiled; however, the two options-in-effect messages and one of the other statistics messages will still appear.

Chart 00. IEYFORT (Part 1 of 4)

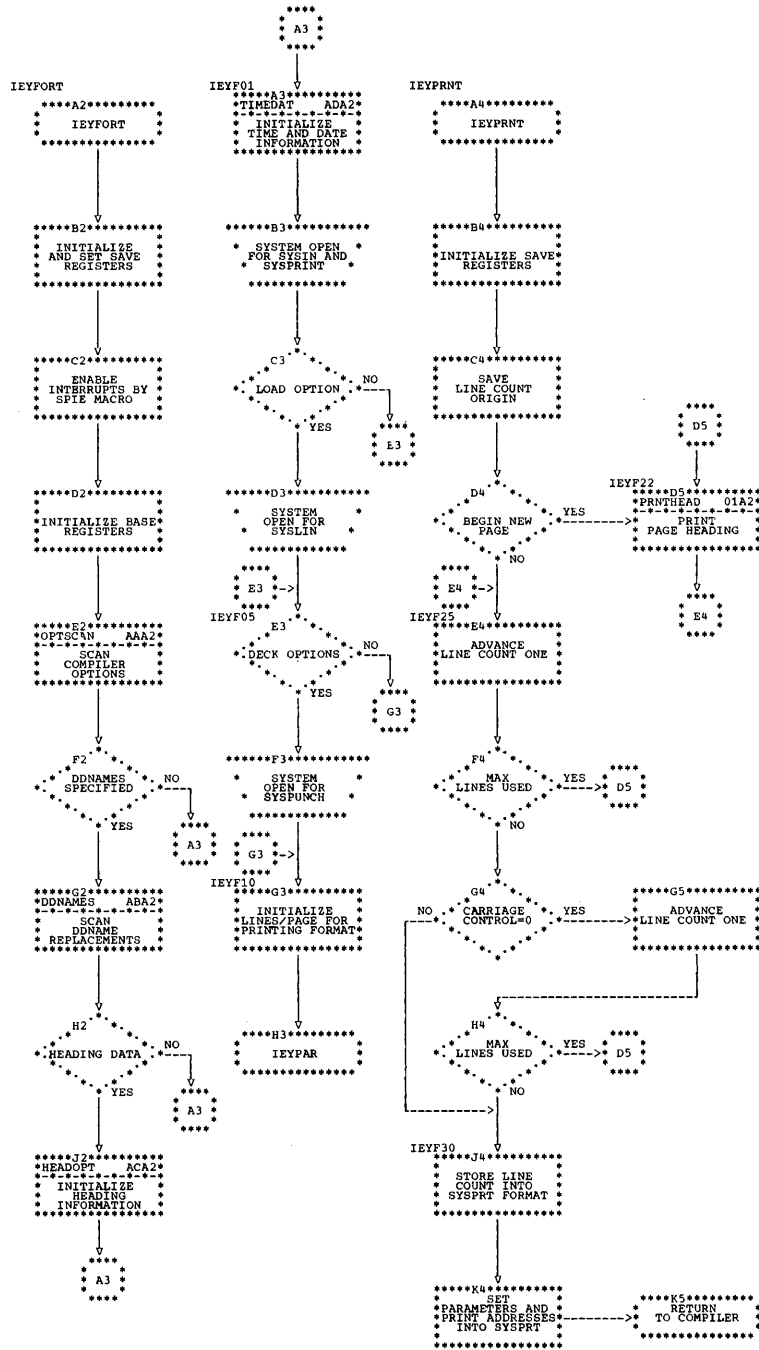


Chart 01. IEYFORT (Part 2 of 4)

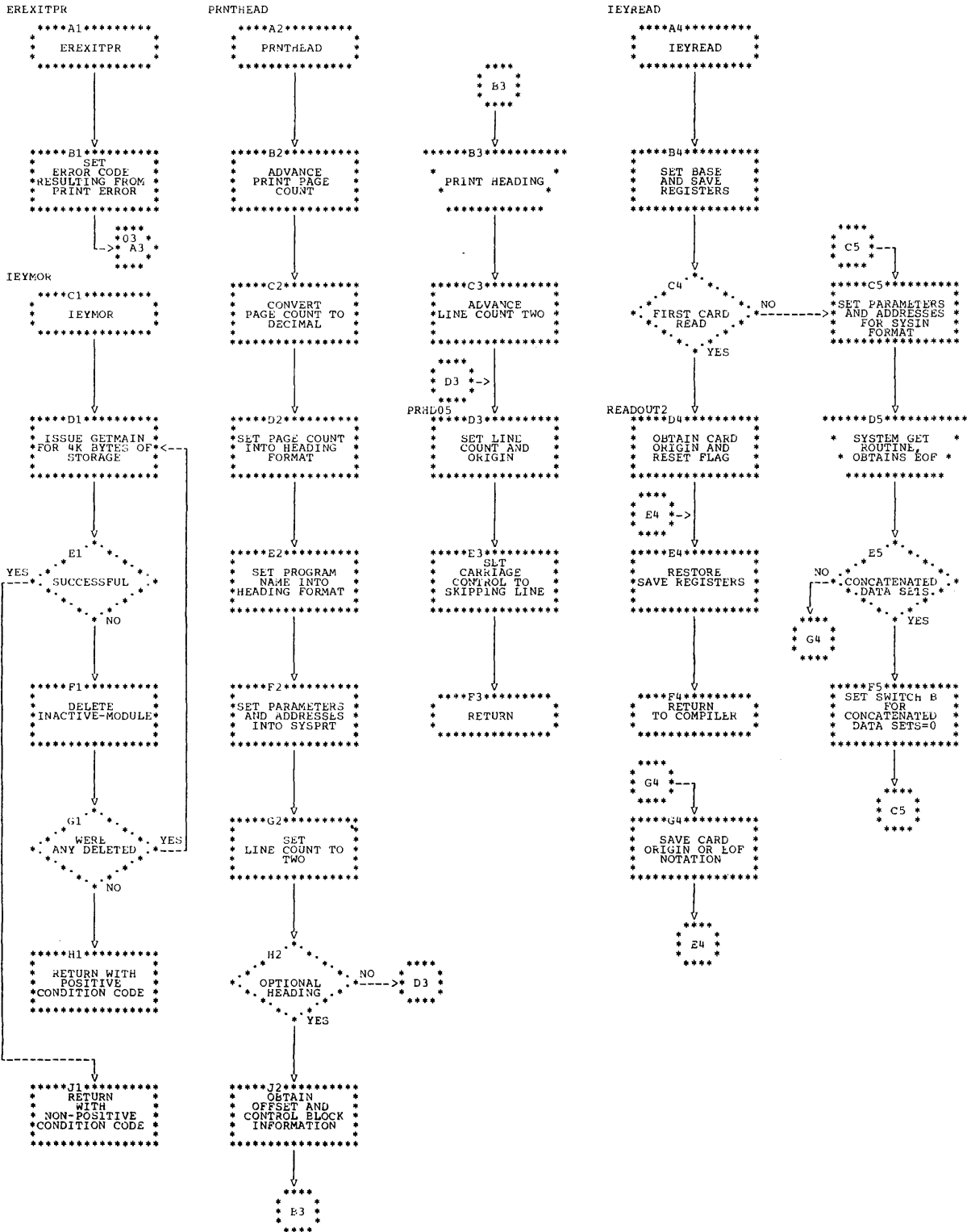


Chart 02. IEYFORT (Part 3 of 4)

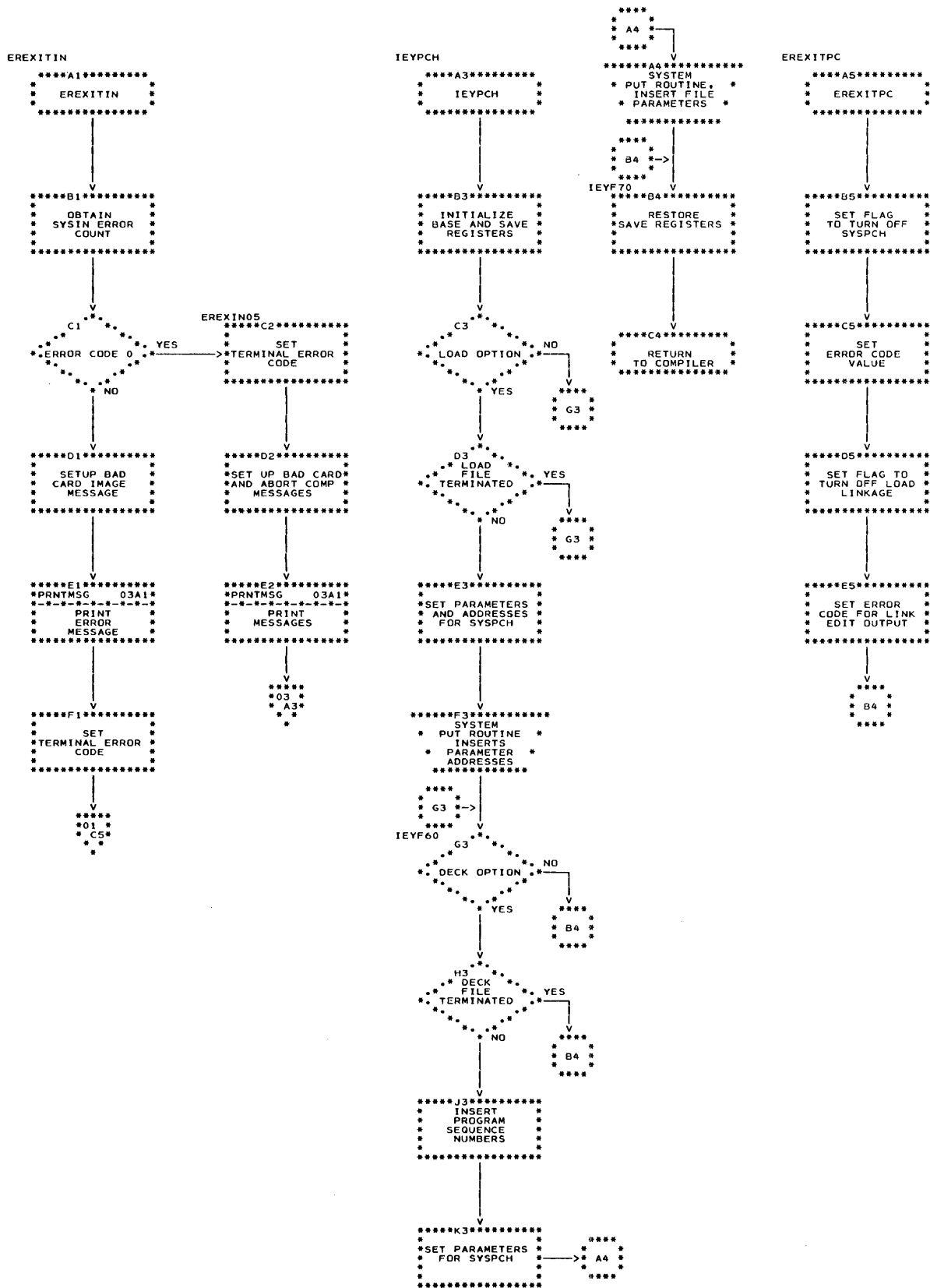


Chart 03. IEYFORT (Part 4 of 4)

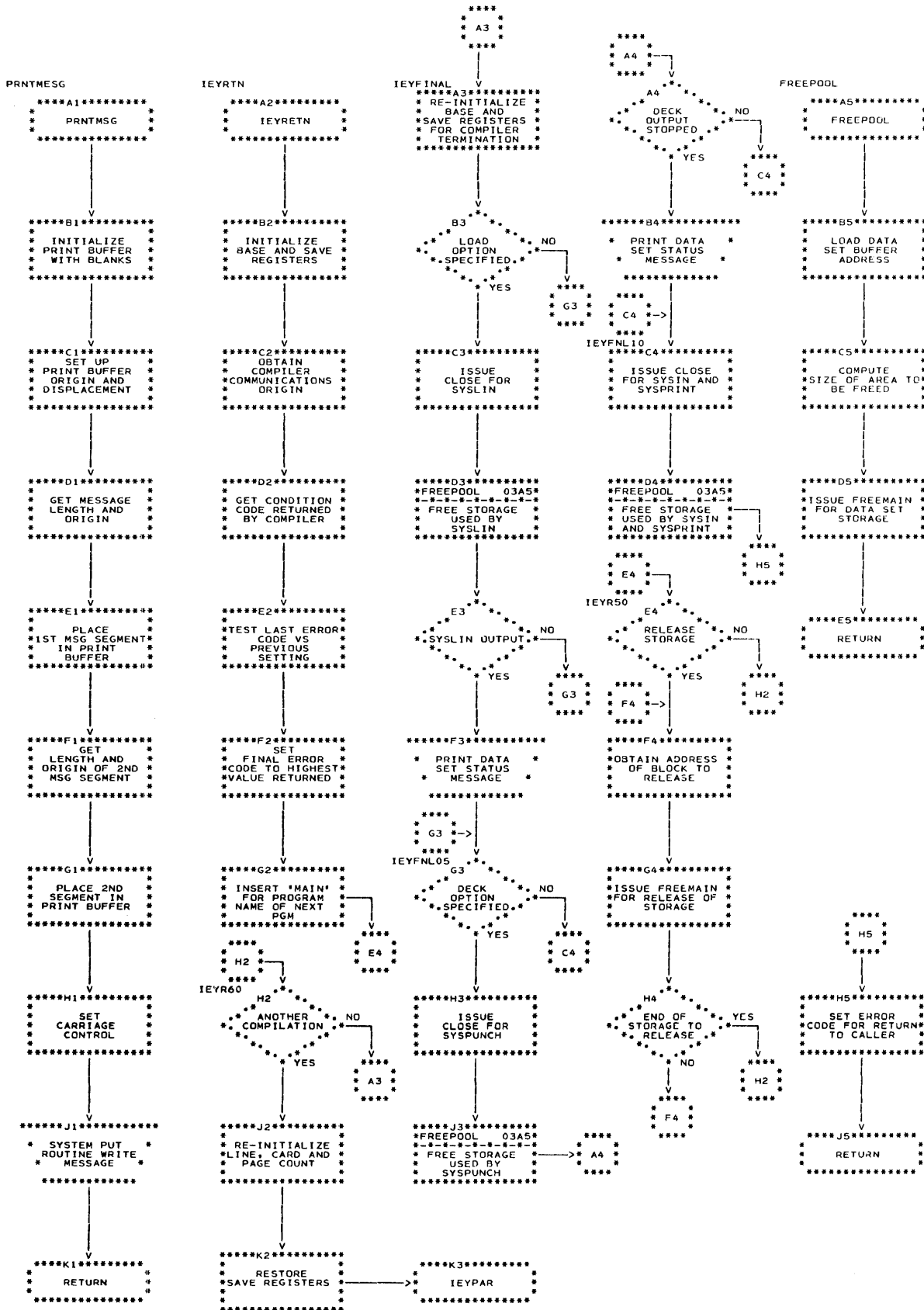


Chart AA. OPTSCAN

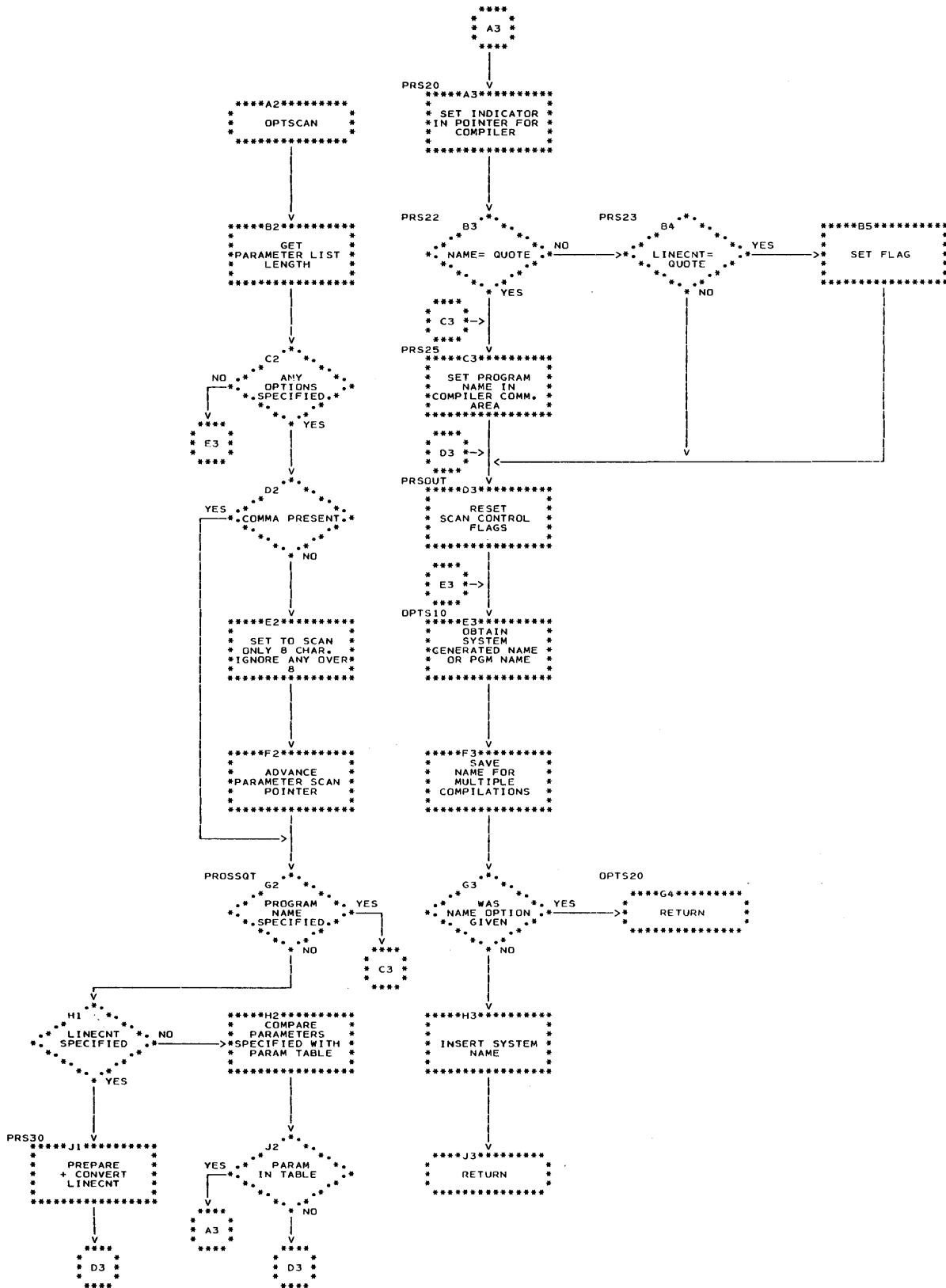


Chart AB. DDNAMES

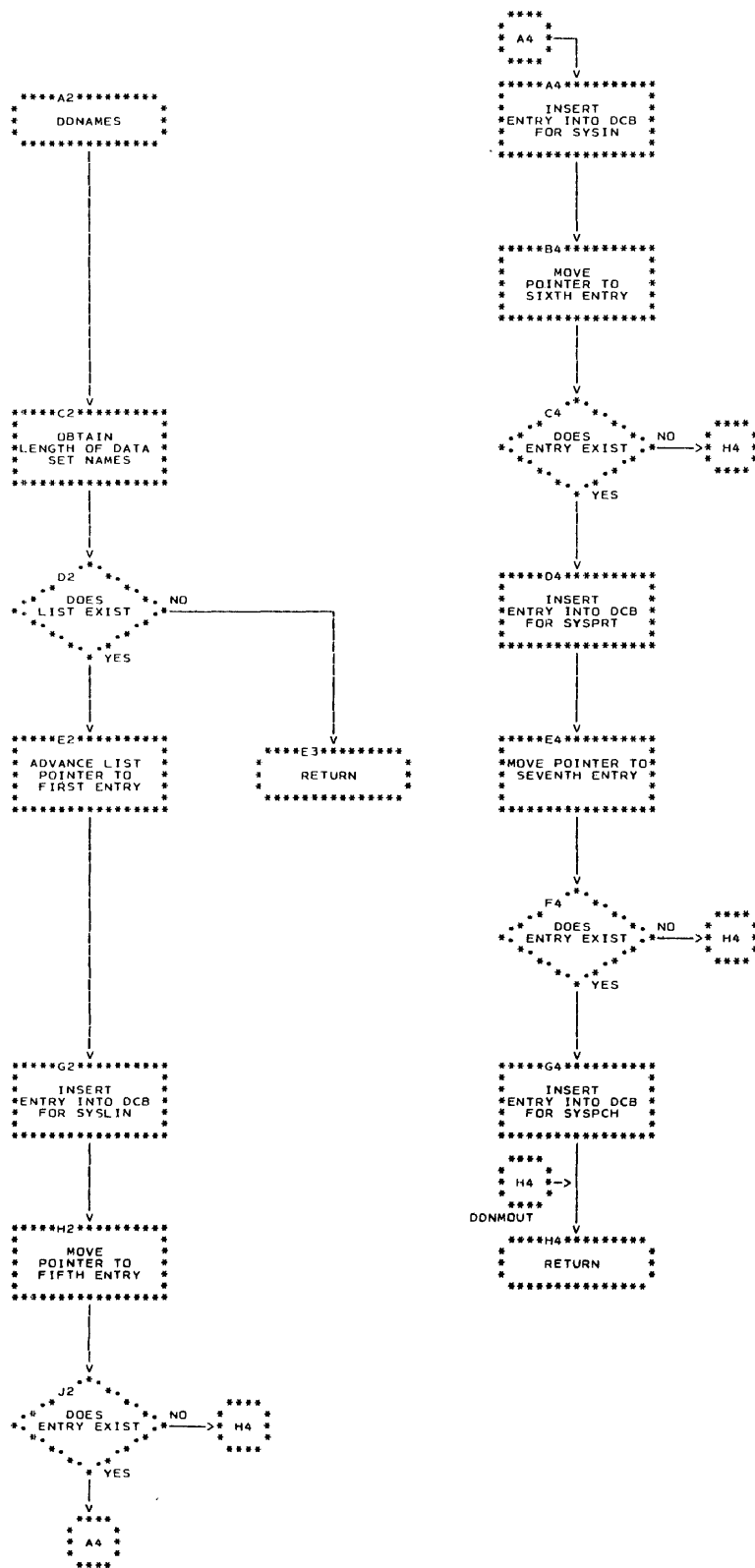
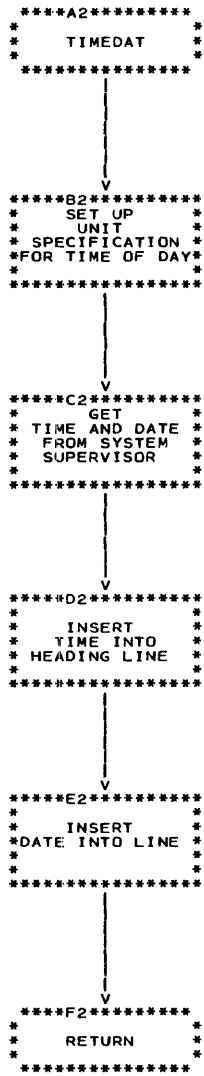


Chart AD. TIMEDAT



• Chart 04.2. PHASE 1 - PARSE (Part 2 of 2)

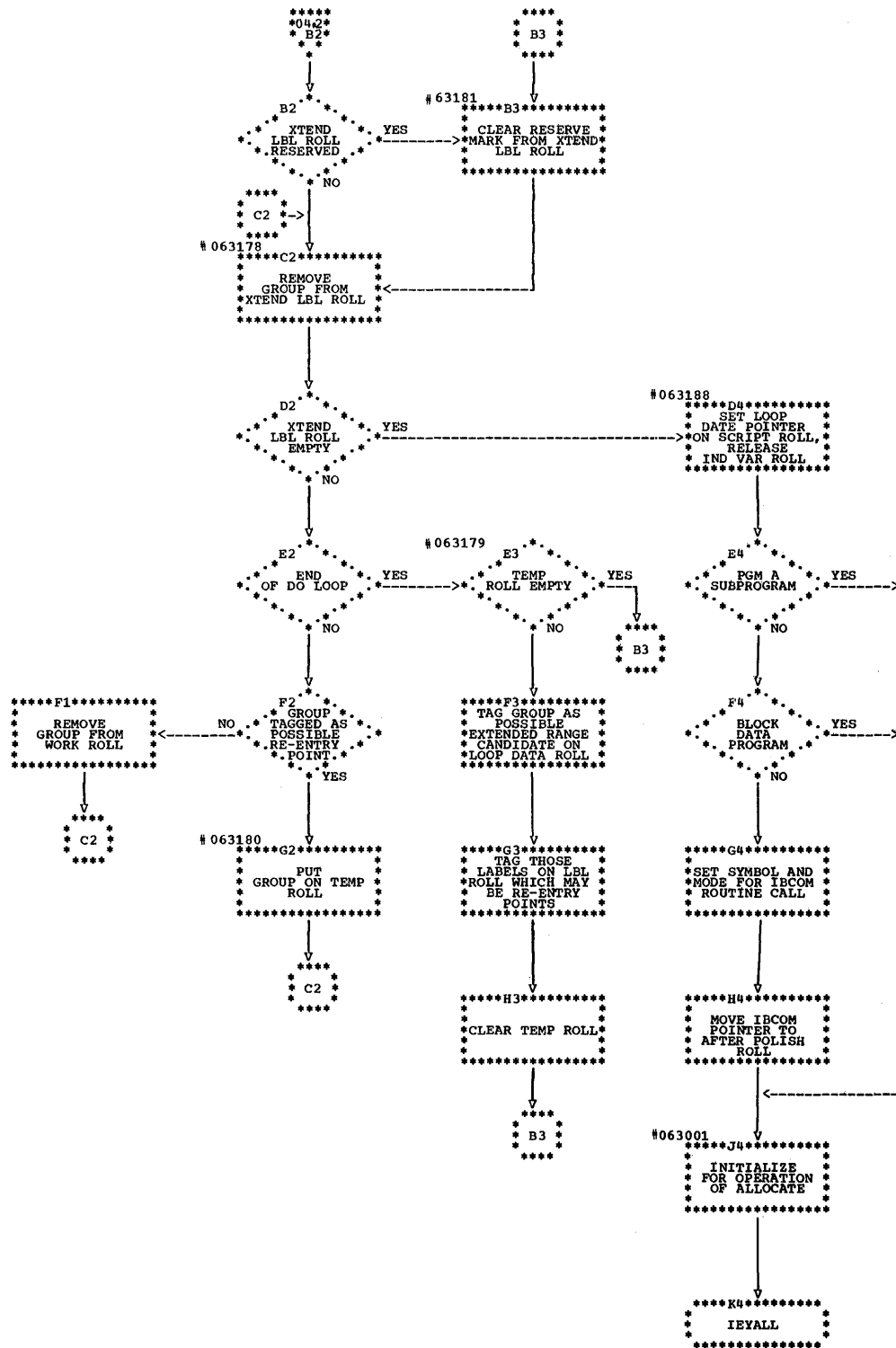


Chart BA. WRITE LISTING AND READ SOURCE

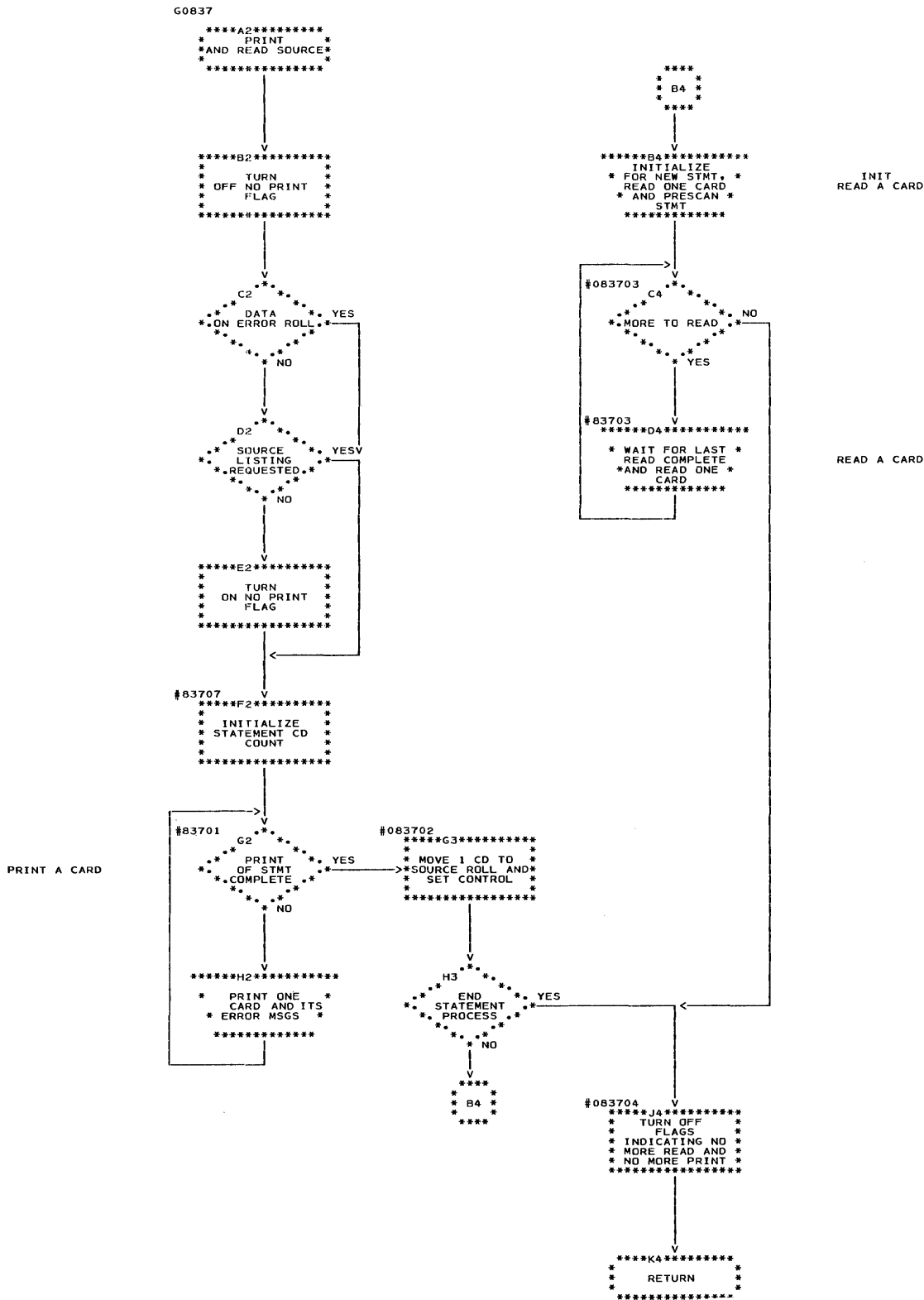
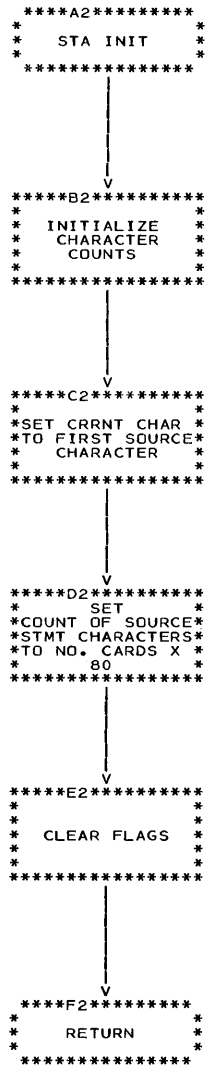
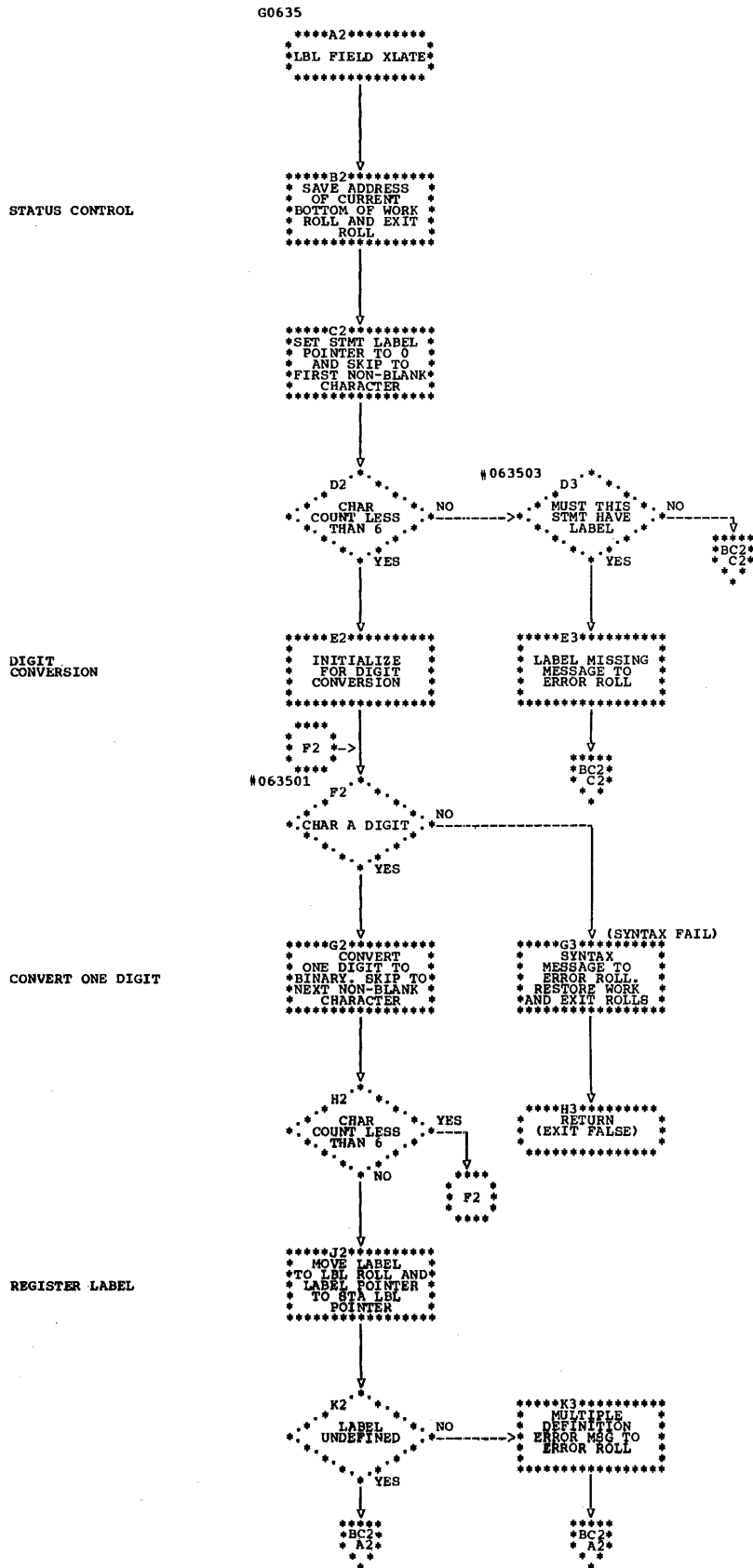


Chart BB. INITIALIZE FOR PROCESSING STATEMENT

G0632



• Chart BC1. PROCESS LABEL FIELD (Part 1 of 2)



• Chart BC2. PROCESS LABEL FIELD (Part 2 of 2)

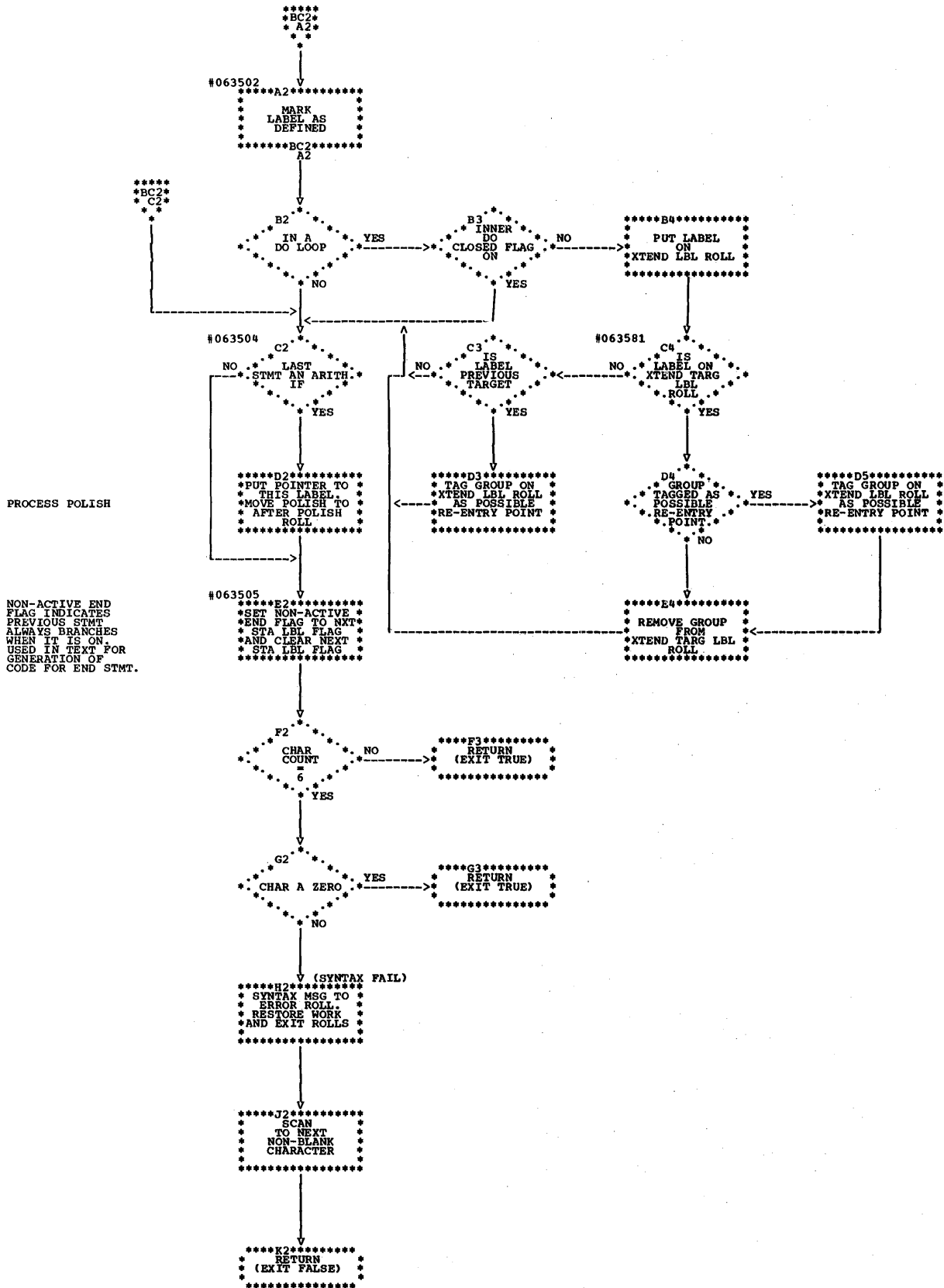
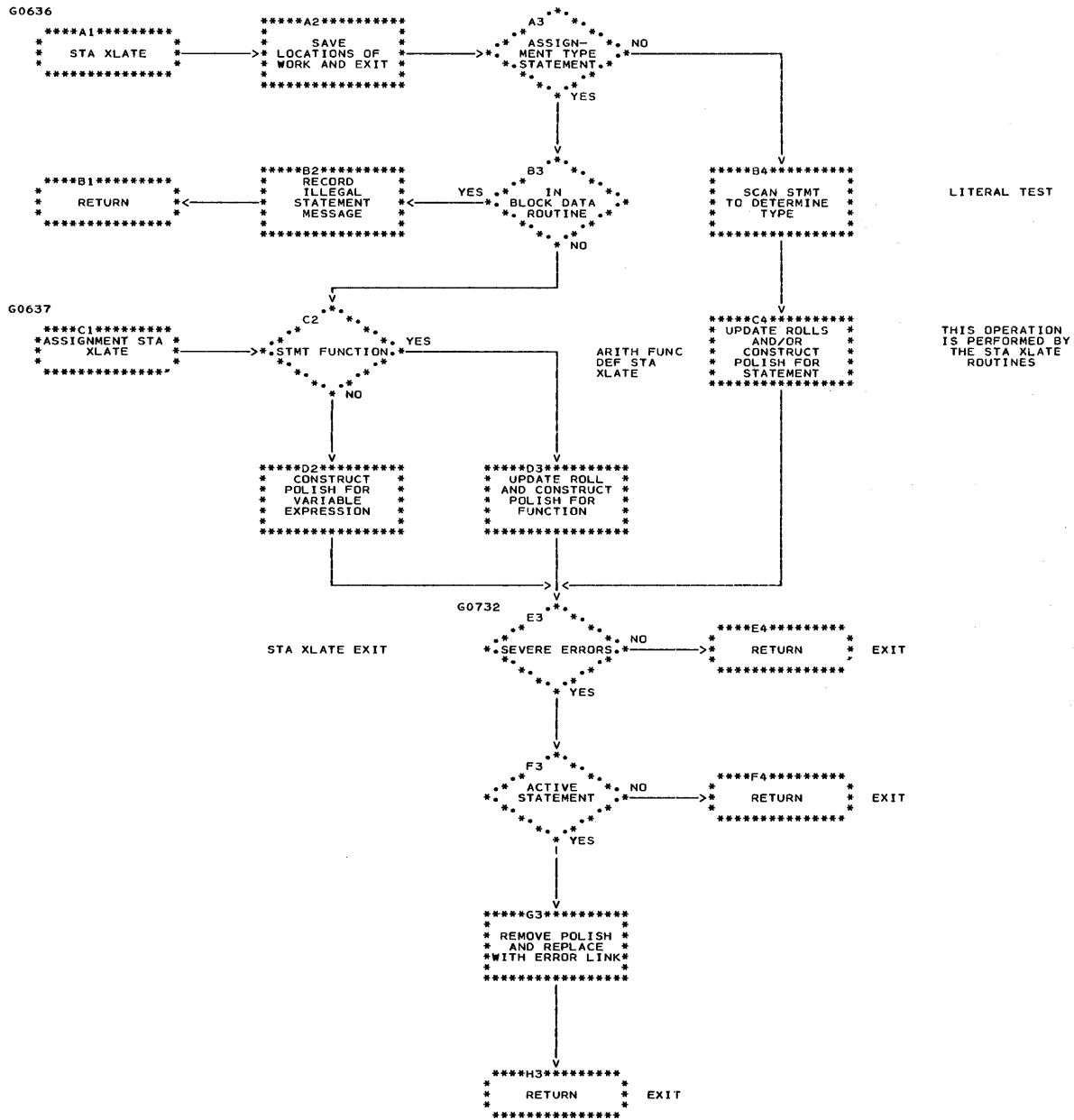


Chart BD. PROCESS STATEMENT



•Chart BE. COMPLETE STATEMENT AND MOVE POLISH

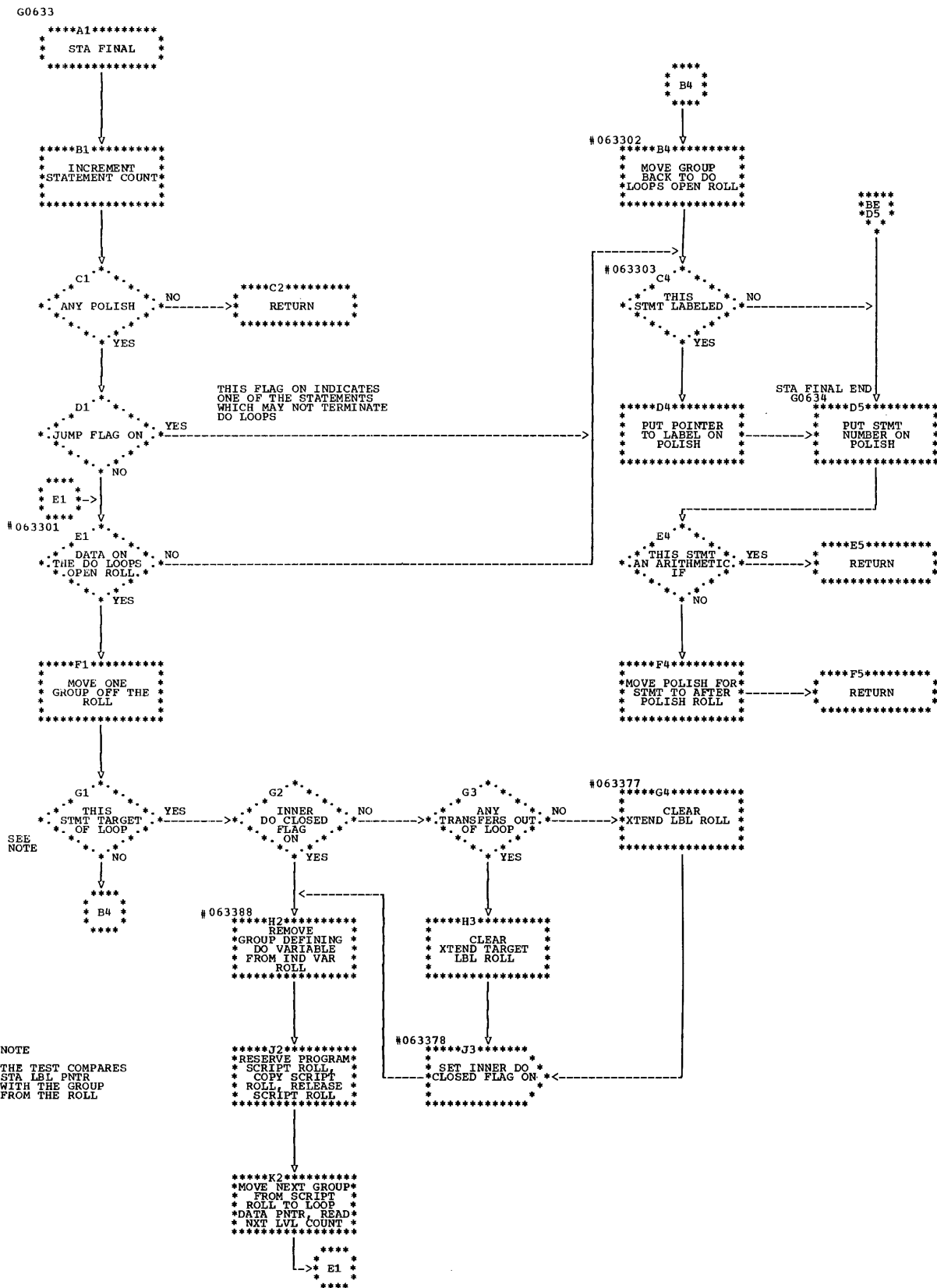


Chart BG. PROCESS POLISH

G0844

```
*****A2*****  
*  
* PROCESS  
* POLISH  
*  
*****
```

↓

```
*****B2*****  
*  
* GET NUMBER  
* OF WORDS ON  
* POLISH ROLL  
*  
*****
```

↓

```
*****C2*****  
*  
* PLACE  
* COUNT ON AFTER  
* POLISH ROLL  
*  
*****
```

↓

```
*****D2*****  
*  
* COPY POLISH  
* ROLL TO AFTER  
* POLISH ROLL  
*  
*****
```

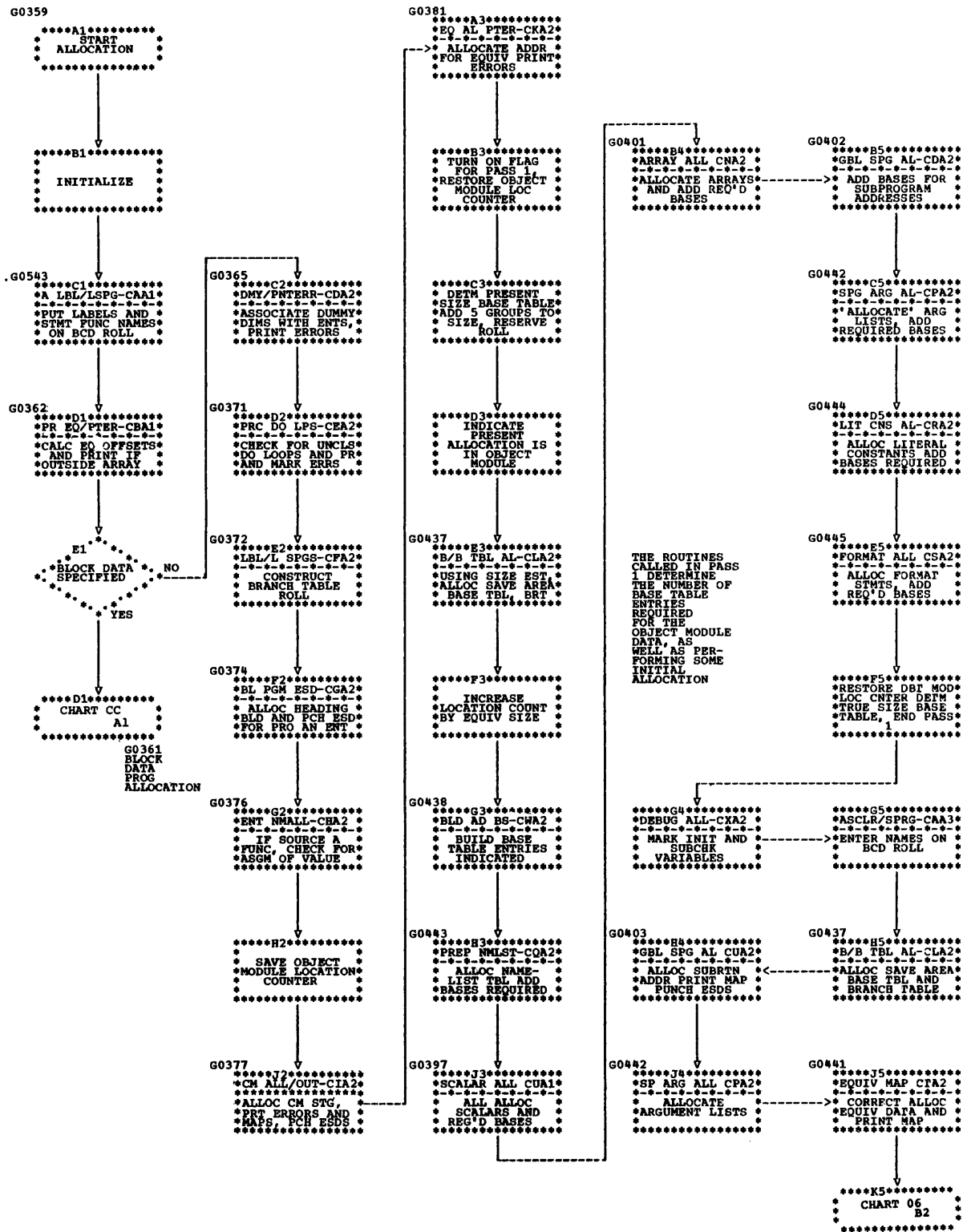
↓

```
*****E2*****  
*  
* RELEASE POLISH  
* ROLL  
*  
*****
```

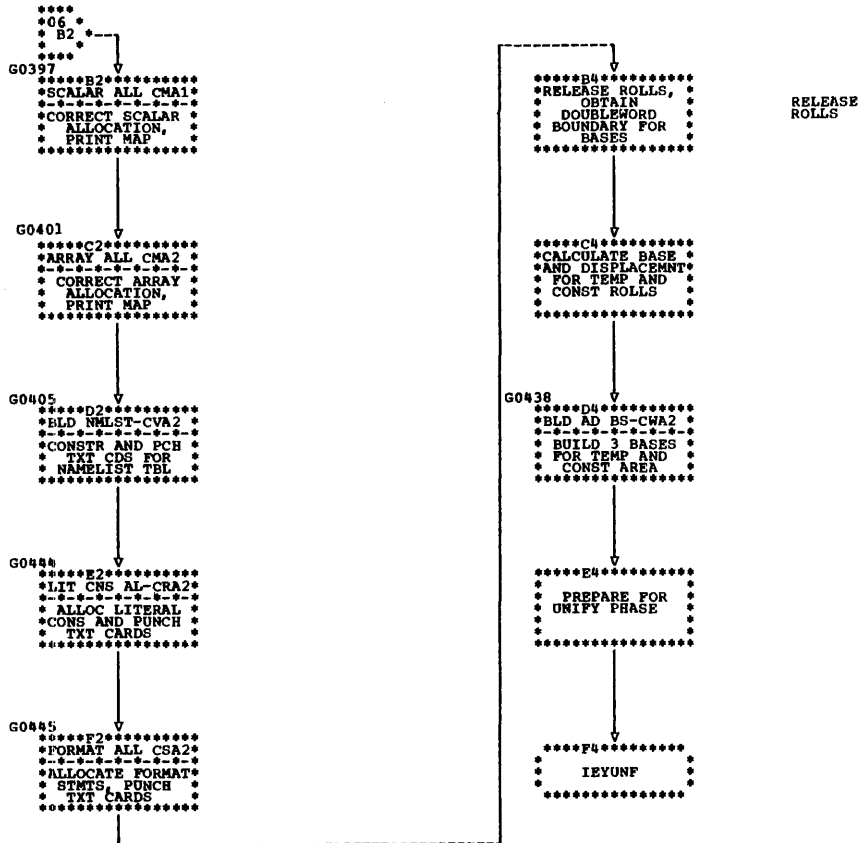
↓

```
*****F2*****  
*  
* RETURN  
*  
*****
```

• Chart 05. PHASE 2 - ALLOCATE (Part 1 of 2)



• Chart 06. PHASE 2 - ALLOCATE (Part 2 of 2)



• Chart CA. MOVE BLD NAMES TO DATA VAR ROLL

G0543

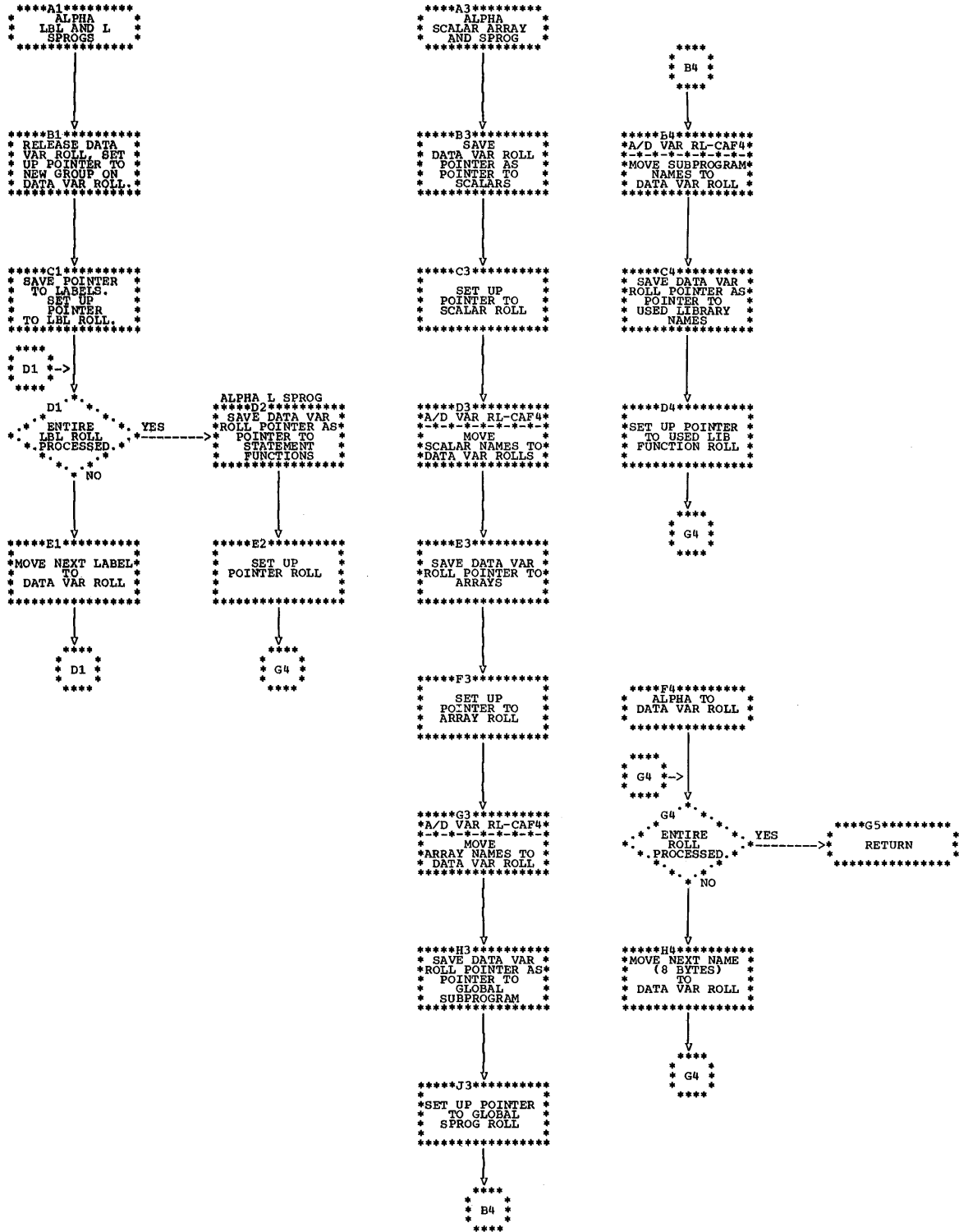


Chart CB. PREPARE EQUIVALENCE DATA

G0362

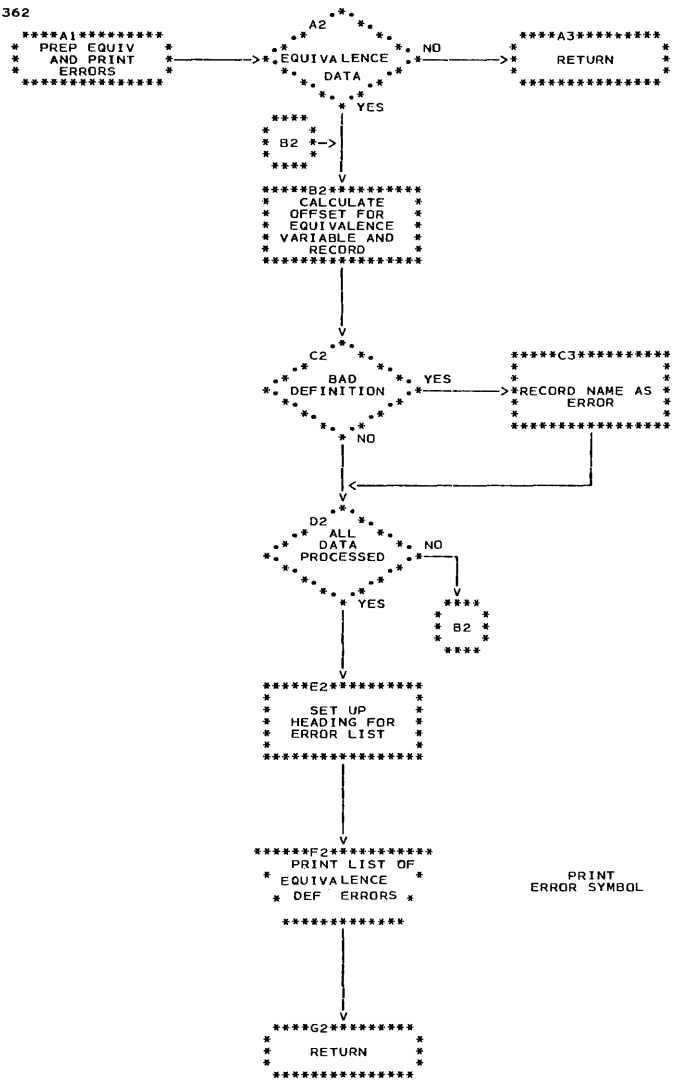


Chart CC. ALLOCATE BLOCK DATA

60361

```

*****A1*****
* BLOCK DATA *
* PROG ALLOCATION*
*****
    
```

```

*****A2*****
*CM ALL/OUT-CIA2*
*-----*
* ALLOC ALL COM *
*STRG,PRNT ERRS,*
*MAPS,PUNCH ESDS *
*****
    
```

```

*****B2*****
* PUNCH *
* REMAINING *
* ESDS IF ANY *
*****
    
```

```

*****C2*****
*SCALAR ALL CMA2*
*-----*
*ALLOC SCALARS,*
* ADD REQUIRED *
* BASES *
*****
    
```

```

*****D2*****
*ARRAY ALL CNA2*
*-----*
*ALLOCATE ARRAYS*
* AND *
* REQ. BASES *
*****
    
```

```

*****E2*****
* FLIP *
* EQUIVALENCE *
* ROLL *
*****
    
```

```

*****
* F2 *
*****
#36102
* F2 *
* INFO *
* GROUP ON *
* EQUIVALENCE *
* ROLL *
* YES *
* NO *
*****
    
```

```

*****F3*****
* RECORD *
* NAME + ERROR *
* TYPE *
*****
    
```

BECAUSE ALL EQUIV DATA MUST BE IN COMMON

```

*****
* F2 *
*****
#36101
* G2 *
* MORE *
* DATA ON ROLL *
* YES *
* NO *
*****
    
```

```

*****
* F2 *
*****
    
```

```

*****J2*****
* PRINT *
* BLOCK DATA *
* ERRORS *
*****
    
```

```

*****
* 06 *
* B4 *
* *
* *
    
```

RELEASE ROLLS

Chart CD. PREPROCESS DUMMY DIMENSIONS

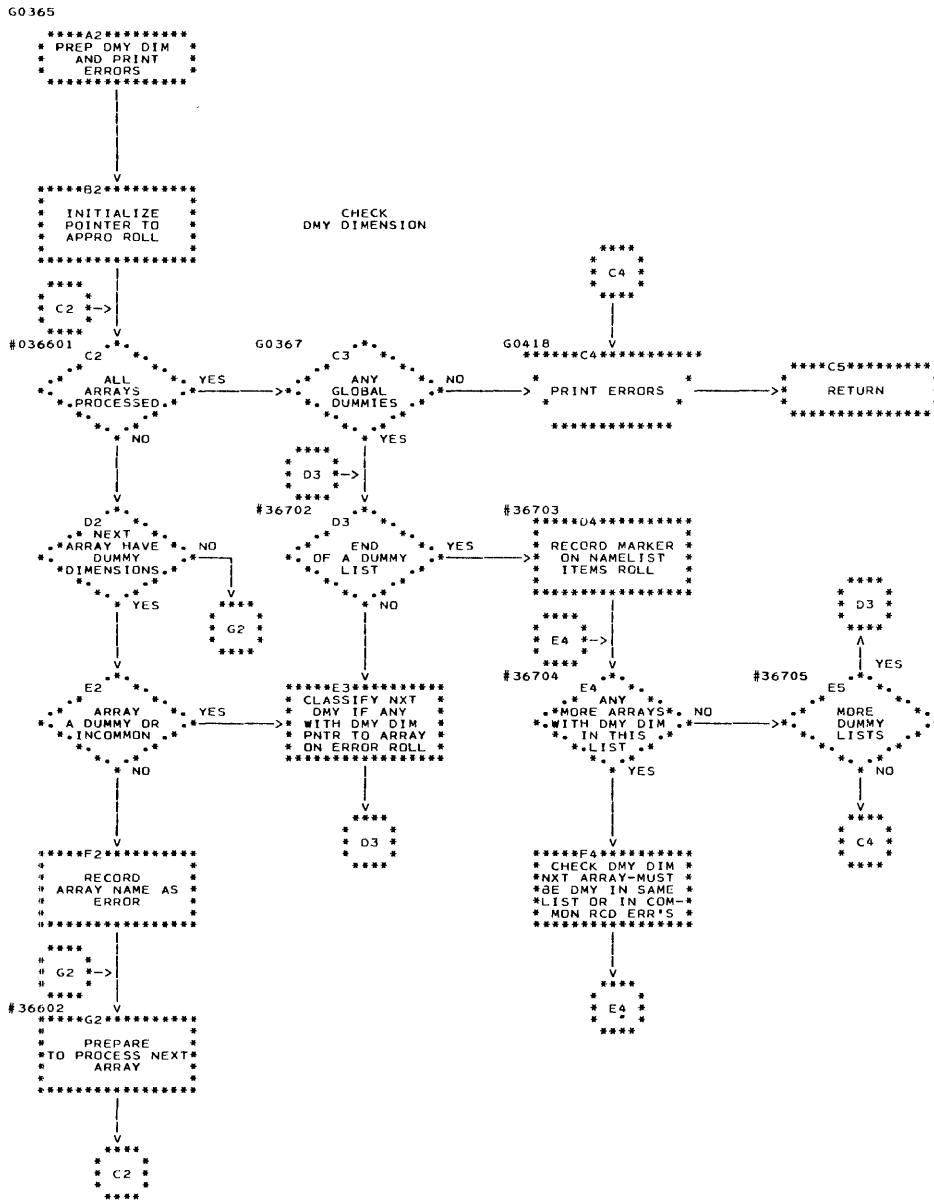


Chart CF. CONSTRUCT BRANCH TABLE ROLL

G0372

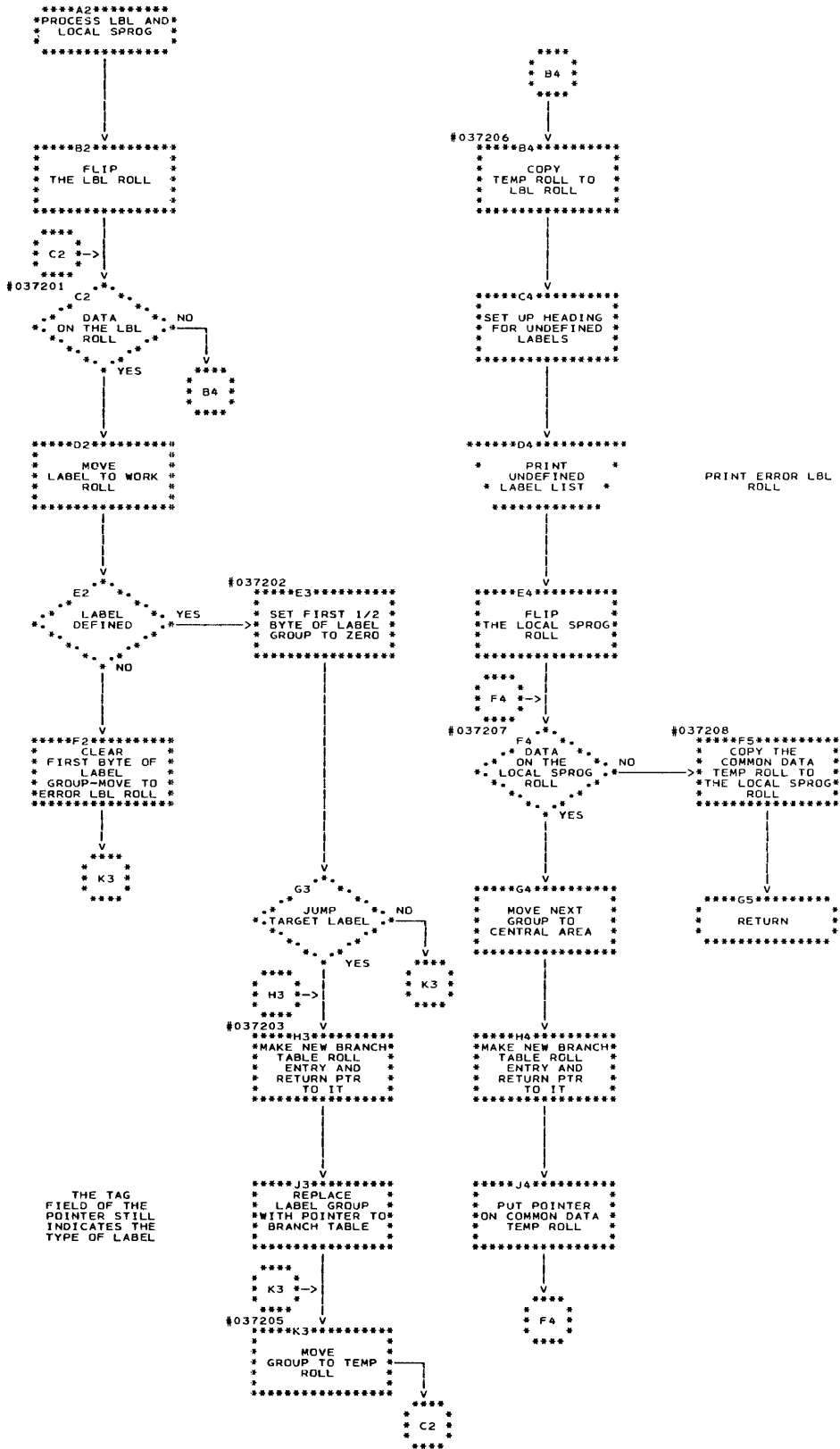


Chart CG. ALLOCATE HEADING AND PUNCH ESD CARDS

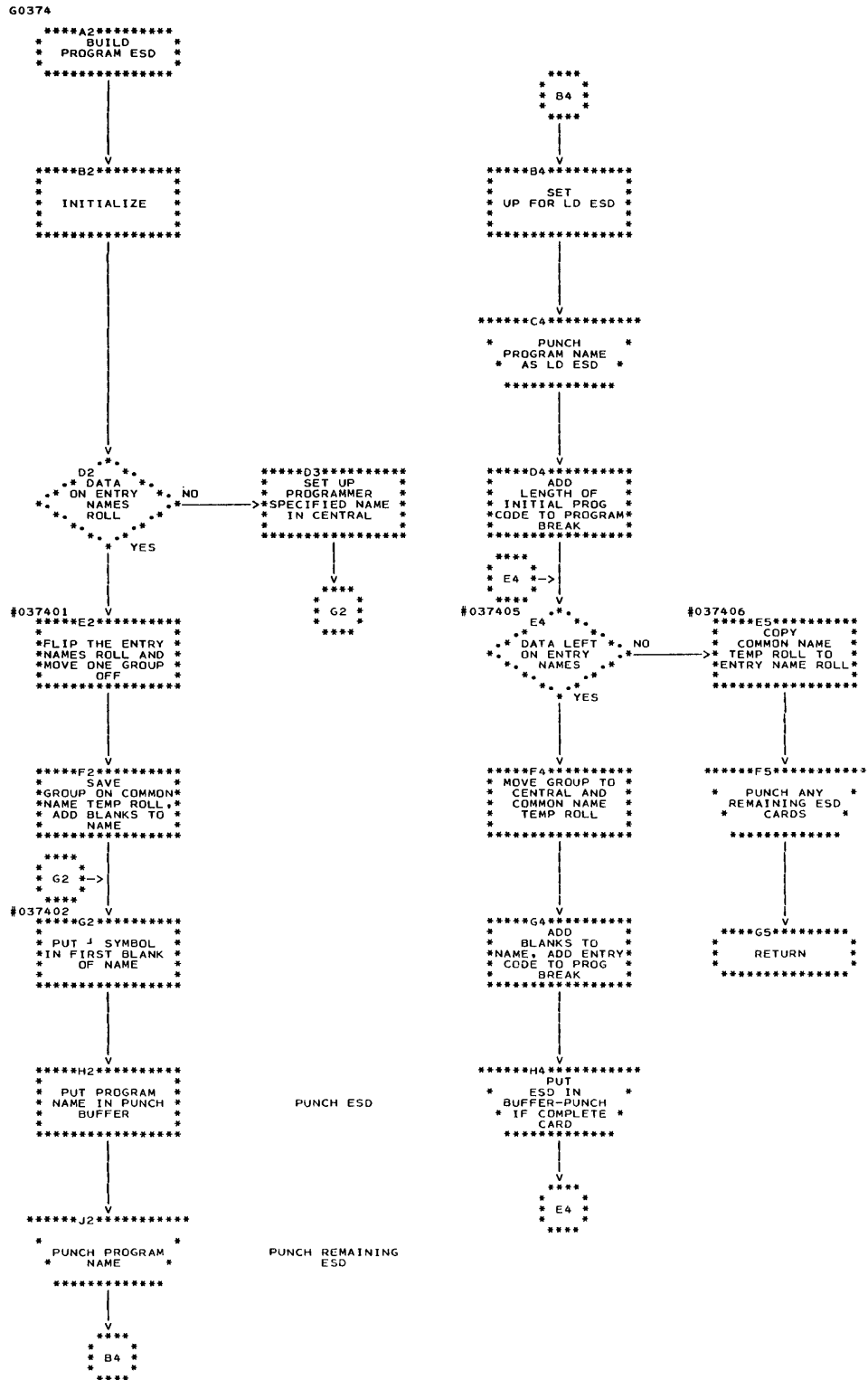


Chart CH. CHECK ASSIGNMENT OF FUNCTION VALUE

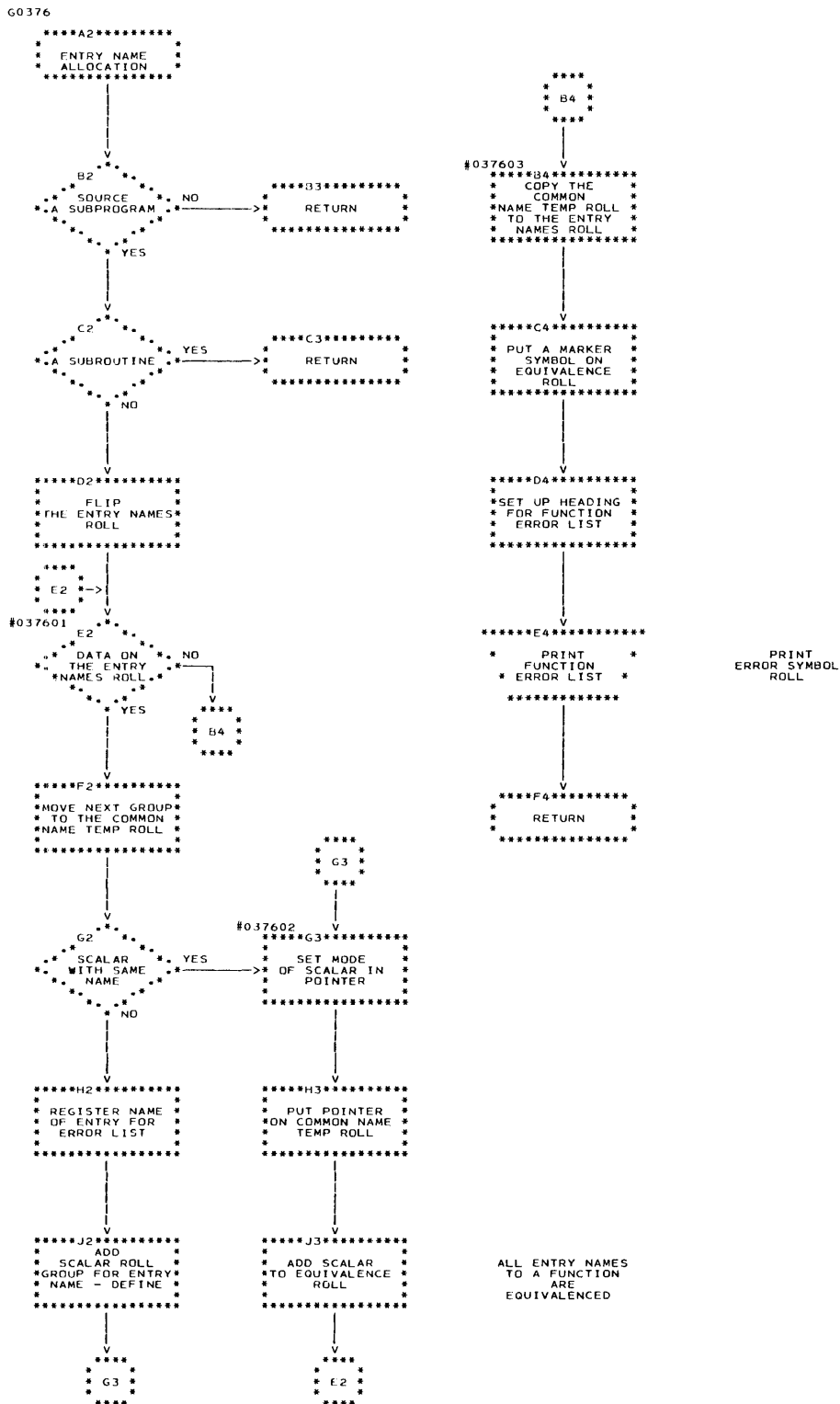


Chart CI. COMMON ALLOCATION

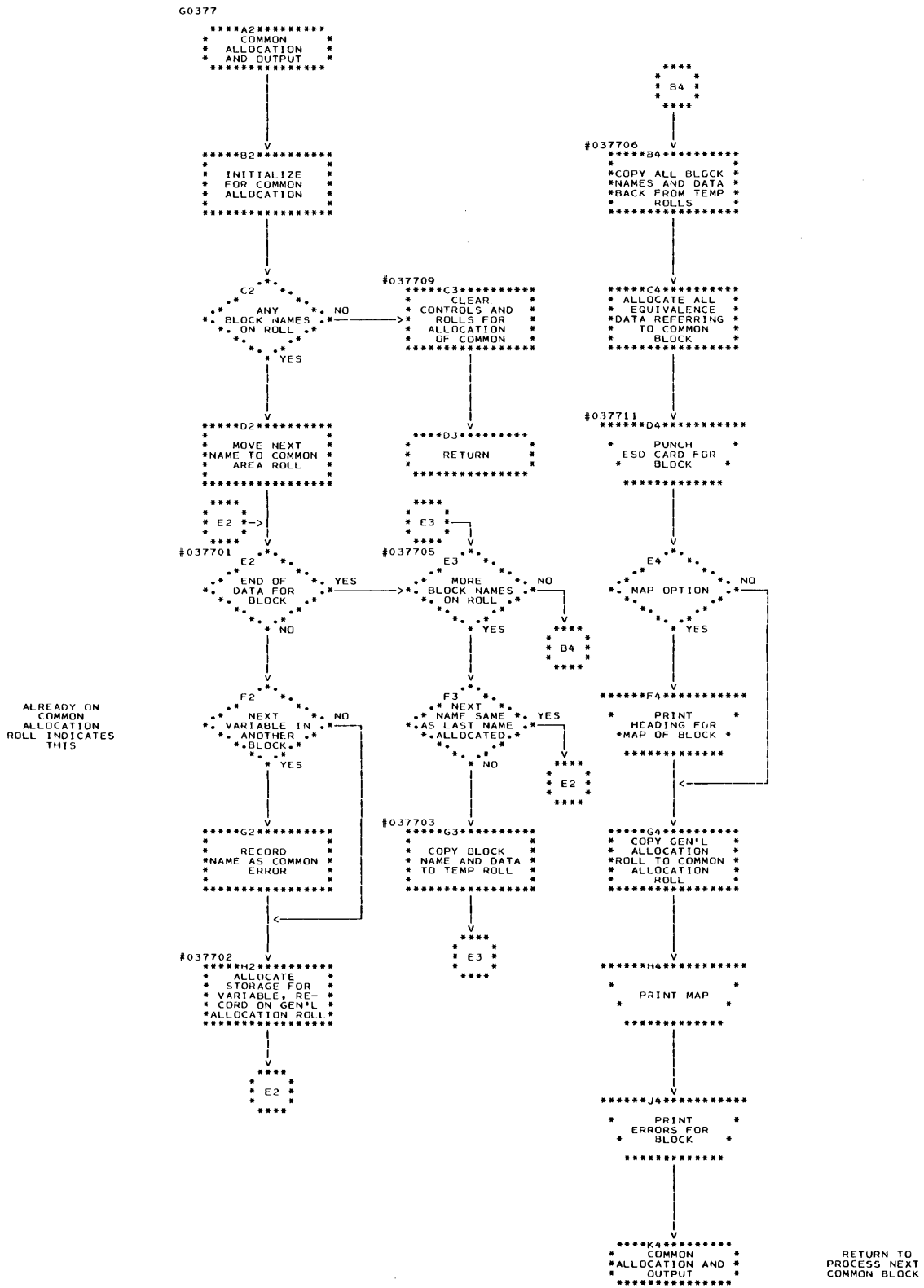


Chart CK. EQUIVALENCE DATA ALLOCATION

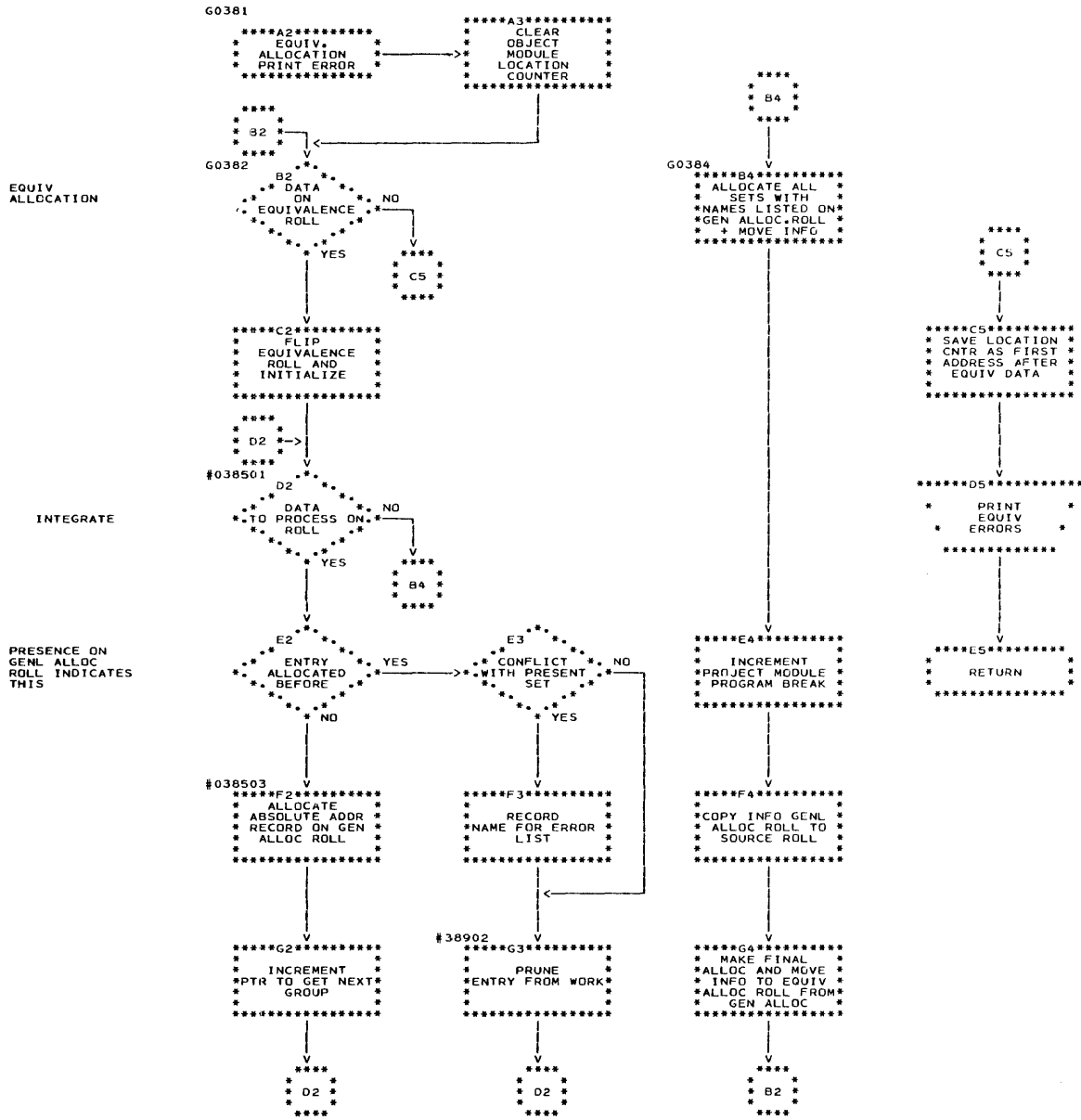


Chart CL. SAVE AREA, BASE AND BRANCH TABLE ALLOCATION

G0437

```
*****A2*****
*   BASE AND   *
*   BRANCH TABLE *
*   ALLOCATION   *
*****
```

↓

```
*****B2*****
*SAVE BASE TBL.*
* PTR AND     *
* DISPLACEMENT *
* FOR START OF *
* SAVE AREA   *
*****
```

↓

```
*****C2*****
*   INCREASE   *
*   PROGRAM BREAK *
*   BY SAVE AREA *
*   SIZE       *
*****
```

THIS VARIABLE
IS USED
TO HOLD OBJECT
MODULE ADDRESSES
BEING ALLOC.

↓

```
*****D2*****
* SAVE BASE TBL *
* PTR AND DISPLA- *
* CEMENT FOR    *
* START OF BASE *
* TABLE        *
*****
```

↓

```
*****E2*****
*   INCREASE   *
*   PROGRAM BREAK *
*   BY BASE TABLE *
*   SIZE       *
*****
```

↓

```
*****F2*****
*   CONSTRUCT  *
*   REQUIRED BASE *
*   TABLE ENTRIES *
*****
```

BUILD
ADDITIONAL
BASES

↓

```
*****G2*****
* SAVE BASE TBL *
* PTR DISPLACENT *
* FOR START OF  *
* BRANCH TABLE *
*****
```

↓

```
*****H2*****
* INCREASE PROG. *
* BREAK BY      *
* SIZE BRANCH  *
* TABLE AND MAKE *
* LABEL ENTRIES *
*****
```

↓

```
*****J2*****
*   CONSTRUCT  *
*   REQUIRED BASE *
*   TABLE ENTRIES *
*****
```

BUILD
ADDITIONAL
BASES

↓

```
*****K2*****
*   RETURN     *
*****
```

Chart CM. ALLOCATE SCALARS

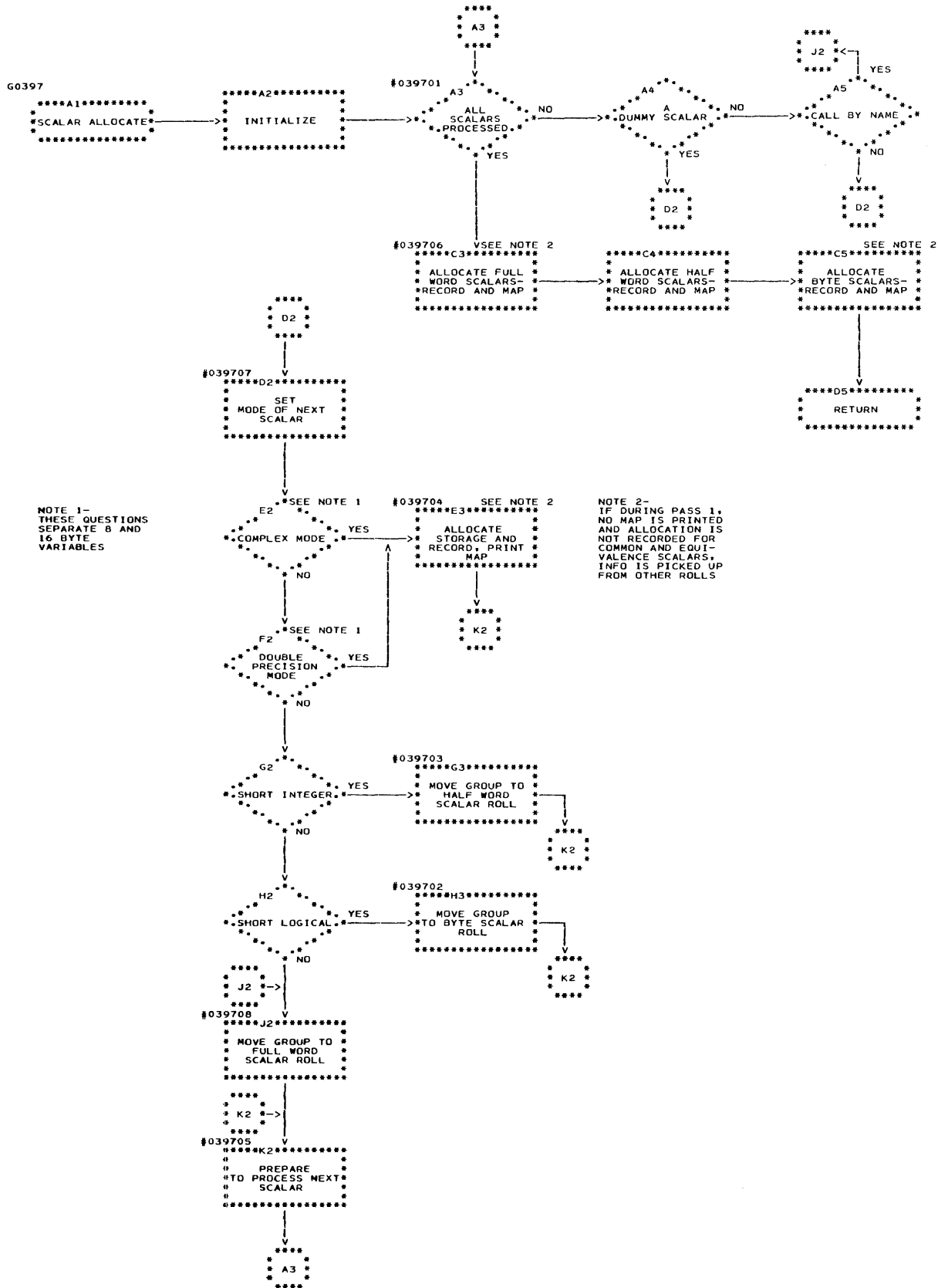


Chart CN. ALLOCATE ARRAYS

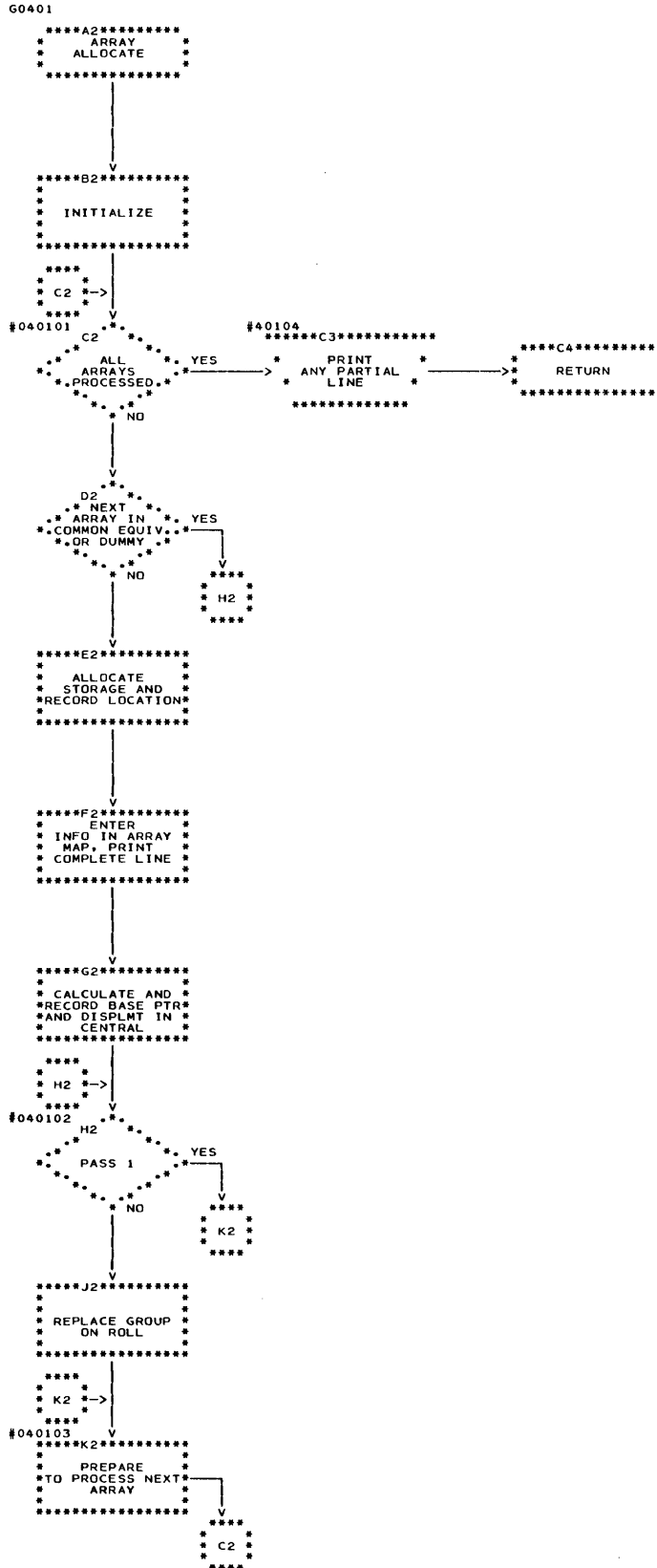


Chart CO. ADD BASES FOR SUBPROGRAM ADDRESSES

G0402

```
*****A2*****  
* PASS 1 GLOBAL *  
* SPROG ALLOCATE *  
*  
*****
```

V

```
*****B2*****  
*  
* ALIGN TO  
* FULL WORD  
* BOUNDARY  
*  
*****
```

V

```
*****C2*****  
* DETERMINE BASE *  
* PTR AND *  
* DISPLACEMENT *  
* FOR PRESENT LOC *  
*  
*****
```

V

```
*****D2*****  
* COMPUTE *  
* LENGTH OF *  
* OBJECT MODULE *  
* SUBPROGRAM ADR *  
*  
*****
```

V

```
*****E2*****  
* COMPUTE LENGTH *  
* OF OBJECT *  
* MODULE *  
* SUBPROGRAM *  
* ADDR *  
*  
*****
```

BUILD
ADDITIONAL
BASES

V

```
*****F2*****  
*  
* RETURN *  
*  
*****
```


Chart CQ. PREPARE NAMELIST TABLES

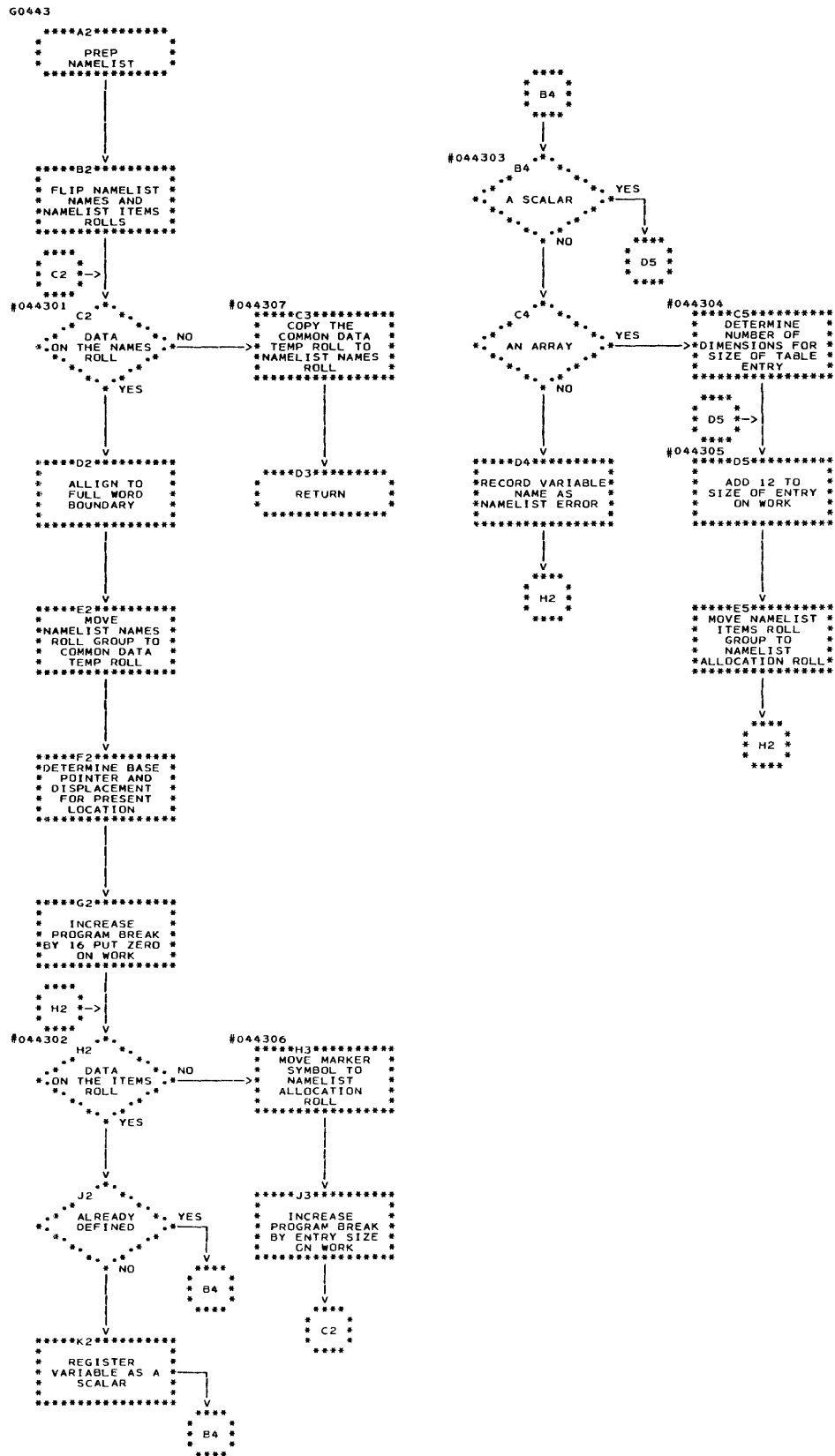


Chart CR. ALLOCATE LITERAL CONSTANTS

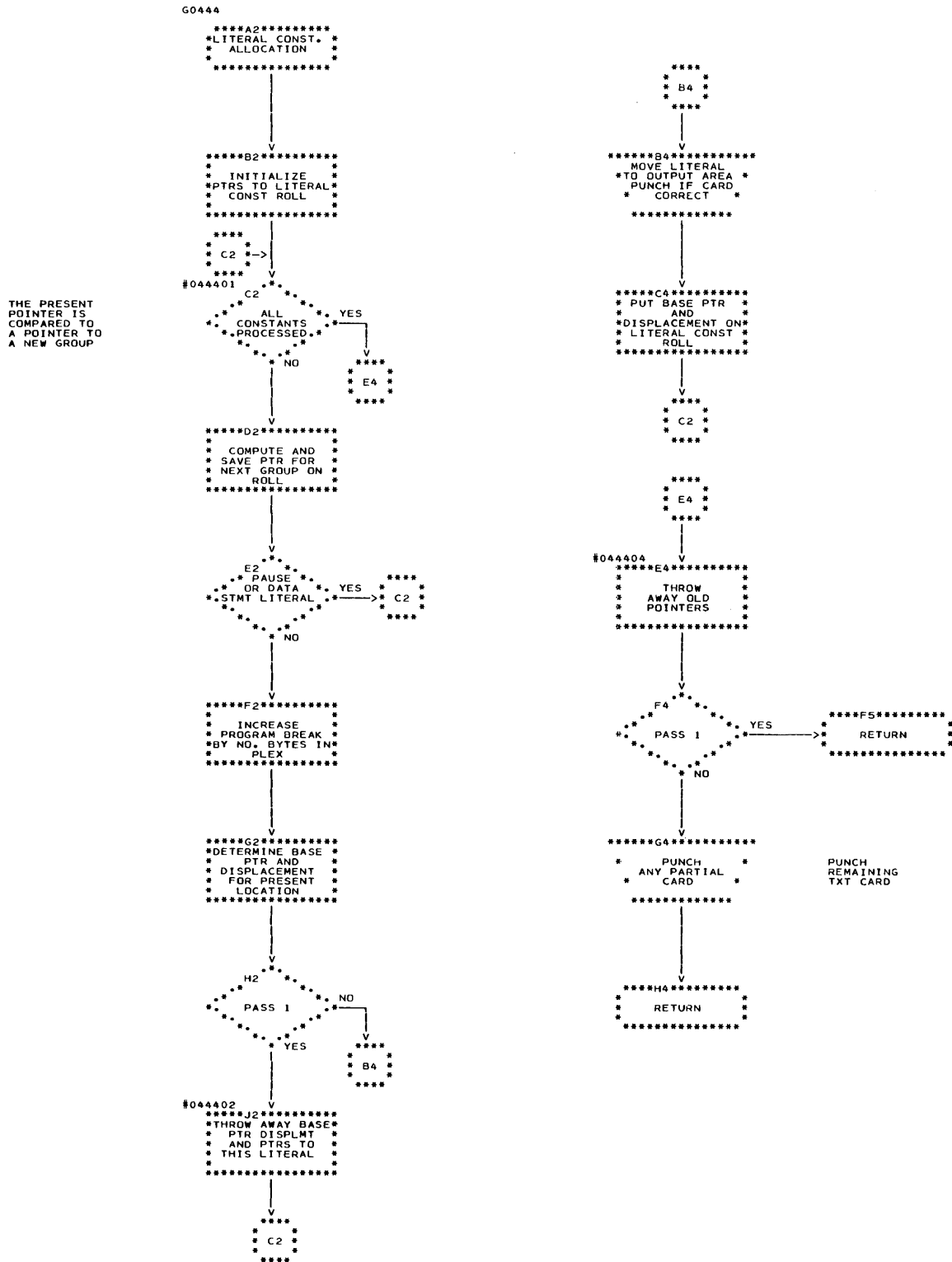


Chart CS. ALLOCATE FORMATS

BUILD FORMATS

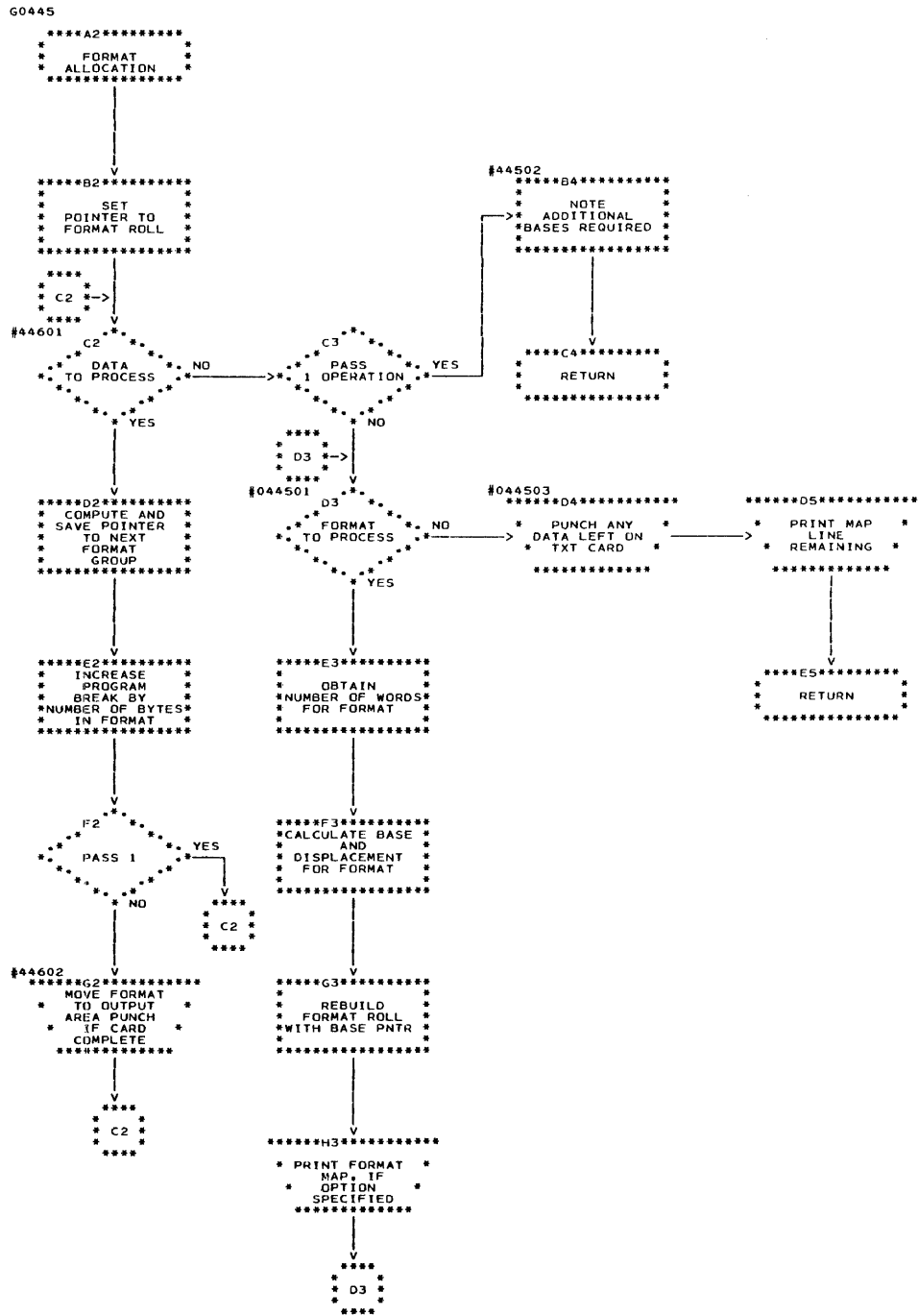


Chart CV. BUILD AND PUNCH NAMELIST TABLES

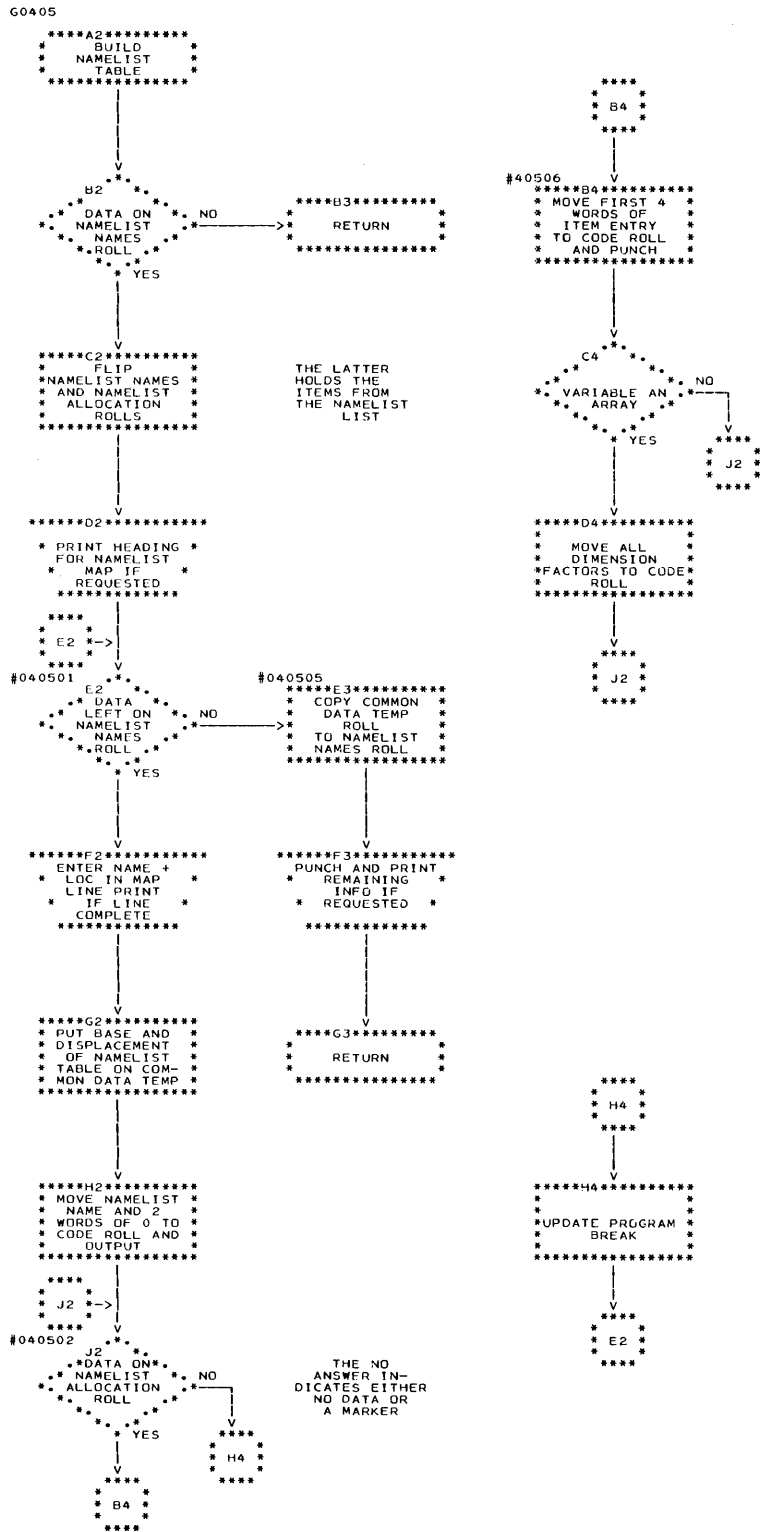


Chart CW. BUILD BASES

G0438

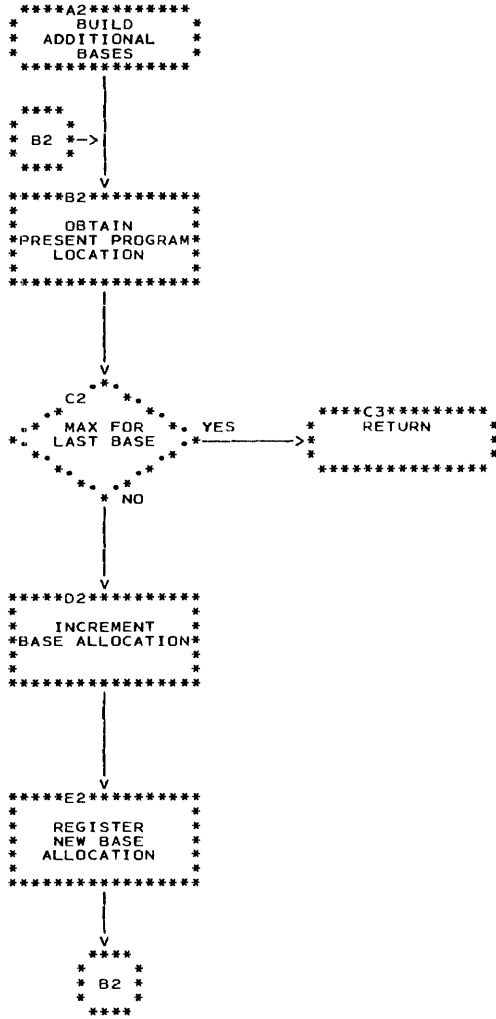


Chart CX. DEBUG ALLOCATE

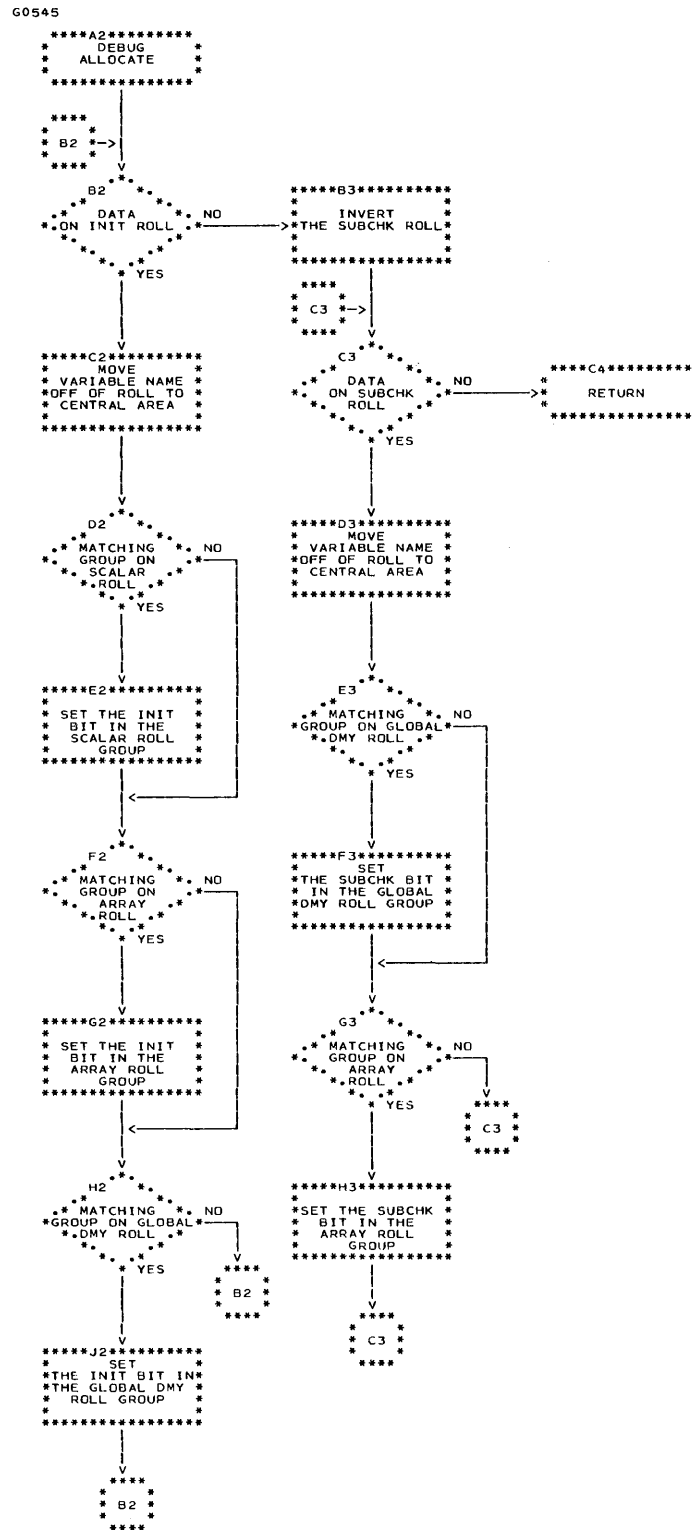


Chart 07. PHASE 3 - UNIFY

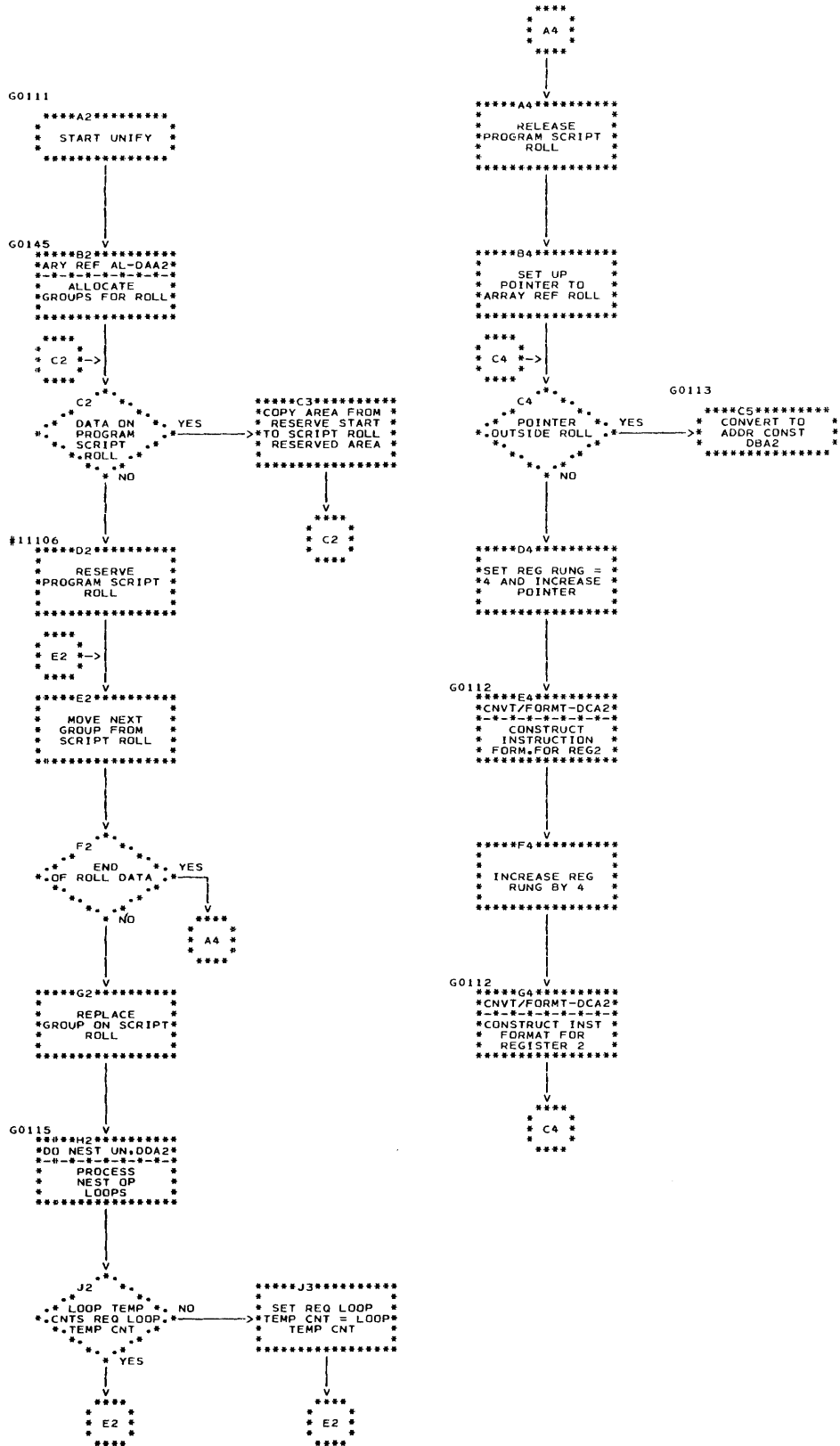


Chart DA. BUILD ARRAY REF ROLL

G0145

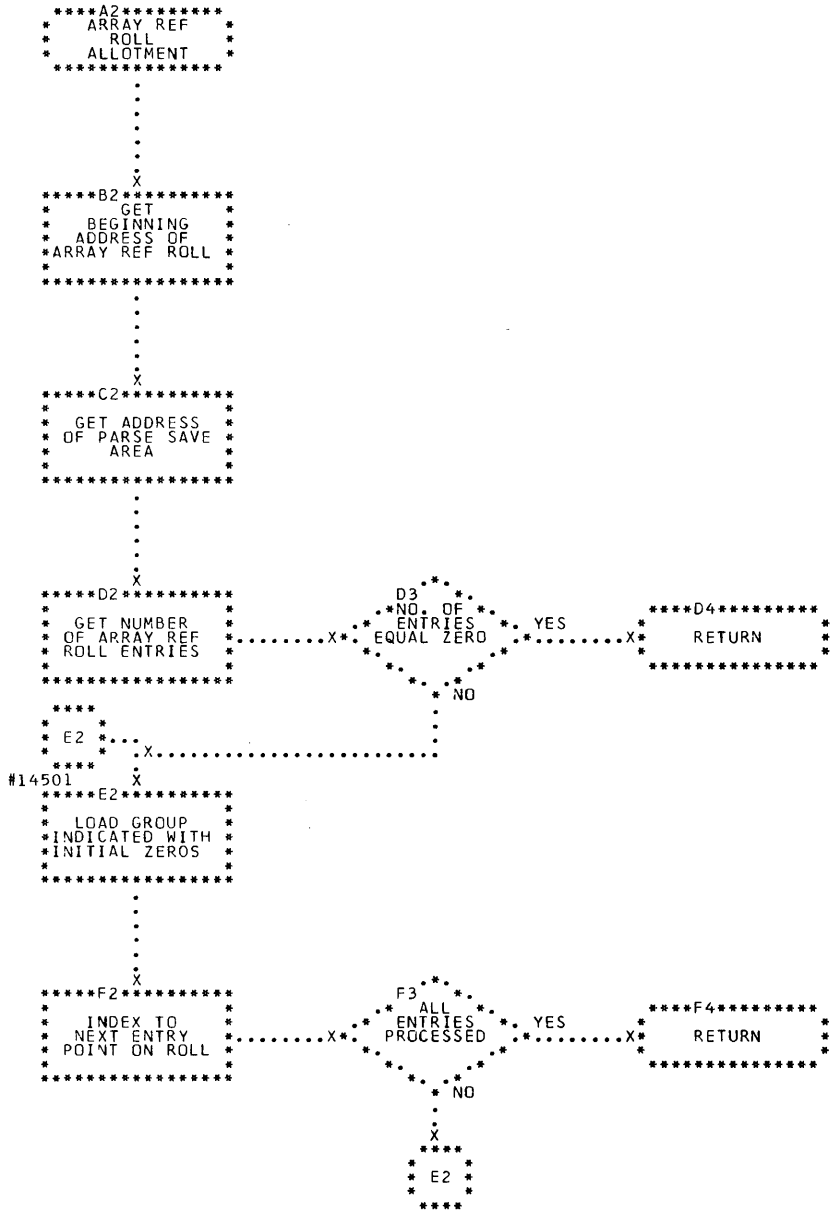


Chart DC. CONSTRUCT INSTRUCTIONS

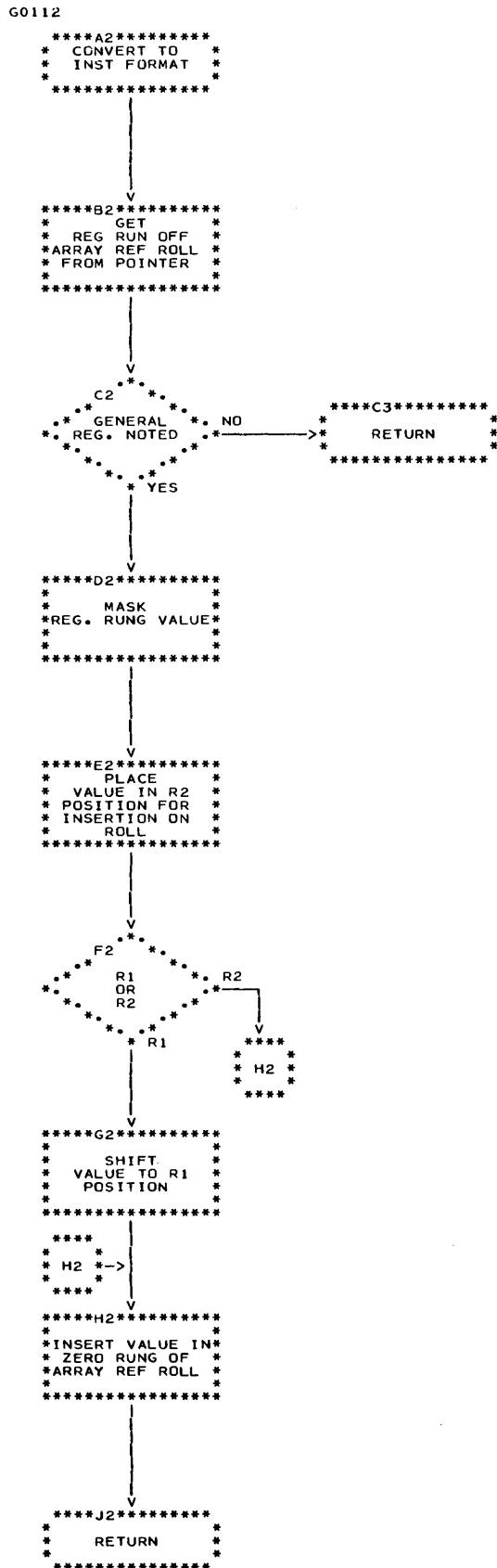


Chart DD. PROCESS NESTED LOOPS

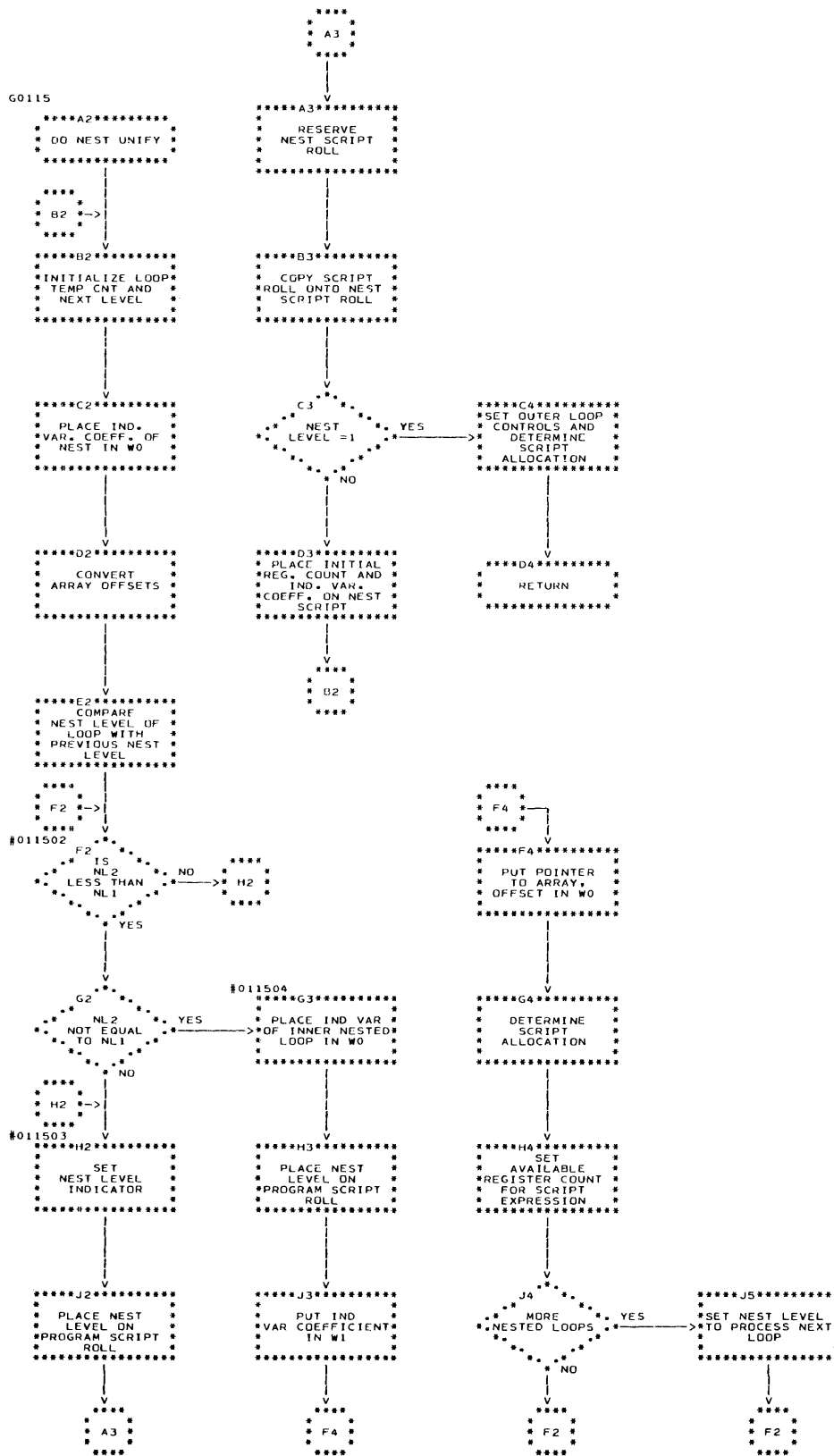


Chart 08. PHASE 4 - GEN

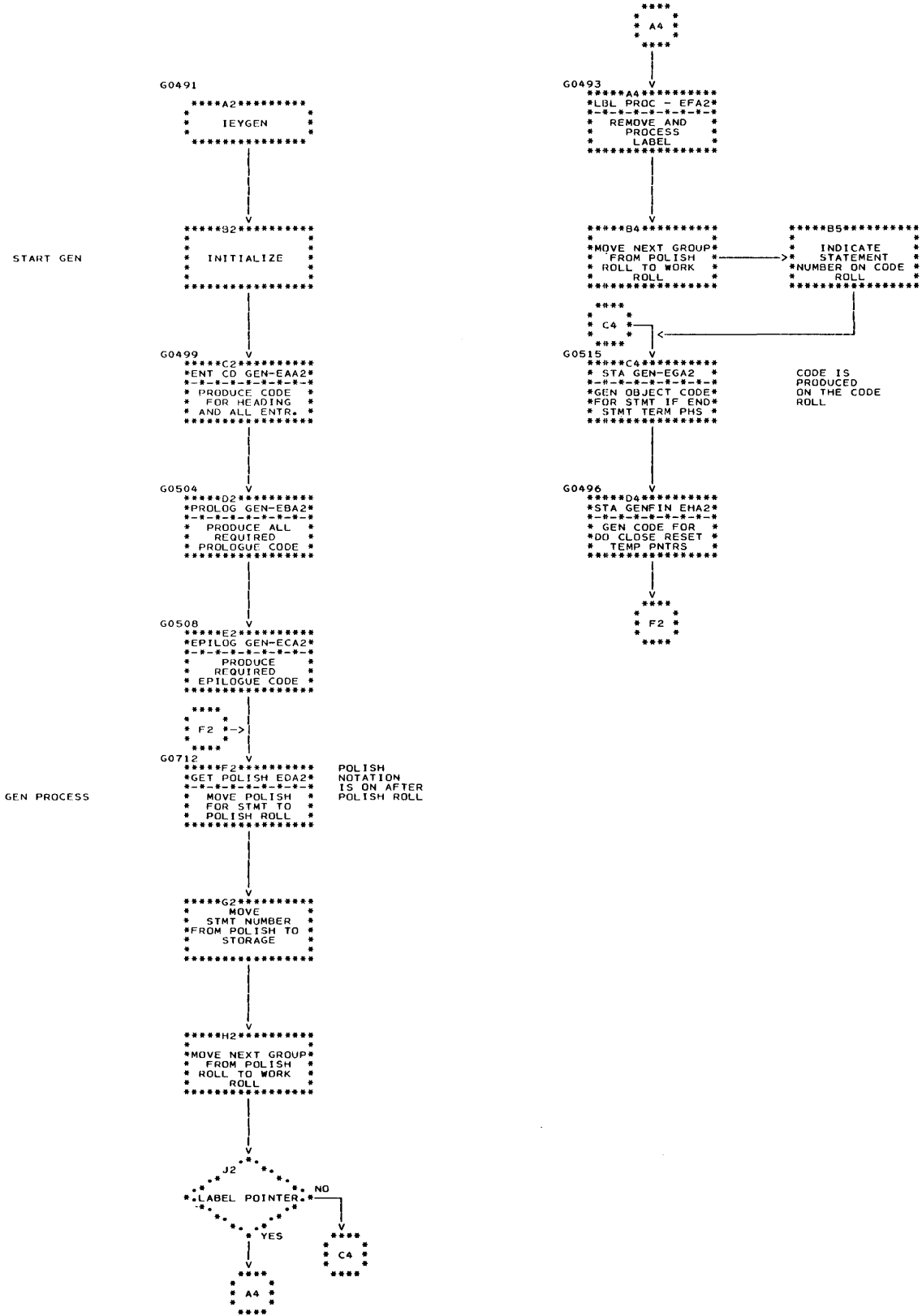


Chart EA. GENERATE ENTRY CODE

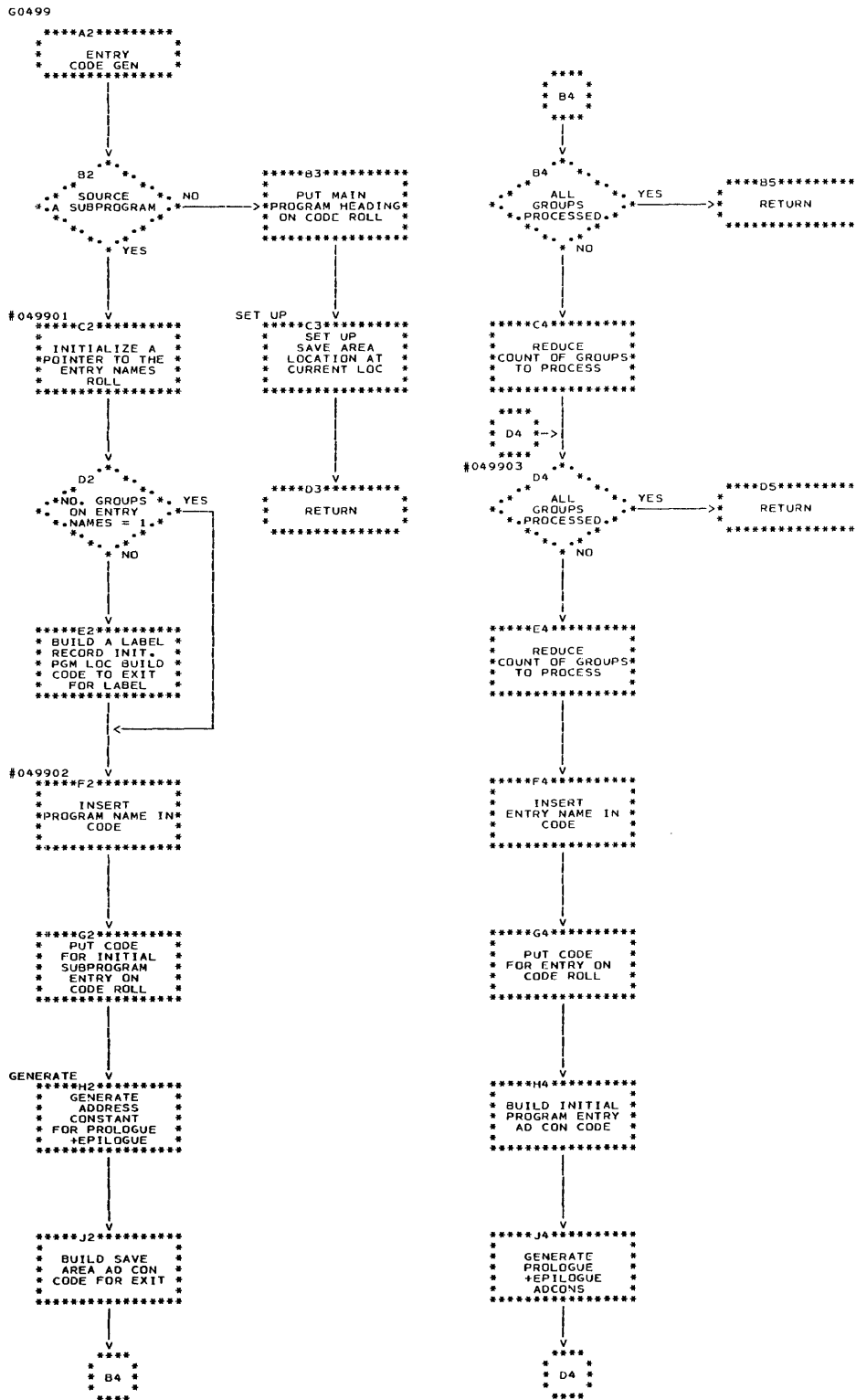


Chart EB. PROLOGUE CODE GENERATION

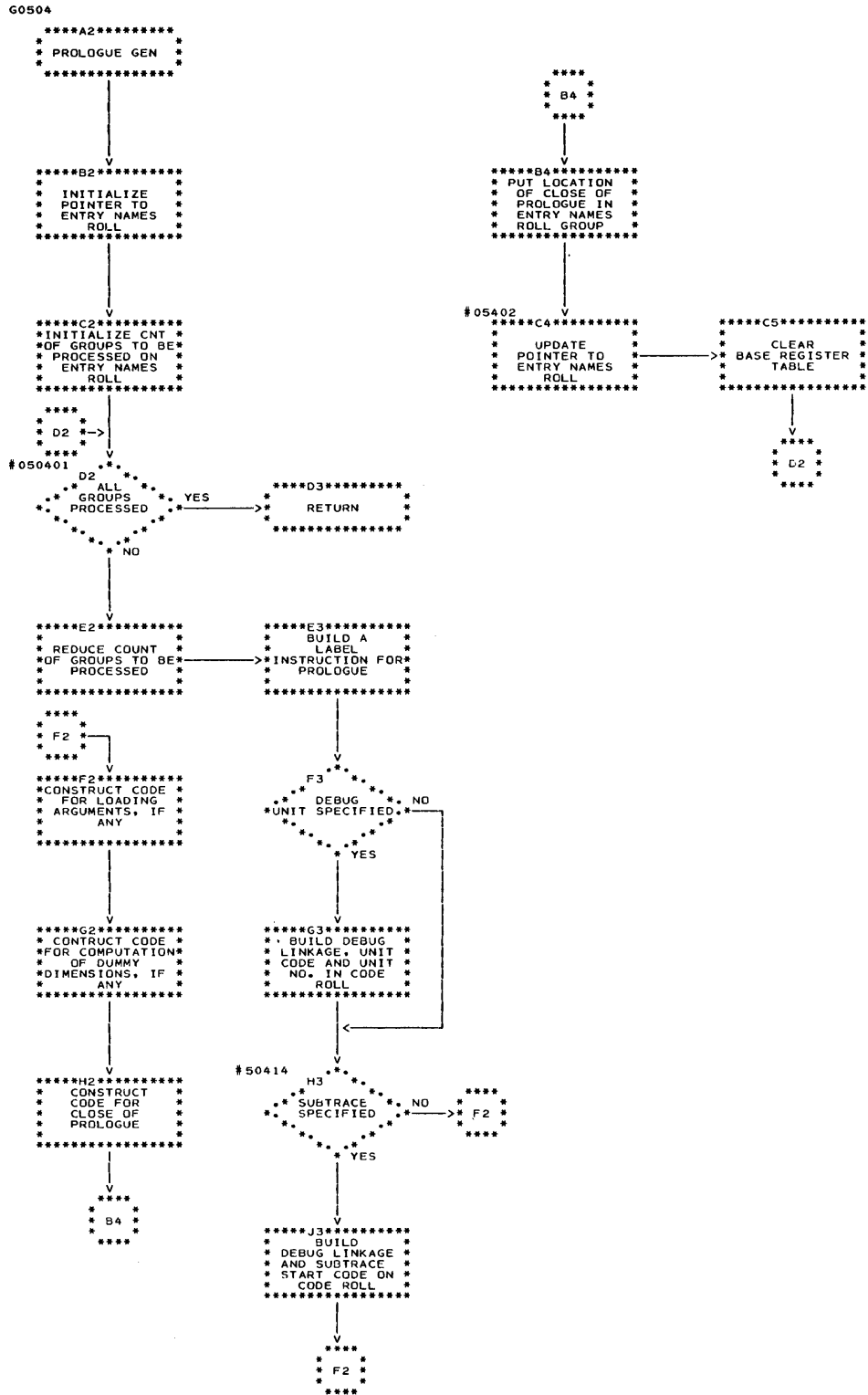


Chart EC. EPILOGUE CODE GENERATION

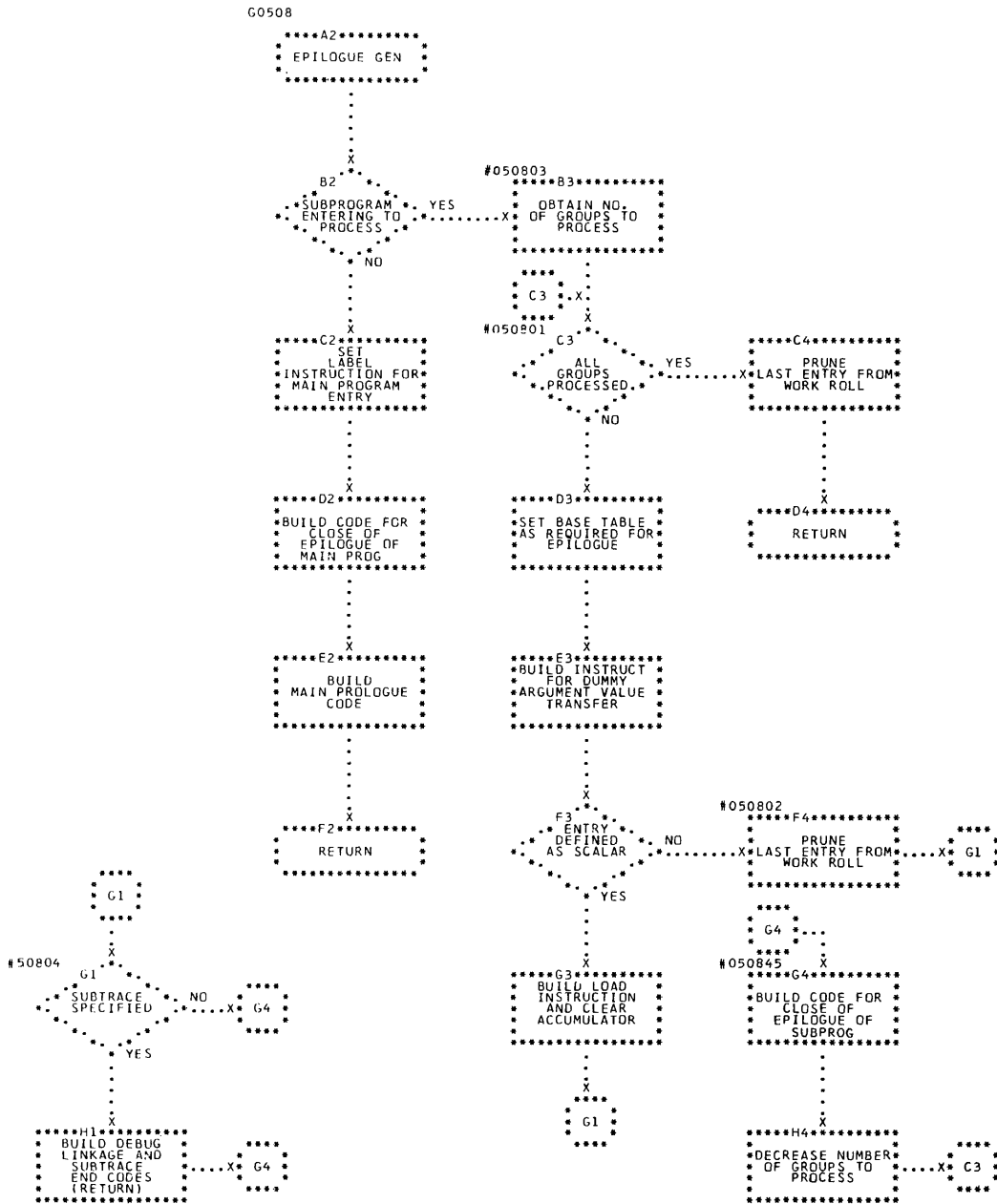


Chart ED. MOVE POLISH NOTATION

G0712

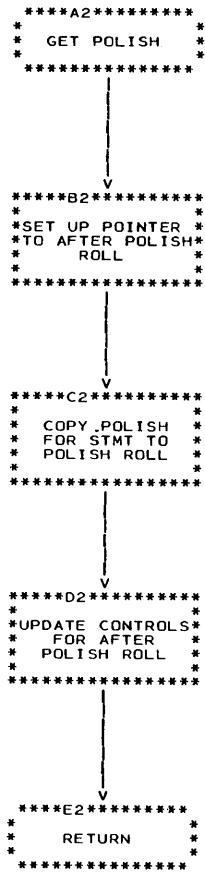


Chart EF. PROCESS LABELS

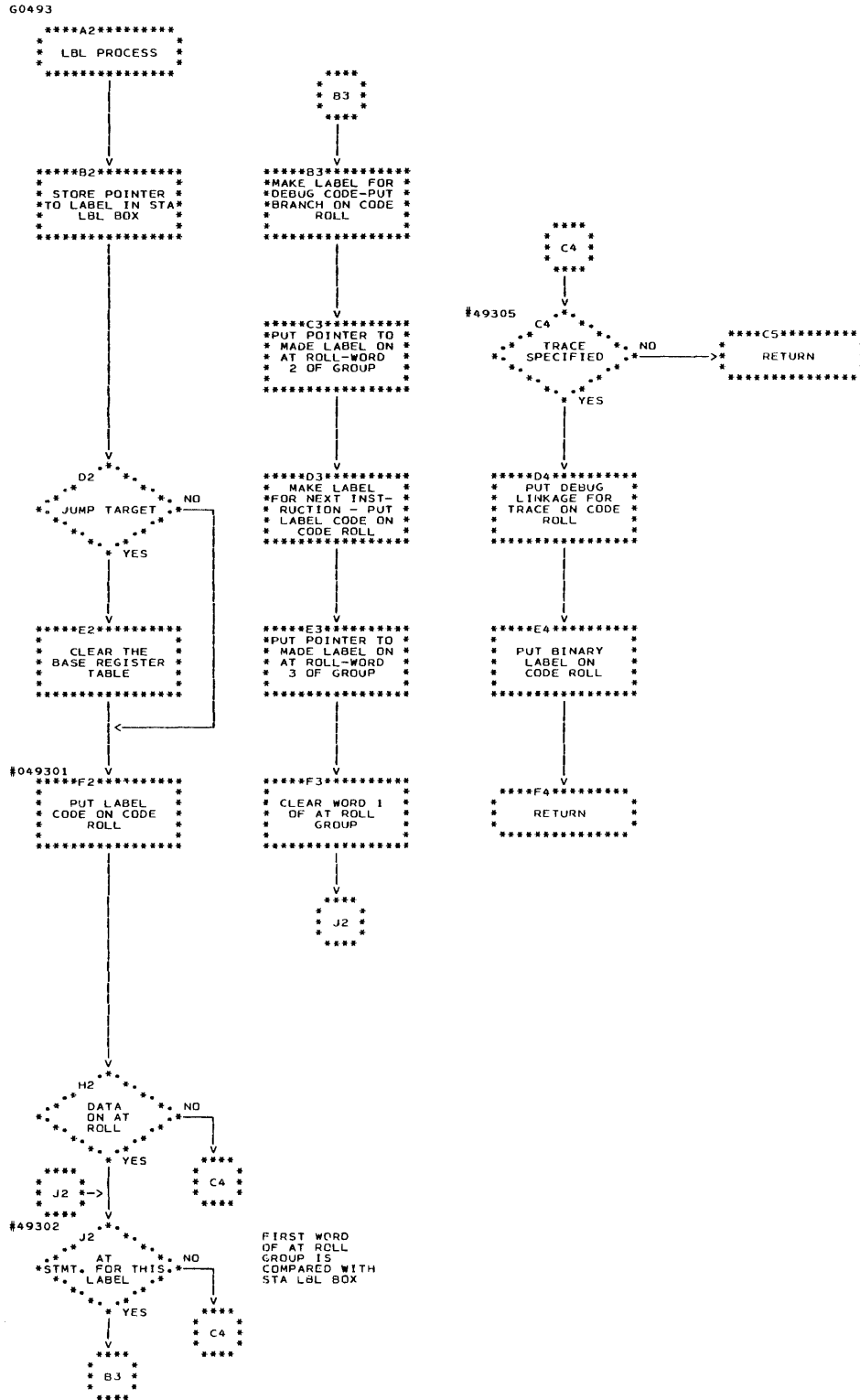


Chart EG. GENERATE STMT CODE

G0515

```

*****A2*****
*   STA GEN   *
*   *****
  
```

```

      V
      *
      *
      * B2 *
      * STMT *
      * FUNCTION *
      * MADE LABEL *
      * PTR = 0 *
      * *
      * NO *
      * *
      * YES *
  
```

```

      V
      *
      *
      * C2 *
      * STMT *
      * FUNCTION *
      * DRIVER ON *
      * WORK *
      * *
      * NO *
      * *
      * YESV *
  
```

```

*****D2*****
*   BUILD   *
*   CODE FOR *
*   STATEMENT *
*   FUNCTION MADE *
*   LABEL   *
*   *****
  
```

#051502

```

*****E2*****
*   GENERATE *
*   CODE FOR *
*   STATEMENT *
*   *
*   *****
  
```

```

*****F2*****
*   RETURN   *
*   *****
  
```

THE JUMP TO APPROPRIATE CODE GENERATION THE CONTROL DRIVER IN W0 AND THE STA RUN TABLE.

G0544

```

*****A4*****
*   TERMINATE *
*   PHASE     *
*   *****
  
```

```

*****B4*****
*   PREPARE   *
*   FOR EXIT PHASE *
*   *
*   *****
  
```

```

*****
*   09 *
*   A2 *
*   *
  
```

TO PHASE 5-EXIT

• Chart 09. PHASE 5 - IEYEXT

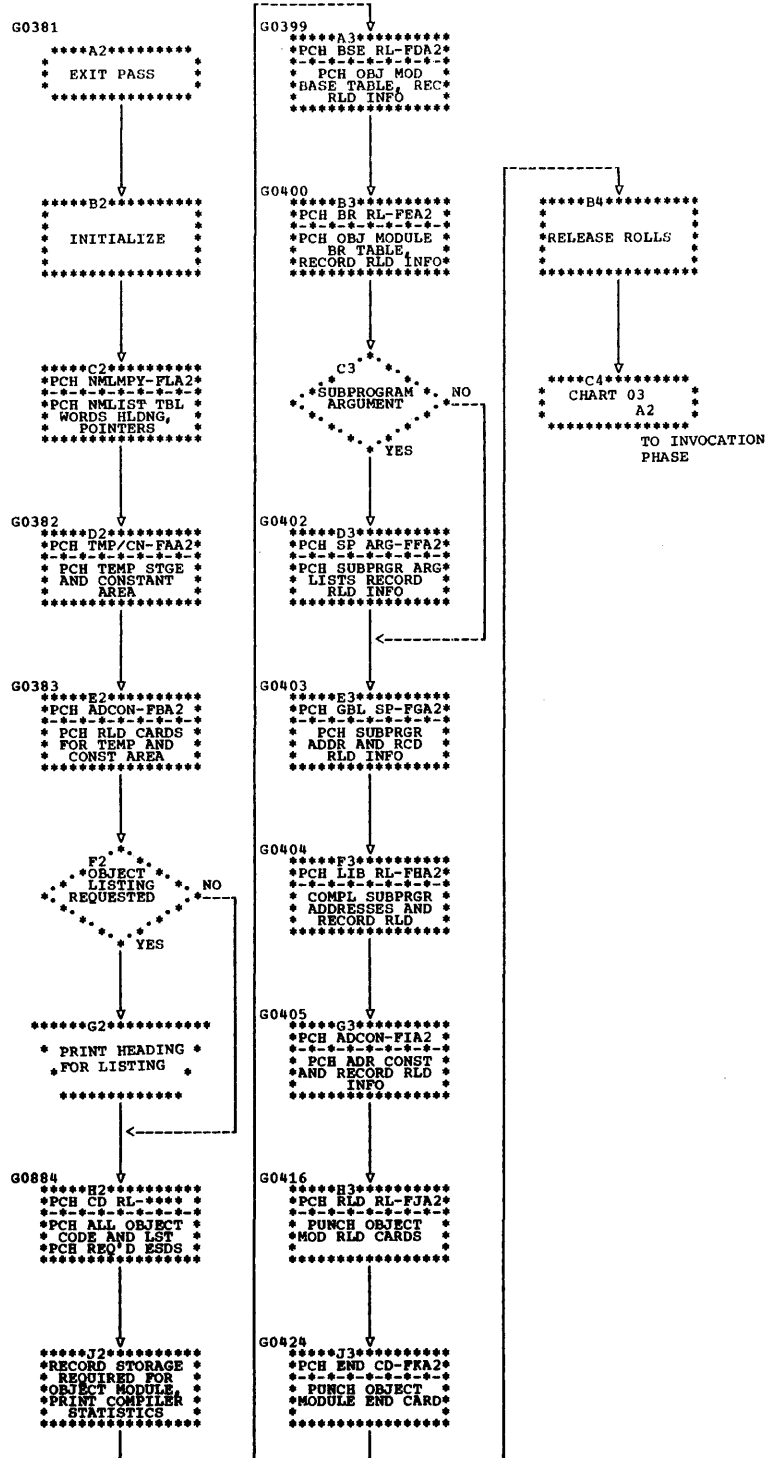


Chart FD. PUNCH BASE TABLE

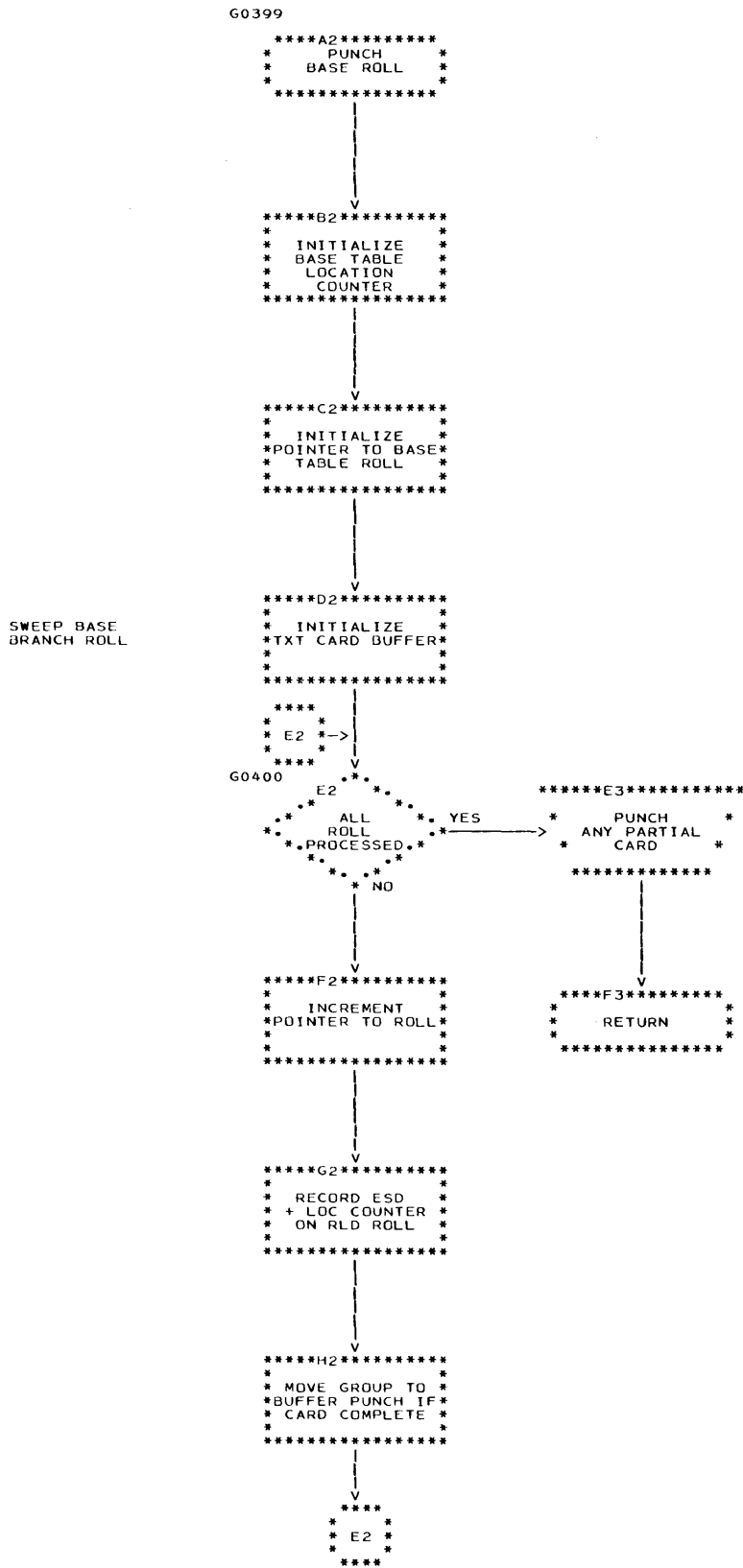


Chart FF. PUNCH SUBPROGRAM ARGUMENT LISTS

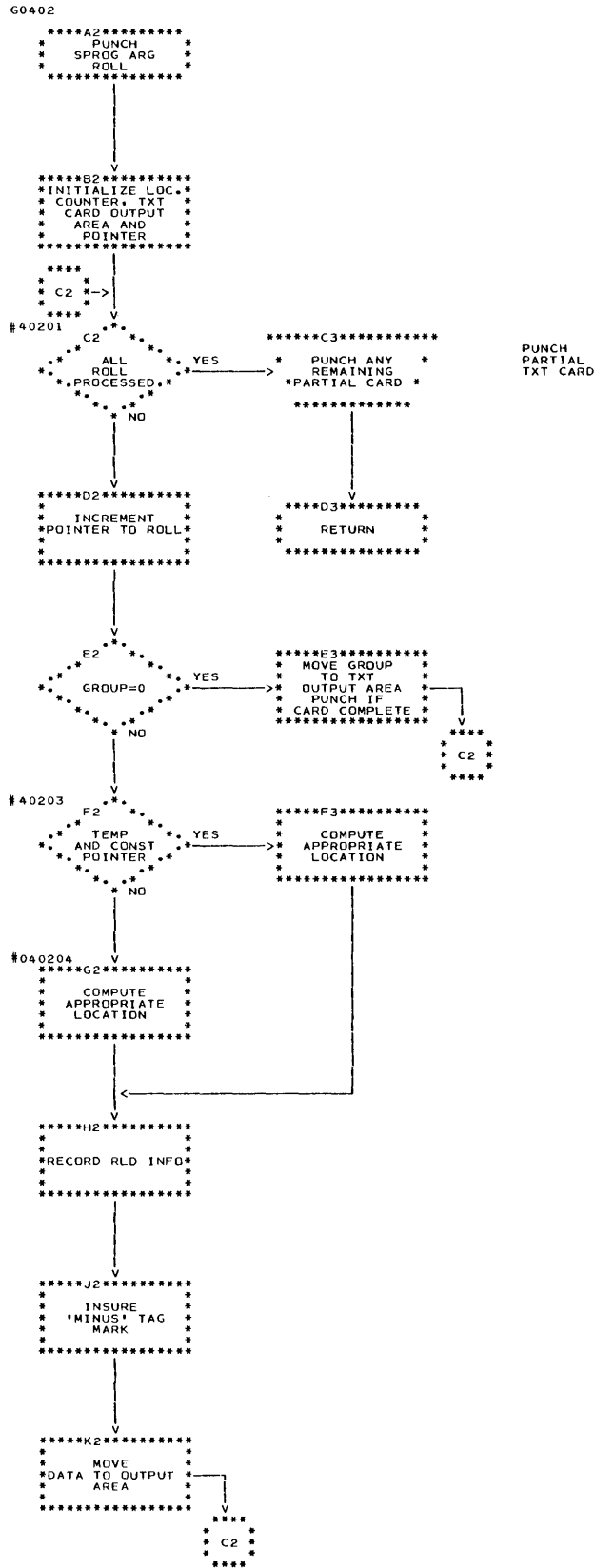


Chart FG. PUNCH SUBPROGRAM ADDRESSES

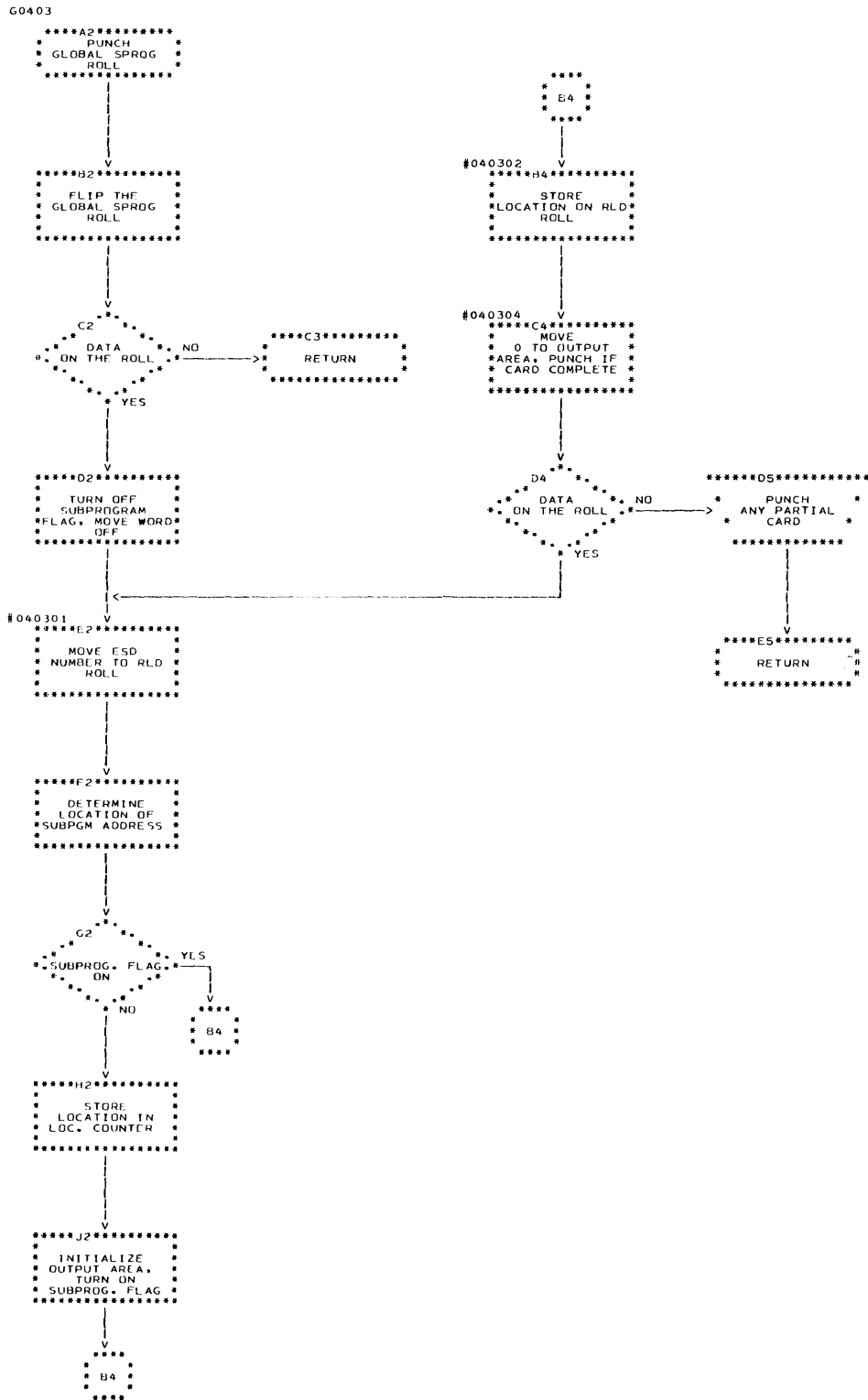
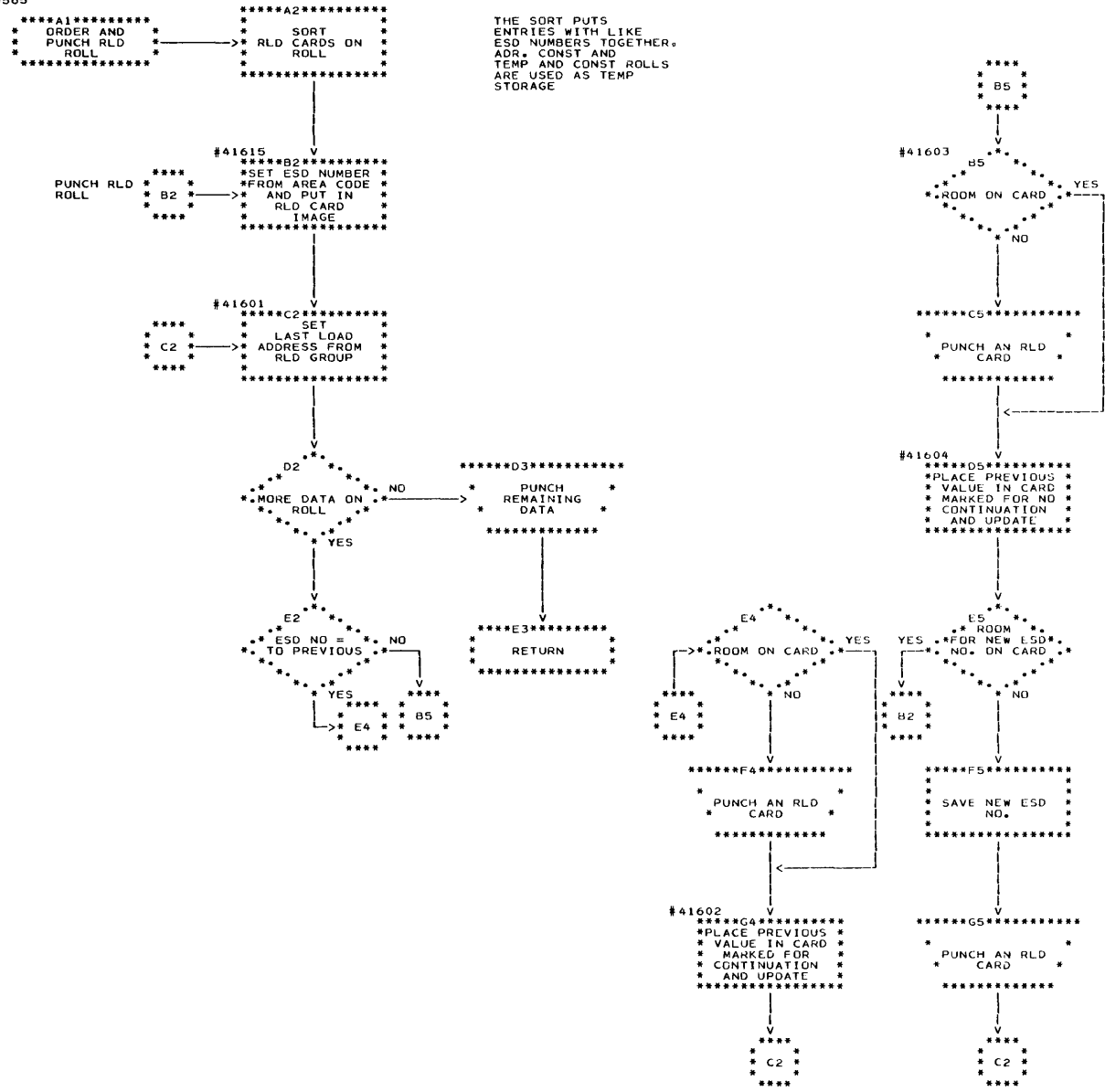


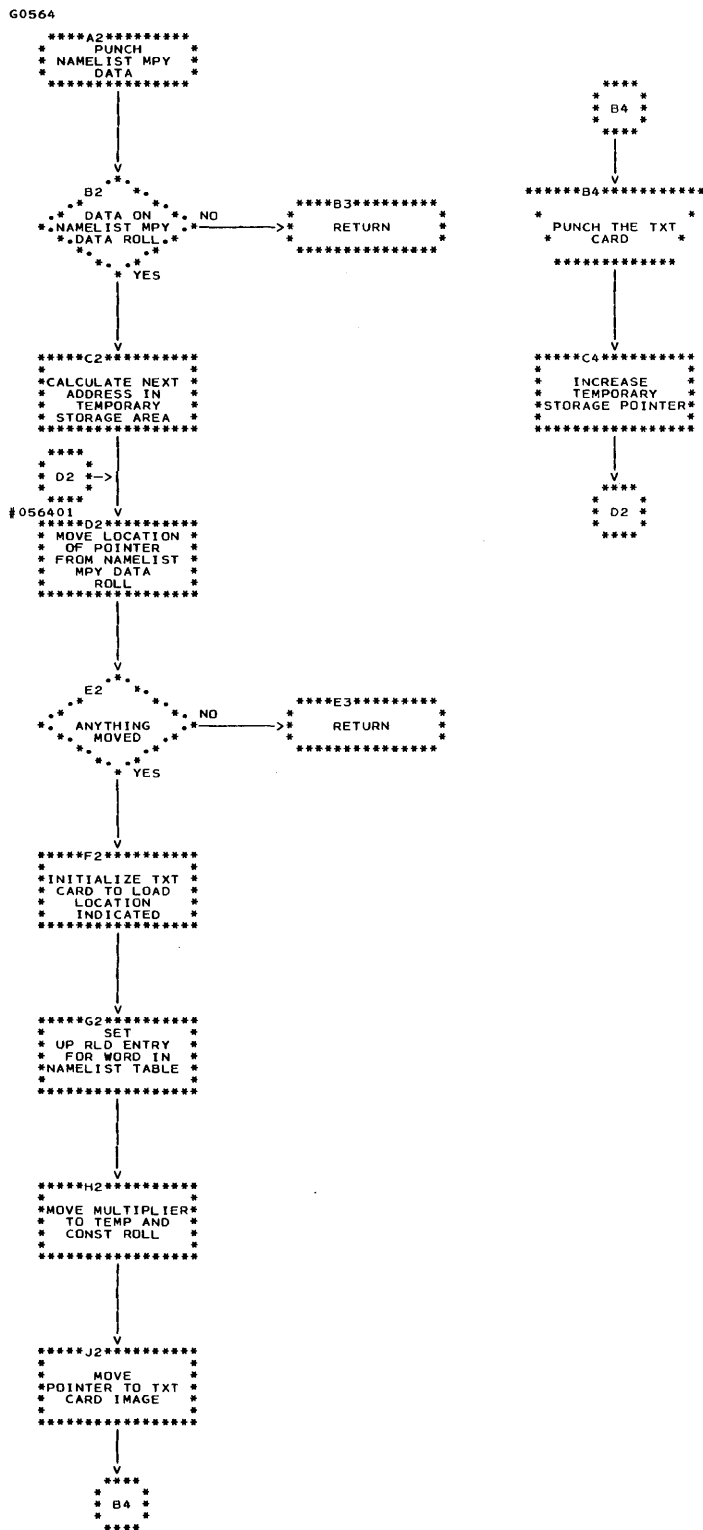
Chart FJ. PUNCH RLD CARDS

60565



THE SORT PUTS
ENTRIES WITH LIKE
ESD NUMBERS TOGETHER.
ADR. CONST AND
TEMP AND CONST ROLLS
ARE USED AS TEMP
STORAGE

Chart FL. PUNCH NAMELIST TABLE POINTERS



This appendix deals with the POP language, the language in which the FORTRAN IV (G) compiler is written. The parts of the appendix describe this language in the following way:

- The first part describes the POP instructions, which are grouped according to their functions.
- The second part describes the labels used in the routines of the compiler.
- The third part discusses the assembly and operation of the compiler, as it is affected by the use of the POP language. This part ends with a cross-reference list giving the mnemonic for each instruction, the hexadecimal code which represents it, and the instruction group in which it is described.

POP INSTRUCTIONS

For the purpose of describing their operation, the POP instructions have been divided into groups according to the primary function which they perform. Where a particular POP instruction pertains to more than one group, it is described in the group which discusses its most important functions.

In the descriptions of the instructions, the following notational conventions are employed:

1. Parentheses are used to indicate "the contents of;" thus (G) stands for the contents of storage address G, where all addresses are fullword addresses.
2. The arrow is used to indicate transmission in the direction of the arrow; (G) + 1 --> G reads: the contents of storage address G, plus one, are transmitted to storage address G.
3. W_n (n=1,2,3,...) refers to the BOTTOM, BOTTOM-1, ... etc., words on the WORK roll.

It should be noted that in many cases the address field, G, of the instruction contains a value other than a storage address (for instance, a roll name). In most of these cases, the symbolic reference which is used is defined in the program by means of an EQU card.

The mnemonic codes for the POP instructions are of the form IEYxxx. In the following discussion, the characters IEY are omitted from the mnemonics in the interest of ease of reading, and only the xxx portion of the code appears.

TRANSMISSIVE INSTRUCTIONS

The instructions described in this section are primarily involved in moving information from place to place in storage.

APH G: Assign and Prune Half

The upper halfword of (W0) --> the lower halfword of G, where G is a storage address; the upper halfword of G remains unaltered; the BOTTOM of the WORK roll is reduced by four, thus pruning W0.

ARK G: Assign Relative to Pointer and Keep

(W0) --> P + (G), where P is the address defined by the pointer in W1 and G is a storage address; the BOTTOM of the WORK roll is reduced by four, thus pruning the value assigned and keeping the pointer.

ARP G: Assign Relative to Pointer

(W0) --> P + (G), where P is the address defined by the pointer in W1 and G is a storage address; the BOTTOM of the WORK roll is reduced by eight, thus pruning the current W0 and W1.

ASK G: Assign to Storage and Keep

(W0) --> G, where G is a storage address; the BOTTOM of the WORK roll is unchanged.

ASP G: Assign to Storage and Prune

(W0) --> G, where G is a storage address; the BOTTOM of the WORK roll is reduced by four, thus pruning the current W0.

BOP G: Build on Polish

The control driver G is built on the POLISH roll, where the G field of the instruction is the lower eight bits of the ADDRESS portion

of the desired driver. (The TAG field of the pointer contains zero, and the OPERATOR field contains 255.)

CAR G: Copy and Release

Copy roll G, where G is a roll number, to roll T, and release roll G (i.e., restore it to its condition before the last reserve); the number T is found in W0; the BOTTOM of the WORK roll is reduced by four. If roll G is in the reserved state when this instruction is executed, the instruction sets its BOTTOM to (TOP) minus four; if the roll is not reserved, BOTTOM is set to (BASE).

CLA G: Clear and Add

Clear W0; (G) --> W0, where G is a storage address; the BOTTOM of the WORK roll is unchanged.

CNT G: Count

The number of words on roll G --> W0, where G is a roll number; the BOTTOM of the WORK roll is increased by four.

CPO G: Copy Plex On

The plex pointed to by the pointer in W0 is copied to roll G, where G is the number of the target roll, except for the first word of the plex (which holds the number of words in the plex, exclusive of itself). The BOTTOM of the WORK roll is reduced by four, thus pruning the pointer. The BOTTOM of roll G is increased by four for each word moved; the BOTTOM of the original roll is unchanged.

CRP G: Copy Relative to Pointer

Copy roll S to roll G, where G is a roll number, beginning with the group indicated by the pointer in W0, to the BOTTOM of the roll. The roll number S is also provided by the pointer in W0. The BOTTOM of roll S is decreased by the number of bytes moved. The BOTTOM of roll G is increased by the number of bytes moved. The BOTTOM of the WORK roll is unchanged; thus, the pointer remains.

EAD G: Extract Address

The ADDRESS portion of (G) --> W0, where G is a storage address; the

BOTTOM of the WORK roll is increased by four.

EAW G: Effective Address to Work

G --> W0, where G is a storage address; the BOTTOM of the WORK roll is increased by four.

ECW G: Effective Constant Address to Work

G --> W0, where G is a storage address which refers to a constant under a constant base. The BOTTOM of the WORK roll is increased by four.

EOP G: Extract Operator

The OPERATOR portion of (G) --> W0 (right adjusted), where G is a storage address; the BOTTOM of the WORK roll is increased by four.

ETA G: Extract Tag

TAG portion of (G) --> TAG portion of W0, where G is a storage address; the BOTTOM of the WORK roll is increased by four.

FET G: Fetch

(G) --> W0, where G is a storage address; the BOTTOM of the WORK roll is increased by four.

FLP G: Flip

Invert the order of roll G, where G is a roll number, word for word.

FRK G: Fetch Relative to Pointer and Keep

(P + (G)) --> W0, where P is the address defined by the pointer in W0 and G is a storage address; the BOTTOM of the WORK roll is increased by four; thus, the pointer remains in W1.

FRP G: Fetch Relative to Pointer

(P + (G)) --> W0, where P is the address defined by the pointer in W0 and G is a storage address; the BOTTOM of the WORK roll is unchanged; thus, the pointer is destroyed.

FTH G: Fetch Half

The lower halfword of (G) --> upper halfword of W0, where G is a storage address; the lower half-

word of W0 is set to zero; the BOTTOM of the WORK roll is increased by four.

IAD G: Insert Address

The ADDRESS portion of (G) --> the ADDRESS portion of the pointer in W0, where G is a storage address; the BOTTOM of the WORK roll is unchanged.

IOP G: Insert Operator

G --> OPERATOR portion of the pointer in W0, where the G field of the instruction is the desired OPERATOR value; the BOTTOM of the WORK roll is unchanged.

ITA G: Insert Tag

TAG portion of (G) --> TAG portion of the pointer in W0, where G is a storage address; the BOTTOM of the WORK roll is unchanged.

ITM G: Insert Tag Mode

Mode portion of the TAG field of (G) --> mode portion of the TAG field of the pointer in W0, where G is a storage address; the BOTTOM of the WORK roll is unchanged.

LCE G: Last Character Error

The last character count and the address G --> ERROR roll, where G is the address of the message for the error. The count of errors of the severity associated with the message is increased by one, and the MAX STA ERROR NUMBER (which indicates the highest severity level of errors for the present statement) is updated as required.

LCF G: Last Character Error if False

If (ANSWER BOX) = false, the last character count and the address G --> ERROR roll, where G is the address of the message for the error. The count of errors of the severity associated with the message is increased by one, and the MAX STA ERROR NUMBER is updated as required. If (ANSWER BOX) = true, the instruction does nothing.

LCT G: Last Character Error if True

If (ANSWER BOX) = true, the last character count and the address G --> ERROR roll, where G is the address of the message for the

error. The count of errors of the severity associated with the message is increased by one, and the MAX STA ERROR NUMBER is updated as required. If (ANSWER BOX) = false, the instruction does nothing.

LGP G: Load Group from Pointer

Loads the group specified by the pointer in W0 into SYMBOL 1, 2, and 3, DATA 0, 1, 2, 3, 4, and 5. The number G is the number of bytes to be loaded; if G=0, the entire group is loaded. The BOTTOM of the WORK roll is unchanged; hence, the pointer remains in W0.

LSS G: Load Symbol from Storage

Loads the (G and G+4), where G is a storage address, into SYMBOL 1, 2, and 3, and DATA 0.

MOC G: Move on Code

G halfwords, where G is an even number, are to be moved from the WORK roll to the CODE roll. A word containing a special value in the first two bytes and the number of words transferred in the last two bytes are first placed on the CODE roll. G/2 words of information are then moved from the WORK roll to the CODE roll; the BOTTOM of the CODE roll is increased by four for each word placed on the roll; the BOTTOM of the WORK roll is reduced by four for each word moved from the roll. A location counter is increased by the number of bytes of object code placed on the roll.

MON G: Move on

(W0) --> roll G, where G is the roll number; the BOTTOM of roll G is increased by four; the BOTTOM of the WORK roll is decreased by four.

NOG G: Number of Groups

The number of groups on roll G --> W0, where G is the roll number; the BOTTOM of the WORK roll is increased by four.

NOZ G: Nonzero

A nonzero value --> G, where G is a storage address.

PGO G: Place Group On

A group from SYMBOL 1, 2, and 3 and DATA 0, 1, 2, 3, 4, and 5 --> roll G, where G is the roll number, by group status; the BOTTOM of roll G is increased by group size.

PGP G: Place Group from Pointer

The group in SYMBOL 1, 2, 3, DATA 0, 1, 2, 3, 4, and 5 is placed on a roll according to the pointer in W0. The number G is the number of bytes to be moved; if G=0, an entire group is moved; the BOTTOM of the WORK roll is unchanged.

PLD G: Precision Load

(G and G+4) --> MPAC 1 and MPAC 2, where G is a storage address.

PNG G: Pointer to New Group

Builds a pointer to the first byte of the next group to be added to roll G, where G is the roll number, and places the pointer in W0; the BOTTOM of the WORK roll is increased by four.

POC G: Place on Code

The data located at storage address G+4 and following is to be moved to the CODE roll. The number of half-words to be moved is stored in location G and is an even number. A word containing a special value in the first two bytes and the number of words of data in the last two bytes is first placed on the CODE roll. The indicated data is then moved to the CODE roll, and the BOTTOM of the CODE roll is increased by four for each word placed on the roll. A location counter is increased by the number of bytes of object code placed on the roll.

PST G: Precision Store

(MPAC 1 and MPAC 2) --> G and G+4, where G is a storage address. This instruction performs a doubleword store.

SWT G: Switch

Interchanges (W0) and (G), where G is a storage address; the BOTTOM of the WORK roll is unchanged.

ZER G: Zero

0 --> G, where G is a storage address.

ARITHMETIC AND LOGICAL INSTRUCTIONS

The following instructions are primarily designed to perform arithmetic and logical manipulations.

ADD G: Add

(G) + (W0) --> W0, where G is a storage address; the BOTTOM of the WORK roll is unchanged; hence, the initial contents of W0 are destroyed.

AFS G: Add Four to Storage

(G) + 4 --> G, where G is a storage address.

AND G: And

(G) AND (W0) --> W0; that is, a logical product is formed between (G) and (W0), and the result is placed in W0. The BOTTOM of the WORK roll is unchanged; hence, the initial contents of W0 are destroyed.

DIM G: Diminish

(G) - 1 --> G, where G is a storage address.

DIV G: Divide

(W0) / (G) --> G, where G is a storage address; the remainder, if any, from the division is lost; a true answer is returned if there is no remainder; the BOTTOM of the WORK roll is unchanged; hence, the initial contents of W0 are destroyed.

IOR G: Inclusive Or

The inclusive OR of (W0) and (G), where G is a storage location, is formed, and the result is placed in W0. The BOTTOM of the WORK roll is unchanged; hence, the initial contents of W0 are destroyed.

LLS G: Logical Left Shift

(W0) are shifted left G places; the result is left in W0; bits shifted out at the left are lost, and vacated bit positions on the right are filled with zeros.

LRS G: Logical Right Shift

(W0) are shifted right G places; the result is left in W0; bits shifted out at the right are lost, and vacated bit positions on the left are filled with zeros.

MPY G: Multiply

(G) * (W0) --> W0, where G is a storage address; the BOTTOM of the WORK roll is unchanged; hence, the initial contents of W0 are destroyed.

PSP G: Product Sign and Prune

The exclusive OR of (W0) and (G), where G is a storage location, replace the contents of G; the BOTTOM of the WORK roll is reduced by four, thus pruning W0.

SUB G: Subtract

(W0) - (G) --> W0, where G is a storage address; the BOTTOM of the WORK roll is unchanged; hence, the initial contents of W0 are destroyed.

TLY G: Tally

(G) + 1 --> G, where G is a storage address.

DECISION MAKING INSTRUCTIONS

These instructions inspect certain conditions and return either a true or false answer in the ANSWER BOX. Some of the instructions also transmit stored information from place to place.

CSA G: Character Scan with Answer

If G = (CRRNT CHAR), the scan arrow is advanced and a true answer is returned; otherwise, the scan arrow is not advanced and a false answer is returned.

LGA G: Load Group with Answer

The group from the BOTTOM of roll G, where G is the roll number and roll G has been flipped, is loaded into SYMBOL 1, 2, 3, DATA 0, 1, 2, 3, 4, and 5 (as many words as necessary); if the roll is empty or if the group is a marker symbol, a

false answer is returned; otherwise, a true answer is returned; the BOTTOM of roll G is reduced by group size.

MOA G: Move off with Answer

If roll G, where G is the roll number, is empty, a false answer is returned. Otherwise, the BOTTOM of roll G is reduced by four, pruning the word moved; the BOTTOM of the WORK roll is increased by four; a true answer is returned.

QSA G: Quote Scan with Answer

If the quotation mark (sequence of characters) beginning at storage address G (the first byte in the quotation mark is the number of bytes in the quotation mark) is equal to the quotation mark starting at the scan arrow, advance the scan arrow to the next active character following the quotation mark, and return a true answer; otherwise, do not advance the scan arrow and return a false answer.

SAD G: Set on Address

If G = ADDRESS portion of the pointer in W0, return a true answer; otherwise, return a false answer.

SBP G: Search by Stats from Pointer

Search the roll specified by the pointer in W0, beginning with the group following the one specified by the pointer for a group which is equal to the group in the central items SYMBOL 1, 2, 3, etc., according to the group stats values stored at locations G+4 and G+8 (these values are in the same order as those in the group stats tables). The roll number multiplied by four is stored at location G. If a match is found, return a true answer, replace the pointer in W0 with a pointer to the matching group, and continue in sequence. If no match is found, return a false answer, prune the pointer in W0, and continue in sequence. This instruction is used to continue a search of a roll according to group stats values other than those normally used for the roll.

SBS G: Search by Stats

If the roll, whose number multiplied by four is in storage at location G, is empty, return a

false answer. Otherwise, search that roll against the central items SYMBOL 1, 2, and 3 and DATA 0, 1, 2, 3, 4, and 5, as defined by the group stats values stored at locations G+4 and G+8 (these values are in the same order as those in the group stats tables); if a match is found, place a pointer to the matching group in W0, increase the BOTTOM of the WORK roll, and return a true answer; if no match is found, return a false answer. This instruction is used to search a roll according to group stats values other than those normally used for that roll.

SCE G: Set if Character Equal

If $G = (\text{CRRNT CHAR})$, return a true answer; otherwise, return a false answer; in neither case is the scan arrow advanced.

SCK G: Set on Character Key

If (CRRNT CHAR) displays any of the character keys of G, where G is a character code whose bit settings describe a group of characters, return a true answer; otherwise, a false answer is returned; in neither case is the scan arrow advanced.

SFP G: Search from Pointer

Search the roll specified by the pointer in W0, beginning with the group following the one specified by the pointer in W0, for a group which is equal to the group in SYMBOL 1, 2, 3, DATA 0, 1..., etc., by roll statistics. If a match is found, return a true answer, replace the pointer in W0 with a pointer to the matching group, and jump to G, where G must be a local address. If no match is found, return a false answer, prune the pointer in W0 (reduce the BOTTOM of the WORK roll by four), and continue in sequence.

SLE G: Set if Less or Equal

If $(W0) \leq (G)$, where G is a storage address, a true answer is returned; otherwise, a false answer is returned. The comparison made considers the two values to be signed quantities.

SNE G: Set if Not Equal

If $(W0) \neq (G)$, where G is a storage address, a true answer is returned; otherwise, a false answer is returned.

SNZ G: Set if Nonzero

If $(G) \neq 0$, where G is a storage address, return a true answer; otherwise, return a false answer.

SOP G: Set on Operator

If $G = \text{OPERATOR}$ portion of the pointer in W0, return a true answer; otherwise, return a false answer.

SPM G: Set on Polish Mode

If the mode portion of the TAG field of the (G) = the mode portion of the TAG field of the pointer in P1, where G is a storage address, return a true answer; otherwise, return a false answer.

SPT G: Set on Polish Tag

If the TAG field of the (G) = the TAG field of the pointer in P1, where G is a storage address, return a true answer; otherwise, return a false answer.

SRA G: Search

If roll G, where G is the roll number, is empty, return a false answer; otherwise, search roll G against the central items SYMBOL 1, 2, and 3 and DATA 0, 1, 2, 3, 4, and 5, as defined by the roll statistics; if a match is found, place a pointer to the matching group in W0, increase the BOTTOM of the WORK roll, and return a true answer; if no match is found, return a false answer.

SRD G: Set if Remaining Data

If roll G, where G is the roll number, is not empty, return a true answer; otherwise, return a false answer.

STA G: Set on Tag

If the TAG portion of (G) = the TAG portion of the pointer in W0, where G is a storage address, return a true answer; otherwise, return a false answer.

STM G: Set on Tag Mode

If the mode portion of the TAG field of the (G) = the mode portion of the TAG field of the pointer in W0, where G is a storage address, return a true answer; otherwise, return a false answer.

JUMP INSTRUCTIONS

The following instructions cause the normal sequential operation of the POP instructions to be altered, either unconditionally or conditionally. See the sections "Labels" and "Assembly and Operation" in this Appendix for further discussion of jump instructions.

CSF G: Character Scan or Fail

If G = (CRRNT CHAR), advance the scan arrow to the next active character; otherwise, jump to SYNTAX FAIL.

JAF G: Jump if Answer False

If (ANSWER BOX) = false, jump to G, where G is either a global or a local address; otherwise, continue in sequence. One of two operation codes is produced for this instruction depending on whether G is a global or local label.

JAT G: Jump if Answer True

If (ANSWER BOX) = true, jump to G, where G is either a global or a local address; otherwise, continue in sequence. One of two operation codes is produced for this instruction depending on whether G is a global or a local label.

JOW G: Jump on Work

If (W0) = 0, decrease the BOTTOM of the WORK roll by four and jump to G, where G is either a global or a local address; otherwise, reduce word 0 by one, --> W0, and continue in sequence. One of two operation codes is produced for this instruction, depending on whether G is a global or a local label.

JPE G: Jump and Prepare for Error

The following values are saved in storage: the location of the next instruction, the last character count, the BOTTOM of the EXIT roll, and the BOTTOM of the WORK roll.

The JPE FLAG is set to nonzero, and a jump is taken to G, which may only be a local address.

JRD G: Jump Roll Down

This instruction manipulates a pointer in W0. If the ADDRESS field of that pointer is equal to 0 (pointing to the word preceding the beginning of a reserved area), the ADDRESS field is increased to four. If the ADDRESS field of the pointer is equal to any legitimate value within the roll, it is increased by group size. If the ADDRESS field of the pointer indicates a location beyond the BOTTOM of the roll, the pointer is pruned (the BOTTOM of the WORK roll is reduced by four), and a jump is made to the location G, which must be a global address.

JSB G: Jump to Subroutine

Return information is placed on the EXIT roll; jump to G, which is a global address.

JUN G: Jump Unconditional

Jump to G, which is either a global or a local address. One of two operation codes is produced for this instruction, depending on whether G is a global or a local label.

QSF G: Quote Scan or Fail

If the quotation mark (sequence of characters) beginning at storage address G (the value of the first byte in the quotation mark is the number of bytes in the quotation mark) is equal to the quotation mark starting at the scan arrow, advance the scan arrow to the first active character beyond the quotation mark; otherwise, jump to SYNTAX FAIL.

XIT : Exit

Exit from the interpreter; the code which follows is written in assembler language.

ROLL CONTROL INSTRUCTIONS

These instructions are concerned with the control of the rolls used in the compiler.

POW G: Prune off Work

Reduce the BOTTOM of the WORK roll by four times G, where G is an integer, thus pruning G words off the WORK roll.

REL G: Release

Restore roll G, where G is the roll number, to the condition preceding the last reserve; this sets BOTTOM to (TOP) reduced by four if the roll is reserved, or to (BASE) if the roll is not reserved; TOP is set to the value it had before the reserve.

RSV G: Reserve

Reserve roll G, where G is the roll number, by storing (TOP) - (BASE) on the roll, increasing BOTTOM by four, and setting TOP to (BOTTOM); this protects the area between BASE and TOP, and allows ascending addresses from TOP to be used as a new, empty roll.

CODE PRODUCING INSTRUCTIONS

These POP instructions construct object module code on the CODE roll. Each object module instruction constructed results in the placing of a 2-word group on the CODE roll. The instruction generated, in binary, is left justified in this group. In the case of halfword instructions, the remainder of the first word is filled with zero. The second word contains a pointer to the instruction operand, except in the case of 6-byte instructions when the last two bytes of the group contain the value zero.

BID G: Build Instruction Double

The instruction indicated by G, where G is an instruction number which indicates the exact instruction to be generated, is built on the CODE roll, where W0 contains a pointer to the first operand and W1 contains a pointer to the second operand. The BOTTOM of the CODE roll is increased by eight. The BOTTOM of the WORK roll is reduced by eight; thus, both pointers are pruned. A location counter is increased by one for each byte of the instruction.

BIM G: Build Instruction by Mode

The instruction indicated by G, where G is an instruction number which indicates the class of the instruction only. For example, LOAD INSTR as opposed to LE INSTR is built on the CODE roll, where W0 contains a pointer to the second operand. A pointer to the accumulator which holds the first operand is contained in the variable CRRNT ACC. The instruction mode is determined by inspecting the TAG fields of the pointers; the BOTTOM of the CODE roll is increased by eight; the BOTTOM of the WORK roll is reduced by four, thus pruning the pointer. A location counter is increased by one for each byte of the generated instruction.

BIN G: Build Instruction

The instruction indicated by G, where G is an instruction number which indicates the exact instruction to be built, is constructed on the CODE roll. The WORK roll holds from zero to three words of information required for producing the instruction. For instructions requiring no operands, nothing appears on the WORK roll. For instructions requiring one operand, a pointer to that operand appears in W0. For two operand instructions, a pointer to the first operand appears in W0 and a pointer to the second operand is in W1. For input/output instructions, W1 holds a constant which becomes part of the instruction. For storage-to-storage move instructions, W2 holds the length. The BOTTOM of the CODE roll is increased by eight to reflect the addition of the group. The BOTTOM of the WORK roll is reduced by four for each word of information found on that roll; thus, all the information is pruned. A location counter is increased by one for each byte of the instruction.

ADDRESS COMPUTATION INSTRUCTIONS

The POP instructions whose G fields require storage addresses may be used to refer to WORK roll groups, provided the storage address of the desired group is first computed. This computation must be performed at execution time, since the location of W0, for example, varies as the program is operated. The instructions in this category perform these computations and jump to the appropriate POP, which then operates using the computed address.

W0P G: W0 POP

Compute the address of the current W0 and jump to the POP indicated by G, where G is a POP instruction which normally accepts a storage address in its G field.

W1P G: W1 POP

Compute the address of the current W1 and jump to the POP indicated by G, where G is a POP instruction which normally accepts a storage address in its G field.

W2P G: W2 POP

Compute the address of the current W2 and jump to the POP indicated by G, where G is a POP instruction which normally accepts a storage address in its G field.

W3P G: W3 POP

Compute the address of the current W3 and jump to the POP indicated by G, where G is a POP instruction which normally accepts a storage address in its G field.

W4P G: W4 POP

Compute the address of the current W4 and jump to the POP indicated by G, where G is a POP instruction which normally accepts a storage address in its G field.

INDIRECT ADDRESSING INSTRUCTION

Indirect addressing is provided for POP instructions whose address fields normally require storage addresses by means of the following instruction.

IND G: Indirect

The address contained in the storage address INDIRECT BOX is transmitted to the POP indicated by G, where G is a POP instruction which requires a storage address in its G field, and a jump is made to that POP. The POP "G" operates in its normal fashion, using the transmitted address.

LABELS

In the POP language, storage locations containing instructions or data may be named with two types of labels, global labels and local labels. Global labels are unique within each phase of the compiler (but not from one phase to another); these labels may be referred to from any point in the phase. Local labels are also unique within each phase (but not between phases); however, these labels may be referred to only within the global area (that is, the area between two consecutive global labels) in which they are defined.

GLOBAL LABELS

The global labels which appear on a System/360 assembler listing of the compiler are distinguished from local labels in that the global labels do not begin with a pound sign. Most of the global labels are of the form Gdddd, where each d is a decimal digit and the 4-digit value dddd is unique for the global label. Labels of this form are generally assigned in ascending sequence to the compiler routines. All remaining global labels are limited to a length of seven characters.

In contrast, the routine and data names used throughout this publication are limited only to a length of 30 characters. A comment card containing the long name used here precedes the card on which each global label is defined. In addition, the longer name appears as a comment on any card containing a POP instruction which refers to the global label.

Example:

	G0336	STA GEN FINISH
	G0336 IEYMOA G0494	MOA DO LOOPS OPEN ROLL
	:	
	:	
	:	

Explanation: The second card shown defines the global label G0336. The first card, a comment card, indicates the longer name of the routine, STA GEN FINISH. The second card contains a reference to the label G0494; the longer form of this label is DO LOOPS OPEN ROLL, as indicated by the comment.

Occasionally, several comment cards with identical address fields appear in sequence on the listing. This occurs when more than one long label has been applied to a single instruction or data value. The long labels are indicated in the comments fields of the cards.

Example:

```

*          ACTEST    AC TEST
*          ACTEST    TESTAC
ACTEST IEYSOP G0504 SOP FL AC OP MARK
      .
      .
      .

```

Explanation: The three cards shown define the global label ACTEST. One long form of this label is AC TEST, as indicated by the comment on the first card. The second card indicates that the name TESTAC has also been applied to this location, and that it also corresponds to ACTEST.

LOCAL LABELS

All local labels consist of a pound sign followed by six decimal digits. If the preceding global label is of the form Gdddd, the first four digits are identical to those in the global name. The remaining two digits of the local label do not follow any particular sequence; they are, however, unique in the global area.

The local label is defined by its appearance in the name field of a card containing a POP or assembler language instruction.

Example:

```

*          G0268     PROCESS SCALAR ROLL
G0268    IEYSRD G0432 SRD SCALAR ROLL
      .
      .
      .
#026811 IEYJOW #026821
#026802 IEYITA G0359 ITA CED TAG MARK

```

Explanation: The global label G0268 is defined by the second card in the sequence shown. The next two cards define, respectively, the local labels #026811 and #026802. In addition, the third card in the sequence contains a reference to the local label #026821, which is presumably defined elsewhere within the global area shown here.

ASSEMBLY AND OPERATION

The compiler is assembled with each POP instruction defined as a macro. Unless "Quick Link" output has been designated to the macro by means of the assembler instruction SETC 'QLK', the resulting code

consists of two 1-byte address constants per POP instruction. This 16-bit value represents an 8-bit numeric operation code and an 8-bit operand or relative address.

The definition of the 8-bit operand or relative address varies according to the POP instruction used. Roll numbers appear in this field for instructions requiring them. For instructions which refer to storage locations relative to CBASE (see "Compiler Arrangement and General Register Usage") or to other base addresses, the word number relative to the appropriate base is used. The format for jump instructions is discussed in the following paragraphs.

When Quick Link is specified, machine language instructions are generated for the following POP instruction. (See "Assembler Language References to POP Subroutines.")

POP INTERPRETER

The assembled POP code is interpreted by a short machine language routine, POP SETUP, which appears with the POP subroutines at the beginning of the compiler.

POP SETUP inspects each pair of address constants in sequence, and, using the 8-bit operation code as an index into the POP jump table, a table which correlates operation codes for the POPs with the addresses of the POP subroutines, transfers control to the appropriate POP subroutine.

Thus, on encountering the hexadecimal value 081A, POP SETUP indexes into the POP jump table (labeled POPTABLE) at the eighth byte, counting from zero. The value found at this location is 0158 (hexadecimal); this is the address, relative to the base of the POP jump table, of the POP subroutine for the POP numbered 08 (IEYSUB). When this value is added to the beginning address of the POP jump table, the absolute address of IEYSUB is produced, and POP SETUP performs a branch to that location.

IEYSUB then operates, using the relative address 1A (which it finds in general register 7, ADDR), and returns via POPXIT, register 6; in this case the return is to POP SETUP, which then continues with the next POP in sequence. The register POPADR is used to keep track of the location of the POP being executed.

This sequential operation can be interrupted by means of POP jump (branch) instructions, which cause an instruction other than the next in sequence to be operated next. The XIT POP instruction

also alters the sequence by causing the interpreter to release control, performing a branch to the assembler language instruction following the XIT. This device is employed to introduce assembler language coding into the compiler routines when this is more efficient than the use of POPs. Assembler language sequences sometimes terminate with a branch to POP SETUP, so that it may resume the execution of POP instructions.

ASSEMBLER LANGUAGE REFERENCES TO POP SUBROUTINES

In some of the routines of the compiler, the operation of POP SETUP is bypassed by assembler language instructions which make direct reference to the POP subroutines. In these sequences, a pair of machine language instructions performs the function of a single POP instruction. For example, the instructions

```
LA  ADDR,ONE-CBASE(0,0)
BAL POPXIT,FETQ
```

accomplish the function of the POP instruction

```
IEYFET ONE
```

but bypass the operation of POP SETUP. The IEYFET routine, (referred to by its label FETQ) returns, via POPXIT, to the next instruction. Note that the first instruction of the pair sets ADDR to the correct value for the operand of the IEYFET operation; this would be done by POP SETUP if it interpreted IEYFET ONE.

| GLOBAL JUMP INSTRUCTIONS

The labels referred to in POP global jump instructions, jump instructions which branch to global labels, always end with the character J. These global labels refer to the global jump table, a table whose fullword entries contain the relative addresses of global labels which are the targets of branches. Each phase of the compiler has a global jump table. The table is labeled JUMP TABLE.

References in POP global jump instructions to the global jump table are assembled as relative word addresses in that table. Each entry in the table contains the address, relative in bytes to CBASE, of the label whose spelling is identical to that of the global jump table entry except that it does not include the terminal J.

Thus, the instruction IEYJUN G0192J is assembled as 5002, for example, where the global jump table begins:

G0075J	5A0
G0111J	752
G0192J	B02
	.
	.
	.

On encountering this instruction, POP SETUP loads its address field (02), multiplied by four (08), into the register ADDR. It then jumps to the POP subroutine for IEYJUN.

The IEYJUN subroutine uses ADDR as an index into JUMP TABLE, finding the value B02. This value is placed in the register TMP and a branch is made to the location defined by the sum of the contents of TMP and the contents of CONSTR, which holds the location CBASE. Thus, if the location CBASE is 10B0, the location branched to is 1BB2, the location of the routine labeled G0192, and the instruction at that location is operated next.

Since the POP subroutines for global jumps branch directly to the target location, the instruction at that location must be a machine language instruction rather than a POP. Moreover, all jump target routines which contain local jumps must reset POPADR to reflect the new location. Thus, routines which are jump targets and which are written in POPs begin with the instruction

```
BALR POPADR, POPPGB
```

which sets POPADR to the location of the first POP instruction in the routine and branches to POP BASE, the address of which is held in POPPGB. At POP BASE, the contents of POPADR are saved in LOCAL JUMP BASE, POPXIT is set to the beginning location of POP SETUP, and POP SETUP begins operating. For the sake of brevity, this instruction is coded as

```
BALR A,B
```

in some routines.

Routines in which the POP instructions have been replaced by pairs of assembler language instructions and which contain local jumps begin with the instruction

```
BALR A,0
or
BALR POPADR,0
```

instead of the instruction given above, since the branch to POP SETUP is not desired.

Because global jump targets begin with this machine language code, it is not possible for POP instructions to continue in sequence into new global routines. When this operation is intended, an IEYXIT or an IEYJUN instruction terminates the first routine.

Explanation: The local jump instruction illustrated at location 140 is assembled so that its address field contains the location of the label #024503 (120), relative in halfwords to the beginning location of the global area plus two (102). Thus, the address field of the IEYJUN instruction contains the value 09.

| LOCAL JUMP INSTRUCTIONS

POP local jump instructions, jump instructions which transfer control out of the normal sequence to local labels, must occur in the same global area as the one in which the local label referred to is defined.

The address portions of POP local jump instructions are assembled to contain the distance in halfwords from the beginning of the global area plus two to the indicated local label. This value is a relative halfword address for the target, where the base used is the location of the first POP instruction in the global area.

Example:

<u>Decimal Location</u>	<u>Label</u>	<u>Symbolic Instruction</u>	<u>Hexadecimal Instruction</u>
100	G0245	BALR A,B	
102		IEYCLA G0566	062A
.			
.			
120	#024503	IEYLGA G0338	9A12
.			
.			
140		IEYJUN #024503	5809

When the POP local jump instruction is interpreted, the contents of the location LOCAL JUMP BASE are added to the address field of the POP instruction to produce the absolute address of the jump target. LOCAL JUMP BASE is set to the beginning address of the global area plus two as a result of the BALR instruction which begins the global routine; this function is performed at POP BASE, as described in "Global Jump Instructions."

When local jumps are performed directly in machine language, the relative addressing described above is also used; in this case, however, the base address is in the register POPADR as a result of the BALR instruction heading the routine.

POP instruction mnemonics are listed in Table 8.

Table 8. POP Instruction Cross-Reference List

<u>Mnemonic</u>	<u>Hex</u>	<u>Instruction Group</u>	<u>Mnemonic</u>	<u>Hex</u>	<u>Instruction Group</u>
ADD	04	Arithmetic/Logical	LGA	9A	Decision Making
AFS	BC	Arithmetic/Logical	LGP	80	Transmissive
AND	B4	Arithmetic/Logical	LLS	98	Arithmetic/Logical
APH	A4	Transmissive	LRS	B6	Arithmetic/Logical
ARK	86	Transmissive	LSS	B0	Transmissive
ARP	0E	Transmissive	MOA	5C	Decision Making
ASK	12	Transmissive	MOC	9E	Transmissive
ASP	14	Transmissive	MON	5E	Transmissive
BID	7E	Code Producing	MPY	0A	Arithmetic/Logical
BIM	7C	Code Producing	NOG	1E	Transmissive
BIN	7A	Code Producing	NOZ	3E	Transmissive
BOP	60	Transmissive	PGO	22	Transmissive
CAR	1A	Transmissive	PGP	9C	Transmissive
CLA	06	Transmissive	PLD	90	Transmissive
CNT	1C	Transmissive	PNG	20	Transmissive
CPO	B2	Transmissive	POC	94	Transmissive
CRP	62	Transmissive	POW	16	Roll Control
CSA	24	Decision Making	PSP	92	Arithmetic/Logical
CSF	26	Jump	PST	8C	Transmissive
DIM	8E	Arithmetic/Logical	QSA	2A	Decision Making
DIV	B8	Arithmetic/Logical	QSF	2C	Jump
EAD	2E	Transmissive	REL	64	Roll Control
EAW	18	Transmissive	RSV	66	Roll Control
ECW	18	Transmissive	SAD	6A	Decision Making
EOP	30	Transmissive	SBP	BA	Decision Making
ETA	32	Transmissive	SBS	96	Decision Making
FET	34	Transmissive	SCE	28	Decision Making
FLP	46	Transmissive	SCK	6E	Decision Making
FRK	84	Transmissive	SFP	A6	Decision Making
FRP	10	Transmissive	SLE	70	Decision Making
FTH	AE	Transmissive	SNE	74	Decision Making
IAD	36	Transmissive	SNZ	72	Decision Making
IND	D2	Indirect Addressing	SOP	6C	Decision Making
IOP	38	Transmissive	SPM	A2	Decision Making
IOR	8A	Arithmetic/Logical	SPT	AC	Decision Making
ITA	3A	Transmissive	SRA	76	Decision Making
ITM	A0	Transmissive	SRD	78	Decision Making
JAF	4A	Jump (global)	STA	68	Decision Making
	56	Jump (local)	STM	3C	Decision Making
JAT	48	Jump (global)	SUB	08	Arithmetic/Logical
	54	Jump (local)	SWT	0C	Transmissive
JOW	4E	Jump (global)	TLY	42	Arithmetic/Logical
	5A	Jump (local)	W0P	C8	Address Computation
JPE	52	Jump	W1P	CA	Address Computation
JRD	82	Jump	W2P	CC	Address Computation
JSB	50	Jump	W3P	CE	Address Computation
JUN	4C	Jump (global)	W4P	DO	Address Computation
	58	Jump (local)	XIT	44	Jump
LCE	00	Transmissive	ZER	40	Transmissive
LCF	AA	Transmissive			
LCT	A8	Transmissive			

APPENDIX B: ROLLS USED IN THE COMPILER

This appendix describes each of the rolls used in the compiler, giving the group size, the structure and content of the information in the group, and the roll number. Each roll is described as it appears in each of the phases of the compiler. This information is useful in observing the actions taken by the various phases, since a significant portion of the work performed by the compiler is the construction and manipulation of information on rolls.

The rolls are ordered in this appendix as they are in storage, by roll number. In some cases, a single, number is assigned to several rolls. In these cases, the rolls with identical numbers are presented chronologically, and the overlay of one roll on another indicates that the previous roll is no longer required when the new roll is used. The group stats values for rolls with the same number are always identical.

The roll number is the entry number in the roll statistics tables for the appropriate set of statistics; that is, the roll number multiplied by four is the relative address of the correct entry in the group stats, BASE, BOTTOM, and TOP tables.

ROLL 0: LIB ROLL

This roll contains one group for every name by which a library subprogram can be referred to in the source module. The roll is contained in IEYROL and remains unchanged in size and in content throughout compilation.

The group size for the LIB roll is twelve bytes. Each group has the form:

4 bytes

←-----subprogram-----		
-----name----->	TAG	0
TAG	flag	no. arguments

The TAG appearing in the seventh byte of the group provides the mode and size of the FUNCTION value, if the subprogram is a FUNCTION. The TAG in byte 9 indicates the mode and size of the arguments to the subprogram. For FUNCTIONS, the flag (byte

10) indicates either in-line (including which generation routine must be used) or that a call is to be generated (when the flag is equal to zero).

This roll is used and then destroyed by Allocate.

ROLL 1: SOURCE ROLL

This roll holds source module statements while they are being processed during the operations of Parse. The roll is not used by any later phase of the compiler.

Source statements appear on this roll one card column per byte. Thus, each card of a source statement occupies 20 groups on the roll. The group size is four bytes. The statement

A(I,J)=B(I,J)*2+C(I,J)**2

would therefore appear on the SOURCE roll as:

4 bytes

b	b	b	b
b	b	A	(
I	,	J)
=	B	(I
,	J)	*
2	+	C	(
I	,	J)
*	*	2	b
b	b	b	b
.			
.			
b	b	b	b

where b stands for the character blank, and a total of 20 words is occupied by the statement.

ROLL 2: IND VAR ROLL

This roll holds a pointer to the induction variable (the DO variable) used in each DO loop. The pointer specifies the appropriate group on the SCALAR roll. Each pointer is placed on the roll by Parse as the DO loop is encountered in the source module. When the loop is closed, the pointer is deleted.

The roll is not used in subsequent phases of the compiler. The group size for the IND VAR roll is four bytes.

ROLL 2: NONSTD SCRIPT ROLL

This roll exists only in Unify; the information held on it is taken from the SCRIPT roll. The group size for the NONSTD SCRIPT roll is variable, with a minimum of 20 bytes. Each group on the roll describes an array reference.

The format of the NONSTD SCRIPT roll group is:

4 bytes

traits	frequency
pointer to ARRAY REF roll	
pointer to the ARRAY roll	
offset	
induction variable coefficient	
.	
.	
.	
induction variable coefficient	

where the first byte of the first word contains the trait, which indicates either joined or not joined; the value of this item is always zero (not joined) for this roll. The joined value indicates that the subscript described must appear in a general register at the time of the reference. The remaining three bytes of the first word indicate the number of times this subscript expression is used.

The next two words contain pointers to rolls holding information on the array and the array reference to which this group refers. The fourth word holds the array offset; this value accounts for element size and includes all modification due to

constant subscripts. The remaining words hold the induction variable coefficient used in this reference for each loop in the nest, beginning with nest level one (the outermost loop) and ending with the highest nest level at this array reference.

ROLL 3: NEST SCRIPT ROLL

This roll contains information concerning array references in nested DO loops. The information for this roll is taken from the SCRIPT roll as each nest of loops is encountered, one nest at a time. The roll exists only in Unify. The group size of the NEST SCRIPT roll is variable with a minimum of 20 bytes. The format of the NEST SCRIPT roll is as follows:

4 bytes

traits	frequency
pointer to ARRAY REF roll	
pointer to the ARRAY roll	
offset	
induction variable coefficient	
.	
.	
.	
induction variable coefficient	

where the first byte of the first word indicates joined or not joined. The remaining three bytes of the first word indicate the number of times that this subscript expression is used. The next two words of the group contain pointers to rolls which hold information on the array and the array reference to which this entry refers. The fourth word holds the actual adjusted offset for this array reference. The last words of the group contain the coefficients of induction variables used in the array reference, beginning with the nest level one variable and ending with the highest nest level.

ROLL 4: POLISH ROLL

This roll is used to hold the Polish notation generated by Parse, one statement at a time. (The Polish notation is moved to the AFTER POLISH roll at the end of each statement.) Therefore, the roll contains

pointers, drivers, and an occasional constant. The terms P0 and P1 are used to refer to the bottom and next-to-bottom groups on the POLISH roll, respectively.

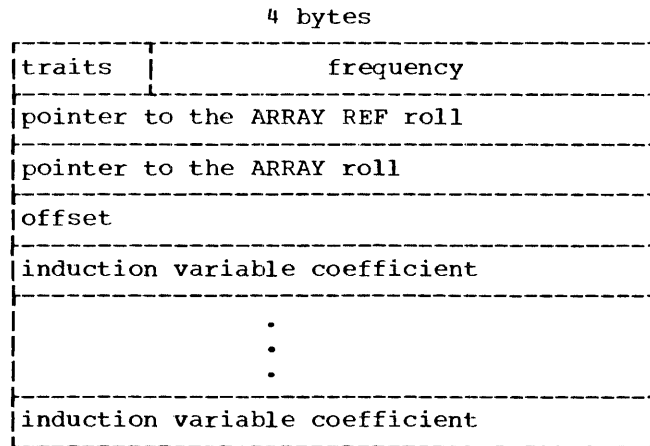
In Gen, the Polish notation is moved back onto the POLISH roll from the AFTER POLISH roll, one statement at a time. It is used in the production of object code.

The group size for the POLISH roll is four bytes. The format of the Polish notation which appears on this roll is described completely in Appendix C.

The POLISH roll is not used in the other phases of the compiler and no information is left on it through these phases.

ROLL 4: LOOP SCRIPT ROLL

This roll contains information on array references encountered in the source module. The group size for the LOOP SCRIPT roll is variable; the minimum is 20 bytes. Its format is:

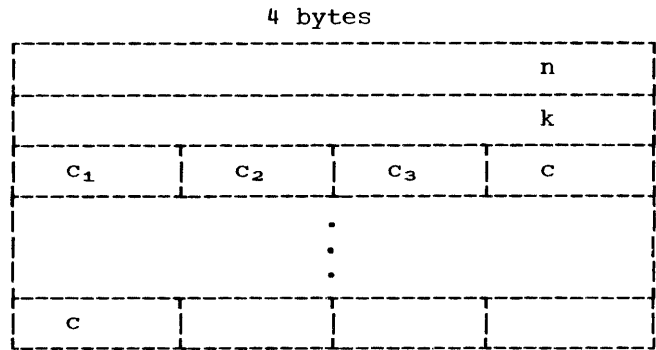


All items are the same as described for the NEST SCRIPT roll (roll 3).

The LOOP SCRIPT roll exists only in Unify. It is used by this phase to further separate subscripts into two categories: standard, those which must appear in general registers at the time of reference, and nonstandard.

ROLL 5: LITERAL CONST ROLL

This roll holds literal constants, which are stored as plexes. The group size for the LITERAL CONST roll is variable. Each plex has the form:



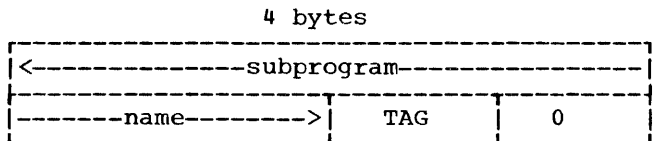
where n is the number of words in the plex, exclusive of the word which holds n, k is the number of bytes in the literal constant, and c (the k character) may fall in any byte of the last word of the plex. If the literal constant appeared in a source module DATA or PAUSE statement, the high order bit of the second word of the plex (k) is set to one; otherwise, it is zero.

Entries are made on the LITERAL CONST roll only during Parse. It is used to hold the literal constants throughout the compiler; its format, therefore, does not vary.

ROLL 7: GLOBAL SPROG ROLL

In Parse this roll holds the names of all SUBROUTINES and non-library FUNCTIONS referred to in the source module. It also holds the names of all subprograms listed in EXTERNAL statements in the source module, including library subprograms. In addition, the compiler itself generates calls to the library exponentiation routines; the names of these routines are entered on the GLOBAL SPROG roll.

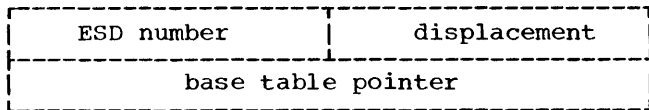
The group size for the GLOBAL SPROG roll is eight bytes. All groups placed on the GLOBAL SPROG roll by Parse have the following format:



The TAG appearing in the seventh byte of the group indicates the mode and size of the FUNCTION value for FUNCTIONS; it has no meaning for SUBROUTINES.

In Allocate, the information on the roll is altered to:

4 bytes



The ESD number is the one assigned to the subprogram. The displacement and the base table pointer, taken together, indicate the location assigned by Allocate to hold the address of the subprogram. The specified BASE TABLE roll group holds an address; the displacement is the distance in bytes from that address to the location at which the address of the subprogram will be stored in the object module.

In Gen, the GLOBAL SPROG roll is used in the construction of object code, but it is not altered.

In Exit, the roll is used in the production of RLD cards, but is not altered.

ROLL 8: FX CONST ROLL

This roll holds the fullword integer constants which are used in the source module or generated by the compiler. The constants are held on the roll in binary, one constant per group. The group size for the FX CONST roll is four bytes.

The format of the FX CONST roll is identical for all phases of the compiler. The roll remains in the roll area for all phases, even though it is not actually used in Allocate and Unify.

ROLL 9: FL CONST ROLL

This roll holds the single-precision real (floating point) constants used in the source module or generated by the compiler. Constants are recorded on the roll in binary (floating point format), each constant occupying one group. The group size for the FL CONST roll is four bytes.

The FL CONST roll remains in the roll area for all phases of the compiler, although it is not actually used in Allocate or Unify. The format of this roll is identical for all phases.

ROLL 10: DP CONST ROLL

This roll holds the double-precision (8-byte) real constants used in the source module or defined by the compiler.

The constants are recorded in binary (double-precision floating point format), one constant per group. The group size for the DP CONST roll is eight bytes.

The DP CONST roll is present in this format through all phases of the compiler.

ROLL 11: COMPLEX CONST ROLL

This roll holds the complex constants of standard size (eight bytes) used in the source module or generated by the compiler. Each complex constant is stored on the roll as a pair of 4-byte binary floating-point numbers, the first represents the real part of the constant and the second represents the imaginary part.

The COMPLEX CONST roll exists in the format described above for all phases of the compiler. The group size is eight bytes.

ROLL 12: DP COMPLEX CONST ROLL

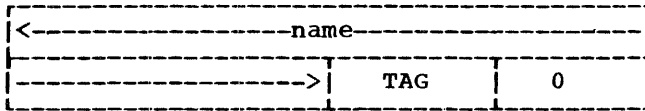
This roll holds the complex constants of optional size (16 bytes) which are used in the source module or generated by the compiler. Each constant is stored as a pair of double-precision binary floating point values. The first value represents the real part of the constant; the second value represents the imaginary part. The group size for the DP COMPLEX CONST roll is 16 bytes.

The DP COMPLEX CONST roll exists in this format for all phases of the compiler.

ROLL 13: TEMP NAME ROLL

This roll is used as temporary storage for names which are to be placed on the ARRAY or EQUIVALENCE roll. The group size for the TEMP NAME roll is eight bytes. The format of the group is:

4 bytes



The TAG appearing in the seventh byte of the group indicates, in the format of the TAG field of a pointer, the mode and size of the variable.

The TEMP NAME roll is used only during Parse and Allocate; it does not appear in any later phase of the compiler.

ROLL 13: STD SCRIPT ROLL

The information on this roll pertains to array references for which the subscript expression must appear in a general register (joined).

The roll exists only in Unify and the information contained therein is taken from the SCRIPT roll. Its structure and contents are identical to those of the NONSTD SCRIPT roll (roll 2) with the exception that the traits on this roll always indicate joined. The group size is variable with a minimum of 20 bytes.

ROLL 14: TEMP ROLL

This roll is used as temporary storage in Parse and is not used in any later phase of the compiler. The group size for the TEMP roll is four bytes.

This roll is used as temporary storage for error information in Parse and is not used in the other phases of the compiler. The group size for the ERROR TEMP roll is four bytes.

ROLL 15: DO LOOPS OPEN ROLL

In Parse, as DO statements are encountered, pointers to the target labels of the DO statements are placed on this roll. When the target statement itself is encountered, the pointer is removed.

In Allocate, the roll may contain some pointers left from Parse; if any are present, they indicate unclosed DO loops; the roll is checked by Allocate and any information on it is removed.

This roll is not used after Allocate. The group size for the DO LOOPS OPEN roll is four bytes.

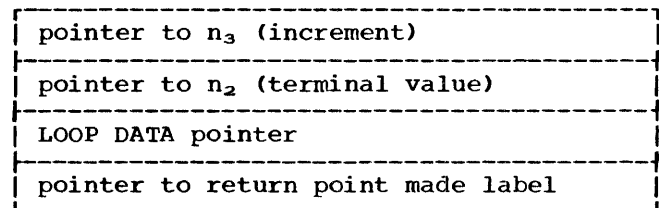
ROLL 15: LOOPS OPEN ROLL

This roll contains the increment and terminal values of the induction variable used in a DO loop and transfer data for the reiteration of the loop.

Gen creates the roll by establishing an entry each time a DO loop is encountered. The information is used in generating the object code. As a loop is closed, the bottom group from the LOOPS OPEN roll is pruned.

The group size is four bytes. Four groups are placed in the roll at one time. The configuration of a LOOPS OPEN roll group is as follows:

4 bytes



ROLL 16: ERROR MESSAGE ROLL

This roll is used only in Parse. It is used during the printing of the error messages for a single card of the source module. Each group holds the beginning address of an error message required for the card. It is used in conjunction with the ERROR CHAR roll, whose corresponding group holds the column number in the card with which the error is associated. The group size for the ERROR MESSAGE roll is four bytes.

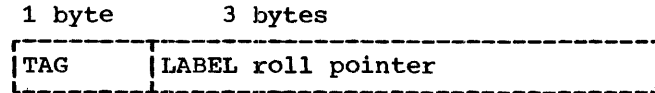
ROLL 16: TEMP AND CONST ROLL

This roll is produced in Gen and is used in Gen and Exit. It holds all constants required for the object module and zeros for all temporary storage locations required in the object module.

Binary constants are moved to this roll by Gen from the various CONST rolls. This roll becomes the object module's temporary

ROLL 20: XTEND TARGET LABEL (XTEND TARG LBL) ROLL

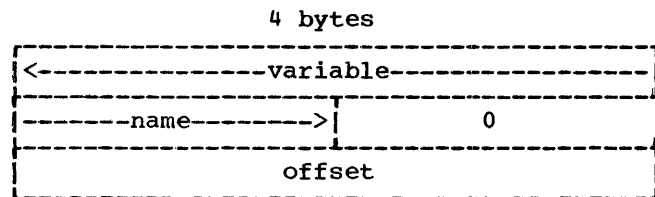
This roll is used only by Parse. The group size of the XTEND TARGET LABEL roll is four bytes. Each group holds a pointer to the LABEL roll for each label that appears in any transfer statement (e.g., GO TO, Arithmetic IF statements) within a DO loop. These groups indicate transfers out of an innermost DO loop and a possible extended range. The format of the group is the same as Roll 19, XTEND LABEL roll.



If the TAG byte contains a X'40', this indicates that the target label also appears in a transfer statement outside the DO loop and may be a possible re-entry point (if the label is defined within the loop). Otherwise, the TAG byte contains a X'00'.

ROLL 20: EQUIVALENCE HOLD (EQUIV HOLD) ROLL

This roll is used to hold EQUIVALENCE roll data temporarily in Allocate, and is not used in any other phase of the compiler. The group size for the EQUIVALENCE HOLD roll is twelve bytes. The format of the group on the roll is:



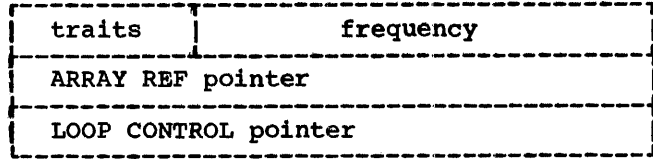
The offset is the relative address of the beginning of the variable within the EQUIVALENCE group (set) of which it is a member. This roll holds this information during the allocation of storage for EQUIVALENCE variables.

ROLL 20: REG ROLL

This roll contains information concerning general registers required in the execution of DO loops in the object module.

The group size of the REG roll is twelve bytes. The roll is used only in Unify. Each group has the following format:

4 bytes



The frequency indicates how many times within a loop the register is used. The registers are symbolic registers that are converted to real registers and/or temporary storage locations. The pointer to the ARRAY REF roll is actually a thread which indicates each place that this register is required in the loop. The last word, the pointer to the LOOP CONTROL roll, designates where the register in question was initialized. (The particular information is contained in the second word of the entry on the LOOP CONTROL roll.)

ROLL 21: BASE TABLE ROLL

This roll is constructed by Allocate, and remains in the roll area for all remaining phases of the compiler. The BASE TABLE roll becomes the object module base table, which holds the base addresses used in referring to data in the object module.

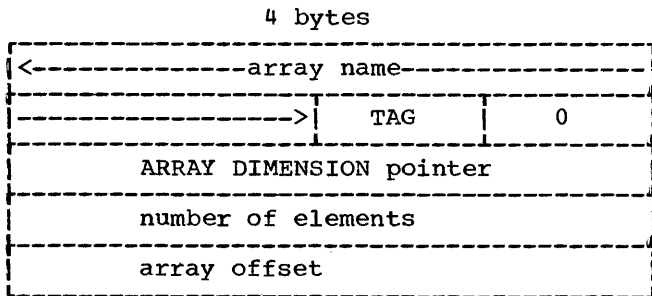
The group size for this roll is eight bytes. One group at a time is added to this roll by Allocate. The first word holds the area code which indicates the relocation factor by which the base table entry must be modified at object time; each unique area code also defines an object module control section. The second word holds a relative address within the control section defined by the area code; this is the value which is in the corresponding base table entry prior to modification by the linkage editor.

The entire BASE TABLE roll is constructed by Allocate.

ROLL 22: ARRAY ROLL

This roll is used throughout the compiler to hold the required information describing arrays defined in the source module.

In Parse, the name and dimension information is added to the roll for each array definition encountered. The group size for the ARRAY roll is 20 bytes. The format of the group is:

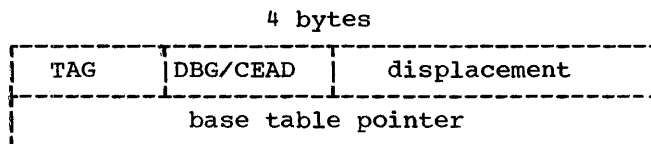


The TAG appearing in the seventh byte of the group indicates, in the format of the TAG field of a pointer, the mode and size of the array variable. The pointer in the third word of the group points to the beginning of the plex on the ARRAY DIMENSION roll, which describes the dimensions of the array. The number of elements in the array is a constant, unless the array has dummy dimensions; in the latter case, Parse puts a dummy pointer to a temporary location in this word of the group.

The array offset is the summation of the multipliers for the array subscripts. If

the array dimensions are n_1, n_2, \dots, n_7 , then the multipliers are 1, $n_1, n_1*n_2, n_1*n_2*n_3, \dots, n_1*n_2*n_3*n_4*n_5*n_6$, where the size of the element of the array is not considered. This value, after it is multiplied by the element size, is used as a subtractive offset for array references. The offset is placed on the roll as a constant unless the array has dummy dimensions; in the latter case, a dummy pointer to a temporary location is placed in the last word of the group.

In Allocate, the first two words of the ARRAY roll group are replaced with the following:



The TAG is unchanged, except in location, from Parse. The DBG/CEAD flag is logically

split into two hexadecimal values. The first of these indicates debug references to the variable; its value is 1 for INIT, 2 for SUBCHK, 0 for neither, and 3 for both. The second hexadecimal value is nonzero if the array is in COMMON, a member of an EQUIVALENCE set, used as an argument to a subprogram, or a dummy; it is zero otherwise. The displacement and the base table pointer, taken together, indicate the beginning address of the array. The base table pointer specifies the BASE TABLE roll group to be used in references to the array; the displacement is the distance in bytes from the address held in that group to the location at which the array begins. If the array is a dummy, the base table pointer is replaced by a pointer to the GLOBAL DMY roll group defining the array, and the displacement is zero.

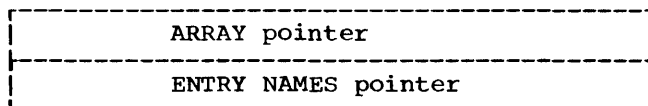
The third, fourth, and fifth words of the ARRAY roll group are not modified by Allocate.

The ARRAY roll remains in storage throughout the compiler, and it is consulted, but not modified, by the phases following Allocate.

ROLL 23: DMY DIMENSION ROLL

This roll is used first in Allocate, where it holds pointers to the array definition and the entry statement with which dummy array dimensions are associated. The group size of the DMY DIMENSION roll is four bytes. Two groups are added to the roll at a time to accommodate this information; the format is:

4 bytes



In Gen, the DMY DIMENSION roll is used in the generation of temporary locations for the dummy dimensions. This operation is performed when code is being produced for the prologue with which the dummy dimension is associated.

The DMY DIMENSION roll is not used by later phases of the compiler.

ROLL 23: SPROG ARG ROLL

This roll becomes the subprogram argument list area of the object module. The

roll is constructed by Gen and holds pointers to the arguments to subprograms in the order in which they are presented in the subprogram reference. These pointers may, therefore, point to the SCALAR, ARRAY, GLOBAL SPROG, or TEMP AND CONST rolls (the last roll holds arguments which are expressions or constants). The value zero is placed on this roll for arguments whose addresses are computed and stored in the object module argument list area.

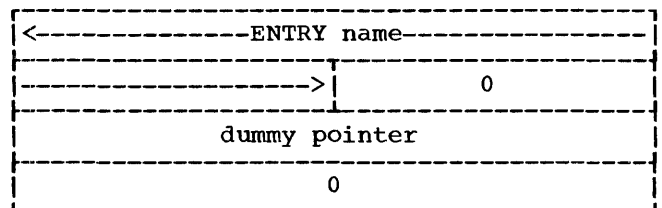
The TAG fields of the pointers on this roll contain the value zero except for the TAG field of the last pointer for a single subprogram reference; this field contains the value 80.

The contents of the SPROG ARG roll are punched by Exit. The group size for the SPROG ARG roll is four bytes.

ROLL 24: ENTRY NAMES ROLL

In Parse, this roll holds all ENTRY names defined in the source subprogram, and pointers to the locations on the GLOBAL DMY roll at which the definitions of the dummy arguments corresponding to the ENTRY begin. The group size for the ENTRY NAMES roll is 16 bytes. The format of the group is:

4 bytes



The dummy arguments corresponding to the ENTRY are listed on the GLOBAL DMY roll in the order in which they are presented in the ENTRY statement.

In Allocate, the ENTRY NAMES roll is used in the check to determine that scalars with the same names as all ENTRIES have been set. A pointer to the scalar is placed in the fourth word of the group by this phase.

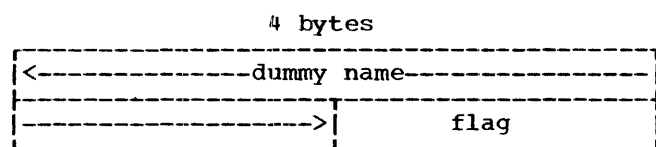
In Gen, during the production of the initialization code (the object module heading), the first word of the group is replaced by a pointer to the ADCON roll indicating the location of the prologue, and the second word is replaced by a pointer to the ADCON roll indicating the location of the epilogue. During the production of code for the prologue, the first pointer (the first word of the group) is replaced by a pointer to the ADCON roll

which indicates the entry point for the ENTRY.

This roll is not required after the Gen phase.

ROLL 25: GLOBAL DMY ROLL

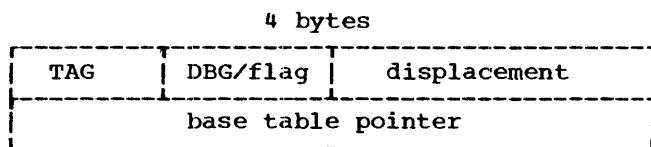
In Parse, each group on the roll contains the name of a dummy listed in a dummy argument list for the principle entry or for an ENTRY statement in a source subprogram. A flag also appears in each group which indicates whether the dummy is a "call by name" or a "call by value" dummy. The group size is eight bytes. The format of the group in Parse is:



where the dummy name occupies the first six bytes of the group.

Label dummies, indicated by asterisks in the source module, are not listed on this roll. With this exception, however, the dummy lists from the source subprogram are entered on this roll as they appear in the source statements. The end of each dummy list is signaled by a marker symbol on the roll. Since each of the dummy lists is represented on the roll, the name of a single dummy may appear more than once.

In Allocate, the information in each group is replaced by:



where the base table pointer indicates the group on the BASE TABLE roll to be used for references to the dummy, and the displacement (in the third and fourth bytes) indicates the distance in bytes from the address stored in that BASE TABLE roll group to the location of the dummy. The "flag" occupies the second hexadecimal character of the second byte and is unchanged from Parse, indicating call by name if it is on. The first hexadecimal value in that byte indicates debug references to the variable; its value is 1 for INIT, 2 for SUBCHK, 0 for neither, and 3 for both. The TAG indicates the mode and size of the dummy.

The GLOBAL DMY roll is used but unmodified in Gen and Exit.

ROLL 26: ERROR ROLL

This roll is used only in Parse and holds the location within the statement of an error, and the address of the error message for all errors encountered within a single statement. As the statement is written on the source listing, the information in the ERROR roll groups is removed, leaving the roll empty for the processing of the next statement.

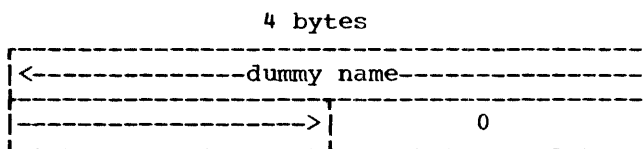
The group size is four bytes. Two groups are added to this roll at a time: (1) the column number of the error, counting from one at the beginning of the source statement and increasing by one for every card column in the statement, and (2) the address of the message associated with the particular error encountered.

ROLL 26: ERROR LBL ROLL

This roll is used only in Allocate, where it holds labels which are referred to in the source module, but which are undefined. These labels are held on this roll prior to being written out as undefined labels or unclosed DO loops. The group size for the ERROR LBL roll is four bytes.

ROLL 27: LOCAL DMY ROLL

This roll holds the names of the dummy arguments to a statement function while the statement function is being processed by Parse. The group size is eight bytes. The format of the group is:

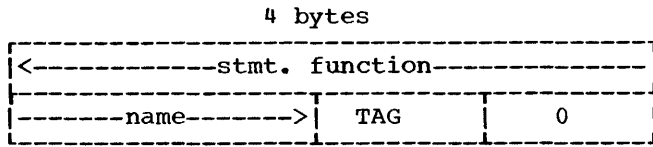


The information is removed from the roll when the processing of the statement function is complete.

This roll does not appear in any subsequent phase of the compiler; however, pointers to it appear in the Polish notation produced by Parse and these pointers are, therefore, processed by Gen.

ROLL 28: LOCAL SPROG ROLL

In Parse, the roll holds the names of all statement functions as they are encountered in the source module. The group size for the LOCAL SPROG roll is eight bytes. The format of the group is:



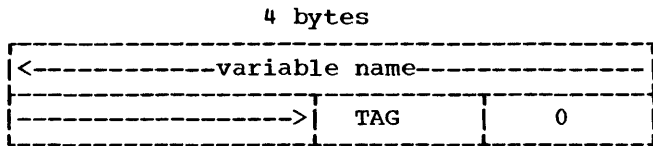
The TAG appearing in the seventh byte of the group indicates, in the format of the TAG field of a pointer, the mode and size of the function value.

In Allocate, the first four bytes of each group are replaced by a pointer to the BRANCH TABLE roll group which has been assigned to hold the address of the statement function.

The LOCAL SPROG roll is used by Gen and Exit, but it is not modified in those phases.

ROLL 29: EXPLICIT ROLL

This roll is used in Parse and Allocate, where it holds the names of all variables defined by Explicit specification statements. The group size for the EXPLICIT roll is eight bytes. The format of the group in both phases is:



where the TAG (seventh byte) indicates the mode and size of the variable.

Groups are entered on this roll by Parse; the roll is consulted by Allocate, but not altered.

ROLL 30: CALL LBL ROLL

This roll is used only in Parse, where it holds pointers to the LBL roll groups defining labels which are passed as arguments in source module CALL statements. The pointers are held on this roll only temporarily, and are packed two pointers to

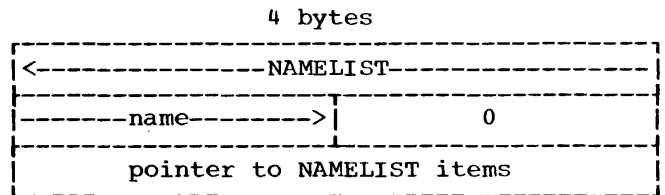
a group. Pointers are added to the roll when the labels are found as arguments in CALL statements. The group size for the CALL LBL is eight bytes.

ROLL 30: ERROR SYMBOL ROLL

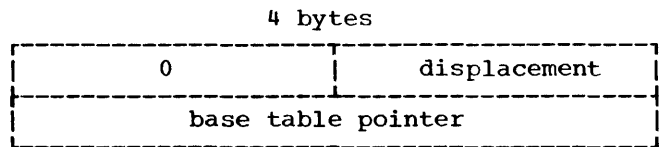
This roll is used only in Allocate, where it holds any symbol which is in error, in preparation for printing. The group size for the ERROR SYMBOL roll is eight bytes. The symbol (variable name, subprogram name) occupies the first six bytes of the group. The remaining two bytes are set to zero.

ROLL 31: NAMELIST NAMES ROLL

In Parse, this roll holds the NAMELIST names defined in the NAMELIST statement by the source module. The group size for the NAMELIST NAMES roll is twelve bytes. These groups are placed on the roll in the following format:



where the pointer indicates the first variable in the list associated with the NAMELIST name. In Allocate, the content of the group on the NAMELIST NAMES roll is changed to reflect the placement of the corresponding NAMELIST table in the object module. The format of the first two words of the modified group is:



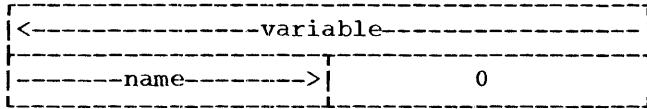
where the base table pointer indicates the group on the BASE TABLE roll to be used for references to the NAMELIST table, and the displacement (bytes 3 and 4) indicates the distance in bytes from the address in that BASE TABLE roll group to the location of the beginning of the NAMELIST table.

This roll is used, but not modified, in Gen and Exit.

ROLL 32: NAMELIST ITEMS ROLL

This roll holds the variable names listed in the namelists defined by the source module. The group size for the NAMELIST ITEMS roll is eight bytes. Information is placed on the roll by Parse in the following form:

4 bytes



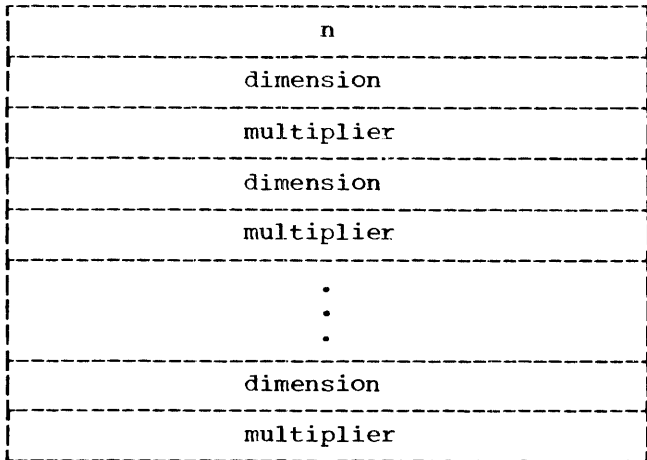
A marker symbol separates namelists on the roll.

The roll is used in this format by Allocate and is destroyed. It does not appear in later phases.

ROLL 33: ARRAY DIMENSION ROLL

This roll is used to hold dimension information for the arrays defined in the source module. The group size for the ARRAY DIMENSION roll is variable. The information is placed on the roll by Parse in the form of a plex, as follows:

4 bytes



where n is the number of words in the plex, exclusive of itself. As many dimensions and corresponding multipliers appear as there are dimensions declared for the array.

Unless the array is a dummy and has dummy dimensions, each dimension and multiplier is a constant. When dummy dimensions do appear in the array definition, the corresponding dimension on this roll is a

pointer to the dummy dimension variable on the SCALAR roll, and all affected multipliers are pointers to temporary locations (on the TEMP AND CONST roll). The multipliers for an array with dimensions n1, n2, n3,..., n7 are 1, n1, n1*n2,..., n1*n2*n3*n4*n5*n6.

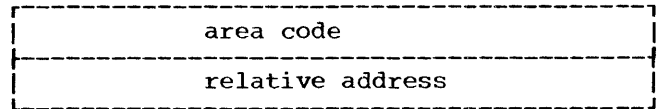
The ARRAY DIMENSION roll is present, but not modified in Unify, Gen, and Exit.

ROLL 34: BRANCH TABLE ROLL

This roll becomes the object module branch table. During Allocate, where the roll is first used, the size of the roll is determined, and some groups are actually placed on it. These groups contain the value zero, and each group refers to a source module label.

In Gen, the information for the BRANCH TABLE roll groups is supplied as each labeled statement is processed. The group size for the BRANCH TABLE roll is eight bytes. The format of the group is:

4 bytes



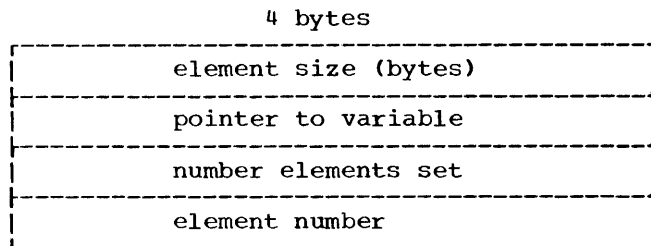
where the area code provides the reference for linkage editor modification of the corresponding branch table word, and the relative address is the relative location of the label in the control section (area) in which it appears. Branch table (and, hence, BRANCH TABLE roll) entries are provided for all branch target labels, statement functions, and made labels (labels constructed by the compiler to refer to return points in DO loops and to the statements following Logical IF statements).

The roll is retained in the Gen format until it is written out by Exit.

ROLL 35: TEMP DATA NAME ROLL

This roll is used only in Parse, where it holds pointers and size information for variables listed in DATA statements or in Explicit specification statements which specify initial values. Information is held on this roll while the statement is being processed.

The group size for the TEMP DATA NAME roll is four bytes. Four groups are added to the TEMP DATA NAME roll for each variable listed in the statement being scanned. They are in the following sequence:



The third group specifies the number of elements of the variable being set by the DATA statement or the Explicit specification statement. If a full array is set, this is the number of elements in the array; if a specific array element is set, this word contains the value one.

The fourth group indicates the first element number being set. If a full array is being set, this word holds the value zero; otherwise, it holds the element number.

ROLL 36: TEMP POLISH ROLL

This roll is used only in Parse, where it holds the Polish notation for a single DATA group during the scanning of that group. In an Explicit specification statement, a DATA group is defined to be a single variable and the associated constants; in a DATA statement, a DATA group is the set of variables listed between a pair of slash characters and the constants associated with that set.

This roll is used because any error encountered in a DATA group will cause the Polish notation for the entire group to be canceled. In an Explicit specification statement, the type information on the variable is retained when the data is bad; if, however, the type information is bad, the data is also lost. The group size is four bytes.

ROLL 36: FX AC ROLL

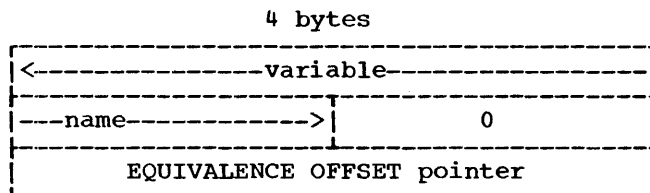
This roll is used in Gen only and is a fixed length roll of 16 groups. The groups refer to the 16 general registers in order.

The group size for the FX AC roll is four bytes. Each group on the roll con-

tains a pointer to the value which is held in the corresponding general register at the present point in the object module; as the contents of the general registers are changed, the pointers are changed. The pointers are used primarily to indicate that the general register is in use and the mode of the value in it. They are used for optimizing only in the case of the general registers which are loaded from the base table and the general registers used for indexing. If the general register corresponding to a specific group is not in use, the group holds the value zero.

ROLL 37: EQUIVALENCE ROLL

In Parse, this roll holds the names of all variables listed in source module EQUIVALENCE statements. One group is used for each variable name listed in the source statement, and EQUIVALENCE sets are separated from each other by a marker symbol. The group size for the EQUIVALENCE roll is twelve bytes. The format of the group is:



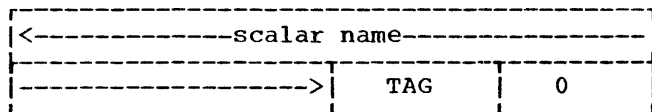
The pointer to the EQUIVALENCE OFFSET roll points to the first word of a plex on that roll which holds the subscript information supplied in the EQUIVALENCE statement. If no subscript was used on the variable in the EQUIVALENCE statement, the value zero appears in the third word of the group on the EQUIVALENCE roll.

The roll is used and destroyed in Allocate, during the assignment of storage for EQUIVALENCE variables.

ROLL 37: BYTE SCALAR ROLL

This roll is used only in Allocate, where it holds (temporarily) the names of 1-byte scalar variables. The group size for the BYTE SCALAR roll is eight bytes. The format of the group is:

4 bytes

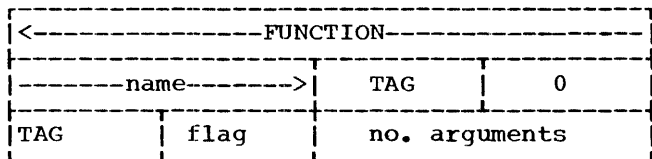


where the TAG field indicates the mode and size of the variable.

ROLL 38: USED LIB FUNCTION ROLL

In Parse, the roll holds the names and other information for all library FUNCTIONS which are actually referenced in the source module. The group size for the USED LIB FUNCTION roll is twelve bytes. The information is placed on the roll in the following format:

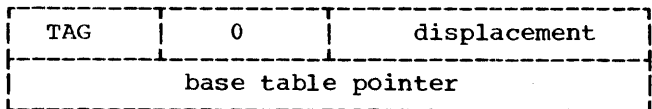
4 bytes



The TAG appearing in byte 7 indicates the mode and size of the function value. The TAG appearing in byte 9 indicates the mode and size of the arguments to the FUNCTION. The flag in byte 10 indicates whether the FUNCTION is in-line and, if it is, which generation routine should be used. If the flag is zero, a call is to be generated. The last two bytes hold the number of arguments to the FUNCTION. The maximum number of arguments allowed for the MIN and MAX FUNCTIONS is 16,000.

In Allocate, the information in the first two words of the group is altered to:

4 bytes



where the base table pointer indicates the group on the BASE TABLE roll to be used in referring to the address of the subprogram. The displacement is the distance in bytes from the contents of the base table entry to the location at which the address of the subprogram will be stored. The TAG byte is unchanged, except in location, from Parse.

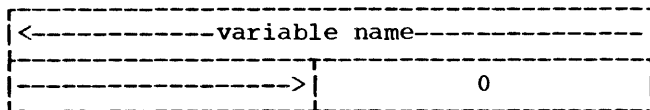
The USED LIB FUNCTION roll is consulted by Gen in the construction of object code, but it is not modified. It is also present, but not modified, in Exit.

ROLL 39: COMMON DATA ROLL

This roll holds the names of all COMMON variables as defined in source module COMMON statements. A marker symbol separates COMMON blocks on this roll. All information is placed on this roll in Parse.

The group size is eight bytes. The first six bytes of each group hold the name of the COMMON variable; the remaining two bytes are set to zero, as follows:

4 bytes

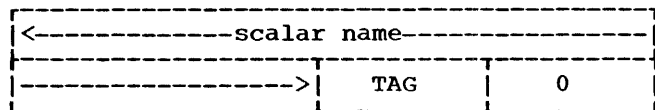


In Allocate, the information on this roll is used and destroyed. The roll is not used in later phases.

ROLL 39: HALF WORD SCALAR ROLL

The roll is used only in Allocate, where it holds (temporarily) the names of half-word scalar variables defined in the source module. The group size for the HALF WORD SCALAR roll is eight bytes. The format of the group is:

4 bytes

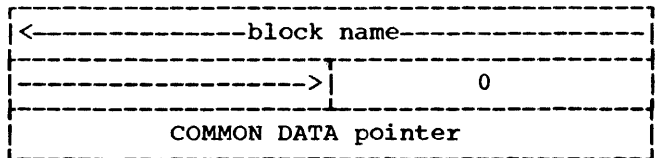


where the TAG indicates the mode and size of the variable.

ROLL 40: COMMON NAME ROLL

In Parse, this roll holds the name of each COMMON block, and a pointer to the location on the COMMON DATA roll at which the specification of the variables in that block begins. The group size for the COMMON NAME roll is twelve bytes. The format of the group is:

4 bytes



The pointer points to the first variable in the list of names which follows the block name in the COMMON statement; since a single COMMON block may be mentioned more than once in source module COMMON statements, the same COMMON name may appear more than once on this roll. The information is placed on this roll as COMMON statements are processed by Parse.

In Allocate, the roll is rearranged and the last word of each group is replaced by the size of the COMMON block in bytes, after duplicate COMMON names have been eliminated. The size is written out by Allocate and the roll is destroyed.

ROLL 40: TEMP PNTR ROLL

The group size for the TEMP PNTR roll is four bytes. This roll is used only in Gen, and holds pointers to those groups on the TEMP AND CONST roll that represent object module temporary storage locations. The information recorded on this roll is maintained so that temporary storage created for one statement can be reused by subsequent statements.

ROLL 41: IMPLICIT ROLL

This roll is used only in Parse and Allocate, where it holds the information supplied by the source module IMPLICIT statement. The group size for the IMPLICIT roll is four bytes. Its format is:

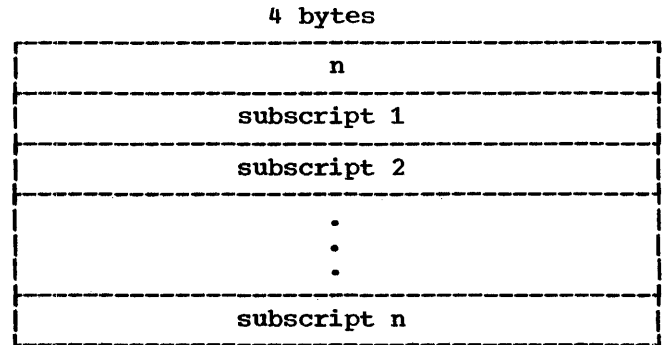
1 byte	1 byte	1 byte	1 byte
letter	0	TAG	0

This information is placed on the roll by Parse. The TAG field in the third byte of the group indicates, in the format of the TAG field of a pointer, the mode and size assigned to the letter by means of the IMPLICIT statement.

The IMPLICIT roll is used by Allocate, and destroyed.

ROLL 42: EQUIVALENCE OFFSET ROLL

This roll is constructed during the operation of Parse and holds the subscripts from EQUIVALENCE variables in the form of plexes. The group size for the EQUIVALENCE OFFSET roll is variable. Each plex has the form:



where n is the number of words in the plex exclusive of itself and, therefore, also the number of subscripts. Each subscript is recorded as an integer constant.

The connection between a plex on this roll and the corresponding EQUIVALENCE variable is made by a pointer which appears on the EQUIVALENCE roll and points to the first word of the appropriate plex on this roll.

In Allocate, the EQUIVALENCE OFFSET roll is used in the allocation of storage for EQUIVALENCE variables. It is destroyed during this phase, and does not appear in the later phases of the compiler.

ROLL 42: FL AC ROLL

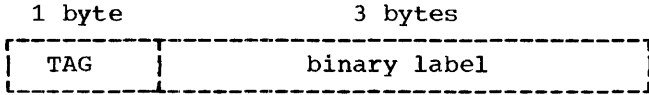
This roll is used in Gen only, and is a fixed length roll of four groups. The groups refer to the four floating-point registers, in order.

The group size for the FL AC roll is four bytes. Each group on the roll contains a pointer to the value which is held in the register at the present point in the object program; as the contents of the registers change, the pointers are changed. These pointers are used primarily to indicate that the register is in use and the mode of the value in it. If the register is not in use, the corresponding group on this roll contains zero.

ROLL 43: LBL ROLL

This roll holds all labels used and/or defined in the source module. Each label is entered on the roll by Parse when it is first encountered, whether in the label field or within a statement.

The group size for the LBL roll is four bytes. In Parse, the format of the LBL roll group is:



where the first byte is treated as the TAG field of a pointer, and the remaining three bytes contain the label, converted to a binary integer.

In the TAG field, the mode portion (the first four bits) is used to indicate whether the label has been defined; the remainder of the TAG field is used to indicate whether the label is the target of a jump, the label of a FORMAT, or neither.

The leftmost four bits of the TAG byte are used as follows:

- 8 = Label is defined
- 0 = Label is undefined

The rightmost four bits of the TAG byte indicate the following:

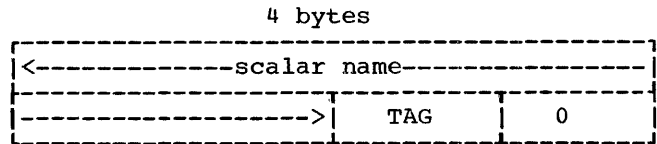
- 1 = This is the label of the target of a jump (GO TO) statement.
- 3 = This is the label of a FORMAT statement.
- 5 = This label is a possible re-entry point within an innermost DO loop that may have a possible extended range. (Parse inserts the hexadecimal 5 to indicate to Gen that the label is a possible re-entry point; the Gen phase then restores those registers that were saved before the extended range was entered.)
- 0 = None of the above conditions.

In Allocate, the lower three bytes of each LBL roll group defining a jump target label are replaced by the lower three bytes of a pointer to the BRANCH TABLE roll group, which will hold the location of the label at object time. Each group defining a FORMAT statement label is replaced (lower three bytes only) with a pointer to the FORMAT roll group which holds the base pointer and displacement for the FORMAT. Groups defining the targets of unclosed DO loops are cleared to zero.

In Gen, the LBL roll is used to find the pointers to the BRANCH TABLE and FORMAT rolls, but it is not altered.

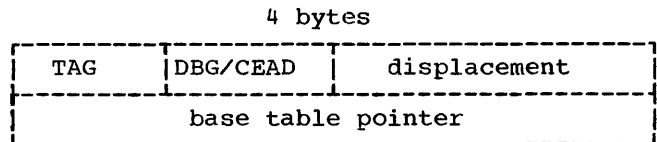
ROLL 44: SCALAR ROLL

In Parse, the names of all unsubscripted variables which are not dummy arguments to statement functions are listed on the roll in the order of their appearance in active (non-specification) statements in the source module. Variables which are defined in specification statements, but which are never used in the source module, are not entered on the roll. The group size for the SCALAR roll is eight bytes. The format of the group is:



The TAG field appearing in the seventh byte of the group indicates the mode and size of the variable in the format of the TAG field of a pointer.

In Allocate, the information left on the SCALAR roll by Parse is replaced by information indicating the storage assigned for the variable. The resulting format of the group is:



The TAG field appearing in the first byte is unchanged, except in location, from the TAG field held in the SCALAR roll group during Parse. The DBG/CEAD flag (in the second byte) is logically split into two hexadecimal values. The first of these indicates debug references to the variable; the value is 1 for a scalar referred to in the INIT option; otherwise, the value is zero. The second hexadecimal value is nonzero if the variable is in COMMON, a member of an EQUIVALENCE set, or an argument to a subprogram or a global dummy; otherwise, it is zero. The displacement in bytes 3 and 4, and the base table pointer in the second word, function together to indicate the storage location assigned for the variable. The base table pointer specifies a BASE TABLE roll group; the displacement is the distance in bytes from the location contained in that group to the location of the scalar variable. If the scalar is a call by name dummy, the base table pointer is replaced by a pointer to the GLOBAL DMY roll group defining it, and the displacement is zero.

The SCALAR roll is checked, but modified, during Unify, Gen, and Exit.

occupy fewer than 16 characters are right-adjusted in the group with leading zeros.

ROLL 44: HEX CONST ROLL

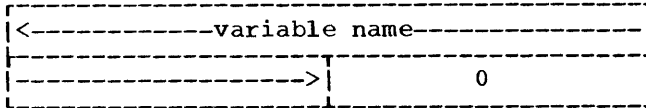
This roll holds the hexadecimal constants used in source module DATA statements.

The format of the roll is identical for all phases of the compiler. The group size is 16 bytes. Two hexadecimal characters are packed to a byte, and constants which

ROLL 45: DATA VAR ROLL

In Parse, this roll holds the names of variables listed in DATA statements and variables for which data values are provided in Explicit specification statements. The names are entered on the roll when they are found in these statements. The group size for this roll is eight bytes. The groups have the following form:

4 bytes



This information is used to ensure that no data values are provided in the source module for dummy variables. The information is left on the roll throughout Parse, but is cleared before Allocate operates.

In Allocate, binary labels and the names of statement functions, scalar variables, arrays, global subprograms, and used library functions are placed on the roll in order. The group size for this roll is four bytes. Each label entered on the roll occupies one word; the names occupy two words each and are left-justified, leaving the last two bytes of each name group unused.

The encoded information is placed on this roll by Allocate as its operations modify the rolls on which the information was originally recorded by Parse. Thus, all the labels appear first, in the order of their appearance on the LBL roll, etc. The information is used by the Exit phase in producing the object module listing (if the LIST option is specified by the user).

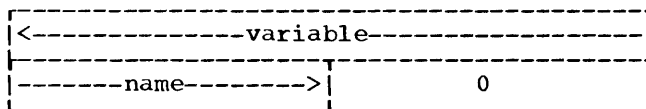
ROLL 46: LITERAL TEMP (TEMP LITERAL) ROLL

This roll is used only in Parse, where it holds literal constants temporarily while they are being scanned. The group size for the LITERAL TEMP or TEMP LITERAL roll is four bytes. Literal constants are placed on the roll one character per byte, or four characters per group.

ROLL 47: COMMON DATA TEMP ROLL

This roll holds the information from the COMMON DATA roll temporarily during the operation of Allocate, which is the only phase in which this roll is used. The group size for the COMMON DATA TEMP roll is eight bytes. The format of the group is identical to that of the COMMON DATA roll, namely:

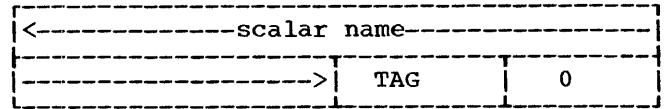
4 bytes



ROLL 47: FULL WORD SCALAR ROLL

This roll is used only in Allocate, where it holds the names of all fullword scalar variables defined by the source module. The group size is eight bytes. The format of the group on the roll is:

4 bytes

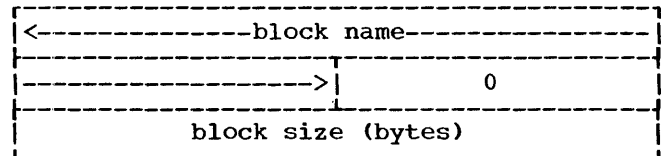


where the TAG indicates the mode and size of the variable. This information is held on this roll only temporarily during the assignment of storage for scalar variables.

ROLL 48: COMMON AREA ROLL

This roll is used only in Allocate, where it holds COMMON block names and sizes temporarily during the allocation of COMMON storage. The group size for the COMMON AREA roll is twelve bytes. The format of the group on the roll is:

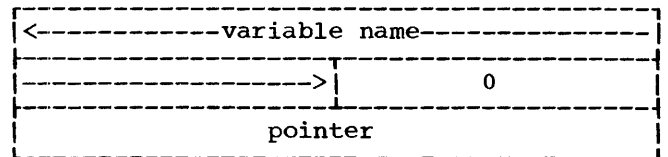
4 bytes



ROLL 48: NAMELIST ALLOCATION ROLL

This roll is used only in Allocate, where it holds information regarding NAMELIST items temporarily during the allocation of storage for the NAMELIST tables. The group size for this roll is twelve bytes. The format of the group is:

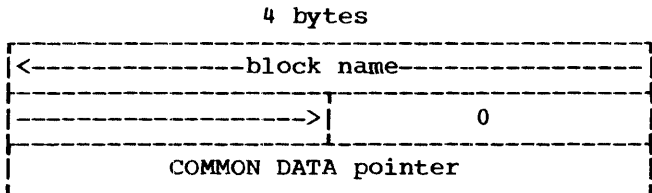
4 bytes



where the pointer indicates the group defining the variable on either the SCALAR or ARRAY roll.

ROLL 49: COMMON NAME TEMP ROLL

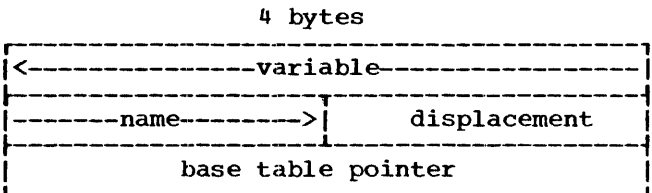
This roll is used only in Allocate, where it holds the information from the COMMON NAME roll temporarily. The group size for the COMMON NAME TEMP roll is twelve bytes. The format of the group is therefore identical to that of the COMMON NAME roll:



where the COMMON DATA pointer points to the list of variables in the COMMON block.

ROLL 50: EQUIV ALLOCATION ROLL

This roll is used only during Allocate, and is not used in any other phase of the compiler. When the allocation of storage for EQUIVALENCE variables has been completed, the information which has been produced on the GENERAL ALLOCATION roll is moved to this roll. The group size for the EQUIV ALLOCATION roll is twelve bytes. The format of the group is, therefore, identical to that on the GENERAL ALLOCATION roll:

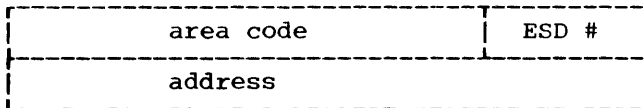


where the base table pointer indicates the group on the BASE TABLE roll which will be used for references to the variable. The displacement is the distance in bytes from the location indicated in the BASE TABLE roll group to the location of the variable.

ROLL 51: RLD ROLL

This roll is used only in Allocate and Exit; it is not used in Parse. In both Allocate and Exit, the roll holds the information required for the production of RLD cards. The group size for the RLD roll is eight bytes. The group format is:

4 bytes



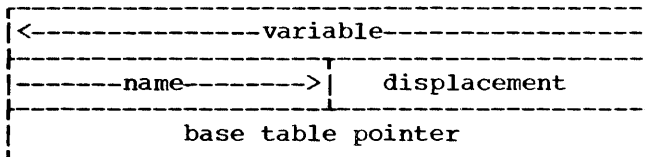
where the area code indicates the control section in which the variable or constant is contained. The ESD number governs the modification of the location by the linkage editor, and the address is the location requiring modification.

Information is placed on this roll by both Allocate and Exit, and the RLD cards are written from the information by Exit. The entries made on the RLD roll by Allocate concern the NAMELIST tables; all remaining entries are made by Exit.

ROLL 52: COMMON ALLOCATION ROLL

This roll is used only in Allocate and is not used in any other phase of the compiler. When the allocation of COMMON storage has been completed, the information which has been produced on the GENERAL ALLOCATION roll is moved to this roll. The group size for the COMMON ALLOCATION roll is twelve bytes. The format of the group is, therefore, identical to that on the GENERAL ALLOCATION roll:

4 bytes



where the base table pointer indicates the group on the BASE TABLE roll which will be used for references to the variable.

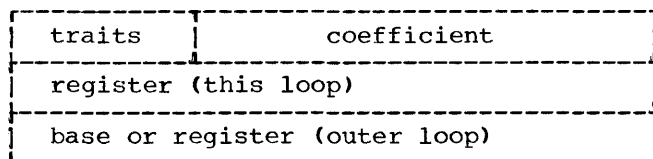
The displacement is the distance in bytes from the location indicated in the BASE TABLE roll group to the location of the variable.

ROLL 52: LOOP CONTROL ROLL

This roll is created by Unify and is used by Gen. The information contained on the roll indicates the control of a loop.

The group size for the LOOP CONTROL roll is twelve bytes. The format of the LOOP CONTROL roll group in Unify and Gen is:

4 bytes



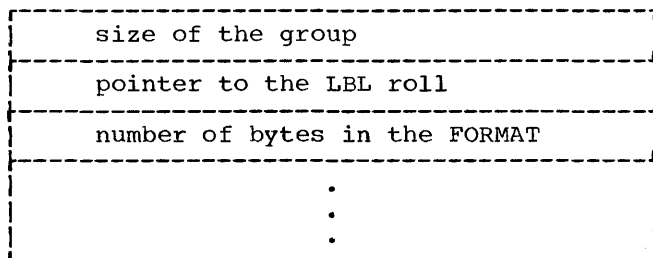
where the first byte of the first word (traits) indicates whether the coefficient is initiated by a direct load. The remaining three bytes is the coefficient, which is the multiplier for the induction variable. The second four bytes is the register where the coefficient is required. The base is the source of initialization of the register; it can be either a constant, register, or an address.

ROLL 53: FORMAT ROLL

This roll is first used in Parse, where the FORMAT statements are placed on it. See Appendix D for the description of the encoding of the FORMAT statement.

Each group of the FORMAT roll is in the form of a plex (the group size is given in word 0). The configuration of a FORMAT group in Parse is:

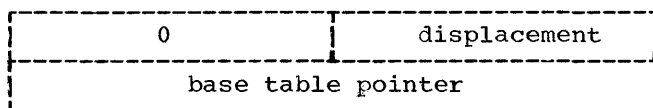
4 bytes



Word 0 contains a value which indicates the number of words in the group on the roll. The pointer to the LBL roll points to the label of the corresponding FORMAT statement. The next word gives the number of bytes of storage occupied by this particular FORMAT statement. The ellipses denote that the encoded FORMAT follows this control information.

In Allocate, the FORMATS are replaced by the following:

4 bytes



which, taken together, indicate the beginning location of the FORMAT statement. These groups are packed to the BASE of the roll; that is, this information for the first FORMAT appears in the first two words on the roll, the information for the second FORMAT appears in words 3 and 4, etc.

The LBL roll group which defines the label of the FORMAT statement holds a pointer to the displacement recorded for the statement on this roll.

The FORMAT roll is retained in this form for the remainder of the compilation.

ROLL 54: SCRIPT ROLL

This roll is created by Parse as each appropriate array reference is encountered. The array reference indicated includes subscripts (one or more) which use the instruction variable in a linear fashion. Unify uses the contents of the roll.

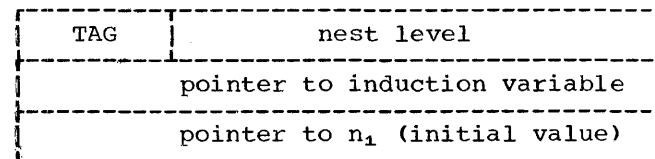
The group size of the SCRIPT roll is 16 bytes, plus an additional 4 bytes for each DO loop that is open at the point of the array reference represented by the entry. The group format of the SCRIPT roll in Parse and Unify is as described for the NONSTD SCRIPT roll.

ROLL 55: LOOP DATA ROLL

This roll contains the initializing and terminating data, and indicates the induction variable and the nesting level of the particular loop from which this entry was created.

The roll is created in Parse at the time that the loop is encountered. The group size of the LOOP DATA roll is 20 bytes. The group format of the roll in Parse is:

4 bytes



where the TAG byte contains a X'80' when an inner DO loop contains a possible extended range. The X'80' is placed there by Parse and tested by Gen. The Gen phase then produces object code to save general registers 4 through 7 at the beginning of this DO loop so that the registers are not

altered in the extended range. The next three bytes indicate the nest level of the loop. The second word is a pointer to the SCALAR roll group which describes the induction variable. The third word of the group points to the initializing value for the induction variable, which may be represented on the FX CONST roll or the SCALAR roll.

During the operation of the Unify phase, the roll is completed with pointers to the LOOP CONTROL roll. During Unify, the LOOP CONTROL roll is also created; therefore, insertion of the pointers is done while the loop control data is being established.

The following illustration shows the configuration of the LOOP DATA roll as it is used in Unify:

4 bytes

nest level
SCALAR pointer (induction variable)
FX CONST pointer or SCALAR pointer
LOOP CONTROL pointer (start init.)
LOOP CONTROL pointer (end init.)

The last two words (eight bytes) of the group are inserted by Unify. These pointers point to the first and last LOOP CONTROL roll groups concerned with this loop.

ROLL 56: PROGRAM SCRIPT ROLL

This roll is a duplicate of the SCRIPT roll. The contents of the SCRIPT roll are transferred to the PROGRAM SCRIPT roll in Parse as each loop is closed. Each loop is represented by a reserved block on the roll.

The group size of the PROGRAM SCRIPT roll is 16 bytes, plus an additional 4 bytes for each nest level up to and including the one containing the reference represented by the entry. The format of the PROGRAM SCRIPT roll group in Parse and Unify is as follows:

4 bytes

traits	frequency
ARRAY REF pointer	
ARRAY pointer	
ARRAY offset pointer	
induction variable coefficient	
induction variable coefficient (nest level = 2)	
:	
:	
induction variable coefficient (nest level = n)	

See the NONSTD SCRIPT roll for further description.

ROLL 56: ARRAY PLEX ROLL

This roll is used only in Gen, where it handles subscripts (array references) which are not handled by Unify. The group size for the ARRAY PLEX roll is twelve bytes. The format of the group on the roll is:

4 bytes

pointer to array
pointer to index
displacement

The pointer in the first word of the group points to the ARRAY REF roll when the subscript used contains DO dependent linear subscripts (which are handled by Unify) and non-linear variables. Otherwise, the pointer refers to the ARRAY roll.

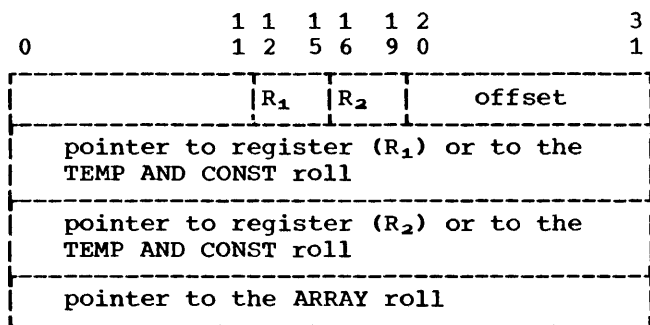
The second word of the group holds a pointer to the index value to be used in the subscripted array reference. This pointer points to general register 9 on the FX AC roll if the index value has been loaded into that register; if the index value has been stored in a temporary location, the pointer indicates the proper location on the TEMP AND CONST roll; if the index value is a fixed constant, the pointer indicates the proper group on the FX CONST roll. When the information in this word has been used to construct the proper instruction for the array reference, the word is cleared to zero.

The displacement, in the third word of the group, appears only when the first word of the group holds a pointer to the ARRAY roll. Otherwise, the displacement is on the ARRAY REF roll in the group indicated by the pointer in the first word, and this word contains the value zero. This value is the displacement value to be used in the instruction generated for the array reference.

ROLL 57: ARRAY REF ROLL

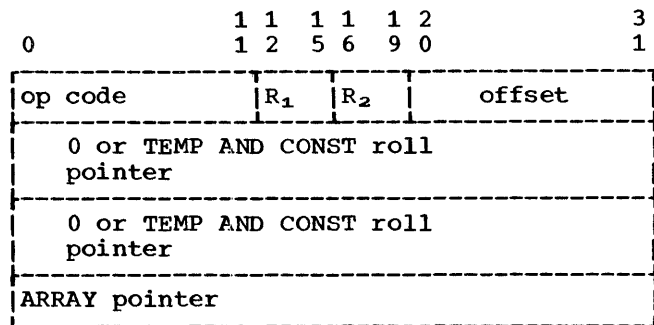
Pointers to this roll are inserted into the Polish notation by Parse. At the time that these pointers are established, the ARRAY REF roll is empty. The pointer is inserted into the Polish notation when an array reference includes linear loop-controlled subscripts.

The roll is initially created by Unify and completed by Gen. The group size of the ARRAY REF roll is 16 bytes. The format of the ARRAY REF roll group as it appears in Unify is as follows:



The first word of the group contains the low 20 bits of an instruction which is being formatted by the compiler. R₁ and R₂ are the two register fields to be filled with the numbers of the registers to be used for the array reference. Word 2 of the group contains the pointer indicating the register to be assigned for R₁. Word 3 of the group indicates the register R₂. When R₁ and R₂ have been assigned, the second and third words are set to zero.

Gen completes the entry by adding the operation code to the instruction that is being built. The format of an ARRAY REF roll group in Gen is:

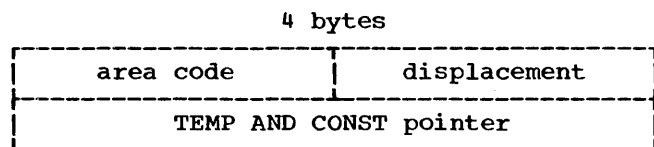


ROLL 58: ADR CONST ROLL

This roll contains relocatable information that is to be used by Exit.

Unify creates the roll which contains a pointer to the TEMP AND CONST roll and an area code and displacement. The pointer indicates an entry on the TEMP AND CONST roll which must be relocated according to the area code. The displacement is the value to be placed in that temporary storage and constant area location.

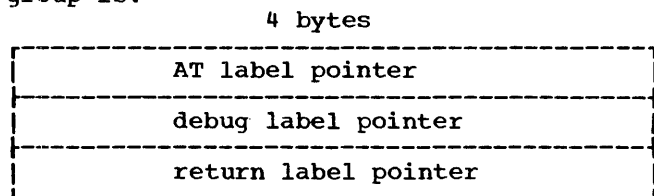
The group size of the ADR CONST roll is eight bytes. The format of the ADR CONST roll group in Unify is:



These groups are constructed by Unify to provide additional base table values for indexing.

ROLL 59: AT ROLL

This roll is constructed in Parse and used in Gen. It is not used in the remaining phases. The group size for this roll is twelve bytes. The format of the group is:



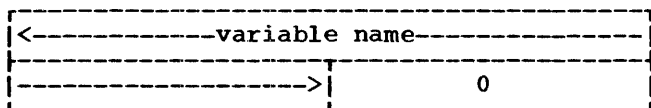
All three of the pointers in the group point to the LBL roll. The first points to the label indicated in the source module AT

statement. The second points to the made label supplied by the compiler for the code it has written to perform the debugging operations. The third label pointer indicates the made label supplied for the point in the code to which the debug code returns; that is, the code which follows the branch to the debugging code.

ROLL 60: SUBCHK ROLL

This roll is initialized in Parse and used in Allocate. It does not appear in later phases. The group size for this roll is eight bytes. The format of the group is:

4 bytes

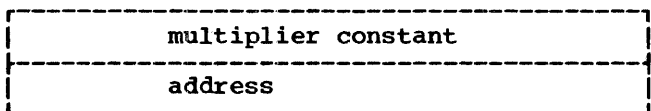


Each group holds the name of an array listed in the SUBCHK option of a source module DEBUG statement.

ROLL 60: NAMELIST MPY DATA ROLL

This roll is set up during the construction of the NAMELIST tables in Allocate. In Exit, the roll is used to complete the information in the NAMELIST tables. The roll is not used in the other phases of the compiler. The group size for the NAMELIST MPY DATA roll is eight bytes. The format of the group on this roll is:

4 bytes

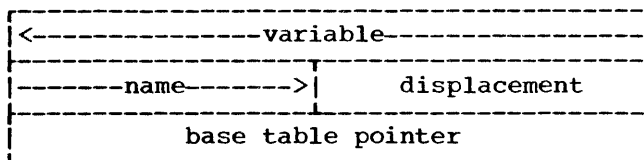


The multiplier constant refers to an array dimension for an array mentioned in a NAMELIST list. The address is the location in a NAMELIST table at which a pointer to the multiplier constant must appear. In Exit, the constant is placed in the temporary storage and constant area of the object module, and a TXT card is punched to load its address into the location specified in the second word of the group.

ROLL 62: GENERAL ALLOCATION ROLL

This roll is used only during Allocate, and is not used in any other phase of the compiler. During the various allocation operations performed by this phase, the roll holds the information which ultimately resides on the remaining ALLOCATION rolls. The group size for the GENERAL ALLOCATION roll is twelve bytes. The format of the group is:

4 bytes



where the base table pointer indicates the group on the BASE TABLE roll which will be used for references to the variable.

The displacement is the distance in bytes from the location indicated in the BASE TABLE roll group to the location of the variable.

During the allocation of COMMON, the third word of each group holds a relative address until all of a COMMON block has been allocated, when the relative address is replaced by the pointer as indicated above. During the allocation of EQUIVALENCE variables, relative addresses within the EQUIVALENCE variables are used and then replaced by pointers as for COMMON.

ROLL 62: CODE ROLL

This roll holds the object code generated by the compiler, in binary. This roll is first used in Gen, where the object code for the entire source module is built up on the roll.

The group size for the CODE roll is eight bytes. Two types of groups are placed on the roll during the operations of Gen. The first type of group is added to the roll by the instructions IEYBIN, IEYBIM and IEYBID. In this type of group, the binary instruction is left-justified in the eight bytes. When the instruction occupies only two bytes, the first word is completed with zeros. When the instruction occupies two or four bytes, the second word of the group holds a pointer to the defining group for the operand of the instruction. When the instruction is a 6-byte instruction, the last two bytes of the group contain zero, and no pointer to the

operand appears. A unique value is placed on the CODE roll by these instructions to indicate the beginning of a new control section.

The second type of group entered on the CODE roll appears as a result of the operation of one of the instructions IEYPOC and IEYMOC. These groups do not observe the 8-byte group size of the roll, but rather begin with a word containing a special value in the upper two bytes; this value indicates an unusual group. The lower two bytes of this word contain the number of words in the following information. This word is followed by the binary instructions.

The object module code is written out from this roll by the Exit phase of the compiler.

ROLL 63: AFTER POLISH ROLL

This roll is constructed in Parse, remains untouched until Gen, and is destroyed in that phase.

The AFTER POLISH roll holds the Polish notation produced by Parse. The Polish for one statement is moved off of the POLISH roll and added to this roll when it is completed; thus, at the end of Parse, the Polish notation for the entire source module is on this roll.

In Gen, the Polish notation is returned to the POLISH roll from the AFTER POLISH roll for the production of object code. At the conclusion of the Gen phase, the roll is empty and is no longer required by the compiler. The group size for this roll is four bytes.

WORK AND EXIT ROLLS

Because of the nature and frequency of their use, the WORK roll and the EXIT roll are assigned permanent storage locations in IEYROL, which is distinct from the storage area reserved for all other rolls. As a result, these rolls may never be reserved and are manipulated differently by the POP instructions. The group stats and the items BASE and TOP are not maintained for these rolls. The only control item maintained for these rolls corresponds to the item BOTTOM, and is carried in the general register WRKADR (register 4) for the WORK roll and EXTADR (register 5) for the EXIT roll.

WORK ROLL

The WORK roll is often used to hold intermediate values. The group size for this roll is four bytes. The name W0 is applied to the bottom of the WORK roll (the last meaningful word), W1 refers to the next-to-bottom group on the WORK roll, etc. In the POP instructions these names are used liberally, and must be interpreted with care. Loading a value into W0 is storage into the next available word, (WRKADR) + 4, unless specifically otherwise indicated, while storage from W0 to another location involves access to the contents of the last word on the roll, (WRKADR). WRKADR is normally incremented following a load operation and decremented following a store.

EXIT ROLL

The EXIT roll holds exit addresses for subroutines and, thereby, provides for the recursion used throughout the compiler. The ANSWER BOX is also recorded on the EXIT roll. The group size for the EXIT roll is twelve bytes. The first byte is the ANSWER BOX. The remaining information on the roll is recorded when a subroutine jump is performed in the compiler code; it is used to return to the instruction following the jump when the subroutine has completed its operation.

The values placed on the EXIT roll differ, depending on the way in which the subroutine jump is performed. As a result of the interpretation of the IEYJSB POP instruction, the last three bytes of the first word contain the location of the IEYJSB plus two (the location of the POP instruction following the IEYJSB, the return point); the second word of the group holds an address within the IEYJSB subroutine; the third word contains the location of the global label for the routine from which the subroutine jump was made plus two (the value of LOCAL JUMP BASE in that routine).

As an example of how a subroutine jump is accomplished by means of machine language instructions, the following instructions are used:

```
L      TMP,G0052J
```

```
BAL    ADDR,JSB STORE IN EXIT
```

to replace the POP instruction

```
IEYJSB G0052J
```

In this case, no value is placed in the last three bytes of the first word; the second word holds the address of the instruction following the BAL; the third word holds the location of the global label immediately preceding the BAL plus two (the value of POPADR when the jump is taken, which is also the value of LOCAL JUMP BASE,

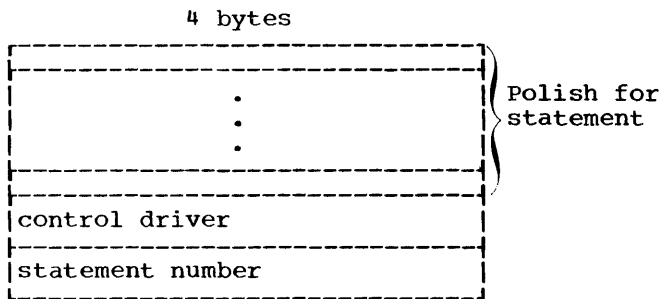
the base address to be used for local jumps in the routine from which the subroutine jump was made).

On return from a subroutine, these values are used to restore POPADR and LOCAL JUMP BASE and they are pruned from the EXIT roll.

This appendix shows the format of the Polish notation which is generated by the compiler for each type of statement in the FORTRAN IV (G) language.

GENERAL FORM

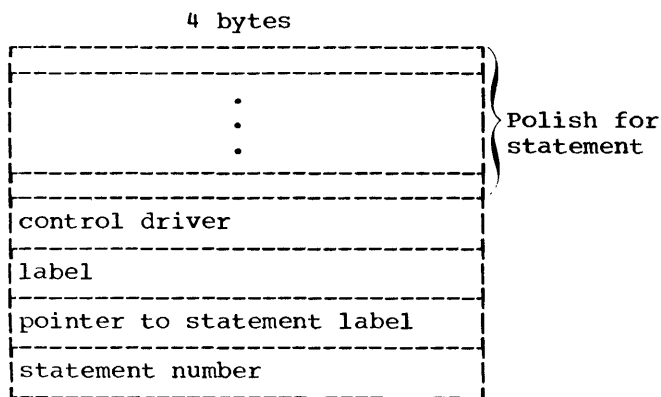
The format of the Polish notation depends on the statement type, but always terminates with the control driver which indicates the type of statement:



The statement number is an integer whose value is increased by one for each statement processed. This value is used only within the compiler.

LABELED STATEMENTS

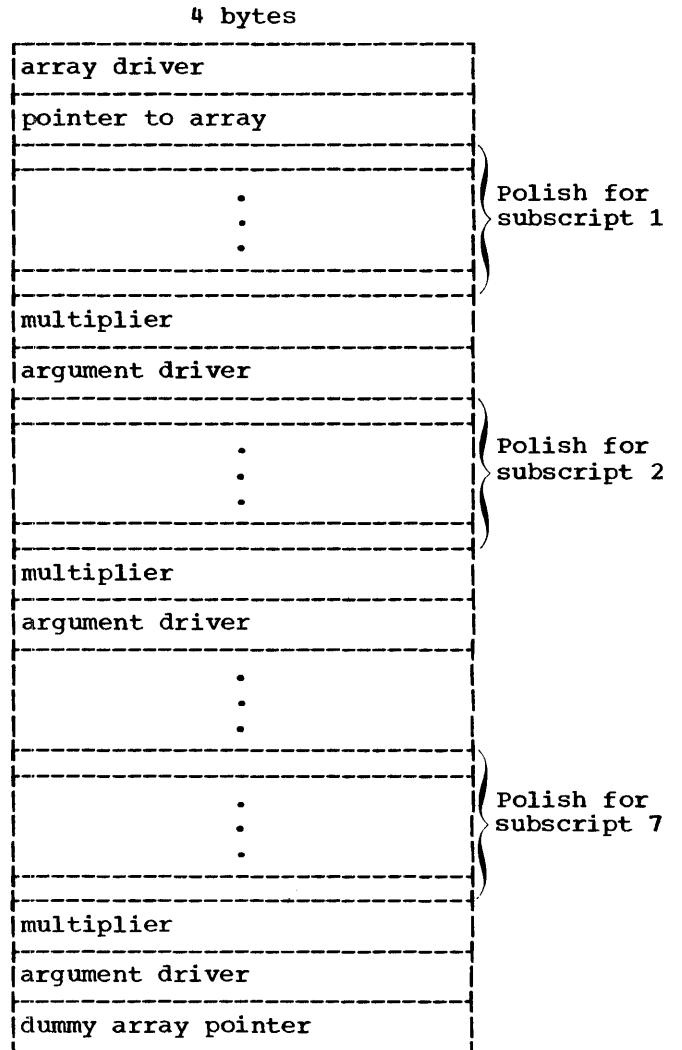
For labeled statements, a pointer to the label is inserted between the control driver and the statement number:



The label information is not included in the following descriptions of the Polish notation for individual statement types.

ARRAY REFERENCES

The Polish notation for an array reference whose subscripts are all linear functions of DO variables consists simply of a pointer to the appropriate group on the ARRAY REF roll. The Polish notation generated for all other references to an array element is:



The pointer to the array may indicate either (1) the ARRAY roll, when none of the subscripts used in the array reference are linear functions of DO variables, or (2) the ARRAY REF roll, when some, but not all, of the subscripts are linear functions of DO variables. The subscripts for which Polish notation appears are those which are

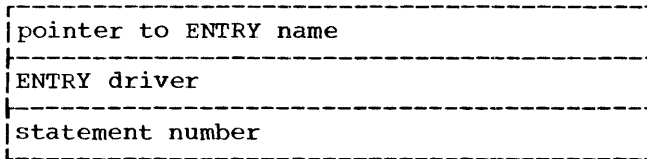
not linear functions of DO variables. Only the required number of subscripts appear.

The multiplier following each subscript is the multiplier for the corresponding array dimension. This value is an integer unless the array is a dummy including dummy dimensions which affect this array dimension; in this case, the multiplier is represented by a pointer to the TEMP AND CONST roll.

ENTRY STATEMENT

The Polish notation generated for the ENTRY statement is:

4 bytes

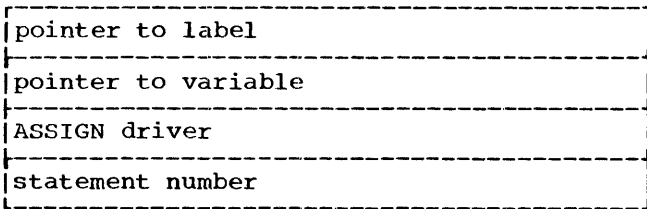


The pointer points to the ENTRY NAMES roll.

ASSIGN STATEMENT

The Polish notation generated for the ASSIGN statement is:

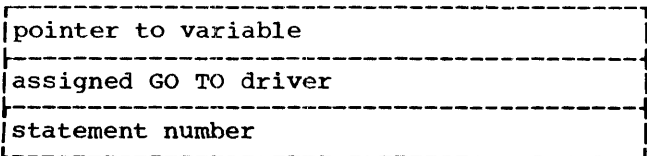
4 bytes



ASSIGNED GO TO STATEMENT

The Polish notation generated for this statement is:

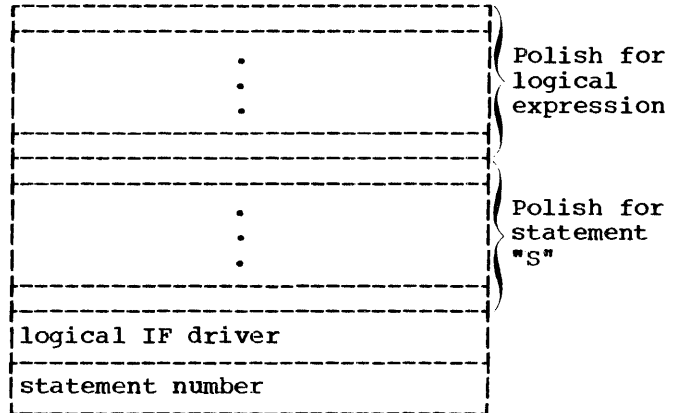
4 bytes



LOGICAL IF STATEMENT

The Polish notation generated for this statement is:

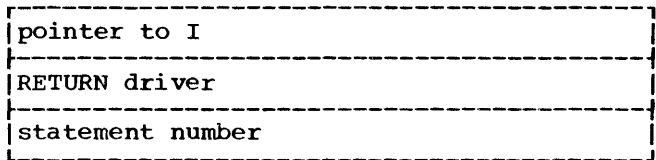
4 bytes



RETURN STATEMENT

The following Polish notation is produced for the RETURN statement:

4 bytes

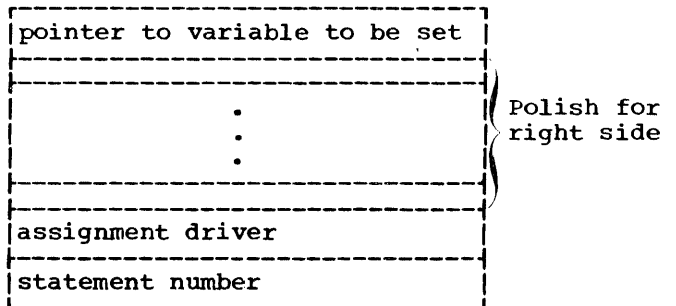


The pointer to I does not appear if the statement is of the form RETURN.

ARITHMETIC AND LOGICAL ASSIGNMENT STATEMENT

The Polish notation produced for this statement is:

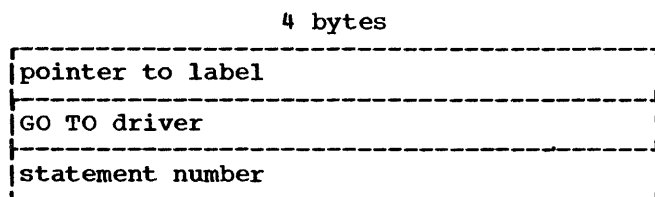
4 bytes



The Polish notation for the right side of the assignment statement is in the proper form for an expression, and includes array references where they appear in the source statement. The variable to be set may also be an array element; in this case, the pointer to the variable to be set is replaced by the Polish notation for an array reference.

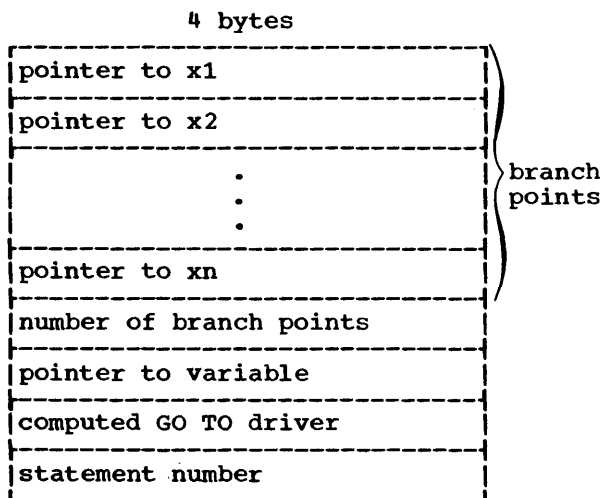
UNCONDITIONAL GO TO STATEMENT

The Polish notation produced for this statement is:



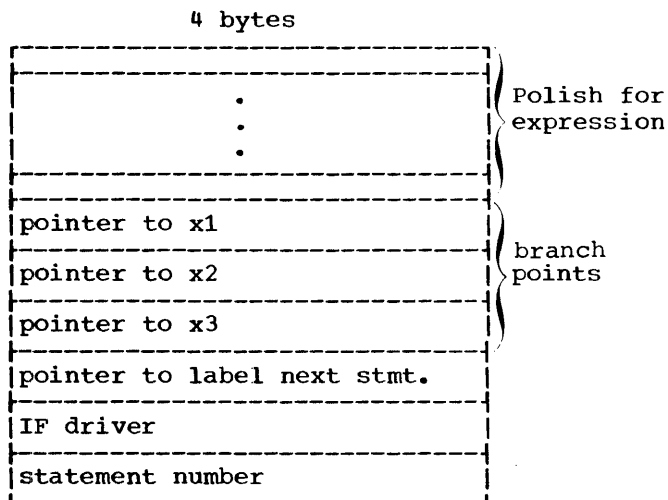
COMPUTED GO TO STATEMENT

The following Polish notation is produced for this statement:



ARITHMETIC IF STATEMENT

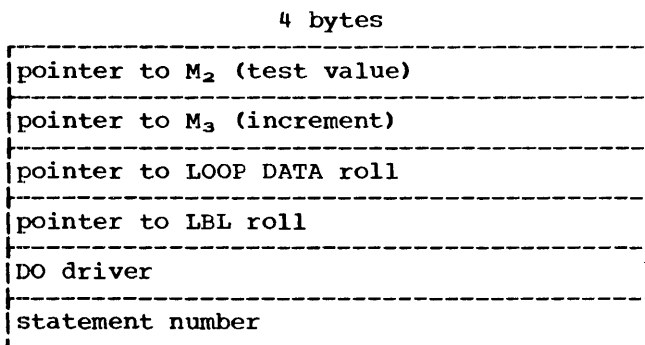
The following Polish notation is produced for this statement:



The label of the next statement is inserted following the IF driver because the next statement may be one of the branch points referenced; if it is, code will be generated to fall through to that statement in the appropriate case(s).

DO STATEMENT

The following is the Polish notation produced for the statement DO x i = m1, m2, m3:

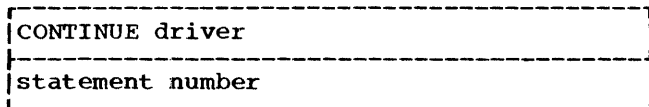


The pointer to m3 appears, even if the increment value is implied.

CONTINUE STATEMENT

The Polish notation produced for this statement is:

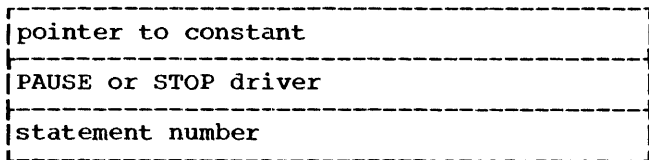
4 bytes



PAUSE AND STOP STATEMENTS

The Polish notation produced for these statements is:

4 bytes

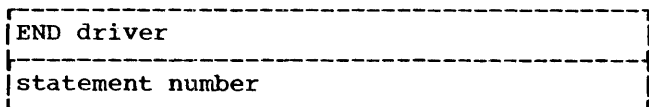


For both the PAUSE statement and the STOP statement, the constant appears on the LITERAL CONST roll, regardless of its nature in the source statement. If no constant appears in the statement, the pointer to the constant points to the literal constant zero.

END STATEMENT

The Polish notation generated for the END statement is:

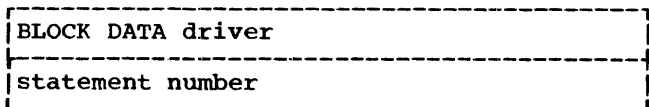
4 bytes



BLOCK DATA STATEMENT

The Polish notation generated for the BLOCK DATA statement is:

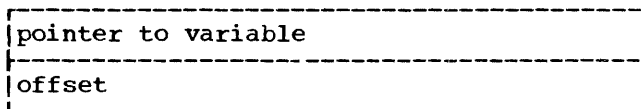
4 bytes



DATA STATEMENT AND DATA IN EXPLICIT SPECIFICATION STATEMENTS

For each statement (DATA or Explicit specification) in which data values for variables are specified, a Polish record is produced. This record ends with a DATA driver and a statement number. For each variable initialized by the statement, the following appears:

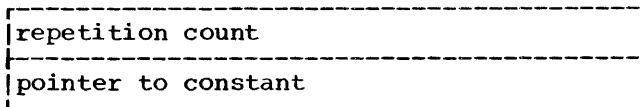
4 bytes



The offset is the element number at which initialization begins; if it does not apply, this word contains the value zero.

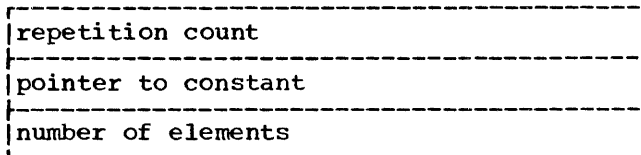
This information is followed by the pair of groups

4 bytes



or, when the constant is literal, the three groups

4 bytes



where the last group indicates the number of elements of an array to be filled by the literal constant. For array initialization, one or more of the "constant" groups may appear.

I/O LIST

The Polish notation for an I/O List contains pointers to the variables in the list, Polish notation for array references where they appear, and pointers and drivers to indicate implied DO loops.

The I/O list

((C(I), I=1, 10), A, B)

for example, results in the following Polish notation:

4 bytes	
pointer to M ₂ (test value)	
pointer to M ₃ (increment)	
pointer to LOOP DATA roll	
implied DO driver	
pointer to C	
1 (number of subscripts)	
pointer to I (subscript)	
argument driver	
array driver	
IOL DO Close driver	
pointer to A	
pointer to B	

The area between, and including, the implied DO driver and the array driver is an array reference, as it would appear wherever C(I) was referred to in source module statements.

INPUT STATEMENTS

The following paragraphs discuss the Polish notation produced for all forms of the READ statement except direct access.

FORMATTED READ

For the form READ (a,b) list, the formatted READ, the Polish notation generated is:

4 bytes	
pointer to a (data set)	
FORMAT driver	
pointer to FORMAT	
END= driver	
pointer to END label	
ERR= driver	
pointer to ERR label	
IOL driver	
:	} Polish for I/O list
:	
:	
code word	
IBCOM entry, formatted READ	
pointer to IBCOM	
READ/WRITE flag, zero= WRITE, nonzero= READ	
READ WRITE driver	
statement number	

The pointer to the FORMAT points either to the label of the FORMAT statement or to the array in which the FORMAT is stored. The END= and ERR= drivers and the pointers following them appear only if the END and ERR options are used in the statement; either one or both may appear, and in any order with respect to each other. If no I/O list appears in the statement, the Polish for the I/O list is omitted, but the IOL driver appears nonetheless.

The code word contains zero in its high-order three bytes, and, in its low-order byte, a unique code specifying the operation and unit for the input/output statement. This code word distinguishes among the various READ statements and is inserted in the code produced for them.

Input/output operations are performed by the RUNTIME routines. IBCOM is a transfer routine in RUNTIME through which all input/output except NAMELIST is performed. The IBCOM entry for formatted READ indicates an entry point to this routine. (See Appendix D for further discussion of IBCOM.) The pointer to IBCOM points to the routine on the GLOBAL SPROG roll.

NAMELIST READ

For the form READ (a,x), the NAMELIST READ, the following changes are made to the Polish notation given above:

1. The FORMAT driver is replaced by a NAMELIST driver.
2. The pointer to the FORMAT is replaced by a pointer to the NAMELIST.
3. The code word value is changed.
4. The IBCOM entry is replaced by the value zero, since NAMELIST input/output is not handled through IBCOM.
5. The pointer to IBCOM is replaced by a pointer to the NAMELIST READ routine.
6. No I/O list may appear.

UNFORMATTED READ

For the form READ (a) list, the unformatted READ, the following changes are made to the Polish notation given above:

1. The FORMAT driver is removed.
2. The pointer to the FORMAT is removed.
3. The IBCOM entry, formatted READ, is replaced by the IBCOM entry, unformatted READ.

READ STANDARD UNIT

For the form READ b, list, the standard unit READ statement, the following changes are made to the Polish notation given above:

1. No END= or ERR= drivers may appear, nor may the corresponding pointers to labels.
2. The code word value is changed.

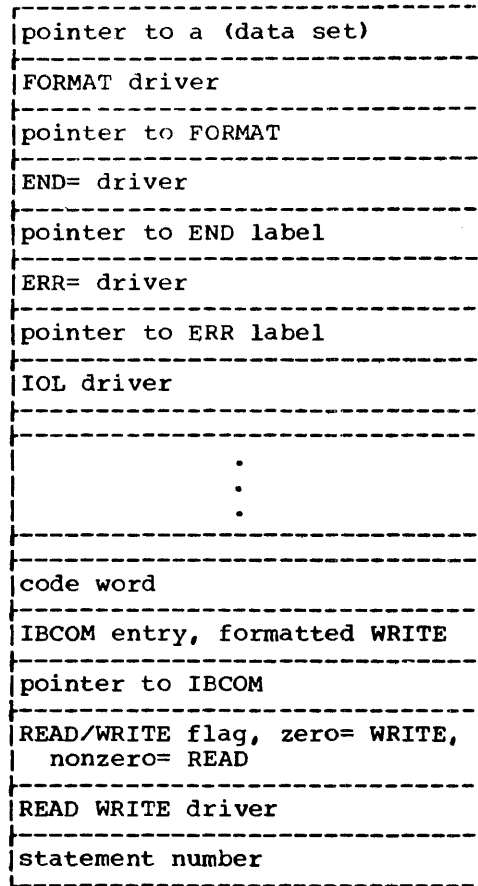
OUTPUT STATEMENTS

The following paragraphs discuss the Polish notation produced for all forms of the WRITE statement except direct access, and for the PRINT and PUNCH statements.

FORMATTED WRITE

For the form WRITE (a,b) list, the formatted WRITE, the Polish notation generated is:

4 bytes



} Polish for I/O list

The pointer to the FORMAT points either to the label of the FORMAT statement or to the array in which the FORMAT is stored. The END= and the ERR= drivers and the pointers following them appear only if the END and ERR options are used in the statement; either one or both may appear, and in any order relative to each other. If no I/O list appears in the statement, the Polish for the I/O list is omitted, but the IOL driver appears nonetheless.

The code word contains zero in its high-order three bytes, and, in its low-order byte, a unique code specifying the operation and unit for the input/output statement. This code word distinguishes among the various output statements and is inserted in the code produced for them.

Input/output operations are performed by the RUNTIME routines. IBCOM is the initial entry of a transfer vector in IHCFCOMH through which all input/output except NAMELIST is performed. (IHCFCOMH is further discussed in Appendix F.) The pointer to

IBCOM points to the routine on the GLOBAL SPROG roll.

NAMelist WRITE

For the form WRITE (a, x), the NAMelist WRITE, the following changes are made to the Polish notation given above:

1. The FORMAT driver is replaced by a NAMelist driver.
2. The pointer to the FORMAT is replaced by a pointer to the NAMelist.
3. The code word value is changed.
4. The IBCOM entry is replaced by the value zero, since NAMelist input/output is not handled through IBCOM.
5. The pointer to IBCOM is replaced by a pointer to the NAMelist WRITE routine.
6. No I/O list may appear.

UNFORMATTED WRITE

For the form WRITE (a) list, the unformatted WRITE, the following changes are made to the Polish notation given above:

1. The FORMAT driver is removed.
2. The pointer to the FORMAT is removed.
3. The IBCOM entry, formatted WRITE, is replaced by the IBCOM entry, unformatted WRITE.

PRINT

The Polish notation generated for the form PRINT b, list is identical to that given for the formatted WRITE statement, with the following changes:

1. No END= or ERR= drivers may appear, nor may the corresponding pointers to labels.
2. The code word value is changed.

PUNCH

The Polish notation for the statement PUNCH b, list is as given for the formatted WRITE with the following changes:

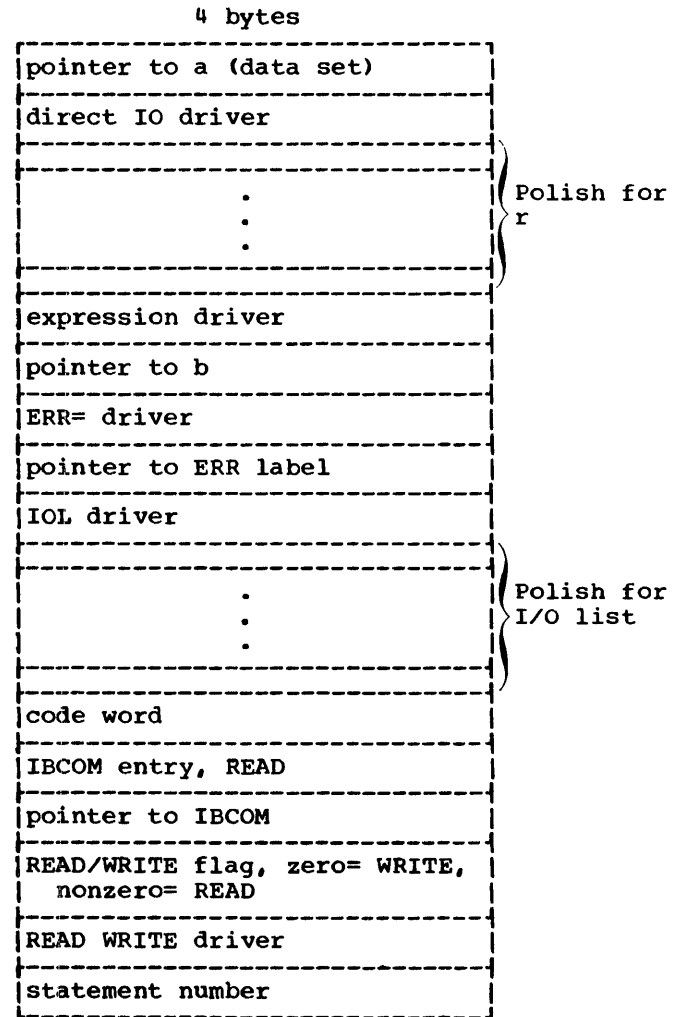
1. No END= or ERR= drivers may appear, nor may the corresponding pointers to labels.
2. The code word value is changed.

DIRECT ACCESS STATEMENTS

The following paragraphs discuss the Polish notation produced for the direct access input/output statements.

READ, DIRECT ACCESS

For the forms READ (a'b,b) list and READ (a'r) list, the following Polish notation is generated:



The END= and ERR= drivers and the pointers following them appear only if the END and ERR options are used in the source statement; either one or both may appear, and in any order with respect to each other. If b does not appear in the source statement (the second form), the corresponding pointer does not appear in the Polish notation. If the I/O list does not appear in the source statement, the Polish notation for the I/O list is omitted from the Polish, but the IOL driver appears nonetheless.

The code word contains zero in its high-order three bytes, and, in its low-order byte, a unique code specifying the operation and unit for the input/output statement. This code word distinguishes the direct access statements from other input/output statements and is inserted in the code produced for them.

WRITE, DIRECT ACCESS

The Polish notation produced for the forms WRITE (a'r,b) list and WRITE (a'r) list is identical to that produced for the corresponding forms of the READ, direct access statement with the following exceptions:

1. The IBCOM entry, READ is replaced by the appropriate IBCOM entry, WRITE.
2. The value of the code word is changed.

FIND

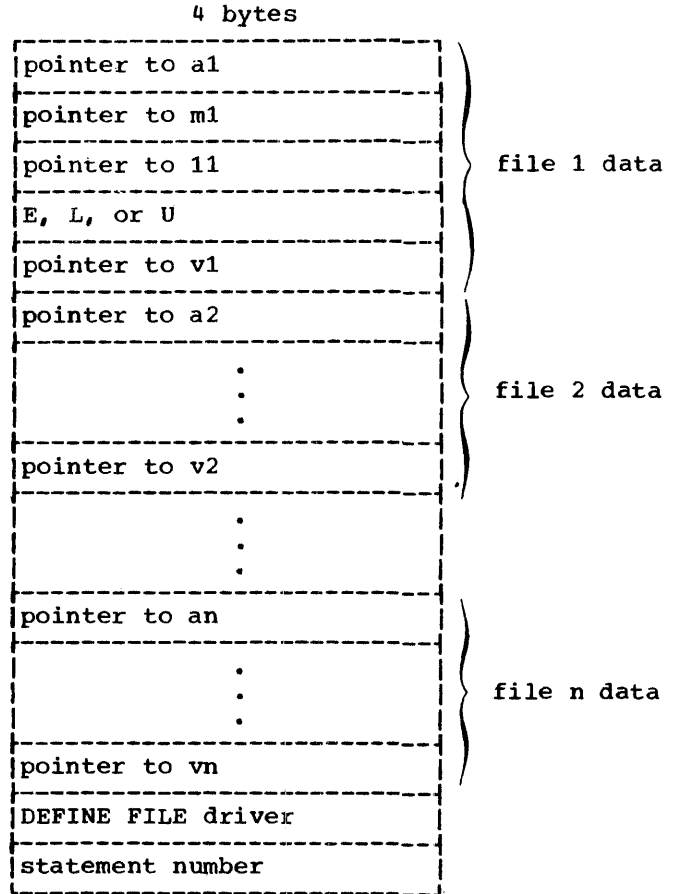
The Polish notation produced for this statement is identical to that for an unformatted direct access READ statement given above, with the exception that the code word is changed to indicate the FIND statement.

DEFINE FILE

The form of this statement is:

```
DEFINE FILE a1 (m1, l1, f1, v1), a2
(m2, l2, f2, v2), ..., an (mn, ln, fn, vn)
```

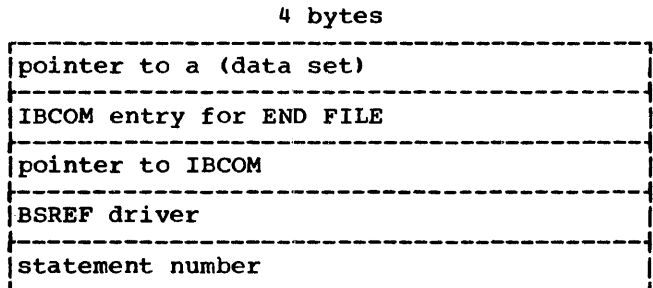
The Polish notation produced for it is:



where the fourth word of each set of file data holds the BCD character E, L, or U in the high-order byte and zeros in the remaining bytes.

END FILE STATEMENT

The Polish notation produced for END FILE is:



REWIND STATEMENT

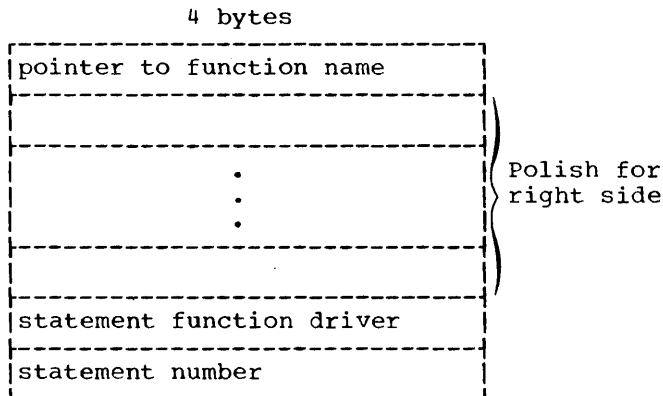
The Polish notation produced for the REWIND statement is identical to that for the END FILE statement with the exception that the IBCOM entry for END FILE is replaced by the IBCOM entry for REWIND.

BACKSPACE STATEMENT

The Polish notation produced for the BACKSPACE statement is identical to that for the END FILE statement, except that the IBCOM entry for END FILE is replaced by the IBCOM entry for BACKSPACE.

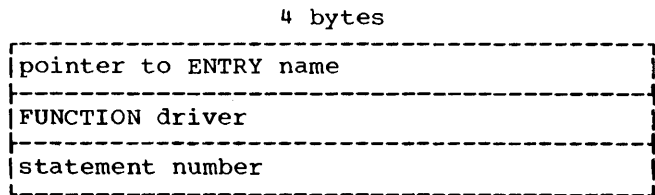
STATEMENT FUNCTION

The Polish notation generated for a statement function is:



FUNCTION STATEMENT

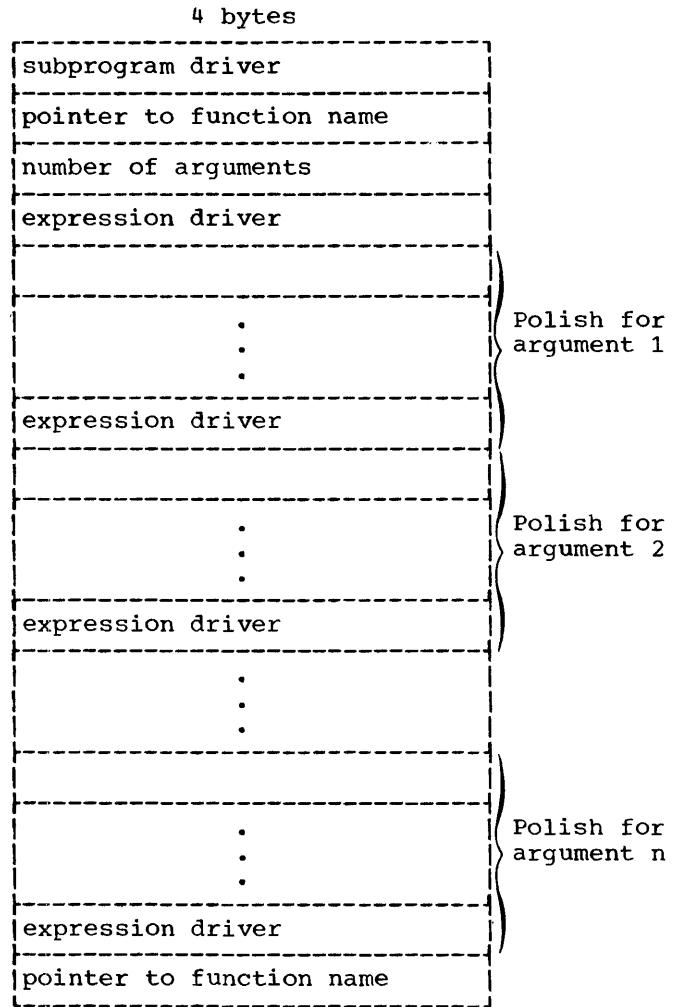
The Polish notation produced for the FUNCTION statement is:



where the pointer points to the ENTRY NAMES roll.

FUNCTION (STATEMENT OR SUBPROGRAM) REFERENCE

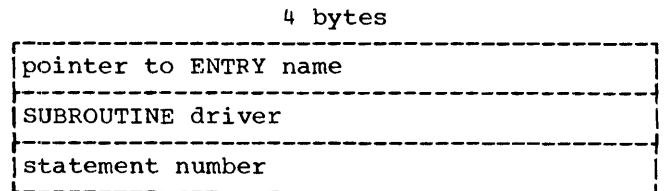
The Polish notation generated for a reference to a function is:



This Polish notation is part of the Polish notation for the expression in which the function reference occurs.

SUBROUTINE STATEMENT

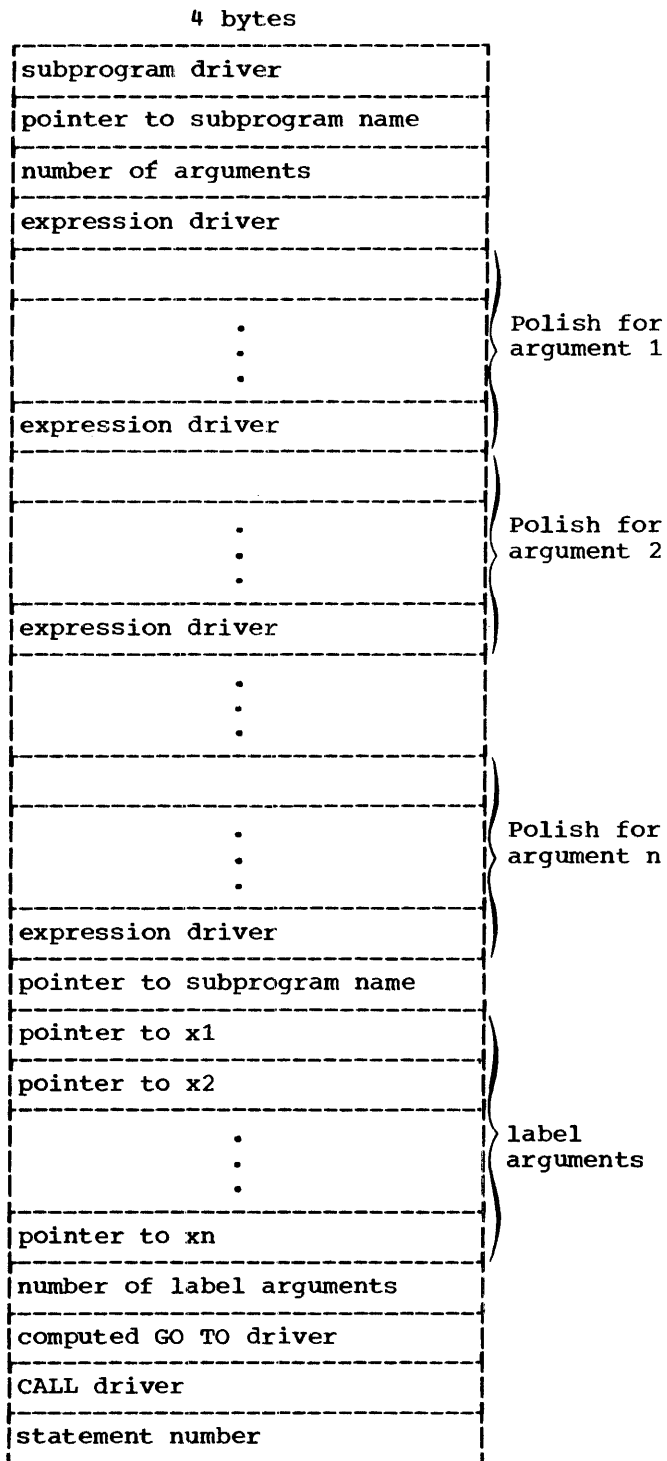
The Polish notation generated for the SUBROUTINE statement is:



where the pointer points to the ENTRY NAMES roll.

CALL STATEMENT

The Polish notation for the CALL statement is:



Label arguments are not counted in the "number of arguments" which appears as the third word of the Polish notation, and no

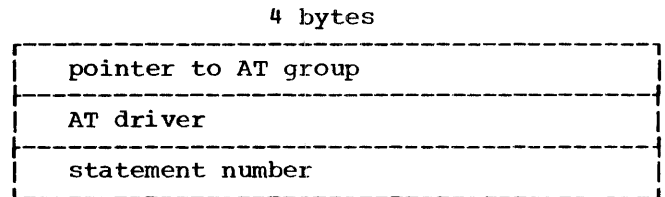
representation of them appears in the Polish notation for the arguments. All label arguments are grouped together at the bottom of the Polish as indicated. If no label arguments exist, the section from the "pointer to x1" to and including the "computed GO TO driver" does not appear.

DEBUG FACILITY STATEMENTS

The following paragraphs describe the Polish notation produced for the statements of the debug facility.

AT

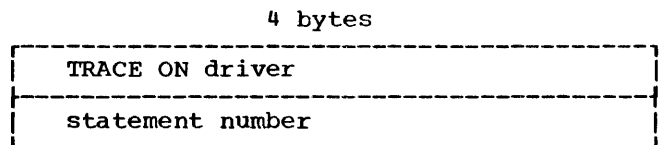
The Polish notation generated for the AT statement is:



The pointer points to the AT roll group which contains the information relating to the AT statement represented by the Polish notation.

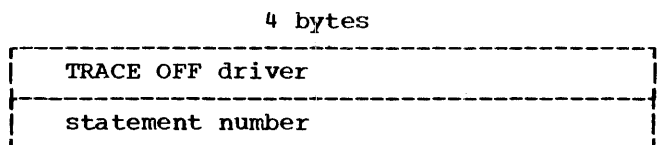
TRACE ON

The Polish notation generated for the TRACE ON statement is:



TRACE OFF

The Polish notation generated for the TRACE OFF statement is:



DISPLAY

The Polish notation generated for the DISPLAY statement is:

4 bytes

pointer to NAMELIST WRITE
0
NAMELIST pointer
DISPLAY driver
statement number

where the pointer to NAMELIST WRITE points to this routine on the GLOBAL SPROG roll; the value zero is placed on the roll for conformity with other NAMELIST input/output statements; the NAMELIST pointer points to a group constructed for the DISPLAY statement on the NAMELIST NAMES roll.



APPENDIX D: OBJECT CODE PRODUCED BY THE COMPILER

This appendix describes the code produced by the FORTRAN IV (G) compiler for various types of source module statements.

BRANCHES

All branch instructions in the object module consist of a load from the branch table, followed by a BCR instruction, either conditional or unconditional, which uses the branch table value as its target.

The production of this code depends on the operation of Allocate, which replaces all jump target labels on the LBL roll with pointers to entries in the object module branch table. Using this information, Gen can write the load and branch instructions even though the address of the target may not yet be known.

When Gen encounters a labeled statement which is a jump target, it sets the appropriate entry in the branch table to the address of the first instruction it produces for that statement.

COMPUTED GO TO STATEMENT

The following code is generated for the Computed Go To statement:

```
L      15,variable
SLL   15,2
BALR  14,0
LTR   15,15
BNH   4n+22(0,14)
LA    1,4n(0,0)
CR    15,1
BH    4n+22(0,14)
L     1,18(15,14)
BR    1
.
.
.
n address constants
.
.
.
```

where variable is the Computed Go To variable, n is the number of branch points, and 4n is the length of the list of n address constants.

DO STATEMENT

The use of a DO loop in a FORTRAN program can be described by the following example:

```
DO 5 I = m1,m2,m3
.
.
.
5 CONTINUE
```

When the DO statement is processed during phase 4, the following takes place:

1. The code

```
L   R0,m1
A  ST  R0,I
```

is generated, where the label A is constructed by Gen.

2. The address of the instruction labeled A is placed in the branch table.
3. An entry is made on the DO LOOPS OPEN roll which contains pointers to m2, m3, the label A, I, and the label 5.

On receiving the Polish notation for the CONTINUE statement in the example, phase 4 produces the following code:

```
L      R0,I
L      R1, branch table
L      R2,m3
L      R3,m2
BXLE   R0,R2,0(R1)
```

where the load from the branch table sets R1 to the address of the created label A. When this code has been completed, phase 4 removes the bottom entry from the DO LOOPS OPEN roll.

STATEMENT FUNCTIONS

The following code is generated at the beginning of each statement function:

```

| STM      2,3,18(15)
| STM      6,12,26(15)
| LR       7,14
| LR       9,1
| LR       6,15
| B        54(0,15)
| .
| .
| .
| nine-word buffer
| .
| .
| .

```

The buffer is followed by the code for the statement function itself, including the code to load the return value. The following code closes the statement function:

```

| LR       14,7
| LM       2,3,18(6)
| LM       6,12,26(6)
| BR      14

```

SUBROUTINE AND FUNCTION SUBPROGRAMS

The following code is generated to save required information at the main entry to each SUBROUTINE and FUNCTION subprogram:

```

B        X(0,15)
DC       AL1(length of Ident)
DC       Cln(Ident)
STM      14,12,12(13)
LM       2,3,40(15)
LR       4,13
L        13,36(0,15)
ST       13,8(0,4)
STM      3,4,0(13)
BR       2
DC       (ADDRESS SAVE AREA)
DC       (ADDRESS PROLOGUE)
DC       (ADDRESS EPILOGUE)

```

This code is followed by the following code for saving required information for each of the ENTRIES to the subprogram (the sequence of code appears once for each ENTRY, in the order of the ENTRIES):

```

B        X(0,15)
DC       AL1(length of Ident)
DC       Cln(Ident)
STM      14,12,12(13)
LM       2,3,32(15)
L        15,28(0,15)
B        20(0,15)
| DC      (ADDRESS MAIN ENTRY)
| DC      (ADDRESS PROLOGUE)
| DC      (ADDRESS EPILOGUE)

```

The save code for the ENTRIES to the subprogram is followed by a PROLOGUE, which transfers arguments to the subprogram, and an EPILOGUE, which returns arguments to the calling routine for the main entry to the subprogram and for each ENTRY to the subprogram.

The following code is produced for the RETURN statement:

```

SR       15,15
L        14,0(0,13)
ER       14

```

which branches to the appropriate EPILOGUE.

The following code is produced for the RETURN I statement:

```

L        15,I
SLL      15,2
L        14,0(0,13)
BR       14

```

which also branches to the appropriate EPILOGUE.

The PROLOGUE code generated for each entry point to the subprogram moves arguments as required and branches to the entry. The following code is generated to move each call by name argument:

```

L        2,n(0,1)
ST       2,global dmy

```

where n is the argument number (the arguments for each entry point are numbered from one) multiplied by four.

The following code is generated to move each call by value argument:

```

L        2,n(0,1)
MVC      global dmy(x),0(2)

```

where n is the argument number multiplied by four, and x is the size of the dummy.

Code to calculate dummy dimensions follows the code to move arguments.

The following code is generated at the close of all PROLOGUES:

```
BALR    2,0
L       3,6(0,2)
BR      3
DC      (ADDRESS OF CODE ENTRY POINT)
```

The EPILOGUE code generated for each entry point to a subprogram moves arguments back to the calling routine and returns to it, as dictated by the RETURN or RETURN I statement.

The first instructions in each EPILOGUE are:

```
L      1,4(0,13)
L      1,24(0,1)
```

The following code is generated to return each call by value argument:

```
L      2,n(0,1)
MVC    0(x,2),global dmy
```

where n is the argument number multiplied by four and x is the size of the dummy.

For FUNCTION subprograms, the following instruction is generated:

```
Lx      0,entry name
```

where x is the instruction mode. If the FUNCTION is complex, two load instructions are required.

The following code is generated for the closing of each EPILOGUE:

```
L      13,4(0,13)
L      14,12(0,13)
LM     2,12,28(13)
MVI    12(13),255
BR     14
```

INPUT/OUTPUT OPERATIONS

The following paragraphs describe the code produced for the FORTRAN input/output statements. The generated instructions set up necessary parameters and branch into the IBCOM# transfer table. This table has the following format:

```
IBCOM#   Main entry, formatted READ
+4 Main entry, formatted WRITE
+8 Second list item, formatted
+12 Second list array, formatted
+16 Final entry, end of I/O list
+20 Main entry, unformatted READ
+24 Main entry, unformatted WRITE
+28 Second list item, unformatted
+32 Second list array, unformatted
+36 Final entry, end of I/O list
+40 Backspace tape
+44 Rewind tape
+48 Write tapemark
+52 STOP
+56 PAUSE
+60 IBERR execution error monitor
+64 IBFINT interruption processor
+68 IBEXIT job termination
```

FORMATTED READ AND WRITE STATEMENTS

The code produced for these statements is:

```
CNOP    0,4
L      15,=V(IBCOM#)
BAL     14,N(15)
DC      XL0.4'PI',XL0.4'UI',AL3(UNIT)
DC      AL1(FI),AL3(FORMAT)
DC      AL4(EOFADD)           "optional"
DC      AL4(ERRADD)          "optional"
```

where:

PI = 0 if neither EOF nor ERR is specified
= 1 if EOF only is specified
= 2 if ERR only is specified
= 3 if both EOF and ERR are specified

UI = 0 if unit is an integer constant
= 1 if unit is a variable name
= 4 if unit is the standard system unit

FI = X'00' if FORMAT is a statement label
= X'01' if FORMAT is an array name

N = 0 for READ
= 4 for WRITE

UI = 4 is used for debug and for READ b, list, PRINT b, list and PUNCH b, list.

SECOND LIST ITEM, FORMATTED

The code produced is:

```
L      15,=V(IBCOM#)
BAL     14,8(15)
DC      XL1'L',LX0.4'T',XL0.4'X'
        XL0.4'B',XL1.4'D'
```

where:

L = the size in bytes of the item

T = 2 for a logical 1-byte item
= 3 for a logical fullword item
= 4 for a halfword integer item
= 5 for a fullword integer item
= 6 for a double-precision real item
= 7 for a single-precision real item
= 8 for a double-precision complex item
= 9 for a single-precision complex item
= A for a literal item (not currently compiler-generated)

X, B, and D are, respectively, the index, base, and displacement which specify the item address.

SECOND LIST ITEM, UNFORMATTED

The code produced is:

```
L      15,=V(IBCOM#)
BAL    14,28(15)
DC     XL1'L',XL0.4'0',XL0.4'X',
      XL0.4'B',XL1.4'D'
```

SECOND LIST ARRAY, FORMATTED

The code produced is:

```
L      15,=V(IBCOM#)
BAL    14,12(15)
DC     LX1'SPAN',AL3(ADDRESS)
DC     XL1'L',XL0.4'T',XL2.4'ELEMENTS'
```

where:

L = the size in bytes of the item
X, B and D are, respectively, the index, base, and displacement which specify the address of the item.

where:

SPAN (not used)

ADDRESS = the beginning location of the array

L = the size in bytes of the array element

T = the values given for items

ELEMENTS = the number of elements in the array

SECOND LIST ARRAY, UNFORMATTED

The code produced is:

```
L      15,=V(IBCOM#)
BAL    14,32(L)
DC     XL1'SPAN',AL3(ADDRESS)
DC     XL1'L',AL3(ELEMENTS)
```

where SPAN, ADDRESS, L, and ELEMENTS have the meanings described in second list array, formatted.

FINAL LIST ENTRY, FORMATTED

The code produced is:

```
L      15,=V(IBCOM#)
BAL    14,16(15)
```

FINAL LIST ENTRY, UNFORMATTED

The code produced is:

```
L      15,=V(IBCOM#)
BAL    14,36(15)
```

UNFORMATTED READ AND WRITE STATEMENTS

The code produced for these statements is:

```
CNOP   0,4
L      15,=V(IBCOM#)
BAL    14,N(15)
DC     XL0.4'PI',XL0.4'UI,AL3(UNIT)
DC     AL4(EOFADD)           "optional"
DC     AL4(ERRADD)          "optional"
```

BACKSPACE, REWIND, AND WRITE TAPEMARK

The code produced is:

```
CNOP   0,4
L      15,=V(IBCOM#)
BAL    14,N(15)
DC     XL1'FLAG',AL3(UNIT)
```

where:

PI, UI, UNIT, EOFADD and ERRADD have the same values as those given in the formatted READ/WRITE definition.

N = 20 for READ
= 24 for WRITE

where:

FLAG = 0 if unit is an integer
= any other bit pattern if unit is a variable.

N = 40 for BACKSPACE
= 44 for REWIND
= 48 for write tapemark

STOP AND PAUSE STATEMENTS

The code produced for these statements is:

```
L      15,=V(IBCOM#)
BAL    14,N(15)
DC     AL1(LENGTH)
DC     C'TEXT'
```

where:

LENGTH is the number of bytes in the 'TEXT' message

TEXT is an alphameric number or message (TEXT = '40404040F0' if the STOP or PAUSE message is blank).

N = 52 for STOP
= 56 for PAUSE

NAMELIST READ AND WRITE

The code produced is:*

```
CNOP   0,4
L      15,=V(FWRNL#)
BAL    14,0(15)
DC     XL0.4'PI',XL0.4'UI',AL3(UNIT)
DC     AL4(NAMELIST)
DC     AL4(EOFADD)
DC     AL4(ERRADD)
```

where:

PI, UI, and UNIT are as described for formatted READ and WRITE

* The "L 15,=V(FWRNL#)" shown is for write; the code produced for read is "L 15,+V(FRDNL#)."

DEFINE FILE STATEMENT

The form of the parameters specified in the statement is:

$$a_1(m_1, f_1, r_1, v_1), \dots, a_n(m_n, f_n, r_n, v_n)$$

The following code is generated in the object module prologue:

```
LA     R1,LIST
L      L,=V(DIOCS#)
BALR   R2,L
```

where:

R₁ = 1

L = 15

R₂ = 14

The following parameter list is also generated:

```
DC     X'a1',AL3(m1)
DC     C'f1',AL3(r1)
DC     X'00',AL3(v1)
      .
      .
      .
DC     X'an',AL3(mn)
DC     C'fn',AL3(rn)
DC     X'80',AL3(vn)
```

The third DC in the group is changed to

```
DC     X'01',AL3(vi)
```

if the associated variable is a halfword variable. In the last group, it becomes X'81',AL3(v_n) in this case.

FIND STATEMENT

The code produced is:

```
CNOP   0,4
L      15,=V(IBCOM#)
BAL    14,20(15)
DC     XL0.4'PI',XL0.4'UI',AL3(UNIT)
DC     XL1'VI',AL3(r)
```

PI = C

UI = 0 if the unit is a constant
= 1 if the unit is a variable name

VI = 00 if the record number is a constant
= 01 if the record number is a variable name

Note that 20 is the IBCOM entry point for an unformatted READ.

DIRECT ACCESS READ AND WRITE STATEMENTS

The code produced for these statements is:

```
CNOP   0.4
L      15,=V(IBCOM#)
BAL    14,N(15)
DC     XL0.4'PI',XL0.4'UI',AL3(UNIT)
DC     AL1(FI),AL3(FORMAT)
DC     AL1(VI),AL3(r)
DC     AL4(ERRADD) "may only appear for READ"
```


where:

- PI = 8 if ERR is not specified
= A if ERR is specified, which is only possible for READ
- UI = 0 if the unit is an integer constant
= 1 if the unit is a variable name
- FI = 00 if the FORMAT is a statement label
= 01 if the FORMAT is an array name
- VI = 00 if r (the record number) is a constant
= 01 if r is a variable name

The entry points which may appear (N) are 0, 4, 20, or 24. If 20 or 24 appears (indicating an unformatted operation), the second DC does not appear.

FORMAT STATEMENTS

FORMAT statements are stored after literal constants in the object module.

The FORMAT specifications are recoded from their source module form so that each unit of information in the FORMAT statement occupies one byte of storage. Each integer which appears in the FORMAT statement (i.e., a scale factor, field width, number of fractional digits, repetition count) is converted to a 1-byte binary value. Decimal points used to separate field width from the number of fractional digits in the source module FORMAT statement are dropped; all other characters appearing in the source module statement are represented by 1-byte hexadecimal codes. The following sections describe the encoding scheme which is used.

FORMAT Beginning and Ending Parentheses

The beginning and ending parentheses of the FORMAT statement are represented by the hexadecimal codes 02 and 22, respectively.

Slashes

The slashes appearing in the FORMAT statement are represented by the hexadecimal code 1E.

Internal Parentheses

Parentheses used to enclose groups of FORMAT specifications within the FORMAT statement are represented by the codes 04 and 1C for the left and right parenthesis, respectively. The code for the left parenthesis is always followed by the 1-byte value of the repetition count which preceded the parenthesis in the source module statement. A value of one is inserted if no repetition count appeared.

Repetition of Individual FORMAT Specifications

Whenever the source module FORMAT statement contains a field specification of the form aIw, aFw.d, aEw.d, aDw.d, or aAw, where the repetition count "a" is present, the hexadecimal code 06 is produced to indicate the field repetition. This code is followed by the 1-byte value of "a".

I, F, E, and D FORMAT Codes

The I and F FORMAT codes are represented by the hexadecimal values 10 and 0A, respectively. The I code is followed by the 1-byte field width value; the F code is followed by two bytes, the first containing the field width (w) and the second containing the number of fractional digits (d).

E and D FORMAT codes are represented by the hexadecimal values 0C and 0E, respectively. This value is always followed by two bytes which represent the field width and the number of fractional digits, respectively.

A FORMAT Code

The A FORMAT code is represented by the hexadecimal value 14. This representation is always followed by the 1-byte value of w, the number of characters of data.

Literal Data

The H FORMAT code and the quotation marks used to enclose literal data are both represented by the hexadecimal value 1A. This code is followed by the character count (w in the case of the H specifica-

tion, the number of characters enclosed in quotation marks in the case of the use of quotation marks). The literal data follows the character count.

X FORMAT Code

The specification wX results in the production of the hexadecimal code 18 for the X; this is followed by the 1-byte value of w.

T FORMAT Code

The T FORMAT code is represented by the value 12. The print position, w, is represented by a 1-byte binary value.

Scale Factor-P

The P scale factor in the source module FORMAT statement is represented by the hexadecimal value 08. This code is followed by the value of the scale factor, if it was positive. If the scale factor was negative, 128₁ is added to it before it is stored following the P representation.

G FORMAT Code

The G FORMAT Code is represented by the hexadecimal value 20. This value is always followed by two bytes which represent the field width and the number of significant digits, respectively.

L FORMAT Code

The L FORMAT code is represented by the hexadecimal value 16. This value is followed by the 1-byte field width.

Z FORMAT Code

The Z FORMAT code is represented by the hexadecimal value 24. This value is followed by the 1-byte field width.

DEBUG FACILITY

The following paragraphs describe the code produced for the FORTRAN Debug Facility statements. The generated instructions set up parameters and branch into the DEBUG# transfer table. The object-time routines which support the Debug Facility are described in Appendix E.

DEBUG STATEMENT

When the source module includes a DEBUG statement, debug calls are generated before and after each sequence of calls to IBCOM for source module input/output statements. Additional debug calls are generated to satisfy the options listed in the DEBUG statement.

Beginning of Input/Output

The following code appears before the first call to IBCOM for an input or output operation:

```
L      15,=V(DEBUG#)
CNOP   0,4
BAL    14,44(0,15)
```

End of Input/Output

The following code appears after the last call to IBCOM for an input or output operation:

```
L      15,=V(DEBUG#)
CNOP   0,4
BAL    14,48(0,15)
```

UNIT Option

When the DEBUG statement does not include the UNIT option, the object-time debug routine automatically writes debug output on SYSOUT. When UNIT is specified, the following code is generated at the beginning of the object module:

```
L      15,=V(DEBUG#)
CNOP   0,4
BAL    14,12(0,15)
DC     F'DSRN'
```

where DSRN is the data set reference number to be used for all subsequent debug output.

TRACE Option

When the TRACE option is specified in the source module DEBUG statement, the TRACE call is inserted immediately before the code for every labeled statement. The code is:

```
L      15,=V(DEBUG#)
CNOP   0,4
BAL    14,0(0,15)
DC     F'LABEL'
```

where LABEL is the label of the following statement.

SUBTRACE Option

When the SUBTRACE option is listed in the source DEBUG statement, two sequences of code are produced: one at the entry to the object module, and one prior to each RETURN.

SUBTRACE ENTRY: The debug call is made at the beginning of the object module. The call is:

```
L      15,=V(DEBUG#)
CNOP   0,4
BAL    14,4(0,15)
```

At the time of the call, register 13 contains the address of the SAVE AREA, the fifth word of which contains the address of the subprogram identification. Bytes 6 through 11 of the subprogram identification are the subprogram name.

SUBTRACE RETURN: The debug call is made immediately before the RETURN statement. The call is:

```
L      15,=V(DEBUG#)
CNOP   0,4
BAL    14,8(0,15)
```

INIT Option

When the INIT option is given in the source module DEBUG statement, a debug call is produced for every assignment to a variable, or to a listed variable if a list is provided. The call immediately follows each assignment, including those which occur as a result of a READ statement or a

subprogram call. Three calls may occur, depending on the type of variable (scalar or array) and the method of assignment.

INIT SCALAR VARIABLE: The following code is produced after each assignment of value to a scalar variable covered by the INIT option:

```
L      15,=V(DEBUG#)
CNOP   0,4
BAL    14,16(0,15)
DC     CL6'NAME',CL2' '
DC     XL1'L',XL0.4'T',XL0.4'X',XL0.4'B',
                                           XL1.4'D'
```

where:

NAME is the name of the variable which was set.

L is the length of the variable in bytes.

T is the type code for the variable:

- = 2 for a logical 1-byte item
- = 3 for a logical fullword item
- = 4 for a halfword integer item
- = 5 for a fullword integer item
- = 6 for a double-precision real item
- = 7 for a single-precision real item
- = 8 for a double-precision complex item
- = 9 for a single-precision complex item
- = A for a literal item (not currently compiler generated)

X, B, and D are, respectively, the index, base, and displacement which locate the item.

INIT ARRAY ITEM: The following code is produced after each assignment of value to an array element:

```
L      15,=V(DEBUG#)
CNOP   0,4
BAL    14,20(0,15)
DC     CL6'NAME',CL2' '
DC     XL1'L',XL0.4'T',XL0.4'X',XL0.4'B',
                                           XL1.4'D'
DC     XL1'TAG',AL3(ADDRESS)
```

where:

ADDRESS IS THE LOCATION OF THE FIRST array element if TAG = 0, or ADDRESS is a pointer to the location of the first array element if TAG ≠ 0.

NAME, L, T, X, B, and D are as described for a scalar variable.

INIT FULL ARRAY: The following code is produced when a full array is set by means of an input statement specifying the array

name or when the array name appears as an argument to a subprogram:

```
L      15,=V(DEBUG#)
CNOP   0,4
BAL    14,24(0,15)
DC     CL6'NAME',CL2' '
DC     A(ADDRESS)
DC     XL1'L',XL0.4'T',XL2.4'0000'
DC     A(ELEMENTS)
```

where:

ADDRESS is the location of the first array element.

ELEMENTS is a pointer to a word containing the number of elements in the array.

NAME, L, and T are as described for a scalar variable.

SUBCHK Option

A debug call is produced for each reference to an array element when the SUBCHK option appears without a list of array names; when the list is given, only references to the listed arrays produce debug calls. The debug call appears before the reference to the array, and is:

```
L      15,=V(DEBUG#)
CNOP   0,4
BAL    14,28(0,15)
DC     CL6'NAME',CL2' '
DC     XL1'TAG',AL3(ADDRESS)
DC     AL4(ELEMENTS)
```

where:

NAME is the array name.

ADDRESS is the location of the first array element if TAG = 0, or ADDRESS is a pointer to the location of the first array element if TAG ≠ 0.

ELEMENTS is a pointer to a word containing the number of elements in the array.

AT STATEMENT

The AT statement specifies the label, L, of a statement whose operation should be

immediately preceded by the operation of the statements following the AT. As a result of the AT statement, an unconditional branch to the location of the first statement following the AT is inserted before the first instruction generated for the statement labeled L. This branch precedes any TRACE or SUBTRACE calls which may be written for statement L.

The branch, like all branches performed in the object module, consists of a load from the branch table, followed by a BCR instruction. The branch table entry referred to is one constructed for a label which the compiler provides for the statement following the AT.

TRACE ON STATEMENT

The debug call produced for the TRACE ON statement appears at the location of the TRACE ON statement itself; the call is:

```
L      15,=V(DEBUG#)
CNOP   0,4
BAL    14,32(0,15)
```

TRACE OFF STATEMENT

The debug call produced for the TRACE OFF statement appears at the location of the TRACE OFF statement itself; the call is:

```
L      15,=V(DEBUG#)
CNOP   0,4
BAL    14,36(0,15)
```

DISPLAY STATEMENT

The code for the DISPLAY statement is:

```
L      15,=V(DEBUG#)
CNOP   0,4
BAL    14,40(0,15)
DC     A(NAMELIST)
DC     A(FWRNL#)
```

where NAMELIST is the address of the NAMELIST table generated from the DISPLAY list by the compiler. This code appears at the location of the DISPLAY statement itself.

APPENDIX E: MISCELLANEOUS REFERENCE DATA

The information provided in this appendix has its primary use in connection with a listing of the compiler. The label lists indicate the chart on which a specific label can be found, or, for routines which are not flowcharted, they provide a description of the routine.

PARSE LABEL LIST

The labels enumerated in the following list are used in the flowcharts provided for the illustration of the major routines used in Parse.

<u>Label</u>	<u>Chart ID</u>	<u>Routine Name</u>
G0630	04	START COMPILER
G0631	04	STATEMENT PROCESS
G0837	BA	PRINT AND READ SOURCE
G0632	BB	STA INIT
G0635	BC	LBL FIELD XLATE
G0636	BD	STA XLATE
G0633	BE	STA FINAL
G0642	BF	ACTIVE END STA XLATE
G0844	BG	PROCESS POLISH

SUPPLEMENTARY PARSE LABEL LIST

The routines described in this section are listed by G number labels which are presented in ascending order. These routines are those used in the operation of Parse which are not shown in the section of flowcharts for the phase.

<u>Label</u>	<u>Routine Name</u>	<u>Comments</u>
G0287	REASSIGN MEMORY	Obtains additional core storage, if possible, for a specific roll by pushing up the rolls that precede the requesting roll in the block of storage. If this is not possible, it requests more core storage and, if none is available, enters PRESS MEMORY.
G0637	ASSIGNMENT STA XLATE	Constructs the Polish notation for an assignment statement.
G0638	ARITH FUN DEF STA XLATE	Constructs the Polish notation for an arithmetic function definition statement.

<u>Label</u>	<u>Routine Name</u>	<u>Comments</u>
G0639	ASSIGNMENT VAR CHECK	Checks the mode of assignment variable and the expression for conflict in type specification.
G0640	LITERAL TEST	Determines the statement type and transfers to the indicated statement processing routine.
G0641	END STA XLATE	Determines the nature of the statement and transfers to the appropriate translation routine for non-END; translates END.
G0643	DO STA XLATE	Constructs the Polish notation for the DO statement. Locates the innermost DO statement in a nest of DO's, and sets up extended range checking.
G0644	DO STA CONTROL XLATE	Interprets the loop control specification in the DO statement and constructs the Polish notation for these controls.
G0645	DIMENSION STA XLATE	Determines the validity of the specifications in the DIMENSION statement and constructs roll entries.
G0646	GOTO STA XLATE	Determines the type of GO TO statement, and constructs the Polish notation for a GO TO statement.
G0647	CGOTO STA	Constructs the Polish notation for a Computed GO TO statement.
G0648	ASSIGNED GOTO STA XLATE	Constructs the Polish notation for an Assigned GO TO statement.
G0649	ASSIGN STA XLATE	Controls the constructions of the Polish notation for an ASSIGN statement.

<u>Label</u>	<u>Routine Name</u>	<u>Comments</u>	<u>Label</u>	<u>Routine Name</u>	<u>Comments</u>
G0650	IF STA XLATE	Constructs the Polish notation for an IF statement.	G0664	PACK H CODE	Interprets the specification for the H format code.
G0651	LOGICAL IF STA XLATE	Constructs the Polish notation for a logical IF statement.	G0665	PACK FORMAT QUOTE	Controls the registering of the contents of a literal quote specified in a FORMAT statement.
G0652	IMPLICIT STA XLATE	Checks the IMPLICIT statement and controls the construction of the roll entries for the statement.	G0666	REWIND STA XLATE	Constructs the Polish notation for a REWIND statement.
G0653	REGISTER RANGE	Controls character entries for an IMPLICIT statement.	G0667	BACKSPACE STA XLATE	Constructs the Polish notation for a BACKSPACE statement.
G0654	REGISTER IMPLICIT CHAR	Places the characters in the IMPLICIT statement on the IMPLICIT roll.	G0668	END FILE STA XLATE	Constructs the Polish notation for an END FILE statement.
G0655	SCAN FOR TYPE QT AND SIZE	Determines the mode and size of the variables in specification statements.	G0669	END FILE END	Completes the Polish notation for input/output control statements.
G0656	CONTINUE STA XLATE	Constructs the Polish notation for a continue statement.	G0670	BLOCK DATA STA XLATE	Validates the use of the BLOCK DATA statement.
G0657	CALL STA XLATE	Constructs the Polish notation for a CALL statement.	G0671	STOP STA XLATE	Sets up the Polish notation for the STOP statement.
G0658	EXTERNAL STA XLATE	Validates the use of the EXTERNAL statement and constructs roll entries.	G0672	STOP CODE ENTRY	Sets up the Polish notation for the STOP statement.
G0659	FORMAT STA XLATE	Validates the use of the FORMAT statement and controls the construction of the Polish notation for the statement.	G0673	PAUSE STA XLATE	Controls the interpretation of the PAUSE statement.
G0660	FORMAT STA END	Builds the FORMAT roll from the information obtained from the processing of the statement.	G0674	PAUSE STOP COMMON	Checks the form of the specified statement and controls the construction of the Polish notation for the statement.
G0661	FORMAT LIST SCAN	Checks the form of the literal content of the FORMAT statement.	G0675	PAUSE STOP END	Registers the constructed Polish notation on the POLISH roll.
G0662	FORMAT BASIC SCAN	Interprets the FORMAT list and constructs the Polish notation for the list.	G0676	INIT LITERAL FOR STOP PAUSE	Controls the interpretation of the message specified in the PAUSE statement.
G0663	ISCAN TEST	Checks the size of the integer constant or variable specified.	G0677	NAMELIST STA XLATE	Constructs the roll entries for the NAMELIST statement.
			G0678	COMMON STA XLATE	Constructs the roll entries for the COMMON specification.

<u>Label</u>	<u>Routine Name</u>	<u>Comments</u>	<u>Label</u>	<u>Routine Name</u>	<u>Comments</u>
G0679	TEST ID ARRAY OR SCALAR	Validates the identifica- tion of the array or scalar used in COMMON.	G0692	TEST ORDER	Checks the order in which the SUBROUTINE or FUNC- TION statement appears in the source module.
G0680	DOUBLE PRE STA XLATE	Checks the use of the DOUBLE PRECISION state- ment and controls the interpretation of the statement.	G0693	DMY SEQ SCAN	Checks the designation of the dummy variables for call by name or call by value.
G0681	TYPE STA XLATE	Interprets and constructs the roll entries for the type specification statement.	G0694	GLOBAL DMY SCAN AND TEST	Checks the identification of the global dummy for a possible conflict in definition.
G0682	SCAN FOR SIZE	Checks the size specifi- cation for the vari- ables in type state- ments.	G0695	DEFINE FILE STA XLATE	Constructs the Polish notation for the DEFINE FILE statement.
G0683	TYPE SEARCH TEST AND REG	Checks the identification of the variables in the type specification in statement for pre- vious definition and defines if correct.	G0696	DATA STA XLATE	Constructs the Polish notation and roll entries for the DATA statement.
G0684	ENTRY STA XLATE	Constructs the Polish notation and roll entries for an ENTRY statement.	G0697	DATA CONST XLATE	Interprets the constants specified in the DATA statement.
G0685	FUNCTION STA XLATE	These routines control the construction of the Polish notation for a FUNCTION subprogram by invoking the routines which interpret the contents of the state- ment.	G0698	INIT DATA VAR GROUP	Determines and sets up the number of elements specified in the DATA statement.
G0686	TYPED FUNCTION STA XLATE		G0699	DATA CONST ANALYSIS	Validates the specifica- tion of the constants used in the DATA statement.
G0687	FUNCTION ENTRY STA XLATE XLATE		G0700	DATA VAR TEST AND SIZE	Checks the definition of the variables specified in the DATA statement for usage conflict, and registers the variables if no conflict is found.
G0688	SUBROUTINE STA XLATE	These routines control the construction of the Polish notation for a SUBROUTINE subprogram by invoking the routine which interprets the contents of the state- ment.	G0701	MOVE TO TEMP POLISH ROLL	Moves information for DATA statement to TEMP POLISH roll from WORK roll.
G0689	SUBROUTINE ENTRY STA XLATE		G0702	READ STA XLATE	Checks the type of READ statement and controls the interpretation of the statement.
G0690	SUBPROGRAM END	Common closing routine for ENTRY, FUNCTION, and SUBROUTINE state- ments.	G0704	READ WRITE STA XLATE	Interprets the elements of the READ or WRITE statement and con- structs the Polish notation for the statement.
G0691	SPROG NAME SCAN AND REG	Checks the identification of the SUBROUTINE or FUNCTION subprogram for conflicts in defini- tion.	G0705	END QT XLATE	Constructs the Polish notation for the END= quote.

<u>Label</u>	<u>Routine Name</u>	<u>Comments</u>	<u>Label</u>	<u>Routine Name</u>	<u>Comments</u>
G0706	ERR QT XLATE	Constructs the Polish notation for the ERR= quote in the READ statement.	G0723	STA XLATE EXIT	Replaces the Polish notation for a statement with error linkage if indicated.
G0707	REGISTER IBCOM	Inserts a roll entry for a call to IBCOM.	G0724	ILLEGAL STA FAIL	These routines set up diagnostic messages for the type of error indicated by the routine name.
G0708	REGISTER ERROR LINK	Sets the roll entry for the generation of error linkage.	G0725	ORDER FAIL	
G0709	READ B STA XLATE	Initialize for the construction of the Polish notation for the indicated statement.	G0726	ALLOCATION FAIL	
G0710	PUNCH STA XLATE		G0727	ILLEGAL NUMBER FAIL	
G0711	PRINT STA XLATE		G0728	SUBSCRIPT FAIL	
G0712	F2 IO XLATE	Constructs the Polish notation for the indicated input/output statement and interprets FORMAT designations associated with the input/output statement.	G0729	ID CONFLICT FAIL	Checks definition of variables in the source module; defines as scalar if undefined.
G0713	IOL LIST XLATE	Interprets and constructs the Polish notation for the list associated with the indicated input/output statement.	G0730	TYPE CONFLICT FAIL	
G0714	FIND STA XLATE	Constructs the Polish notation for the FIND statement.	G0731	VAR SCAN	Constructs the Polish notation and roll entries for array references.
G0715	RETURN STA XLATE	Constructs the Polish notation for the RETURN statement.	G0732	ARRAY SCAN	
G0716	EQUIVALENCE STA XLATE	Constructs the roll entries for the EQUIVALENCE statement	G0733	SUBSCRIPT ANALYSIS	Determines the nature of an array reference for purposes of subscript optimization.
G0717	DIMENSION SEQ XLATE	Constructs the roll entries for the dimensions designated for an array.	G0734	SCRIPT ITEM ANALYSIS	Determines whether a subscript expression is a linear function of a DO variable, and sets ANSWER BOX.
G0718	TEMP MAKER	Increments pointer for temporary locations used for dummy dimensions.	G0735	NOTE LINEAR SCRIPT	Registers a linear subscript expression on SCRIPT roll.
G0719	SPECIFICATION STA EXIT	Set flags and return.	G0736	RESTORE NONLINEAR SCRIPT	Builds the Polish notation for a nonlinear subscript expression on Polish roll.
G0720	JUMP END		G0737	MOVE ON EXIT FALSE	Moves one group from WORK roll to POLISH roll, sets ANSWER BOX to false, and returns.
G0721	ACTIVE END		G0738	SCRIPT SCALAR ANALYSIS	Determines whether a scalar used in a subscript is a DO variable and sets ANSWER BOX.
G0722	HEAD STA EXIT				

<u>Label</u>	<u>Routine Name</u>	<u>Comments</u>	<u>Label</u>	<u>Routine Name</u>	<u>Comments</u>
G0739	SCRIPT CONST ANALYSIS	Separates constant used in a subscript expression as either induction variable coefficient or additive constant.	G0752	OP CHECK AND DEPOSIT	The current and previous operations are set up according to a precedence, and a Polish notation is constructed.
G0740	DEFINE SCRIPT GROUP	Creates new group containing zeros on the SCRIPT roll.	G0753	GEN AND REG EXPON SPROG	Determines the nature of an exponentiation, and records the required subprogram on the GLOBAL SPROG roll.
G0741	REGISTER SCRIPT GROUP	Defines a subscript expression on the SCRIPT roll by setting the traits, displacement, and array reference.	G0754	REG COMPLEX SPROG	Determines the nature of an operation involving complex variables and registers the appropriate routine on the GLOBAL SPROG roll.
G0744	TERM SCAN	Initializes the construction of Polish notation for a new term in an expression.	G0755	A MODE PICK AND CHECK	Checks and sets mode of operator by inspecting the first of a pair of operands.
G0745	ELEMENT OP SEQ SCAN	Constructs the Polish notation for a term in an arithmetic expression.	G0756	MODE PICK	Actually places mode field in driver.
G0746	UNAPPENDED SPROG ARG	Exits from expression scanning on finding an array or subprogram name not followed by a left parenthesis; ensures reference is correct.	G0757	B MODE PICK AND CHECK	With second operand and driver set by A MODE PICK AND CHECK, resets driver mode; if complex raised to a power, ensures power is integer.
G0747	FUNCTION ELEMENT	Determines whether a function call in an expression is to a statement function, a library function, or a global subprogram; calls SPROG ARG SEQ SCAN to scan arguments.	G0758	MODE CHECK	Determines whether modes of operands are valid in relational and logical operations.
G0748	CONST ELEMENT	Scanning expression, if compiler finds non-letter, non-left parenthesis, it goes here; determines if really a constant.	G0759	NUMERIC EXP CHECK	Determines that an operation or an expression is numeric, as opposed to logical, for compatibility.
G0749	SCALAR ELEMENT	Ensures that scalar is registered.	G0760	NUMERIC EXP CHECK AND PRUNE	Uses NUMERIC EXP CHECK, then prunes bottom of POLISH roll.
G0750	ELEMENT MOVE	Moves pointer to POLISH roll for any element in expression.	G0761	SPROG ARG SEQ SCAN	Constructs the Polish notation for the argument list designated for a subprogram.
G0751	OP SCAN CHECK DEPOSIT	Determines the operation indicated in an expression, sets up the appropriate driver, and falls through to OP CHECK AND DEPOSIT.	G0762	ARG TEST AND PRUNE	Tests the number and type of arguments to library routine; moves label arguments to CALL LBL roll.
			G0763	TEST FOR ALTERABLE	Determines whether a scalar has been passed as a subprogram argument.

<u>Label</u>	<u>Routine Name</u>	<u>Comments</u>	<u>Label</u>	<u>Routine Name</u>	<u>Comments</u>
G0764	ID SCAN NO USE	Sets a flag tested in MODE SET so that low-order bits of roll are not altered when variable is defined; statement does not use variable.	G0776	REGISTER FX CONST	Records new integer constant if not previously defined.
G0765	ID CLASSIFY NO USE	Goes to ID CLASSIFY after setting flag to indicate variable has not been used and mode should not be set.	G0777	CONST ANALYSIS	Determines the type of a constant and jumps to proper conversion routine.
G0766	ID SCAN	Compiles name from source in central area and goes to ID CLASSIFY.	G0778	CPLX CONST ANALYSIS	Converts a complex constant.
G0767	ID CLASSIFY	Determines the classification of a name -- scalar, array, subprogram, etc., and leaves pointer in W0; exits false if name not defined.	G0779	CHECK CONST SIGN	Checks for unary minus sign on constant.
G0768	REGISTER SCALAR	Records new name on SCALAR roll.	G0780	SCAN CONST SIGN	Scans first character of a constant for a sign; sets up driver if unary minus.
G0769	REGISTER GLOBAL SPROG REGISTER RUNTIME GS	Determines if name is already a defined subprogram; if not records it on GLOBAL SPROG roll.	G0782	HEXADECIMAL CONST SCAN	Converts a hexadecimal constant.
G0770	REGISTER GLOBAL SPROG ROLL	Records name on GLOBAL SPROG roll.	G0783	REGISTER HEX CONST	Records new constant on HEX CONST roll if not previously defined.
G0771	MODE SET	Determines the mode of the indicated variable, logical, integer, complex, etc., and inserts code in pointer in W0.	G0784	LBL ARG SCAN	Checks validity of a label argument to a subprogram and records label as jump target.
G0772	CONST SCAN	Controls the translation and recording of constants.	G0785	SCAN HOLLERITH ARGUMENT	Scans an IBM card code argument to a subprogram, and records as literal constant.
G0773	REGISTER COMPLEX CONST	Records complex and double-precision complex constants not previously defined on appropriate roll.	G0786	LITERAL CONST SCAN	Distinguishes literal constants from logical; converts and records.
G0774	REGISTER FL CONST	Records single- and double-precision real constants on appropriate roll when not previously defined.	G0787	LITERAL CONST SCAN PAUSE	Packs a literal constant.
G0775	REGISTER WORK CONST	Records constant in W0 as new integer constant if not defined.	G0788	REGISTER LITERAL CONST	Records literal constant on LITERAL CONST roll if not previously defined.
			G0789	INIT PACK LITERAL	Initializes for conversion of a literal constant.
			G0790	PACK LITERAL COMPLETE	Moves literal constant onto TEMP LITERAL roll if packed.
			G0791	PACK LITERAL CONST	Converts a literal constant from source input.
			G0792	LOOK FOR ONE QUOTE	Checks for a quotation mark not followed by a second quotation mark; sets ANSWER BOX.

<u>Label</u>	<u>Routine Name</u>	<u>Comments</u>	<u>Label</u>	<u>Routine Name</u>	<u>Comments</u>
G0793	PACK TWO FROM WORK	Packs low-order byte from last one or two groups on WORK roll onto LITERAL TEMP roll.	G0806	NEXT CLOSING SLASH	Scans source input until second of the next pair of slashes not enclosed in parentheses.
G0794	PACK ONE FROM WORK				
G0795	PACK CRRNT CHAR	Packs current character onto LITERAL TEMP roll.	G0807	NEXT ZERO COMMA SLASH OR CRP	Scans source input until next comma or slash not enclosed in parentheses or a closing right parenthesis.
G0796	PACK CHAR	General routine to actually place a byte in a word which, when complete, is placed on the LITERAL TEMP roll.	G0808	NEXT ZERO R PAREN	Scans source input until next zero level right parenthesis.
G0797	SYMBOL SCAN	Assembles identifier from input in SYMBOL 1, 2, and 3, and returns.	G0809	COMMA TEST	Advances scan arrow and returns ANSWER BOX true if next active character is a comma; if it is a letter, sets up missing comma message, does not advance, and returns true; if it is neither, returns false.
G0798	LOGICAL CONST SCAN	Scans logical constants from source input and records as integers.			
G0799	JUMP LBL SCAN AND MOVE	Scans label, defines it as jump target and pointer on POLISH roll. Locates transfers from innermost DO loops that are possible extended range candidates. Also checks for possible re-entry points into innermost DO loops, and tags such points.	G0810	INTEGER TERM SCAN AND MOVE	Scans integer constant or variable, defines on appropriate roll, puts pointer on POLISH roll.
G0800	FORMAT LBL SCAN	Scans a label, registers it if necessary, and ensures that it is a FORMAT label if already defined.	G0811	INTEGER CONST SCAN AND MOVE	Scans integer constant; defines on FX CONST roll if required; puts pointer on POLISH roll.
G0801	FORMAT LBL TEST	Tests that pointer in W0 indicates format label (vs. jump target label); if not, there is an error.	G0812	INTEGER VAR SCAN AND MOVE	Scans integer variable; defines on roll if required; puts pointer on POLISH roll.
G0802	LBL SCAN	Scans referenced label, defines on LBL roll if required, produces error messages, leaves pointer in W0.	G0813	INTEGER TEST	Determines whether a pointed to variable or constant is an integer.
G0803	REGISTER LBL	Records label on LBL roll if not previously defined; leaves pointer in W0.	G0814	SIGNED INTEGER SCAN	Scans and converts signed integer constant; defines on FX CONST roll if required.
G0804	NEXT ZERO LEVEL COMMA NEXT ZERO COMMA OR R PAREN	Scans source input to next comma not in parentheses or to close off a pair of parentheses.	G0815	INTEGER SCAN	Scans and converts an unsigned integer constant and register on FX CONST roll if required.
G0805	NEXT ZERO COMMA OR CS	Scans source input until next comma or slash not in parentheses.	G0816	DP CONST MAKER	Builds a double-precision constant from source input.
			G0817	DP ADJUST CONST	Used in converting floating point numbers; adjusts for E or D field.

<u>Label</u>	<u>Routine Name</u>	<u>Comments</u>	<u>Label</u>	<u>Routine Name</u>	<u>Comments</u>
G0818	CONVERT TO FLOAT	Converts integer constant to floating point.	G0839	TEST FOR ERROR MESSAGE	Determines whether error messages are to be printed; if so, prints dollar sign markers.
G0820	CLEAR TWO AND EXIT TRUE	Remove the specified number of groups from the WORK roll, set ANSWER BOX to true, and return.	G0840	PRINT MESSAGES	Prints line of error messages.
G0821	CLEAR ONE AND EXIT TRUE	Remove the specified number of groups from the WORK roll, set ANSWER BOX to true, and return.	G0841	TEST AND ZERO PRINT BUFFER	Clears output area for printer.
G0823	EXIT TRUE EXIT TRUE ML	Sets ANSWER BOX to true and returns.	G0842	INIT READ A CARD	Scans source input for assignment statement (flag 1) or Logical IF with assignment for consequence (flag 2).
G0824	CLEAR ONE AND EXIT FALSE	Removes one group from WORK roll, sets ANSWER BOX to true, and returns.	G0843	READ A CARD	Puts card onto SOURCE roll and re-enters INIT READ A CARD at proper point.
G0825	EXIT FALSE	Sets ANSWER BOX to false and returns.	G0845	SKIP TO NEXT CHAR MASK	Scans input to next source character not of a class of characters specified as input to routine.
G0826	CLEAR TWO AND EXIT	Remove specified number of groups from WORK roll and return.	G0846	REENTRY SKIP TO NEXT CHAR MASK	Entry point used to continue masking operation on a new card.
G0827	CLEAR ONE AND EXIT	Remove specified number of groups from WORK roll and return.	G0847	NEXT CHAR NEXT CHARACTER	Advance scan arrow to next active character.
G0829	EXIT EXIT ML EXIT ON ROLL	Returns.	G0848	NEXT CHAR ML NEXT CHARACTER ML	
G0832	SYNTAX FAIL ML ILLEGAL SYNTAX FAIL SYNTAX FAIL	Records syntax error message and goes to FAIL.	G0849	BCD TO EBCDIC	Converts CRRNT CHAR from BCD to EBCDIC.
G0833	FAIL	If JPE flag off, restores WORK and EXIT roll addresses from last status control, house-keeps Polish notation through STA XLATE EXIT, and returns with ANSWER BOX set to false; if the flag is on, values are restored for JPE and exit is to the location following last JPE POP instruction.	G0850	DIGIT CONV INITIAL	Initializes for the conversion of a number from decimal to binary (resets digit counts, clears DATA area, etc.)
G0834	STATUS CONTROL	Saves addresses of WORK and EXIT roll bottoms.	G0851	MAPT1 TO TMP1	Converts value in format of TOP or BOTTOM, a virtual address, to a true address.
G0835	DIGIT CONV SCAN	Converts integer from decimal to binary, and leaves in DATA area.	G1034	BUILD LOOP DATA GROUP	Constructs group on LOOP DATA roll.
G0836	CONV ONE DIGIT	Converts decimal digit to binary, and leaves in DATA area.	G1035	DATA TERM ANALYSIS	Checks for and sets flag if it finds unary minus in DATA statement.
G0838	PRINT A CARD	Controls printing of source listing and error messages.	G1037	CONST REGISTER EXIT	Common exit routine for constant recording routines; leaves pointer to constant in W0.

<u>Label</u>	<u>Routine Name</u>	<u>Comments</u>	<u>Label</u>	<u>Chart ID</u>	<u>Routine Name</u>
G1038	T AND F CONST SCAN	Scans for logical constants T and F in DATA statements.	G0376	CH	ENTRY NAME ALLOCATION
			G0377	CI	COMMON ALLOCATION AND OUTPUT
G1039	EXIT ANSWER	General routine used by all EXITS which set ANSWER BOX to store value in ANSWER BOX and return.	G0381	CK	EQUIV ALLOCATION PRINT ERRORS
			G0437	CL	BASE AND BRANCH TABLE ALLOC
			G0397	CM	SCALAR ALLOCATE
			G0401	CN	ARRAY ALLOCATE
			G0402	CO	PASS 1 GLOBAL SPROG ALLOCATE
G1040	DEBUG STA XLATE	Translates DEBUG statement.	G0442	CP	SPROG ARG ALLOCATION
			G0443	CQ	PREP NAMELIST
G1041	AT STA XLATE	Constructs AT roll entry from AT statement.	G0444	CR	LITERAL CONST ALLOCATION
			G0445	CS	FORMAT ALLOCATION
			G0441	CT	EQUIV MAP
G1042	TRACE STA XLATE	Constructs Polish notation for TRACE statement.	G0403	CU	GLOBAL SPROG ALLOCATE
			G0405	CV	BUILD NAMELIST TABLE
			G0438	CW	BUILD ADDITIONAL BASES
			G0545	CX	DEBUG ALLOCATE

SUPPLEMENTARY ALLOCATE LABEL LIST

The routines described in this section are listed by G number labels which are presented in ascending order. These routines are those used in the operation of Allocate which are not shown in the section of flowcharts for the phase.

<u>Label</u>	<u>Routine Name</u>	<u>Comments</u>
G0363	PREPROCESS EQUIV	Checks the data contained on the EQUIVALENCE roll and computes the required addresses.
G0364	REGISTER ERRORS SYMBOL	Checks the ERROR SYMBOL roll for the presence of the error just detected. All duplicate entries are pruned from the roll and all new entries placed on the roll.
G0366	CHECK DMY DIMENSION	The dummy dimension is checked for definition as a global dummy variable, or in COMMON.
G0367	GLOBAL DMY TEST	Sets a pointer to the dummy array on the ENTRY roll; a pointer to the ARRAY roll is also set for each dummy array.
G0368	DMY DIM TEST AND REG	The DMY DIMENSION roll is rebuilt with the information obtained from the COMMON DATA TEMP, TEMP, and GLOBAL DMY rolls.

ALLOCATE LABEL LIST

The labels enumerated in the following list are used in the flowcharts provided for the illustration of the major routines used by Allocate.

<u>Label</u>	<u>Chart ID</u>	<u>Routine Name</u>
G0359	05	START ALLOCATION
G0451	CA	ALPHA LBL AND L SPROGS
	CA	ALPHA SCALAR ARRAY AND SPROG
G0362	CB	PREP EQUIV AND PRINT ERRORS
G0361	CC	BLOCK DATA PROG ALLOCATION
G0365	CD	PREP DMY DIM AND PRINT ERRORS
G0371	CE	PROCESS DO LOOPS
G0372	CF	PROCESS LBL AND LOCAL SPROGS
G0374	CG	BUILD PROGRAM ESD

<u>Label</u>	<u>Routine Name</u>	<u>Comments</u>	<u>Label</u>	<u>Routine Name</u>	<u>Comments</u>
G0369	DMY DIM TEST	The dimension data is checked for having been previously defined on the NAMELIST ITEMS and COMMON DATA rolls.	G0386	TEST FOR BOUNDARY	Sets and checks the smallest equivalenced area and highest boundary required for allocation of the variables indicated; resets program break according to requirement.
G0370	DMY CLASSIFY	Classifies a dummy, defining it as scalar if undefined; if it is an array sets call by name tag.	G0387	CSECT EQUIV ALLOCATION	Controls the allocation of EQUIVALENCE sets equal to or greater than 3K bytes into a new control section.
G0373	REGISTER BRANCH TABLE	Places work containing zero on the BRANCH TABLE roll.	G0388	PRINT CSECT EQUIV MAP	Sets up and formats the printing of the storage map for EQUIVALENCE sets equal to or greater than 3K bytes.
G0375	PUNCH REMAINING ESD BUFFER PUNCH REMAINING CARD	Punches a card.	G0389	BUILD COMMON ALL ROLL	Calculates the base and displacement for EQUIVALENCE sets equal to or greater than 3K bytes and registers these sets on the COMMON ALLOCATION roll.
G0378	SEARCH ROLL BY MAGNITUDE	The GENERAL ALLOCATION roll is searched to check if the largest equivalenced area has been allocated.	G0391	SEARCH FOR LARGE ARRAYS	Determines the size of arrays not defined as EQUIVALENCE or COMMON. Obtains the arrays that are equal to or greater than 3K bytes.
G0379	PRINT COMMON ERRORS	Sets up for, and prints, COMMON allocation errors.	G0392	BUILD A NEW CSECT	Sets the program name and obtains a new control section for the allocation of arrays and EQUIVALENCE sets.
G0380	PRINT COMMON HEADING	COMMON storage map heading is printed.	G0393	PRINT A ARRAY CSECT MAP	Sets the information for the printing of the map for arrays equal to or greater than 3K bytes.
G0382	EQUIV ALLOCATION	Builds the EQUIV ALLOCATION roll from the boundary calculated; records the absolute address assigned to the variables.	G0394	CONV TEMP3 TO HEX	Converts the contents of the temporary register to hexadecimal.
G0383	FLP AND PROCESS EQUIV	Inverts the contents of the EQUIVALENCE roll.	G0395	GLOBAL DMY ALLOCATE	Assigns storage for global dummy variables; expands the contents of the BASE TABLE roll, as required.
G0384	PROCESS EQUIV	Constructs complete EQUIVALENCE sets on the GENERAL ALLOCATION roll using information on the EQUIVALENCE roll.	G0396	TEST FOR CALL BY NAME	Determines whether the indicated variable was called by name or called by value.
G0385	INTEGRATE	Assigns locations relative to the first variable listed for all variables in an EQUIVALENCE set if not already allocated.			

<u>Label</u>	<u>Routine Name</u>	<u>Comments</u>	<u>Label</u>	<u>Routine Name</u>	<u>Comments</u>
G0398	ALLOCATE SCALAR BOUNDARY	Sets up allocation of scalars according to the size of the variable.	G0413	PUNCH REMAINING TXT CARD	Punches the remaining card indicated, after the area from which data was being taken has been punched.
G0399	ALLOCATE SCALAR	Formats the allocation of scalars not defined as global dummies in COMMON or in EQUIVALENCE sets. Initializes for the printing of the scalar map and calculates the base and displacement.	G0414	PUNCH ESD	Punches the indicated ESD
G0400	CED SEARCH	Determines if the variable is defined as a global dummy, in COMMON or in an EQUIVALENCE set. If it is, it sets the ANSWER BOX = true.	G0415	PUNCH LD ESD	cards for the program area indicated.
G0404	ALLOCATE SPROG	Sets the type of the ESD cards that are to be punched and initializes for the allocation of subprogram addresses.	G0416	PRINT ERROR LBL ROLL	Prints the contents of this roll which contains the errors noted during operation.
G0406	ADJUST AND OUTPUT NAME	Sets the format for the punching of the NAMELIST name, and adjusts for storage.	G0417	CONVERT LBL	Converts the label of an erroneous statement to BCD for printing.
G0407	PUNCH NAME LIST AND FIELD	Sets the format for the punching of the address allocated for each NAMELIST according to storage required.	G0418	PRINT ERROR SYMBOL	Prints the contents of the ERROR SYMBOL roll.
G0408	OUTPUT MODE WORD	Sets the format for the punching of the mode of the NAMELIST variable.	G0420	PRINT SCALAR OR ARRAY MAP	Prints the indicated map.
G0409	ADVANCE PROG BREAK AND PUNCH	Increases the item PROGRAM BREAK according to the storage allocation required for the variables indicated.	G0421	PRINT INIT MAP	Checks the existence of processing of a storage map. Initiates the printing of the indicated map if one is not already being printed.
G0410	PUNCH LITERAL	Obtains the number of bytes and the address of the roll indicated for punching of literal constants.	G0422	TEST AND PRINT MAP	
G0411	MOVE TO PUNCH BUFF	Moves the indicated data to the appropriate punch buffer.	G0423	PRINT MAP HEADING	Prints the heading of the indicated storage map for the variables designated.
G0412	PUNCH TXT CARD	Punches the indicated TXT card after setting up the address and buffer information.	G0424	PRINT FORMAT MAP	Prints map of FORMAT statements.
			G0425	PRINT HEADING MESSAGE	Prints the heading indicated for error messages.
			G0426	PRINT MAP PRINT MAP ML	Prints the variables associated with the storage map heading from the rolls indicated.
			G0431	PRINT REMAINING BUFFER	Print the remaining information in the print buffer after the data has been obtained from the indicated storage area.
			G0432	PRINT ERROR REMAINING BUFFER	
			G0433	ALLOCATE FULL WORD MEMORY	Initializes for the allocation of a full word of storage.
			G0434	ALLOCATE MEMORY	Allocate storage according to the type of the variable indicated;
			G0435	ALLOCATE BY TYPE	fullword, halfword, or byte.

<u>Label</u>	<u>Routine Name</u>	<u>Comments</u>
G0436	CALCULATE SIZE AND BOUNDARY	Determines the size and the boundary required for the variable indicated.
G0439	CALCULATE BASE AND DISP	Determines the base table entry and displacement for variable being allocated, constructing a new base table entry if necessary.
G0440	REGISTER BASE	Constructs a new BASE TABLE roll group.
G0446	BUILD FORMATS	The base and displacement for FORMAT statements are calculated and the PROGRAM BREAK increased as required.
G0447	INCREMENT PNTR	Increases the address field of the pointer to the indicated roll so that the pointer points to the next group on the roll.
G0448	ID CLASSIFY	Variables are checked for a previous classification as a global dummy, a scalar, an array, global sprog, used library function, or a local sprog.
G0449	REGISTER SCALAR	Builds new group onto the SCALAR roll.
G0450	MODE SET	Sets the mode of the variable to fixed or floating, explicit or implicit, or not used.
G0455	CLEAR THREE AND EXIT TRUE	Prunes three groups from the WORK roll, and exits with a true answer in ANSWER BOX.
G0456	CLEAR TWO AND EXIT TRUE	Prunes two groups from the WORK roll, and exits with a true answer in ANSWER BOX.
G0457	CLEAR ONE AND EXIT TRUE	Prunes one group from the WORK roll, and exits with a true answer in ANSWER BOX.
G0458	EXIT TRUE EXIT TRUE ML	Set ANSWER BOX to true and exit.

<u>Label</u>	<u>Routine Name</u>	<u>Comments</u>
G0460	CLEAR TWO AND EXIT FALSE	Prunes two groups from the WORK roll, and exits with a false answer in ANSWER BOX.
G0461	CLEAR ONE AND EXIT FALSE	Prunes one group from the WORK roll, and exits with a false answer in ANSWER BOX.
G0462	EXIT FALSE	Sets ANSWER BOX to false, and exits.
G0464	CLEAR FOUR AND EXIT	Prunes four groups from the WORK roll, and exits.
G0465	CLEAR THREE AND EXIT	Prunes three groups from the WORK roll, and exits.
G0466	CLEAR TWO AND EXIT	Prunes two groups from the WORK roll, and exits.
G0467	CLEAR ONE AND EXIT	Prunes one group from the WORK roll, and exits.
G0468	EXIT	Obtains return address from the EXIT roll, and transfers to that address.

UNIFY LABEL LIST

The labels enumerated in the following list are used in the flowcharts provided for the illustration of the major routines used by Unify.

<u>Label</u>	<u>Chart ID</u>	<u>Routine Name</u>
G0111	07	START UNIFY
G0145	DA	ARRAY REF ROLL ALLOTMENT
G0113	DB	CONVERT TO ADR CONST
G0112	DC	CONVERT TO INST FORMAT
G0115	DD	DO NEST UNIFY

SUPPLEMENTARY UNIFY LABEL LIST

The routines described in this section are listed by G number labels which are presented in ascending order. These routines are those used in the operation of Unify which are not shown in the section of flowcharts for the phase.

<u>Label</u>	<u>Routine Name</u>	<u>Comments</u>	<u>Label</u>	<u>Routine Name</u>	<u>Comments</u>
G0114	CALL GEN	Transfers to the Gen phase of the compiler.	G0126	STANDARD EXPS UNIFY	Processes STD SCRIPT roll when NONSTD roll entries have all been processed or have never existed. Moves entries to next outermost loop.
G0116	NOTE ARRAY ALLOCATION DATA	Processes SCRIPT roll block to reflect storage allocation.	G0127	CONVERT NONSTD SCRIPT TO STD	Picks a NONSTD roll entry with a minimum displacement and processes it as if it were a standard script.
G0117	LEVEL ONE UNIFY	Sets variables for the processing of a single loop or the outer loop of a nest of loops.	G0128	SIGN ALLOC DISPLACEMENT	Utility routine to spread the sign of negative displacements.
G0118	DO LOOP UNIFY	Controls the processing of script data associated with current innermost loop.	G0129	DELTA GE 4087 UNIFY	Processes paired STD or NONSTD roll entries with DELTA greater than 4087 bytes. Generates second register and LOOP CONTROL entries.
G0119	SWEEP SCRIPT EXP NOTE	Compares the area code and the outer coefficient of all other entries on the NEST SCRIPT roll to the bottom entry on the roll.	G0130	DELTA LE 4087 UNIFY	Processes paired STD or NONSTD roll entries with DELTA less than 4087 bytes. DELTA is placed in each ARRAY REF entry in the chain.
G0120	ZERO COEF UNIFY	Sweeps the script entries for the innermost loop, determining whether the outer coefficient is zero and that the inner coefficients are also the same. Depending upon the condition, the loops are re-registered on the LOOP SCRIPT roll.	G0131	ESTABLISH REG STRUCTURE	Controls formation of LOOP CONTROL and REG roll groups for SCRIPT pointer in W0.
G0121	NOTE SCRIPT EXP	Establishes the nature of the script entries as standard or non-standard.	G0132	EST. REG GROUP	Forms REG roll entry for SCRIPT pointer in W0.
G0122	ESTABLISH STD SCRIPT EXP	Forms the LOOP CONTROL and REG roll entries for each STD SCRIPT pointer found in W0, also registering the STD SCRIPT LOOP CONTROL rung.	G0133	ESTABLISH LOOP CONTROL	Entry to establish loop control which sets up stamps for impending LOOP CONTROL group.
G0123	NOTE HI FREQ STD	Checks the frequency used for a particular standard script expression, and sets the frequency count.	G0134	EST. LOOP CONTROL	Forms LOOP CONTROL group for SCRIPT entry in W1.
G0124	SCRIPT EXP UNIFY	Controls the processing of innermost LOOP SCRIPT roll entries with matching area code and outer coefficients; also links each NONSTD roll entry with each STD roll entry, comparing the induction coefficients.	G0135	FORM OUTER SCRIPT	Processes paired STD or NONSTD roll entries with best match in inner coefficients. Forms SCRIPT entry for next outermost loop with coefficient differences in coefficient slots.
			G0136	NOTE SECOND REG THREAD	Runs the ARRAY REF thread, removing each link to provide for the second register.

<u>Label</u>	<u>Routine Name</u>	<u>Comments</u>	<u>Label</u>	<u>Chart ID</u>	<u>Routine Name</u>
G0137	UPDATE FREQS	Sums the frequencies of the STD or NONSTD pair to indicate increased usage.	G0491	08	START GEN
G0138	REG SCRIPT EXP	Registers the STD or NONSTD in W0 on the STD or NONSTD roll.	G0499	EA	ENTRY CODE GEN
			G0504	EB	PROLOGUE GEN
			G0508	EC	EPILOGUE GEN
			G0712	ED	GET POLISH
G0139	PRUNE SCRIPT REL TO PNTR	Utility routine to remove SCRIPT groups.	G0493	EF	LBL PROCESS
			G0515	EG	STA GEN
			G0496	EH	STA GEN FINISH

G0140	NOTE ARRAY REF DELTA	Adjusts the information indicated from the SCRIPT allocation according to the displacement to the associated ARRAY REF roll entries.
G0141	REALIZE REGISTERS SWEEP	Sweeps the REG roll, assigning available registers to the registers and temps, according to the frequency of use of the registers in the REG roll.
G0142	NOTE HI FREQ REG	Utility routine which notes the REG roll group indicating the highest frequency of use.
G0143	ASSIGN TEMPS FOR REGS	Places next temp into the ARRAY REF run and adjusts the LOOP CONTROL stamps to reflect temp usage.
G0144	CONVERT REG TO USAGE	Performs the actual transfer of REG or TEMP roll entries into the ARRAY REF threads.

SUPPLEMENTARY GEN LABEL LIST

The routines described in this section are listed by G number labels which are presented in ascending order. These routines are those used in the operation of Gen but not shown in the section pertaining to the phase.

<u>Label</u>	<u>Routine Name</u>	<u>Comments</u>
G0494	CLINCH	Clears the base register table.
G0497	ZERO THE ACS	Clears the accumulators to be used.
G0498	MOVE ZEROS TO T AND C	Fills the indicated number of groups on the TEMP AND CONST roll with zeros.
G0500	INSERT PROG NAME IN CODE	Puts name of source module on CODE roll.
G0501	MAIN PROGRAM ENTRY	Builds instructions for the entry into the main program.
G0502	PRO AND EPI ADCON GEN	Determines the address constant for prologues and epilogues for the instruction that is created.
G0503	ADCON MAKER GEN	Builds ADCON roll group and places adcon instruction on CODE roll.
G0505	LOAD DMYS GEN	Builds the code to load the dummy arguments specified in a subprogram.

GEN LABEL LIST

The labels contained in the following list are illustrated in the flowcharts provided with the description of the Gen phase of the compiler.

<u>Label</u>	<u>Routine Name</u>	<u>Comments</u>	<u>Label</u>	<u>Routine Name</u>	<u>Comments</u>
G0506	BUILD DMY ARRAY DIM	Determines the dummy array dimensions specified in the arguments for the subprogram.	G0522	BUILD JUMP INST	Constructs a branch instruction, with input indicating type and branch point.
G0507	CALCULATE DMY DIM	Calculates the dummy array dimensions specified as arguments to a subprogram, and builds the appropriate instructions.	G0523	GO TO STA GEN	These routines control and construct the object code required to execute the indicated type of GO TO statement.
			G0524	ASSIGN GO TO STA GEN	
			G0525	GO TO JUMP GEN	
G0509	RESTORE DMY GEN	Restores the dummy arguments for value transfer at the end of a subprogram.	G0526	CGOTO STA GEN	These routines construct the object code for a GO TO statement that is the subprogram return.
			G0527	CGOTO FOR CALL RETURN GEN	
G0510	TEST CALL BY NAME	Determines whether the arguments to a subprogram were designated as call by name values.	G0528	CONTINUE STA GEN	Returns.
G0511	BUILD A MOVE DMY GROUP	These routines build the instructions that transmit the indicated values transferred by the dummy arguments to subprogram.	G0529	BLOCK DATA GEN	Sets up the rolls and data used in the construction of the object code for the BLOCK DATA statement.
G0512	BUILD A STORE DMY ADD				
G0513	INCREMENT DMY PNTR				
G0514	BUILD A LOAD TWO				
G0516	ASSIGNMENT STA GEN	Controls the construction of the code for an assignment statement.	G0530	STA INIT	Stores the statement number and leaves statement drives in W0.
G0517	AFDS STA GEN	Controls and constructs the instructions for an arithmetic function definition statement.	G0531	DATA STA GEN	Determines the use and mode of the data variables and constructs the object code based on this information.
G0518	AFDS INIT	Initializes the construction of the code for an arithmetic function definition statement by constructing the label and jump instructions.	G0532	ALIGN DATA	Adjusts the data for instruction format.
G0519	ASSIGN STA GEN	Constructs the object code for an ASSIGN statement.	G0533	INIT FOR VAR	Obtains the base, size, displacement, and area code of the indicated variable and adjusts the instruction format for the variable according to the information obtained.
G0520	IF STA GEN	Constructs the object code for an IF statement.	G0534	MOVE DATA	Sets up the beginning of the data for card format.
G0521	LOGICAL IF STA GEN	Constructs the object code for a Logical IF statement.	G0535	MOVE TO CARD IMAGE	Obtains the location of the indicated data for transfer to instruction format.

<u>Label</u>	<u>Routine Name</u>	<u>Comments</u>	<u>Label</u>	<u>Routine Name</u>	<u>Comments</u>
G0536	MOVE TO CARD REPEAT	Controls the insertion of the data into the card format and the punching of the appropriate TXT card.	G0556	IO STA GEN	Determines the type of input/output statement that is indicated and transfers to the routines that process that particular type of statement.
G0537	PUNCH A TXT CARD	Write a TXT card from data whose location is provided.	G0557	INIT IO LINK GEN	Initiates and sets data for the generation of the input/output linkage.
G0538	PUNCH A TXT CARD ML		G0558	UNIT IO ARG	Determines the logical unit number of the input/output device.
G0539	PUNCH TXT ENTRY2		G0559	DIRECT IO ARG	Sets up controls for the construction of the object code for direct-access input/output statements.
G0542	CALCULATE VAR SIZE	Determines size of a variable from TAG field of pointer in W0.	G0560	FORMAT IO ARG	Sets up data pertaining to the FORMAT for the construction of the object code of an input/output statement under format control.
G0543	END STA GEN	Builds code for AT if required and branches to TERMINATE PHASE.	G0561	IO INITIAL ENTRY GEN	Sets up code for the call to IBCOM to control execution of the indicated input/output statement.
G0547	BSREF STA GEN	Controls the construction of the object code for a BACKSPACE, REWIND, or END FILE statement.	G0562	BUILD UNIT ARG	Constructs argument passed for unit number in input/output linkages.
G0548	STOP PAUSE STA GEN	Constructs the object code for a STOP or PAUSE statement.	G0563	BUILD A LINK ARG	Constructs the object code for the arguments designated in the input/output statements.
G0549	LOAD IBCOM	Builds an instruction for a call to the IBCOM routine.	G0564	BUILD FORMAT ARG	Constructs the object code for the designated format control of an input/output statement.
G0550	RETURN STA GEN	Builds the object code for a RETURN statement.	G0565	GRNTEE IO LINK ADD	Constructs the object code for input/output linkage.
G0551	ENTRY STA GEN SPROG STA GEN	Constructs the label instruction for an ENTRY statement or the entry into a subprogram.	G0566	IOL DO CLOSE GEN	Generates object code for closing of implied DO in I/O list.
G0552	DEFINE FILE STA GEN	Constructs the object code instructions for the DEFINE FILE statement.	G0567	IO LIST GEN RUN	Determines whether I/O list is DO implied.
G0553	GRNTEE A TEMP	Ensures that the constant from DEFINE FILE is registered on the TEMP AND CONST roll.			
G0554	ILLEGAL AFDS STA GEN	Generates an error link for a statement function which was invalid.			
G0555	ILLEGAL STA GEN ENTRY	Constructs a no-operation instruction and an error link for the statement in error.			

<u>Label</u>	<u>Routine Name</u>	<u>Comments</u>	<u>Label</u>	<u>Routine Name</u>	<u>Comments</u>
G0568	IOL DO OPEN GEN	Sets up the data for the generation of instructions for input/output DO loop.	G0581	LOOPS OPEN GEN	Obtains the DO control data and controls the construction of the appropriate instructions.
G0569	IOL ARRAY GEN	Generates linkage for secondary array entry to IBCOM.	G0582	INIZ LOOP GEN	Determines the nature of the indicated DO loop after determining whether a loop exists.
G0570	IO LIST PNTR GEN IOL PNTR GEN	Determines the type of the I/O list, and controls the construction of the object code for the list.	G0583	INIZ GIVEN COEFF GEN	Constructs the object code for the initialization of the indicated induction variable coefficient.
G0571	IO LIST ARRAY PNTR GEN	Sets up the data and determines the type of array list.	G0584	DO CLOSE SBR	Constructs the object code for the close of a DO loop after setting up controls for the increment and terminal values of the loop iteration.
G0572	BUILD ELEMENTS ARG	Builds an argument for input/output linkage for a single element in an I/O list.	G0585	FIND COEFF INSTANCE	Determines the existence of the indicated nature of a loop through comparison of the designated traits and coefficient.
G0573	IO LIST DMY ARRAY	Builds the object code for a dummy array I/O list.	G0586	NOTE TEMP REQ	Determines whether a register has been assigned for the script expression in question or whether a temporary storage is required.
G0574	GLOBAL DMY TEST	Determines whether the variable in question has been defined in usage as a global dummy.	G0587	INITIALIZE BY LOAD GEN	Generates the load of registers to be used throughout a DO loop.
G0575	IO STA END IO STA END GEN	Generates call for end of I/O list.	G0588	GRNTEE TEMP STORED GEN	Builds a store instruction for the temporary storage used by the script expression.
G0576	BUILD IO LINK	Controls construction of the object code to terminate an input/output operation.	G0589	GRNTEE SOURCE REG LOADED	Determines the area and location for the register to be used by the script expression, and generates the load instruction for the indicated temporary storage.
G0577	LOAD ADDRESS IBCOM	Inserts the absolute call to the system input/output routine, IBCOM.	G0590	INCR GIVEN COEFF GEN	Determines the nature and use of the loop increment and builds the appropriate instructions for the execution of the increment.
G0578	INIT IBCOM PNTR AND ENTRY	Initializes for processing of input/output statements by storing code word and IBCOM pointer from POLISH roll.			
G0579	CALCULATE LENGTH AND TYPE	Determines the length and type of variables designated in input/output statements.			
G0580	DO STA GEN	Determines the nature of the DO statement, sets up the data for the code of the statement.			

<u>Label</u>	<u>Routine Name</u>	<u>Comments</u>	<u>Label</u>	<u>Routine Name</u>	<u>Comments</u>
G0607	CALL STA GEN	Calls the routines which build the object code for the CALL statement.	G0623	DRIVER GEN	If an array driver, goes to SCRIPT PREP; if not, exits false indicating end of an expression.
G0608	FLP AND PREP VAR	Flips POLISH roll and moves first variable to WORK roll.	G0624	AND GEN	Generates code for an AND operation.
G0609	EXP GEN BY MODE	Controls the determining of the mode of the indicated expression.	G0625	AND FINISH GEN	Actually builds an AND operation on CODE roll.
G0610	EXP GEN AND GRNTEE AC	Generates code for expression on bottom of POLISH roll and ensures that result is in a register.	G0626	OR GEN	Generates code for an OR operation.
G0611	GRNTEE EXP	Guarantees that the mode of the expression is positive.	G0627	OR FINISH GEN	Actually builds an OR operation on CODE roll.
G0612	EXP GEN	Obtains the expression for GEN processing.	G0628	PREPARE FOR LOGICAL GEN	Sets up the data for the statement containing a logical operation.
G0613	GEN RUN	Determines the operation mode of the entity in question.	G0629	EQ GEN	Generates code for an EQ relational operation.
G0614	NOT GEN UNARY MINUS GEN	Inverts sign indicator for variable on bottom of WORK roll.	G0630	NE GEN	Generates code for an NE relational operation.
G0615	DIV GEN	Controls production of object code for divide operation.	G0631	LT GEN	Generates code for an LT relational operation.
G0616	INTEGER DIV GEN	Generates code for integer divide.	G0632	GT GEN	Generates code for a GT relational operation.
G0617	SUB GEN	Generates code for subtract operation.	G0633	GE GEN	Generates code for a GE relational operation.
G0618	ADD GEN	Generates code for add operation.	G0634	LE GEN	Generates code for an LE relational operation.
G0619	MPY GEN	Controls production of object code for multiply operation.	G0635	RELATIONAL GEN	Builds the object code instructions based on the relational condition specified in the logical operation.
G0620	INTEGER MPY GEN	Generates code for integer multiply.	G0636	PREPARE FOR RELATIONAL	Converts and adjusts data for construction of the object code of a relational comparison.
G0621	INTEGER MPY DIV END	Common end for multiply and divide generation routines; records register usage.	G0637	POWER GEN	Builds exponentiation linkage on the CODE roll.
G0622	SUM OR PROD GRNTEE	Guarantees that one of the two elements on WORK roll is in a register and that mode of operator is correct.	G0638	POWER AND COMPLEX MPY DIV GEN	Sets up the data for operations involving multiplication or division of exponentiated or complex variables.

<u>Label</u>	<u>Routine Name</u>	<u>Comments</u>	<u>Label</u>	<u>Routine Name</u>	<u>Comments</u>
G0639	INTEGER POWER GEN	Builds the appropriate load and multiply instructions for exponentiation depending on the mode of the operation.	G0653	CLEAR A PAIR	These routines determine and clear a pair of fixed or floating accumulators depending on the type of the register in W0. These routines are used in integer, multiply, divide, and complex operations.
G0640	SPROG GEN	Determines the nature of the operand of a CALL statement or of a subprogram.	G0654	PICK A PAIR	
G0641	SPROG GEN SUB	Generates the code for a subprogram call including argument calculations.	G0655	PICK A PAIR END	
G0642	SPROG END GEN	Constructs the object code for the return or close of a subprogram.	G0656	TEST FOR BEST PAIR	Determines the two optimal accumulators to be used for the operation indicated.
G0643	SPROG ARG SEQ GEN	Controls the interpretation of the sequence of arguments designated to a subprogram.	G0657	GRNTEE POSITIVE GEN	Sets the mode of the indicates accumulator to positive if not already set, and generates appropriate code.
G0644	REG SPROG ARG	Controls the register assignment to subprogram arguments as they are encountered in sequence.	G0658	COMP FX CONST	Set the mode of the indicated constant.
G0645	GRNTEE ADR GEN	Guarantees that the subprogram arguments are assigned and builds the indicated load and store instructions.	G0659	COMP FL CONST	
G0646	TEST CONST ARG	Determines mode of a constant subprogram argument.	G0660	COMP DP CONST	Sets the mode of the indicated constant.
G0647	TEST AND STORE REGS	Tests to determine if any register used as an accumulator contains data; if so, generates code to store the contents in a temporary location.	G0661	COMP COMPLEX CONST	
G0648	GRNTEE AC GEN	Stores the contents of W0 in an accumulator if not already designated.	G0662	CORRECT FOR SIGN DATA 1	Complements the value in DATA1.
G0649	GRNTEE NEW AC GEN	These routines determine the accumulator to be used in an indicated operation depending upon the mode of the variable in question.	G0663	INCLINE FUNCTION GEN	Sets up table for the generation of code for in-line functions.
G0650	PICK A NEW AC		G0664	CONVERSION FUNCTION GEN	Generates code to perform an in-line mode conversion.
G0651	PICK FL AC		G0665	ABS FUNCTION GEN	These routines generate the object code instructions for the in-line function indicated by the name of the routine.
G0652	PICK A COMPLEX AC	G0666	MOD FUNCTION GEN		
		G0667	INT FUNC- TION GEN		
		G0668	AIMAG FUNC- TION GEN		
		G0669	CMPLX FUNCTION GEN		
		G0670	TWO ARG INLINE COMMON		
		G0671	CONJG FUNC- TION GEN		

<u>Label</u>	<u>Routine Name</u>	<u>Comments</u>	<u>Label</u>	<u>Routine Name</u>	<u>Comments</u>
G0672	SIGN FUNCT GEN	(see Label G0665)	G0682	TEST DP CONST	Exits false if pointer in W0 is not to a double-precision constant; otherwise, loads constant into central area and exits true.
G0673	DIM FUNCT GEN		G0683	COMPLEX CONVERSION	Determines the mode and nature of the two components of the complex variable or constant.
G0674	GRNTEE BOTH MODES	Sets the mode of the data in W0 and W1 to positive if not already set.	G0684	DP COMPLEX CONVERSION	Determines the mode and registers the indicated double-precision complex variable or constant.
G0675	GRNTEE MODE W1	Determines the mode of the variable in W1 and transfers to the appropriate conversion routine depending on the mode of W0.	G0685	COMPLEX AC TEST	Sets up FL AC roll for proper pointers to a value converted to complex.
G0676	LOGICAL- CONVERSION	Places the logical variable contained in W0 into an accumulator.	G0686	AC END AND CONV RETEST	Used during conversion, to set up AC roll, and to determine whether conversion is complete.
G0677	FX CONVERSION	Places the variables contained in W0 and W1 in an accumulator if the mode is I*2; otherwise, a conversion to floating point is made.	G0687	CONVERT RETEST	Sets up WORK roll so that GRNTEE MODE W1 can determine whether a conversion is complete.
G0678	FL CONVERSION	Tests the contents of W0 and W1 for floating variables or constants. If the contents are not floating variables or constants, it determines the nature of the data, registers the variable or constant, and assigns an accumulator for the operation.	G0688	REGISTER WORK CONST	Records constant in W0 as an integer constant.
G0679	CONVERT TO COMPLEX END	Generates code to clear the imaginary register and loads the real register in real to complex conversion.	G0689	REGISTER FX CONST	Register the constant from DATA area on the indicated roll if not already defined; constant is compiler generated.
G0680	TEST A FL CONST	Exits false if pointer in W0 is not to a floating constant; otherwise, it loads the constant into central area and exits true.	G0690	REGISTER FL CONST	
G0681	DP CONVERSION	Determines the nature of the double-precision variable or constant indicated, converts into the indicated format, assigns an accumulator, depending on the mode of the variable.	G0691	REGISTER DP CONST	
			G0692	REGISTER COMPLEX CONST	
			G0693	REGISTER DO COMPLEX CONST	
			G0695	FLOAT A FX	Converts a floating constant or generates code to convert a floating variable to fixed mode.
			G0696	FIX A FL	Converts a fixed mode constant or generates code to convert a fixed variable to floating mode.
			G0697	FLOAT AND FIX COMMON	Common exit for routines which write code to float or fix variables.
			G0708	TEST AC AC TEST	Determines whether the mode of the indicated accumulator is fixed or floating.

<u>Label</u>	<u>Routine Name</u>	<u>Comments</u>	<u>Label</u>	<u>Routine Name</u>	<u>Comments</u>
G0709	AC END	Determines whether one or two accumulators are being used.	G0730	ADCON MADE LBL MAKER	Builds ADCON roll and returns a pointer to the start of a group on the roll.
G0710	GRNTEE AC ZERO	Assures that the accumulator being used in the operation is register zero.	G0731	CHECK JUMP LBL	Determines whether pointer in W0 refers to a jump target label.
G0711	SPOIL STO REG	Clears appropriate entry on AC roll for a register which has been stored.	G0732	MADE LBL MAKER	Creates entry on BRANCH TABLE roll for made label, and returns pointer to group created.
G0713	CLEAR THREE AND EXIT TRUE	Remove indicated number of groups from WORK roll, set ANSWER BOX to true, and return.	G0733	SCRIPT PREP	Sets up the data for the calculation of the indicated script expression.
G0714	CLEAR TWO AND EXIT TRUE		G0734	CALCULATE SCRIPT	Determines the mode and operation of the variables contained in the script expression.
G0715	CLEAR ONE AND EXIT TRUE		G0735	TEST END SCRIPT	Determines the end of the script expression.
G0716	EXIT TRUE EXIT TRUE ML	Sets ANSWER BOX to true and returns.	G0736	CALCULATE OFFSET AND SIZE	Determines the size of each element contained within an expression, and the displacement pertaining to each array.
G0718	CLEAR THREE AND EXIT FALSE	Remove indicated number of groups from WORK roll, set ANSWER BOX to false, and return.	G0737	GRNTEE REG 9	Place the index values for arrays in register 9 if not already set.
G0719	CLEAR TWO AND EXIT FALSE		G0738	TEST AND STORE REG 9	
G0720	CLEAR ONE AND EXIT FALSE		G0739	BUILD A SHIFT 9	Builds a shift register 9 instruction for subscripting; shift length is determined by array element size.
G0721	EXIT FALSE EXIT FALSE ML	Sets ANSWER BOX to false and returns.	G0744	BID INIT	Initializes data for the construction of the instruction designated by the BID, BIN, or BIM POP instructions.
G0723	CLEAR THREE AND EXIT	Remove indicated number of groups from WORK roll and return.	G0745	BIM INIT	
G0724	CLEAR TWO AND EXIT		G0746	BIM BID	
G0725	CLEAR ONE AND EXIT		G0747	INIT	
G0727	EXIT EXIT ML	Returns.	G0748	EXIT FULL	Used on entry to BIN when BIN fills the EXIT roll.
G0728	EXIT ANSWER ML	Sets ANSWER BOX and exits for EXIT routines which set ANSWER BOX.	BID BIDPOP		This is the assembler language routine which constructs the instruction designated by the BIDPOP instruction.

<u>Label</u>	<u>Routine Name</u>	<u>Comments</u>	<u>Label</u>	<u>Routine Name</u>	<u>Comments</u>
G0750	BIN BINPOP	This is the assembler language routine which constructs the instruction designated by the BINPOP instruction.	G0760	SPROG ARG OPERAND	Builds address for reference to subprogram argument list.
G0751	NOTE A CSECT	This routine obtains the Control section in which the current instruction being generated is to be placed.	G0761	BRANCH TABLE OPERAND	Builds address for references to made labels.
G0752	BIM BIMPOP	This is the assembler language routine which constructs the instruction designated by the BIMPOP instruction.	G0762	BRANCH TABLE COMMON	Used by LBL and BRANCH TABLE OPERAND routines to construct address.
G0753	RX FORMAT	General routine used to build all RX type instructions.	G0763	BRANCH SPROG COMMON	Used by LBL, BRANCH TABLE and SPROG ARG OPERAND to construct address.
G0754	RR FORMAT	This routine implements the RR format designation for the instruction being generated.	G0764	T AND C OPERAND	Constructs address for references to temporary storage or constants.
G0755	ADDRESS MAKER	Used to build all base, displacement, and index type addresses.	G0765	T AND C COMMON	Used for T AND C OPERAND and pointers to constant rolls.
G0756	BUILD A BASE REG	Determines the base location within a particular control section at which the object code instructions begin.	G0766	T AND C B COMMON	Common exit for all branch and temporary and constant operand routines.
G0757	SCALAR OPERAND ARRAY OPERAND GLOBAL SPROG OPERAND USED FUNC- TION LIB OPERAND NAMES LIST OPERAND FORMAT LBL OPERAND GLOBAL DMY OPERAND	Builds address for the specified type of operand.	G0767	LOCAL DMY OPERAND	Determines the base location for the indicated operand and builds the code data from this information.
G0758	DMY LBL COMMON	Generates address for FOMAT references.	G0768	FX CONST OPERAND	Determines the size of the fixed constant operand and constructs the instruction depending upon this information.
G0759	LBL OPERAND LOCAL SPROG OPERAND	Builds address for references to labels and statement functions.	G0769	FX FL CONST SEARCH AND REG FL CONST OPERAND	Moves single-precision constant pointed to TEMP AND CONST roll if not already on roll.
			G0770	FX FL CONST COMMON	Performs part of move of constant to TEMP AND CONST roll.
			G0771	SEARCH AND REG SP CONST SEARCH AND REG FX CONST SEARCH AND REG FL CONST	Searches TEMP AND CONST roll, registers constant if not already there, and returns pointer to TEMP AND CONST roll group.

<u>Label</u>	<u>Routine Name</u>	<u>Comments</u>	<u>Label</u>	<u>Routine Name</u>	<u>Comments</u>
G0772	REG SP CONST	Registers single-precision constant on TEMP AND CONST roll.	G0784	STORE IN TEMP	Generates code to store that register in a temporary location if W0 is a pointer to a register.
G0773	DP FL CONST OPERAND COMPLEX CONST OPERAND	Construct address for references to double-precision real and single-precision complex constants.	G0785	STORE AND RETURN TEMP	Uses a temporary location in checking temporary pointers for the indicated constants.
G0774	SEARCH AND REG DP CONST SEARCH AND REG COMPLEX CONST	Ensures that a double-precision real or single-precision complex constant is on the TEMP AND XONST roll and returns a pointer to it.	G0786	SEARCH TEMP ROLL	Beginning with a pointer to the TEMP PNTR roll in W0, searches for an available temporary already defined. Returns true, with pointer to TEMP AND CONST roll if found; otherwise, returns false.
G0775	REG DP CONST	Registers a new double-precision constant on the TEMP AND CONST roll.	G0787	OPERAND RUN	Selects processing routine for present operand from pointer.
G0776	DP COMPLEX CONST OPERAND	Constructs address for reference to a double-precision complex constant.	G0930	SPOIL STO VAR SPOIL STORE VAR	Determines whether pointed to variable is being used in subscript which is now contained in register 8 or 9; if so, spoils that register.
G0777	SEARCH AND REG DP COMPLEX CONST	Ensures that a double-precision complex constant is on the TEMP AND CONST roll and returns a pointer to it.	G0931	SPOIL STORE VAR NON READ IO	Determines whether a stored variable which has not appeared in a READ should be stored.
G0778	REG DP COMPLEX CONST	Registers a new double-precision complex constant on the TEMP AND CONST roll.	G0932	CLEAR ONE AND SPOIL CEAD	Determines if pointed to variable is COMMON, EQUIVALENCE, alterable, or dummy; if so, spoils any register containing a subscript which uses any CEAD variable; and prunes one group from WORK.
G0779	TEST DOUBLE WORD BOUNDARY	Determines if the address designated to the variable or constant in W0 begins on a doubleword boundary.	G0933	SPOIL CEAD	Same as CLEAR ONE AND SPOIL CEAD except it does not prune WORK roll.
G0780	ARRAY REF OPERAND	Handles array reference pointers to obtain scripted arrays addresses.	G0934	TEST A CEAD	Tests to determine if variable pointed to by W0 is COMMON, EQUIVALENCE, alterable, or dummy.
G0781	LOAD REG FROM TEMP	Generates a load of a base register from a temporary storage location.	G0935	NO ARG SPROG END GEN	Entry point for generating a subprogram call without arguments.
G0782	ARRAY PLEX OPERAND	Handles building addresses when array plex is the indicated operand.			
G0783	SRCH AND ST X9 FROM ARRAY PLEX	Stores register 9 in a temporary register if needed for generation of array plex addresses.			

<u>Label</u>	<u>Name</u>	<u>Comments</u>
G0937	SIMPLE SCRIPT PREP	Builds ARRAY PLEX roll for subscripts handled in registers 8 and 9.
G0938	CLEAR 3 EXIT BIN	Exits from BIN, BIM and BID POP subroutines which remove the indi- cated number of groups from WORK.
G0939	CLEAR 1 EXIT BIN	
G0940	EXIT BIN	Exits from BIN, BIM, and BID POP subroutines.
G0941	SUBCHK GEN	Builds code for SUBCHK entry if required.
G0942	SIMPLE SCRIPT OPERAND	Generates the code to compute a subscript value to be held in register 8 or 9.
G0943	TEST FOR HIT	Determines whether reg- ister 8 or 9 already contains the present subscript.
G0944	LOAD SIMPLE X REG	Generates code to set up register 8 or 9.
G0945	PICK A NEW SIMPLE X REG	Determines whether regis- ter 8 or 9 will be used for subscript which must be loaded.
G0946	CALC ELEM SIZE AND SHIFT	Calculates array element size and the length of shift necessary to mul- tiply by that value.
G0947	AT STA GEN	Generates the object code for an AT statement.
G0948	TRACE ON STA GEN	Generates DEBUG linkage for a TRACE ON statement.
G0949	TRACE OFF STA GEN	Generates DEBUG linkage for a TRACE OFF statement.
G0950	DEBUG INITIAL LINKAGE GEN	Generates initial linkage to DEBUG.
G0951	DEBUG VAR ADR GEN	Generates address for INIT or SUBCHK variable.
G0952	DEBUG ELEMENTS GEN	Generates number of ele- ments for DEBUG link- age.

<u>Label</u>	<u>Names</u>	<u>Comments</u>
G0953	BIN VARIABLE NAME	Puts name of variable on CODE roll.
G0954	RETURN SCALAR OR ARRAY PNTR	Returns pointer to a SCALAR or ARRAY roll group from less direct reference.
G0955	DEBUG INIT GEN	Generates DEBUG linkage for INIT variables.
G0956	DEBUG SHORT LIST INIT GEN	Generates DEBUG linkage for INIT of a full ar- ray.
G0957	DEBUG DMY INIT GEN	Generates DEBUG linkage for INIT of a dummy variable.
G0958	DISPLAY STA GEN	Generates DEBUG linkage for a DISPLAY statement.
G0959	DEBUG INIT ARG GEN	Generates DEBUG calls after a CALL statement.

EXIT LABEL LIST

The labels enumerated in the following list are used in the flowcharts provided for the illustration of the major routines used by Exit.

<u>Label</u>	<u>Chart ID</u>	<u>Routine Name</u>
G0381	09	EXIT PASS
G0382	FA	PUNCH TEMP AND CONST ROLL
G0383	FB	PUNCH ADR CONST ROLL
G0384	FC	PUNCH CODE ROLL
G0399	FD	PUNCH BASE ROLL
G0400	FE	PUNCH BRANCH ROLL
G0402	FF	PUNCH SPROG ARG ROLL
G0403	FG	PUNCH GLOBAL SPROG ROLL
G0404	FH	PUNCH USED LIBRARY ROLL
G0405	FI	PUNCH ADCON ROLL
G0416	FJ	PUNCH RLD ROLL
G0424	FK	PUNCH END CARD
G0564	FL	PUNCH NAMELIST MPY DATA

SUPPLEMENTARY EXIT LABEL LIST

The routines described in this section are listed by G number labels which are presented in ascending order. These routines are those used in the operation of Exit which are not shown in the section of flowcharts for the phase.

<u>Label</u>	<u>Routine Name</u>	<u>Comments</u>	<u>Label</u>	<u>Routine Name</u>	<u>Comments</u>
G0385	SWEEP CODE ROLL SWEEP CODE ROLL ML	Determines the nature of a word on the CODE roll and processes it according to type.	G0409	MOVE CODE TO TXT CARD	Transfers the indicated code to the output area to be punched.
G0386	PUNCH INST PUNCH INST ML	Determines the type of instruction to be punched (one, two, or three halfwords).	G0410	INITIALIZE TXT CARD	Initializes the format for the punching of the TXT cards.
G0388	PUNCH TWO HALFWORDS	Sets up a two halfword instruction format.	G0411	INITIALIZE TXT CARD ML	
G0389	PUNCH ONE HALFWORD	Sets up a one halfword instruction format.	G0412	PUNCH PARTIAL TEXT CARD	Punches any part of a TXT card.
G0390	PUNCH THREE HALFWORDS	Sets up a three halfword instruction format.	G0413	PUNCH A CARD ML	Punches a complete TXT card.
G0391	PUNCH CODE	Punches the indicated instruction in the indicated format.	G0414	PUNCH AN ESD CARD	Sets the format for the punching of an ESD card.
G0392	ABS PUNCH	Sets up for the punching of object module absolute constants.	G0417	DEPOSIT LAST ESD NO. ON RLD CARD	Obtains and deposits the last ESD number on the indicated RLD card for punching.
G0393	RELOC CONST PUNCH	Sets the format for the punching of a relocatable absolute constant.	G0418	DB SECOND RLD WORD WITH CONT	Sets the format of a card with a continuation to a second card.
G0394	ABS CONST PUNCH ABS CONST PUNCH ML	Punches the indicated absolute constants in the object module.	G0419	DB SECOND RLD WORD WITH NO CONT	Turns off the continuation indicator for the punching of the RLD card.
G0396	DEFINE LBL	Defines indicated label on BRANCH TABLE roll.	G0420	DB SECOND RLD WORD	Places the second word into the RLD format in the output area.
G0397	ADCON PUNCH	Punches the address constant indicated in W0.	G0421	DEPOSIT WORD ON RLD CARD	Places the indicated word into the appropriate location in the RLD format.
G0398	POC DATA PUNCH	Sets up the information needed for the listing and punching of code contained on the CODE roll.	G0422	PUNCH AN RLD CARD	Punches the indicated RLD card.
G0401	SWEEP BASE BRANCH ROLL	Initializes for the punching of the groups contained on the BASE and BRANCH TABLE rolls.	G0423	TERMINATE RLD PUNCHING	Determines whether the RLD card is full and sets controls accordingly.
G0406	HALF WORD W0 TO TXT CARD	A halfword instruction format is set up for the contents of W0.	G0425	LIST CODE	Sets up the format for the object module listing, and determines the instruction format for each indicated instruction to be printed.
G0407	W0 TO TXT CARD W0 TO TXT CARD ML	Transfers the contents of W0 to the output area to be punched.	G0426	RS OR SI FORMAT	Determines whether the indicated instruction is RS or SI format.

<u>Label</u>	<u>Routine Name</u>	<u>Comments</u>	<u>Label</u>	<u>Routine Name</u>	<u>Comments</u>
G0427	RS FORMAT	Sets up the RS format for the indicated instruction.	G0443	PRINT HEADING PRINT HEADING ML	Prints the indicated heading that is to appear on the object module listing.
G0428	SI FORMAT	Sets up the SI format for the indicated instruction.	G0444	PRINT COMPILER STATISTICS	Sets up the indicated message in the print output area.
G0429	RX FORMAT	Sets up the RX format for the indicated instruction.	G0445	PRINT CSECT MEMORY REQMTS MESS	Sets up the indicated message in the print output area.
G0430	RR FORMAT	Sets up the RR format for the indicated instruction.	G0446	PRINT CSECT TOTAL MESSAGE ML	Sets up the indicated message in the print output area.
G0431	SS FORMAT	Sets up the SS format for the indicated instruction.	G0447	PRINT CSECT MESSAGE	Sets up the indicated message in the print output area.
G0432	ADCON LIST	Sets up the format (DC format) for the address constants in the object module that are to be listed.	G0448	CONV AND PRINT D2(B2) ML	Converts the indicated general register designation for the RX, RS, and RR formats.
G0433	DC LIST	Lists DC constants.	G0449	CONV AND PRINT D1B1 ML	Converts the indicated address and general register designation for the SI and SS formats.
G0434	PRINT ADCON LBL	Sets controls for the printing of the indicated address constant.	G0450	CONV AND PRINT D2 ML CONV AND PRINT D1 ML	Converts the indicated address and general register designations to instruction format.
G0435	PRINT A MADE LBL	Sets controls for the printing of the indicated label that has been created by the compiler.	G0452	CONV AND PRINT B1 ML CONV AND PRINT B2 ML	Converts the indicated address and general register designations to instruction format.
G0436	MADE LBL ADCON LBL COMMON	Inserts the indicated label into the print output area.	G0453	CONV AND PRINT R2 ML CONV AND PRINT X2 ML	Converts the indicated address and general register designations to instruction format.
G0437	PRINT A LBL	Prints the indicated label on the object module listing.	G0454	CONV AND PRINT 12 ML	Converts the indicated address and general register designations to instruction format.
G0438	PRINT BCD OPERAND	Inserts the indicated operand into the appropriate position of the object listing in the output area.	G0455	CONV AND PRINT R1 ML CONV AND PRINT L1 ML	Converts the indicated address and general register designations to instruction format.
G0439	PRINT A LINE PRINT A LINE PLUS ONE ML	Print the indicated line once a full line has been set up in the output area.	G0456	CONV W0 AND PRINT CONVERT W0 AND PRINT	Converts the contents of W0 to decimal and inserts into print output area.
G0440	PRINT A LINE ML				

<u>Label</u>	<u>Routine Name</u>	<u>Comments</u>	<u>Label</u>	<u>Routine Name</u>	<u>Comments</u>
G0458	CONV AND PRINT PLUS ONE ML	Converts a number to decimal and places in print buffer.	G0465	EXIT EXIT ML EXIT ANSWER ML	Obtains the last entry on the EXIT roll and transfers to the indicated location.
G0459	PRINT A COMMA ML	Places a comma into print output area.	G0566	RLD ALIGN SWEEP TE	Sorts RLD entries so that all RLDs in one CSECT appear together.
G0460	PRINT A LEFT PAREN ML	Places a left parenthesis into the print output area.	G0567	RLD ALIGN TEST SWEEP TEST	Determines whether present RLD is in the CSECT now being constructed.
G0461	PRINT A RIGHT PAREN ML	Places right parenthesis into the print output area.	G0569	GET ADR FROM PNTR ML	Gets location on DATA VAR roll from pointer in W0.
G0462	PRINT A CHAR ML	Places the indicated character into the print output area.			
G0464	CLEAR ONE EXIT CLEAR ONE AND EXIT	Prunes one word from the WORK roll and exits.			

APPENDIX F: OBJECT-TIME LIBRARY SUBPROGRAMS

This appendix describes the logic of the FORTRAN IV library subprograms. As the compiler examines the user's FORTRAN source statements and translates them into an object module, it recognizes the need for certain operations the library is designed to perform. At the corresponding points in the object module, the compiler inserts calls to the appropriate library subprograms. At linkage edit time, copies of these library subprograms are made part of the load module. Then, at execution time, the library subprograms perform their various functions. The nature of the user's program determines which and how many library subprograms are included in his load module.

LIBRARY FUNCTIONS

The library performs a variety of functions, which are of five general types:

- load module initialization and termination activities
- input/output operations
- error handling
- data conversion
- mathematical and service functions

It is an important library responsibility to form an interface between the load module and the operating system: library subprograms interface with the data management access methods, provide exit routines for the system interrupt handler and abnormal termination processor, and call the supervisor for various services.

COMPOSITION OF THE LIBRARY

The precise composition and size of a user's version of the FORTRAN IV library will depend on what options he chose at system generation time. The actual location of his permanent library copy (the partitioned data set SYS1.FORTLIB) is also dependent on his installation choice.

A few subprograms, commonly thought of as FORTRAN IV library members, and discussed in this appendix, are not actually members of SYS1.FORTLIB. Instead, they reside in the link library, to be loaded if needed by true library routines at execution time.

SYSTEM GENERATION OPTIONS

At system generation time, the user makes several choices which determine the exact makeup of his FORTRAN IV library. These concern:

BOUNDARY ALIGNMENT OPTION: If this option is selected, the IHCADJST routine is included (as a member of the link library). When specification interrupts occur, this routine is loaded to attempt correction of object program data misalignment.

EXTENDED ERROR HANDLING OPTION: If this option is selected, expanded versions of some library routines are included. These provide:

- more precise error messages
- in some cases, more extensive library corrective action and continued execution
- the ability for the user to choose his own or the library's corrective action

The library modules affected by this option are listed in Table 9. A user's library will include either one set of modules or the other.

Table 9. Routines Affected by Extended Error Handling Option

Without Extended Error Handling	With Extended Error Handling
IHCFCOMH	IHCFCOMH
IHCUOPT*	IHCUOPT*
IHCADIOSE	IHCADIOSE
IHCFIOSH	IHCFIOSH
IHCFINTH	IHCFINTH
IHCTRCH**	IHCTRCH
--	IHCERRM***
--	IHCFOPT

*The size differs, although not the name.
 **With Extended Error Handling, IHCTRCH becomes an entry point in IHCETRCH.
 ***Without Extended Error Handling, IHCERRM is an entry point in IHCTRCH.

One other module is affected by system generation choice. IHCUATEL, the data set reference table, has both its length and some contents determined at this time.

MODULE SUMMARIES

IHCFCOMH/IHCECOMH

This module (with its CSECT extension IHCCOMH2) handles the load module initialization and termination activities, and sequential and direct access input/output operations. It also contains switches, addresses, and save areas (at constant displacements from its entry point IBCOM#) that are used by other library routines.

IHCNAMEL

This module directs NAMELIST read/write operations (entry point FRDNL# for reads, entry point FWRNL# for writes).

IHCFIOSH/IHCEFIOS

This module interfaces with the basic sequential access methods to do all sequential input/output for the load module. It is called (at entry point FIOCS#) by IHCFCOMH/IHCECOMH and IHCNAMEL to perform user-requested read/write and device manipulation operations, and by other library routines (such as IHCERRM, IHCFDUMP, and IHCDEBUG) to write error messages, traceback maps, user-requested dumps, debug information, etc.

IHCADIOSE/IHCEDIOS

This module interfaces with the basic direct access methods to do all direct access input/output for the load module. It is called by the compiler-generated code (at entry point DIOCS#) for DEFINE FILE statements, and by IHCFCOMH/IHCECOMH (at entry point IBCENTRY) for READ, WRITE, and FIND.

IHCFCVTH

This module does data conversion required by other library routines. It is called (at entry point ADCON#) for formatted and namelist input/output, and for other library operations (such as traceback) that require EBCDIC output.

IHCIBERH

This module is called by the compiler-generated code (at entry point IBERH#) to terminate load module execution due to source statement error.

IHCTRCH

This module (entry point IHCERRM) is the library error handling routine when extended error handling has not been specified. It is called by other library routines to direct message printing and produce traceback maps.

IHCETRCH

This module produces traceback maps when the extended error handling facility is present. It can be called by the error monitor IHCERRM (at entry point IHCTRCH), or by the compiler-generated code (at entry point ERRTRA) at user request.

IHCERRM

This module is the error monitor when extended error handling has been specified (otherwise, it is an entry point in IHCTRCH). It can be called by other library routines detecting errors (at CSECT name IHCERRM), by IHCFCOMH/IHCECOMH for termination error summary (entry point IHCERRE), and by the compiler-generated code at user request (entry point ERRMON) for handling of user-detected errors. IHCERRM directs its error handling activities according to the entries in the option table, IHCLOPT.

IHCLOPT

This module is the option table. In addition to a preface, it contains one entry for each library-defined and user-defined error condition. These entries are used by the error monitor IHCERRM to direct its handling of errors.

IHCFOPT

This module satisfies user requests to examine and modify the option table IHCLOPT. It is called at entry points ERRSAV, ERRSTR, and ERRSET by the compiler-generated code.

IHCFINTH/IHCEFINTH

This module handles certain program interrupts. It is called by the system interrupt handler at entry point ARITH#.

IHCADJST

This module, which is included in the link library only if the user requested boundary alignment at system generation time, is loaded by IHCFINTH/IHCEFINTH to attempt correction of data misalignment that has caused a specification interrupt.

IHCSTAE

This module, which resides in the link library, is the STAE abnormal termination processor. When IHCFCOMH/IHCECOMH receives control (at entry point EXITRTN1) from the system because the load module has been scheduled for abnormal termination, it loads IHCSTAE to attempt completion of outstanding input/output requests before execution ends.

IHCUTABL

This module is the unit assignment table. It contains information about the user's data set references, and is used by the library input/output routines in their operations.

IHCFDVCH

This module is called by the compiler-generated code (entry point DVCHK) at user request to determine if a divide check interrupt occurred.

IHCFOVER

This module is called by the compiler-generated code (entry point OVERFL) at user request to determine whether or not overflow or underflow interrupts occurred.

IHCFSLIT

This module is called by the compiler-generated code (entry points, SLITE, SLITET) at user request to set or test private switches ("pseudo-sense lights").

IHCSEXIT

This module is called by the compiler-generated code (entry point EXIT) at user request to terminate load module execution.

IHCFDUMP

This module is called by the compiler-generated code (entry points DUMP, PDUMP) at user request to produce a dump of specified areas of main storage.

IHCDEBUG

This module is called by the compiler-generated code (entry point DEBUG#) to direct the production of user-requested debugging information.

MATHEMATICAL ROUTINES: Information on these library modules can be found in the publication IBM System/360 Operating System: FORTRAN IV Library--Mathematical and Service Subprograms, Order No. GC28-6818.

LIBRARY INTERRELATIONSHIPS

It is helpful to recognize that there is not always a one-to-one relationship between library functions and library modules. Some functions require the execution of several modules, and, conversely, some modules are involved with more than one function.

Certain library modules are called primarily by the compiler-generated code, but a large number are called only by other library modules or by the system. This relationship is illustrated in Figure 16.

In interfacing with each other, with the system and with the compiler-generated code, library modules use nonstandard calling and register-saving procedures.

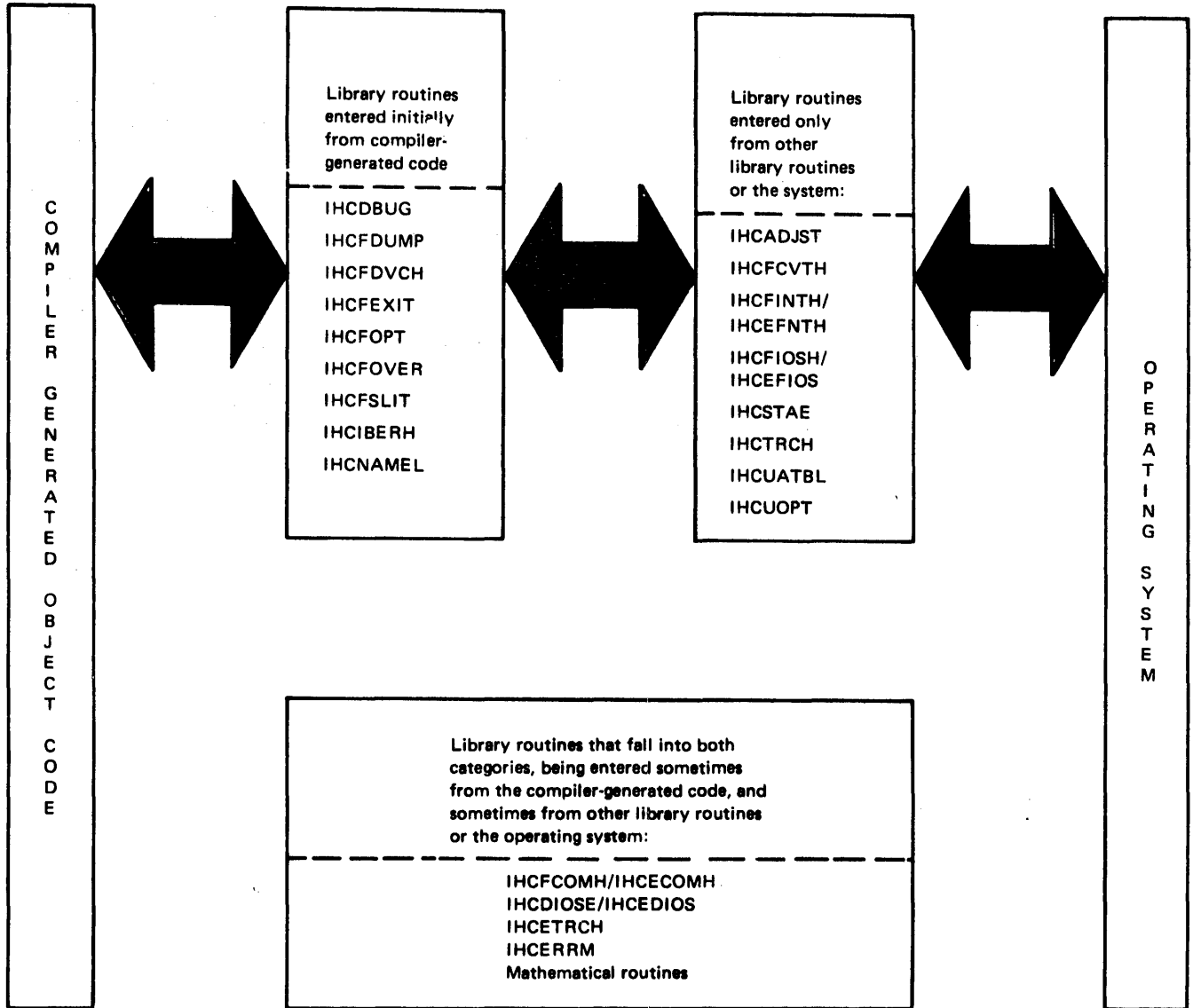


Figure 16. Calling Paths for Library Routines

INITIALIZATION

The library is responsible for the load module's initialization activities. Every compiler-generated main program begins with a branch to the IBFINT section of IHFCOMH/IHCECOMH. This library routine performs the following initialization procedure:

- Saves the load module entry point in its location MAINEP, and the main program's save area pointer in its location REG13.

- Issues a SPIE macro instruction specifying library control for program interrupts 9, 11, 12, 13, 15, and, if boundary alignment was selected at system generation time, 6.
- Issues a STAE macro instruction specifying library control if the system schedules the load module for abnormal termination.
- Calls IHCFIOSH/IHCFIOS to open the object error unit.

Control is then returned to the main program, which begins its processing.

INPUT/OUTPUT OPERATIONS

Processing FORTRAN input/output requests is mainly the responsibility of the library. For each request, the compiler sets up a call(s) to the appropriate entry point in the appropriate library routine. For NAMELIST READ/WRITE, the call is to IHCNAMEL, which then calls IHCFIOSH/IHCEFIOS and IHCFCVTH. For DEFINE FILE, the call is to IHCDIOSE/IHCEDIOS. For all other operations, the call is to IHCFCOMH/IHCECOMH. If the operation is sequential READ/WRITE, the IHCFCOMH/IHCECOMH routine

calls IHCFIOSH/IHCEFIOS (and also IHCFCVTH if format control is present). If the operation is REWIND, BACKSPACE, or ENDFILE, the IHCFCOMH/IHCECOMH routine calls IHCFIOSH/IHCEFIOS. If the operation is direct access READ, WRITE, or FIND, routine IHCFCOMH/IHCECOMH calls IHCDIOSE/IHCEDIOS (and IHCFCVTH if format control is present). If the operation is STOP with message, or PAUSE, routine IHCFCOMH/IHCECOMH calls the supervisor. This flow is outlined in Figure 17. For each direct access or sequential read/write request, the compiler-generated code issues multiple calls to IHCFCOMH/IHCECOMH: an initial call, one call for each item (either variable or array) in the I/O list, and a final call. Thus, the FORTRAN statement READ (23,100)Z,Y,X results in five consecutive calls to IHCFCOMH/IHCECOMH.

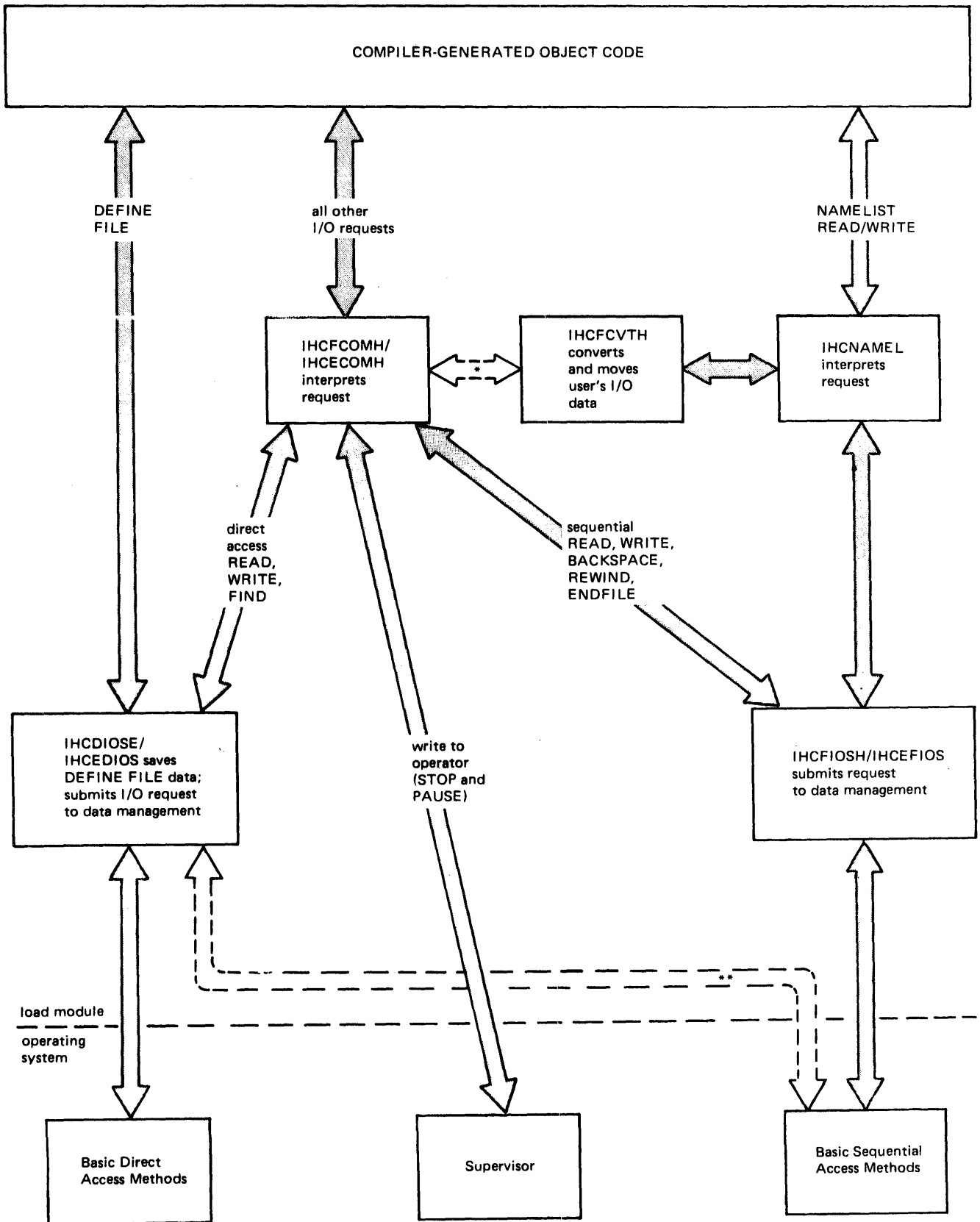


Figure 17. Control Flow for Input/Output Operations

*If Format is present

**For pre-formatting new data sets before writing user's data

DEFINE FILE

The compiler-generated code branches directly to IHCDIOSE/IHCEDIOS at entry point DIOCS#. This section takes the address of the parameter list containing the data set characteristics supplied by the user and places it in the appropriate unit assignment table (IHCUATBL) entry. There may be more than one data set defined per DEFINE FILE statement, in which case DIOCS# loops through the definitions, placing the parameter list addresses into the table.

If a data set has been previously defined, the new definition is ignored. If the data set requested is sequential rather than direct, IHCERRM is called with error condition 235 indicated. If the data set is the object error unit, IHCERRM is called with error 234 indicated.

DIOCS# also places the address of the section IHCDIOSE/IHCEDIOS that handles actual reads and writes--IBCENTRY--into a fixed location in IHCFCOMH/IHCECOMH, in order to establish addressability for later branching. If the user fails to place his DEFINE FILE statement ahead of his associated READ or WRITE statement, this address will not be available, and an error condition will occur.

DIOCS# returns to the compiler-generated code.

SEQUENTIAL READ/WRITE WITHOUT FORMAT

Initial Call

The initial call is to IHCFCOMH/IHCECOMH, which saves END= and ERR= addresses, if they are present, in its locations ENDFILE and IOERROR, respectively, and then branches to IHCFIOSH/IHCEFIOS, passing along the data set reference number.

IHCFIOSH/IHCEFIOS uses this data set reference number to consult the corresponding entry in the table IHCUATBL. (This table is explained in Figures 18 and 19.) The initialization action taken by IHCFIOSH/IHCEFIOS depends on the nature of the previous operation performed on this data set. The previous operation possibilities are:

- no previous operation
- previous operation was read or write

- previous operation was backspace
- previous operation was write end of file
- previous operation was rewind

NO PREVIOUS OPERATION: IHCFIOSH/IHCEFIOS must create a unit block, which will contain the DCB, DECBs, and other library information to be used in controlling operations. Space for the unit block is acquired with a GETMAIN, and a pointer to it is stored in the IHCUATBL entry. (The contents of the unit block are outlined in Figure 20.)

IHCFIOSH/IHCEFIOS inserts certain standard values into the DCB in the unit block. It does this by moving in a copy of a nonfunctioning skeleton DCB, which specifies DSORG as PS, MACRF as (R,W), DDNAME as FTnnF001, and gives addresses in IHCFIOSH/IHCEFIOS for SYNAD and EODAD, and for EXLST, which specifies the OPEN exit routine. IHCFIOSH/IHCEFIOS puts the data set reference number into the nn field of the DDNAME. This establishes for the system the connection between this DCB and the user's DD card, which must have the same name on it.

IHCFIOSH/IHCEFIOS now issues an OPEN macro instruction, which merges the user's DD information, and label information if the data set already exists. When its open exit routine (IHCDCBXE) gains control, IHCFIOSH/IHCEFIOS examines the DCB. If fields are zero, indicating the user has omitted corresponding DD parameters, IHCFIOSH/IHCEFIOS inserts library default values. (These default values are stored in the IHCUATBL entry.)

After completion of the OPEN macro, IHCFIOSH/IHCEFIOS places the buffer address(es) in the housekeeping section of the unit block, and also in the DECB(s). It also puts the DCB address into the DECB(s). If this is a read operation, it sets the first byte of the type of input/output request field in the DECB(s) to X'80', indicating the reads should be of blocksize; if this is a write operation, it sets this byte to X'00', indicating the writes should be of logical record length.

If the initialization is for a read operation, IHCFIOSH/IHCEFIOS now issues a READ macro, with a CHECK, filling the buffer. If double buffering is in effect, it also issues a second READ macro, to begin filling the second buffer. (This READ is not checked until IHCFIOSH/IHCEFIOS is entered the next time for this data set.) Control is returned to IHCFCOMH/IHCECOMH, along with address and length of the data that was read.

If the initialization is for a write operation, IHCFIOSH/IHCEFIOS simply returns to IHCFCOMH/IHCECOMH, passing the address and length of the buffer. (The actual write operation will not take place until IHCFCOMH/IHCECOMH fills the buffer.)

PREVIOUS OPERATION--READ OR WRITE: In this case, the data set is already open and the unit block in existence. The DECB is set to indicate the proper action (either read or write). If this is a write request, control is returned to IHCFCOMH/IHCECOMH with buffer address and length. If it is a read request, the READ macro is issued to fill the buffer, and the address and length of the data that was read is passed back to IHCFCOMH/IHCECOMH.

PREVIOUS OPERATION--BACKSPACE: The operation is the same as for "Previous Operation--Read or Write" described above, except that priming of buffer(s) may be needed.

PREVIOUS OPERATION--END FILE: IHCFIOSH/IHCEFIOS must first close the existing data set, and process a new one. To process a new data set, IHCFIOSH/IHCEFIOS increments the sequence number of the DDNAME field in the old DCB; for example, FT14F001 is changed to FT14F002. The OPEN procedure described above under "No Previous Operation" is then followed. (The library assumes the user has a FTnnF002 DD card for this new data set.) The usual read or write procedure is used.

PREVIOUS OPERATION--REWIND: The data set has been closed, and must be reopened. The procedure is the same as that described under "No Previous Operation," beginning after the creating of the unit block.

In all of the above cases, IHCFIOSH/IHCEFIOS returns to IHCFCOMH/IHCECOMH, which saves the buffer pointer and length, and then returns to the compiler-generated code.

Second Call

The compiler-generated code calls IHCFCOMH/IHCECOMH, passing information about the first item in the I/O list (its address, type, whether it is a variable or array, etc.). If this is a read request for a variable, IHCFCOMH/IHCECOMH takes the proper number of bytes from the buffer and moves them to the indicated address. For an array, IHCFCOMH/IHCECOMH repeats the process, filling the array element by element. If this is a write request for a variable, IHCFCOMH/IHCECOMH takes the item from the indicated address and moves it

into the buffer. For an array, IHCFCOMH/IHCECOMH repeats the process, emptying the array element by element. After adjusting its buffer pointer so it points to either the next data item or the next empty space, IHCFCOMH/IHCECOMH returns to the compiler-generated code.

Additional List Item Calls

The procedure is the same as for the first list item, with these exceptions. When IHCFCOMH/IHCECOMH is processing a read request and finds it has emptied the buffer, it calls IHCFIOSH/IHCEFIOS to issue another READ macro and refill it. If double buffering is in effect, IHCFIOSH/IHCEFIOS passes the address of the other buffer (after checking the READ macro for that buffer), and then issues a READ macro instruction for the buffer just emptied, always keeping one READ ahead.

When IHCFCOMH/IHCECOMH is processing a write request and finds it has filled the buffer, it calls IHCFIOSH/IHCEFIOS to issue the actual WRITE macro. If double buffering is in effect, IHCFIOSH/IHCEFIOS passes back the address of the other buffer.

Final Call

For a read operation, the main program passes control to IHCFCOMH/IHCECOMH which passes control on to IHCFIOSH/IHCEFIOS. If IHCFIOSH/IHCEFIOS finds that, for this data set, physical records are larger than logical records, it simply returns to IHCFCOMH/IHCECOMH, which returns to the compiler-generated object code. If physical records are shorter than logical records, IHCFIOSH/IHCEFIOS issues READ macros until it reaches the end of the logical record. This positions the device at the beginning of the next logical record, in preparation for subsequent FORTRAN READ requests for this unit.

For a write operation, IHCFCOMH/IHCECOMH gives control to IHCFIOSH/IHCEFIOS. If the data set is unblocked, or if it is blocked and the buffer is full, IHCFIOSH/IHCEFIOS issues a final WRITE macro.

System Block Modification and Reference

While performing its functions, IHCFIOSH/IHCEFIOS may modify certain fields of the current DCB:

DCBBLKSI--IHCFIOSH/IHCEFIOS changes this field before writing out a short block when RECFM=FB. IHCFIOSH/IHCEFIOS restores it after issuing the corresponding CHECK macro.

DCBOFLGS--before issuing a CLOSE (TYPE=T) macro to implement an ENDFILE request, IHCFIOSH/IHCEFIOS turns on the high order bit to make this look like an output data set.

IHCFIOSH/IHCEFIOS also modifies some fields of the DECB(s), in addition to its initialization:

DECTYPE (byte 1)--for reads, set to indicate a read of blocksize; for writes, set to indicate a write of logical record size.

DECTYPE (byte 2)--set to indicate read or write when the previous operation for this data set was the opposite.

DECLNGTH--filled in when a U-type record is to be written.

In addition to referring to the DCB and DECB(s), IHCFIOSH/IHCEFIOS also examines the CSW field in the Input/Output Block (IOB) to get the residual count. (The DECB points to the IOB.) By subtracting the residual count from the DCB blocksize, IHCFIOSH/IHCEFIOS knows the actual length of the data read into the buffer.

Error Conditions

During their processing of unformatted sequential reads and writes, IHCFIOSH/IHCEFIOS and IHCFCOMH/IHCECOMH check at various times for a number of error conditions. IHCFIOSH/IHCEFIOS checks for the following error conditions: the user's data set reference number is out of IHCUATBL range (error 220); he failed to supply a DD card for the requested data set (error 219); and he specified anything other than Variable Spanned (VS) records (error 214); IHCFCOMH/IHCECOMH checks each I/O list item to see if it exceeds buffer size (error 213). If one of these errors is detected, control is passed to IHCERRM.

If extended error handling is in effect, control returns from IHCERRM to its caller, which does the following:

- conditions 219 or 220 -- IHCEFIOS returns to its original caller at the error displacement. (The error displacement is 2 bytes beyond the address originally passed to it in register 0; the normal return point is 6 bytes beyond the address originally passed in register 0.)

- condition 214 -- if user-supplied corrective action is indicated or if the operation is a read, IHCEFIOS ignores the input/output request and returns to the error displacement. Otherwise, it changes the record format to VS and continues execution.

- condition 213 -- IHCECOMH ignores the list item request, and any further list item requests for this read or write.

If an end-of-file is detected when IHCFIOSH/IHCEFIOS issues a CHECK macro, its EODAD routine gains control. It branches to the user's END= address if one exists. If not, it branches to IHCERRM. Without extended error handling, this is a terminal error. With extended error handling, control returns to IHCEFIOS after error message and traceback printing, and possible user corrective action. IHCEFIOS T-closes the data set, and returns to its original caller at the error displacement.

If an input/output error is detected when IHCFIOSH/IHCEFIOS issues a CHECK macro, its SYNAD routine gains control. It issues a GETMAIN for extra space, and then issues a SYNADAF macro, which puts relevant information into the area. (If extended error handling exists, IHCEFIOS has the associated data set reference number converted and places it into the error message--218.) IHCFIOSH/IHCEFIOS next asks data management to accept the data in error, and restart the IOB chain. IHCERRM is then called. Without extended error handling, the error message and traceback are printed, and then IHCERRM branches to the user's ERR= address if there is one, and to the IBEXIT section of IHCFCOMH if there was not. With extended error handling, IHCERRM goes to the user's option table exit routine if there is one and, in any case, prints out the error message and traceback. Then it branches to the user's ERR= address, if there is one. If not, it returns to IHCEFIOS, which continues processing if the user supplied his own corrective action; if not, IHCEFIOS returns to the error displacement of the routine that originally called it.

SEQUENTIAL READ/WRITE WITH FORMAT

These operations are the same as for sequential read/write without format, except IHCFCOMH/IHCECOMH must scan and interpret the associated format specification, and control the conversion and movement of list items accordingly.

Processing the Format Specification

OPENING SECTION: Upon return from the initialization section of IHCFIOSH/IHCEFIOS, IHCFCOMH/IHCECOMH begins examining the format specification, the address of which is passed as an argument in the initial branch from the compiler-generated code. The format specification may be one of two types: one declared in a FORMAT statement in the FORTRAN source program; or an array that the user has filled in with format information during execution (often referred to as object-time format specification). In the former case, the compiler has already translated the statement into an internal code. In the latter, the format information exists in its EBCDIC form, just as it would in a FORMAT statement.

In the case of an object-time format specification, IHCFCOMH/IHCECOMH must pick up the array contents and process them so they are in the same form as a format specification processed by the compiler. IHCFCOMH/IHCECOMH does this using the TRT instruction and its table TRTSTB.

The translated format codes, and their meanings to IHCFCOMH/IHCECOMH, are listed in Table 10.

In both cases, IHCFCOMH/IHCECOMH now begins scanning the format information. It reads it -- saving the control information -- until it finds the first conversion code (or the end of the FORMAT statement). Then it exits to the compiler-generated code.

LIST ITEM CALLS FOR READ REQUEST: When IHCFCOMH/ is entered for the first list item, it determines from the conversion code which section of the conversion routine IHCFCVTH to call. It passes information from the format specification, (such as scale and width), information about the list item (such as its address), and buffer address and length. IHCFCVTH, and its associated subroutines, do both the conversion and the moving of the data from buffer to list item location or vice versa.

In general, after a conversion routine has processed a list item, IHCFCOMH/IHCECOMH determines whether or not that routine can be applied to the next list variable or array element (if an array is being processed). IHCFCOMH/IHCECOMH examines a field count in the format specification that indicates the number of times a particular conversion code is to be applied to successive list variables or elements of an array.

If the conversion code is to be repeated and if the previous list item was a variable, IHCFCOMH/IHCECOMH returns control to the main program. The main program again branches to IHCFCOMH/IHCECOMH and passes, as an argument, the main storage address assigned to the next list item.

Table 10. Format Code Translations and Their Meanings (Part 1 of 2)

Source FORMAT Code	Code After Compiler or IHCFCOMH/IHCECOMH Translation (in hex)	Description	Type	Corresponding Action by IHCFCOMH/IHCECOMH
		beginning of statement	control	Save location for possible repetition of the format codes; clear counters.
n(04n	group count (n=1-byte value of repeat count; set to 1 if no repeat count)	control	Save <u>n</u> and location of left parenthesis for possible repetition of the format codes in the group.
a	06a	field count (a=1-byte value of repeat count)	control	Save <u>a</u> for repetition of format code that follows.
nP	08*	scaling factor	control	Save <u>n</u> for use by F, E, and D conversions.
Tn	12n	column reset (n=1-byte value)	control	Reset current position within record <u>n</u> th column or byte.
nX	18n	skip or blank (n=1-byte value)	control	Skip <u>n</u> characters of an input record, or insert <u>n</u> blanks in an output record.
'text' or nH	1Aw	literal data	control	Move <u>w</u> characters from an input record to the FORMAT statement, or <u>w</u> characters from the FORMAT statement to an output record.

Notes: * is a 1-byte value of n, if n was positive; if negative, it is the value plus 128(decimal).
 w = 1-byte value of field width.
 d = 1-byte value of number of digits after the decimal point.

Table 10. Format Code Translations and Their Meanings (Part 2 of 2)

Source FORMAT Code	Code After Compiler or IHCFCOMH/IHCECOMH Translation (in hex)	Description	Type	Corresponding Action by IHCFCOMH/IHCECOMH
Fw.d	0A w.d	F-conversion	conversion	IHCFCOMH/IHCECOMH passes the values of w, d and p --plus information about the list item and the buffer-- to the appropriate section of IHCFVTH for conversion.
Ew.d	0C w.d	E-conversion	conversion	
Dw.d	0E w.d	D-conversion	conversion	
Iw	10 w	I-conversion	conversion	
Aw	14 w	A-conversion	conversion	
Gw.d	20 w.d	G-conversion	conversion	
Lw	16 w	L-conversion	conversion	
Zw	24 w	Z-conversion	conversion	
)	1C	group end	control	Test group count. If it is greater than 1, repeat format codes in group; otherwise, continue to process FORMAT statement from current position.
/	1E	record end	control	Input or output one record using IHCFIOSH/IHCFIOS/ and READ/WRITE macro instruction.
		end of statement	control	If no I/O list items remain to be transmitted, return control to load module to link to the closing section; if I/O list items remain, read or write one record using input/output interface and the READ/WRITE macro instruction. Repeat format codes from last parenthesis.

Notes: * is a 1-byte value of n, if n was positive; if negative, it is the value plus 128(decimal).
w = 1-byte value of field width.
d = 1-byte value of number of digits after the decimal point.

If the conversion code is to be repeated and if an array is being processed, IHCFCOMH/IHCECOMH computes the main storage address of the next element in the array. The conversion routine that processed the previous element is then given control. This procedure is repeated until either all the array elements associated with a specific conversion code are processed or end of logical record is detected (error 212). In the latter case, control is passed to IHCERRM.

If the conversion code is not to be repeated, control is passed to the scan portion of IHCFCOMH/IHCECOMH to continue the scan of the format specification. If the scan portion determines that a group of conversion codes is to be repeated, the conversion routines corresponding to those codes are applied to the next portion of the input data. This procedure is repeated

until either the group count is exhausted or the input data for the READ statement is exhausted.

If a group of conversion codes is not to be repeated and if the end of the format specification is not encountered, the next format code is obtained. For a control type code, control is passed to the associated control routine to perform the indicated operation. For a conversion type code, control is returned to the compiler-generated code if the previous list item was a variable. The compiler-generated code again branches to IHCFCOMH/IHCECOMH and passes, as an argument, the main storage address assigned to the next list item. Control is then passed to the conversion routine associated with the new conversion code. The conversion routine then processes the data for this list item. If the data that was just converted was

placed into an element of an array and if the entire array has not been filled, IHCFOMH/IHCECOMH computes the main storage address of the next element in the array and passes control to the conversion routine associated with the new conversion code. The conversion routine then processes the data for this array element.

If, in the midst of its processing, IHCFOMH/IHCECOMH finds that it has emptied the buffer it calls IHCFIOSH/IHCEFIOS to issue another READ macro instruction.

If the scan portion encounters the end of the format specification and if all the list items are satisfied, control returns to the next sequential instruction within the compiler-generated code. This instruction (part of the calling sequence to IHCFOMH/IHCECOMH) branches to the closing section. If all the list items are not satisfied, control is passed to the input/output interface to read (via the READ macro instruction) the next input record.

LIST ITEM CALLS FOR WRITE REQUEST: IHCFOMH/IHCECOMH processing is similar to that for a read request. The main difference is that the conversion routines obtain data from the main storage addresses assigned to the list items rather than from an input buffer. The converted data is then transferred to an output buffer. If all the list items have not been converted and transferred prior to the encounter of the end of the format specification, control is passed to the IHCFIOSH/IHCEFIOS routine. IHCFIOSH/IHCEFIOS writes (via the WRITE macro instruction) the contents of the current output buffer onto the output data set.

Formatting control for the remaining list items is then resumed at the group count of the left parenthesis corresponding to the last preceding right parenthesis, or, if none exists, from the first left parenthesis.

If IHCFOMH/IHCECOMH detects an error in the format specification (condition 211), it calls IHCERRM. Standard corrective action in the case of extended error handling is to treat the invalid character as a terminal right parenthesis and continue execution.

CLOSING SECTION: If the operation is a read request, the closing section simply returns control to the main program to continue execution. If the operation is a write requiring a format, the closing section branches to the IHCFIOSH/IHCEFIOS routine. IHCFIOSH/IHCEFIOS writes (via the WRITE macro instruction) the contents of the current input/output buffer (the final record onto the output data set.

IHCFIOSH/IHCEFIOS then returns control to the closing section. The closing section, in turn, returns control to the compiler-generated code.

DIRECT ACCESS READ/WRITE WITHOUT FORMAT

Unformatted reading and writing for direct access data sets is handled by IHCFOMH/IHCECOMH and IHCDIOSE/IHCEDIOS. The procedure is similar to that for sequential data sets. The compiler-generated object code calls IHCFOMH/IHCECOMH once for initialization, once for closing, and once in between for each item (variable or array) in the I/O list. IHCFOMH/IHCECOMH calls IHCDIOSE/IHCEDIOS once for initialization, once for closing (if it is a write request), and as many times in between as the input/output data requires. The actions of IHCFOMH/IHCECOMH are identical to those for sequential unformatted read and write operations. The only exception is that IHCDIOSE/IHCEDIOS is called in place of IHCFIOSH/IHCEFIOS.

Initialization Branch

When IHCDIOSE/IHCEDIOS is given control, it checks the entry in IHCUTABL corresponding to the indicated data set reference number to see if the data set has been opened. If not, IHCDIOSE/IHCEDIOS constructs a unit block for that data set in an area acquired by a GETMAIN, and places a pointer to it in the IHCUTABL entry. (This unit block, which is slightly different from ones created by IHCFIOSH/IHCEFIOS, is diagrammed in Figure 21.)

IHCDIOSE/IHCEDIOS next reads the Job File Control Block (JFCB) via a RDJFCB macro instruction. The appropriate fields in the JFCB are examined to determine if the user included a request for track overflow and a BUFNO subparameter in his DD statement for this data set. If he did, they are inserted into the DCB skeleton in the unit block. If BUFNO was not included or was other than 1 or 2, a value of 2 is inserted in the DCB skeleton. IHCDIOSE/IHCEDIOS next examines the data set disposition field of the JFCB. If the data set is new and the requested operation is a write, IHCDIOSE/IHCEDIOS must first format the data set before it can do the actual writing.

FORMATTING A NEW DATA SET: IHCDIOSE/IHCEDIOS modifies the JFCB so that the disposition is old, and fills in the following fields in the DCB in the unit block:

<u>DCB Field</u>	<u>Setting of field before OPEN</u>	
BUFNO	X'02'	Two buffers
NCP	X'02'	Two DECBS
DSORG	X'40'	Set for DSORG=PS
MACR	X'0020'	Normal BSAM WRITE
OPTCD	Set to X'00' or X'20'	depending upon whether chained scheduling was not or was specified on the DD card as obtained from the JFCB.
DDNAME	Set to FTnnF001,	where 'nn' is the DSRN.

Then an OPEN macro instruction, using BSAM, is issued (TYPE=J). The record length field, buffer address field, and DCB address field are filled in the DECBS's. Then IHCDIOSE/IHCEDIOS issues sufficient WRITE macro instructions for fixed unblocked blank records to format the track(s). Record length and number specifications are taken from the DEFINE FILE parameter list pointed to by IHCUTABL.

The TRBAL field is used during BSAM writing to calculate whether there is enough room on the track for additional records after it has written the required number of fixed-length records. If the track is not full, data management does not create an R0 record and the OS utilities cannot process the data set. Therefore, if the track is not full, the library writes as many extra records as necessary until the track is complete.

The data set is then closed. The DCB is modified in the following way in order that it may be re-opened for BDAM and the actual writing.

<u>DCB Field</u>	<u>New Setting for BDAM OPEN</u>	
NCP	X'00'	Reset for BDAM
DSORG	X'02'	DSORG=DA
MACR	X'29'	BDAM update and check
MACR + 1	X'28'	BDAM WRITE by ID
OPTCD	X'01'	BDAM relative block address.

The procedure then is the same as opening an old data set (see below).

OPENING A DATA SET WHOSE DISPOSITION IS OLD: The data set is opened for BDAM, with the UPDAT option. In its open exit routine, IHCDIOSE/IHCEDIOS supplies default values (from the IHCUTABL entry) for those omitted by the user. After the open, IHCDIOSE/IHCEDIOS inserts into the DECBS's the address(es) of the buffer(s) obtained during control block opening.

After doing this, or if the data set is already opened, IHCDIOSE/IHCEDIOS performs the following actions:

- Write: Upon initial branch, IHCDIOSE/IHCEDIOS does no writing at this time, but only fills the buffer with zeros and passes buffer address and buffer length back to IHCFCOMH/IHCECOMH so the latter may begin moving in the list items.
- Read: Upon initial branch, IHCDIOSE/IHCEDIOS gets the relative record number requested by the user, which has been passed along by IHCFCOMH/IHCECOMH. IHCDIOSE/IHCEDIOS examines the buffer to see if the record is already present. (This will be the case if the user previously requested a FIND for this record.) If not present, IHCDIOSE/IHCEDIOS issues a READ macro and, in either case issues a CHECK. After updating the associated variable in the parameter list to point to the record following the one just read, IHCDIOSE/IHCEDIOS returns to IHCFCOMH/IHCECOMH, passing the buffer address and length.

Successive Entries for List Items

WRITE OPERATION: When IHCFCOMH/IHCECOMH has filled the buffer with list items, it branches to IHCDIOSE/IHCEDIOS indicating a write request. IHCDIOSE/IHCEDIOS obtains the relative record number from the parameter list passed along by IHCFCOMH/IHCECOMH, and writes the record out via a WRITE macro instruction. It updates the associated variable in the parameter list to point to the record following the one just written. If single buffering is being used, it checks the write and returns to IHCFCOMH/IHCECOMH. If double buffering is being used, it postpones the check until its next call, and returns the address of the other buffer to IHCFCOMH/IHCECOMH.

READ OPERATION: IHCDIOSE/IHCEDIOS handles any further read requests from IHCFCOMH/IHCECOMH exactly as for the first (without checking for the data set being open).

Final Branch

WRITE OPERATION: IHCFCOMH/IHCECOMH calls IHCDIOSE/IHCEDIOS to write out the final buffer.

READ OPERATION: IHCFCOMH/IHCECOMH returns to the compiler-generated code without calling IHCDIOSE/IHCEDIOS.

Error Conditions

If IHCDIOSE/IHCEDIOS detects an input/output error condition, it performs in a manner similar to IHCFIOSH/IHCEFIOS by issuing a SYNADAF macro, using the resultant information to build a 218 error message, and passing control to IHCERRM.

IHCDIOSE/IHCEDIOS will also identify at one time or another the following error conditions:

- 231--the data set indicated by the caller is sequential rather than direct.
- 232--the record number requested is out of data set range.
- 233--the indicated record length exceeds 32K-1.
- 236--the read requested is for an uncreated data set.
- 237--the specified record length is incorrect.

In all these cases, IHCDIOSE/IHCEDIOS sets up the error message data and passes control to IHCERRM.

DIRECT ACCESS READ/WRITE WITH FORMAT

Requests for direct access reads and writes with format are handled by IHCFCOMH/IHCECOMH, with the assistance of IHCDIOSE/IHCEDIOS and IHCFCVTH. The actions of IHCDIOSE/IHCEDIOS are exactly the same as for unformatted direct access reads and writes. The actions of IHCFCOMH/IHCECOMH are exactly the same as for sequential read and write requests with format, except it calls IHCDIOSE/IHCEDIOS instead of IHCFIOSH/IHCEFIOS.

FIND

Implementation of the FIND statement is very similar to implementation of the opening branch for a direct access read (explained above). Control is passed from the compiler-generated code to IHCFCOMH/IHCECOMH and on to IHCDIOSE/IHCEDIOS. IHCDIOSE/IHCEDIOS opens the data set if need be, and then checks to see if the record is already in the buffer. If it is, IHCDIOSE/IHCEDIOS updates the associated variable. If not, it issues a READ macro. Then it returns through IHCFCOMH/IHCECOMH to the compiler-generated code. This READ begins filling the buffer. It is not checked until the next entry to IHCDIOSE/IHCEDIOS for this data set.

READ AND WRITE USING NAMELIST

Namelist reading and writing is handled by IHCNAMEL, with the assistance of IHCFIOSH/IHCEFIOS and IHCFCVTH. The compiler-generated object code branches only once to IHCNAMEL (to entry point FRDNL# for reads and to entry point FWRNL# for writes), passing the address of the namelist dictionary containing the user's specifications. IHCNAMEL uses this dictionary information to direct its operations, calling IHCFIOSH/IHCEFIOS to do the actual reading or writing, and the appropriate sections of IHCFCVTH to convert data and move it from buffer to user area or vice versa.

From the point of view of IHCFIOSH/IHCEFIOS and IHCFCVTH, a namelist read or write is no different than any other formatted sequential read/write operation. IHCNAMEL calls IHCFIOSH/IHCEFIOS once to initialize the data set and once to close it, and as many times in between to read or write as the namelist data requires. IHCNAMEL calls IHCFCVTH as many times as the namelist data requires.

The namelist dictionary, which is the compiled version of the user's NAMELIST statement, consists of a 2-word namelist name field (right-justified and padded to the left with blanks), and as many entries as there were items in the NAMELIST definition. There are two types of entries: one for variables, and one for arrays. They are illustrated in Section 1, "Namelist Tables."

Read

IHCNAMEL first stores the END= and ERR= addresses, if they exist, in the proper locations in IHCFCOMH/IHCECOMH. This makes them available to IHCFIOSH/IHCEFIOS and IHCERRM if end-of-file or an input/output error occur.

IHCNAMEL searches through the data read by IHCFIOSH/IHCEFIOS looking for the namelist name that is located in the dictionary. When it locates the namelist name, it picks up the next data item. It now searches through the dictionary entries, looking for a matching variable or array name. When the name is located, IHCNAMEL obtains the associated specification information in that entry.

Processing of the constant in the input data now begins. Each initialization constant assigned to the variable or an array element is obtained from the input record.

The appropriate conversion routine is selected according to the type of the variable or array element. Control is then passed to the conversion routine to convert the constant and to enter it into its associated variable or array element.

Note: One constant is required for a variable. A number of constants equal to the number of elements in the array is required for an array. A constant may be repeated for successive array elements if appropriately specified in the input record.

The process is repeated for the second and subsequent names in the input record. When an entire record has been processed, the next record is read and processed.

Processing is terminated upon recognition of the &END record. Control is then returned to the calling routine within the load module.

Write

IHCNAMEL takes the namelist name from the dictionary, puts it in the buffer, and has IHCFIOSH/IHCFIOS write it out. The processing of the variables and arrays listed in the dictionary then begins.

The first variable or array name in the dictionary is moved to an output buffer followed by an equal sign. The appropriate conversion routine is selected according to the type of variable or array elements. Control is then passed to the conversion routine to convert the contents of the variable or the first array element and to enter it into the output buffer. A comma is inserted into the buffer following the converted quantity. If an array is being processed, the contents of its second and subsequent elements are converted, using the same conversion routine, and placed into the output buffer, separated by commas. When all of the array elements have been processed or if the item processed was a variable, the next name in the dictionary is obtained. The process is repeated for this and subsequent variable or array names.

If, at any time, the record length is exhausted, the current record is written and processing resumes in the normal fashion.

When the last variable or array has been processed, the contents of the current record are written, the characters &END are moved to the buffer and written, and control is returned to the calling routine within the load module.

Error Conditions

IHCNAMEL calls IHCERRM if it cannot find a name in the dictionary (error 222), if a name exceeds permissible length (221), if it cannot locate the required equal sign in the input data (223), or if a subscript is included for a variable or is out of range for an array (224).

STOP AND PAUSE (WRITE-TO-OPERATOR)

Stop

Control is passed by the compiler-generated code to the FSTOP section of IHCFCOMH/IHCECOMH. This section determines if there is a user message attached. If not, it simply branches to the IBEXIT section of IHCFCOMH/IHCECOMH to terminate load module execution. If there is a message, the FSTOP section issues the message to the console via SVC 35. It then branches to the IBEXIT section to terminate load module execution.

Pause

Control is passed by the compiler-generated code to the FPAUS section of IHCFCOMH/IHCECOMH. FPAUS issues a SVC 35 including the user's message or identifier, or "0000" if there was none. It then issues a WAIT to determine when the reply has been transmitted. After the operator or terminal user replies, IHCFCOMH/IHCECOMH returns control to the compiler-generated code.

BACKSPACE

Control is passed from the compiler-generated code to the FBKSP section of IHCFCOMH/IHCECOMH, which passes control to IHCFIOSH/IHCFIOS.

For unblocked records, IHCFIOSH/IHCFIOS issues a physical backspace (BSP) to position to the desired record. If 2 buffers are used, it must backspace twice to account for having read a record ahead. Before backspacing an output data set all WRITE requests are checked and an endfile mark is written by issuing a T-CLOSE. If the record form is V, it reads the record and examines the Segment Descriptor Word to determine if it has found the first seg-

ment. If it has, it issues another backspace. If it has not found the first segment, 2 backspaces are issued until the first segment is obtained, in which case it need only issue a final backspace.

For FB and VB records it must keep track of the location within the block of the record it wants. For the case of blocked records a BACKSPACE statement does not necessarily imply issuing a physical backspace request. A physical backspace is only required when the preceding logical record desired is in the block preceding the block presently in the buffer. IHCFIOSH/IHCEFIOS determines the length of the block read by subtracting the residual count in the CCW from the DCB blocksize. This information is used in calculating the proper logical record in the buffer to satisfy the FORTRAN BACKSPACE. Spanned records may require searching back through more than one physical record.

Control is returned to IHCFCOMH/IHCECOMH, which returns to the main program.

REWIND

The compiler-generated object code passes control to the FRWD section of IHCFCOMH/IHCECOMH, which passes control to IHCFIOSH/IHCEFIOS.

IHCFIOSH/IHCEFIOS issues a CLOSE macro with the REREAD option for the indicated data set. This has the effect of rewinding it. A FREEPOOL macro is issued to release the buffer space. Control returns through IHCFCOMH/IHCECOMH to the main program.

END-FILE

Control is passed by the compiler-generated object code to the FEOFM section of IHCFCOMH/IHCECOMH, which passes control to IHCFIOSH/IHCEFIOS.

If the previous operation for this data set was a read, IHCFIOSH/IHCEFIOS sets the DCBOFLGS bit to dummy a write operation. It issues a CLOSE macro with type T. This effects the writing of the end-of-file mark. (A 'T-CLOSE' rather than a full CLOSE is issued in order to handle any subsequent BACKSPACE requests.) A FREEPOOL macro is issued to release the buffer space. Return is through IHCFCOMH/IHCECOMH to the compiler-generated code.

ERROR HANDLING

The library is designed to handle the following error conditions:

- some compiler-detected source statement errors
- library-detected errors
- some program interrupts
- scheduled load module abnormal termination
- some user-defined and user-detected errors (only if extended error handling has been selected)

Library operations for interrupts and for errors it detects itself depend on whether the extended error handling facility was selected at program installation time.

The following library modules are concerned primarily with error handling:

- IHCADJST
- IHCERRM
- IHCFINTH/IHCEFINTH
- IHCFOPT
- IHCIBERH
- IHCSTAE
- IHCTRCH/IHCETRCH
- IHCUOPT

In addition, IHCFCOMH/IHCECOMH is used for initialization, loading, and termination; IHCFVTH is used for converting error message data; and IHCFIOSH/IHCEFIOS is used for printing error messages out.

COMPILER-DETECTED ERRORS: IHCIBERH

When the compiler examines and translates the user's source statements, it may recognize one to be faulty, and nonexecutable. At the corresponding location in the object code, the compiler inserts a branch to the library program IHCIBERH. The load module then executes in its usual fashion up to this point, when IHCIBERH gains control.

If the faulty statement has an Internal Statement Number (ISN), IHCIBERH translates it into hexadecimal and inserts it into its

error message--230. It also picks up the name of the user routine containing the faulty statement, and adds it to the message. After IHCERRM is utilized to have the message printed out, IHCIBERH goes to the IBEXIT section of IHCFCOMH/IHCECOMH to have load module execution terminated.

PROGRAM INTERRUPTS

Part of the library's initialization procedure is to issue a SPIE macro instruction, informing the system that the library wishes to gain control when certain program interrupts occur. The SPIE, issued by IHCFCOMH/IHCECOMH, specifies library control for the following interrupts:

- 6--specification*
- 9--fixed-point divide
- 11--decimal divide
- 12--exponent overflow
- 13--exponent underflow
- 15--floating-point divide

The exit routine address specified for all of the above is ARITH#, the beginning of IHCFINTH/IHCFINTH. (If interrupts 2, 3, 4, 5, or 7 occur for the load module, the system begins abnormal termination processing. Codes 8, 10 and 14 are disabled when the task gains control, so these interrupts never occur.)

IHCFINTH/IHCFINTH receives control from the system, which passes the address of the Program Interrupt Element (PIE) in register 1. IHCFINTH/IHCFINTH first saves the interrupted program's registers 3-13 (the system saves only 14-2 in the PIE). IHCFINTH/IHCFINTH next examines the old Program Status Word (PSW) in the PIE to see if the interrupt was precise or imprecise, and, if the latter, whether single or multiple. (Imprecise interrupts are explained more fully in the publication IBM System/360 Operating System: Supervisor and Data Management Services, Order No. GC28-6646.) This information is inserted in the error message--210. The specific interrupt type(s) is then determined.

Action for Interrupts 9, 11, 12, 13, and 15

IHCFINTH/IHCFINTH sets the switch OVFINDD or DVCIND in IHCFCOMH/IHCECOMH to indicate that one of the three divide checks or

 *Issued only if the user selected the boundary alignment option at program installation time.

exponent overflow or underflow has occurred. (These switches are referenced by the routines IHCFOVER and IHCDFVCH.) When extended error handling is not in effect, IHCFINTH takes the following corrective actions:

- 9--nothing
- 11--nothing
- 15--if the operation is 0.0/0.0, the answer register(s) is set to 0.0; if the operation is X.Y/0.0 (X.Y≠0.0), the answer register(s) is set to the largest possible floating-point number
- 12--the result register(s) is set to the largest possible floating-point number
- 13--the result register(s) is set to 0.0; if the underflow resulted from an add or subtract operation, the condition code in the old PSW is set to 0.

Note that for corrective actions with 12, 13, and 15, it is necessary for IHCFINTH to first determine if the faulty instruction contains single or double precision operands.

IHCFCVTH is called (twice) to convert the error message contents, and IHCFIOSH is called to print it out. Then IHCFINTH returns to the system interrupt handler, and load module execution eventually resumes at the instruction following the one that caused the interrupt.

When extended error handling has been selected, IHCERRM is called to determine if the user desires his own corrective action for this error. (This procedure is described in the section "Extended Error Handling" below.) If no user action is specified, the standard actions described above are followed. In either instance, IHCERRM has the error message printed out.

Action for Interrupt 6

When a specification interrupt has occurred, IHCFINTH/IHCFINTH loads IHCADJST, if not already loaded. After preparing the error message, it branches to INCADJST passing the PIE and other information.

There is a great variety of error conditions that can cause a specification interrupt. (They are explained in the publication IBM System/360: Principles of Operation, Order No. A22-6821.) IHCADJST is designed to correct only one--the misalignment of operand data in core. For any other condition, IHCADJST causes an abnormal termination by cancelling the SPIE,

backing up the PSW pointer to the instruction that caused the original interrupt,* and returning to the system.

When IHCADJST determines that it has a data boundary alignment problem to correct, it calls IHCFINTH/IHCFNTH to have the error message (210) written out. Next IHCADJST issues a new SPIE, for protection (4) and addressing (5) exceptions, so that if an interrupt occurs while it is trying to fetch a copy of the operand data, its own special section--PAEXCPT--will gain control. If one of these exceptions does occur, PAEXCPT calls IHCFINTH/IHCFNTH to have the error message written, and then causes abnormal termination as described above.

After IHCADJST has properly aligned the data in a temporary storage location and is ready to try to re-execute the original instruction, it issues yet another SPIE (overlying the previous) for interrupts 4, 7, 9, 11, 12, 13, and 15. If re-execution of the original instruction is successful, and the R1 field of the instruction re-executed was 14, 15, 0, or 1, IHCADJST puts the new contents of that register into the PIE. If the condition code was changed by the re-execution, the new condition code is put into the PSW located in the PIE. If the instruction re-executed was a ST, STE, or STD, the data is moved to the correct location in the load module. The original load module SPIE is re-established, and control is returned directly to the supervisor, rather than via IHCFINTH/IHCFNTH. Note that the correction of data misalignment is only temporary; the permanent locations of user variables remain the same.

If re-execution of the original instruction causes a second interrupt, control is given to EXCPTN in IHCADJST. For code 7, IHCFINTH/IHCFNTH is called to have the error message written, and IHCADJST then causes abnormal termination in the manner described above. For the other exceptions, the original PIE is reconstructed, the original SPIE re-established, and control passed back to IHCFINTH/IHCFNTH to process this new interrupt in its usual fashion.

LIBRARY-DETECTED ERRORS

A number of the library routines examine their operational data for flaws.

*In the case of instruction misalignment, when it is determined the next instruction is also misaligned and will cause abnormal termination just as well, the PSW pointer is not changed.

For example, most of the mathematical routines check to see if the arguments are within specified ranges; IHCFVTH, in some cases, sees whether the data it is asked to convert is actually in the form specified.

When a library routine finds an error, it sets up a branch to IHCERRM. If extended error handling has been selected for the library, this is a separate module. If not, it is simply the entry point name for module IHCTRCH (and module IHCERRM does not exist). Without extended error handling, library-detected errors are almost always treated as terminal conditions.

Without Extended Error Handling

IHCTRCH is passed the number of the error condition and the message if one is to be printed for this particular case.* IHCTRCH's functions are to have the error message printed and, more significantly, to create the traceback map and have it printed. IHCTRCH employs IHCFVTH to convert information to printable decimal and hexadecimal format, and IHCFIOSH to do the actual printing. Then IHCTRCH calls the IBEXIT section of the IHCFOMH to terminate load module execution. Condition 218 is an exception if the user has specified an ERR= parameter on his READ source statement. In this case, IHCTRCH picks up this address from IHCFOMH and passes control to it.

The traceback information printed consists of routine names in the load module internal calling sequence, the ISN of each branch instruction, and each routine's registers 14-1. In most cases, the map begins with the routine that called the library module that detected the error, then lists the routine that called that caller, and so on back to the compiler-generated main program. In the case of the mathematical routines, however, the traceback map begins with that mathematical routine detecting the error. IHCTRCH gets the map information by using register 13 as a starting point and working its way back through the linked save areas. Because some library routines (e.g., IHCFOMH) do not use standard saving procedures, the tracing can become rather complicated.

IHCTRCH terminates the trace when it finds it has done one of three things:

1. reached the compiler-generated main routine

*Errors 211-214, 217, 219, 220, and 231-237 have only IHCxxxI printed out, without any text.

2. reached 13 levels of call.
3. found a calling loop

Codes 4 and 12

In the second and third cases, it prints 'TRACEBACK TERMINATED', and in all cases prints the main program entry point.

After using IHCFVTH to convert the abnormal termination code (either system or user) and the load module PSW into hexadecimal, IHSTAE inserts them into its error messages (240), and issues the messages via WTO macro instructions. Then it returns to the supervisor, indicating (with a 0 in register 15) the abnormal termination is to be completed.

IHCTRCH goes immediately to the IBEXIT section of IHCFOMH for termination if it is entered a second time. This can happen if an input/output error occurs while IHCFIOSH is trying to print IHCTRCH's output.

Codes 0 and 8

With Extended Error Handling

When a library routine detects an error and extended error handling is available, it branches to the error monitor routine IHERRM. The operation of this routine is explained below in the section "Extended Error Handling Facility."

After using IHCFVTH to convert the abnormal termination code (either system or user) and the load module PSW into hexadecimal, IHSTAE inserts them into its messages. Then, IHSTAE returns to the supervisor, indicating with a 4 in register 15 that a retry attempt (RETRY in IHSTAE) is wanted. When this section gains control, it first issues another STAE macro instruction specifying a new exit routine, so that in the event of a new abnormal termination condition arising, looping will not occur. Next, the system's STAE work area is tested to see whether there is active restorable input/output or no input/output active at all. If the former, SVC 17 is issued (RESTORE macro) to prepare for the resumption of the load module's input/output activity.

ABNORMAL TERMINATION PROCESSING

When the load module has been scheduled by the system for abnormal termination, the library attempts to have any output buffer contents written out.

In both cases, IHERRM is called to print message 240 and a traceback map. Before calling IHERRM, however, IHSTAE searches through the chained save areas (beginning with the supervisor's) to determine whether or not the abnormal termination condition will prevent the traceback map from listing the routine causing the abnormal termination; if it will, IHSTAE appends a statement to this effect in its error message.

During load module initialization, IHCFOMH/IHCEOMH issues a STAE macro, specifying that if the load module is ever scheduled for abnormal termination, the address EXITRTN1 in IHCFOMH/IHCEOMH should be given control by the system.

When EXITRTN1 does gain control, it loads IHSTAE from the link library and branches to it, passing along the system input/output status codes it received. These are:

Code (in Register 6)	Meaning
0	Active input/output was quiesced and is restorable
4	Active input/output was halted and is not restorable
8	No active input/output at abnormal termination time
12	No space available for work area

If extended error handling is not in effect, IHCTRCH (entry point IHERRM) exits to the IBEXIT section of IHCFOMH/IHCEOMH. If extended error handling is in effect, IHERRM returns to IHSTAE, which calls the IBEXIT section of IHCFOMH/IHCEOMH. The IBEXIT section calls IHCFIOSH/IHCFIOS to complete pending output requests--that is, flush the buffers. (This is the normal load module termination process.) IHCFOMH/IHCEOMH finally returns to the supervisor.

IHSTAE looks at this code and determines which action it will take.

In the event of a second abnormal termination condition occurring, control is given to EXITRTN3 in IHSTAE. No retry is attempted. Messages are issued via WTO macro instructions, and control is returned

to the supervisor to complete abnormal termination.

EXTENDED ERROR HANDLING FACILITY

Three routines are centrally involved with extended error handling operation. They are:

1. IHCUOPT--the option table
2. IHCFOPT--the routine available to the user to reference and modify the option table
3. IHCERRM--the routine that handles the errors according to the option table entries

In addition, IHCETRCH is used to produce traceback maps. (When extended error handling has not been selected, IHCFOPT does not exist at all, IHCERRM does not exist as a module but only as an entry point in IHCETRCH, and IHCUOPT is only 8 bytes long.)

Option Table--IHCUOPT

The format of the option table is illustrated in Figures 22 through 24. The table is referenced by displacement. It is sequential, but begins (after a preface) with error 207--the lowest library error. There is an entry for every number from 207 to 301, although the library recognizes no error condition for some of them -- e.g., 239 (they are reserved for future use). Thus, the entry for error 258 is $(258-207+1) \times 8$ bytes into the table (allowing for the preface). A few library error numbers (900-904) are not in the table.

Certain values are inserted in the option table at system generation time. These original values are listed in Figure 25. The user has the power to alter some of these values temporarily--that is, alter the copy in main storage for the duration of the load module--by using FORTRAN source statements. All the library error entries except 230 and 240 can be altered.

Altering the Option Table--IHCFOPT

The user's source statement requests for referencing and altering the option table are handled by IHCFOPT, which is branched to directly by the compiler-generated code. IHCFOPT has three entry points for its

three functions: ERRSAV, ERRSTR, and ERRSET.

ERRSAV AND ERRSTR: These two functions are quite simple. They are passed an error number and an address. ERRSAV takes a copy of the requested error number entry from the table and places it at the indicated address. ERRSTR takes the new 8-byte entry from the indicated user address and inserts it in the table, overlaying the original entry.

ERRSAV and ERRSTR both first check to see that the error number is within the table range. If it is not, they issue message 902, employing IHCFCVTH and IHCFIOS in the process. ERRSTR also checks bit 1 of byte 4 of the old table entry to make sure modification is permissible. If it is not, it issues message 903, with the help of IHCFCVTH and IHCFIOS. Return is to the calling program in all cases.

ERRSET: ERRSET also modifies table entries, but is more flexible than ERRSTR. It is passed either five or six parameters, and takes the following actions:

- The error number: a reference only.
- A new limit count for entry field one: contents are moved in as is, unless the count is greater than 255, in which case the field is set to 0, or unless the count is 0, in which case no action is taken.
- A new message count for entry field two: contents are moved in as is, unless they are negative or zero. If they are negative, the field is set to 0; if they are 0, no action is taken.
- Traceback requested or suppressed: if 1, bit 6 of entry field four is turned off; if 0, it is turned on; if any other number, no action is taken.
- A user exit routine address, or absence thereof, for entry field five: the value is moved in as is.
- (Optional parameter) - Either an error number higher than one in the first parameter, or, if the first parameter is error 212, a request for print control: in the first case, all entries from the lower number to the higher are altered as indicated; in the second case, if a 1, bit 0 of field four is set to 1, if not a 1, it is set to 0.

ERRSET checks to make sure that the error number entry or entries indicated are within the table range. If not, it issues

message 902, using IHCFVTH and IHCFIOS. ERRSET also checks to make sure that the entry or entries permit modification. If they do not, it issues message 903 using IHCFVTH and IHCFIOS.

Error Monitor--IHCERRM

The error monitor is called in the following three cases:

1. When a library module has discovered an error condition during its processing (entry point IHCERRM)
2. When the user's program has detected one of the user-defined errors (302-899) and wishes to handle it according to his option table entry (entry point ERRMON)
3. During normal load module termination processing, to give the error count summary (entry point IHCERRE)

In the first two cases, the error monitor consults the corresponding entry in the option table IHCUPT to determine what actions it will take for this particular error condition.

After using the error number passed to it to locate the corresponding option table entry, the error monitor updates the error count field and compares it to the limit field. If the limit is now exceeded, it begins the termination process. This involves having IHCFIOS print out message 900 and the error message passed by the caller (if the option table indicates it is desired), and having IHCETRCH produce the traceback map (if the option table so indicates). Finally, the IBEXIT section of IHCECOMH is given control. (The error monitor may be entered again to give the error summary. See "Error Summary.")

If the error count limit is not yet exceeded, the error monitor has the caller error message and the traceback map produced (if the table so indicates), using IHCFIOS and IHCETRCH, respectively. Then it sees whether or not a user exit routine is specified. If it is, IHCERRM branches to it passing along data supplied by the routine that detected the error. The nature of this data depends on the error detected.

The user routine is required to return to the error monitor, indicating that it has either performed corrective action itself (a 1 in the first parameter), or wants standard library corrective action (a 0 in the first parameter). The error

monitor issues a message reporting on this status, and then returns to its original caller, passing the correction code. The caller either resumes its normal processing, or does its standard correction before continuing.

If the error monitor finds no user exit address, it returns to the caller requesting standard correction.

SPECIAL CONDITIONS: The error monitor will not allow recursive usage. If it is entered a second time before its current processing is finished, it issues message 901 and begins the termination procedure. The error monitor also checks to make sure the error number specified is within the option table range; if it is not, it issues message 902.

The error monitor performs an additional step when it finds the error to be 218. In this case, after going to the user exit routine if there was one, IHCERRM determines from IHCECOMH if the user has specified an ERR= address on his READ source statement. If so, IHCERRM branches to it.

For error 218, the error monitor issues a FREEMAIN macro instruction to free the message area the calling routine acquired.

ERROR SUMMARY: The summary routine (entry IHCERRE) simply loops through the option table, finding those entries for which errors have occurred during load module execution, and putting the error numbers and their accumulated counts in the message. It uses IHCFVTH for conversion and IHCFIOS for printing. If IHCFIOS has identified an error condition for the object error unit, the summary is skipped.

Extended Error Handling Traceback--IHCETRCH

IHCETRCH performs in the same manner as IHCTRCH, with these three exceptions:

1. IHCETRCH is called by IHCERRM, rather than directly by the error-detecting routine.
2. IHCETRCH does not have the error-detecting routine's message printed out, since this is done by IHCERRM.
3. IHCETRCH can also be called by the user, through a source statement calling its entry point ERRTRA. A traceback requested in this way is not necessarily connected with any error condition. IHCETRCH returns to the user program.

Table 11. IHCFCVTH Subroutine Directory

Subroutine	Function
FCVAI	Reads alphameric data.
FCVAO	Writes alphameric data.
FCVCI	Reads complex data.
FCVCO	Writes complex data.
FCVDI	Reads double precision data with an external exponent.
FCVDO	Writes double precision data with an external exponent.
FCVEI	Reads real data with an external exponent.
FCVEO	Writes real data with an external exponent.
FCVFI	Reads real data without an external exponent.
FCVFO	Writes real data without an external exponent.
FCVGI	Reads general type data.
FCVGO	Writes general type data.
FCVII	Reads integer data.
FCVIO	Writes integer data.
FCVLI	Reads logical data.
FCVLO	Writes logical data.
FCVZI	Reads hexadecimal data.
FCVZO	Writes hexadecimal data.

CONVERSION

Routine IHCFCVTH, the library conversion routine, is called by IHCFCOMH/IHCECOMH to convert user input/output data under FORMAT control, by IHCNAMEL to convert user input/output data under NAMELIST control, and by service routines (such as IHCFDUMP and IHCDEBUG) and error handling routines (such as IHCERRM and IHCTRCH) to convert output data into printable (EBCDIC) hexadecimal and/or decimal form.

IHCFCVTH is divided into a number of subroutines (see Table 11). Each subroutine is designed to convert a particular type of input or output data. The library routine calling IHCFCVTH selects which conversion operation it wants, and branches to the appropriate subroutine. The calling routine passes the address of the existing data item, the address at which to place the result, the length, scale factor, and decimal point location of the existing data item, and other related information.

The subroutine then converts and moves the data item, and returns to its caller.

MATHEMATICAL AND SERVICE ROUTINES

The library contains a large number of mathematical routines, and some service routines. When a particular routine has been requested by the user in his source program (by entry point name), or when the compiler has recognized an implicit need for a mathematical function, it is branched to directly from the compiler-generated code.

MATHEMATICAL ROUTINES

The mathematical routines are generally independent of the other library programs (except when they detect errors or cause arithmetic-type program exceptions). They perform their calculations, possibly with the assistance of another mathematical routine or two, and return directly to the compiler-generated code. The internal logic of these routines is documented in the publication IBM System/360 Operating System: FORTRAN IV Library--Mathematical and Service Subprograms, Order No. GC28-6818, under the section "Algorithms."

SERVICE SUBROUTINES

IHCFDVCH (Entry Name DVCHK)

The function of IHCFDVCH is to test the status of the divide check indicator switch (DVCIND--located in IHCFCOMH/IHCECOMH) and return an answer in the location specified in the call. This switch is turned on (set to X'FF' by the library's interrupt handler) when it finds a divide exception has occurred. IHCFDVCH inserts a 1 in the calling program's answer location if the switch is on, or a 2 if it is off.* The answer location is the argument variable in

*Before checking the switch, both IHCFDVCH and IHCFOVER issue the special no-operation BCR 15,0, which drains pipe-line models (e.g., Models 91 and 195) to ensure sequential execution.

the original FORTRAN statement CALL DVCHK(arg). Its address is pointed to by Register 1 when IHCVDVCH gains control.

If the DVCIND switch is on, IHCVDVCH turns it off (set to X'00'); if off, it is left off. IHCVDVCH returns to the calling program.

IHCFOVER (Entry Name OVERFL)

IHCFOVER tests for overflow and underflow, and performs in a manner similar to IHCVDVCH. The switch it tests is OVFIN -- which is also found in IHCFCOMH/IHCECOMH, and set by the library interrupt handler. OVFIN set to X'FF' indicates overflow has occurred, X'01' indicates underflow, X'00' indicates neither. IHCFOVER sets the caller's answer location to 1 for overflow, 3 for underflow, and 2 for neither.

If on, OVFIN is turned off; if off, left off. IHCFOVER returns to the calling program.

IHCFLIT (Entry Names SLITE, SLITET)

IHCFLIT performs two functions: sets the pseudo-sense lights (entry SLITE), and reports back to the caller on their status (entry SLITET).

The four pseudo-sense lights are four bytes in IHCFLIT labelled SLITES. These switches are not connected with any system switches, nor directly with any system condition. They are internal to the load module, and have meaning only to the FORTRAN user, who, employing IHCFLIT, both sets and interprets them.

SETTING THE SWITCHES: SLITE either turns off all the switches (sets them to X'00'), or turns on one (sets it to X'FF'). When the argument passed to it is 0, SLITE turns all switches off. When the argument is 1-4, it turns on the corresponding switch--that is, an argument of 2 turns on the second (from left) byte of SLITES.

TESTING THE SWITCHES: SLITET is passed two parameters, the first indicating the particular switch to be tested, and the second pointing to a location for its answer. SLITET returns the answer 1 if it finds the switch on, and 2 if it is off. If it finds the switch on, it turns it off; if it is off, it is left off.

ERROR CONDITIONS: Both SLITE and SLITET first test their arguments for correct range. For SLITE, this must be 0-4; for SLITET, 1-4. When an argument is in error,

they get the address of the integer output section of IHCFCVTH (FCVIO) from IHCFCOMH/IHCECOMH, and branch to it to have the error message contents converted. Then IHCFLIT branches to IHCERRM (see the section on library-detected errors).

If extended error handling is not in effect, IHCERRM goes to the IBEXIT section of IHCFCOMH/IHCECOMH to terminate load module execution. If extended error handling is in effect, and IHCFLIT, upon regaining control, finds the user did no special fixup, IHCFLIT's standard corrective action is as follows:

SLITE: no action at all
 SLITET: answer returned to caller is 2;
 no switches are changed

IHCFOXIT (Entry Name EXIT)

IHCFOXIT simply branches to the IBEXIT section of IHCFCOMH/IHCECOMH, which then terminates load module execution in its usual way.

IHCFDUMP (Entry Names DUMP and PDUMP)

IHCFDUMP's function is to have printed out on the object error unit the storage contents specified in the call, in the format specified. The absolute storage location of each request is also printed out.

The call parameters are in this form:

```

DC      AL4(A1)
DC      AL4(B1)
DC      AL4(F1)
.
.
.
DC      AL4(An)
DC      AL4(Bn)
DC      XL1'FF',AL3(Fn)
    
```

where A and B are addresses of the outer limits of the storage to be dumped, and F is either the integer format number itself, or the address of a location containing the number. The specifications are:

- 0 = hexadecimal
- 1 = LOGICAL*1
- 2 = LOGICAL*4
- 3 = INTEGER*2
- 4 = INTEGER*4
- 5 = REAL*4
- 6 = REAL*8
- 7 = COMPLEX*8
- 8 = COMPLEX*16
- 9 = literal

If the user passes any other number, IHCFDUMP chooses 0 (hexadecimal) as a default format.

The procedure is identical for DUMP and PDUMP, except for two things:

- if DUMP finds an input/output corrective action routine is in process, it functions normally; PDUMP, however, instead of processing, goes to section ERR904 in IHCFCOMH/IHCECOMH to print error message 904 and to terminate load module execution. (An input/output corrective action routine in process is indicated by the first byte of SAVE in IHCFCOMH/IHCECOMH set to anything other than X'FF'.)
- after normal processing, DUMP goes to the IBEXIT section of IHCFCOMH/IHCECOMH to terminate load module execution; PDUMP, however, returns to the caller for continued execution.

IHCFDUMP uses IHCFCVTH and IHCFIOSH/IHCFIOS to assist in its operations. After getting the address of IHCFIOSH/IHCFIOS from IHCFCOMH/IHCECOMH, IHCFDUMP branches to initialize for printing. It next moves a section to be dumped into the IHCFIOSH/IHCFIOS buffer, and determines the format type requested.* It passes this information to the FCVZO part of IHCFCVTH ('Z' output), for conversion. Lastly, it branches to IHCFIOSH/IHCFIOS to print out the line. IHCFDUMP loops in this manner until it exhausts the calling list.

If, during the printing, IHCFIOSH/IHCFIOS indicates it has encountered an input/output error, IHCFDUMP skips the remainder of its work.

IHCDEBUG

IHCDEBUG is called by the compiler-generated object code to implement most user DEBUG requests. Generally, IHCDEBUG assembles debug information and uses IHCFIOSH/IHCFIOS to write it out. IHCDEBUG may also have occasion to use IHCFCVTH (for data conversion), IHCNAMEL (to produce DISPLAY requests), IHCUATBL (to obtain the default object error unit number), and IHCFCOMH/IHCECOMH (in which to store user registers).

 *IHCFDUMP expects the format type requested to correspond to the format of the data in main storage. Therefore, asking it to print out an INTEGER variable in REAL format, for example, will result in a garbled dump.

IHCDEBUG has a single entry point--DEBUG#--which is the head of a branch table. This table is outlined in Table 12.

Table 12. IHCDEBUG Transfer Table

Dis- place- ment	Branches to Section	Function of Routine
0	TRACE	Pass label of statement to be traced
4	SUBTREN	Pass subprogram name on entry
8	SUBTRES	Pass 'RETURN' on subprogram exit
12	UNIT	Initialize data set reference number for output
16	INITSCLR	Pass data for initialized variable
20	INITARIT	Pass data for initialized array element
24	INITARAY	Pass data for initialized array
28	SUBCHK	Pass data on referenced array element
32	TRACEON	Turn on trace switch
36	TRACEOFF	Turn off trace switch
40	DISPLAY	Display referenced items
44	STARTIO	Begin input/output operation
48	ENDIO	End input/output operation

In addition to the 13 routines listed in the branch table, IHCDEBUG uses the following subroutines:

- OUTITEM, which puts a data item into DBUFFER
- OUTNAME, which puts the name of an array or variable into DBUFFER
- OUTINT, which converts an integer to EBCDIC
- OUTFLOAT, which puts a floating-point number into DBUFFER
- OUTBUFFER, which controls the output operation for DBUFFER
- ALLOCHAR, which moves a character to a save area
- FREECHAR, which extracts a character from a save area
- OUTPUT, which transfers DBUFFER to IHCFIOSH/IHCFIOS for printing

The following items in IHDEBUG are initialized to zero at load module execution time:

- DSRN, the data set reference number
- TRACFLAG, the trace flag
- IOFLAG, the input/output in progress flag
- DATATYPE, the variable type bits

Whenever information is assembled for output, it is placed in a 77-byte area called DBUFFER. The first character of this area is permanently set to blank to specify single spacing. The next seven characters are the string--DEBUG--to provide a label for the output.

The functions of the various IHDEBUG sections are:

TRACE

If TRACFLAG is off, control is returned immediately to the caller. Otherwise, the characters 'TRACE' are moved to DBUFFER, the section OUTINT converts the statement number to EBCDIC and places it in DBUFFER, and control is passed to OUTBUFFR.

SUBTREN

The characters 'SUBTRACE' and the name of the program or subprogram are moved to DBUFFER and a branch is made to OUTBUFFR.

SUBTREN

The characters 'SUBTRACE *RETURN*' are moved to DBUFFER and a branch is made to OUTBUFFR.

UNIT

The unit number argument is placed in DSRN and the routine returns to its caller.

INITSCLR

The data type is saved, the location of the scalar is computed, subroutine OUTNAME places the name of the scalar in DBUFFER, and a branch is made to OUTITEM.

INITARIT

This routine saves the data type, computes the location of the array element, and (via the subroutine OUTNAME) places the name of the array in DBUFFER. It then computes the element number as follows:

$$XXX = ((YYY - ZZZ) / AAA) + 1$$

where:

- XXX is element number
- YYY is element location
- ZZZ is first array location
- AAA is element size

and places a left parenthesis, the element number (converted to EBCDIC by subroutine OUTINT), and a right parenthesis in DBUFFER following the array name. A branch is then made to OUTITEM.

INITARAY

If IOFLAG is on, the character X'FF' is placed in DBUFFER, followed by the address of the argument list, and a branch is made to OUTBUFFR. Otherwise, a call to INITARIT is constructed, and the routine loops through that call until all elements of the array have been processed.

SUBCHK

The location of the array element is computed. If it falls within the array boundaries, control is returned to the caller. If it is outside the array boundaries, SUBCHK places the characters 'SUBCHK' into DBUFFER, and computes the element number. OUTINT converts this number into EBCDIC and moves it into DBUFFER. OUTNAME moves the array name into DBUFFER. Finally, OUTBUFFR is called.

TRACEON

TRACFLAG is turned on (set to non-zero), and control returned to caller.

TRACEOFF

TRACFLAG is turned off (set to zero), and control returned to caller.

DISPLAY

If IOFLAG is on, the characters

'DISPLAY DURING I/O SKIPPED'

are moved to OUTBUFFR. Otherwise, a calling sequence for the NAMELIST write routine (IHCNAMEL) is constructed. If DSRN is equal to zero, the unit number for SYSOUT (in IHCUTBL+6) is used as the unit passed to the NAMELIST write routine. On return from the NAMELIST write, this routine exits.

STARTIO

BYTECNT is set to 251 to indicate that the current area is full, the IOFLAG is set to X'80' to indicate that input/output is in progress, the CURBYTLC is set to the address of the SAVESTR1 (where the location of the first main block will be), and the routine exits. (See the discussion of ALLOCHAR.)

ENDIO

The IOFLAG is saved in TEMPFLAG and IOFLAG is reset to zero so that this section may make debug calls that

result in output to a device. If no information was saved during the input/output, this routine exits.

If information was saved, section FREECHAR is used to extract the data from the save area and move it to DBUFFER. FREECHAR does this one character at a time until it finds a X'15', indicating the end of the line. It then calls OUTPUT to have DBUFFER written out. If FREECHAR finds a X'FF', indicating a full array, it calls INITARAY to move the array data to DBUFFER.

If no main storage or insufficient main storage was available for saving information during the input/output, the characters

'SOME DEBUG OUTPUT MISSING'

are placed in DBUFFER after all saved information (if any) has been written out. The subroutine OUTPUT is then used to write out the message, and this routine returns to the caller.

OUTITEM

First, the characters '=' are moved to DBUFFER. Four bytes of data are then moved to a work area on a double-word boundary to avoid any boundary alignment errors when registers are loaded for logical or integer conversion. A branch on type then takes place. For fixed-point values, the routine OUTINT converts the value to EBCDIC and places it in DBUFFER. A branch to OUTBUFFER then takes place.

For floating-point values, subroutine OUTFLOAT places the value in DBUFFER. A branch to OUTBUFFER then takes place.

For complex values, two calls to OUTFLOAT are made -- first with the real part, then with the imaginary part. A left parenthesis is placed in DBUFFER before the first call, a comma after the first call, and a right parenthesis after the second call. A branch to OUTBUFFER then takes place.

For logical values, a T is placed in DBUFFER if the value was nonzero; otherwise, an F is placed in the DBUFFER. A branch to OUTBUFFER then takes place.

OUTNAME

Up to six characters of the name are moved to DBUFFER. OUTNAME returns to its caller upon encountering a blank.

OUTINT

This is a closed subroutine. If the

value (passed in R2) is equal to zero, the character '0' is placed in DBUFFER and the routine exits. If it is less than zero, a minus sign is placed in DBUFFER. The value is then converted to EBCDIC and placed in DBUFFER with leading zeros suppressed. The routine then exits.

OUTFLOAT

This subroutine calls the library module IHCFCVTH to put the floating-point number out under G conversion with a format of G14.7 for single precision and G23.16 for double precision.

OUTBUFFER

If the IOFLAG in IHCDEBUG is set, indicating the library input/output routines are busy handling some other user input/output request, IHCDEBUG must wait until the routines are free. This means it must accumulate and store its output data for the time being. To do this, OUTBUFFER calls ALLOCHAR--once for each character in DBUFFER, and one final time with X'15' to indicate the end of the line.

OUTBUFFER checks the IOFLAG. If it is not set, it then checks the input/output corrective action switch in IHCFOMH/IHCEOMH. If this switch indicates an input/output corrective action is in process, OUTBUFFER calls the ERR904 section of IHCFOMH/IHCEOMH to terminate execution. If there is no input/output corrective action in process, OUTBUFFER calls OUTPUT for normal output processing.

ALLOCHAR

ALLOCHAR saves the data passed to it in 256-byte blocks of storage obtained by GETMAIN macro instructions. When BYTECNT is equal to 251, indicating the current block is full, a new GETMAIN is issued. If no storage was available, an X'07', indicating the end of core storage, is placed in the last available byte position, IOFLAG is set to full, and the routine exits. Otherwise, the address of the new block is placed in the last four bytes of the previous block, preceded by X'37' indicating end of block with new block to follow. CURBYTLC is then set to the address of the new block and BYTECNT is set to zero. The character passed as an argument is then placed in the byte pointed to by CURBYTLC, one is added to both CURBYTLC and BYTECNT, and the routine exits.

FREECHAR

This is a closed subroutine. If the current character extracted is X'37',

indicating a new block follows the current block, the next four bytes are placed in CURBYTLC and the current block is freed. If the current character is X'07', indicating the end of core storage, the block is freed and a branch is made to the end input/output exit. Otherwise, the current character is passed to the calling routine and CURBYTLC is incremented by one.

OUTPUT

If DSRN is zero, the SYSOUT unit number is obtained from IHCUATBL +6. A call is then made to the initialization section of IHCFIOSH/IHCFIOS. Upon return, OUTPUT transfers DBUFFER to the IHCFIOSH/IHCFIOS buffer, and calls the write section of IHCFIOSH/IHCFIOS. If IHCFIOSH/IHCFIOS indicates an input/output error, IHDEBUG ignores the rest of the current DEBUG request.

TERMINATION

Every compiler-generated program ends with a branch to the FSTOP section of IHFCOMH/IHCECOMH. This section is a termination procedure that:

- puts the return code passed it into register 15.
- if extended error handling has been specified, calls IHCERRM to have the error summary produced.
- calls IHCFIOSH/IHCFIOS to close sequential files (IHCFIOSH/IHCFIOS in turn calls IHCDIOSE/IHCEDIOS to close any direct access files).
- deletes IHCADJST, if it has been loaded.
- cancels the SPIE, restoring the old PICA if there was one.
- either
 - a. cancels the STAE and returns to the supervisor if IHCSTAE has not been loaded (i.e., no abnormal termination has been scheduled)
 - b. cancels the STAE and issues an ABEND macro instruction if entry is from IHCSTAE

The above termination procedure is used both for the normal end of load module execution and for most instances of library-initiated premature termination. The only exceptions occur in IHCSTAE,

when control is sometimes returned directly to the supervisor, bypassing the above procedure.

Unit number (DSRN) being used for current operation				n ¹ x 16	4 bytes
ERRMSG DSRN ²	READ DSRN ³	PRINT DSRN ⁴	PUNCH DSRN ⁵		4 bytes
UBLOCK01 field ⁶					4 bytes
DSRN01 default values ⁷					8 bytes
LIST01 field ⁸					4 bytes
.					.
.					.
.					.
UBLOCKn field ⁶					4 bytes
DSRnn default values ⁷					8 bytes
LISTn field ⁸					4 bytes

¹n is the maximum number of units that can be referred to by the FORTRAN LOAD MODULE. The size of the unit table is equal to (8 + n x 16) bytes.
²Unit number (DSRN) of error output device.
³Unit number (DSRN) of input device for a read of the form: READ b, list.
⁴Unit number (DSRN) of output device for a print operation of the form: PRINT b, list.
⁵Unit number (DSRN) of output device for a punch operation of the form: PUNCH b, list.
⁶The UBLOCK field contains either a pointer to the unit block constructed for unit number n if the unit is being used at object time, or a value of 1 if the unit is not being used.
⁷This field contains DCB default values, which are inserted into the DCB if the user does not supply them. They are detailed in Figure 19. Only IHCFIOSH/IHCFIOS gets its default values from this field.
⁸If the unit is defined as a direct access data set, the LIST field contains a pointer to the parameter list that defines the direct access data set. Otherwise, this field contains a value of 1.

Figure 18. IHCUATBL: The Data Set Assignment Table

Table 13. DCB Default Values

ddname	Sequential Data Sets					Direct Access Data Sets		
	RECFM ¹	LRECL ²	BLKSIZE	DEN	BUFNO	RECFM	LRECL or BLKSIZE	BUFNO
FT03Fxxx	U	--	800	2	2	FA	The value specified as the maximum size of a record in the DEFINE FILE statement.	2
FT05Fxxx	F	80	80	--	2	F		2
FT06Fxxx	UA	132	133	--	2	F		2
FT07Fxxx	F	80	80	--	2	F		2
all others	U	--	800	2	2	F		2

¹For records not under FORMAT control, the default is VS.
²For records not under FORMAT control, the default is 4 less than shown.

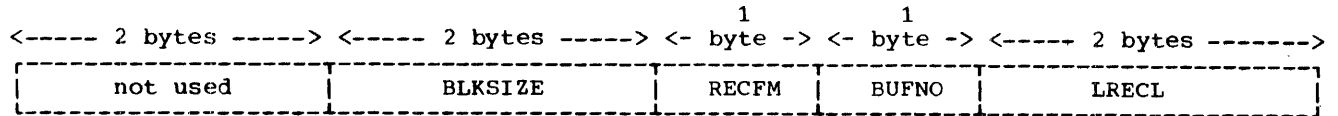


Figure 19. DSRN Default Value Field of IHCUTBL Entry

ABYTE	BBYTE	CBYTE	DBYTE	
				4 bytes
Address of Buffer 1				4 bytes
Address of Buffer 2				4 bytes
Current buffer pointer			(Note)	4 bytes
Record displacement (RECPTR)			(Note)	4 bytes
Address of last DECB				4 bytes
Mask for alternating buffers				4 bytes
DECB1 skeleton section				20 bytes
Logical record length		Not used	LIVECNT1	4 bytes
DECB2 skeleton section				20 bytes
Work space		Not used	LIVECNT2	4 bytes
DCB skeleton section				88 bytes

}

Housekeeping Section

Note: Used only for variable-length and/or blocked records

Figure 20. Format of a Unit Block for a Sequential Access Data Set

- ABYTE. This field, containing the data set type passed to subprogram IHCFIOSH/IHCFIOS by IHCFOMH/IHCECOMH, is set to one of the following:
 - F0 -- Input data set which is to be processed under format control.
 - FF -- Output data set which is to be processed under format control.
 - 00 -- Input data set which is to be processed without format control.
 - 0F -- Output data set which is to be processed without format control.

 - BBYTE. This field contains bits that are set and examined by IHCFIOSH/IHCFIOS during its processing. The bits and their meanings, when on, are as follows:
 - 0 -- exit to subroutine IHCFOMH/IHCECOMH on input/output error
 - 1 -- input/output error occurred
 - 2 -- current buffer indicator
 - 3 -- not used
 - 4 -- end-of-current buffer indicator
 - 5 -- blocked data set indicator
 - 6 -- variable record format switch
 - 7 -- not used

 - CBYTE. This field also contains bits that are set and examined by subroutine IHCFIOSH/IHCFIOS. The bits and their meanings, when on, are as follows:
 - 0 -- data control block opened
 - 1 -- data control block not T-closed
 - 2 -- data control block not previously opened
 - 3 -- buffer pool attached
 - 4 -- data set not previously rewound
 - 5 -- not used
 - 6 -- concatenation occurring; reissue READ
 - 7 -- data set is DUMMY

 - DBYTE. This field contains bits that are set and examined by IHCFIOSH/IHCFIOS during the processing of an input/output operation involving a backspace request. The bits and their meanings, when on, are as follows:
 - 0 -- a physical backspace has occurred
 - 1 -- previous operation was BACKSPACE
 - 2 -- not used
 - 3 -- end-of-file routine should retain buffers
 - 4-5 -- not used
 - 6 -- END FILE followed by BACKSPACE
 - 7 -- not used

 - Address of Buffer 1 and Address of Buffer 2. These fields contain pointers to the two input/output buffers obtained during the opening of the data control block for this data set.
 - Current Buffer Pointer. This field contains a pointer to the input/output buffer currently being used.
 - Record Offset (RECPTR). This field contains a pointer to the current logical record within the current buffer.
 - Address of Last DECB. This field contains a pointer to the DECB last used.
 - Mask for Alternating Buffers. This field contains the bits which enable an exclusive OR operation to alternate the current buffer pointer.
- DECB SKELETON SECTIONS (DECB1 AND DECB2): The DECB (data event control block) skeleton sections are blocks of main storage within the unit block. They have the same format as the DECB constructed by the control program for an L format of an S-type READ or WRITE macro instruction (see the publication IBM System/360 Operating System: Supervisor and Data Management Macro Instructions, Order No. GC28-6647). The various fields of the DECB skeleton are filled in by subprogram IHCFIOSH; the completed block is referred to when IHCFIOSH issues a read/write request to BSAM. The read/write field is filled in when the OPEN macro is being executed.
- Logical Record Length: This is the LRECL of the current data set. It is inserted by IHCFIOSH/IHCFIOS during its open exit routine.
- LIVECNT1 and LIVECNT2. These fields indicate whether any input/output

operation performed for the data set is unchecked. (A value of 1 indicates that a previous read or write has not been checked; a value of 0 indicates that the previous read or write operation on that DECB has been checked.)

- Work Space. This field is used to align the logical record length of a variable record segment on a fullword boundary.

DCB: The fields of this skeleton for DCB are filled in partly by IHCFIOSH/IHCEFIOS, and partly by the system as a result of an OPEN macro instruction by IHCFIOSH/IHCEFIOS.

IOTYPE	STATUSU	not used	not used	4 bytes
RECNUM				4 bytes
STATUSA	CURBUF			4 bytes
BLKREFA				4 bytes
STATUSB	NXTBUF			4 bytes
BLKREFB				4 bytes
DECBA				28 bytes
DECBB				28 bytes
DCB				104 bytes

Figure 21. Format of a Unit Block for a Direct Access Data Set

The meanings of the various unit block fields are outlined below.

IOTYPE: This field, containing the data set type passed to subprogram IHCDIOSE by the IHCFCOMH subprogram, can be set to one of the following:

- F0 -- input data set requiring a format
- FF -- output data set requiring a format
- 00 -- input data set not requiring a format
- 0F -- output data set not requiring a format

STATUSU: This field specifies the status of the associated unit number. The bits and their meanings when on are:

Bit	Meaning
0	data control block for data set is open for BSAM

Bit	Meaning
1	error occurred
2	two buffers are being used
3	data control block for data set is open for BDAM
4-5	10 -- U format specified in DEFINE FILE statement 01 -- E format specified in DEFINE FILE statement 11 -- L format specified in DEFINE FILE statement
6-7	not used

Note: Subprogram IHCDIOSE refers only to bits 1, 2, and 3.

RECNUM: This field contains the number of records in the data set as specified in the parameter list for the data set in a DEFINE FILE statement. It is filled in by the file initialization section after the data control block for the data set is opened.

STATUSA: This field specifies the status of the buffer currently being used. The bits and their meanings when on are:

Bit	Meaning
0	READ macro instruction has been issued
1	WRITE macro instruction has been issued
2	CHECK macro instruction has been issued
3-7	not used

CURBUF: This field contains the address of the DECB skeleton currently being used. It is initialized to contain the address of the DECBA skeleton by the file initialization section of IHCDIOSE after the data control block for the data set is opened.

BLKREFA: This field contains an integer that indicates either the relative position within the data set of the record to be read, or the relative position within the data set at which the record is to be written. It is filled in by either the read or write section of subprogram IHCDIOSE prior to any reading or writing. In addition, the address of this field is inserted into the DECBA skeleton by the file initialization section of IHCDIOSE after the data control block for the data set is opened.

STATUSB: This field specifies the status of the next buffer to be used if two buffers are obtained for this data set during data control block opening. The bits and their meanings are the same as described for the STATUSA field. However, if only one buffer is obtained during data control block opening, this field is not used.

NXTBUF: This field contains the address of the DECB skeleton to be used next if two buffers are obtained during data control block opening. It is initialized to contain the address of the DECBB skeleton by the file initialization section of subprogram IHCDIOSE after the data control block for the data set is opened. However, if only one buffer is obtained during data control block opening, this field is not used.

BLKREFB: The contents of this field are the same as described for the BLKREFA field. It is filled in either by the read or the write section of subprogram IHCDIOSE prior to any reading or writing. In addition, the address of this field is inserted into the DECBB skeleton by the file initialization section of IHCDIOSE after the data control block for the data set is opened. However, if only one buffer is obtained during data control block opening, this field is not used.

DECBA SKELETON: This field contains the DECB (data event control block) skeleton to be used when reading into or writing from the current buffer. It is the same form as the DECB constructed by the control program for an L form of an S-type READ or WRITE macro instruction under BDAM (see the publication IBM System/360 Operating System: Supervisor and Data Management Macro Instructions, Order No. GC28-6647).

The various fields of the DECBA skeleton are filled in by the file initialization section of subprogram IHCDIOSE after the data control block for the data set is opened. The completed DECB is referred to when IHCDIOSE issues a read or a write request to BDAM. For each input/output operation, IHCDIOSE supplies IHCFOMH with the address of and the size of the buffer to be used for the operation.

DECBB SKELETON: The DECBB skeleton is used when reading into or writing from the next buffer. Its contents are the same as

described for the DECBA skeleton. The DECBB skeleton is completed in the same manner as described for the DECBA skeleton. However, if only one buffer is obtained during data control block opening, this field is not used.

DCB SKELETON: This field contains the DCB (data control block) skeleton for the associated data set. It is of the same format as the DCB constructed by the control program for a DCB macro instruction under BDAM (see the publication IBM System/360 Operating System: Supervisor and Data Management Macro Instructions).

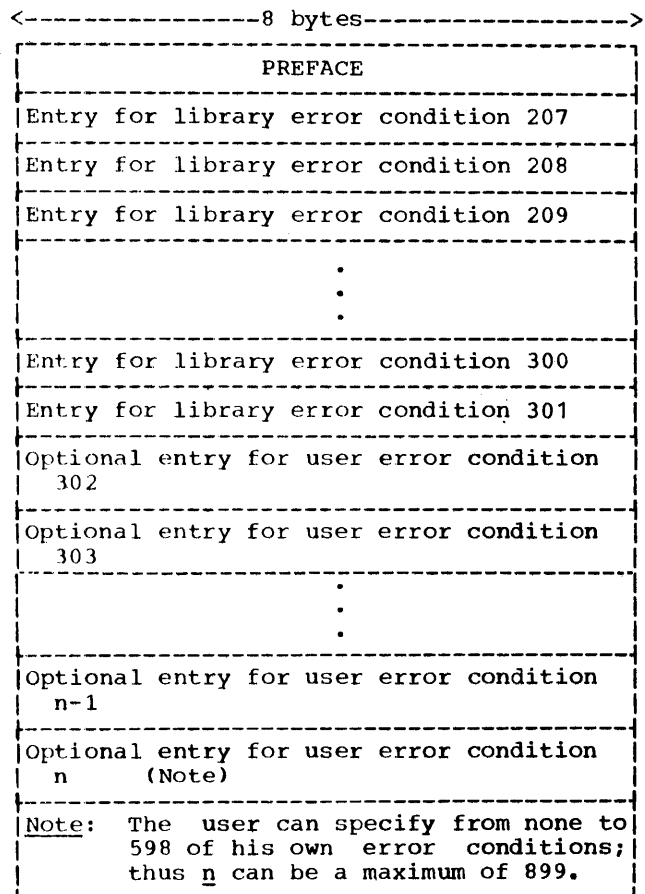
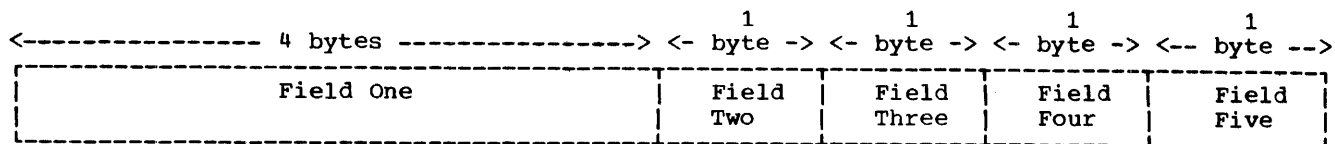
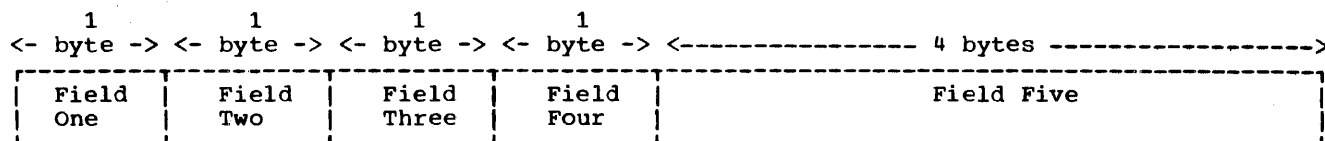


Figure 22. General Form of the Option Table (IHCUOPT)



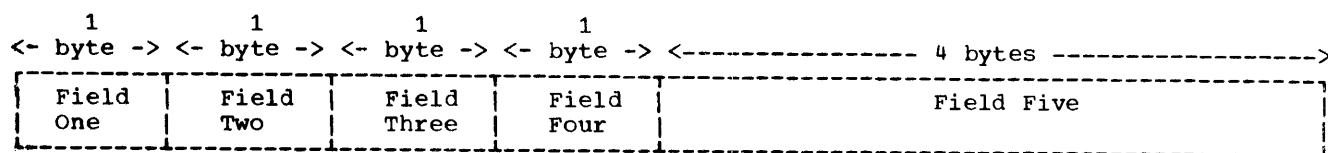
Field	Contents
One:	The number of entries in the option table. This is 95 plus the total number of user-supplied error conditions.
Two:	Bit one indicates whether boundary alignment was selected. 1=yes; 0=no. (Bits 0 and 2-7 are reserved for future use.)
Three:	Indicates whether extended error handling was selected. X'FF'=no; X'00'=yes.
Four:	Contains a decimal 10. This is the number of times the boundary alignment error message will be printed when extended error handling has <u>not</u> been specified.
Five:	Reserved for future use.

Figure 23. Preface of the Option Table (IHCUEOPT)



Field	Contents																		
One:	The number of times the library should allow this error to occur before terminating load module execution. A value of zero means unlimited occurrence. (Trying to set the field to greater than 255 results in its being set to zero.)																		
Two:	The number of times the corresponding error message is to be printed before message printing is suppressed. A value of zero means no message is to be printed.																		
Three:	The number of times this error has already occurred in execution of the present load module.																		
Four:	<table border="1"> <thead> <tr> <th>Bit</th> <th>Meaning</th> </tr> </thead> <tbody> <tr> <td>0</td> <td>If control character is supplied for overflow lines, set to 1. If control character is not supplied for overflow lines, set to 0.</td> </tr> <tr> <td>1</td> <td>If this table entry can be user-modified, set to 1. If this table entry cannot be user-modified, set to 0.</td> </tr> <tr> <td>2</td> <td>If more than 255 errors of this type have occurred so that 255 should be added to Field Three, set to 1. If less than 255 errors of this type have occurred, set to 0.</td> </tr> <tr> <td>3</td> <td>If buffer contents is not to be printed with error messages, set to 1. If buffer contents is not to be printed, set to 0.</td> </tr> <tr> <td>4</td> <td>Reserved for future use.</td> </tr> <tr> <td>5</td> <td>If error message is to be printed for every occurrence, set to 1. If error message is not to be printed, set to 0.</td> </tr> <tr> <td>6</td> <td>If traceback map is to be printed, set to 1. If traceback map is not to be printed, set to 0.</td> </tr> <tr> <td>7</td> <td>Reserved for future use.</td> </tr> </tbody> </table>	Bit	Meaning	0	If control character is supplied for overflow lines, set to 1. If control character is not supplied for overflow lines, set to 0.	1	If this table entry can be user-modified, set to 1. If this table entry cannot be user-modified, set to 0.	2	If more than 255 errors of this type have occurred so that 255 should be added to Field Three, set to 1. If less than 255 errors of this type have occurred, set to 0.	3	If buffer contents is not to be printed with error messages, set to 1. If buffer contents is not to be printed, set to 0.	4	Reserved for future use.	5	If error message is to be printed for every occurrence, set to 1. If error message is not to be printed, set to 0.	6	If traceback map is to be printed, set to 1. If traceback map is not to be printed, set to 0.	7	Reserved for future use.
Bit	Meaning																		
0	If control character is supplied for overflow lines, set to 1. If control character is not supplied for overflow lines, set to 0.																		
1	If this table entry can be user-modified, set to 1. If this table entry cannot be user-modified, set to 0.																		
2	If more than 255 errors of this type have occurred so that 255 should be added to Field Three, set to 1. If less than 255 errors of this type have occurred, set to 0.																		
3	If buffer contents is not to be printed with error messages, set to 1. If buffer contents is not to be printed, set to 0.																		
4	Reserved for future use.																		
5	If error message is to be printed for every occurrence, set to 1. If error message is not to be printed, set to 0.																		
6	If traceback map is to be printed, set to 1. If traceback map is not to be printed, set to 0.																		
7	Reserved for future use.																		
Five:	The address of the user's exit routine. If one is not supplied (in other words, if library is to take its own standard corrections), the final bit is set to 1.																		

Figure 24. Composition of an Option Table Entry



<u>Field</u>	<u>Contents</u>																		
One:	Set to 10, except for errors 208, 210, and 215, which are set to 0 (unlimited), and for errors 217 and 230, which are set to 1.																		
Two:	Set to 5, except for error 210, which is set to 10, and for errors 217 and 230, which are set to 1.																		
Three:	Set to 0.																		
Four:	<table border="0" style="margin-left: 20px;"> <thead> <tr> <th style="text-align: left;"><u>Bit</u></th> <th style="text-align: left;"><u>Setting</u></th> </tr> </thead> <tbody> <tr><td>0</td><td>0</td></tr> <tr><td>1</td><td>1, except for errors 230 and 240</td></tr> <tr><td>2</td><td>0</td></tr> <tr><td>3</td><td>0</td></tr> <tr><td>4</td><td>0</td></tr> <tr><td>5</td><td>0</td></tr> <tr><td>6</td><td>1</td></tr> <tr><td>7</td><td>0</td></tr> </tbody> </table>	<u>Bit</u>	<u>Setting</u>	0	0	1	1, except for errors 230 and 240	2	0	3	0	4	0	5	0	6	1	7	0
<u>Bit</u>	<u>Setting</u>																		
0	0																		
1	1, except for errors 230 and 240																		
2	0																		
3	0																		
4	0																		
5	0																		
6	1																		
7	0																		
Five:	Set to 1.																		

Note: These system generation values are also inserted initially into any user error entries.

Figure 25. Original Values of Option Table Entries

Table 14. IHCFCOMH/IHCECOMH Transfer and Subroutine Table

Displacement from IBCOM#	Branches to Section	Function of Routine
0	FRDWF	Opening section, formatted READ
4	FWRWF	Opening section, formatted WRITE
8	FIOLF	I/O list section, formatted list variable
12	FIOAF	I/O list section, formatted list array
16	FENDF	Closing section, formatted READ or WRITE
20	FRDNF	Opening section, nonformatted READ
24	FWRNF	Opening section, nonformatted WRITE
28	FIOLN	I/O list section, nonformatted list variable
32	FIOAN	I/O list section, nonformatted list array
36	FENDN	Closing section, nonformatted READ or WRITE
40	FBKSP	Implements the BACKSPACE source statement
44	FRWND	Implements the REWIND source statement
48	FEOFM	Implements the ENDFILE source statement
52	FSTOP	Write-To-Operator, terminate job
56	FPAUS	Write-To-Operator, resume execution
64	IBFINT	Load module initialization
68	IBEXIT	Load module termination

Chart G0. IHCFCOMH/IHCECOMH (Part 1 of 4)

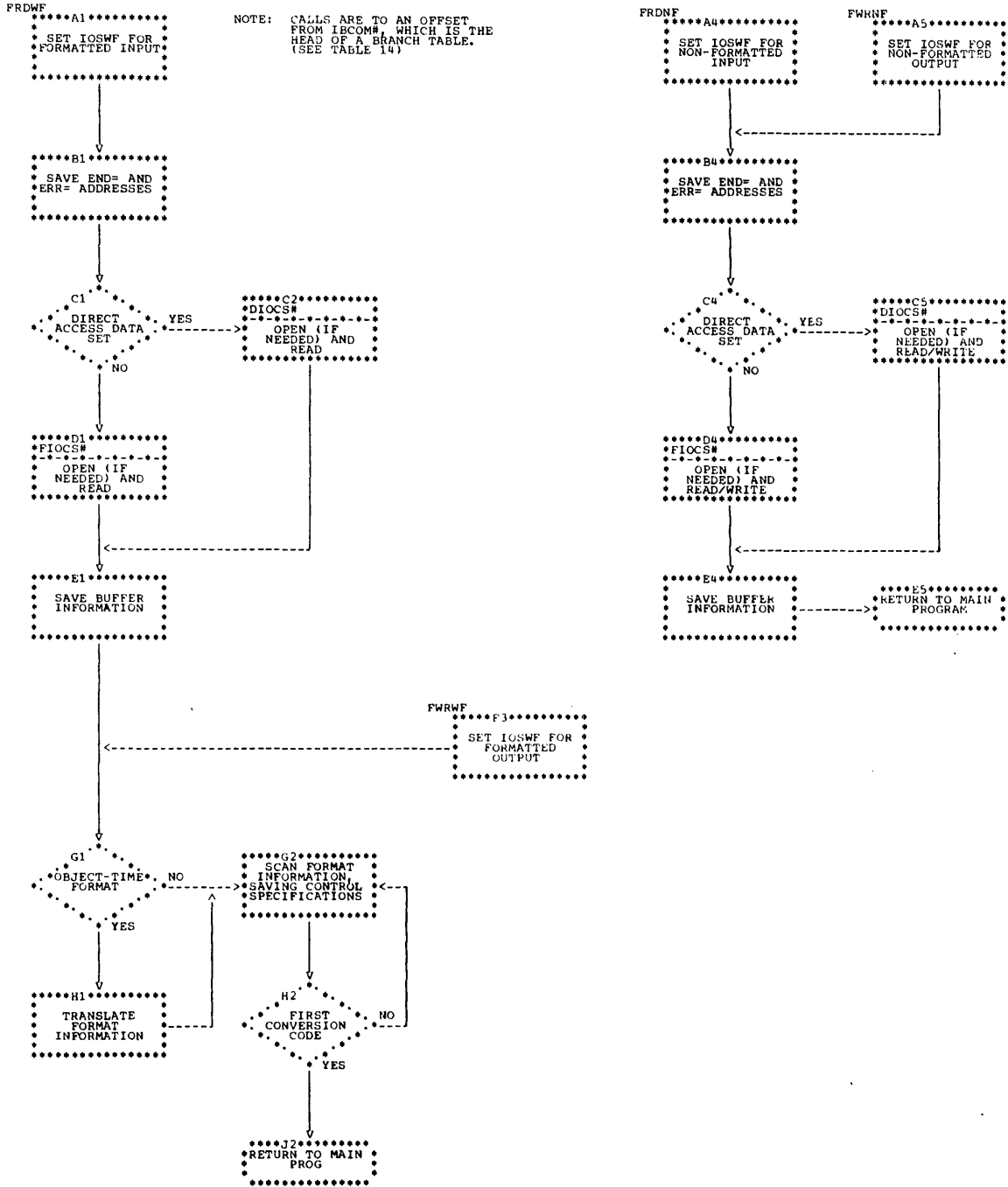


Chart G0. IHCFCOMH/IHCECOMH (Part 2 of 4)

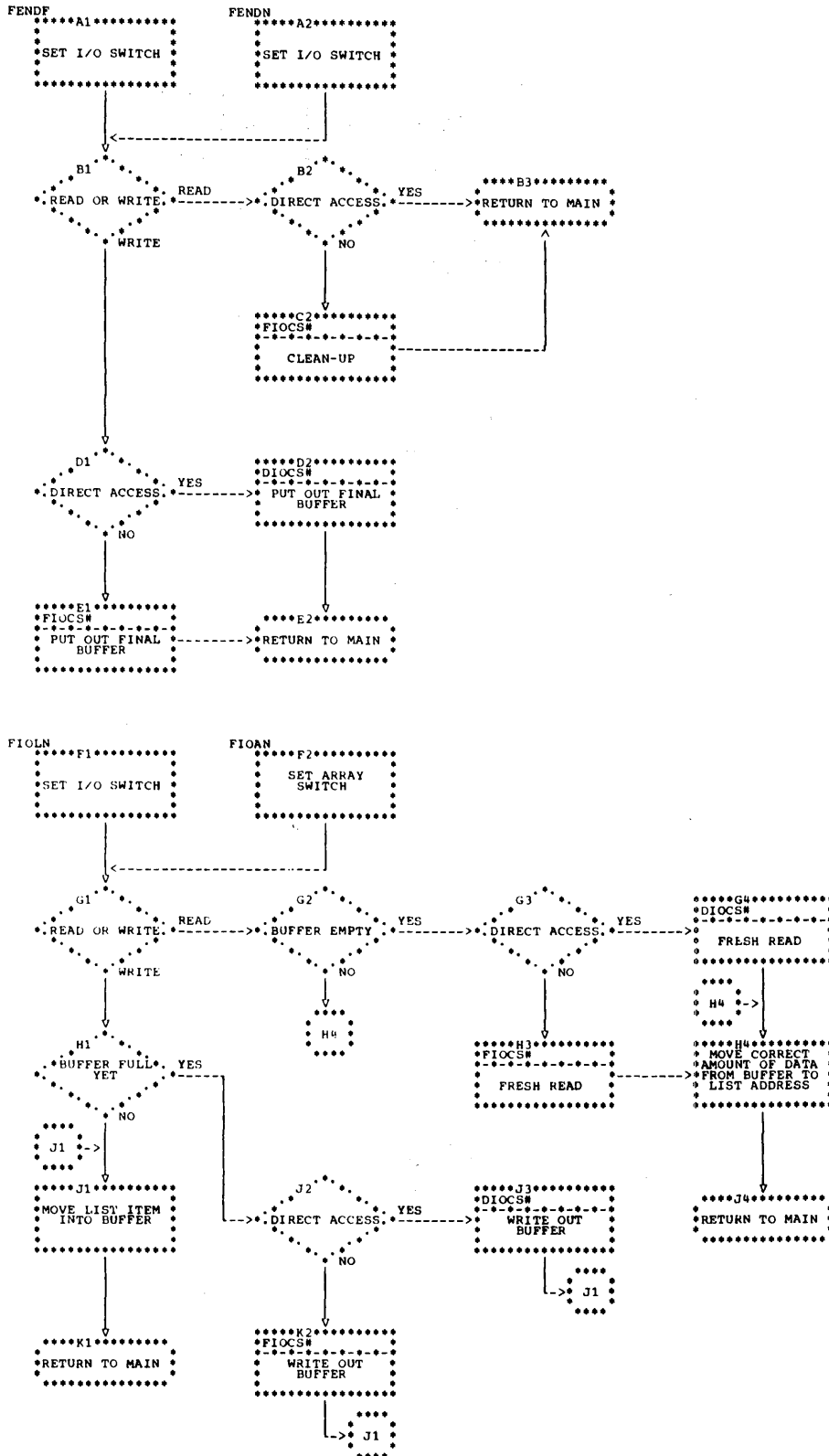


Chart G0. IHCFCOMH/IHCECOMH (Part 3 of 4)

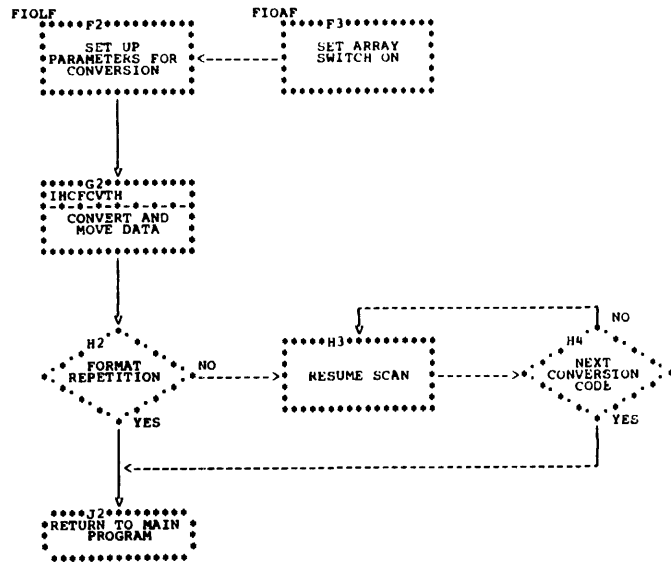
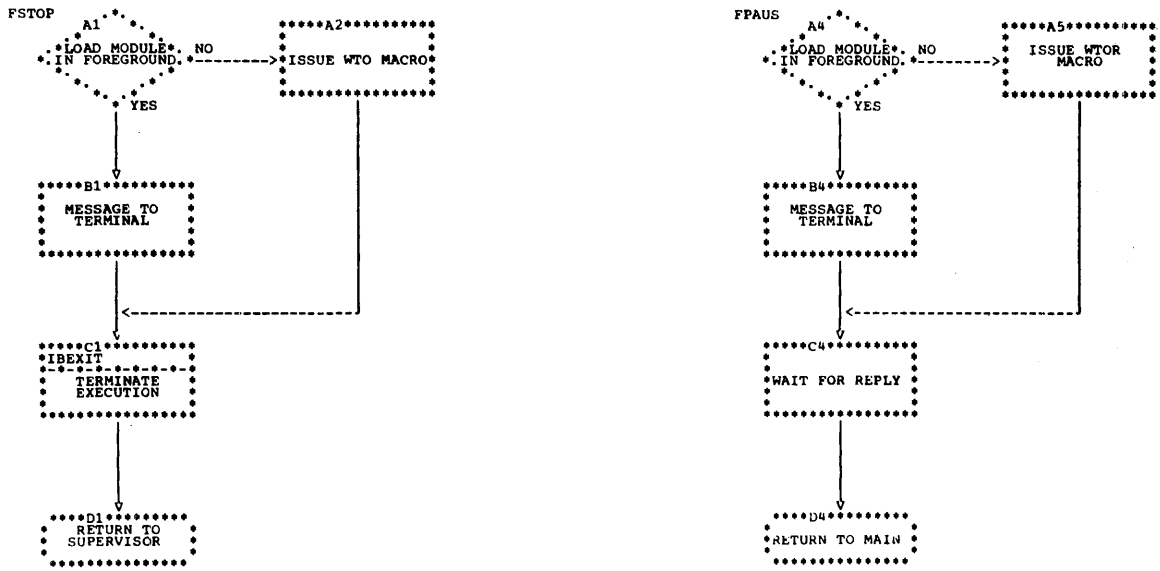


Chart G0. IHCFOMH/IHCECOMH (Part 4 of 4)

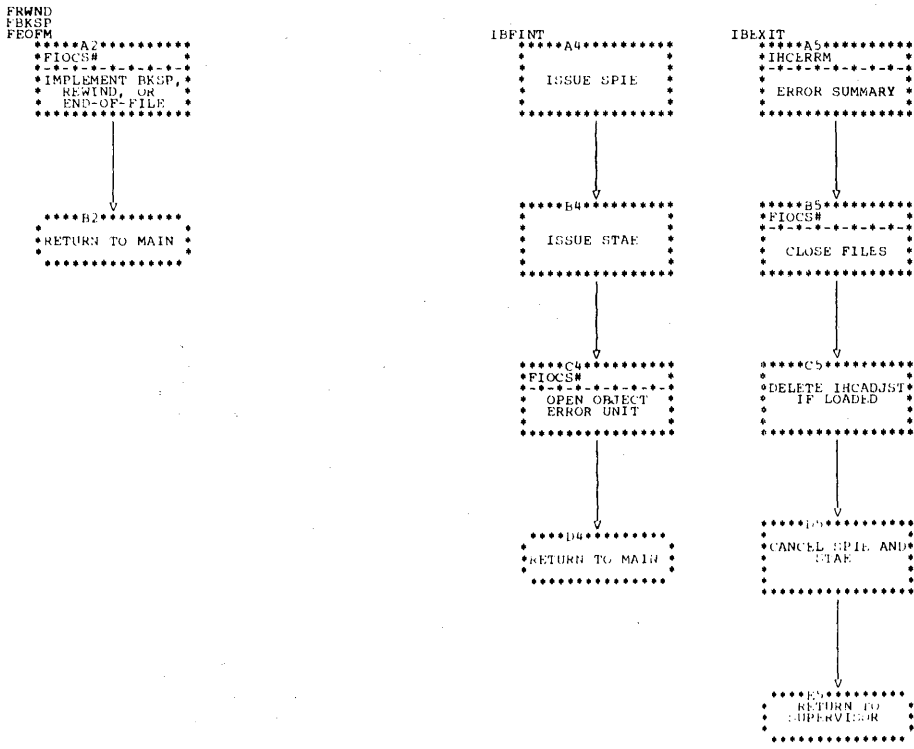


Chart G1. IHCFIOSH/IHCEFIOS (Part 1 of 2)

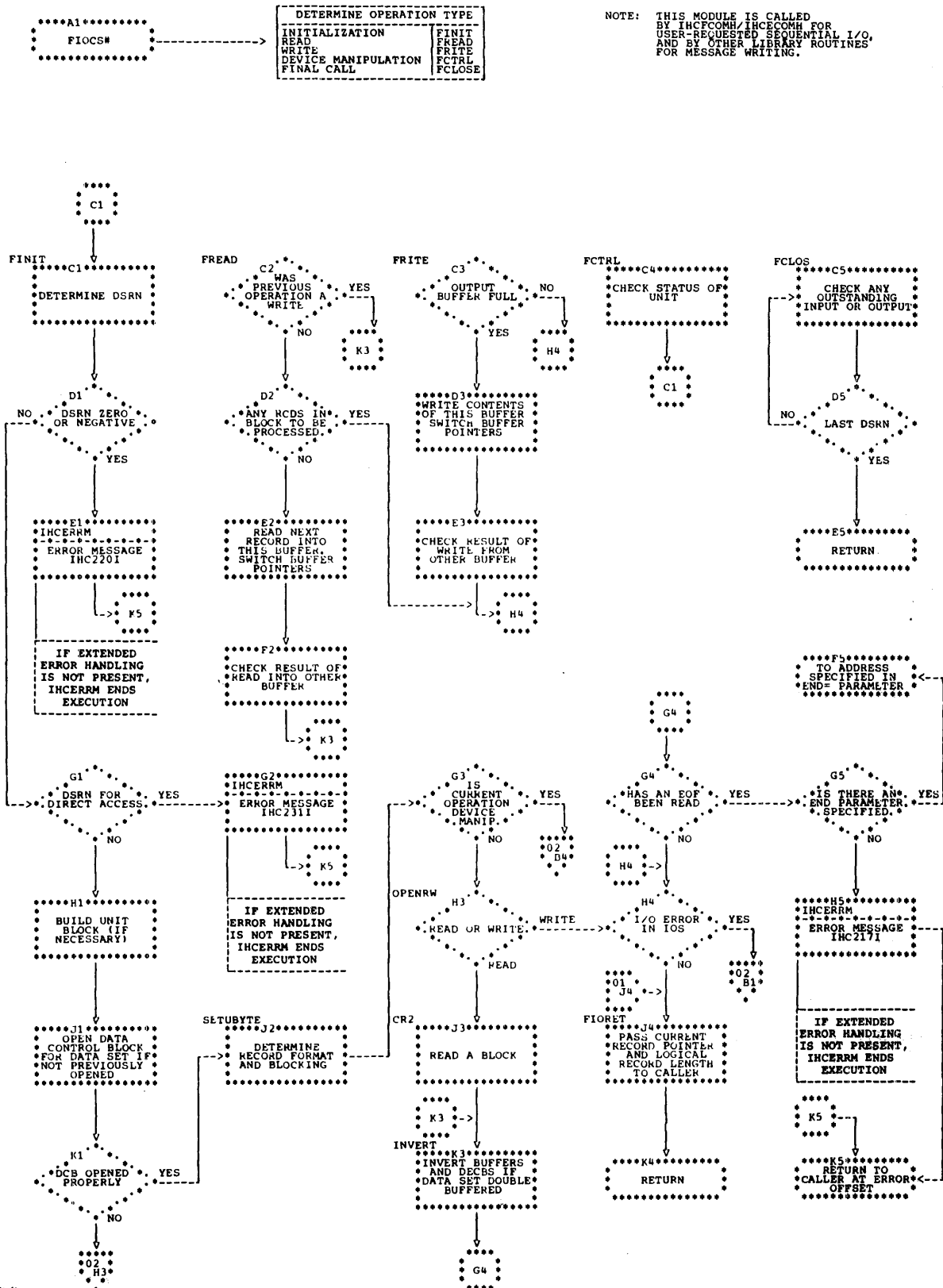


Chart G2. IHCDIOSE/IHCEDIOS (Part 1 of 5)

CALLS FOR DEFINE FILE

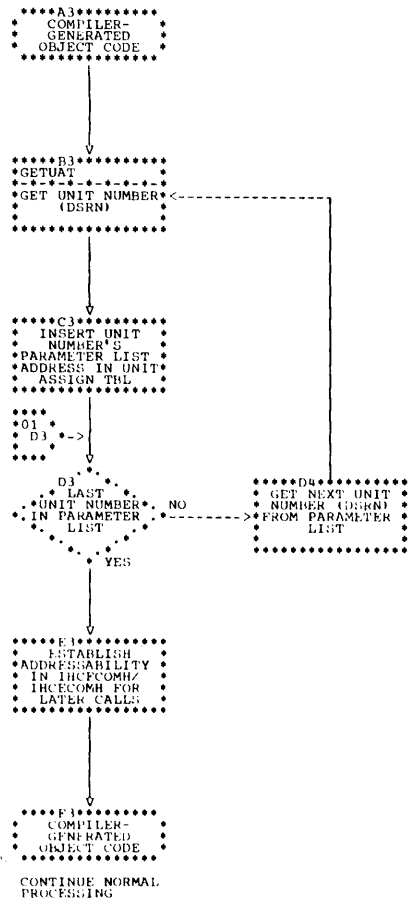


Chart G2. IHCDIOSE/IHCEDIOS (Part 2 of 5)

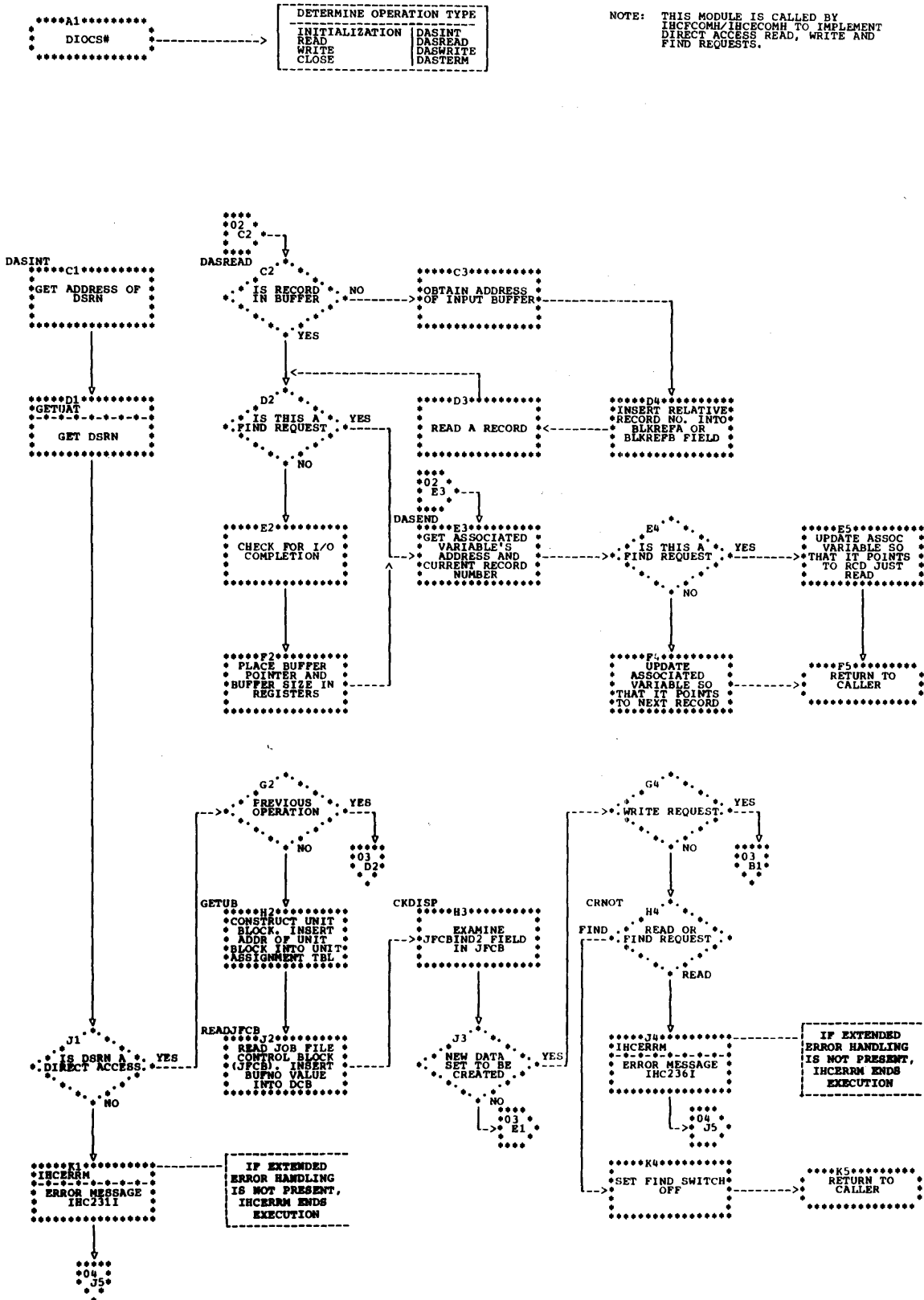


Chart G2. IHCDIOSE/IHCEDIOS (Part 3 of 5)

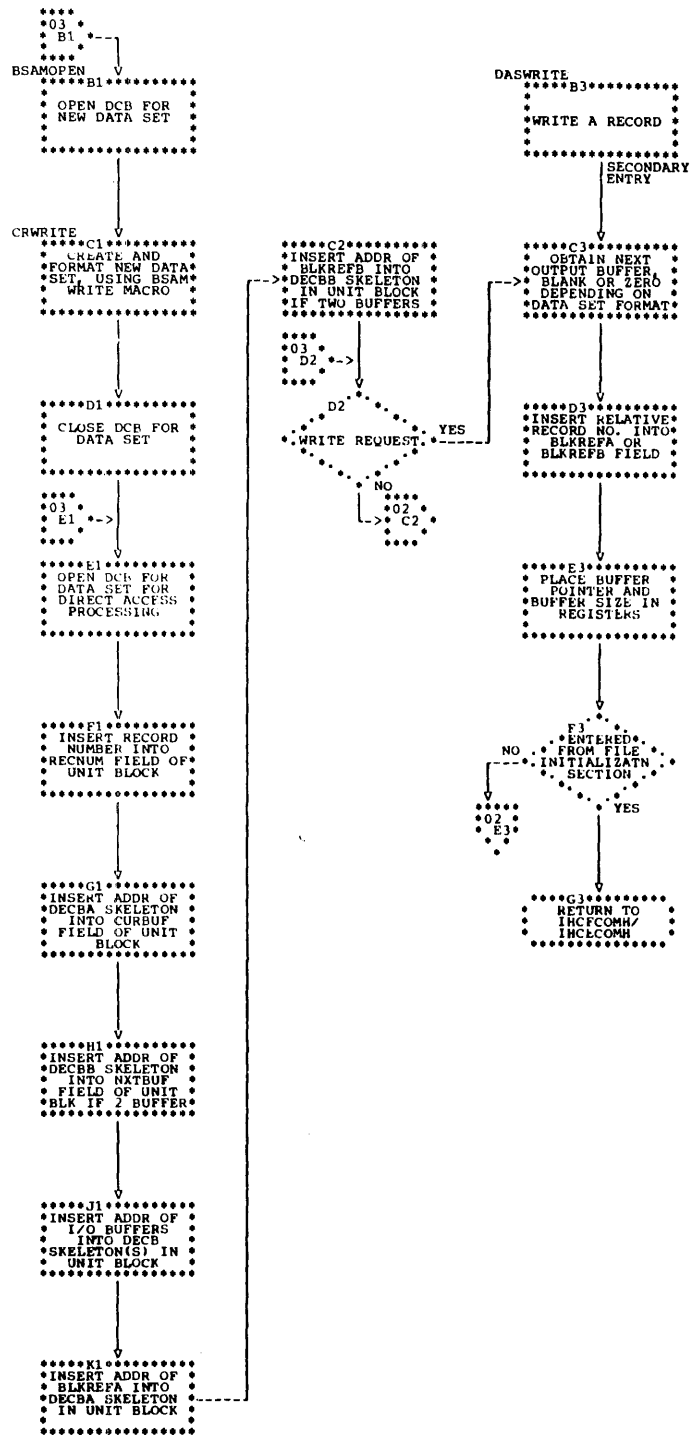


Chart G2. IHCDIOSE/IHCEDIOS (Part 4 of 5)

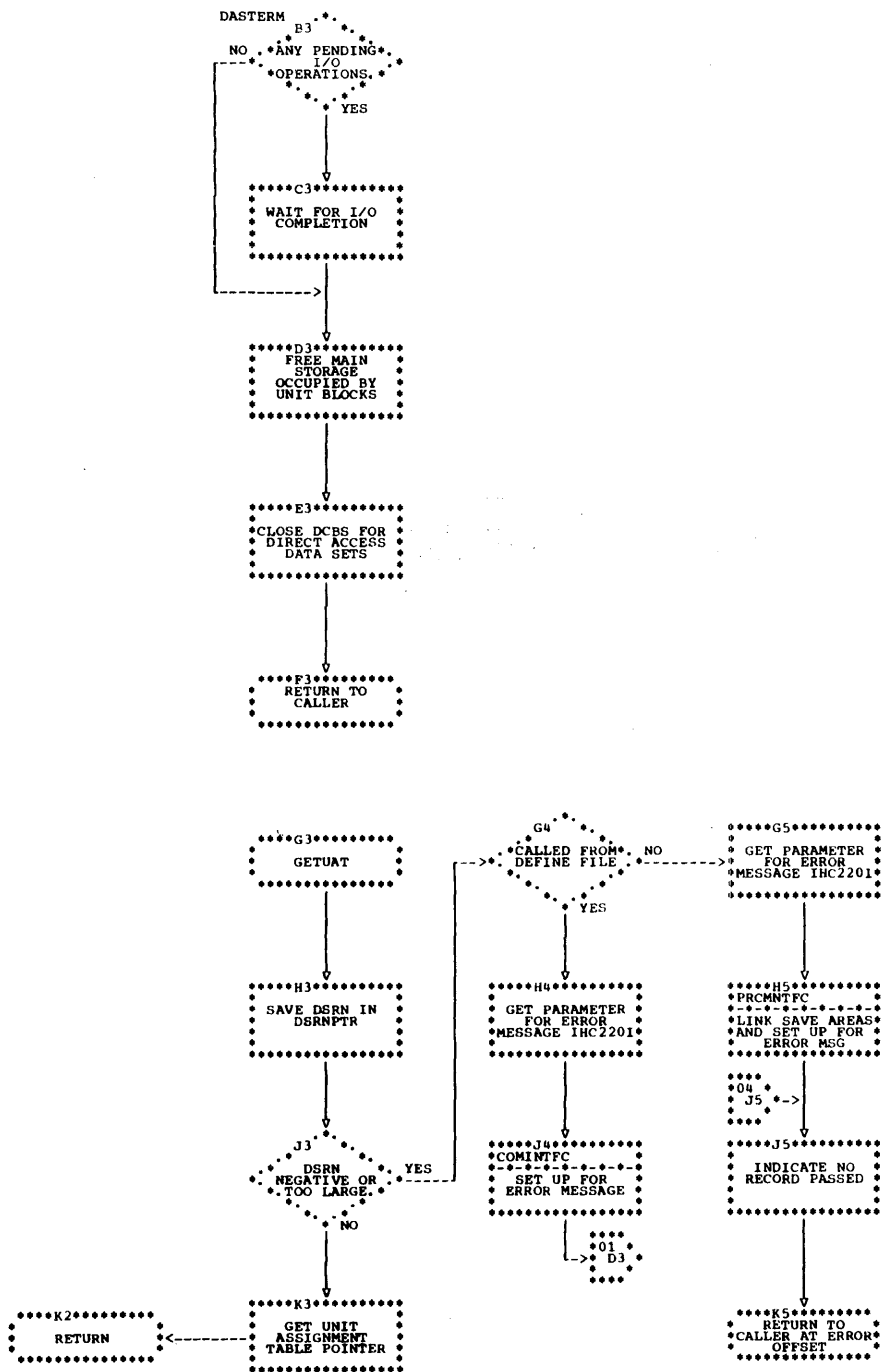


Chart G2. IHCDIOSE/IHCEDIOS (Part 5 of 5)

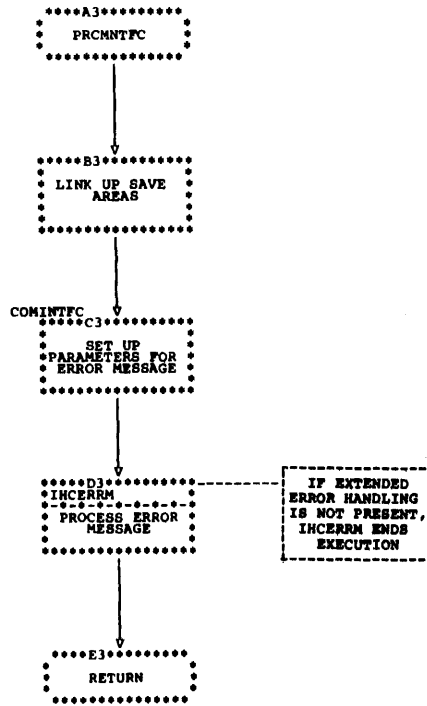
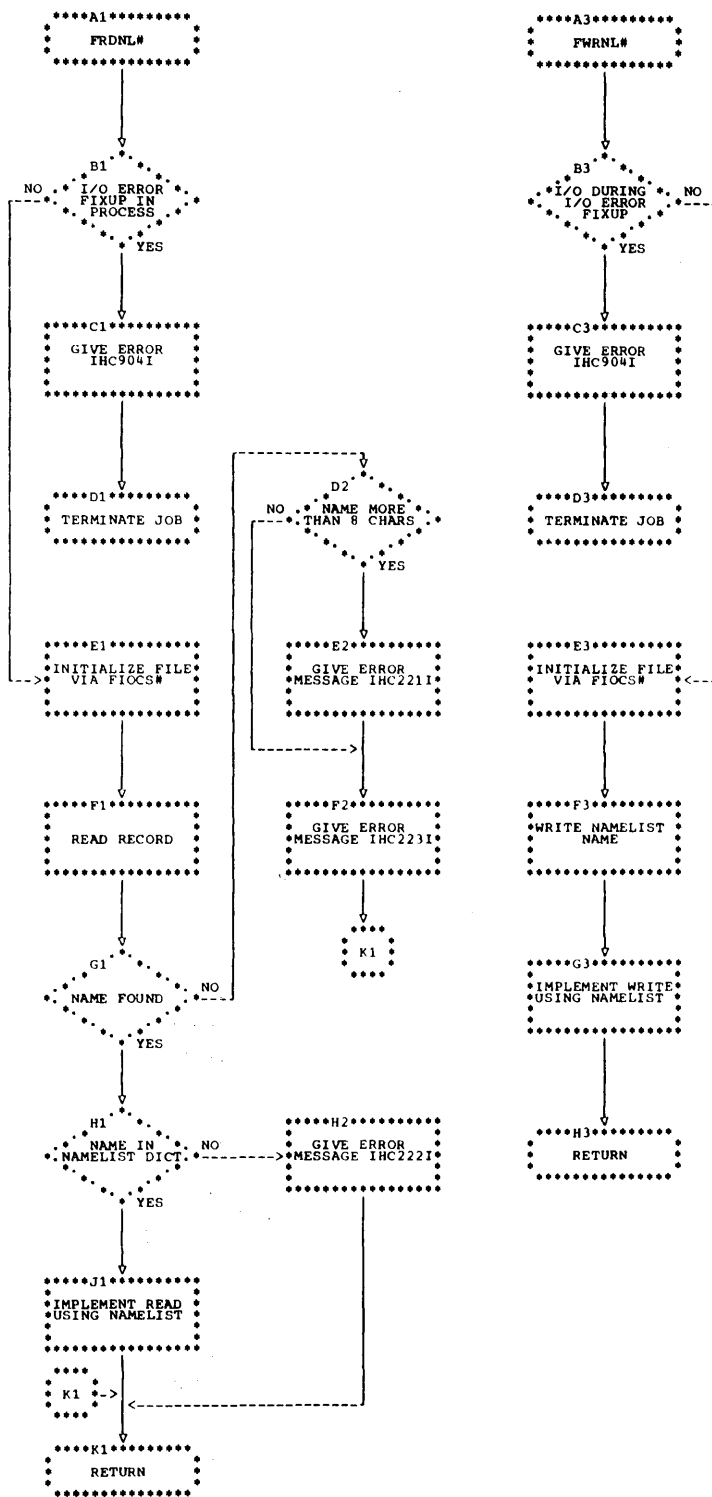


Chart G3. IHCNAMEL



NOTE: THIS MODULE IS CALLED BY THE COMPILER-GENERATED CODE TO IMPLEMENT NAMELIST I/O REQUESTS.

Chart G4. IHCFINTH/IHCEFINTH (Part 1 of 3)

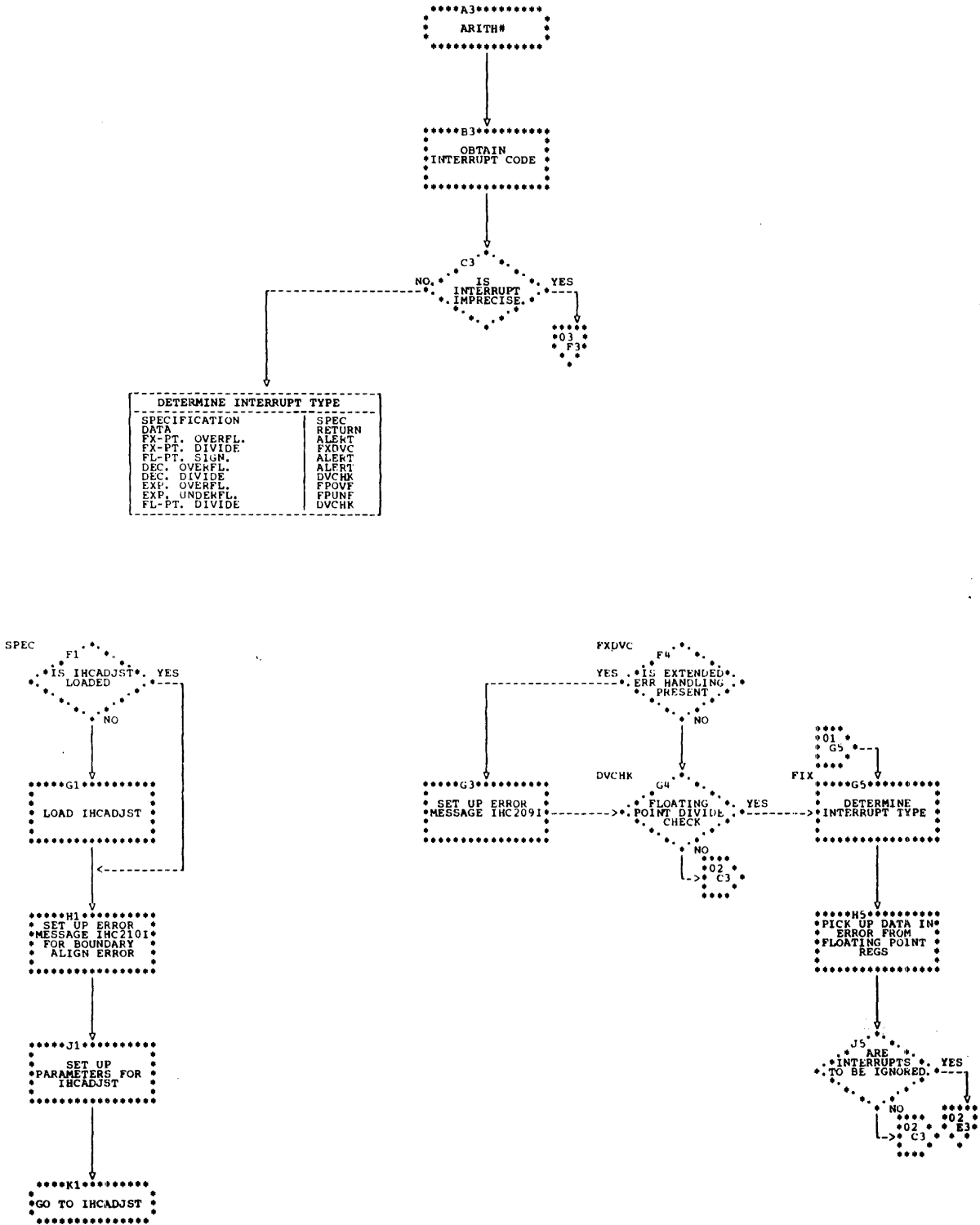


Chart G4. IHCFINTH/IHCEFINTH (Part 2 of 3)

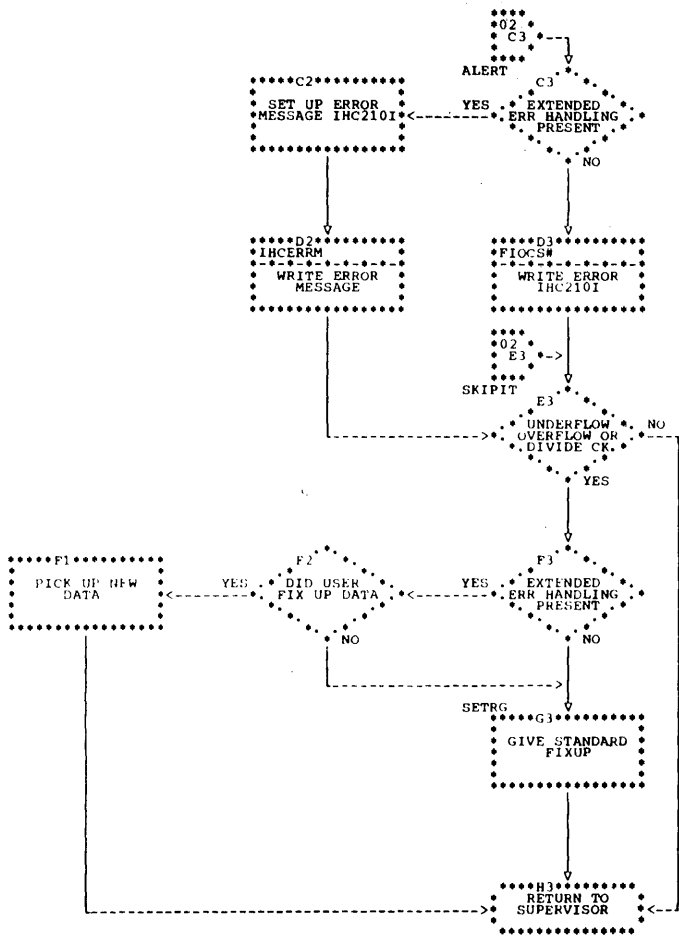


Chart G4. IHCFINTH/IHCEFINTH (Part 3 of 3)

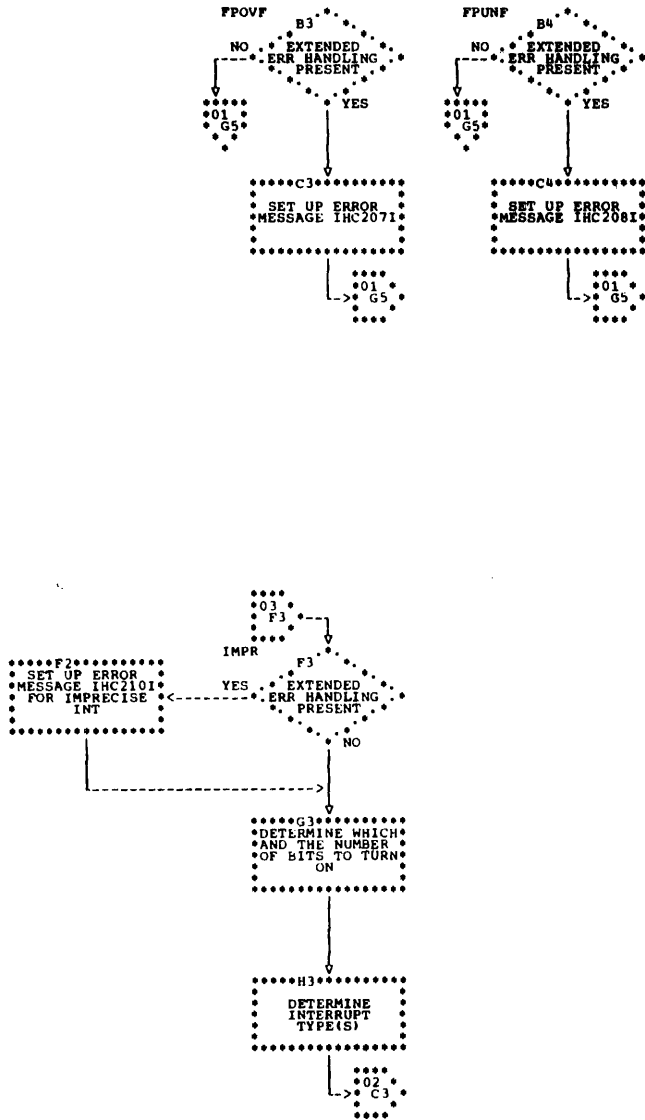


Chart G5. IHCADJST

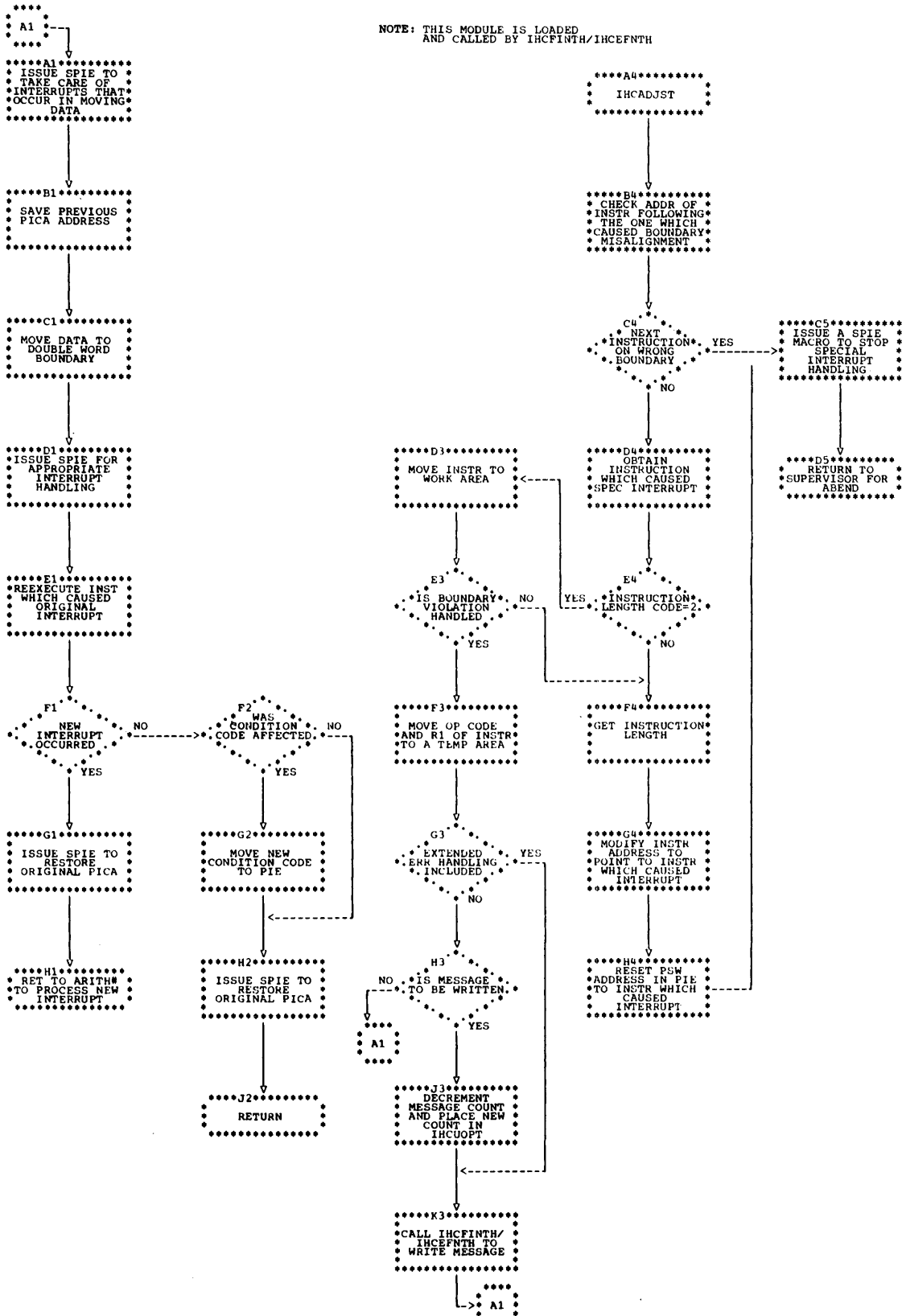


Chart G6. IHCIBERH

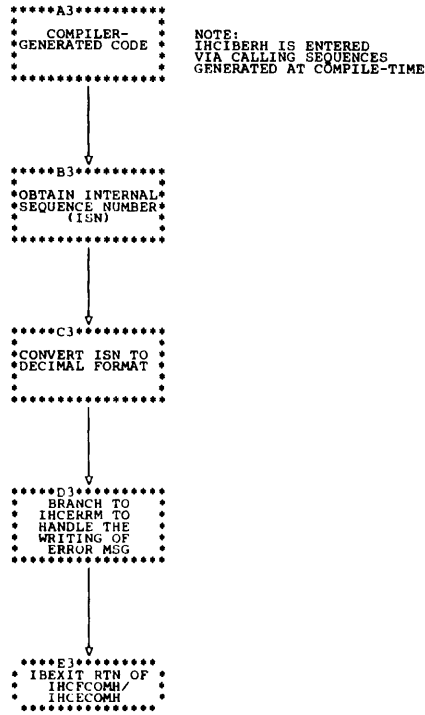


Chart G7. IHCSTAE (Part 1 of 2)

NOTE: THIS MODULE IS LOADED AND CALLED BY THE STAE EXIT ROUTINE SECTION OF IHCFCOMH/IHCRCOMH

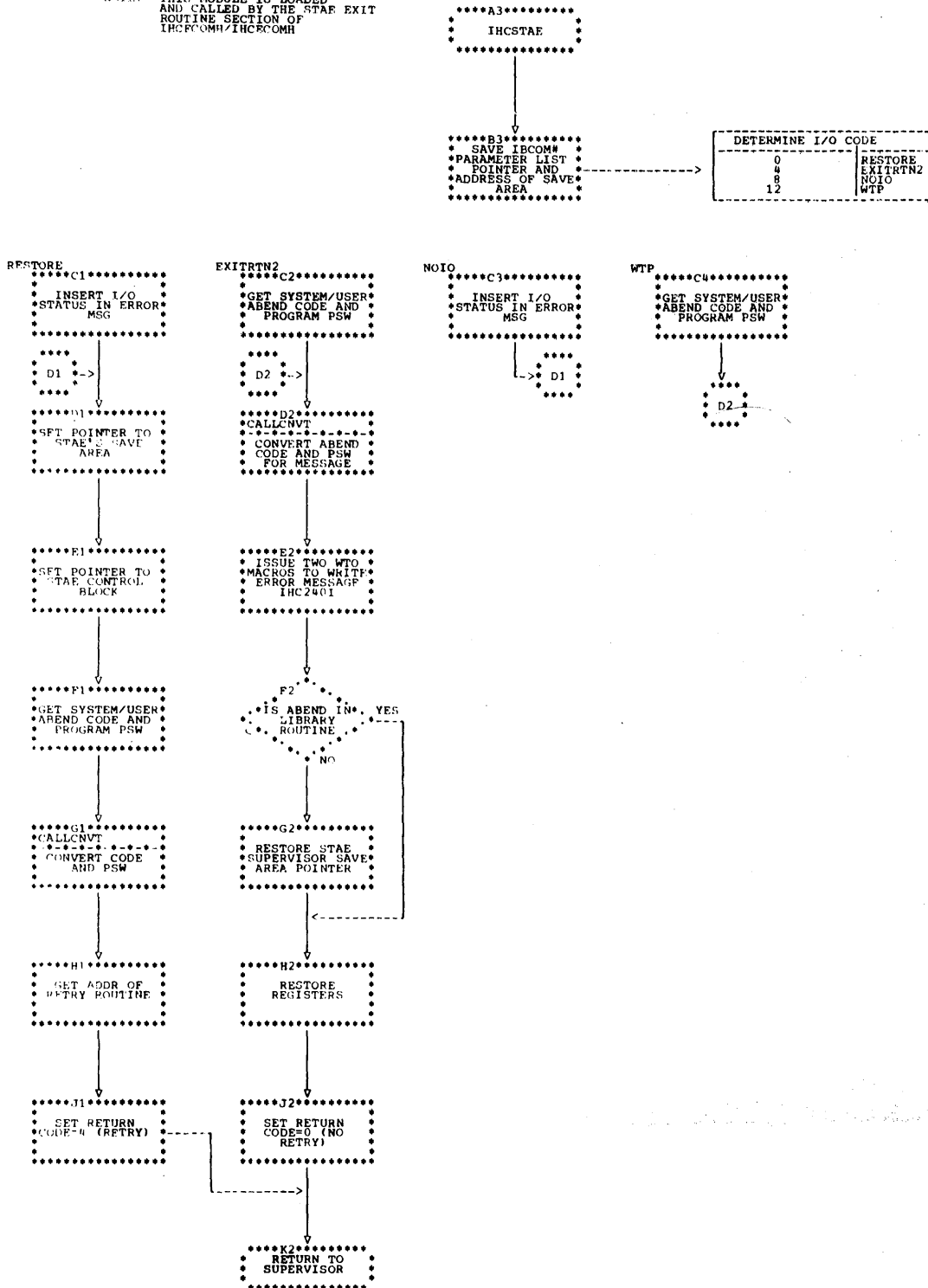


Chart G7. IHCSTAE (Part 2 of 2)

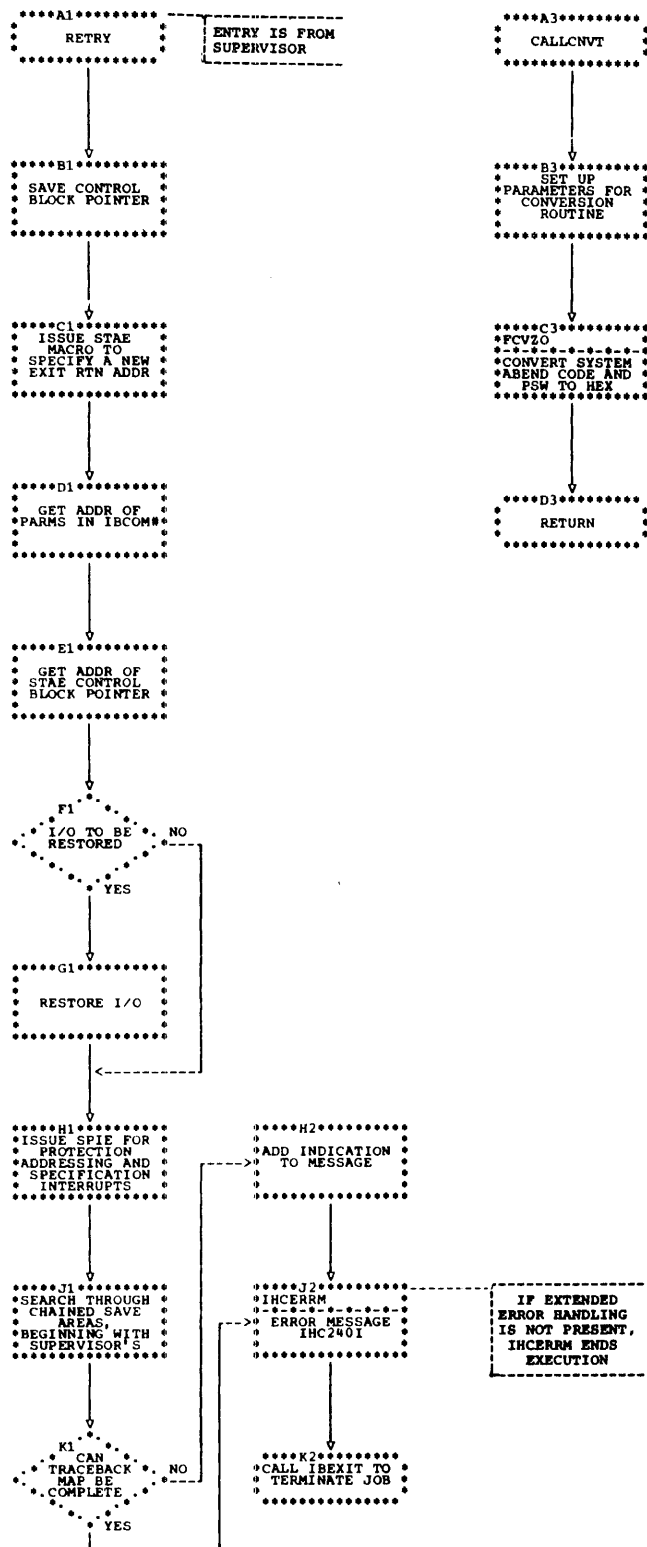


Chart G8. IHCERRM (Part 1 of 2)

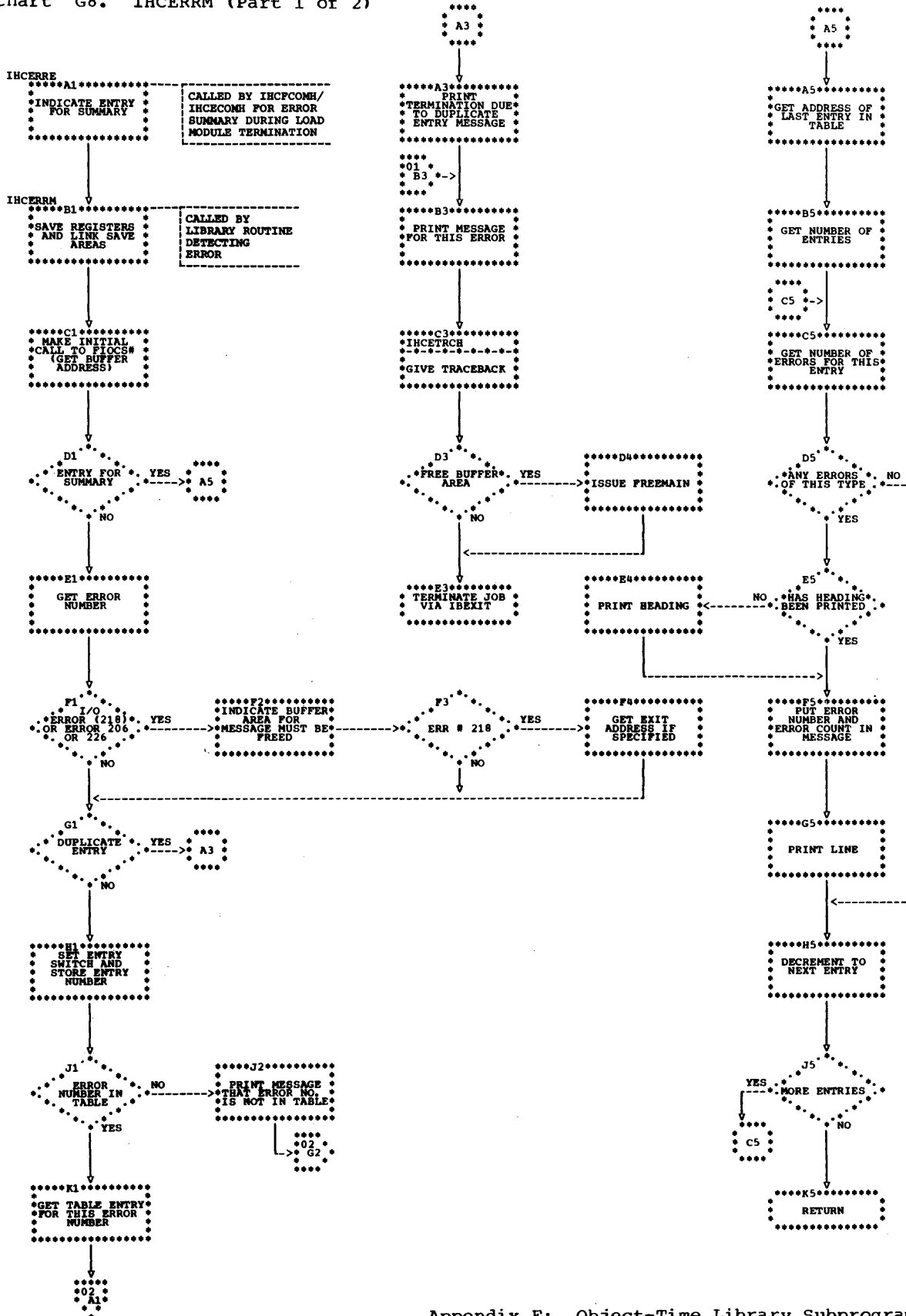


Chart G8. IHCERRM (Part 2 of 2)

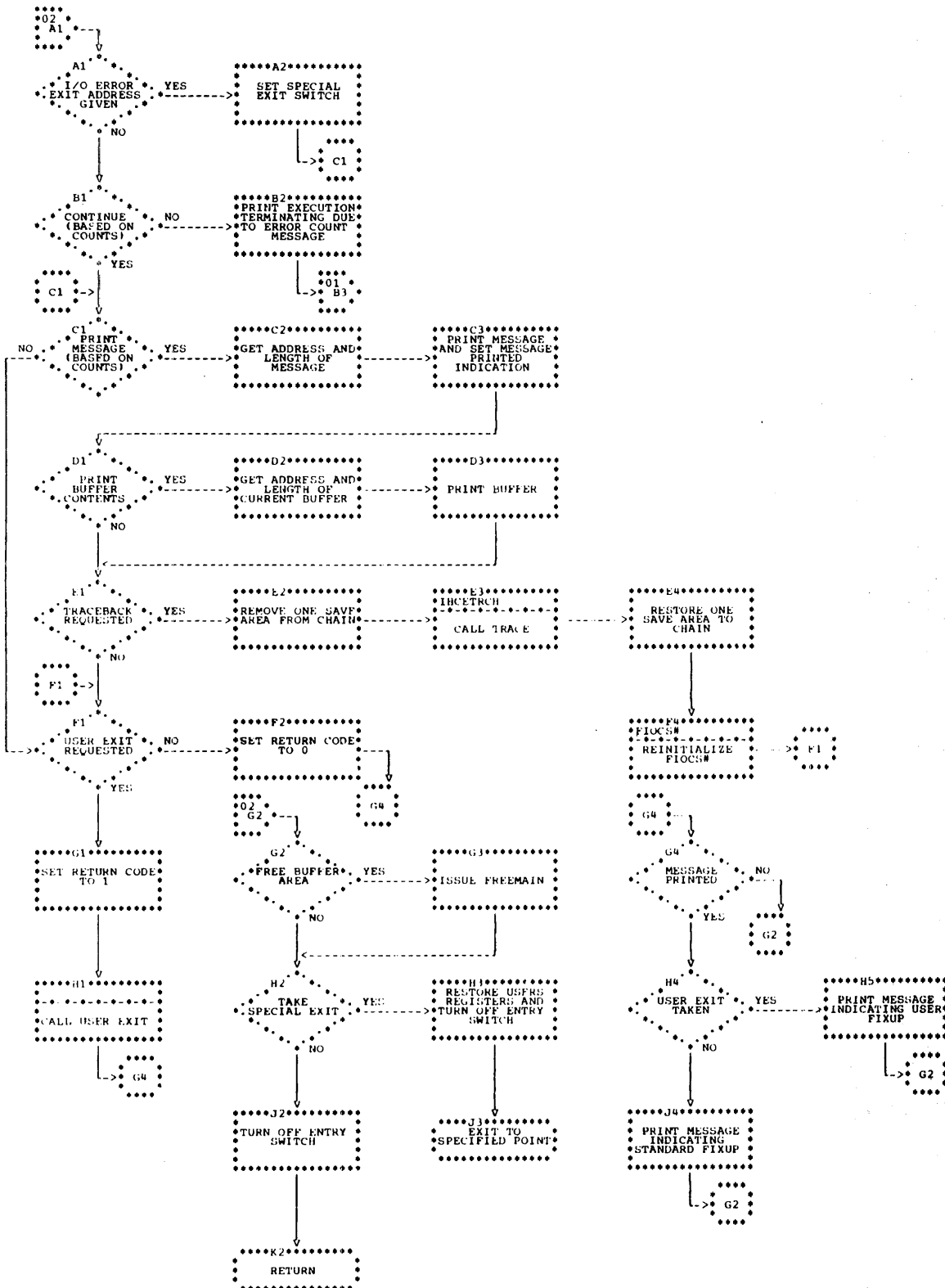


Chart G9. IHCFOPT (Part 1 of 3)

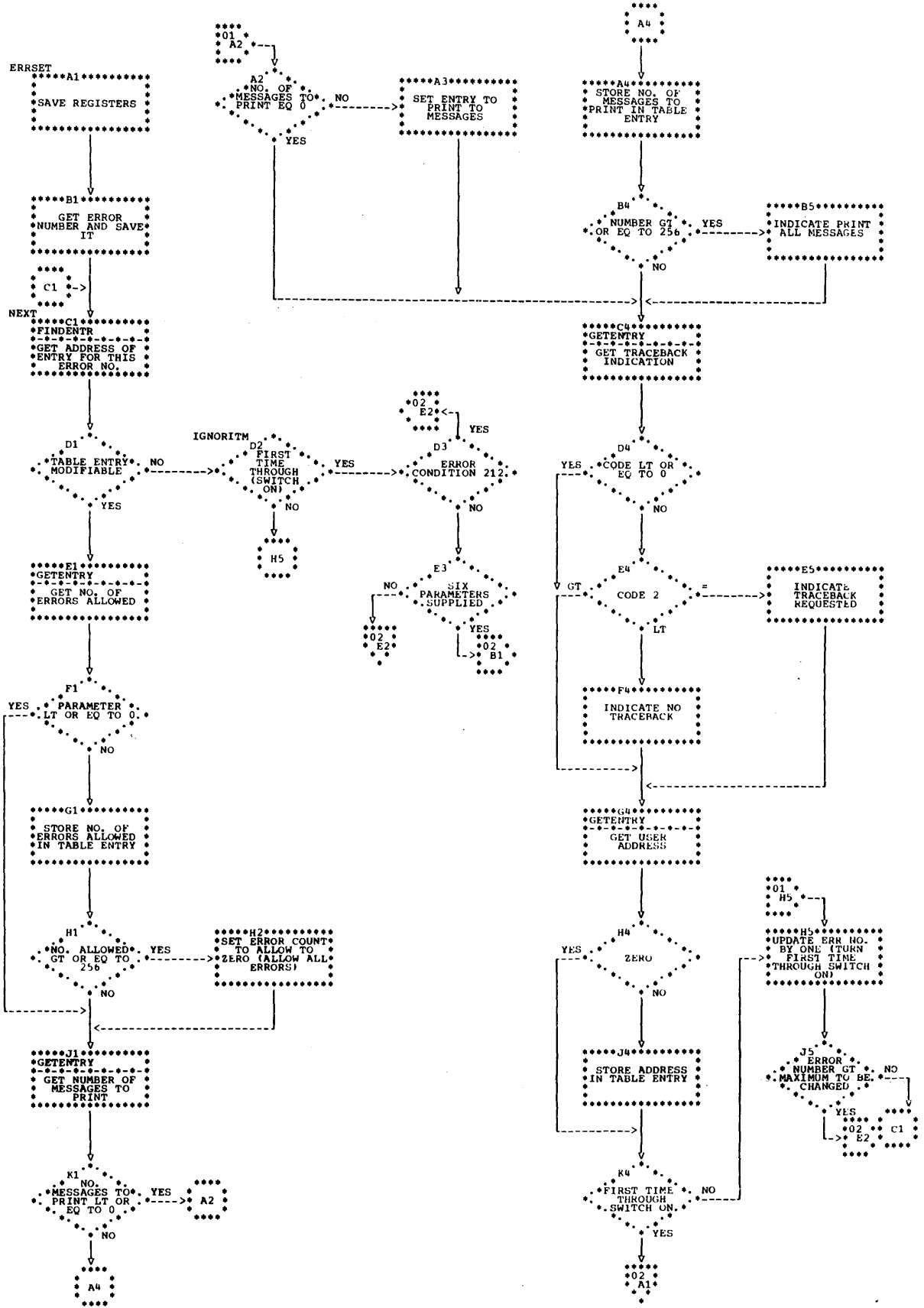


Chart G9. IHCFOPT (Part 2 of 3)

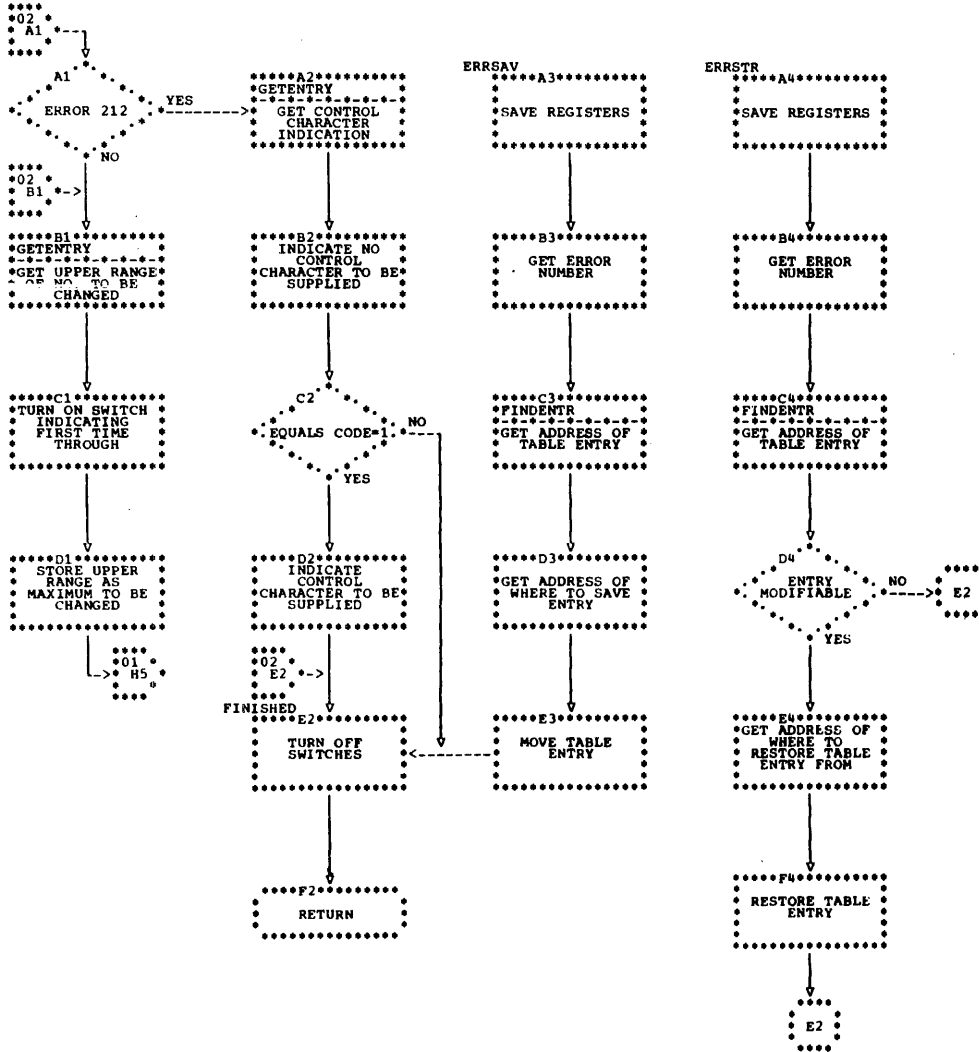


Chart G9. IHCFOPT (Part 3 of 3)

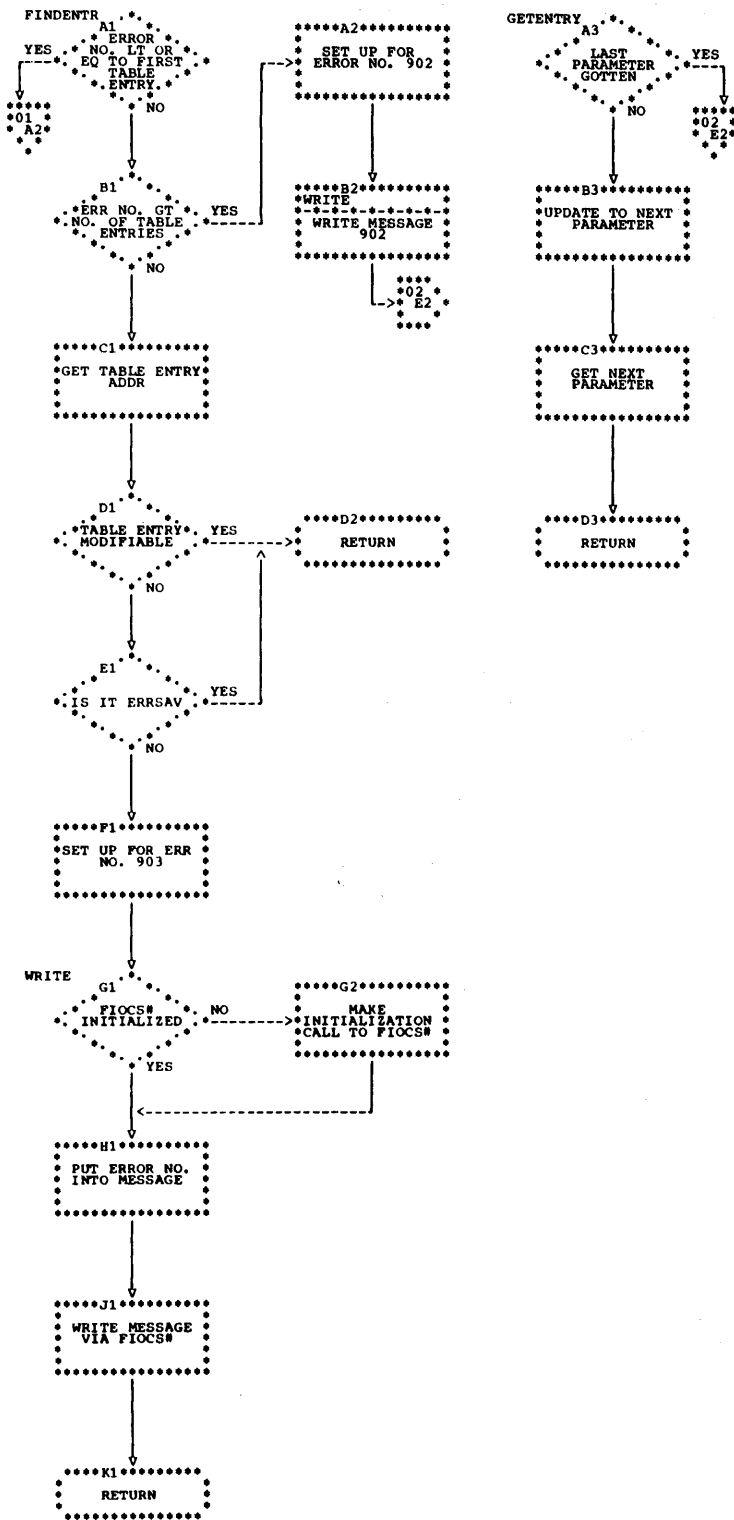


Chart G10. IHCTRCH/IHCETRCH

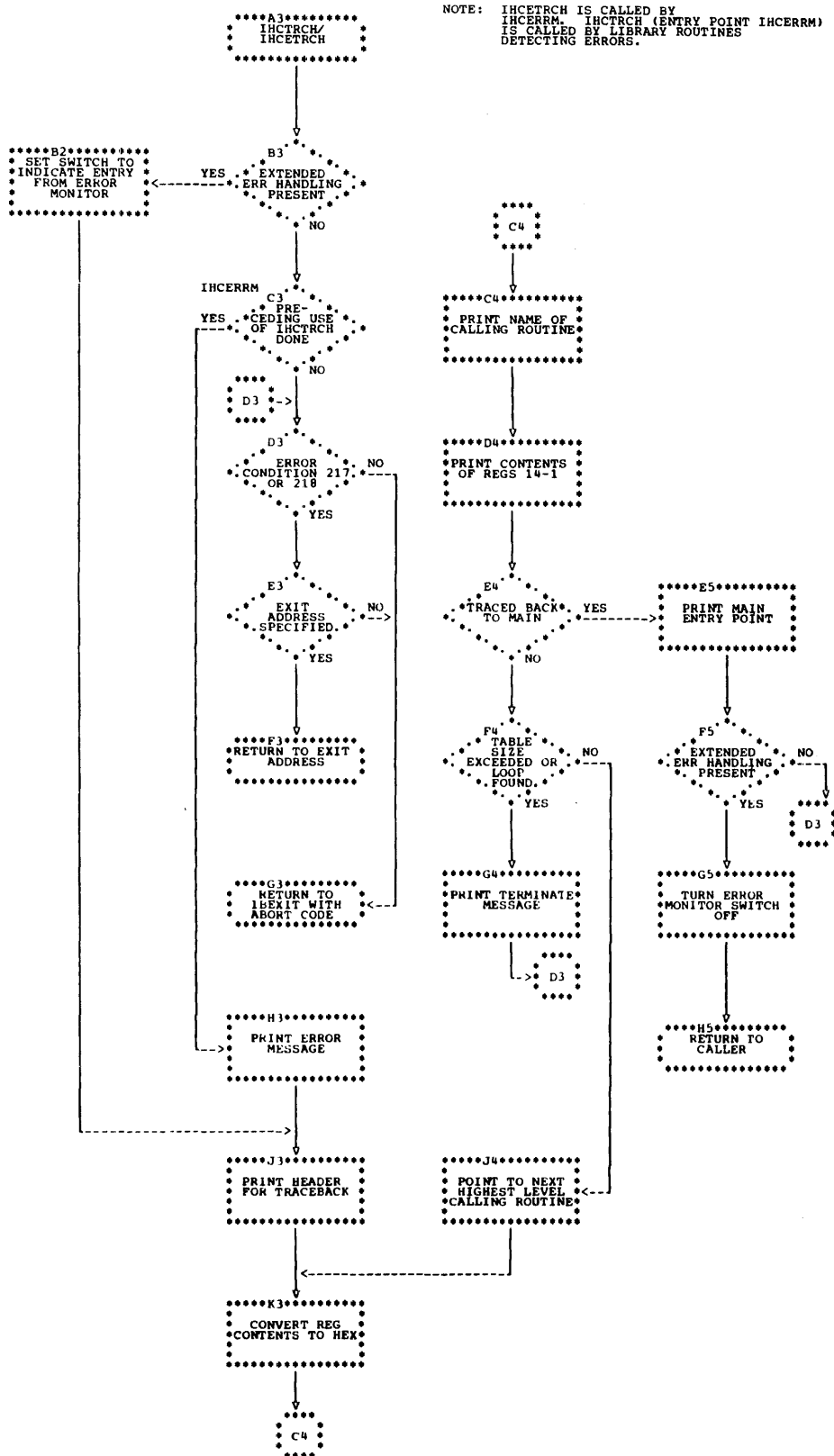


Chart G11. IHCFDUMP

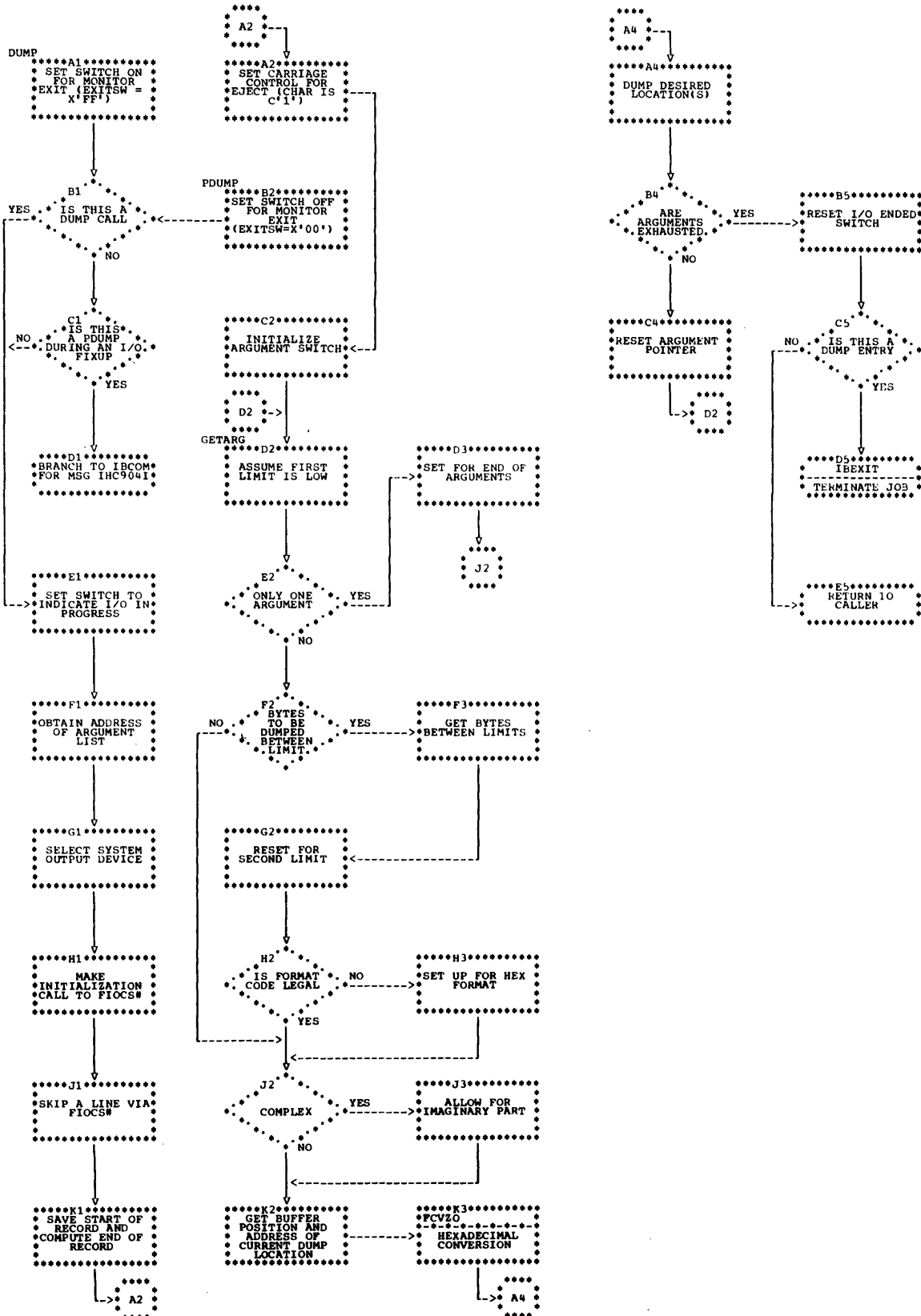


Chart G12. IHCFFEXIT

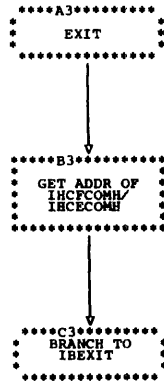


Chart G13. IHCPSLIT

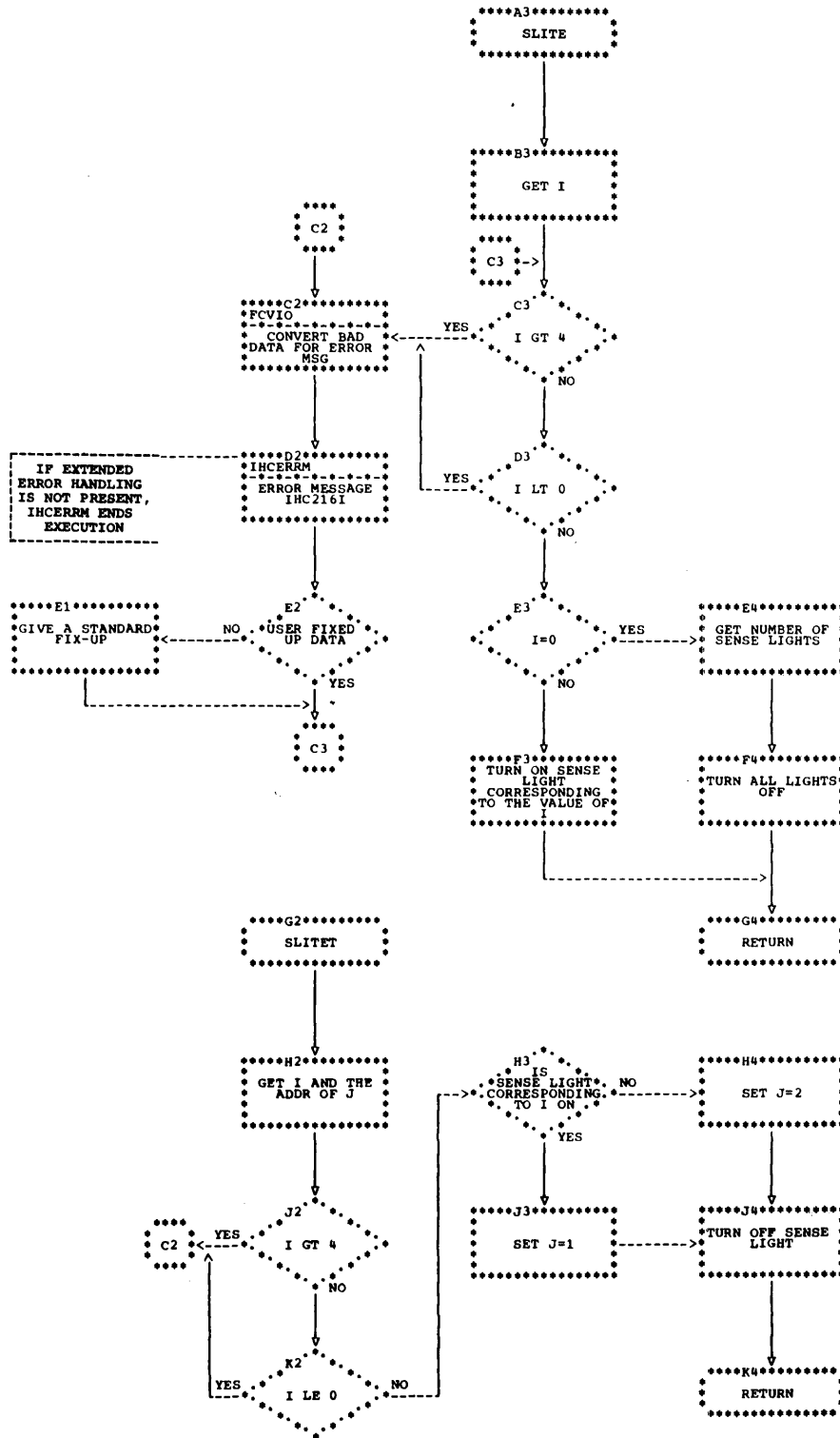


Chart G14. IHCFOVER

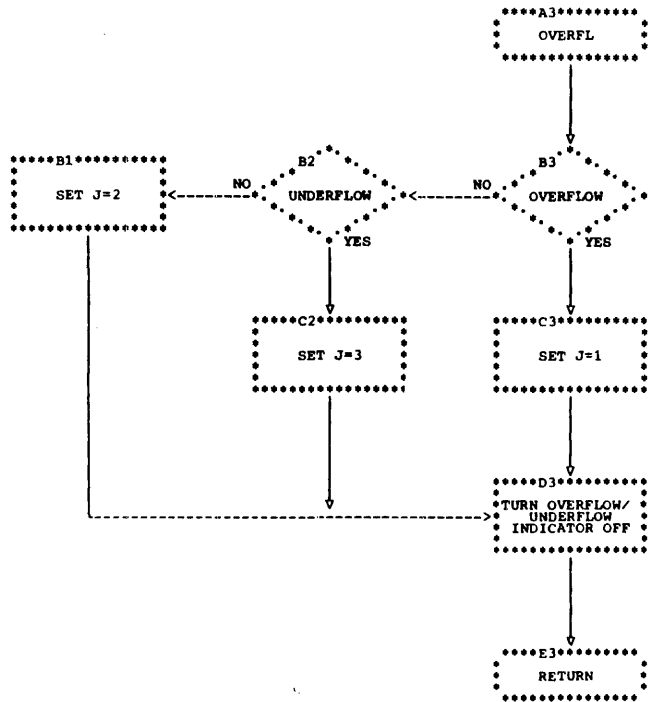


Chart G15. IHCFDVCH

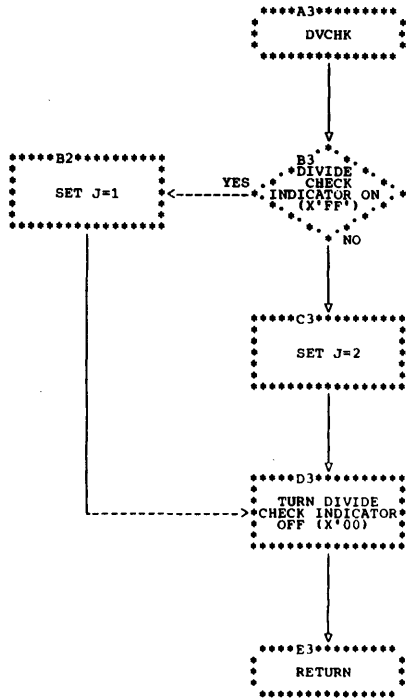
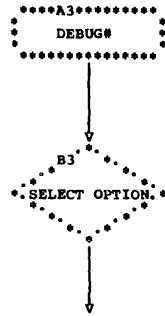


Chart G16. IHCDEBUG (Part 1 of 4)



OPTION	ROUTINE	LOCATION
TRACE	TRACE	GF01F1
SUBTRACE ON	SUBTREN	GF01F2
SUBTRACE OFF	SUBTRES	GF01F3
UNIT	UNIT	GF01F4
INIT VARIABLE	INITVCLR	GF01F5
INIT ARRAY ELEMENT	INITARIT	GF02A1
INIT ARRAY FULL	INITARAY	GF02A2
SUBCHK	SUBCHK	GF02A3
TRACE ON	TRACEON	GF02A4
TRACE OFF	TRACEOFF	GF02D4
DISPLAY	DISPLAY	GF02A5
BEGIN I/O	STARTIO	GF03A1
FINISH I/O	ENDIO	GF03A2

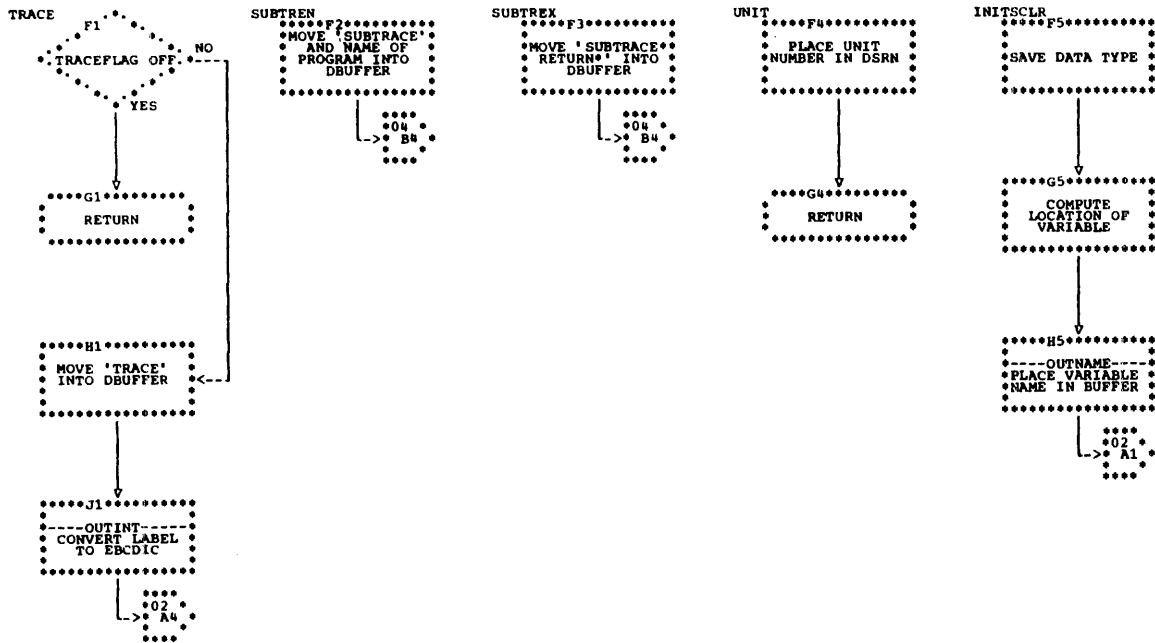


Chart G16. IHCDBUG (Part 2 of 4)

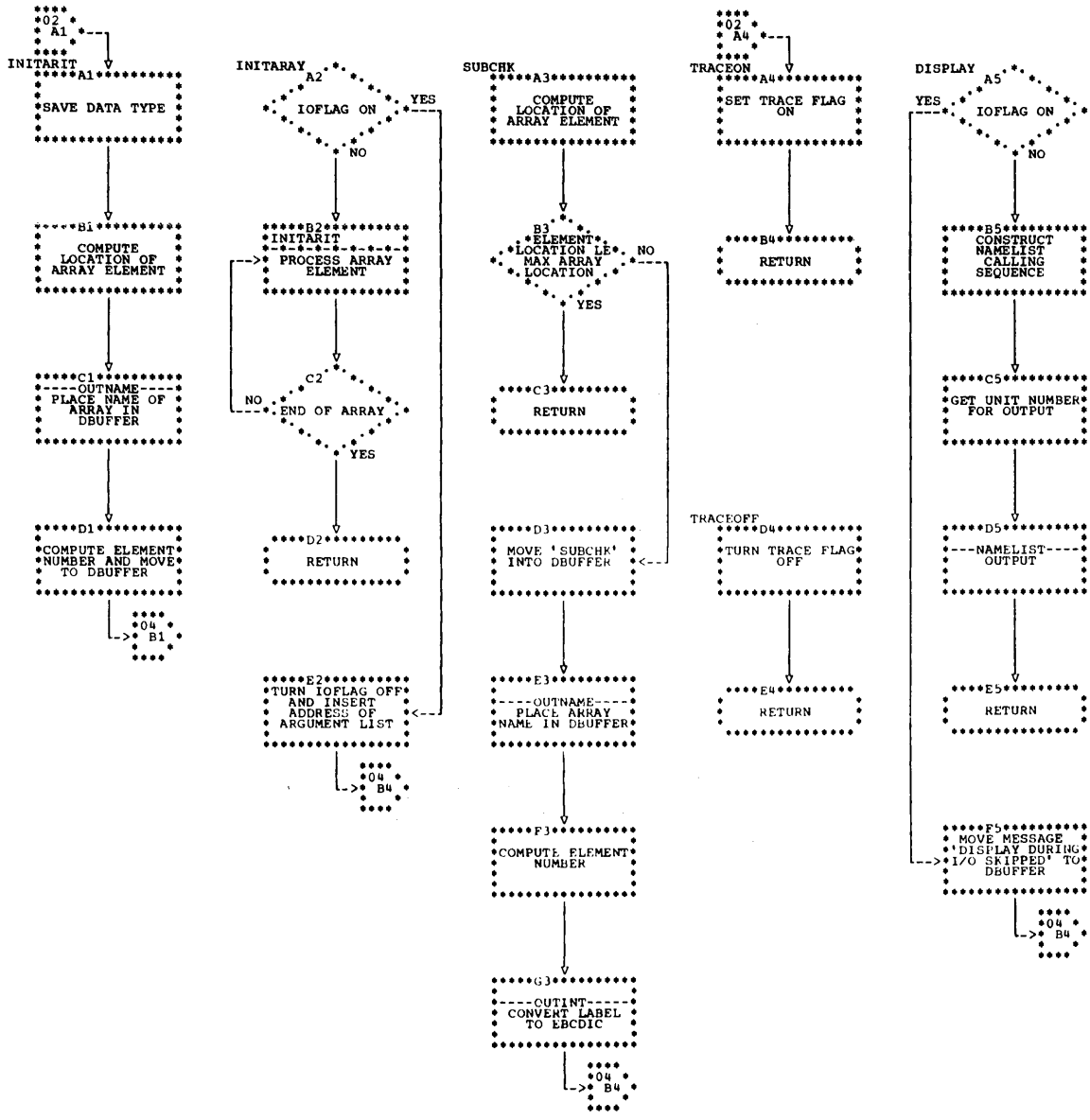


Chart G16. IHDEBUG (Part 3 of 4)

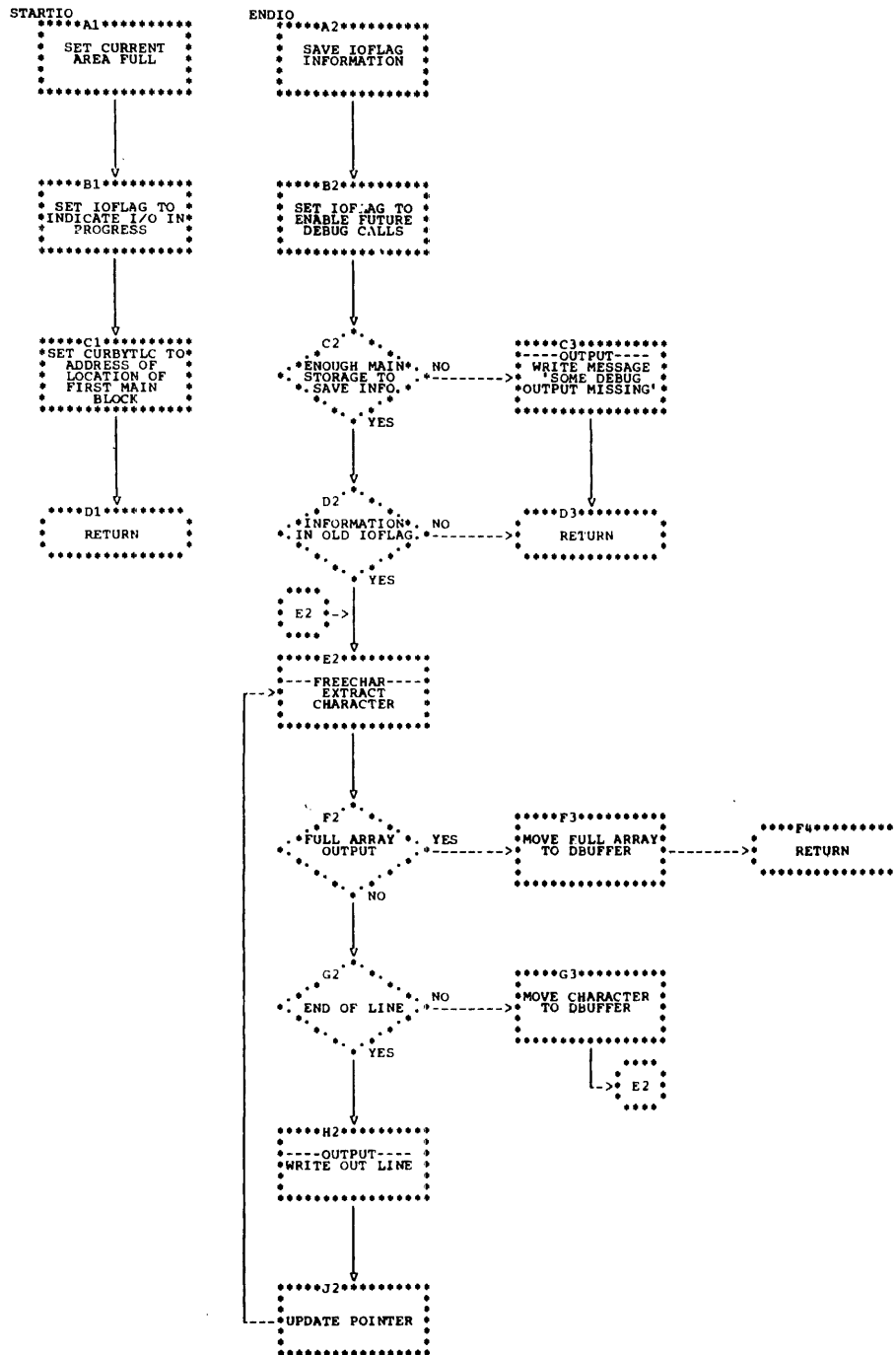
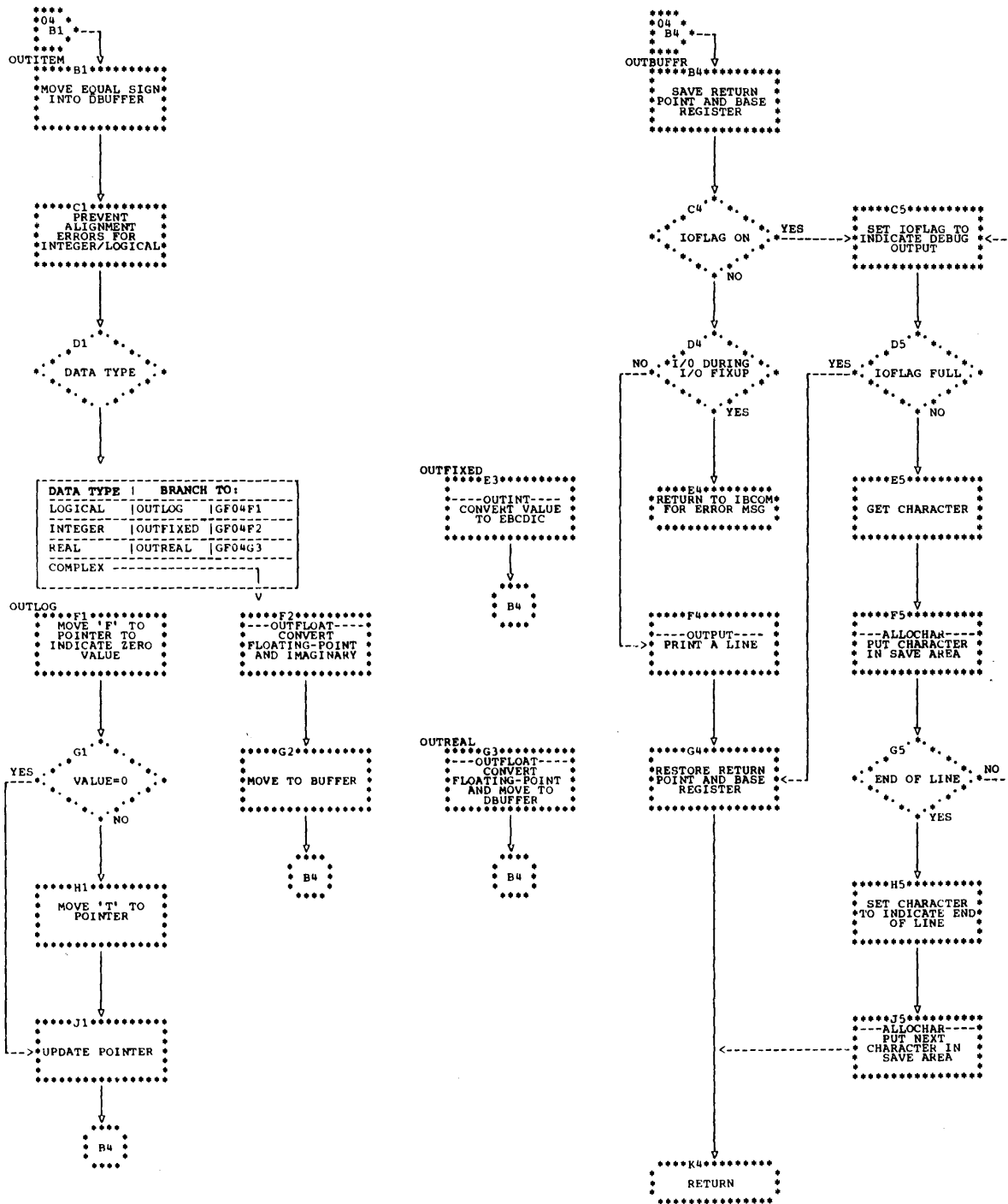


Chart G16. IHDEBUG (Part 4 of 4)



active character: A significant character in the interpretation of a source statement. Always non-blank except during parsing of literal or IBM card code information.

ADDR: Contains the address portion of the current POP instruction.

ADDRESS (field): A 2-byte item that is part of the pointer (indicating an address on a roll) and a driver (indicating the forcing strength of an operation).

ANSWER BOX: An item used to hold a true or false answer for those POP instructions which use or return an answer in their execution.

BASE: A status variable maintained for each roll used by the compiler which contains the beginning address of that roll minus 4.

Base Table: A list of absolute addresses from which the object module loads a general register prior to accessing data.

BOTTOM: A status variable maintained for each roll which holds the address of the last word on the roll containing information.

Branch Table: A list containing the address of each branch target label and statement function used in the source module.

branch target label: A label which is the target of a branch instruction or statement.

Central Items: Another name for SYMBOL 1-3 and DATA 0-5.

compiler phase: A program consisting of several routines written in machine language and/or POP language; each phase performs a well-defined function in the transformation of the source module to the object module.

compiler routines: The routines that comprise each phase of the compiler and which may be written in machine language and/or POP language.

CONSTR: Contains the beginning address of the data referred to by the compiler routines.

control driver: A driver in Polish notation to indicate types of statements and other control functions.

CRRNT CHAR: Contains the character (from the input statement) that is currently being inspected.

CRRNT CHAR CNT: Contains the column number of the contents of CRRNT CHAR; also called the 'scan arrow'.

DATA 0, 1, 2, 3, 4, 5: Halfword variables (except DATA 5, which is two words long) used to hold constants used in the source module and other data.

error listing: The display of messages indicating error conditions detected in the processing of the source module.

EXIT roll: A special roll used by the compiler for maintaining exit addresses from compiler routines when a POP subroutine jump instruction is executed.

EXTADR: Contains the address of the current "bottom" of the EXIT roll.

forcing strength: A value contained in the driver which indicates the order of the indicated operation (e.g., multiplication and division operations precede addition and subtraction).

global dummy variable: A dummy argument to a SUBROUTINE or FUNCTION subprogram.

global label: A label used to define a program block. These labels may be referred to from any point in the program.

group: The logical collection of information maintained on rolls; an entry on a roll.

group size: The number of bytes of information constituting the group on a roll.

Group Stats: Information maintained for each roll used by the compiler; pertains to comparative search operations.

heading: Initializing instructions required prior to the execution of the body of the object module.

IEYALL: The system name for the compiler phase Allocate.

IEYEXT: The system name for the compiler phase Exit.

IEYFORT: The system name for the compiler Invocation phase.

IEYGEN: The system name for the compiler phase Gen.

IEYPAR: The system name for the compiler phase Parse.

IEYROL: The system name for that area of the compiler which holds the WORK and EXIT rolls and the roll controls and group stats.

IEYUNF: The system name for the compiler phase Unify.

indirect addressing: A method of obtaining information held at one location by referring to another location which contains the address of the value in question.

INDIRECT BOX: Used to contain the address needed in the indirect addressing operation performed by the POP instructions.

INSTR: Contains the "operation code" portion of the current POP instruction.

item: Synonymous with variable.

jump: Synonymous with branch.

keep: Indicates the moving of information contained on a roll to another storage location and retaining the original information on the roll.

LAST CHAR CNT: This item contains the column number of the last active character, i.e., the active character preceding the one currently being inspected.

local dummy variable: A dummy argument to a statement function.

local label: A label defined within a program block which may be referred to only within that block.

MPAC 1, MPAC 2: Two fullword items used by the compiler in double-precision arithmetic operations.

NAMELIST Table: A table which holds the name, address, etc., for each variable listed in a single NAMELIST list in the source module.

operation driver: A 1-word variable which is an element of Polish notation and indicates arithmetic and logical operations designated in source module statements.

OPERATOR (field): A 1-byte item that is part of the pointer and driver indicating the roll used (pointer) or type of operation to be performed (driver).

optimization: The reduction and reorganization of object code for the increased efficiency of the object module.

PGB2: Contains the beginning address of the global jump table.

plex: A variable length group on a roll; the first word holds the number of words exclusive of itself.

pointer: This item is one element of Polish notation used to indicate references to variables or constants; indicates location of additional information on a roll.

Polish notation: An intermediate language into which the source module is translated during processing and generation of the object module.

POPADR: Holds the address of the POP instruction presently being executed.

POP instruction: A component part of the POP language defined as a macro.

POP interpreter: A program written in machine language for the purpose of executing the POP subroutines; labeled POP SETUP.

POP jump table: A table used by the POP interpreter in transferring control to the POP subroutines. Holds addresses of these routines.

POPPGB: Contains the beginning address of the machine language code for the POP instructions and the POP jump table.

POPs, POP language: A macro language in which most of the compiler is written.

POP subroutines: The subroutines used by the POP interpreter to perform the operations of each POP instruction.

program text: The object code produced for the object module.

prune, pruning: A method of removing information from a roll, thereby making it inaccessible in subsequent operations.

quote: A sequence of characters preceded by a character count; used for comparisons with the input data.

QUOTE BASE: The initial address of the first quote (Parse).

recursion: A method of call and recall employed by the routines and subroutines of the compiler whereby routine X may call routine Y which, in turn, calls routine X.

releasing rolls: The method of making information reserved on a roll available for use by the compiler.

reserve mark: The 1-word value placed on a roll as a result of a reserve operation.

reserving rolls: A method of roll manipulation whereby information contained on a roll remains unaltered regardless of other operations involving the roll.

RETURN: Contains the return addresses for the POP subroutines.

roll: A type of table used by the compiler whose location and size are changed dynamically.

ROLLBR: Contains the beginning address of the base table.

roll control: A term applied collectively to those items used in roll maintenance and manipulation.

roll number: A number assigned to each roll in the compiler for the purpose of internal reference.

roll status items: Those variables maintained for each roll which contain the statistics needed in roll manipulation.

roll storage area: An area of the compiler in main storage that is allocated to the rolls.

runq: A word of a multiword group on a roll.

RUNTIME operations: Several routines which support object code produced by the compiler.

Save Area: An area of the object module used in linking to and from subprograms.

scalar variables: Nonsubscripted variables.

scan arrow: An item which refers to the position of the source statement character currently being scanned.

source module listing: The display of the statements constituting the source module.

storage allocation: The assignment of main storage to variables used in the source module.

storage map: The logical organization of a program or module and its components as they are maintained in main storage. (This map may also be displayed on an output device.)

SYMBOL 1,2,3: Halfword variables used to hold variable names used in the source module and other data.

TAG (field): A 1-byte item that is part of the pointer (indicating mode and size of the object pointed to) and driver (indicating mode of operation).

temporary storage: An area of main storage used by the compiler to temporarily maintain information for subsequent use.

terminal errors: Errors internal to the compiler causing termination of compilation of the source module.

TOP: A status variable maintained for each roll which indicates the new BASE of the roll when reserved information is contained on the roll.

traits: The TAG field (uppermost byte) of a word on a roll.

translation: The conversion from one type of language to another.

WORK roll: A special roll used by the compiler for maintaining values temporarily during processing.

WRKADR: The address maintained for the WORK roll that indicates the last word into which information has been stored; the "bottom" of the roll.

W0,W1,W2,....: Acronyms used to refer to the last groups of the WORK roll.

INDEX

(Where more than one page reference is given, the major reference appears first.)

active characters
 definition 259
 description 26
 ACTIVE END STA XLATE routine 14,39
 active statements 36,39
 ADCON roll 57,145
 ADDR register
 definition 259
 description 29
 address computation instructions 134,135
 cross-reference list 139
 address constants 17,20,52,56,57
 ADDRESS field
 definition 258
 description 29-30
 addressing
 indirect 136,259
 relative 29,138
 ADR CONST roll
 description 159
 in Exit 56
 in Unify 52
 AFTER POLISH roll
 description 23,161
 in Gen 53,54
 in Parse 37-40,42
 Allocate label lists 193-196
 Allocate phase (IEYALL)
 cards produced 51
 definition 258
 detailed description 44-51
 general description 12
 location in storage 17
 rolls used by 44
 subprogram list 51
 allocation of main storage 28
 ALTER OPTION TABLE routine 232
 ALLOCATION FAIL routine 42
 ALPHA LBL AND L SPROG routine 14,45
 ALPHA SCALAR ARRAY AND SPROG routine 14,45
 ANSWER BOX variable
 definition 258
 description 26
 in Parse 38
 AREA CODE variable 45,55,57,146
 arithmetic and logical instructions
 130,131,139
 array
 description 18
 dummy 47,48
 in Allocate 48,49
 listing of 21
 position in object module 17
 roll 26,47,146
 ARRAY ALLOCATE routine 14,45,47
 ARRAY DIMENSION roll 150
 ARRAY PLEX roll 158
 ARRAY REF roll 52,159
 ARRAY REF ROLL ALLOTMENT 14,52
 ARAY REF ROLL ALLOTMENT routine 52
 ARRAY roll
 assigning storage for 47
 description 146
 group stats for 25
 artificial drivers 40
 ASSIGNMENT STA GEN routine 54
 AT roll 54,159

 base addresses 28
 BASE AND BRANCH TABLE ALLOC routine
 14,45,47
 BASE, BOTTOM, and TOP tables 23,28
 base table
 assigning storage for 47
 definition 259
 description 17
 position in object module 17
 use in Allocate 48
 use in Exit 57
 BASE TABLE roll
 description 146
 in Allocate 45-48
 in Exit 56
 BASE variable 23
 definition 259
 BCD roll 45
 BLOCK DATA PROG ALLOCATION routine 14,46
 BLOCK DATA subprogram
 allocation for 46
 Parse processing of 39
 BOTTOM variable 23
 definition 259
 branch table
 assigning storage for 47
 description 18
 position in object module 17
 use in Allocate 47
 use in Exit 56
 BRANCH TABLE roll
 description 150
 in Allocate 47
 in Exit 56
 branch target label 12,18
 BUILD ADDITIONAL BASES routine 14,45,49
 BUILD NAMELIST TABLE routine 14,45,48
 BUILD PROGRAM ESD routine 14,45,46
 BYTE SCALAR roll 47,151

CALCULATE BASE AND DISP routine 14,45
 CALL LBL roll 149
 central items
 DATA 24,192,259
 definition 259
 description 24
 SYMBOL 24,191,259
 CGOTO STA XLATE routine 38
 character scanning 26-27
 code producing instructions 134
 CODE roll
 description 160
 in Exit 56
 in Gen 53,54
 location 22
 COMMON ALLOCATION AND OUTPUT routine
 14,45,47
 COMMON ALLOCATION roll 47,156
 COMMON AREA roll 155
 COMMON data 12
 COMMON DATA roll 152
 COMMON DATA TEMP roll 155
 COMMON NAME roll 152
 COMMON NAME TEMP roll 156
 COMMON statements
 allocation for 45
 COMMON variables
 allocation of storage for 45
 listing of 21
 compiler
 arrangement 28-29
 assembly and operation of 136
 code produced by 175-183
 data structures 22
 design of 9
 flags used 27
 general register usage 28
 initialization of 33
 limitations of 9
 machine configuration for 9
 messages 27
 organization of 10,14
 output from 16
 purpose of 9
 receiving control 33
 relationship to system 19
 rolls used in 140-162
 storage configuration 15
 termination of 33,35
 COMPLEX CONST roll 143
 CONSTR register
 definition 259
 description 28
 control block area (CTLBLK) 227
 control driver
 definition 259
 description 31
 formats of 185-211
 CONVERT TO ADR CONST routine 14,52
 CONVERT TO INST FORMAT routine 14,52
 CRRNT CHAR CNT variable
 definition 259
 description 26
 in Parse 38
 CRRNT CHAR variable
 definition 259
 description 26
 in Parse 38
 data items 24,192,259
 DATA SAVE roll 145
 data sets
 SYSIN 15,33
 SYSLIN 15,33
 SYSPRINT 15,33
 SYSPUNCH 15,33
 DATA statements
 allocation for 45
 DATA VAR roll 56,154
 DDNAMES routine 35
 DEBUG ALLOCATE routine 14,45,49
 decision making instructions 131,132
 DECK option 51
 DIMENSION statement
 allocation for 46
 variables specified on 29
 DISPLAY statement
 NAMELIST table for 18,19
 DMY DIMENSION roll 14,46,147
 DO loops
 in Allocate 46
 in Parse 39
 in Gen 55
 in Unify 12,51,52,53
 DO LOOPS OPEN roll
 description 144
 in Allocation 46
 in Parse 39
 DO LOOP UNIFY routine 53
 DO NEST UNIFY 14,53
 DO STA XLATE routine 38
 DP COMPLEX CONST roll 143
 DP CONST roll
 description 143
 general 25
 drivers
 ADDRESS field 30
 artificial 40
 control 31,185-211,259
 definition of 30
 EOE 40,41
 formats of 185-211
 operation 30,260
 OPERATOR field 30
 plus and below phony 40,41
 TAG field 30
 dummy array 46,47
 dummy dimension 46
 END card 13
 omission of 39
 produced by Exit 57
 END STA GEN routine 54,55
 ENTRY CODE GEN routine 14,53,54
 ENTRY NAME ALLOCATION routine 14,45,46
 ENTRY NAMES roll 54,147
 ENTRY roll 46
 EOE driver 40,41
 EPILOGUE GEN routine 14,53,54
 epilogues 12,53,54
 EQUIV ALLOCATION PRINT ERRORS routine
 14,45,47
 EQUIV MAP routine 14,45,48
 EQUIVALENCE (EQUIV) ALLOCATION roll

47,48,156
EQUIVALENCE (EQUIV) HOLD roll 145
EQUIVALENCE (EQUIV) roll 46,47,151
EQUIVALENCE (EQUIV) TEMP roll 145
EQUIVALENCE OFFSET roll 45,152
EQUIVALENCE statements 12,45
EQUIVALENCE variables
 allocation of storage for 45
 description 18
 listing of 21
 map of 48
 position in object module 17
EREXITPR routine 34
ERROR CHAR roll 144
ERROR LBL roll 148
ERROR MESSAGE roll 144
error messages 21
error recording 42
ERROR roll 42,148
errors
 detection of 42
 recording of 21,42
ERROR SYMBOL roll 149
ERROR TEMP roll 144
ESD cards
 general 12
 produced by allocate 44,47,51
Exit label list 208-211
EXIT PASS routine 14,55
Exit phase (IEYEXT)
 definition 259
 detailed description 55-58
 general description 13
 location in storage 15
 rolls used by 55
exit roll
 definition 259
 description 24,161
 general 10
 in IEYROL 53
 in Parse 38
 location in storage 15
EXPLICIT roll 149
EXTADR register
 definition 259
 description 29
extended error handling facility 232,212

FL AC roll 153
FL CONST roll 143
flags 27
forcing strength
 definition 259
 description 30,31
 in Parse 40
 table 31
FORMAT ALLOCATION routine 14,45,48
FORMAT roll 48,157
FORMAT statements
 description 20
 in Allocate 12,44,48
 listing of 21
 position in object module 17
FORTRAN error routine (IHCIBERH) 42,228

FULL WORD SCALAR roll 47,155
FUNCTION subprogram 46,49
FX AC roll 151
FX CONST roll 143

Gen label list 198-208
Gen phase (IEYGEN)
 definition 259
 detailed description 53-55
 general description 12
 location in storage 15
 rolls used by 53
GEN PROCESS routine 14,53
GENERAL ALLOCATION roll 160
general register usage
 used by compiler 28-29
 used by object module 20
GET POLISH routine 14,53,54
global area 136
GLOBAL DMY roll 47,49,148
global jump table 28,137,138
global jumps 137,138
global label 136,137,259
GLOBAL SPROG ALLOCATE routine 14,45,48
GLOBAL SPROG roll
 description 142
 general 42
 in Allocate 48
 in Exit 56
GO TO STA GEN routine 55
GO TO statements, processing of 54,55
group
 definition 259
 description 24,25
group stats
 definition 25,259
 description 26
 location in storage 15
 sizes 25
group stats table 26

HALF WORD SCALAR roll 47,152
heading
 position in object module 17
HEADOPT routine 35
HEX CONST roll 154

IBEXIT routine 239
IBFINT routine 215
IEYALL (see Allocate phase)
IEYEXT (see Exit phase)
IEYFINAL routine 35
IEYFORT (see Invocation phase)
IEYGEN (see Gen phase)
IEYJUN subroutine 138
IEYMOR routine 34

IEYPAR (see Parse phase)
 IEYPCH routine 34
 IEYPRNT routine 33
 IEYREAD routine 34
 IEYRETN routine 35
 IEYROL (see roll module)
 IEYUNF (see Unify phase)
 IF statement 37,38,39
 IHCADJST 229-230,249
 IHCDEBUG 236-239,258.6
 IHCDIOSE 224-226,245
 IHCECOMH (see IHCFOMH/IHCECOMH)
 IHCEDIOS 224-226,245
 IHCEFIOS 218-224,244
 IHCFNTH 229-230,248
 IHCERRM 233,253
 IHCETRCH 233,258
 IHCFOMH/IHCECOMH
 flowchart 243
 initialization operations 215
 input/output operations 218-226,227-228
 termination operations 239
 transfer and subroutine table 242.3
 IHCFVTH 234
 IHCFDUMP 235-236,258.1
 IHCFDVCH 234,258.5
 IHCFEXIT 235,258.2
 IHCFINTH 229-230,248
 IHCFIOSH 218-224,244
 IHCFOPT 232-233,255
 IHCFOVER 235,258.4
 IHCFSLIT 235,258.3
 IHCIBERH 228-229,250
 IHCNAMEL 226-227,247
 IHCSTAE 231,251
 IHCTRCH 230-231,258
 IHCUATBL 239
 IHCUOPT 242.1-242.3
 IMPLICIT roll 153
 indirect addressing 135,260
 indirect addressing instruction 135
 IND VAR roll
 description 141
 in parse 37
 INIT roll 49,145
 Invocation phase (IEYFORT)
 definition 260
 detailed description 33-36
 general description 12
 location in storage 15

 jump instructions 132,133

 keep
 definition 260
 general 23

 label lists
 Allocate 193-196
 Exit 208-211
 Gen 198-208
 Parse 185-193
 Unify 196-198
 labeled statement references 12
 labels
 branch target 12,18
 detailed description 135,136
 global 135,136
 local 135,136
 mode 17,54
 LAST CHAR CNT variable
 definition 259
 description 26
 in Parse 38
 LAST SOURCE CHAR variable 38
 LBL FIELD XLATE routine 14,37,38
 LBL process routine 14,53,54
 LBL roll 45,46,54,153
 LEVEL ONE UNIFY routine 53
 LIB roll 140
 LITERAL CONST ALLOCATION routine 14,45,47
 literal constants
 description 20
 in Allocate 12,44,45
 position in object module 17
 LITERAL CONST roll 143
 LITERAL TEMP (TEMP LITERAL) roll 155
 LOAD and DECK options 33
 LOCAL DMY roll 148
 local label 136,137,259
 LOCAL SPROG roll 45,46,149
 LOGICAL IF STA XLATE routine 38
 LOOP CONTROL roll 52,156
 LOOP DATA roll
 description 157
 in Parse 38
 in Unify 53
 LOOP SCRIPT roll 142

 made labels 17,54
 map
 of scalars 47
 storage 21,44,50,260
 MAP option 51
 messages
 description 27
 location in storage 15
 printing of (IEYPRNT) 33
 produced by Allocate 48,49
 produced by Invocation 35,36
 produced by Parse 43,44
 minimum system configuration 9
 MOVE ZEROS TO T AND C routine 14
 MPAC1 and MPAC2 variables
 definition 259
 description 26
 multiple precision arithmetic 26

 NAMELIST ALLOCATION roll 48,49,155
 NAMELIST ITEMS roll 149,150

NAMELIST MPY DATA roll 57,160
 NAMELIST name
 roll 48
 table for 19
 NAMELIST NAMES roll 48,149
 NAMELIST tables
 definition 259
 description 19
 in Allocate 12,44,47
 in Exit 57
 listing of 20,48
 position in object module 20
 NEST SCRIPT roll
 description 141
 in Unify 53
 NONSTD SCRIPT roll 141

object module
 configuration of 17
 description of 17
 general register usage 20
 listing of 20,21,54,57
 writing of 49
 object-time library subprograms 212-258.10
 operation driver
 definition 259
 description 30
 formats of 185-211
 OPERATOR field
 definition 259
 description 30-32
 optimization 52,53,259
 option table 242.1
 ORDER AND PUNCH RLD ROLL routine 14,55,57

Parse phase (IEYPAR)
 definition 260
 detailed description 36-42
 general description 12
 location in storage 15
 rolls used by 37
 PASS 1 GLOBAL SPROG ALLOCATE routine
 14,45,48
 phases
 allocate 12,15,44-51
 components of 14
 Exit 13,15,55-57
 Gen 12,15,53-55
 Invocation 12,15,33-35
 Parse 12,15,36-44
 Unify 12,15,51-53
 plex
 definition 260
 description 25
 plus and below phony driver 40,41
 pointer
 ADDRESS field 29
 definition 260
 description 29
 OPERATOR field 29
 TAG field 29

Polish notation
 arithmetic and logical assignment
 statement 164
 arithmetic expressions 39
 arithmetic IF statement 165
 array references 163
 ASSIGN statement 164
 assigned GO TO statement 164
 BACKSPACE statement 171
 BLOCK DATA statement 166
 CALL statement 172
 computed GO TO statement 165
 CONTINUE statement 165
 DATA statement 166
 debug statements 172-173
 DEFINE FILE statement 170
 definition of 259
 direct-access statements 170
 DO statement 165
 END FILE statement 171
 END statement 166
 ENTRY statement 164
 Explicit specification statements 166
 FIND statement 170
 formats 163-173
 FUNCTION statement 171
 general 10
 in Gen 12,53,54
 in Parse 13,36,39
 input/output lists 167-168
 labeled statements 163
 logical IF statement 164
 PAUSE and STOP statements 165
 PRINT statement 169
 PUNCH statement 169
 READ statement 167,168,169
 RETURN statement 164
 REWIND statement 171
 statement function 171
 SUBROUTINE statement 171
 unconditional GO TO statement 165
 WRITE statement 168,169,170
 POP instructions
 ADD 130
 AFS 130
 AND 130
 APH 127
 ARK 127
 ARP 127
 ASK 127
 ASP 127
 BID 134
 BIM 134
 BIN 134
 BOP 127
 CAR 128
 CLA 128
 CNT 128
 CPO 128
 cross reference list 139
 CRP 128
 CSA 131
 CSF 133
 definition 259
 detailed description 127-135
 DIM 130
 DIV 130
 EAD 128

EAW	128	WOP	135
ECW	128	W1P	135
EOP	128	W2P	135
ETA	128	W3P	135
FET	128	W4P	135
FLP	128	XIT	133
FRK	128	ZER	130
FRP	128	POP interpreter	
FTH	128	definition	260
general description	10	description	136
IAD	129	general	10
IND	135	POP jump table (POPTABLE)	
IOP	129	definition	260
IOR	130	description	28,137
ITA	129	location in storage	15
ITM	129	POP language	
JAF	133	cross-reference list	139
JAT	133	definition	260
JOW	133	detailed description	127-138
JPE	133	general description	10
JRD	133	notation used	127
JSB	133	POP SETUP routine	137
JUN	133	POP subroutines	
LCE	129	assembler references to	137
LCF	129	definition	260
LCT	129	general	10
LGA	131	location in storage	15
LGP	129	POPADR register	
LLS	130	definition	260
LRS	131	description	29
LSS	129	POPPGB register	
MOA	131	definition	260
MOC	129	description	29
MON	129	POPXIT register	
MPY	131	description	29
NOG	129	PREP DMY DIMAND PRINT ERRORS routine	14,45
NOZ	129	PREP EQUIV AND PRINT ERRORS routine	14,45
PGO	130	PREP NAMELIST routine	14,45,48
PGP	130	PRESS MEMORY	21,22,193
PLD	130	PRINT A LINE routine	14
PNG	130	PRINT AND READ SOURCE routine	14,37
POC	130	PRINT HEADING routine	14
POW	134	PRINT TOTAL PROG REQMTS MESS routine	14
PSP	131	printmsg table	35-36
PST	130	PRNTHEAD routine	34
QSA	131	PRNTMSG routine	34
QSF	133	PROCESS DO LOOPS routine	14,45,46
REL	134	PROCESS LBL AND LOCAL SPROGS routine	14,45,46
RSV	134	PROCESS POLISH routine	14,39
SAD	131	production of object code	
SBP	131	branches	175
SBS	131	computed GO TO statement	175
SCE	132	DEFINE FILE statement	179
SCK	132	direct-access READ and WRITE statements	179
SFP	132	DO loops	175
SLE	132	DO statement	175
SNE	132	FIND statements	179
SNZ	132	FORMAT statements	180,181
SOP	132	formatted arrays	177
SPM	132	formatted list items	177
SPT	132	functions	176
SRA	132	input/output	177
SRD	132	PAUSE statement	179
STA	132	READ and WRITE statements	177
STM	133	statement functions	176
SUB	131	STOP statement	179
SWT	130		
TLY	131		

subroutines 176
 unformatted arrays 178
 unformatted READ and WRITE statements
 178
 PROGRAM BREAK variable 45,46,47,48,49
 PROGRAM SCRIPT roll
 description 158
 in Parse 39
 in Unify 52
 program text
 definition 260
 description 20
 position in object module 17
 prologue 12,53,54
 PROLOGUE GEN routine 14,53,54
 pruning
 definition 260
 description 23
 pseudo instructions 10,127
 PUNCH ADCON ROLL routine 14,55,57
 PUNCH ADR CONST ROLL routine 14,55,56
 PUNCH BASE ROLL routine 14,55,56
 PUNCH BRANCH ROLL routine 14,55,56
 PUNCH CODE ROLL routine 14,55,56
 PUNCH END CARD routine 14,55,57
 PUNCH GLOBAL SPROG ROLL routine 14,55,57
 PUNCH NAMELIST MPY DATA routine 55,57
 PUNCH PARTIAL TXT CARD routine 55,56
 PUNCH SPROG ARG ROLL routine 14,55,56
 PUNCH TEMP AND CONST ROLL routine 14,55,56
 PUNCH USED LIBRARY ROLL routine 14,55,57

 quick link output 136
 quote
 definition 260
 description 27
 location in storage 15
 QBASE 27
 quote base (QBASE)
 definition 260
 description 27

 REASSIGN MEMORY 185
 recursion
 definition 261
 in compiler 10
 REG roll 146
 REGISTER IBCOM routine 14,37
 register usage
 by compiler 28
 by object module 20
 relative addressing 29,137
 releasing rolls
 definition 261
 in Allocate 45
 in Invocation 35
 reserve mark
 definition 261
 description 23
 RETURN register
 definition 261
 description 29
 RETURN statement
 Polish notation for 37

 RLD cards 13,56
 RLD roll 55,56,57,156
 ROLL ADR table
 in IEYROL 53
 in Invocation 35
 location in storage 15
 use in allocating storage 22,35
 use in finding address of variable 30
 use in releasing storage 35
 roll control instructions 133
 roll controls
 general 21
 roll module (IEYROL)
 definition 261
 detailed description 53
 general description 13
 location in storage 15
 roll statistics
 BASE, BOTTOM, TOP 22
 location in storage 15
 roll storage area
 definition 261
 general description 21
 ROLLBR register
 definition 261
 description 29
 rolls
 ADCON 57,145
 ADR CONST 52,56,159
 AFTER POLISH 23,37-40,42,53,54,161
 allocating storage for 21,22,34
 ARRAY 26,47,146
 ARRAY DIMENSION 150
 ARRAY PLEX 158
 ARRAY REF 52,159
 AT 54,159
 BASE TABLE 45-48,56,146
 BCD 45
 BRANCH TABLE 47,56,150
 BYTE SCALAR 47,151
 CALL LBL 149
 CODE 22,53,54,56,160
 COMMON ALLOCATION 47,156
 COMMON AREA 155
 COMMON DATA 152
 COMMON DATA TEMP 155
 COMMON NAME 152
 COMMON NAME TEMP 156
 COMPLEX CONST 143
 DATA SAVE 145
 DATA VAR 56,154
 definition of 261
 detailed description 140-162
 DMY DIMENSION 14,46,147
 DO LOOPS OPEN 39,46,144
 DP COMPLEX CONST 143
 DP CONST 25,143
 ENTRY 46
 ENTRY NAMES 54,147
 EQUIV ALLOCATION 43,47,48,156
 EQUIVALENCE (EQUIV) 46,47,151
 EQUIVALENCE (EQUIV) HOLD 145
 EQUIVALENCE (EQUIV) TEMP 145
 EQUIVALENCE OFFSET 45,152
 ERROR 42,148
 ERROR CHAR 144
 ERROR LBL 148
 ERROR MESSAGE 144

ERROR SYMBOL 149
 ERROR TEMP 144
 EXIT 10,15,24,38,53,161,259
 EXPLICIT 149
 FL AC 153
 FL CONST 143
 FORMAT 48,157
 formats 140-162
 FULL WORD SCALAR 47,155
 FX AC 151
 FX CONST 143
 GENERAL ALLOCATION 160
 general description 10,21
 GLOBAL DMY 47,49,148
 GLOBAL SPROG 42,48,56,142
 HALF WORD SCALAR 47,152
 HEX CONST 154
 IMPLICIT 153
 IND VAR 37,141
 INIT 49,145
 LBL 45,46,54,153
 LIB 140
 LITERAL CONST 143
 LITERAL TEMP 155
 LOCAL DMY 148
 LOCAL SPROG 45,46,149
 location in storage 15
 LOOP CONTROL 52,156
 LOOP DATA 38,53,157
 LOOP SCRIPT 142
 NAMELIST ALLOCATION 48,49,155
 NAMELIST ITEMS 149,150
 NAMELIST MPY DATA 57,160
 NAMELIST NAMES 48,149
 NEST SCRIPT 53,141
 NONSTD SCRIPT 141
 POLISH 36-42,53,54
 PROGRAM SCRIPT 39,52,158
 pruning of 23
 REG 146
 releasing of 35,45,260
 reserving of 23,261
 RLD 55,56,57,156
 SCALAR 47,48,154
 SCRIPT 36,37,52,53,157
 size limitations 22
 SOURCE 37,38,140
 special 24
 SPROG ARG 56,147
 STD SCRIPT 144
 SUBCHK 49,160
 TEMP 144
 TEMP AND CONST 45,55,57,144
 TEMP DATA NAME 150
 TEMP NAME 36,143
 TEMP POLISH 151
 TEMP PNTR 153
 used by Allocate 44
 used by Exit 55
 used by Gen 53
 used by Parse 36
 used by Unify 52
 USED LIB FUNCTION 48,55,152
 WORK 10,15,24,38-41,53,54,161,261

rungs
 definition 261
 description 24

save area
 assigning storage for 47
 definition 261
 position in object module 17
 SCALAR ALLOCATE routine 14,45,47
 SCALAR roll 47,48,154
 SCALAR routine 14
 scalar variable
 definition 261
 listing of 21
 position in object module 17
 scan arrow
 definition 261
 description 26
 scan control variables 26,27
 SCRIPT roll
 description 157
 in Parse 36,37
 in Unify 52,53
 source module listing
 definition 261
 description 20,42
 format of 42
 SOURCE option 36
 SOURCE roll
 description 140
 in Parse 37,38
 special rolls 24
 specification statements 35
 SPROG ARG ALLOCATION routine 14,45,48
 SPROG ARG roll 56,147
 STA FINAL routine 14,37,39
 STA GEN FINISH routine 14,54,55
 STA GEN routine 14,54,55
 STA INIT routine 14,38
 STA LBL BOX 54
 STA RUN TABLE 54
 STA XLATE EXIT routine 38
 STA XLATE routine 14,37,38,39
 START ALLOCATION routine 14
 START COMPILER routine 14,37
 START GEN routine 14,53
 START UNIFY routine 14,52
 STATEMENT PROCESS routine 14,37,39
 status variable 23
 STD SCRIPT roll 144
 STOP statement
 Polish notation for 37
 storage map
 compiler 14
 definition 261
 description 21
 object module 17
 produced by Allocate 44,50
 SUBCHK roll 49,160
 subprogram addresses
 position in object module 17
 subprogram argument lists
 position in object module 17,51
 SUBSCRIPTS FAIL routine 42
 SYMBOL item 24,261
 syntax error 42
 SYNTAX FAIL routine 38,42
 system names 11

tables
 base 17,47,56,259
 BASE, BOTTOM, and TOP 23,28
 branch 18,46,56
 global jump 28,137
 group stats 25,26
 NAMELIST 12,18,19,20,44,48,49,57,260
 POP jump 15,28,136,260
 printmsg 35
 ROLL ADR 15,22,28,34,53
 STA RUN 54
 unit assignment 239
 TAG field
 definition 261
 description 29-31
 TEMP AND CONST roll
 description 144
 in Allocate 45
 in Exit 55,57
 TEMP DATA NAME roll 150
 TEMP NAME roll
 description 143
 in Parse 38
 TEMP POLISH roll 151
 TEMP PNTR roll 153
 TEMP roll 144
 temporary storage and constants
 description 20
 position in object module 17
 TERMINATE PHASE routine 54,55
 termination of compiler 33,35
 TIMEDAT routine 35
 TOP variable 23
 definition 261
 TRACE option 54
 transmissive instructions 127-130
 TXT cards
 general 12
 produced by Allocate 44,49,51
 produced by Exit 55,56,57,58
 type statements
 allocation for 46
 Unify label list 196-198
 Unify phase (IEYUNF)
 definition 260
 detailed description 51-53
 general description 12
 location in storage 15
 rolls used by 52
 unit assignment table (IHCUATBL) 239
 unit blocks 240,242
 USED LIB FUNCTION roll
 description 152
 in allocation 48
 in Exit 55

variables
 ANSWER BOX 26,38,259
 AREA CODE 45,56,57,146
 BASE 23,259
 BOTTOM 23,259
 COMMON 21,46
 CRRNT CHAR 26,38,259
 CRRNT CHAR CNT 26,38,259
 EQUIVALENCE 18,21,44,45,48
 LAST CHAR CNT 26,38,260
 LAST SOURCE CHAR 38
 MPAC1 and MPAC2 26,260
 PROGRAM BREAK 45,46,47,48
 scalar 18,21,261
 scan control 26,27
 status 23
 TOP 23,261

WORK roll
 definition 261
 description 24,161
 general 10
 in Exit 57
 in Gen 54
 in IEYROL 53
 in Parse 38,40,41
 location in storage 15
 WRKADR register
 definition 261
 description 29

IBM[®]

**International Business Machines Corporation
Data Processing Division
1133 Westchester Avenue, White Plains, New York 10604
[U.S.A. only]**

**IBM World Trade Corporation
821 United Nations Plaza, New York, New York 10017
[International]**