

Maintenance Library



Display Station Models 1,2,3,11 and 12

**Display Station Models 1 and 2
Parts Catalog**

Preface

This Parts Catalog (PC) contains listings and illustrations of all replaceable assemblies, subassemblies and detail parts released to Production Control on or before July 30, 1976 for the 3275-1, 2, 3, 11, and 12/3277-1, 2 Display Units.

Fifth Edition (July 30, 1976)

This is a major revision of, and obsoletes the previous edition, Form S126-0005-3.

Information in this catalog is subject to change from time to time. Any such change will be reported in subsequent revisions or TNL Supplements.

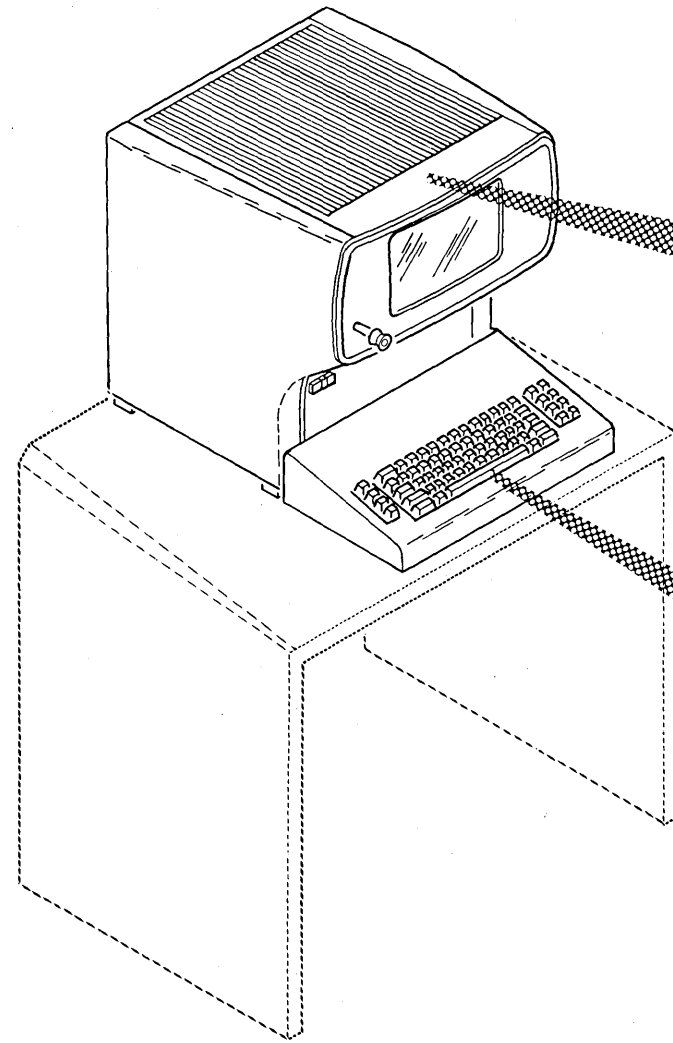
Requests for copies of IBM publications should be made to your IBM representative or to the IBM branch office serving your locality.

A form is provided at the back of this publication for reader's comments. If the form has been removed, comments may be addressed to: IBM System Communications Division, Product Publications, Dept 52L, Neighborhood Road, Kingston, N.Y., 12401

© Copyright International Business Machines Corporation, 1973, 1974, 1976

Contents

How To Use A Parts Catalog	iii
Visual Index	iv
Catalog Section	1
Fig No.	Page
1 Keyboard Assembly – Type B	16
1A Keyboard Assembly – Type A	26
2 3277-1 Cover Assembly	29
3 3277-1 Final Assembly (2 Sheets)	30
4 Gate Assembly	32
5 3275-1, 2, 3, 11, and 12 and 3277-2 Cover Assembly	33
6 3275-1, 2, 3, 11, and 12 and 3277-2 Final Assembly	34
7 Upper Assembly	36
8 Gate Assembly	38
9 Base Assembly	39
10 Cable Assemblies – List Only	40
11 Cable Component Parts (3 Sheets)	41
Chart No.	Page
I Keybutton Language Groups – Type B (2 Sheets)	2
II Keybutton Nomenclature – Type B	3
III Keybutton Language Groups – Type B (2 Sheets)	4
IV Keybutton Nomenclature – Type B	5
V Keybutton Language Groups – Type B (2 Sheets)	6
VI Keybutton Nomenclature – Type B	7
VII Keybutton Language Groups – Type B (2 Sheets)	8
VIII Keybutton Nomenclature – Type B	9
IX Keybutton Language Groups – Type B (2 Sheets)	10
X Keybutton Nomenclature – Type B	11
XI Keybuttons and Nomenclature – Katakana 70 Key – Type B	12
XII Keybuttons and Nomenclature – Katakana 81 Key – Type B	13
XII.1 Keybuttons and Nomenclature – 66 Key APL – Type B	14
XII.2 Keybuttons and Nomenclature – 78 Key APL – Type B	14
XII.3 Keybuttons and Nomenclature – 78 Key Text Feature – Type B	15
XIII Logic Board Assemblies – Type B	15
XIV Keybutton Language Groups – Type A (2 Sheets)	20
XV Keybutton Nomenclature – Type A	21
XVI Keybutton Language Groups – Type A (2 Sheets)	22
XVII Keybutton Nomenclature – Type A	23
XVIII Keybuttons and Nomenclature – Katakana 70 Key – Type A	24
XIX Keybuttons and Nomenclature – Katakana 81 Key – Type A	25
Numeric Index	X-1



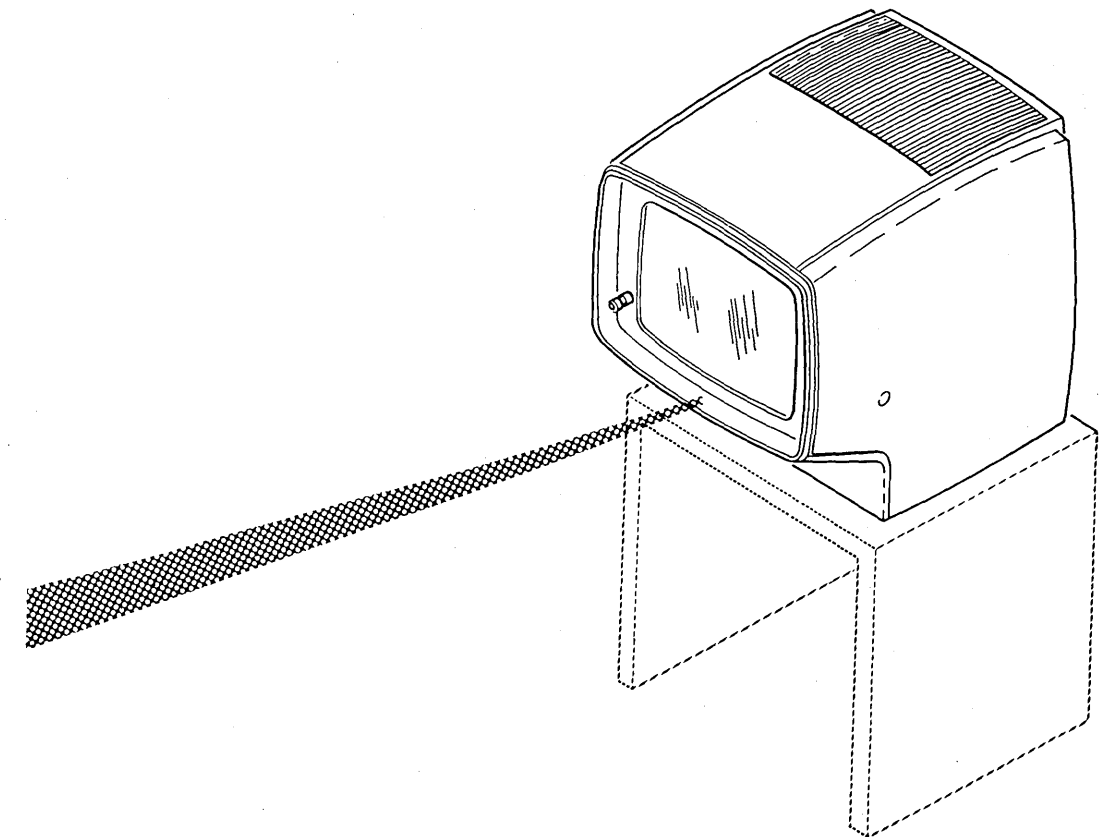
DISPLAY STATION
3277 MODEL 1

COVER ASSEMBLY
FIGURE 2
PAGE 29

FINAL ASSEMBLY
FIGURE 3
PAGE 30

KEYBUTTON LANGUAGE GROUPS
TYPE B - CHARTS I thru XIII
PAGES 2 thru 15
TYPE A - CHARTS XIV thru XIX
PAGES 20 thru 25

KEYBOARD ASSEMBLY
TYPE B - FIGURE 1, PAGE 16
TYPE A - FIGURE 1A, PAGE 26



DISPLAY STATION
3275 ALL MODELS
3277 MODEL 2

COVER ASSEMBLY
FIGURE 5
PAGE 33

FINAL ASSEMBLY
FIGURE 6
PAGE 34

CATALOG SECTION

KEYBUTTON POSITION

NOTE: FOR KEYBUTTON NOMENCLATURE, SEE CHART II

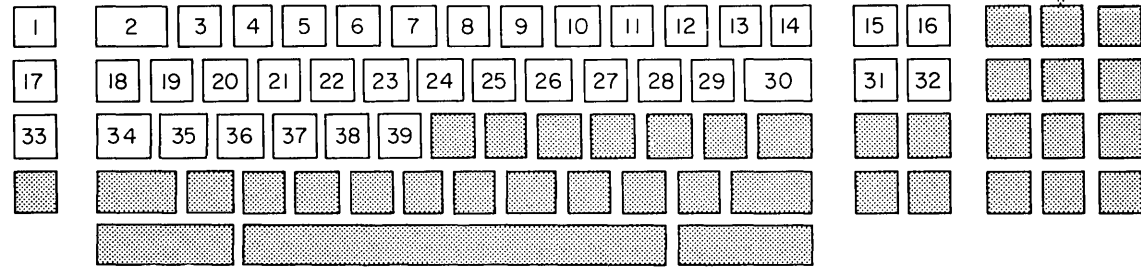


CHART I. KEYBUTTON LANGUAGE GROUPS (PART 1 OF 2)

UNITED STATES/CANADA											
COLUMN NUMBER	1	2	3	4	5	6	7	8	9	10	COLUMN NUMBER
BUTTON POS.	EBCDIC SMOOTH	EBCDIC TEXT	ASCII SMOOTH	ASCII TEXT	DATA ENTRY 66 SMOOTH	DATA ENTRY 66 TEXT	DATA ENTRY II 66 SMOOTH	DATA ENTRY II 66 TEXT	1052-7 78 SMOOTH	1052-7 78 TEXT	BUTTON POS.
1	1772901	1853542	1772901	1853542	1772901	1853542	1853542	1853542	1772901	1853542	1
2	1772913	1853546	1772976	1853583	1772928	1853601	1853601	1853601	5183392	1853587	2
3	5172373	1853499	5172373	1853499	5181035	1853602	1158588	1854067	1133905	1853588	3
4	5172374	1853500	5172374	1853500	5181036	1853603	1158589	1854068	5993029	1853589	4
5	5172375	1853501	5172375	1853501	5152022	1853604	1158590	1854069	1133265	1853590	5
6	5172376	1853502	5172376	1853502	5152023	1853605	1786812	1854070	5172376	1853502	6
7	5172435	1853503	1772977	1853584	1772919	1853606	1853606	1853606	1158436	1853591	7
8	5172378	1853504	5172378	1853504	5180975	1853607	1853607	1853607	1133268	1853592	8
9	5172379	1853505	5172379	1853505	5180985	1853608	1853608	1853608	5172379	1853505	9
10	5172380	1853506	5172380	1853506	5180976	1853609	1853609	1853609	5172380	1853506	10
11	5172381	1853507	5172381	1853507	1772931	1853571	1786894	1854071	5172381	1853507	11
12	5172382	1853508	5172382	1853508	1772932	1853572	1853571	1853571	5172382	1853508	12
13	5172369	1853509	5172369	1853509	1772933	1853573	1853572	1853572	1133911	1853593	13
14	5183388	1853547	5183388	1853547	5183388	1853547	1853573	1853573	5183388	1853547	14
15	1772905	1853556	1772905	1853556	1772921	1853594	1853594	1853594	1772921	1853594	15
16	1772906	1853557	1772906	1853557	1772922	1853610	1853610	1853610	1772979	1853595	16
17	1772902	1853543	1772902	1853543	1772902	1853543	1853543	1853543	1772902	1853543	17
18	5183391	1853548	5183391	1853548	5183391	1853548	1853548	1853548	5183391	1853548	18
19	5172384	1853510	5172384	1853510	5180988	1853611	1853611	1853611	5172384	1853510	19
20	5172385	1853511	5172385	1853511	5180989	1853612	1853612	1853612	5172385	1853511	20
21	5172386	1853512	5172386	1853512	5152029	1853613	1158232	1854072	5172386	1853512	21
22	5172387	1853513	5172387	1853513	5152030	1853614	1786821	1854073	5172387	1853513	22
23	5172388	1853514	5172388	1853514	5152031	1853615	1133278	1854074	5172388	1853514	23
24	5172389	1853515	5172389	1853515	5152032	1853616	1786823	1854075	5172389	1853515	24
25	5172401	1853516	5172401	1853516	5180977	1853617	1853617	1853617	5172401	1853516	25
26	5172402	1853517	5172402	1853517	5180978	1853618	1853618	1853618	5172402	1853517	26
27	5172403	1853518	5172403	1853518	5180979	1853619	1853619	1853619	5172403	1853518	27
28	5172404	1853519	5172404	1853519	5180980	1853620	1853620	1853620	5172404	1853519	28
29	1772912	1853520	1213806	1853585	1772926	1853621	1854160	1854076	1158756	1853596	29
30	5183394	1853549	1772978	1853586	5183394	1853549	1853549	1853549	5183394	1853549	30
31	1772907	1853558	1772907	1853558	1772907	1853558	1853558	1853558	1772907	1853558	31
32	1772908	1853559	1772908	1853559	1772908	1853559	1853559	1853559	1772908	1853559	32
33	1772903	1853544	1772903	1853544	1772903	1853544	1853544	1853544	1772903	1853544	33
34	1772957	1853550	1772957	1853550	1772929	1853622	1853622	1853622	1772957	1853550	34
35	5172406	1853521	5172406	1853521	5152036	1853623	1133285	1854077	5172406	1853521	35
36	5172407	1853522	5172407	1853522	5180986	1853624	1853624	1853624	5172407	1853522	36
37	5172408	1853523	5172408	1853523	1133335	1853625	1786826	1854078	5172408	1853523	37
38	1772914	1853524	1772914	1853524	5152038	1853626	1786827	1854079	1772914	1853524	38
39	5172410	1853525	5172410	1853525	5180987	1853627	1853627	1853627	5172410	1853525	39

FOR COMPONENTS IN SHADED AREA SEE CHART I, PART 1

KEYBUTTON POSITION

NOTE: FOR KEYBUTTON NOMENCLATURE, SEE CHART II

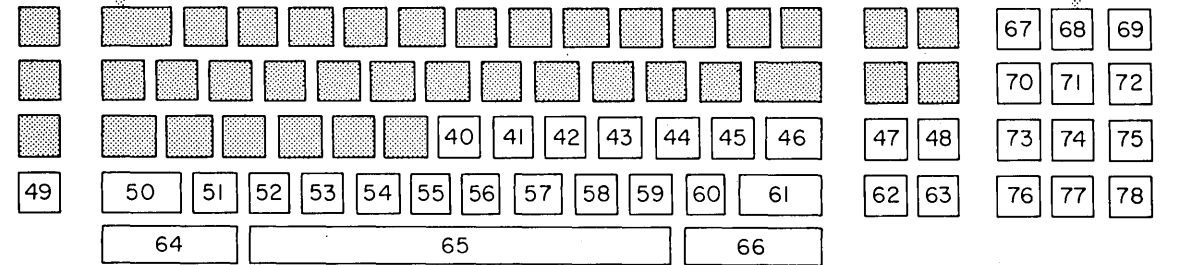


CHART I. KEYBUTTON LANGUAGE GROUPS (PART 2 OF 2)

UNITED STATES/CANADA											
COLUMN NUMBER	1	2	3	4	5	6	7	8	9	10	COLUMN NUMBER
BUTTON POS.	EBCDIC SMOOTH	EBCDIC TEXT	ASCII SMOOTH	ASCII TEXT	DATA ENTRY 66 SMOOTH	DATA ENTRY 66 TEXT	DATA ENTRY II 66 SMOOTH	DATA ENTRY II 66 TEXT	1052-7 78 SMOOTH	1052-7 78 TEXT	BUTTON POS.
40	5172411	1853526	5172411	1853526	5152039	1853628	1179871	1854135	5172411	1853526	40
41	1772915	1853527	1772915	1853527	5180994	1853629	1853629	1853629	1772915	1853527	41
42	5172413	1853528	5172413	1853528	5180995	1853630	1853630	1853630	5172413	1853528	42
43	5172414	1853529	5172414	1853529	5180996	1853631	1853631	1853631	5172414	1853529	43
44	5172415	1853530	5172415	1853530	5180981	1853632	1853632	1853632	1158439	1853597	44
45	5172416	1853531	5172416	1853531	1772927	1853633	1854162	1854136	1158757	1853598	45
46	1772963	1853551	1772963	1853551	1772963	1853551	1854548	1854137	1772963	1853551	46
47	1772909	1853560	1772909	1853560	1772909	1853560	1853560	1853560	1772909	1853560	47
48	1772910	1853561	1772910	1853561	1772910	1853561	1853561	1853561	1772910	1853561	48
49	1772904	1853545	1772904	1853545	1772904	1853545	1853545	1853545	1772904	1853545	49
50	1772968	1853552	1772968	1853552	1772944	1853634	1853634	1853634	1772968	1853552	50
51	5172419	1853532	5172419	1853532	5152041	1853635	1133296	1854138	5172419	1853532	51
52	5172420	1853533	5172420	1853533	5180990	1853636	1853636	1853636	5172420	1853533	52
53	5172421	1853534	5172421	1853534	5152042	1853637	1786829	1854139	5172421	1853534	53
54	5172422	1853535	5172422	1853535	5152043	1853638	1197130	1854140	5172422	1853535	54
55	5172423	1853536	5172423	1853536	5152044	1853639	1786830	1854141	5172423	1853536	55
56	5172424	1853537	5172424	1853537	5152045	1853640	1786831	1854142	5172424	1853537	56
57	5172425	1853538	5172425	1853538	5180982	1853641	1853641	1853641	5172425	1853538	57
58	5173447	1853539	5173447	1853539	5180983	1853642	1853642	1853642	1158758	1853599	58
59	5173452	1853540	5173452	1853540	5180984	1853643	1853643	1853643	1158759	1853600	59
60	5172428	1853541	5172428	1853541	5172428	1853644	1854549	1854143	5172428	1853541	60
61	1772971	1853553	1772971	1853553	1772946	1853645	1853645	1853645	1772971	1853553	61
62	5183388	1853547	5183388	1853547	5183388	1853547	1853547	1853547	5183388	1853547	62
63	1772911	1853562	1772911	1853562	1772911	1853562	1853562	1853562	1772911	1853562	63
64	1772916	1853554	1772916	1853554	1772916	1853554	1786753	1853655	1772916	1853554	64
65	1772961	1854442	1772961	1854442	1772961	1854442	1772961	1854442	1772961	1854442	65
66	1772917	1853555	1772917	1853555	1772917	1853555	1854550	1854144	1772917	1853555	66
67	1772931	1853571	1772931	1853571	NONE	NONE	NONE	NONE	1772931	1853571	67
68	1772932	1853572	1772932	1853572	NONE	NONE	NONE	NONE	1772932	1853572	68
69	1772933	1853573	1772933	1853573	NONE	NONE	NONE	NONE	1772933	1853573	69
70	1772934	1853574	1772934	1853574	NONE	NONE	NONE	NONE	1772934	1853574	70
71	1772935	1853575	1772935	1853575	NONE	NONE	NONE	NONE	1772935	1853575	71
72	1772936	1853576	1772936	1853576	NONE	NONE	NONE	NONE	1772936	1853576	72
73	1772937	1853577	1772937	1853577	NONE	NONE	NONE	NONE	1772937	1853577	73
74	1772938	1853578	1772938	1853578	NONE	NONE	NONE	NONE	1772938	1853578	74
75	1772939	1853579	1772939	1853579	NONE	NONE	NONE	NONE	1772939	1853579	75
76	1772940	1853580	1772940	1853580	NONE	NONE	NONE	NONE	1772940	1853580	76
77	1772941	1853581	1772941	1853581	NONE	NONE	NONE	NONE	1772941	1853581	77
78	1772942	1853582	1772942	1853582	NONE	NONE	NONE	NONE	1772942	1853582	78

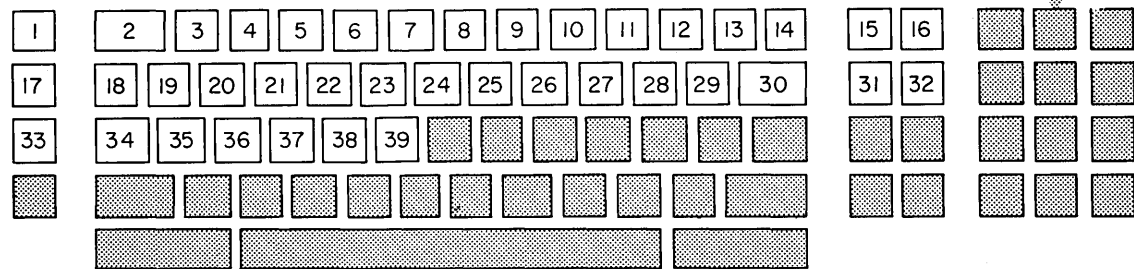
CHART II. KEYBUTTON NOMENCLATURE

NOTE: FOR KEYBUTTON USAGE, SEE CHART I.

PART NUMBER	NOMENCLATURE	PART NUMBER	NOMENCLATURE	PART NUMBER	NOMENCLATURE	PART NUMBER	NOMENCLATURE	PART NUMBER	NOMENCLATURE
1133265	:	1772978	←	1853553	SHIFT	1853627	↵	5172375	\$
1133268	>	1772979	CNCL	1853554	RESET	1853628	⌘	5172376	%
1133278	T	1786753		1853555	ENTER	1853629	4	5172378	&
1133285	A	1786812	. <	1853556	DUP PA1	1853630	5	5172379	*
1133296	Z	1786821	⌘ R	1853557	FIELD MARK PA2	1853631	6	5172380	(
1133335	D	1786823	Y	1853558	INS MODE	1853632	SKIP	5172381)
1133905	<	1786826	: D	1853559	DEL	1853633	PF5	5172382	-
1133911	+	1786827	; F	1853560	↕	1853634	NUMERIC	5172384	Q
1158232)	1786829	" C	1853561	↕	1853635	% Z	5172385	W
1158436	'	1786830	! B	1853562	→	1853636	? X	5172386	E
1158439	!	1786831	(N	1853571	PF1	1853637	" C	5172387	R
1158588	#	1786894	RESET	1853572	PF2	1853638	" V	5172388	T
1158589	%	1853499	@ 2	1853573	PF3	1853639	(B	5172389	Y
1158590	\$	1853500	# 3	1853574	PF4	1853640) N	5172401	U
1158756	@	1853501	\$ 4	1853575	PF5	1853641	7 M	5172402	I
1158757	"	1853502	% 5	1853576	PF6	1853642	8	5172403	O
1158758		1853503	⌘ 6	1853577	PF7	1853643	9	5172404	P
1158759	↕	1853504	& 7	1853578	PF8	1853644	.	5172406	A
1179871	'	1853505	* 8	1853579	PF9	1853645	ALPHA	5172407	S
1197130	=	1853506	(9	1853580	PF10	1853655		5172408	D
1213806] [1853507) 0	1853581	PF11	1854067	# @	5172410	G
1772901	CLEAR	1853508	- -	1853582	PF12	1854068	.	5172411	H
1772902	ERASE INPUT	1853509	+ =	1853583	1 !	1854069	\$ *	5172413	K
1772903	ERASE EOF	1853510	Q	1853584	↵ ^ 6	1854070	.	5172414	L
1772904	TEST REQ	1853511	W	1853585] [1854071	RESET	5172415	:
1772905	DUP PA1	1853512	E	1853586	←	1854072) E	5172416	"
1772906	FIELD MARK PA2	1853513	R	1853587	= 1	1854073	⌘ R	5172419	Z
1772907	INS MODE	1853514	T	1853588	> 2	1854074	T	5172420	X
1772908	DEL	1853515	Y	1853589	: 3	1854075	Y	5172421	C
1772909	↕	1853516	U	1853590	: 4	1854076	ENTER	5172422	V
1772910	↕	1853517	I	1853591	' 6	1854077	A	5172423	B
1772911	→	1853518	O	1853592	> 7	1854078	: D	5172424	N
1772912	!	1853519	P	1853593	+ &	1854079	; F	5172425	M
1772913		1853520	! ↵	1853594	PA1	1854135	' H	5172427	.
1772914	F	1853521	A	1853595	CNCL	1854136	PF4	5172428	? /
1772915	J	1853522	S	1853596	⌘ @	1854137	PF5	5172435	⌘ 6
1772916	RESET	1853523	D	1853597	! \$	1854138	Z	5173447	>
1772917	ENTER	1853524	F	1853598	" #	1854139	" C	5173452	>
1772919	FIELD MARK	1853525	G	1853599	< ,	1854140	= V	5180975	DUP
1772921	PA1	1853526	H	1853600	> .	1854141	! B	5180976	0 /
1772922	PA2	1853527	J	1853601	PA3	1854142	(N	5180977	1 U
1772926	PF4	1853528	K	1853602	@	1854143	←	5180978	2 I
1772927	PF5	1853529	L	1853603	#	1854144	←	5180979	3 O
1772928	PA3	1853530	: ;	1853604	. *	1854160	ENTER	5180980	& P
1772929	NUM LOCK	1853531	" ' ;	1853605	. \$	1854162	PF4	5180981	SKIP
1772931	PF1	1853532	Z	1853606	FIELD MARK	1854548	PF5	5180982	7 M
1772932	PF2	1853533	X	1853607	DUP	1854549	←	5180983	8
1772933	PF3	1853534	C	1853608	- -	1854550	←	5180984	9 .
1772934	PF4	1853535	V	1853609	0 /	1854442	SPACE BAR	5180985	-
1772935	PF5	1853536	B	1853610	PA2	5152022	.	5180986	> S
1772936	PF6	1853537	N	1853611	+ Q	5152023	.	5180987	↵ G
1772937	PF7	1853538	M	1853612	- W	5152029	!	5180988	+ Q
1772938	PF8	1853539	< ,	1853613	! E	5152030	: R	5180989	- W
1772939	PF9	1853540	> .	1853614	: R	5152031	; T	5180990	? X
1772940	PF10	1853541	? /	1853615	: T	5152032	= Y	5180994	4 J
1772941	PF11	1853542	CLEAR	1853616	- Y	5152036	< A	5180995	5 K
1772942	PF12	1853543	ERASE INPUT	1853617	1 U	5152038	F	5180996	6 L
1772944	NUMERIC	1853544	ERASE EOF	1853618	2 I	5152039	⌘ H	5181035	@
1772946	ALPHA	1853545	TEST REQ	1853619	3 O	5152041	% Z	5181036	#
1772957	LOCK	1853546	1	1853620	& P	5152042	' C	5183388	←
1772961	SPACE BAR	1853547	←	1853621	! ↵	5152043	" V	5183391	→
1772963	←	1853548	→	1853622	NUM LOCK	5152044	(B	5183392	= 1
1772968	SHIFT	1853549	←	1853623	< A	5152045) N	5183394	←
1772971	SHIFT	1853550	LOCK	1853624	> S	5172369	+ =	5993029	; 3
1772976	1 !	1853551	←	1853625	D	5172373	@ 2		
1772977	↵ ^ 6	1853552	SHIFT	1853626	F	5172374	# 3		

KEYBUTTON POSITION

NOTE: FOR KEYBUTTON NOMENCLATURE, SEE CHART IV



FOR COMPONENTS IN SHADED AREA SEE CHART III, PART 2

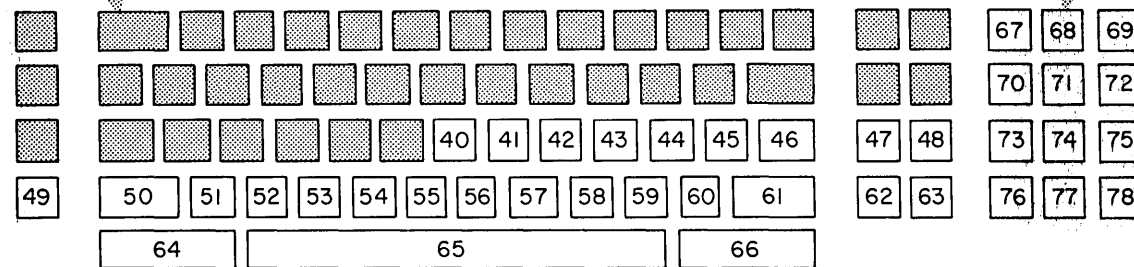
CHART III. KEYBUTTON LANGUAGE GROUPS (PART 1 OF 2)

COLUMN NUMBER	UNITED KINGDOM				GERMANY					COLUMN NUMBER
	1	2	3	4	5	6	7	8	9	
BUTTON POS.	EBCDIC	DATA ENTRY	DATA ENTRY II	1052-7	EBCDIC & DUAL CASE	DATA ENTRY	DATA ENTRY II	1052-7 QWERTY	1052-7 QWERTZ	BUTTON POS.
1	1772901	1772901	1772901	1772901	1786715	1786715	1786715	1786715	1786715	1
2	1772913	1772928	1772928	5183392	1786722	1772928	1772928	5183392	5183392	2
3	5172373	5181035	1158588	1133905	1197541	1772931	1772931	1133905	1133905	3
4	5172374	5181036	1158589	5993029	1133195	1772932	5183388	5993029	5993029	4
5	5153653	5152022	1209786	1133265	1133265	1133471	1226247	1133265	1133265	5
6	5172376	5153530	1786812	5172376	5172376	1218779	1772932	5172376	5172376	6
7	5153652	1772919	1772919	1158436	1158436	1786730	1786730	1158436	1158436	7
8	5172378	5180975	5180975	1133268	5172378	5180975	5180975	1133268	1133268	8
9	5172379	5180985	5180985	5172379	1133071	5180985	5180985	5172379	5172379	9
10	5172380	5180976	5180976	5172380	1133072	5180976	5180976	5172380	5172380	10
11	5172381	1772931	1786894	5172381	1218390	1772933	1854555	5172381	5172381	11
12	5172382	1772932	1772931	5172382	▲1786723	1772934	1772933	5172382	1197355	12
13	5172369	1772933	1772932	1133911	1786724	1772935	1772934	1133911	1133169	13
14	5183388	5183388	1772933	5183388	5183388	1772935	5183388	5183388	5183388	14
15	1772905	1772921	1772921	1772921	1772905	1772921	1772921	1772921	1772921	15
16	1772906	1772922	1772922	1772922	1786719	1772922	1772922	1854150	1854150	16
17	1772902	1772902	1772902	1772902	1786716	1786716	1786716	1786716	1786716	17
18	5183391	5183391	5183391	5183391	5183391	5183391	5183391	5183391	5183391	18
19	5172384	5180988	5180988	5172384	5172384	5180988	5180988	5172384	5172384	19
20	5172385	5180989	5180989	5172385	5172385	5180989	5180989	5172385	5172385	20
21	5172386	5152029	1158232	5172386	5172386	1133329	1158232	5172386	5172386	21
22	5172387	5152030	1853364	5172387	5172387	5152030	1786821	5172387	5172387	22
23	5172388	5152031	1133278	5172388	5172388	5152031	1133278	5172388	5172388	23
24	5172389	5152032	1786823	5172389	5153675	5153555	1854556	5172389	5153675	24
25	5172401	5180977	5180977	5172401	5172401	5180977	5180977	5172401	5172401	25
26	5172402	5180978	5180978	5172402	5172402	5180978	5180978	5172402	5172402	26
27	5172403	5180979	5180979	5172403	5172403	5180979	5180979	5172403	5172403	27
28	5172404	5180980	5180980	5172404	5172404	5180980	5180980	5172404	5172404	28
29	1772912	1772926	1854160	1770932	5153686	1786731	5153556	1158756	5153686	29
30	5183394	5183394	5183394	5183394	1786725	5183394	5183394	5183394	1770931	30
31	1772907	1772907	1772907	1772907	1786720	1786720	1786720	1786720	1786720	31
32	1772908	1772908	1772908	1772908	1786721	1786721	1786721	1786721	1786721	32
33	1772903	1772903	1772903	1772903	1786717	1786717	1786717	1786717	1786717	33
34	1772957	1772929	1772929	1785083	1785083	1785097	1785097	1785083	1785083	34
35	5172406	5152036	1133285	5172406	5172406	5152036	1854557	5172406	5172406	35
36	5172407	5180986	5180986	5172407	5172407	5180986	5180986	5172407	5172407	36
37	5172408	1133335	1786826	5172408	5172408	1133335	1786826	5172408	5172408	37
38	1772914	5152038	1786827	1772914	1772914	5152038	1786827	1772914	1772914	38
39	5172410	5180987	5180987	5172410	5172410	5180987	5180987	5172410	5172410	39

▲USED ON EBCDIC ONLY
DUAL CASE PART NUMBER: 1197355

KEYBUTTON POSITION

NOTE: FOR KEYBUTTON NOMENCLATURE, SEE CHART IV



FOR COMPONENTS IN SHADED AREA SEE CHART III, PART 1

USED ON 78 KEY TYPEWRITERS ONLY

CHART III. KEYBUTTON LANGUAGE GROUPS (PART 2 OF 2)

COLUMN NUMBER	UNITED KINGDOM				GERMANY					COLUMN NUMBER
	1	2	3	4	5	6	7	8	9	
BUTTON POS.	EBCDIC	DATA ENTRY	DATA ENTRY II	1052-7	EBCDIC & DUAL CASE	DATA ENTRY	DATA ENTRY II	1052-7 QWERTY	1052-7 QWERTZ	BUTTON POS.
40	5172411	5153533	1179871	5172411	5172411	5153628	1179871	5172411	5172411	40
41	1772915	5180994	5180994	1772915	1772915	5180994	5180994	1772915	1772915	41
42	5172413	5180995	5180995	5172413	5172413	5180995	5180995	5172413	5172413	42
43	5172414	5180996	5180996	5172414	5172414	5180996	5180996	5172414	5172414	43
44	5172415	5180981	5180981	1215378	5153687	1786732	1854558	1158439	5153687	44
45	5172416	1772927	1854162	1158757	5153688	1786733	1854559	1158757	5153688	45
46	1772963	1772963	1854548	1772963	1772963	1772963	1854560	1772963	1772963	46
47	1772909	1772909	1772909	1772909	1772909	1772909	1772909	1772909	1772909	47
48	1772910	1772910	1772910	1772910	1772910	1772910	1772910	1772910	1772910	48
49	1772904	1772904	1772904	1772904	1786718	1786718	1786718	1786718	1786718	49
50	1772968	1772944	1772944	1785086	1786726	1785099	1785099	1785086	1785086	50
51	5172419	5152041	1133296	5172419	5153690	5153561	1854155	5172419	5153690	51
52	5172420	5180990	5180990	5172420	5172420	5180990	5180990	5172420	5172420	52
53	5172421	5152042	1786829	5172421	5172421	5152042	1786829	5172421	5172421	53
54	5172422	5152043	1197130	5172422	5172422	1133343	1197130	5172422	5172422	54
55	5172423	5152044	1786830	5172423	5172423	5152044	1786830	5172423	5172423	55
56	5172424	5152045	1786831	5172424	5172424	5152045	1786831	5172424	5172424	56
57	5172425	5180982	5180982	5172425	5172425	5180982	5180982	5172425	5172425	57
58	5173447	5180983	5180983	1158758	5173447	5180983	5180983	1158758	1158758	58
59	5173452	5180984	5180984	1158759	5173452	5180984	5180984	1158759	1158759	59
60	5172428	5172427	1854549	5172428	1133249	1786734	1786734	5172428	1133249	60
61	1772971	1772946	1772946	1785087	1786727	1772946	1785087	1785087	1785087	61
62	5183388	5183388	5183388	5183388	5183388	5183388	5183388	5183388	5183388	62
63	1772911	1772911	1772911	1772911	1772911	1772911	1772911	1772911	1772911	63
64	1772916	1772916	1786753	1772916	1786728	1786728	1786753	1786728	1786728	64
65	1772961	1772961	1772961	1772961	1772961	1772961	1772961	1772961	1772961	65
66	1772917	1772917	1854550	1772917	1786729	1786729	1854550	1854151	1854151	66
67	1772931	NONE	NONE	1772931	1772931	NONE	NONE	1772931	1772931	67
68	1772932	NONE	NONE	1772932	1772932	NONE	NONE	1772932	1772932	68
69	1772933	NONE	NONE	1772933	1772933	NONE	NONE	1772933	1772933	69
70	1772934	NONE	NONE	1772934	1772934	NONE	NONE	1772934	1772934	70
71	1772935	NONE	NONE	1772935	1772935	NONE	NONE	1772935	1772935	71
72	1772936	NONE	NONE	1772936	1772936	NONE	NONE	1772936	1772936	72
73	1772937	NONE	NONE	1772937	1772937	NONE	NONE	1772937	1772937	73
74	1772938	NONE	NONE	1772938	1772938	NONE	NONE	1772938	1772938	74
75	1772939	NONE	NONE	1772939	1772939	NONE	NONE	1772939	1772939	75
76	1772940	NONE	NONE	1772940	1772940	NONE	NONE	1772940	1772940	76
77	1772941	NONE	NONE	1772941	1772941	NONE	NONE	1772941	1772941	77
78	1772942	NONE	NONE	1772942	1772942	NONE	NONE	1772942	1772942	78

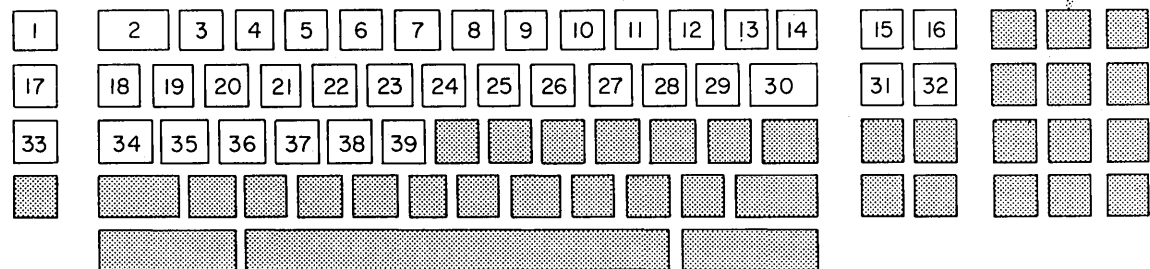
CHART IV. KEYBUTTON NOMENCLATURE

NOTE: FOR KEYBUTTON USAGE, SEE CHART III.

PART NUMBER	NOMENCLATURE	PART NUMBER	NOMENCLATURE	PART NUMBER	NOMENCLATURE	PART NUMBER	NOMENCLATURE	PART NUMBER	NOMENCLATURE
1133071	(8	1772910	↓	1786719	FELD MARKE PA2	5152030	: R	5172408	D
1133072) 9	1772911	→	1786720	ZEICH EINFG	5152031	: T	5172410	G
1133169	+ /	1772912	! →	1786721	LÖSCH ZEICH	5152032	= Y	5172411	H
1133195	° 3	1772913	I	1786722	┌ I	5152036	< A	5172413	K
1133249	— -	1772914	F	1786723	? X6A	5152038	F	5172414	L
1133265	: 4	1772915	J	1786724	+ ;	5152041	% Z	5172415	: ;
1133268	> 7	1772916	RESET	1786725	' ←	5152042	' C	5172416	" "
1133278	T	1772917	ENTER	1786726	UMSCH	5152043	" V	5172419	Z
1133285	A	1772919	FIELD MARK	1786727	UMSCH	5152044	(B	5172420	X
1133296	Z	1772921	PA1	1786728	GRD STG	5152045) N	5172421	C
1133329	E	1772922	PA2	1786729	DAT FREIG	5153530	. £	5172422	V
1133335	D	1772926	PF4	1786730	FELD MARKE	5153533	\$ H	5172423	B
1133343	V	1772927	PF5	1786731	X5A U	5153555	= Z	5172424	N
1133471	. °	1772928	PA3	1786732	X4A O	5153556	U	5172425	M
1133905	< 2	1772929	NUM LOCK	1786733	X7F A	5153561	% Y	5172427	. .
1133911	+ &	1772931	PF1	1786734	SPRG	5153628	H	5172428	? /
1158232) E	1772932	PF2	1786735	BLANK	5153652	\$ 6	5173447	< .
1158436	' 6	1772933	PF3	1786812	. <	5153653	£ 4	5173452	> .
1158439	! \$	1772934	PF4	1786821	¢ R	5153675	Z	5180975	DUP
1158588	# @	1772935	PF5	1786823	Y	5153686	U	5180976	0 /
1158589	. %	1772936	PF6	1786826	: D	5153687	O	5180977	1 U
1158756	¢ @	1772937	PF7	1786827	; F	5153688	A	5180978	2 I
1158757	" #	1772938	PF8	1786829	" C	5153690	Y	5180979	3 O
1158758	.	1772939	PF9	1786830	! B	5172369	+ =	5180980	& P
1158759	┌ .	1772940	PF10	1786831	(N	5172373	@ 2	5180981	SKIP
1179871	' H	1772941	PF11	1786894	RESET	5172374	# 3	5180982	7 M
1197130	= V	1772942	PF12	1853364	\$ R	5172376	% 5	5180983	8 .
1197355	? β	1772944	NUMERIC	1854150	STORN	5172378	& 7	5180984	9 .
1197541	/ 2	1772946	ALPHA	1854151	EINGABE	5172379	° 8	5180985	- -
1209786	£ °	1772957	LOCK	1854155	Y	5172380	(9	5180986	> S
1215378	! £	1772961	SPACE BAR	1854160	ENTER	5172381) 0	5180987	┌ G
1218390	= 0	1772963		1854162	PF4	5172382	-- -	5180988	+ Q
1218779	. ,	1772968	SHIFT	1854548	PF5	5172384	Q	5180989	- W
1226247	< °	1772971	SHIFT	1854549	←	5172385	W	5180990	? X
1770931	& ←	1772979	CNCL	1854550	←	5172386	E	5180994	4 J
1772901	CLEAR	1785083	↓	1854555	GRDST	5172387	R	5180995	5 K
1772902	ERASE INPUT	1785086	↑	1854556	Z	5172388	T	5180996	6 L
1772903	ERASE EOF	1785087	↑	1854557	% A	5172389	Y	5181035	@
1772904	TEST REQ	1785097	NUM	1854558	. O	5172401	U	5181036	#
1772905	DUP PA1	1785099	NUM	1854559	. A	5172402	I	5183388	←
1772906	FIELD MARK PA2	1786715	LÖSCH	1854560	DAT FREIG	5172403	O	5183391	→
1772907	INS MODE	1786716	EING LÖSCH	1854442	SPACE BAR	5172404	P	5183392	= 1
1772908	DEL	1786717	LÖSCH FELD	5152022	. °	5172406	A	5183394	←
1772909	↑	1786718	TEST ABFR	5152029	! E	5172407	S	5993029	; 3

KEYBUTTON POSITION

NOTE: FOR KEYBUTTON NOMENCLATURE, SEE CHART VI



FOR COMPONENTS IN SHADED AREA SEE CHART V, PART 2

CHART V. KEYBUTTON LANGUAGE GROUPS (PART 1 OF 2)

COLUMN NUMBER	FRANCE				ITALY				SWEDEN/FINLAND				COLUMN NUMBER
	1	2	3	4	5	6	7	8	9	10	11	12	
BUTTON POS.	EBCDIC & DUAL CASE	DATA ENTRY	DATA ENTRY II	1052-7	EBCDIC & DUAL CASE	DATA ENTRY	DATA ENTRY II	1052-7	EBCDIC	DATA ENTRY	DATA ENTRY II	1052-7	BUTTON POS.
1	1785072	1785072	1785072	1785072	1786735	1786735	1786735	1786735	1772901	1772901	1772901	1772901	1
2	1785081	1785090	1785090	5183392	1772913	1785090	1785090	5183392	1772928	1772928	5183392	5183392	2
3	1133001	5181035	1158588	1133905	▲5172373	5181035	1158588	1133905	1133905	5172383	5183388	1133905	3
4	1127847	5181036	1158589	5993029	▲5172374	5181036	1158589	5993029	1133906	1227874	1158589	5993029	4
5	1224190	1133471	1158590	1133265	5172375	5152022	1158590	1133265	1197013	5153602	5153602	1133265	5
6	5172376	1785091	1786812	5172376	▲5172376	5152023	1786812	5172376	5172376	1216265	1786812	5172376	6
7	1133318	1785092	1785092	1158436	5172435	1786748	1786748	1158436	1786756	1772919	1772919	1158436	7
8	1197602	1785093	1785093	1133268	5172378	5180975	5180975	1133268	5172378	5180975	5180975	1133268	8
9	1133071	5180985	5180985	5172379	5172379	5180985	5180985	5172379	5180985	5180985	5172379	5172379	9
10	1133072	5180976	5180976	5172380	5172380	5180976	5180976	5172380	5172380	5180976	5180976	5172380	10
11	1218390	1786701	1854551	5172381	5172381	1786701	1854561	5172381	5172381	1786894	5172381	5172381	11
12	1211050	1786702	1786701	5172382	5172382	1786702	1786701	5172382	1178337	1772932	1772932	5172382	12
13	1785082	1786703	1786702	1133911	5172369	1786703	1786702	1133911	5172369	1772933	1772932	1133911	13
14	5183388	5183388	1786703	5183388	5183388	5183388	1786703	5183388	5183388	1772933	5183388	5183388	14
15	1785077	1785094	1785094	1785094	1786739	1785094	1785094	1785094	1772905	1772921	1772921	1772921	15
16	1785078	1785095	1785095	1786740	1785095	1785095	1786740	1785095	1772906	1772922	1772922	1772922	16
17	1785073	1785073	1785073	1785073	1786736	1786736	1786736	1786736	1772902	1772902	1772902	1772902	17
18	5183391	5183391	5183391	5183391	5183391	5183391	5183391	5183391	5183391	5183391	5183391	5183391	18
19	5153674	5153540	5153540	5172384	5172384	5180988	5180988	5172384	5180988	5180988	5172384	5172384	19
20	5153675	5153541	5153541	5172385	5172385	5180989	5180989	5172385	5172385	5180989	5180989	5172385	20
21	5172386	5152029	1158232	5172386	5172386	5152029	1158232	5172386	5172386	1786757	1158232	5172386	21
22	5172387	5152030	1786821	5172387	5172387	5152030	1786821	5172387	5152030	1786821	5172387	5172387	22
23	5172388	5152031	1133278	5172388	5172388	5152031	1133278	5172388	5152031	1133278	5172388	5172388	23
24	5172389	5152032	1786823	5172389	5172389	5152032	1786823	5172389	5172389	5152032	1786823	5172389	24
25	5172401	5180977	5180977	5172401	5172401	5180977	5180977	5172401	5172401	5180977	5180977	5172401	25
26	5172402	5180978	5180978	5172402	5172402	5180978	5180978	5172402	5180978	5180978	5172402	5172402	26
27	5172403	5180979	5180979	5172403	5172403	5180979	5180979	5172403	5172403	5180979	5180979	5172403	27
28	5172404	5180980	5180980	5172404	5172404	5180980	5180980	5172404	5172404	5180980	5180980	5172404	28
29	▲1241554	1785096	1854552	1158756	▲1772912	1785096	1854562	1158756	1133076	1772926	1854160	●1133252	29
30	5183394	5183394	5183394	5183394	5183394	5183394	5183394	5183394	5183394	5183394	5183394	5183394	30
31	1785079	1785079	1785079	1785079	1786741	1786741	1786741	1786741	1772907	1772907	1772907	1772907	31
32	1785080	1785080	1785080	1785080	1786742	1786742	1786742	1786742	1772908	1772908	1772908	1772908	32
33	1785074	1785074	1785074	1785074	1786737	1786737	1786737	1786737	1772903	1772903	1772903	1772903	33
34	1785083	1785097	1785097	1785083	1786743	1786749	1786749	1785083	1772929	1772929	1772929	1772929	34
35	5153676	5153543	1221504	5172406	5172406	5152036	1133285	5172406	5172406	5152036	1133285	5172406	35
36	5172407	5180986	5180986	5172407	5172407	5180986	5180986	5172407	5172407	5180986	5180986	5172407	36
37	5172408	1133335	1786826	5172408	5172408	1133335	1786826	5172408	5172408	1786826	5172408	5172408	37
38	1772914	5152038	1786827	1772914	1772914	5152038	1786827	1772914	1772914	5152038	1786827	1772914	38
39	5172410	5180987	5180987	5172410	5172410	5180987	5180987	5172410	5172410	5180987	5180987	5172410	39

▲USED ON EBCDIC ONLY DUAL CASE KEYBUTTON PART NO:

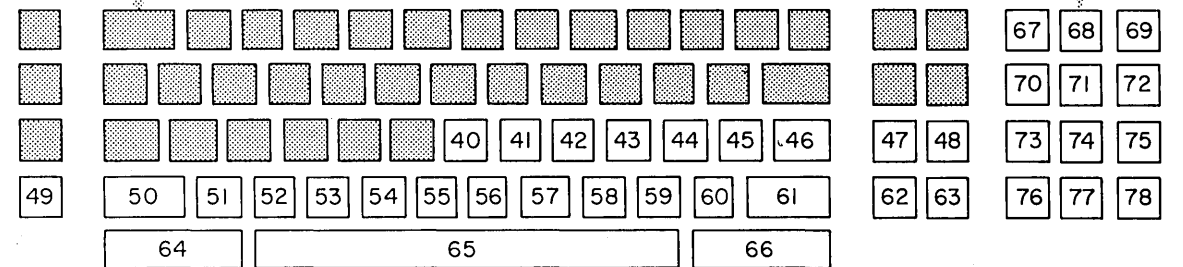
POS.	FRANCE	ITALY
3	1786751	
4	1786752	
7	1225376	
29	1133229	1786754

●USED ON SWEDEN 1052-7 ONLY. FINLAND 1052-7 PART NUMBER FOR POSITION 29: 5994888

FOR COMPONENTS IN SHADED AREA SEE CHART V, PART 1

KEYBUTTON POSITION

NOTE: FOR KEYBUTTON NOMENCLATURE, SEE CHART VI



USED ON 78 KEY TYPEWRITERS ONLY

CHART V. KEYBUTTON LANGUAGE GROUPS (PART 2 OF 2)

COLUMN NUMBER	FRANCE				ITALY				SWEDEN/FINLAND				COLUMN NUMBER
	1	2	3	4	5	6	7	8	9	10	11	12	
BUTTON POS.	EBCDIC & DUAL CASE	DATA ENTRY	DATA ENTRY II	1052-7	EBCDIC & DUAL CASE	DATA ENTRY	DATA ENTRY II	1052-7	EBCDIC	DATA ENTRY	DATA ENTRY II	1052-7	BUTTON POS.
40	5172411	5152039	1179871	5172411	5172411	5152039	1179871	5172411	5172411	1786758	1179871	5172411	40
41	1772915	5180994	5180994	1772915	1772915	5180994	5180994	1772915	1772915	5180994	5180994	1772915	41
42	5172413	5180995	5180995	5172413	5172413	5180995	5180995	5172413	5172413	5180995	5180995	5172413	42
43	5172414	5180996	5180996	5172414	5172414	5180996	5180996	5172414	5172414	5180996	5180996	5172414	43
44	▲1785084	5153546	5153546	1158439	5172415	5153566	5153566	1158439	1213935	5180981	5180981	●5153687	44
45	▲1785085	1785098	1854553	1158757	▲5172416	1785098	1854553	1158757	1133077	1772927	1854162	●5153688	45
46	1772963	1772963	1854554	1772963	1772963	1772963	1854554	1772963	1772963	1854554	1772963	1854548	46
47	1772909	1772909	1772909	1772909	1772909	1772909	1772909	1772909	1772909	1772909	1772909	1772909	47
48	1772910	1772910	1772910	1772910	1772910	1772910	1772910	1772910	1772910	1772910	1772910	1772910	48
49	1785076	1785076	1785076	1785076	1786738	1786738	1786738	1772904	1772904	1772904	1772904	1772904	49
50	1785086	1785099	1785099	1785086	1786744	1785099	1785099	1785086	1772968	1772944	1772944	1772968	50
51	5153678	5153547	1221505	5172419	5172419	5152041	1133296	5172419	5172419	5152041	1133296	5172419	51
52	5172420	5180990	5180990	5172420	5172420	5180990	5180990	5172420	5172420	5180990	5180990	5172420	52
53	5172421	5152042	1786829	5172421	5172421	5152042	1786829	5172421	5172421	5152042	1786829	5172421	53
54	5172422	5152043	1197130	5172422	5172422	5152043	1197130	5172422	5172422	1786759	1197130	5172422	54
55	5172423	5152044	1786830	5172423	5172423	5152044	1786830	5172423	5172423	5152044	1786830	5172423	55
56	5172424	5152045	1786831	5172424	5172424	5152045	1786831	5172424	5172424	5152045	1786831	5172424	56
57	5172425	5180982	5180982	5172425	5172425	5180982	5180982	5172425	5172425	5180982	5180982	5172425	57
58	5172355	5180983	5180983	1158758	5173447	5180983	5180983	1158758	1133079	5153614	5153614	●1158759	58
59	5172372	5180984	5180984	1158759	5173452	5180984	5180984	1158759	1133080	5153615	5153615	●1158758	59
60	1133249	5172426	1854549	5172428	5172428	1854549	5172428	5172428	1133081	5153616	5153616	●5172428	60
61	1785087	1772946	1172946	1785087	1786745	1786750	1786750	1785087	1772971	1772946	1772946	1772971	61
62	5183388	5183388	5183388	5183388	5183388	5183388	5183388	5183388	5183388	5183388	5183388	5183388	62
63	1772911	1772911	1772911	1772911	1772911	1772911	1772911	1772911	1772911	1772911	1772911	1772911	63
64	1785088	1785088	1786753	1785088	1786746	1786746	1786753	1785088	1772916	1772916	1786753	1772916	64
65	1772961	1772961	1772961	1772961	1772961	1772961	1772961	1772961	1772961	1772961	1772961	1772961	65
66	1785089	1785089	18545										

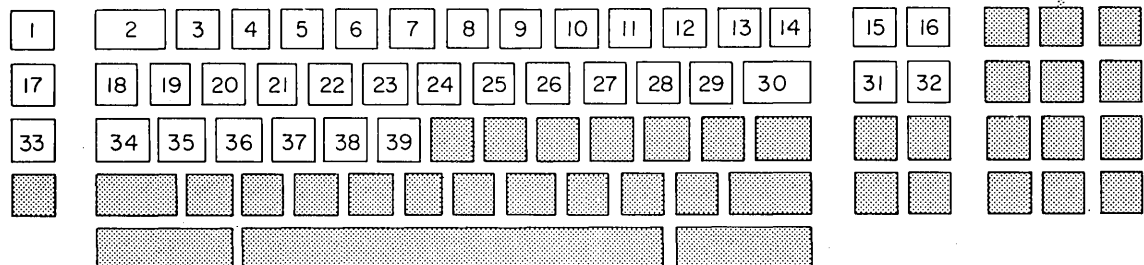
CHART VI. KEYBUTTON NOMENCLATURE

NOTE: FOR KEYBUTTON USAGE, SEE CHART V.

PART NUMBER	NOMENCLATURE	PART NUMBER	NOMENCLATURE	PART NUMBER	NOMENCLATURE	PART NUMBER	NOMENCLATURE	PART NUMBER	NOMENCLATURE
1127847	+ 3	1772908	DEL	1785093	REPR	1854162	PF4	5172388	T
1133001	> 2	1772909	↑	1785094	AP1	1854548	PF5	5172389	Y
1133071	(8	1772910	↓	1785095	AP2	1854549	←	5172401	U
1133072) 9	1772911	→	1785096	FP4	1854550	←	5172402	I
1133076	-	1772912	! →	1785097	NUM	1854552	TRANS	5172403	O
1133077	:	1772913	1	1785098	FP5	1854554	FP5	5172404	P
1133079	Å	1772914	F	1785099	NUM	1854553	FP4	5172406	A
1133080	Å	1772915	J	1786701	FP1	1854561	RIPR	5172407	S
1133081	Ø	1772916	RESET	1786702	FP2	1854562	INVIO	5172408	D
1133225	Å	1772917	ENTER	1786703	FP3	5152022	°	5172410	G
1133229	ù	1772919	FIELD MARK	1786704	FP4	5152023	.	5172411	H
1133249	—	1772921	PA1	1786705	FP5	5152029	!	5172413	K
1133265	: 4	1772922	PA2	1786706	FP6	5152030	:	5172414	L
1133268	> 7	1772926	PF4	1786707	FP7	5152031	:	5172415	:
1133278	T	1772927	PF5	1786708	FP8	5152032	=	5172416	"
1133285	A	1772928	PA3	1786709	FP9	5152036	<	5172419	Z
1133296	Z	1772929	NUM LOCK	1786710	FP10	5152038		5172420	X
1133318	&	1772931	PF1	1786711	FP11	5152039	¢	5172421	C
1133335	D	1772932	PF2	1786712	FP12	5152041	%	5172422	V
1133471	.	1772933	PF3	1786713	c e	5152042	'	5172423	B
1133905	< 2	1772934	PF4	1786714	\$ à	5152043	"	5172424	N
1133906	> 3	1772935	PF5	1786735	ANNUL	5152044	(5172425	M
1133911	+ &	1772936	PF6	1786736	CANC IMM	5152045)	5172426	.
1158232) E	1772937	PF7	1786737	CANC FC	5153540	+	5172427	.
1158436	' 6	1772938	PF8	1786738	RICH PROVA	5153541	-	5172428	?
1158439	! \$	1772939	PF9	1786739	DUP AP1	5153543	<	5172435	¢
1158588	# @	1772940	PF10	1786740	MC AP2	5153546	SAUT	5173447	<
1158589	%	1772941	PF11	1786741	OPER INSER	5153547	%	5173452	>
1158590	\$ °	1772942	PF12	1786742	ELIM CAR	5153566	SALTO	5180975	DUP
1158756	¢ @	1772944	NUMERIC	1786743	BLOCC	5153602	°	5180976	0
1158757	" #	1772946	ALPHA	1786744	SCAMB	5153614	8	5180977	1
1158758	.	1772957	LOCK	1786745	SCAMB	5153615	9	5180978	2
1158759	→ .	1772961	SPACE BAR	1786746	RIPR	5153616	Ø	5180979	3
1172946	ALPHA	1772963		1786747	INVIO	5153674	A	5180980	&
1178337	? /	1772968	SHIFT	1786748	MC	5153675	Z	5180981	SKIP
1178362	→ .	1772971	SHIFT	1786749	BLOCC	5153676	Q	5180982	7
1179871	' H	1772979	CNCL	1786750	ALFA	5153678	W	5180983	8
1197013	' 4	1785072	RAB MEMIN	1786751	Ø 2	5153687	Ø	5180984	9
1197130		1785073	EFFAC ENTR	1786752	i 3	5153688	Å	5180985	-
1197602	/ 7	1785074	EFFAC FIN ZONE	1786753	BLANK	5172355	:	5180986	>
1211050	? ' .	1785076	DEMD TEST	1786754	è →	5172369	+	5180987	→
1213935	: .	1785077	REPR AP1	1786756	→ 6	5172372	:	5180988	+
1216265	. .	1785078	FIN ZONE AP2	1786757	X5A E	5172373	@	5180989	-
1218390	= 0	1785079	MODE INSER	1786758	X4A H	5172374	#	5180990	?
1221504	Q	1785080	SUPP	1786759	X7F V	5172375	\$	5180994	4
1221505	W	1785081	1	1786812	. <	5172376	%	5180995	5
1224190	* 4	1785082	→	1786821	¢ R	5172378	&	5180996	6
1225376	à 6	1785083	↓	1786823	Y	5172379	°	5181035	@
1227874	: .	1785084	¢ #	1786826	: D	5172380	(5181036	#
1241554	" !	1785085	\$ @	1786827	: F	5172381)	5183388	←
1772901	CLEAR	1785086	↑	1786829	" C	5172382	—	5183391	→
1772902	ERASE INPUT	1785087	↑	1786830	! B	5172383	BLANK	5183392	=
1772903	ERASE EOF	1785088	RESTAU	1786831	(N	5172384	Q	5183394	←
1772904	TEST REQ	1785089	TRANSM	1786894	RESET	5172385	W	5993029	:
1772905	DUP PA1	1785090	AP3	1854132	ENTREE	5172386	E	5994888	?
1772906	FIELD MARK PA2	1785091	\$	1854152	CANC	5172387	R	5994890	
1772907	INS MODE	1785092	FIN ZONE	1854160	ENTER				.

KEYBUTTON POSITION

NOTE: FOR KEYBUTTON NOMENCLATURE, SEE CHART VIII



FOR COMPONENTS IN SHADED AREA SEE CHART VII, PART 2

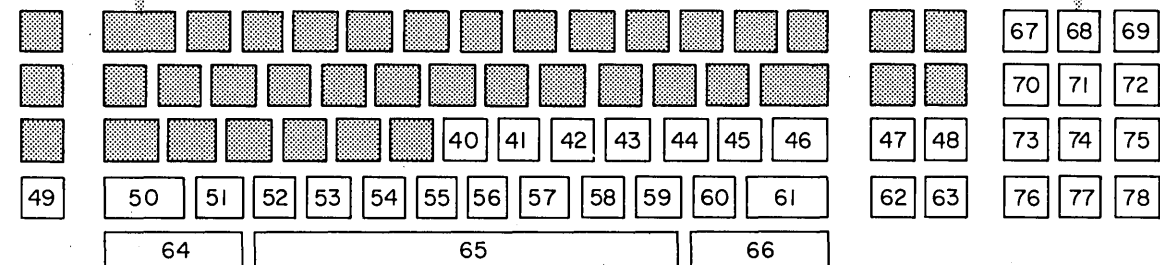
CHART VII. KEYBUTTON LANGUAGE GROUPS (PART 1 OF 2)

Table with columns for DENMARK, NORWAY, SPAIN, and SPAIN AND ARGENTINA. Rows represent key positions 1 through 39, with columns for EBCDIC, DATA ENTRY, and DATA ENTRY II. The table provides alphanumeric codes for each key position across the four language groups.

FOR COMPONENTS IN SHADED AREA, SEE CHART VII, PART 1

KEYBUTTON POSITION

NOTE: FOR KEYBUTTON NOMENCLATURE, SEE CHART VIII



USED ON 78 KEY TYPEWRITERS ONLY

CHART VII. KEYBUTTON LANGUAGE GROUPS (PART 2 OF 2)

Table with columns for DENMARK, NORWAY, SPAIN, and SPAIN AND ARGENTINA. Rows represent key positions 40 through 78, with columns for EBCDIC, DATA ENTRY, and DATA ENTRY II. The table provides alphanumeric codes for each key position across the four language groups.

▲USED ON SPAIN 1052-7 ONLY. ARGENTINA 1052-7 POS. 45 1158757.

CHART VIII. KEYBUTTON NOMENCLATURE

NOTE: FOR KEYBUTTON USAGE, SEE CHART VII.

PART NUMBER	NOMENCLATURE
1133173	Å
1133225	Ä
1133233	Å
1133235	Ø
1133249	-
1133265	: 4
1133268	> 7
1133278	T
1133285	A
1133296	Z
1133306	Ø
1133308	Å
1133335	D
1133459	Ñ
1133471	.
1133905	< 2
1133906	> 3
1133911	+ &
1158232) E
1158436	' 6
1158589	, %
1158756	€ @
1158757	! \$
1158758	.
1158759	⌋ .
1178337	? /
1178669	⌋ 4
1179871	' H
1197130	= V
1213935	; .
1216265	. .
1226268	! Pts
1227874	, .
1238004	Ø
1770934	CAMBIO (R.H.)
1772901	CLEAR
1772902	ERASE INPUT
1772903	ERASE EOF
1772904	TEST REQ
1772905	DUP PA1
1772906	FIELD MARK PA2
1772907	INS MODE
1772908	DEL
1772909	' ↑
1772910	↓
1772911	→
1772912	! ⌋
1772913	1
1772914	F
1772915	J
1772916	RESET
1772917	ENTER
1772919	FIELD MARK

PART NUMBER	NOMENCLATURE
1772921	PA1
1772922	PA2
1772926	PF4
1772927	PF5
1772928	PA3
1772929	NUM LOCK
1772931	PF1
1772932	PF2
1772933	PF3
1772934	PF4
1772935	PF5
1772936	PF6
1772937	PF7
1772938	PF8
1772939	PF9
1772940	PF10
1772941	PF11
1772942	PF12
1772944	NUMERIC
1772946	ALPHA
1772957	LOCK
1772961	SPACE BAR
1772963	←
1772968	SHIFT
1772971	SHIFT
1772979	CNCL
1785083	↓
1786750	ALFA
1786753	BLANK
1786757	X5A E
1786758	X4A H
1786759	X7F V
1786760	7
1786761	3
1786762	Å
1786763	DES
1786764	BORR ENTR
1786765	BORR EOF
1786766	PRBA PEDIR
1786767	BLOQ
1786769	REST
1786770	INTRO
1786772	MRCA CMPO PA2
1786773	INSER CION
1786774	ELIM
1786776	N
1786777	, Pts
1786778	MRCA CMPO
1786779	NUM BLOQ
1786784	: ' .
1786812	. <
1786821	€ R
1786823	Y

PART NUMBER	NOMENCLATURE
1786826	: D
1786827	: F
1786829	" C
1786830	! B
1786831	(N
1786871	
1786894	RESET
1854127	ENTRADA
1854134	CANCE LAR
1854160	ENTER
1854162	PF4
1854548	PF5
1854549	←
1854550	←
1854551	REST
1854565	Pts
1854566	INTRO
1854568	
5152029	! E
5152030	: R
5152031	: T
5152032	= Y
5152036	< A
5152038	F
5152039	€ H
5152041	% Z
5152042	' C
5152044	(B
5152045) N
5153566	SALTO
5153602	.
5153614	8 Å
5153618	8 Ø
5153619	9 Å
5153676	Q
5172355	: .
5172369	+ =
5172372	: .
5172373	@ 2
5172376	% 5
5172378	& 7
5172379	° 8
5172380	(9
5172381) 0
5172382	- -
5172383	(BLANK)
5172384	Q
5172385	W
5172386	E
5172387	R
5172388	T
5172389	Y

PART NUMBER	NOMENCLATURE
5172401	U
5172402	I
5172403	O
5172404	P
5172406	A
5172407	S
5172408	D
5172410	G
5172411	H
5172413	K
5172414	L
5172419	Z
5172420	X
5172421	C
5172422	V
5172423	B
5172424	N
5172425	M
5172426	, ,
5172428	? /
5172435	€ 6
5173447	< .
5173452	> .
5180953	Pts 4
5180975	DUP
5180976	0 /
5180977	1 U
5180978	2 I
5180979	3 O
5180980	& P
5180981	SKIP
5180982	7 M
5180983	8 .
5180984	9 .
5180985	- -
5180986	> S
5180987	⌋ G
5180988	+ Q
5180989	- W
5180990	? X
5180994	4 J
5180995	5 K
5180996	6 L
5181035	@
5183388	←
5183391	→
5183392	= 1
5183394	←
5183461	CAMBIO
5993029	: 3
5994888	? /
5994890	.

KEYBUTTON POSITION

NOTE: FOR KEYBUTTON NOMENCLATURE, SEE CHART X

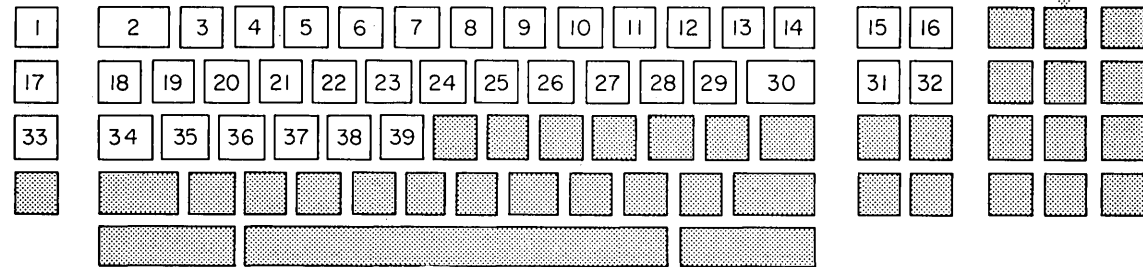


CHART IX. KEYBUTTON LANGUAGE GROUPS (PART 1 OF 2)

COLUMN NUMBER	BELGIUM				PORTUGAL/BRAZIL				COLUMN NUMBER
	1	2	3	4	5	6	7	8	
BUTTON POS.	EBCDIC & DUAL CASE	DATA ENTRY	DATA ENTRY II	1052-7	EBCDIC	DATA ENTRY	DATA ENTRY II	1052-7	BUTTON POS.
1	1772901	1772901	1772901	1772901	1772901	1772901	1772901	1772901	1
2	1785081	1772928	1772928	5183392	1772913	1772928	1772928	5183392	2
3	1133001	5181035	1158588	1133905	1786780	5153601	1854563	1133905	3
4	1127847	5181036	1158589	5993029	5172354	5153602	1854564	5993029	4
5	1224190	1133471	1158590	1133265	1786781	1786782	1216093	1133265	5
6	5172376	1785091	1786812	5172376	5172376	1786783	1786783	5172376	6
7	1133318	1772919	1772919	1158436	1178325	1772919	1772919	1158436	7
8	1197602	5180975	5180975	1133268	5172378	5180975	5180975	1133268	8
9	1133071	5180985	5180985	5172379	5172379	5180985	5180985	5172379	9
10	1133072	5180976	5180976	5172380	5172380	5180976	5180976	5172380	10
11	1218390	1772931	1786894	5172381	5172381	1772931	1786894	5172381	11
12	1211050	1772932	1772931	5172382	5172382	1772932	1772931	5172382	12
13	1785082	1772933	1772932	1133911	5172369	1772933	1772932	1133911	13
14	5183388	5183388	1772933	5183388	5183388	5183388	1772933	5183388	14
15	1772905	1772921	1772921	1772921	1772905	1772921	1772921	1772921	15
16	1772906	1772922	1772922	1772922	1772906	1772922	1772922	1772922	16
17	1772902	1772902	1772902	1772902	1772902	1772902	1772902	1772902	17
18	5183391	5183391	5183391	5183391	5183391	5183391	5183391	5183391	18
19	5153674	5153540	5153540	5153674	5172384	5180988	5180988	5172384	19
20	5153675	5153541	5153541	5153675	5172385	5180989	5180989	5172385	20
21	5172386	5152029	1158232	5172386	5172386	1786757	1158232	5172386	21
22	5172387	5152030	1786821	5172387	5172387	5152030	1786821	5172387	22
23	5172388	5152031	1133278	5172388	5172388	5152031	1133278	5172388	23
24	5172389	5152032	1786823	5172389	5172389	5152032	1786823	5172389	24
25	5172401	5180977	5180977	5172401	5172401	5180977	5180977	5172401	25
26	5172402	5180978	5180978	5172402	5172402	5180978	5180978	5172402	26
27	5172403	5180979	5180979	5172403	5172403	5180979	5180979	5172403	27
28	5172404	5180980	5180980	5172404	5172404	5180980	5180980	5172404	28
29	▲1241554	1772926	1854160	1158756	5994904	1772926	1854160	5994904	29
30	5183394	5183394	5183394	5183394	5183394	5183394	5183394	5183394	30
31	1772907	1772907	1772907	1772907	1772907	1772907	1772907	1772907	31
32	1772908	1772908	1772908	1772908	1772908	1772908	1772908	1772908	32
33	1772903	1772903	1772903	1772903	1772903	1772903	1772903	1772903	33
34	1782957	1772929	1772929	1772957	1772957	1772929	1772929	1772957	34
35	5153676	5153543	1221504	5153676	5172406	5152036	1133285	5172406	35
36	5172407	5180986	5180986	5172407	5172407	5180986	5180986	5172407	36
37	5172408	1133335	1786826	5172408	5172408	1133335	1786826	5172408	37
38	1772914	5152038	1786827	1772914	1772914	5152038	1786827	1772914	38
39	5172410	5180987	5180987	5172410	5172410	5180987	5180987	5172410	39

▲USED ON EBCDIC ONLY
DUAL CASE PART NO.:
POS. 29 - 1133229

FOR COMPONENTS IN
SHADED AREA SEE
CHART IX, PART 1

KEYBUTTON POSITION

NOTE: FOR KEYBUTTON NOMENCLATURE, SEE CHART X

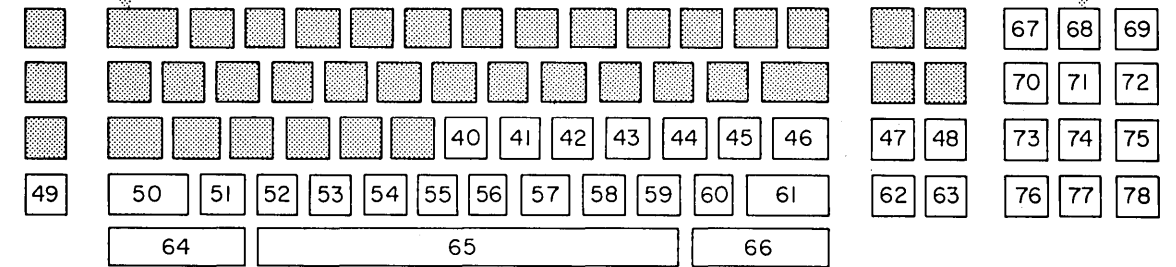


CHART IX. KEYBUTTON LANGUAGE GROUPS (PART 2 OF 2)

COLUMN NUMBER	BELGIUM				PORTUGAL/BRAZIL				COLUMN NUMBER
	1	2	3	4	5	6	7	8	
BUTTON POS.	EBCDIC & DUAL CASE	DATA ENTRY	DATA ENTRY II	1052-7	EBCDIC	DATA ENTRY	DATA ENTRY II	1052-7	BUTTON POS.
40	5172411	5152039	1179871	5172411	5172411	1786758	1179871	5172411	40
41	1772915	5180994	5180994	1772915	1772915	5180994	5180994	1772915	41
42	5172413	5180995	5180995	5172413	5172413	5180995	5180995	5172413	42
43	5172414	5180996	5180996	5172414	5172414	5180996	5180996	5172414	43
44	▲1785084	5180981	5180981	1158439	5994905	5180981	5180981	5994905	44
45	▲1785085	1772927	1854162	1158757	5994906	1772927	1854162	5994906	45
46	1772963	1772963	1854548	1772963	1772963	1772963	1854548	1772963	46
47	1772909	1772909	1772909	1772909	1772909	1772909	1772909	1772909	47
48	1772910	1772910	1772910	1772910	1772910	1772910	1772910	1772910	48
49	1772904	1772904	1772904	1772904	1772904	1772904	1772904	1772904	49
50	1772968	1772944	1772944	1772968	1772968	1772944	1772944	1772968	50
51	5153678	5153547	1221505	5153678	5172419	5152041	1133296	5172419	51
52	5172420	5180990	5180990	5172420	5172420	5180990	5180990	5172420	52
53	5172421	5152042	1786829	5172421	5172421	5152042	1133298	5172421	53
54	5172422	5152043	1197130	5172422	5172422	1786759	1197130	5172422	54
55	5172423	5152044	1786830	5172423	5172423	5152044	1786830	5172423	55
56	5172424	5152045	1786831	5172424	5172424	5152045	1786831	5172424	56
57	5172425	5180982	5180982	5172425	5172425	5180982	5180982	5172425	57
58	5172355	5180983	5180983	1158758	5173447	5180983	5180983	1158758	58
59	5172372	5180984	5180984	1158759	5173452	5180984	5180984	1158759	59
60	1133249	5172426	1854549	5172428	5172428	5172426	1854549	5172428	60
61	1772971	1772946	1772946	1772971	1772971	1772946	1772946	1772971	61
62	5183388	5183388	5183388	5183388	5183388	5183388	5183388	5183388	62
63	1772911	1772911	1772911	1772911	1772911	1772911	1772911	1772911	63
64	1772916	1772916	1786753	1772916	1772916	1772916	1786753	1772916	64
65	1772961	1772961	1772961	1772961	1772961	1772961	1772961	1772961	65
66	1772917	1772917	1854550	1772917	1772917	1772917	1854550	1772917	66
67	1772931	NONE	NONE	1772931	1772931	NONE	NONE	1772931	67
68	1772932	NONE	NONE	1772932	1772932	NONE	NONE	1772932	68
69	1772933	NONE	NONE	1772933	1772933	NONE	NONE	1772933	69
70	1772934	NONE	NONE	1772934	1772934	NONE	NONE	1772934	70
71	1772935	NONE	NONE	1772935	1772935	NONE	NONE	1772935	71
72	1772936	NONE	NONE	1772936	1772936	NONE	NONE	1772936	72
73	1772937	NONE	NONE	1772937	1772937	NONE	NONE	1772937	73
74	1772938	NONE	NONE	1772938	1772938	NONE	NONE	1772938	74
75	1772939	NONE	NONE	1772939	1772939	NONE	NONE	1772939	75
76	1772940	NONE	NONE	1772940	1772940	NONE	NONE	1772940	76
77	1772941	NONE	NONE	1772941	1772941	NONE	NONE	1772941	77
78	1772942	NONE	NONE	1772942	1772942	NONE	NONE	1774942	78

▲USED ON EBCDIC ONLY
DUAL CASE PART NO.:
POS. 44 - 1786713 ç é
POS. 45 - 1786714 \$ à

CHART X. KEYBUTTON NOMENCLATURE

NOTE: FOR KEYBUTTON USAGE, SEE CHART IX.

PART NUMBER	NOMENCLATURE
1127847	+ 3
1133001	> 2
1133071	(8
1133072) 9
1133229	Û è
1133249	— -
1133265	: 4
1133268	> 7
1133278	T
1133285	A
1133296	Z
1133298	C
1133318	& 6
1133335	D
1133471	. °
1133905	< 2
1133911	+ &
1158232) E
1158436	' 6
1158439	! \$
1158588	# @
1158589	, %
1158590	\$ °
1158756	¢ @
1158757	" #
1158758	,
1158759	—
1178325	: 6
1179871	' H
1197130	= V
1197602	/ 7
1211050	? ' .
1216093	\$ Ç
1218390	= O
1221504	Q
1221505	W
1224190	° 4
1241554	" !
1772901	CLEAR
1772902	ERASE INPUT
1772903	ERASE EOF
1772904	TEST REQ
1772905	DUP PA1
1772906	FIELD MARK PA2
1772907	INS MODE
1772908	DEL
1772909	' ↑
1772910	↓
1772911	→
1772913	1
1772914	F

PART NUMBER	NOMENCLATURE
1772915	J
1772916	RESET
1772917	ENTER
1772919	FIELD MARK
1772921	PA1
1772922	PA2
1772926	PF4
1772927	PF5
1772928	PA3
1772929	NUM LOCK
1772931	PF1
1772932	PF2
1772933	PF3
1772934	PF4
1772935	PF5
1772936	PF6
1772937	PF7
1772938	PF8
1772939	PF9
1772940	PF10
1772941	PF11
1772942	PF12
1772944	NUMERIC
1772946	ALPHA
1772957	LOCK
1772961	SPACE BAR
1772963	←
1772968	SHIFT
1772971	SHIFT
1772979	CNCL
1785081	< 1
1785082	→
1785084	¢ #
1785085	\$ @
1785091	, \$
1786713	Ç é
1786714	\$ à
1786753	BLANK
1786757	X5A E
1786758	X4A H
1786759	X7F V
1786780	→ 2
1786781	: 4
1786782	. Ç
1786783	. Ø
1786812	. <
1786821	¢ R
1786823	Y
1786826	: D
1786827	: F
1786829	" C
1786830	! B

PART NUMBER	NOMENCLATURE
1786831	(N
1786894	RESET
1854160	ENTER
1854162	PF4
1854548	PF5
1854549	←
1854550	←
1854563	% Å
1854564	* <
1852029	! E
5152030	: R
5152031	: T
5152032	= Y
5152036	< A
5152038	F
5152039	¢ H
5152041	% Z
5152042	' C
5152043	" V
5152044	(B
5152045) N
5153540	+ A
5153541	— Z
5153543	< Q
5153547	% W
5153601	Å
5153602	°
5153674	A
5153675	Z
5153676	Q
5153678	W
5172354	. .
5172355	: .
5172369	+ =
5172372	: .
5172376	% 5
5172378	& 7
5172379	° 8
5172380	(9
5172381) 0
5172382	— -
5172384	Q
5172385	W
5172386	E
5172387	R
5172388	T
5172389	Y
5172401	U
5172402	I
5172403	O

PART NUMBER	NOMENCLATURE
5172404	P
5172406	A
5172407	S
5172408	D
5172410	G
5172411	H
5172413	K
5172414	L
5172419	Z
5172420	X
5172421	C
5172422	V
5172423	B
5172424	N
5172425	M
5172426	.
5172428	? /
5173447	< .
5173452	> .
5180975	DUP
5180976	0 /
5180977	1 U
5180978	2 I
5180979	3 O
5180980	& P
5180981	SKIP
5180982	7 M
5180983	8 .
5180984	9 .
5180985	— -
5180986	> S
5180987	→ G
5180988	+ Q
5180989	- W
5180990	? X
5180994	4 J
5180995	5 K
5180996	6 L
5181035	@
5181036	#
5183388	←
5183391	→
5183392	= 1
5183394	←
5993029	: 3
5994904	Å
5994905	Ç
5994906	Ö

KEYBUTTON POSITIONS

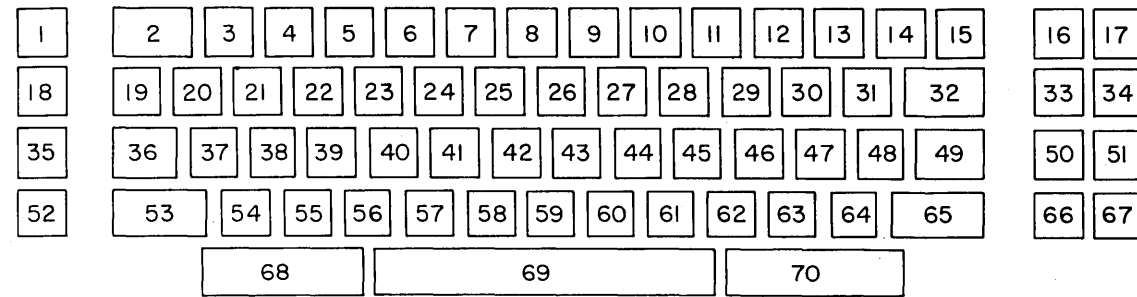


CHART XI. KEYBUTTONS AND NOMENCLATURE - KATAKANA 70 KEY

BUTTON POS.	BUTTON PART NUMBER	BUTTON NOMENCLATURE	BUTTON POS.	BUTTON PART NUMBER	BUTTON NOMENCLATURE	BUTTON POS.	BUTTON PART NUMBER	BUTTON NOMENCLATURE
1	1772901	CLEAR	25	1853971	; T カ	48	1853988	PF5 ケ
2	1772928	PA3	26	1853972	- Y ン	49	1772963	←
3	1853946	@ ㇿ	27	1853700	U ナ	50	1772909	↑
4	1853947	# フ	28	1853701	2 I ニ	51	1772910	↓
5	1853948	尸 * 尸	29	1853702	3 O ラ	52	1772904	TEST REQ
6	1853949	・ ウ \$ ウ	30	1853703	& P セ	53	1854057	LATIN SHIFT
7	1853950	・ 工 * 工	31	1853973	PF4 `	54	1854000	- □
8	1853951	FM 才 才	32	5183394	←	55	1854001	% ツ Z ツ
9	1853952	DUP 才 才	33	1772907	INS MODE	56	1853721	? X サ
10	1853688	- 工 - 工	34	1772908	DEL	57	1854002	' C ソ
11	1853689	O ヨ / ヨ	35	1772903	ERASE EOF	58	1854008	V ヒ
12	1853953	PF1 ㇿ フ	36	1772957	LOCK	59	1854003	(B コ
13	1853954	PF2 ホ	37	1853984	J 厶	60	1854004) N ㇿ
14	1853955	PF3 へ	38	1853985	< A ㇿ	61	1853726	7 M ㇿ
15	5183388	←	39	1853709	> S ト	62	1853727	8 ` , *
16	1772921	PA1	40	1853990	D ㇿ	63	1853728	9 ° . ル
17	1772922	PA2	41	1853986	F ハ	64	1854005	. : . *
18	1772902	ERASE INPUT	42	1853712	┘ G ㇿ	65	1854058	KANA SHIFT
19	5183391	→	43	1853993	H ク	66	5183388	←
20	1853705	┘ °	44	1853833	4 J マ	67	1772911	→
21	1853694	+ Q ㇿ	45	1854031	5 K ノ	68	1772916	RESET
22	1853695	- W ㇿ	46	1854046	6 L リ	69	1643277	SPACE BAR
23	1853969	イ E イ	47	1853987	SKIP レ	70	1772917	ENTER
24	1853970	: R ㇿ						

KEYBUTTON POSITIONS

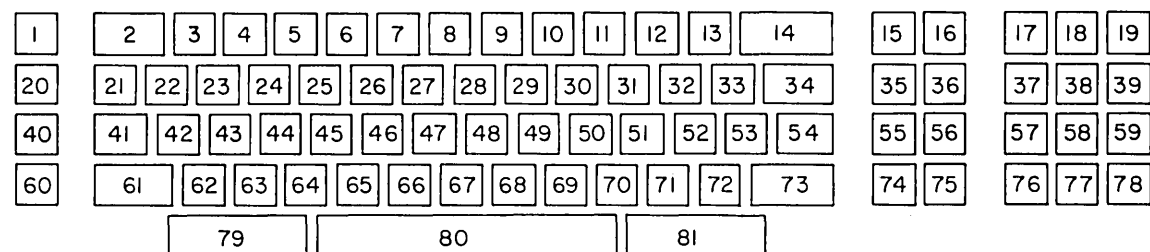
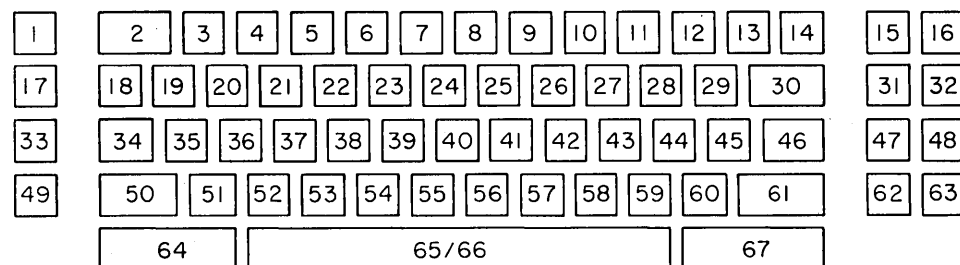


CHART XII. KEYBUTTONS AND NOMENCLATURE - KATAKANA 81 KEY

BUTTON POS.	BUTTON PART NUMBER	BUTTON NOMENCLATURE	BUTTON POS.	BUTTON PART NUMBER	BUTTON NOMENCLATURE	BUTTON POS.	BUTTON PART NUMBER	BUTTON NOMENCLATURE
1	1772901	CLEAR	28	1853979	U ナ	55	1772909	↑
2	1853956	1 又	29	1853980	I =	56	1772910	↓
3	1853957	2 フ	30	1853981	O ラ	57	1772937	PF7
4	1853958	# P 3 P	31	1853982	P ㇿ	58	1772938	PF8
5	1853959	\$ U 4 U	32	1853983	@ ㇿ	59	1772939	PF9
6	1853960	% I 5 I	33	1853705	Γ °	60	1772904	TEST REQ
7	1853961	& O 6 O	34	5183394	←	61	1854055	LATIN SHIFT
8	1853962	' Y 7 Y	35	1772907	INS MODE	62	1853720	ツ Z ツ
9	1853963	(U 8 U	36	1772908	DEL	63	1854006	X サ
10	1853964) E 9 E	37	1772934	PF4	64	1854007	C ソ
11	1853965	ヲ 0 ヲ	38	1772935	PF5	65	1854008	V ヒ
12	1853966	= - ホ	39	1772936	PF6	66	1854009	B コ
13	1853967	ㇿ ㇿ ㇿ	40	1772903	ERASE EOF	67	1854010	N ニ
14	1853999	←	41	1772957	LOCK	68	1854011	M モ
15	1772905	DUP PA1	42	1853708	A ㇿ	69	1854012	< \ , *
16	1853968	FM PA2	43	1853989	S ト	70	1854013	> ° . ル
17	1772931	PF1	44	1853990	D = ㇿ	71	1854014	? . / ㇿ
18	1772932	PF2	45	1853991	F ハ	72	1854015	- - □
19	1772933	PF3	46	1853992	G ㇿ	73	1854056	KANA SHIFT
20	1772902	ERASE INPUT	47	1853993	H ク	74	5183388	←
21	5183391	→	48	1853994	J マ	75	1772911	→
22	1853974	Q ㇿ	49	1853995	K フ	76	1772940	PF10
23	1853975	W ㇿ	50	1853996	L リ	77	1772941	PF11
24	1853969	イ E イ	51	1853997	+ ; レ	78	1772942	PF12
25	1853976	R ス	52	1853998	° : ケ	79	1772916	RESET
26	1853977	T カ	53	1853984	J ㇿ	80	1643277	SPACE BAR
27	1853978	Y ソ	54	1772963	←	81	1772917	ENTER

KEYBUTTON POSITIONS



KEYBUTTON POSITIONS

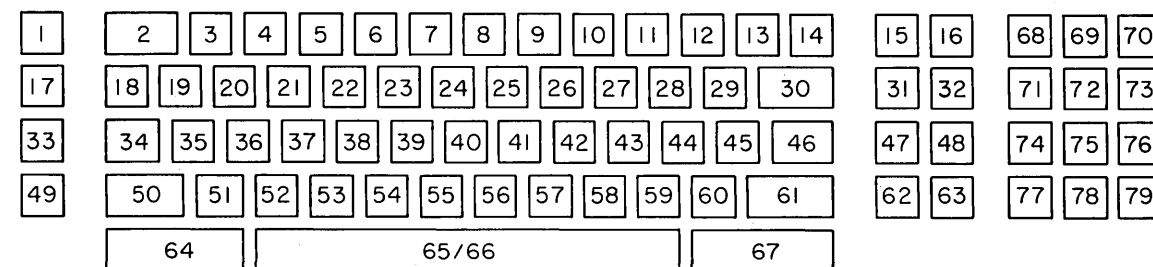


CHART XII.1 KEYBUTTONS AND NOMENCLATURE - 66 KEY APL

BUTTON POS	PART NUMBER	NOMENCLATURE		BUTTON POS	PART NUMBER	NOMENCLATURE		BUTTON POS	PART NUMBER	NOMENCLATURE		
		KEY TOP	KEY FACE			KEY TOP	KEY FACE			KEY TOP	KEY FACE	
1	1853542	CLEAR		23	1645147	~	T	45	1748215	") ']	⊕	
2	1645130	..	1	I	24	1645148	↑	Y	46	1853551	←	
3	1645131	@ -	2	∇	25	1645149	↓	U	47	1853560	↑	
4	1645132	# <	3	∇	26	1748137	∩	I	48	1853561	↓	
5	1645133	\$ ≤	4	⊕	27	1748138	o	O	49	1853545	TEST REQ	
6	1645134	% =	5	⊕	28	1748139	*	P	50	1853552	SHIFT	
7	1645135	€ ≥	6	⊕	29	1748140	! → ← →	□	51	1748217	C	Z
8	1645136	& >	7	⊕	30	1748141	←	APL ALT	52	1770231	∩	X
9	1645137	* ≠	8	⊗	31	1853558	INS MODE		53	1770232	∩	C
10	1645138	(√	9	∇	32	1853559	DEL		54	1770233	U	V
11	1645139) ^	0	∇	33	1853544	ERASE EOF		55	1770234	⊥	B
12	1645140	- - - +	!		34	1853550	LOCK		56	1770235	T	N
13	1645141	+ ÷ = X	⊕		35	1748142	←	A	57	1770236	I	M
14	1645142	APL ON OFF			36	1748143	∩	S	58	1770237	< ; .	⊕
15	1853556	DUP	PA1		37	1748144	L	D	59	1770238	> : .	∇
16	1853557	FIELD MARK	PA2		38	1748145	-	F	60	1770239	? \ /	∇
17	1853543	ERASE INPUT			39	1748209	∇	G	61	1853553	SHIFT	
18	1853548	→			40	1748210	Δ	H	62	1853547	←	
19	1645143	?	Q		41	1748211	o	J	63	1853562	→	
20	1645144	∞	W		42	1748212	'	K	64	1853554	RESET	
21	1645145	€	E		43	1748213	□	L	65/66	1854442	SPACE BAR	
22	1645146	ℓ	R		44	1748214	: (: ∩	⊕	67	1853555	ENTER	

CHART XII.2 KEYBUTTONS AND NOMENCLATURE - 78 KEY APL

BUTTON POS.	PART NUMBER	NOMENCLATURE		BUTTON POS.	PART NUMBER	NOMENCLATURE		BUTTON POS.	PART NUMBER	NOMENCLATURE		
		KEY TOP	KEY FACE			KEY TOP	KEY FACE			KEY TOP	KEY FACE	
1	1853542	CLEAR		27	1748138	o	O	53	1770232	∩	C	
2	1645130	..	1	I	28	1748139	*	P	54	1770233	U	V
3	1645131	@ -	2	∇	29	1748140	! → ← →	□	55	1770234	⊥	B
4	1645132	# <	3	∇	30	1748141	←	APL ALT	56	1770235	T	N
5	1645133	\$ ≤	4	⊕	31	1853558	INS MODE		57	1770236	I	M
6	1645134	% =	5	⊕	32	1853559	DEL		58	1770237	< ; .	⊕
7	1645135	€ ≥	6	⊕	33	1853544	ERASE EOF		59	1770238	> : .	∇
8	1645136	& >	7	⊕	34	1853550	LOCK		60	1770239	? \ /	∇
9	1645137	* ≠	8	⊗	35	1748142	←	A	61	1853553	SHIFT	
10	1645138	(√	9	∇	36	1748143	∩	S	62	1853547	←	
11	1645139) ^	0	∇	37	1748144	L	D	63	1853562	→	
12	1645140	- - - +	!		38	1748145	-	F	64	1853554	RESET	
13	1645141	+ ÷ = X	⊕		39	1748209	∇	G	65/66	1854442	SPACE BAR	
14	1645142	APL ON OFF			40	1748210	Δ	H	67	1853555	ENTER	
15	1853556	DUP	PA1		41	1748211	o	J	68	1853571	PF 1	
16	1853557	FIELD MARK	PA2		42	1748212	'	K	69	1853572	PF 2	
17	1853543	ERASE INPUT			43	1748213	□	L	70	1853573	PF 3	
18	1853548	→			44	1748214	: (: ∩	⊕	71	1853574	PF 4	
19	1645143	?	Q		45	1748215	") ']	⊕	72	1853575	PF 5	
20	1645144	∞	W		46	1853551	←		73	1853576	PF 6	
21	1655145	€	E		47	1853560	↑		74	1853577	PF 7	
22	1645146	ℓ	R		48	1853561	↓		75	1853578	PF 8	
23	1645147	~	T		49	1853545	TEST REQ		76	1853579	PF 9	
24	1645148	↑	Y		50	1853552	SHIFT		77	1853580	PF 10	
25	1645149	↓	U		51	1748217	C	Z	78	1853581	PF 11	
26	1748137	∩	I		52	1770231	∩	X	79	1853582	PF 12	

FOR KEYBUTTON INFORMATION SEE CHARTS

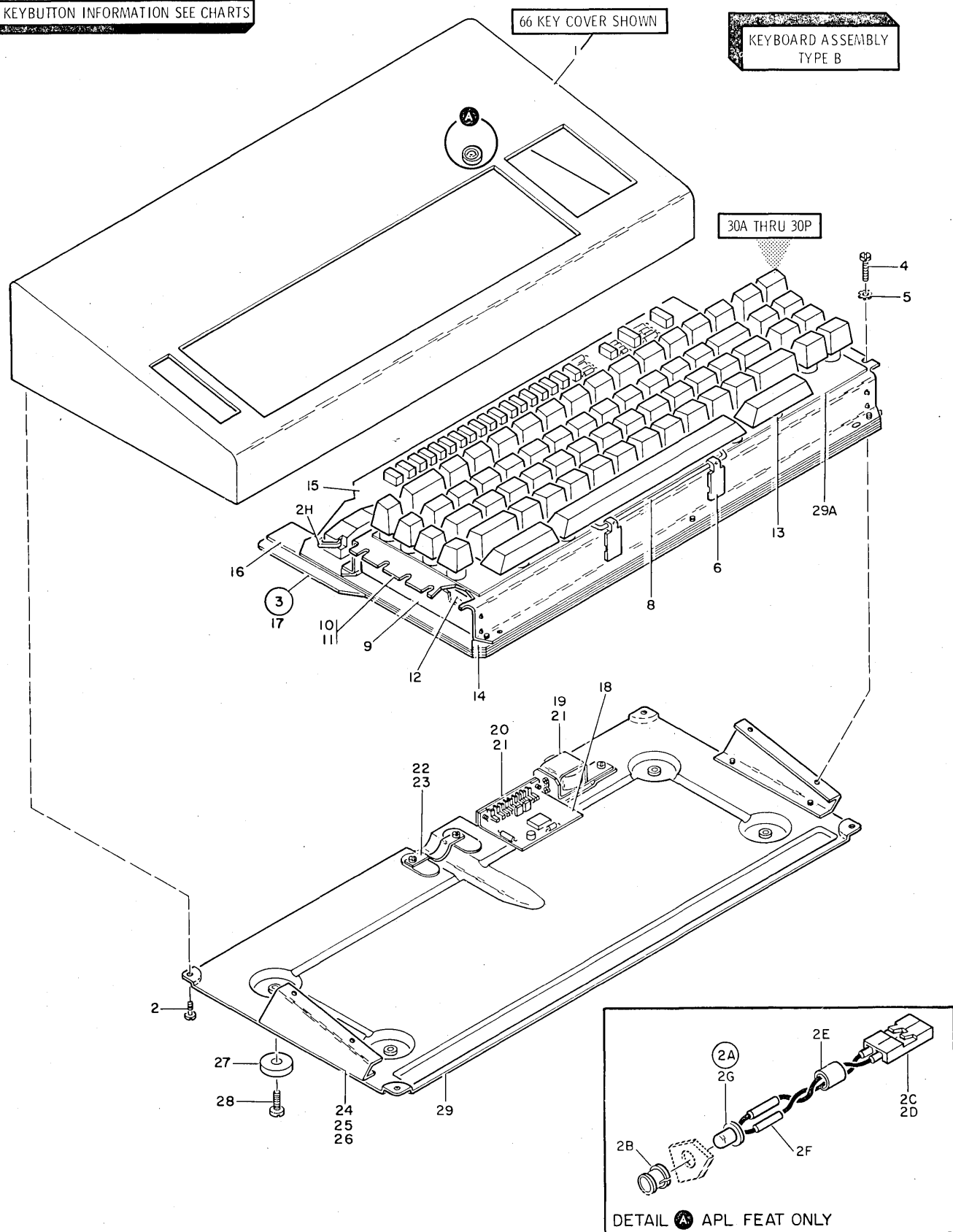


Figure 1. Keyboard Assembly - Type B

List 1. Keyboard Assembly - Type B

FIGURE-INDEX NUMBER	PART NUMBER	UNITS PER ASM.	DESCRIPTION			
			1	2	3	4
1			KEYBOARD FINAL ASSEMBLIES - TEXTURED KEYS DOMESTIC/CANADA			
- A	1825028	1				EBCDIC- 66 KEY
- A	1825029	1				EBCDIC- 78 KEY
- A	1825031	1				ASCII- 66 KEY
- A	1825032	1				ASCII- 78 KEY
- A	1825030	1				DATA ENTRY- 66 KEY
- A	1655139	1				DATA ENTRY II- 66
- A	1825033	1				1052-7 78 KEY
- A	1830816	1				APL- 66 KEY
- A	1830817	1				APL- 78 KEY
- A	1746741	1				TEXT FEAT 78 KEY
			KEYBOARD FINAL ASSEMBLIES - SMOOTH KEYS WORLD TRADE			
- B	1833052	1				EBCDIC- 66 KEY
- B	1833053	1				EBCDIC- 78 KEY
- B	1833055	1				ASCII- 66 KEY
- B	1833056	1				ASCII- 78 KEY
- B	1833054	1				DATA ENTRY- 66 KEY
- B	1655164	1				DATA ENTRY II- 66 KEY
- B	1833057	1				1052-7 78 KEY
			KEYBOARD FINAL ASSEMBLIES - UNITED KINGDOM			
- C	1833058	1				EBCDIC- 66 KEY
- C	1833059	1				EBCDIC- 78 KEY
- C	1833060	1				DATA ENTRY- 66 KEY
- C	1655154	1				DATA ENTRY II- 66 KEY
- C	1832723	1				1052-7 78 KEY
			KEYBOARD FINAL ASSEMBLIES - GERMANY			
- D	1833066	1				EBCDIC- 66 KEY
- D	1833067	1				EBCDIC- 78 KEY
- D	1833069	1				EBCDIC DUAL CASE- 66 KEY
- D	1833070	1				EBCDIC DUAL CASE- 78 KEY
- D	1833068	1				DATA ENTRY- 66 KEY
- D	1865156	1				DATA ENTRY II- 66 KEY
- D	1832725	1				1052-7 QWERTZ 78 KEY
- D	1832726	1				1052-7 QWERTY 78 KEY
			KEYBOARD FINAL ASSEMBLIES - FRANCE			
- E	1833061	1				EBCDIC- 66 KEY
- E	1833062	1				EBCDIC- 78 KEY
- E	1833064	1				EBCDIC DUAL CASE- 66 KEY
- E	1833065	1				EBCDIC DUAL CASE- 78 KEY
- E	1833063	1				DATA ENTRY- 66 KEY
- E	1655155	1				DATA ENTRY II- 66 KEY
- E	1832724	1				1052-7 78 KEY
			KEYBOARD FINAL ASSEMBLIES - ITALY			
- F	1833071	1				EBCDIC- 66 KEY
- F	1833072	1				EBCDIC- 78 KEY
- F	1833074	1				EBCDIC DUAL CASE- 66 KEY
- F	1833075	1				EBCDIC DUAL CASE- 78 KEY
- F	1833073	1				DATA ENTRY- 66 KEY
- F	1655157	1				DATA ENTRY II- 66 KEY
- F	1832727	1				1052-7 78 KEY
			KEYBOARD FINAL ASSEMBLIES - SWEDEN/FINLAND			
- G	1833076	1				EBCDIC- 66 KEY
- G	1833077	1				EBCDIC- 78 KEY
- G	1833078	1				DATA ENTRY- 66 KEY
- G	1655161	1				DATA ENTRY II- 66 KEY
- G	1832728	1				1052-7 78 KEY (SWEDEN)
- G	1832729	1				1052-7 78 KEY (FINLAND)

List 1. Keyboard Assembly - Type B

FIGURE-INDEX NUMBER	PART NUMBER	UNITS PER ASM.	DESCRIPTION
1			KEYBOARD FINAL ASSEMBLIES - DENMARK
- H	1833079	1	EBCDIC- 66 KEY
- H	1833080	1	EBCDIC- 78 KEY
- H	1833081	1	DATA ENTRY- 66 KEY
- H	1655160	1	DATA ENTRY II- 66 KEY
- H	1832730	1	1052-7 78 KEY
			KEYBOARD FINAL ASSEMBLIES - NORWAY
- J	1833082	1	EBCDIC- 66 KEY
- J	1833083	1	EBCDIC- 78 KEY
- J	1833084	1	DATA ENTRY- 66 KEY
- J	1655159	1	DATA ENTRY II- 66 KEY
- J	1832731	1	1052-7 78 KEY
			KEYBOARD FINAL ASSEMBLIES - SPAIN
- K	1833085	1	EBCDIC- 66 KEY
- K	1833086	1	EBCDIC- 78 KEY
- K	1833087	1	DATA ENTRY- 66 KEY
- K	1655162	1	DATA ENTRY II- 66 KEY
- K	1832732	1	1052-7 78 KEY
			KEYBOARD FINAL ASSEMBLIES - BELGIUM
- L	1833088	1	EBCDIC- 66 KEY
- L	1833089	1	EBCDIC- 78 KEY
- L	1833091	1	EBCDIC DUAL CASE- 66 KEY
- L	1833092	1	EBCDIC DUAL CASE- 78 KEY
- L	1833090	1	DATA ENTRY- 66 KEY
- L	1655163	1	DATA ENTRY II- 66 KEY
- L	1832733	1	1052-7 78 KEY
			KEYBOARD FINAL ASSEMBLIES - PORTUGAL/BRAZIL
- M	1833093	1	EBCDIC- 66 KEY
- M	1833094	1	EBCDIC- 78 KEY
- M	1833095	1	DATA ENTRY- 66 KEY
- M	1655158	1	DATA ENTRY II- 66 KEY
- M	1832734	1	1052-7 78 KEY
			KEYBOARD FINAL ASSEMBLIES - ARGENTINA
- N	1832735	1	1052-7 78 KEY
			KEYBOARD FINAL ASSEMBLIES - KATAKANA
- P	1655176	1	KATAKANA- 70 KEY
- P	1655177	1	KATAKANA- 81 KEY
- 1	2568850	1	. COVER, TOP- 66 KEY
- 1	2568855	1	. COVER, TOP- 78 KEY
- 1	2364226	1	. COVER TOP- 70 KEY
- 1	2364228	1	. COVER TOP- 81 KEY
- 1	1746743	1	. COVER- 78 KEY TEXT EDIT
- 2	2621348	4	. SCREW- 8-32 X .25 LG ATT PT
- 2A	1746742	AR	. INDICATOR ASM, ALTERNATE MODE
- 2B	1566655	1	. HOUSING, UPPER
- 2C	2637682	2	. CONNECTOR, SLIP-ON
- 2D	2731397	1	. HOUSING
- 2E	1566655	1	. HOUSING, LOWER
- 2F	216230	2	. CONNECTOR, SPLICE
- 2G	1589880	1	. INDICATOR-RED
- 2H	1655140	1	. CLIP, RETAINER
- 3	5183380 NP	1	. KEYBOARD ASM
- 4	5350006	4	. SCREW, SELF TAPPING, 6-32 X .250 LONG ATT PT
- 5	56722	4	. WASHER, LOCK-EXT TEETH NO. 6 ATT PT
- 6	5183362	2	. PIVOT
- 8	5183361	1	. STABILIZER- 66 & 78 KEY
- 8	5995244	1	. STABILIZER- 70 & 81 KEY
- 9	5183421	2	. PLATE
- 10	5183368	1	. PLATE- 66 KEY
- 10	5183484	1	. PLATE- 78 KEY
- 11	2181005	6	. SCREW, SELF TAPPING, 6-32 X .375 LG. ATT PT
- 12	5183366	1	. PAD- 66 KEY
- 12	5183483	1	. PAD- 78 KEY
- 13	1643291	AR	. MODULE, KEY-DATA
			USED IN ALL KEYBUTTON POSITIONS EXCEPT SPACEBAR.
- 13	1643295	1	. MODULE, KEY-NON ACTIVE
			USED IN SPACEBAR POSITION ONLY

List 1. Keyboard Assembly - Type B

FIGURE-INDEX NUMBER	PART NUMBER	UNITS PER ASM.	DESCRIPTION
1			
- 14	5183363	2	. INSULATOR- 66 KEY
- 14	5183481	2	. INSULATOR- 78 KEY
			SEE CHART XIII
- 16	5183364	1	. INSULATOR- 66 KEY
- 16	5183482	1	. INSULATOR- 78 KEY
- 17	5183420	1	. BASE- 66 KEY
- 17	5183485	1	. BASE- 78 KEY
- 18	2621391	1	. CARD ASM
- 19	2565091	1	. SPRING, EXTENSION
- 20	2621346	1	. CONNECTOR, PC BOARD- 9 POS
- 20A	2577846	1	. PLATE, ADAPTER
- 21	5350006	4	. SCREW, SELF TAPPING, 6-32 X .250 LONG ATT PT
- 22	2364265	1	. STRAIN RELIEF
- 23	2181005	2	. SCREW, SELF TAPPING, 6-32 X .375 LG. ATT PT
- 24	1825034	2	. BRACKET
- 25	5350006	4	. SCREW, SELF TAPPING, 6-32 X .250 LONG ATT PT
- 26	2125765	4	. WASHER, LOCK ATT PT
- 27	1154429	4	. PAD
- 28	1164976	4	. SCREW ATT PT
- 29	2570203	1	. PAN, BOTTOM- 66 KEY
- 29	2570204	1	. PAN, BOTTOM- 78 KEY
- 29	2570205	1	. PAN, BOTTOM- 70 KEY
- 29	2570206	1	. PAN, BOTTOM- 81 KEY
- 29A	1864927	1	. SHIELD, CONTAMINATION- 66 KEY
- 29A	1864928	1	. SHIELD, CONTAMINATION- 78 KEY
- 29A	1864972	1	. SHIELD, CONTAMINATION- 70 KEY
- 29A	1864978	1	. SHIELD, CONTAMINATION- 81 KEY
			KEYBOARD FINAL ASSEMBLIES - TEXTURED KEYS DOMESTIC/CANADA
- 30A	1858506	1	. EBCDIC- 66 KEY
- 30A	1858507	1	. EBCDIC- 78 KEY
			SEE CHART I, COLUMN 2
- 30A	1858508	1	. ASCII- 66 KEY
- 30A	1858509	1	. ASCII- 78 KEY
			SEE CHART I, COLUMN 4
- 30A	1858511	1	. DATA ENTRY- 66 KEY
			SEE CHART I, COLUMN 6
- 30A	1863828	1	. DATA ENTRY II- 66 KEY
			SEE CHART I, COLUMN 8
- 30A	1858510	1	. 1052-7 78 KEY
			SEE CHART I, COLUMN 10
- 30A	1748172	1	. APL- 66 KEY
			SEE CHART XII.1
- 30A	1748174	1	. APL- 78 KEY
			SEE CHART XII.2
- 30A	1648545	1	. TEXT FEAT- 78 KEY
			SEE CHART XII.3
			KEYBOARD FINAL ASSEMBLIES - SMOOTH KEYS WORLD TRADE
- 30B	1772951	1	. EBCDIC- 66 KEY
- 30B	1772952	1	. EBCDIC- 78 KEY
			SEE CHART I, COLUMN 1
- 30B	1772974	1	. ASCII- 66 KEY
- 30B	1772975	1	. ASCII- 78 KEY
			SEE CHART I, COLUMN 3
- 30B	1772953	1	. DATA ENTRY- 66 KEY
			SEE CHART I, COLUMN 5
- 30B	1864489	1	. DATA ENTRY II- 66 KEY
			SEE CHART I, COLUMN 7
- 30B	1772973	1	. 1052-7 78 KEY
			SEE CHART I, COLUMN 9
			KEYBOARD FINAL ASSEMBLIES - UNITED KINGDOM
- 30C	1785031	1	. EBCDIC- 66 KEY
- 30C	1785032	1	. EBCDIC- 78 KEY
			SEE CHART III, COLUMN 1
- 30C	1785033	1	. DATA ENTRY- 66 KEY
			SEE CHART III, COLUMN 2
- 30C	1863829	1	. DATA ENTRY II- 66 KEY
			SEE CHART III, COLUMN 3
- 30C	1863851	1	. 1052-7 78 KEY
			SEE CHART III, COLUMN 4

NOTES

NOTES

List 1. Keyboard Assembly - Type B

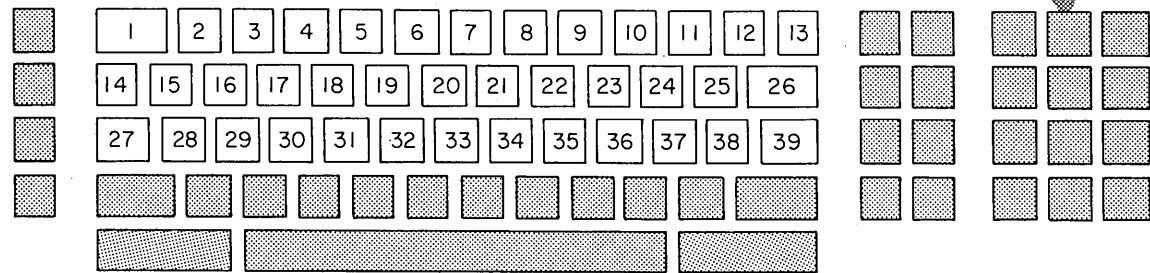
FIGURE-INDEX NUMBER	PART NUMBER	UNITS PER ASM.	DESCRIPTION
1			KEYBOARD FINAL ASSEMBLIES - GERMANY
- 30D	1785039	1	. EBCDIC- 66 KEY
- 30D	1785040	1	. EBCDIC- 78 KEY
- 30D	1785042	1	. EBCDIC DUAL CASE- 66 KEY
- 30D	1785043	1	. EBCDIC DUAL CASE- 78 KEY SEE CHART III,COLUMN 5
- 30D	1785041	1	. DATA ENTRY- 66 KEY SEE CHART III,COLUMN 6
- 30D	1863831	1	. DATA ENTRY II- 66 KEY SEE CHART III,COLUMN 7
- 30D	1863861	1	. 1052-7 QWERTY 78 KEY SEE CHART III,COLUMN 8
- 30D	1863852	1	. 1052-7 QWERTZ 78 KEY SEE CHART III,COLUMN 9
			KEYBOARD FINAL ASSEMBLIES - FRANCE
- 30E	1785034	1	. EBCDIC- 66 KEY
- 30E	1785035	1	. EBCDIC- 78 KEY
- 30E	1785037	1	. EBCDIC DUAL CASE- 66 KEY
- 30E	1785038	1	. EBCDIC DUAL CASE- 78 KEY SEE CHART V,COLUMN 1
- 30E	1785036	1	. DATA ENTRY- 66 KEY SEE CHART V,COLUMN 2
- 30E	1863830	1	. DATA ENTRY II- 66 KEY SEE CHART V,COLUMN 3
- 30E	1863856	1	. 1052-7 78 KEY SEE CHART V,COLUMN 4
			KEYBOARD FINAL ASSEMBLIES - ITALY
- 30F	1785044	1	. EBCDIC- 66 KEY
- 30F	1785045	1	. EBCDIC- 78 KEY
- 30F	1785047	1	. EBCDIC DUAL CASE- 66 KEY
- 30F	1785048	1	. EBCDIC DUAL CASE- 78 KEY SEE CHART V,COLUMN 5
- 30F	1785046	1	. DATA ENTRY- 66 KEY SEE CHART V,COLUMN 6
- 30F	1863832	1	. DATA ENTRY II- 66 KEY SEE CHART V,COLUMN 7
- 30F	1863857	1	. 1052-7 78 KEY SEE CHART V,COLUMN 8
			KEYBOARD FINAL ASSEMBLIES - SWEDEN/FINLAND
- 30G	1785049	1	. EBCDIC- 66 KEY
- 30G	1785050	1	. EBCDIC- 78 KEY SEE CHART V,COLUMN 9
- 30G	1785051	1	. DATA ENTRY- 66 KEY SEE CHART V,COLUMN 10
- 30G	1863836	1	. DATA ENTRY II- 66 KEY SEE CHART V,COLUMN 11
- 30G	1863863	1	. 1052-7 78 KEY (SWEDEN)
- 30G	1863862	1	. 1052-7 78 KEY (FINLAND) SEE CHART V,COLUMN 12
			KEYBOARD FINAL ASSEMBLIES - DENMARK
- 30H	1785052	1	. EBCDIC- 66 KEY
- 30H	1785053	1	. EBCDIC- 78 KEY SEE CHART VII,COLUMN 1
- 30H	1785054	1	. DATA ENTRY- 66 KEY SEE CHART VII,COLUMN 2
- 30H	1863835	1	. DATA ENTRY II- 66 KEY SEE CHART VII,COLUMN 3
- 30H	1863855	1	. 1052-7 78 KEY SEE CHART VII,COLUMN 4

List 1. Keyboard Assembly - Type B

FIGURE-INDEX NUMBER	PART NUMBER	UNITS PER ASM.	DESCRIPTION
1			KEYBOARD FINAL ASSEMBLIES - NORWAY
- 30J	1785055	1	. EBCDIC- 66 KEY
- 30J	1785056	1	. EBCDIC- 78 KEY SEE CHART VII,COLUMN 5
- 30J	1785057	1	. DATA ENTRY- 66 KEY SEE CHART VII,COLUMN 6
- 30J	1863834	1	. DATA ENTRY II- 66 KEY SEE CHART VII,COLUMN 7
- 30J	1863858	1	. 1052-7 78 KEY
			KEYBOARD FINAL ASSEMBLIES - SPAIN
- 30K	1785058	1	. EBCDIC- 66 KEY
- 30K	1785059	1	. EBCDIC- 78 KEY SEE CHART VII,COLUMN 9
- 30K	1785060	1	. DATA ENTRY- 66 KEY SEE CHART VII,COLUMN 10
- 30K	1863837	1	. DATA ENTRY II- 66 KEY SEE CHART VII,COLUMN 11
- 30K	1863839	1	. 1052-7 78 KEY SEE CHART VII,COLUMN 12
			KEYBOARD FINAL ASSEMBLIES - BELGIUM
- 30L	1785064	1	. EBCDIC- 66 KEY
- 30L	1785065	1	. EBCDIC- 78 KEY
- 30L	1785067	1	. EBCDIC DUAL CASE- 66 KEY
- 30L	1785068	1	. EBCDIC DUAL CASE- 78 KEY SEE CHART IX,COLUMN 1
- 30L	1785066	1	. DATA ENTRY- 66 KEY SEE CHART IX,COLUMN 2
- 30L	1863838	1	. DATA ENTRY II- 66 KEY SEE CHART IX,COLUMN 3
- 30L	1863853	1	. 1052-7 78 KEY SEE CHART IX,COLUMN 4
			KEYBOARD FINAL ASSEMBLIES - PORTUGAL/BRAZIL
- 30M	1785069	1	. EBCDIC- 66 KEY
- 30M	1785070	1	. EBCDIC- 78 KEY SEE CHART IX,COLUMN 5
- 30M	1785071	1	. DATA ENTRY- 66 KEY SEE CHART IX,COLUMN 6
- 30M	1863833	1	. DATA ENTRY II- 66 KEY SEE CHART IX,COLUMN 7
- 30M	1863854	1	. 1052-7 78 KEY SEE CHART IX,COLUMN 8
			KEYBOARD FINAL ASSEMBLIES - ARGENTINA
- 30N	1863860	1	. 1052-7 78 KEY SEE CHART VII,COLUMN 12
			KEYBOARD FINAL ASSEMBLIES - KATAKANA
- 30P	1868019	1	. KATAKANA- 70 KEY SEE CHART XI
- 30P	1868018	1	. KATAKANA- 81 KEY SEE CHART XII

KEYBUTTON POSITIONS

NOTE: FOR KEYBUTTON NOMENCLATURE, SEE CHART XIII.



KEYBUTTON POSITIONS

FOR COMPONENTS IN SHADED AREA, SEE CHART XII, PART 1

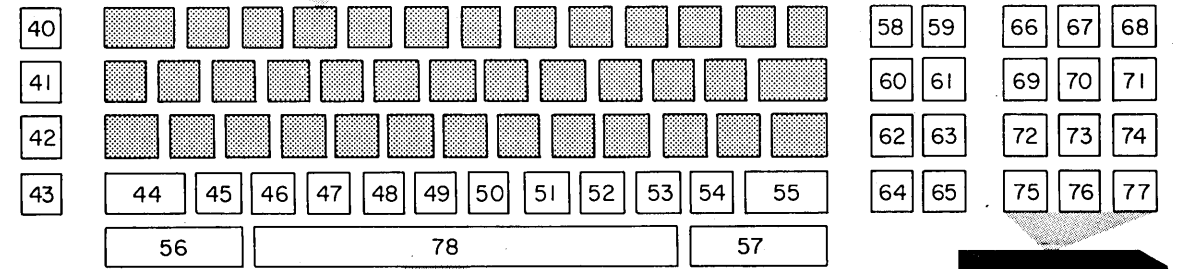


CHART XIV. KEYBUTTON LANGUAGE GROUPS (PART 1 OF 2)

BUTTON POS.	UNITED STATES				UNITED KINGDOM		GERMANY		FRANCE		ITALY		BUTTON POS.
	1	2	3	4	5	6	7	8	9	10	11	12	
	ASCII	EBCDIC	EBCDIC D.E.	EBCDIC 1052-7 TYPE	DATA ENTRY	EBCDIC	DATA ENTRY	EBCDIC	DATA ENTRY	DUAL CASE EBCDIC	DATA ENTRY	EBCDIC	
1	5995498	5995509	5995504	5995500	5995504	5995509	5995504	5151616	5151535	5995530	5151535	5995509	1
2	5995556	5995556	5995568	5995580	5995568	5995556	5995552	5151627	5995568	5995531	5995568	5995556	2
3	5995557	5995557	5995569	5995581	5995569	5995557	5995553	5151628	5995569	5995532	5995569	5995557	3
4	5995558	5995558	5995570	5995582	5995570	5995609	5151536	5995582	5151536	5995533	5995570	5995558	4
5	5995559	5995559	5995571	5995583	5151534	5995559	5151577	5995583	5151537	5995534	5995571	5995559	5
6	5995567	5995560	5995572	5995583	5995572	5995612	5151579	5995583	5151539	5995534	5151817	5995560	6
7	5995561	5995561	5995573	5995584	5995573	5995561	5151541	5995584	5151541	5995535	5995573	5995561	7
8	5995562	5995562	5995574	5995584	5995574	5995562	5995554	5995584	5151498	5995538	5151498	5995562	8
9	5995563	5995563	5995575	5995584	5995575	5995563	5995554	5995584	5151498	5995538	5151498	5995563	9
10	5995564	5995564	5995575	5995584	5995575	5995564	5995554	5995584	5151498	5995538	5151498	5995564	10
11	5995565	5995565	5995576	5995584	5995576	5995565	5995554	5995584	5151499	5995539	5151499	5995565	11
12	5995566	5995566	5995577	5995584	5995577	5995566	5995554	5995584	5151500	5995540	5151500	5995566	12
13	5995491	5995491	5995491	5995491	5995491	5995491	5151586	5995491	5995491	5995591	5995491	5995491	13
14	5995512	5995512	5995512	5995512	5995512	5995512	5995512	5995512	5995512	5995592	5995512	5995512	14
15	5995586	5995586	5995597	5995586	5995597	5995586	5995597	5995586	5151557	5995438	5995597	5995586	15
16	5995587	5995587	5995598	5995587	5995598	5995587	5995598	5995587	5151558	5995468	5995598	5995587	16
17	5995588	5995588	5995599	5995588	5995599	5995588	5995599	5995588	5995599	5995599	5995588	5995588	17
18	5995589	5995589	5995600	5995589	5995600	5995589	5995600	5995589	5995600	5995589	5995600	5995589	18
19	5995590	5995590	5995601	5995590	5995601	5995590	5995601	5995590	5995601	5995590	5995601	5995590	19
20	5995591	5995591	5995602	5995591	5995602	5995591	5151586	5995602	5995602	5995591	5995602	5995591	20
21	5995592	5995592	5995603	5995592	5995603	5995592	5995603	5995592	5995603	5995592	5995603	5995592	21
22	5995593	5995593	5995604	5995593	5995604	5995593	5995604	5995593	5995604	5995593	5995604	5995593	22
23	5995594	5995594	5995605	5995594	5995605	5995594	5995605	5995594	5995605	5995594	5995605	5995594	23
24	5995595	5995595	5995606	5995595	5995606	5995595	5995606	5995595	5995606	5995595	5995606	5995595	24
25	5995585	5995596	5995607	5995608	5995607	5995596	5151587	5995607	5151501	*5995577	5151501	5995596	25
26	5995497	5995513	5995513	5995513	5995513	5995513	5151722	5995513	5995513	5995513	5995513	5995513	26
27	5151463	5151463	5995499	5995463	5995499	5151463	5151559	5995463	5151559	5151464	2728706	5151739	27
28	5995438	5995438	5995449	5995438	5995449	5995438	5995449	5995438	5151560	5995586	5995449	5995438	28
29	5995439	5995439	5995450	5995439	5995450	5995439	5995450	5995439	5995450	5995439	5995450	5995439	29
30	5995440	5995440	5995451	5995440	5995451	5995440	5995451	5995440	5995451	5995440	5995451	5995440	30
31	5995441	5995441	5995452	5995441	5995452	5995441	5995452	5995441	5995452	5995441	5995452	5995441	31
32	5995442	5995442	5995453	5995442	5995453	5995442	5995453	5995442	5995453	5995442	5995453	5995442	32
33	5995443	5995443	5995454	5995443	5151727	5995443	5151591	5995443	5995454	5995443	5995454	5995443	33
34	5995444	5995444	5995455	5995444	5995455	5995444	5995455	5995444	5995455	5995444	5995455	5995444	34
35	5995445	5995445	5995456	5995445	5995456	5995445	5995456	5995445	5995456	5995445	5995456	5995445	35
36	5995446	5995446	5995457	5995446	5995457	5995446	5995457	5995446	5995457	5995446	5995457	5995446	36
37	5995447	5995447	5995458	5995447	5995458	5995447	5151592	5995447	5151723	*5151465	5151818	5995447	37
38	5995448	5995448	5995459	5995448	5995459	5995448	5151596	5995448	5151724	*5151466	5151506	5995448	38
39	5995503	5995503	5995503	5995503	5995503	5995503	5995503	5995503	5995503	5995503	5995503	5995503	39

* USED ON EBCDIC ONLY
DUALCASE KEYBUTTON PART NO.:

POS	GERMANY	FRANCE
11	2728736	—
25	—	2728737
37	—	2728738
38	—	2728739

SPACEBAR GROUP INCLUDES SPACEBAR KEYBUTTON AND SWITCH ASM. COMPLETE UNIT MUST BE ORDERED

NOTE: FOR KEYBUTTON NOMENCLATURE SEE CHART XV

CHART XIV. KEYBUTTON LANGUAGE GROUPS (PART 2 OF 2)

BUTTON POS.	UNITED STATES				UNITED KINGDOM		GERMANY		FRANCE		ITALY		BUTTON POS.	
	1	2	3	4	5	6	7	8	9	10	11	12		
	ASCII	EBCDIC	EBCDIC D.E.	EBCDIC 1052-7 TYPE	DATA ENTRY	EBCDIC	DATA ENTRY	DUAL CASE EBCDIC	DATA ENTRY	DUAL CASE EBCDIC	DATA ENTRY	EBCDIC		
40	5995545	5995545	5995545	5995545	5995545	5995545	5151576	5151576	5995507	5995507	5151730	5151730	40	
41	5995613	5995613	5995613	5995613	5995613	5995613	5151580	5151580	5995576	5995576	5151733	5151733	41	
42	5995462	5995462	5995462	5995462	5995462	5995462	5151590	5151590	5995614	5995614	5151737	5151737	42	
43	5995490	5995490	5995490	5995490	5995490	5995490	5151597	5151597	5151469	5151469	5151740	5151740	43	
44	5995505	5995505	5995505	5995505	5995505	5995505	5151566	5151566	5995478	5995478	5151566	5151743	44	
45	5995468	5995468	5995468	5995468	5995468	5995468	5151603	5995591	5151568	5995587	5995478	5995468	45	
46	5995469	5995469	5995469	5995469	5995469	5995469	5995479	5995469	5995479	5995469	5995479	5995469	46	
47	5995470	5995470	5995470	5995470	5995470	5995470	5995480	5995470	5995480	5995470	5995480	5995470	47	
48	5995471	5995471	5995471	5995471	5995471	5995471	5151608	5995471	5995481	5995471	5995481	5995471	48	
49	5995472	5995472	5995472	5995472	5995472	5995472	5995482	5995472	5995482	5995472	5995482	5995472	49	
50	5995473	5995473	5995473	5995473	5995473	5995473	5995483	5995473	5995483	5995473	5995483	5995473	50	
51	5995474	5995474	5995474	5995474	5995474	5995474	5995484	5995474	5995484	5995474	5995484	5995474	51	
52	5995475	5995475	5995475	5995475	5995475	5995475	5995485	5995475	5995485	5151478	5995485	5995475	52	
53	5995476	5995476	5995476	5995476	5995476	5995476	5995486	5995476	5995486	5151479	5995486	5995476	53	
54	5995477	5995477	5995477	5995477	5995477	5995477	5995487	5995477	5995487	5151609	5995487	5995477	54	
55	5995506	5995506	5995506	5995506	5995506	5995506	5995501	5995506	5995501	5151726	5995501	5151481	2728707	55
56	5995496	5995496	5995496	5995496	5995496	5995496	5151610	5151610	5151482	5151482	5151749	5151749	56	
57	5995508	5995508	5995508	5995508	5995508	5995508	5151613	5151613	5151484	5151484	5151813	5151813	57	
58	5995546	5995546	5995546	5995546	5995546	5995546	5995548	5995546	5995548	5995546	5151553	5995541	5151731	58
59	5995551	5995551	5995551	5995551	5995551	5995551	5151720	5151556	5151486	5151486	5151556	5151732	59	
60	5995610	5995610	5995610	5995610	5995610	5995610	5151588	5151588	5995578	5995578	5151735	5151735	60	
61	5995611	5995611	5995611	5995611	5995611	5995611	5151589	5151589	5995579	5995579	5151736	5151736	61	
62	5995463	5995463	5995463	5995463	5995463	5995463	5995463	5995463	5995463	5995463	5995463	5995463	62	
63	5995464	5995464	5995464	5995464	5995464	5995464	5995464	5995464	5995464	5995464	5995464	5995464	63	
64	5995491	5995491	5995491	5995491	5995491	5995491	5995491	5995491	5995491	5995491	5995491	5995491	64	
65	5995492	5995492	5995492	5995492	5995492	5995492	5995492	5995492	5995492	5995492	5995492	5995492	65	
66	5995552	5995552	NOT USED	5995552	NOT USED	5995552	NOT USED	5995552	NOT USED	5995552	NOT USED	5151498	NOT USED	66
67	599													

CHART XV. KEYBUTTON NOMENCLATURE

NOTE: FOR KEYBUTTON USAGE, SEE CHART XIV

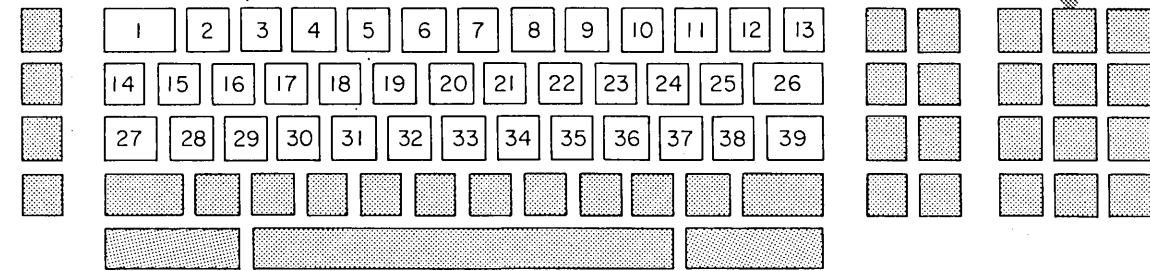
PART NUMBER	NOMENCLATURE
2728706	BLOCC NUM
2728707	ALPHA
5151463	LOCK
5151464	∅
5151465	€ #
5151466	\$ @
5151469	DEMD TEST
5151473	∅
5151478	; ,
5151479	: .
5151481	∅
5151482	RESTAU
5151484	TRANSM
5151486	FIN ZONE AP2
5151498	FP1
5151499	FP2
5151500	FP3
5151501	FP4
5151506	FP5
5151507	FP6
5151511	FP7
5151512	FP8
5151513	FP9
5151517	FP10
5151519	FP11
5151531	FP12
5151534	. £
5151535	AP3
5151536	. *
5151537	, \$
5151539	FIN ZONE
5151541	REPR
5151553	AP1
5151556	AP2
5151557	+ A
5151558	— Z
5151559	NUM ∅
5151560	< Q
5151561	SAUT
5151566	NUM
5151567	, ,
5151568	% W
5151576	LÖSCH
5151577	,
5151579	FELD MARKE
5151580	EING LÖSCH
5151583	E
5151586	= Z
5151587	X5A Ü
5151588	ZEICH EINFG
5151589	LÖSCH ZEICH
5151590	LÖSCH FELD
5151591	H
5151592	X4A Ö
5151596	X7F Ä
5151597	TEST ABFR
5151603	% Y
5151608	V
5151609	SPRG
5151610	GRD STG
5151613	DAT FREIG
5151616	— 1

PART NUMBER	NOMENCLATURE
5151627	/ 2
5151628	* 3
5151715	? X6A
5151716	+ ;
5151720	FELD MARKE PA2
5151721	Ü
5151722	←
5151723	Ö
5151724	Ä
5151725	UMSCH
5151726	UMSCH
5151727	\$ H
5151730	ANNUL
5151731	DUP AP1
5151732	MC AP2
5151733	CANC IMM
5151735	OPER INSER
5151736	ELIM CAR
5151737	CANC FC
5151739	BLOCC
5151740	RICH PROVA
5151743	SCAMB
5151746	SCAMB
5151749	RIPR
5151813	INVIO
5151817	MC
5151818	SALTO
5995437	PF6
5995438	A
5995439	S
5995440	D
5995441	F
5995442	G
5995443	H
5995444	J
5995445	K
5995446	L
5995447	: ;
5995448	" ' !
5995449	< A
5995450	> S
5995451	D
5995452	I F
5995453	— G
5995454	€ H
5995455	4 J
5995456	5 K
5995457	6 L
5995458	SKIP
5995459	PF5
5995460	! \$
5995461	" #
5995462	ERASE EOF
5995463	↑
5995464	↓
5995465	PF7
5995466	PF8
5995467	PF9
5995468	Z
5995469	X
5995470	C
5995471	V

PART NUMBER	NOMENCLATURE
5995472	B
5995473	N
5995474	M
5995475	< ,
5995476	> .
5995477	? /
5995478	% Z
5995479	? X
5995480	' C
5995481	" V
5995482	(B
5995483) N
5995484	7 M
5995485	8 ,
5995486	9 .
5995487	. .
5995488	,
5995489	— .
5995490	TEST REQ
5995491	←
5995492	→
5995493	PF10
5995494	PF11
5995495	PF12
5995496	RESET
5995497	←
5995498	1 !
5995499	NUM LOCK
5995500	= 1
5995501	ALPHA
5995502	NUMERIC
5995503	←
5995504	PA3
5995505	SHIFT
5995506	SHIFT
5995507	RAB MEMIN
5995508	ENTER
5995509	1
5995512	→
5995513	←
5995530	< 1
5995531	> 2
5995532	+ 3
5995533	* 4
5995534	& 6
5995535	/ 7
5995536	(8
5995537) 9
5995538	= 0
5995539	? ' !
5995540	—
5995541	REPR AP1
5995544	SPACE BAR GROUP
5995545	CLEAR
5995546	DUP PA1
5995548	PA1
5995549	PA2
5995550	CNCL
5995551	FELD MARK PA2
5995552	PF1
5995553	PF2
5995554	PF3

PART NUMBER	NOMENCLATURE
5995555	+ &
5995556	@ 2
5995557	# 3
5995558	\$ 4
5995559	% 5
5995560	€ 6
5995561	& 7
5995562	* 8
5995563	(9
5995564) 0
5995565	— -
5995566	+ =
5995567	— ^ 6
5995568	@
5995569	#
5995570	, *
5995571	. \$
5995572	FIELD MARK
5995573	DUP
5995574	- -
5995575	0 /
5995576	EFFAC ENTR
5995577	" !
5995578	MODE INSER
5995579	SUPP
5995580	< 2
5995581	; 3
5995582	: 4
5995583	' 6
5995584	> 7
5995585] [
5995586	Q
5995587	W
5995588	E
5995589	R
5995590	T
5995591	Y
5995592	U
5995593	I
5995594	O
5995595	P
5995596	! —
5995597	+ Q
5995598	- W
5995599	! E
5995600	: R
5995601	; T
5995602	= Y
5995603	1 U
5995604	2 I
5995605	3 O
5995606	& P
5995607	PF4
5995608	€ @
5995609	£ 4
5995610	INS MODE
5995611	DEL
5995612	\$ 6
5995613	ERASE INPUT
5995614	EFFAC FIN ZONE

KEYBUTTON POSITIONS



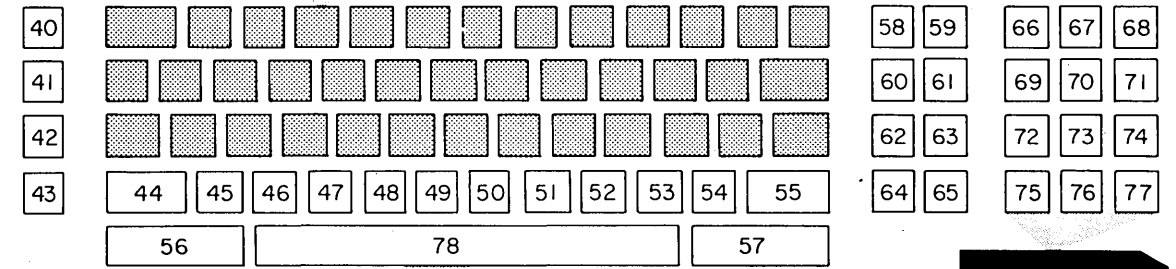
FOR COMPONENTS IN SHADED AREA, SEE CHART XIV, PART 2.

NOTE: FOR KEYBUTTON NOMENCLATURE, SEE CHART XVII

CHART XVI. KEYBUTTON LANGUAGE GROUPS (PART 1 OF 2)

BUTTON POS.	SWEDEN/FINLAND		DENMARK		NORWAY		SPAIN		BELGIUM		PORTUGAL/BRAZIL		BUTTON POS.
	1	2	3	4	5	6	7	8	9	10	11	12	
	DATA ENTRY	EBCDIC	DATA ENTRY	EBCDIC	DATA ENTRY	EBCDIC	DATA ENTRY	EBCDIC	DATA ENTRY	EBCDIC	DATA ENTRY	EBCDIC	
1	5995504	5995509	5995504	5995500	5995504	5995500	5995504	5995509	5995504	5995530	5995504	5995509	1
2	2730295	5995580	2730295	5995580	2730295	5995580	5995568	5995556	5995568	5995531	2730315	2730316	2
3	2730296	2730267	2730306	2730267	2730306	2730278	2730309	5995581	5995569	5995532	2730297	2730319	3
4	2730297	2730271	2730297	2730273	2730297	2730273	5151536	2730284	5151536	5995533	2730317	2730320	4
5	5995487	5995559	5151567	5995559	5151567	5995559	2730310	5995559	5151537	5995559	2730318	5995559	5
6	5995572	2728740	5995572	2730274	5995572	2730274	2730293	5995560	5995572	5995534	5995572	2730321	6
7	5995573	5995561	5995573	2730275	5995573	5995584	5995573	5995561	5995573	5995535	5995573	5995561	7
8	5995574	5995562	5995574	5995562	5995574	5995562	5995574	5995562	5995574	5995536	5995574	5995562	8
9	5995575	5995563	5995575	5995563	5995575	5995563	5995575	5995563	5995575	5995537	5995575	5995563	9
10	5995552	5995564	5995552	5995564	5995552	5995564	5995552	5995564	5995552	5995538	5995552	5995564	10
11	5995553	5995477	5995553	5995477	5995553	5995565	5995553	5995565	5995553	5995539	5995553	5995565	11
12	5995554	5995566	5995554	5995555	5995554	5995555	5995554	5995566	5995554	5995540	5995554	5995566	12
13	5995491	5995491	5995491	5995491	5995491	5995491	5995491	5995491	5995491	5995491	5995491	5995491	13
14	5995512	5995512	5995512	5995512	5995512	5995512	5995512	5995512	5995512	5995512	5995512	5995512	14
15	5995597	5995586	5995597	5995586	5995597	5995586	5995597	5995586	5995597	5995586	5995597	5995586	15
16	5995598	5995587	5995598	5995587	5995598	5995587	5995598	5995587	5995598	5995587	5995598	5995587	16
17	2730298	5995588	2730298	5995588	2730298	5995588	5995599	5995588	5995599	5995588	2730298	5995588	17
18	5995600	5995589	5995600	5995589	5995600	5995589	5995600	5995589	5995600	5995589	5995600	5995589	18
19	5995601	5995590	5995601	5995590	5995601	5995590	5995601	5995590	5995601	5995590	5995601	5995590	19
20	5995602	5995591	5995602	5995591	5995602	5995591	5995602	5995591	5995602	5995591	5995602	5995591	20
21	5995603	5995592	5995603	5995592	5995603	5995592	5995603	5995592	5995603	5995592	5995603	5995592	21
22	5995604	5995593	5995604	5995593	5995604	5995593	5995604	5995593	5995604	5995593	5995604	5995593	22
23	5995605	5995594	5995605	5995594	5995605	5995594	5995605	5995594	5995605	5995594	5995605	5995594	23
24	5995606	5995595	5995606	5995595	5995606	5995595	5995606	5995595	5995606	5995595	5995606	5995595	24
25	5995607	5995565	5995607	2730272	5995607	5995477	5995607	5995596	5995607	5995577	5995607	2730322	25
26	5995513	5995513	5995513	5995513	5995513	5995513	5995513	5995513	5995513	5995513	5995513	5995513	26
27	5995499	5151463	5995499	5151463	5995499	5151463	2730311	5995499	5995499	5151463	5995499	5151463	27
28	5995449	5995438	5995449	5995438	5995449	5995438	5995449	5995438	5151560	5995586	5995449	5995438	28
29	5995450	5995439	5995450	5995439	5995450	5995439	5995450	5995439	5995450	5995439	5995450	5995439	29
30	5995451	5995440	5995451	5995440	5995451	5995440	5995451	5995440	5995451	5995440	5995451	5995440	30
31	5995452	5995441	5995452	5995441	5995452	5995441	5995452	5995441	5995452	5995441	5995452	5995441	31
32	5995453	5995442	5995453	5995442	5995453	5995442	5995453	5995442	5995453	5995442	5995453	5995442	32
33	2730299	5995443	2730299	5995443	2730299	5995443	5995454	5995443	5995454	5995443	2730299	5995443	33
34	5995455	5995444	5995455	5995444	5995455	5995444	5995455	5995444	5995455	5995444	5995455	5995444	34
35	5995456	5995445	5995456	5995445	5995456	5995445	5995456	5995445	5995456	5995445	5995456	5995445	35
36	5995457	5995446	5995457	5995446	5995457	5995446	5995457	5995446	5995457	5995446	5995457	5995446	36
37	5995458	5151478	5995458	2730276	5995458	2730272	5151818	2730285	5995457	5995458	5151465	2730323	37
38	5995459	5151479	5995459	2730277	5995459	5151478	5995459	2730286	5995459	5151466	5995459	2730324	38
39	5995503	5995503	5995503	5995503	5995503	5995503	5995503	5995503	5995503	5995503	5995503	5995503	39

KEYBUTTON POSITIONS



FOR COMPONENTS IN SHADED AREA, SEE CHART XIV, PART 1.

SPACEBAR GROUP INCLUDES SPACEBAR KEYBUTTON AND SWITCH ASM. COMPLETE UNIT MUST BE ORDERED

USED ON 78 KEY TYPEWRITERS ONLY

NOTE: FOR KEYBUTTON NOMENCLATURE, SEE CHART XVII

CHART XVI. KEYBUTTON LANGUAGE GROUPS (PART 2 OF 2)

BUTTON POS.	SWEDEN/FINLAND		DENMARK		NORWAY		SPAIN		BELGIUM		PORTUGAL/BRAZIL		BUTTON POS.
	1	2	3	4	5	6	7	8	9	10	11	12	
	DATA ENTRY	EBCDIC	DATA ENTRY	EBCDIC	DATA ENTRY	EBCDIC	DATA ENTRY	EBCDIC	DATA ENTRY	EBCDIC	DATA ENTRY	EBCDIC	
40	5995545	5995545	5995545	5995545	5995545	5995545	5995545	5995545	2730279	2730279	5995545	5995545	40
41	5995613	5995613	5995613	5995613	5995613	5995613	2730281	2730281	5995613	5995613	5995613	5995613	41
42	5995462	5995462	5995462	5995462	5995462	5995462	2730282	2730282	5995462	5995462	5995462	5995462	42
43	5995490	5995490	5995490	5995490	5995490	5995490	2730283	2730283	5995490	5995490	5995490	5995490	43
44	5995502	5995505	5995502	5995505	5995502	5995505	5995502	5995505	5995502	5995505	5995502	5995505	44
45	5995478	5995468	5995478	5995468	5995478	5995468	5995478	5995468	5995478	5995468	5995478	5995468	45
46	5995479	5995469	5995479	5995469	5995479	5995469	5995479	5995469	5995479	5995469	5995479	5995469	46
47	5995480	5995470	5995480	5995470	5995480	5995470	5995480	5995470	5995480	5995470	5995480	5995470	47
48	2730300	5995471	2730300	5995471	2730300	5995471	2730300	5995471	5995481	5995471	2730300	5995471	48
49	5995482	5995472	5995482	5995472	5995482	5995472	5995482	5995472	5995482	5995472	5995482	5995472	49
50	5995483	5995473	5995483	5995473	5995483	5995473	5995483	5995473	5995483	5995473	5995483	5995473	50
51	5995484	5995474	5995484	5995474	5995484	5995474	5995484	5995474	5995484	5995474	5995484	5995474	51
52	2730301	2730272	2730301	5151478	2730307	2730272	5995477	5995485	5995485	5151478	5995485	5995475	52
53	2730302	5151724	2730304	5151479	2730304	2730276	5995486	5995476	5995486	5151479	5995486	5995476	53
54	2730303	5151723	2730305	5995565	2730308	5151479	5151567	5995477	5151567	5995565	5151567	5995477	54
55	5995501	5995506	5995501	5995506	5995501	5995506	2728707	2728707	5995501	5995506	2728707	5995501	55
56	5995496	5995496	5995496	5995496	5995496	5995496	2730293	2730293	5995496	5995496	5995496	5995496	56
57	5995508	5995508	5995508	5995508	5995508	5995508	2730294	2730294	5995508	5995508	5995508	5995508	57
58	5995548	5995546	5995548	5995546	5995548	5995546	5995548	5995546	5995548	5995546	5995548	5995546	58
59	5995549	5995551	5995549	5995551	5995549	5995551	5995549	5995551	5995549	5995551	5995549	5995551	59
60	5995610	5995610	5995610	5995610	5995610	5995610	2730287	2730287	5995610	5995610	5995610	5995610	60
61	5995611	5995611	5995611	5995611	5995611	5995611	2730289	2730289	5995611	5995611	5995611	5995611	61
62	5995463	5995463	5995463	5995463	5995463	5995463	5995463	5995463	5995463	5995463	5995463	5995463	62
63	5995464	5995464	5995464	5995464	5995464	5995464	5995464	5995464	5995464	5995464	5995464	5995464	63
64	5995491	5995491	5995491	5995491	5995491	5995491	5995491	5995491	5995491	5995491	5995491	5995491	64
65	5995492	5995492	5995492	5995492	5995492	5995492	5995492	5995492	5995492	5995492	5995492	5995492	65
66	NOT USED	5995552	NOT USED	5995552	NOT USED	5995552	NOT USED	5995552	NOT USED	5995552	NOT USED	5995552	66
67	NOT USED	5995553	NOT USED	5995553	NOT USED	5995553	NOT USED	5995553	NOT USED	5995553	NOT USED	5995553	67
68	NOT USED	5995554	NOT USED	5995554	NOT USED	5995554	NOT USED	5					

CHART XVII. KEYBUTTON NOMENCLATURE

NOTE: FOR KEYBUTTON USAGE, SEE CHART XVI

PART NUMBER	NOMENCLATURE
2728707	ALPHA
2728736	? B
2728737	" b ! e
2728738	¢ c # e
2728739	\$ \$ @ a
2728740	— 6
2730267	> 3
2730271	' 4
2730272	Ä
2730273	— 4
2730274	' 6
2730275	7
2730276	Æ
2730277	Ø
2730278	3
2730279	DES
2730281	BORR ENTR
2730282	BORR EOF
2730283	PRBA PEDIR
2730284	Pts 4
2730285	N
2730286	:
2730287	INSER CION
2730288	MRCA CMPO PA2
2730289	ELIM
2730290	BLOQ
2730291	CAMBIO (L.H)
2730292	CAMBIO (R.H)
2730293	MRCA CMPO
2730294	INTRO
2730295	(BLANK)
2730296	,
2730297	*
2730298	X5A E
2730299	X4A H
2730300	X7F V
2730301	8 A
2730302	9 A
2730303	0
2730304	9 Æ
2730305	Ø
2730306	.
2730307	8 Ø
2730308	Ä
2730309	N
2730310	Pts
2730311	NUM BLOQ
2730315	Ä
2730316	— 2
2730317	. c
2730318	' o
2730319	' 3
2730320	; 4
2730321	: 6
2730322	A
2730323	Ç
2730324	Ø
5151463	LOCK
5151464	Ø
5151465	¢ #
5151466	\$ @
5151469	DEM TEST

PART NUMBER	NOMENCLATURE
5151473	
5151478	; Ø
5151479	:
5151481	Ø
5151482	RESTAU
5151484	TRANSM
5151486	FIN ZONE AP2
5151498	FP1
5151499	FP2
5151500	FP3
5151501	FP4
5151506	FP5
5151507	FP6
5151511	FP7
5151512	FP8
5151513	FP9
5151517	FP10
5151519	FP11
5151531	FP12
5151536	.
5151537	, \$
5151557	+ A
5151558	Z
5151559	NUM Ø
5151560	< Q
5151567	,
5151576	LÖSCH
5151580	EING LÖSCH
5151588	ZEICH EING
5151589	LÖSCH ZEICH
5151590	LÖSCH FELD
5151597	TEST ABFR
5151610	GRD STG
5151613	DAT FREIG
5151616	— 1
5151627	/ 2
5151628	" 3
5151716	+ ;
5151720	FELD MARKE PA2
5151721	U
5151722	I ←
5151723	Ø
5151724	Ä
5151725	UMSCH
5151726	UMSCH
5151818	SALTO
5995437	PF6
5995438	A
5995439	S
5995440	D
5995441	F
5995442	G
5995443	H
5995444	J
5995445	K
5995446	L
5995449	< A
5995450	> S
5995451	D
5995452	I F
5995453	— G
5995454	¢ H

PART NUMBER	NOMENCLATURE
5995455	4 J
5995456	5 K
5995457	6 L
5995458	SKIP
5995459	PF5
5995462	ERASE EOF
5995463	↑
5995464	↓
5995465	PF7
5995466	PF8
5995467	PF9
5995468	Z
5995469	X
5995470	C
5995471	V
5995472	B
5995473	N
5995474	M
5995475	<
5995476	>
5995477	? /
5995478	% Z
5995479	? X
5995480	' C
5995481	" V
5995482	(B
5995483) N
5995484	7 M
5995485	8
5995486	9
5995487	.
5995490	TEST REQ
5995491	←
5995492	→
5995493	PF10
5995494	PF11
5995495	PF12
5995496	RESET
5995499	NUM LOCK
5995500	= I
5995501	ALPHA
5995502	NUMERIC
5995503	←
5995504	PA3
5995505	SHIFT
5995506	SHIFT
5995507	RAB MEMIN
5995508	ENTER
5995509	1
5995512	→
5995513	←
5995530	< 1
5995531	> 2
5995532	+ 3
5995533	" 4
5995534	& 6
5995535	/ 7
5995536	(8
5995537) 9
5995538	0
5995539	? ' /
5995540	—

PART NUMBER	NOMENCLATURE
5995541	REPR API
5995544	SPACE BAR GROUP
5995545	CLEAR
5995546	DUP PA1
5995548	PA1
5995549	PA2
5995551	FIELD MARK PA2
5995552	PF1
5995553	PF2
5995554	PF3
5995555	+ &
5995556	@ 2
5995559	% 5
5995560	¢ 6
5995561	& 7
5995562	" 8
5995563	(9
5995564) 0
5995565	-
5995566	+ =
5995568	@
5995569	#
5995572	FIELD MARK
5995573	DUP
5995574	- -
5995575	0 /
5995576	EFFAC ENTR
5995577	" !
5995578	MODE INSER
5995579	SUPP
5995580	< 2
5995581	; 3
5995582	: 4
5995583	' 6
5995584	> 7
5995586	Q
5995587	W
5995588	E
5995589	R
5995590	T
5995591	Y
5995592	U
5995593	I
5995594	O
5995595	P
5995596	! —
5995597	+ Q
5995598	- W
5995599	! E
5995600	: R
5995601	; T
5995602	= Y
5995603	1 U
5995604	2 I
5995605	3 O
5995606	& P
5995607	PF4
5995610	INS MODE
5995611	DEL
5995613	ERASE INPUT
5995614	EFFAC FIN ZONE

KEYBUTTON POSITIONS

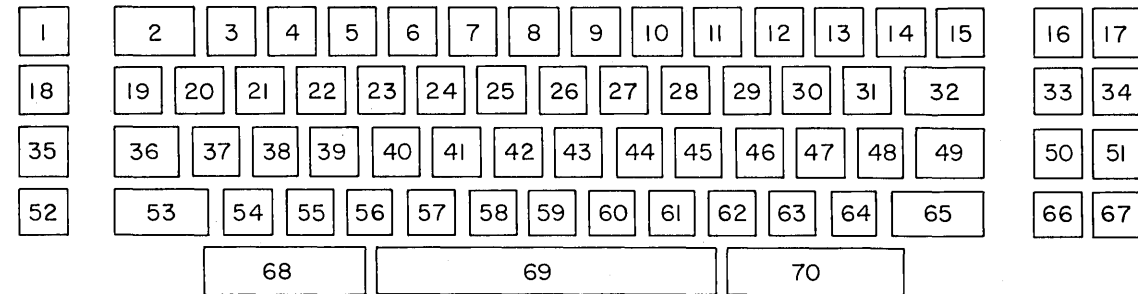


CHART XVIII. KEYBUTTONS AND NOMENCLATURE - KATAKANA 70 KEY

BUTTON POS.	BUTTON PART NUMBER	BUTTON NOMENCLATURE	BUTTON POS.	BUTTON PART NUMBER	BUTTON NOMENCLATURE	BUTTON POS.	BUTTON PART NUMBER	BUTTON NOMENCLATURE
1	5995545	CLEAR	25	2728618	; T カ	48	2728637	PF5 ヅ
2	5995505	PA3	26	2728619	= Y ン	49	5995503	←
3	2728600	@ ㄨ	27	2728621	U ナ	50	5995463	↑
4	2728601	# フ	28	2728622	2 I ニ	51	5995464	↓
5	2728602	P * P	29	2728623	3 O ラ	52	5995490	TEST REQ
6	2728603	ウ \$ ウ	30	2728624	& P セ	53	2728638	LATIN SHIFT
7	2728604	. I * I	31	2728625	PF4 `	54	2728639	- □
8	2728605	FM † †	32	5995513	←	55	2728640	% ツ Z ツ
9	2728606	DUP † †	33	5995610	INS MODE	56	2728641	? X サ
10	2728607	- 1 - 1	34	5995611	DEL	57	2728642	' C ソ
11	2728608	0 ヨ / ヨ	35	5995462	ERASE EOF	58	2728643	V ヒ
12	2728609	PF1 フ フ	36	5151463	LOCK	59	2728644	(B コ
13	2728611	PF2 ホ	37	2728626	J ム	60	2728645) N ミ
14	2728612	PF3 へ	38	2728627	< A チ	61	2728646	7 M モ
15	5995491	←	39	2728628	> S ト	62	2728647	8 ` , ネ
16	5995548	PA1	40	2728629	D シ	63	2728648	9 ° . ル
17	5995549	PA2	41	2728630	F ハ	64	2728649	. . . メ
18	5995613	ERASE INPUT	42	2728631	┌ G キ	65	2728650	KANA SHIFT
19	5995512	→	43	2728632	H ク	66	5995491	←
20	2728613	Γ °	44	2728633	4 J マ	67	5995492	→
21	2728614	+ Q タ	45	2728634	5 K ノ	68	5995496	RESET
22	2728615	- _ W テ	46	2728635	6 L リ	69	2728651	SPACE BAR
23	2728616	イ E イ	47	2728636	SKIP レ	70	5995508	ENTER
24	2728617	: R ス						

KEYBUTTON POSITIONS

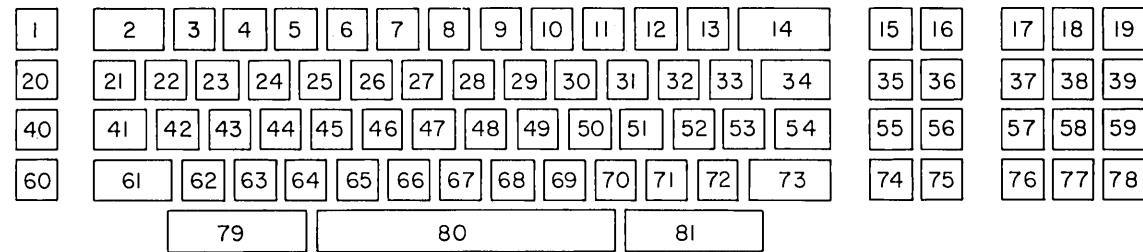
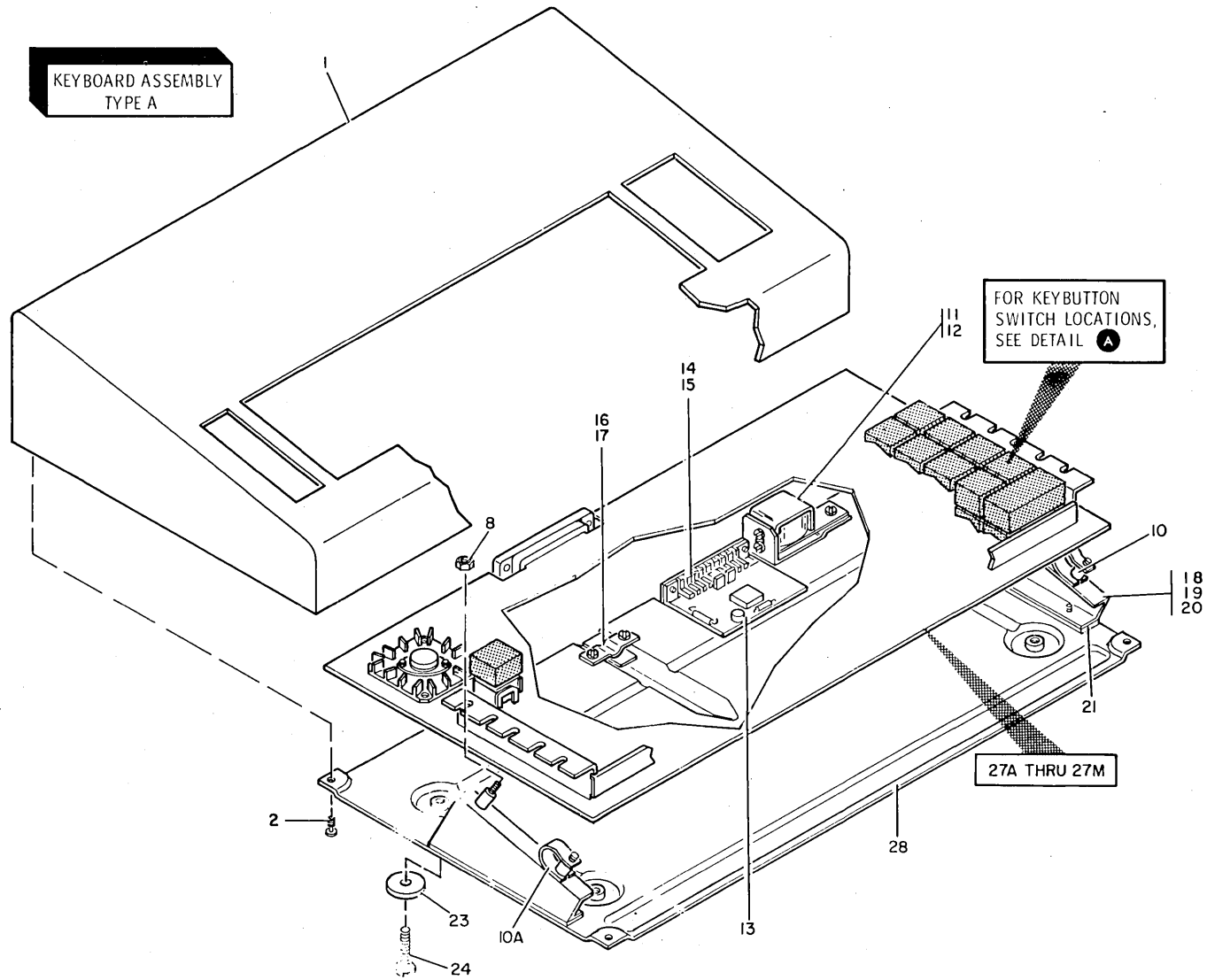
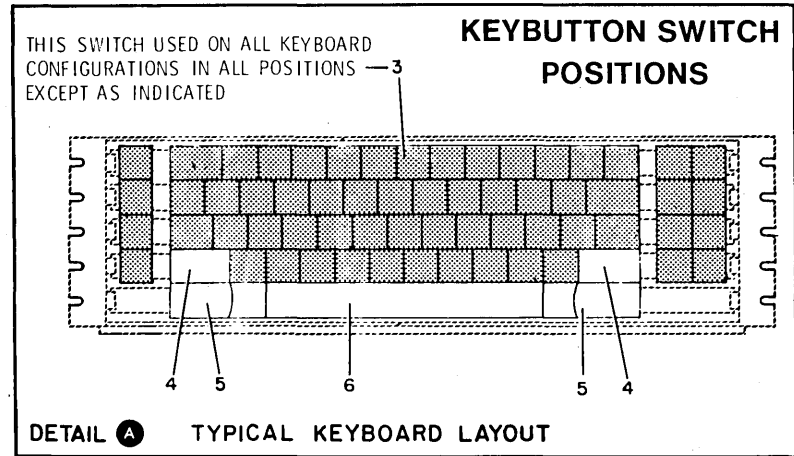


CHART XIX. KEYBUTTONS AND NOMENCLATURE - KATAKANA 81 KEY

BUTTON POS.	BUTTON PART NUMBER	BUTTON NOMENCLATURE	BUTTON POS.	BUTTON PART NUMBER	BUTTON NOMENCLATURE	BUTTON POS.	BUTTON PART NUMBER	BUTTON NOMENCLATURE
1	5995545	CLEAR	28	2728672	U ヲ	55	5995463	↑
2	2728652	1 1 ㄨ	29	2728673	I ニ	56	5995464	↓
3	2728653	2 フ	30	2728674	O ラ	57	5995465	PF7
4	2728654	# P 3 P	31	2728675	P セ	58	5995466	PF8
5	2728655	\$ ウ 4 ウ	32	2728676	@ 々	59	5995467	PF9
6	2728656	% I 5 I	33	2728613	Γ °	60	5995490	TEST REQ
7	2728657	& オ 6 オ	34	5995513	←	61	2728638	LATIN SHIFT
8	2728658	' ヤ 7 ヤ	35	5995610	INS MODE	62	2728686	ツ Z ツ
9	2728659	(ヲ 8 ヲ	36	5995611	DEL	63	2728687	X サ
10	2728660) ヨ 9 ヨ	37	5995607	PF4	64	2728688	C ソ
11	2728661	ヲ 0 ヲ	38	5995459	PF5	65	2728643	V ヒ
12	2728662	= - ホ	39	5995437	PF6	66	2728689	B コ
13	2728663	ㄨ 々 ハ	40	5995462	ERASE EOF	67	2728690	N ミ
14	2728665	←	41	5151463	LOCK	68	2728691	M モ
15	5995546	DUP PA1	42	2728677	A チ	69	2728692	< \ , *
16	2728666	FM PA2	43	2728678	S ト	70	2728693	> ° . ル
17	5995552	PF1	44	2728629	D = シ	71	2728694	? . / *
18	5995553	PF2	45	2728679	F ハ	72	2728695	- □
19	5995554	PF3	46	2728680	G キ	73	2728650	KANA SHIFT
20	5995613	ERASE INPUT	47	2729632	H ク	74	5995491	←
21	5995512	→	48	2728681	J マ	75	5995492	→
22	2728667	Q タ	49	2728682	K ノ	76	5995493	PF10
23	2728668	W テ	50	2728683	L リ	77	5995494	PF11
24	2728616	イ E イ	51	2728684	+ ; レ	78	5995495	PF12
25	2728669	R ス	52	2728685	° : ケ	79	5995496	RESET
26	2728670	T カ	53	2728626	J ム	80	2728651	SPACE BAR
27	2728671	Y ン	54	5995503	←	81	5995508	ENTER

FOR KEYBUTTON INFORMATION SEE CHARTS



List 1A. Keyboard Assembly - Type A

FIGURE-INDEX NUMBER	PART NUMBER	UNITS PER ASM.	1	2	3	4	DESCRIPTION
1A							KEYBOARD FINAL ASSEMBLIES - DOMESTIC (USA)
- A	2621367	1					ASCII - 66 KEY
- A	2621368	1					ASCII - 78 KEY
- A	2621364	1					EBCDIC - 66 KEY
- A	2621365	1					EBCDIC - 78 KEY
- A	2621366	1					EBCDIC DATA ENTRY - 66 KEY
- A	2621369	1					EBCDIC 1052-7 - 78 KEY
							KEYBOARD FINAL ASSEMBLIES - UNITED KINGDOM
- B	2621373	1					DATA ENTRY - 66 KEY
- B	2621371	1					EBCDIC - 66 KEY
- B	2621372	1					EBCDIC - 78 KEY
							KEYBOARD FINAL ASSEMBLIES - GERMANY
- C	2621385	1					DATA ENTRY - 66 KEY
- C	2621383	1					EBCDIC - 66 KEY
- C	2621384	1					EBCDIC - 78 KEY
- C	1825001	1					EBCDIC DUAL CASE - 66 KEY
- C	1825005	1					EBCDIC DUAL CASE - 78 KEY
							KEYBOARD FINAL ASSEMBLIES - FRANCE
- D	2621379	1					DATA ENTRY - 66 KEY
- D	2621377	1					EBCDIC - 66 KEY
- D	2621378	1					EBCDIC - 78 KEY
- D	1825000	1					EBCDIC DUAL CASE - 66 KEY
- D	1825004	1					EBCDIC DUAL CASE - 78 KEY
							KEYBOARD FINAL ASSEMBLIES - ITALY
- E	5922890	1					DATA ENTRY - 66 KEY
- E	5922888	1					EBCDIC - 66 KEY
- E	5922889	1					EBCDIC - 78 KEY
							KEYBOARD FINAL ASSEMBLIES - SWEDEN/FINLAND
- F	1566040	1					DATA ENTRY - 66 KEY
- F	1566041	1					EBCDIC - 66 KEY
- F	1566042	1					EBCDIC - 78 KEY
							KEYBOARD FINAL ASSEMBLIES - DENMARK
- G	1566043	1					DATA ENTRY - 66 KEY
- G	1566044	1					EBCDIC - 66 KEY
- G	1566045	1					EBCDIC - 78 KEY
							KEYBOARD FINAL ASSEMBLIES - NORWAY
- H	1566046	1					DATA ENTRY - 66 KEY
- H	1566047	1					EBCDIC - 66 KEY
- H	1566048	1					EBCDIC - 78 KEY
							KEYBOARD FINAL ASSEMBLIES - SPAIN
- J	1566049	1					DATA ENTRY - 66 KEY
- J	1566050	1					EBCDIC - 66 KEY
- J	1566051	1					EBCDIC - 78 KEY
							KEYBOARD FINAL ASSEMBLIES - BELGIUM
- K	1566055	1					DATA ENTRY - 66 KEY
- K	1566056	1					EBCDIC - 66 KEY
- K	1566057	1					EBCDIC - 78 KEY
							KEYBOARD FINAL ASSEMBLIES - PORTUGAL/BRAZIL
- L	1566058	1					DATA ENTRY - 66 KEY
- L	1566059	1					EBCDIC - 66 KEY
- L	1566060	1					EBCDIC - 78 KEY
							KEYBOARD FINAL ASSEMBLIES - KATAKANA
- M	5922870	1					KATAKANA - 70 KEY
- M	5922871	1					KATAKANA - 81 KEY

Figure 1A. Keyboard Assembly - Type A

List 1A. Keyboard Assembly - Type A

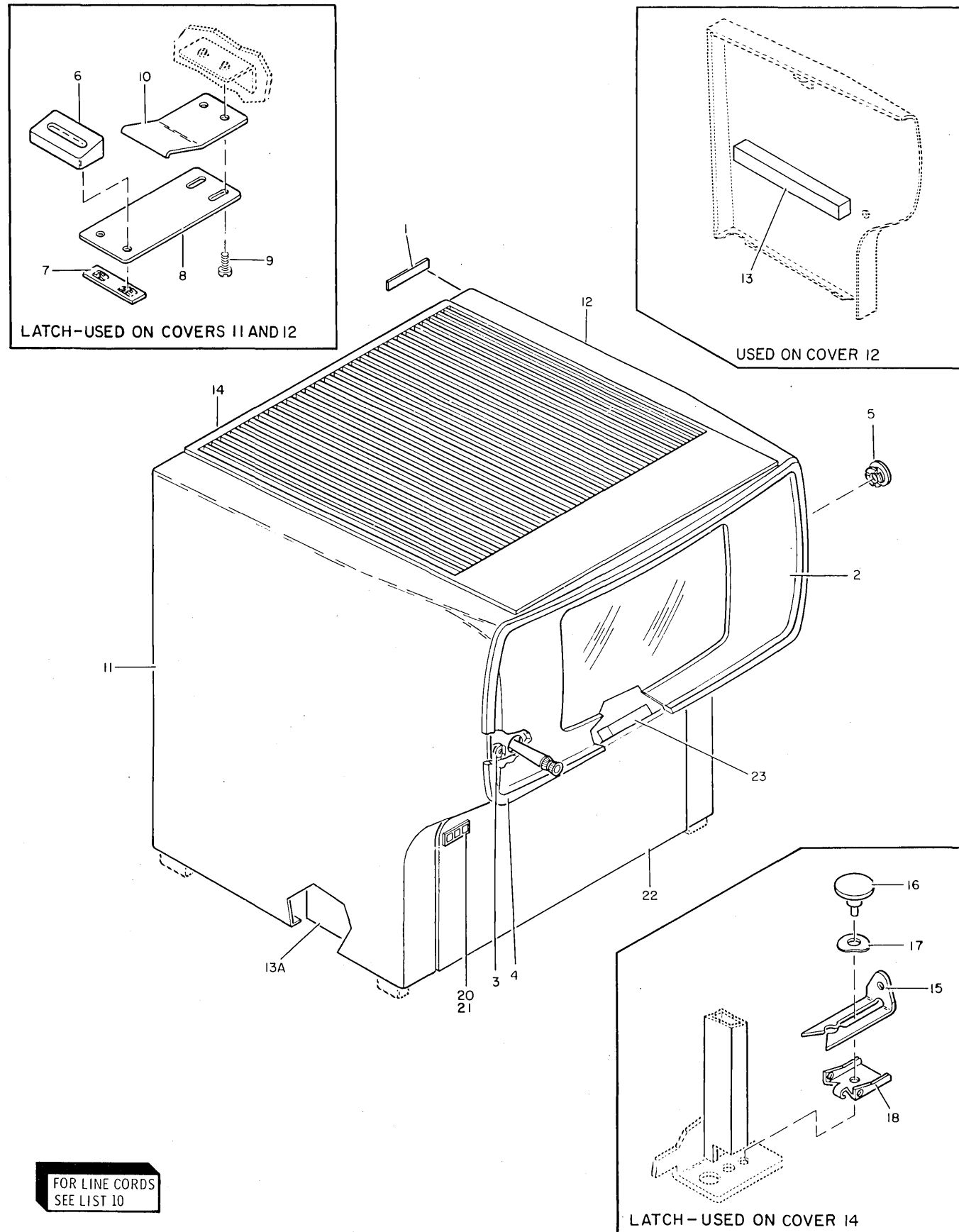
FIGURE-INDEX NUMBER	PART NUMBER	UNITS PER ASM.	DESCRIPTION
1A-			
- 1	2568850	1	• COVER, TOP- 66 KEY
- 1	2364226	1	• COVER, TOP- 70 KEY
- 1	2568855	1	• COVER, TOP- 78 KEY
- 1	2364228	1	• COVER, TOP- 81 KEY
- 2	2621348	4	• SCREW- 8-32 X .25 LG ATT PT
- 3	5995542	AR	• SWITCH, MODULE-SOLID STATE
- 4	5995543	2	• MODULE SUPPORT- 1 3/4 UNIT
- 5	5995547	2	• MODULE SUPPORT- 2 3/4 UNIT
- 6	5995544	1	• SPACEBAR GROUP-STANDARD
- 6	2728651	1	• SPACE BAR GROUP-KATAKANA SPACE BAR GROUPS INCLUDE SPACE BAR AND SWITCHES; AND MUST BE ORDERED AS A COMPLETE UNIT
- 8	257187	4	• NUT, PLAIN, HEX- 6-32 X 3/8 FL W
- 10	2621352	4	• ISOLATOR, VIBRATION
- 10A	5922905	2	• STRAP
- 11	2621399	1	• AUDIBLE FEEDBACK ASM
- 12	10170	2	• SCREW, MACH-BIND HD 6-32 X 1/4 LG ATT PT
- 13	2621391	1	• CARD ASM
- 14	2621346	1	• CONNECTOR, PC BOARD- 9 POS
- 15	10170	2	• SCREW, MACH-BIND HD 6-32 X 1/4 LG ATT PT
- 16	2364265	1	• STRAIN RELIEF
- 17	81693	2	• SCREW, MACH-BIND HD 6-32 X 3/8 LG ATT PT
- 18	5922903	2	• BRACKET
- 19	81693	4	• SCREW, MACH-BIND HD 6-32 X 3/8 LG ATT PT
- 20	2176120	4	• WASHER ATT PT
- 21	5922898	2	• SPACER
- 23	1154429	4	• PAD
- 24	1164976	4	• SCREW ATT PT
			KEYBOARDS - DOMESTIC (USA)
- 27A	5995528	1	• ASCII - 66 KEY
- 27A	5995529	1	• ASCII - 78 KEY SEE CHART XIV, COLUMN 1
- 27A	5995515	1	• EBCDIC - 66 KEY
- 27A	5995519	1	• EBCDIC - 78 KEY SEE CHART XIV, COLUMN 2
- 27A	5995523	1	• EBCDIC DATA ENTRY - 66 KEY SEE CHART XIV, COLUMN 3
- 27A	5995527	1	• EBCDIC 1052-7 - 78 KEY SEE CHART XIV, COLUMN 4
			KEYBOARDS - UNITED KINGDOM
- 27B	5995524	1	• DATA ENTRY - 66 KEY SEE CHART XIV, COLUMN 5
- 27B	5995516	1	• EBCDIC - 66 KEY
- 27B	5995520	1	• EBCDIC - 78 KEY SEE CHART XIV, COLUMN 6
			KEYBOARDS - GERMANY
- 27C	5995526	1	• DATA ENTRY - 66 KEY SEE CHART XIV, COLUMN 7
- 27C	5995518	1	• EBCDIC - 66 KEY
- 27C	5995522	1	• EBCDIC - 78 KEY
- 27C	2728700	1	• EBCDIC DUAL CASE - 66 KEY
- 27C	2728701	1	• EBCDIC DUAL CASE - 78 KEY SEE CHART XIV, COLUMN 8
			KEYBOARDS - FRANCE
- 27D	5995525	1	• DATA ENTRY - 66 KEY SEE CHART XIV, COLUMN 9
- 27D	5995517	1	• EBCDIC - 66 KEY
- 27D	5995521	1	• EBCDIC - 78 KEY
- 27D	2728698	1	• EBCDIC DUAL CASE - 66 KEY
- 27D	2728699	1	• EBCDIC DUAL CASE - 78 KEY SEE CHART XIV, COLUMN 10

List 1A. Keyboard Assembly - Type A

FIGURE-INDEX NUMBER	PART NUMBER	UNITS PER ASM.	DESCRIPTION
1A			KEYBOARDS - ITALY
- 27E	2728705	1	• DATA ENTRY - 66 KEY SEE CHART XIV, COLUMN 11
- 27E	2728703	1	• EBCDIC - 66 KEY
- 27E	2728704	1	• EBCDIC - 78 KEY SEE CHART XIV, COLUMN 12
- 27F	2728710	1	• DATA ENTRY - 66 KEY SEE CHART XVI, COLUMN 1
- 27F	2728711	1	• EBCDIC - 66 KEY
- 27F	2728712	1	• EBCDIC - 78 KEY SEE CHART XVI, COLUMN 2
			KEYBOARDS - DENMARK
- 27G	2728713	1	• DATA ENTRY - 66 KEY SEE CHART XVI, COLUMN 3
- 27G	2728714	1	• EBCDIC - 66 KEY
- 27G	2728715	1	• EBCDIC - 78 KEY SEE CHART XVI, COLUMN 4
			KEYBOARDS - NORWAY
- 27H	2728716	1	• DATA ENTRY - 66 KEY SEE CHART XVI, COLUMN 5
- 27H	2728717	1	• EBCDIC - 66 KEY
- 27H	2728718	1	• EBCDIC - 78 KEY SEE CHART XVI, COLUMN 6
			KEYBOARDS - SPAIN
- 27J	2728719	1	• DATA ENTRY - 66 KEY SEE CHART XVI, COLUMN 7
- 27J	2728720	1	• EBCDIC - 66 KEY
- 27J	2728721	1	• EBCDIC - 78 KEY SEE CHART XVI, COLUMN 8
			KEYBOARDS - BELGIUM
- 27K	2728725	1	• DATA ENTRY - 66 KEY SEE CHART XVI, COLUMN 9
- 27K	2728726	1	• EBCDIC - 66 KEY
- 27K	2728727	1	• EBCDIC - 78 KEY SEE CHART XVI, COLUMN 10
			KEYBOARDS - PORTUGAL/BRAZIL
- 27L	2728728	1	• DATA ENTRY - 66 KEY SEE CHART XVI, COLUMN 11
- 27L	2728729	1	• EBCDIC - 66 KEY
- 27L	2728730	1	• EBCDIC - 78 KEY SEE CHART XVI, COLUMN 12
			KEYBOARDS - KATAKANA
- 27M	2728610	1	• KATAKANA - 70 KEY SEE CHART XVIII
- 27M	2728620	1	• KATAKANA - 81 KEY SEE CHART XIX
- 28	2570203	1	• PAN, KEYBOARD- 66 KEY
- 28	2570205	1	• PAN, KEYBOARD- 70 KEY
- 28	2570204	1	• PAN, KEYBOARD- 78 KEY
- 28	2570206	1	• PAN, KEYBOARD- 81 KEY

NOTES

NOTES



FOR LINE CORDS
SEE LIST 10

Figure 2. 3277 M1 Cover Assembly

List 2. 3277 M1 Cover Assembly

FIGURE- INDEX NUMBER	PART NUMBER	UNITS PER ASM.	DESCRIPTION			
			1	2	3	4
2 -	2577731 NP		COVER ASSEMBLY- 3277 M1			
- 1	2577624	1	• NAMEPLATE-UNITED STATES/UNITED KINGDOM			
- 1	2577620	1	• NAMEPLATE-FRENCH			
- 1	2577621	1	• NAMEPLATE-GERMAN			
- 1	2577622	1	• NAMEPLATE-ITALIAN			
- 1	2577623	1	• NAMEPLATE-SPANISH			
- 1	2577625	1	• NAMEPLATE-JAPANESE			
- 2	2577692	1	• MASK-UNITED STATES/UNITED KINGDOM			
- 2	2577693	1	• MASK-FRENCH			
- 2	2577694	1	• MASK-GERMAN			
- 2	2577695	1	• MASK-ITALIAN			
- 2	2577691	1	• MASK-SPANISH			
- 2	2577689	1	• MASK-JAPANESE			
- 3	2577688	4	• GROMMET			
- 4	2577885	1	• BEZEL			
- 5	2568714	1	• GROMMET			
- 6	2577866	1	• CATCH			
- 7	2577714	1	• NUT, SPEED			
- 8	2577865	1	• SPRING			
- 9	5350006	2	• SCREW, SELF TAPPING, 6-32 X .250 LONG			
- 10	2577708	1	• SPRING, GROUND			
- 11	2577883	1	• COVER ASM-LEFT			
- 12	2577882	1	• COVER ASM-RIGHT			
- 13	2577886	1	• SEAL-RH COVER			
- 13A	2577836	1	• PAD ACCOUSTICAL			
- 14	2577881	1	• COVER ASM-CENTER			
- 15	300683	2	• SLIDE-LARGE SNAP			
- 16	300685	2	• BUTTON			
- 17	2577887	2	• WASHER, LOCK-SPLIT			
- 18	2795065	2	• GUIDE			
- 20	5756324	1	• LABEL, HEXADECIMAL			
- 21	5756348	1	• HOLDER ASM-HEXADECIMAL LABEL			
- 22	2577884	1	• COVER ASM-FRONT			
- 23	2577687	1	• PAD ACCOUSTICAL			

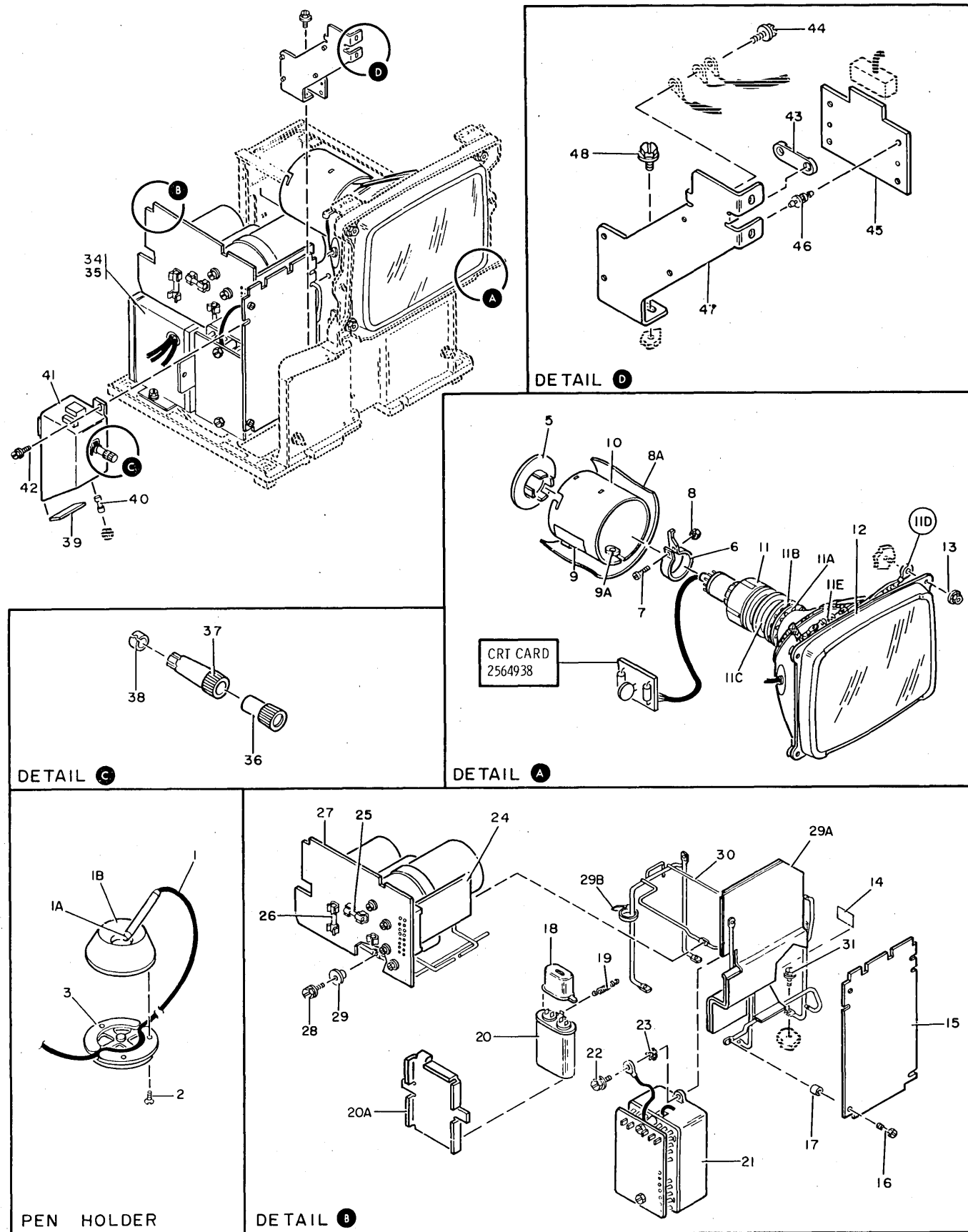


Figure 3. 3277 M1 Final Assembly. Sheet 1 of 2. Index Nos. 1-48.

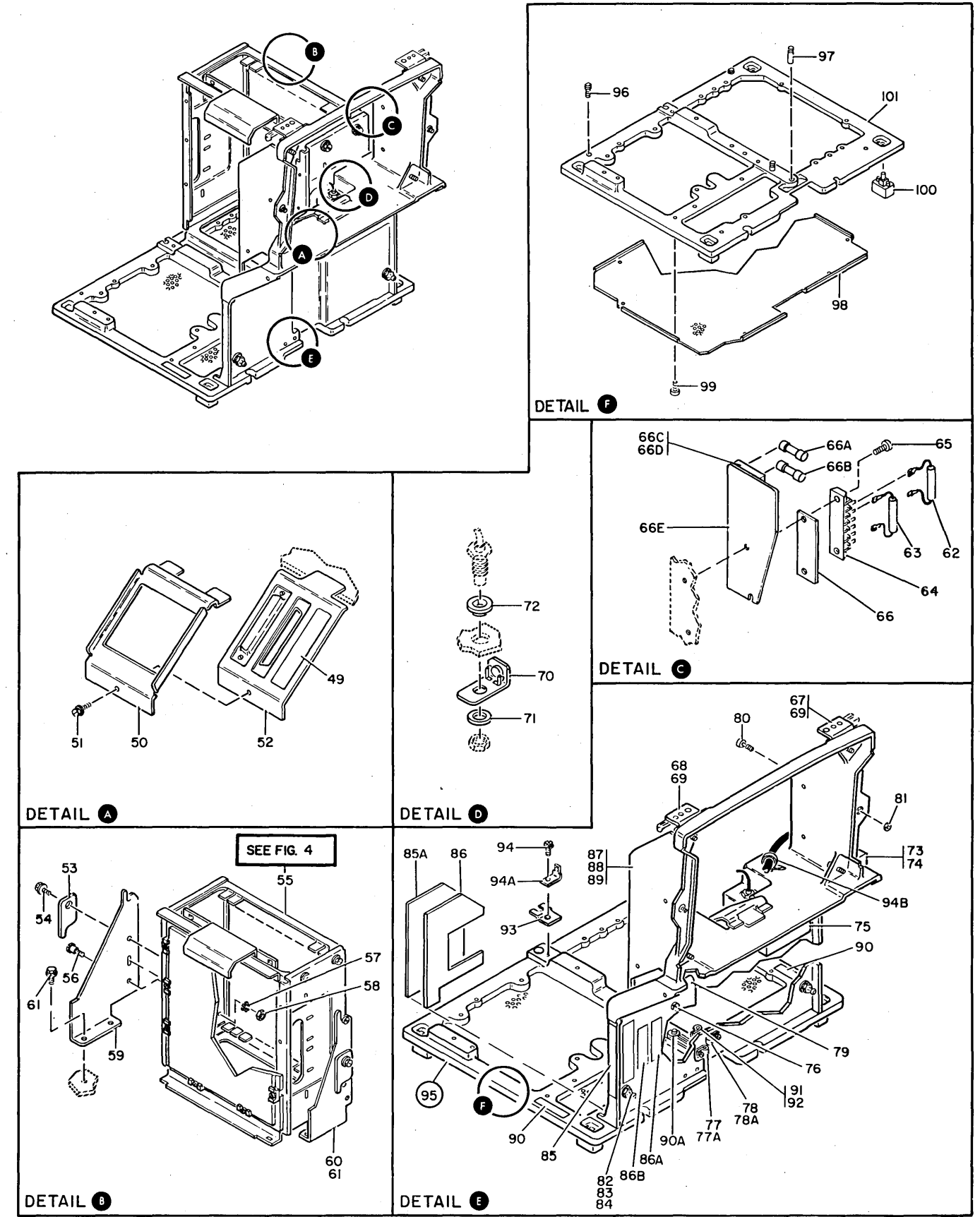


Figure 3. 3277 M1 Final Assembly. Sheet 2 of 2. Index Nos. 49-101.

List 3. 3277 M1 Final Assembly

FIGURE-INDEX NUMBER	PART NUMBER	UNITS PER ASM.	DESCRIPTION
3 -	2577701 NP		FINAL ASSEMBLY- 3277 M1
- 1	2570100	1	. CABLE ASM-SELECTOR LIGHT PEN
- 1A	2570128	1	. TIP,LIGHT PEN
- 1B	2568723	1	. CAP,LIGHT PEN HOLDER
- 2	109918	3	. SCREW,THD CUTTING-FLAT HD 4-40 X 1/2 LG ATT PT
- 3	2568722	1	. BASE,LIGHT PEN HOLDER
- 5	2577807	1	. PAD
- 6	2565139	1	. CLAMP
- 7	5474780	1	. SCREW
- 8	257188	1	. NUT,PLAIN,HEX- 8-32 X 11/32 FL 1 ATT PT
- 8A	2577839	1	. PAD,ACCOUSTICAL ATT PT
- 9	2565199	1	. LABEL,WARNING
- 9A	442068	1	. GROMMET
- 10	2565068	1	. SHIELD ASM,YOKE
- 11	2568776	1	. MAGNET,CENTERING
- 11A	2565083	1	. SPRING,GROUNDING
- 11B	2565084	1	. INSULATOR
- 11C	5252613	1	. YOKE ASSEMBLY
- 11D	2577804	1	. HARNESS ASM
- 11E	2577805	2	. . SPRING
- 12	5252598	1	. CRT,EM DEFLECTION
- 13	2577706	4	. NUT AND WASHER,PRE ASSEMBLED ATT PT
- 14	2582954	1	. LABEL,SAFETY
- 15	2565080	1	. CARD ASM-AVALOG
- 16	2577658	2	. SCREW,CAPTIVE- 10-32 X 0.25 LG ATT PT
- 17	2577699	2	. STAND OFF
- 18	363001	1	. COVER-CAPACITOR
- 19	2565091	1	. SPRING,EXTENSION
- 20	5252814	1	. CAPACITOR
- 20A	2577846	1	. PLATE, ADAPTER
- 21	2611025	1	. POWER SUPPLY- 300-400V
- 22	5349929	2	. SCREW-THREAD FORMING HEX WASHER HEAD ATT PT
- 23	55901	1	. WASHER,LOCK-EXT TEETH NO. 8 X 0.381 OD ATT PT
- 24	2481207	1	. CARD ASM
- 25	332009	2	. FUSE, CTG- 2 AMP 1-1/4 X 1/4
- 26	512137	1	. FUSE, LONG TIME LAG, 5 AMP , 125 VOLTS
- 27	2565120	1	. POWER ASM,SECONDARY
- 28	2181002	1	. SCREW,THREAD FORMING-8-32 X 3/4 LG ATT PT
- 29	2577863	1	. BUSHING
- 29A	2577837	1	. PAD,ACCOUSTICAL
- 29B	524519	2	. CLAMP
- 30	2577872	1	. BASE,SECONDARY MTG
- 31	2181004	5	. SCREW,THREAD FORMING-HEX WASHER HD ATT PT
- 34	4119272	1	. FERRO ASM- 50 HZ
- 34	2582999	1	. FERRO ASM- 60 HZ
- 34	4119307	1	. FERRO ASM- 60 HZ KATAKANA
- 35	2181004	2	. SCREW,HEX HD- 10-32 X 0.375 LG ATT PT
- 36	2565239	1	. KNOB ASM-POWER/BRIGHTNESS
- 37	2565205	1	. KNOB,INNER
- 38	2565272	1	. CLIP,KNOB TO SHAFT
- 39	2565141	AR	. LABEL,FUSE RATING
- 40	332009	AR	. FUSE, CTG- 2 AMP 1-1/4 X 1/4
- 40	303549	AR	. FUSE,CARTRIDGE-SLOW BLOW 1.0 AMP 250V
- 41	2577890	1	. POWER ASM,PRIME
- 42	5319854	2	. SCREW,THD CUTTING-HEX HD 8-32 X 0.375 LG ATT PT
- 43	811427	1	. STRAP,CABLE
- 44	2181004	1	. SCREW,THREAD FORMING-HEX WASHER HD
- 45	2577860	1	. CARD ASM,ARC SUPPRESSION
- 46	2568709	3	. STAND OFF
- 47	2577664	1	. BRACKET
- 48	2181004	4	. SCREW,THREAD FORMING-HEX WASHER HD ATT PT

List 3. 3277 M1 Final Assembly

FIGURE-INDEX NUMBER	PART NUMBER	UNITS PER ASM.	DESCRIPTION
3 - 49	2577716	AR	. PLATE
- 50	2577671	1	. RETAINER
- 51	5319854	1	. SCREW,THD CUTTING-HEX HD 8-32 X 0.375 LG ATT PT
- 52	2577669	1	. HOLDER,CONNECTOR
- 53	2577732	2	. PLATE,LATCH-GATE
- 54	5350006	2	. SCREW, SELF TAPPING, 6-32 X .250 LONG ATT PT
- 55	2577698	1	. GATE ASSEMBLY
			FOR DETAIL BREAKDOWN,SEE FIGURE 4
- 56	2577721	2	. SCREW,SHOULDER- 6-32 X .22 LG ATT PT
- 57	56722	2	. WASHER,LOCK-EXT TEETH NO. 6 ATT PT
- 58	257187	2	. NUT,PLAIN,HEX- 6-32 X 3/8 FL W ATT PT
- 59	2577696	1	. BRACKET-RIGHT
- 60	2577746	1	. BRACKET,LEFT
- 61	2181004	4	. SCREW,THREAD FORMING-HEX WASHER HD ATT PT
- 62	2577679	AR	. RESISTOR ASM- 7.5 OHM, 10 W
- 63	2577676	AR	. RESISTOR ASM- 25 OHM, 10 W
- 64	2577725	1	. TERMINAL BLOCK- 6 POS
- 65	2191846	2	. SCREW
- 66	2577727	1	. STRIP,MARKER
- 66A	433557	1	. FUSE,CARTRIDGE- 8 AMP
- 66B	1176668	1	. FUSE, LONG TIME LAG- 1.5A
- 66C	5252919	1	. FUSEHOLDER
- 66D	1177628	2	. SCREW
- 66E	1830688	1	. BRACKET
- 67	2577880	1	. LATCH ASM
- 68	2577879	1	. LATCH ASM
- 69	5350006	4	. SCREW, SELF TAPPING, 6-32 X .250 LONG ATT PT
- 70	2577868	1	. ADAPTER ASM
- 71	52905	1	. WASHER,FLAT
- 72	2577718	1	. BUSHING
- 73	2577619	1	. SECURITY KEY LOCK ASM
- 74	5319854	2	. SCREW,THD CUTTING-HEX HD 8-32 X 0.375 LG ATT PT
- 75	2568718	1	. AUDIBLE ALARM ASM
- 76	2181004	1	. SCREW,HEX HD- 10-32 X 0.375 LG
- 77	534768	1	. CLAMP,CABLE
- 77A	2181004	1	. SCREW,THREAD FORMING-HEX WASHER HD ATT PT
- 78	303538	1	. CLAMP,CABLE
- 78A	5319888	1	. SCREW, SELF TAPPING, 10-32 X .625 LONG ATT PT
- 79	2577722	2	. PIN
- 80	2577658	2	. SCREW,CAPTIVE- 10-32 X 0.25 LG
- 81	2577726	2	. O-RING
- 82	223071	2	. STUD,BALL
- 83	38235	2	. SCREW,MACH-BIND HD 6-32 X 0.312 LG ATT PT
- 84	6364	2	. WASHER,LOCK-SPLIT NO. 6 X 1/4 OD ATT PT
- 85	2577733	1	. LABEL
- 85A	2577842	1	. PAD,INSULATING
- 86	2577841	1	. PAD,INSULATING
- 86A	845762	1	. DECAL-VOLTAGE
- 86B	2577649	1	. PLATE,POWER RATING- 50 HZ
- 86B	2577647	1	. PLATE,POWER RATING- 60 HZ
- 86B	2577648	1	. PLATE,POWER RATING- 60 HZ KATAKANA
- 87	2577745	1	. APRON
- 88	309829	2	. SCREW
- 89	125930	2	. NUT-STOP, ELASTIC HEX 10-32 ATT PT
- 90	124943	2	. LABEL-HAZARDOUS AREA
- 90A	811427	1	. STRAP,CABLE
- 91	327921	1	. CLAMP,CABLE
- 92	2181004	1	. SCREW,THREAD FORMING-HEX WASHER HD ATT PT
- 93	2577728	1	. RETAINER,CABLE
- 94	2181005	1	. SCREW, SELF TAPPING, 6-32 X .375 LG. ATT PT
- 94A	2568733	1	. TERMINAL,SLIP-ON
- 94B	5420242	AR	. TY-MINIATURE
- 95	2577749	1	. BASE,CHASSIS
- 96	5795038	2	. . STUD,SLIDE FASTENER
- 97	733978	2	. . PIN
- 98	2577748	1	. . SCREEN,CHASSIS
- 99	1177628	9	. . SCREW
- 100	2565107	4	. . FOOT
- 101	2577747	1	. . CHASSIS,BASE

List 4. 3277 M1 Gate Assembly

FIGURE-INDEX NUMBER	PART NUMBER	UNITS PER ASM.	DESCRIPTION			
			1	2	3	4
4 -	2577698 NP	REF	GATE ASSEMBLY- 3277 MOD 1 FOR NEXT HIGHER ASM,SEE FIGURE 3-55			
- 1	2577862	1	. CAPACITOR ASM- 500V			
- 2	811417	1	. SCREW,HEX SOCKET H- 6-32 X 1/2 LG ATT PT			
- 3	62031	1	. WASHER,LOCK-INT TEETH NO. 6 X 0.295 OD ATT PT			
- 4	2565223	1	. CAPACITOR			
- 5	2565273	1	. CLAMP,CAPACITOR			
- 5A	811417	1	. SCREW,HEX SOCKET H- 6-32 X 1/2 LG ATT PT			
- 6	169698	AR	. CLAMP,CABLE			
- 7	2181088	AR	. SCREW, HEX SOC 6-32 X 7/8 LG ATT PT			
- 8	257986	AR	. WASHER,FLAT NO. 6 ATT PT			
- 9	2565099	2	. BUS STRIP			
- 10	5922878	2	. INSULATOR			
- 11	813179	AR	. CLAMP-BOARD			
- 12	811417	AR	. SCREW,HEX SOCKET H- 6-32 X 1/2 LG ATT PT			
- 13	2577864	1	. SUPPORT			
- 14	2181004	2	. SCREW,THREAD FORMING-HEX WASHER HD ATT PT			
- 15	5420242	1	. TY-MINIATURE			
- 16	524519	1	. CABLE TIE,SELF CLINCHING			
- 17	5213276	1	. CLAMP-CABLE			
- 18	5350012	1	. SCREW, THD FORMING HEX WSR HD 8-32 X .25 ATT PT			
- 19	825303	1	. CLAMP,CABLE			
- 20	2565215	1	. RETAINER,CONNECTOR			
- 21	2577722	1	. PIN			
- 22	2577721	2	. SCREW,SHOULDER- 6-32 X .22 LG			
- 23	56722	3	. WASHER,LOCK-EXT TEETH NO. 6			
- 24	257187	3	. NUT,PLAIN,HEX- 6-32 X 3/8 FL W			
- 25	2565213	2	. SUPPORT,VERTICAL			
- 26	5711266	8	. SCREW ATT PT			
- 27	2565222	1	. RETAINER,CONNECTOR			
- 28	2565211	2	. SUPPORT,HORIZONTAL			

FOR PARTS NOT SHOWN SEE FIG. 3 SHEET 2

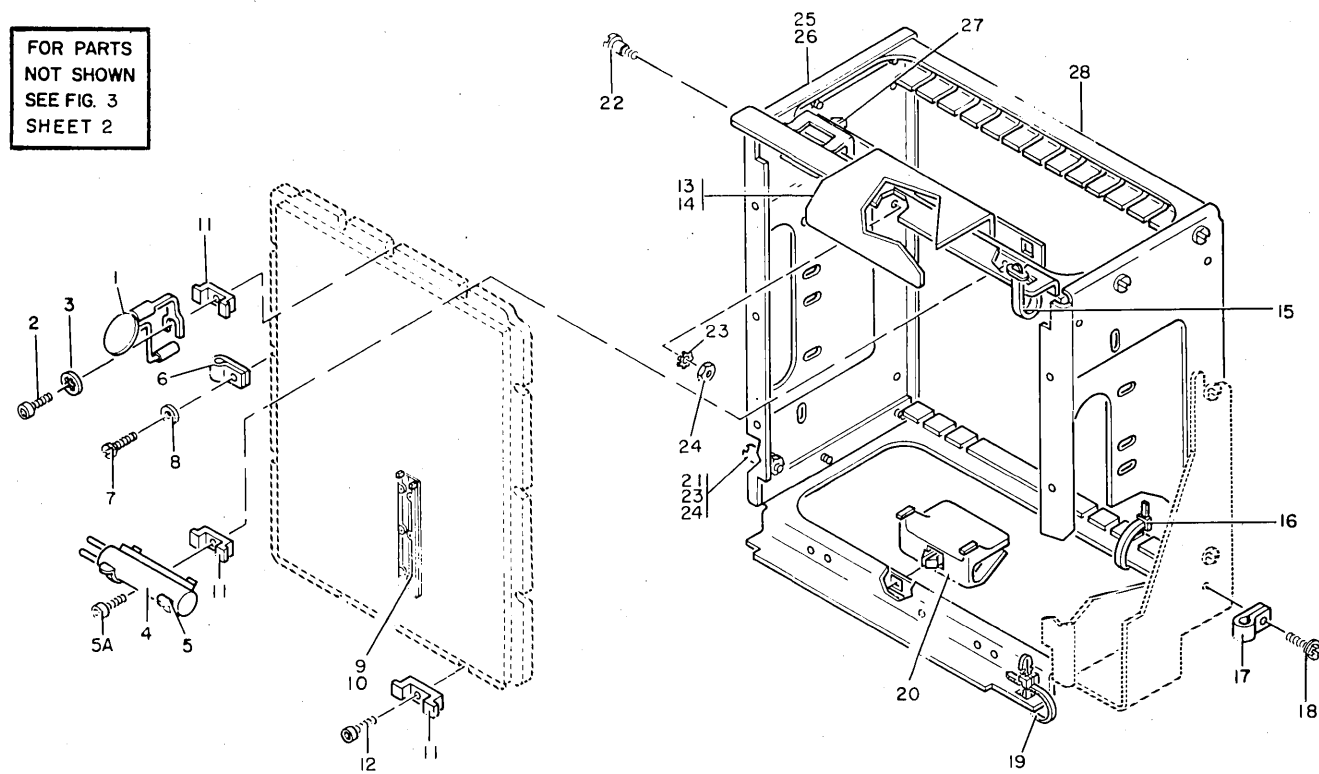


Figure 4. 3277 M1 Gate Assembly

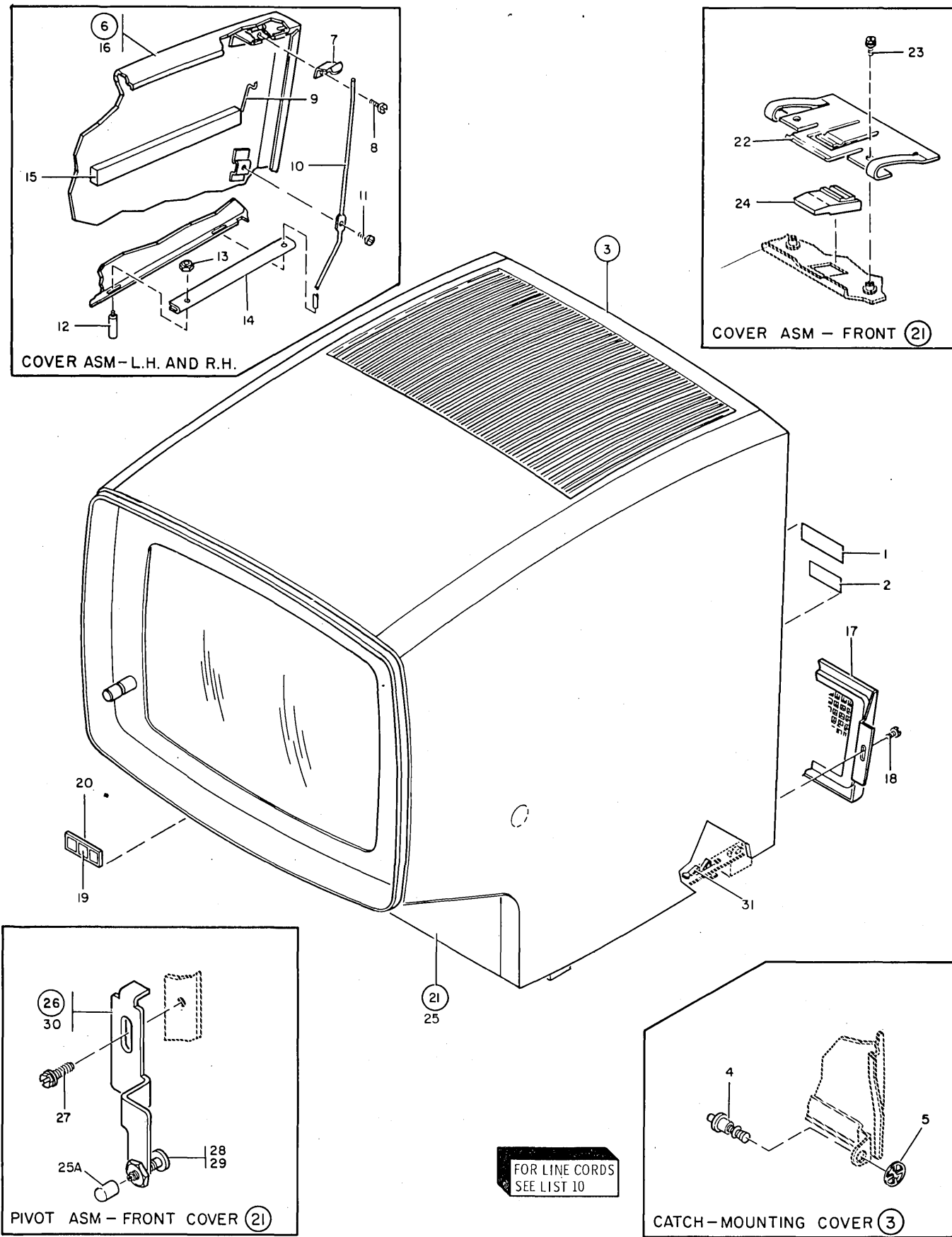


Figure 5. 3275 All Mods and 3277 Mod 2 Cover Assembly

List 5. 3275 All Mods and 3277 Mod 2 Cover Assembly

FIGURE-INDEX NUMBER	PART NUMBER	UNITS PER ASM.	DESCRIPTION			
			1	2	3	4
5 -	2565160	REF	COVER ASSEMBLY			
			3275 M1/M2/M3/M11/M12 AND 3277 M2			
- 1	2564801	1	. NAMEPLATE,US/UK- 3275 M1			
- 1	2564802	1	. NAMEPLATE,FRENCH- 3275 M1			
- 1	2564803	1	. NAMEPLATE,GERMAN- 3275 M1			
- 1	2564804	1	. NAMEPLATE,ITALIAN- 3275 M1			
- 1	2564805	1	. NAMEPLATE,SPANISH- 3275 M1			
- 1	2564806	1	. NAMEPLATE,JAPANESE- 3275 M1			
- 1	2564901	1	. NAMEPLATE,US/US- 3275 M2			
- 1	2564902	1	. NAMEPLATE,FRENCH- 3275 M2			
- 1	2564903	1	. NAMEPLATE,GERMAN- 3275 M2			
- 1	2564904	1	. NAMEPLATE,ITALIAN- 3275 M2			
- 1	2564905	1	. NAMEPLATE,SPANISH- 3275 M2			
- 1	2564906	1	. NAMEPLATE,JAPANESE- 3275 M2			
- 1	2565001	1	. NAMEPLATE,US/UK- 3277 M2			
- 1	2565002	1	. NAMEPLATE,FRENCH- 3277 M2			
- 1	2565003	1	. NAMEPLATE,GERMAN- 3277 M2			
- 1	2565004	1	. NAMEPLATE,ITALIAN- 3277 M2			
- 1	2565005	1	. NAMEPLATE,SPANISH- 3277 M2			
- 1	2565006	1	. NAMEPLATE,JAPANESE- 3277 M2			
- 1	2564907	1	. NAMEPLATE,US/UK- 3275 M3			
- 1	2564908	1	. NAMEPLATE,FRENCH- 3275 M3			
- 1	2564909	1	. NAMEPLATE,GERMAN- 3275 M3			
- 1	2564917	1	. NAMEPLATE,ITALIAN- 3275 M3			
- 1	2564918	1	. NAMEPLATE,SPANISH- 3275 M3			
- 1	2564919	1	. NAMEPLATE,JAPANESE- 3275 M3			
- 1	1830801	1	. NAMEPLATE,US/UK- 3275 M11			
- 1	1830802	1	. NAMEPLATE,FRENCH/BELGIAN- 3275 M11			
- 1	1830803	1	. NAMEPLATE,GERMAN/AUSTRIAN- 3275 M11			
- 1	1830804	1	. NAMEPLATE,ITALIAN- 3275 M11			
- 1	1830805	1	. NAMEPLATE,SPANISH- 3275 M11			
- 1	1830806	1	. NAMEPLATE,JAPANESE- 3275 M11			
- 1	1830901	1	. NAMEPLATE,US/UK- 3275 M12			
- 1	1830902	1	. NAMEPLATE,FRENCH/BELGIAN- 3275 M12			
- 1	1830903	1	. NAMEPLATE,GERMAN/AUSTRIAN- 3275 M12			
- 1	1830904	1	. NAMEPLATE,ITALIAN- 3275 M12			
- 1	1830905	1	. NAMEPLATE,SPANISH- 3275 M12			
- 1	1830906	1	. NAMEPLATE,JAPANESE- 3275 M12			
- 2	855285	1	. LABEL-USED ON UNITED KINGDOM ONLY			
- 3	2565173	1	. COVER ASM-TOP			
- 3	2565073	1	. . COVER-TOP			
- 4	760303	2	. . STUD			
- 5	1117607	2	. . RING,RETAINING			
- 6	2565171	1	. COVER ASM- RH			
- 6	2565172	1	. COVER ASM- LH			
- 7	2565186	1	. . SPRING			
- 8	5711266	1	. . SCREW			
- 9	2565161	1	. SPRING-USED ON RH COVER			
- 9	2565162	1	. SPRING-USED ON LH COVER			
- 10	2565163	1	. LATCH-USED ON RH COVER			
- 10	2565164	1	. LATCH-USED ON LH COVER			
- 11	2565175	1	. SCREW,SHLDR- 8-32 X 0.281 LG			
- 12	2565165	1	. . KNOB			
- 13	1091621	1	. . NUT			
- 14	2565181	1	. . SLIDER-USED ON RH COVER			
- 14	2565182	1	. . SLIDER-USED ON LH COVER			
- 15	2577886	1	. . SEAL			
- 16	2565071	1	. . COVER-RH			
- 16	2565072	1	. . COVER-LH			
- 17	2565075	1	. COVER-REAR			
- 18	5711266	2	. SCREW			
- 19	5756324	1	. LABEL-HEXADECIMAL			
- 20	5756348	1	. HOLDER			
- 21	2565174	1	. COVER ASM-FRONT			
- 22	2565146	1	. . PLATE,RETAINING			
- 23	5711266	2	. . SCREW			
- 24	2565166	1	. . LATCH			
- 25	2565074	1	. . COVER,FRONT			
- 25A	2568941	1	. CAP			
- 26	2565191	1	. PIVOT ASM-RH			
- 26	2565192	1	. PIVOT ASM-LH			
- 27	5711266	2	. SCREW			
- 28	2565185	1	. . SCREW			
- 29	257189	1	. . NUT,HEX- 8-32			
- 30	2565183	1	. . BRACKET-USED ON RH PIVOT			
- 30	2565184	1	. . BRACKET-USED ON LH PIVOT			
- 31	2565051	1	. LATCH-WTC			

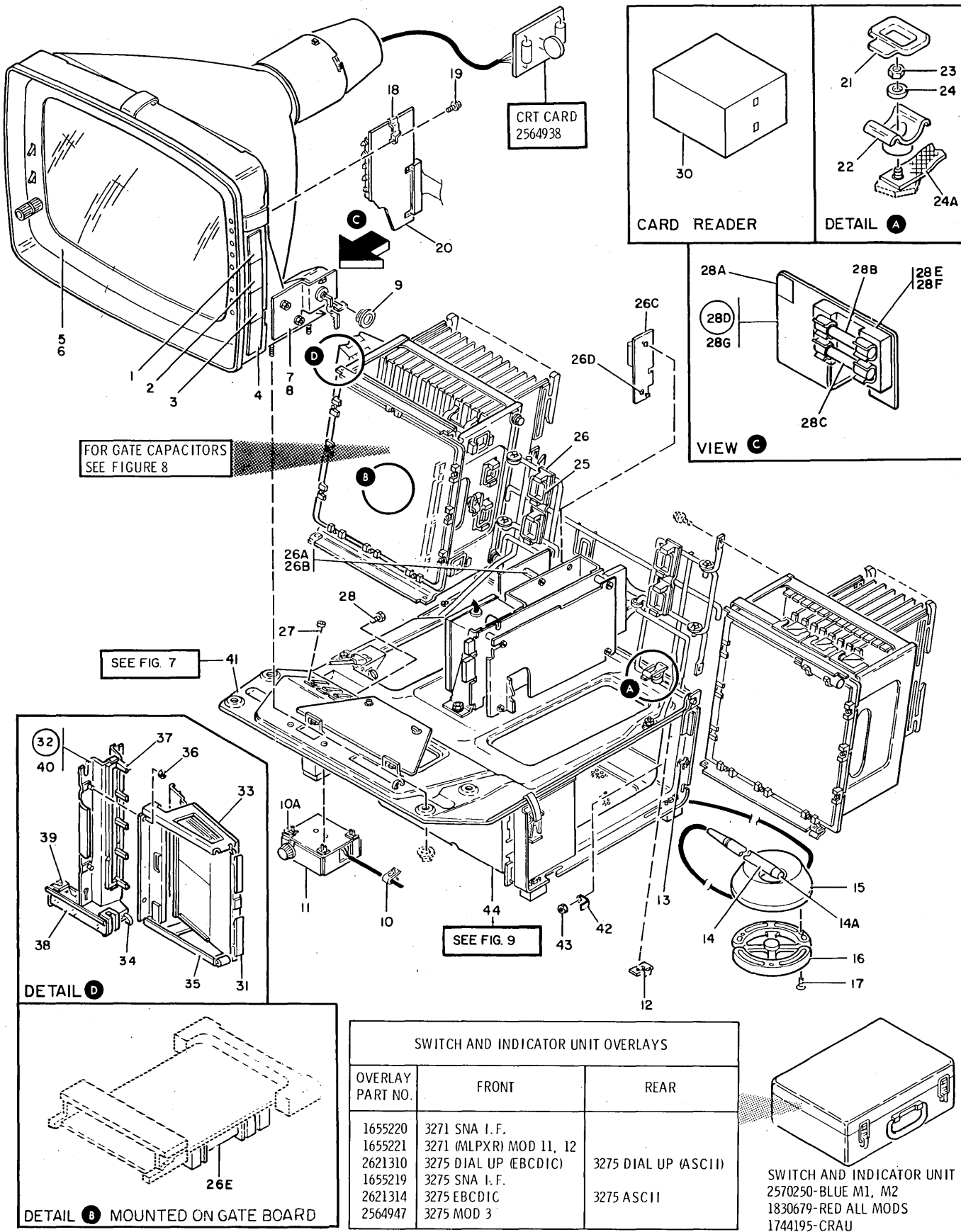


Figure 6. 3275 All Mods and 3277 Mod 2 Final Assembly

List 6. 3275 All Mods and 3277 Mod 2 Final Assembly

FIGURE-INDEX NUMBER	PART NUMBER	UNITS PER ASM.	DESCRIPTION			
			1	2	3	4
6 -	2565000	1	FINAL ASSEMBLY- 3277 MOD 2			
-	2564800	1	FINAL ASSEMBLY- 3275 MOD 1			
-	2564900	1	FINAL ASSEMBLY- 3275 MOD 2			
-	2564950	1	FINAL ASSEMBLY- 3275 MOD 3			
-	1830800	1	FINAL ASSEMBLY- 3275 MOD 11			
-	1830900	1	FINAL ASSEMBLY- 3275 MOD 12			
- 1	855262	AR	. PLATE- PROPERTY OF IBM			
- 1	855263	AR	. PLATE- PROPERTY OF IBM WT			
- 1	960740	AR	. PLATE,PROPERTY			
- 1	855264	AR	. PLATE- MANUFACTURED BY USA			
- 1	855265	AR	. PLATE,MFG BY IBM			
- 1	855266	AR	. PLATE- MANUFACTURED BY WT			
- 1	855267	AR	. PLATE- MANUFACTURED FOR USA			
- 1	855268	AR	. PLATE- MANUFACTURED FOR			
- 1	855269	AR	. PLATE- MANUFACTURED FOR WT			
- 1	855270	AR	. PLATE- RECONDITIONED BY USA			
- 1	855271	AR	. PLATE- RECONDITIONED BY USA			
- 1	855272	AR	. PLATE- RECONDITIONED BY WT			
- 1	855273	AR	. PLATE- RENOVATED BY USA			
- 1	855274	AR	. PLATE- RENOVATED BY			
- 1	855275	AR	. PLATE- RENOVATED BY WT			
- 1	855276	AR	. PLATE- RECONDITIONED FOR USA			
- 1	855277	AR	. PLATE- RECONDITIONED FOR			
- 1	855278	AR	. PLATE- RECONDITIONED FOR WT			
- 1	855279	AR	. PLATE- RENOVATED FOR USA			
- 1	855280	AR	. PLATE- RENOVATED FOR			
- 1	855281	AR	. PLATE- RENOVATED FOR WT			
- 2	855283	1	. PLATE,SERIAL NUMBER RT			
- 3	855282	1	. PLATE,SERIAL NUMBER LT			
- 4	855284	1	. PLATE- MANUFACTURING EXPORT			
- 5	2565011	1	. INSERT,USA/UK 3277			
- 5	2565013	1	. INSERT,GERMAN 3277			
- 5	2565012	1	. INSERT,FRENCH 3277			
- 5	2565014	1	. INSERT,ITALIAN 3277			
- 5	2565015	1	. INSERT,SPANISH 3277			
- 5	2565016	1	. INSERT,JAPANESE 3277			
- 5	2564911	1	. INSERT,USA/UK 3275 STD			
- 5	2564913	1	. INSERT,AUSTRIAN/GERMAN 3275 STD			
- 5	2564912	1	. INSERT,BELGIUM/FRENCH 3275 STD			
- 5	2564915	1	. INSERT,SPANISH 3275 STD			
- 5	2564914	1	. INSERT,ITALIAN 3275 STD			
- 5	2564916	1	. INSERT,JAPANESE 3275 STD			
- 5	2564951	1	. INSERT,USA/UK DIAL FEAT			
- 5	2564952	1	. INSERT,AUSTRIAN/GERMAN DIAL FEAT			
- 5	2564953	1	. INSERT,BELGIUM/FRENCH-DIAL FEAT			
- 5	2564954	1	. INSERT,ITALIAN DIAL FEAT			
- 5	2564955	1	. INSERT,SPANISH DIAL FEAT			
- 5	2564956	1	. INSERT,JAPANESE DIAL FEAT			
- 5	1830991	1	. INSERT,USA/UK- 3275 M11/M12 STD			
- 5	1830992	1	. INSERT,FRENCH- 3275 M11/M12 STD			
- 5	1830993	1	. INSERT,GERMAN- 3275 M11/M12 STD			
- 5	1830994	1	. INSERT,ITALIAN- 3275 M11/M12 STD			
- 5	1830995	1	. INSERT,SPANISH- 3275 M11/M12 STD			
- 5	1830996	1	. INSERT,JAPANESE- 3275 M11/M12 STD			
- 5	1830951	1	. INSERT,USA/UK- 3275 M11/M12 DIAL FEAT			
- 5	1830952	1	. INSERT,FRENCH- 3275 M11/M12 DIAL FEAT			
- 5	1830953	1	. INSERT,GERMAN- 3275 M11/M12 DIAL FEAT			
- 5	1830954	1	. INSERT,ITALIAN- 3275 M11/M12 DIAL FEAT			
- 5	1830955	1	. INSERT,SPANISH- 3275 M11/M12 DIAL FEAT			
- 5	1830956	1	. INSERT,JAPANESE- 3275 M11/M12 DIAL FEAT			
- 6	2565170	1	. MASK,ALIGNMENT-DIAL FEAT			
- 7	2568704	1	. SECURITY LOCK ASM			
- 8	5711266	2	. SCREW			
- 9	2568714	1	. GROMMET			
- 10	2568729	1	. CLIP,SPEED			
- 10A	2568709	4	. STANDOFF			
- 11	2568718	1	. AUDIBLE ALARM ASM			
- 12	2568729	1	. CLIP,SPEED			
- 13	2568724	1	. STRAIN RELIEF			
- 14	2570100	1	. LIGHT PEN ASM			
- 14A	2570128	1	. TIP,LIGHT PEN			
- 15	2568723	1	. CAP,LIGHT PEN HOLDER			
- 16	2568722	1	. BASE,LIGHT PEN HOLDER			
- 17	109918	3	. SCREW,THD CUTTING-FLAT HD 4-40 X 1/2 LG			
- 18	2565263	2	. BRACKET,CARD MTG			
- 19	5711266	2	. SCREW			
- 20	2565260	1	. CARD ASM-LED			

ATT PT

ATT PT

ATT PT

List 6. 3275 All Mods and 3277 Mod 2 Final Assembly

NOTES

FIGURE- INDEX NUMBER	PART NUMBER	UNITS PER ASM.	DESCRIPTION			
			1	2	3	4
6 - 21	2114044	AR	.	CLIP,CABLE		
- 22	2114043	AR	.	CRADLE,CABLE		
- 23	6503	AR	.	NUT,PLAIN,HEX- 8-32 X 1/4 FL W	ATT PT	
- 24	24511	AR	.	WASHER,FL-NO. 8 X 5/16 OD X 1/32 THK	ATT PT	
- 24A	8112945	2	.	JUMPER,GROUND		
- 25	2565254	AR	.	RETAINER		
- 26	2565252	AR	.	GUIDE		
- 26A	5711739	2	.	STANDOFF		
- 26B	5350006	4	.	SCREW, SELF TAPPING, 6-32 X .250 LONG	ATT PT	
- 26C	2564896	1	.	CARD ASM- 12V REGULATOR		
- 26D	2568709	2	.	STAND OFF		
- 26E	766051	AR	.	RELAY		
- 27	2565092	2	.	SCREW		
				USED ON 3275 ONLY		
- 27	1177628	1	.	SCREW		
				USED ON 3277 MOD 2 ONLY		
- 28	5711266	1	.	SCREW		
- 28A	2564988	1	.	LABEL- 3275		
- 28B	5236559	1	.	FUSE- 15A 3275		
- 28B	433557	1	.	FUSE- 8A 3277		
- 28C	1776668	1	.	FUSE- 1.5A SLO BLOW		
- 28D	2564980	1	.	FUSE BRACKET ASSEMBLY		
- 28E	5252519	1	.	FUSEHOLDER		
- 28F	1177628	2	.	SCREW	ATT PT	
- 28G	2564981	1	.	BRACKET		
- 30	2144045	1	.	CARD READER ASSEMBLY- 60 HZ		
- 30	2144047	1	.	CARD READER ASSEMBLY- 50 HZ		
- 30	2144046	1	.	CARD READER ASSEMBLY- 60 HZ KATAKANA		
				NOTE: FOR DETAIL BREAKDOWN SEE PUBLICATION IRD-M READER THEORY-MAINTENANCE-PARTS CATALOG, FORM NO. SY26-4188.		
- 31	819579	AR	.	HOLDER,CARD- 2 WIDE, 2 HIGH		
- 31	819408	AR	.	HOLDER,CARD- 4 WIDE		
- 32	1830918	1	.	OUTRIGGER ASSEMBLY		
- 33	1830737	1	.	INSULATOR		
- 34	5420242	AR	.	TY-MINIATURE		
- 35	1830917	1	.	COVER		
- 36	257189	4	.	NUT,HEX- 8-32	ATT PT	
- 37	812345	1	.	CONNECTOR		
- 38	2731709	1	.	CONNECTOR		
- 39	1830913	1	.	CLIP	ATT PT	
- 40	1830911	1	.	BASE		
- 41	2565200	1	.	UPPER ASSEMBLY		
				FOR DETAIL BREAKDOWN,SEE FIGURE 7		
- 42	2568733	1	.	TERMINAL		
- 43	2565264	1	.	NUT,WASHER-PREASSEMBLED	ATT PT	
- 44	2565100 NP		.	BASE ASSEMBLY		
				FOR DETAIL BREAKDOWN,SEE FIGURE 9		

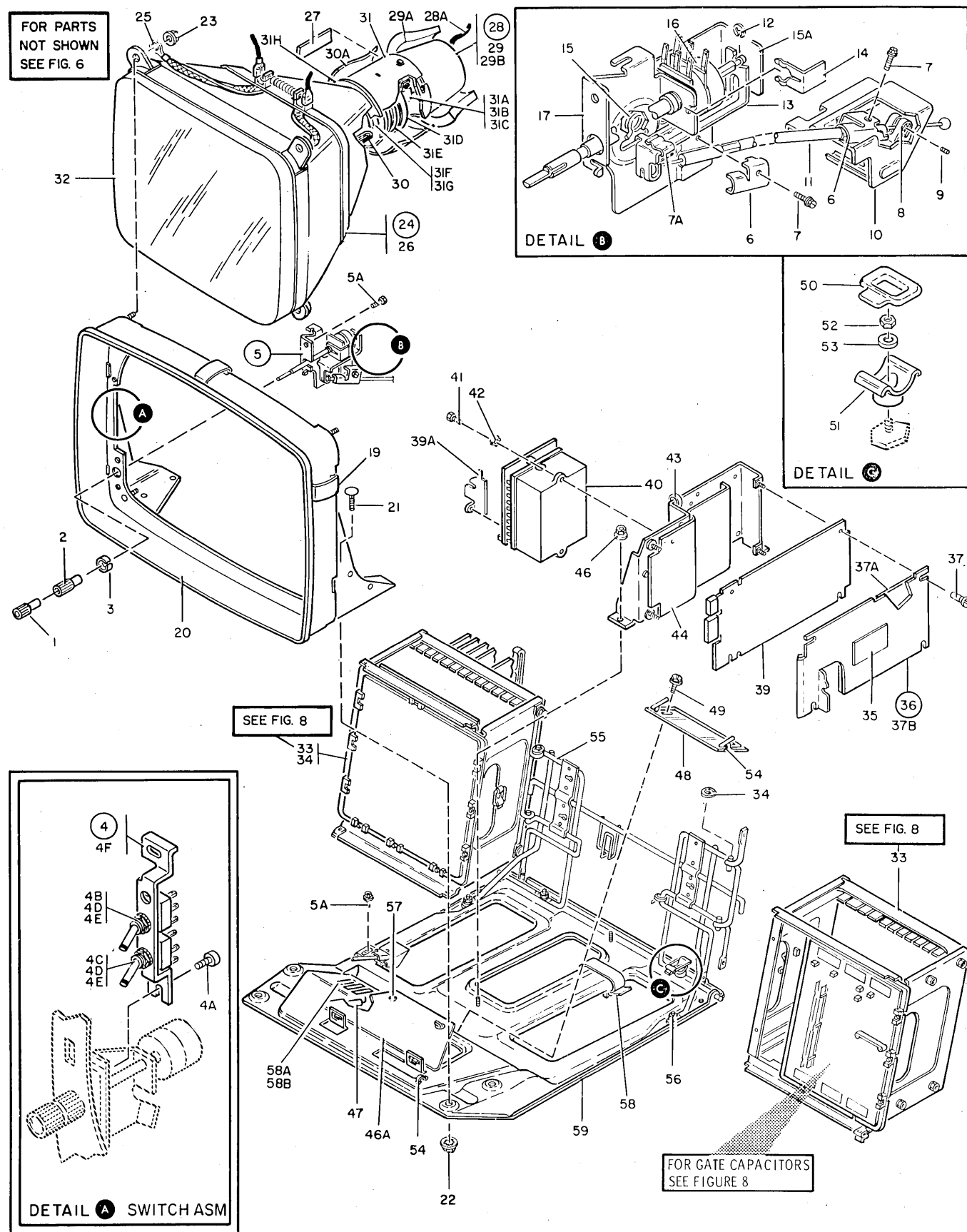


Figure 7. Upper Assembly

List 7. Upper Assembly

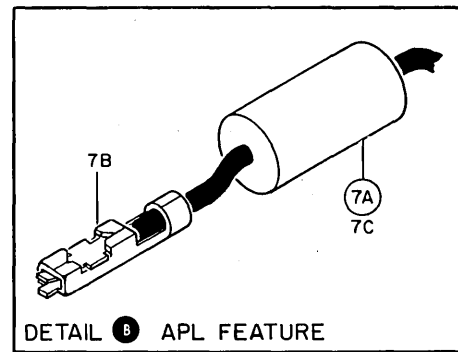
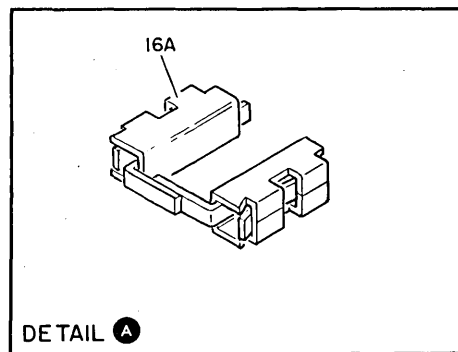
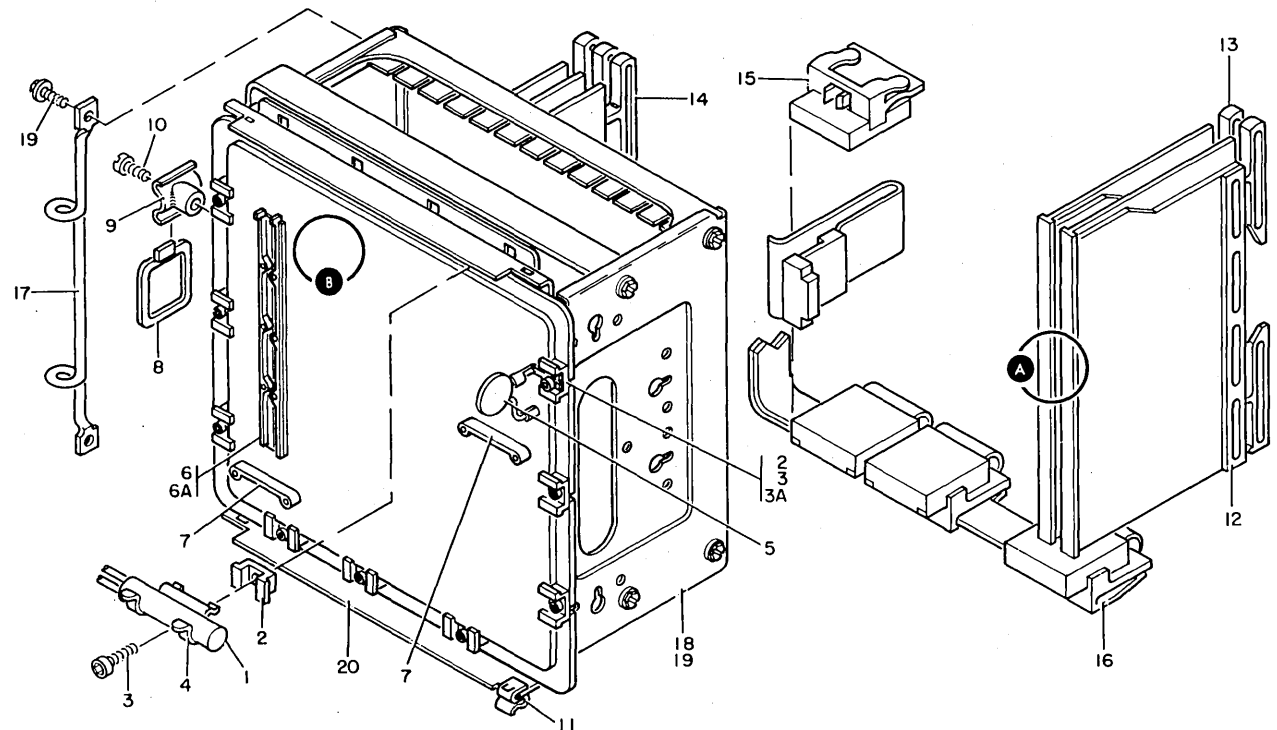
FIGURE-INDEX NUMBER	PART NUMBER	UNITS PER ASM.	DESCRIPTION
7 -	2565200	REF	UPPER ASSEMBLY FOR NEXT HIGHER ASM, SEE FIGURE 6-41
- 1	2565239	1	. KNOB ASM-POWER/BRIGHTNESS
- 2	2565205	1	. KNOB, INNER
- 3	2565272	1	. CLIP, KNOB TO SHAFT
- 4	2564881	1	. SWITCH ASM
- 4A	5711266	1	. SCREW, THD FORMING- 8-32 X 0.312 LG ATT PT
- 4B	738828	1	. SWITCH, TOGGLE-SPDT MOMENTARY
- 4C	738826	1	. SWITCH, TOGGLE
- 4D	179743	2	. NUT, PLAIN, HEX- 15/32-32 X 9/16 FL W ATT PT
- 4E	334635	2	. WASHER, LOCK-INT TEETH 0.476 ID 0.600 OD ATT PT
- 4F	2564883	1	. BRACKET
- 5	2565270	1	. ACTUATOR ASM
- 5A	5711266	2	. SCREW ATT PT
- 6	2565225	2	. CLIP, CABLE
- 7	5349929	2	. SCREW-THREAD FORMING HEX WASHER HEAD ATT PT
- 7A	2564884	1	. CLIP
- 8	2565176	1	. ACTUATOR, POWER SWITCH
- 9	121521	2	. SETSCREW-SPLINE DR FP 8-32 X 3/16 LG ATT PT
- 10	2565177	1	. BRACKET, ACTUATOR MTG
- 11	2565178	1	. CONTROL ASM
- 12	1073418	1	. RING-RETAINING
- 13	2565158 NR	1	. SWITCH, SLIDER-ACTUATOR
- 14	2572536 NR	1	. CLIP, SPEED SHAFT FASTENER
- 15	2565157	1	. SPRING, ACTUATOR
- 15A	2565145	1	. GUARD
- 16	5252596 NR	1	. POTENTIOMETER
- 17	2565159 NR	1	. BRACKET, POT MTG
- 19	2565274	3	. SPRING, COVER
- 20	2565180	1	. BEZEL
- 21	736992	4	. BOLT, CARRIAGE- 0.250-20 X 0.50 LG ATT PT
- 22	2565265	4	. NUT ATT PT
- 23	2565266	4	. NUT ATT PT
- 24	2564937	1	. GROUNDING HARNESS, CRT
- 25	483690	4	. TERMINAL, RING
- 26	2564935	1	. SPRING
- 27	2565199	1	. LABEL, WARNING
- 28	2577834	1	. SHIELD ASM, GUN
- 28A	2565038	1	. JUMPER, GROUND
- 29	2565115	1	. NUT ATT PT
- 29A	2577838	1	. PAD, ACOUSTICAL
- 29B	2577758	1	. SHIELD, GUN
- 30	442068	1	. GROMMET
- 30A	2577839	1	. PAD, ACOUSTICAL
- 31	2565068	1	. SHIELD ASM, YOKE
- 31A	2565139	1	. CLAMP
- 31B	5474780	1	. SCREW ATT PT
- 31C	257188	1	. NUT, PLAIN, HEX- 8-32 X 11/32 FL 1 ATT PT
- 31D	2568776	1	. MAGNET ASM
- 31E	5252540	1	. YOKE ASM-3275/3277 MOD 2 USED AS SUBSTITUTE FOR 3275 MOD 1 ALSO
- 31E	5252760	1	. YOKE ASM-3275 MOD 1
- 31F	2565084	1	. INSULATOR
- 31G	2565085	1	. INSULATOR
- 31H	2565083	1	. SPRING, GROUNDING
- 32	5252559	1	. CRT, EM DEFLECTION
- 33	2565210	AR	. GATE ASSEMBLY FOR DETAIL BREAKDOWN, SEE FIGURE 8
- 34	2565267	AR	. CLIP, RETAINER ATT PT
- 35	369207	1	. LABEL, VOLTAGE
- 36	2565065	1	. SHIELD ASM, ANALOG BOARD
- 37	2565233	4	. FASTENER ATT PT
- 37A	2565064	1	. PAD, ACOUSTICAL
- 37B	2565232	1	. SHIELD, GUN
- 39	2568924	1	. CARD ASM, ANALOG
- 39A	2565086	1	. BRACKET
- 40	2611025	1	. POWER SUPPLY- 300-400V
- 41	2181011	1	. SCREW, SELF-TAPPING- 6-32 X 0.500 LG ATT PT
- 42	56722	1	. WASHER, LOCK-EXT TEETH NO. 6 ATT PT
- 43	5420242	1	. TY-MINIATURE
- 44	2565063	2	. INSULATOR
- 45	2565237	1	. CHASSIS
- 46	2565264	2	. NUT, WASHER-PREASSEMBLED ATT PT
- 46A	2565255	1	. CARD ASM, VOLT DIST
- 47	2565195	1	. RESISTOR- 25 OHM, 5W
- 48	2565217	1	. LATCH, GATE
- 49	5711266	2	. SCREW ATT PT

List 7. Upper Assembly

NOTES

FIGURE- INDEX NUMBER	PART NUMBER	UNITS PER ASM.	DESCRIPTION			
			1	2	3	4
7 - 50	2114044	1	• CLIP,CABLE			
- 51	2114043	1	• CRADLE,CABLE			
- 52	6503	1	• NUT,PLAIN,HEX- 8-32 X 1/4 FL W			
- 53	24511	1	• WASHER,FL-NO. 8 X 5/16 OD X 1/32 THK			
- 54	5420242	5	• TY-MINIATURE			
- 55	2565251	1	• SUPPORT,GATE			
- 56	2565264	4	• NUT,WASHER-PREASSEMBLED			
- 57	5711266	1	• SCREW			
- 58	524519	1	• CLAMP			
- 58A	1830780	3	• COVER			
- 58B	2565092	3	• SCREW			
- 59	2565201	1	• CHASSIS,UPPER			

FOR PARTS
NOT SHOWN
SEE FIG. 7



List 8. Gate Assembly

FIGURE-INDEX NUMBER	PART NUMBER	UNITS PER ASM.	DESCRIPTION			
			1	2	3	4
8 -	2565210	REF	GATE ASSEMBLY FOR NEXT HIGHER ASM, SEE FIGURE 7-33			
- 1	2565223	AR	. CAPACITOR			
- 2	813179	AR	. CLAMP, BOARD			
- 3	811417	AR	. SCREW, HEX SOCKET H- 6-32 X 1/2 LG			
- 3A	62031	1	. WASHER, LOCK-INT TEETH NO. 6 X 0.295 OD			
- 4	2565273	AR	. CLAMP, CAPACITOR			
- 5	2565039	1	. CAPACITOR ASM			
- 6	2565099	AR	. BUS STRIP			
- 6A	5922878	2	. INSULATOR			
- 7	815080	AR	. STRAP, HOLD DOWN			
- 7A	1746712	1	. CAPACITOR ASM			
- 7B	815934	2	. CONNECTOR-WIRE, 22-26 AWG			
- 7C	492437	1	. CAPACITOR- 0.0015 MFD			
- 8	2114044	AR	. CLIP, CABLE			
- 9	2114043	AR	. CRADLE, CABLE			
- 10	5711266	AR	. SCREW			
- 11	2565216	AR	. CATCH, GATE			
- 12	819580	AR	. HOLDER, CARD- 2HI 2 WIDE			
- 13	819408	AR	. HOLDER, CARD- 3HI 4 WIDE			
- 14	818002	AR	. HOLDER, CARD- 3HI 2 WIDE			
- 15	2565222	AR	. RETAINER, CONNECTOR			
- 16	2565215	AR	. RETAINER, CONNECTOR			
- 16A	2732336	12	. JUMPER ASM			
- 17	2565214	1	. HINGE			
- 18	2565213	2	. SUPPORT, VERTICAL			
- 19	5711266	3	. SCREW			
- 20	2565211	1	. SUPPORT, HORIZONTAL			

Figure 8. Gate Assembly

FOR PARTS
NOT SHOWN
SEE FIG. 6

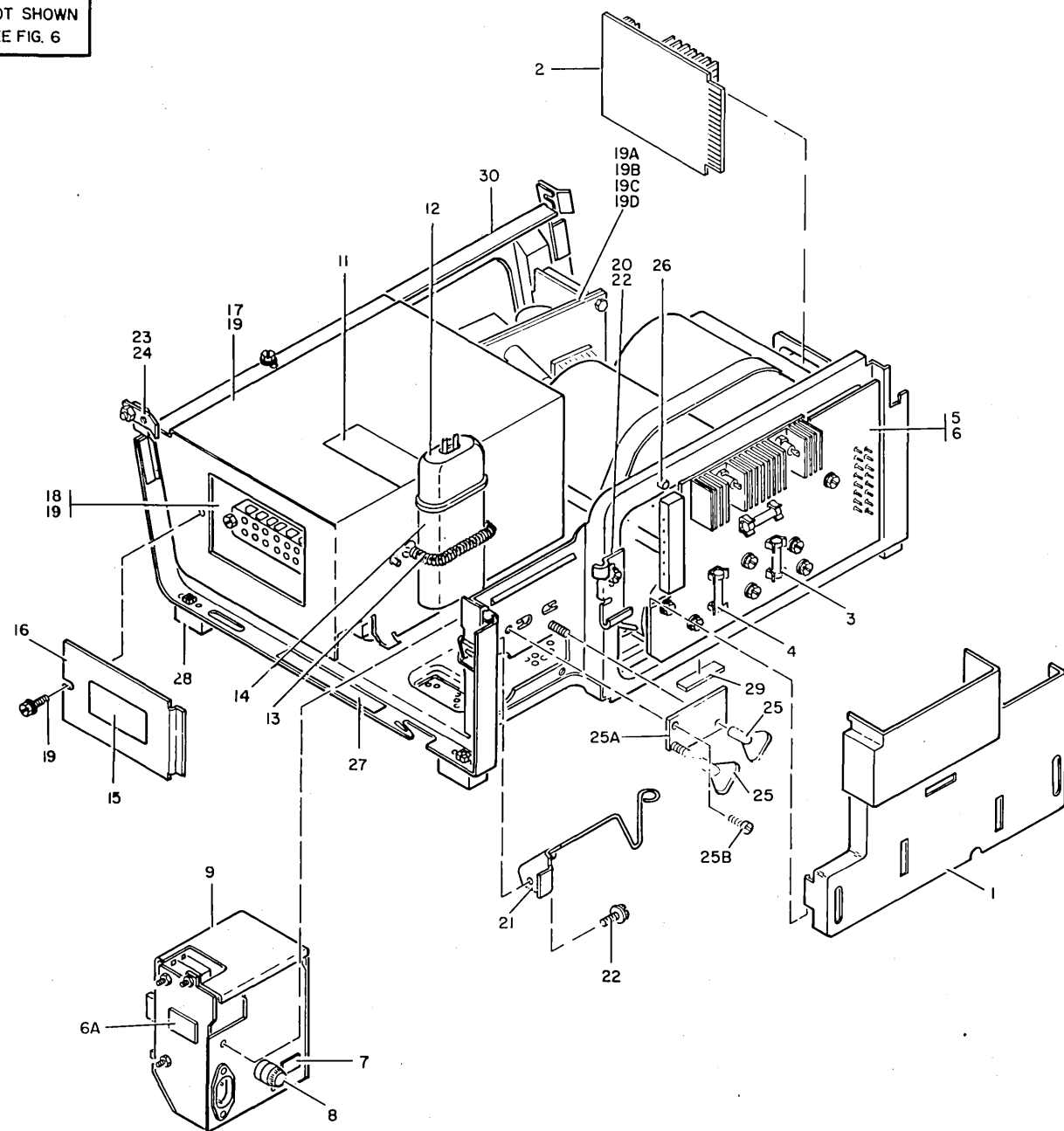


Figure 9. Base Assembly

3275/3277 PC (7/76)

List 9. Base Assembly

FIGURE- INDEX NUMBER	PART NUMBER	UNITS PER ASM.	DESCRIPTION			
			1	2	3	4
9 -	2565100 NP		BASE ASSEMBLY- 15 INCH DISPLAY FOR NEXT HIGHER ASM,SEE FIGURE 6-44			
- 1	2565123	1	. SHIELD			
- 2	2481207	1	. CARD ASM			
- 3	332009	2	. FUSE,CTG- 2A,SLO BLO,125V			
- 4	512137	1	. FUSE			
			USED ON 3275 BASE ONLY			
- 5	2565120	1	. SECONDARY POWER ASM- 3277			
- 5	2565130	1	. SECONDARY POWER ASM- 3275			
- 6	5711266	1	. SCREW			
- 6A	138754	1	. DECAL,VOLTAGE-ENGLISH,JAPANESE			
- 7	2565141	1	. LABEL,FUSE- 3277			
- 7	2565147	1	. LABEL,FUSE- 3275 M1/M2/M3 115V 60 HZ			
- 7	2565148	1	. LABEL,FUSE- 3275 M1/M2/M3 100V 60 HZ AND 100/110/235V 50 HZ			
- 7	2565142	1	. LABEL,FUSE- 3275 220/235V 50 HZ			
- 7	1830733	1	. LABEL,FUSE- 3275 M11/M12 100/115V 60 HZ, 100/110/123.5V 50 HZ			
- 8	332009	1	. FUSE- 3277 60 HZ & 100/110/235V 50 HZ			
- 8	303549	1	. FUSE- 3277 220/235V 50 HZ			
- 8	361755	1	. FUSE- 3275 M1/M2/M3 115V 60 HZ			
- 8	5213152	1	. FUSE- 3275 M1/M2/M3			
			USED ON 100V 60 HZ,100/110/123.5V 50 HZ			
- 8	1176668	1	. FUSE- 3275 220/235V 50 HZ			
- 8	338165	1	. FUSE- 3275 M11/M12 100/115V 60 HZ, 100/110/123.5V 50 HZ			
- 9	2565110	1	. PRIME POWER ASM- 50/60 HZ			
- 9	2568770	1	. PRIME POWER ASM- 60 HZ CARD READER FEAT			
- 11	2582954	1	. LABEL,SAFETY			
- 12	363001	1	. COVER-CAPACITOR			
- 13	2577659	1	. SPRING,EXTENSION			
- 13	2565091	1	. SPRING- NON PCB			
- 14	2582939	1	. CAPACITOR- 660V,P/M 6%			
- 14	5252814	1	. CAPACITOR- NON PCB			
- 15	845762	1	. LABEL,VOLTAGE- 50 HZ			
- 16	2565109	1	. COVER,ACCESS- 50 HZ			
- 17	2565102	1	. COVER- 60 HZ			
- 17	2565108	1	. COVER- 50 HZ			
- 18	2582999	1	. FERRO ASM- 3277 115V 60 HZ			
- 18	4119307	1	. FERRO ASM- 3277 100V 60 HZ			
- 18	4119272	1	. FERRO ASM- 3277 50 HZ			
- 18	2582997	1	. FERRO ASM- 3275 115V 60 HZ			
- 18	4119306	1	. FERRO ASM- 3275 100V 60 HZ			
- 18	4119271	1	. FERRO ASM- 3275 50 HZ			
- 19	5711266	4	. SCREW			
- 19A	78999	1	. FUSE- 3275 M11/M12			
- 19B	1830730	1	. POWER ASM- 3275 M11/M12 115V 60 HZ			
- 19B	1830740	1	. POWER ASM- 3275 M11/M12 100V 60 HZ			
- 19B	1830735	1	. POWER ASM- 3275 M11/M12 50 HZ			
- 19C	5711266	1	. SCREW,THD FORMING- 8-32 X 0.312 LG			
- 19D	2565264	1	. NUT,WASHER-PREASSEMBLED			
- 20	2565077	1	. RETAINER			
- 21	2565076	1	. RETAINER,I/O CONN			
- 22	5711266	2	. SCREW			
- 23	2565126	2	. CLIP			
- 24	2565264	2	. NUT,WASHER-PREASSEMBLED			
- 25	2565117	2	. WING NUT			
- 25A	2565143	1	. PLATE			
- 25B	5711266	1	. SCREW,THD FORMING- 8-32 X 0.312 LG			
- 26	2565179	1	. BUMPER			
- 27	124943	1	. LABEL-HAZARDOUS AREA			
- 28	2565107	4	. FOOT			
- 29	2568625	1	. LABEL,VOLTAGE- 115V 60 HZ (3277)			
- 29	2568628	1	. LABEL,VOLTAGE- 100V 60 HZ (3277)			
- 29	2568626	1	. LABEL,VOLTAGE- 50 HZ (3277)			
- 29	2568645	1	. LABEL,VOLTAGE- 115V 60 HZ (3275-1)			
- 29	2568648	1	. LABEL,VOLTAGE- 100V 60 HZ (3275-1)			
- 29	2568646	1	. LABEL,VOLTAGE- 50 HZ (3275-1)			
- 29	2568635	1	. LABEL,VOLTAGE- 115V 60 HZ (3275-2)			
- 29	2568638	1	. LABEL,VOLTAGE- 100V 60 HZ (3275-2)			
- 29	2568636	1	. LABEL,VOLTAGE- 50 HZ (3275-2)			
- 29	2568624	1	. LABEL,VOLTAGE- 115V 60 HZ (3275-3)			
- 29	2568629	1	. LABEL,VOLTAGE- 100V 60 HZ (3275-3)			
- 29	2568627	1	. LABEL,VOLTAGE- 50 HZ (3275-3)			
- 29	1830864	1	. LABEL,VOLTAGE- 115V 60 HZ (3275-11)			
- 29	1830866	1	. LABEL,VOLTAGE- 100V 60 HZ (3275-11)			
- 29	1830865	1	. LABEL,VOLTAGE- 50 HZ (3275-11)			
- 29	1830964	1	. LABEL,VOLTAGE- 115V 60 HZ (3275-12)			
- 29	1830966	1	. LABEL,VOLTAGE- 100V 60 HZ (3275-12)			
- 29	1830965	1	. LABEL,VOLTAGE- 50 HZ (3275-12)			
- 30	2565104	1	. CHASSIS			

NOTE

LINE CORDS AND CABLE ASSEMBLIES DO NOT REQUIRE ILLUSTRATION. THE COMPONENT PARTS OF THESE ITEMS ARE LISTED AND ILLUSTRATED IN FIGURE/LIST 11. THE FOLLOWING IS A LISTING OF LINE CORDS AND CABLE ASSEMBLIES IN PART NUMBER ORDER, WITH REFERENCES TO FIGURE 11 FOR COMPONENT PART ILLUSTRATION.

List 10. Line Cords and Cable Assemblies

FIGURE-INDEX NUMBER	PART NUMBER	UNITS PER ASM.	DESCRIPTION			
			1	2	3	4
10			LINE CORDS			
- 1	2565196	1	POWER	CABLE, TWIST LOCK-	5FT 8IN	
- 1	2565198	1	POWER	CABLE, TWIST LOCK-	7FT 6IN	
				FOR COMPONENT PARTS, SEE FIG. 11-14, 50		
- 1	5252618	1	POWER	CABLE, 8FT		
- 1	5252620	1	POWER	CABLE, 6FT		
				FOR COMPONENT PARTS, SEE FIG. 11-50, 51		
- 1	5252619	1	POWER	CABLE, 8FT		
				FOR COMPONENT PARTS, SEE FIG. 11-50		
- 1A	2564879	1	CABLE	ASM, EXTERNAL DATA SET		
				CONNECTS EITHER 3872 OR 3875 TO 3275		
				FOR COMPONENT PARTS, SEE FIG. 11-5B, 17, 30, 34, 34D, 34E, 72, 73		
			CABLE ASSEMBLIES			
- 1B	2564877	1	CABLE	ASM, LINE ADAPTER-DAA TYPE CDT		
				LEASED OR SWITCHED LINE W/O AUTO ANSWER		
				FOR COMPONENT PARTS, SEE FIG. 11-5B, 30, 34E, 49, 52, 52A, 52B, 60, 72		
- 1C	2564878	1	CABLE	ASM, LINE ADAPTER-DAA TYPE CBS		
				LEASED OR SWITCHED LINE W/ AUTO ANSWER		
				FOR COMPONENT PARTS, SEE FIG. 11-5B, 30, 34E, 48, 52, 61, 72		
- 2	2564882	1	CABLE	ASM, GATE B TO I/O		
				FOR COMPONENT PARTS, SEE FIG. 11-3, 3A		
				5C, 13, 32, 33, 34D, 39, 41, 54, 71, 73		
- 3	2564941	1	CABLE	ASM, EXT DATA SET		
				LEASED OR SWITCHED LINES		
				FOR COMPONENT PARTS, SEE FIG. 11-5B, 17, 30, 34D, 34E, 48, 72, 73		
- 3A	2564942	1	CABLE	ASM- 3275 M3 EXTERNAL (USA/CANADA)		
				FOR COMPONENT PARTS, SEE FIG. 11-30		
				34A, 49A, 52, 52A, 52B, 60		
- 3B	2564943	1	CABLE	ASM- 3275 M3 EXTERNAL 50 HZ		
				FOR COMPONENT PARTS, SEE FIG. 11-30		
				34A, 49A, 52, 52A		
- 3C	2564945	1	CABLE	ASM- 3275 M3 GATE B-I/O & LED CARD		
				FOR COMPONENT PARTS, SEE FIG. 11-5		
				13, 32, 33, 34D, 39, 41, 42, 43, 54, 73		
- 3D	2565241	1	CABLE	ASM-LO VOLT CARD TO VOLT DIST CARD		
				FOR COMPONENT PARTS, SEE FIG. 11-5		
				32, 33, 54		
- 4	2565242	1	CABLE	ASM, VOLT. DISTRIBUTION AND ANALOG		
				FOR COMPONENT PARTS, SEE FIG. 11-3, 5, 5C,		
				7, 8A, 13, 18, 19, 20, 32B, 33, 52C, 54, 64		
- 5	2565243	1	CABLE	ASM, FRAME 01 GATE A TO ANALOG CARD		
				FOR COMPONENT PARTS, SEE FIG. 11-5C, 32C,		
				33, 39, 41, 42, 43		
				33, 39, 41, 42, 43, 54		
- 6	2565244	1	CABLE	ASM, FRAME 01 GATE A TO I/O KBD		
				FOR COMPONENT PARTS, SEE FIG. 11-5, 7,		
				10, 13, 34E, 39, 41, 42, 43, 72		
- 6A	2565245	1	CABLE	ASM, VIDEO LOGIC BD TO I/O-3277 M2		
				FOR COMPONENT PARTS, SEE FIG. 11-37,		
				55 THRU 58, 64, 64A, 65, 66, 67		
- 7	2565246	1	CABLE	ASM, VOLT-DISTRIBUTION TO B GATE		
				FOR COMPONENT PARTS, SEE FIG. 11-5, 5C,		
				7, 13, 18, 19, 20, 32A, 33, 54		

List 10. Line Cords and Cable Assemblies

FIGURE-INDEX NUMBER	PART NUMBER	UNITS PER ASM.	DESCRIPTION			
			1	2	3	4
10 - 8	2565247	1	CABLE	ASM, GATE B TO I/O DATA SET & LEDS		
				FOR COMPONENT PARTS, SEE FIG. 11-13, 32,		
				33, 34, 39, 41, 42, 43, 54, 71		
- 9	2565249	1	CABLE	ASM, FERRO TO PRIME BOX-W.T.		
				FOR COMPONENT PARTS, SEE FIG. 11-5, 9, 45		
- 10	2568702	1	CABLE	ASM-KEYLOCK FEAT		
				FOR COMPONENT PARTS, SEE FIG. 11-39		
- 11	2568707	1	CABLE	ASM-AUDIBLE ALARM		
				FOR COMPONENT PARTS, SEE FIG. 11-33, 47		
- 12	2568710	1	CABLE	ASM, GATE A TO I/O-CD READER 60 HZ		
				FOR COMPONENT PARTS, SEE FIG. 11-1, 5,		
				5C, 9, 12, 13, 21, 34B, 45		
- 12A	2568712	1	CABLE	ASM, GATE A TO I/O CARD READER		
				FOR COMPONENT PARTS, SEE FIG. 11-5, 5C,		
				9, 12, 13, 21, 34E, 45, 72		
- 13	2568717	1	CABLE	ASM, GATE A TO I/O- PRINTER		
				FOR COMPONENT PARTS,		
				SEE FIG. 11-11, 13, 34, 38		
- 13A	2568744	1	CABLE	ASM, GATE A TO I/O-CD READER 50 HZ		
				FOR COMPONENT PARTS, SEE FIG. 11-5, 5C,		
				9, 12, 13, 21, 34C, 45, 53		
- 14	2568774	1	CABLE	ASM, FERRO TO C.R. C/A 50HZ		
				FOR COMPONENT PARTS, SEE FIG. 11-5, 24, 25		
- 15	2568852	1	CABLE	ASM, KEYBOARD-TYPE A		
				FOR COMPONENT PARTS, SEE FIG. 11-26, 30,		
				31, 34D, 36, 49, 50, 73A		
- 16	2570207	1	CABLE	ASM, KEYBOARD-TYPE B		
				FOR COMPONENT PARTS, SEE FIG. 11-11, 26,		
				30, 34D, 38, 49, 68, 68A, 73A		
- 17	2577673	1	CABLE	ASM, ANALOG SIGNAL		
				FOR COMPONENT PARTS, SEE FIG. 11-8, 32C,		
				33, 39, 39A, 41, 42, 43, 54		
- 18	2577674	1	CABLE	ASM, FERRO TO PRIME BOX W.T. 50HZ		
				FOR COMPONENT PARTS, SEE FIG. 11-5, 9, 45		
- 19	2577677	1	CABLE	ASM, SECURITY KEY LOCK SWITCH		
				FOR COMPONENT PARTS, SEE FIG. 11-39, 47		
- 20	2577678	1	CABLE	ASM, GATE TO KYBD I/O CONN.		
				FOR COMPONENT PARTS, SEE FIG. 11-5, 8,		
				10, 34E, 39, 41, 42, 43, 72		
- 21	2577680	1	CABLE	ASM, BADGE READER FEATURE		
				FOR COMPONENT PARTS, SEE FIG. 11-5, 5C,		
				8, 12, 15, 16, 27, 34E, 72		
- 22	2577735	1	CABLE	ASM, DC POWER DISTRIBUTION- 3277 M1		
				FOR COMPONENT PARTS, SEE FIG. 11-3, 5, 5A,		
				5C, 7, 7A, 8, 13, 15, 20,		
				32, 32B, 33, 35, 44, 52, 54, 71		
- 23	2577752	1	CABLE	ASM, 50 HZ WTC CARD READER FEATURE		
				FOR COMPONENT PARTS, SEE FIG. 11-5, 5C,		
				8, 12, 21, 34C, 52, 59		
- 24	2577756	1	CABLE	ASM, VIDEO LOGIC BD TO I/O-3277 M1		
				FOR COMPONENT PARTS, SEE FIG. 11-37, 56-58		
- 25	2617936	1	CABLE	ASM, MAG EMITTER OUTPUT		
				FOR COMPONENT PARTS, SEE FIG. 11-2, 2A,		
				4, 28, 29, 40		
- 26	1830742	1	CABLE	ASM, VOLTAGE DISTRIBUTION B GATE		
				FOR COMPONENT PARTS, SEE FIG. 11-5, 7,		
				20A, 32D, 39A, 69		
- 27	1830915	1	CABLE	ASM, INTERFACE		
				FOR COMPONENT PARTS, SEE FIG. 11-39,		
				41, 42, 43		
- 28	1830950	1	CABLE	ASM, GATE B TO I/O DIAL		
				FOR COMPONENT PARTS, SEE FIG. 11-13, 32,		
				33, 34D, 39, 41, 54, 73		
- 29	1830959	1	CABLE	ASM, GATE B TO SWITCHES		
				FOR COMPONENT PARTS, SEE FIG. 11-55,		
				56, 57, 58		
- 30	2564929	1	CABLE	ASM, EXTERNAL		
				FOR COMPONENT PARTS, SEE FIG. 11-5B, 30,		
				34E, 49A, 52, 70, 72		
- 31	2564939	1	CABLE	ASM, CATHODE RAY TUBE SOCKET		
				FOR COMPONENT PARTS, SEE FIG. 11-5, 8B,		
				11B, 13, 32, 35A		
- 32	5922904	1	CABLE	ASM, KEYBOARD		
				FOR COMPONENT PARTS, SEE FIG. 11-11, 26,		
				30, 34D, 38, 68, 68A, 73A		
- 33	1744245	1	CABLE	ASM, CATHODE RAY TUBE SOCKET		
				FOR COMPONENT PARTS, SEE FIG. 11-5, 8,		
				8B, 11B, 32, 35A		

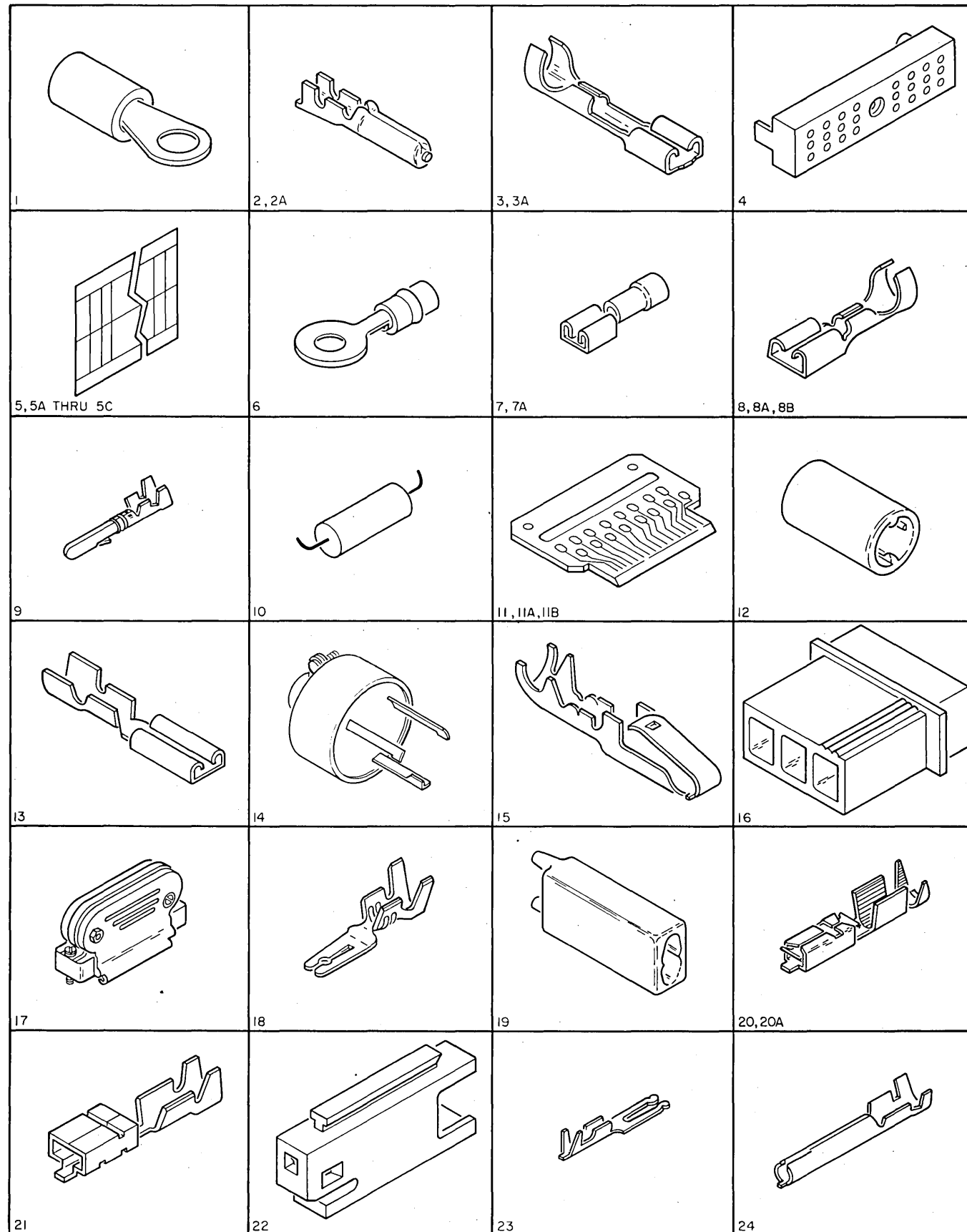
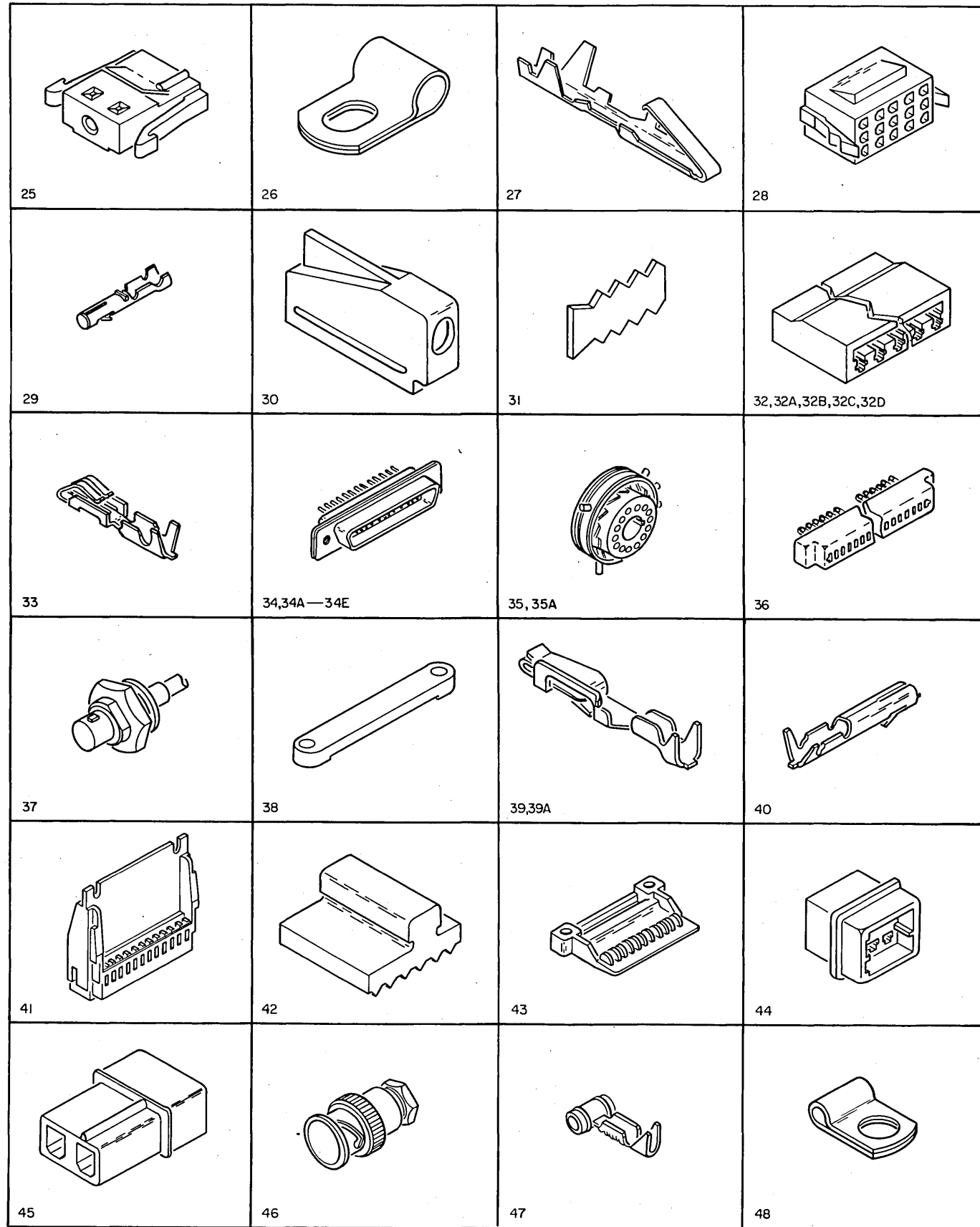


Figure 11. Cable Component Parts. Sheet 1 of 3. Index Nos. 1-24.

List 11. Cable Component Parts

FIGURE- INDEX NUMBER	PART NUMBER	UNITS PER ASM.	DESCRIPTION			
			1	2	3	4
11 -	NO NO. NP		CABLE COMPONENT PARTS			
- 1	92784	AR	. TERMINAL-RING, 18-20 AWG #8 HOLE, INS			
- 2	187243	AR	. TERMINAL, SMALL TAPER			
- 2A	360433	AR	. CONNECTOR, TAPER PIN-BARE WIRE CRIMP			
- 3	236915	AR	. TERMINAL, SLIP ON-20-18 AWG			
- 3A	236916	AR	. TERMINAL-CONTACT FEMALE 24-22 AWG			
- 4	302090	AR	. CONNECTOR, RECP, ELEC- 24 FEMALE CONTACTS			
- 5	317296	AR	. LABEL-NUMBERING L TO R 1 THRU 33			
- 5A	317297	AR	. LABEL-NUMBERING L TO R 34 THRU 66			
- 5B	483770	AR	. LABEL, CABLE IDENTIFICATION			
- 5C	811825	AR	. LABEL-CABLE			
- 6	334932	AR	. TERMINAL-RING, 18-22 AWG, #10 HOLE, INS			
- 7	342087	AR	. RECEPTACLE, TAB			
- 7A	5247187	AR	. RECEPTACLE, TAB- 18-22 AWG			
- 8	430798	AR	. TERMINAL-RECEPTACLE			
- 8A	430801	AR	. TERMINAL			
- 8B	1127037	AR	. RECEPTACLE, TAB- 0.755 LG			
- 9	1166114	AR	. TERMINAL			
- 10	491227	AR	. CAPACITOR- 0.001 MMF, 10%, 100V			
- 11	5800634	AR	. CARD ASSEMBLY			
- 11A	5863768	AR	. CARD ASM			
- 11B	2564938	AR	. CARD ASM			
- 12	523171	AR	. FERRULE, CABLE, SHIELEDED-INSULATED-18 AWG			
- 13	523181	AR	. TERMINAL, QUICK DISCONNECT- 18/22 AWG			
- 14	624034	AR	. PLUG, TWIST LOCK-15A 125V			
- 15	609687	AR	. CONTACT			
- 16	725558	AR	. CONNECTOR, CAP-3 CIRCUIT			
- 17	765295	AR	. STRAIN RELIEF AND HOOD			
- 18	813194	AR	. CONNECTOR, DISCRETE 20-18 AWG			
- 19	813197	AR	. HOUSING, DISCRETE WIRE CONNECTOR			
- 20	815933	AR	. CONNECTOR, DISCRETE WIRE			
- 20A	2637682	AR	. CONNECTOR - DISCRETE			
- 21	815934	AR	. CONNECTOR-WIRE, 22-26 AWG			
- 22	816862	AR	. HOUSING, CONNECTOR-SINGLE			
- 23	816884	AR	. CONNECTOR			
- 24	1166115	AR	. SOCKET, TERMINAL			



List 11. Cable Component Parts

FIGURE-INDEX NUMBER	PART NUMBER	UNITS PER ASM.	DESCRIPTION				
			1	2	3	4	
11 - 25	1166116	AR	•	HOUSING, SOCKET			
- 26	1833098	AR	•	CLAMP, CABLE			
- 27	2145170	AR	•	CONNECTOR, TERMINAL			
- 28	2495446	AR	•	HOUSING, SOCKET- 15 POSITION			
- 29	2513254	AR	•	TERMINAL, SOCKET- 30-32 AWG			
- 30	5717874	AR	•	HOOD, CONNECTOR			
- 31	2621350	AR	•	KEY, POLARIZING			
- 32	5252581	AR	•	HOUSING, CONNECTOR- 15 POS			
- 32A	5252584	AR	•	HOUSING, CONNECTOR- 6 POSITION			
- 32B	5252587	AR	•	HOUSING, CONNECTOR- 9 POSITION			
- 32C	5252591	AR	•	HOUSING, CONNECTOR- 21 POSITION			
- 32D	2637684	AR	•	HOUSING, CONNECTOR			
- 33	5252582	AR	•	TERMINAL, NO. 18			
- 34	5252592	AR	•	CONNECTOR, MALE- 25 POSITION			
- 34A	5252593	AR	•	CONNECTOR-FEMALE 25 POSITION			
- 34B	5302663	AR	•	CONNECTOR, 25 POSITION			
- 34C	5252796	AR	•	CONNECTOR, FEMALE- 15 POS			
- 34D	1655338	AR	•	CONNECTOR, RECEPTACLE- 25 POS			
- 34E	1655336	AR	•	CONNECTOR, RECEPTACLE- 25 POS			
- 35	5252621	AR	•	SOCKET, CRT			
- 35A	5252891	AR	•	SOCKET, CRT			
- 36	5252637	AR	•	CONNECTOR- 22 POS			
- 37	5252661	AR	•	CONNECTOR			
- 38	5275481	AR	•	STRAIN RELIEF			
- 39	5486851	AR	•	CONTACT, SERPENT, SINGLE HI			
- 39A	5486853	AR	•	CONTACT			
- 40	5412643	AR	•	SOCKET, TERMINAL			
- 41	5447741	AR	•	HOUSING, SINGLE HI			
- 42	5466393	AR	•	CLAMP, STRAIN RELIEF			
- 43	5466397	AR	•	STRAIN RELIEF			
- 44	609691	AR	•	CONNECTOR			
- 45	1166117	AR	•	HOUSING			
- 46	5214874	AR	•	CONNECTOR, COAXIAL PLUG			
- 47	5462535	AR	•	TERMINAL, QUICK DISCONNECT-RIGHT ANGLE			
- 48	2565144	AR	•	CLAMP			

Figure 11. Cable Component Parts. Sheet 2 of 3. Index Nos. 25-48.

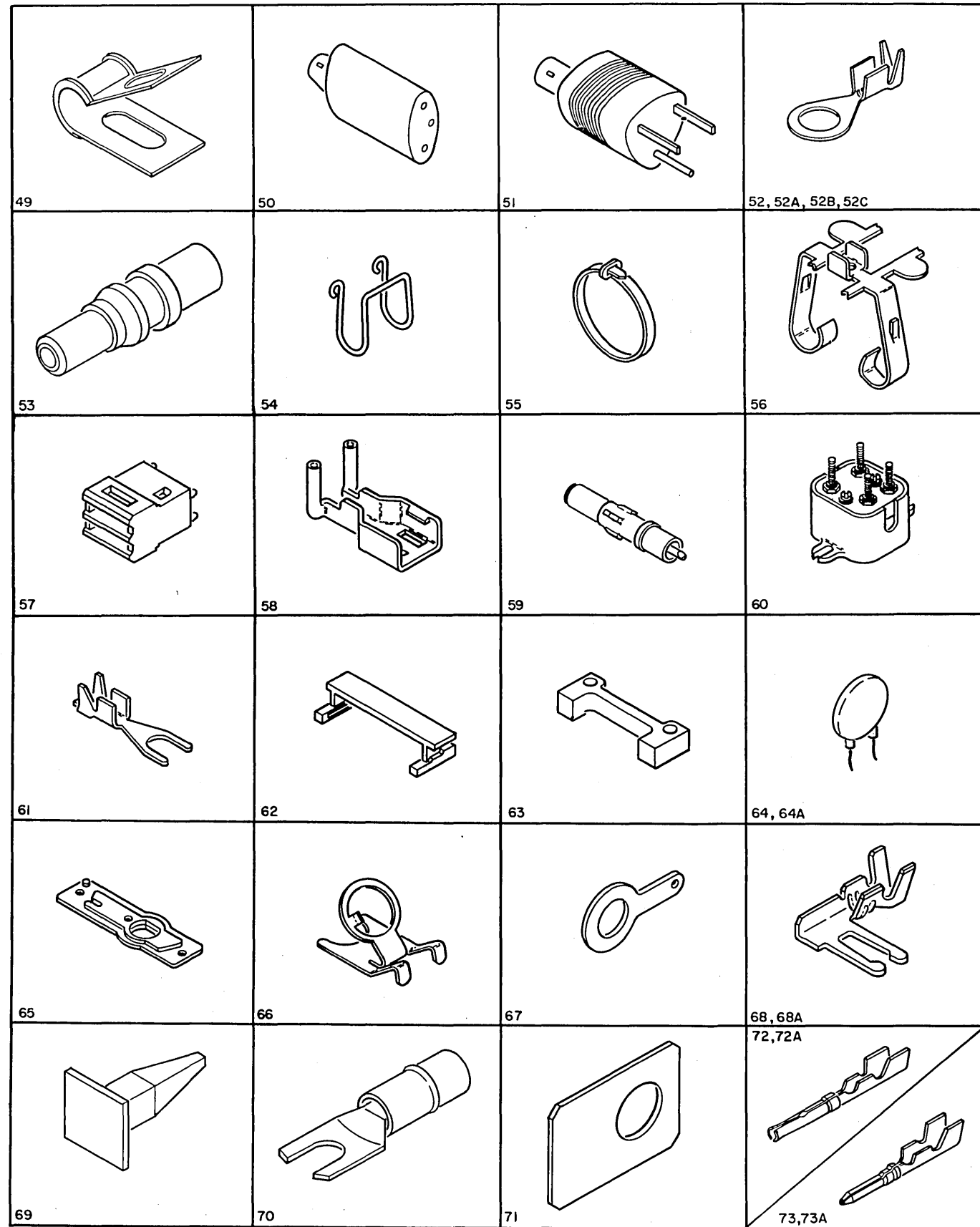


Figure 11. Cable Component Parts. Sheet 3 of 3. Index Nos. 49-73A.

List 11. Cable Component Parts

FIGURE- INDEX NUMBER	PART NUMBER	UNITS PER ASM.	DESCRIPTION			
			1	2	3	4
11 - 49	183720	AR	.	CLAMP		
- 49A	2565097	AR	.	CLAMP		
- 50	NO NO. NP	AR	.	PLUG-SUPPLIED WITH LINE CORD		
- 51	NO NO. NP	AR	.	PLUG-SUPPLIED WITH LINE CORD		
- 52	483685	AR	.	TERMINAL		
- 52A	483674	AR	.	TERMINAL,RING-BRASS #4 STUD 22-26 AWG		
- 52B	483678	AR	.	TERMINAL,RING- NO. 6		
- 52C	483676	AR	.	TERMINAL, RING-22-26 AWG NO. 6 STUD		
- 53	5252797	AR	.	CONNECTOR ASM- SNAP-IN		
- 54	2565041	AR	.	CLIP,SPRING		
- 55	5420242	AR	.	TY-MINIATURE		
- 56	813681	AR	.	CONTACT		
- 57	813550	AR	.	HOUSING		
- 58	2565094	AR	.	RETAINER,COAX		
- 59	5252797	AR	.	CONNECTOR ASM- SNAP-IN		
- 60	341200	AR	.	PLUG-TELEPHONE		
- 61	483695	AR	.	TERMINAL-SPADE		
- 62	811802	AR	.	GUIDE,CARD		
- 63	5352958	AR	.	STRAIN RELIEF		
- 64	2396761	AR	.	CAPACITOR		
- 64A	5213736	AR	.	CAPACITOR,DISC,CER- 0.1 UF P80M20% 500V		
- 65	2565224	AR	.	PLATE,INSULATOR-COAX		
- 66	2565079	AR	.	SPRING,GROUND		
- 67	2565189	AR	.	TERMINAL		
- 68	1142534	AR	.	TERMINAL		
- 68A	2343474	AR	.	TERMINAL		
- 69	2367689	AR	.	INSERT,POLARIZATION		
- 70	483650	AR	.	TERMINAL, FLANGED.SPADE		
- 71	2568837	AR	.	SPACER		
- 72	1655337	AR	.	SOCKET,CONTACT		
- 72A	1655358	AR	.	SOCKET,CONTACT- 24-28 AWG		
- 73	1655339	AR	.	PIN,CONTACT		
- 73A	1655359	AR	.	PIN,CONTACT- 24-28 AWG		

NUMERIC INDEX

PART NO.	LIST AND INDEX NO.	PART NO.	LIST AND INDEX NO.	PART NO.	LIST AND INDEX NO.	PART NO.	LIST AND INDEX NO.	PART NO.	LIST AND INDEX NO.	PART NO.	LIST AND INDEX NO.	PART NO.	LIST AND INDEX NO.	PART NO.	LIST AND INDEX NO.
6364	3 - 84	483770	11 - 5B	1142534	11 - 68	1785038	1 - 30E	1830956	6 - 5	1863833	1 - 30M	2564883	7 - 4F	2565092	6 - 2P
6503	6 - 23	491227	11 - 10	1154429	1 - 27	1785039	1 - 30D	1830959	10 - 29	1863834	1 - 30J	2564884	7 - 7A	2565094	11 - 58
	7 - 52	492437	8 - 7C		1A - 23	1785040	1 - 30D	1830964	9 - 29	1863835	1 - 30H	2564896	6 - 26C	2565097	11 - 49A
10170	1A - 12	512137	3 - 26	1164976	1 - 28	1785041	1 - 30D	1830965	9 - 29	1863836	1 - 30G	2564900	6 - REF	2565099	4 - 9
	1A - 15		9 - 4		1A - 24	1785042	1 - 30D	1830966	9 - 29	1863837	1 - 30K	2564901	5 - 1	2565100	6 - 44
24511	6 - 24	523171	11 - 12	1166114	11 - 9	1785043	1 - 30D	1830991	6 - 5	1863838	1 - 30L	2564902	5 - 1	2565102	9 - 17
	7 - 53	523181	11 - 13	1166115	11 - 24	1785044	1 - 30F	1830992	6 - 5	1863839	1 - 30K	2564903	5 - 1	2565104	9 - 30
38235	3 - 83	524519	3 - 29B	1166116	11 - 25	1785045	1 - 30F	1830993	6 - 5	1863851	1 - 30C	2564904	5 - 1	2565107	3 - 100
52905	3 - 71		4 - 16	1166117	11 - 45	1785046	1 - 30F	1830994	6 - 5	1863852	1 - 30D	2564905	5 - 1	2565108	9 - 17
55901	3 - 23		7 - 58	1176668	3 - 66B	1785047	1 - 30F	1830995	6 - 5	1863853	1 - 30L	2564906	5 - 1	2565109	9 - 16
56722	1 - 5	534768	3 - 77		9 - 8	1785048	1 - 30F	1830996	6 - 5	1863854	1 - 30M	2564907	5 - 1	2565110	9 - 9
	3 - 57	609687	11 - 15	1177628	3 - 66D	1785049	1 - 30G	1832723	1 - C	1863855	1 - 30H	2564908	5 - 1	2565117	9 - 25
	4 - 23	609691	11 - 44		3 - 99	1785050	1 - 30G	1832724	1 - E	1863856	1 - 30E	2564909	5 - 1	2565120	3 - 27
	7 - 42	624034	11 - 14		6 - 27	1785051	1 - 30G	1832725	1 - D	1863857	1 - 30F	2564911	6 - 5	2565123	9 - 1
62031	4 - 3	725558	11 - 16		6 - 28F	1785052	1 - 30H	1832726	1 - D	1863858	1 - 30J	2564912	6 - 5	2565126	9 - 23
	8 - 3A	733978	3 - 97	1566040	1A - F	1785053	1 - 30H	1832727	1 - F	1863860	1 - 30N	2564913	6 - 5	2565130	9 - 5
78999	9 - 19A	736992	7 - 21	1566041	1A - F	1785054	1 - 30H	1832728	1 - G	1863861	1 - 30D	2564914	6 - 5	2565139	7 - 31A
81693	1A - 17	738826	7 - 4C	1566042	1A - F	1785055	1 - 30J	1832729	1 - G	1863862	1 - 30G	2564915	6 - 5	2565141	3 - 39
	1A - 19	738828	7 - 4B	1566043	1A - G	1785056	1 - 30J	1832730	1 - H	1863863	1 - 30G	2564916	5 - 5	2565142	9 - 7
92784	11 - 1	760303	5 - 4	1566044	1A - G	1785057	1 - 30J	1832731	1 - J	1864489	1 - 30A	2564917	5 - 1	2565143	9 - 25A
109918	3 - 2	765295	11 - 17	1566045	1A - G	1785058	1 - 30K	1832732	1 - K	1864927	1 - 29B	2564918	5 - 1	2565144	11 - 48
	6 - 17	766051	6 - 26E	1566046	1A - H	1785059	1 - 30K	1832733	1 - L	1864928	1 - 29A	2564919	5 - 1	2565145	7 - 15A
121521	7 - 9	811417	4 - 2	1566047	1A - H	1785060	1 - 30K	1832734	1 - M	1864972	1 - 29A	2564929	10 - 30	2565146	5 - 22
124943	3 - 90		4 - 5A	1566048	1A - H	1785064	1 - 30L	1832735	1 - N	1864978	1 - 29A	2564935	7 - 26	2565147	9 - 7
	9 - 27		4 - 12	1566049	1A - J	1785065	1 - 30L	1833052	1 - B	1865156	1 - D	2564937	7 - 24	2565148	9 - 7
125930	3 - 89		8 - 3	1566050	1A - J	1785066	1 - 30L	1833053	1 - B	1868018	1 - 30P	2564938	11 - 11B	2565157	7 - 15
138754	9 - 6A	811427	3 - 43	1566051	1A - J	1785067	1 - 30L	1833054	1 - B	1868019	1 - 30P	2564939	10 - 31	2565158	7 - 13
169698	4 - 6		3 - 90A	1566055	1A - K	1785068	1 - 30L	1833055	1 - B	2114043	6 - 22	2564941	10 - 3	2565159	7 - 17
179743	7 - 4D	811802	11 - 62	1566056	1A - K	1785069	1 - 30M	1833056	1 - B		7 - 51	2564942	10 - 3A	2565160	5 - REF
183720	11 - 49	811825	11 - 5C	1566057	1A - K	1785070	1 - 30M	1833057	1 - B		8 - 9	2564943	10 - 3B	2565161	5 - 9
187243	11 - 2	812345	6 - 37	1566058	1A - L	1785071	1 - 30M	1833058	1 - C	2114044	6 - 21	2564945	10 - 3C	2565162	5 - 9
216230	1 - 2F	813179	4 - 11	1566059	1A - L	1825000	1A - D	1833059	1 - C		7 - 50	2564950	6 - REF	2565163	5 - 10
223071	3 - 82		8 - 2	1566063	1A - L	1825001	1A - C	1833060	1 - C		8 - 8	2564951	6 - 5	2565164	5 - 10
236915	11 - 3	813194	11 - 18	1566655	1 - 2B	1825004	1A - D	1833061	1 - E	2125765	1 - 26	2564952	6 - 5	2565165	5 - 12
236916	11 - 3A	813197	11 - 19		1 - 2E	1825005	1A - C	1833062	1 - E	2144045	6 - 30	2564953	6 - 5	2565166	5 - 24
257187	1A - 8	813550	11 - 57	1589880	1 - 2G	1825028	1 - A	1833063	1 - E	2144046	6 - 30	2564954	6 - 5	2565170	6 - 6
	3 - 58	813681	11 - 56	1643291	1 - 13	1825029	1 - A	1833064	1 - E	2144047	6 - 30	2564955	5 - 5	2565171	5 - 6
	4 - 24	815080	8 - 7	1643295	1 - 13	1825030	1 - A	1833065	1 - E	2145170	11 - 27	2564956	6 - 5	2565172	5 - 6
257188	3 - 8	815933	11 - 20	1648545	1 - 30A	1825031	1 - A	1833066	1 - D	2176120	1A - 20	2564980	6 - 28D	2565173	5 - 3
	7 - 31C	815934	8 - 7B	1655139	1 - A	1825032	1 - A	1833067	1 - D	2181002	3 - 28	2564981	6 - 28G	2565174	5 - 21
257189	5 - 29		11 - 21	1655140	1 - 2H	1825033	1 - A	1833068	1 - D	2181004	3 - 31	2564988	6 - 28A	2565175	5 - 11
	6 - 36	816862	11 - 22	1655154	1 - C	1825034	1 - 24	1833069	1 - D		3 - 35	2565000	6 - REF	2565176	7 - 8
257986	4 - 8	816884	11 - 23	1655155	1 - E	1830688	3 - 66E	1833070	1 - D		3 - 44	2565001	5 - 1	2565177	7 - 10
300683	2 - 15	818002	8 - 14	1655157	1 - F	1830730	9 - 19B	1833071	1 - F		3 - 48	2565002	5 - 1	2565178	7 - 11
300685	2 - 16	819408	6 - 31	1655158	1 - M	1830733	9 - 7	1833072	1 - F		3 - 61	2565003	5 - 1	2565179	9 - 26
302090	11 - 4		8 - 13	1655159	1 - J	1830735	9 - 19B	1833073	1 - F		3 - 76	2565004	5 - 1	2565180	7 - 20
303538	3 - 78	819579	6 - 31	1655160	1 - H	1830737	6 - 33	1833074	1 - F		3 - 77A	2565005	5 - 1	2565181	5 - 14
303549	3 - 40	819580	8 - 12	1655161	1 - G	1830740	9 - 19B	1833075	1 - F		3 - 92	2565006	5 - 1	2565182	5 - 14
	9 - 8	825303	4 - 19	1655162	1 - K	1830742	10 - 26	1833076	1 - G		4 - 14	2565011	6 - 5	2565183	5 - 30
309829	3 - 88	845762	3 - 86A	1655163	1 - L	1830780	7 - 58A	1833077	1 - G	2181005	1 - 11	2565012	6 - 5	2565184	5 - 30
317296	11 - 5		9 - 15	1655164	1 - B	1830800	6 - REF	1833078	1 - G		1 - 23	2565013	6 - 5	2565185	5 - 28
317297	11 - 5A	855262	6 - 1	1655176	1 - P	1830801	5 - 1	1833079	1 - H		3 - 94	2565014	6 - 5	2565186	5 - 7
327921	3 - 91	855263	6 - 1	1655177	1 - P	1830802	5 - 1	1833080	1 - H	2181011	7 - 41	2565015	6 - 5	2565187	7 - 11
332009	3 - 25	855264	6 - 1	1655336	10 - 34E	1830803	5 - 1	1833081	1 - H	2181088	4 - 7	2565016	6 - 5	2565179	9 - 26
	3 - 40	855265	6 - 1	1655337	10 - 72	1830804	5 - 1	1833082	1 - J	2191846	3 - 65	2565038	7 - 28A	2565180	7 - 20
	9 - 3	855266	6 - 1	1655338	10 - 34D	1830805	5 - 1	1833083	1 - J	2343474	11 - 68A	2565039	8 - 5	2565181	5 - 14
	9 - 8	855267	6 - 1	1655339	10 - 73	1830806	5 - 1	1833084	1 - J	2364226	1 - 1	2565041	11 - 54	2565182	5 - 14
334635	7 - 4E	855268	6 - 1	1655358	10 - 72A	1830816	1 - A	1833085	1 - K		1A - 1	2565051	5 - 31	2565183	5 - 30
334932	11 - 6	855269	6 - 1	1655359	10 - 73A	1830817	1 - A	1833086	1 - K	2364228	1 - 1	2565063	7 - 44	2565184	5 - 30
338165	9 - 8	855270	6 - 1	1744245	10 - 33	1830864	9 - 29	1833087	1 - K		1A - 1	2565064	7 - 37A	2565185	5 - 28
341200	11 - 60	855271	6 - 1	1746712	8 - 7A	1830865	9 - 29	1833088	1 - L	2364265	1 - 22	2565065	7 - 36	2565186	5 - 7
342087	11 - 7	855272	6 - 1	1746741	1 - A	1830866	9 - 29	1833089	1 - L		1A - 16	2565068	3 - 10	2565187	11 - 67
360433	11 - 2A	855273	6 - 1	1746742	1 - 2A	1830900	6 - REF	1833090	1 - L		11 - 69		7 - 31	2565188	5 - 26
361755	9 - 8	855274	6 - 1	1746743	1 - 1	1830901	5 - 1	1833091	1 - L	2367689	11 - 69	2565071	5 - 16	2565189	5 - 26
363001	3 - 18	855275	6 - 1	1748172	1 - 30A	1830902	5 - 1								

PART NO.	LIST AND INDEX NO.	PART NO.	LIST AND INDEX NO.	PART NO.	LIST AND INDEX NO.	PART NO.	LIST AND INDEX NO.	PART NO.	LIST AND INDEX NO.	PART NO.	LIST AND INDEX NO.	PART NO.	LIST AND INDEX NO.	PART NO.	LIST AND INDEX NO.
2565215	4 - 20	2568776-CONT	7 - 31D	2577747	3 - 101	2728703	1A- 27E	5319854	3 - 42	5995525	1A- 27D				
	8 - 16	2568837	11 - 71	2577748	3 - 98	2728704	1A- 27E		3 - 51	5995526	1A- 27C				
2565216	8 - 11	2568850	1 - 1	2577749	3 - 95	2728705	1A- 27E	5319888	3 - 78A	5995527	1A- 27A				
2565217	7 - 48		1A- 1	2577752	10 - 23	2728710	1A- 27F	5349929	3 - 22	5995528	1A- 27A				
2565222	4 - 27	2568852	10 - 15	2577756	10 - 24	2728711	1A- 27F		7 - 7	5995529	1A- 27A				
	8 - 15	2568855	1 - 1	2577758	7 - 29B	2728712	1A- 27F	5350006	1 - 4	5995542	1A- 3				
2565223	4 - 4		1A- 1	2577804	3 - 110	2728713	1A- 27G		1 - 21	5995543	1A- 4				
	8 - 1	2568924	1 - 15	2577805	3 - 11E	2728714	1A- 27G		1 - 25	5995544	1A- 6				
2565224	11 - 65		7 - 39	2577807	3 - 5	2728715	1A- 27G		2 - 9	5995547	1A- 5				
2565225	7 - 6	2568941	5 - 25A	2577834	7 - 28	2728716	1A- 27H		3 - 54	8112945	6 - 24A				
2565232	7 - 37B	2570100	3 - 1	2577836	2 - 13A	2728717	1A- 27H		3 - 69						
2565233	7 - 37		6 - 14	2577837	3 - 29A	2728718	1A- 27H		6 - 26B						
2565237	7 - 45	2570128	3 - 1A	2577838	7 - 29A	2728719	1A- 27J		4 - 18						
2565239	3 - 36		6 - 14A	2577839	3 - 8A	2728720	1A- 27J	5350012	11 - 63						
	7 - 1	2570203	1 - 29		7 - 30A	2728721	1A- 27J	5352958	11 - 40						
2565241	10 - 30		1A- 28	2577841	3 - 86	2728725	1A- 27K	5412643	3 - 94B						
2565242	10 - 4	2570204	1 - 29	2577842	3 - 85A	2728726	1A- 27K	5420242	4 - 15						
2565243	10 - 5		1A- 28	2577846	1 - 20A	2728727	1A- 27K		6 - 34						
2565244	10 - 6	2570205	1 - 29	2577860	3 - 45	2728728	1A- 27L		7 - 43						
2565245	10 - 6A		1A- 28	2577862	4 - 1	2728729	1A- 27L		7 - 54						
2565246	10 - 7	2570206	1 - 29	2577863	3 - 29	2728730	1A- 27L		11 - 55						
2565247	10 - 8		1A- 28	2577864	4 - 13	2731397	1 - 2D	5447741	11 - 41						
2565249	10 - 9	2570207	10 - 16	2577865	2 - 8	2731709	6 - 38	5462535	11 - 47						
2565251	7 - 55	2572536	7 - 14	2577866	2 - 6	2732336	8 - 16A	5466393	11 - 42						
2565252	6 - 26	2577619	3 - 73	2577868	3 - 70	2795065	2 - 18	5466397	11 - 43						
2565254	6 - 25	2577620	2 - 1	2577872	3 - 30	4119271	9 - 18	5474780	3 - 7						
2565255	7 - 46A	2577621	2 - 1	2577879	3 - 68	4119272	3 - 34		7 - 31B						
2565260	6 - 20	2577622	2 - 1	2577880	3 - 67		9 - 18	5486851	11 - 39						
2565263	6 - 18	2577623	2 - 1	2577881	2 - 14	4119306	9 - 18	5486853	11 - 39A						
2565264	6 - 43	2577624	2 - 1	2577882	2 - 12	4119307	3 - 34	5711266	4 - 26						
	7 - 46	2577625	2 - 1	2577883	2 - 11		9 - 18		5 - 8						
	7 - 56	2577647	3 - 86B	2577884	2 - 22	5183361	1 - 8		5 - 18						
	9 - 19D	2577648	3 - 86B	2577885	2 - 4	5183362	1 - 6		5 - 23						
	9 - 24	2577649	3 - 86B	2577886	2 - 13	5183363	1 - 14		5 - 27						
2565265	7 - 22	2577658	3 - 16		5 - 15	5183364	1 - 16		6 - 8						
2565266	7 - 23		3 - 80	2577887	2 - 17	5183366	1 - 12		6 - 19						
2565267	7 - 34	2577659	3 - 19	2577890	3 - 41	5183368	1 - 10		6 - 28						
2565270	7 - 5		9 - 13	2582939	9 - 14	5183380	1 - 3		7 - 4A						
2565272	3 - 38	2577664	3 - 47	2582954	3 - 14	5183420	1 - 17		7 - 5A						
	7 - 3	2577669	3 - 52		9 - 11	5183421	1 - 9		7 - 49						
2565273	4 - 5	2577671	3 - 50	2582997	9 - 18	5183481	1 - 14		7 - 57						
	8 - 4	2577673	10 - 17	2582999	3 - 34	5183482	1 - 16		8 - 10						
2565274	7 - 19	2577674	10 - 18		9 - 18	5183483	1 - 12		8 - 19						
2568624	9 - 29	2577676	3 - 63	2611025	3 - 21	5183484	1 - 10		9 - 6						
2568625	9 - 29	2577677	10 - 19		7 - 40	5183485	1 - 17		9 - 19						
2568626	9 - 29	2577678	10 - 20	2617936	10 - 25	5213152	9 - 8		9 - 19C						
2568627	9 - 29	2577679	3 - 62	2621346	1 - 20	5213276	4 - 17		9 - 22						
2568628	9 - 29	2577680	10 - 21		1A- 14	5213736	11 - 64A		9 - 25B						
2568629	9 - 29	2577687	2 - 23	2621348	1 - 2	5214874	11 - 46		6 - 26A						
2568635	9 - 29	2577688	2 - 3		1A- 2	5236559	6 - 28B		11 - 30						
2568636	9 - 29	2577689	2 - 2	2621350	11 - 31	5247187	11 - 7A		2 - 20						
2568638	9 - 29	2577691	2 - 2	2621352	1A- 10	5252519	6 - 28E		5 - 19						
2568645	9 - 29	2577692	2 - 2	2621364	1A- A	5252540	7 - 31E		2 - 21						
2568646	9 - 29	2577693	2 - 2	2621365	1A- A	5252559	7 - 32		5 - 20						
2568648	9 - 29	2577694	2 - 2	2621366	1A- A	5252581	11 - 32		3 - 96						
2568702	10 - 10	2577695	2 - 2	2621367	1A- A	5252582	11 - 33		11 - 11						
2568704	6 - 7	2577696	3 - 59	2621368	1A- A	5252584	11 - 32A		11 - 11A						
2568707	10 - 11	2577698	3 - 55	2621369	1A- A	5252587	11 - 32B		1A- M						
2568709	3 - 46		4 - REF	2621371	1A- B	5252591	11 - 32C		1A- M						
	6 - 10A	2577699	3 - 17	2621372	1A- B	5252592	11 - 34		4 - 10						
	6 - 26D	2577701	3 - REF	2621373	1A- B	5252593	11 - 34A		8 - 6A						
2568710	10 - 12	2577706	3 - 13	2621377	1A- D	5252596	7 - 16		1A- E						
2568714	2 - 5	2577708	2 - 10	2621378	1A- D	5252598	3 - 12		1A- E						
	6 - 9	2577714	2 - 7	2621379	1A- D	5252613	3 - 11C		1A- 21						
2568717	10 - 13	2577716	3 - 49	2621383	1A- C	5252618	10 - 1		1A- 18						
2568718	3 - 75	2577718	3 - 72	2621384	1A- C	5252619	10 - 1		10 - 32						
	6 - 11	2577721	3 - 56	2621385	1A- C	5252620	10 - 1		1A- 10A						
2568722	3 - 3		4 - 22	2621391	1 - 18	5252621	11 - 35		1 - 8						
	6 - 16	2577722	3 - 79		1A- 13	5252637	11 - 36		1A- 27A						
2568723	3 - 18		4 - 21	2621399	1A- 11	5252661	11 - 37		1A- 27B						
	6 - 15	2577725	3 - 64	2637682	1 - 2C	5252760	7 - 31E		1A- 27D						
2568724	6 - 13	2577726	3 - 81		11 - 20A	5252796	11 - 34C		1A- 27C						
2568729	6 - 10	2577727	3 - 66	2637684	11 - 32D	5252797	11 - 53		1A- 27B						
	6 - 12	2577728	3 - 93	2728610	1A- 27M		11 - 59		1A- 27C						
2568733	3 - 94A	2577731	2 - REF	2728620	1A- 27M	5252814	3 - 20		1A- 27A						
	6 - 42	2577732	3 - 53	2728651	1A- 6		9 - 14		1A- 27B						
2568744	10 - 13A	2577733	3 - 85	2728698	1A- 27D	5252891	11 - 35A		1A- 27D						
2568770	9 - 9	2577735	10 - 22	2728699	1A- 27D	5252919	3 - 66C		1A- 27C						
2568774	10 - 14	2577745	3 - 87	2728700	1A- 27C	5275481	11 - 38		1A- 27A						
2568776	3 - 11	2577746	3 - 60	2728701	1A- 27C	5302663	11 - 34B		1A- 27B						

READER'S COMMENT FORM

3275-1, 2, 3, 11, and 12/3277-1, 2 Display Station
Parts Catalog

Order No. S126-0005-4

- Did you find the part you needed in the catalog?
- If you *did not* find the part in the catalog, how did you obtain the correct part number?
- What parts were you unable to find? (Include numbers if you were able to determine them by alternate means.)
- If you *did* find the part you needed in the catalog, but had unusual difficulty locating it, please send us the part number and page number. Include a description of your difficulty if you wish.

We would appreciate your comments. If you wish a reply, be sure to include your name and address.

NAME

STREET

CITY

STATE ZIP CODE

Reply Requested?

Yes
No

READER'S COMMENT FORM

3275-1, 2, 3, 11, and 12/3277-1, 2 Display Station
Parts Catalog

Order No. S126-0005-4

- Did you find the part you needed in the catalog?
- If you *did not* find the part in the catalog, how did you obtain the correct part number?
- What parts were you unable to find? (Include numbers if you were able to determine them by alternate means.)
- If you *did* find the part you needed in the catalog, but had unusual difficulty locating it, please send us the part number and page number. Include a description of your difficulty if you wish.

We would appreciate your comments. If you wish a reply, be sure to include your name and address.

NAME

STREET

CITY

STATE ZIP CODE

Reply Requested?

Yes
No

Your comments, please . . .

Your comments, together with your answer to the questions on the back of this form will help us produce better publications for your use. Your comments will be carefully reviewed by the persons responsible for writing and publishing this material. All comments and suggestions become the property of IBM.

Fold

Fold



NO POSTAGE
NECESSARY
IF MAILED
IN THE
UNITED STATES

BUSINESS REPLY MAIL
FIRST CLASS PERMIT NO. 40 ARMONK, N.Y.

POSTAGE WILL BE PAID BY ADDRESSEE:

International Business Machines Corporation
Department 52L
Neighborhood Road
Kingston, New York 12401



Fold

Fold



International Business Machines Corporation
Data Processing Division
1133 Westchester Avenue, White Plains, New York 10604
(U.S.A. only)

IBM World Trade Corporation
821 United Nations Plaza, New York, New York 10017
(International)

Cut or Fold Along Line

3275-1, 2, 3, 11, and 12/3277-1, 2 Display Station (PC) Printed in U.S.A. S1260005-4

Your comments, please . . .

Your comments, together with your answer to the questions on the back of this form will help us produce better publications for your use. Your comments will be carefully reviewed by the persons responsible for writing and publishing this material. All comments and suggestions become the property of IBM.

Fold

Fold

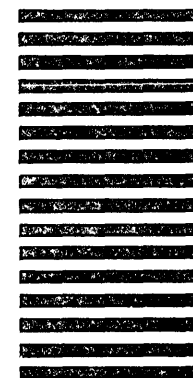


NO POSTAGE
NECESSARY
IF MAILED
IN THE
UNITED STATES

BUSINESS REPLY MAIL
FIRST CLASS PERMIT NO. 40 ARMONK, N.Y.

POSTAGE WILL BE PAID BY ADDRESSEE:

International Business Machines Corporation
Department 52L
Neighborhood Road
Kingston, New York 12401



Fold

Fold



International Business Machines Corporation
Data Processing Division
1133 Westchester Avenue, White Plains, New York 10604
(U.S.A. only)

IBM World Trade Corporation
821 United Nations Plaza, New York, New York 10017
(International)

Cut or Fold Along Line

3275-1, 2, 3, 11, and 12/3277-1, 2 Display Station (PC) Printed in U.S.A. S1260005-4

3275 Display Station Models 1, 2, 3, 11 and 12
3277 Display Station Models 1 and 2
© IBM Corp. 1973, 1974, 1976

This Technical Newsletter provides replacement page for the subject publication.
Page to be replaced:

Page 3

Summary of Amendments

This TNL corrects the nomenclature in Chart II, Part Number 1853633 from " " to PF5.

Note: *Please file this cover letter at the back of the manual for reference.*

3275/3277

3275/3277

Cut



International Business Machines Corporation
Data Processing Division
1133 Westchester Avenue, White Plains, New York 10604
(U.S.A. only)

IBM World Trade Corporation
821 United Nations Plaza, New York, New York 10017
(International)