

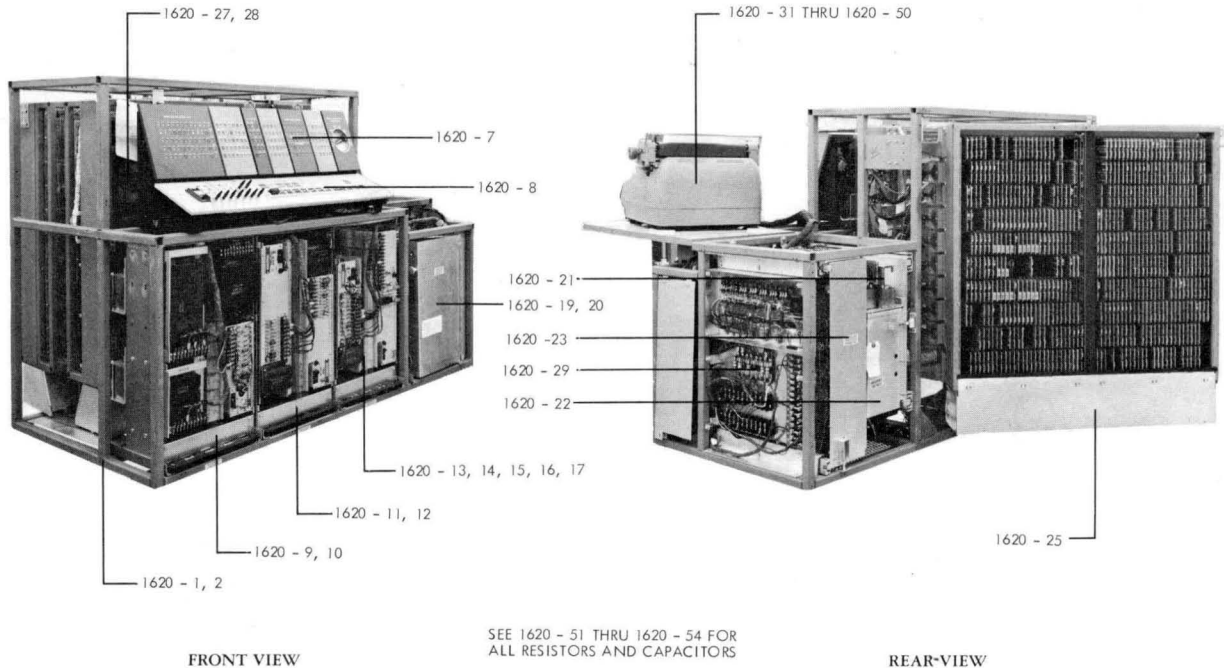
1620 Central Processing Unit

INDEX

THIS PAGE WILL HELP IN LOCATING THE FIGURE NUMBER ON WHICH THE PARTICULAR PART DESIRED WILL BE FOUND.

IN EACH FIGURE ALL ASSEMBLIES ARE IDENTIFIED BY AN ALPHABETICAL CHARACTER ENCLOSED IN A CIRCLE.

WHEN AN ASSEMBLY IS LISTED, FOR EXAMPLE (B) ALL PARTS THAT ARE LISTED BETWEEN (B) AND (C) ARE COMPONENT PARTS OF (B).



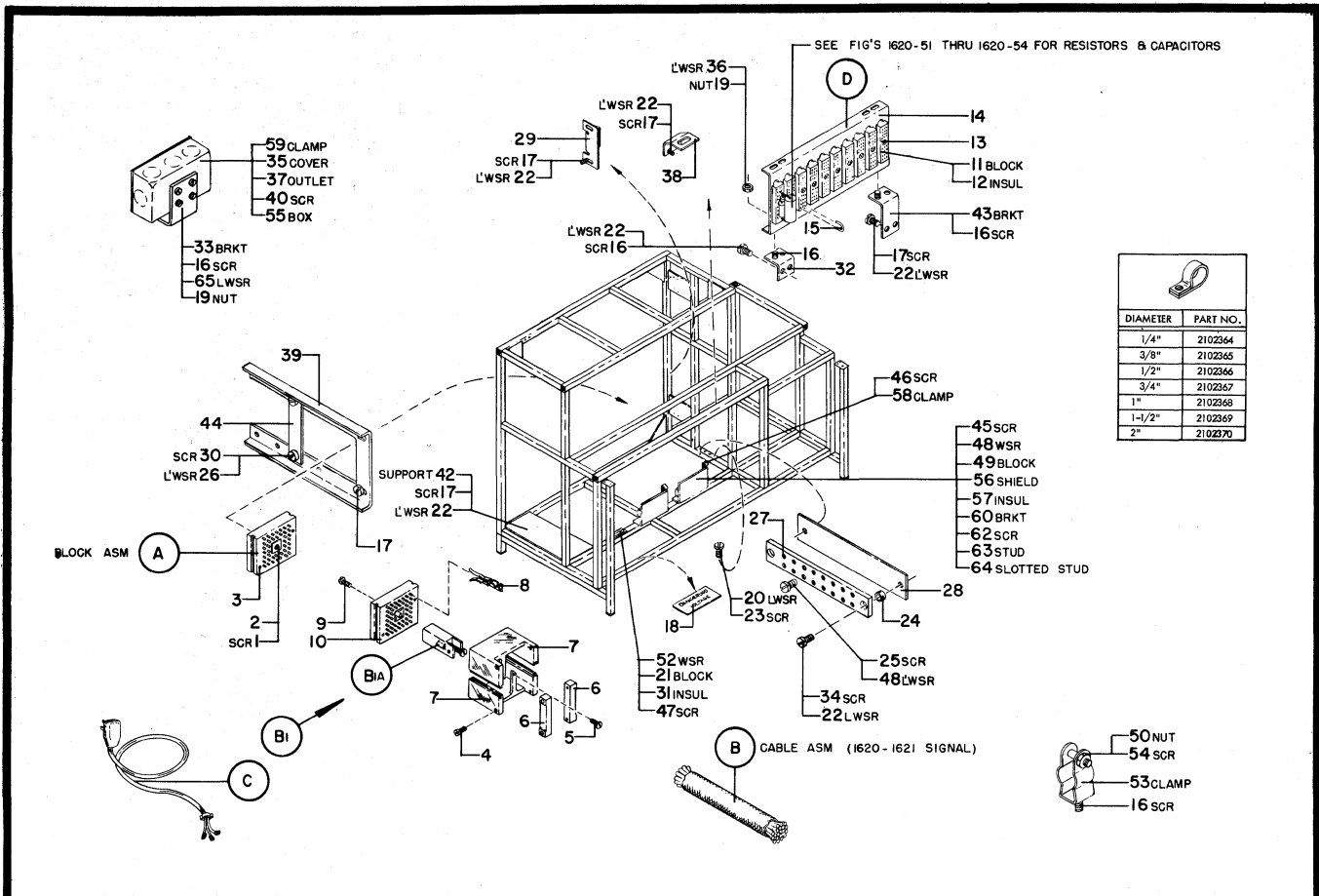
FRONT VIEW

REAR VIEW

IBM 1620 CENTRAL PROCESSING UNIT

1620 - 1	FRAME VIEW I	1620 - 28	MAIN MEMORY & TEST PANEL
1620 - 2	FRAME VIEW II	1620 - 29	POWER SEQUENCE PANEL
1620 - 3	COVERS VIEW I	1620 - 30	50/60 CYCLE CROSS INDEX
1620 - 4	COVERS VIEW II	1620 - 31	TYPEWRITER COVERS
1620 - 5	COVERS VIEW III	1620 - 32	PIN FEED PLATEN
1620 - 6	C E BOX & FILTER ASM	1620 - 33	TYPEWRITER FRAME
1620 - 7	DISPLAY PANEL	1620 - 34	TAB GOVERNOR & AIR CYLINDER
1620 - 8	UNITIZED SWITCH	1620 - 35	KEY LEVER & IMPRESSION CONTROL
1620 - 9	NO. 1 POWER ASM	1620 - 36	TYPE GUIDE, BARS & LEVERS
1620 - 10	- 36 V 2 AMP POWER SUPPLY	1620 - 37	SHIFT MECHANISM
1620 - 11	NO. 2 POWER ASM	1620 - 38	TABULAR & MARGIN RELEASE
1620 - 12	- 12 V 20 AMP POWER SUPPLY	1620 - 39	SPACE MECHANISM
1620 - 13	NO. 3 POWER ASM VIEW I	1620 - 40	BACK SPACE MECHANISM
1620 - 14	- 12 V 16 AMP POWER SUPPLY	1620 - 41	MARGIN SET, TAB SET, TAB CLEAR
1620 - 15	NO. 3 POWER ASM VIEW II	1620 - 42	RIBBON MECHANISM
1620 - 16	+ 30 V 4 AMP POWER SUPPLY	1620 - 43	MOTOR & POWER ROLL
1620 - 17	- 48 V 6 AMP POWER SUPPLY	1620 - 44	CARRIAGE RETURN
1620 - 18	REDESIGNED POWER SUPPLY FAN ASM	1620 - 45	CARRIAGE VIEW I
1620 - 19	NO. 4 POWER ASM	1620 - 46	CARRIAGE VIEW II
1620 - 20	+ 3 V 5 AMP POWER SUPPLY	1620 - 47	CARRIAGE RAILS & LINKAGE
1620 - 21	RELAY GATE ASM VIEW I	1620 - 48	MAGNET UNIT
1620 - 22	RELAY GATE ASM VIEW II	1620 - 49	CONTROL CONTACTS VIEW I
1620 - 23	SLIDING CARD GATE ASM	1620 - 50	CONTROL CONTACTS VIEW II
1620 - 24	REDESIGNED CARD GATE FAN ASM	1620 - 51	SMS CARDS, DIODES & RESISTORS
1620 - 25	OUTER CARD GATE ASM	1620 - 52	RESISTORS
1620 - 26	REDESIGNED GATE BLOWERS	1620 - 53	CAPACITORS
1620 - 27	INNER CARD GATE ASM	1620 - 54	CAPACITORS

FRAME VIEW I

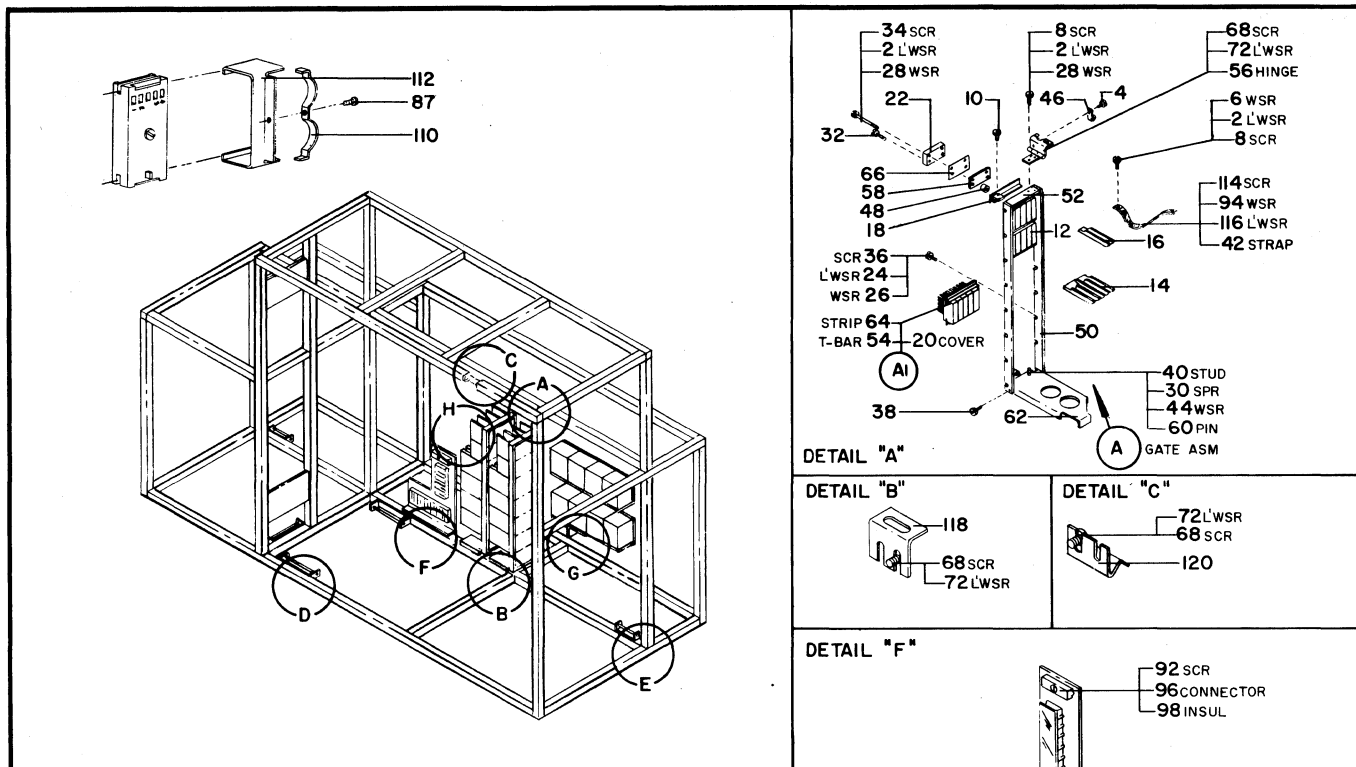


- A
 - 1 587320 BLOCK ASM - 40 POS
 - 2 21636 SCREW - RETAINER
 - 3 287310 RETAINER - BLOCK
 - 4 595724 BLOCK - 40 POS
- B
 - 5 2129307 CABLE ASM - SIGNAL
 - 6 38266 SCREW - CLAMP MTG
 - 7 438540 SCREW - COVER MTG
 - 8 587376 CLAMP - CABLE
 - 9 595989 COVER - BLOCK
 - 10 598041 TERMINAL - BLOCK
- B1
 - 11 587319 CONNECTOR ASM - 40 POS
 - 12 251283 SCREW - RETAINER
 - 13 587311 RETAINER - BLOCK
- B1A
 - 14 587312 SCREW & HOUSING ASM
- C
 - 15 2129309 CABLE ASM - AC POWER
- D
 - 16 2125562 INTEGRATOR ASM
 - 17 302090 BLOCK - TERMINAL
 - 18 302131 INSULATION - BLOCK
 - 19 438549 SCREW - BLOCK MTG
 - 20 2128632 PLATE - INTEGRATOR

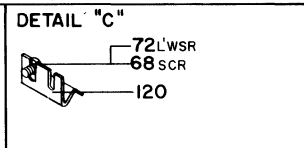
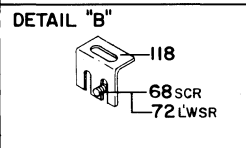
- 15 205329 JUMPER - BRASS
- PARTS NOT INCLUDED WITH ASSEMBLIES
- 16 28413 SCREW - MOUNTING
 - 17 2125733 SCREW - MOUNTING
 - 18 138755 LABEL - CAUTION
 - 19 11598 NUT - MOUNTING
 - 20 2125656 LOCKWASHER - MTG
 - 21 302090 BLOCK - TERMINAL
 - 22 2125974 LOCKWASHER - MTG
 - 23 322029 SCREW - GROUND BAR
 - 24 333586 BUSHING - GROUND BAR
 - 25 58207 SCREW - MOUNTING
 - 26 2125693 LOCKWASHER - MTG
 - 27 2114596 BAR - GROUND
 - 28 2114597 INSULATION - BAR
 - 29 2128563 LATCH - RELAY GATE
 - 30 10170 SCREW - MOUNTING
 - 31 302131 INSULATION - BLOCK
 - 32 2128632 BRACKET - PLATE MTG
 - 33 2153732 BRACKET - OUTLET MTG
 - 34 92050 SCREW - GROUND BAR
 - 35 359018 COVER - OUTLET
 - 36 56079 LOCKWASHER - MTG
 - 37 357995 OUTLET - CONVENIENCE

- 38 2128874 STRIKE - GATE LATCH
- 39 2128889 BRACKET - CONNECTOR
- 40 316807 SCREW - COVER MTG
- 42 2129377 SUPPORT - COVER MTG
- 43 2129406 SUPPORT - CARD GATE
- 44 2128827 BRACKET - PLATE MTG
- 45 2128827 RETAINER - SHOE CONNECTOR
- 46 337 SCREW - MOUNTING
- 47 34512 SCREW - CLAMP MTG
- 48 38264 SCREW - BLOCK MOUNTING
- 49 55901 LOCKWASHER - MTG
- 50 81898 LOCKWASHER - MTG
- 51 257189 BLOCK - 12 POS TERMINAL
- 52 257985 NUT - CLAMP ADJUST
- 53 301475 WASHER - BLOCK MTG
- 54 321483 CLAMP - CABLE
- 55 SCREW - CLAMP ADJUST
- 56 2102151 BOX - OUTLET
- 57 187855 SHIELD - BLOCK
- 58 501386 INSULATION - BLOCK
- 59 2114056 CLAMP - CABLE
- 60 2100264 CLAMP - CABLE
- 61 2125524 BRACKET - BLOCK MTG
- 62 210984 SCREW - SHIELD MOUNTING
- 63 210985 STUD - BLOCK MOUNTING
- 64 210986 SLOTTED STUD - BLOCK MTG
- 65 9092 LOCKWASHER - BRKT MTG

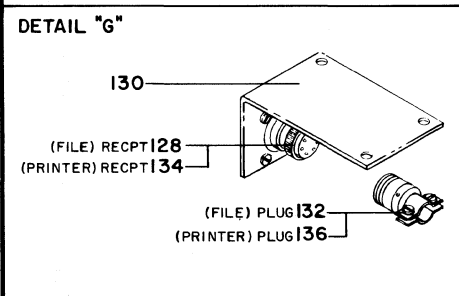
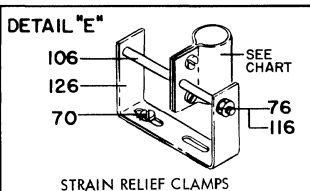
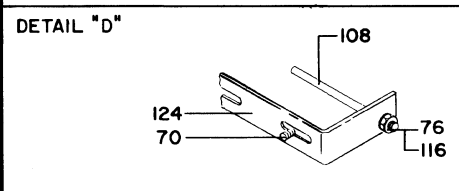
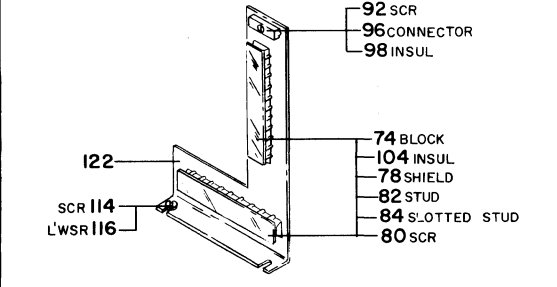
FRAME VIEW II



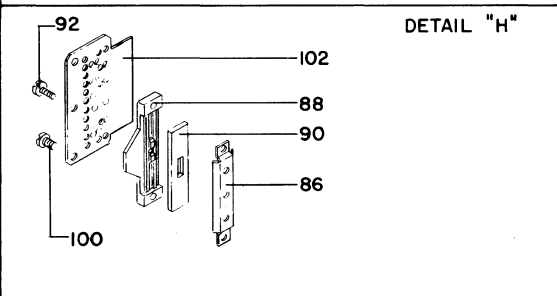
DETAIL "A"



DETAIL "F"



2031	SCREW
1090873	LOCKWASHER
257189	NUT
PART NO	DESCRIPTION
2154999	.325 I. D.
2162457	.560 I. D.
2154939	.593 I. D.
2154996	.750 I. D.
2145183	.828 I. D.
2154997	.900 I. D.
2154998	.968 I. D.
2161842	1.069 I. D.
2154940	1.125 I. D.
2161839	1.312 I. D.

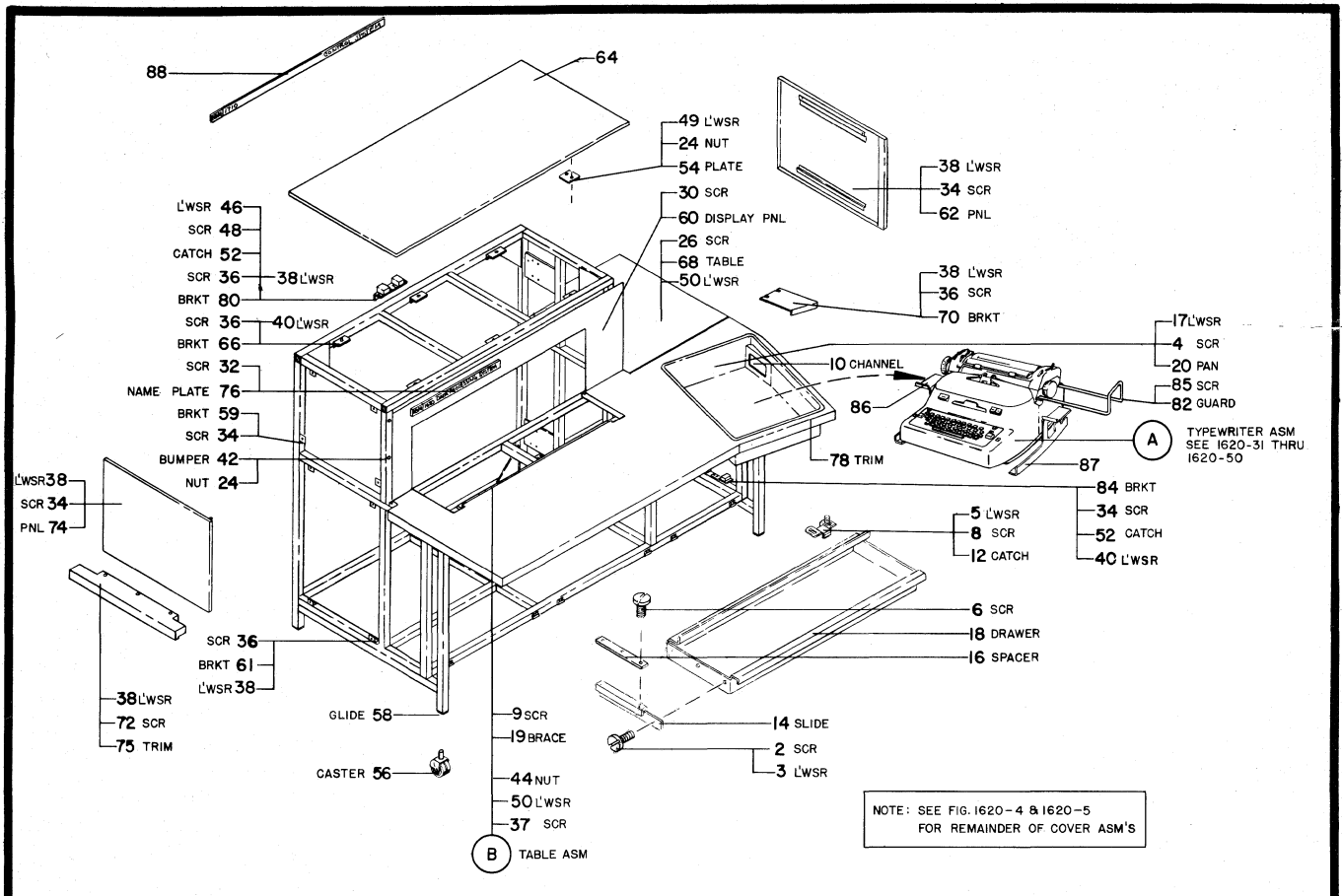


A	2153450	GATE ASM - I/O ATTACHMENT
2	6364	LOCKWASHER - MOUNTING
4	10170	SCREW - CLAMP MOUNTING
6	22478	WASHER - GROUND STRAP
8	38235	SCREW - MOUNTING
10	38264	SCREW - MOUNTING
12	216076	SOCKET - CARD
14	216206	GUIDE - CARD (LONG)
16	216207	GUIDE - CARD (SHORT)
18	216212	ADAPTER - CARD GUIDE
20	216203	COVER - VOLTAGE CHAIN
22	227387	BLOCK - TERMINAL
24	257984	LOCKWASHER - MTG
26	257985	WASHER - MOUNTING
28	257986	WASHER - MOUNTING
30	316782	SPRING - LATCH
32	322550	SCREW - MOUNTING
34	322552	SCREW - MOUNTING
36	338238	SCREW - MOUNTING
38	472729	SCREW - FRAME MTG
40	528013	STUD - LATCH
42	2101089	STRAP - GROUND
44	2101943	WASHER - LATCH
46	2102364	CLAMP - CABLE
48	2145165	SPACER - BLOCK

50	2153451	FRAME - SIDE
52	2153452	FRAME - END
54	2153453	BAR - T
56	2153454	HINGE - GATE
58	2153456	PLATE - BLOCK MTG
60	2153457	PIN - LATCH
62	2153708	BASE - CARD GATE
64	2153770	STRIP - NUMBERING
66	2162458	INSULATOR - BLOCK
A1	2153460	RECEPTACLE ASM - 5 POS
PARTS NOT INCLUDED WITH ASSEMBLIES		
68	28413	SCREW - MOUNTING
70	32042	SCREW - MOUNTING
72	56079	LOCKWASHER - MTG
74	81898	BLOCK - 12 POS. TERMINAL
76	117281	NUT - CLAMP BOLT
78	187855	SHIELD - BLOCK
80	210984	SCREW - SHIELD MTG
82	210985	STUD - BLOCK MTG
84	210986	SLOTTED STUD - BLOCK MTG
86	216208	CLAMP - STRAIN RELIEF
87	58207	SCREW - CLAMP MTG

88	216209	SUPPORT - CABLE
90	216210	SPACER - STRAIN RELIEF
92	236550	SCREW - MOUNTING
94	237032	WASHER - GROUND STRAP
96	302090	CONNECTOR - EDGE
98	302131	INSULATOR - CONNECTOR
100	338238	SCREW - CLAMP MTG
102	491349	CARD - CONNECTOR
104	510638	STRIP - INSULATION
106	521401	BOLT - CLAMP BRACKET
108	524986	BOLT - CLAMP BRACKET
110	615407	CLAMP - STRAIN RELIEF
112	615408	BRACKET - STRAIN RELIEF
114	2125733	SCREW - MOUNTING
116	2125974	LOCKWASHER - MTG
118	2153455	STRIKE - GATE LOWER
120	2153458	STRIKE - GATE UPPER
122	2153459	BRACKET - BLOCK MTG
124	2153757	BRACKET - CLAMP (5-1/8)
126	2153765	BRACKET - CLAMP (3-3/8)
128	2153776	RECEPTACLE - FILE CABLE
130	2153777	BRACKET - RECEPTACLE
132	2157381	PLUG - FILE CABLE
134	2162455	RECEPTACLE - PRINTER CABLE
136	2162456	PLUG - PRINTER CABLE

COVERS VIEW I

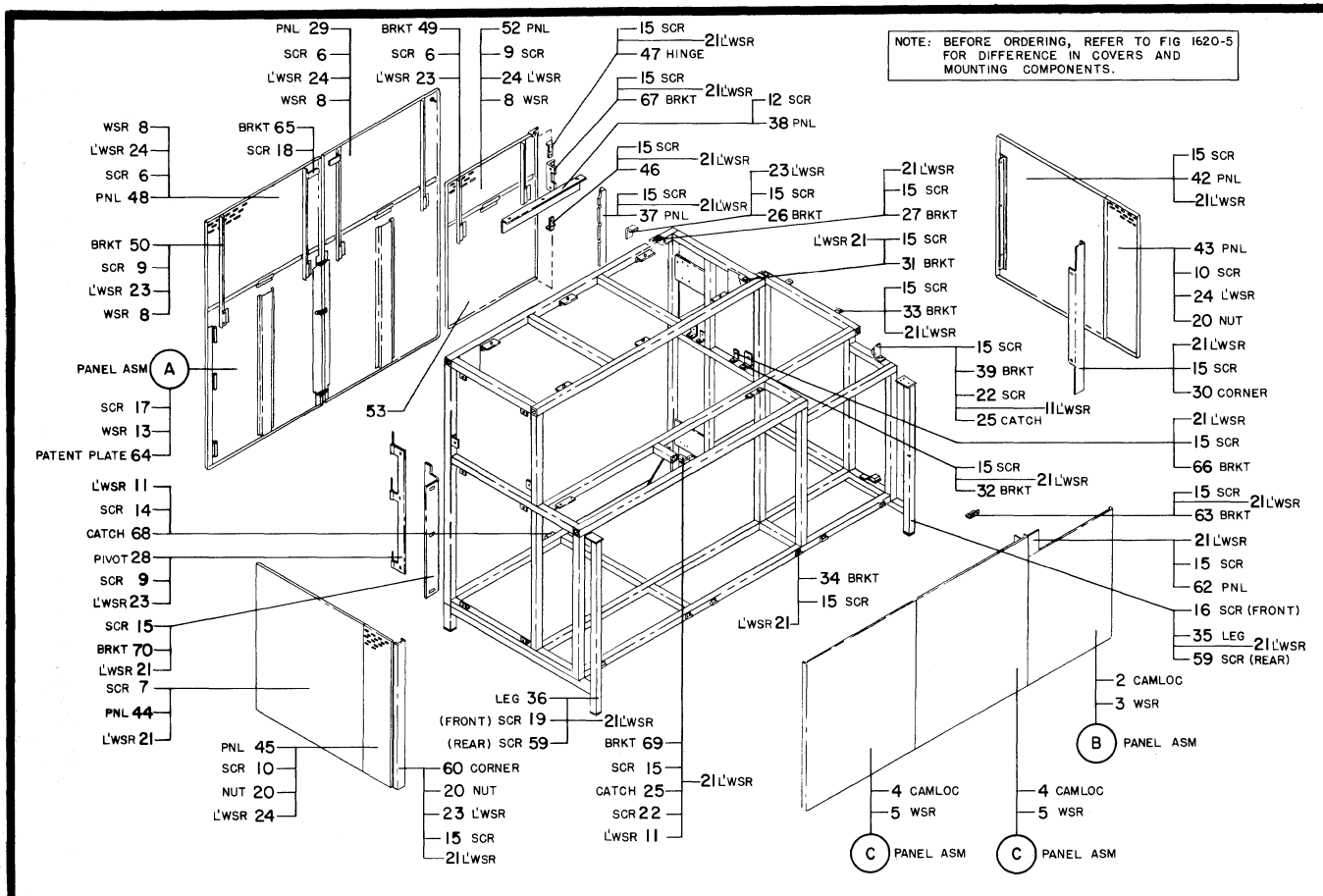


A	2128600	TYPEWRITER ASM SEE 1620-31 THRU 1620-50
B	2128725	TABLE ASM - FRONT
2	10170	SCREW - DRAWER MTG
3	2125765	LOCKWASHER - DRAWER MTG
4	28413	SCREW - PAN MTG
5	56722	LOCKWASHER - CATCH MTG
6	512508	SCREW - SLIDE MTG
8	38351	SCREW - CATCH MTG
9	38475	SCREW - TRIM MTG
10	237455	CHANNEL - RUBBER (BULK)
12	2132050	CATCH - MAGNETIC
14	2125569	SLIDE - DRAWER
16	2125575	SPACER - SLIDE
17	2125974	LOCKWASHER - PAN MTG
18	2125576	DRAWER - STORAGE
19	2128738	BRACE - TABLE
20	2128740	PAN - TYPEWRITER

PARTS NOT INCLUDED WITH ASSEMBLIES		
24	3960	NUT - MTG
26	2125733	SCREW - MTG
30	55726	SCREW - DISPLAY PANEL MTG
32	58207	SCREW - NAME PLATE MTG
34	140425	SCREW - MTG
36	2125733	SCREW - MTG
37	38688	SCREW - TABLE MTG
38	2125974	LOCKWASHER - MTG
40	56079	LOCKWASHER - MTG
42	223781	BUMPER
44	11598	NUT - TABLE MTG
46	257984	LOCKWASHER - CATCH MTG
48	438548	SCREW - CATCH MTG
49	2125656	LOCKWASHER - TOP MTG
50	2125974	LOCKWASHER - TABLE MTG
52	2106617	CATCH - MAGNETIC
54	2109327	PLATE - TOP MTG
56	2118409	CASTER - DOUBLE WHEEL

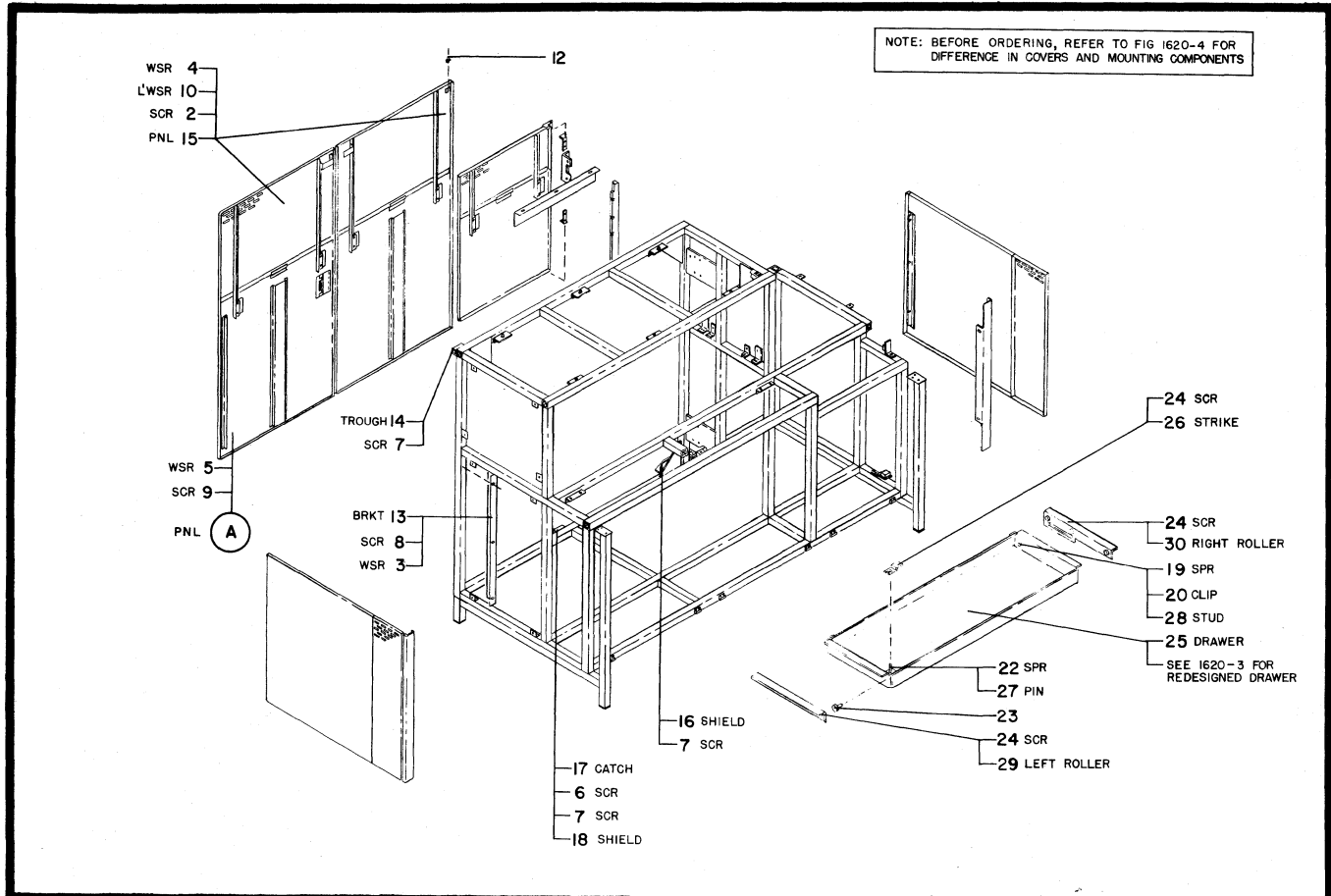
58	2125564	GLIDE - ADJUSTABLE
59	2125614	BRACKET - PANEL MTG
60	2128604	PANEL - DISPLAY
61	2128705	BRACKET - PANEL MTG
62	2128714	PANEL - RT END
64	2128716	PANEL - TOP
66	2128718	BRACKET - TOP MTG
68	2128726	TABLE - REAR
70	2128732	BRACKET - PAN
72	2128762	SCREW - TRIM TABLE
74	2128767	PANEL - LT END
75	2128768	TRIM - TABLE
76	2128771	PLATE - 1620 NAME
78	2128775	TRIM - TYPEWRITER
80	2128894	BRACKET - CATCH MTG
82	2129413	GUARD - TYPE CARRIAGE
84	2129427	BRACKET - CATCH
85	186759	SCREW - GUARD MTG
86	2161811	HANDLE - TYPEWRITER LT
87	2161812	HANDLE - TYPEWRITER RT
88	2153098	PLATE - 1710 NAME

COVERS VIEW II



A	2125581	PANEL ASM - LT REAR	17	186759	SCREW - PANEL MTG	39	2128731	BRACKET - CATCH MTG
B	2128720	PANEL ASM - RT FRONT	18	221790	SCREW - MTG	42	2128734	PANEL - RT END
	2	358666	19	332620	SCREW - MTG	43	2128735	PANEL - RT PERFORATED
	3	444930	20	257189	NUT - PANEL MTG	44	2128736	PANEL - LT END
C	2128721	PANEL ASM - LT FT & CENTER	21	2125974	LOCKWASHER - MTG	45	2128737	PANEL - LT PERFORATED
	4	358666	22	438548	SCREW - CATCH MTG	46	2128744	HINGE - BOTTOM
	5	444930	23	2125963	LOCKWASHER - MTG	47	2128752	HINGE - TOP
PARTS NOT INCLUDED WITH ASSEMBLIES			24	1090873	LOCKWASHER - MTG	48	2128754	PANEL - LT REAR
6	2300	SCREW - MTG	25	2106617	CATCH - MAGNETIC	49	2128755	BRACKET - PANEL
7	140425	SCREW - PANEL MTG	26	2125616	BRACKET - CAMLOC	50	2128756	BRACKET - PANEL
8	22478	WASHER - PANEL MTG	27	2125615	BRACKET - CAMLOC	52	2128757	PANEL - RT REAR PERFORATED
9	58207	SCREW - MTG	28	2125591	PIVOT - HINGE	53	2128758	PANEL - RT REAR
10	34512	SCREW - MTG	29	2125592	PANEL - CENTER REAR	59	2128762	SCREW - MTG
11	257984	LOCKWASHER - CATCH MTG	30	2128703	CORNER - RT FRONT	60	2128764	CORNER - LT FRONT
12	38263	SCREW - FILLER MTG	31	2128705	BRACKET - MTG	62	2128766	PANEL - FILLER
13	45690	WASHER - MTG	32	2128715	BRACKET - PANEL MTG	63	2128872	BRACKET - PANEL MTG
14	80651	SCREW - CATCH MTG	33	2128719	BRACKET - REAR TABLE MTG	64	2128875	PLATE - PATENT
15	2125733	SCREW - MTG	34	2128722	BRACKET - FRONT PANEL MTG	65	2128893	BRACKET - PANEL MTG
16	91611	SCREW - RT LEG FRONT	35	2128723	LEG - RIGHT	66	2128899	BRACKET - REAR TABLE
			36	2128724	LEG - LEFT	67	2129389	BRACKET - FILLER MTG
			37	2128727	PANEL - FILLER	68	2129418	CATCH - MAGNETIC
			38	2128728	PANEL - FILLER	69	2129427	BRACKET - CATCH MTG
						70	2125702	BRACKET - PIVOT MTG

COVERS VIEW III

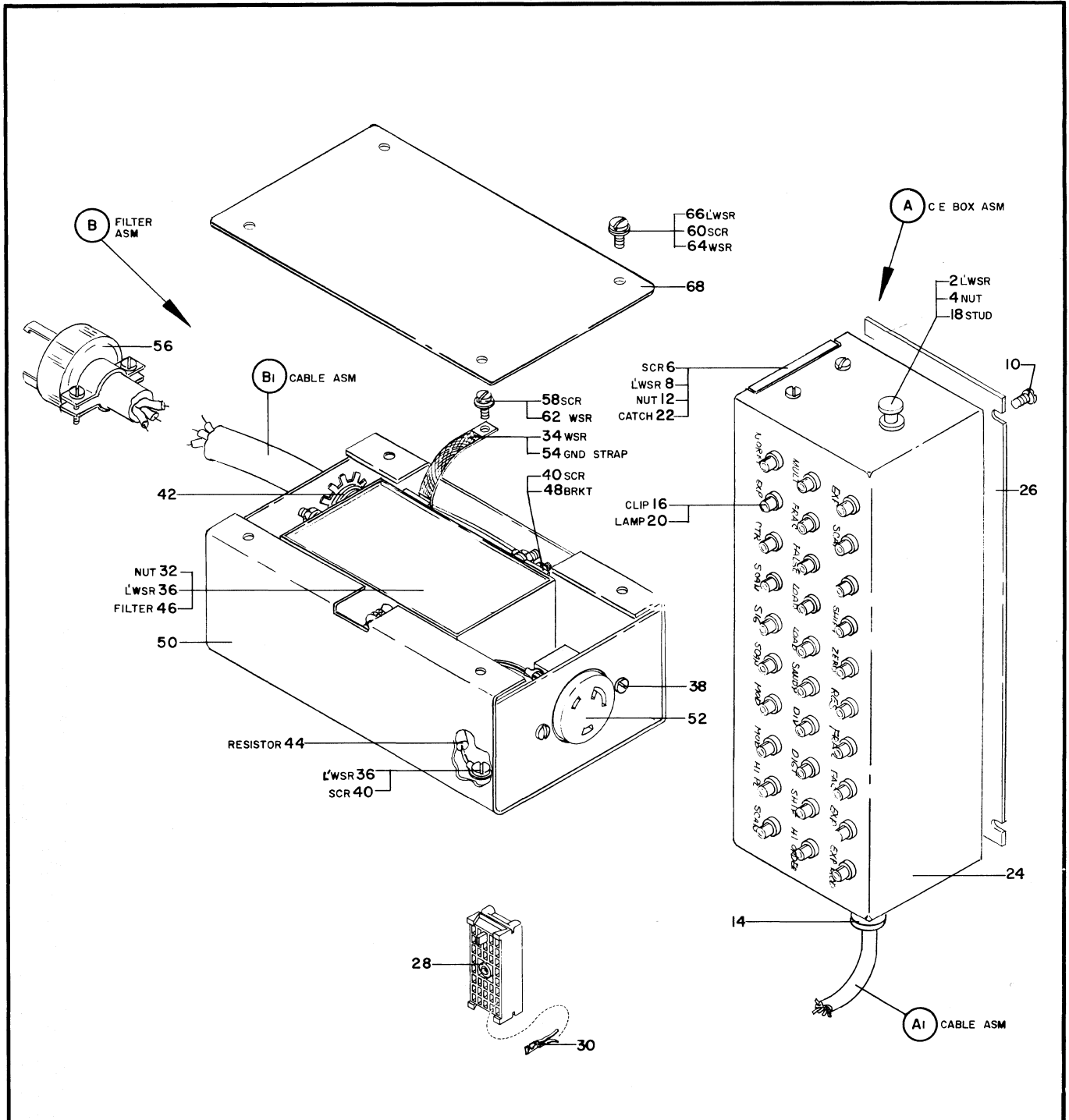


A	2127853	PANEL ASM - LT REAR
PARTS NOT INCLUDED WITH SUB-ASSEMBLIES		
2	2300	SCREW - PANEL MTG
3	3550	WASHER - MTG
4	22478	WASHER - PANEL MTG
5	45690	WASHER - PANEL MTG
6	80651	SCREW - CATCH MTG
7	83606	SCREW - MTG
8	91611	SCREW - MTG
9	186759	SCREW - PANEL MTG

10	1090873	LOCKWASHER - MTG
12	2128710	GUIDE - PANEL
13	2128712	BRACKET - HINGE
14	2128713	TROUGH - PANEL
15	2128754	PANEL - RT & LT UPPER REAR
16	2129372	SHIELD - CATCH
17	2129418	CATCH - MAGNETIC
18	2129436	SHIELD - CATCH
19	57320	SPRING - STOP STUD

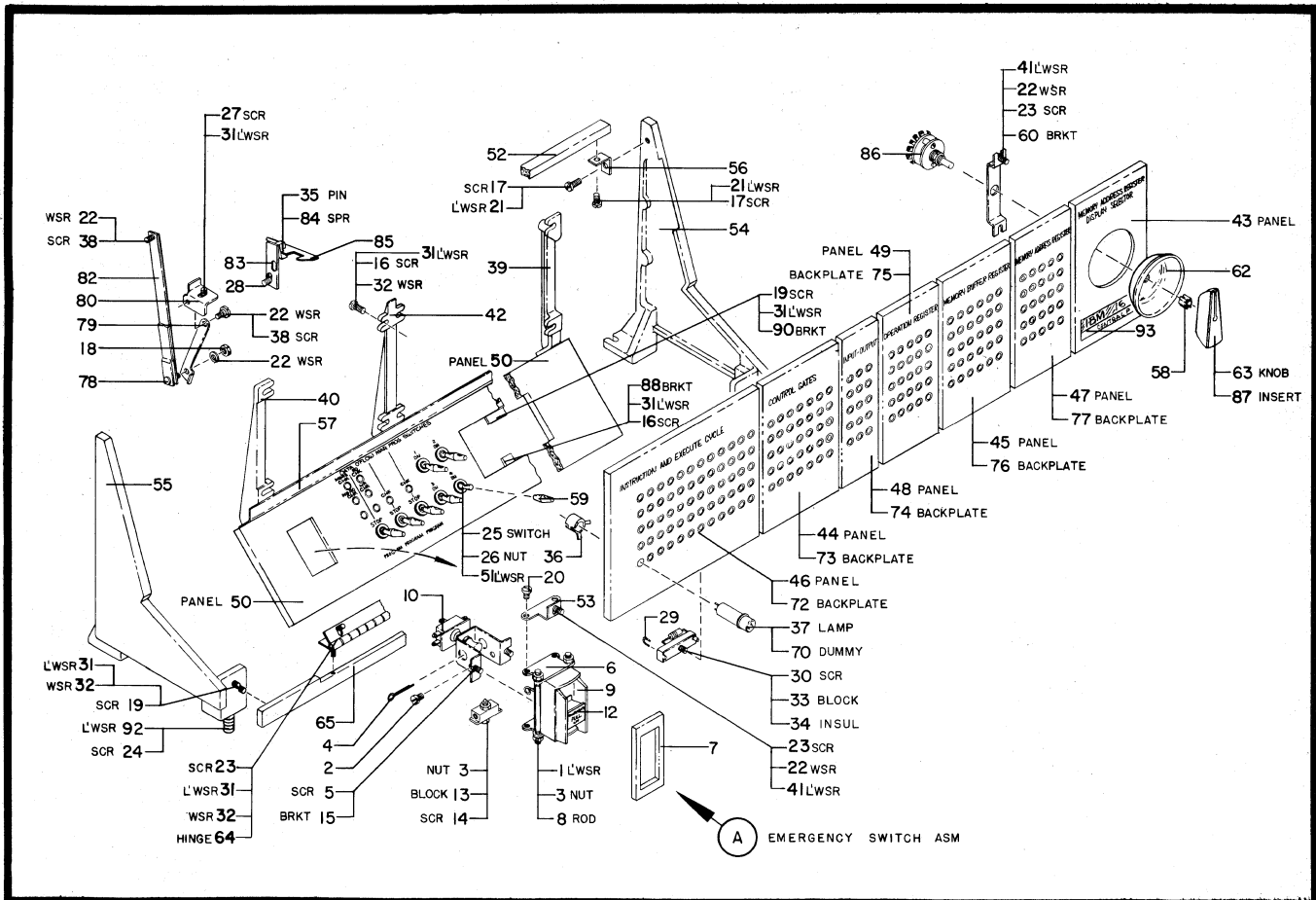
20	257701	CLIP - STOP STUD
22	528012	SPRING - LATCH PIN
23	528013	HANDLE - LATCH PIN
24	2114785	SCREW - MTG
25	2128796	DRAWER - STORAGE
26	2128886	STRIKE - DRAWER LATCH
27	2128887	PIN - LATCH
28	2128888	STUD - STOP
29	2128896	ROLLER - LEFT
30	2128897	ROLLER - RIGHT

CE BOX & FILTER ASM



A	2132480	BOX ASM - C E	A1	2132483	CABLE ASM - C E BOX	50	2162228	HOUSING - FILTER
2	9092	LOCKWASHER - STUD MTG	28	546013	CONNECTOR - CABLE	52	2162232	RECEPTACLE - 3 WIRE 30 AMP
4	11598	NUT - STUD MOUNTING	30	598041	CONTACT - BLOCK	54	2162235	STRAP - GROUND
6	38235	SCREW - CATCH MOUNTING	B	2162229	BOX ASM - FILTER	B1	2162233	CABLE ASM - POWER
8	56722	LOCKWASHER - CATCH MTG	32	11598	NUT - FILTER MTG	56	2162557	PLUG - CABLE
10	185052	SCREW - COVER MOUNTING	34	45690	WASHER - MOUNTING	PARTS NOT INCLUDED WITH ASSEMBLIES		
12	257187	NUT - CATCH MOUNTING	36	56079	LOCKWASHER - FILTER MTG	58	32042	SCREW - GND STRAP MTG
14	257479	CONNECTOR - STRAIN RELIEF	38	81693	SCREW - RECEPTACLE MTG	60	32617	SCREW - BOX MOUNTING
16	368168	CLIP - LAMP	40	236849	SCREW - BRACKET MOUNTING	62	45690	WASHER - GND STRAP MTG
18	473824	STUD - 10-32	42	237327	CLAMP - STRAIN RELIEF	64	219629	WASHER - BOX MOUNTING
20	550511	LAMP - INDICATOR	44	505370	RESISTOR - 22 MEG 1/2 W	66	2125974	LOCKWASHER - BOX MTG
22	2132050	CATCH - MAGNETIC	46	2160825	FILTER - 2 X 30 AMP	68	2162236	COVER - FILTER BOX
24	2132481	BOX - C E	48	2162227	BRACKET - FILTER MTG			
26	2132486	COVER - BOX						

DISPLAY PANEL ASM



A	2128651	SWITCH ASM - EMER PULL
1	9092	LOCKWASHER - TIE ROD
2	10170	SCREW - CATCH BLOCK
3	11598	NUT - MTG
4	55101	PIN - COTTER
5	170213	SCREW - BRKT MTG
6	233885	BRACKET - MTG
7	335124	SEAL - DUST
8	443283	ROD - TIE
9	477422	HOUSING - SWITCH
10	719944	SWITCH - PULL
12	2128594	GRIP - PULL
13	2128595	BLOCK - CATCH
14	2128596	SCREW - PLUNGER
15	2128663	BRACKET - SWITCH MTG

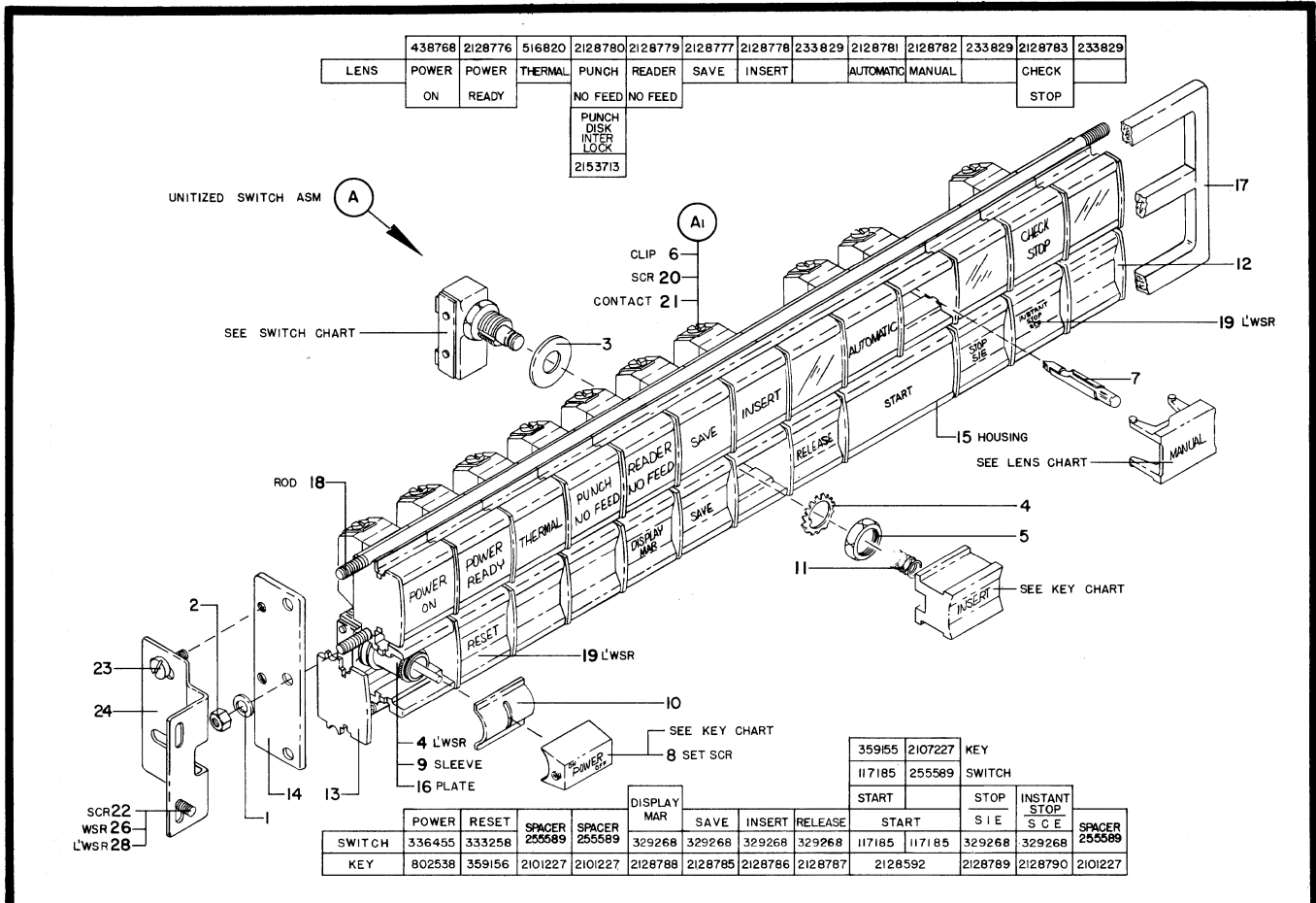
PARTS NOT INCLUDED WITH ASSEMBLIES

16	34512	SCREW - PANEL BRKT
17	10170	SCREW - MTG
18	11598	NUT - LATCH ARM
19	25627	SCREW - FRONT FRAME
20	28413	SCREW - EMER. SWITCH
21	56722	LOCKWASHER - MTG
22	45690	WASHER - MTG
23	58207	SCREW - MTG
24	92050	SCREW - CONSOLE MTG
25	128455	SWITCH - TOGGLE
26	179744	NUT - KNURL

27	186758	SCREW - LATCH BRKT
28	186759	SCREW - LATCH BLOCK
29	205329	JUMPER - BRASS
30	236550	SCREW - BLOCK MTG
31	55901	LOCKWASHER - MTG
32	22478	WASHER - MTG
33	302090	BLOCK - TERMINAL
34	302131	INSULATION - BLOCK
35	324620	PIN - LATCH BLOCK
36	368168	CLIP - LAMP
37	550511	LAMP - INDICATOR
38	1077721	SCREW - LATCH ARM
39	2128606	BRACKET - RIGHT PANEL
40	2128607	BRACKET - LEFT PANEL
41	56079	LOCKWASHER - BRKT MTG
42	2128608	BRACKET - CENTER PANEL
43	2128636	PANEL - MAR DISP SELECT
44	2128637	PANEL - CONTROL GATES
45	2128638	PANEL - MEM BUFFER REGIS
46	2128639	PANEL - INSTR EXC CYCLE
47	2128640	PANEL - MEM ADRS REGIS
48	2128641	PANEL - INPUT OUTPUT
49	2128642	PANEL - OPER REGISTER
50	2158782	PANEL - SWITCH
51	159373	LOCKWASHER - SWITCH MTG
52	2128655	FRAME - TOP
53	2128657	BRACKET - EMER SWITCH
54	2128658	FRAME - RIGHT

55	2128659	FRAME - LEFT
56	2128660	BRACKET - TOP FRAME
57	2128661	BRACKET - PANEL MTG
58	2128662	CLIP - MARS KNOB
59	2128664	COVER - SWITCH LEVER
60	2128665	BRACKET - SWITCH
62	2128666	HOUSING - KNOB
63	2128667	KNOB - MARS SELECTOR
64	2128668	HINGE - PANEL
65	2128669	FRAME - FRONT
70	2153467	PLUG - LAMP DUMMY
72	2128860	PLATE - INST EXEC BACK
73	2128861	PLATE - CONTR GATE BACK
74	2128862	PLATE - INPUT OUTPUT BACK
75	2128863	PLATE - OPER REG BACK
76	2128864	PLATE - MEM BUF REG BACK
77	2128865	PLATE - MEM ADR REG BACK
78	2128876	SCREW - LATCH ARM
79	2128877	STOP - LATCH ARM
80	2128878	BRACKET - LATCH
82	2128879	ARM - LATCH
83	2128880	BLOCK - LATCH
84	2128881	SPRING - LATCH
85	2128882	LATCH - CONSOLE
86	2129385	SWITCH - ROTARY
87	2125557	INSERT - KNOB
88	2153279	BRACKET - SWITCH SUPPORT
90	2153280	BRACKET - SWITCH SUPPORT
92	2125974	LOCKWASHER - PANEL MTG
93	2153095	PLATE - 1620 NAME

UNITIZED SWITCH ASM

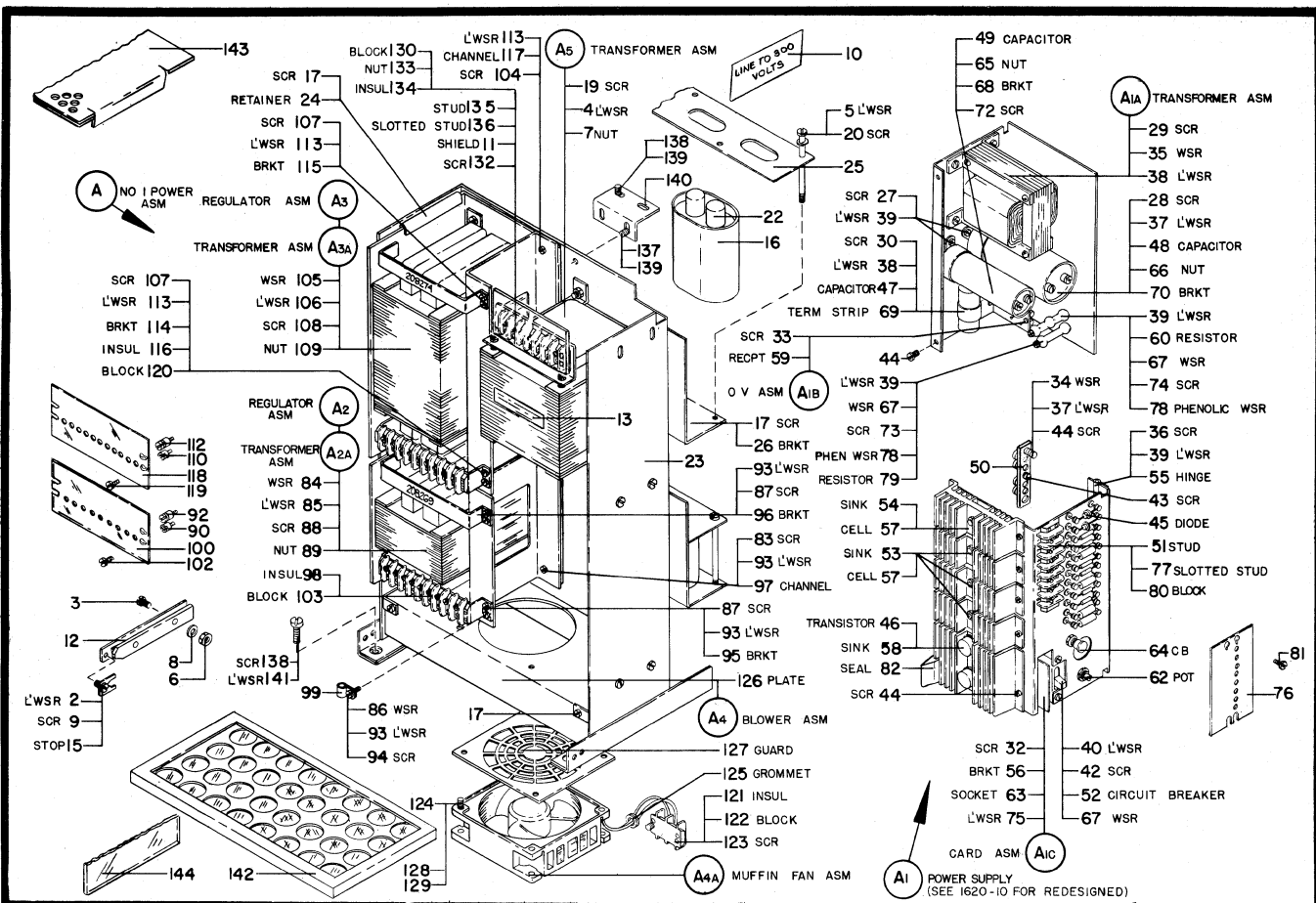


- A 2128652 UNITIZED SWITCH ASM
- 1 56121 LOCKWASHER - TIE ROD
- 2 11598 NUT - TIE ROD
- 3 14201 WASHER - SWITCH
- 4 159373 LOCKWASHER - SWITCH
- 5 179743 NUT - SWITCH MTG
- 6 233888 CLIP - LIGHT HOLDER
- 7 308346 BULB - LIGHT
- 8 336359 SCREW - SET
- 9 336442 SLEEVE - SWITCH

- 10 336469 COVER - SWITCH
- 11 130118 SPRING - RETURN
- 12 364398 HOUSING - SINGLE
- 13 364399 FILLER - HOUSING END
- 14 436657 BRACKET - END
- 15 532630 HOUSING - DOUBLE
- 16 802237 PLATE - SWITCH
- 17 2128653 SEAL - DUST
- 18 2128654 ROD - TIE

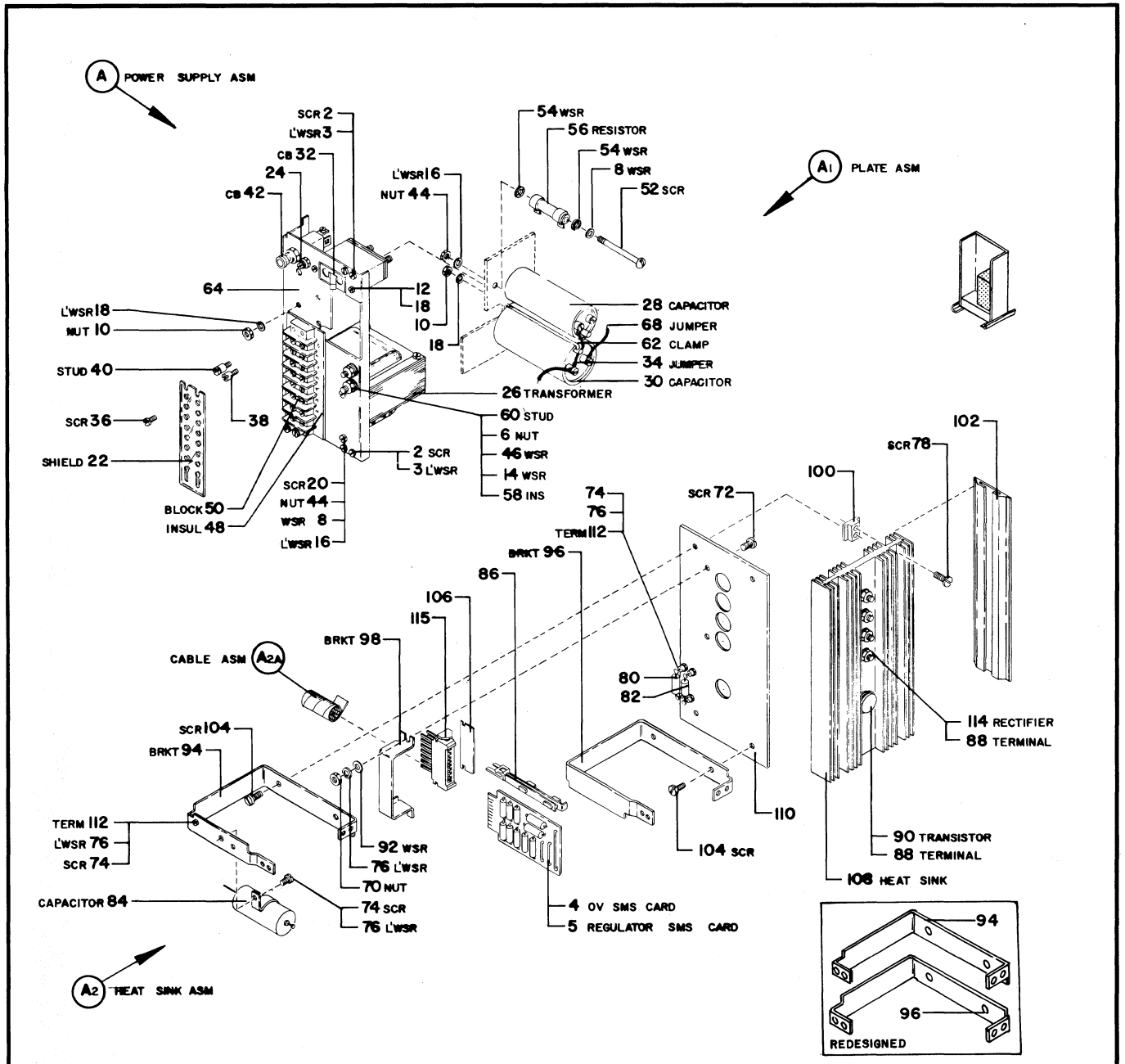
- 19 516919 LOCKWASHER - SWITCH
 - A1 437459 HOLDER ASM - LIGHT
 - 20 55726 SCREW - CONTACT
 - 21 233882 CONTACT - LIGHT
- PARTS NOT INCLUDED WITH ASSEMBLIES
- 22 58207 SCREW - MOUNTING
 - 23 236849 SCREW - BRACKET MTG
 - 24 2128656 BRACKET - UNITIZED SW ASM
 - 26 45690 WASHER - MOUNTING
 - 28 56079 LOCKWASHER - MTG

NO. 1 POWER ASM



A	2128501	POWER ASM - NO 1	52	208299	BREAKER - CIRCUIT	102	210984	SCREW - SHIELD MTG
2	2125963	LOCKWASHER - STOP MTC	53	208365	SINK - HEAT	103	511592	BLOCK - TERMINAL
3	5677	SCREW - RAIL MTG	54	208366	SINK - HEAT	A2A	207224	TRANSFORMER ASM
4	2125656	LOCKWASHER - TRANS MTG	55	208378	HINGE	A3	208274	REGULATOR A1M - 1250W
5	2125974	LOCKWASHER - MTG	56	208385	BRACKET - CARD MTG	104	58207	SCREW - CHANNEL MTG
6	11598	NUT - RAIL MTG	57	208386	CELL - SILICON RECTIFIER	105	3550	WASHER - TRANSFORMER MTG
7	36109	NUT - TRANSFORMER MTG	58	208747	SINK - HEAT	106	6935	LOCKWASHER - TRANS MTG
8	2125974	LOCKWASHER - MTG	59	208982	RECEPTACLE - OVER VOLTAGE	107	24752	SCREW - BRACKET MTG
9	2300	SCREW - STOP MTG	60	208985	RESISTOR - 1 Ω 5 W	108	25895	SCREW - TRANS MTG
10	138746	LABEL - WARNING	61	208988	POTENTIOMETER - 125 Ω 2 W	109	36109	NUT - TRANSFORMER MTG
11	186942	SHIELD - SAFETY	62	216075	SOCKET - CARD	110	209483	STUD - BLOCK MTG
12	207382	RAIL - POWER SUPPLY	63	220914	BREAKER - CIRCUIT	112	209484	SLOTTED STUD - BLOCK MTG
13	138755	LABEL - VOLTAGE PRESENT	64	257187	NUT - CAPACITOR	113	60646	LOCKWASHER - MTG
15	207293	STOP - POWER SUPPLY	66	257189	NUT - CAPACITOR	114	207212	BRACKET - BLOCK MTG
16	207361	CAPACITOR - 15 MFD	67	257986	WASHER - MTG	115	207215	BRACKET - IDENTIFICATION
17	28413	SCREW - MTG	68	301768	BRACKET - CAPACITOR MTG	116	207242	INSULATION - BLOCK
19	322029	SCREW - TRANSFORMER MTG	69	314047	STRIP - TERMINAL	117	207346	CHANNEL - SUPPORT
20	351250	SCREW - CAPACITOR PLATE	70	320456	BRACKET - CAPACITOR MTG	118	186943	SHIELD - SAFETY
22	2131691	CAP - CAPACITOR	72	322550	SCREW - MTG	119	210984	SCREW - SHIELD MTG
23	2128505	HOUSING - POWER SUPPLY	73	322554	SCREW - RESISTOR MTG	120	511592	BLOCK - TERMINAL
24	2128509	RETAINER - POWER SUPPLY	74	322556	SCREW - RESISTOR MTG	A3A	220910	TRANSFORMER ASM
25	2128745	PLATE - CAPACITOR	75	338169	LOCKWASHER - BRKT MTG	A4	2128511	BLOWER ASM
26	477230	BRACKET - CAPACITOR	76	186945	SHIELD - SAFETY		SEE 1620-18 FOR REDESIGNED BLOWER ASM	
A1	477230	POWER SUPPLY - 36 V 2 AMP	77	210884	SLOTTED STUD - BLOCK MTG	121	507466	INSULATION - BLOCK
	207276	POWER SUPPLY - (DISCONTINUED)	78	442959	WASHER - PHENOLIC	122	80817	BLOCK - TERMINAL
27	10170	SCREW - MTG	80	472566	RESISTOR - 500 Ω 10 W	123	322550	SCREW - BLOCK MTG
28	19944	SCREW - MTG	81	502588	BLOCK - TERMINAL	124	322065	SCREW - FAN MTG
29	38413	SCREW - TRANS MTG	82	210984	SCREW - SHIELD MTG	125	107722	GROMMET - RUBBER
30	38235	SCREW - MTG	82	598043	SEAL - AIR	126	2128512	PLATE - BLOWER MTG
32	38262	SCREW - BRKT MTG	A1A	208178	TRANSFORMER ASM	127	2128588	GUARD - FAN
33	38442	SCREW - O/V MTG	A1B	208978	OVERVOLTAGE ASM	128	6364	LOCKWASHER - BLOWER MTG
34	45651	WASHER - BUSS BAR MTG	A1C	371656	CARD ASM	129	257187	NUT - BLOWER MTG
35	45690	WASHER - TRANS MTG	A2	208269	REGULATOR ASM - 415 W	A4A	480991	FAN ASM - MUFFIN
36	55726	SCREW - HINGE NTG	83	2300	SCREW - CHANNEL MTG	A5	2128759	TRANSFORMER ASM - 230 V
37	53901	LOCKWASHER - MTG	84	3550	WASHER - TRANSFORMER MTG	130	207364	BLOCK - TERMINAL
38	56079	LOCKWASHER - TRANS MTG	85	6935	LOCKWASHER - TRANS MTG	132	210984	SCREW - SHIELD MTG
39	56722	LOCKWASHER - MTG	86	22478	WASHER - CLAMP MTG	133	257187	NUT - BLOCK MTG
40	62031	LOCKWASHER - C/B MTG	87	24752	SCREW - BRKT MTG	134	597951	INSULATOR - BLOCK
42	81693	SCREW - C/B MTG	88	25895	SCREW - TRANS MTG	135	2125898	STUD - BLOCK MTG
43	103898	SCREW - BUSS BAR MTG	89	36109	NUT - TRANSFORMER M.TG	136	2125899	SLOTTED STUD - BLOCK MTG
44	186759	SCREW - MTG	90	209483	STUD - BLOCK MTG	PARTS NOT INCLUDED WITH ASSEMBLIES		
45	207316	DIODE - TYPE IN 1692	92	209484	SLOTTED STUD - BLOCK MTG	137	236849	SCREW - MTG
46	208197	TRANSISTOR - TYPE 038	93	60646	LOCKWASHER - MTG	138	2125733	SCREW - BRKT MTG
47	208229	CAPACITOR - 700 MFD 15 V DC	94	186759	SCREW - CLAMP MTG	139	2125974	LOCKWASHER - MTG
48	208235	CAPACITOR - 5500 MFD 45 V DC	95	207212	BRACKET - BLOCK MTG	140	2128507	BRACKET - POWER ASM MTG
49	208227	CAPACITOR - 1000 MFD 45 V DC	96	207215	BRACKET - IDENTIFICATION	141	56079	LOCKWASHER - POWER ASM MTG
50	208286	BAR - BUSS	97	207224	CHANNEL - SUPPORT	142	2128556	FILTER - AIR
51	210883	STUD - BLOCK MTG	98	207242	INSULATION - BLOCK	143	2128687	COVER - TOP
			99	356742	CLAMP - CABLE	144	2129407	INSULATOR - POWER SUPPLY
			100	186943	SHIELD - SAFETY			

-36 V 2AMP POWER SUPPLY

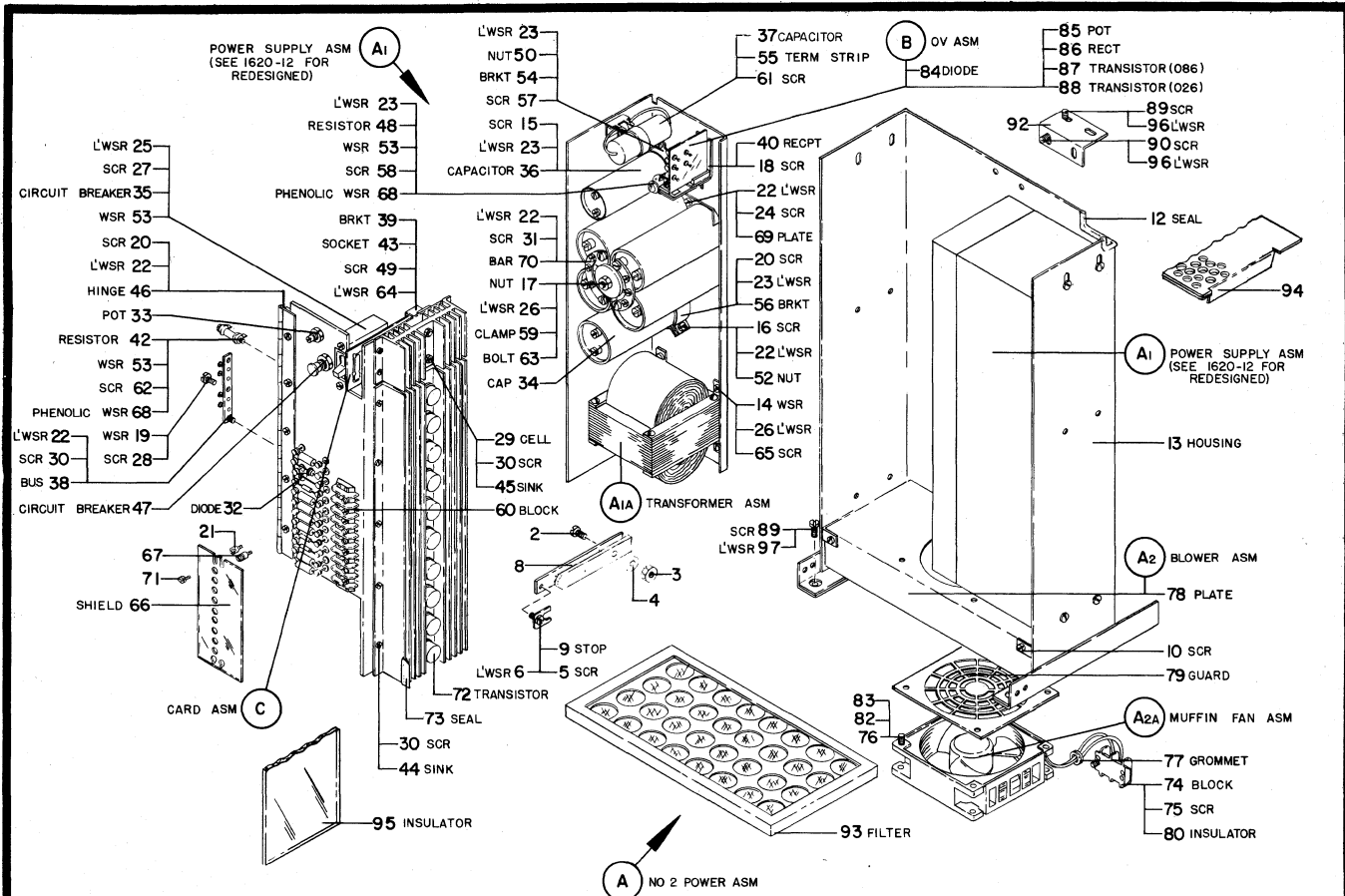


A	477230	POWER SUPPLY ASM - 36V 2 AMP
2	28413	SCREW - MOUNTING
3	56121	LOCKWASHER - MTG
4	370577	CARD - SMS OVERVOLTAGE
5	370609	CARD - SMS REGULATOR
A1	477234	PLATE ASM - MTG
6	11891	NUT - STUD MOUNTING
8	22478	WASHER - MOUNTING
10	38051	NUT - CAPACITOR MTG
12	10170	SCREW - BREAKER MTG
14	45697	WASHER - INSULATING
16	60646	LOCKWASHER - MTG
18	62031	LOCKWASHER - MTG
20	186758	SCREW - TRANSFORMER MTG
22	473545	SHIELD - SAFETY
24	207340	POTENTIOMETER - 250Ω 1/2W
26	208178	TRANSFORMER
28	208227	CAPACITOR - 1000 MFD 45V
30	208235	CAPACITOR - 5500 MFD 45V
32	208299	BREAKER - CIRCUIT
34	208989	JUMPER - 3" WIRE

36	210984	SCREW - SHIELD MTG
38	209483	STUD - SHIELD MTG
40	209484	STUD - SLOTTED
42	220914	BREAKER - CIRCUIT
44	257189	NUT - TRANSFORMER MTG
46	257354	WASHER - STUD MTG
48	512583	INSULATION - BLOCK
50	323844	BLOCK - TERMINAL
52	438582	SCREW - MOUNTING
54	442959	WASHER - INSULATING
56	472566	RESISTOR - 500Ω 10W
58	473382	INSULATION
60	473402	STUD - TERMINAL
62	473543	CLAMP - CAPACITOR MTG
64	477237	PLATE - COMPONENT MTG
68	518130	JUMPER - 8" WIRE
A2	477235	HEAT SINK ASM
70	38051	NUT - BRACKET MTG
72	38235	SCREW - BRACKET MTG
74	55726	SCREW - MOUNTING
76	62031	LOCKWASHER - MTG
78	79779	SCREW - SINK MTG

80	207324	RESISTOR - 0.1Ω 5W
82	207331	RESISTOR - 560Ω 5W
84	208229	CAPACITOR - 700 MFD 15V
86	216206	GUIDE - CARD
88	316996	TERMINAL
90	369214	TRANSISTOR
92	257986	WASHER - BRACKET MTG
94	473377	BRACKET - UPPER SUPPORT
94	730175	BRACKET - UPPER (REDESIGNED)
96	473379	BRACKET - LOWER SUPPORT
96	730176	BRACKET - LOWER (REDESIGNED)
98	473530	BRACKET - PLUG
100	473531	INSULATION - HEAT SINK
102	473536	SEAL - AIR (BULK)
104	473544	SCREW - BRACKET MTG
106	473547	SPACER - RECEPTACLE
108	477238	SINK - HEAT
110	477239	COVER - AIR SEAL
112	533534	TERMINAL - INSULATED
114	216197	CELL - RECTIFIER
A2A	477233	CABLE ASM
115	216076	RECEPTACLE - CARD

NO. 2 POWER ASM

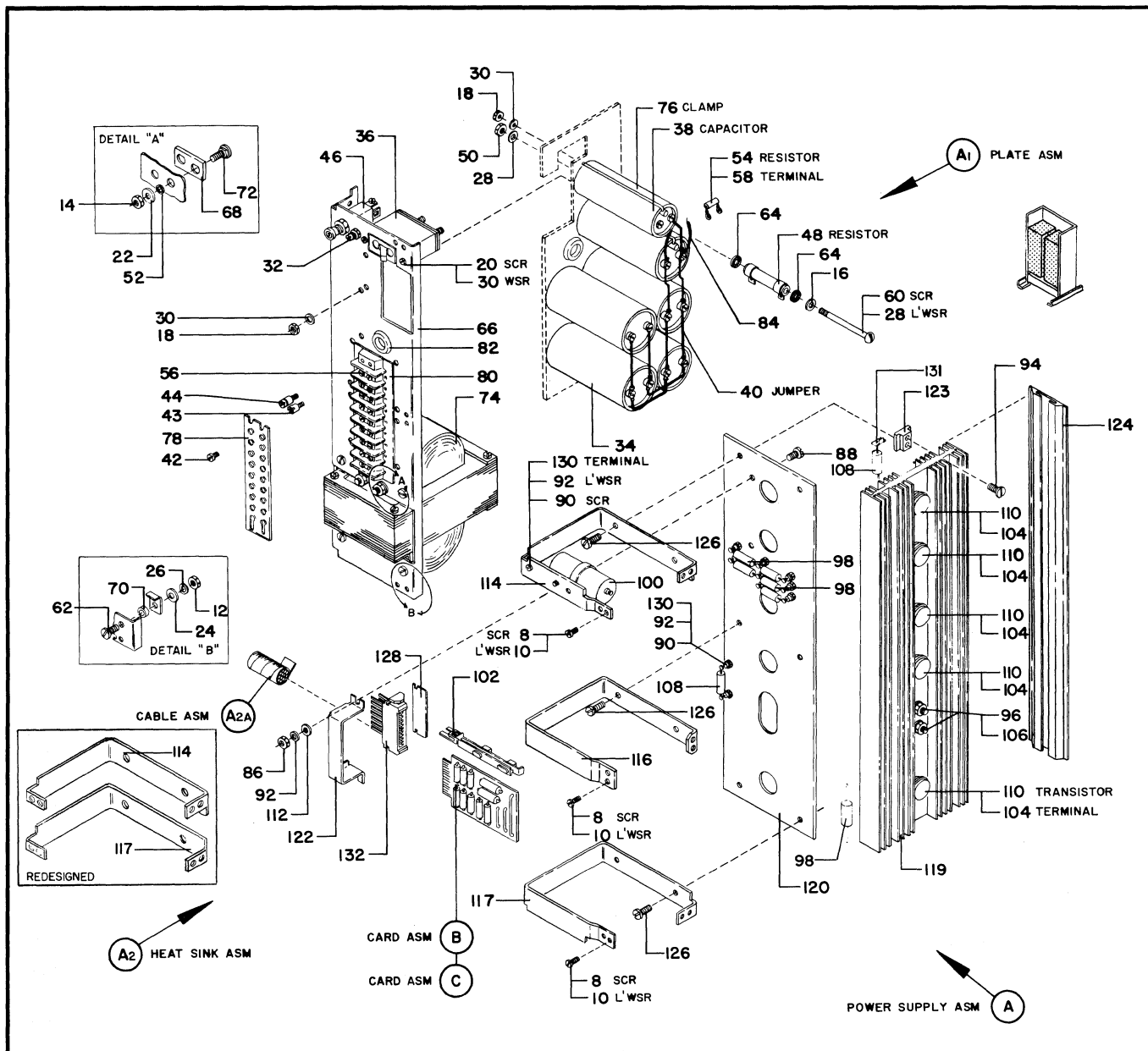


A	2128502	POWER ASM - NO 2
2	5677	SCREW - RAIL MTG
3	11598	NUT - RAIL MTG
4	2125974	LOCKWASHER - MTG
5	2300	SCREW - STOP MTG
6	55901	LOCKWASHER - STOP-MTG
8	207382	RAIL - POWER SUPPLY MTG
9	207293	STOP - POWER SUPPLY
10	28413	SCREW - BLOWER MTG
12	237455	CHANNEL - RUBBER
13	2128505	HOUSING - POWER SUPPLY
A1	473380	POWER SUPPLY - 20 V, 20 AMP SEE 1620-12 FOR REDESIGNED
A1	208258	POWER SUPPLY - (DISCONTINUED)
14	3550	WASHER - TRANS MTG
15	10170	SCREW - CAPACITOR MTG
16	19944	SCREW - CLAMP MTG
17	36109	NUT - CAPACITOR MTG
18	38442	SCREW - RECEPTACLE MTG
19	45651	WASHER - BAR MTG
20	55726	SCREW - MTG
21	210883	STUD - BLOCK MTG
22	55901	LOCKWASHER - MTG
23	56722	LOCKWASHER - MTG
24	58207	SCREW - CAPACITOR MTG
25	62031	LOCKWASHER - C/B MTG
26	76574	LOCKWASHER - MTG
27	81693	SCREW - C/B MTG
28	103898	SCREW - BUSS BAR
29	127324	CELL - SILICON RECTIFIER
30	186759	SCREW - MTG
31	103899	SCREW - BUSS BAR
32	207316	DIODE - TYPE IN 1692
33	207357	POTENTIOMETER - 220 Q 2 W
34	208221	CAPACITOR - 11000 MFD 19 V DC

35	208223	BREAKER - CIRCUIT
36	208228	CAPACITOR - 5500 MFD 19 V DC
37	208229	CAPACITOR - 700 MFD 15 V DC
38	208286	BAR - BUSS
39	208385	BRACKET - RECEPTACLE MTG
40	208982	RECEPTACLE - O/V ASM
42	208985	RESISTOR - .1 Q 5 W
43	216075	SOCKET - CARD
44	219943	SINK - HEAT
45	220780	SINK - HEAT
46	220840	HINGE
47	220918	BREAKER - CIRCUIT
48	221517	RESISTOR - 75 Q 10 W
49	251970	SCREW - MTG
50	257187	NUT - CAPACITOR MTG
52	257189	NUT - CLAMP MTG
53	257986	WASHER - MTG
54	301768	BRACKET - CAPACITOR MTG
55	314047	STRIP - TERMINAL
56	320456	BRACKET - CAPACITOR MTG
57	322550	SCREW - MTG
58	322554	SCREW - RESISTOR MTG
59	323543	CLAMP - CAPACITOR
60	334596	BLOCK - TERMINAL
61	331960	SCREW - CAPACITOR MTG
62	334598	SCREW - RESISTOR MTG
63	337898	BOLT - CAPACITOR MTG
64	338169	LOCKWASHER - MTG
65	438622	SCREW - TRANS MTG
66	186942	SHIELD - SAFETY
67	210884	SLOTTED STUD - BLOCK MTG
68	442959	WASHER - PHENOLIC
69	511097	PLATE - CAPACITOR
70	521849	BAR - BUSS
71	210984	SCREW - SHIELD MTG
72	209001	TRANSISTOR - TYPE 022

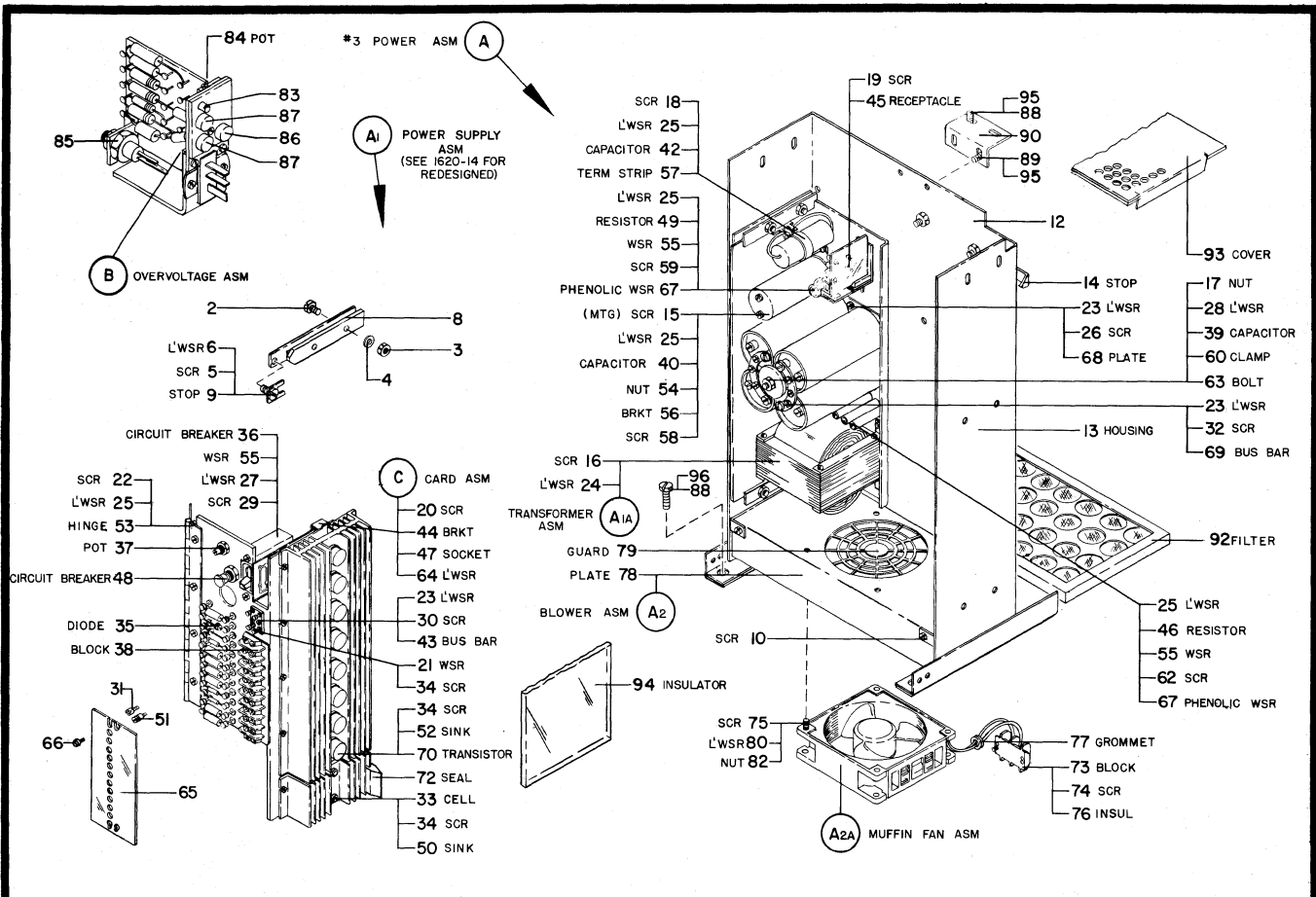
73	209005	SEAL - AIR
A1A	219980	TRANSFORMER ASM
A2	2128511	BLOWER ASM - POWER SUPPLY SEE 1620 - 18 FOR REDESIGNED BLOWER ASM
74	80817	BLOCK - TERMINAL
75	322550	SCREW - BLOCK MTG
76	322065	SCREW - BLOWER MTG
77	1077722	GROMMET - CABLE
78	2128512	PLATE - BLOWER MTG
79	2128588	GUARD - FAN
80	507466	INSULATION - BLOCK
82	6364	LOCKWASHER - FAN
83	257187	NUT - FAN
A2A	480991	FAN ASM - MUFFIN
B	208960	OVERVOLTAGE ASM
84	208950	DIODE - IN 429
85	208952	POTENTIOMETER - 750Q 1W
86	208955	RECTIFIER - 12V
87	369087	TRANSISTOR - TYPE 086
88	535441	TRANSISTOR - TYPE 026
C	371656	CARD ASM
PARTS NOT INCLUDED WITH ASSEMBLIES		
89	2125733	SCREW - MTG
90	236849	SCREW - P/S MTG
92	2128507	BRACKET - POWER ASM
93	2128556	FILTER - AIR
94	2128687	COVER - TOP
95	2128892	INSULATOR - POWER SUPPLY
96	2125974	LOCKWASHER - MTG
97	56079	LOCKWASHER - POWER SUPPLY

-12V 20AMP POWER SUPPLY



A	473380	POWER SUPPLY ASM - 12V, 20 AMP	52	257354	WASHER - FIBER	102	216206	GUIDE - CARD
8	28413	SCREW - MOUNTING	54	317433	RESISTOR - 5600 1W	104	316996	TERMINAL - SOLDER
10	56121	LOCKWASHER - MOUNTING	56	323844	BLOCK - TERMINAL	106	322765	TERMINAL - SOLDER
A1	473384	PLATE ASM - MOUNTING	58	334932	TERMINAL - SOLDER	108	335138	RESISTOR - 200 Ω 2W (R-19)
12	11598	NUT - TRANSFORMER MTG	60	438582	SCREW - MOUNTING	110	369214	TRANSISTOR - TYPE 108
14	11891	NUT - STUD MTG	62	438601	SCREW - MOUNTING	112	257986	WASHER - MOUNTING
16	22478	WASHER - MOUNTING	64	442959	WASHER - FIBER	114	473377	BRACKET - UPPER SUPPORT
18	38051	NUT - MOUNTING	66	473387	PLATE - MOUNTING	114	730175	BRACKET - UPPER (REDESIGNED)
20	10170	SCREW - BREAKER MTG	68	473392	INSULATION - STUD	116	473378	BRACKET - CENTER SUPPORT
22	45697	WASHER - FIBER	70	473396	SPACER - TRANSFORMER MTG	117	473379	BRACKET - LOWER SUPPORT
24	47242	WASHER - MOUNTING	72	473402	STUD - TERMINAL	117	730176	BRACKET - LOWER (REDESIGNED)
26	56121	LOCKWASHER - MTG	74	473446	TRANSFORMER	119	473388	SINK - HEAT
28	60646	LOCKWASHER - MTG	76	473543	CLAMP - CAPACITOR MTG	120	473389	COVER - AIR SEAL
30	62031	LOCKWASHER - MTG	78	473545	SHIELD - SAFETY	122	473530	BRACKET - PLUG
32	207340	POTENTIOMETER - 250 Ω 1/2W	80	512583	INSULATION - BLOCK	123	473531	INSULATION - HEAT SINK
34	208221	CAPACITOR - 11000 MFD, 19V	82	512663	GROMMET - RUBBER	124	473536	SEAL - AIR (BULK)
36	208223	BREAKER - CIRCUIT	84	518130	JUMPER - 8" WIRE	126	473544	SCREW - BRACKET MTG
38	208228	CAPACITOR - 5500 MFD, 19V	A2	473385	HEAT SINK ASM	128	473547	SPACER - RECEPTACLE
40	208989	JUMPER - 3" WIRE	86	38051	NUT - MOUNTING	130	533534	TERMINAL - INSULATED
42	210984	SCREW - SHIELD MTG	88	38235	SCREW - MOUNTING	131	478045	TERMINAL
43	209483	STUD - SHIELD MTG	90	55726	SCREW - MOUNTING	A2A	473383	CABLE ASM
44	209484	STUD - SLOTTED	92	62031	LOCKWASHER - MTG	132	216076	RECEPTACLE - CARD
46	220918	BREAKER - CIRCUIT	94	79779	SCREW - SINK MTG	B	370576	CARD ASM - OVERVOLTAGE
48	221517	RESISTOR - 750 10W	96	216198	CELL - RECTIFIER	C	370610	CARD ASM - REGULATOR,
50	257189	NUT - MOUNTING	98	207324	RESISTOR - 0.1Ω 5W (R-23) THRU (R-27)			
			100	208229	CAPACITOR - 700 MFD, 15V			

NO. 3 POWER ASM - VIEW I

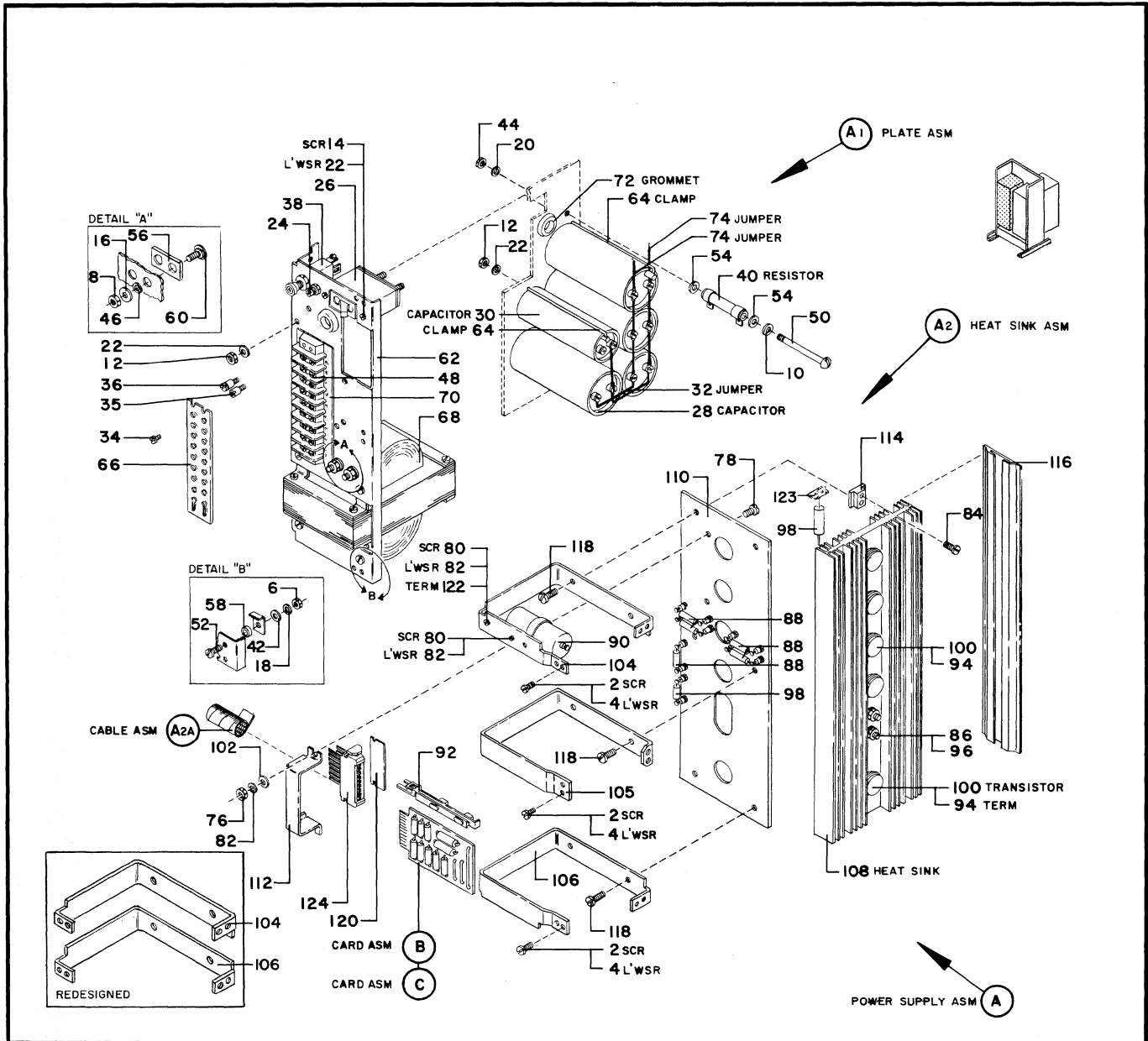


A	2128503	POWER ASM - NO 3
2	5677	SCREW - RAIL MTG
3	11598	NUT - RAIL MTG
4	2125974	LOCKWASHER - MTG
5	2300	SCREW - STOP MTG
6	55901	LOCKWASHER - STOP MTG
8	207382	RAIL - POWER SUPPLY MTG
9	207293	STOP - POWER SUPPLY
10	28413	SCREW - BLOWER MTG
12	237455	CHANNEL - RUBBER
13	2128505	HOUSING - POWER SUPPLY
14	2128513	STOP - EXTERNAL P/S
A1	473510	POWER SUPPLY - 12 V 16 AMP SEE 1620-14 FOR REDESIGNED
A1	207234	POWER SUPPLY - DISCONTINUED
15	10170	SCREW - CAPACITOR MTG
16	28413	SCREW - TRANSFORMER MTG
17	36109	NUT - CAPACITOR MTG
18	38235	SCREW - CAPACITOR MTG
19	38442	SCREW - RECEPTACLE MTG
20	38242	SCREW - RECEPTACLE MTG
21	45651	WASHER - BAR MTG
22	55726	SCREW - HINGE MTG
23	55901	LOCKWASHER - MTG
24	56079	LOCKWASHER - TRANS MTG
25	56722	LOCKWASHER - MTG
26	58207	SCREW - PLATE MTG
27	62031	LOCKWASHER - C/B MTG
28	76574	LOCKWASHER - CAPACITOR MTG
29	81693	SCREW - BAR MTG
30	103898	STUD - BLOCK MTG
31	210883	SCREW - BAR MTG
32	103899	SCREW - BAR MTG
33	127324	CELL - SILICON RECTIFIER

34	186759	SCREW - MTG
35	207316	DIODE - TYPE IN 1692
36	207350	BREAKER - CIRCUIT
37	207357	POTENTIOMETER - 200Ω 2 W
38	207364	BLOCK TERMINAL
39	208221	CAPACITOR - 11000 MFD 19 V DC
40	208228	CAPACITOR - 5500 MFD 19 V DC
42	208229	CAPACITOR - 700 MFD 15 V DC
43	208376	BAR - BUSS
44	208385	BRACKET - RECEPTACLE MTG
45	208982	RECEPTACLE - 0/V ASM
46	208985	RESISTOR - 0.1 Q 5 W
47	216075	RECEPTACLE - CARD
48	220917	BREAKER - CIRCUIT
49	221517	RESISTOR - 75Ω 10 W
50	221657	SINK - HEAT
51	210884	SLOTTED STUD - BLOCK MTG
52	221658	SINK - HEAT
53	221839	HINGE -
54	257187	NUT - CAPACITOR MTG
55	257986	WASHER - MTG
56	301768	BRACKET - CAPACITOR MTG
57	314047	STRIP - TERMINAL
58	322550	SCREW - MTG
59	322554	SCREW - RESISTOR MTG
60	323543	CLAMP - CAPACITOR MTG
62	334598	SCREW - RESISTOR MTG
63	337898	BOLT - CAPACITOR MTG
64	338169	LOCKWASHER - BRKT MTG
65	186942	SHIELD - SAFETY
66	210984	SCREW - SHIELD MTG
67	442959	WASHER - PHENOLIC
68	511097	PLATE - CAPACITOR MTG
69	521849	BAR - BUSS
70	209001	TRANSISTOR
72	209005	SEAL - AIR

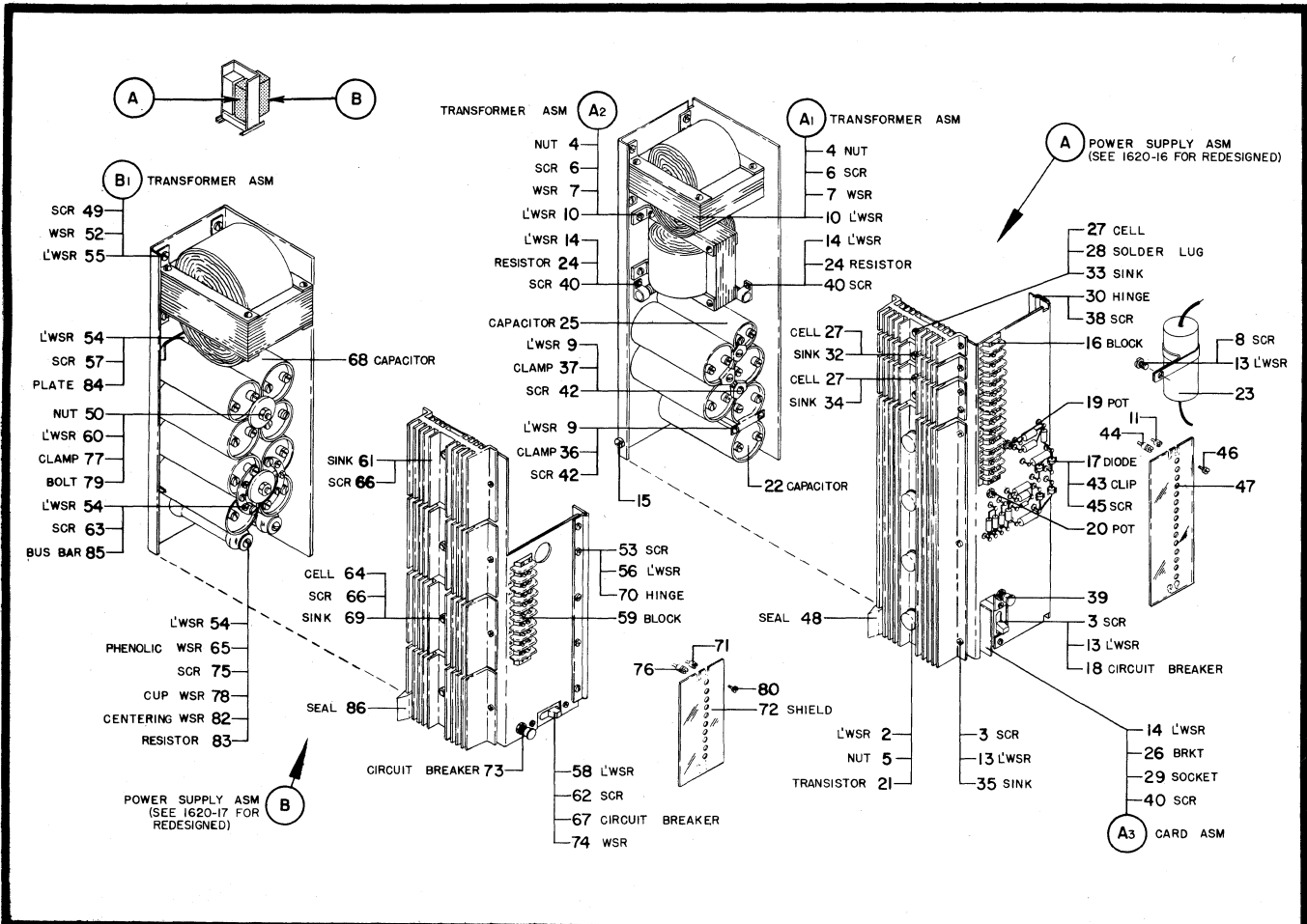
A1A	208177	TRANSFORMER ASM - 2K 5W
A2	2128511	BLOWER ASM - POWER SUPPLY
SEE 1620-18 FOR REDESIGNED BLOWER ASM		
73	80817	BLOCK - TERMINAL
74	322550	SCREW - BLOCK MTG
75	322065	SCREW - BLOWER MTG
76	507466	INSULATION - BLOCK
77	1077722	GROMMET - CABLE
78	2185512	PLATE - BLOWER MTG
79	2128588	GUARD - FAN
80	6364	LOCKWASHER - FAN
82	257187	NUT - FAN
A2A	480991	FAN ASM - MUFFIN
B	208960	OVERVOLTAGE - ASM
83	208950	DIODE - IN 429
84	208952	POTENTIOMETER - 750Ω 1W
85	208955	RECTIFIER - 12 V
86	369087	TRANSISTOR - TYPE 086
87	535441	TRANSISTOR - TYPE 026
C	371656	CARD ASM
PARTS NOT INCLUDED WITH ASSEMBLIES		
88	2125733	SCREW - MTG
89	236849	SCREW - MTG
90	2128507	BRACKET - POWER ASM
92	2128556	FILTER - AIR
93	2128687	COVER - TOP
94	2128892	INSULATION - POWER SUPPLY
95	2125974	LOCKWASHER - MTG
96	56079	LOCKWASHER - POWER SUPPLY

-12V 16AMP POWER SUPPLY



A	473510	POWER SUPPLY ASM - 12V, 16 AMP	46	257354	WASHER - MOUNTING	94	316996	TERMINAL - SOLDER
2	28413	SCREW - MOUNTING	48	323844	BLOCK - TERMINAL	96	322765	TERMINAL - SOLDER
4	56121	LOCKWASHER - MTG	50	438582	SCREW - MOUNTING	98	335138	RESISTOR - 200 Ω 2W (R -19)
A1	473514	PLATE ASM - MOUNTING	52	438601	SCREW - TRANSFORMER MTG	100	369214	TRANSISTOR - TYPE 108
6	11598	NUT - TRANSFORMER MTG	54	442959	WASHER - INSULATION	102	257986	WASHER - BRACKET MTG
8	11891	NUT - STUD MTG	56	473382	INSULATION - STUD	104	473377	BRACKET - UPPER SUPPORT
10	22478	WASHER - RESISTOR MTG	58	473396	SPACER - TRANSFORMER MTG	104	730175	BRACKET - UPPER (REDESIGNED)
12	38051	NUT - CAPACITOR MTG	60	473402	STUD - TERMINAL	105	473378	BRACKET - CENTER SUPPORT
14	10170	SCREW - MOUNTING	62	473517	PLATE - MOUNTING	106	479379	BRACKET - LOWER SUPPORT
16	45697	WASHER - FIBER	64	473543	CLAMP - CAPACITOR	106	730176	BRACKET - LOWER (REDESIGNED)
18	56121	LOCKWASHER - MTG	66	473545	SHIELD - SAFETY	108	473518	SINK - HEAT
20	60646	LOCKWASHER - MTG	68	473596	TRANSFORMER	110	473519	COVER - AIR SEAL
22	62031	LOCKWASHER - MTG	70	512583	INSULATION - BLOCK	112	473530	BRACKET - PLUG
24	207340	POTENTIOMETER - 250 Ω 1/2W	72	512663	GROMMET - RUBBER	114	473531	INSULATION - HEAT SINK
26	207350	BREAKER - CIRCUIT	74	518130	JUMPER - 8" WIRE	116	473536	SEAL - AIR (BULK)
28	208221	CAPACITOR - 11000 MFD, 19V	A2	473515	HEAT SINK ASM	118	473544	SCREW - BRACKET MTG
30	208228	CAPACITOR - 5000 MFD, 19V	76	38051	NUT - BRACKET MTG	120	473547	SPACER - RECEPTACLE
32	208989	JUMPER - 3" WIRE	78	38235	SCREW - BRACKET MTG	122	478045	TERMINAL - INSULATED
34	210984	SCREW - SHIELD MTG	80	55726	SCREW - TERMINAL MTG	123	533534	TERMINAL - INSULATED
35	209483	STUD - SHIELD MTG	82	62031	LOCKWASHER - MTG	A2A	473513	CABLE ASM
36	209484	STUD - SLOTTED	84	79779	SCREW - SINK	124	216076	RECEPTACLE - CARD
38	220917	BREAKER - CIRCUIT	86	216198	CELL - RECTIFIER	B	370576	CARD ASM - OVERVOLTAGE
40	221517	RESISTOR - 75 Ω, 10W	88	207324	RESISTOR (R - 23 THRU R -27)	C	370610	CARD ASM - REGULATOR
42	47242	WASHER - MOUNTING	90	208229	CAPACITOR - 700 MFD, 15V			
44	257189	NUT - MOUNTING	92	216206	GUIDE - CARD			

NO. 3 POWER ASM - VIEW II



REF A & B ARE A PORTION OF NO3 POWER ASM
P/N 21285003 FOR REMAINDER SEE 1620 - 13

A 373580 POWER SUPPLY - +30V 4 AMP
SEE 1620 - 16 FOR REDESIGNED

A	207246	POWER SUPPLY - DISCONTINUED
2	9092	LOCKWASHER - TRANS MTG
3	10170	SCREW - MTG
4	11598	NUT - MTG
5	11891	NUT - TRANSISTOR MTG
6	25891	SCREW - TRANS MTG
7	45690	WASHER - TRANS MTG
8	55726	SCREW - CAPACITOR MTG
9	55901	LOCKWASHER - CLAMP MTG
10	56121	LOCKWASHER - TRANS MTG
11	210883	STUD - BLOCK MTG
13	62031	LOCKWASHER - MTG
14	150209	LOCKWASHER - MTG
15	186759	SCREW - MTG
16	207298	BLOCK - TERMINAL
17	207316	DIODE - TYPE IN 1692
18	207348	BREAKER - CIRCUIT
19	207392	POTENTIOMETER - 2.5 K 1/2 W
20	207394	POTENTIOMETER - 1 K 1/2 W
21	208197	TRANSISTOR - TYPE 038
22	208235	CAPACITOR - 5500 MFD 45V DC
23	208236	CAPACITOR - 350 MFD 30V
24	208242	RESISTOR - 120Ω 50 W
25	208245	CAPACITOR - 2500 MFD 45 V DC
26	208385	BRACKET - RECEPTACLE MTG
27	208386	CELL - SILICON RECTIFIER
28	217174	LUG - SOLDER
29	217176	RECEPTACLE - CARD
30	218707	HINGE

32	218782	SINK - HEAT
33	218874	SINK - HEAT
34	218958	SINK - HEAT
35	218967	SINK - HEAT
36	219097	CLAMP - CAPACITOR
37	219098	CLAMP - CAPACITOR
38	221790	SCREW - HINGE
39	220917	BREAKER - CIRCUIT
40	251970	SCREW - MTG
42	304479	SCREW - CLAMP MTG
43	186455	CLIP - DIODE MTG
44	210884	SLOTTED STUD - BLOCK MTG
45	438548	SCREW - CLIP MTG
46	210984	SCREW - SHIELD MTG
47	187470	SHIELD - SAFETY
48	209005	SEAL - AIR

A1 207306 TRANSFORMER ASM

A2 208233 TRANSFORMER ASM

A3 371656 CARD ASM

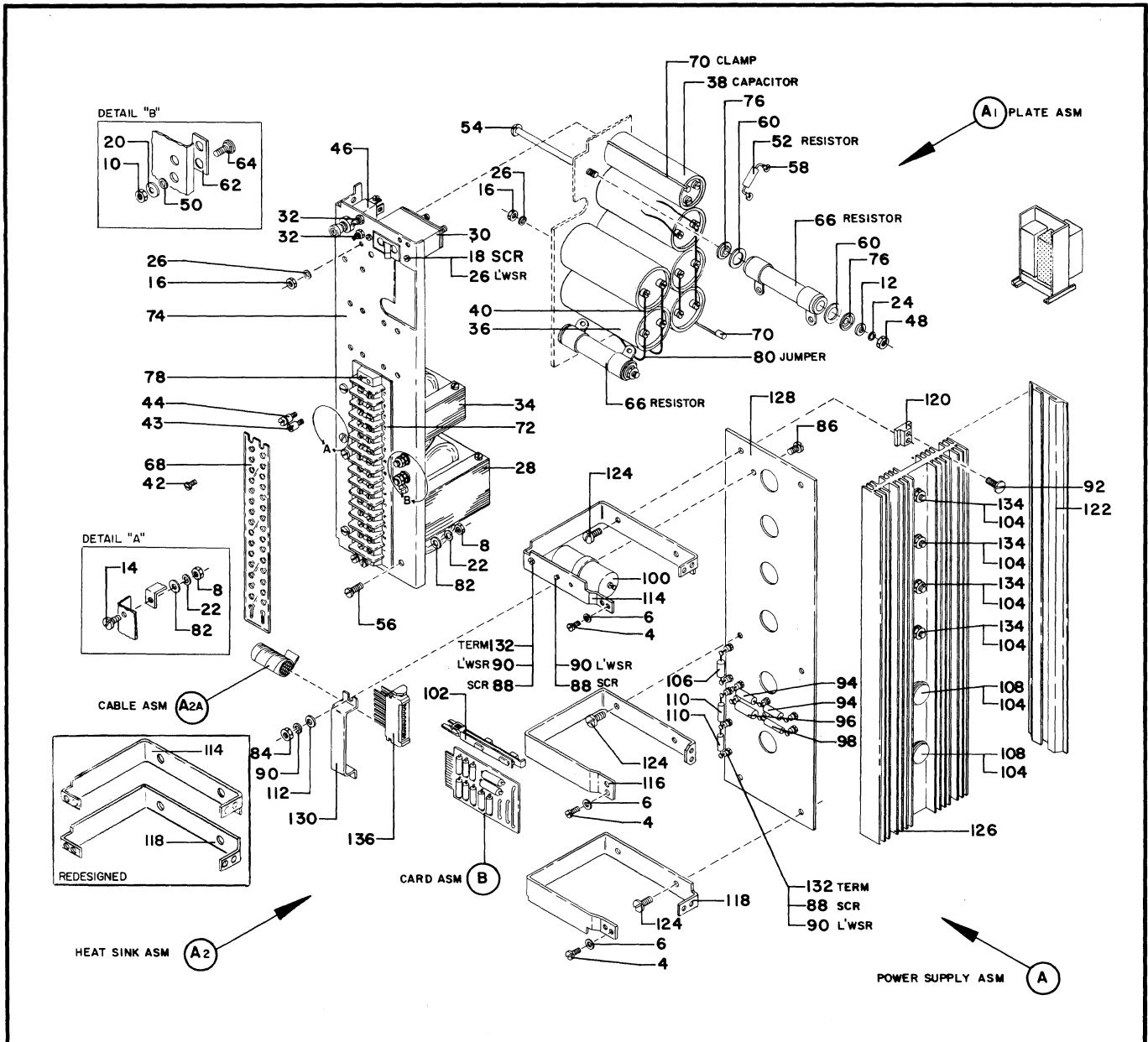
B 477250 POWER SUPPLY - 48V 6 AMP
SEE 1620-17 FOR REDESIGNED

B	207252	POWER SUPPLY - DISCONTINUED
49	32042	SCREW - TRANS MTG
50	36109	NUT - CAPACITOR MTG
52	45690	WASHER - TRANS MTG
53	55726	SCREW - HINGE MTG
54	55901	LOCKWASHER - MTG

55	56079	LOCKWASHER - TRANS MTG
56	56722	LOCKWASHER - MTG
57	58207	SCREW - CAPACITOR MTG
58	62031	LOCKWASHER - C/B MTG
59	65317	BLOCK - TERMINAL
60	76574	LOCKWASHER - MTG
61	221592	SINK - HEAT
62	81693	SCREW - C/B MTG
63	103899	SCREW - BAR MTG
64	127324	CELL - SILICON RECTIFIER
65	152039	WASHER - RESISTOR MTG
66	186759	SCREW - MTG
67	207349	BREAKER - CIRCUIT
68	208222	CAPACITOR - 500 MVD
69	208292	SINK HEAT
70	208892	HINGE
71	210883	STUD - SHIELD MTG
72	210991	SHIELD - SAFETY
73	220918	BREAKER - CIRCUIT
74	257986	WASHER - C/B MTG
75	304479	SCREW - RESISTOR MTG
76	210884	SLOTTED STUD - BLOCK MTG
77	323543	CLAMP - CAPACITOR MTG
78	323597	WASHER - CUP
79	337898	BOLT - CAPACITOR MTG
80	210984	SCREW - SHIELD MTG
82	507144	WASHER - CENTERING
83	509798	RESISTOR - 150Ω 50W
84	511097	PLATE - CAPACITOR
85	521849	BAR - BUSS
86	209005	SEAL - AIR

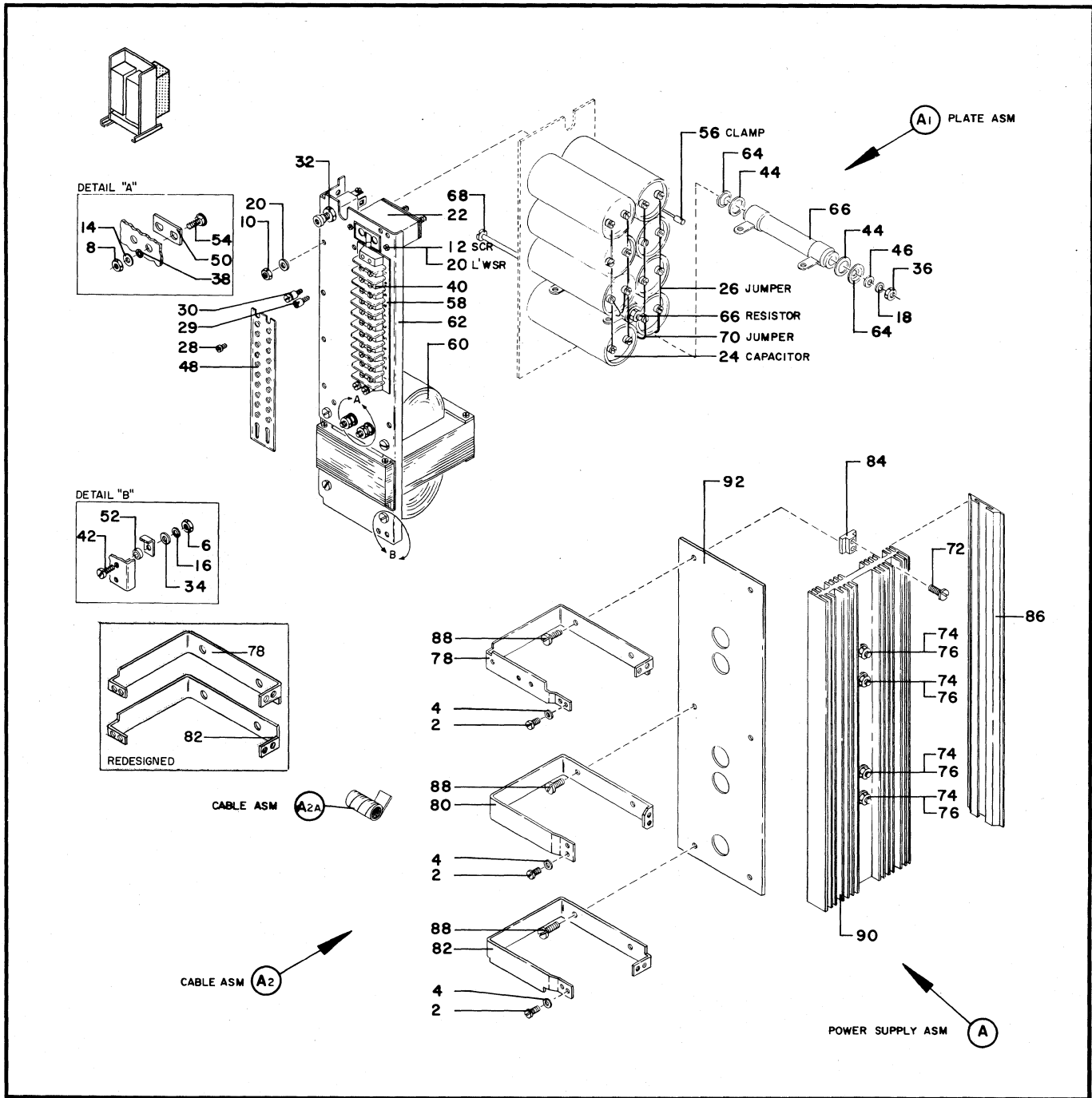
B1 208188 TRANSFORMER ASM

+30V 4AMP POWER SUPPLY



A	473580	POWER SUPPLY ASM - 30V 4 AMP	48	257189	NUT - RESISTOR MTG	96	207333	RESISTOR - 650 Ω 5W
4	28413	SCREW - MOUNTING	50	257354	WASHER - FIBER	98	207377	RESISTOR - 1300 Ω 5W
6	56121	LOCKWASHER - MTG	52	322333	RESISTOR - 750 Ω 2W	100	208236	CAPACITOR - 350 MFD, 30V
A1	473584	PLATE ASM - MOUNTING	54	331982	SCREW - MOUNTING	102	216206	GUIDE - CARD
8	11598	NUT - MOUNTING	56	332620	SCREW - MOUNTING	104	316996	TERMINAL - SOLDER
10	11891	NUT - STUD MOUNTING	58	334932	TERMINAL - SOLDER	106	317091	RESISTOR - 4.7K 2W
12	22478	WASHER - RESISTOR MTG	60	442958	WASHER - FIBER	108	369214	TRANSISTOR - TYPE 108
14	32617	SCREW - MOUNTING	62	473382	INSULATION - STUD	110	441161	RESISTOR - 590 Ω 3W
16	38051	NUT - MOUNTING	64	473402	STUD - TERMINAL	112	257986	WASHER - BRKT MTG
18	38235	SCREW - BREAKER MTG	66	473456	RESISTOR - 120 Ω 50W	114	473377	BRKT - UPPER SUPPORT
20	45697	WASHER - FIBER	68	473506	SHIELD - SAFETY	114	730175	BRKT - UPPER (REDESIGN)
22	56121	LOCKWASHER - MTG	70	473543	CLAMP - CAPACITOR MTG	116	473378	BRKT - CENTER SUPPORT
24	60646	LOCKWASHER - MTG	72	473572	INSULATION - BLOCK	118	473379	BRKT - LOWER SUPPORT
26	62031	LOCKWASHER - MTG	74	473587	PLATE - MOUNTING	118	730176	BRKT - LOWER (REDESIGN)
28	207306	TRANSFORMER	76	507144	WASHER - FIBER	120	473531	INSULATION - HEAT SINK
30	207348	BREAKER - CIRCUIT	78	518055	BLOCK - TERMINAL	122	473536	SEAL - AIR - (BULK)
32	207392	POTENTIOMETER - 2.5K 1/2W	80	518130	JUMPER - 8" WIRE	124	473544	SCREW - BRKT MTG
34	208233	TRANSFORMER	82	47242	WASHER - MTG	126	473588	SINK - HEAT
36	208235	CAPACITOR - 5500 MFD, 45V	A2	473585	HEAT SINK ASM	128	473589	COVER - AIR SEAL
38	208245	CAPACITOR - 2500 MFD, 45V	84	38051	NUT - MOUNTING	130	477203	BRKT - PLUG
40	208989	JUMPER - 3" WIRE	86	38235	SCREW - MOUNTING	132	533534	TERMINAL - INSULATED
42	210984	SCREW - SHIELD MTG	88	55726	SCREW - MOUNTING	134	216197	CELL - RECTIFIER
43	209483	STUD - SHIELD MTG	90	62031	LOCKWASHER - MTG	A2A	473583	CABLE ASM
44	209484	STUD - SLOTTED	92	79779	SCREW - SINK MTG	136	216076	RECEPTACLE - CARD
46	220917	BREAKER - CIRCUIT	94	207324	RESISTOR - 0.1 Ω 5W	B	370614	CARD ASM - DIFF AMPLIFIER

-48V 6AMP POWER SUPPLY



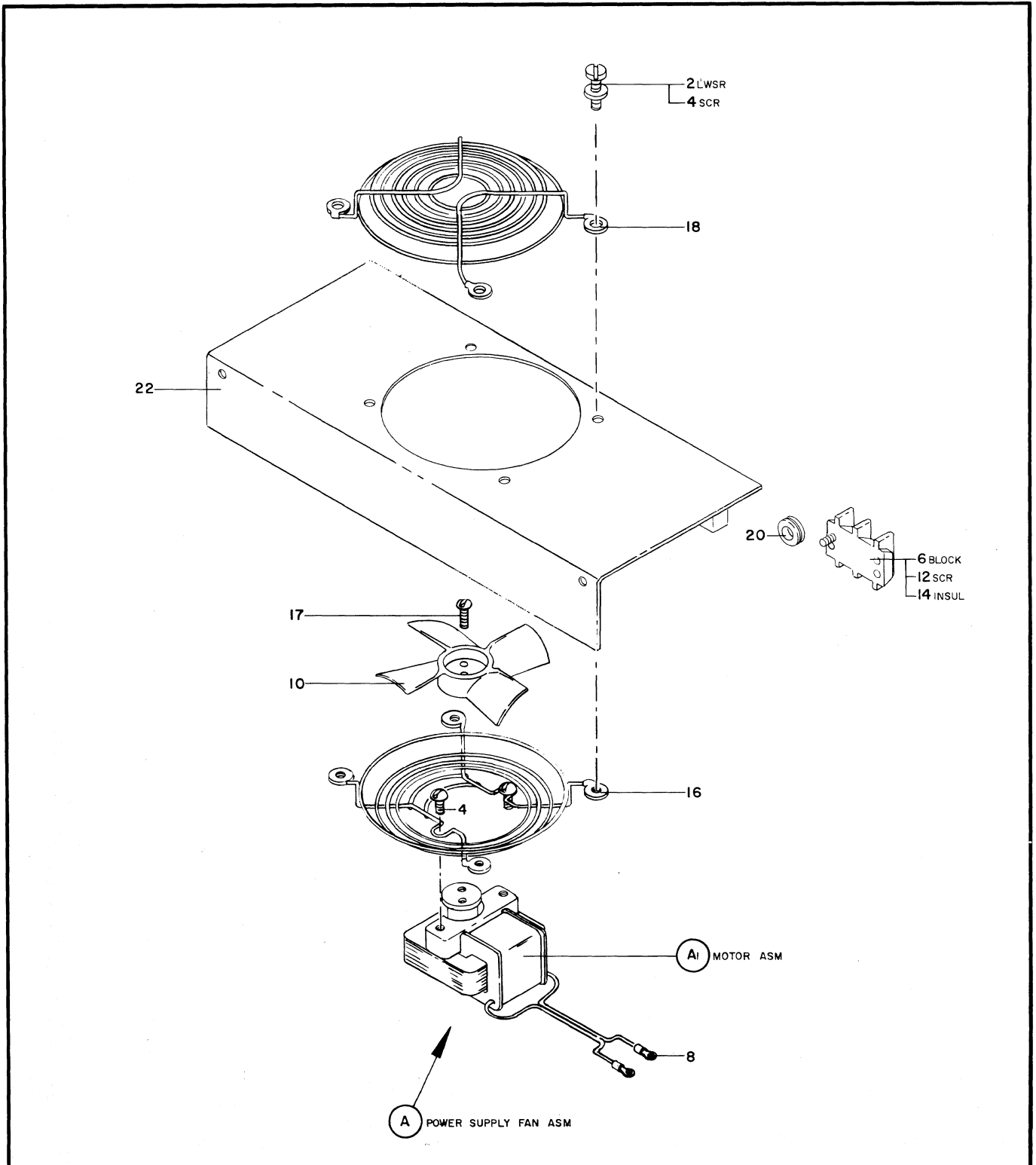
A	477250	POWER SUPPLY ASM - 48V, 6 AMP
2	28413	SCREW - MOUNTING
4	56121	LOCKWASHER - MTG
A1	477254	PLATE ASM - MOUNTING
6	11598	NUT - TRANSFORMER MTG
8	11891	NUT - STUD MTG
10	38051	NUT - MOUNTING
12	10170	SCREW - BREAKER MTG
14	45697	WASHER - FIBER
16	56121	LOCKWASHER - MTG
18	60646	LOCKWASHER - MTG
20	62031	LOCKWASHER - MTG
22	207349	BREAKER - CIRCUIT
24	208222	CAPACITOR - 5500 MFD 55V
26	208989	JUMPER - 3" WIRE
28	210984	SCREW - SHIELD MTG
29	209483	STUD - SHIELD MTG

30	209484	STUD - SLOTTED
32	220918	BREAKER - CIRCUIT
34	47242	WASHER - MOUNTING
36	257189	NUT - RESISTOR MTG
38	257354	WASHER - FIBER
40	333133	BLOCK - TERMINAL
42	438601	SCREW - TRANSFORMER MTG
44	442958	WASHER - FIBER
46	444151	WASHER - RESISTOR MTG
48	473386	SHIELD - SAFETY
50	473392	INSULATION - STUD
52	473396	SPACER - TRANSFORMER MTG
54	473402	STUD - TERMINAL
56	473543	CLAMP - CAPACITOR MTG
58	473562	INSULATION - BLOCK
60	477236	TRANSFORMER
62	477257	PLATE - MOUNTING
64	507144	WASHER - FIBER

66	509798	RESISTOR - 150 Q 50W
68	515718	SCREW - RESISTOR MTG
70	513130	JUMPER - 8" WIRE
A2	477255	HEAT SINK ASM
72	79779	SCREW - HEAT SINK MTG
74	216198	CELL - RECTIFIER
76	322765	TERMINAL - SOLDER
78	473377	BRACKET - UPPER SUPPORT
78	730175	BRACKET - UPPER (REDESIGNED)
80	473378	BRACKET - CENTER
82	473379	BRACKET - LOWER SUPPORT
82	730176	BRACKET - LOWER (REDESIGNED)
84	473531	INSULATION - HEAT SINK
86	473536	SEAL - AIR (BULK)
88	473544	SCREW - BRACKET MTG
90	477258	SINK - HEAT
92	477259	COVER - AIR SEAL

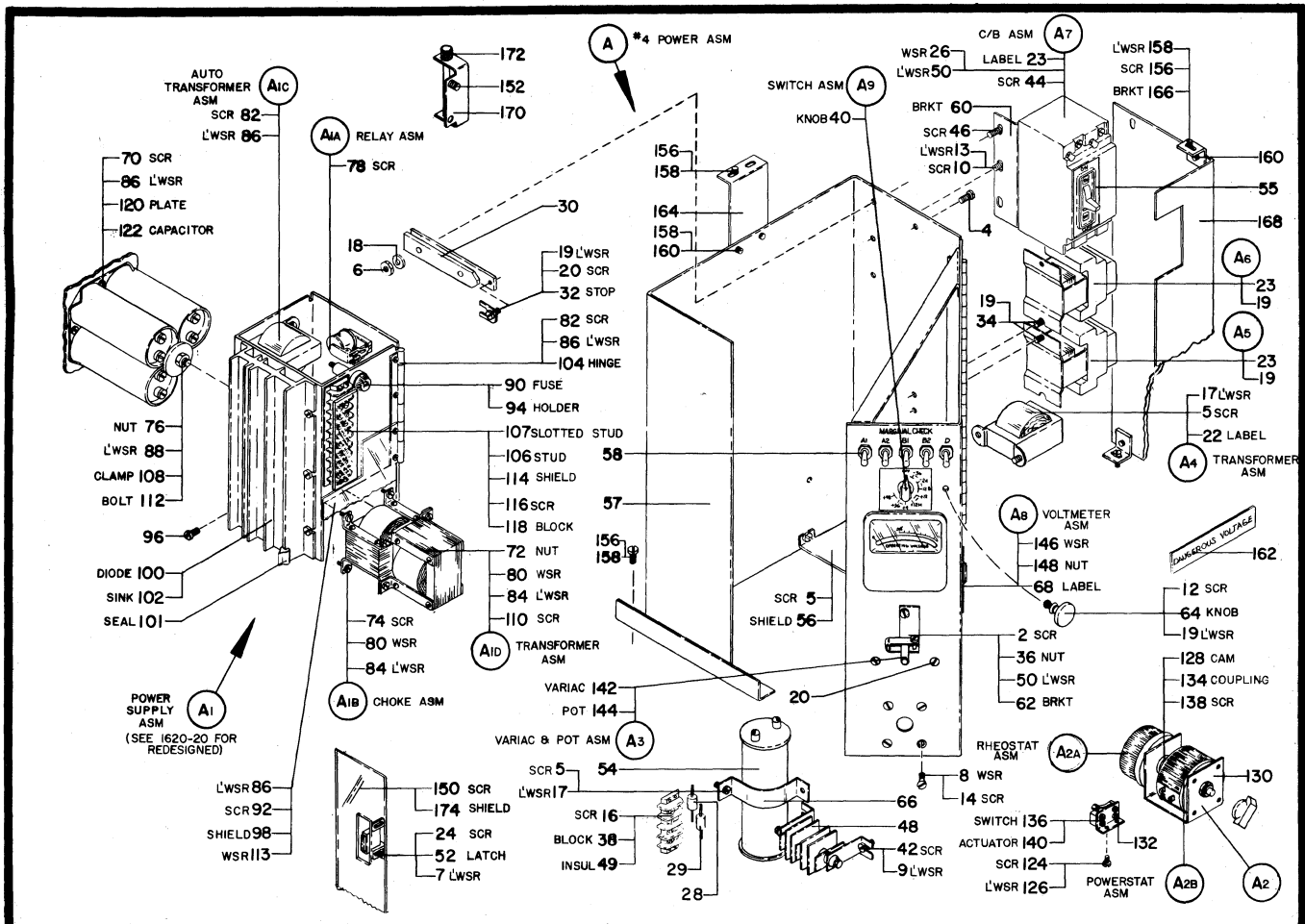
A2A	477253	CABLE ASM
-----	--------	-----------

REDESIGNED POWER SUPPLY FAN ASM



A	2158808	FAN ASM - POWER SUPPLY	10	171485	BLADE - FAN	18	597347	GUARD - UPPER
2	9092	LOCKWASHER - FAN MTG	12	322550	SCREW - TERMINAL BLOCK	20	1077722	GROMMET - CABLE
4	32042	SCREW - FAN MOUNTING	14	507446	INSULATION - BLOCK	22	2158807	PLATE - FAN MOUNTING
6	80817	BLOCK - TERMINAL	16	597344	GUARD - LOWER			
8	334921	CLIP - TERMINAL	17	2863	SCREW - FAN MOUNTING	A1	173104	MOTOR ASM - FAN

NO. 4 POWER ASM

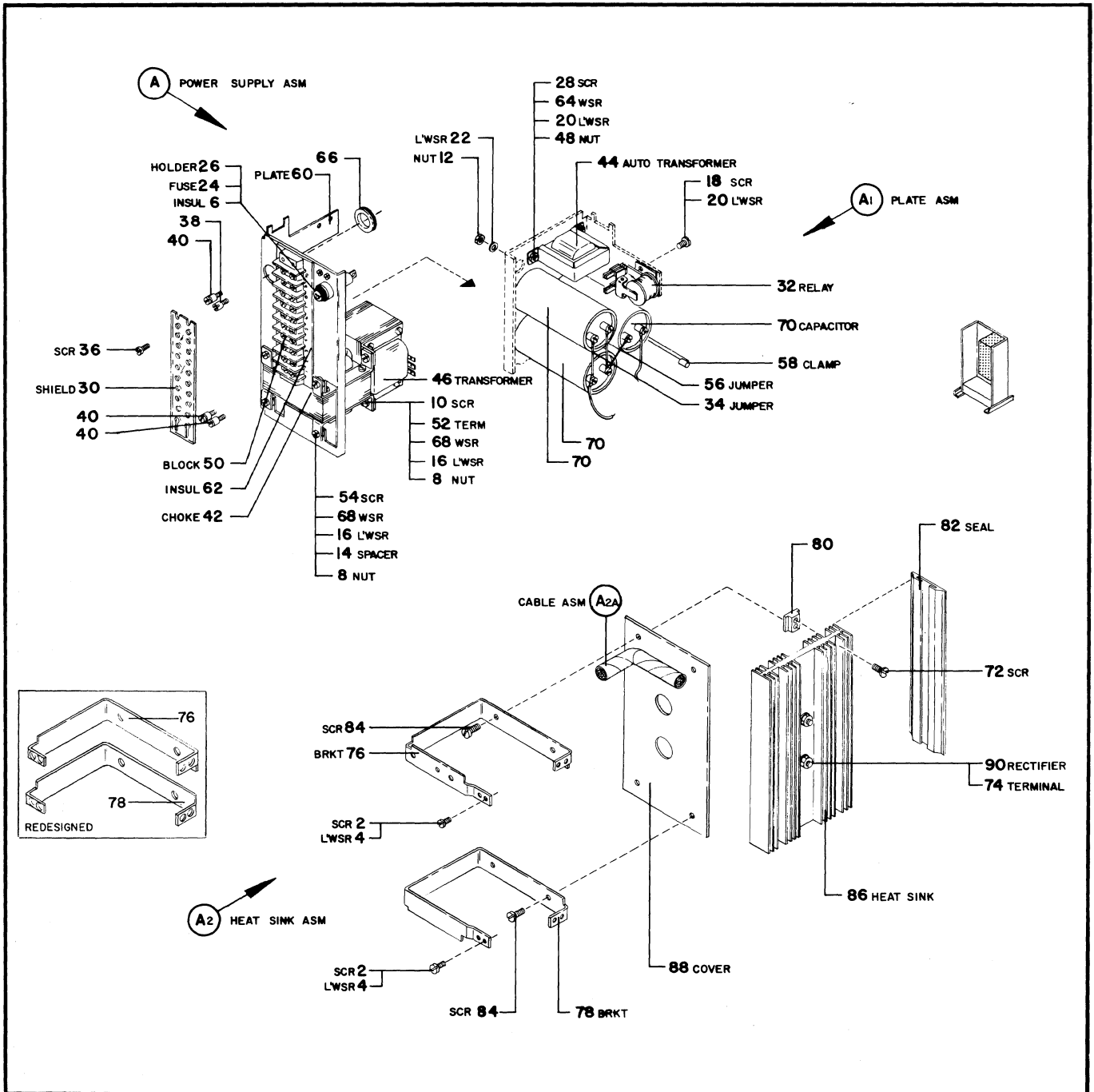


A	2128504	POWER ASM - NO 4
2	641	SCREW - MTG
4	5677	SCREW - RAIL MTG
5	10170	SCREW - MTG
6	11598	NUT - RAIL MTG
7	6364	LOCKWASHER - CATCH MTG
8	22478	WASHER - RHEOSTAT MTG
9	338169	LOCKWASHER - RECTIFIER MTG
10	28413	SCREW - BRACKET MTG
12	34512	SCREW - KNOB
13	56079	LOCKWASHER - MTG
14	38452	SCREW - RHEOSTAT MTG
16	35739	SCREW - BLOCK MTG
17	56722	LOCKWASHER - MTG
18	2125974	LOCKWASHER - RAIL MTG
19	55901	LOCKWASHER - MTG
20	2300	SCREW - STOP MTG
22	138754	LABEL - VOLTAGE PRESENT
23	138755	LABEL - VOLTAGE PRESENT
24	38614	SCREW - CATCH MTG
26	24511	WASHER - C/B MTG
28	2102155	RESISTOR - 500 Ω 5 W
29	2129348	RESISTOR - 1 Ω 5 W
30	207382	RAIL - POWER SUPPLY
32	207293	STOP - POWER SUPPLY
34	236849	SCREW - CONTACTOR
36	257189	NUT - CLAMP LOCKING
38	303454	BLOCK - TERMINAL
40	317173	KNOB - SWITCH
42	251970	SCREW - RECTIFIER MTG
44	438584	SCREW - C/B MTG
46	438601	SCREW - UPPER RAIL
48	472567	RECTIFIER - 1 AMP DC
49	515620	INSULATOR - BLOCK
50	1090873	LOCKWASHER - C/B MTG
52	2106617	CATCH - MAGNETIC
54	2123510	CAPACITOR - 4000 MFD
55	2125561	LABEL - ON/OFF
56	2125565	SHIELD - RECTIFIER
57	2128506	HOUSING - POWER SUPPLY
58	2128693	SWITCH - TOGGLE
60	2128747	BRACKET - C/B MTG
62	2128706	CLAMP - SHAFT
64	2128760	KNOB - SWITCH
66	2128822	CLAMP - CAPACITOR MTG
68	2129382	LABEL - MARGINAL CHECK

A1	477270	POWER SUPPLY - +3 V 5 AMP REDESIGNED - SEE 1620 - 20 FOR BREAKDOWN
A1	208182	POWER SUPPLY - (DISCONTINUED)
70	10170	SCREW - CAPACITOR MTG
72	11598	NUT - TRANS MTG
74	28413	SCREW - TRANS MTG
76	36109	NUT - CAPACITOR MTG
78	38450	SCREW - RELAY MTG
80	45690	WASHER - TRANS MTG
82	55726	SCREW - MTG
84	56079	LOCKWASHER - MTG
86	56722	LOCKWASHER - MTG
88	76574	LOCKWASHER - CAPACITOR MTG
90	78952	FUSE - 0.8 AMP MDL
92	81693	SCREW - SHIELD MTG
94	179946	HOLDER - FUSE
96	186759	SCREW - MTG
98	207388	SHIELD - SAFETY
100	208286	CELL - SILICON RECTIFIER
101	209005	SEAL - AIR
102	220787	SINK - HEAT
104	220908	HINGE
106	210883	STUD - BLOCK MTG
107	210884	SLOTTED STUD BLOCK MTG
108	323543	CLAMP - CAPACITOR
110	322620	SCREW - TRANS MTG
112	337898	BOLT - CAPACITOR MTG
113	440570	WASHER - SHIELD MTG
114	186943	SHIELD - SAFETY
116	210984	SCREW - SHIELD MTG
118	511592	BLOCK - TERMINAL
120	520888	PLATE - CAPACITOR
122	598343	CAPACITOR - 2500 MFD 6 V
A1A	208257	RELAY ASM
A1B	219993	CHOKE ASM
A1C	219994	AUTO TRANSFORMER ASM
A1D	220596	TRANSFORMER ASM

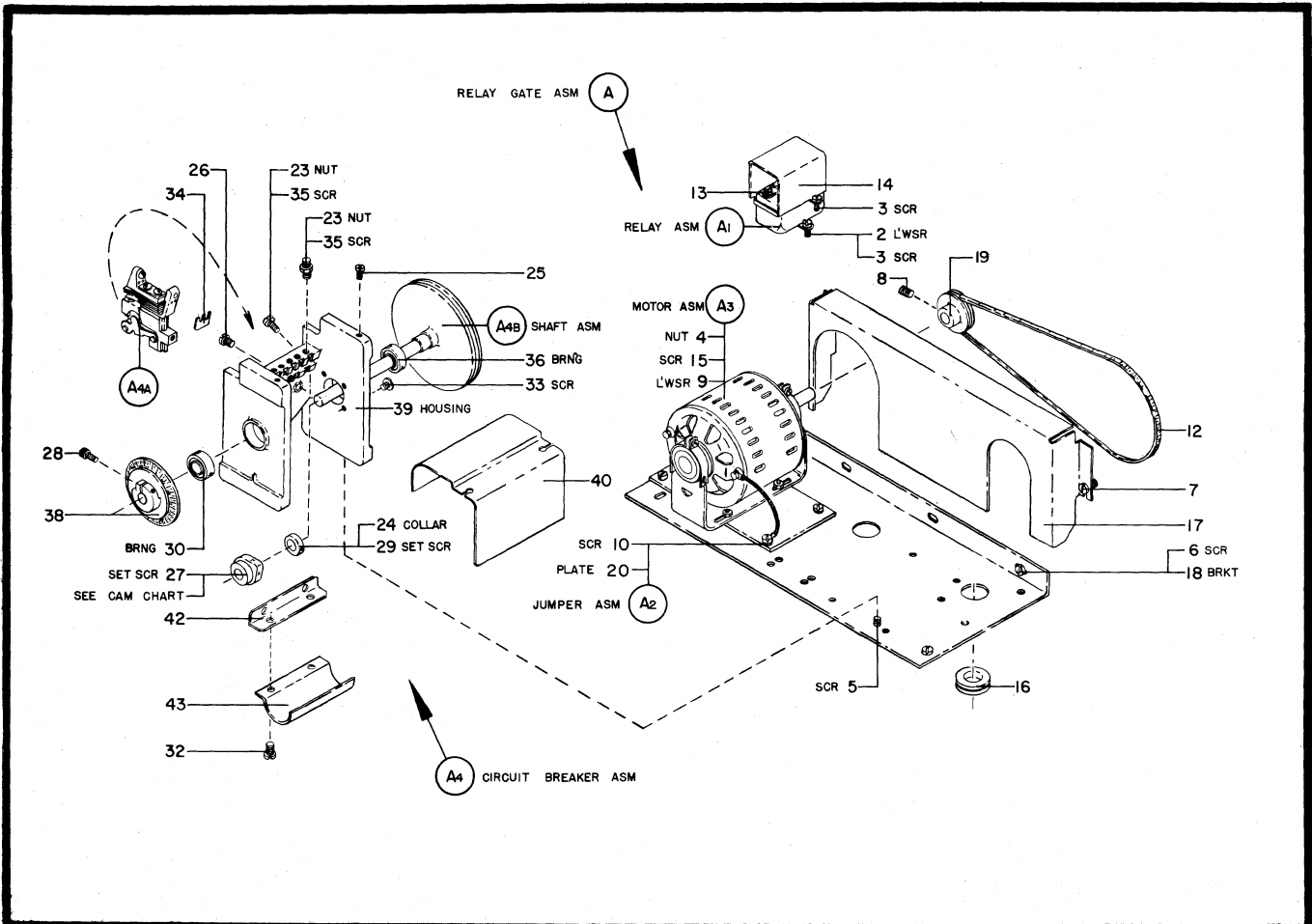
A2	220815	RHEOSTAT ASM - POWER STAT & POWER STAT
124	38262	SCREW - MTG
126	150209	LOCKWASHER - MTG
128	220905	CAM
130	219948	BRACKET - MTG
132	219966	BRACKET - SWITCH MTG
134	219978	COUPLING
136	228093	SWITCH
138	257969	SCREW - SET
140	333183	ACTUATOR - SWITCH
A2A	207376	RHEOSTAT ASM
A2B	208993	POWERSTAT ASM
A3	220838	VARIAC ASM - POTENTIOMETER & VARIAC
142	208234	POTENTIOMETER
144	300609	POTENTIOMETER
A4	2128694	TRANSFORMER ASM - 48V
A5	2128748	CONTACTOR ASM - DC
A6	2128749	CONTACTOR ASM - AC
A7	2128750	CIRCUIT BREAKER ASM - 30A
A8	2128751	VOLTMETER ASM - DC
146	257985	WASHER - MTG
148	257986	NUT - MTG
A9	2128836	SWITCH ASM - ROTARY
PARTS NOT INCLUDED WITH ASSEMBLIES		
150	10170	SCREW - SHIELD MTG
152	28413	SCREW - BRACKET MTG
156	2125733	SCREW - MTG
158	2125974	LOCKWASHER - MTG
160	236849	SCREW - MTG
162	369207	LABEL - DANGEROUS VOLTAGE
164	2128508	BRACKET - POWER ASM MTG
166	2128821	BRACKET - SHIELD MTG
168	2128825	SHIELD - SAFETY
170	2128839	BRACKET - CABLE
172	2128846	SCREW - CABLE RETAINING
174	2128891	SHIELD - SAFETY

+3V 5AMP POWER SUPPLY



A	477270	POWER SUPPLY ASM - 3V 5 AMP	32	208257	RELAY	68	47242	WASHER
2	28413	SCREW - MOUNTING	34	208989	JUMPER - 3" WIRE	70	598343	CAPACITOR - 25000 MFD 6 V
4	56121	LOCKWASHER - MTG	36	210984	SCREW - SHIELD MTG	A2	477275	HEAT SINK ASM
6	116875	INSULATION - TERMINAL	38	209483	STUD - SHIELD MTG	72	79779	SCREW - SINK MTG
A1	477274	PLATE ASM - MTG	40	209484	STUD - SLOTTED	74	316996	TERMINAL
8	11598	NUT - MOUNTING	42	219993	CHOKE - FILTER	76	473377	BRACKET - UPPER SUPPORT
10	32617	SCREW - MOUNTING	44	219994	TRANSFORMER - AUTO	76	730175	BRACKET - UPPER (REDESIGNED)
12	38051	NUT - MOUNTING	46	220596	TRANSFORMER	78	473379	BRACKET - LOWER SUPPORT
14	43538	SPACER - TRANSFORMER MTG	48	257189	NUT - MOUNTING	78	730176	BRACKET - LOWER (REDESIGNED)
16	56121	LOCKWASHER - MTG	50	320451	BLOCK - TERMINAL	80	473531	INSULATION - HEAT SINK
18	58207	SCREW - MOUNTING	52	334932	TERMINAL	82	473536	SEAL - AIR (BULK)
20	60646	LOCKWASHER - MTG	54	438601	SCREW - MOUNTING	84	473544	SCREW - BRACKET MTG
22	62031	LOCKWASHER - MTG	56	473534	JUMPER - 2" WIRE	86	477278	SINK - HEAT
24	78952	FUSE - 0.8 AMP	58	473543	CLAMP - CAPACITOR MTG	88	477279	COVER - AIR SEAL
26	179946	HOLDER - FUSE	60	477277	PLATE - COMPONENT MTG	90	216197	CELL - RECTIFIER
28	186758	SCREW - MOUNTING	62	510186	INSULATION	A2A	477273	CABLE ASM
30	188697	SHIELD - SAFETY	64	22478	WASHER			
			66	512663	GROMMET - RUBBER			

RELAY GATE ASM - VIEW I



A 2128560 RELAY GATE ASM - C

THIS IS A PORTION OF 2128560 ALSO SEE FIG 1620-22

- 2 6364 L' WASHER - RELAY MTG
- 3 10170 SCREW - MTG
- 4 11598 NUT - MOTOR MTG
- 5 25627 SCREW - C/B MTG
- 6 34512 SCREW - BRACKET MTG
- 7 58207 SCREW - SHIELD MTG
- 8 151720 SCREW - SET
- 9 9092 LOCK WASHER - MTG
- 10 186759 SCREW - PLATE MTG
- 12 310364 BELT - DRIVE
- 13 312449 SCREW - RELAY TERMINAL
- 14 313739 COVER - RELAY
- 15 332620 SCREW - MOTOR MTG
- 16 512663 GROMMET - CABLE
- 17 2128559 GUARD - DRIVE BELT
- 18 2128568 BRACKET - C/B MTG
- 19 2128578 PULLEY - MOTOR
- 20 2128579 PLATE - MOTOR MTG

A1 344202 RELAY ASM - MOTOR START

A2 2128524 JUMPER ASM - GROUND

A3 2128566 MOTOR ASM - C/B DRIVE

- A4 2128569 CIRCUIT BREAKER ASM
- 22 2031 SCREW - MTG
- 23 3817 NUT - LOCK
- 24 9299 COLLAR - SHAFT
- 25 10170 SCREW - COVER MTG
- 26 38235 SCREW - WIPER BRKT
- 27 75533 SCREW - CAM SET
- 28 104613 SCREW - INDEX MTG
- 29 123639 SCREW - COLLAR SET
- 30 156364 BEARING - SHAFT
- 32 170214 SCREW - GUARD MTG
- 33 186759 SCREW - BEARING RETAINING
- 34 228609 JUMPER - CONTACT
- 35 257976 SCREW - ADJUST SET
- 36 458612 BEARING - SHAFT
- 37 1090873 L' WASHER - BREAKER MTG

- 38 2102029 INDEX - TIMING
- 39 2128571 HOUSING - CIRCUIT BREAKER
- 40 2128574 COVER - CIRCUIT BREAKER
- 42 2128575 BRACKET - WIPER
- 43 2128576 GUARD - CAM

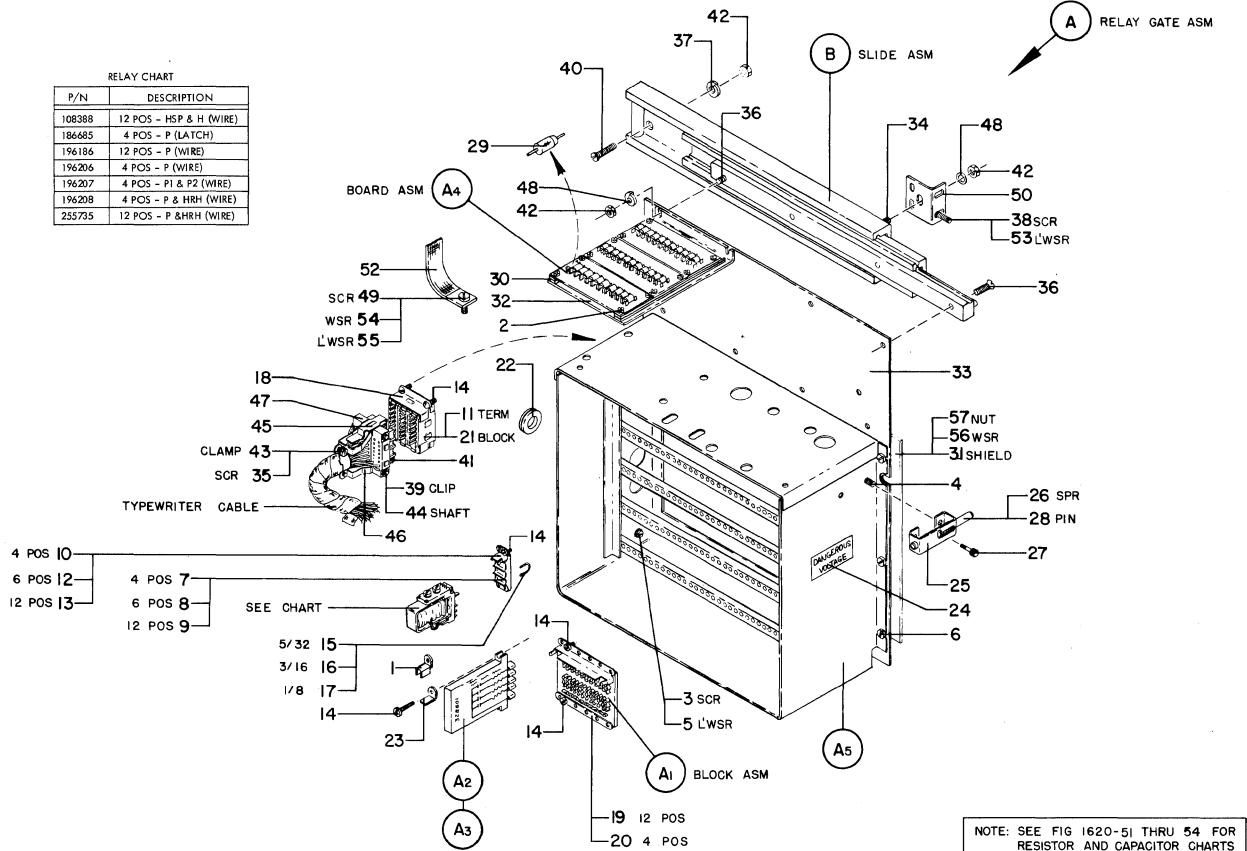
- A4A 435701 BREAKER ASM - CIRCUIT
- A4B 2128557 SHAFT ASM - PULLEY

CAM CHART

PART NO.	DURATION
227694	50°
309629	80°
310255	310°
344181	210°

RELAY GATE ASM - VIEW II

RELAY CHART	
P/N	DESCRIPTION
108388	12 POS - HSP & H (WIRE)
186685	4 POS - P (LATCH)
196186	12 POS - P (WIRE)
196206	4 POS - P (WIRE)
196207	4 POS - P1 & P2 (WIRE)
196208	4 POS - P & HRH (WIRE)
255735	12 POS - P & HRH (WIRE)

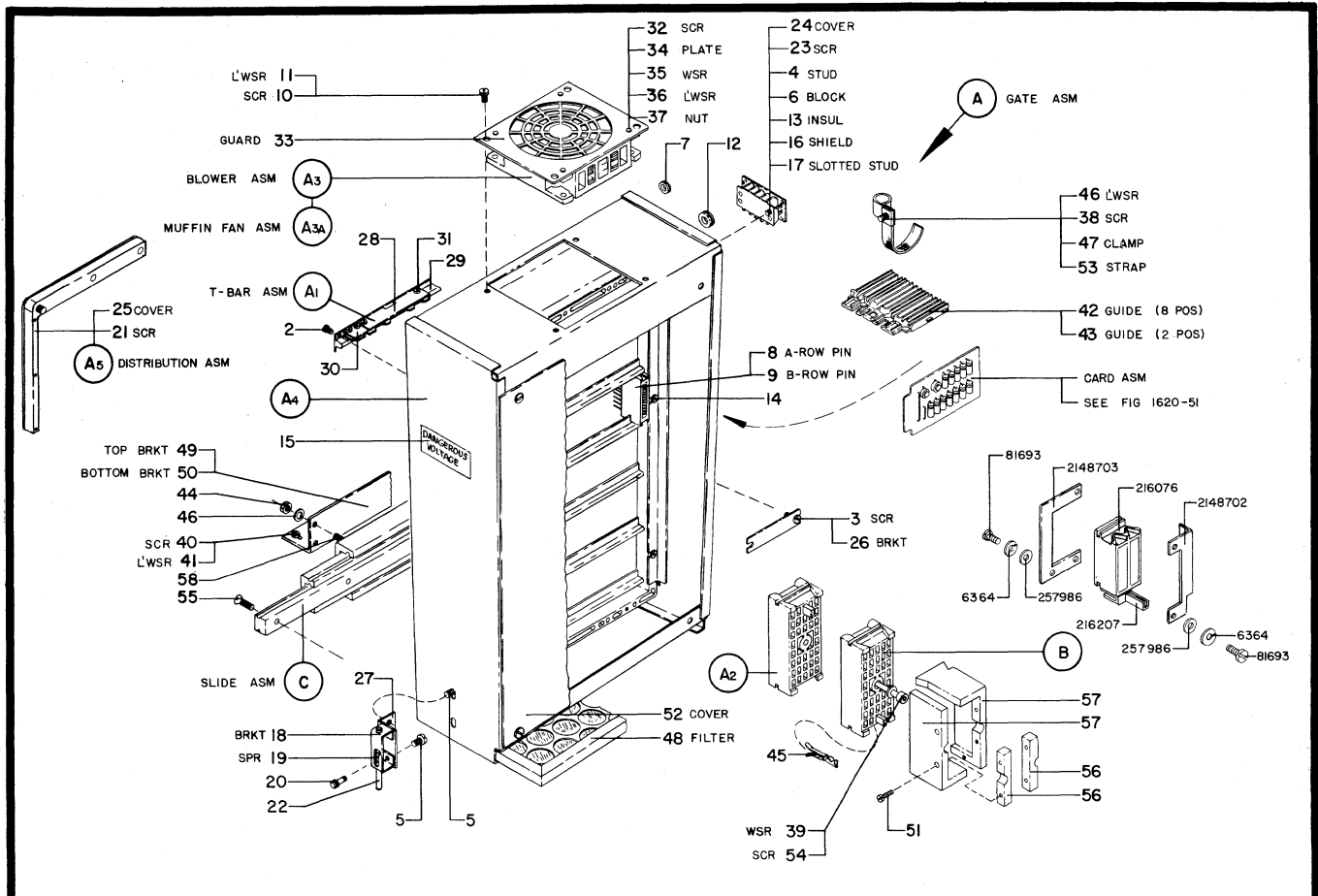


A	2128560	RELAY GATE ASM - C
THIS IS A PORTION OF 2128560 ALSO SEE FIG 1620 - 21		
1	2114391	CLIP - R. C. UNIT MTG
2	35739	SCREW - DIODE BOARD
3	38380	SCREW - CABLE GROUND
4	55726	SCREW - LATCH BRKT
5	56079	L'WASHER - CABLE GROUND
6	58207	SCREW - GATE FRAME
7	159941	MOULDING - 4 POS
8	159942	MOULDING - 6 POS
9	159943	MOULDING - 12 POS
10	159944	CLIP - 4 POS
11	122610	TERMINAL - BLOCK
12	159945	CLIP - 6 POS
13	159946	CLIP - 12 POS
14	198363	SCREW - MTG
15	205329	JUMPER - 5/32 BRASS
16	205330	JUMPER - 3/16 BRASS
17	205331	JUMPER - 1/8 BRASS
18	257241	BRACKET - CONNECTOR MTG
19	284424	CLIP - 12 POS BOTTOM
20	308704	CLIP - 4 POS BOTTOM

21	257243	BLOCK - FEMAL TERMINAL
22	317367	GROMMET - CABLE
23	328616	CLIP - R C UNIT MTG
24	369207	LABEL - WARNING
25	528011	BRACKET - LATCH
26	528012	SPRING - LATCH
27	528013	KNOB - LATCH
28	528014	PIN - LATCH
29	2109415	DIODE - TYPE AL
30	2128521	SPACER - DIODE BOARD
31	2128811	SHIELD - RELAY GATE
32	2128522	BRACKET - DIODE BOARD
33	2128561	PLATE - GATE MTG
A1	324999	BLOCK ASM - TERMINAL
A2	328601	R C UNIT - .47 MFD 680Ω
A3	328602	R C UNIT - .1 MFD 330Ω
A4	2102468	BOARD ASM - DIODE TERM
A5	2128565	FRAME ASM - GATE
B	2128562	SLIDE ASM - GATE
PARTS NOT INCLUDED WITH SUB-ASSEMBLIES		
34	119	SCREW - SLIDE MTG
35	845	SCREW - CABLE CLAMP

36	38457	SCREW - GATE MTG
37	55901	L'WASHER - SLIDE MTG
38	91611	SCREW - MTG
39	92524	CLIP - RETAINING
40	109317	SCREW - SLIDE MTG
41	122610	TERMINAL - BLOCK
42	257189	NUT - GATE MTG
43	257237	CLAMP - CABLE
44	257238	SHAFT - SUPPORT
45	257240	CLIP - BLOCK LOCKING
46	257242	SUPPORT - CABLE
47	257244	BLOCK - MALE TERMINA
48	1090873	L'WASHER - GATE MTG
49	25627	SCREW - MOUNTING
50	2128564	BRACKET - SLIDE MTG
52	2129395	STRAP - GROUND
53	2125974	LOCKWASHER - MTG
54	237032	WASHER - MTG
55	6935	LOCKWASHER - MTG
56	22478	WASHER - MTG
57	324773	NUT - WING

SLIDING CARD GATE ASM

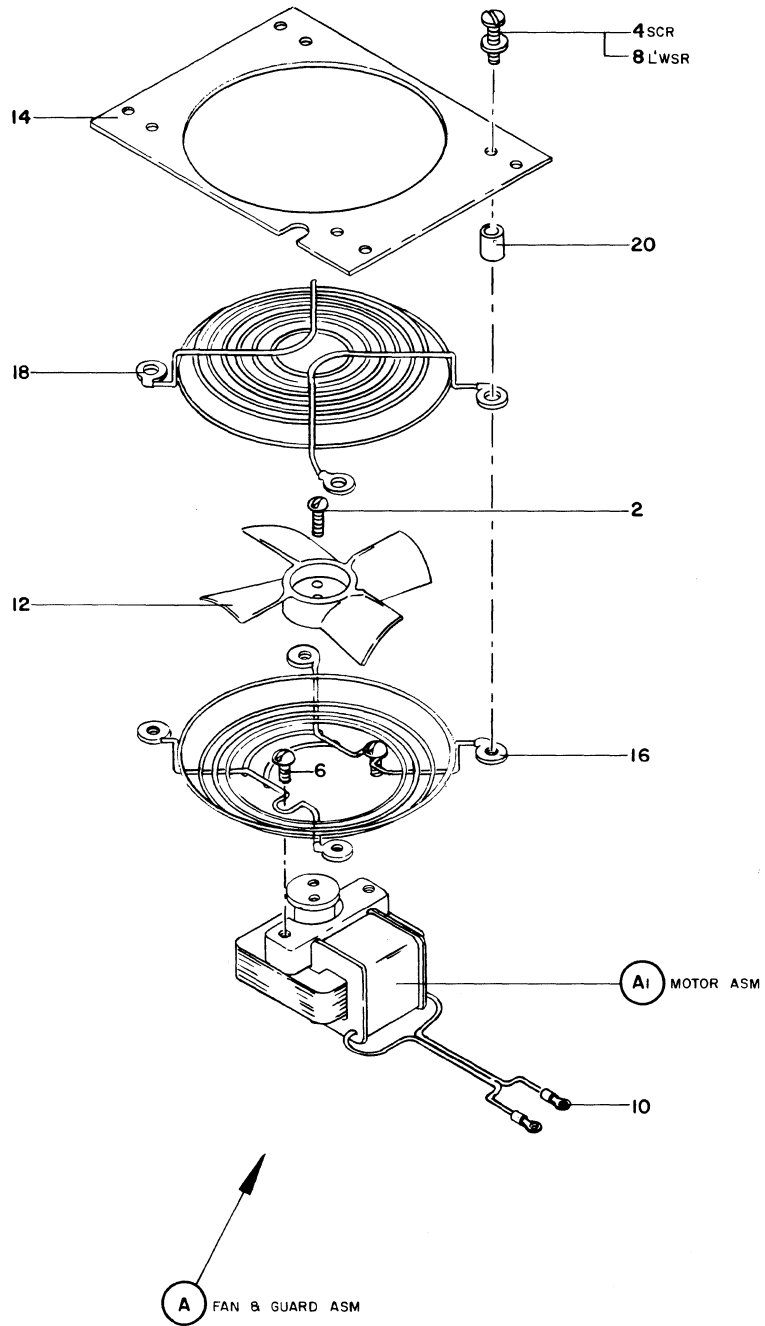


A	2128580	GATE ASM - (A&B SUFFIX MACHINES W/O 1622 CARD I/O ATTACHMENT)
A	2125740	GATE ASM - SLIDING CARD
2	10170	SCREW - T-BAR MTG
3	28413	SCREW - BRACKET MTG
4	210883	STUD - BLOCK MTG
5	55726	SCREW - BRKT MTG
6	801351	BLOCK - TERMINAL
7	186324	GROMMET - CABLE
8	216087	PIN - A ROW
9	216088	PIN - B ROW
10	236849	SCREW - MTG
11	2125974	LOCKWASHER - MTG
12	265059	GROMMET - CABLE
13	322280	INSULATION - BLOCK
14	322620	SCREW - FRAME MTG
15	369207	LABEL - WARNING
16	210987	SHIELD - BLOCK
17	210884	SLOTTED STUD - BLOCK MTG
18	528011	BRACKET - LATCH
19	528012	SPRING - LATCH
20	528013	ARM - LATCH
21	438567	SCREW - MTG
22	528014	PIN - LATCH
23	210984	SCREW - SHIELD MTG
24	2125678	COVER - TERMINAL BLOCK
25	596183	COVER - DISTRIBUTION ASM

26	2128547	BRACKET - BLOCK MTG
27	2129405	BRACKET - LATCH
A1	216205	T-BAR ASM - CARD GUIDES
28	216091	RETAINER - 8 POS GUIDE
29	216095	BAR - T
30	216212	RETAINER - 2 POS GUIDE
31	38264	SCREW - MTG
A2	546013	BLOCK ASM - 32 POS
A3	2128581	BLOWER ASM
		SEE 1620-24 FOR REDESIGNED BLOWER ASM
32	438550	SCREW - 4 - 40 X 1/2
32	322065	SCREW - 6 - 32 X 5/8
33	2128588	GUARD - FAN
34	2128589	PLATE - FAN MTG
35	257986	WASHER - FAN MTG
36	6364	LOCKWASHER - FAN MTG
37	257187	NUT - FAN MTG
A3A	480991	FAN ASM - MUFFIN
A4	2128587	FRAME ASM - SLIDING GATE
A5	596194	DISTRIBUTION ASM - VOLTAGE

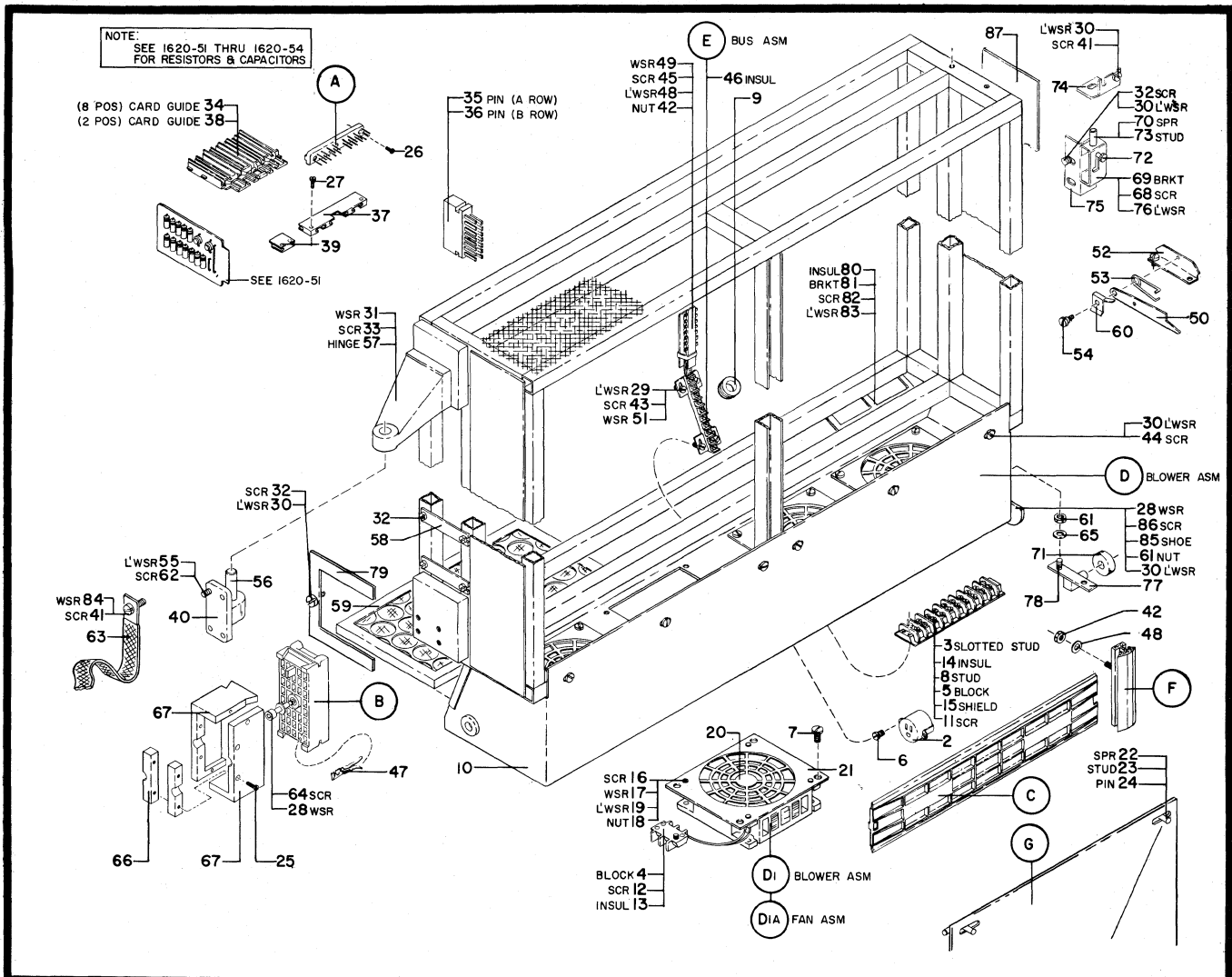
B	546013	BLOCK ASM - 32 POS
C	2128562	SLIDE ASM - GATE
PARTS NOT INCLUDED WITH ASSEMBLIES		
38	186759	SCREW - CLAMP MTG
39	45690	WASHER - BLOCK MTG
40	2125733	SCREW - BRACKET MTG
41	2151974	LOCKWASHER - BRKT MTG
42	216085	GUIDE - 8 POS
43	216206	GUIDE - 2 POS
44	257189	NUT - SLIDE MTG
45	598041	CONTACT - BLOCK
46	1090873	LOCKWASHER - MTG
47	2102364	CLAMP - CABLE
48	2128593	FILTER - AIR
49	2128584	BRACKET - SLIDE TOP
50	2128585	BRACKET - SLIDE BOTTOM
51	203	SCREW - CLAMP MTG
52	2128586	COVER - GATE
53	2129395	STRAP - GROUND
54	587393	SCREW - RETAINING
55	38457	SCREW - GATE MTG
56	5200364	CLAMP - CABLE
57	5200365	COVER - BLOCK
58	119	SCREW - SLIDE MTG

REDESIGNED CARD GATE FAN ASM



A	2153734	FAN & GUARD ASM	8	56079	LOCKWASHER - PLATE MTG	18	597347	GUARD - UPPER
2	2863	SCREW - FAN MOUNTING	10	115186	CLIP - TERMINAL	20	2153733	STANDOFF - G GUARD
4	5677	SCREW - PLATE MOUNTING	12	171485	BLADE - FAN	A1	173104	MOTOR ASM - FAN
6	32042	SCREW - MOTOR MOUNTING	14	172910	PLATE - MOUNTING			
			16	597344	GUARD - LOWER			

OUTER CARD GATE ASM



A	216295	BLOCK ASM
B	546013	BLOCK ASM - 32 POS
C	598562	COVER ASM - CARD
D	2128515	BLOWER ASM - OUTER GATE
	SEE I620-26 FOR REDESIGNED BLOWER ASM	
2	535289	OUTLET - CONVENIENCE
3	210884	SLOTTED STUD - BLOCK MTG
4	80817	BLOCK - TERMINAL
5	92650	BLOCK - TERMINAL
6	221790	SCREW - OUTLET MTG
7	236849	SCREW - PLATE MTG
8	210883	STUD - BLOCK MTG
9	265059	GROMMET - CABLE
10	2128517	HOUSING - BLOWER
11	210984	SCREW - SHIELD MTG
12	322065	SCREW - BLOCK MTG
13	507446	INSULATION - BLOCK
14	322582	INSULATION - BLOCK
15	186944	SHIELD - BLOCK
D1	2128581	BLOWER ASM
16	438550	SCREW - 4-40 x 1/2
17	322065	SCREW - 6-32 x 5/8
18	257986	WASHER - FAN MTG
19	257187	NUT - FAN MTG
20	6364	LOCK WASHER - FAN MTG
21	2128588	GUARD - FAN
	2128589	PLATE - MTG
D1A	480991	FAN ASM - MUFFIN
E	2128542	BUS ASM - LAMINAR

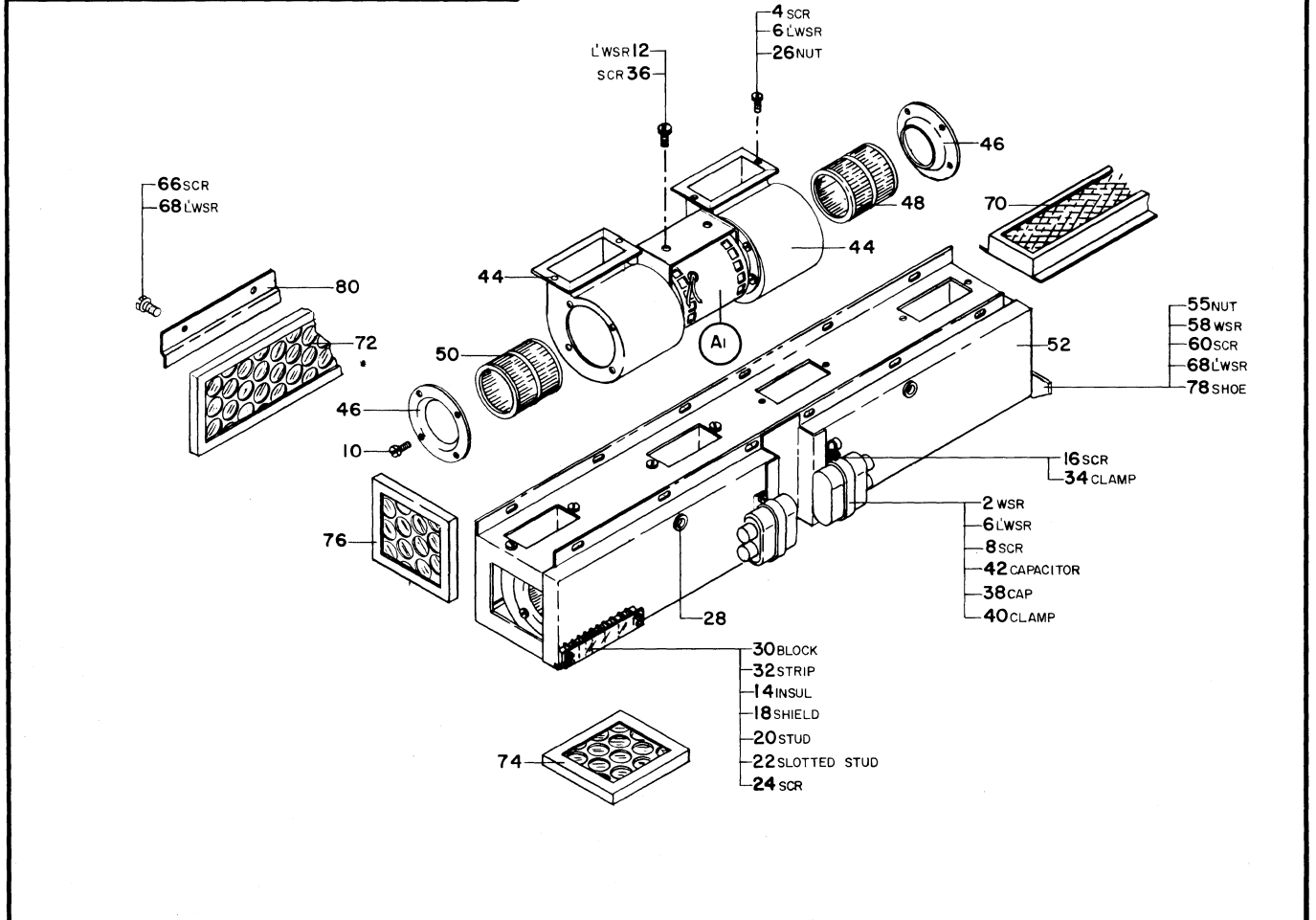
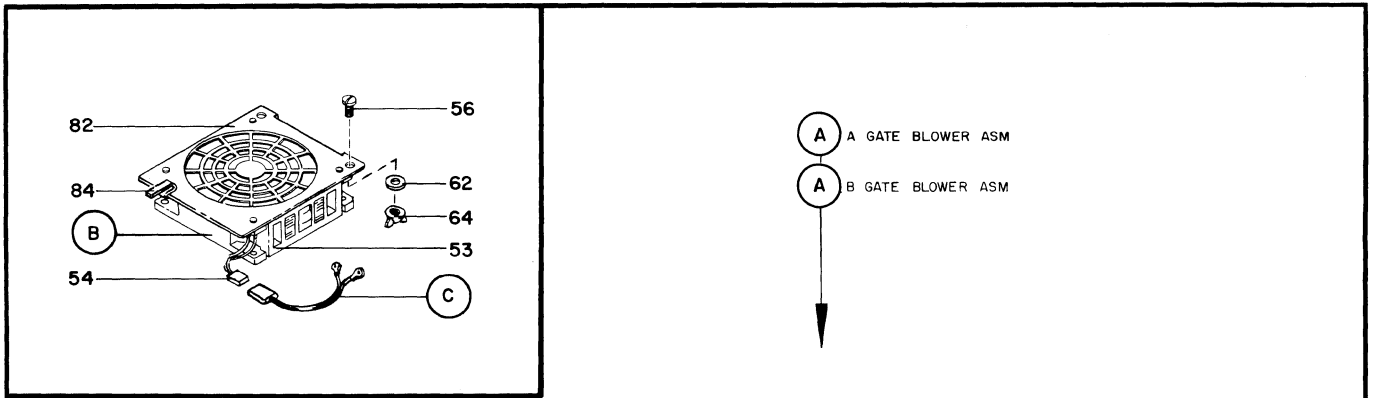
F	2128545	RETAINER ASM - CARD COVER
G	2155146	COVER ASM - 30" x 15-7/16"
22	528012	SPRING - LATCH
23	528013	STUD - LATCH
24	528014	PIN - LATCH

PARTS NOT INCLUDED WITH ASSEMBLIES

25	203	SCREW - COVER MTG
26	38262	SCREW - BLOCK MTG
27	38264	SCREW - RETAINER MTG
28	45690	WASHER - MTG
29	56722	LOCK WASHER - MTG
30	2125974	LOCK WASHER - MTG
31	130985	WASHER - MTG
32	91611	SCREW - MTG
33	170388	SCREW - HINGE MTG
34	216085	GUIDE - 8 POS CARD
35	216087	PIN - A ROW
36	216088	PIN - B ROW
37	216091	RETAINER - 8 POS GUIDE
38	216206	GUIDE - 2 POS CARD
39	216212	RETAINER - 2 POS GUIDE
40	244571	BRACKET - HINGE PIVOT
41	2125733	SCREW - MTG
42	257189	NUT - MTG
43	322065	SCREW - BUS MTG
44	336856	SCREW - BLOWER MTG
45	438589	SCREW - BUS MTG
46	596210	INSULATION - BUS
47	598041	TERMINAL - BLOCK
48	1090873	LOCK WASHER - MTG
49	22478	WASHER - MTG
50	2111921	LATCH - GATE
51	257986	WASHER - MTG

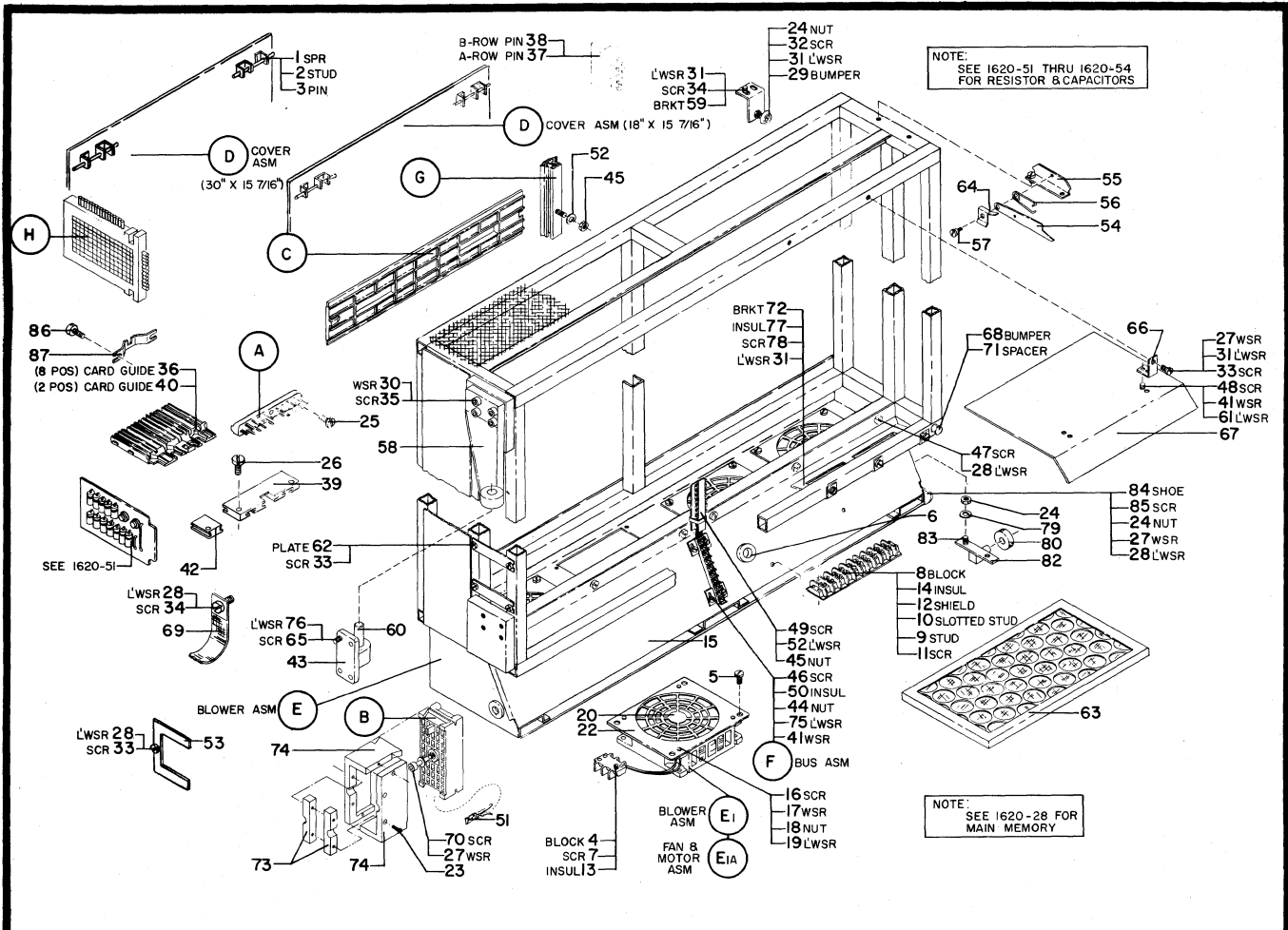
52	2111922	BRACKET - LATCH
53	2111923	SPRING - LATCH
54	2111924	STUD - LATCH
55	76574	LOCK WASHER - MTG
56	2128529	PIN - HINGE PIVOT
57	2128546	HINGE - GATE
58	2128547	RETAINER - BLOCK
59	2128556	FILTER - AIR
60	2128583	STOP - LATCH
61	11598	NUT - ROLLER BLOCK
62	2128774	SCREW - HINGE BRKT
63	2129396	STRAP - GROUND
64	587393	SCREW - BLOCK RETAINING
65	9092	LOCK WASHER - ROLLER BLOCK
66	5200364	CLAMP - CABLE
67	5200365	COVER - BLOCK
68	38235	SCREW - LATCH MTG
69	528011	BRACKET - LATCH
70	528012	SPRING - RETURN
71	368028	ROLLER GATE SUPPORT
72	528013	HANDLE - LATCH
73	528014	STUD - LATCH
74	2125523	STRIKE - LATCH
75	2129449	BRACKET - LATCH MTG
76	2125765	LOCK WASHER - MTG
77	300790	BLOCK - ROLLER MTG
78	332620	SCREW - ROLLER BLOCK
79	2132479	RETAINER - BLOCK
80	2120632	INSULATION - BLOCK
81	2132487	BRACKET - BLOCK
82	338238	SCREW - BRKT MTG
83	338169	LOCK WASHER - BRKT MTG
84	237032	WASHER - MTG
85	2132477	SHOE - CARD GATE
86	55918	SCREW - SHOE MTG
87	2161808	DECAL - SYNC TEST POINT

REDESIGNED GATE BLOWERS



A	2153715	BLOWER ASM - B GATE	34	356742	CLAMP - CABLE	PARTS NOT INCLUDED WITH ASSEMBLIES		
A	2153747	BLOWER ASM - A GATE	36	438622	SCREW - MOTOR MOUNTING	55	11598	NUT - SHOE MOUNTING
	2	22478	38	526378	CAP - CAPACITOR	56	32617	SCREW - FAN MOUNTING
	4	25627	40	2122114	CLAMP - CAPACITOR	58	45690	WASHER - SHOE MOUNTING
	6	55901	42	2122115	CAPACITOR -	60	55918	SCREW - SHOE MOUNTING
	8	58207	44	2145145	SCROLL - DOUBLE INLET	62	56079	LOCKWASHER - FAN MTG
	10	67873	46	2145146	FUNNEL - SCROLL	64	184522	NUT - WING
	12	76574	48	2145147	ROTOR - AIR CCW	66	336856	SCREW - BLOWER MOUNTING
	14	121934	50	2145148	ROTOR - AIR CW	68	2125974	LOCKWASHER - MOUNTING
	16	186759	52	2153716	HOUSING - BLOWER	70	2153718	BAFFLE - BLOWER
	18	191481	A1	2145117	MOTOR ASM - BLOWER	72	2153722	FILTER - 4 1/2 X 31 3/8
	20	210883	B	480991	FAN & JUMPER ASM	74	2153723	FILTER - 4 1/2 X 5 1/8
	22	210884		597300	FAN - MUFFIN	76	2153736	FILTER - 3 7/8 X 5 1/8
	24	210984		480990	JUMPER - PLUG &	78	2153927	SHOE - CARD GATE (REDESIGNED)
	26	257189	C	2153930	JUMPER ASM - FAN	80	2153928	RETAINER - FILTER
	28	265059				82	2153929	PLATE - FAN MOUNTING
	30	323839				84	2153931	CLIP - PLATE MTG
	32	350385						

INNER CARD GATE ASM



NOTE:
SEE 1620-51 THRU 1620-54
FOR RESISTOR & CAPACITORS

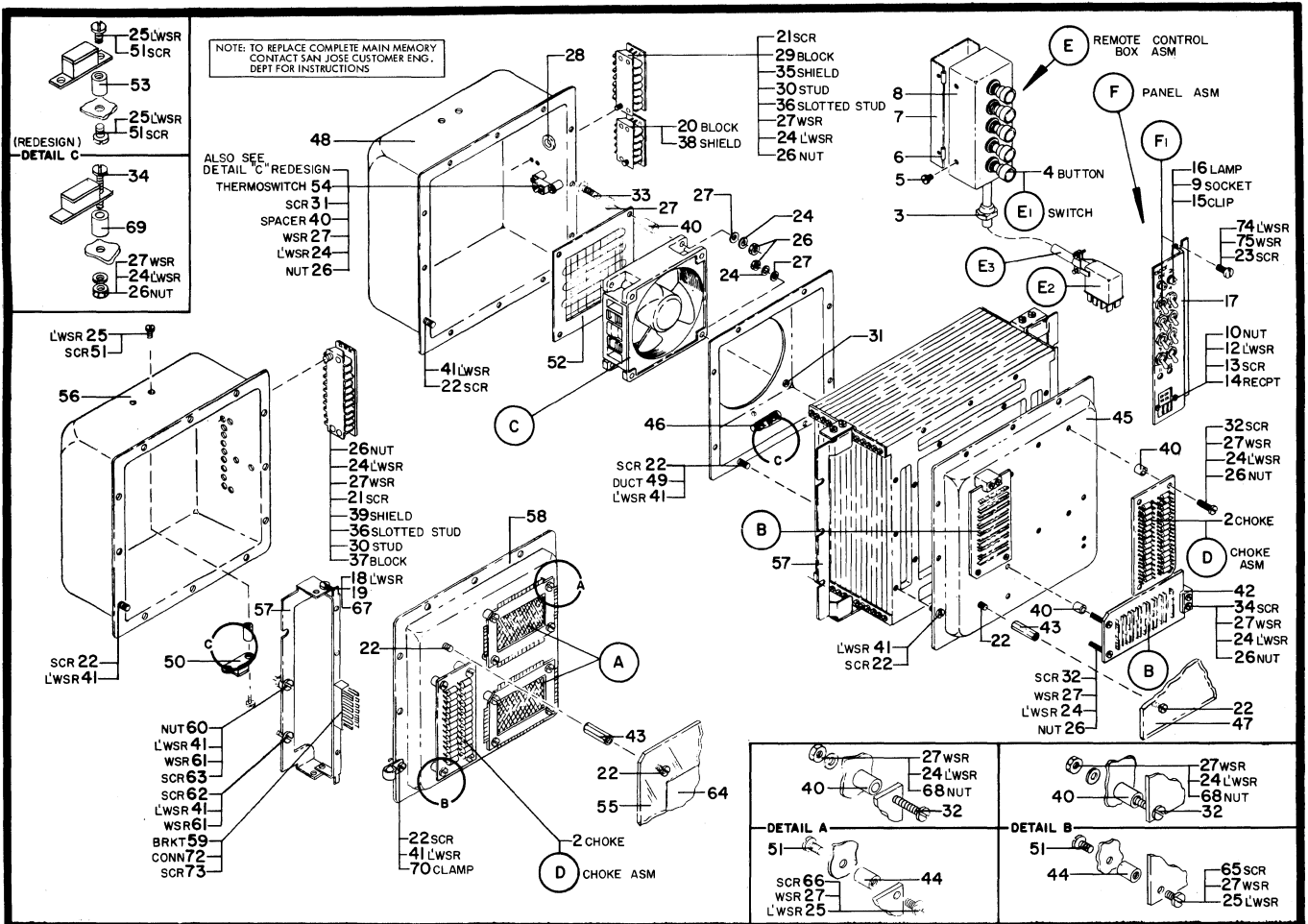
NOTE:
SEE 1620-28 FOR
MAIN MEMORY

A	216295	BLOCK ASM - TERMINAL
B	546013	BLOCK ASM - 32 POS
C	598562	COVER ASM CARD
D	2153346	COVER ASM - 18" X 15 7/16"
D	2155146	COVER ASM - 30" x 15 7/16"
1	528012	SPRING - LATCH
2	528013	STUD - LATCH
3	528014	PIN - LATCH
E	2128514	BLOWER ASM - INNER GATE
	SEE 1620-26	FOR REDESIGNED BLOWER ASM
4	80817	BLOCK - TERMINAL
5	236849	SCREW - PLATE MTG
6	265059	GROMMET - CABLE
7	322065	SCREW - BLOCK MTG
8	322767	BLOCK - TERMINAL
9	210883	STUD - BLOCK MTG
10	210884	SLOTTED STUD - BLOCK MTG
11	210984	SCREW - SHIELD MTG
12	186943	SHIELD - SAFETY
13	507446	INSULATOR - BLOCK
14	529087	INSULATOR - BLOCK
15	2128516	HOUSING - BLOWER
E1	2128581	BLOWER ASM
16	438550	SCREW - 4 49 x 1/2
16	322065	SCREW - 6-32 x 5/8
17	257986	WASHER - FAN MTG
18	257187	NUT - FAN MTG
19	6364	LOCK WASHER - FAN MTG
20	2128588	GUARD FAN
22	2128589	PLATE MTG

E1A	480991	FAN ASM - MUFFIN
F	2128542	BUSS ASM - LAMINAR
G	2128545	RETAINER ASM - CARD COVER
H	2128610	PLANE ASM - MARS CORE
PARTS NOT INCLUDED WITH ASSEMBLIES		
23	203	SCREW - COVER MTG
24	11598	NUT - BUMPER MTG
25	38262	SCREW - BLOCK MTG
26	38264	SCREW - RETAINER MTG
27	45690	WASHER - MTG
28	2125974	LOCK WASHER - MTG
29	78916	BUMPER - INNER GATE
30	130985	WASHER - HINGE MTG
31	56079	LOCK WASHER - MTG
32	81142	STUD - MTG
33	91611	SCREW - MTG
34	2125733	SCREW - MTG
35	170388	SCREW - HINGE MTG
36	216085	GUIDE - 8 POS CARD
37	216087	PIN - A ROW
38	216088	PIN - B ROW
39	216091	RETAINER - 8 POS GUIDE
40	216206	GUIDE - 2 POS CARD
41	257986	WASHER - MTG
42	216212	RETAINER - 2 POS GUIDE
43	244571	BRACKET - HINGE PIVOT
44	257187	NUT - BUS MTG
45	257189	NUT - MTG
46	322065	SCREW - BUS MTG
47	336856	SCREW - BLOWER MTG
48	251970	SCREW - MTG
49	438589	SCREW - BUS MTG

50	596210	INSULATION - BUS
51	598041	TERMINAL - BLOCK
52	1090863	LOCK WASHER - MTG
53	2132479	RETAINER - BLOCK
54	2111921	LATCH - GATE
55	2111922	BRACKET - LATCH
56	2111923	SPRING - LATCH
57	2111924	STUD - LATCH PIVOT
58	2153275	HINGE - GATE
59	2128527	BRACKET - BUMPER
60	2128529	PIN - HINGE PIVOT
61	338169	LOCK WASHER - MTG
62	2128547	RETAINER - BLOCK
63	2128556	FILTER - AIR
64	2128583	STOP - LATCH
65	2128774	SCREW - HINGE BRKT
66	2128837	BRACKET - SHIELD
67	2128838	SHIELD - DUST
68	167064	BUMPER - GATE
69	2129396	STRAP - GROUND
70	587393	SCREW - RETAINING
71	265200	SPACER - BUMPER
72	2132487	BRACKET - BLOCK MTG
73	5200364	CLAMP - CABLE
74	5200365	COVER - BLOCK
75	56722	LOCK WASHER - MTG
76	75674	LOCK WASHER - MTG
77	2120632	INSULATION
78	338238	SCREW - BRKT MTG
79	9092	LOCK WASHER - MTG
80	368028	ROLLER - GATE SUPPORT
82	300790	BLOCK - ROLLER
83	332620	SCREW - BLOCK MTG
84	2132477	SHOE - CARD GATE
85	55918	SCREW - SHOE MTG
86	55726	SCREW - RETAINER MTG
87	2128525	RETAINER - CORE PLANE

MAIN MEMORY & TEST PANEL

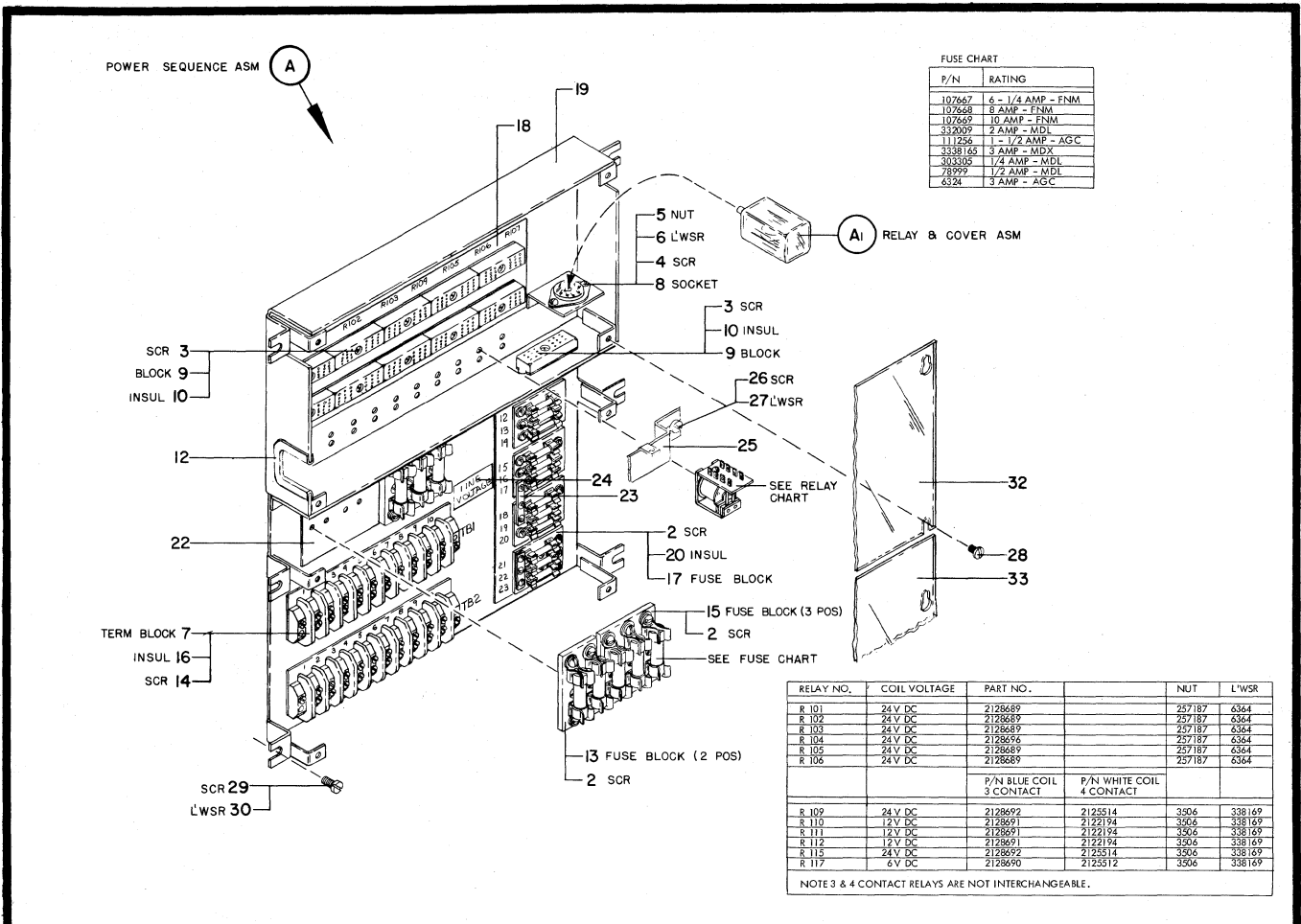


A	209435	SWITCH ASM - MATRIX
B	596168	SWITCH ASM - MATRIX
C	480991	FAN ASM - MUFFIN
D	2128614 550058	CHOKE ASM - RF CHOKE
E	2128701 107611 189138 801391 2109834 2114389 2128702	CONTROL ASM - REMOTE GROMMET - CABLE BUTTON - PUSH SCREW - COVER NUT - COVER COVER - BOX BOX - CONTROL
E1	189136	SWITCH ASM
E2	359553	PLUG ASM
E3	2100317	CABLE ASM - CONTROL
F	2125969 193000 257186 257984 338238 359552 368168 550511	PANEL ASM - TEST SOCKET - LAMP NUT - RECEPTACLE LOCKWASHER - RECEPTACLE SCREW - RECEPTACLE RECEPTACLE - PLUG CLIP - LAMP LAMP - INDICATING

17	2125968	PANEL - TEST
F1	365048	SWITCH ASM - TOGGLE
PARTS NOT INCLUDED WITH ASSEMBLIES		
18	6364	LOCKWASHER - MTG
19	38235	SCREW - BRACKET MTG
20	65261	BLOCK - 4 POS TERMINAL
21	210984	SCREW - SHIELD MTG
22	81693	SCREW - MTG
23	91611	SCREW - MTG
24	150209	LOCKWASHER - MTG
25	338169	LOCKWASHER - MTG
26	37913	NUT - MTG
27	257985	WASHER - MTG
28	317227	GROMMET - CABLE
29	317232	BLOCK - 6 POS TERMINAL
30	210883	STUD - BLOCK MTG
31	438551	SCREW - MTG
32	438552	SCREW - MTG
33	438553	SCREW - MTG
34	438554	SCREW - MTG
35	187479	SHIELD - BLOCK
36	210884	SLOTTED STUD - BLOCK MTG
37	511592	BLOCK - 10 POS TERMINAL
38	210987	SHIELD - BLOCK
39	186943	SHIELD - BLOCK
40	2128618	SPACER - HEATER
41	56722	LOCKWASHER - MTG
42	2128615	SUPPORT - MATRIX PLANE

43	2128616	SPACER - SHIELD MTG
44	2153478	SPACER - MTG
45	2128621	PLENUM - REAR
46	2128622	THERMOSWITCH - 100° F
47	2128623	SHIELD - CHOKE
48	2128624	PLENUM - FRONT
49	2128626	DUCT - FAN
50	761345	THERMOSWITCH - 120° F
51	338238	SCREW - SPACER MTG
52	760246	HEATER - MEMORY
53	2159713	SPACER - THERMOSWITCH
54	2128635	THERMOSWITCH - 86° F
55	2128373	SHIELD - CHOKE
56	2129394	PLENUM - FRONT
57	2129404	BRACKET - MAIN MEMORY
58	2129414	PLENUM - REAR
59	2125965	BRACKET - CONNECTOR MTG
60	257187	NUT - MEMORY MTG
61	45677	WASHER - MEMORY MTG
62	322550	SCREW - MEMORY MTG
63	438562	SCREW - MEMORY MTG
64	2125692	DECAL - MEMORY LAYOUT
65	236550	SCREW - MATRIX MTG
66	251970	SCREW - CHOKE MTG
67	257986	WASHER - BRKT MTG
68	257186	NUT - MTG
69	2128633	SPACER - THERMOSWITCH
70	2102364	CLAMP - CABLE
72	216295	CONNECTOR
73	107158	SCREW - CONNECTOR MTG
74	56079	LOCKWASHER - MTG
75	45690	WASHER - MTG

POWER SEQUENCE PANEL



A	2128688	SEQUENCE ASM - POWER
2	38443	SCREW - FUSE HOLDER
3	236550	SCREW - BLOCK MTG
4	251970	SCREW - SOCKET MTG
5	257186	NUT - SOCKET MTG
6	257984	LOCKWASHER - SOCKET MTG
7	283003	BLOCK - TERMINAL
8	301795	SOCKET - OCTAL
9	302090	BLOCK - TERMINAL
10	302131	INSULATOR - BLOCK
12	223528	CHANNEL - RUBBER

13	322035	BLOCK - 2 POS FUSE
14	322065	SCREW - BLOCK MTG
15	359776	BLOCK - 3 POS FUSE
16	368062	INSULATOR - BLOCK
17	470064	BLOCK - 3 POS FUSE
18	2128699	INSULATOR - BLOCK
19	2128812	PLATE - POWER SEQUENCE
20	2128815	INSULATOR - FUSE BLOCK
22	2153278	INSULATOR - FUSE BLOCK
23	2128817	BUSS - FUSE BLOCK

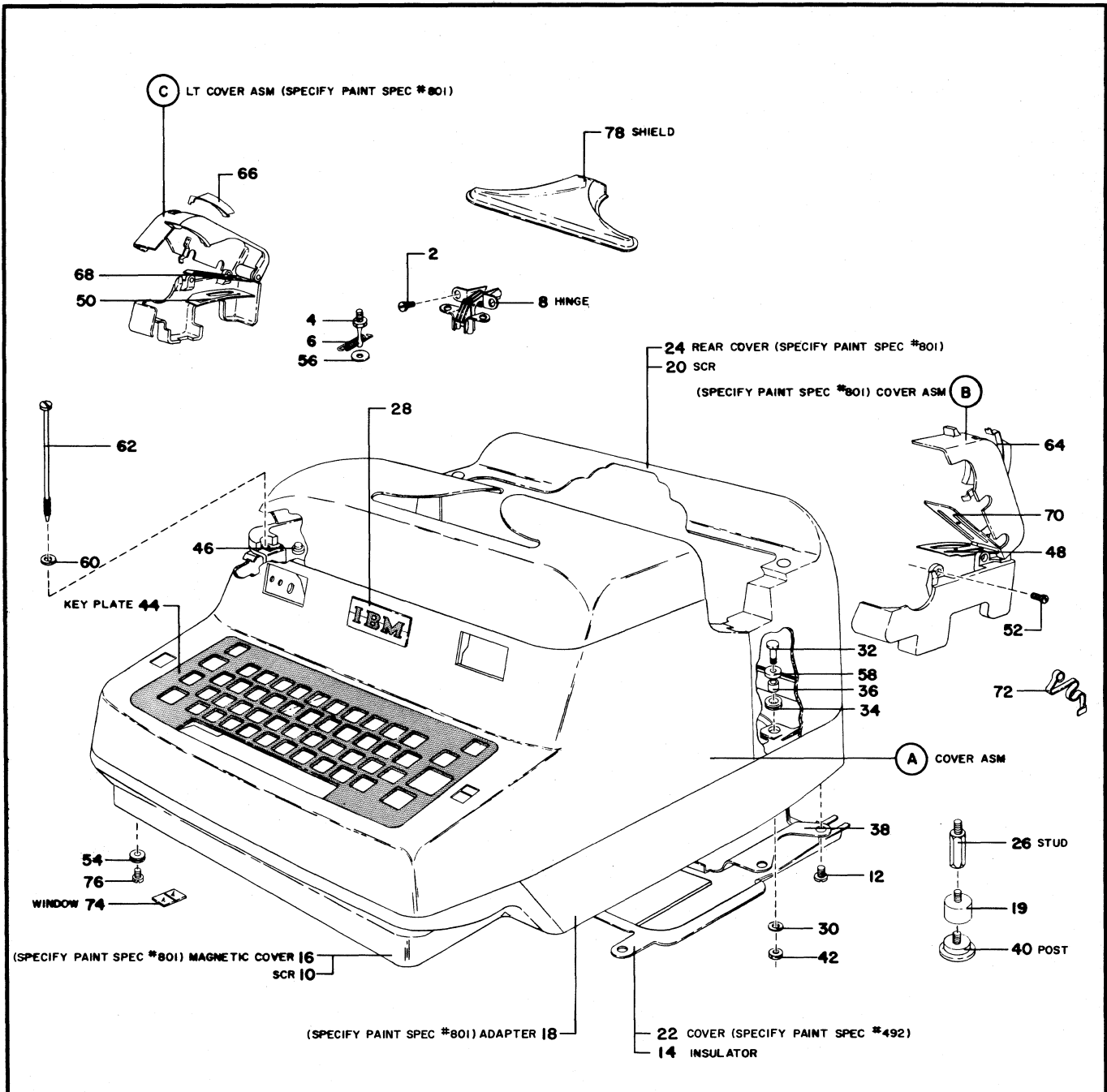
24	138754	LABEL - VOLTAGE
25	2129295	BRACKET - RELAY MTG
26	10170	SCREW - BRACKET MTG
27	56722	LOCKWASHER - BRKT MTG
A1	2128695	RELAY ASM - COVER &
PARTS NOT INCLUDED WITH ASSEMBLIES		
28	58207	SCREW - SHIELD MTG
29	2125733	SCREW - PLATE MTG
30	2128974	LOCKWASHER - PLATE MTG
32	2128818	SHIELD - TOP
33	2128819	SHIELD - BOTTOM

50/60 CYCLE CROSS INDEX

FIG. NO.	REF.	DESCRIPTION	60 Cycle	50 Cycle
1620 - 2 1620 - 9	A	TYPEWRITER ASM	2128600	2132412
	A	POWER ASM - NO 1	2128501	2132405
	A1	POWER SUPPLY 36V 2A	207276	223098
	46	TRANSISTOR	208197	208196
	A1A	TRANSFORMER ASM	208178	223407
	A2	REGULATOR ASM - 415W	208269	223362
	A3	REGULATOR ASM - 1250W	208274	223089
	A4	BLOWER ASM - POWER SUPPLY CLIP - CAPACITOR MTG SPACER - FAN	2128511	2132438 2132463 1106361
	A4A	CAPACITOR - PAPER (DC) FAN		2132434
	A5	FAN ASM - MUFFIN TRANSFORMER ASM - 230V	480991 2128759	2132435 2132440
	1620 - 11	A	POWER ASM - NO 2	2128502
A1		POWER SUPPLY - 12V 20A	208258	223094
A1B		TRANSFORMER ASM	219980	223403
A3		BLOWER ASM - POWER SUPPLY CLIP - CAPACITOR MTG SPACER - FAN MTG	2128511	2132438 2132463 1106361
		CAPACITOR - PAPER (DC) FAN		2132434
A3A		FAN ASM - MUFFIN	480991	2132435
1620 - 13	A	POWER ASM - NO 3	2128503	2132407
	A1	POWER SUPPLY 12V 16A	207234	223096
	A1A	TRANSFORMER ASM	208177	223402
	A3	BLOWER ASM - POWER SUPPLY CLIP - CAPACITOR MTG SPACER - FAN MTG	2128511	2132438 2132463 1106361
		CAPACITOR - PAPER (DC) FAN		2132434
	A3A	FAN ASM - MUFFIN	480991	2132435
1620 - 16	A	POWER SUPPLY - +30V 4A	207246	223352
	21	TRANSISTOR	207197	207196
	A1	TRANSFORMER ASM T-1	207306	223400
	A2	TRANSFORMER ASM T-2	208233	223401
	B	POWER SUPPLY 48V 6A	208252	223663
	B1	TRANSFORMER ASM	208188	223404
1620 - 19	A	POWER ASM - NO 4	2128504	2132408
	A1	POWER SUPPLY -3V 5A	208182	223083
	A1B	CHOKE ASM - L1	219993	223405
	A1C	AUTO TRANSFORMER ASM - T-3	219994	223408
	A1D	TRANSFORMER ASM - T-2	220596	223406
	A4	TRANSFORMER ASM - 48V	2128694	2132431
1620 - 23	A	GATE ASM - CARD	2128580	2132411
	A3	BLOWER ASM	2128581	2132432
	34	PLATE - FAN MTG CLIP - CAPACITOR MTG	2128589	2132458 2132463
		CAPACITOR - PAPER (DC) FAN		2132434
		SPACER - FAN MTG		2132459
	A3A	FAN ASM - MUFFIN	480991	2132435
1620 - 21	A	RELAY GATE ASM - C	2128560	2132410
	19	PULLEY - MOTOR	2128578	2132451
1620 - 27	E	BLOWER ASM - INNER GATE	2128514	2132455
	15	HOUSING - GATE BLOWER CLIP - CAPACITOR MTG	2128516	2132454 2132463
	E1	BLOWER ASM	2128581	2132432
	22	PLATE - MTG	2128589	2132458
		CAPACITOR - PAPER (DC) FAN		2132434
	E1A	SPACER - FAN MTG FAN ASM - MUFFIN	480991	2132459 2132435
1620 - 28	C	FAN ASM - MUFFIN	480991	2132435
		CLAMP - CAPACITOR MTG		313746
		CAPACITOR - PAPER (DC) FAN		2132434
1620 - 25	D	BLOWER ASM - OUTER GATE	2128515	2132453
	2	OUTLET - CONVENIENCE	535289	2132436
	10	HOUSING - BLOWER CLIP - CAPACITOR MTG	2128517	2132452 2132463
	D1	BLOWER ASM	2128581	2132432
	21	PLATE - MTG	2128589	2132458
		CAPACITOR - PAPER (DC) FAN		2132434
		SPACER - FAN MTG		2132459
	D1A	FAN ASM - MUFFIN	480991	2132435
1620 - 29	A	SEQUENCE ASM - POWER	2128688	2132413
	22	INSULATOR - FUSE BLOCK	2153278	2132460

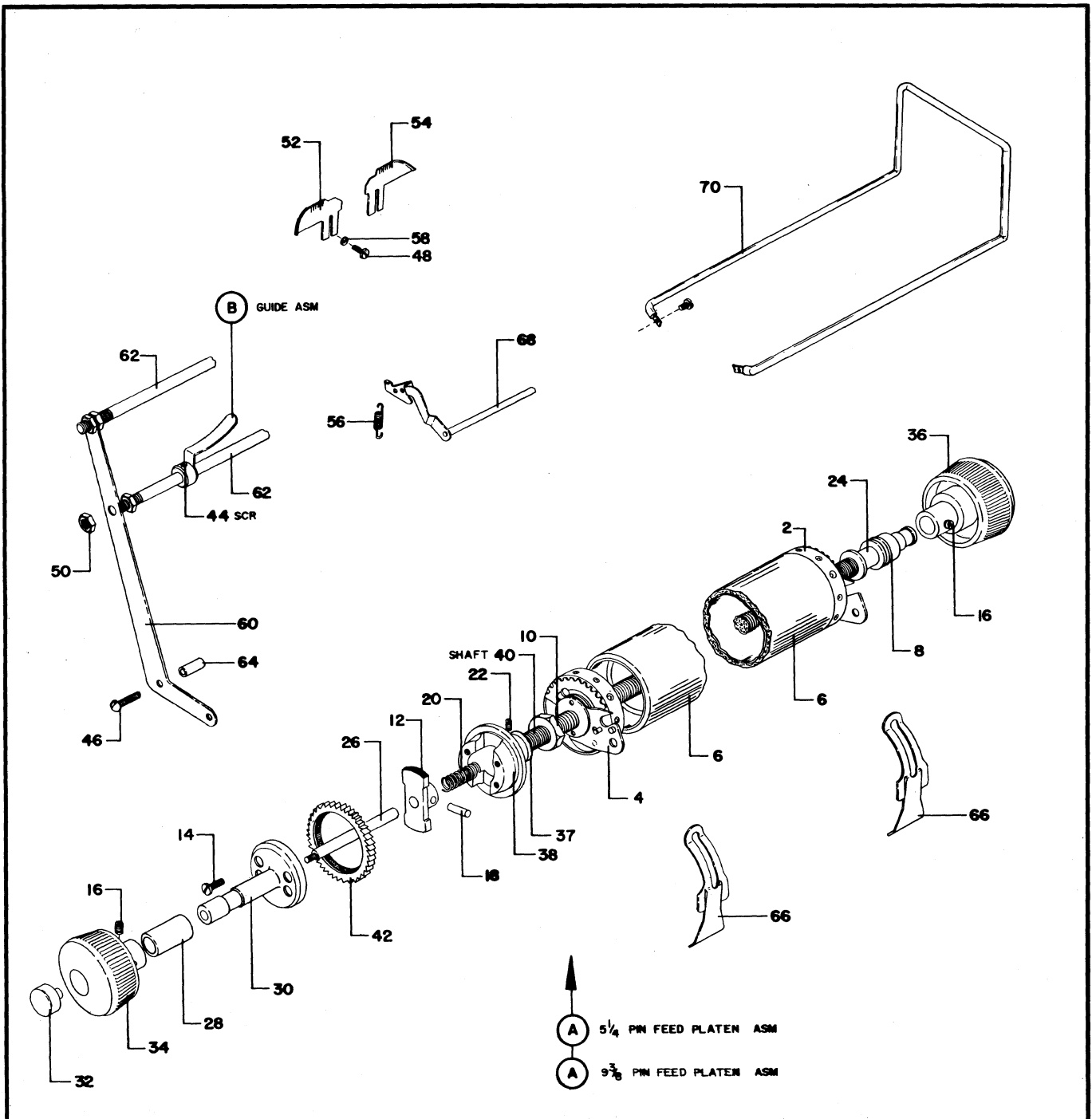
FUSE CHART	
P/N	RATING
107667	6 - 1/4 AMP - FNM
107668	8 AMP - FNM
107669	10 AMP - FNM
332009	2 AMP - MDL
111256	1 - 1/2 AMP - AGC
3338165	3 AMP - MDX
303305	1/4 AMP - MDL
78999	1/2 AMP - MDL
6324	3 AMP - AGC

TYPEWRITER COVERS



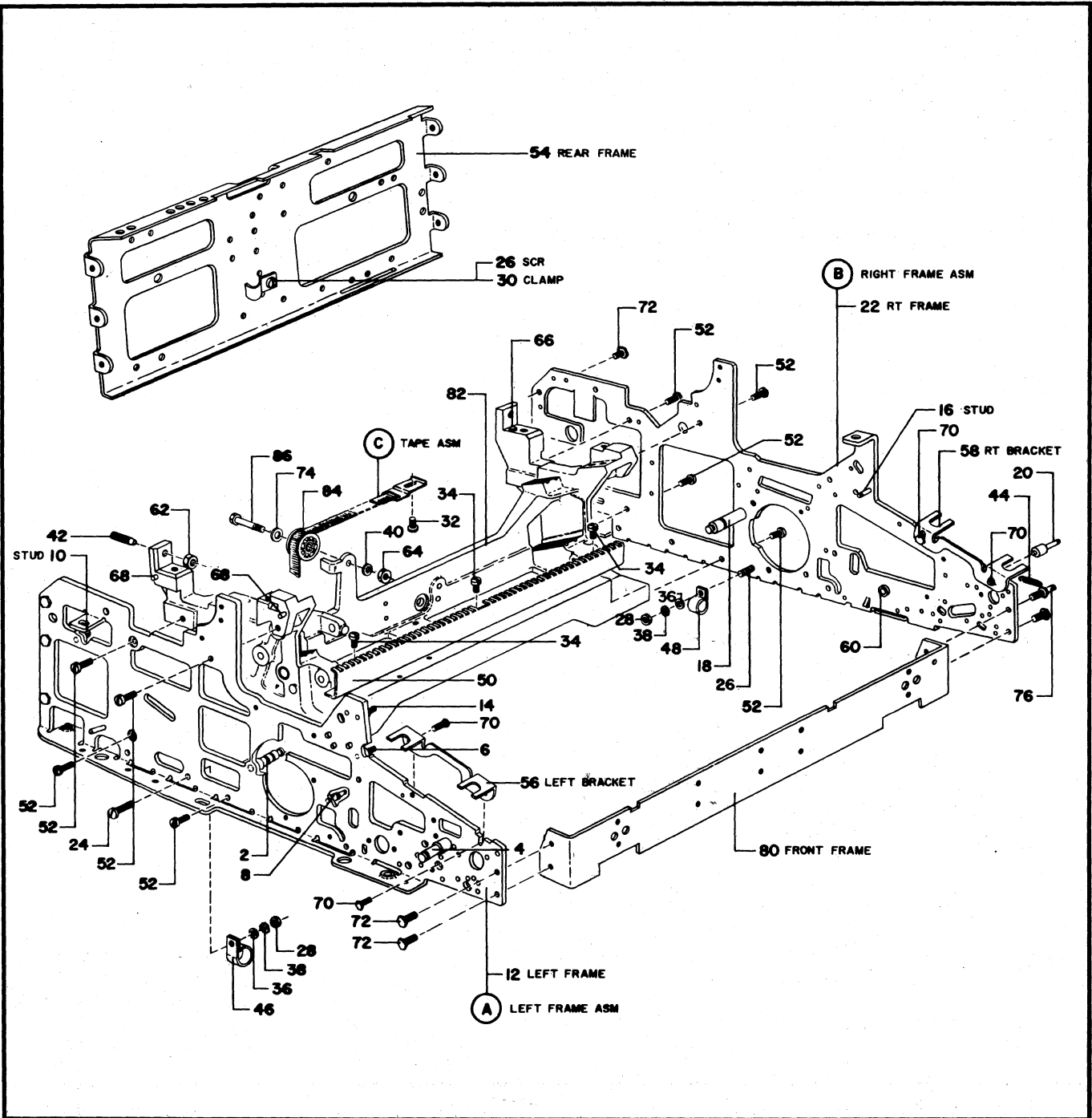
A	344912	COVER ASM - FRONT CASE & TOP SPECIFY PAINT SPEC # 801	18	325094	BRACKET - ADAPTER SPECIFY PAINT SPEC # 801	46	1104007	BUMPER - FRONT TOP COVER
2	163	SCREW - HING MTG	19	325625	STANDOFF - RUBBER	48	1104083	RETAINER - RT LINING
4	1071688	STUD - TOP RETAINING	20	340356	SCREW - REAR CASE MTG	50	1104084	RETAINER - LT LINING
6	1071991	SPRING - TOP RETAINING	22	340365	COVER - BOTTOM SPECIFY PAINT SPEC # 492	52	1104086	SCREW - CARRIAGE END COVER
8	1108577	HINGE - TOP COVER	24	344913	CASE - REAR SPECIFY PAINT SPEC # 801	54	1105848	GROMMET - KEY PLATE
B	1106362	COVER ASM - RT CARRIAGE END SPECIFY PAINT SPEC # 801	26	339083	ADAPTER - MOUNTING	56	1107442	GROMMET - TOP COVER STUD
C	1106363	COVER ASM - LT CARRIAGE END SPECIFY PAINT SPEC # 801	28	438814	PLATE - NAME	58	1107981	RETAINER - GROMMET MTG
PARTS NOT INCLUDED WITH ASSEMBLIES			30	1071644	WASHER - ADAPTER SCREW	60	1108155	SPACER - COVER MTG
10	24752	SCREW - MAGNET COVER MTG	32	1071738	SCREW - ADAPTER MTG	62	1108520	SCREW - FRONT COVER MTG
12	38281	SCREW - BOTTOM PLATE MTG	34	1071739	GROMMET - ADAPTER MTG	64	1108874	BUMPER - RT END COVER
14	312387	INSULATOR - BOTTOM COVER	36	1071740	SLEEVE - ADAPTER MTG	66	1108875	BUMPER - LT END COVER
16	325093	COVER - MAGNETIC UNIT SPECIFY PAINT SPEC # 801	38	1072217	PLATE - BOTTOM	68	1108948	LINING - LT END COVER
			40	1077201	BASE - FOOT	70	1108949	LINING - RT END COVER
			42	1090034	NUT - ADAPTER MTG	72	1109870	SPRING - PAPER RELEASE
			44	1100191	PLATE - KEY SPECIFY PAINT SPEC # 802	74	1117321	WINDOW - INDICATOR
						76	1260153	SCREW - KEY PLATE MTG
						78	2125508	SHIELD - TYPE

PIN FEED PLATEN



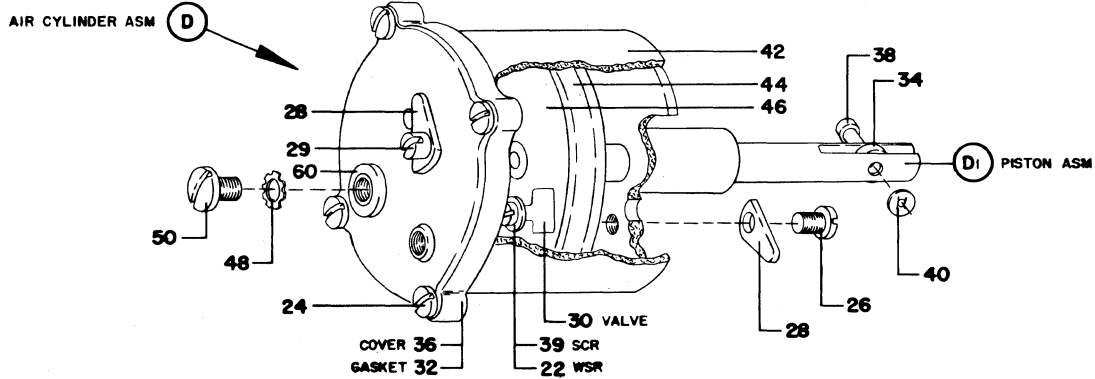
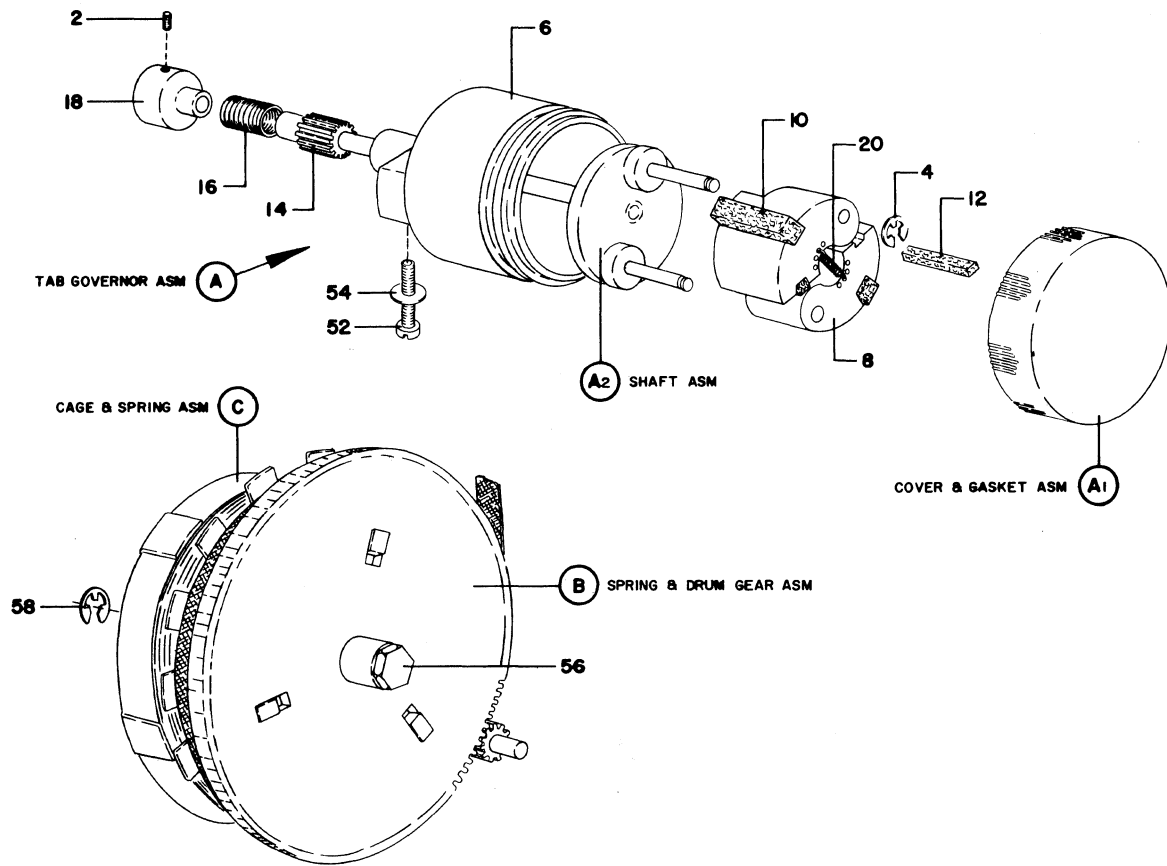
A	1098683	PLATEN ASM - PIN FEED 9-1/4 IN CORE	22	1090620	SCREW - HOUSING SET	PARTS NOT INCLUDED WITH ASSEMBLIES		
A	1106251	PLATEN ASM - PIN FEED 5 IN CORE	24	1103889	BUSHING - SHAFT RIGHT	46	43525	SCREW - BRKT MTG
2	304781	PINWHEEL - RIGHT	26	1103891	SHAFT - RATCHET RELEASE	48	186393	SCREW - CARD HOLDER
4	304782	PINWHEEL - LEFT	28	1103917	BUSHING - SHAFT LEFT	50	304809	NUT - FORMS GUIDE
6	304638	CORE - 5 IN RUBBER	30	1103918	COVER - DRIVER	52	1073975	HOLDER - LEFT CARD
6	304645	CORE - 9 1/4 IN RUBBER	32	1106239	BUTTON - RELEASE	54	1073976	HOLDER - RIGHT CARD
8	306807	SPACER - KNOB	34	1106244	KNOB - RIGHT	56	1071991	SPRING - CAM ANCHOR ROD
10	308459	NUT - PINWHEEL	36	1099885	SLEEVE - COMPRESSION	58	1090630	WASHER - CARD HOLDER
12	1061419	DRIVER - RATCHET WHEEL	37	1099886	HOUSING - RATCHET	60	1106350	BRACKET - FORMS GUIDE
14	1073027	SCREW - COVER MTG	40	1106347	SHAFT - PLATEN	62	1106353	ROD - FORMS GUIDE
16	1076796	SCREW - KNOB SET	42	1107233	RATCHET - PLATEN	64	1106361	SPACER - BRACKET
18	1090592	PIN - DRIVER RETAINING	B	301002	GUIDE ASM - FORMS	66	1108179	FINGER - FEED
20	1090593	SPRING - DRIVER	44	165556	SCREW - LOCK	68	1108919	ROD - CAM ANCHOR
						70	2129413	GUARD - CARRIAGE

TYPEWRITER FRAME



<p>A</p> <p>2 1100681 FRAME ASM - LEFT SIDE 1071461 STUD - SHAFT TOGGLE SPRING 4 1071535 STUD - IMPRESSION CONTROL 6 1072702 STUD - RIBBON REWIND LEVER 8 1076967 STUD - SPRING ANCHOR 10 1078557 STUD - LINE LOCK BELL CRANK 12 1100680 FRAME - LEFT SIDE 14 1102076 STUD - RIBBON REWIND LEVER</p> <p>B</p> <p>16 1078510 FRAME ASM - RIGHT SIDE 1071424 STUD - SPRING RIBBON REVERSE 18 1071462 STUD - SHIFT TOGGLE SPRING 20 1077498 STUD - SWITCH LEVER 22 1078506 FRAME - RIGHT SIDE</p> <p>C</p> <p>1071211 TAPE ASM - TENSION</p>	<p>PARTS NOT INCLUDED WITH ASSEMBLIES</p> <p>24 232 SCREW - CLAMP MTG 26 2300 SCREW - CLAMP MTG 28 11598 NUT - CLAMP 30 26320 CLAMP - CABLE 32 38279 SCREW - TENSION TAPE 34 38364 SCREW - SPR BRACKET MTG 36 45690 WASHER - CLAMP MTG 38 56079 LOCKWASHER - CLAMP MTG 40 62031 L'WSR - PULLEY MTG 42 134986 SCREW - RAIL LOCKING SET 44 141414 SPRING - LINE LOCK BAR 46 166668 CLAMP - CABLE 48 183720 CLAMP - CABLE 50 1071439 BRACKET - SPRING</p>	<p>52 1071459 SCREW - FRAME MTG 54 1071536 FRAME - REAR 56 1077723 BRACKET - LT KEY PLATE 58 1077724 BRACKET - RT KEY PLATE 60 1077820 BUSHING - IMP CONTROL SHAFT 62 1090034 NUT - RAIL LOCK 64 1090037 NUT - PULLEY MTG 66 1090129 DOWEL - REAR RAIL 68 1090395 DOWEL - SIDE FRAME 70 1090449 SCREW - BRACKET MTG 72 1090680 SCREW - FRAME MTG 74 1092086 SPACER - PULLEY 76 1099171 STUD - LOCK BAR SPRING 80 1110123 FRAME - FRONT 82 1110487 FRAME - POWER 84 1115936 PULLEY - TAPE TENSION 86 1115939 SCREW - PULLEY MTG</p>
---	--	--

TAB GOVERNOR & AIR CYLINDER

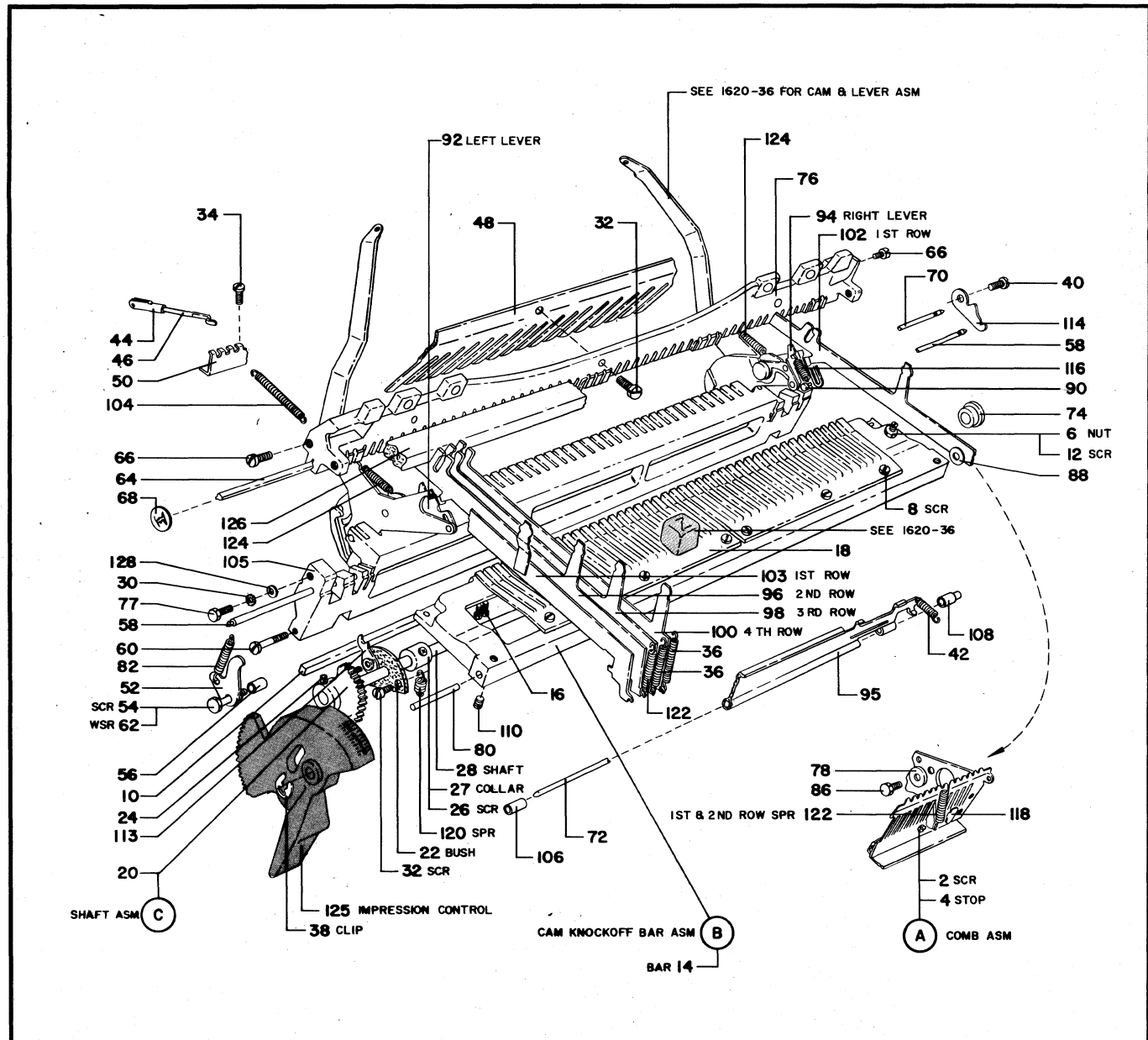


A	1110791	GOVERNOR ASM - TABULAR
2	7553	SCREW - COLLAR SET
4	1092125	CLIP - RETAINING
6	1110778	HOUSING - GOVERNOR
8	1110784	ARM - GOVERNOR
10	1110785	SHOE - GOVERNOR ARM
12	1110786	BUMPER - GOVERNOR ARM
14	1110788	PINION - GOVERNOR
16	1110789	SPRING - CLUTCH
18	1110790	COLLAR - CLUTCH
20	1110792	SPRING - GOVERNOR ARM
A1	1110779	COVER ASM - GASKET &
A2	1110780	SHAFT ASM - GOVERNOR

B	1110777	GEAR ASM - SPR & DRUM
C	1110597	SPRING ASM - CAGE &
D	1105791	CYLINDER ASM - AIR
22	22478	WASHER - PISTON VALVE
24	38235	SCREW - COVER MTG
26	38350	SCREW - ECCENTRIC MTG
28	1018477	WASHER - ECCENTRIC
29	1091471	SCREW - WASHER MTG
30	1100839	VALVE - PISTON
32	1100842	GASKET - COVER
34	1100844	ROLLER - PISTON
36	1100845	COVER - AIR CYLINDER
38	1100846	STUD - PISTON
39	1105627	SCREW - VALVE MTG

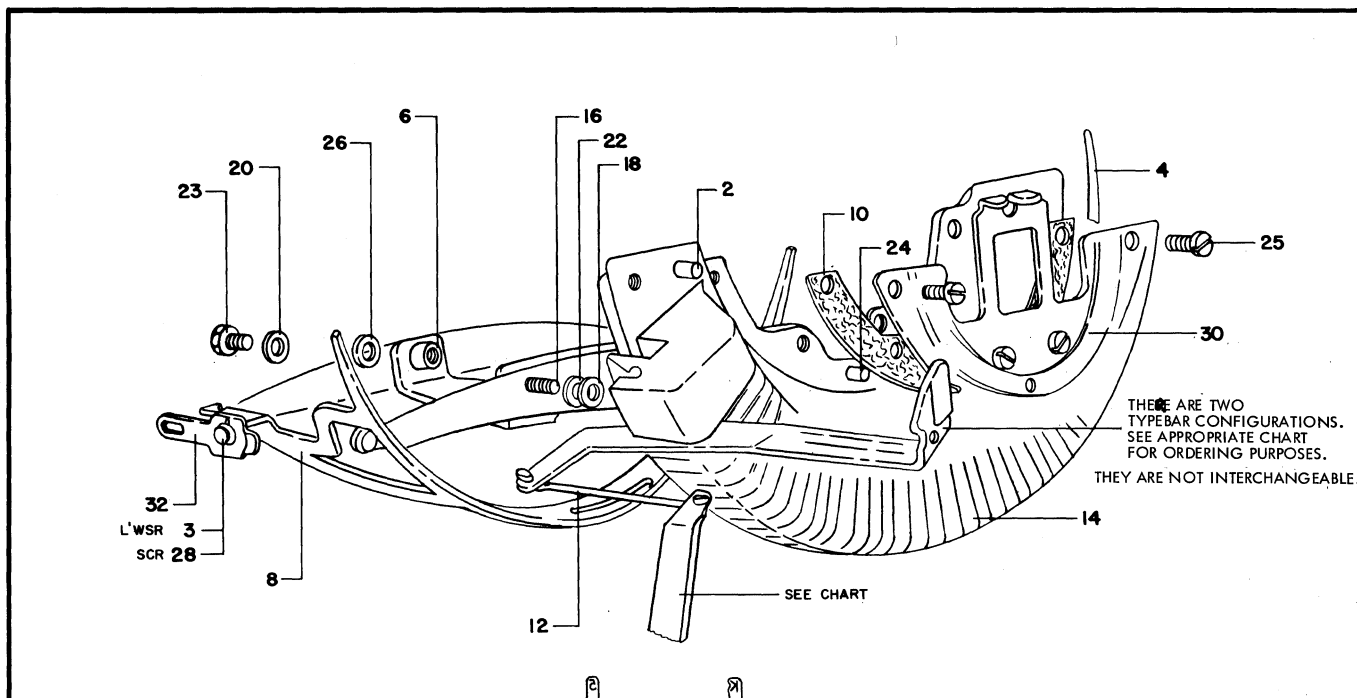
40	1106027	NUT - PISTON SPEED
42	1108813	HOUSING - PISTON
44	1109625	PACKING - PISTON
46	1109626	PLATE - PISTON PACKING
D1	1109622	PISTON ASM - AIR CYLINDER
PARTS NOT INCLUDED WITH ASSEMBLIES		
48	55901	L'WSR - AIR CYLINDER MTG
50	58207	SCREW - AIR CYLINDER MTG
52	1090023	SCREW - GOVERNOR MTG
54	1090199	WASHER - GOVERNOR MTG
56	1091230	STUD - MAIN SPRING
58	1092125	CLIP - STUD RETAINING
60	1107864	SPACER - AIR CYLINDER MTG

KEY LEVERS & IMPRESSION CONTROL



A	1098462	COMB ASM - FRONT GUIDE	36	46831	SPRING - KEY LEVER 3RD & 4TH ROW	88	1090887	SPACER - KNOCKOFF BAR
	2	SCREW - STOP MTG	38	60488	CLIP - RETAINING	90	1091649	STUD - LEVER ASM
	4	STOP - INTERLOCK	40	63324	SCREW - WIRE RETAINER	92	1093922	LEVER - LEFT TRIP
B	1098725	BAR ASM - CAM KNOCKOFF	42	141414	SPRING - LINE LOCK BAR	94	1093923	LEVER - RIGHT TRIP
	6	NUT - ADJUST SCREW	44	1070020	CLEVIS - LINK ADJUST	95	1095476	BAR - LINE LOCK
	8	SCREW - STOP ADJUST	46	1070065	LINK - U BAR	96	1098446	LEVER - 2ND ROW KEY
	10	STRIP - LOCKING	48	1071355	GUIDE - CAM LEVER	98	1098447	LEVER - 3RD ROW KEY
	12	SCREW - ADJUST	50	1071439	BRACKET - SPRING	100	1098448	LEVER - 4TH ROW KEY
	14	BAR - CAM KNOCKOFF	52	1071564	PAWL - IMP CONTROL	102	1098457	LEVER - 1ST ROW KEY
	16	SCREW - BAR	54	1071565	STUD - PAWL MTG	103	1098458	LEVER - 1ST ROW LEFT KEY
	18	STOP - ADJUST CAM	56	1071689	SPACER - PAWL MTG	104	1098593	SPRING - CAM LEVER
C	1098726	SHAFT ASM - IMP CONTROL	58	1071833	WIRE - FULCRUM	105	1098716	SUPPORT - CAM LEVER BRNG
	20	GEAR - SELECTOR	60	1072474	SCREW - SUPPORT MTG	106	1099184	SPACER - BAR LEFT
	22	BUSHING - CAM	62	1072477	WASHER - PAWL MTG	108	1099188	BUSHING - KEY LOCK BAR
	24	PHN - ROLL	64	1072819	WIRE - FULCRUM	110	1100523	SCREW - KNOCKOFF SET
	26	SCREW - COLLAR SET	66	1072820	SCREW - BRNG MTG	113	1102097	CLIP - WIRE LEFT
	27	COLLAR - SHAFT	68	1072821	CLIP - RETAINING	114	1102098	CLIP - WIRE RIGHT
	28	SHAFT - IMP CONTROL	70	1072998	WIRE - FULCRUM	116	1105906	SPRING - TRIP LEVER
PARTS NOT INCLUDED WITH ASSEMBLIES			72	1077494	WIRE - LOCK BAR FULCRUM	118	1106595	PLUNGER - COMB
	30	L'WSR - SUPPORT MTG	74	1077820	BUSHING - SHAFT	120	1106639	SPRING - KNOCKOFF BAR
	32	SCREW - MTG	76	1078508	BEARING - KEY LEVER	122	1107794	SPRING - KEY LEVER 1 & 2 ROW
	34	SCREW - SPRING BRKT MTG	77	1079784	SCREW - SUPPORT MTG	124	1107795	SPRING - LETTER CAM
			78	1090047	WASHER - COMB MTG	125	1108337	SPRING - IMP INDICATOR
			80	1090151	DOWEL - KNOCKOFF BAR	126	1109798	STABILIZER - KEY LEVER
			82	1090162	SPRING - IMP CONTROL	128	1115236	WASHER - SUPPORT MTG
			86	1090680	SCREW - COMB MTG			

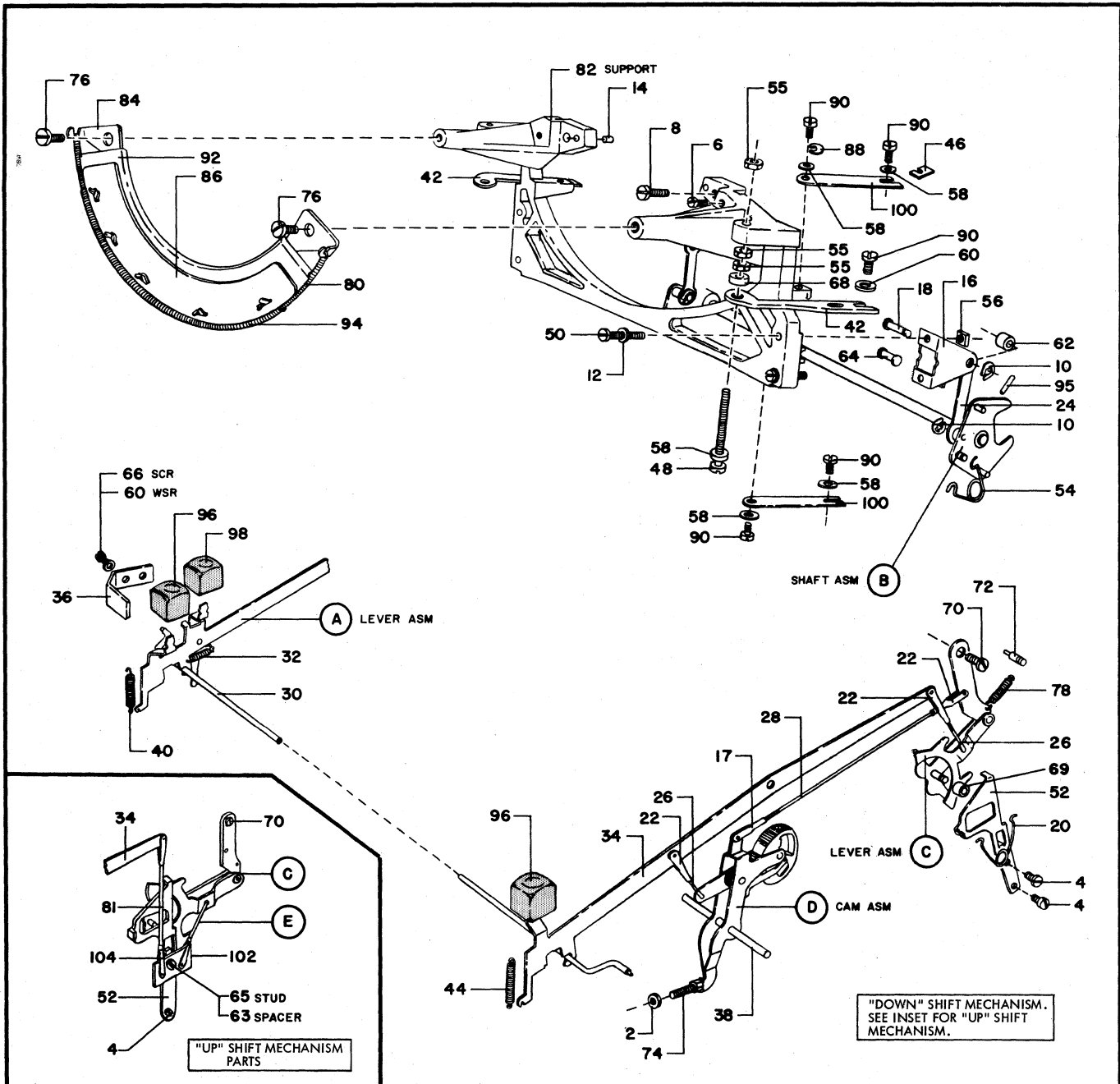
TYPE GUIDE, BARS & LEVERS



POSITION	CHARACTER	TYPE BAR & TYPE SLUG ASM NO	TYPE BAR & TYPE SLUG ASM NO	KEY BUTTONS	CAM LEVERS & CAM ASM
0	R-S	2153350	2153955	1118377	1266520
1	Q	2153351	2153956	1105017	1266521
2	A	2153352	2153957	1105001	1266522
3	BLANK	2153353	2153958	1105000	1266523
4	Z	2153354	2153959	1105026	1266524
5	W	2153355	2153960	1105023	1266525
6	S	2153356	2153961	1105019	1266526
7	K	2153357	2153962	1096167	1266527
8	X	2153358	2153963	1105024	1266528
9	E	2153359	2153964	1105005	1266529
10	D	2153360	2153965	1105004	1266530
11	@	2153361	2153966	1108051	1266531
12	C	2153362	2153962	1105003	1266532
13	R	2153363	2153968	1105018	1266533
14	F	2153364	2153969	1105006	1266534
15	(2153365	2153970	1105172	1266535
16	V	2153366	2153971	1105022	1266536
17	T	2153367	2153972	1105020	1266537
18	G	2153368	2153973	1105007	1266538
19)	2153369	2153974	1105172	1266539
20	B	2153370	2153974	1105002	1266540
21	Y	2153371	2153976	1105025	1266541
22	H	2153372	2153977	1105008	1266542
23	FLG	2153373	2153978	1129037	1266543
24	N	2153374	2153979	1105014	1266544
25	1/U	2153375	2153980	1104268	1266545
26	4/J	2153376	2153981	1104631	1266546
27	EQUAL	2153377	2153982	1104540	1266547
28	7/M	2153378	2153983	1104634	1266548
29	2/I	2153379	2153984	1104629	1266549
30	5/K	2153380	2153985	1104632	1266550
31	ZERO/ZERO	2153381	2153986	1105297	1266551
31	ø / ø	2153382	2153987	1110454	1266551
32	8/COMMA	2153383	2153988	1104635	1266552
33	3/0	2153384	2153989	1104630	1266553
34	6/L	2153385	2153990	1104633	1266554
35	DECIMAL/.	2153386	2153991	1104264	1266553
36	9/PERIOD	2153387	2153992	1109248	1266556
37	P	2153388	2153993	1105016	1266557
38	PLUS	2153389	2153994	1108048	1266558
39	±/±	2153390	2153995	1129036	1266559
40	SLASH	2153391	2153996	1105313	1266560
41	MINUS	2153392	2153991	1120403	1266561
42	\$	2153393	2153998	1105298	1266562
43	£	2153394	2153999	1105000	1266563

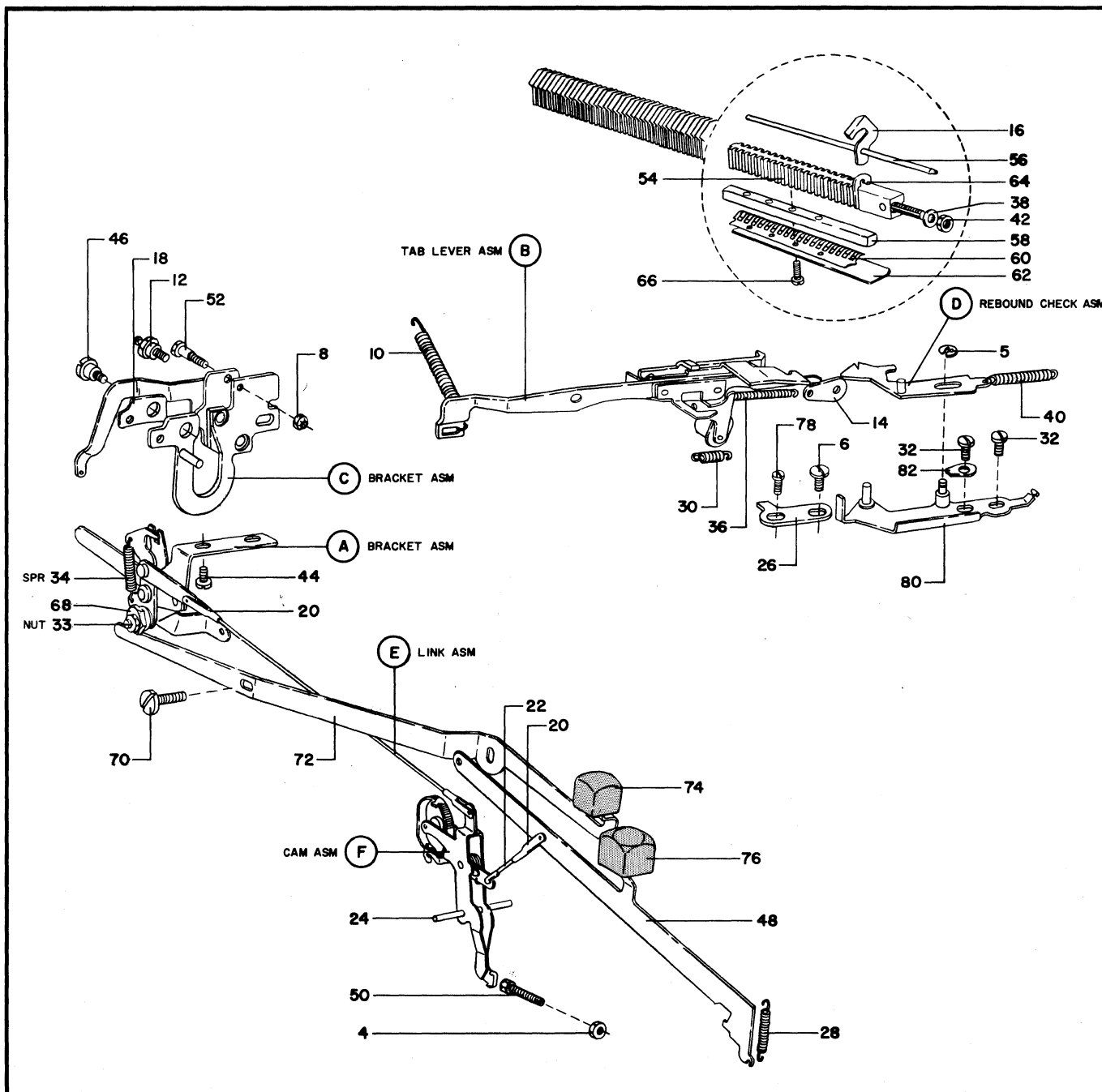
PARTS NOT INCLUDED WITH ASSEMBLIES					
2	104696	10	1070290	23	1090449
3	150209	12	1070499	24	1091161
4	1016718	14	1073550	25	1091229
6	1019264	16	1074048	26	1091243
8	1070063	18	1090047	28	1100951
		20	1090199	30	1103855
		22	1090254	32	1107812

SHIFT MECHANISM



A	1072300	LEVER ASM - SHIFT LOCK	24	1070289	LINK - TOGGLE	66	1090449	SCREW - LOCK-BRKT
B	1073251	SHAFT ASM - SHIFT TOGGLE	26	1070307	LINK - CONNECTING	68	1090619	WASHER - STOP MTG
C	1078047	LEVER ASM - PUSHER &	28	1070356	LINK - CONNECTING	69	1091607	SLEEVE - PUSHER & LEVER
D	1119204	CAM ASM - SHIFT	30	1071356	ROD - EQUALIZER	70	1091619	STUD - PUSHER & LEVER
E	1000282	LINK ASM - CONNECTING	32	1071449	SPRING - LOCK LEVER	72	1091651	PIN - SPRING ANCHOR
PARTS NOT INCLUDED WITH ASSEMBLIES			34	1071452	LEVER - SHIFT KEY RIGHT	72	1091651	PIN - SPRING ANCHOR
2	7341	NUT - LOCK	36	1071458	BRACKET - SHIFT LOCK	74	1091666	STUD - CAM STOP
4	38281	SCREW - RETAINER MTG	38	1071833	WIRE - FULCRUM	76	1093749	SCREW - REST PAD MTG
6	38282	SCREW - WIRE RETAINING	40	1072126	SPRING - LEFT LEVER	78	1098149	SPRING - PUSHER & LEVER
8	38383	SCREW - SEGMENT MTG	42	1072935	BRACKET - STOP	80	1099862	SPRING - REST PAD
10	60489	CLIP - RETAINING	44	1074242	SPRING - RIGHT LEVER	81	1100051	LINK - CONNECTING
12	62031	L'WASHER - SHIFT TOGGLE MTG	46	1077799	SHIM - SUPPORT SPRING	82	1100065	SUPPORT - SEGMENT
14	104696	PIN - SEGMENT DOWEL	48	1078223	SCREW - STOP BRKT MTG	84	1104139	FRAME - REST PAD
16	1001531	BRACKET - TOGGLE LINK	50	1078021	SCREW - TOGGLE BRKT MTG	86	1104140	PLATE - REST PAD RETAIN.
17	1012703	CLEVIS - LINK ADJUST	52	1078044	RETAINER - PUSHER & LEVER	88	1104493	SHIM - SUPPORT SPRING
18	1060556	STUD - TOGGLE BRKT	54	1078049	SPRING - TOGGLE	90	1105690	SCREW - MTG
20	1070017	SPRING - PUSHER & LEVER	55	1090034	NUT - STOP BRKT MTG	92	1105692	PAD - TYPE BAR REST
22	1070020	CLEVIS - LINK ADJUST	56	1090039	NUT - TOGGLE BRKT MTG	94	1105693	SLEEVE - SPRING
			58	1090047	WASHER - SPRING MTG	95	1106201	PIN
			60	1090058	WASHER - STOP MTG	96	1106371	BUTTON - SHIFT KEY
			62	1090069	SPACER - TOGGLE BRKT	98	1106381	BUTTON - SHIFT LOCK KEY
			63	1090199	SPACER - MTG	100	1107959	SPRING - SUPPORT
			64	1090242	PIN - TOGGLE BRKT	102	1118680	LEVER - ACTUATING
			65	1090438	STUD - SHOULDER	104	1125828	CLEVIS - LINK

TABULAR & MARGIN RELEASE

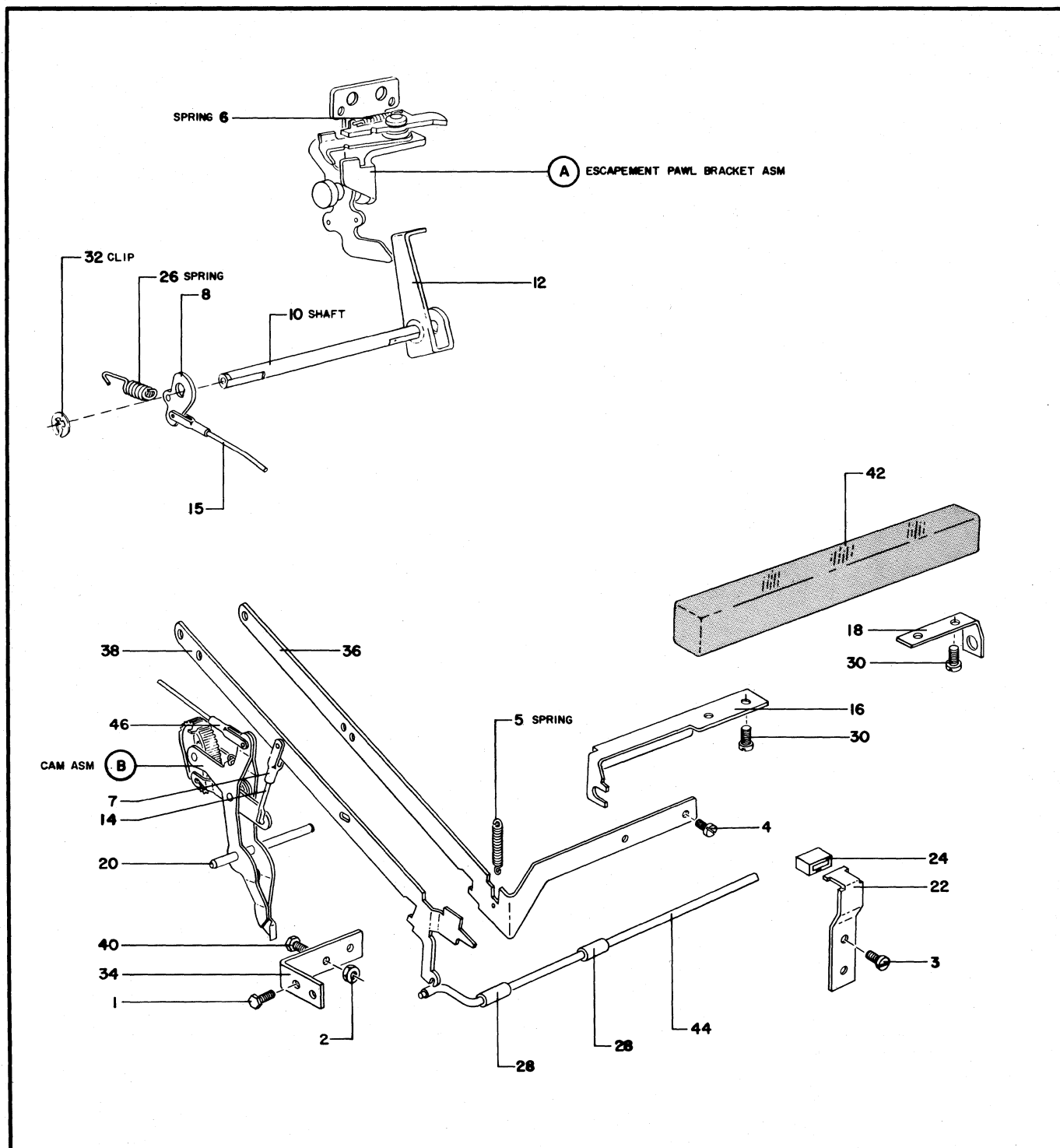


A	1099350	BRACKET ASM - GOV CONT LEV
B	1104444	LEVER ASM - TAB
C	1105671	BRACKET ASM - TAB LEVER
D	1109042	CHECK ASM - REBOUND
E	1110806	LINK ASM - TAB
F	1119191	CAM ASM - TAB
PARTS NOT INCLUDED WITH ASSEMBLIES		
4	7341	NUT - LOCK
5	25282	CLIP - RETAINING
6	42027	SCREW - TAB KEEPER MTG
8	103322	NUT - TAB LEVER MTG

10	150655	SPRING - TAB LEVER
12	1000292	SCREW - TAB LEVER BRKT
14	1013363	LINK - TAB CHECK SPR
16	1015100	STOP - TABULAR
18	1016658	PLATE - SPRING
20	1070020	CLEVIS - LINK ADJUST
22	1070307	LINK - CONNECTING
24	1071833	WIRE - FULCRUM
26	1071949	KEEPER - TAB LATCH
28	1072126	SPRING - KEY LEVER
30	1072941	SPRING - TAB LEVER LATCH
32	1090007	SCREW - BRKT MTG
33	1090037	NUT - ECCENTRIC
34	1090162	SPRING - GOV CONT LEVER
36	1090175	SPRING - TAB CHECK LEVER
38	1090240	WASHER - TAB RACK
40	1090435	SPRING - REBOUND CHECK
42	1090550	NUT - TAB RACK
44	1090799	SCREW - GOV CONT LEVER
46	1091227	STUD - TAB LEVER BRKT

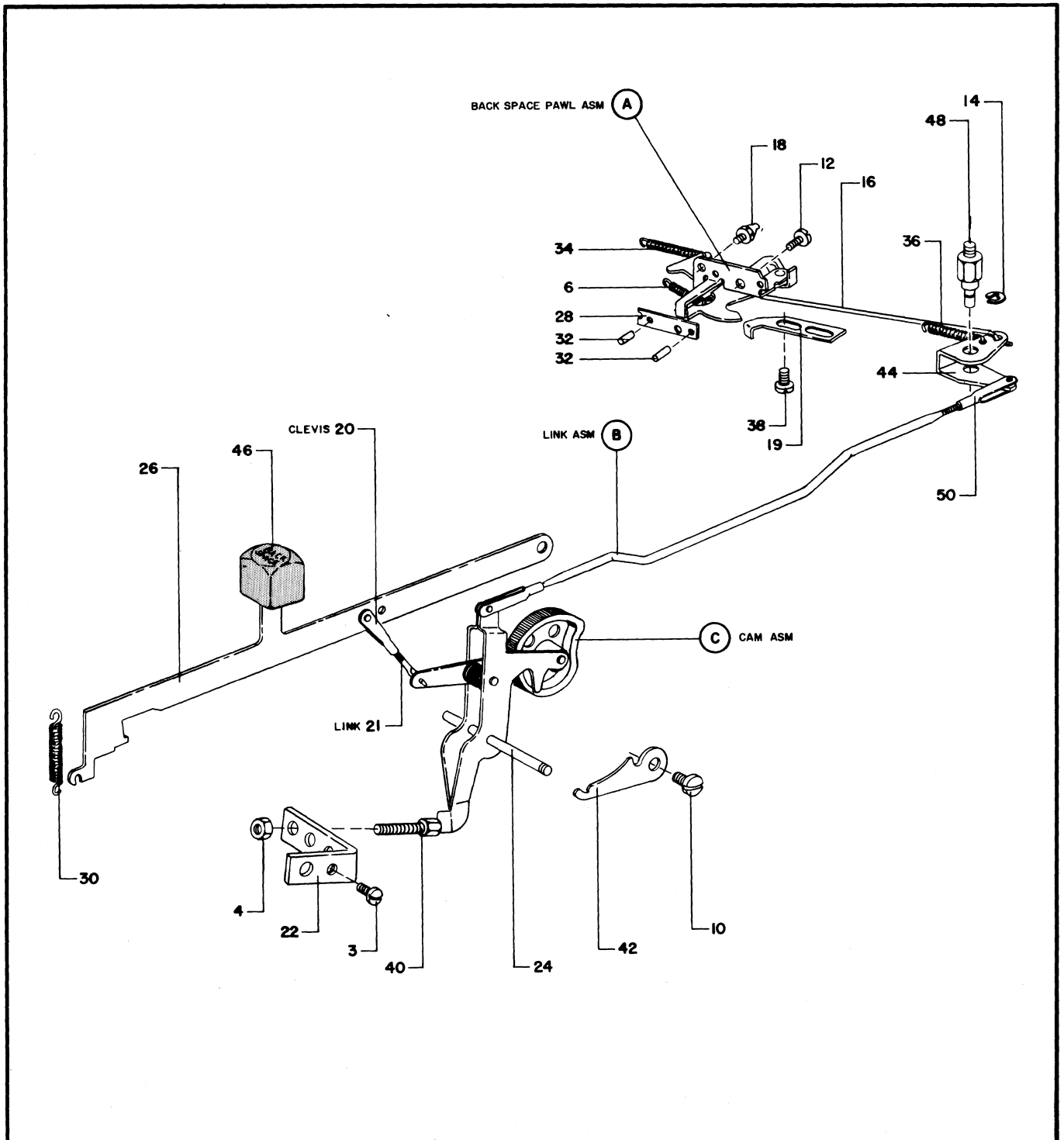
48	1098442	LEVER - TAB KEY
50	1099189	STOP - CAM
52	1102122	STUD - TAB LEVER MTG
54	1103806	RACK - TABULAR
56	1103830	WIRE - TAB RACK FULCRUM
58	1103835	SPACER - TAB STOP SPR
60	1103842	SPRING - TAB STOP
62	1103868	GUARD - SPRING
64	1103869	STOP - FULCRUM WIRE
66	1103978	SCREW - TAB RACK
68	1105699	ECCENTRIC - MARGIN RELEASE
70	1105717	SCREW - PIVOT
72	1106019	LEVER - MARGIN RELEASE KEY
74	1106207	BUTTON - MARGIN RELEASE KEY
76	1106372	BUTTON - TABULATOR KEY
78	1107956	SCREW - TAB KEEPER
80	1109040	BRACKET - TAB REBOUND
82	1109890	WASHER - BRKT MTG

SPACE MECHANISM



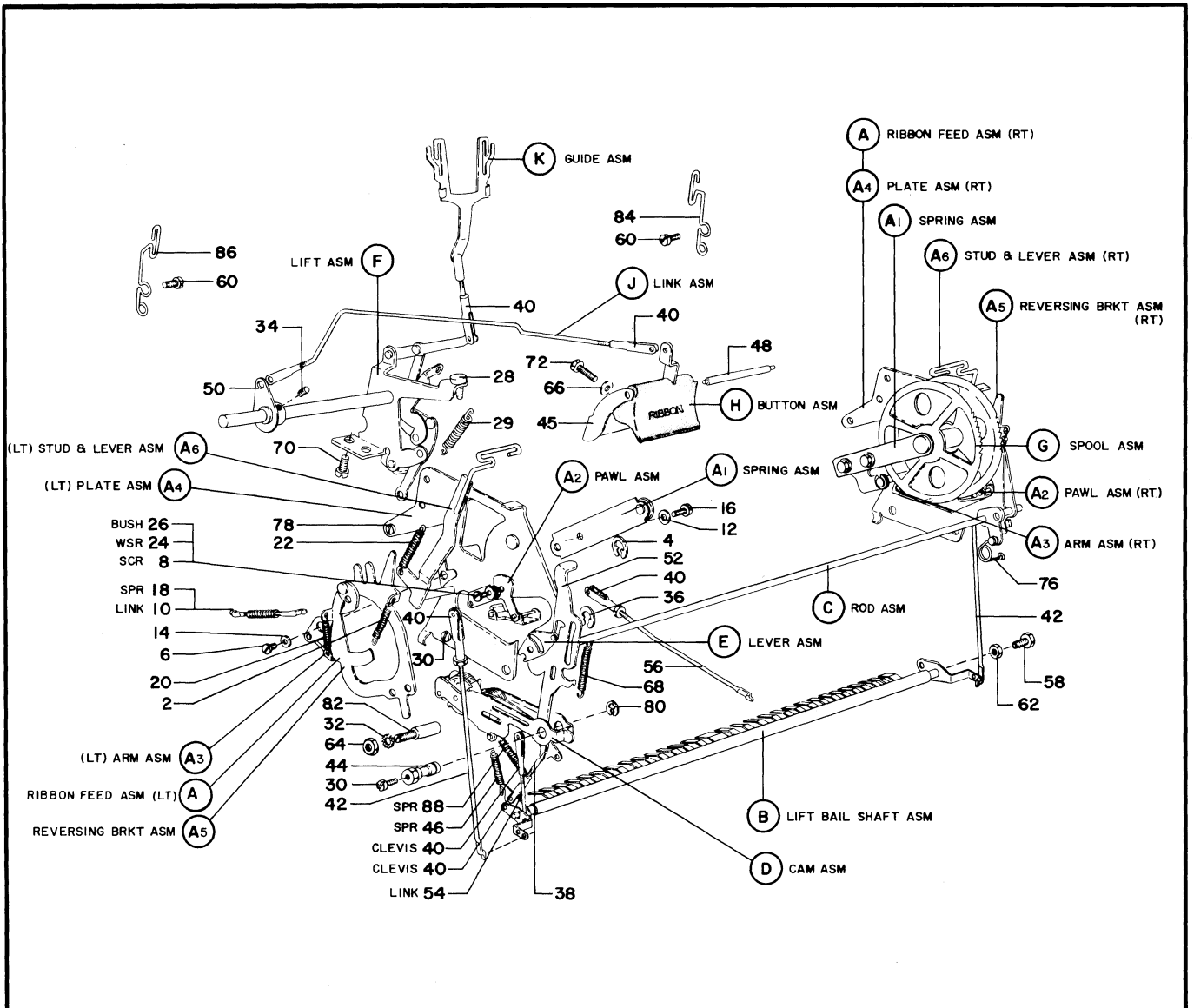
A	1109640	BRACKET ASM - ESCAPEMENT PAWL	7	1070020	CLEVIS - LINK ADJUST	26	1072818	SPRING - LEVER RETURN
B	1119185	CAM ASM - SPACE	8	1070041	LEVER - ESCAPEMENT END	28	1073866	BUSHING - ROD
PARTS NOT INCLUDED WITH ASSEMBLIES			10	1070042	SHAFT - ESCAPEMENT	30	1090807	SCREW - SPACE BAR MTG
1	4236	SCREW - BRACKET MTG	12	1070043	LEVER - ESCAPEMENT CENTER	32	1095160	CLIP - RETAINING
2	7341	NUT - LOCKING	14	1070307	LINK - CONNECTING	34	1099175	BRACKET - CAM STOP
3	38279	SCREW - SPACE BAR STOP BRKT	15	1070365	LINK - CONNECTING	36	1098449	LEVER - SPACE BAR KEY
4	38562	SCREW - BRACKET MTG	16	1071442	BRACKET - SPACE BAR LEFT	38	1099185	LEVER - SPACE CAM KEY
5	131913	SPRING - SPACE BAR	20	1071443	BRACKET - SPACE BAR RIGHT	40	1099189	SCREW - STOP ADJUST
6	150814	SPRING - ESCAPEMENT PAWL	22	1071833	WIRE - FULCRUM	42	1118168	BAR - SPACE
			24	1118011	BRACKET - SPACE BAR STOP	44	1108626	ROD - LEVER EQUALIZER
				1071881	STOP - SPACE BAR	46	1110529	CLEVIS - LINK ADJUST

BACK SPACE MECHANISM



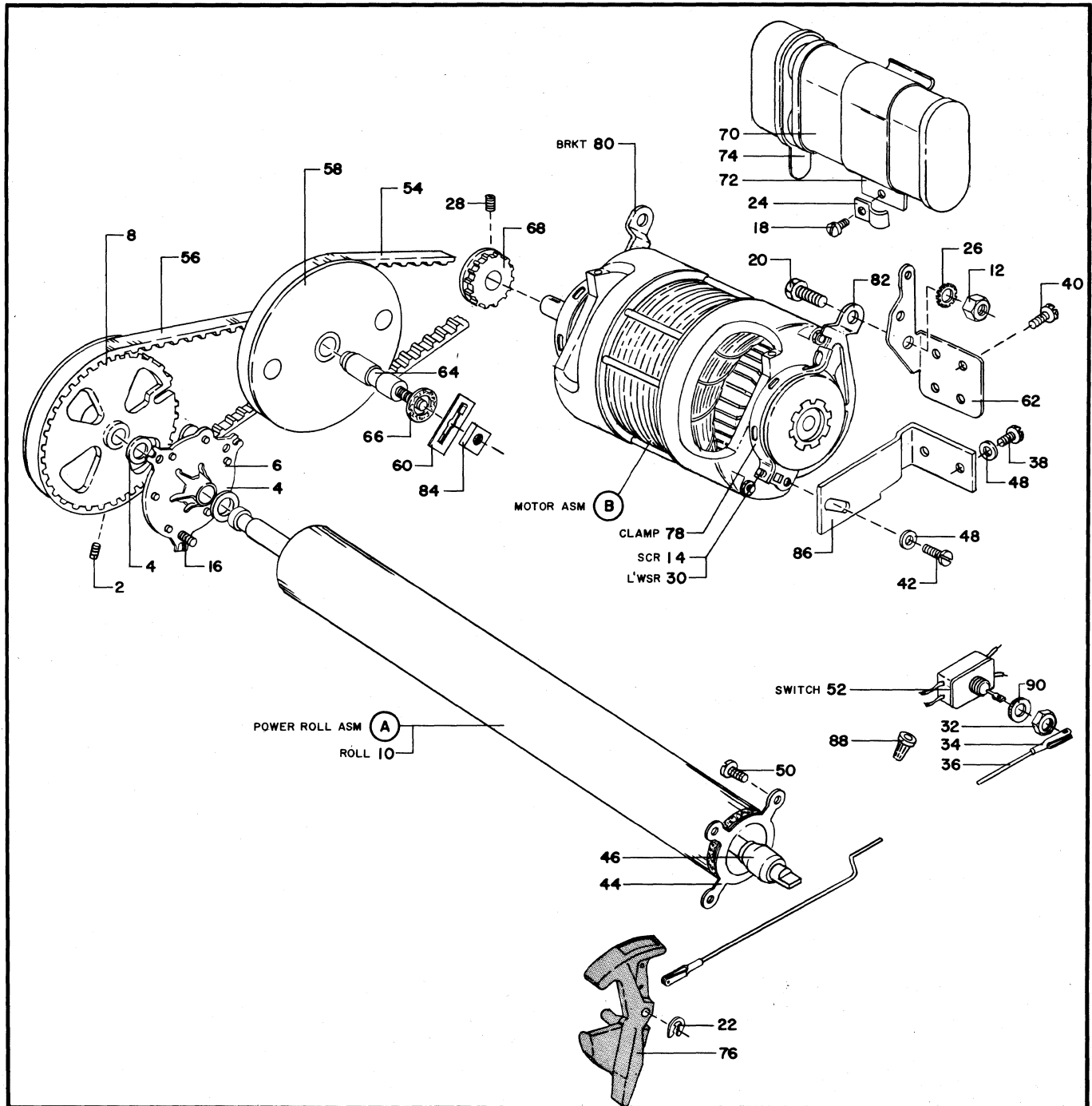
A	1108173	PAWL ASM - BACK SPACE	6	45119	SPRING - BACK SPACE PAWL	28	1073013	SHIM - BACK SPACE PAWL
B	1110499	LINK ASM - BACK SPACE	10	63324	SCREW - CLIP MTG	30	1074242	SPRING - KEY LEVER
C	1119187	CAM ASM - BACK SPACE	12	139650	SCREW - PAWL MTG	32	1090142	DOWEL - PAWL MTG
PARTS NOT INCLUDED WITH ASSEMBLIES			14	264641	CLIP - RETAINING	34	1090341	SPRING - PAWL INTERLOCK
3	4236	SCREW - STOP BRKT	16	1000559	LINK - CONNECTING	36	1090435	SPRING - BELL CRANK
4	7341	NUT - CAM STOP	18	1000564	STUD - PAWL	38	1090799	SCREW - STOP MTG
			19	1000565	STOP - PAWL	40	1091666	STOP - CAM
			20	1070020	CLEVIS - LINK ADJUST	42	1102098	CLIP - FULCRUM WIRE
			21	1070307	LINK - CONNECTING	44	1103504	BELL CRANK - BACK SPACE
			22	1071326	BRACKET - STOP MTG	46	1106380	BUTTON - BACK SPACE KEY
			24	1071833	WIRE - FULCRUM	48	1108497	STUD - BELL CRANK MTG
			26	1072280	LEVER - BACK SPACE KEY	50	1110529	CLEVIS - LINK ADJUST

RIBBON MECHANISM



A	1071336	FEED ASM - LEFT RIBBON	A5	1071344	BRKT ASM - RIGHT REVERSE	34	112055	SCREW - LEVER SET
A	1071341	FEED ASM - RIGHT RIBBON	A5	1071339	BRKT ASM - LEFT REVERSE	36	147297	CLIP - RETAINING
2	46831	SPRING - RIBBON FEED PAWL	A6	1100746	LEVER ASM - RT STUD &	38	1000223	LINK - LIFT BAIL
4	147297	CLIP - RETAINING	A6	1100749	LEVER ASM - LEFT STUD &	40	1070020	CLEVIS - LINK ADJUST
6	186393	SCREW - ARM MTG	B	1098714	SHAFT ASM - LIFT BAIL	42	1070340	LINK - CONNECTING
8	186712	SCREW - PAWL MTG	C	1072872	ROD ASM - RIBBON REVERSE	44	1071420	PIVOT - CAM
10	1000282	LINK - RIBBON FEED	D	1119186	CAM ASM - RIBBON FEED	45	1071667	BRACKET - KEY
12	1090199	WASHER - SPRING MTG	E	1102079	LEVER ASM - REWIND TRIP	46	1071687	SPRING - BAIL
14	1090472	WASHER - ARM MTG	F	1118008	LIFT ASM - RIBBON	48	1071701	SHAFT - CONTROL KEY
16	1091515	SCREW - SPRING MTG	28	1070160	STOP - GUIDE LEVER	50	1071935	LEVER - CONTROL SHAFT
18	1091646	SPRING - RIBBON FEED	29	1091618	SPRING - RIBBON LIFT	52	1072701	LEVER - RIBBON REWIND
20	1091647	SPRING - PAWL	G	1019908	SPOOL ASM - RIBBON	54	1072842	LINK - CONNECTING
22	1091670	SPRING - LEVER	H	1106235	BUTTON ASM - RIBBON	56	1076717	LINK - CONNECTING
24	1096698	WASHER - PAWL	1073240	LINK ASM - CONNECTING	58	1076787	SCREW - BAIL MTG	
26	1100379	BUSHING - BELL CRANK	K	1110492	GUIDE ASM - RIBBON	60	1079999	SCREW - GUIDE MTG
A1	1000159	SPRING ASM - SPOOL RETAIN			62	1090034	NUT - SHAFT MTG	
A2	1070225	PAWL ASM - RIGHT FEED			64	1090041	NUT - ECCENTRIC MTG	
A2	1070236	PAWL ASM - LEFT FEED			66	1090199	WASHER - BRKT MTG	
A3	1070226	ARM ASM - RIGHT ADJUST			68	1090404	SPRING - REWIND LEVER	
A3	1070239	ARM ASM - LEFT ADJUST			70	1090799	SCREW - RIBBON LIFT	
A4	1071342	PLATE ASM - RIGHT FEED			72	1090968	SCREW - KEY BRKT MTG	
A4	1071337	PLATE ASM - LEFT FEED			76	1091787	SPRING - REVERSE ROD	
					78	1091817	SCREW - FEED MTG	
					80	1092125	CLIP - RETAINING	
					82	1100076	STUD - CAM ECCENTRIC	
					84	1100752	GUIDE - RIGHT RIBBON	
					86	1100753	GUIDE - LEFT RIBBON	
					88	1102139	SPRING - CAM	
PARTS NOT INCLUDED WITH ASSEMBLIES								
	30	38281	SCREW - MTG					
	32	55901	LOCKWASHER - STUD MTG					

MOTOR & POWER ROLL



A	1110488	ROLL ASM - POWER
2	112055	SCREW - PULLEY SET
4	1078497	WASHER - POWER SET
6	1078501	RETAINER - POWER ROLL
8	1100537	PULLEY - POWER ROLL
10	1117828	ROLL - POWER
B	1110742	MOTOR ASM - 230V 60 CYCLE

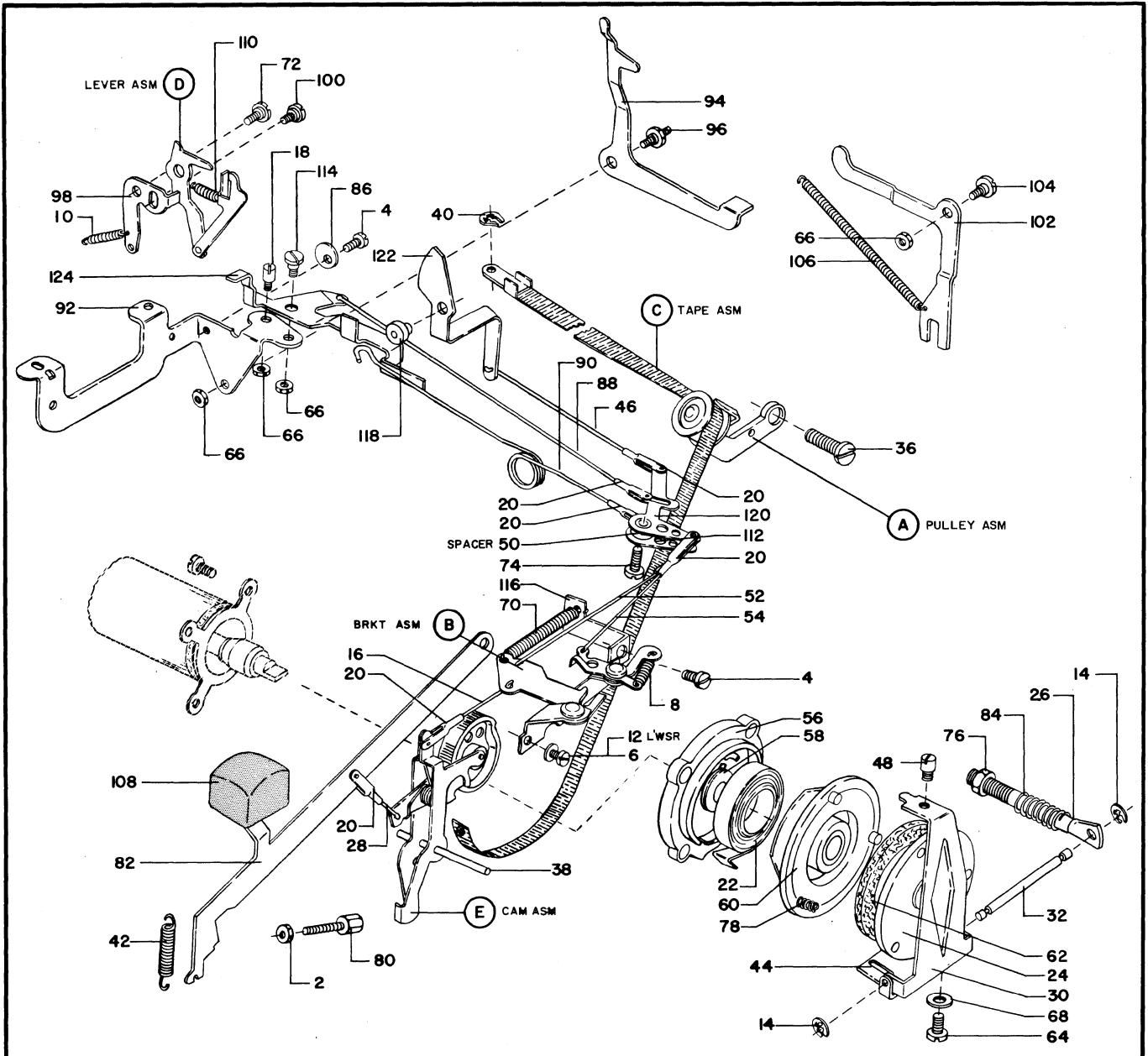
PARTS NOT INCLUDED WITH ASSEMBLIES

12	3960	NUT - MOTOR MTG
14	38262	SCREW - BRKT MTG
16	38281	SCREW - RETAINING
18	38364	SCREW - CAPACITOR MTG
20	38686	SCREW - MOTOR MTG
22	60488	CLIP - RETAINING

24	75944	CLIP - CABLE
26	76574	LOCKWASHER - MOTOR MTG
28	112055	SCREW - PULLEY SET
30	150209	LOCKWASHER - BRKT MTG
32	179743	NUT - SWITCH MTG
34	1070020	CLEVIS - LINK ADJUST
36	1072190	LINK -CONNECTING
38	1072684	SCREW - BRKT MTG
40	1073025	SCREW - BRKT MTG
42	1074048	SCREW - MOTOR MTG
44	1078491	RETAINER - BEARING
46	1078493	BEARING - POWER ROLL
48	1090254	WASHER - BRKT MTG
50	1090968	SCREW - RETAINER MTG
52	1098497	SWITCH - MOTOR
54	1100435	BELT - PULLEY DRIVE
56	1100436	BELT - POWER ROLL DRIVE

58	1100552	PULLEY - INTERMEDIATE
60	1100678	PLATE - RETAINING
62	1100917	BRACKET - MOTOR MTG
64	1106171	SHAFT - PULLEY
66	1106172	WASHER - PULLEY SHAFT
68	1106583	PULLEY - MOTOR DRIVE
70	1107025	CAPACITOR - 2 MFD 330 VAC
72	1107027	BRACKET - CAPACITOR MTG
74	1108113	BOOT - PROTECTIVE
76	1108338	LEVER - SWITCH
78	1108512	CLAMP - MOTOR RETAINING
80	1108513	BRACKET - MOTOR LEFT
82	1108514	BRACKET - MOTOR RIGHT
84	1110234	NUT - SHAFT RETAINING
86	1110759	BRACKET - MOTOR SUPPORT
88	1115061	NUT - WIRE
90	179742	NUT - KNURLED

CARRIAGE RETURN



A	1072925	PULLEY ASM - CARRIAGE RETURN
B	1077888	BRACKET ASM - CLUTCH
C	1103674	TAPE ASM - CARRIAGE RETURN
D	1107306	LEVER ASM - RELEASE
E	1119187	CAM ASM - CARRIAGE RETURN

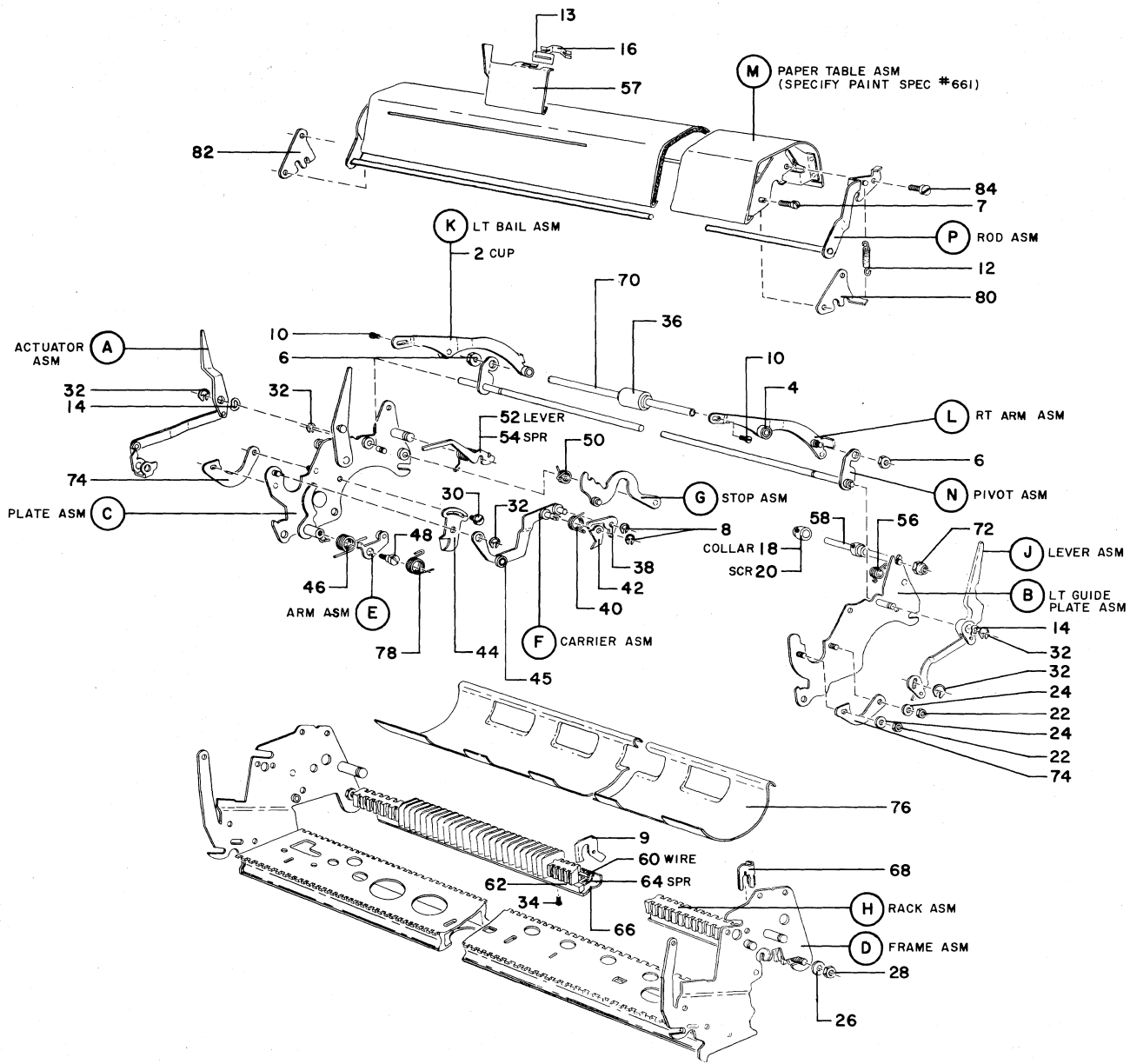
PARTS NOT INCLUDED WITH ASSEMBLIES

2	7341	NUT - LOCK
4	38279	SCREW - MTG
6	38281	SCREW - CLUTCH BRKT MTG
8	45119	SPRING - CLUTCH LATCH
10	46831	SPRING - PAWL RELEASE
12	62031	LOCKWASHER - BRKT MTG
14	147297	CLIP - RETAINING
16	1000223	LINK - CONNECTING
18	1012466	STOP - TAB INTERLOCK
20	1070020	CLEVIS - LINK ADJUST
22	1070079	SPRING - CLUTCH
24	1071425	PLATE - CLUTCH
26	1070145	BOLT - LEVER RETAINING

28	1070307	LINK - CONNECTING
30	1071363	ARM - CLUTCH OPERATING
32	1071419	SHAFT - ARM PIVOT
36	1071459	SCREW - PULLEY MTG
38	1071833	WIRE - FULCRUM
40	1073418	CLIP - RETAINING
42	1074242	SPRING - KEY LEVER
44	1074495	BRACKET - CLUTCH LEVER
46	1076717	LINK - CONNECTING
48	1077875	SCREW - CLUTCH ARM
50	1077877	SPACER - BELL CRANK
52	1077879	LINK - CONNECTING
54	1077880	LINK - CONNECTING
56	1078488	HOUSING - CLUTCH SPRING
58	1078495	WASHER - CLUTCH THRUST
60	1078503	PULLEY - CLUTCH
62	1078509	DISK - CLUTCH
64	1090003	SCREW - BRKT MTG
66	1090037	NUT - MTG
68	1090199	WASHER - BRKT MTG
70	1090435	SPRING - CLUTCH LEVER
72	1090438	STUD - PAWL MTG
74	1091006	SCREW - BELL CRANK MTG
76	1091621	NUT - LOCK

78	1091632	SPRING - CLUTCH DISK
80	1091666	SCREW - CAM STOP
82	1099173	LEVER - KEY
84	1100441	SPRING - CLUTCH LEVER
86	1102081	WASHER - ECCENTRIC
88	1104438	LINK - CONNECTING
90	1105507	LINK - CONNECTING
92	1105640	SUPPORT - RAIL LEFT
94	1105641	BELL CRANK - MARGIN CONTROL
96	1105642	STUD - BELL CRANK MTG
98	1105644	BELL CRANK - PAWL RELEASE
100	1105646	SCREW - PAWL RELEASE MTG
102	1105662	BELL CRANK - AIR CYLINDER
104	1105663	SCREW - BELL CRANK MTG
106	1105664	SPRING - BELL CRANK
108	1105669	BUTTON - CARRIAGE RETURN KEY
110	1106650	SPRING - PAWL RELEASE
112	1107374	BELL CRANK - PAWL RELEASE
114	1107379	STUD - TAB INTERLOCK
116	1107416	SUPPORT - CLUTCH LEVER SPR
118	1109035	SPACER - INTERLOCK LEVER
120	1109038	BELL CRANK - CLUTCH UNLATCH
122	1109043	LEVER - INTERLOCK
124	1110505	INTERLOCK - CARRIAGE RETURN

CARRIAGE - VIEW I



A	1104211	ACTUATOR ASM - DETENT REL
B	1103573	PLATE ASM - LEFT GUIDE
C	1103577	PLATE ASM - RIGHT GUIDE
D	1109787	FRAME ASM - CARRIAGE
E	1103670	ARM ASM - PLATEN DETENT
F	1103592	CARRIER ASM - PAWL
G	1103614	STOP ASM - INDEX PAWL
H	1103806	RACK ASM - TABULAR
J	1108794	LEVER ASM - PAPER RELEASE
K	1103658	ARM ASM - LEFT BAIL
2	1106619	CUP - RUBBER
L	1103659	ARM ASM - RIGHT
4	1106619	CUP - RUBBER
M	1108890	TABLE ASM - REAR PAPER SPECIFY PAINT SPEC #661
N	1103646	PIVOT ASM - PAPER BAIL
P	1108919	ROD ASM - CAM ANCHOR

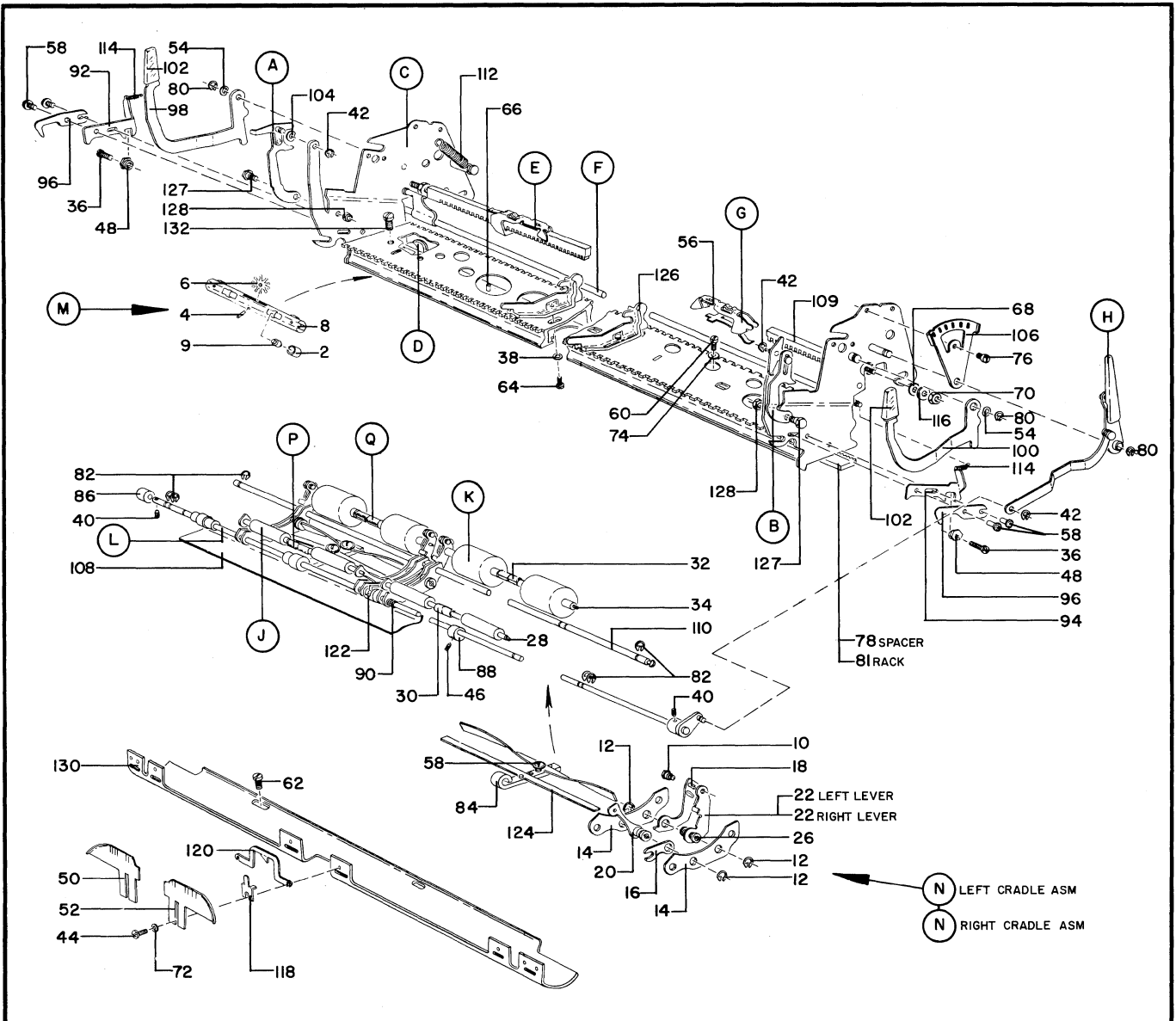
PARTS NOT INCLUDED WITH ASSEMBLIES

6	103372	NUT - ARM MTG
---	--------	---------------

7	196299	SCREW - TABLE MTG
8	1073418	CLIP - LEVER RET SPR
9	1015100	STOP - TABULAR
10	186393	SCREW - SHAFT MTG
12	1071991	SPRING - ROD ASM
13	1071666	PLATE - PAPER GAGE
14	1072477	WASHER - LEVER MTG
16	1072853	SPRING - PAPER GAGE
18	1072855	COLLAR - TABLE LOCATING
20	1078469	SCREW - COLLAR SET
22	1090037	NUT - PLATEN YOKE MTG
24	1090049	WASHER - PLATEN YOKE
26	1090240	WASHER - TAB RACK
28	1090550	NUT - TAB RACK
30	1090845	SCREW - STOP MTG
32	1092125	CLIP - RETAINING
34	1103978	SCREW - GUARD MTG
36	1000382	ROLLER - PAPER BAIL
38	1103596	LEVER - KNOCK OFF
40	1103598	SPRING - INDEX PAWL
42	1103599	PAWL - INDEX
44	1103632	STOP - LOWER PAWL
45	1103594	ROLLER - PAWL

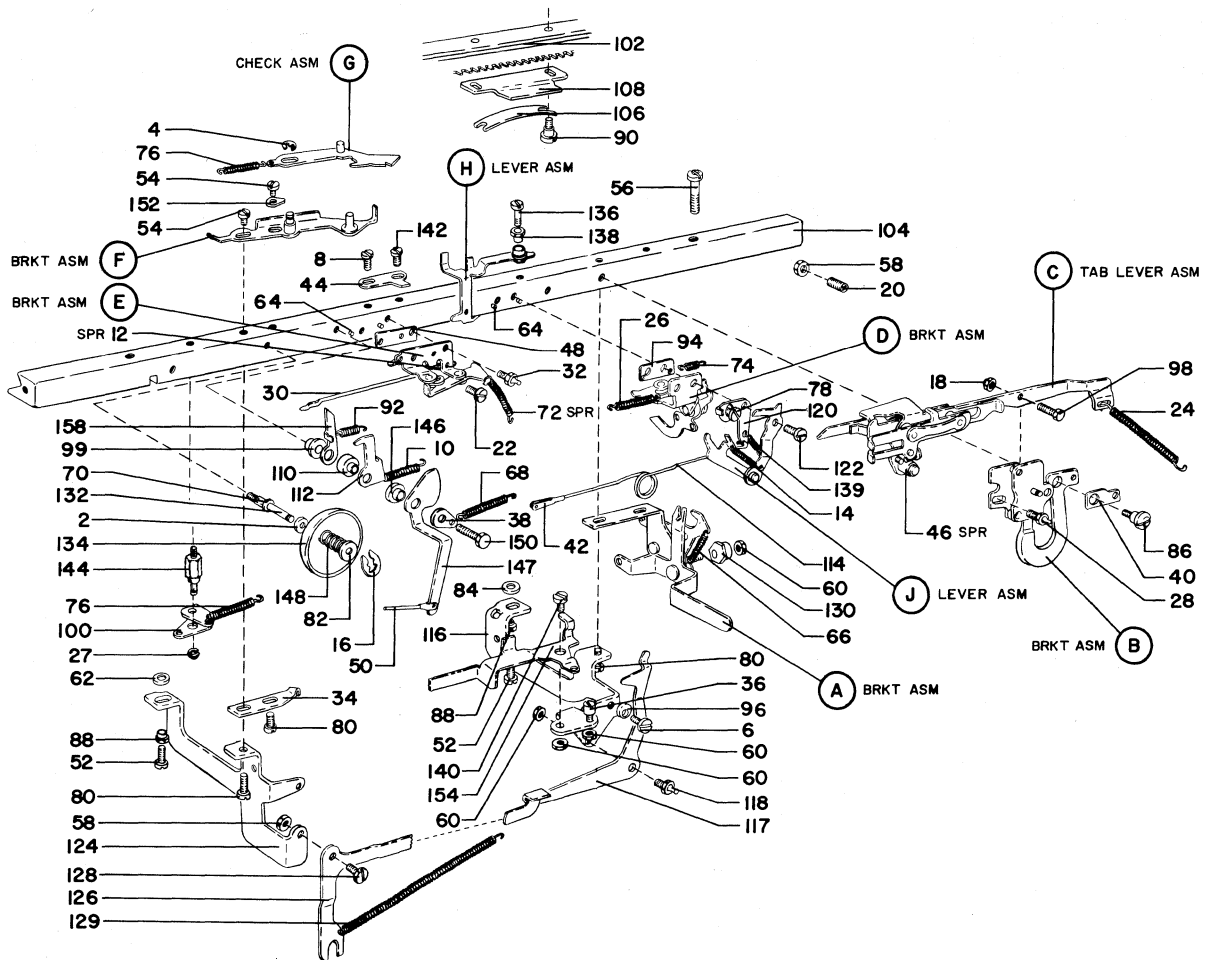
46	1103633	SPRING - PRESSURE
48	1103636	STUD - ARM MTG
50	1103640	SPRING - INDEX PAWL
52	1103667	LEVER - CAM
54	1103668	SPRING - LEFT LEVER
56	1103669	SPRING - RIGHT LEVER
57	1107744	GAGE - PAPER TABLE
58	1103793	ROD - TIE
60	1103830	WIRE - FULCRUM
62	1103835	SPACER - TAB STOP SPRING
64	1103842	SPRING - TAB STOP
66	1103868	GUARD - TAB STOP SPRING
68	1103869	STOP - FULCRUM WIRE
70	1103999	SHAFT - PAPER BAIL
72	1107414	NUT - TIE ROD
74	1107805	YOKE - PLATEN CONTROL
76	1108833	DEFLECTOR - PAPER
78	1108928	SPRING - PLATEN DETENT
80	1108965	PLATE - RIGHT END
82	1108966	PLATE - LEFT END
84	1108967	SCREW - MTG

CARRIAGE - VIEW II



A	1103740	LATCH ASM - PLATEN LEFT	P	1116926	SHAFT ASM - FRONT ROLL	78	1091508	SPACER - RACK
B	1103734	LATCH ASM - PLATEN LEFT	28	1108867	SHAFT - FEED ROLL	80	1092125	CLIP - RETAINING
C	1109787	FRAME ASM - CARRIAGE	30	1110093	CLIP - RETAINING	81	1103536	RACK - ESCAPEMENT
D	1103679	PULLEY ASM - RETURN TAPE				82	1103695	CLIP - RETAINING
E	1107760	STOP ASM - LEFT MARGIN	Q	1116927	SHAFT ASM - REAR ROLL	84	1103701	PLATE - RETAINING
F	1103762	BAR ASM - UNIVERSAL	32	1110093	CLIP - RETAINING	86	1103713	BUSHING - GUIDE SHAFT
G	1106227	STOP ASM - RIGHT MARGIN	34	1110094	SHAFT - FEED ROLL	88	1103716	ECCENTRIC - GUIDE SHAFT
H	1103748	LEVER ASM - PLATEN GUIDE				90	1103719	SPRING - PAPER GUIDE
J	1108825	ROLL ASM - FRONT FEED	PARTS NOT INCLUDED WITH ASSEMBLIES			92	1103727	PLATE - LEFT ADJUSTING
K	1108827	ROLL ASM - REAR FEED	36	38281	SCREW - ECCENTRIC MTG	94	1103728	PLATE - RIGHT ADJUSTING
L	1107798	SHAFT ASM - GUIDE ARM & TRUCK	38	62031	WASHER - SUPPORT MTG	96	1103729	PLATE - ECCENTRIC
M	1110464	TRUCK ASM - CARRIAGE	40	123639	SCREW - SET	98	1103731	LEVER - LEFT RELEASE
2	1018782	ROLLER - TRUCK	42	147297	CLIP - RETAINING	100	1103732	LEVER - RIGHT RELEASE
4	1091161	PIN - STAR WHEEL	44	186393	SCREW - MOUNTING	102	1103733	BUTTON - RELEASE LEVER
6	1093646	WHEEL - STAR	46	1071657	SCREW - ECCENTRIC SET	104	1103744	WASHER - SPRING
8	1103853	TRUCK - CARRIAGE	48	1072305	NUT - ECCENTRIC	106	1103747	DETENT - GUIDE
9	1103858	RETAINER - ROLLER	50	1073975	HOLDER - LEFT CARD	108	1103900	GUIDE - FRONT PAPER
N	1116201	CRADLE ASM - L.H. FEED ROLL	52	1073976	HOLDER - RIGHT CARD	109	1103937	RACK - MARGIN STOP
N	1116202	CRADLE ASM - R.H. FEED ROLL	54	1072477	WASHER - SPRING	110	1104453	SHAFT - RELEASE CAM
10	1091026	SCREW - FEED ROLL LEVER	56	1072796	SPRING - MARGIN STOP	112	1104457	SPRING - GUIDE PLATE
12	1103695	CLIP - FEED ROLL RETAIN	58	1079999	SCREW - MTG	114	1107743	SPRING - UNIVERSAL BAR
14	1103702	CRADLE - FEED ROLL	60	1090003	SCREW - MTG	116	1107864	SPACER - MARGIN RACK
16	1108819	SPACER - FEED ROLL LEVER	62	1090007	SCREW - COVER MTG	118	1107933	LOCATOR - GAGE
18	1108828	LEVER - ADJUSTING	64	1090022	SCREW - SUPPORT MTG	120	1107934	POINTER - INDEX
20	1108836	LEVER - FRONT FEED ROLL	66	1090139	DOWEL - RACK	122	1108820	ECCENTRIC - PLATEN GUIDE
22	1109048	LEVER - RIGHT RELEASE	68	1090240	WASHER - RACK MTG	124	1108823	SPRING - FEED ROLL
22	1109049	LEVER - LEFT RELEASE	70	1090550	NUT - MARGIN RACK	126	1108852	SUPPORT - CENTER
26	1110228	HUB - FEED ROLL LEVER	72	1090630	WASHER - HOLDER MTG	127	1108938	STUD - LATCH MTG
			74	1091220	WASHER - RACK MTG	128	1109842	NUT - LATCH MTG
			76	1091471	SCREW - DETENT MTG	130	1110198	COVER - FRONT RAIL DUST
						132	1116771	SCREW - PULLEY MTG

CARRIAGE RAILS & LINKAGE



A	1099350	BRACKET ASM - CONTACT LEVER
B	1105671	BRACKET ASM - TAB LEVER
C	1104444	LEVER ASM - TAB
D	1109640	BRKT ASM - ESCAPEMENT PAWL
E	1108173	BRKT ASM - BACK SPACE PAWL
F	1109040	BRKT ASM - TAB REBOUND
G	1109042	CHECK ASM - TAB REBOUND
H	1106587	LEVER ASM - PAWL RELEASE
J	1107306	LEVER ASM - PAWL RELEASE

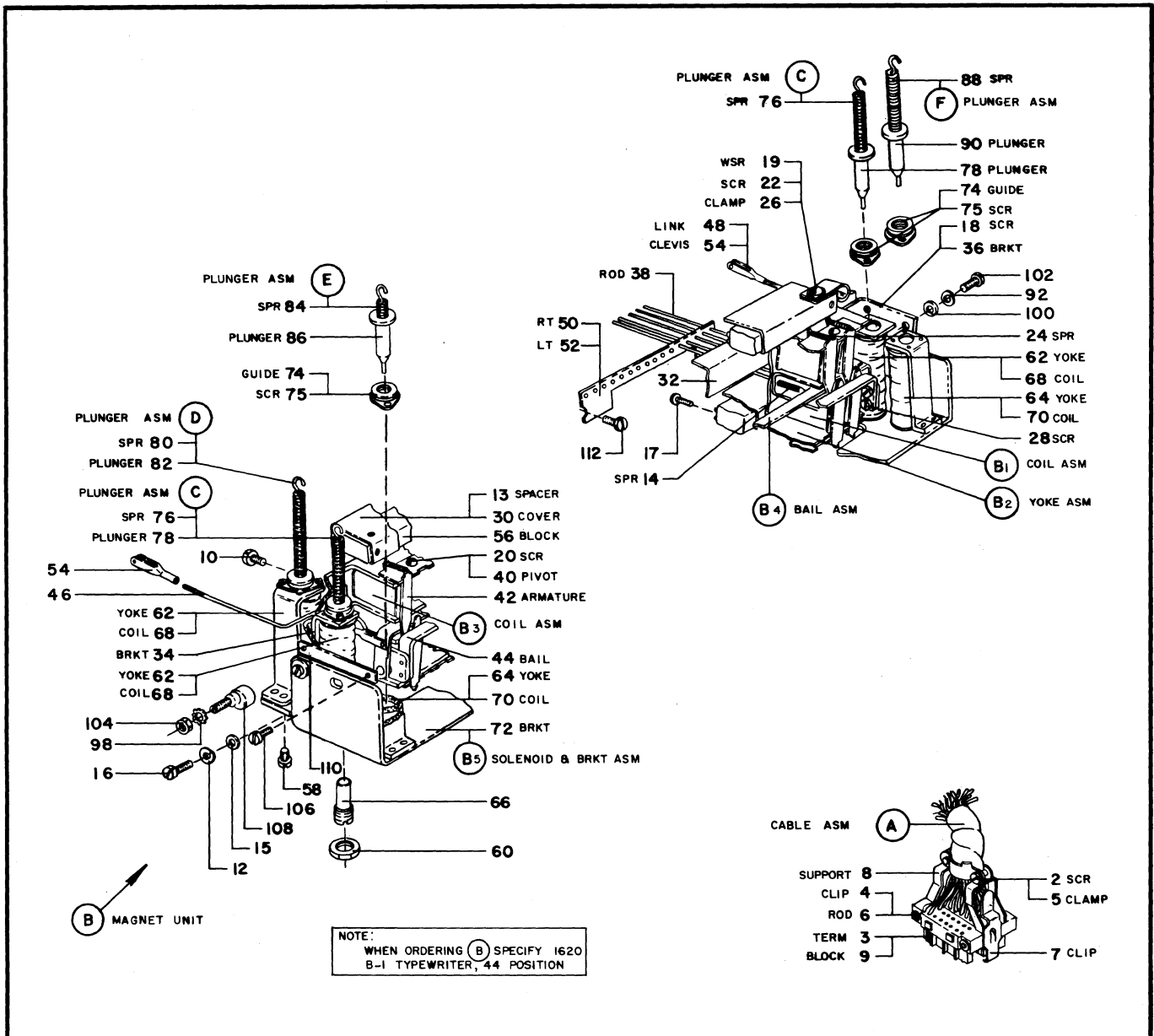
PARTS NOT INCLUDED WITH ASSEMBLIES

2	1035	WASHER - BELL STUD
4	25282	CLIP - RETAINING
6	38279	SCREW - ECCENTRIC ADJUST
8	42027	SCREW - TAB KEEPER
10	43373	SPRING - BELL CLAPPER
12	45119	SPRING - BACK SPACE PAWL
14	46831	SPRING - RELEASE LEVER
16	60489	CLIP - RETAINING
18	103372	NUT - TAB LEVER MTG
20	134986	SCREW - REAR RAIL LOCKING
22	139650	SCREW - BRACKET MTG
24	150655	SPRING - TAB LEVER
26	150814	SPRING - ESCAPEMENT PAWL
27	264641	CLIP - RETAINING
28	1000292	SCREW - BRKT MTG
30	1000559	LINK - CONNECTING
32	1000564	STUD - BRKT MTG
34	1000565	STOP - BACK SPACE PAWL
36	1012466	STOP - INTERLOCK

38	1013363	LINK - CONNECTING
40	1016658	PLATE - SPRING
42	1070020	CLEVIS - LINK ADJUST
44	1071949	KEEPER - TAB LATCH
46	1072941	SPRING - LATCH
48	1073013	SHIM - BRKT MTG
50	1076717	LINK - CONNECTING
52	1090000	SCREW - RAIL SUPPORT
54	1090007	SCREW - BRKT MTG
56	1090012	SCREW - RAIL MTG
58	1090034	NUT - LOCKING
60	1090037	NUT - MTG
62	1090047	WASHER - MTG
64	1090142	DOWEL - BRKT MTG
66	1090162	SPRING - CONTACT LEV BRKT
68	1090175	SPRING - CHECK LEVER
70	1090199	WASHER - BELL
72	1090341	SPRING - INTERLOCK
74	1090343	SPRING - PAWL
76	1090435	SPRING - RETURN
78	1090438	STUD - ESCAPEMENT MTG
80	1090799	SCREW - MTG
82	1090970	WASHER - BELL SPRING
84	1091159	WASHER - RAIL SUPPORT
86	1091227	STUD - BRKT MTG
88	1091302	ECCENTRIC - SUPPORT ADM
90	1091326	STUD - STOP MTG
92	1091647	SPRING - BELL CLAPPER
94	1092181	SHIM - BRACKET MTG
96	1102081	WASHER - ECCENTRIC
98	1102122	STUD - LEVER MTG
99	1105752	SPACER - ACTUATOR

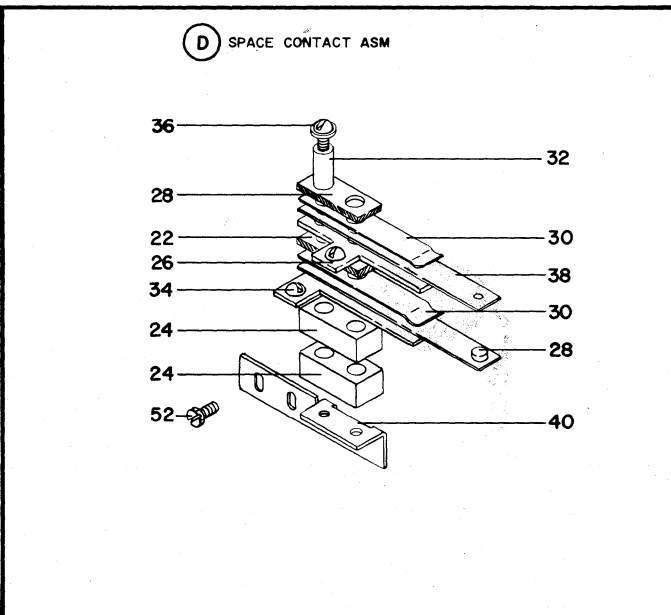
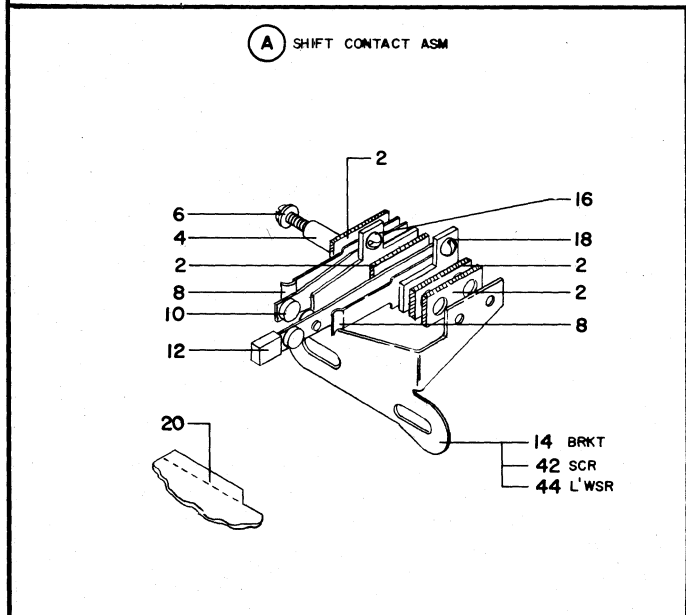
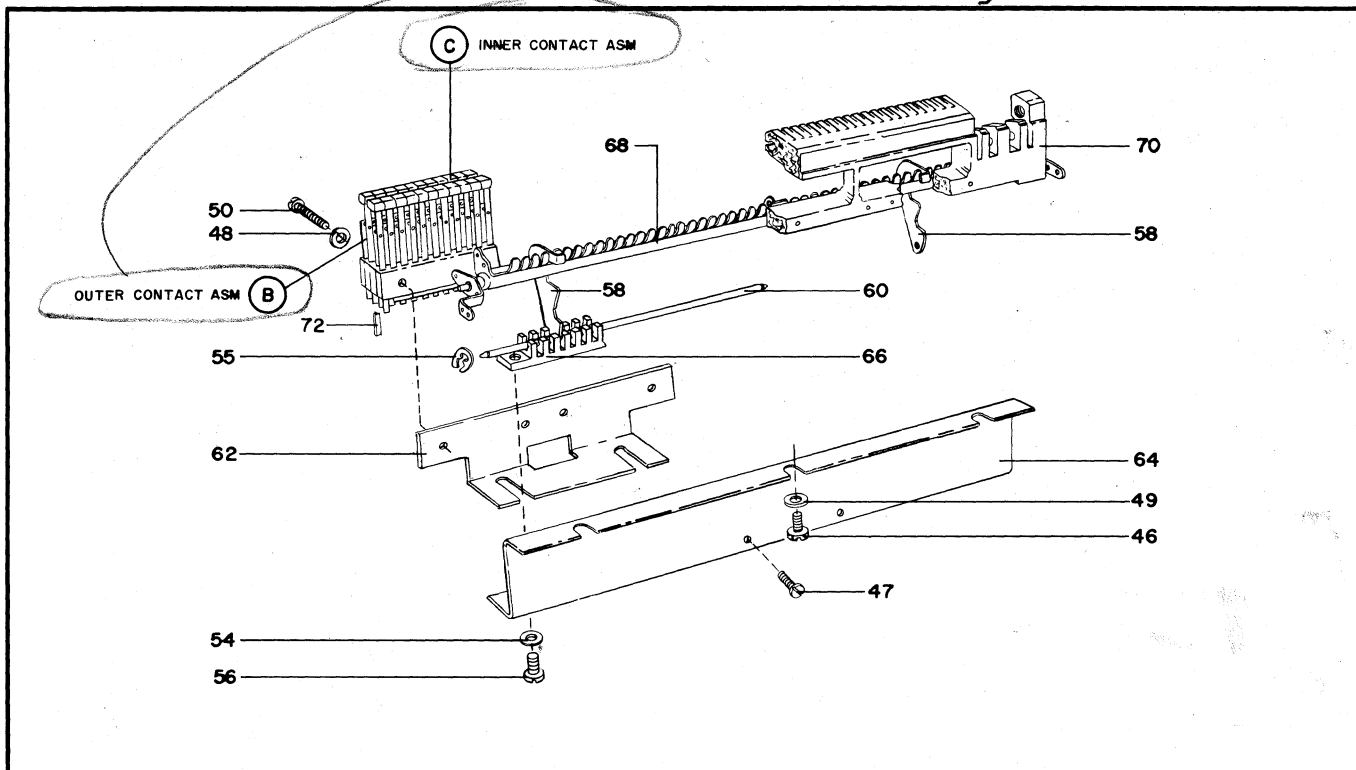
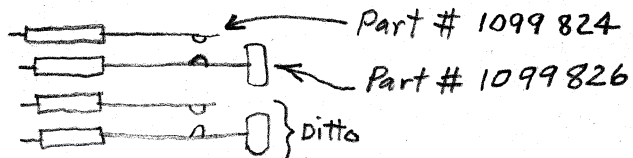
100	1103504	BELL CRANK - BACK SPACE
102	1103518	RAIL - FRONT
104	1103519	RAIL - REAR
106	1103861	SPRING - STOP
108	1103920	STOP - CARRIAGE
110	1104439	SPACER - PIVOT
112	1104442	CLAPPER - BELL
114	1105507	LINK - PAWL RELEASE
116	1105640	SUPPORT - LEFT RAIL
117	1105641	BELL CRANK - MARGIN CONTROL
118	1105642	STUD - BELL CRANK MTG
120	1105644	BELL CRANK - PAWL RELEASE
122	1105646	SCREW - MTG
124	1105661	SUPPORT - RIGHT RAIL
126	1105662	BELL CRANK - AIR CYLINDER
128	1105663	SCREW - BELL CRANK MTG
129	1105664	SPRING - BELL CRANK
130	1105699	ECCENTRIC - MARGIN RELEASE
132	1105750	STUD - BELL MTG
134	1105753	BELL
136	1106588	STUD - LEVER MTG
138	1106589	NUT - LEVER ECCENTRIC
139	1106650	SPRING - BELL CRANK
140	1107379	STUD - INTERLOCK MTG
142	1107956	SCREW - KEEPER MTG
144	1108497	STUD - BELL CRANK MTG
146	1109035	SPACER - LEVER
147	1109043	LEVER - INTERLOCK
148	1109044	SPRING - BELL
150	1109610	SCREW - MTG
152	1109890	WASHER - BRKT MTG
154	1110505	INTERLOCK - CARRIAGE RETURN
158	1110658	ACTUATOR - CLAPPER

MAGNET UNIT



A	1108344	CABLE ASM - TYPEWRITER	34	304126	BRACKET - MAGNET LEFT	74	1099884	GUIDE - SOLENOID
2	377	SCREW - CLAMP MTG	36	304127	BRACKET - MAGNET RIGHT	75	1110668	SCREW - GUIDE MTG
3	122610	TERMINAL - BLOCK	38	304131	ROD - PUSH	C	343763	PLUNGER ASM - SPACE & CARRIAGE RETURN
4	219633	CLIP - RETAINING	40	304132	PIVOT - ARMATURE	76	325017	SPRING - RETURN
5	257237	CLAMP - CABLE	42	304133	ARMATURE - MAGNET	78	343755	PLUNGER
6	257238	ROD - BLOCK RETAINING	44	304134	BAIL - ARMATURE STOP	D	343764	PLUNGER ASM - TAB
7	257240	CLIP - TERMINAL LOCKING	46	304162	LINK - LEFT CONNECTING	80	325018	SPRING - RETURN
8	257242	SUPPORT - CABLE	48	325484	LINK - RIGHT CONNECTING	82	343755	PLUNGER
9	257244	BLOCK - MALE TERMINAL	50	340068	PLATE - RIGHT GUIDE	E	343765	PLUNGER ASM - KEY LOCK
B	1119779	MAGNET UNIT - CAM TRIP SPECIFY 868/B1	52	340069	PLATE - LEFT GUIDE	84	304145	SPRING - RETURN
10	2300	SCREW - BRKT MTG	54	1070020	CLEVIS - LINK ADJUST	86	343755	PLUNGER
12	6318	L'WSR - BRKT MTG	56	1119778	BLOCK - TERMINAL	F	343766	PLUNGER ASM - SHIFT
13	13364	SPACER - TERMINAL BLOCK	B1	304020	COIL ASM - LOWER	88	325015	SPRING - RETURN
14	16558	SPRING - PUSH ROD	B2	304116	YOKE ASM - MAGNET	90	343755	PLUNGER
15	22478	WASHER - BRKT MTG	B3	304120	COIL ASM - UPPER	PARTS NOT INCLUDED WITH ASSEMBLIES		
16	24752	SCREW - BRKT MTG	B4	304128	BAIL ASM - KNOCK OFF	92	6318	L'WSR - MAGNET UNIT MTG
17	24915	SCREW - BLOCK MTG	B5	343768	BRACKET ASM - SOLENOID	98	6364	L'WSR - ECCENTRIC STOP
18	38364	SCREW - BRKT MTG	58	38271	SCREW - YOKE MTG	100	22478	WASHER - MAGNET UNIT MTG
19	45690	WASHER - CLAMP MTG	60	215150	NUT - SOLENOID ADJUST	102	24752	SCREW - MAGNET UNIT MTG
20	103895	SCREW - ARM PIVOT	62	343750	YOKE - SPACE, TAB & CARRIAGE RETURN	104	38051	NUT - ECCENTRIC STOP
22	173205	SCREW - CLAMP MTG	64	343751	YOKE - KEY LOCK & SHIFT	106	196298	SCREW - LOCATING STRIP
24	177939	SPRING - ARMATURE	66	343752	CORE - SOLENOID	108	312475	STOP - ECCENTRIC
26	183720	CLAMP - CABLE	68	343761	COIL - SPACE, TAB & CARRIAGE RETURN	110	312476	STRIP - MAGNET UNIT LOC
28	196298	SCREW - STOP BAIL MTG	70	343762	COIL - KEY LOCK & SHIFT	112	325624	SCREW - PLATE MTG
30	304121	COVER - TERMINAL	72	343767	BRACKET - SOLENOID			
32	304125	GUARD - MAGNET LEAD						

Contacts Moulded in groups of eleven,
four layers as shown:
CONTROL CONTACTS - VIEW 1



A	339032	CONTACT ASM - SHIFT
2	37435	INSULATOR - CONTACT
4	114045	INSULATOR - SCREW
6	173204	SCREW - MTG
8	316457	SPRING - STIFFENER
10	326013	STRAP - CONTACT
12	339029	STRAP - CONTACT
14	339033	BRACKET - CONTACT
16	339111	TERMINAL - CONTACT
18	339112	TERMINAL - CONTACT
20	1108424	GUARD - CONTACT

D	1108348	CONTACT ASM - SPACE
22	2819	SPACER - CONTACT
24	5077	SPACER - CONTACT
26	5180	TERMINAL - CONTACT
28	25984	SPACER - CONTACT
30	105826	SPRING - STIFFENER
32	133208	INSULATOR - SCREW
34	152716	TERMINAL - CONTACT
36	173210	SCREW
38	314667	CONTACT - SPRING
40	340071	BRACKET - CONTACT

47	28760	SCREW - FULCRUM WIRE STOP
48	37066	L'WSR - SELECTOR CONTACT
49	22066	WASHER - BRKT MTG
50	52614	SCREW - SELECTOR CONTACT
52	38282	SCREW - SPACE CONTACT MTG
54	56313	L'WSR - COMB MTG
55	147297	CLIP - RETAINING
56	196698	SCREW - COMB MTG
58	339021	LEVER - ACTUATING
60	339026	WIRE - FULCRUM
62	339186	BRACKET - CONTACT MTG
64	339187	BRACKET - COMB MTG
66	339188	COMB - ACTUATORS
68	1098714	BAIL - RIBBON
70	1098716	SUPPORT - CAM LEVER
72	339182	INSULATION - CONTACT

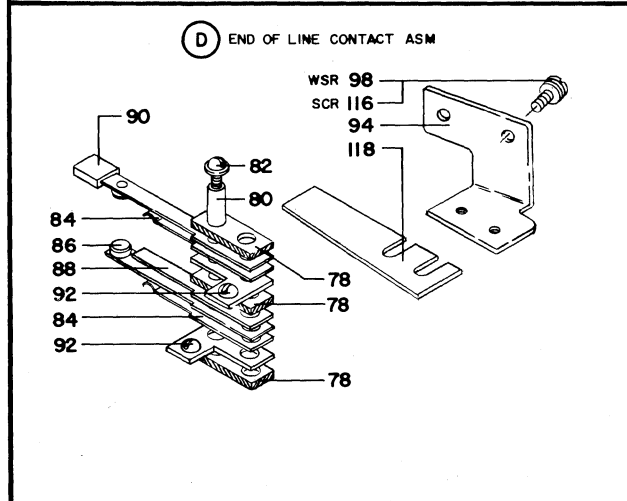
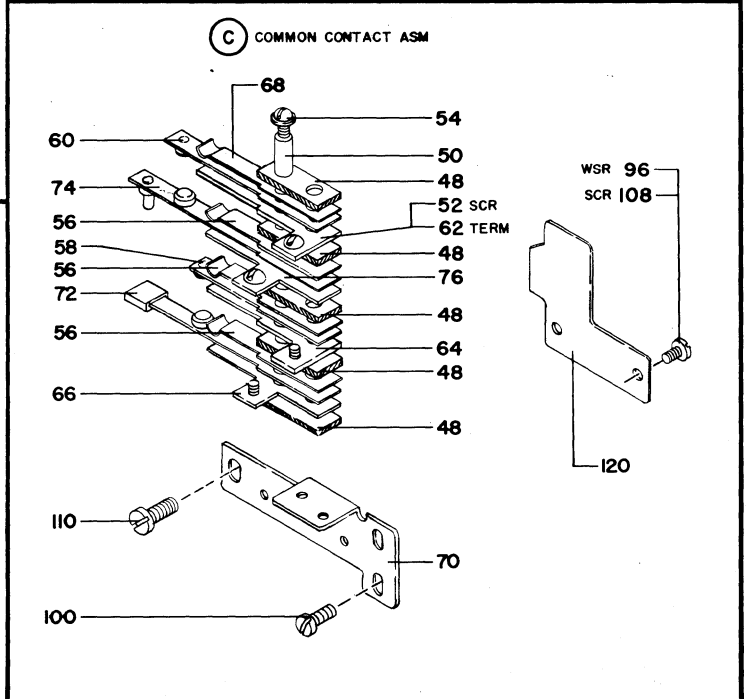
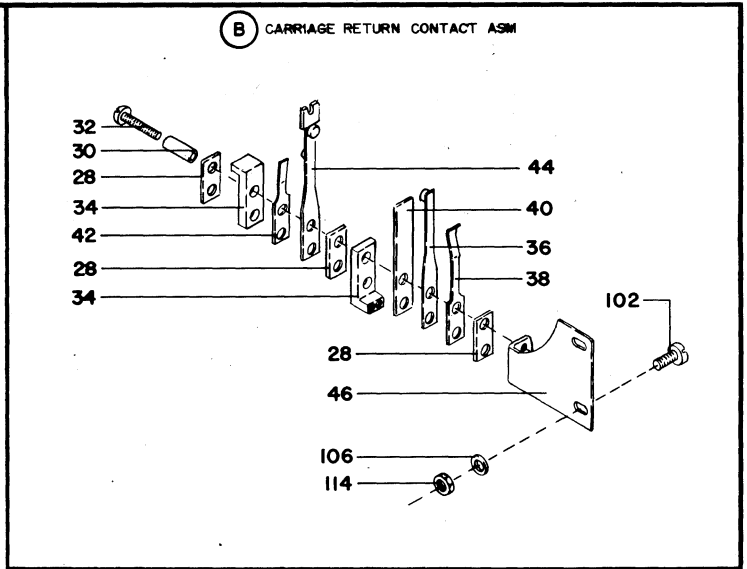
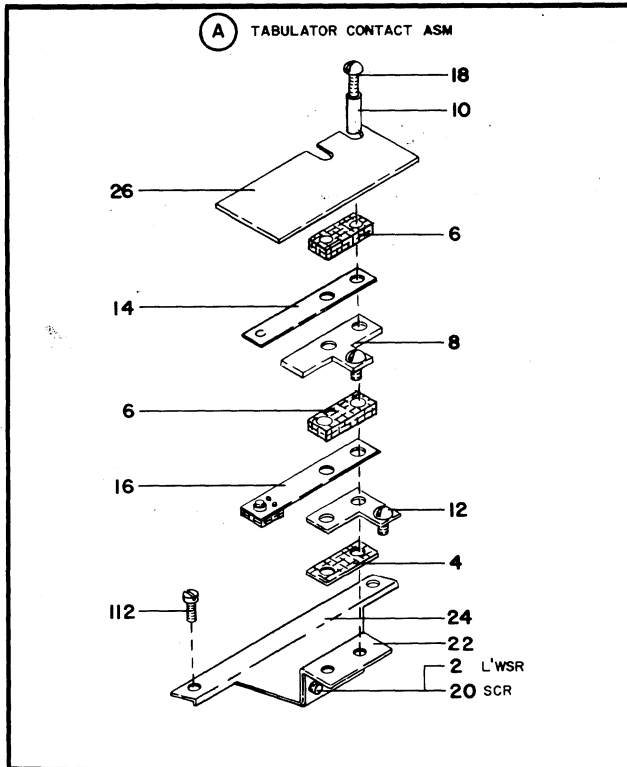
PARTS NOT INCLUDED WITH ASSEMBLIES

42	443	SCREW - SHIFT CONTACT MTG
44	9092	L'WSR - SHIFT CONTACT MTG
46	9685	SCREW - BRKT MTG

Sub card says these are reversed.

use part #'s on drawing above. *Kess*
11-15-71

CONTROL CONTACTS - VIEW II



A		B	
2	316515	340051	CONTACT ASM - TABULATOR
4	6364	37435	CONTACT ASM - CARRIAGE RET
6	11899	100464	INSULATION - CONTACT
8	11900	173202	INSULATOR - CONTACT
10	21866	326011	INSULATION - SCREW
12	100359	326067	CONTACT - CONTACT
14	138709	326113	CONTACT - SPRING
16	150243	316523	CONTACT - SPRING
18	151774		CONTACT - SPRING
20	173204		CONTACT - SPRING
22	196298		CONTACT - SPRING
24	316517		CONTACT - SPRING
26	316522		CONTACT - SPRING
			CONTACT - SPRING

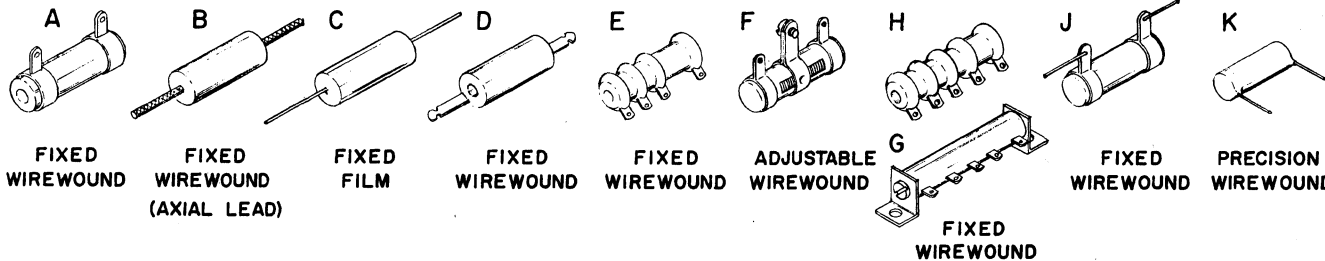
C		D	
42	316457	42	316457
44	339029	44	339029
46	340044	46	340044
48	1127307	48	1127307
50	37435	50	37435
52	100226	52	100226
54	118418	54	118418
56	173206	56	173206
58	316457	58	316457
60	326013	60	326013
62	326067	62	326067
64	339107	64	339107
66	339108	66	339108
68	339111	68	339111
70	339113	70	339113
72	340130	72	340130
74	1108446	74	1108446
76	1127273	76	1127273
	1261967		1261967
80	1261909	80	1261909
	37435		37435
	100359		100359

PARTS NOT INCLUDED WITH ASSEMBLIES			
82	173203	82	173203
84	316457	84	316457
86	326067	86	326067
88	326119	88	326119
90	339029	90	339029
92	339112	92	339112
94	1261910	94	1261910
96	20038	96	20038
98	22478	98	22478
100	38282	100	38282
102	38352	102	38352
106	62031	106	62031
108	103895	108	103895
110	186759	110	186759
112	196298	112	196298
114	257187	114	257187
116	1090003	116	1090003
118	1108350	118	1108350
120	1108409	120	1108409

SMS CARDS, DIODES & RESISTORS

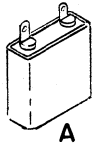
FIXED COMPOSITION CARBON RESISTORS																
RMA RESISTANCE FACTOR Ω	1/2 WATT						1 WATT					2 WATT				
	MULTIPLIER						MULTIPLIER					MULTIPLIER				
	X1	X10	X100	X1000	X10000	X100000	X1	X10	X100	X1000	X10000	X1	X10	X100	X1000	X10000
1	803053															
1.5	81685															
3	803055						355322									
4	803056															
5							360044									
6							492377									
10	321271	213536	213693	300721	300728	300736	308341	335131	317049	317063	317068	317077	322888	317082	317096	317105
11	132395	132422	317001	317027	317033	250840	491314	335012	334924	334933	317069			492568	1127060	317106
12	550052	317004	317276	300722	321178	321195		132784	317050	317064	317070		317078	317083	317097	317107
13	132397	509499	317429	334959	317034	334957	132765	334930	334928	502451	317071		492448		510597	2102315
15	360046	322729	317017	213547	213539	317042	132766	512122	317051	317434	317072	356235	317079	317084	317098	322736
16	132398	317005	317018	317274	317035	335972	132767	310298	334947	322752	317073			526336	521775	
18	253528	323918	213714	317028	317036	321272	132768	334987	317052	301823	317074		320610	317085	322731	338351
19						171885										
20	334949	317006	317019	300723	300729	335360	132769	512400	317353	301824	317075		355138		317783	
22	317002	317007	317020	323900	317037	317273	334986	321196	317053	301825	317047	321269	322911	317086	317099	512666
24	492351	333202	323919	213697	317277	521774	132771	335017	334948	334972	317076	526330	301881	359514	334963	
27	454389	356740	317021	317362	300730	98851	491278	132786	317054	317065	323902	301801	513799	317087	322332	
30	322742	317008	323920	322820	317038	132431	509507	492376	320661	338143	132808		334931	317088	317100	
33	491223	317428	213692	317029	300731	309951	335486	321200	317055	317066	502478		317080	317089	317101	502174
36	492349	528937	334923	213760	317039	132466	132772	502479	320662	320619	123809			320660	2101690	
39	491221	317009	317022	300724	300732	356696	132773	335019	317056	322753	132810	334927	512111	317090	322701	
43	132399	317010	317023	334919	317040	132514	132777	132807	322309	334953	334946	334900		320658	320663	
47	317003	317011	213549	317030	359956	471680	322777	317432	317057	323989	182746	335329	320655	317091	317272	
51	502483	317012	317024	300726	300734	322334	355683	103915	301815	334971	132812	472580	472579	322704	301829	
56	132400	322347	317430	317275	213558	98850	358795	317433	317058	326886	301834		332585	317092	505290	440536
62	360060	317013	334914	214123	213557	132590	132778	335050	317059	334934	334952		509638	250841	320656	
68	508040	317014	317025	317031	213556	132697	2111679	317048	317060	317067	317048	216985	335328	317093	317102	
75	521792	317015	300720	323939	317278	471764	132779	438266	322706	322707	132867	526062	322333	326998	301830	
82	317390	317016	317529	300727	300735	2102215	317046	358827	317061	322774	132869	322337	317081	317094	317103	
91	334092	528486	317026	317032	317041	132763	132783	492353	317062	334920			503499	317095	317104	
100						2102127							503498			301836
160													511551			
180													503497			
220																
680						505370							801703			
1/4 WATT SMS CARD CHART																
10		595359			AFB	371948		MH	371487							
24		550050			AFR	371943		MX	371661							
27		595358			AHK	370322										
30			595357		AHU	370386		NN	371678							
51	550051				ALY	370552		NP	371684							
82	550049				ARW	372122		RE	371699							
					AYX	372388				DIODE P/N	DESCRIPTION					
					CAB	371931		TAF	370365	504611	TYPE I					
					CAU	370353		TAG	370366	124628	TYPE AV					
					CD	371029		TAH	370367	358818	TYPE AB					
					CEYB	371032		TAJ	370364	359777	TYPE AC					
								TAK	370368	359962	TYPE AD					
					DAR	370082		TAL	370370	2106333	TYPE AL - with leads					
					DAW	370083		TCZ	370335	2106334	TYPE AL - with ctrl pn terms					
					DAX	370084		TFC	370646	2106365	TYPE AL - with metal shoulder and leads					
					DBU	370384				2106372	TYPE AL - double-anodes common					
					DED	371987				2106655	TYPE AL - double-cathodes common					
					DEE	371988		TTX	372550	2109415	TYPE AL - without leads					
					DEQ	370212				2111232	TYPE AM - with leads					
					DES	370202				2106772	TYPE AM - with metal shoulder and leads					
					DEV	370214				438852	TYPE AP					
					DEW	370211				124628	TYPE AV					
					DFB	370206		WF	371789	2123500	TYPE BX					
					DFC	370205		WG	371790	326717	TYPE E					
					DFD	370204		WJ	371881	252696	TYPE F - with leads					
					DFE	370201		WM	371882	252646	TYPE F - without leads					
					DFG	370209		WY	371900	252697	TYPE G					
					DFP	370228				314377	TYPE IN 65					
					DKA	370443		YGB	370576	802175	TYPE IN 91					
								YGC	370577	333264	TYPE IN 92					
								YGH	370609	337699	TYPE IN 93					
					FM	371397		YGJ	370610	286515	TYPE IN 34					
					FP	371453		YGN	370614	288007	TYPE IN 48					
								YJA	370788	242090	TYPE IN 448					
								YJB	370789	207316	TYPE IN 1692					
										440605	TYPE J					
										334908	TYPE M					
										333264	TYPE P					
										210921	TYPE PS					
										360028	TYPE AA					

RESISTORS

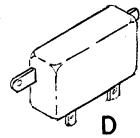
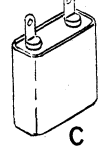
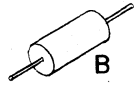


RATING	WATTS	PART NO.	TYPE	RATING	WATTS	PART NO.	TYPE	RATING	WATTS	PART NO.	TYPE	RATING	WATTS	PART NO.	TYPE
.1 Ω	5	207324	B	200. Ω	50	159317	F	1.2 K	5	339200	B	5. K	5	213758	J
.1 Ω	5	208985	A	250. Ω	10	472560	A	1.2 K	5	228204	J	5. K	10	472557	A
.2 Ω	5	208959	B	250. Ω	10	2102363	B	1.2 K	5	207374	K	5. K	10	2102434	A
.5 Ω	5	208970	B	250. Ω	10	104187	J	1.2 K	10	287394	B	5. K	10	169136	J
1. Ω	5	207320	B	250. Ω	25	2102582	A	1.3 K	5	359959	B	5. K	10	239611	F
1. Ω	5	476363	A	260. Ω	5	208254	K	1.3 K	10	356560	B	5. K	25	2114684	A
1. Ω	10	254661	A	300. Ω	55	253527	A	1.41K	1/2	2102509	C	5. K	25	317186	D
2. Ω	1	207321	B	300. Ω	5	207366	K	1.5 K	5	2114059	A	5. K	50	303542	A
2. Ω	5	103235	B	300. Ω	10	2102627	B	1.5 K	5	207289	B	5.6 K	5	309978	J
2. Ω	10	212953	B	310. Ω	45	116509	G	1.5 K	10	313888	J	6.8 K	5	309977	J
5. Ω	5	479750	B	325. Ω	5	208986	K	1.5 K	25	563796	A	7. K	25	301820	A
5.1 Ω	1/2	1127017	C	400. Ω	1	208951	K	1.5 K	100	2114084	A	7.5 K	10	2114063	A
7.5 Ω	1/4	2124660	C	400. Ω	5	207328	K	1.6 K	5	207377	B	7.5 K	10	301719	B
10. Ω	1/2	2100882	C	400. Ω	5	208240	B	1.7 K	5	207326	K	7.79K	1/2	2123544	C
10. Ω	10	283155	J	400. Ω	10	2124266	B	1.75K	20	2100126	A	10. K	1/4	359851	K
15. Ω	5	520546	B	400. Ω	10	301803	J	1.8 K	5	208255	K	10. K	1/2	509593	C
15. Ω	10	804142	B	400. Ω	100	526321	A	1.9 K	5	208256	K	10. K	10	2102743	B
15. Ω	55	123822	F	470. Ω	1/2	2102146	C	2. K	1/4	2127630	K	10. K	10	169137	J
25. Ω	50	2129774	A	500. Ω	1/4	2114418	K	2. K	5	207381	K	10. K	25	301821	J
25. Ω	160	2101406	F	500. Ω	5	524930	A	2. K	5	2102532	B	13. K	37	301822	A
45. Ω	5	207367	B	500. Ω	5	2102155	B	2. K	5	228469	J	13.5 K	10	332607	A
50. Ω	10	317124	J	500. Ω	5	512088	J	2. K	10	203111	A	13.8 K	1/2	2123542	A
50. Ω	25	472611	A	500. Ω	10	472566	A	2. K	10	2109043	B	15. K	1/4	359788	C
50. Ω	50	322739	A	500. Ω	10	317369	B	2. K	10	301732	J	15. K	1/4	492485	C
50. Ω	50	365926	F	500. Ω	25	301805	A	2. K	25	473258	A	15. K	1/2	509594	C
50. Ω	100	2100123	A	500. Ω	100	509632	A	2. K	50	303541	A	15. K	10	320974	A
50. Ω	100	357184	F	590. Ω	3	441161	B	2.5 K	5	2109411	B	16. K	1/2	2128831	B
50. Ω	160	2100122	A	600. Ω	5	444062	B	2.5 K	5	472585	J	20. K	1/4	2127628	K
75. Ω	10	221517	A	600. Ω	10	2102425	B	2.5 K	10	172606	J	20. K	10	356102	B
75. Ω	10	2102172	B	600. Ω	10	443053	A	2.5 K	50	124716	A	20. K	25	124717	A
75. Ω	25	317127	A	650. Ω	5	207333	B	2.7 K	7	207380	K	24. K	1/2	2128832	B
75. Ω	100	2114082	A	700. Ω	5	2100127	A	3. K	5	2100879	B	25. K	10	169139	J
75. Ω	160	2114086	A	705. Ω	1	2102510	C	3. K	10	322700	A	30. K	1	302094	K
100. Ω	1	183997	B	750. Ω	10	2102154	B	3. K	10	309966	J	32. K	1/2	2128833	B
100. Ω	5	207338	B	750. Ω	25	301806	A	3. K	10	2102620	F	48. K	1/2	2128834	B
100. Ω	5	454187	J	770. Ω	5	207290	B	3. K	25	438811	A	51. K	2	2109489	C
100. Ω	10	2102508	B	800. Ω	5	98692	J	3. K	37	801811	H	56. K	1/2	2109236	C
100. Ω	20	285955	J	800. Ω	10	253769	J	3. K	50	476459	A	62. K	1/2	2103572	C
100. Ω	25	507142	A	800. Ω	10	2114062	A	3. K	50	317184	D	63.8 K	1/2	2123522	C
100. Ω	25	252834	F	800. Ω	45	289342	A	3.2 K	7	208976	K	68. K	1/2	2102379	C
100. Ω	50	220365	H	1. K	1/2	356677	K	3.5 K	5	2114049	A	71.8 K	1/2	2123545	C
100. Ω	100	317320	A	1. K	2	180407	B	3.5 K	5	2102119	B	120. K	1/2	2100889	C
120. Ω	50	208242	E	1. K	5	2116796	A	3.5 K	10	124637	A	140. K	1	2109346	C
125. Ω	100	2100124	A	1. K	5	2100878	B	3.5 K	25	2100128	J	150. K	1/2	2102121	C
130. Ω	25	184090	A	1. K	5	226579	J	3.53K	7	208244	K	150. K	1	2109358	C
150. Ω	10	2102625	B	1. K	5	207379	K	3.78K	1/2	2123513	C	160. K	1/2	2100890	C
150. Ω	25	312610	A	1. K	10	359861	B	4. K	1/4	2101583	K	180. K	1/2	2102551	C
150. Ω	50	509798	A	1. K	25	301808	A	4. K	25	2100129	A	200. K	1/2	359937	C
160. Ω	5	207292	B	1. K	50	476369	A	4. K	50	2100125	A	270. K	1/2	518562	C
200. Ω	10	303656	B	1. K	100	322691	F	5. K	1/4	2114420	K	300. K	1/2	2100891	C
												300. K	1	2103594	C
												360. K	1/2	2102552	C
												510. K	1/2	254790	C
												680. K	1/2	359957	K
												1. M	1/2	2102302	G
												2.7 M	1/2	2100375	G

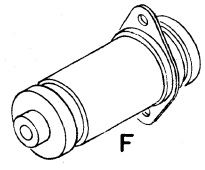
CAPACITORS



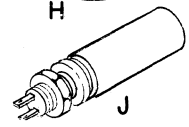
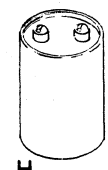
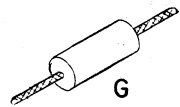
PAPER D.C.



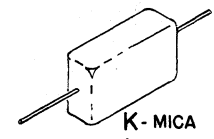
PAPER A.C.



PLUG D.C.



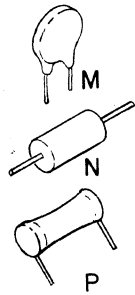
ELECTROLYTIC D.C.



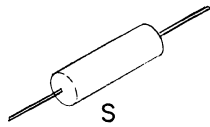
MICA & SILVER MICA
K - MICA
L - SILVER MICA

MMFD RATING	VOLTAGE	PART NO.	TYPE	TOLERANCE	DIMENSIONS	MMFD RATING	VOLTAGE	PART NO.	TYPE	TOLERANCE	DIMENSIONS
5	500	2109800	K	5	.546 x .312	510	500	2109856	K	5	.796 x .468
10	500	2109117	K	5	.546 x .312	560	300	2109857	K	5	.796 x .468
10	500	300710	N	5	.562 x .250	560	500	2102299	K	1	.796 x .468
12	500	2109801	K	5	.546 x .312	560	500	2102686	N	10	.562 x .250
15	500	2109802	K	5	.546 x .312	620	300	2109858	K	5	.796 x .468
15	500	355548	N	10	.562 x .250	620	500	2111026	K	5	1.109 x .468
18	500	2109803	K	5	.546 x .312	680	300	2109859	K	5	.796 x .468
20	500	2109868	K	5	1.109 x .468	680	500	2111027	K	5	1.109 x .468
20	500	334938	L	5	.500 x .281	680	300	2114555	L	1	.796 x .468
22	500	355527	K	5	.546 x .312	680	500	360037	N	10	.562 x .250
24	500	358768	K	5	.546 x .312	750	300	2109860	K	5	.796 x .468
25	500	300711	N	5	.562 x .250	750	500	2111028	K	5	1.109 x .468
27	500	2109805	K	5	.546 x .312	750	300	2114556	L	1	.796 x .468
27	500	355467	N	10	.562 x .250	820	300	2109861	K	5	.796 x .468
30	500	2109806	K	5	.546 x .312	820	500	2111029	K	5	1.109 x .468
30	500	355652	N	10	.562 x .250	910	300	2109862	K	5	.796 x .468
33	500	2109807	K	5	.546 x .312	910	500	2111030	K	5	1.109 x .468
33	500	2102377	N	10	.562 x .250	1000	300	2109863	K	5	.796 x .468
36	500	356734	K	5	.546 x .312	1000	500	2102333	K	5	.546 x .546
39	500	2114941	L	2	.546 x .312	1000	500	355493	M	20	.594 x .156
40	500	300712	N	5	.562 x .250	1000	500	356069	N	10	.812 x .250
43	500	2109808	K	5	.546 x .312	1000	350	300715	N	10	.812 x .250
47	500	2109809	K	5	.546 x .312	1000	500	309971	P	10	.500 x .250
47	500	2117411	M	10	.312 x .187	1100	300	2111033	K	5	1.109 x .468
47	500	2102378	N	10	.562 x .250	1100	500	2111065	K	5	.828 x .828
51	500	359973	K	5	.546 x .312	1200	300	2111034	K	5	1.109 x .468
56	500	2109810	K	5	.546 x .312	1200	500	2111066	K	5	.828 x .828
62	600	359919	N	5	.562 x .250	1300	300	2111035	K	5	1.109 x .828
68	500	358872	K	5	.546 x .312	1300	500	2111067	K	5	.828 x .828
68	500	2102376	N	10	.562 x .250	1500	300	2111036	K	5	1.109 x .468
75	500	2109811	K	5	.546 x .312	1500	500	2111068	K	5	.828 x .828
80	500	300713	N	5	.812 x .250	1500	500	335139	M	20	.281 x .156
82	500	355624	N	10	.562 x .250	1600	500	2111037	K	5	1.109 x .468
91	500	2109812	K	5	.546 x .312	1800	500	2111038	K	5	1.109 x .468
100	500	322804	K	5	.546 x .312	2000	500	472533	L	5	.828 x .828
100	500	300714	N	5	.562 x .250	2000	500	359530	M	—	.375 x .126
110	500	358729	K	5	.546 x .312	2200	500	2111040	K	5	1.109 x .468
120	500	2109813	K	5	.546 x .312	2400	500	2111041	K	5	1.109 x .468
130	500	2102301	K	5	.546 x .312	2700	500	2111042	K	5	1.109 x .468
150	500	335007	L	5	.500 x .281	3000	500	2111043	K	5	1.109 x .468
160	500	2109814	K	5	.546 x .312	3300	500	2111044	K	5	1.109 x .468
180	500	2109815	K	5	.546 x .312	3600	500	2111045	K	5	1.109 x .468
200	500	2109816	K	5	.546 x .312	4300	500	2111047	K	5	1.109 x .468
200	500	2102017	P	5	.937 x .312	4700	600	264886	B	20	1.062 x .375
240	500	358722	K	5	.546 x .312	5000	500	2102173	M	—	.438 x .156
250	500	2102136	K	5	.546 x .312	5100	500	2111049	K	5	1.109 x .468
300	300	2109817	K	5	.546 x .312	5600	500	2111050	K	5	1.109 x .468
300	500	2109852	K	5	.796 x .468	6800	300	2111080	K	5	.828 x .828
330	300	2109818	K	5	.546 x .312	7500	300	2111081	K	5	.828 x .828
330	500	2102298	K	1	.546 x .312	8200	300	2111082	K	5	.828 x .828
330	500	2102423	N	20	.562 x .250	9100	300	2111083	K	5	.828 x .828
360	300	2102074	K	5	.546 x .312	10000	250	302056	K	20	.828 x .828
360	500	2109853	K	5	.796 x .468	10000	300	2111084	K	5	.828 x .828
360	500	2114554	L	1	.546 x .312	10000	500	2111056	K	5	1.109 x .468
390	500	2102300	K	1	.546 x .312	10000	450	357993	M	100-0	.531 x .156
430	300	2102073	K	5	.546 x .312	10000	500	338127	M	80-20	.594 x .188
470	500	2102387	K	5	.796 x .468	20000	450	359775	M	100-0	.594 x .188
470	300	97843	L	5	.796 x .468						
500	500	2111032	K	5	1.109 x .468						
510	300	2109819	K	5	.546 x .312						

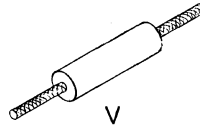
CAPACITORS



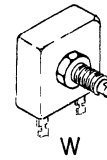
CERAMIC



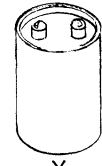
PLASTIC FILM



TANTALUM

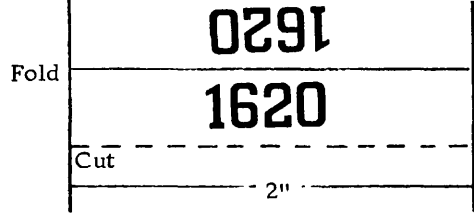


VARIABLE



ELECTROLYTIC A.C.

MFD RATING	VOLTAGE	PART NO.	TYPE	TOLERANCE	DIMENSIONS	MFD RATING	VOLTAGE	PART NO.	TYPE	TOLERANCE	DIMENSIONS
.0033	100	217066	S	10	.413 x .031	10	660	443031	A	—	4.125 x 3.687
.0047	600	347012	B	5	1.062 x .375	12	660	303531	A	—	4.750 x 5.000
.0047	100	491261	S	10		12	660	2114083	A	6	5.187 x 4.562
.001	600	347000	B	5	1.062 x .375	15	330	207361	X	—	3.625 x 2.937
.001	600	234967	B	10	.750 x .295	15	440	2109091	A	6	6.312 x 3.000
.001	100	492441	S	5		20	100	252635	H	—	4.625 x 3.875
.010	100	492411	S	5	.450 x .200	20	250	2102523	G	85-20	2.187 x .750
.033	100	491263	S	10	.750 x .219	20	350	2102262	G	150-10	2.000 x 1.000
.039	600	440406	B	10	1.625 x .625	22	15	124591	V	10	.629 x .206
.047	400	512510	B	5	.812 x .438	25	150	358864	G	150-10	1.625 x .812
.047	600	347029	B	20	1.562 x .562	25	330	442688	X	3	5.500 x 2.937
.047	400	477972	S	10	.969 x .389	33	20	492473	V	20	.800 x .325
.082	600	440407	B	10	2.000 x .750	35	6	207368	G	100-10	
.01	600	169103	B	—	1.500 x .500	40	200	2102381	G	85-20	1.625 x .937
.02	1600	305252	B	—	1.000 x .562	40	400	2109487	G	85-20	2.125 x 1.125
.05	400	262163	B	5	.875 x .562	50	70	2102177	G	150-10	1.187 x .875
.05	1000	284109	B	—	2.125 x .562	50	300	358828	G	150-10	2.000 x 1.000
.05	2000	302057	B	—	2.625 x .812	50	450	335492	G	20	3.250 x .937
.22	35	124575	V	10	.441 x .156	80	150	438941	G	250-10	2.312 x 1.062
.22	400	2109830	B	10	1.219 x .641	100	25	207310	G	100-10	
.22	600	347039	B	10	2.312 x .875	100	50	2114057	B	100-10	1.750 x .688
.25	1000	302059	C	10	1.375 x 1.312	100	200	184088	H	150-10	3.750 x 2.062
.25	400	322821	B	10	1.562 x .462	100	450	255911	H	—	4.875 x 2.062
.25	600	2102176	B	40-20	1.438 x .750	125	400	302065	J	—	5.875 x 1.375
.25	600	302058	D	—	1.000 x 1.750	160	250	303630	J	—	4.375 x 1.375
.25	200	317398	F	10	2.250 x .750	200	200	167726	H	—	4.000 x 1.437
.25	2000	302060	C	—	2.250 x 1.812	200	300	320458	H	—	
.33	400	2102216	B	10	1.656 x .733	250	50	2109462	H	150-10	1.812 x 1.125
.47	200	513567	S	10	1.340 x .562	250	350	322467	G	—	4.500 x 2.078
.47	400	477974	S	10	1.719 x .733	350	30	208236	G	100-10	2.625 x 1.125
.47	600	347044	B	10	2.938 x 1.062	500	200	2102147	H	150-10	4.500 x 2.062
.1	400	2102394	B	10	1.188 x .500	310	310	515387	H	150-10	4.500 x 2.062
.1	600	2102166	B	10	1.938 x .750	600	25	207362	G	100-10	
.1	400	127109	C	10	1.875 x 2.187	700	15	208229	G	100-10	2.625 x 1.125
.5	200	437253	B	30-20	1.125 x .469	800	150	303530	H	100-10	4.375 x 2.062
.5	400	317341	B	10	1.500 x .625	1000	50	226417	H	—	3.750 x 2.062
.5	600	2102175	B	40-20	1.812 x .875	1000	150	287358	H	—	4.375 x 2.062
.5	600	302061	D	—	1.000 x 1.812	1000	200	240130	H	150-10	4.500 x 2.625
1.	200	2102531	B	20-20	1.875 x .625	1250	180	515386	H	100-10	4.500 x 2.062
1.	400	338223	B	20-10	2.500 x 1.062	1500	100	254835	H	150-10	4.500 x 2.062
1.	400	2102459	B	20	2.219 x .829	2000	50	252545	H	—	4.375 x 1.812
1.	600	253900	B	30-20	2.125 x .719	2000	60	184954	H	10	4.500 x 3.500
2.	200	253827	B	30-20	1.625 x .625	2500	45	208245	H	100-10	4.500 x 1.437
2.	400	2102174	B	30-20	2.438 x 1.125	2500	70	218704	H	—	4.625 x 2.562
2.	400	148012	C	10	1.875 x 2.125	2500	80	515385	H	100-10	4.500 x 2.062
2.	660	302063	C	—	2.000 x 2.000	3500	55	501546	H	100-10	4.500 x 2.062
4.	600	303529	C	—	3.500 x 2.500	4000	55	2128510	H	100-10	4.562 x 2.000
4.	250	2103479	G	150-10	1.125 x .687	4500	60	441068	H	—	
4.	450	206592	G	—	1.500 x .625	5000	55	208222	H	100-10	4.500 x 2.062
4.	440	501543	X	6	2.281 x 2.875	5500	19	208228	H	—	4.500 x 1.437
4.7	35	124586	V	10							
5.	300	129638	C	10	2.125 x 2.187	5500	45	208235	H	100-10	4.500 x 2.062
5.6	35	133861	V	10	.450 x .206	7000	13	208230	H	—	
6.	660	254711	A	10	5.187 x 2.843	7750	10	207296	H	100-10	
6.8	20	124587	V	10	.450 x .206	8000	55	328589	H	—	
8.	660	2114081	A	6	4.750 x 3.750	11000	19	208221	H	100-10	4.500 x 2.062
8.	150	213535	G	250-10	1.187 x .687	12000	55	602746	H	100-10	4.500 x 3.062
10.	20	124588	V	10	.629 x .206	13500	15	601545	H	100-10	4.562 x 2.062
10.	50	169108	G	—	1.062 x .625	14000	13	208224	H	150-10	
10.	400	302064	C	—	4.750 x 2.500	19000	8	360291	H	150-10	4.500 x 2.062
10.	450	2109145	G	150-10	1.750 x .812	25000	6	598343	H	150-10	4.562 x 2.093
						35000	4	2124254	H	100-10	



Use Clear Acetate Tab Obtain Locally

IBM

**International Business Machines Corporation
Data Processing Division
112 East Post Road, White Plains, New York**