

**1131 Central Processing Unit**

For Sale Through IBM Branch Offices

S127-0808-4

**IBM** Illustrated Parts Catalog

# 1131 Central Processing Unit

S127-0808-4

## PREFACE

This Illustrated Parts Catalog (IPC) contains listings and illustrations of all replaceable assemblies, subassemblies, and detail parts released to Production Control on or before August 1, 1968 for the IBM 1131 Central Processing Unit.

### *Fifth Edition (March, 1970)*

This is a major revision of and makes obsolete Order No. S127-0808-3. This revision makes typographical and minor technical changes only.

Significant changes or additions to the specifications contained in this publication are continually being made. When using this publication in connection with the operation of IBM equipment, check the latest FE Publications KWIC index for maintenance library publications, GY20-0073, for revisions or contact the local IBM Branch Office.

Copies of this and other IBM publications can be obtained through IBM Branch Offices.

A form for reader's comments is provided at the back of this publication. If the form has been removed, send your comments to IBM Corporation, General Systems Division, Boca Raton, Florida. 33432. Comments become the property of IBM.

CONTENTS

HOW TO USE THIS ILLUSTRATED PARTS CATALOG . . . iv

VISUAL INDEXES

Figure	Page
I BASIC FRAME AND COVERS . . . . .	vii
II KEYBOARD, DISPLAY PANEL AND C GATE . . . . .	viii
III MIDPACK POWER SUPPLIES, A AND B GATE . . . . .	xi
IV MEDIUM POWER SUPPLIES . . . . .	xiii
V 13 SD . . . . .	xv
VI EXPANDED MEMORY . . . . .	xvii

BASIC FRAME AND COVER GROUP

1 Frame and Cover Group (2 sheets) . . . . .	1
2 Right Rear Cover Assembly . . . . .	6
3 Table Top Assembly . . . . .	7

KEYBOARD, DISPLAY PANEL AND C GATE

4 CPU Basic Final Assembly (2 sheets) . . . . .	8
5 Basic Keyboard Panel Assembly . . . . .	14
6 Keyboard Assembly . . . . .	17
7 Mounting Bar Assembly . . . . .	21
8 Display Panel Assembly . . . . .	22
9 Cover Assembly . . . . .	25
9A Display Panel Assembly . . . . .	26
9B Light Block Assembly . . . . .	28
10 SCA Switch Assembly . . . . .	29
11 Meter Power Pac Assembly . . . . .	30
12 C Gate Assembly . . . . .	32
13 12V Power Supply Assembly . . . . .	34
14 Meter Assembly . . . . .	35

MIDPACK POWER SUPPLIES, A AND B GATE

15 Midpack Supply (2 sheets) . . . . .	36
16 Sequence Box Assembly . . . . .	41
17 A Gate Assembly . . . . .	44
17A 1 x 2 A Gate Assembly, 1131 Model 4 . . . . .	45A
18 B Gate Assembly . . . . .	46
19 Blower Assembly . . . . .	49
19A Blower Assembly, 60 Hz, 1131 Model 4 . . . . .	50A
20 Blower Assembly - Power Supply . . . . .	51
21 Power Supply Assembly, Multi Level . . . . .	52

Figure	Page
22 Transformer Assembly . . . . .	55
23 6V, 24A Power Pack Assembly . . . . .	56
24 3V, 20A Power Pack Assembly . . . . .	58

MEDIUM POWER SUPPLIES

24A Medium Power System . . . . .	60
24B Sequence Box Assembly . . . . .	62
24C Power Supply Assembly . . . . .	65
24D 12V, 4A Power Supply Assembly . . . . .	67
24E SCR Transformer Assembly . . . . .	69
24F 3V, 16A Power Supply Assembly . . . . .	70
24G 6V, 15A Power Supply Assembly . . . . .	72
24H 3V, 4A Power Supply Assembly . . . . .	75
24J Blower Assembly, Power Supply . . . . .	77
24K Blower Assembly, Power Supply . . . . .	79
40 6V, 12A Power Supply Assembly . . . . .	117

13 SD

25 13 SD Assembly (2 sheets) . . . . .	81
26 Electronic Gate Assembly . . . . .	85
27 Interlock Assembly (new style) . . . . .	88
27A Interlock Assembly (old style) . . . . .	89A
28 AC Box Assembly . . . . .	90
29 Actuator Assembly . . . . .	92
30 Spindle and Magnetic Chuck Assembly . . . . .	94
31 Blower Assembly . . . . .	95
32 Drive Motor Assembly . . . . .	96

EXPANDED MEMORY

33 Expanded Memory Group (2 sheets) . . . . .	97
34 D Gate Assembly . . . . .	102
35 E Gate Assembly . . . . .	105
36 60 Hertz Blower Assembly . . . . .	108
37 50 Hertz Blower Assembly . . . . .	110
38 Blower Assembly, Power Supply . . . . .	112
39 9-12V, 10A Power Supply Assembly . . . . .	114
40 6V, 12A Power Supply Assembly . . . . .	117
41 15V, 2.5A Power Supply Assembly . . . . .	119
42 3V, 4A Power Supply Assembly . . . . .	122
43 Sequence Box . . . . .	124
44 Cable Components (4 sheets) . . . . .	126

NUMERICAL INDEX . . . . . X-1



## HOW TO USE THIS ILLUSTRATED PARTS CATALOG

## PART I

To find parts quickly, a general understanding of the structure of this catalog is necessary. The catalog is divided into three major sections:

- The Visual Index, containing overall views of the machine, with call-outs pointing to detailed figures.
- The Catalog Section, containing a pictorial breakdown of assemblies and subassemblies.
- The Numerical Index, which is a numerical list of all parts used in the machine, with cross-references to the figure on which the part is found.

VISUAL INDEX

The Visual Index, located before the Catalog Section, contains a reduced illustration of every figure in the Catalog Section. The reduced illustrations are tied together with flow arrows to form a natural progression from large assemblies to small assemblies and possibly subassemblies. In effect, a visual table of contents is formed by the Visual Index illustrations.

CATALOG SECTION

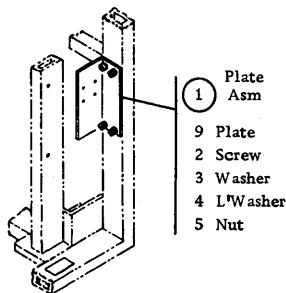
The Catalog Section contains the full-sized illustrations previously noted in the Visual Index. Index numbers on figures refer to corresponding entries in the Group Assembly Parts List accompanying each figure. Refer to part II for explanation of terms used in the Group Assembly Parts List.

NUMERICAL INDEX

The Numerical Index is located after the Catalog Section and contains a complete list, in numerical order, of all part numbers used on the machine. Listed with the part number is the index and figure number on which the part is illustrated. The numerical index makes it possible to locate a part when only the part number is known.

STACKED INDEX NUMBERS

Stacked Index numbers are used when showing a part and its attaching hardware. The sequence of a typical stack is shown at the right. The circled index number indicates the assembly is broken down within the figure.

ILLUSTRATION NOTES

Cross-reference notes are directly on the illustration. The illustration's next higher assembly reference, normally located in the upper left corner of the page will read: "For Parts Not Shown See Figure X". If an assembly is referenced to a lower level figure, the note located next to the index number will read: "See Figure X."

DOUBLE LINED DETAIL BOX

The double lined box differentiates between parts shown on the basic model and parts related to a level and/or feature difference. An explanation of the level or feature difference is given in the double lined box.

FINDING A PART

The Visual Index is the starting point for locating a part. The illustrations in the Visual Index are reduced versions of all illustrations in the Catalog Section; therefore, the illustrations can be used to find the assembly containing the desired part. Use references to the detailed figure in the Catalog Section, or to another Visual Index illustration, to determine location of part number.

Once the detailed figure in the catalog section is determined, finding the part on the figure and referring to the listing for the part number and description is all that is required in most cases. If the first catalog section figure referenced shows the assembly containing the required part, the index number for the assembly will reference a lower-level figure where the assembly is broken down to its component parts. If the figure referenced by the Visual Index contains neither the part nor an assembly containing the part, it is then necessary to go to the next higher assembly figure. This figure should then contain the part or an assembly containing the part; if not, an even higher level figure must be used. Refer back to the Visual Index for some other figure that could show the desired part.

Note: Many detailed parts are unavailable, because they are part of an inseparable assembly (two or more parts welded or bonded together), or because they are part of an assembly purchased as a unit. If parts are found on a welded or bonded assembly, the following note follows the description of the assembly: "Assembly components are not replaceable!" If the part is found on a purchased assembly, and the detail parts of this assembly do not have IBM part numbers, the note following the assembly description will read: "Assembly components are not available." In either case, you need to obtain the part number of the assembly, rather than the detailed part.

EXAMPLE FOR ORDERING PARTS

			REF
4 -	5726422	FAN ASM-P/S ENCLOSURE FOR NEXT HIGHER ASSEMBLY SEE FIGURE 1-184 FOR ILLUSTRATION SEE FIGURE 4	
- 1	334921	TERMINAL RING- 18-22 AWG, #6 HOLE, INS	2
- 2	187854	SHIELD, TERMINAL BLOCK- 2 POS	1
- 3	210984	SCREW, RD HD MACH-6-32 X .250 LG	ATT PT 1
- 4	5357050	FAN ASM-NO CONNECTOR	1
- 5	32042	SCREW, MACH BIND. HD 10-32 X .375 LG	ATT PT 2
- 6	5357066	BLADE	1
- 7	5357067	MOTOR 208V/230V 60CY 220V 50CY	1
- 8	130434	SCREW, MACH-SLOTTED HEX HD 10-32 X .375 LG	ATT PT 2
- 9	56079	WASHER, LOCK-EXT T .195ID .410 OD	ATT PT 2
- 10	5726436	HEADER-POWER SUPPLY FAN	1

If the entire fan is required, part number 5726422 should be ordered (all one dot items will be received). If only the subassembly is required, part number 5357050 should be ordered (all two dot items will be received). Each part may be ordered individually.

HOW TO USE THIS ILLUSTRATED PARTS CATALOG

PART II

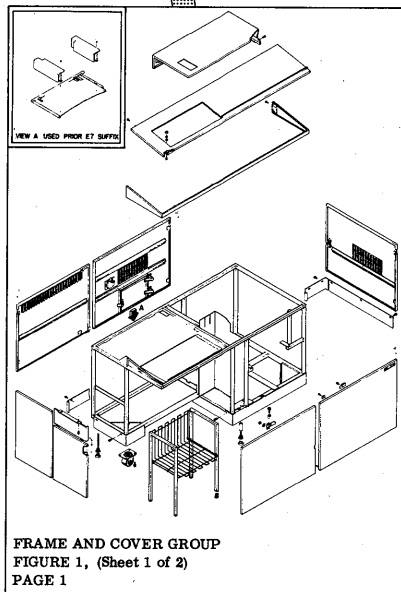
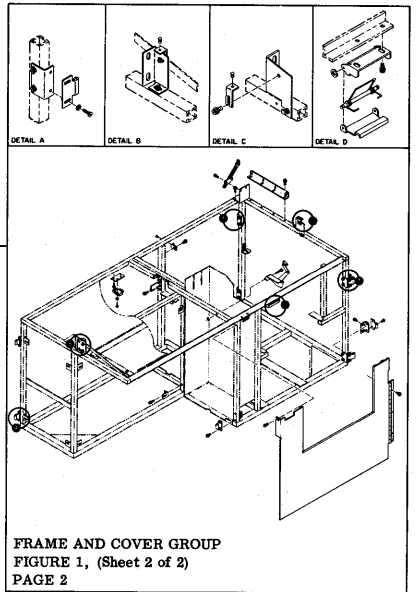
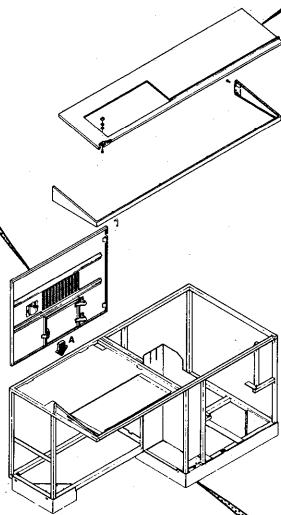
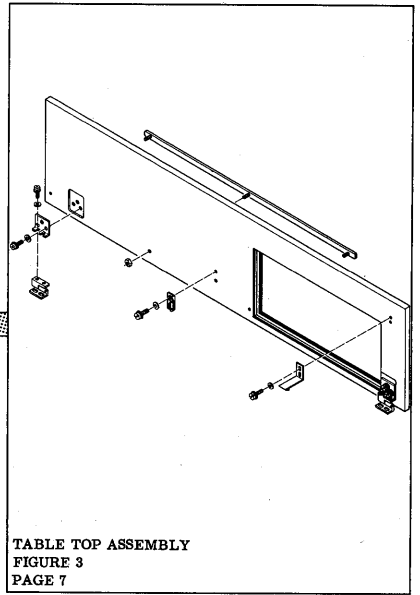
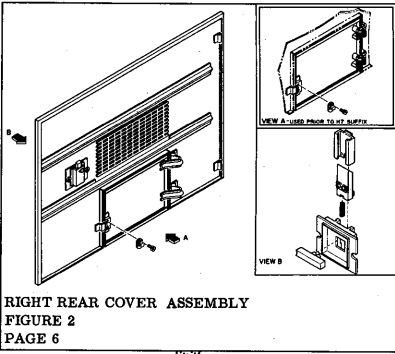
- 1** SIMILAR ASSEMBLIES  
If two assemblies contain a majority of identical parts, they are broken down on the same list. Common parts are shown by one index number. Parts peculiar to one or the other of the assemblies are listed separately and identified by Usable On Code.
- 2** NP  
The entry NP in the part number column denotes the assembly is non-procurable and the detail parts should be ordered separately.
- 3** USABLE ON CODE  
Part application and interchangeability is indicated by the usable on code. If this column is blank, the parts pertain to all equipment(s) covered. Two types of codes are used. The alphabetic code denotes similar assemblies and/or features: the numeric code denotes level. Refer to the beginning of each list for the explanation of the code(s).
- 4** SUFFIX CODE  
The suffix code indicates the month (alphabetic) and the year (numeric) of the engineering change which affected interchangeability of the part.
- 5** REF  
This entry in the units per assembly column denotes an assembly which is completely assembled on a preceding illustration. Quantities for such items are found in its next higher assembly.

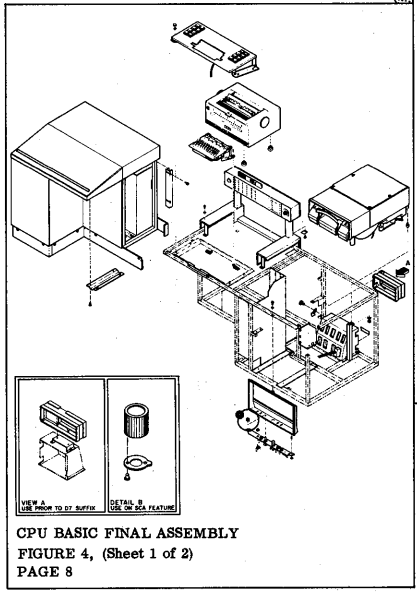
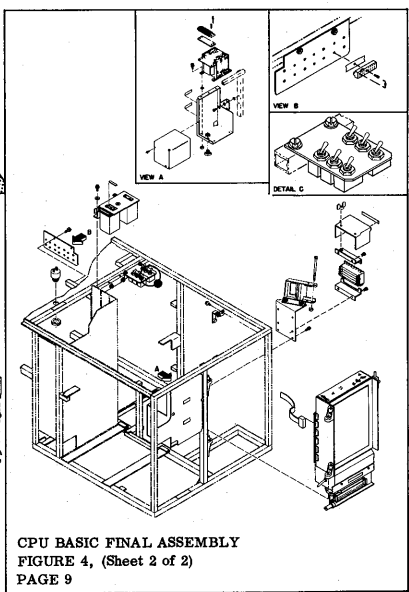
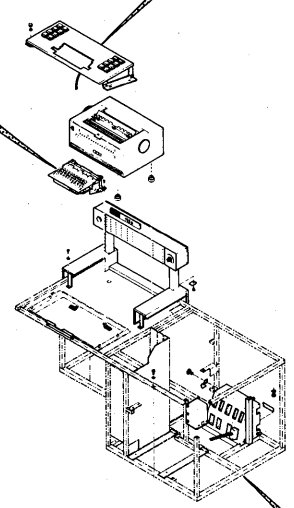
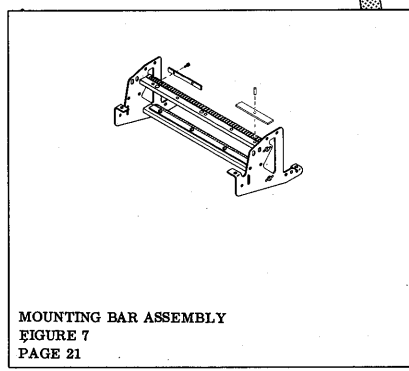
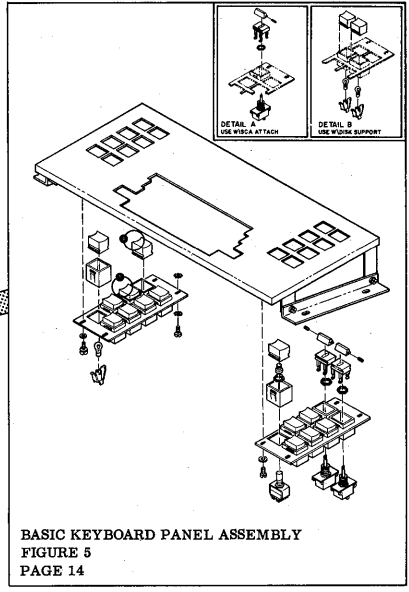
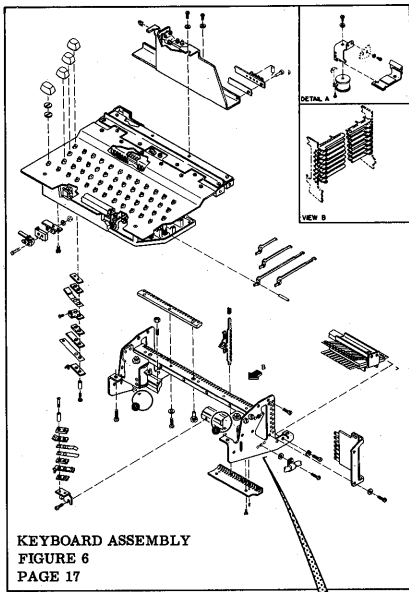
- 6** INDENTURE  
The relationship of a part to its next higher assembly is indicated by indentures. For example:  
 1 2 3 4  
 Unit  
 . Assemblies and Detail Parts of Unit  
 . Attaching Parts for Assemblies & Detail Parts  
 . . Subassemblies  
 . . Attaching Parts for Subassemblies  
 . . . Detail Parts for Subassemblies, etc.
- 7** ATT PT  
Attaching Parts: These parts are used to attach a subassembly to an assembly. The attaching parts are listed immediately following the part to be attached.
- 8** AR  
As Required (AR) in the units per assembly column denotes that the quantity is used as required.
- 9** NO NO.  
When this indication appears in the part number column, it denotes a group of parts for which no assembly part number has been assigned, and the detail parts should be ordered separately.
- 10** "COMM"  
Commercial hardware: When this indication appears in the part number column, it denotes hardware procurable from normal commercial sources and not identified by an IBM part number.
- 11** LOZENGE  
The lozenge in the part number column denotes the part is procurable but not recommended for field replacement, and that the next higher assembly should be ordered.

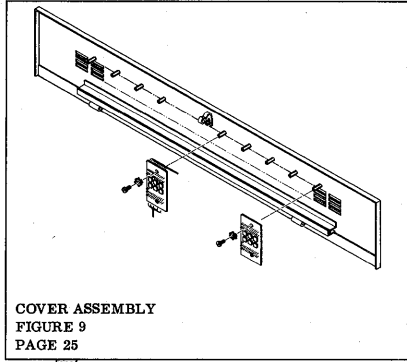
EXAMPLE OF PARTS LIST

LIST AND INDEX NO.	PART NO.	DESCRIPTION				UNITS PER ASM.	USABLE ON CODE
		1	2	3	4		
		DRIVE MOTOR ASSEMBLY					
2-				CODE A USED ON 60 HERTZ ONLY CODE B USED ON 50 HERTZ ONLY CODE 1 USED ON ASM PRIOR TO B6 SUFFIX			
-	2199376 NP			MOTOR ASM,DRIVE-115/220 VOLTS 60 HERTZ	REF	1A	
-	2199386 NP			MOTOR ASM,DRIVE-220 VOLTS 50 HERTZ FOR NEXT HIGHER ASM SEE FIGURE 1-92 FOR ILLUSTRATION SEE FIGURE 2	REF	1B	
- 1	2204176			. PULLEY, 60 HERTZ	1	A	
- 1	2199255			. PULLEY, 50 HERTZ	1	B	
- 2	79842			. SETSCREW, SPLINE DR CUP PT 8-32 X 3/8 LG	AR		
- 3	2204116			. MOTOR ASM, 220V AC 60 HERTZ	1	A	
- 4	NO NO.			. MOTOR ASM, 220V AC 50 HERTZ	1	B	
- 5	5526			. SCREW, MACH BIND HD 8-32 X 0.625 LG	4		
- 6	2204082			. . FERRULE, OUTER	1		
- 7	2204033			. . FERRULE, INNER	1		
- 8	"COMM"			. . MOTOR, 1/12 HP-220V 60.HZ	1		
- 8	2199258			. . MOTOR, DRIVE - 220V 50HZ	1		
- 9	2199401			. PLATE, MOTOR MT-115/220 VOLTS 60 HERTZ	1	A	
- 9	2199402			. PLATE, MOTOR MT-220 VOLTS 50 HERTZ	1	B	

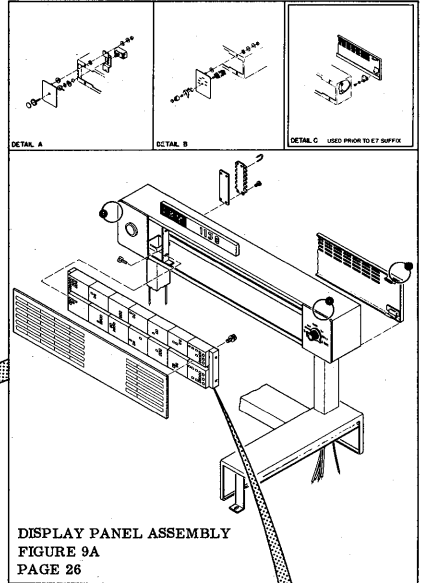
**THIS PAGE INTENTIONALLY LEFT BLANK**



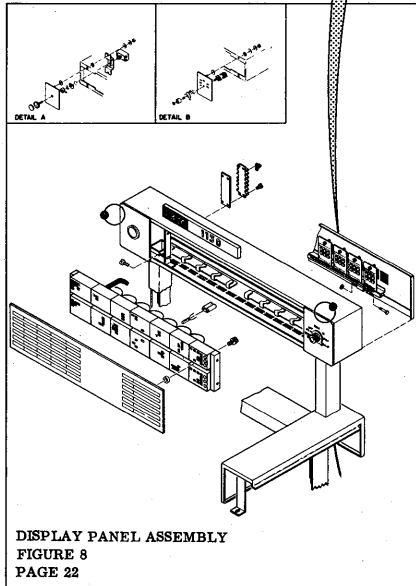




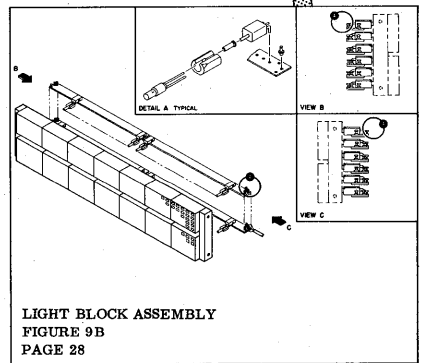
COVER ASSEMBLY  
FIGURE 9  
PAGE 25



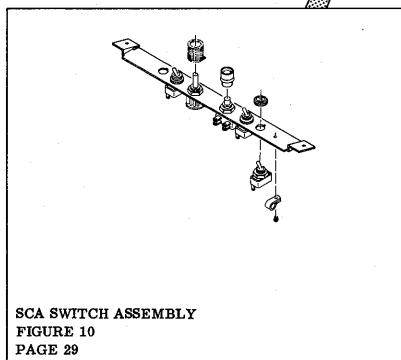
DISPLAY PANEL ASSEMBLY  
FIGURE 9A  
PAGE 26



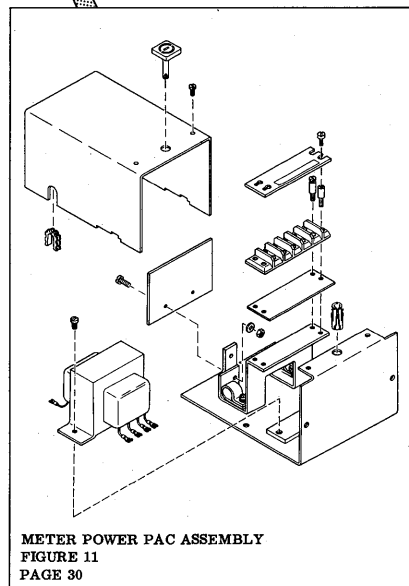
DISPLAY PANEL ASSEMBLY  
FIGURE 8  
PAGE 22



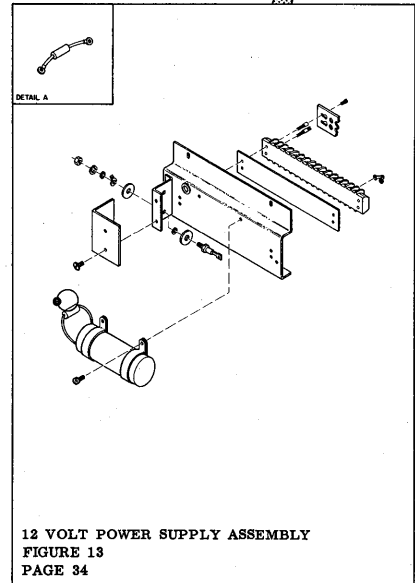
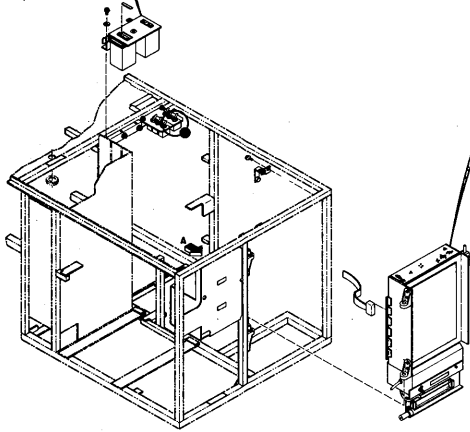
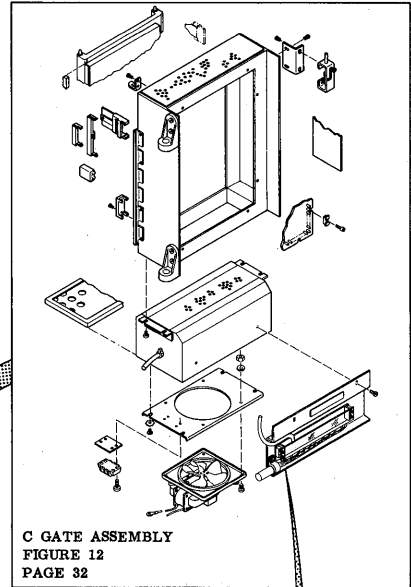
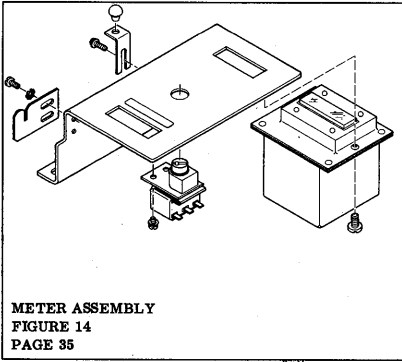
LIGHT BLOCK ASSEMBLY  
FIGURE 9B  
PAGE 28

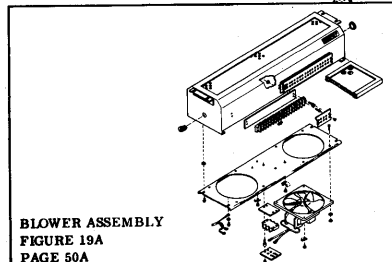
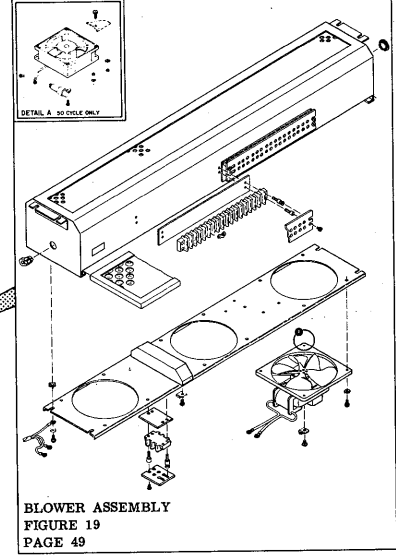
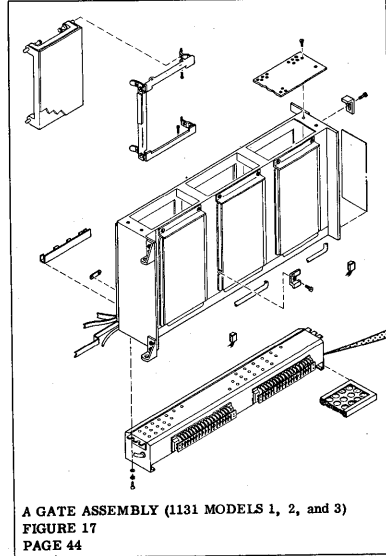
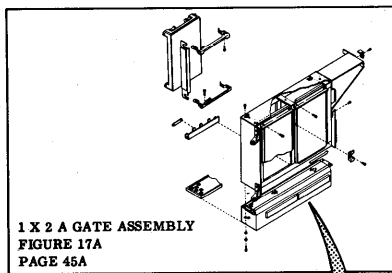
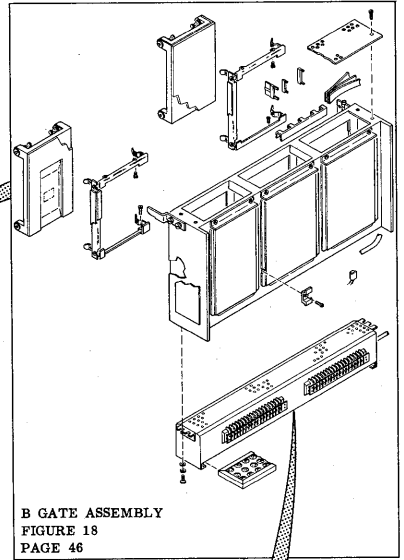
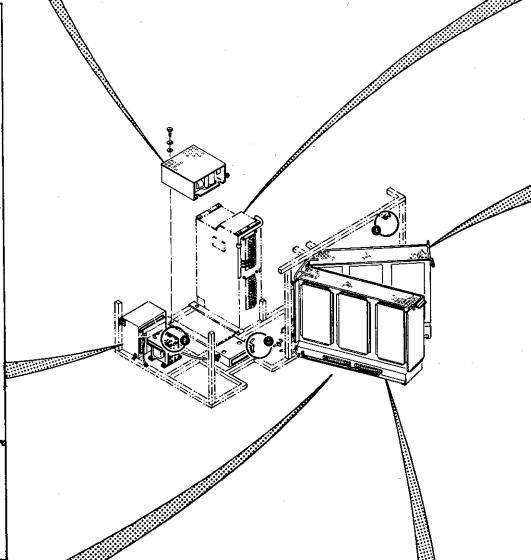
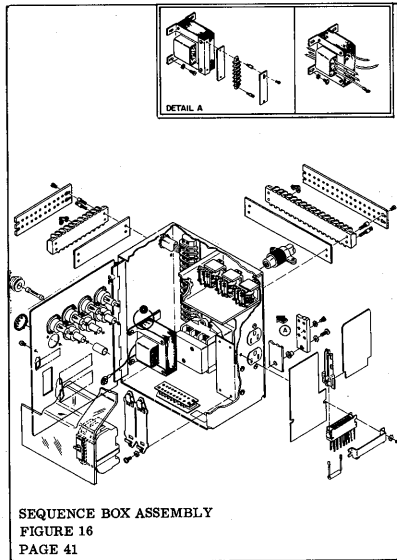
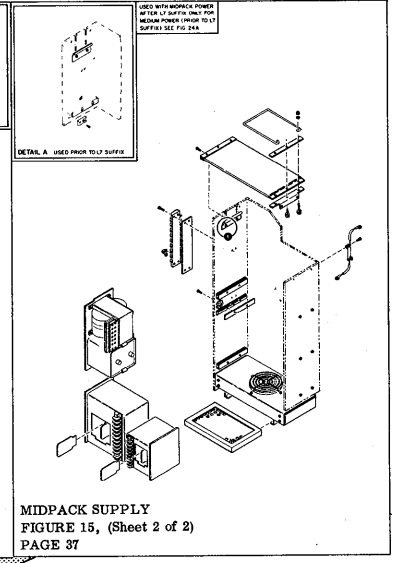
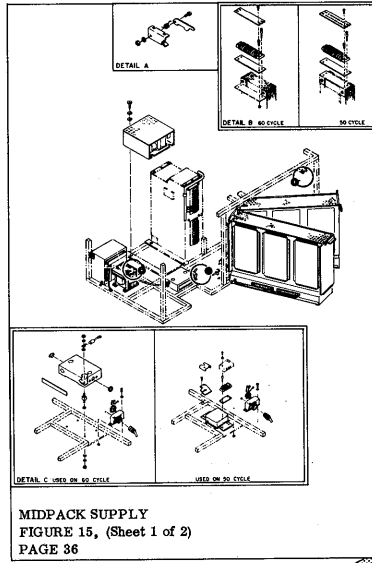
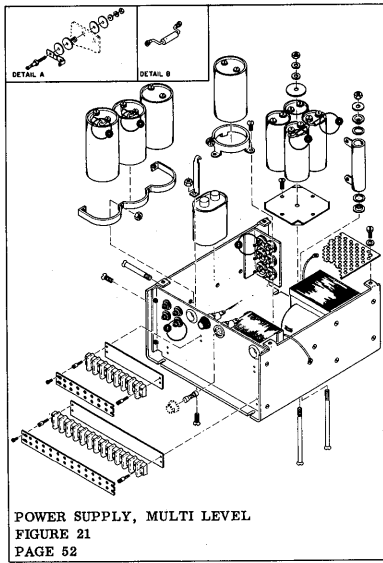


SCA SWITCH ASSEMBLY  
FIGURE 10  
PAGE 29

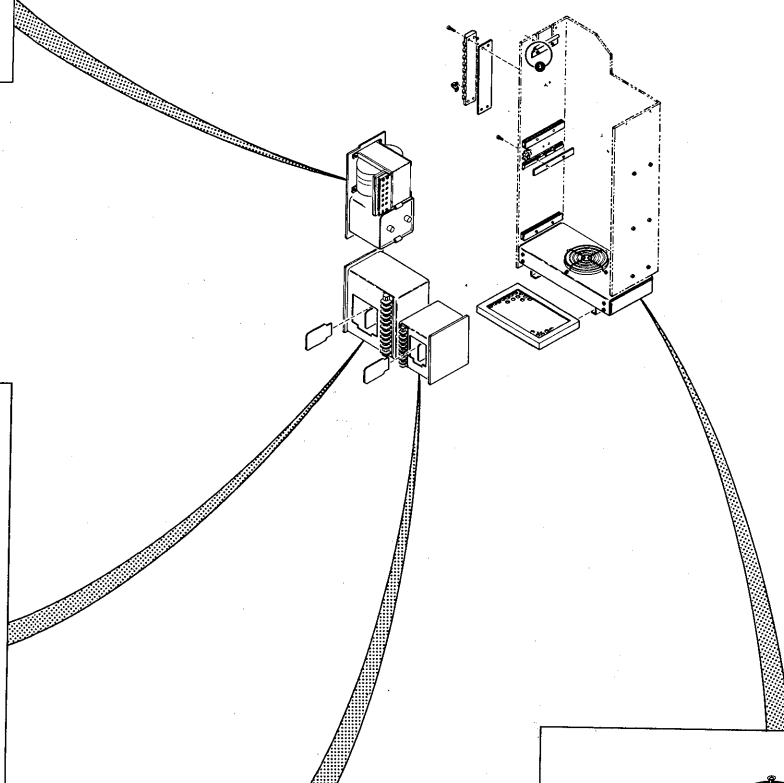
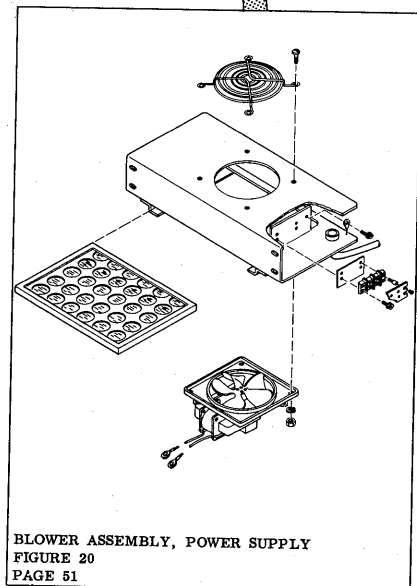
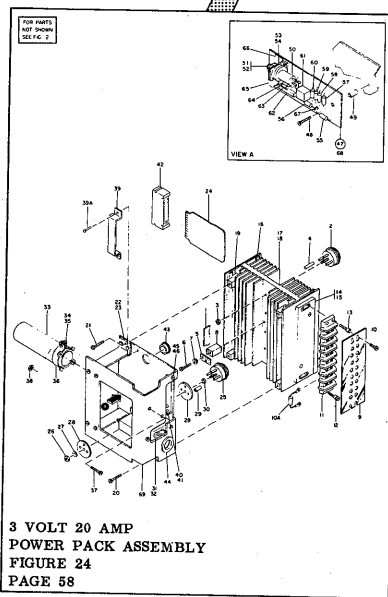
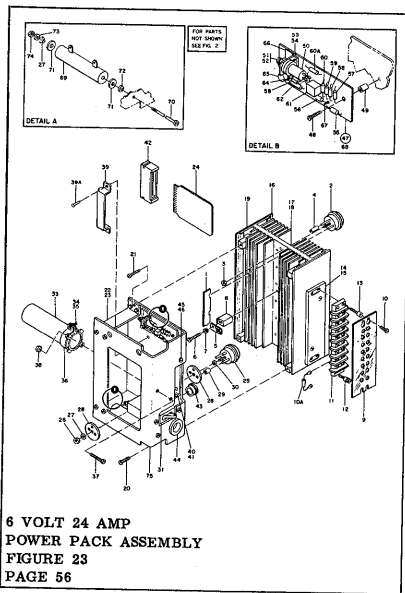
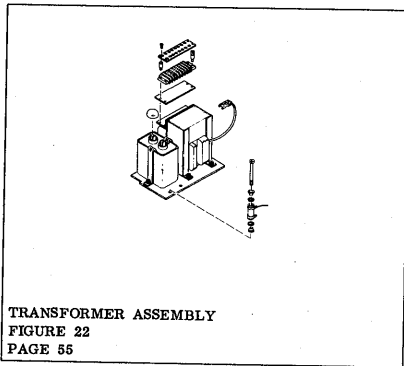


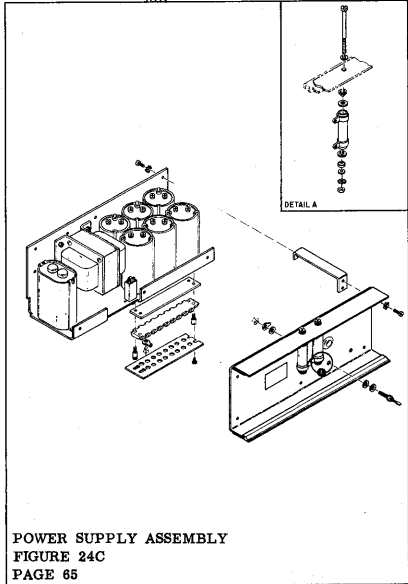
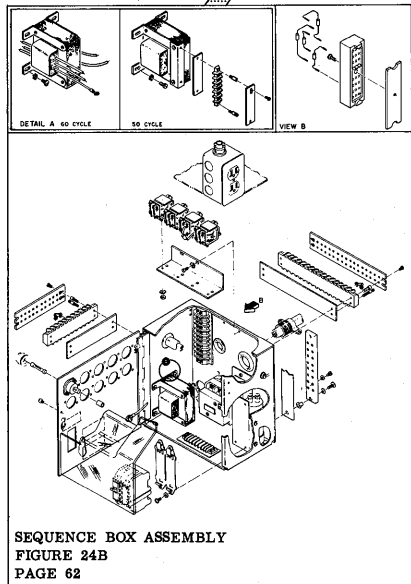
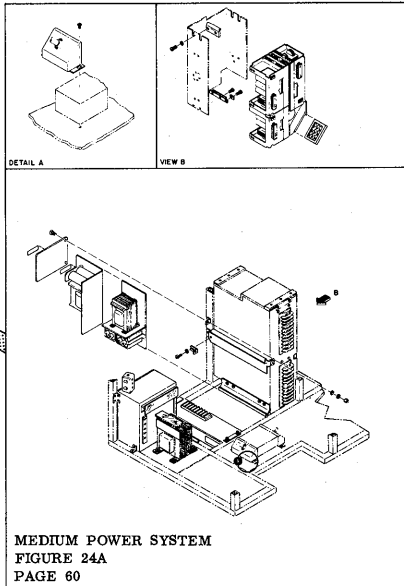
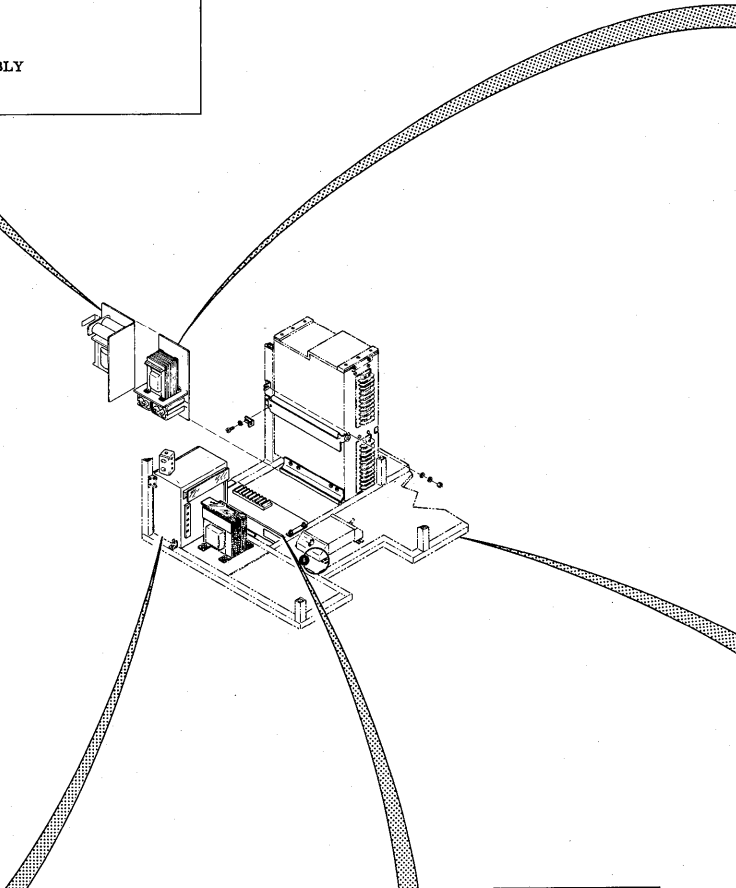
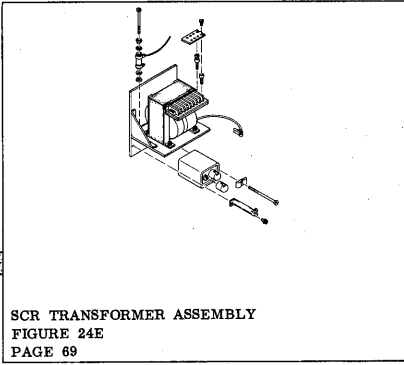
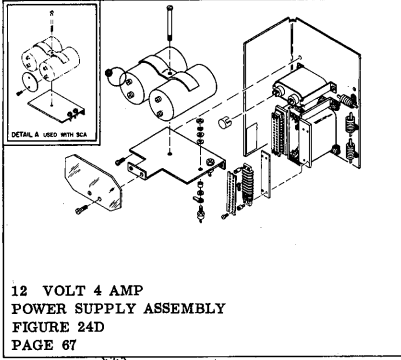
METER POWER PAC ASSEMBLY  
FIGURE 11  
PAGE 30

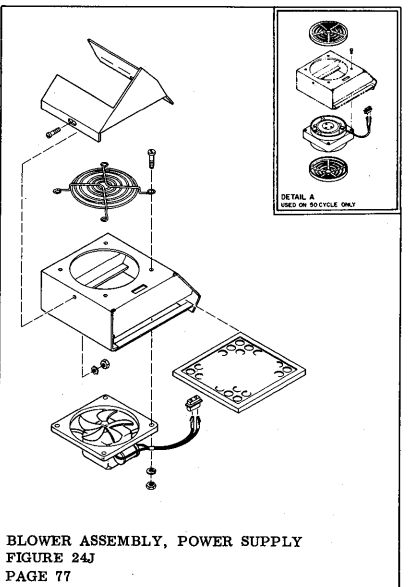
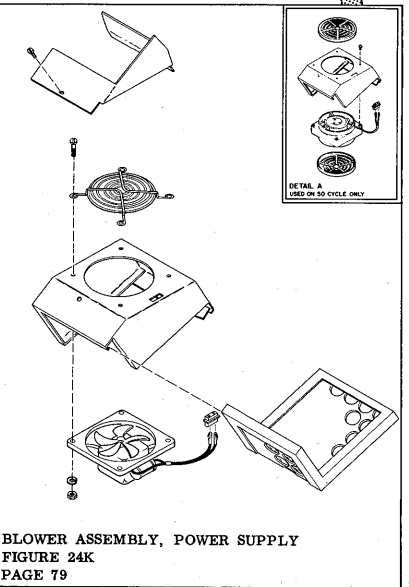
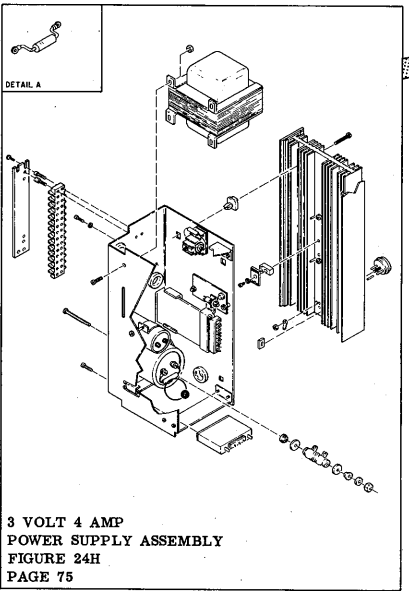
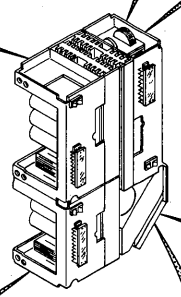
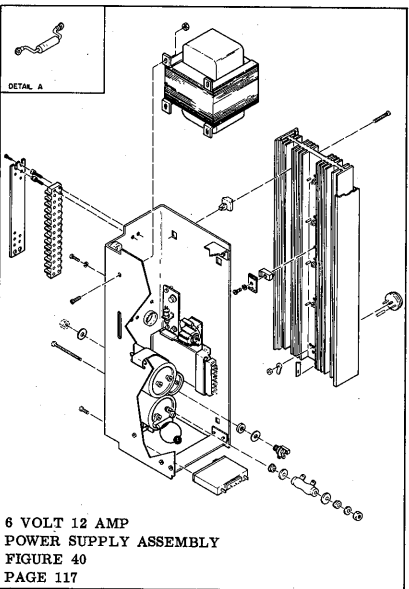
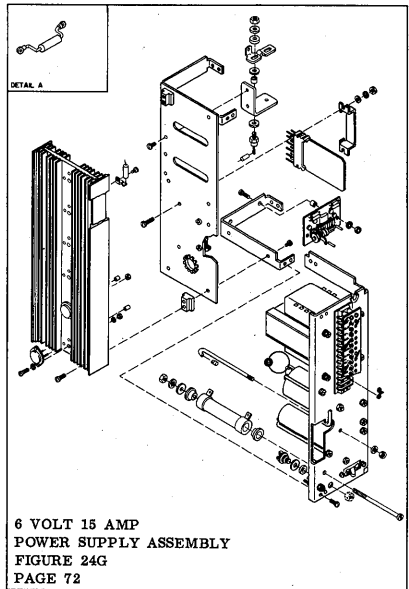
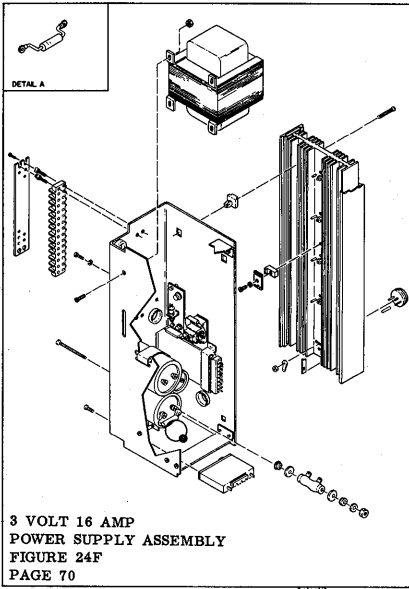


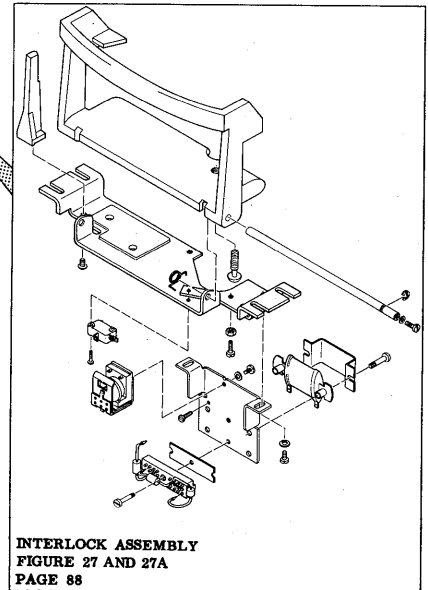
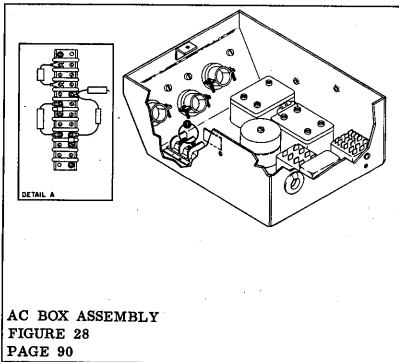
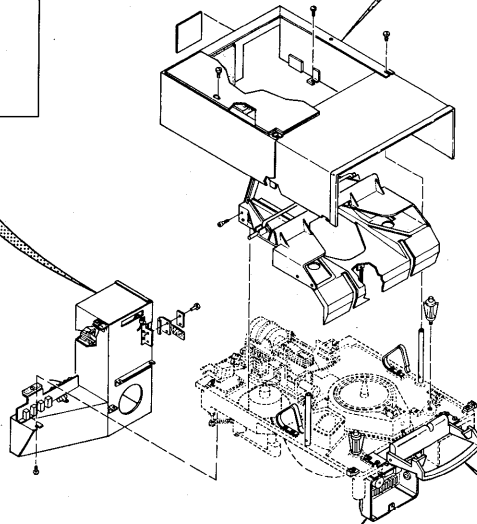
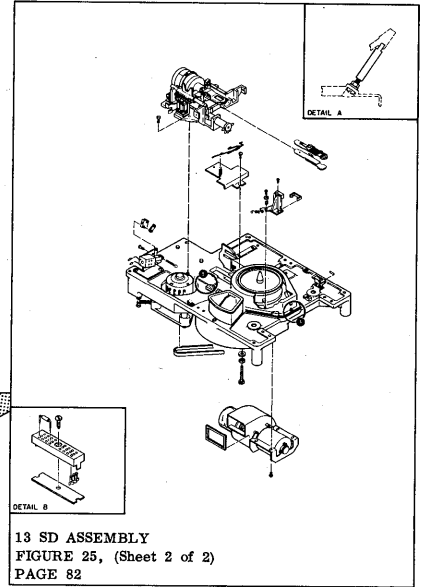
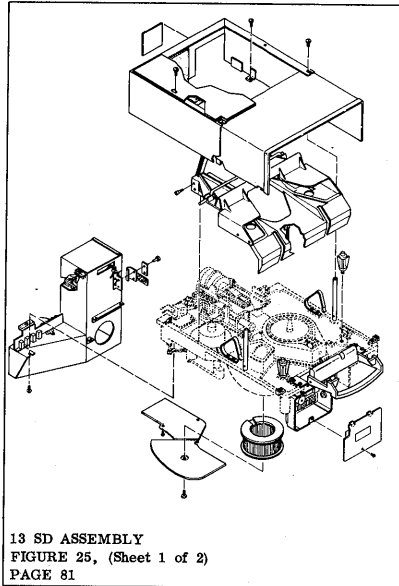
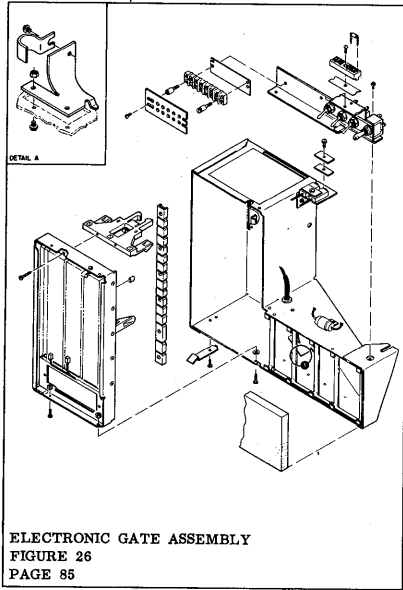


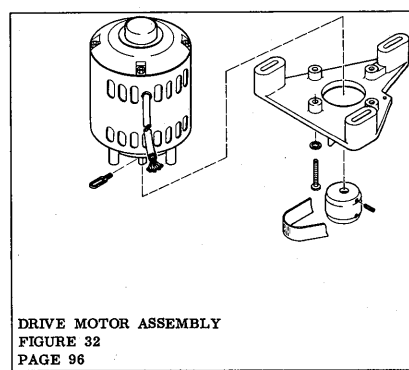
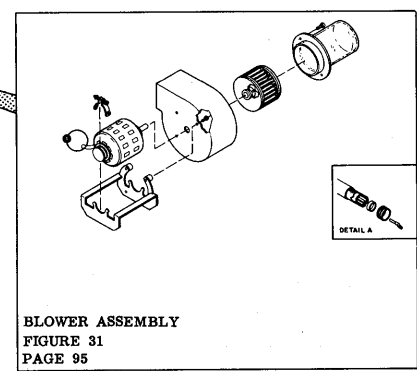
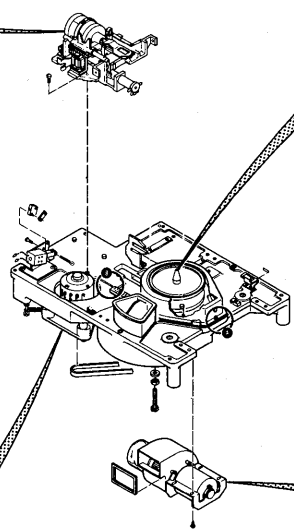
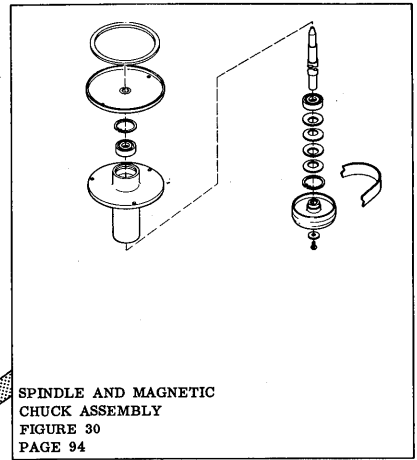
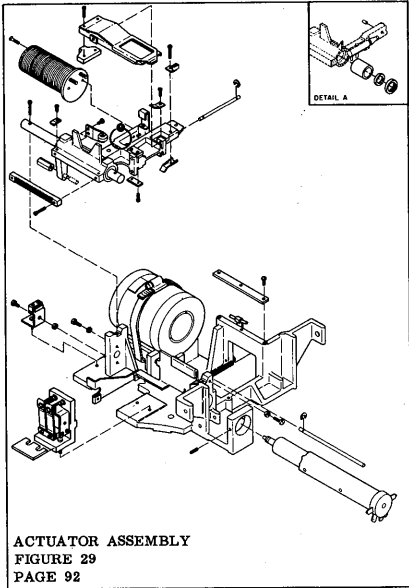


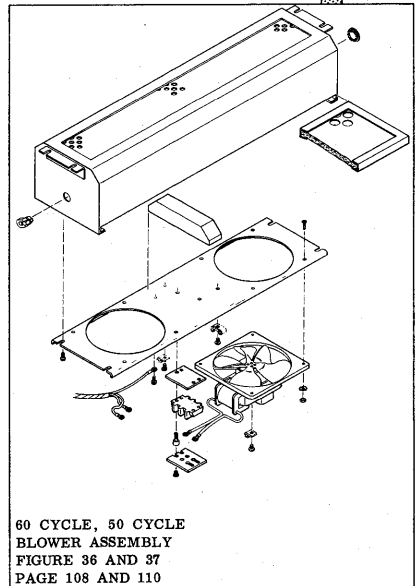
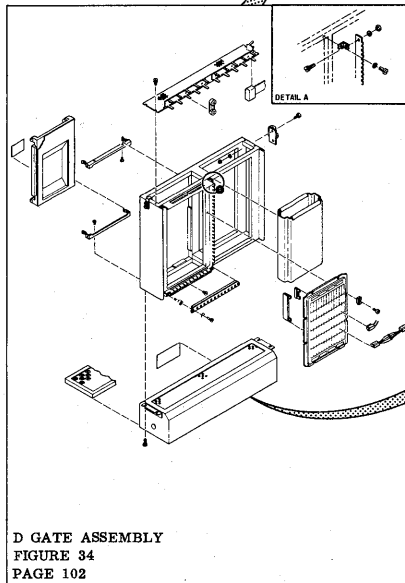
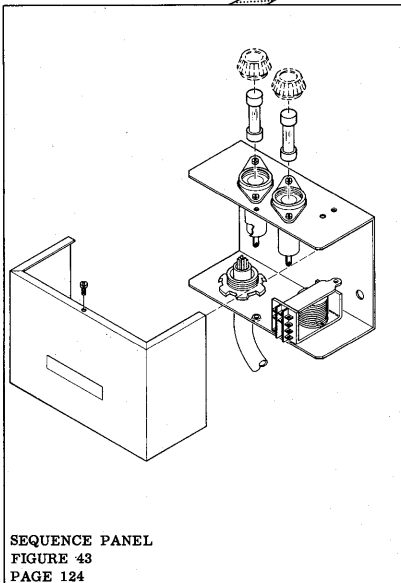
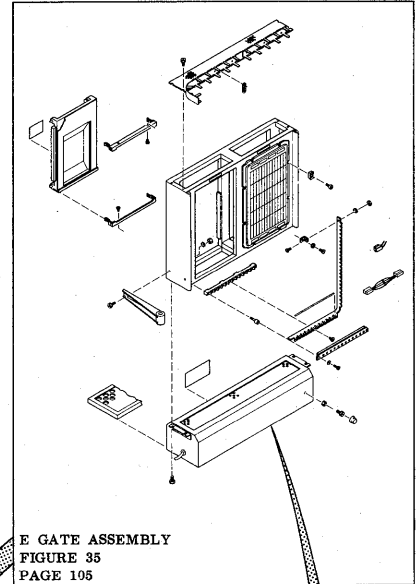
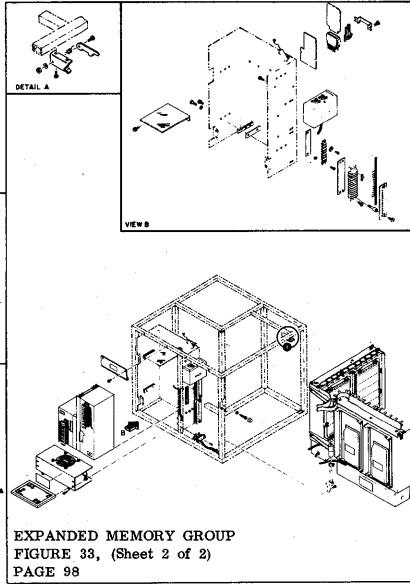
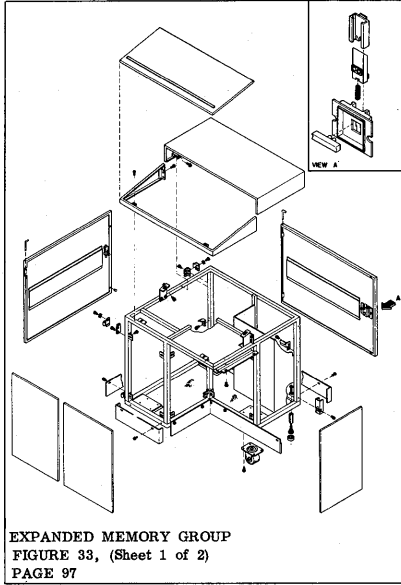


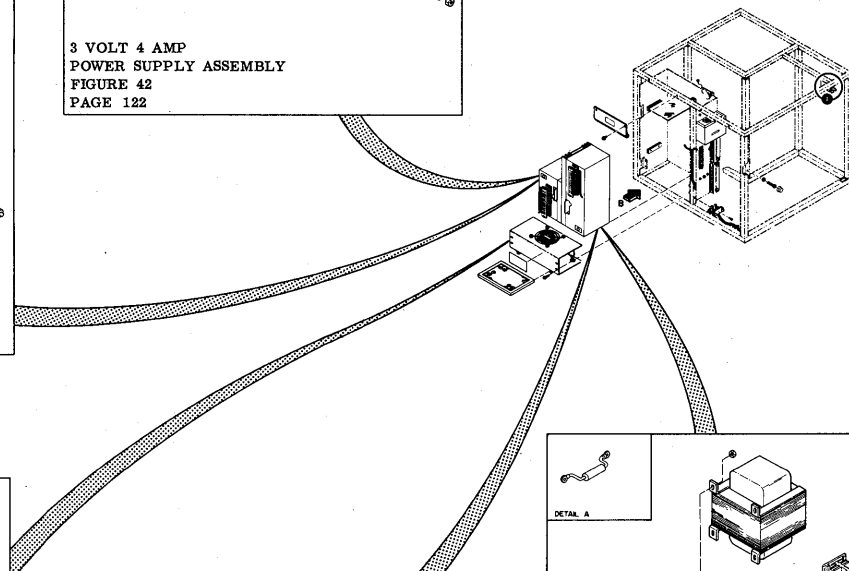
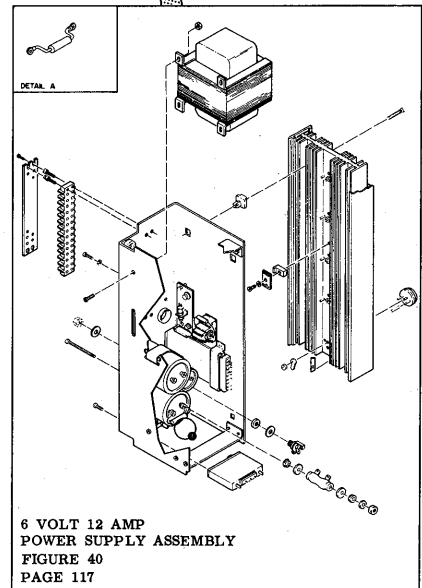
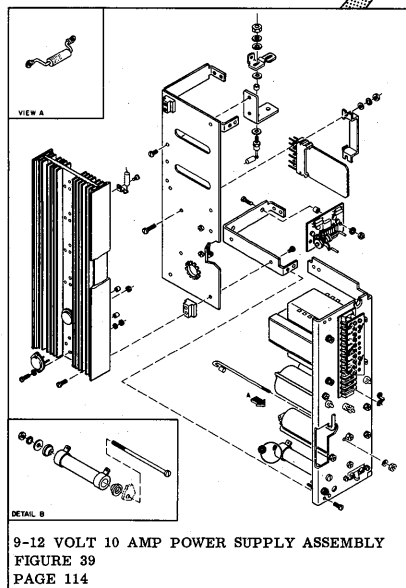
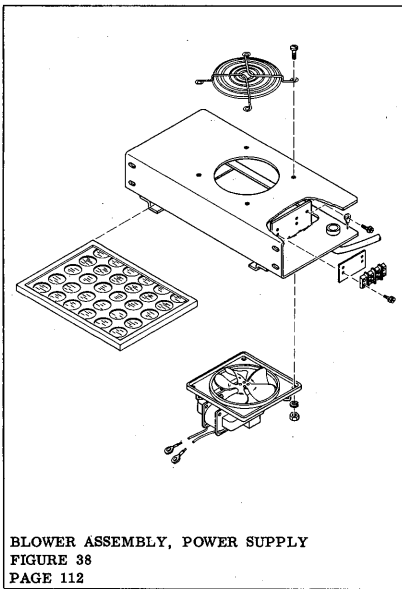
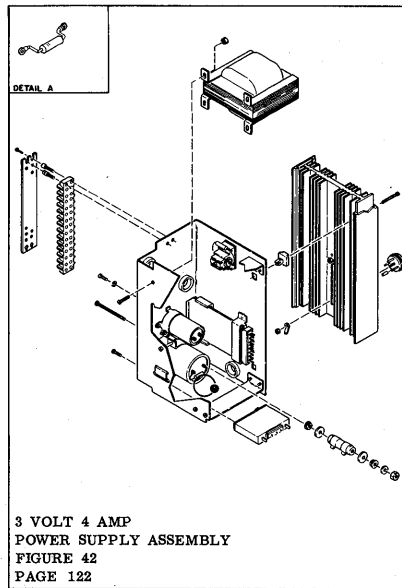
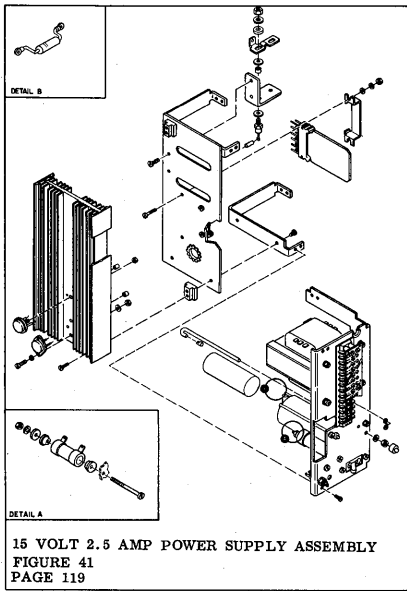












FOR PARTS NOT SHOWN SEE FIG. 4 & 15

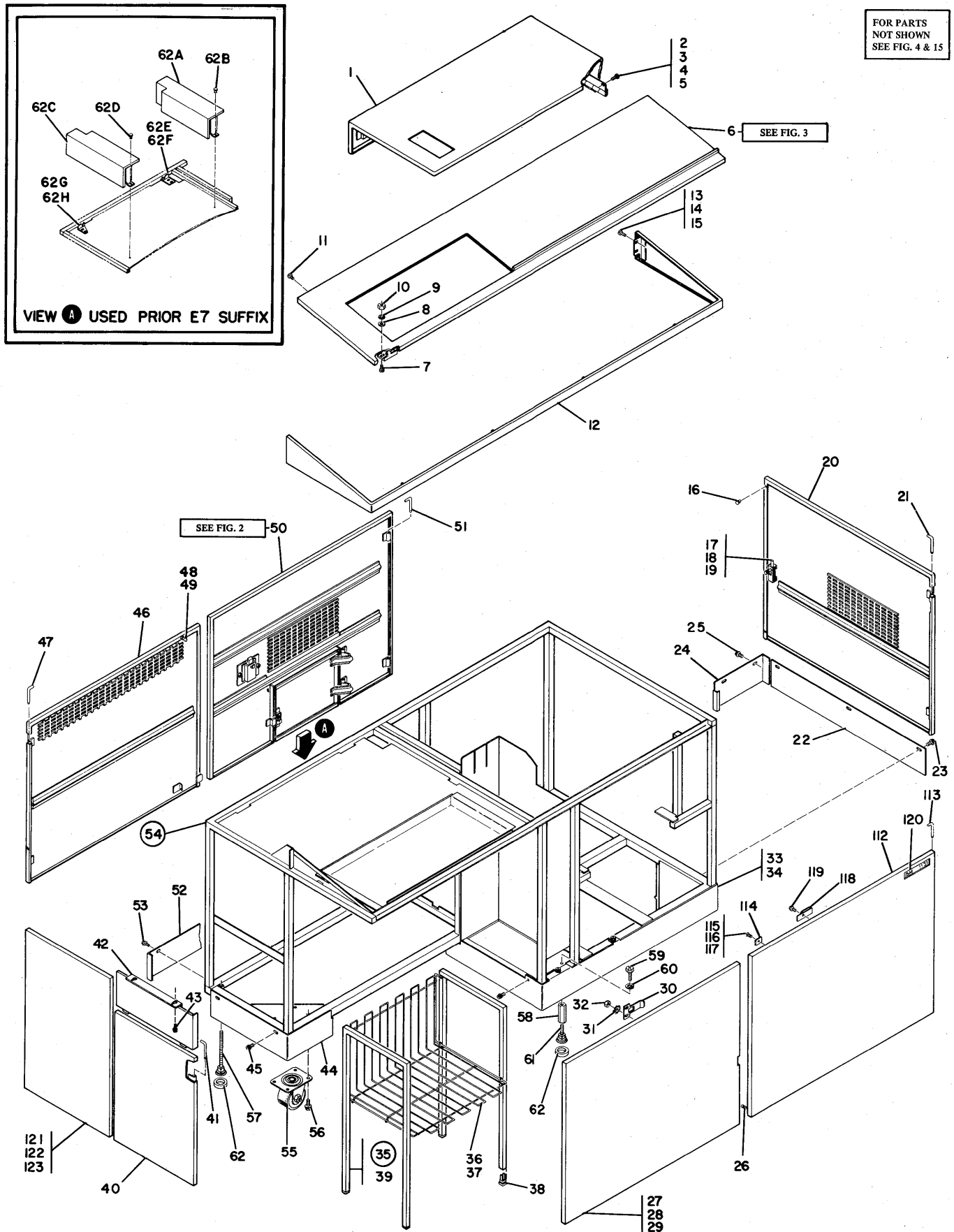
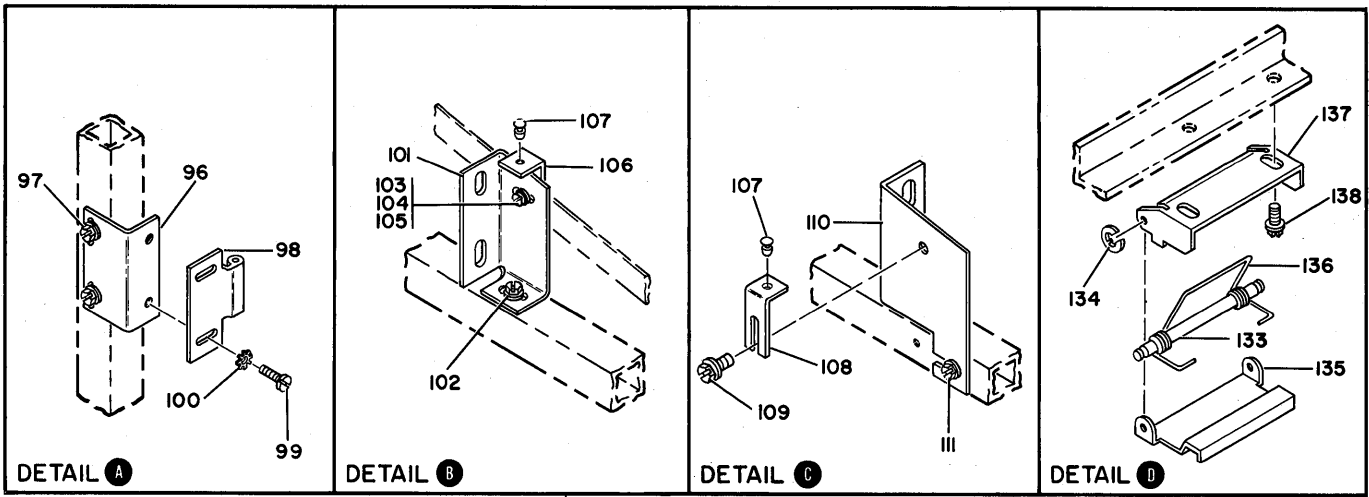


FIGURE 1. FRAME AND COVER GROUP. SHEET 1 OF 2, INDEX NOS. 1-62H AND 112-123.

SEE LIST 1





FOR PARTS  
NOT SHOWN  
SEE FIG. 4 & 15

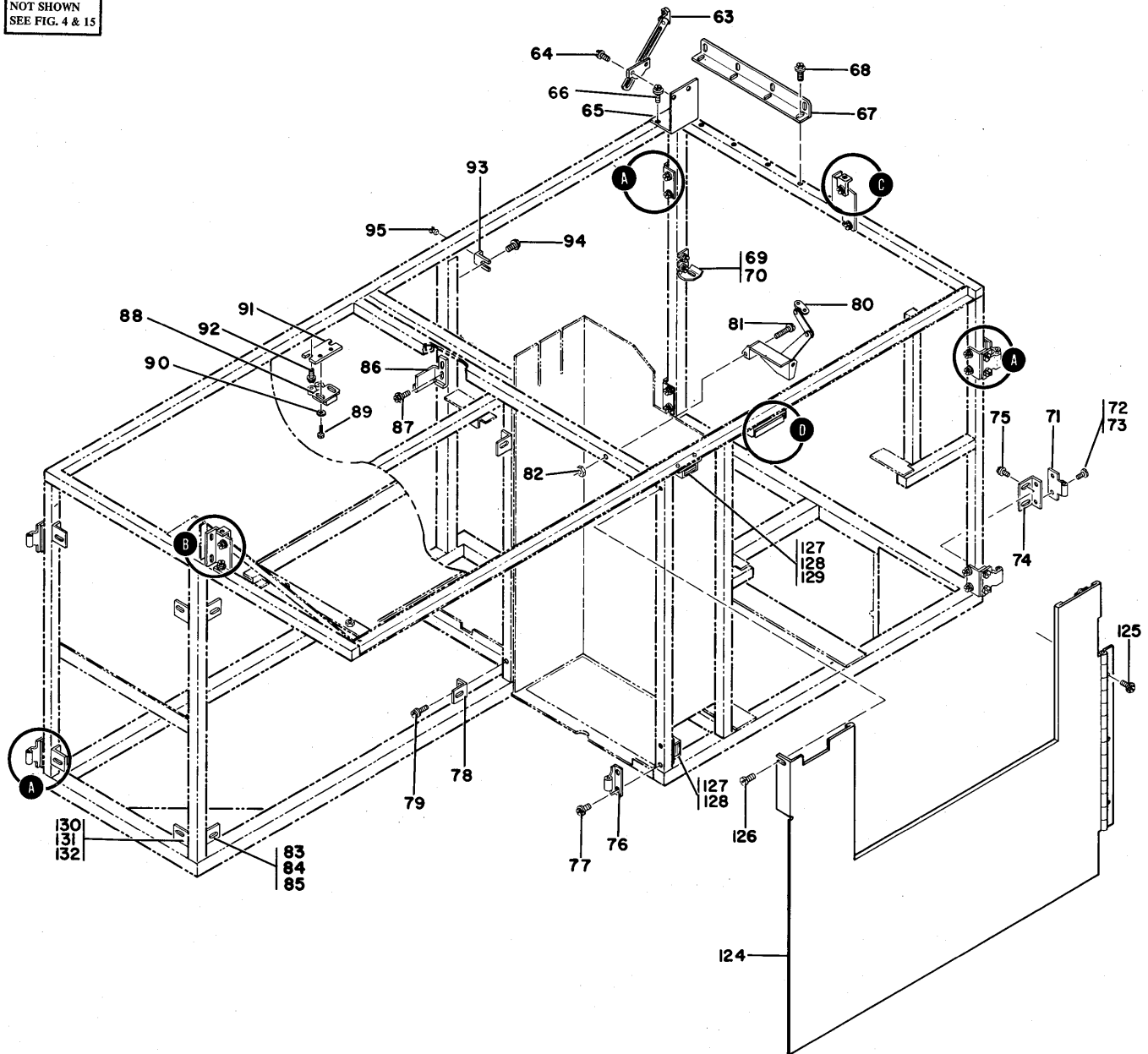


FIGURE 1. FRAME AND COVER GROUP. SHEET 2 OF 2, INDEX NOS. 63-111 AND 124-138.

SEE LIST 1

## LIST 1

LIST AND INDEX NUMBER	PART NUMBER	DESCRIPTION				UNITS PER ASM.	USABLE ON CODE
		1	2	3	4		
		FRAME AND COVER GROUP					
1		CODE A USED WITH DISK/SCA ATTACHMENT CODE B USED WITH NO DISK/SCA ATTACHMENT CODE C USED WITH 4K + 8K STORAGE ONLY					
		CODE 1 USED ON ASM PRIOR TO A6 SUFFIX CODE 2 USED ON ASM A6 TO CURRENT CODE 3 USED ON ASM PRIOR TO E7 SUFFIX CODE 4 USED AFTER E7 SUFFIX TO PRESENT					
-	2190500	FRAME AND COVER GROUP FOR ILLUSTRATION SEE FIGURE 1				NP	
- 1	2191153	FOR FURTHER BREAKDOWN SEE LIST 4 AND 15 • COVER ASM, TOP RIGHT REAR PARTS OF THIS ASM ARE NOT REPLACEABLE				1	
- 2	34512	• SCREW, MACH-BIND HD 8-32 X 3/8 LG				ATT PT	4
- 3	22478	• WASHER, FL - NO.10 X 7/16 OD X 1/32 THK				ATT PT	4
- 4	55901	• WASHER, LOCK, EXT TEETH - .176 DIA				ATT PT	4
- 5	257189	• NUT, HEX 8-32				ATT PT	4
- 6	2190597	• TABLE TOP ASM FOR DETAIL BREAKDOWN SEE LIST 3					1
- 7	32042	• SCREW, MACH BIND. HD 10-32 X 3/8 LG.				ATT PT	4
- 8	45690	• WASHER, FL - NO.10 X 7/16 OD X 1/32 THK				ATT PT	4
- 9	56079	• WASHER-LOCK, EXT T .204 ID .410 OD				ATT PT	4
- 10	11598	• NUT, HEX 10-32				ATT PT	4
- 11	58207	• SCREW, BD HD MACH-8-32 NC-2A X .250 LG				ATT PT	4
- 12	2190596	• TRIM, TABLE TOP					1
- 13	32042	• SCREW, MACH BIND. HD 10-32 X 3/8 LG.				ATT PT	8
- 14	56079	• WASHER-LOCK, EXT T .204 ID .410 OD				ATT PT	8
- 15	11598	• NUT, HEX 10-32				ATT PT	8
- 16	1108505	• BUMPER					2
- 17	528014	• PIN-LATCH					1
- 18	528013	• STUD-LATCH					1
- 19	528012	• SPRING, HELICAL, COMPR					1
- 20	2190578	• COVER, RIGHT END PARTS OF THIS ASM ARE NOT REPLACEABLE					1
- 21	2190586	• PIN, HINGE					2
- 22	2190620	• KICKSTRIP, LEFT SIDE					1
- 23	159494	• SCREW, BIND HD, 10-32 X 1/4 LG				ATT PT	3
- 24	2190619	• KICKSTRIP, RIGHT REAR					1
- 25	159494	• SCREW, BIND HD, 10-32 X 1/4 LG				ATT PT	2
- 26	1108505	• BUMPER					1
- 27	2191184	• COVER ASM, LEFT FRONT					1
- 27	2190567	• COVER ASM, LEFT FRONT PARTS OF THIS ASM ARE NOT REPLACEABLE					1
- 28	34512	• SCREW, MACH-BIND HD 8-32 X 3/8 LG				ATT PT	4
- 29	55901	• WASHER, LOCK, EXT TEETH - .176 DIA				ATT PT	4
- 30	2190858	• CATCH, COVER PS					1
- 31	56079	• WASHER-LOCK, EXT T .204 ID .410 OD				ATT PT	2
- 32	11598	• NUT, HEX 10-32				ATT PT	2
- 33	2243320	• KICKSTRIP, RIGHT FRONT					1
- 34	159494	• SCREW, BIND HD, 10-32 X 1/4 LG				ATT PT	3
- 35	2243650	• STAND ASM, CONTINUOUS FORMS					1
- 36	2243651	• SHELF, CONTINUOUS FORMS					1
- 37	738378	• SCREW, THD FORMING, PAN HD, 8-32 X .250				ATT PT	6
- 38	737967	• GLIDE					4
- 39	2243652	• LEG					2
- 40	2190870	• COVER, LEFT MID LOWER					1
- 41	2190586	• PIN, HINGE				ATT PT	2
- 42	2190869	• COVER, LEFT MID UPPER					1
- 43	5319854	• SCREW, SELF TAPPING, 8-32 X .375 LONG				ATT PT	2
- 44	2190979	• KICKSTRIP, LEFT SIDE					1
- 45	159494	• SCREW, BIND HD, 10-32 X 1/4 LG				ATT PT	2
- 46	2190571	• COVER, LEFT REAR					1
- 47	2190586	• PIN, HINGE				ATT PT	2
- 48	609551	• STUD, COVER LOCK					1
- 49	257189	• NUT, HEX 8-32				ATT PT	1
- 50	2190577	• COVER ASM, RIGHT REAR FOR DETAIL BREAKDOWN SEE LIST 2					1
- 51	2190586	• PIN, HINGE				ATT PT	2
- 52	2190618	• KICKSTRIP, LEFT REAR					1
- 53	159494	• SCREW, BIND HD, 10-32 X 1/4 LG				ATT PT	3
- 54	2243312	• FRAME ASM, MAIN					1

## LIST 1 CONT

LIST AND INDEX NUMBER	PART NUMBER	DESCRIPTION	UNITS PER ASM.	USABLE ON CODE
		1 2 3 4		
		FRAME AND COVER GROUP -CONT		
1 - 55	513271	. . CASTER, SWIVEL- 3 IN. WHL W/MTG PLATE	3	
- 56	5353301	. . SCREW-THREAD FORMING, HEX. WASHER HEAD ATT PT	12	
- 57	2162665	. . BOLT, LEVELER, .500-13 UNC X 6.0 LG	2	
- 58	2243123	. SPACER NUT, HEX 1.0 X 2.44, .500-13UNC	1	
- 59	26299	. SCREW, MACH-HEX HD 1/2-13 X 1 LG ATT PT	1	
- 60	130987	. WASHER, LOCK-SPLIT 0.509 ID X 0.879 OD ATT PT	1	
- 61	2191786	. BOLT-SQUARE NECK, 1/2-13 X 2 LG	1	
- 62	2162666	. CUP	3	
- 62A	2190611	. COVER, UPPER MIDDLE	1	3
- 62B	3696	. NUT ATT PT	1	3
- 62C	2190614	. COVER, UPPER LEFT	1	3
- 62D	3696	. NUT ATT PT	1	3
- 62E	2190868	. GUIDE, UPPER CENTER COVER	1	3
- 62F	2181004	. SCREW, THREAD FORMING-HEX WASHER HD ATT PT	2	3
- 62G	2190867	. GUIDE, UPPER LEFT COVER	1	3
- 62H	2181004	. SCREW, THREAD FORMING-HEX WASHER HD ATT PT	2	3
- 63	2190875	. STAY ARM-COVER	1	
		PARTS OF THIS ASM ARE NOT REPLACEABLE		
- 64	731629	. SCREW, PAN HD- 10-32 X 0.380 LG ATT PT	4	
- 65	2243640	. BRACKET, STAY BRACE UPPER RT COVER	1	4
- 65	2190859	. BRACKET, STAY BRACE UPPER RT COVER	1	3
- 66	2181004	. SCREW, THREAD FORMING-HEX WASHER HD ATT PT	4	
- 67	2190874	. BRACKET, COVER UPPER RT	1	
- 68	2181004	. SCREW, THREAD FORMING-HEX WASHER HD ATT PT	4	
- 69	2190861	. BRACKET, LATCH-RIGHT END COVER	1	
- 70	2181004	. SCREW, THREAD FORMING-HEX WASHER HD ATT PT	2	
- 71	2190583	. HINGE, COVER	2	
- 72	34512	. SCREW, MACH-BIND HD 8-32 X 3/8 LG ATT PT	4	
- 73	55901	. WASHER, LOCK, EXT TEETH - .176 DIA ATT PT	4	
- 74	2190584	. BRACKET, HINGE	2	
- 75	2181004	. SCREW, THREAD FORMING-HEX WASHER HD ATT PT	4	
- 76	2243019	. HINGE, COVER	2	
- 77	371	. SCREW, MACH-RH 10-32 X 1/4 LG ATT PT	4	
- 78	2190579	. BRACKET, COVER LEFT FRONT	1	
- 79	5319854	. SCREW, SELF TAPPING, 8-32 X .375 LONG ATT PT	1	
- 80	2190711	. BRACE, STAY-RH TOP COVER	1	
		PARTS OF THIS ASM ARE NOT REPLACEABLE		
- 81	10170	. SCREW-MACH, BIND HD NO. 6-32 X .250 LG ATT PT	2	
- 81	438587	. SCREW, MACH-BIND HD 8-32 X 1-1/8 LG ATT PT	1	
- 81	2181004	. SCREW, THREAD FORMING-HEX WASHER HD ATT PT	1	
- 82	257189	. NUT, HEX 8-32 ATT PT	1	
- 83	2190579	. BRACKET, COVER LEFT FRONT	4	
- 84	2181004	. SCREW, THREAD FORMING-HEX WASHER HD ATT PT	4	
- 85	2108798	. WASHER, FLAT .062 X .50 OD X .203 ID ATT PT	4	
- 86	2191028	. CATCH, BRACKET LATCH	1	
- 87	2181004	. SCREW, THREAD FORMING-HEX WASHER HD ATT PT	2	
- 88	609549	. CATCH, HINGE COVER	1	
- 89	32042	. SCREW, MACH BIND. HD 10-32 X 3/8 LG. ATT PT	2	
- 90	56079	. WASHER-LOCK, EXT T .204 ID .410 OD ATT PT	2	
- 91	2190605	. PLATE, CATCH MTG	1	
- 92	5319888	. SCREW, SELF TAPPING, 10-32 X .625 LONG ATT PT	2	
- 93	2190581	. BRACKET, COVER STOP	2	
- 94	2181004	. SCREW, THREAD FORMING-HEX WASHER HD ATT PT	2	
- 95	208529	. BUMPER, RUBBER-FOR 3/16 HOLE	2	
- 96	2190585	. BRACKET, HINGE COVER	6	
- 97	2181004	. SCREW, THREAD FORMING-HEX WASHER HD ATT PT	12	
- 98	2190583	. HINGE, COVER	6	
- 99	34512	. SCREW, MACH-BIND HD 8-32 X 3/8 LG ATT PT	8	
- 99	25627	. SCREW, MACH-BIND HD 8-32 X 1/2 LG ATT PT	4	
-100	55901	. WASHER, LOCK, EXT TEETH - .176 DIA ATT PT	12	
-101	2190594	. BRACKET, TRIM MTG	1	
-102	2181004	. SCREW, THREAD FORMING-HEX WASHER HD ATT PT	1	
-103	55918	. SCREW, MACH-BIND HD 10-32 X 5/8 LG ATT PT	1	
-104	56079	. WASHER-LOCK, EXT T .204 ID .410 OD ATT PT	1	
-105	11598	. NUT, HEX 10-32 ATT PT	1	
-106	2190581	. BRACKET, COVER STOP	1	
-107	208529	. BUMPER, RUBBER-FOR 3/16 HOLE	2	
-108	2190581	. BRACKET, COVER STOP	1	
-109	2181004	. SCREW, THREAD FORMING-HEX WASHER HD ATT PT	1	
-110	2190593	. BRACKET, TRIM MTG	1	
-111	2181004	. SCREW, THREAD FORMING-HEX WASHER HD ATT PT	1	

## LIST 1 CONT

LIST AND INDEX NUMBER	PART NUMBER	DESCRIPTION				UNITS PER ASM.	USABLE ON CODE
		1	2	3	4		
		FRAME AND COVER GROUP -CONT					
		THE FOLLOWING PARTS ARE FEATURES ONLY					
1	-112 2190846	COVER,RIGHT FRONT-GRAY				1	
	-112 2190588	COVER,RIGHT FRONT-RED				1	
	-112 2190847	COVER,RIGHT FRONT-BLUE				1	
	-112 2190848	COVER,RIGHT FRONT-YELLOW				1	
	-113 2190586	PIN,HINGE				2	
	-114 COMM	PLATE,MAGNET				1	A
		PURCHASED WITH 2132050 MAGNETIC LATCH					
	-115 316807	SCREW,MACH-FH,NO. 6-32 X .375 LG				1	A
	-116 56722	WASHER-LOCK,EXT T, .150 ID				1	A
	-117 257187	NUT,HEX 6-32 NC				1	A
	-118 2190901	STRIKER,COVER LATCH				1	B
	-119 5319854	SCREW, SELF TAPPING, 8-32 X .375 LONG				1	B
	-120 2190537	NAMEPLATE,1131 PROCESSOR,ENGLISH				1	
	-120 2190999	NAMEPLATE,1131 UNITE DE TRAITMENT,FRENCH				1	
	-120 2190997	NAMEPLATE,1131 ZENTPALEIHEIT,GERMAN				1	
	-121 2191185	COVER,LEFT END				1	2C
	-121 2190591	COVER,LEFT END				1	1C
	-122 34512	SCREW,MACH-BIND HD 8-32 X 3/8 LG				4	C
	-123 55901	WASHER, LOCK, EXT TEETH - .176 DIA				4	C
	-124 2197318	COVER,INTERNAL FRONT				1	A
	-125 5373221	SCREW,PANEL MOUNTING				3	A
	-126 58207	SCREW, BD HD MACH-8-32 NC-2A X .250 LG				1	A
	-127 2132050	LATCH-MAGNETIC				2	A
	-128 10170	SCREW-MACH,BIND HD NO. 6-32 X .250 LG				4	A
	-129 257986	WASHER,FLAT NO. 6				AR	A
	-130 2190579	BRACKET,COVER LEFT FRONT				4	C
	-131 2181004	SCREW,THREAD FORMING-HEX WASHER HD				4	C
	-132 2108798	WASHER,FLAT .062 X .50 OD X .203 ID				4	C
	-133 602488	SHAFT, CARD RETAINING LEVER, 2-7/8 LG				1	B
	-134 1073418	RING-RETAINING				2	B
	-135 2145159	HANDLE, COVER LATCH				1	B
	-136 2145158	SPRING, COVER LATCH				1	B
	-137 2191009	BRACKET,COVER LATCH				1	B
	-138 2181004	SCREW,THREAD FORMING-HEX WASHER HD				2	B
		END OF LIST 1					

FOR PARTS  
NOT SHOWN  
SEE FIG. 1

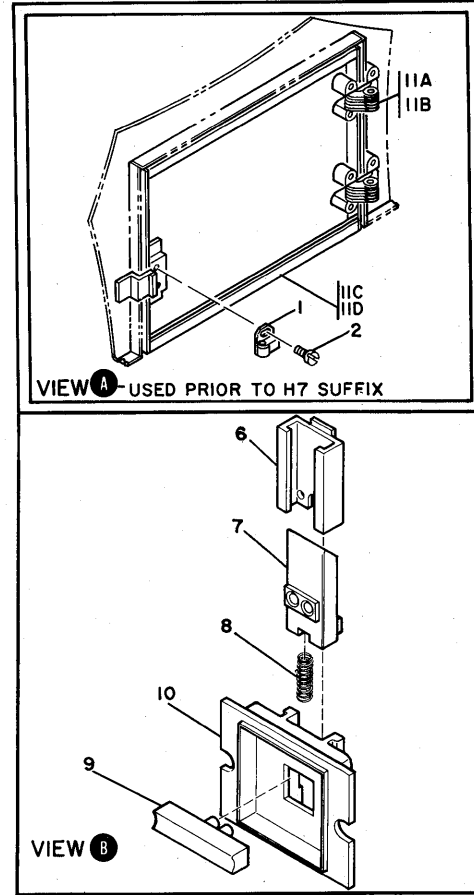
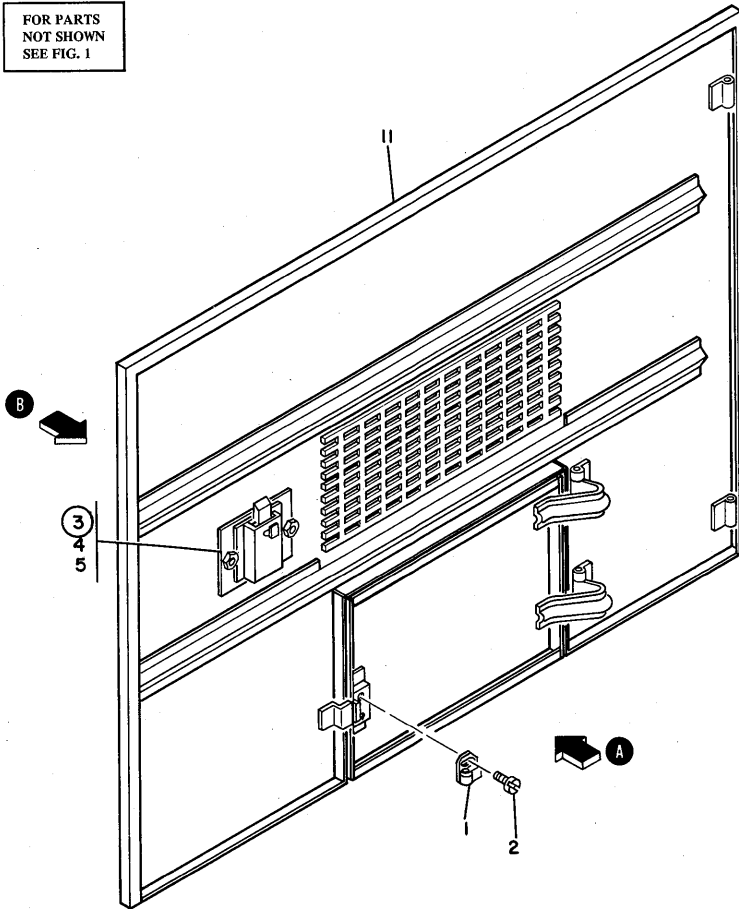


FIGURE 2. RIGHT REAR COVER ASSEMBLY.

SEE LIST 2

LIST AND INDEX NUMBER	PART NUMBER	DESCRIPTION	UNITS PER ASM.	USABLE ON CODE
		1 2 3 4 RIGHT REAR COVER ASSEMBLY		
<b>2</b> -		CODE 1 USED PRIOR TO H7 SUFFIX		
-	2190577	RIGHT REAR COVER ASSEMBLY FOR ILLUSTRATION SEE FIGURE 2 FOR NEXT HIGHER ASM SEE LIST 1-50	1	
- 1	513668	• CATCH, FRICTION LATCH	1	
- 2	10170	• SCREW, MACH, BIND HD NO. 6-32 X .250 LG ATT PT	2	
- 3	2191006	• LATCH ASM, DOMESTIC	1	
- 3	2191014	• LATCH ASM, WTC	1	
- 4	257189	• NUT, HEX 8-32 ATT PT	2	
- 5	183841	• WASHER-SPRING ATT PT	2	
- 6	2190973	• RETAINER, LATCH	1	
- 7	2190972	• BOLT, LATCH	1	
- 8	2191007	• SPRING-COMPRESSION	1	
- 9	2190974	• HANDLE, LATCH USED WITH ASM 2191006 ONLY	1	
- 10	2190971	• HOUSING, LATCH	1	
- 11	2190570	• COVER ASM, RIGHT REAR PARTS OF THIS ASM ARE NOT REPLACEABLE	1	
- 11A	2111930	• HINGE, INVISIBLE	2	1
- 11B	255629	• SCREW, THD CTG-FL CSK HD NO. 6 X 1/2 LG ATT PT	4	1
- 11C	2190805	• COVER, CABLE ACCESS	1	1
- 11D	255629	• SCREW, THD CTG-FL CSK HD NO. 6 X 1/2 LG ATT PT	4	1

END OF LIST 2

FOR PARTS  
NOT SHOWN  
SEE FIG. 1

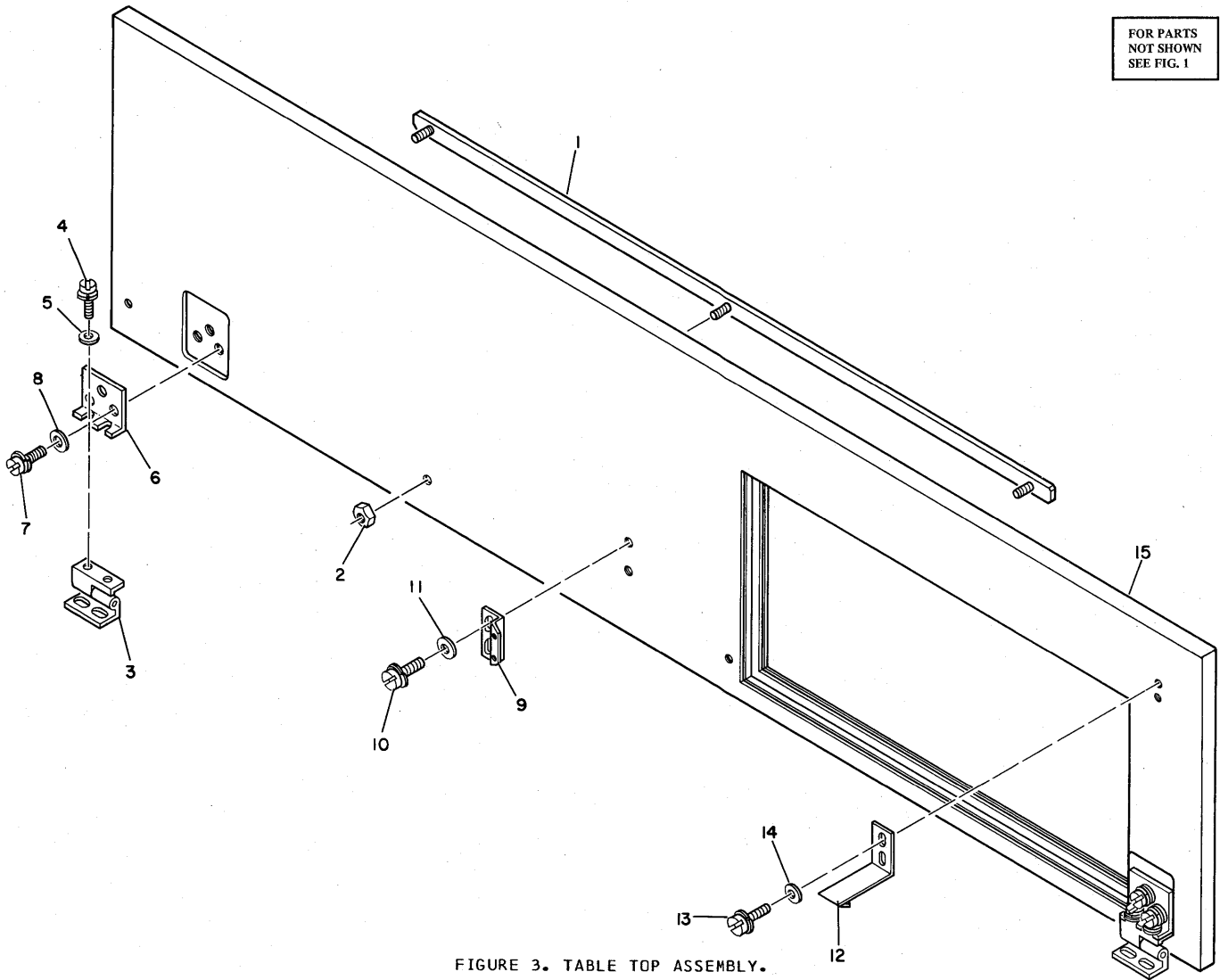


FIGURE 3. TABLE TOP ASSEMBLY.

SEE LIST **3**

LIST AND INDEX NUMBER	PART NUMBER	DESCRIPTION				UNITS PER ASM.	USABLE ON CODE
		1	2	3	4		
		TABLE TOP ASSEMBLY					
<b>3</b>	2190597	TABLE TOP ASSEMBLY FOR ILLUSTRATION SEE FIGURE 3 FOR NEXT HIGHER ASM SEE LIST 1-6				1	
- 1	2190863	• BAR, TABLE TOP				1	
- 2	257189	PARTS OF THIS ASM ARE NOT REPLACEABLE					
- 3	2190598	• NUT, HEX 8-32 • HINGE ASM, TABLE TOP				3	ATT PT
- 4	234317	PARTS OF THIS ASM ARE NOT REPLACEABLE					
- 5	22478	• SCREW, ASMD WASHER-FIL H 8-32 X 5/16 LG				4	ATT PT
- 6	2190599	• WASHER, FL- 0.170 ID 0.375 OD 0.032 THK				4	ATT PT
- 7	2181004	• BRACKET, HINGE TABLE TOP				2	
- 8	9092	• SCREW-HEX HD SELFTAP 10-32 X .375 LONG				5	ATT PT
- 9	2190602	• WASHER-LOCK, SPLIT RING, .194 ID .337OD				5	ATT PT
- 10	234330	• BRACKET, STAY BRACE MTG				1	
- 11	9092	• SCREW, MACH-RH 10-32 X 0.438 LG				2	ATT PT
- 12	2243646	• WASHER-LOCK, SPLIT RING, .194 ID .337OD				2	ATT PT
- 13	2181004	• CATCH				1	
- 14	9092	• SCREW-HEX HD SELFTAP 10-32 X .375 LONG				2	ATT PT
- 15	2243647	• WASHER-LOCK, SPLIT RING, .194 ID .337OD				2	ATT PT
		• TABLE TOP				1	

END OF LIST **3**

FOR PARTS NOT SHOWN SEE FIG. 1 & 15

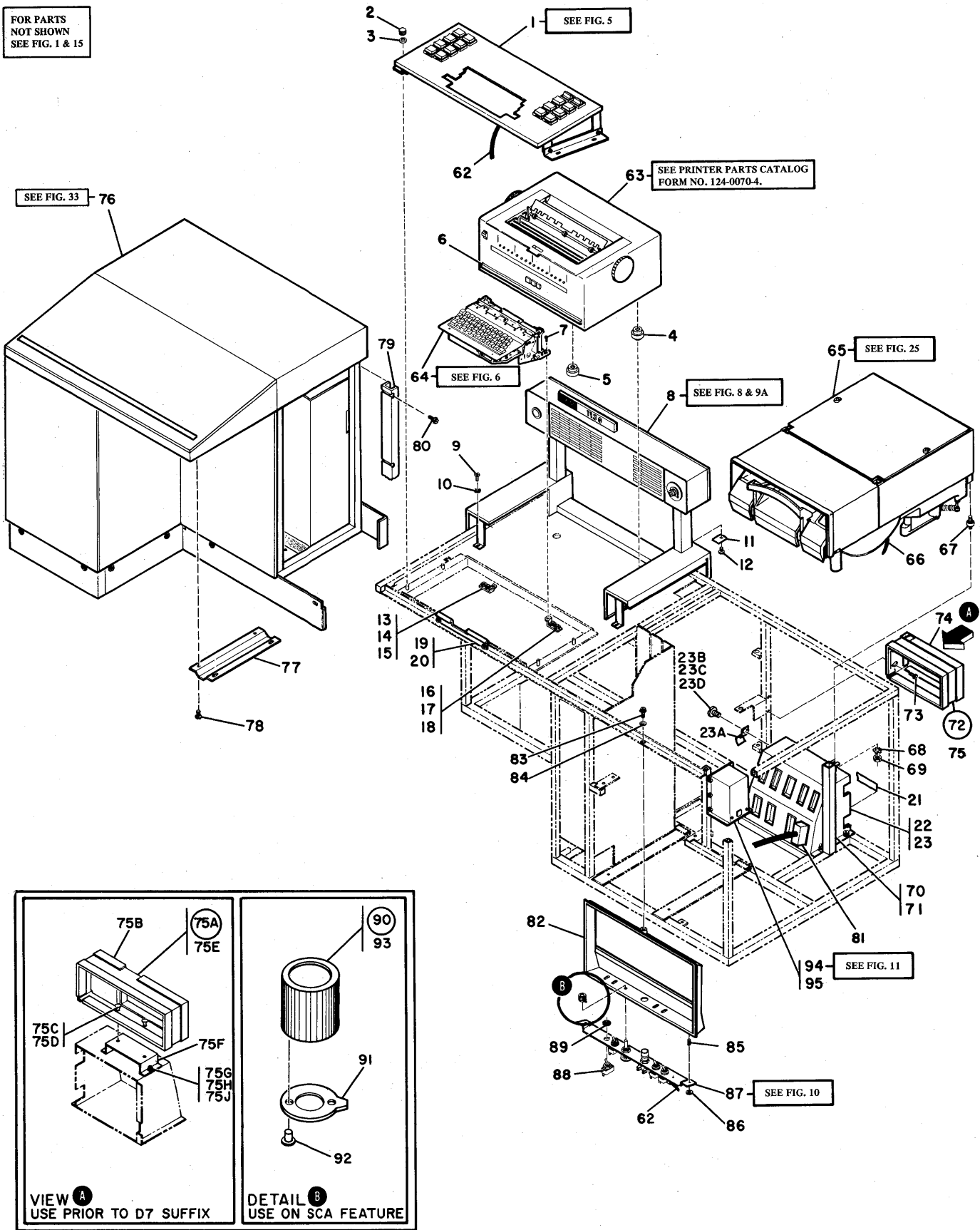
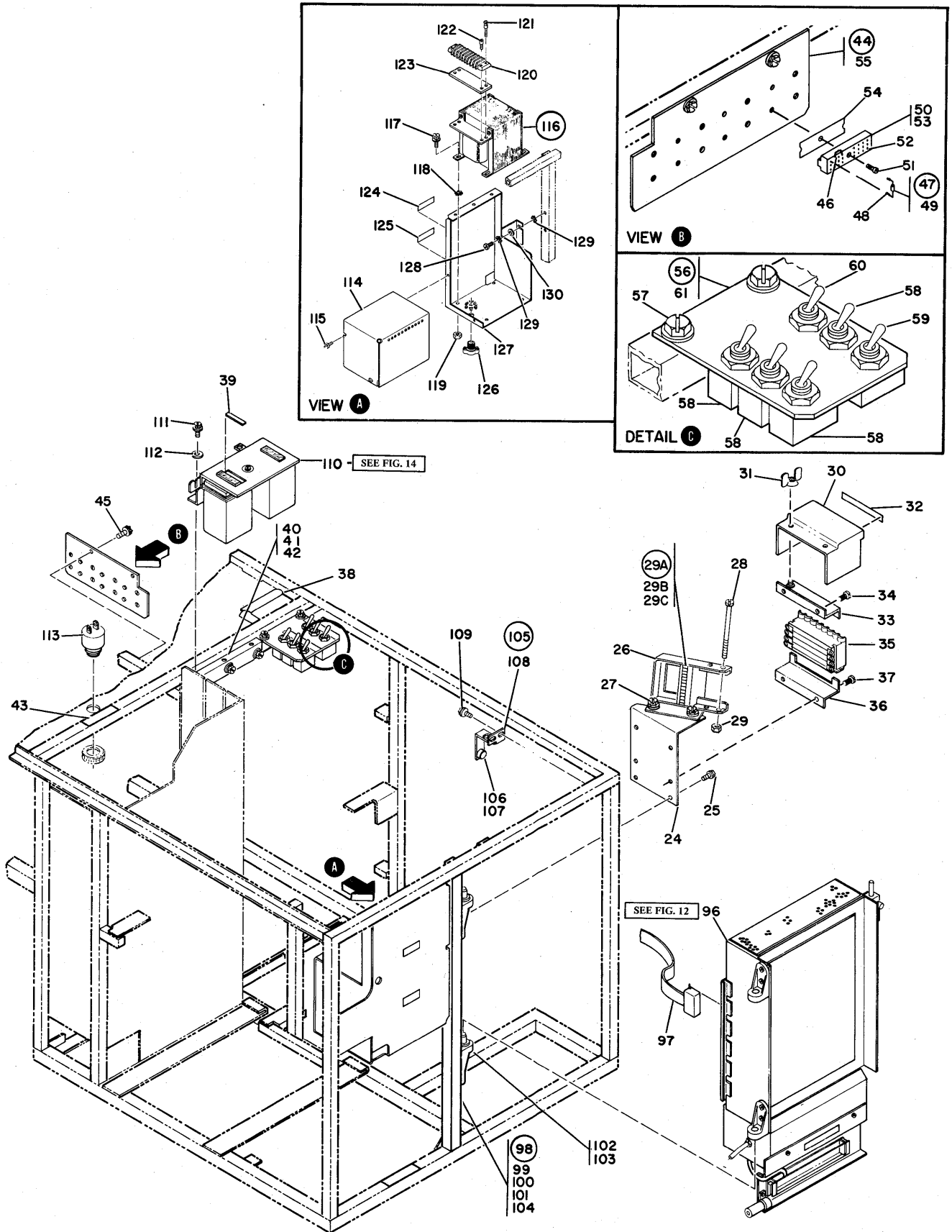


FIGURE 4. CPU BASIC FINAL ASSEMBLY. SHEET 1 OF 2, INDEX NOS. 1-23D AND 62-95.

SEE LIST 4



● FIGURE 4. CPU BASIC FINAL ASSEMBLY. SHEET 2 OF 2, INDEX NOS. 24-61 AND 96-130.

SEE LIST 4



## LIST 4

LIST AND INDEX NUMBER	PART NUMBER	DESCRIPTION	UNITS PER ASM.				USABLE ON CODE
			1	2	3	4	
		CPU BASIC FINAL ASSEMBLY					
4 -		CODE A USED ON DISK STORAGE ATTACHMENT CODE B USED ON SCA ATTACHMENT ONLY CODE C USED ON 208/230V 60 HZ ATTACHMENT					
		CODE 1 USED PRIOR TO D7 SUFFIX CODE 2 USED FROM D7 TO PRESENT CODE 3 USED PRIOR TO S6 SUFFIX					
		CODE 4 USED FROM S6 TO PRESENT CODE 5 USED PRIOR TO F8 SUFFIX CODE 6 USED FROM F8 TO PRESENT					
-	2190500	FINAL ASM, CPU BASIC					NP
		FOR ILLUSTRATION SEE FIGURE 4 FOR FURTHER BREAKDOWN SEE LISTS 1 AND 15					
- 1	2191168	• KEYBOARD PANEL ASM, BASIC FOR DETAIL BREAKDOWN SEE LIST 5					1
- 2	11598	• NUT, HEX 10-32			ATT PT		4
- 3	45690	• WASHER, FL - NO.10 X 7/16 OD X 1/32 THK			ATT PT		4
- 4	2243235	• STANDOFF, REAR					2
- 5	2243234	• STANDOFF, FRONT					2
- 6	596756	• SEAL, FOAM, .38 TH X .50 W X SPECIFY LGTH.					AR
- 7	58207	• SCREW, BD HD MACH-8-32 NC-2A X .250 LG					2
- 8	2243284	• DISPLAY PANEL ASM FOR DETAIL BREAKDOWN SEE LIST 8					1 6
- 8	2190555	• DISPLAY PANEL ASM FOR DETAIL BREAKDOWN SEE LIST 8					1 5
- 9	91611	• SCREW, THD CUT-BIND HD NO. 10 X 1/2 LG			ATT PT		2
- 10	56079	• WASHER-LOCK, EXT T .204 ID .410 OD			ATT PT		2
- 11	2243642	• TAB-LOCK					2 2
- 12	91611	• SCREW, THD CUT-BIND HD NO. 10 X 1/2 LG			ATT PT		2
- 13	2190640	• BRACKET, KEYBOARD-LEFT REAR MOUNTING					1
- 14	11598	• NUT, HEX 10-32			ATT PT		2
- 15	45690	• WASHER, FL - NO.10 X 7/16 OD X 1/32 THK			ATT PT		2
- 16	2190639	• BRACKET, KEYBOARD-RIGHT REAR MOUNTING					1
- 17	11598	• NUT, HEX 10-32			ATT PT		2
- 18	45690	• WASHER, FL - NO.10 X 7/16 OD X 1/32 THK			ATT PT		2
- 19	2190638	• HOLDER, KEYBOARD FRONT					1
- 20	2181004	• SCREW, THREAD FORMING-HEX WASHER HD			ATT PT		2
- 21	2191140	• LABEL					1
- 22	2191104	• HOUSING-I.O.					1
- 23	2181004	• SCREW, THREAD FORMING-HEX WASHER HD			ATT PT		4
- 23A	523250	• CLAMP-ADJUSTABLE CABLE					1
- 23B	731629	• SCREW, PAN HD- 10-32 X 0.380 LG			ATT PT		1
- 23C	9092	• WASHER-LOCK, SPLIT RING, .194 ID .3370D			ATT PT		1
- 23D	11598	• NUT, HEX 10-32			ATT PT		1
- 24	2190789	• BRACKET-I/O C.E.					1
- 25	2181004	• SCREW, THREAD FORMING-HEX WASHER HD			ATT PT		2
- 26	2190787	• HOLDER, SMS BLOCK					1
- 27	32042	• SCREW, MACH BIND. HD 10-32 X 3/8 LG.			ATT PT		2
- 28	2122638	• SCREW, MACH-RH 8-32 X 3.75 IN. LG					1
- 29	324773	• NUT WING DELAY LINE MTG					1
- 29A	216320	• CONNECTOR ASSEMBLY-CARD TO CARD					1
- 29B	216318	• CONTACT					16
- 29C	216319	• BLOCK, CONNECTOR					1
- 30	734488	• COVER, CARD					1
- 31	2190927	• NUT, WING-COVER 6-32 THD			ATT PT		1
- 32	2190898	• PLATE DESIGNATION-CONN BLOCK					1
- 33	5240494	• BRACKET, CARD BLOCK MTG ASM PARTS OF THIS ASM ARE NOT REPLACEABLE					1
- 34	55726	• SCREW, MACH-BIND HD 6-32 X .188 LG			ATT PT		2
- 35	2190806	• BLOCK ASM-SMS POWER CBM PARTS OF THIS ASM ARE NOT REPLACEABLE					1
- 36	5240464	• BRACKET, CARD BLOCK MTG					1
- 37	55726	• SCREW, MACH-BIND HD 6-32 X .188 LG			ATT PT		2
- 38	124822	• CHANNEL					6
- 39	5371671	• LABEL-METER					1
- 40	2197166	• BRACKET ASM, METER PARTS OF THIS ASM ARE NOT REPLACEABLE					1
- 41	5319888	• SCREW, SELF TAPPING, 10-32 X .625 LONG			ATT PT		3
- 42	23141	• WASHER, FL-NO. 10 X 9/16 OD X 1/16 THK			ATT PT		3
- 43	124943	• LABEL-HAZARDOUS AREA					3
- 44	2190791	• TERMINAL AND RESISTOR ASM					1
- 45	2181004	• SCREW, THREAD FORMING-HEX WASHER HD			ATT PT		2
- 46	205331	• JUMPER-RELAY GATES UNIT 1/8 BRASS					1
- 47	2123791	• RESISTOR ASM, 470 OHM, PM 5 PC, 0.5 W					20
- 48	320167	• TERMINAL, QUICK DISCONNECT-NONINS 16AWG					2
- 49	317011	• RESISTOR, FXD, COMP- 470 OHMS P/M 5% 1/2W					1

## LIST 4 CONT

LIST AND INDEX NUMBER	PART NUMBER	DESCRIPTION	UNITS PER ASM.	USABLE ON CODE
		CPU BASIC FINAL ASSEMBLY -CONT		
4 - 50	302090	. . TERMINAL BLOCK ASM-24 FEMALE CONTACTS	6	
- 51	438549	. . SCREW,MACH-BIND HD 4-40 X 7/16 LG ATT PT	6	
- 52	302089	. . . SPRING-TERMINAL BOARD CONTACT	8	
- 53	302088	. . . BLOCK,TERMINAL	1	
- 54	302131	. . STRIP-TERMINAL BLOCK INSULATOR	6	
- 55	2190795	. . BRACKET,RESISTOR TERMINAL	1	
- 56	2243044	. SWITCH ASM,CE	1	4
- 56	2191076	. SWITCH ASM,CE	1	3
- 57	2181004	. SCREW,THREAD FORMING-HEX WASHER HD ATT PT	2	
- 58	2197191	. . SWITCH,TOGGLE,SPST,MAINTAINED	4	4
- 58	1166086	. . SWITCH,TOGGLE,SPDT,MAINTAINED	4	3
- 59	2197192	. . SWITCH,TOGGLE,DPST,OPEN POSITION	1	4
- 59	839529	. . SWITCH,TOGGLE-CBM DPDT	1	3
- 60	2197193	. . SWITCH,TOGGLE,DPDT,MOMENTARY	1	4
- 60	555091	. . SWITCH,PUSH,DPDT,MOMENTARY	1	3
- 61	2243045	. . BRACKET,SWITCH	1	4
- 61	2191066	. . BRACKET,SWITCH	1	3
		THE FOLLOWING PARTS ARE FEATURES ONLY		
- 62	2191343	CABLE ASM,SCA SWITCH TO C GATE	1	
- 63	NO NO.	CONSOLE PRINTER ASM	1	
		FOR DETAIL BREAKDOWN SEE PARTS CATALOG FORM NO. 124-0070-4		
- 64	2190740	KEYBOARD ASM,ENGLISH,DOMESTIC	1	
- 64	8109194	KEYBOARD ASM,ENGLISH,UNITED KINGDOM	1	
- 64	8107886	KEYBOARD ASM,FRENCH	1	
- 64	8109274	KEYBOARD ASM,BELGIUM	1	
- 64	8107907	KEYBOARD ASM,GERMAN	1	
- 64	8109190	KEYBOARD ASM,NORWAY,DENMARK	1	
- 64	8109192	KEYBOARD ASM,SPANISH	1	
- 64	8109193	KEYBOARD ASM,SWEDEN,FINLAND	1	
- 64	8109204	KEYBOARD ASM,ITALY	1	
		FOR DETAIL BREAKDOWN SEE LIST 6		
- 65	2219061	. 13 SD ASM,60 HZ	1	A
- 65	2219050	. 13 SD ASM,50 HZ	1	A
		FOR DETAIL BREAKDOWN SEE LIST 25		
- 66	2191167	CABLE ASM,13 SD TO ON OFF SWITCH FOR COMPONENT PARTS SEE LIST 44-2A,2B 2C,3B,12A,17,17A,24 AND 24A	1	A
- 66	2191448	CABLE ASM,13SD TO A GATE FOR COMPONENT PARTS SEE LIST 44-34 36,44,63,78A AND 78A	1	A
- 66	2191165	CABLE ASM,13 SD TO POWER I/O,60 CYCLE FOR COMPONENT PARTS SEE LIST 44-2B 3,90B,90C,92,93,94 AND 95B	1	A
- 66	2191166	CABLE ASM,13 SD TO POWER I/O,50 CYCLE FOR COMPONENT PARTS SEE LIST 44-2B 3 AND 95B	1	A
- 67	2154465	MOUNT, SHOCK, 1 IN. DIA X 2.12 LG	4	A
- 68	25793	NUT,PLAIN,HEX- 5/16-18 X 1/2 FL W ATT PT	4	A
- 69	179966	WASHER,LOCK-EXT TEETH 5/16 ID X 0.610 OD ATT PT	4	A
- 70	2190878	POST,SUPPORT,SINGLE DISK ASM	1	A
- 71	5353301	SCREW-THREAD FORMING, HEX. WASHER HEAD ATT PT	1	A
- 72	2243649	DUCT ASM,AIR INTAKE	1	2A
- 73	2181004	SCREW,THREAD FORMING-HEX WASHER HD	2	2A
- 74	209005	. SEAL,AIR,SPECIFY LENGTH DESIRED	AR	
- 75	2243648	. DUCT,AIR INTAKE	1	
- 75A	2190872	DUCT ASM,AIR INTAKE	1	1A
- 75B	209005	. SEAL,AIR,SPECIFY LENGTH DESIRED	AR	1A
- 75C	2178597	. PLUNGER, NYLATCH	2	1A
- 75D	2178596	. GROMMET, NYLATCH	2	1A
- 75E	2190801	. DUCT,AIR INTAKE	1	1A
- 75F	2190802	BRACKET,DUCT MTG	1	1A
- 75G	443	SCREW,MACH-FIL H 10-32 X 3/8 LG	2	1A
- 75H	45690	WASHER, FL - NO.10 X 7/16 OD X 1/32 THK ATT PT	2	1A
- 75J	11891	NUT,PLAIN,HEX- 10-32 X 3/8 FL W BRS ATT PT	2	1A
- 76	2243300	EXPANDED MEMORY GROUP FOR DETAILBREAKDOWN SEE LIST 33	NP	
- 77	2243125	COUPLER,FRONT	1	
- 78	2181004	SCREW,THREAD FORMING-HEX WASHER HD ATT PT	4	
- 79	2243124	COUPLER,REAR	1	
- 80	2181004	SCREW,THREAD FORMING-HEX WASHER HD	6	

## LIST 4 CONT

LIST AND INDEX NUMBER	PART NUMBER	DESCRIPTION	UNITS PER ASM.	USABLE ON CODE
		CPU BASIC FINAL ASSEMBLY -CONT		
4 - 81	2197203	CABLE ASM,INTERNAL SIGNAL,2501 FEATURE FOR COMPONENTS SEE LIST 44-1 19,19A,29,30,36,51,63 AND 78B	1	
- 81	2197231	CABLE ASM,AC-DC POWER TO I/O,2501 ATTACH FOR COMPONENTS SEE LIST 44-2B 3,3B,19A,25,29,30,31,53 AND 81A	1	
- 81	2197201	CABLE ASM,INTERNAL SIGNAL,SAC ATTACH FOR COMPONENTS SEE LIST 44-3A 19,19A,29,30,36,44,51,63 AND 78B	1	
- 81	2191105	CABLE ASM,I/O TO GATE A,1132 ATTACH FOR COMPONENTS SEE LIST 44-3A 19,19A,29,30,36,44,51,63 AND 78B	1	
- 81	2193308	CABLE ASM,I/O TO SEQ BOX,1132 ATTACH FOR COMPONENTS SEE LIST 44-2B 3,3B,19A,29,30,31,53 AND 81A	1	
- 81	2191106	CABLE ASM,GATE A TO I/O,1442 ATTACH FOR COMPONENTS SEE LIST 44-3A 19,19A,29,30,36,44,51,63 AND 78B	1	
- 81	2243309	CABLE ASM,SEQ BOX TO I/O,1442 ATTACH FOR COMPONENTS SEE LIST 44-2B 3,3B,19A,29,30,31,53 AND 81A	1	
- 81	2243004	CABLE ASM-SAC EX CUSTOMER DEVICE TO 1131 FOR COMPONENTS SEE LIST 44-18B 29,30,52 AND 56	1	
- 81	2197236	CABLE ASM-SIGNAL,2501 TO 1131 X LENGTH FOR COMPONENTS SEE LIST 44-18A,20,27 27A,36,38,44,52,56,63,78B,89 AND 90A	1	
- 81	2197207	CABLE ASM-POWER,2501 TO 1131 X LENGTH FOR COMPONENTS SEE LIST 44-1,2C,18 21,27B,29,30,32,38B,39,48,53A,80,81 81A,81B,83,84,85,86,86A,87,90A	1	
- 81	2191101	CABLE ASM-POWER INTERNAL AC/DC,1132 FOR COMPONENTS SEE LIST 44-2D,3,3B, 5,19A,29,30,81A,96, AND 96A	1	
- 81	2191102	CABLE ASM-POWER INTERNAL AC/DC,1442 FOR COMPONENTS SEE LIST 44-2D,3,3B, 5,19A,29,30,81A,96, AND 96A	1	
- 82	2191482	BEZEL ASM,WITH SCA/NO DISK,ENGLISH	1	
- 82	2191493	BEZEL ASM,WITH SCA/NO DISK,FRENCH	1	
- 82	2191494	BEZEL ASM,WITH SCA/NO DISK,GERMAN	1	
- 82	2191484	BEZEL ASM,WITH SCA AND DISK,ENGLISH	1	
- 82	2191491	BEZEL ASM,WITH SCA AND DISK,FRENCH	1	
- 82	2191492	BEZEL ASM,WITH SCA AND DISK,GERMAN	1	
- 82	2191483	BEZEL ASM,WITH DISK AND NO SCA,ENGLISH	1	
- 82	2191495	BEZEL ASM,WITH DISK AND NO SCA,FRENCH	1	
- 82	2191496	BEZEL ASM,WITH DISK AND NO SCA,GERMAN	1	
- 83	38352	SCREW,MACH-FIL H 6-32 X 3/8 LG	1	
- 84	257986	WASHER,0.156 ID X 0.035 THK	1	
- 85	257980	SCREW,SET,6-32 X .75 LG	2	
- 86	257986	WASHER,0.156 ID X 0.035 THK	2	
- 87	2197325	SWITCH ASM,SCA ATTACHMENT	1	B
- 87	2197324	FOR DETAIL BREAKDOWN SEE LIST 10 PLATE,SWITCH USED ON DISK AND NO SCA	1	
- 88	734879	SWITCH, TOGGLE, DPDT	1	A
- 89	179743	NUT,PLAIN,HEX- 15/32-32 X 9/16 FL W	1	A
- 90	5724439	KNOB AND POINTER ASM	1	B
- 91	5724438	. POINTER	1	
- 92	1090623	. PIN	2	
- 93	482220	. ROTARY KNOB ASM	1	
- 94	740540	PARTS OF THIS ASM ARE NOT REPLACEABLE METER POWER PAC ASM-60 HZ	1	
- 94	740609	METER POWER PAC ASM-50 HZ	1	
- 95	5319854	FOR DETAIL BREAKDOWN SEE LIST 11 SCREW, SELF TAPPING, 8-32 X .375 LONG	3	
- 96	2197308	C GATE ASM,60 HZ	1	B
- 96	2197309	C GATE ASM,50 HZ	1	B
- 97	2197240	FOR DETAIL BREAKDOWN SEE LIST 12 CABLE ASM,A GATE TO C GATE	1	B
- 98	2197206	FOR COMPONENT SEE LIST 44-75 76,77 AND 78 POST ASM,C GATE	1	B

## LIST 4 CONT

LIST AND INDEX NUMBER	PART NUMBER	DESCRIPTION				UNITS PER ASM.	USABLE ON CODE
		1	2	3	4		
		CPU BASIC FINAL ASSEMBLY -CONT					
4	- 99 32617	SCREW, MACH BD HD 10-32 NF X .4375 LG ATT PT				2	B
	-100 5353301	SCREW-THREAD FORMING, HEX. WASHER HEAD ATT PT				1	B
	-101 45690	WASHER, FL - NO.10 X 7/16 OD X 1/32 THK ATT PT				2	B
	-102 225532	. HINGE ASSEMBLY-MALE				2	
	-103 5353301	PARTS OF THIS ASM ARE NOT REPLACEABLE					
	-104 2191352	. SCREW-THREAD FORMING, HEX. WASHER HEAD ATT PT				4	
	-105 2191344	. POST				1	
	-106 2132088	STOP ASM,GATE				1	B
	-107 344015	. BUMPER				1	
	-108 2191349	. NUT,SELF LKG,HEX- 6-32 X 5/16 FL W ATT PT				1	
	-109 2181004	. BRACKET,STOP				1	
	-110 2191064	SCREW,THREAD FORMING-HEX WASHER HD ATT PT				2	B
	-110 2191065	METER ASM,60 HZ				1	
	-111 5319888	METER ASM,50 HZ				1	
	-112 23141	FOR DETAIL BREAKDOWN SEE LIST 14					
	-113 2197244	SCREW, SELF TAPPING, 10-32 X .625 LONG ATT PT				3	
	-114 2197246	WASHER,FL-NO. 10 X 9/16 OD X 1/16 THK ATT PT				3	
	-115 34512	ALARM,AUDIBLE PULSATING				1	B
	-116 5708943	COVER,TRANSFORMER				1	C
	-117 234341	SCREW,MACH-BIND HD 8-32 X 3/8 LG ATT PT				2	C
	-118 76574	TRANSFORMER ASM,208/230V, 60 HERTZ				1	C
	-119 3960	SCREW,ASMD WASHER-FIL HD 1/4-20 X 5/8 LG ATT PT				4	C
	-120 2101338	WASHER, LOCK-EXT. TEETH .250 ATT PT				2	C
	-121 210986	NUT,PLAIN,HEX- 1/4-20 X 7/16 FL W ATT PT				4	C
	-122 210985	. TERMINAL BLOCK, 5 POSITION				1	
	-123 2101358	. STUD, SLOTTED 8-32 X 1/2 LG THREAD ATT PT				3	
	-124 138754	. STUD, EXT 8-32 X 1/2 INT 6-32 X 0.19 DP ATT PT				1	
	-125 124943	. MARKER STRIP 5 POS NOS 1 THRU 5				1	
	-126 2100264	LABEL,VOLTAGE WARNING				1	C
	-127 2197245	LABEL-HAZARDOUS AREA				1	C
	-128 38686	RELIEF,CABLE STRAIN				1	C
	-129 76574	SUPPORT,TRANSFORMER				1	C
	-130 3550	SCREW,MACH-HEX HD 1/4-20 X 1/2 LG ATT PT				5	C
		WASHER, LOCK-EXT. TEETH .250 ATT PT				7	C
		WASHER,FLAT 1/4 ID-9/16-OD-0.05 THICK ATT PT				5	C
END OF LIST 4							

FOR PARTS  
NOT SHOWN  
SEE FIG. 4

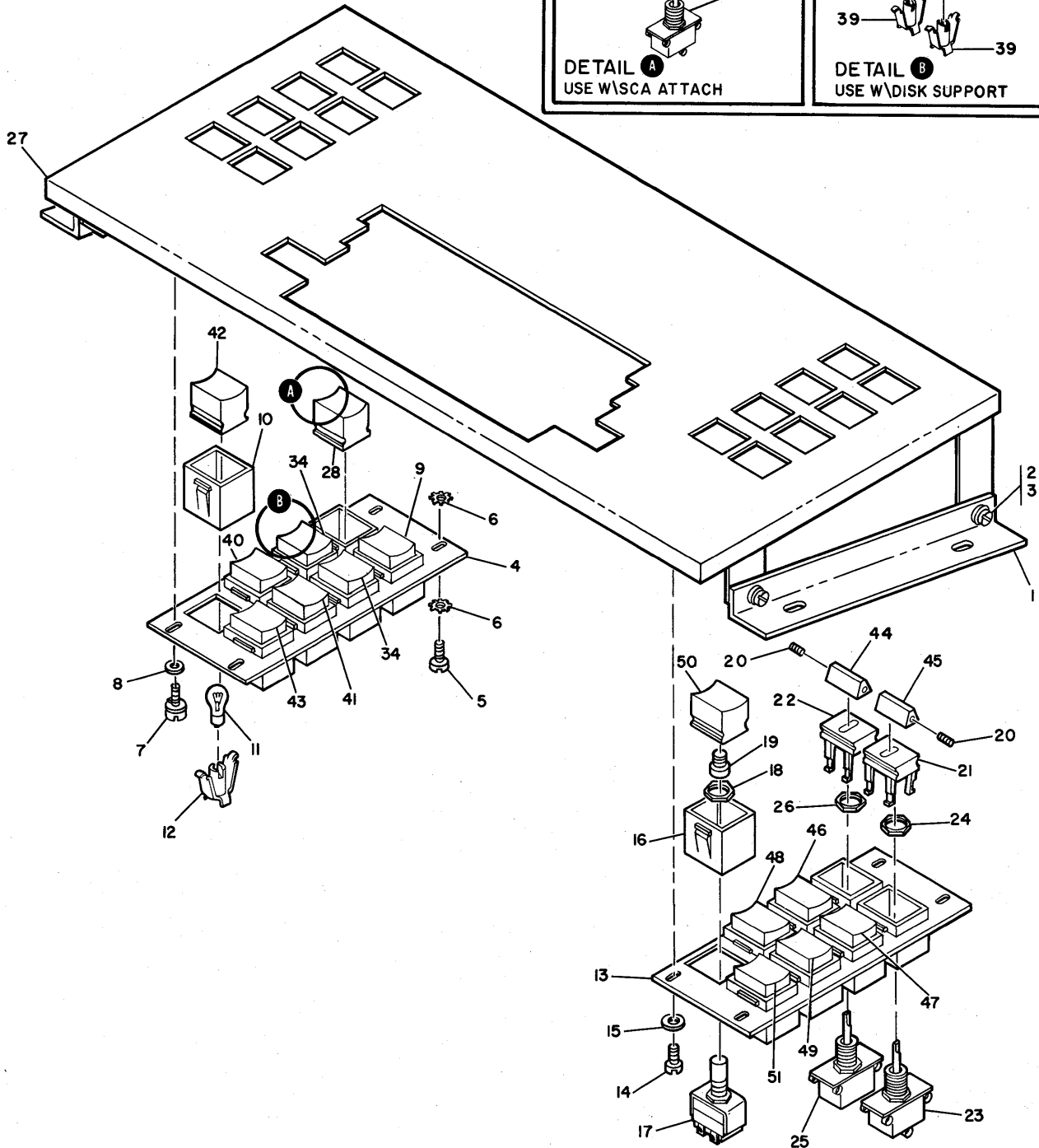
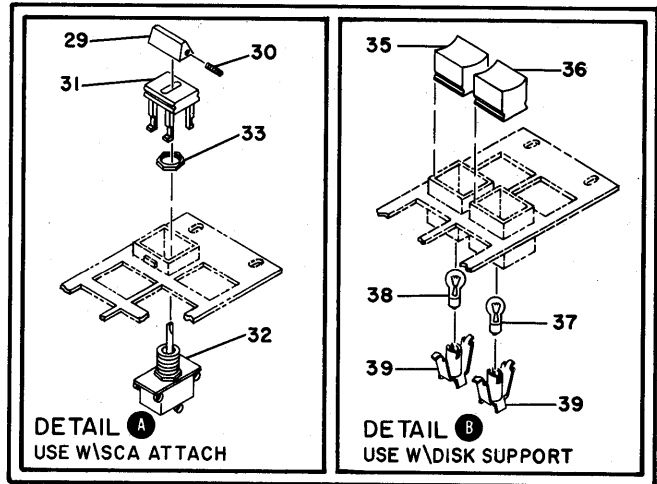


FIGURE 5. BASIC KEYBOARD PANEL ASSEMBLY.

SEE LIST 5

LIST AND INDEX NUMBER	PART NUMBER	DESCRIPTION	UNITS PER ASM.	USABLE ON CODE
		BASIC KEYBOARD PANEL ASSEMBLY		
5		CODE A USED W/SCA ATTACHMENT FEATURE CODE B USED W/NO SCA ATTACHMENT FEATURE CODE C USED W/NO DISK STORAGE CODE D USED W/DISK STORAGE CODE E USED ON IDIOMATIC GROUP		
	2191168	BASIC KEYBOARD PANEL ASSEMBLY FOR ILLUSTRATION SEE FIGURE 5 FOR NEXT HIGHER ASM SEE LIST 4-1	REF	
- 1	2190627	• ANGLE,PANEL MTG		
- 2	234318	• SCREW,ASMD WASHER-FIL H 8-32 X 3/8 LG	ATT PT	2
- 3	22478	• WASHER,FL- 0.170 ID 0.375 OD 0.032 THK	ATT PT	4
- 4	2190626	• BRACKET,SWITCH MTG		4
- 5	34512	• SCREW,MACH-BIND HD 8-32 X 3/8 LG	ATT PT	1
- 6	55901	• WASHER, LOCK, EXT TEETH - .176 DIA	ATT PT	2
- 7	234318	• SCREW,ASMD WASHER-FIL H 8-32 X 3/8 LG	ATT PT	1
- 8	22478	• WASHER,FL- 0.170 ID 0.375 OD 0.032 THK	ATT PT	3
- 9	827850	• LENS,WHITE-BLANK		3
- 10	5373660	• HOUSING-SWITCH AND LIGHT		1
- 11	2129665	• LAMP,INCANDESCENT- 14V 0.2 AMP		8
- 12	827840	• SOCKET, SINGLE CONTACT, BAYONET BASE		4
- 13	2190626	• BRACKET,SWITCH MTG		4
- 14	234318	• SCREW,ASMD WASHER-FIL H 8-32 X 3/8 LG	ATT PT	1
- 15	22478	• WASHER,FL- 0.170 ID 0.375 OD 0.032 THK	ATT PT	4
- 16	5373660	• HOUSING-SWITCH AND LIGHT		4
- 17	725570	• SWITCH,PUSH 2 SPDT 125/250V AC 5 AMP		8
- 18	5311437	• NUT,SWITCH 0.469-32	ATT PT	6
- 19	5311440	• SPRING,BUTTON		6
- 20	1092177	• SCREW,MACH-SET 4-40 X 3/16 LG		4
- 21	749046	• COVER,TOGGLE SWITCH		4
- 22	5311421	• COVER,TOGGLE SWITCH		1
- 23	2190713	• SWITCH,TOGGLE-SPDT GOLD CONTACT		1
- 24	5311437	• NUT,SWITCH 0.469-32	ATT PT	1
- 25	5311439	• SWITCH,TOGGLE DPDT		1
- 26	5311437	• NUT,SWITCH 0.469-32	ATT PT	1
- 27	2190625	• PANEL,SWITCH AND KEYBOARD		1
		THE FOLLOWING PARTS ARE FEATURES ONLY		
- 28	827850	LENS,WHITE-BLANK		1 B
- 29	2197321	KEY,ON ALARM OFF,ENGLISH		1 A
- 29	2197323	KEY,EF ALARME HF,FRENCH		1 A
- 29	2197322	KEY,EIN ALARM AUS,GERMAN		1 A
- 30	1092177	SCREW,MACH-SET 4-40 X 3/16 LG	ATT PT	1 A
- 31	749046	COVER,TOGGLE SWITCH		1 A
- 32	2190713	SWITCH,TOGGLE-SPDT GOLD CONTACT		1 A
- 33	5311437	NUT,SWITCH 0.469-32		1 A
- 34	827850	LENS,WHITE-BLANK		1 A
- 35	2190944	LENS,DISK UNLOCK,ENGLISH		2 C
- 35	2191029	LENS,DEVERR DISQUE,FRENCH		1 D
- 35	2191030	LENS,PLATTE AUS,GERMAN		1 D
- 36	2190678	LENS,FILE READY,ENGLISH		1 D
- 36	2191002	LENS,DISQUE PRET,FRENCH		1 D
- 36	2191001	LENS,PLATTE EIN,GERMAN		1 D
- 37	2129665	LAMP,INCANDESCENT- 14V 0.2 AMP		1 D
- 38	5362163	LAMP,INDICATOR -48VDC-.060 AMPS-BAYONET USED IN DISC UNLK POSITION ONLY		1 D
- 39	827840	SOCKET, SINGLE CONTACT, BAYONET BASE		2 D
- 40	2190677	LENS,RUN,ENGLISH		1 E
- 40	2190992	LENS,EN FONCT,FRENCH		1 E
- 40	2190991	LENS,VERARB,GERMAN		1 E
- 41	827866	LENS,PARITY CHECK,ENGLISH		1 E
- 41	2190996	LENS,CTRL PARITE,FRENCH		1 E
- 41	2190995	LENS,GULT PRUF,GERMAN		1 E
- 42	2190679	LENS,K B SELECT,ENGLISH		1 E
- 42	2190994	LENS,SELECT CLAVIER,FRENCH		1 E
- 42	2190993	LENS,TAST ANGEW,GERMAN		1 E
- 43	2190676	LENS,FORMS CHECK,ENGLISH		1 E
- 43	738517	LENS,FIN PAPIER,FRENCH		1 E
- 43	738511	LENS,PAPIER. ENDE,GERMAN		1 E
- 44	5311423	KEY,POWER ON OFF,ENGLISH		1 E







## LIST 6

LIST AND INDEX NUMBER	PART NUMBER	DESCRIPTION	UNITS	USABLE
			PER ASM.	ON CODE
		1 2 3 4		
		KEYBOARD ASSEMBLY		
6	2190740	KEYBOARD ASM, ENGLISH, DOMESTIC	REF	
-	8107886	KEYBOARD ASM, FRENCH	REF	
-	8107907	KEYBOARD ASM, GERMAN	REF	
-	8109190	KEYBOARD ASM, NORWAY, DENMARK	REF	
-	8109192	KEYBOARD ASM, SPANISH	REF	
-	8109193	KEYBOARD ASM, SWEDEN, FINLAND	REF	
-	8109194	KEYBOARD ASM, ENGLISH, UNITED KINGDOM	REF	
-	8109204	KEYBOARD ASM, ITALY	REF	
-	8109274	KEYBOARD ASM, BELGIUM FOR ILLUSTRATION SEE FIGURE 6	REF	
		FOR NEXT HIGHER ASM SEE LIST 4-64		
- 1A	2190749	. KEYBUTTON REST KB	1	
- 1B	5353555	. KEYBUTTON # @	1	
- 1C	5353556	. KEYBUTTON , %	1	
- 1D	5353557	. KEYBUTTON \$ * ENGLISH	1	
- 1D	8109263	. KEYBUTTON FRANC * BELGIUM	1	
- 1E	5353741	. KEYBUTTON . <	1	
- 1F	5353564	. KEYBUTTON BLANK	AR	
- 1G	5353564	. KEYBUTTON BLANK	AR	
- 1H	5353597	. KEYBUTTON - -	1	
- 1J	5353560	. KEYBUTTON 0 /	1	
- 1K	5353564	. KEYBUTTON BLANK	AR	
- 1L	2190750	. KEYBUTTON INT REQ	1	
- 2A	5353715	. KEYBUTTON + Q	1	
- 2A	8107680	. KEYBUTTON Q BELGIUM	1	
- 2B	5353716	. KEYBUTTON - W	1	
- 2B	8107681	. KEYBUTTON W BELGIUM	1	
- 2C	5353717	. KEYBUTTON ) E	1	
- 2D	5353606	. KEYBUTTON ç R	1	
- 2E	5353569	. KEYBUTTON 0.8.2 T	1	
- 2F	5353608	. KEYBUTTON I Y	1	
- 2G	5353571	. KEYBUTTON 1 U	1	
- 2H	5353572	. KEYBUTTON 2 I	1	
- 2J	5353573	. KEYBUTTON 3 O	1	
- 2K	5353574	. KEYBUTTON ç P	1	
- 2L	5353575	. KEYBUTTON BLANK	1	
- 3A	5353576	. KEYBUTTON A ENGLISH	1	
- 3A	8107771	. KEYBUTTON + A BELGIUM	1	
- 3B	5353711	. KEYBUTTON > S	1	
- 3C	5353610	. KEYBUTTON : D	1	
- 3D	5353723	. KEYBUTTON ; F	1	
- 3E	5353712	. KEYBUTTON - G	1	
- 3F	5353713	. KEYBUTTON v H	1	
- 3G	5422212	. KEYBUTTON 4 J	1	
- 3H	5422213	. KEYBUTTON 5 K BELGIUM	1	
- 3H	5353583	. KEYBUTTON 5 K ENGLISH	1	
- 3J	5422214	. KEYBUTTON 6 L	1	
- 3K	2190751	. KEYBUTTON EOF ENGLISH	1	
- 3K	8109313	. KEYBUTTON EOF BELGIUM	1	
- 3L	2190752	. KEYBUTTON ERASE FIELD	1	
- 4A	5353598	. KEYBUTTON NUMERIC	1	
- 4B	5353587	. KEYBUTTON Z	1	
- 4B	8107772	. KEYBUTTON - Z BELGIUM	1	
- 4C	5353724	. KEYBUTTON ? X	1	
- 4D	5353615	. KEYBUTTON " C	1	
- 4E	5353616	. KEYBUTTON = V	1	
- 4F	5353725	. KEYBUTTON ! B	1	
- 4G	5353714	. KEYBUTTON ( N	1	
- 4H	5353593	. KEYBUTTON 7 M	1	
- 4J	5353594	. KEYBUTTON 8 ,	1	
- 4K	5353595	. KEYBUTTON 9 .	1	
- 4L	2190748	. KEYBUTTON ←	1	
- 4L	8107888	. KEYBUTTON BACKSPACE BELGIUM	1	
- 4M	5353599	. KEYBUTTON ALPHA	1	
- 4N	5353619	. KEYBUTTON, SPACE BAR	1	
- 5	2190745	. MECHANISM ASM-KEYBOARD	1	
- 6	2190754	. RELAY PANEL ASM-KEYBOARD	1	
- 7	58207	. . SCREW, BD HD MACH-8-32 NC-2A X .250 LG ATT PT	2	
- 8	4797	. . WASHER, FLAT-9/32 OD 7/64 ID X .046 THK ATT PT	2	
- 9	186685	. . . RELAY ASSEMBLY-WIRE CONTACT 4PDT 1 COIL	1	
		PARTS OF THIS ASM ARE NOT REPLACEABLE		
- 10	159941	. . . MOLDING ASSEMBLY-TERMINAL 4 POS	1	
- 11	438550	. . . SCREW, MACH-BIND HD 4-40 X 1/2 LG ATT PT	4	
- 12	159944	. . . CLIP, SPRING TENSION-TERMINAL MOULDING	1	
- 12	308704	. . . CLIP-MOLDING	1	
- 13	205331	. . . JUMPER-RELAY GATES UNIT 1/8 BRASS	1	

## LIST 6 CONT

LIST AND INDEX NUMBER	PART NUMBER	DESCRIPTION	UNITS PER ASM.	USABLE ON CODE
		KEYBOARD ASSEMBLY -CONT		
6 - 14	2190755	• • • TERMINAL BOARD	1	
- 15	804067	• • • RIVET ATT PT	10	
- 16	2190756	• • • INSULATOR	1	
- 17	2190757	• • • BRACKET,RELAY ASM	1	
- 18	216438	• • RESISTOR,FXD,COMP- 470 OHMS P/M 5% 1/4W	18	
- 19	52614	• • SCREW,MACH-FIL H 3-48 X 3/4 LG	2	
- 20	4797	• • WASHER,FLAT-9/32 OD 7/64 ID X .046 THK	1	
- 21	2191075	• • DIODE ASM-KEYBOARD	2	
- 22	320167	• • • TERMINAL,QUICK DISCONNECT-NONINS 16AWG	1	
- 23	2106333	• • • SEMICONDUCTOR DEVICE,DIODE	1	
- 24	2190969	• • CAPACITOR ASM,KEYBOARD 0.1 UF 100 V	1	
- 25	187243	• • TERMINAL, SMALL TAPER 20-22-24 OR 26 AWG	1	
- 26	492447	• • • CAPACITOR,DISC 0.1 MED P 70 M30 PCT	1	
- 27	313353	• • BAR-SWITCH PLATE MOUNTING	1	
- 27A	4236	• • SCREW,MACH-FIL H 5-40 X 1/4 LG ATT PT	4	
- 28	362829	• • PLATE-LATCH	1	
- 29	382349	• • BAR-COMBINATION SUPPORT PLATE MOUNTING	1	
- 30	196299	• • SCREW,MACH-BIND HD 5-40 X 1/2 LG ATT PT	4	
- 31	150109	• • WASHER,FL-NO. 5 X 11/32 OD X 0.040 THK ATT PT	2	
- 32	313355	• • GUIDE-UPPER BAIL FRONT	1	
- 33	28762	• • SCREW,MACH-FH 5-40 X 1-1/4 IN. LG	1	
- 34	1090199	• • WASHER,FL-NO. 6 X 9/32 OD X 0.031 THK	1	
- 35	103372	• • NUT,SELF LKG,HEX- 5-40 X 1/4 FL W	1	
- 36	219204	• • BUMPER-KEY	47	
- 37	313274	• • SPACER-KEY	4	
		LOCATED UNDER BLANK KEYS ONLY		
- 38	1119715	• • BUMPER-KEY	2	
- 39	5367166	• • PLATE ASSEMBLY-SUPPORT	1	
- 40	5393274	• • SCREW,MACHINE-BINDING HD 5-40NC X 0.250 ATT PT	4	
- 41	227502	• • PLATE-SPRING MTG	2	
- 42	38271	• • SCREW,MACH-FIL H 5-40 X 3/16 LG ATT PT	6	
- 43	219278	• • • CHANNEL-HOOK	2	
- 44	227501	• • • SPRING-HOOK	2	
- 45	5367151	• • • PLATE-SUPPORT,COMBINATION	1	
- 46	227582	• • STEM-KEY	47	
- 46A	312489	• • NYLON, KEYSTEM RETAINING	AR	
- 47	219203	• • SPRING,HELICAL,COMPR- 20.4 TURNS	47	
- 48	227527	• • BAIL-SPACE BAR	1	
- 49	140738	• • SCREW,MACH-BIND HD 5-40 X 3/16 LG ATT PT	2	
- 50	227529	• • BAR-SPACE LATCH PULL	1	
- 51	219347	• • BAR ASSEMBLY-PULL LATCH	10	
- 52	219229	PARTS OF THIS ASM ARE NOT REPLACEABLE • • BAR ASSEMBLY-PULL LATCH	11	
- 53	219346	PARTS OF THIS ASM ARE NOT REPLACEABLE • • BAR ASSEMBLY-PULL LATCH	11	
- 54	219202	PARTS OF THIS ASM ARE NOT REPLACEABLE • • BAR ASSEMBLY-PULL LATCH	8	
- 55	219209	PARTS OF THIS ASM ARE NOT REPLACEABLE • • SHAFT-BELL CRANK	4	
- 56	219235	• • KEY-INTLK	44	
- 57	219357	• • LATCH ASSEMBLY	39	
- 57	227519	PARTS OF THIS ASM ARE NOT REPLACEABLE • • LATCH ASSEMBLY-RELEASE	2	
- 58	382303	• • SPRING,HELICAL,COMPRESSION	37	
- 58	335321	• • SPRING,HELICAL,COMPR- 15 TURNS	4	
- 59	219333	• • SPRING,HELICAL,COMPR- 10.8 TURNS	41	
- 60	219224	• • SPRING,HELICAL,COMPR- 11 TURNS	41	
- 61	219232	• • BAR-HOOK SUPPORT	1	
- 62	673	• • SCREW,MACH-FIL H 5-40 X 1/2 LG ATT PT	3	
- 63	105047	• • WASHER,LOCK-INT TEETH NO. 5 X 1/4 OD ATT PT	3	
- 64	219472	• • SCREW,EXT RELIEVED BODY- 10-32 X 29/64LG ATT PT	1	
- 65	219325	• • STUD,ARMATURE STOP	2	
- 66	11598	• • NUT, HEX 10-32	2	
- 67	219237	• • PLATE-COMBINATION BAIL STOP	1	
- 68	196299	• • SCREW,MACH-BIND HD 5-40 X 1/2 LG ATT PT	4	
- 69	133798	• • SCREW,SET 5-40 1/8 LG ATT PT	4	
- 70	533289	• • CLAMP, CABLE	2	
- 71	120044	• • SCREW,MACH-BIND HD 5-40 X 3/8 LG ATT PT	2	
- 72	326276	• • WASHER,FL- NO.5 X 5/16 OD X 0.043 THK ATT PT	2	
- 73	339176	• • CONTACT ASSEMBLY,ELECTRICAL-COMB BAIL	1	
- 74	4236	• • SCREW,MACH-FIL H 5-40 X 1/4 LG ATT PT	2	
- 75	173205	• • SCREW,ASMD WASHER-RH 5-40 X 21/32 LG	2	
- 76	100229	• • • INSULATOR-SCREW NO. 5 X 1/2 LG	2	
- 77	204843	• • • INSULATOR-BLOCK PUNCH UNIT CONTACT	3	
- 78	204839	• • • TERMINAL-LOWER CONTACT	1	

## LIST 6 CONT

LIST AND INDEX NUMBER	PART NUMBER	DESCRIPTION	UNITS PER ASM.	USABLE ON CODE
		1 2 3 4		
		KEYBOARD ASSEMBLY -CONT		
6	- 79 339113	. . . SPRING-CONTACT STIFFENER	1	
	- 80 205608	. . . TERMINAL ASSEMBLY-CONTACT	1	
	- 81 118418	. . . SCREW,MACH-RH 5-40 X 5/32 LG	2	
	- 82 204848	. . . TERMINAL ASSEMBLY-UPPER CONTACT	1	
	- 83 219368	. . . BRACKET-COMBINATION BAIL CONTACT	1	
	- 83A 2243224	. BRACKET, SWITCH MOUNTING		
	- 83B 92	. SCREW, ATT PT		
	- 83C 355343	. SWITCH,MICRO		
	- 83D 810582	. ACTUATOR ASM,SWITCH		
		2-56 SCREW,LOCKWASHER, AND NUT SUPPLIED WITH ACTUATOR ASSEMBLY		
	- 84 5367173	. . CONTACT ASSEMBLY,ELECTRICAL	3	
	- 85 173215	. . . SCREW,ASMD WASHER-RH 5-40 X 0.688 LG	2	
	- 86 100354	. . . INSULATOR	2	
	- 87 342121	. . . TERMINAL ASSEMBLY-CONTACT	1	
		INDEX NOS. 88-89 ARE PART OF THIS ASM		
	- 88 118418	. . . SCREW,MACH-RH 5-40 X 5/32 LG	1	
	- 89 342120	. . . TERMINAL-CONTACT	1	
	- 90 107070	. . . SPRING ASSEMBLY-LOWER CONTACT	1	
	- 91 4792	. . . SUPPORT-CONTACT SPRING	1	
	- 92 25984	. . . SUPPORT-CONTACT SPRING	1	
	- 93 369060	. . . CONTACT ASSEMBLY,ELECTRICAL	1	
		INDEX NOS. 94-95 ARE PART OF THIS ASM		
	- 94 118418	. . . SCREW,MACH-RH 5-40 X 5/32 LG	1	
	- 95 369059	. . . CONTACT,ELECTRICAL	1	
	- 96 106988	. . . CONTACT ASSEMBLY-CARD LEVER LOWER	1	
	- 97 4108	. . . INSULATOR-PLATE	2	
	- 98 311823	. . . INSULATOR-PLATE CONTACT ASSEMBLY	1	
	- 99 219319	. . PLATE ASSEMBLY-CONTACT RIGHT	1	
		PARTS OF THIS ASM ARE NOT REPLACEABLE		
	- 99 5367274	. . PLATE ASSEMBLY-CONTACT LEFT	1	
		PARTS OF THIS ASM ARE NOT REPLACEABLE		
	-100 4236	. . SCREW,MACH-FIL H 5-40 X 1/4 LG ATT PT	4	
	-101 1866	. . WASHER,FL-NO. 4 X 1/4 OD X 0.025 THK ATT PT	4	
	-102 5367209	. . CONTACT ASM,LATCH- 64 CHAR	1	
	-103 4236	. . SCREW,MACH-FIL H 5-40 X 1/4 LG ATT PT	4	
	-104 163899	. . WASHER,LOCK-SPLIT NO. 6 X 0.255 OD ATT PT	4	
	-105 5367162	. . . BRACKET-CLAMP	1	
	-106 38255	. . . SCREW,MACH-FIL H 3-48 X 1/2 LG	4	
	-107 417313	. . . CLAMP-SUPPLY ROLL	1	
	-108 219281	. . . CONTACT ASM,STRAP LEFT	6	
		PARTS OF THIS ASM ARE NOT REPLACEABLE		
	-109 5367208	. . . COMMON ASSEMBLY-64 CHARACTER KEYBOARD	1	
		PARTS OF THIS ASM ARE NOT REPLACEABLE		
	-110 5367152	. . . BRACKET-LATCH MOUNTING	1	
	-110A 369849	. . CAPACITOR, 0.050 MFD P100/M10% 65VDC	1	
	-110B 477144	. . RESISTOR, WIREWOUND - 200 OHM 5W	1	
	-111 5367210	. . BAR ASSEMBLY-MOUNTING	1	
		FOR DETAIL BREAKDOWN SEE LIST 7		
	-112 38368	. . SCREW,MACH-FIL H 8-32 X 7/16 LG ATT PT	2	
	-113 294	. . SCREW,MACH-RH 5-40 X 5/16 LG ATT PT	4	
	-114 2190758	. . PLATE,KEYBOARD CBM	1	
	-115 5318664	. . BAIL ASSEMBLY-RESTORING	1	
		PARTS OF THIS ASM ARE NOT REPLACEABLE		
	-116 2161894	. . DIODE ASSEMBLY	1	
	-117 313361	. . . TERMINAL, SPADE 0.119 ID- 22, 24 AWG	2	
	-118 2106333	. . . SEMICONDUCTOR DEVICE,DIODE	1	
	-119 315309	. . YOKE ASM,RIGHT	1	
	-119 315310	. . YOKE ASM,LEFT	1	
	-120 2300	. . SCREW,MACH-FIL H 8-32 X 1/4 LG ATT PT	4	
	-121 22478	. . WASHER,FL- 0.170 ID 0.375 OD 0.032 THK ATT PT	4	
	-122 316046	. . . MAGNET-KEYBOARD RESTORER	1	
	-123 316047	. . . CORE,ELECTROMAGNET	1	
	-124 38381	. . . SCREW,MACH-FIL H 10-32 X 5/16 LG ATT PT	1	
	-125 9092	. . . WASHER-LOCK,SPLIT RING, .194 ID .337OD ATT PT	1	
	-126 48594	. . . SCREW,MACH-BIND HD 4-40 X 0.175 LG	2	
	-127 219213	. . . YOKE-MAGNET	1	
		USED ON ASM 315310		
	-127 219244	. . . YOKE-MAGNET RIGHT	1	
		USED ON ASM 315309		
	-128 219268	. . PIVOT-ARMATURE	2	
	-129 196299	. . SCREW,MACH-BIND HD 5-40 X 1/2 LG ATT PT	4	
	-130 5367211	. . ARM ASM,BAIL CONTACT, ALPHA 0 ,POS 1	1	
	-131 5367212	. . ARM ASM,BAIL CONTACT,NUMERIC 3 ,POS 2	1	
	-132 5367213	. . ARM ASM,BAIL CONTACT, ALPHA 1 ,POS 3	1	
	-133 5367214	. . ARM ASM,BAIL CONTACT,NUMERIC 5 ,POS 4	1	
	-134 5367215	. . ARM ASM,BAIL CONTACT, ALPHA 3 ,POS 5	1	
	-135 5367216	. . ARM ASM,BAIL CONTACT,NUMERIC 6 ,POS 6	1	

## LIST 6 CONT

LIST AND INDEX NUMBER	PART NUMBER	1 2 3 4	DESCRIPTION	UNITS PER ASM.	USABLE ON CODE	
			KEYBOARD ASSEMBLY -CONT			
6	-136	5367217	• • ARM ASM,BAIL CONTACT, ALPHA 4 ,POS 7	1		
	-137	5367218	• • ARM ASM,BAIL CONTACT,NUMERIC 8 ,POS 8	1		
	-138	5367219	• • ARM ASM,BAIL CONTACT, ALPHA 8 ,POS 9	1		
	-139	5367220	• • ARM ASM,BAIL CONTACT,NUMERIC 11,POS 10	1		
	-140	5367221	• • ARM ASM,BAIL CONTACT, ALPHA 9 ,POS 11	1		
	-141	5367222	• • ARM ASM,BAIL CONTACT,NUMERIC 12,POS 12	1		
	-142	5367223	• • ARM ASM,BAIL CONTACT, ALPHA 11,POS 13	1		
	-143	5367224	• • ARM ASM,BAIL CONTACT, COMMON 0 ,POS 14	1		
	-144	5367225	• • ARM ASM,BAIL CONTACT, ALPHA 12,POS 15	1		
	-145	2190746	• • CABLE ASM-KEYBOARD FOR COMPONENT PARTS SEE LIST 44-2B 3A,5,10 AND 17	1		
	-145	2190766	• • CABLE ASM-KEYBOARD FOR COMPONENT PARTS SEE LIST 44-37 44,63 AND 78B	1		
				END OF LIST 6		

FOR PARTS  
NOT SHOWN  
SEE FIG. 6

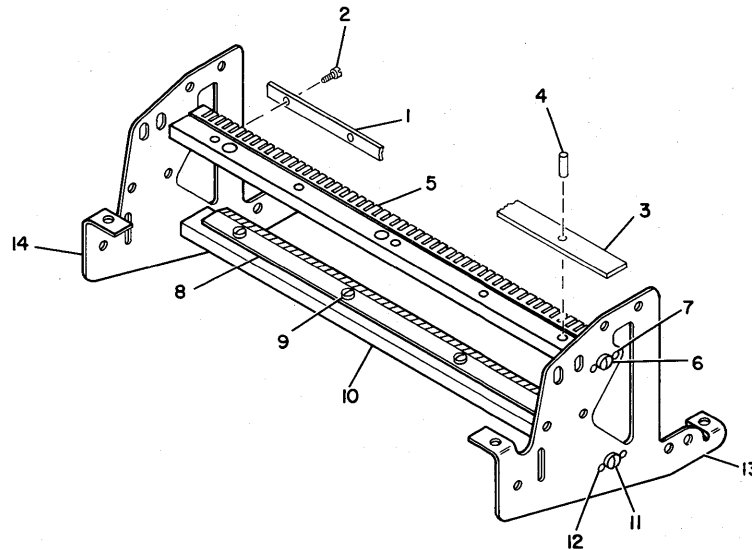
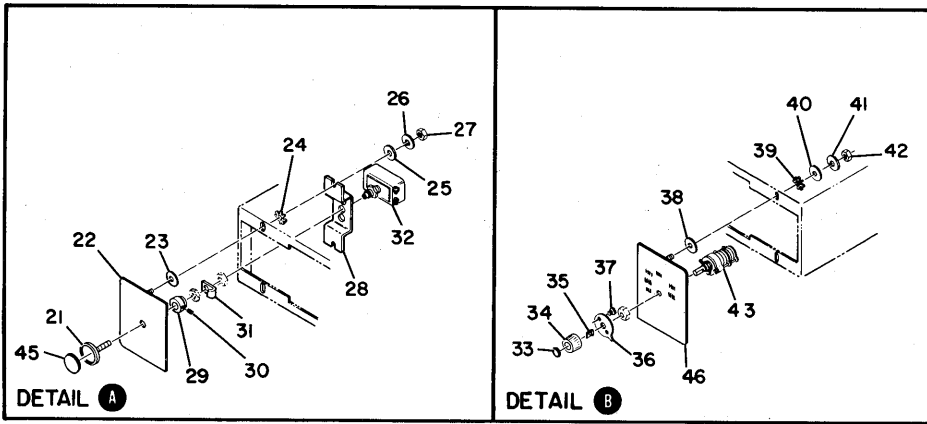


FIGURE 7. MOUNTING BAR ASSEMBLY.

## SEE LIST 7

LIST AND INDEX NUMBER	PART NUMBER	1 2 3 4	DESCRIPTION	UNITS PER ASM.	USABLE ON CODE
			MOUNTING BAR ASSEMBLY		
7	-	5367210	BAR ASSEMBLY MOUNTING FOR ILLUSTRATION SEE FIGURE 7 FOR NEXT HIGHER ASM SEE LIST 6-111	REF	
- 1	219226		• PLATE-LATCH	1	
- 2	311483		• SCREW,MACH-FIL H 2-56 X 5/16 LG ATT PT	6	
- 3	219272		• GUIDE-INTERLOCK	1	
- 4	134998		• PIN,STR,HDLS- 1/4 DIA X 5/16 LG ATT PT	5	
- 5	316059		• BAR-LATCH	1	
- 6	3500		• SCREW, FIL HD MACH-5-40 X .312 LG ATT PT	2	
- 7	7371		• PIN,STR,HDLS- 3/32 DIA X 3/16 LG ATT PT	4	
- 8	219236		• GUIDE-BAIL LOWER	1	
- 9	196299		• SCREW,MACH-BIND HD 5-40 X 1/2 LG ATT PT	4	
- 10	219216		• BAR-BAIL GUIDE MOUNTING	1	
- 11	3500		• SCREW, FIL HD MACH-5-40 X .312 LG ATT PT	2	
- 12	7371		• PIN,STR,HDLS- 3/32 DIA X 3/16 LG ATT PT	4	
- 13	5367204		• PLATE-RIGHT SIDE	1	
- 14	5367205		• PLATE-LEFT SIDE	1	

END OF LIST 7



FOR PARTS  
NOT SHOWN  
SEE FIG. 4

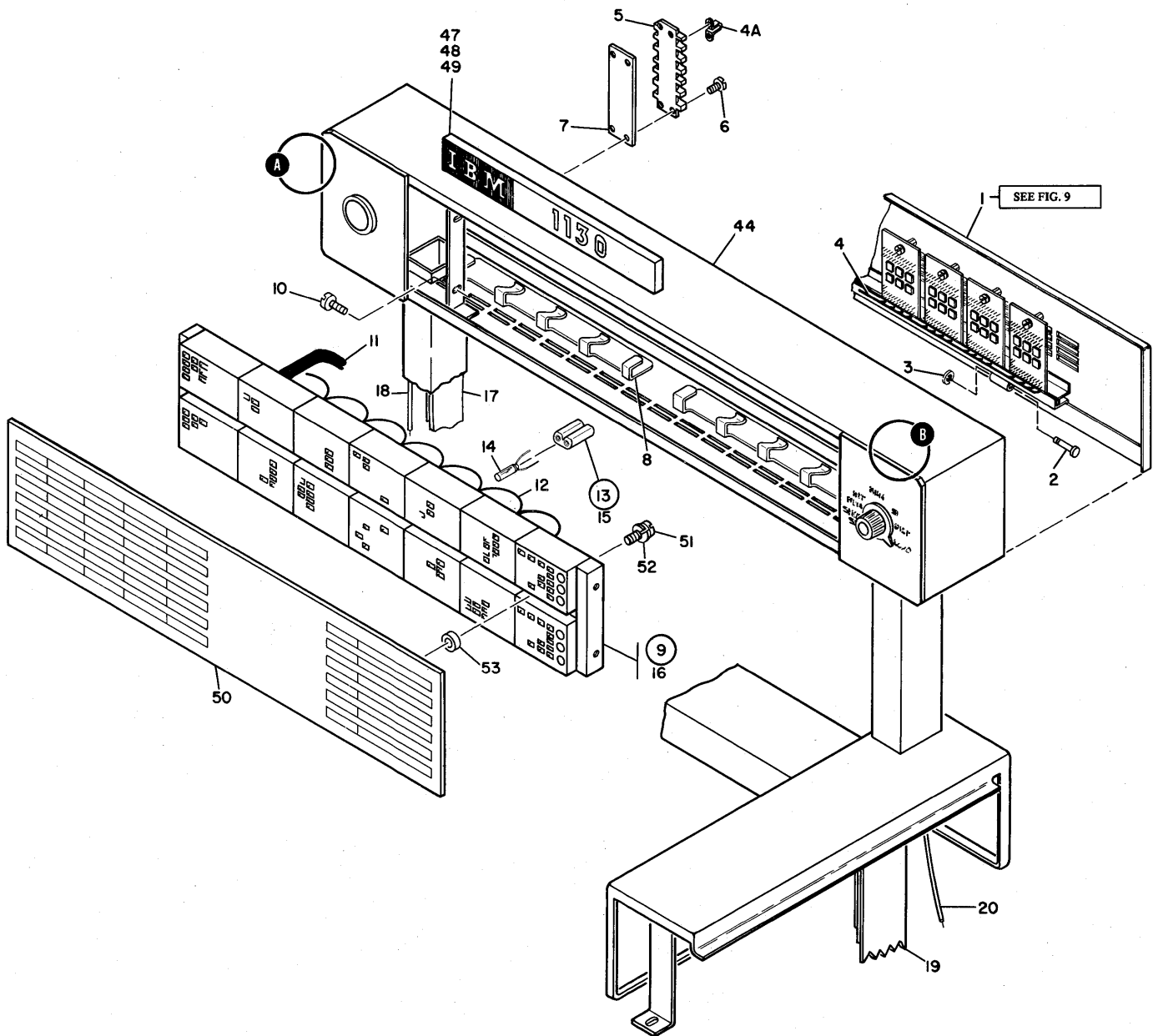


FIGURE 8. DISPLAY PANEL ASSEMBLY.

SEE LIST 8

## LIST 8

LIST AND INDEX NUMBER	PART NUMBER	DESCRIPTION				UNITS PER ASM.	USABLE ON CODE
		1	2	3	4		
		DISPLAY PANEL ASSEMBLY					
		CODE 1 USED AFTER F8 SUFFIX TO PRESENT					
8	2243284	DISPLAY PANEL ASM FOR ILLUSTRATION SEE FIGURE 8 FOR NEXT HIGHER ASM SEE LIST 4-8				REF	1
- 1	2243371	. COVER ASM, DISPLAY PANEL FOR DETAIL BREAKDOWN SEE LIST 9				1	
- 2	287502	. SCREW, MACH-FIL HD. 10-32 X 2.250 LG ATT PT				2	
- 3	364710	. CLIP, GATE ECCENTRIC PIVOT ATT PT				2	
- 4	2243241	. CABLE ASM, AC COM AND LAMP TEST FOR COMPONENT PARTS SEE LIST 44-2A				1	
		2C AND 73A					
- 4A	1143227	. JUMPER, BRASS				3	
- 5	317232	. TERMINAL BOARD- 6 DBL SCREW TERMINALS				1	
- 6	35739	. SCREW, MACH-BIND HD 6-32 X 15/16 LG ATT PT				4	
- 7	589714	. STRIP-MARKER				1	
- 8	825373	. SUPPORT, CABLE				2	
- 9	2243297	. LIGHT BLOCK ASM				1	
- 10	35739	. SCREW, MACH-BIND HD 6-32 X 15/16 LG ATT PT				4	
- 11	2243365	. . CABLE ASM, SCRID TO INDICATORS FOR COMPONENT PARTS SEE LIST 44-15				1	
		AND 17					
- 12	2243368	. . CABLE ASM, LAMP COMMON FOR COMPONENT PARTS SEE LIST 44-3B				1	
		6 AND 17					
- 13	2243370	. . LAMP ASM, INDICATOR USED ON ASM 2243297				154	
- 13	2243370	. . LAMP ASM, INDICATOR ADDITIONAL USED ON SCA FEATURE ONLY				6	
- 14	2391023	. . . LAMP, INDICATOR- 4.5V 140 MA				1	
- 15	165010	. . . PLUG AND INSERT ASSEMBLY				1	
- 16	2190632	. . BLOCK ASM, LIGHT PARTS OF THIS ASM ARE NOT REPLACEABLE				1	
- 17	2243377	. CABLE ASM, SCRID CARD 7				1	
- 17	2243378	. CABLE ASM, SCRID CARD 6				1	
- 17	2243379	. CABLE ASM, SCRID CARD 9				1	
- 17	2243380	. CABLE ASM, SCRID CARD 8 FOR COMPONENT PARTS SEE LIST 44-15				1	
		35, 44, 49, 63A AND 78B					
- 18	2243311	. CABLE ASM, SEQUENCE BOX TO DISPLAY PANEL FOR COMPONENT PARTS SEE LIST 44-1				1	
		2A, 2B, 2C, 3 AND 3B					
- 19	2243363	. CABLE ASM, SCRID CARD 1				1	
- 19	2243372	. CABLE ASM, SCRID CARD 3				1	
- 19	2243373	. CABLE ASM, SCRID CARD 2				1	
- 19	2243374	. CABLE ASM, SCRID CARD 4 FOR COMPONENT PARTS SEE LIST 44-15				1	
		35, 44, 49, 63A AND 78B					
- 20	2191110	. CABLE ASM, KB LIGHTS AND SWITCHES FOR COMPONENT PARTS SEE LIST 44-2B, 3A				1	
		3B, 10, 12, 12A, 17, 24, 24A, 37, 44, 63 AND 78B					
- 21	482191	. STEM AND FLANGE ASM PARTS OF THIS ASM ARE NOT REPLACEABLE				1	
- 22	2190634	. PANEL ASM, SWITCH PARTS OF THIS ASM ARE NOT REPLACEABLE				1	
- 23	2114519	. WASHER, SPACER ATT PT				2	
- 24	55901	. WASHER, LOCK, EXT TEETH - .176 DIA ATT PT				2	
- 25	22478	. WASHER, FL- 0.170 ID 0.375 OD 0.032 THK ATT PT				2	
- 26	1090873	. WASHER, LOCK - .168 ID X .296 OD ATT PT				2	
- 27	257189	. NUT, HEX 8-32 ATT PT				2	
- 28	2190633	. BRACKET, POWER SWITCH				1	
- 29	482188	. COLLAR				1	
- 30	257959	. SETSCREW-SPLINE DR CUP PT 4-40 X 3/16 LG ATT PT				1	
- 31	479999	. SPRING, SAFETY				1	
- 32	482219	. SWITCH, PUSH PULL-DPDT				1	
- 33	482204	. INSERT				1	
- 34	482209	. KNOB				1	
- 35	482195	. SPRING-CONTROL KNOB				1	
- 36	2190889	. POINTER, SWITCH				1	

## LIST 8 CONT

LIST AND INDEX NUMBER	PART NUMBER	DESCRIPTION	UNITS PER ASM.	USABLE ON CODE
		1 2 3 4		
		DISPLAY PANEL ASSEMBLY -CONT		
8 - 37	1090623	. PIN ATT PT	2	
- 38	2114519	. WASHER,SPACER	2	
- 39	55901	. WASHER, LOCK, EXT TEETH - .176 DIA	2	
- 40	22478	. WASHER,FL- 0.170 ID 0.375 OD 0.032 THK	2	
- 41	1090873	. WASHER, LOCK - .168 ID X .296 OD	2	
- 42	257189	. NUT, HEX 8-32	2	
- 43	2243075	. SWITCH,2 DECK,7 POS,ROTORY	1	
- 44	2243295	. HOUSING,DISPLAY PANEL	1	
		THE FOLLOWING PARTS ARE FEATURES ONLY		
- 45	482201	INSERT,PULL KNOB,EMERGENCY PULL,ENGLISH	1	
- 45	4066641	INSERT,PULL KNOB,SECURITE TIREZ,FRENCH	1	
- 45	4066640	INSERT,KNOB,NOTSCHALTER ZIEHEN,GERMAN	1	
- 46	2190635	PANEL ASM,SELECT	1	
- 46	2191011	PANEL ASM,SELECT-FRENCH	1	
- 46	2191010	PANEL ASM,SELECT-GERMAN	1	
		PARTS OF THIS ASM ARE NOT REPLACEABLE		
- 47	2190890	NAMEPLATE,1130 SYSTEM,ENGLISH	1	
- 47	2190891	NAMEPLATE,1130 SYSTEM,FRENCH	1	
- 47	2190892	NAMEPLATE,1130 SYSTEM,GERMAN	1	
- 48	170228	SCREW,ASMD WASHER- 6-32 X 5/8 LG ATT PT	2	
- 49	760541	SPACER, MOUNTING-NAMEPLATE ATT PT	2	
- 50	2197311	PANEL,DISPLAY,ENGLISH	1	
- 50	2197312	PANEL,DISPLAY,FRENCH	1	
- 50	2197313	PANEL,DISPLAY,GERMAN	1	
		PARTS OF THIS ASM ARE NOT REPLACEABLE		
- 51	438547	SCREW,MACH-FIL H 4-40 X 1-1/4 LG ATT PT	4	
- 52	257984	WASHER,LOCK-SPRING MEDIUM ATT PT	4	
- 53	473582	INSULATOR ATT PT	4	
		END OF LIST 8		

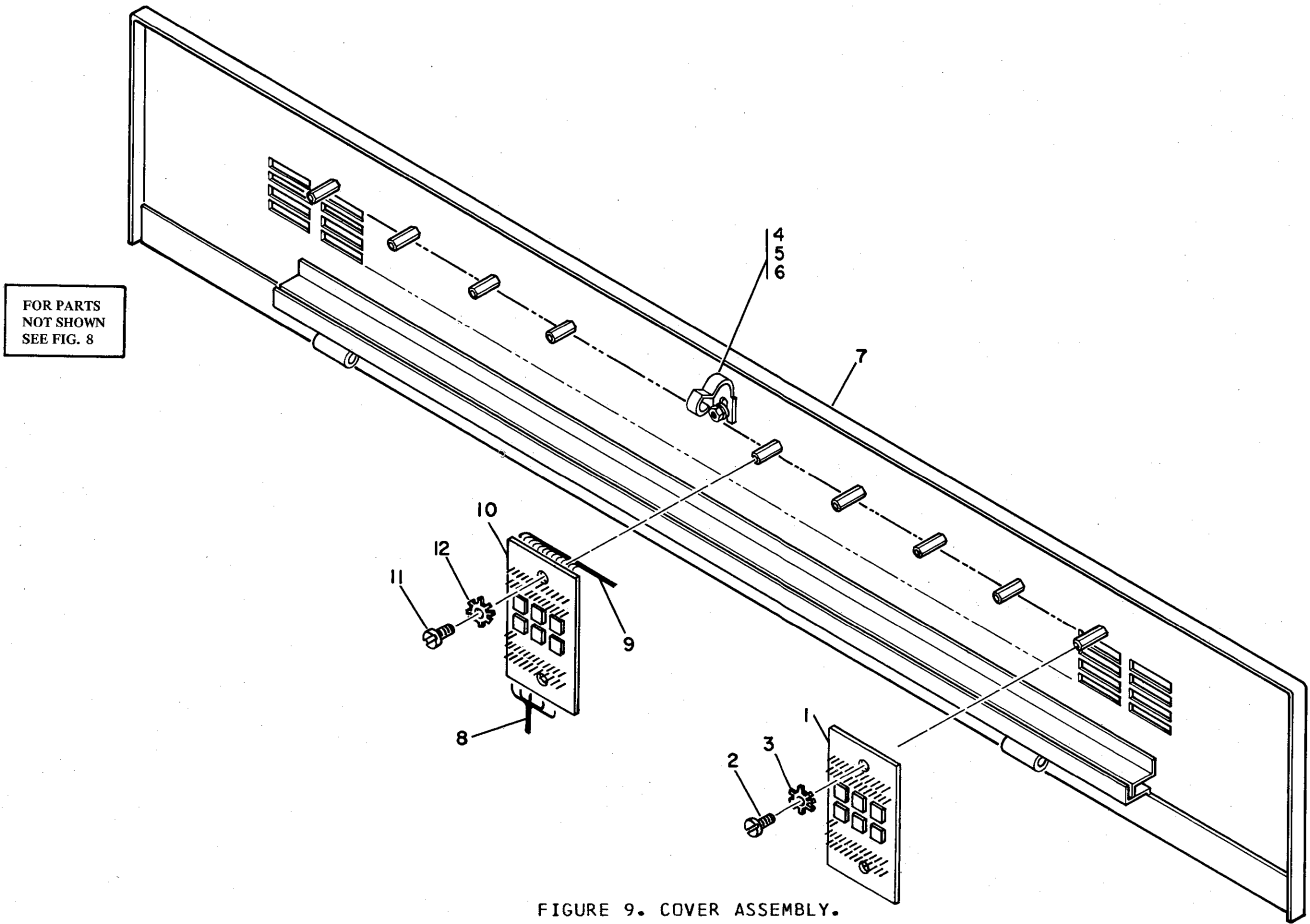


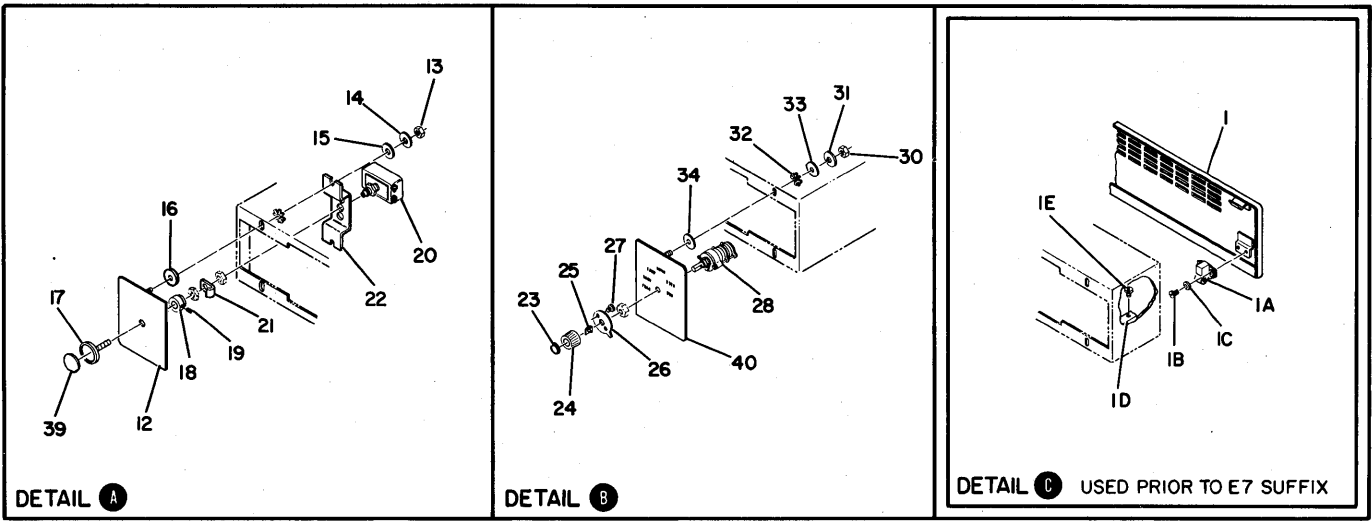
FIGURE 9. COVER ASSEMBLY.

**SEE LIST 9**

LIST AND INDEX NUMBER	PART NUMBER	DESCRIPTION				UNITS PER ASM.	USABLE ON CODE
		1	2	3	4		
		COVER ASSEMBLY					
<b>9</b>							
		CODE A USED WITH SCA FEATURE ONLY					
-	2243371	COVER ASM, DISPLAY PANEL FOR ILLUSTRATION SEE FIGURE 9 FOR NEXT HIGHER ASM SEE LIST 8-1				REF	
- 1	5800325	• CARD ASM, SCRID PARTS OF THIS ASM ARE NOT REPLACEABLE				8	
- 2	251970	• SCREW-MACH BD. HD. 4-40 X 1/4 LG				ATT PT	8
- 3	338169	• WASHER, LOCK-EXT TEETH NO. 4 X 9/32 OD				ATT PT	8
- 4	2243369	• RETAINER					1
- 5	37913	• NUT, HEX 4-40 NC				ATT PT	1
- 6	338169	• WASHER, LOCK-EXT TEETH NO. 4 X 9/32 OD				ATT PT	1
- 7	2243296	• COVER ASM PARTS OF THIS ASM ARE NOT REPLACEABLE					1
		THE FOLLOWING PARTS ARE FEATURES ONLY					
- 8	2243364	CABLE ASM, TO SCRID CARD FOR COMPONENT PARTS SEE LIST 44-15 35, 44, 49, 63 AND 78B				1	A
- 9	2243367	CABLE ASM, SCRID CARD TO LAMP FOR COMPONENT PARTS SEE LIST 44-2C 15, 17, 17A, 49, 69A, 71 AND 73A				1	A
- 10	5800325	CARD ASM, SCRID PARTS OF THIS ASM ARE NOT REPLACEABLE				1	A
- 11	251970	SCREW, MACH, BH. 4-40 X 0.25 LONG				ATT PT	1
- 12	338169	WASHER, LOCK-EXT TEETH NO. 4 X 9/32 OD				ATT PT	1

**END OF LIST 9**





FOR PARTS NOT SHOWN SEE FIG. 4

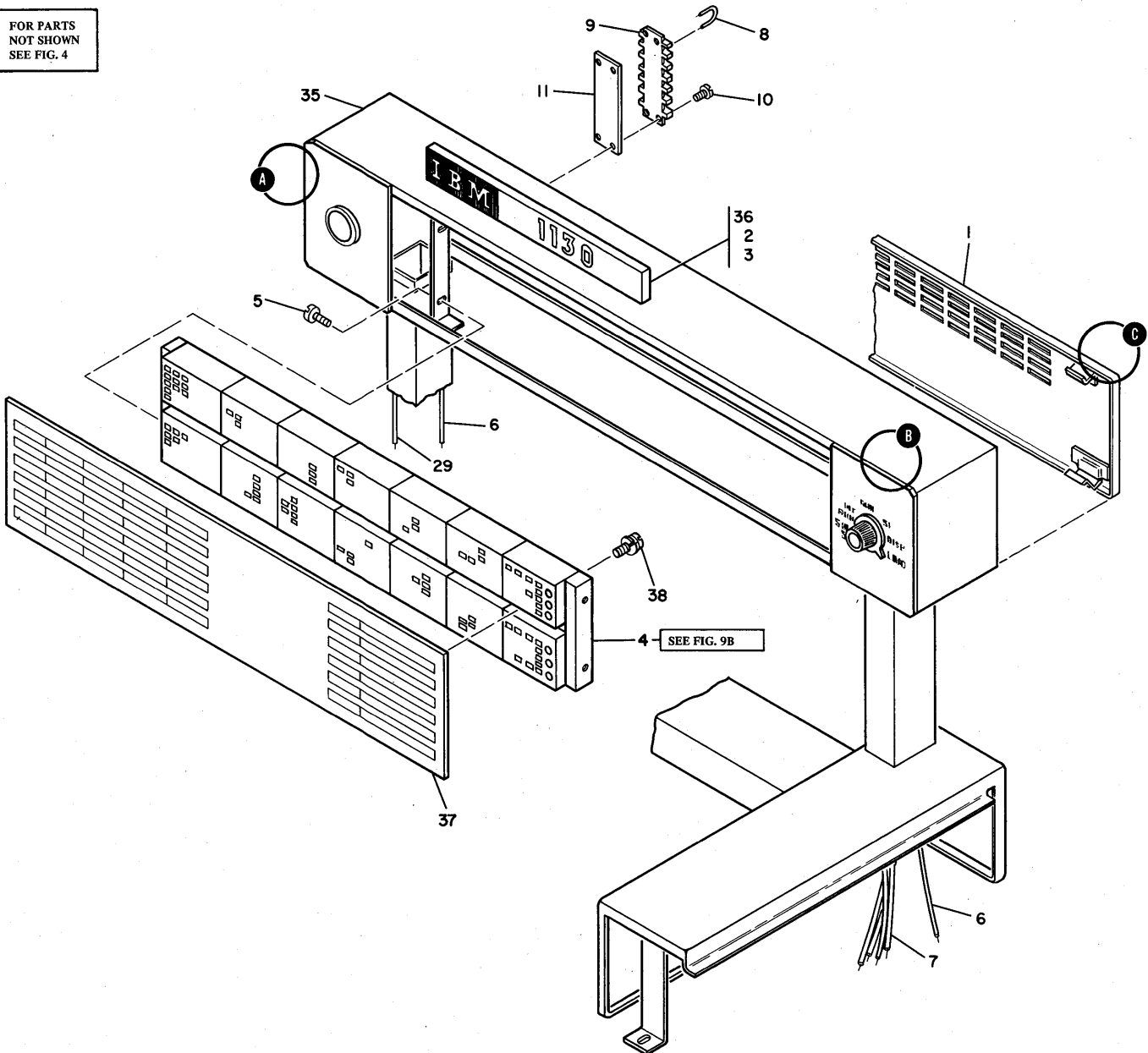


FIGURE 9A. DISPLAY PANEL ASSEMBLY.

SEE LIST 9A

## SEE LIST 9A

LIST AND INDEX NUMBER	PART NUMBER	DESCRIPTION	UNITS PER ASM.	USABLE ON CODE
		1 2 3 4 DISPLAY PANEL ASSEMBLY		
		CODE 1 USED PRIOR TO E7 SUFFIX CODE 2 USED FROM E7 TO PRESENT CODE 3 USED PRIOR TO F8 SUFFIX		
9A	2190555	DISPLAY PANEL ASSEMBLY FOR ILLUSTRATION SEE FIGURE 9A FOR NEXT HIGHER ASM SEE LIST 4-8	REF	3
- 1	2243641	• COVER,DISPLAY PANEL HOUSING	1	2
- 1	2190637	• COVER,DISPLAY PANEL HOUSING	1	1
- 1A	513668	• CATCH, FRICTION LATCH	2	1
- 1B	731626	• SCREW, PAN HEAD, 6-32 X .25 LONG ATT PT	4	1
- 1C	257986	• WASHER, FLAT NO. 6 ATT PT	4	1
- 1D	327408	• STRIKE, FRONT COVER	2	1
- 1E	731626	• SCREW, PAN HEAD, 6-32 X .25 LONG ATT PT	4	
- 2	170228	• SCREW, ASMD WASHER- 6-32 X 5/8 LG ATT PT	2	
- 3	760541	• SPACER, MOUNTING-NAMEPLATE	2	
- 4	2190704	• LIGHT BLOCK ASM	1	
- 5	35739	FOR DETAIL BREAKDOWN SEE LIST 9B • SCREW, MACH-BIND HD 6-32 X 15/16 LG ATT PT	4	
- 6	2190845	• CABLE ASM, B GATE TO DISPLAY PANEL ASM	1	
- 6	2197208	FOR COMPONENT PARTS SEE LIST 44-15 35,44,63A AND 78B • CABLE ASM, LAMP DRIVER	1	
- 7	2191110	USE WITH SCA FEATURE ONLY FOR COMPONENT PARTS SEE LIST 44-22 35,44,63A AND 78B • CABLE ASM, KB LIGHTS AND SWITCHES FOR COMPONENT PARTS SEE LIST 44-2B, 3A 3B, 10, 12, 12A, 17, 24, 24A, 37, 44, 63 AND 78B	1	
- 8	1143227	• JUMPER, BRASS	3	
- 9	317232	• TERMINAL BOARD- 6 DBL SCREW TERMINALS	1	
- 10	35739	• SCREW, MACH-BIND HD 6-32 X 15/16 LG ATT PT	4	
- 11	589714	• STRIP-MARKER	1	
- 12	2190634	• PANEL ASM, SWITCH PARTS OF THIS ASM ARE NOT REPLACEABLE	1	
- 13	257189	• NUT, HEX 8-32 ATT PT	2	
- 14	1090873	• WASHER, LOCK - .168 ID X .296 OD ATT PT	2	
- 15	22478	• WASHER, FL- 0.170 ID 0.375 OD 0.032 THK ATT PT	2	
- 15A	55901	• WASHER, LOCK, EXT TEETH - .176 DIA ATT PT	2	
- 16	2114519	• WASHER, SPACER ATT PT	2	
- 17	482191	• STEM AND FLANGE ASM	1	
- 18	482188	PARTS OF THIS ASM ARE NOT REPLACEABLE • COLLAR	1	
- 19	257959	• SETSCREW-SPLINE DR CUP PT 4-40 X 3/16 LG ATT PT	1	
- 20	482219	• SWITCH, PUSH PULL-DPDT	1	
- 21	479999	• SPRING, SAFETY	1	
- 22	2190633	• BRACKET, POWER SWITCH	1	
- 23	482204	• INSERT	1	
- 24	482209	• KNOB	1	
- 25	482195	• SPRING-CONTROL KNOB	1	
- 26	2190889	• POINTER, SWITCH	1	
- 27	1090623	• PIN ATT PT	2	
- 28	2243075	• SWITCH, 2 DECK, 7 POS, ROTORY	1	
- 29	2243311	• CABLE ASM, SEQUENCE BOX TO DISPLAY PANEL FOR COMPONENTS SEE LIST 44-1 2A, 2B, 2C, 3 AND 3B	1	
- 30	257189	• NUT, HEX 8-32 ATT PT	2	
- 31	1090873	• WASHER, LOCK - .168 ID X .296 OD ATT PT	2	
- 32	55901	• WASHER, LOCK, EXT TEETH - .176 DIA ATT PT	2	
- 33	22478	• WASHER, FL- 0.170 ID 0.375 OD 0.032 THK ATT PT	2	
- 34	2114519	• WASHER, SPACER ATT PT	2	
- 35	2243644	• HOUSING, DISPLAY PANEL	1	2
- 35	2190636	• HOUSING, DISPLAY PANEL	1	1
- 36	2190890	THE FOLLOWING PARTS ARE FEATURES ONLY NAMEPLATE, 1130 SYSTEM, ENGLISH	1	
- 36	2190891	NAMEPLATE, 1130 SYSTEM, FRENCH	1	
- 36	2190892	NAMEPLATE, 1130 SYSTEM, GERMAN	1	
- 37	2197311	PANEL, DISPLAY, ENGLISH	1	
- 37	2197312	PANEL, DISPLAY, FRENCH	1	
- 37	2197313	PANEL, DISPLAY, GERMAN	1	
- 38	170185	PARTS OF THIS ASM ARE NOT REPLACEABLE SCREW AND LOCKWASHER, 4-40 X 1 LG ATT PT	4	
- 39	482201	INSERT, PULL KNOB, EMERGENCY PULL, ENGLISH	1	
- 39	4066640	INSERT, KNOB, NOTSCHALTER ZIEHEN, GERMAN	1	
- 39	4066641	INSERT, PULL KNOB, SECURITE TIREZ, FRENCH	1	
- 40	2190635	PANEL ASM, SELECT, ENGLISH	1	
- 40	2191011	PANEL ASM, SELECT-FRENCH	1	
- 40	2191010	PANEL ASM, SELECT-GERMAN PARTS OF THIS ASM ARE NOT REPLACEABLE	1	

END OF LIST 9A

FOR PARTS  
NOT SHOWN  
SEE FIG. 9A

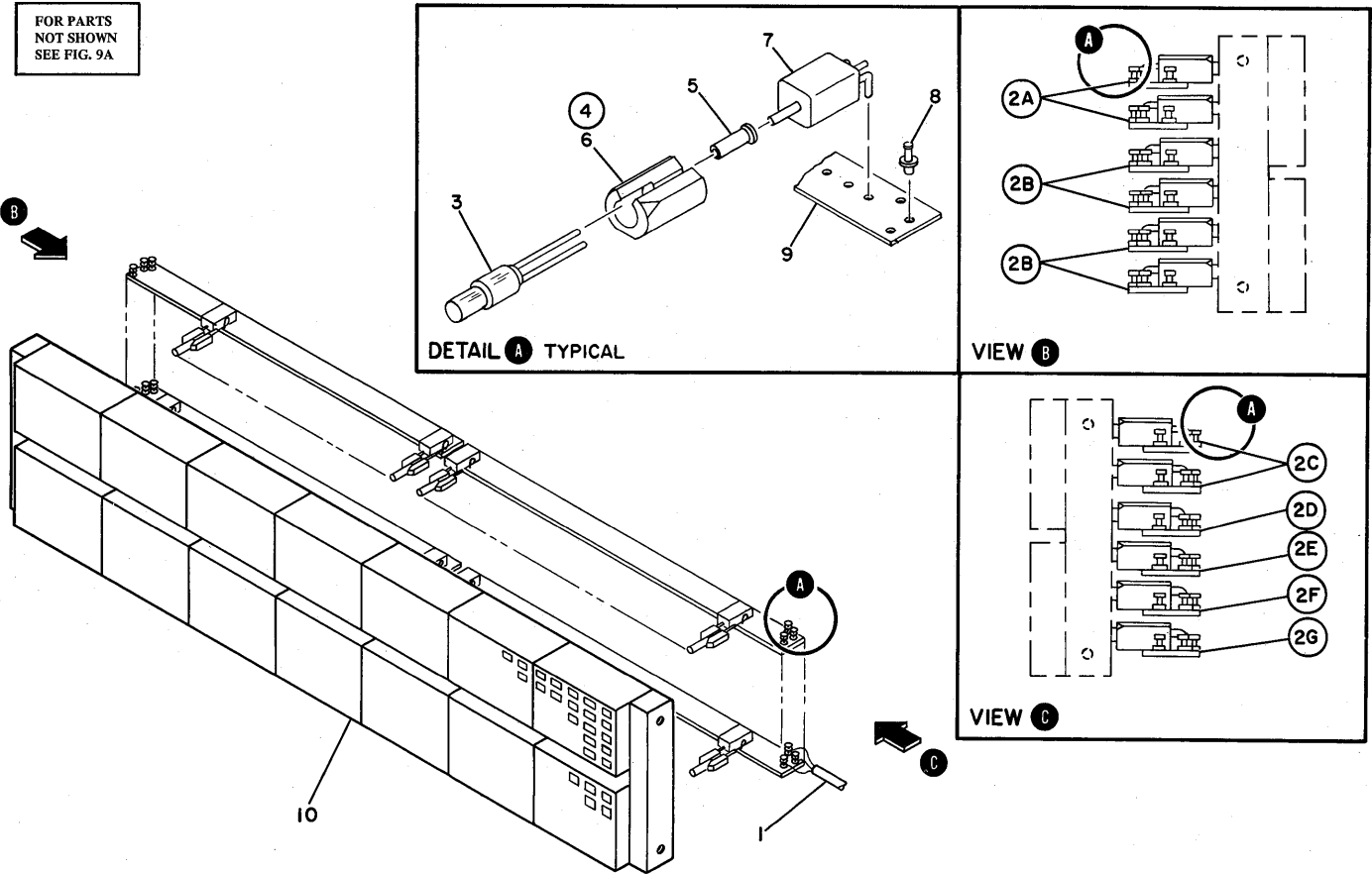


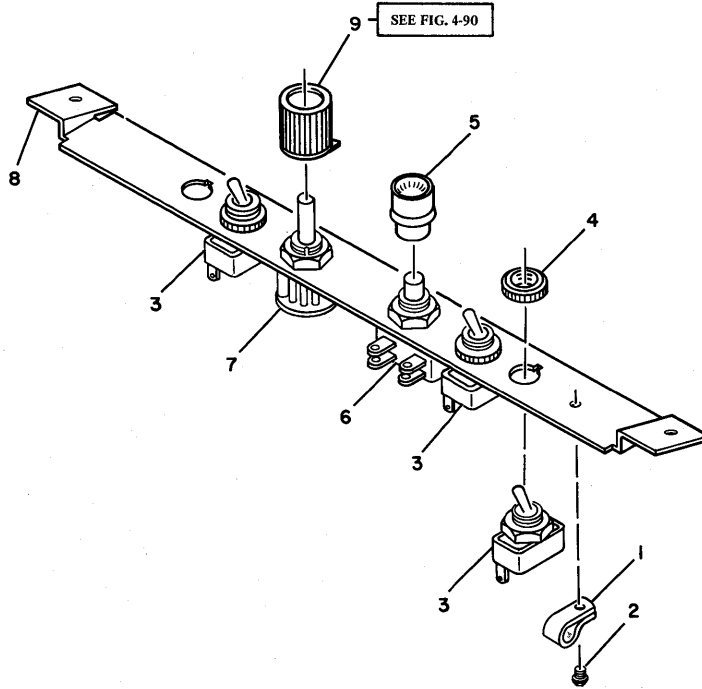
FIGURE 9B. LIGHT BLOCK ASSEMBLY.

SEE LIST 9B

LIST AND INDEX NUMBER	PART NUMBER	DESCRIPTION				UNITS PER ASM.	USABLE ON CODE
		1	2	3	4		
		LIGHT BLOCK ASSEMBLY					
<b>9B</b>	2190704	LIGHT BLOCK ASM FOR ILLUSTRATION SEE FIGURE 9B FOR NEXT HIGHER ASM SEE LIST 9A-4				REF	
- 1	2191183	• CABLE ASM, LIGHT PANEL FOR COMPONENT PARTS SEE LIST 44-28				1	
- 2A	2243725	• LAMP ASM-15 POSITION				2	
- 2B	2191020	• LAMP ASM- 16 POSITION				4	
- 2C	2191099	• LAMP ASM- 13 POSITION				2	
- 2D	2191021	• LAMP ASM- 9 POSITION				1	
- 2E	2191024	• LAMP ASM- 9 POSITION				1	
- 2F	2191498	• LAMP ASM-14 POSITION				1	
- 2G	2191499	• LAMP ASM-10 POSITION				1	
- 2G	2243345	USED WITH SCA ONLY • LAMP ASM- 2 POSITION USED WITH NO SCA ONLY				1	
- 3	2391023	• • LAMP, INDICATOR- 4.5V 140 MA				AR	
- 4	165010	• • PLUG AND INSERT ASSEMBLY				AR	
- 5	163800	• • • INSERT				2	
- 6	719904	• • • PLUG, LIGHT				1	
- 7	814008	• • • DRIVER, INDICATOR, TYPE 213				AR	
- 8	5246799	• • TERMINAL-SINGLE				3	
- 9	2191089	• • JUMPER BOARD, LH				1	
- 9	2191088	• • JUMPER BOARD, RH				1	
- 10	2190632	• BLOCK ASM, LIGHT				1	
		PARTS OF THIS ARE NOT REPLACEABLE					

END OF LIST 9B

FOR PARTS  
NOT SHOWN  
SEE FIG. 4



● FIGURE 10. SCA SWITCH ASSEMBLY.

SEE LIST **10**

LIST AND INDEX NUMBER	PART NUMBER	DESCRIPTION	1 2 3 4				UNITS PER ASM.	USABLE ON CODE
			1	2	3	4		
		SCA SWITCH ASSEMBLY						
<b>10</b> -	2197325	SWITCH ASM, SCA FOR ILLUSTRATION SEE FIGURE 10 FOR NEXT HIGHER ASM SEE LIST 4-87					REF	
- 1	356742	• CLAMP, LOOP- 0.250 ID 0.177 DIA MTG HOLE					1	
- 2	5350012	• SCREW, THD FORMING HEX WSR HD 8-32 X .25 ATT PT					1	
- 3	738826	• SWITCH, TOGGLE- SPDT MAINTAINED					3	
- 4	179743	• NUT, PLAIN, HEX- 15/32-32 X 9/16 FL W ATT PT					3	
- 5	482200	• PUSH BUTTON ASSEMBLY					1	
- 6	2101433	PARTS OF THIS ASM ARE NOT REPLACEABLE • SWITCH, PUSHBUTTON-MOMENTARY					1	
- 7	2197243	• SWITCH, 6 POS, SINGLE DECK ROTARY					1	
- 8	2197324	• PLATE, SWITCH					1	
- 9	5724439	KNOB ASSEMBLY FOR DETAIL BREAKDOWN SEE FIG 4-90					1	
		END OF LIST <b>10</b>						

FOR PARTS  
NOT SHOWN  
SEE FIG. 4

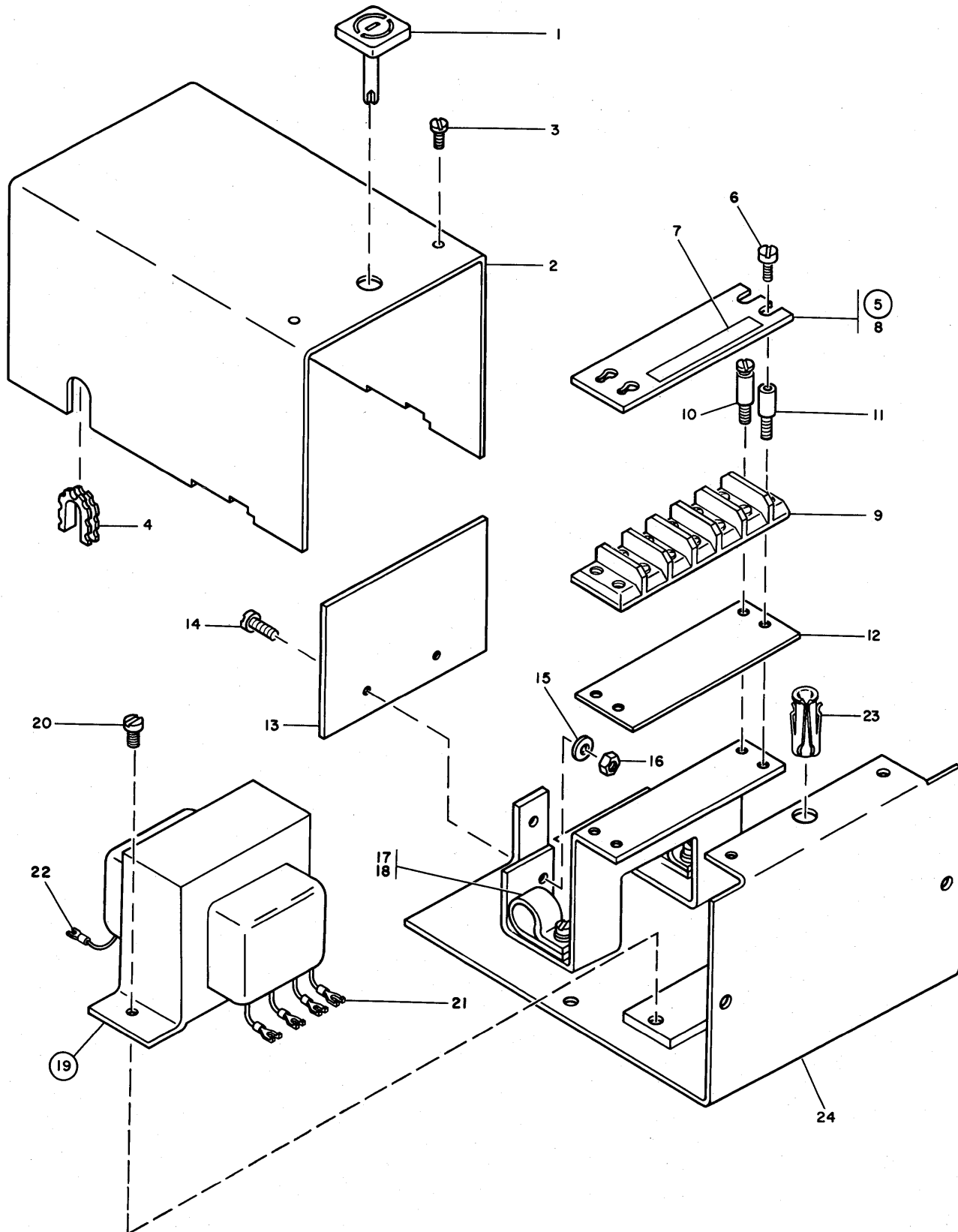


FIGURE 11. METER POWER PAC ASSEMBLY.

SEE LIST **11**



FOR PARTS  
NOT SHOWN  
SEE FIG. 4

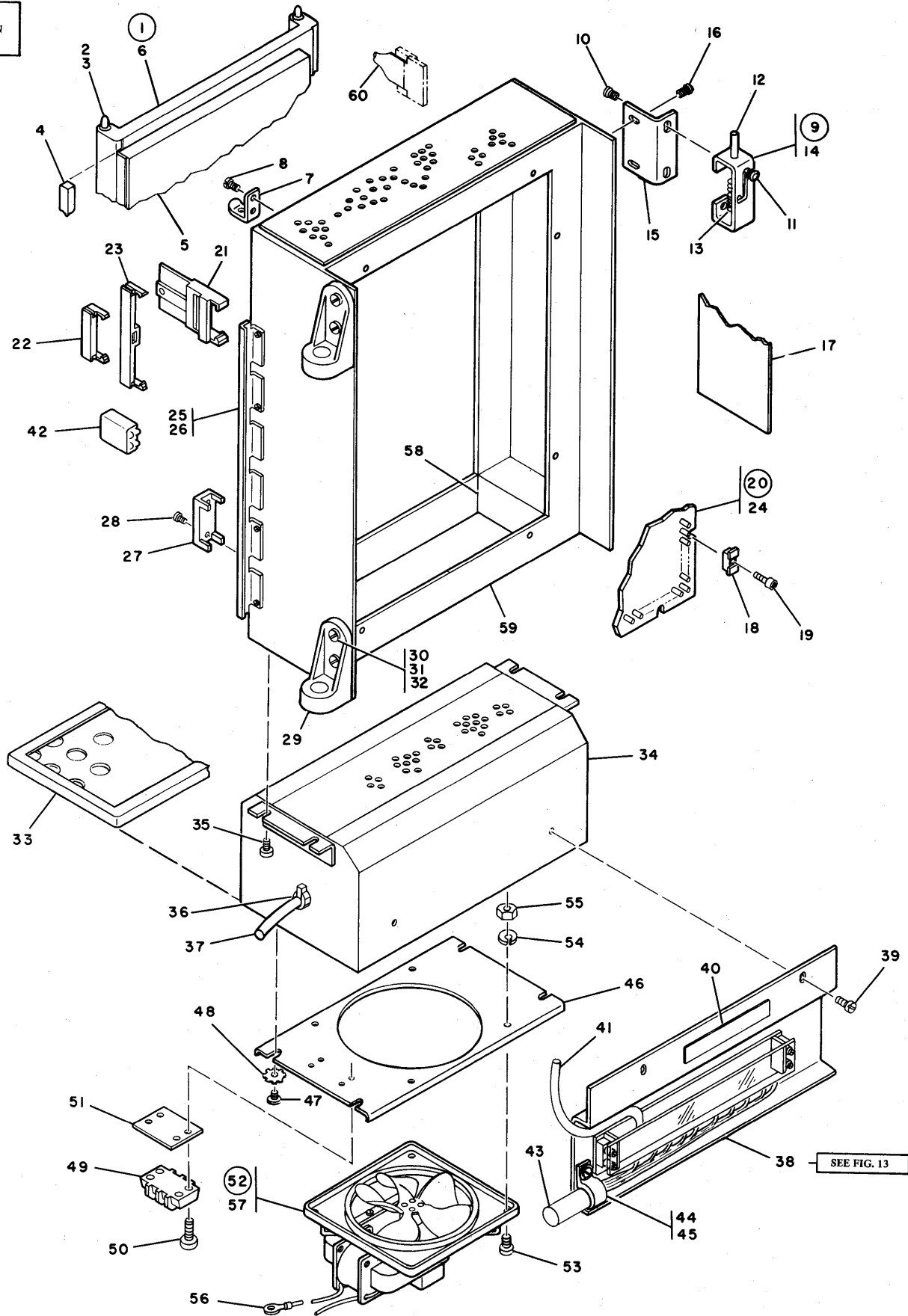


FIGURE 12. C GATE ASSEMBLY.

SEE LIST 12

## LIST 12

LIST AND INDEX NUMBER	PART NUMBER	DESCRIPTION	UNITS PER ASM.	USABLE ON CODE
		C GATE ASSEMBLY		
12	2197308 2197309	C GATE ASM,60 HZ C GATE ASM,50 HZ FOR ILLUSTRATION SEE FIGURE 12 FOR NEXT HIGHER ASM SEE LIST 4-96	REF REF	
- 1	2191345	. COVER ASM	1	
- 2	815964	. . CATCH	4	
- 3	815963	. . CATCH-PULL	4	ATT PT
- 4	2191346	. . SEAL,FOAM	1	
- 5	2191199	. . CUSHION,FOAM	1	
- 6	2191197	. . COVER,CARD BOARD	1	
- 7	2191198	. RETAINER,COVER	4	
- 8	2181005	. SCREW, SELF TAPPING, 6-32 X .375 LG.	8	ATT PT
- 9	2172092	. LATCH ASSEMBLY-GATE	1	
- 10	10170	. SCREW-MACH,BIND HD NO. 6-32 X .250 LG	2	ATT PT
- 11	528013	. . STUD-LATCH	1	
- 12	528014	. . PIN-LATCH	1	
- 13	528012	. . SPRING,HELICAL,COMPR	1	
- 14	528011	. . BRACKET-LATCH	1	
- 15	2191348	. SUPPORT-LATCH	1	
- 16	2181005	. SCREW, SELF TAPPING, 6-32 X .375 LG.	2	ATT PT
- 17	2243098	. LABEL,C GATE- SYNC	1	
- 18	813179	. CLAMP-BOARD	8	
- 19	811417	. SCREW,HEX SOCKET H- 6-32 X 1/2 LG	8	ATT PT
- 20	2197211	. BOARD ASM,C GATE SMS CARD AND	1	
- 21	811363	. . EXTENDER, CARD, 6 PAC	32	
- 22	811802	. . GUIDE-CARD,6 PAC	43	
- 23	811804	. . GUIDE, CARD	4	
- 24	2197210	. . BOARD ASM,C GATE PARTS OF THIS ASM ARE NOT REPLACEABLE	1	
- 25	2194994	. CLAMP,BASE	1	
- 26	2181005	. SCREW, SELF TAPPING, 6-32 X .375 LG.	4	ATT PT
- 27	2194940	. CLAMP,ADJ.	5	
- 28	5644	. SCREW,MACH-FIL H 6-32 X 5/8 LG	10	ATT PT
- 29	124871	. HINGE- REAR GATE	2	
- 30	38688	. SCREW-SUPPORT + TRIM MOUNTING .750 LONG	4	ATT PT
- 31	6935	. WASHER,LOCK-SPLIT 1/4 X 0.493 OD	4	ATT PT
- 32	36109	. NUT,PLAIN,HEX- 1/4-20 X 7/16 FL W	4	ATT PT
- 33	2197230	. FILTER,AIR,4.88 X 9.25	1	
- 34	2191194	. HOUSING,FAN	1	
- 35	5319854	. SCREW, SELF TAPPING, 8-32 X .375 LONG	4	ATT PT
- 36	107611	. BUSHING	1	
- 37	2197232	. CABLE ASM, C GATE BLOWER	1	
- 38	2197205	FOR COMPONENT PARTS SEE LIST 44-1 AND 2C . POWER SUPPLY ASM,12 VDC	1	
- 39	34512	FOR DETAIL BREAKDOWN SEE LIST 13 . SCREW,MACH-BIND HD 8-32 X 3/8 LG	2	ATT PT
- 40	124943	. LABEL-HAZARDOUS AREA	1	
- 41	2197209	. CABLE ASM,INTERNAL DC POWER FOR COMPONENT PARTS SEE LIST 44-2B 2C,9,69,71 AND 73		
- 42	813197	. HOUSING-TERMINAL	2	
- 43	2197233	. CABLE ASM,DC POWER FOR COMPONENT PARTS SEE LIST 44-2B 3,3B,57,58 AND 59	1	
- 44	2114108	. CLAMP, CABLE-.562 DIAMETER	1	
- 45	845	. SCREW,MACH-FIL H 8-32 X 1/2 LG	1	ATT PT
- 46	2191195	. PLATE,FAN MTG	1	
- 47	5319854	. SCREW, SELF TAPPING, 8-32 X .375 LONG	4	ATT PT
- 48	55901	. WASHER, LOCK, EXT TEETH - .176 DIA	1	ATT PT
- 49	323840	. TERMINAL BOARD- 2 DBL SCREW TERMINALS	1	
- 50	2181071	. SCREW-BD MTG	4	ATT PT
- 51	2101380	. MARKER STRIP- 2 POS NOS. 1 AND 2	1	
- 52	2190725	. FAN ASM,115 VOLT 60 HERTZ	1	
- 52	2190900	. FAN ASM,220 VOLT 50 HERTZ	1	
- 53	845	. SCREW,MACH-FIL H 8-32 X 1/2 LG	4	ATT PT
- 53	38235	USED ON 2197308 ONLY . SCREW,BIND HD 6-32 X .312 LONG	4	ATT PT
- 54	1090873	USED ON 2197309 ONLY . WASHER, LOCK - .168 ID X .296 OD	4	ATT PT
- 55	257189	USED ON ASM 2197308 ONLY . NUT, HEX 8-32	4	ATT PT
- 56	334921	USED ON ASM 2197308 ONLY . . TERMINAL-LUG NO.22 THRU NO.18 WIRE INSUL	2	
- 57	2172165	. . FAN,115V-60 HZ	1	
- 57	4120171	. . FAN,220V-50 HZ	1	
- 58	2197310	. FOAM,AIR BLOCK,1.25 X 1.38 X 3.12 LG	2	
- 59	2191191	. GATE, C	1	
		FOLLOWING COMPONENTS ARE FEATURES ONLY		
- 60	2197202	CABLE ASM-DATA SET FOR COMPONENTS SEE LIST 44-1,33,36,38A 40,41,42,43,46,54,63,78B,88,89,89A,90D	1	



FOR PARTS  
NOT SHOWN  
SEE FIG. 12

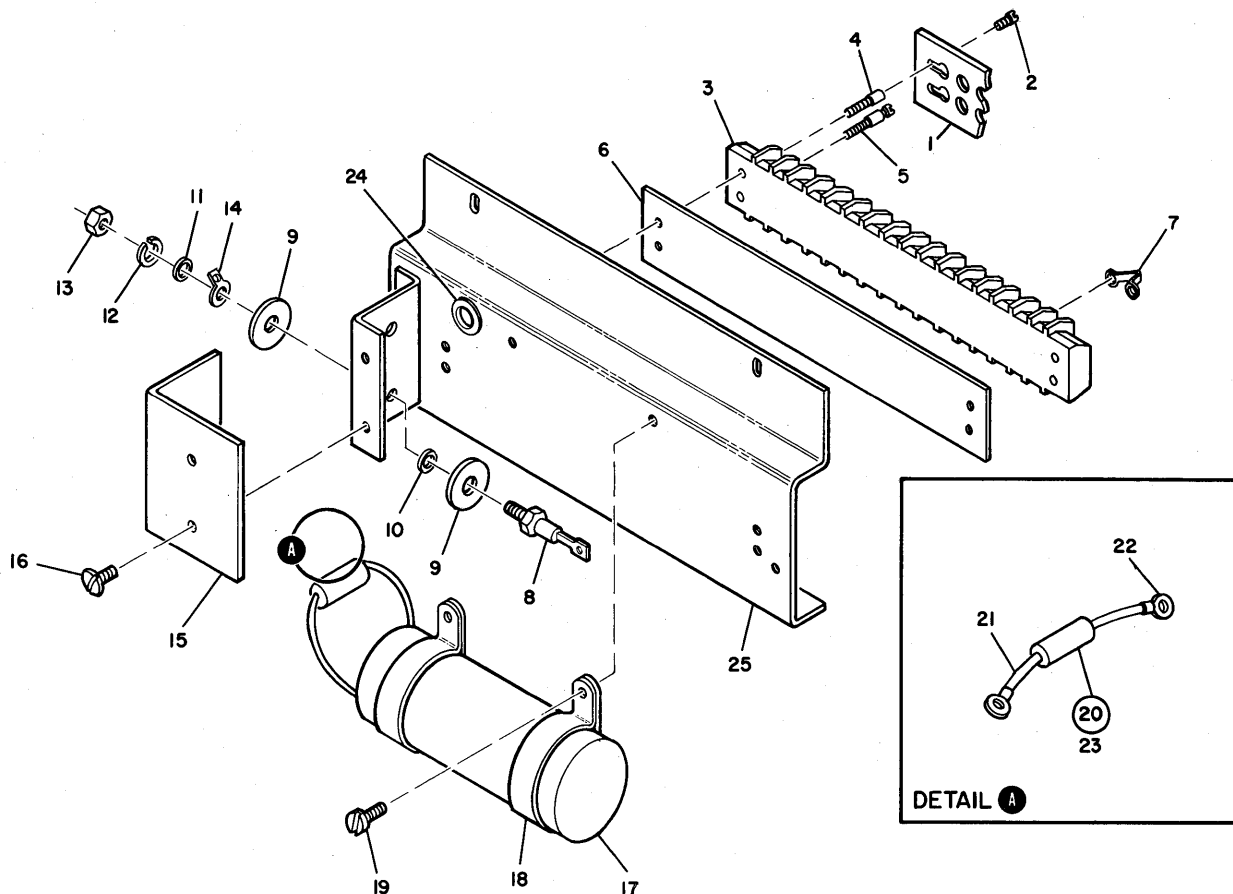


FIGURE 13. 12V POWER SUPPLY ASSEMBLY.

SEE LIST **13**

LIST AND INDEX NUMBER	PART NUMBER	DESCRIPTION				UNITS PER ASM.	USABLE ON CODE
		1	2	3	4		
		12V POWER SUPPLY ASSEMBLY					
<b>13</b> -	2197205	12V POWER SUPPLY ASSEMBLY FOR ILLUSTRATION SEE FIGURE 13 FOR NEXT HIGHER ASM SEE LIST 12-38				419646 3-67	REF
- 1	191478	• SHIELD 16 POS				1	
- 2	210984	• SCREW, MACH RH 6-32 X .25				ATT PT	1
- 3	301731	• TERMINAL BOARD- 16 DBL SCREW TERMINALS					1
- 4	210985	• STUD, EXT 8-32 X 1/2 INT 6-32 X 0.19 DP				ATT PT	1
- 5	210986	• STUD, SLOTTED 8-32 X 1/2 LG THREAD				ATT PT	3
- 6	322269	• MARKER STRIP- 16 POS. NOS. 1 THRU 16					1
- 7	367115	• JUMPER-TERMINAL STRIP VDC DISTR BRS					8
- 8	598480	• SEMICONDUCTOR DEVICE, D10- 150V 10 AMP					2
- 9	217019	• WASHER, INSULATING .199 ID 1.00 OD				ATT PT	4
- 10	473582	• INSULATOR				ATT PT	2
- 11	45690	• WASHER, FL - NO.10 X 7/16 OD X 1/32 THK				ATT PT	2
- 12	9092	• WASHER-LOCK, SPLIT RING, .194 ID .337 OD				ATT PT	2
- 13	11598	• NUT, HEX 10-32				ATT PT	2
- 14	316996	• TERMINAL, LUG-NONINS 9AWG NO. 8 MTG HOLE					2
- 15	2197204	• SHIELD, SEMICONDUCTOR					1
- 16	58207	• SCREW, BD HD MACH-8-32 NC-2A X .250 LG				ATT PT	2
- 17	598341	• CAPACITOR, FXD, ELECT- 10000UF P150M10%15V					1
- 18	2102370	• CLAMP					2
- 19	5528	• SCREW, MACH BIND HD 8-32 X .625 LG				ATT PT	2
- 20	501565	• RESISTOR ASSEMBLY- 50 OHMS 10W					1
- 21	512848	• TUBING					2
- 22	334932	• TERMINAL-LUG NO.18 THRU NO.22 WIRE INSUL					2
- 23	501551	• RESISTOR-50 OHMS 10W					1
- 24	317138	• GROMMET, RUB-FOR 7/16 HOLE X 1/8 PNL					1
- 25	2191347	• SUPPORT, TERMINAL BLOCK					1

END OF LIST **13**

FOR PARTS  
NOT SHOWN  
SEE FIG. 4

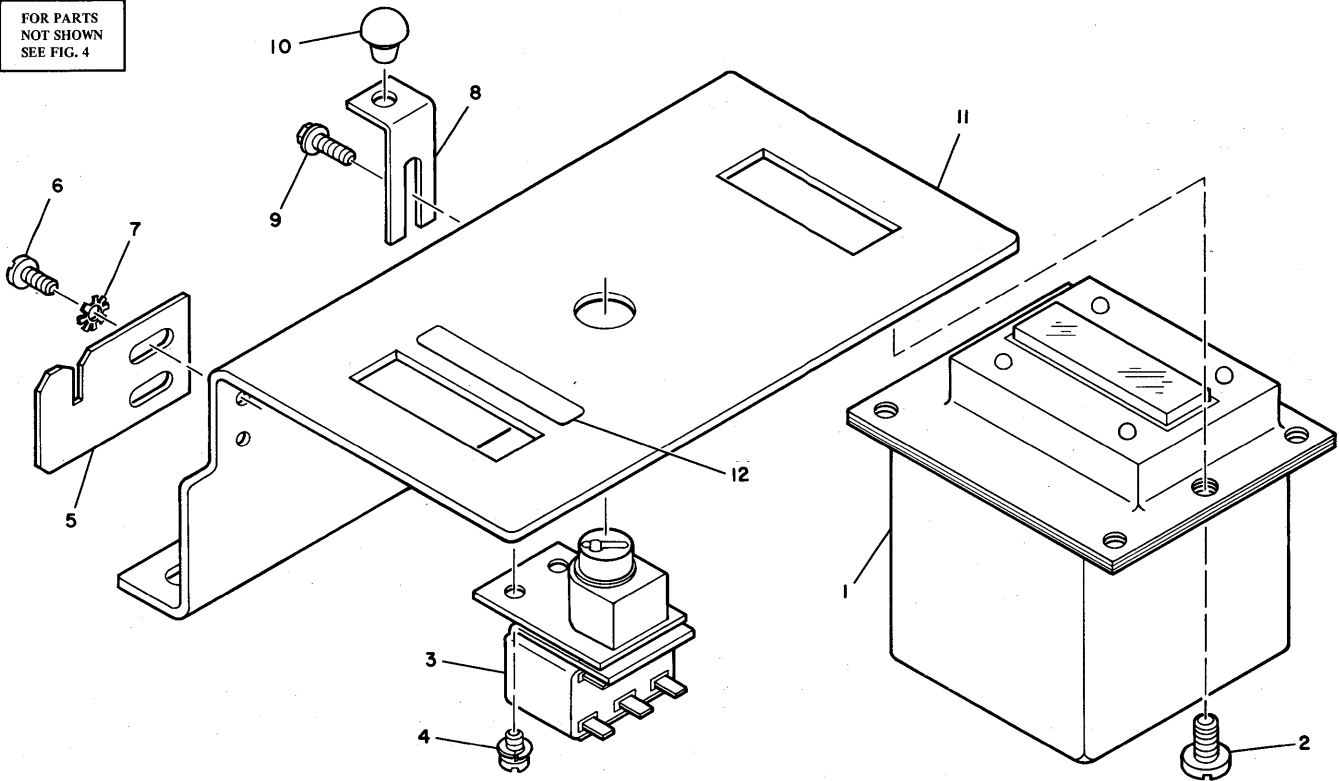


FIGURE 14. METER ASSEMBLY.

SEE LIST 14

LIST AND INDEX NUMBER	PART NUMBER	DESCRIPTION				UNITS PER ASM.	USABLE ON CODE
		1	2	3	4		
		METER ASSEMBLY					
14 -	2191064	METER ASM, 60 HZ				REF	
-	2191065	METER ASM, 50 HZ				REF	
		FOR ILLUSTRATION SEE FIGURE 14 FOR NEXT HIGHER ASM SEE LIST 4-110					
- 1	740503	• METER, 60 HZ				2	
- 1	740608	• METER, 50 HZ				2	
- 2	32042	• SCREW, MACH BIND. HD 10-32 X 3/8 LG. ATT PT				4	
- 3	740513	• SWITCH, PUSH-DPDT 250V AC 1 AMP				1	
- 4	170214	• SCREW, ASSEM WASH-FIL H 6-32 X 5/16 LG ATT PT				2	
- 5	2191050	• GUIDE, COVER				1	
- 6	811426	• SCREW, MACH-PAN HD 6-32 X 3/8 IN. LG ATT PT				2	
- 7	56722	• WASHER-LOCK, EXT T, .150 ID ATT PT				2	
- 8	2190581	• BRACKET, COVER STOP				1	
- 9	2181004	• SCREW, THREAD FORMING-HEX WASHER HD ATT PT				1	
- 10	208529	• BUMPER, RUBBER-FOR 3/16 HOLE				1	
- 11	2243342	• SUPPORT, METER				1	
		COMPONENTS NOT INCLUDED WITH ASSEMBLY					
- 12	5371671	LABEL, METER				1	
<b>END OF LIST 14</b>							

THIS ILLUSTRATION  
PERTAINS TO MIDPACK  
SUPPLY ONLY (AFTER  
L7 SUFFIX.)  
FOR MEDIUM POWER  
SUPPLY (PRIOR TO L7  
SUFFIX) SEE FIG. 24A

FOR PARTS  
NOT SHOWN -  
SEE FIG. 1 & 4

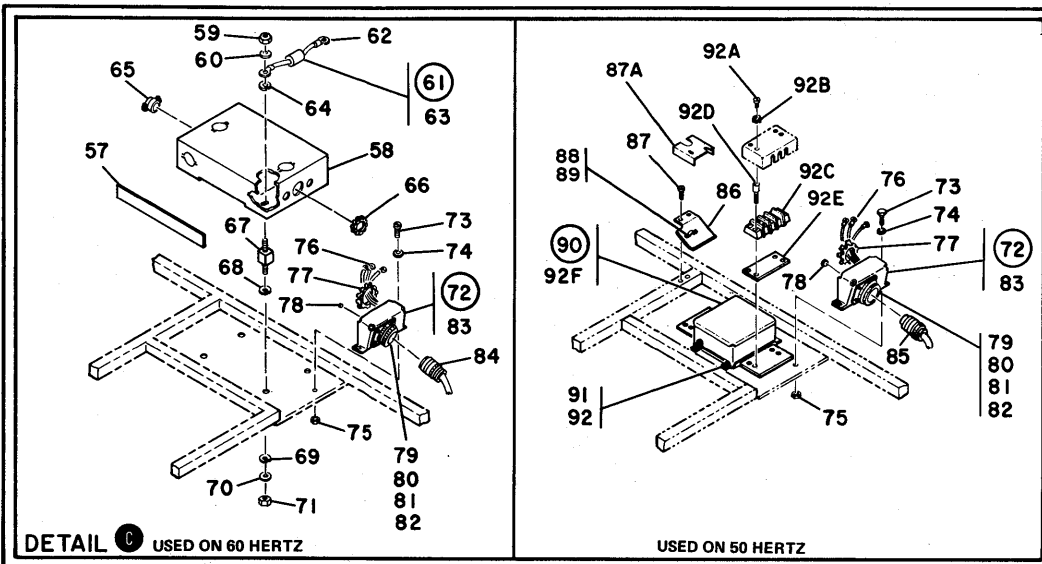
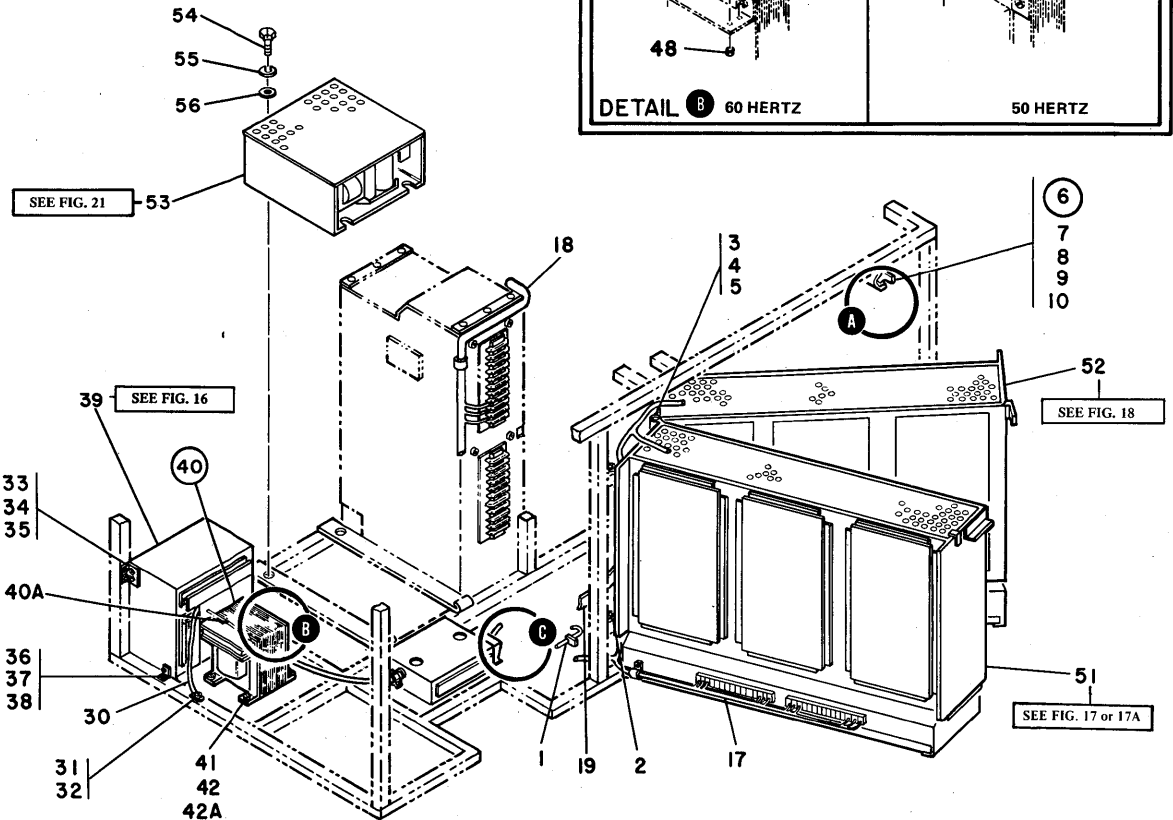
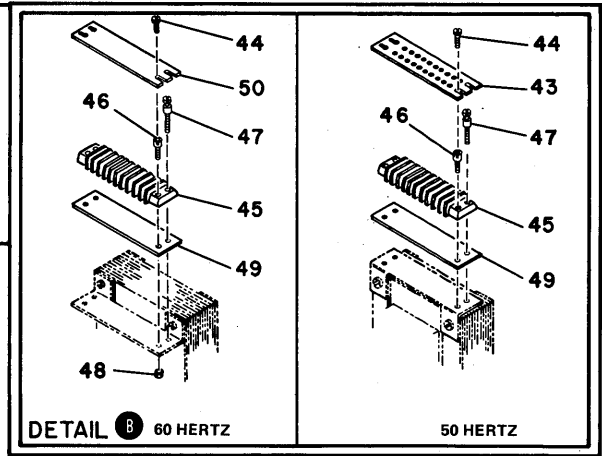
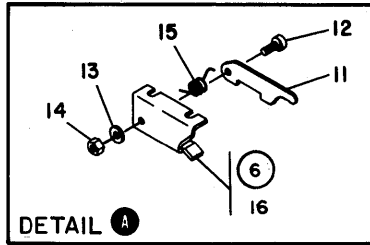
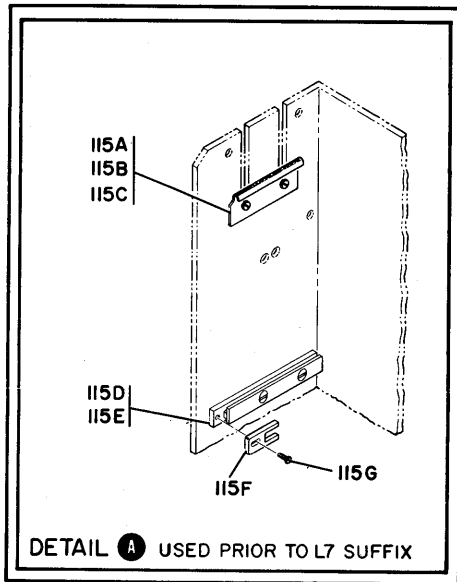


FIGURE 15. MIDPACK SUPPLY. SHEET 1 OF 2, INDEX NOS. 1-19 AND 30-92F

SEE LIST 15



USED WITH MIDPACK POWER AFTER L7 SUFFIX ONLY. FOR MEDIUM POWER (PRIOR TO L7 SUFFIX) SEE FIG. 24A

FOR PARTS NOT SHOWN SEE FIG. 1 & 4

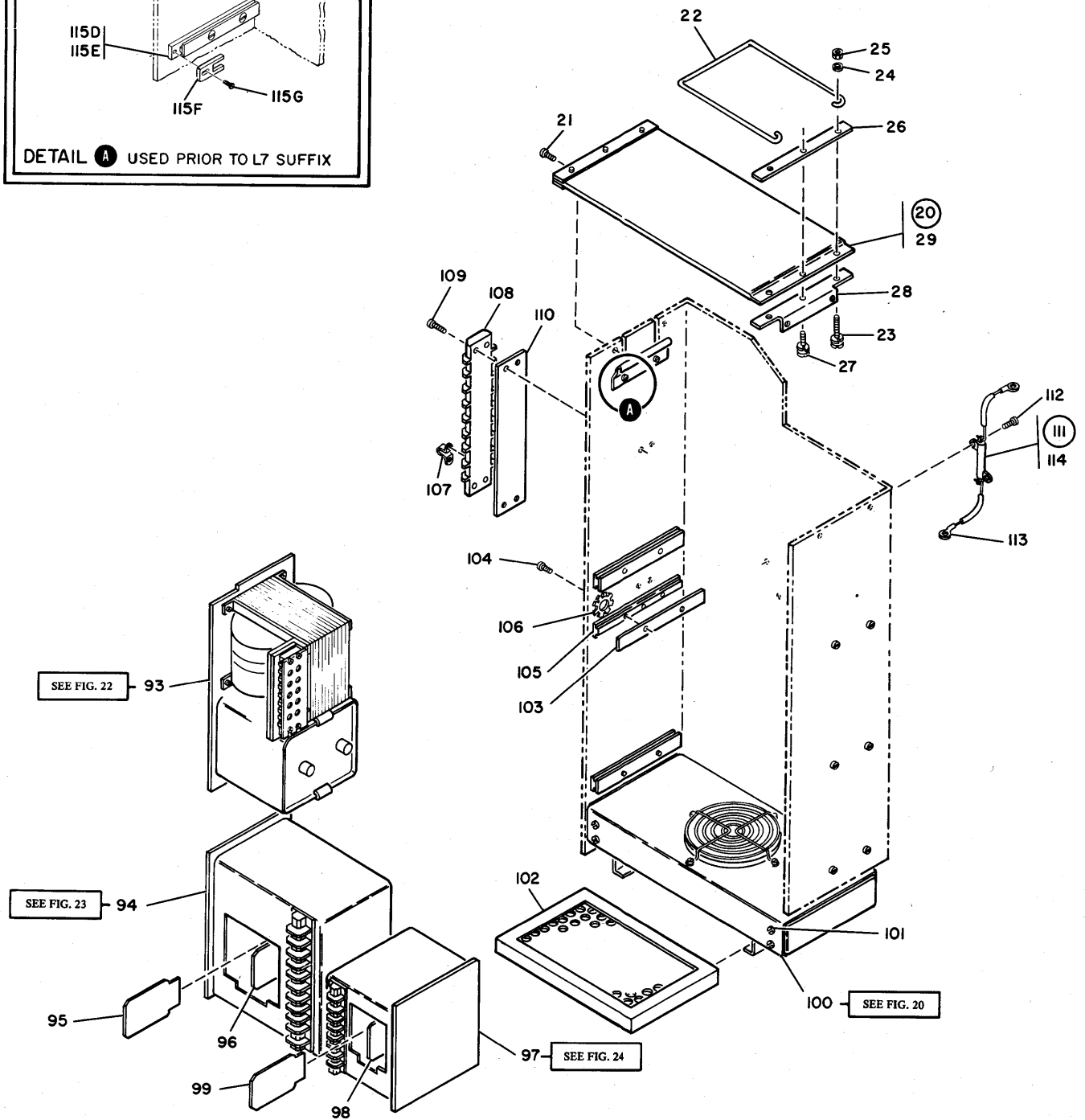


FIGURE 15. MIDPACK SUPPLY. SHEET 2 OF 2, INDEX NOS. 20-29 AND 93-115G

SEE LIST 15

## LIST 15

LIST AND INDEX NUMBER	PART NUMBER	DESCRIPTION	UNITS	USABLE
			PER ASM.	ON CODE
		MIDPACK SUPPLY		
		CODE A USED ON 115V 60 HERTZ MIDPACK		
		CODE B USED ON 208/230V 60 HZ MIDPACK		
		CODE C USED ON 195/220/235V 50 HZ MIDPAC		
		CODE D USED ON 60 HERTZ		
		CODE E USED ON 50 HERTZ		
		CODE F USED ON LOAD RESISTOR FEATURE		
-	2190500	CODE 1 USED PRIOR TO S7 SUFFIX CODE 2 USED FROM S7 SUFFIX TO PRESENT CODE 3 USED PRIOR TO H7 SUFFIX BASIC FINAL ASSEMBLY		NP
		FOR ILLUSTRATION SEE FIGURE 15 FOR FURTHER BREAKDOWN SEE LIST 1 AND 4		
- 1	642377	• BOLT-CABLE CLAMP SUPPORT		1
- 2	225533	• PIN,KNURLED- 0.509 DIA OA X 1 11/32 LG		2
- 3	169733	• SCREW		4
- 4	3550	• WASHER,FLAT 1/4 ID-9/16-OD-0.05 THICK		4
- 5	6935	• WASHER,LOCK-SPLIT 1/4 X 0.493 OD		4
- 6	2178626	• LATCH ASM, GATE		1
- 7	32617	• SCREW, MACH BD HD 10-32 NF X .4375 LG	ATT PT	2
- 8	45690	• WASHER, FL - NO.10 X 7/16 OD X 1/32 THK	ATT PT	2
- 9	9092	• WASHER-LOCK,SPLIT RING, .194 ID .3370D	ATT PT	2
- 10	11598	• NUT, HEX 10-32	ATT PT	2
- 11	2178625	• LATCH,GATE		1
- 12	5677	• SCREW,MACH-BIND HD 10-32 X 3/4 LG	ATT PT	1
- 13	2125974	• WASHER, INT TOOTH, .200 ID X .562 OD	ATT PT	1
- 14	11598	• NUT, HEX 10-32	ATT PT	1
- 15	2157668	• SPRING		1
- 16	2178624	• STRIKER-GATE LATCH		1
- 17	2243305	• CABLE ASM,DC VOLTAGE TO GATES		1
- 18	2243307	FOR COMPONENT PARTS SEE LIST 44-2A 3 AND 3B • CABLE ASM,DC POWER		1
- 18	2243306	FOR COMPONENT PARTS SEE LIST 44-2A 3 AND 3B • CABLE ASM,AC POWER		1
- 19	2190853	FOR COMPONENT PARTS SEE LIST 44-2A 2B AND 3B • CABLE ASM,I/O TO GATE,STANDARD		1
- 19	2190854	FOR COMPONENT PARTS SEE LIST 44-37,44 62,62C,63,78B,90B,92,93,94,95 AND 95A • CABLE ASM,1627 ATTACH,I/O TO GATE		1
- 19	2190714	FOR COMPONENT PARTS SEE LIST 44-37,44 62A,63,78B,90B,92,93,94 AND 95A • CABLE ASM,1627 ATTACH		1
- 19	2190842	FOR COMPONENT PARTS SEE LIST 44-2C,38C 60,89,90C,90D,92,93,94,95A AND 95B • CABLE ASM,I/O TO GATE,1055 ATTACH		1
- 19	5802200	FOR COMPONENT PARTS SEE LIST 44-37,44 63,78B,90B,92,93,94 AND 95A • CABLE ASM, HAMMER DRIVE 20 SIG		AR
- 20	2190922	FOR COMPONENT PARTS SEE LIST 44-75 76,77 AND 78 • GUARD ASM-POWER SUPPLY		1
- 21	234316	• SCREW,ASMD WASHER-FIL H 8-32 X 1/4 LG	ATT PT	4
- 22	2191173	• RETAINER, GUARD		1
- 23	170228	• SCREW,ASMD WASHER- 6-32 X 5/8 LG	ATT PT	2
- 24	257986	• WASHER,FLAT NO. 6	ATT PT	2
- 25	257187	• NUT,HEX 6-32 NC	ATT PT	2
- 26	2190925	• STRIP,CLAMP-POWER SUPPLY GUARD		2
- 27	170213	• SCREW,ASSEM WASH-FIL H 6-32 X 1/4 LG	ATT PT	4
- 28	2190924	• BRACKET,POWER SUPPLY GUARD		2
- 29	2190923	• GUARD,FOAM-5.88 X 16.25 INCHES		1
- 30	550993	THE FOLLOWING PARTS ARE FEATURES ONLY JUMPER ASSEMBLY		1 D
- 31	5319854	FOR COMPONENT PARTS SEE LIST 44-11 SCREW, SELF TAPPING, 8-32 X .375 LONG	ATT PT	1 D
- 32	55901	WASHER, LOCK, EXT TEETH - .176 DIA	ATT PT	1 D
- 33	2190770	BRACKET-SEQ RH UPPER		1
- 34	2181004	SCREW,THREAD FORMING-HEX WASHER HD	ATT PT	4 D
- 34	731629	SCREW,PAN HD- 10-32 X 0.380 LG	ATT PT	4 E
- 35	56079	WASHER-LOCK,EXT T .204 ID .410 OD	ATT PT	4
- 36	2190887	BRACKET,SEQ RH		1
- 37	2181004	SCREW,THREAD FORMING-HEX WASHER HD	ATT PT	2 D
- 37	731629	SCREW,PAN HD- 10-32 X 0.380 LG	ATT PT	2 E
- 38	56079	WASHER-LOCK,EXT T .204 ID .410 OD	ATT PT	2

## LIST 15 CONT

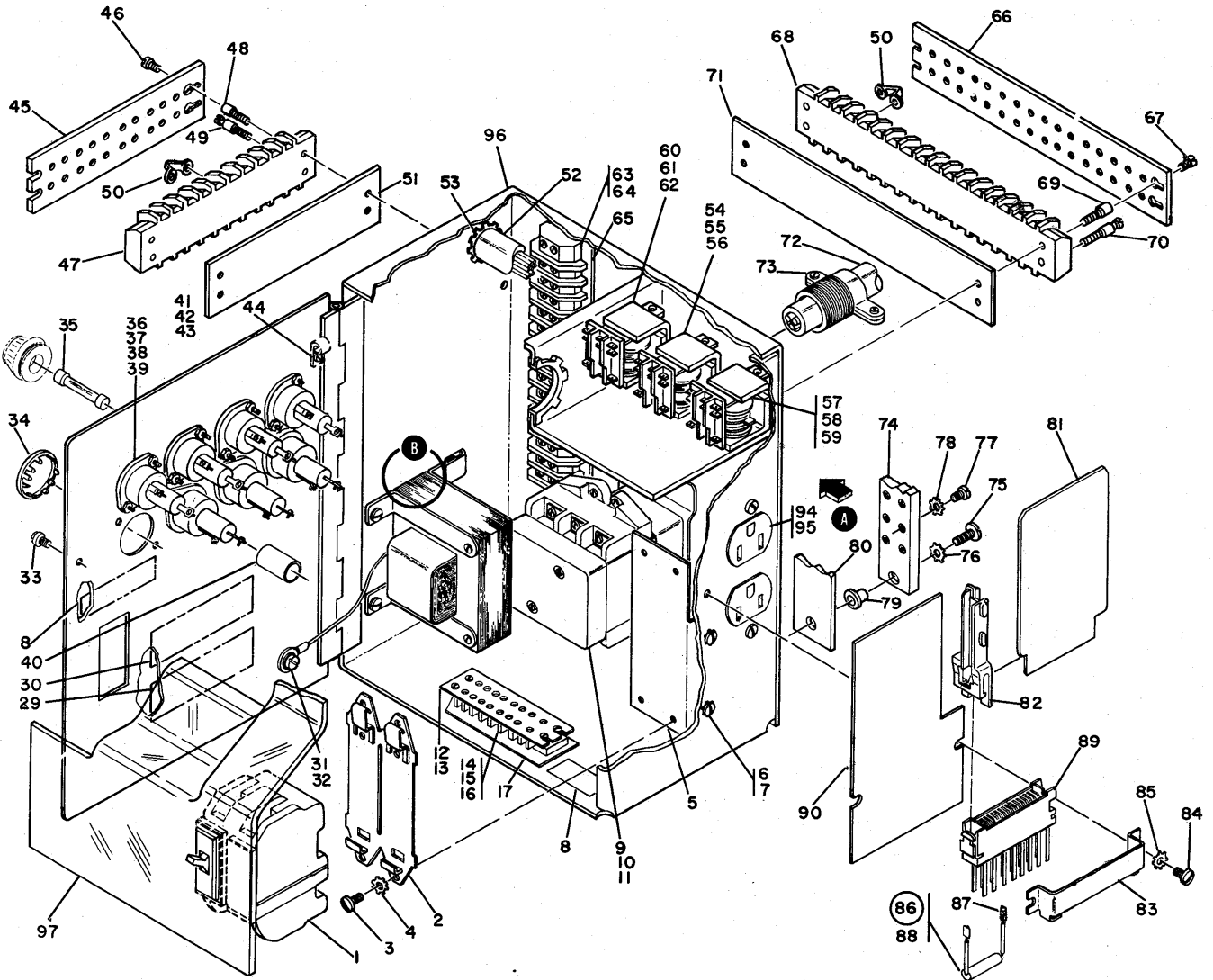
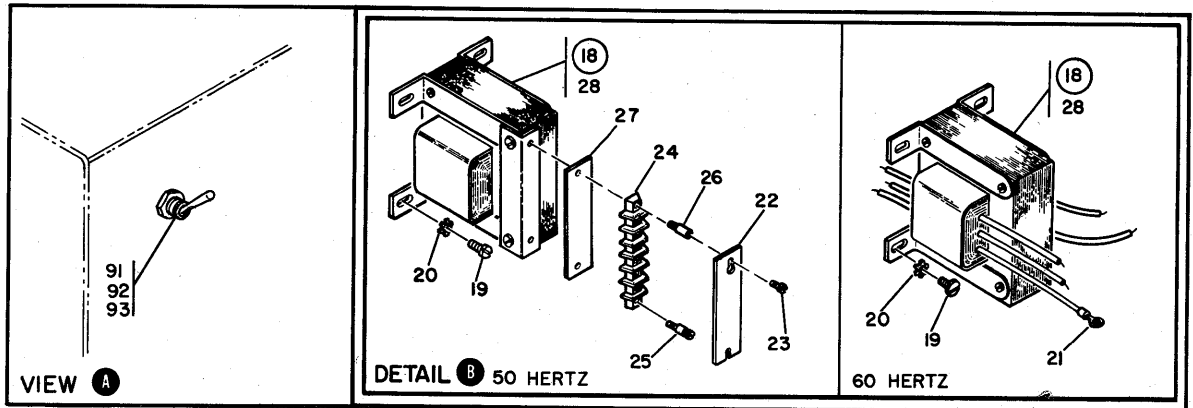
LIST AND INDEX NUMBER	PART NUMBER	DESCRIPTION				UNITS PER ASM.	USABLE ON CODE
		1	2	3	4		
		MIDPACK SUPPLY -CONT					
15							
- 39	2243330	SEQUENCE BOX ASM,115V-60 HZ				1	A
- 39	2243346	SEQUENCE BOX ASM,208/230V-60 HZ				1	B
- 39	2243337	SEQUENCE BOX ASM,195/220/235V,50 HZ FOR DETAIL BREAKDOWN SEE LIST 16				1	C
- 40	2128759	TRANSFORMER ASM,115/208/230V-60 HZ				1	B
- 40	4118360	TRANSFORMER ASM,115/195/220/235V-50 HZ				1	C
- 41	234340	SCREW AND LOCKWASHER,HEX HD .25-20 X.50				4	B
- 41	236849	SCREW,MACH-BIND HD 10-32 X 1/4 LG				4	
- 42	76574	WASHER, LOCK-EXT. TEETH .250				2	
- 42A	24091	WASHER,FL- 5/16 X 3/4 OD X 1/16 THK				4	B
- 43	4120242	. SHIELD,TERMINAL BLOCK-5 POSITION				1	
- 44	210984	USED ON ASM 4118360 ONLY					
- 45	207364	. SCREW,MACH RH 6-32 X .25				1	
		. TERMINAL BOARD- 9 DBL SCREW TERMINALS				1	
- 45	2101337	USED ON ASM 2128759 ONLY					
		. TERMINAL BOARD-5 DBL SCREW TERMINALS				1	
		USED ON ASM 4118360 ONLY					
- 46	2125898	. STUD, TAPPED MOUNTING, 6-32 X 1.087 LG				1	
		USED ON ASM 2128759 ONLY					
- 46	210985	. STUD, EXT 8-32 X 1/2 INT 6-32 X 0.19 DP				1	
		USED ON ASM 4118360 ONLY					
- 47	2125899	. STUD, SHIELD MOUNTING, 6-32 X 1.237 LG				3	
		USED ON ASM 2128759 ONLY					
- 47	210986	. STUD, SLOTTED 8-32 X 1/2 LG THREAD				3	
		USED ON ASM 4118360 ONLY					
- 48	257187	. NUT,HEX 6-32 NC				4	
		USED ON ASM 2128759 ONLY					
- 49	597951	. MARKER STRIP- 9 POS NOS. 1 THRU 9				1	
		USED ON ASM 2128759 ONLY					
- 49	2101357	. MARKER STRIP- 5 POS NOS. 1 THRU 5				1	
		USED ON ASM 4118360 ONLY					
- 50	186942	SHIELD,TERMINAL BLOCK- 9 POSITION				1	B
- 51	2243008	A GATE ASM,60 HZ				1	
- 51	2243010	A GATE ASM,50 HZ				1	
		FOR DETAIL BREAKDOWN SEE LIST 17					
- 51	5889447	1X2 A GATE ASM,60HZ				1	
		FOR DETAIL BREAKDOWN SEE LIST 17A					
- 52	2243009	B GATE ASM,60 HZ				1	
- 52	2243011	B GATE ASM,50 HZ				1	
		FOR DETAIL BREAKDOWN SEE LIST 18					
- 53	5760700	POWER SUPPLY ASM,MIDPACK-60 HZ				1	
- 53	5760710	POWER SUPPLY ASM,MIDPACK-50 HZ				1	
		FOR DETAIL BREAKDOWN SEE LIST 21					
- 54	130434	SCREW-MACH,SLOTTED HEX HD NO.10-32 X.375				2	D
- 54	32042	SCREW, MACH BIND. HD 10-32 X 3/8 LG.				2	E
- 55	9092	WASHER-LOCK,SPLIT RING, .194 ID .3370D				2	D
- 55	56079	WASHER-LOCK,EXT T .204 ID .410 OD				2	E
- 56	45690	WASHER, FL - NO.10 X 7/16 OD X 1/32 THK				2	D
- 57	216297	SEAL,RUB STRIP- 11/16 W X 1/8 THK				AR	D
- 58	2190822	FILTER ASM,LINE,RFI 30 AMP 250V-60 HZ				1	
		PARTS OF THIS ASM ARE NOT REPLACEABLE					
- 59	257189	NUT, HEX 8-32				4	D
- 60	1090873	WASHER, LOCK - .168 ID X .296 OD				4	D
- 61	2191436	RESISTOR ASM,1 MEG 5% 0.5 WATTS				1	D
- 62	92784	. TERMINAL,LUG-INS 18-20AWG NO.8 MTG HOLE				2	
- 63	300736	. RESISTOR,FXD,COMP- 1 MEG P/W 5% 1/2W				1	
- 64	55901	WASHER, LOCK, EXT TEETH - .176 DIA				2	D
- 65	419537	CONNECTOR				2	A
- 65	419537	CONNECTOR				1	B
- 66	730432	GROMMET,CATERPILLAR				1	B
- 67	760132	MOUNT,RESILIENT- 8-32 X 3/8 LG STUD				4	D
- 68	56079	WASHER-LOCK,EXT T .204 ID .410 OD				4	D
- 69	22478	WASHER,FL- 0.170 ID 0.375 OD 0.032 THK				6	D
- 70	1090873	WASHER, LOCK - .168 ID X .296 OD				4	D
- 71	257189	NUT, HEX 8-32				4	D
- 72	2243656	RECEPTACLE ASM,POWER CORD-60 HZ				1	B
- 72	2243624	RECEPTACLE ASM,POWER CORD-50 HZ				1	C
- 73	32042	SCREW, MACH BIND. HD 10-32 X 3/8 LG.				2	
- 74	56121	WASHER,LOCK-INT TEETH NO. 10 X 0.381 OD				2	
- 75	11598	NUT, HEX 10-32				2	
- 76	2101326	. TERMINAL-CLIP,BARREL NO.12-10 WIRE INSUL				3	
- 77	730432	. GROMMET,CATERPILLAR				1	
- 78	79204	. BUMPER,RUBBER-HAMMER LATCH ARM				1	
- 79	2243112	. RECEPTACLE,3 PIN CONTACT				1	
- 80	38265	. SCREW,MACH-FIL H 4-40 X 7/16 LG				4	
- 81	257984	. WASHER,LOCK-SPRING MEDIUM				4	
- 82	37913	. NUT, HEX 4-40 NC				4	

## LIST 15 CONT

LIST AND INDEX NUMBER	PART NUMBER	DESCRIPTION				UNITS PER ASM.	USABLE ON CODE
		1	2	3	4		
		MIDPACK SUPPLY -CONT					
15	- 83 2243655	. BOX,RECEPTACLE				1	B
	- 83 2243623	. BOX,RECEPTACLE				1	C
	- 84 2191437	CABLE ASM,POWER CORD,6 FT 115V-60 HZ FOR COMPONENT PARTS SEE LIST 44-2E 61,89 AND 90				1	
- 84	2190786	CABLE ASM,POWER CORD,15 FT 115V-60 HZ FOR COMPONENT PARTS SEE LIST 44-2E 61,38B,83A AND 89				1	
- 84	2190926	CABLE ASM,POWER CORD,115V -60 HZ UK/WTC FOR COMPONENT PARTS SEE LIST 44-2D 38B,89 AND 90				1	
- 84	2243003	CABLE ASM,POWER CORD,208/230V 6 FT-60 HZ FOR COMPONENT PARTS SEE LIST 44-3 57,58 AND 59				1	
- 84	2197234	CABLE ASM,POWER CORD,208/230V 15FT-60 HZ FOR COMPONENT PARTS SEE LIST 44-3 57,58 AND 59				1	
- 85	2190761	CABLE ASM,POWER CORD,50 HZ WTC/UK FOR COMPONENT PARTS SEE LIST 44-57,59				1	
- 85	2190760	CABLE ASM,POWER CORD,60 HZ DOMESTIC/WTC FOR COMPONENT PARTS SEE LIST 44-57,59				1	
- 86	2243654	BRACKET,CABLE				1	C
- 87	183900	SCREW,THD CTG-BIND HD 8-32 X 1/4 LG				2	C
- 87A	2243386	COVER,FILTER TERMINALS				1	C
- 88	740532	CLAMP				1	C
- 89	183900	SCREW,THD CTG-BIND HD 8-32 X 1/4 LG				2	C
- 90	4120735	FILTER ASM,LINE,RF1 20 AMP 250V-50 HZ				1	C
- 91	5350012	SCREW, THD FORMING HEX WSR HD 8-32 X .25				4	C
- 92	55901	WASHER, LOCK, EXT TEETH - .176 DIA				2	C
- 92A	10170	. SCREW-MACH,BIND HD NO. 6-32 X .250 LG				4	
- 92B	56722	. WASHER-LOCK,EXT T, .150 ID				4	
- 92C	317132	. TERMINAL BOARD- 3 DBL SCREW TERMINALS				2	
- 92D	210985	. STUD, EXT 8-32 X 1/2 INT 6-32 X 0.19 DP				8	
- 92E	4121234	. STRIP,INSULATION				2	
- 92F	4118492	. BOX,FILTER				1	
- 93	2243314	TRANSFORMER ASM,7.25 VAC 25 AMP,60 HZ				1	A
- 93	2243315	TRANSFORMER ASM,7.25 VAC 25 AMP,60 HZ				1	B
- 93	2243323	TRANSFORMER ASM,7.25 VAC 25 AMP,50 HZ FOR DETAIL BREAKDOWN SEE LIST 22				1	C
- 94	5762030	POWER PAC ASM,6VOLT AT 24 AMP FOR DETAIL BREAKDOWN SEE LIST 23				1	
- 95	372990	CARD ASM,REGULATOR				1	
- 96	372423	PARTS OF THIS ASM ARE NOT REPLACEABLE CARD ASM,OVERVOLTAGE				1	
- 97	5762000	PARTS OF THIS ASM ARE NOT REPLACEABLE POWER PAC ASM,3VOLT AT 20 AMP FOR DETAIL BREAKDOWN SEE LIST 24				2	
- 98	372677	CARD ASM-MINUS 3VDC OVERVOLTAGE PROTECT				2	
- 99	372676	CARD ASM-MINUS 3VDC VOLTAGE REGULATOR				2	
-100	2243225	PARTS OF THIS ASM ARE NOT REPLACEABLE BLOWER ASM,POWER SUPPLY-60 HZ				1	
-100	2243318	BLOWER ASM,POWER SUPPLY-50 HZ FOR DETAIL BREAKDOWN SEE LIST 20				1	
-101	32042	SCREW, MACH BIND. HD 10-32 X 3/8 LG.				4	
-102	5357064	FILTER,AIR,8.30 X 5.91				1	
-103	2193932	OUTER RAIL,POWER SUPPLY MOUNTING				7	2
-104	101706	SCREW,MACH-HEX HD 10-32 X 3/4 LG				14	
-105	2193933	INNER RAIL,POWER SUPPLY MOUNTING				7	2
-106	2243005	GROMMET				AR	
-107	730468	JUMPER-TERMINAL STRIP				17	
-108	81898	TERMINAL BOARD- 12 DBL SCREW TERMINALS				2	
-109	5528	SCREW,MACH BIND HD 8-32 X .625 LG				8	
-110	5240422	STRIP-MARKER				2	
-111	2243239	RESISTOR ASM,WIREWOUND,1 OHM				1	2F
-112	251970	SCREW-MACH BD. HD. 4-40 X 1/4 LG				2	2F
-113	360370	. TERMINAL-RING TOUNGUE NO.14-16 WIRE				2	
-114	2195636	. RESISTOR,FIXED-WW 1 OHM P/M 5 PCT 50W				1	
-115A	2191049	RETAINER,POWER SUPPLY				1	1
-115B	234328	SCREW,ASMD WASHER-FIL H 10-32 X 5/16 LG				2	1
-115C	45690	WASHER, FL - NO.10 X 7/16 OD X 1/32 THK				2	1
-115D	207382	RAIL-POWER SUPPLY MOUNTING				6	1
-115E	5319888	SCREW, SELF TAPPING, 10-32 X .625 LONG				12	1
-115F	207293	KEEPER-POWER SUPPLY				6	1
-115G	234316	SCREW,ASMD WASHER-FIL H 8-32 X 1/4 LG				6	1

END OF LIST 15

FOR PARTS  
NOT SHOWN  
SEE FIG. 15



● FIGURE 16. SEQUENCE BOX ASSEMBLY.

SEE LIST 16



## LIST 16

LIST AND INDEX NUMBER	PART NUMBER	DESCRIPTION				UNITS PER ASM.	USABLE ON CODE
		1	2	3	4		
		SEQUENCE BOX ASSEMBLY					
16							
		CODE A USED ON 60 HERTZ ONLY CODE B USED ON 50 HERTZ ONLY					
-	2243330	SEQUENCE BOX ASM,115V-60 HZ				REF	
-	2243346	SEQUENCE BOX ASM,208/230V-60 HZ				REF	
-	2243337	SEQUENCE BOX ASM,195/220/235V,50 HZ FOR ILLUSTRATION SEE FIGURE 16 FOR NEXT HIGHER ASM SEE LIST 15-39				REF	
- 1	2158708	• CIRCUIT BREAKER, 30 AMP USED ON ASM 2243330 ONLY				1	
- 1	2197484	• CIRCUIT BREAKER, 20 AMP 2 POLE USED ON ASM 2243346 ONLY				1	
- 1	2092646	• CIRCUIT BREAKER, 15 AMP 2 POLE USED ON ASM 2243337 ONLY				1	
- 2	2158722	• CLIP, CB MOUNTING				1	
- 3	10170	• SCREW-MACH,BIND HD NO. 6-32 X .250 LG				4	
- 4	56722	• WASHER-LOCK,EXT T, .150 ID				4	
- 8	138754	• LABEL,VOLTAGE WARNING				2	
- 9	2128749	• MAGNETIC CONTACTOR,2 POLE 40 AMPS 24V USED ON ASM 2243330 ONLY				1	
- 9	2128749	• MAGNETIC CONTACTOR,2 POLE 40 AMPS 24V USED ON 1231 ATTACHMENT FEATURE				1	
- 9	2130334	• MAGNETIC CONTACTOR, 3-POLE 40A 24V COIL USED ON 1231 ATTACHMENT FEATURE				1	
- 10	58207	• SCREW, BD HD MACH-8-32 NC-2A X .250 LG				2	
- 11	55901	• WASHER, LOCK, EXT TEETH - .176 DIA				2	
- 12	191480	• SHIELD,8 POSITION				1	A
- 13	210984	• SCREW,MACH RH 6-32 X .25				1	A
- 14	322766	• TERMINAL BOARD				1	A
- 15	210883	• STUD, EXT 6-32 X 1/2 INT 6-32 X 0.19 DP				1	
- 16	210884	• STUD, SLOTTED 6-32 X 1/2 LONG THREAD				1	
- 17	126036	• STRIP,MARKER-INSULATING				1	A
- 18	2190897	• TRANSFORMER ASM,104/115/208/230V 60 HZ				1	A
- 18	4116394	• TRANSFORMER ASM,195/220/235V 50 HZ				1	B
- 19	58207	• SCREW, BD HD MACH-8-32 NC-2A X .250 LG				2	
- 20	55901	• WASHER, LOCK, EXT TEETH - .176 DIA				2	
- 21	334921	• TERMINAL-LUG NO.22 THRU NO.18 WIRE INSUL				8	A
- 22	4120318	• SHIELD,6 POSITION SINGLE ROW				1	B
- 23	210984	• SCREW,MACH RH 6-32 X .25				1	B
- 24	4120316	• TERMINAL BLOCK,6 POSITION- SINGLE ROW				1	B
- 25	4120245	• STUD,				1	B
- 26	4120246	• STUD,				1	B
- 27	4120317	• MARKER STRIP,6 POSITION				1	B
- 28	5313144	• TRANSFORMER, 104/115/208/230V 60 HZ				1	A
- 28	4118453	• TRANSFORMER, 195/220/235V 50 HZ				1	B
- 29	369207	• LABEL-VOLTAGE				1	
- 30	2243334	• DECAL,FUSE LOCATION				1	
- 31	58207	• SCREW, BD HD MACH-8-32 NC-2A X .250 LG				1	
- 32	55901	• WASHER, LOCK, EXT TEETH - .176 DIA				1	
- 33	470834	• SCREW,THUMB-NO. 6 PRESSURE ROLL				1	
- 34	184380	• COVER,CHECKING LIGHT				1	
- 35	252589	• FUSE,0.2 AMP, LONG TIME LAG, NON-INDICATE				AR	
- 35	254628	• FUSE,0.3 AMP, LG TIME LAG, NON-INDICATING				AR	
- 35	117403	• FUSE,CARTRIDGE-SLOW BLOW 0.4 AMP 250 V				AR	
- 35	252591	• FUSE, 1.0 AMP 250V				AR	
- 35	92734	• FUSE-LONG LAG,2A				AR	
- 35	107664	• FUSE-LONG LAG,3.2A				AR	
- 35	107665	• FUSE,CTG-SLOW BLOW 4 AMP 250V				AR	
- 35	107667	• FUSE-LONG LAG 6.25A				AR	
- 36	104615	• FUSEHOLDER				7	
- 37	35739	• SCREW,MACH-BIND HD 6-32 X 15/16 LG				14	
- 38	56722	• WASHER-LOCK,EXT T, .150 ID				14	
- 39	257187	• NUT,HEX 6-32 NC				14	
- 40	257079	• INSULATOR,FUSE TERMINAL .375 DIA X 1.500				7	
- 40	257080	• INSULATOR,FUSE TERMINAL .962 DIA X 1.875				7	
- 44	34512	• SCREW,MACH-BIND HD 8-32 X 3/8 LG				1	
- 45	186943	• SHIELD- 10 POSITION				1	
- 46	210984	• SCREW,MACH RH 6-32 X .25				1	
- 47	322767	• TERMINAL BLOCK, 10 POSITION				1	

## LIST 16 CONT

LIST AND INDEX NUMBER	PART NUMBER	DESCRIPTION	UNITS PER ASM.	USABLE ON CODE
		SEQUENCE BOX ASSEMBLY -CONT		
16 - 48	210985	. STUD, EXT 8-32 X 1/2 INT 6-32 X 0.19 DP ATT PT	1	
- 49	210986	. STUD, SLOTTED 8-32 X 1/2 LG THREAD ATT PT	3	
- 50	367115	. JUMPER-TERMINAL STRIP VDC DISTR BRS	9	
- 51	363434	. MARKER STRIP- 10 POS NOS. 1 THRU 10	1	
- 52	2243384	. CABLE ASM,SEQUENCE BOX FOR COMPONENT PARTS SEE LIST 44-2A	1	A
- 52	2243385	. CABLE ASM,SEQUENCE BOX FOR COMPONENT PARTS SEE LIST 44-2A 2B,2C,3,3A,3B,4,7,19 AND 23	1	B
- 53	730432	. GROMMET,CATERPILLAR	2	
- 54	441092	. RELAY	1	
- 55	257187	. NUT,HEX 6-32 NC ATT PT	1	
- 56	56722	. WASHER-LOCK,EXT T, .150 ID ATT PT	1	
- 57	2158694	. RELAY,3PDT 24V AC COIL	2	
- 58	257187	. NUT,HEX 6-32 NC ATT PT	2	
- 59	56722	. WASHER-LOCK,EXT T, .150 ID ATT PT	2	
- 60	2207277	. RELAY- DPDT 5 SEC TIME DELAY 24VAC	1	
- 61	221790	. SCREW,MACH-BIND HD 8-32 X 3/16 LG ATT PT	2	
- 62	55901	. WASHER, LOCK, EXT TEETH - .176 DIA ATT PT	2	
- 63	82353	. TERMINAL BOARD- 14 DBL SCREW TERMINALS	1	
- 64	25627	. SCREW,MACH-BIND HD 8-32 X 1/2 LG ATT PT	4	
- 65	212988	. INSULATOR,TERMINAL BLOCK	1	
- 66	191478	. SHIELD 16 POS	1	
- 67	210984	. SCREW,MACH RH 6-32 X .25 ATT PT	1	
- 68	301731	. TERMINAL BOARD- 16 DBL SCREW TERMINALS	1	
- 69	210985	. STUD, EXT 8-32 X 1/2 INT 6-32 X 0.19 DP ATT PT	1	
- 70	210986	. STUD, SLOTTED 8-32 X 1/2 LG THREAD ATT PT	3	
- 71	517894	. MARKER STRIP- 16 POS NOS. 1 THRU 16	1	
- 72	2190827	. CABLE ASM-FILTER BOX TO SEQ BOX USED ON ASM 2243330 ONLY FOR COMPONENT PARTS SEE LIST 44-2E	1	
- 72	2197317	. CABLE ASM-FILTER BOX TO SEQ BOX USED ON ASM 2243346 ONLY FOR COMPONENT PARTS SEE LIST 44-4	1	
- 72	2190947	. CABLE ASM, 50 HZ FILTER TO SEQ BOX USED ON ASM 2243337 ONLY FOR COMPONENT PARTS SEE LIST 44-3B	1	
- 73	419537	. CONNECTOR	1	
- 74	2114596	. BAR,GROUND,8 POS,DOUBLE ROW	1	
- 75	55918	. SCREW,MACH-BIND HD 10-32 X 5/8 LG ATT PT	2	
- 76	56079	. WASHER-LOCK,EXT T .204 ID .410 OD ATT PT	2	
- 77	58207	. SCREW, BD HD MACH-8-32 NC-2A X .250 LG	16	
- 78	55901	. WASHER, LOCK, EXT TEETH - .176 DIA ATT PT	16	
- 79	333586	. BUSHING,PHENOLIC,.219 I.D.-SHOULDER	2	
- 80	2114597	. MARKER STRIP,8POS,DOUBLE ROW	1	
- 81	374744	. CARD ASM TSTR,LOGIC VOLTAGE SENSE	1	
		PARTS OF THIS ASM ARE NOT REPLACEABLE		
- 82	216206	. GUIDE-SINGLE CARD LONG	1	
- 83	2197379	. BRACKET,RECT-SUPPRT	1	
- 84	10170	. SCREW-MACH,BIND HD NO. 6-32 X .250 LG ATT PT	2	
- 85	56722	. WASHER-LOCK,EXT T, .150 ID ATT PT	2	
- 86	2243336	. RESISTOR ASM,10 OHM 0.5 WATT	1	
- 87	596255	. . TERMINAL,SLIP-ON	2	
- 88	321271	. . RESISTOR,FXD,COMP- 10 OHMS P/M 5% 1/2W	1	
- 89	216076	. TERMINAL BLOCK AND CONTACT ASSEMBLY	1	
		FOR COMPONENT PARTS SEE LIST 44-64		
- 90	2243145	. INSULATOR	1	
- 91	2197191	. SWITCH,TOGGLE,SPST,MAINTAINED	1	
- 92	179743	. NUT,PLAIN,HEX- 15/32-32 X 9/16 FL W ATT PT	1	
- 93	159373	. WASHER,LOCK-EXT TEETH 15/32 ID X 3/4 OD ATT PT	1	
- 94	357995	. OUTLET,CONVENIENCE, 60 HERTZ	1	
- 94	4116323	. OUTLET,CONVENIENCE, 50 HERTZ	1	
- 95	221790	. SCREW,MACH-BIND HD 8-32 X 3/16 LG ATT PT	2	
- 96	2243621	. BOX,SEQUENCE	1	
- 97	2243389	SHIELD PARTS NOT INCLUDED WITH ASM	1	
		END OF LIST 16		

FOR PARTS  
NOT SHOWN  
SEE FIG. 15

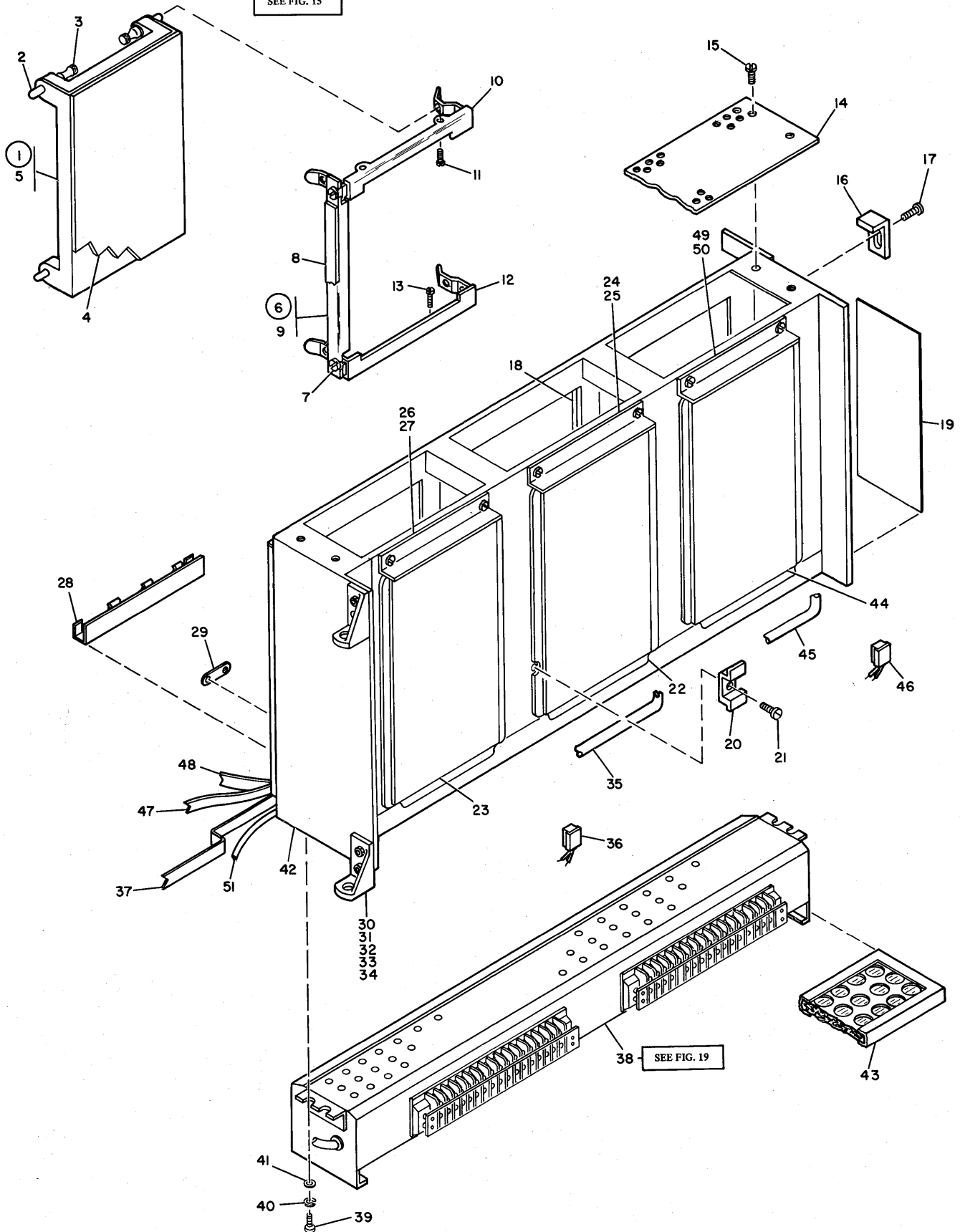


FIGURE 17. A GATE ASSEMBLY.

SEE LIST 17

## LIST 17

LIST AND INDEX NUMBER	PART NUMBER	DESCRIPTION	UNITS PER ASM.	USABLE ON CODE
		A GATE ASSEMBLY CODE A USED W/BOARD ASM 2197212,222,228		
17	2243008 2243010	A GATE ASM,60 HZ A GATE ASM,50 HZ FOR ILLUSTRATION SEE FIGURE 17 FOR NEXT HIGHER ASM SEE LIST 15-51	REF REF	
- 1	811867	. CARD COVER ASSEMBLY	AR	
- 2	815964	. . CATCH	4	
- 3	815963	. . CATCH-PULL ATT PT	4	
- 4	815263	. . BACKING, FOAM	1	
- 5	811866	. . COVER	1	
- 6	811881	. RETAINER ASSEMBLY	AR	
- 7	55726	. SCREW,MACH-BIND HD 6-32 X .188 LG ATT PT	AR	
- 8	811441	. . SEAL	1	
- 9	811896	. . RETAINER	1	
- 10	811853	. BRACKET-HINGE	AR	
- 11	2181005	. SCREW, SELF TAPPING, 6-32 X .375 LG. ATT PT	AR	
- 12	811852	. BRACKET-HINGE	AR	
- 13	2181005	. SCREW, SELF TAPPING, 6-32 X .375 LG. ATT PT	AR	
- 14	2197167	. COVER, TOP	1	
- 15	5319854	. SCREW, SELF TAPPING, 8-32 X .375 LONG ATT PT	6	
- 16	2178627	. BRACKET-LATCH	1	
- 17	2181004	. SCREW,THREAD FORMING-HEX WASHER HD ATT PT	2	
- 18	811442	. SEAL	AR	
- 19	2191094	. DECAL,TEST POINT A GATE	1	
- 20	813179	. CLAMP-BOARD	AR	
- 21	811417	. SCREW,HEX SOCKET H- 6-32 X 1/2 LG ATT PT	AR	
- 22	2197224	. BOARD ASM,B1 PARTS OF THIS ASM ARE NOT REPLACEABLE	1	
- 23	2197217NP	. BOARD ASM,C1-WITH CARDS	1	
- 23A	2197216	. . BOARD ASM,C1-WITHOUT CARDS PARTS OF THIS ASM ARE NOT REPLACEABLE	1	
- 24	811535	. GUARD,GATE	1	
- 25	236849	. SCREW,MACH-BIND HD 10-32 X 1/4 LG ATT PT	2	
- 26	2197162	. GUARD,GATE	1	
- 27	236849	. SCREW,MACH-BIND HD 10-32 X 1/4 LG ATT PT	2	
- 28	825373	. SUPPORT, CABLE	4	
- 29	811427	. RETAINER	AR	
- 30	289335	. HINGE,FRONT RELAY GATE	2	
- 31	169733	. SCREW	4	
- 32	3550	. WASHER,FLAT 1/4 ID-9/16-OD-0.05 THICK ATT PT	4	
- 33	6935	. WASHER,LOCK-SPLIT 1/4 X 0.493 OD ATT PT	4	
- 34	36109	. NUT,PLAIN,HEX- 1/4-20 X 7/16 FL W ATT PT	4	
- 35	2190703	. CABLE ASM-GATE VOLTAGE A-B1 AND C1	1	
- 36	5802236	FOR COMPONENT PARTS SEE LIST 44-2B,69,71, AND 73 . CROSSOVER ASSEMBLY - 22 SIGNAL	AR	
- 37	2190724	FOR COMPONENT PARTS SEE LIST 44-75,76B,77, AND 78 . VERTICAL CONNECTION CABLE GROUP	1	
- 38	2190660	FOR COMPONENT PARTS SEE LIST 44-75,76,77, AND 78 . BLOWER ASM,FAN 60 HERTZ,A GATE	1	
- 38	2190662	. BLOWER ASM,FAN 50 HERTZ,A GATE	1	
- 39	5319854	FOR DETAIL BREAKDOWN SEE LIST 19 . SCREW, SELF TAPPING, 8-32 X .375 LONG ATT PT	4	
- 40	1090873	. WASHER, LOCK - .168 ID X .296 OD ATT PT	4	
- 41	22478	. WASHER,FL- 0.170 ID 0.375 OD 0.032 THK ATT PT	4	
- 42	2190557	. FRAME- GATE A THE FOLLOWING PARTS ARE FEATURES ONLY	1	
- 43	2190693	FILTER,WITH FRAME,5.00 X 28.00	1	
- 43	2243078	FILTER,W/D FRAME,5.00 X 28.00	1	
- 44	2227451	CHIMNEY ASM	1	
- 44	2197212	USED ON 1132/2501/SCA/1231/EXP ADAPTER BOARD ASM,A1	1	
- 44	2197222	USED ON 1132/2501/SCA BOARD ASM,A1	1	
- 44	2197228	USED ON 1132 WITH NO SCA/2501/1231 BOARD ASM,A1	1	
- 45	2190727	USED ON 1231 WITH NO 2501 PARTS OF THIS ASM ARE NOT REPLACEABLE CABLE ASM,GATE VOLTAGE A-A1	1	
- 46	5802216	FOR COMPONENT PARTS SEE LIST 44-2B CROSSOVER ASM-SIGNAL	2	A
- 47	2197242	FOR COMPONENT PARTS SEE LIST 44-75 CABLE ASM,1132 AND 2501 SLT	1	A
- 48	2190722	FOR COMPONENT PARTS SEE LIST 44-75 INTRA-GATE CABLE GROUP	1	A
- 49	811535	GUARD,GATE	1	A
- 50	236849	SCREW,MACH-BIND HD 10-32 X 1/4 LG	2	A
- 51	2197203	CABLE ASM,INTERNAL SIGNAL,2501 FEATURE	1	
- 51	2190727	CABLE ASM,GATE VOLTAGE A-A1	1	
- 51	2197351	CABLE ASM,1231 EPO CONTROL	1	
		USED WITH BOARD 2197228 ONLY FOR COMPONENT PARTS SEE LIST 44-75 76,77 AND 78		

END OF LIST 17

FOR PARTS  
NOT SHOWN  
SEE FIG. 15

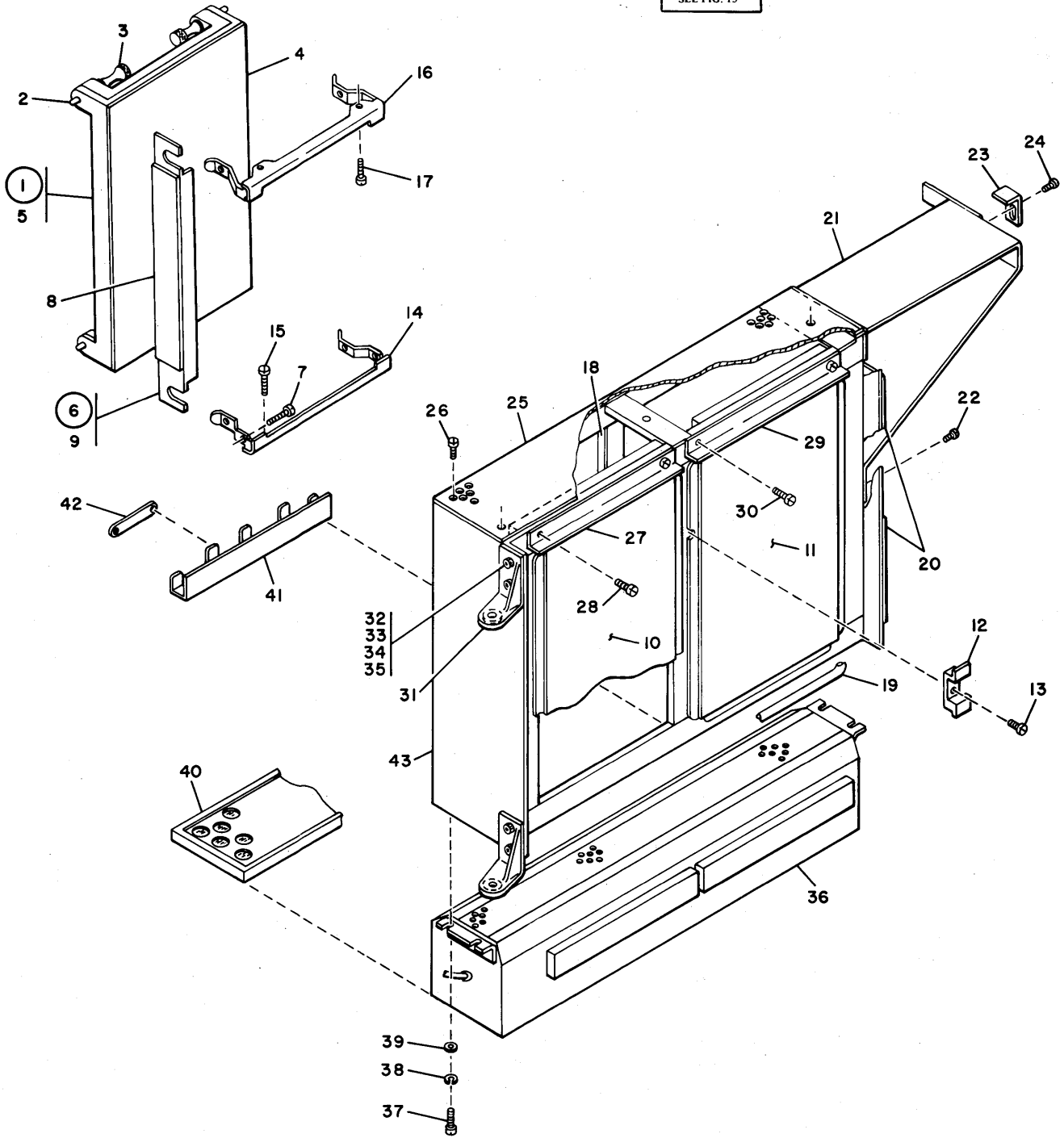


FIGURE 17A. 1 X 2 A GATE, 1131 MODEL 4

SEE LIST 17A

LIST AND INDEX NUMBER	PART NUMBER	DESCRIPTION	UNITS	USABLE
			PER ASM.	ON CODE
		1 X 2 A GATE ASSEMBLY		
17A-	5889447	1 X 2 A GATE ASSEMBLY FOR ILLUSTRATION SEE FIGURE 17A FOR NEXT HIGHER ASSEMBLY SEE LIST 15-51	REF	
- 1	811867	. CARD COVER ASSEMBLY	2	
- 2	815964	. . CATCH	4	
- 3	815963	. . CATCH-PULL ATT PT	4	
- 4	815263	. . BACKING, FOAM	1	
- 5	811866	. . COVER	1	
- 6	811881	. RETAINER ASSEMBLY	AR	
- 7	55726	. SCREW, MACH-BIND HD 6-32 X .188 LG ATT PT	AR	
- 8	811441	. . SEAL	1	
- 9	811869	. . RETAINER	1	
- 10	5889413	. BOARD ASSEMBLY, 01A-C1	1	
- 11	5889411	. BOARD ASSEMBLY, 01A-B1	1	
- 12	813179	. CLAMP-BOARD ATT PT	16	
- 13	811417	. SCREW, HEX SOCKET HD, 6-32 X 1/2 LG ATT PT	16	
- 14	811852	. BRACKET, HINGE	1	
- 15	2181005	. SCREW, SELF TAPPING, 6-32 X .375 LG ATT PT	2	
- 16	811853	. BRACKET, HINGE	1	
- 17	2181005	. SCREW, SELF TAPPING, 6-32 X .375 LG ATT PT	2	
- 18	811442	. SEAL, VERTICAL	4	
- 19	5889444	. CABLE ASSM	1	
		FOR COMPONENT PARTS SEE LIST 44-6A,6B		
- 20	5889439	. DECAL, A GATE	1	
- 21	5889440	. EXTENDER, GATE	1	
- 22	2181004	. SCREW, THREAD FORMING-HEX WASHER HD ATT PT	4	
- 23	2178627	. PLATE, GATE LATCH	1	
- 24	2181004	. SCREW, THREAD FORMING-HEX WASHER HD ATT PT	2	
- 25	5889441	. SCREEN, GATE	1	
- 26	5319854	. SCREW, SELF TAPPING, 8-32 X .375 LG ATT PT	4	
- 27	2197162	. GUARD, GATE	1	
- 28	236849	. SCREW, MACH-BIND HD 10-32 X 1/4 LG ATT PT	2	
- 29	811535	. GUARD, GATE	1	
- 30	236849	. SCREW, MACH-BIND HD 10-32 X 1/4 LG ATT PT	2	
- 31	289335	. HINGE	2	
- 32	3550	. WASHER, FLAT 1/4 ID-9/16 OD-0.05 THK ATT PT	4	
- 33	6935	. WASHER, LOCK-SPLIT 1/4 X 0.493 OD ATT PT	4	
- 34	36109	. NUT, PLAIN-HEX 1/4-20 X 7/16 FL W ATT PT	4	
- 35	169733	. SCREW ATT PT	4	
- 36	5889446	. BLOWER ASSM	1	
		FOR DETAIL BREAKDOWN SEE LIST 19A		
- 37	5319854	. SCREW, SELF TAPPING, 8-32 X .375 LG ATT PT	4	
- 38	1090873	. WASHER, LOCK, .168 ID X .296 OD ATT PT	4	
- 39	22478	. WASHER, FLAT, 0.170 ID X 0.375 OD 0.032 THK ATT PT	4	
- 40	2243128	. FILTER	1	
- 41	825373	. SUPPORT	4	
- 42	811427	. STRAP	10	
- 43	5889443	. FRAME, 1X2 A GATE	1	
		END OF LIST 17A		

FOR PARTS  
NOT SHOWN  
SEE FIG. 15

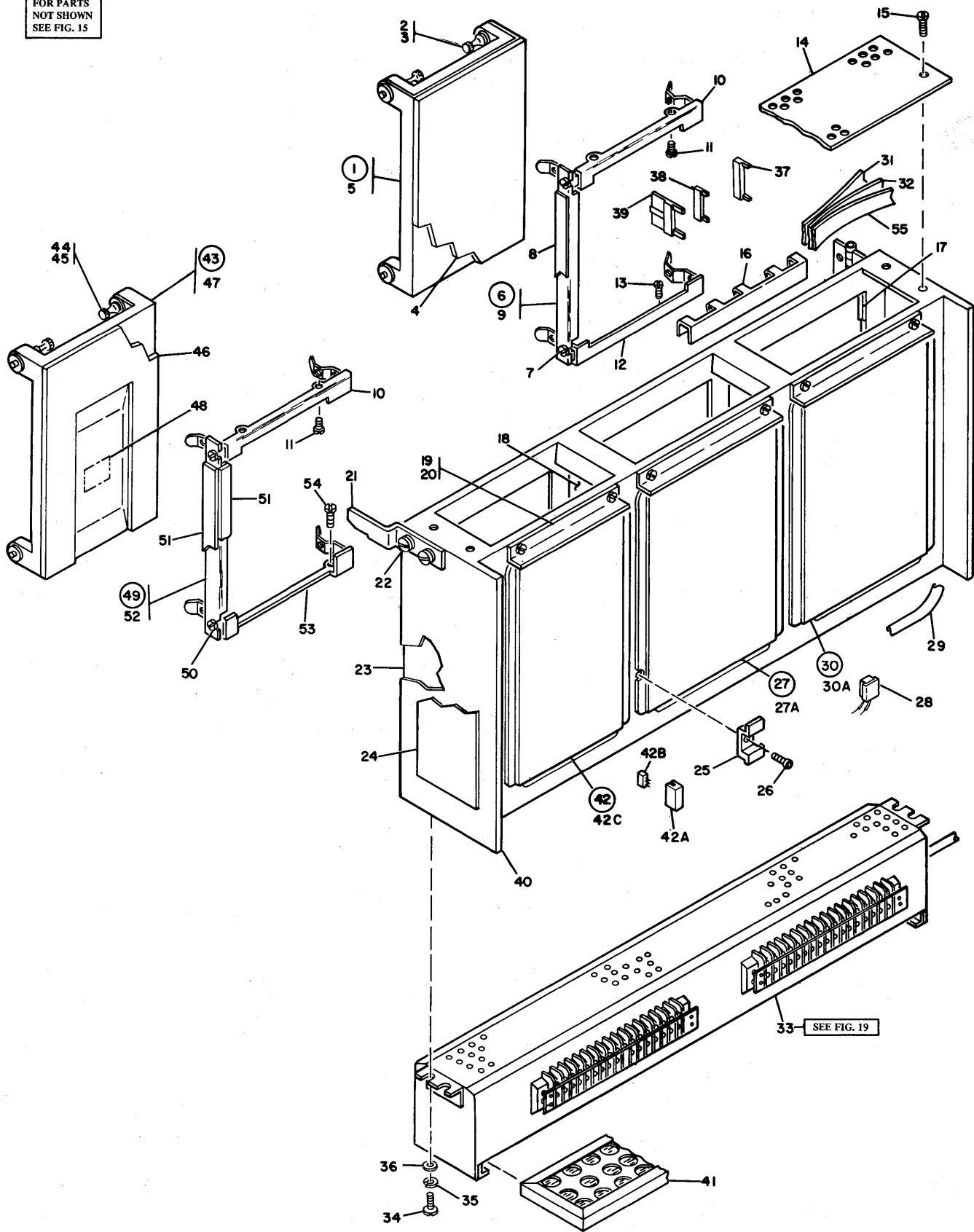


FIGURE 18. B GATE ASSEMBLY.

SEE LIST **18**

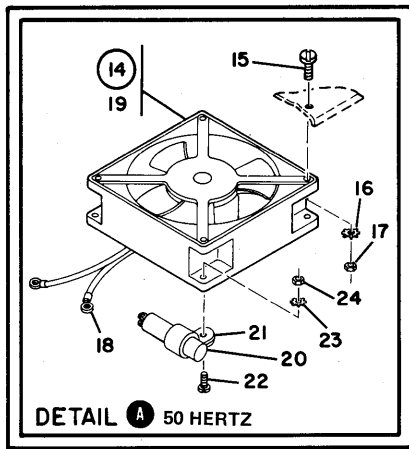
## LIST 18

LIST AND INDEX NUMBER	PART NUMBER	DESCRIPTION	UNITS PER ASM.	USABLE ON CODE
		B-GATE ASSEMBLY		
18		CODE A USED ON EXPANSION MEMORY ATTACH CODE B USED ON 4K 3.6 MICROSEC CODE C USED ON 8K 3.6 MICROSEC CODE D USED ON 4K AND 8K MICROSEC CODE E USED ON 1131 MODEL 4		
-	2243009	B GATE ASM,60 HZ	REF	
-	2243011	B GATE ASM,50 HZ FOR ILLUSTRATION SEE FIGURE 18 FOR NEXT HIGHER ASM SEE LIST 15-52	REF	
- 1	811865	. COVER ASM, CARD	2	
- 2	815964	. . CATCH	4	
- 3	815963	. . CATCH-PULL	4	
- 4	815263	. . BACKING, FOAM	1	
- 5	811864	. . COVER, MEMORY CARD	1	
- 6	811881	. RETAINER ASSEMBLY	4	
- 7	55726	. SCREW, MACH-BIND HD 6-32 X .188 LG	8	
- 8	811441	. . SEAL	1	
- 9	811896	. . RETAINER	1	
- 10	811851	. BRACKET-HINGE-UPPER	3	
- 11	2181005	. SCREW, SELF TAPPING, 6-32 X .375 LG.	6	
- 12	811850	. BRACKET-HINGE-LOWER	2	
- 13	2181005	. SCREW, SELF TAPPING, 6-32 X .375 LG.	4	
- 14	2197167	. COVER, TOP	1	
- 15	5319854	. SCREW, SELF TAPPING, 8-32 X .375 LONG	6	
- 16	825373	. SUPPORT, CABLE	5	
- 17	811442	. SEAL	6	
- 18	2191013	. SEAL, 3.00 X 14.2P X 1.00 THICK	1	
- 19	811535	. GUARD, GATE	3	
- 20	236849	. SCREW, MACH-BIND HD 10-32 X 1/4 LG	6	
- 21	2190561	. STRIKER, LATCH	1	
- 22	5353301	. SCREW-THREAD FORMING, HEX. WASHER HEAD	2	
- 23	2191012	. SEAL, 3.00 X 12.00 X 1.00 THICK	1	
- 24	2191095	. DECAL, TEST POINT B GATE	1	
- 25	813179	. CLAMP-BOARD	AR	
- 26	811417	. SCREW, HEX SOCKET H- 6-32 X 1/2 LG	AR	
- 27	2197221	. BOARD ASM, 01B-B1, WITH CARDS	1	
- 27	5889417	. BOARD ASM, 01B-B1, WITH CARDS	1	E
- 27A	2197220	. . BOARD ASM, 01B-B1, W/O CARDS	1	
- 27A	5889416	. . BOARD ASM, 01B-B1, W/O CARDS ASSEMBLY COMPONENTS ARE NOT REPLACEABLE	1	E
- 28	5802236	. CROSSOVER ASSEMBLY - 22 SIGNAL FOR COMPONENT PARTS SEE LIST 44-75 76B, 77 AND 78	AR	
- 29	2190718	. CABLE ASM-B GATE VOLTAGE FOR COMPONENT PARTS SEE LIST 44-28 2C, 9, 47, 69, 71 AND 73	1	
- 30	2197219	. BOARD ASM, 01B-A1, WITH CARDS	1	
- 30	5889415	. BOARD ASM, 01B-A1, WITH CARDS	1	E
- 30A	2197218	. . BOARD ASM, 01B-A1, W/O CARDS	1	
- 30A	5889414	. . BOARD ASM, 01B-A1, W/O CARDS	1	E
- 31	2190723	ASSEMBLY COMPONENTS ARE NOT REPLACEABLE . VERTICAL CONNECTION CABLE GROUP FOR COMPONENT PARTS SEE LIST 44-75 76, 77 AND 78	1	
- 32	2197237	. CABLE ASM, FLAT SAC-CAT OR 2501 INTRA FOR COMPONENT PARTS SEE LIST 44-75 76, 77 AND 78	1	
- 33	2190661	. BLOWER ASM, FAN 60 HERTZ, B GATE	1	
- 33	2190548	. BLOWER ASM, FAN 50 HERTZ, B GATE	1	
- 34	5319854	FOR DETAIL BREAKDOWN SEE LIST 19		
- 35	1090873	. SCREW, SELF TAPPING, 8-32 X .375 LONG	4	
- 36	22478	. WASHER, LOCK - .168 ID X .296 OD	4	
- 37	811804	. WASHER, FL- 0.170 ID 0.375 OD 0.032 THK	4	
- 38	811802	. GUIDE, CARD	AR	
		. GUIDE-CARD, 6 PAC	AR	



LIST 18 CONT

LIST AND INDEX NUMBER	PART NUMBER	DESCRIPTION	UNITS PER ASM.	USABLE ON CODE
		1 2 3 4 B-GATE ASSEMBLY-CONT		
18 - 39	811363	• EXTENDER, CARD, 6 PAC	AR	
- 40	2190558	• FRAME- GATE B PARTS OF THIS ASM ARE NOT REPLACEABLE THE FOLLOWING PARTS ARE FEATURES ONLY	1	
- 41	2190693	FILTER, WITH FRAME, 5.00 X 28.00	1	
- 41	2243078	FILTER, W/O FRAME, 5.00 X 28.00	1	
- 42	2243057	BOARD ASM, 01B-C1, WITH CARDS-EXP MEMORY	1	A
- 42	2510224	BOARD ASM, 01B-C1, WITH CARDS-4K MEMORY	1	B
- 42	2510225	BOARD ASM, 01B-C1, WITH CARDS-8K MEMORY	1	C
- 42A	2192760	• JUMPER BLOCK ASSEMBLY COMPONENTS ARE NOT REPLACEABLE	AR	D
- 42B	2391100	• DIODE BLOCK ASM, COMMON CATHODE	AR	D
- 42B	2391101	• DIODE BLOCK ASM, COMMON ANODE ASSEMBLY COMPONENTS ARE NOT REPLACEABLE	AR	D
- 42C	2243056	• BOARD ASM, 01B-C1, W/O CARDS	1	A
- 43	2190824	COVER ASM, MEMORY	1	B
- 43	2190824	COVER ASM, MEMORY	1	C
- 43	811865	COVER ASM, CARD	1	A
- 44	815964	• CATCH	4	
- 45	815963	• CATCH-PULL ATT PT	4	
- 46	2190834	• BACKING, FOAM	1	
- 46	815263	• BACKING, FOAM USED ON ASM 2190824 ONLY	1	
- 47	2190808	• COVER, MEMORY CARD USED ON ASM 2190824 ONLY	1	
- 47	811864	• COVER, MEMORY CARD USED ON ASM 0811865 ONLY	1	
- 48	2191096	• PLATE, INSTRUCTION-MEMORY DECAL USED ON ASM 2190824 ONLY	1	
- 49	2194975	RETAINER ASM	1	B
- 49	2194975	RETAINER ASM	1	C
- 49	811881	RETAINER ASSEMBLY	1	A
- 50	55726	SCREW, MACH-BIND HD 6-32 X .188 LG ATT PT	4	
- 51	811441	• SEAL	2	
- 51	811441	• SEAL USED ON ASM 2194775 ONLY	1	
- 52	2194976	• BAR, CABLE RETAINER-MEMORY USED ON ASM 2194775 ONLY	1	
- 52	811896	• RETAINER	1	
- 53	2190819	BRACKET, STORAGE-LOWER HINGE CBM	1	B
- 53	2190819	BRACKET, STORAGE-LOWER HINGE CBM	1	C
- 53	811850	BRACKET-HINGE-LOWER	1	A
- 54	734483	SCREW, PAN HD- 6-32 X 0.380 LG ATT PT	2	
- 55	2243181	CABLE ASM, FLAT, EXPANDED MEMORY TO B GATE FOR COMPONENT PARTS SEE 44-75 76, 77 AND 78	1	A
		END OF LIST 18		



FOR PARTS  
NOT SHOWN  
SEE FIG. 17 & 18

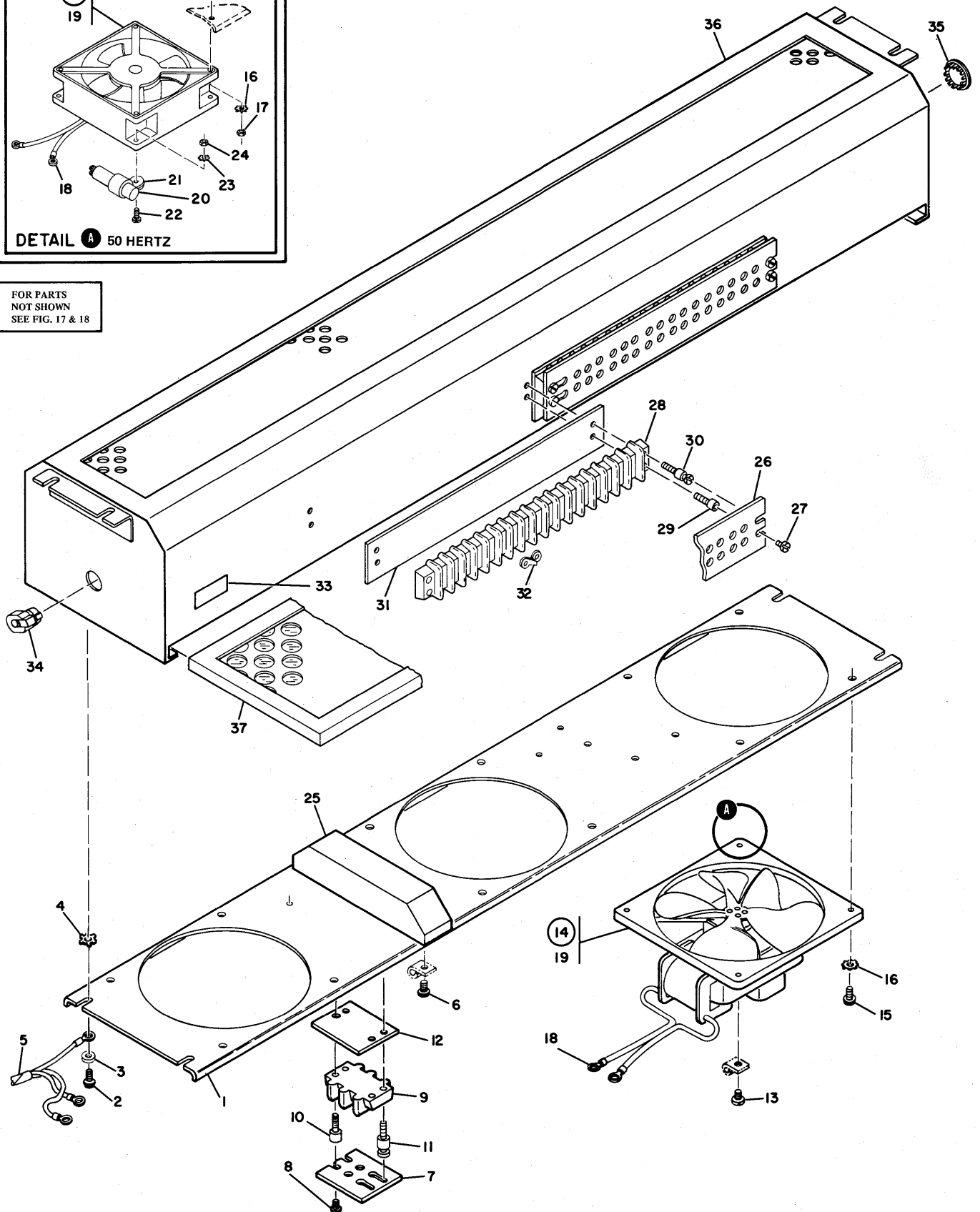


FIGURE 19. BLOWER ASSEMBLY.

SEE LIST **19**

## LIST 19 CONT

LIST AND INDEX NUMBER	PART NUMBER	DESCRIPTION	UNITS PER ASM.	USABLE ON CODE
		1 2 3 4		
		BLOWER ASSEMBLY		
19		CODE A USED ON 60 HERTZ ONLY CODE B USED ON 50 HERTZ ONLY CODE C USED ON ASM 2197144 ONLY CODE D USED ON 1132/2501/SCA ONLY		
-	2190660	BLOWER ASM,FAN 60 HERTZ,A GATE	REF	A
-	2190662	BLOWER ASM,FAN 50 HERTZ,A GATE	REF	B
		FOR ILLUSTRATION SEE FIGURE 19 FOR NEXT HIGHER ASM SEE LIST 17-38		
-	2190661	BLOWER ASM,FAN 60 HERTZ,B GATE	REF	A
-	2190548	BLOWER ASM,FAN 50 HERTZ,B GATE FOR ILLUSTRATION SEE FIGURE 19 FOR NEXT HIGHER ASM SEE LIST 18-33	REF	B
- 1	2190694	• PLATE,FAN MTG	1	A
- 1	2190726	• PLATE,FAN MTG	1	B
- 2	234317	• SCREW,ASMD WASHER-FIL H 8-32 X 5/16 LG	4	
- 3	22478	• WASHER,FL- 0.170 ID 0.375 OD 0.032 THK	4	
- 4	55901	• WASHER, LOCK, EXT TEETH - .176 DIA	1	
- 5	2190712	• CABLE ASM-GATE BLOWER FOR COMPONENT PARTS SEE LIST 44-28,3B	1	
- 6	811426	• SCREW,MACH-PAN HD 6-32 X 3/8 IN. LG	9	
- 7	187467	• SHIELD, 2 POSITION	2	
- 8	210984	• SCREW,MACH RH 6-32 X .25	2	
- 9	323840	• TERMINAL BOARD- 2 DBL SCREW TERMINALS	2	
- 10	210985	• STUD, EXT 8-32 X 1/2 INT 6-32 X 0.19 DP	2	
- 11	210986	• STUD, SLOTTED 8-32 X 1/2 LG THREAD	6	
- 12	2101380	• MARKER STRIP- 2 POS NOS. 1 AND 2	2	
- 13	32042	• SCREW, MACH BIND. HD 10-32 X 3/8 LG.	2	A
- 14	2190725	• FAN ASM,115 VOLT 60 HERTZ	2	
- 14	2190725	• FAN ASM,115 VOLT 60 HERTZ USED ON ASM 2190660 ONLY	3	D
- 14	2190900	• FAN ASM,220 VOLT 50 HERTZ	2	
- 14	2190900	• FAN ASM,220 VOLT 50 HERTZ USED ON ASM 2190662 ONLY	3	D
- 14	2190725	• FAN ASM,115 VOLT 60 HERTZ	3	
- 14	2190900	• FAN ASM,220 VOLT 50 HERTZ	2	
- 14	2197144	• FAN ASM,220 VOLT 50 HERTZ	1	
- 15	322550	• SCREW,MACH-BIND HD 6-32 X 1/2 LG USED ON ASM 2190548 ONLY USED WITH FAN 2190725 AND 2197144	AR	
- 15	38235	• SCREW,BIND HD 6-32 X .312 LONG USED WITH FAN 2190900 ONLY	8	
- 16	6364	• WASHER,LOCK-SPLIT NO. 6 X 1/4 OD	AR	A
- 16	56722	• WASHER-LOCK,EXT T, .150 ID	AR	B
- 17	257187	• NUT,HEX 6-32 NC	4	B
- 18	334921	• TERMINAL-LUG NO.22 THRU NO.18 WIRE INSUL	2	
- 19	2172165	• FAN,115V-60 HZ USED ON ASM 2190725 ONLY	1	
- 19	4120171	• FAN,220V-50 HZ USED ON ASM 2190900 ONLY	1	
- 19	4120173	• FAN USED ON ASM 2197144 ONLY	1	
- 20	4116231	• CAPACITOR,FXD,PAPER- 2MFD P/M 10% 200VAC	1	C
- 21	4062615	• CLAMP-CAPACITOR	1	C
- 22	322550	• SCREW,MACH-BIND HD 6-32 X 1/2 LG	1	C
- 23	56722	• WASHER-LOCK,EXT T, .150 ID	1	C
- 24	257187	• NUT,HEX 6-32 NC	1	C
- 25	2191016	• BAFFLE,FAN-GATE USED ON B GATE ONLY	1	
- 26	187471	• SHIELD- 18 POSITION	2	
- 27	210984	• SCREW,MACH RH 6-32 X .25	2	
- 28	513654	• TERMINAL BOARD- 18 DBL SCREW TERMINALS	2	
- 29	210986	• STUD, SLOTTED 8-32 X 1/2 LG THREAD	6	
- 30	210985	• STUD, EXT 8-32 X 1/2 INT 6-32 X 0.19 DP	2	
- 31	454505	• STRIP,MARKER	2	
- 32	367115	• JUMPER-TERMINAL STRIP VDC DISTR BRS	28	
- 33	369207	• LABEL-VOLTAGE	1	
- 34	107611	• BUSHING	1	
- 35	1143048	• PLUG,SNAP IN- 0.656 HOLE	1	
- 36	2190564	• HOUSING- GATE BLOWER	1	
		PARTS NOT INCLUDED WITH ASM		
- 37	2190693	FILTER,WITH FRAME,5.00 X 28.00	1	
- 37	2243078	FILTER,W/O FRAME,5.00 X 28.00	1	

FOR PARTS  
 NOT SHOWN  
 SEE FIG. 17A

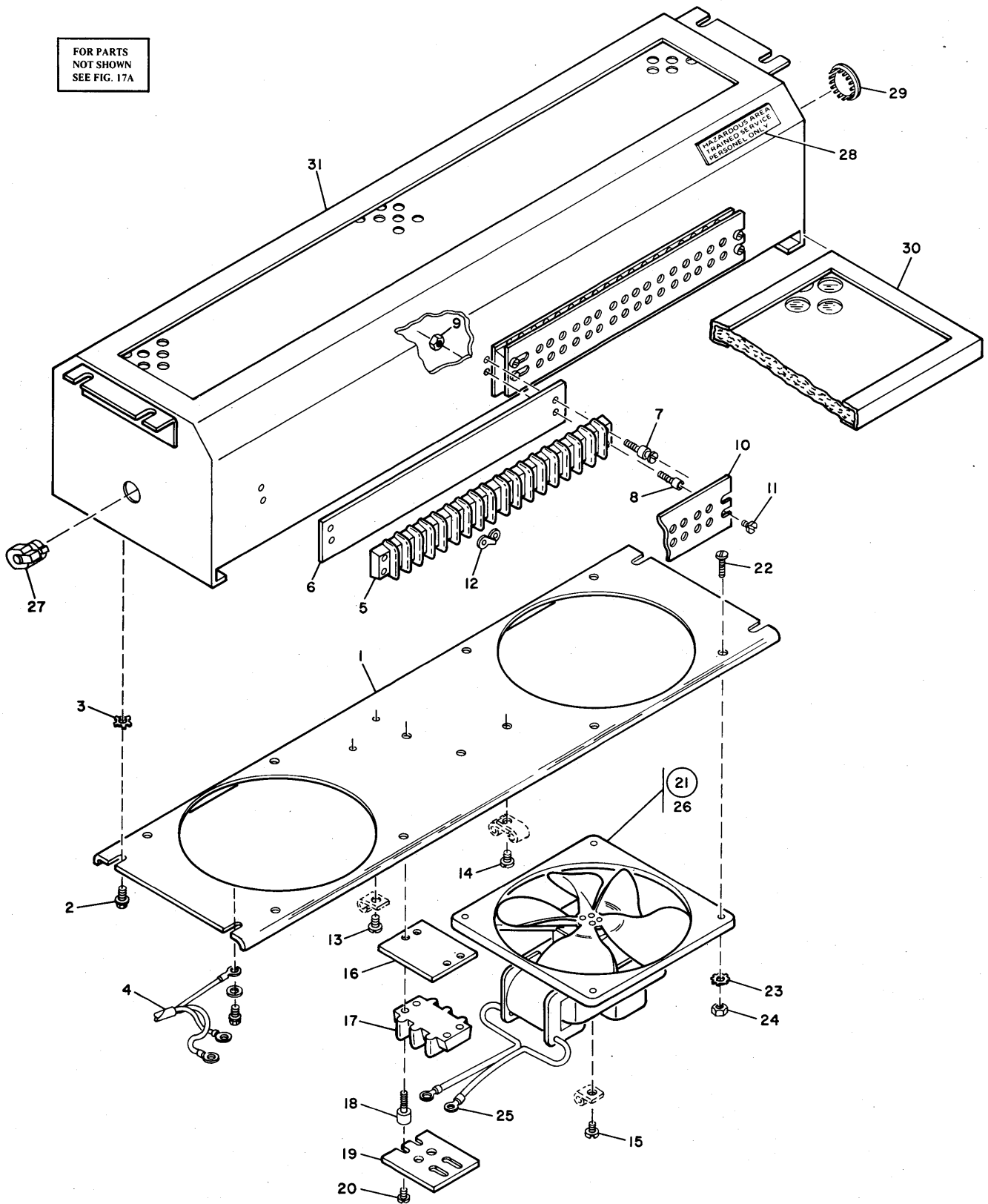


FIGURE 19A. BLOWER ASSEMBLY, 60HZ, 1131 MODEL 4

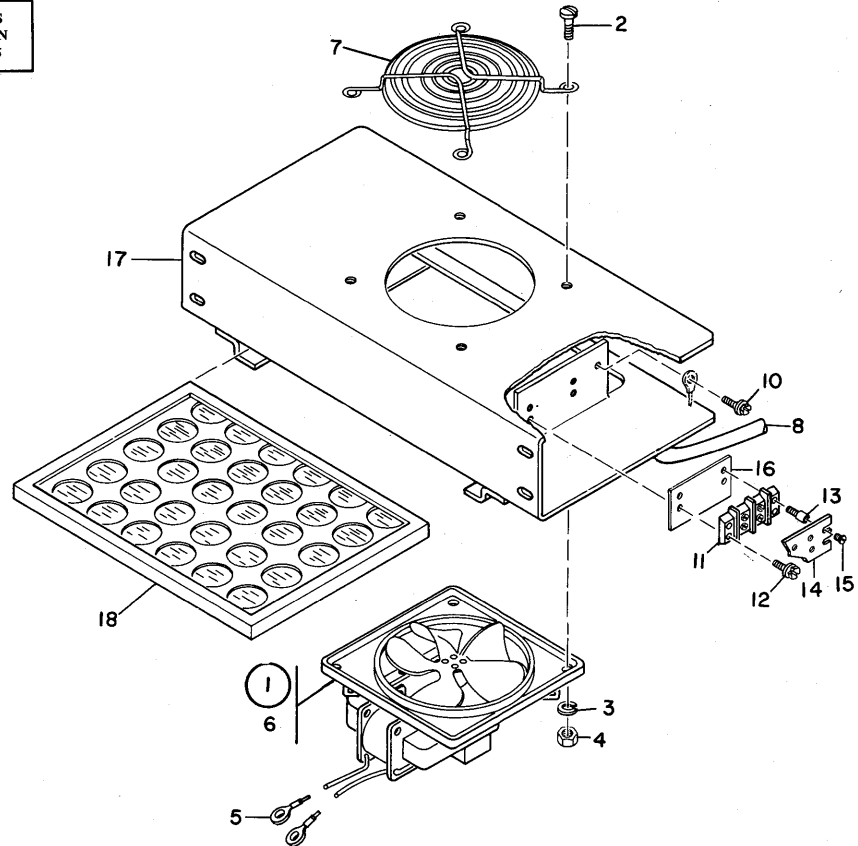
SEE LIST 19A

**LIST 19A**

Page of S127-0808-4  
 Added September 1971  
 By TNL: SN34-0072

LIST AND INDEX NUMBER	PART NUMBER	DESCRIPTION	UNITS PER ASM.	USABLE ON CODE
		1 2 3 4 BLOWER ASSEMBLY, 60 HERTZ		
<b>19A</b>	5889446	BLOWER ASM, TWO FAN, 60 HZ FOR ILLUSTRATION SEE FIGURE 19A FOR NEXT HIGHER ASSEMBLY SEE LIST 17A-36	REF	
- 1	2243127	. PLATE, FAN MTG	1	
- 2	5319854	. SCREW, SELF TAPPING, 8-32 X .375 LG ATT PT	4	
- 3	55901	. WASHER, LOCK, EXT TEETH-.176 DIA.	1	
- 4	2190712	. CABLE ASSM, GATE BLOWER	1	
		FOR COMPONENT PARTS SEE LIST 44-2B,3B		
- 5	513654	. TERMINAL BLOCK	2	
- 6	454505	. MARKER STRIP	2	
- 7	210986	. STUD, SLOTTED 8-32 X 1/2 LG THREADED ATT PT	6	
- 8	210985	. STUD, EXT 8-32 X 1/2 INT 6-32 X 0.19 DP ATT PT	2	
- 9	257189	. NUT, HEX 8-32 ATT PT	8	
		USED IF THE PLENUM DOES NOT CONTAIN WELDNUTS		
- 10	187471	. SHIELD	2	
- 11	210984	. SCREW, MACH RH, 6-32 X .25 ATT PT	2	
- 12	367115	. JUMPER	28	
- 13	10170	. SCREW-MACH, BIND HD NO. 6-32 X .250 LG	1	
- 14	2181005	. SCREW, SELF TAPPING, 6-32 X .375 LG	1	
- 15	32042	. SCREW, MACH-BIND HD, 10-32 X 3/8 LG	1	
- 16	2101380	. MARKER STRIP-2 POS NOS. 1 AND 2	1	
- 17	323840	. TERMINAL BOARD-2 DBL SCREW TERMINALS	1	
- 18	210883	. STUD, EXT 6-32 X 1/2 INT 6-32 X 0.19 DP ATT PT	2	
- 19	187467	. SHIELD, 2 POSITION	1	
- 20	10170	. SCREW-MACH, BIND HD NO. 6-32 X .250 LG ATT PT	2	
- 21	2190725	. FAN ASM, 115 VOLT 60 HERTZ	AR	
- 22	322550	. SCREW, MACH-BIND HD 6-32 X 1/2 LG ATT PT	AR	
- 23	56722	. WASHER-LOCK, EXT T, .150 ID ATT PT	AR	
- 24	257187	. NUT, HEX 6-32 NC ATT PT	AR	
- 25	334921	. . TERMINAL-LUG NO.22 THRU NO.18 WIRE INSUL	2	
- 26	2172165	. . FAN, 115V-60 HZ	1	
- 27	107611	. BUSHING	1	
- 28	124943	. LABEL	1	
- 29	1143048	. PLUG, SNAP IN, 0.656 HOLE	1	
- 30	2243128	. FILTER	1	
- 31	5889445	. HOUSING, FAN	1	
		<b>END OF LIST 19A</b>		

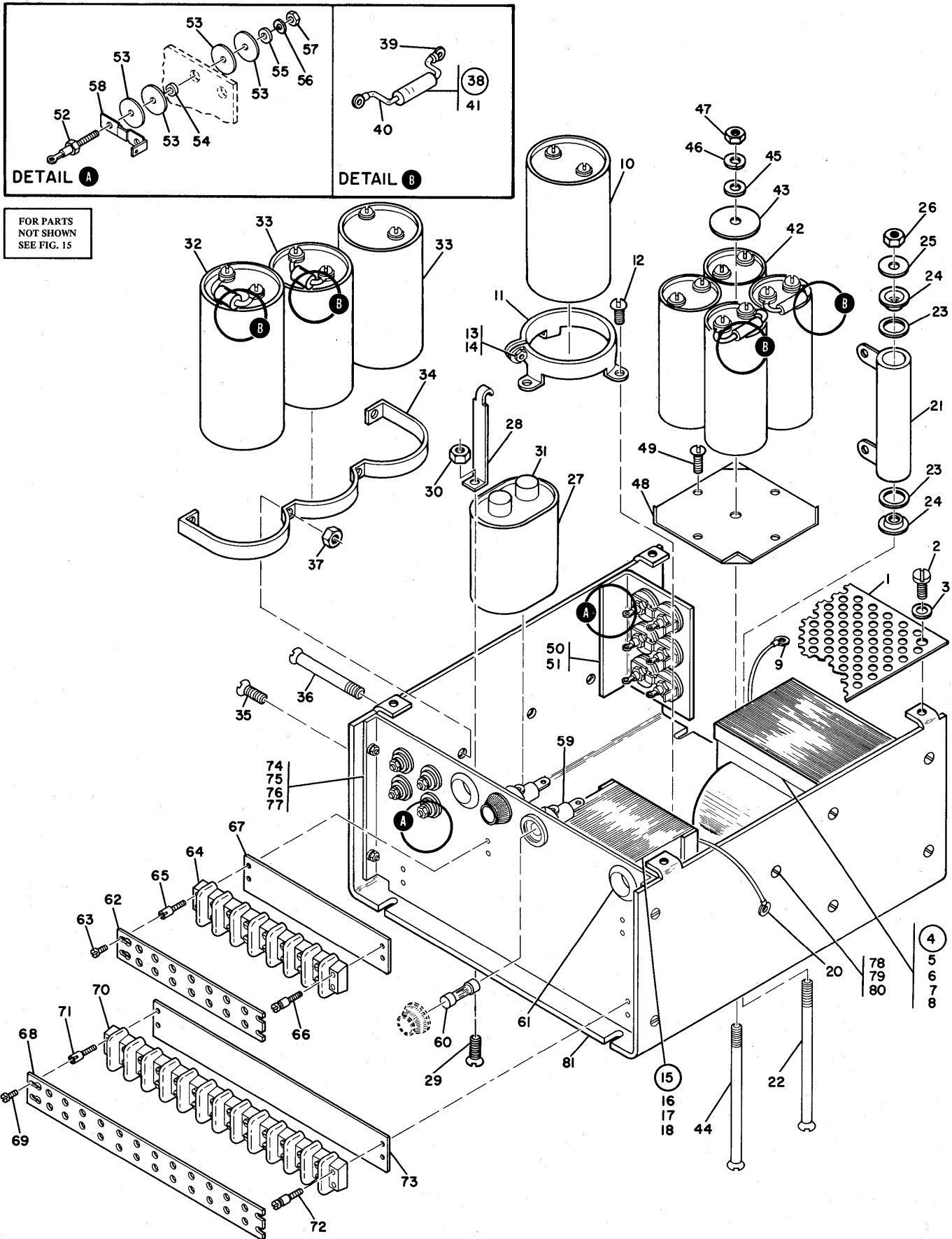
FOR PARTS  
NOT SHOWN  
SEE FIG. 15



● FIGURE 20. BLOWER ASSEMBLY, POWER SUPPLY.

SEE LIST 20

LIST AND INDEX NUMBER	PART NUMBER	DESCRIPTION				UNITS PER ASM.	USABLE ON CODE
		1	2	3	4		
		BLOWER ASSEMBLY, POWER SUPPLY					
20	2243225	BLOWER ASM, POWER SUPPLY-60 HZ				REF	
	2243318	BLOWER ASM, POWER SUPPLY-50 HZ FOR ILLUSTRATION SEE FIGURE 20 FOR NEXT HIGHER ASM SEE LIST 15-100				REF	
- 1	2190725	• FAN ASM, 115 VOLT 60 HERTZ				1	
- 1	2190900	• FAN ASM, 220 VOLT 50 HERTZ				1	
- 2	322065	• SCREW, MACH-BIND HD 6-32 X 5/8 LG ATT PT				4	
- 2	170215	• SCREW, ASMD WASHER-FIL H 6-32 X 3/8 LG ATT PT USED ON 60 HERTZ ONLY				4	
- 3	6364	• WASHER, LOCK-SPLIT NO. 6 X 1/4 OD ATT PT USED ON 60 HERTZ ONLY				4	
- 4	257187	• NUT, HEX 6-32 NC ATT PT USED ON 60 HERTZ ONLY				4	
- 5	334921	• . . TERMINAL-LUG NO. 22 THRU NO. 18 WIRE INSUL				2	
- 6	2172165	• . . FAN, 115V-60 HZ				1	
- 6	4120171	• . . FAN, 220V-50 HZ				1	
- 7	2172166	• GUARD, FAN				1	
- 8	2243161	• CABLE ASM, P/S BLOWER TO TB 1				1	
- 10	2181005	FOR CABLE COMPONENTS SEE FIG 44-1 AND 2C					
- 11	323840	• SCREW, SELF TAPPING, 6-32 X .375 LG.				1	
- 11	323840	• TERMINAL BOARD- 2 DBL SCREW TERMINALS				1	
- 12	322550	• SCREW, MACH-BIND HD 6-32 X 1/2 LG ATT PT				2	
- 13	210883	• STUD, EXT 6-32 X 1/2 INT 6-32 X 0.19 DP ATT PT				2	
- 14	369351	• SHIELD, 2 POSITION				1	
- 15	1127733	• SCREW, MACH-SLTD HD 6-32 X 1/4 LG				2	
- 16	2101380	• MARKER STRIP- 2 POS NOS. 1 AND 2				1	
- 17	2243144	• HOUSING, BLOWER				1	
		COMPONENTS NOT INCLUDED WITH ASSEMBLY					
- 18	5357064	FILTER, AIR, 4.88 X 18.50 INCHES					



FOR PARTS  
NOT SHOWN  
SEE FIG. 15

FIGURE 21. POWER SUPPLY ASSEMBLY, MULTI LEVEL.

SEE LIST **21**

## LIST 21

LIST AND INDEX NUMBER	PART NUMBER	DESCRIPTION	UNITS PER ASM.	USABLE ON CODE
		POWER SUPPLY ASSEMBLY, MULTI LEVEL		
21	5760700	POWER SUPPLY ASM,MIDPACK-60 HZ	REF	
-	5760710	POWER SUPPLY ASM,MIDPACK-50 HZ FOR ILLUSTRATION SEE FIGURE 21 FOR NEXT HIGHER ASM SEE LIST 15-53	REF	
- 1	5760790	. COVER, TOP	1	
- 2	10170	. SCREW-MACH,BIND HD NO. 6-32 X .250 LG	4	
- 3	257986	. WASHER, FLAT NO. 6	4	
- 4	5760703	. TRANSFORMER, STEP DOWN-60 HZ	1	
- 4	5760699	. TRANSFORMER, STEP DOWN-50 HZ	1	
- 5	25891	. SCREW,MACH-FL CSK HD 10-32 X 1/2 LG	4	
- 6	45690	. WASHER, FL - NO.10 X 7/16 OD X 1/32 THK	4	
- 7	9092	. WASHER-LOCK,SPLIT RING, .194 ID .3370D	4	
- 8	11598	. NUT, HEX 10-32	4	
- 9	334910	. . TERMINAL-LUG NO.16 THRU NO.14 WIRE	AR	
- 9	2101326	. . TERMINAL-CLIP,BARREL NO.12-10 WIRE INSUL	AR	
- 9	186968	. . TERMINAL,LUG-INS 10/12AWG NO. 8 MTG HOLE	AR	
- 10	5239119	. CAPACITOR, CAN TYPE- 18000 UF 55 VDC	2	
- 11	1176717	. CLAMP-CAPACITOR STEEL 2.56 DIA	2	
- 12	55726	. SCREW,MACH-BIND HD 6-32 X .188 LG	6	
- 13	34512	. SCREW,MACH-BIND HD 8-32 X 3/8 LG	2	
- 14	257189	. NUT, HEX 8-32	2	
- 15	5760704	. TRANSFORMER,FERRO RESONANT-60 HZ	1	
- 15	5760719	. TRANSFORMER,FERRO RESONANT-50 HZ	1	
- 16	25891	. SCREW,MACH-FL CSK HD 10-32 X 1/2 LG	4	
- 17	45690	. WASHER, FL - NO.10 X 7/16 OD X 1/32 THK	4	
- 18	9092	. WASHER-LOCK,SPLIT RING, .194 ID .3370D	4	
- 19	11598	. NUT, HEX 10-32	4	
- 20	334921	. . TERMINAL-LUG NO.22 THRU NO.18 WIRE INSUL	AR	
- 20	517913	. . CLIP, SLIP ON NO 18-16 AWG	AR	
- 21	504694	. RESISTOR,FXD,WW- 200 OHMS P/M 5% 50W	1	
- 22	207356	. SCREW,MACH-FH 8-32 X 5 IN. LG	1	
- 23	521695	. INSULATOR,WASH- 1/2 ID 1 OD 1/32 THK	2	
- 24	528007	. WASHER,CENTERING	2	
- 25	131713	. WASHER,FL- 3/16 ID X 11/16 OD X 1/16 THK	1	
- 26	5761938	. NUT/LOCKWASHER ASSEMBLY - 8-32	1	
- 27	1143069	. CAPACITOR	1	
- 28	591587	. BRACKET	2	
- 29	19944	. SCREW,MACH-BIND HD 8-32 X 3/4 LG	2	
- 30	5761938	. NUT/LOCKWASHER ASSEMBLY - 8-32	3	
- 31	526378	. CAP	2	
- 32	5239120	. CAPACITOR,	1	
- 33	5760613	. CAPACITOR,	2	
- 34	5760697	. CLAMP,CAPACITOR MTG	1	
- 35	316807	. SCREW,MACH-FH,NO. 6-32 X .375 LG	2	
- 36	5213285	. SCREW,MACH-FL CSK HD 6-32 X 2-1/2 LG	2	
- 37	5761943	. NUT,HEX 10-32 NC	4	
- 38	5261936	. RESISTOR ASSEMBLY,200 OHMS 5W	2	
- 38	5712377	. RESISTOR ASSEMBLY-70 OHM 5 WATT	2	
- 39	334932	. . TERMINAL-LUG NO.18 THRU NO.22 WIRE INSUL	2	
- 40	477144	. . RESISTOR, WIREWOUND - 200 OHM 5W	2	
- 41	208190	. . RESISTOR	1	
- 41	113819	. . TUBING	1	
- 42	5709382	. CAPACITOR,FXD,ELECTROLYTIC,0.047 UF	4	
- 43	323543	. RETAINER,CAPACITOR	1	
- 44	2102526	. BOLT	1	
- 45	3550	. WASHER,FLAT 1/4 ID-9/16-DD-0.05 THICK	1	
- 46	6935	. WASHER,LOCK-SPLIT 1/4 X 0.493 OD	1	
- 47	3960	. NUT,PLAIN,HEX- 1/4-20 X 7/16 FL W	1	
- 48	511097	. PLATE-CAPACITOR MOUNTING	1	
- 49	236849	. SCREW,MACH-BIND HD 10-32 X 1/4 LG	4	
- 50	5760707	. BRACKET,SEMICONDUCTOR MTG	1	
- 51	38443	. SCREW,MACH-FL CSK HD 6-32 X 5/16 LG	4	
- 52	598479	. SEMICONDUCTOR DEVICE,D10- 150V 10 AMP USED ON CR1,CR2,CR9,CR10	4	
- 52	127324	. SEMICONDUCTOR DEVICE,D10- 150V 30 AMP USED ON CR3,CR4,CR5,CR6	4	
- 52	598480	. SEMICONDUCTOR DEVICE,D10- 150V 10 AMP	2	



## LIST 21 CONT

LIST AND INDEX NUMBER	PART NUMBER	DESCRIPTION				UNITS PER ASM.	USABLE ON CODE
		1	2	3	4		
		POWER SUPPLY ASSEMBLY, MULTI LEVEL -CONT					
21 - 53	217019	USED ON CR7,CR8				24	
- 53	217017	. WASHER,INSULATING .199 ID 1.00 OD				16	
		. WASHER-INSULATING ATT PT					
- 54	192733	USED ON CR3,CR4,CR5,CR6 ONLY				6	
- 54	473592	. WASHER,FL- 0.203 ID X 0.312 OD X 1/16THK				4	
		. INSULATOR ATT PT					
		USED ON CR3,CR4,CR5,CR6 ONLY					
- 55	45690	. WASHER, FL - NO.10 X 7/16 OD X 1/32 THK				6	
- 55	3550	. WASHER,FLAT 1/4 ID-9/16-OD-0.05 THICK				4	
		USED ON CR3,CR4,CR5,CR6 ONLY					
- 56	76574	. WASHER, LOCK-EXT. TEETH .250				4	
		USED ON CR3,CR4,CR5,CR6 ONLY					
- 57	5761908	. NUT,HEX 10-32 NC				6	
- 57	160017	. NUT,PLAIN,HEX- 1/4-28 X 7/16 FL W				4	
		USED ON CR3,CR4,CR5,CR6 ONLY					
- 58	478043	. JUMPER - PLATE				5	
- 59	179946	. HOLDER-FUSE				2	
- 60	1143492	. FUSE, 4AMP				1	
- 60	512137	. FUSE,5.0 AMP, LONG TIME LAG				1	
- 61	5761936	. GROMMET				2	
- 62	187466	. SHIELD- 12 POSITION				1	
- 63	210984	. SCREW,MACH RH 6-32 X .25				1	
- 64	323842	. TERMINAL BLOCK, 12 POSITION				1	
- 65	210985	. STUD, EXT 8-32 X 1/2 INT 6-32 X 0.19 DP				1	
- 66	210986	. STUD, SLOTTED 8-32 X 1/2 LG THREAD				3	
- 67	460471	. STRIP-INSULATING				1	
- 68	210998	. SHIELD- 16 POSITION				1	
- 69	210984	. SCREW,MACH RH 6-32 X .25				1	
- 70	91892	. TERMINAL BOARD- 16 DBL SCREW TERMINALS				1	
- 71	210985	. STUD, EXT 8-32 X 1/2 INT 6-32 X 0.19 DP				1	
- 72	210986	. STUD, SLOTTED 8-32 X 1/2 LG THREAD				3	
- 73	5213178	. MARKER STRIP- 16 POSITION				1	
- 74	5760715	. FRONT PLATE,POWER SUPPLY				1	
- 75	316807	. SCREW,MACH-FH,NO. 6-32 X .375 LG				4	
- 76	257986	. WASHER,FLAT NO. 6				4	
- 77	5761943	. NUT,HEX 10-32 NC				4	
- 78	118615	. SCREW,MACH-FH 10-32 X 5/16 LG				1	
- 79	56079	. WASHER-LOCK,EXT T .204 ID .410 OD				1	
- 80	11598	. NUT, HEX 10-32				1	
- 81	5760708	. HOUSING,POWER SUPPLY				1	
		END OF LIST 21					

FOR PARTS  
NOT SHOWN  
SEE FIG. 15

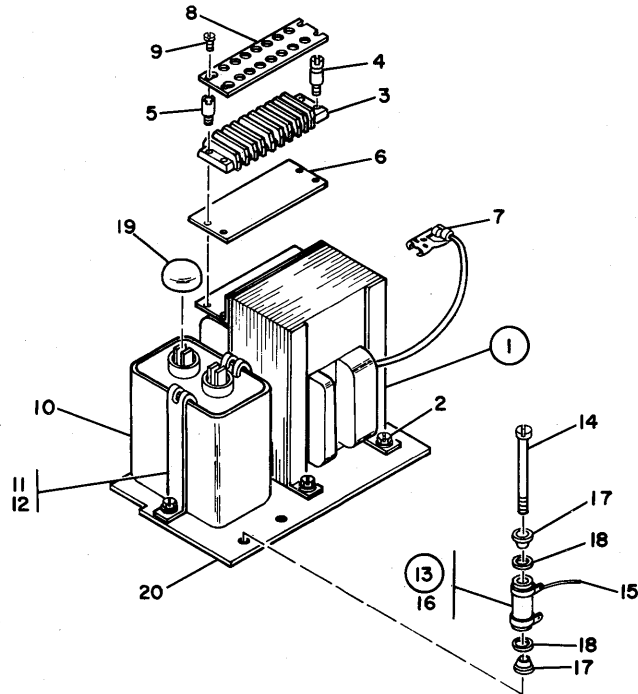


FIGURE 22. TRANSFORMER ASSEMBLY.

SEE LIST 22

LIST AND INDEX NUMBER	PART NUMBER	DESCRIPTION				UNITS PER ASM.	USABLE ON CODE
		1	2	3	4		
		TRANSFORMER ASSEMBLY					
22	2243314	TRANSFORMER ASM,7.25 VAC 25 AMP,60 HZ USED ON 115V 60 HZ MIDPACK SUPPLY				REF	
	2243315	TRANSFORMER ASM,7.25 VAC 25 AMP,60 HZ USED ON 208/230V 60 HZ MIDPACK SUPPLY				REF	
	2243323	TRANSFORMER ASM,7.25 VAC 25 AMP,50 HZ USED ON 195/220/235V 50 HZ MIDPACK SPLY FOR ILLUSTRATION SEE FIGURE 22 FOR NEXT HIGHER ASM SEE FIGURE 15-93				REF	
- 1	5708993	• TRANSFORMER ASM,115 V 60 HZ				1	
- 1	5708922	• TRANSFORMER ASM,208/230V 60 HZ				1	
- 1	5708991	• TRANSFORMER,195/220/235V 50 HZ				1	
- 2	2181004	• SCREW,THREAD FORMING-HEX WASHER HD ATT PT				4	
- 3	80880	• • TERMINAL BOARD- 6 DBL SCREW TERMINALS				1	
- 3	603248	• • TERMINAL BOARD- 14 DBL SCREW TERMINALS				1	
- 3	91469	• • TERMINAL BOARD- 4 DBL SCREW TERMINALS				1	
- 3	317145	• • TERMINAL BOARD- 8 DBL SCREW TERMINALS				1	
- 4	210986	• • STUD, SLOTTED 8-32 X 1/2 LG THREAD ATT PT				3	
- 5	210985	• • STUD, EXT 8-32 X 1/2 INT 6-32 X 0.19 DP ATT PT				1	
- 6	529084	• • MARKER STRIP-6 POSITION				1	
- 6	351797	• • MARKER STRIP-14 POSITION				1	
- 6	322271	• • MARKER STRIP-4 POSITION				1	
- 6	360339	• • MARKER STRIP-8 POSITION				1	
- 7	517913	• • CLIP, SLIP ON NO 18-16 AWG				2	
- 8	2197160	• SHIELD,TERMINAL BLOCK-6 POSITION				1	
- 8	603683	• SHIELD,TERMINAL BLOCK- 14 POSITION				1	
- 8	186945	• SHIELD,TERMINAL BLOCK- 8 POSITION				1	
- 8	187858	• SHIELD,TERMINAL BLOCK- 4 POSITION				1	
- 9	210984	• SCREW,MACH RH 6-32 X .25 ATT PT				1	
- 10	361536	• CAPACITOR, PAPER-30 UF 330VAC				1	
- 11	563891	• CLAMP,CAPACITOR MTG				2	
- 12	5350012	• SCREW, THD FORMING HEX WSR HD 8-32 X .25				2	
- 13	2191093	• RESISTOR ASM,0.16 OHM 25W,WIRE WOUND				1	
- 13	2243002	• RESISTOR ASM,3.0 OHM 25W P/M 10%,W/W				1	
- 14	438582	• SCREW,MACH-FIL H 8-32 X 2-1/4 LG ATT PT				2	
- 15	2191092	• • LEAD,ELECTRICAL-BLACK 14.00 IN. LG FOR COMPONENT PARTS SEE LIST 44-28,38				2	
- 16	5261119	• • RESISTOR,0.16 OHMS 25 WATTS WIREWOUND				1	
- 16	620232	• • RESISTOR,FXD,WW- 3 OHMS P/M 10% 25W				1	
- 17	510468	• CUP WASHER				4	
- 18	508224	• WASHER-INSULATOR				4	
- 19	526378	• CAP				2	
- 20	2243319	• PLATE,TRANSFORMER MTG				1	

END OF LIST 22

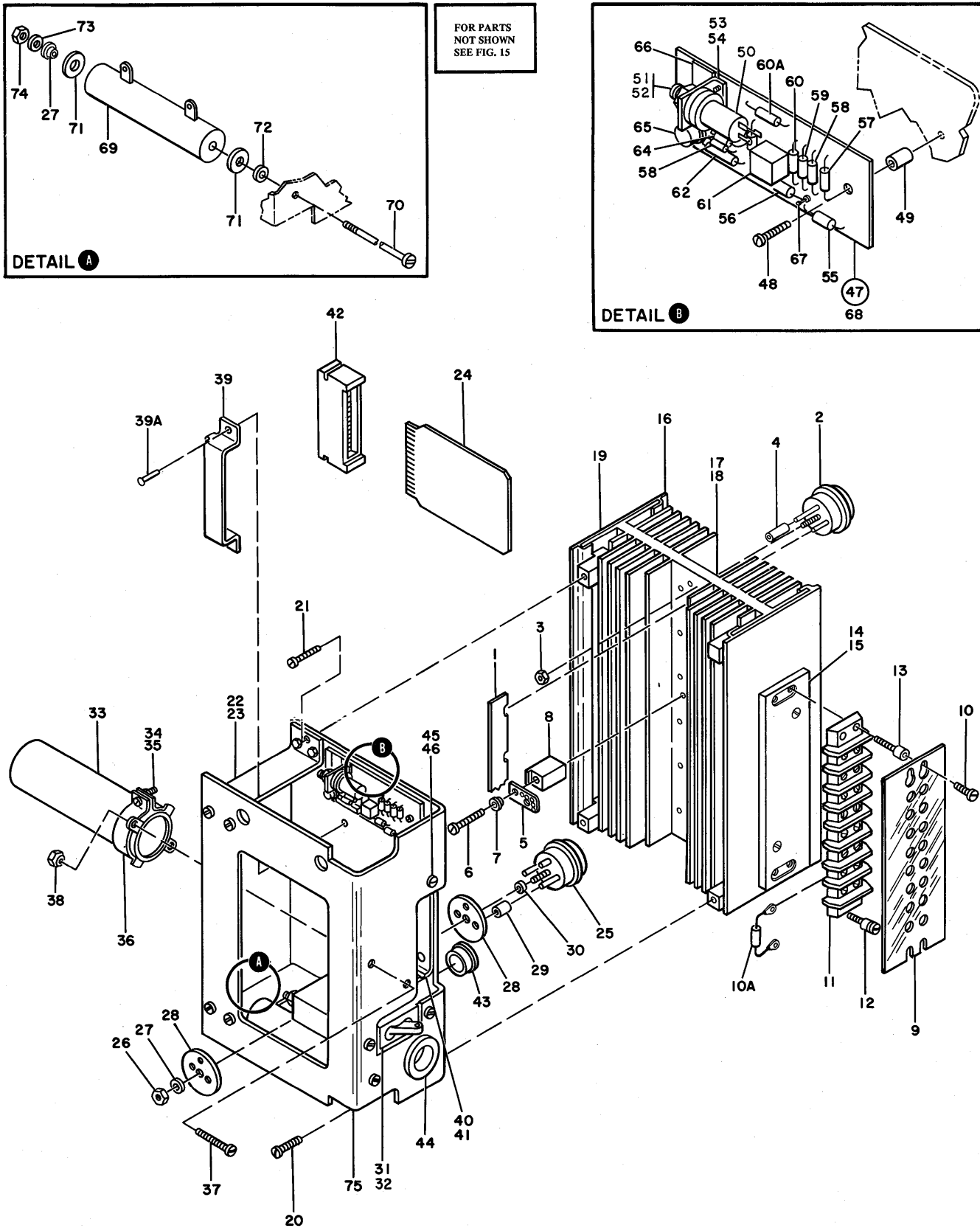


FIGURE 23. POWER PAC AS, 6VOLT 24 AMP.

SEE LIST 23

## LIST 23

LIST AND INDEX NUMBER	PART NUMBER	DESCRIPTION	UNITS PER ASM.	USABLE ON CODE
		1 2 3 4		
23 -	5762030	POWER PAC ASSEMBLY, 6V 24 AMP POWER PAC ASM,6VOLT AT 24 AMP FOR ILLUSTRATION SEE FIGURE 23 FOR NEXT HIGHER ASM SEE LIST 15-94	REF	
- 1	5762046	. BUS STRIP	1	
- 2	369214	. TRANSISTOR,TYPE 108	6	
- 3	11598	. NUT, HEX 10-32	AR	
- 4	5761976	. TUBING	4	
- 5	5762037	. TERMINAL	1	
- 6	5762058	. SCREW,HEX HD,6-32 X 1.125 LG	AR	
- 7	1134232	. WASHER	AR	
- 8	5762036	. STANDOFF	1	
- 9	473545	. SHIELD,9 POSITION	1	
- 10	210984	. SCREW,MACH RH 6-32 X .25	AR	
- 10A	5762197	. CAPACITOR ASM,75 MFD 25VDC	1	
- 11	323844	. BLOCK,TERMINAL 9 POSITION	1	
- 12	4118820	. STUD,T.B. MOUNTING	AR	
- 13	4118821	. STUD,SHIELD MOUNTING	3	
- 14	5762013	. MARKER STRIP, 9 POSITION	1	
- 15	80651	. SCREW,THD CTG-BIND HD 6-32 X 3/8 LG	AR	
- 16	5762026	. SEAL,AIR	2	
- 17	5762016	. HEAT SINK,6 TRANSISTOR MTG	1	
- 18	255629	. SCREW,THD CTG-FL CSK HD NO. 6 X 1/2 LG	AR	
- 19	5762034	. INSULATOR,HEATSINK	4	
- 20	91610	. SCREW,THD CTG-BIND HD 6-32 X 1/2 LG	AR	
- 21	80652	. SCREW,THD CTG-BIND HD 6-32 X 5/8 LG	AR	
- 22	5762033	. BRACKET	2	
- 22A	186759	. SCREW,MACH-BIND HD 8-32 X 5/16 LG	AR	
- 23	186759	. SCREW,MACH-BIND HD 8-32 X 5/16 LG	AR	
- 24	375202	. CARD ASM	1	
- 25	369214	. TRANSISTOR,TYPE 108	1	
- 26	11598	. NUT, HEX 10-32	AR	
- 27	45690	. WASHER, FL - NO.10 X 7/16 OD X 1/32 THK	AR	
- 28	550768	. INSULATOR	2	
- 29	5761976	. TUBING	2	
- 30	473582	. INSULATOR	1	
- 31	5214590	. CIRCUIT PROTECTOR,26 AMP,50 FDC,1 POLE	1	
- 32	10170	. SCREW-MACH,BIND HD NO. 6-32 X .250 LG	AR	
- 33	730429	. CAPACITOR,FXD,ELECT- 11,000 MFD 10V DCW	1	
- 34	38354	. SCREW,MACH-FIL H 6-32 X 1/2 LG	AR	
- 35	5761943	. NUT,HEX 10-32 NC	AR	
- 36	301768	. BRACKET	1	
- 37	38235	. SCREW,BIND HD 6-32 X .312 LONG	AR	
- 38	5761943	. NUT,HEX 10-32 NC	AR	
- 39	5761904	. BRACKET	1	
- 39A	5761907	. RIVET	AR	
- 40	5712309	. GUIDE	1	
- 41	5761907	. RIVET	AR	
- 42	216076	. TERMINAL BLOCK AND CONTACT ASSEMBLY	1	
- 43	5762057	. GROMMET,SNAP BUSHING	1	
- 44	5761936	. GROMMET	1	
- 45	236849	. SCREW,MACH-BIND HD 10-32 X 1/4 LG	AR	
- 46	56079	. WASHER-LOCK,EXT T .204 ID .410 OD	AR	
- 47	5761988	. OVERTVOLTAGE CARD ASSEMBLY, 6 VOLT	1	
- 48	438550	. SCREW,MACH-BIND HD 4-40 X 1/2 LG	AR	
- 49	332779	. SPACER	2	
- 50	5214335	. SEMICONDUCTOR,CONTROLLED RECTIFIER	1	
- 51	83462	. NUT LOCK 1/4-28 UNF	AR	
- 52	76574	. WASHER, LOCK-EXT. TEETH .250	AR	
- 53	5762153	. BRACKET,L	1	
- 54	438548	. SCREW,MACH-BIND HD 4-40 X 0.1875 LG	AR	
- 55	356740	. RESISTOR,FXD,COMP 270 OHMS P/M 10 % 1/2W	1	
- 56	509499	. RESISTOR,FXD,COMP- 130 OHMS P/M 5% 1/2W	1	
- 57	317009	. RESISTOR,FXD 390 OHM P/M 5 PCT 0.5W	1	
- 58	333202	. RESISTOR,FXD,COMP-240 OHMS P/M 5% 1/2W	3	
- 59	213536	. RESISTOR,FIXED COMP,100 OHM 5% 1/2 WATT	1	
- 60	322729	. RESISTOR 150 OHMS	1	
- 60A	360060	. RESISTOR,FXD,COMP-62 MEGOHM P/M 5% 1/2W	1	
- 61	361429	. RECTIFIER	1	
- 62	124580	. CAPACITOR-ELECTROLYTIC-0.47 MFD 35VDCW	1	
- 64	369611	. SEMICONDUCTOR DEVICE, DIODE	1	
- 65	535441	. TRANSISTOR-PNP TYPE 026	1	
- 66	5762004	. LABEL	1	
- 67	216258	. RECEPTACLE-PLUGGABLE CAP	2	
- 68	5761993	. BOARD ASM	1	
- 69	730499	. RESISTOR,FXD	1	
- 70	331982	. SCREW,MACH RD HD 8-32 X 1-1/4 LG	AR	
- 71	5761935	. WASHER	AR	
- 72	510468	. CUP WASHER	AR	
- 73	22478	. WASHER,FL- 0.170 ID 0.375 OD 0.032 THK	AR	
- 74	5761938	. NUT/LOCKWASHER ASSEMBLY - 8-32	AR	
- 75	5762006	. CHASSIS	1	

FOR PARTS  
NOT SHOWN  
SEE FIG. 15

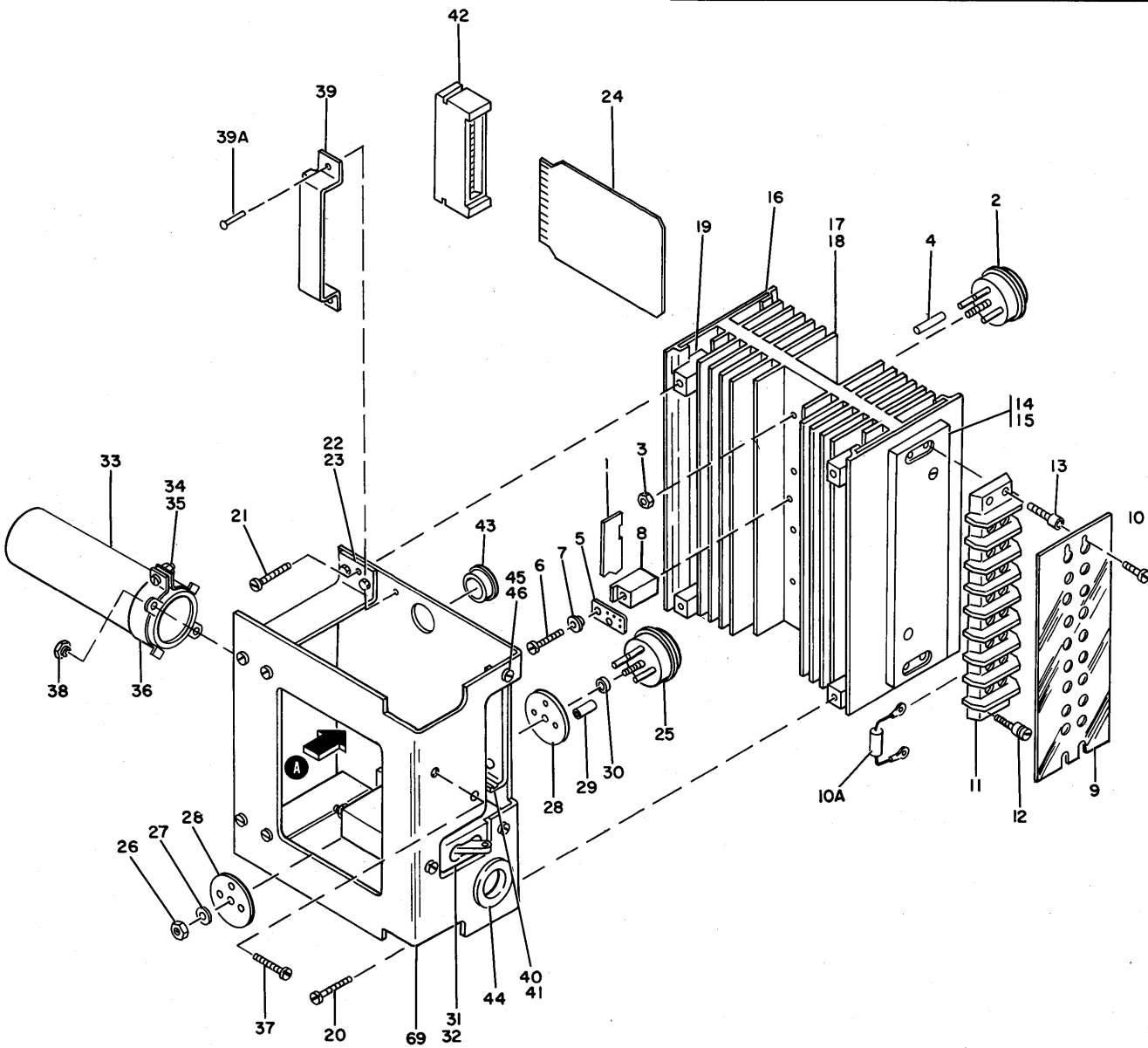
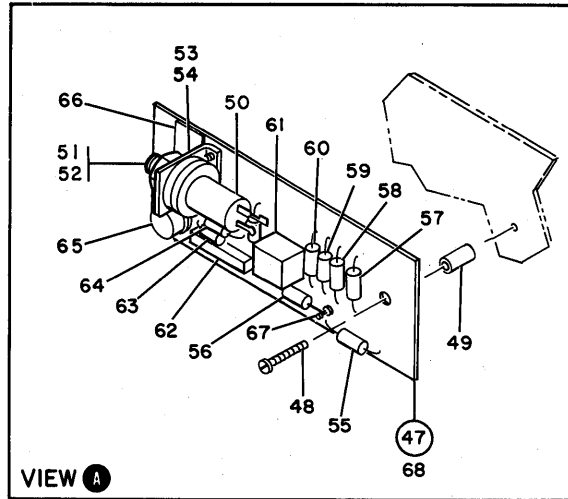


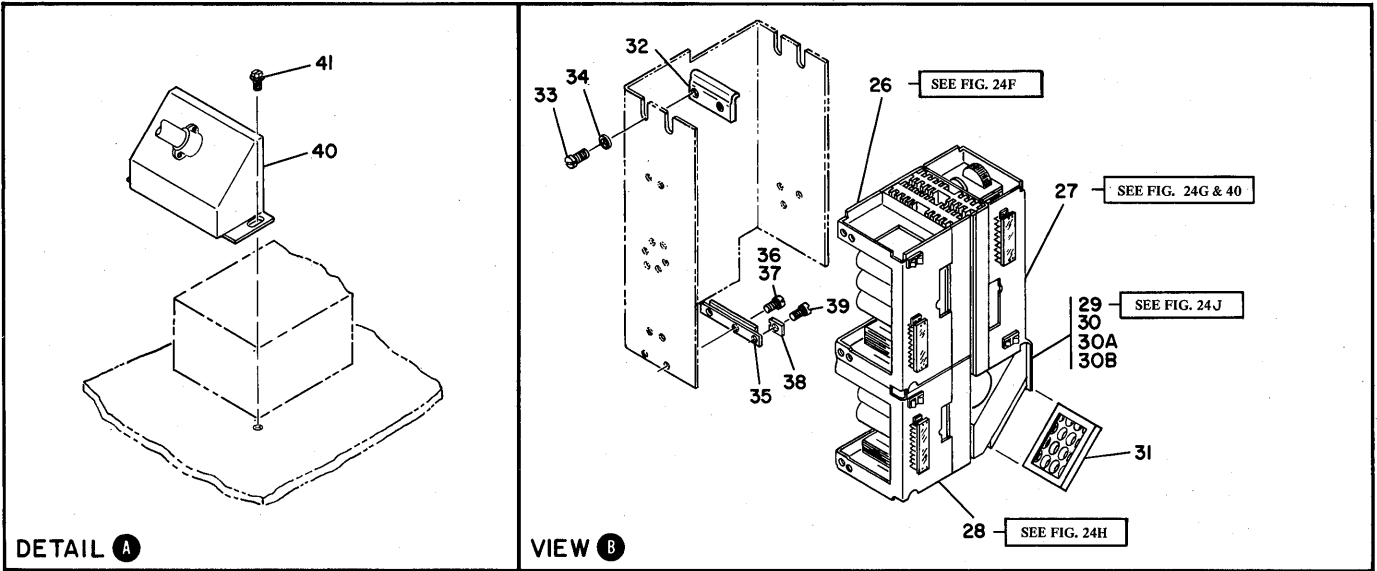
FIGURE 24. POWER PAC ASM, 3VOLT 20 AMP.

SEE LIST 24

## LIST 24

LIST AND INDEX NUMBER	PART NUMBER	DESCRIPTION	UNITS PER ASM.	USABLE ON CODE
		POWER PAC ASSEMBLY, 3V 20AMP		
24 -	5762000	POWER PAC ASM,3VOLT AT 20 AMP FOR ILLUSTRATION SEE FIGURE 24 FOR NEXT HIGHER ASM SEE FIGURE 15-97	REF	
- 1	5762045	• BUS STRIP	1	
- 2	369214	• TRANSISTOR,TYPE 108	4	
- 3	11598	• NUT, HEX 10-32 ATT PT	4	
- 4	5761976	• TUBING	8	
- 5	5762037	• TERMINAL	1	
- 6	5762058	• SCREW,HEX HD,6-32 X 1.125 LG ATT PT	1	
- 7	1134232	• WASHER	1	
- 8	5762036	• STANDOFF	1	
- 9	473545	• SHIELD,9 POSITION	1	
- 10	210984	• SCREW,MACH RH 6-32 X .25 ATT PT	1	
- 10A	5762197	• CAPACITOR ASM,75 MFD 25VDC	1	
- 11	323844	• BLOCK,TERMINAL 9 POSITION	1	
- 12	4118820	• STUD,T.B. MOUNTING ATT PT	3	
- 13	4118821	• STUD,SHIELD MOUNTING ATT PT	1	
- 14	5762013	• MARKER STRIP, 9 POSITION	1	
- 15	80651	• SCREW,THD CTG-BIND HD 6-32 X 3/8 LG ATT PT	2	
- 16	5762025	• SEAL,AIR	2	
- 17	5762015	• HEAT SINK,4 TRANSISTOR MTG	1	
- 18	255629	• SCREW,THD CTG-FL CSK HD NO. 6 X 1/2 LG ATT PT	4	
- 19	5762034	• INSULATOR,HEATSINK	4	
- 20	91610	• SCREW,THD CTG-BIND HD 6-32 X 1/2 LG ATT PT	2	
- 21	80652	• SCREW,THD CTG-BIND HD 6-32 X 5/8 LG ATT PT	2	
- 22	5762033	• BRACKET	2	
- 23	186759	• SCREW,MACH-BIND HD 8-32 X 5/16 LG ATT PT	4	
- 24	375200	• CARD ASSEMBLY	1	
- 25	369214	• TRANSISTOR,TYPE 108	1	
- 26	11598	• NUT, HEX 10-32 ATT PT	1	
- 27	45690	• WASHER, FL - NO.10 X 7/16 OD X 1/32 THK ATT PT	1	
- 28	550768	• INSULATOR ATT PT	2	
- 29	5761976	• TUBING ATT PT	2	
- 30	473582	• INSULATOR ATT PT	1	
- 31	5214553	• PROTECTOR	1	
- 32	38235	• SCREW,BIND HD 6-32 X .312 LONG ATT PT	2	
- 33	730429	• CAPACITOR,FXD,ELECT- 11,000 MFD 10V DCW	1	
- 34	38354	• SCREW,MACH-FIL H 6-32 X 1/2 LG	1	
- 35	5761943	• NUT,HEX 10-32 NC	1	
- 36	301768	• BRACKET	1	
- 37	38235	• SCREW,BIND HD 6-32 X .312 LONG	1	
- 38	5761943	• NUT,HEX 10-32 NC ATT PT	2	
- 39	5761904	• BRACKET	1	
- 39A	5761907	• RIVET ATT PT	2	
- 40	5712309	• GUIDE	1	
- 41	5761907	• RIVET ATT PT	AR	
- 42	216076	• TERMINAL BLOCK AND CONTACT ASSEMBLY	1	
- 43	5762057	• GROMMET,SNAP BUSHING	AR	
- 44	5761936	• GROMMET	AR	
- 45	236849	• SCREW,MACH-BIND HD 10-32 X 1/4 LG	1	
- 46	56079	• WASHER-LOCK,EXT T .204 ID .410 OD	1	
- 47	5761987	• OVERTVOLTAGE CARD ASSEMBLY,3 VOLT	1	
- 48	438550	• SCREW,MACH-BIND HD 4-40 X 1/2 LG ATT PT	2	
- 49	332779	• SPACER ATT PT	2	
- 50	5214335	• SEMICONDUCTOR,CONTROLLED RECTIFIER	1	
- 51	83462	• NUT LOCK 1/4-28 UNF ATT PT	1	
- 52	76574	• WASHER, LOCK-EXT. TEETH .250	1	
- 53	5762153	• BRACKET,L	2	
- 54	438548	• SCREW,MACH-BIND HD 4-40 X 0.1875 LG ATT PT	1	
- 55	213536	• RESISTOR,FIXED COMP,100 OHM 5% 1/2 WATT	1	
- 56	502483	• RESISTOR,FXD,COMP- 51 OHMS P/M 5% 1/2W	AR	
- 56	360060	• RESISTOR,FXD,COMP-62 MEGOHM P/M 5% 1/2W	AR	
- 56	521792	• RESISTOR,FXD COMP- 75 OHM P/M 5% 1/2W	AR	
- 56	317390	• RESISTOR,FXD,COMP- 82 OHMS P/M 5% 1/2W	AR	
- 56	334902	• RESISTOR,FXD,COMP- 91 OHMS P/M 5% 1/2W	AR	
- 56	213536	• RESISTOR,FIXED COMP,100 OHM 5% 1/2 WATT	AR	
- 56	132422	• RESISTOR,FXD,COMP 110 OHM P/M 5 PCT 1/2W	AR	
- 57	509499	• RESISTOR,FXD,COMP- 130 OHMS P/M 5% 1/2W	2	
- 58	333202	• RESISTOR,FXD,COMP-240 OHMS P/M 5% 1/2W	1	
- 59	322742	• RESISTOR,FXD,COMP- 30 OHMS P/M 5% 1/2W	1	
- 60	322729	• RESISTOR 150 OHMS	1	
- 61	361429	• RECTIFIER	1	
- 62	419184	• CAPACITOR	1	
- 63	317007	• RESISTOR,FXD,COMP- 220 OHMS P/M 5% 1/2W	1	
- 64	2414815	• SEMICONDUCTOR DEVICE,DIODE	1	
- 65	535441	• TRANSISTOR-PNP TYPE 026	1	
- 66	5762004	• LABEL	1	
- 67	216258	• RECEPTACLE, PLUGABLE CAP	2	
- 68	5761993	• BOARD.	1	
- 69	5762005	• CHASSIS	1	

END OF LIST 24



TO BE USED WITH MEDIUM POWER SUPPLY ONLY - PRIOR TO L7 SUFFIX . FOR MIDPACK SUPPLY AFTER L7 SUFFIX SEE FIGURE 15.

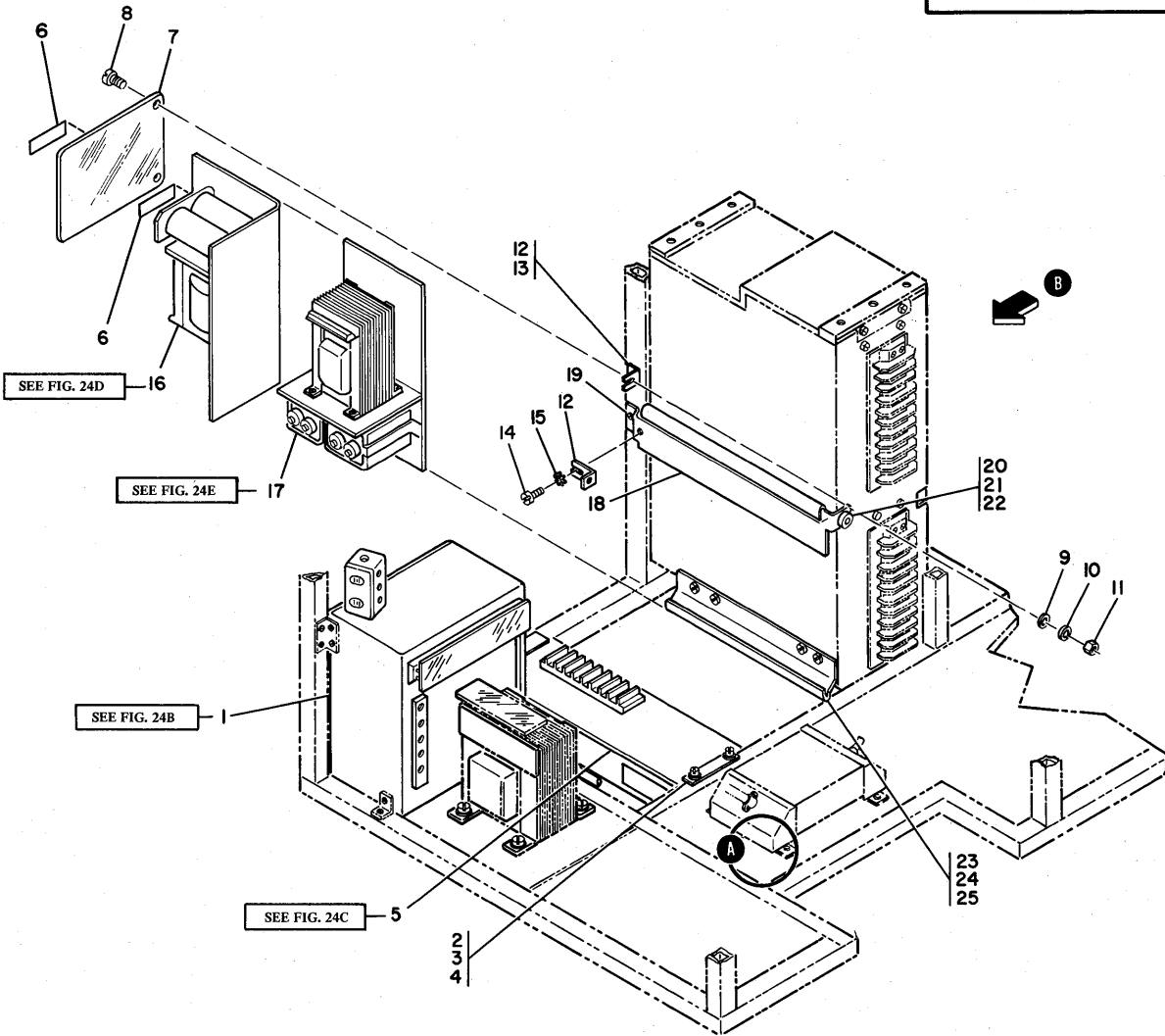


FIGURE 24A. MEDIUM POWER SYSTEM.

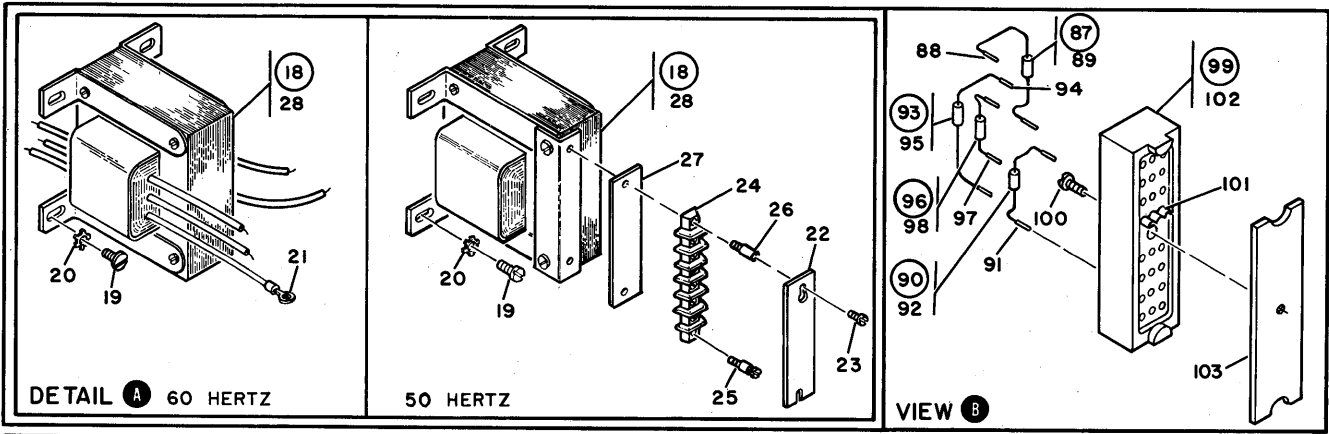
SEE LIST 24 A

## LIST 24A

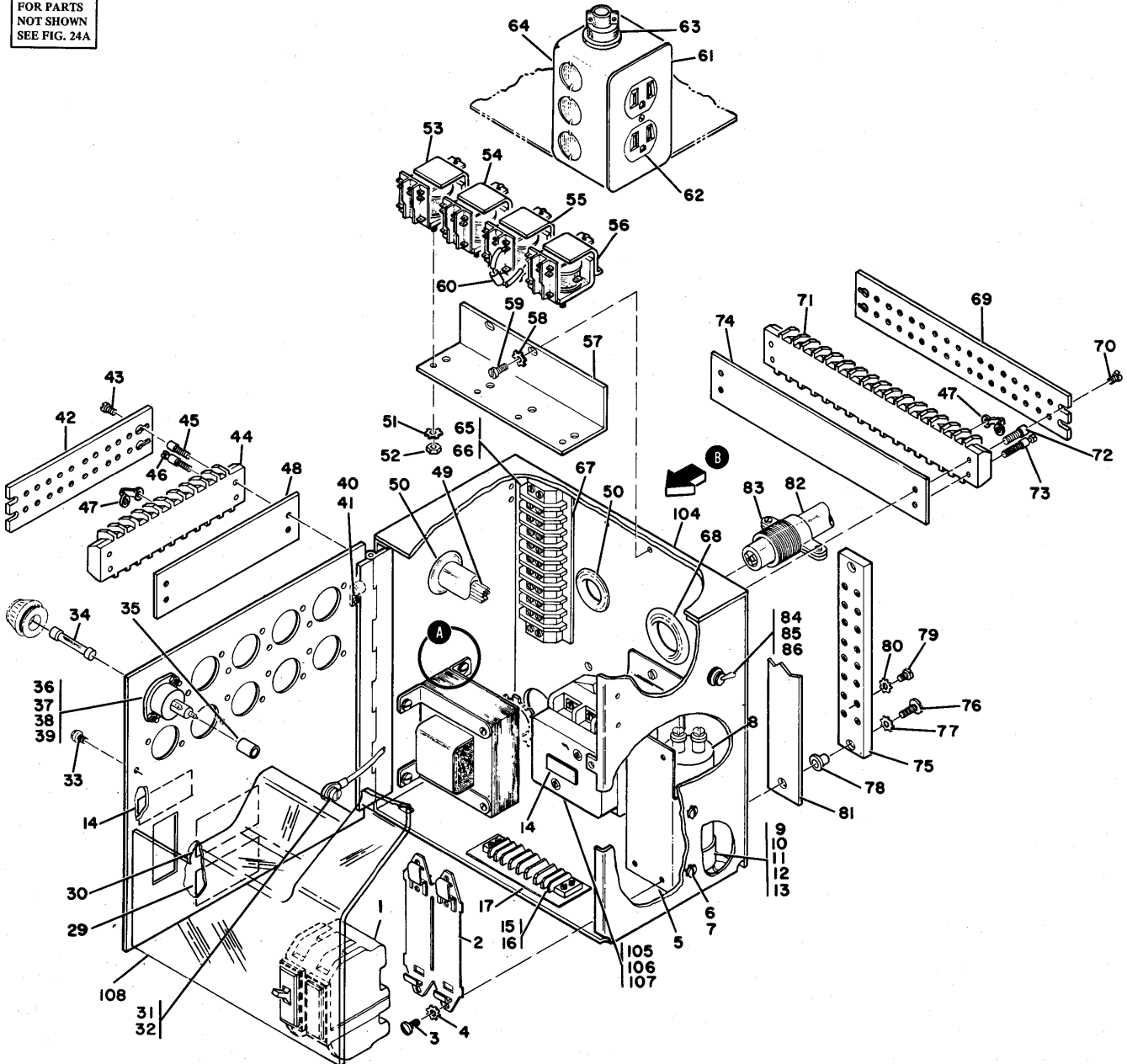
		MEDIUM POWER SYSTEM			
24 A	NO NO. NP	MEDIUM POWER SYSTEM USED ON MACHINES PRIOR TO L7 SUFFIX FOR ILLUSTRATION SEE FIGURE 24A		1	1
- 1	2190778	. SEQUENCE BOX ASM,60 HZ		1	
- 1	2190856	. SEQUENCE BOX ASM,50 HZ FOR DETAIL BREAKDOWN SEE LIST 24B		1	
- 2	2190879	. CLAMP,POWER SUPPLY		2	
- 3	5319888	. SCREW, SELF TAPPING, 10-32 X .625 LONG ATT PT		4	
- 4	2190882	. SPACER,POWER SUPPLY		2	
- 5	2158753	. POWER SUPPLY ASM,48V 2.7A,60 HZ		1	
- 5	5247055	. POWER SUPPLY ASM,48V 2.7A,50 HZ FOR DETAIL BREAKDOWN SEE LIST 24C		1	
- 6	369207	. LABEL-VOLTAGE ATT PT		2	
- 7	2243344	. SHIELD		1	
- 8	25627	. SCREW,MACH-BIND HD 8-32 X 1/2 LG ATT PT		2	
- 9	22478	. WASHER,FL- 0.170 ID 0.375 OD 0.032 THK ATT PT		2	
- 10	1090873	. WASHER, LOCK - .168 ID X .296 OD ATT PT		2	
- 11	257189	. NUT, HEX 8-32 ATT PT		2	
- 12	2190581	. BRACKET,COVER STOP		3	
- 13	5319854	. SCREW, SELF TAPPING, 8-32 X .375 LONG ATT PT		2	
- 14	236849	. SCREW,MACH-BIND HD 10-32 X 1/4 LG ATT PT		1	
- 15	56079	. WASHER-LOCK,EXT T .204 ID .410 OD ATT PT		1	
- 16	5261818	. POWER SUPPLY ASM,12V AT 4.0 AMP-60 HZ USED WITH NO SCA 60 HZ ATTACHMENT		1	
- 16	5760620	. POWER SUPPLY ASM,12V AT 4.0 AMP-60 HZ USED WITH SCA 60 HZ ATTACHMENT		1	
- 16	5261992	. POWER SUPPLY ASM,12V AT 4.0 AMP-50 HZ		1	
- 16	5760625	USED WITH NO SCA 50 HZ ATTACHMENT . POWER SUPPLY ASM,12V AT 4.0 AMP-50 HZ USED WITH SCA 50 HZ ATTACHMENT FOR DETAIL BREAKDOWN SEE LIST 24D		1	
- 17	2191056	. TRANSFORMER ASM,115V-60 HZ		1	
- 17	2243029	. TRANSFORMER ASM,208/230V-60 HZ		1	
- 17	2191057	. TRANSFORMER ASM,50 HZ FOR DETAIL BREAKDOWN SEE LIST 24E		1	
- 18	2191053	. GUIDE,UPPER		1	
- 19	2181004	. SCREW,THREAD FORMING-HEX WASHER HD ATT PT		1	
- 20	11598	. NUT, HEX 10-32 ATT PT		1	
- 21	56079	. WASHER-LOCK,EXT T .204 ID .410 OD ATT PT		1	
- 22	45690	. WASHER, FL - NO.10 X 7/16 OD X 1/32 THK ATT PT		AR	
- 23	2191052	. GUIDE,LOWER		1	
- 24	236849	. SCREW,MACH-BIND HD 10-32 X 1/4 LG ATT PT		4	
- 25	56079	. WASHER-LOCK,EXT T .204 ID .410 OD ATT PT		4	
- 26	5239403	. POWER SUPPLY ASM,3V AT 16.0 AMP-60 HZ		1	
- 26	5239421	. POWER SUPPLY ASM,3V AT 16.0 AMP-50 HZ		1	
- 27	5760610	FOR DETAIL BREAKDOWN SEE LIST 24F . POWER SUPPLY ASM,6V AT 15.0 AMP-60 HZ USED WITH SCA OR 2501 60 HZ ATTACH		1	
- 27	5760690	. POWER SUPPLY ASM,6V AT 15.0 AMP-50 HZ		1	
- 27	5239409	USED WITH SCA OR 2501 50 HZ ATTACH FOR DETAIL BREAKDOWN SEE LIST 24G . POWER SUPPLY ASM,6V AT 12 AMP-60 HZ		1	
- 27	5239427	USED WITH NO SCA OR NO 2501 60 HZ ATTACH . POWER SUPPLY ASM,6V AT 12 AMP-50 HZ USED WITH NO SCA OR NO 2501 50 HZ ATTACH		1	
- 28	5239401	FOR DETAIL BREAKDOWN SEE LIST 40 . POWER SUPPLY ASM,3V AT 8.0 AMP-60 HZ		1	
- 28	5239419	. POWER SUPPLY ASM,3V AT 8.0 AMP-5/ HZ		1	
- 29	2191045	FOR DETAIL BREAKDOWN SEE LIST 24H . FAN ASM,60 HZ USED WITH NO SCA OR NO 2501 60 HZ ATTACH		1	
- 29	2191046	. FAN ASM,50 HZ USED WITH NO SCA OR NO 2501 50 HZ ATTACH FOR DETAIL BREAKDOWN SEE LIST 24J		1	
- 29	2191472	. FAN ASM,60 HZ USED WITH SCA OR 2501 60 HZ ATTACH		1	
- 29	2191471	. FAN ASM,50 HZ USED WITH SCA OR 2501 50 HZ ATTACH FOR DETAIL BREAKDOWN SEE LIST 24K		1	
- 30	234328	. SCREW,ASMD WASHER-FIL H 10-32 X 5/16 LG ATT PT		AR	
- 30	2181004	. SCREW,THREAD FORMING-HEX WASHER HD ATT PT		AR	
- 30A	45690	. WASHER, FL - NO.10 X 7/16 OD X 1/32 THK ATT PT		AR	
- 30B	56079	. WASHER-LOCK,EXT T .204 ID .410 OD ATT PT		AR	
- 31	2191468	. FILTER,AIR,10.25 X 6.0 USED ON SCA OR 2501 ATTACHMENT FEATURE		1	
- 31	2130055	. FILTER,AIR 6.00 X 6.75 USED ON NO SCA OR NO 2501 ATTACH FEATURE		1	
- 32	2128509	. RETAINER-LH PWR SUPPLY UPPER		2	
- 33	234328	. SCREW,ASMD WASHER-FIL H 10-32 X 5/16 LG ATT PT		4	
- 34	45690	. WASHER, FL - NO.10 X 7/16 OD X 1/32 THK ATT PT		4	
- 35	207382	. RAIL-POWER SUPPLY MOUNTING		3	
- 36	5319888	. SCREW, SELF TAPPING, 10-32 X .625 LONG ATT PT		2	
- 36	234333	. SCREW,ASMD WASHER-FIL H 10-32 X 3/4 LG ATT PT		2	
- 37	11598	. NUT, HEX 10-32 ATT PT		2	
- 38	207293	. KEEPER-POWER SUPPLY		3	
- 39	234316	. SCREW,ASMD WASHER-FIL H 8-32 X 1/4 LG ATT PT		3	
- 40	2191018	. COVER,FILTER		2	
- 41	5350012	. SCREW, THD FORMING HEX WSR HD 8-32 X .25 ATT PT		4	

END OF LIST 24A





FOR PARTS NOT SHOWN SEE FIG. 24A



● FIGURE 24B. SEQUENCE BOX ASSEMBLY.

SEE LIST 24B

## LIST 24B

LIST AND INDEX NUMBER	PART NUMBER	DESCRIPTION	UNITS PER ASM.	USABLE ON CODE
		SEQUENCE BOX ASSEMBLY		
		CODE A USED ON 60 HERTZ ONLY CODE B USED ON 50 HERTZ ONLY		
24B	2190778 2190856	SEQUENCE BOX ASM,60 HZ SEQUENCE BOX ASM,50 HZ USED PRIOR TO L7 SUFFIX	REF REF	
- 1	2092646	FOR ILLUSTRATION SEE FIGURE 24B FOR NEXT HIGHER ASM SEE LIST 24A-1 • CIRCUIT BREAKER, 15 AMP 2 POLE	1	
- 1	2158708	USED ON ASM 2190856 ONLY • CIRCUIT BREAKER, 30 AMP	1	
- 1	2197484	USED ON 115V ATTACHMENT FEATURE • CIRCUIT BREAKER, 20 AMP 2 POLE USED ON 208/230V ATTACHMENT FEATURE	1	
- 2	2158722	• CLIP, CB MOUNTING	1	
- 3	55726	• SCREW,MACH-BIND HD 6-32 X .188 LG	4	ATT PT
- 4	56722	• WASHER-LOCK,EXT T, .150 ID	4	ATT PT
- 5	2190759	• BRACKET,CB MTG	1	
- 6	236849	• SCREW,MACH-BIND HD 10-32 X 1/4 LG	2	ATT PT
- 7	56079	• WASHER-LOCK,EXT T .204 ID .410 OD	4	ATT PT
- 8	2173920	• CAPACITOR,ELECT- 10,000 UF 6V DC,ALUM	1	
- 9	445304	• CLAMP	1	
- 10	55726	• SCREW,MACH-BIND HD 6-32 X .188 LG	2	ATT PT
- 11	56722	• WASHER-LOCK,EXT T, .150 ID	3	ATT PT
- 12	322551	• SCREW,BIND HD 6-32 X 0.75 LONG	1	
- 13	257187	• NUT,HEX 6-32 NC	25	
- 14	138754	• LABEL,VOLTAGE WARNING	2	
- 15	322766	• TERMINAL BOARD	1	A
- 16	81693	• SCREW,MACH-BIND HD 6-32 X 3/8 LG	4	ATT PT
- 17	126036	• STRIP,MARKER-INSULATING	1	A
- 18	2190897	• TRANSFORMER ASM,104/115/208/230V 60 HZ	1	A
- 18	4116394	• TRANSFORMER ASM,195/220/235V 50 HZ	1	B
- 19	58207	• SCREW, BD HD MACH-8-32 NC-2A X .250 LG	4	ATT PT
- 20	55901	• WASHER, LOCK, EXT TEETH - .176 DIA	4	ATT PT
- 21	334921	• TERMINAL-LUG NO.22 THRU NO.18 WIRE INSUL	8	A
- 22	4120318	• SHIELD,6 POSITION SINGLE ROW	1	B
- 23	210984	• SCREW,MACH RH 6-32 X .25	1	B
- 24	4120316	• TERMINAL BLOCK,6 POSITION- SINGLE ROW	1	B
- 25	4120245	• STUD,	1	B
- 26	4120246	• STUD,	1	B
- 27	4120317	• MARKER STRIP,6 POSITION	1	B
- 28	5313144	• TRANSFORMER, 104/115/208/230V 60 HZ	1	A
- 28	4118453	• TRANSFORMER, 195/220/235V 50 HZ	1	B
- 29	369207	• LABEL-VOLTAGE	1	
- 30	2191151	• LABEL,SEQ. FUSE	1	
- 31	58207	• SCREW, BD HD MACH-8-32 NC-2A X .250 LG	1	
- 32	55901	• WASHER, LOCK, EXT TEETH - .176 DIA	1	
- 33	470834	• SCREW,THUMB-NO. 6 PRESSURE ROLL	1	
- 34	252589	• FUSE,0.2 AMP, LONG TIME LAG, NON-INDICATE	AR	
- 34	252590	• FUSE,0.6 AMP LONG TIME LAG, NON-INDICATE	AR	
- 34	252591	• FUSE,1.0 AMP, FUSETRON TYPE FNM 1	AR	
- 34	228391	• FUSE,1.6 AMP	AR	
- 34	92734	• FUSE,2.0 AMP, LONG TIME LAG, NON-INDICATE	AR	
- 34	107664	• FUSE,3.2 AMP, LONG TIME LAG,	AR	
- 34	107665	• FUSE,4.0 AMP, LONG TIME LAG	AR	
- 34	107667	• FUSE,6.25 AMP, LONG TIME LAG, NON-INDICATE	AR	
- 35	257079	• INSULATOR, FUSE TERMINAL .375 DIA X 1.500	10	
- 35	257080	• INSULATOR, FUSE TERMINAL .962 DIA X 1.875	10	
- 36	104615	• FUSEHOLDER	10	
- 37	35739	• SCREW,MACH-BIND HD 6-32 X 15/16 LG	20	ATT PT
- 38	56722	• WASHER-LOCK,EXT T, .150 ID	20	ATT PT
- 39	257187	• NUT,HEX 6-32 NC	20	ATT PT
- 40	2102367	• CLAMP, LOOP- 0.700 ID 0.200 DIA MTG HOLE	1	
- 41	34512	• SCREW,MACH-BIND HD 8-32 X 3/8 LG	1	ATT PT
- 42	186943	• SHIELD- 10 POSITION	1	
- 43	210984	• SCREW,MACH RH 6-32 X .25	1	ATT PT
- 44	322767	• TERMINAL BLOCK, 10 POSITION	1	
- 45	210985	• STUD, EXT 8-32 X 1/2 INT 6-32 X 0.19 DP	1	ATT PT
- 46	210986	• STUD, SLOTTED 8-32 X 1/2 LG THREAD	3	ATT PT
- 47	367115	• JUMPER-TERMINAL STRIP VDC DISTR BRS	AR	
- 48	363434	• MARKER STRIP- 10 POS NOS. 1 THRU 10	1	
- 49	2190852	• CABLE ASM- 60 CYC SEQ BOX	1	A
		FOR COMPONENT PARTS SEE LIST 44-2A 2B,2C,3B,4,5,7 AND 17		
- 49	2190935	• CABLE ASM-SEQ BOX 50 CYC	1	B
		FOR COMPONENT PARTS SEE LIST 44-2A 2B,2C,3,3B,4,5 AND 17		

## LIST 24 B CONT

LIST AND INDEX NUMBER	PART NUMBER	DESCRIPTION	UNITS PER ASM.	USABLE ON CODE
		1 2 3 4		
		SEQUENCE BOX ASSEMBLY -CONT		
24 B	50	223803		
	- 51	56722		
	- 52	257187		
	- 53	441092		
	- 54	2114051		
	- 55	2124703		
	- 56	2158694		
	- 57	2190796		
	- 58	221790		
	- 59	55901		
	- 60	369593		
	- 61	359018		
	- 62	357995		
	- 62	4116323		
	- 63	2100264		
	- 64	2102151		
	- 65	322767		
	- 66	25627		
	- 67	253219		
	- 68	220764		
	- 69	191478		
	- 70	210984		
	- 71	301731		
	- 72	210985		
	- 73	210986		
	- 74	322269		
	- 75	2114596		
	- 76	55918		
	- 77	56079		
	- 78	333586		
	- 79	58207		
	- 80	55901		
	- 81	2114597		
	- 82	2190947		
	- 82	2197317		
	- 82	2190827		
	- 83	736918		
	- 83	2197317		
	- 83	2190827		
	- 84	725347		
	- 85	159373		
	- 86	179743		
	- 87	5323493		
	- 88	320167		
	- 89	213536		
	- 90	359511		
	- 91	320167		
	- 92	2102160		
	- 93	2190880		
	- 94	187243		
	- 95	216794		
	- 96	2190881		
	- 97	187243		
	- 98	322742		
	- 99	302090		
	-100	236550		
	-101	302089		
	-102	302088		
	-103	302131		
	-104	2190776		
	-105	2130334		
	-105	2128749		
	-106	58207		
	-107	55901		
	-108	2243388		

END OF LIST 24 B

FOR PARTS  
NOT SHOWN  
SEE FIG. 24A

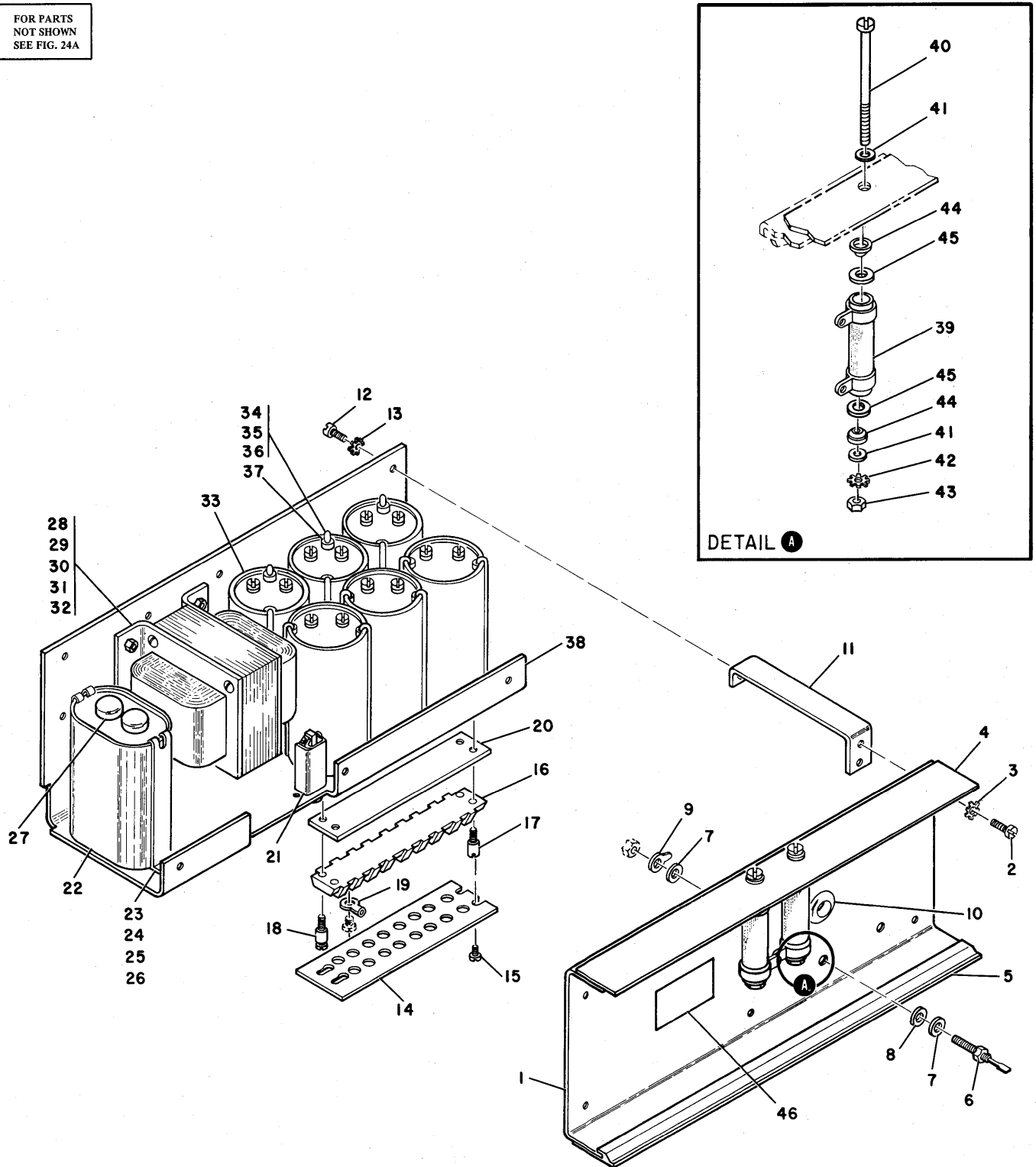


FIGURE 24C. POWER SUPPLY ASSEMBLY.

SEE LIST **24 C**

## LIST 24 C

LIST AND INDEX NUMBER	PART NUMBER	DESCRIPTION	UNITS PER ASM.	USABLE ON CODE
		1 2 3 4 POWER SUPPLY ASSEMBLY		
24 C	2158753	POWER SUPPLY ASM,48V 2.7A,60 HZ	REF	
-	5247055	POWER SUPPLY ASM,48V 2.7A,50 HZ FOR ILLUSTRATION SEE FIGURE 24C FOR NEXT HIGHER ASM SEE LIST 24A-5	REF	
- 1	2158756	. HEAT SINK, 48V 2.7 AMP POWER SUPPLY		
- 2	186759	. SCREW,MACH-BIND HD 8-32 X 5/16 LG	ATT PT	7
- 3	55901	. WASHER, LOCK, EXT TEETH - .176 DIA	ATT PT	7
- 4	5762137	. SEAL,AIR		2
- 5	5762137	. SEAL,AIR USED ON ASM 2158753		1
- 5	209005	. SEAL,AIR,SPECIFY LENGTH DESIRED USED ON ASM 5247055		1
- 6	598479	. SEMICONDUCTOR DEVICE,D10- 150V 10 AMP		4
- 7	217019	. WASHER,INSULATING .199 ID 1.00 OD		8
- 8	192733	. WASHER,FL- 0.203 ID X 0.312 OD X 1/16THK		4
- 9	316996	. TERMINAL,LUG-NONINS 9AWG NO. 8 MTG HOLE		4
- 10	186324	. GROMMET,RUBBER-9/16 ID		1
- 11	2159746	. BRACKET, POWER SUPPLY		2
- 12	186759	. SCREW,MACH-BIND HD 8-32 X 5/16 LG	ATT PT	2
- 13	55901	. WASHER, LOCK, EXT TEETH - .176 DIA	ATT PT	2
- 14	186943	. SHIELD- 10 POSITION		1
- 15	210984	. SCREW,MACH RH 6-32 X .25	ATT PT	1
- 16	322767	. TERMINAL BLOCK, 10 POSITION		1
- 17	210985	. STUD, EXT 8-32 X 1/2 INT 6-32 X 0.19 DP		1
- 17	210883	. STUD, EXT 6-32 X 1/2 INT 6-32 X 0.19 DP USED ON 50 HZ ONLY		1
- 18	210986	. STUD, SLOTTED 8-32 X 1/2 LG THREAD		3
- 18	210884	. STUD, SLOTTED 6-32 X 1/2 LONG THREAD USED ON 50 HZ ONLY		3
- 19	334921	. TERMINAL-LUG NO.22 THRU NO.18 WIRE INSUL		
- 19	517913	. CLIP, SLIP ON NO 18-16 AWG		
- 20	363434	. MARKER STRIP- 10 POS NOS. 1 THRU 10		1
- 21	220916	. CIRCUIT BREAKER- 1 POLE 30V DC 5 AMP		1
- 22	2129258	. CAPACITOR		1
- 23	517333	. BRACKET-CAPACITOR MOUNTING		2
- 24	25627	. SCREW,MACH-BIND HD 8-32 X 1/2 LG	ATT PT	2
- 25	55901	. WASHER, LOCK, EXT TEETH - .176 DIA	ATT PT	2
- 26	257189	. NUT, HEX 8-32	ATT PT	2
- 27	526378	. CAP		2
- 28	2129256	. TRANSFORMER,49V -60 HZ		1
- 28	5247056	. TRANSFORMER,130V-50 HZ		1
- 29	332620	. SCREW,MACH-BIND HD 10-32 X 1/2 LG	ATT PT	4
- 30	45690	. WASHER, FL - NO.10 X 7/16 OD X 1/32 THK	ATT PT	4
- 31	56079	. WASHER-LOCK,EXT T .204 ID .410 OD	ATT PT	5
- 32	11598	. NUT, HEX 10-32	ATT PT	4
- 33	2158757	. CAPACITOR, ELEC AL, 6000MFD P150 M10 55V		6
- 34	473422	. CLAMP,CAPACITOR		12
- 35	56722	. WASHER-LOCK,EXT T, .150 ID	ATT PT	12
- 36	257187	. NUT,HEX 6-32 NC	ATT PT	12
- 37	473412	. INSULATOR,CAPACITOR CLAMP		12
- 38	2158755	. BRACKET, HOUSING, POWER SUPPLY		1
- 39	221110	. RESISTOR,FXD,WW- 200 OHMS P/M 5% 25W		2
- 40	438583	. SCREW,MACH-FIL H 8-32 X 2-1/2 LG	ATT PT	2
- 41	22478	. WASHER,FL- 0.170 ID 0.375 OD 0.032 THK	ATT PT	4
- 42	55901	. WASHER, LOCK, EXT TEETH - .176 DIA	ATT PT	2
- 43	257189	. NUT, HEX 8-32	ATT PT	2
- 44	507144	. WASHER-CENTERING 0.173 ID X 5/8 OD		4
- 45	442958	INSULATOR,WASH- 7/16 ID 3/4 OD 1/32 THK		4
		PARTS NOT INCLUDED WITH ASM		
- 46	1141554	LABEL,WARNING HIGH TEMPERATURE		1
		END OF LIST 24 C		

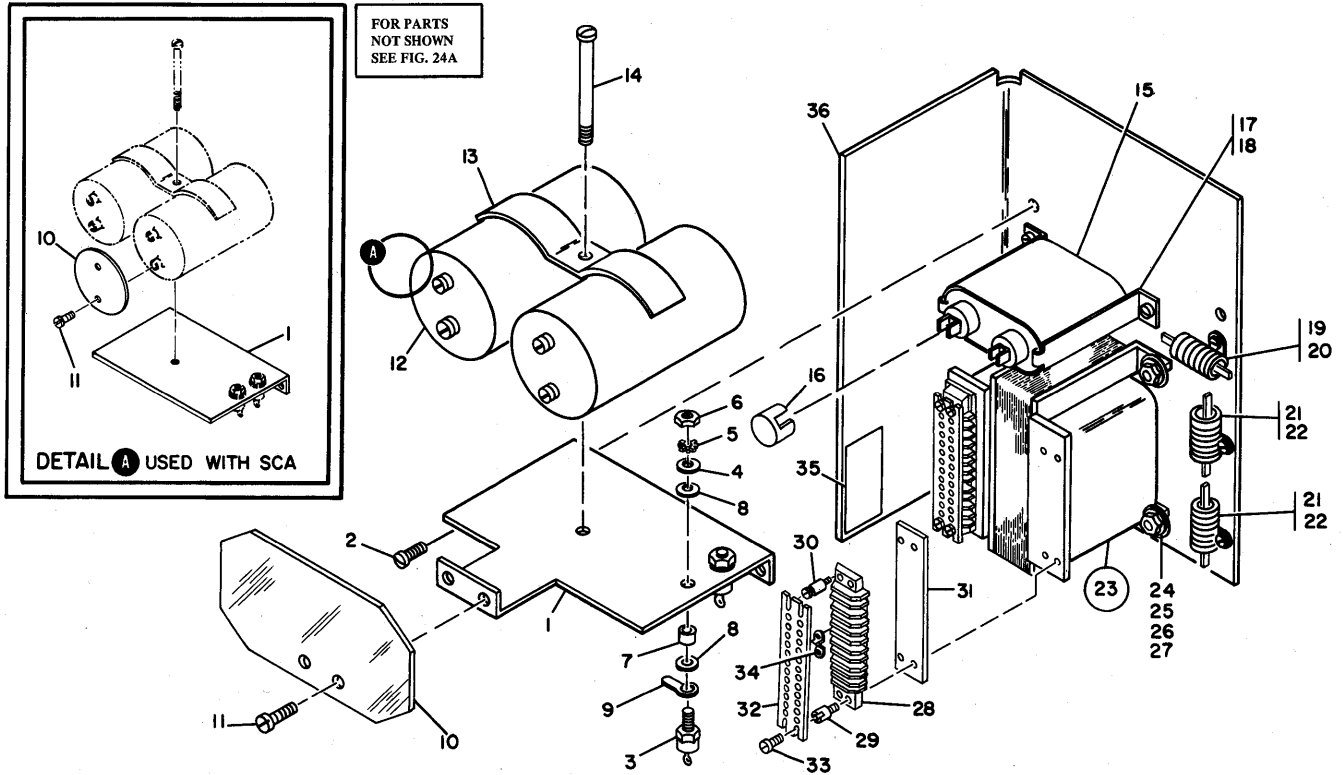


FIGURE 24D. 12VOLT 4AMP POWER SUPPLY ASSEMBLY.

**SEE LIST 24 D**

LIST AND INDEX NUMBER	PART NUMBER	DESCRIPTION				UNITS PER ASM.	USABLE ON CODE
		1	2	3	4		
		12 VDC 4AMP POWER ASSEMBLY -CONT					
		CODE A USED ON MODELS WITHOUT SCA CODE B USED ON MODELS WITH SCA					
<b>24 D</b>	5261818	POWER SUPPLY ASM,12V AT 4.0 AMP-60 HZ				REF	A
-	5261992	POWER SUPPLY ASM,12V AT 4.0 AMP-50 HZ				REF	A
-	5760620	POWER SUPPLY ASM,12V AT 4.0 AMP-60 HZ				REF	B
-	5760625	POWER SUPPLY ASM,12V AT 4.0 AMP-50 HZ FOR ILLUSTRATION SEE FIGURE 24D FOR NEXT HIGHER ASM SEE FIGURE 24A-16				REF	B
- 1	5261820	. BRACKET,SEMICONDUCTOR MTG.				1	A
- 1	5261796	. BRACKET,SEMICONDUCTOR MTG.				1	B
- 2	58207	. SCREW, BD HD MACH-8-32 NC-2A X .250 LG ATT PT				2	
- 3	598479	. SEMICONDUCTOR DEVICE,D10- 150V 10 AMP				2	A
- 3	598480	. SEMICONDUCTOR DEVICE,D10- 150V 10 AMP				2	B
- 4	45690	. WASHER, FL - NO.10 X 7/16 OD X 1/32 THK ATT PT				2	
- 5	56079	. WASHER-LOCK,EXT T .204 ID .410 OD ATT PT				2	
- 6	11598	. NUT, HEX 10-32 ATT PT				2	
- 7	473582	. INSULATOR				2	
- 8	217019	. WASHER,INSULATING .199 ID 1.00 OD				4	
- 9	316996	. TERMINAL,LUG-NONINS 9AWG NO. 8 MTG HOLE				2	
- 10	5247125	. SHIELD				1	A
- 10	5240477	. SHIELD,CAPACITOR				2	B
- 11	28413	. SCREW,MACH-BIND HD 10-32 X 5/16 LG ATT PT				2	A
- 11	32042	. SCREW, MACH BIND. HD 10-32 X 3/8 LG. ATT PT				4	B
- 12	5261826	. CAPACITOR,				2	
- 13	5261821	. CLAMP				1	
- 14	438604	. SCREW,MACH-BIND HD 10-32 X 2-1/2 LG ATT PT				1	
- 15	5213359	. CAPACITOR,				1	
- 15	5247156	USED ON 60 HZ ONLY . CAPACITOR,FIXED PAPER-8MFD 6% 330V AC				1	
- 16	526378	. CAP USED ON 50 HZ ONLY				2	



FOR PARTS  
NOT SHOWN  
SEE FIG. 24A

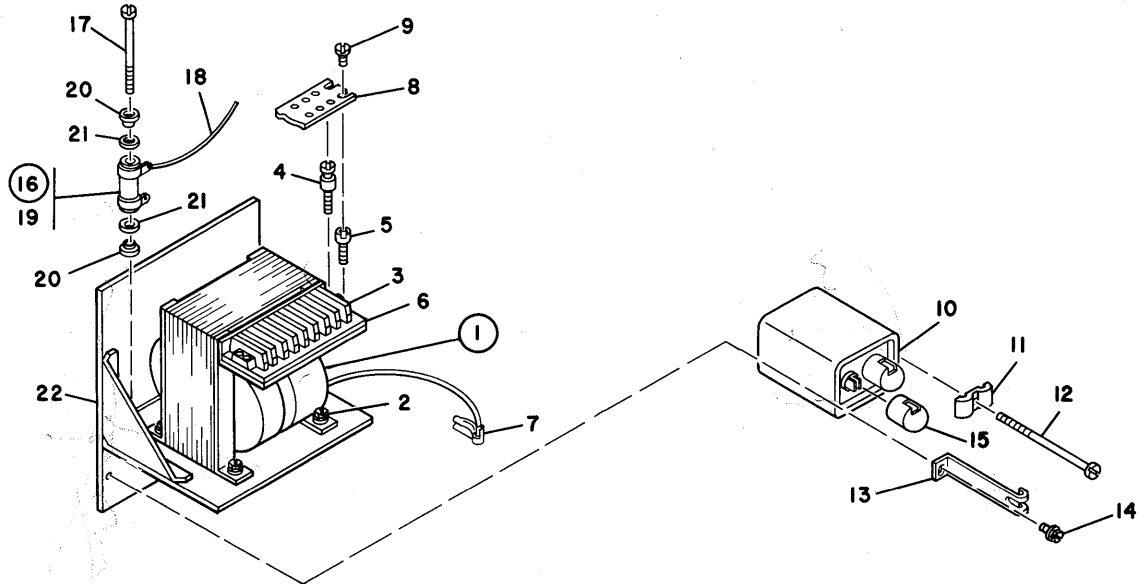
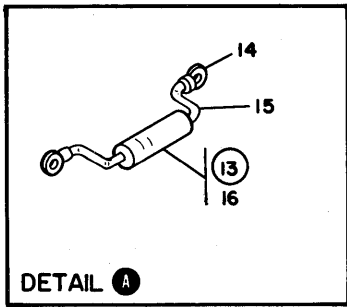


FIGURE 24E. SCR TRANSFORMER ASSEMBLY.

SEE LIST 24 E

LIST AND INDEX NUMBER	PART NUMBER	DESCRIPTION				UNITS PER ASM.	USABLE ON CODE
		1	2	3	4		
		SCR TRANSFORMER ASSEMBLY					
		CODE 1 USED ON ASM PRIOR TO S5 SUFFIX					
		CODE 2 USED ON ASM S5 TO CURRENT					
		CODE 3 USED ON ASM PRIOR TO C6 SUFFIX					
		CODE 4 USED ON ASM C6 TO CURRENT					
<b>24 E</b>	2191056	TRANSFORMER ASM,115V-60 HZ				REF	
-	2243029	TRANSFORMER ASM,208/230V-60 HZ				REF	
-	2191057	TRANSFORMER ASM,50 HZ				REF	
		FOR ILLUSTRATION SEE FIG 24E					
		FOR NEXT HIGHER ASM SEE FIGURE 24A-17					
- 1	5708993	. TRANSFORMER ASM,115 V 60 HZ				1	
- 1	5708992	. TRANSFORMER,208/230V-60 HZ				1	
- 1	5708991	. TRANSFORMER,195/220/235V 50 HZ				1	
- 2	725413	. SCREW,ASMD WASHER-HEX HD 10-32 XO.312 LG ATT PT				4	
- 2	725411	. SCREW-HEX HEAD SEMS ATT PT				4	
		USED ON ASM 5708991 ONLY					
- 3	80880	. . TERMINAL BOARD- 6 DBL SCREW TERMINALS				1	
- 3	603248	. . TERMINAL BOARD- 14 DBL SCREW TERMINALS				1	
- 3	91469	. . TERMINAL BOARD- 4 DBL SCREW TERMINALS				1	
- 3	317145	. . TERMINAL BOARD- 8 DBL SCREW TERMINALS				1	
- 4	210986	. . STUD, SLOTTED 8-32 X 1/2 LG THREAD ATT PT				3	
- 5	210985	. . STUD, EXT 8-32 X 1/2 INT 6-32 X 0.19 DP ATT PT				1	
- 6	529084	. . MARKER STRIP-6 POSITION				1	
- 6	351797	. . MARKER STRIP-14 POSITION				1	
- 6	322271	. . MARKER STRIP-4 POSITION				1	
- 6	360339	. . MARKER STRIP-8 POSITION				1	
- 7	517913	. . CLIP, SLIP ON NO 18-16 AWG				2	
- 8	2197160	. SHIELD,TERMINAL BLOCK-6 POSITION				1	4
- 8	186945	. SHIELD,TERMINAL BLOCK- 8 POSITION				1	2
- 8	187858	. SHIELD,TERMINAL BLOCK- 4 POSITION				1	2
- 8	191484	. SHIELD-TERMINAL BOARD 6 POS				1	3
- 9	210984	. SCREW,MACH RH 6-32 X .25 ATT PT				1	
- 10	477202	. CAPACITOR,15MFD P/M 6 PCT 330V AC				2	
- 11	204818	. STRAP,RETAINING				1	
- 12	2122638	. SCREW,MACH-RH 8-32 X 3.75 IN. LG ATT PT				1	4
- 12	2122636	. SOCKET,GUIDE CORNER ATT PT				1	3
- 13	331191	. BRACKET, CAPACITOR MOUNTING				2	
- 14	25627	. SCREW,MACH-BIND HD 8-32 X 1/2 LG ATT PT				2	4
- 14	234318	. SCREW,ASMD WASHER-FIL H 8-32 X 3/8 LG ATT PT				2	3
- 15	526378	. CAP				4	
- 16	2191093	. RESISTOR ASM,0.16 OHM 25W,WIRE WOUND				1	
- 16	2243002	. RESISTOR ASM,3.0 OHM 25W P/M 10%,W/W				1	
- 17	438582	. SCREW,MACH-FIL H 8-32 X 2-1/4 LG ATT PT				2	4
- 17	438593	. SCREW-MACH-BIND HD NO. 8-32 X 2 1/2 LG ATT PT				1	3
- 18	2191092	. . LEAD,ELECTRICAL-BLACK 14.00 IN. LG				2	
		FOR COMPONENT PARTS SEE LIST 44-2B, 3B					
- 19	5261119	. . RESISTOR,0.16 OHMS 25 WATTS WIREWOUND				1	2
- 19	5213405	. . RESISTOR-.3 OHMS,25W PM 10%				2	1
- 19	620232	. . RESISTOR,FXD,WV- 3 OHMS P/M 10% 25W				1	
- 20	510468	. CUP WASHER				2	
- 21	508224	. WASHER-INSULATOR				2	
- 22	2191054	. PLATE,MTG-SCR TRANSFORMER				1	





FOR PARTS  
NOT SHOWN  
SEE FIG. 24A

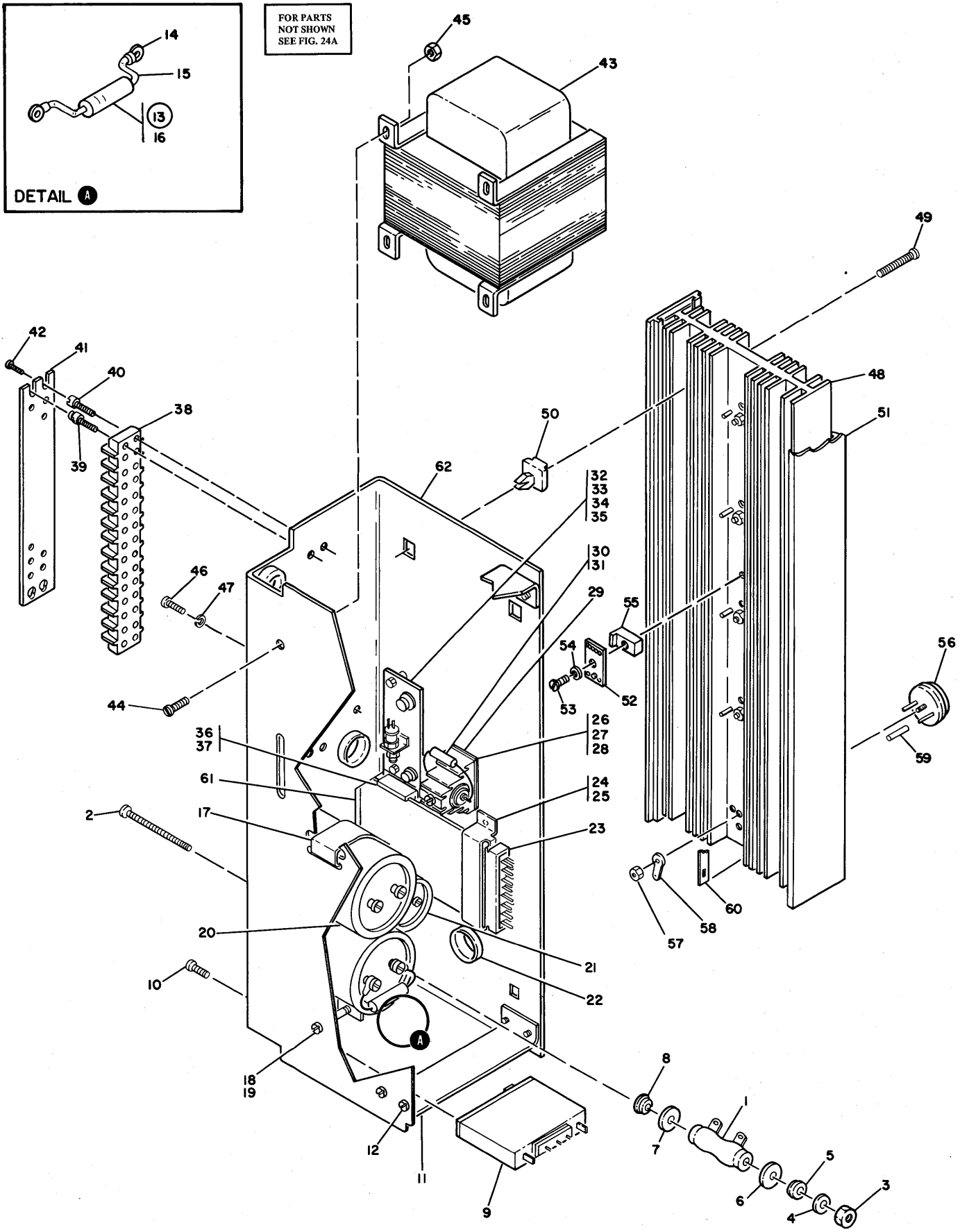
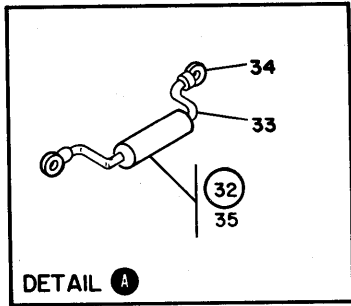


FIGURE 24F. 3 VOLT 16 AMP POWER SUPPLY ASSEMBLY.

SEE LIST **24 F**

## LIST 24 F

LIST AND INDEX NUMBER	PART NUMBER	DESCRIPTION	UNITS PER ASM.	USABLE ON CODE
		3VDC 16AMP POWER SUPPLY ASSEMBLY		
24 F	5239403	POWER SUPPLY ASM,3V AT 16.0 AMP-60 HZ	REF	
-	5239421	POWER SUPPLY ASM,3V AT 16.0 AMP-50 HZ FOR ILLUSTRATION SEE FIGURE 24F FOR NEXT HIGHER ASM SEE LIST 24A-26	REF	
- 1	5261098	• RESISTOR,FXD,WW- 0.04 OHMS P/M 10% 25W	1	
- 2	438593	• SCREW-MACH-BIND HD NO. 8-32 X 2 1/2 LG	1	ATT PT
- 3	5761938	• NUT/LOCKWASHER ASSEMBLY - 8-32	1	ATT PT
- 4	2903	• WASHER,FL-NO. 6 X 1/2 OD X 1/32 THK	1	ATT PT
- 5	510468	• CUP WASHER	1	
- 6	5761935	• WASHER	1	
- 7	5761935	• WASHER	1	
- 8	510468	• CUP WASHER	1	
- 9	5214552	• PROTECTOR	1	
- 10	38235	• SCREW,BIND HD 6-32 X .312 LONG	2	ATT PT
- 11	5761779	• BRACKET,CHASSIS	2	
- 12	731629	• SCREW,PAN HD- 10-32 X 0.380 LG	8	ATT PT
- 13	5261935	• RESISTOR ASSEMBLY-330 OHMS 2W	1	
- 14	359695	• TERMINAL-RING LUG NO.10 STUD	2	
- 15	113819	• TUBING	2	
- 16	317080	• RESISTOR,FXD 330 OHM 2W	1	
- 17	5761794	• STRAP,CAPACITOR	1	
- 18	438571	• SCREW, BINDING HEAD, 6-32 NC X 1-3/4 LG.	1	ATT PT
- 19	5761943	• NUT,HEX 10-32 NC	1	ATT PT
- 20	5214368	• CAPACITOR	2	
- 21	5261089	• CAPACITOR,ELECTROLYTIC- 10000 UF 6VDC	1	
- 22	5761936	• GROMMET	3	
- 23	216076	• TERMINAL BLOCK AND CONTACT ASSEMBLY FOR COMPONENTS SEE LIST 44-64	1	
- 24	5761904	• BRACKET	1	
- 25	5761907	• RIVET	2	ATT PT
- 26	5761977	• RECTIFIER ASSEMBLY	1	
- 27	734483	PARTS OF THIS ASM ARE NOT REPLACEABLE • SCREW,PAN HD- 6-32 X 0.380 LG	3	ATT PT
- 28	5762215	• WASHER,INSULATING	2	
- 29	5761979	• INSULATOR	1	
- 30	491228	• CAPACITOR, .010 UF	1	
- 31	113819	• TUBING	2	
- 32	5761987	• OVERVOLTAGE CARD ASSEMBLY,3 VOLT PARTS OF THIS ASM ARE NOT REPLACEABLE	1	
- 33	438551	• SCREW,MACH-BIND HD 4-40 X 5/8 LG	2	ATT PT
- 34	332779	• SPACER	2	
- 35	37913	• NUT, HEX 4-40 NC	2	ATT PT
- 36	5712309	• GUIDE	1	
- 37	5761907	• RIVET	2	ATT PT
- 38	5214556	• TERMINAL	1	
- 39	5261165	• STUD,SHLDR- 8-32 X 0.438 LG THD	3	ATT PT
- 40	5261167	• STUD- 8-32 X 0.438 LG W/6-32 TAPPED HOLE	1	ATT PT
- 41	210990	• SHIELD- 13 POSITION	1	
- 42	210984	• SCREW,MACH RH 6-32 X .25	1	ATT PT
- 43	5761726	• TRANSFORMER,60 HZ	1	
- 43	4116483	• TRANSFORMER,50 HZ	1	
- 44	332620	• SCREW,MACH-BIND HD 10-32 X 1/2 LG	4	ATT PT
- 45	5761908	• NUT,HEX 10-32 NC	4	ATT PT
- 46	10170	• SCREW-MACH,BIND HD NO. 6-32 X .250 LG	1	
- 47	56722	• WASHER-LOCK,EXT T, .150 ID	1	
- 48	5761768	• HEAT SINK	1	
- 49	5761913	• SCREW,	4	ATT PT
- 50	5761796	• INSULATOR,HEAT SINK	4	
- 51	473536	• SEAL	AR	
- 52	5761909	• TERMINAL, BRASS	1	
- 53	2181002	• SCREW,THREAD FORMING-8-32 X 3/4 LG	1	ATT PT
- 54	5374689	• BUSHING	1	ATT PT
- 55	5761798	• INSULATOR, PHENOLIC - .38W X .75 LG	1	
- 56	369214	• TRANSISTOR,TYPE 108	5	
- 57	11598	• NUT, HEX 10-32	5	ATT PT
- 58	316996	• TERMINAL,LUG-NONINS 9AWG NO. 8 MTG HOLE	1	
- 59	5761976	• TUBING	10	
- 60	5761968	• BUS STRIP	1	
- 61	375200	• CARD ASSEMBLY PARTS OF THIS ASM ARE NOT REPLACEABLE	1	
- 62	5761767	• CHASSIS	1	
		END OF LIST 24 F		



FOR PARTS  
NOT SHOWN  
SEE FIG. 24A

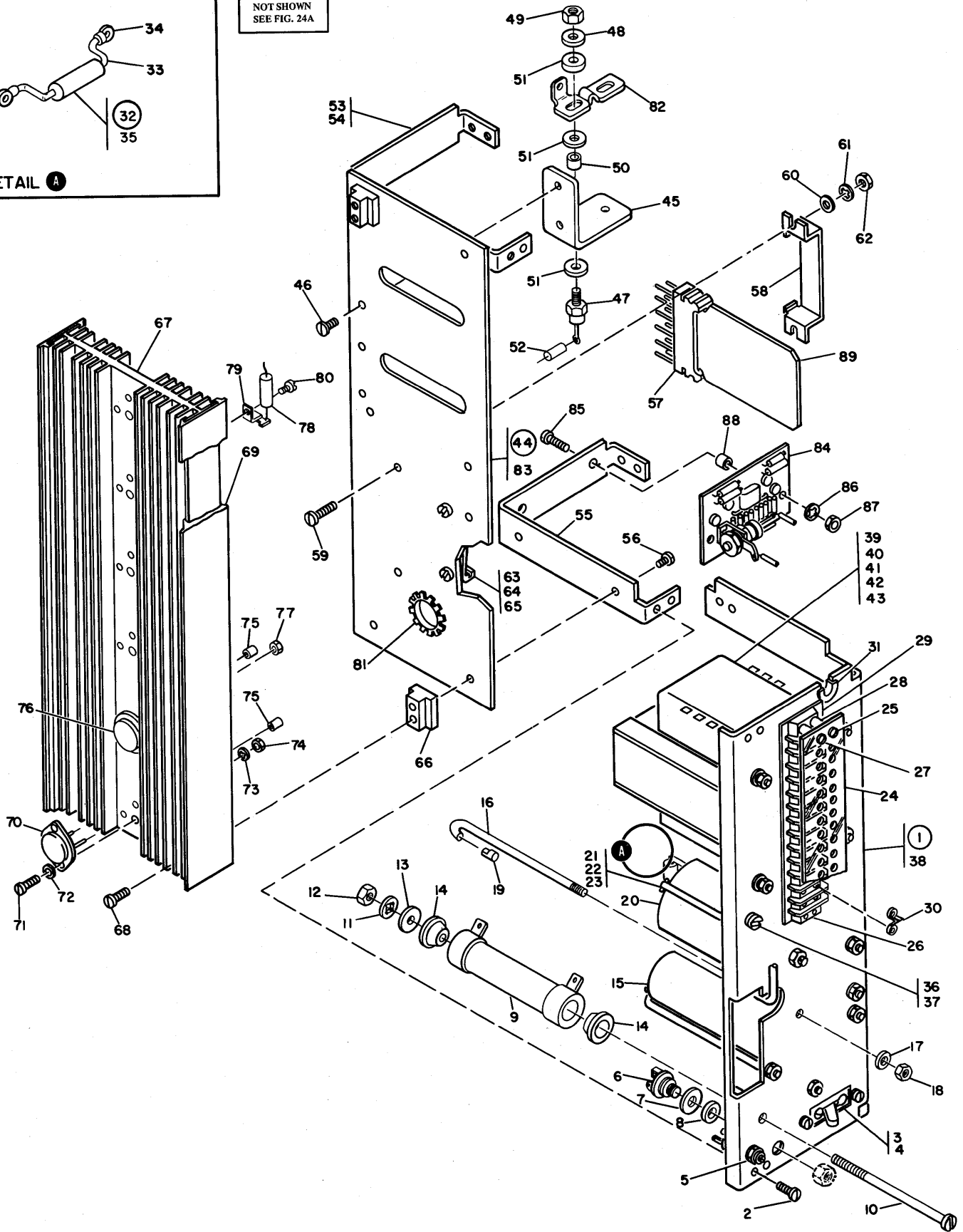


FIGURE 24G. POWER SUPPLY ASM, 6V AT 15 AMP.

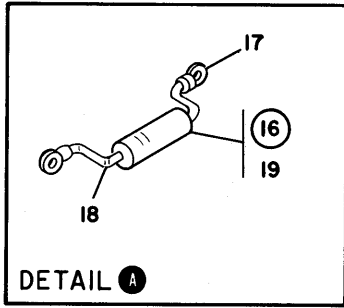
SEE LIST 24 G

## LIST 24 G

LIST AND INDEX NUMBER	PART NUMBER	DESCRIPTION	UNITS PER ASM.	USABLE ON CODE
		POWER SUPPLY ASM,6V AT 15 AMPS		
<b>24 G</b>	5760610	POWER SUPPLY ASM,6V AT 15.0 AMP-60 HZ	REF	
-	5760690	POWER SUPPLY ASM,6V AT 15.0 AMP-50 HZ FOR ILLUSTRATION SEE FIGURE 24G FOR NEXT HIGHER ASM SEE LIST 24A-27	REF	
- 1	5760614	PLATE ASM,COMPONENT MOUNTING	1	
- 2	28413	SCREW,MACH-BIND HD 10-32 X 5/16 LG	8	
- 3	5261157	PROTECTOR	1	
- 4	10170	SCREW-MACH,BIND HD NO. 6-32 X .250 LG	ATT PT	
- 5	441181	POTENTIOMETER	2	
- 6	1134451	JACK,AUX PWR- .44 OD	1	
- 7	529691	WASHER, MICA	1	
- 8	473592	INSULATOR	4	
- 9	730483	RESISTOR,FXD-WW-0.06 OHM P/M 10PCT 90W	1	
- 10	331982	SCREW,MACH RD HD 8-32 X 1-1/4 LG	ATT PT	
- 11	60646	WASHER,LOCK-INT TEETH NO. 8 X 0.340 OD	ATT PT	
- 12	257189	NUT, HEX 8-32	ATT PT	
- 13	22478	WASHER,FL- 0.170 ID 0.375 OD 0.032 THK	1	
- 14	510468	CUP WASHER	2	
- 15	5261128	CAPACITOR,ELECTROLYTIC- 7300 UF 10VDC	1	
- 16	473432	CLAMP	2	
- 17	62031	WASHER,LOCK-INT TEETH NO. 6 X 0.295 OD	ATT PT	
- 18	38051	NUT,PLAIN HEX 6-32 X 1/4 FL W	ATT PT	
- 19	473412	INSULATOR,CAPACITOR CLAMP	6	
- 20	5760613	CAPACITOR,	2	
- 21	5760665	TERMINAL,STRAP	4	
- 22	62031	WASHER,LOCK-INT TEETH NO. 6 X 0.295 OD	ATT PT	
- 23	38051	NUT,PLAIN HEX 6-32 X 1/4 FL W	ATT PT	
- 24	210990	SHIELD- 13 POSITION	1	
- 25	210984	SCREW,MACH RH 6-32 X .25	ATT PT	
- 26	320461	TERMINAL BOARD-13 POS	1	
- 27	5261165	STUD,SHLDR- 8-32 X 0.438 LG THD	3	
- 28	5261167	STUD- 8-32 X 0.438 LG W/6-32 TAPPED HOLE	1	
- 29	2101325	MARKER STRIP,13 POSITION	1	
- 30	472187	JUMPER-BRASS	2	
- 31	730432	GROMMET,CATERPILLAR	1	
- 32	5261936	RESISTOR ASSEMBLY,200 OHMS 5W	1	
- 33	113819	TUBING	2	
- 34	334932	TERMINAL-LUG NO.18 THRU NO.22 WIRE INSUL	2	
- 35	477144	RESISTOR, WIREWOUND - 200 OHM 5W	1	
- 36	55726	SCREW,MACH-BIND HD 6-32 X .188 LG	1	
- 37	56722	WASHER-LOCK,EXT T, .150 ID	1	
- 38	5760615	PLATE,MOUNTING	1	
- 39	5253873	TRANSFORMER,168V-60 HZ	1	
- 39	4118354	TRANSFORMER,6V-50 HZ	1	
- 40	332620	SCREW,MACH-BIND HD 10-32 X 1/2 LG	ATT PT	
- 41	45690	WASHER, FL - NO.10 X 7/16 OD X 1/32 THK	ATT PT	
- 42	9092	WASHER-LOCK,SPLIT RING, .194 ID .337OD	ATT PT	
- 43	11598	NUT, HEX 10-32	ATT PT	
- 44	5760624	HEATSINK ASM	4	
- 45	5261009	BRACKET-DIODE MOUNTING	1	
- 46	10170	SCREW-MACH,BIND HD NO. 6-32 X .250 LG	ATT PT	
- 47	127324	SEMICONDUCTOR DEVICE,D10- 150V 30 AMP	2	
- 48	3550	WASHER,FLAT 1/4 ID-9/16-OD-0.05 THICK	ATT PT	
- 49	160017	NUT,PLAIN,HEX- 1/4-28 X 7/16 FL W	ATT PT	
- 50	473592	INSULATOR	2	
- 51	217017	WASHER-INSULATING	8	
- 52	491228	CAPACITOR, .010 UF	1	
- 53	730176	BRACKET-UNIT SUPPORT	1	
- 54	1132669	SCREW,BINDING HEAD .625 LG	ATT PT	
- 55	5261159	BRACKET-UNIT SUPPORT	1	
- 56	1132669	SCREW,BINDING HEAD .625 LG	ATT PT	
- 57	216076	TERMINAL BLOCK AND CONTACT ASSEMBLY FOR COMPONENT PARTS SEE LIST 44-64	1	
- 58	477203	BRACKET	1	
- 59	38235	SCREW,BIND HD 6-32 X .312 LONG	ATT PT	
- 60	257986	WASHER,FLAT NO. 6	ATT PT	

## LIST 24 G CONT

LIST AND INDEX NUMBER	PART NUMBER	DESCRIPTION	UNITS PER ASM.	USABLE ON CODE
		POWER SUPPLY ASM,6V AT 15 AMPS -CONT		
24 G	61 62031	. . WASHER,LOCK-INT TEETH NO. 6 X 0.295 OD ATT PT	2	
- 62	38051	. . NUT,PLAIN HEX 6-32 X 1/4 FL W ATT PT	2	
- 63	5712309	. . GUIDE	1	
- 64	38235	. . SCREW,BIND HD 6-32 X .312 LONG ATT PT	2	
- 65	257187	. . NUT,HEX 6-32 NC ATT PT	2	
- 66	473531	. . INSULATOR	6	
- 67	5760623	. . HEATSINK	1	
- 68	79779	. . SCREW,THD CTG-BIND HD NO. 6 X 3/4 LG ATT PT	6	
- 69	473536	. . SEAL	29	
- 70	369616	. . TRANSISTOR-TYPE 119	1	
- 71	322550	. . SCREW,MACH-BIND HD 6-32 X 1/2 LG ATT PT	2	
- 72	257986	. . WASHER,FLAT NO. 6 ATT PT	2	
- 73	6364	. . WASHER,LOCK-SPLIT NO. 6 X 1/4 OD ATT PT	2	
- 74	38051	. . NUT,PLAIN HEX 6-32 X 1/4 FL W ATT PT	2	
- 75	219423	. . TUBE,RUBBER- 0.085 ID X 0.120 OD X 2 LG	12	
- 76	369214	. . TRANSISTOR,TYPE 108	5	
- 77	11891	. . NUT,PLAIN,HEX- 10-32 X 3/8 FL W BRS ATT PT	5	
- 78	207324	. . RESISTOR,FXD,WW- 0.1 OHM P/M 5% 5W	5	
- 79	478045	. . TERMINAL - SOLDER	5	
- 80	70078	. . SCREW,THD FORMING-BIND HD ATT PT	5	
- 81	473533	. . GROMMET	1	
- 82	5261606	. . JUMPER PLATE	1	
- 83	5261058	. . COVER	1	
- 84	5261543	. . OVERVOLTAGE CIRCUIT CARD ASM PARTS OF THIS ASM ARE NOT REPLACEABLE	1	
- 85	1091173	. . SCREW,MACH-FL CSK HD 4-40 X 5/8 LG ATT PT	2	
- 86	257985	. . WASHER-PLAIN, .125 ID .250 OD NO. 4 ATT PT	2	
- 87	37913	. . NUT, HEX 4-40 NC ATT PT	2	
- 88	483111	. . SPACER,SLEEVE- 0.12 ID 0.25 OD X 0.19 LG	2	
- 89	374621	. . CARD ASSEMBLY-REGULATOR PARTS OF THIS ASM ARE NOT REPLACEABLE	1	
		END OF LIST 24 G		



FOR PARTS  
NOT SHOWN  
SEE FIG. 24A

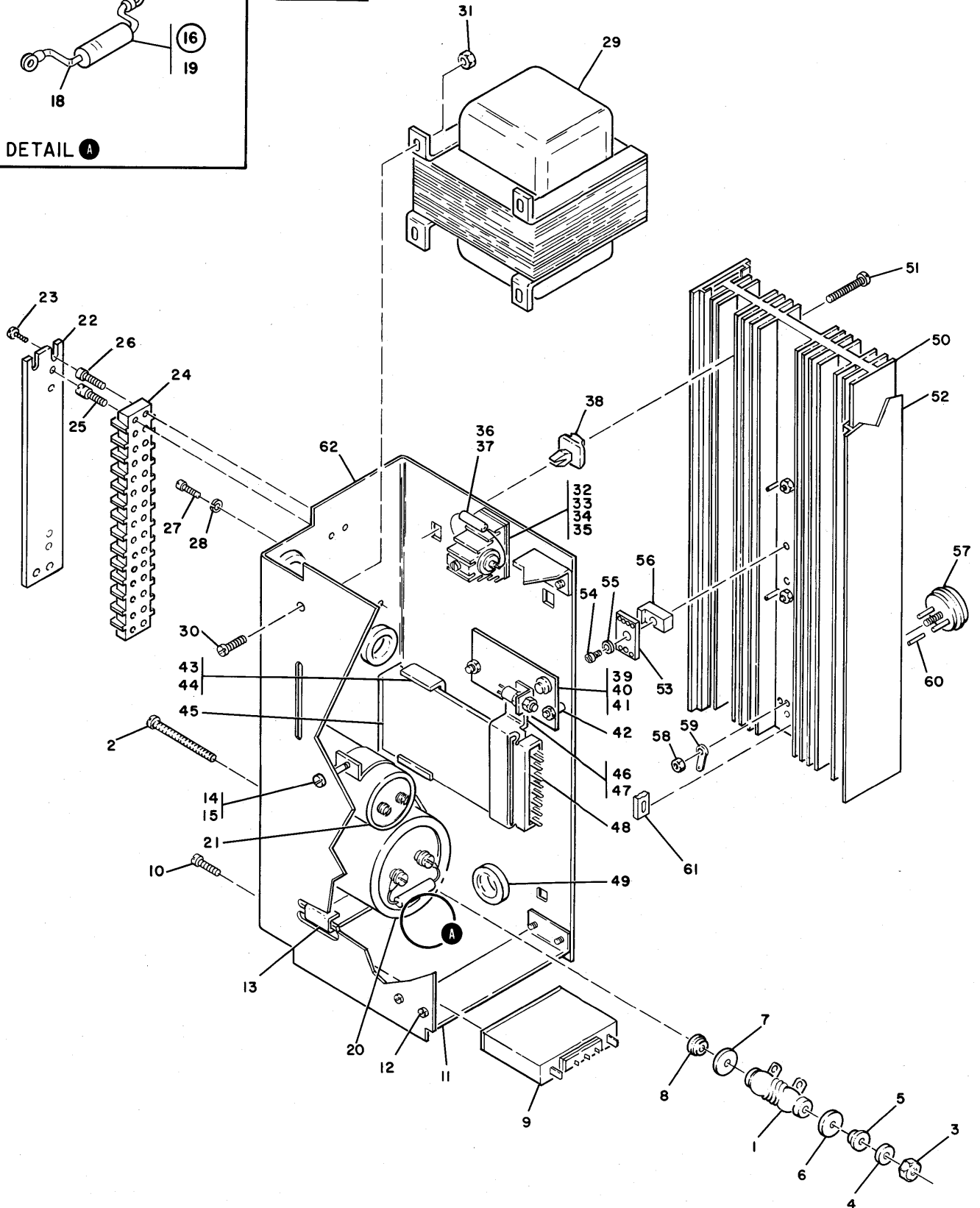


FIGURE 24H. 3 VOLT 4 AMP POWER SUPPLY ASSEMBLY.

SEE LIST 24 H

## LIST 24 H

LIST AND INDEX NUMBER	PART NUMBER	DESCRIPTION	UNITS PER ASM.	USABLE ON CODE
		3VDC 8.0AMP POWER SUPPLY ASSEMBLY		
<b>24 H</b>	5239401 5239419	POWER SUPPLY ASM,3V AT 8.0 AMP-60 HZ POWER SUPPLY ASM,3V AT 8.0 AMP-5/ HZ FOR ILLUSTRATION SEE FIGURE 24H FOR NEXT HIGHER ASM SEE LIST 24A-28	REF REF	
- 1	5261118	• RESISTOR,FXD,WW-0.06 OHM P/M 10% 25W		1
- 2	438593	• SCREW-MACH-BIND HD NO. 8-32 X 2 1/2 LG	ATT PT	1
- 3	5761938	• NUT/LOCKWASHER ASSEMBLY - 8-32	ATT PT	1
- 4	2903	• WASHER,FL-NO. 6 X 1/2 OD X 1/32 THK		1
- 5	510468	• CUP WASHER		1
- 6	5761935	• WASHER		1
- 7	5761935	• WASHER		1
- 8	510468	• CUP WASHER		1
- 9	5214546	• PROTECTOR		1
- 10	38235	• SCREW,BIND HD 6-32 X .312 LONG	ATT PT	2
- 11	5761779	• BRACKET,CHASSIS		2
- 12	731629	• SCREW,PAN HD- 10-32 X 0.380 LG	ATT PT	8
- 13	5761795	• STRAP, CAPACITOR		1
- 14	438567	• SCREW,MACH-UNDRCT BIND HD 6-32 X 1 LG	ATT PT	1
- 15	5761943	• NUT,HEX 10-32 NC	ATT PT	1
- 16	5261935	• RESISTOR ASSEMBLY-330 OHMS 2W		2
- 17	359695	• TERMINAL-RING LUG NO.10 STUD	ATT PT	1
- 18	113819	• TUBING		2
- 19	317080	• RESISTOR,FXD 330 OHM 2W		1
- 20	5214368	• CAPACITOR		1
- 21	5261089	• CAPACITOR,ELECTROLYTIC- 10000 UF 6VDC		1
- 22	210990	• SHIELD- 13 POSITION		1
- 23	210984	• SCREW,MACH RH 6-32 X .25	ATT PT	1
- 24	5214556	• TERMINAL		1
- 25	5261165	• STUD,SHLDR- 8-32 X 0.438 LG THD	ATT PT	3
- 26	5261167	• STUD- 8-32 X 0.438 LG W/6-32 TAPPED HOLE	ATT PT	1
- 27	10170	• SCREW-MACH,BIND HD NO. 6-32 X .250 LG		1
- 28	56722	• WASHER-LOCK,EXT T, .150 ID		1
- 29	5761724	• TRANSFORMER,60 HZ		1
- 29	4116494	• TRANSFORMER,50 HZ		1
- 30	332620	• SCREW,MACH-BIND HD 10-32 X 1/2 LG	ATT PT	4
- 31	5761908	• NUT,HEX 10-32 NC	ATT PT	4
- 32	5761977	• RECTIFIER ASSEMBLY PARTS OF THIS ASM ARE NOT REPLACEABLE		1
- 33	734483	• SCREW,PAN HD- 6-32 X 0.380 LG	ATT PT	3
- 34	2156037	• WASHER,INSULATING	ATT PT	2
- 35	5761979	• INSULATOR		1
- 36	491228	• CAPACITOR, .010 UF		1
- 37	113819	• TUBING		2
- 38	5761796	• INSULATOR,HEAT SINK		4
- 39	5761987	• OVERVOLTAGE CARD ASSEMBLY,3 VOLT PARTS OF THIS ASM ARE NOT REPLACEABLE		1
- 40	438551	• SCREW,MACH-BIND HD 4-40 X 5/8 LG	ATT PT	2
- 41	37913	• NUT, HEX 4-40 NC	ATT PT	2
- 42	5312982	• INSULATOR		2
- 43	5712309	• GUIDE		1
- 44	5761907	• RIVET	ATT PT	2
- 45	375200	• CARD ASSEMBLY PARTS OF THIS ASM ARE NOT REPLACEABLE		1
- 46	5761904	• BRACKET		1
- 47	5761907	• RIVET	ATT PT	2
- 48	216076	• TERMINAL BLOCK AND CONTACT ASSEMBLY FOR COMPONENTS SEE LIST 44-64		1
- 49	5761936	• GROMMET		3
- 50	5761764	• HEAT SINK		1
- 51	5761913	• SCREW,	ATT PT	4
- 52	473536	• SEAL		AR
- 53	5761909	• TERMINAL, BRASS		1
- 54	2181002	• SCREW,THREAD FORMING-8-32 X 3/4 LG	ATT PT	1
- 55	5374689	• BUSHING	ATT PT	1
- 56	5761798	• INSULATOR, PHENOLIC - .38W X .75 LG		1
- 57	369214	• TRANSISTOR,TYPE 108		3
- 58	11598	• NUT, HEX 10-32	ATT PT	3
- 59	316996	• TERMINAL,LUG-NONINS 9AWG NO. 8 MTG HOLE		1
- 60	5761976	• TUBING		6
- 61	5761966	• BUS STRIP		1
- 62	5761763	• CHASSIS		1
		END OF LIST 24 H		

FOR PARTS  
NOT SHOWN  
SEE FIG. 24A

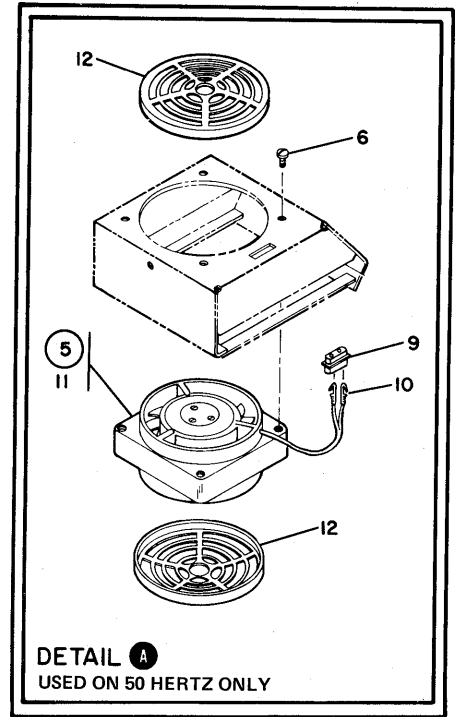
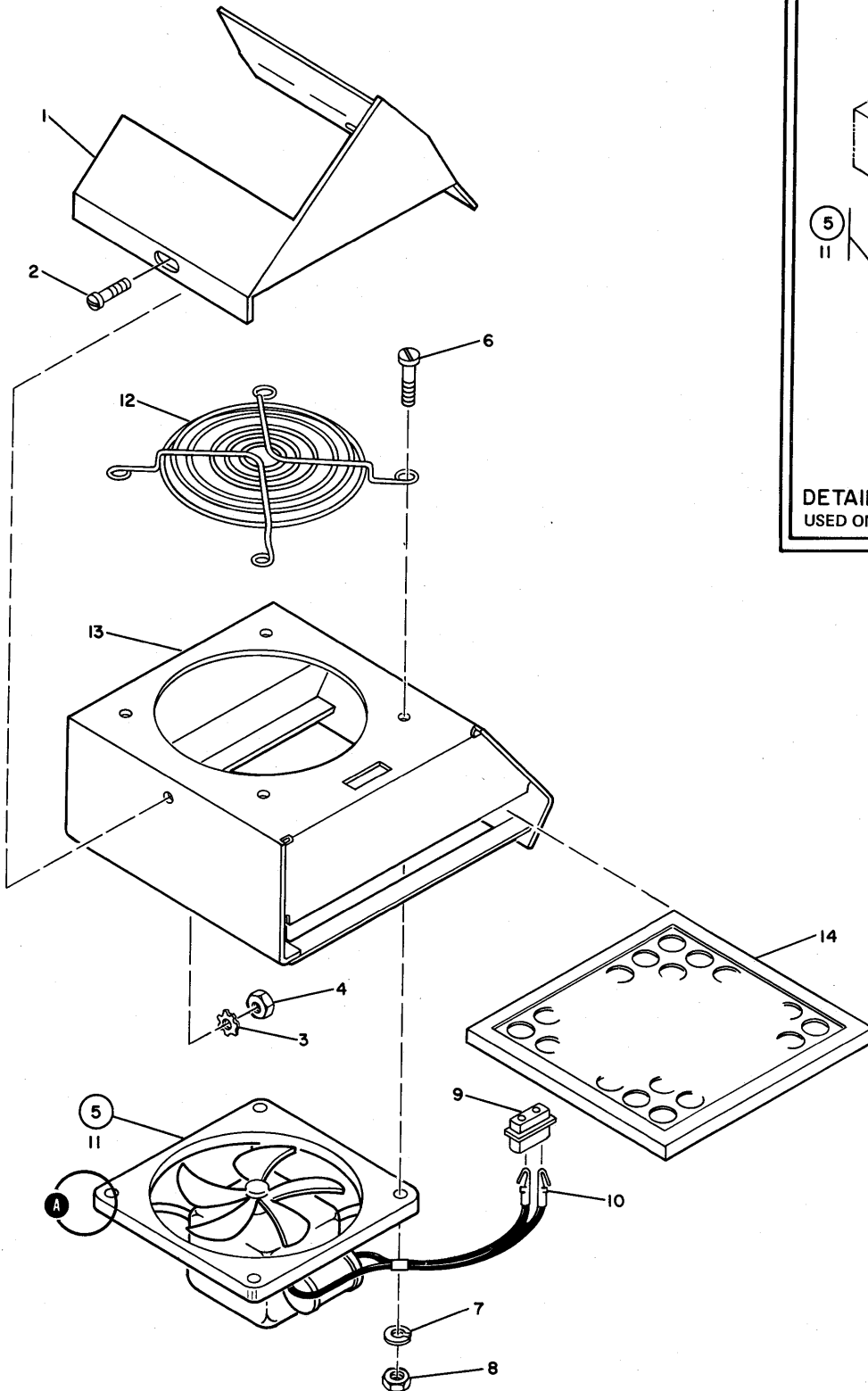


FIGURE 24J. BLOWER ASSEMBLY POWER SUPPLY.

SEE LIST **24 J**



LIST 24 J

LIST AND INDEX NUMBER	PART NUMBER	DESCRIPTION	UNITS PER ASM.	USABLE ON CODE
		1 2 3 4		
		BLOWER ASSEMBLY, POWER SUPPLY		
24 J				
		CODE A USED ON NO SCA OR NO 2501-60 HZ CODE B USED ON NO SCA OR NO 2501-50 HZ		
-	2191045	FAN ASM,60 HZ	REF	A
-	2191046	FAN ASM,50 HZ	REF	B
		FOR ILLUSTRATION SEE FIGURE 24J FOR NEXT HIGHER ASM SEE LIST 24A-29		
- 1	2191027	• PLENUM,POWER SUPPLY FAN	1	
- 2	32042	• SCREW, MACH BIND. HD 10-32 X 3/8 LG. ATT PT	2	
- 3	56079	• WASHER-LOCK,EXT T .204 ID .410 OD ATT PT	2	
- 4	11598	• NUT, HEX 10-32 ATT PT	2	
- 5	2191103	• FAN ASM,60 HZ	1	A
- 5	2191044	• FAN ASM,50 HZ	1	B
- 6	322065	• SCREW,MACH-BIND HD 6-32 X 5/8 LG ATT PT	4	A
- 6	38235	• SCREW,BIND HD 6-32 X .312 LONG ATT PT	4	B
- 7	6364	• WASHER,LOCK-SPLIT NO. 6 X 1/4 OD ATT PT	4	A
- 8	257187	• NUT,HEX 6-32 NC ATT PT	4	A
- 9	725558	• . COVER-CONNECTOR	1	
- 10	609687	• . CONTACT	2	
- 11	2172165	• . FAN,115V-60 HZ	1	
- 11	4120171	• . FAN,220V-50 HZ	1	
- 12	2172166	• GUARD,FAN	1	A
- 12	4065157	• GUARD-FAN	2	B
- 13	2190864	• HOLDER,FAN PS	1	
		FOLLOWING PARTS ARE NOT INCLUDED W/ASM		
- 14	2130055	FILTER,AIR 6.00 X 6.75	1	
		END OF LIST 24 J		

FOR PARTS  
NOT SHOWN  
SEE FIG. 24A

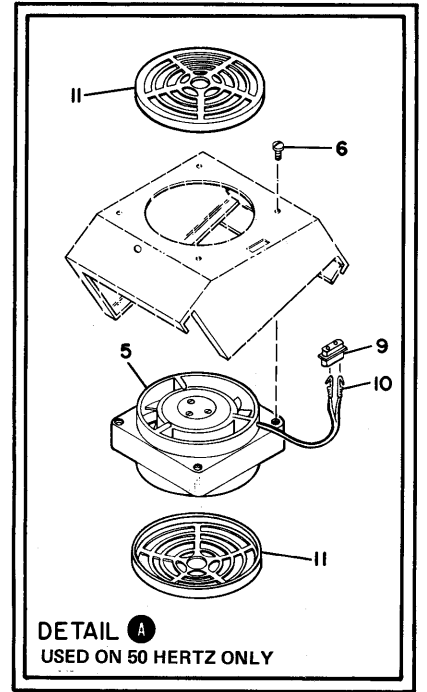
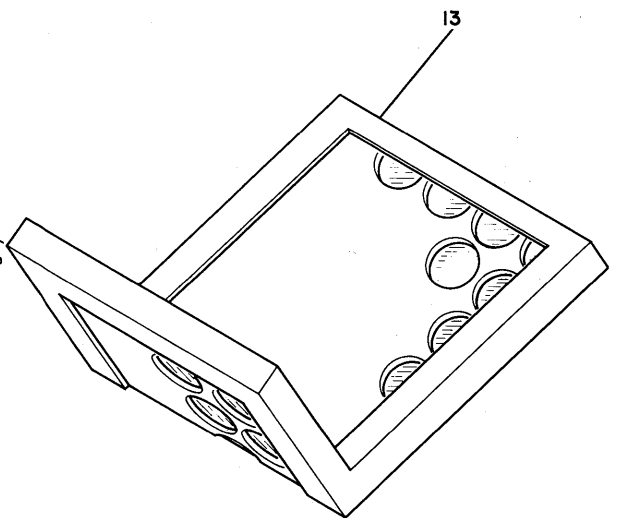
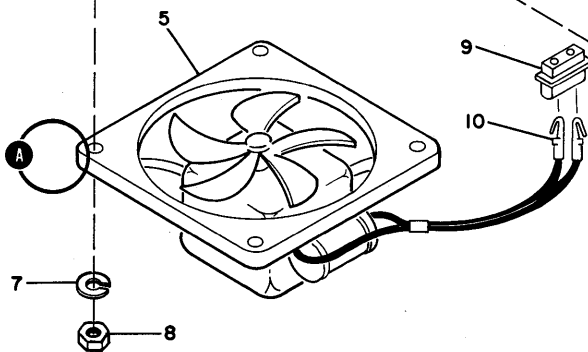
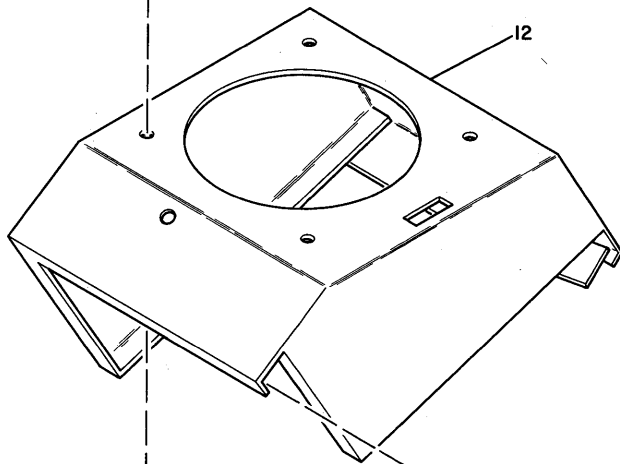
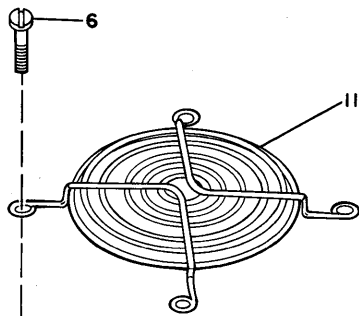
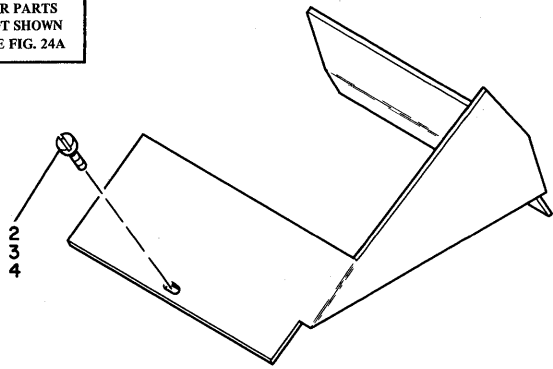


FIGURE 24K. BLOWER ASSEMBLY POWER SUPPLY.

SEE LIST 24 K

LIST 24 K

LIST AND INDEX NUMBER	PART NUMBER	DESCRIPTION	UNITS PER ASM.	USABLE ON CODE
		1 2 3 4 BLOWER ASSEMBLY, POWER SUPPLY		
24 K				
		CODE A USED ON SCA OR 2501-60 HZ CODE B USED ON SCA OR 2501-50 HZ		
-	2191472	FAN ASM,60 HZ	REF	A
-	2191471	FAN ASM,50 HZ	REF	B
		FOR ILLUSTRATION SEE FIGURE 24K FOR NEXT HIGHER ASM SEE LIST 24A-29		
- 1	2191469	• PLENUM,POWER SUPPLY FAN	1	
- 2	32042	• SCREW, MACH BIND. HD 10-32 X 3/8 LG. ATT PT	2	
- 3	56079	• WASHER-LOCK,EXT T .204 ID .410 OD ATT PT	2	
- 4	11598	• NUT, HEX 10-32 ATT PT	2	
- 5	2172165	• FAN,115V-60 HZ	1	A
- 5	4120171	• FAN,220V-50 HZ	1	B
- 6	322550	• SCREW,MACH-BIND HD 6-32 X 1/2 LG ATT PT	4	A
- 6	38235	• SCREW,BIND HD 6-32 X .312 LONG ATT PT	4	B
- 7	6364	• WASHER,LOCK-SPLIT NO. 6 X 1/4 OD ATT PT	4	A
- 8	257187	• NUT,HEX 6-32 NC ATT PT	4	A
- 9	725558	• COVER-CONNECTOR	1	
- 10	609687	• CONTACT	1	A
- 11	2172166	• GUARD,FAN	2	B
- 11	4065157	• GUARD-FAN		
- 12	2191470	• HOUSING,FAN	1	
		FOLLOWING PARTS ARE NOT INCLUDED W/ASM		
- 13	2191468	FILTER,AIR,10.25 X 6.0	1	
		END OF LIST 24 K		

FOR PARTS  
NOT SHOWN  
SEE FIG. 4

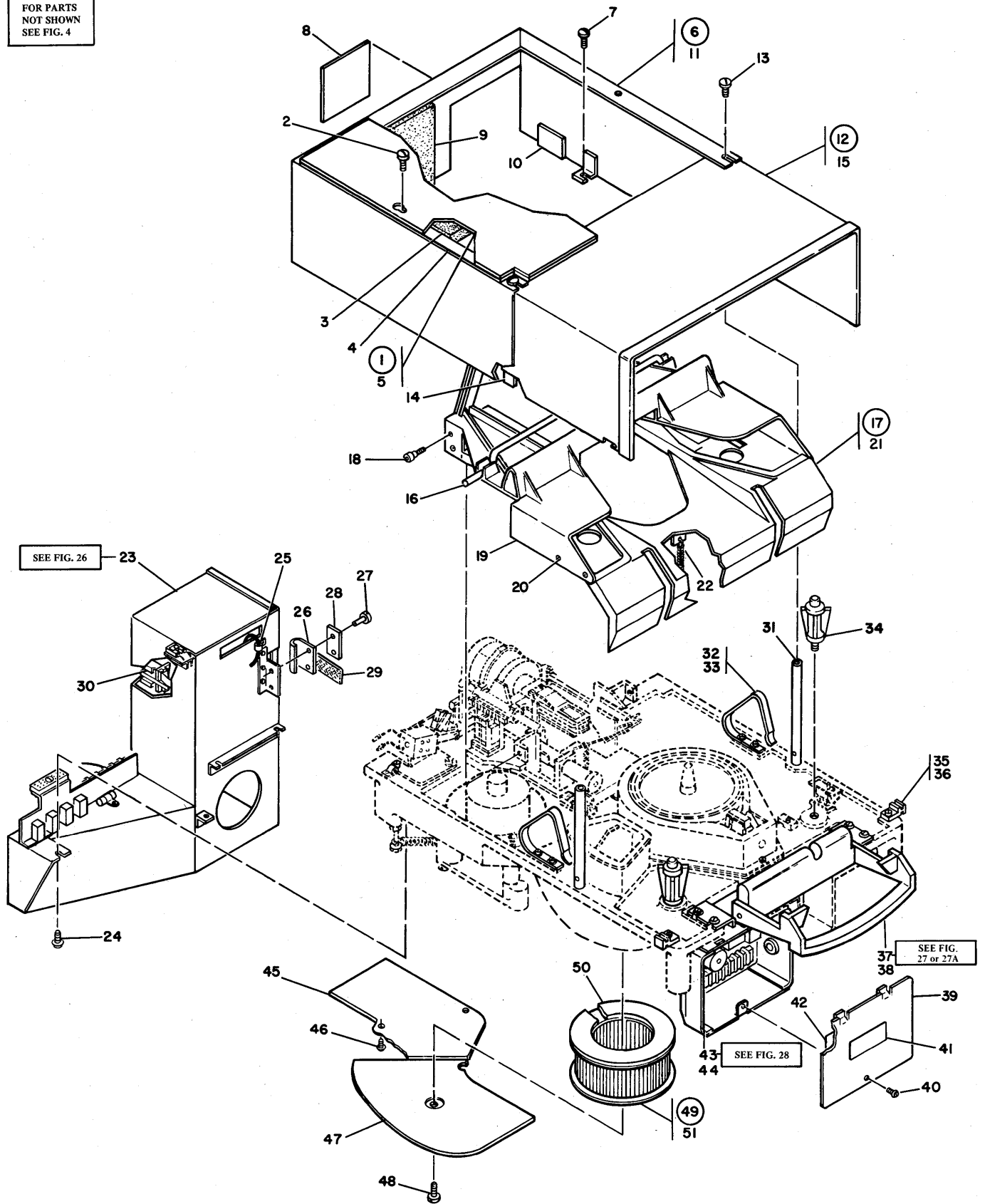


FIGURE 25. 13 SD ASSEMBLY. SHEET 1 OF 2, INDEX NOS. 1-51.

SEE LIST **25**

FOR PARTS  
NOT SHOWN  
SEE FIG. 4

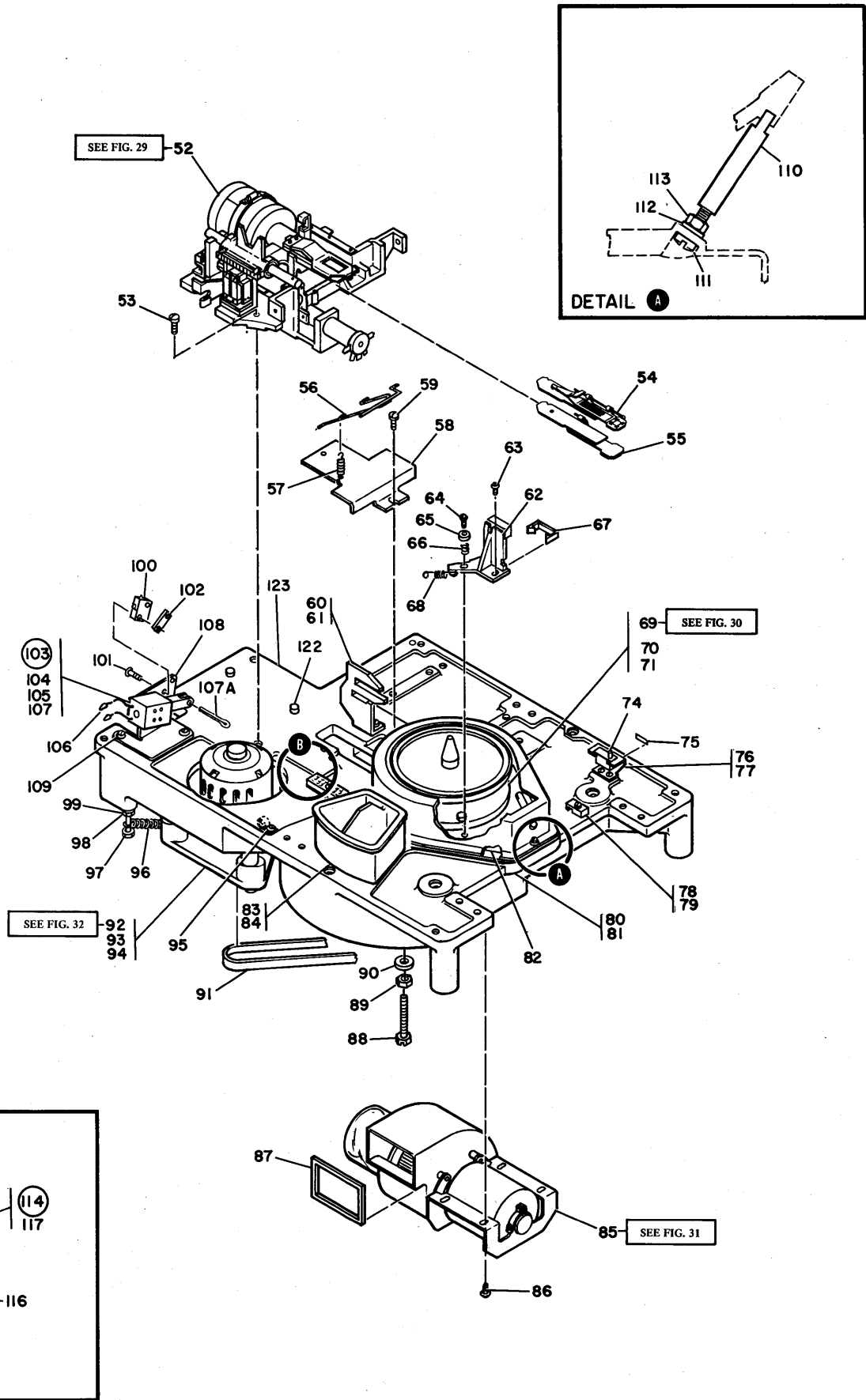


FIGURE 25. 13 SD ASSEMBLY, SHEET 2 OF 2, INDEX NOS. 52-123.

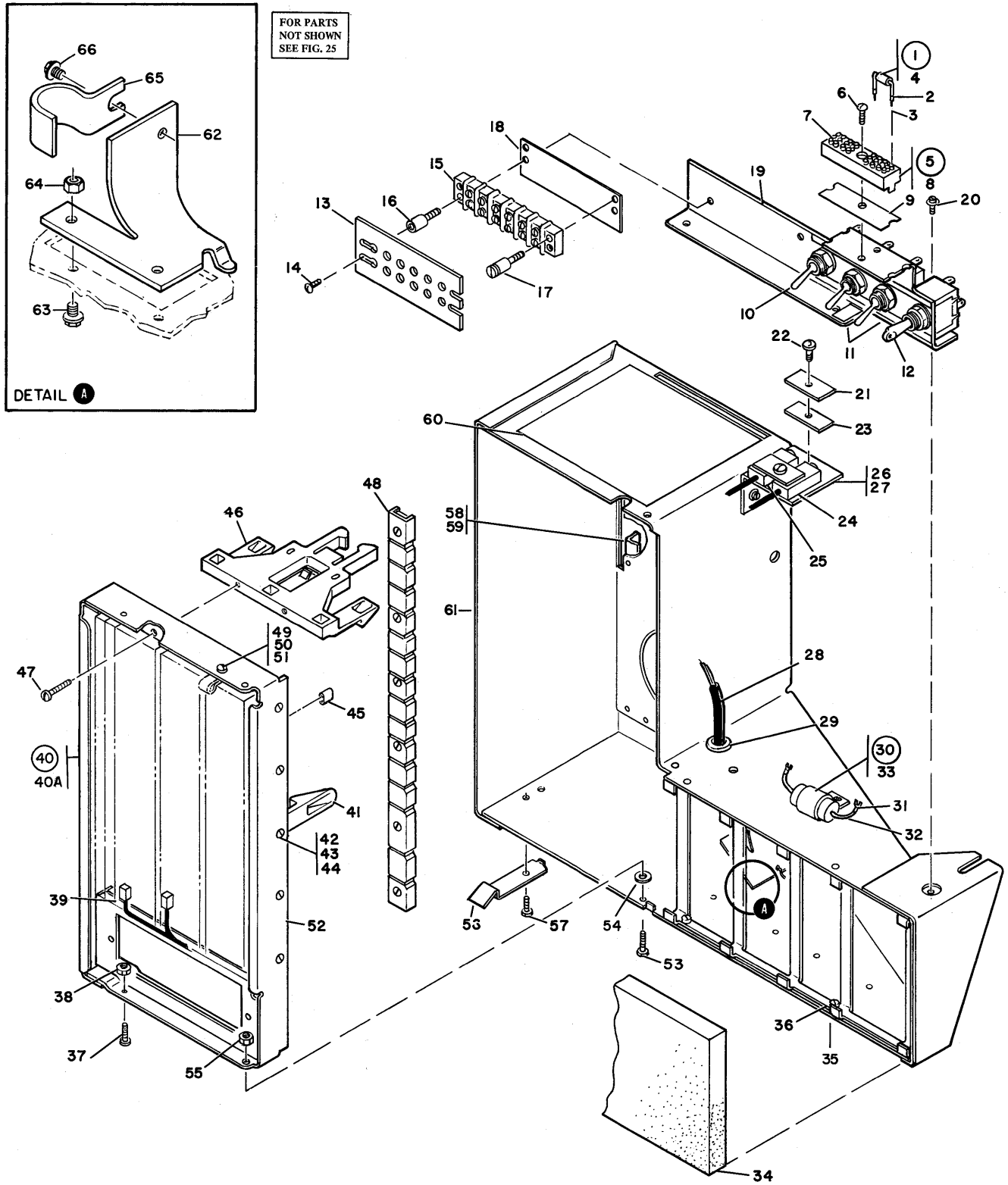
SEE LIST 25

## LIST 25

		13 SD ASSEMBLY			
25	-	2219061	13 SD ASM,60 HZ		REF
	-	2219050	13 SD ASM,50 HZ FOR ILLUSTRATION SEE FIGURE 25 FOR NEXT HIGHER ASM SEE LIST 4-65		REF
	- 1	2219144	• COVER ASM, TOP REAR		1
	- 2	81693	• SCREW, MACH-BIND HD 6-32 X 3/8 LG ATT PT		2
	- 3	2219146	• RUBBER, TOP COVER		1
	- 4	2162959	• FELT, .062 X .375 WIDE, BULK		AR
	- 5	2219142	• COVER, TOP REAR		1
	- 6	2219143	• COVER ASM, SIDE REAR		1
	- 7	81693	• SCREW, MACH-BIND HD 6-32 X 3/8 LG ATT PT		2
	- 8	2219044	• LABEL, IDENTIFICATION		1
	- 9	2219145	• RUBBER, SIDE COVER		1
	- 10	2219140	• FOAM, COVERS		1
	- 11	2219141	• COVER, SIDE REAR		1
	- 12	2219069	• COVER ASSEMBLY, FRONT		1
	- 13	236849	• SCREW, MACH-BIND HD 10-32 X 1/4 LG ATT PT		2
	- 14	2219140	• FOAM, COVERS		2
	- 15	2219001	• COVER-FRONT WELDMENT		1
	- 16	2219064	• ROD		1
	- 17	2199417	• RECEIVER ASSEMBLY		1
	- 18	2199427	• SCREW, KNURL-SHOULDER 1/4-20 X 0.437 LG. ATT PT		2
	- 19	2204146	• RECEIVER, TOP		1
	- 20	2219094	• EYELET		8
	- 21	2204147	• RECEIVER, BOTTOM		1
	- 22	2207643	• SPRING, HELICAL, EXTENSION- 55 TURNS		1
	- 23	2204059	• ELECTRONIC GATE ASSEMBLY FOR DETAIL BREAKDOWN SEE LIST 26		1
	- 24	2181004	• SCREW, THREAD FORMING-HEX WASHER HD ATT PT		4
	- 25	2207640	• CABLE ASM, BASEPLATE FOR COMPONENTS SEE LIST 44-2, 2C 14, 16, 17, 26A, 28A, 34A, 63 AND 78A		1
	- 26	2219006	• GUIDE, CABLE		1
	- 27	2181011	• SCREW, SELF TAPPING, 6-32 X .50 LG. ATT PT		2
	- 28	2219005	• STRAP, RETAINER		1
	- 29	2199164	• CABLE ASSEMBLY-TRANSDUCER FOR COMPONENT PARTS SEE LIST 44-75A 76A, 77A, 77B AND 78		1
	- 30	2204195	• CLAMP, ADAPTER		1
	- 31	2204189	• STANDOFF		2
	- 32	2219066	• SPRING		2
	- 33	2181012	• SCREW, SELF TAPPING, 8-32 X .437 LG. ATT PT		4
	- 34	2219178	• PIN, REST		2
	- 35	2219003	• BLOCK, COVER LOCATING		4
	- 36	322550	• SCREW, MACH-BIND HD 6-32 X 1/2 LG ATT PT		4
	- 37	2207642	• INTERLOCK ASSEMBLY (NEW STYLE AFTER D7 SUFFIX) FOR DETAIL BREAKDOWN SEE LIST 27		1
	- 37	2204058	• INTERLOCK ASSEMBLY (OLD STYLE BEFORE D7 SUFFIX) FOR DETAIL BREAKDOWN SEE LIST 27A		1
	- 38	2181004	• SCREW, THREAD FORMING-HEX WASHER HD ATT PT		4
	- 39	2257195	• COVER ASM, AC BOX USED FROM F9 SUFFIX TO CURRENT		1
	- 39	NO.NO 1	• COVER ASM, AC BOX USED PRIOR TO F9 SUFFIX		1
	- 40	2181005	• SCREW, SELF TAPPING, 6-32 X .375 LG. ATT PT		1
	- 41	138754	• LABEL, VOLTAGE WARNING		1
	- 42	2207634	• LABEL, AC BOX		1
	- 42A	2207402	• SEAL		AR
	- 42B	NO.NO 2	• COVER PLATE, ACCESS USED ON ASM NO NO.1 ONLY		1
	- 42B	2207633	• COVER PLATE, ACCESS USED ON ASM 2257195 ONLY		1
	- 43	2207631	• BOX ASM, 115V-60 HZ		1
	- 43	2207638	• BOX ASSEMBLY, 220 VOLT 50 HERTZ FOR DETAIL BREAKDOWN SEE LIST 28		1
	- 44	2181001	• SCREW, THD FORMING-HEX WASH HD 10-32X 3/4 ATT PT		2
	- 45	2204053	• COVER 2, PLENUM		1
	- 46	2181004	• SCREW, THREAD FORMING-HEX WASHER HD ATT PT		2
	- 47	2204052	• COVER 1, PLENUM		1
	- 48	234340	• SCREW AND LOCKWASHER, HEX HD .25-20 X .50 ATT PT		1
	- 49	2219104	• FILTER ASM		1
	- 50	2204127	• GASKET-RUBBER FILTER 3.38 ID X 5-1/4 OD		1
	- 51	2204128	• FILTER-AIR 3.22 ID X 5.42 OD X 2.09 THK		1
	- 52	2204028	• ACTUATOR ASSEMBLY FOR DETAIL BREAKDOWN SEE LIST 29		1
	- 53	2181001	• SCREW, THD FORMING-HEX WASH HD 10-32X 3/4 ATT PT		5
	- 54	2207604	• HEAD ARM ASSEMBLY-TOP PARTS OF THIS ASM ARE NOT REPLACEABLE		1
	- 55	2207605	• HEAD ARM ASSEMBLY-BOTTOM PARTS OF THIS ASM ARE NOT REPLACEABLE		1
	- 56	2204037	• OPENER, DOOR CARTRIDGE		1
	- 57	2199272	• SPRING, HELICAL, EXTENSION- 24 TURNS		1
	- 58	2204045	• BAFFLE, AIR		1
	- 59	234318	• SCREW, ASMD WASHER-FIL H 8-32 X 3/8 LG ATT PT		2

## LIST 25 CONT

LIST AND INDEX NUMBER	PART NUMBER	DESCRIPTION	UNITS PER ASM.	USABLE ON CODE
		1 2 3 4		
		13 SD ASSEMBLY -CONT		
25 - 60	2204047	• DISK GUIDE		1
- 61	5319888	• SCREW, SELF TAPPING, 10-32 X .625 LONG ATT PT		2
- 62	2219167	• TRANSDUCER ASSEMBLY		1
		PARTS OF THIS ASM ARE NOT REPLACEABLE		
- 63	322550	• SCREW,MACH-BIND HD 6-32 X 1/2 LG ATT PT		1
- 64	2181001	• SCREW,THD FORMING-HEX WASH HD 10-32X 3/4 ATT PT		1
- 65	2204073	• WASHER, CUP INSULATING ATT PT		1
- 66	2204076	• SPRING-COMPRESSION 0.295 OD X 0.39 LG		1
- 67	2219056	• CLAMP		1
- 68	2204183	• SPRING, HELICAL, EXTENSION 35 TURNS		1
- 69	2207714	• SPINDLE ASM, MAGNET AND FOR DETAIL BREAKDOWN SEE LIST 30		1
- 70	120211	• SCREW,MACH-HEX HD 10-32 X 1/2 LG ATT PT		3
- 71	9092	• WASHER-LOCK,SPLIT RING, .194 ID .337OD ATT PT		3
- 74	2219049	• SWITCH,PUSH-SPDT 250VAC 10 AMP MOMENTARY		1
- 75	2219170	• LABEL,SWITCHES		1
- 76	2219048	• BRACKET		1
- 77	2181005	• SCREW, SELF TAPPING, 6-32 X .375 LG. ATT PT		2
- 78	2199134	• CLAMP, CABLE		3
- 79	5349929	• SCREW,THD FORMING HEX- 8-32 X 1/2 LG ATT PT		3
- 80	2204031	• SHROUD		1
- 81	2181012	• SCREW, SELF TAPPING, 8-32 X .437 LG. ATT PT		4
- 82	2164097	• SEAL,ACTUATOR SHIELD		1
- 83	2199379	• DUCT,AIR CARTRIDGE		1
- 84	2181004	• SCREW,THREAD FORMING-HEX WASHER HD ATT PT		2
- 85	2204138	• BLOWER ASM,115V-60 HZ		1
- 85	2204139	• BLOWER ASSEMBLY-220 VOLT 50/60 HERTZ FOR DETAIL BREAKDOWN SEE LIST 31		1
- 86	2181004	• SCREW,THREAD FORMING-HEX WASHER HD ATT PT		4
- 87	2199391	• GASKET,BLOWER		1
- 88	127712	• SCREW, SLOTTED HEX HD 5/16-18 X 3.0 LONG		1
- 89	4564	• NUT, HEX 5/16-18 THREAD		1
- 90	161351	• WASHER, FLAT 0.330 ID-0.625 OD-0.05 THK		1
- 91	2199173	• BELT,FLAT-FILE DRIVE		1
- 92	2199377	• MOTOR ASM,115V-60 HZ		1
- 92	2199386	• MOTOR ASM,DRIVE-200 VOLT 50 HERTZ FOR DETAIL BREAKDOWN SEE LIST 32		1
- 93	59649	• SCREW,MACH-HEX HD 1/4-20 X 2 LG ATT PT		3
- 94	6935	• WASHER,LOCK-SPLIT 1/4 X 0.493 OD ATT PT		3
- 95	322550	• SCREW,MACH-BIND HD 6-32 X 1/2 LG		1
- 96	2199380	• SPRING,HELICAL, EXTENSION- 34 TURNS		1
- 97	59659	• SCREW,MACH HEX HD 5/16 X 2-1/4 LG		1
- 98	4564	• NUT, HEX 5/16-18 THREAD		1
- 99	127499	• WASHER,LOCK-INT TEETH 5/16 ID X 0.607 OD		1
-100	2162551	• SWITCH,MICRO		1
-101	438551	• SCREW,MACH-BIND HD 4-40 X 5/8 LG ATT PT		2
-102	2157349	• PLATE, SECTOR PULSE SWITCH ATT PT		1
-103	2204060	• SOLENOID ASSEMBLY,24V-DC		1
-104	58207	• SCREW, BD HD MACH-8-32 NC-2A X .250 LG ATT PT		3
-105	45690	• WASHER, FL - NO.10 X 7/16 OD X 1/32 THK ATT PT		3
-106	187243	• TERMINAL, SMALL TAPER 20-22-24 OR 26 AWG		2
-107	2199129	• SOLENOID,24V DC		1
-107A	35868	• PIN,COTTER- 0.120 DIA X 7/8 LG		1
-108	2219190	• BRACKET		1
-109	2181012	• SCREW, SELF TAPPING, 8-32 X .437 LG. ATT PT		2
-110	2204181	• PUSH ROD,TRANSDUCER		1
-111	438564	• SCREW, MACHINE FILL.-HD, 6-32 X 1-304 LG		1
-112	257986	• WASHER,FLAT NO. 6		1
-113	344015	• NUT,SELF LKG,HEX- 6-32 X 5/16 FL W		1
-114	302090	• TERMINAL BLOCK ASM-24 FEMALE CONTACTS		1
-115	2191846	• SCREW, PAN HD 4-40 X 0.500 LONG ATT PT		1
-116	302089	• SPRING-TERMINAL BOARD CONTACT		8
-117	302088	• BLOCK,TERMINAL		1
-118	302131	• STRIP-TERMINAL BLOCK INSULATOR		1
-119	610083	• CAPACITOR ASM, 0.01 MFD		1
-120	320167	• TERMINAL,QUICK DISCONNECT-NONINS 16AWG		2
-121	492411	• CAPACITOR,.001 UF		1
-122	104715	• PIN, DOWEL, .312 OD X 1.00 LG		2
-123	2207552	• BASE PLATE		1
		END OF LIST 25		



● FIGURE 26. ELECTRONIC GATE ASSEMBLY.

SEE LIST 26



## LIST 26

LIST AND INDEX NUMBER	PART NUMBER	DESCRIPTION	UNITS PER ASM.	USABLE ON CODE
		ELECTRONIC GATE ASSEMBLY		
26	2204059	ELECTRONIC GATE ASSEMBLY FOR ILLUSTRATION SEE FIGURE 26 FOR NEXT HIGHER ASM SEE LIST 25-23	REF	
- 1	615354	• DIODE ASM, SILICON TYPE AM	1	
- 2	113819	• TUBING	2	
- 3	187243	• TERMINAL, SMALL TAPER 20-22-24 OR 26 AWG	2	
- 4	2111232	• DIODE SILICON TYPE AM	1	
- 5	302090	• TERMINAL BLOCK ASM-24 FEMALE CONTACTS	1	
- 6	2191846	• SCREW, PAN HD 4-40 X 0.500 LONG ATT PT	1	
- 7	302089	• SPRING-TERMINAL BOARD CONTACT	8	
- 8	302088	• BLOCK, TERMINAL	1	
- 9	302131	• STRIP-TERMINAL BLOCK INSULATOR	1	
- 10	479318	• SWITCH, TOGGLE, SPST	3	
- 11	2219027	• LABEL, IDENTIFICATION	1	
- 12	339036	• SWITCH, MICRO- TOGGLE	1	
- 13	186944	• SHIELD, TERMINAL BOARD- 6 POSITION	1	
- 14	210984	• SCREW, MACH RH 6-32 X .25 ATT PT	1	
- 15	317131	• TERMINAL BLOCK, 6 POSITION	1	
- 16	210883	• STUD, EXT 6-32 X 1/2 INT 6-32 X 0.19 DP ATT PT	1	
- 17	210884	• STUD, SLOTTED 6-32 X 1/2 LONG THREAD ATT PT	1	
- 18	322266	• MARKER STRIP- 6 POS NOS. 1 THRU 6	1	
- 19	2257133	• PANEL	1	
- 20	2181005	• SCREW, SELF TAPPING, 6-32 X .375 LG. ATT PT	3	
- 21	2199132	• CLAMP, CABLE TERMINAL	2	
- 22	322551	• SCREW, BIND HD 6-32 X 0.75 LONG ATT PT	2	
- 23	2199133	• PAD, RUBBER-CABLE CLAMP	2	
- 24	2199249	• CABLE ASM- B HEAD TO EL. BOX EXTENSION FOR COMPONENTS SEE LIST 44-26, 28 AND 55	1	
- 25	2199138	• CABLE ASM-A HEAD TO EL. BOX EXTENSION FOR COMPONENTS SEE LIST 44-26, 28 AND 55	1	
- 26	2257135	• BRACKET, HEAD LEADS	1	
- 27	2181004	• SCREW-HEX HD SELFTAP 10-32 X .375 LONG ATT PT	2	
- 28	2204177	• CABLE ASM, CE SWITCHES AND HEAD LOAD FOR COMPONENTS SEE LIST 44-8, 11 17, 34A, 62B, 76 AND 78A	1	
- 29	317192	• GROMMET, RUB-FOR 1/2 HOLE X 1/16 PNL	1	
- 30	194719	• CAPACITOR ASM-W/TERMINALS 16 UF 250 VDC	1	
- 31	255994	• TERMINAL, LUG	2	
- 32	113819	• TUBING	2	
- 33	444984	• CAPACITOR, ELECTROLYTIC - 16UF 250VDC	1	
- 34	2199270	• FILTER, INTAKE	1	
- 35	2257136	• RETAINER, FILTER	1	
- 36	80650	• SCREW, THD CTG-BIND HD NO. 6 X 3/16 LG ATT PT	2	
- 37	1138818	• SCREW, MACH, BIND HD- 4-40 X 1/4 LG	2	
- 38	37913	• NUT, HEX 4-40 NC	2	
- 39	2199480	• CABLE ASM-SLT POWER	1	
- 40	2199441	FOR COMPONENTS SEE LIST 44-2C 69, 69A, 71, 73 AND 73A • PANEL ASSEMBLY-CUSTOMIZED BOARD	1	
- 40A	2199440	• BOARD ASM, WITHOUT CARDS	1	
- 41	2219151	• CLAMP USED ON ASM FROM S5 SUFFIX TO CURRENT	4	
- 41	2204022	• CLAMP, PADDLE CARD	5	
- 42	472729	• SCREW, MACH-FL CSK HD 4-40 X 3/8 LG ATT PT	4	
- 43	56722	• WASHER-LOCK, EXT T, .150 ID ATT PT	4	
- 44	37913	• NUT, HEX 4-40 NC ATT PT	4	
- 45	811090	• LOCATOR-OVAL	14	
- 46	2204121	• SUPPORT, RETAINER	2	
- 47	322551	• SCREW, BIND HD 6-32 X 0.75 LONG ATT PT	4	
- 48	2204120	• RETAINER ASSEMBLY, SLT CARD	1	
- 49	81693	PARTS OF THIS ASM ARE NOT REPLACEABLE • SCREW, MACH-BIND HD 6-32 X 3/8 LG	1	
- 50	56722	• WASHER-LOCK, EXT T, .150 ID	1	



FOR PARTS  
NOT SHOWN  
SEE FIG. 25

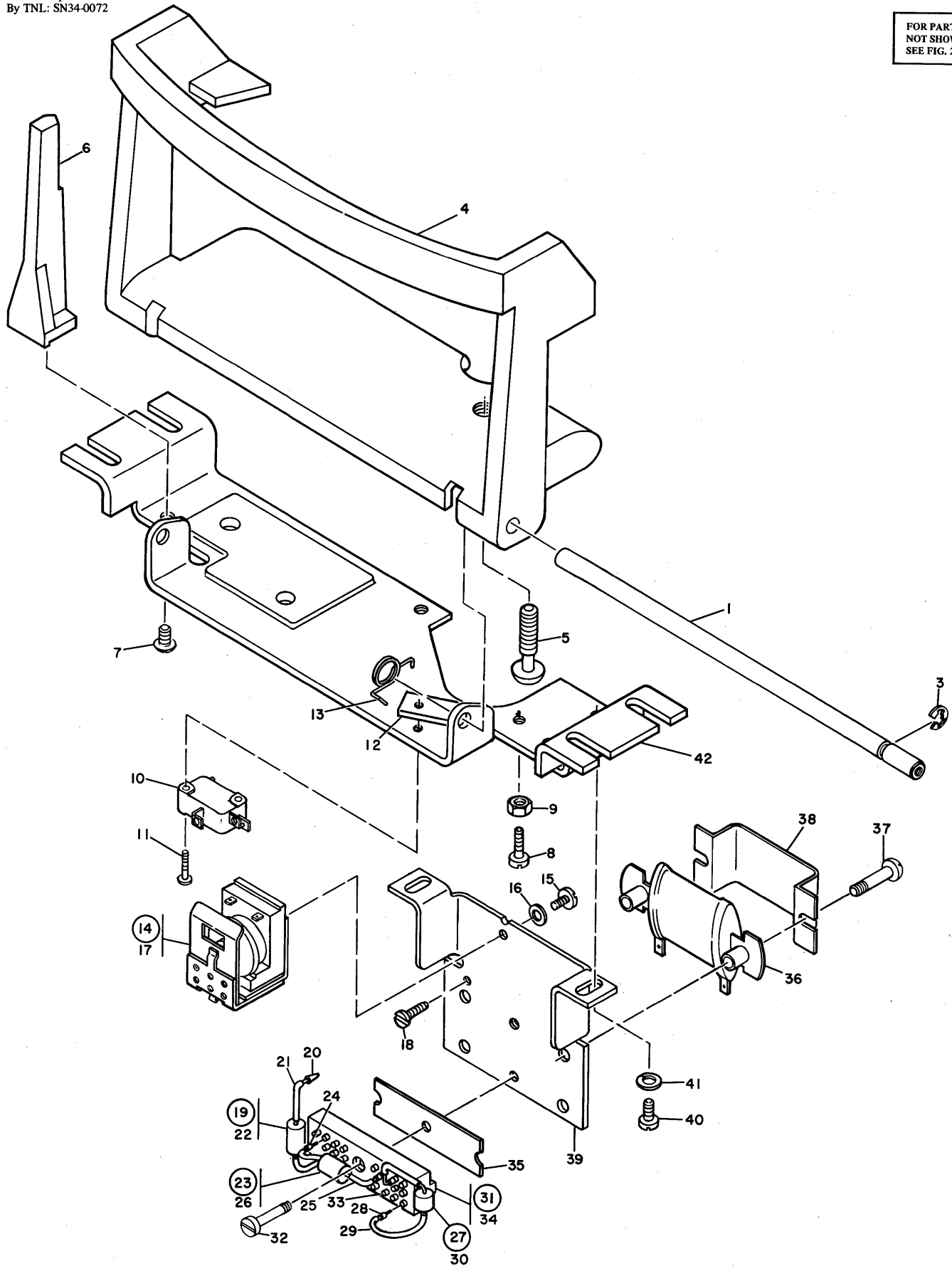


FIGURE 27. INTERLOCK ASSEMBLY (NEW STYLE)

SEE LIST **27**

LIST AND INDEX NUMBER	PART NUMBER	DESCRIPTION				UNITS PER ASM.	USABLE ON CODE
		1	2	3	4		
		INTERLOCK ASSEMBLY (NEW STYLE)					
<b>27</b>	-	2207642	INTERLOCK ASSEMBLY-NEW STYLE AFTER D7 SUFFIX FOR ILLUSTRATION SEE FIGURE 27 FOR NEXT HIGHER ASSEMBLY SEE FIGURE 25-37			REF	
-	1	2199276	. SHAFT, HANDLE			1	
			INDEX NUMBER 2 DELETED				
-	3	332747	. RING, RETAINING-EXT 0.207 ID X 0.025 THK			ATT PT	1
-	4	2207593	. HANDLE				1
-	5	2207644	. SCREW, BUTON HD HEX SOC 10-24 X 1-1/2 LG				1
-	6	2204085	. COLUMN, CARTRIDGE SUPPORT				2
-	7	186758	. SCREW, MACH-BIND HD 8-32 X 7/16 LG			ATT PT	2
-	8	38393	. SCREW, MACH-FIL H 10-32 X 1-3/4 LG				1
-	9	11598	. NUT, HEX 10-32				1
-	10	2162551	. SWITCH, MICRO				1
-	11	438551	. SCREW MACH-BIND HD 4-40 X 5/8 LG			ATT PT	2
-	12	2157349	. NUTPLATE, 4-40 DOUBLE HOLE			ATT PT	1
-	13	2207635	. SPRING				1
-	14	2207637	. RELAY, ACTUATOR PICK 24 VDC DROP 3VDC				1
-	15	186758	. SCREW, MACH-BIND HD 8-32 X 7/16 LG			ATT PT	1
-	16	2903	. WASHER, FL-NO. 6 X 1/2 OD X 1/32 THK			ATT PT	1
-	17	2207636	. . PLATE, STRKER				1
-	18	2181006	. SCREW, SELF TAPPING 6-32 X 1.00 LG				1
-	19	2207960	. RESISTOR, FXD COMP 220-OHMS P/M 5% 1W				1
-	20	360433	. . TERMINAL, TAPER PIN 16/18 AWG 0.073 NOM. OD				2
-	21	317304	. . TUBING				2
-	22	321196	. . RESISTOR, FXD COMP 220OHMS P/M 5% 1W				1
-	23	2199447	. RESISTOR ASSM, WITH PLUGS 15 OHMS P/M 10% 5W				1
-	24	187243	. . TERMINAL, SMALL TAPER 20-22-24 OR 26 AWG				2
-	25	512848	. . TUBING				2
-	26	520546	. . RESISTOR, FXD WW 15 OHMS P/M 10% 5W				1
-	27	615354	. DIODE ASSM, SILICON TYPE AM				1
-	28	187243	. . TERMINAL, SMALL TAPER 20-22-24- OR 26 AWG				2
-	29	113819	. . TUBING				2
-	30	2111232	. . DIODE SILICON TYPE AM				1
-	31	302090	. TERMINAL BLOCK ASSM-24 FEMALE CONTACTS				2
-	32	438550	. SCREW, MACH-BIND HD 4-40 X 1/2 LG			ATT PT	2
-	33	302089	. . SPRING-TERMINAL BOARD CONTACT				8
-	34	302088	. . BLOCK, TERMINAL				1
-	35	302131	. STRIP-TERMINAL BLOCK INSULATOR				2
-	36	2199312	. RESISTOR, WIREWOUND 100 OHMS 40 WATTS				1
-	37	731627	. SCREW, PAN HD, 6-32 X .75 LG			ATT PT	2
-	38	2207611	. SHIELD, 40W RESISTOR				1
-	39	2207639	. BRACKET, INTERLOCK				1
-	40	38235	. SCREW, BIND HD 6-32 X .312 LG			ATT PT	2
-	41	257986	. WASHER, FLAT NO. 6			ATT PT	2
-	42	2207645	. BRACKET ASSEMBLY				1
END OF LIST <b>27</b>							

FOR PARTS  
NOT SHOWN  
SEE FIG. 25

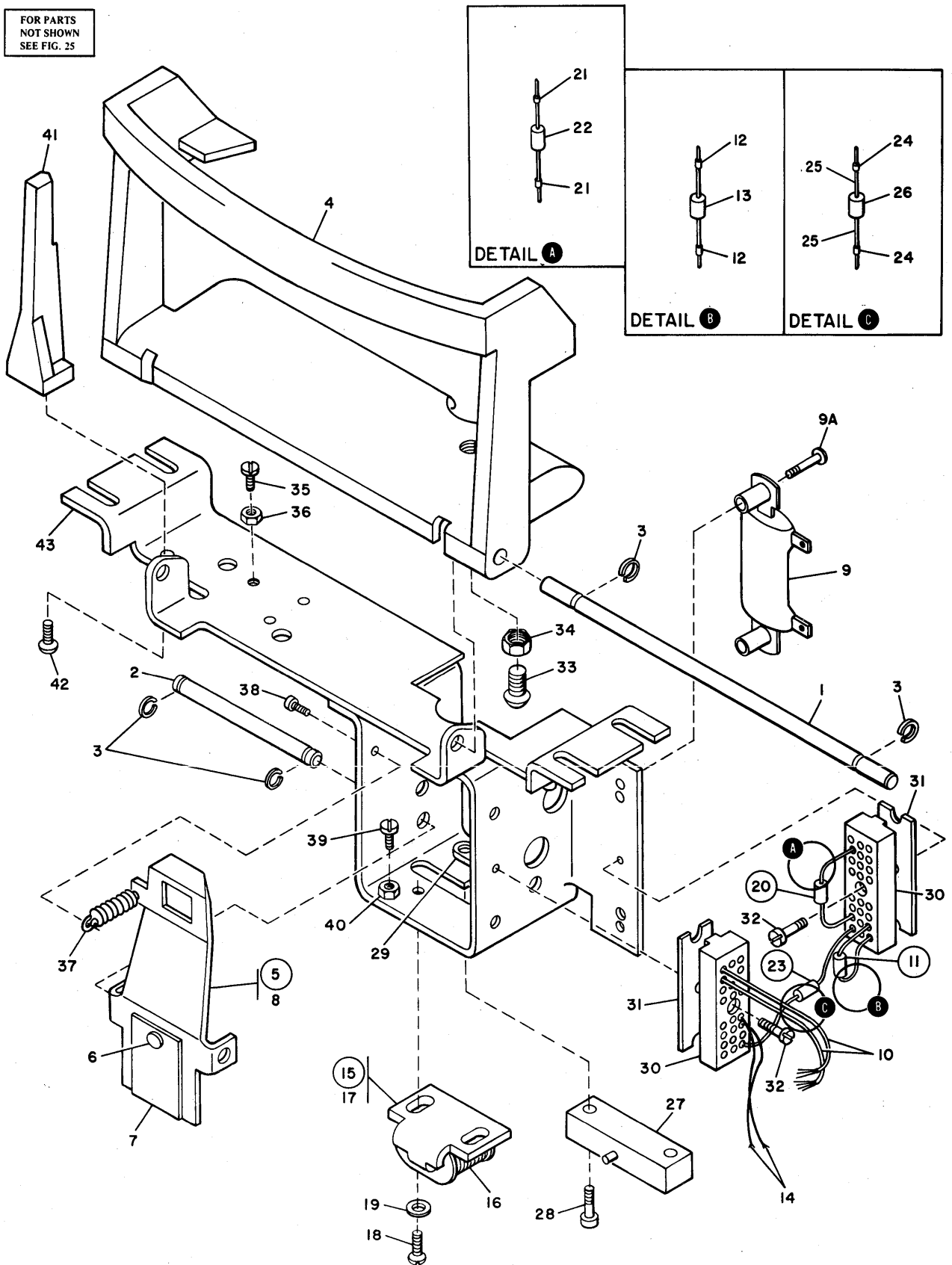


FIGURE 27A. INTERLOCK ASSEMBLY (OLD STYLE)

SEE LIST **27A**

LIST AND INDEX NUMBER	PART NUMBER	DESCRIPTION	UNITS PER ASM.	USABLE ON CODE
		1 2 3 4 INTERLOCK ASSEMBLY (OLD STYLE)		
27A	2204058	INTERLOCK ASSEMBLY-OLD STYLE BEFORE D7 SUFFIX FOR ILLUSTRATION SEE FIGURE 27A FOR NEXT HIGHER ASSEMBLY SEE FIGURE 25-37	REF	
- 1	199276	. SHAFT, HANDLE	1	
- 2	2199272	. PIN, PIVOT-INTERLOCK	1	
- 3	332747	. RING, RETAINING-EXT 0.207 ID X 0.025 THK ATT PT	4	
- 4	2199374	. HANDLE	1	
- 5	2199288	. LATCH ASSM-INTERLOCK	1	
- 6	612781	. . RIVET, SOLID 0.124 DIA X 0.140 LG	1	
- 7	2199279	. . SPACER MAGNET	1	
- 8	2199387	. . LATCH	1	
- 9	2199312	. RESISTOR, WIREWOUND 100 OHMS 40 WATTS	1	
- 9A	2181002	. SCREW, THREAD FORMING 8-32 X 3/4 LG ATT PT	2	
- 10	523257	. JUMPER ASSM-BLACK 6 IN. 20AWG 1 TAPER PIN FOR COMPONENT PARTS SEE LIST 44-17	2	
- 11	615354	. DIODE ASSM	1	
- 12	187243	. . TERMINAL, SMALL TAPER	2	
- 13	2111232	. . SEMICONDUCTOR DEVICE, DIODE	1	
- 14	2123396	. JUMPER ASSM	2	
- 15	2199287	FOR COMPONENT PARTS SEE LIST 44-17		
- 16	620093	. MAGNET ASSM-INTERLOCK	1	
- 17	2204158	. . COIL ASSM, 646 OHM - 790 OHM RES.	1	
- 18	2181008	. . BRACKET, CORE MOUNTING	1	
- 19	45690	. SCREW, SELF TAPPING 8-32 X .375 LG ATT PT	2	
- 20	2199447	. WASHER, FLAT .203 ID .438 OD ATT PT	2	
- 21	187243	. RESISTOR ASSM-W/PLUGS 15 OHM P/M 10% 5W	1	
- 22	520546	. . TERMINAL-SMALL TAPER	2	
- 23	2207960	. . RESISTOR, FXD WW 15 OHM P/M 10% 5W	1	
- 24	360433	. RESISTOR ASSM, FXD COMP 220 OHM P/M 5% 1W	1	
- 25	317304	. . TERMINAL-TAPER PIN 16/18 AWG .073 NOM OD	2	
- 26	321196	. . TUBING	2	
- 27	355343	. . RESISTOR-FXD COMP 220 OHM P/M 10% 1W	1	
- 28	438541	. SWITCH, MICRO	1	
- 29	2121393	. SCREW, MACH-BIND HD, 2-56 X 7/16 LG ATT PT	2	
- 30	302090	. PLATE, NUT ATT PT	1	
- 31	302131	. TERMINAL BLOCK ASSM-24 FEMALE CONTACTS	2	
- 32	2191846	. STRIP-TERMINAL BLOCK INSULATOR	2	
- 33	2199411	. SCREW, THREAD FORMING-PAN HD 4-40 X 1/2 LG ATT PT	2	
- 34	4564	. SCREW, MACH-RH 0.312-18 X 1.00 LG	1	
- 35	5677	. NUT-PIVOT STUD MOUNTING	1	
- 36	11598	. SCREW, MACH-BIND HD 10-32 X .75 LG	1	
- 37	2199272	. NUT, PLAIN HEX 10-32	1	
- 38	2181003	. SPRING, EXT. LATCH INTERLOCK	1	
- 39	12954	. SCREW, MACH-PAN HD TRD FORMING NO. 6-32 ATT PT	1	
- 40	257189	. SCREW	1	
- 41	2204085	. NUT, HEX 8-32	1	
- 42	186758	. COLUMN, SUPPORT CARTRIDGE	2	
- 43	2204056	. SCREW, MACH-BIND HD 8-32 X 7/16 LG ATT PT	2	
		. BRACKET, INTERLOCK	1	
		END OF LIST 27A		

FOR PARTS  
NOT SHOWN  
SEE FIG. 25

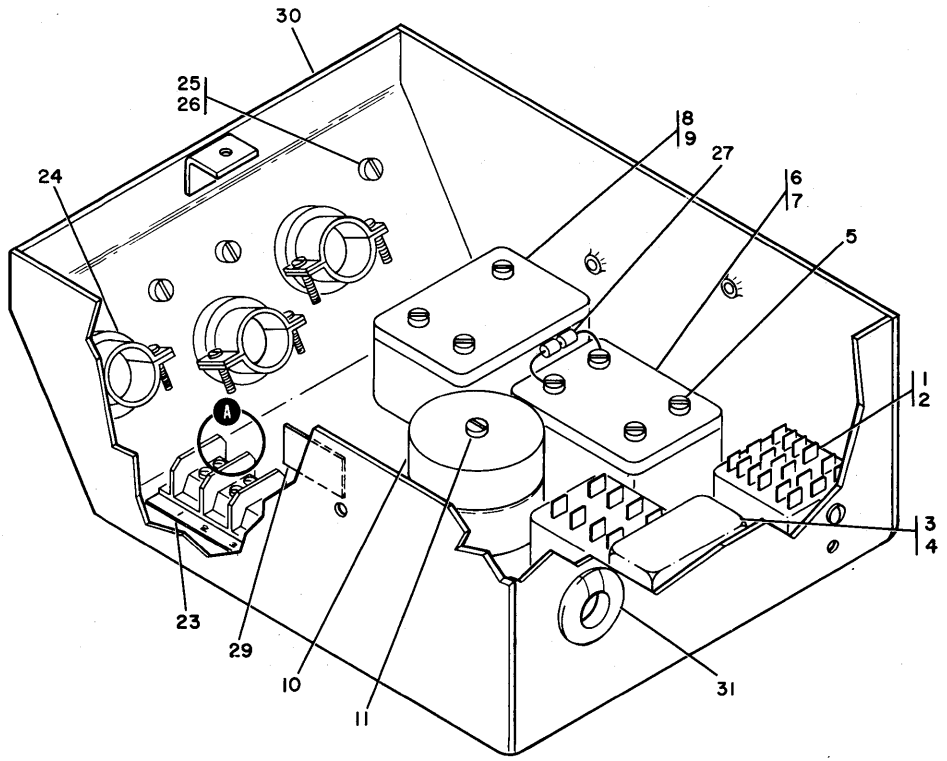
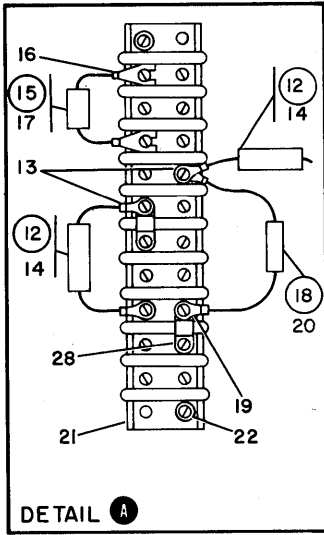


FIGURE 28. AC BOX ASSEMBLY.

SEE LIST 28

LIST AND INDEX NUMBER	PART NUMBER	DESCRIPTION	UNITS	USABLE
			PER ASM.	ON CODE
		AC BOX ASSEMBLY		
28	2207631	BOX ASM,115V-60 HZ	REF	
-	2207638	BOX ASSEMBLY, 220 VOLT 50 HERTZ FOR ILLUSTRATION SEE FIGURE 28 FOR NEXT HIGHER ASM SEE LIST 25-43	REF	
- 1	2199251	• RELAY,3PDT-48 VDC COIL	1	
- 2	81693	• SCREW,MACH-BIND HD 6-32 X 3/8 LG ATT PT	1	
- 3	2204173	• RELAY ASM,TIME DELAY 48VOLT DC,100 SEC	1	
- 4	2181005	• SCREW, SELF TAPPING, 6-32 X .375 LG. ATT PT	2	
- 5	2219091	• SCREW,BINDING HD 6-32 X 0.19 LONG	7	
- 6	2219074	• RELAY, DRIVE MOTOR START-115 VOLT 60 HERTZ USED ON 2207631 ASM ONLY	1	
- 6	2199297	• RELAY, DRIVE MOTOR START-220 VOLT 50 HERTZ USED ON 2207638 ASM ONLY	1	
- 7	5350006	• SCREW, SELF TAPPING, 6-32 X .250 LONG ATT PT	2	
- 8	2204166	• RELAY ASM,BLOWER MOTOR START-115V 60 HERTZ	1	
- 8	2204165	• RELAY ASM,BLOWER MOTOR START- 50/60 HERTZ	1	
- 9	5350006	• SCREW, SELF TAPPING, 6-32 X .250 LONG ATT PT	2	
- 10	2160790	• CHOKE ASSEMBLY, TOROID	2	
- 11	438593	• SCREW-MACH-BIND HD NO. 8-32 X 2 1/2 LG ATT PT	1	
- 12	2160805	• CAPACITOR ASM, PAPER 0.01 MFD 20% 600VDC	2	
- 13	1092019	• TERMINAL, RING NONINS NO 22-16 AWGX0.145	2	
- 14	286531	• CAPACITOR, PAPER 0.01MFD 20% 600VDC	1	
- 15	2219116	• DIODE ASM,SILICON TYPE AM	1	
- 16	186967	• TERMINAL,LUG-NONINS 20AWG NO.6 MTG SLOT	2	
- 17	2111232	• DIODE SILICON TYPE AM	1	
- 18	2101495	• RESISTOR ASM-W/LEADS 100 OHMS 2 W	1	
- 19	1092019	• TERMINAL, RING NONINS NO 22-16 AWGX0.145	2	
- 20	322888	• RESISTOR,FXD,COMP- 100 OHMS P/M 5% 2W	1	
- 21	322767	• TERMINAL BLOCK, 10 POSITION	1	
- 22	2181007	• SCREW, SELF TAPPING, 6-32 X .625 LG. ATT PT	2	
- 23	363434	• MARKER STRIP- 10 POS NOS. 1 THRU 10	1	
- 24	2100264	• RELIEF,CABLE STRAIN	3	
- 25	2181005	• SCREW, SELF TAPPING, 6-32 X .375 LG.	3	
- 26	56722	• WASHER-LOCK,EXT T, .150 ID	3	
- 27	5239143	• RC NETWORK,0.01 MFD 100 OHMS	1	
- 28	367115	• JUMPER-TERMINAL STRIP VDC DISTR BRS	2	
- 29	138754	• LABEL,VOLTAGE WARNING	1	
- 30	2207632	• BOX	1	
- 30	2257194	• BOX USED PRIOR TO F9 SUFFIX USED FROM F9 TO CURRENT	1	
		COMPONENTS NOT INCLUDED WITH ASSEMBLY		
- 31	92632	GROMMET, STRAIN RELIEF, 9/16 DD	1	
		END OF LIST 28		



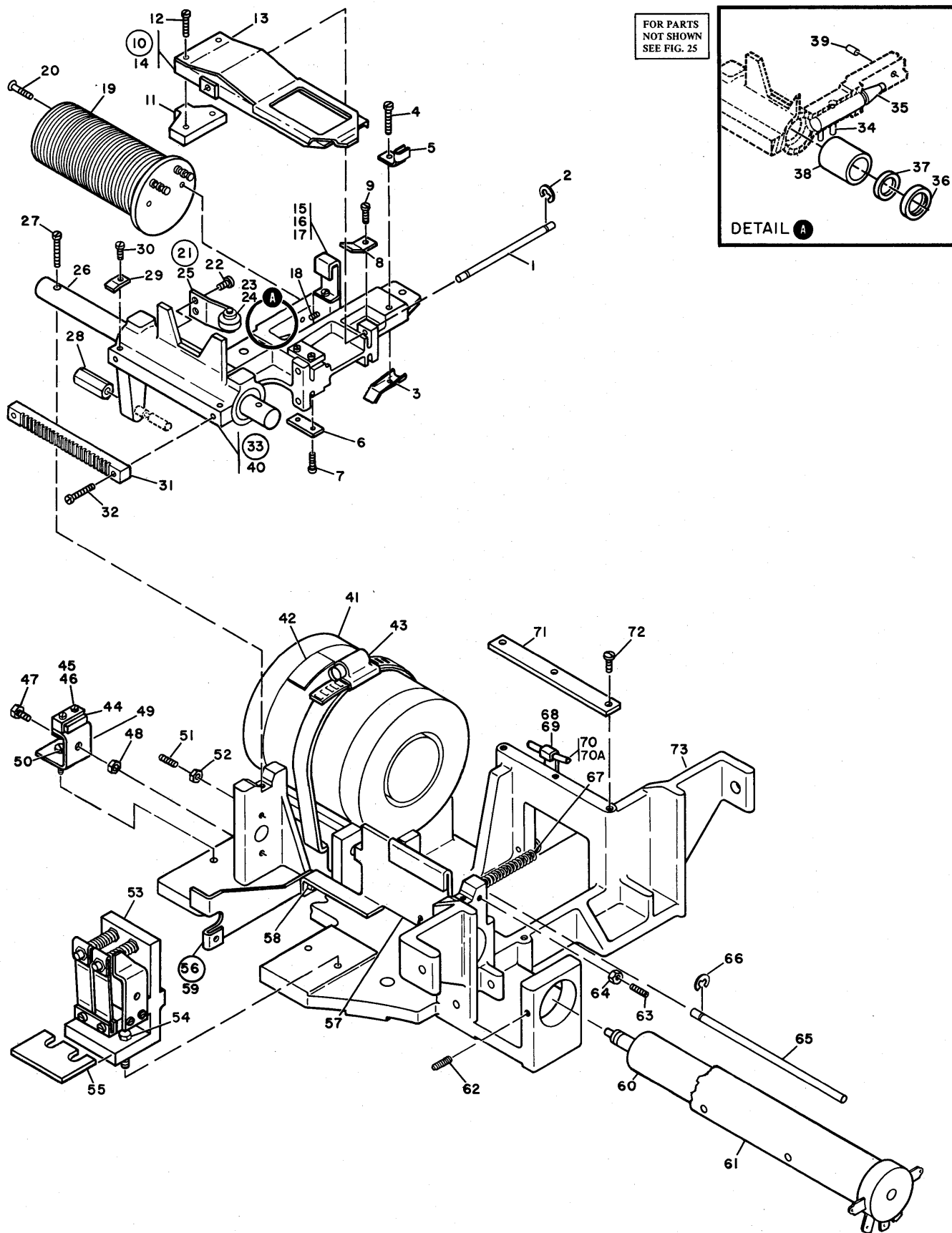


FIGURE 29. ACTUATOR ASSEMBLY.

SEE LIST 29

## LIST 29

LIST AND INDEX NUMBER	PART NUMBER	DESCRIPTION	UNITS PER ASM.	USABLE ON CODE
		ACTUATOR ASSEMBLY		
29	2204028	ACTUATOR ASSEMBLY FOR ILLUSTRATION SEE FIGURE 29 FOR NEXT HIGHER ASM SEE LIST 25-52	REF	
- 1	2199038	• PIN,PIVOT-HEAD LOAD	2	
- 2	251989	• RING, RETAINING 0.051 ID-1.40 OD-0.01 TH ATT PT	4	
- 3	2219015	• CLAMP,LOWER HEAD ARM	1	
- 4	2219157	• SCREW,MACH-SOC HD CAP 4-40 X 0.625 LG ATT PT	1	
- 5	2207603	• CLAMP CABLE	1	
- 6	2199042	• PLATE-HOLD DOWN HEAD	2	
- 7	2219156	• SCREW,MACH-BIND HD 4-40 X 0.250 LG ATT PT	4	
- 8	2207543	• CLAMP-UPPER HEAD SST	1	
- 9	2219155	• SCREW,MACH-SOC HD CAP 4-40 X 0.312 LG ATT PT	1	
- 10	2199014	• LOAD ASM,HEAD	2	
- 11	2199060	• FOLLOWER,CAM-HEAD LOAD	1	
- 12	2219158	• SCREW,MACH-BIND HD 4-40 X 0.125 ATT PT	2	
- 13	2199061	• SPRING,HEAD LOAD	1	
- 14	2199063	• SUPPORT,HEAD LOAD SPRING	1	
- 15	2199083	• CLIP,COIL LEAD	1	
- 16	2219154	• SCREW,MACH-FIL HD 2-56 X 0.188 LG ATT PT	1	
- 17	263217	• WASHER,LOCK-INT TEETH NO. 2 X 0.180 OD ATT PT	1	
- 18	2207592	• SETSCREW,CRES,6-32 X 1/2 LG	2	
- 19	2199429	• COIL ASSEMBLY-VOICE PARTS OF THIS ASM ARE NOT REPLACEABLE	1	
- 20	2219036	• SCREW,MACH-FLAT HD 4-40 X 0.281 LG ATT PT	2	
- 21	2219038	• BEARING ASSEMBLY,PRELOAD	1	
- 22	2199399	• SCREW,MACH-BIND HD 4-40 X 0.125 IN. LG ATT PT	2	
- 23	2199498	• BEARING	1	
- 24	2219062	• PIN,STRAIGHT,RD,STEEL,0.1874 DIA X 1/2 1 ATT PT G	1	
- 25	2204048	• SPRING,BEARING PRELOAD	1	
- 26	2207505	• RAIL	1	
- 27	2204069	• SCREW,MACH-HEX WASHER HD 4-40 X 0.625 LG ATT PT	2	
- 28	2204043	• ACTUATOR,HOME SWITCH	1	
- 29	2204160	• SPRING,RACK MOUNT	1	
- 30	2219154	• SCREW,MACH-FIL HD 2-56 X 0.188 LG ATT PT	1	
- 31	2204067	• DETENT	1	
- 32	2121379	• SCREW,MACH-BUTTON HD 6-32 X 1/4 LG ATT PT	1	
- 33	2207531	• CARRIAGE ASSEMBLY	1	
- 34	2219159	• ROLL PIN,CARRIAGE ASSEMBLY	2	
- 35	2199163	• CAM,HEAD LOAD	1	
- 36	2199160	• RETAINER,WIPER	2	
- 37	2199161	• WIPER,FELT	2	
- 38	2199497	• BUSHING,STEEL,0.625 OD X 0.375 X .875 LG	2	
- 39	2219160	• DOWEL PIN,CARRIAGE ASSEMBLY	1	
- 40	2207545	• HOUSING-LINEAR CARRIAGE	1	
- 41	2204000	• DRIVE MAGNET ASSEMBLY PARTS OF THIS ASM ARE NOT REPLACEABLE	1	
- 42	2219034	• LABEL-WARNING STRONG MAGNET	1	
- 43	5212727	• CLAMP,HOSE-NO 3	1	
- 44	2129508	• SWITCH,SENSITIVE- SPDT 20V DC 1 AMP	1	
- 45	2121393	• BLOCK-SWITCH	1	
- 46	438541	• SCREW,MACH-BIND HD 2-56 X 7/16 LG ATT PT	2	
- 47	845	• SCREW,MACH-FIL H 8-32 X 1/2 LG	1	
- 48	257189	• NUT, HEX 8-32	1	
- 49	2204046	• BRACKET,HOME SWITCH	1	
- 50	186759	• SCREW,MACH-BIND HD 8-32 X 5/16 LG ATT PT	1	
- 51	2219092	• SETSCREW,STEEL,10-32 X 3/4 LG	1	
- 52	11598	• NUT, HEX 10-32	1	
- 53	2204106	• DETENT ASSEMBLY PARTS OF THIS ASM ARE NOT REPLACEABLE	1	
- 54	2195400	• SCREW,SHLD-HEX HD 8/32 ATT PT	2	
- 55	2219035	• SPACER-DETENT MOUNT	1	
- 56	2219187	• PIVOT ASM	1	
- 57	2219185	• PIVOT,ACTUATOR	1	
- 58	2219186	• PIN,HEAD LOAD ACTUATOR	1	
- 59	2219189	• LINK,ACTUATOR,PIVOT	1	
- 60	2207700	• TACHOMETER AND ROD ASM PARTS OF THIS ASM ARE NOT REPLACEABLE	1	
- 61	2204030	• SHIELD ASSEMBLY,TACHOMETER	1	
- 62	81404	• SETSCREW-SPLINE DR FP 8-32 X 1/4 LG ATT PT	2	
- 63	2219092	• SETSCREW,STEEL,10-32 X 3/4 LG	1	
- 64	11598	• NUT, HEX 10-32	1	
- 65	2204009	• SHAFT,PIVOT	1	
- 66	1092125	• RING, RET 0.145 ID-0.335 OD-0.025 THICK ATT PT	1	
- 67	2204013	• SPRING,EXTENSION-HEAD LOAD PIVOT	1	
- 68	2204050	• CLAMP, CABLE 1.75 LONG	1	
- 69	5350006	• SCREW, SELF TAPPING, 6-32 X .250 LONG ATT PT	1	
- 70	116875	• INSULATION TUBE- 0.166 ID X 0.186 OD	2	
- 70A	2204178	• CABLE ASM-BASE PLATE FOR COMPONENT PARTS SEE LIST 44-2B, 14, 17	1	
- 71	2204040	• SLIDE,CARRIAGE	1	
- 72	5700484	• SCREW, SELF TAPPING, 4-40 X .375 LG. ATT PT	3	
- 73	2207546	• BASE-MOUNTING ACTUATOR	1	

END OF LIST 29

(9/71) 93

FOR PARTS  
NOT SHOWN  
SEE FIG. 25

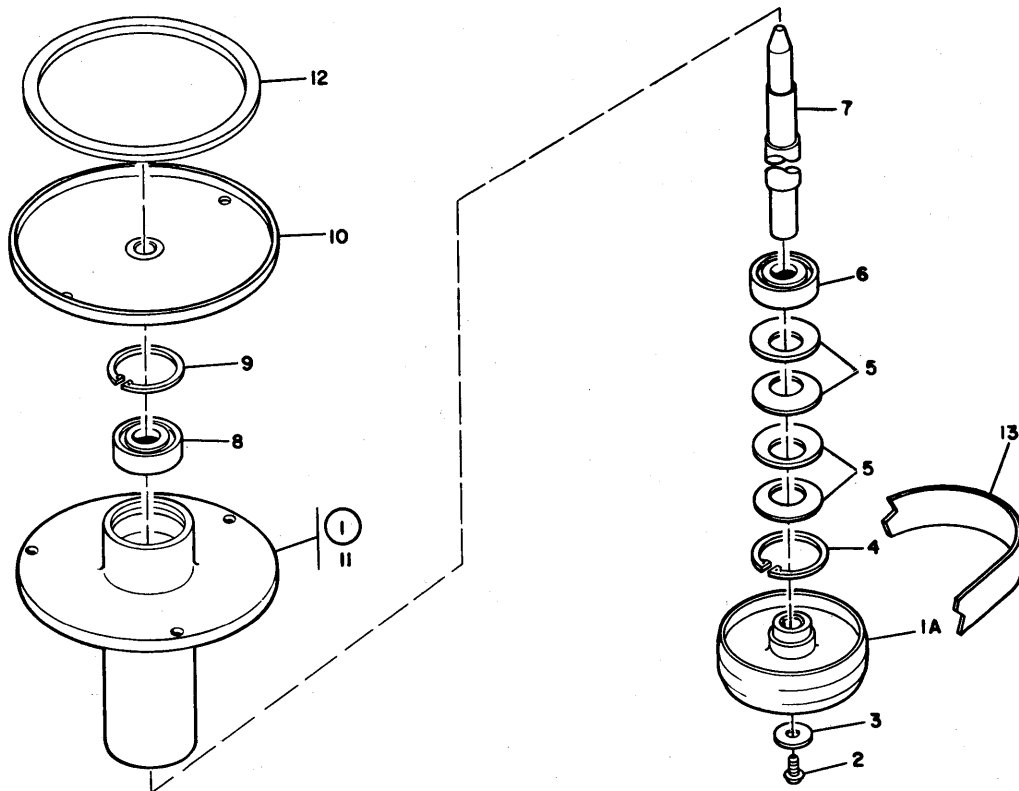


FIGURE 30. SPINDLE AND MAGNETIC CHUCK ASSEMBLY.

SEE LIST **30**

LIST AND INDEX NUMBER	PART NUMBER	DESCRIPTION				UNITS PER ASM.	USABLE ON CODE
		1	2	3	4		
		SPINDLE AND MAGNETIC CHUCK ASSEMBLY					
<b>30</b>	- 2207714	SPINDLE ASM, MAGNET AND FOR ILLUSTRATION SEE FIGURE 30 FOR NEXT HIGHER ASM SEE LIST 25-69				REF	
- 1	2207713	• SPINDLE ASM					
- 1A	2199332	• PULLEY, DRIVEN				1	
- 2	2181004	• SCREW, THREAD FORMING-HEX WASHER HD ATT PT				1	
- 3	1115973	• WASHER, FL 1/4 ID X 7/8 OD X 0.094 THK ATT PT				1	
- 4	2207710	• RING, SNAP HOUSING BORE 1.378 IN				1	
- 5	2199329	• SPRING, WASHER TYPE-1.362 OD-0.882 ID				4	
- 6	2207717	• BEARING, ANNULAR BALL				1	
- 7	2207708	• SHAFT				1	
- 8	2207717	• BEARING, ANNULAR BALL				1	
- 9	2207710	• RING, SNAP HOUSING BORE 1.378 IN				1	
- 10	2207709	• POLE ASSEMBLY, MAGNETIC CHUCK PARTS OF THIS ASM ARE NOT REPLACEABLE				1	
- 11	2207707	• HOUSING				1	
- 12	2207715	• MAGNET				1	
		PARTS NOT INCLUDED WITH ASSEMBLY					
- 13	2199173	BELT, FLAT-FILE DRIVE				1	
<b>END OF LIST 30</b>							

FOR PARTS  
NOT SHOWN  
SEE FIG 25

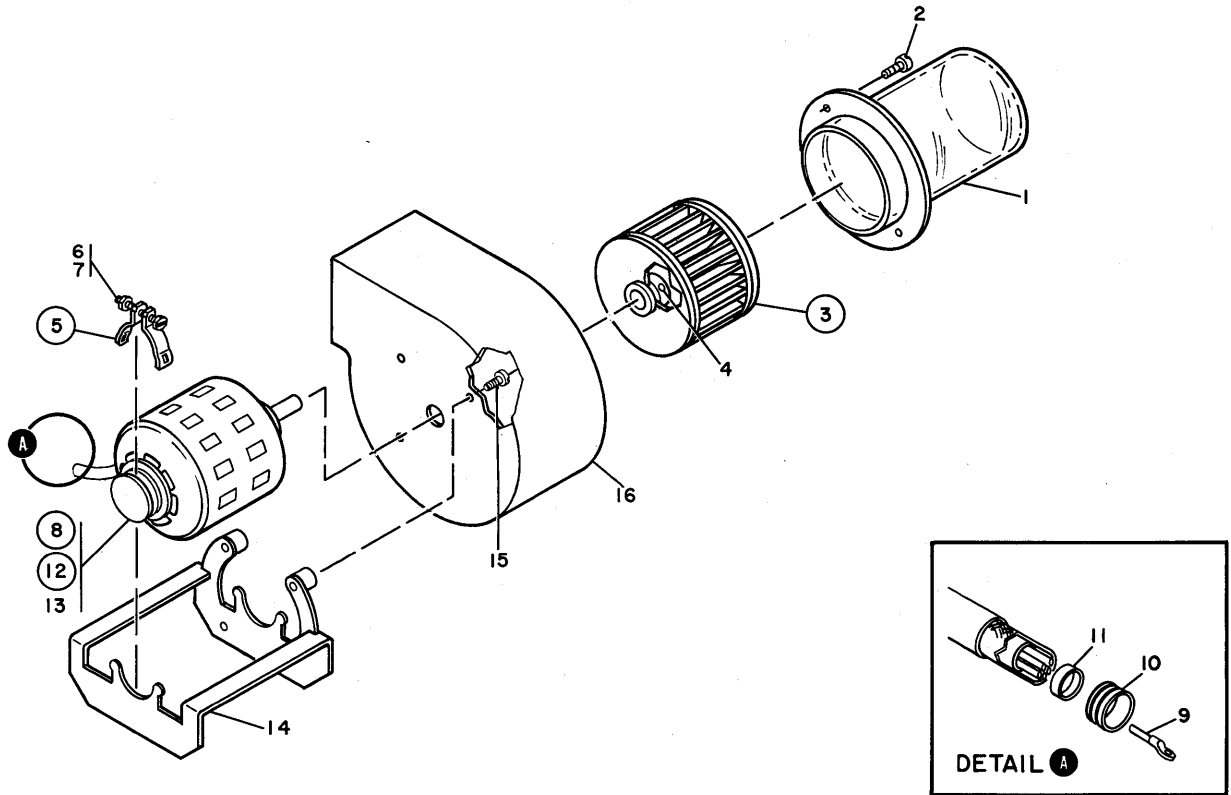


FIGURE 31. BLOWER ASSEMBLY.

SEE LIST **31**

LIST AND INDEX NUMBER	PART NUMBER	DESCRIPTION	UNITS	USABLE
			PER ASM.	ON CODE
		1 2 3 4 BLOWER ASSEMBLY		
<b>31</b>	2204138	BLOWER ASM, 115V-60 HZ		REF
-	2204139	BLOWER ASSEMBLY-220 VOLT 50/60 HERTZ FOR ILLUSTRATION SEE FIGURE 31 FOR NEXT HIGHER ASM SEE LIST 25-85		REF
- 1	2204167	. TUBE, TRANSITION	1	
- 2	185052	. SCREW, BIND HD SELF TAP 3/8 LG	3	
- 3	2204142	. IMPELLER	1	
- 4	176246	. . SETSCREW-SPLINE DR CUP PT 10-32 X 1/4 LG ATT PT	1	
- 5	2122113	. LATCH ASM, MOUNT, MOTOR	2	
- 6	251283	. . SCREW, MACH-FIL H 4-40 X 3/4 LG	1	
- 7	257187	. . NUT, HEX 6-32 NC	1	
- 8	2204144	. MOTOR ASM, 115V-60 HERTZ	1	
- 8	2204143	. MOTOR ASM, 220 VOLT 50/60 HERTZ	1	
- 9	334921	. . TERMINAL-LUG NO.22 THRU NO.18 WIRE INSUL	5	
- 10	2204083	. . FERRULE, OUTER	1	
- 11	2204082	. . FERRULE, INNER	1	
- 12	2204133	. . MOTOR, 115V-60 HZ	1	
- 12	2204136	. . MOTOR, 220 VOLT 50/60 HERTZ	1	
- 13	2204165	. . . RELAY ASM, MOTOR START- 50/60 HERTZ	1	
		PARTS OF THIS ASM ARE NOT REPLACEABLE		
- 14	2204135	. BRACKET ASSEMBLY ASM COMPONENTS ARE NOT REPLACEABLE	1	
- 15	322550	. SCREW, MACH-BIND HD 6-32 X 1/2 LG ATT PT	4	
- 16	2204001	. SCROLL, BLOWER	1	
		<b>END OF LIST 31</b>		

FOR PARTS  
NOT SHOWN  
SEE FIG. 25

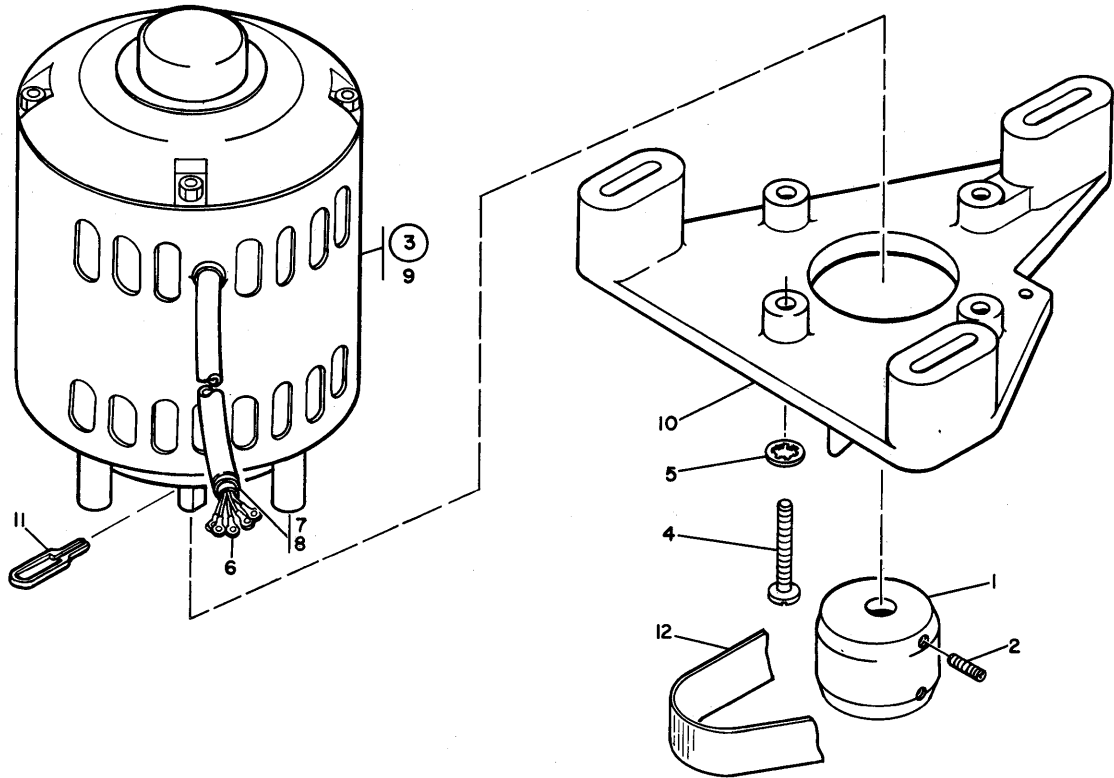


FIGURE 32. DRIVE MOTOR ASSEMBLY.

SEE LIST **32**

LIST AND INDEX NUMBER	PART NUMBER	DESCRIPTION				UNITS PER ASM.	USABLE ON CODE
		1	2	3	4		
		DRIVE MOTOR ASSEMBLY					
<b>32</b> -	2199377	MOTOR ASM, 115V-60 HZ				REF	
-	2199386	MOTOR ASM, DRIVE-200 VOLT 50 HERTZ FOR ILLUSTRATION SEE FIGURE 32 FOR NEXT HIGHER ASM SEE LIST 25-92				REF	
- 1	2204176	• PULLEY, 60 HERTZ				1	
- 1	2199255	• PULLEY, 50 HERTZ				1	
- 2	79842	• SETSCREW-SPLINE DR CUP PT 8-32 X 3/8 LG ATT PT				2	
- 3	2204117	• MOTOR ASM, 115V-60 HERTZ				1	
- 3	2204118	• MOTOR ASM, 220 VOLT 50 HERTZ				1	
- 4	5528	• SCREW, MACH BIND HD 8-32 X .625 LG ATT PT USED ON 60 HERTZ ONLY				4	
- 4	507796	• SCREW, MACH-BIND HD 10-32 X 1 LG ATT PT USED ON 50 HERTZ ONLY				4	
- 5	60646	• WASHER, LOCK-INT TEETH NO. 8 X 0.340 OD ATT PT USED ON 60 HERTZ ONLY				4	
- 5	56121	• WASHER, LOCK-INT TEETH NO. 10 X 0.381 OD ATT PT USED ON 50 HERTZ ONLY				4	
- 6	334921	• • TERMINAL-LUG NO.22 THRU NO.18 WIRE INSUL				5	
- 7	2204083	• • FERRULE, OUTER				1	
- 8	2204082	• • FERRULE, INNER				1	
- 9	2199128	• • MOTOR, 115V-60 HZ				1	
- 9	2199258	• • MOTOR, DRIVE - 220 V 50 HZ				1	
- 10	2199401	• PLATE, MOTOR MOUNTING 60 HERTZ				1	
- 10	2199402	• PLATE, MOTOR MOUNTING 50 HERTZ				1	
		PARTS NOT INCLUDED WITH THIS ASSEMBLY					
- 11	2204025	OILER, MOTOR 50 HERTZ				1	
- 12	2199173	BELT, FLAT-FILE DRIVE				1	

END OF LIST **32**

FOR PARTS  
NOT SHOWN  
SEE FIG. 4

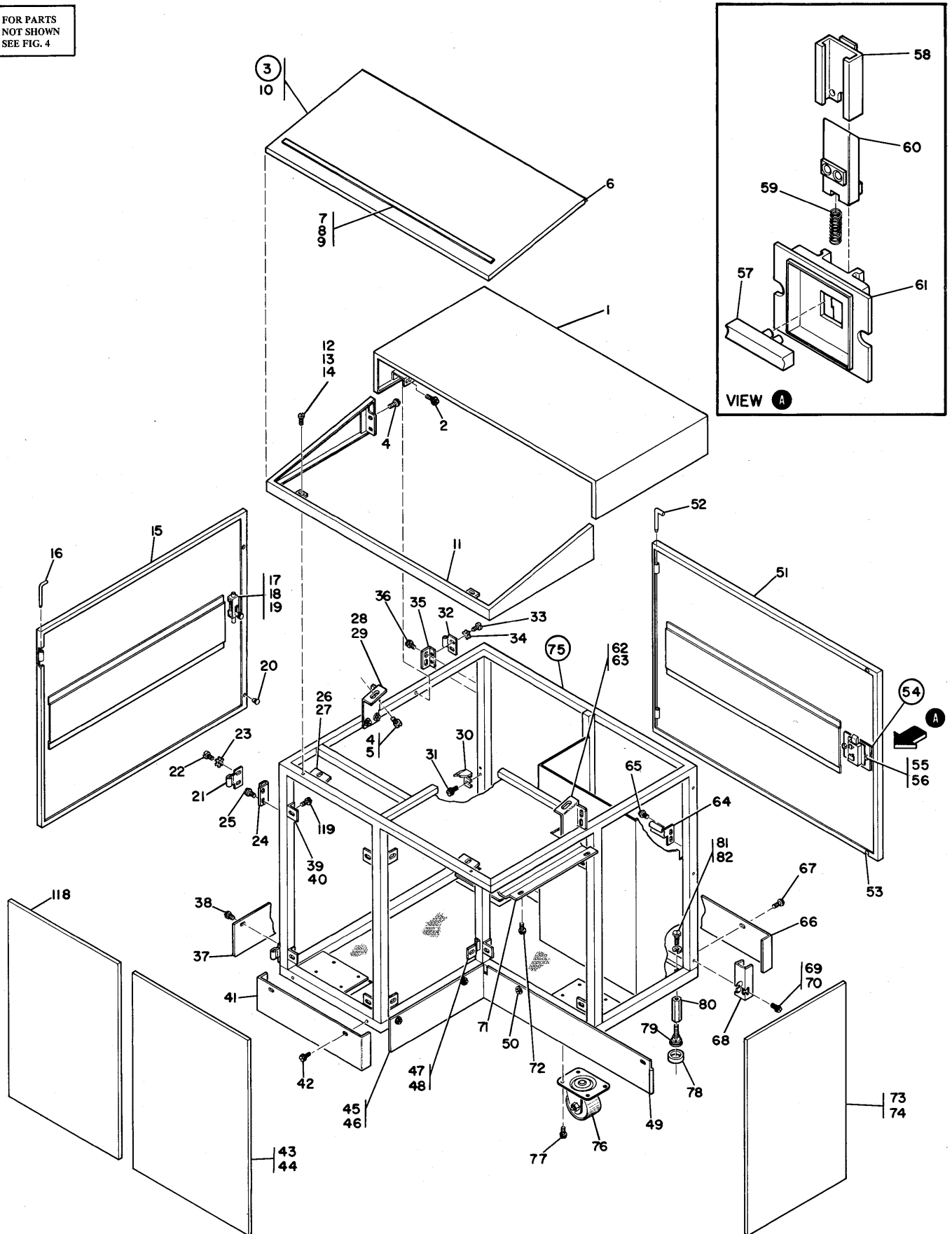


FIGURE 33. EXPANDED MEMORY GROUP. SHEET 1 OF 2, INDEX NOS. 1-82 AND 118-119.

SEE LIST **33**

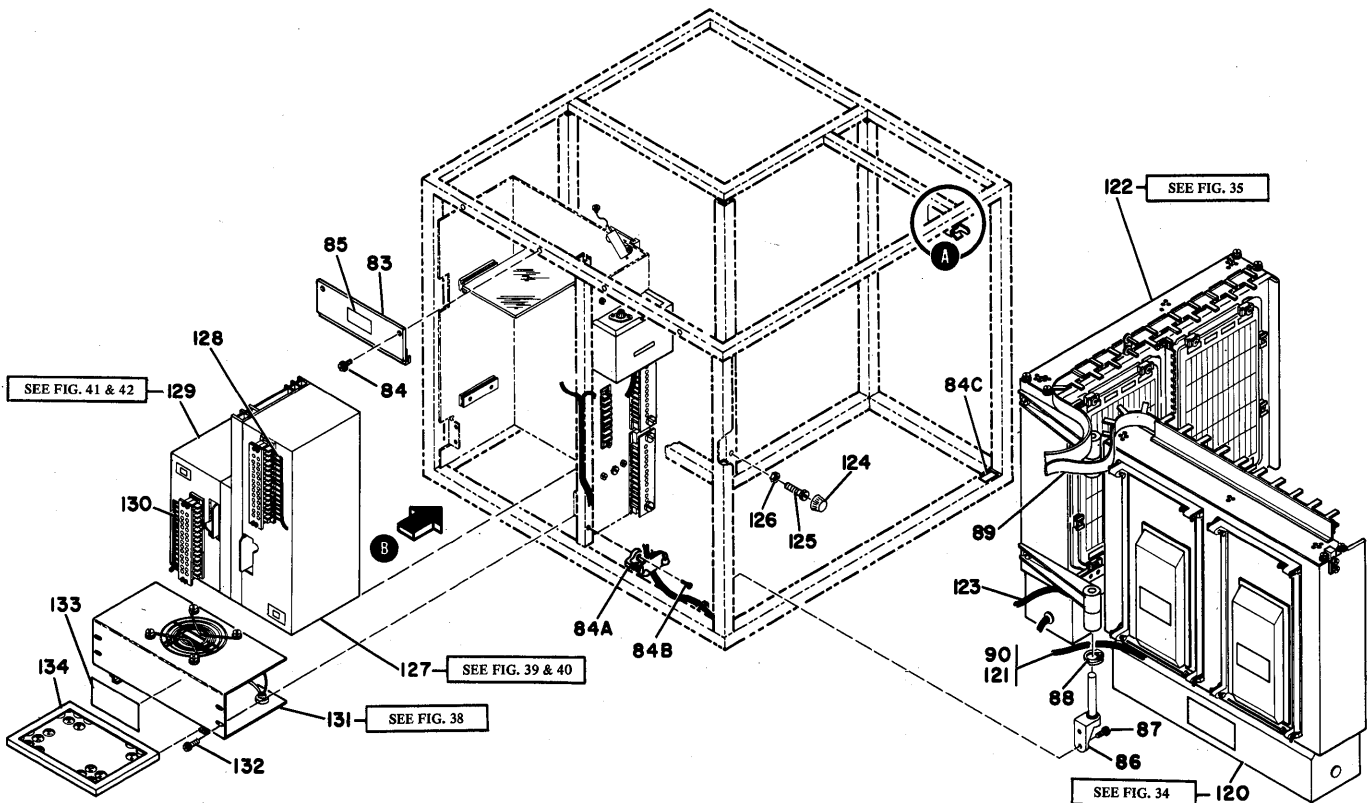
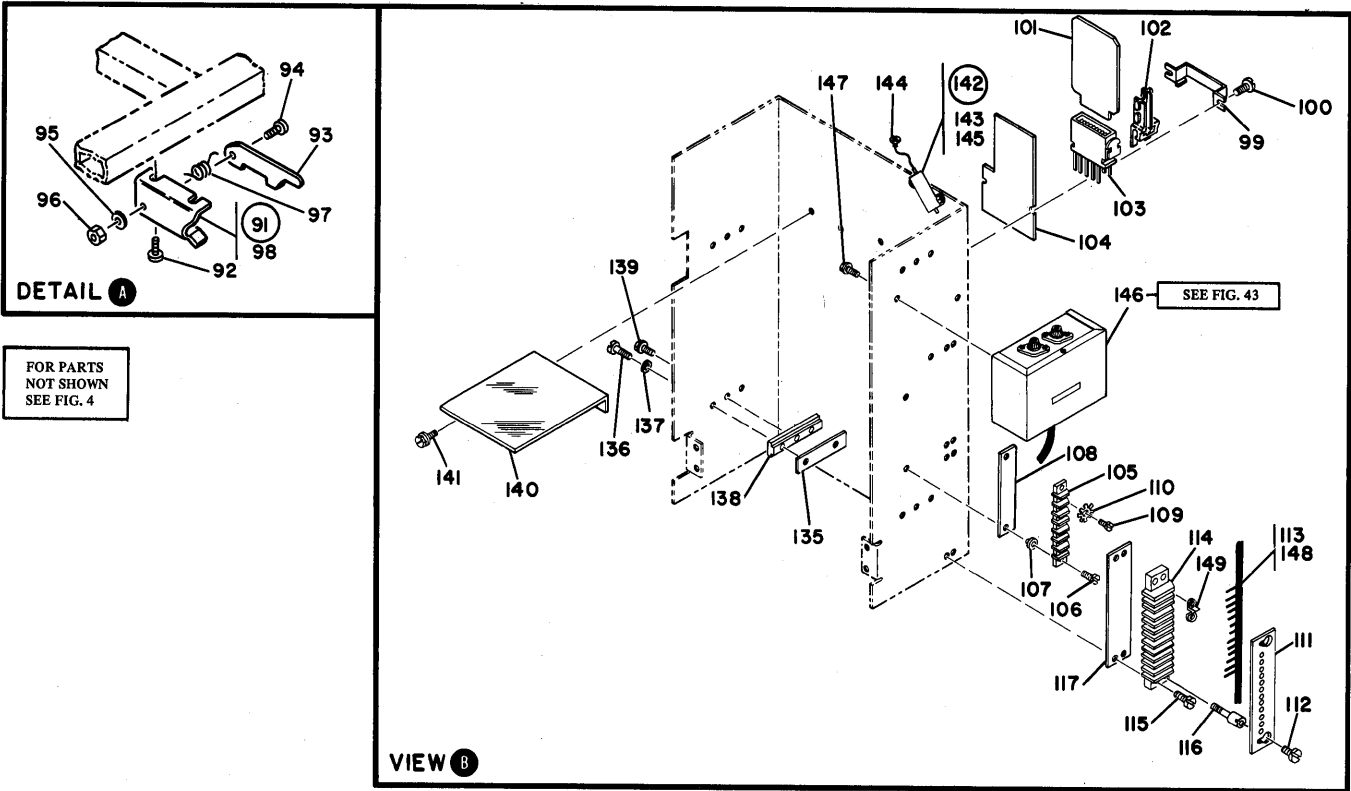


FIGURE 33. EXPANDED MEMORY GROUP. SHEET 2 OF 2, INDEX NOS. 83-117 AND 120-149.

SEE LIST 33

## LIST 33

LIST AND INDEX NUMBER	PART NUMBER	DESCRIPTION				UNITS PER ASM.	USABLE ON CODE
		1	2	3	4		
		EXPANDED MEMORY GROUP					
33		CODE C USED ON 32K ONLY					
-	2243300 NP	EXPANDED MEMORY GROUP FOR ILLUSTRATION SEE FIGURE 33 FOR NEXT HIGHER ASM SEE FIGURE 4-76				REF	
- 1	2243116	• COVER, TOP REAR				1	
- 2	2181004	• SCREW, THREAD FORMING-HEX WASHER HD				4	
- 3	2243120	• TABLE TOP ASM, EXPANDED MEMORY				1	
- 4	32042	• SCREW, MACH BIND. HD 10-32 X 3/8 LG.				4	
- 5	56079	• WASHER-LOCK, EXT T .204 ID .410 OD				4	
- 6	2243121	• SEAL				1	
- 7	2243122	• BAR ASM				1	
- 8	257189	PARTS OF THIS ASM ARE NOT REPLACEABLE					
- 9	55901	• NUT, HEX 8-32				3	
- 10	2243119	• WASHER, LOCK, EXT TEETH - .176 DIA				3	
- 10	2243119	• TABLE TOP				1	
- 11	2243117	PARTS OF THIS ASM ARE NOT REPLACEABLE					
- 12	32042	• BEZEL, TABLE TOP				1	
- 12	2181004	• SCREW, MACH BIND. HD 10-32 X 3/8 LG.				4	
- 13	56079	• SCREW, THREAD FORMING-HEX WASHER HD				4	
- 14	11598	• WASHER-LOCK, EXT T .204 ID .410 OD				4	
- 15	2243110	• NUT, HEX 10-32				4	
- 16	2190586	• COVER, HINGED LEFT SIDE				2	
- 17	528014	PARTS OF THIS ASM ARE NOT REPLACEABLE					
- 18	528013	• PIN, HINGE				1	
- 19	528012	• PIN-LATCH				1	
- 20	1108505	• STUD-LATCH				1	
- 21	2190583	• SPRING, HELICAL, COMPR				2	
- 22	34512	• BUMPER				4	
- 23	55901	• HINGE, COVER				4	
- 24	2243102	• SCREW, MACH-BIND HD 8-32 X 3/8 LG				4	
- 25	2181004	• WASHER, LOCK, EXT TEETH - .176 DIA				4	
- 26	2243118	• BRACKET, HINGE MTG				2	
- 27	2181004	• SCREW, THREAD FORMING-HEX WASHER HD				4	
- 28	2243115	• BRACKET				4	
- 29	2181004	• SCREW, THREAD FORMING-HEX WASHER HD				1	
- 30	2190861	• SCREW, THREAD FORMING-HEX WASHER HD				2	
- 31	2181004	• BRACKET, LATCH-RIGHT END COVER				2	
- 32	2190583	• SCREW, THREAD FORMING-HEX WASHER HD				2	
- 33	34512	• HINGE, COVER				4	
- 34	55901	• SCREW, MACH-BIND HD 8-32 X 3/8 LG				4	
- 35	2190585	• WASHER, LOCK, EXT TEETH - .176 DIA				4	
- 36	2181004	• BRACKET, HINGE COVER				2	
- 37	2190620	• SCREW, THREAD FORMING-HEX WASHER HD				4	
- 38	159494	• KICKSTRIP, LEFT SIDE				1	
- 39	2190579	• SCREW, BIND HD, 10-32 X 1/4 LG				3	
- 40	2181004	• BRACKET, COVER LEFT FRONT				10	
- 41	2243190	• SCREW, THREAD FORMING-HEX WASHER HD				10	
- 42	159494	• KICKSTRIP, LEFT FRONT				1	
- 43	2243108	• SCREW, BIND HD, 10-32 X 1/4 LG				2	
- 44	2181004	• COVER, RIGHT FRONT				1	
- 45	2243189	• SCREW, THREAD FORMING-HEX WASHER HD				4	
- 46	159494	• KICKSTRIP, RIGHT SIDE				1	
- 47	2243103	• SCREW, BIND HD, 10-32 X 1/4 LG				2	
- 48	2181004	• BRACKET				2	
- 49	2243191	• SCREW, THREAD FORMING-HEX WASHER HD				4	
- 50	159494	• KICKSTRIP, RIGHT FRONT				1	
- 51	2243111	• SCREW, BIND HD, 10-32 X 1/4 LG				2	
- 52	2190586	• COVER ASM, REAR				1	
- 53	1108505	PARTS OF THIS ASM ARE NOT REPLACEABLE					
- 54	2191006	• PIN, HINGE				2	
- 54	2191014	• BUMPER				2	
- 55	257189	• LATCH ASM, DOMESTIC				1	
- 56	183841	• LATCH ASM, WTC				1	
- 57	2190974	• NUT, HEX 8-32				2	
- 58	2190973	• WASHER-SPRING				2	
- 59	2191007	• HANDLE, LATCH				1	
- 60	2190972	USE ON ASM 2191006 ONLY					
- 61	2190971	• RETAINER, LATCH				1	
- 62	2243114	• SPRING-COMPRESSION				1	
- 63	2181004	• BOLT, LATCH				1	
- 63	2181004	• HOUSING, LATCH				1	
- 63	2181004	• BRACKET, RT				1	
- 63	2181004	• SCREW, THREAD FORMING-HEX WASHER HD				2	



## LIST 33 CONT

LIST AND INDEX NUMBER	PART NUMBER	DESCRIPTION	UNITS	USABLE
			PER ASM.	ON CODE
		EXPANDED MEMORY GROUP -CONT		
33 - 64	2191028	. CATCH,BRACKET LATCH	1	
- 65	2181004	. SCREW,THREAD FORMING-HEX WASHER HD ATT PT	2	
- 66	2243192	. KICKSTRIP,REAR	1	
- 67	159494	. SCREW, BIND HD, 10-32 X 1/4 LG ATT PT	3	
- 68	2243124	. COUPLER,REAR	1	
- 69	2181004	. SCREW,THREAD FORMING-HEX WASHER HD ATT PT	6	
- 70	45690	. WASHER, FL - NO.10 X 7/16 OD X 1/32 THK ATT PT	3	
- 71	2243125	. COUPLER,FRONT	1	
- 72	2181004	. SCREW,THREAD FORMING-HEX WASHER HD ATT PT	4	
- 73	2243109	. COVER,RIGHT SIDE	1	
- 74	2181004	. SCREW,THREAD FORMING-HEX WASHER HD ATT PT	4	
- 75	2243101	. FRAME ASM,EXPANDED MEMORY	1	
- 76	513271	. CASTER,SWIVEL- 3 IN. WHL W/MTG PLATE	4	
- 77	5353301	. SCREW-THREAD FORMING, HEX. WASHER HEAD ATT PT	16	
- 78	2162666	. CUP	4	
- 79	2191786	. BOLT-SQUARE NECK,1/2-13 X 2 LG	4	
- 80	2243123	. SPACER NUT,HEX 1.0 X 2.44,.500-13UNC	4	
- 81	93178	. SCREW,CAP-SLOT HD,1/13 X 3/4 LG ATT PT	4	
- 82	130987	. WASHER,LOCK-SPLIT 0.509 ID X 0.879 OD ATT PT	4	
- 83	2243155	. SUPPORT ASM,CABLE	2	
		PARTS OF THIS ASM ARE NOT REPLACEABLE		
- 84	2181004	. SCREW,THREAD FORMING-HEX WASHER HD ATT PT	4	
- 84A	523250	. CLAMP-ADJUSTABLE CABLE	2	
- 84B	336657	. SCREW,MACHINE ATT PT	2	
- 84C	124943	. LABEL-HAZARDOUS AREA	1	
- 85	369207	. LABEL-VOLTAGE	1	
- 86	2243150	. HINGE AND PIN ASM,GATE	2	
		PARTS OF THIS ASM ARE NOT REPLACEABLE		
- 87	5353301	. SCREW-THREAD FORMING, HEX. WASHER HEAD ATT PT	4	
- 88	2243090	. STOP,GATE	2	
- 89	2243170	. CABLE ASM,20 SIG FOR COMPONENT PARTS SEE LIST 44-75 76,77 AND 78	1	
- 90	2243165	. CABLE ASM, DC DIST. TO GATE D FOR COMPONENT PARTS SEE LIST 44-1 2A,3 AND 23	1	
- 91	2178626	. LATCH ASM, GATE	1	
- 92	2181004	. SCREW,THREAD FORMING-HEX WASHER HD ATT PT	2	
- 93	2178625	. LATCH,GATE	1	
- 94	5677	. SCREW,MACH-BIND HD 10-32 X 3/4 LG ATT PT	1	
- 95	2125974	. WASHER, INT TOOTH, .200 ID X .562 OD ATT PT	1	
- 96	11598	. NUT, HEX 10-32 ATT PT	1	
- 97	2157668	. SPRING	1	
- 98	2178624	. STRIKER-GATE LATCH	1	
- 99	2197379	. BRACKET,RECT-SUPPORT	1	
-100	38235	. SCREW,BIND HD 6-32 X .312 LONG ATT PT	2	
-101	374744	. CARD ASM TSTR,LOGIC VOLTAGE SENSE	1	
		PARTS OF THIS ASM ARE NOT REPLACEABLE		
-102	216206	. GUIDE-SINGLE CARD LONG	1	
-103	216076	. TERMINAL BLOCK AND CONTACT ASSEMBLY FOR COMPONENT PARTS SEE LIST 44-64	1	
-104	2243145	. INSULATOR	1	
-105	2162453	. BAR, BUS	1	
-106	731627	. SCREW, PAN HEAD, 6-32 X .75 LONG ATT PT	2	
-107	596211	. SPACER-LAMINATED BUS BLOCK	2	
-108	2195919	. INSULATOR,GROUND BLOCK	1	
-109	221790	. SCREW,MACH-BIND HD 8-32 X 3/16 LG	7	
-110	55901	. WASHER, LOCK, EXT TEETH - .176 DIA	7	
-111	352826	. COVER TERMINAL	2	
-112	1127733	. SCREW,MACH-SLTD HD 6-32 X 1/4 LG ATT PT	4	
-113	2243156	. CABLE ASM, AC DIST. CPU TO TB1 FOR COMPONENT PARTS SEE LIST 44-2A,2C,3	1	
-114	323842	. TERMINAL BLOCK, 12 POSITION	2	
-115	2181071	. SCREW-BD MTG ATT PT	4	
-116	210883	. STUD, EXT 6-32 X 1/2 INT 6-32 X 0.19 DP ATT PT	4	
-117	589814	. MARKER STRIP, 12 POS NOS 1 THRU 12	2	
		THE FOLLOWING PARTS ARE FEATURES ONLY		
-118	2243104	COVER,LEFT FRONT,GRAY	1	
-118	2243105	COVER,LEFT FRONT,RED	1	
-118	2243106	COVER,LEFT FRONT,BLUE	1	
-118	2243107	COVER,LEFT FRONT,YELLOW	1	
-119	2181004	SCREW,THREAD FORMING-HEX WASHER HD ATT PT	4	

## LIST 33 CONT

LIST AND INDEX NUMBER	PART NUMBER	DESCRIPTION 1 2 3 4	UNITS PER ASM.	USABLE ON CODE	
		EXPANDED MEMORY GROUP			
33	-120 -120	2243140 2243141	D GATE ASM, ONE BOARD-60 HZ D GATE ASM, ONE BOARD-50 HZ USED ON 8K ONLY	1 1	
	-120 -120	2243138 2243139	D GATE ASM, TWO BOARD-60 HZ D GATE ASM, TWO BOARD-50 HZ USED ON 16K AND 32K ONLY	1 1	
	-121	2243167	CABLE ASM, SPECIAL DC TO GATE D FOR COMPONENT PARTS SEE LIST 44-2A, 3	1	
	-122 -122	2243142 2243143	E GATE ASM, TWO BOARD-60 HZ E GATE ASM, TWO BOARD-50 HZ USED ON 32K ONLY	1 1	
	-123 -123	2243166 2243168	CABLE ASM, DC DIST. TO GATE E CABLE ASM, SPECIAL DC TO E GATE FOR COMPONENT PARTS SEE LIST 44-2A, 3	1 1	
	-124 -125	333064 36112	BUMPER, RUBBER SCREW, MACH-HEX HD 1/4-20 X 1-1/2 LG	1 1	C C
	-126 -127 -127	36109 5709440 5709480	NUT, PLAIN, HEX- 1/4-20 X 7/16 FL W POWER SUPPLY ASM, 9-12V AT 10A 60 HZ POWER SUPPLY ASM, 9-12V AT 10A 50 HZ	1 1 1	C
	-127 -127	5239409 5239427	USED W/MIDPACK 2.2 MICROSEC ONLY FOR DETAIL BREAKDOWN SEE LIST 39 POWER SUPPLY ASM, 6V AT 12 AMP-60 HZ POWER SUPPLY ASM, 6V AT 12 AMP-50 HZ USED W/16K + 32K MED POWER SUPPLY ONLY FOR DETAIL BREAKDOWN SEE LIST 40	1 1	
	-128 -128	2243160 2243164	CABLE ASM, PRIMARY AC TO P/S 7 FOR COMPONENT PARTS SEE LIST 44-1 AND 2C CABLE ASM, VZ TRACKING, P/S 7 TO GATE D	1 1	
	-128	2243601	CABLE ASM, P/S 7 TO TB 2 FOR COMPONENT PARTS SEE LIST 44-2C, 9A, 47 USED W/MIDPACK SUPPLY	1	
	-129 -129	5709430 5709470	POWER SUPPLY ASM, 15V AT 2.5 AMP-60 HZ POWER SUPPLY ASM, 15V AT 2.5 AMP-50 HZ USED W/MIDPACK 2.2 FOR DETAIL BREAKDOWN SEE LIST 41	1 1	
	-129 -129	5239400 5239418	POWER SUPPLY ASM, 3V AT 4.0 AMP-60 HZ POWER SUPPLY ASM, 3V AT 4.0 AMP-50 HZ USED W/32K + 3.6 MED POWER SUPPLY ONLY	1 1	
	-130	2243159	CABLE ASM, PRIMARY AC TO P/S 8 FOR DETAIL BREAKDOWN SEE LIST 42	1	
	-130	2243158	CABLE ASM, P/S 8 TO TB2 FOR COMPONENT PARTS SEE LIST 44-2A USED W/MEDIUM POWER SUPPLY ONLY	1	
	-130	2243602	CABLE ASM, PS8 TO BL TB2 FOR COMPONENT PARTS SEE LIST 44-2A USED W/MEDIUM POWER SUPPLY ONLY	1	
	-131 -131	2243172 2243173	BLOWER ASM, 60 HZ BLOWER ASM, 50 HZ FOR DETAIL BREAKDOWN SEE LIST 38	1 1	
	-132 -133 -134	2181004 369208 5357064	SCREW, THREAD FORMING-HEX WASHER HD DECAL, INST-HAZARDOUS AREA FILTER, AIR, 8.30 X 5.91	4 1 1	
	-135 -136 -137	2193933 101706 2125974	INNER RAIL, POWER SUPPLY MOUNTING SCREW, MACH-HEX HD 10-32 X 3/4 LG WASHER, INT TOOTH, .200 ID X .562 OD	AR AR AR	
	-138 -139 -140	2193932 2181004 2159711	OUTER RAIL, POWER SUPPLY MOUNTING SCREW, THREAD FORMING-HEX WASHER HD SHIELD, POWER SUPPLY	AR AR 1	
	-141 -142 -143	2181004 2243231 251970	SCREW, THREAD FORMING-HEX WASHER HD RESISTOR ASM, 4.0 OHMS 50 WATTS SCREW-MACH BD. HD. 4-40 X 1/4 LG	ATT PT 1 2	
	-144 -145 -146	360370 2194889 2243147	TERMINAL-RING TONGUE NO. 14-16 WIRE RESISTOR, WIREWOUND, 4.0 OHMS 50 WATTS SEQUENCE BOX ASM, USED W/MIDPACK 2.2 MICROSEC	2 1 1	
	-146	2243603	SEQUENCE BOX ASM, USED W/MIDPACK 3.6 MICROSEC	1	
	-146	2243361	SEQUENCE BOX ASM, USED W/MEDIUM POWER SUPPLY FOR DETAIL BREAKDOWN SEE LIST 43	1	
	-147 -148	5350012 2243157	SCREW, THD FORMING HEX WSR HD 8-32 X .25 CABLE ASM, DC DIST. CPU TO TB2 USED W/MIDPACKS ONLY	ATT PT 2 1	
	-148	2243605	CABLE ASM, DC DIST, CPU TO TB 2 FOR COMPONENT PARTS SEE LIST 44-2A AND 3 USED W/MEDIUM POWER SUPPLIES ONLY	1	
	-149	367115	JUMPER-TERMINAL STRIP VDC DISTR BRS FOR COMPONENT PARTS SEE LIST 44-2A AND 3	3	

END OF LIST 33

FOR PARTS  
NOT SHOWN  
SEE FIG. 33

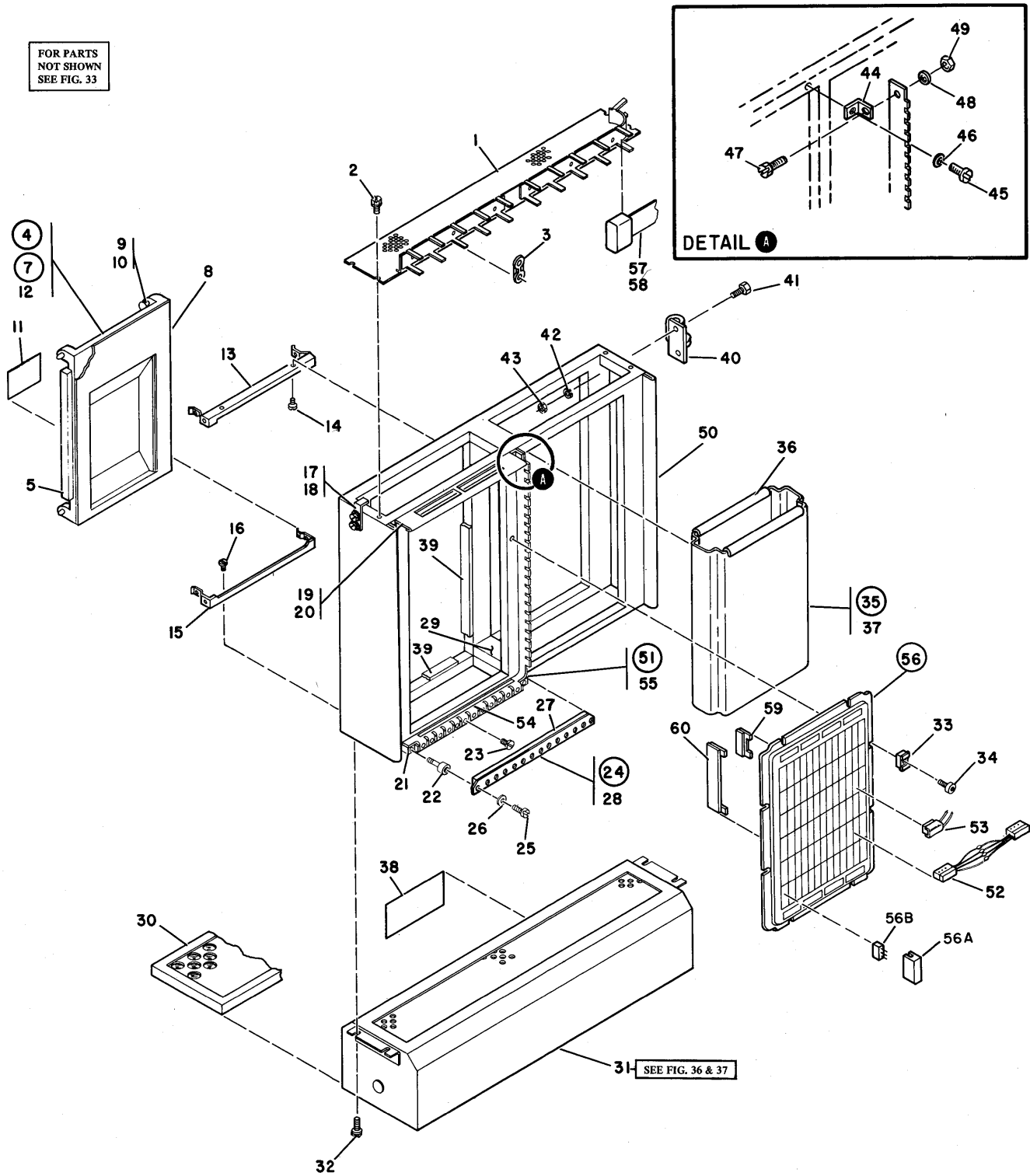


FIGURE 34. D GATE ASSEMBLY.

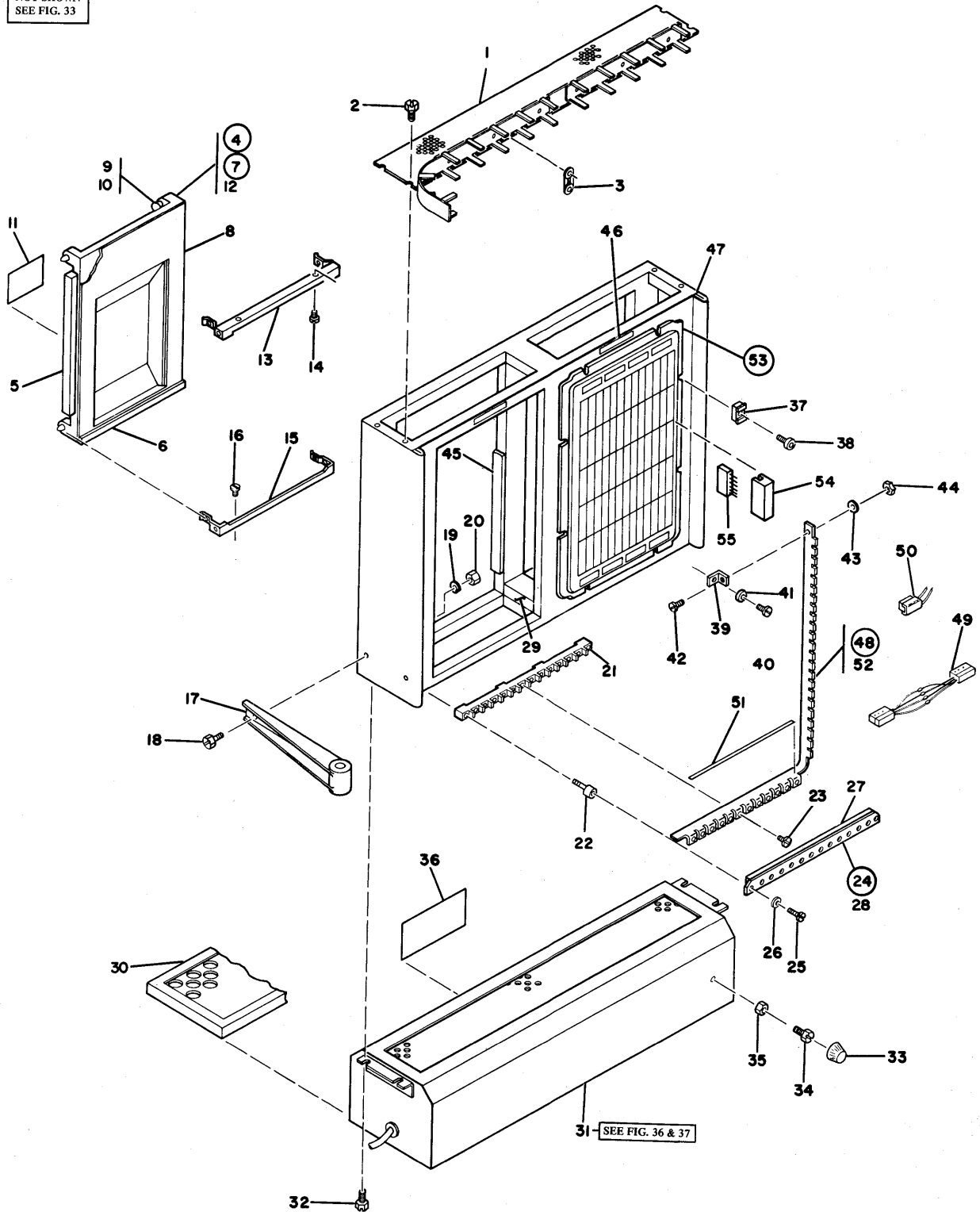
SEE LIST **34**

## LIST 34

LIST AND INDEX NUMBER	PART NUMBER	DESCRIPTION	UNITS PER ASM.	USABLE ON CODE
		1 2 3 4		
		D GATE ASSEMBLY		
34 -	2243138	D GATE ASM, TWO BOARD-60 HZ	REF	
-	2243139	D GATE ASM, TWO BOARD-50 HZ USED ON 16K AND 32K ONLY	REF	
-	2243140	D GATE ASM, ONE BOARD-60 HZ	REF	
-	2243141	D GATE ASM, ONE BOARD-50 HZ USED ON 8K ONLY FOR ILLUSTRATION SEE FIGURE 34 FOR NEXT HIGHER ASM SEE LIST 33-120	REF	
- 1	2243136	. COVER ASM, D GATE TOP PARTS OF THIS ASM ARE NOT REPLACEABLE	1	
- 2	5350012	. SCREW, THD FORMING HEX WSR HD 8-32 X .25	4	
- 3	811427	. RETAINER	AR	
- 4	2243135	. COVER ASM, CARD	AR	
- 5	2243197	. . SEAL, .25X.25X AS REQUIRED	AR	
- 7	2190824	. . COVER ASM, MEMORY	AR	
- 8	2190834	. . . BACKING, FOAM	1	
- 9	815963	. . . CATCH-PULL	4	
- 10	815964	. . . CATCH	4	
- 11	2191096	. . . PLATE, INSTRUCTION-MEMORY DECAL	1	
- 12	2190808	. . . COVER, MEMORY CARD	1	
- 13	811853	. BRACKET-HINGE	AR	
- 14	734483	. SCREW, PAN HD- 6-32 X 0.380 LG	AR	
- 15	2190819	. BRACKET, STORAGE-LOWER HINGE CBM	ATT PT	
- 16	734483	. SCREW, PAN HD- 6-32 X 0.380 LG	ATT PT	
- 17	2178627	. BRACKET-LATCH	AR	
- 18	5319854	. SCREW, SELF TAPPING, 8-32 X .375 LONG	ATT PT	
- 19	2243091	. GUARD	2	
- 20	236849	. SCREW, MACH-BIND HD 10-32 X 1/4 LG	AR	
- 21	811476	. TERMINAL BLOCK, 12 POSITION	AR	
- 22	811536	. STANDOFF	1	
- 23	811481	. SCREW, MACH- 6-32 X 1/4 LG	ATT PT	
- 24	811556	. SHIELD ASM, INSULATOR AND - 12 POS	ATT PT	
- 25	10170	. SCREW-MACH, BIND HD NO. 6-32 X .250 LG	ATT PT	
- 26	22478	. WASHER, FL- 0.170 ID 0.375 OD 0.032 THK	ATT PT	
- 27	811555	. . SEAL	2	
- 28	811534	. . SHIELD, 12 POSITION	1	
- 29	2197310	. FOAM, AIR BLOCK, 1.25 X 1.38 X 3.12 LG	1	
- 30	2243128	USED ON ASM 2243139 ONLY . FILTER, AIR-4.88 X 18.50 INCHES	3	
- 31	2243129	. BLOWER ASM, TWO FAN, 60 HZ	1	
- 31	2243131	USED ON ASM 2243138 ONLY . BLOWER ASM, ONE FAN, 60 HZ USED ON ASM 2243140 ONLY	1	
- 31	2243130	FOR DETAIL BREAKDOWN SEE LIST 36 . BLOWER ASM, TWO FAN, 50 HZ USED ON ASM 2243139 ONLY	1	
- 31	2243132	. BLOWER ASM, ONE FAN, 50 HZ USED ON ASM 2243141 ONLY FOR DETAIL BREAKDOWN SEE LIST 37	1	
- 32	5350012	. SCREW, THD FORMING HEX WSR HD 8-32 X .25	ATT PT	
- 33	813179	. CLAMP-BOARD	4	
- 34	811417	. SCREW, HEX SOCKET H- 6-32 X 1/2 LG	AR	
- 35	2227451	. CHIMNEY ASM	AR	
- 36	816652	USED ON ASM 2243140 AND 2243141 ONLY . SEAL	1	
- 37	816653	. . CHIMNEY	2	
- 38	369208	. DECAL, INST-HAZARDOUS AREA	1	
- 39	596756	. SEAL, FOAM, .38 TH X .50 W X SPECIFY LGTH.	1	
- 40	2194604	. HINGE-FRAME MTG	6	
- 41	59647	. SCREW, MACH-HEX HD 1/4-20 X 1 LG	2	
- 42	6935	. WASHER, LOCK-SPLIT 1/4 X 0.493 OD	ATT PT	
- 43	36109	. NUT, PLAIN, HEX- 1/4-20 X 7/16 FL W	ATT PT	
- 44	811742	. SUPPORT	ATT PT	
- 45	811426	. SCREW, MACH-PAN HD 6-32 X 3/8 IN. LG	1	
- 46	257986	. WASHER, FLAT NO. 6	1	
- 47	438550	. SCREW, MACH-BIND HD 4-40 X 1/2 LG	ATT PT	
- 48	257985	. WASHER-PLAIN, .125 ID .250 OD NO. 4	1	
- 49	37913	. NUT, HEX 4-40 NC	1	
- 50	2243133	. GATE, TWO BOARD POSITION	1	



FOR PARTS  
NOT SHOWN  
SEE FIG. 33



● FIGURE 35. E GATE ASSEMBLY.

SEE LIST **35**

## LIST 35

LIST AND INDEX NUMBER	PART NUMBER	DESCRIPTION	UNITS PER ASM.	USABLE ON CODE
		1 2 3 4 E GATE ASSEMBLY		
35 -	2243142	E GATE ASM,TWO BOARD-60 HZ	REF	
-	2243143	E GATE ASM,TWO BOARD-50 HZ FOR ILLUSTRATION SEE FIGURE 35 FOR NEXT HIGHER ASM SEE LIST 33-122	REF	
- 1	2243137	• COVER ASM,E GATE TOP PARTS OF THIS ASM ARE NOT REPLACEABLE	1	
- 2	5350012	• SCREW, THD FORMING HEX WSR HD 8-32 X .25 ATT PT	4	
- 3	811427	• RETAINER	10	
- 4	2243135	• COVER ASM,CARD	2	
- 5	2243197	• . SEAL,.25X.25X AS REQUIRED	AR	
- 6	596756	• . SEAL,FOAM,.38 TH X .50 W X SPECIFY LGTH.	AR	
- 7	2190824	• . COVER ASM,MEMORY	1	
- 8	2190834	• . . BACKING,FOAM	1	
- 9	815963	• . . . CATCH-PULL	4	
- 10	815964	• . . . CATCH	4	
- 11	2191096	• . . . PLATE,INSTRUCTION-MEMORY DECAL	1	
- 12	2190808	• . . . COVER,MEMORY CARD	1	
- 13	811853	• BRACKET-HINGE	2	
- 14	734483	• SCREW,PAN HD- 6-32 X 0.380 LG ATT PT	4	
- 15	2190819	• BRACKET,LOWER HINGE	2	
- 16	734483	• SCREW,PAN HD- 6-32 X 0.380 LG ATT PT	4	
- 17	2194606	• HINGE-REAR,LH BAY	2	
- 18	59647	• SCREW,MACH-HEX HD 1/4-20 X 1 LG ATT PT	4	
- 19	6935	• WASHER,LOCK-SPLIT 1/4 X 0.493 OD ATT PT	4	
- 20	36109	• NUT,PLAIN,HEX- 1/4-20 X 7/16 FL W ATT PT	4	
- 21	811476	• TERMINAL BLOCK, 12 POSITION	1	
- 22	811536	• STANDOFF ATT PT	2	
- 23	811481	• SCREW,MACH- 6-32 X 1/4 LG	12	
- 24	811556	• SHIELD ASM,INSULATOR AND - 12 POS	1	
- 25	10170	• SCREW-MACH,BIND HD NO. 6-32 X .250 LG ATT PT	2	
- 26	22478	• WASHER,FL- 0.170 ID 0.375 OD 0.032 THK ATT PT	2	
- 27	811555	• . SEAL	1	
- 28	811534	• . SHIELD, 12 POSITION	1	
- 29	2197310	• FOAM,AIR BLOCK,1.25 X 1.38 X 3.12 LG	3	
		USED ON 50 HERTZ ONLY		
- 30	2243128	• FILTER,AIR-4.88 X 18.50 INCHES	1	
- 31	2243251	• BLOWER ASM,TWO FAN-60 HZ	1	
		FOR DETAIL BREAKDOWN SEE LIST 36		
- 31	2243252	• BLOWER ASM,TWO FAN-50 HZ	1	
		FOR DETAIL BREAKDOWN SEE LIST 37		
- 32	5350012	• SCREW, THD FORMING HEX WSR HD 8-32 X .25 ATT PT	4	
- 33	333064	• BUMPER,RUBBER	1	
- 34	36112	• SCREW,MACH-HEX HD 1/4-20 X 1-1/2 LG	1	
- 35	36109	• NUT,PLAIN,HEX- 1/4-20 X 7/16 FL W	1	
- 36	369208	• DECAL,INST-HAZARDOUS AREA	1	
- 37	813179	• CLAMP-BOARD	16	
- 38	811417	• SCREW,HEX SOCKET H- 6-32 X 1/2 LG ATT PT	16	
- 39	811742	• SUPPORT	1	
- 40	811426	• SCREW,MACH-PAN HD 6-32 X 3/8 IN. LG ATT PT	1	
- 41	257986	• WASHER,FLAT NO. 6	1	
- 42	438550	• SCREW,MACH-BIND HD 4-40 X 1/2 LG	1	
- 43	257985	• WASHER-PLAIN, .125 ID .250 OD NO. 4	1	
- 44	37913	• NUT, HEX 4-40 NC	1	
- 45	596756	• SEAL,FOAM,.38 TH X .50 W X SPECIFY LGTH.	4	
- 46	2197473	• LABEL	1	
- 47	2243133	• GATE, TWO BOARD POSITION	1	
		THE FOLLOWING PARTS ARE FEATURES ONLY		
- 48	2243149	BUS AND CROSSOVER ASM USED ON 2.2 MICROSEC ONLY	2	
- 48	2243171	BUS AND CROSSOVER ASM USED ON 2.2 MICROSEC ONLY	2	





FOR PARTS  
NOT SHOWN  
SEE FIG. 34 & 35

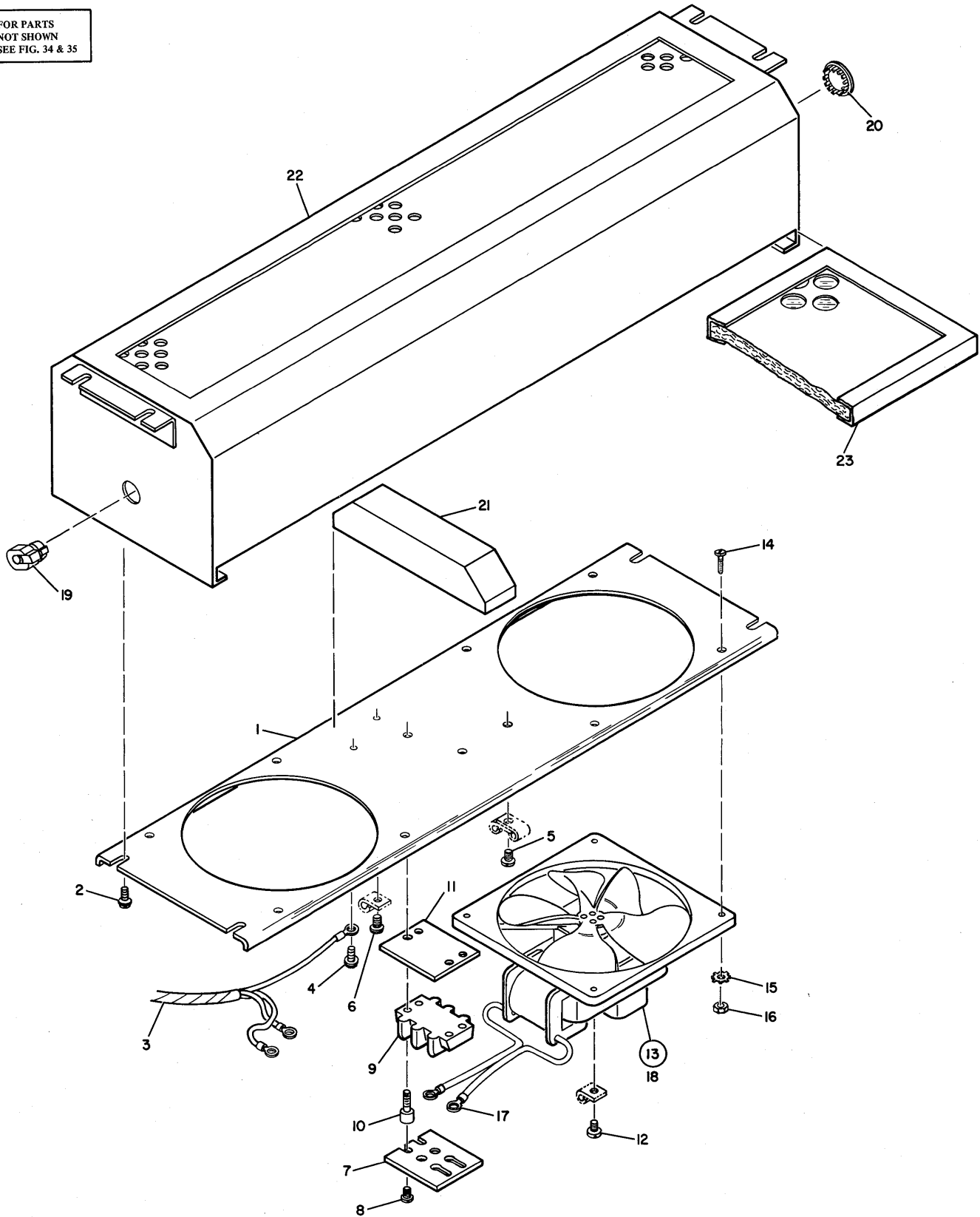


FIGURE 36. 60 CYCLE BLOWER ASSEMBLY.

SEE LIST **36**

**LIST 36**

LIST AND INDEX NUMBER	PART NUMBER	DESCRIPTION	UNITS PER ASM.	USABLE ON CODE
		1 2 3 4		
		BLOWER ASSEMBLY, 60 HERTZ		
<b>36</b>	2243129	BLOWER ASM, TWO FAN, 60 HZ	REF	
-	2243131	BLOWER ASM, ONE FAN, 60 HZ	REF	
		FOR ILLUSTRATION SEE FIGURE 36 FOR NEXT HIGHER ASM SEE LIST 34-31		
-	2243251	BLOWER ASM, TWO FAN-60 HZ	REF	
		FOR ILLUSTRATION SEE FIGURE 36 FOR NEXT HIGHER ASM SEE LIST 35-31		
- 1	2243127	. PLATE, FAN MTG	1	
- 2	5319854	. SCREW, SELF TAPPING, 8-32 X .375 LONG	4	ATT PT
- 3	2243162	. CABLE ASM, D GATE BLOWER TO TB 1 USED ON ASM 2243129 AND 2243131	1	
- 3	2243163	. CABLE ASM, E GATE BLOWER TO TB 1 USED ON ASM 2243251 ONLY FOR COMPONENT PARTS SEE LIST 44-1 AND 2C	1	
- 4	2181005	. SCREW, SELF TAPPING, 6-32 X .375 LG.	1	
- 5	10170	. SCREW-MACH, BIND HD NO. 6-32 X .250 LG	1	
- 6	2181005	. SCREW, SELF TAPPING, 6-32 X .375 LG.	1	
- 7	187467	. SHIELD, 2 POSITION	1	
- 8	10170	. SCREW-MACH, BIND HD NO. 6-32 X .250 LG	2	ATT PT
- 9	323840	. TERMINAL BOARD- 2 DBL SCREW TERMINALS	1	
- 10	210883	. STUD, EXT 6-32 X 1/2 INT 6-32 X 0.19 DP	2	ATT PT
- 11	2101380	. MARKER STRIP- 2 POS NOS. 1 AND 2	1	
- 12	236849	. SCREW, MACH-BIND HD 10-32 X 1/4 LG	1	
- 13	2190725	. FAN ASM, 115 VOLT 60 HERTZ	AR	
- 14	322550	. SCREW, MACH-BIND HD 6-32 X 1/2 LG	AR	
- 15	56722	. WASHER-LOCK, EXT T, .150 ID	AR	
- 16	257187	. NUT, HEX 6-32 NC	AR	
- 17	334921	. . TERMINAL-LUG NO. 22 THRU NO. 18 WIRE INSUL	2	
- 18	2172165	. . FAN, 115V-60 HZ	1	
- 19	107611	. BUSHING		
- 20	1143048	USE ON OPPOSITE SIDE FOR 2243251 . PLUG, SNAP IN- 0.656 HOLE	1	
- 21	2191016	USE ON OPPOSITE SIDE FOR 2243251 . BAFFLE, FAN-GATE USED ON ASM 2243131 ONLY	1	
- 22	2243126	. HOUSING, FAN	1	
		PARTS NOT INCLUDED WITH ASM		
- 23	2243128	FILTER, AIR-4.88 X 18.50 INCHES	1	
		<b>END OF LIST 36</b>		

FOR PARTS  
NOT SHOWN  
SEE FIG. 34 & 35

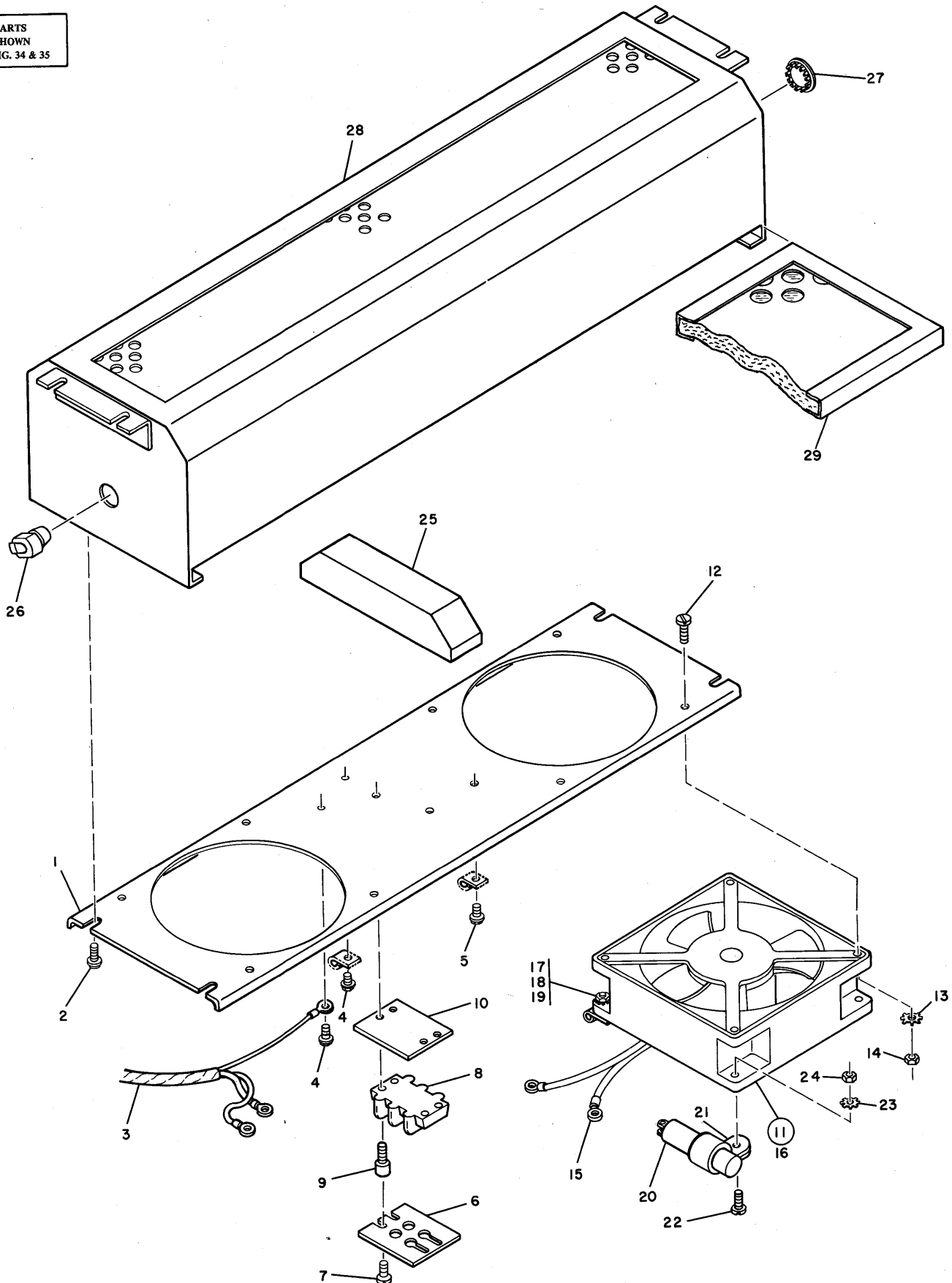


FIGURE 37. 50 CYCLE BLOWER ASSEMBLY.

SEE LIST **37**

## LIST 37

LIST AND INDEX NUMBER	PART NUMBER	DESCRIPTION	UNITS PER ASM.	USABLE ON CODE
		BLOWER ASSEMBLY, 50 HERTZ		
37	2243130	BLOWER ASM,TWO FAN,50 HZ	REF	
-	2243132	BLOWER ASM,ONE FAN,50 HZ FOR ILLUSTRATION SEE FIGURE 37 FOR NEXT HIGHER ASM SEE LIST 34-31	REF	
-	2243252	BLOWER ASM,TWO FAN-50 HZ FOR ILLUSTRATION SEE FIGURE 37 FOR NEXT HIGHER ASM SEE LIST 35-31	REF	
- 1	2243127	• PLATE,FAN MTG	1	
- 2	5319854	• SCREW, SELF TAPPING, 8-32 X .375 LONG	4	ATT PT
- 3	2243162	• CABLE ASM,D GATE BLOWER TO TB 1	1	
- 3	2243163	USED ON ASM 2243130 AND 2243132 • CABLE ASM,E GATE BLOWER TO TB 1 USED ON ASM 2243252 ONLY	1	
- 4	2181005	FOR COMPONENT PARTS SEE LIST 44-1 AND 2C • SCREW, SELF TAPPING, 6-32 X .375 LG.	2	
- 5	10170	• SCREW-MACH,BIND HD NO. 6-32 X .250 LG	1	
- 6	187467	• SHIELD, 2 POSITION	1	
- 7	10170	• SCREW-MACH,BIND HD NO. 6-32 X .250 LG	2	ATT PT
- 8	323840	• TERMINAL BOARD- 2 DBL SCREW TERMINALS	1	
- 9	210883	• STUD, EXT 6-32 X 1/2 INT 6-32 X 0.19 DP	2	ATT PT
- 10	2101380	• MARKER STRIP- 2 POS NOS. 1 AND 2	1	
- 11	2197144	• FAN ASM,220 VOLT 50 HERTZ	AR	
- 12	322550	• SCREW,MACH-BIND HD 6-32 X 1/2 LG	AR	ATT PT
- 13	56722	• WASHER-LOCK,EXT T, .150 ID	AR	ATT PT
- 14	257187	• NUT,HEX 6-32 NC	AR	ATT PT
- 15	334921	• TERMINAL-LUG NO.22 THRU NO.18 WIRE INSUL	2	
- 16	4120173	• FAN,220V-50 HZ	1	
- 17	322550	• SCREW,MACH-BIND HD 6-32 X 1/2 LG	1	
- 18	56722	• WASHER-LOCK,EXT T, .150 ID	1	
- 19	257187	• NUT,HEX 6-32 NC	1	
- 20	4116231	• CAPACITOR,FXD,PAPER- 2MFD P/M 10% 200VAC	2	
- 21	4062615	• CLAMP-CAPACITOR	2	
- 22	322550	• SCREW,MACH-BIND HD 6-32 X 1/2 LG	1	ATT PT
- 23	56722	• WASHER-LOCK,EXT T, .150 ID	1	ATT PT
- 24	257187	• NUT,HEX 6-32 NC	1	ATT PT
- 25	2191016	• BAFFLE,FAN-GATE USED ON ASM 2243132 ONLY	1	
- 26	107611	• BUSHING	1	
- 27	1143048	USE ON OPPOSITE SIDE FOR 2243252 • PLUG,SNAP IN- 0.656 HOLE USE ON OPPOSITE SIDE FOR 2243252	1	
- 28	2243126	• HOUSING,FAN	1	
		PARTS NOT INCLUDED WITH ASM		
- 29	2243128	FILTER,AIR-4.88 X 18.50 INCHES	1	
		END OF LIST 37		

FOR PARTS  
NOT SHOWN  
SEE FIG. 33

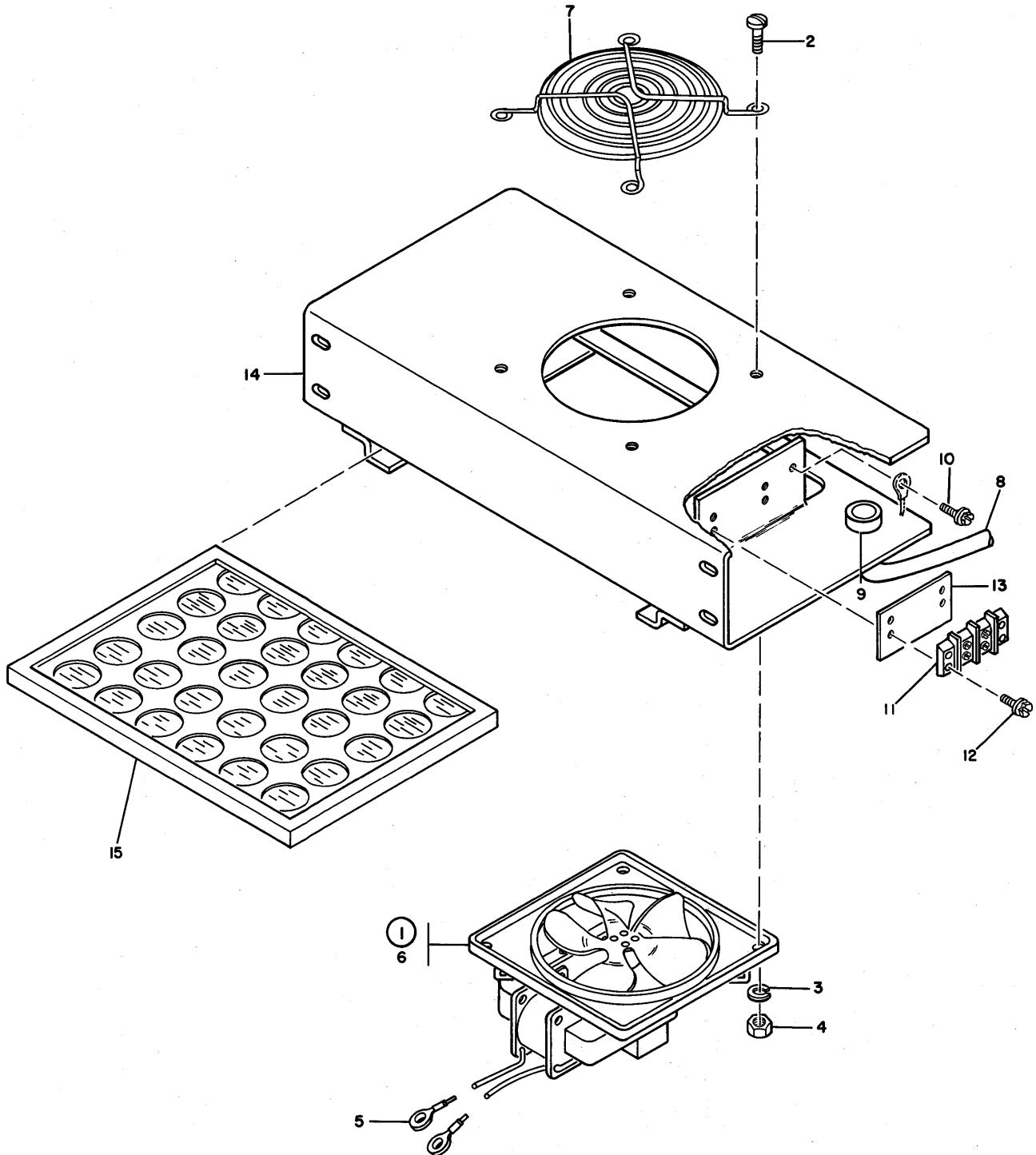


FIGURE 38. BLOWER ASSEMBLY, POWER SUPPLY.

SEE LIST **38**



FOR PARTS  
NOT SHOWN  
SEE FIG. 33

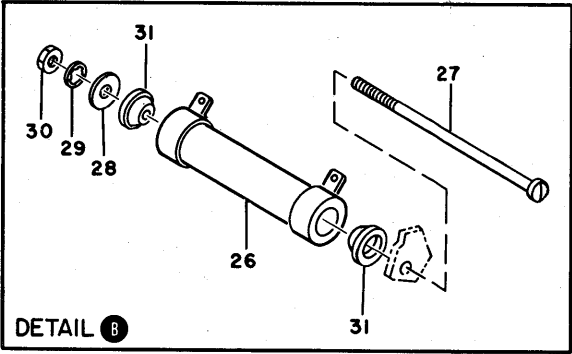
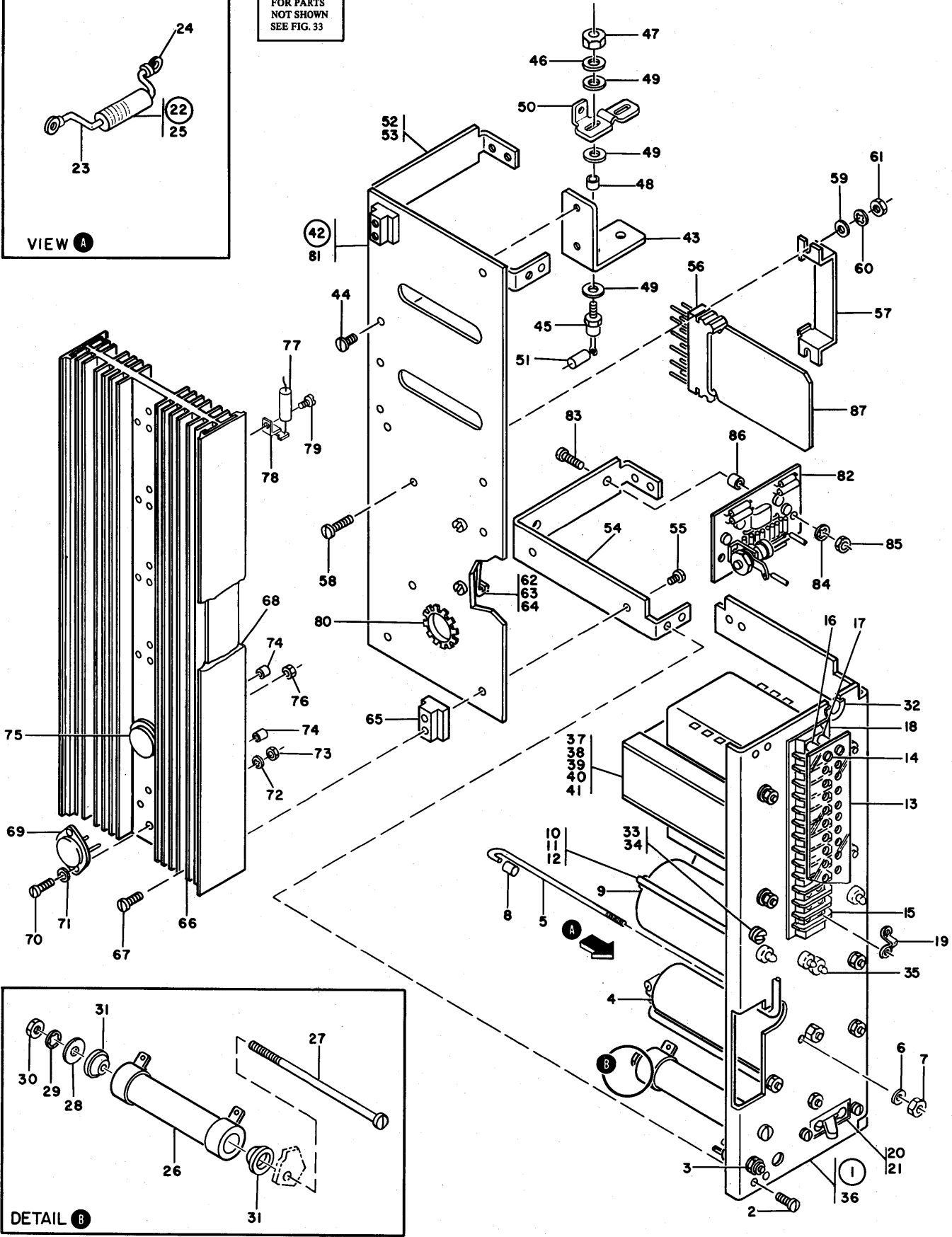
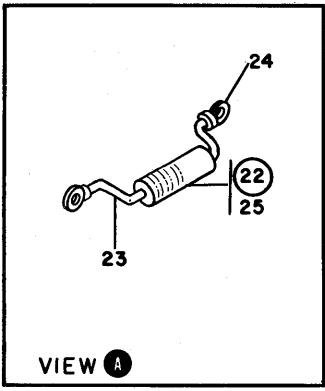


FIGURE 39. POWER SUPPLY ASSEMBLY, 9-12V AT 10 AMP.

SEE LIST 39

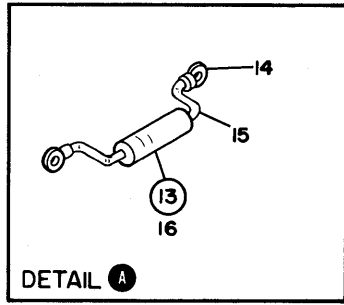
## LIST 39

LIST AND INDEX NUMBER	PART NUMBER	DESCRIPTION				UNITS PER ASM.	USABLE ON CODE
		1	2	3	4		
		POWER SUPPLY ASSEMBLY, 9-12V AT 10 AMP					
39	5709440	POWER SUPPLY ASM,9-12V AT 10A 60 HZ				REF	
-	5709480	POWER SUPPLY ASM,9-12V AT 10A 50 HZ FOR ILLUSTRATION SEE FIGURE 39 FOR NEXT HIGHER ASM SEE LIST 33-127				REF	
- 1	5709444	. COMPONENT MOUNTING PLATE ASSEMBLY				1	
- 2	28413	. SCREW,MACH-BIND HD 10-32 X 5/16 LG ATT PT				8	
- 3	441181	. . POTENTIOMETER				1	
- 4	5261127	. . CAPACITOR-ELECTROLYTIC				1	
- 5	473432	. . CLAMP				2	
- 6	62031	. . WASHER,LOCK-INT TEETH NO. 6 X 0.295 OD ATT PT				2	
- 7	38051	. . NUT,PLAIN HEX 6-32 X 1/4 FL W ATT PT				2	
- 8	473412	. . INSULATOR,CAPACITOR CLAMP				12	
- 9	5261077	. . CAPACITOR-ELECTROLYTIC				4	
- 10	5247112	. . CLAMP,CAPACITOR				8	
- 11	62031	. . WASHER,LOCK-INT TEETH NO. 6 X 0.295 OD ATT PT				8	
- 12	38051	. . NUT,PLAIN HEX 6-32 X 1/4 FL W ATT PT				8	
- 13	187470	. . SHIELD,TERMINAL BOARD				1	
- 14	210984	. . SCREW,MACH RH 6-32 X .25 ATT PT				1	
- 15	82353	. . TERMINAL BOARD- 14 DBL SCREW TERMINALS				1	
- 16	5261167	. . STUD- 8-32 X 0.438 LG W/6-32 TAPPED HOLE ATT PT				1	
- 17	5261165	. . STUD,SHLDR- 8-32 X 0.438 LG THD ATT PT				3	
- 18	620240	. . INSULATOR				1	
- 19	472187	. . JUMPER-BRASS				2	
- 20	207351	. . CIRCUIT BREAKER- 1 POLE 60V DC 12 AMP				1	
- 21	10170	. . SCREW-MACH,BIND HD NO. 6-32 X .250 LG ATT PT				2	
- 22	5261936	. . RESISTOR ASSEMBLY,200 OHMS 5W				1	
- 23	113819	. . TUBING				3	
- 24	334932	. . . TERMINAL-LUG NO.18 THRU NO.22 WIRE INSUL				2	
- 25	477144	. . . RESISTOR, WIREWOUND - 200 OHM 5W				1	
- 26	730452	. . RESISTOR,FXD				1	
- 27	331982	. . SCREW,MACH RD HD 8-32 X 1-1/4 LG ATT PT				1	
- 28	22478	. . WASHER,FL- 0.170 ID 0.375 OD 0.032 THK ATT PT				1	
- 29	60646	. . WASHER,LOCK-INT TEETH NO. 8 X 0.340 OD ATT PT				1	
- 30	257189	. . NUT, HEX 8-32 ATT PT				1	
- 31	510468	. . CUP WASHER				2	
- 32	730432	. . GROMMET,CATERPILLAR				1	
- 33	55726	. . SCREW,MACH-BIND HD 6-32 X .188 LG				1	
- 34	56722	. . WASHER-LOCK,EXT T, .150 ID				1	
- 35	5253894	. . CAP,SCREW- .280 ID				4	
- 36	5709429	. . CHASSIS-UNIT 4 SPECIAL				1	
- 37	5261083	. . TRANSFORMER,60 HZ				1	
- 37	4116411	. . TRANSFORMER,50 HZ				1	
- 38	332620	. . SCREW,MACH-BIND HD 10-32 X 1/2 LG ATT PT				4	
- 39	45690	. . WASHER, FL - NO.10 X 7/16 OD X 1/32 THK ATT PT				4	
- 40	9092	. . WASHER-LOCK,SPLIT RING, .194 ID .3370D ATT PT				4	
- 41	11598	. . NUT, HEX 10-32 ATT PT				4	
- 42	5261037	. . HEATSINK ASSEMBLY				1	
- 43	5261009	. . BRACKET-DIODE MOUNTING				1	
- 44	10170	. . SCREW-MACH,BIND HD NO. 6-32 X .250 LG ATT PT				2	
- 45	127324	. . SEMICONDUCTOR DEVICE,D10- 150V 30 AMP				2	
- 46	3550	. . WASHER,FLAT 1/4 ID-9/16-OD-0.05 THICK ATT PT				2	
- 47	160017	. . NUT,PLAIN,HEX- 1/4-28 X 7/16 FL W ATT PT				2	
- 48	473592	. . INSULATOR				2	
- 49	217017	. . WASHER-INSULATING				8	
- 50	5261606	. . JUMPER PLATE				1	
- 51	491228	. . CAPACITOR, .010 UF				1	
- 52	730176	. . BRACKET-UNIT SUPPORT				1	
- 53	473544	. . SCREW,BINDING HEAD SELF TAP NO 6 1/2 IN ATT PT				2	



## LIST 39

LIST AND INDEX NUMBER	PART NUMBER	DESCRIPTION	UNITS PER ASM.	USABLE ON CODE
		1 2 3 4		
		POWER SUPPLY ASSEMBLY, 9-12V AT 10 AMP -CONT		
39				
- 54	5261159	. . BRACKET-UNIT SUPPORT	1	
- 55	473544	. . SCREW,BINDING HEAD SELF TAP NO 6 1/2 IN ATT PT	2	
- 56	216076	. . RECEPTACLE ASM,SINGLE CARD FOR COMPONENTS SEE LIST 44-64	1	
- 57	477203	. . BRACKET		
- 58	38235	. . SCREW,BIND HD 6-32 X .312 LONG ATT PT	2	
- 59	257986	. . WASHER,FLAT NO. 6 ATT PT	2	
- 60	62031	. . WASHER,LOCK-INT TEETH NO. 6 X 0.295 OD ATT PT	2	
- 61	38051	. . NUT,PLAIN HEX 6-32 X 1/4 FL W ATT PT	2	
- 62	5712309	. . GUIDE	1	
- 63	38235	. . SCREW,BIND HD 6-32 X .312 LONG ATT PT	2	
- 64	257187	. . NUT,HEX 6-32 NC ATT PT	2	
- 65	473531	. . INSULATOR	6	
- 66	5261079	. . HEAT SINK	1	
- 67	79779	. . SCREW,THD CTG-BIND HD NO. 6 X 3/4 LG ATT PT	6	
- 68	473536	. . SEAL	29	
- 69	369616	. . TRANSISTOR-TYPE 119	1	
- 70	322550	. . SCREW,MACH-BIND HD 6-32 X 1/2 LG ATT PT	2	
- 71	257986	. . WASHER,FLAT NO. 6 ATT PT	2	
- 72	6364	. . WASHER,LOCK-SPLIT NO. 6 X 1/4 OD ATT PT	2	
- 73	38051	. . NUT,PLAIN HEX 6-32 X 1/4 FL W ATT PT	2	
- 74	219423	. . TUBE,RUBBER- 0.085 ID X 0.120 OD X 2 LG	10	
- 75	369214	. . TRANSISTOR,TYPE 108	4	
- 76	11891	. . NUT,PLAIN,HEX- 10-32 X 3/8 FL W BRS ATT PT	4	
- 77	207324	. . RESISTOR,FXD,WW- 0.1 OHM P/M 5% 5W	4	
- 78	478045	. . TERMINAL - SOLDER	4	
- 79	70078	. . SCREW,THD FORMING-BIND HD ATT PT	4	
- 80	473533	. . GROMMET	1	
- 81	5261058	. . COVER	1	
- 82	5253897	. . CARD ASSEMBLY-OVERVOLTAGE CKT 12V PARTS OF THIS ASM ARE NOT REPLACEABLE	1	
- 83	1091173	. . SCREW,MACH-FL CSK HD 4-40 X 5/8 LG ATT PT	2	
- 84	257985	. . WASHER-PLAIN, .125 ID .250 OD NO. 4 ATT PT	2	
- 85	37913	. . NUT, HEX 4-40 NC ATT PT	2	
- 86	483111	. . SPACER,SLEEVE- 0.12 ID 0.25 OD X 0.19 LG	2	
- 87	375249	. . CARD ASM PARTS OF THIS ASM ARE NOT REPLACEABLE	1	
		END OF LIST 39		



FOR PARTS  
NOT SHOWN  
SEE FIG. 33

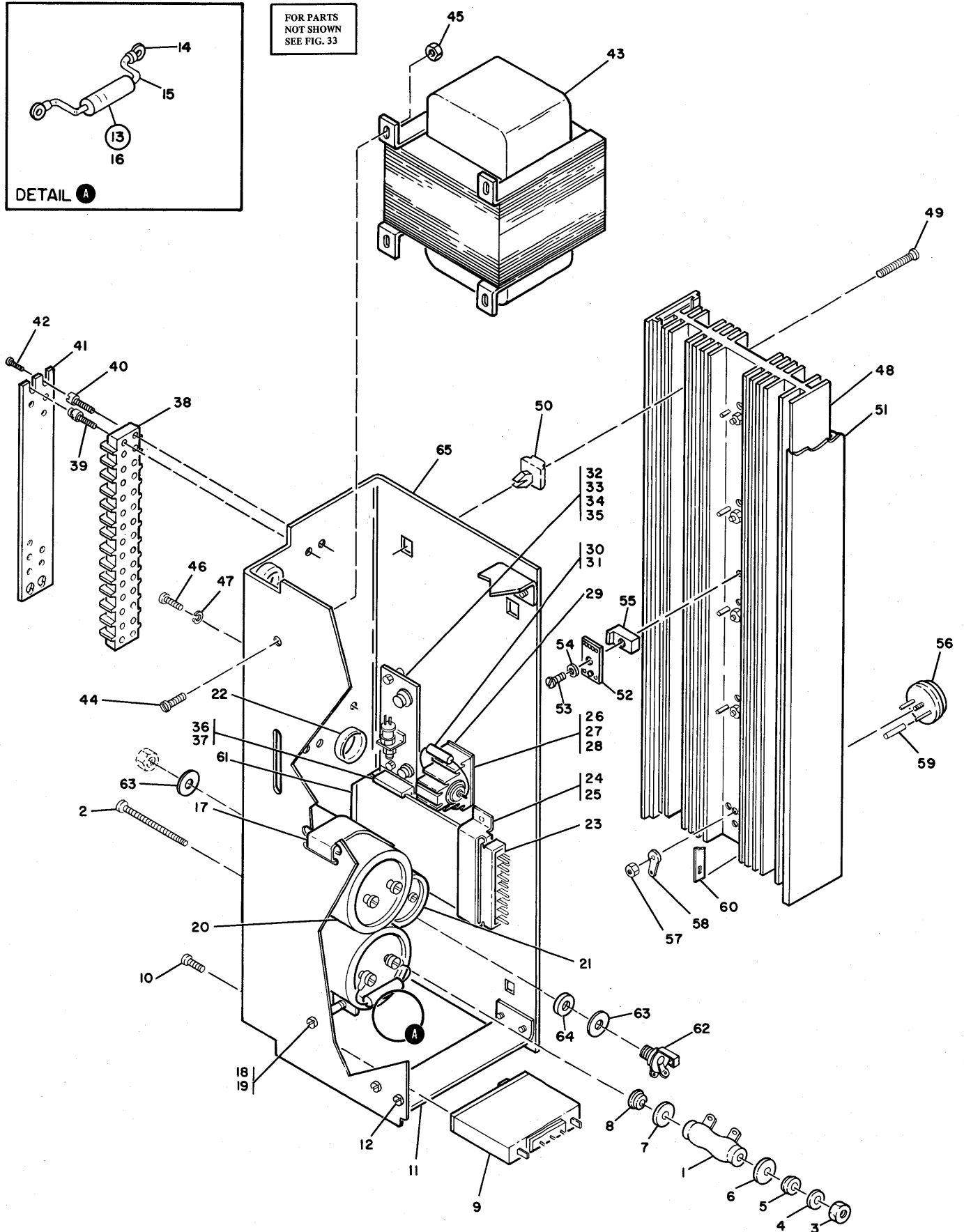
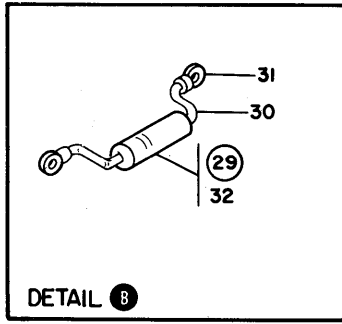


FIGURE 40. 6 VOLT 12 AMP POWER SUPPLY ASSEMBLY.

SEE LIST 40

## LIST 40

LIST AND INDEX NUMBER	PART NUMBER	DESCRIPTION	UNITS PER ASM.	USABLE ON CODE
		1 2 3 4		
		6VDC 12AMP POWER SUPPLY ASSEMBLY		
40 -	5239409	POWER SUPPLY ASM,6V AT 12 AMP-60 HZ	REF	
-	5239427	POWER SUPPLY ASM,6V AT 12 AMP-50 HZ	REF	
		FOR ILLUSTRATION SEE FIGURE 40 FOR NEXT HIGHER ASM SEE LIST 33-127 AND LIST 24A-27		
- 1	5261098	. RESISTOR,FXD,WW- 0.04 OHMS P/M 10% 25W	1	
- 2	438593	. SCREW-MACH-BIND HD NO. 8-32 X 2 1/2 LG ATT PT	1	
- 3	5761938	. NUT/LOCKWASHER ASSEMBLY - 8-32 ATT PT	1	
- 4	2903	. WASHER,FL-NO. 6 X 1/2 OD X 1/32 THK ATT PT	1	
- 5	510468	. CUP WASHER	1	
- 6	5761935	. WASHER	1	
- 7	5761935	. WASHER	1	
- 8	510468	. CUP WASHER	1	
- 9	5214548	. PROTECTOR	1	
- 10	38235	. SCREW,BIND HD 6-32 X .312 LONG ATT PT	2	
- 11	5761779	. BRACKET,CHASSIS	2	
- 12	731629	. SCREW,PAN HD- 10-32 X 0.380 LG ATT PT	8	
- 13	5261935	. RESISTOR ASSEMBLY-330 OHMS 2W	1	
- 14	359695	. . TERMINAL-RING LUG NO.10 STUD	2	
- 15	113819	. . TUBING		
- 16	317080	. . RESISTOR,FXD 330 OHM 2W		
- 17	5761794	. STRAP,CAPACITOR	1	
- 18	438571	. SCREW, BINDING HEAD, 6-32 NC X 1-3/4 LG. ATT PT	1	
- 19	5761943	. NUT,HEX 10-32 NC ATT PT	1	
- 20	5214367	. CAPACITOR		
- 21	5261128	. CAPACITOR,ELECTROLYTIC- 7300 UF 10VDC		
- 22	5761936	. GROMMET	3	
- 23	216076	. RECEPTACLE ASM,SINGLE CARD	1	
- 24	5761904	. BRACKET	1	
- 25	5761907	. RIVET ATT PT	2	
- 26	5761977	. RECTIFIER ASSEMBLY	1	
- 27	734483	. SCREW,PAN HD- 6-32 X 0.380 LG ATT PT	3	
- 28	5762215	. WASHER,INSULATING		
- 29	5761979	. INSULATOR	1	
- 30	491228	. CAPACITOR, .010 UF	1	
- 31	113819	. TUBING	2	
- 32	5761988	. OVERVOLTAGE CARD ASSEMBLY, 6 VOLT		
- 33	438551	. SCREW,MACH-BIND HD 4-40 X 5/8 LG ATT PT	2	
- 34	332779	. SPACER		
- 35	37913	. NUT, HEX 4-40 NC ATT PT	2	
- 36	5712309	. GUIDE	1	
- 37	5761907	. RIVET ATT PT	2	
- 38	5214556	. TERMINAL	1	
- 39	5261165	. STUD,SHLDR- 8-32 X 0.438 LG THD ATT PT	3	
- 40	5261167	. STUD- 8-32 X 0.438 LG W/6-32 TAPPED HOLE ATT PT	1	
- 41	210990	. SHIELD- 13 POSITION	1	
- 42	210984	. SCREW,MACH RH 6-32 X .25 ATT PT	1	
- 43	5761729	. TRANSFORMER,60 HZ	1	
- 43	4116484	. TRANSFORMER,50 HZ	1	
- 44	332620	. SCREW,MACH-BIND HD 10-32 X 1/2 LG ATT PT	4	
- 45	5761908	. NUT,HEX 10-32 NC ATT PT	4	
- 46	10170	. SCREW-MACH,BIND HD NO. 6-32 X .250 LG	1	
- 47	56722	. WASHER-LOCK,EXT T, .150 ID	1	
- 48	5761768	. HEAT SINK	1	
- 49	5761913	. SCREW, ATT PT	4	
- 50	5761796	. INSULATOR,HEAT SINK	4	
- 51	473536	. SEAL	AR	
- 52	5761909	. TERMINAL, BRASS	1	
- 53	2181002	. SCREW,THREAD FORMING-8-32 X 3/4 LG ATT PT	1	
- 54	5374689	. BUSHING ATT PT	1	
- 55	5761798	. INSULATOR, PHENOLIC - .38W X .75 LG	1	
- 56	369214	. TRANSISTOR,TYPE 108	5	
- 57	11598	. NUT, HEX 10-32 ATT PT	5	
- 58	316996	. TERMINAL,LUG-NONINS 9AWG NO. 8 MTG HOLE	1	
- 59	5761976	. TUBING	10	
- 60	5761968	. BUS STRIP	1	
- 61	375203	. CARD ASSEMBLY		
- 62	1134451	. JACK,AUX PWR- .44 OD	1	
- 63	529691	. WASHER, MICA	2	
- 64	473592	. INSULATOR	1	
- 65	5761767	. CHASSIS	1	
		END OF LIST 40		



FOR PARTS NOT SHOWN SEE FIG. 33

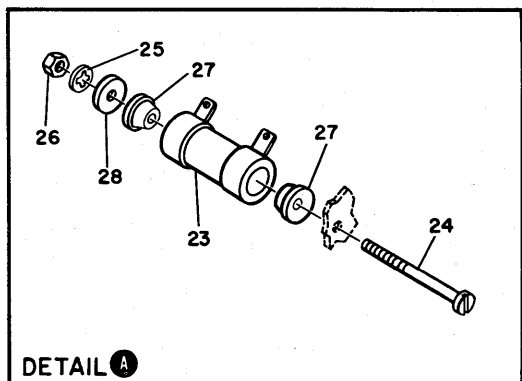
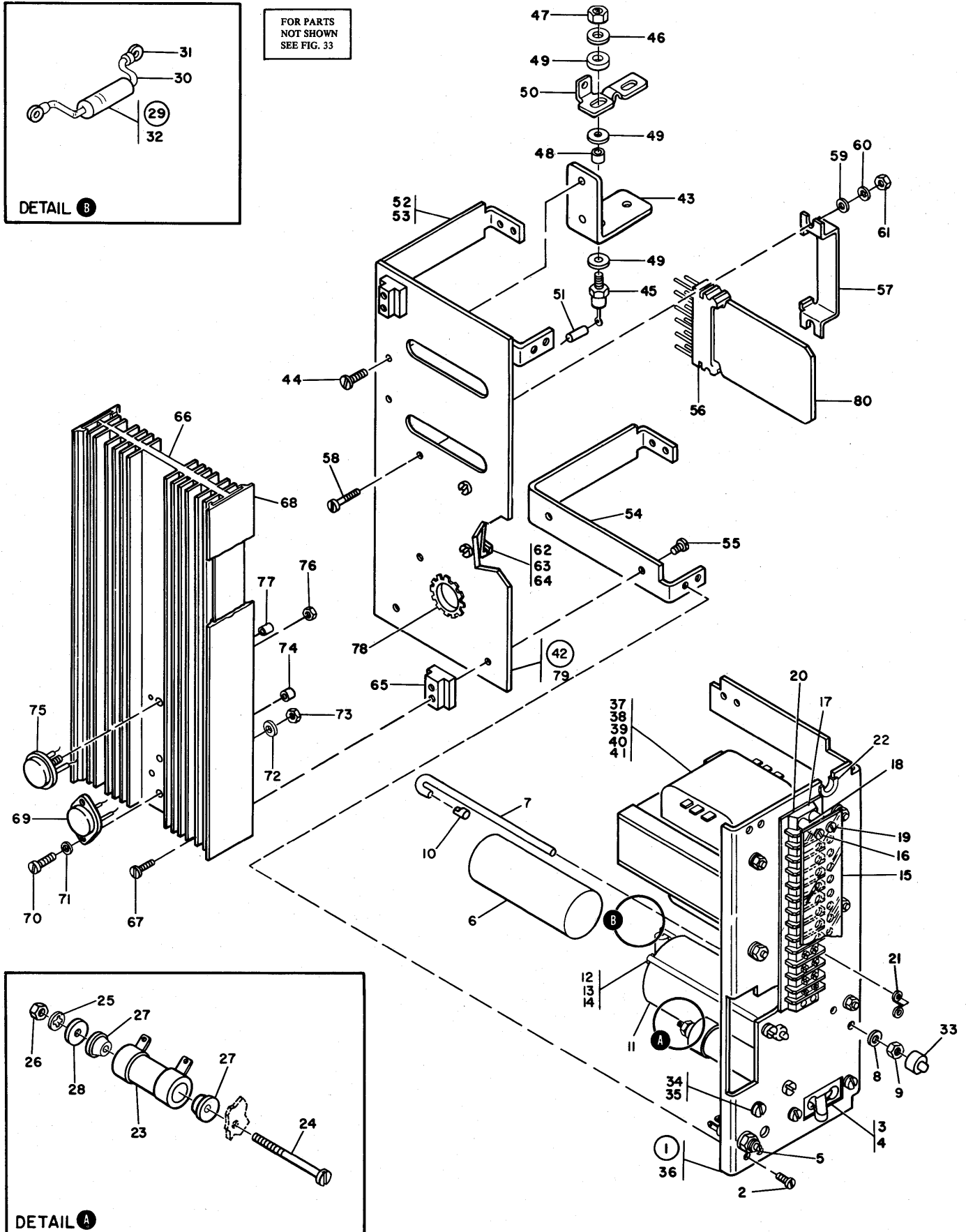


FIGURE 41. POWER SUPPLY ASM, 15V AT 2.5 AMPS.

SEE LIST 41

## LIST 41

LIST AND INDEX NUMBER	PART NUMBER	DESCRIPTION	UNITS PER ASM.	USABLE ON CODE
		1 2 3 4		
		POWER SUPPLY ASM,15V @ 2.5 AMP		
41 -	5709430	POWER SUPPLY ASM,15V AT 2.5 AMP-60 HZ	REF	
-	5709470	POWER SUPPLY ASM,15V AT 2.5 AMP-50 HZ FOR ILLUSTRATION SEE FIGURE 41 FOR NEXT HIGHER ASM SEE LIST 33-129	REF	
- 1	5709434	• COMPONENT MOUNTING PLATE ASSEMBLY	1	
- 2	28413	• SCREW,MACH-BIND HD 10-32 X 5/16 LG ATT PT	8	
- 3	538830	• CIRCUIT BREAKER- 1 POLE 50V DC 5 AMP	1	
- 4	10170	• SCREW-MACH,BIND HD NO. 6-32 X .250 LG ATT PT	2	
- 5	441181	• POTENTIOMETER	1	
- 6	208228	• CAPACITOR,FXD, ELECT- 5500 UF 19V	1	
- 7	473422	• CLAMP,CAPACITOR	2	
- 8	62031	• WASHER,LOCK-INT TEETH NO. 6 X 0.295 OD ATT PT	4	
- 9	38051	• NUT,PLAIN HEX 6-32 X 1/4 FL W ATT PT	4	
- 10	473412	• INSULATOR,CAPACITOR CLAMP	4	
- 11	5261077	• CAPACITOR-ELECTROLYTIC	1	
- 12	5247112	• CLAMP,CAPACITOR	2	
- 13	62031	• WASHER,LOCK-INT TEETH NO. 6 X 0.295 OD ATT PT	4	
- 14	38051	• NUT,PLAIN HEX 6-32 X 1/4 FL W ATT PT	4	
- 15	210990	• SHIELD- 13 POSITION	1	
- 16	210984	• SCREW,MACH RH 6-32 X .25 ATT PT	1	
- 17	320461	• TERMINAL BOARD-13 POS	1	
- 18	5261167	• STUD- 8-32 X 0.438 LG W/6-32 TAPPED HOLE ATT PT	1	
- 19	5261165	• STUD,SHLDR- 8-32 X 0.438 LG THD ATT PT	3	
- 20	2101325	• MARKER STRIP,13 POSITION	1	
- 21	472187	• JUMPER-BRASS	2	
- 22	730432	• GROMMET,CATERPILLAR	1	
- 23	5261117	• RESISTOR,FXD,NW- 0.5 OHMS P/M 10% 25W	1	
- 24	438593	• SCREW-MACH-BIND HD NO. 8-32 X 2 1/2 LG ATT PT	1	
- 25	60646	• WASHER,LOCK-INT TEETH NO. 8 X 0.340 OD ATT PT	1	
- 26	257189	• NUT, HEX 8-32 ATT PT	1	
- 27	510468	• CUP WASHER	2	
- 28	22478	• WASHER,FL- 0.170 ID 0.375 OD 0.032 THK	1	
- 29	5261937	• RESISTOR ASM- 1.1K OHMS 2W	1	
- 30	113819	• TUBING	2	
- 31	359695	• TERMINAL-RING LUG NO.10 STUD	2	
- 32	492568	• RESISTOR,FXD 1,100 OHMS P/M 5% 2W	1	
- 33	5253894	• CAP,SCREW- .280 ID	4	
- 34	55726	• SCREW,MACH-BIND HD 6-32 X .188 LG	1	
- 35	56722	• WASHER-LOCK,EXT T, .150 ID	1	
- 36	5261018	• CHASSIS	1	
- 37	5261483	• TRANSFORMER,60 HZ	1	
- 37	4116461	• TRANSFORMER,50 HZ	1	
- 38	332620	• SCREW,MACH-BIND HD 10-32 X 1/2 LG ATT PT	4	
- 39	45690	• WASHER, FL - NO.10 X 7/16 OD X 1/32 THK ATT PT	4	
- 40	9092	• WASHER-LOCK,SPLIT RING, .194 ID .3370D ATT PT	4	
- 41	11598	• NUT, HEX 10-32 ATT PT	4	
- 42	5261007	• HEATSINK ASSEMBLY	1	
- 43	5261008	• BRACKET	1	
- 44	10170	• SCREW-MACH,BIND HD NO. 6-32 X .250 LG ATT PT	2	
- 45	598479	• SEMICONDUCTOR DEVICE,D10- 150V 10 AMP	2	
- 46	45690	• WASHER, FL - NO.10 X 7/16 OD X 1/32 THK ATT PT	2	
- 47	11891	• NUT,PLAIN,HEX- 10-32 X 3/8 FL W BRS ATT PT	3	
- 48	473582	• INSULATOR	2	
- 49	217019	• WASHER,INSULATING .199 ID 1.00 OD	8	
- 50	5261606	• JUMPER PLATE	1	
- 51	491228	• CAPACITOR, .010 UF	1	
- 52	730176	• BRACKET-UNIT SUPPORT	1	
- 53	473544	• SCREW,BINDING HEAD SELF TAP NO 6 1/2 IN ATT PT	2	
- 54	5261159	• BRACKET-UNIT SUPPORT	1	

LIST 41 CONT

LIST AND INDEX NUMBER	PART NUMBER	DESCRIPTION	UNITS PER ASM.	USABLE ON CODE
		POWER SUPPLY ASM,15V @ 2.5 AMP -CONT		
41 - 55	473544	• • SCREW,BINDING HEAD SELF TAP NO 6 1/2 IN ATT PT	2	
- 56	216076	• • RECEPTACLE ASM,SINGLE CARD FOR COMPONENT PARTS SEE LIST 44-64	1	
- 57	477203	• • BRACKET	1	
- 58	38235	• • SCREW,BIND HD 6-32 X .312 LONG ATT PT	2	
- 59	257986	• • WASHER,FLAT NO. 6 ATT PT	2	
- 60	62031	• • WASHER,LOCK-INT TEETH NO. 6 X 0.295 OD ATT PT	2	
- 61	38051	• • NUT,PLAIN HEX 6-32 X 1/4 FL W ATT PT	2	
- 62	5712309	• • GUIDE	1	
- 63	38235	• • SCREW,BIND HD 6-32 X .312 LONG ATT PT	2	
- 64	257187	• • NUT,HEX 6-32 NC ATT PT	2	
- 65	473531	• • INSULATOR	4	
- 66	5261068	• • HEATSINK	1	
		PARTS OF THIS ASM ARE NOT REPLACEABLE		
- 67	79779	• • SCREW,THD CTG-BIND HD NO. 6 X 3/4 LG ATT PT	4	
- 68	473536	• • SEAL	19	
- 69	369616	• • TRANSISTOR-TYPE 119	1	
- 70	322550	• • SCREW,MACH-BIND HD 6-32 X 1/2 LG ATT PT	2	
- 71	257986	• • WASHER,FLAT NO. 6 ATT PT	2	
- 72	6364	• • WASHER,LOCK-SPLIT NO. 6 X 1/4 OD ATT PT	2	
- 73	38051	• • NUT,PLAIN HEX 6-32 X 1/4 FL W ATT PT	2	
- 74	219423	• • TUBE,RUBBER- 0.085 ID X 0.120 OD X 2 LG	2	
- 75	369214	• • TRANSISTOR,TYPE 108	1	
- 76	11891	• • NUT,PLAIN,HEX- 10-32 X 3/8 FL W BRS ATT PT	1	
- 77	219423	• • TUBE,RUBBER- 0.085 ID X 0.120 OD X 2 LG	2	
- 78	473442	• • GROMMET - CATERPILLAR	1	
- 79	5261039	• • COVER	1	
- 80	374923	• • CARD ASM,REGULATOR	1	
		PARTS OF THIS ASM ARE NOT REPLACEABLE		
		END OF LIST 41		

FOR PARTS  
NOT SHOWN  
SEE FIG. 33

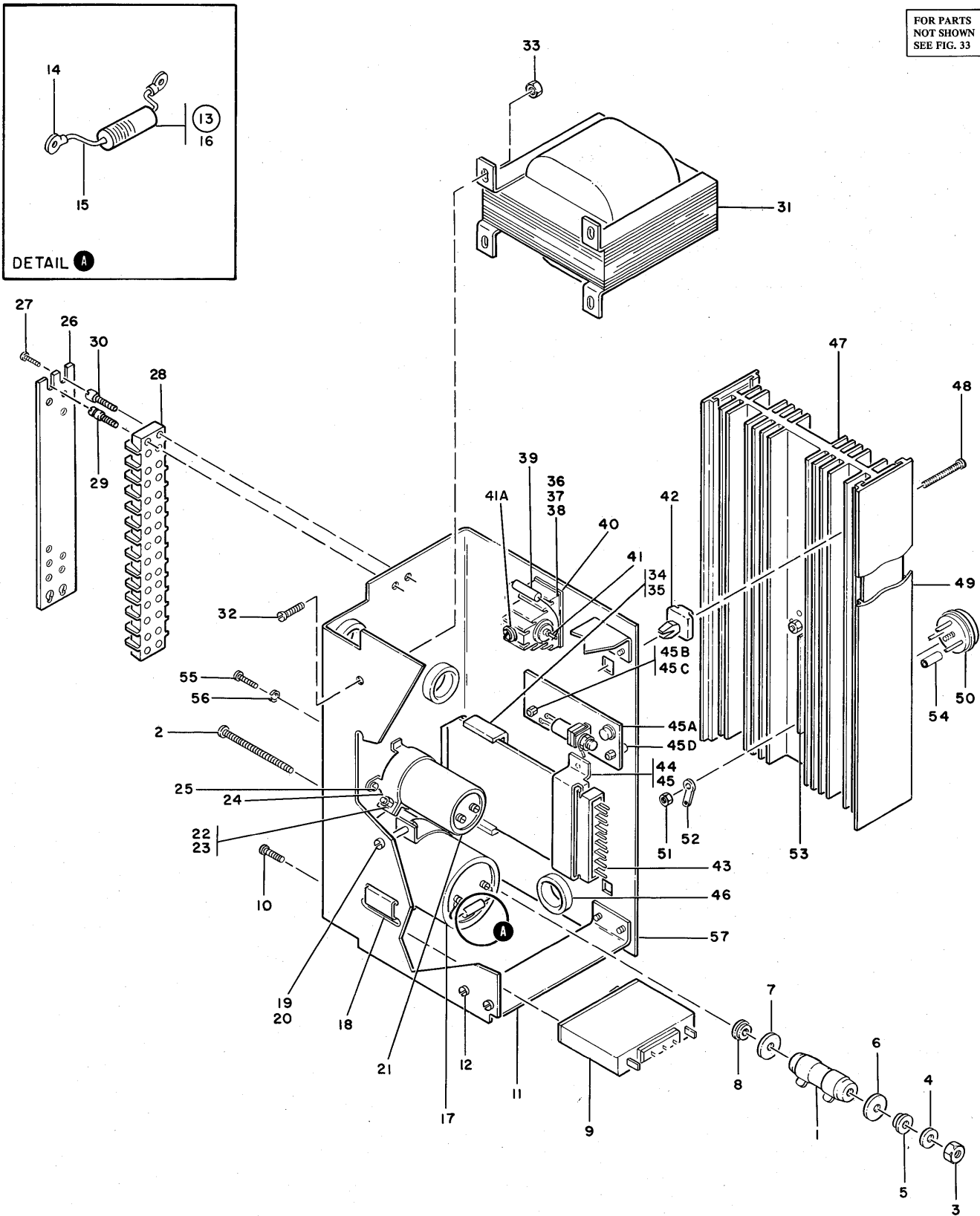


FIGURE 42. 3 VOLT 4 AMP POWER SUPPLY ASSEMBLY.

SEE LIST **42**

## LIST 42

LIST AND INDEX NUMBER	PART NUMBER	DESCRIPTION	UNITS PER ASM.	USABLE ON CODE
		3VDC 4.0AMP POWER SUPPLY ASSEMBLY		
42 -	5239400	POWER SUPPLY ASM,3V AT 4.0 AMP-60 HZ	REF	
-	5239418	POWER SUPPLY ASM,3V AT 4.0 AMP-50 HZ FOR ILLUSTRATION SEE FIGURE 42 FOR NEXT HIGHER ASM SEE LIST 33-129	REF	
- 1	5261119	• RESISTOR,0.16 OHMS 25 WATTS WIREWOUND	1	
- 2	438593	• SCREW-MACH-BIND HD NO. 8-32 X 2 1/2 LG	ATT PT	1
- 3	5761938	• NUT/LOCKWASHER ASSEMBLY - 8-32	ATT PT	1
- 4	2903	• WASHER,FL-NO. 6 X 1/2 OD X 1/32 THK	1	
- 5	510468	• CUP WASHER	1	
- 6	5761935	• WASHER	1	
- 7	5761935	• WASHER	1	
- 8	510468	• CUP WASHER	1	
- 9	5214544	• CIRCUIT BREAKER	1	
- 10	38235	• SCREW,BIND HD 6-32 X .312 LONG	ATT PT	2
- 11	5761779	• BRACKET,CHASSIS		2
- 12	731629	• SCREW,PAN HD- 10-32 X 0.380 LG	ATT PT	8
- 13	5261935	• RESISTOR ASSEMBLY-330 OHMS 2W		2
- 14	359695	• . TERMINAL-RING LUG NO.10 STUD		2
- 15	113819	• . TUBING		2
- 16	317080	• . RESISTOR,FXD 330 OHM 2W		1
- 17	5261067	• CAPACITOR, ELECT., 24000 MF 10VDC		1
- 18	5761786	• STRAP,CAPACITOR		1
- 19	438570	• SCREW,MACH-BIND HD 6-32 X 1-1/2 LG	ATT PT	1
- 20	5761943	• NUT,HEX 10-32 NC	ATT PT	1
- 21	5261089	• CAPACITOR,ELECTROLYTIC- 10000 UF 6VDC		1
- 22	322550	• SCREW,MACH-BIND HD 6-32 X 1/2 LG	ATT PT	1
- 23	5761943	• NUT,HEX 10-32 NC	ATT PT	1
- 24	301768	• BRACKET		1
- 25	55726	• SCREW,MACH-BIND HD 6-32 X .188 LG	ATT PT	2
- 26	210990	• SHIELD- 13 POSITION		1
- 27	210984	• SCREW,MACH RH 6-32 X .25	ATT PT	1
- 28	5214556	• TERMINAL		1
- 29	5261167	• STUD- 8-32 X 0.438 LG W/6-32 TAPPED HOLE	ATT PT	1
- 30	5261165	• STUD,SHLDR- 8-32 X 0.438 LG THD	ATT PT	3
- 31	5761723	• TRANSFORMER,60 HZ		1
- 31	4116492	• TRANSFORMER,50 HZ		1
- 32	332620	• SCREW,MACH-BIND HD 10-32 X 1/2 LG	ATT PT	4
- 33	5761908	• NUT,HEX 10-32 NC	ATT PT	4
- 34	5712309	• GUIDE		1
- 35	5761907	• RIVET	ATT PT	2
- 36	5761977	• RECTIFIER ASSEMBLY		1
- 37	734483	• SCREW,PAN HD- 6-32 X 0.380 LG	ATT PT	3
- 38	5762215	• WASHER,INSULATING	ATT PT	2
- 39	491228	• CAPACITOR, .010 UF		1
- 40	113819	• TUBING		AR
- 41	5761979	• INSULATOR		1
- 41A	5762156	WASHER, 0.144 ID 1.120 OD USED ON ASM 5239400 ONLY		1
- 42	5761796	• INSULATOR,HEAT SINK		4
- 43	5761904	• BRACKET		1
- 44	5761907	• RIVET	ATT PT	2
- 45	216076	• RECEPTACLE ASM,SINGLE CARD FOR COMPONENTS SEE LIST 44-64		1
- 46	5761936	• GROMMET		2
- 47	5761759	• HEAT SINK		1
- 48	5761913	• SCREW,	ATT PT	4
- 50	11598	• NUT, HEX 10-32	ATT PT	2
- 51	316996	• TERMINAL,LUG-NONINS 9AWG NO. 8 MTG HOLE		1
- 52	5761965	• BUS STRIP		1
- 53	5761976	• TUBING		AR
- 54	473536	• SEAL		AR
- 55	10170	• SCREW-MACH,BIND HD NO. 6-32 X .250 LG		1
- 56	56722	• WASHER-LOCK,EXT T, .150 ID		1
- 57	5761758	• CHASSIS		1
		END OF LIST 42		



FOR PARTS  
NOT SHOWN  
SEE FIG. 33

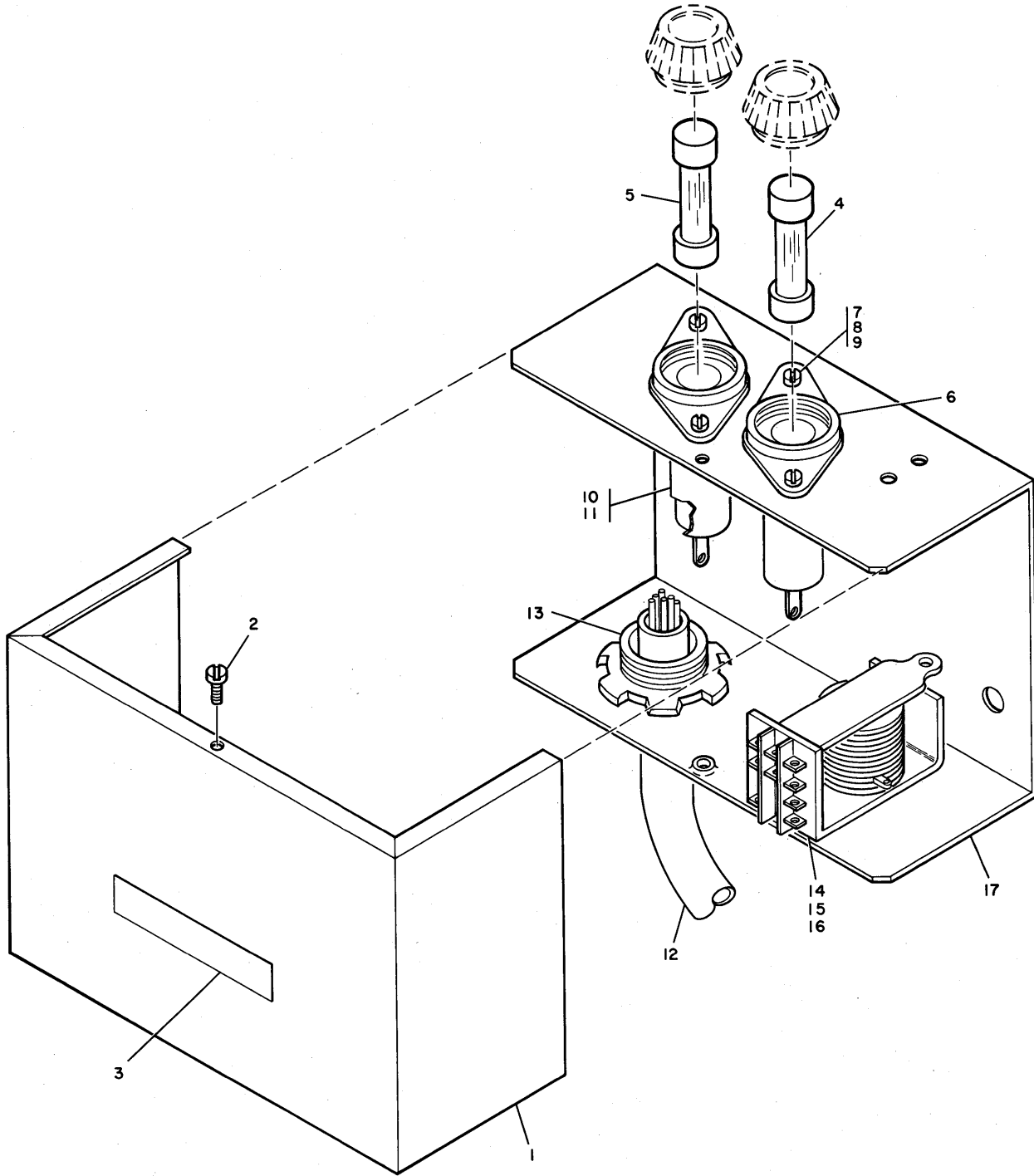


FIGURE 43. SEQUENCE PANEL.

SEE LIST **43**

LIST 43

LIST AND INDEX NUMBER	PART NUMBER	DESCRIPTION				UNITS PER ASM.	USABLE ON CODE
		1	2	3	4		
		SEQUENCE BOX ASSEMBLY					
43		CODE A USED ON ASMS 2243147 AND 2243361					
-	2243147	SEQUENCE BOX ASM, USED ON MIDPACK 2.2 MICROSEC				REF	
-	2243603	SEQUENCE BOX ASM, USED ON MIDPACK 3.6 MICROSEC				REF	
-	2243361	SEQUENCE BOX ASM, USED ON MEDIUM POWER 3.6 MICROSEC FOR ILLUSTRATION SEE FIGURE 43 FOR NEXT HIGHER ASM SEE LIST 33-146				REF	
- 1	2243348	• COVER				1	
- 2	731626	• SCREW, PAN HEAD, 6-32 X .25 LONG				2	
- 3	124943	• LABEL-HAZARDOUS AREA				1	
- 4	92734	• FUSE, 2.0 AMP, LONG TIME LAG, NON-INDICATE				1	A
- 5	117401	• FUSE				1	
- 5	252590	USED ON ASM 2243147 ONLY • FUSE, 0.6 AMP LONG TIME LAG, NON-INDICATE				1	
- 6	104615	• FUSEHOLDER				2	A
- 7	322550	• SCREW, MACH-BIND HD 6-32 X 1/2 LG				4	A
- 8	6364	• WASHER, LOCK-SPLIT NO. 6 X 1/4 OD				4	A
- 9	257187	• NUT, HEX 6-32 NC				4	A
- 10	257079	• INSULATOR, FUSE TERMINAL .375 DIA X 1.500				2	A
- 11	257080	• INSULATOR, FUSE TERMINAL .962 DIA X 1.875				2	A
- 12	2243169	• CABLE ASM, SEQUENCE BOX TO TB 2				1	
- 12	2243600	USED ON ASM 2243147 ONLY • CABLE ASM, SEQUENCE BOX TO TB 2				1	
- 12	2243438	USED ON ASM 2243603 ONLY • CABLE ASM, SEQUENCE BOX TO TB 2				1	
- 13	2100264	FOR COMPONENT PARTS SEE LIST 44-2B, 2C, 23 USED ON ASM 2243361 ONLY • RELIEF, CABLE STRAIN				1	
- 14	2158694	• RELAY, 3PDT 24V AC COIL				AR	
- 15	6364	• WASHER, LOCK-SPLIT NO. 6 X 1/4 OD				AR	
- 16	322550	• SCREW, MACH-BIND HD 6-32 X 1/2 LG				AR	
- 17	2243146	• HOUSING, SEQUENCE				1	
- 17	2243604	USED ON ASMS 2243147 AND 2243361 • HOUSING, SEQUENCE				1	
		USED ON ASM 2243603 ONLY					
END OF LIST 43							

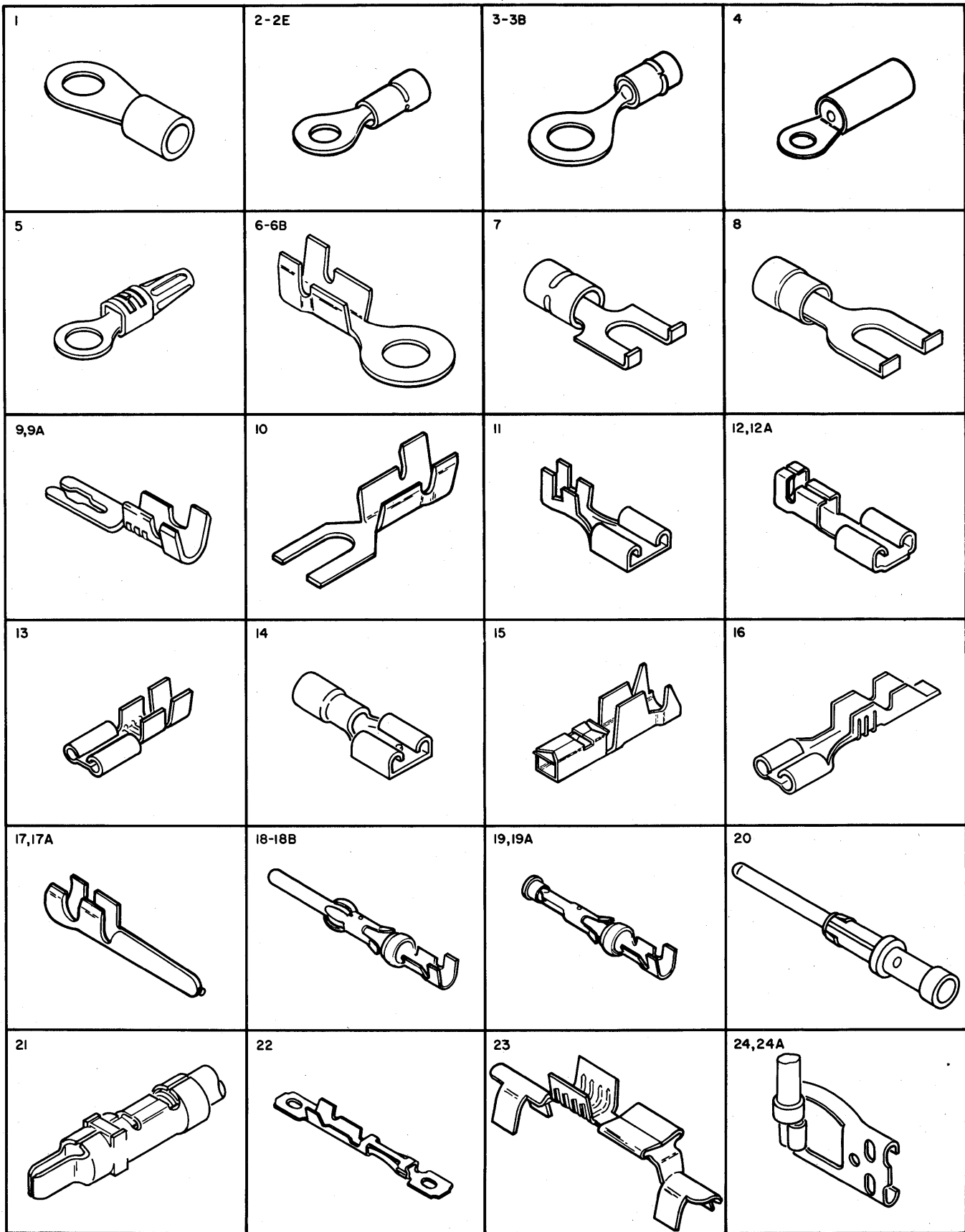


FIGURE 44. CABLE COMPONENT GROUP. SHEET 1 OF 4, INDEX NOS. 1-24.

SEE LIST **44**

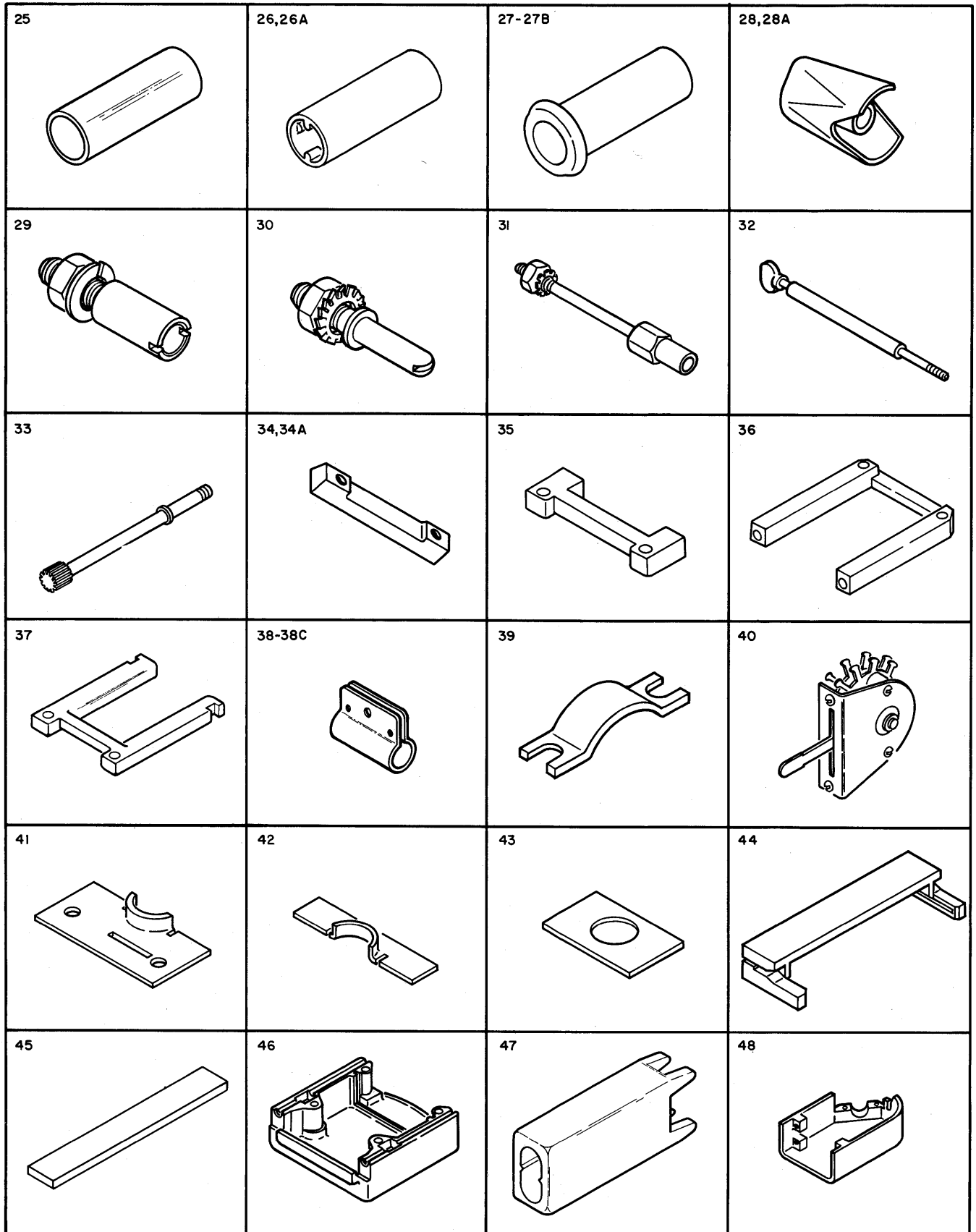
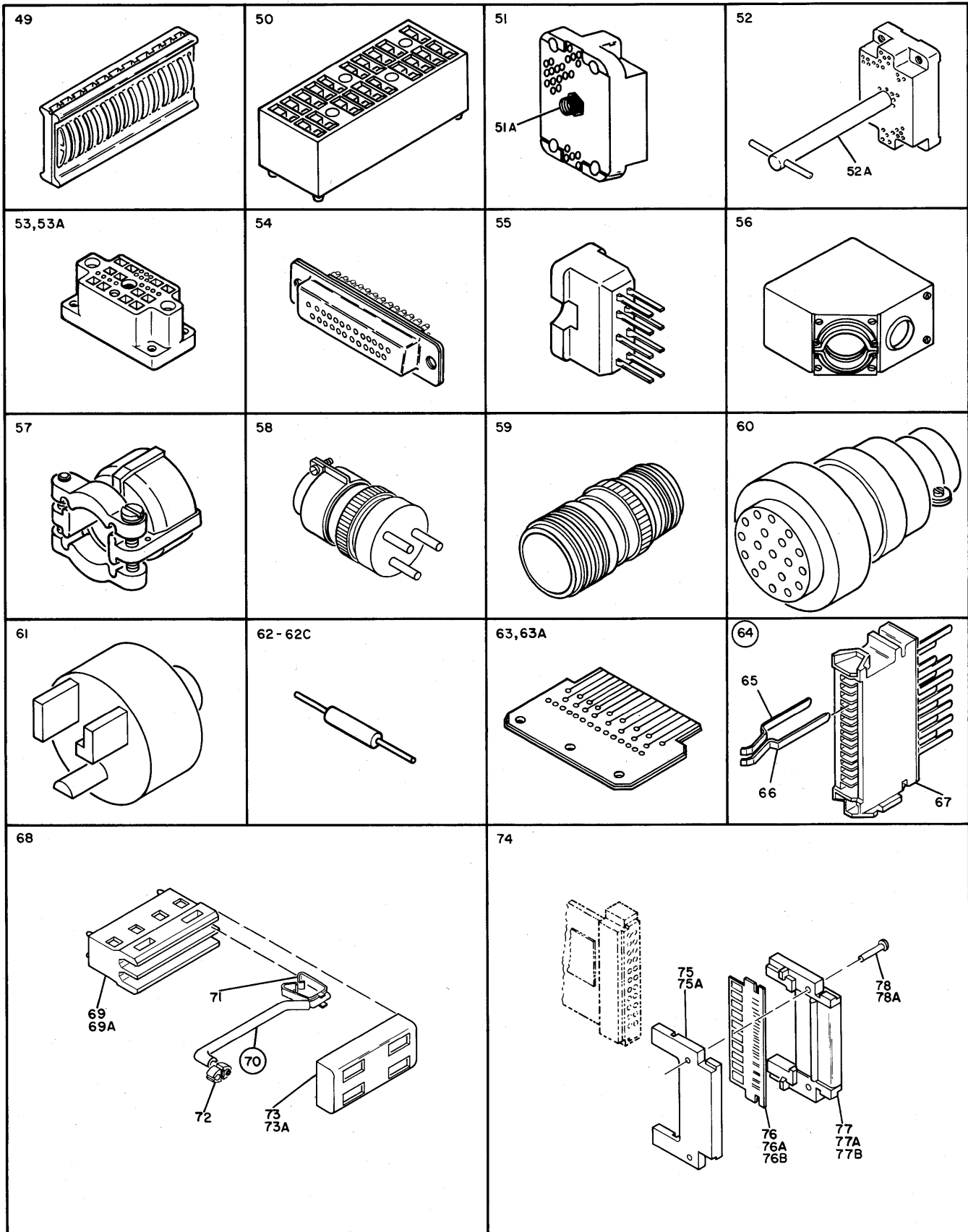


FIGURE 44. CABLE COMPONENT GROUP. SHEET 2 OF 4, INDEX NOS. 25-48.

SEE LIST 44



● FIGURE 44. CABLE COMPONENT GROUP. SHEET 3 OF 4, INDEX NOS. 49-78.

SEE LIST **44**

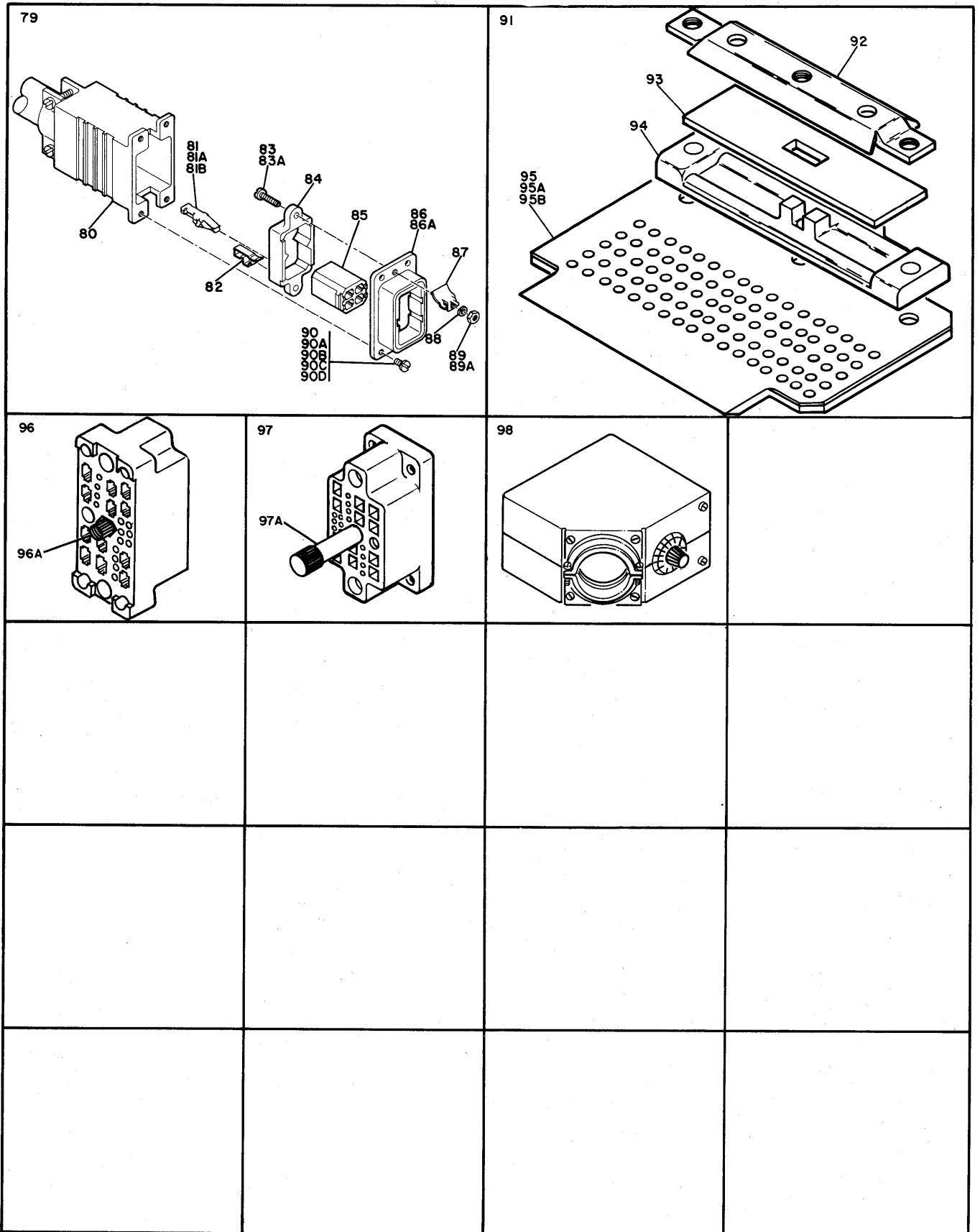


FIGURE 44. CABLE COMPONENT GROUP. SHEET 4 OF 4, INDEX NOS. 79-90.

SEE LIST **44**

## LIST 44

LIST AND INDEX NUMBER	PART NUMBER	DESCRIPTION	UNITS PER ASM.	USABLE ON CODE
		1 2 3 4		
		CABLE COMPONENT GROUP		
44	NO NO.	CABLE COMPONENT GROUP		
		FOR ILLUSTRATION SEE FIGURE 44		
- 1	92784	. TERMINAL,LUG-INS 18-20AWG NO.8 MTG HOLE	AR	
- 2	2102617	. TERMINAL-LUG NO.10 STUD	AR	
- 2A	2197170	. TERMINAL,WIRE,#8 AWG	AR	
- 2B	253453	. TERMINAL, RING INS NO 22 AWG 0.140 ID	AR	
- 2C	253740	. TERMINAL,LUG-INS 10-12AWG NO.6 MTG HOLE	AR	
- 2D	334910	. TERMINAL-LUG NO.16 THRU NO.14 WIRE	AR	
- 2E	334921	. TERMINAL-LUG NO.22 THRU NO.18 WIRE INSUL	AR	
- 3	186968	. TERMINAL,LUG-INS 10/12AWG NO. 8 MTG HOLE	AR	
- 3A	334932	. TERMINAL-LUG NO.18 THRU NO.22 WIRE INSUL	AR	
- 3B	360370	. TERMINAL-RING TONGUE NO.14-16 WIRE	AR	
- 4	2101326	. TERMINAL-CLIP,BARREL NO.12-10 WIRE INSUL	AR	
- 5	359695	. TERMINAL-RING LUG NO.10 STUD	AR	
- 6	186961	. TERMINAL-RING,NO.6 STUD NON INSULATED	AR	
- 6A	483677	. TERMINAL-RING NO. 6 STUD, 18 TO 20 AWG	AR	
- 6B	483678	. TERMINAL-RING NO. 6 STUD, 14 TO 16 AWG	AR	
- 7	368222	. TERMINAL-NO.8 STUD 16-14 WIRE	AR	
- 8	92786	. TERMINAL,LUG-INS 18-20AWG NO.4 MTG SLOT	AR	
- 9	813194	. TERMINAL-AWG,20-18	AR	
- 9A	813195	. TERMINAL-DISCRETE WIRE,22/24/26	AR	
- 10	313361	. TERMINAL, SPADE 0.119 ID- 22, 24 AWG	AR	
- 11	430798	. TERMINAL, RECEPTACLE WIRE SIZE 20-18 AWG	AR	
- 12	236915	. TERMINAL-CONTACT FEMALE 20-18 AWG	AR	
- 12A	236916	. TERMINAL-CONTACT FEMALE 24-22 AWG	AR	
- 13	2123393	. TERMINAL,QUICK DISCONNECT- 16/20AWG	AR	
- 14	5247187	. TERMINAL,QUICK DISCONNECT- 18/22AWG	AR	
- 15	815934	. CONNECTOR,DISCRETE WIRE 22-26 AWG	AR	
- 16	5412817	. TERMINAL-QUICK DISCONNECT	AR	
- 17	187243	. TERMINAL, SMALL TAPER 20-22-24 OR 26 AWG	AR	
- 17A	360433	. TERMINAL-TAPER PIN 16/18AWG 0.073 NOM OD	AR	
- 18	2122260	. PIN-CONTACT,AWG 18-16	AR	
- 18A	2127867	. PIN, CONTACT 24-26 AWG	AR	
- 18B	2122258	. PIN-CONTACT MALE 20/22AWG	AR	
- 19	2127890	. SOCKET-CONTACT AWG 26-24	AR	
- 19A	2122261	. SOCKET,CONTACT AWG 18 - 16	AR	
- 20	2190742	. PIN,CONTACT MALE 16/18 AWG	AR	
- 21	2192507	. TERMINAL ASM-MALE 12/14 AWG LONG	AR	
- 22	813810	. TERMINAL,QUICK DISCONNECT	AR	
- 23	596255	. TERMINAL,SLIP-ON	AR	
- 24	517913	. CLIP, SLIP ON NO 18-16 AWG	AR	
- 24A	2162590	. TERMINAL-FLAG FAST	AR	
- 25	257080	. INSULATOR,FUSE TERMINAL .962 DIA X 1.875	AR	
- 26	2163847	. SLEEVE,INSULATING 0.225 DIA X 0.75 LG	AR	
- 26A	2178470	. SLEEVE,INSULATING 0.308 DIA X 0.75 LG	AR	
- 27	2191359	. BUSHING CABLE CLAMP	AR	
- 27A	2243200	. BUSHING-.925 OD X .75 ID X 2.00 LONG	AR	
- 27B	4203608	. BUSHING-.738 OD X .625 ID X 2.141 LONG	AR	
- 28	123816	. FERRULE-SHIELDED WIRE 0.070 ID	AR	
- 28A	2178469	. FERRULE-SHIELDED WIRE 0.150 ID	AR	
- 29	2122636	. SOCKET,GUIDE CORNER	AR	
- 30	2122637	. PIN,GUIDE CORNER	AR	
- 31	2180796	. JACKSCREW, FIXED	AR	
- 32	2244723	. SCREW,JACK 8-32 X 0.5 THR TOTAL 4.88 LG	AR	
- 33	347752	. STUD,KNURLED HD- 4-40 X 2.60 LG	AR	
- 34	2180973	. CLAMP, SLT CARD	AR	
- 34A	2204024	. STRAIN RELIEF	AR	
- 35	5352958	. STRAIN RELIEF	AR	
- 36	5352960	. STRAIN RELIEF	AR	
- 37	5352967	. STRAIN RELIEF	AR	
- 38	2154996	. CLAMP, CABLE, MOTOR POWER INTERCONN	AR	
- 38A	627603	. CLAMP	AR	
- 38B	2145183	. CLAMP-CABLE	AR	
- 38C	2162457	. CLAMP, CABLE	AR	
- 39	2244724	. CLAMP,CABLE	AR	
- 40	347745	. SWITCH,LEVER-8 POLES NON SHORTING	AR	
- 41	4034312	. PLATE,SWITCH MOUNTING	AR	
- 42	4034311	. PLATE,CABLE CLAMP	AR	
- 43	347751	. PLATE-PRESSURE	AR	
- 44	811802	. GUIDE-CARD,6 PAC	AR	
- 45	2191340	. STRAIN RELIEF	AR	
- 46	347755	. SHELL-CONNECTOR AND SWITCH HOUSING	AR	
- 47	813197	. HOUSING-TERMINAL	AR	
- 48	2244722	. HOUSING, PLUG	AR	
- 49	2242704	. HOUSING,SNAP 12 UP	AR	
- 50	2191341	. HOUSING-JUMPER CONNECTOR	AR	

## LIST 44 CONT

LIST AND INDEX NUMBER	PART NUMBER	DESCRIPTION				UNITS PER ASM.	USABLE ON CODE	
		1	2	3	4			
		CABLE COMPONENT GROUP -CONT						
44	- 51	2191078	• RECEPTACLE,160 PIN SIGNAL				AR	
	- 51A	2243665	• • JACKSCREW,FEMALE				1	
	- 52	2191077	• CONNECTOR,160 PIN SIGNAL				AR	
	- 52A	2243666	• • JACKSCREW, MALE				1	
	- 53A	2244725	• PLUG, 29 POS.				AR	
	- 54	5302662	• CONNECTOR,MALE				AR	
	- 55	2160951	• SOCKET-HEAD DIODE BOARD				AR	
	- 56	2191079	• SHIELD ASSEMBLY				AR	
	- 57	2243148	• CLAMP,CABLE .75 ID				AR	
	- 58	820384	• PLUG,MALE-3 WIRE 20 AMP				AR	
	- 59	2243099	• PLUG,3 SOCKET CONTACT				AR	
	- 60	2135031	• CONNECTOR				AR	
	- 61	2243571	• CAP,115V 30AMP				AR	
	- 62	216438	• RESISTOR,FXD,COMP- 470 OHMS P/M 5% 1/4W				AR	
	- 62A	216458	• RESISTOR,FXD,COMP- 3.9K PORM 5PCT,1/4W				AR	
	- 62B	216468	• RESISTOR,FXD-COMP- 10K OHMS P/M 5% 1/4W				AR	
	- 62C	317087	• RESISTOR,FXD,WW- 2700 OHMS P/M 5 PCT 2W				AR	
	- 63	5800610	• CARD ASM				AR	
	- 63A	5805030	• CARD,CONNECTOR				AR	
	- 64	216076	• TERMINAL BLOCK AND CONTACT ASSEMBLY				AR	
	- 65	216087	• • SPRING-CONTACT				AR	
	- 66	216088	• • SPRING-CONTACT				AR	
	- 67	216073	• • CARD RECEPTACLE- 1 POSITION				AR	
	- 68	NO NO.	NP	• CABLE GROUP			NP	
	- 69	813801	• • HOUSING				AR	
	- 69A	813550	• • HOUSING- 2 PIN GRN USES COVER P/N 813549				AR	
	- 70	811496	• CONTACT ASSEMBLY				AR	
	- 71	813681	• • CONTACT, MINITURE BUS				AR	
	- 72	813827	• • BUS CONNECTOR				AR	
	- 73	813802	• • CAP				AR	
	- 73A	813549	• • COVER- 2 PIN NAT FOR HOUSING P/N 813550				AR	
	- 74	NO NO.	NP	• CABLE GROUP			NP	
	- 75	813803	• • STRAIN RELIEF				AR	
	- 75A	813805	• • STRAIN RELIEF				AR	
	- 76	5800660	• • CARD ASM				AR	
	- 76A	5800656	• • CARD ASSEMBLY				AR	
	- 76B	5800671	• • CARD ASSEMBLY				AR	
	- 77	813804	• • STRAIN RELIEF				AR	
	- 77A	813806	• • STRAIN RELIEF				AR	
	- 77B	813807	• • STRAIN RELIEF				AR	
	- 78	813338	• • RIVET				AR	
	- 78A	2204180	• • RIVET,ROLLED FLANGE				AR	
	- 78B	595720	• • RIVET, ROLLED FLANGE				AR	
	- 79	NO NO.	NP	• CABLE GROUP			NP	
	- 80	738256	• • HOOD- 2 MODULE				AR	
	- 81	738255	• • TERMINAL ASM, FEMALE 12 AND 14 AWG				AR	
	- 81A	2192503	• • TERMINAL ASM, FEMALE 12-14 AWG				AR	
	- 81B	2192502	• • TERMINAL ASM, MALE 12-14 AWG				AR	
	- 82	2195482	• • CLIP,GROUNDING				AR	
	- 83	438550	• • SCREW,MACH-BIND HD 4-40 X 1/2 LG				AR	
	- 83A	2300	• • SCREW,MACH-FIL H 8-32 X 1/4 LG				AR	
	- 84	738166	• • RETAINER- 2 FEMALE MODULES				AR	
	- 85	738257	• • MODULE BLOCK-4 POS FEMALE				AR	
	- 86	2192524	• • RECEPTACLE				AR	
	- 86A	738196	• • RECEPTACLE- 2 BLOCK MODULE				AR	
	- 87	738197	• • LOCKING SPRING,MODULE CONN				AR	
	- 88	257984	• • WASHER,LOCK-SPRING MEDIUM				AR	
	- 89	257189	• • NUT, HEX 8-32				AR	
	- 89A	37913	• • NUT, HEX 4-40 NC				AR	
	- 90	337	• • SCREW,MACH-FIL H 8-32 X 3/8 LG				AR	
	- 90A	186758	• • SCREW,MACH-BIND HD 8-32 X 7/16 LG				AR	
	- 90B	236550	• • SCREW,MACH-BIND HD 4-40 X 0.375 LG				AR	
	- 90C	338238	• • SCREW, MACH-BD HD 4-40 NC X .3125 LG				AR	
	- 90D	186759	• • SCREW,MACH-BIND HD 8-32 X 5/16 LG				AR	
	- 91	NO NO.	NP	• CABLE GROUP			NP	
	- 92	216208	• • CLAMP-CABLE CONNECTOR				AR	
	- 93	216210	• • SPACER-CABLE CONNECTOR				AR	
	- 94	216209	• • SUPPORT-CABLE CONNECTOR CARD				AR	
	- 95	396335	• • CARD ASM				AR	
	- 95A	491349	• • CARD ASM				AR	
	- 95B	747369	• • CONNECTOR				AR	
	- 96	2180672	• RECEPTACLE,29 PIN POWER				AR	
	- 96A	2180796	• • JACKSCREW, FIXED				AR	
	- 97	2180673	• CONNECTOR,29 PIN POWER				AR	
	- 97A	2239033	• • JACKSCREW,MALE				AR	
	- 98	2180669	• COVER,29 PIN POWER				AR	

END OF LIST 44





## NUMERICAL INDEX

PART NO.	LIST AND INDEX NO.	PART NO.	LIST AND INDEX NO.	PART NO.	LIST AND INDEX NO.
92	6 - 83B	9092-CONT	24G- 42	19944	21 - 29
294	6 -113		25 - 71	22478	1 - 3
337	44 - 90		39 - 40		3 - 5
371	1 - 77		41 - 40		5 - 3
443	4 - 75G	10170	1 - 81		5 - 8
673	6 - 62		1 -128		5 - 15
845	12 - 45		2 - 2		6 -121
	12 - 53		11 - 18		8 - 25
	29 - 47		12 - 10		8 - 40
1866	6 -101		15 - 92A		9A- 15
2300	6 -120		16 - 3		9A- 33
	44 - 83A		16 - 84		15 - 69
2903	24F- 4		19A- 13		17 - 41
	24H- 4		19A- 20		17A- 39
	27 - 16		21 - 2		18 - 36
	40 - 4		23 - 32		19 - 3
	42 - 4		24F- 46		23 - 73
3500	7 - 6		24G- 4		24A- 9
	7 - 11		24G- 46		24C- 41
3550	4 -130		24H- 27		24G- 13
	15 - 4		34 - 25		34 - 26
	17 - 32		35 - 25		35 - 26
	17A- 32		36 - 5		39 - 28
	21 - 45		36 - 8		41 - 28
	21 - 55		37 - 5	23141	4 - 42
	24G- 48		37 - 7		4 -112
	39 - 46		39 - 21	24091	15 - 42A
3696	1 - 62B		39 - 44	25627	1 - 99
	1 - 62D		40 - 46		16 - 64
3960	4 -119		41 - 4		24A- 8
	21 - 47		41 - 44		24B- 66
4108	6 - 97		42 - 55		24C- 24
4236	6 - 27A	11598	1 - 10		24E- 14
	6 - 74		1 - 15	25793	4 - 68
	6 -100		1 - 32	25891	21 - 5
	6 -103		1 -105		21 - 16
4564	25 - 89		4 - 2		24D- 24
	25 - 98		4 - 14	25984	6 - 92
	27A- 34		4 - 17	26299	1 - 59
4792	6 - 91		4 - 23D	28413	24D- 11
4797	6 - 8		6 - 66		24G- 2
	6 - 20		13 - 13		39 - 2
5528	13 - 19		15 - 10		41 - 2
	15 -109		15 - 14	28762	6 - 33
	32 - 4		15 - 75	32042	1 - 7
5644	12 - 28		21 - 8		1 - 13
5677	15 - 12		21 - 19		1 - 89
	33 - 94		21 - 80		4 - 27
	27A- 35		23 - 3		14 - 2
6364	19 - 16		23 - 26		15 - 54
	20 - 3		24 - 3		15 - 73
	24G- 73		24 - 26		15 -101
	24J- 7		24A- 20		19 - 13
	24K- 7		24A- 37		19A- 15
	38 - 3		24C- 32		24D- 11
	39 - 72		24D- 6		24J- 2
	41 - 72		24D- 27		24K- 2
	43 - 8		24F- 57		33 - 4
	43 - 15		24G- 43		33 - 12
6935	12 - 31		24H- 58	32617	4 - 99
	15 - 5		24J- 4		15 - 7
	17 - 33		24K- 4	34512	1 - 2
	17A- 33		27 - 9		1 - 28
	21 - 46		27A- 36		1 - 72
	25 - 94		29 - 52		1 - 99
	34 - 42		29 - 64		1 -122
	35 - 19		33 - 14		4 -115
7371	7 - 7		33 - 96		5 - 5
	7 - 12		39 - 41		12 - 39
9092	3 - 8		40 - 57		16 - 44
	3 - 11		41 - 41		21 - 13
	3 - 14		42 - 50		24B- 41
	4 - 23C	11891	4 - 75J		33 - 22
	6 -125		24G- 77		33 - 33
	13 - 12		39 - 76	35739	8 - 6
	15 - 9		41 - 47		8 - 10
	15 - 55		41 - 76		9A- 5
	21 - 7	12954	27A- 39		9A- 10
	21 - 18	15889	26 - 65		16 - 37

PART NO.	LIST AND INDEX NO.
35739-CONT	24B- 37
	26 - 53
35868	25 -107A
36109	12 - 32
	17 - 34
	17A- 34
	33 -126
	34 - 43
	35 - 20
	35 - 35
36112	33 -125
	35 - 34
37913	9 - 5
	15 - 82
	24F- 35
	24G- 87
	24H- 41
	26 - 38
	26 - 44
	34 - 49
	35 - 44
	39 - 85
	40 - 35
	44 - 89A
38051	24G- 18
	24G- 23
	24G- 62
	24G- 74
	39 - 7
	39 - 12
	39 - 61
	39 - 73
	41 - 9
	41 - 14
	41 - 61
	41 - 73
38235	12 - 53
	19 - 15
	23 - 37
	24 - 32
	24 - 37
	24F- 10
	24G- 59
	24G- 64
	24H- 10
	24J- 6
	24K- 6
	27 - 40
	33 -100
	39 - 58
	39 - 63
	40 - 10
	41 - 58
	41 - 63
	42 - 10
38255	6 -106
38265	15 - 80
38271	6 - 42
38352	4 - 83
38354	23 - 34
	24 - 34
38368	6 -112
38381	6 -124
38393	27 - 8
38443	21 - 51
38686	4 -128
38688	12 - 30
45690	1 - 8
	4 - 3
	4 - 15
	4 - 18
	4 - 75H
	4 -101
	13 - 11
	15 - 8
	15 - 56
	15 -115C
	21 - 6
	21 - 17

PART NO.	LIST AND INDEX NO.
45690-CONT	21 - 55
	23 - 27
	24 - 27
	24A- 22
	24A- 30A
	24A- 34
	24C- 30
	24D- 4
	24D- 25
	24G- 41
	25 -105
	27A- 19
	33 - 70
	39 - 39
	41 - 39
	41 - 46
48594	6 -126
52614	6 - 19
55726	4 - 34
	4 - 37
	17 - 7
	17A- 7
	18 - 7
	18 - 50
	21 - 12
	24B- 3
	24B- 10
	24G- 36
	39 - 33
	41 - 34
	42 - 25
55901	1 - 4
	1 - 29
	1 - 73
	1 -100
	1 -123
	5 - 6
	8 - 24
	8 - 39
	9A- 15A
	9A- 32
	12 - 48
	15 - 32
	15 - 64
	15 - 92
	16 - 11
	16 - 20
	16 - 32
	16 - 62
	16 - 78
	19 - 4
	19A- 3
	24B- 20
	24B- 32
	24B- 59
	24B- 80
	24B-107
	24C- 3
	24C- 13
	24C- 25
	24C- 42
	33 - 9
	33 - 23
	33 - 34
	33 -110
55918	1 -103
	16 - 75
	24B- 76
56079	1 - 9
	1 - 14
	1 - 31
	1 - 90
	1 -104
	4 - 10
	15 - 35
	15 - 38
	15 - 55
	15 - 68
	16 - 76

PART NO.	LIST AND INDEX NO.
56079-CONT	21 - 79
	23 - 46
	24 - 46
	24A- 15
	24A- 21
	24A- 25
	24A- 30B
	24B- 7
	24B- 77
	24C- 31
	24D- 5
	24D- 26
	24J- 3
	24K- 3
	33 - 5
	33 - 13
56121	15 - 74
	32 - 5
56722	1 -116
	11 - 15
	14 - 7
	15 - 92B
	16 - 4
	16 - 38
	16 - 56
	16 - 59
	16 - 85
	19 - 16
	19 - 23
	19A- 23
	24B- 4
	24B- 11
	24B- 38
	24B- 51
	24C- 35
	24F- 47
	24G- 37
	24H- 28
	26 - 43
	26 - 50
	28 - 26
	36 - 15
	37 - 13
	37 - 18
	37 - 23
	39 - 34
	40 - 47
	41 - 35
	42 - 56
58207	1 - 11
	1 -126
	4 - 7
	6 - 7
	13 - 16
	16 - 10
	16 - 19
	16 - 31
	16 - 77
	24B- 19
	24B- 31
	24B- 79
	24B-106
	24D- 2
	25 -104
59647	34 - 41
	35 - 18
59649	25 - 93
59659	25 - 97
60646	24G- 11
	32 - 5
	39 - 29
	41 - 25
62031	24G- 17
	24G- 22
	24G- 61
	39 - 6
	39 - 11
	39 - 60
	41 - 8

PART NO.	LIST AND INDEX NO.	PART NO.	LIST AND INDEX NO.	PART NO.	LIST AND INDEX NO.
62031-CONT	41 - 13	113819-CONT	24H- 18	170202-CONT	11 - 20
	41 - 60		24H- 37	170213	15 - 27
70078	24G- 80		26 - 2	170214	14 - 4
	39 - 79		26 - 32	170215	20 - 2
76574	4 -118		27 - 29		38 - 2
	4 -129		39 - 23	170228	8 - 48
	15 - 42		40 - 15		9A- 2
	21 - 56		40 - 31		15 - 23
	23 - 52		41 - 30	173205	6 - 75
	24 - 52		42 - 15	173215	6 - 85
79204	15 - 78		42 - 40	176246	31 - 4
79779	24G- 68	116875	29 - 70	179743	4 - 89
	39 - 67	117401	43 - 5		10 - 4
	41 - 67	117403	16 - 35		16 - 92
	32 - 2	118418	6 - 81		24B- 86
79842	26 - 36		6 - 88	179946	21 - 59
80650	23 - 15		6 - 94	179966	4 - 69
80651	24 - 15		21 - 78	183841	2 - 5
	23 - 21	118615	6 - 71		33 - 56
80652	24 - 21	120044	25 - 70	183900	15 - 87
	22 - 3	120211	44 - 28		15 - 89
80880	24E- 3	123816	23 - 62	184380	16 - 34
	29 - 62	124580	4 - 38	185052	31 - 2
81404	11 - 14	124822	12 - 29	186324	24C- 10
81693	24B- 16	124871	4 - 43	186685	6 - 9
	25 - 2	124943	4 -125	186758	27 - 7
	25 - 7		11 - 7		27 - 15
	26 - 49		12 - 40		27A- 42
	28 - 2		19A- 28		44 - 90A
81898	15 -108		33 - 84C	186759	23 - 22A
82353	16 - 63		43 - 3		23 - 23
	39 - 15	126036	16 - 17		24 - 23
83462	23 - 51		24B- 17		24C- 2
	24 - 51	127324	21 - 52		24C- 12
91469	22 - 3		24G- 47		29 - 50
	24E- 3		39 - 45		44 - 90D
91610	23 - 20	127499	25 - 99	186942	15 - 50
	24 - 20	127712	25 - 88	186943	16 - 45
91611	4 - 9	130434	15 - 54		24B- 42
	4 - 12	130987	1 - 60		24C- 14
91892	21 - 70		33 - 82	186944	26 - 13
92632	28 - 31	131713	21 - 25	186945	22 - 8
92734	16 - 35	132422	24 - 56		24E- 8
	24B- 34	133798	6 - 69	186961	44 - 6
	43 - 4	134998	7 - 4	186967	28 - 16
92784	15 - 62	138754	4 -124	186968	21 - 9
	44 - 1		16 - 8		44 - 3
92786	11 - 21		24B- 14	187243	6 - 25
	44 - 8		25 - 41		24B- 94
93178	33 - 81		28 - 29		24B- 97
100229	6 - 76	140738	6 - 49		25 -106
100354	6 - 86	150109	6 - 31		26 - 3
101706	15 -104	159373	16 - 93		27 - 24
	33 -136		24B- 85		27 - 28
103372	6 - 35	159494	1 - 23		27A- 12
104294	11 - 17		1 - 25		27A- 21
104615	16 - 36		1 - 34		44 - 17
	24B- 36		1 - 45	187466	21 - 62
	43 - 6		1 - 53	187467	19 - 7
104715	25 -122		33 - 38		19A- 19
105047	6 - 63		33 - 42		36 - 7
106988	6 - 96		33 - 46		37 - 6
107070	6 - 90		33 - 50	187470	39 - 13
107611	12 - 36		33 - 67	187471	19 - 26
	19 - 34	159941	6 - 10		19A- 10
	19A- 27	159944	6 - 12	187491	24D- 32
	36 - 19	160017	21 - 57	187736	24D- 32
	37 - 26		24G- 49	187858	22 - 8
	38 - 9		39 - 47		24E- 8
107664	16 - 35	161351	25 - 90		13 - 1
	24B- 34	163800	9B- 5	191478	16 - 66
107665	16 - 35	163899	6 -104		24B- 69
	24B- 34	165010	8 - 15	191480	16 - 12
107667	16 - 35		9B- 4	191484	24E- 8
	24B- 34	169733	15 - 3	192733	21 - 54
113819	21 - 41		17 - 31		24C- 8
	24F- 15		17A- 35	194719	26 - 30
	24F- 31	170185	9A- 38	196299	6 - 30
	24G- 33	170202	11 - 3		6 - 68

PART NO.	LIST AND INDEX NO.
196299-CONT	6 -129
	7 - 9
199276	27A- 1
204818	24E- 11
204839	6 - 78
204843	6 - 77
204848	6 - 82
205331	4 - 46
	6 - 13
205608	6 - 80
207293	15 -115F
	24A- 38
207324	24G- 78
	39 - 77
207351	39 - 20
207356	21 - 22
207364	15 - 45
207382	15 -115D
	24A- 35
208190	21 - 41
208228	41 - 6
208529	1 - 95
	1 -107
	14 - 10
209005	4 - 74
	4 - 75B
	24C- 5
210883	11 - 11
	16 - 15
	19A- 18
	20 - 13
	24C- 17
	24D- 29
	26 - 16
	33 -116
	36 - 10
	37 - 9
210884	11 - 10
	16 - 16
	24C- 18
	24D- 30
	26 - 17
210984	13 - 2
	15 - 44
	16 - 13
	16 - 23
	16 - 46
	16 - 67
	19 - 8
	19 - 27
	19A- 11
	21 - 63
	21 - 69
	22 - 9
	23 - 10
	24 - 10
	24B- 23
	24B- 43
	24B- 70
	24C- 15
	24D- 33
	24E- 9
	24F- 42
	24G- 25
	24H- 23
	26 - 14
	39 - 14
	40 - 42
	41 - 16
	42 - 27
210985	4 -122
	13 - 4
	15 - 46
	15 - 92D
	16 - 48
	16 - 69
	19 - 10
	19 - 30
	19A- 8

PART NO.	LIST AND INDEX NO.
210985-CONT	21 - 65
	21 - 71
	22 - 5
	24B- 45
	24B- 72
	24C- 17
	24E- 5
210986	4 -121
	13 - 5
	15 - 47
	16 - 49
	16 - 70
	19 - 11
	19 - 29
	19A- 7
	21 - 66
	21 - 72
	22 - 4
	24B- 46
	24B- 73
	24C- 18
	24E- 4
210990	24F- 41
	24G- 24
	24H- 22
	40 - 41
	41 - 15
	42 - 26
210998	21 - 68
212988	16 - 65
213536	23 - 59
	24 - 55
	24 - 56
	24B- 89
216073	44 - 67
216076	16 - 89
	23 - 42
	24 - 42
	24F- 23
	24G- 57
	24H- 48
	33 -103
	39 - 56
	40 - 23
	41 - 56
	42 - 45
	44 - 64
	44 - 65
216087	44 - 66
216088	16 - 82
216206	33 -102
	44 - 92
216208	44 - 94
216209	44 - 93
216210	23 - 67
216258	24 - 67
	15 - 57
216297	4 - 29B
216318	4 - 29C
216319	4 - 29A
216320	11 - 17
216362	6 - 18
216438	44 - 62
	44 - 62A
216458	44 - 62B
216468	24B- 95
216794	21 - 53
217017	24G- 51
	39 - 49
	13 - 9
217019	21 - 53
	24C- 7
	24D- 8
	41 - 49
219202	6 - 54
219203	6 - 47
219204	6 - 36
219209	6 - 55
219213	6 -127

PART NO.	LIST AND INDEX NO.
219216	7 - 10
219224	6 - 60
219226	7 - 1
219229	6 - 52
219232	6 - 61
219235	6 - 56
219236	7 - 8
219237	6 - 67
219244	6 -127
219268	6 -128
219272	7 - 3
219278	6 - 43
219281	6 -108
219319	6 - 99
219325	6 - 65
219333	6 - 59
219346	6 - 53
219347	6 - 51
219357	6 - 57
219368	6 - 83
219423	24G- 75
	39 - 74
	41 - 74
	41 - 77
219472	6 - 64
220764	24B- 68
220916	24C- 21
221110	24C- 39
221790	16 - 61
	16 - 95
	24B- 58
	33 -109
223803	24B- 50
225532	4 -102
225533	15 - 2
227501	6 - 44
227502	6 - 41
227519	6 - 57
227527	6 - 48
227529	6 - 50
227582	6 - 46
228391	24B- 34
234316	15 - 21
	15 -115G
	24A- 39
234317	3 - 4
	19 - 2
234318	5 - 2
	5 - 7
	5 - 14
	24E- 14
	25 - 59
234328	15 -115B
	24A- 30
	24A- 33
234330	3 - 10
234333	24A- 36
234340	15 - 41
	25 - 48
234341	4 -117
236550	24B-100
	44 - 90B
236849	15 - 41
	17 - 25
	17 - 27
	17 - 50
	17A- 28
	17A- 30
	18 - 20
	21 - 49
	23 - 45
	24 - 45
	24A- 14
	24A- 24
	24B- 6
	25 - 13
	34 - 20
	36 - 12
236915	44 - 12

PART NO.	LIST AND INDEX NO.	PART NO.	LIST AND INDEX NO.	PART NO.	LIST AND INDEX NO.
236916	44 - 12A	257189-CONT	33 - 55	316047	6 -123
251283	31 - 6		39 - 30	316059	7 - 5
251970	9 - 2		41 - 26	316807	1 -115
	9 - 11		44 - 89		21 - 35
	15 -112	257959	8 - 30		21 - 75
	33 -143		9A- 19	316996	13 - 14
251989	29 - 2	257980	4 - 85		24C- 9
252589	16 - 35	257984	8 - 52		24D- 9
	24B- 34		15 - 81		24F- 58
252590	24B- 34		44 - 88		24H- 59
	43 - 5	257985	24G- 86		40 - 58
252591	16 - 35		34 - 48		42 - 51
	24B- 34		35 - 43		24 - 63
253219	24B- 67		39 - 84	317007	23 - 57
253453	44 - 2B	257986	1 -129	317009	4 - 49
253740	44 - 2C		4 - 84	317011	24F- 16
254628	16 - 35		4 - 86	317080	24H- 19
255629	2 - 11B		9A- 1C		40 - 16
	2 - 11D		15 - 24		42 - 16
	23 - 18		21 - 3	317087	44 - 62C
	24 - 18		21 - 76	317131	26 - 15
255994	26 - 31		24G- 60	317132	15 - 92C
257079	16 - 40		24G- 72	317138	13 - 24
	24B- 35		25 -112	317145	22 - 3
	43 - 10		26 - 54		24E- 3
257080	16 - 40		27 - 41	317192	26 - 29
	24B- 35		34 - 46	317232	8 - 5
	43 - 11		35 - 41		9A- 9
	44 - 25		39 - 59	317304	27 - 21
257187	1 -117		39 - 71		27A- 25
	11 - 16		41 - 59	317310	11 - 9
	15 - 25		41 - 71	317390	24 - 56
	15 - 48	263217	29 - 17	320167	4 - 48
	16 - 39	286531	28 - 14		6 - 22
	16 - 55	287502	8 - 2		24B- 88
	16 - 58	289335	17 - 30		24B- 91
	19 - 17		17A- 31		25 -120
	19 - 24	300736	15 - 63	320461	24G- 26
	19A- 24	301731	13 - 3		41 - 17
	20 - 4		16 - 68	321196	27 - 22
	24B- 13		24B- 71		27A- 26
	24B- 39	301768	23 - 36	321271	16 - 88
	24B- 52		24 - 36	321483	24D- 18
	24C- 36		42 - 24	322065	20 - 2
	24G- 65	302088	4 - 53		24J- 6
	24J- 8		24B-102		38 - 2
	24K- 8		25 -117	322266	26 - 18
	26 - 51		26 - 8	322269	13 - 6
	26 - 64		27 - 34		24B- 74
	31 - 7	302089	4 - 52	322271	22 - 6
	36 - 16		24B-101		24E- 6
	37 - 14		25 -116	322550	19 - 15
	37 - 19		26 - 7		19 - 22
	37 - 24		27 - 33		19A- 22
	38 - 4	302090	4 - 50		20 - 12
	39 - 64		24B- 99		24G- 71
	41 - 64		25 -114		24K- 6
	43 - 9		26 - 5		25 - 36
257189	1 - 5		27 - 31		25 - 63
	1 - 49		27A- 30		25 - 95
	1 - 82	302131	4 - 54		31 - 15
	2 - 4		24B-103		36 - 14
	3 - 2		25 -118		37 - 12
	8 - 27		26 - 9		37 - 17
	8 - 42		27 - 35		37 - 22
	9A- 13		27A- 31		39 - 70
	9A- 30	308704	6 - 12		41 - 70
	12 - 55	311483	7 - 2		42 - 22
	15 - 59	311823	6 - 98		43 - 7
	15 - 71	312489	19 - 46A		43 - 16
	19A- 9	313274	6 - 37	322551	24B- 12
	21 - 14	313353	6 - 27		26 - 22
	24A- 11	313355	6 - 32		26 - 47
	24C- 26	313361	6 -117	322729	23 - 60
	24C- 43		11 - 22		24 - 60
	24G- 12		44 - 10	322742	24 - 59
	27A- 40	315309	6 -119		24B- 98
	29 - 48	315310	6 -119	322766	16 - 14
	33 - 8	316046	6 -122		24B- 15

PART NO.	LIST AND INDEX NO.
322767	16 - 47
	24B- 44
	24B- 65
	24C- 16
	28 - 21
322888	28 - 20
323543	21 - 43
323840	12 - 49
	19 - 9
	19A- 17
	20 - 11
	36 - 9
	37 - 8
	38 - 11
323842	21 - 64
	33 -114
323844	23 - 11
	24 - 11
324773	4 - 29
326276	6 - 72
327408	9A- 1D
331191	24E- 13
331982	23 - 70
	24G- 10
	39 - 27
332620	24C- 29
	24F- 44
	24G- 40
	24H- 30
	39 - 38
	40 - 44
	41 - 38
	42 - 32
332747	27 - 3
	27A- 3
332779	23 - 49
	24 - 49
	24F- 34
	40 - 34
333064	33 -124
	35 - 33
333202	23 - 58
	24 - 58
333586	16 - 79
	24B- 78
334902	24 - 56
334910	21 - 9
	44 - 2D
334921	12 - 56
	16 - 21
	19 - 18
	19A- 25
	20 - 5
	21 - 20
	24B- 21
	24C- 19
	31 - 9
	32 - 6
	36 - 17
	37 - 15
	38 - 5
	44 - 2E
334932	13 - 22
	21 - 39
	24G- 34
	39 - 24
	44 - 3A
	6 - 58
335321	33 - 84B
336657	9 - 3
338169	9 - 6
	9 - 12
338238	44 - 90C
339036	26 - 12
339113	6 - 79
339176	6 - 73
342120	6 - 89
342121	6 - 87
344015	4 -107

PART NO.	LIST AND INDEX NO.
344015-CONT	25 -113
	26 - 55
347745	44 - 40
347751	44 - 43
347752	44 - 33
347755	44 - 46
351797	22 - 6
	24E- 6
352826	33 -111
355343	6 - 83C
	27A- 27
356740	23 - 55
356742	10 - 1
357995	16 - 94
	24B- 62
359018	24B- 61
359511	24B- 90
359695	24F- 14
	24H- 17
	40 - 14
	41 - 31
	42 - 14
	44 - 5
360060	23 - 60A
	24 - 56
360339	22 - 6
	24E- 6
360370	15 -113
	33 -144
	44 - 3B
360433	27 - 20
	27A- 24
	44 - 17A
361429	23 - 61
	24 - 61
361536	22 - 10
362829	6 - 28
363434	16 - 51
	24B- 48
	24C- 20
	28 - 23
364710	8 - 3
367115	13 - 7
	16 - 50
	19 - 32
	19A- 12
	24B- 47
	28 - 28
	33 -149
	44 - 7
368222	6 - 95
369059	6 - 93
369060	16 - 29
369207	19 - 33
	24A- 6
	24B- 29
	33 - 85
369208	33 -133
	34 - 38
	35 - 36
369214	23 - 2
	23 - 25
	24 - 2
	24 - 25
	24F- 56
	24G- 76
	24H- 57
	39 - 75
	40 - 56
	41 - 75
	20 - 14
369351	24B- 60
369593	23 - 64
369611	24G- 70
369616	39 - 69
	41 - 69
369849	6 -110A
372423	15 - 96
372676	15 - 99

PART NO.	LIST AND INDEX NO.
372677	15 - 98
372688	11 - 13
372990	15 - 95
374621	24G- 89
374744	16 - 81
	33 -101
374923	41 - 80
375200	24 - 24
	24F- 61
	24H- 45
375202	23 - 24
375203	40 - 61
375249	39 - 87
382303	6 - 58
382349	6 - 29
396335	44 - 95
417313	6 -107
419184	24 - 62
419537	15 - 65
	15 - 65
	16 - 73
430798	44 - 11
438541	27A- 28
	29 - 46
438547	8 - 51
438548	23 - 54
	24 - 54
	24D- 20
	24D- 22
438549	4 - 51
438550	6 - 11
	23 - 48
	24 - 48
	27 - 32
	34 - 47
	35 - 42
	44 - 83
438551	24F- 33
	24H- 40
	25 -101
	27 - 11
	40 - 33
	25 -111
438564	24H- 14
438567	42 - 19
438570	24F- 18
438571	40 - 18
	22 - 14
438582	24E- 17
	24C- 40
438583	1 - 81
438587	24E- 17
438593	24F- 2
	24H- 2
	28 - 11
	40 - 2
	41 - 24
	42 - 2
438604	24D- 14
441092	16 - 54
	24B- 53
441181	24G- 5
	39 - 3
	41 - 5
	24C- 45
442958	26 - 33
444984	24B- 9
445304	19 - 31
454505	19A- 6
	21 - 67
460471	16 - 33
470834	24B- 33
	24G- 30
472187	39 - 19
	41 - 21
	24D- 31
472662	26 - 42
472729	24C- 37
473412	24G- 19

PART NO.	LIST AND INDEX NO.
473412-CONT	39 - 8
	41 - 10
473422	24C- 34
	41 - 7
473432	24G- 16
	39 - 5
473442	41 - 78
473531	24G- 66
	39 - 65
	41 - 65
473533	24G- 81
	39 - 80
473536	24F- 51
	24G- 69
	24H- 52
	39 - 68
	40 - 51
	41 - 68
	42 - 54
473544	39 - 53
	39 - 55
	41 - 53
	41 - 55
473545	23 - 9
	24 - 9
473582	8 - 53
	13 - 10
	23 - 30
	24 - 30
	24D- 7
	41 - 48
473592	21 - 54
	24G- 8
	24G- 50
	39 - 48
	40 - 64
474644	11 - 8
477144	6 - 110B
	21 - 40
	24G- 35
	39 - 25
477202	24E- 10
477203	24G- 58
	39 - 57
	41 - 57
478043	21 - 58
478045	24G- 79
	39 - 78
479318	26 - 10
479999	8 - 31
	9A- 21
482188	8 - 29
	9A- 18
482191	8 - 21
	9A- 17
482195	8 - 35
	9A- 25
482200	10 - 5
482201	8 - 45
	9A- 39
482204	8 - 33
	9A- 23
482209	8 - 34
	9A- 24
482219	8 - 32
	9A- 20
482220	4 - 93
483111	24G- 88
	39 - 86
483677	44 - 6A
483678	44 - 6B
491228	24F- 30
	24G- 52
	24H- 36
	39 - 51
	40 - 30
	41 - 51
	42 - 39
491349	44 - 95A

PART NO.	LIST AND INDEX NO.
492411	25 - 121
492447	6 - 26
492568	41 - 32
501551	13 - 23
501565	13 - 20
502483	24 - 56
504694	21 - 21
507144	24C- 44
507796	32 - 4
508224	22 - 18
	24E- 21
509499	23 - 56
	24 - 57
510468	22 - 17
	23 - 72
	24E- 20
	24F- 5
	24F- 8
	24G- 14
	24H- 5
	24H- 8
	39 - 31
	40 - 5
	40 - 8
	41 - 27
	42 - 5
	42 - 8
511097	21 - 48
512137	21 - 60
512848	13 - 21
	27 - 25
513271	1 - 55
	33 - 76
513654	19 - 28
	19A- 5
513668	2 - 1
	9A- 1A
517333	24C- 23
517894	16 - 71
517913	21 - 20
	22 - 7
	24C- 19
	24E- 7
	44 - 24
520546	27 - 26
	27A- 22
521695	21 - 23
521792	24 - 56
522849	24D- 31
522850	24D- 28
523250	4 - 23A
	33 - 84A
523257	27A- 10
524928	24D- 17
526378	21 - 31
	22 - 19
	24C- 27
	24D- 16
	24E- 15
528007	21 - 24
528011	12 - 14
528012	1 - 19
	12 - 13
	33 - 19
528013	1 - 18
	12 - 11
	33 - 18
528014	1 - 17
	12 - 12
	33 - 17
529084	22 - 6
	24E- 6
529691	24G- 7
	40 - 63
533289	6 - 70
535441	23 - 65
	24 - 65
538830	41 - 3
550768	23 - 28

PART NO.	LIST AND INDEX NO.
550768-CONT	24 - 28
550993	15 - 30
555091	4 - 60
563891	22 - 11
589714	8 - 7
	9A- 11
589814	33 - 117
591587	21 - 28
595720	44 - 78B
596211	33 - 107
596255	16 - 87
	44 - 23
596756	4 - 6
	34 - 39
	35 - 6
	35 - 45
597951	15 - 49
598341	13 - 17
598479	21 - 52
	24C- 6
	24D- 3
	41 - 45
598480	13 - 8
	21 - 52
	24D- 3
602488	1 - 133
603248	22 - 3
	24E- 3
603683	22 - 8
609549	1 - 88
609551	1 - 48
609687	24J- 10
	24K- 10
610083	25 - 119
612781	27A- 6
615354	26 - 1
	27 - 27
	27A- 11
	27A- 16
620093	22 - 16
620232	24E- 19
	39 - 18
620240	24D- 17
621446	44 - 38A
627603	15 - 1
642377	9B- 6
719904	24B- 84
725347	24E- 2
725411	24E- 2
725413	24J- 9
725558	24K- 9
725570	5 - 17
730176	24G- 53
	39 - 52
	41 - 52
730429	23 - 33
	24 - 33
730432	15 - 66
	15 - 77
	16 - 53
	24G- 31
	39 - 32
	41 - 22
730452	39 - 26
730468	15 - 107
730483	24G- 9
730499	23 - 69
731626	9A- 18
	9A- 1E
	43 - 2
731627	27 - 37
	33 - 106
731629	1 - 64
	4 - 23B
	15 - 34
	15 - 37
	24F- 12
	24H- 12
	40 - 12



PART NO.	LIST AND INDEX NO.	PART NO.	LIST AND INDEX NO.	PART NO.	LIST AND INDEX NO.
731629-CONT	42 - 12	811481	34 - 23	815934	44 - 15
734483	18 - 54		35 - 23	815963	12 - 3
	24F- 27	811496	44 - 70		17 - 3
	24H- 33	811525	34 - 55		17A- 3
	34 - 14		35 - 52		18 - 3
	34 - 16	811534	34 - 28		18 - 45
	35 - 14		35 - 28		34 - 9
	35 - 16	811535	17 - 24		35 - 9
	40 - 27		17 - 49	815964	12 - 2
	42 - 37		17A- 29		17 - 2
734488	4 - 30		18 - 19		17A- 2
734879	4 - 88	811536	34 - 22		18 - 2
736918	24B- 83		35 - 22		18 - 44
737967	1 - 38	811555	34 - 27		34 - 10
738166	44 - 84		35 - 27		35 - 10
738196	44 - 86A	811556	34 - 24	816652	34 - 36
738197	44 - 87		35 - 24	816653	34 - 37
738255	44 - 81	811621	34 - 52	820384	44 - 58
738256	44 - 80		35 - 49	825373	8 - 8
738257	44 - 85	811742	34 - 44		17 - 28
738378	1 - 37		35 - 39		17A- 41
738511	5 - 43	811802	12 - 22		18 - 16
738517	5 - 43		18 - 38	827840	5 - 12
738826	10 - 3		34 - 59		5 - 39
740489	11 - 1		44 - 44	827850	5 - 9
740491	11 - 23	811804	12 - 23		5 - 28
740503	14 - 1		18 - 37		5 - 34
740513	14 - 3	811850	18 - 12	827866	5 - 41
740532	15 - 88		18 - 53	839529	4 - 59
740540	4 - 94	811851	18 - 10	853526	5 - 47
	11 - REF	811852	17 - 12	853527	5 - 47
740554	11 - 12		17A- 14	853528	5 - 47
740560	11 - 19	811853	17 - 10	1073418	1 - 134
740562	11 - 19		17A- 16	1090199	6 - 34
740563	11 - 24		34 - 13	1090623	4 - 92
740564	11 - 2		35 - 13		8 - 37
740571	11 - 4	811864	18 - 5		9A- 27
740606	11 - 6		18 - 47	1090873	8 - 26
740608	14 - 1	811865	18 - 1		8 - 41
740609	4 - 94		18 - 43		9A- 14
	11 - REF	811866	17 - 5		9A- 31
741129	11 - 5		17A- 5		12 - 54
747369	44 - 95B	811867	17 - 1		15 - 60
749034	5 - 49		17A- 1		15 - 70
749046	5 - 21	811869	17A- 9		17 - 40
	5 - 31	811881	17 - 6		17A- 38
760132	15 - 67		18 - 6		18 - 35
760541	8 - 49	811896	18 - 49	1091173	24A- 10
	9A- 3		17 - 9		24G- 85
801652	24D- 35		18 - 9		39 - 83
804067	6 - 15		18 - 52	1092019	28 - 13
810582	6 - 83D	813179	12 - 18		28 - 19
811090	26 - 45		17 - 20	1092125	29 - 66
811363	12 - 21		17A- 12	1092177	5 - 20
	18 - 39		18 - 25		5 - 30
	34 - 60		34 - 33	1108505	1 - 16
811417	12 - 19		35 - 37		1 - 26
	17 - 21	813194	44 - 9		33 - 20
	17A- 13	813195	44 - 9A		33 - 53
	18 - 26	813197	12 - 42	1115973	30 - 3
	34 - 34		44 - 47	1119715	6 - 38
	35 - 38	813338	44 - 78	1127733	20 - 15
811426	14 - 6	813549	44 - 73A		33 - 112
	19 - 6	813550	44 - 69A	1132669	24G- 54
	34 - 45	813681	44 - 71		24G- 56
	35 - 40	813801	44 - 69	1134232	23 - 7
811427	17 - 29	813802	44 - 73		24 - 7
	17A- 42	813803	44 - 75	1134451	24G- 6
	34 - 3	813804	44 - 77		40 - 62
	35 - 3	813805	44 - 75A	1138818	26 - 37
811441	17 - 8	813806	44 - 77A	1141554	24C- 46
	17A- 8	813807	44 - 77B	1143048	19 - 35
	18 - 8	813810	44 - 22		19A- 29
	18 - 51	813827	44 - 72		36 - 20
	18 - 51	814008	9B- 7		37 - 27
811442	17 - 18	815263	17 - 4	1143069	21 - 27
	17A- 18		17A- 4	1143227	8 - 4A
	18 - 17		18 - 4		9A- 8
811476	34 - 21		18 - 46		24D- 34
	35 - 21				

PART NO.	LIST AND INDEX NO.	PART NO.	LIST AND INDEX NO.	PART NO.	LIST AND INDEX NO.
1143492	21 - 60	2128759	15 - 40	2180673	44 - 97
1166086	4 - 58	2129256	24C- 28	2180796	44 - 31
1176717	21 - 11	2129258	24C- 22		44 - 96A
2092646	16 - 1	2129508	29 - 44	2180973	44 - 34
	24B- 1	2129665	5 - 11	2181001	25 - 44
2100194	24D- 28		5 - 37		25 - 53
2100264	4 -126	2130055	24A- 31		25 - 64
	24B- 63		24J- 14	2181002	24F- 53
	28 - 24	2130334	16 - 9		24H- 54
	43 - 13		24B-105		27A- 9A
2101325	24G- 29	2132050	1 -127		40 - 53
	41 - 20	2132088	4 -106	2181003	27A- 38
2101326	15 - 76	2135031	44 - 60	2181004	1 - 62F
	21 - 9	2145158	1 -136		1 - 62H
	44 - 4	2145159	1 -135		1 - 66
2101337	15 - 45	2145183	44 - 38B		1 - 68
2101338	4 -120	2154465	4 - 67		1 - 70
2101357	15 - 49	2154996	44 - 38		1 - 75
2101358	4 -123	2156037	24H- 34		1 - 81
2101380	12 - 51	2157349	25 -102		1 - 84
	19 - 12		27 - 12		1 - 87
	19A- 16	2157668	15 - 15		1 - 94
	20 - 16		33 - 97		1 - 97
	36 - 11	2158694	16 - 57		1 -102
	37 - 10		24B- 56		1 -109
	38 - 13		43 - 14		1 -111
2101433	10 - 6	2158708	16 - 1		1 -131
2101495	28 - 18		24B- 1		1 -138
2102151	24B- 64	2158722	16 - 2		3 - 7
2102160	24B- 92		24B- 2		3 - 13
2102367	24B- 40	2158753	24A- 5		4 - 20
2102370	13 - 18		24C-REF		4 - 23
2102526	21 - 44	2158755	24C- 38		4 - 25
2102617	44 - 2	2158756	24C- 1		4 - 45
2106333	6 - 23	2158757	24C- 33		4 - 57
	6 -118	2159711	33 -140		4 - 73
2108798	1 - 85	2159746	24C- 11		4 - 78
	1 -132	2160790	28 - 10		4 - 80
2111232	26 - 4	2160805	28 - 12		4 -109
	27 - 30	2160951	44 - 55		14 - 9
	27A- 13	2161894	6 -116		15 - 34
	28 - 17	2162453	33 -105		15 - 37
2111930	2 - 11A	2162457	44 - 38C		17 - 17
2114051	24B- 54	2162551	25 -100		17A- 22
2114108	12 - 44		27 - 10		17A- 24
2114519	8 - 23	2162590	44 - 24A		22 - 2
	8 - 38	2162665	1 - 57		24A- 19
	9A- 16	2162666	1 - 62		24A- 30
	9A- 34		33 - 78		25 - 24
2114596	16 - 74	2162959	25 - 4		25 - 38
	24B- 75	2163847	44 - 26		25 - 46
2114597	16 - 80	2164097	25 - 82		25 - 84
	24B- 81	2172092	12 - 9		25 - 86
2121379	29 - 32	2172165	12 - 57		26 - 27
2121393	27A- 29		19 - 19		30 - 2
	29 - 45		19A- 26		33 - 2
2122113	31 - 5		20 - 6		33 - 12
2122258	44 - 18B		24J- 11		33 - 25
2122260	44 - 18		24K- 5		33 - 27
2122261	44 - 19A		36 - 18		33 - 29
2122636	24E- 12		38 - 6		33 - 31
	44 - 29	2172166	20 - 7		33 - 36
2122637	44 - 30		24J- 12		33 - 40
2122638	4 - 28		24K- 11		33 - 44
	24E- 12		38 - 7		33 - 48
2123393	44 - 13	2173920	24B- 8		33 - 63
2123396	27A- 14	2178469	44 - 28A		33 - 65
2123791	4 - 47	2178470	44 - 26A		33 - 69
2124703	24B- 55	2178596	4 - 75D		33 - 72
2125898	15 - 46	2178597	4 - 75C		33 - 74
2125899	15 - 47	2178624	15 - 16		33 - 84
2125974	15 - 13		33 - 98		33 - 92
	33 - 95	2178625	15 - 11		33 -119
	33 -137		33 - 93		33 -132
2127867	44 - 18A	2178626	15 - 6		33 -139
2127890	44 - 19		33 - 91		33 -141
2128509	24A- 32	2178627	17 - 16	2181005	12 - 8
2128749	16 - 9		17A- 23		12 - 16
	16 - 9		34 - 17		12 - 26
	24B-105	2180672	44 - 96		17 - 11

PART NO.	LIST AND INDEX NO.
2181005-CONT	17 - 13 17A- 15 17A- 17 18 - 11 18 - 13 19A- 14 20 - 10 25 - 40 25 - 77 26 - 20 26 - 57 26 - 59 26 - 63 26 - 66 28 - 4 28 - 25 36 - 4 36 - 6 37 - 4 38 - 10 27 - 18 28 - 22 27A- 18 25 - 27 38 - 12 25 - 33 25 - 81 25 -109 12 - 50 33 -115 1 -REF 4 -REF 15 -REF 1 -120 2190537 2190548 18 - 33 19 -REF 4 - 8 9A-REF 2190557 2190558 2190561 2190564 19 - 36 2190567 2190570 2190571 2190577 1 - 50 2 -REF 2190578 2190579 1 - 20 1 - 78 1 - 83 1 -130 33 - 39 1 - 93 1 -106 1 -108 14 - 8 24A- 12 2190583 1 - 71 1 - 98 33 - 21 33 - 32 2190584 2190585 1 - 74 1 - 96 33 - 35 2190586 1 - 21 1 - 41 1 - 47 1 - 51 1 -113 33 - 16 33 - 52 2190588 2190591 2190593 2190594 2190596 2190597 1 - 12 1 - 6 3 -REF 2190598 3 - 3

PART NO.	LIST AND INDEX NO.
2190599	3 - 6
2190602	3 - 9
2190605	1 - 91
2190611	1 - 62A
2190614	1 - 62C
2190618	1 - 52
2190619	1 - 24
2190620	1 - 22
	33 - 37
2190625	5 - 27
2190626	5 - 4 5 - 13
2190627	5 - 1
2190632	8 - 16 9B- 10
2190633	8 - 28 9A- 22
2190634	8 - 22 9A- 12
2190635	8 - 46 9A- 40 9A- 35
2190636	9A- 1
2190637	4 - 19
2190638	4 - 16
2190639	4 - 13
2190640	17 - 38
2190660	19 -REF 18 - 33 19 -REF 17 - 38 19 -REF 5 - 45 2190672 2190674 2190675 2190676 2190677 2190678 2190679 2190693 17 - 43 18 - 41 19 - 37 19 - 1 17 - 35 9A- 4 9B-REF 1 - 80 19 - 5 19A- 4 5 - 23 5 - 32 15 - 19 18 - 29 17 - 48 18 - 31 17 - 37 12 - 52 19 - 14 19 - 14 19A- 21 19 - 14 20 - 1 36 - 13 38 - 1 19 - 1 17 - 45 17 - 51 4 - 64 6 -REF 44 - 20 2190726 2190727 17 - 51 4 - 64 6 -REF 2190742 2190745 2190746 2190748 2190749 2190750 2190751 2190752 2190754 2190755 6 - 14 6 - 5 6 -145 6 - 4L 6 - 1A 6 - 1L 6 - 3K 6 - 3L 6 - 6 6 - 14

PART NO.	LIST AND INDEX NO.
2190756	6 - 16
2190757	6 - 17
2190758	6 -114
2190759	24B- 5
2190760	15 - 85
2190761	15 - 85
2190766	6 -145
2190770	15 - 33
2190776	24B-104
2190778	24A- 1 24B-REF 15 - 84 4 - 26 4 - 24 4 - 44 4 - 55 24B- 57 4 - 75E 4 - 75F 2 - 11C 4 - 35 18 - 47 34 - 12 35 - 12 18 - 53 18 - 53 34 - 15 35 - 15 15 - 58 18 - 43 18 - 43 34 - 7 35 - 7 16 - 72 24B- 82 24B- 83 18 - 46 34 - 8 35 - 8 15 - 19 2190842 2190845 9A- 6 2190846 1 -112 2190847 1 -112 2190848 1 -112 2190852 24B- 49 2190853 15 - 19 2190854 15 - 19 2190856 24A- 1 24B-REF 1 - 30 2190858 1 - 65 2190859 1 - 69 2190861 33 - 30 3 - 1 2190863 2190864 24J- 13 2190867 1 - 62G 2190868 1 - 62E 2190869 1 - 42 2190870 1 - 40 2190872 4 - 75A 2190874 1 - 67 2190875 1 - 63 2190878 4 - 70 2190879 24A- 2 2190880 24B- 93 2190881 24B- 96 2190882 24A- 4 2190887 15 - 36 2190889 8 - 36 9A- 26 8 - 47 9A- 36 2190891 8 - 47 9A- 36 2190892 8 - 47 9A- 36 2190897 16 - 18 24B- 18 2190898 4 - 32

PART NO.	LIST AND INDEX NO.	PART NO.	LIST AND INDEX NO.	PART NO.	LIST AND INDEX NO.
2190900	12 - 52 19 - 14 19 - 14 19 - 14 20 - 1 38 - 1	2191046	24A- 29 24J-REF	2191472	24A- 29 24K-REF
2190901	1 -118	2191049	15 -115A	2191482	4 - 82
2190922	15 - 20	2191050	14 - 5	2191483	4 - 82
2190923	15 - 29	2191052	24A- 23	2191484	4 - 82
2190924	15 - 28	2191053	24A- 18	2191491	4 - 82
2190925	15 - 26	2191054	24E- 22	2191492	4 - 82
2190926	15 - 84	2191056	24A- 17	2191493	4 - 82
2190927	4 - 31	2191057	24E-REF	2191494	4 - 82
2190935	24B- 49	2191064	24A- 17	2191495	4 - 82
2190944	5 - 35	2191065	24E-REF	2191496	4 - 82
2190945	5 - 46	2191066	4 -110	2191498	9B- 2F
2190947	16 - 72	2191065	14 -REF	2191499	9B- 2G
2190969	24B- 82	2191066	4 -110	2191786	1 - 61
2190971	6 - 24	2191066	4 - 61	2191846	33 - 79
2190972	2 - 10	2191075	6 - 21		25 -115
2190973	33 - 61	2191076	4 - 56		26 - 6
2190974	2 - 7	2191077	44 - 52	2192502	27A- 32
2190977	33 - 58	2191078	44 - 51	2192503	44 - 81B
2190979	2 - 9	2191079	44 - 56	2192507	44 - 81A
2190980	33 - 57	2191088	9B- 9	2192524	44 - 21
2190981	1 - 44	2191089	9B- 9	2192760	44 - 86
2190982	5 - 49	2191092	22 - 15		18 - 42A
2190983	5 - 49	2191093	24E- 18		34 - 56A
2190984	5 - 45	2191094	22 - 13	2193308	35 - 54
2190985	5 - 45	2191095	24E- 16	2193932	4 - 81
2190986	5 - 51	2191096	17 - 19		15 -103
2190987	5 - 51	2191099	18 - 24	2193933	33 -138
2190988	5 - 50	2191101	18 - 48		15 -105
2190991	5 - 40	2191102	34 - 11	2194604	33 -135
2190992	5 - 40	2191103	35 - 11	2194606	34 - 40
2190993	5 - 42	2191104	9B- 2C	2194727	35 - 17
2190994	5 - 42	2191105	4 - 81	2194889	5 - 51
2190995	5 - 41	2191106	4 - 81	2194940	33 -145
2190996	5 - 41	2191110	8 - 20	2194975	12 - 27
2190997	5 - 41	2191140	9A- 7	2194976	18 - 49
2190999	1 -120	2191151	4 - 21	2194994	18 - 52
2191001	1 -120	2191155	4 - 81	2195294	12 - 25
2191002	5 - 36	2191165	24B- 30	2195400	34 - 53
2191003	5 - 36	2191166	1 - 1	2195466	34 - 53
2191006	5 - 48	2191167	4 - 66		35 - 50
2191007	2 - 3	2191168	4 - 66	2195482	44 - 82
2191009	33 - 54	2191173	4 - 1	2195636	15 -114
2191009	2 - 8	2191183	5 -REF	2195919	33 -108
2191010	33 - 59	2191184	15 - 22	2196042	34 - 53
2191011	1 -137	2191185	9B- 1	2196049	35 - 50
2191012	8 - 46	2191191	1 - 27	2196052	34 - 53
2191013	9A- 40	2191194	1 -121	2196055	35 - 50
2191014	8 - 46	2191195	12 - 59		34 - 53
2191016	9A- 40	2191197	12 - 34	2197144	35 - 50
2191018	18 - 23	2191199	12 - 46		19 - 14
2191020	18 - 18	2191340	12 - 6	2197160	37 - 11
2191021	2 - 3	2191341	12 - 7		22 - 8
2191024	2 - 3	2191342	12 - 5	2197162	24E- 8
2191027	33 - 54	2191343	44 - 45		17 - 26
2191028	19 - 25	2191344	44 - 50	2197166	17A- 27
2191029	36 - 21	2191345	34 - 57	2197167	4 - 40
2191030	37 - 25	2191346	4 - 62		17 - 14
2191031	24A- 40	2191347	4 -105	2197170	18 - 14
2191032	9B- 2B	2191348	12 - 1	2197191	44 - 2A
2191033	9B- 2D	2191349	12 - 4		4 - 58
2191036	9B- 2E	2191352	13 - 25	2197192	16 - 91
2191042	24J- 1	2191359	12 - 15	2197193	4 - 59
2191043	1 - 86	2191436	4 -108	2197201	4 - 60
2191044	33 - 64	2191437	4 -104	2197202	4 - 81
2191045	5 - 35	2191448	44 - 27	2197203	12 - 60
2191045	5 - 35	2191468	15 - 61		4 - 81
2191045	5 - 46	2191469	15 - 84	2197204	17 - 51
2191045	5 - 46	2191470	4 - 66	2197205	13 - 15
2191045	5 - 44	2191471	24A- 31		12 - 38
2191045	5 - 44		24K- 13	2197206	13 -REF
2191045	5 - 44		24K- 1	2197207	4 - 98
2191045	24J- 5		24K- 12	2197208	4 - 81
2191045	24A- 29		24A- 29	2197209	9A- 6
2191045	24J-REF		24K-REF		12 - 41

PART NO.	LIST AND INDEX NO.	PART NO.	LIST AND INDEX NO.	PART NO.	LIST AND INDEX NO.
2197210	12 - 24	2199251	28 - 1	2204120	26 - 48
2197211	12 - 20	2199255	32 - 1	2204121	26 - 46
2197212	17 - 44	2199258	32 - 9	2204127	25 - 50
2197216	17 - 23A	2199270	26 - 34	2204128	25 - 51
2197217	17 - 23	2199272	25 - 57	2204133	31 - 12
2197218	18 - 30A		27A- 2	2204135	31 - 14
2197219	18 - 30		27A- 37	2204136	31 - 12
2197220	18 - 27A	2199276	27 - 1	2204138	25 - 85
2197221	18 - 27	2199279	27A- 7		31 -REF
2197222	17 - 44	2199287	27A- 15	2204139	25 - 85
2197224	17 - 22	2199288	27A- 5		31 -REF
2197228	17 - 44	2199297	28 - 6	2204142	31 - 3
2197230	12 - 33	2199312	27 - 36	2204143	31 - 8
2197231	4 - 81		27A- 9	2204144	31 - 8
2197232	12 - 37	2199329	30 - 5	2204146	25 - 19
2197233	12 - 43	2199332	30 - 1A	2204147	25 - 21
2197234	15 - 84	2199374	27A- 4	2204158	27A- 17
2197236	4 - 81	2199377	25 - 92	2204160	29 - 29
2197237	18 - 32		32 -REF	2204165	28 - 8
2197240	4 - 97	2199379	25 - 83		31 - 13
2197242	17 - 47	2199380	25 - 96	2204166	28 - 8
2197243	10 - 7	2199386	25 - 92	2204167	31 - 1
2197244	4 -113		32 -REF	2204173	28 - 3
2197245	4 -127	2199387	27A- 8	2204176	32 - 1
2197246	4 -114	2199391	25 - 87	2204177	26 - 28
2197308	4 - 96	2199399	29 - 22	2204178	29 - 70A
	12 -REF	2199401	32 - 10	2204180	44 - 78A
2197309	4 - 96	2199402	32 - 10	2204181	25 -110
	12 -REF	2199411	27A- 33	2204183	25 - 68
2197310	12 - 58	2199417	25 - 17	2204189	25 - 31
	34 - 29	2199427	25 - 18	2204195	25 - 30
	35 - 29	2199429	29 - 19	2207277	16 - 60
2197311	8 - 50	2199440	26 - 40A	2207402	25 - 42A
	9A- 37	2199441	26 - 40	2207505	29 - 26
2197312	8 - 50	2199447	27 - 23	2207531	29 - 33
	9A- 37		27A- 20	2207543	29 - 8
2197313	8 - 50	2199480	26 - 39	2207545	29 - 40
	9A- 37	2199497	29 - 38	2207546	29 - 73
2197317	16 - 72	2199498	29 - 23	2207552	25 -123
	24B- 82	2204000	29 - 41	2207592	29 - 18
	24B- 83	2204001	31 - 16	2207593	27 - 4
2197318	1 -124	2204009	29 - 65	2207603	29 - 5
2197321	5 - 29	2204013	29 - 67	2207604	25 - 54
2197322	5 - 29	2204018	26 - 52	2207605	25 - 55
2197323	5 - 29	2204022	26 - 41	2207611	27 - 38
2197324	4 - 87	2204024	44 - 34A	2207631	25 - 43
	10 - 8	2204025	32 - 11		28 -REF
2197325	4 - 87	2204028	25 - 52	2207632	28 - 30
	10 -REF		29 -REF	2207633	25 - 42B
2197351	17 - 51	2204030	29 - 61	2207634	25 - 42
2197379	16 - 83	2204031	25 - 80	2207635	27 - 13
	33 - 99	2204035	27 - 12	2207636	27 - 17
2197473	35 - 46	2204037	25 - 56	2207637	27 - 14
2197484	16 - 1	2204040	29 - 71	2207638	25 - 43
	24B- 1	2204043	29 - 28		28 -REF
2197488	34 - 54	2204045	25 - 58	2207639	27 - 39
	35 - 51	2204046	29 - 49	2207640	25 - 25
2197489	34 - 54	2204047	25 - 60	2207642	25 - 37
	35 - 51	2204048	29 - 25		27 -REF
2199014	29 - 10	2204050	29 - 68		27 -REF
2199038	29 - 1	2204052	25 - 47	2207643	25 - 22
2199042	29 - 6	2204053	25 - 45	2207644	27 - 5
2199060	29 - 11	2204056	27A- 43	2207645	27 - 42
2199061	29 - 13	2204058	25 - 37	2207700	29 - 60
2199063	29 - 14	2204059	25 - 23	2207707	30 - 11
2199083	29 - 15		26 -REF	2207708	30 - 7
2199128	32 - 9	2204060	25 -103	2207709	30 - 10
2199129	25 -107	2204067	29 - 31	2207710	30 - 4
2199132	26 - 21	2204069	29 - 27		30 - 9
2199133	26 - 23	2204073	25 - 65	2207713	30 - 1
2199134	25 - 78	2204076	25 - 66	2207714	25 - 69
2199138	26 - 25	2204082	31 - 11		30 -REF
2199160	29 - 36		32 - 8	2207715	30 - 12
2199161	29 - 37	2204083	31 - 10	2207717	30 - 6
2199163	29 - 35		32 - 7		30 - 8
2199164	25 - 29	2204085	27 - 6	2207960	27 - 19
2199173	25 - 91		27A- 41		27A- 23
	30 - 13	2204106	29 - 53	2219001	25 - 15
	32 - 12	2204117	32 - 3	2219003	25 - 35
2199249	26 - 24	2204118	32 - 3	2219005	25 - 28

PART NO.	LIST AND INDEX NO.	PART NO.	LIST AND INDEX NO.	PART NO.	LIST AND INDEX NO.
2219006	25 - 26	2243078-CONT	18 - 41	2243150	33 - 86
2219010	26 - 56		19 - 37	2243155	33 - 83
2219015	29 - 3	2243090	33 - 88	2243156	33 -113
2219027	26 - 11	2243091	34 - 19	2243157	33 -148
2219034	29 - 42	2243098	12 - 17	2243158	33 -130
2219035	29 - 55	2243099	44 - 59	2243159	33 -130
2219036	29 - 20	2243101	33 - 75	2243160	33 -128
2219038	29 - 21	2243102	33 - 24	2243161	20 - 8
2219044	25 - 8	2243103	33 - 47		38 - 8
	26 - 60	2243104	33 -118	2243162	36 - 3
2219047	26 - 62	2243105	33 -118		37 - 3
2219048	25 - 76	2243106	33 -118	2243163	36 - 3
2219049	25 - 74	2243107	33 -118		37 - 3
2219050	4 - 65	2243108	33 - 43	2243164	33 -128
	25 -REF	2243109	33 - 73	2243165	33 - 90
2219056	25 - 67	2243110	33 - 15	2243166	33 -123
2219061	4 - 65	2243111	33 - 51	2243167	33 -121
	25 -REF	2243112	15 - 79	2243168	33 -123
2219062	29 - 24	2243114	33 - 62	2243169	43 - 12
2219064	25 - 16	2243115	33 - 28	2243170	33 - 89
2219066	25 - 32	2243116	33 - 1	2243171	34 - 51
2219069	25 - 12	2243117	33 - 11		35 - 48
2219074	28 - 6	2243118	33 - 26	2243172	33 -131
2219091	28 - 5	2243119	33 - 10		38 -REF
2219092	29 - 51	2243120	33 - 3	2243173	33 -131
	29 - 63	2243121	33 - 6		38 -REF
2219094	25 - 20	2243122	33 - 7	2243181	18 - 55
2219104	25 - 49	2243123	1 - 58	2243189	33 - 45
2219116	28 - 15		33 - 80	2243190	33 - 41
2219140	25 - 10	2243124	4 - 79	2243191	33 - 49
	25 - 14		33 - 68	2243192	33 - 66
2219141	25 - 11	2243125	4 - 77	2243197	34 - 5
2219142	25 - 5		33 - 71		35 - 5
2219143	25 - 6	2243126	36 - 22	2243200	44 - 27A
2219144	25 - 1		37 - 28	2243224	6 - 83A
2219145	25 - 9	2243127	19A- 1	2243225	15 -100
2219146	25 - 3		36 - 1		20 -REF
2219151	26 - 41		37 - 1	2243231	33 -142
2219154	29 - 16	2243128	17A- 40	2243234	4 - 5
	29 - 30		19A- 30	2243235	4 - 4
2219155	29 - 9		34 - 30	2243239	15 -111
2219156	29 - 7		35 - 30	2243241	8 - 4
2219157	29 - 4		36 - 23	2243251	35 - 31
2219158	29 - 12	2243129	37 - 29		36 -REF
2219159	29 - 34		34 - 31	2243252	35 - 31
2219160	29 - 39		36 -REF		37 -REF
2219167	25 - 62	2243130	34 - 31	2243284	4 - 8
2219170	25 - 75		37 -REF		8 -REF
2219178	25 - 34	2243131	34 - 31	2243295	8 - 44
2219185	29 - 57		36 -REF	2243296	9 - 7
2219186	29 - 58	2243132	34 - 31	2243297	8 - 9
2219187	29 - 56		37 -REF	2243300	4 - 76
2219189	29 - 59	2243133	34 - 50		33 -REF
2219190	25 -108		35 - 47	2243305	15 - 17
2227451	17 - 44	2243135	34 - 4	2243306	15 - 18
	34 - 35		35 - 4	2243307	15 - 18
2242704	44 - 49	2243136	34 - 1	2243309	4 - 81
2243002	22 - 13	2243137	35 - 1	2243311	8 - 18
	24E- 16	2243138	33 -120		9A- 29
2243003	15 - 84		34 -REF	2243312	1 - 54
2243004	4 - 81	2243139	33 -120	2243314	15 - 93
2243005	15 -106		34 -REF		22 -REF
2243008	15 - 51	2243140	33 -120	2243315	15 - 93
	17 -REF		34 -REF		22 -REF
2243009	15 - 52	2243141	33 -120	2243318	15 -100
	18 -REF		34 -REF		20 -REF
2243010	15 - 51	2243142	33 -122	2243319	22 - 20
	17 -REF		35 -REF	2243320	1 - 33
2243011	15 - 52	2243143	33 -122	2243323	15 - 93
	18 -REF		35 -REF		22 -REF
2243019	1 - 76	2243144	20 - 17	2243330	15 - 39
2243029	24A- 17		38 - 14		16 -REF
	24E-REF	2243145	16 - 90	2243334	16 - 30
2243044	4 - 56		33 -104	2243336	16 - 86
2243045	4 - 61	2243146	43 - 17	2243337	15 - 39
2243056	18 - 42C	2243147	33 -146		16 -REF
2243057	18 - 42		43 -REF	2243342	14 - 11
	8 - 43	2243148	44 - 57	2243344	24A- 7
	9A- 28	2243149	34 - 51	2243345	9B- 2G
2243078	17 - 43		35 - 48	2243346	15 - 39

PART NO.	LIST AND INDEX NO.	PART NO.	LIST AND INDEX NO.	PART NO.	LIST AND INDEX NO.
2243346-CONT	16 -REF	4034311	44 - 42	5239403	24A- 26
2243348	43 - 1	4034312	44 - 41		24F-REF
2243361	33 -146	4062615	19 - 21	5239409	24A- 27
	43 -REF		37 - 21		33 -127
2243363	8 - 19	4065157	24J- 12		40 -REF
2243364	9 - 8		24K- 11	5239418	33 -129
2243365	8 - 11	4066640	8 - 45		42 -REF
2243367	9 - 9		9A- 39	5239419	24A- 28
2243368	8 - 12	4066641	8 - 45		24H-REF
2243369	9 - 4		9A- 39	5239421	24A- 26
2243370	8 - 13	4116231	19 - 20		24F-REF
	8 - 13		37 - 20	5239427	24A- 27
	8 - 13	4116323	16 - 94		33 -127
2243371	8 - 1		24B- 62		40 -REF
	9 -REF	4116394	16 - 18	5240422	15 -110
2243372	8 - 19		24B- 18	5240459	24D- 19
2243373	8 - 19	4116411	39 - 37	5240464	4 - 36
2243374	8 - 19	4116461	41 - 37	5240477	24D- 10
2243377	8 - 17	4116483	24F- 43	5240494	4 - 33
2243378	8 - 17	4116484	40 - 43	5240513	24D- 35
2243379	8 - 17	4116492	42 - 31	5246799	9B- 8
2243380	8 - 17	4116494	24H- 29	5247055	24A- 5
2243384	16 - 52	4118354	24G- 39		24C-REF
2243385	16 - 52	4118360	15 - 40	5247056	24C- 28
2243386	15 - 87A	4118453	16 - 28	5247112	39 - 10
2243388	24B-108		24B- 28		41 - 12
2243389	16 - 97	4118492	15 - 92F	5247125	24D- 10
2243438	43 - 12	4118820	23 - 12	5247156	24D- 15
2243571	44 - 61		24 - 12	5247187	44 - 14
2243600	43 - 12	4118821	23 - 13	5253873	24G- 39
2243601	33 -128		24 - 13	5253894	39 - 35
2243602	33 -130	4120171	12 - 57		41 - 33
2243603	33 -146		19 - 19	5253897	39 - 82
	43 -REF		20 - 6	5261007	41 - 42
2243604	43 - 17		24J- 11	5261008	41 - 43
2243605	33 -148		24K- 5	5261009	24G- 45
2243621	16 - 96	4120173	38 - 6		39 - 43
2243623	15 - 83		19 - 19	5261018	41 - 36
2243624	15 - 72		37 - 16	5261037	39 - 42
2243640	1 - 65	4120242	15 - 43	5261039	41 - 79
2243641	9A- 1	4120245	16 - 25	5261058	24G- 83
2243642	4 - 11		24B- 25		39 - 81
2243644	9A- 35	4120246	16 - 26	5261067	42 - 17
2243646	3 - 12		24B- 26	5261068	41 - 66
2243647	3 - 15	4120316	16 - 24	5261077	39 - 9
2243648	4 - 75		24B- 24		41 - 11
2243649	4 - 72	4120317	16 - 27	5261079	39 - 66
2243650	1 - 35		24B- 27	5261083	39 - 37
2243651	1 - 36	4120318	16 - 22	5261089	24F- 21
2243652	1 - 39		24B- 22		24H- 21
2243654	15 - 86	4120735	15 - 90		42 - 21
2243655	15 - 83	4121234	15 - 92E	5261098	24F- 1
2243656	15 - 72	4203608	44 - 27B		40 - 1
2243665	44 - 51A	5212727	29 - 43	5261117	41 - 23
2243666	44 - 52A	5213178	21 - 73	5261118	24H- 1
2243725	9B- 2A	5213285	21 - 36	5261119	22 - 16
2244722	44 - 48	5213359	24D- 15		24E- 19
2244723	44 - 32	5213405	24E- 19		42 - 1
2244724	44 - 39	5214335	23 - 50	5261127	39 - 4
2244725	44 - 53A		24 - 50	5261128	24G- 15
2257133	26 - 19	5214367	40 - 20		40 - 21
2257135	26 - 26	5214368	24F- 20	5261157	24G- 3
2257136	26 - 35		24H- 20	5261159	24G- 55
2257137	26 - 58	5214544	42 - 9		39 - 54
2257139	26 - 61	5214546	24H- 9		41 - 54
2257194	28 - 30	5214548	40 - 9	5261165	24F- 39
2257195	25 - 39	5214552	24F- 9		24G- 27
2391023	8 - 14	5214553	24 - 31		24H- 25
	9B- 3	5214556	24F- 38		39 - 17
2391100	18 - 42B		24H- 24		40 - 39
	34 - 56B		40 - 38		41 - 19
	35 - 55		42 - 28		42 - 30
2391101	18 - 42B	5214590	23 - 31	5261167	24F- 40
	34 - 56B	5239119	21 - 10		24G- 28
	35 - 55	5239120	21 - 32		24H- 26
2414815	24 - 64	5239143	28 - 27		39 - 16
2510223	34 - 56	5239400	33 -129		40 - 40
	35 - 53		42 -REF		41 - 18
2510224	18 - 42	5239401	24A- 28		42 - 29
2510225	18 - 42		24H-REF	5261483	41 - 37
	34 - 56				

PART NO.	LIST AND INDEX NO.
5261543	24G- 84
5261606	24G- 82
	39 - 50
	41 - 50
5261796	24D- 1
5261815	24D- 21
5261818	24A- 16
	24D-REF
5261819	24D- 36
5261820	24D- 1
5261821	24D- 13
5261822	24D- 23
5261826	24D- 12
5261935	24F- 13
	24H- 16
	40 - 13
	42 - 13
5261936	21 - 38
	24G- 32
	39 - 22
5261937	41 - 29
5261989	24D- 23
5261992	24A- 16
	24D-REF
5302662	44 - 54
5311421	5 - 22
5311423	5 - 44
5311437	5 - 18
	5 - 24
	5 - 26
	5 - 33
	5 - 25
5311439	5 - 19
5311440	
5312982	24H- 42
5313144	16 - 28
	24B- 28
5318664	6 -115
5319854	1 - 43
	1 - 79
	1 -119
	4 - 95
	12 - 35
	12 - 47
	15 - 31
	17 - 15
	17 - 39
	17A- 26
	17A- 37
	18 - 15
	18 - 34
	19A- 2
	24A- 13
	34 - 18
	36 - 2
	37 - 2
5319888	1 - 92
	4 - 41
	4 -111
	15 -115E
	24A- 3
	24A- 36
	25 - 61
5323493	24B- 87
5349929	25 - 79
5350006	28 - 7
	28 - 9
	29 - 69
5350012	10 - 2
	15 - 91
	22 - 12
	24A- 41
	33 -147
	34 - 2
	34 - 32
	35 - 2
	35 - 32
5352958	44 - 35
5352960	44 - 36
5352967	44 - 37

PART NO.	LIST AND INDEX NO.
5353301	1 - 56
	4 - 71
	4 -100
	4 -103
	18 - 22
	33 - 77
	33 - 87
5353555	6 - 1B
5353556	6 - 1C
5353557	6 - 1D
5353560	6 - 1J
5353564	6 - 1F
	6 - 1G
	6 - 1K
5353569	6 - 2E
5353571	6 - 2G
5353572	6 - 2H
5353573	6 - 2J
5353574	6 - 2K
5353575	6 - 2L
5353576	6 - 3A
5353583	6 - 3H
5353587	6 - 4B
5353593	6 - 4H
5353594	6 - 4J
5353595	6 - 4K
5353597	6 - 1H
5353598	6 - 4A
5353599	6 - 4M
5353606	6 - 2D
5353608	6 - 2F
5353610	6 - 3C
5353615	6 - 4D
5353616	6 - 4E
5353619	6 - 4N
5353711	6 - 3B
5353712	6 - 3E
5353713	6 - 3F
5353714	6 - 4G
5353715	6 - 2A
5353716	6 - 2B
5353717	6 - 2C
5353723	6 - 3D
5353724	6 - 4C
5353725	6 - 4F
5353741	6 - 1E
5357064	15 -102
	20 - 18
	33 -134
	38 - 15
	5 - 38
5362163	6 - 45
5367151	6 -110
5367152	6 -105
5367162	6 - 39
5367166	6 - 84
5367173	7 - 13
5367204	7 - 14
5367205	6 -109
5367208	6 -102
5367209	6 -111
5367210	7 -REF
5367211	6 -130
5367212	6 -131
5367213	6 -132
5367214	6 -133
5367215	6 -134
5367216	6 -135
5367217	6 -136
5367218	6 -137
5367219	6 -138
5367220	6 -139
5367221	6 -140
5367222	6 -141
5367223	6 -142
5367224	6 -143
5367225	6 -144
5367274	6 - 99
5371671	4 - 39

PART NO.	LIST AND INDEX NO.
5371671-CONT	14 - 12
5373221	1 -125
5373660	5 - 10
	5 - 16
5374689	24F- 54
	24H- 55
	40 - 54
5393274	6 - 40
5412817	44 - 16
5422212	6 - 3G
5422213	6 - 3H
5422214	6 - 3J
5700484	29 - 72
5708922	22 - 1
5708943	4 -116
5708991	22 - 1
	24E- 1
5708992	24E- 1
5708993	22 - 1
	24E- 1
5709382	21 - 42
5709429	39 - 36
5709430	33 -129
	41 -REF
5709434	41 - 1
5709440	33 -127
	39 -REF
5709444	39 - 1
5709470	33 -129
	41 -REF
5709480	33 -127
	39 -REF
5712309	23 - 40
	24 - 40
	24F- 36
	24G- 63
	24H- 43
	39 - 62
	40 - 36
	41 - 62
	42 - 34
5712377	21 - 38
5724438	4 - 91
5724439	4 - 90
	10 - 9
5760610	24A- 27
	24G-REF
5760613	21 - 33
	24G- 20
5760614	24G- 1
5760615	24G- 38
5760620	24A- 16
	24D-REF
5760623	24G- 67
5760624	24G- 44
5760625	24A- 16
	24D-REF
5760665	24G- 21
5760690	24A- 27
	24G-REF
5760697	21 - 34
5760699	21 - 4
5760700	15 - 53
	21 -REF
5760703	21 - 4
5760704	21 - 15
5760707	21 - 50
5760708	21 - 81
5760710	15 - 53
	21 -REF
5760715	21 - 74
5760719	21 - 15
5760790	21 - 1
5761723	42 - 31
5761724	24H- 29
5761726	24F- 43
5761729	40 - 43
5761758	42 - 57
5761759	42 - 47



PART NO.	LIST AND INDEX NO.
5761763	24H- 62
5761764	24H- 50
5761767	24F- 62
	40 - 65
5761768	24F- 48
	40 - 48
5761779	24F- 11
	24H- 11
	40 - 11
	42 - 11
5761786	42 - 18
5761794	24F- 17
	40 - 17
5761795	24H- 13
5761796	24F- 50
	24H- 38
	40 - 50
	42 - 42
5761798	24F- 55
	24H- 56
	40 - 55
5761904	23 - 39
	24 - 39
	24F- 24
	24H- 46
	40 - 24
	42 - 43
5761907	23 - 39A
	23 - 41
	24 - 39A
	24 - 41
	24F- 25
	24F- 37
	24H- 44
	24H- 47
	40 - 25
	40 - 37
	42 - 35
	42 - 44
5761908	21 - 57
	24F- 45
	24H- 31
	40 - 45
	42 - 33
5761909	24F- 52
	24H- 53
	40 - 52
5761913	24F- 49
	24H- 51
	40 - 49
	42 - 48
5761935	23 - 71
	24F- 6
	24F- 7
	24H- 6
	24H- 7
	40 - 6
	40 - 7
	42 - 6
	42 - 7
5761936	21 - 61
	23 - 44
	24 - 44
	24F- 22
	24H- 49
	40 - 22
	42 - 46

PART NO.	LIST AND INDEX NO.
5761938	21 - 26
	21 - 30
	23 - 74
	24F- 3
	24H- 3
	40 - 3
	42 - 3
5761943	21 - 37
	21 - 77
	23 - 35
	23 - 38
	24 - 35
	24 - 38
	24F- 19
	24H- 15
	40 - 19
	42 - 20
	42 - 23
5761965	42 - 52
5761966	24H- 61
5761968	24F- 60
	40 - 60
5761976	23 - 4
	23 - 29
	24 - 4
	24 - 29
	24F- 59
	24H- 60
	40 - 59
	42 - 53
5761977	24F- 26
	24H- 32
	40 - 26
	42 - 36
5761979	24F- 29
	24H- 35
	40 - 29
	42 - 41
5761987	24 - 47
	24F- 32
	24H- 39
5761988	23 - 47
	40 - 32
5761993	23 - 68
	24 - 68
5762000	15 - 97
	24 -REF
5762004	23 - 66
	24 - 66
5762005	24 - 69
5762006	23 - 75
5762013	23 - 14
	24 - 14
5762015	24 - 17
5762016	23 - 17
5762025	24 - 16
5762026	23 - 16
5762030	15 - 94
	23 -REF
5762033	23 - 22
	24 - 22
5762034	23 - 19
	24 - 19
5762036	23 - 8
	24 - 8
5762037	23 - 5
	24 - 5

PART NO.	LIST AND INDEX NO.
5762045	24 - 1
5762046	23 - 1
5762057	23 - 43
	24 - 43
5762058	23 - 6
	24 - 6
5762137	24C- 4
	24C- 5
5762153	23 - 53
	24 - 53
5762156	42 - 41A
5762197	23 - 10A
	24 - 10A
5762215	24F- 28
	40 - 28
	42 - 38
5800325	9 - 1
	9 - 10
5800610	44 - 63
5800656	44 - 76A
5800660	44 - 76
5800671	44 - 76B
5802200	15 - 19
5802216	17 - 46
5802225	34 - 58
5802236	17 - 36
	18 - 28
	44 - 63A
5805030	17A- 11
5889411	17A- 10
5889413	18 - 30A
5889414	18 - 30
5889415	18 - 27A
5889416	18 - 27
5889417	17A- 20
5889439	17A- 21
5889440	17A- 25
5889441	17A- 43
5889443	17A- 19
5889444	19A- 31
5889445	17A- 36
5889446	15 - 51
5889447	6 - 2A
8107680	6 - 2B
8107681	6 - 3A
8107771	6 - 4B
8107772	4 - 64
8107886	6 -REF
	6 - 4L
8107888	4 - 64
8107907	6 -REF
	4 - 64
8109190	6 -REF
	4 - 64
8109192	6 -REF
	4 - 64
8109193	6 -REF
	4 - 64
8109194	6 -REF
	4 - 64
8109204	6 -REF
	4 - 64
8109263	6 - 1D
8109274	4 - 64
	6 -REF
8109313	6 - 3K

READER'S COMMENT FORM

IBM 1131 CPU IPC

S127-0808-4

- Based on your own experience, rate this publication...

As a reference source:

.....	.....	.....	.....	.....
Very	Good	Fair	Poor	Very
Good				Poor

- What is your occupation? .....
- We would appreciate your other comments; please give specific page and line references where appropriate. If you wish a reply, be sure to include your name and address.

Date \_\_\_\_\_

- Thank you for your cooperation. No postage necessary if mailed in the U.S.A.

**YOUR COMMENTS PLEASE . . .**

Your answers to the questions on the back of this form, together with your comments, will help us produce better publications for your use. Each reply will be carefully reviewed by the persons responsible for writing and publishing this material. All comments and suggestions become the property of IBM.

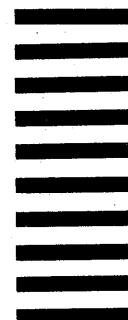
Note: Please direct any request for copies of publications, or for assistance in using your IBM system, to your IBM representative or to the IBM sales office serving your locality.

fold

fold

FIRST CLASS  
PERMIT NO. 110  
BOCA RATON, FLA.  
33432

**BUSINESS REPLY MAIL**  
NO POSTAGE STAMP NECESSARY IF MAILED IN U. S. A.



POSTAGE WILL BE PAID BY . . .

IBM Corporation  
General Systems Division  
Boca Raton, Florida  
33432

Attention: Product and Programming Publications Dept.

fold

fold



International Business Machines Corporation  
Field Engineering Division  
112 East Post Road, White Plains, N. Y. 10601

1131

1131

TAB INSERT FOR FRONT COVER

S-127-0808-4

1131 Central Processing Unit (IPC) Printed in U.S.A. S127-0808-4

**IBM**

International Business Machines Corporation  
Field Engineering Division  
112 East Post Road, White Plains, N.Y. 10601