

**HP 64000  
Logic Development  
System**

**Model 64500A  
Prom Programmer  
Reference Manual**



## **CERTIFICATION**

*Hewlett-Packard Company certifies that this product met its published specifications at the time of shipment from the factory. Hewlett-Packard further certifies that its calibration measurements are traceable to the United States National Bureau of Standards, to the extent allowed by the Bureau's calibration facility, and to the calibration facilities of other International Standards Organization members.*

## **WARRANTY**

This Hewlett-Packard system product is warranted against defects in materials and workmanship for a period of 90 days from date of installation. During the warranty period, HP will, at its option, either repair or replace products which prove to be defective.

Warranty service of this product will be performed at Buyer's facility at no charge within HP service travel areas. Outside HP service travel areas, warranty service will be performed at Buyer's facility only upon HP's prior agreement and Buyer shall pay HP's round trip travel expenses. In all other cases, products must be returned to a service facility designated by HP.

For products returned to HP for warranty service, Buyer shall prepay shipping charges to HP and HP shall pay shipping charges to return the product to Buyer. However, Buyer shall pay all shipping charges, duties, and taxes for products returned to HP from another country.

HP warrants that its software and firmware designated by HP for use with an instrument will execute its programming instructions when properly installed on that instrument. HP does not warrant that the operation of the instrument, or software, or firmware will be uninterrupted or error free.

## **LIMITATION OF WARRANTY**

The foregoing warranty shall not apply to defects resulting from improper or inadequate maintenance by Buyer, Buyer-supplied software or interfacing, unauthorized modification or misuse, operation outside of the environment specifications for the product, or improper site preparation or maintenance.

NO OTHER WARRANTY IS EXPRESSED OR IMPLIED. HP SPECIFICALLY DISCLAIMS THE IMPLIED WARRANTIES OF MERCHANTABILITY AND FITNESS FOR A PARTICULAR PURPOSE.

## **EXCLUSIVE REMEDIES**

THE REMEDIES PROVIDED HEREIN ARE BUYER'S SOLE AND EXCLUSIVE REMEDIES. HP SHALL NOT BE LIABLE FOR ANY DIRECT, INDIRECT, SPECIAL, INCIDENTAL, OR CONSEQUENTIAL DAMAGES, WHETHER BASED ON CONTRACT, TORT, OR ANY OTHER LEGAL THEORY.

## **ASSISTANCE**

*Product maintenance agreements and other customer assistance agreements are available for Hewlett-Packard products.*

*For any assistance, contact your nearest Hewlett-Packard Sales and Service Office.*

FOLD HERE



NO POSTAGE  
NECESSARY  
IF MAILED  
IN THE  
UNITED STATES

**BUSINESS REPLY CARD**  
FIRST CLASS PERMIT NO. 1303 COLORADO SPRINGS, COLORADO

POSTAGE WILL BE PAID BY ADDRESSEE

**HEWLETT-PACKARD**

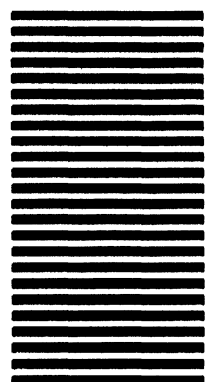
LOGIC PRODUCT SUPPORT DEPT.

Attn: Technical Publications Manager

Centennial Annex - D2

P.O. Box 617

Colorado Springs, Colorado 80901-0617



FOLD HERE

Your cooperation in completing and returning this form  
will be greatly appreciated. Thank you.

## READER COMMENT SHEET

Operating Manual, Model 64500S  
Prom Programmer Reference Manual  
64500-90912, March 1986

Your comments are important to us. Please answer this questionnaire and return it to us. Circle the number that best describes your answer in questions 1 through 8. Thank you.

**1. The information in this book is complete:**

Doesn't cover enough (what more do you need?)      1 2 3 4 5      Covers everything

**2. The information in this book is accurate:**

Too many errors      1 2 3 4 5      Exactly right

**3. The information in this book is:**

Difficult to find      1 2 3 4 5      Easy to find

**4. The Index and Table of Contents are useful:**

Missing or inadequate      1 2 3 4 5      Helpful

**5. What about the "how-to" procedures and examples:**

No help      1 2 3 4 5      Very Helpful

Not enough      1 2 3 4 5      Too many

**6. What about the writing style:**

Confusing      1 2 3 4 5      Clear

**7. What about organization of the book:**

Poor order      1 2 3 4 5      Good order

**8. What about the size of the book:**

Too small      1 2 3 4 5      Too big

Comments: \_\_\_\_\_

\_\_\_\_\_

\_\_\_\_\_

\_\_\_\_\_

Particular pages with errors? \_\_\_\_\_

Name: \_\_\_\_\_

Job title: \_\_\_\_\_

Company: \_\_\_\_\_

Address: \_\_\_\_\_

**Note:** If mailed outside U.S.A., place card in envelope. Use address shown on other side of this card.

FOLD HERE



NO POSTAGE  
NECESSARY  
IF MAILED  
IN THE  
UNITED STATES

**BUSINESS REPLY CARD**  
FIRST CLASS PERMIT NO. 1303 COLORADO SPRINGS, COLORADO

POSTAGE WILL BE PAID BY ADDRESSEE

# HEWLETT-PACKARD

LOGIC PRODUCT SUPPORT DEPT.

Attn: Technical Publications Manager

Centennial Annex - D2

P.O. Box 617

Colorado Springs, Colorado 80901-0617



FOLD HERE

Your cooperation in completing and returning this form  
will be greatly appreciated. Thank you.

## READER COMMENT SHEET

Operating Manual, Model 64500S  
Prom Programmer Reference Manual  
64500-90912, March 1986

Your comments are important to us. Please answer this questionnaire and return it to us. Circle the number that best describes your answer in questions 1 through 8. Thank you.

**1. The information in this book is complete:**

Doesn't cover enough (what more do you need?)      1 2 3 4 5      Covers everything

**2. The information in this book is accurate:**

Too many errors      1 2 3 4 5      Exactly right

**3. The information in this book is:**

Difficult to find      1 2 3 4 5      Easy to find

**4. The Index and Table of Contents are useful:**

Missing or inadequate      1 2 3 4 5      Helpful

**5. What about the "how-to" procedures and examples:**

No help      1 2 3 4 5      Very Helpful

Not enough      1 2 3 4 5      Too many

**6. What about the writing style:**

Confusing      1 2 3 4 5      Clear

**7. What about organization of the book:**

Poor order      1 2 3 4 5      Good order

**8. What about the size of the book:**

Too small      1 2 3 4 5      Too big

Comments: \_\_\_\_\_

\_\_\_\_\_

\_\_\_\_\_

\_\_\_\_\_

Particular pages with errors? \_\_\_\_\_

Name: \_\_\_\_\_

Job title: \_\_\_\_\_

Company: \_\_\_\_\_

Address: \_\_\_\_\_

**Note:** If mailed outside U.S.A., place card in envelope. Use address shown on other side of this card.

## **SAFETY SUMMARY**

*The following general safety precautions must be observed during all phases of operation, service, and repair of this instrument. Failure to comply with these precautions or with specific warnings elsewhere in this manual violates safety standards of design, manufacture, and intended use of the instrument. Hewlett-Packard Company assumes no liability for the customer's failure to comply with these requirements.*

### **GROUND THE INSTRUMENT.**

To minimize shock hazard, the instrument chassis and cabinet must be connected to an electrical ground. The instrument is equipped with a three-conductor ac power cable. The power cable must either be plugged into an approved three-contact electrical outlet or used with a three-contact to two-contact adapter with the grounding wire (green) firmly connected to an electrical ground (safety ground) at the power outlet. The power jack and mating plug of the power cable meet International Electrotechnical Commission (IEC) safety standards.

### **DO NOT OPERATE IN AN EXPLOSIVE ATMOSPHERE.**

Do not operate the instrument in the presence of flammable gases or fumes. Operation of any electrical instrument in such an environment constitutes a definite safety hazard.

### **KEEP AWAY FROM LIVE CIRCUITS.**

Operating personnel must not remove instrument covers. Component replacement and internal adjustments must be made by qualified maintenance personnel. Do not replace components with the power cable connected. Under certain conditions, dangerous voltages may exist even with the power cable removed. To avoid injuries, always disconnect power and discharge circuits before touching them.

### **DO NOT SERVICE OR ADJUST ALONE.**

Do not attempt internal service or adjustment unless another person, capable of rendering first aid and resuscitation, is present.

### **DO NOT SUBSTITUTE PARTS OR MODIFY INSTRUMENT.**

Because of the danger of introducing additional hazards, do not install substitute parts or perform any unauthorized modification of the instrument. Return the instrument to a Hewlett-Packard Sales and Service Office for service and repair to ensure that safety features are maintained.

### **DANGEROUS PROCEDURE WARNINGS.**

Warnings, such as the example below, precede potentially dangerous procedures throughout this manual. Instructions contained in the warnings must be followed.

**WARNING**

**Dangerous voltages, capable of causing death, are present in this instrument. Use extreme caution when handling, testing, and adjusting.**

## SAFETY SYMBOLS

### General Definitions of Safety Symbols Used on Equipment or in Manuals.



Instruction manual symbol: the product is marked with this symbol when it is necessary for the user to refer to the instruction manual in order to protect against damage to the instrument.



Indicates dangerous voltage (terminals fed from the interior by voltage exceeding 1000 volts must be so marked).



OR



Protective conductor terminal. For protection against electrical shock in case of a fault. Used with field wiring terminals to indicate the terminal which must be connected to ground before operating equipment.



Low-noise or noiseless, clean ground (earth) terminal. Used for a signal common, as well as providing protection against electrical shock in case of a fault. A terminal marked with this symbol must be connected to ground in the manner described in the installation (operating) manual, and before operating the equipment.



OR



Frame or chassis terminal. A connection to the frame (chassis) of the equipment which normally includes all exposed metal structures.



Alternating current (power line).



Direct current (power line).



Alternating or direct current (power line).

**WARNING**

The **WARNING** sign denotes a hazard. It calls attention to a procedure, practice, condition or the like, which, if not correctly performed, could result in injury or death to personnel.

**CAUTION**

The **CAUTION** sign denotes a hazard. It calls attention to an operating procedure, practice, condition or the like, which, if not correctly performed or adhered to, could result in damage to or destruction of part or all of the product.

**NOTE :**

The **NOTE** sign denotes important information. It calls attention to procedure, practice, condition or the like, which is essential to highlight.





**OPERATING MANUAL**

**MODEL 64500S  
PROM PROGRAMMER  
REFERENCE MANUAL**

© COPYRIGHT HEWLETT-PACKARD COMPANY 1980, 1981, 1982, 1984, 1986  
LOGIC SYSTEMS DIVISION  
COLORADO SPRINGS, COLORADO, U.S.A.

**ALL RIGHTS RESERVED**

## PRINTING HISTORY

Each new edition of this manual incorporates all material updated since the previous edition. Manual Updates are issued between editions, instructing you to add, replace, or remove pages in the current edition.

The print date changes only when each new edition is published. Minor corrections or additions may be made as the manual is reprinted between editions. Vertical bars in a page margin indicate the location of reprint corrections.

First Printing	September 1980 (P/N 64500-90901)
Second Edition	February 1981 (P/N 64500-90904)
Third Edition	July 1983 (P/N 64500-90906)
Fourth Edition	March 1982 (P/N 64500-90907)
Fifth Edition	August 1982 (P/N 64500-90909)
Sixth Edition	February 1984 (P/N 64500-90912)
<b>Seventh Edition</b>	<b>March 1986 (P/N 64500-90912)</b>

## TABLE OF CONTENTS

### Chapter 1: PROM PROGRAMMER

INTRODUCTION .....	1-1
DESCRIPTION .....	1-1
INSTALLATION .....	1-2
Control Board Installation .....	1-2
Personality Module Installation .....	1-3
PROM Installation .....	1-3
OPERATING THE PROM PROGRAMMER .....	1-5
Parameters .....	1-5
Files Used by PROM Programmer .....	1-6
Relationship of the File Address and PROM Address .....	1-7
Softkeys Used by the PROM Programmer .....	1-11
PROM PROGRAMMER SELF-CHECK .....	1-19

### Appendix A: PROM LISTFILE FORMAT

## LIST OF ILLUSTRATIONS

Figure 1. Control Board Installation .....	1-2
Figure 2. Personality Module Installation .....	1-4
Figure 3. Programming a Single PROM where the File Addresses are the same as the PROM Addresses .....	1-7
Figure 4. Programming Multiple PROM's where the File Address is the same as the PROM Address .....	1-8
Figure 5. Programming Multiple PROM's where the File Address is different from the PROM Address .....	1-9
Figure 6. Formula PROM Programmer uses to calculate Next Addresses during programming .....	1-10

## LIST OF TABLES

Table 1. PROM Programmer Power Requirements .....	1-1
Table 2. PROM Programmer Softkeys .....	1-11
Table 3. PROM Programmer Error Messages .....	1-19

**NOTES**

---

# Chapter 1

## PROM PROGRAMMER

### INTRODUCTION

This manual provides instructions for installing and operating the Model 64500S PROM Programmer option. The first part of the manual describes the Model 64500S PROM Programmer option and shows you how to install it in a Model 64100 terminal. The PROM Programmer is not compatible with the Model 64110A terminal. All of the error messages that can be displayed by the PROM Programmer are listed and described at the end of this manual.

### DESCRIPTION

The Model 64500S PROM Programmer option provides the capability to program, verify, and read popular bipolar and MOS PROM's. A PROM Programmer consists of a 64502A PROM Interface Module, A 64501A Control Card, a special cable (HP Part No. 8120-4336), and a choice of unique personality PROM modules. The PROM Programmer includes circuitry for the operator self test and for the service self test.

Table 1 lists power supply requirements of the PROM Programmer option. This information will help you determine how many circuit cards can be loaded into the card cage of your terminal.

**Table 1. PROM Programmer Power Requirements**

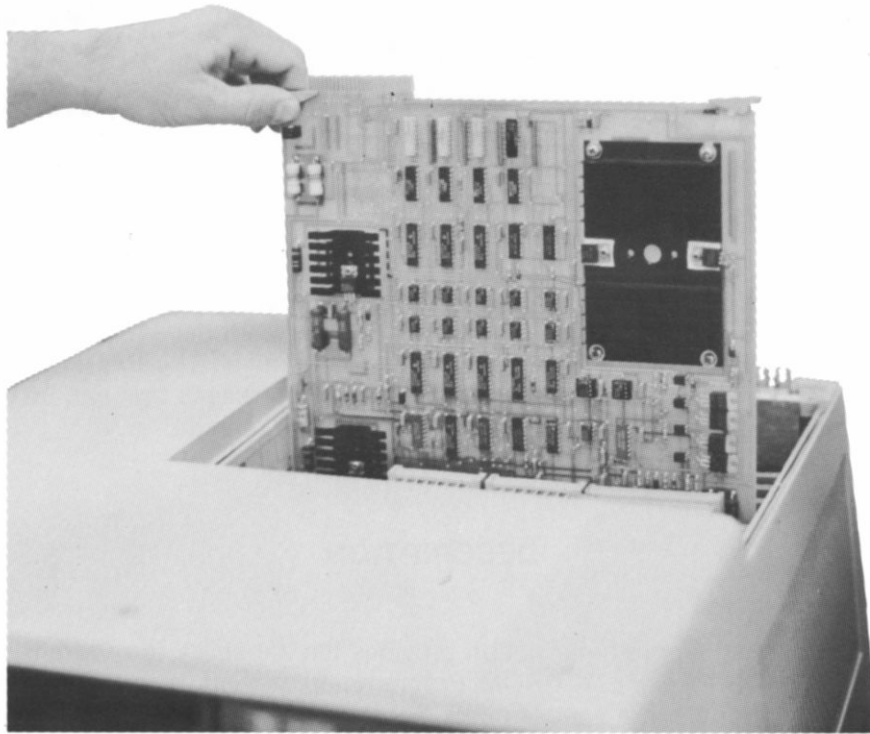
Power Supply	+40V	+12V	+5V	-5.2V	-12V
Typical Current	0.38A	.03A	1.07A	.01A	.01A



---

Before turning on or turning off system power, make sure there are no PROM's or other devices installed in any of the module sockets. Otherwise, the device may be damaged or its program altered.

---



**Figure 1. Control Board Installation**

## INSTALLATION



---

Turn off station power before installing PC card or connecting personality module.

---

### Control Board Installation

Remove the card cage top lid by loosening the two screws, lifting the back of the lid, and pulling to the rear. Install the Model 64501A driver card in the card cage (component side toward front of instrument) in the card slot closest to the front of the 64100A terminal to minimize cable length problems. This will normally be slot 0 to slot 1 if a 64941A Floppy Disc system is installed.

Connect the single-keyed connector of the PROM cable (HP Part No. 8120-4336) to the top, left-hand connector of the circuit board.

Run the cable across the top of the card cage and down behind the right side of the front panel. Both connectors on the end of the cable should be visible in the well on the right-hand side of the keyboard.

## Personality Module Installation

Personality modules come with one or two connectors (see figure 2). The cable can be used with either type. If the module has only one connector, connect it to the end cable connector. This allows the module to seat fully into the well. If the module has two connectors, use both cable connectors.

---

### NOTE

The cable and module connectors are keyed so there is only one way to connect them.

---

After the cable is connected, place the module in the well and adjust it until it is flush. Turn the hold-down screw clockwise until it is tight.

## PROM Installation

To use the PROM Programmer Module, proceed as follows:

1. Before installing PROM in personality module, press the *prom\_prog* softkey at the monitor level. This evokes the PROM Programmer Software module, ensuring no unwanted voltages will be present at pins of the personality module.
2. Install PROM into personality module. Pin 1 is identified on each personality module.



---

Certain PROM's can be damaged by static electricity. Observe the manufacturer's handling procedures to prevent damage. Verify the correct PROM programmer personality module is installed in the Model 64100.

---

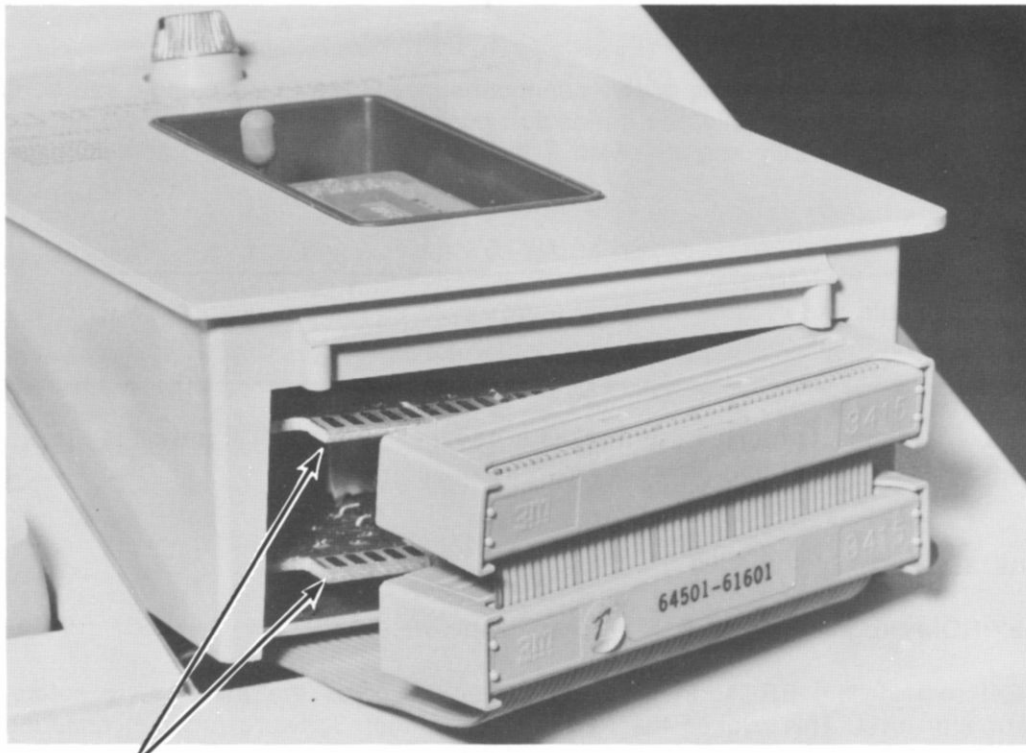
3. Use any or all PROM Programmer functions.
4. After programming session, remove PROM from personality module socket.
5. Exit PROM Programmer Software Module.

---

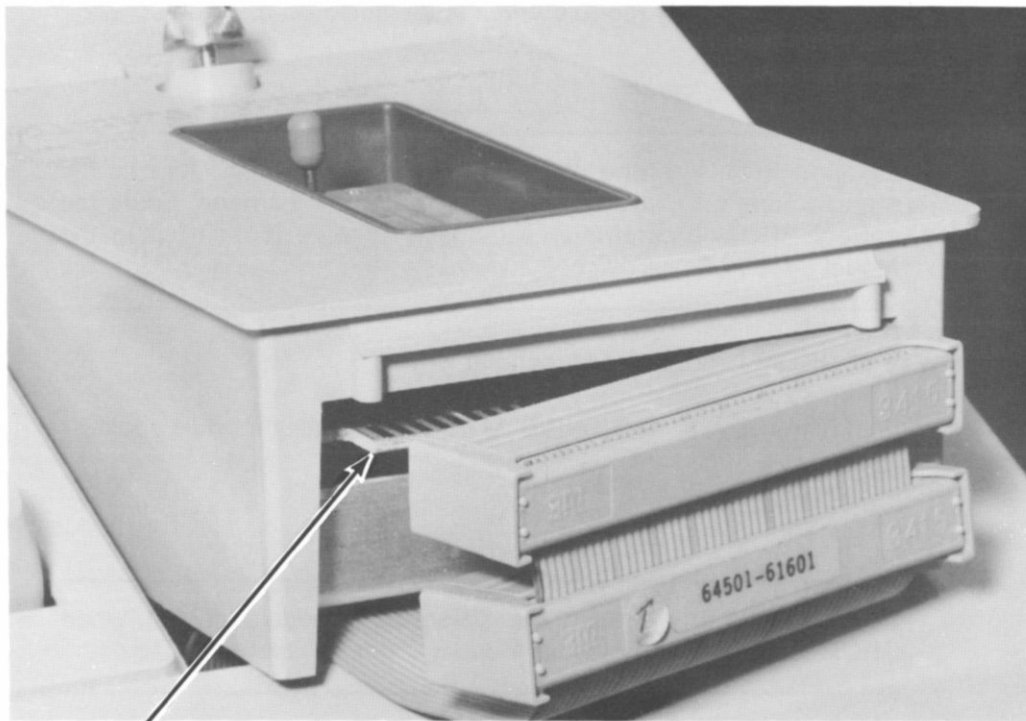
### NOTE

Do not leave PROM's in the personality module socket when PROM Programmer Software Module is not in use.

---



CABLE CONNECTOR



SINGLE CONNECTOR

**Figure 2. Personality Module Installation**



## OPERATING THE PROM PROGRAMMER

The following paragraphs describe how to operate the PROM Programmer. First, all of the parameters common to the PROM Programmer softkeys are listed and described. Then the kinds of files used by the PROM Programmer are described. The formula used by the PROM Programmer to calculate addresses and data segments during programming is discussed. Finally, each of the softkeys is described in detail.

### Parameters

The following parameters are used by many of the softkeys that appear during PROM Programmer operation.

#### <ADDRESS>

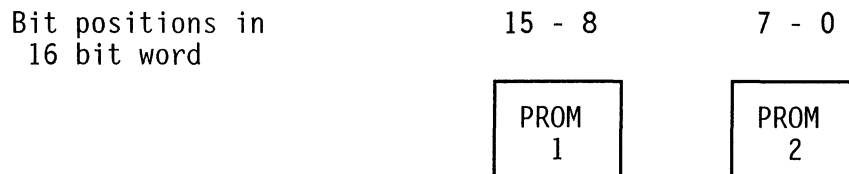
The <ADDRESS> parameter prompts you to specify where the terminal should begin its read or write of PROM data or of the content of the absolute file or the listing file, as applicable. If you make no entry in this field, the terminal will begin with address 0H.

#### START <ADDRESS>

The start parameter specifies the lowest address in the absolute or listing file, or in the PROM, where programming or reading should begin. The default is 0.

#### BIT <VALUE>

The bit parameter identifies a single logical unit. You can use this to extract bytes and nibbles from a file whose word size is greater than the PROM size. The bit number identifies the least significant bit of the byte or nibble. For example, if a processor word is 16 bits wide and memory is contained on two 8-bit PROM's, the bit number allows programming these PROM's from the same file as follows:



program\_from FILE bit 8      PROM 1, bits 15 - 8

program\_from FILE bit 0      PROM 2, bits 7 - 0

The "bit 0" entry was unnecessary in the second line. The default bit value is 0.

#### ROM\_ADDR

The PROM address function permits programming or reading a sub range of the PROM. Normally, programming or reading will affect the entire address range of the PROM, but there are occasions when you may want to affect only a portion of the PROM range. The rom\_addr can specify a starting and ending address range in the PROM for programming or reading. In the case of

"rom\_addr 5 thru 8", for example, programming or reading will occur in PROM addresses 5 thru 8 inclusive.

#### NEG\_DATA

If the system hardware is constructed using negative logic, it will expect the data to be complemented. In such cases, the neg\_data option will perform a ones complement of the data before it is programmed into the PROM and will complement data read from the PROM.

#### NEG\_ADDR

If the hardware expects an address to be negative logic, the programmer can store data at the ones complement of the address given. For example, if data would normally be programmed at PROM address 0, the programmer would store it at the ones complement of the address (in this case, the maximum PROM address).

#### No\_Blank\_Check

The PROM Programmer normally performs a blank check of the PROM before programming begins. It places an error message on screen if it finds the PROM is not blank. If your PROM is not blank, but you still want to program it, you can override the blank check feature by using the no\_blank\_check instruction.

### Files Used by PROM Programmer

The PROM Programmer can use two types of files for programming or verifying PROM contents: absolute files and listing files. These two file types are described below.

Absolute files are created by the system linker. They contain information about the processor, the addresses where data is located in memory, and who generated the file. All of this information will be transparent to the user. The programmer is compatible with any microprocessor, regardless of word size.

Listing files provide several features within the programmer. For example, they allow the user to see what is in a PROM. By listing a PROM program to a file, it can be reviewed for changes or corrections via the system editor and returned to the programmer for downloading onto a PROM.



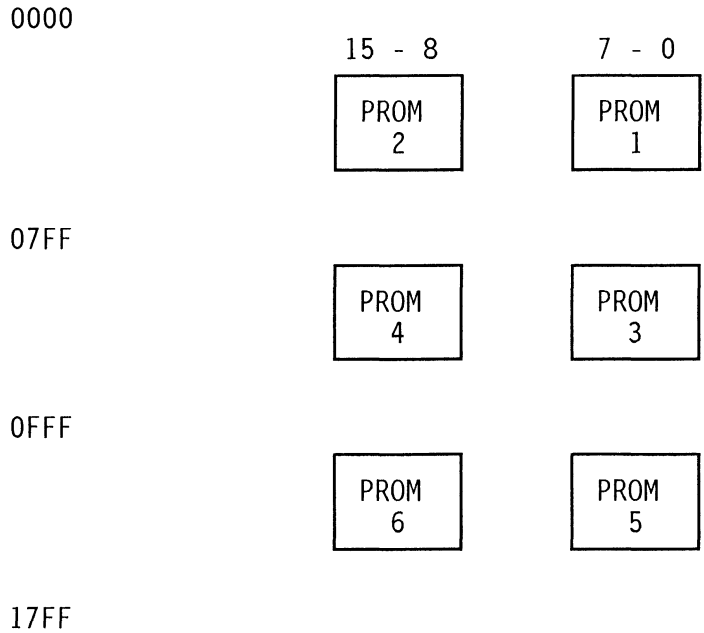
---

Syntax of the listing file is very important to the PROM Programmer. Be careful, therefore, not to change the basic structure of the file. This structure is described in Appendix A of this manual.

---

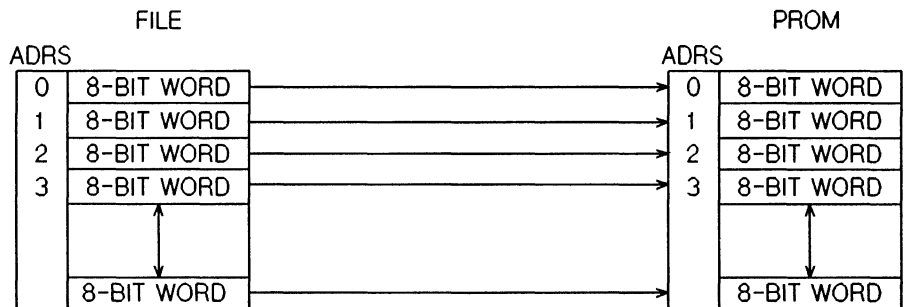
The list function has another important feature. It allows the user to generate a memory map which may consist of more that one ROM and cover a 32-bit address space. A list file containing bit widths up to 128 bits wide can be constructed using the bit number function. Also, by specifying the starting address, PROM data can be placed anywhere in the list file, and the existing list data will automatically be updated. For example, if we had a memory which was 6K long by 16 bits wide and we wanted to construct a file reflecting the memory shown below, we would issue the following commands to construct the list file:

```
list_rom_to LIST start 0000H bit 0   for PROM 1
list_rom_to LIST start 0000H bit 8   for PROM 2
list_rom_to LIST start 0800H bit 0   for PROM 3
list_rom_to LIST start 0800H bit 8   for PROM 4
list_rom_to LIST start 1000H bit 0   for PROM 5
list_rom_to LIST start 1000H bit 8   for PROM 6
```



### Relationship of the File Address and PROM Address

There are three basic formats for programming a PROM with the PROM Programmer. The three formats are shown in figures 3 through 5 and discussed in the following paragraphs. All of the programming functions discussed are transparent to the user, but some explanation of how the PROM Programmer handles each of these formats will be helpful.



**Figure 3. Programming a Single PROM where the File Addresses are the same as the PROM Addresses**

Figure 3 shows the programming of a PROM where the word size in the file is the same as the word size of the PROM. In this case, you insert the PROM in the Personality Module, press the *program* softkey, and type in the name of your file. When you press (RETURN), the terminal will automatically take the data word from file address 0 (bit-by-bit) and program it into PROM address

0. Then it will take the word from file address 1 and program it into PROM address 1. It will continue this process until it reaches the end of the file.

Parameters are available in the PROM Programmer to help you overcome special programming problems. The parameters can be used as follows:

- a. In the case where your file is too large to be contained in one PROM, you will have to distribute blocks of your file over two or more PROM's. You can program your first PROM from the file address 0, but subsequent PROM's will have to be programmed from addresses located further into the file. The *start* <ADDRESS> parameter is provided to help you accomplish this task. When you include a *start* <ADDRESS> in your command, the first word taken from the file will not come from address 0. Instead, it will come from the file address you specify. The next word will be taken from <ADDRESS>+1, and the word after that from <ADDRESS>+2, etc.
- b. There is also a parameter that lets you program a portion of the available space in the PROM without programming the entire PROM. You can specify the address where programming will start in the PROM. You can also format the command as <value> thru <value> if you want to program a limited portion of the center of the PROM without affecting the content of either end of the PROM. The parameter to use for this requirement is the *rom\_addr* <value> in your command, the first word taken from your file will be programmed into the PROM at PROM address <value>. The next word taken from your file will be programmed into PROM address <value>+1, etc.
- c. You can use the *start* and *rom\_addr* parameters together to program activity starting at any file address and any PROM address.

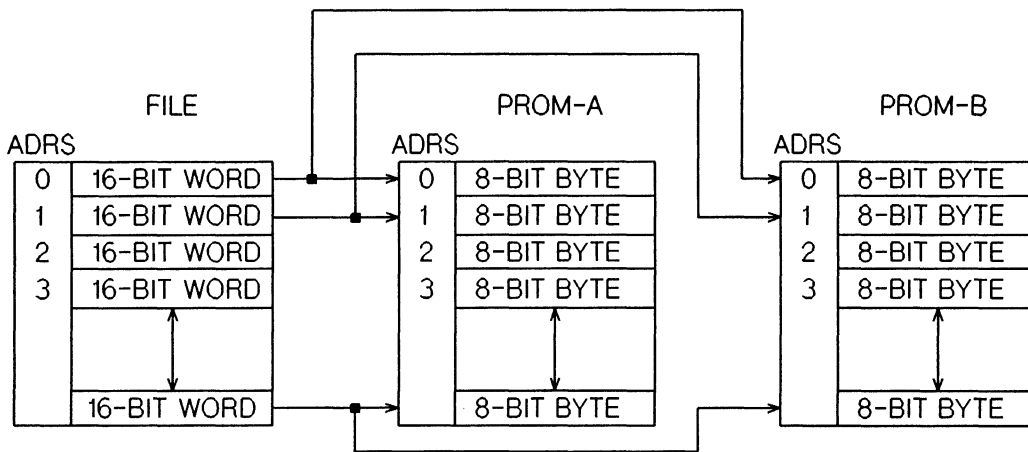
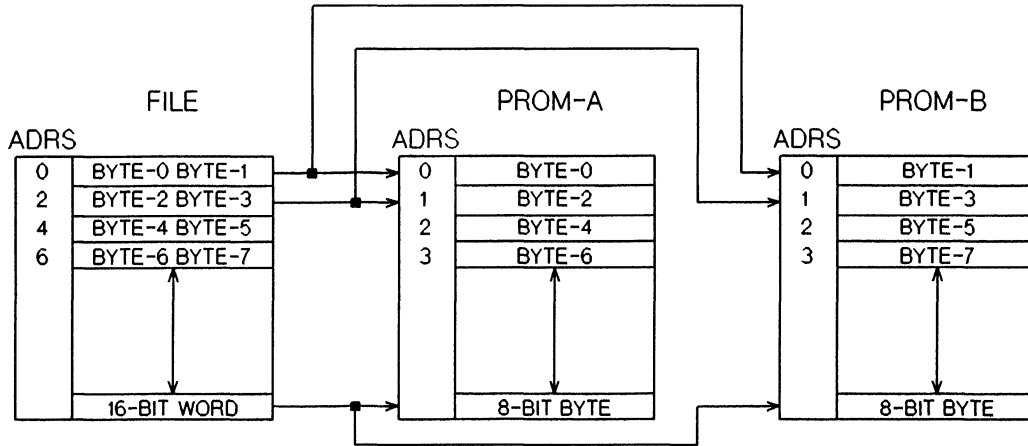


Figure 4. Programming Multiple PROM's where the File Address is the same as the PROM Address

When you are programming a set of PROM's like those shown in figure 4, you can only program one of the PROM's at a time (you might program PROM-A first and then program PROM-B next). To accomplish this programming, you will need to use the *bit* <value> parameter. To program PROM-A, you can simply specify a command of *program* <the name of your file> **(RETURN)**. The PROM Programmer will program bits 0 through 7 of each word into the PROM and send bits 8 through 15 of each word to a location unrecognized by the Programmer Module.

Then you will need to add the *bit* <value> parameter to your command before you can program the next PROM. This time your command line will read *program* <the name of your file> *bit* <8>

**RETURN**. This command will cause the PROM Programmer to send bits 0-7 of each word to a location unrecognized by the Programmer Module and begin programming into the PROM with bit 8 of each word. The PROM Programmer reads every bit each time it goes through your file but it only enters the specified bits into the PROM.



**Figure 5. Programming Multiple PROM's where the File Address is different from the PROM Address**

When you are programming PROM's in a situation like figure 5, you may find that the data is programmed into PROM addresses which are different from the addresses you expect to see. As shown above, you would find the first byte of the word at file address 200H programmed into PROM address 100H.

In figure 5, the PROM Programmer divides each word in your file into bytes and programs the bytes into consecutive PROM locations. The PROM Programmer accomplishes this task by making multiple passes through the file. On the first pass, the PROM Programmer will take all of the even numbered bytes and program them into PROM-A. It will send the odd-numbered bytes of each word to addresses which are not recognized by the Programmer Module. You must insert the other PROM into the Programmer Module before you start the next pass. Then the PROM Programmer will program PROM-B.

When it finishes programming a PROM address, the PROM Programmer will calculate the next PROM address to be programmed by using the formula shown in figure 6. The formula that was chosen to calculate the next address is universal. It will calculate correct PROM addresses for any programming arrangement, regardless of the size of the file word or the size of the PROM bytes. At the end of each pass through the file, the rom\_addr parameter is incremented by 1 to begin the next pass through the file at the proper byte address in the file.

$$\text{PROM address} = (\text{file address} - \text{file start}) \times (\text{address base}/\text{word size}) + \text{rom\_addr}$$

Where:

PROM address = next address to be programmed in PROM.

file address = address in file where next data unit will be obtained.

file start = first file address where data was taken for PROM programming during present run.

address base = smallest unit of data the processor can address.

word size = number of bits addressing a data word for the processor.

rom\_addr = PROM address offset where first byte was programmed during the present run.

**Figure 6. Formula PROM Programmer uses to calculate Next Addresses during programming.**

To format your commands when programming PROM's that correspond to figure 5, use the following procedure:

1. Insert the first PROM to be programmed into the Programmer Module.
2. Enter *program* <the name of your file> *bit* 0, and press **(RETURN)**.
3. PROM\_A will be programmed automatically with the correct set of bytes from your file.
4. Remove PROM-A.
5. Insert PROM\_B.
6. Enter *program* <the name of your file> *bit* 8, and press **(RETURN)**. PROM\_B will be programmed with the corresponding set of bytes from your file.

---

**NOTE**

You can program a set of PROM's with more that two PROM's in the set by using the PROM Programmer. Simply repeat steps 2 through 6 of this procedure, and select the correct bit numbers until all of your PROM's are programmed.

---

## Softkeys Used by the PROM Programmer

Table 2 lists each of the softkeys that is used in the operation of the PROM Programmer, and describes their functions. On the pages following table 2, each of these softkeys is discussed in detail.

**Table 2. PROM Programmer Softkeys**

Softkey Name	Function Selected
program	Causes the terminal to program and verify your PROM from the absolute file or listing file you specify.
verify	Causes the terminal to compare the data in your PROM with the data in the absolute file or listing file you specify.
list_rom	Causes the terminal to create a list of the content of your PROM either on the printer or in a listing file.
display	Causes the CRT to display the data at any PROM location you specify. Press display again to exit this selection.
check_sum	Causes the terminal to display a 32-bit total of all data stored either in your PROM or in the file you specify.
prog_loc	Causes the terminal to program only the PROM address you specify.
read_loc	Causes the terminal to read only the PROM address you specify.

---

# program

---

## Syntax

```
program_from <FILE> [parameters]
```

## Parameters

:absolute	identifies the program source as the absolute file.
:listing	identifies the program source as a listing file.
bit <value>	least significant bit of data unit (default 0).
rom_addr <value> thru <value>	PROM sub range (default entire range of PROM).
neg_data	negative logic for data (default positive logic).
neg_addr	negative logic for address (default positive logic).
no_blank	turns off the automatic blank_check feature.

## Function

This function programs a PROM from either an absolute or a listing file. Each time a location is programmed, the location is read and compared to the file data. If the comparison does not match, the location is reprogrammed and compared again in an attempt to match the file data. This will occur five times. After the fifth try, the programmer will stop and display a message on the status line stating that the programming function has failed, and programming will stop. If no programming errors occur, the PROM will be programmed and an automatic verification of the PROM will be performed to make sure that programming one location did not affect any others.



---

# verify

---

## Syntax

```
verify_from <FILE> [parameters]
```

## Parameters

:absolute	identifies the file as the absolute file.
:listing	identifies the file as a listing file.
start <ADDRESS>	starting file address (default 0).
bit <value>	least significant bit of data unit (default bit 0).
rom_addr <value> thru <value>	PROM sub range (default entire range of PROM).
neg_data	negative logic for data (default positive logic).
neg_addr	negative logic for address (default positive logic).
listfile	list locations which fail verify.

## Function

The verify command will compare file data with data in the PROM and report the number of failures on the status line. If the PROM verifies, the status will read:

Verify complete, no errors

If the PROM does not verify, the number of failures will be displayed on the status line. If you specify a list file, a summary of the failures will be listed with PROM address, PROM data, and file data. If the verify does not find any data in the range specified, and warning message will be displayed stating that no locations were verified.

---

## **list\_rom**

---

### **Syntax**

```
list_rom_to <FILE> [parameters]
```

### **Parameters**

- start <ADDRESS> starting file address (default 0).
- bit <value> least significant bit of data unit (default 0).
- rom\_addr <value> PROM sub range (default entire range of PROM).  
thru <value>
- neg\_data negative logic for data (default positive logic).
- neg\_addr negative logic for address (default positive logic).

### **Function**

The list instruction allows the user to obtain a list of PROM contents by listing them to a file or to the printer directly. The list file can then be edited and used to construct memory maps of several PROM's. (Refer to paragraph entitled "File Data".)

---

# display

## Syntax

```
display <ADDRESS>
```

## Parameters

<ADDRESS>      starting address of data display, default 0.

## Function

The display command will show the hex value of data stored at each location in the PROM. Press display again to exit this mode.

---

## check\_sum

---

### Syntax

```
check_sum rom [parameters]
```

### Parameters

rom\_addr <value> PROM sub range (default entire range of PROM)  
thru <value>

neg\_data negative logic for data (default positive logic)

neg\_addr negative logic for address (default positive logic)

### Syntax

```
check_sum <FILE> [parameters]
```

### Parameters

:absolute identifies the file as the absolute file.

:listing identifies the file as a listing file.

start <ADDRESS> starting file address (default 0).

bit <value> least significant bit of data unit (default bit 0).

rom\_addr <value> PROM sub range (default entire range of PROM).  
thru <value>

neg\_data negative logic for data (default positive logic).

neg\_addr negative logic for address (default positive logic).

### Function

The check sum is a 32-bit sum of all data in the specified range in the PROM or from the file.

---

## prog\_loc

---

### Syntax

`program_location <address> to <value> [parameters]`

### Parameters

neg\_data            negative logic for data (default positive logic).

neg\_addr            negative logic for address (default positive logic).

### Function

This function permits the programming of one location at a time and is useful when dealing with check sums. The address specified must be in the PROM address range, and the lower 4 or 8 bits of the value must be used. The programmer will try to program the location without checking to see if it is a blank or not; then it will read the location back and compare data. The status line will tell if the location programmed or not.

#### NOTE

---

This function should not be used on any PROM which requires several passes through the address range to program it (such as the 2708).

---

# **read\_loc**

---

## **Syntax**

```
read_location <ADDRESS>
```

## **Parameters**

- neg\_data           negative logic for data (default positive logic).
- neg\_addr           negative logic for address (default positive logic).

## **Function**

This function will read the content at the specified address, and display the data on the status line.

## PROM PROGRAMMER SELF-CHECK

### NOTE

---

Model 64502A Personality Module must be connected to run this test.

---

To evoke the PROM programmer self-check, proceed as follows:

1. At the system monitor level, press the *opt\_test* softkey and press **(RETURN)**. The display will show a list of modules that offer Option Performance Verification, and identify the slots where each is located.
2. Press the number key on the keyboard corresponding with the Slot # of the Prom Programmer, and press **(RETURN)**. The top of the display will show "Prom Programmer Performance Verification". The bottom of the display will show "STATUS: Awaiting option\_test command."
3. Press the *cycle* softkey. The system will perform each of the tests in sequence. It will count the number of tests performed, and count the number of test failures (if any).
4. You can perform any of the tests singly, if desired. Press *next\_test* as required to move the bright bar to the desired test on screen. Then press *disp\_test* to get the single-test mode.
5. Press the *start* key to run the test. Press it again to stop the test.
6. Press the *exit\_test* key to return to the full list of prom programmer performance verification tests.
7. Press the *print* key anytime you want to obtain a copy of the present display on an associated printer, if available.
8. Press *end*. This completes the operator's self-check. For a detailed description of the performance verification tests, refer to the PROM Programmer Service Manual.

**Table 3. PROM Programmer Error Messages**

<p>Bit number too large</p> <p>Bit number specified is too large</p>
<p>Blank check failed</p> <p>PROM is not blank.</p>
<p>Ending rom address too large</p> <p>Specified end address is greater than maximum address.</p>
<p>Error found while reading listing file</p> <p>This message indicates that an error was found in the list file. The error was probably made while editing the list file.</p>
<p>File prom:HP not present</p> <p>This message indicates that the prom programmer software is not present on the system disc.</p>
<p>Mapping error</p> <p>During programming, data was sent to an address specified as illegal in your memory map.</p>
<p>More than one prom card in cage</p> <p>Two or more cards in cage. There must be only one.</p>
<p>No control card in card cage. Power down and insert card.</p> <p>Control card not plugged in. Turn off station power and start again.</p>
<p>Programming error: prom address=XXXXH, data=XXH, file data=XXH</p> <p>The indicated location failed to program. Contents of the PROM are displayed along with data from the file which should have been programmed in that location.</p>



**Table 3. PROM Programmer Error Messages**

Prom module not recognized

The socket is not recognized by the software. This message indicates that there is either a hardware error, or that the software does not recognize a new socket. In the latter case, a software update will be necessary.

Socket module not connected

Socket is not connected to PROM Control Card. Check cables.

Starting rom address too large

PROM address is greater than maximum address.

Test voltage overload, check prom or socket

When programmer is initialized, the socket is checked to see if it is drawing too much current. If this error message occurs, it indicates there is either a hardware problem, or the PROM is plugged in upsidedown.

User memory

During programming, data was sent to an address specified as user memory in your memory map.

Verify failed XXXX times

This message indicates the file data and PROM data did not match during the verify command.

Warning. No file data found in address range.

When verifying a file, if none of the file data is mapped into the PROM space, this message will be displayed.

64502A prom module ID not detected - only ID test may be run.

This message is displayed when the PROM Programmer self test detects any PROM socket other than a 64502A Programmer Module installed. Only the 64502A Programmer Module is capable of handling the voltage produced during performance verification. See service manual.

**NOTES**

---

# Appendix A

## PROM LISTFILE FORMAT

The list option of the PROM Programmer can be used to list the contents of a PROM to the printer or to a listfile. The PROM Programmer can also program PROM's from listfiles, if the listfiles have been created in a particular format. The format that the PROM Programmer uses to create listfiles and/or to program PROM's is as follows:

```
<ADDRESS> data data data data data, etc
```

The listfile <ADDRESS> is similar to an address in an absolute file. It indicates that the next piece of data will reside at the address specified:

Example:

```
<0000> 00 01 02 03 04 05 06 07 08 09 0A 0B 0D 0E 0F
```

Here, the file address is <0000> and the data in that location is 01, etc.

Listfiles, like their absolute file counterparts, can range in width from 8 to 128 bits. In cases where more than one PROM is required to create the word width for a processor, the PROM Programmer can still create a single listfile to store the program, as described above. The number of characters in the data field of your command tells the PROM Programmer the size of the data word. For example, if you are using two 8-bit ROM's to store 16-bit words, you might issue the following command:

```
list_rom_to<FILE>start 0 bit 0
```

You might get the following listfile:

```
<0000> 00 01 02 03 04 05 06 07 08 09 0A 0B 0C 0D 0E 0F  
<0010> 10 11 12 13 14 15 16 17 18 19 1A 1B 1C 1D 1E 1F
```

This listing would contain the lower 8 bits of each data word. Then by inserting the high order PROM and issuing the following list command:

```
list_rom_to<FILE>start 0 bit 8
```

The listfile might appear as follows:

```
<0000> 0000 0101 0202 0303 0404 0505 0606 0707 0808 0909 0A0A 0B0B 0C0C  
<000D> 0D0D 0E0E 0F0F 1010 1111 1212 1313 1414 1515 1616 1717 1818 1919
```

In this example, the data stored in the upper 8 bits of each location is the same as the data stored in the lower 8 bits. Note that there are four characters in each data word. This indicates that the data width is 16 bits, each character represents 4 bits. The starting addresses are automatically adjusted in the listing because fewer data words can be shown on one line.

**NOTES**

---

# SALES & SUPPORT OFFICES

Arranged alphabetically by country



## Product Line Sales/Support Key

### Key Product Line

- A** Analytical
- CM** Components
- C** Computer Systems
- E** Electronic Instruments & Measurement Systems
- M** Medical Products
- P** Personal Computation Products
- \* Sales only for specific product line
- \*\* Support only for specific product line

**IMPORTANT:** These symbols designate general product line capability. They do not insure sales or support availability for all products within a line, at all locations. Contact your local sales office for information regarding locations where HP support is available for specific products.

## HEADQUARTERS OFFICES

If there is no sales office listed for your area, contact one of these headquarters offices.

### NORTH/CENTRAL AFRICA

Hewlett-Packard S.A.  
7, rue du Bois-du-Lan  
CH-1217 MEYRIN 1, Switzerland  
Tel: (022) 83 12 12  
Telex: 27835 hmea  
Cable: HEWPACKSA Geneve

### ASIA

Hewlett-Packard Asia Ltd.  
47/F., 26 Harbour Rd.,  
Wanchai, HONG KONG  
G.P.O. Box 863, Hong Kong  
Tel: 5-8330833  
Telex: 76793 HPAHX  
Cable: HPASIAL TD

### CANADA

Hewlett-Packard (Canada) Ltd.  
6877 Goreway Drive  
MISSISSAUGA, Ontario L4V 1M8  
Tel: (416) 678-9430  
Telex: 610-492-4246

### EASTERN EUROPE

Hewlett-Packard Ges.m.b.h.  
Liebigasse 1  
P.O. Box 72  
A-1222 VIENNA, Austria  
Tel: (222) 2500-0  
Telex: 1 3 4425 HEPA A

### NORTHERN EUROPE

Hewlett-Packard S.A.  
Uilenstede 475  
P.O. Box 999  
NL-1183 AG AMSTELVEEN  
The Netherlands  
Tel: 20 437771  
Telex: 18 919 hpner nl

### SOUTH EAST EUROPE

Hewlett-Packard S.A.  
World Trade Center  
110 Avenue Louis Casai  
1215 Cointrin, GENEVA, Switzerland  
Tel: (022) 98 96 51  
Telex: 27225 hpsr

### MEDITERRANEAN AND MIDDLE EAST

Hewlett-Packard S.A.  
Mediterranean and Middle East  
Operations  
Atrina Centre  
32 Kifissias Ave.  
Paradissos-Amarousion, ATHENS  
Greece  
Tel: 682 88 11  
Telex: 21-6588 HPAT GR  
Cable: HEWPACKSA Athens

### UNITED KINGDOM

Hewlett-Packard Ltd.  
Nine Mile Ride  
Easthampstead, WOKINGHAM  
Berkshire, IRGII 3LL  
Tel: 0344 773100  
Telex: 848805

### EASTERN USA

Hewlett-Packard Co.  
4 Choke Cherry Road  
ROCKVILLE, MD 20850  
Tel: (301) 258-2000

### MIDWESTERN USA

Hewlett-Packard Co.  
5201 Tollview Drive  
ROLLING MEADOWS, IL 60008  
Tel: (312) 255-9800

### SOUTHERN USA

Hewlett-Packard Co.  
2000 South Park Place  
P.O. Box 105005  
ATLANTA, GA 30348  
Tel: (404) 955-1500

### WESTERN USA

Hewlett-Packard Co.  
3939 Lankershim Blvd.  
P.O. Box 3919  
LOS ANGELES, CA 91604  
Tel: (213) 506-3700

### OTHER INTERNATIONAL AREAS

Hewlett-Packard Co.  
Intercontinental Headquarters  
3495 Deer Creek Road  
PALO ALTO, CA 94304  
Tel: (415) 857-1501  
Telex: 034-8300  
Cable: HEWPACK

### ANGOLA

Telectra Angola LDA  
Empresa Técnica de Equipamentos  
Rua Conselheiro Julio de Vilherna, 16  
Caixa Postal 6487  
LUANDA  
Tel: 35515,35516  
Telex: 3134  
E,C\*

### ARGENTINA

Hewlett-Packard Argentina S.A.  
Montaneses 2140/50  
1428 BUENOS AIRES  
Tel: 783-4886/4836/4730  
Cable: HEWPACKARG  
A,C,CM,E,P  
Biotron S.A.C.I.e.I.  
Av. Paso Colon 221, Piso 9  
1399 BUENOS AIRES  
CM

### Laboratorio Rodriguez

Corswant S.R.L.  
Misiones, 1156 - 1876  
Bernal, Oeste  
BUENOS AIRES  
Tel: 252-3958, 252-4991  
A  
Argentina Esanco S.R.L.  
Avasco 2328  
1416 BUENOS AIRES  
Tel: 541-58-1981, 541-59-2767  
A

### AUSTRALIA

#### Adelaide, South Australia Office

Hewlett-Packard Australia Ltd.  
153 Greenhill Road  
PARKSIDE, S.A. 5063  
Tel: 272-5911  
Telex: 82536  
Cable: HEWPARD Adelaide  
A\*,C,CM,E,M,P

#### Brisbane, Queensland Office

Hewlett-Packard Australia Ltd.  
10 Payne Road  
THE GAP, Queensland 4061  
Tel: 30-4133  
Telex: 42133  
Cable: HEWPARD Brisbane  
A,C,CM,E,M,P

### Canberra, Australia

Capital Territory Office  
Hewlett-Packard Australia Ltd.  
121 Wollongong Street  
FYSHWICK, A.C.T. 2609  
Tel: 80 4244  
Telex: 62650  
Cable: HEWPARD Canberra  
C,CM,E,P

#### Melbourne, Victoria Office

Hewlett-Packard Australia Ltd.  
31-41 Joseph Street  
BLACKBURN, Victoria 3130  
Tel: 895-2895  
Telex: 31-024  
Cable: HEWPARD Melbourne  
A,C,CM,E,M,P

#### Perth, Western Australia Office

Hewlett-Packard Australia Ltd.  
261 Stirling Highway  
CLAREMONT, W.A. 6010  
Tel: 383-2188  
Telex: 93859  
Cable: HEWPARD Perth  
A,C,CM,E,M,P

#### Sydney, New South Wales Office

Hewlett-Packard Australia Ltd.  
17-23 Talavera Road  
P.O. Box 308  
NORTH RYDE, N.S.W. 2113  
Tel: 888-4444  
Telex: 21561  
Cable: HEWPARD Sydney  
A,C,CM,E,M,P

### AUSTRIA

Hewlett-Packard Ges.m.b.h.  
Verkaufsbüro Graz  
Grottenhofstrasse 94  
A-8052 GRAZ  
Tel: (0316) 291 56 60  
Telex: 32375  
C,E

#### Hewlett-Packard Ges.m.b.h.

Liebigasse 1  
P.O. Box 72  
A-1222 VIENNA  
Tel: (0222) 2500-0  
Telex: 134425 HEPA A  
A,C,CM,E,M,P

### BAHRAIN

Green Salon  
P.O. Box 557  
MANAMA  
Tel: 255503-255950  
Telex: 8441  
P

#### Wael Pharmacy

P.O. Box 648  
MANAMA  
Tel: 256123  
Telex: 8550 WAEL BN  
E,M

Zayani Computer Systems  
218 Shaik Mubarak Building  
Government Avenue  
P.O. Box 5918

#### MANAMA

Tel: 276278  
Telex: 9015  
P

### BELGIUM

Hewlett-Packard Belgium S.A./N.V.  
Blvd de la Woluwe, 100  
Woluwedal  
B-1200 BRUSSELS  
Tel: (02) 762-32-00  
Telex: 23-494 paloben bru  
A,C,CM,E,M,P

### BERMUDA

Applied Computer Technologies  
Atlantic House Building  
Par-La-Ville Road  
Hamilton 5  
Tel: 295-1616  
P

### BRAZIL

Hewlett-Packard do Brasil  
I.e.C. Ltda.  
Alameda Rio Negro, 750  
Alphaville  
06400 BARUERI SP  
Tel: (011) 421.1311  
Telex: (011) 33872 HPBR-BR  
Cable: HEWPACK Sao Paulo  
A,C,CM,E,M,P

#### Hewlett-Packard do Brasil

I.e.C. Ltda.  
Praia de Botafogo 228  
6° Andar-conj 614  
Edificio Argentina - Ala A  
22250 RIO DE JANEIRO  
Tel: (021) 552-6422  
Telex: 21905 HPBR-BR  
Cable: HEWPACK Rio de Janeiro  
A,C,CM,E,P\*

#### Convex/Van Den

Rua Jose Bonifacio  
458 Todos Os Santos  
CEP 20771  
RIO DE JANEIRO, RJ  
Tel: 591-0197  
Telex: 33487 EGLB BR  
A

#### ANAMED I.C.E.I. Ltda.

Rua Bage, 103  
04012 SAO PAULO, SP  
Tel: (011) 572-6537  
Telex: 24720 HPBR-BR  
M

#### Datatronix Electronica Ltda.

Av. Pacaembu 746-C11  
SAO PAULO, SP  
Tel: (118) 260111  
CM

### CAMEROON

Beriac  
B. P. 23  
DOUALA  
Tel: 420153  
Telex: 5351  
C,P

### CANADA

#### Alberta

Hewlett-Packard (Canada) Ltd.  
3030 3rd Avenue N.E.  
CALGARY, Alberta T2A 6T7  
Tel: (403) 235-3100  
A,C,CM,E\*,M,P\*

#### Hewlett-Packard (Canada) Ltd.

1120-178th Street  
EDMONTON, Alberta T5S 1P2  
Tel: (403) 486-6666  
A,C,CM,E,M,P



# SALES & SUPPORT OFFICES

Arranged alphabetically by country

## CANADA (Cont'd)

### British Columbia

Hewlett-Packard (Canada) Ltd.  
10691 Shellbridge Way

#### RICHMOND,

British Columbia V6X 2W7  
Tel: (604) 270-2277  
Telex: 610-922-5059  
A,C,CM,E\*,M,P\*

Hewlett-Packard (Canada) Ltd.  
121 - 3350 Douglas Street  
**VICTORIA**, British Columbia V8Z 3L1  
Tel: (604) 381-6616  
C

### Manitoba

Hewlett-Packard (Canada) Ltd.  
1825 Inkster Blvd.  
**WINNIPEG**, Manitoba R2X 1R3  
Tel: (204) 694-2777  
A,C,CM,E,M,P\*

### New Brunswick

Hewlett-Packard (Canada) Ltd.  
814 Main Street  
**MONCTON**, New Brunswick E1C 1E6  
Tel: (506) 855-2841  
C

### Nova Scotia

Hewlett-Packard (Canada) Ltd.  
Suite 111  
900 Windmill Road  
**DARTMOUTH**, Nova Scotia B3B 1P7  
Tel: (902) 469-7820  
C,CM,E\*,M,P\*

### Ontario

Hewlett-Packard (Canada) Ltd.  
3325 N. Service Rd., Unit 3  
**BURLINGTON**, Ontario L7N 3G2  
Tel: (416) 335-8644  
C,M\*

Hewlett-Packard (Canada) Ltd.  
496 Days Road  
**KINGSTON**, Ontario K7M 5R4  
Tel: (613) 384-2088  
C

Hewlett-Packard (Canada) Ltd.  
552 Newbold Street  
**LONDON**, Ontario N6E 2S5  
Tel: (519) 686-9181  
A,C,CM,E\*,M,P\*

Hewlett-Packard (Canada) Ltd.  
6877 Goreway Drive  
**MISSISSAUGA**, Ontario L4V 1M8  
Tel: (416) 678-9430  
A,C,CM,E,M,P

Hewlett-Packard (Canada) Ltd.  
2670 Queensview Dr.  
**OTTAWA**, Ontario K2B 8K1  
Tel: (613) 820-6483  
A,C,CM,E\*,M,P\*

Hewlett-Packard (Canada) Ltd.  
The Oaks Plaza, Unit #9  
2140 Regent Street  
**SUDBURY**, Ontario, P3E 5S8  
Tel: (705) 522-0202  
C

Hewlett-Packard (Canada) Ltd.  
3790 Victoria Park Ave.  
**WILLOWDALE**, Ontario M2H 3H7  
Tel: (416) 499-2550  
C

### Quebec

Hewlett-Packard (Canada) Ltd.  
17500 Trans Canada Highway  
South Service Road  
**KIRKLAND**, Quebec H9J 2X8  
Tel: (514) 697-4232  
A,C,CM,E,M,P\*

Hewlett-Packard (Canada) Ltd.  
1150 rue Claire Fontaine  
**QUEBEC CITY**, Quebec G1R 5G4  
Tel: (418) 648-0726  
C

Hewlett-Packard (Canada) Ltd.  
130 Robin Crescent  
**SASKATOON**, Saskatchewan S7L 6M7  
Tel: (306) 242-3702  
C

### CHILE

ASC Ltda.  
Austria 2041  
**SANTIAGO**  
Tel: 223-5946, 223-6148  
Telex: 340192 ASC CK  
C,P

Isical Ltda.  
Av. Italia 634 Santiago  
Casilla 16475  
**SANTIAGO** 9  
Tel: 222-0222  
Telex: 440283 JCYCL CZ  
CM,E,M

Metrolab S.A.  
Monjitas 454 of. 206  
**SANTIAGO**  
Tel: 395752, 398296  
Telex: 340866 METLAB CK  
A

Olympia (Chile) Ltda.  
Av. Rodrigo de Araya 1045  
Casilla 256-V  
**SANTIAGO** 21  
Tel: 225-5044  
Telex: 340892 OLYMP  
Cable: Olympiachile Santiago Chile  
C,P

### CHINA, People's Republic of

China Hewlett-Packard, Ltd.  
47/F China Resources Bldg.  
26 Harbour Road  
**HONG KONG**  
Tel: 5-8330833  
Telex: 76793 HPA HX  
Cable: HP ASIA LTD  
A\*,M\*

China Hewlett-Packard, Ltd.  
P.O. Box 9610, Beijing  
4th Floor, 2nd Watch Factory Main Bldg.  
Shuang Yu Shu, Bei San Huan Rd.  
Hai Dian District  
**BEIJING**  
Tel: 28-0567  
Telex: 22601 CTSHP CN  
Cable: 1920 Beijing  
A,C,CM,E,M,P

### COLOMBIA

Instrumentación  
H. A. Langebaek & Kier S.A.  
Carrera 4A No. 52A-26  
Apartado Aereo 6287  
**BOGOTA** 1, D.E.  
Tel: 212-1466  
Telex: 44400 INST CO  
Cable: AARIS Bogota  
CM,E,M

Nefromedicas Ltda.  
Calle 123 No. 9B-31  
Apartado Aereo 100-958  
**BOGOTA** D.E., 10  
Tel: 213-5267, 213-1615  
Telex: 43415 HEGAS CO  
A

Compumundo  
Avenida 15 # 107-80  
**BOGOTA** D.E.  
Tel: 214-4458  
Telex: 45466 MARICO  
P

Carvajal, S.A.  
Calle 29 Norte No. 6A-40  
Apartado Aereo 46  
**CALI**  
Tel: 368-1111  
Telex: 55650  
C,E,P

### CONGO

Seric-Congo  
B. P. 2105  
**BRAZZAVILLE**  
Tel: 815034  
Telex: 5262

### COSTA RICA

Cientifica Costarricense S.A.  
Avenida 2, Calle 5  
San Pedro de Montes de Oca  
Apartado 10159  
**SAN JOSÉ**  
Tel: 24-38-20, 24-08-19  
Telex: 2367 GALGUR CR  
CM,E,M

### CYPRUS

Telerexa Ltd.  
P.O. Box 4809  
14C Stassinios Avenue  
**NICOSIA**  
Tel: 62698  
Telex: 2894 LEVIDO CY  
E,M,P

### DENMARK

Hewlett-Packard A/S  
Datavej 52  
DK-3460 **BIRKEROD**  
Tel: (02) 81-66-40  
Telex: 37409 hpas dk  
A,C,CM,E,M,P

Hewlett-Packard A/S  
Rølighedsvej 32  
DK-8240 **RISSKOV**, Aarhus  
Tel: (06) 17-60-00  
Telex: 37409 hpas dk  
C,E

### DOMINICAN REPUBLIC

Microprog S.A.  
Juan Tomás Mejía y Cotes No. 60  
Arroyo Hondo  
**SANTO DOMINGO**  
Tel: 565-8268  
Telex: 4510 ARENTA DR (RCA)  
P

### ECUADOR

CYEDE Cia. Ltda.  
Avenida Eloy Alfaro 1749  
y Belgica  
Casilla 6423 CCI  
**QUITO**  
Tel: 450-975, 243-052  
Telex: 22548 CYEDE ED  
CM,E,P

Medtronics  
Valladolid 524 Madrid  
P.O. 9171, **QUITO**  
Tel: 223-8951  
Telex: 2298 ECKAME ED  
A

Hospitalar S.A.  
Robles 625  
Casilla 3590  
**QUITO**  
Tel: 545-250, 545-122  
Telex: 2485 HOSPTL ED  
Cable: HOSPITALAR-Quito  
M

Ecuador Overseas Agencies C.A.  
Calle 9 de Octubre #818  
P.O. Box 1296, Guayaquil  
**QUITO**  
Tel: 306022  
Telex: 3361 PBCGYE ED  
M

### EGYPT

Sakrcro Enterprises  
70, Mossadak Str.  
Dokki, Giza  
**CAIRO**  
Tel: 706440  
Telex: 93146  
C

International Engineering Associates  
24 Hussein Hegazi Street  
Kasr-el-Ain  
**CAIRO**  
Tel: 23829, 21641  
Telex: 93830 IEA UN  
Cable: INTEGASSO  
E,M\*

S.S.C. Medical  
40 Gezerat El Arab Street  
Mohandessin  
**CAIRO**  
Tel: 803844, 805998, 810263  
Telex: 20503 SSC UN  
M\*

### EL SALVADOR

IPESA de El Salvador S.A.  
29 Avenida Norte 1223  
**SAN SALVADOR**  
Tel: 26-6858, 26-6868  
Telex: 20539 IPESA SAL  
A,C,CM,E,P

### ETHIOPIA

Seric-Ethiopia  
P.O. Box 2764  
**ADDIS ABABA**  
Tel: 185114  
Telex: 21150  
C,P

### FINLAND

Hewlett-Packard Oy  
Piispankalliontie 17  
02200 **ESPOO**  
Tel: 00358-0-88721  
Telex: 121563 HEWPA SF  
A,C,CM,E,M,P

### FRANCE

Hewlett-Packard France  
Z.I. Mercure B  
Rue Berthelot  
13763 Les Milles Cedex  
**AIX-EN-PROVENCE**  
Tel: (42) 59-41-02  
Telex: 410770F  
A,C,E,M,P\*

Hewlett-Packard France  
64, rue Marchand Saillant  
61000 **ALENCON**  
Tel: (33) 29 04 42

Hewlett-Packard France  
28 rue de la Republique  
Boite Postale 503  
25026 **BESANCON** Cedex  
Tel: (81) 83-16-22  
Telex: 361157  
C,M

Hewlett-Packard France  
Chemin des Mouilles  
Boite Postale 162  
69130 **ECULLY** Cedex (Lyon)  
Tel: (78) 833-81-25  
Telex: 310617F  
A,C,E,M

Hewlett-Packard France  
Parc d'activités du Bois Briard  
2, avenue du Lac  
91040 **EVRY** Cedex  
Tel: 6 077-96 60  
Telex: 692315F  
E

Hewlett-Packard France  
5, avenue Raymond Chanas  
38320 **EYBENS** (Grenoble)  
Tel: (76) 62-57-98  
Telex: 980124 HP GRENBO EYBE  
C

Hewlett-Packard France  
Rue Fernand. Forest  
Z.A. Kergardec  
29239 **GOUESNOU**  
Tel: (98) 41-87-90

Hewlett-Packard France  
Centre d'affaires Paris-Nord  
Bâtiment Ampère  
Rue de la Commune de Paris  
Boite Postale 300  
93153 **LE BLANC-MESNIL**  
Tel: (1) 865-44-52  
Telex: 211032F  
C,E,M

Hewlett-Packard France  
Parc d'activités Cadera  
Quartier Jean-Mermoz  
Avenue du Président JF Kennedy  
F-33700 **MÉRIGNAC** (Bordeaux)  
Tel: (56) 34-00-84  
Telex: 550105F  
C,E,M

Hewlett-Packard France  
Immeuble "Les 3 B"  
Nouveau chemin de la Garde  
ZAC du Bois Briard  
44085 **NANTES** Cedex  
Tel: (40) 50-32-22  
Telex: 711085F  
C\*\*

Hewlett-Packard France  
125, rue du Faubourg Bannier  
45000 **ORLEANS**  
Tel: (38) 68 01 63



## FRANCE (Cont'd)

Hewlett-Packard France  
Zone Industrielle de Courtaboeuf  
Avenue des Tropiques  
91947 Les Ulis Cedex **ORSAY**  
Tel: (6) 907-78-25  
Telex: 600048F  
A,C,CM,E,M,P

Hewlett-Packard France  
Paris Porte-Maillet  
15, boulevard de L'Amiral-Bruix  
75782 **PARIS** Cedex 16  
Tel: (1) 502-12-20  
Telex: 613663F  
C,M,P

Hewlett-Packard France  
124, Boulevard Tourasse  
64000 **PAU**  
Tel: (59) 80 38 02

Hewlett-Packard France  
2 Allée de la Bourgonnette  
35100 **RENNES**  
Tel: (99) 51-42-44  
Telex: 740912F  
C,CM,E,M,P\*

Hewlett-Packard France  
98 avenue de Bretagne  
76100 **ROUEN**  
Tel: (35) 63-57-66  
Telex: 770035F  
C

Hewlett-Packard France  
4, rue Thomas-Mann  
Boite Postale 56  
67033 **STRASBOURG** Cedex  
Tel: (88) 28-56-46  
Telex: 890141F  
C,E,M,P\*

Hewlett-Packard France  
La Péripole III  
20, chemin du Pigeonnier de la Cèpière  
F-31083 **TOULOUSE** Cedex  
Tel: (61) 40-11-12  
Telex: 531639F  
A,C,E,P\*

Hewlett-Packard France  
9, rue Baudin  
26000 **VALENCE**  
Tel: (75) 42 76 16

Hewlett-Packard France  
Carolor  
ZAC de Bois Briand  
57640 **VIGY** (Metz)  
Tel: (8) 771 20 22  
C

Hewlett-Packard France  
Parc d'activité des Prés  
1, rue Papin  
59658 **VILLENEUVE D'ASCQ** Cedex  
Tel: (20) 47 78 78  
Telex: 160124F  
C,E,M,P\*

## GABON

Sho Gabon  
P.O. Box 89  
**LIBREVILLE**  
Tel: 721 484  
Telex: 5230

## GERMAN FEDERAL REPUBLIC

Hewlett-Packard GmbH  
Geschäftsstelle  
Keithstrasse 2-4  
D-1000 **BERLIN** 30  
Tel: (030) 21 99 04-0  
Telex: 018 3405 hpbld  
A,C,E,M,P

Hewlett-Packard GmbH  
Vertriebszentrum Südwest  
Schickardstrasse 2  
D-7030 **BÖBLINGEN**  
Tel: (07031) 645-0  
Telex: 7265 173 hep  
A,C,CM,E,M,P

Hewlett-Packard GmbH  
Vertriebszentrum West  
Berliner Strasse III  
D-4030 **RATINGEN** 3  
Tel: (02102) 494-0  
Telex: 589 070 hprad  
A,C,E,M,P

Hewlett-Packard GmbH  
Geschäftsstelle  
Schleefstr. 28a  
D-4600 **DORTMUND**-41  
Tel: (0231) 45001  
Telex: 822858 hepdad  
A,C,E

Hewlett-Packard GmbH  
Vertriebszentrum Mitte  
Hewlett-Packard-Strasse  
D-6380 **BAD HOMBURG**  
Tel: (06172) 400-0  
Telex: 410 844 hpbhg  
A,C,E,M,P

Hewlett-Packard GmbH  
Vertriebszentrum Nord  
Kapstadtring 5  
D-2000 **HAMBURG** 60  
Tel: (040) 63804-1  
Telex: 021 63 032 hphhd  
A,C,E,M,P

Hewlett-Packard GmbH  
Geschäftsstelle  
Heidering 37-39  
D-3000 **HANNOVER** 61  
Tel: (0511) 5706-0  
Telex: 092 3259  
A,C,CM,E,M,P

Hewlett-Packard GmbH  
Geschäftsstelle  
Rosslauer Weg 2-4  
D-6800 **MANNHEIM**  
Tel: (0621) 70 05-0  
Telex: 0462105  
A,C,E

Hewlett-Packard GmbH  
Geschäftsstelle  
Messerschmittstrasse 7  
D-7910 **NEU ULM**  
Tel: (0731) 70 73-0  
Telex: 0712816 HP ULM-D  
A,C,E\*

Hewlett-Packard GmbH  
Geschäftsstelle  
Emmericher Strasse 13  
D-8500 **NÜRNBERG** 10  
Tel: (0911) 5205-0  
Telex: 0623 860 hprnb  
C,CM,E,M,P

Hewlett-Packard GmbH  
Vertriebszentrum Süd  
Eschenstrasse 5  
D-8028 **TAUFKIRCHEN**  
Tel: (089) 61 20 7-0  
Telex: 0524985  
A,C,CM,E,M,P

Hewlett-Packard GmbH  
Geschäftsstelle  
Ermisallee  
7517 **WALDBRONN** 2  
Tel: (07243) 602-0  
Telex: 782 838 hepkl  
A,C,E

## GREAT BRITAIN

See United Kingdom

## GREECE

Hewlett-Packard A.E.  
178, Kifissias Avenue  
6th Floor  
Halandri-**ATHENS**  
Greece  
Tel: 6471543, 6471673, 6472971  
Telex: 221 286 HPHLGR  
A,C,CM\*\* ,E,M,P

Kostas Karayannis S.A.  
8, Omirou Street  
**ATHENS** 133  
Tel: 32 30 303, 32 37 371  
Telex: 215962 RKAR GR  
A,C\*,CM,E

Impexin  
Intelect Div.  
209 Mesogion  
11525 **ATHENS**  
Tel: 6474481/2  
Telex: 216286  
P

Haril Company  
38, Mihalakopoulou  
**ATHENS** 612  
Tel: 7236071  
Telex: 218767  
M\*

Hellamco  
P.O. Box 87528  
18507 **PIRAEUS**  
Tel: 4827049  
Telex: 241441  
A

## GUATEMALA

IPESA  
Avenida Reforma 3-48, Zona 9  
**GUATEMALA CITY**  
Tel: 316627, 314786  
Telex: 3055765 IPESA GU  
A,C,CM,E,M,P

## HONG KONG

Hewlett-Packard Hong Kong, Ltd.  
G.P.O. Box 795  
5th Floor, Sun Hung Kai Centre  
30 Harbour Road  
**HONG KONG**  
Tel: 5-8323211  
Telex: 66678 HEWPA HX  
Cable: HEWPACK Hong Kong  
E,C,P

CET Ltd.  
10th Floor, Hua Asia Bldg.  
64-66 Gloucester Road  
**HONG KONG**  
Tel: (5) 200922  
Telex: 85148 CET HX  
CM

Schmidt & Co. (Hong Kong) Ltd.  
18th Floor, Great Eagle Centre  
23 Harbour Road  
**HONG KONG**  
Tel: 5-8330222  
Telex: 74766 SCHMC HX  
A,M

## ICELAND

Hewlett-Packard Iceland  
Hoefdabakka 9  
110 **Reykjavik**  
Tel: (1) 67 1000  
A,C,CM,E,M,P

## INDIA

Computer products are sold through  
Blue Star Ltd. All computer repairs and  
maintenance service is done through  
Computer Maintenance Corp.

Blue Star Ltd.  
Sabri Complex 2nd Floor  
24 Residency Rd.  
**BANGALORE** 560 025  
Tel: 55660, 578881  
Telex: 0845-430  
Cable: BLUESTAR  
A,C\*,CM,E

Blue Star Ltd.  
Band Box House  
Prabhadevi  
**BOMBAY** 400 025  
Tel: 4933101, 4933222  
Telex: 011-71051  
Cable: BLUESTAR  
A,M

Blue Star Ltd.  
Sahas  
414/2 Vir Savarkar Marg  
Prabhadevi  
**BOMBAY** 400 025  
Tel: 422-6155, 422-6556  
Telex: 011-71193 BSSS IN  
Cable: FROSTBLUE  
A,C\*,CM,E,M

Blue Star Ltd.  
Kalyan, 19 Vishwas Colony  
Alkapuri, **BORODA**, 390 005  
Tel: 65235, 65236  
Cable: BLUE STAR  
A

Blue Star Ltd.  
7 Hare Street  
**CALCUTTA** 700 001  
Tel: 230131, 230132  
Telex: 021-7655  
Cable: BLUESTAR  
A,M

Blue Star Ltd.  
13 Kodambakkam High Road  
**MADRAS** 600 034  
Tel: 472056, 470238  
Telex: 041-379  
Cable: BLUESTAR  
A,M

Blue Star Ltd.  
13 Community Center  
New Friends Colony  
**NEW DELHI** 110 065  
Tel: 633773, 634473  
Telex: 031-61120  
Cable: BLUEFROST  
A,C\*,CM,E,M

Blue Star Ltd.  
15/16 C Wellesley Rd.  
**PUNE** 411 011  
Tel: 22775  
Cable: BLUE STAR  
A

Blue Star Ltd.  
2-2-47/1108 Bolarum Rd.  
**SECUNDERABAD** 500 003  
Tel: 72057, 72058  
Telex: 0155645  
Cable: BLUEFROST  
A,E

Blue Star Ltd.  
T.C. 7/603 Poornima  
Maruthunkuzhi  
**TRIVANDRUM** 695 013  
Tel: 65799, 65820  
Telex: 0884-259  
Cable: BLUESTAR  
E

Computer Maintenance Corporation  
Ltd.  
115, Sarojini Devi Road  
**SECUNDERABAD** 500 003  
Tel: 310-184, 345-774  
Telex: 031-2960  
C\*\*

## INDONESIA

BERCA Indonesia P.T.  
P.O.Box 496/Jkt.  
Jl. Abdul Muis 62  
**JAKARTA**  
Tel: 21-373009  
Telex: 46748 BERSAL IA  
Cable: BERSAL JAKARTA  
P

BERCA Indonesia P.T.  
P.O.Box 2497/Jkt  
Antara Bldg., 12th Floor  
Jl. Medan Merdeka Selatan 17  
**JAKARTA-PUSAT**  
Tel: 21-340417, 341445  
Telex: 46748 BERSAL IA  
A,C,E,M

BERCA Indonesia P.T.  
Jalan Kutai 24  
**SURABAYA**  
Tel: 67118  
Telex: 31146 BERSAL SB  
Cable: BERSAL-SURABAYA  
A\*,E,M,P

## IRAQ

Hewlett-Packard Trading S.A.  
Service Operation  
Al Mansoor City 9B/3/7  
**BAGHDAD**  
Tel: 551-49-73  
Telex: 212-455 HEPAIRAQ IK  
C

## IRELAND

Hewlett-Packard Ireland Ltd.  
82/83 Lower Leeson Street  
**DUBLIN** 2  
Tel: 0001 608800  
Telex: 30439  
A,C,CM,E,M,P  
  
Cardiac Services Ltd.  
Kilmore Road  
Artane  
**DUBLIN** 5  
Tel: (01) 351820  
Telex: 30439  
M



# SALES & SUPPORT OFFICES

Arranged alphabetically by country

## ISRAEL

Eidan Electronic Instrument Ltd.  
P.O.Box 1270

**JERUSALEM 91000**  
16, Ohaliav St.

**JERUSALEM 94467**

Tel: 533 221, 553 242  
Telex: 335231 AB/PAKRD IL  
A,M

Computation and Measurement  
Systems (CMS) Ltd.  
11 Masad Street  
67060

## TEL-AVIV

Tel: 388 388  
Telex: 33569 Motil IL  
C,CM,E,P

## ITALY

Hewlett-Packard Italiana S.p.A.  
Traversa 99C

Via Giulio Petroni, 19

I-70124 **BARI**

Tel: (080) 41-07-44  
C,M

Hewlett-Packard Italiana S.p.A.

Via Emilia, 51/C

I-40011 **BOLOGNA** Anzola Dell'Emilia

Tel: (051) 731061

Telex: 511630

C,E,M

Hewlett-Packard Italiana S.p.A.

Via Principe Nicola 43G/C

I-95126 **CATANIA**

Tel: (095) 37-10-87

Telex: 970291

C

Hewlett-Packard Italiana S.p.A.

Via G. Di Vittorio 9

I-20063 **CERNUSCO SUL**

**NAVIGLIO**

(Milano)

Tel: (02) 4459041

Telex: 334632

A,C,CM,E,M,P

Hewlett-Packard Italiana S.p.A.

Via C. Colombo 49

I-20090 **TREZZANO SUL**

**NAVIGLIO**

(Milano)

Tel: (02) 4459041

Telex: 322116

C

Hewlett-Packard Italiana S.p.A.

Via Nuova San Rocco a

Capodimonte, 62/A

I-80131 **NAPOLI**

Tel: (081) 7413544

Telex: 710698

A\*\*,C,E,M

Hewlett-Packard Italiana S.p.A.

Viale G. Modugno 33

I-16156 **GENOVA PEGLI**

Tel: (010) 68-37-07

Telex: 215238

C,E

Hewlett-Packard Italiana S.p.A.

Via Pelizzo 15

I-35128 **PADOVA**

Tel: (049) 664888

Telex: 430315

A,C,E,M

Hewlett-Packard Italiana S.p.A.

Viale C. Pavese 340

I-00144 **ROMA EUR**

Tel: (06) 54831

Telex: 610514

A,C,E,M,P\*

Hewlett-Packard Italiana S.p.A.

Via di Casellina 57/C

I-50018 **SCANDICCI-FIRENZE**

Tel: (055) 753863

C,E,M

Hewlett-Packard Italiana S.p.A.

Corso Svizzera, 185

I-10144 **TORINO**

Tel: (011) 74 4044

Telex: 221079

A\*,C,E

## IVORY COAST

S.I.T.E.L.

Societe Ivoirienne de

Telecommunications

Bd. Giscard d'Estaing

Carrefour Marcory

Zone 4.A.

Boite postale 2580

**ABIDJAN 01**

Tel: 353600

Telex: 43175

E

S.I.T.I.

Immeuble "Le General"

Av. du General de Gaulle

01 BP 161

**ABIDJAN 01**

Tel: 321227

C,P

## JAPAN

Yokogawa-Hewlett-Packard Ltd.

152-1, Onna

**ATSUGI**, Kanagawa, 243

Tel: (0462) 25-0031

C,CM,E

Yokogawa-Hewlett-Packard Ltd.

Meiji-Seimei Bldg. 6F

3-1 Hon Chiba-Cho

**CHIBA**, 280

Tel: 472 25 7701

C,E

Yokogawa-Hewlett-Packard Ltd.

Yasuda-Seimei Hiroshima Bldg.

6-11, Hon-dori, Naka-ku

**HIROSHIMA**, 730

Tel: 82-241-0611

Yokogawa-Hewlett-Packard Ltd.

Towa Building

2-3, Kaigan-dori, 2 Chome Chuo-ku

**KOBE**, 650

Tel: (078) 392-4791

C,E

Yokogawa-Hewlett-Packard Ltd.

Kumagaya Asahi 82 Bldg

3-4 Tsukuba

**KUMAGAYA**, Saitama 360

Tel: (0485) 24-6563

C,CM,E

Yokogawa-Hewlett-Packard Ltd.

Asahi Shinbun Daiichi Seimei Bldg.

4-7, Hanabata-cho

**KUMAMOTO**, 860

Tel: (096) 354-7311

C,E

Yokogawa-Hewlett-Packard Ltd.

Shin-Kyoto Center Bldg.

614, Higashi-Shiokoji-cho

Karasuma-Nishiru

Shiokoji-dori, Shimogyo-ku

**KYOTO**, 600

Tel: 075-343-0921

C,E

Yokogawa-Hewlett-Packard Ltd.

Mito Mitsui Bldg

4-73, Sanno-maru, 1 Chome

**MITO**, Ibaraki 310

Tel: (0292) 25-7470

C,CM,E

Yokogawa-Hewlett-Packard Ltd.

Meiji-Seimei Kokubun Bldg. 7-8

Kokubun, 1 Chome, Sendai

**MIYAGI**, 980

Tel: (0222) 25-1011

C,E

Yokogawa-Hewlett-Packard Ltd.

Nagoya Kokusai Center Building

47-1, Nagono, 1 Chome

Nakamura-ku

**NAGOYA**, 450

Tel: (052) 571-5171

C,CM,E,M

Yokogawa-Hewlett-Packard Ltd.

Saikyoren Building

1-2 Dote-machi, **OHMIYA**

Saitama 330

Tel: (0486) 45-8031

Yokogawa-Hewlett-Packard Ltd.

Chuo Bldg.,

4-20 Nishinakajima, 5 Chome

Yodogawa-ku

**OSAKA**, 532

Tel: (06) 304-6021

Telex: YHPOSA 523-3624

A,C,CM,E,M,P\*

Yokogawa-Hewlett-Packard Ltd.

27-15, Yabe, 1 Chome

**SAGAMIHARA** Kanagawa, 229

Tel: 0427 59-1311

Yokogawa-Hewlett-Packard Ltd.

Daiichi Seimei Bldg.

7-1, Nishi Shinjuku, 2 Chome

Shinjuku-ku, **TOKYO** 160

Tel: 03-348-4611

C,E

Yokogawa-Hewlett-Packard Ltd.

29-21 Takaido-Higashi, 3 Chome

Suginami-ku **TOKYO** 168

Tel: (03) 331-6111

Telex: 232-2024 YHPTOK

A,C,CM,E,M,P\*

Yokogawa Hokushin Electric Corp.

9-32 Nakocho 2 Chome

2 Chome Musashino-shi

**TOKYO**, 180

Tel: (0422) 54-1111

Telex: 02822-421 YEW MTK J

A

Yokogawa-Hewlett-Packard Ltd.

Meiji-Seimei

Utsunomiya Odori Building

1-5 Odori, 2 Chome

**UTSUNOMIYA**, Tochigi 320

Tel: (0286) 33-1153

C,E

Yokogawa-Hewlett-Packard Ltd.

Yasuda Seimei Yokohama Nishiguchi

Bldg.

30-4 Tsuruya-cho, 3 Chome

**YOKOHAMA** 221

Tel: (045) 312-1252

C,E

## JORDAN

Scientific and Medical Supplies Co.

P.O. Box 1387

**AMMAN**

Tel: 24907, 39907

Telex: 21456 SABCO JO

C,E,M,P

## KENYA

ADCOM Ltd., Inc., Kenya

P.O.Box 30070

**NAIROBI**

Tel: 331955

Telex: 22639

E,M

## KOREA

Samsung Hewlett-Packard Co. Ltd.

Dongbang Yeoeuido Building

12-16th Floors

36-1 Yeoeuido-dong

Yongdeungpo-ku

**SEOUL**

Tel: 784-2666, 784-4666

Telex: 25166 SAMSAN K

A,C,CM,E,M,P

Young In Scientific Co., Ltd.

Youngwha Building

547 Shinsa Dong, Kangnam-ku

**SEOUL** 135

Tel: 5467771

Telex: K23457 GINSCO

A

## KUWAIT

Al-Khaldiya Trading & Contracting

P.O. Box 830

**SAFAT**

Tel: 424910, 411726

Telex: 22481 AREEG KT

Cable: VISCOUNT

E,M,A

Gulf Computing Systems

P.O. Box 25125

**SAFAT**

Tel: 435969

Telex: 23648

P

Photo & Cine Equipment

P.O. Box 270

**SAFAT**

Tel: 2445111

Telex: 22247 MATIN KT

Cable: MATIN KUWAIT

P

W.J. Towell Computer Services

P.O. Box 5897

**SAFAT**

Tel: 2462640

Telex: 30336 TOWELL KT

C

## LEBANON

Computer Information Systems S.A.L.

Chammas Building

P.O. Box 11-6274 Dora

**BEIRUT**

Tel: 89 40 73

Telex: 42309

C,E,M,P

## LIBERIA

Unichemicals Inc.

P.O. Box 4509

**MONROVIA**

Tel: 224282

Telex: 4509

E

## MADAGASCAR

Technique et Precision

12, rue de Nice

P.O. Box 1227

101 **ANTANANARIVO**

Tel: 22090

Telex: 22255

P

## LUXEMBOURG

Hewlett-Packard Belgium S.A./N.V.



**MEXICO (Cont'd)**

Microcomputadoras Hewlett-Packard, S.A.

Monti Pelvoux 115  
**LOS LOMAS**, Mexico, D.F.  
Tel: 520-9127  
P

Hewlett-Packard Mexicana, S.A. de C.V.

Av. Periferico Sur No. 6501  
Tepepan, Xochimilco  
16020 **MEXICO D.F.**  
Tel: 6-76-46-00  
Telex: 17-74-507 HEWPACK MEX  
A,C,CM,E,M,P

Hewlett-Packard De Mexico (Polanco)

Avenida Ejercito Nacional #579  
2day3er piso  
Colonia Granada 11560  
**MEXICO D.F.**  
Tel: 254-4433  
P

Hewlett-Packard De Mexico, S.A. de C.V.

Czda. del Valle  
409 Ote. 4th Piso  
Colonia del Valle  
Municipio de Garza García  
66220 **MONTERREY**, Nuevo León  
Tel: 78 42 41  
Telex: 038 410  
P

**MOROCCO**

Etablissement Hubert Dolbeau & Fils  
81 rue Karatchi  
B.P. 11133

**CASABLANCA**  
Tel: 3041-82, 3068-38  
Telex: 23051, 22822  
E

Gerep

2, rue Agadir  
Boite Postale 156

**CASABLANCA 01**  
Tel: 272093, 272095  
Telex: 23 739  
P

Sema-Maroc

Dept. Seric  
6, rue Lapebie

**CASABLANCA**  
Tel: 260980  
Telex: 21641  
C,P

**NETHERLANDS**

Hewlett-Packard Nederland B.V.  
Startbaan 16

1187 XR **AMSTELVEEN**  
P.O. Box 667  
NL 1180 AR **AMSTELVEEN**  
Tel: (020) 547-6911  
Telex: 13 216 HEPA NL  
A,C,CM,E,M,P

Hewlett-Packard Nederland B.V.  
Bongerd 2

NL 2906VK **CAPELLE A/D IJSSSEL**  
P.O. Box 41  
NL 2900AA **CAPELLE A/D IJSSSEL**  
Tel: (10) 51-64-44  
Telex: 21261 HEPAC NL  
C,E

Hewlett-Packard Nederland B.V.  
Pastoor Petersstraat 134-136

NL 5612 LV **EINDHOVEN**  
P.O. Box 2342  
NL 5600 CH **EINDHOVEN**  
Tel: (040) 326911  
Telex: 51484 hepae nl  
A,C,E,M,P

**NEW ZEALAND**

Hewlett-Packard (N.Z.) Ltd.

5 Owens Road  
P.O. Box 26-189  
Epsom, **AUCKLAND**  
Tel: 687-159  
Cable: HEWPAK Auckland  
C,CM,E,P\*

Hewlett-Packard (N.Z.) Ltd.

4-12 Cruickshank Street  
Kilbirnie, **WELLINGTON 3**  
P.O. Box 9443  
Courtenay Place, **WELLINGTON 3**  
Tel: 877-199  
Cable: HEWPACK Wellington  
C,CM,E,P

Northrop Instruments & Systems Ltd.

369 Khyber Pass Road  
P.O. Box 8602  
**AUCKLAND**  
Tel: 794-091  
Telex: 60605  
A,M

Northrop Instruments & Systems Ltd.

110 Mandeville St.  
P.O. Box 8388  
**CHRISTCHURCH**  
Tel: 488-873  
Telex: 4203  
A,M

Northrop Instruments & Systems Ltd.

Sturdee House  
85-87 Ghuznee Street  
P.O. Box 2406  
**WELLINGTON**  
Tel: 850-091  
Telex: NZ 3380  
A,M

**NIGERIA**

Elmeco Nigeria Ltd.  
46, Calcutta Crescent Apapa  
P.O. Box 244and

**LAGOS**  
E

**NORTHERN IRELAND**

See United Kingdom

**NORWAY**

Hewlett-Packard Norge A/S  
Folke Bernadottes vei 50  
P.O. Box 3558  
N-5033 **FYLLINGSDALEN** (Bergen)  
Tel: 0047/51 16 55 40  
Telex: 76621 hpnas n  
C,E,M

Hewlett-Packard Norge A/S  
Osterndalen 16-18  
P.O. Box 34

N-1345 **OSTERAS**  
Tel: 0047/2/17 11 80  
Telex: 76621 hpnas n  
A,C,CM,E,M,P

**OMAN**

Khimijil Ramdas  
P.O. Box 19

**MUSCAT/SULTANATE OF OMAN**  
Tel: 745601  
Telex: 5289 BROKER MB MUSCAT  
P

Suhail & Saud Bahwan  
P.O.Box 169

**MUSCAT/SULTANATE OF OMAN**  
Tel: 734201  
Telex: 5274 BAHWAN MB  
E

Imtac LLC

P.O. Box 8676  
**MUTRAH/SULTANATE OF OMAN**  
Tel: 601695  
Telex: 5741 Tawoos On  
A,C,M

**PAKISTAN**

Mushko & Company Ltd.

House No. 16, Street No. 16  
Sector F-6/3  
**ISLAMABAD**  
Tel: 824545  
Cable: FEMUS Islamabad  
A,E,M,P\*

Mushko & Company Ltd.

Oosman Chambers  
Abdullah Haroon Road  
**KARACHI 0302**  
Tel: 524131, 524132  
Telex: 2894 MUSKO PK  
Cable: COOPERATOR Karachi  
A,E,M,P\*

**PANAMA**

Electronico Balboa, S.A.

Calle Samuel Lewis, Ed. Alfa  
Apartado 4929  
**PANAMA 5**  
Tel: 64-2700  
Telex: 3483 ELECTRON PG  
A,CM,E,M,P

**PERU**

Cla Electro Médica S.A.

Los Flamencos 145, Ofc. 301/2  
San Isidro  
Casilla 1030  
**LIMA 1**  
Tel: 41-4325, 41-3705  
Telex: Pub. Booth 25306 PEC PISIDR  
CM,E,M,P

SAMS

Arenida Republica de Panama 3534  
San Isidro, LIMA  
Tel: 419928/417108  
Telex: 20450 PE LIBERTAD  
A,C,P

**PHILIPPINES**

The Online Advanced Systems Corp.

2nd Floor, Electra House  
115-117 Esteban Street  
Legaspi Village, Makati  
P.O. Box 1510  
Metro **MANILA**  
Tel: 815-38-10 (up to 16)  
Telex: 63274 ONLINE PN  
A,C,E,M,P

**PORTUGAL**

Mundinter Intercambio  
Mundial de Comércio S.A.R.L.  
Av. Antonio Augusto Aguiar 138  
Apartado 2761

**LISBON**  
Tel: (19) 53-21-31, 53-21-37  
Telex: 16691 munter p  
M

Soquimica  
Av. da Liberdade, 220-2  
1298 **LISBOA** Codex  
Tel: 56-21-82  
Telex: 13316 SABASA  
A

Telectra-Empresa Técnica de  
Equipmentos Eléctricos S.A.R.L.

Rua Rodrigo da Fonseca 103  
P.O. Box 2531  
**LISBON 1**  
Tel: (19) 68-60-72  
Telex: 12598  
CM,E

C.P.C.S.I.

Rua de Costa Cabral 575  
4200 **PORTO**  
Tel: 499174/495173  
Telex: 26054  
C,P

**PUERTO RICO**

Hewlett-Packard Puerto Rico

101 Muñoz Rivera Av  
Esu. Calle Ochoa  
**HATO REY**, Puerto Rico 00918  
Tel: (809) 754-7800  
A,C,CM,M,E,P

**QATAR**

Computer Arabia

P.O. Box 2750  
**DOHA**  
Tel: 428555  
Telex: 4806 CHPARB  
P

Nasser Trading & Contracting  
P.O.Box 1563

**DOHA**  
Tel: 422170  
Telex: 4439 NASSER DH  
M

**SAUDI ARABIA**

Modern Electronics Establishment

Hewlett-Packard Division  
P.O. Box 281  
Thuqbah  
**AL-KHOBAR** 31952  
Tel: 895-1760, 895-1764  
Telex: 671 106 HPMEEK SJ  
Cable: ELECTA AL-KHOBAR  
C,E,M

Modern Electronics Establishment

Hewlett-Packard Division  
P.O. Box 1228  
**JEDDAH**  
Tel: 644 96 28  
Telex: 4027 12 FARNAS SJ  
Cable: ELECTA JEDDAH  
A,C,CM,E,M,P

Modern Electronics Establishment

Hewlett-Packard Division  
P.O.Box 22015  
**RIYADH** 11495  
Tel: 476-3030  
Telex: 202049 MEERYD SJ  
A,C,CM,E,M,P

Abdul Ghani El Ajou Corp.  
P.O. Box 78

**RIYADH**  
Tel: 40 41 717  
Telex: 200 931 EL AJOU  
P

**SCOTLAND**

See United Kingdom

**SENEGAL**

Societe Hussein Ayad & Cie.  
76, Avenue Georges Pompidou  
B.P. 305

**DAKAR**

Tel: 32339  
Cable: AYAD-Dakar  
E

Moneger Distribution S.A.

1, Rue Parent  
B.P. 148  
**DAKAR**  
Tel: 215 671  
Telex: 587  
P

Systeme Service Conseil (SSC)

14, Avenue du Parachois  
**DAKAR ETOILE**  
Tel: 219976  
Telex: 577  
C,P

**SINGAPORE**

Hewlett-Packard Singapore (Sales)

Pte. Ltd.  
08-00 Inchcape House  
450-2 Alexandra Road  
Alexandra P.O. Box 58  
**SINGAPORE, 9115**  
Tel: 4731788  
Telex: 34209 HPSGSO RS  
Cable: HEWPACK, Singapore  
A,C,E,M,P

Dynamar International Ltd.

Unit 05-11 Block 6  
Kolam Ayer Industrial Estate  
**SINGAPORE 1334**  
Tel: 747-6188  
Telex: 26283 RS  
CM

**SOUTH AFRICA**

Hewlett-Packard So Africa (Pty.) Ltd.

P.O. Box 120  
Howard Place **CAPE PROVINCE** 7450  
Pine Park Center, Forest Drive, Pine-  
lands  
**CAPE PROVINCE 7405**  
Tel: (021) 53 7954  
Telex: 57-20006  
A,C,CM,E,M,P

Hewlett-Packard So Africa (Pty.) Ltd.

2nd Floor Juniper House  
92 Overport Drive  
**DURBAN 4067**  
Tel: (031) 28-4178  
Telex: 6-22954  
C

Hewlett-Packard So Africa (Pty.) Ltd.

6 Linton Arcade  
511 Cape Road  
Linton Grange  
**PORT ELIZABETH 6001**  
Tel: 041-301201  
Telex: 24-2916  
C



# SALES & SUPPORT OFFICES

Arranged alphabetically by country

## SOUTH AFRICA (Cont'd)

Hewlett-Packard So Africa (Pty.) Ltd.  
Fountain Center  
Kalkden Str.  
Monument Park Ext 2  
**PRETORIA** 0105  
Tel: (012) 45 57258  
Telex: 3-21063  
C,E

Hewlett-Packard So Africa (Pty.) Ltd.  
Private Bag Wendywood  
**SANDTON** 2144  
Tel: 802-5111, 802-5125  
Telex: 4-20877 SA  
Cable: HEWPACK Johannesburg  
A,C,CM,E,M,P

## SPAIN

Hewlett-Packard Española S.A.  
Calle Entenza, 321  
08029 **BARCELONA**  
Tel: 3/322 24 51, 321 73 54  
Telex: 52603 hpbee  
A,C,E,M,P

Hewlett-Packard Española S.A.  
Calle San Vicente S/N  
Edificio Albia II-7B  
48001 **BILBAO**  
Tel: 4/423 83 06  
A,C,E,M

Hewlett-Packard Española S.A.  
Crta. de la Coruña, Km. 16, 400  
Las Rozas  
**E-MADRID**  
Tel: (1) 637.00.11  
Telex: 23515 HPE  
C,M

Hewlett-Packard Española S.A.  
Avda. S. Francisco Javier, S/N  
Planta 10. Edificio Sevilla 2  
41005 **SEVILLA**  
Tel: 54/64 44 54  
Telex: 72933  
A,C,M,P

Hewlett-Packard Española S.A.  
Isabel La Católica, 8  
46004 **VALENCIA**  
Tel: 0034/6/351 59 44  
C,P

## SWEDEN

Hewlett-Packard Sverige AB  
Ostra Tullgatan 3  
S-21128 **MALMÖ**  
Tel: (040) 70270  
Telex: (854) 17886 (via Spånga  
office)  
C,P

Hewlett-Packard Sverige AB  
Skalholtsgatan 9, Kista  
Box 19  
S-16393 **SPÅNGA**  
Tel: (08) 750-2000  
Telex: (854) 17886  
Telefax: (08) 7527781  
A,C,CM,E,M,P

Hewlett-Packard Sverige AB  
Frötallsgatan 30  
S-42132 **VÄSTRA-FRÖLUNDA** (Gothen-  
burg)  
Tel: (031) 49-09-50  
Telex: (854) 17886 (via Spånga  
office)  
A,C,CM,E,M,P

## SUDAN

Mediterranean Engineering & Trading  
Co. Ltd.  
P.O. Box 1025  
**KHARTOUM**  
Tel: 41184  
Telex: 24052  
C,P

## SWITZERLAND

Hewlett-Packard (Schweiz) AG  
Clarastrasse 12  
CH-4058 **BASEL**  
Tel: (61) 33-59-20  
A

Hewlett-Packard (Schweiz) AG  
7, rue du Bois-du-Lan  
Case postale 365  
CH-1217 **MEYRIN** 1  
Tel: (0041) 22-83-11-11  
Telex: 27333 HPAG CH  
C,CM

Hewlett-Packard (Schweiz) AG  
Allmend 2  
CH-8967 **WIDEN**  
Tel: (0041) 57 31 21 11  
Telex: 53933 hpag ch  
Cable: HPAG CH  
A,C,CM,E,M,P

## SYRIA

General Electronic Inc.  
Nuri Basha Ahnaf Ebn Kays Street  
P.O. Box 5781  
**DAMASCUS**  
Tel: 33-24-87  
Telex: 411 215  
Cable: ELECTROBOR DAMASCUS  
E

Middle East Electronics  
P.O.Box 2308  
Abu Rumaneh  
**DAMASCUS**  
Tel: 33 45 92  
Telex: 411 771  
M

## TAIWAN

Hewlett-Packard Taiwan  
Kaohsiung Office  
11/F, 456, Chung Hsiao 1st Road  
**KAOHSIUNG**  
Tel: (07) 2412318  
C,E

Hewlett-Packard Taiwan  
8th Floor, Hewlett-Packard Building  
337 Fu Hsing North Road  
**TAIPEI**  
Tel: (02) 712-0404  
Telex: 24439 HEWPACK  
Cable: HEWPACK Taipei  
A,C,CM,E,M,P

Ing Lih Trading Co.  
3rd Floor, 7 Jen-Ai Road, Sec. 2  
**TAIPEI 100**  
Tel: (02) 3948191  
Cable: INGLIH Taipei  
A

## THAILAND

Unimesa Co. Ltd.  
30 Patpong Ave., Suriwong  
**BANGKOK** 5  
Tel: 235-5727  
Telex: 84439 Simonco TH  
Cable: UNIMESA Bangkok  
A,C,E,M

Bangkok Business Equipment Ltd.  
5/5-6 Dejo Road  
**BANGKOK**  
Tel: 234-8670, 234-8671  
Telex: 87699-BEQUIPT TH  
Cable: BUSIQUIPT Bangkok  
P

## TOGO

Societe Africaine De Promotion  
Immeuble Sagap  
22, Rue d'Atakpame  
B.P. 4150  
**LOME**  
Tel: 21-62-88  
Telex: 5304  
P

## TRINIDAD & TOBAGO

Caribbean Telecoms Ltd.  
Corner McAllister Street &  
Eastern Main Road, Laventille  
P.O. Box 732  
**PORT-OF-SPAIN**  
Tel: 624-4213  
Telex: 22561 CARTEL WG  
Cable: CARTEL, PORT OF SPAIN  
CM,E,M,P

Computer and Controls Ltd.  
P.O. Box 51  
66 Independence Square  
**PORT-OF-SPAIN**  
Tel: 62-279-85  
Telex: 3000 POSTLX WG, ACCT  
LOO90 AGENCY 1264  
A,P

Feral Assoc.  
8 Fitzgerald Lane  
**PORT-OF-SPAIN**  
Tel: 62-36864, 62-39255  
Telex: 22432 FERALCO  
Cable: FERALCO  
M

## TUNISIA

Precision Electronique S.A.R.L.  
31 Avenue de la Liberte  
**TUNIS**  
Tel: 893937  
Telex: 13238  
P

Tunisie Electronique S.A.R.L.  
94, Av. Jugurtha, Mutuelleville  
1002 **TUNIS-BELVEDERE**  
Tel: 280144  
Telex: 13238  
C,E,P

Corema S.A.  
23, bis Rue de Marseille  
**TUNIS**  
Tel: 253-821  
Telex: 14812 CABAM TN  
M

## TURKEY

E.M.A  
Mediha Eldem Sokak No. 41/6  
Yenisehir  
**ANKARA**  
Tel: 319175  
Telex: 46912 KTX TR  
Cable: EMATRADE ANKARA  
M

Teknim Company Ltd.  
Iran Caddesi No. 7  
Kavaklidere  
**ANKARA**  
Tel: 275800  
Telex: 42155 TKNM TR  
E,CM

Saniva Bilgisayar Sistemleri A.S.  
Buyukdere Caddesi 103/6  
Gayrettepe  
**ISTANBUL**  
Tel: 1727030  
Telex: 26345 SANI TR  
C,P

Best Inc.  
Esentepe, Gazeteciler Sitesi  
Keskin Kalemey  
Sokak 6/3, Gayrettepe  
**ISTANBUL**  
Tel: 1721328  
Telex: 42490  
A

## UNITED ARAB EMIRATES

Emitac Ltd.  
P.O. Box 1641  
**SHARJAH**  
Tel: 591181  
Telex: 68136 EMITAC EM  
Cable: EMITAC SHARJAH  
E,C,M,P,A

Emitac Ltd.  
P.O. Box 27111  
**ABU DHABI**  
Tel: 820419-20  
Cable: EMITACH ABUDHABI

Emitac Ltd.  
P.O. Box 8391  
**DUBAI**  
Tel: 377591

Emitac Ltd.  
P.O. Box 473  
**RAS AL KHAIMAH**  
Tel: 28133, 21270

## UNITED KINGDOM

### GREAT BRITAIN

Hewlett-Packard Ltd.  
Trafalgar House  
Navigation Road  
**ALTRINCHAM**  
Cheshire WA14 1NU  
Tel: 061 928 6422  
Telex: 668068  
A,C,E,M,P

Hewlett-Packard Ltd.  
Miller House  
The Ring, **BRACKNELL**  
Berks RG12 1XN  
Tel: 0344 424898  
Telex: 848733  
E

Hewlett-Packard Ltd.  
Elstree House, Elstree Way  
**BOREHAMWOOD**, Herts WD6 1SG  
Tel: 01 207 5000  
Telex: 8952716  
C,E

Hewlett-Packard Ltd.  
Oakfield House, Oakfield Grove  
Clifton **BRISTOL**, Avon BS8 2BN  
Tel: 0272 736806  
Telex: 444302  
C,E,P

Hewlett-Packard Ltd.  
Bridewell House  
9 Bridewell Place  
**LONDON EC4V 6BS**  
Tel: 01 583 6565  
Telex: 298163  
C,P

Hewlett-Packard Ltd.  
Pontefract Road  
**NORMANTON**, West Yorkshire WF6 1RN  
Tel: 0924 895566  
Telex: 557355  
C,P

Hewlett-Packard Ltd.  
The Quadrangle  
106-118 Station Road  
**REDHILL**, Surrey RH1 1PS  
Tel: 0737 68655  
Telex: 947234  
C,E,P

Hewlett-Packard Ltd.  
Avon House  
435 Stratford Road  
Shirley, **SOLIHULL**, West Midlands  
B90 4BL  
Tel: 021 745 8800  
Telex: 339105  
C,E,P

Hewlett-Packard Ltd.  
West End House  
41 High Street, West End  
**SOUTHAMPTON**  
Hampshire SO3 3DQ  
Tel: 0703 476767  
Telex: 477138  
C,P

Hewlett-Packard Ltd.  
Harmon House  
No. 1 George Street  
**UXBRIDGE**, Middlesex UX8 1YH  
Tel: 895 720 20  
Telex: 893134/5  
C,CM,E,M,P

Hewlett-Packard Ltd.  
King Street Lane  
Winnersh, **WOKINGHAM**  
Berkshire RG11 5AR  
Tel: 0734 784774  
Telex: 847178  
A,C,E,M,P

## IRELAND

### NORTHERN IRELAND

Hewlett-Packard (Ireland) Ltd.  
Carrickfergus Industrial Centre  
75 Belfast Road, Carrickfergus  
**BELFAST BT38 8PH**  
Tel: 09603 67333  
Telex: 747626  
C,E

### SCOTLAND

Hewlett-Packard Ltd.  
8 Woodside Place  
**GLASGOW**, G3 7QF  
Tel: 041 332 6232  
Telex: 779615  
C,E

Hewlett-Packard Ltd.  
**SOUTH QUEENSFERRY**  
West Lothian, EH30 9TG  
Tel: 031 331 1188  
Telex: 72682  
C,CM,E,M,P



**UNITED STATES**

**Alabama**

Hewlett-Packard Co.  
700 Century Park South, Suite 128  
**BIRMINGHAM, AL 35226**  
Tel: (205) 822-6802  
A,C,M,P\*

Hewlett-Packard Co.  
420 Wynn Drive  
**HUNTSVILLE, AL 35805**  
Tel: (205) 830-2000  
C,CM,E,M\*

**Alaska**

Hewlett-Packard Co.  
3601 C St., Suite 1416  
**ANCHORAGE, AK 99503**  
Tel: (907) 563-8855  
C,E

**Arizona**

Hewlett-Packard Co.  
8080 Pointe Parkway West  
**PHOENIX, AZ 85044**  
Tel: (602) 273-8000  
A,C,CM,E,M,P

Hewlett-Packard Co.  
3400 East Britannia Dr.  
Bldg. C, Suite 124  
**TUCSON, AZ 85706**  
Tel: (602) 573-7400  
C,E,M\*\*

**California**

Hewlett-Packard Co.  
99 South Hill Dr.  
**BRISBANE, CA 94005**  
Tel: (415) 330-2500  
C

Hewlett-Packard Co.  
5060 E. Clinton Avenue, Suite 102  
**FRESNO, CA 93727**  
Tel: (209) 252-9652  
C,M

Hewlett-Packard Co.  
1421 S. Manhattan Av.  
**FULLERTON, CA 92631**  
Tel: (714) 999-6700  
C,CM,E,M

Hewlett-Packard Co.  
7408 Hollister Ave. #A  
**GOLETA, CA 93117**  
Tel: (805) 685-6100  
C,E

Hewlett-Packard Co.  
5400 W. Rosecrans Blvd.  
**LAWDALE, CA 90260**  
Tel: (213) 643-7500  
Telex: 910-325-6608  
C,M

Hewlett-Packard Co.  
2525 Grand Avenue  
Long Beach, CA 90815  
Tel: (213) 498-1111  
C

Hewlett-Packard Co.  
3155 Porter Drive  
**PALO ALTO, CA 94304**  
Tel: (415) 857-8000  
C,E

Hewlett-Packard Co.  
4244 So. Market Court, Suite A  
**SACRAMENTO, CA 95834**  
Tel: (916) 929-7222  
A\*,C,E,M

Hewlett-Packard Co.  
9606 Aero Drive  
**SAN DIEGO, CA 92123**  
Tel: (619) 279-3200  
C,CM,E,M

Hewlett-Packard Co.  
5725 W. Las Positas Blvd.  
Pleasanton, CA 94566  
Tel: (415) 460-0282  
C

Hewlett-Packard Co.  
3003 Scott Boulevard  
**SANTA CLARA, CA 95054**  
Tel: (408) 988-7000  
Telex: 910-338-0586  
A,C,CM,E

Hewlett-Packard Co.  
2150 W. Hillcrest Dr.  
**THOUSAND OAKS, CA 91320**  
(805) 373-7000  
C,CM,E

**Colorado**

Hewlett-Packard Co.  
2945 Center Green Court South  
Suite A  
**BOULDER, CO 80301**  
Tel: (303) 938-3005  
A,C,E

Hewlett-Packard Co.  
24 Inverness Place, East  
**ENGLEWOOD, CO 80112**  
Tel: (303) 649-5000  
A,C,CM,E,M

**Connecticut**

Hewlett-Packard Co.  
500 Sylvan Av.  
**BRIDGEPORT, CT 06606**  
Tel: (203) 371-6454  
C,E

Hewlett-Packard Co.  
47 Barnes Industrial Road South  
**WALLINGFORD, CT 06492**  
Tel: (203) 265-7801  
A,C,CM,E,M

**Florida**

Hewlett-Packard Co.  
2901 N.W. 62nd Street  
**FORT LAUDERDALE, FL 33309**  
Tel: (305) 973-2600  
C,E,M,P\*

Hewlett-Packard Co.  
6800 South Point Parkway  
Suite 301  
**JACKSONVILLE, FL 32216**  
Tel: (904) 398-0663  
C\*,M\*\*

Hewlett-Packard Co.  
6177 Lake Ellenor Drive  
**ORLANDO, FL 32809**  
Tel: (305) 859-2900  
A,C,CM,E,P\*

Hewlett-Packard Co.  
4700 Bayou Blvd.  
Building 5  
**PENSACOLA, FL 32503**  
Tel: (904) 476-8422  
A,C,M

Hewlett-Packard Co.  
5550 W. Idlewild, 150  
**TAMPA, FL 33614**  
Tel: (813) 884-3282  
C,E,M,P

**Georgia**

Hewlett-Packard Co.  
2000 South Park Place  
**ATLANTA, GA 30339**  
Tel: (404) 955-1500  
Telex: 810-766-4890  
A,C,CM,E,M,P\*

Hewlett-Packard Co.  
3607 Parkway Lane  
Suite 300  
**NORCROSS, GA 30092**  
Tel: (404) 448-1894  
C,E,P

**Hawaii**

Hewlett-Packard Co.  
Kawaiahao Plaza, Suite 190  
567 South King Street  
**HONOLULU, HI 96813**  
Tel: (808) 526-1555  
A,C,E,M

**Idaho**

Hewlett-Packard Co.  
11309 Chinden Blvd.  
**BOISE, ID 83707**  
Tel: (208) 323-2700  
C

**Illinois**

Hewlett-Packard Co.  
304 Eldorado Road  
P.O. Box 1607  
**BLOOMINGTON, IL 61701**  
Tel: (309) 662-9411  
C,M\*\*

Hewlett-Packard Co.  
525 W. Monroe, 1308  
**CHICAGO, IL 60606**  
Tel: (312) 930-0010  
C

Hewlett-Packard Co.  
1200 East Diehl Road  
**NAPERVILLE, IL 60566**  
Tel: (312) 357-8800  
C

Hewlett-Packard Co.  
5201 Tollview Drive  
**ROLLING MEADOWS, IL 60008**  
Tel: (312) 255-9800  
Telex: 910-687-1066  
A,C,CM,E,M

**Indiana**

Hewlett-Packard Co.  
11911 N. Meridian St.  
**CARMEL, IN 46032**  
Tel: (317) 844-4100  
A,C,CM,E,M

Hewlett-Packard Co.  
3702 Rupp Drive  
**FT. WAYNE, IN 46815**  
Tel: (219) 482-4283  
C,E

**Iowa**

Hewlett-Packard Co.  
4070 22nd Av. SW  
**CEDAR RAPIDS, IA 52404**  
Tel: (319) 390-4250  
C,E,M

Hewlett-Packard Co.  
4201 Corporate Dr.  
**WEST DES MOINES, IA 50265**  
Tel: (515) 224-1435  
A\*\*,C,M\*\*

**Kansas**

Hewlett-Packard Co.  
7804 East Funston Road, 203  
**WICHITA, KS 67207**  
Tel: (316) 684-8491  
C,E

**Kentucky**

Hewlett-Packard Co.  
10300 Linn Station Road, 100  
**LOUISVILLE, KY 40223**  
Tel: (502) 426-0100  
A,C,M

**Louisiana**

Hewlett-Packard Co.  
160 James Drive East  
**ST. ROSE, LA 70087**  
P.O. Box 1449  
**KENNER, LA 70063**  
Tel: (504) 467-4100  
A,C,E,M,P

**Maryland**

Hewlett-Packard Co.  
3701 Koppers Street  
**BALTIMORE, MD 21227**  
Tel: (301) 644-5800  
Telex: 710-862-1943  
A,C,CM,E,M

Hewlett-Packard Co.  
2 Choke Cherry Road  
**ROCKVILLE, MD 20850**  
Tel: (301) 948-6370  
A,C,CM,E,M

**Massachusetts**

Hewlett-Packard Co.  
1775 Minuteman Road  
**ANDOVER, MA 01810**  
Tel: (617) 682-1500  
A,C,CM,E,M,P\*

Hewlett-Packard Co.  
32 Hartwell Avenue  
**LEXINGTON, MA 02173**  
Tel: (617) 861-8960  
C,E

**Michigan**

Hewlett-Packard Co.  
4326 Cascade Road S.E.  
**GRAND RAPIDS, MI 49506**  
Tel: (616) 957-1970  
C,M

Hewlett-Packard Co.  
39550 Orchard Hill Place Drive  
**NOVI, MI 48020**  
Tel: (313) 349-9200  
A,C,E,M

Hewlett-Packard Co.  
1771 W. Big Beaver Road  
**TROY, MI 48084**  
Tel: (313) 643-6474  
C

**Minnesota**

Hewlett-Packard Co.  
2025 W. Larpentour Ave.  
**ST. PAUL, MN 55113**  
Tel: (612) 644-1100  
A,C,CM,E,M

**Missouri**

Hewlett-Packard Co.  
1001 E. 101st Terrace Suite 120  
**KANSAS CITY, MO 64131-3368**  
Tel: (816) 941-0411  
A,C,CM,E,M

Hewlett-Packard Co.  
13001 Hollenberg Drive  
**BRIDGETON, MO 63044**  
Tel: (314) 344-5100  
A,C,E,M

**Nebraska**

Hewlett-Packard  
10824 Old Mill Rd., Suite 3  
**OMAHA, NE 68154**  
Tel: (402) 334-1813  
C,E,M

**New Jersey**

Hewlett-Packard Co.  
120 W. Century Road  
**PARAMUS, NJ 07653**  
Tel: (201) 265-5000  
A,C,CM,E,M

Hewlett-Packard Co.  
20 New England Av. West  
**PISCATAWAY, NJ 08854**  
Tel: (201) 562-6100  
A,C,CM,E

**New Mexico**

Hewlett-Packard Co.  
7801 Jefferson N.E.  
**ALBUQUERQUE, NM 87109**  
Tel: (505) 292-1330  
C,E,M

**New York**

Hewlett-Packard Co.  
5 Computer Drive South  
**ALBANY, NY 12205**  
Tel: (518) 458-1550  
A,C,E,M

Hewlett-Packard Co.  
9600 Main Street  
**CLARENCE, NY 14031**  
Tel: (716) 759-8621  
C,E

Hewlett-Packard Co.  
200 Cross Keys Office Park  
**FAIRPORT, NY 14450**  
Tel: (716) 223-9950  
A,C,CM,E,M

Hewlett-Packard Co.  
7641 Henry Clay Blvd.  
**LIVERPOOL, NY 13088**  
Tel: (315) 451-1820  
A,C,CM,E,M

Hewlett-Packard Co.  
No. 1 Pennsylvania Plaza  
55th Floor  
34th Street & 8th Avenue  
**MANHATTAN NY 10119**  
Tel: (212) 971-0800  
C,M\*

Hewlett-Packard Co.  
15 Myers Corner Rd.  
Hollowbrook Park, Suite 20  
**WAPPINGER FALLS, NY 12590**  
CM,E

Hewlett-Packard Co.  
250 Westchester Avenue  
**WHITE PLAINS, NY 10604**  
Tel: (914) 684-6100  
C,CM,E

Hewlett-Packard Co.  
3 Crossways Park West  
**WOODBURY, NY 11797**  
Tel: (516) 682-7800  
A,C,CM,E,M



# SALES & SUPPORT OFFICES

Arranged alphabetically by country

## UNITED STATES (Cont'd)

### North Carolina

Hewlett-Packard Co.  
305 Gregson Dr.  
**CARY, NC 27511**  
Tel: (919) 467-6600  
C,CM,E,M,P\*

Hewlett-Packard Co.  
9600-H Southern Pine Blvd.  
**CHARLOTTE, NC 28210**  
Tel: (704) 527-8780  
C\*

Hewlett-Packard Co.  
5605 Roanne Way  
**GREENSBORO, NC 27420**  
Tel: (919) 852-1800  
A,C,CM,E,M,P\*

### Ohio

Hewlett-Packard Co.  
2717 S. Arlington Road  
**AKRON, OH 44312**  
Tel: (216) 644-2270  
C,E

Hewlett-Packard Co.  
23200 Chagrin Blvd #100  
**BEACHWOOD, OH 44122**  
Tel: (216) 292-4677  
C,P

Hewlett-Packard Co.  
9920 Carver Road  
**CINCINNATI, OH 45242**  
Tel: (513) 891-9870  
C,M

Hewlett-Packard Co.  
16500 Sprague Road  
**CLEVELAND, OH 44130**  
Tel: (216) 243-7300  
A,C,CM,E,M

Hewlett-Packard Co.  
9080 Springboro Pike  
**MIAMISBURG, OH 45342**  
Tel: (513) 433-2223  
A,C,CM,E\*,M

Hewlett-Packard Co.  
One Maritime Plaza, 5th Floor  
720 Water Street  
**TOLEDO, OH 43604**  
Tel: (419) 242-2200  
C

Hewlett-Packard Co.  
675 Brookside Blvd.  
**WESTERVILLE, OH 43081**  
Tel: (614) 891-3344  
C,CM,E\*

### Oklahoma

Hewlett-Packard Co.  
3525 N.W. 56th St.  
Suite C-100  
**OKLAHOMA CITY, OK 73112**  
Tel: (405) 946-9499  
C,E\*,M

Hewlett-Packard Co.  
3840 S. 103rd E. Ave., 100  
**TULSA, OK 74146**  
Tel: (918) 665-3300  
A\*\*,C,E,M\*,P\*

### Oregon

Hewlett-Packard Co.  
9255 S. W. Pioneer Court  
**WILSONVILLE, OR 97070**  
Tel: (503) 682-8000  
A,C,E\*,M

### Pennsylvania

Hewlett-Packard Co.  
50 Dorchester Rd.  
**HARRISBURG, PA 17112**  
Tel: (717) 657-5900  
C

Hewlett-Packard Co.  
111 Zeta Drive  
**PITTSBURGH, PA 15238**  
Tel: (412) 782-0400  
A,C,E,M

Hewlett-Packard Co.  
2750 Monroe Boulevard  
**VALLEY FORGE, PA 19482**  
Tel: (215) 666-9000  
A,C,CM,E,M

### South Carolina

Hewlett-Packard Co.  
Brookside Park, Suite 122  
1 Harbison Way  
**COLUMBIA, SC 29210**  
Tel: (803) 732-0400  
C,M

Hewlett-Packard Co.  
555 N. Pleasantburg Dr.  
Suite 107  
**GREENVILLE, SC 29607**  
Tel: (803) 232-8002  
C

### Tennessee

Hewlett-Packard Co.  
One Energy Centr. 200  
Pellissippi Pkwy.  
**KNOXVILLE, TN 37932**  
Tel: (615) 966-4747  
A,C,M

Hewlett-Packard Co.  
3070 Directors Row  
Directors Square  
**MEMPHIS, TN 38131**  
Tel: (901) 346-8370  
A,C,M

Hewlett-Packard Co.  
220 Great Circle Road, Suite 116  
**NASHVILLE, TN 37228**  
Tel: (615) 255-1271  
C,M,P\*

### Texas

Hewlett-Packard Co.  
1826-P Kramer Lane  
**AUSTIN, TX 78758**  
Tel: (512) 835-6771  
C,E,P\*

Hewlett-Packard Co.  
5700 Cromo Dr  
**EL PASO, TX 79912**  
Tel: (915) 833-4400  
C,E\*,M\*\*

Hewlett-Packard Co.  
3952 Sandshell Drive  
**FORT WORTH, TX 76137**  
Tel: (817) 232-9500  
C

Hewlett-Packard Co.  
10535 Harwin Drive  
**HOUSTON, TX 77036**  
Tel: (713) 776-6400  
A,C,E,M,P\*

Hewlett-Packard Co.  
511 E. John W. Carpenter Fwy.  
Royal Tech. Center 100  
**IRVING, TX 75062**  
Tel: (214) 556-1950  
C,E

Hewlett-Packard Co.  
109 E. Toronto, Suite 100  
**McALLEN, TX 78503**  
Tel: (512) 630-3030  
C

Hewlett-Packard Co.  
930 E. Campbell Rd.  
**RICHARDSON, TX 75081**  
Tel: (214) 231-6101  
A,C,CM,E,M,P\*

Hewlett-Packard Co.  
1020 Central Parkway South  
**SAN ANTONIO, TX 78216**  
Tel: (512) 494-9336  
A,C,E,M,P\*

### Utah

Hewlett-Packard Co.  
3530 W. 2100 South  
**SALT LAKE CITY, UT 84119**  
Tel: (801) 974-1700  
A,C,E,M

### Virginia

Hewlett-Packard Co.  
4305 Cox Road  
**GLEN ALLEN, VA 23060**  
Tel: (804) 747-7750  
A,C,E,M,P\*

Hewlett-Packard Co.  
Tanglewood West Bldg.  
Suite 240  
3959 Electric Road  
**ROANOKE, VA 24018**  
Tel: (703) 774-3444  
C,E,P

### Washington

Hewlett-Packard Co.  
15815 S.E. 37th Street  
**BELLEVUE, WA 98006**  
Tel: (206) 643-4000  
A,C,CM,E,M

Hewlett-Packard Co.  
708 North Argonne Road  
**SPOKANE, WA 99212-2793**  
Tel: (509) 922-7000  
C

### West Virginia

Hewlett-Packard Co.  
501 56th  
**CHARLESTON, WV 25304**  
Tel: (304) 925-0492  
A,C,M

### Wisconsin

Hewlett-Packard Co.  
275 N. Corporate Dr.  
**BROOKFIELD, WI 53005**  
Tel: (414) 784-8800  
A,C,E\*,M

### URUGUAY

Pablo Ferrando S.A.C. e I.  
Avenida Italia 2877  
Casilla de Correo 370  
**MONTEVIDEO**  
Tel: 80-2586  
Telex: 802586  
A,CM,E,M

Olympia de Uruguay S.A.  
Maquinas de Oficina  
Avda. del Libertador 1997  
Casilla de Correos 6644  
**MONTEVIDEO**  
Tel: 91-1809, 98-3807  
Telex: 6342 OROU UY  
P

### VENEZUELA

Hewlett-Packard de Venezuela C.A.  
3A Transversal Los Ruices Norte  
Edificio Segre 2 & 3  
Apartado 50933  
**CARACAS 1071**  
Tel: 239-4133  
Telex: 251046 HEWPACK  
A,C,CM,E,M,P

Hewlett-Packard de Venezuela, C.A.  
Centro Ciudad Comercial Tamanaco  
Nivel C-2 (Nueva Etapa)  
Local 53H05  
Chuaq, **CARACAS**  
Tel: 928291  
P

Albis Venezolana S.R.L.  
Av. Las Marias, Ota. Alix,  
El Pedregal  
Apartado 81025  
**CARACAS 1080A**  
Tel: 747984, 742146  
Telex: 24009 ALBIS VC  
A

Tecnologica Medica del Caribe, C.A.  
Multicentro Empresarial del Este  
Ave. Libertador  
Edif. Libertador  
Nucleo "C" - Oficina 51-52  
**CARACAS**  
Tel: 339867/333780  
M

Hewlett-Packard de Venezuela C.A.  
Residencias Tia Betty Local 1  
Avenida 3 y con calle 75  
**MARACAIBO**, Estado Zulia  
Apartado 2646  
Tel: (061) 75801-75805-75806-80304  
Telex: 62464 HPMAR  
C,E\*

Hewlett-Packard de Venezuela C.A.  
Urb. Lomas de Este  
Torre Trebol — Piso 11  
**VALENCIA**, Estado Carabobo  
Apartado 3347  
Tel: (041) 222992/223024  
C,P

### YUGOSLAVIA

Do Hermes  
General Zdanova 4  
YU-11000 **BEOGRAD**  
Tel: 340 327, 342 641  
Telex: 11433  
A,C,E,P

Hermes  
Titova 50  
YU-61000 **LJUBLJANA**  
Tel: 324 856, 324 858  
Telex: 31583  
C,E,M,P

Elektrotehna  
Titova 51  
YU-61000 **LJUBLJANA**  
CM

### ZAIRE

Computer & Industrial Engineering  
25, Avenue de la Justice  
B.P. 12797  
**KINSHASA**, Gombe  
Tel: 32063  
Telex: 21552  
C,P

### ZAMBIA

R.J. Tilbury (Zambia) Ltd.  
P.O. Box 32792  
**LUSAKA**  
Tel: 215590  
Telex: 40128  
E

### ZIMBABWE

Field Technical Sales (Private) Limited  
45, Kelvin Road North  
P.O. Box 3458  
**HARARE**  
Tel: 705 231  
Telex: 4-122 RH  
E,P



Manual Part Number 64500-90912  
Printed in U.S.A., MARCH 1986  
E0386  
*Replaces: 64500-90912, February 1984*

