



**MODEL 8**  
**ADD-ON CORE MEMORY**  
**TECHNICAL MANUAL**  
**(PDP 8 I and PDP 12)**

ORIGINAL PRINTING: 8 November 1973  
REVISION A: 16 January 1974

Publication Number: 400-0226-00  
© Copyright 1973 by FABRI-TEK, INC.  
Printed in the United States of America

# TABLE OF CONTENTS

<b>SECTION I</b> .....	<b>GENERAL INFORMATION AND SPECIFICATIONS</b>
General Description .....	1-1
Capacity .....	1-1
Memory Cycle .....	1-1
System Specifications .....	1-1
<b>SECTION II</b> .....	<b>INSTALLATION PROCEDURES</b>
CPU Modification .....	2-1
Assembly .....	2-2
Final Considerations .....	2-2
<b>SECTION III</b> .....	<b>PRINCIPLES OF OPERATION</b>
Multiplex Assembly .....	3-1
Control Signals .....	3-1
Multiplex Data Path .....	3-1
Memory .....	3-4
Cycle Control .....	3-4
Current Drive .....	3-4
Data Loop .....	3-6
Memory Operation .....	3-9
Read Portion of the Cycle .....	3-9
Write Portion of the Cycle .....	3-9
<b>SECTION IV</b> .....	<b>MAINTENANCE</b>
Recommended Test Equipment .....	4-1
Preventive Maintenance .....	4-1
Corrective Maintenance .....	4-1
Memory Test Patterns and Tests .....	4-1
Ones .....	4-1
Zeros .....	4-2
Worst Pattern .....	4-2
Worst Pattern Complement .....	4-2
Malfunction Analysis .....	4-2
Memory Failures .....	4-2
Control Oriented Errors .....	4-2
Address Oriented Errors .....	4-4
Data Oriented Errors .....	4-8
Multiplex Assembly Failures .....	4-8
<b>SECTION V</b> .....	<b>REPLACEMENT PARTS LIST</b>
FABRI-TEK Numbers .....	5-1
FABRI-TEK Parts .....	5-1
<b>SECTION VI</b> .....	<b>REFERENCE DOCUMENTS</b>
<b>APPENDIX A</b> .....	<b>ALPHABETICAL LISTING OF MEMORY SYSTEM MNEMONICS</b>

## LIST OF ILLUSTRATIONS

FIGURE	TITLE	PAGE
1-1	Model 8/1 .....	1-2
3-1	Functional Units .....	3-2
3-2	Multiplex Data Path .....	3-3
3-3	Information Flow Diagram .....	3-5
3-4	Drive Line Selection .....	3-7
3-5	Data Loop .....	3-8
4-1	Control Oriented Errors .....	4-3
4-2	Address Oriented Errors .....	4-5
4-3	System Configuration .....	4-6
4-4	Data Oriented Errors .....	4-9

TABLE	TITLE	PAGE
1-1	Specifications .....	1-3
2-1	Interface Signal Configuration .....	2-1
2-2	Back Panel Modification .....	2-1
4-1	Word Location .....	4-4
4-2	Circuit Decoding .....	4-7

# SECTION I

## GENERAL INFORMATION AND SPECIFICATIONS

The FABRI-TEK Model 8/I Add-On Memory System is a completely compatible 24K (24,576) word addition to main storage for the Digital Equipment Corporation PDP\*8/I and PDP 12 computers. This manual divides the technical information for the Model 8/I into the following sections.

- I GENERAL INFORMATION AND SPECIFICATIONS
- II INSTALLATION PROCEDURES
- III PRINCIPLES OF OPERATION
- IV MAINTENANCE PROCEDURES
- V REPLACEMENT PARTS LISTS
- VI REFERENCE DOCUMENTS

### GENERAL DESCRIPTION

The Model 8/I consists of a memory unit, a multiplex unit, and a cable assembly. The memory unit, including a FABRI-TEK P3 power supply, and the multiplex unit are housed in a 5 1/4 inch enclosure which can be mounted in a standard 19 inch relay rack. The cable assembly attaches to connectors on the enclosure and to five connectors in the Central Processing Unit (CPU). Figure 1-1 is an outline drawing of the Model 8/I.

Power supply technical information is in a separate manual, FABRI-TEK Publication Number 400-0166-00.

### CAPACITY

The multiplex unit transforms the 8192 36-bit word memory unit into a 24,576 12-bit word memory unit. The additional storage capacity to the CPU is 24K.

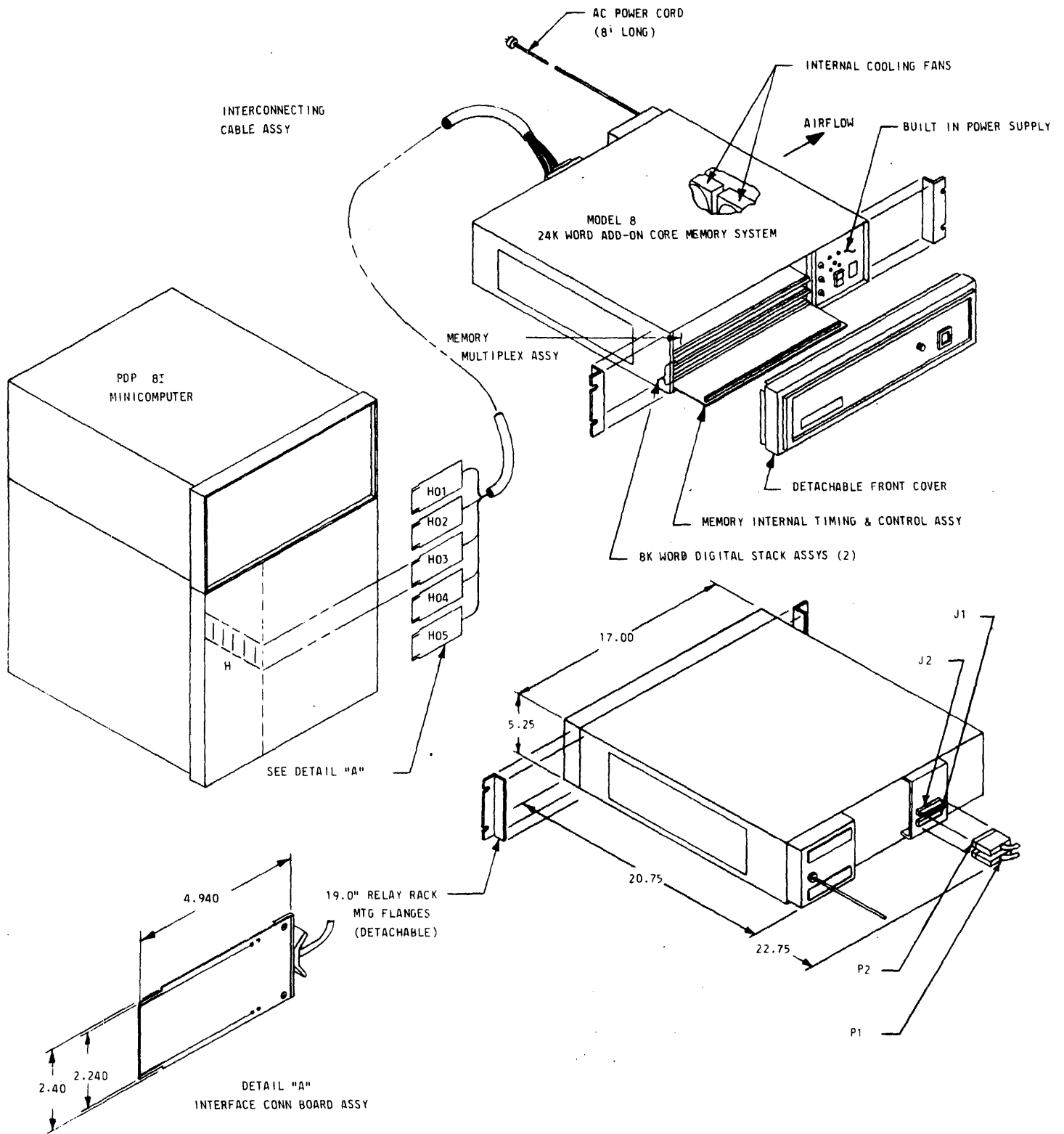
### MEMORY CYCLE

The Model 8/I operates in the split cycle mode. The split memory cycle consists of a Read portion followed by a Write portion. The CPU starts both portions. The Read portion of the memory cycle unloads the contents of the storage location and the Write portion loads the storage location.

### SYSTEM SPECIFICATIONS

Table 1-1 summarizes the system specifications.

\*PDP and DEC are registered trademarks of the Digital Equipment Corporation.



**Figure 1-1  
MODEL 8/1**

## Table 1-1.—SPECIFICATIONS

<b>MEMORY CYCLE AND OPERATION</b>				Logic Zero In	0.0V to +0.8V
Split Cycle	Read-Modify-Write			Logic Zero Out	0.0V to +0.5V
<b>ADDRESSING</b>				<b>ENVIRONMENT PARAMETERS</b>	
Method	Random			Operating	0°C to +50°C
Format	Single Rail Binary			Non-Operating	-40°C to +80°C
<b>MEMORY CAPACITY</b>				Humidity (Without Condensation)	90%
Address	24K			<b>COOLING</b>	
Word Length	12 Bits			Forced Air From Enclosure Fans	
<b>DIMENSIONS</b>				<b>AC POWER REQUIREMENT</b>	
Enclosure*	H.	W.	D.	105 - 115 VAC, 60 Cycles	
Module Assemblies	**	11.00"	14.75"	<b>AC POWER CONSUMPTION</b>	
<b>INTERFACE CONNECTORS</b>				450 Watts Maximum	
Two 50-Pin Amphenol Connectors				<b>DC POWER REQUIREMENTS</b>	
<b>INTERFACE LOGIC VOLTAGES</b>				+15 VDC From Power Supply	
Logic One In	+2.4V to +5.5V			+5 VDC From Power Supply	
Logic One Out	+2.4V to +5.5V			-15 VDC From Timing and Control Assembly	

\*Enclosure is 19.00 in. wide with rack mounting brackets attached, and 22.75 in. deep with allowance for cable bend.

\*\*Timing and Control Module mounts on 0.60 in. centers; Digital Stack Modules mount on 1.00 in. centers.

## SECTION II INSTALLATION PROCEDURES

The FABRI-TEK Model 8/1 Add-On Memory System consists of a cable assembly and an enclosure containing the three printed circuit assemblies of the Memory and the Multiplexer printed circuit assembly.

### CPU MODIFICATION

Some early models of the CPU may have a different interface signal pin configuration from the cable assembly. The difference involves the Memory Buffer data bits and the Extended Address bits. The correct connections are described in Table 2-1. Verify continuity between the two points in the CPU with a VOM. If there is no continuity between the two points, change the wires to provide continuity.

**Table 2-1.—INTERFACE SIGNAL CONFIGURATION**

CPU INTERFACE PIN	CPU INTERNAL PIN	SIGNAL NAME
A-30 H01-D2	B12-P2	MCMB 03
H01-E2	B12-S1	MCMB 04
H01-H2	B12- <del>V1</del> V2	MCMB 05
H03-D2	B16-E1	EA 0
H03-E2	B16-J2	EA 1
H03-H2	B16-L1	EA 2

If the resident storage capacity of the CPU is 4K, modify the CPU to change the address range of the resident storage from addresses 0 through 4095 to addresses 24,576 through 28,671. Expansions from 4K of resident storage require memory extension control circuitry which is available only from Digital Equipment Corporation. Modify the CPU by removing two wires from the back panel and adding two wires as described in Table 2-2.

**Table 2-2.—BACK PANEL MODIFICATION**

**REMOVE WIRES BETWEEN:**

1. B16-S1 and B21-L1
2. B16-V2 and B21-M1

**ADD WIRES BETWEEN:**

1. B16-E1 and B21-L1
2. B16-J2 and B21-M1

## **ASSEMBLY**

Insert the five printed circuit card connectors of the cable assembly into the CPU card rack assembly at the locations designated on each connector. The location designator is located near the handle on the ground plane side of the card. Insert the card with the A pin designator at the top and the V pin designator at the bottom of the card. Note, that when the card is properly oriented, the pin designators are upside down. Route the cable as illustrated in Figure 1-1. Attach P1 and P2 of the cable assembly to J1 and J2 respectively, on the enclosure.

## **FINAL CONSIDERATIONS**

Power both the CPU and the Model 8 from the same AC circuit to assure that during power failures both will lose power at the same time. The CPU has an auxiliary power outlet located behind the power supply, which can furnish power for the Model 8.

After the system is assembled, assure correct operation by running the diagnostic programs supplied with the CPU.



## SECTION III PRINCIPLES OF OPERATION

The Model 8/1 Add-On Memory System accepts and retains data from the CPU or from Input-Output (I/O) units and delivers data to the CPU or the I/O units. The Model 8/1 handles all inputs and outputs as information, making no distinction between program instructions and data.

The Model 8/1 has two functional units, the Multiplex Assembly and the Memory. Figure 3-1 is a functional block diagram of the Model 8.

### MULTIPLEX ASSEMBLY

The Multiplex Assembly is a printed circuit assembly which is placed into slot number four of the enclosure. Functionally, the Multiplexer transforms the 8192 36-bit word memory into a 24,576 12-bit word memory. Control signals, processed on the Multiplex Assembly, direct the data flow between the CPU and the Memory.

### CONTROL SIGNALS

**DATA SAVE.** The Data Save signal halts the operation of the Model 8 if there is a power failure in either the CPU or the Model 8.

**MASTER RESET.** The Master Reset signal sets the internal control circuits to the state required to start a memory cycle.

**MEMORY START.** The Memory Start signal defines the beginning of a memory cycle by starting the Read portion of the memory cycle.

**WRITE.** The Write signal starts the Write portion of the memory cycle after the Read portion is complete.

**STROBE.** The Strobe signal notifies the CPU that data is available at the CPU.

**MEMORY DONE.** The Memory Done signal notifies the CPU that the memory cycle is complete.

### MULTIPLEX DATA PATH

Figure 3-2 is a typical multiplex data path; there are 12 identical data paths. During Read operations, the Multiplexer receives 36 bits of data from the memory, selects one 12 bit segment, and sends it to the CPU. During Write operations, the Multiplexer receives a 12 bit word from the CPU, places it into the selected segment of the 36 bit word, and stores the 36 bits in the Memory.

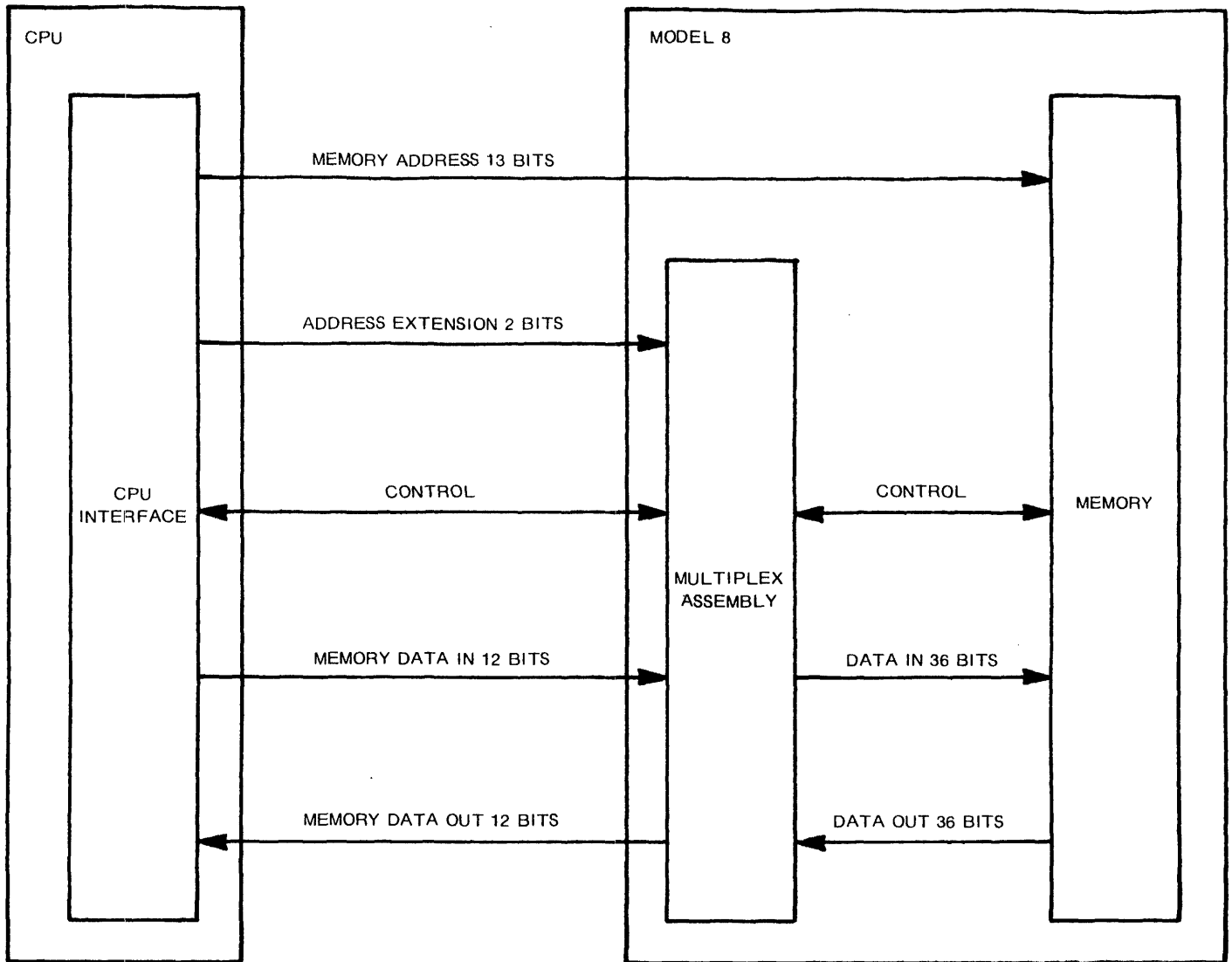


Figure 3-1  
FUNCTIONAL UNITS

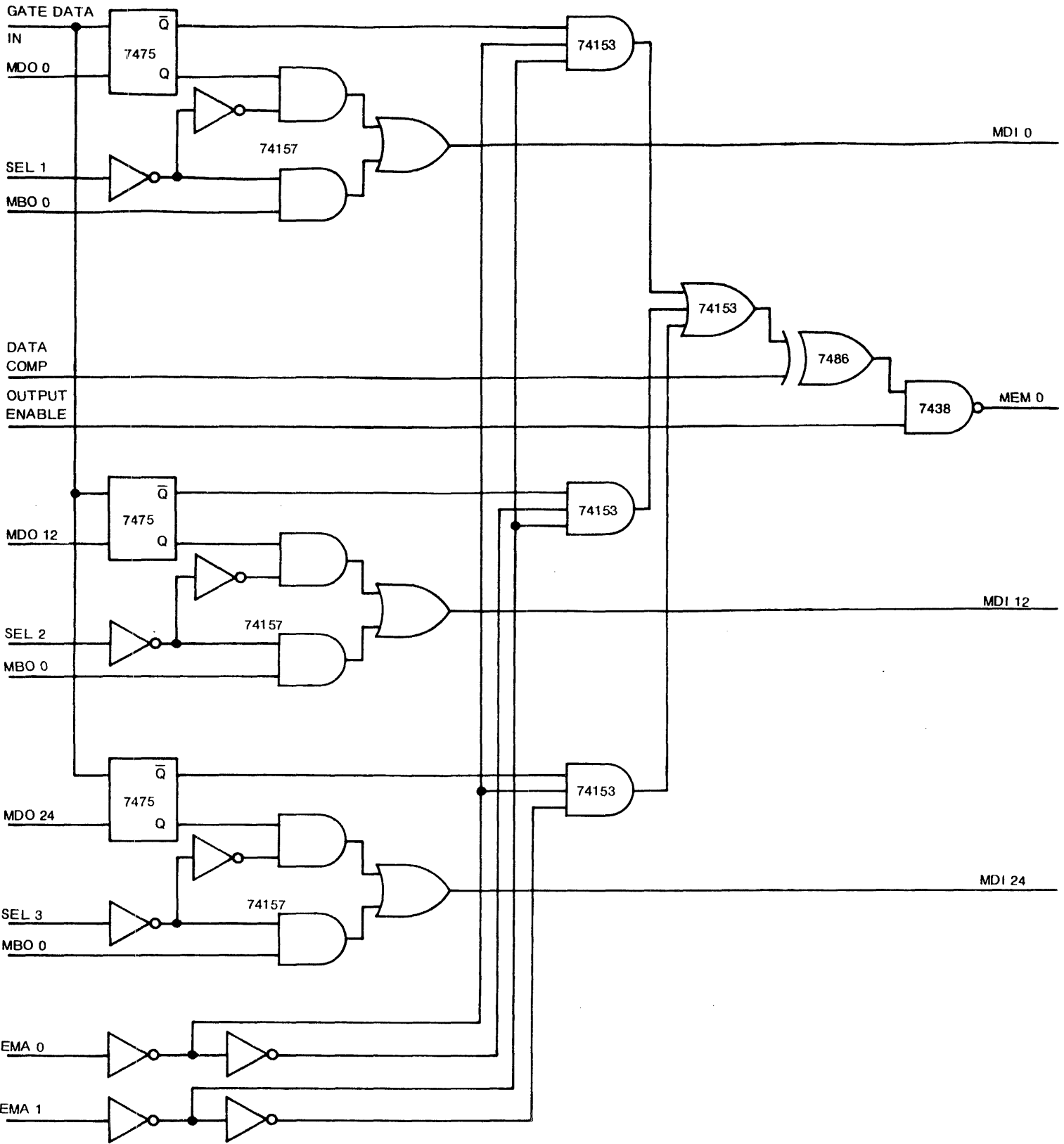


Figure 3-2  
MULTIPLEX DATA PATH

During the Read portion of the cycle, the Gate Data In signal latches the 36 bits of data from the Memory into the Multiplexer data register. The Multiplexer decodes address bits EA0 and EA1 to select the 12 bit segment of the 36 bit word which it sends to the CPU. The Data Comp signal logically complements the output data. The Output Enable signal transfers the 12 bits of data to the CPU.

During the Write portion of the cycle, the Multiplexer decodes address bits EA0 and EA1 to select the 12 bit segment of the 36 bit memory word which receives the new data from the CPU. This new data and the other 24 bits, which remain unchanged, are stored in the Memory.

## **MEMORY**

The Memory is a three wire, 3D, coincident current core memory with 8192 36 bit locations. The Memory consists of one Timing and Control Assembly located at the bottom of the enclosure in slot number one and two Digital Stack Assemblies in slots number two and three. Each Digital Stack consists of a Memory Electronics Assembly and a plug-in Core Array Assembly.

The Memory requires five control signals for operation: Cycle Initiate, Cycle Continue, Read/Write Control, Split Cycle Control and Data Save. Cycle Initiate and Cycle Continue are generated on the Interface Control Assembly. The power supply produces the Data Save signal. The Model 8 always operates in the split cycle mode, requiring the Split Cycle Control input and the Read/Write Control input to be grounded.

The Memory has three functional units: Cycle Control, Current Drive, and Data Loop. Figure 3-3 is a diagram of the Memory functional units.

## **CYCLE CONTROL**

The Cycle Control section directs the internal operations of the Memory. Two clocks and the control signals from the CPU produce internal control signals which direct the sequence of operation.

## **CURRENT DRIVE**

The Current Drive section decodes the address information, selects the proper drive lines, and drives Read and Write switching currents. The current compensation network adjusts drive currents to compensate ambient temperature changes.

**ADDRESS DECODE.** The address decoding network decodes input address bits  $2^0$  through  $2^{12}$  to select the proper drive lines on each axis. On the X axis, address bits  $2^0$ ,  $2^1$ , and  $2^2$  enable a read sink or a write source transistor and bits  $2^9$ ,  $2^{10}$ ,  $2^{11}$ , and  $2^{12}$  enable a read or write switch transistor. On the Y axis, address bits  $2^3$ ,  $2^4$ , and  $2^5$  enable a read source or a write sink transistor and bits  $2^6$ ,  $2^7$ , and  $2^8$  enable a read or write switch transistor. The Inhibit signal, when not active, selects Read paths and, when active, selects Write paths. Address bits  $2^{13}$  and  $2^{14}$  select the proper 8K section (Digital Stack) of storage.

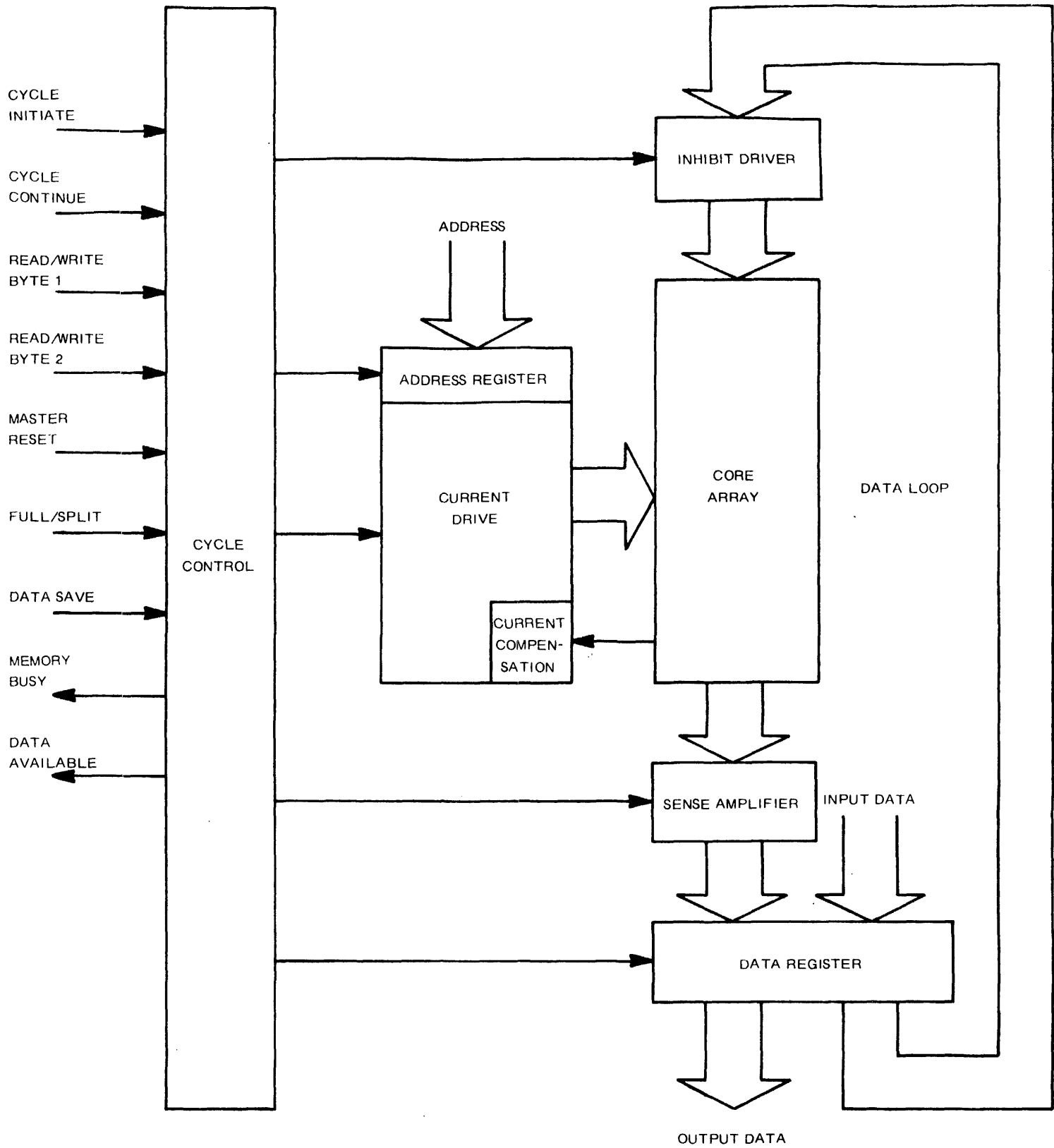


Figure 3-3  
INFORMATION FLOW DIAGRAM

**CURRENT SOURCE, SWITCH, AND SINK.** For each current path, three transistors determine the path of the switching current from source to sink. The transistor nearest the positive voltage source is the source transistor, the one nearest the negative voltage source is the sink transistor, and the one between is the switch transistor. Figure 3-4 shows the current paths for some of the drive lines. Decoded address signals enable one source, one switch, and one sink transistor for each axis for both Read and Write operations.

**DRIVE LINE SELECTION.** Figure 3-4 is a simplified drive line scheme which depicts all basic drive line selection electronics on the Memory Electronics Assembly, but only one-eighth of the Core Array Assembly. For complete drive line details consult the Core Array Schematic in Section VI, Reference Documents. The decoded address signals which control transistor operation are shown along both sides of the illustration.

The eight underlined signals define Read and Write switching current paths for both axes for address 14605. For this address, the three signals which control drive current in a Write direction through Y drive line 33 are the Y Source Write Timing signal to the base of Q18, the YWRXX6XX signal to the base of the switch transistor, and the YWRXXX0X signal to the base of the Y sink transistor. To trace the Y Write current path in Figure 3-4, begin at the +15VDC source at the top of the illustration. The current path is from –

- the +15VDC source,
- through the secondary of the switch core transformer,
- through transistor Q18,
- through the transformer,
- right and down the switch transistor common collector line,
- through the transistor controlled by signal YWRXX6XX,
- through Y drive line 33,
- through Y Write sink transistor controlled by signal YWRXXX0X,
- through the transformer, and
- to the -15VDC source.

Similarly, it is possible to trace the Read switching current path through Y drive line 33 using the Y Read Sink Timing signal, the YRDXXX0X signal, and the YRDXX6XX signal.

## **DATA LOOP**

The Data Loop is the data path from the input data interface through the inhibit drivers, Core Array and sense amplifiers to the output data interface. There are 36 parallel data loops. Data from the CPU enters the data register and is stored in the Core Array during a Write operation. Data from the Core Array enters the data register through the sense amplifiers, and is transferred to the CPU during a Read operation. Figure 3-5 is a simplified schematic diagram of a Data Loop.

**DATA REGISTER.** The data register is located on the Memory Electronics Assembly. The data register temporarily stores input data which will be stored in the Core Array and output data which will be sent to the Multiplex Assembly.

**SENSE AMPLIFIERS.** The sense amplifiers are located on the Memory Electronics Assembly. During Read operations, sense amplifiers detect the presence of a logical one stored in the Core Array. The output of the sense amplifiers enters the data register for transfer to the CPU.

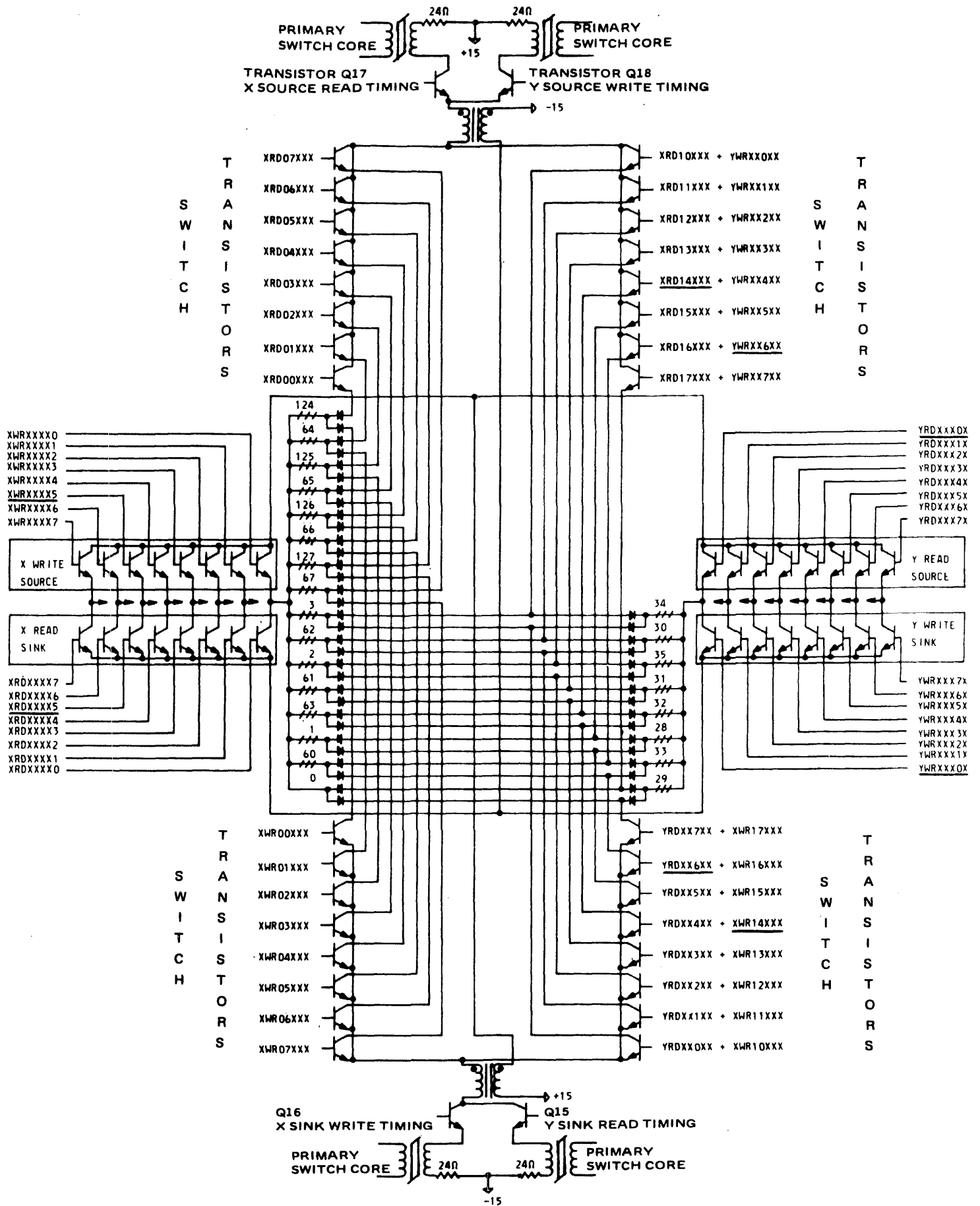


Figure 3-4  
DRIVE LINE SELECTION

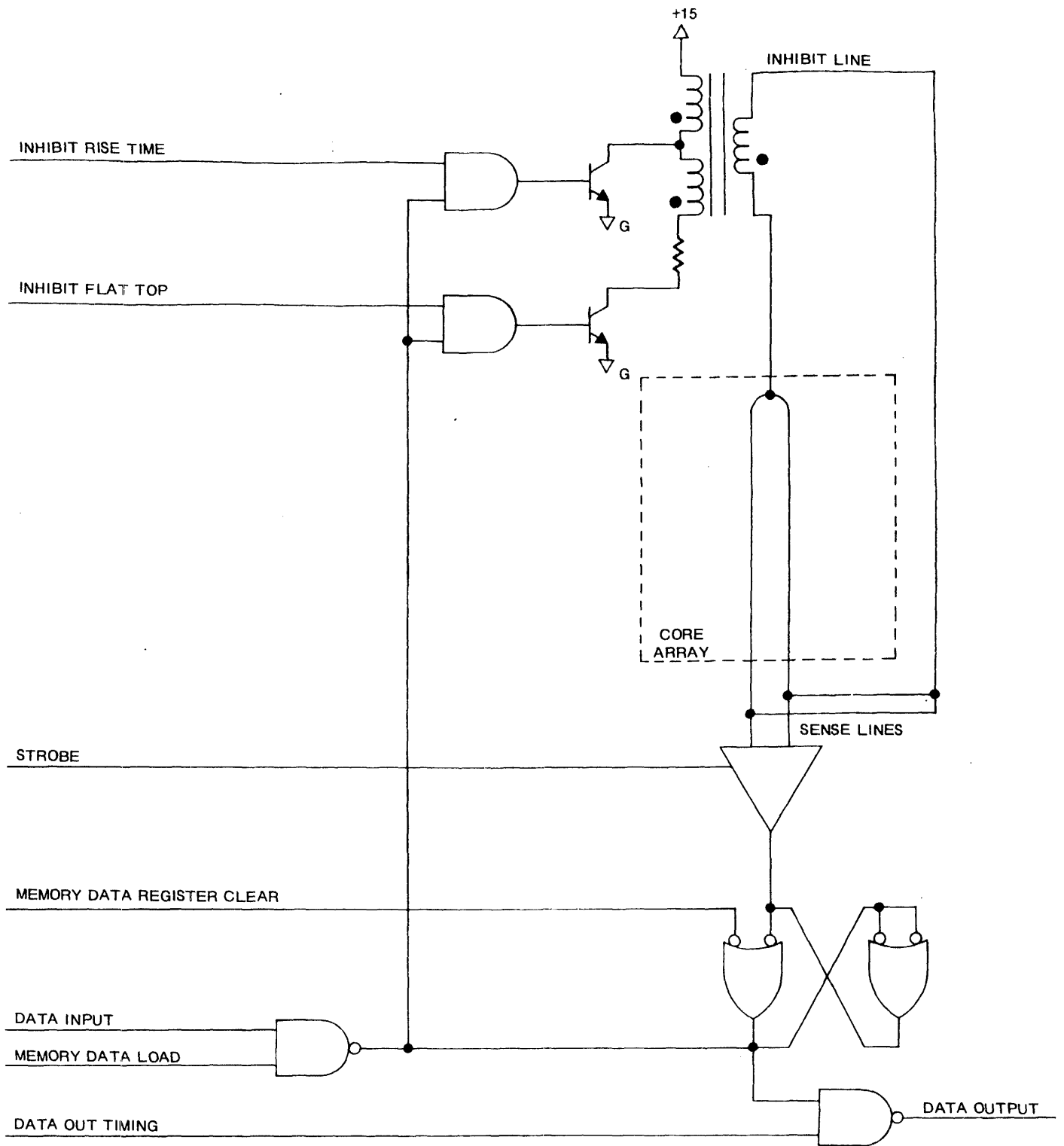


Figure 3-5  
DATA LOOP



**INHIBIT DRIVERS.** The inhibit drivers are located on the Memory Electronics Assembly. During Write operations, inhibit drivers prevent the switching of cores which are to store a logical zero. The data register controls the inhibit drivers.

**CORE ARRAY.** The Core Array Assembly contains the ferrite cores and the diode matrices. The Core Array is divided into two arrays with 18 core mats of 8192 cores. Each mat has 128 X axis drive lines and 64 Y axis drive lines. Three wires thread each core: an X axis drive line, a Y axis drive line, and a common sense-inhibit line. The diode matrix for each axis steers switching currents through the selected drive lines in the Core Array.

## **MEMORY OPERATION**

The Memory in the Model 8/I operates in the split cycle mode; each memory cycle has a Read portion followed by a Write portion. The CPU starts both the Read portion and the Write portion. At the beginning of a memory cycle the CPU also supplies the address of the data.

### **READ PORTION OF THE CYCLE**

The Memory Start signal from the CPU initiates the Read portion of the memory cycle. The Read portion unloads the 36 bits of data at the location specified by the CPU address. The Memory presents the data to the CPU and halts operation, waiting for the CPU to initiate the Write portion.

### **WRITE PORTION OF THE CYCLE**

The Write signal from the CPU initiates the Write portion of the memory cycle. The Write portion loads 36 bits of data into the location specified by the CPU address. The Memory halts operation and waits for the next request from the CPU.

## SECTION IV MAINTENANCE

Most memory system malfunctions develop characteristic symptoms. Maintenance procedures minimize down-time by providing information to analyze malfunctions, to understand their significance, and to direct troubleshooting to the most probable cause. When spare modules are available, substitution of the suspect module is the best troubleshooting procedure.

### RECOMMENDED TEST EQUIPMENT

EQUIPMENT	MANUFACTURER	TYPE
Oscilloscope	Tektronix	547 Series or Equivalent
Pre-Amp	Tektronix	1A2 or Equivalent
Voltage Probe	Tektronix	10:1 Attenuation
Digital Multimeter	Fairchild	Model 7050 or Equivalent
VOM	Triplet	630-NA or Equivalent

### PREVENTIVE MAINTENANCE

With a knowledge of the operating environment, the user determines the requirement for preventive maintenance.

### CORRECTIVE MAINTENANCE

Corrective maintenance is necessary to restore normal operation of the system if malfunctions develop. Control, address, and data oriented errors are the most common error classifications. In each classification the cause can be either external or internal to the memory system. Classification of an error does not eliminate the possibility of an interrelationship between classifications. Many apparent memory system problems are the result of program and timing errors.

Give the power supply primary consideration by assuring that it is properly furnishing all outputs, including the Data Save signal. Next assure that the interface cables are firmly attached and that all interface signals are present.

### MEMORY TEST PATTERNS AND TESTS

The Ones, Zeros, Worst Pattern, and Worst Pattern Complement are externally generated test patterns. Test procedures using these test patterns can either confirm reliable operation or aid error detection.

#### ONES

The Ones test pattern consists of logical ones in every location in the Core Array.

## **ZEROS**

The Zeros test pattern consists of logical zeros in every location in the Core Array.

## **WORST PATTERN**

Some memory malfunctions develop only under worst case conditions. The Worst Pattern produces the maximum disturb noise on the sense line during a Read operation. The Worst Pattern is the logical exclusive OR function of address bits  $2^7$  and  $2^{12}$ . Stated in another way: for the first 4096 words, blocks of 128 words containing zeros alternate with blocks of 128 words containing ones with the first block containing zeros. For the second 4096 words, blocks of 128 words containing zeros alternate with blocks of 128 words containing ones with the first block containing ones.

## **WORST PATTERN COMPLEMENT**

The Worst Pattern Complement is the logical complement of the Worst Pattern.

## **MALFUNCTION ANALYSIS**

Malfunctions can occur in any of one of four places in the system: the CPU, the interconnecting cable, the Multiplex Assembly, or the Memory. The first task is to locate the malfunctioning unit.

Determine if errors occur in the CPU resident memory, the Model 8, or both by removing the interconnecting cable and running the diagnostic programs. If errors still occur, troubleshoot the CPU. If errors occur only in the Model 8 assure that the control signals, address, and data are present at the Model 8. If all signals are present, troubleshoot the Multiplexer and the Memory.

## **MEMORY FAILURES**

Failures developed in the Memory while running diagnostic programs normally fall into one of the following classifications:

### **CONTROL ORIENTED ERRORS.**

Control oriented errors originate in the external equipment or in the Cycle Control section. Failure to initiate or complete an operation or erratic behavior with no recognizable pattern are characteristic of control oriented errors. Use Figure 4-1 as an aid to troubleshooting.

CONTROL ERROR SYMPTOMS

1. SYSTEM WILL NOT OPERATE, OR
2. SYSTEM WILL NOT READ, OR
3. SYSTEM WILL NOT WRITE, OR
4. ERRORS IN RANDOM DATA BITS, OR
5. ERRORS AT RANDOM ADDRESSES, OR
6. ERRATIC BEHAVIOR.

(1) INPUT CONTROL SIGNALS

1. CYCLE INITIATE
2. CYCLE CONTINUE
3. MEMORY DATA CLEAR

(2) INTERNAL CONTROL SIGNALS

1. MEMORY DATA REGISTER CLEAR
2. MEMORY DATA LOAD
3. STROBE
4. DATA OUT TIMING
5. INHIBIT FLAT TOP
6. INHIBIT RISE TIME
7. X SOURCE READ
8. Y SOURCE WRITE
9. Y SINK READ
10. X SINK WRITE
11. X SINK READ + WRITE SINK SOURCE TIME
12. Y SOURCE READ + WRITE SINK SOURCE TIME
13. READ SWITCH TIME
14. WRITE SWITCH TIME
15. MODULE SELECT

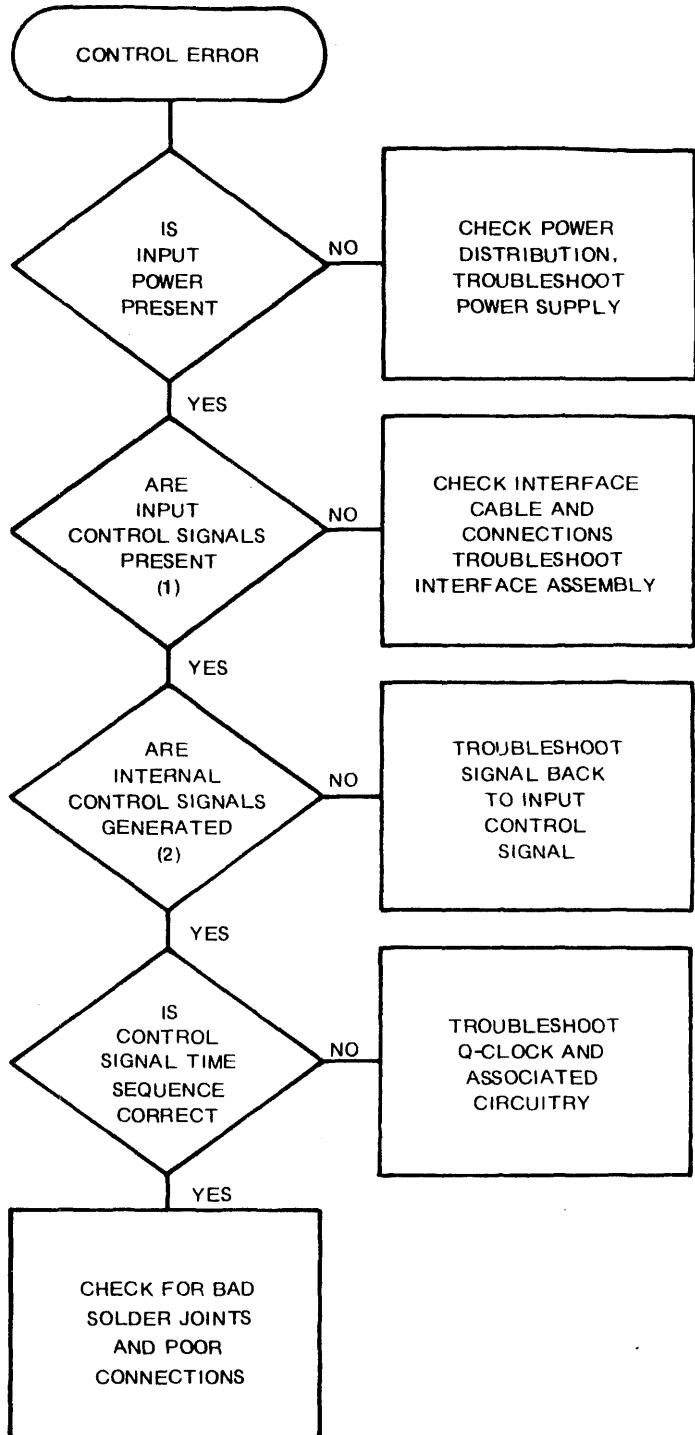


Figure 4-1  
CONTROL ORIENTED ERRORS

## ADDRESS ORIENTED ERRORS

Address oriented errors originate in the Current Drive section. All bits of a data word in error and addresses of errors with definite patterns are characteristics of address oriented errors. Use Figure 4-2 as an aid to troubleshooting. Figure 4-3 illustrates the configuration of the Core Arrays.

WORD LOCATION. Decode address bits  $2^{13}$  and  $2^{14}$  to identify the malfunctioning 12 bits of each 36 bit location in the Core Array. Table 4-1 and Figure 4-3 provide the corresponding bit positions for each decode. The remaining 13 address bits determine the location within the Core Array.

TABLE 4-1.—WORD LOCATION

EA0	EA1	4K-28K SYSTEM	8K-32K SYSTEM
0	0	BITS 0-11	CPU STACK
0	1	BITS 12-23	BITS 24-35
1	0	BITS 24-35	BITS 12-23
1	1	CPU STACK	BITS 0-11

Three 12 bit words are stored in each 36 bit location in the Core Array. Adjacent addresses reference adjacent locations in the Core Array. For example, with 4K of resident storage, bits 0-11 err only in the first 8K addresses, bits 12-23 err only in the second 8K addresses, bits 24-35 err only in third 8K addresses.

If the error is in the same bit position of every word, troubleshoot the data path on the Multiplex Assembly.

Interchange the two Digital Stack Assemblies. If the malfunction disappears, the cause was probably a poor connection. If the malfunction does not move, troubleshoot the connector and back panel wiring associated with the location of the malfunctioning assembly. If the malfunction follows the suspect module, troubleshoot the assembly to the circuit level.

CIRCUIT DECODING. Each Digital Stack Assembly identically decodes address bits  $2^0$  through  $2^{12}$ . The address is broken down into significant X axis and Y axis digits and synthesized into Read and Write signals for each axis. Table 4-2 provides a procedure to determine the signals for the sample address  $14605_8$ . The results of the procedure are listed in the summary. The page numbers refer to the schematics in the Reference Documents section. The underlined signals in Figure 3-2 relate to the circuit decoding example of Table 4-2.

ADDRESS ERROR SYMPTOMS

1. ALL BITS OF A DATA WORD ARE IN ERROR
2. ADDRESSES OF ERRORS HAVE DEFINITE PATTERN

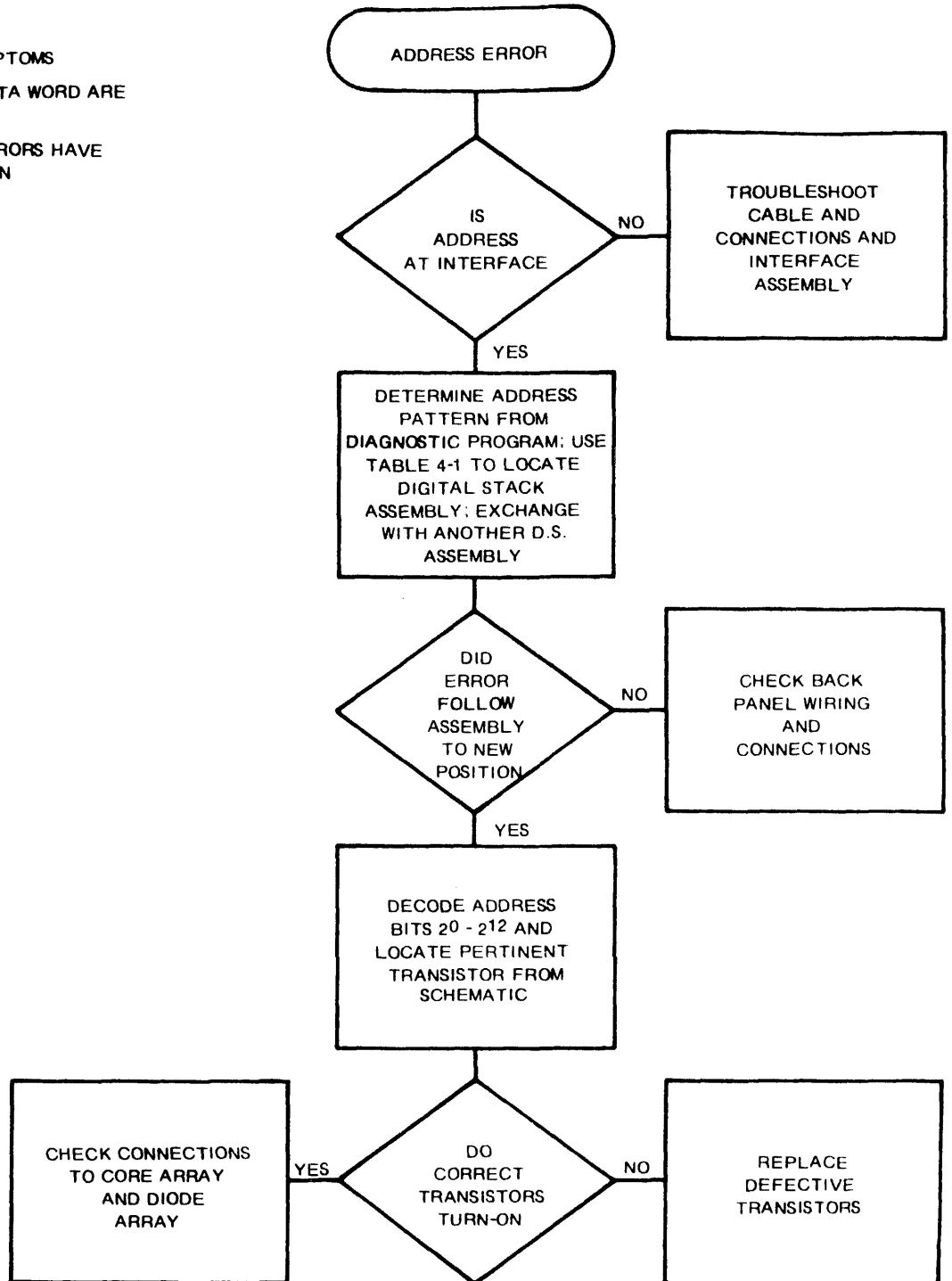


Figure 4-2  
ADDRESS ORIENTED ERRORS

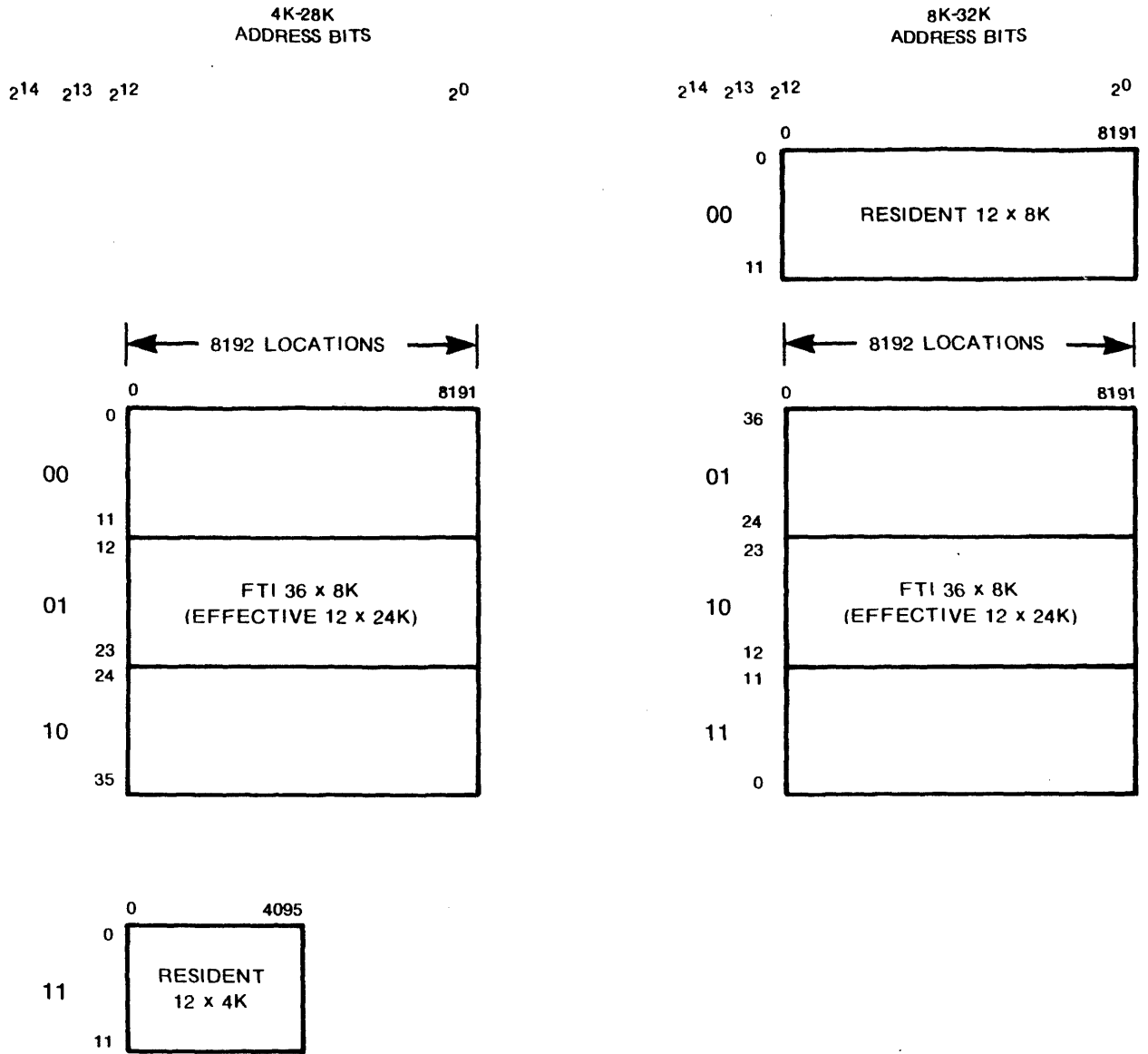
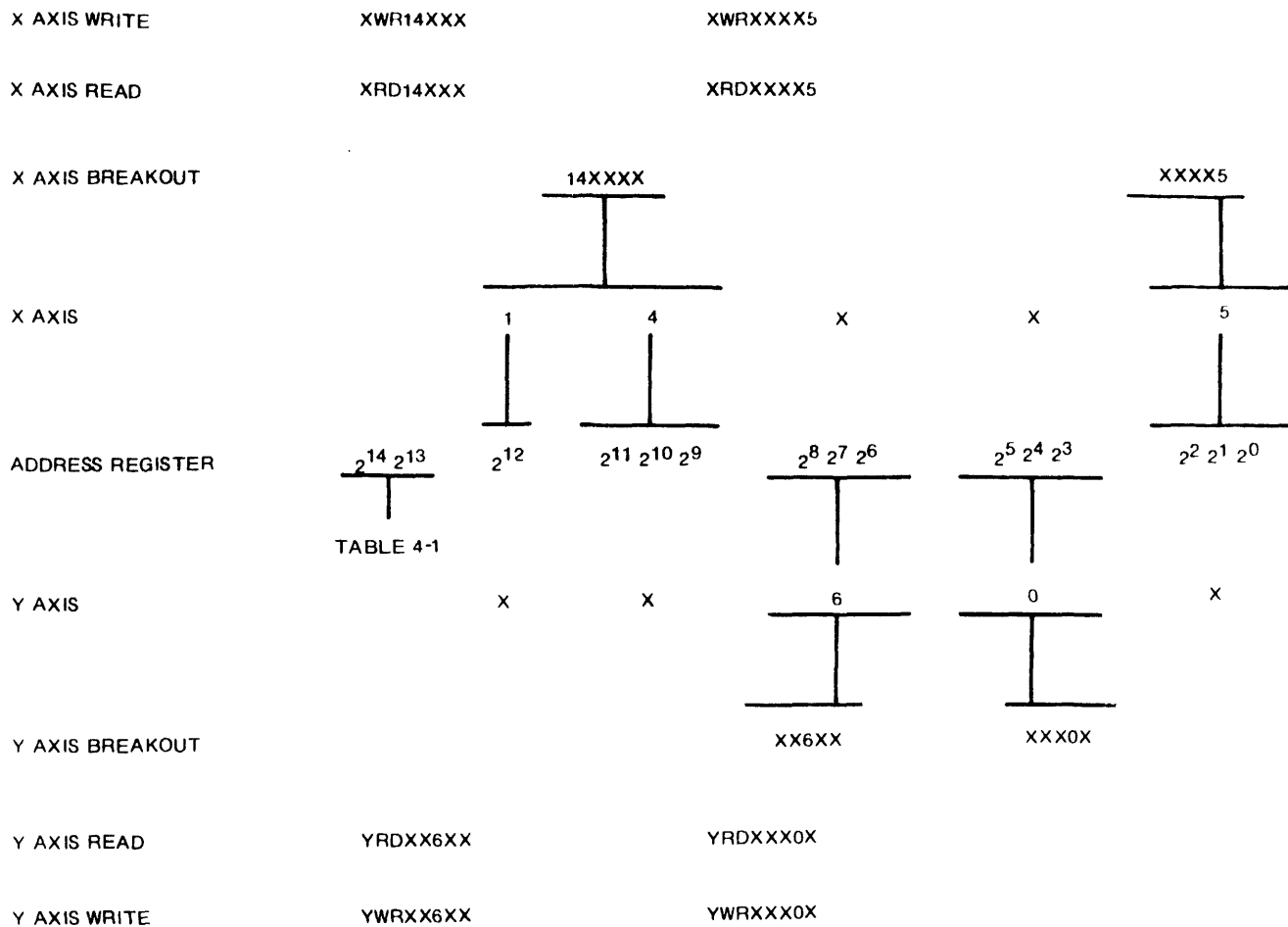


Figure 4-3  
SYSTEM CONFIGURATION

Table 4-2.-CIRCUIT DECODING



SUMMARY

SIGNAL	MEMORY ELECTRONICS ASSEMBLY SCHEMATIC PAGE	PIN NO.	TRANSISTOR
XRD14XXX	17	19	QM12
XRDXXX5	12	53	QM1
XWR14XXX	19	3	QM14
XWRXXX5	12	53	QM1
YRDXX6XX	19	9	Q28
YRDXXX0X	13	39	Q25
YWRXX6XX	17	13	QM13
YWRXXX0X	13	39	Q26



## **DATA ORIENTED ERRORS**

Data oriented errors originate in the Data Loop. Errors occurring in the same bit position of data words during a Read or Write operation is characteristic of data oriented errors. Troubleshoot the inhibit driver and related circuits for errors during a Write operation; troubleshoot the sense amplifier and related circuits for errors during a Read operation. Use Figure 4-4 as a guide for troubleshooting data oriented errors.

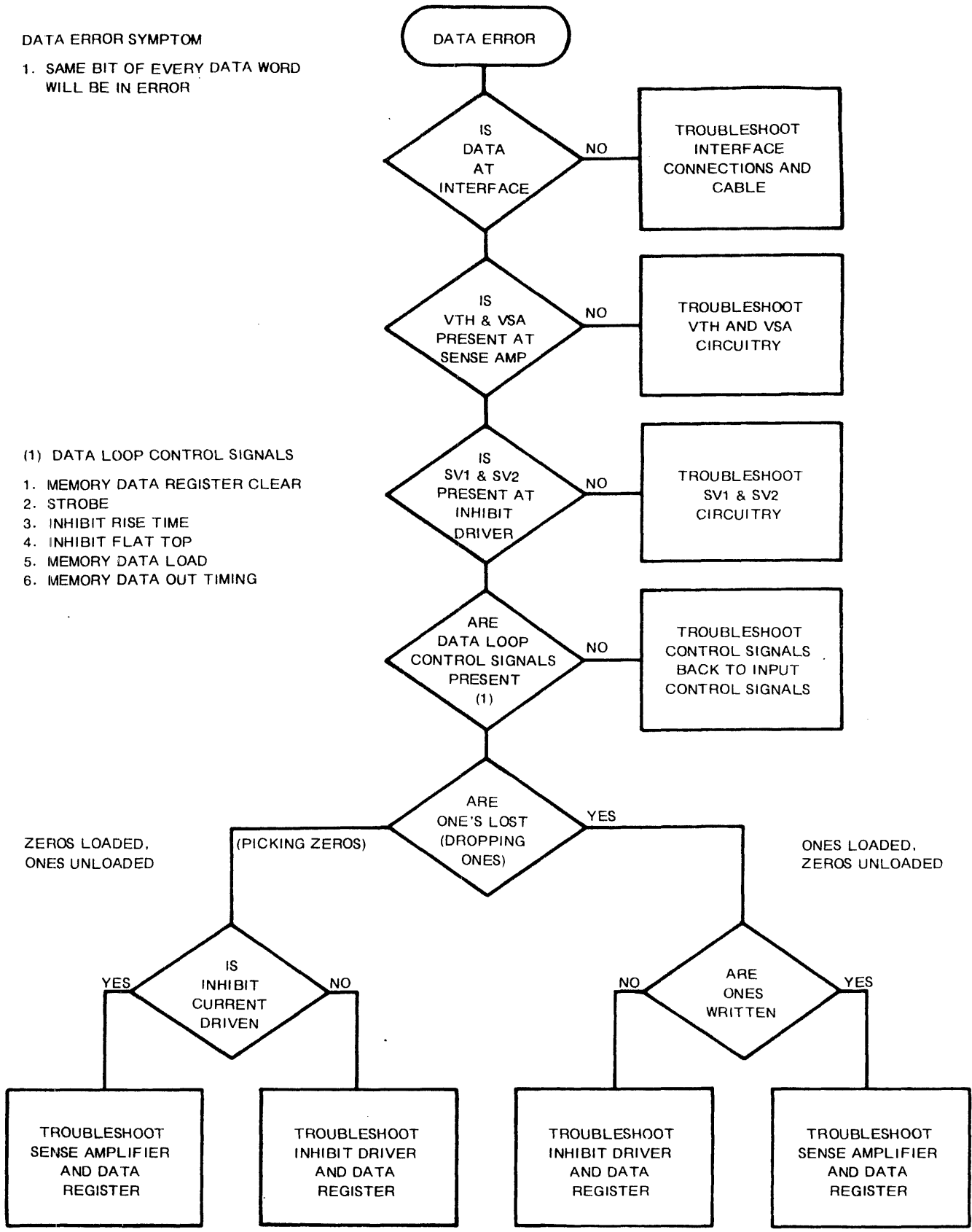
## **MULTIPLEX ASSEMBLY FAILURES**

Failures developed on the Multiplex Assembly while running the diagnostic programs occur in either the control signal circuitry or in the data path. Control signal failures affect all data paths identically. The control signals direct the data through the data path.

If errors occur in all data paths, troubleshoot the control signal section. If errors occur in specific paths, troubleshoot only those paths.

DATA ERROR SYMPTOM

1. SAME BIT OF EVERY DATA WORD WILL BE IN ERROR



- (1) DATA LOOP CONTROL SIGNALS
1. MEMORY DATA REGISTER CLEAR
  2. STROBE
  3. INHIBIT RISE TIME
  4. INHIBIT FLAT TOP
  5. MEMORY DATA LOAD
  6. MEMORY DATA OUT TIMING

Figure 4-4  
DATA ORIENTED ERRORS

## **SECTION V REPLACEMENT PARTS LIST**

This section lists the electronic components on the printed circuit assemblies. The component list for each assembly is in alphameric order. For each component the lists provide a reference designation, description, FABRI-TEK part number, manufacturer's part number, and quantity.

### **FABRI-TEK NUMBERS**

When suppliers manufacture a component to FABRI-TEK specifications, the listed manufacturer's part number corresponds to the FABRI-TEK part number. These parts are available from the Memory Products Division of FABRI-TEK INCORPORATED.

### **FABRI-TEK PARTS**

When ordering from a replacement parts list, specify the product number, system or assembly serial number, and FABRI-TEK part number.

## REPLACEMENT PARTS LIST

ASSEMBLY NO. 190-1375-00  
SCHEMATIC NO. 138-001706

MEMORY ASSEMBLY

REFERENCE DESIGNATION	COMPONENT DESCRIPTION	FABRI-TEK IDENT.NUMBER	MANUFACTURER AND IDENT.NUMBER	QUANTITY
C1,3,7,9,11,12	CAPACITOR, Fixed 150 UUF, $\pm 2\%$ , 500V Silver Mica	023-0472-00	Sangamo D105D151G0	6
C2,5,6,13,14,19, 20,39-47, 66-76, 79	CAPACITOR, Fixed 15 UF, $\pm 20\%$ , 20V Tantalum	023-0518-00	Dickson D15ZLX20M	28
C4,8,10	CAPACITOR, Fixed 100 UUF, $\pm 2\%$ , 500V Silver Mica	023-0471-00	Sangamo D105D101G0	3
C15,16,17,18,48- 65,77,78	CAPACITOR, Fixed 0.01 UF, $\pm 20\%$ , 50V Ceramic	023-0455-00	Centralab UK50-103	24
C21-38	CAPACITOR, Fixed 220 UUF, $\pm 2\%$ , 300V Silver Mica	023-0469-00	Sangamo D105D221G0	18
C80-84	CAPACITOR, Fixed 0.01 UF, $+80\%-20\%$ , 10V Ceramic	023-0362-00	Centralab UK10-103	5
CR1-109	DIODE, Switching 1N4607	022-0309-00	Fairchild 1N4607	109
L1,2	INDUCTOR 1.2 mh $\pm$ 0.2 mh @ 400 ma	019-0218-00	FABRI-TEK 019-0218-00	2
Q1,4,5,9,10,11, 12,13,14	TRANSISTOR, Similar to 2N2369	021-0121-00	FABRI-TEK 021-0121-00	9
Q2,3,6,7,8,19, 20,21,22,27,28, 29,30,35,54-71	TRANSISTOR, 2N4014	021-0223-00	Sprague 2N4014	32
Q15,16,17,18,23, 24,25,26,31,32, 33,34,36-53	TRANSISTOR, Similar to 2N3725	021-0137-00	FABRI-TEK 021-0137-00	30
QM1,2,3,5-14	INTEGRATED CIRCUIT Quad, High Current Core Driver	134-0214-00	Sprague UHP-021	13

## REPLACEMENT PARTS LIST

ASSEMBLY NO. 190-1375-00  
SCHEMATIC NO. 138-001706

MEMORY ASSEMBLY

REFERENCE DESIGNATION	COMPONENT DESCRIPTION	FABRI-TEK IDENTNUMBER	MANUFACTURER AND IDENTNUMBER	QUANTITY
R1,8,11,15,17,26,32,43,201-254	RESISTOR, Fixed 470 Ohms, $\pm 5\%$ , 1/4 W Carbon Composition	108-0471-00	Allen-Bradley CB-4715	62
R2,91,92	RESISTOR, Fixed 1210 Ohms, $\pm 1\%$ , 1/8 W Film	201-1211-00	IRC RN55D1211F	3
R3,10,13,31,37,46,48,111-128	RESISTOR, Fixed 220 Ohms, $\pm 5\%$ , 1/4 W Carbon Composition	108-0221-00	Allen-Bradley CB-2215	25
R4,16	RESISTOR, Fixed 330 Ohms, $\pm 3\%$ , 2.5 W Wirewound	106-0473-00	Dale NS2C-330 Ohms-3%	2
R5,7,18,19,30,36,47,74,75,78,79,81	RESISTOR, Fixed 1000 Ohms, $\pm 5\%$ , 1/4 W Carbon Composition	108-0102-00	Allen-Bradley CB-1025	12
R6,77,80,93-110	RESISTOR, Fixed 100 Ohms, $\pm 5\%$ , 1/4 W Carbon Composition	108-0101-00	Allen-Bradley CB-1015	21
R9,12,28,34,45	RESISTOR, Fixed *Ohms, $\pm 1\%$ , 1/8 W Film	201-0000-99	IRC RN55D*F	5
R14,40,53,183-200	RESISTOR, Fixed 4700 Ohms, $\pm 5\%$ , 1/4 W Carbon Composition	108-0472-00	Allen-Bradley CB-4725	21
R20	RESISTOR, Fixed 20 Ohms, $\pm 1\%$ , 2.5 W Wirewound	106-0472-00	Dale NS2C-20 Ohms-1%	1
R21,29,35	RESISTOR, Fixed 150 Ohms, $\pm 5\%$ , 1/4 W Carbon Composition	108-0151-00	Allen-Bradley CB-1515	3
R22,24	RESISTOR, Fixed 390 Ohms, $\pm 5\%$ , 1/4 W Carbon Composition	108-0391-00	Allen-Bradley CB-3915	2
	*Value selected during final checkout.			

## REPLACEMENT PARTS LIST

ASSEMBLY NO. 190-1375-00  
SCHEMATIC NO. 138-001706

MEMORY ASSEMBLY

REFERENCE DESIGNATION	COMPONENT DESCRIPTION	FABRI-TEK IDENT. NUMBER	MANUFACTURER AND IDENT. NUMBER	QUANTITY
R23,25	RESISTOR, Fixed 330 Ohms, <u>+5%</u> , 1/4 W Carbon Composition	108-0331-00	Allen-Bradley CB-3315	2
R27	RESISTOR, Fixed 1070 Ohms, <u>+1%</u> , 1/8 W Film	201-1071-00	IRC RN55D1071F	1
R33	RESISTOR, Fixed 1300 Ohms, <u>+1%</u> , 1/8 W Film	201-1301-00	IRC RN55D1301F	1
R38,49,255	RESISTOR, Fixed 680 Ohms, <u>+5%</u> , 1/4 W Carbon Composition	108-0681-00	Allen-Bradley CB-6815	3
R39,50,256	RESISTOR, Fixed 820 Ohms, <u>+5%</u> , 1/4 W Carbon Composition	108-0821-00	Allen-Bradley CB-8215	3
R44	RESISTOR, Fixed 2700 Ohms, <u>+5%</u> , 1/4 W Carbon Composition	108-0272-00	Allen-Bradley CB-2725	1
R54,55,57,58	RESISTOR, Fixed 270 Ohms, <u>+5%</u> , 1/2 W Carbon Composition	101-0271-00	Allen-Bradley EB-2715	4
R56,59,62,63,64, 65	RESISTOR, Fixed 39 Ohms, <u>+5%</u> , 1/4 W Carbon Composition	108-0390-00	Allen-Bradley CB-3905	6
R60,61	RESISTOR, Fixed 390 Ohms, <u>+5%</u> , 1/2 W Carbon Composition	101-0391-00	Allen-Bradley EB-3915	2
R66,68,70,72	RESISTOR, Fixed 24 Ohms, <u>+3%</u> , 2.5 W Wirewound	106-0478-00	Dale NS2C-24 Ohms-3%	4
R67,69,71,73	RESISTOR, Fixed 24 Ohms, <u>+3%</u> , 5 W Wirewound	106-0471-00	Dale NS5-24 Ohms-3%	4
R76	RESISTOR, Fixed 2000 Ohms, <u>+5%</u> , 1/4 W Carbon Composition	108-0202-00	Allen-Bradley CB-2025	1

## REPLACEMENT PARTS LIST

ASSEMBLY NO. 190-1375-00  
SCHEMATIC NO. 138-001706

MEMORY ASSEMBLY

REFERENCE DESIGNATION	COMPONENT DESCRIPTION	FABRI-TEK IDENT.NUMBER	MANUFACTURER AND IDENT.NUMBER	QUANTITY
R82-89,257	RESISTOR, Fixed 560 Ohms, $\pm 5\%$ , 1/2 W Carbon Composition	101-0561-00	Allen-Bradley EB-5615	9
R90	RESISTOR, Fixed 10 Ohms, $\pm 5\%$ , 1/2 W Carbon Composition	101-0100-00	Allen-Bradley EB-1005	1
R129-146	RESISTOR, Fixed 1000 Ohms, $\pm 5\%$ , 1/2 W Carbon Composition	101-0102-00	Allen-Bradley EB-1025	18
R147-164	RESISTOR, Fixed 8 Ohms, $\pm 1\%$ , 3 W Wirewound	106-0475-00	Dale NS2B-8 Ohms-1%	18
R165-182	RESISTOR, Fixed 100 Ohms, $\pm 5\%$ , 1/2 W Carbon Composition	101-0101-00	Allen-Bradley EB-1015	18
R258,259	RESISTOR, Fixed 750 Ohms, $\pm 5\%$ , 1/4 W Carbon Composition	108-0751-00	Allen-Bradley CB-7515	2
RM1-9	INTEGRATED ASSEMBLY Resistor Package	151-0002-00	Sprague 914C17	9
T1,2	INTEGRATED ASSEMBLY Transformer Package	151-0004-00	Sprague 23Z811	2
T3,21,23-31	INTEGRATED ASSEMBLY Transformer Package	151-0003-00	Sprague 914C17	11
T4-20,22	INTEGRATED ASSEMBLY Switch Transformer	151-0001-00	Sprague SK9072	18
U1,2,4,5,43-48	INTEGRATED CIRCUIT BCD to DEC DCDR-DRVR	134-0211-00	Texas Instruments SN74145N	10

## REPLACEMENT PARTS LIST

ASSEMBLY NO. 190-1375-00  
SCHEMATIC NO. 138-001706

MEMORY ASSEMBLY

REFERENCE DESIGNATION	COMPONENT DESCRIPTION	FABRI-TEK IDENT.NUMBER	MANUFACTURER AND IDENT.NUMBER	QUANTITY
U3,21,22,26,33	INTEGRATED CIRCUIT Triple, 3-Input NAND Gate	134-0167-00	Texas Instruments SN74H10N	5
U6,30	INTEGRATED CIRCUIT Triple, 3-Input Pos. AND Gate	134-0213-00	Texas Instruments SN74S11N	2
U7,36,42	INTEGRATED CIRCUIT HEX Inverter	134-0209-00	Texas Instruments SN74S04N	3
U8,9,10,11,32,37, 38,39,40,41	INTEGRATED CIRCUIT Quad, 2-Input NAND Buffer	134-0195-00	Texas Instruments SN7438N	10
U12,13,14	INTEGRATED CIRCUIT Dual Peripheral Pos. NAND Driver	134-0212-00	Texas Instruments SN75452P	3
U15,23,31	INTEGRATED CIRCUIT HEX Inverter	134-0173-00	Texas Instruments SN74H04N	3
U16,28	INTEGRATED CIRCUIT Dual, 4-Input NAND, Buffer-Driver	134-0205-00	Texas Instruments SN74S40N	2
U17,20	INTEGRATED CIRCUIT Dual, 4-Input NAND/NOR Gate	134-0206-00	Texas Instruments SN74S20N	2
U18,35	INTEGRATED CIRCUIT Triple, 3-Input NAND/NOR Gate	134-0168-00	Texas Instruments SN74H11N	2
U19,24,34	INTEGRATED CIRCUIT Quad, 2-Input NAND/NOR Gate	134-0165-00	Texas Instruments SN74H00N	3
U25, 49-66	INTEGRATED CIRCUIT Dual Driver	134-0189-00	Texas Instruments SN75451P	19
U27,29	INTEGRATED CIRCUIT Quad, 2-Input NAND/NOR Gate	134-0207-00	Texas Instruments SN74S00N	2



## REPLACEMENT PARTS LIST

**ASSEMBLY NO.** 190-1375-00  
**SCHEMATIC NO.** 138-001706

MEMORY ASSEMBLY

REFERENCE DESIGNATION	COMPONENT DESCRIPTION	FABRI-TEK IDENT.NUMBER	MANUFACTURER AND IDENT.NUMBER	QUANTITY
U67-75	INTEGRATED CIRCUIT Quad, 2-Input NAND/NOR Gate	134-0166-00	Texas Instruments SN74H01N	9
U76-93	INTEGRATED CIRCUIT Dual Comparator	134-0131-00	Fairchild U5F771139X (NA711C)	18

## REPLACEMENT PARTS LIST

TIMING AND CONTROL MODULE

ASSEMBLY NO. 190-1376-00  
SCHEMATIC NO. 138-001707

REFERENCE DESIGNATION	COMPONENT DESCRIPTION	FABRI-TEK IDENT.NUMBER	MANUFACTURER AND IDENT.NUMBER	QUANTITY
C1,4,5,7	CAPACITOR, Fixed 0.01 UF, $\pm 20\%$ , 50V Ceramic	023-0455-00	Centralab UK50-103	4
C2,3,9,10,11,12, 13,17,18,20,23, 24	CAPACITOR, Fixed 15 UF, $\pm 20\%$ , 20V Tantalum	023-0518-00	Dickson D15ZLX20M	12
C6,14,15,16	CAPACITOR, Fixed 220 UUF, $\pm 2\%$ , 500V Silver Mica	023-0469-00	Sangamo D105D221G0	4
C8,19	CAPACITOR, Fixed 33 UUF, $\pm 20\%$ , 1000V Ceramic	023-0128-00	Aerovox CK60BX330M	2
C21	CAPACITOR, Fixed 1.0 UF, $\pm 10\%$ , 35V Tantalum	023-0106-00	CS13AF010K	1
C22	CAPACITOR, Fixed 1000 UUF, $\pm 20\%$ , 1000V Ceramic	023-0132-00	CK60AW102M	1
C25	CAPACITOR, Fixed 390 UUF, $\pm 2\%$ , 100V Silver Mica	023-0465-00	CDE CD7FA391G03	1
CR1,2,3,4,5,6,8, 9,10,11	DIODE, Switching 1N4607	022-0309-00	Fairchild 1N4607	10
CR7	DIODE, Zener 5.1V	022-0018-00	Motorola 1N751A	1
Q1,2,3,4,5,6,7, 8,9,14,16,17,26, 31	TRANSISTOR, NPN 2N4014 Low Power Switching	021-0223-00	Sprague 2N4014	14
Q10,11,12,13,15, 18,19,20,21,22, 23,24,25,35	TRANSISTOR 2N3467	021-0224-00	Motorola 2N3467	14
Q27,28,29,30,32, 33,34,36,37,38	TRANSISTOR, Similar to 2N3725	021-0137-00	FABRI-TEK 021-0137-00	10

## REPLACEMENT PARTS LIST

TIMING AND CONTROL MODULE

ASSEMBLY NO. 190-1376-00  
SCHEMATIC NO. 138-001707

REFERENCE DESIGNATION	COMPONENT DESCRIPTION	FABRI-TEK IDENT.NUMBER	MANUFACTURER AND IDENT.NUMBER	QUANTITY
R1,2,22,25,26,27,28,29,34,35,64,67,72,73,88,92,101,105,110,113,117,118,119	RESISTOR, Fixed 1000 Ohms, $\pm 5\%$ , 1/4 W Carbon Composition	108-0102-00	Allen-Bradley CB-1025	23
R3,20,65,66	RESISTOR, Fixed 4700 Ohms, $\pm 5\%$ , 1/4 W Carbon Composition	108-0472-00	Allen-Bradley CB-4725	4
R4,8,10,12,14,16,18,36,38,40,42,44,46,48,50,52,54,56,58,60,62,69,139	RESISTOR, Fixed 330 Ohms, $\pm 5\%$ , 1/4 W Carbon Composition	108-0331-00	Allen-Bradley CB-3315	23
R5,9,11,13,15,17,19,37,39,41,43,45,47,49,51,53,55,57,59,61,63,70,140	RESISTOR, Fixed 390 Ohms, $\pm 5\%$ , 1/4 W Carbon Composition	108-0391-00	Allen-Bradley CB-3915	23
R6,89,102,116	RESISTOR, Fixed 180 Ohms, $\pm 5\%$ , 1/4 W Carbon Composition	108-0181-00	Allen-Bradley CB-1815	4
R7,21,80,86,99	RESISTOR, Fixed 220 Ohms, $\pm 5\%$ , 1/4 W Carbon Composition	108-0221-00	Allen-Bradley CB-2115	5
R23,24,30,31,32,33	RESISTOR, Fixed 2000 Ohms, $\pm 5\%$ , 1/4 W Carbon Composition	108-0202-00	Allen-Bradley CB-2025	6
R71,85,98	RESISTOR, Fixed 100 Ohms, $\pm 5\%$ , 1/4 W Carbon Composition	108-0101-00	Allen-Bradley CB-1015	3
R74	RESISTOR, Fixed 510 Ohms, $\pm 5\%$ , 1/4 W Carbon Composition	108-0511-00	Allen-Bradley CB-5115	1
R75	RESISTOR, Fixed 221 Ohms, $\pm 1\%$ , 1/4 W Film	202-2210-00	IRC RN60D2210F	1

## REPLACEMENT PARTS LIST

ASSEMBLY NO. 190-1376-00  
SCHEMATIC NO. 138-001707

TIMING AND CONTROL MODULE

REFERENCE DESIGNATION	COMPONENT DESCRIPTION	FABRI-TEK IDENT.NUMBER	MANUFACTURER AND IDENT.NUMBER	QUANTITY
R76,81,82,84,87,97,100	RESISTOR, Fixed 39 Ohms, $\pm 5\%$ , 1/4 W Carbon Composition	108-0390-00	Allen-Bradley CB-3905	7
R77	RESISTOR, Fixed 82 Ohms, $\pm 5\%$ , 1/4 W Carbon Composition	108-0820-00	Allen-Bradley CB-8205	1
R78,130	RESISTOR, Fixed Value determined during final testing.	108-0000-99		2
R79	RESISTOR, Fixed 68 Ohms, $\pm 5\%$ , 1/4 W Carbon Composition	108-0680-00	Allen-Bradley CB-6805	1
R83,91,96,104	RESISTOR, Fixed 8 Ohms, $\pm 1\%$ , 3 W Wirewound	106-0475-00	Dale NS2B-8 Ohms-1%	4
R90,93,94,95,103,106,107,108	RESISTOR, Fixed 10 Ohms, $\pm 5\%$ , 1/4 W Carbon Composition	108-0100-00	Allen-Bradley CB-1005	8
R109,111,112	RESISTOR, Fixed 470 Ohms, $\pm 5\%$ , 1/4 W Carbon Composition	108-0471-00	Allen-Bradley CB-4715	3
R114,115	RESISTOR, Fixed 910 Ohms, $\pm 5\%$ , 1/4 W Carbon Composition	108-0911-00	Allen-Bradley CB-9115	2
R120,125	RESISTOR, Fixed 150 Ohms, $\pm 3\%$ , 1 W Wirewound	106-0480-00	Dale NS-1A-150 Ohms-1W-3%	2
R121,137	RESISTOR, Fixed 910 Ohms, $\pm 5\%$ , 1/2 W Carbon Composition	101-0911-00	Allen-Bradley EB-9115	2
R122,123,124,126,127,128	RESISTOR, Fixed 1.0 Ohms, $\pm 5\%$ , 1/2 W Carbon Composition	101-0109-00	Allen-Bradley EB-0105	6

## REPLACEMENT PARTS LIST

TIMING AND CONTROL MODULE

ASSEMBLY NO. 190-1376-00  
SCHEMATIC NO. 138-001707

REFERENCE DESIGNATION	COMPONENT DESCRIPTION	FABRI-TEK IDENT.NUMBER	MANUFACTURER AND IDENT.NUMBER	QUANTITY
R129	RESISTOR, Fixed 8250 Ohms, $\pm 1\%$ , 1/4 W Film	202-8251-00	IRC RN60D8251F	1
R131	RESISTOR, Fixed 2430 Ohms, $\pm 1\%$ , 1/4 W Film	202-2431-00	IRC RN60D2431F	1
R132	RESISTOR, Fixed 0.8 Ohm, $\pm 3\%$ , 1 W Wirewound	106-0481-00	Dale NS1A-0.8 Ohm- $\pm 3\%$ -1W	1
R133,134,135, 136	RESISTOR, Fixed 4700 Ohms, $\pm 5\%$ , 1/2 W Carbon Composition	101-0479-00	Allen-Bradley EB-4715	4
R138	RESISTOR, Fixed 68 Ohms, $\pm 5\%$ , 1/4 W Carbon Composition	108-0680-00	Allen-Bradley CB-6805	1
RT1	THERMISTOR 100 Ohms, $\pm 10\%$ @ 25°C	037-0042-00	General Electric 2D204	1
T1	INTEGRATED ASSEMBLY Switch Transformer	151-0007-00	Sprague SK9093	1
T2,3	TRANSFORMER, Pulse	019-0223-00	FABRI-TEK 019-0223-00	2
U1,2,3,4,8,9,10, 12,13,14,18,20, 23,24,35	INTEGRATED CIRCUIT Dual, 4-Input NAND/NOR Gate	134-0171-00	Texas Instruments SN74H40N	15
U5,39,40,74,77	INTEGRATED CIRCUIT Triple, 3-Input NAND/NOR Gate	134-0168-00	Texas Instruments SN74H11N	5
U6,7,16,17,25,87	INTEGRATED CIRCUIT Dual, 4-Input NAND, Buffer-Driver	134-0205-00	Texas Instruments SN74S40N	6
U11,21,62	INTEGRATED CIRCUIT Dual, 4-Input AND Gate	134-0170-00	Texas Instruments SN74H21N	3

## REPLACEMENT PARTS LIST

TIMING AND CONTROL MODULE

ASSEMBLY NO. 190-1376-00  
SCHEMATIC NO. 138-001707

REFERENCE DESIGNATION	COMPONENT DESCRIPTION	FABRI-TEK IDENT.NUMBER	MANUFACTURER AND IDENT.NUMBER	QUANTITY
U15,19,22,73	INTEGRATED CIRCUIT HEX Inverter	134-0173-00	Texas Instruments SN74H04N	4
U26,56	INTEGRATED CIRCUIT HEX Inverter	134-0209-00	Texas Instruments SN74S04N	2
U27,28,29,30,31, 32,33,34,36,37	INTEGRATED CIRCUIT Dual, 2-Input AND/OR Inverter	134-0220-00	Texas Instruments SN74H51N	10
U38	INTEGRATED CIRCUIT Quad, 2-Input NAND Buffer	134-0195-00	Texas Instruments SN7438N	1
U41,42,53,54,63, 65	INTEGRATED CIRCUIT Dual, 4-Input NAND/NOR Gate	134-0169-00	Texas Instruments SN74H20N	6
U43,44,45,46,47, 48,61,71	INTEGRATED CIRCUIT Dual Flip-Flop Edge Triggered	134-0188-00	Texas Instruments SN74H74N	8
U51,52,57,58,89	INTEGRATED CIRCUIT Triple, 3-Input NAND Gate	134-0167-00	Texas Instruments SN74H10N	5
U55,64,66,68,83, 84,92	INTEGRATED CIRCUIT Quad, 2-Input NAND/NOR Gate	134-0165-00	Texas Instruments SN74H00N	7
U72	INTEGRATED CIRCUIT Dual Peripheral Pos. NAND Driver	134-0212-00	Texas Instruments SN75452P	1
U75,78	INTEGRATED CIRCUIT Triple, 3-Input Pos. AND Gate	134-0213-00	Texas Instruments SN74S11N	2
U79	INTEGRATED CIRCUIT Quad, 2-Input NAND/NOR Gate	134-0207-00	Texas Instruments SN74S00N	1
U82	INTEGRATED CIRCUIT HEX Inverter	134-0191-00	Texas Instruments SN74H05N	1

# REPLACEMENT PARTS LIST

ASSEMBLY NO. 190-1376-00  
SCHEMATIC NO. 138-001707

TIMING AND CONTROL MODULE

REFERENCE DESIGNATION	COMPONENT DESCRIPTION	FABRI-TEK IDENT.NUMBER	MANUFACTURER AND IDENT.NUMBER	QUANTITY
U86	INTEGRATED CIRCUIT Dual, 4-Input NAND/NOR Gate	134-0206-00	Texas Instruments SN74S20N	1
U93	INTEGRATED CIRCUIT Voltage Regulator	134-0255-00	National Semiconductor LM304	1

## REPLACEMENT PARTS LIST

ASSEMBLY NO. 190-1391-TAB\*  
 SCHEMATIC NO. N/A

TERMINATION BOARD ASSEMBLY

REFERENCE DESIGNATION	COMPONENT DESCRIPTION	FABRI-TEK IDENT.NUMBER	MANUFACTURER AND IDENT.NUMBER	QUANTITY
Component 1**	CAPACITOR, Fixed 15 UF, $\pm 10\%$ , 20V Tantalum	023-0105-00	Sangamo CS13BE156K	***
Component 2**	RESISTOR, Fixed 330 Ohms, $\pm 5\%$ , 1/4 W Carbon Composition	108-0331-00	Allen-Bradley CB-3315	***
Component 3**	RESISTOR, Fixed 390 Ohms, $\pm 5\%$ , 1/4 W Carbon Composition	108-0391-00	Allen-Bradley CB-3915	***

\* 190-1391-TAB represents the following assemblies:

- 190-1391-01
- 190-1391-02
- 190-1391-03
- 190-1391-04

\*\* Standard component reference designations not assigned.

\*\*\* Component quantity for each assembly TAB number.

COMPONENT	-01	-02	-03	-04
1	1	1	1	1
2	15	14	11	11
3	15	14	11	11



## REPLACEMENT PARTS LIST

24K MULTIPLEX/8E ASSEMBLY

ASSEMBLY NO. 190-1601-00  
SCHEMATIC NO. 138-001880

REFERENCE DESIGNATION	COMPONENT DESCRIPTION	FABRI-TEK IDENT.NUMBER	MANUFACTURER AND IDENT.NUMBER	QUANTITY
A1R2,A1R4,A1R6, A2R2,A2R4,A2R6, A2R8,A2R10, A2R12,A2R14,A3R2, A3R4,A3R6,A3R8, A3R10,A3R12,A4R2, A4R4,A4R6,A4R8, A4R10,A5R2,A6R2, A6R4,A6R6,A6R8, A6R10,A6R12, A6R14,A6R16, A7R2,A7R4,A7R6, A7R8,A7R10,A8R2, A8R4,A8R6,A8R8, A8R10,A8R12, A8R14,A9R2,A9R4, A9R6,A9R8,A9R10, A9R12,A10R2, A10R4,A10R6, B8R1,D1R1,D10R1, E9R1,F10R1, F10R3	RESISTOR, Fixed 390 Ohms, $\pm 5\%$ , 1/4 W Carbon Composition	108-0391-00	Allen-Bradley CB-3915	57
A7R11,D8R1,E8R1, F9R1	RESISTOR, Fixed 1K Ohms, $\pm 5\%$ , 1/4 W Carbon Composition	108-0102-00	Allen-Bradley CB-1025	4
E1R1,E2R1,E10R1	RESISTOR, Fixed 4.75K Ohms, $\pm 1\%$ , 1/8W Film	201-4751-00	Mepco RN55D4751F	3
E2R2,E3R1	RESISTOR, Fixed 8.25K Ohms, $\pm 1\%$ , 1/8W	201-8251-00	Mepco RN55D8251F	2
E9R2	RESISTOR, Fixed 10.0K Ohms, $\pm 1\%$ , 1/8W Film	201-1002-00	Mepco RN55D1002F	1
B1U1,B2U1,B3U1, B4U1,B5U1,B6U1, B7U1,B8U1,B9U1	INTEGRATED CIRCUIT Quad Latch	134-0197-00	Texas Instruments SN7475N	9
C1U1,C2U1,C3U1, C4U1,C5U1,C6U1, C7U1,C8U1,C9U1	INTEGRATED CIRCUIT Quad Selector/ Multiplexer	134-0263-00	Texas Instruments SN74157N	9

## REPLACEMENT PARTS LIST

24K MULTIPLEX/8E ASSEMBLY

ASSEMBLY NO. 190-1601-00  
SCHEMATIC NO. 138-001880

REFERENCE DESIGNATION	COMPONENT DESCRIPTION	FABRI-TEK IDENT.NUMBER	MANUFACTURER AND IDENT.NUMBER	QUANTITY
D1U1,D2U1,D5U1, D6U1,D8U1,D9U1	INTEGRATED CIRCUIT Dual Selector/ Multiplexer	134-0281-00	Texas Instruments SN74S153N	6
D3U1,D4U1,D7U1	INTEGRATED CIRCUIT Quad Exclusive OR	134-0185-00		3
E1U1,E2U1,E9U1	INTEGRATED CIRCUIT Dual Monostable Multivibrator	134-0198-00	Texas Instruments SN74123N	3
E3U1,E4U1,E6U1, E7U1,E8U1	INTEGRATED CIRCUIT Quad NAND OC	134-0195-00	Texas Instruments SN7438N	5
E5U1	INTEGRATED CIRCUIT Hex Inverter	134-0173-00	Texas Instruments SN74H04N	1
F8U1	INTEGRATED CIRCUIT BCD to DEC Decoder	134-0199-00	Texas Instruments SN7442N	1
F9U1	INTEGRATED CIRCUIT Dual D Flip-Flop	134-0188-00	Texas Instruments SN74H74N	1

## REPLACEMENT PARTS LIST

**ASSEMBLY NO.** 250-0364-00  
**SCHEMATIC NO.** 138-001700

STACK ELECTRICAL ASSEMBLY

REFERENCE DESIGNATION	COMPONENT DESCRIPTION	FABRI-TEK IDENT.NUMBER	MANUFACTURER AND IDENT.NUMBER	QUANTITY
*	RESISTOR, Fixed 470 Ohms, $\pm 5\%$ , 1/2 W Carbon Composition	101-0471-00	Allen-Bradley EB-4715	16
*	RESISTOR, Fixed 470 Ohms, $\pm 5\%$ , 1/4 W Carbon Composition	108-0471-00	Allen-Bradley CB-4715	96
*	DIODE ARRAY 16 Diodes per Array	022-0324-00	Texas Instruments TID126	24
*Reference designations not assigned.				

# REPLACEMENT PARTS LIST

ASSEMBLY NO. 256-0232-00  
 SCHEMATIC NO. N/A

DIGITAL STACK ASSEMBLY

REFERENCE DESIGNATION	COMPONENT DESCRIPTION	FABRI-TEK IDENT.NUMBER	MANUFACTURER AND IDENT.NUMBER	QUANTITY
*	*ASSEMBLY, Memory Printed Circuit Board	190-1375-00	FABRI-TEK 190-1375-00	1
*	*ASSEMBLY Stack, 8K x 18	250-0364-00	FABRI-TEK 250-0364-00	1
*Reference designations not assigned.				
*Refer to the component lists for these assemblies.				

**SECTION VI  
REFERENCE DOCUMENTS**

<b>DRAWING NUMBER</b>	<b>TITLE</b>	<b>PAGES</b>
138-001700	Stack Electrical Assembly	1-4
138-001706	Memory Assembly	1-28
138-001707	Timing and Control Module	1-15
138-001880	24K Multiplex 8/I Assembly	1-12

- 1. UNLESS OTHERWISE SPECIFIED:
  - A. ALL RESISTORS 1/4W, 5% AND IN OHMS.
  - B. ALL DIODES 1N4607.
- 2. ← THIS SYMBOL REPRESENTS THE PINS WHICH ARE PART OF THE CORE ARRAY ASSEMBLY. IT INDICATES A MALE CONNECTOR. IT DOES NOT NECESSARILY INDICATE SIGNAL DIRECTION.
- 3. REFERENCE PAGE 3. THE RESISTORS IN PARALLEL WITH THE Y LINES ARE 470 OHMS, 5%, 1/4W, AND CARRY AN R DESIGNATION 100 HIGHER THEN THE Y LINE IT PARALLELS.  
 EXAMPLE: Y LINE 5 IS PARALLELED BY R105.

REVISION STATUS OF SHEETS																																							
	R	B	C	B	END																																		
	1	2	3	4	5	6	7	8	9	10	11	12	13	14	15	16	17	18	19	20	21	22	23	24	25	26	27	28	29	30	31	32	33	34	35	36			

APPROVED *Q. [Signature]* DATE 2/17 72



A

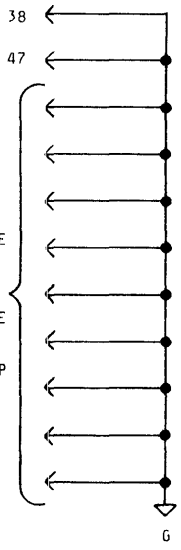
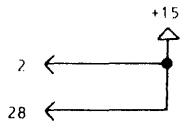
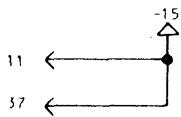
B

C

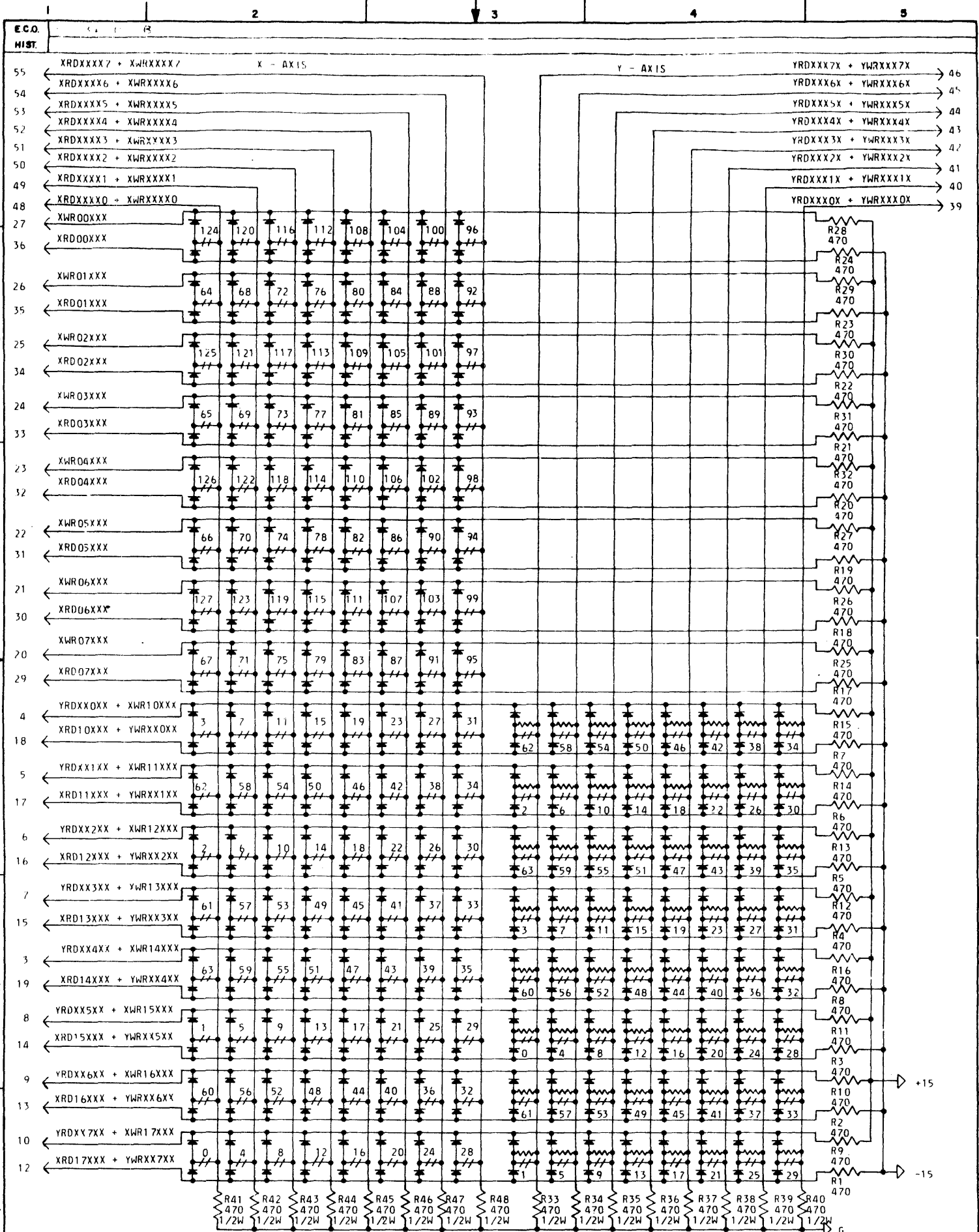
D

E

F

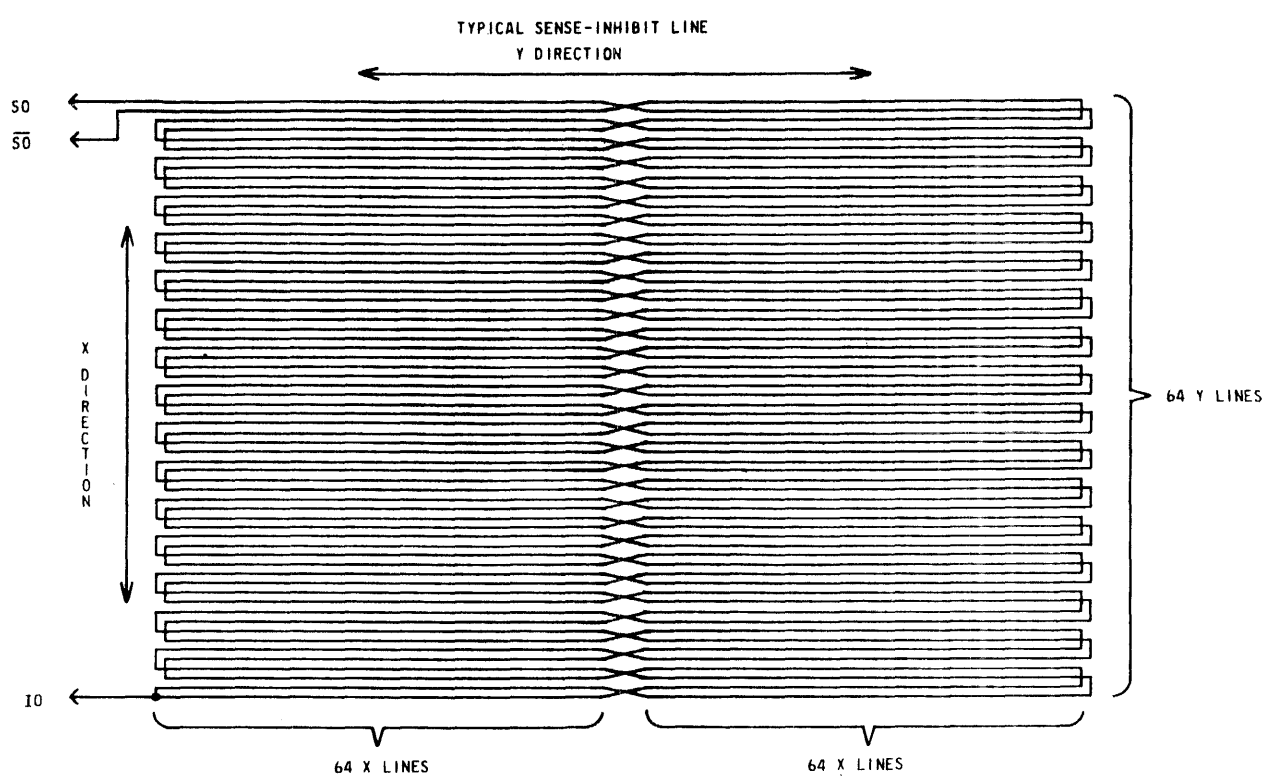


THESE PINS ARE NOT LABELED, BUT CAN BE LOCATED IN THE SENSE-INHIBIT AREA. NEAR TOP EDGE OF ASSY.

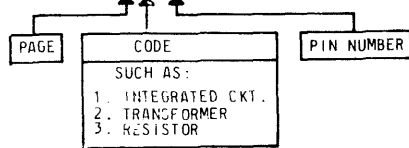




A  
B  
C  
D  
E  
F



1. UNLESS OTHERWISE SPECIFIED:
  - A. ALL RESISTORS 1/4W, 5% AND IN OHMS.
  - B. ALL CAPACITORS IN MICROFARADS.
  - C. ALL TRANSISTORS 2N4014.
  - D. ALL DIODES 1N4607.
2. LAST REFERENCE DESIGNATION USED ~~C84~~, CR109, Q71, R259, U93, T31, L2, QM14, RM9.
3. RESISTOR DESIGNATION R45 WAS NOT USED.
4. TRANSISTOR MODULE DESIGNATION QM4 WAS NOT USED.
5. ← THIS SYMBOL REPRESENTS THE CARD EDGE CONNECTOR. IT INDICATES A MALE CONNECTOR. IT DOES NOT NECESSARILY INDICATE SIGNAL DIRECTION.
6. ↘ THIS SYMBOL REPRESENTS THE FEMALE CONNECTOR PINS MOUNTED ON THE MEMORY BOARD. THE STACK PLUGS INTO THESE PINS.
7. → THIS SYMBOL WILL BE FOUND ON THE LEFT BORDER. IT INDICATES DIRECTION OF SIGNAL FLOW. TO THE LEFT OF THE ARROWHEAD WILL BE THE SIGNAL MNEMONIC, EXAMPLE: MODS, AND THE POINT OF ORIGIN CODE. EXAMPLE: 4U26-B



8. → THIS SYMBOL WILL BE FOUND ON THE RIGHT BORDER. IT INDICATES DIRECTION OF SIGNAL FLOW. TO THE RIGHT OF THE ARROWHEAD WILL BE THE FULL ENGLISH NAME, IF IT IS THE ORIGIN OF A NEW SIGNAL, AND THE LETTERS UNDERLINED THAT WILL MAKE UP THE MNEMONIC. EXAMPLE: MODULE SELECT. A LIST OF ALL DESTINATIONS WILL BE PRESENT.

CODE	MANUFACTURER'S PART NUMBER	FTI PART NUMBER
711	SN72711L	134-0131-00
38	SN7438N	134-0195-00
145	SN74145N	134-0211-00
H00	SN74H00N	134-0165-00
H01	SN74H01N	134-0166-00
H04	SN74H04N	134-0173-00
H10	SN74H10N	134-0167-00
H11	SN74H11N	134-0168-00
S00	SN74S00N	134-0207-00
S04	SN74S04N	134-0209-00
S11	SN74S11N	134-0213-00
S20	SN74S20N	134-0206-00
S40	SN74S40N	134-0205-00
451	SN75451AN	134-0189-00
452	SN75452N	134-0212-00

TRANSFORMER BREAKDOWN BY REFERENCE DESIGNATION

T4, T5, T6, T7, T8, T9, T10, T11, T12, T13, T14, T15, T16, T17, T18, T19, T20, T22.	151-0001-00
T3, T21, T23, T31.	151-0003-00
T1, T2.	151-0004-00

INDUCTOR BREAKDOWN BY REFERENCE DESIGNATION.

L1, L2.	019-0218-00
---------	-------------

TRANSISTOR MODULE BREAKDOWN BY REFERENCE DESIGNATION

QM1, QM2, QM3, QM5, QM6, QM7, QM8, QM9, QM10, QM11, QM12, QM13, QM14.	134-0214-00
---	-------------

RESISTOR MODULE BREAKDOWN BY REFERENCE DESIGNATION

RM1, RM2, RM3, RM4, RM5, RM6, RM7, RM8, RM9.	151-0002-00
--	-------------

REVISION STATUS OF SHEETS	01H		01G		01F		01E		01D		01C		01B		01A		01H		01G		01F		01E		01D		01C		01B		01A				
	01H	01G	01H	01G	01H	01G	01H	01G	01H	01G	01H	01G	01H	01G	01H	01G	01H	01H	01G	01H	01G	01H	01G	01H	01G	01H	01G	01H	01G	01H					
IE	-	-	-	-	-	-	-	-	-	-	-	-	-	-	-	-	IE	-	-	-	-	-	-	-	-	-	-	-	-	-	-	-			
OD	D	-	B	-	B	-	B	-	B	-	-	-	-	-	-	-	-	-	-	-	-	-	-	-	-	-	-	-	-	-	-				
OOC	OOC	B	B	B	B	-	-	-	-	-	-	-	-	-	-	-	-	-	-	-	-	-	-	-	-	-	-	-	-	-	-				
BA	A	B	B	B	B	-	-	-	-	-	-	-	-	-	-	-	-	-	-	-	-	-	-	-	-	-	-	-	-	-	-				
A	A	A	A	A	A	-	-	-	-	-	-	-	-	-	-	-	-	-	-	-	-	-	-	-	-	-	-	-	-	-	-				
1	2	3	4	5	6	7	8	9	10	11	12	13	14	15	16	17	18	19	20	21	22	23	24	25	26	27	28	29	30	31	32	33	34	35	36

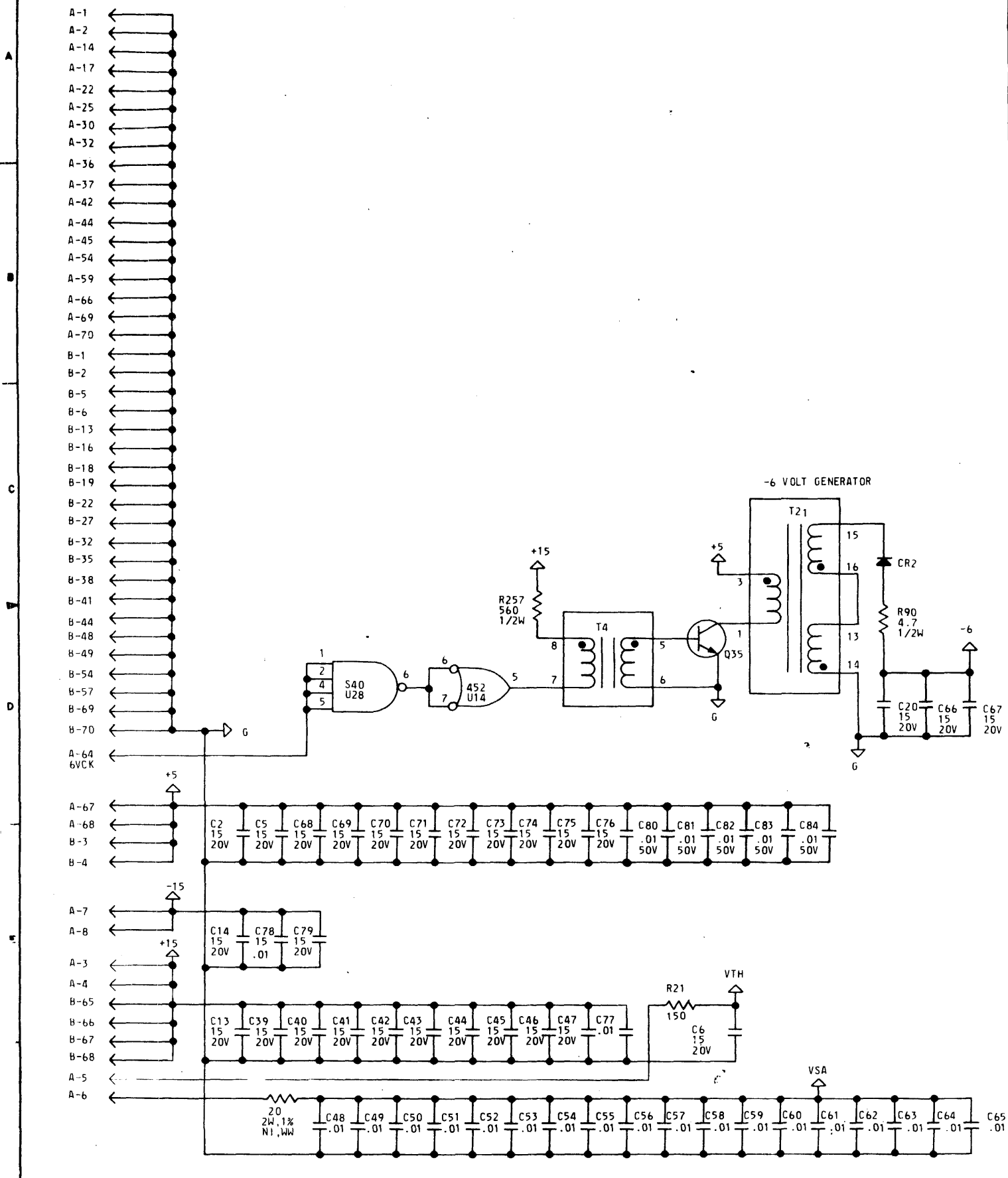
APPROVED *[Signature]* DATE 2/10/72

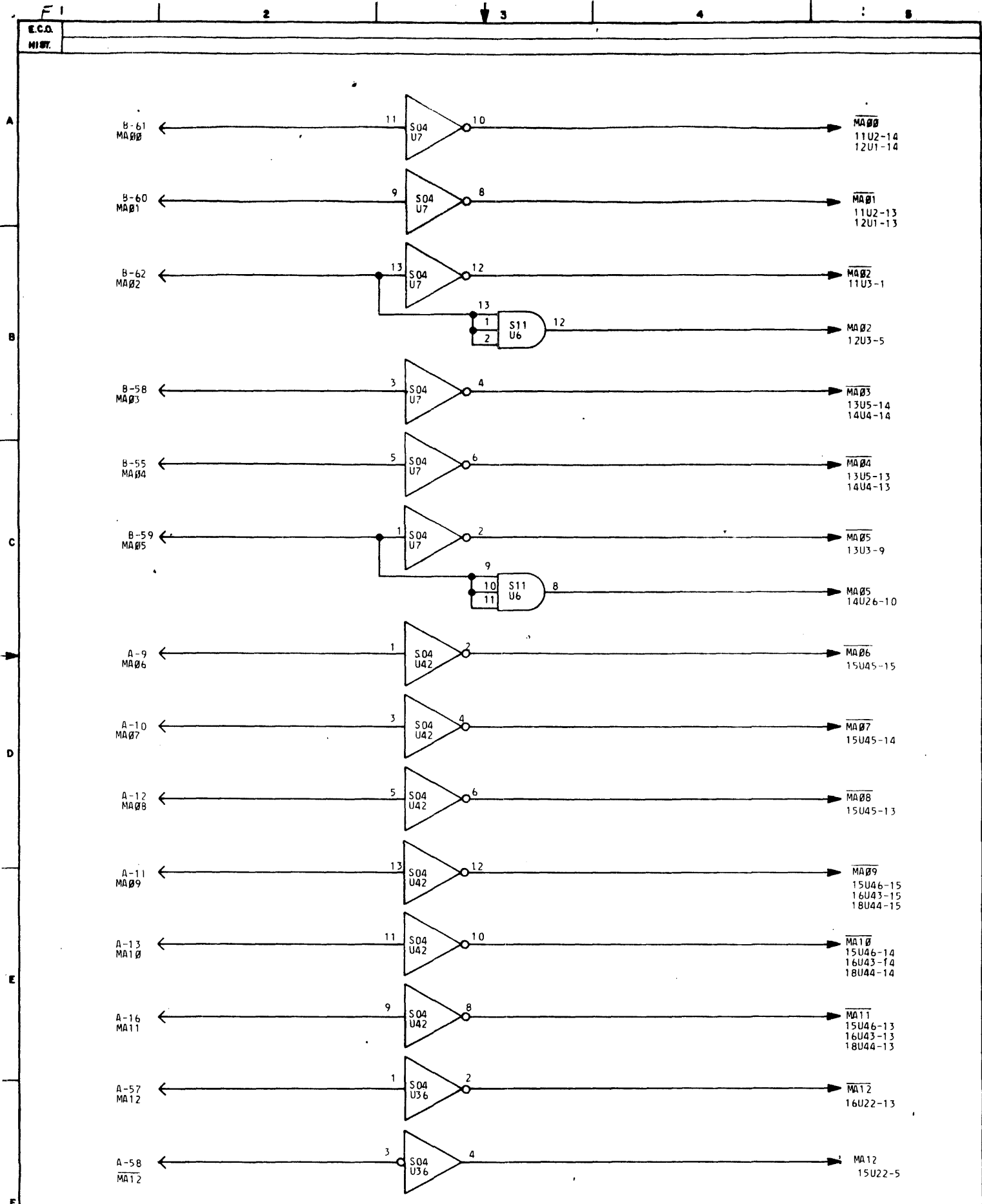
TITLE SCHEMATIC MEMORY ELECTRONICS ASSEMBLY

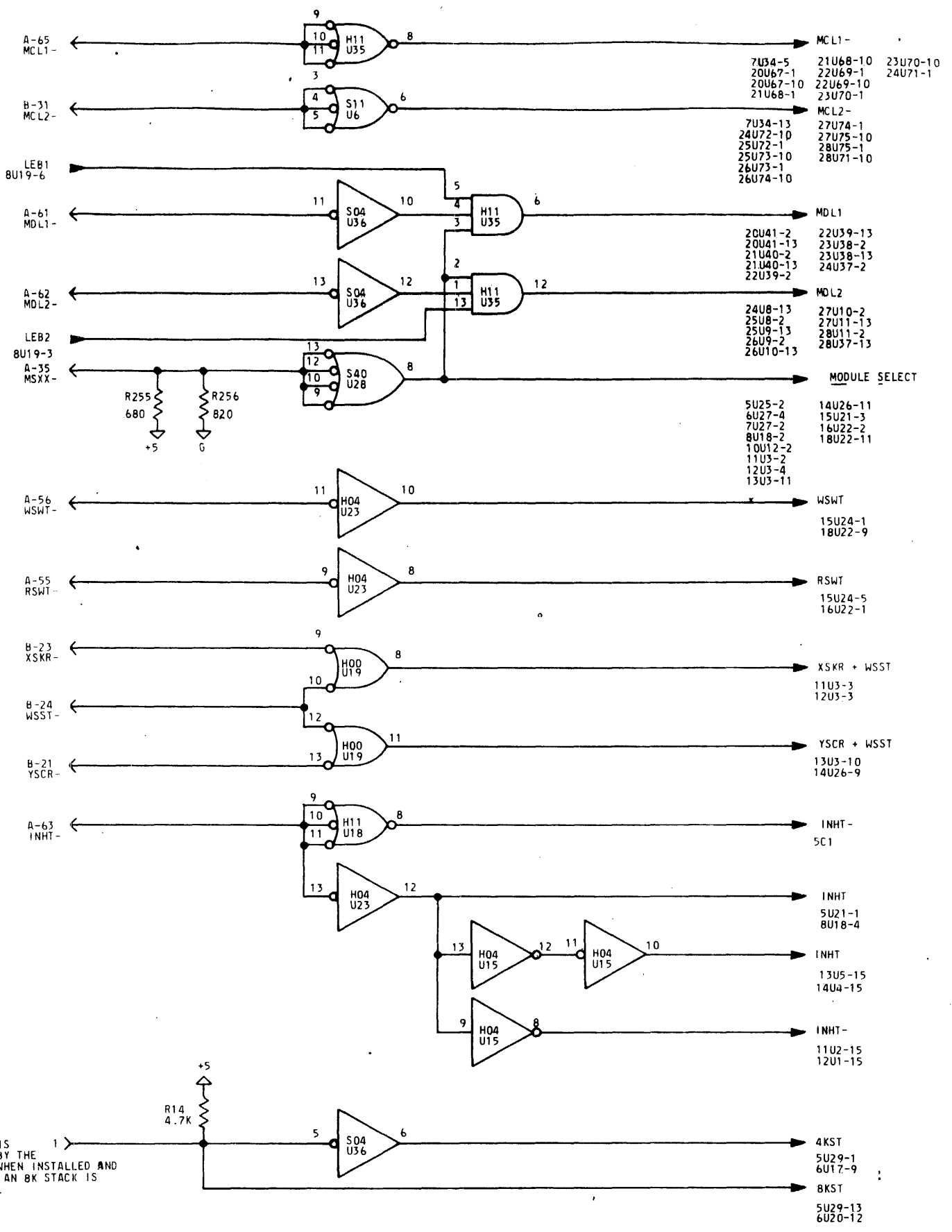
DWG. NO. C 138-001706

MODEL \_\_\_\_\_ VERS. \_\_\_\_\_ PAGE 1 OF 28

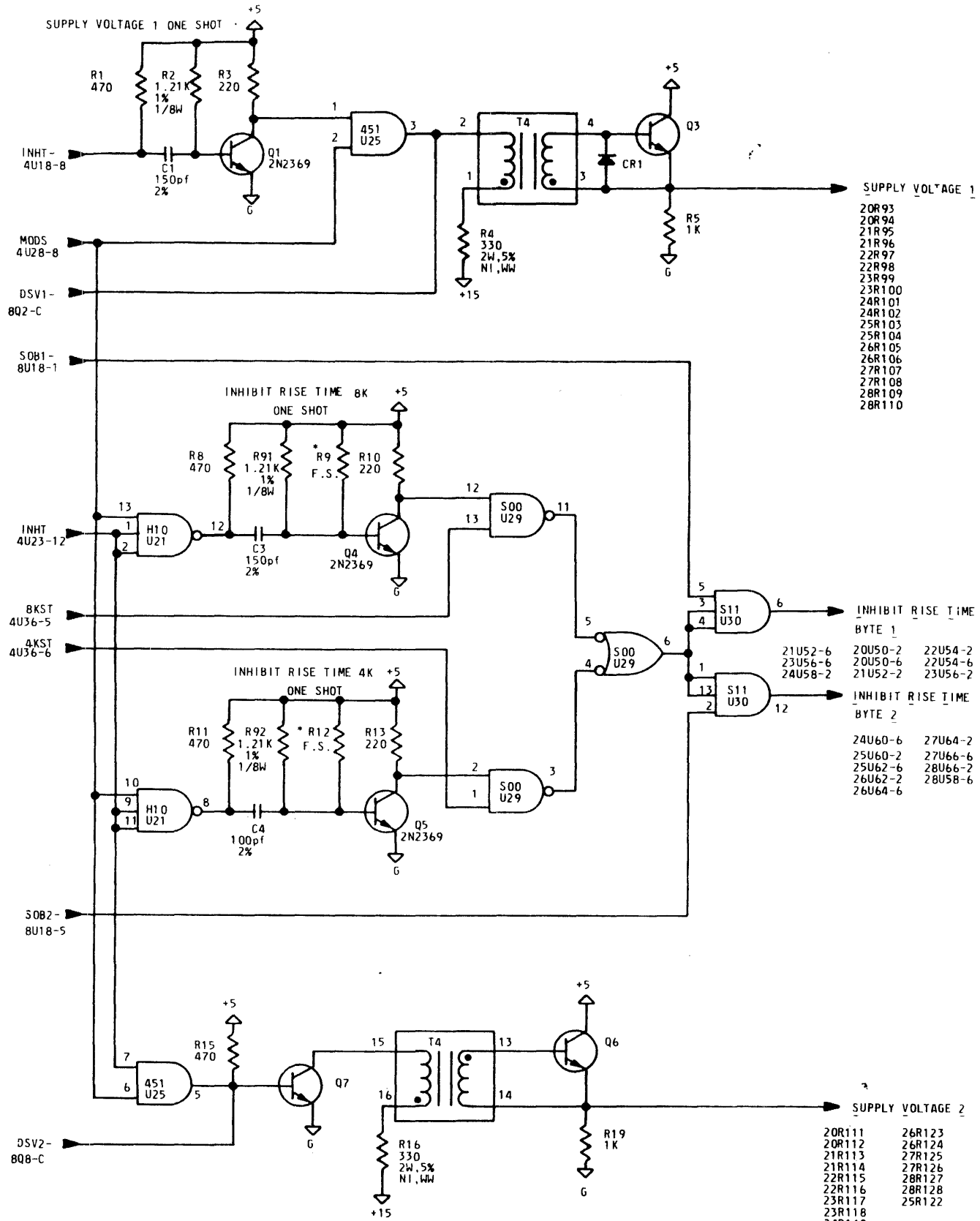
FABRI-TEK INC. MEMORY PRODUCTS DIVISION







THIS PIN IS GROUNDED BY THE 4K STACK WHEN INSTALLED AND OPEN WHEN AN 8K STACK IS INSTALLED.

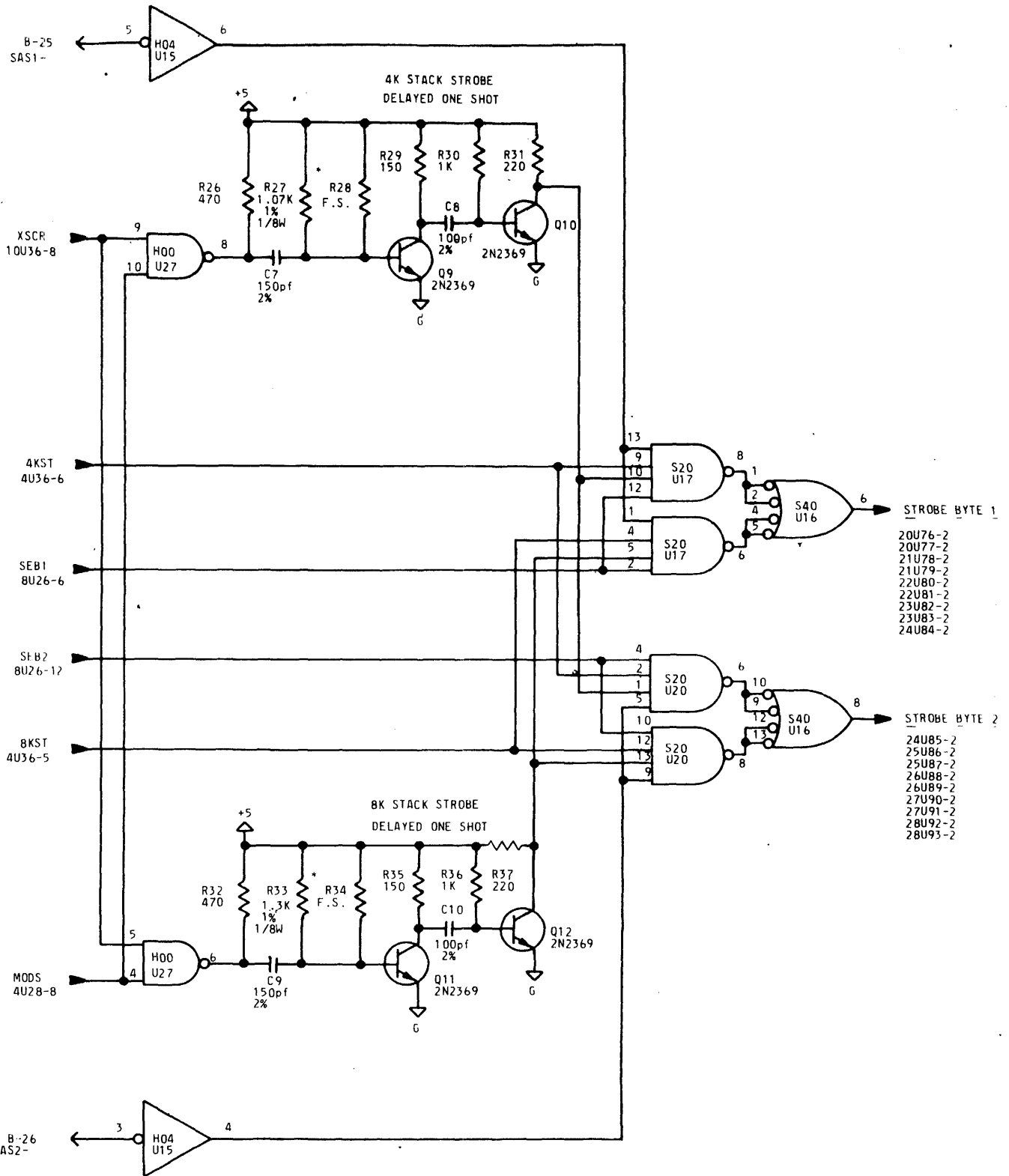


- SUPPLY VOLTAGE 1
- 20R93
  - 20R94
  - 21R95
  - 21R96
  - 22R97
  - 22R98
  - 23R99
  - 23R100
  - 24R101
  - 24R102
  - 25R103
  - 25R104
  - 26R105
  - 26R106
  - 27R107
  - 27R108
  - 28R109
  - 28R110

- INHIBIT RISE TIME BYTE 1
- 21U52-6
  - 20U50-2
  - 22U54-2
  - 23U56-6
  - 20U50-6
  - 22U54-6
  - 24U58-2
  - 21U52-2
  - 23U56-2
- INHIBIT RISE TIME BYTE 2
- 24U60-6
  - 27U64-2
  - 25U60-2
  - 27U66-6
  - 25U62-6
  - 28U66-2
  - 26U62-2
  - 28U58-6

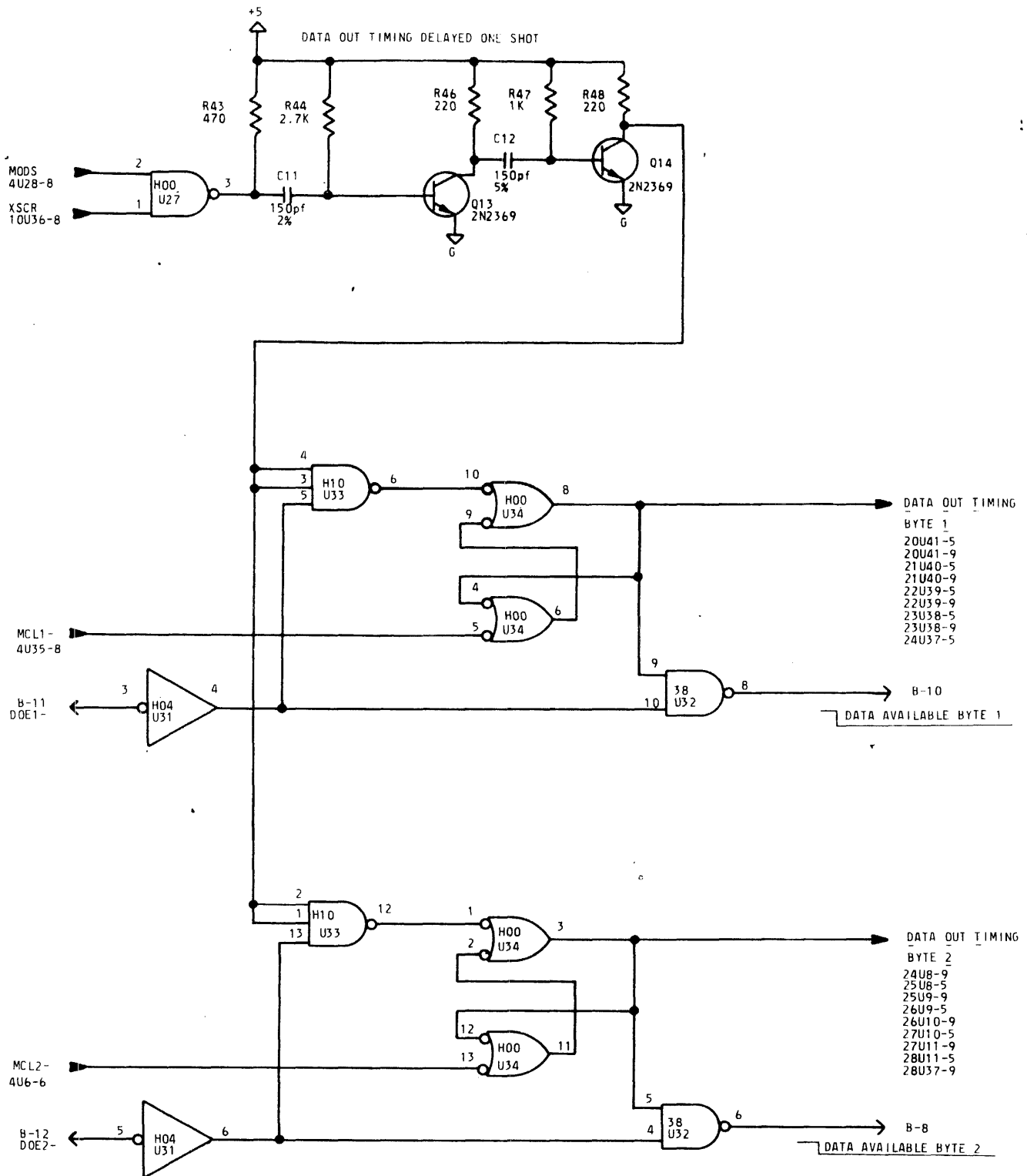
- SUPPLY VOLTAGE 2
- 20R111
  - 20R112
  - 21R113
  - 21R114
  - 22R115
  - 22R116
  - 23R117
  - 23R118
  - 24R119
  - 24R120
  - 25R121
  - 26R123
  - 26R124
  - 27R125
  - 21R114
  - 27R126
  - 28R127
  - 28R116
  - 28R128
  - 25R122

\* F.S. MEANS FACTORY SELECT. THE VALUE OF THIS RESISTOR IS DETERMINED BY THE FACTORY DURING TEST.



\* F.S. MEANS FACTORY SELECT. THE VALUE OF THIS RESISTOR IS DETERMINED BY THE FACTORY DURING TEST.

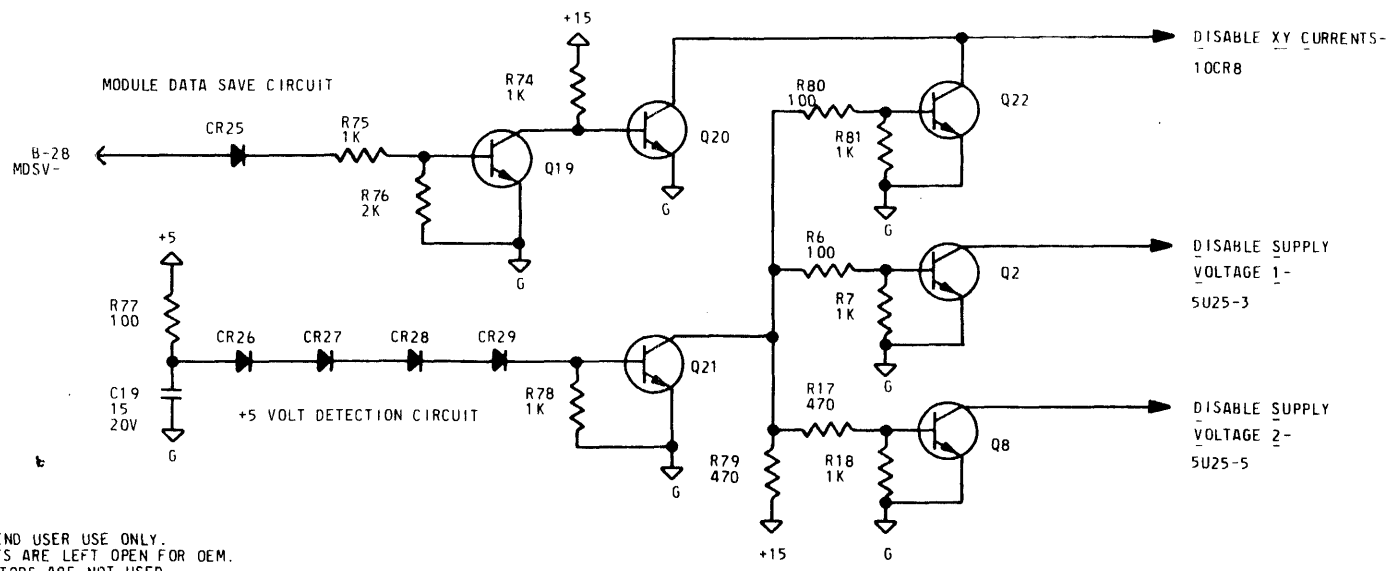
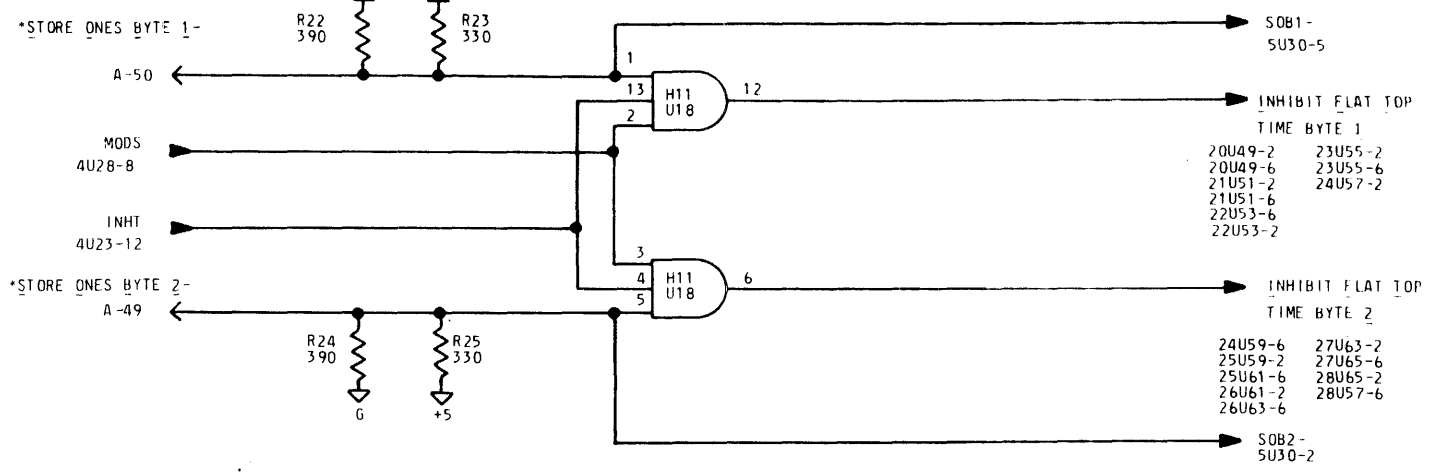
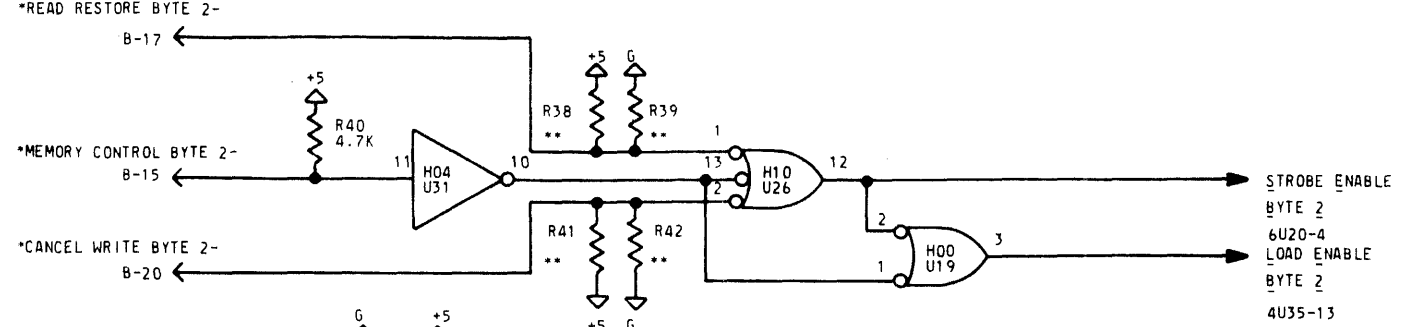
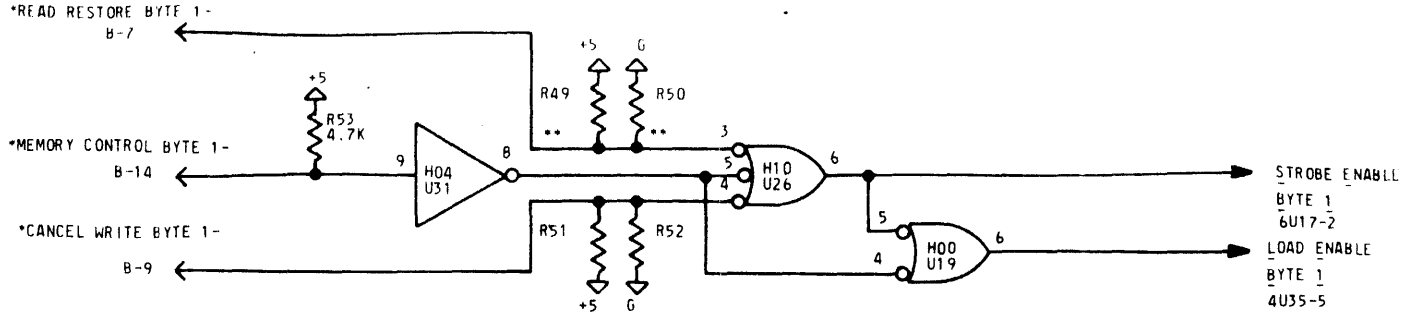
A  
B  
C  
D  
E  
F



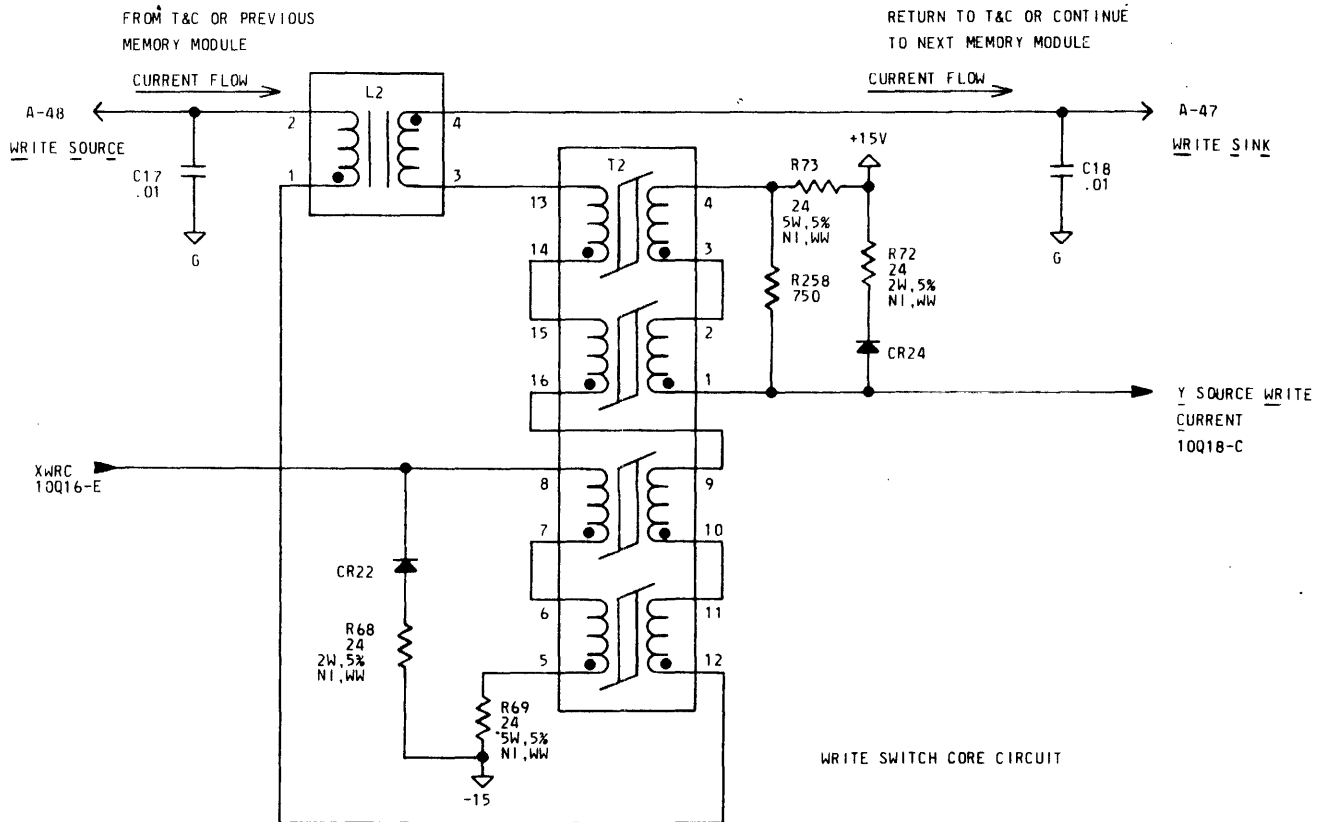
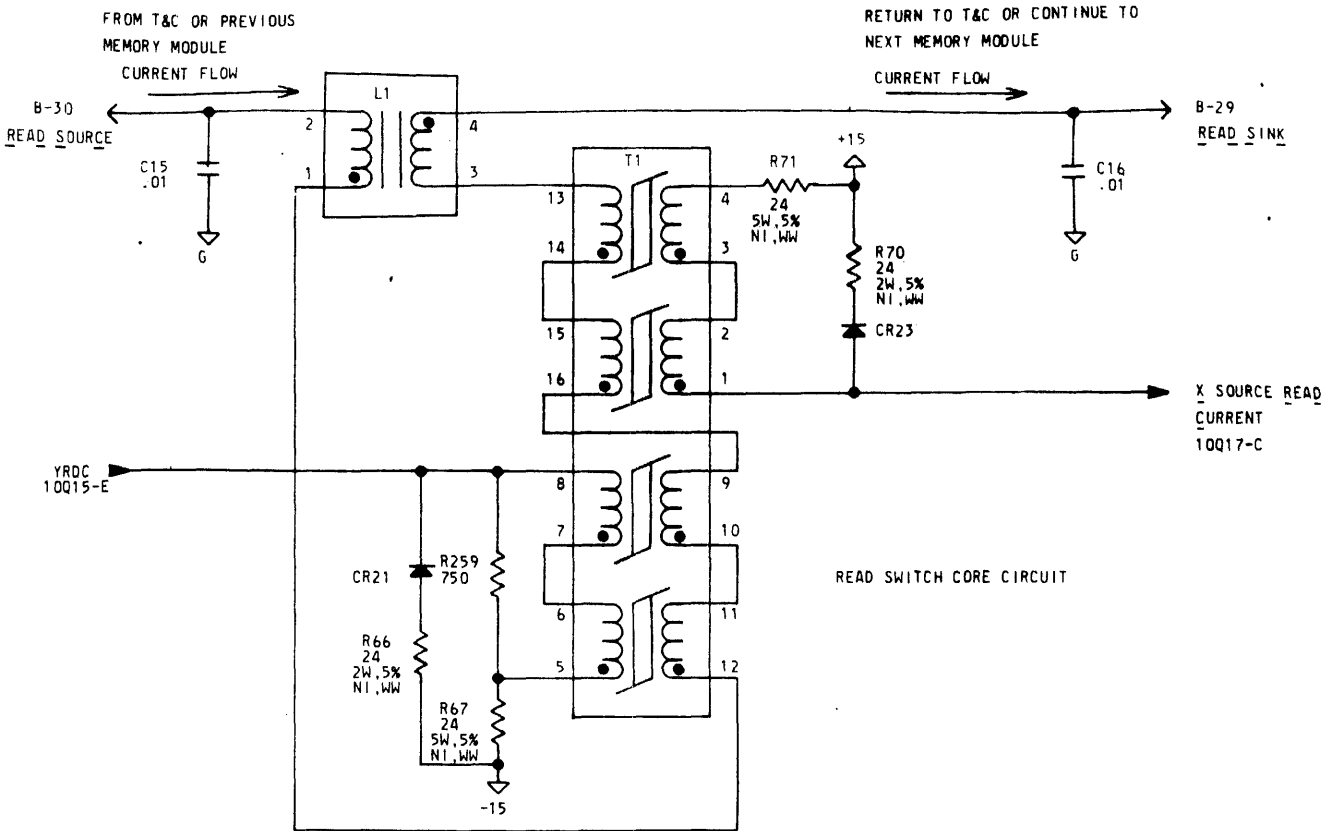


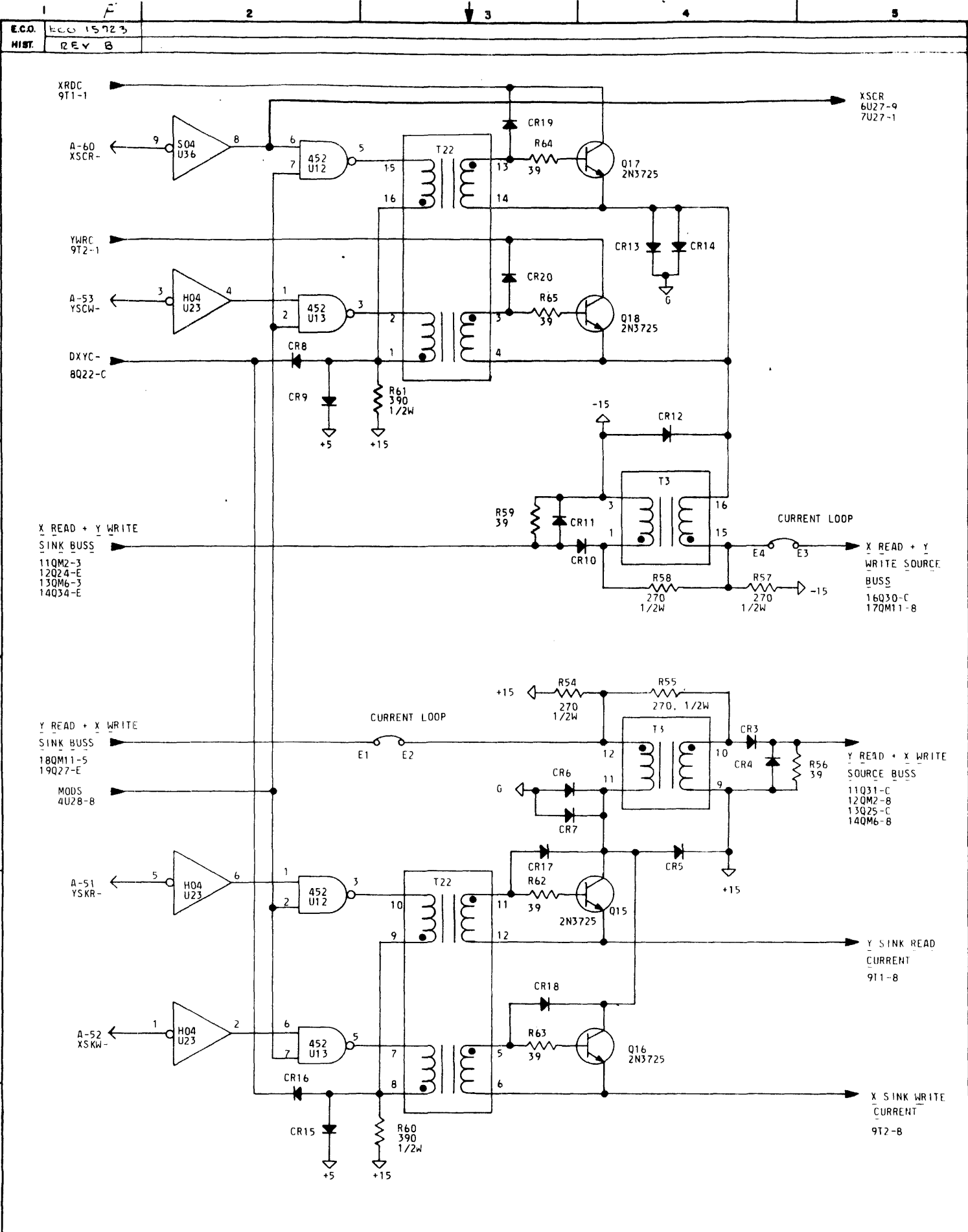
E.C.O. 10015723 REV 3  
 HIST.

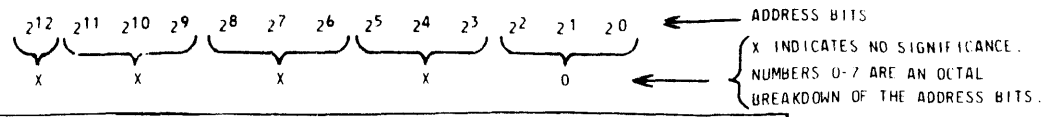
A  
 B  
 C  
 D  
 E  
 F



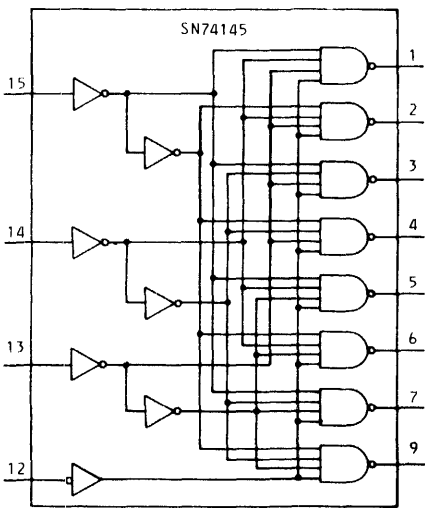
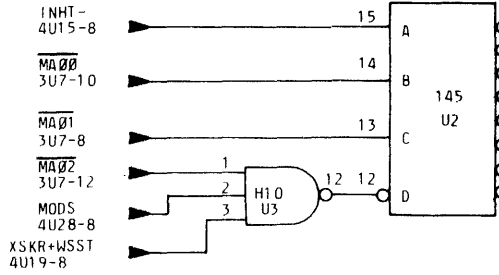
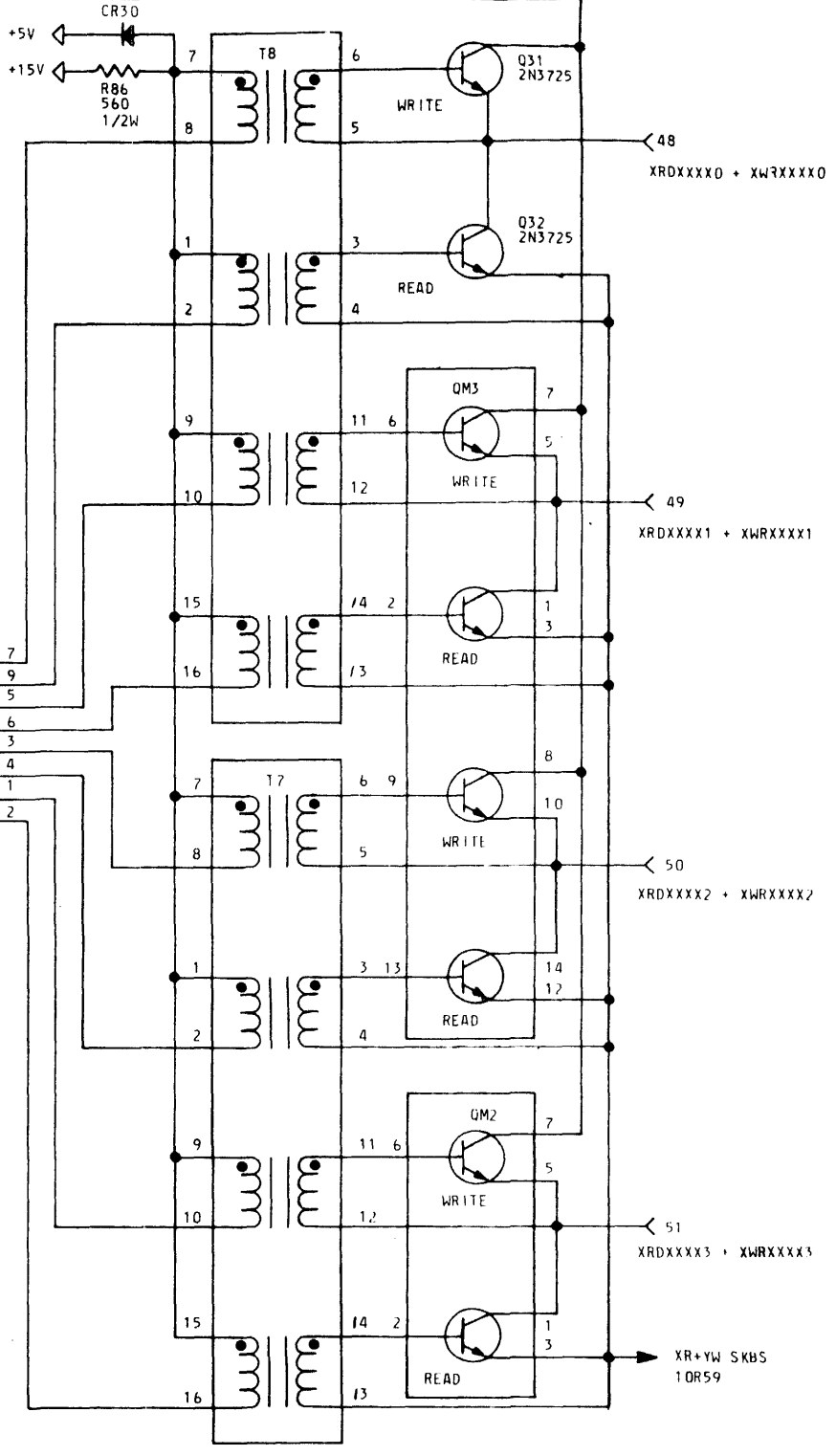
\* FOR END USER USE ONLY.  
 INPUTS ARE LEFT OPEN FOR OEM.  
 \*\* RESISTORS ARE NOT USED.







YR+XW SCBS  
 10R56

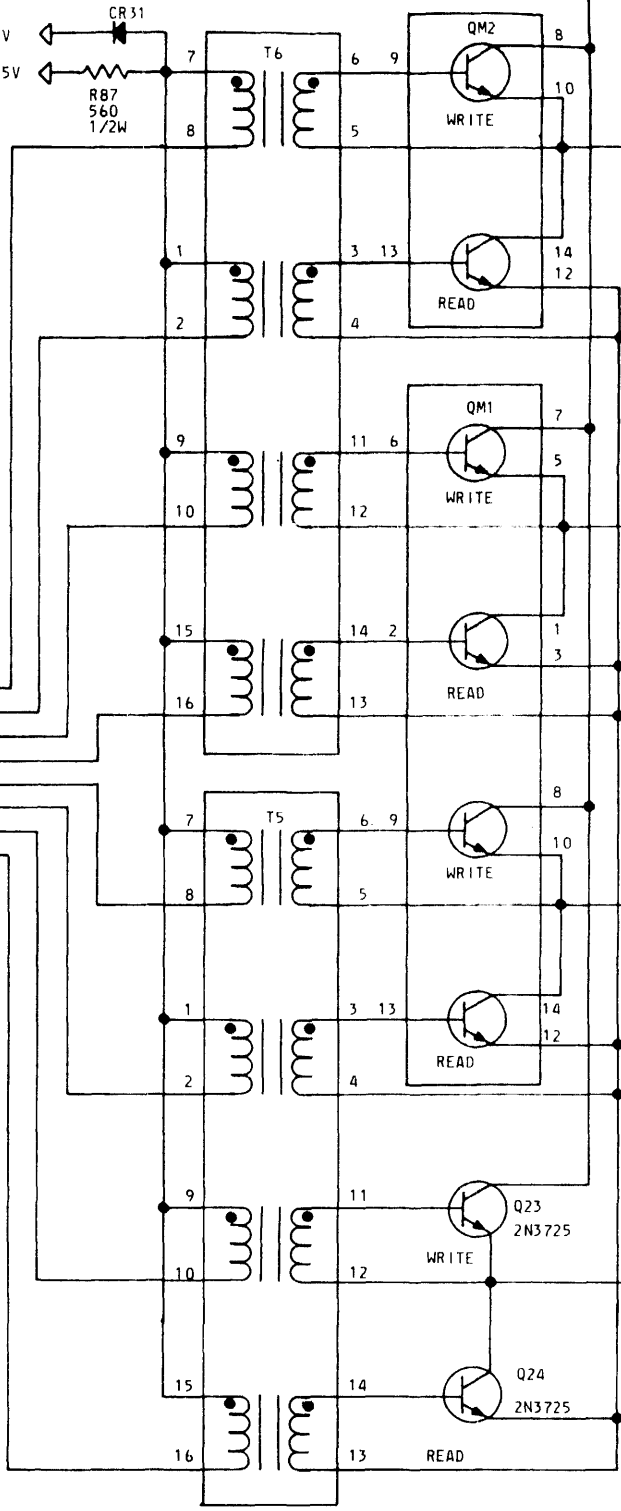


X READ - WRITE SELECTION

E.C.O.  
HIST.

YR+XW SCBS  
10R56

+5V  
+15V  
CR 31  
R87  
560  
1/2W



52  
XRDXXXX4 + XWRXXXX4

53  
XRDXXXX5 + XWRXXXX5

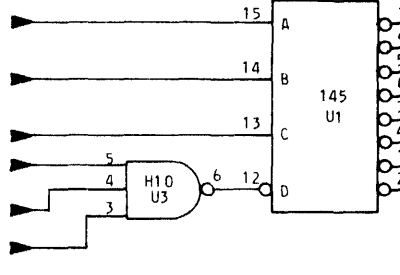
54  
XRDXXXX6 + XWRXXXX6

55  
XRDXXXX7 + XWRXXXX7

XR+YW SKBS  
10R59

X READ - WRITE SELECTION

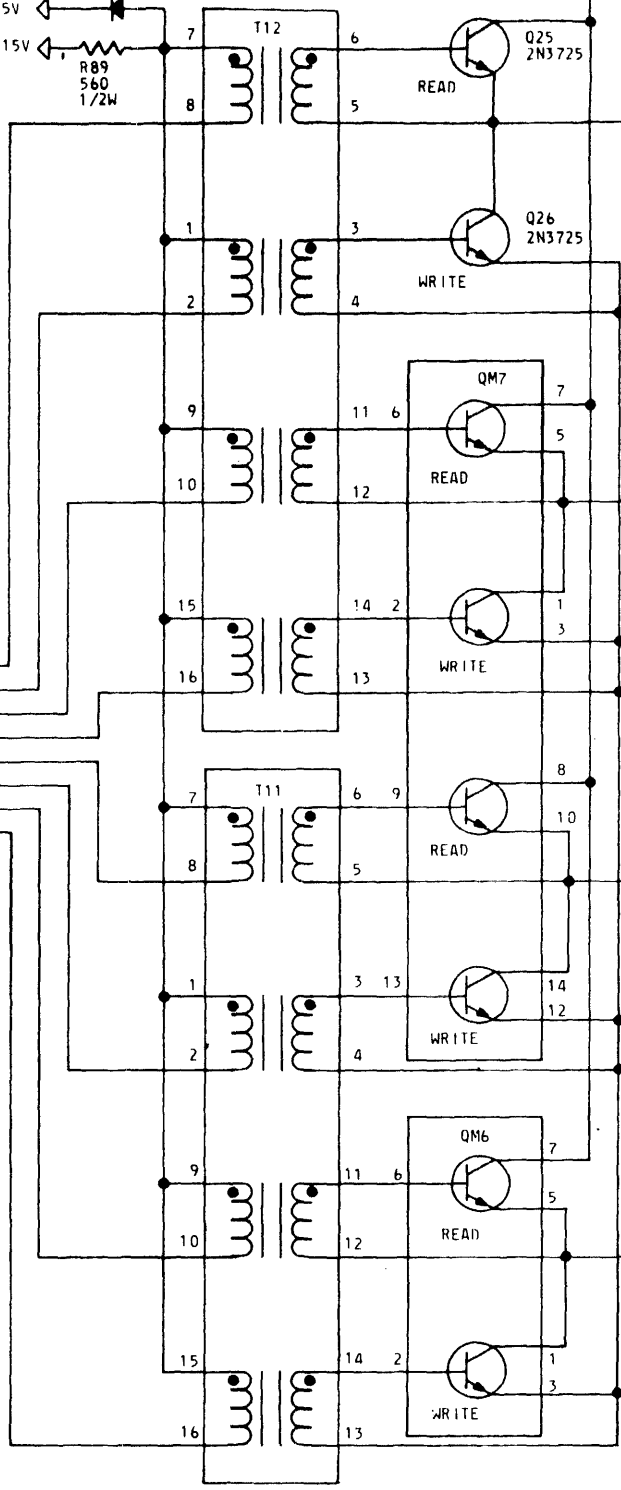
INHT-  
4U15-8  
MAØØ  
3U7-10  
MAØ1  
3U7-8  
MAØ2  
3U6-12  
MODS  
4U28-8  
XSKR+WSST  
4U19-8



E.C.D.  
HIST.

YR+YW SCBS  
10R56

+5V  
CR33  
+15V  
R89  
560  
1/2W



Y READ - WRITE SELECTION

YR+XW 5CBS  
10R56

+5V  
+15V  
R88  
560  
1/2W

(CR3)

T10

QM6

READ

WRITE

QM5

READ

WRITE

Q33  
2N3725

READ

Q34  
2N3725

WRITE

43  
YRDXXX4X + YWRXX4X

44  
YRDXXX5X + YWRXX5X

45  
YRDXXX6X + YWRXX6X

46  
YRDXXX7X + YWRXX7X

XR+YW 5KBS  
10R59

INH1  
4U15-10  
MA03  
3U7-4  
MA04  
3U7-6  
MA05  
3U6-8  
MOD5  
4U28-8  
YSCR+WSST  
4U19-11

H10  
U26

145  
U4

Y READ - WRITE SELECTION

A

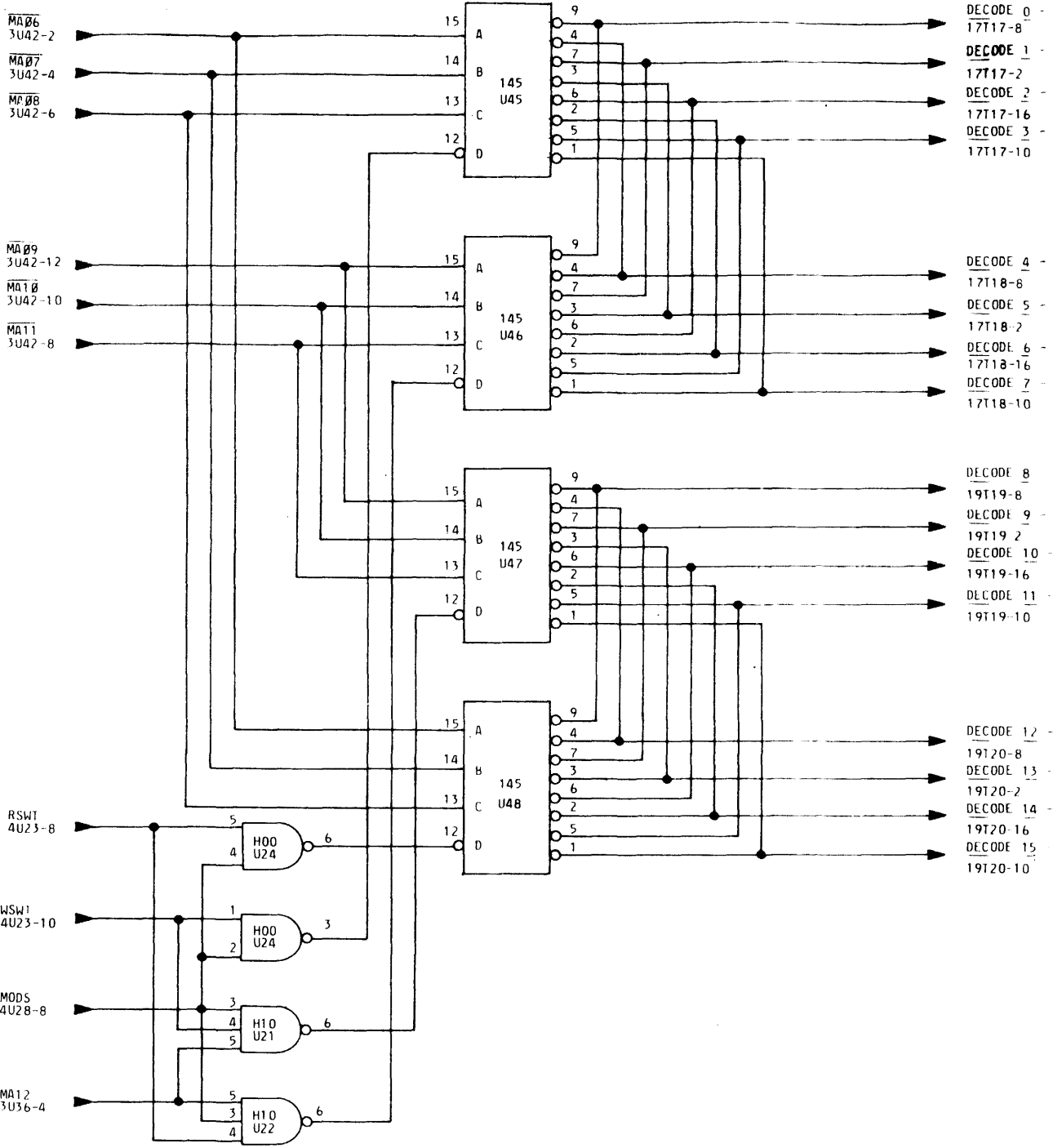
B

C

D

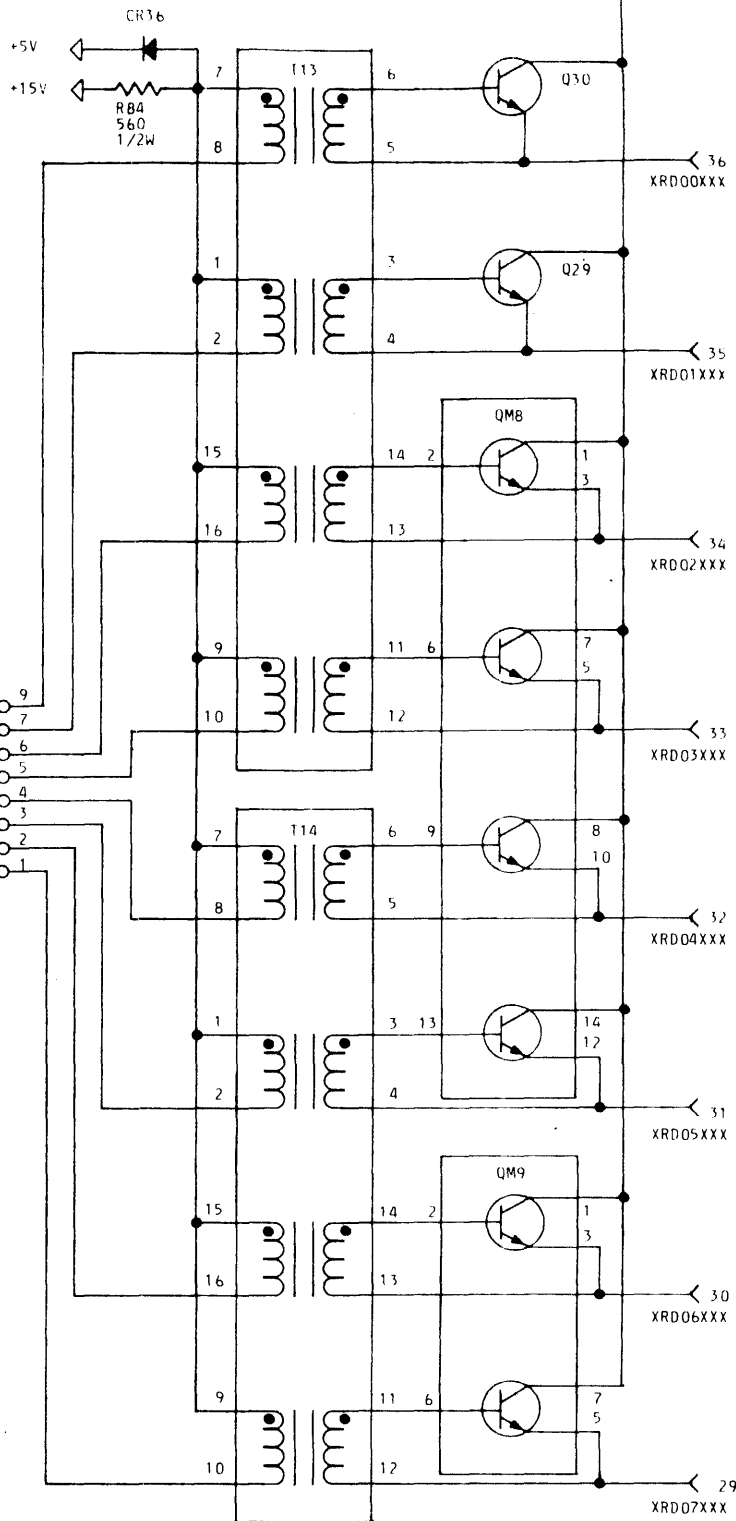
E

F





XR+Yw SLBS  
1013 15



X READ SELECTION

A  
B  
C  
D  
E  
F

XR+YW SUBS  
1013-15

DEC0 -  
15045-9

DEC1 -  
15045-7

DEC2 -  
15045-6

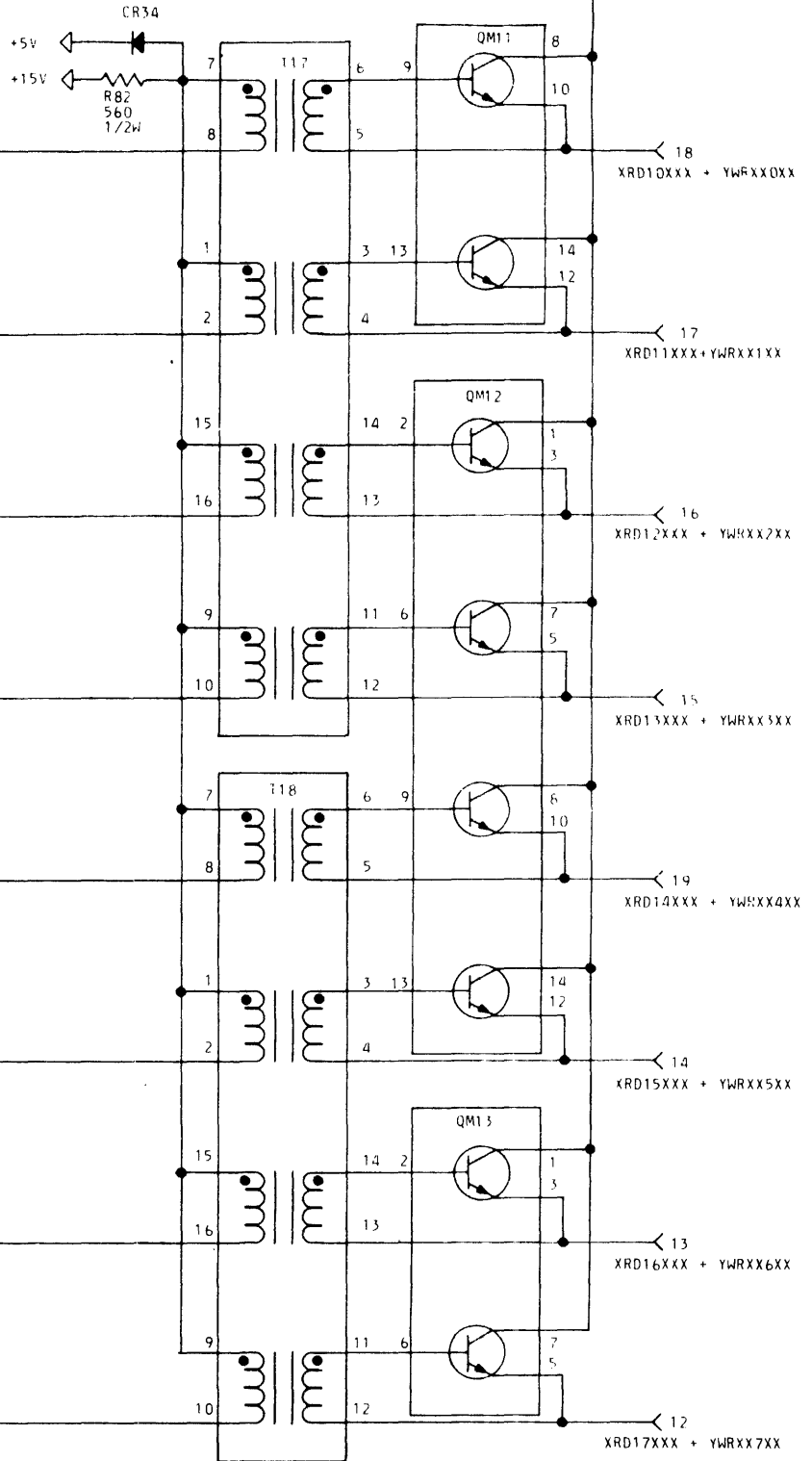
DEC3 -  
15045-5

DEC4 -  
15046-4

DEC5 -  
15046-3

DEC6 -  
15046-2

DEC7 -  
15046-1



X READ - Y WRITE SELECTION

A

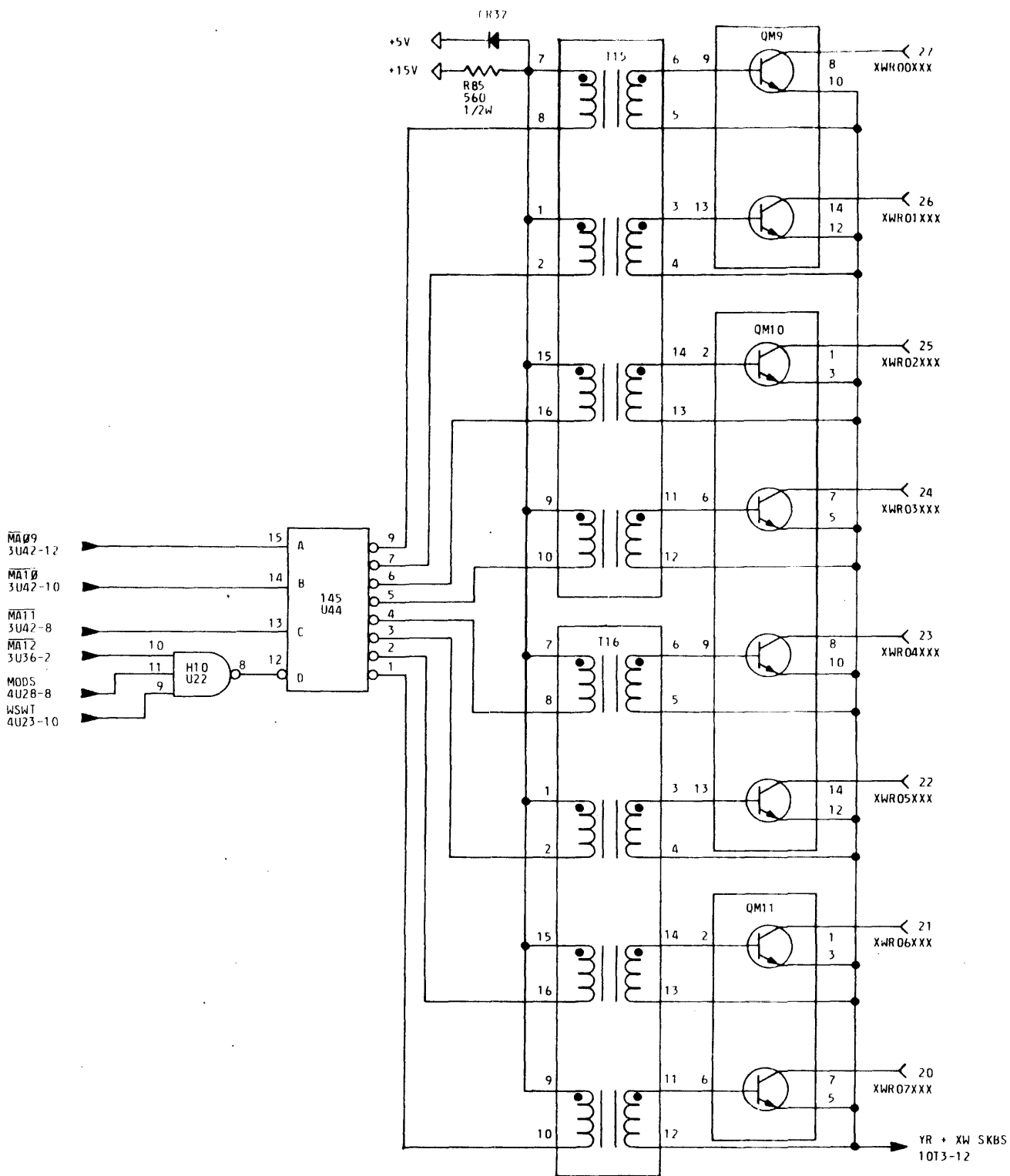
B

C

D

E

F

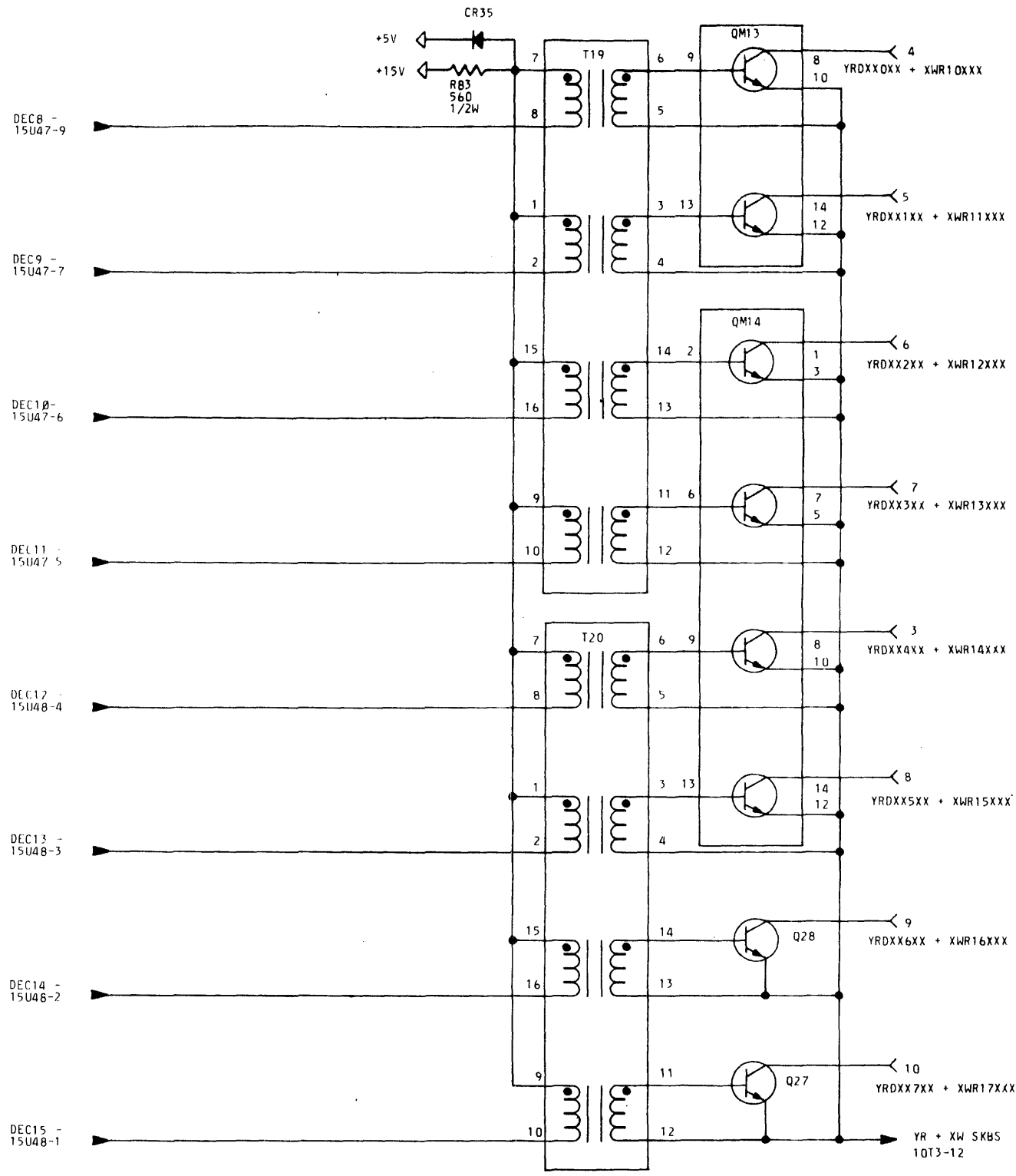


X WRITE SELECTION

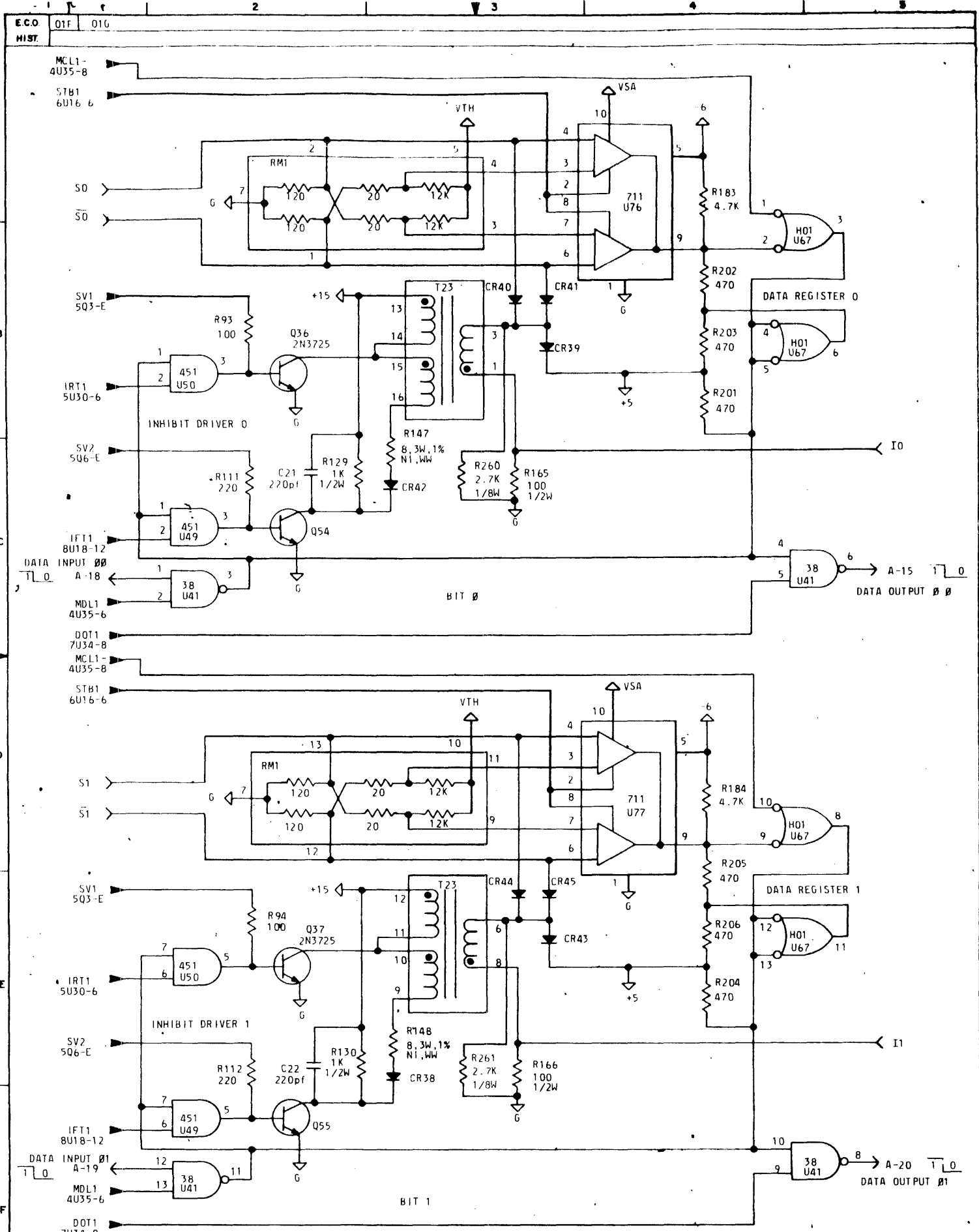
E.C.O.  
HIST.

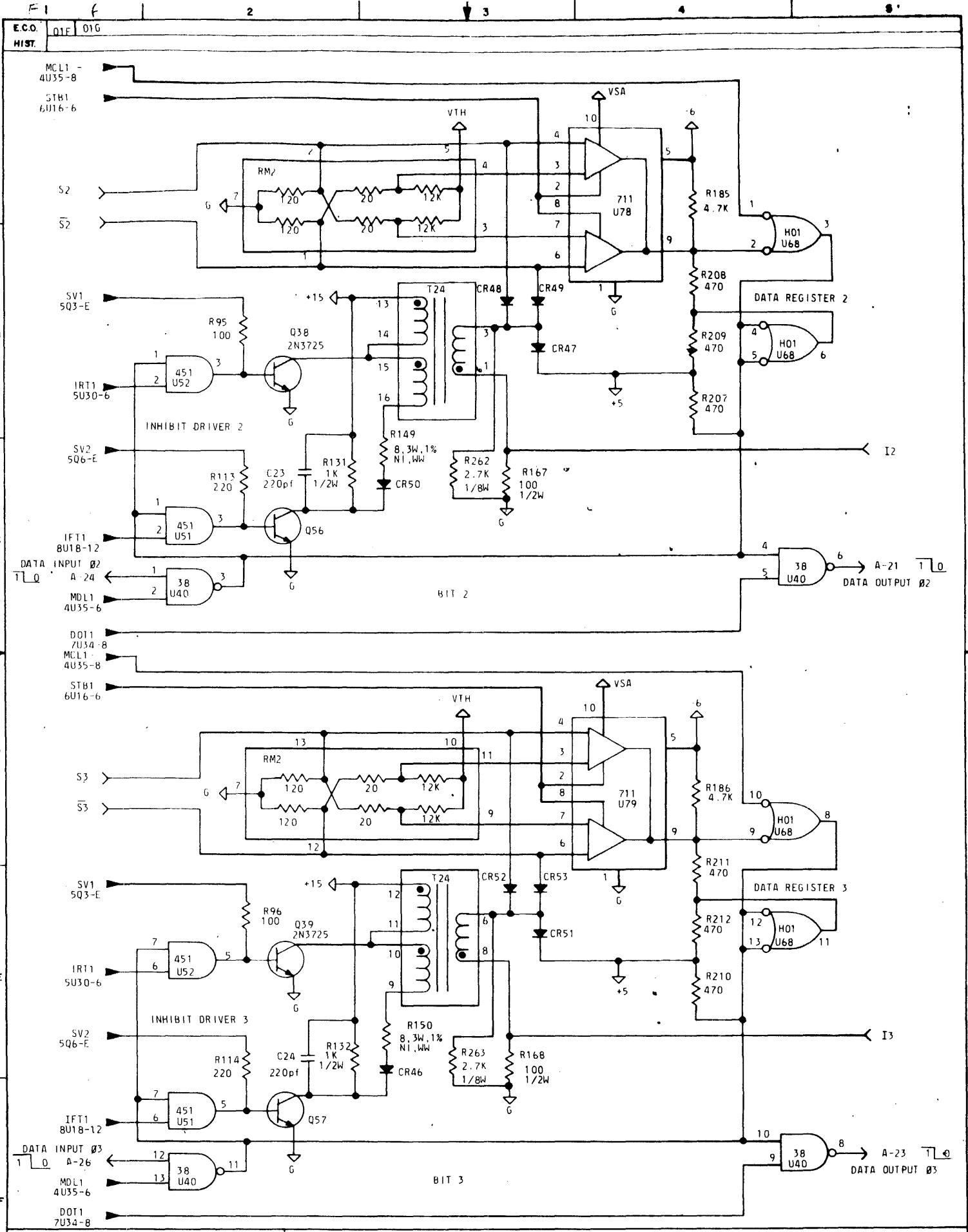
2 3 4 5

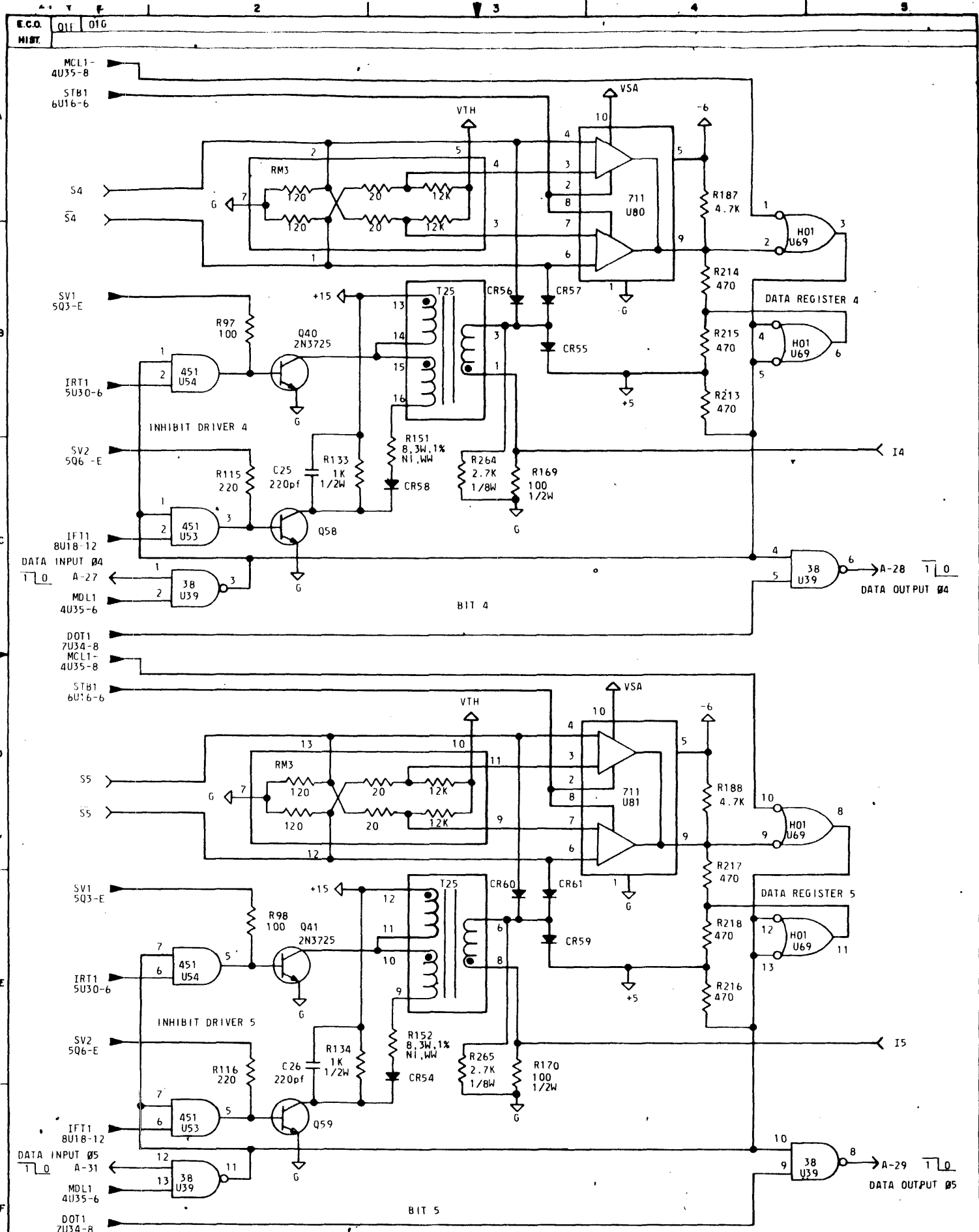
A  
B  
C  
D  
E  
F

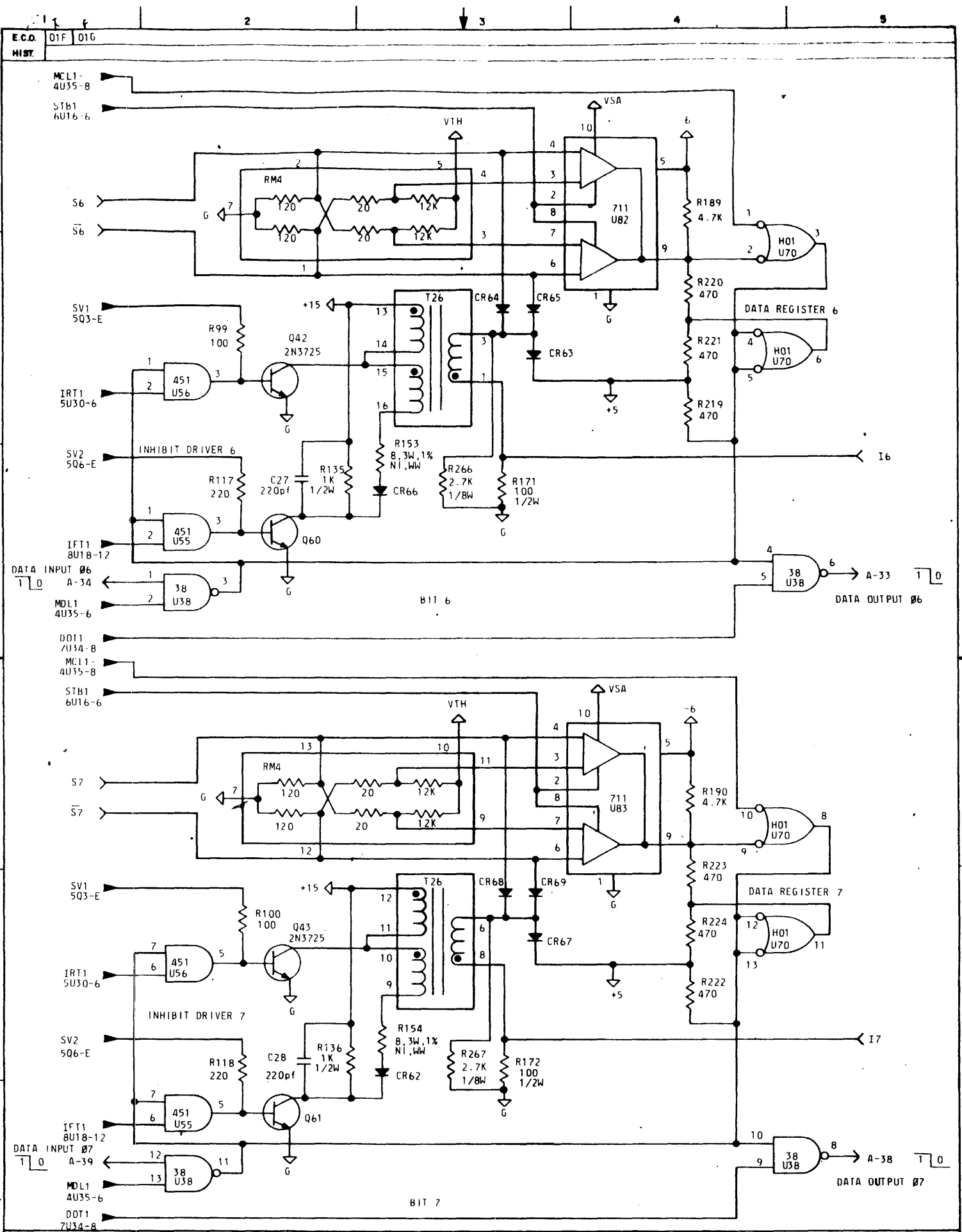


Y READ - X WRITE SELECTION

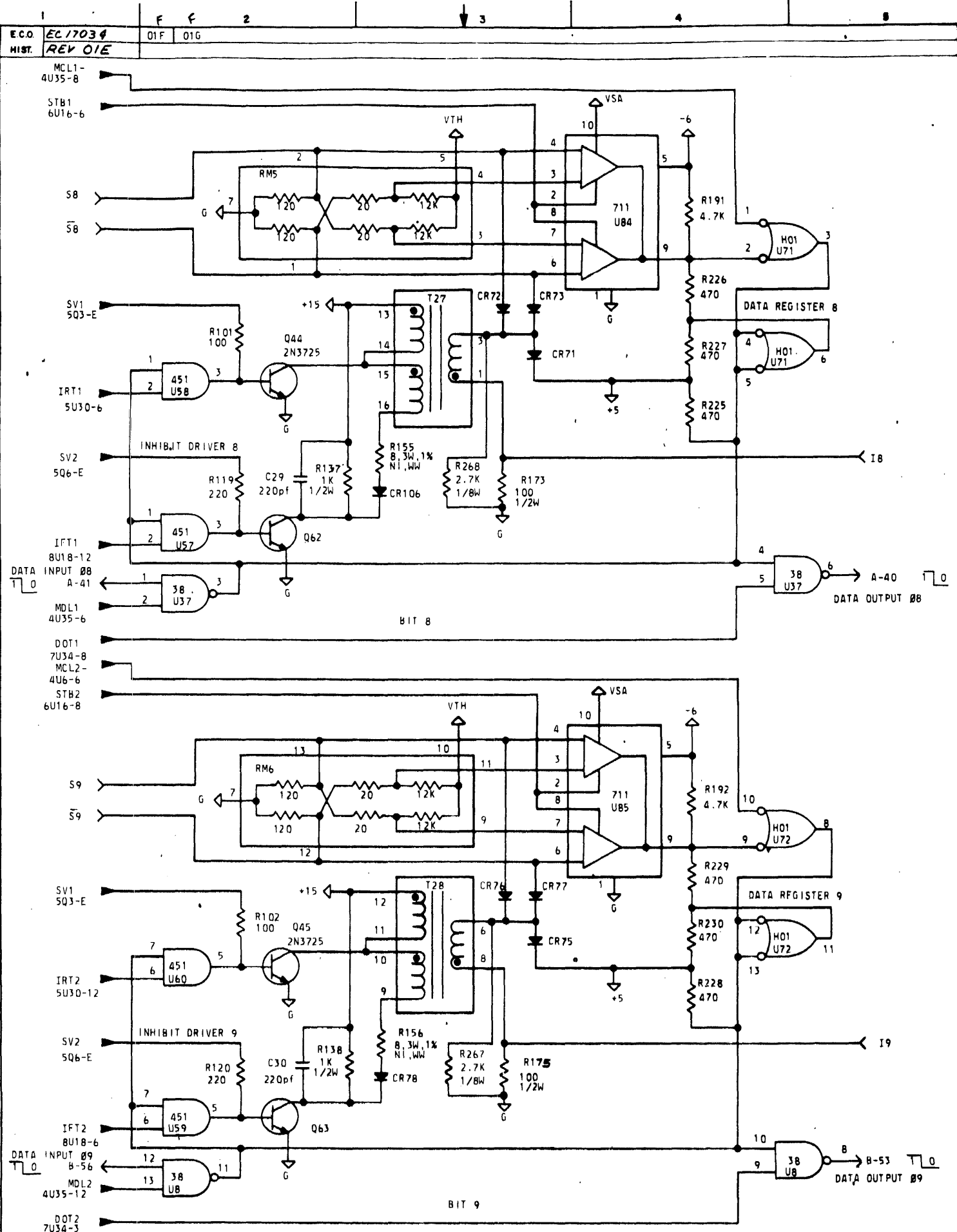


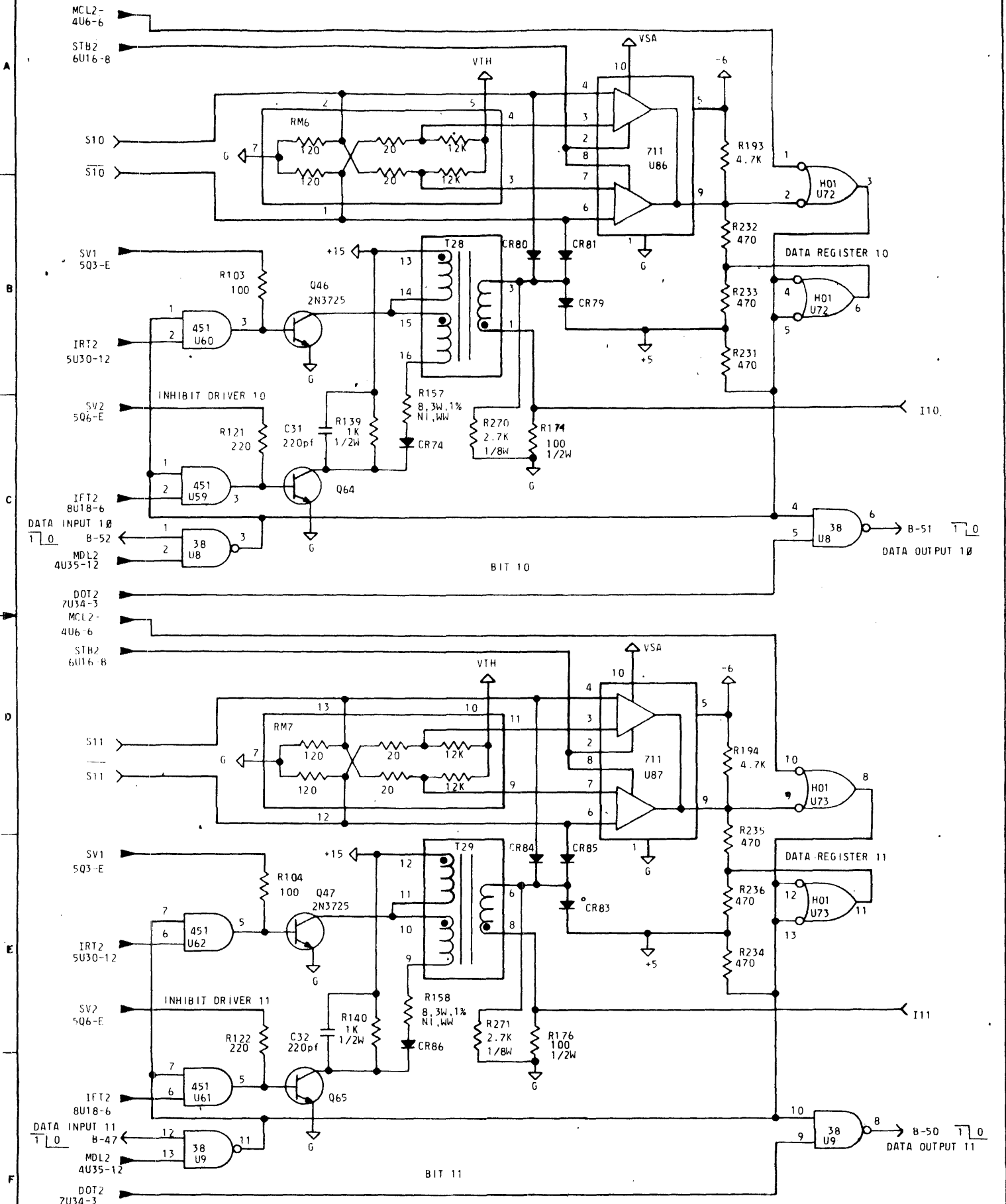


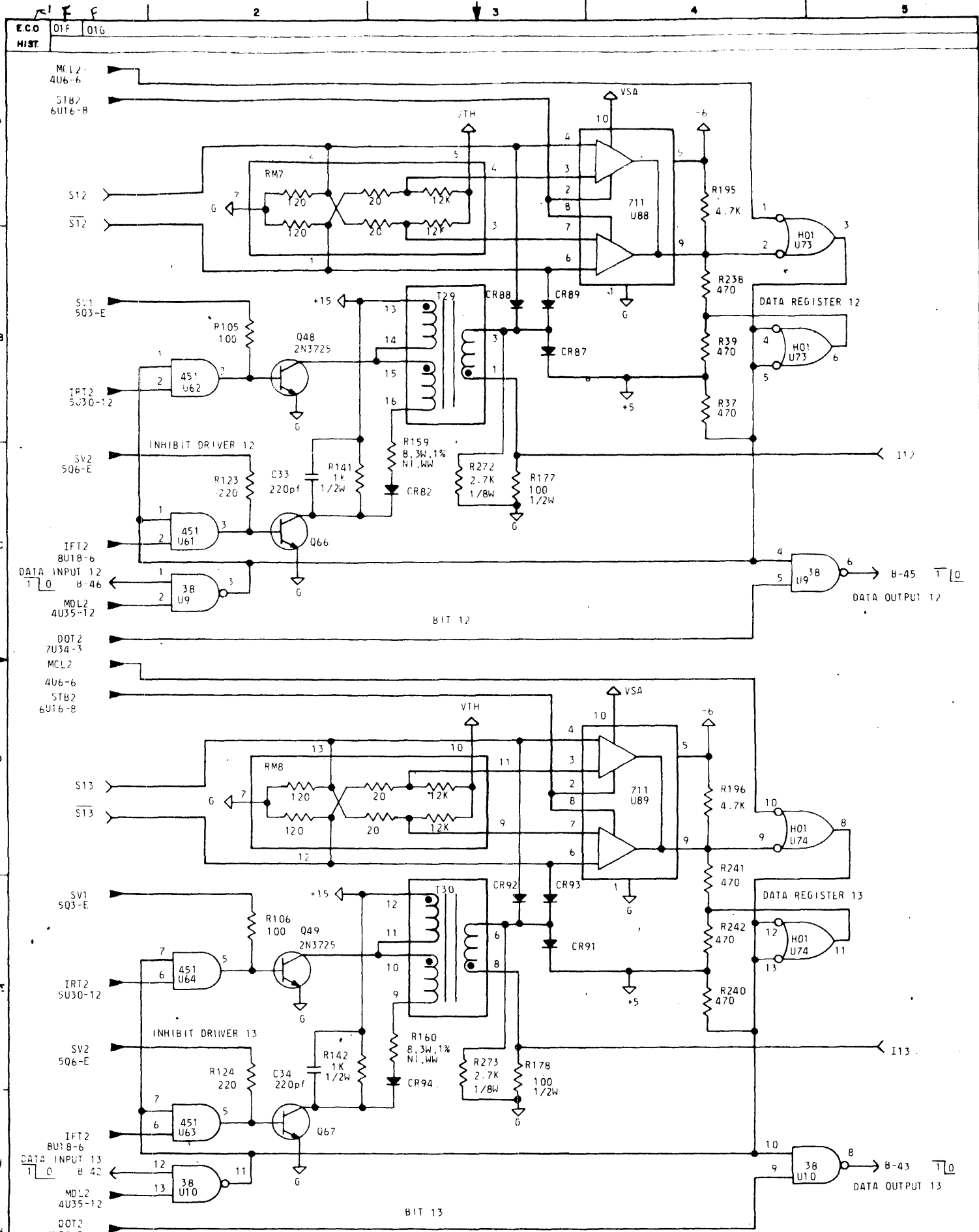


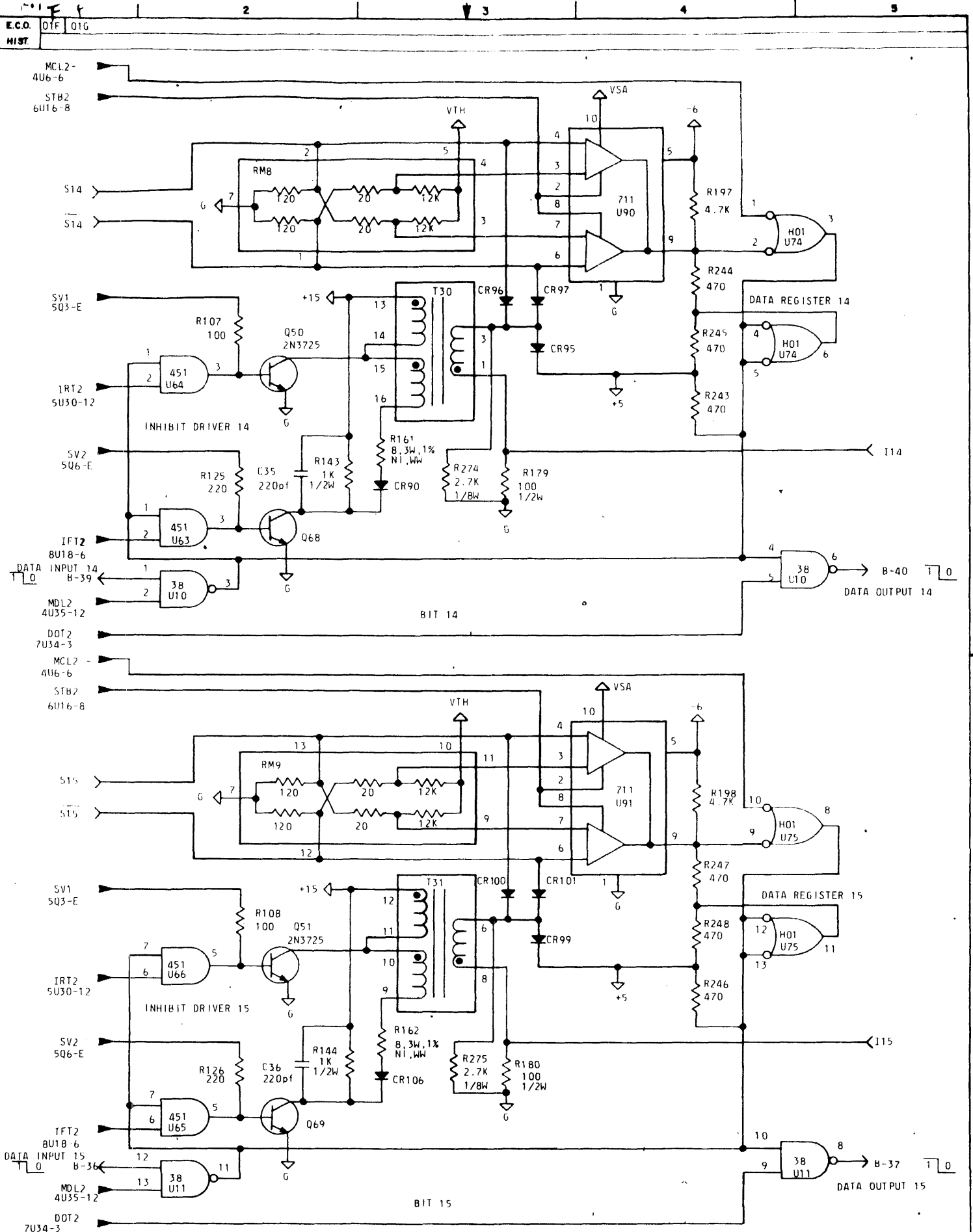




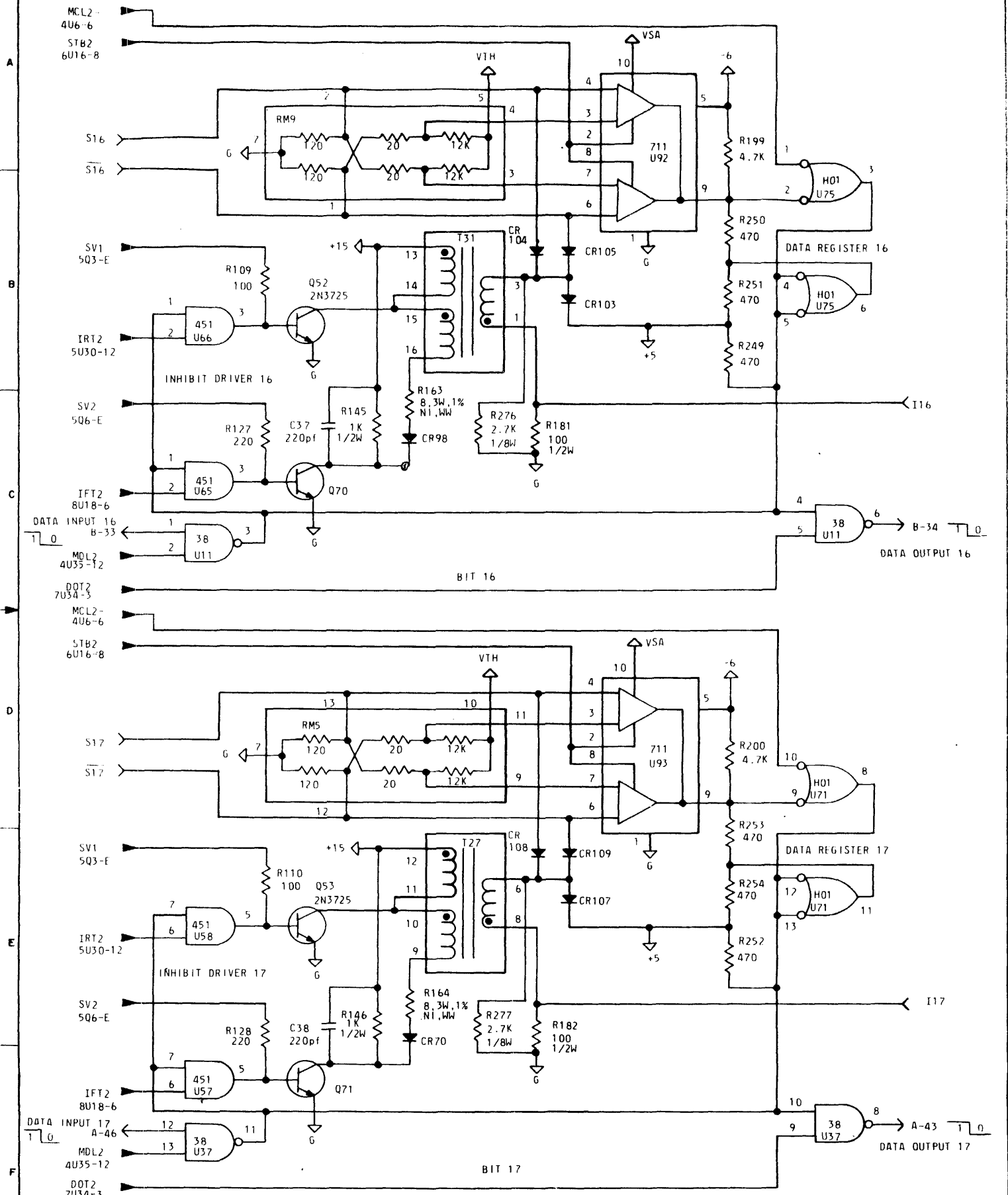








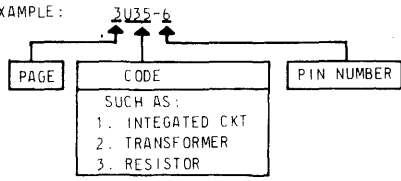
HIST.



- UNLESS OTHERWISE SPECIFIED:
  - ALL RESISTORS 1/4 W, 5% AND IN OHMS.
  - ALL CAPACITORS IN MICROFARADS.
  - ALL TRANSISTORS 2N4014.
  - ALL DIODES 1N4607.
- LAST REFERENCE DESIGNATION USED C24, CR11, Q38, R138, U93, T3, R11.

3. THE FOLLOWING INTEGRATED CIRCUIT DESIGNATIONS WERE NOT USED: U49, U50, U59, U60 U69, U70, U76, U80, U81, U85, U88, U90, U91.

- THIS SYMBOL REPRESENTS THE CARD EDGE CONNECTOR. IT INDICATES A MALE CONNECTOR. IT DOES NOT NECESSARILY INDICATE SIGNAL DIRECTION.
- THIS SYMBOL WILL BE FOUND ON THE LEFT BORDER. IT INDICATES DIRECTION OF SIGNAL FLOW. TO THE LEFT OF THE ARROWHEAD WILL BE THE SIGNAL MNEMONIC. EXAMPLE: LHIF, AND THE POINT OF ORIGIN CODE. EXAMPLE: 3U35-6



- THIS SYMBOL WILL BE FOUND ON THE RIGHT BORDER. IT INDICATES DIRECTION OF SIGNAL FLOW. TO THE RIGHT OF THE ARROWHEAD WILL BE THE FULL ENGLISH NAME AND THE LETTERS UNDERLINED THAT WILL MAKE UP THE MNEMONIC. EXAMPLE: LATCH INTERFACE. A LIST OF ALL DESTINATIONS WILL BE PRESENT.

INTEGRATED CIRCUIT CODE BREAKDOWN.

CODE	MANUFACTURER'S PART NUMBER	FTI PART NUMBER
38	SN7438N	134-0195-00
H00	SN74H00N	134-0165-00
H04	SN74H04N	134-0173-00
H05	SN74H05N	134-0191-00
H10	SN74H10N	134-0167-00
H11	SN74H11N	134-0168-00
H20	SN74H20N	134-0169-00
H21	SN74H21N	134-0170-00
H40	SN74H40N	134-0171-00
H51	SN74H51N	134-0220-00
H74	SN74H74N	134-0188-00
S00	SN74S00N	134-0207-00
S04	SN74S04N	134-0209-00
S11	SN74S11N	134-0213-00
S20	SN74S20N	134-0206-00
S40	SN74S40N	134-0205-00
452	SN75452N	134-0212-00
304	LM304	134-0255-00

TRANSFORMER BREAKDOWN BY REFERENCE DESIGNATION

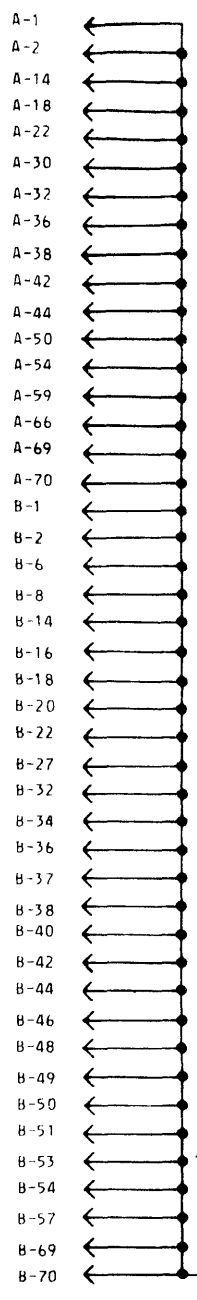
REFERENCE DESIGNATION	FTI PART NUMBER
T1	151-0007-00
T2, T3	019-0223-00

DOH	DOH									DOG	DOG																								
F	C	B	C	C	A	A	C	C		B	A	D	F	C																					
E	C	B	C	C	A	A	C	C		B	A	D	E	C																					
D	C	B	C	C	A	A	C	C		B	A	D	B	C																					
C	C	B	C	C	A	A	C	C		B	A		B	C																					
B	B	B	B	B	A	A				B	A		B	B																					
A					A	A				A	A				END																				
1	2	3	4	5	6	7	8	9	10	11	12	13	14	15	16	17	18	19	20	21	22	23	24	25	26	27	28	29	30	31	32	33	34	35	36

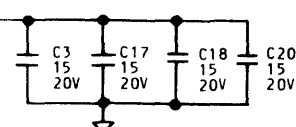
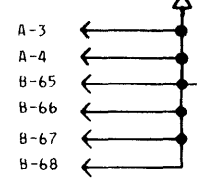
APPROVED *R. Ridge* DATE 2/10/72



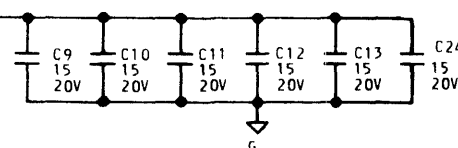
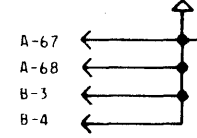
TITLE SCHEMATIC TIMING AND CONTROL ASSEMBLY

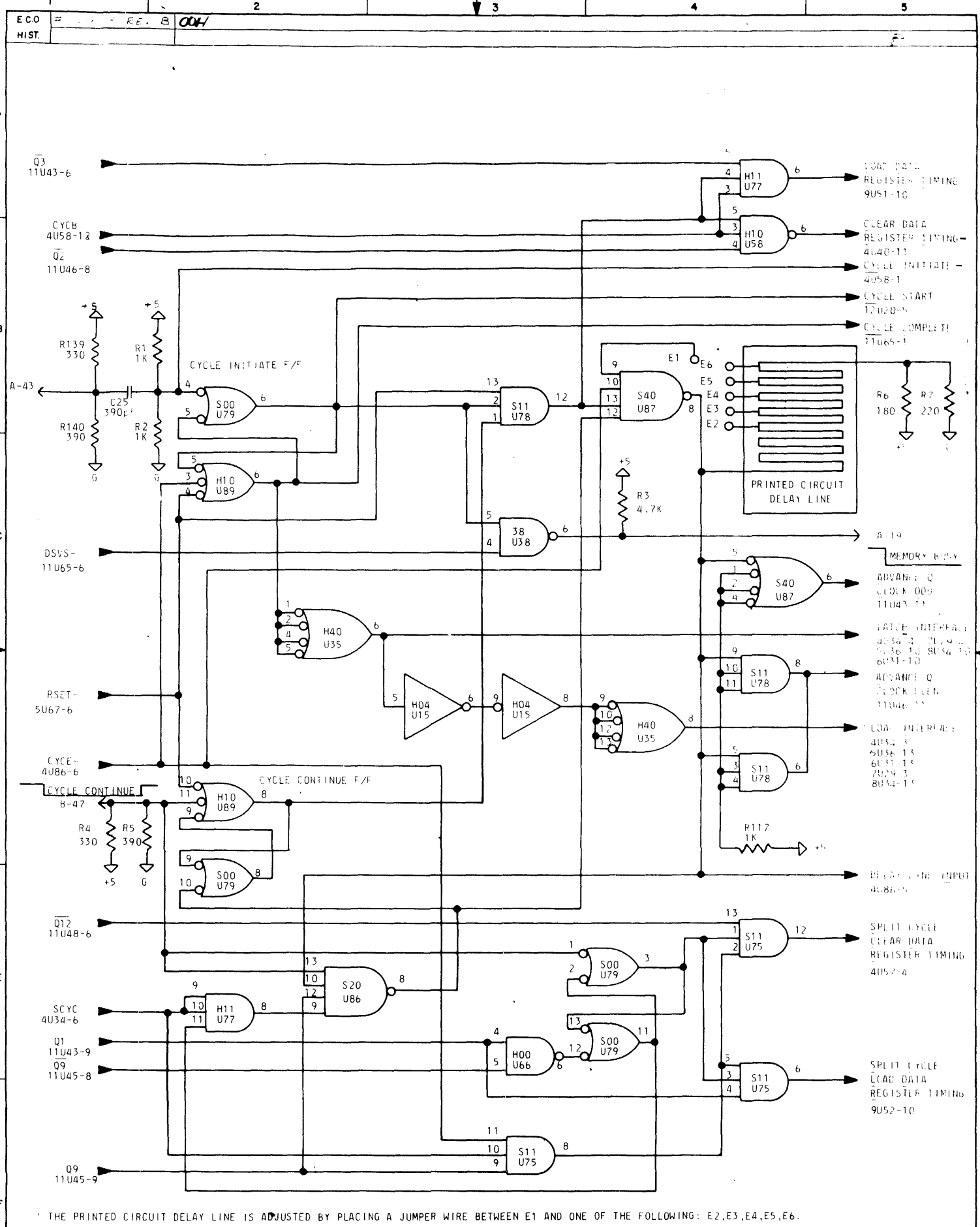


+15  
G



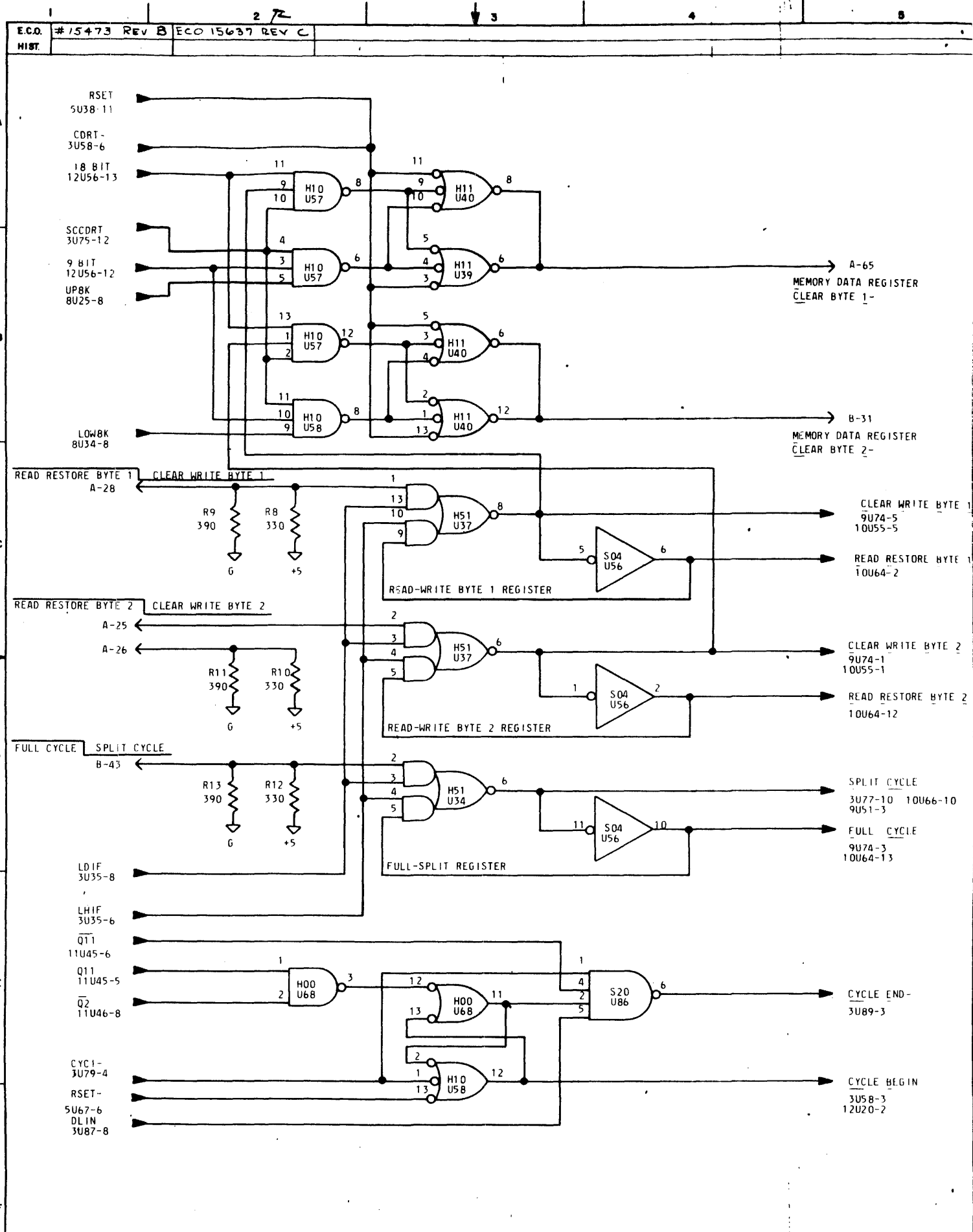
+5  
G

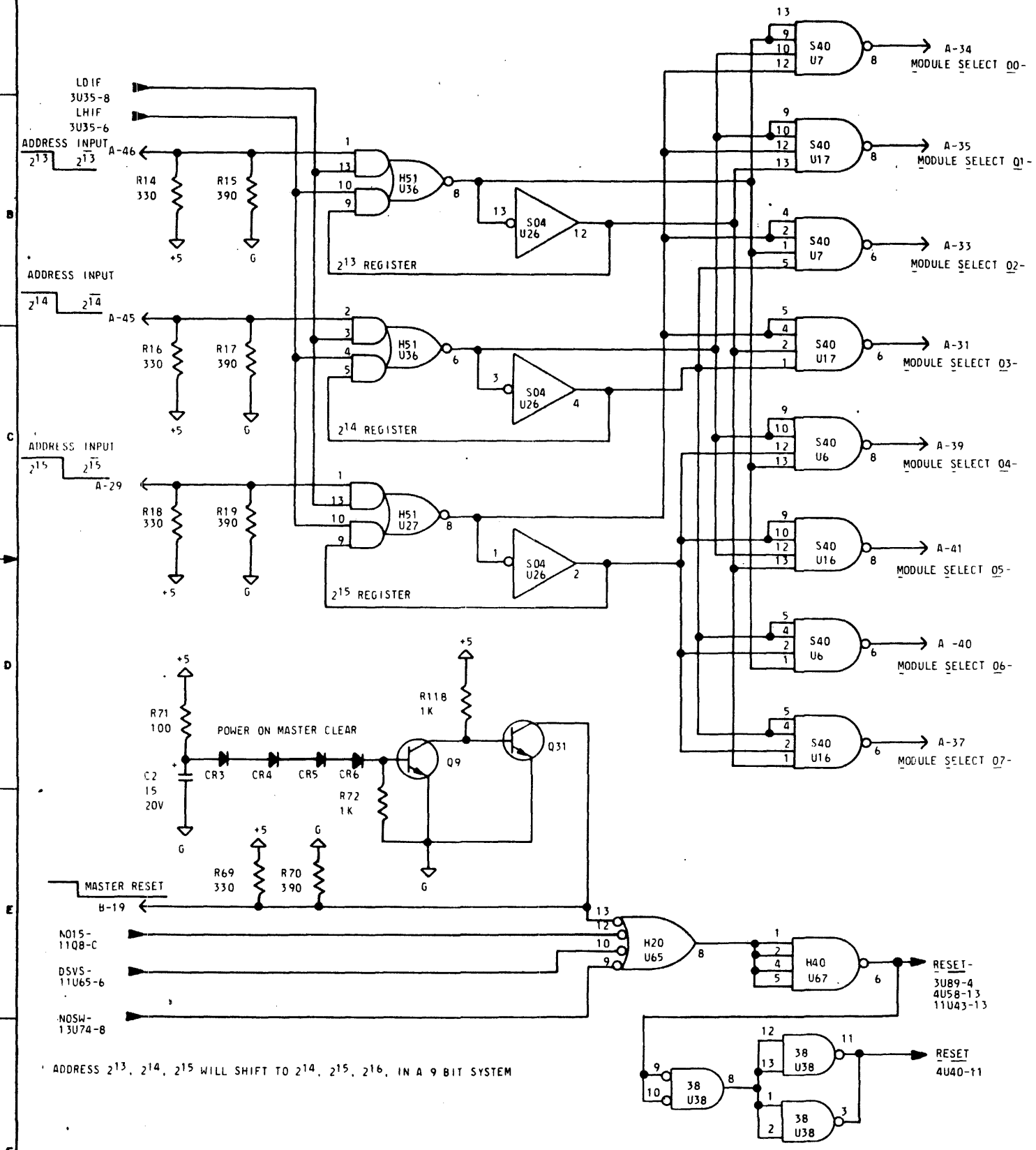




THE PRINTED CIRCUIT DELAY LINE IS ADJUSTED BY PLACING A JUMPER WIRE BETWEEN E1 AND ONE OF THE FOLLOWING: E2, E3, E4, E5, E6.

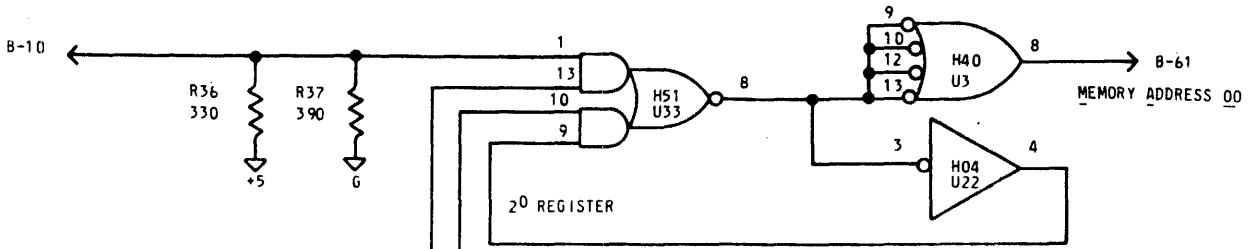




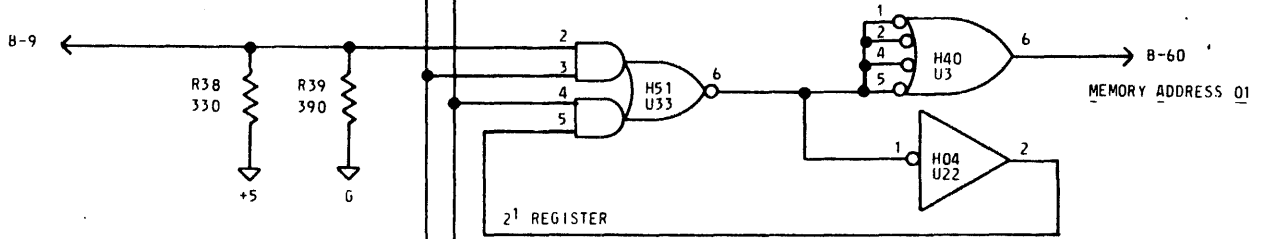


\* ADDRESS 2<sup>13</sup>, 2<sup>14</sup>, 2<sup>15</sup> WILL SHIFT TO 2<sup>14</sup>, 2<sup>15</sup>, 2<sup>16</sup>, IN A 9 BIT SYSTEM

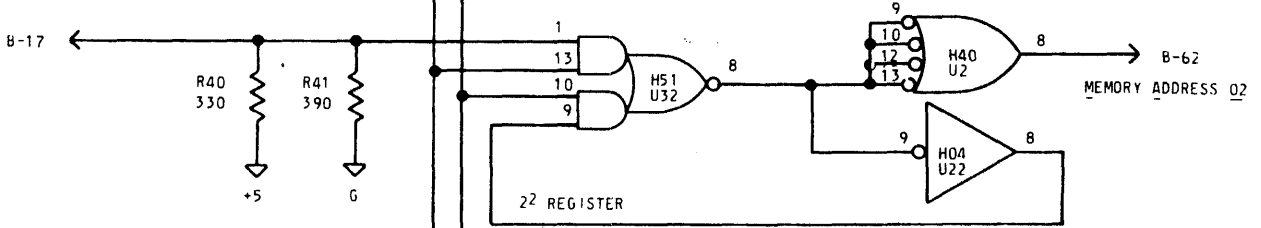
ADDRESS INPUT



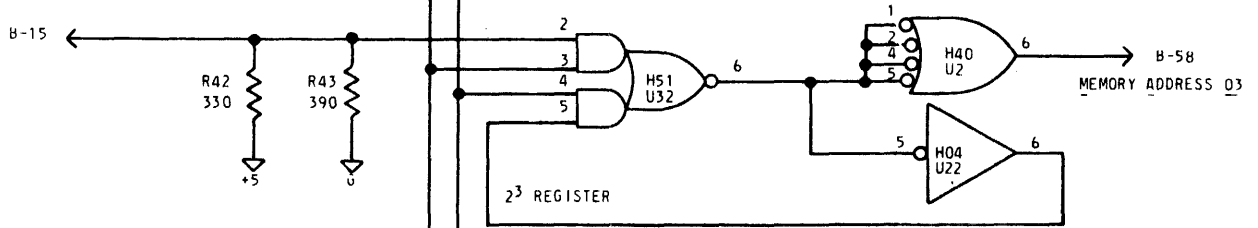
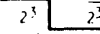
ADDRESS INPUT



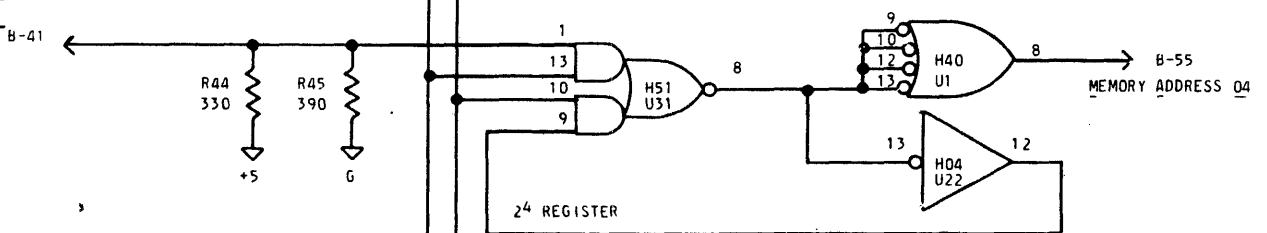
ADDRESS INPUT



ADDRESS INPUT



ADDRESS INPUT

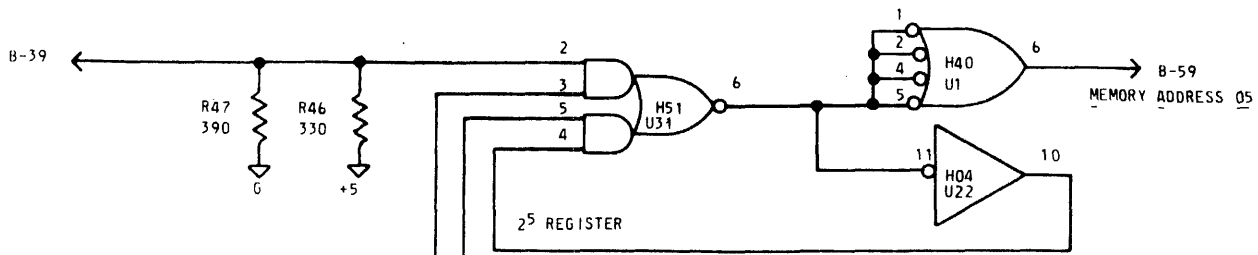


LDIF 3U35-8

LHIF 3U35-6

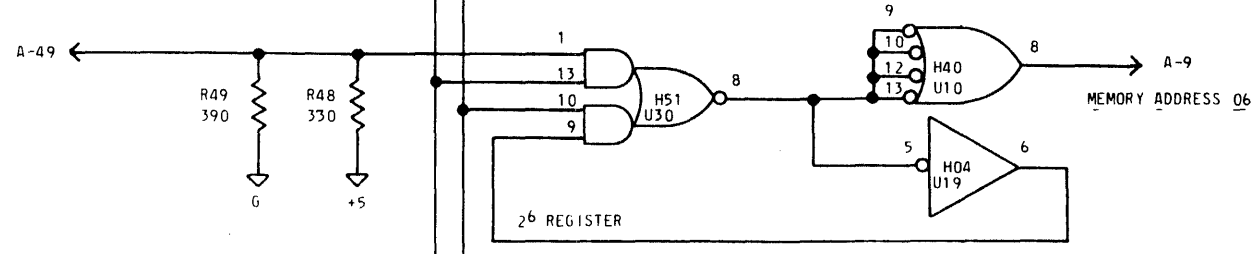
ADDRESS INPUT

$\overline{25}$   $\overline{25}$



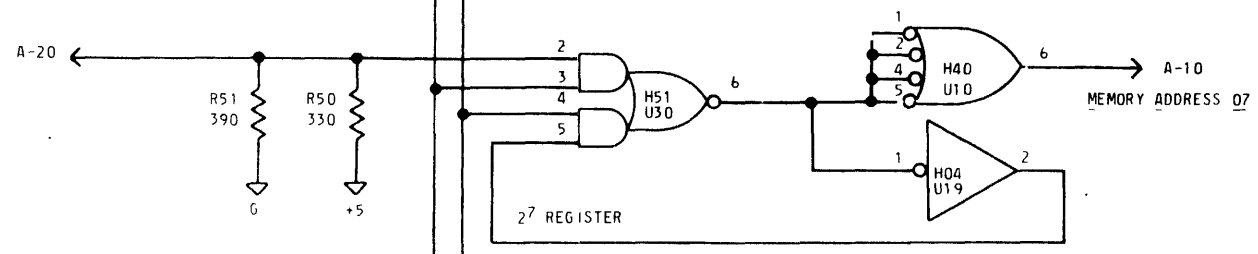
ADDRESS INPUT

$\overline{26}$   $\overline{26}$



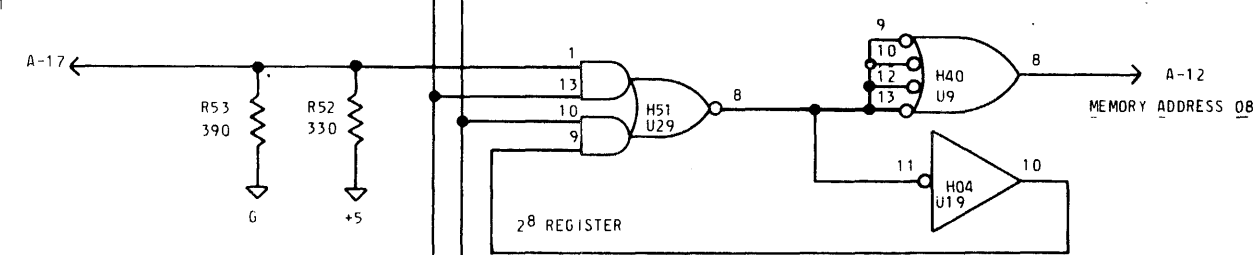
ADDRESS INPUT

$\overline{27}$   $\overline{27}$



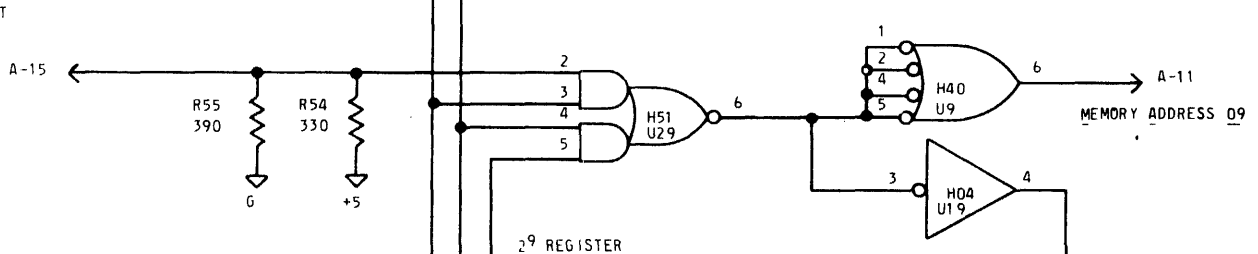
ADDRESS INPUT

$\overline{28}$   $\overline{28}$

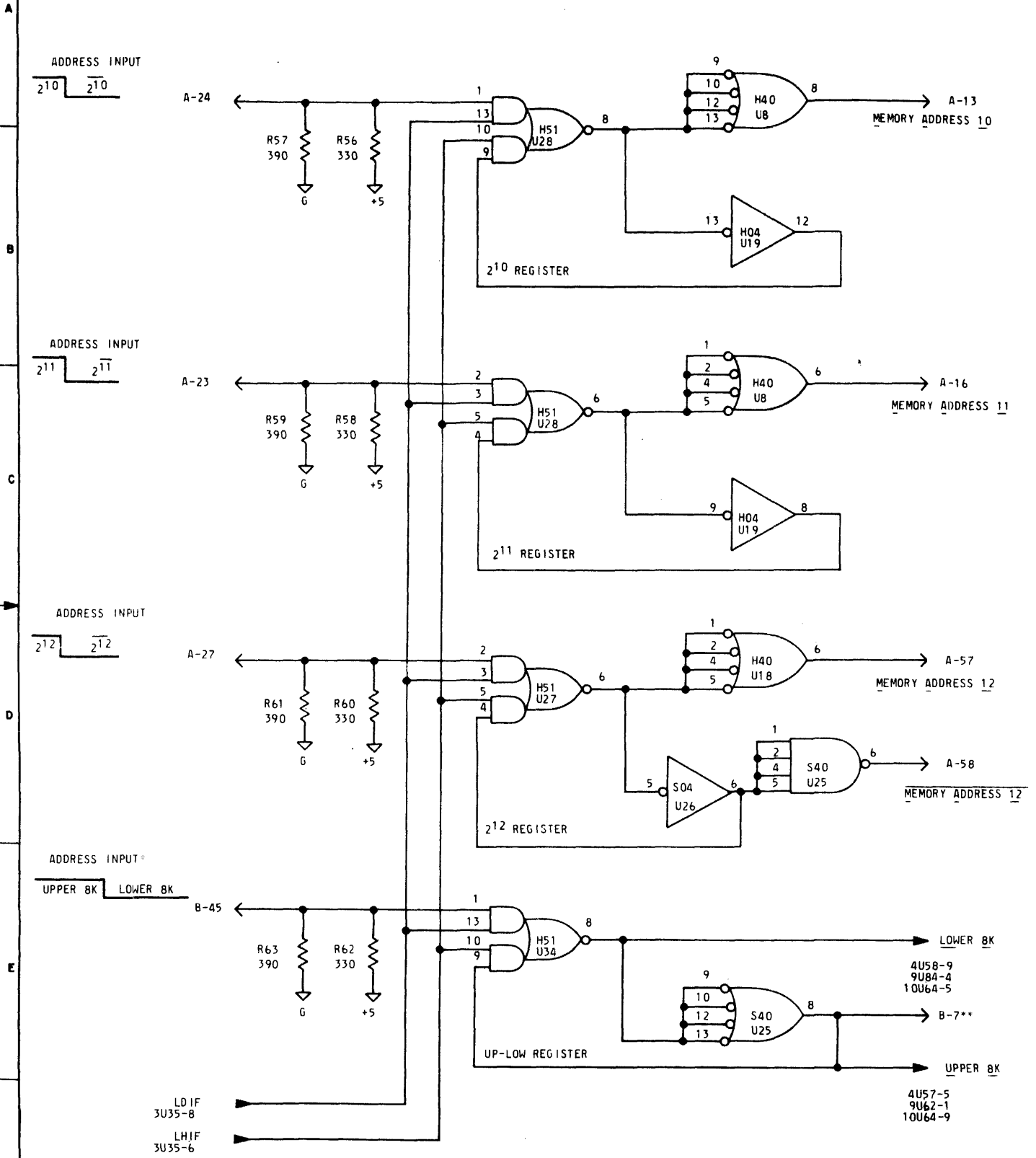


ADDRESS INPUT

$\overline{29}$   $\overline{29}$



LD IF 3U35-8  
 LHIF 3U35-6



\* USE ONLY WITH 9 BIT SYSTEM, WILL BE DRIVEN BY  $2^{13}$ .  
 \*\* NOT USED

LATE DATA STROBE

B-13

R64  
1K  
+5

S04  
U56

H04  
U73

H04  
U73

H11  
U74

H21  
U62

H00  
U83

H00  
U83

H04  
U73

H11  
U74

H21  
U62

H00  
U84

H00  
U84

H00  
U84

H00  
U83

H20  
U42

H10  
U51

H20  
U41

H10  
U52

H20  
U42

H10  
U51

H21  
U21

H20  
U41

H10  
U51

H21  
U21

H21  
U11

H21  
U11

A-61  
MEMORY DATA LOAD  
BYTE 1-

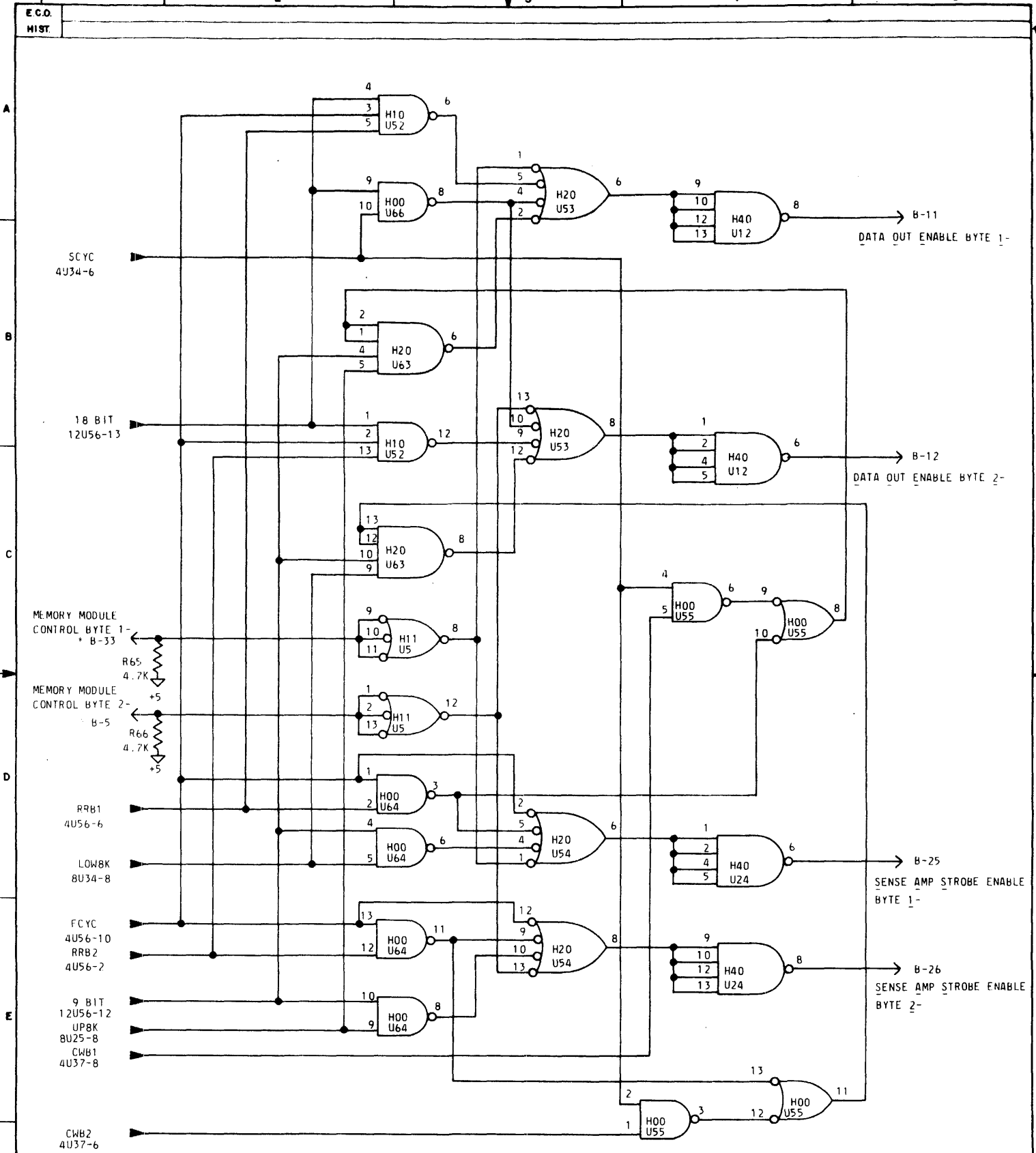
A-62  
MEMORY DATA LOAD  
BYTE 2-

Q9  
11U45-9  
18 BIT  
12U56-13  
CWB1  
4U37-8  
FCYC  
4U56-10  
9 B:1  
12U56-12  
UPBK  
8U25-8  
Q11  
11U45-6

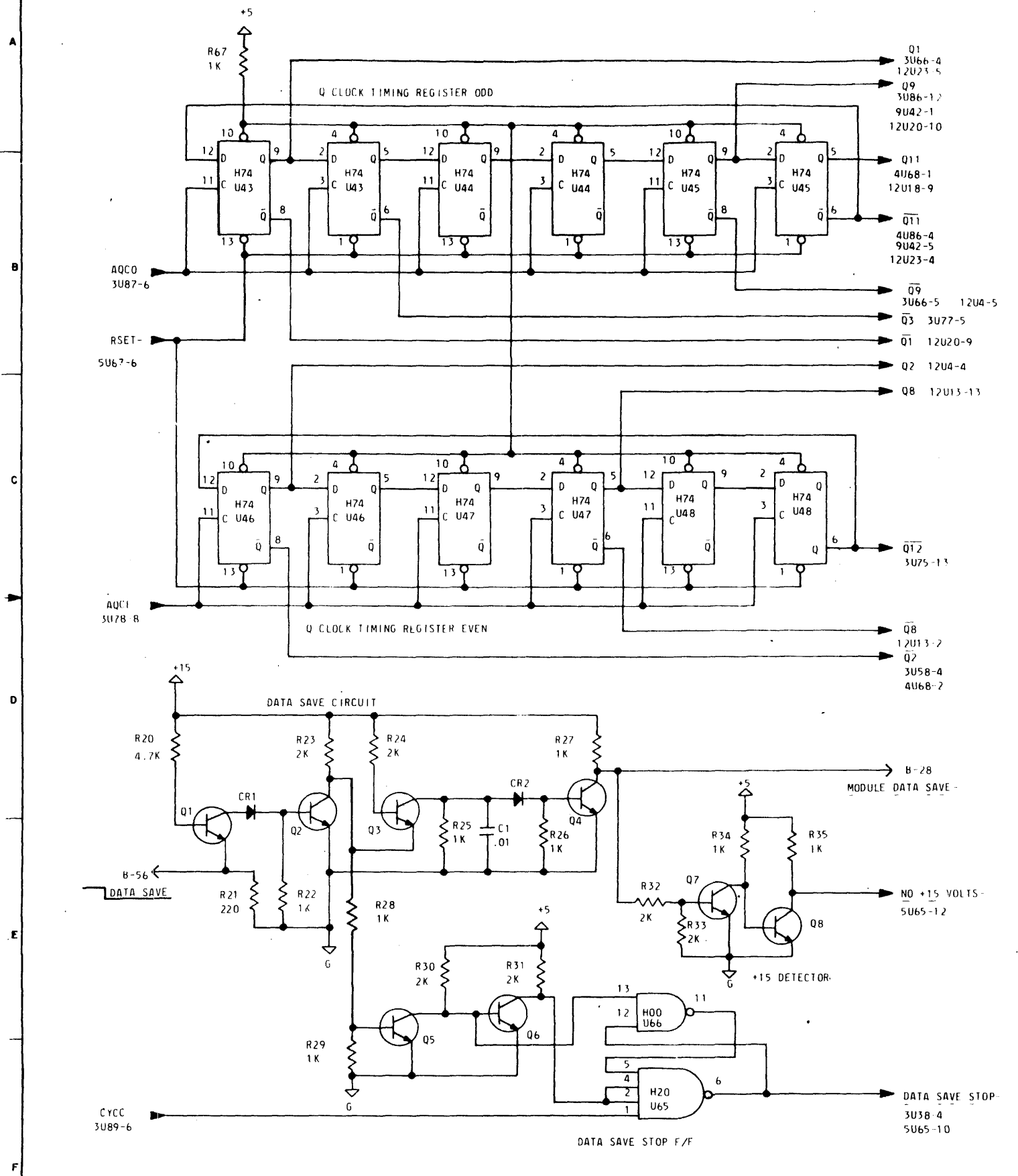
LDRT  
3U77-6  
SCLDRT  
3U75-6  
CWB2  
4U37-6  
SCYC  
4U34-6

LOW8K  
8U34-8

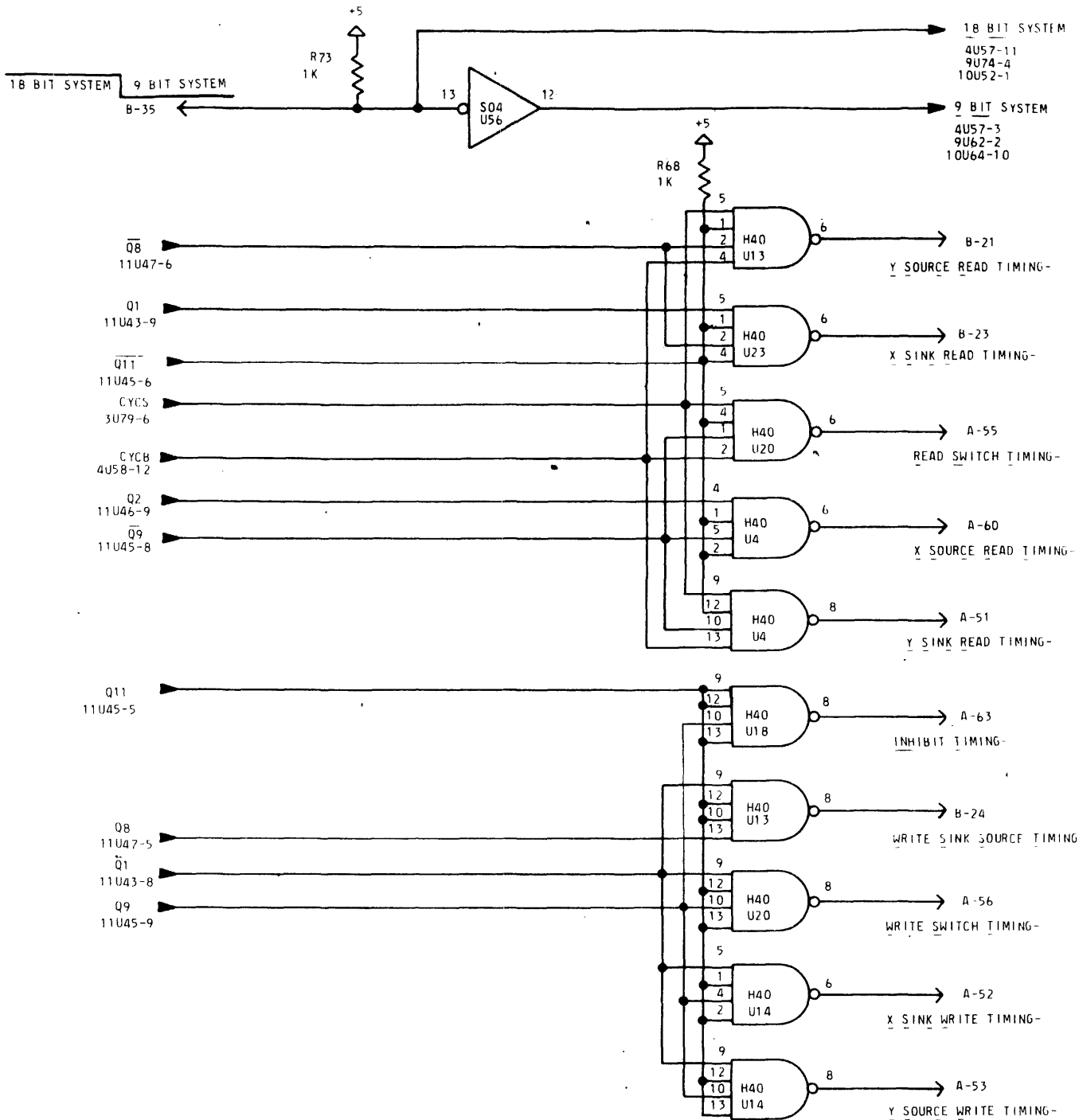
E.C.O.  
HIST.



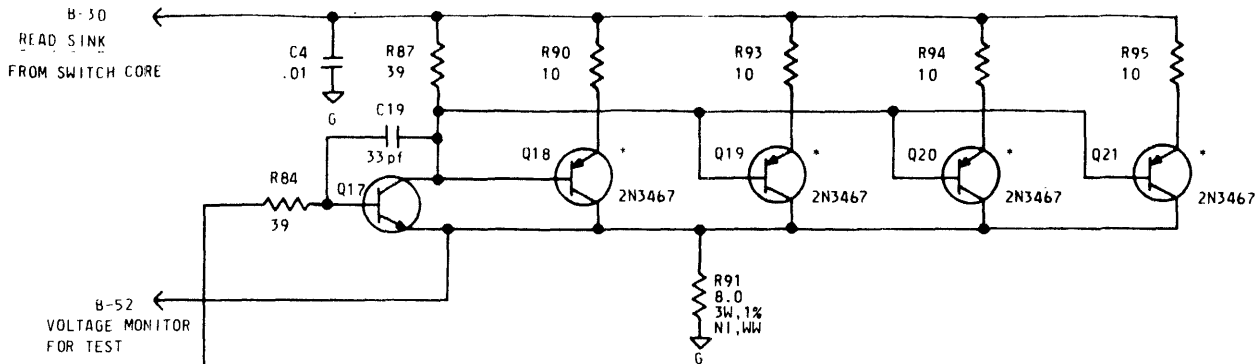
\* FOR END USER USE ONLY.  
 INPUTS ARE LEFT OPEN FOR O.E.M.



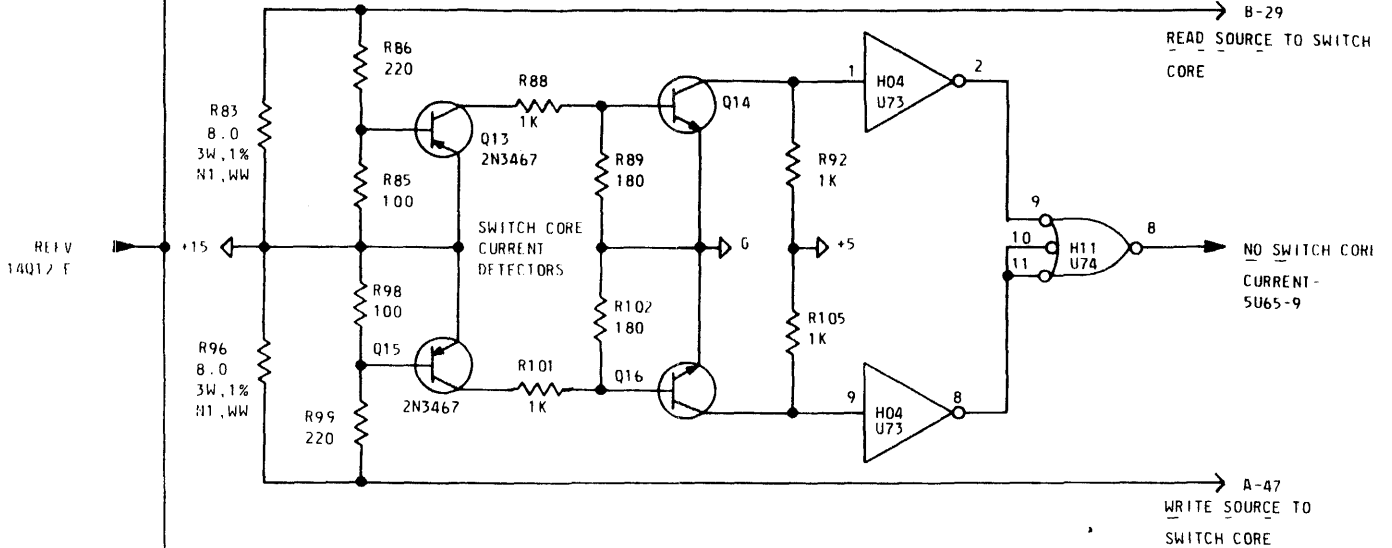




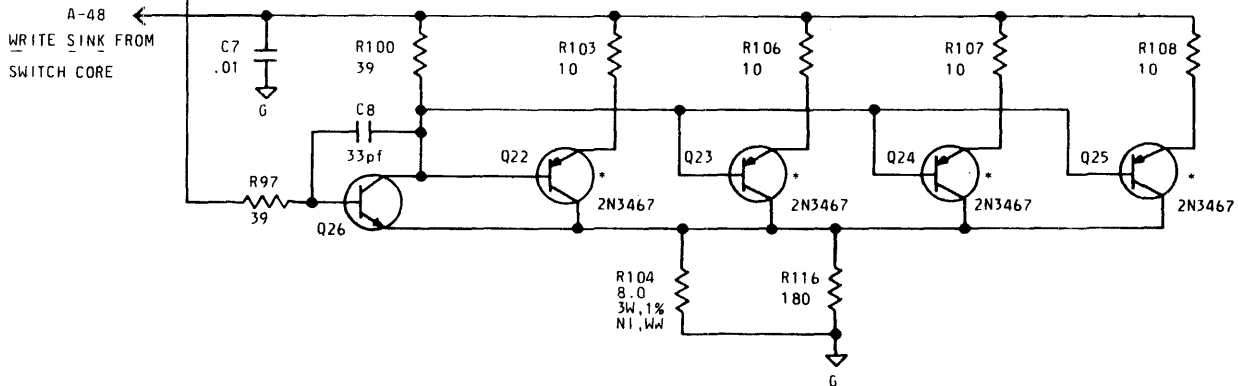
READ CURRENT GENERATOR



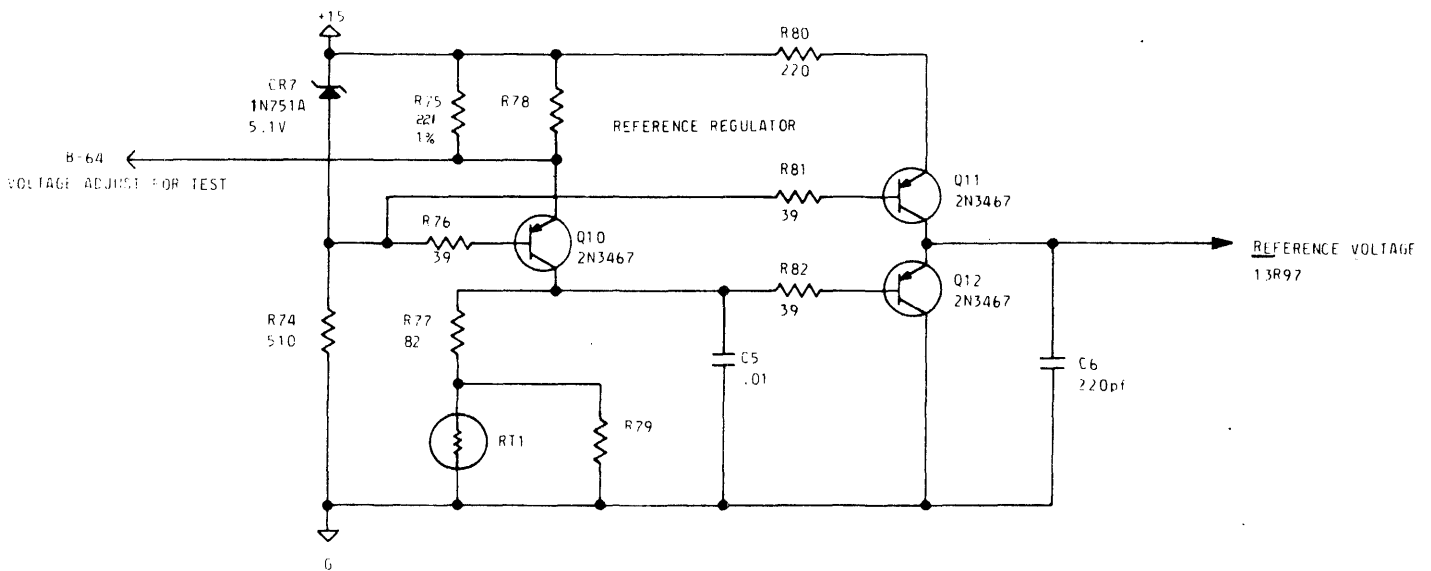
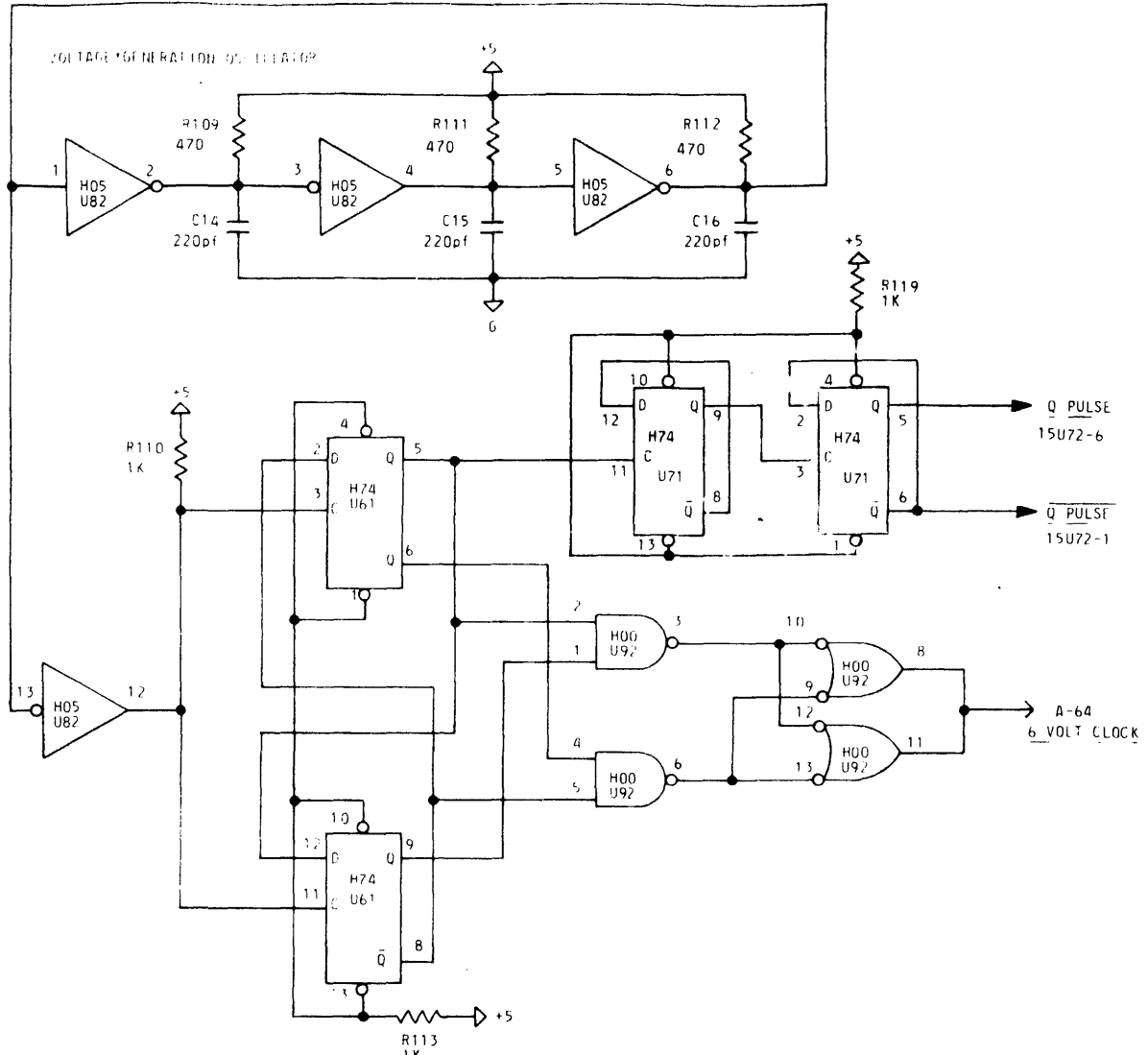
B-29  
READ SOURCE TO SWITCH  
CORE

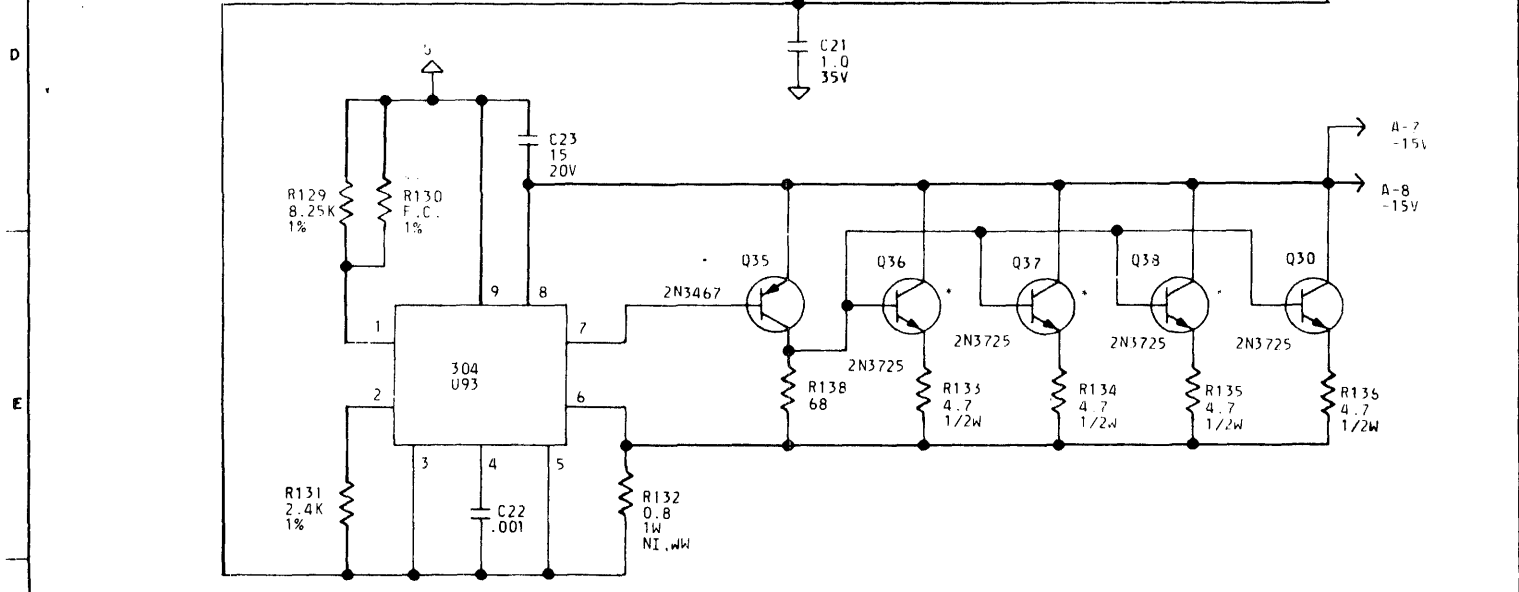
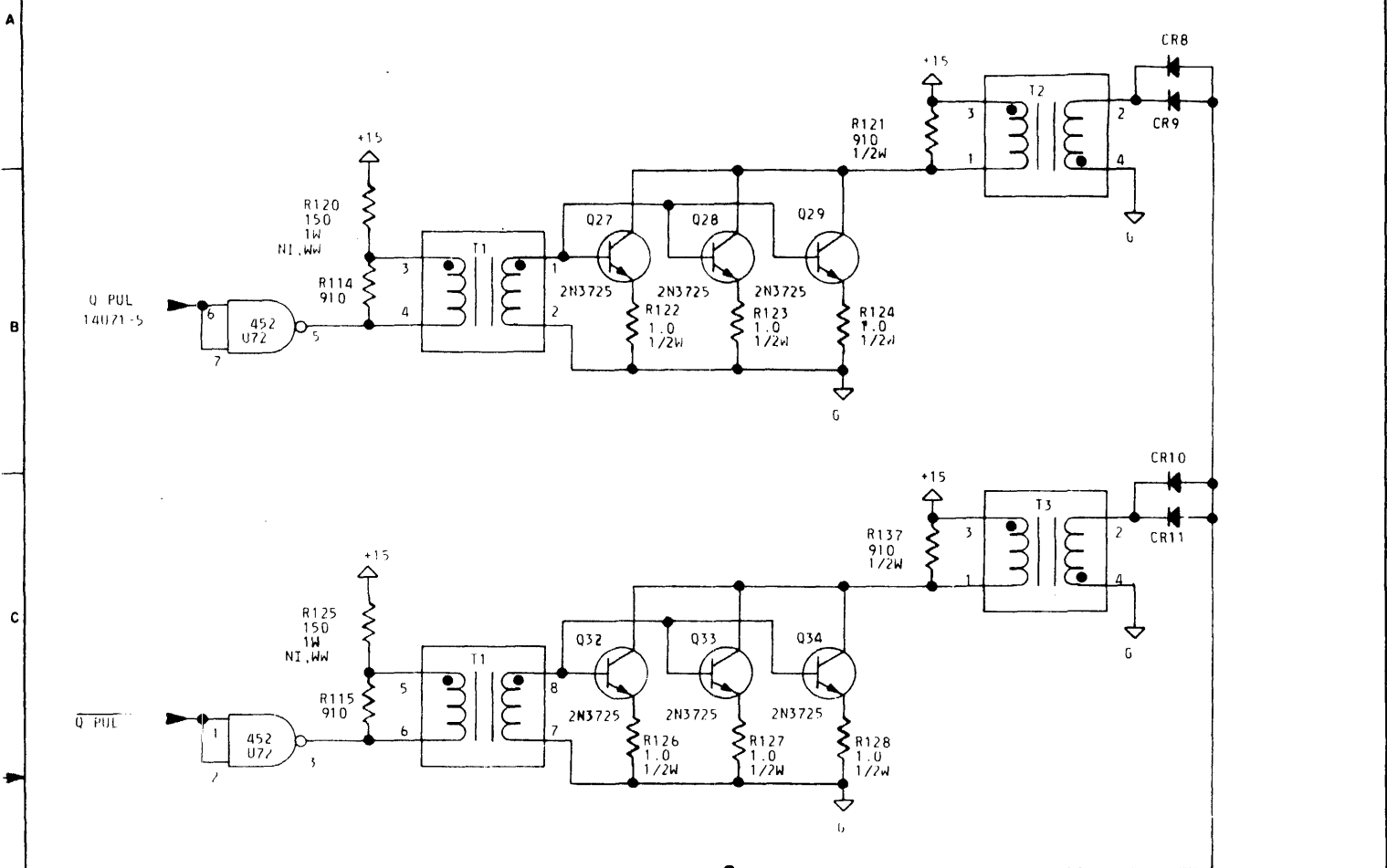


WRITE CURRENT GENERATOR



\* HEAT SINKED





\* HEAT SINK  
 \*\* F.C. MEANS FACTORY SELECT. THE VALUE OF THIS RESISTOR IS DETERMINED BY THE FACTORY DURING TEST.

NOTES: APPLICABLE THROUGHOUT THIS SCHEMATIC.

1. UNLESS OTHERWISE STATED:

A. RESISTANCE VALUES ARE IN OHMS. RESISTORS ARE 5% TOLERANCE, 1/4 WATT.

B. CAPACITANCE VALUES ARE IN MICROFARADS.

C. ALL RESISTORS TO +5 ARE 330.  
ALL RESISTORS TO GND ARE 390.

2. JEDEC OR MANUFACTURER'S PART NUMBERS ARE FOR REFERENCE ONLY. FOR EXPLICIT DESCRIPTION OF THE DEVICE CHARACTERISTICS, REFER TO THE FABRI-TEK SPECIFICATION FOR THE FABRI-TEK PART NUMBER.

REVISION STATUS OF SHEETS																						
	OOB	OOB	OOB				OOB	OOB	OOB	OOB	OOB											
	OOB	OOB	OOB	OOB	OOB	OOB			OOB													
	OOA		OOA																			
	1	2	3	4	5	6	7	8	9	10	11	12	13	14	15	16	17	18	19	20	21	22

	DATE
DRAWN D. HANSEN	2-16-73
CHECKED <i>D. Hansen</i>	3-26-73
APPROVED <i>[Signature]</i>	3-26-73

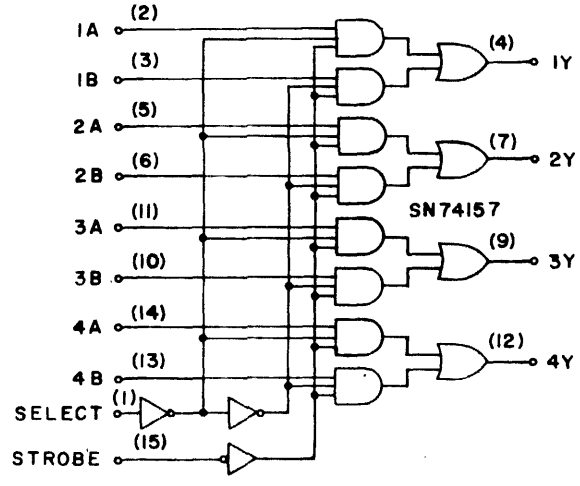
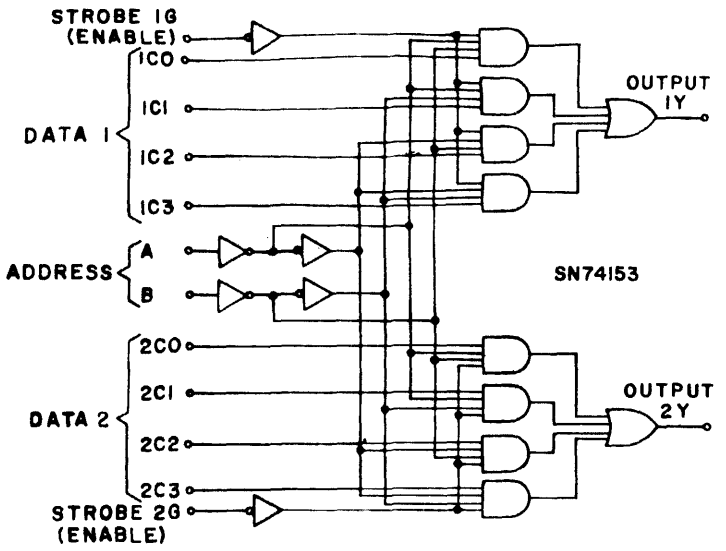


TITLE SCHEMATIC, 24K X 12 MULTIPLEXER

DWG. NO. C 138-001880 TYPE 960-0500-00 VERS. PAGE 1 OF 12

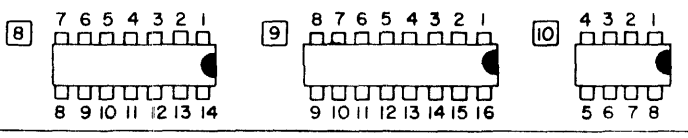
MODULE CODE TABLE (BOXED NUMBERS INDICATE NOTES)

CODE	VENDOR'S P/N	DESCRIPTION(POSITIVE LOGIC)	PINS
H04	[1] SN74H04	[3] HEX INVERTER	[4] [8]
86	[1] SN7486	[3] QUAD 2-INPUT EX OR	[4] [8]
H74	[1] SN74H74	[3] DUAL TYPE D FLIP-FLOP	[4] [8]
38	[1] SN7438	[3] QUAD 2-INPUT POS NAND BUFFERS	[4] [8]
123	[1] SN74123	[3] DUAL MONOSTABLE MV W/CLEAR	[5] [9]
42	[1] SN7442	[3] 4 TO 10 LINE DECODER (1-OF-10)	[5] [9]
157	[1] SN74157	[3] QUAD 2 LINE-TO-1 LINE SELECT	[5] [9]
153	[1] SN74S153	[3] DUAL 4 LINE-TO-1 LINE SEL/MULTI	[5] [9]
75	[1] SN7475	[3] QUAD BISTABLE LATCH	[ ] [9]
	[ ]	[ ]	[ ] [ ]
	[ ]	[ ]	[ ] [ ]
	[ ]	[ ]	[ ] [ ]
	[ ]	[ ]	[ ] [ ]
	[ ]	[ ]	[ ] [ ]
	[ ]	[ ]	[ ] [ ]
	[ ]	[ ]	[ ] [ ]
	[ ]	[ ]	[ ] [ ]
	[ ]	[ ]	[ ] [ ]
	[ ]	[ ]	[ ] [ ]
	[ ]	[ ]	[ ] [ ]
	[ ]	[ ]	[ ] [ ]



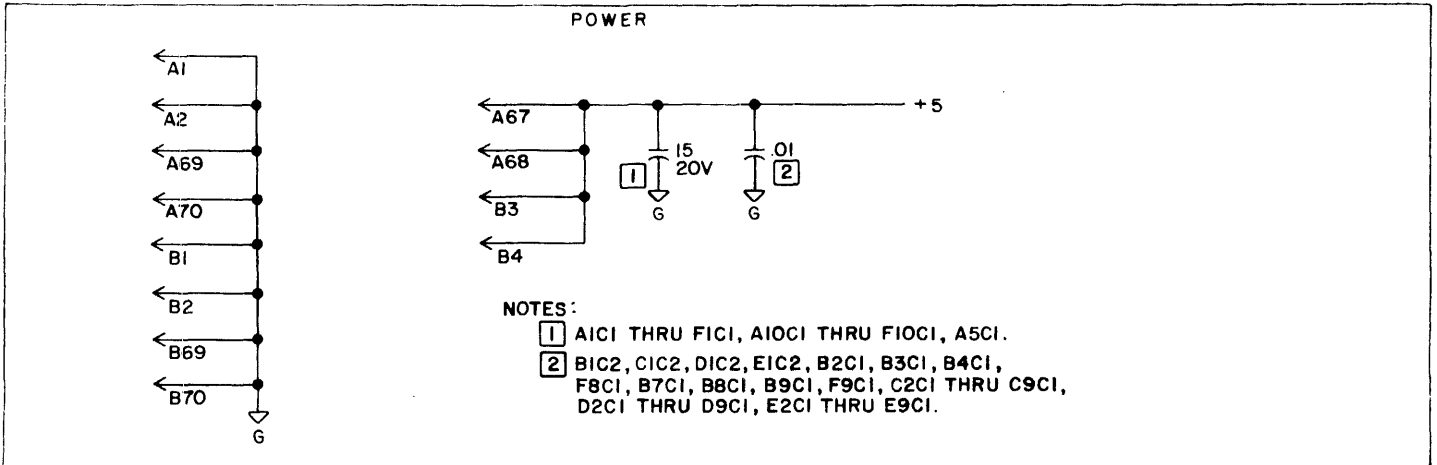
NOTES: FOR REFERENCE ONLY

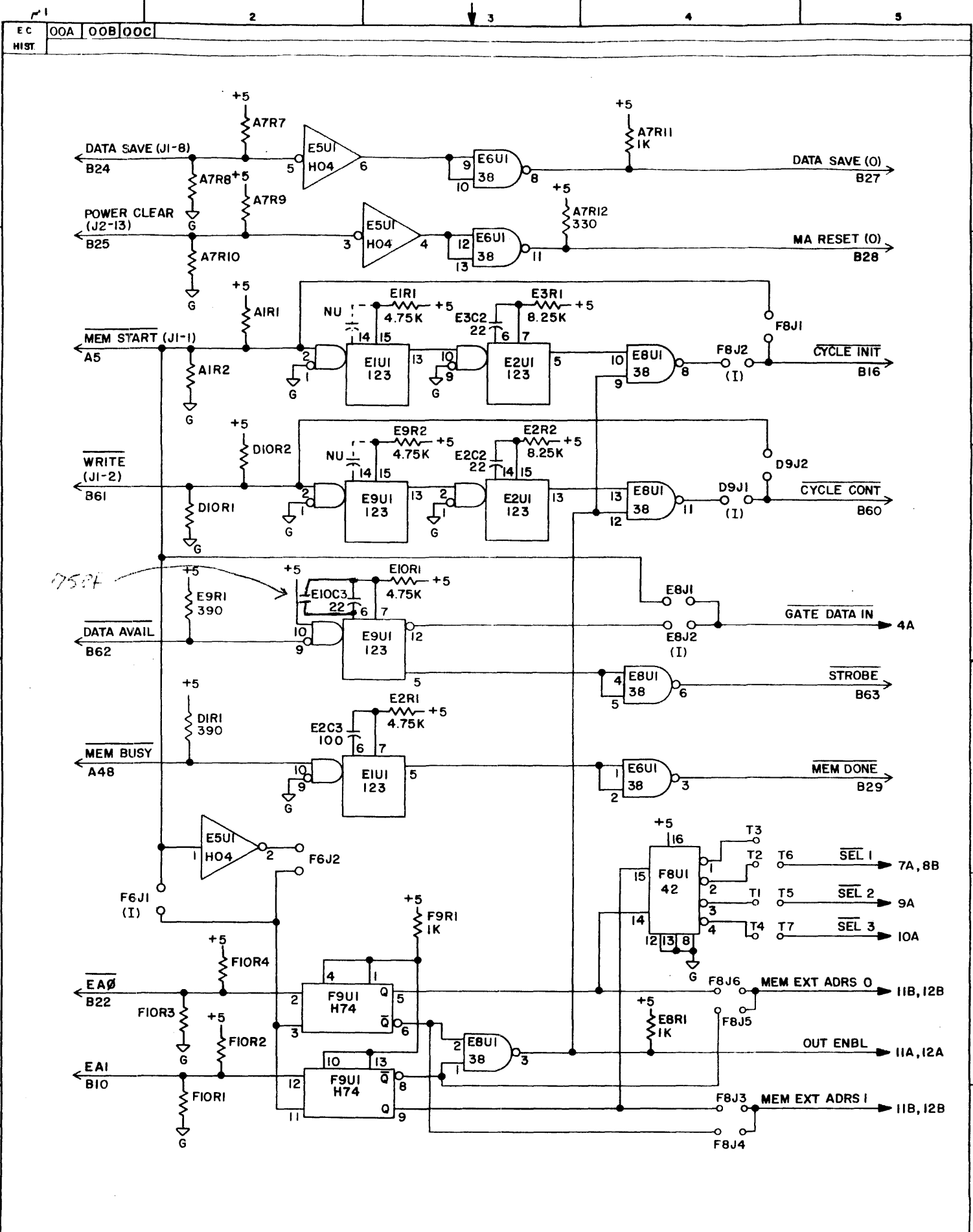
- [1] TEXAS INSTRUMENTS INC.
- [2] SPRAGUE ELECTRIC CO.
- [3] TTL IC.H CODE PREFIX INDICATES HIGH SPEED, S PREFIX INDICATES SCHOTTKY-CLAMPED VERY HIGH SPEED
- [4] +5VDC TERMINAL 14, GROUND TERMINAL 7
- [5] +5VDC TERMINAL 16, GROUND TERMINAL 8
- [6] +5VDC TERMINAL 5, GROUND TERMINAL 13
- [7] +5VDC TERMINAL 8, GROUND TERMINAL 4

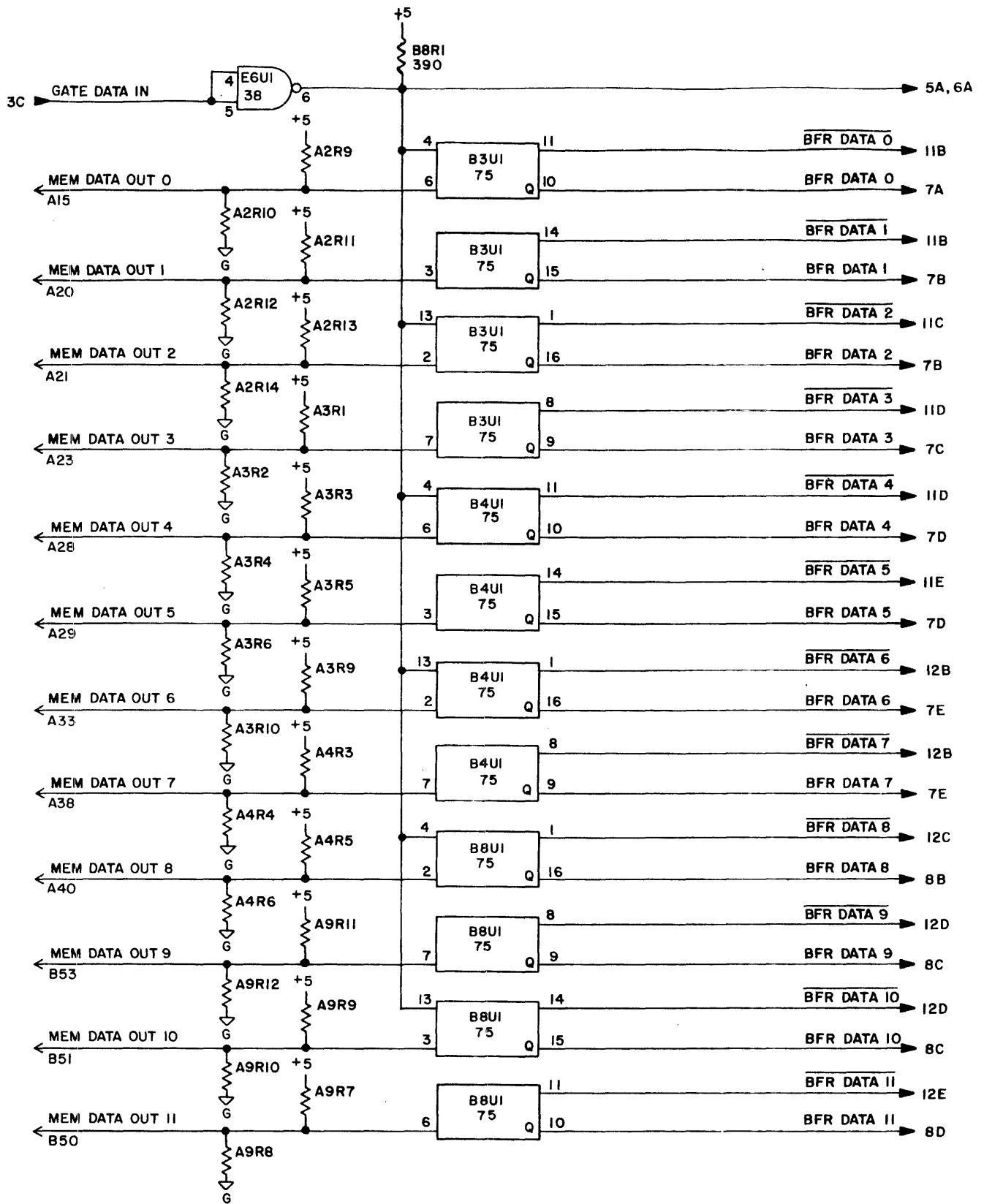


CODE	REF DESIG.	OUTPUT TERMINAL NO

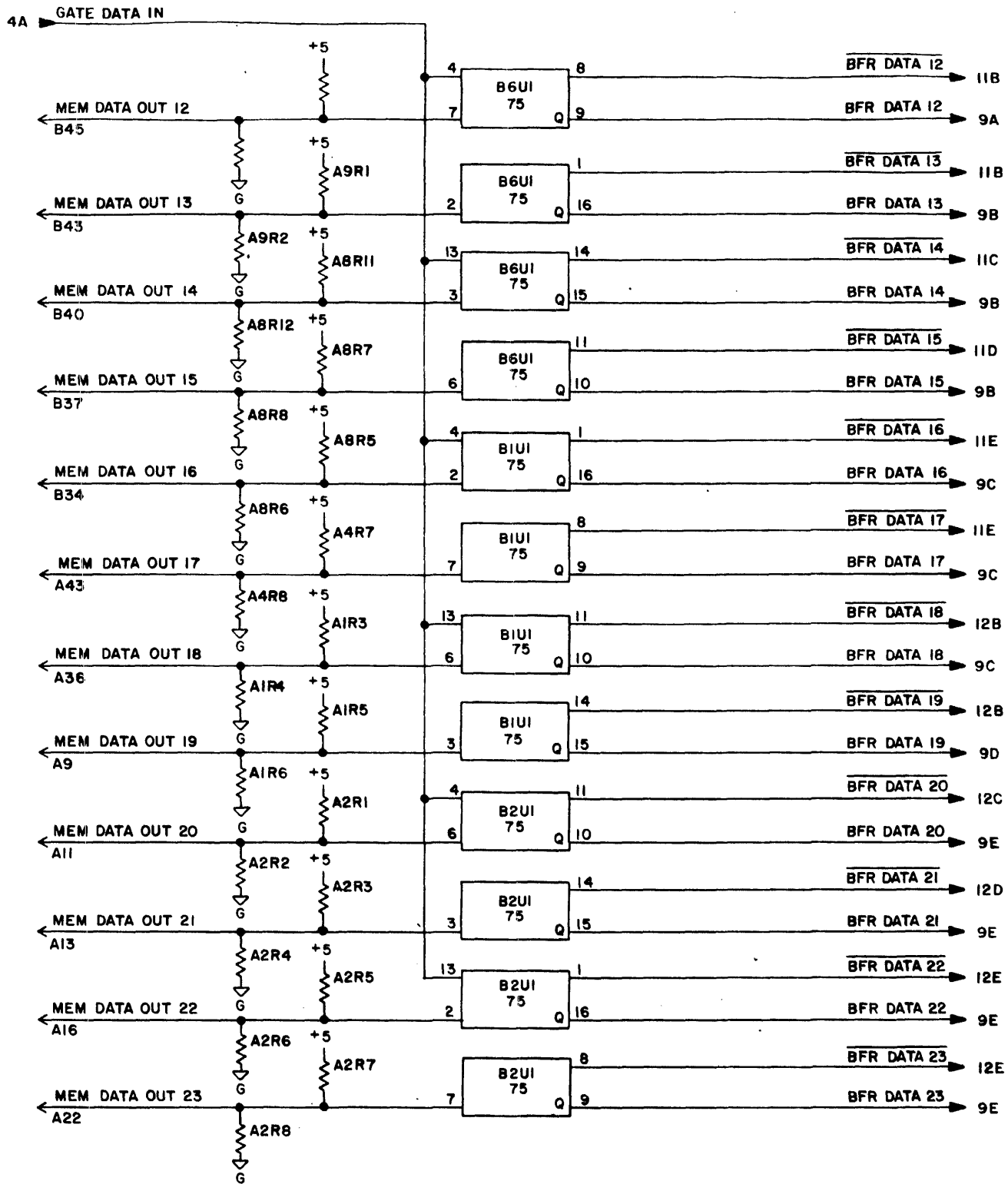
UNUSED MODULE ELEMENTS

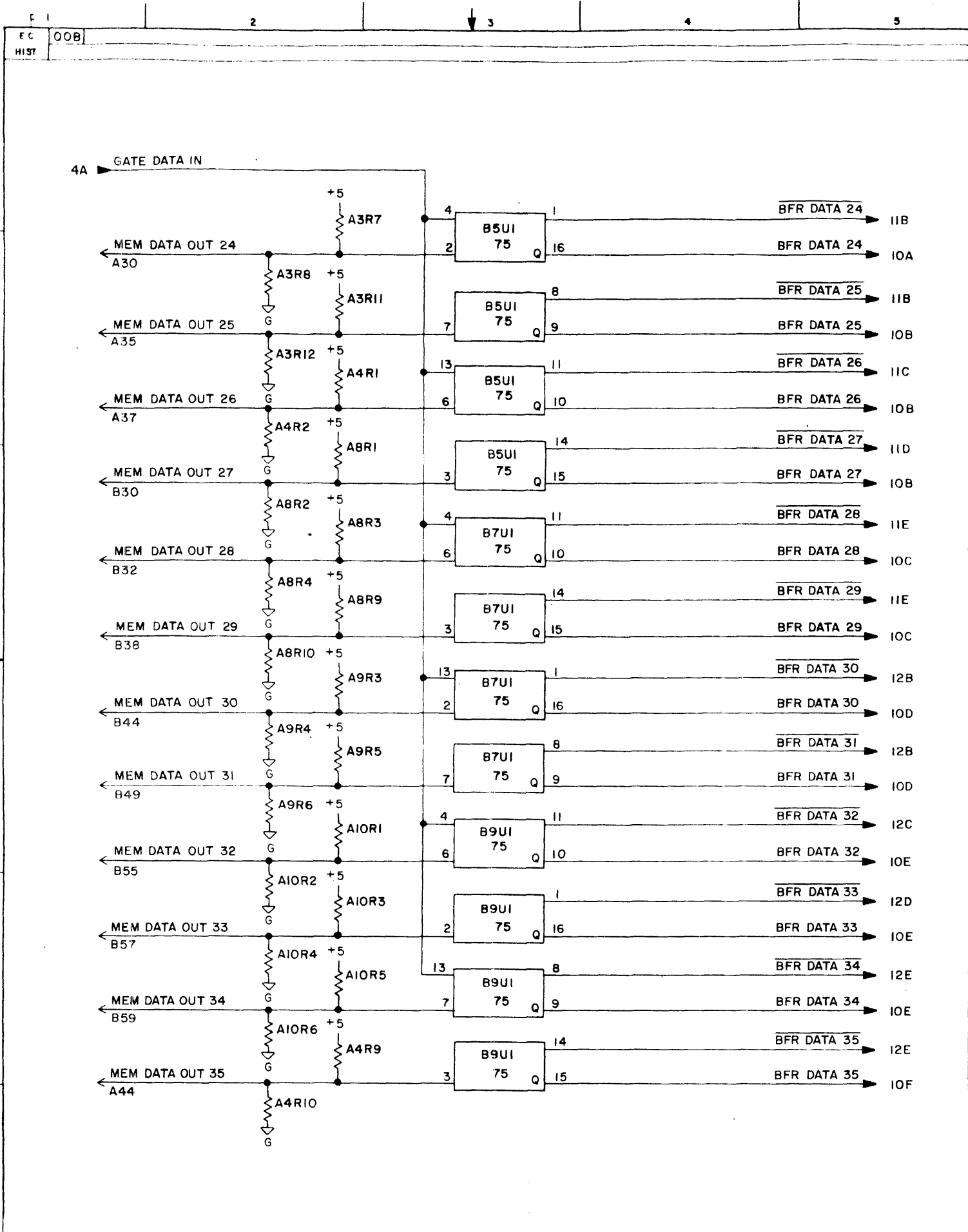


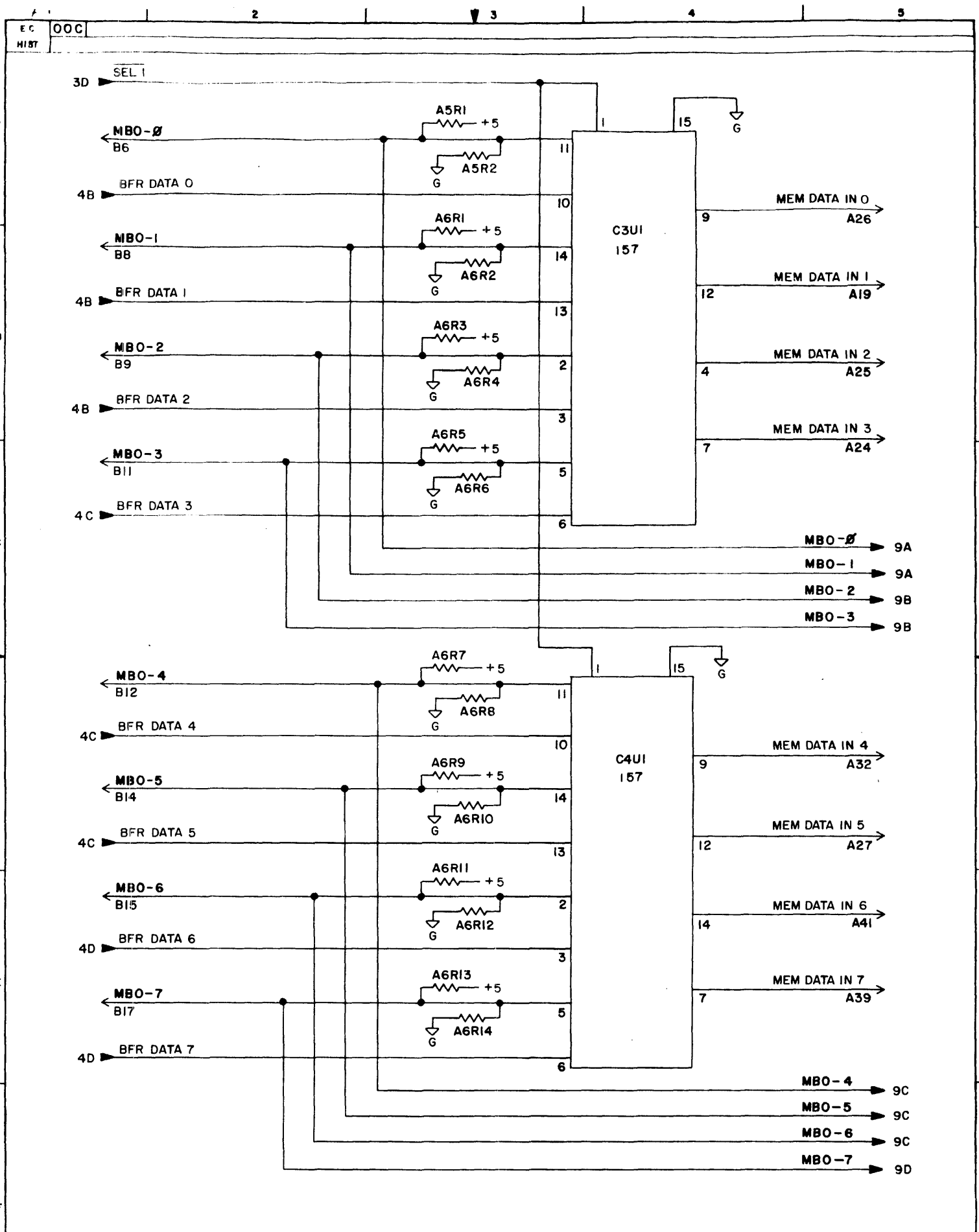












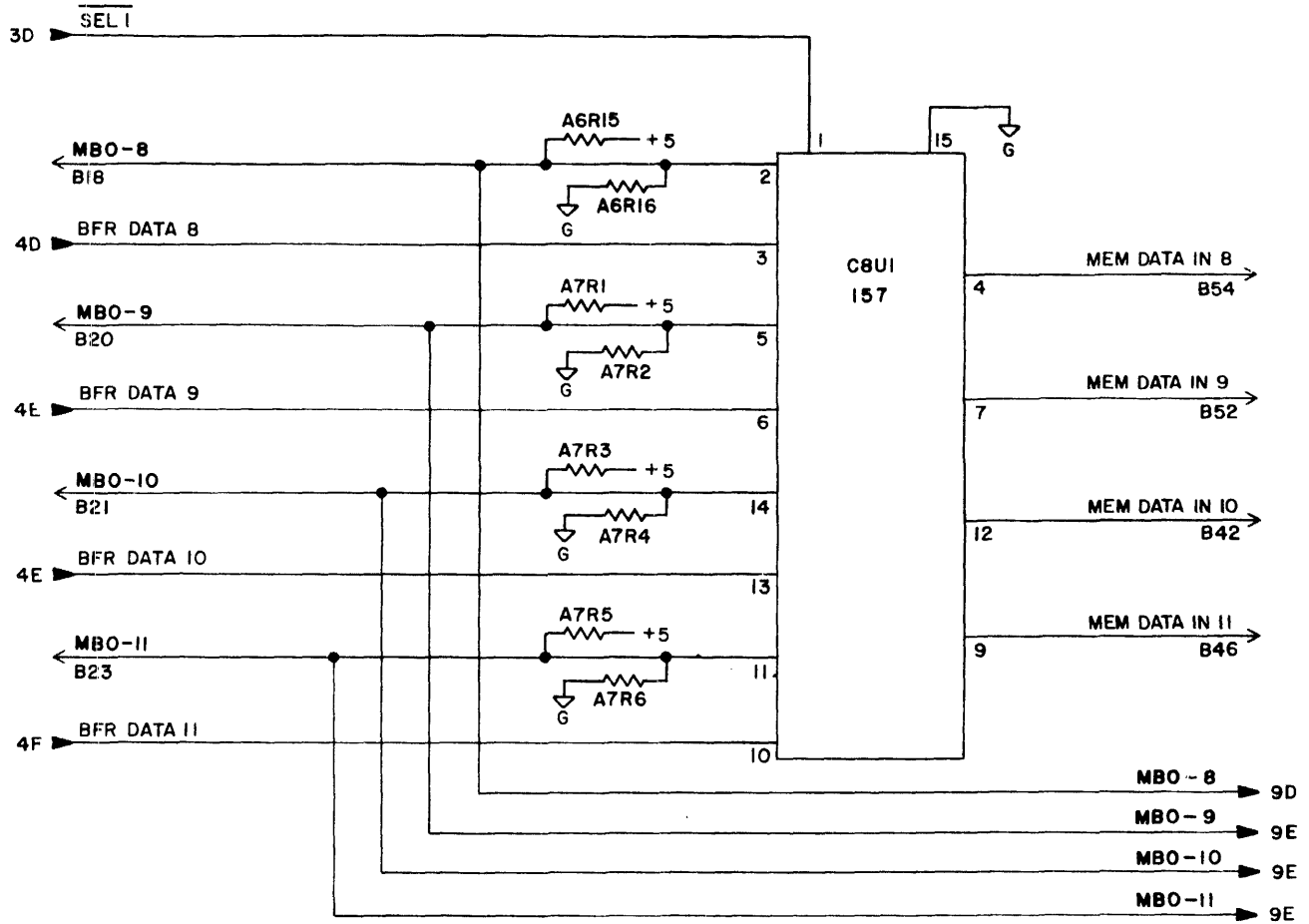
**FABRI-TEK** INC.  
MEMORY PRODUCTS DIVISION

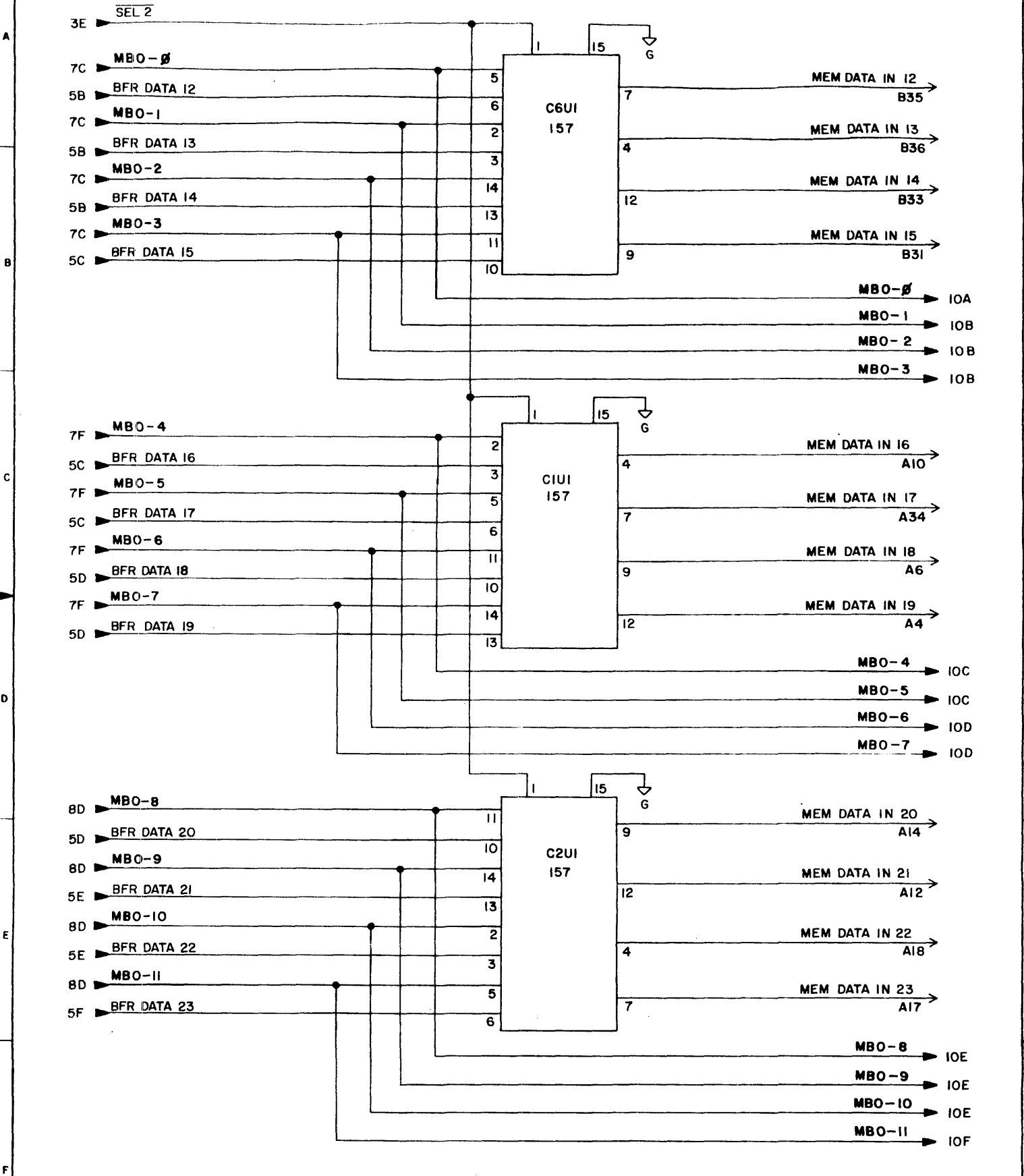
TITLE SCHEMATIC, 24K X 12 MULTIPLEXER  
 DWG. NO. C 138-001880

TYPE

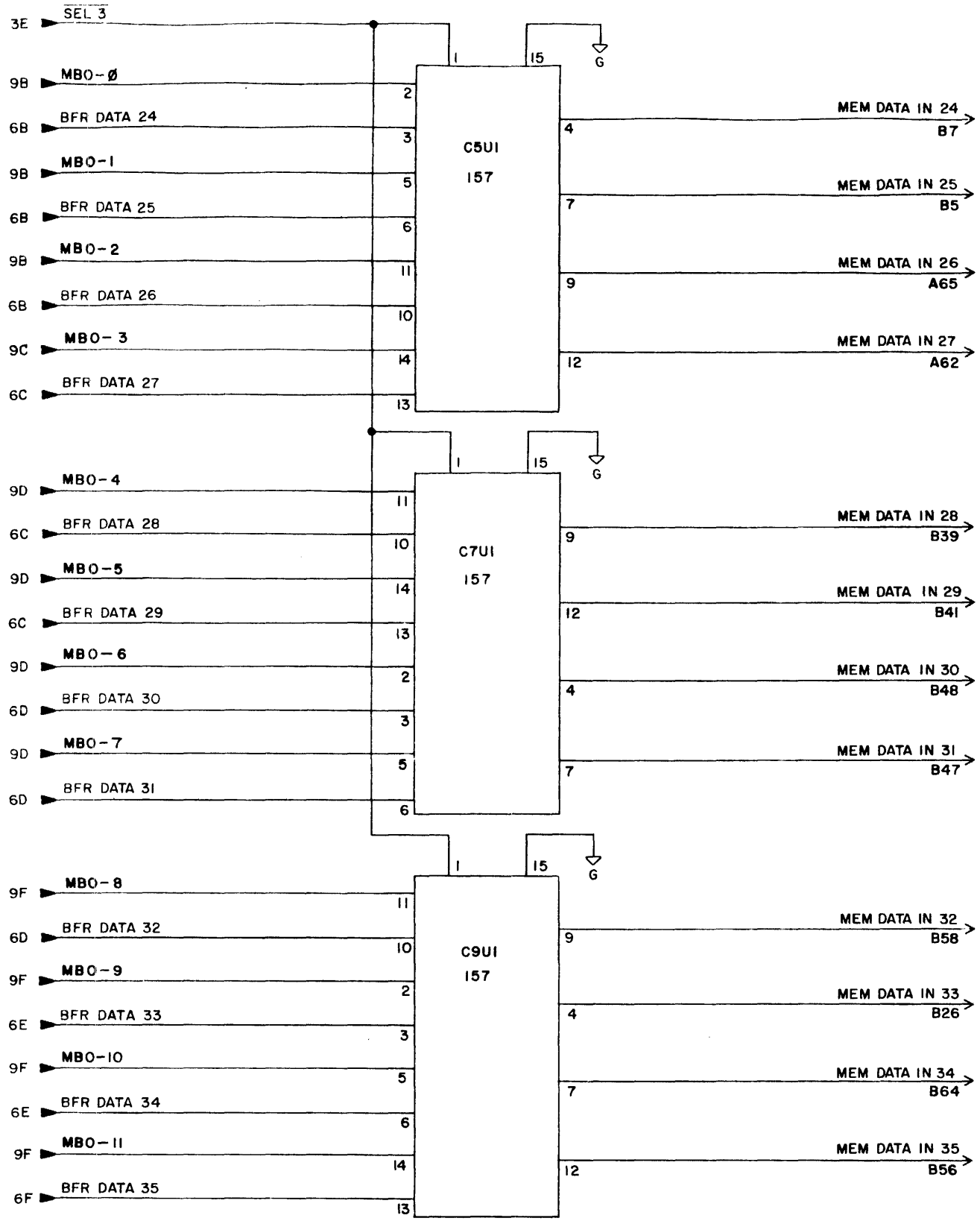
VERS.

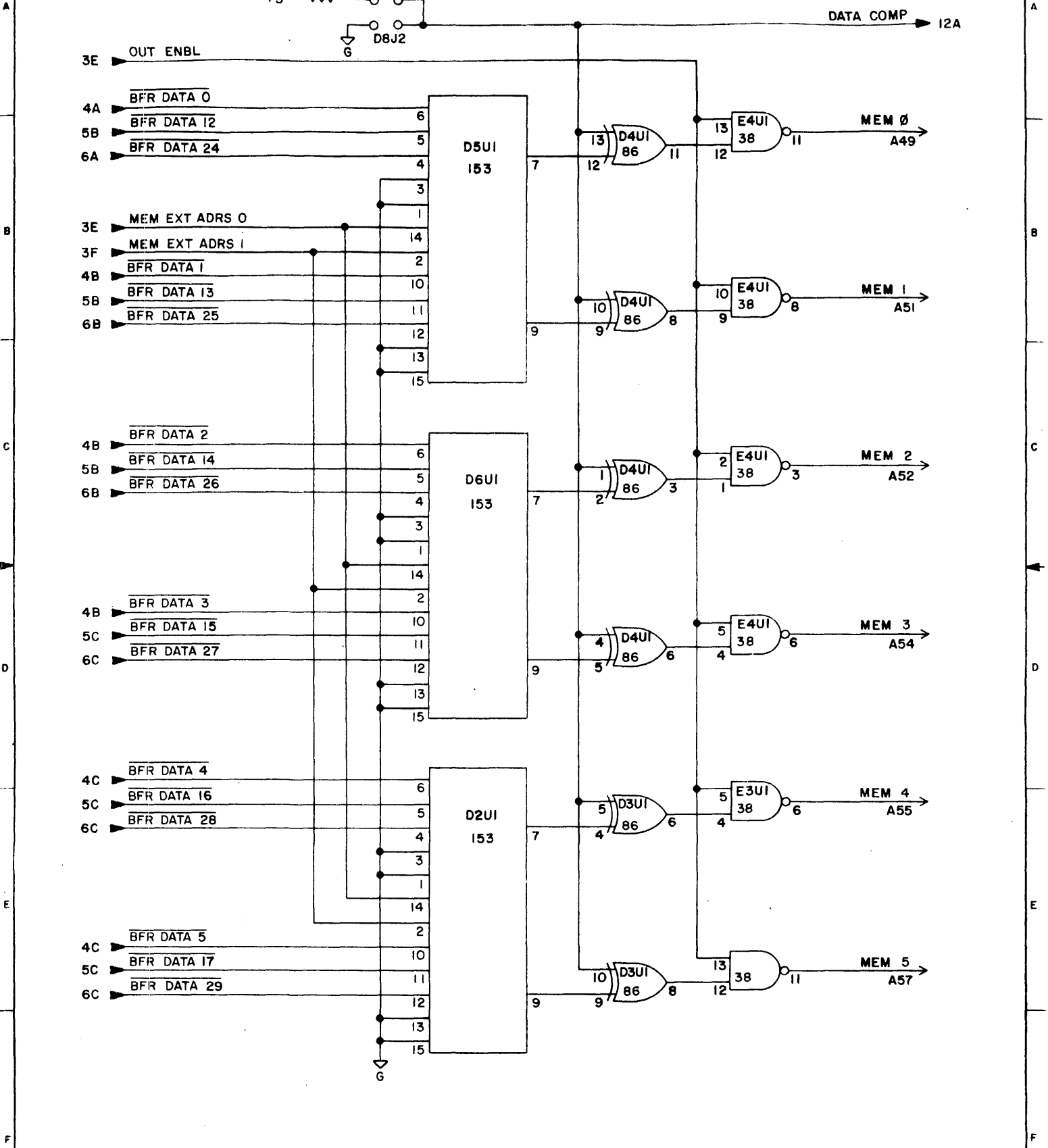
PAGE 7

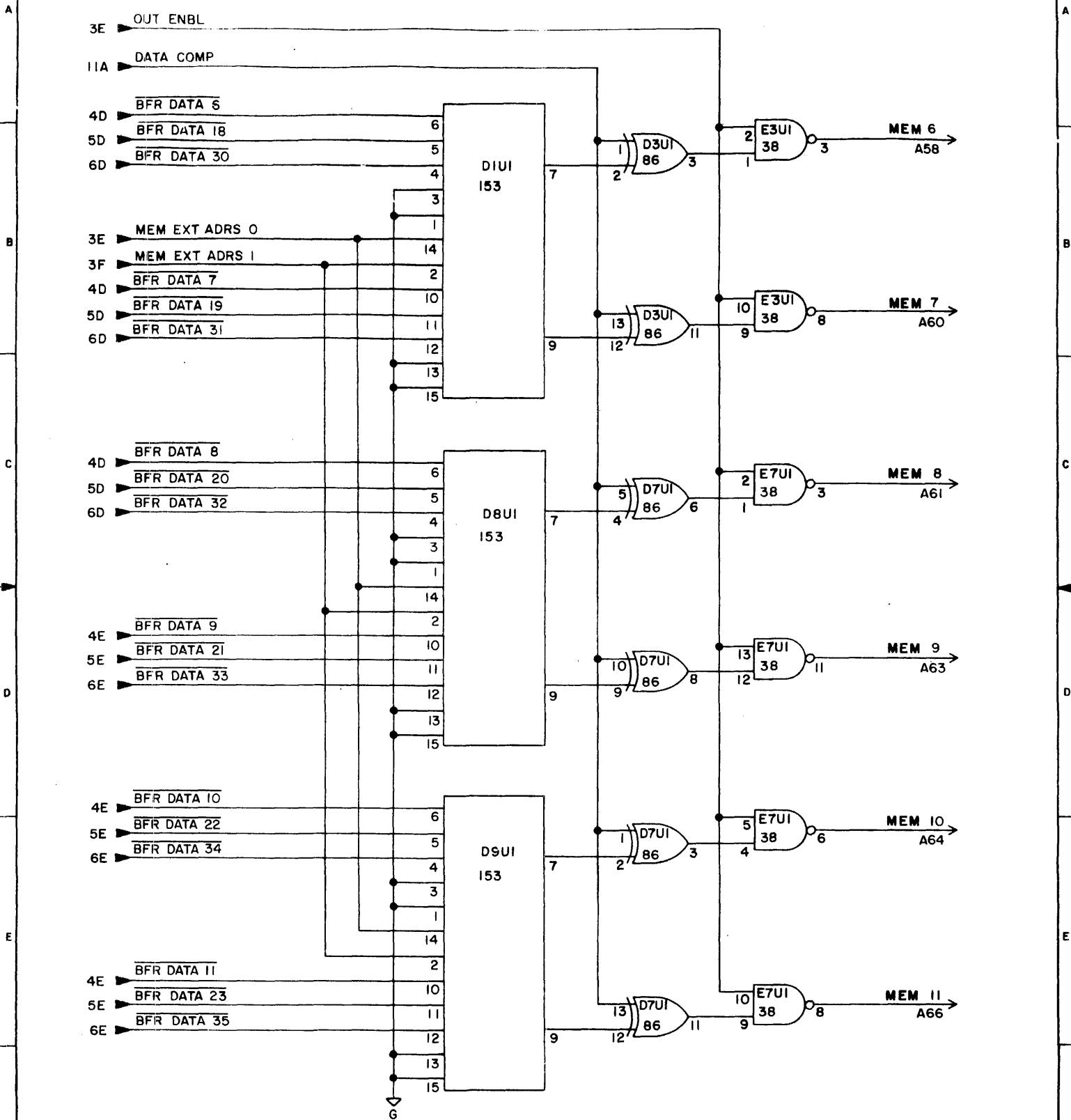




A  
B  
C  
D  
E  
F









## APPENDIX A

### ALPHABETICAL LISTING OF MEMORY SYSTEM MNEMONICS

AQCE	Advance Q Clock Even	PUP1	Pull Up 1
AQCO	Advance Q Clock Odd	QPL1	Q Pulse 1
CDRT	Clear Data Reg. Timing	QPL2	Q Pulse 2
CWB1	Clear Write Byte 1	Q(+ No.)	Q Clock Timing 1, 2, 3, 8, 9, 10, 11, 12
CWB2	Clear Write Byte 2	RDSC	Read Source to Switch Core
CYCB	Cycle Begin	REFV	Reference Voltage
CYCC	Cycle Complete	RRB1	Read Restore Byte 1
CYCE	Cycle End	RRB2	Read Restore Byte 2
CYCI	Cycle Initiate	RSET	Reset
CYCS	Cycle Start	RSWT	Read Switch Timing
DEC0	Decode 0 thru	SAS1	Sense Amp Strobe Enable Byte 1
DEC15	Decode 15	SAS2	Sense Amp Strobe Enable Byte 2
DLIN	Delay Line Input	SCBS	Source Bus
DOE1	Data Out Enable Byte 1	SCCDRT	Split Cycle Clear Data Reg. Timing
DOE2	Data Out Enable Byte 2	SCLDRT	Split Cycle Load Data Reg. Timing
DOT	Data Out Timing	SCYC	Split Cycle
DSVS	Data Save Stop	SKBS	Sink Bus
FCYC	Full Cycle	SO	Sense Line Out
IFT1	Inhibit Flat Top Byte 1	STB1	Strobe Byte 1
IFT2	Inhibit Flat Top Byte 2	STB2	Strobe Byte 2
INHT	Inhibit Timing	SV1	Sense Voltage 1
IRT1	Inhibit Rise Time Byte 1	SV2	Sense Voltage 2
IRT2	Inhibit Rise Time Byte 2	UP8K	Upper 8K
LDIF	Load Interface	VSA	Voltage - Sense Amplifier
LDRT	Load Data Reg. Timing	VTH	Voltage Threshold
LHIF	Latch Interface	WRSC	Write Source to Switch Core
LOW8K	Lower 8K	WSST	Write Sink Source Timing
MA00	Memory Address 00 thru	WSWT	Write Switch Timing
MA12	Memory Address 12	XSKW	X Sink Write Timing
MCL1	Memory Data Register Clear Byte 1	XSCRT	X Source Read Timing
MCL2	Memory Data Register Clear Byte 2	XSKR	X Sink Read Timing
MDL1	Memory Data Load Byte 1	YSCR	Y Source Read Timing
MDL2	Memory Data Load Byte 2	YSCW	Y Source Write Timing
MDSV	Module Data Save	YSKR	Y Sink Read Timing
MODS	Module Select	6VCK	6 Volt Clock
MS00	Module Select 00 thru	9BIT	9 Bit System
MS07	Module Select 07	18BIT	18 Bit System
NOSW	No Switch Core Current		
NO15	No + 15V		

## COMMENT SHEET

Manual Title: \_\_\_\_\_

Publication Number: \_\_\_\_\_ Title Page Revision Letter: \_\_\_\_\_

From: Name \_\_\_\_\_

Business Address \_\_\_\_\_

\_\_\_\_\_

\_\_\_\_\_

\_\_\_\_\_

FABRI-TEK welcomes your comments and evaluation of this publication. Use this postage paid mailer to record errors, to note deficient areas, and to make general comments. Reference specific subjects and page numbers whenever possible.