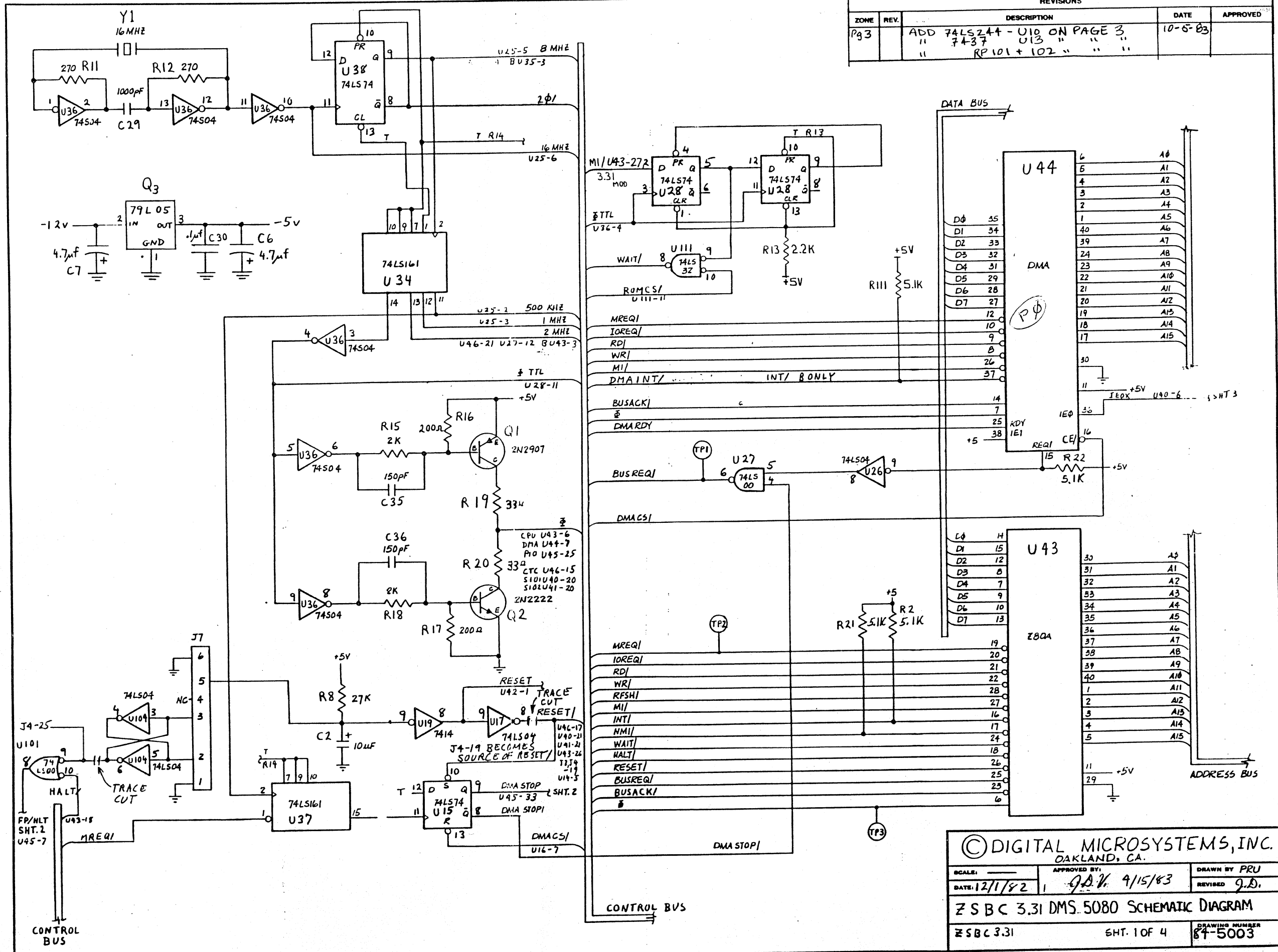
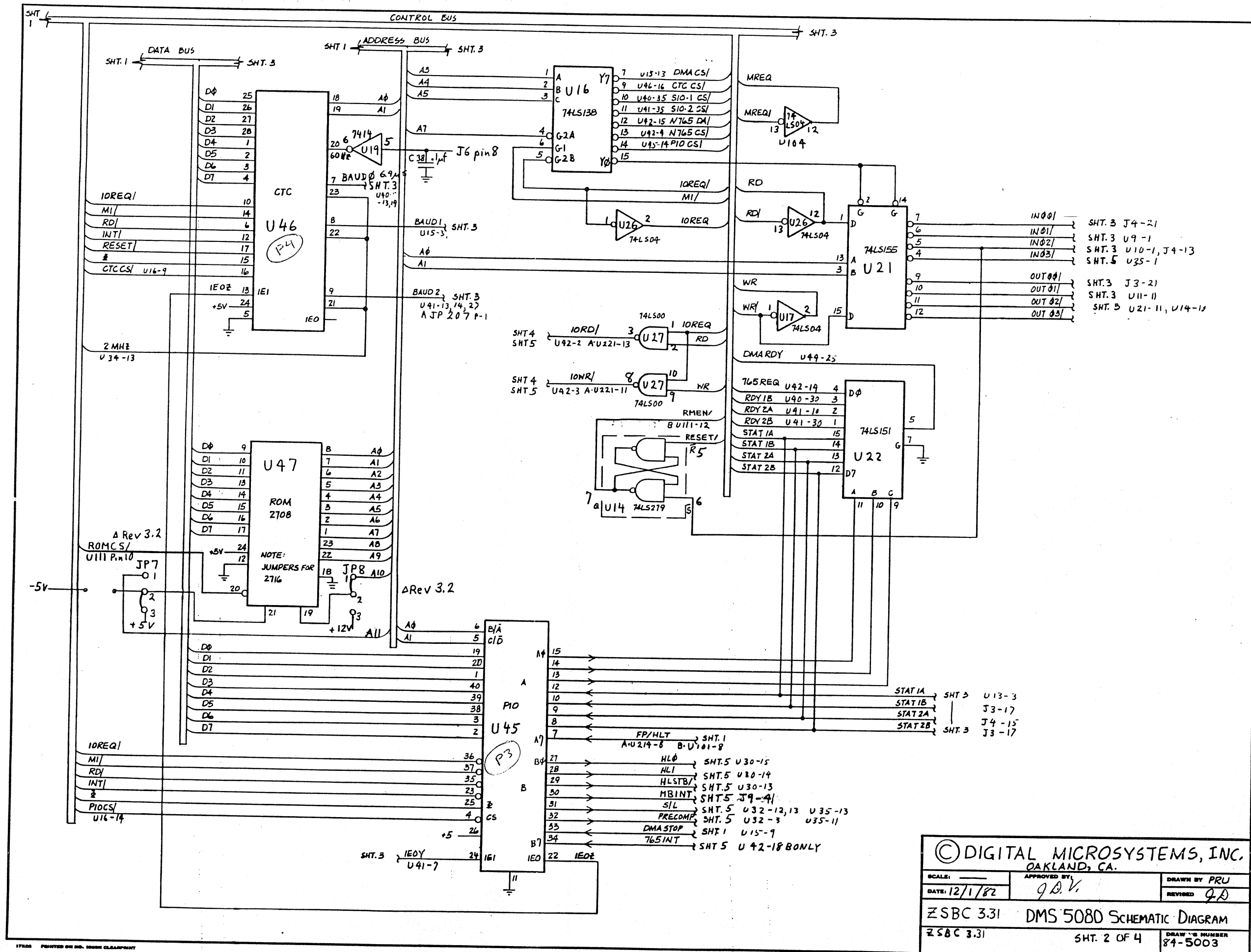


REVISIONS				
ZONE	REV.	DESCRIPTION	DATE	APPROVED
Pg3		ADD 74LS244 - U10 ON PAGE 3	10-5-83	
		" 7437 U13 " " "		
		" RP101 + 102 " " "		

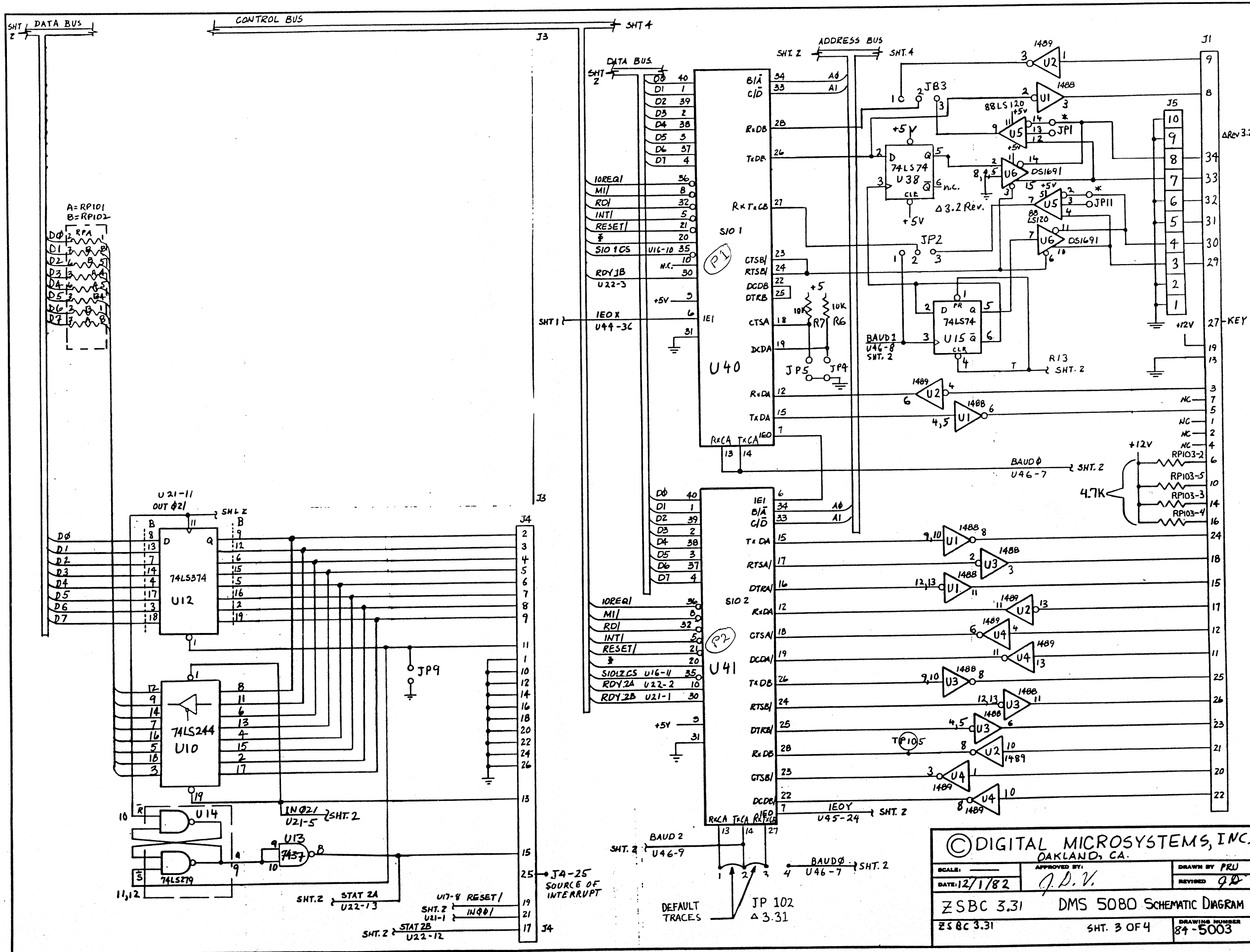


©DIGITAL MICROSYSTEMS, INC.  
OAKLAND, CA.

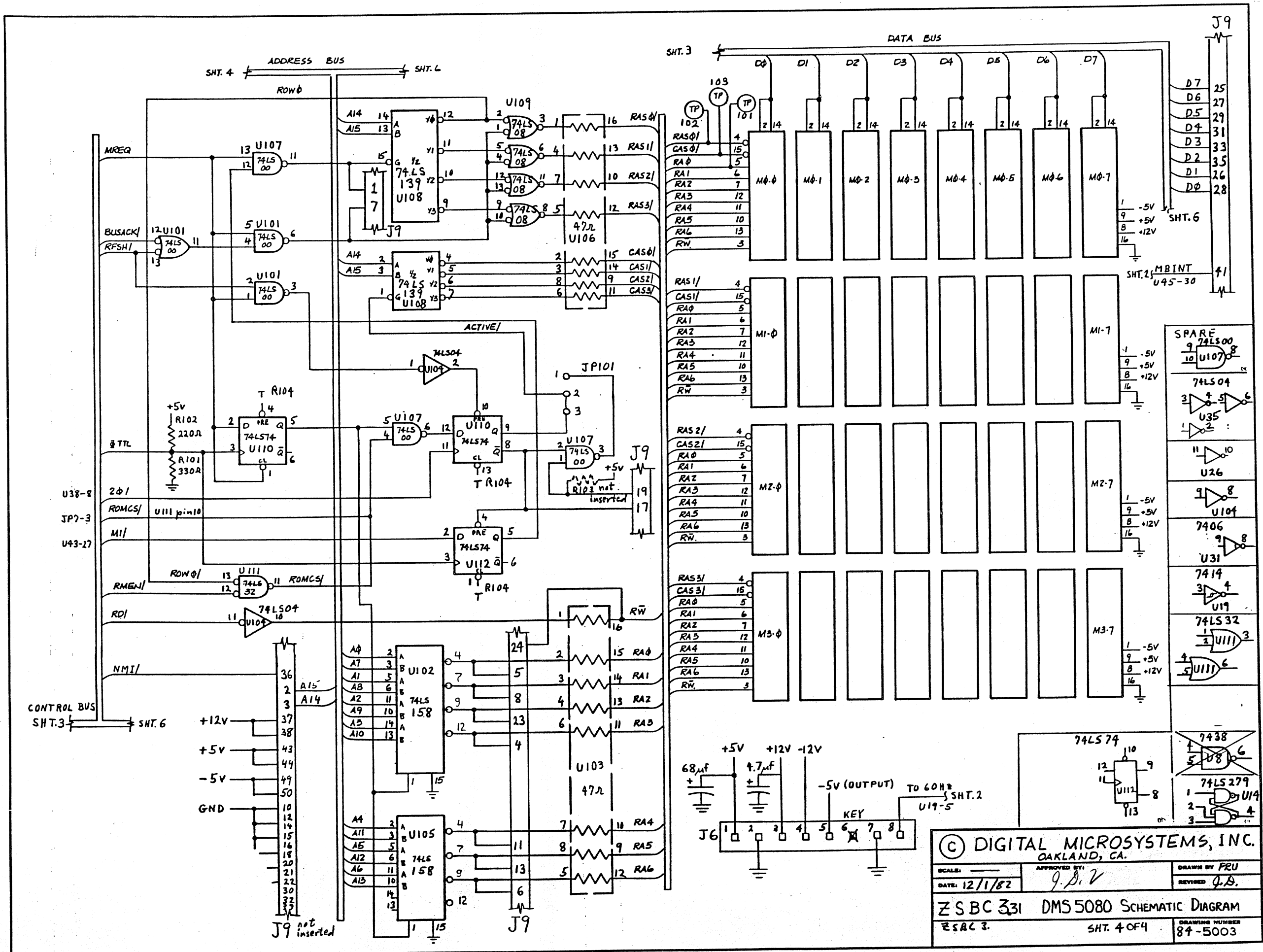
SCALE:	APPROVED BY:	DRAWN BY PRU
DATE: 12/1/82	J.A.V. 9/15/83	REVISED J.D.
Z SBC 3.31 DMS 5080 SCHEMATIC DIAGRAM		
Z SBC 3.31	SHT. 1 OF 4	DRAWING NUMBER 84-5003



© DIGITAL MICROSYSTEMS, INC. OAKLAND, CA.		
SCALE: _____	APPROVED BY: <i>g.d.v.</i>	DRAWN BY PRU
DATE: 12/1/82		REVISED QD
ZSBC 3.31	DMS 5080 SCHEMATIC DIAGRAM	
ZSBC 3.31	SHT. 2 OF 4	DRAWING NUMBER 84-5003



©DIGITAL MICROSYSTEMS, INC.  
 OAKLAND, CA.  
 SCALE: \_\_\_\_\_ APPROVED BY: J.P.V.  
 DATE: 12/1/82 DRAWN BY: PRU  
 REVISION: 90  
 Z5BC 3.31 DMS 5080 SCHEMATIC DIAGRAM  
 Z5BC 3.31 SHT. 3 OF 4 DRAWING NUMBER  
 84-5003



© DIGITAL MICROSYSTEMS, INC.  
 OAKLAND, CA.  
 SCALE: \_\_\_\_\_ APPROVED BY: *J.P.V.* DRAWN BY: FRU  
 DATE: 12/1/82 REVISED: C.S.  
 Z8 BC 331 DMS 5080 SCHEMATIC DIAGRAM  
 Z8 BC 3. SHT. 4 OF 4 DRAWING NUMBER 84-5003