

THIS DRAWING AND THE SPECIFICATIONS CONTAINED HEREIN ARE CONFIDENTIAL AND PROPRIETARY. THEY ARE THE PROPERTY OF DIGITAL EQUIPMENT CORPORATION AND SHALL NOT BE REPRODUCED OR COPIED OR USED IN WHOLE OR IN PART AS THE BASIS FOR MANUFACTURING OR SALE OF ITEMS WITHOUT WRITTEN PERMISSION. THIS IS AN UNPUBLISHED WORK PROTECTED UNDER THE FEDERAL COPYRIGHT LAWS.

FIELD MAINTENANCE PRINT SET

TABLE OF CONTENTS			UNIT VARIATIONS COVERED BY THIS PRINT SET	
K-DD-DEUNA-0	DEUNA DRAWING DIRECTORY			DEUNA
E-UA-DEUNA-0-0	DEUNA UNIT ASSEMBLY		DEUNA-AA	
K-PL-DEUNA-0-0	DEUNA PARTS LIST		DEUNA-KP	FIELD MAINTENANCE PRINT SET
K-DD-M7792-0	M7792 DEUNA PORT MODULE DWG DIR		DEUNA-M	
D-UA-M7792-0-0	M7792 UNIT ASSEMBLY			
D-EC-5015542-0-0	M7792 ETCH CUT DRAWING			
K-PL-M7792-0-DBP	M7792 PARTS LIST			
K-CS-M7792-0-BD1	M7792 CIRCUIT SCHEMATIC			DIGITAL EQUIPMENT CORPORATION
K-CS-M7792-0-CRI	M7792 CIRCUIT SCHEMATIC			PRINT SET ORDER NO.
K-CS-M7792-0-IRA	M7792 CIRCUIT SCHEMATIC			MP01378 REV A1
K-CS-M7792-0-IRB	M7792 CIRCUIT SCHEMATIC			
K-CS-M7792-0-IRC	M7792 CIRCUIT SCHEMATIC			
K-CS-M7792-0-IRD	M7792 CIRCUIT SCHEMATIC			
K-CS-M7792-0-IRE	M7792 CIRCUIT SCHEMATIC			
K-CS-M7792-0-IRF	M7792 CIRCUIT SCHEMATIC			
K-CS-M7792-0-LSM	M7792 CIRCUIT SCHEMATIC			
K-CS-M7792-0-PRTA	M7792 CIRCUIT SCHEMATIC			
K-CS-M7792-0-PRTB	M7792 CIRCUIT SCHEMATIC			
K-CS-M7792-0-PRTC	M7792 CIRCUIT SCHEMATIC			
K-CS-M7792-0-PRTD	M7792 CIRCUIT SCHEMATIC			
K-CS-M7792-0-PRTE	M7792 CIRCUIT SCHEMATIC			
K-CS-M7792-0-PRTF	M7792 CIRCUIT SCHEMATIC			
K-CS-M7792-0-PRTH	M7792 CIRCUIT SCHEMATIC			
K-CS-M7792-0-PRTJ	M7792 CIRCUIT SCHEMATIC			
K-CS-M7792-0-PRTK	M7792 CIRCUIT SCHEMATIC			
K-CS-M7792-0-PRTL	M7792 CIRCUIT SCHEMATIC			
K-CS-M7792-0-PRTM	M7792 CIRCUIT SCHEMATIC			
K-CS-M7792-0-PRTN	M7792 CIRCUIT SCHEMATIC			
K-CS-M7792-0-PRTP	M7792 CIRCUIT SCHEMATIC			
K-CS-M7792-0-PRTR	M7792 CIRCUIT SCHEMATIC			
K-CS-M7792-0-PRTS	M7792 CIRCUIT SCHEMATIC			

REVISION HISTORY			CONT. REVISION HISTORY			MADE BY: R. J. RILEY		DATE: 10 JAN 83	
REV	ECO NUMBER	DATE	REV	ECO NUMBER	DATE	CHECKED BY: <i>R. J. Riley</i> 27-MAR 85		DATE: 10 JAN 83	
A	INITIAL					PROJECT ENGR: M. STECKLAIR <i>M</i>		DATE: 10 JAN 83 <i>27 Mar 85</i>	
B	DEUNA-MK002	08 MAR 85				RSPBLE ENGR: M. STECKLAIR <i>M</i>		DATE: 10 JAN 83 <i>27 Mar 85</i>	
						FIELD SERVICE: D. DUNCAN		DATE: 10 JAN 83	

d i g i t a l			
TITLE: FIELD MAINTENANCE PRINT SET			
DEUNA			
SIZE	CODE	DOCUMENT NUMBER	REV.
K	TC	DEUNA-0-1	B
SHEET 1 OF 4			MKO

THIS DRAWING AND THE SPECIFICATIONS CONTAINED HEREIN ARE CONFIDENTIAL AND PROPRIETARY. THEY ARE THE PROPERTY OF DIGITAL EQUIPMENT CORPORATION AND SHALL NOT BE REPRODUCED OR COPIED OR USED IN WHOLE OR IN PART AS THE BASIS FOR MANUFACTURING OR SALE OF ITEMS WITHOUT WRITTEN PERMISSION. THIS IS AN UNPUBLISHED WORK PROTECTED UNDER THE FEDERAL COPYRIGHT LAWS.

FIELD MAINTENANCE PRINT SET

TABLE OF CONTENTS - CONTINUED

K-CS-M7792-0-SD1	M7792 CIRCUIT SCHEMATIC
K-CS-M7792-0-SD2	M7792 CIRCUIT SCHEMATIC
K-CS-M7792-0-SD3	M7792 CIRCUIT SCHEMATIC
K-CS-M7792-0-TD1	M7792 CIRCUIT SCHEMATIC
K-CS-M7792-0-TD2	M7792 CIRCUIT SCHEMATIC
K-CS-M7792-0-TD3	M7792 CIRCUIT SCHEMATIC
K-CS-M7792-0-TD4	M7792 CIRCUIT SCHEMATIC
K-CS-M7792-0-TD5	M7792 CIRCUIT SCHEMATIC
K-CS-M7792-0-TD6	M7792 CIRCUIT SCHEMATIC
K-CS-M7792-0-TD7	M7792 CIRCUIT SCHEMATIC
K-CS-M7792-0-TD8	M7792 CIRCUIT SCHEMATIC
K-CS-M7792-0-TT1	M7792 CIRCUIT SCHEMATIC
K-CS-M7792-0-TT2	M7792 CIRCUIT SCHEMATIC
K-CS-M7792-0-TT3	M7792 CIRCUIT SCHEMATIC
K-CS-M7792-0-TT4	M7792 CIRCUIT SCHEMATIC
K-CS-M7792-0-TT5	M7792 CIRCUIT SCHEMATIC
K-CS-M7792-0-TT6	M7792 CIRCUIT SCHEMATIC
K-CS-M7792-0-TT7	M7792 CIRCUIT SCHEMATIC
K-CS-M7792-0-TT8	M7792 CIRCUIT SCHEMATIC
K-CS-M7792-0-TT9	M7792 CIRCUIT SCHEMATIC
K-DD-M7793-0	M7793 DEUNA LINK MODULE DWG DIR
D-UA-M7793-0-0	M7793 UNIT ASSEMBLY
D-EC-5015005-0-0	M7793 ETCH CUT DRAWING
K-PL-M7793-0-DBP	M7793 PARTS LIST
K-CS-M7793-0-BD1	M7793 CIRCUIT SCHEMATIC
K-CS-M7793-0-IR1	M7793 CIRCUIT SCHEMATIC
K-CS-M7793-0-IR2	M7793 CIRCUIT SCHEMATIC
K-CS-M7793-0-LNKA	M7793 CIRCUIT SCHEMATIC
K-CS-M7793-0-LNKB	M7793 CIRCUIT SCHEMATIC
K-CS-M7793-0-LNKC	M7793 CIRCUIT SCHEMATIC

UNIT VARIATIONS
COVERED BY THIS
PRINT SET

DEUNA

FIELD MAINTENANCE PRINT SET

DIGITAL EQUIPMENT CORPORATION
PRINT SET ORDER NO.
MP01378

REVISION HISTORY			CONT. REVISION HISTORY			MADE BY:	d i g i t a l
REV	ECO NUMBER	DATE	REV	ECO NUMBER	DATE	DATE:	
						CHECKED BY:	TITLE: FIELD MAINTENANCE PRINT SET DEUNA
						DATE:	
						PROJECT ENGR:	
						DATE:	SIZE CODE DOCUMENT NUMBER REV. K TC DEUNA-0-1 B
						RSPBLE ENGR:	
						DATE:	
						FIELD SERVICE:	SHEET 2 OF 4 MKO
						DATE:	

THIS DRAWING AND THE SPECIFICATIONS CONTAINED HEREIN ARE CONFIDENTIAL AND PROPRIETARY. THEY ARE THE PROPERTY OF DIGITAL EQUIPMENT CORPORATION AND SHALL NOT BE REPRODUCED OR COPIED OR USED IN WHOLE OR IN PART AS THE BASIS FOR MANUFACTURING OR SALE OF ITEMS WITHOUT WRITTEN PERMISSION. THIS IS AN UNPUBLISHED WORK PROTECTED UNDER THE FEDERAL COPYRIGHT LAWS.

FIELD MAINTENANCE PRINT SET

TABLE OF CONTENTS CONTINUED

K-CS-M7793-0-LNKD	M7793	CIRCUIT	SCHEMATIC
K-CS-M7793-0-LNKE	M7793	CIRCUIT	SCHEMATIC
K-CS-M7793-0-LNKF	M7793	CIRCUIT	SCHEMATIC
K-CS-M7793-0-LNKH	M7793	CIRCUIT	SCHEMATIC
K-CS-M7793-0-LNKJ	M7793	CIRCUIT	SCHEMATIC
K-CS-M7793-0-LNKK	M7793	CIRCUIT	SCHEMATIC
K-CS-M7793-0-LNKL	M7793	CIRCUIT	SCHEMATIC
K-CS-M7793-0-LNKM	M7793	CIRCUIT	SCHEMATIC
K-CS-M7793-0-LNKN	M7793	CIRCUIT	SCHEMATIC
K-CS-M7793-0-LNKP	M7793	CIRCUIT	SCHEMATIC
K-CS-M7793-0-LNKR	M7793	CIRCUIT	SCHEMATIC
K-CS-M7793-0-LNKS	M7793	CIRCUIT	SCHEMATIC
K-CS-M7793-0-LNKT	M7793	CIRCUIT	SCHEMATIC
K-CS-M7793-0-SD1	M7793	CIRCUIT	SCHEMATIC
K-CS-M7793-0-SD2	M7793	CIRCUIT	SCHEMATIC
K-CS-M7793-0-SD3	M7793	CIRCUIT	SCHEMATIC
K-CS-M7793-0-SD4	M7793	CIRCUIT	SCHEMATIC
K-CS-M7793-0-TDA	M7793	CIRCUIT	SCHEMATIC
K-CS-M7793-0-TDB	M7793	CIRCUIT	SCHEMATIC
K-CS-M7793-0-TDC	M7793	CIRCUIT	SCHEMATIC
K-CS-M7793-0-TDD	M7793	CIRCUIT	SCHEMATIC
K-CS-M7793-0-TDE	M7793	CIRCUIT	SCHEMATIC
K-CS-M7793-0-TDF	M7793	CIRCUIT	SCHEMATIC
K-CS-M7793-0-TDH	M7793	CIRCUIT	SCHEMATIC
K-CS-M7793-0-TDJ	M7793	CIRCUIT	SCHEMATIC
K-CS-M7793-0-TDK	M7793	CIRCUIT	SCHEMATIC
K-CS-M7793-0-TDL	M7793	CIRCUIT	SCHEMATIC
K-CS-M7793-0-TDM	M7793	CIRCUIT	SCHEMATIC
K-CS-M7793-0-TDN	M7793	CIRCUIT	SCHEMATIC
K-CS-M7793-0-TDP	M7793	CIRCUIT	SCHEMATIC

UNIT VARIATIONS COVERED BY THIS PRINT SET

DEUNA
 FIELD MAINTENANCE PRINT SET

 DIGITAL EQUIPMENT CORPORATION
 PRINT SET ORDER NO.
 MP01378

REVISION HISTORY			CONT. REVISION HISTORY			MADE BY:	d i g i t a l
REV	ECO NUMBER	DATE	REV	ECO NUMBER	DATE	DATE:	
						CHECKED BY:	TITLE: FIELD MAINTENANCE PRINT SET DEUNA
						DATE:	
						PROJECT ENGR:	
						DATE:	
						RSPBLE ENGR:	
						DATE:	
						FIELD SERVICE:	SIZE CODE DOCUMENT NUMBER REV.
						DATE:	K TC DEUNA-0-1 B
SHEET 3 OF 4							MKO

THIS DRAWING AND THE SPECIFICATIONS CONTAINED HEREIN ARE CONFIDENTIAL AND PROPRIETARY. THEY ARE THE PROPERTY OF DIGITAL EQUIPMENT CORPORATION AND SHALL NOT BE REPRODUCED OR COPIED OR USED IN WHOLE OR IN PART AS THE BASIS FOR MANUFACTURING OR SALE OF ITEMS WITHOUT WRITTEN PERMISSION. THIS IS AN UNPUBLISHED WORK PROTECTED UNDER THE FEDERAL COPYRIGHT LAWS.

FIELD MAINTENANCE PRINT SET

TABLE OF CONTENTS CONTINUED

		UNIT VARIATIONS COVERED BY THIS PRINT SET
K-CS-M7793-0-TDR	M7793 CIRCUIT SCHEMATIC	DEUNA
K-CS-M7793-0-TDS	M7793 CIRCUIT SCHEMATIC	
K-CS-M7793-0-TDT	M7793 CIRCUIT SCHEMATIC	FIELD MAINTENANCE PRINT SET
K-CS-M7793-0-TDU	M7793 CIRCUIT SCHEMATIC	
K-CS-M7793-0-TDV	M7793 CIRCUIT SCHEMATIC	
K-CS-M7793-0-TDW	M7793 CIRCUIT SCHEMATIC	
K-CS-M7793-0-TTA	M7793 CIRCUIT SCHEMATIC	
K-CS-M7793-0-TTB	M7793 CIRCUIT SCHEMATIC	DIGITAL EQUIPMENT CORPORATION
K-CS-M7793-0-TTC	M7793 CIRCUIT SCHEMATIC	PRINT SET ORDER NO.
K-CS-M7793-0-TTD	M7793 CIRCUIT SCHEMATIC	
K-CS-M7793-0-TTE	M7793 CIRCUIT SCHEMATIC	
K-CS-M7793-0-TTF	M7793 CIRCUIT SCHEMATIC	MP01378
K-CS-M7793-0-TTH	M7793 CIRCUIT SCHEMATIC	
K-CS-M7793-0-TTJ	M7793 CIRCUIT SCHEMATIC	
K-CS-M7793-0-TTK	M7793 CIRCUIT SCHEMATIC	
K-CS-M7793-0-TTL	M7793 CIRCUIT SCHEMATIC	
K-CS-M7793-0-TTM	M7793 CIRCUIT SCHEMATIC	
K-CS-M7793-0-TTN	M7793 CIRCUIT SCHEMATIC	
D-IA-BC08R-0-0	I/O CABLE	
K-PL-BC08R-0-0	I/O CABLE PARTS LIST	
K-PL-CK-DEUNA-0-0	DEUNA CABINET KIT PARTS LIST	
D-IA-7018798-0-0	UNA BULKHEAD CABLE ASSEMBLY	
K-PL-7018798-0-0	UNA BULKHEAD CABLE ASSEMBLY PARTS LIST	
D-AD-7018799-0-0	UNA BULKHEAD ASSEMBLY	
K-PL-7018799-0-0	UNA BULKHEAD ASSEMBLY PARTS LIST	
B-IA-7018801-0-0	JUMPER WIRE	
B-DD-5415552-0	UNA BULKHEAD DRAWING DIRECTORY	
D-UA-5415552-0-0	UNA BULKHEAD UNIT ASSEMBLY	
K-PL-5415552-0-0	UNA BULKHEAD PARTS LIST	
K-CS-5415552-0-1	UNA BULKHEAD CIRCUIT SCHEMATIC	

REVISION HISTORY			CONT. REVISION HISTORY			MADE BY:	d i g i t a l							
REV	ECO NUMBER	DATE	REV	ECO NUMBER	DATE	DATE:								
						CHECKED BY:	TITLE: FIELD MAINTENANCE PRINT SET							
						DATE:	DEUNA							
						PROJECT ENGR:								
						DATE:								
						RSPBLE ENGR:								
						DATE:								
						FIELD SERVICE:	SIZE	CODE	DOCUMENT NUMBER	REV.				
						DATE:	K	TC	DEUNA-0-1	B				
							SHEET 4 OF 4				MKO			

THIS DRAWING AND THE SPECIFICATIONS CONTAINED HEREIN ARE CONFIDENTIAL AND PROPRIETARY. THEY ARE THE PROPERTY OF DIGITAL EQUIPMENT CORPORATION AND SHALL NOT BE REPRODUCED OR COPIED OR USED IN WHOLE OR IN PART AS THE BASIS FOR MANUFACTURING OR SALE OF ITEMS WITHOUT WRITTEN PERMISSION. THIS IS AN UNPUBLISHED WORK PROTECTED UNDER THE FEDERAL COPYRIGHT LAWS.

DRAWING DIRECTORY

FOR FIELD MAINTENANCE PRINT SET REFER TO K-TC-DEUNA-0-1

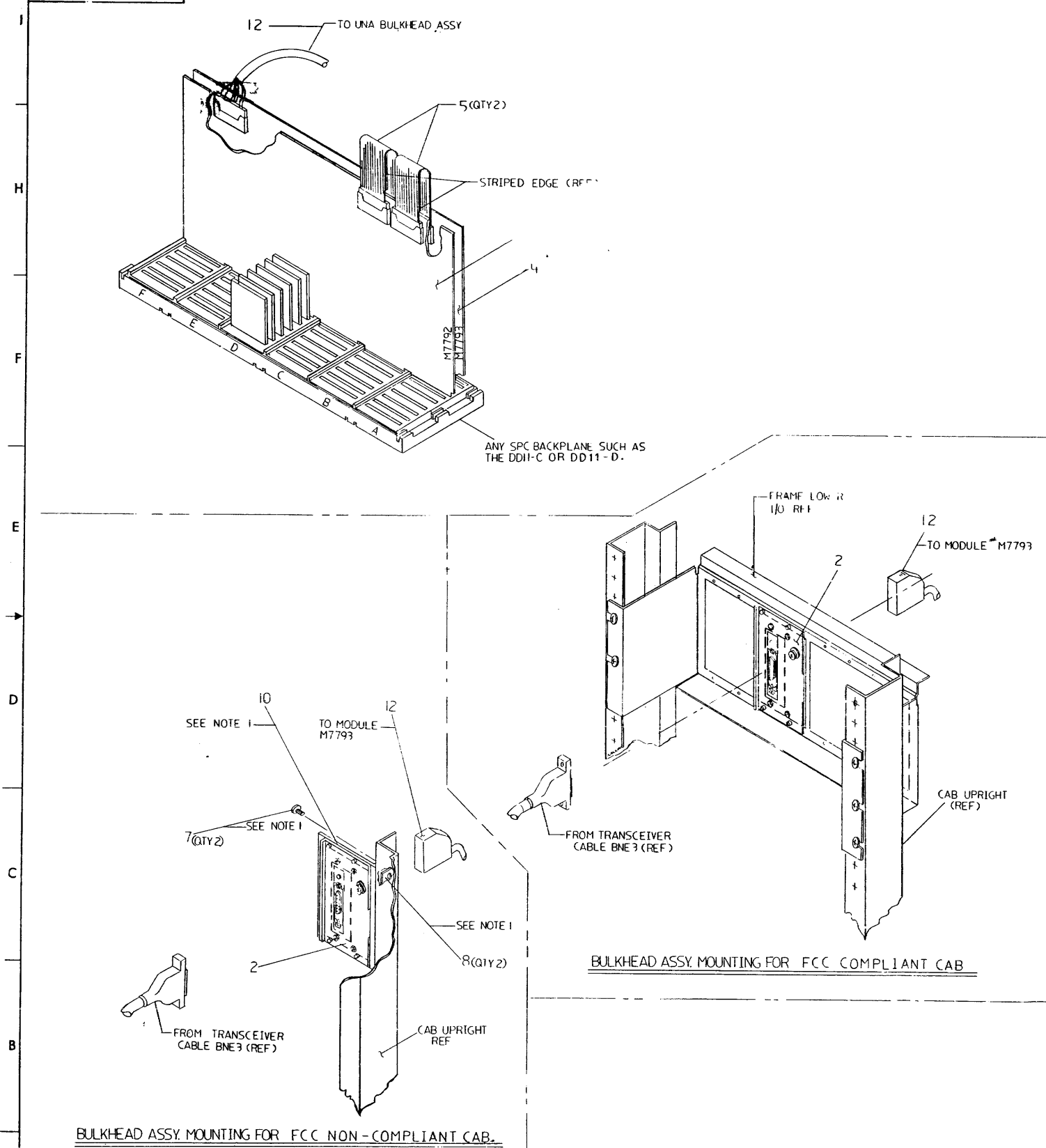
UNIT VARIATIONS	
VARIATION	TITLE
DEUNA-AA	OPTION DEUNA
DEUNA-KP	SYSTEM INTEGRATED DEUNA
DEUNA-M	DEUNA MODULE SET

REVISION HISTORY			USED ON OPTION/MODEL	RESPONSIBLE ENGR. : P. GILDEA <i>MM</i>	d i g i t a l			
ENG	ECO NUMBER	REV		DATE: 10 OCT 82	TITLE: DRAWING DIRECTORY			
MS	DEUNA-TW001	B	DEUNA-AA, -M, -KP,	MADE BY : R. J. RILEY	OPTION, DEUNA			
ML	DEUNA-MK002	C		DATE: 10 OCT 82	TITLE: DRAWING DIRECTORY			
				CHECKED BY : R. J. RILEY	OPTION, DEUNA			
				DATE: 10 OCT 82	OPTION, DEUNA			
				DESIGN ENGINEER : P. GILDEA <i>MM</i>	OPTION, DEUNA			
				DATE: 10 OCT 82	OPTION, DEUNA			
				PRODUCTION ENGR. : D. DUNCAN	SIZE	CODE	DOCUMENT NUMBER	REV.
				DATE: 10 OCT 82	K	DD	DEUNA-0	C
					SHEET 1 OF 2			MKO

F I N D	#	DRAWING NUMBER	DESCRIPTION	T Y P E	F I N D	#	DRAWING NUMBER	DESCRIPTION	T Y P E
	1	E-UA-DEUNA-Ø K-PL-DEUNA-Ø-DBP D-IA-7427292-Ø-DBU E-IA-74264Ø3-Ø-DBU K-TC-DEUNA-Ø-1	OPTION, DEUNA PARTS LIST, OPTION, DEUNA FRAME, I/O DOUBLE QUAD FRAME, LOWER I/O TABLE OF CONTENTS, DEUNA	M - - - -					
	2	B-DD-M7792-Ø	UNIBUS TO ETHERNET BUS MICROPROC.	E/M					
	3	B-DD-M7793-Ø	M7792 TO ETHERNET BUS LINE UNIT	E/M					
	4	D-AD-BCØ8R-Ø-Ø	I/O CABLE						
	5	D-IA-7Ø18798-Ø-Ø	UNA BULKHEAD CABLE ASSY	E					
	6	D-AD-7Ø18799-Ø-Ø D-IA-74264Ø4-Ø-Ø K-PL-74264Ø4-Ø-Ø E-IA-742775Ø-Ø-Ø	UNA BULKHEAD ASSY PANEL, QUAD PARTS LIST, PANEL QUAD PANEL, PLUTO BULKHEAD	E/M - - -					
	7	B-IA-7Ø188Ø1-Ø-Ø	JUMPER WIRE ASSY	E					
	8	B-DD-5415552-Ø	UNA BULKHEAD	E					

TYPE: E ELECTRICAL	d	i	g	i	t	a	l	TITLE	DRAWING DIRECTORY	SIZE	CODE	DOCUMENT NUMBER	REV.
M MECHANICAL										K	DD	DEUNA-Ø	C
E/M ELECTRO/MECHANICAL									OPTION, DEUNA	SHEET 2 OF 2			MKO

THIS SHEET AND SPECIFICATIONS HEREAFTER ARE THE PROPERTY OF DIGITAL EQUIPMENT CORPORATION AND SHALL NOT BE REPRODUCED OR COPIED OR USED IN WHOLE OR IN PART AS THE BASIS FOR THE MANUFACTURE OR SALE OF ITEMS WITHOUT WRITTEN PERMISSION. COPYRIGHT © 1982. DIGITAL EQUIPMENT CORPORATION



- NOTES:
- 1. WHEN MTG. OPTION IN FCC COMPLIANT CABINET, DISCARD ITEMS 7, 8 & 10.
 - 2. INSTALLATION NOTE: THE NPR GRANT JUMPER (CAI TO CBI) MUST BE REMOVED BEFORE M7792 (ITEM 3) IS INSTALLED. THIS JUMPER MUST BE INSTALLED IF THE DEUNA IS REMOVED FROM SYSTEM.
 - 3. THE BACKPLANE MODULE ORDER IS NOT FIXED.
 - 4. POWER NOTE: +5VDC @ 16A
-15VDC @ 1A.

CAUTION: OFF SHEET PARTS LIST. SEE K-PL-DEUNA-0-0

REVISION HISTORY:
REV. NO. DESCRIPTION
1. INITIAL DESIGN
2. REVISED FOR...
3. REVISED FOR...
4. REVISED FOR...
5. REVISED FOR...
6. REVISED FOR...
7. REVISED FOR...
8. REVISED FOR...

DESCRIPTION	DRAWING NO.	PART NO.	ITEM NO.
UNLESS OTHERWISE SPECIFIED DIMENSIONS ARE IN INCHES AND THE FOLLOWING TOLERANCES APPLY (PER DEC STD 114)			
INCHES TOLERANCES	ANGLES ± 0°30'	APPLICABLE DIMENSION RANGE	DIMENSION RANGE IN INCHES
X - + 1 XX - + 02 XXX - + 005	SURFACE QUALITY	OVER 0	OVER 0.125
		0.125 TO 1.25	1.25 TO 2.50
THIRD ANGLE PROJECTION		DATE 11-18-83	TITLE digital
DO NOT SCALE DRAWING		DATE 12-08-83	OPTION DEUNA
REMOVE BURRS AND BREAK SHARP CORNERS		DATE 12-18-83	
MATERIAL	FINISH	DATE 12-28-83	DOCUMENT NUMBER
		DATE 2-FEB-82	EUA DEUNA-0-0 B
			K-DD-DEUNA-0 SCALE NOTE

EUA DEUNA-0-0 B

LINE	ITEM	TOP DOCUMENT	PART NUMBER	MIN REV	DESCRIPTION	QTY PER VARIATION		
						AA	M	KP
						A1	A1	A1
1	1	E-UA-DEUNA-0-0			OPTION DEUNA	REF	REF	REF
2	2	D-AD-7018799-0-0	7018799-00		UNA BULKHEAD ASSY.	1	REF	REF
3	3	O-UA-M7792-0-0	M7792-00		DEUNA PORT MODULE(UNIBUS TO ETHE	1	1	1
4	4	O-UA-M7793-0-0	M7793-00		DEUNA LINK MODULE(M7792 TO ETHER	1	1	1
5	5	SEE NOTE	BC08R-00		I/O CABLE	2	2	2
6	7		9006073-03		SCREW,MACH TRUSS PHIL 10-	2	REF	REF
7	8		9007786-00		RETAINER,U-NUT 10-32X	2	REF	REF
8	9	A-PA-3700713-0-0	3700713-01		PKG OPTION DEUNA-AA CUSTOMER	1	REF	REF
9	10	D-IA-7427292-0-DBU	7427292-01		FRAME,I/O DOUBLE QUAD	1	REF	REF
10	12	D-IA-7018798-0-0	7018798-08		UNA BULKHEAD CABLE ASSY.	1	REF	REF
11	13		3906557-00		BAG,POLY RECLOSE 2 MIL THK CLEA	1	REF	REF
12	14		EKDEUNA-UG		DEUNA USER'S GUIDE	1	1	1
13	15	K-PL-CKDEUNA-0-0	CKDEUNA-00		CABKIT REF TO K-AR-CKCKREF-0-0	REF	-	1

- 14 NOTE: NOTE 1. IF BC08R CABLE IS NOT AVAILABLE, BC08S-01 MAY
- 15 NOTE: BE USED IN ITS' PLACE.
- 16 NOTE: NOTE 2. ITEMS 7 & 8 TO BE PUT INTO ITEM 13 FOR SHIPPING.
- 17 NOTE: NOTE 3. CK-DEUNA-00 IS A REFERENCE VARIANT ONLY.
- 18 NOTE: SEE K-AR-CKCKREF-0-0 FOR EXACT VARIANT APPLICATION.

REVISION HISTORY			BASIC PART NO: DEUNA		DRN:	H. DENSMORE	DATE: 21-FEB-85	DIGITAL			
ENG:	ECO NUMBER	REV	SECTION A OF A		CHK'D:	<i>[Signature]</i>	28-MAR-85	TITLE PARTS LIST			
ML	DEUNA-MK002	C	SECTION VARIATION INDEX			B. FRASER	DATE: 21-FEB-85	OPTION DEUNA			
			[A] AA, M, KP					DOCUMENT NUMBER			
			[B]		DES. ENG:	<i>[Signature]</i>	DATE: 21-OCT-82	SIZE	CODE	NUMBER	REV
			[C]		RESP. ENG.:	<i>[Signature]</i>	DATE: 21-FEB-85	K	PL	DEUNA-0-0	C
			[D]								
			[E]		MFG. ENG.:	<i>[Signature]</i>	DATE: 21-FEB-85	RELEASE DATE: 27-MAR-85			
			[F]		ASSEMBLY NUMBER:		TOP DOCUMENT NUMBER:	FILE NAME:	EDIT #		
					E-UA-DEUNA-0-0		#K-DD-DEUNA-0	MK1178.PLS	4		

"THIS DRAWING AND THE SPECIFICATIONS CONTAINED HEREIN ARE CONFIDENTIAL AND PROPRIETARY. THEY ARE THE PROPERTY OF DIGITAL EQUIPMENT CORPORATION AND SHALL NOT BE REPRODUCED OR COPIED OR USED IN WHOLE OR IN PART AS THE BASIS FOR THE MANUFACTURE OR SALE OF ITEMS WITHOUT WRITTEN PERMISSION. THIS IS AN UNPUBLISHED WORK PROTECTED UNDER THE FEDERAL COPYRIGHT LAWS."

THIS DRAWING AND THE SPECIFICATIONS CONTAINED HEREIN ARE CONFIDENTIAL AND PROPRIETARY. THEY ARE THE PROPERTY OF DIGITAL EQUIPMENT CORPORATION AND SHALL NOT BE REPRODUCED OR COPIED OR USED IN WHOLE OR IN PART AS THE BASIS FOR MANUFACTURING OR SALE OF ITEMS WITHOUT WRITTEN PERMISSION. THIS IS AN UNPUBLISHED WORK PROTECTED UNDER THE FEDERAL COPYRIGHT LAWS.

DRAWING DIRECTORY

ITEM	DRAWING NO.	NO. OF SHTS	PART NO.	DESCRIPTION	TYPE	REVISIONS																	
						A	B	C	D	E	F	G	H	I	J	K	L						
1			M7792-00	DEUNA PORT MODULE		A	A	A	A	A	A	A	A										
2	D-UA-M7792-0-0	2		UNIT ASSEMBLY		A	B	B	B	B	B1	B1	B1										
3	D-EC-5015542-0-0	3		ETCH CUT		A	B	B	B	B	B1	B1	B1										
4			5015542-00	ETCH		B	B	B	B	B	B	B	B										
5	D-MD-5015542-0-0	5		DRILL & ETCH		A	A	A	A	A	A1	A1	A1										
6	K-PL-M7792-0-0	3		PARTS LIST		A	A	B	C	D	D1	D1	D1										
7	K-PC-M7792-0-DBI			PC DATABASE		B	B	B	B	B	B	B	B										
8	K-CS-M7792-0-DBS			SUDS DATABASE		A	B	C	C	C	C1	C1	C1										
9	K-CS-M7792-0-PRTA	1		SCHEMATIC		A	A	A	A	A	A1	A1	A1										
10	K-CS-M7792-0-PRTB	1		SCHEMATIC		A	A	A	A	A	A1	A1	A1										
11	K-CS-M7792-0-PRTC	1		SCHEMATIC		A	A	A	A	A	A1	A1	A1										
12	K-CS-M7792-0-PRTD	1		SCHEMATIC		A	B	B	B	B	B1	B1	B1										
13	K-CS-M7792-0-PRTE	1		SCHEMATIC		A	B	B	B	B	B1	B1	B1										
14	K-CS-M7792-0-PRTF	1		SCHEMATIC		A	A	A	A	A	A1	A1	A1										
15	K-CS-M7792-0-PRTH	1		SCHEMATIC		A	A	A	A	A	A1	A1	A1										
16	K-CS-M7792-0-PR TJ	1		SCHEMATIC		A	A	A	A	A	A1	A1	A1										
17	K-CS-M7792-0-PRTK	1		SCHEMATIC		A	B	B	B	B	B1	B1	B1										
18	K-CS-M7792-0-PRTL	1		SCHEMATIC		A	A	A	A	A	A1	A1	A1										
19	K-CS-M7792-0-PRTM	1		SCHEMATIC		A	B	B	B	B	B1	B1	B1										
20	K-CS-M7792-0-PRTN	1		SCHEMATIC		A	B	B	B	B	B1	B1	B1										
21	K-CS-M7792-0-PRTP	1		SCHEMATIC		A	A	B	B	B	B1	B1	B1										
22	K-CS-M7792-0-PRTR	1		SCHEMATIC		A	A	A	A	A	A1	A1	A1										
23	K-CS-M7792-0-PRTS	1		SCHEMATIC		A	A	A	A	A	A1	A1	A1										
24	K-CS-M7792-0-TT1	1		SCHEMATIC		A	A	A	A	A	A1	A1	A1										
25	K-CS-M7792-0-TT2	1		SCHEMATIC		A	A	A	A	A	A1	A1	A1										

NOTES: 1. SHEETS 1 & 2 OF THIS DD LIST THE REVISION LEVEL TO SUPPORT ETCH REV B.
 2. SHEETS 3 & 4 OF THIS DD LIST THE REVISION LEVEL TO SUPPORT ETCH REV C.

DD																							
REV	A	B	C	D	E	F	H	J															

REVISION HISTORY			CONT. REVISION HISTORY			MADE BY: T. WALSH DATE: 04 NOV 82		DIGITAL											
ENG	ECO NUMBER	REV	ENG	ECO NUMBER	REV	CHECKED BY: T. WALSH <i>JLC</i> 12-APR 85 DATE: 04 NOV 82		TITLE DRAWING DIRECTORY											
	INITIAL	A				DESIGN ENGINEER: M. LAWRENCE <i>ML</i> DATE: 02 APR 85 <i>4-17-85</i>		DEUNA PORT MODULE											
	M7792-TW001	B				RESPONSIBLE ENG: M. LAWRENCE <i>ML</i> DATE: 02 APR 85 <i>4-17-85</i>													
	M7792-TW002	C				PRODUCTION ENG: W. BROOKE DATE: 02 APR 85		SIZE CODE DOCUMENT NUMBER REV. K DD M7792-0 J											
	M7792-TW003	D				SHEET 1 OF 4 MKO													
	M7792-TW004	E																	
	M7792-TW005	F																	
	M7792-TW006	H																	
ML	M7792-MK007	J																	

THIS DRAWING AND THE SPECIFICATIONS CONTAINED HEREIN ARE CONFIDENTIAL AND PROPRIETARY. THEY ARE THE PROPERTY OF DIGITAL EQUIPMENT CORPORATION AND SHALL NOT BE REPRODUCED OR COPIED OR USED IN WHOLE OR IN PART AS THE BASIS FOR MANUFACTURING OR SALE OF ITEMS WITHOUT WRITTEN PERMISSION. THIS IS AN UNPUBLISHED WORK PROTECTED UNDER THE FEDERAL COPYRIGHT LAWS.

DRAWING DIRECTORY CONTINUED

I T E M	DRAWING NO.	NO. OF SHTS	PART NO.	DESCRIPTION	T Y P E	REVISIONS											
						A	A	A	A	A	A1	A1	A1				
26	K-CS-M7792-0-TT3	1		SCHEMATIC		A	A	A	A	A	A1	A1	A1				
27	K-CS-M7792-0-TT4	1		SCHEMATIC		A	A	A	A	A	A1	A1	A1				
28	K-CS-M7792-0-TT5	1		SCHEMATIC		A	A	A	A	A	A1	A1	A1				

NOTES:

DD													
REV	A	B	C	D	E	F	H	J					

REVISION HISTORY			CONT. REVISION HISTORY			MADE BY: DATE:		d i g i t a l					
ENG	ECO NUMBER	REV	ENG	ECO NUMBER	REV	CHECKED BY: DATE:		TITLE DRAWING DIRECTORY					
						DESIGN ENGINEER: DATE:		DEUNA PORT MODULE					
						RESPONSIBLE ENG: DATE:		SIZE CODE DOCUMENT NUMBER REV.					
						PRODUCTION ENG: DATE:		K DD M7792-0 J					
							SHEET 2 OF 4 MKO						

THIS DRAWING AND THE SPECIFICATIONS CONTAINED HEREIN ARE CONFIDENTIAL AND PROPRIETARY. THEY ARE THE PROPERTY OF DIGITAL EQUIPMENT CORPORATION AND SHALL NOT BE REPRODUCED OR COPIED OR USED IN WHOLE OR IN PART AS THE BASIS FOR MANUFACTURING OR SALE OF ITEMS WITHOUT WRITTEN PERMISSION. THIS IS AN UNPUBLISHED WORK PROTECTED UNDER THE FEDERAL COPYRIGHT LAWS.

DRAWING DIRECTORY CONTINUED

ITEM	DRAWING NO.	NO. OF SHTS	PART NO.	DESCRIPTION	TYPE	REVISIONS							
						A	B	C	D	E1	E2	E3	E4
29			M7792-00	DEUNA PORT MODULE		A	B	C	D	E1	E2	E3	E4
30	D-UA-M7792-0-0	2		UNIT ASSEMBLY		A	B	B	B	B	C	D	E
31	D-EC-5015542-0-0	3		ETCH CUT		A	B	B	B	B	-	-	-
32			5015542-00	ETCH		B	B	B	B	B	C	C	C
33	D-MD-5015542-0-0	5		DRILL & ETCH		A	A	A	A	A	B	B	B
34	K-PL-M7792-0-0	3		PARTS LIST		A	A	B	C	D	E	F	H
35	K-PC-M7792-0-DBI			PC DATABASE		B	B	B	B	B	C	C	C
36	K-CS-M7792-0-DBS			SUDS DATABASE		A	B	C	C	C	D	E	E
37	K-CS-M7792-0-PRTA	1		SCHEMATIC		A	A	A	A	A	A	A	A
38	K-CS-M7792-0-PRTB	1		SCHEMATIC		A	A	A	A	A	A	A	A
39	K-CS-M7792-0-PRTC	1		SCHEMATIC		A	A	A	A	A	A	A	A
40	K-CS-M7792-0-PRTD	1		SCHEMATIC		A	B	B	B	B	C	C	C
41	K-CS-M7792-0-PRTE	1		SCHEMATIC		A	B	B	B	B	C	C	C
42	K-CS-M7792-0-PRTF	1		SCHEMATIC		A	A	A	A	A	A	A	A
43	K-CS-M7792-0-PRTH	1		SCHEMATIC		A	A	A	A	A	B	B	B
44	K-CS-M7792-0-PR TJ	1		SCHEMATIC		A	A	A	A	A	B	C	C
45	K-CS-M7792-0-PR TK	1		SCHEMATIC		A	B	B	B	B	C	C	C
46	K-CS-M7792-0-PR TL	1		SCHEMATIC		A	A	A	A	A	B	B	B
47	K-CS-M7792-0-PR TM	1		SCHEMATIC		A	B	B	B	B	C	C	C
48	K-CS-M7792-0-PR TN	1		SCHEMATIC		A	B	B	B	B	C	C	C
49	K-CS-M7792-0-PR TP	1		SCHEMATIC		A	A	B	B	B	C	C	C
50	K-CS-M7792-0-PR TR	1		SCHEMATIC		A	A	A	A	A	A	A	A
51	K-CS-M7792-0-PR TS	1		SCHEMATIC		A	A	A	A	A	A	A	A
52	K-CS-M7792-0-TT1	1		SCHEMATIC		A	A	A	A	A	A	A	A
53	K-CS-M7792-0-TT2	1		SCHEMATIC		A	A	A	A	A	A	A	A

NOTES:

DD
REV

A	B	C	D	E	F	H	J
---	---	---	---	---	---	---	---

REVISION HISTORY

CONT. REVISION HISTORY

MADE BY:
DATE:

d | i | g | i | t | a | l

ENG	ECO NUMBER	REV
-----	------------	-----

ENG	ECO NUMBER	REV
-----	------------	-----

CHECKED BY:
DATE:

TITLE DRAWING DIRECTORY

DESIGN ENGINEER:
DATE:

DEUNA PORT MODULE

RESPONSIBLE ENG:
DATE:

PRODUCTION ENG:
DATE:

SIZE	CODE	DOCUMENT NUMBER	REV.
K	DD	M7792-0	J

THIS DRAWING AND THE SPECIFICATIONS CONTAINED HEREIN ARE CONFIDENTIAL AND PROPRIETARY. THEY ARE THE PROPERTY OF DIGITAL EQUIPMENT CORPORATION AND SHALL NOT BE REPRODUCED OR COPIED OR USED IN WHOLE OR IN PART AS THE BASIS FOR MANUFACTURING OR SALE OF ITEMS WITHOUT WRITTEN PERMISSION. THIS IS AN UNPUBLISHED WORK PROTECTED UNDER THE FEDERAL COPYRIGHT LAWS.

DRAWING DIRECTORY CONTINUED

ITEM	DRAWING NO.	NO. OF SHTS	PART NO.	DESCRIPTION	TYPE	REVISIONS														
						A	A	A	A	A	A	A	A	A	A	A				
54	K-CS-M7792-0-TT3	1		SCHEMATIC		A	A	A	A	A	A	A	A							
55	K-CS-M7792-0-TT4	1		SCHEMATIC		A	A	A	A	A	A	B	B							
56	K-CS-M7792-0-TT5	1		SCHEMATIC		A	A	A	A	A	A	B	B							
57	K-CS-M7792-0-TT6	1		SCHEMATIC		-	-	-	-	-	A	A	A							
58	K-CS-M7792-0-TT7	1		SCHEMATIC		-	-	-	-	-	A	A	A							
59	K-CS-M7792-0-TT8	1		SCHEMATIC		-	-	-	-	-	A	A	A							
60	K-CS-M7792-0-TT9	1		SCHEMATIC		-	-	-	-	-	A	A	A							
61	K-CS-M7792-0-BD1	1		SCHEMATIC		-	-	-	-	-	A	A	A							
62	K-CS-M7792-0-CR1	1		SCHEMATIC		-	-	-	-	-	A	A	A							
63	K-CS-M7792-0-IRA	1		SCHEMATIC		-	-	-	-	-	A	A	A							
64	K-CS-M7792-0-IRB	1		SCHEMATIC		-	-	-	-	-	A	A	A							
65	K-CS-M7792-0-IRC	1		SCHEMATIC		-	-	-	-	-	A	A	A							
66	K-CS-M7792-0-IRD	1		SCHEMATIC		-	-	-	-	-	A	A	A							
67	K-CS-M7792-0-IRE	1		SCHEMATIC		-	-	-	-	-	A	A	A							
68	K-CS-M7792-0-LSM	1		SCHEMATIC		-	-	-	-	-	A	A	A							
69	K-CS-M7792-0-SD1	1		SCHEMATIC		-	-	-	-	-	A	A	A							
70	K-CS-M7792-0-SD2	1		SCHEMATIC		-	-	-	-	-	A	A	A							
71	K-CS-M7792-0-SD3	1		SCHEMATIC		-	-	-	-	-	A	A	A							
72	K-CS-M7792-0-TD1	1		SCHEMATIC		-	-	-	-	-	A	A	A							
73	K-CS-M7792-0-TD2	1		SCHEMATIC		-	-	-	-	-	A	A	A							
74	K-CS-M7792-0-TD3	1		SCHEMATIC		-	-	-	-	-	A	A	A							
75	K-CS-M7792-0-TD4	1		SCHEMATIC		-	-	-	-	-	A	A	A							
76	K-CS-M7792-0-TD5	1		SCHEMATIC		-	-	-	-	-	A	A	A							
77	K-CS-M7792-0-TD6	1		SCHEMATIC		-	-	-	-	-	A	A	A							
78	K-CS-M7792-0-TD7	1		SCHEMATIC		-	-	-	-	-	A	A	A							
79	K-CS-M7792-0-TD8	1		SCHEMATIC		-	-	-	-	-	A	A	A							

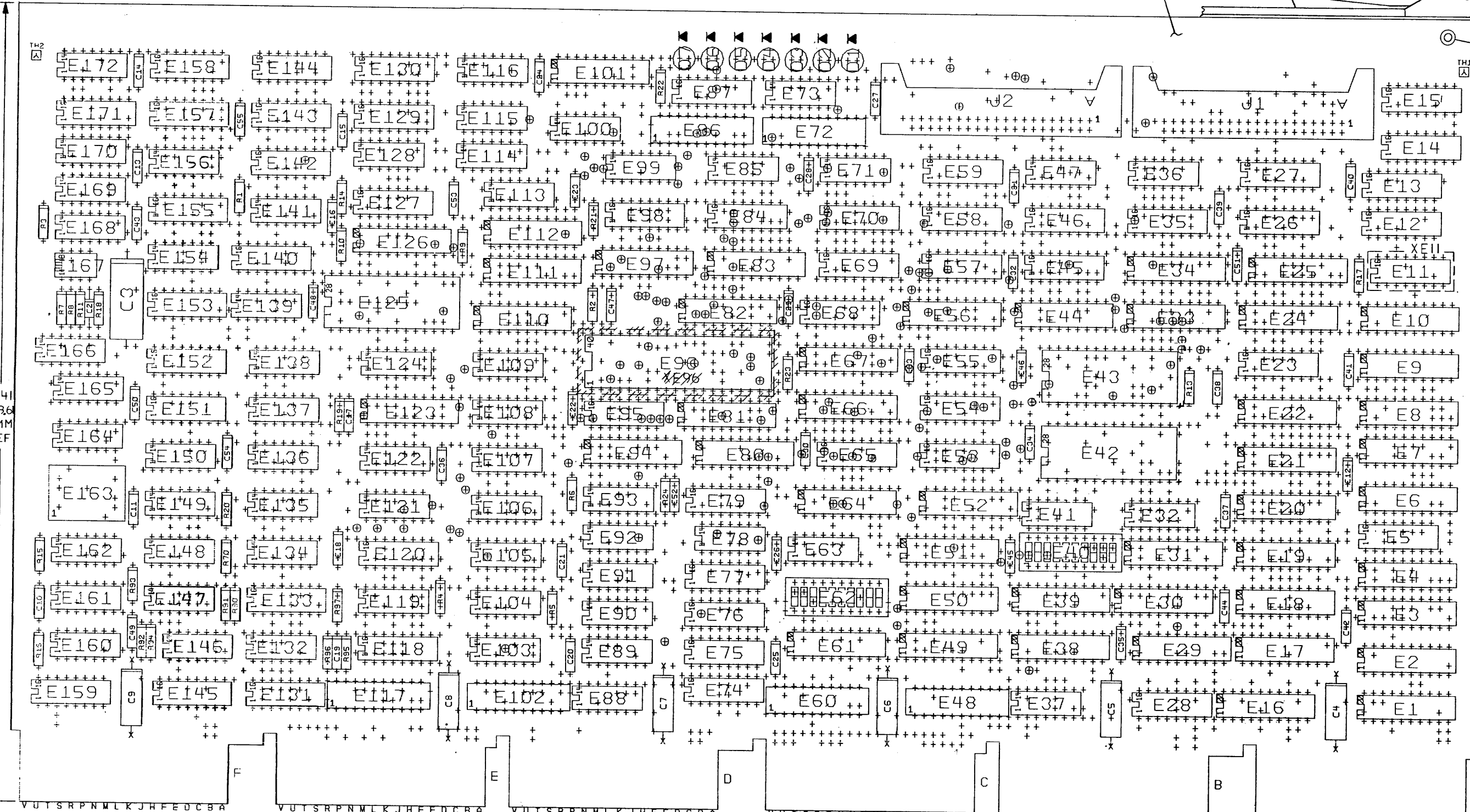
NOTES:

DD REV	A	B	C	D	E	F	H	J												
--------	---	---	---	---	---	---	---	---	--	--	--	--	--	--	--	--	--	--	--	--

REVISION HISTORY			CONT. REVISION HISTORY			MADE BY:	d i g i t a l							
ENG	ECO NUMBER	REV	ENG	ECO NUMBER	REV	DATE:	TITLE DRAWING DIRECTORY							
						CHECKED BY:	DEUNA PORT MODULE							
						DATE:								
						DESIGN ENGINEER:								
						DATE:								
						RESPONSIBLE ENG:								
						DATE:								
						PRODUCTION ENG:	SIZE	CODE	DOCUMENT NUMBER	REV.				
						DATE:	K	DD	M7792-0	J				
										SHEET 4 OF 4		MKO		

THIS DRAWING AND SPECIFICATIONS HEREIN ARE THE PROPERTY OF DIGITAL EQUIPMENT CORPORATION AND SHALL NOT BE REPRODUCED OR COPIED OR USED IN WHOLE OR IN PART AS THE BASIS FOR THE MANUFACTURE OR SALE OF ITEMS WITHOUT WRITTEN PERMISSION. COPYRIGHT © 1983 DIGITAL EQUIPMENT CORPORATION

COMPONENT SIDE VIEW



- NOTES:
- E14 & E15 ARE SPARE LOCATIONS.
 - UL RATING IS LPWR.

STEP E → Y AXIS STEP 0 TIMES
 REPEAT → X AXIS STEP 0 TIMES

CHK	CHANGE NO.	REV	DATE	BY	APP
	M7792-TW5	C		T. WALSH	26MAY83
				K. SARGENT	
	M7792-TW6	D		D. GARDNER	03183
				K. SARGENT	
	EC M7792-MK7	E			

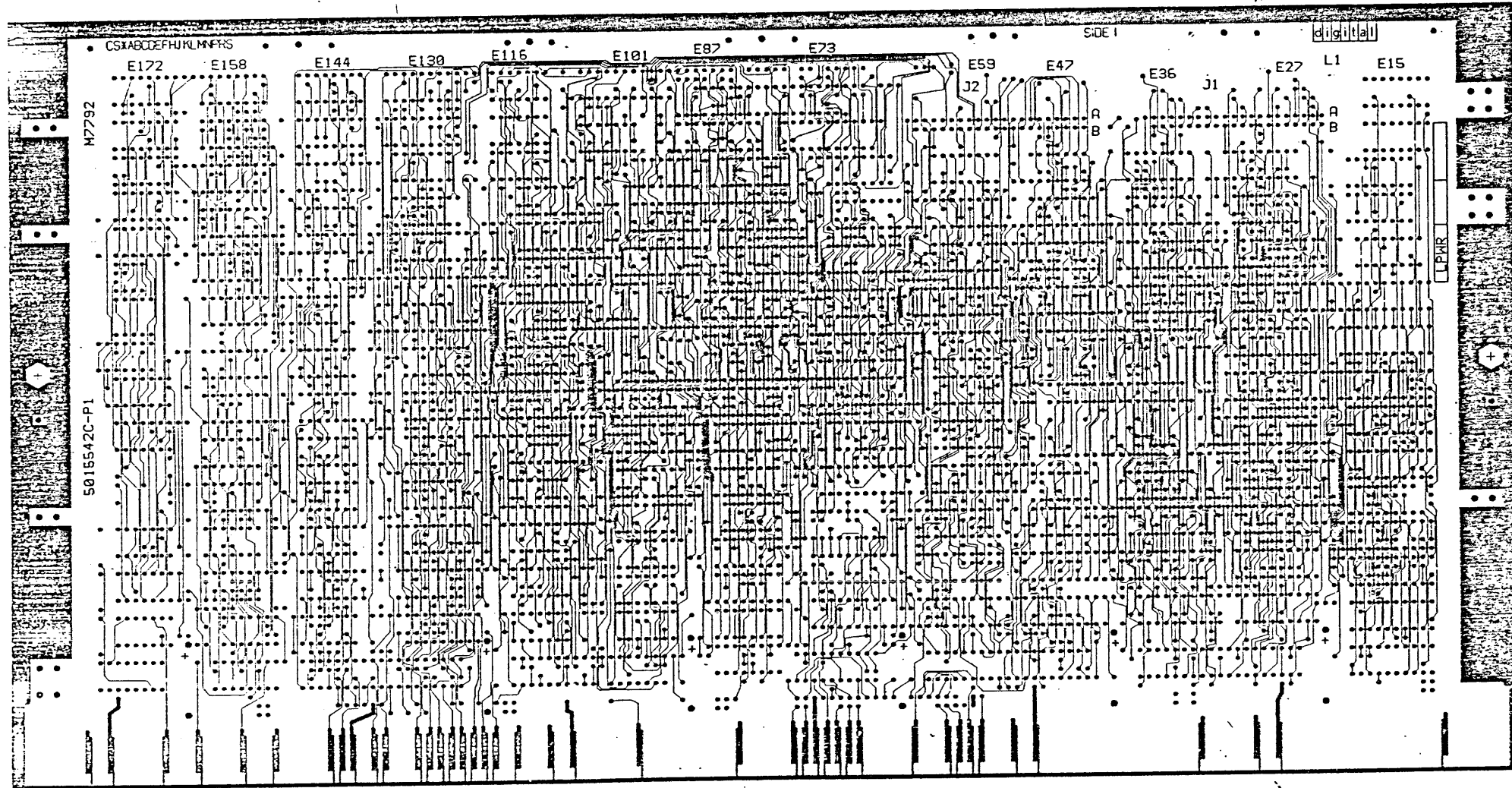
ETCH REV.	C-PI
-----------	------

SIGNATURES		DATE	digital
DRN. Paul Teller		2-17-83	
CHK'D. Tom Hargrave		2-18-83	
MECH. ENG.			
PROJ. ENG.			
PROD.			
SCALE 2/1			
SHT. 1 OF 1			
NEXT HIGHER ASSY. B-DD-M7792-0			

TITLE DEUNA PORT MODULE

SIZE CODE NUMBER REV
 D UA M7792-0-0 E

LAYER 1



REV	DATE	BY	CHK
1			
2			
3			
4			
5			
6			
7			
8			
9			
10			
11			
12			
13			
14			
15			
16			
17			
18			
19			
20			
21			
22			
23			
24			
25			
26			
27			
28			
29			
30			
31			
32			
33			
34			
35			
36			
37			
38			
39			
40			
41			
42			
43			
44			
45			
46			
47			
48			
49			
50			

UNLESS OTHERWISE SPECIFIED, DIMENSIONS ARE IN INCHES AND TOLERANCES ARE AS FOLLOWS:

FRONT VIEW

QUANTITY & LOCATION

DO NOT SCALE DRAWING
REMOVE BURRS AND
BREAK SHARP CORNERS

DATE: 10/16/73
DRAWN: Thomas F. Wall
CHECKED: [Signature]
DATE: 10/16/73
DRAWN: [Signature]
DATE: 10/16/73
DRAWN: [Signature]

EC 5015542-0-0

AUTOMATED BY PRTLST,4Q(50)

PARTS LIST

SHEET A1 OF A3

LINE	ITEM	TOP DOCUMENT	PART NUMBER	MIN REV	DESCRIPTION	QTY	PER VARIATION	REFERENCE DESIGNATOR
						00		
						E4		
1	77	D-MD-5015542-0-0	5015542-00	C	DRILL & ETCH CUT	1		
2	1		1001610-00		.01 MFD 50V +80-20% Z5U CER	1		C2
3	3		1012084-01		8 MFD 25V +75-10% AL EL	6		C4,C5,C6,C7,C8,C9
4	4		1012784-00		.047 MFD 50V +80-20% CER	46		C10,C11,C12,C13,C14,C15,C16,C17, C18,C19,C20,C21,C22,C23,C24,C25, CONT C26,C27,C28,C29,C30,C31,C32,C33, CONT C34,C35,C36,C37,C38,C39,C40,C41, CONT C42,C43,C44,C45,C46,C47,C48,C49, CONT C50,C51,C52,C53,C54,C55
5	2		1010031-07		1 MFD 50V 10% M.POLYCARB	1		C3
6	5		1112689-00		LED .8MCD@16MA VF=5V	7		D1,D2,D3,D4,D5,D6,D7
7	65		1209941-02		PCB,HEADER 40PIN(2X20),100CC 90D	2		J1,J2
8	19		1211164-06		SW,DIP 10POS/1PST 5VDC100MA F	2		E40,E62
9	79	BLANK			*** THIS ITEM IS NOT USED ***	-		
10	78	BLANK			*** THIS ITEM IS NOT USED ***	-		
11	80		1216988-02		HANDLE,MODULE,HEX TWO EJECTORS	1		
12	15		1300005-01		R NETWORK 13-1K 5.0 % 14PIN	2		E32,E63
13	69		1300229-00		100.0 .25 W 5.0 % CF	7		R6,R9,R10,R13,R19,R21,R22
14	76		1300247-00		120.0 .25 W 5.0 % CF	1		R91
15	68		1300295-00		330.0 .25 W 5.0 % CF	1		R5
16	66		1300365-00		1.0 K .25 W 5.0 % CF	9		R1,R3,R4,R11,R14,R17,R18,R20,R70
17	74		1300479-00		10.0 K .25 W 5.0 % CF	1		R24
18	75		1301322-00		180.0 .25 W 5.0 % CF	1		R90
19	72		1301425-00		300.0 .25 W 5.0 % CF	1		R16
20	71		1301890-00		560.0 .25 W 5.0 % CF	1		R15
21	67		1302388-00		2.0 K .25 W 5.0 % CF	1		R2
22	73		1303114-00		1.0 K .25 W 1.0 % RN55D-F10	1		R23
23	70		1317183-05		487.0 K .25 W 1.0 % RN55D-F10	2		R7,R8
24	60		1613120-00		DELAY= 200NS,10TAPS	1		E159
25	63		1811660-36		OSCILLATOR, XTAL 7.500 MHZ	1		E163

REVISION HISTORY		BASIC PART NO: M7792		DRN:	H.DENSMORE	DATE:	02-APR-85	D I G I T A L			
ENG	ECO NUMBER	REV	SECTION A OF A	CHK'D:	F.CARBONE	DATE:	02-APR-85	TITLE PARTS LIST			
---	INITIAL	A	SECTION VARIATION INDEX	CHK'D:	F.CARBONE	DATE:	02-APR-85	DEUNA PORT MODULE			
TE	M7792-TW002	B	[A] 00								
TE	M7792-TW003	C	[B]								
TE	M7792-TW004	D	[C]								
RS	M7792-TW005	E	[D]	DES.ENG:	M.STECKLAIR	DATE:	10-SEP-82	DOCUMENT NUMBER			
KS	M7792-TW006	F	[E]					SIZE	CODE	NUMBER	REV
ML	M7792-MK007	H	[F]	RESP.ENG.:	M.LAWRENCE	DATE:	02-APR-85	K	PL	M7792-0-0	H
			[H]								
			[J]								
			[K]	MFG.ENG.:	W.BROOKE	DATE:	02-APR-85	RELEASE DATE: 11-APR-85			
			[L]								
			[M]	ASSEMBLY NUMBER:		TOP DOCUMENT NUMBER:		FILE NAME:	EDIT		
			[N]	ID-UA-M7792-0-0		#K-DD-M7792-0		MK1192.PLS	22		

"THIS DRAWING AND THE SPECIFICATIONS CONTAINED HEREIN ARE CONFIDENTIAL AND PROPRIETARY. THEY ARE THE PROPERTY OF DIGITAL EQUIPMENT CORPORATION AND SHALL NOT BE REPRODUCED OR COPIED OR USED IN WHOLE OR IN PART AS THE BASIS FOR THE MANUFACTURE OR SALE OF ITEMS WITHOUT WRITTEN PERMISSION. THIS IS AN UNPUBLISHED WORK PROTECTED UNDER THE FEDERAL COPYRIGHT LAWS."

LINE ITEM	TOP DOCUMENT	PART NUMBER	MIN REV	DESCRIPTION	QTY PER VARIATION	REFERENCE DESIGNATOR
				VARIATION REVISION LEVEL:	00	
					E4	
26	61	1909705-00	DEC	8881 NAND GATE-QUAD 2IN O	1	E160
27	45	1909712-00	DEC	8242 COMPARATOR-4BIT N,	1	E104
28	56	1910532-00		74S00 NAND GATE-QUAD 2IN	1	E149
29	46	1915019-00		74S38 NAND BUFFER-QUAD 2IN	1	E105
30	42	1910534-00		74S04 INVERTER GATE-HEX 1I	1	E100
31	36	1910544-00		74S74 FF-D DUAL,EDGE TRIGG	7	E92,E124,E136,E137,E139,E148, CONT E166
32	62	1910878-00		7427 NOR GATE-TRIPLE 3IN	1	E161
33	31	1910951-00		9602 ONE SHOT-DUAL	1	E79
34	17	1911573-00		74S280 PARITY GEN/CHKR,9BIT	2	E36,E47
35	50	1911579-00		8641 TRANSCEIVER,BUS,QUA	2	E118,E120
36	29	1911676-00		74S139 DECODER-DUAL TWO-INP	1	E74
37	64	1911944-00		555CN TIMER,FUNCT.BLOCK	1	E167
38	55	1912389-00		74S08 AND GATE-QUAD 2IN,PO	1	E141
39	13	1912647-00		LS257 MUX 1 OF 2 (QUAD)	4	E23,E45,E54,E65
40	10	1912697-00		LS174 FF-D HEX W/CLEAR	3	E5,E143,E144
41	33	1912799-00		LS00 NAND-GATE-QUAD 2IN,P	4	E85,E88,E115,E169
42	34	1912801-00		LS02 NOR-GATE-QUAD 2IN	3	E89,E106,E164
43	35	1912803-00		LS04 INVERTER GATE,HEX	3	E90,E107,E134
44	26	1912805-00		LS08 AND GATE-QUAD 2IN,PO	6	E71,E113,E119,E121,E132,E135
45	28	1912807-00		LS10 NAND GATE-TRIPLE 3IN	2	E73,E108
46	48	1912810-00		LS20 NAND GATE-DUAL 4IN	2	E114,E122
47	44	1912811-00		LS21 AND GATE-DUAL 4IN,PO	1	E103
48	49	1912813-00		LS27 NOR GATE-TRIPLE 3IN	1	E116
49	30	1912816-00		LS32 OR GATE-QUAD 2IN,POS	4	E78,E91,E109,E150
50	20	1912824-00		LS74 FF-D DUAL,EDGE TRIGG	7	E41,E99,E128,E138,E146,E147,E168
51	25	1912842-00		LS138 DECODER-THREE INPUT,	5	E58,E75,E76,E77,E140
52	53	1912845-00		LS153 MUX 1 OF 4 (DUAL)	7	E129,E130,E153,E155,E157,E158, CONT E171
53	38	1912848-00		LS158 MUX 1 OF 2 (QUAD)	1	E95
54	57	1912851-00		LS169 COUNTER,SYNCH, UP/DO	1	E151
55	12	1912854-00		LS193 COUNTER,SYNCHR,4BIT,	14	E12,E13,E26,E27,E35,E46,E55,E57, CONT E59,E68,E69,E70,E127,E142
56	16	1912863-00		LS273 FF-D OCTAL W/CLEAR	2	E34,E83
57	58	1912864-00		LS279 LATCH,QUAD-S-R	1	E152
58	52	1913462-00		74S240 OCTAL BUFFER,INVERTI	1	E126
59	40	1913671-00		74S374 FF-D,OCTAL,TRI STATE	2	E97,E123
60	24	1913888-00	DC	102A EQUALS CHECKER 8BIT	1	E51
61	18	1914085-00		74S260 NOR GATE-DUAL,POS	1	E37
62	6	1914214-00		LS374 FF-D OCTAL EDGE TRIG	8	E1,E6,E16,E17,E20,E22,E24,E29
63	54	1914438-00	DC	013 UNIBUS INTERRUPT-BIP	2	E131,E145
64	59	1914451-00		LS393 COUNTER,BINARY,4BIT	6	E154,E156,E162,E165,E170,E172
65	32	1914768-00	C	67401J MEMORY FIFO,SERIAL	2	E84,E87
66	14	1914845-00		2918 FF-D QUAD TRI-STATE	1	E28
67	9	1915193-00		LS244 DRIVER,LINE,OCTAL,TR	21	E4,E8,E9,E10,E18,E19,E21,E25, CONT E30,E31,E33,E38,E49,E52,E61,E64, CONT E66,E67,E80,E81,E94
68	8	1915219-00		LS373 FF-D OCTAL-TRANSPARE	2	E3,E7

D	I	G	I	T	A	L	TITLE	SECTION A	OF A	SIZE	CODE	DOCUMENT NUMBER	REV
							DEUNA PORT MODULE			K	PL	M7792-0-0	H

AUTOMATED BY PRTLST.4Q(50)

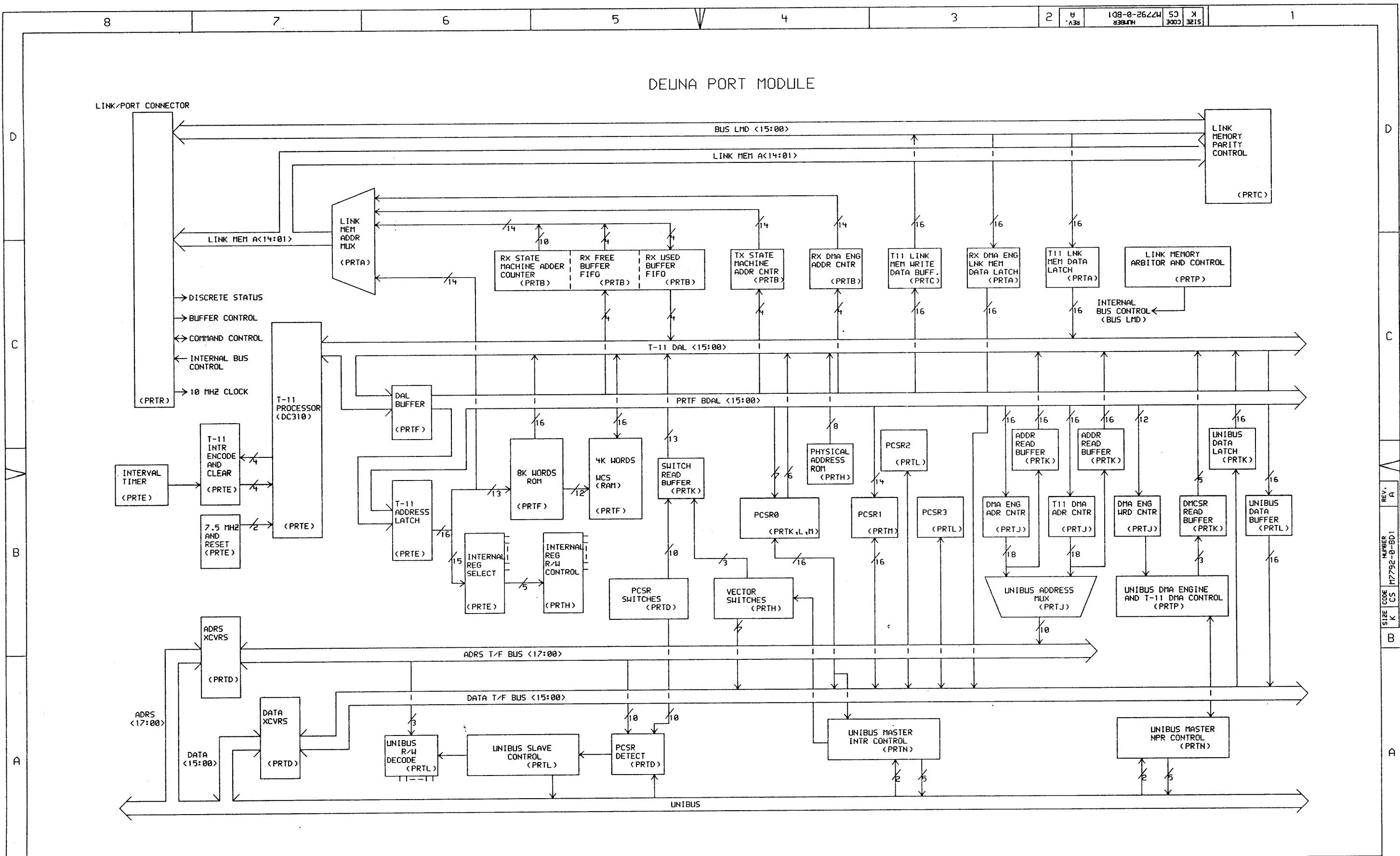
P A R T S L I S T

SHEET A3 OF A3

LINE	ITEM	TOP DOCUMENT	PART NUMBER	MIN REV	DESCRIPTION	VARIATION REVISION LEVEL:	QTY PER VARIATION	REFERENCE DESIGNATOR
69	37		1915932-00		LS125 BUFFER,QUAD BUS		1	E93
70	23		1919015-00		DC 021 BUS TRANSCEIVER,20PI		4	E48,E60,E102,E117
71	39		2117311-01		T-11 MICROPROCESSOR W/LSI-		1	E96
72	27		2118054-03		16K MOS RAM 55NS 2		2	E72,E86
73	22		2119250-00		4KX4 STATIC RAM 55NS		4	E44,E56,E82,E110
74	11		23365A1-00	A1-09			1	E11
75	41		23366A1-00	A1-07			1	E133
76	51		23367A1-00	A1-07			1	E53
77	21		23992A9-00	A9-01			1	E98
78	7		23090C6-00	C6-01			1	E125
79	43		23229E4-00	E4-06			1	E43
80	47		23228E4-00	E4-06			1	E42
81	81		9009000-00		EYELET,ROLLED 0.1210DX0.156		10	
82	82		23119J5-00	J5-01	PAL,LOGIC DRIV		2	E2,E39
83	83		23118J5-00	J5-01	PAL,LOGIC DRIV		1	E50
84	84		23070K3-00	K3-01	PAL,REG, CONT		1	E101
85	85		23037K5-00	K5-01			1	E112
86	86		23038K5-00	K5-01			1	E111
87	87		1215006-02	SKT,IC	16PIN DIP TIN SOLD		1	XE11
88	88		1311422-00	178.0	.25 W 1.0 & RN55D-F10		4	R92,R94,R95,R97
89	89		1305125-00	383.0	.25 W 1.0 & RN55D-F10		2	R93,R96
90	90		9107256-11		TUBING,TEFLON .027ID		A/R	
91	91		9105740-55		WIRE(WRAP) 30AWG KYNAR UL14		A/R	

D I G I T A L	TITLE	SECTION A OF A	SIZE	CODE	DOCUMENT NUMBER	REV
	DEUNA PORT MODULE		K	PL	M7792-0-0	H

DEUNA PORT MODULE



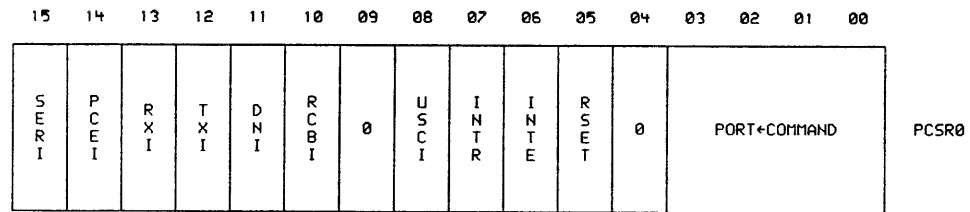
THIS DRAWING AND SPECIFICATIONS HEREIN, ARE THE PROPERTY OF DIGITAL EQUIPMENT CORPORATION AND SHALL NOT BE REPRODUCED OR COPIED OR USED IN WHOLE OR IN PART AS THE BASIS FOR THE MANUFACTURE OR SALE OF ITEMS WITHOUT WRITTEN PERMISSION. COPYRIGHT © 1983, DIGITAL EQUIPMENT CORPORATION.

REVISIONS	
CHK	CHANGE NO. REV

digitai	DRN. P. HEBERT	DATE 16-MAY-83	ENG. Rick Szmauz	DATE 16-MAY-83	TITLE: DEUNA PORT MODULE (BD1)
	CHK'D. [Signature]	DATE 16-MAY-83	BOARD LOCATION:	SHEET 1 OF 1	
DSKE: <SARGENT>PRTBD1.DRW 16-MAY-83 06:21		NEXT HIGHER ASSEMBLY: D-UA-M7792-0-0		SIZE CODE K CS	NUMBER M7792-0-BD1
FIRST USED ON OPTION/MODEL: DEUNA				REV. A	

REV. A
SIZE CODE K CS
NUMBER M7792-0-BD1

PORT CONTROL AND STATUS REGISTER 0 (PCSR0)

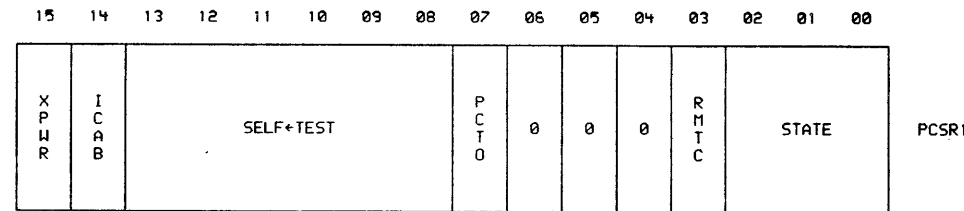


PCSR0

- BITS <3:0> PORT COMMAND
- ZERO
- RESET
- INTERRUPT ENABLE
- INTERRUPT SUMMARY
- UNSOLICITED STATE CHANGE INTERRUPT
- ZERO
- RECEIVER BUFFER UNAVAILABLE INTERRUPT
- DONE INTERRUPT
- TRANSMIT RING INTERRUPT
- RECEIVE RING INTERRUPT
- PORT COMMAND ERROR INTERRUPT
- STATUS ERROR INTERRUPT

(PRTK₁L₁M)

PORT CONTROL AND STATUS REGISTER 1 (PCSR1)

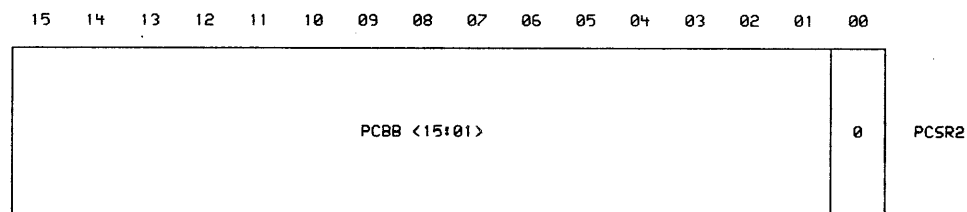


PCSR1

- DELUNA STATE
- REMOTE CONSOLE RESERVED
- ZERO
- ZERO
- ZERO
- PORT COMMAND TIMEOUT
- SELF TEST ERROR CODE
- PORT/LINK CABLING
- TRANSCIEVER POWER

(PRTM)

PORT CONTROL AND STATUS REGISTER 2 (PCSR2)

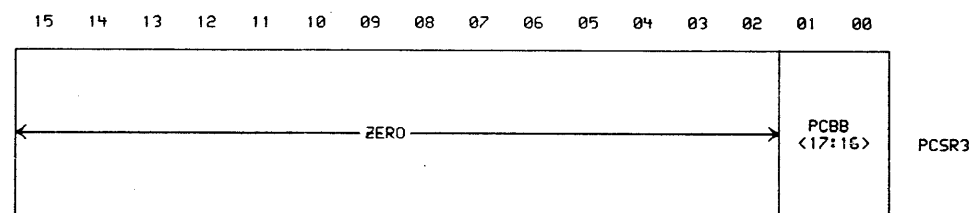


PCSR2

- PORT CONTROL BLOCK BASE
- BITS <15:01> R/W

(PRTL)

PORT CONTROL AND STATUS REGISTER 3 (PCSR3)



PCSR3

- PORT CONTROL BLOCK BASE
- BITS <17:16> R/W

- ZERO
- BITS <15:02>

(PRTL)

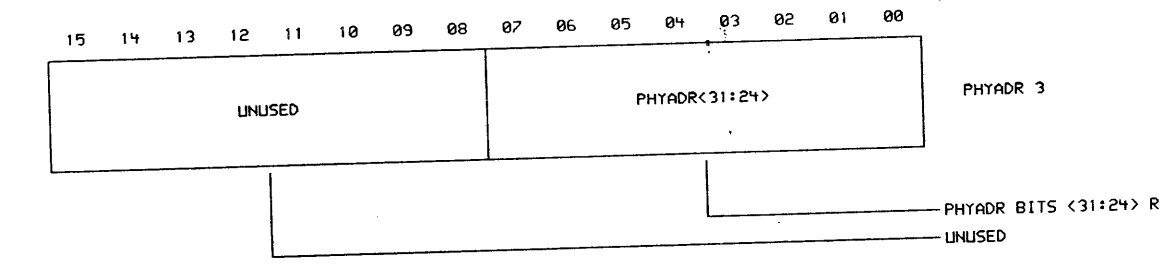
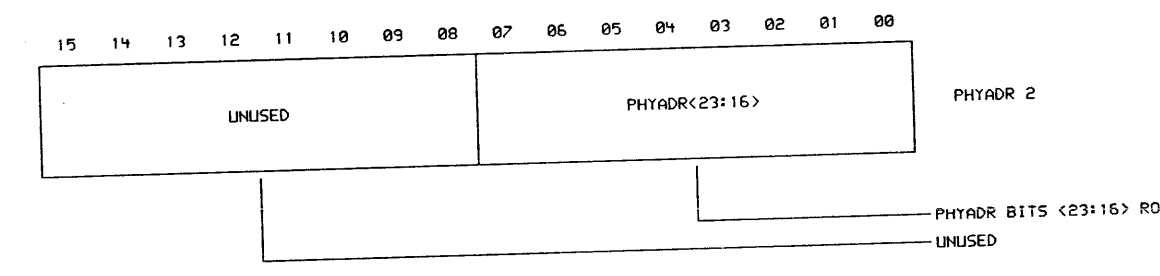
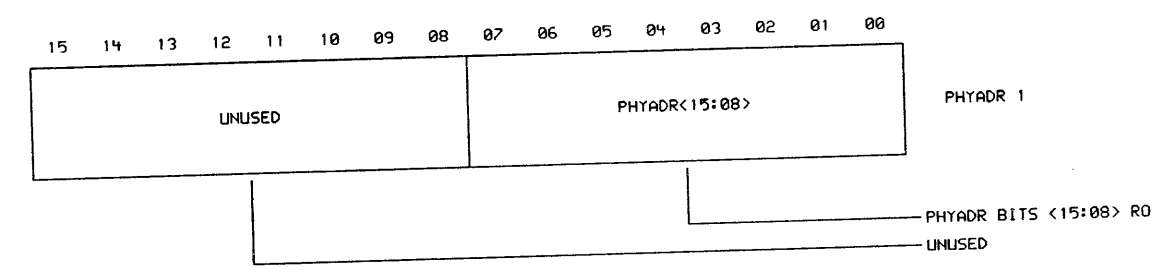
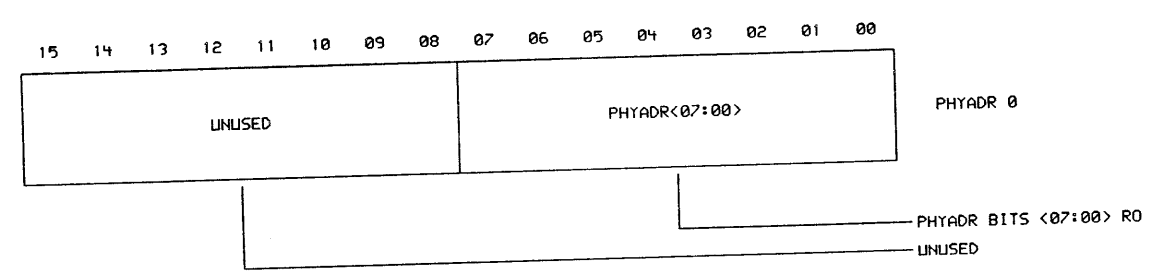
UNIBUS PORT CONTROL & STATUS
REGISTERS (PCSR0-3)

THIS DRAWING AND SPECIFICATIONS
HEREIN ARE THE PROPERTY OF
DIGITAL EQUIPMENT CORPORATION AND
SHALL NOT BE REPRODUCED OR COPIED
OR USED IN WHOLE OR IN PART AS
THE BASIS FOR THE MANUFACTURE OR
SALE OF ITEMS WITHOUT WRITTEN
PERMISSION. COPYRIGHT © 1983,
DIGITAL EQUIPMENT CORPORATION.

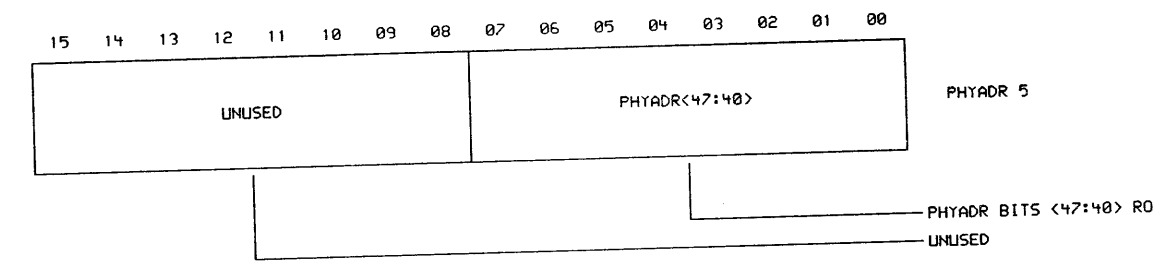
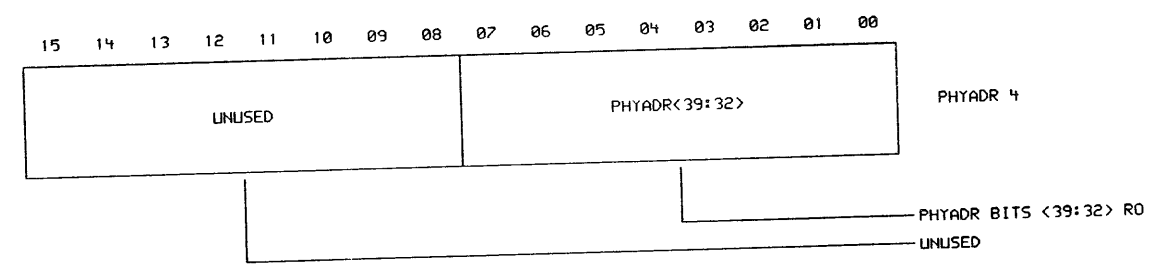
REVISIONS		
CHK	CHANGE NO.	REV

digital	DRN. PAUL HEBERT"	DATE 06-MAY-83	ENG. Rick Szmuz	DATE 06-MAY-83	TITLE: DELUNA PORT MODULE (CR1)
	CHK'D. J. J. ...	DATE 06-MAY-83	BOARD LOCATION: ...	SHEET 1 OF 1	SIZE CODE K CS M7792-0-CR1
DSKE: <SARGENT>PRTCR1.DRW 06-MAY-83 07:01 NEXT HIGHER ASSEMBLY: DELUNA D-UA-M7792-0-0					REV. A

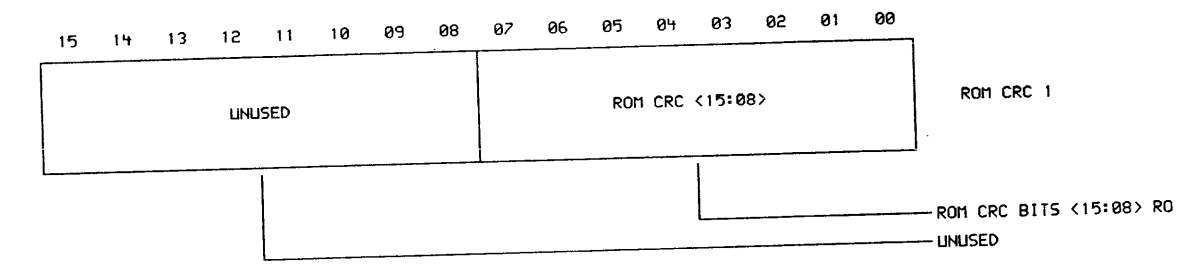
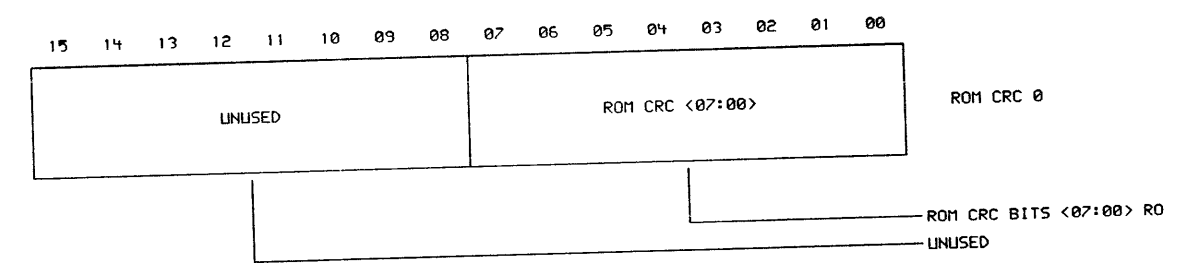
PHYADR (PHYSICAL ADDRESS REGISTER BIT CONFIGURATION)



RO = READ ONLY



ROM CRC (READ ONLY MEMORY CYCLIC REDUNDANCY CHECK)



EHTERNET PHYSICAL ADDRESS ROM - (PRTH)

THIS DRAWING AND SPECIFICATIONS ARE THE PROPERTY OF DIGITAL EQUIPMENT CORPORATION AND SHALL NOT BE REPRODUCED OR COPIED OR USED IN WHOLE OR IN PART AS THE BASIS FOR THE MANUFACTURE OR SALE OF ITEMS WITHOUT WRITTEN PERMISSION. COPYRIGHT © 1983, DIGITAL EQUIPMENT CORPORATION.

REVISIONS	
CHK	CHANGE NO. REV.

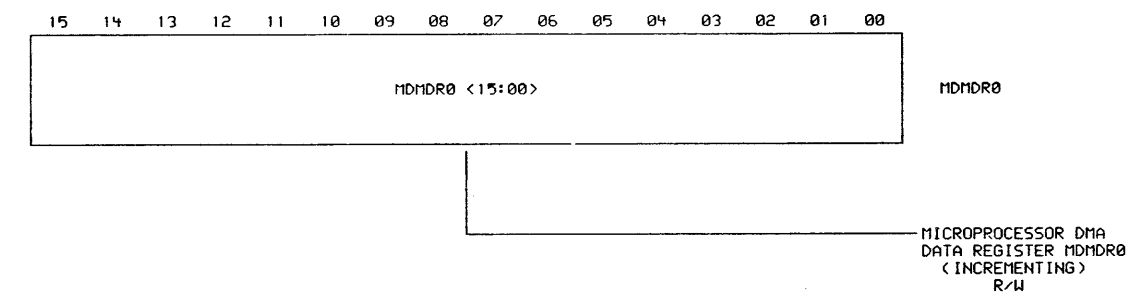
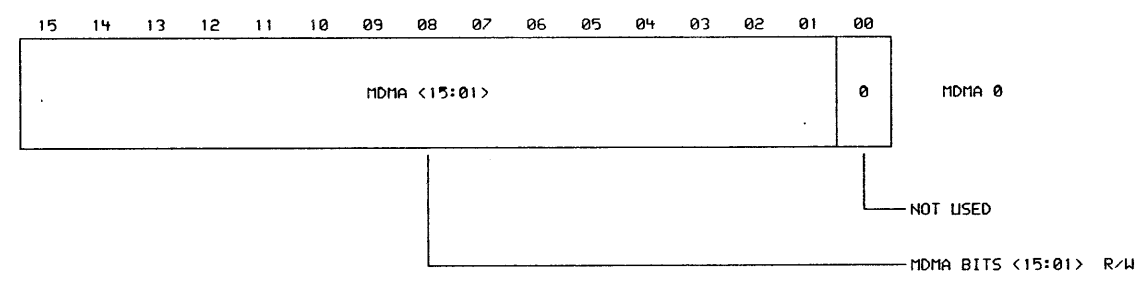
digital	DRN. P. HEBERT	DATE 16-MAY-83	ENG. Rick Szmauz	DATE 16-MAY-83	TITLE: DEUNA PORT MODULE (IRA)
	CHK'D. <i>[Signature]</i>	DATE 16-MAY-83	BOARD LOCATION: DE 1	SHEET 1	
DSKE: <SARGENT>PRTIRA.DRW 16-MAY-83 06:05		NEXT HIGHER ASSEMBLY: D-UA-M7792-0-0		SIZE CODE K CS	NUMBER M7792-0-IRA
FIRST USED ON OPTION/MODEL: DEUNA					REV. A

REV. A
NUMBER M7792-0-IRA
SIZE CODE K CS

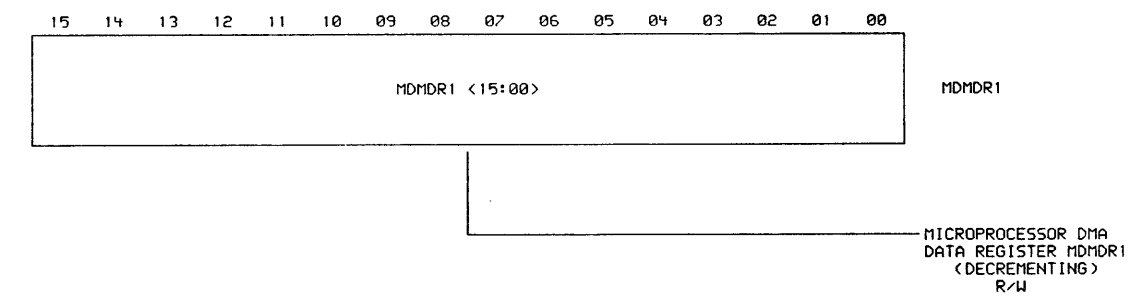
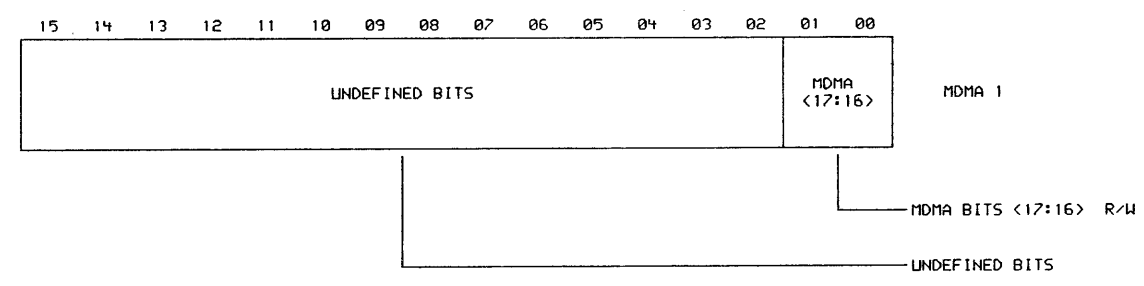
MICROPROCESSOR DMA DATA REGISTERS (MMDR0 AND MMDR1)

MDMA 0 [T11 UNIBUS ADDRESS COUNTER]

[UNIBUS DATA IN LATCH] R
[T11 UNIBUS DATA OUT BUFFER] W



MDMA 1 [T11 UNIBUS ADDRESS COUNTER]



(PRTJ,K)

(PRTK,L)

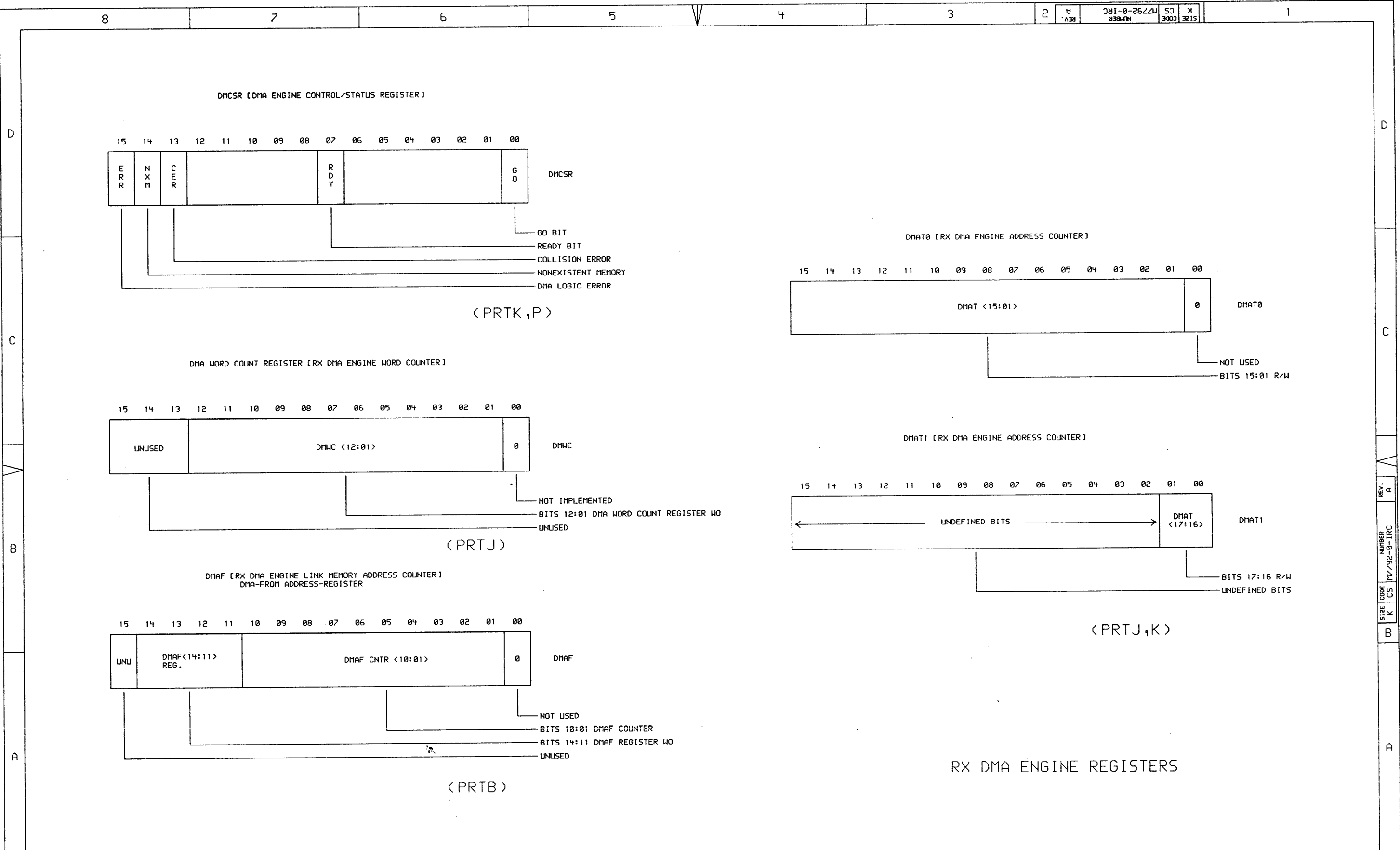
T11 DMA REGISTERS

THIS DRAWING AND SPECIFICATIONS
HEREIN ARE THE PROPERTY OF
DIGITAL EQUIPMENT CORPORATION AND
SHALL NOT BE REPRODUCED OR COPIED
OR USED IN WHOLE OR IN PART AS
THE BASIS FOR THE MANUFACTURE OR
SALE OF ITEMS WITHOUT WRITTEN
PERMISSION. COPYRIGHT © 1983
DIGITAL EQUIPMENT CORPORATION

REVISIONS	
CHK	CHANGE NO. REV

--	--	--	--	--	--	--	--	--	--	--	--	--	--	--	--	--	--	--	--	--	--	--	--

digital	DRN.	DATE	ENG.	DATE	TITLE: DEUNA PORT MODULE (IRB)		
	P. HEBERT	16-MAY-83	Rick Szmuaz	16-MAY-83			
	CHK: D. Sargent	16-MAY-83					
DSKE: <SARGENT>PRTIRB.DRW		16-MAY-83 06:09	NEXT HIGHER ASSEMBLY:	SIZE	CODE	NUMBER	REV.
FIRST USED ON OPTION/MODEL: DEUNA		D-UA-M7792-0-0		K	CS	M7792-0-IRB	A



THIS DRAWING AND SPECIFICATIONS ARE THE PROPERTY OF DIGITAL EQUIPMENT CORPORATION AND SHALL NOT BE REPRODUCED OR COPIED OR USED IN WHOLE OR IN PART AS THE BASIS FOR THE MANUFACTURE OR SALE OF ITEMS WITHOUT WRITTEN PERMISSION. COPYRIGHT © 1983 DIGITAL EQUIPMENT CORPORATION.

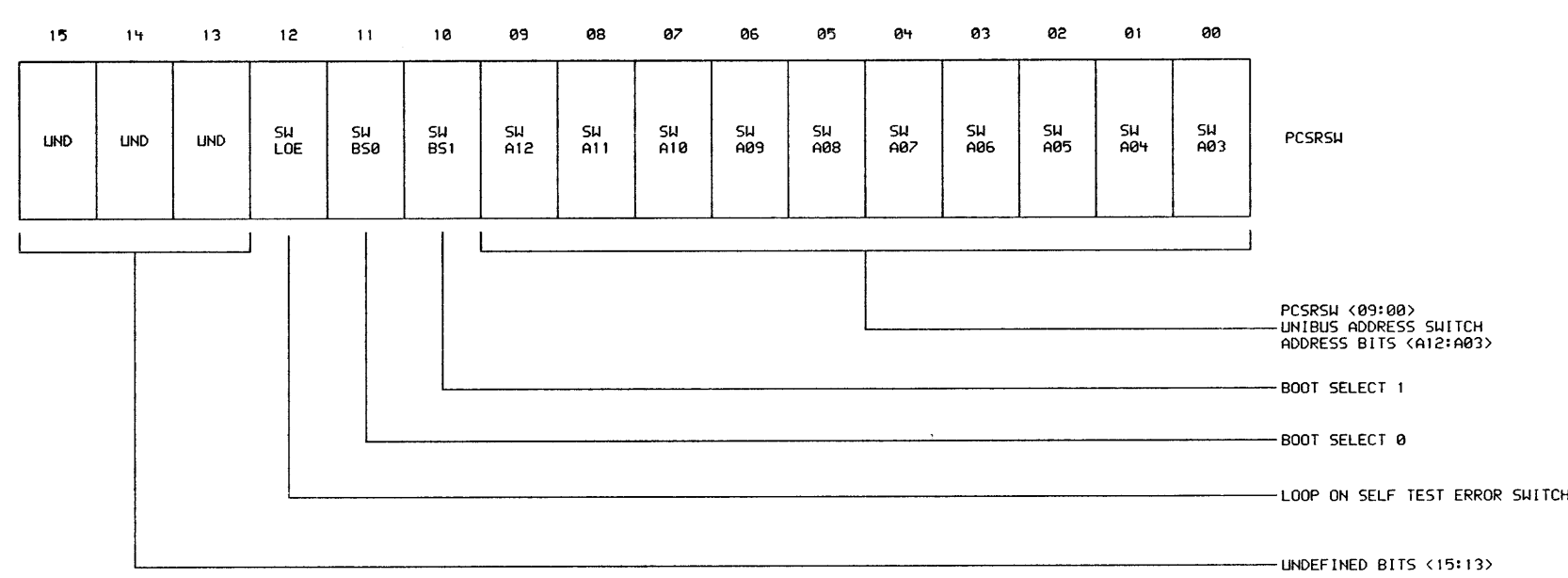
REVISIONS	
CHK	CHANGE NO. REV.

DRN. PAUL HEBERT"	DATE 06-MAY-83	ENG. Fick Szmaz	DATE 06-MAY-83	TITLE: DEUNA PORT MODULE (IRC)
CHK'D. <i>[Signature]</i>	DATE 06-MAY-83	BOARD LOCATION: SHEET 1 OF 1	SIZE CODE K CS	NUMBER M7792-0-IRC
DSKE: <SARGENT>PRTIRC.DRW 06-MAY-83 07:35		NEXT HIGHER ASS'Y: D-LA-M7792-0-0		REV. A
FIRST USED ON OPTION/MODEL: DEUNA				

digital	DRN. PAUL HEBERT"	DATE 06-MAY-83	ENG. Fick Szmaz	DATE 06-MAY-83	TITLE: DEUNA PORT MODULE (IRC)
	CHK'D. <i>[Signature]</i>	DATE 06-MAY-83	BOARD LOCATION: SHEET 1 OF 1	SIZE CODE K CS	NUMBER M7792-0-IRC
DSKE: <SARGENT>PRTIRC.DRW 06-MAY-83 07:35		NEXT HIGHER ASS'Y: D-LA-M7792-0-0		REV. A	
FIRST USED ON OPTION/MODEL: DEUNA					

REV. A
NUMBER M7792-0-IRC
SIZE CODE K CS

PORT SWITCHPACK REGISTER (PCSRW)



(PRTD,K)

PORT SWITCHPACK REGISTER

THIS DRAWING AND SPECIFICATIONS, HEREIN, ARE THE PROPERTY OF DIGITAL EQUIPMENT CORPORATION AND SHALL NOT BE REPRODUCED OR COPIED OR USED IN WHOLE OR IN PART AS THE BASIS FOR THE MANUFACTURE OR SALE OF ITEMS WITHOUT WRITTEN PERMISSION. COPYRIGHT © 1983, DIGITAL EQUIPMENT CORPORATION.

REVISIONS		
CHK	CHANGE NO.	REV

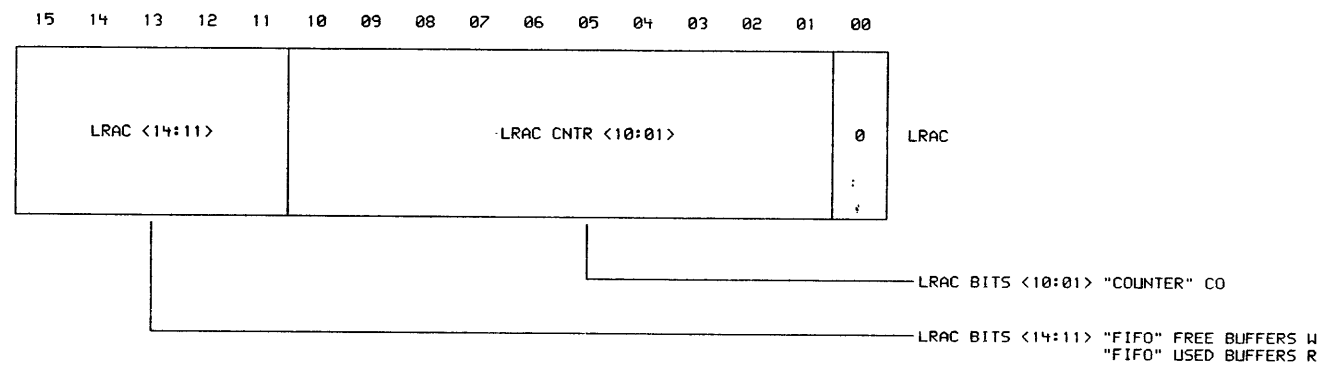
--	--	--	--	--	--	--	--

digital	DRN. P. HEBERT	DATE 06-MAY-83	ENG. Rick Szmauz	DATE 06-MAY-83
	CHK'D. <i>[Signature]</i>	DATE 06-MAY-83	BOARD LOCATION:	SHEET 1 OF 1
DSKE: <SARGENT>PRTIRD.DRW 06-MAY-83 07:38		NEXT HIGHER ASSEMBLY:		D-UA-M7792-0-0
FIRST USED ON OPTION/MODEL: DEUNA				

TITLE: DEUNA PORT MODULE (IRD)			
SIZE	CODE	NUMBER	REV.
K	CS	M7792-0-IRD	A

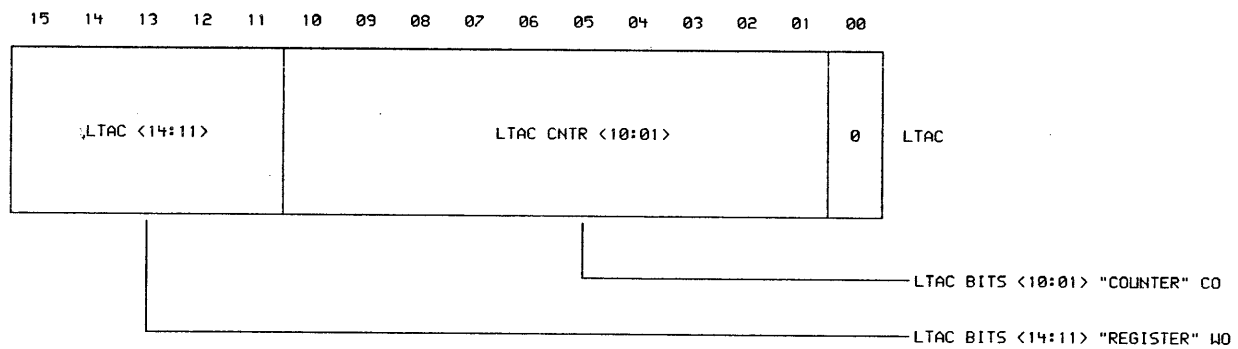
REV. A
NUMBER M7792-0-IRD
SIZE CODE CS K

RX STATE MACHINE LINK MEMORY ADDRESS COUNTER (LINK RECEIVE ADDRESS COUNTER)



TX STATE MACHINE LINK MEMORY ADDRESS COUNTER (LTAC)

CO=CLEAR ONLY



(PRTB)

LINK MEMORY ADDRESS COUNTERS

THIS DRAWING AND SPECIFICATIONS ARE THE PROPERTY OF DIGITAL EQUIPMENT CORPORATION AND SHALL NOT BE REPRODUCED OR COPIED OR USED IN WHOLE OR IN PART AS THE BASIS FOR THE MANUFACTURE OR SALE OF ITEMS WITHOUT WRITTEN PERMISSION. COPYRIGHT © 1983 DIGITAL EQUIPMENT CORPORATION.

REVISIONS	
CHK	CHANGE NO. REV.

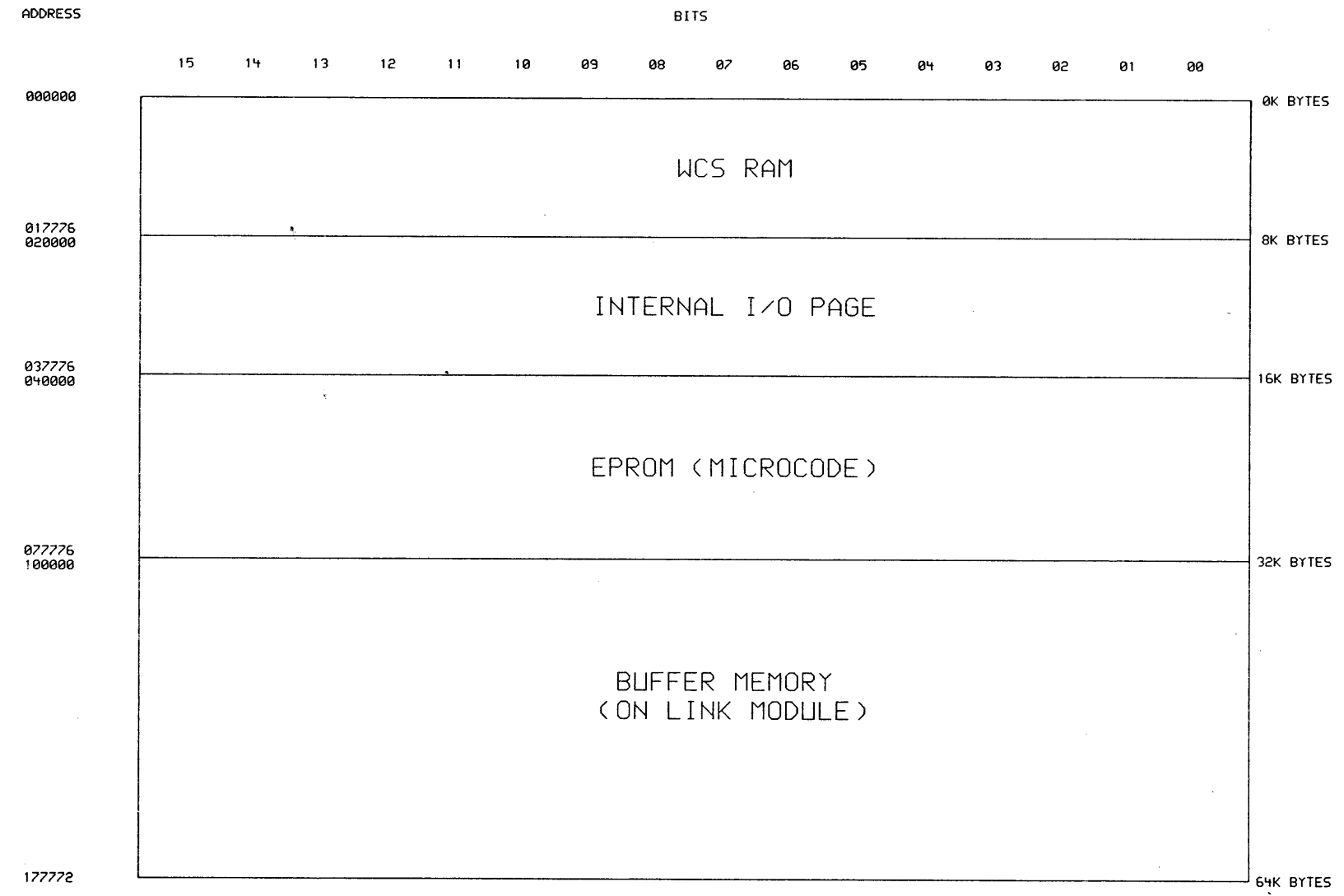
digital	DRN. PAUL HEBERT	DATE 06-MAY-83	ENG. Rick Szmauz	DATE 06-MAY-83	TITLE: DEUNA PORT MODULE (IRE)
	CHKD. <i>[Signature]</i>	DATE 06-MAY-83	BOARD LOCATION:	SHEET 1 OF 1	
DSKE: <SARGENT>PRTIRE.DRW106-MAY-83 08:58		NEXT HIGHER ASSEMBLY:		SIZE CODE K CS	NUMBER M7792-0-IRE
FIRST USED ON OPTION/MODEL: DEUNA		D-UA-M7792-0-0			REV. A

D
C
B
A

D
C
B
A

REV. A
 NUMBER M7792-0-IRE
 SIZE CODE K CS

T11 ADDRESS SPACE

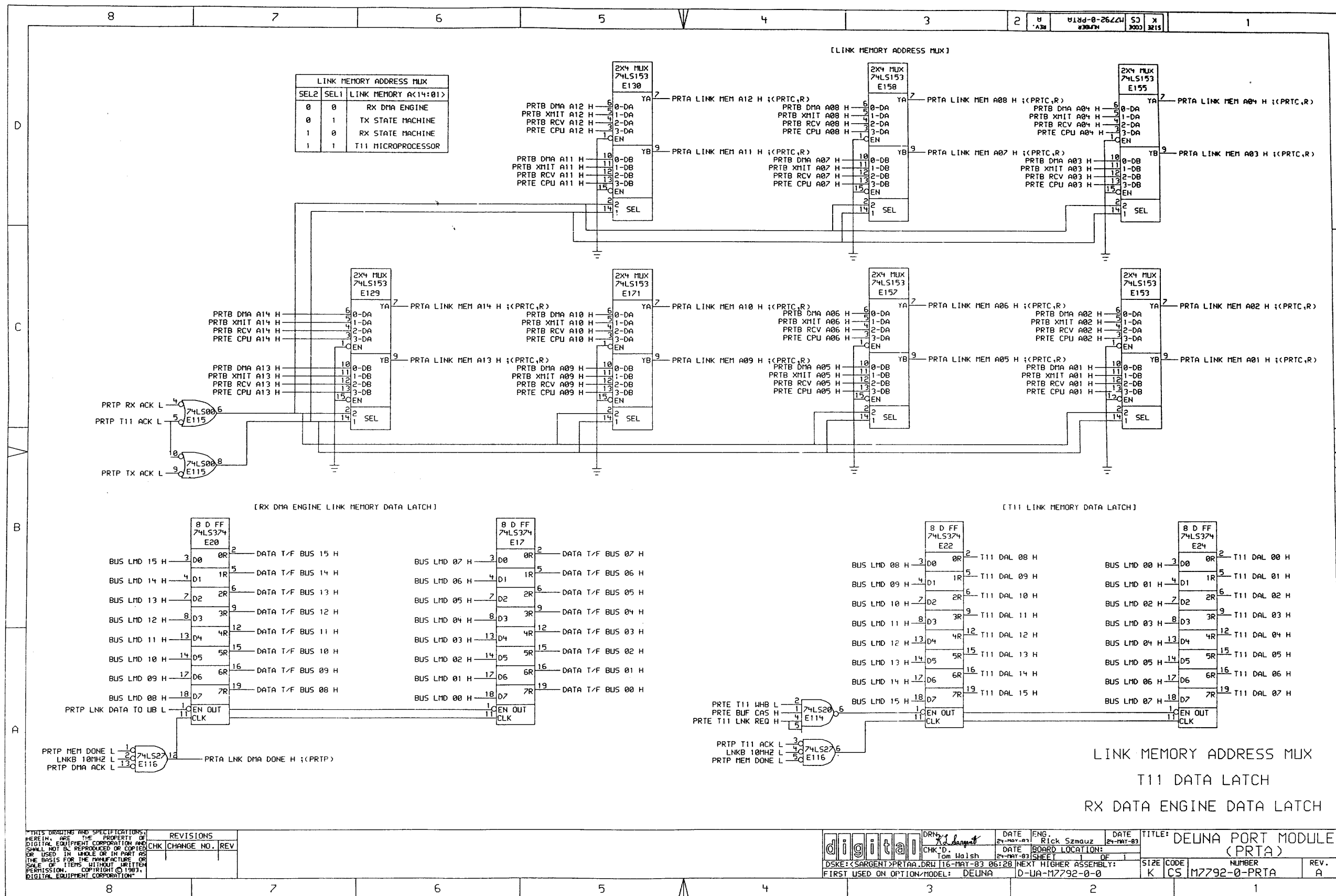


(T11 - PRTE)

THIS DRAWING AND SPECIFICATIONS
HEREIN ARE THE PROPERTY OF
DIGITAL EQUIPMENT CORPORATION AND
SHALL NOT BE REPRODUCED OR COPIED
OR USED IN WHOLE OR IN PART AS
THE BASIS FOR THE MANUFACTURE OR
SALE OF ITEMS WITHOUT WRITTEN
PERMISSION. COPYRIGHT © 1983,
DIGITAL EQUIPMENT CORPORATION

REVISIONS		
CHK	CHANGE NO.	REV

digital	DRN. P. HEBERT	DATE 16-MAY-83	ENG. Rick Szmauz	DATE 16-MAY-83	TITLE: DELUNA PORT MODULE (LSM)
	CHK'D. <i>A. Sargent</i>	DATE 16-MAY-83	BOARD LOCATION:	SHEET 1 OF 1	
DSKE: <SARGENT>PRTL5M.DRW16-MAY-83 10:20					NEXT HIGHER ASSEMBLY:
FIRST USED ON OPTION/MODEL: DELUNA					ID-LA-M7792-0-0
SIZE	CODE	NUMBER		REV.	
K	CS	M7792-0-LSM		A	

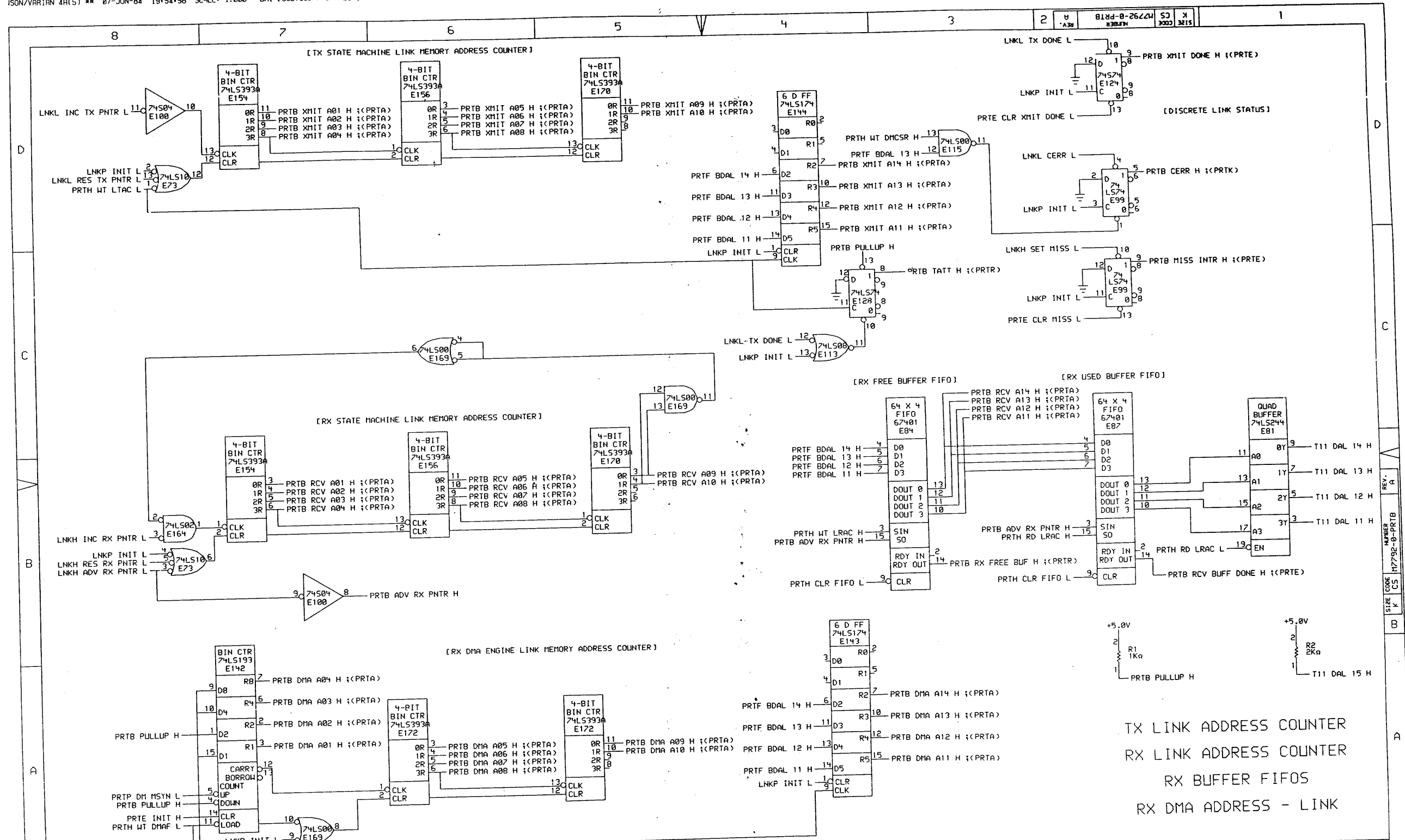


THIS DRAWING AND SPECIFICATIONS ARE THE PROPERTY OF DIGITAL EQUIPMENT CORPORATION AND SHALL NOT BE REPRODUCED OR COPIED OR USED IN WHOLE OR IN PART AS THE BASIS FOR THE MANUFACTURE OR SALE OF ITEMS WITHOUT WRITTEN PERMISSION. COPYRIGHT © 1983, DIGITAL EQUIPMENT CORPORATION.

REVISIONS
CHK CHANGE NO. REV

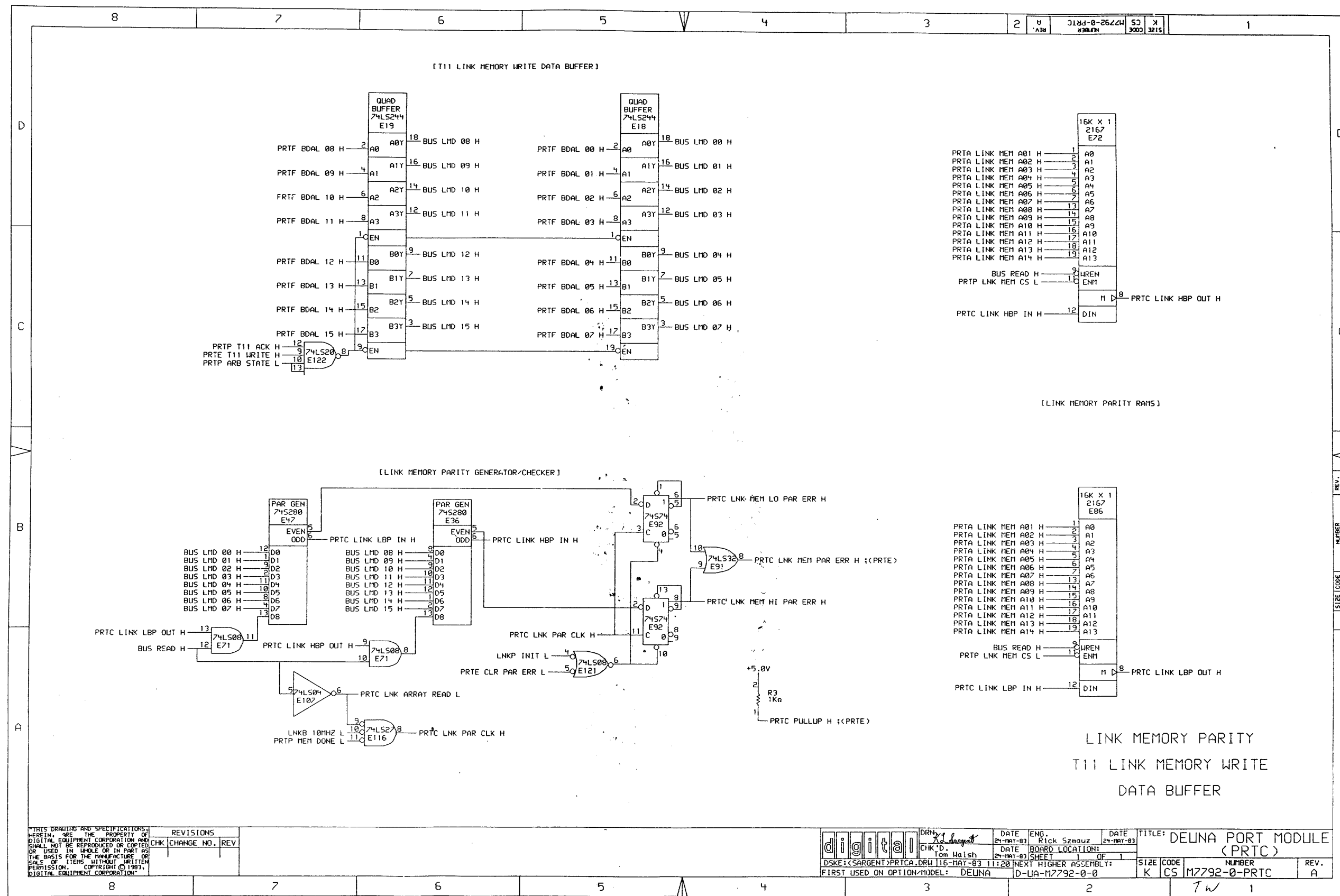
DRN: <i>Tom Walsh</i>	DATE: 24-MAY-83	ENG: Rick Szmauz	DATE: 24-MAY-83	TITLE: DEUNA PORT MODULE (PRTA)
CHK'D: Tom Walsh	DATE: 24-MAY-83	BOARD LOCATION: 1	SHEET: 1	OF: 1
DSKE1<SARGENT>PRTAA.DRI 16-MAY-83 06:28	NEXT HIGHER ASSEMBLY:	SIZE CODE: K CS	NUMBER: M7792-0-PRTA	REV. A
FIRST USED ON OPTION/MODEL: DEUNA	D-UA-M7792-0-0			

TW



REV.	CHG.	CHANGE NO.	REV.

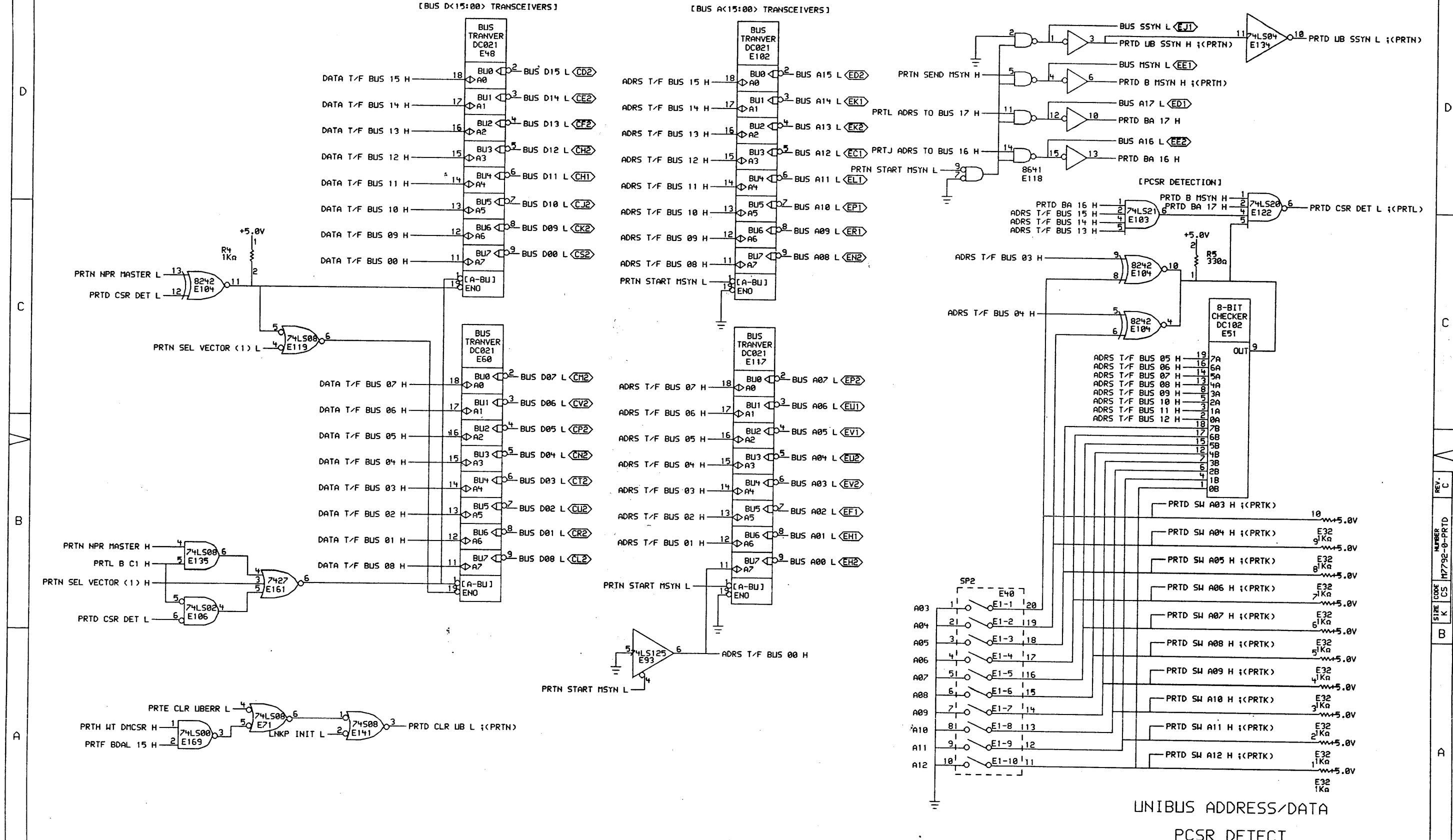
	DRN: <i>Tom Walsh</i>	DATE: 24-MAY-83	ENG: Rick Szmauz	DATE: 24-MAY-83	TITLE: DEUNA PORT MODULE (PRTB)
	CHK'D: Tom Walsh	DATE: 24-MAY-83	BOARD LOCATION: 1 OF 1	DATE: 24-MAY-83	SHEET: 1 OF 1
FIRST USED ON OPTION/MODEL: DEUNA		NEXT HIGHER ASSEMBLY: D-UA-M7792-0-0		SIZE CODE: K CS	NUMBER: M7792-0-PRTB
				REV.:	A

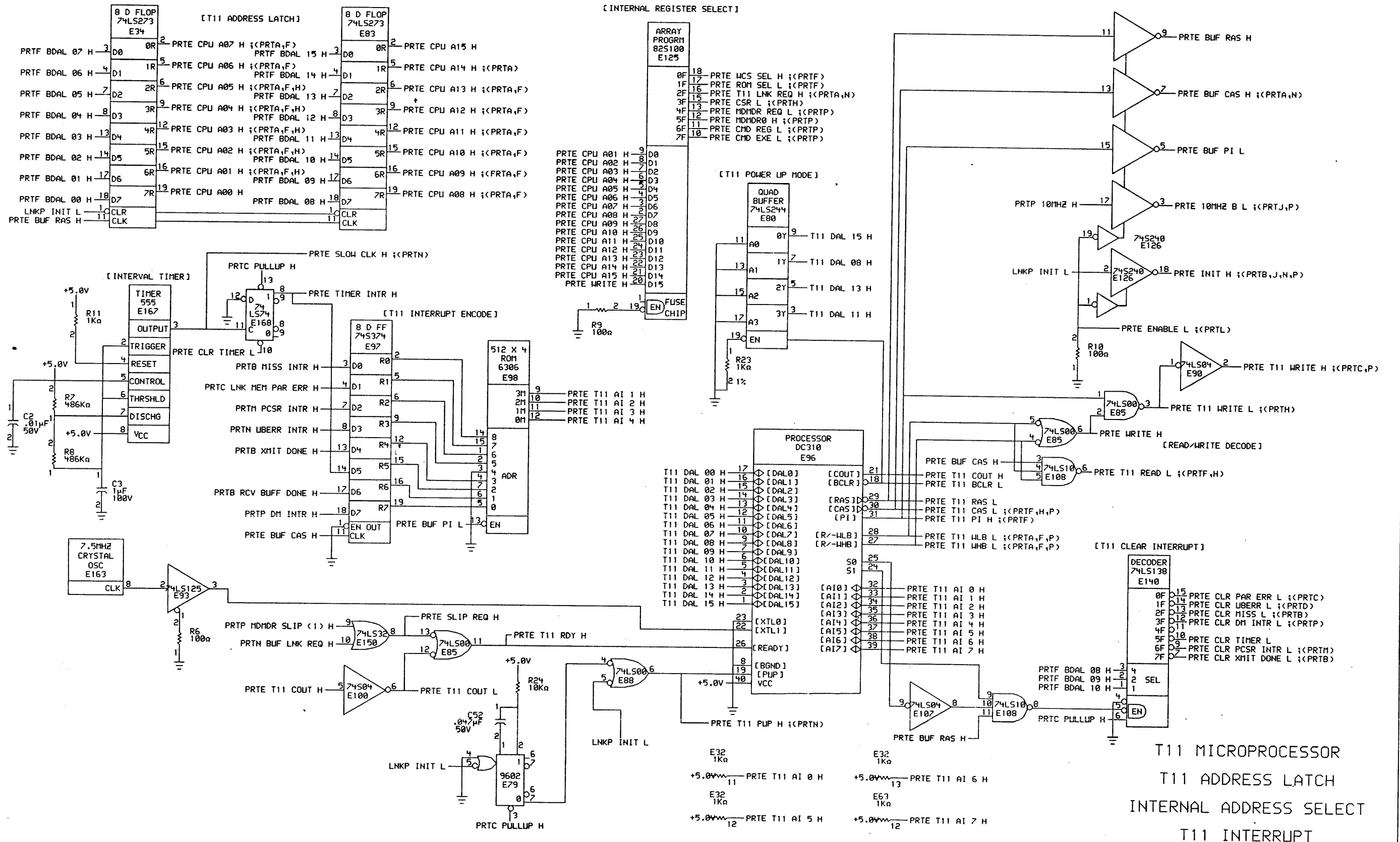


THIS DRAWING AND SPECIFICATIONS ARE THE PROPERTY OF DIGITAL EQUIPMENT CORPORATION AND SHALL NOT BE REPRODUCED OR COPIED OR USED IN WHOLE OR IN PART AS THE BASIS FOR THE MANUFACTURE OR SALE OF ITEMS WITHOUT WRITTEN PERMISSION. COPYRIGHT © 1983, DIGITAL EQUIPMENT CORPORATION

REVISIONS	
CHK	CHANGE NO. / REV

digital	DRN: <i>R. Sargent</i>	DATE: 24-MAY-83	ENG: Rick Szmajz	DATE: 24-MAY-83	TITLE: DELUNA PORT MODULE (PRTC)
	CHK'D: Tom Walsh	DATE: 24-MAY-83	BOARD LOCATION: 1 OF 1	SHEET: 1 OF 1	
DSKE: <SARGENT>PRICA.DRW 116-MAY-83 11:20		NEXT HIGHER ASSEMBLY: D-UA-M7792-0-0		SIZE: K	CODE: CS
FIRST USED ON OPTION/MODEL: DELUNA				NUMBER: M7792-0-PRTC	REV: A





T11 MICROPROCESSOR
T11 ADDRESS LATCH
INTERNAL ADDRESS SELECT
T11 INTERRUPT

THIS DRAWING AND SPECIFICATIONS ARE THE PROPERTY OF DIGITAL EQUIPMENT CORPORATION AND SHALL NOT BE REPRODUCED OR COPIED OR USED IN WHOLE OR IN PART AS THE BASIS FOR THE MANUFACTURE OR SALE OF ITEMS WITHOUT WRITTEN PERMISSION. COPYRIGHT © 1983, DIGITAL EQUIPMENT CORPORATION.

REV.	NO.	DESCRIPTION
C	1	REVISED

CHK	CHANGE NO.	REV.

digitai

DRN: J. C. Langstaff
CHK'D: Tom Walsh

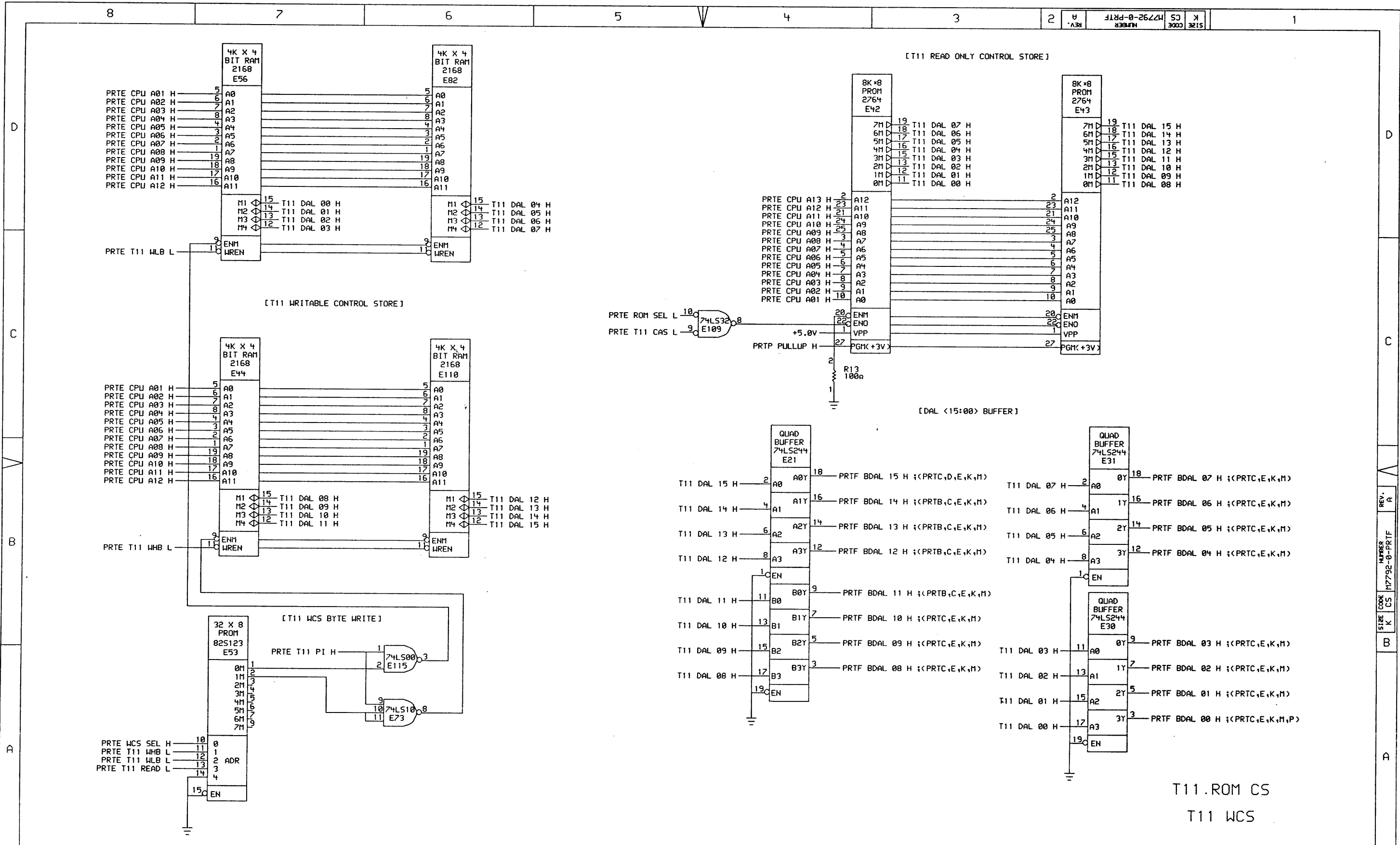
DATE: 06-MAY-83
DATE: 06-MAY-83

ENG: Rick Szmauz
BOARD LOCATION:

TITLE: DEUNA PORT MODULE (PRTE)

DSKE: <<SARGENT>>PRTec.DRW 106-MAY-83 07:09 NEXT HIGHER ASSEMBLY:
FIRST USED ON OPTION/MODEL: DEUNA D-UA-M7792-0-0

SIZE CODE K CS
NUMBER M7792-0-PRTE
REV. C



T11.ROM CS
T11 WCS

THIS DRAWING AND SPECIFICATIONS ARE THE PROPERTY OF DIGITAL EQUIPMENT CORPORATION AND SHALL NOT BE REPRODUCED OR COPIED OR USED IN WHOLE OR IN PART AS THE BASIS FOR THE MANUFACTURE OR SALE OF ITEMS WITHOUT WRITTEN PERMISSION. COPYRIGHT © 1983, DIGITAL EQUIPMENT CORPORATION.

CHK	CHANGE NO.	REV

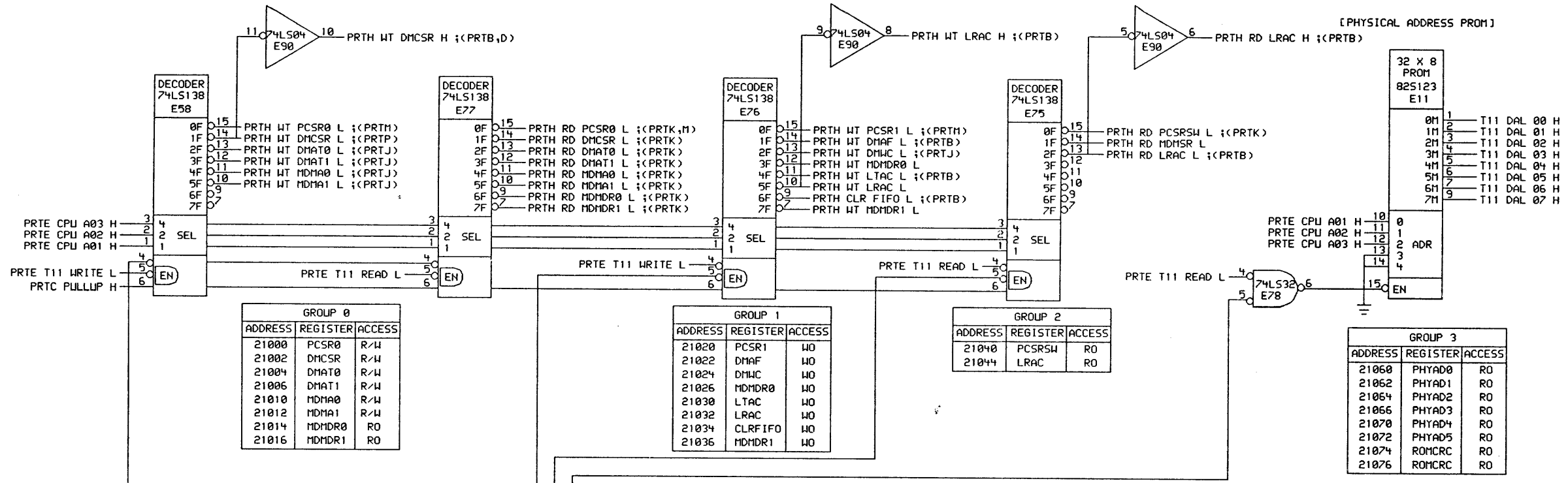
REV.	DATE	ENG.	DATE	TITLE

digital	DRN: <i>R. Walsh</i>	DATE: 24-MAY-83	ENG: Rick Szmauz	DATE: 24-MAY-83	TITLE: DELUNA PORT MODULE (PRTF)
	CHK'D: Tom Walsh	DATE: 24-MAY-83	BOARD LOCATION:		
DSKE: <SARGENT>PRTFA.DRW 116-MAY-83 07:44	NEXT HIGHER ASSEMBLY:				
FIRST USED ON OPTION/MODEL: DELUNA	D-LA-M7792-0-0				

SIZE	CODE	NUMBER	REV.
K	CS	M7792-0-PRTF	A

[INTERNAL REGISTER READ/WRITE CONTROL]

[PHYSICAL ADDRESS PROM]



GROUP 0

ADDRESS	REGISTER	ACCESS
21000	PCSR0	R/W
21002	DMCSR	R/W
21004	DMAT0	R/W
21006	DMAT1	R/W
21010	MDMA0	R/W
21012	MDMA1	R/W
21014	MDMDR0	RO
21016	MDMDR1	RO

GROUP 1

ADDRESS	REGISTER	ACCESS
21020	PCSR1	WO
21022	DMAF	WO
21024	DMWC	WO
21026	MDMDR0	WO
21030	LTAC	WO
21032	LRAC	WO
21034	CLRFIFO	WO
21036	MDMDR1	WO

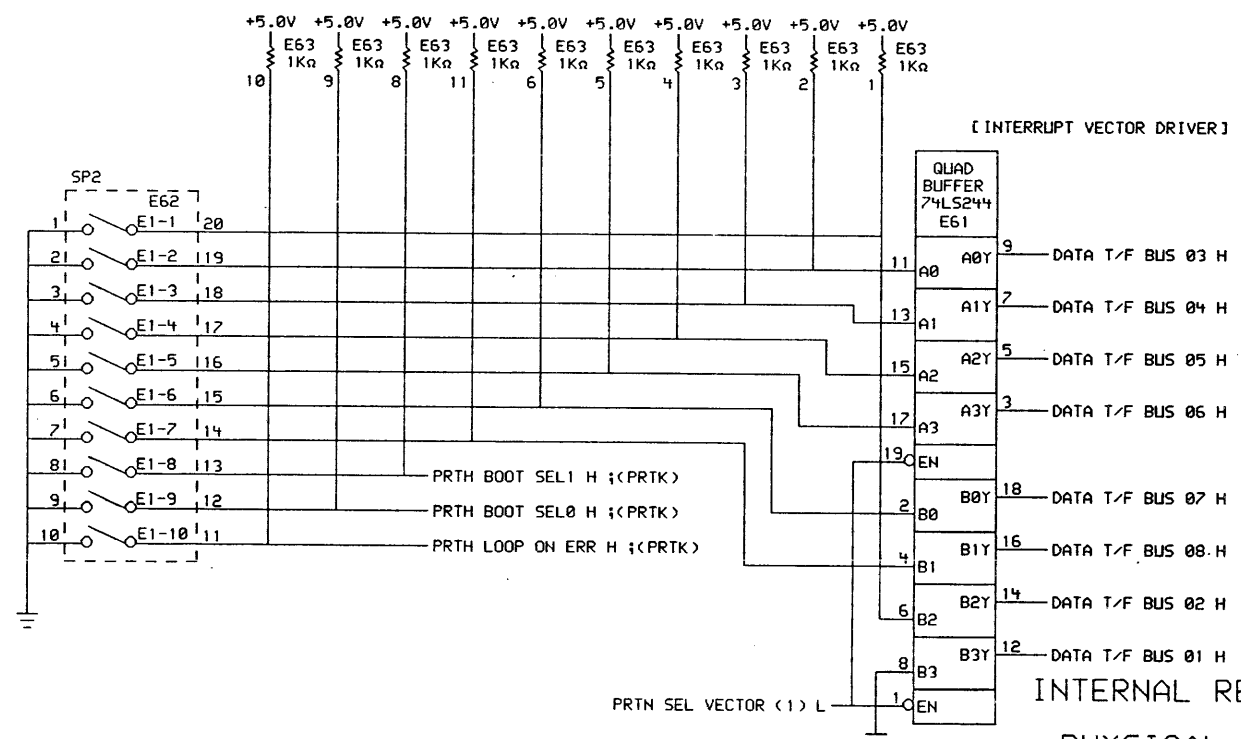
GROUP 2

ADDRESS	REGISTER	ACCESS
21040	PCSR54	RO
21044	LRAC	RO

GROUP 3

ADDRESS	REGISTER	ACCESS
21060	PHYAD0	RO
21062	PHYAD1	RO
21064	PHYAD2	RO
21066	PHYAD3	RO
21070	PHYAD4	RO
21072	PHYAD5	RO
21074	ROMCRC	RO
21076	ROMCRC	RO

[SWITCHES: INTERRUPT VECTOR, BOOT SELECT, SELF TEST LOOP]

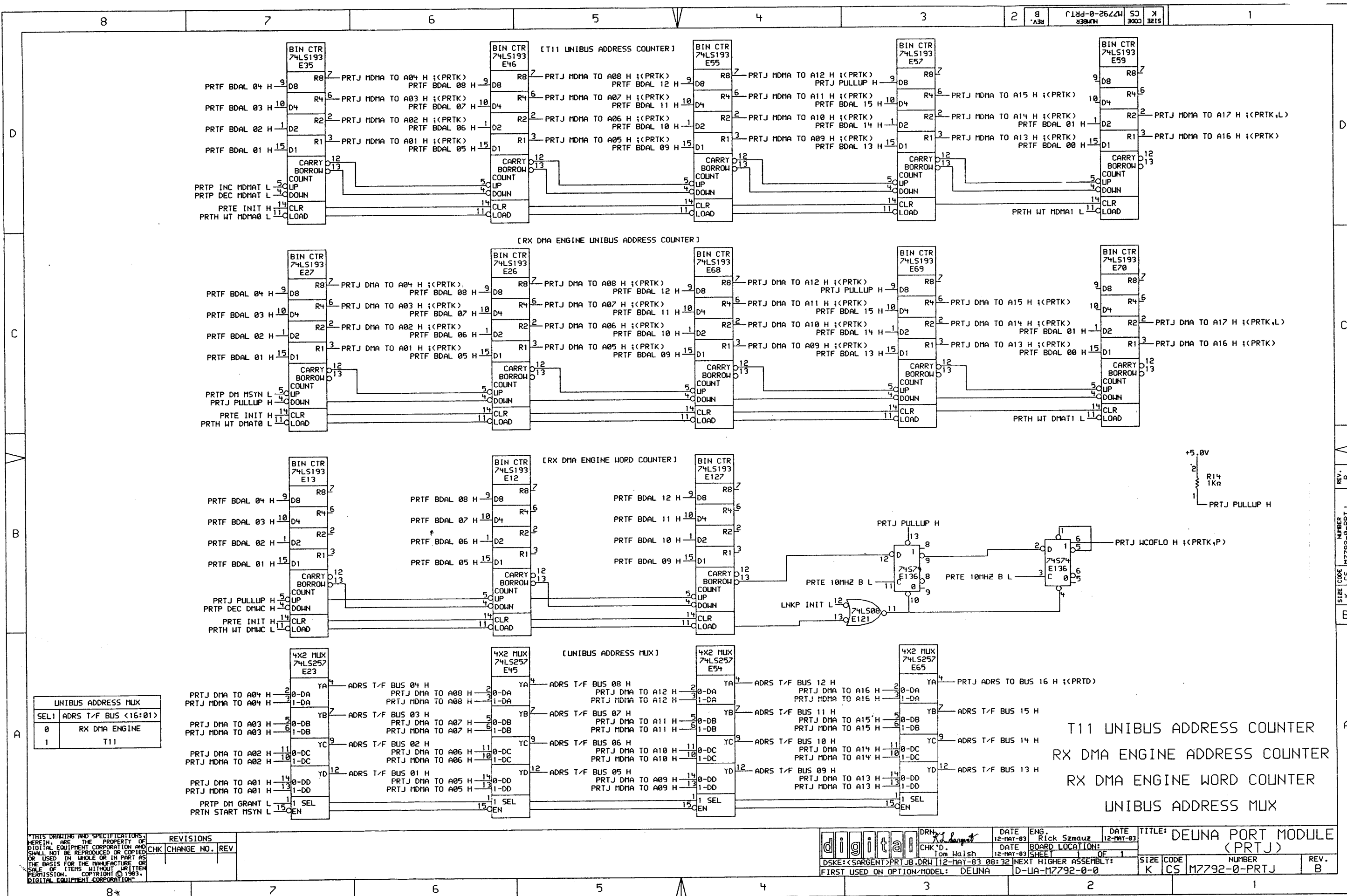


[INTERRUPT VECTOR DRIVER]

INTERNAL REGISTER ACCESS
PHYSICAL ADDRESS PROM
VECTOR SWITCHES

THIS DRAWING AND SPECIFICATIONS ARE THE PROPERTY OF DIGITAL EQUIPMENT CORPORATION AND SHALL NOT BE REPRODUCED OR COPIED OR USED IN WHOLE OR IN PART AS THE BASIS FOR THE MANUFACTURE OR SALE OF ITEMS WITHOUT WRITTEN PERMISSION. COPYRIGHT © 1983, DIGITAL EQUIPMENT CORPORATION.

REVISIONS	CHK	CHANGE NO.	REV



UNIBUS ADDRESS MUX	
SEL1	ADRS T/F BUS <16:01>
0	RX DMA ENGINE
1	T11

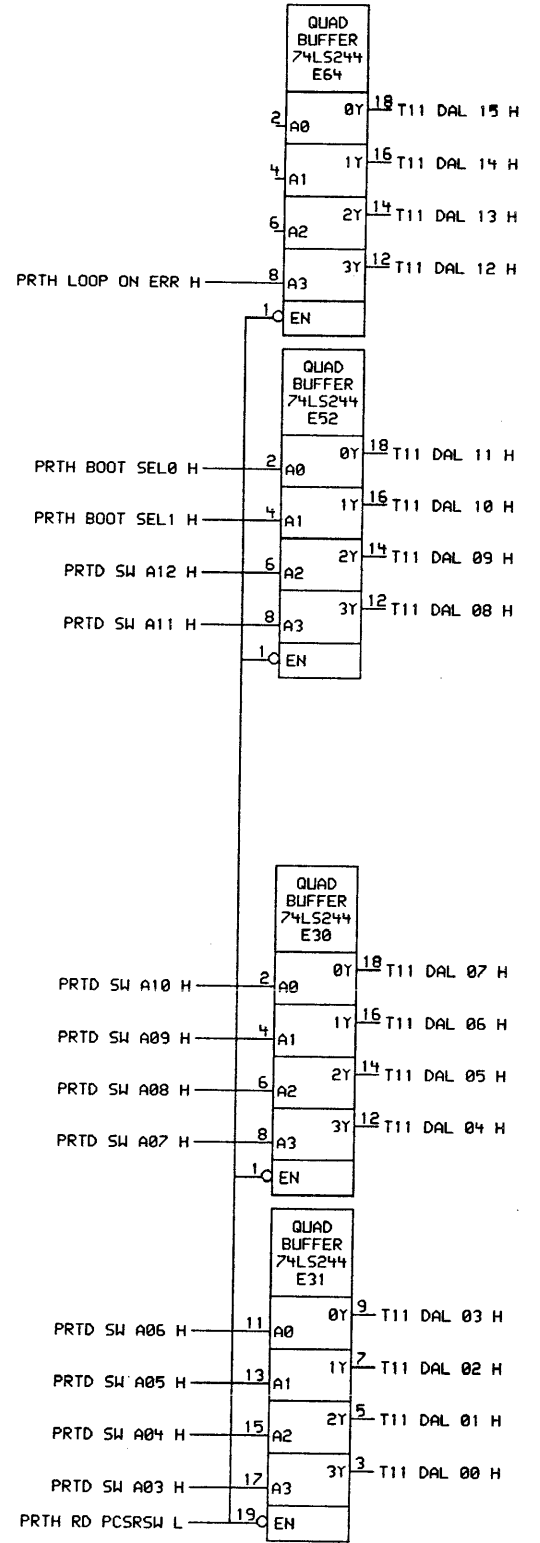
T11 UNIBUS ADDRESS COUNTER
 RX DMA ENGINE ADDRESS COUNTER
 RX DMA ENGINE WORD COUNTER
 UNIBUS ADDRESS MUX

REVISIONS	
CHK	CHANGE NO. REV

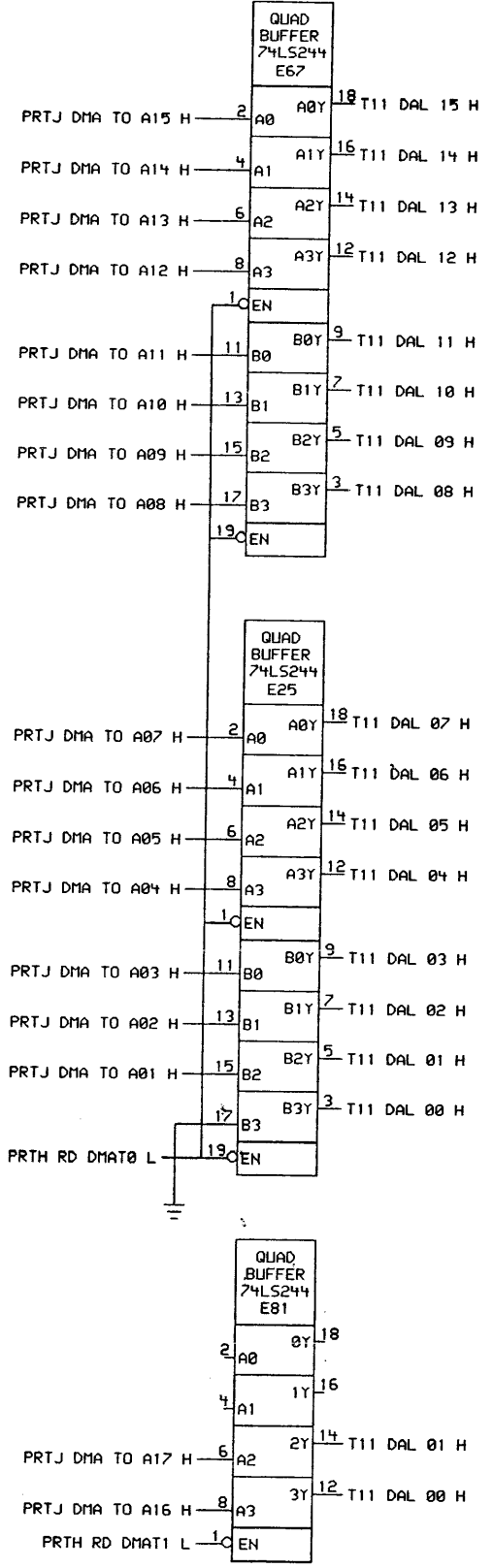
	DRN: <i>Ed. Sargent</i>	DATE: 12-MAY-83	ENG: Rick Szmaz	DATE: 12-MAY-83	TITLE: DELUNA PORT MODULE (PRTJ)
	CHK'D: Tom Walsh	DATE: 12-MAY-83	BOARD LOCATION: 1 OF 1	DATE: 12-MAY-83	SHEET: 1 OF 1
DSK: <SARGENT>PRTJ.B.DRW 12-MAY-83 08:32 NEXT HIGHER ASSEMBLY: D-LA-M7792-0-0					SIZE CODE: K CS NUMBER: M7792-0-PRTJ REV.: B

REV. B
 NUMBER M7792-0-PRTJ
 SIZE CODE K CS

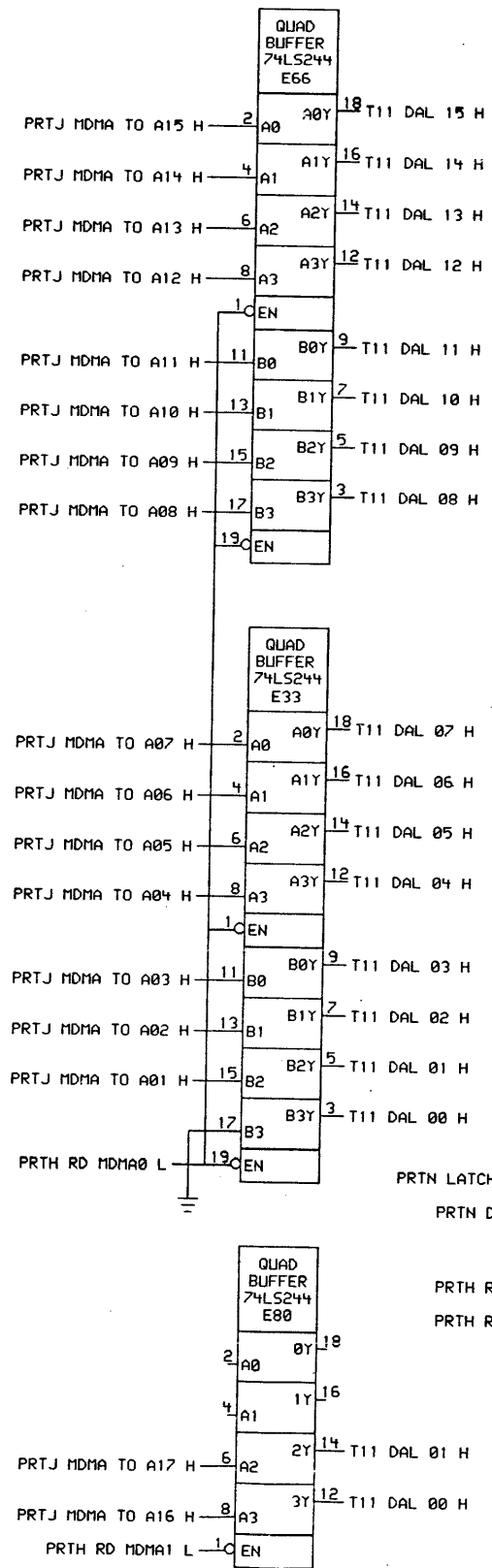
[T11 READ UNIBUS PCSR ADDRESS SWITCHES]



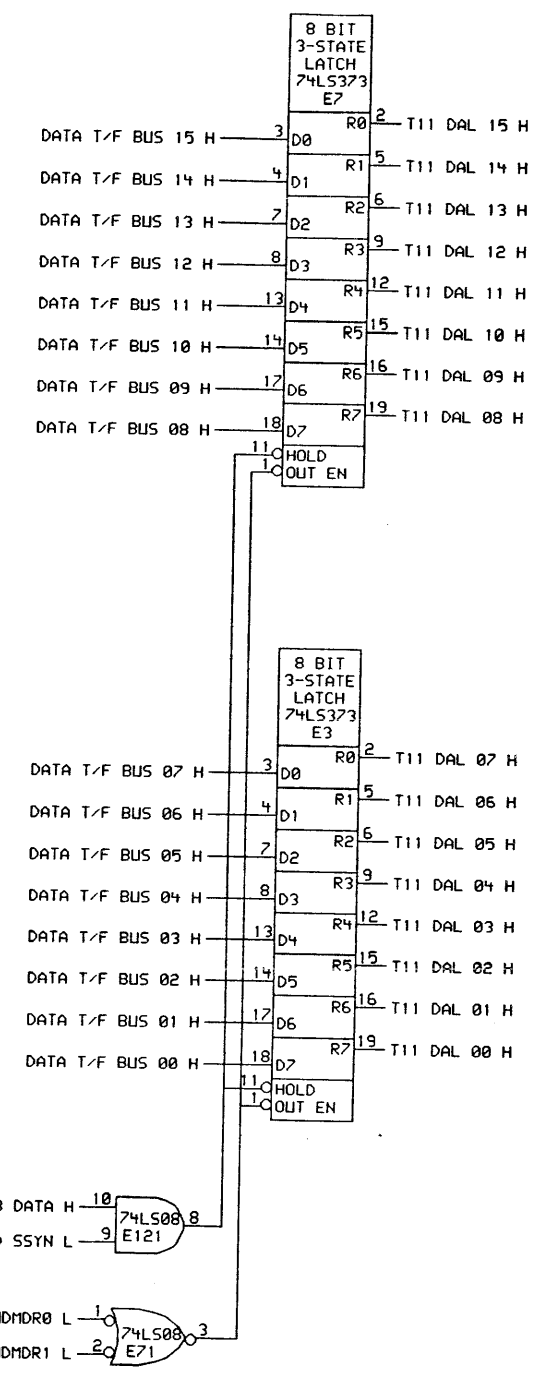
[T11 READ RX DMA ENGINE UNIBUS ADDRESS]



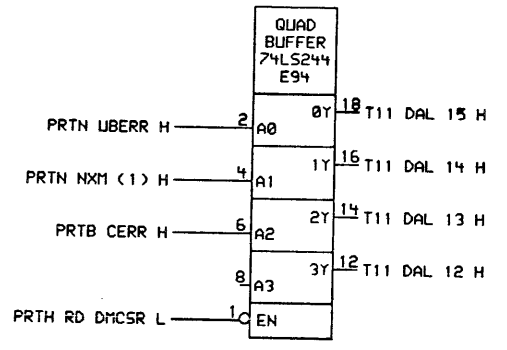
[T11 READ T11 UNIBUS ADDRESS]



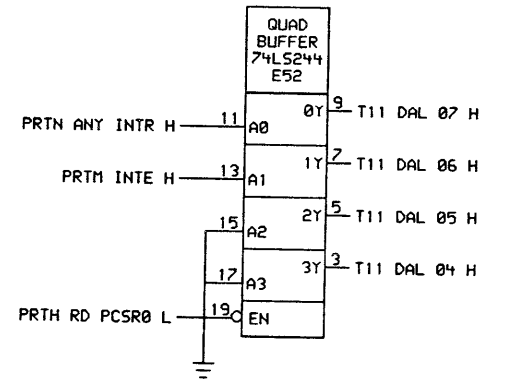
[UNIBUS DATA IN LATCH]



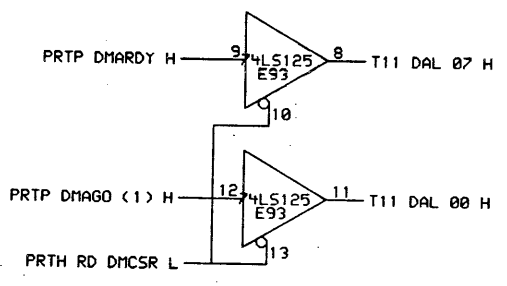
[T11 READ DMCSR]



[T11 READ PCSR0]



[T11 READ RX DMCSR]

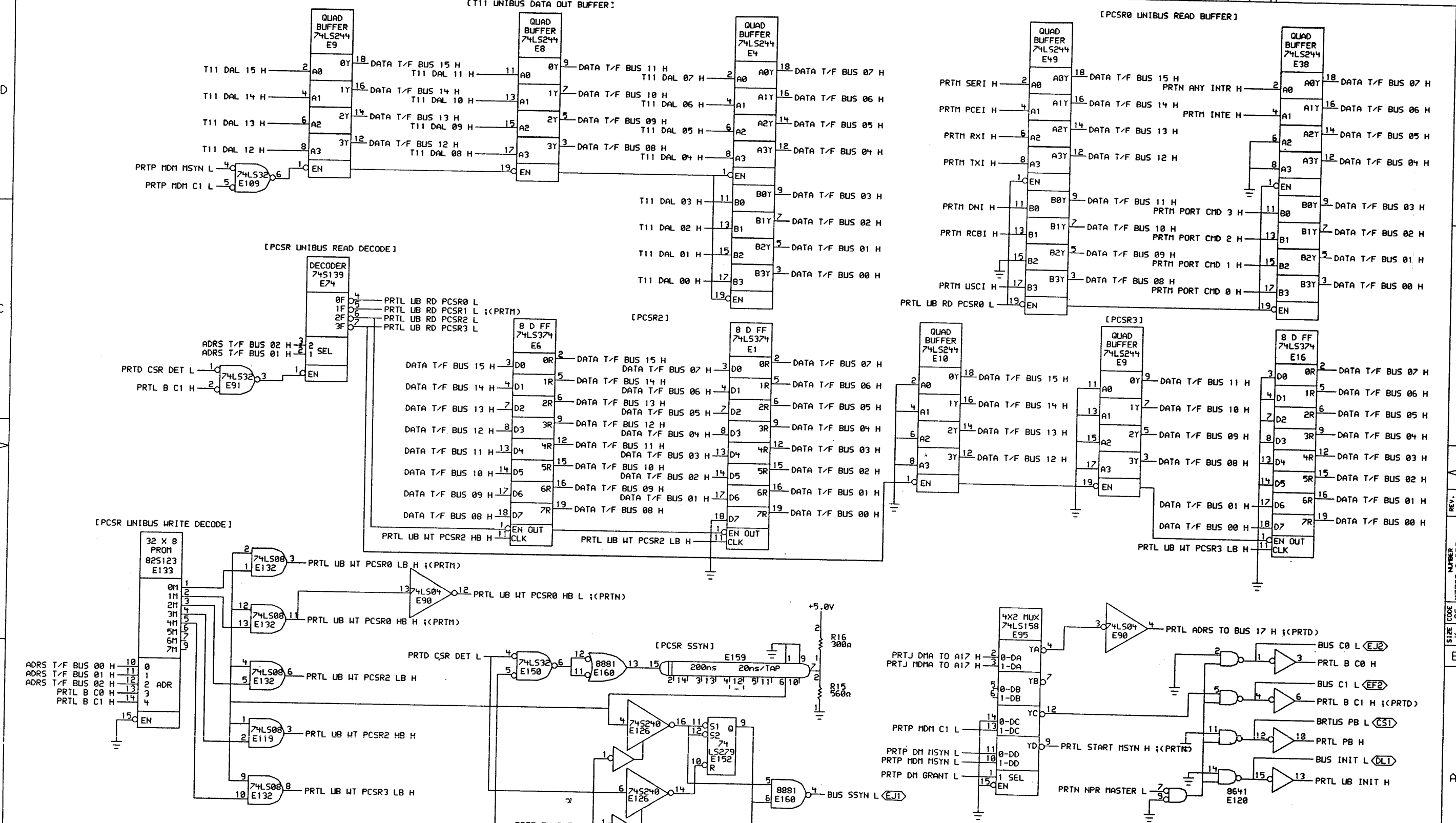


T11 READ ACCESS OF INTERNAL REGISTERS

THIS DRAWING AND SPECIFICATIONS HEREIN ARE THE PROPERTY OF DIGITAL EQUIPMENT CORPORATION AND SHALL NOT BE REPRODUCED OR COPIED OR USED IN WHOLE OR IN PART AS THE BASIS FOR THE MANUFACTURE OR SALE OF ITEMS WITHOUT WRITTEN PERMISSION. COPYRIGHT © 1983 DIGITAL EQUIPMENT CORPORATION.

REVISIONS
CHK CHANGE NO. REV

digital	DRN: <i>Tom Walsh</i>	DATE: 16-MAY-83	ENG: Rick Szmauz	DATE: 16-MAY-83	TITLE: DEUNA PORT MODULE (PRTK)
	CHK'D: Tom Walsh	DATE: 16-MAY-83	BOARD LOCATION: 1	OF 1	SIZE CODE: K CS M7792-0-PRTK
DSKE: <SARGENT>PRTK.DRW		16-MAY-83 06:55	NEXT HIGHER ASSEMBLY: D-UA-M7792-0-0	REV. C	
FIRST USED ON OPTION/MODEL: DEUNA					



UNIBUS SLAVE CONTROL
T11 UNIBUS DATA OUT BUFFER

THIS DRAWING AND SPECIFICATIONS HEREIN ARE THE PROPERTY OF DIGITAL EQUIPMENT CORPORATION AND SHALL NOT BE REPRODUCED OR COPIED OR USED IN WHOLE OR IN PART FOR THE BASIS FOR THE MANUFACTURE OR SALE OF ITEMS WITHOUT WRITTEN PERMISSION. COPYRIGHT © 1983, DIGITAL EQUIPMENT CORPORATION.

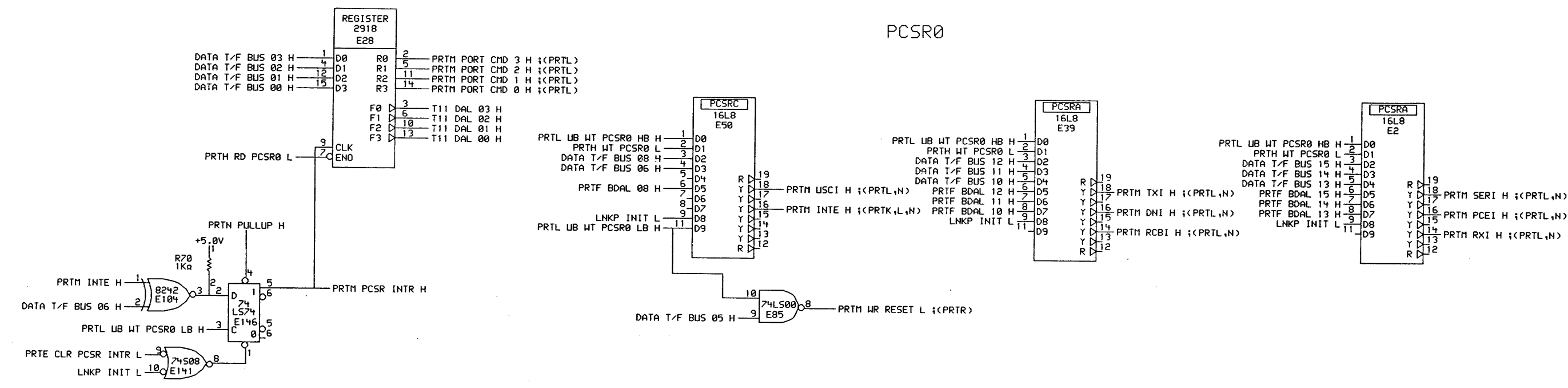
REV.	CHG.	CHANGE NO.	REV.

digital	DRN: <i>Tom Walsh</i>	DATE: 12-MAY-83	ENG: Rick Szmauz	DATE: 12-MAY-83	TITLE: DEUNA PORT MODULE (PRTL)
DSKE: <SARGENT>PRTL.B.DRW	CHK'D: Tom Walsh	DATE: 12-MAY-83	BOARD LOCATION: 1	DE: 1	
FIRST USED ON OPTION/MODEL: DEUNA					

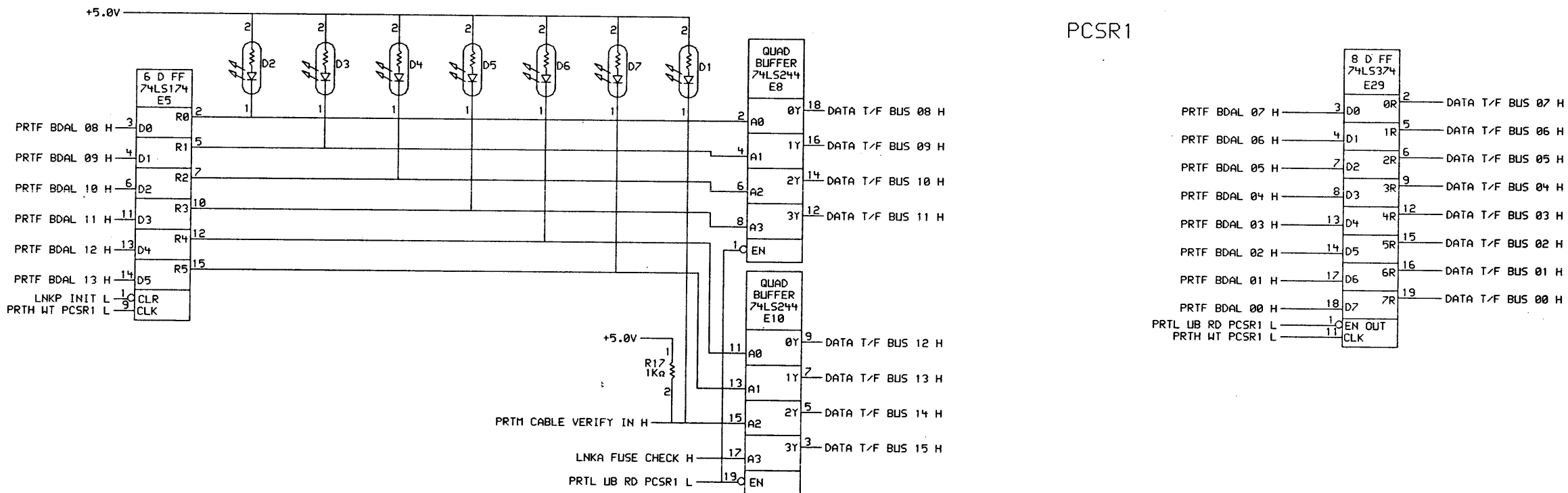
D
C
B
A

D
C
B
A

PCSR0



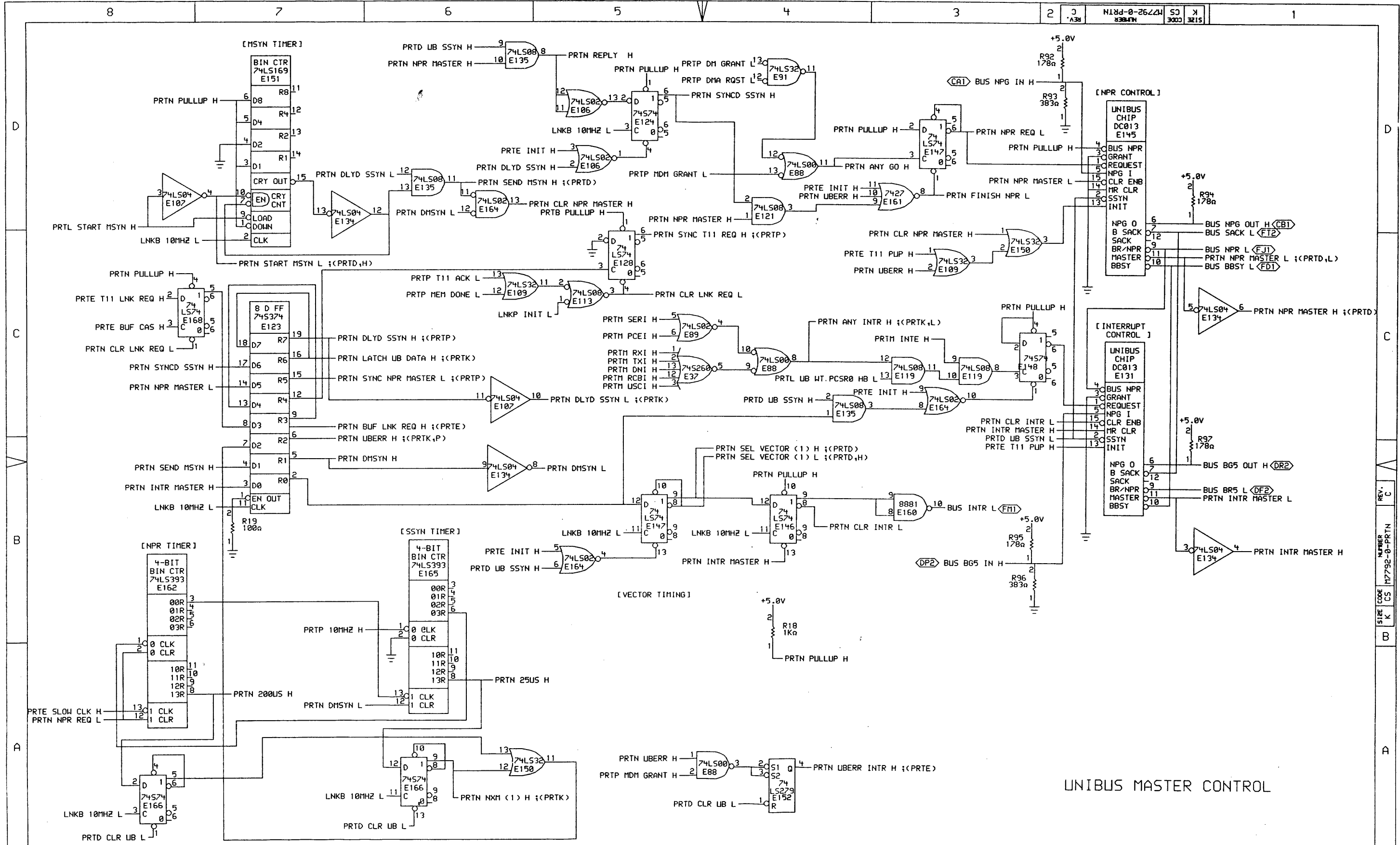
PCSR1



PCSR0
PCSR1

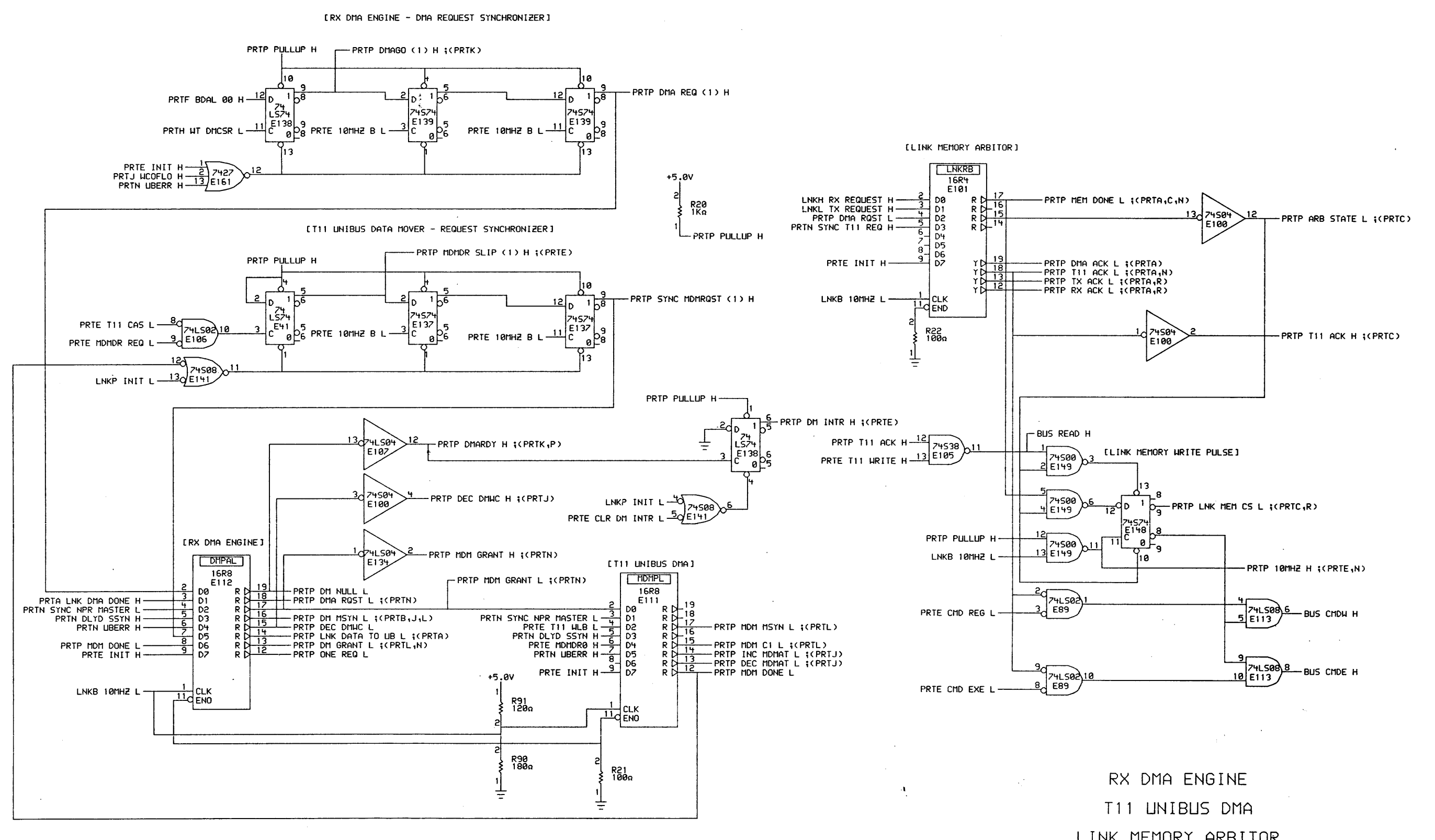
REVISIONS	
CHK	CHANGE NO. REV

digital	DRN: <i>Tom Walsh</i>	DATE: 12-MAY-83	ENG: Rick Szmaz	DATE: 12-MAY-83	TITLE: DEUNA PORT MODULE (PRM)
	CHK'D: Tom Walsh	DATE: 12-MAY-83	BOARD LOCATION: SHEET 1 OF 1		
DSKE: <SARGENT>PR1M.DRW 12-MAY-83 09:05			NEXT HIGHER ASSEMBLY: D-UA-17792-0-0		
FIRST USED ON OPTION/MODEL: DEUNA			SIZE CODE: K CS	NUMBER: M7792-0-PR1M	REV. C



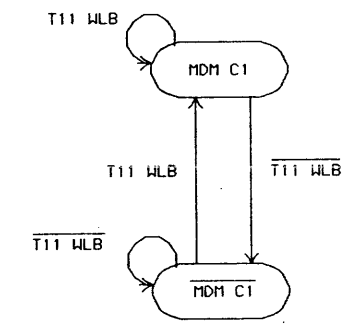
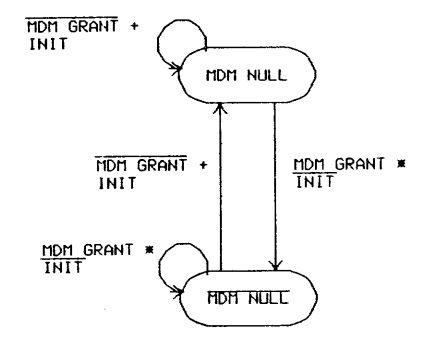
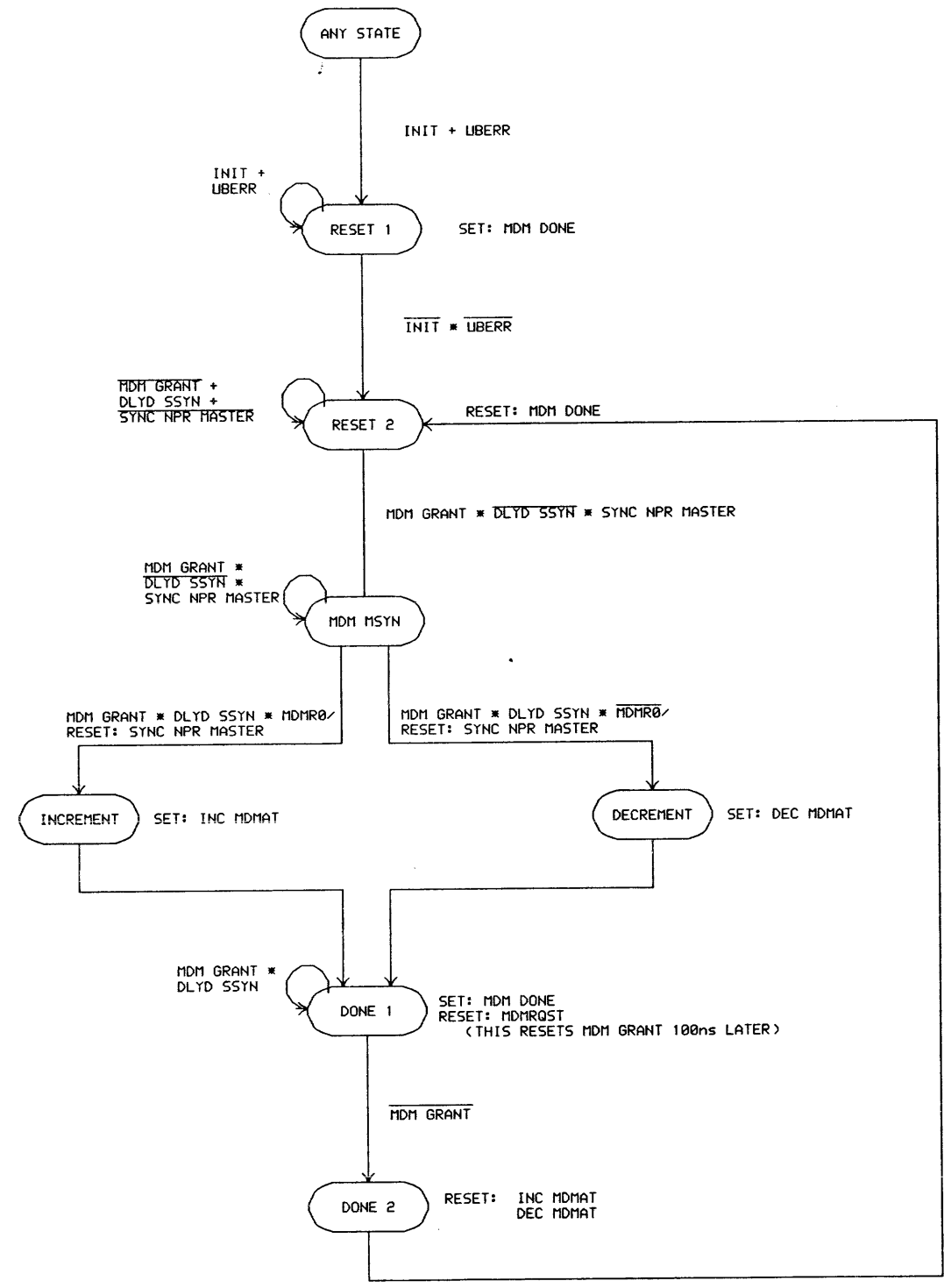
UNIBUS MASTER CONTROL

THIS DRAWING AND SPECIFICATIONS ARE THE PROPERTY OF DIGITAL EQUIPMENT CORPORATION AND SHALL NOT BE REPRODUCED OR COPIED OR USED IN WHOLE OR IN PART AS THE BASIS FOR THE MANUFACTURE OR SALE OF ITEMS WITHOUT WRITTEN PERMISSION. COPYRIGHT © 1983, DIGITAL EQUIPMENT CORPORATION.			REVISIONS CHK CHANGE NO. REV		digital		DRN: <i>Ad Sargent</i> CHK'D: Tom Walsh	DATE: 26-MAY-83 DATE: 26-MAY-83	ENG: Rick Szmauz DATE: 26-MAY-83	TITLE: DEUNA PORT MODULE (PRTN)	SIZE CODE: K CS NUMBER: M7792-0-PRTN REV: C
DSKE: <<SARGENT>>PRINC.DRW [25-MAY-83 16:59] NEXT HIGHER ASSEMBLY: D-UA-M7792-0-0											



RX DMA ENGINE
 T11 UNIBUS DMA
 LINK MEMORY ARBITOR

THIS DRAWING AND SPECIFICATIONS ARE THE PROPERTY OF DIGITAL EQUIPMENT CORPORATION AND SHALL NOT BE REPRODUCED OR COPIED OR USED IN WHOLE OR IN PART AS THE BASIS FOR THE MANUFACTURE OR SALE OF ITEMS WITHOUT WRITTEN PERMISSION. COPYRIGHT © 1983, DIGITAL EQUIPMENT CORPORATION.		REVISIONS CHK CHANGE NO. REV.		DATE 24-MAY-83 CHK'D. Tom Walsh DATE 24-MAY-83 SHEET 1 OF 1	ENG. Rick Szmauz DATE BOARD LOCATION: DATE NEXT HIGHER ASSEMBLY: FIRST USED ON OPTION/MODEL: DELUNA D-UA-M7792-0-0	TITLE: DEUNA PORT MODULE (PRTP) SIZE CODE K CS NUMBER M7792-0-PRTP REV. C
--	--	----------------------------------	--	--	---	--



T-11 DMA STATE DIAGRAMS

THIS DRAWING AND SPECIFICATIONS ARE THE PROPERTY OF DIGITAL EQUIPMENT CORPORATION AND SHALL NOT BE REPRODUCED OR COPIED OR USED IN WHOLE OR IN PART AS THE BASIS FOR THE MANUFACTURE OR SALE OF ITEMS WITHOUT WRITTEN PERMISSION. COPYRIGHT © 1983, DIGITAL EQUIPMENT CORPORATION.

REVISIONS	
CHK	CHANGE NO. REV

DRN. P. HEBERT	DATE 06-MAY-83	ENG. Rick Szmauz	DATE 06-MAY-83	TITLE: DEUNA PORT MODULE (SD1)
CHKD. <i>X. Sargent</i>	DATE 06-MAY-83	BOARD LOCATION: SHEET 1 OF 1	SIZE CODE NUMBER REV. K CS M7792-0-SD1 A	
DSKE: <SARGENT>PRTSD1.DRW113-MAR-83 10:37		NEXT HIGHER ASSEMBLY: D-UA-M7792-0-0		
FIRST USED ON OPTION/MODEL: DEUNA				

DRN. P. HEBERT	DATE 06-MAY-83	ENG. Rick Szmauz	DATE 06-MAY-83	TITLE: DEUNA PORT MODULE (SD1)
CHKD. <i>X. Sargent</i>	DATE 06-MAY-83	BOARD LOCATION: SHEET 1 OF 1	SIZE CODE NUMBER REV. K CS M7792-0-SD1 A	
DSKE: <SARGENT>PRTSD1.DRW113-MAR-83 10:37		NEXT HIGHER ASSEMBLY: D-UA-M7792-0-0		
FIRST USED ON OPTION/MODEL: DEUNA				

8

7

6

5

4

3

2

REV

CS

205-0-2224

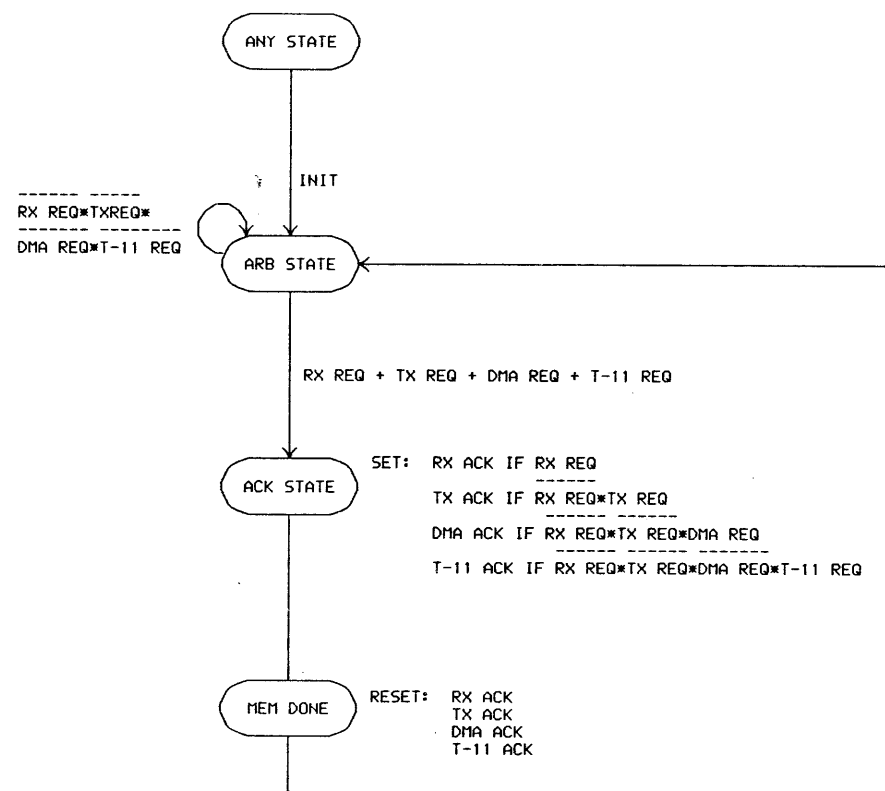
CS

K

300

1

LINK-PORT BUS OPERATION STATE DIAGRAM



LINK-PORT BUS OPERATION STATE DIAGRAM

THIS DRAWING AND SPECIFICATIONS
HEREIN ARE THE PROPERTY OF
DIGITAL EQUIPMENT CORPORATION AND
SHALL NOT BE REPRODUCED OR COPIED
OR USED IN WHOLE OR IN PART AS
THE BASIS FOR THE MANUFACTURE OR
SALE OF ITEMS WITHOUT WRITTEN
PERMISSION. COPYRIGHT © 1983
DIGITAL EQUIPMENT CORPORATION.

REVISIONS		
CHK	CHANGE NO.	REV

digital	DRN. PAUL HEBERT"	DATE 06-MAY-83	ENG. Rick Szmaz	DATE 06-MAY-83	TITLE: DEUNA PORT MODULE (SD2)
	CHK'D. <i>[Signature]</i>	DATE 06-MAY-83	BOARD LOCATION:	SHEET 1 OF 1	
DSKE: <SARGENT>PRTSD2.DRW		06-MAY-83 08:24	NEXT HIGHER ASSEMBLY: D-LA-M7792-0-0		SIZE CODE K CS
FIRST USED ON OPTION/MODEL: DELUNA			NUMBER M7792-0-SD2		REV. A

8

7

6

5

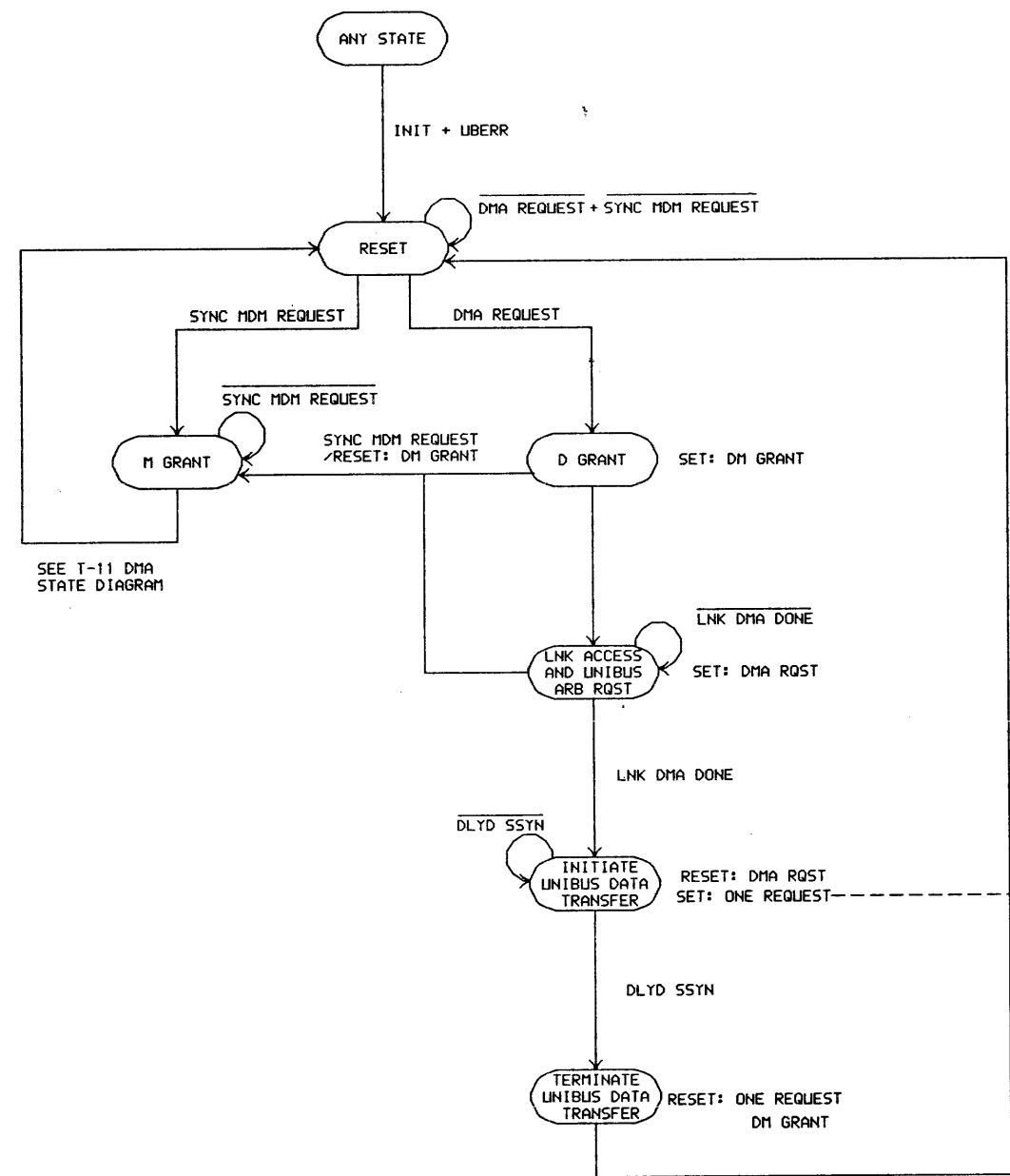
4

3

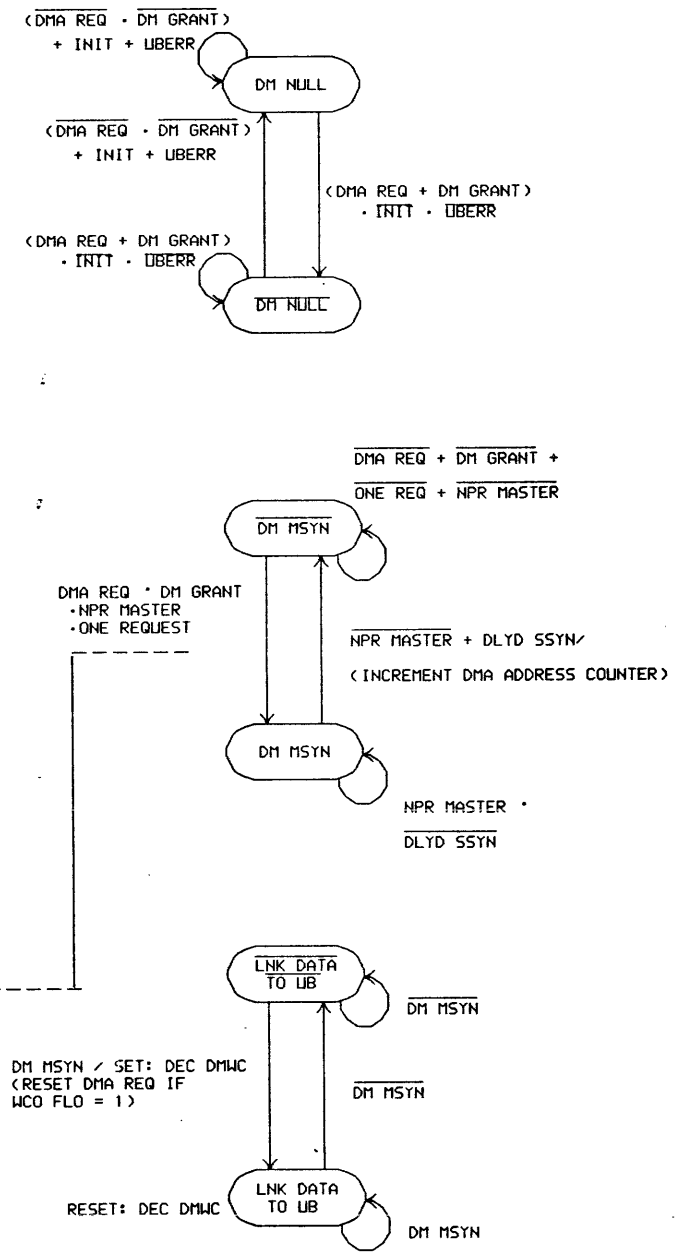
2

1

RECEIVE DMA ENGINE STATE DIAGRAMS



SEE T-11 DMA STATE DIAGRAM



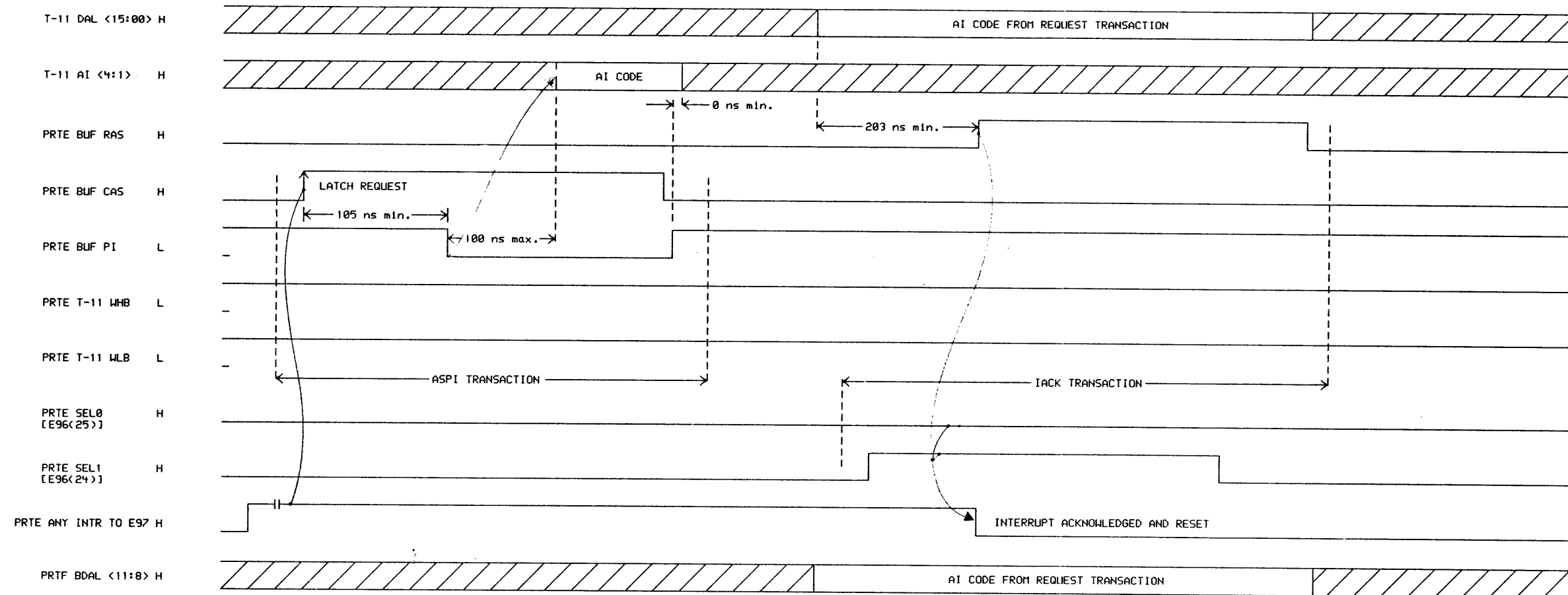
RX DMA ENGINE STATE DIAGRAMS

THIS DRAWING AND SPECIFICATIONS HEREIN ARE THE PROPERTY OF DIGITAL EQUIPMENT CORPORATION AND SHALL NOT BE REPRODUCED OR COPIED OR USED IN WHOLE OR IN PART AS THE BASIS FOR THE MANUFACTURE OR SALE OF ITEMS WITHOUT WRITTEN PERMISSION. COPYRIGHT © 1983, DIGITAL EQUIPMENT CORPORATION.

REVISIONS	
CHK	CHANGE NO. REV

digital	DRN PAUL HEBERT*	DATE 28-MAY-83	ENG. Rick Szmauz	DATE 28-MAY-83	TITLE: DEUNA PORT MODULE (SD3)
	CHK'D. <i>R. Szmauz</i>	DATE 28-MAY-83	BOARD LOCATION: 1 OF 1	SHEET 1 OF 1	
DSKE: <SARGENT>PRTSD3.DRW 28-MAY-83 08:07 NEXT HIGHER ASSEMBLY: D-UA-M7792-0-0					SIZE CODE NUMBER REV. K CS M7792-0-SD3 A

T-11 INTERRUPT REQUEST/ACKNOWLEDGE (ASPI/IACK) TRANSACTIONS



INTERRUPT	E97(PIN)	AI CODE DURING ASPI TRANSACTION				T-11 INTERNAL VECTOR	PRIORITY	DURING IACK TRANSACTION		
		AI<1>	AI<2>	AI<3>	AI<4>			BDAL<8>	BDAL<9>	BDAL<10>
LINK MEMORY PARITY	4	L	L	L	L	140	7	L	L	L
UNIBUS ERROR	8	L	L	H	L	150	7	L	L	H
MISSED PACKET	3	L	H	L	L	100	6	L	H	L
DMA ENGINE DONE	18	L	H	H	H	114	6	L	H	H
PACKET RECEIVED	17	H	L	L	L	120	5	H	L	L
TIMER	14	H	L	H	H	134	5	H	L	H
PCSR0 ACCESSED	7	H	H	L	H	064	4	H	H	L
TRANSMIT DONE	13	H	H	H	L	070	4	H	H	H

NOTE: THE PACKET RECEIVED INTR (E97<17>) IS NOT RESET BY IACK. THE SERVICE ROUTINE READS THE FIFO ON PRTB (RD LRAC H). THIS ACTION RESETS THE INTR IF NO OTHER PACKETS ARE PENDING, IF OTHERS ARE WAITING THEN THE PACKET RECEIVED INTR AUTOMATICALLY SETS AGAIN.

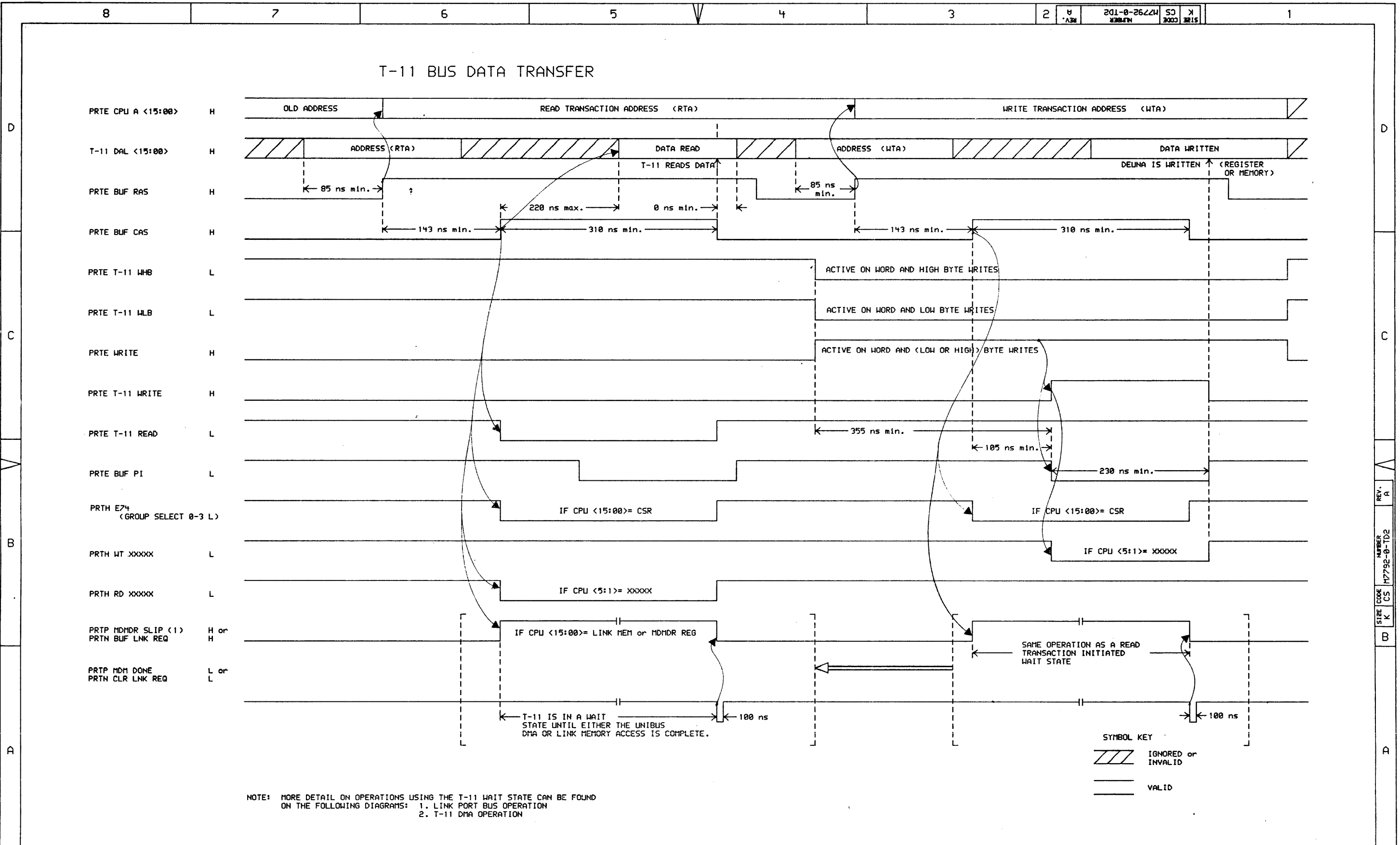
SYMBOL KEY
 IGNORED OR INVALID
 VALID

THIS DRAWING AND SPECIFICATIONS ARE THE PROPERTY OF DIGITAL EQUIPMENT CORPORATION AND SHALL NOT BE REPRODUCED OR COPIED OR USED IN WHOLE OR IN PART AS THE BASIS FOR THE MANUFACTURE OR SALE OF ITEMS WITHOUT WRITTEN PERMISSION. COPYRIGHT © 1983, DIGITAL EQUIPMENT CORPORATION.

REVISIONS	
CHK	CHANGE NO. REV

digital	DATE	ENG.	DATE	TITLE:
	06-MAY-83	Rick Szmauz	06-MAY-83	DELUNA PORT MODULE (TD1)
	DATE	BOARD LOCATION:		
	06-MAY-83	SHEET 1 OF 1		
DSKE: (SARGENT)PRTD1.DRW	06-MAY-83 08:31	NEXT HIGHER ASSEMBLY:	SIZE CODE	NUMBER
FIRST USED ON OPTION/MODEL: DELUNA	D-UA-17792-0-0		K CS	M7792-0-TD1

T-11 BUS DATA TRANSFER



NOTE: MORE DETAIL ON OPERATIONS USING THE T-11 WAIT STATE CAN BE FOUND ON THE FOLLOWING DIAGRAMS:
 1. LINK PORT BUS OPERATION
 2. T-11 DMA OPERATION

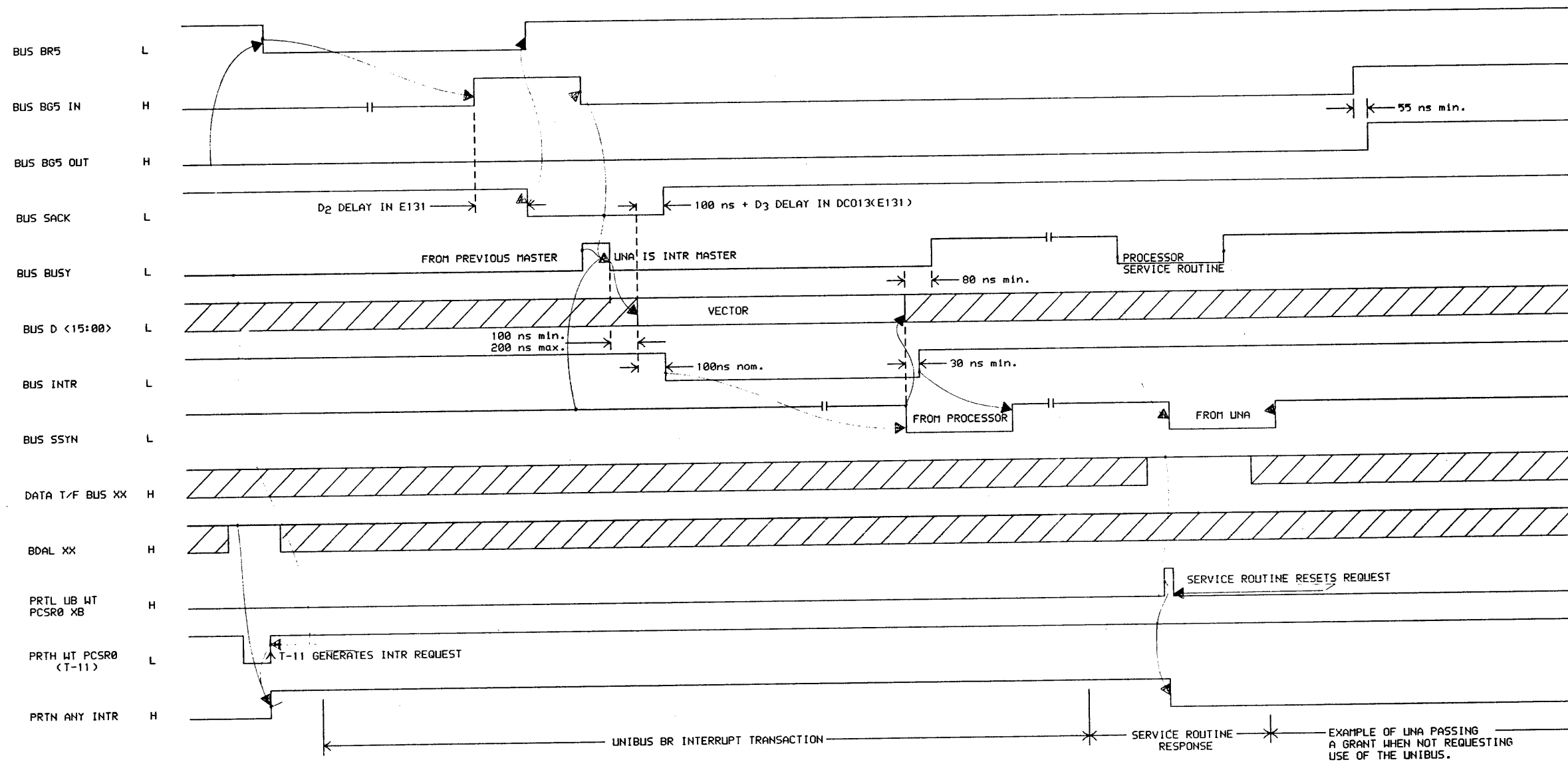
THIS DRAWING AND SPECIFICATIONS HEREIN ARE THE PROPERTY OF DIGITAL EQUIPMENT CORPORATION AND SHALL NOT BE REPRODUCED OR COPIED OR USED IN WHOLE OR IN PART AS THE BASIS FOR THE MANUFACTURE OR SALE OF ITEMS WITHOUT WRITTEN PERMISSION. COPYRIGHT © 1983, DIGITAL EQUIPMENT CORPORATION.

REVISIONS	CHG	CHANGE NO.	REV

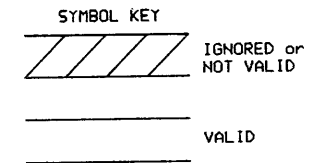
digital	DRN. PAUL HEBERT	DATE 16-MAY-83	ENG. Rick Szmauz	DATE 16-MAY-83	TITLE: DEUNA PORT MODULE (TD2)
	CHK'D. [Signature]	DATE 16-MAY-83	BOARD LOCATION: SHEET 1 OF 1		
DSKE: <SARGENT>PRITD2.DRW16-MAY-83 07:08		NEXT HIGHER ASSEMBLY: D-LA-M7792-0-0		SIZE CODE K CS	NUMBER M7792-0-TD2
FIRST USED ON OPTION/MODEL: DEUNA				REV. A	

REV. A
 NUMBER M7792-0-TD2
 SIZE CODE K CS
 B
 A

UNIBUS INTERRUPT ARBITRATION AND VECTOR TRANSFER



NOTE: THE T-11 INITIATES UNIBUS INTERRUPTS BY SETTING APPROPRIATE BIT(S) IN PCSR0 (PRTH). THE SERVICE ROUTINE THEN CLEARS THE REQUESTING BIT(S) BY WRITING A ONE (1) INTO THE BIT POSITION OF THE REQUEST. E2, E39 AND E50 PROVIDE THE "T-11 WRITE ONE TO SET, UNIBUS WRITE ONE TO RESET" FUNCTION. SEE PAL EQUATIONS FOR MORE DETAIL.



THIS DRAWING AND SPECIFICATIONS HEREIN ARE THE PROPERTY OF DIGITAL EQUIPMENT CORPORATION AND SHALL NOT BE REPRODUCED OR COPIED OR USED IN WHOLE OR IN PART AS THE BASIS FOR THE MANUFACTURE OR SALE OF ITEMS WITHOUT WRITTEN PERMISSION. COPYRIGHT © 1983, DIGITAL EQUIPMENT CORPORATION.

REVISIONS		
CHK	CHANGE NO.	REV

digital	DRN: PAUL HEBERT	DATE: 06-MAY-83	ENG: Rick Szmauz	DATE: 06-MAY-83	TITLE: DELUNA PORT MODULE (TD3)
	CHK: D. Sargent	DATE: 06-MAY-83	BOARD LOCATION: 1 OF 1	SHEET: 1 OF 1	
DSKE: <SARGENT>PRTID3.DRW106-MAY-83 08:32			NEXT HIGHER ASSEMBLY: D-LA-M7792-0-0		
FIRST USED ON OPTION/MODEL: DELUNA			SIZE CODE: K CS	NUMBER: M7792-0-TD3	REV: A

TW 1

8

7

6

5

4

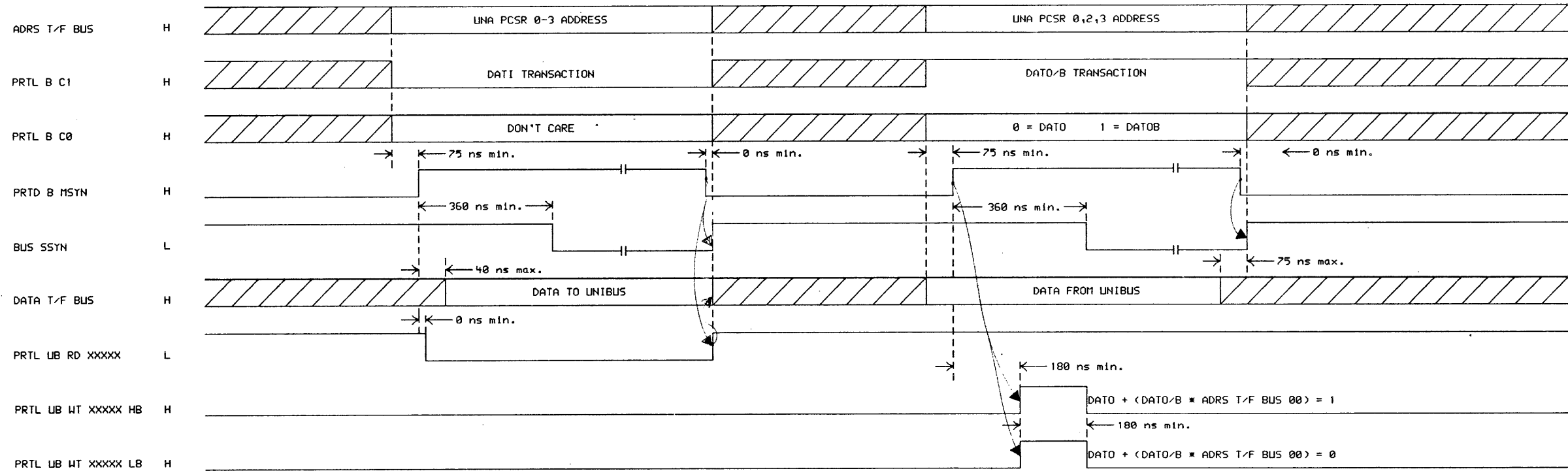
3

2

1

REV. A
NUMBER M7792-0-TD4
SIZE CODE K CS

UNIBUS SLAVE DATA TRANSFER



SYMBOL KEY

IGNORED or NOT VALID

VALID

"THIS DRAWING AND SPECIFICATIONS HEREIN ARE THE PROPERTY OF DIGITAL EQUIPMENT CORPORATION AND SHALL NOT BE REPRODUCED OR COPIED OR USED IN WHOLE OR IN PART AS THE BASIS FOR THE MANUFACTURE OR SALE OF ITEMS WITHOUT WRITTEN PERMISSION. COPYRIGHT © 1983, DIGITAL EQUIPMENT CORPORATION."

REVISIONS		
CHK	CHANGE NO.	REV

digital	DRN. PAUL HEBERT	DATE 06-MAY-83	ENG. Rick Szmauz	DATE 06-MAY-83	TITLE: DEUNA PORT MODULE (TD4)
	CHK'D. <i>R. Sargent</i>	DATE 06-MAY-83	BOARD LOCATION: SHEET 1 OF 1	SIZE CODE K CS	NUMBER M7792-0-TD4
FIRST USED ON OPTION/MODEL: DEUNA D-UA-M7792-0-0					REV. A

8

7

6

5

4

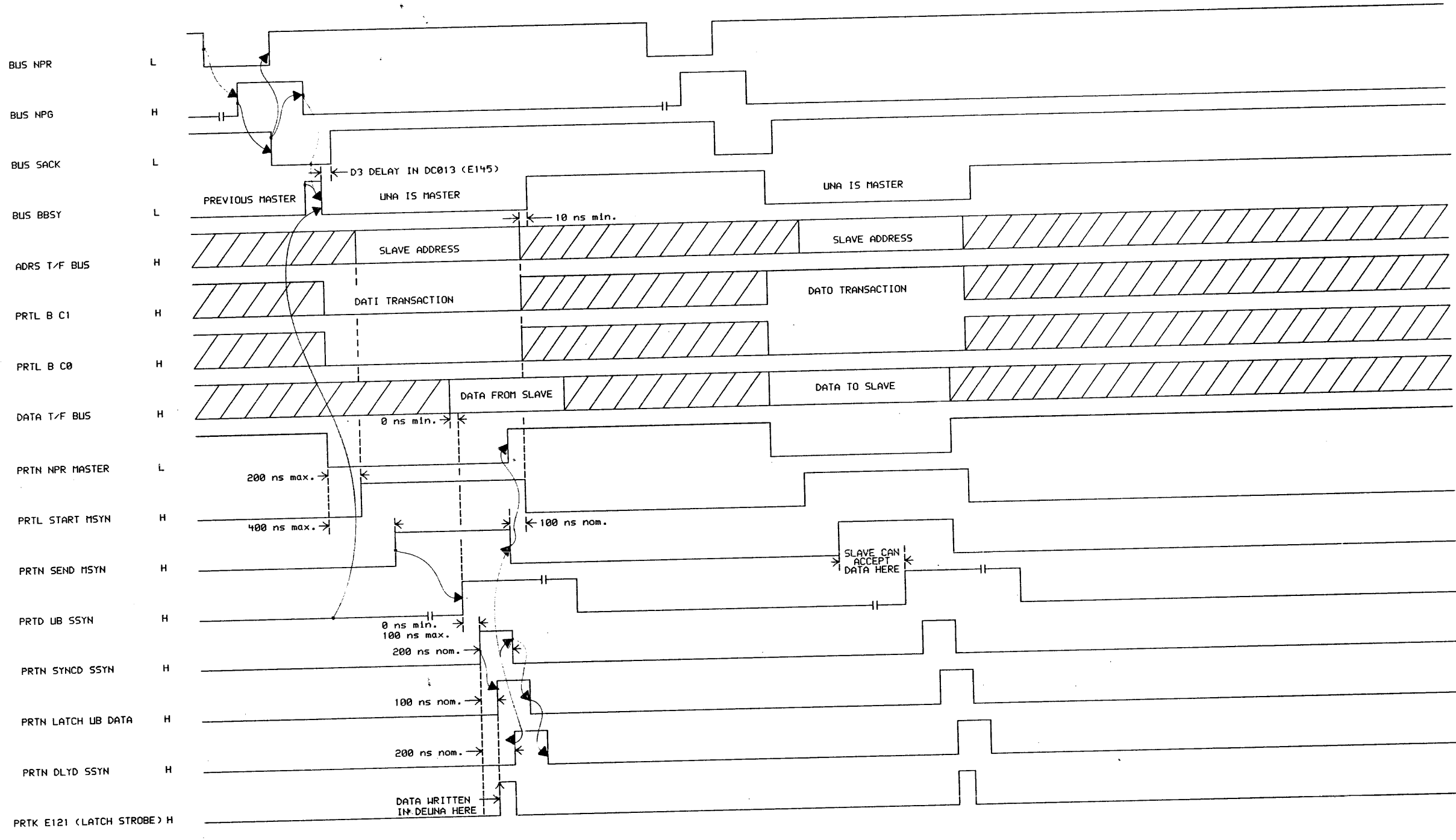
3

2

1

REV. A
NUMBER M7792-0-TD4
SIZE CODE K CS

UNIBUS MASTER ARBITRATION AND DATA TRANSFER



NOTE 1:
THIS DIAGRAM ILLUSTRATES GENERIC UNIBUS TRANSACTIONS BY EITHER THE RECEIVE DMA ENGINE OR T-11 DMA. SEE THE T-11 DMA OPERATION OR RECEIVE DMA ENGINE OPERATION DIAGRAMS FOR SPECIFICS ON THE UNIQUE ASPECTS OF THE TWO TYPES OF DMA. (THE RECEIVE DMA ENGINE ONLY PERFORMS DATO TRANSACTIONS)

NOTE 2:
DATO TIMING RELATIONS ARE IDENTICAL TO DATI EXCEPT, PRTL B C1 H = 1 AND DATA IS WRITTEN TO THE SLAVE.

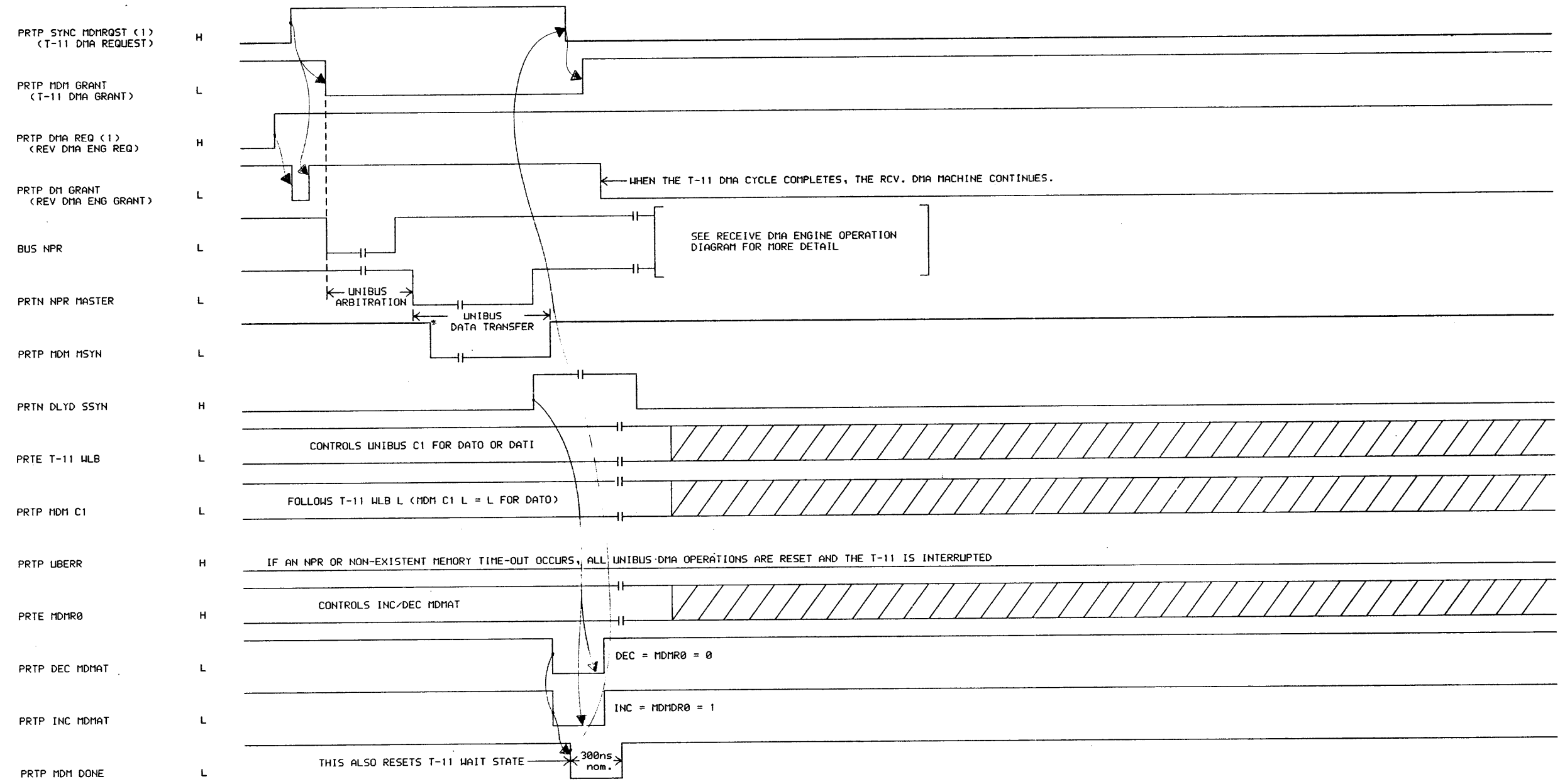
SYMBOL KEY
 IGNORED OR INVALID
 VALID

THIS DRAWING AND SPECIFICATIONS HEREIN ARE THE PROPERTY OF DIGITAL EQUIPMENT CORPORATION AND SHALL NOT BE REPRODUCED OR COPIED OR USED IN WHOLE OR IN PART AS THE BASIS FOR THE MANUFACTURE OR SALE OF ITEMS WITHOUT WRITTEN PERMISSION. COPYRIGHT © 1983, DIGITAL EQUIPMENT CORPORATION

REVISIONS		
CHK	CHANGE NO.	REV

digital	DRN: <i>R. Sargent</i>	DATE: 06-MAY-83	ENG: Rick Szmouk	DATE: 06-MAY-83	TITLE: DELUNA PORT MODULE (TD5)
	CHK: <i>R. Sargent</i>	DATE: 06-MAY-83	BOARD LOCATION: 1 OF 1	SIZE: K	CODE: CS
DSKE: <SARGENT>PRTTD5.DRW 06-MAY-83 08:34			NEXT HIGHER ASSEMBLY: D-UA-M7792-0-0	NUMBER: M7792-0-TD5	REV: A
FIRST USED ON OPTION/MODEL: DELUNA					

T-11 DMA OPERATION



NOTE 1: FOR MORE DETAIL ON UNIBUS NPR OPERATION, SEE UNIBUS ARBITRATION AND DATA TRANSFER DIAGRAM.

NOTE 2: THE RECEIVE DMA ENGINE REQUEST AND GRANTS ARE SHOWN TO ILLUSTRATE THAT THE T-11 DMA REQUEST HAS A HIGHER PRIORITY.

NOTE 3: WHEN THE T-11 DMA OPERATION BEGINS (SYNC MDMR0ST(1) = 1) THE T-11 IS ALREADY IN THE WAIT STATE. SEE THE T-11 BUS DATA TRANSFER DIAGRAM.

SYMBOL KEY

/// IGNORED OR INVALID

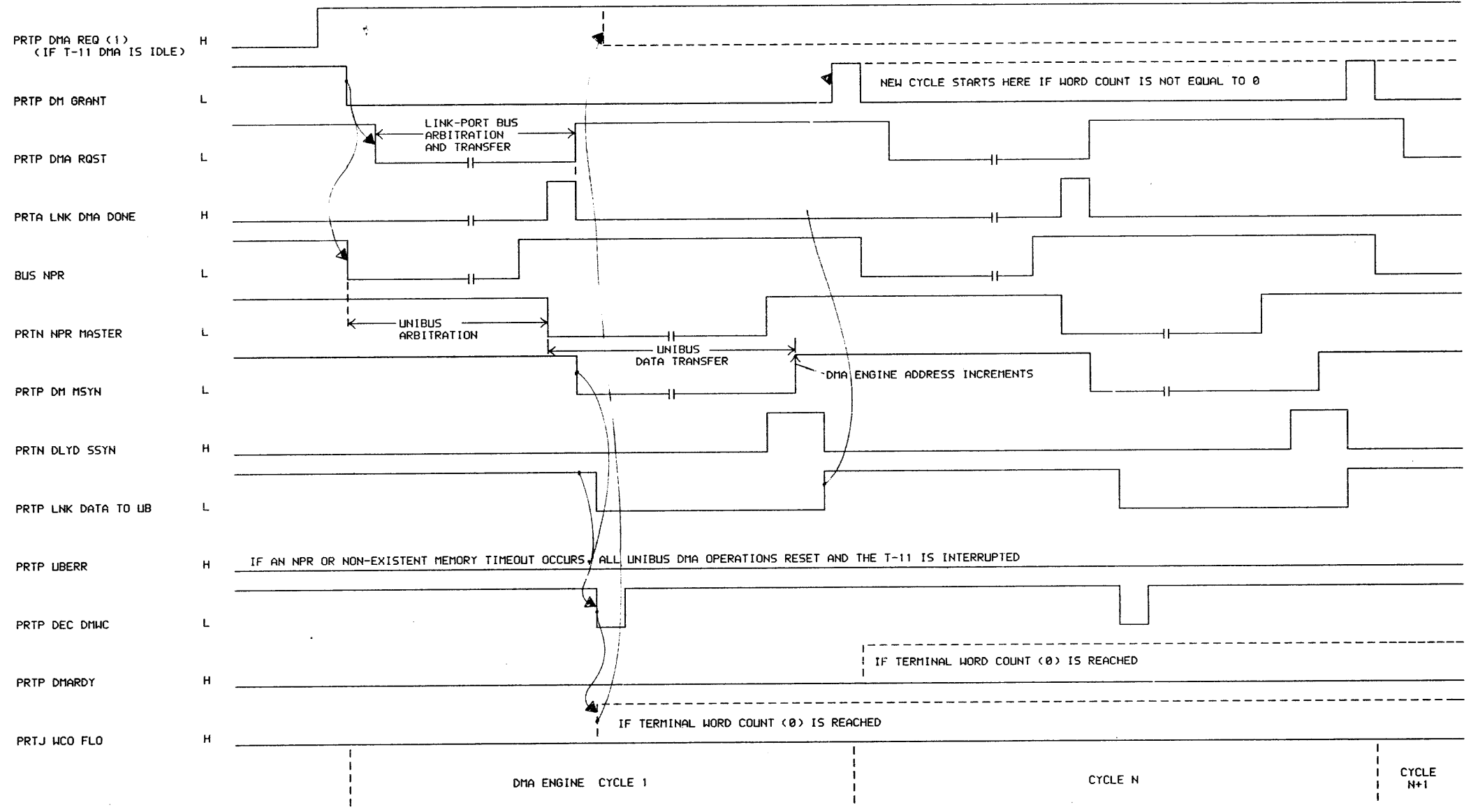
— VALID

THIS DRAWING AND SPECIFICATIONS ARE THE PROPERTY OF DIGITAL EQUIPMENT CORPORATION AND SHALL NOT BE REPRODUCED OR COPIED OR USED IN WHOLE OR IN PART AS THE BASIS FOR THE MANUFACTURE OR SALE OF ITEMS WITHOUT WRITTEN PERMISSION. COPYRIGHT © 1983, DIGITAL EQUIPMENT CORPORATION.

REVISIONS		
CHK	CHANGE NO.	REV

digital	DRN: <i>R. Sargent</i>	DATE: 16-MAY-83	ENG: Rick Szmauz	DATE: 16-MAY-83	TITLE: DEUNA PORT MODULE (TD6)
	CHKD: <i>R. Sargent</i>	DATE: 16-MAY-83	BOARD LOCATION: SHEET 1 OF 1	SIZE CODE: K CS	NUMBER: M7792-0-TD6
DSKE: (SARGENT)PRTD6.DRW 16-MAY-83 07:09			NEXT HIGHER ASSEMBLY: D-UA-M7792-0-0		REV. A
FIRST USED ON OPTION/MODEL: DEUNA					

RECEIVE DMA ENGINE OPERATION



NOTE 1: FOR MORE DETAIL ON UNIBUS ARBITRATION, DATA TRANSFER AND LINK-PORT BUS OPERATION SEE THE APPROPRIATE TIMING DIAGRAM.

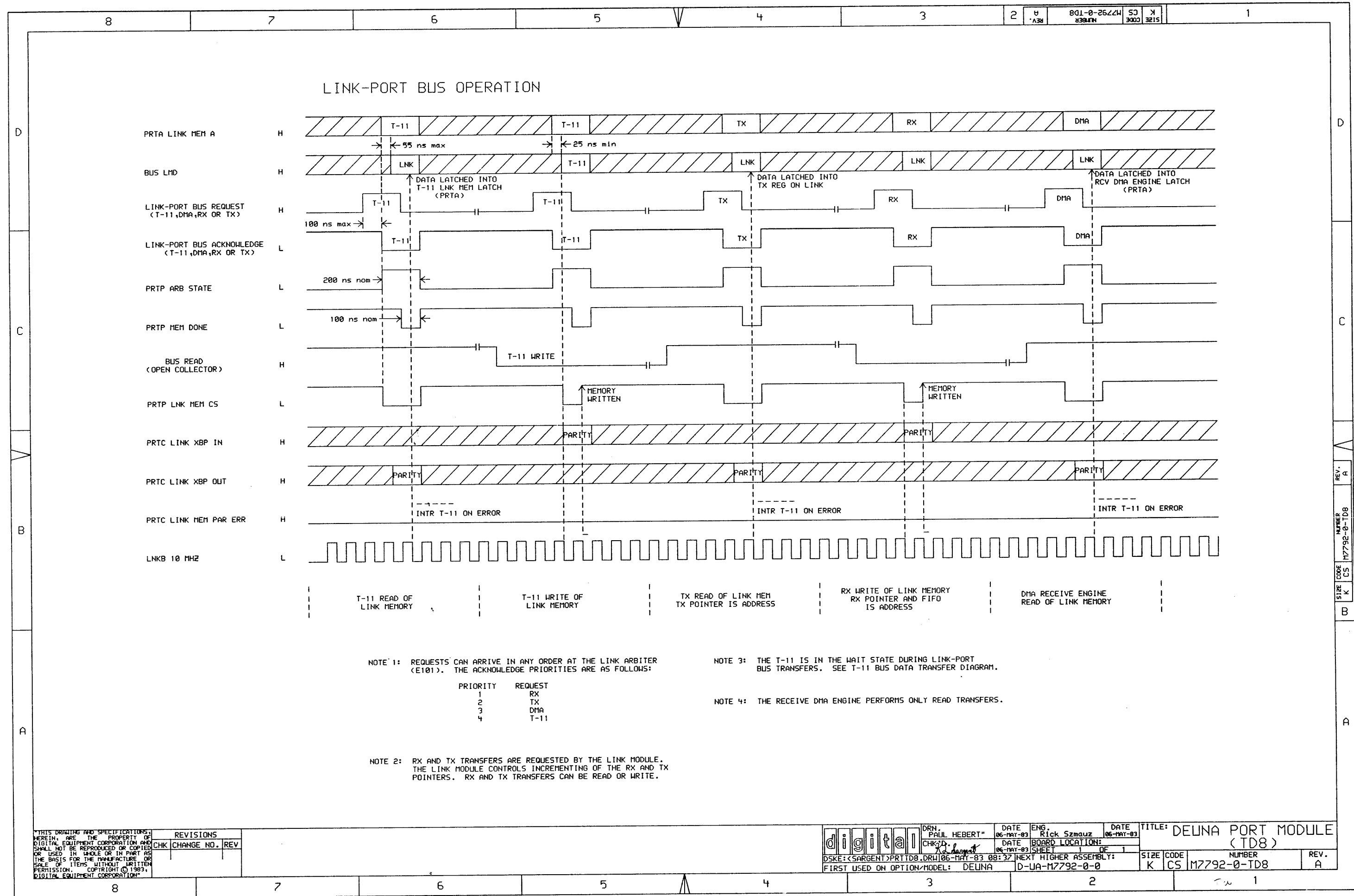
NOTE 2: SINCE THE DMA ENGINE HAS LOWER PRIORITY THAN T-11 DMA, THE T-11 DMA REQUEST (P RTP SYNC DMROST(1) H) WILL TAKE PRECEDENCE OVER AN ENGINE DMA REQUEST (DMA REQ (1) H) FOR THE DURATION OF THE T-11 DMA OPERATION.

THIS DRAWING AND SPECIFICATIONS ARE THE PROPERTY OF DIGITAL EQUIPMENT CORPORATION AND SHALL NOT BE REPRODUCED OR COPIED OR USED IN WHOLE OR IN PART AS THE BASIS FOR THE MANUFACTURE OR SALE OF ITEMS WITHOUT WRITTEN PERMISSION. COPYRIGHT © 1983, DIGITAL EQUIPMENT CORPORATION.

REVISIONS		
CHK	CHANGE NO.	REV

digital	DRN. PALL HEBERT	DATE 06-MAY-83	ENG. Rick Szmauz	DATE 06-MAY-83	TITLE: DEUNA PORT MODULE (TD7)
	CHK'D. <i>A. J. Dwyer</i>	DATE 06-MAY-83	BOARD LOCATION: SHEET 1 OF 1	SIZE CODE K CS	NUMBER M7792-0-TD7
DSKE: (SARGENT)PRTDZ.DRW/06-MAY-83 08:36		NEXT HIGHER ASSEMBLY: D-UA-M7792-0-0		REV. A	
FIRST USED ON OPTION/MODEL: DEUNA					

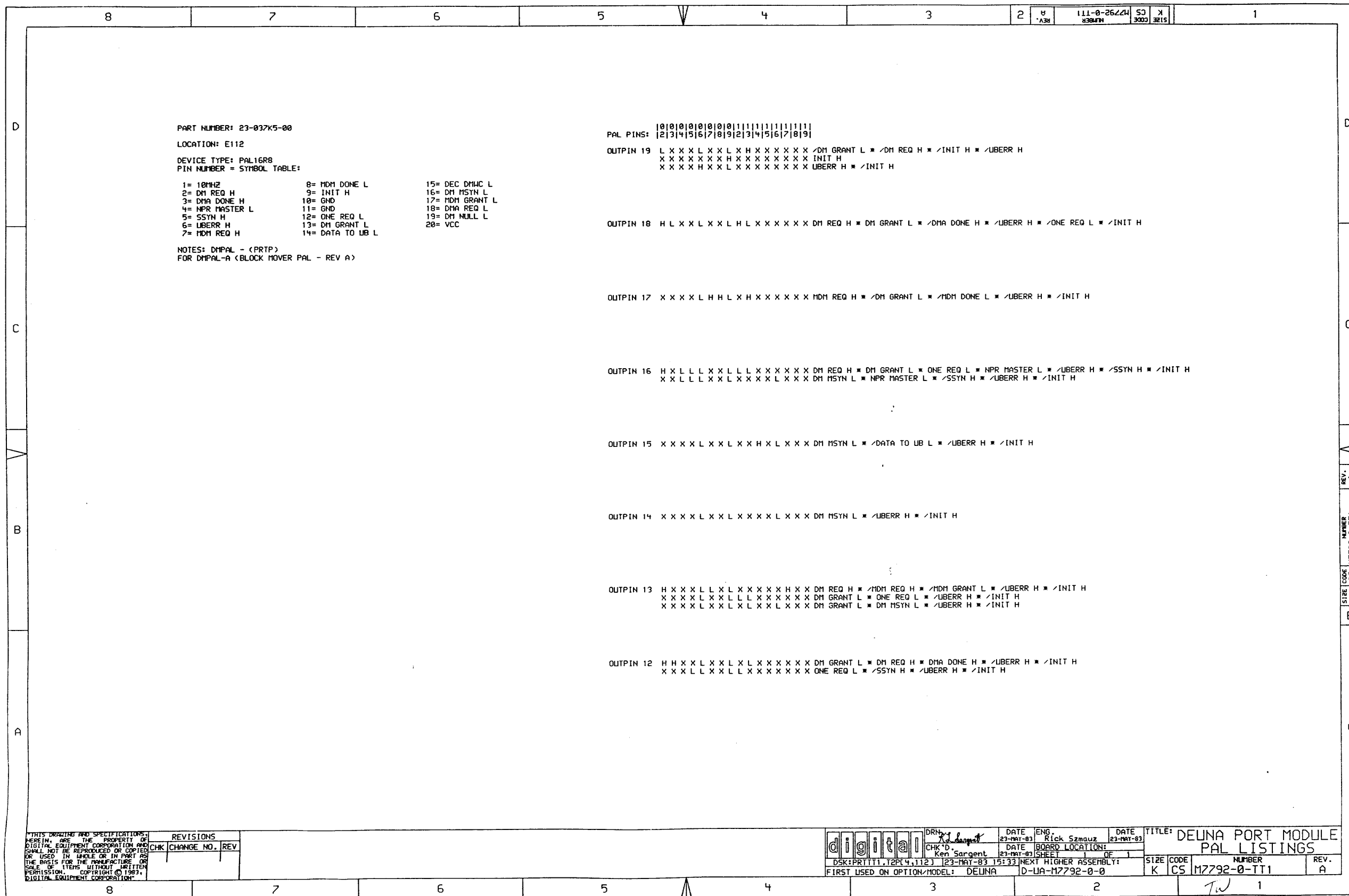
REV. A
NUMBER M7792-0-TD7
SIZE CODE K CS

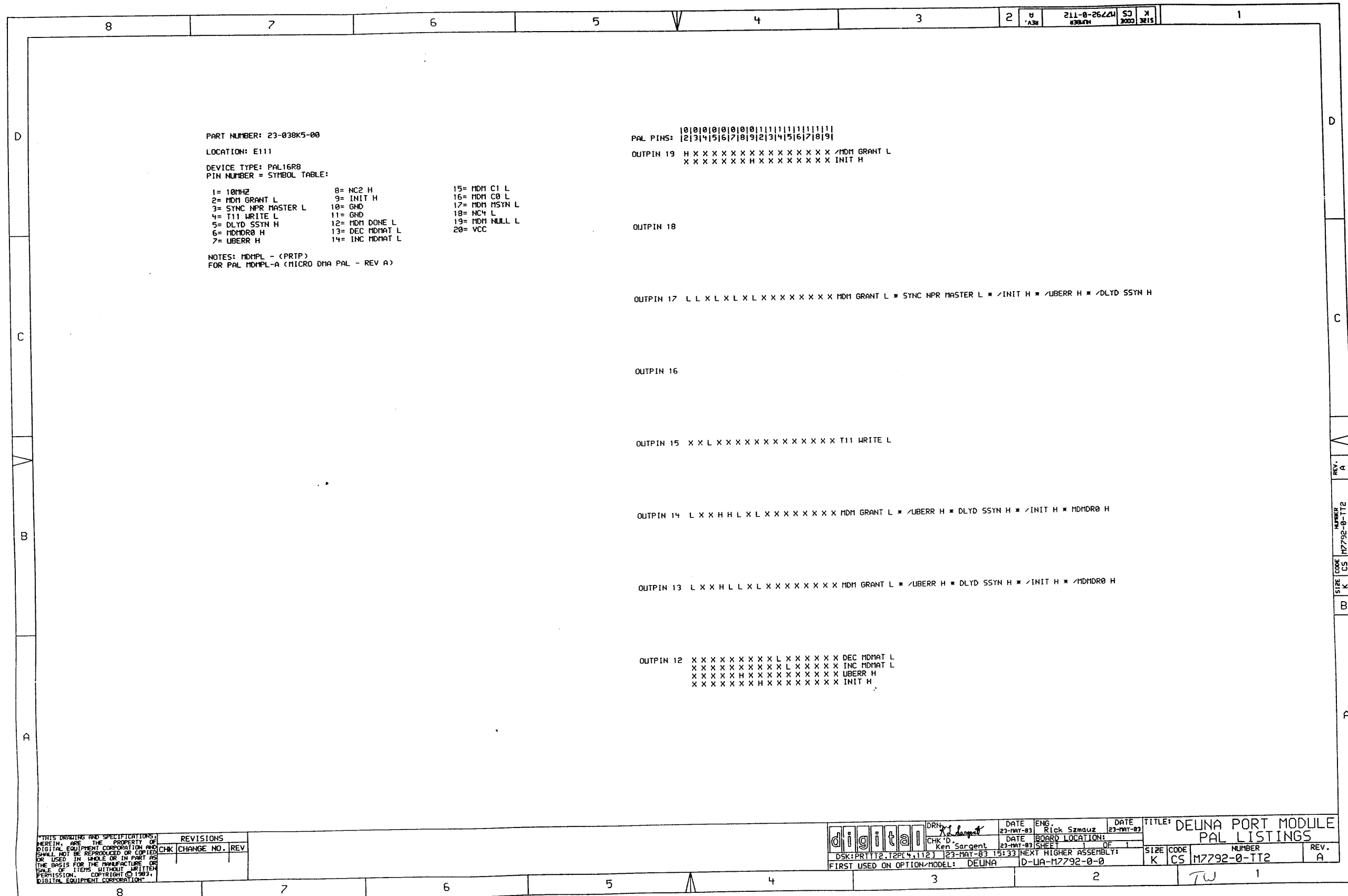


THIS DRAWING AND SPECIFICATIONS HEREIN ARE THE PROPERTY OF DIGITAL EQUIPMENT CORPORATION AND SHALL NOT BE REPRODUCED OR COPIED OR USED IN WHOLE OR IN PART AS THE BASIS FOR THE MANUFACTURE OR SALE OF ITEMS WITHOUT WRITTEN PERMISSION. COPYRIGHT © 1983, DIGITAL EQUIPMENT CORPORATION.

REVISIONS	
CHK	CHANGE NO. REV

digital	DRN: PAUL HEBERT	DATE: 06-MAY-83	ENG: Rick Szmauz	DATE: 06-MAY-83	TITLE: DELUNA PORT MODULE (TDS)
	CHK: D. J. Sargent	DATE: 06-MAY-83	BOARD LOCATION: 1 OF 1	SHEET: 1 OF 1	
DSKE: <SARGENT>PRT1D8.DRW106-MAY-83 08:37		NEXT HIGHER ASSEMBLY: D-UA-M7792-0-0		SIZE CODE: K CS	NUMBER: M7792-0-TD8
FIRST USED ON OPTION/MODEL: DELUNA				REV: A	



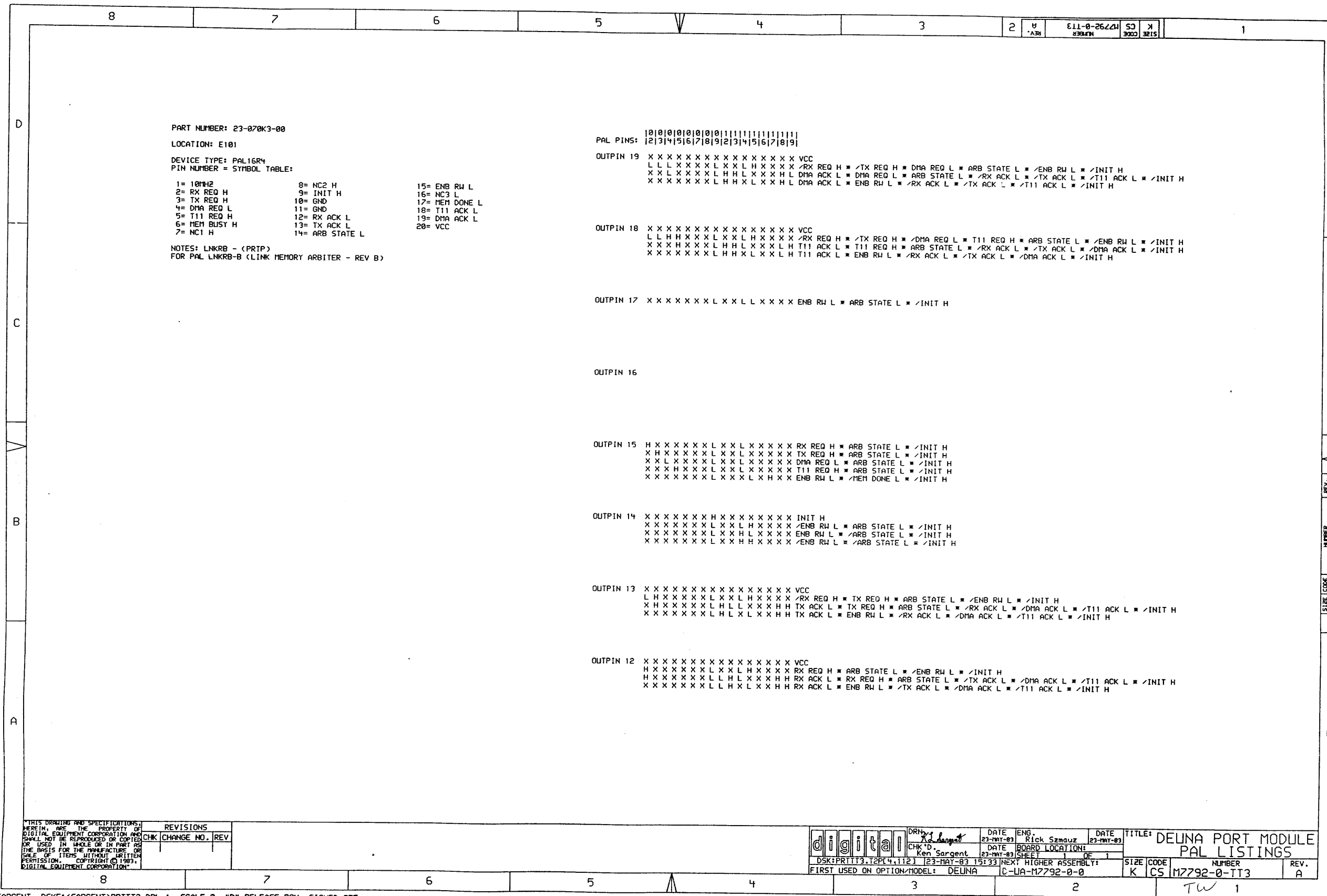


THIS DRAWING AND SPECIFICATIONS HEREIN ARE THE PROPERTY OF DIGITAL EQUIPMENT CORPORATION AND SHALL NOT BE REPRODUCED OR COPIED OR USED IN WHOLE OR IN PART AS THE BASIS FOR THE MANUFACTURE OR SALE OF ITEMS WITHOUT WRITTEN PERMISSION. COPYRIGHT © 1983, DIGITAL EQUIPMENT CORPORATION

REVISIONS	
CHK	CHANGE NO. REV

digital	DRN: <i>X. Sargent</i>	DATE: 23-MAY-83	ENG: Rick Szmauz	DATE: 23-MAY-83	TITLE: DELNA PORT MODULE PAL LISTINGS
	CHK'D: Ken Sargent	DATE: 23-MAY-83	BOARD LOCATION: SHEET OF 1	SIZE CODE: K CS	NUMBER: M7792-0-TT2
DSK: PRTT2.T2P4.112J 23-MAY-83 15:33				NEXT HIGHER ASSEMBLY:	REV: A
FIRST USED ON OPTION/MODEL: DELNA				D-LIA-M7792-0-0	TU 1

SARGENT, DSKE: <SARGENT>PRTT2.DPL.1, SCALE 2, "D" RELEASE BOX, SIGNED OFF

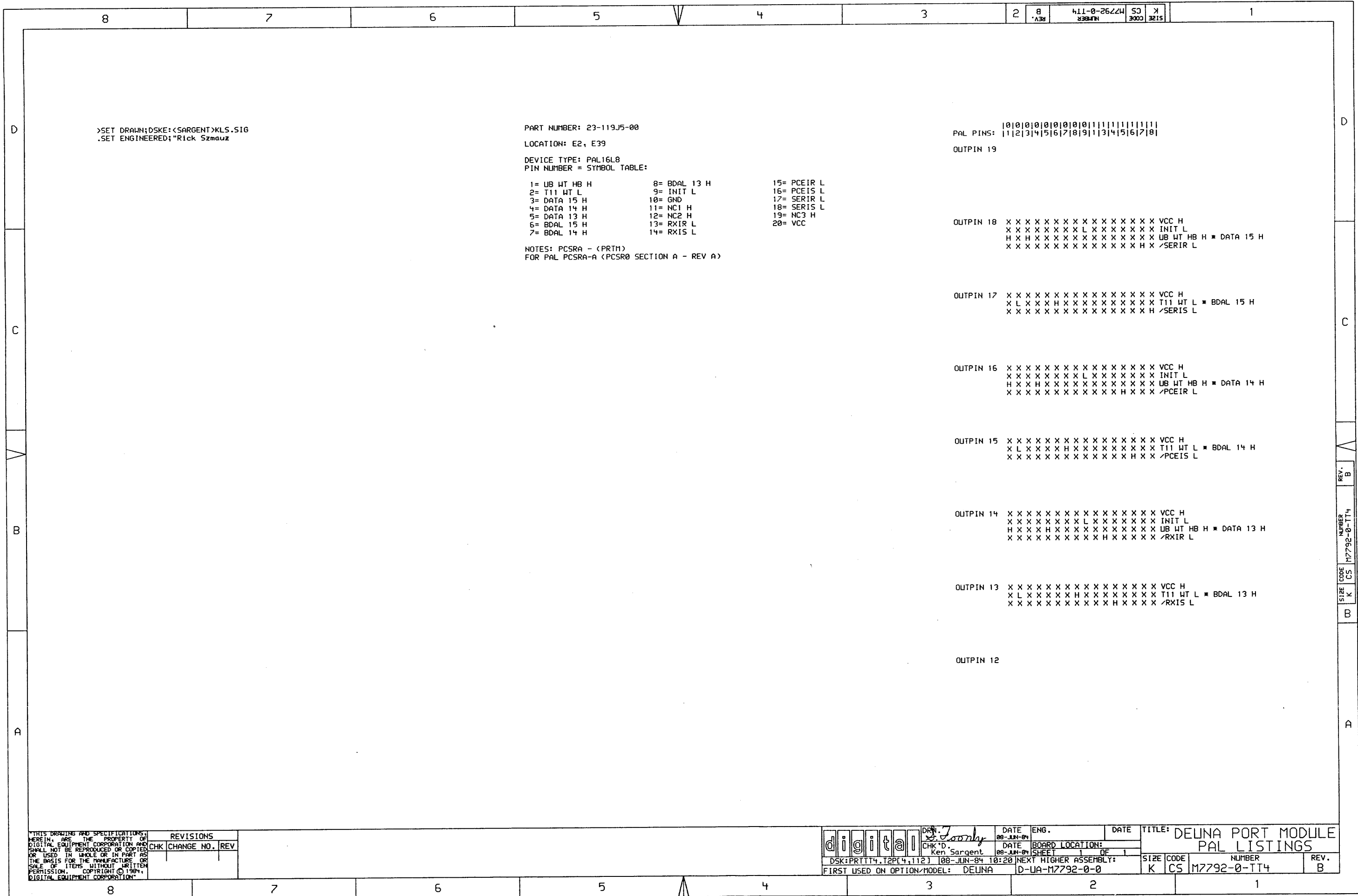


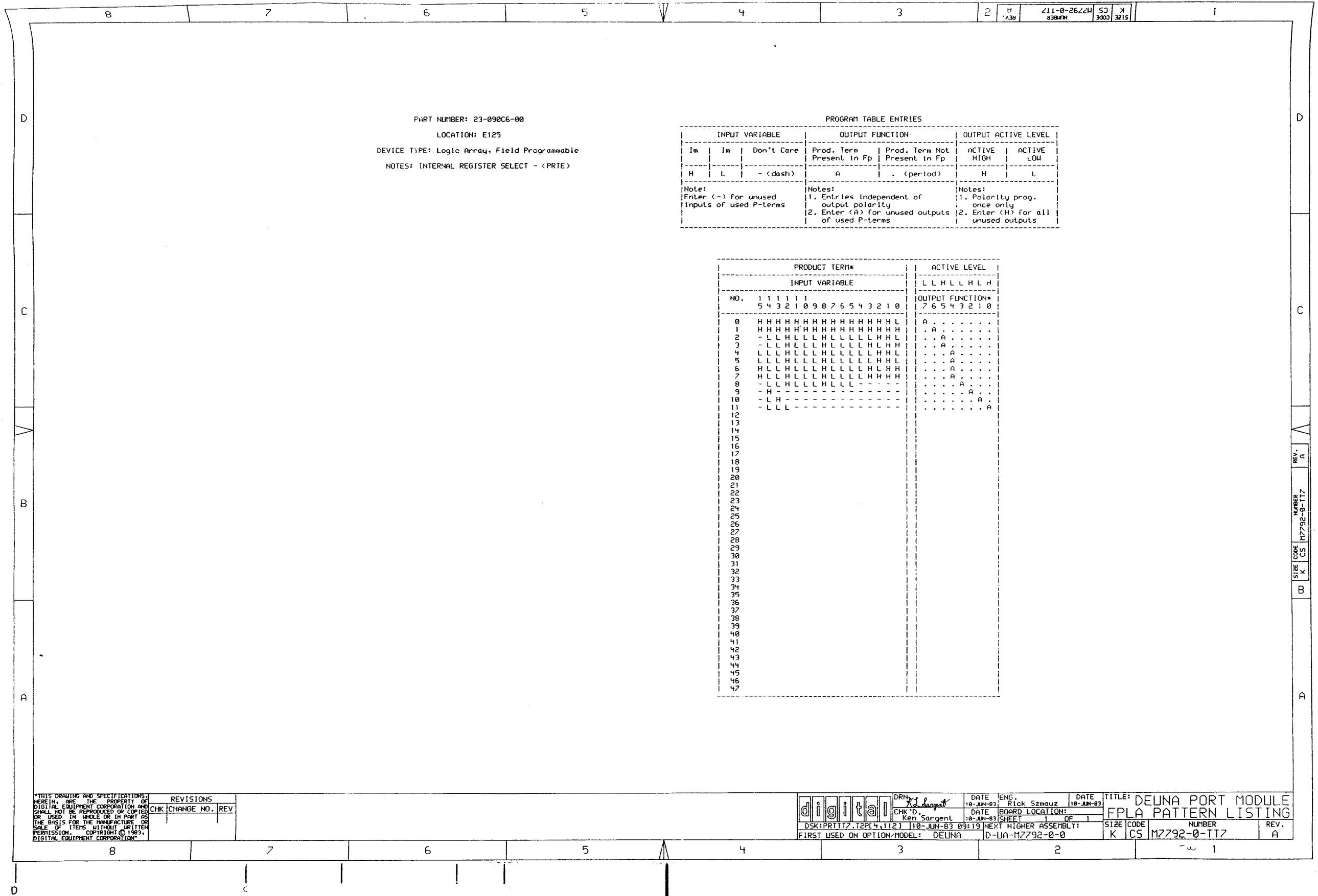
THIS DRAWING AND SPECIFICATIONS ARE THE PROPERTY OF DIGITAL EQUIPMENT CORPORATION AND SHALL NOT BE REPRODUCED OR COPIED OR USED IN WHOLE OR IN PART AS THE BASIS FOR THE MANUFACTURE OR SALE OF ITEMS WITHOUT WRITTEN PERMISSION. COPYRIGHT © 1983, DIGITAL EQUIPMENT CORPORATION.

REVISIONS	
CHK	CHANGE NO. REV

digital DRY: Ken Sargent CHK'D: Ken Sargent	DATE: 23-MAY-83	ENG: Rick Szmauz	DATE: 23-MAY-83	TITLE: DELUNA PORT MODULE PAL LISTINGS
	DATE BOARD LOCATION: 1 OF 1		SHEET: 1	
	DSK:PRITTT3.T2PL4,1123	23-MAY-83 15:33	NEXT HIGHER ASSEMBLY: C-LA-M7792-0-0	SIZE CODE: K CS

SIZE CODE NUMBER REV. A
 K CS M7792-0-TT3
 B A





PART NUMBER: 23-090C6-00
 LOCATION: E125
 DEVICE TYPE: Logic Array, Field Programmable
 NOTES: INTERNAL REGISTER SELECT - (PRTE)

PROGRAM TABLE ENTRIES

INPUT VARIABLE			OUTPUT FUNCTION		OUTPUT ACTIVE LEVEL	
Im	Im	Don't Care	Prod. Term Present in Fp	Prod. Term Not Present in Fp	ACTIVE HIGH	ACTIVE LOW
H	L	-(dash)	A	.(period)	H	L

Note: Enter (-) for unused inputs of used P-terms

Note: 1. Entries independent of output polarity
 2. Enter (A) for unused outputs of used P-terms

Note: 1. Polarity prog. once only
 2. Enter (H) for all unused outputs

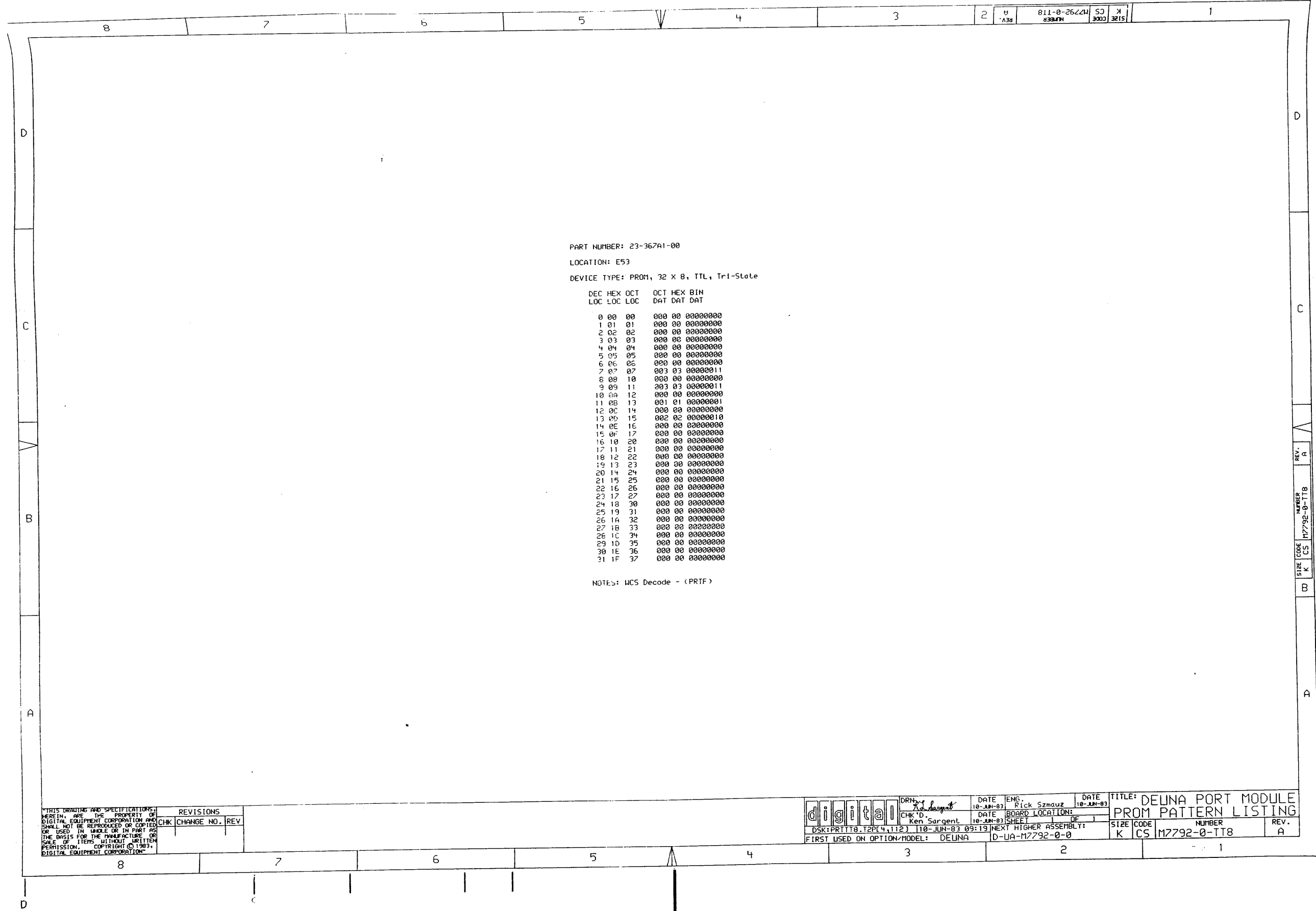
NO.	PRODUCT TERM*	ACTIVE LEVEL
	INPUT VARIABLE	LLHLLHLLH
0	1111111	76543210
1	5432109876543210	A
2	HHHHHHHHHHHHHHHH
3	-LLHLLHLLHLLHLLH
4	-LLHLLHLLHLLHLLH
5	LLLHLLHLLHLLHLLH
6	HLLHLLHLLHLLHLLH
7	HLLHLLHLLHLLHLLH
8	-LLHLLHLLHLLHLLH
9	-LLHLLHLLHLLHLLH
10	-LH-----
11	-LLL-----
12		
13		
14		
15		
16		
17		
18		
19		
20		
21		
22		
23		
24		
25		
26		
27		
28		
29		
30		
31		
32		
33		
34		
35		
36		
37		
38		
39		
40		
41		
42		
43		
44		
45		
46		
47		

THIS DRAWING AND SPECIFICATIONS ARE THE PROPERTY OF DIGITAL EQUIPMENT CORPORATION AND SHALL NOT BE REPRODUCED OR COPIED OR USED IN WHOLE OR IN PART AS THE BASIS FOR THE MANUFACTURE OR SALE OF ITEMS WITHOUT WRITTEN PERMISSION. COPYRIGHT © 1984, DIGITAL EQUIPMENT CORPORATION.

REVISIONS	
CHK	CHANGE NO. REV

digit@l
 DRN: *Ken Sargent*
 DATE: 10-JUN-83
 ENG: Rick Szmauz
 DATE: 10-JUN-83
 BOARD LOCATION: 1 OF 1
 SHEET: 1
 DSK: PR117.12P[4,112] 110-JUN-83 09:19
 NEXT HIGHER ASSEMBLY: D-LIA-M7792-0-0

TITLE: DEUNA PORT MODULE		REV. A	
FPLA PATTERN LISTING			
SIZE CODE	NUMBER	REV.	
K CS	M7792-0-TT7	A	



PART NUMBER: 23-367A1-00
 LOCATION: E53
 DEVICE TYPE: PROM, 32 X 8, TTL, Tri-State

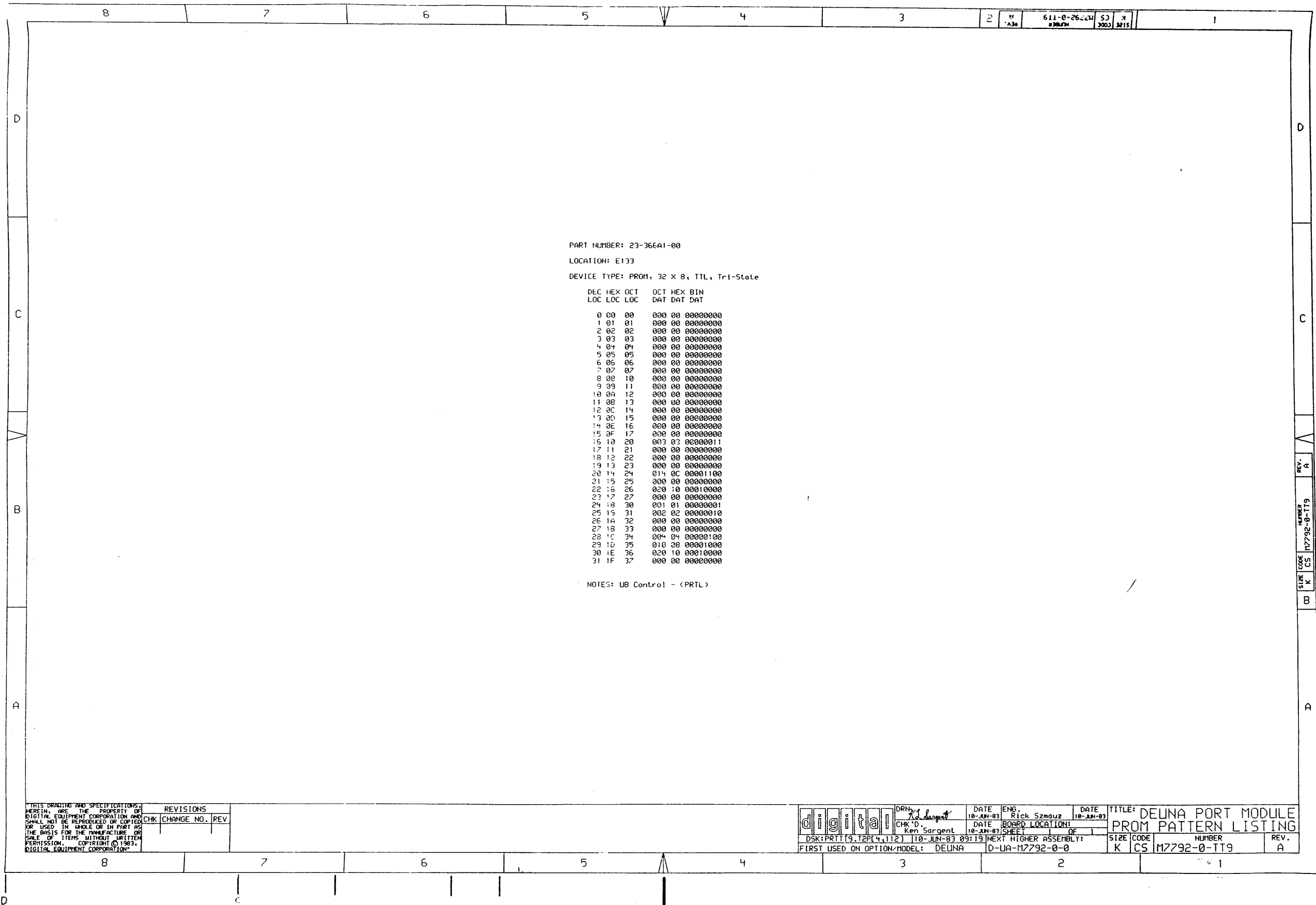
DEC LOC	HEX LOC	OCT LOC	OCT DAT	HEX DAT	BIN DAT
0	00	00	000	00	00000000
1	01	01	000	00	00000000
2	02	02	000	00	00000000
3	03	03	000	00	00000000
4	04	04	000	00	00000000
5	05	05	000	00	00000000
6	06	06	000	00	00000000
7	07	07	003	03	00000011
8	08	10	000	00	00000000
9	09	11	003	03	00000011
10	0A	12	000	00	00000000
11	0B	13	001	01	00000001
12	0C	14	000	00	00000000
13	0D	15	002	02	00000010
14	0E	16	000	00	00000000
15	0F	17	000	00	00000000
16	10	20	000	00	00000000
17	11	21	000	00	00000000
18	12	22	000	00	00000000
19	13	23	000	00	00000000
20	14	24	000	00	00000000
21	15	25	000	00	00000000
22	16	26	000	00	00000000
23	17	27	000	00	00000000
24	18	30	000	00	00000000
25	19	31	000	00	00000000
26	1A	32	000	00	00000000
27	1B	33	000	00	00000000
28	1C	34	000	00	00000000
29	1D	35	000	00	00000000
30	1E	36	000	00	00000000
31	1F	37	000	00	00000000

NOTES: MCS Decode - (PRIF)

THIS DRAWING AND SPECIFICATIONS
 HEREIN ARE THE PROPERTY OF
 DIGITAL EQUIPMENT CORPORATION AND
 SHALL NOT BE REPRODUCED OR COPIED
 OR USED IN WHOLE OR IN PART AS
 THE BASIS FOR THE MANUFACTURE OR
 SALE OF ITEMS WITHOUT WRITTEN
 PERMISSION. COPYRIGHT © 1983,
 DIGITAL EQUIPMENT CORPORATION

REVISIONS		
CHK	CHANGE NO.	REV

digital	DRN'd	DATE	ENG.	DATE	TITLE
	CHK'D	10-JUN-83	Rick Szmduz	10-JUN-83	DEUNA PORT MODULE
	Ken Sargent	DATE	BOARD LOCATION:		PROM PATTERN LISTING
	10-JUN-83 09:19	SHEET	DF		
DSK:PRIT18.T2P[4,112]	NEXT HIGHER ASSEMBLY:	SIZE	CODE	NUMBER	REV.
FIRST USED ON OPTION/MODEL: DELUNA	D-UA-M7792-0-0	K	CS	M7792-0-TT8	A



PART NUMBER: 23-366A1-00
 LOCATION: E133
 DEVICE TYPE: PROM, 32 X 8, TTL, Tri-State

DEC LOC	HEX LOC	OCT LOC	OCT DAT	HEX DAT	BIN DAT
0	00	00	000	00	00000000
1	01	01	000	00	00000000
2	02	02	000	00	00000000
3	03	03	000	00	00000000
4	04	04	000	00	00000000
5	05	05	000	00	00000000
6	06	06	000	00	00000000
7	07	07	000	00	00000000
8	08	10	000	00	00000000
9	09	11	000	00	00000000
10	0A	12	000	00	00000000
11	0B	13	000	00	00000000
12	0C	14	000	00	00000000
13	0D	15	000	00	00000000
14	0E	16	000	00	00000000
15	0F	17	000	00	00000000
16	10	20	003	03	00000011
17	11	21	000	00	00000000
18	12	22	000	00	00000000
19	13	23	000	00	00000000
20	14	24	014	0C	00001100
21	15	25	000	00	00000000
22	16	26	020	10	00010000
23	17	27	000	00	00000000
24	18	30	001	01	00000001
25	19	31	002	02	00000010
26	1A	32	000	00	00000000
27	1B	33	000	00	00000000
28	1C	34	004	04	00000100
29	1D	35	010	08	00001000
30	1E	36	020	10	00010000
31	1F	37	000	00	00000000

NOTES: UB Control - (PRTL)

THIS DRAWING AND SPECIFICATIONS HEREIN ARE THE PROPERTY OF DIGITAL EQUIPMENT CORPORATION AND SHALL NOT BE REPRODUCED OR COPIED OR USED IN WHOLE OR IN PART AS THE BASIS FOR THE MANUFACTURE OR SALE OF ITEMS WITHOUT WRITTEN PERMISSION. COPYRIGHT © 1983, DIGITAL EQUIPMENT CORPORATION

REVISIONS		
CHK	CHANGE NO.	REV

	DRN: <i>Ken Sargent</i>	DATE: 10-JUN-83	ENG: Rick Szmauz	DATE: 10-JUN-83	TITLE: DEUNA PORT MODULE
	CHK'D: <i>Ken Sargent</i>	DATE: 10-JUN-83	BOARD LOCATION: SHEET 1 OF 1		PROM PATTERN LISTING
DSK: PRT1 (9, T2P (4, 112)) 110-JUN-83 09:19 NEXT HIGHER ASSEMBLY: D-LJA-117792-0-0					SIZE CODE: K CS NUMBER: M7792-0-TT9 REV: A

REV. A
 NUMBER M7792-0-TT9
 SIZE CODE K CS

THIS DRAWING AND THE SPECIFICATIONS CONTAINED HEREIN ARE CONFIDENTIAL AND PROPRIETARY. THEY ARE THE PROPERTY OF DIGITAL EQUIPMENT CORPORATION AND SHALL NOT BE REPRODUCED OR COPIED OR USED IN WHOLE OR IN PART AS THE BASIS FOR MANUFACTURING OR SALE OF ITEMS WITHOUT WRITTEN PERMISSION. THIS IS AN UNPUBLISHED WORK PROTECTED UNDER THE FEDERAL COPYRIGHT LAWS.

DRAWING DIRECTORY

ITEM	DRAWING NO.	NO. OF SHTS	PART NO.	DESCRIPTION	TYPE	REVISIONS							
						A	B	C	D	E	F	G	H
1			M7793	DEUNA LINK MODULE		A	B	C	D	E	F	G	H
2	D-UA-M7793-0-0	2		UNIT ASSEMBLY		A	B	C	D	E	F	G	H
3	D-EC-5015005-0-0	3		ETCH CUT		A	B	C	D	E	F	G	H
4	D-MD-5015005-0-0	5		DRILL AND ETCH		A	A	A	A	B	B	C	
5	K-PL-M7793-0-0	3		PARTS LIST		A	A	A	B	C	D	E	
6			5015005-00	ETCHED BOARD		B	B	B	B	C	C	D1	
7	K-PC-M7793-0-DBI	-		PC DATABASE		B	B	B	B	C	C	D	
8	K-CS-M7793-0-DBS	-		SUDS DATABASE		A	B	C	D	E	F	F	
9	K-CS-M7793-0-BD1	1		SCHEMATICS		A	A	A	A	A	A	A	
10	K-CS-M7793-0-SD1	1		SCHEMATICS		A	A	A	A	A	A	A	
11	K-CS-M7793-0-SD2	1		SCHEMATICS		A	A	A	A	A	A	A	
12	K-CS-M7793-0-SD3	1		SCHEMATICS		A	A	A	A	A	A	A	

NOTES:

USED ON OPTION/MODULE "DEUNA-AA", DEUNA-KP, DEUNA-M.

DD
REV

A B C D E F G H

REVISION HISTORY			CONT. REVISION HISTORY			MADE BY: M. MATTOCK DATE: 25 MAR 85		DIGITAL			
ENG	ECO NUMBER	REV	ENG	ECO NUMBER	REV	CHECKED BY: F. CARBONE DATE: 25 MAR 85	TITLE DRAWING DIRECTORY				
ML	M7793-MK005	F				DESIGN ENGINEER: M. LAWRENCE DATE: 25 MAR 85	DEUNA LINK MODULE				
ML	M7793-MK006	H				RESPONSIBLE ENG: M. LAWRENCE DATE: 25 MAR 85					
						PRODUCTION ENG: D. DUNCAN DATE: 28 OCT 82	SIZE	CODE	DOCUMENT NUMBER	REV.	
							K	DD	M7793-0	H	
						SHEET 1 OF 3			MKO		

THIS DRAWING AND THE SPECIFICATIONS CONTAINED HEREIN ARE CONFIDENTIAL AND PROPRIETARY. THEY ARE THE PROPERTY OF DIGITAL EQUIPMENT CORPORATION AND SHALL NOT BE REPRODUCED OR COPIED OR USED IN WHOLE OR IN PART AS THE BASIS FOR MANUFACTURING OR SALE OF ITEMS WITHOUT WRITTEN PERMISSION. THIS IS AN UNPUBLISHED WORK PROTECTED UNDER THE FEDERAL COPYRIGHT LAWS.

DRAWING DIRECTORY CONTINUED

I T E M	DRAWING NO.	NO. OF SHTS	PART NO.	DESCRIPTION	T Y P E	REVISIONS								
						A	B	C	D	E	F	G	H	
13	K-CS-M7793-0-SD4	1		SCHEMATIC		A	A	A	A	A	A	A		
14	K-CS-M7793-0-TDA	1		SCHEMATIC		A	A	A	A	A	A	A		
15	K-CS-M7793-0-TDB	1		SCHEMATIC		A	A	A	A	A	A	A		
16	K-CS-M7793-0-TDC	1		SCHEMATIC		A	A	A	A	A	A	A		
17	K-CS-M7793-0-TDD	1		SCHEMATIC		A	A	A	A	A	A	A		
18	K-CS-M7793-0-TDE	1		SCHEMATIC		A	A	A	A	A	A	A		
19	K-CS-M7793-0-TDF	1		SCHEMATIC		A	A	A	A	A	A	A		
20	K-CS-M7793-0-TDH	1		SCHEMATIC		A	A	A	A	A	A	A		
21	K-CS-M7793-0-TDJ	1		SCHEMATIC		A	A	A	A	A	A	A		
22	K-CS-M7793-0-TDK	1		SCHEMATIC		A	A	A	A	A	A	A		
23	K-CS-M7793-0-TDL	1		SCHEMATIC		A	A	A	A	A	A	A		
24	K-CS-M7793-0-TDM	1		SCHEMATIC		A	A	A	A	A	A	A		
25	K-CS-M7793-0-TDN	1		SCHEMATIC		A	A	A	A	A	A	A		
26	K-CS-M7793-0-TDP	1		SCHEMATIC		A	A	A	A	A	A	A		
27	K-CS-M7793-0-TDR	1		SCHEMATIC		A	A	A	A	A	A	A		
28	K-CS-M7793-0-TDS	1		SCHEMATIC		A	A	A	A	A	A	A		
29	K-CS-M7793-0-TDT	1		SCHEMATIC		A	A	A	A	A	A	A		
30	K-CS-M7793-0-TDU	1		SCHEMATIC		A	A	A	A	A	A	A		
31	K-CS-M7793-0-TDV	1		SCHEMATIC		A	A	A	A	A	A	A		
32	K-CS-M7793-0-TDW	1		SCHEMATIC		A	A	A	A	A	A	A		
33	K-CS-M7793-0-TTA	1		SCHEMATIC		A	A	A	A	A	A	A		
34	K-CS-M7793-0-TTB	1		SCHEMATIC		A	A	A	A	A	A	A		
35	K-CS-M7793-0-TTC	1		SCHEMATIC		A	A	A	A	A	A	A		
36	K-CS-M7793-0-TTD	1		SCHEMATIC		A	A	A	A	A	A	A		
37	K-CS-M7793-0-TTE	1		SCHEMATIC		A	A	A	A	A	A	A		
38	K-CS-M7793-0-TTF	1		SCHEMATIC		A	A	A	A	A	A	A		
39	K-CS-M7793-0-TTH	1		SCHEMATIC		A	A	A	A	A	A	A		
40	K-CS-M7793-0-TTJ	1		SCHEMATIC		A	A	A	A	A	A	A		

NOTES:

DD REV	A	B	C	D	E	F	H							
-----------	---	---	---	---	---	---	---	--	--	--	--	--	--	--

REVISION HISTORY			CONT. REVISION HISTORY			MADE BY:	d i g i t a l							
ENG	ECO NUMBER	REV	ENG	ECO NUMBER	REV	DATE:								
						CHECKED BY:	TITLE DRAWING DIRECTORY							
						DATE:	DEUNA LINK MODULE							
						DESIGN ENGINEER:								
						DATE:								
						RESPONSIBLE ENG:								
						DATE:								
						PRODUCTION ENG:	SIZE	CODE	DOCUMENT NUMBER	REV.				
						DATE:	K	DD	M7793-0	H				
SHEET 2 OF 3										MKO				

THIS DRAWING AND THE SPECIFICATIONS CONTAINED HEREIN ARE CONFIDENTIAL AND PROPRIETARY. THEY ARE THE PROPERTY OF DIGITAL EQUIPMENT CORPORATION AND SHALL NOT BE REPRODUCED OR COPIED OR USED IN WHOLE OR IN PART AS THE BASIS FOR MANUFACTURING OR SALE OF ITEMS WITHOUT WRITTEN PERMISSION. THIS IS AN UNPUBLISHED WORK PROTECTED UNDER THE FEDERAL COPYRIGHT LAWS.

DRAWING DIRECTORY CONTINUED

ITEM	DRAWING NO.	NO. OF SHTS	PART NO.	DESCRIPTION	TYPE	REVISIONS								
						A	B	C	D	E	F	G	H	
41	K-CS-M7793-0-TTK	1		SCHEMATICS		A	A	A	A	A	A	A		
42	K-CS-M7793-0-TTL	1		SCHEMATICS		A	A	A	A	A	A	A		
43	K-CS-M7793-0-TTM	1		SCHEMATICS		A	A	A	A	A	A	A		
44	K-CS-M7793-0-IR1	1		SCHEMATICS		A	A	A	A	A	A	A		
45	K-CS-M7793-0-IR2	1		SCHEMATICS		A	A	A	A	A	A	A		
46	K-CS-M7793-0-LNKA	1		SCHEMATICS		A	B	C	C	D	D	D		
47	K-CS-M7793-0-LNKB	1		SCHEMATICS		A	A	A	B	C	C	C		
48	K-CS-M7793-0-LNKC	1		SCHEMATICS		A	A	B	B	C	C	C		
49	K-CS-M7793-0-LNKD	1		SCHEMATICS		A	A	A	A	A	B	B		
50	K-CS-M7793-0-LNKE	1		SCHEMATICS		A	B	B	B	B	B	B		
51	K-CS-M7793-0-LNKF	1		SCHEMATICS		A	A	A	A	A	B	B		
52	K-CS-M7793-0-LNKH	1		SCHEMATICS		A	B	C	C	C	D	D		
53	K-CS-M7793-0-LNKJ	1		SCHEMATICS		A	A	A	A	A	A	A		
54	K-CS-M7793-0-LNKK	1		SCHEMATICS		A	A	B	B	B	C	C		
55	K-CS-M7793-0-LNKL	1		SCHEMATICS		A	A	A	B	B	C	C		
56	K-CS-M7793-0-LNKM	1		SCHEMATICS		A	A	A	A	A	A	A		
57	K-CS-M7793-0-LNKN	1		SCHEMATICS		A	A	A	B	B	B	B		
58	K-CS-M7793-0-LNKP	1		SCHEMATICS		A	A	A	A	A	A	A		
59	K-CS-M7793-0-LNKR	1		SCHEMATICS		A	A	A	B	C	C	C		
60	K-CS-M7793-0-LNKS	1		SCHEMATICS		A	A	A	A	A	A	A		
61	K-CS-M7793-0-LNKT	1		SCHEMATICS		A	A	A	A	B	B	B		
62	K-CS-M7793-0-TTN	1		SCHEMATICS		A	A	A	A	A	A	A		

NOTES:

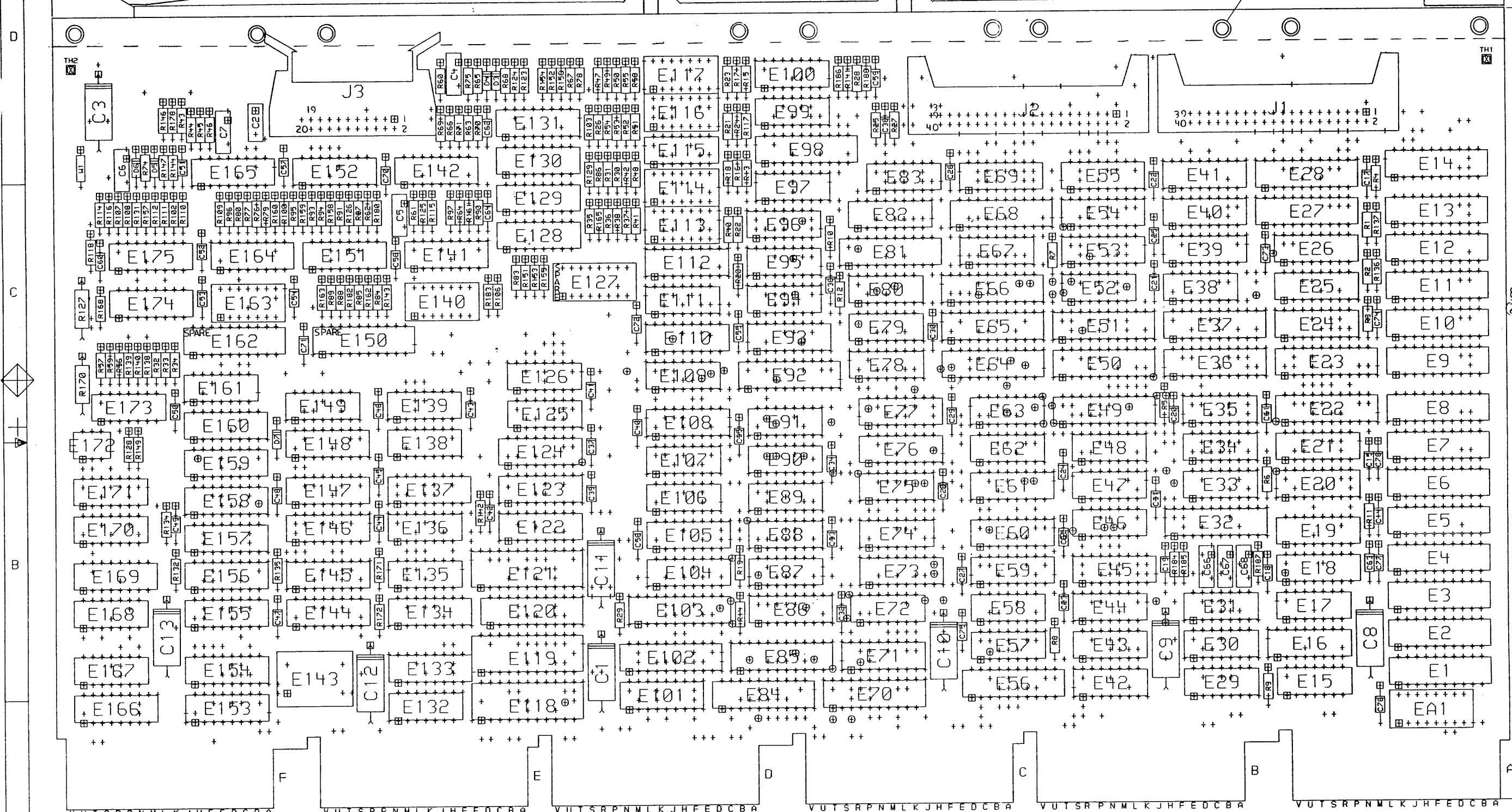
DD	A	B	C	D	E	F	H
REV							

REVISION HISTORY			CONT. REVISION HISTORY			MADE BY:	d i g i t a l
ENG	ECO NUMBER	REV	ENG	ECO NUMBER	REV	DATE:	
						CHECKED BY:	TITLE DRAWING DIRECTORY
						DATE:	
						DESIGN ENGINEER:	DEUNA LINK MODULE
						DATE:	
						RESPONSIBLE ENG:	SIZE CODE DOCUMENT NUMBER REV.
						DATE:	
						PRODUCTION ENG:	K DD M7793-0 H
						DATE:	

THIS DRAWING AND SPECIFICATIONS, HEREIN, ARE THE PROPERTY OF DIGITAL EQUIPMENT CORPORATION AND SHALL NOT BE REPRODUCED OR COPIED IN WHOLE OR IN PART AS THE BASIS FOR THE MANUFACTURE OR SALE OF ITEMS WITHOUT WRITTEN PERMISSION. DIGITAL EQUIPMENT CORPORATION

15.688
(398.53MM)
REF

COMPONENT SIDE VIEW



8.41
(213.60
MM)
REF

CHK	DRAWN BY	ENGINEER	CHANGE NO	DATE	REV
	<i>Andersson</i>	<i>Peter Breda</i>	M7793-MK6	11 DEC 84	H

CHK	DRAWN BY	ENGINEER	CHANGE NO	DATE	REV

NOTES:
1. SPARE I.C. LOCATIONS: E127, E152, E162

STEP	↑ Y AXIS	— STEP	— TIMES
REPEAT	→ X AXIS	— STEP	— TIMES

ETCH REV.	DIP1
-----------	------

SIGNATURES		DATE
DRN. <i>B.A. FRASER</i>		11 DEC 84
CHK'D <i>P. Breda</i>		11 DEC 84
MECH. ENG. <i>John B. ...</i>		
PROJ. ENG. <i>John W. ...</i>		
PROD. <i>Rob Komrad</i>		

TITLE DEUNA LINK
MODULE

SCALE 2/1	SIZE CODE D UA	NUMBER M7793-0-0	REV H
-----------	----------------	------------------	-------

NEXT HIGHER ASSY. K-DD-M7793-0

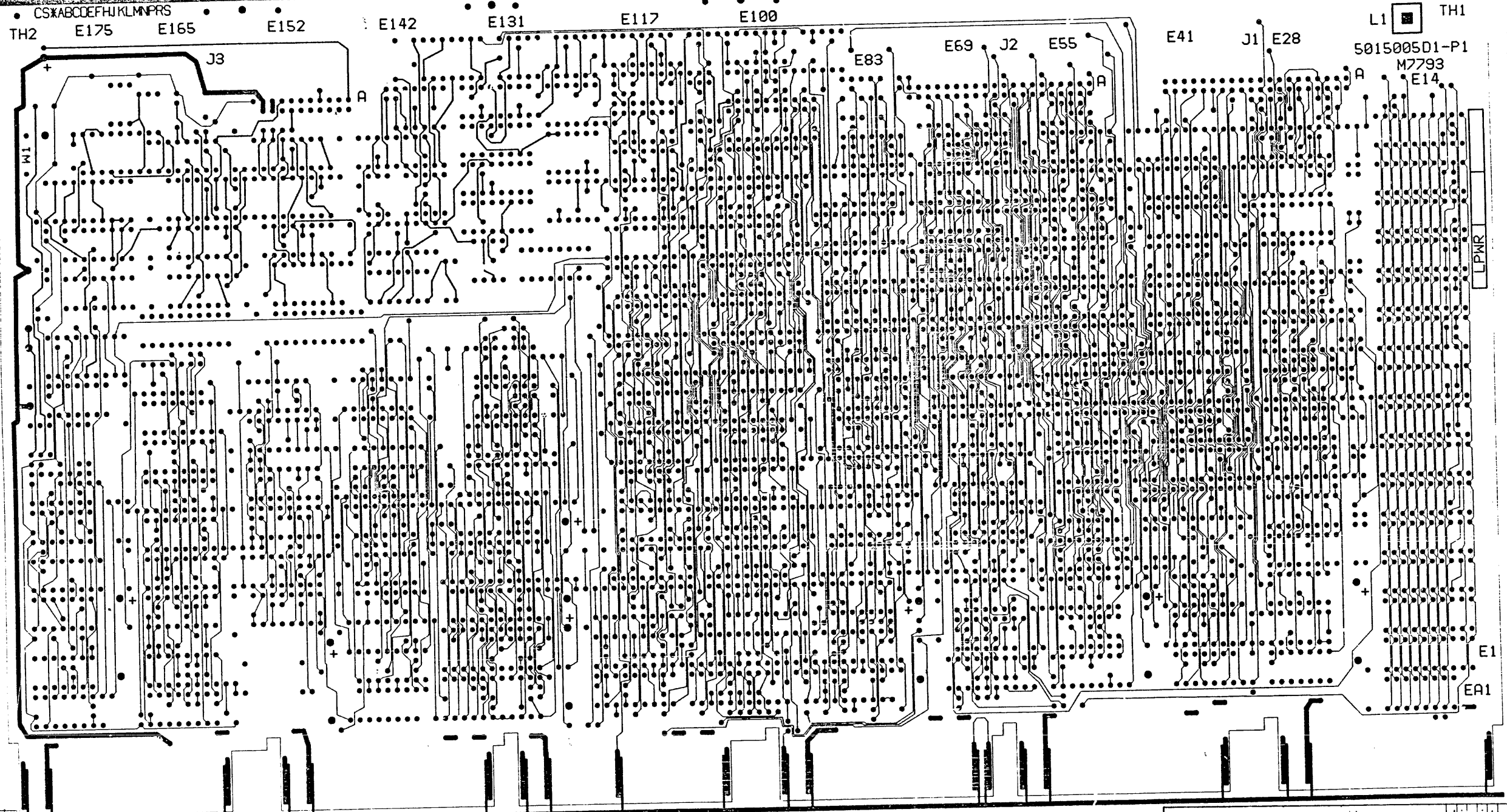
1935

DEC 5015005-C-0 F

LAYER 1

SIDE 1

digital



AM-17793-MK000
 M. LAWRENCE

digital
 7-20-85
 A. Francis 7-29-85
 Peter W. Hulse 7-29-85
 Peter W. Hulse 7-29-85
 James L. ... 7-29-85
 D-UA-M7793-0.6
 2/1 1 2

ETCH CUT DRAWING

DEC 5015005-C-0 F

MKO

DEC 5015005-C-0 F

DEC 5015005-0-0 F

6

5

4

3

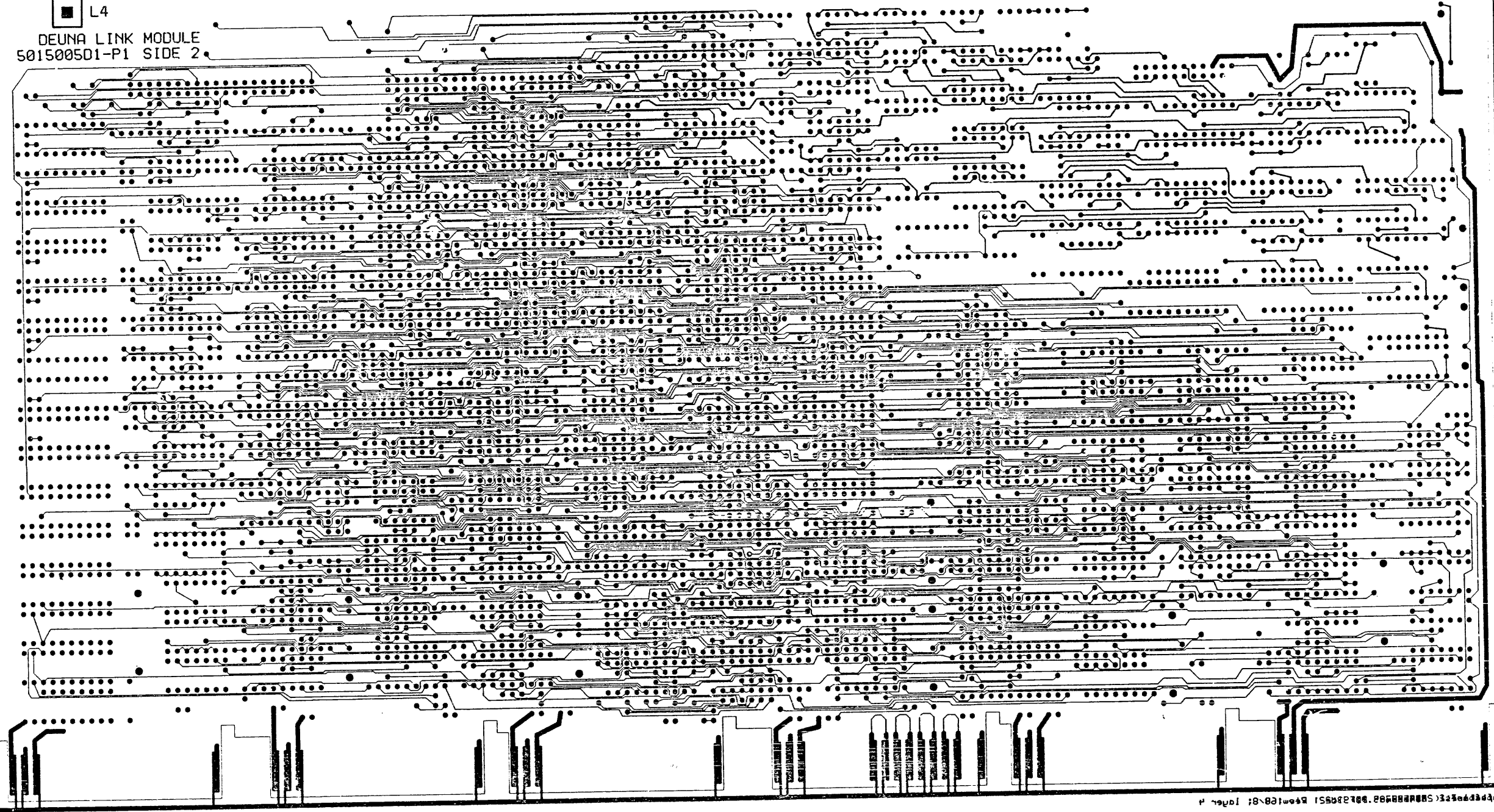
2

1

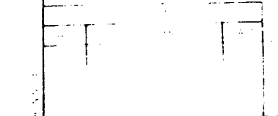
REVISED

L4

DEUNA LINK MODULE
5015005D1-P1 SIDE 2



REVISED 5015005D1-P1 SIDE 2



TITLE
ETCH CUT DRAWING

DATE	BY	CHKD	APP'D
DEC 5015005-0-0	F		
SCALE 2/1	SHEET 2	OF 2	

MKO

8

7

6

5

4

3

2

1

DEC 5015005-0-0 F

AUTOMATED BY PRLST,4Q(50)

PARTS LIST

SHEET A1 OF A4

LINE	ITEM	TOP DOCUMENT	PART NUMBER	MIN REV	DESCRIPTION	QTY	PER VARIATION	REFERENCE DESIGNATOR
					VARIATION REVISION LEVEL:	00		
						E1		
1	1	D-MD-5015005-0-0	5015005-00	D	DRILL AND ETCH CUT	1		
2	2		1010978-36		.1 MFD 50V 10% CER	1		C2
3	3		1002424-00		1200.0 MMF 100V 5%200PPM MICA	2		C4,C6
4	4		1000019-00		150.0 MMF 100V 5%200PPM MICA	2		C5,C7
5	5		1012784-00		.047 MFD 50V +80-20% CER	39		C14,C15,C17,C18,C19,C20,C21,C22, C23,C24,C25,C26,C27,C28,C29,C30, C31,C32,C33,C34,C35,C36,C37,C38, C39,C40,C41,C42,C43,C44,C45,C46, C47,C48,C49,C50,C51,C52,C53 C54,C55,C56,C57,C58,C59,C60,C61, C62,C63,C64,C65,C70-C78
6	6		1001010-00		.01 MFD 50V +80-20% Z5U CER	21	CONT	
7	7		1005820-00		22.0 MMF 100V 5%200PPM MICA	2	CONT	C66,C67
8	8		1000010-00		39.0 MMF 100V 5%200PPM MICA	1		C68
9	9		1100114-00		PIV= 25 IO=135 MA	5		D3,D4,D5,D6,D7
10	10		2118054-03		16K MOS RAM 55NS 2	16		E1,E2,E3,E4,E5,E6,E7,E8,E9,E10, E11,E12,E13,E14,E27,E28
11	11		1913340-00		74S32 OR GATE-QUAD 2IN	1	CONT	E15
12	12		1912851-00		LS169 COUNTER,SYNCH. UP/DO	9	CONT	E16,E18,E19,E20,E59,E60,E76, E134,E169
13	13		1912811-00		LS21 AND GATE-DUAL 4IN,PO	1		E17
14	14		1912849-00		LS161 COUNTER,SYNCHR,4BIT	9	CONT	E21,E24,E25,E26,E39,E40,E55, E156,E158
15	15	BLANK	23K4 -01		*** THIS ITEM IS NOT USED ***	-		
16	16		1912805-00		LS08 AND GATE-QUAD 2IN,PO	4		E29,E38,E95,E167
17	17		1912820-00		LS51 A-O-I GATE 2-WIDE 2I	2		E30,E44
18	18		1912803-00		LS04 INVERTER GATE,HEX	5		E31,E35,E78,E79,E149
19	19	BLANK	23K5 -01		*** THIS ITEM IS NOT USED ***	-		
20	20		1912799-00		LS00 NAND-GATE-QUAD 2IN,P	3		E33,E52,E80
21	21		1912824-00		LS74 FF-D DUAL,EDGE TRIGG	4		E34,E42,E94,E161
22	22		1910550-00		74S174 FF-D HEX	5		E41,E61,E101,E133,E159

REVISION HISTORY			BASIC PART NO: M7793		DRN:	R LOVE	DATE: 09-14-82	D I G I T A L			
ENG	ECO NUMBER	REV	SECTION A OF A		CHK'D:	C COSTA	DATE: 09-14-82	TITLE PARTS LIST			
INITIAL			A	SECTION VARIATION INDEX	CHK'D:	C COSTA	DATE: 09-14-82	DEUNA LINK MODULE			
ITE	M7793-TW003	B	[A]	00							
INB	M7793-TW004	C	[B]								
BRC	M7793-MK005	D	[C]		DES,ENG:	M STECKLAIR	DATE: 09-14-82	DOCUMENT NUMBER			
ML	M7793-MK006	E	[D]					SIZE	CODE	NUMBER	REV
			[E]		RESP,ENG:	M. LAWRENCE	DATE: 11-APR-85	K	PL	M7793-0-0	E
			[F]								
			[H]								
			[J]		MFG,ENG.:	W. BROOKE	DATE: 11-APR-85	RELEASE DATE: 11-APR-85			
			[K]								
			[L]								
			[M]		ASSEMBLY NUMBER:		TOP DOCUMENT NUMBER:	FILE NAME:	EDIT #		
			[N]		ID-UA-M7793-0-0		#K-DD-M7793-0	MK1194,PLS	18		

"THIS DRAWING AND THE SPECIFICATIONS CONTAINED HEREIN ARE CONFIDENTIAL AND PROPRIETARY. THEY ARE THE PROPERTY OF DIGITAL EQUIPMENT CORPORATION AND SHALL NOT BE REPRODUCED OR COPIED OR USED IN WHOLE OR IN PART AS THE BASIS FOR THE MANUFACTURE OR SALE OF ITEMS WITHOUT WRITTEN PERMISSION. THIS IS AN UNPUBLISHED WORK PROTECTED UNDER THE FEDERAL COPYRIGHT LAWS."

LINE	ITEM	TOP DOCUMENT	PART NUMBER	MIN REV	DESCRIPTION	QTY	PER VARIATION	REFERENCE DESIGNATOR
						00		
						E1		
23	23		1912810-00		LS20 NAND GATE-DUAL 4IN	1		E43
24	24		1911911-00		DEC 74S124 OSCILLATOR,DUAL VOLT	1		E45
25	25		1910534-00		74S04 INVERTER GATE-HEX 1I	5		E46,E75,E87,E99,E115
26	26		1910537-00		74S11 AND GATE-TRIPLE 3INP	2		E47,E106
27	27		1912807-00		LS10 NAND GATE-TRIPLE 3IN	1		E48
28	28		1912847-00		LS157 MUX 1 OF 2(QUAD)	2		E53,E82
29	29		1915758-00		LS166 SHIFT REG. 8BIT PARA	2		E54,E69
30	30		1914085-00		74S260 NOR GATE-DUAL,POS	2		E57,E72
31	31		1910539-00		74S20 NAND GATE-DUAL 4INPU	2		E58,E88
32	32		1910536-00		74S10 NAND GATE-TRIPLE 3IN	2		E62,E109
33	33		1912850-00		LS164 SHIFT REG. 8BIT SERI	2		E63,E67
34	34		1914214-00		LS374 FF-D OCTAL EDGE TRIG	5		E64,E65,E66,E68,E98
35	35		1911983-00		74S133 NAND GATE-POSITIVE 1	3		E71,E104,EA1
36	36		1910957-00		74S175 FF-D QUAD COMMON CLO	1		E73
37	37		1910532-00		74S00 NAND GATE-QUAD 2IN	3		E74,E111,E135
38	38		1912646-00		LS253 MUX 1 OF 4 (DUAL)	8		E77,E124,E144,E145,E147,E148,
							CONT	E154,E155
39	39		1913671-00		74S374 FF-D,OCTAL,TRI STATE	2		E81,E120
40	40		1912746-00		DEC 74S37 NAND GATE-QUAD 2IN	1		E83
41	41		1910548-00		74S157 MUX 1 OF 2 (QUAD)	2		E86,E112
42	42		1911712-00		74S51 AND-OR GATE-INVERT D	1		E89
43	43		1912801-00		LS02 NOR-GATE-QUAD 2IN	2		E90,E139
44	44		1912389-00		74S08 AND GATE-QUAD 2IN,PO	1		E91
45	45		1912697-00		LS174 FF-D HEX W/CLEAR	4		E93,E108,E110,E123
46	46		1912816-00		LS32 OR GATE-QUAD 2IN,POS	2		E96,E138
47	47		1300005-01		R NETWORK 13-1K 5.0 % 14PIN	1		E97
48	48		1915019-00		74S38 NAND BUFFER-QUAD 2IN	1		E100
49	49		1914082-00		74S163 COUNTER,SYNCH UP/DOW	7		E105,E122,E137,E146,E153,E157,
							CONT	E166
50	50		1910544-00		74S74 FF-D DUAL,EDGE TRIGG	5		E107,E136,E168,E170,E171
51	51		1514962-00		TPQ2907 PNP 500MW SI 40 100	4		E113,E114,E116,E117
52	52		1915697-00		RAM 256X4 TRI-STATE	3		E118,E119,E121
53	53		1912813-00		LS27 NOR GATE-TRIPLE 3IN	1		E125
54	54		1912808-00		LS11 AND GATE-TRIPLE 3IN	1		E126
55	55		1918353-00		10231 FF-D MASTER-SLAVE	5		E128,E130,E151,E174,E175
56	56		1911402-00		10105 OR/NOR GATE,2-3-2	4		E129,E131,E141,E152
57	57		1912096-00		DEC 74S86 XOR GATE,QUAD 2IN	1		E132
58	58		1611601-00		DELAY= 50NS,TAPPED LINE	1		E140
59	59		1913220-00		10216 RECEIVER,TRIPLE LINE	2		E142,E165
60	60		1811660-00		OSCILLATOR, XTAL 20.000 MHZ	1		E143
61	61		1911579-00		8641 TRANSCEIVER,BUS,QUA	1		E160
62	62		1619248-00		DELAY= 25/74NS ECL MULTI-LOGIC	1		E163
63	63		1911404-00		10107 XOR/NOR GATE,3-2IN	1		E164
64	64		1913009-00		4N36 OPTO COUPLED ISLTR	1		E172
65	65		1912388-00		74S02 NOR GATE-QUAD 2IN,PO	1		E173
66	66		1209941-02		PCB,HEADER 40PIN(2X20).100CC 90D	2		J1,J2
67	67		1209941-13		PCB,HEADER 19PIN(2X10).100CC 90D	1		J3
68	68		1301322-00		180.0 .25 W 5.0 % CF	27		R1,R32,R56,R78,R85,R86,R87,R89,

D	I	G	I	T	A	L	TITLE	DEUNA LINK MODULE	SECTION A	OF A	SIZE	CODE	DOCUMENT NUMBER	REV
											K	PL	M7793-0-0	E

LINE	ITEM	TOP DOCUMENT	PART NUMBER	MIN REV	DESCRIPTION	VARIATION	REVISION LEVEL	QTY	PER VARIATION	REFERENCE DESIGNATOR
								00		
								E1		
69	69		1300247-00	120.0	.25 W 5.0 %	CF		19		CONT R90,R91,R95,R100,R108,R111,R112, CONT R114,R115,R118,R124,R137,R138, CONT R146,R151,R152,R183,R171,R188 R2,R67,R102,R116,R125,R126,R129, CONT R136,R157,R158,R159,R160,R161, CONT R162,R163,R168,R178,R172,R4 R3,R5,R6,R8,R14,R19,R20,R128 R7,R9,R11,R12,R132,R134,R135, CONT R141,R142,R186,R187 R10,R43,R45,R61,R63,R185 R13,R16,R21,R22,R27,R28,R37,R40, CONT R41,R52 R15,R23,R24 R17,R48,R51 R18,R26,R30,R33,R36,R38,R47,R49, CONT R50,R54,R57,R58,R107,R123,R140, CONT R153,R154 R25,R31,R42 R29 R34,R59,R117,R131,R139,R155,R156 R35,R64,R65,R83,R84,R88,R96,R97, CONT R103,R109,R110,R143,R147,R165, CONT R180,R182 R44,R46,R60,R62,R66,R70,R77,R80, CONT R93,R94 R53,R55,R69,R71,R76,R79
70	70		1300229-00	100.0	.25 W 5.0 %	CF		8		
71	71		1300365-00	1.0	K .25 W 5.0 %	CF		11		
72	72		1302388-00	2.0	K .25 W 5.0 %	CF		6		
73	73		1302957-00	121.0	.25 W 1.0 %	RN55D-F10		10		
74	74		1302872-00	681.0	.25 W 1.0 %	RN55D-F1		3		
75	75		1303036-00	56.20	.25 W 1.0 %	RN55D-F10		3		
76	76		1301972-00	270.0	.25 W 5.0 %	CF		17		
77	77		1301421-00	15.0	.25 W 5.0 %	CF		3		
78	78		1300479-00	10.0	K .25 W 5.0 %	CF		1		
79	79		1301775-00	820.0	.25 W 5.0 %	CF		7		
80	80		1300316-00	470.0	.25 W 5.0 %	CF		16		
81	81		1313150-00	430.0	.25 W 5.0 %	CF		10		
82	82		1305121-00	38.30	.25 W 1.0 %	RN55D-F10		6		
83	83	BLANK			*** THIS ITEM IS NOT USED ***			-		
84	84		1303179-00	8.20	K .25 W 5.0 %	CF		1		R74
85	85		1300271-00	220.0	.25 W 5.0 %	CF		1		R106
86	86		1300356-00	820.0	.50 W 10.0 %	CF		2		R127,R170
87	87		1300309-00	390.0	.25 W 5.0 %	CF		1		R149
88	88		1300432-00	3.0	K .25 W 5.0 %	CF		1		R184
89	89		9009185-00		JUMPER, WIRE, INSULATED, BLACK B			1		W1
90	90		1012084-01		8 MFD 25V 75-10% AL EL			8		C1,C3,C8,C9,C10,C11,C12,C13
91	91		1216988-02		HANDLE,MODULE,HEX TWO EJECTORS			1		
92	92		9009000-00		EYELET,ROLLED 0.1210DX0.156			12		
93	93		1302391-00	20.0	K .25 W 5.0 %	CF		1		R144
94	94		1304837-00	24.0	K .25 W 5.0 %	CF		1		R68
95	95		1300488-00	12.0	K .25 W 5.0 %	CF		1		R75
96	96	BLANK			*** THIS ITEM IS NOT USED ***			-		
97	97		23034K4-00		K4-01			1		E50
98	98		23035K4-00		K4-01			1		E22
99	99		23036K4-00		K4-01			1		E23
100	100		23037K4-00		K4-01			2		E102,E103
101	101		23025K5-00		K5-01			1		E49
102	102		23026K5-00		K5-01			1		E51
103	103		23027K5-00		K5-01			1		E36
104	104		23028K5-00		K5-01			1		E37

D	I	G	I	T	A	L	TITLE	SECTION A OF A	SIZE	CODE	DOCUMENT NUMBER	REV
							DEUNA LINK MODULE		K	PL	M7793-0-0	E

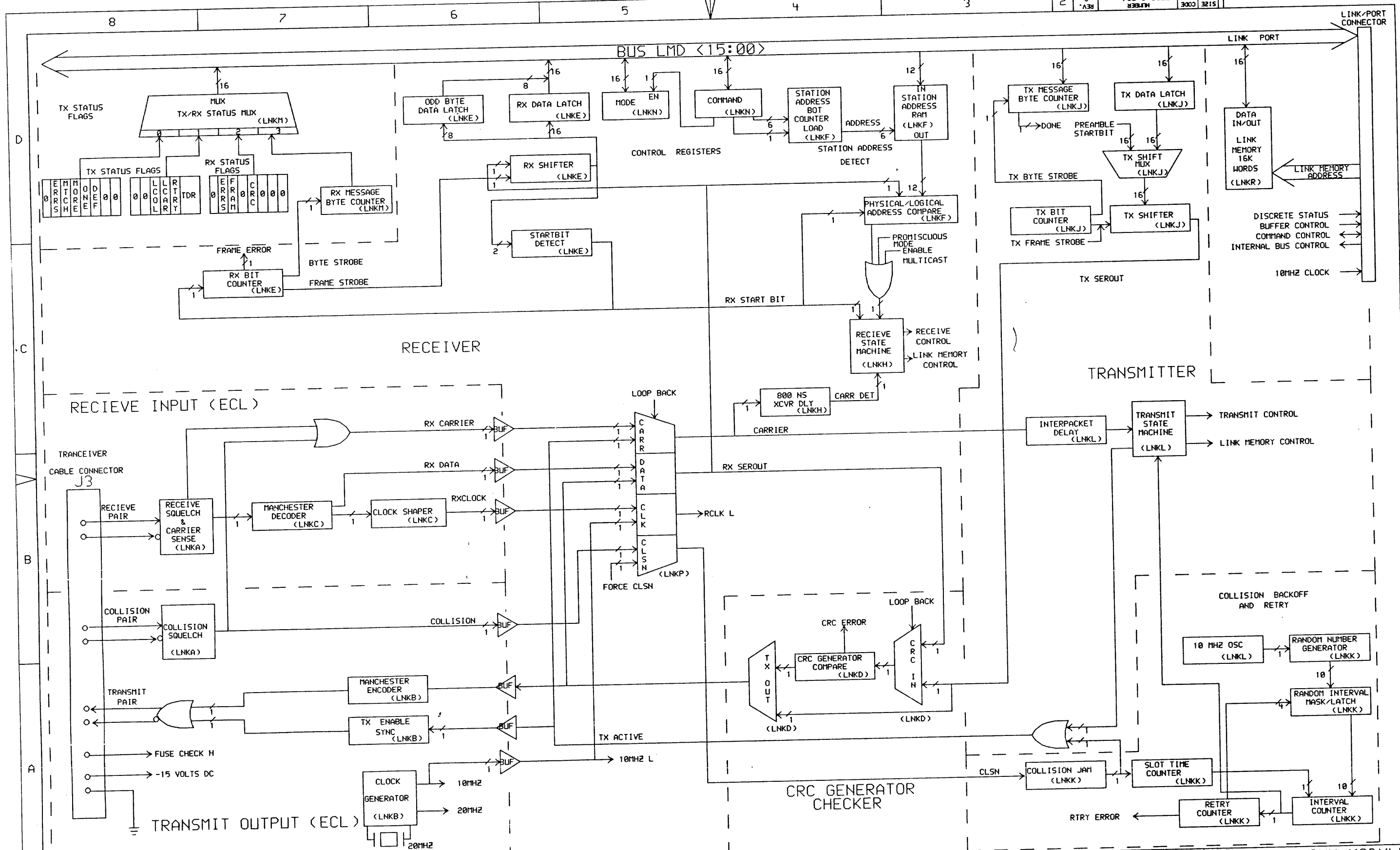
AUTOMATED BY PRTLST.40(50)

P A R T S L I S T

SHEET A4 OF A4

LINE ITEM	TOP DOCUMENT	PART NUMBER	MIN REV	DESCRIPTION	VARIATION REVISION LEVEL:	QTY PER VARIATION	REFERENCE DESIGNATOR
105	105	23029K5-00		K5-01		1	E32
106	106	23030K5-00		K5-01		2	E56,E70
107	107	23031K5-00		K5-01		1	E92
108	108	23033K5-00		K5-01		2	E84,E85

D	I	G	I	T	A	L	TITLE	DEUNA LINK MODULE	SECTION A OF A	SIZE	CODE	DOCUMENT NUMBER	REV
										K	PL	M7793-0-0	E

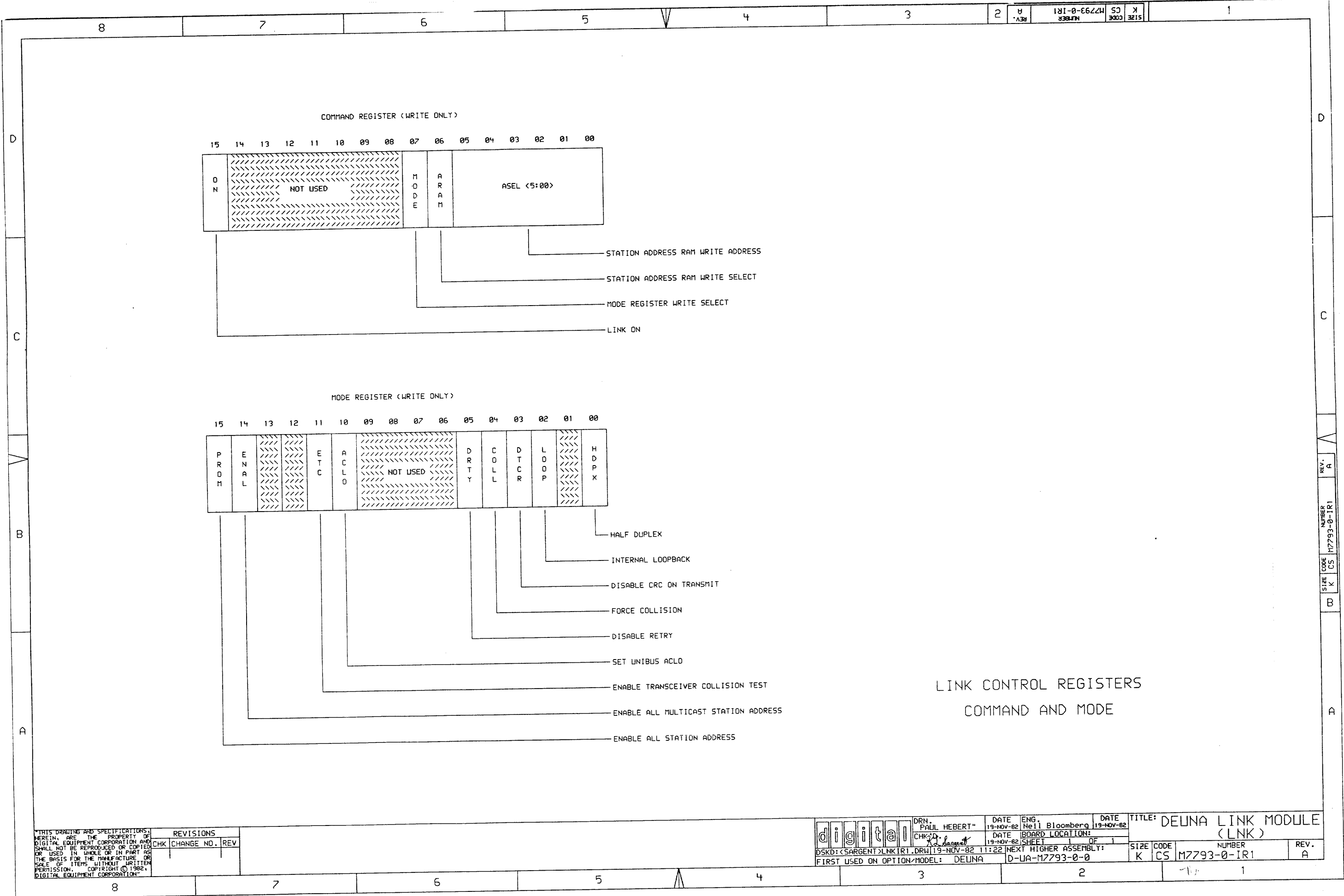


THIS DRAWING AND SPECIFICATIONS ARE THE PROPERTY OF DIGITAL EQUIPMENT CORPORATION AND SHALL NOT BE REPRODUCED OR COPIED OR USED IN WHOLE OR IN PART AS THE BASIS FOR THE MANUFACTURE OR SALE OF ITEMS WITHOUT WRITTEN PERMISSION. COPYRIGHT © 1982, DIGITAL EQUIPMENT CORPORATION.

REVISIONS	CHK	CHANGE NO.	REV

digital	DRN. KEN PACINAS	DATE 19-NOV-82	ENG. Heil	DATE 19-NOV-82	TITLE: DEUNA LINK MODULE (LNK)
	CHK'D. J. SARGENT	DATE 19-NOV-82	BOARD LOCATION: 1 OF 1	SHEET 1 OF 1	
DSKD: <SARGENT>LNKBD1.DRH 19-NOV-82 11:25 NEXT HIGHER ASSEMBLY: D-UA-M7793-0-0				SIZE CODE K CS	NUMBER M7793-0-BD1
FIRST USED ON OPTION/MODEL: DEUNA				REV. A	

REV. A
NUMBER M7793-0-BD1
SIZE CODE K CS



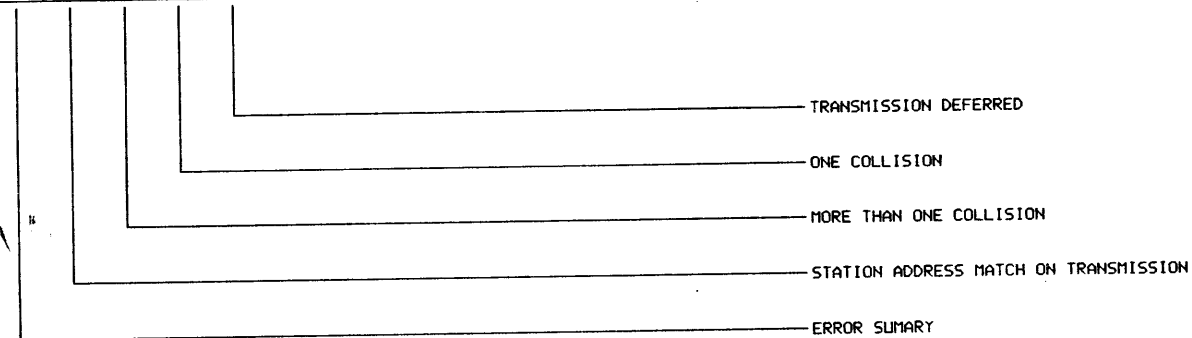
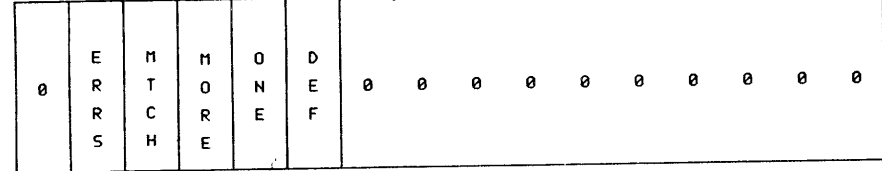
LINK CONTROL REGISTERS
COMMAND AND MODE

THIS DRAWING AND SPECIFICATIONS HEREIN ARE THE PROPERTY OF DIGITAL EQUIPMENT CORPORATION AND SHALL NOT BE REPRODUCED OR COPIED OR USED IN WHOLE OR IN PART AS THE BASIS FOR THE MANUFACTURE OR SALE OF ITEMS WITHOUT WRITTEN PERMISSION. COPYRIGHT © 1982, DIGITAL EQUIPMENT CORPORATION.

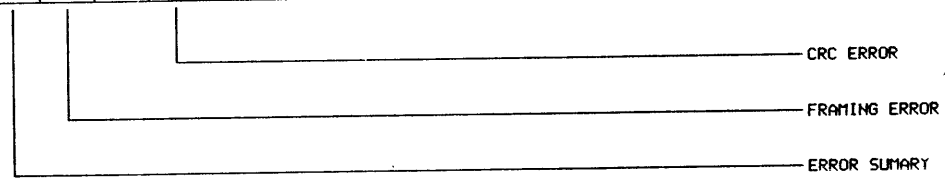
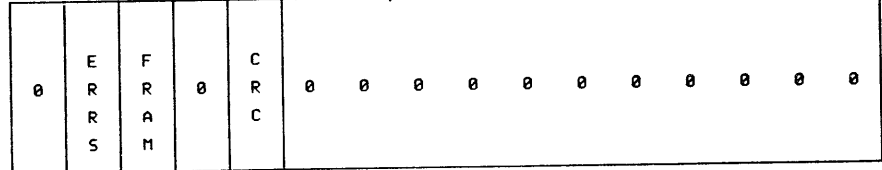
REVISIONS		
CHK	CHANGE NO.	REV

digital	DRN. PAUL HEBERT	DATE 19-NOV-82	ENG. Neil Bloomberg	DATE 19-NOV-82	TITLE: DEUNA LINK MODULE (LNK)
	CHKD. <i>[Signature]</i>	DATE 19-NOV-82	BOARD LOCATION:	SHEET 1 OF 1	SIZE CODE K CS
DSKD: <SARGENT>LNKIRI.DRW 19-NOV-82 11:22			NEXT HIGHER ASSEMBLY: D-UA-M7793-0-0		NUMBER M7793-0-IR1
FIRST USED ON OPTION/MODEL: DEUNA					REV. A

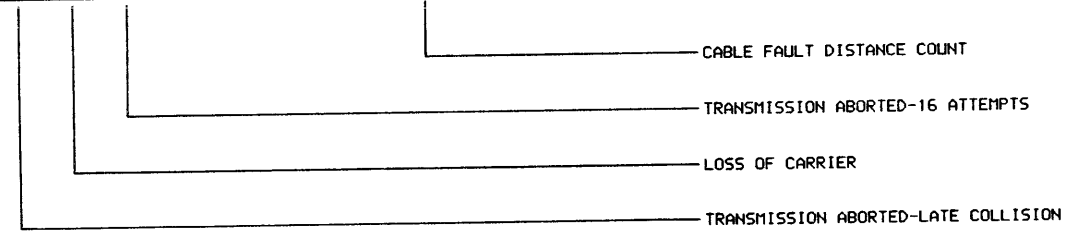
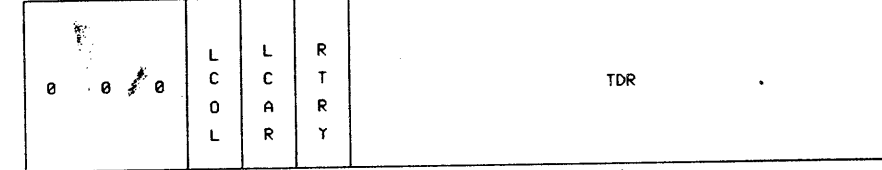
TRANSMIT STATUS WORD 0 (LINK MEMORY BUFFER)



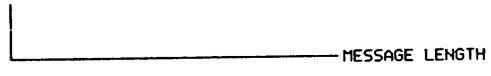
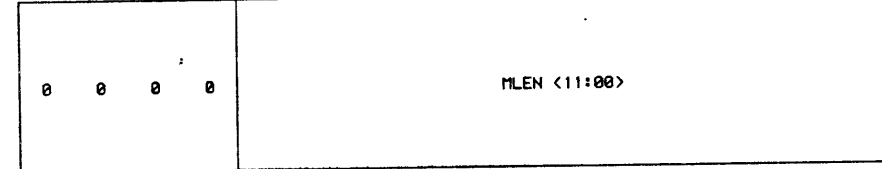
RECEIVE STATUS WORD 0 (LINK MEMORY BUFFER)



TRANSMIT STATUS WORD 1 (LINK MEMORY BUFFER)



RECEIVE STATUS WORD 1 (LINK MEMORY BUFFER)



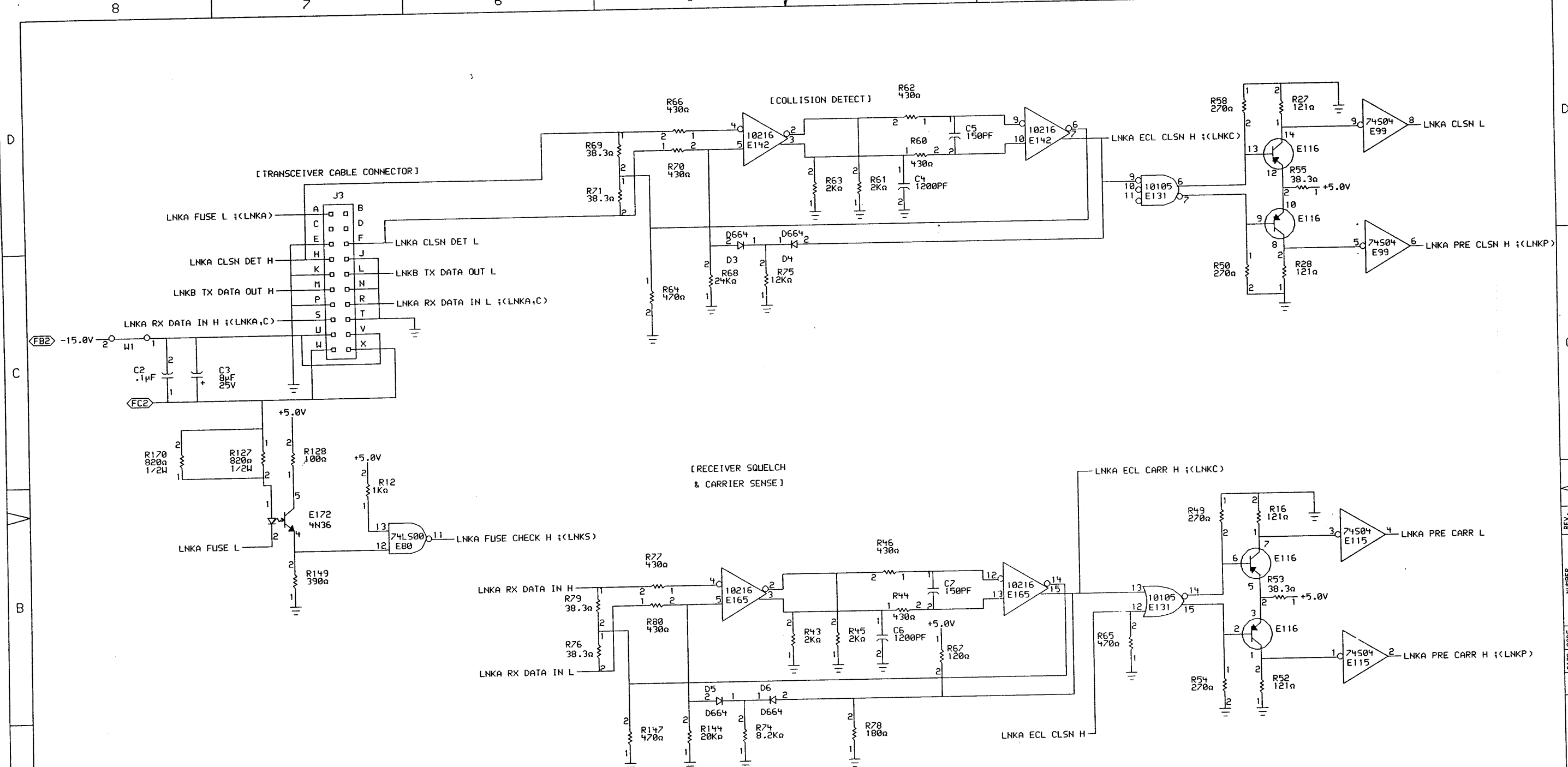
LINK STATUS REGISTER FORMAT
(WORDS 0 AND 1 OF LINK MEMORY BUFFER)

THIS DRAWING AND SPECIFICATIONS HEREIN ARE THE PROPERTY OF DIGITAL EQUIPMENT CORPORATION AND SHALL NOT BE REPRODUCED OR COPIED OR USED IN WHOLE OR IN PART AS THE BASIS FOR THE MANUFACTURE OR SALE OF ITEMS WITHOUT WRITTEN PERMISSION. COPYRIGHT © 1982, DIGITAL EQUIPMENT CORPORATION

REVISIONS	
CHK	CHANGE NO. REV

digital	DRN. PAUL HEBERT	DATE 19-nov-82	ENG. Neil Bloomberg	DATE 19-nov-82	TITLE: DEUNA LINK MODULE (LNK)
	CHK'D. <i>[Signature]</i>	DATE 19-nov-82	BOARD LOCATION: SHEET 1 OF 1	SIZE CODE NUMBER REV. K CS M7793-0-IR2 A	
DSKD: <SARGENT>LNKIR2.DRW 19-NOV-82 11:23 NEXT HIGHER ASSEMBLY: D-UA-M7793-0-0					

REV. A
NUMBER M7793-0-IR2
CODE CS
B

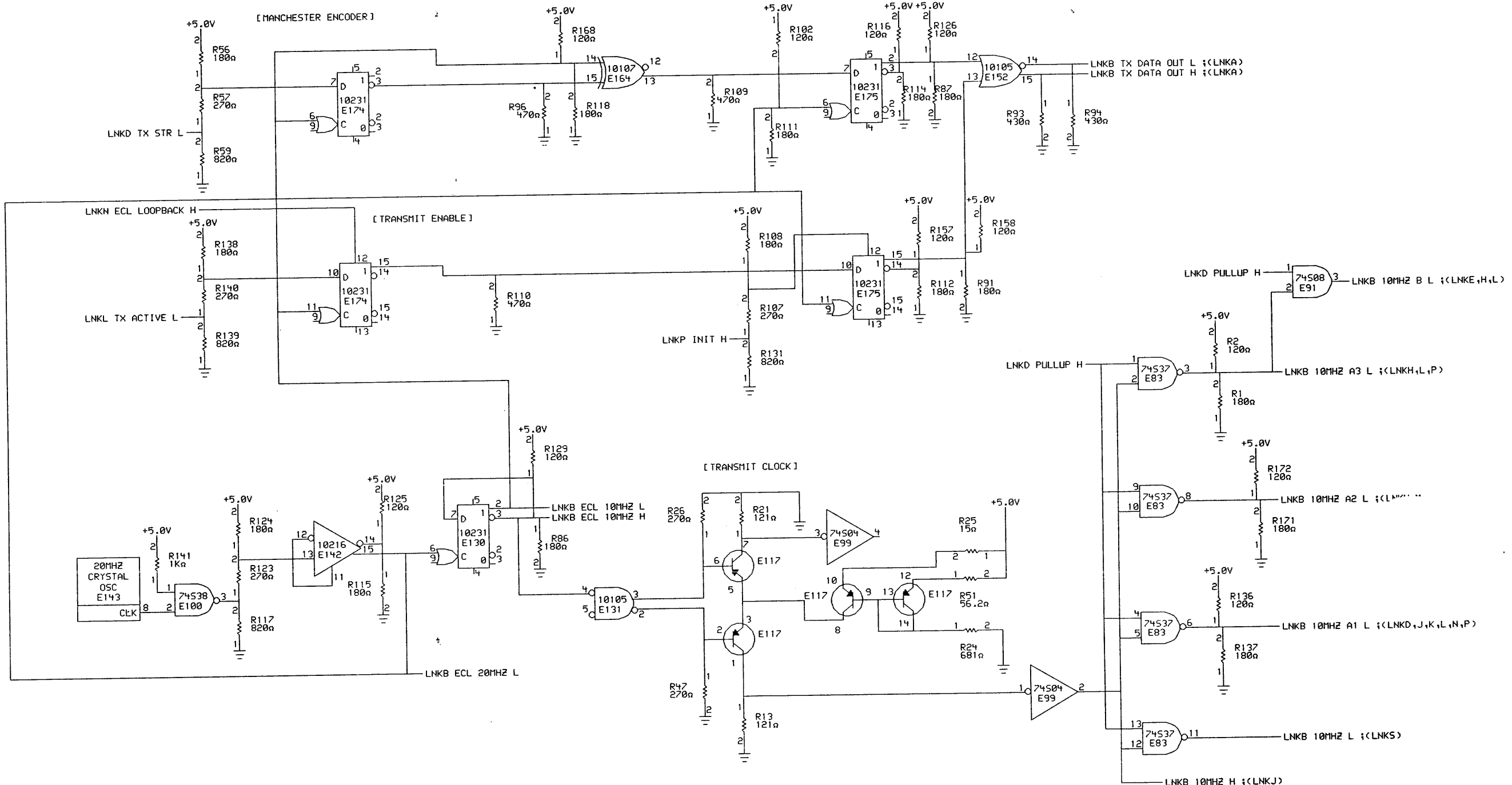


TRANSCEIVER CABLE
COLLISION DETECT
CARRIER SENSE

THIS DRAWING AND SPECIFICATIONS ARE THE PROPERTY OF DIGITAL EQUIPMENT CORPORATION AND SHALL NOT BE REPRODUCED OR COPIED OR USED IN WHOLE OR IN PART AS THE BASIS FOR THE MANUFACTURE OR SALE OF ITEMS WITHOUT WRITTEN PERMISSION. COPYRIGHT © 1983, DIGITAL EQUIPMENT CORPORATION.

REVISIONS		
CHK	CHANGE NO.	REV

digital	DRN: <i>Neil Bloomberg</i>	DATE: 09-MAY-83	ENG: Neil Bloomberg	DATE: 09-MAY-83	TITLE: DELNA LINK MODULE (LNKA)
	CHK'D: Tom Walsh	DATE: 09-MAY-83	BOARD LOCATION: SHEET 1 OF 1	SIZE: K	CODE: CS
DSKE: <SARGENT>LNKAD.DRW 09-MAY-83 06:11 NEXT HIGHER ASSEMBLY: D-LA-M7793-0-0					NUMBER: M7793-0-LNKA
FIRST USED ON OPTION/MODEL: DELNA					REV: D

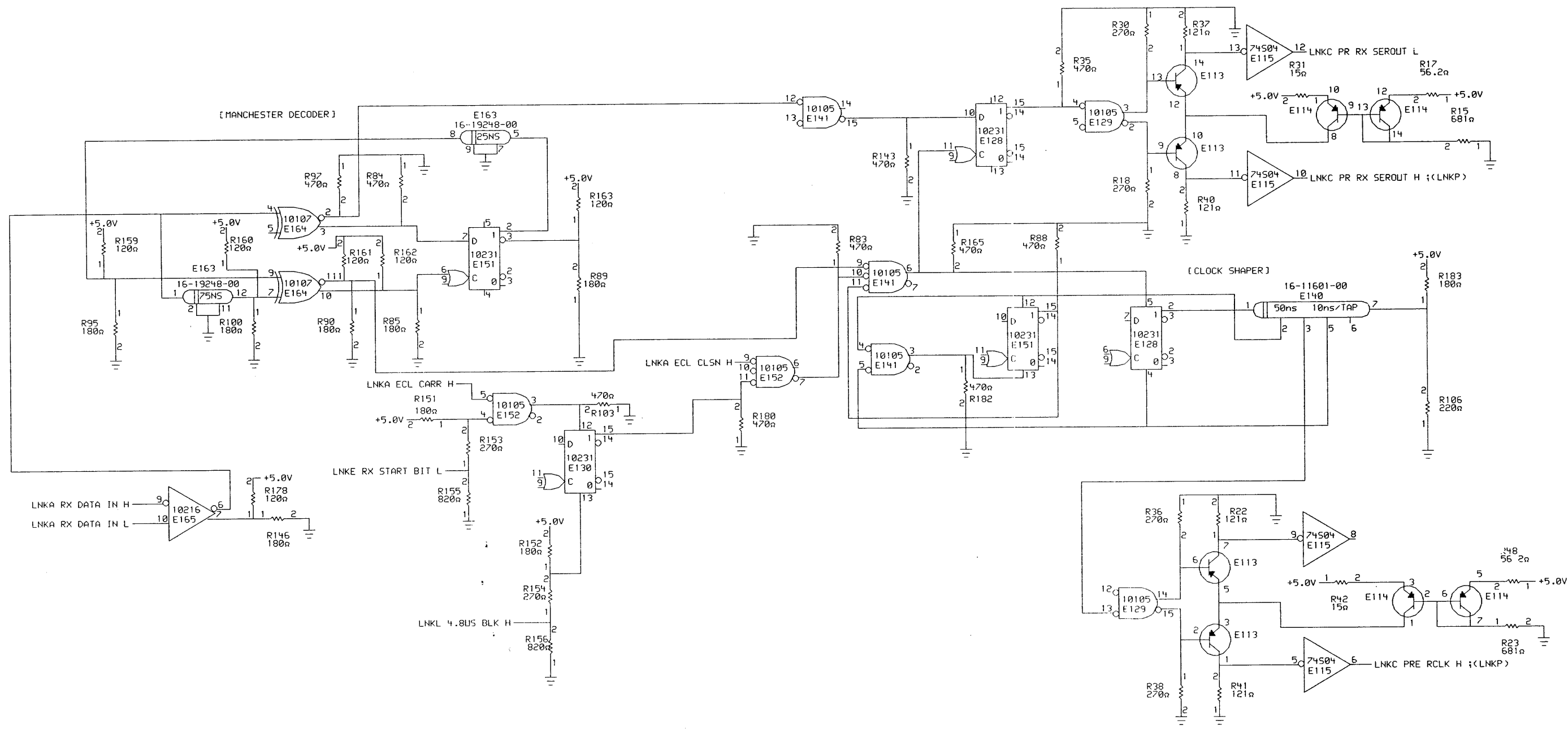


TX ENCODE
TX CLOCK

THIS DRAWING AND SPECIFICATIONS ARE THE PROPERTY OF DIGITAL EQUIPMENT CORPORATION AND SHALL NOT BE REPRODUCED OR COPIED OR USED IN WHOLE OR IN PART AS THE BASIS FOR THE MANUFACTURE OR SALE OF ITEMS WITHOUT WRITTEN PERMISSION. COPYRIGHT © 1983, DIGITAL EQUIPMENT CORPORATION.

REVISIONS		
CHK	CHANGE NO.	REV

digital	DRN	DATE	ENG.	DATE	TITLE:
	Tom Walsh	09-MAY-83	Neil Bloomberg	09-MAY-83	DELUNA LINK MODULE (LNKB)
DSKE:CSARGENT\LNKBC.DRW 119-JAN-83 13:03	CHK	DATE	BOARD LOCATION:	SHEET	OF
FIRST USED ON OPTION/MODEL: DELUNA	D. Walsh	09-MAY-83		1	1
			NEXT HIGHER ASSEMBLY:	SIZE	CODE
			D-UA-M7793-0-0	K	CS
				NUMBER	REV.
				M7793-0-LNKB	C

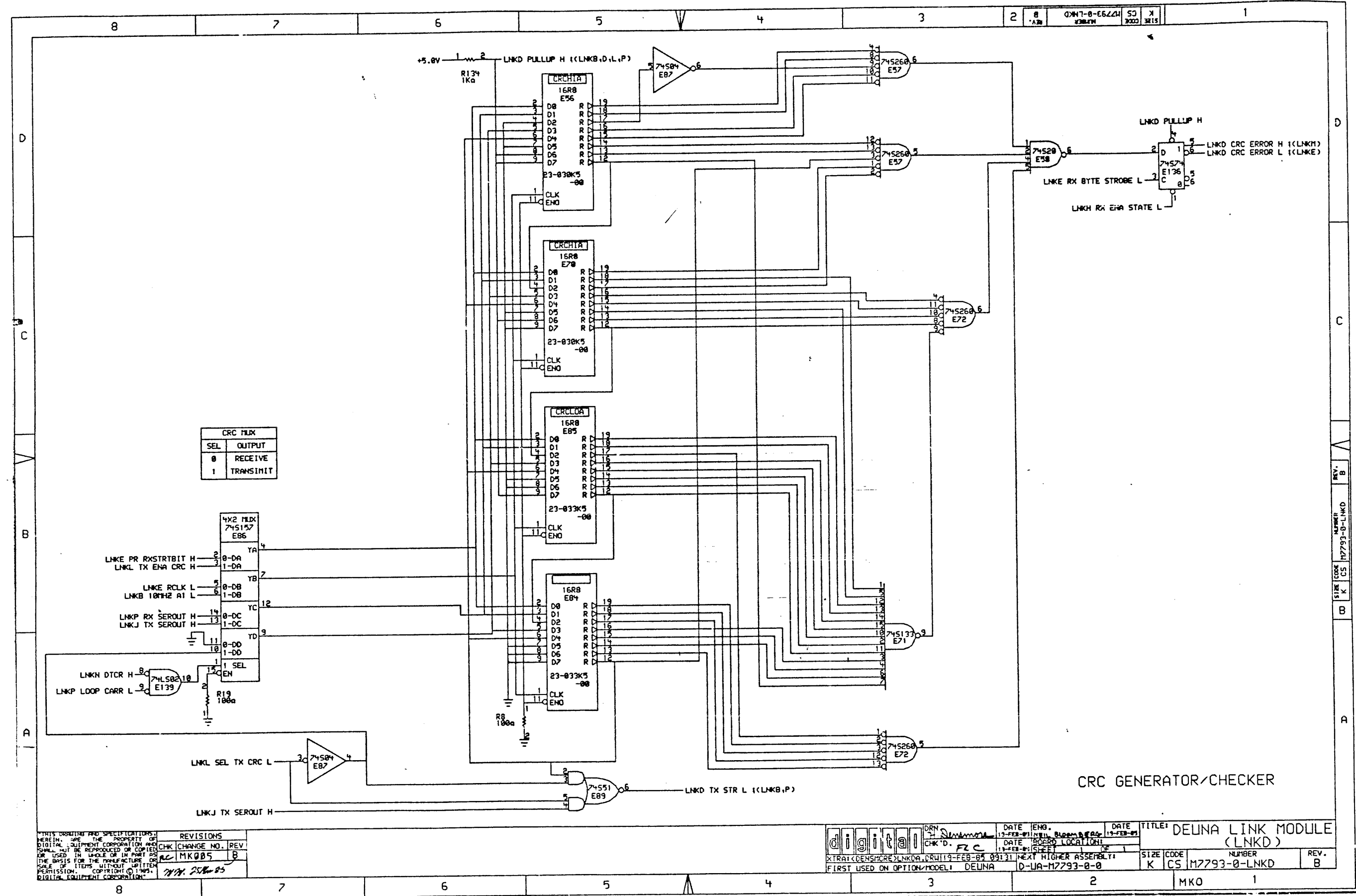


RX CLOCK DETECT
 AND DATA DECODE

THIS DRAWING AND SPECIFICATIONS HEREIN ARE THE PROPERTY OF DIGITAL EQUIPMENT CORPORATION AND SHALL NOT BE REPRODUCED OR COPIED OR USED IN WHOLE OR IN PART AS THE BASIS FOR THE MANUFACTURE OR SALE OF ITEMS WITHOUT WRITTEN PERMISSION. COPYRIGHT © 1983, DIGITAL EQUIPMENT CORPORATION.

REVISIONS		
CHK	CHANGE NO.	REV

digital	DRN: <i>R. Langat</i>	DATE: 09-MAY-83	ENG: Neil Bloomberg	DATE: 09-MAY-83	TITLE: DEUNA LINK MODULE (LNKC)
	CHK'D: Tom Walsh	DATE: 09-MAY-83	BOARD LOCATION: SHEET 1 OF 1	SIZE: K	CODE: CS
FIRST USED ON OPTION/MODEL: DEUNA			NEXT HIGHER ASSEMBLY: D-UA-M7793-0-0		NUMBER: M7793-0-LNKC
					REV. C



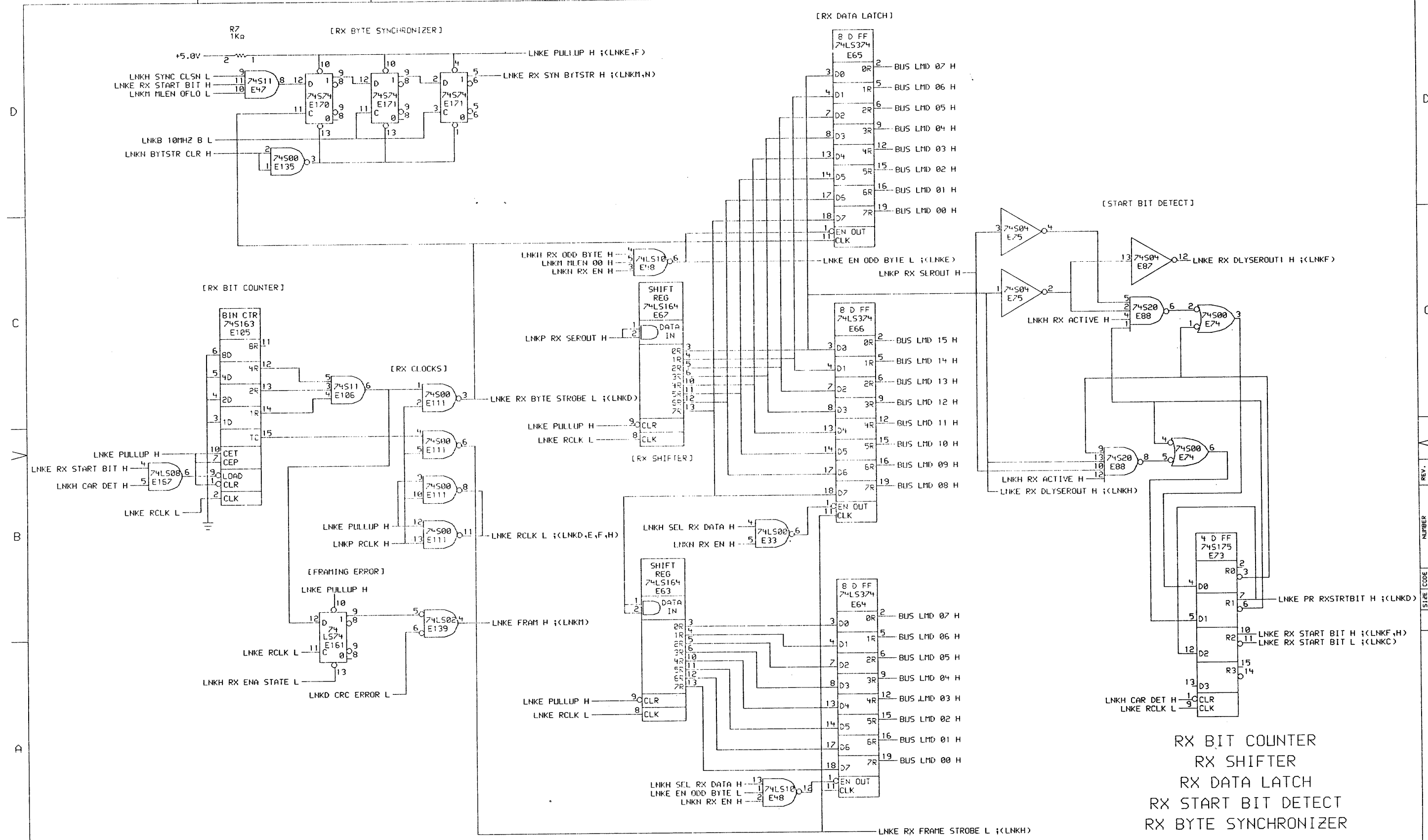
THIS DRAWING AND SPECIFICATIONS ARE THE PROPERTY OF DIGITAL EQUIPMENT CORPORATION AND SHALL NOT BE REPRODUCED OR COPIED OR USED IN WHOLE OR IN PART AS THE BASIS FOR THE MANUFACTURE OR SALE OF ITEMS WITHOUT WRITTEN PERMISSION. COPYRIGHT © 1985 DIGITAL EQUIPMENT CORPORATION.

REVISIONS	CHG	CHANGE NO.	REV
RC MK005			B

DATE ENG.	DATE	TITLE
13-FEB-85	13-FEB-85	DEUNA LINK MODULE (LNKD)
DATE BOARD LOCATION	DATE	REV.
13-FEB-85		B

SIZE	CODE	NUMBER	REV.
K	CS	M7793-0-LNKD	B

REV. B
NUMBER M7793-0-LNKD
SIZE K CS

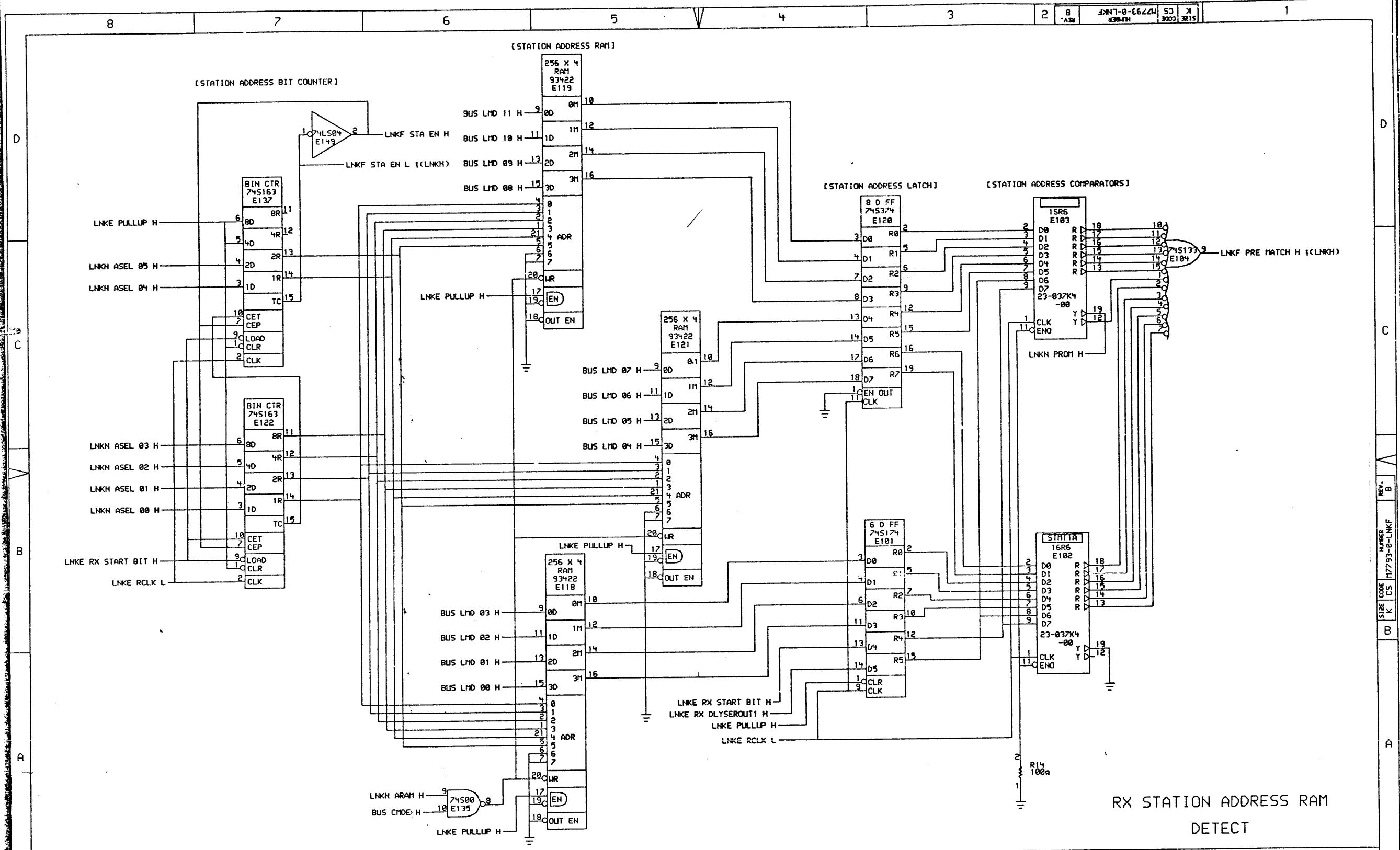


RX BIT COUNTER
RX SHIFTER
RX DATA LATCH
RX START BIT DETECT
RX BYTE SYNCHRONIZER

THIS DRAWING AND SPECIFICATIONS HEREIN ARE THE PROPERTY OF DIGITAL EQUIPMENT CORPORATION AND SHALL NOT BE REPRODUCED OR COPIED OR USED IN WHOLE OR IN PART AS THE BASIS FOR THE MANUFACTURE OR SALE OF ITEMS WITHOUT WRITTEN PERMISSION. COPYRIGHT © 1983, DIGITAL EQUIPMENT CORPORATION.

REVISIONS		
CHK	CHANGE NO.	REV

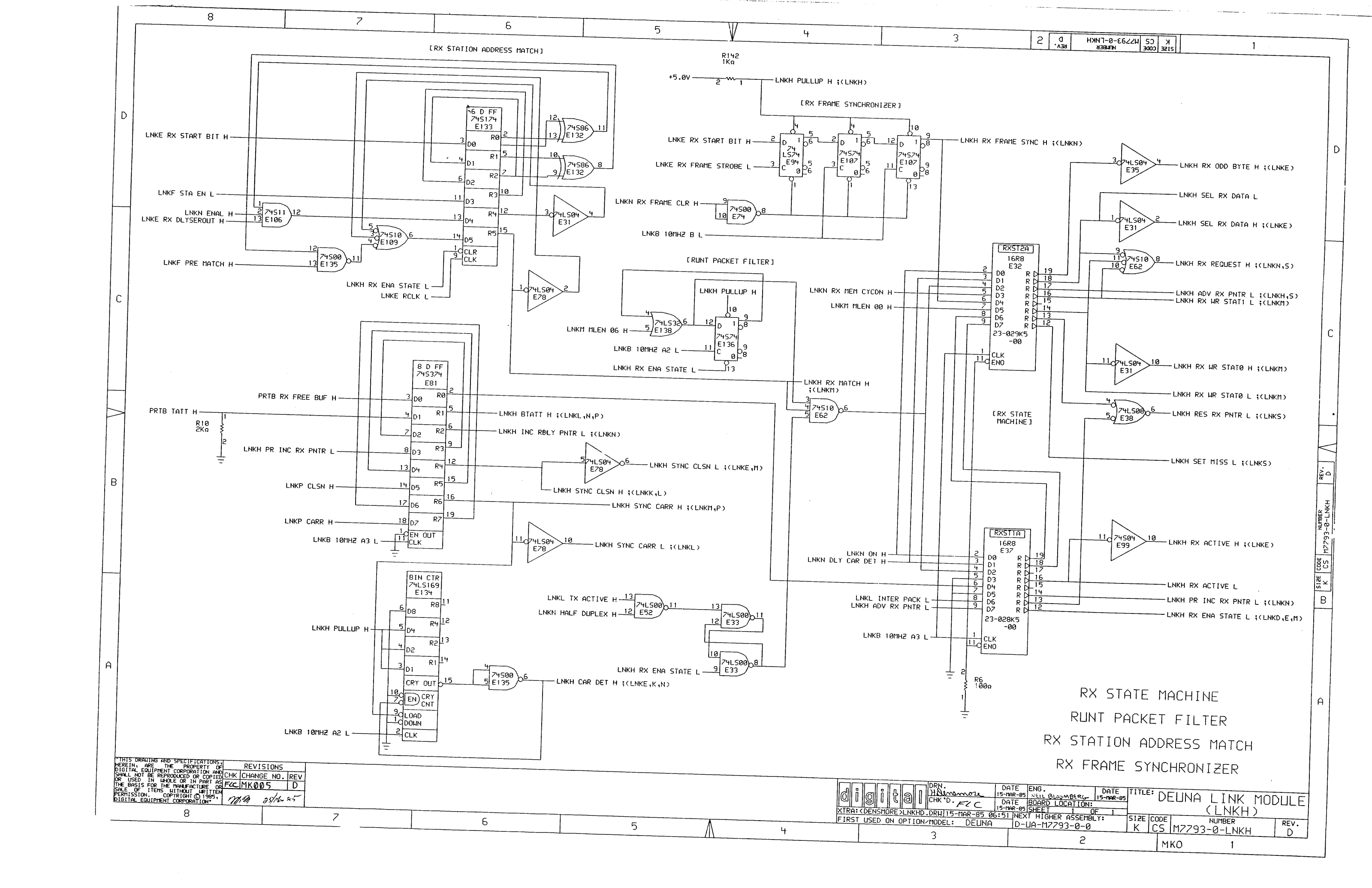
digital	DRN: <i>R. Sargent</i>	DATE: 20-JAN-83	ENG: Neil Bloomberg	DATE: 20-JAN-83	TITLE: DEUNA LINK MODULE (LNKE)
	CHK'D: Tom Walsh	DATE: 20-JAN-83	BOARD LOCATION: 1 OF 1	SIZE: K	CODE: CS
DSKD: <<SARGENT>LNKE.DRW 20-JAN-83 06:56			NEXT HIGHER ASSEMBLY: D-UA-M7793-0-0	NUMBER: M7793-0-LNKE	REV. B
FIRST USED ON OPTION-MODEL: DEUNA					



REVISIONS	
CHK	CHANGE NO. REV
ACMK005	B
25 Feb 85	

THIS DRAWING AND SPECIFICATIONS ARE THE PROPERTY OF DIGITAL EQUIPMENT CORPORATION AND SHALL NOT BE REPRODUCED OR COPIED OR USED IN WHOLE OR IN PART AS THE BASIS FOR THE MANUFACTURE OR SALE OF ITEMS WITHOUT WRITTEN PERMISSION. COPYRIGHT © 1984 DIGITAL EQUIPMENT CORPORATION.

digital	DRN	DATE	ENG.	DATE	TITLE
	CHK'D. FLC	19-FEB-85	NEIL BLOOMBERG	19-FEB-85	DELINA LINK MODULE (LNKF)
XTRAL(DENSHORE)LNKFA.DRW 19-FEB-85 10:03 NEXT HIGHER ASSEMBLY					SIZE CODE
FIRST USED ON OPTION/MODEL: DELINA D-UA-M7793-0-0					K CS
					NUMBER
					M7793-0-LNKF
					REV.
					B



RX STATE MACHINE
RUNT PACKET FILTER
RX STATION ADDRESS MATCH
RX FRAME SYNCHRONIZER

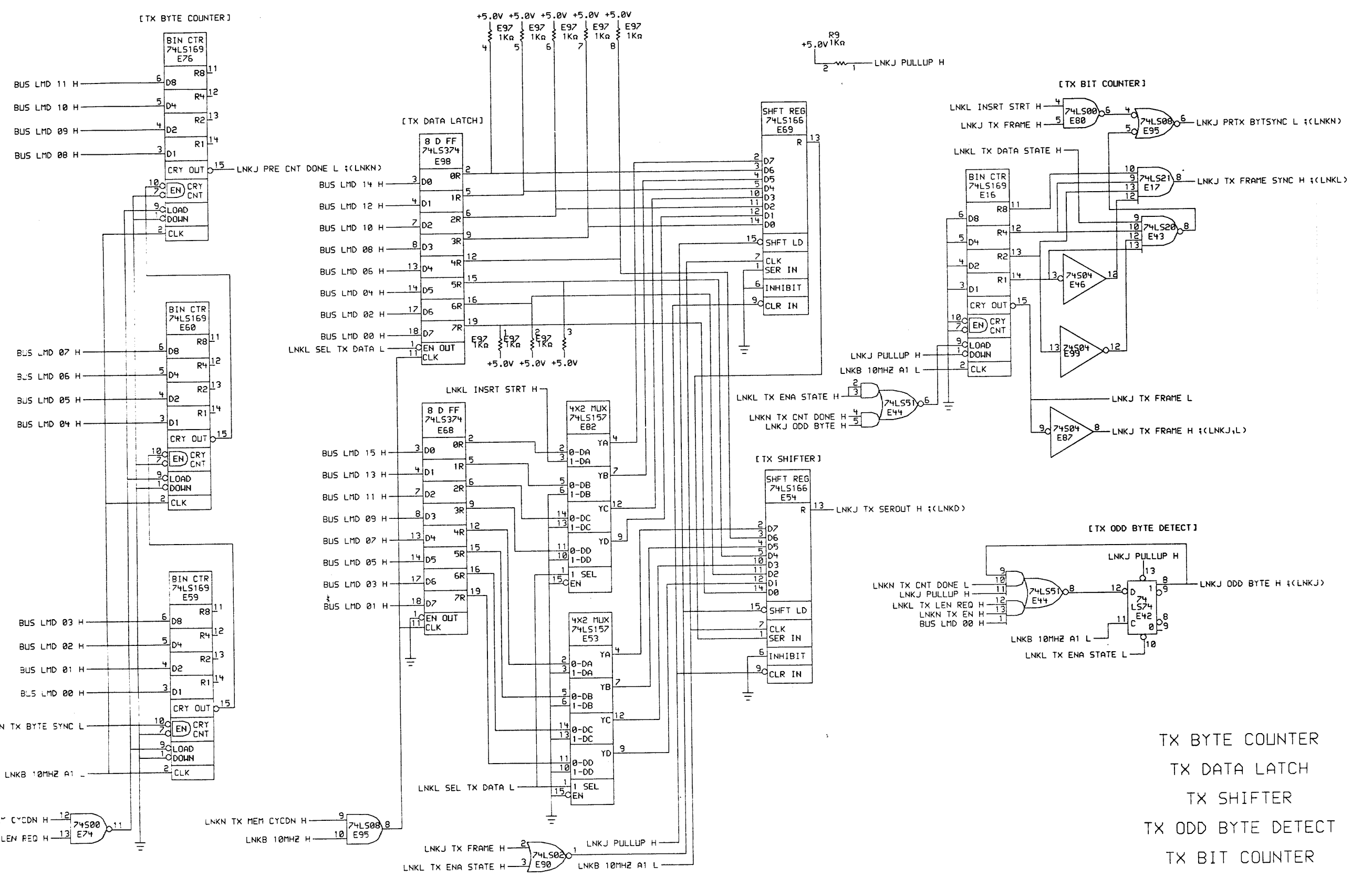
THIS DRAWING AND SPECIFICATIONS ARE THE PROPERTY OF DIGITAL EQUIPMENT CORPORATION AND SHALL NOT BE REPRODUCED OR COPIED OR USED IN WHOLE OR IN PART AS THE BASIS FOR THE MANUFACTURE OR SALE OF ITEMS WITHOUT WRITTEN PERMISSION. COPYRIGHT © 1985, DIGITAL EQUIPMENT CORPORATION.

REVOLUTIONS	
CHK	CHANGE NO. REV
FCC	MK005 D

17/19 25/12/85

digital	DRN. 11/11/85	DATE 15-MAR-85	ENG. S.S.L. BLUMBERG	DATE 15-MAR-85	TITLE: DEUNA LINK MODULE (LNKH)
	CHK'D. FIC	DATE 15-MAR-85	BOARD LOCATION:		
XTRA: <DENSHORE>LNKH.DRW/15-MAR-85 06:51		NEXT HIGHER ASSEMBLY:		SIZE CODE NUMBER	
FIRST USED ON OPTION/MODEL: DEUNA		D-UA-M7793-0-0		K CS M7793-0-LNKH	

8 MKO 1

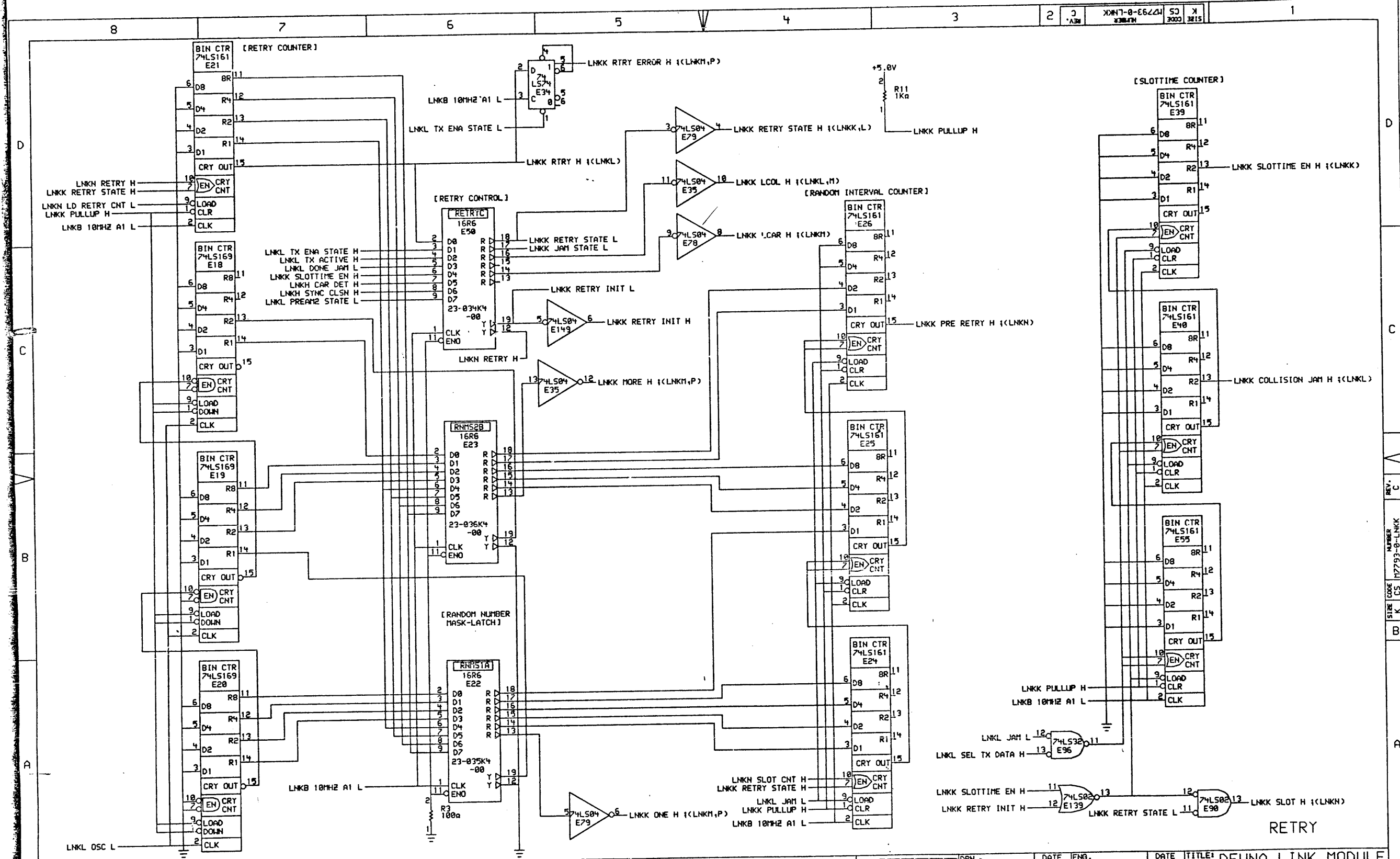


TX BYTE COUNTER
TX DATA LATCH
TX SHIFTER
TX ODD BYTE DETECT
TX BIT COUNTER

THIS DRAWING AND SPECIFICATIONS ARE THE PROPERTY OF DIGITAL EQUIPMENT CORPORATION AND SHALL NOT BE REPRODUCED OR COPIED OR USED IN WHOLE OR IN PART AS THE BASIS FOR THE MANUFACTURE OR SALE OF ITEMS WITHOUT WRITTEN PERMISSION. COPYRIGHT © 1982, DIGITAL EQUIPMENT CORPORATION.

REVISIONS	
CHK	CHANGE NO. REV

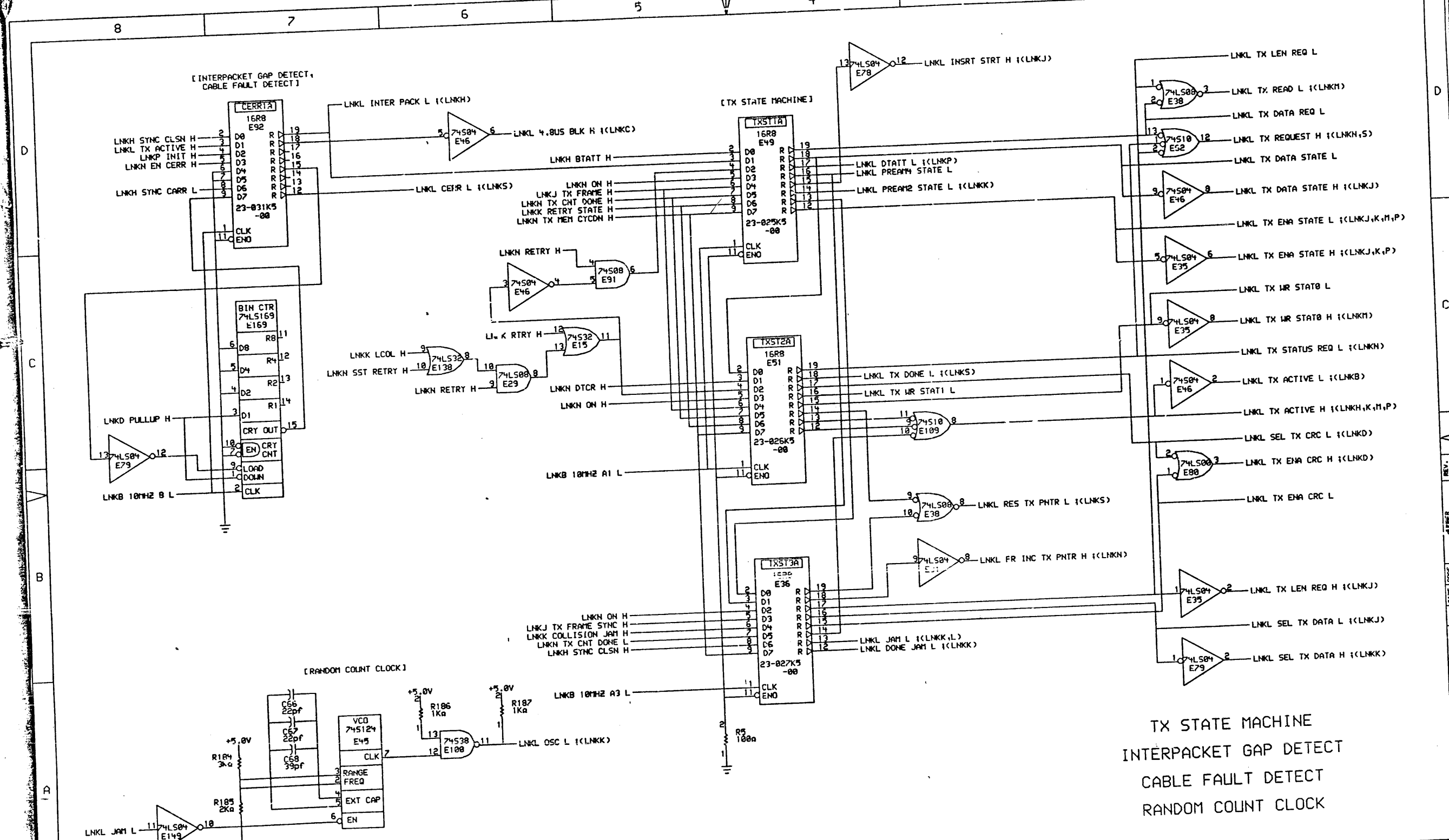
	DRN: <i>Neil Bloomberg</i>	DATE: 24-NOV-82	ENG: Neil Bloomberg	DATE: 24-NOV-82	TITLE: DELUNA LINK MODULE (LNKJ)
	CHK'D: Tom Walsh	DATE: 24-NOV-82	DATE: 24-NOV-82	BOARD LOCATION: SHEET 1 OF 1	SIZE CODE: K CS M7793-0-LNKJ
DSKD: <SARGENT>LNKJ.DRW 124-NOV-82 06:32 NEXT HIGHER ASSEMBLY: D-LA-M7793-0-0				NUMBER: M7793-0-LNKJ	REV. A



THIS DRAWING AND SPECIFICATIONS ARE THE PROPERTY OF DIGITAL EQUIPMENT CORPORATION AND SHALL NOT BE REPRODUCED OR COPIED OR USED IN WHOLE OR IN PART AS THE BASIS FOR THE MANUFACTURE OR SALE OF ITEMS WITHOUT WRITTEN PERMISSION. COPYRIGHT © 1984 DIGITAL EQUIPMENT CORPORATION.

REV	CHK	CHANGE NO.	REV
1	MK	005	C
2	MK	005	C

DRN: <i>Sumner</i>	DATE: 19-FEB-85	ENG.	DATE: 19-FEB-85	TITLE: DEUNA LINK MODULE (LNKK)
CHK'D: FLC	DATE: 19-FEB-85	BOARD LOCATION: 1	OF: 1	SIZE: K CS
FIRST USED ON OPTION/MODEL: DEUNA		NEXT HIGHER ASSEMBLY: D-UA-M7793-0-0		NUMBER: M7793-0-LNKK
				REV: C

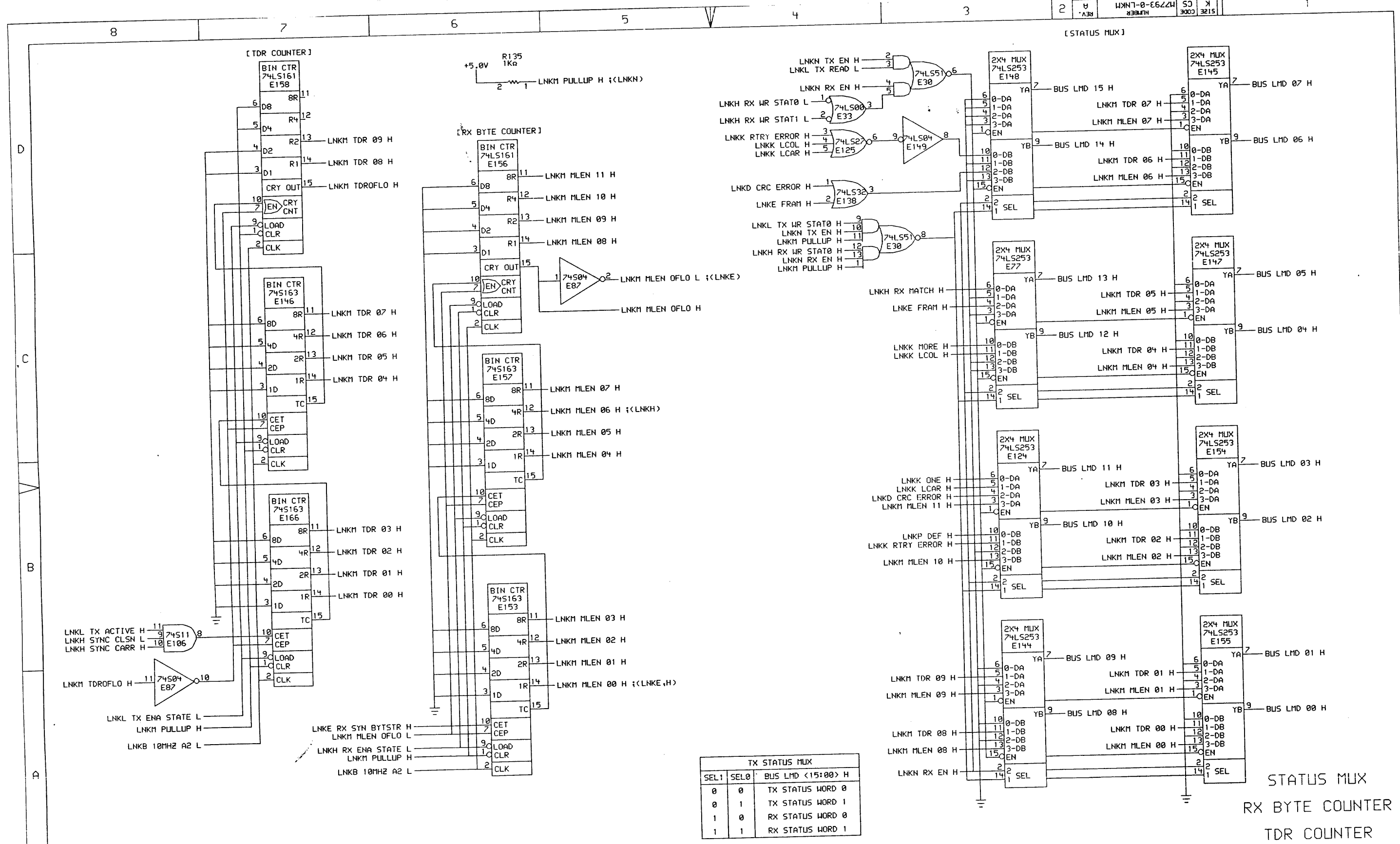


TX STATE MACHINE
 INTERPACKET GAP DETECT
 CABLE FAULT DETECT
 RANDOM COUNT CLOCK

THIS DRAWING AND SPECIFICATIONS ARE THE PROPERTY OF DIGITAL EQUIPMENT CORPORATION AND SHALL NOT BE REPRODUCED OR COPIED OR USED IN ANY MANNER OR IN PART AS THE BASIS FOR THE MANUFACTURE OR SALE OF ITEMS WITHOUT WRITTEN PERMISSION. COPYRIGHT © 1985, DIGITAL EQUIPMENT CORPORATION.

REV	CHG	NO.	REV
1	NK005	C	2/21/85

DRN. H.D.	DATE ENG. 19-FEB-85	DATE 19-FEB-85	TITLE: DEUNA LINK MODULE (LNKL)
CHK'D. FLC	DATE BOARD LOCATION 19-FEB-85	SHEET 2	SIZE CODE NUMBER REV. K CS M7793-0-LNKL C
FIRST USED ON OPTION/MODEL: DEUNA	D-UA-M7793-0-0	MKO	1



TX STATUS MUX			
SEL1	SEL0	BUS LMD <15:00> H	
0	0	TX STATUS WORD 0	
0	1	TX STATUS WORD 1	
1	0	RX STATUS WORD 0	
1	1	RX STATUS WORD 1	

STATUS MUX
RX BYTE COUNTER
TDR COUNTER

THIS DRAWING AND SPECIFICATIONS HEREIN ARE THE PROPERTY OF DIGITAL EQUIPMENT CORPORATION AND SHALL NOT BE REPRODUCED OR COPIED OR USED IN WHOLE OR IN PART AS THE BASIS FOR THE MANUFACTURE OR SALE OF ITEMS WITHOUT WRITTEN PERMISSION. COPYRIGHT © 1982, DIGITAL EQUIPMENT CORPORATION.

REVISIONS		
CHK	CHANGE NO.	REV

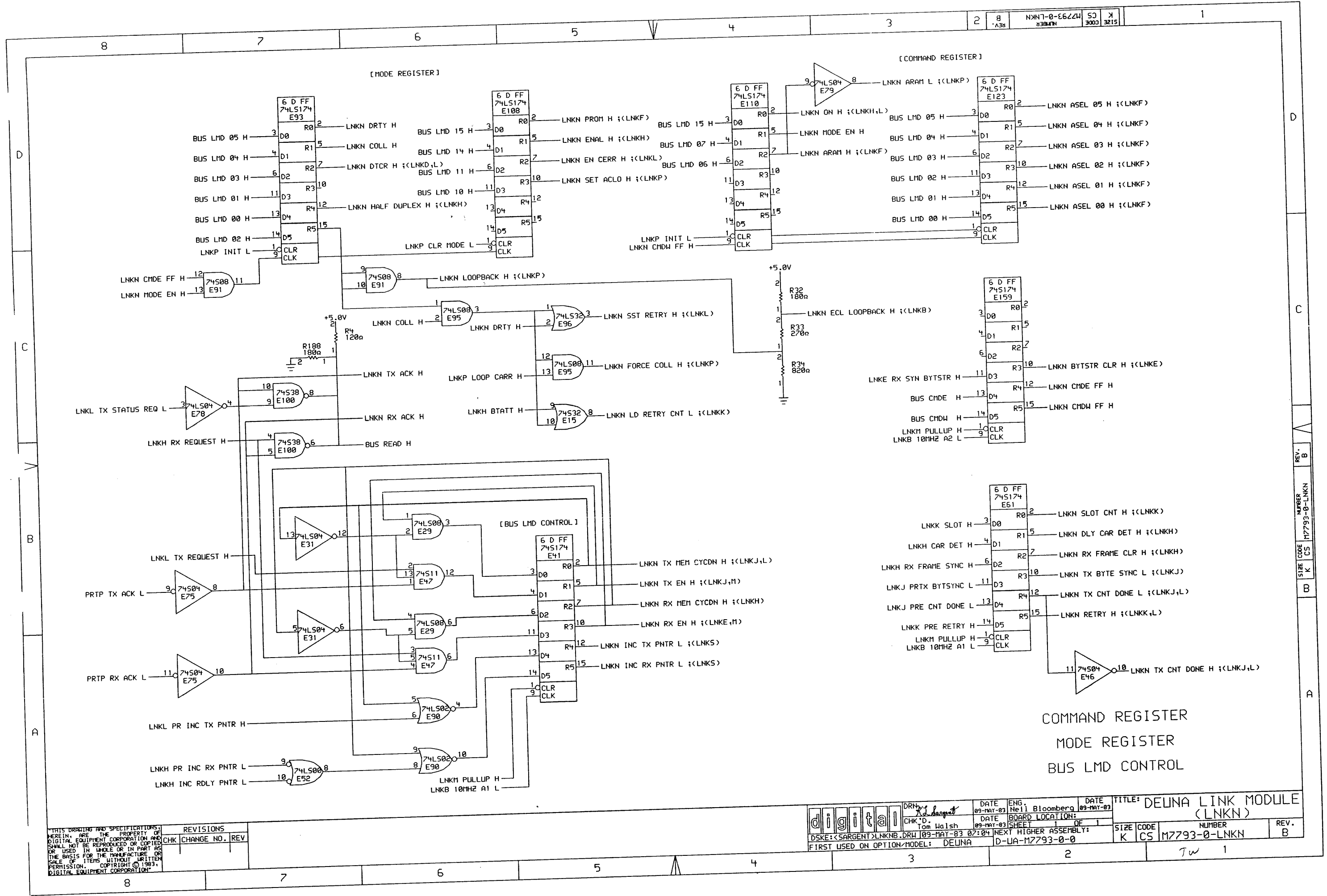
digital DRN: *Ad Sargent* DATE: 24-NOV-82 ENG: Neil Bloomberg DATE: 24-NOV-82 TITLE: DEUNA LINK MODULE (LNKM)

CHK: D. Tom Walsh DATE: 24-NOV-82 BOARD LOCATION: SHEET 1 OF 1

DSKD: <SARGENT>LNKM.DRW [24-NOV-82 06:32] NEXT HIGHER ASSEMBLY: FIRST USED ON OPTION/MODEL: DEUNA D-UA-17793-0-0

SIZE CODE: K CS NUMBER: M7793-0-LNKM REV: A

2



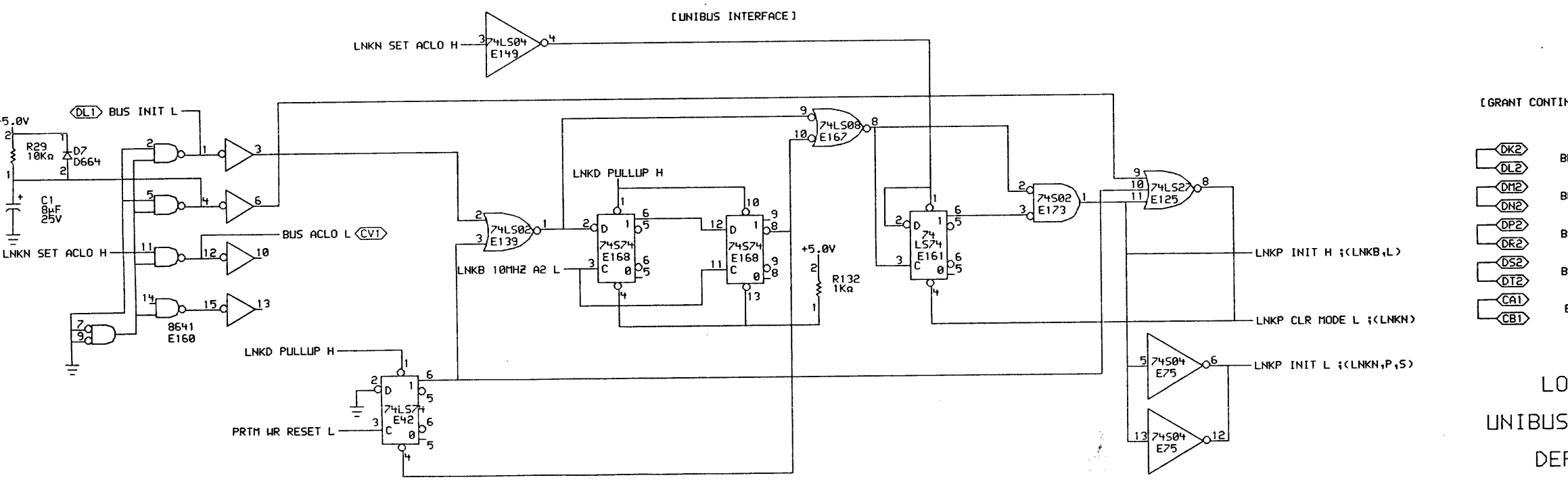
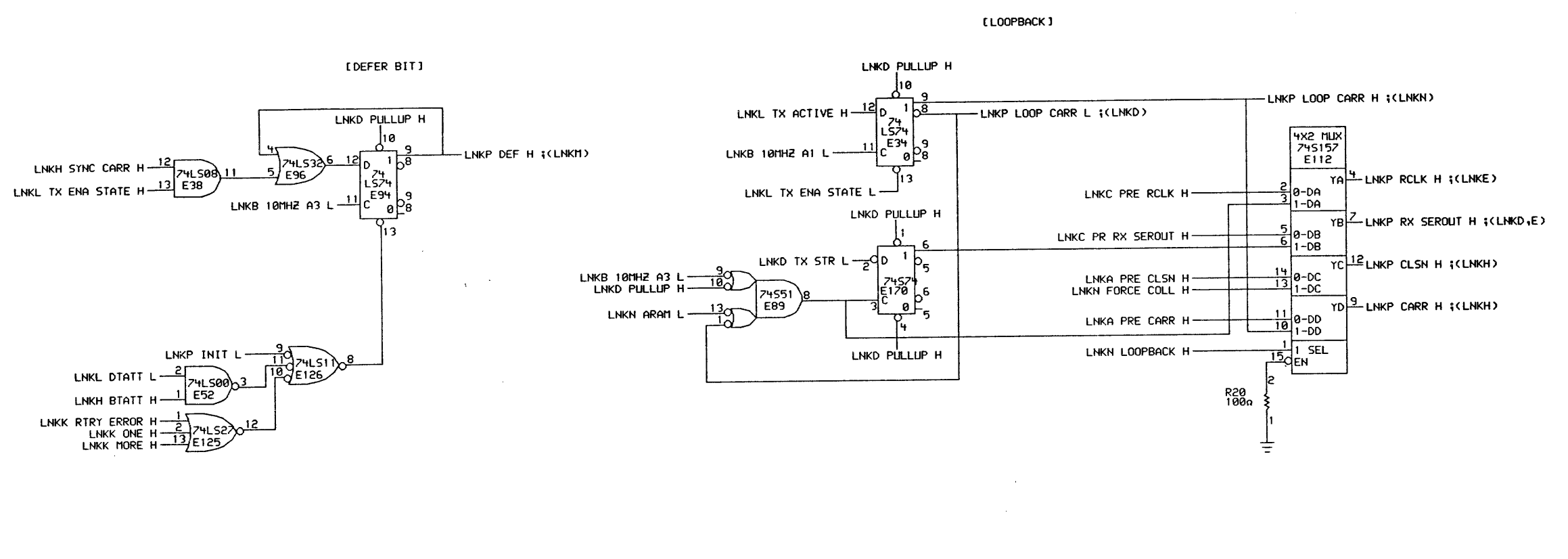
COMMAND REGISTER
 MODE REGISTER
 BUS LMD CONTROL

THIS DRAWING AND SPECIFICATIONS, HEREIN, ARE THE PROPERTY OF DIGITAL EQUIPMENT CORPORATION AND SHALL NOT BE REPRODUCED OR COPIED OR USED IN WHOLE OR IN PART AS THE BASIS FOR THE MANUFACTURE OR SALE OF ITEMS WITHOUT WRITTEN PERMISSION. COPYRIGHT © 1983, DIGITAL EQUIPMENT CORPORATION.

REVISIONS		
CHK	CHANGE NO.	REV

digital	DRN: <i>A. Sargent</i>	DATE: 09-MAY-83	ENG: Neil Bloomberg	DATE: 09-MAY-83	TITLE: DELINA LINK MODULE (LNKN)
	CHK: D. Tom Walsh	DATE: 09-MAY-83	BOARD LOCATION: 1 OF 1	SIZE: K CS	NUMBER: M7793-0-LNKN
DSKE: <SARGENT>LNKNB.DRW 09-MAY-83 07:04 NEXT HIGHER ASSEMBLY: D-UA-M7793-0-0					REV: B
FIRST USED ON OPTION/MODEL: DELINA					2
					TW 1

REV. B
 NUMBER M7793-0-LNKN
 SIZE CODE K CS
 SHEET 1 OF 1



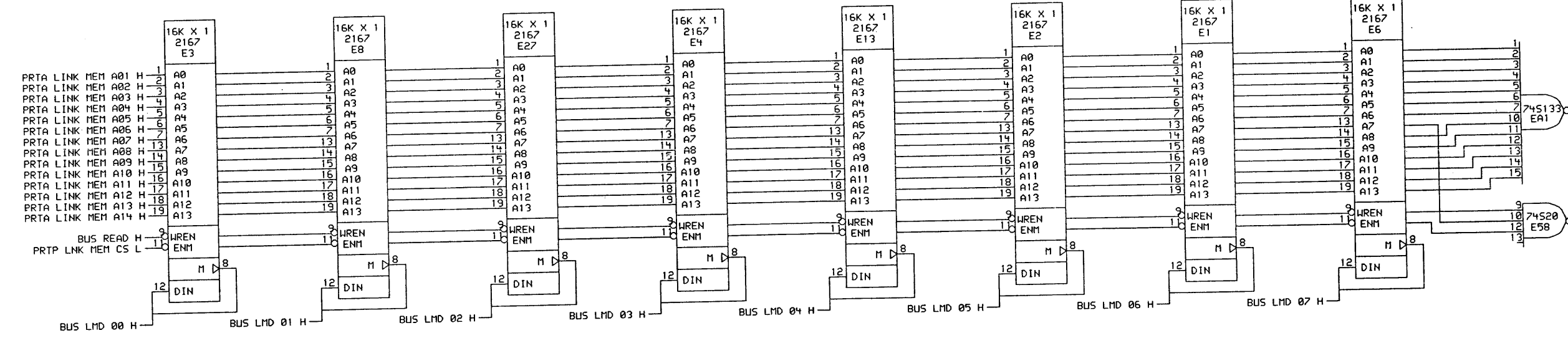
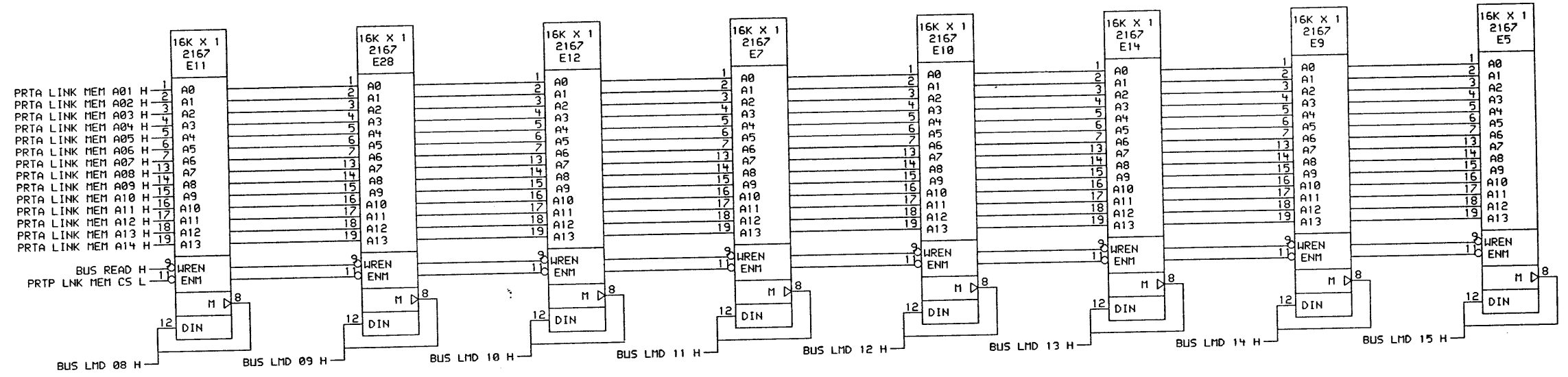
- [GRANT CONTINUITY]
- DK2 BUS BG 7
 - DL2 BUS BG 6
 - DN2 BUS BG 5
 - DP2 BUS BG 4
 - DS2 BUS BG 3
 - DT2 BUS BG 2
 - CA1 BUS NP6
 - CB1

LOOPBACK
 UNIBUS INTERFACE
 DEFER BIT

THIS DRAWING AND SPECIFICATIONS ARE THE PROPERTY OF DIGITAL EQUIPMENT CORPORATION AND SHALL NOT BE REPRODUCED OR COPIED OR USED IN WHOLE OR IN PART AS THE BASIS FOR THE MANUFACTURE OR SALE OF ITEMS WITHOUT WRITTEN PERMISSION. COPYRIGHT © 1982, DIGITAL EQUIPMENT CORPORATION.

REVISIONS		
CHK	CHANGE NO.	REV

digital	DRN: <i>Tom Walsh</i>	DATE: 24-NOV-82	ENG: Neil Bloomberg	DATE: 24-NOV-82	TITLE: DELINA LINK MODULE (LNKP)
	CHK'D: Tom Walsh	DATE: 24-NOV-82	BOARD LOCATION: SHEET 1 OF 1	SIZE: K CS	NUMBER: M7793-0-LNKP
DSKD: <SARGENT>LNKP.DRW		24-NOV-82 06:33	NEXT HIGHER ASSEMBLY: DELINA	D-UA-M7793-0-0	REV. A



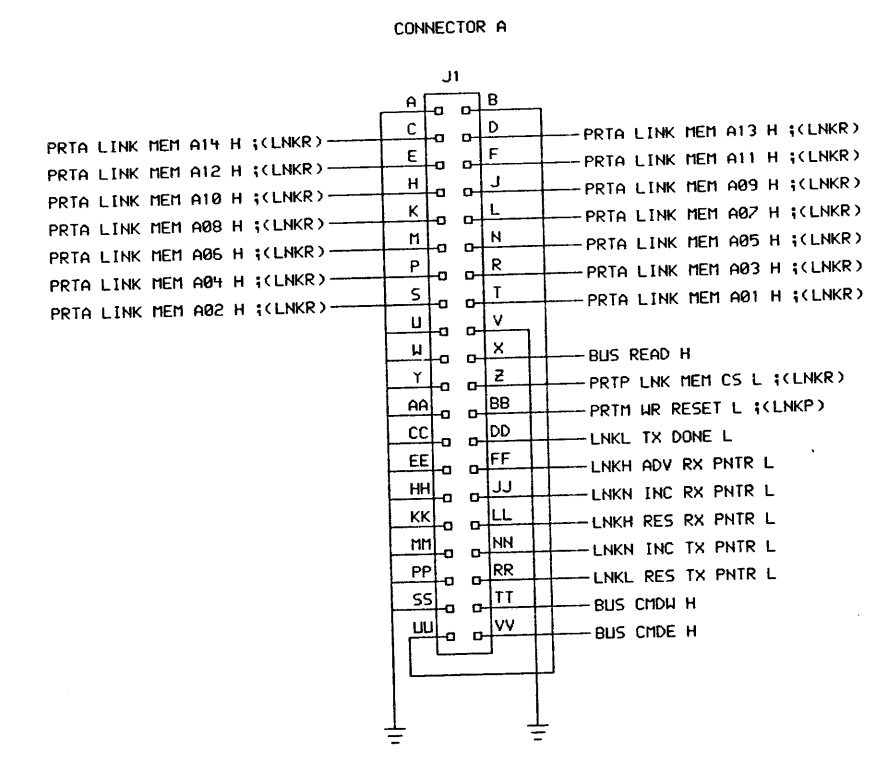
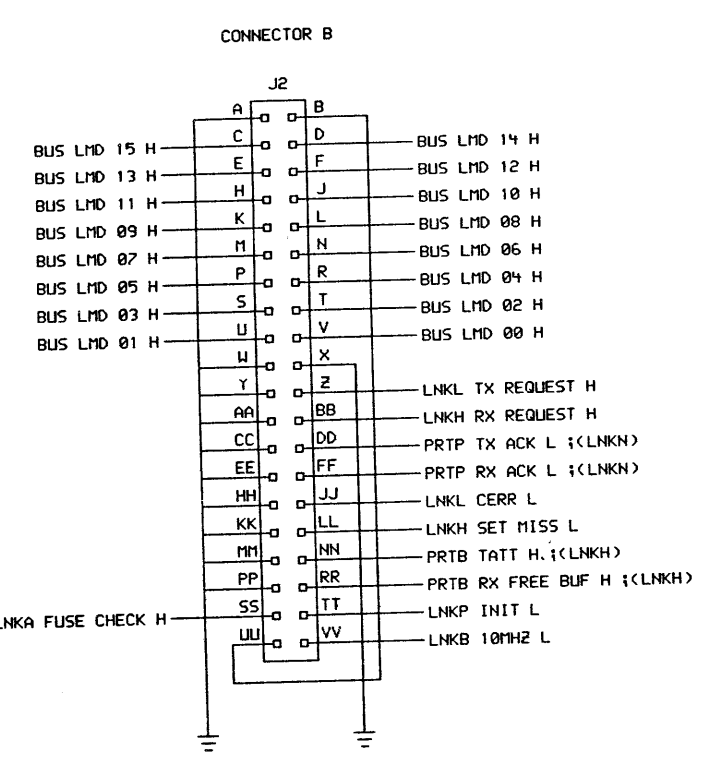
LINK MEMORY

THIS DRAWING AND SPECIFICATIONS HEREIN ARE THE PROPERTY OF DIGITAL EQUIPMENT CORPORATION AND SHALL NOT BE REPRODUCED OR COPIED OR USED IN WHOLE OR IN PART AS THE BASIS FOR THE MANUFACTURE OR SALE OF ITEMS WITHOUT WRITTEN PERMISSION. COPYRIGHT © 1983 DIGITAL EQUIPMENT CORPORATION

REVISIONS	
CHK	CHANGE NO. REV.

	DRN: <i>Neil Bloomberg</i>	DATE: 09-MAY-83	ENG: Neil Bloomberg	DATE: 09-MAY-83	TITLE: DEUNA LINK MODULE (LNKR)
	CHK'D: Tom Walsh	DATE: 09-MAY-83	SHEET: 1 OF 1	BOARD LOCATION:	SIZE CODE: K CS
DSKE: <SARGENT>LNKRC.DRW 09-MAY-83 07:31		NEXT HIGHER ASSEMBLY: D-UA-M7793-0-0		NUMBER: M7793-0-LNKR	REV. C
FIRST USED ON OPTION/MODEL: DEUNA				TW 1	

REV. C
NUMBER M7793-0-LNKR
SIZE CODE K CS



LINK MODULE FORWARD REFERENCE	
LINK OUTPUT	PORT CS
LNKL TX REQUEST H	PRTP
LNKH RX REQUEST H	PRTP
LNKL CERR L	PRTB
LNKH SET MISS L	PRTB
LNKP INIT L	PRTB,C,E,M,N,P
BUS READ H	PRTC,P
BUS LMD <15:00> H	PRTA,C
LNKB 10MHZ L	PRTA,C,N,P
LNKL TX DONE L	PRTB
BUS CMDH H	PRTP
BUS CMDE H	PRTP
LNKH ADV RX PNTR L	PRTB
LNKN INC RX PNTR L	PRTB
LNKH RES RX PNTR L	PRTB
LNKN INC TX PNTR L	PRTB
LNKL RES TX PNTR L	PRTB

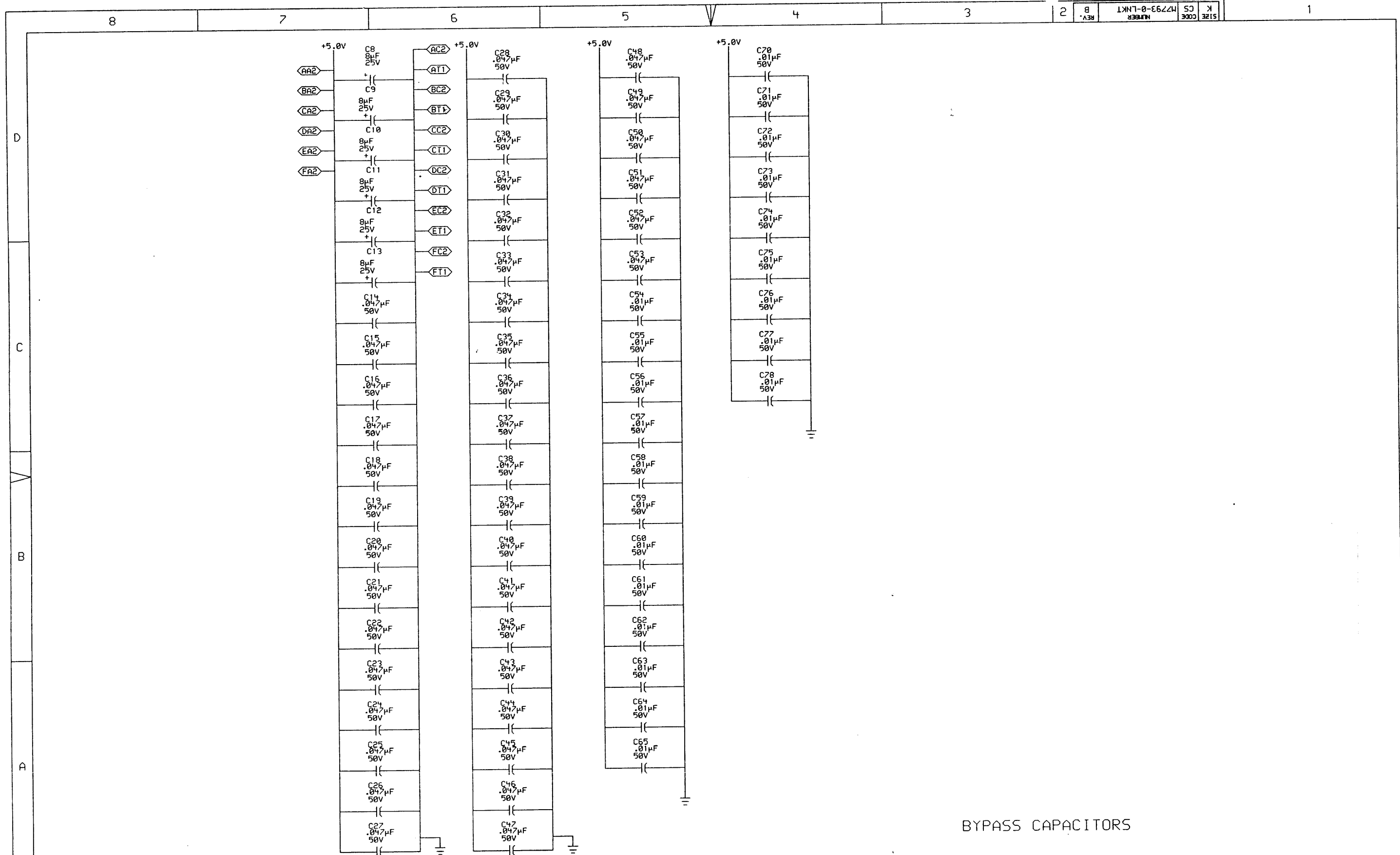
PORT/LINK INTERCONNECT CABLE CONNECTORS

THIS DRAWING AND SPECIFICATIONS ARE THE PROPERTY OF DIGITAL EQUIPMENT CORPORATION AND SHALL NOT BE REPRODUCED OR COPIED OR USED IN WHOLE OR IN PART AS THE BASIS FOR THE MANUFACTURE OR SALE OF ITEMS WITHOUT WRITTEN PERMISSION. COPYRIGHT © 1982, DIGITAL EQUIPMENT CORPORATION.

REVISIONS		
CHK	CHANGE NO.	REV

digital DRN: *Neil Bloomberg* DATE: 24-NOV-82 ENG: Neil Bloomberg DATE: 24-NOV-82 TITLE: DEUNA LINK MODULE (LNKS)
 CHK'D: Tom Walsh DATE: 24-NOV-82 BOARD LOCATION: 1 OF 1
 DSKD: <SARGENT>LNKS.DRW 124-NOV-82 06:33 NEXT HIGHER ASSEMBLY: SIZE CODE NUMBER REV. K CS M7793-0-LNKS A
 FIRST USED ON OPTION/MODEL: DEUNA D-UA-M7793-0-0

REV. A
 NUMBER M7793-0-LNKS
 SIZE CODE K CS
 B
 A



BYPASS CAPACITORS

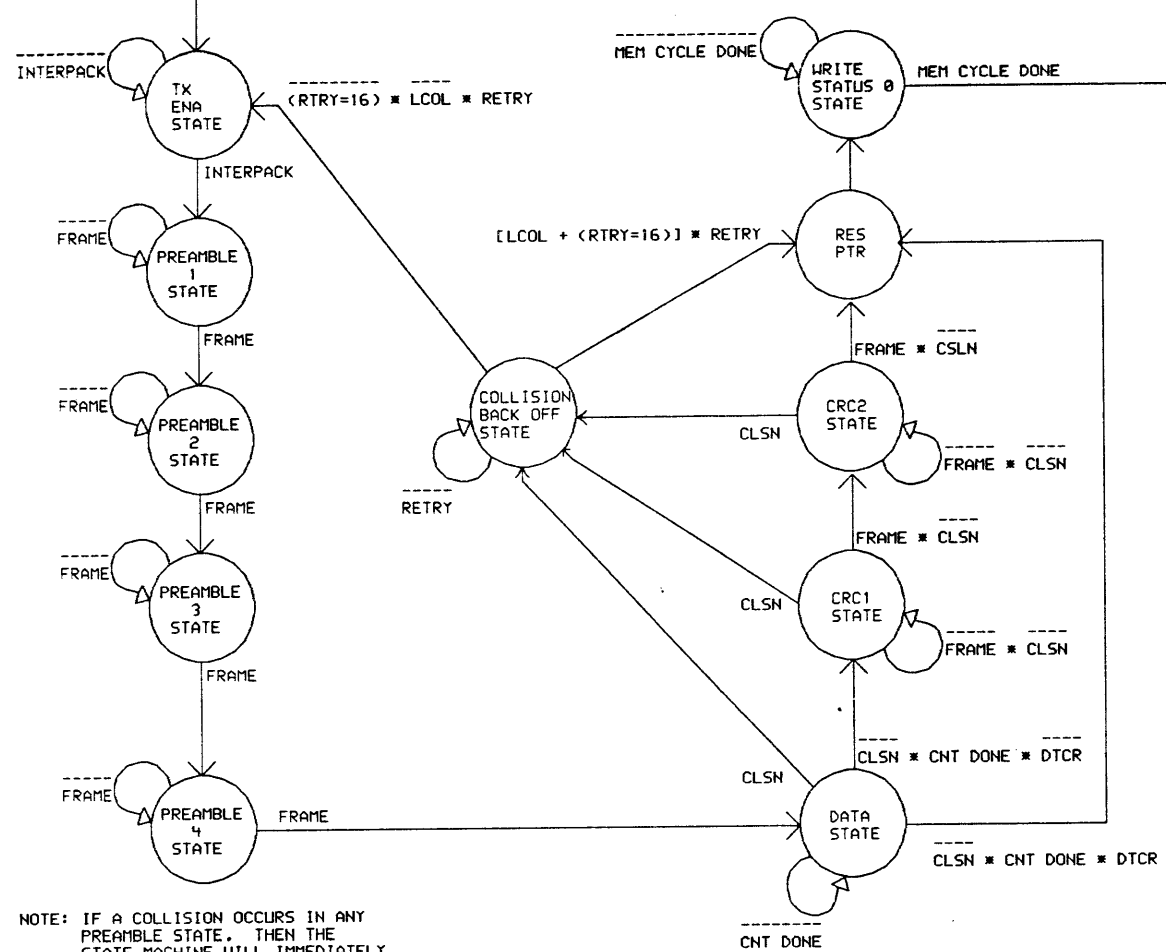
THIS DRAWING AND SPECIFICATIONS HEREIN ARE THE PROPERTY OF DIGITAL EQUIPMENT CORPORATION AND SHALL NOT BE REPRODUCED OR COPIED OR USED IN WHOLE OR IN PART AS THE BASIS FOR THE MANUFACTURE OR SALE OF ITEMS WITHOUT WRITTEN PERMISSION. COPYRIGHT © 1983, DIGITAL EQUIPMENT CORPORATION

REVISIONS		
CHK	CHANGE NO.	REV

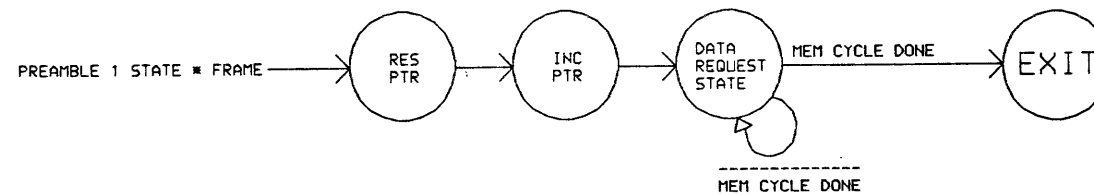
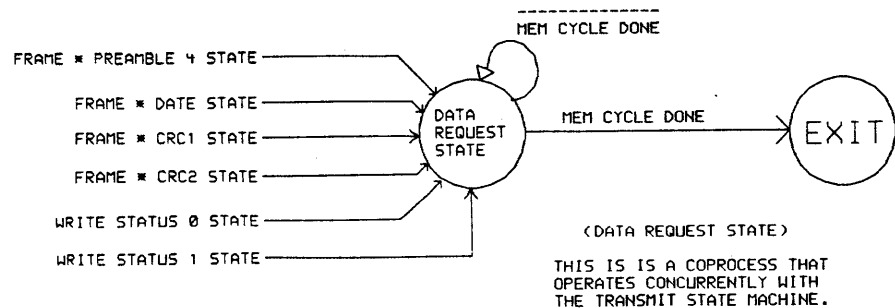
digital	DRN: <i>K. Sargent</i>	DATE: 09-MAY-83	ENG: Neil Bloomberg	DATE: 09-MAY-83	TITLE: DEUNA LINK MODULE (LNKT)
	CHK'D: Tom Walsh	DATE: 09-MAY-83	BOARD LOCATION: SHEET 1 OF 1		
DSKE: <SARGENT>LNKTB.DRW 103-MAY-83 07:43			NEXT HIGHER ASSEMBLY: D-UA-M7793-0-0		
FIRST USED ON OPTION/MODEL: DEUNA			SIZE: K	CODE: CS	NUMBER: M7793-0-LNKT
					REV. B

TW

ON * TATT



NOTE: IF A COLLISION OCCURS IN ANY PREAMBLE STATE, THEN THE STATE MACHINE WILL IMMEDIATELY ENTER THE COLLISION BACK OFF STATE. UPON COMPLETION OF PREAMBLE 4 STATE.



PROCESS STATE	REFERENCE SIGNAL	REFERENCE PIN
INTERPACK	LNKL INTERPACK L	E92-19
ON	LNKN DN H	E110-2
TATT	LNKH BTATT H	E81-5
FRAME	LNKJ TX FRAME H	E87-8
CSLN	LNKH SYNC CLSN H	E81-12
RETRY	LNKN RETRY H	E61-15
RTRY	LNKK RTRY H	E21-15
CNT DONE	LNKN TX CNT DONE L	E61-12
MEM CYCLE DONE	LNKN TX MEM CYCDN H	E41-2
DTCR	LNKN DTCR H	E93-7

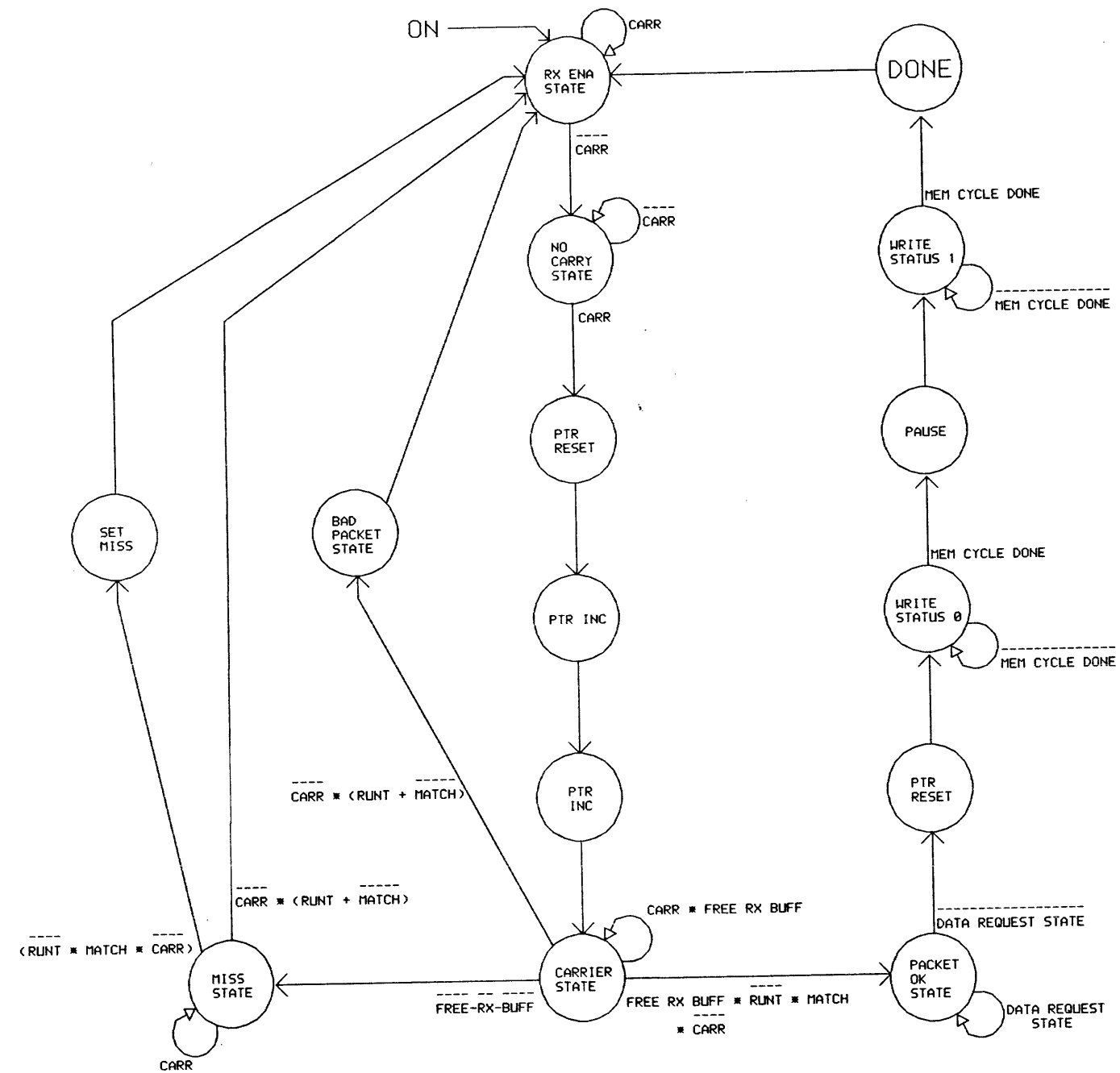
PROCESS STATE	REFERENCE SIGNAL	REFERENCE PIN
TX ENA STATE	LNKL TX ENA STATE L	E49-12
TX PREAMBLE 1 STATE	LNKL PREAM 1 STATE L	E49-13
	LNKL TX LEN REQ L	E36-17
TX PREAMBLE 2 STATE	LNKL PREAM 2 STATE L	E49-14
TX PREAMBLE 3 STATE	LNKL PREAM 3 STATE L	E49-15
TX PREAMBLE 4 STATE	LNKL PREAM 4 STATE L	E49-16
DATA STATE	LNKL TX DATA STATE L	E49-18
	LNKL TX ENA CRC L	E36-15
	LNKL SEL TX DATA L	E36-16
CRC 1 STATE	NONE - LOW ASSERTED	E51-12
CRC 2 STATE	NONE - LOW ASSERTED	E51-13
RES PTR STATE	LNKL RES TX PNTR L	E38-8
INC PTR STATE	LNKN INC TX PNTR L	E41-12
WRITE STATUS 0 STATE	LNKL TX WR STAT0 L	E51-15
WRITE STATUS 1 STATE	LNKL TX WR STAT1 L	E51-16
DATA REQUEST STATE	LNKL TX REQUEST H	E62-12
	PP TX ACK L	PORT
	BUS READ H	E100-6
DONE	LNKN TX MEM CYCDN H	E41-2
	LNKL TX DONE L	E51-18

TRANSMIT STATE MACHINE-LNKL STATE DIAGRAM-1

THIS DRAWING AND SPECIFICATIONS HEREIN ARE THE PROPERTY OF DIGITAL EQUIPMENT CORPORATION AND SHALL NOT BE REPRODUCED OR COPIED OR USED IN WHOLE OR IN PART AS THE BASIS FOR THE MANUFACTURE OR SALE OF ITEMS WITHOUT WRITTEN PERMISSION. COPYRIGHT © 1982, DIGITAL EQUIPMENT CORPORATION.

REVISIONS	
CHK	CHANGE NO. REV

digital	DRN. D. BLANCHARD	DATE 17-NOV-82	ENG. Neil Bloomberg	DATE 17-NOV-82	TITLE: DEUNA LINK MODULE (LNK)
	CHK'D. [Signature]	DATE 17-NOV-82	BOARD LOCATION: SHEET 1 OF 1	SIZE CODE K CS	NUMBER M7793-0-SD1
DSKD: <SARGENT>LNKSD1.DRW 05-NOV-82 16:08 NEXT HIGHER ASSEMBLY: D-UA-M7793-0-0				REV. A	

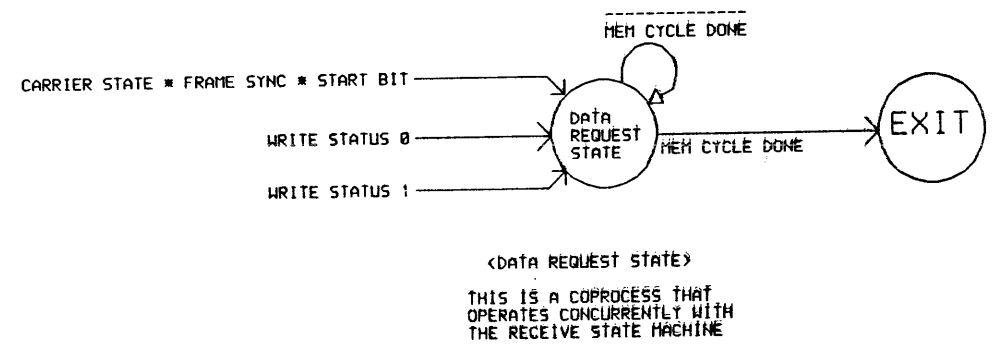


RECEIVE STATE MACHINE INPUTS

PROCESS STATE	REFERENCE SIGNAL	REFERENCE PIN
CARRIER	LNKN DLY CAR DET H	E61-5
ON	LNKN ON H	E110-2
RUNT	NONE - HIGH ASSERTED	E138-6
MATCH	LNKH RX MATCH H	E133-15
FREE RX BUFF	PB RX FREE BUFF H	PORT
MEM CYCLE DONE	LNKN RX MEM CYCDN H	E41-7
FRAME SYNC	LNKH RX FRAME SYNC H	E107-9
START BIT	LNKE RX START BIT H	E73-10

RECEIVE STATE MACHINE OUTPUTS

PROCESS STATE	REFERENCE SIGNAL	REFERENCE PIN
RX ENA STATE	LNKH RX ENA STATE L	E37-12
NO CARRIER STATE	NONE - LOW ASSERTED	E37-15
PTR RESET	LNKH RES RX PNTR L	E38-6
PTR INC	LNKN INC RX PNTR L	E41-15
	LNKH PR INC RX PNTR L	E37-14
CARRIER STATE	LNKH RX ACTIVE H	E99-10
PACK OK STATE	NONE - LOW ASSERTED	E37-18
	LNKH RX ODD BYTE L	E32-19
MISS STATE	NONE - LOW ASSERTED	E37-19
SET MISS	LNKH SET MISS L	E32-12
WRITE STATUS 0	LNKH RX WR STAT0 L	E32-14
	LNKH RX REQUEST H	E62-8
WRITE STATUS 1	LNKH RX WR STAT1 L	E32-16
	LNKH RX REQUEST H	E62-8
PAUSE	NONE - LOW ASSERTED	E32-15
DATA STATE	LNKH RX REQUEST H	E62-8
	PP RX ACK L	PORT
	BUS READ	E100-6
DONE	LNKN RX MEM CYCDN H	E41-7
	LNKH ADV RX PNTR L	E32-17



RECEIVE STATE MACHINE-LNKH STATE DIAGRAM-2

THIS DRAWING AND SPECIFICATIONS HEREIN ARE THE PROPERTY OF DIGITAL EQUIPMENT CORPORATION AND SHALL NOT BE REPRODUCED OR COPIED OR USED IN WHOLE OR IN PART AS THE BASIS FOR THE MANUFACTURE OR SALE OF ITEMS WITHOUT WRITTEN PERMISSION. COPYRIGHT © 1982, DIGITAL EQUIPMENT CORPORATION.

REVISIONS		
CHK	CHANGE NO.	REV

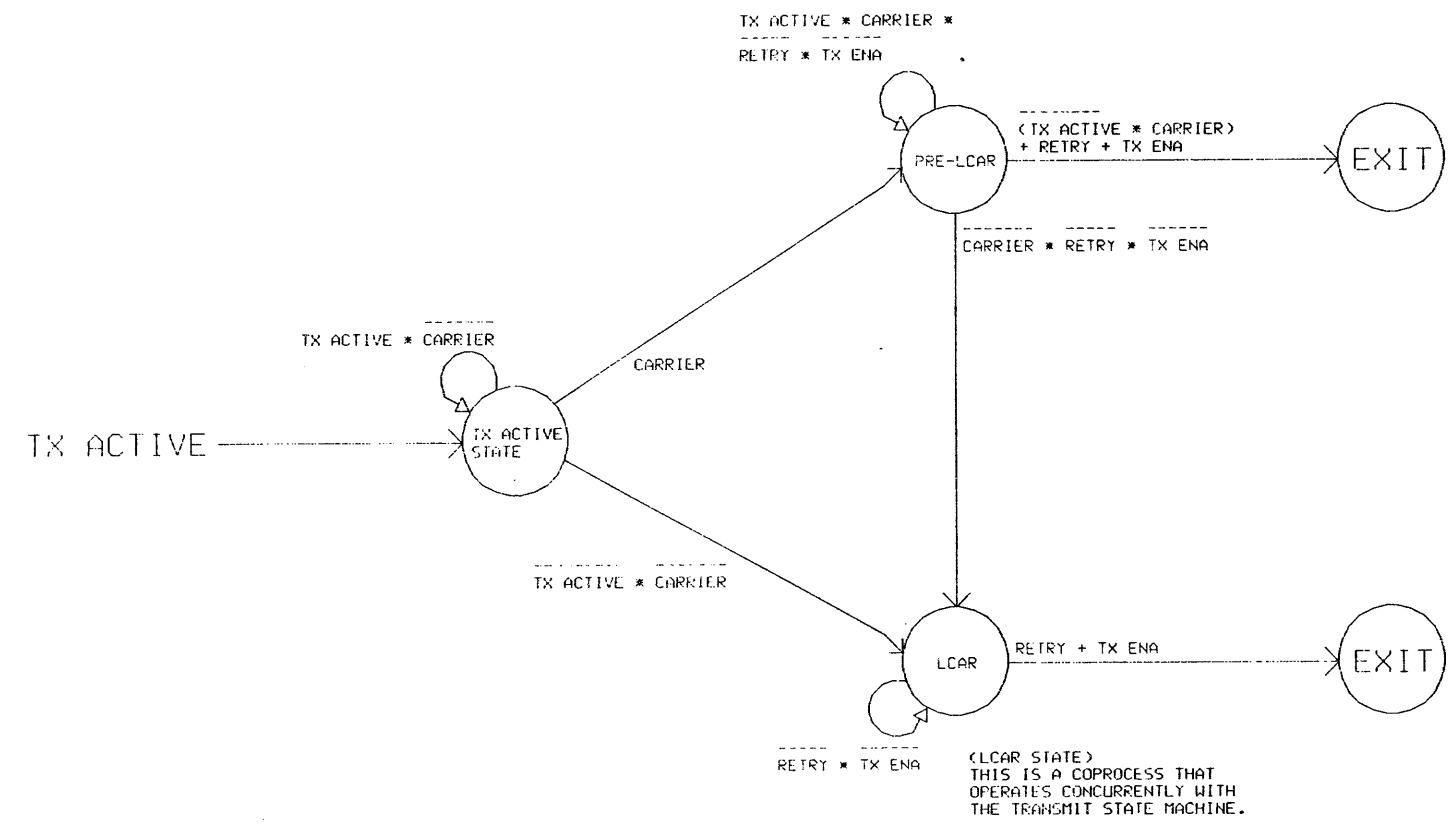
digital	DRN. D. BLANCHARD	DATE 17-NOV-82	ENG. Neil Bloomberg	DATE 17-NOV-82	TITLE: DEUNA LINK MODULE (LNK)
	CHK'D. [Signature]	DATE 17-NOV-82	BOARD LOCATION: 1 OF 1		
DSKD: <SARGENT>LNKSD2.DRW		05-NOV-82 16:08	NEXT HIGHER ASSEMBLY:	SIZE CODE K CS	NUMBER M7793-0-SD2
FIRST USED ON OPTION/MODEL: DEUNA		D-UA-M7793-0-0		REV. A	

LCAR, LCOL STATE INPUTS

PROCESS STATE	REFERENCE SIGNAL	REFERENCE PIN
TX ENA	LNKL TX ENA STATE H	E35-6
SLOTTIME	LNKK SLOTTIME EN H	E39-13
CLSN	LNKH SYNC C1SN H	E81-12
CARRIER	LNKH SYNC CARR H	E81-16
RETRY	LNKK RETRY STATE H	E79-4
TX ACTIVE	LNKL TX ACTIVE H	E109-8

LCAR, LCOL STATE OUTPUTS

PROCESS STATE	REFERENCE SIGNAL	REFERENCE PIN
LCOL	LNKK LCOL H	E35-10
LCAR	LNKK LCAR H	E78-8



(LCAR STATE)
THIS IS A COPROCESS THAT OPERATES CONCURRENTLY WITH THE TRANSMIT STATE MACHINE.

(LCOL STATE)
THIS IS A COPROCESS THAT OPERATES CONCURRENTLY WITH THE TRANSMIT STATE MACHINE.

LCAR, LCOL-LNKK STATE DIAGRAM-3

THIS DRAWING AND SPECIFICATIONS HEREIN ARE THE PROPERTY OF DIGITAL EQUIPMENT CORPORATION AND SHALL NOT BE REPRODUCED OR COPIED OR USED IN WHOLE OR IN PART AS THE BASIS FOR THE MANUFACTURE OR SALE OF ITEMS WITHOUT WRITTEN PERMISSION. COPYRIGHT © 1982, DIGITAL EQUIPMENT CORPORATION.

CHK	CHANGE NO.	REV

REVISIONS	DATE	ENG.	DATE	TITLE:
	17-NOV-82	D. BLANCHARD	17-NOV-82	DEUNA LINK MODULE (LNK)
	17-NOV-82	Neil Bloomberg	17-NOV-82	

digital

DRN. D. BLANCHARD
CHK'D. *[Signature]*

DATE 17-NOV-82 BOARD LOCATION: SHEET 1 OF 1

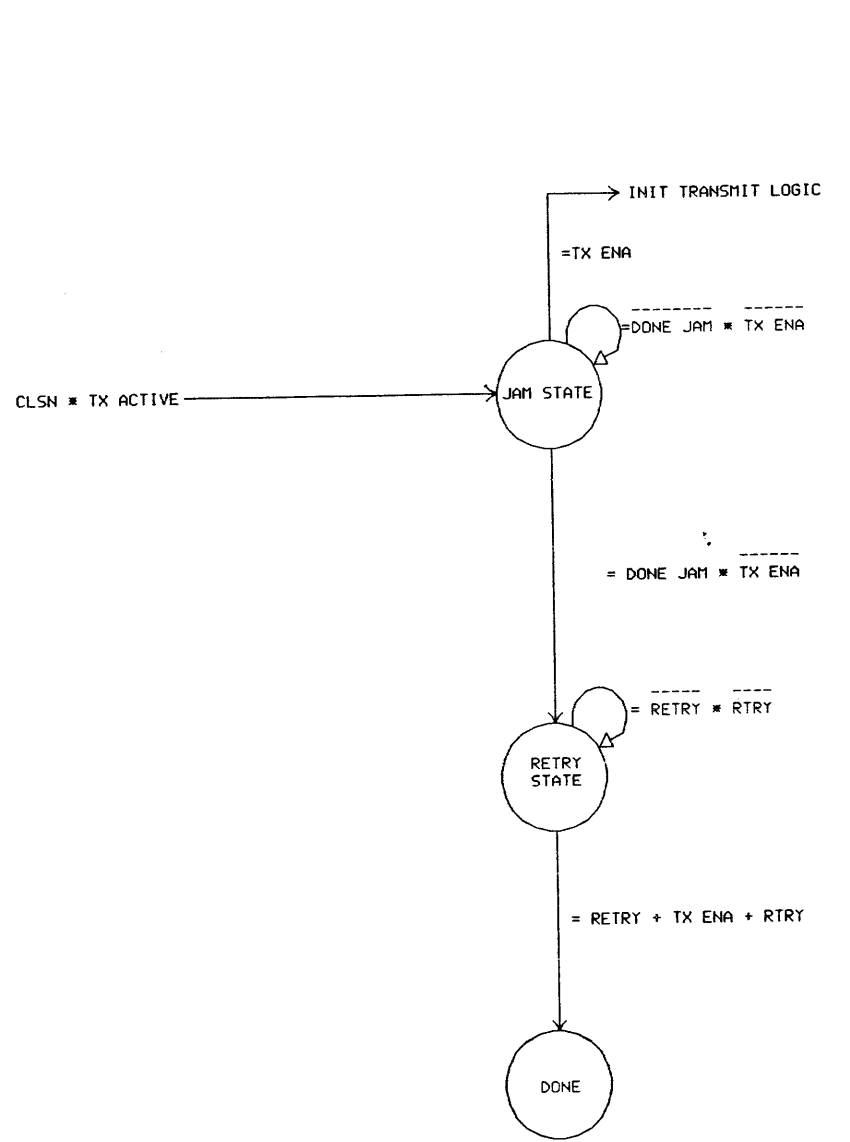
DATE 17-NOV-82

DSKD: <SARGENT>LNKSD3.DRW 105-NOV-82 16:08 NEXT HIGHER ASSEMBLY: D-UA-M7793-0-0

FIRST USED ON OPTION/MODEL: DEUNA

SIZE CODE NUMBER REV.
K CS M7793-0-SD3 A

REV. A
NUMBER M7793-0-SD3
SIZE CS
B
A



COLLISION BACK OFF STATE INPUTS

PROCESS_STATE	REFERENCE_SIGNAL	REFERENCE_PIN
TX ENA	LNKL TX ENA STATE H	E35-6
CISN	LNKH SYNC CISN H	E81-12
DONE JAM	LNKK COLLISION JAM H	E40-13
RETRY	LNKN RETRY H	E61-15
RTRY	LNKK RTRY H	E21-15

COLLISION BACK OFF STATE OUTPUTS

PROCESS_STATE	REFERENCE_SIGNAL	REFERENCE_PIN
RETRY STATE	LNKK RETRY STATE L	E50-18
JAM STATE	LNKK JAM STATE L	E50-17
	LNKK RETRY INIT L	E50-19

DEFINITIONS

RTRY: FAILURE TO TRANSMIT IN 16 ATTEMPTS DUE TO COLLISION

RETRY: PROPER NUMBER OF SLOTTIMES HAS ELAPSED. TIME TO RETRANSMIT

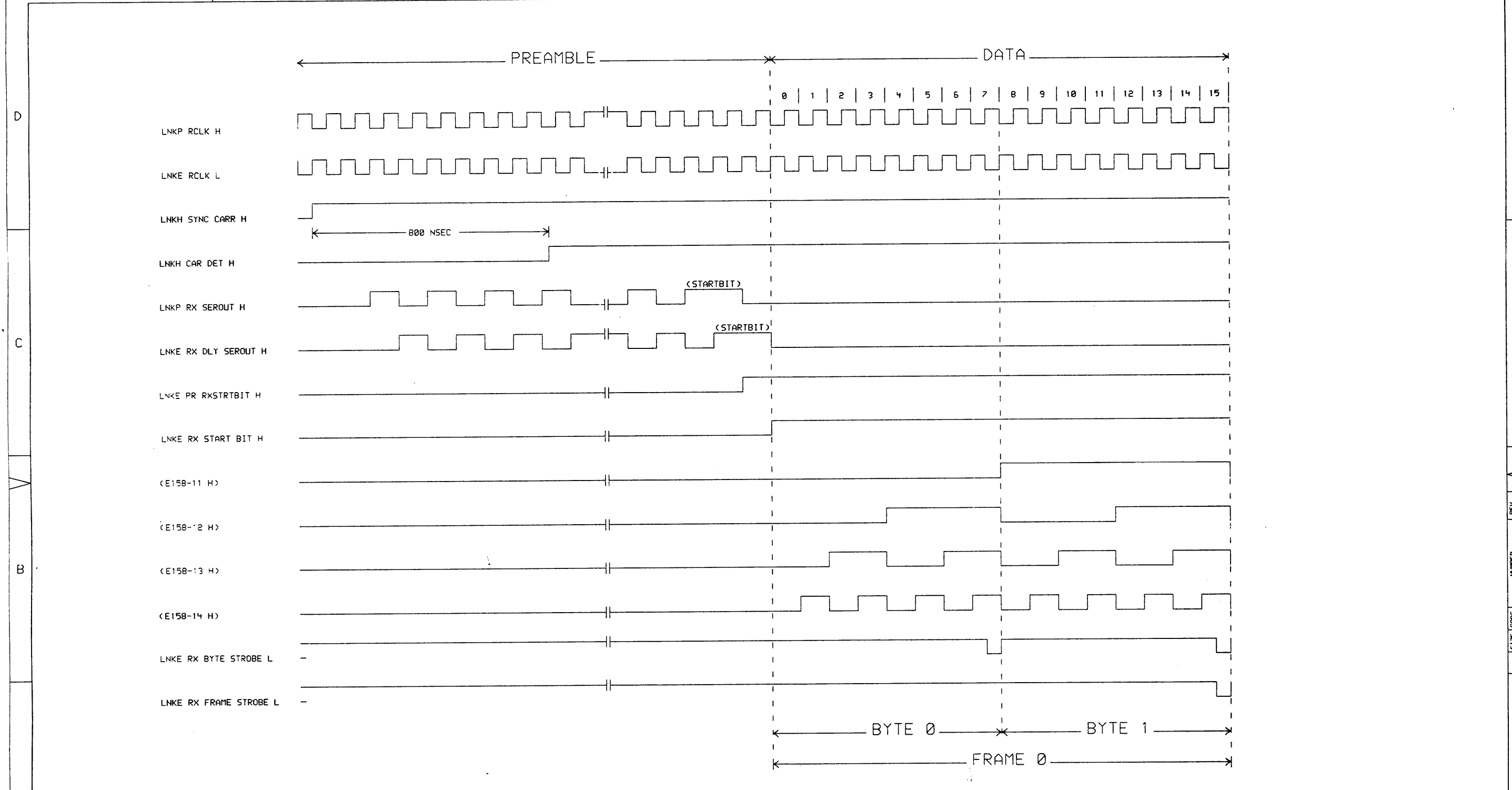
DONE JAM: TELLS JAM STATE 32 BITS HAVE ELAPSED STOP JAMMING

COLLISION BACK OFF STATE-LNKK
STATE DIAGRAM-4

THIS DRAWING AND SPECIFICATIONS HEREIN ARE THE PROPERTY OF DIGITAL EQUIPMENT CORPORATION AND SHALL NOT BE REPRODUCED OR COPIED OR USED IN WHOLE OR IN PART AS THE BASIS FOR THE MANUFACTURE OR SALE OF ITEMS WITHOUT WRITTEN PERMISSION. COPYRIGHT © 1982, DIGITAL EQUIPMENT CORPORATION.

REVISIONS		
CHK	CHANGE NO.	REV

digital	DRN. C. GIROUARD	DATE 17-NOV-82	ENG. Neil Bloomberg	DATE 17-NOV-82	TITLE: DELUNA LINK MODULE (LNK)
	CHK'D. [Signature]	DATE 17-NOV-82	BOARD LOCATION: SHEET 1 OF 1	SIZE CODE K CS	NUMBER M7793-0-SD4
DSKD: <SARGENT>LNKSD4.DRW 05-NOV-82 16:08 NEXT HIGHER ASSEMBLY: D-UA-M7793-0-0					REV. A



RECEIVE BYTE TIMING-LNKE
 TIMING DIAGRAM-1

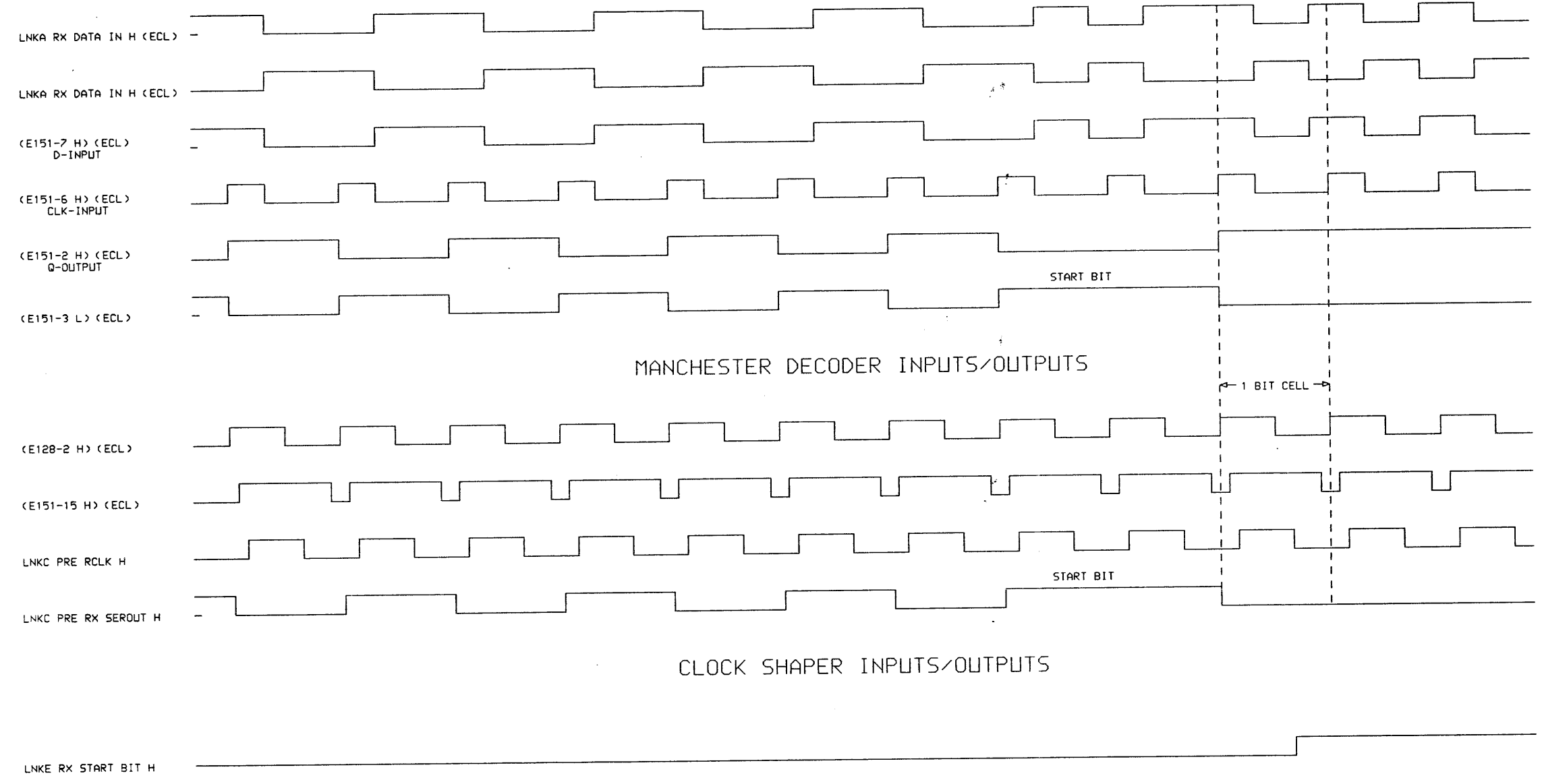
THIS DRAWING AND SPECIFICATIONS
 HEREIN ARE THE PROPERTY OF
 DIGITAL EQUIPMENT CORPORATION AND
 SHALL NOT BE REPRODUCED OR COPIED
 OR USED IN WHOLE OR IN PART AS
 THE BASIS FOR THE MANUFACTURE OR
 SALE OF ITEMS WITHOUT WRITTEN
 PERMISSION. COPYRIGHT © 1982,
 DIGITAL EQUIPMENT CORPORATION.

REVISIONS		
CHK	CHANGE NO.	REV

digital	DRN. PAUL HEBERT*	DATE 17-NOV-82	ENG. Neil Bloomberg	DATE 17-NOV-82	TITLE: DELUNA LINK MODULE (LNK)
	CHK'D. <i>[Signature]</i>	DATE 17-NOV-82	BOARD LOCATION: SHEET 1 OF 1		
OSKD: <SARGENT>LNKTDA.DRW 17-NOV-82 11:01			NEXT HIGHER ASSEMBLY: D-UA-M7793-0-0		SIZE CODE NUMBER REV. K CS M7793-0-TDA A
FIRST USED ON OPTION/MODEL: DELUNA					

PREAMBLE 0 1 1 1 0 1 1 1 0 1 1 1 1 0 1 0 1 0

DATA 0 1 0 1 0



RECEIVE DATA DECODE AND CLOCK GENERATOR-LNKC
TIMING DIAGRAM-2

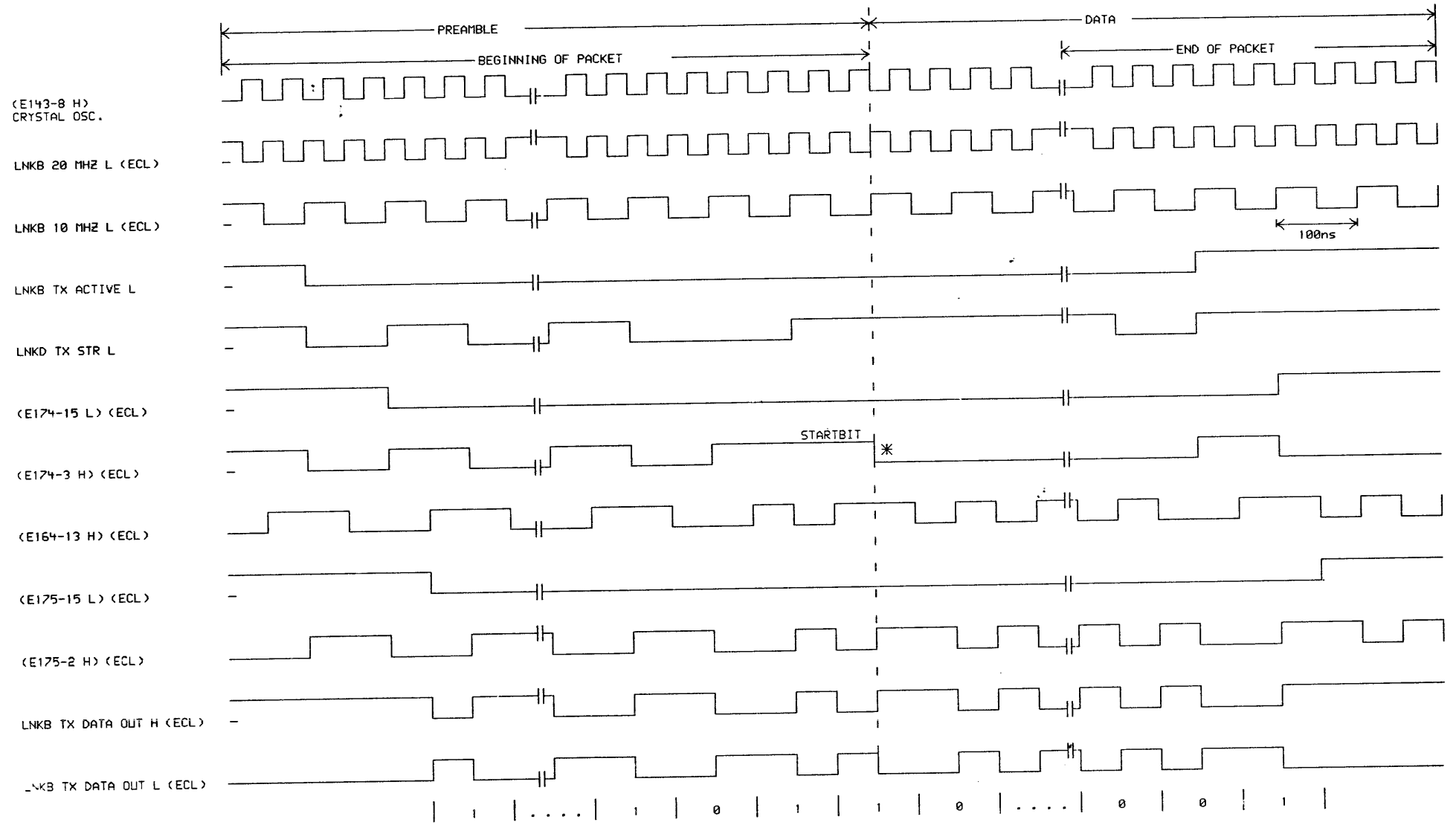
THIS DRAWING AND SPECIFICATIONS HEREIN ARE THE PROPERTY OF DIGITAL EQUIPMENT CORPORATION AND SHALL NOT BE REPRODUCED OR COPIED OR USED IN WHOLE OR IN PART AS THE BASIS FOR THE MANUFACTURE OR SALE OF ITEMS WITHOUT WRITTEN PERMISSION. COPYRIGHT © 1982, DIGITAL EQUIPMENT CORPORATION.

REVISIONS		
CHK	CHANGE NO.	REV.

digital DRN. G.M. HAFNER DATE 17-NOV-82 ENG. Neil Bloomberg DATE 17-NOV-82
 CHK'D. DATE 17-NOV-82 BOARD LOCATION: SHEET 1 OF 1
 DSKD:CSARGENT.LNK.TDB.DRW.17-NOV-82 11:02 NEXT HIGHER ASSEMBLY: D-UA-M7793-0-0
 FIRST USED ON OPTION/MODEL: DELUNA

TITLE: DEUNA LINK MODULE (LNK)
 SIZE CODE NUMBER REV. K TD M7793-0-TDB A

REV. A
 NUMBER M7793-0-TDB
 CODE TD
 B
 A



| 1 | | 1 | 0 | 1 | 1 | 0 | | 0 | 0 | 1 |

* DATA INDICATED HERE
CAN BE ANY PATTERN

TRANSMIT DATA ENCODE-LNKB
TIMING DIAGRAM-3

"THIS DRAWING AND SPECIFICATIONS
HEREIN ARE THE PROPERTY OF
DIGITAL EQUIPMENT CORPORATION AND
SHALL NOT BE REPRODUCED OR COPIED
OR USED IN WHOLE OR IN PART AS
THE BASIS FOR THE MANUFACTURE OR
SALE OF ITEMS WITHOUT WRITTEN
PERMISSION. COPYRIGHT © 1982,
DIGITAL EQUIPMENT CORPORATION"

REVISIONS		
CHK	CHANGE NO.	REV

digital	DRN. PAUL HEBERT	DATE 17-NOV-82	ENG. Neil Bloomberg	DATE 17-NOV-82	TITLE: DEUNA LINK MODULE (LNK)
	CHK'D. <i>K. Sargent</i>	DATE 17-NOV-82	BOARD LOCATION: 1 OF 1	SHEET 1 OF 1	SIZE CODE NUMBER REV. K CS M7793-0-TDC A
DSKD:CSARGENT\LNK\TDC.DRL\17-NOV-82 11:02		NEXT HIGHER ASSEMBLY: D-UA-M7793-0-0		FIRST USED ON OPTION/MODEL: DEUNA	

8

7

6

5

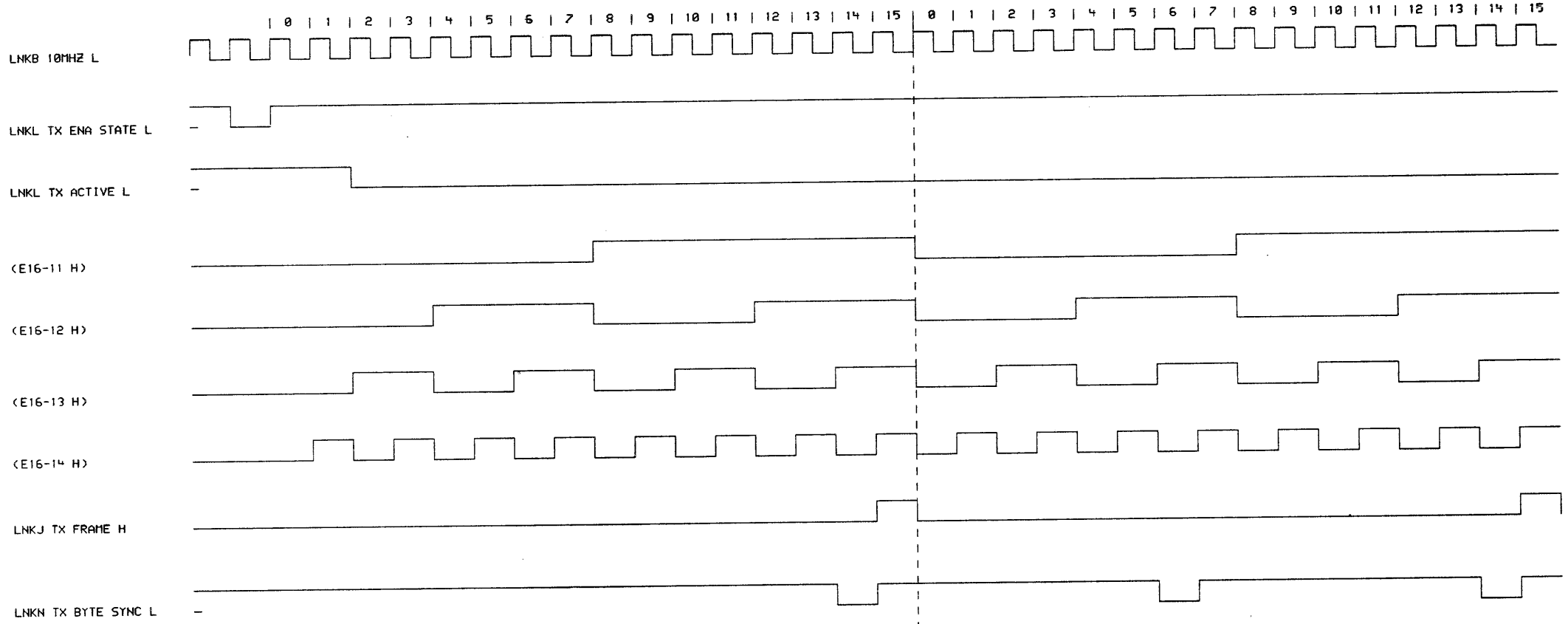
4

3

2

1

SIZE	K	CS	M7793-0-TDD
REV.	A	NUMBER	001-0-624



TRANSMIT BYTE/FRAME TIMING-LNKJ
TIMING DIAGRAM-4

D

D

C

C

B

A

A

A

THIS DRAWING AND SPECIFICATIONS HEREIN ARE THE PROPERTY OF DIGITAL EQUIPMENT CORPORATION AND SHALL NOT BE REPRODUCED OR COPIED OR USED IN WHOLE OR IN PART AS THE BASIS FOR THE MANUFACTURE OR SALE OF ITEMS WITHOUT WRITTEN PERMISSION. COPYRIGHT © 1982, DIGITAL EQUIPMENT CORPORATION.

REVISIONS		
CHK	CHANGE NO.	REV

digital	DRN	PAUL HEBERT	DATE	17-NOV-82	ENG.	Neil Bloomberg	DATE	17-NOV-82	TITLE:	DEUNA LINK MODULE						
	CHK'D.	<i>[Signature]</i>	DATE	17-NOV-82	BOARD LOCATION:		DATE	17-NOV-82	(LNK)							
DSKD: <SARGENT>LNKTDD.DRW 17-NOV-82 11:02 NEXT HIGHER ASSEMBLY:									SIZE	K	CODE	CS	NUMBER	M7793-0-TDD	REV.	A
FIRST USED ON OPTION/MODEL: DEUNA									D-UA-M7793-0-0							

8

7

6

5

4

3

2

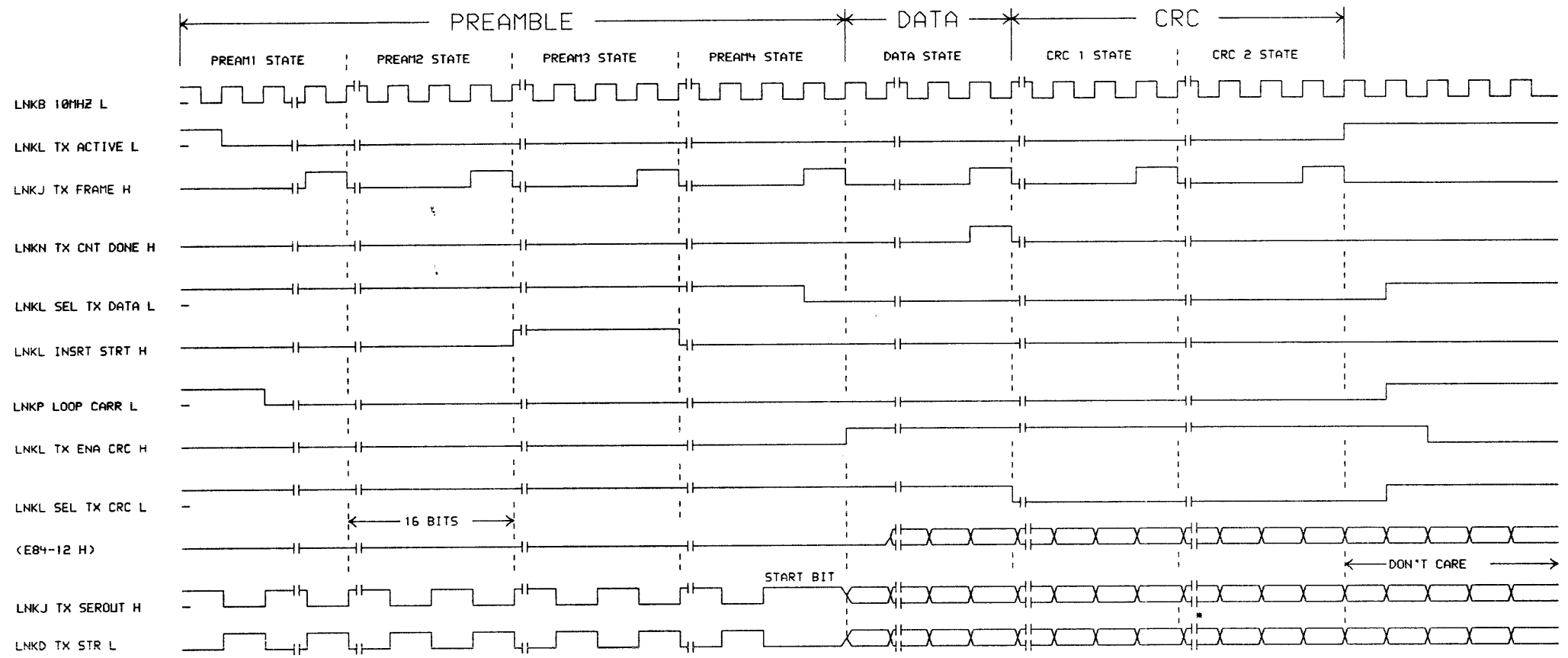
1

REV. A

NUMBER M7793-0-TDD

SIZE K CS

B



* DATA INDICATED HERE
CAN BE ANY PATTERN

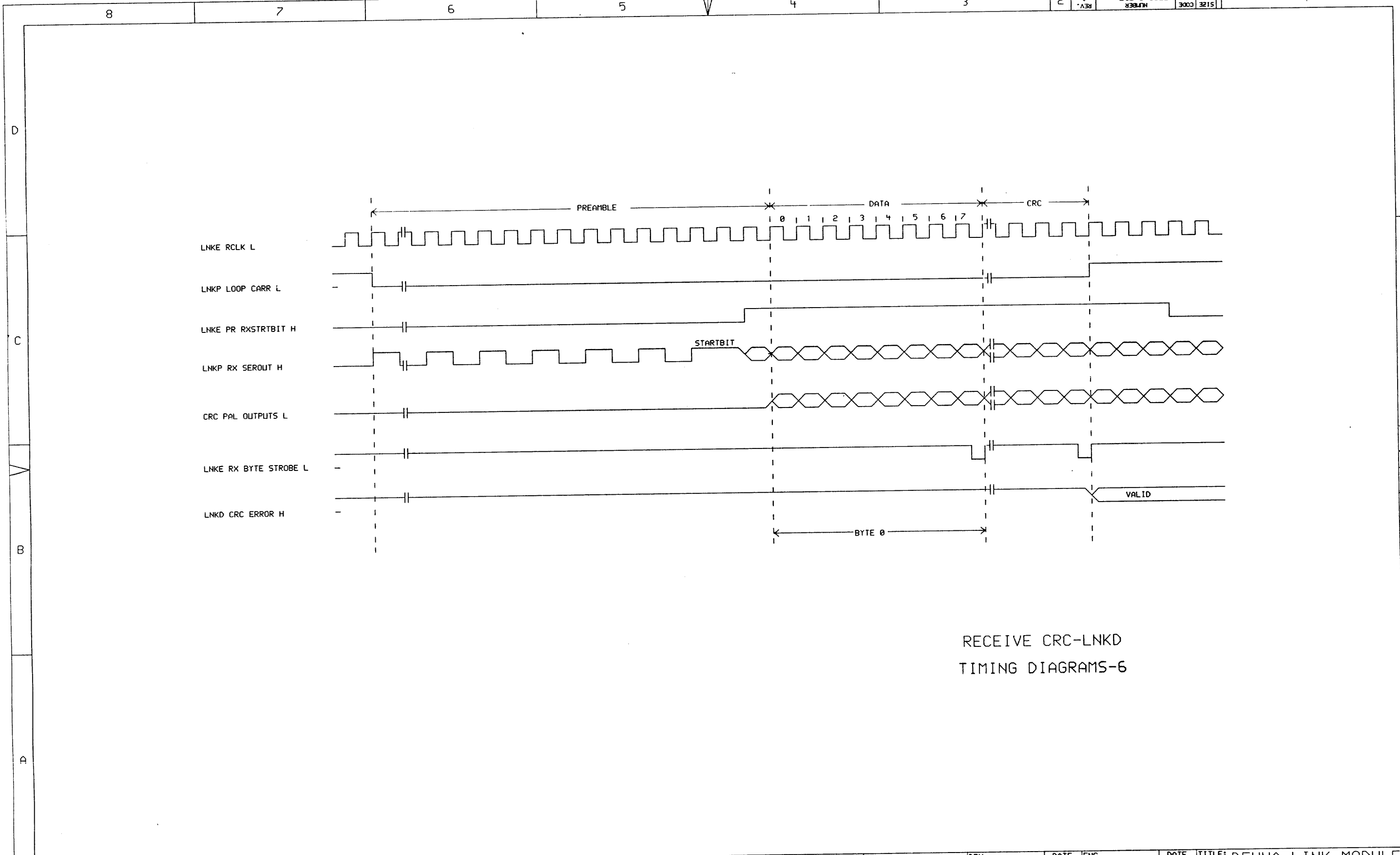
TRANSMIT BIT STREAM-LNKD
TIMING DIAGRAM-5

THIS DRAWING AND SPECIFICATIONS
HEREIN ARE THE PROPERTY OF
DIGITAL EQUIPMENT CORPORATION AND
SHALL NOT BE REPRODUCED OR COPIED
OR USED IN WHOLE OR IN PART AS
THE BASIS FOR THE MANUFACTURE OR
SALE OF ITEMS WITHOUT WRITTEN
PERMISSION. COPYRIGHT © 1982,
DIGITAL EQUIPMENT CORPORATION

REVISIONS		
CHK	CHANGE NO.	REV

digital	DRN. CARLSON	DATE 17-NOV-82	ENG. Neil Bloomberg	DATE 17-NOV-82
	CHK'D. <i>R. Bennett</i>	DATE 17-NOV-82	BOARD LOCATION: SHEET 1 OF 1	
OSKD: <SARGENT>LNKTDE.DRW		17-NOV-82 11:02	NEXT HIGHER ASSEMBLY: D-UA-M7793-0-0	
FIRST USED ON OPTION/MODEL: DEUNA				

TITLE: DEUNA LINK MODULE (LNK)			
SIZE	CODE	NUMBER	REV.
K	CS	M7793-0-TDE	A



RECEIVE CRC-LNKD
TIMING DIAGRAMS-6

"THIS DRAWING AND SPECIFICATIONS HEREIN ARE THE PROPERTY OF DIGITAL EQUIPMENT CORPORATION AND SHALL NOT BE REPRODUCED OR COPIED OR USED IN WHOLE OR IN PART AS THE BASIS FOR THE MANUFACTURE OR SALE OF ITEMS WITHOUT WRITTEN PERMISSION. COPYRIGHT © 1982, DIGITAL EQUIPMENT CORPORATION"

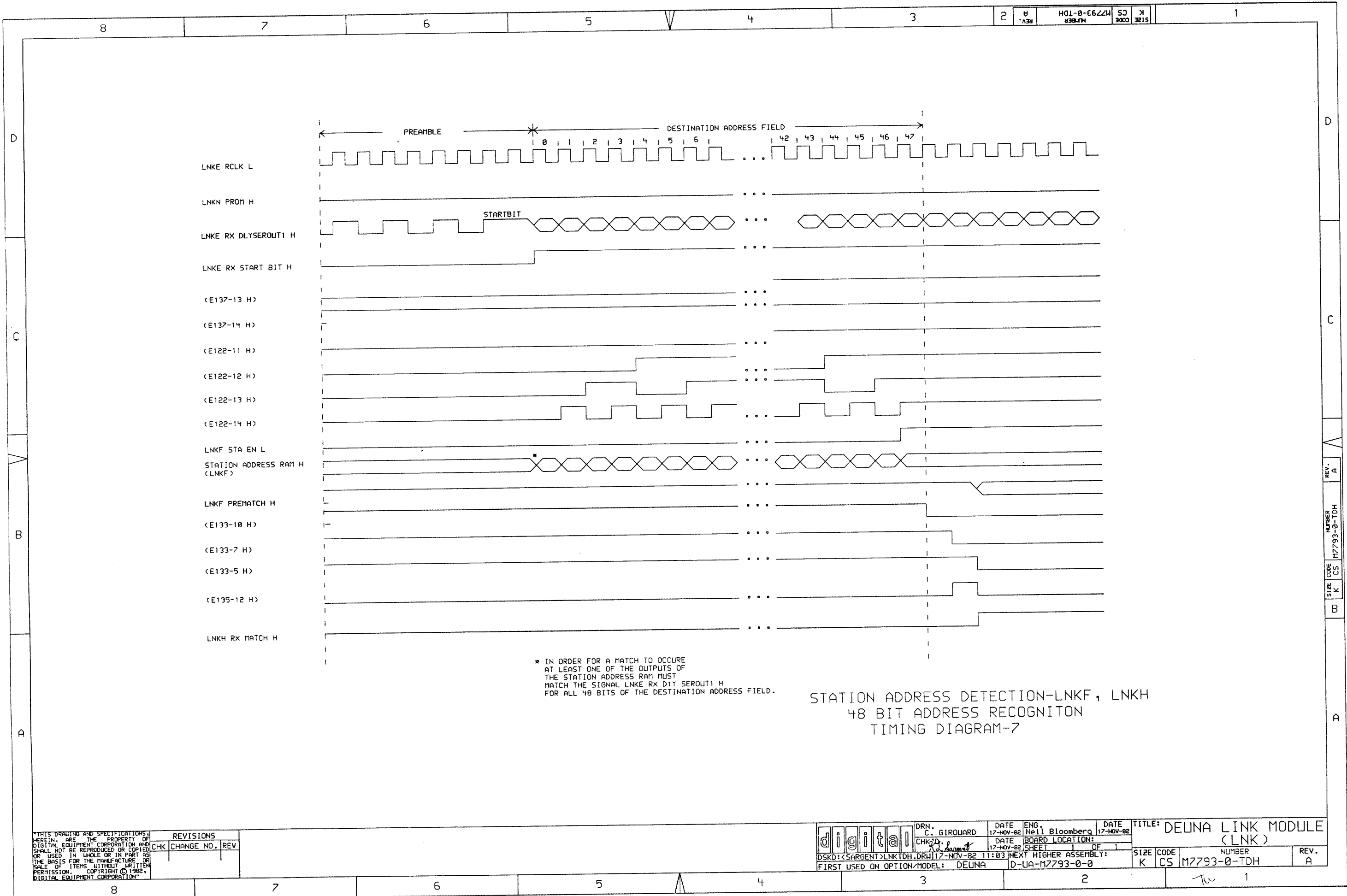
REVISIONS		
CHK	CHANGE NO.	REV

--	--	--	--	--	--	--	--	--	--

digital

DRN. PAUL HEBERT	DATE 19-NOV-82	ENG. Neil Bloomberg	DATE 19-NOV-82
CHKD. [Signature]	DATE 19-NOV-82	BOARD LOCATION:	SHEET 1 OF 1

TITLE: DEUNA LINK MODULE (LNK)			
SIZE CODE	NUMBER	REV.	
K CS	M7793-0-TDF	A	



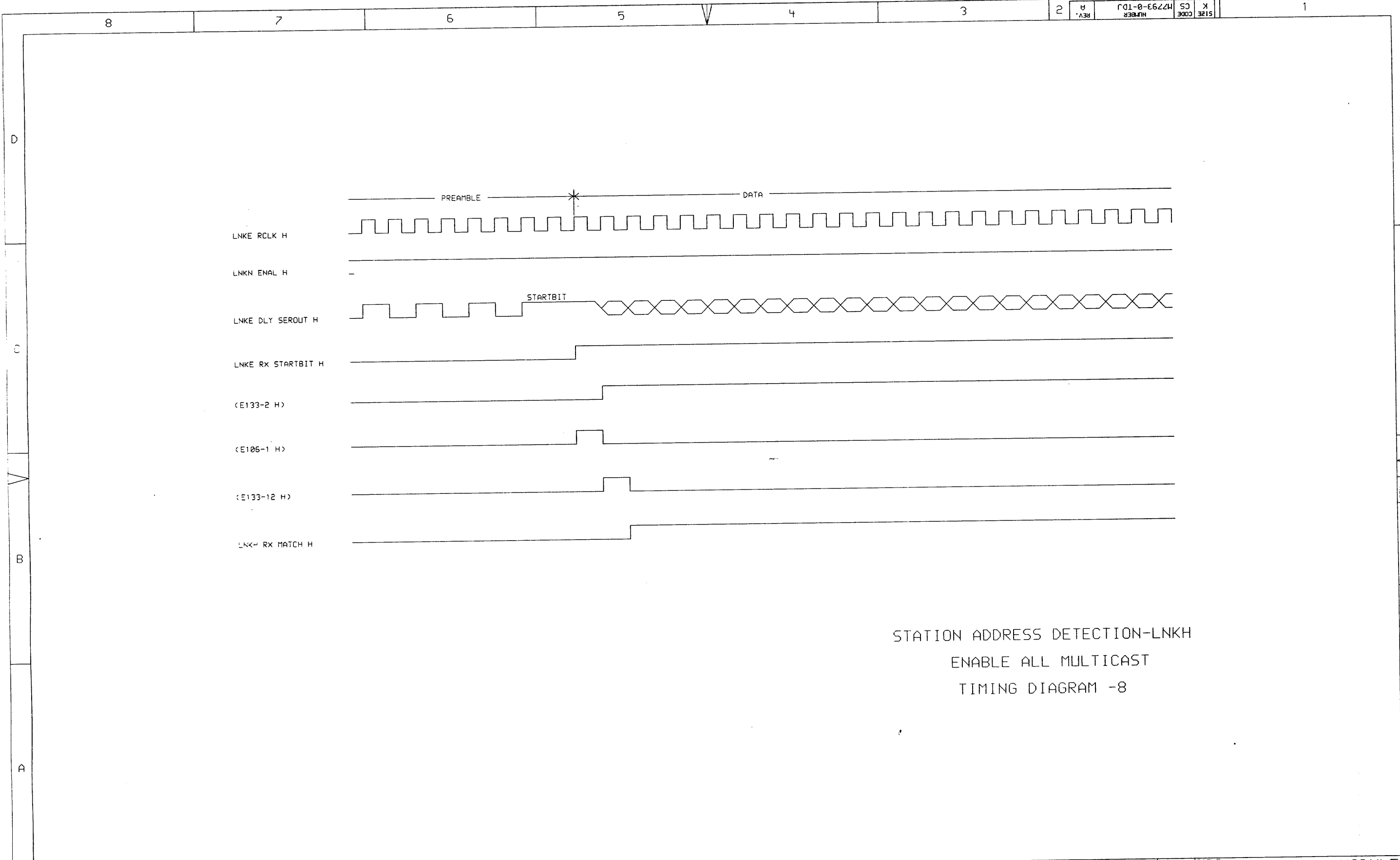
STATION ADDRESS DETECTION-LNKF, LNKH
48 BIT ADDRESS RECOGNITION
TIMING DIAGRAM-7

THIS DRAWING AND SPECIFICATIONS
HEREIN ARE THE PROPERTY OF
DIGITAL EQUIPMENT CORPORATION AND
SHALL NOT BE REPRODUCED OR COPIED
OR USED IN WHOLE OR IN PART AS
THE BASIS FOR THE MANUFACTURE OR
SALE OF ITEMS WITHOUT WRITTEN
PERMISSION. COPYRIGHT © 1982,
DIGITAL EQUIPMENT CORPORATION

REVISIONS		
CHK	CHANGE NO.	REV

digital	DRN. C. GIROUARD	DATE 17-NOV-82	ENG. Neil Bloomberg	DATE 17-NOV-82	TITLE: DEUNA LINK MODULE (LNK)
	CHK'D. N. Belmont	DATE 17-NOV-82	BOARD LOCATION: SHEET 1 OF 1		
DSKD: <SARGENT>LNKTDH.DRW			17-NOV-82 11:03	NEXT HIGHER ASSEMBLY: D-UA-M7793-0-0	SIZE CODE K CS
FIRST USED ON OPTION/MODEL: DEUNA					NUMBER M7793-0-TDH
					REV. A

TW 1



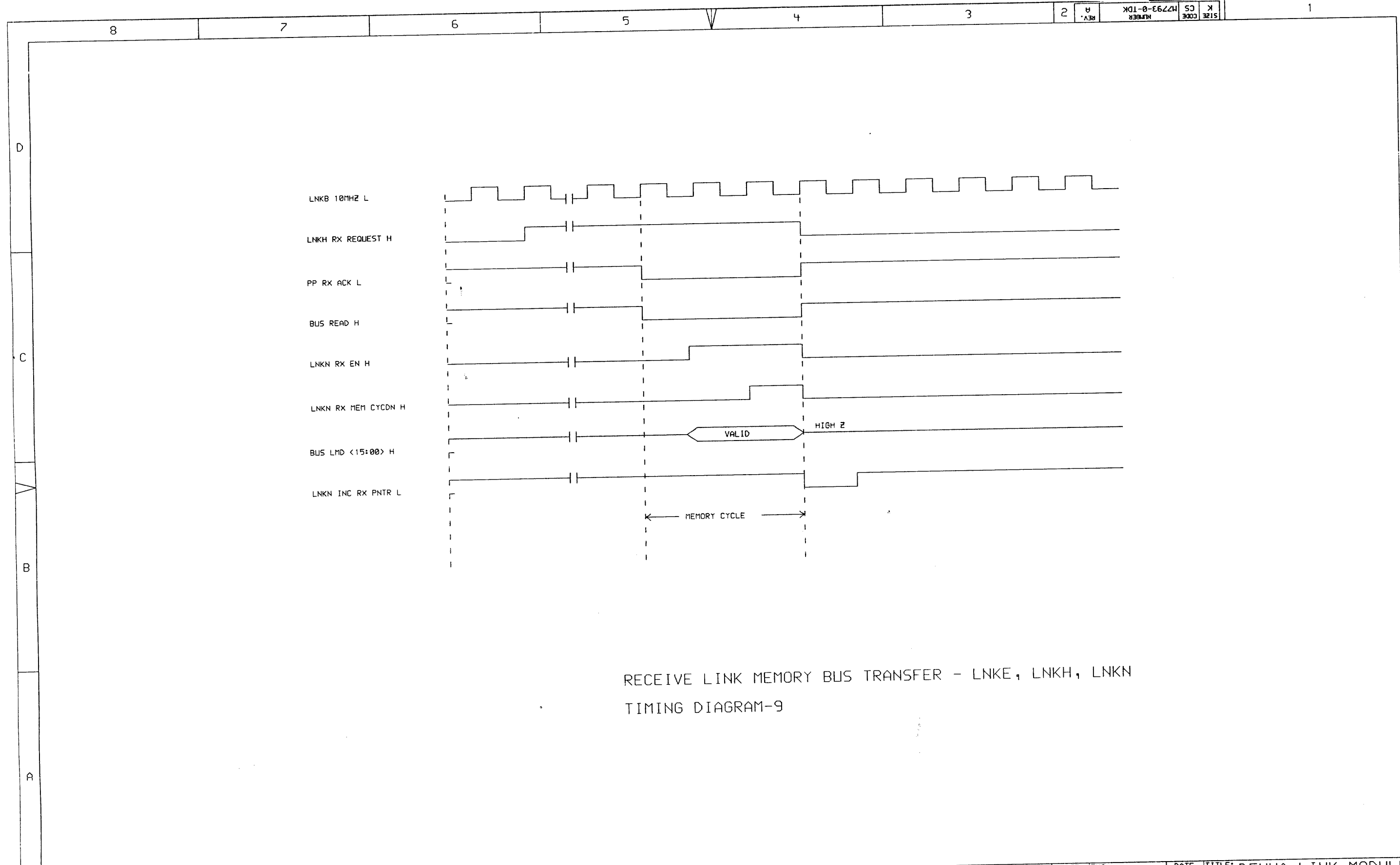
STATION ADDRESS DETECTION-LNKH
 ENABLE ALL MULTICAST
 TIMING DIAGRAM -8

REV. A
 NUMBER M7793-0-TDJ
 SIZE K CS

THIS DRAWING AND SPECIFICATIONS
 HEREIN ARE THE PROPERTY OF
 DIGITAL EQUIPMENT CORPORATION AND
 SHALL NOT BE REPRODUCED OR COPIED
 OR USED IN WHOLE OR IN PART AS
 THE BASIS FOR THE MANUFACTURE OR
 SALE OF ITEMS WITHOUT WRITTEN
 PERMISSION. COPYRIGHT © 1982
 DIGITAL EQUIPMENT CORPORATION

REVISIONS		
CHK	CHANGE NO.	REV

digital	DRN. PAUL HEBERT	DATE 17-NOV-82	ENG. Neil Bloomberg	DATE 17-NOV-82	TITLE: DEUNA LINK MODULE (LNK)
	CHK: D. Sargent	DATE 17-NOV-82	BOARD LOCATION: SHEET 1 OF 1		
DSKD: <SARGENT>LNKTDJ.DRW 17-NOV-82 11:04			NEXT HIGHER ASSEMBLY: D-UA-M7793-0-0		SIZE CODE NUMBER REV. K CS M7793-0-TDJ A
FIRST USED ON OPTION/MODEL: DEUNA					



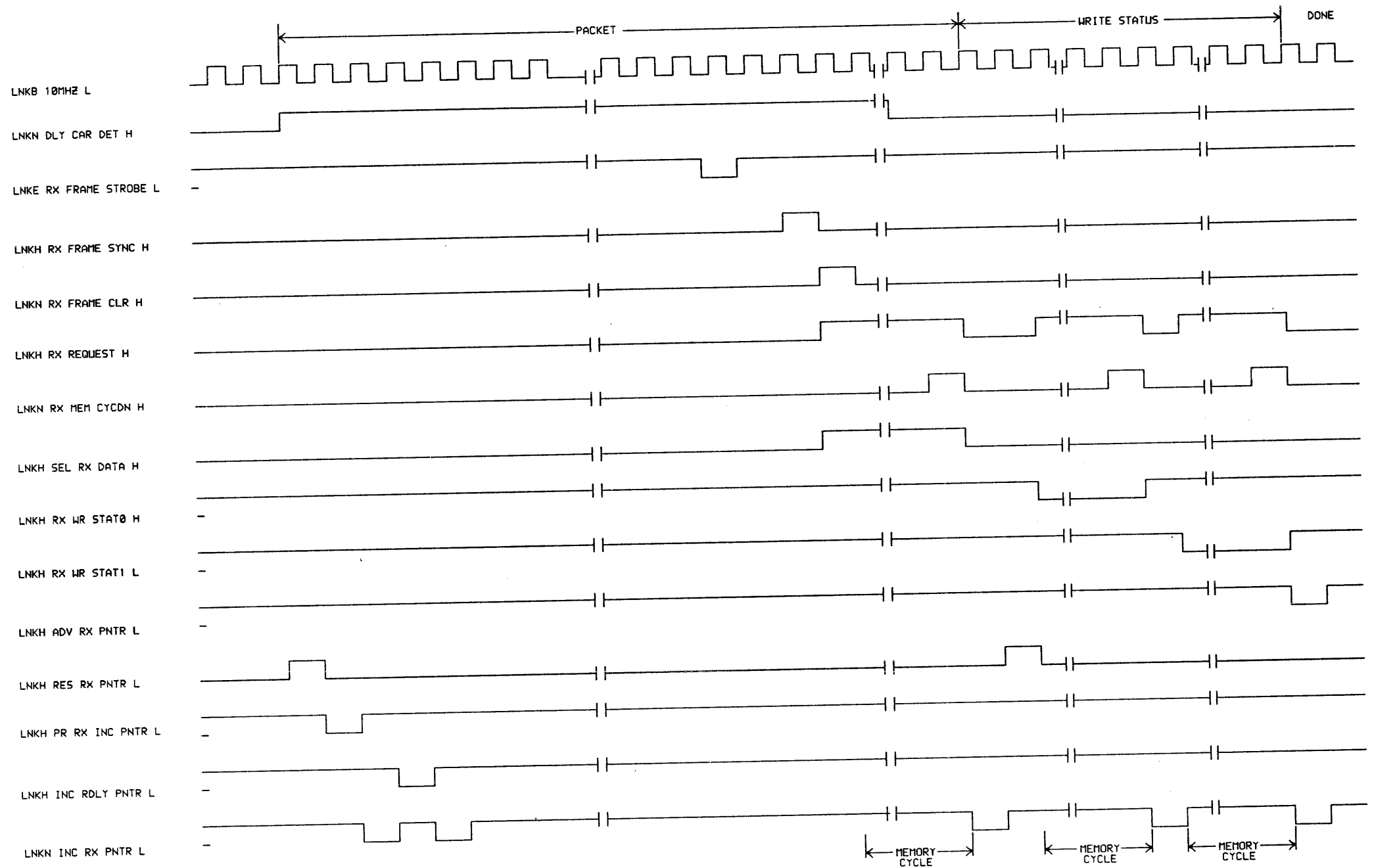
RECEIVE LINK MEMORY BUS TRANSFER - LNKE, LNKH, LNKN
TIMING DIAGRAM-9

THIS DRAWING AND SPECIFICATIONS ARE THE PROPERTY OF DIGITAL EQUIPMENT CORPORATION AND SHALL NOT BE REPRODUCED OR COPIED OR USED IN WHOLE OR IN PART AS THE BASIS FOR THE MANUFACTURE OR SALE OF ITEMS WITHOUT WRITTEN PERMISSION. COPYRIGHT © 1982, DIGITAL EQUIPMENT CORPORATION.

REVISIONS		
CHK	CHANGE NO.	REV.

8	7	6	5	4	3	2	1
---	---	---	---	---	---	---	---

digital	DRN.	DATE	ENG.	DATE	TITLE: DEUNA LINK MODULE (LNK)		
	C. GIROUARD	17-NOV-82	Neil Bloomberg	17-NOV-82			
	CHK'D.	DATE	BOARD LOCATION:	SHEET	OF	SIZE	CODE
		17-NOV-82		1	1	K	CS
DSKD: <SARGENT>LNKTDK.DRW 17-NOV-82 11:02				NEXT HIGHER ASSEMBLY:		NUMBER	
FIRST USED ON OPTION/MODEL: DEUNA				D-UA-M7793-0-0		M7793-0-TDK	
							REV. A



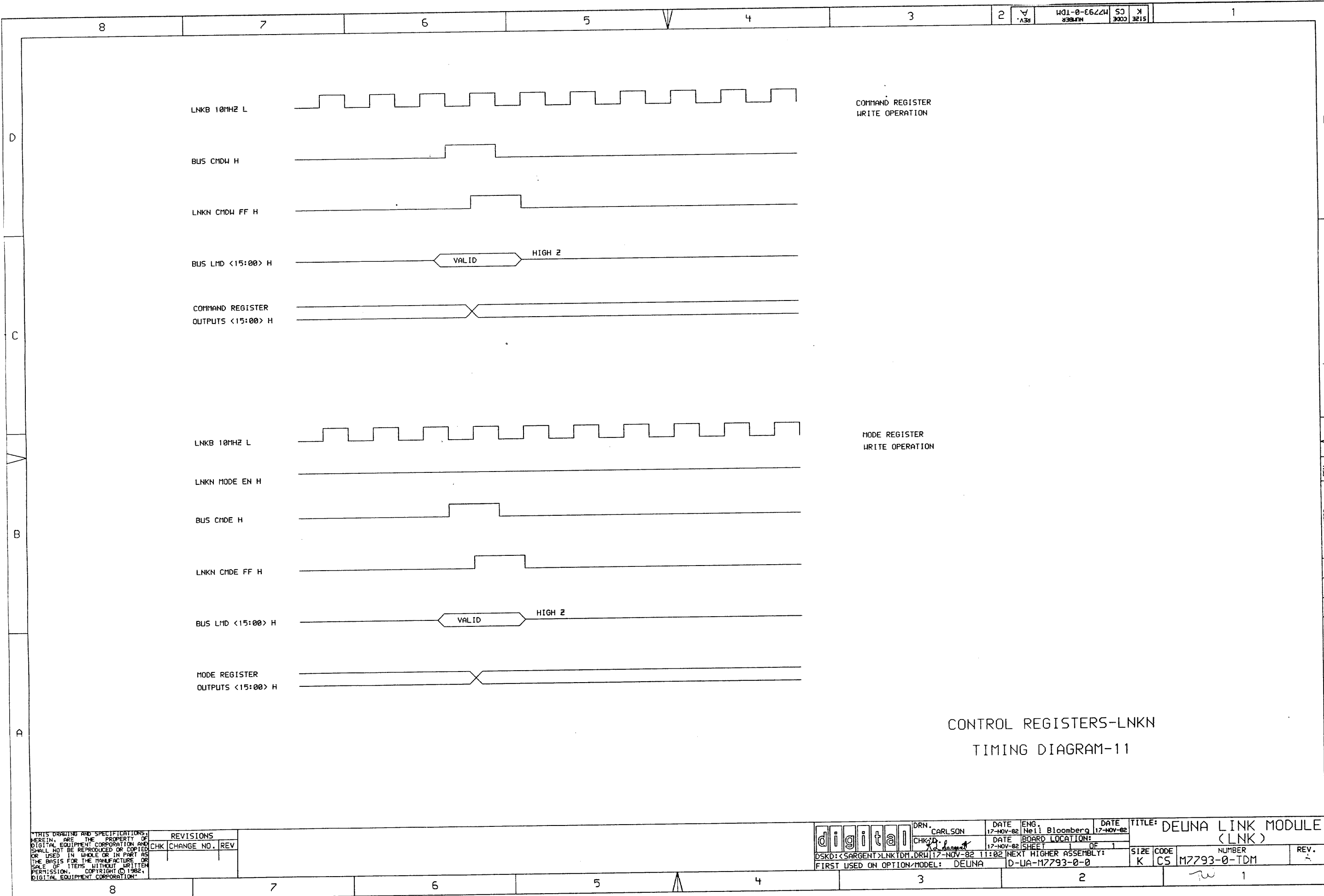
LINK RECEIVE MEMORY BUS TRANSFER-LNKE, LNKH, LNKN
TIMING DIAGRAMS-10

THIS DRAWING AND SPECIFICATIONS ARE THE PROPERTY OF DIGITAL EQUIPMENT CORPORATION AND SHALL NOT BE REPRODUCED OR COPIED OR USED IN WHOLE OR IN PART AS THE BASIS FOR THE MANUFACTURE OR SALE OF ITEMS WITHOUT WRITTEN PERMISSION. COPYRIGHT © 1982. DIGITAL EQUIPMENT CORPORATION

REVISIONS		
CHK	CHANGE NO.	REV

digital	DRN. PAUL HEBERT	DATE 17-NOV-82	ENG. Neil Bloomberg	DATE 17-NOV-82	TITLE: DEUNA LINK MODULE (LNK)
	CHK'D. <i>[Signature]</i>	DATE 17-NOV-82	BOARD LOCATION: 1	SHEET 1 OF 1	
OSKD: <SARGENT>LNKTDL.DRW 17-NOV-82 11:04				NEXT HIGHER ASSEMBLY: D-LA-M7793-0-0	
FIRST USED ON OPTION/MODEL: DEUNA					
SIZE	CODE	NUMBER	REV.		
K	CS	M7793-0-TDL	A		

REV. A
NUMBER M7793-0-TDL
SIZE CS
K
D
A



CONTROL REGISTERS-LNKN
TIMING DIAGRAM-11

THIS DRAWING AND SPECIFICATIONS HEREIN ARE THE PROPERTY OF DIGITAL EQUIPMENT CORPORATION AND SHALL NOT BE REPRODUCED OR COPIED OR USED IN WHOLE OR IN PART AS THE BASIS FOR THE MANUFACTURE OR SALE OF ITEMS WITHOUT WRITTEN PERMISSION. COPYRIGHT © 1982 DIGITAL EQUIPMENT CORPORATION.

REVISIONS		
CHK	CHANGE NO.	REV.

digital
DRN. CARLSON
CHK'D. *[Signature]*
DATE 17-NOV-82 11:02
FIRST USED ON OPTION/MODEL: DELUNA

ENG. Neil Bloomberg
DATE 17-NOV-82
BOARD LOCATION: SHEET 1 OF 1
NEXT HIGHER ASSEMBLY: D-UA-M7793-0-0

TITLE: DEUNA LINK MODULE (LNK)
SIZE CODE NUMBER REV.
K CS M7793-0-TDM

8

7

6

5

4

3

2

REV. A
SIZE CODE K CS
NUMBER M7793-0-TDN

1

D

C

B

A

D

C

REV. A

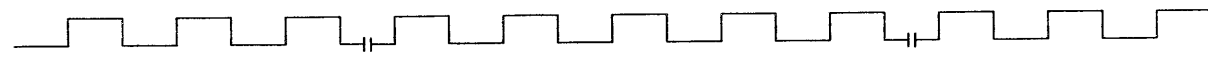
NUMBER M7793-0-TDN

SIZE CODE K CS

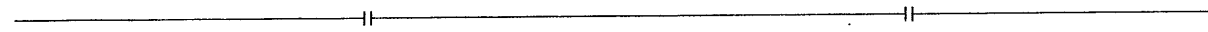
B

A

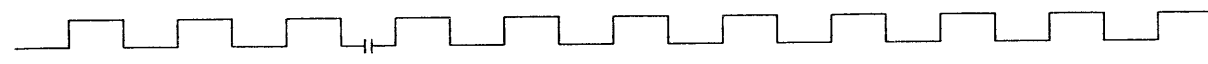
LNKB 10MHZ L



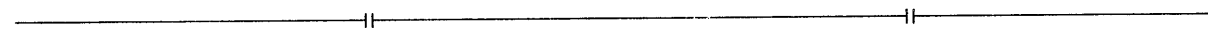
LNKN LOOPBACK H



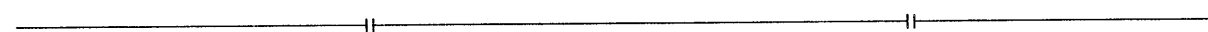
LNKE RCLK L



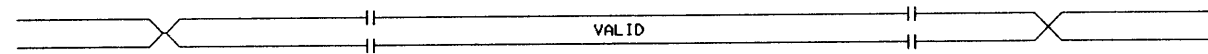
LNKE RX START BIT H



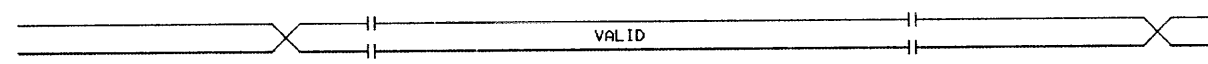
LNKN ARAM H



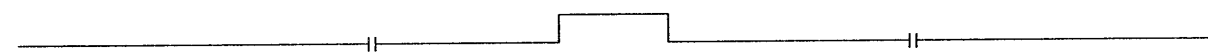
LNKN ASEL <05:00>



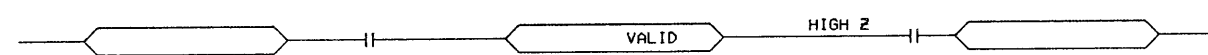
ADDRESS COUNTER
OUTPUTS <05:00> H
<LNKF>



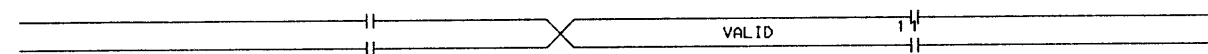
BUS CHDE H



BUS LMD <15:00> H



ARAM OUTPUTS
<11:00> H
<LNKF>



STATION ADDRESS RAM WRITE-LNKF
TIMING DIAGRAM-12

THIS DRAWING AND SPECIFICATIONS
HEREIN ARE THE PROPERTY OF
DIGITAL EQUIPMENT CORPORATION AND
SHALL NOT BE REPRODUCED OR COPIED
OR USED IN WHOLE OR IN PART AS
THE BASIS FOR THE MANUFACTURE OR
SALE OF ITEMS WITHOUT WRITTEN
PERMISSION. COPYRIGHT © 1982,
DIGITAL EQUIPMENT CORPORATION

REVISIONS		
CHK	CHANGE NO.	REV

digital

DRN. CARLSON	DATE 17-nov-82	ENG. Neil Bloomberg	DATE 17-nov-82
CHKD. J. Sargent	DATE 17-nov-82	BOARD LOCATION:	SHEET 1 OF 1

TITLE: DEUNA LINK MODULE
(LNK)

DSKD: <SARGENT>LNKTDN.DRW 17-NOV-82 11:02
FIRST USED ON OPTION/MODEL: DEUNA D-UA-M7793-0-0

SIZE CODE K CS	NUMBER M7793-0-TDN	REV. A
----------------	--------------------	--------

8

7

6

5

4

3

2

1

8

7

6

5

4

3

2

SIZE CODE NUMBER REV. A

1

D

D

C

C

B

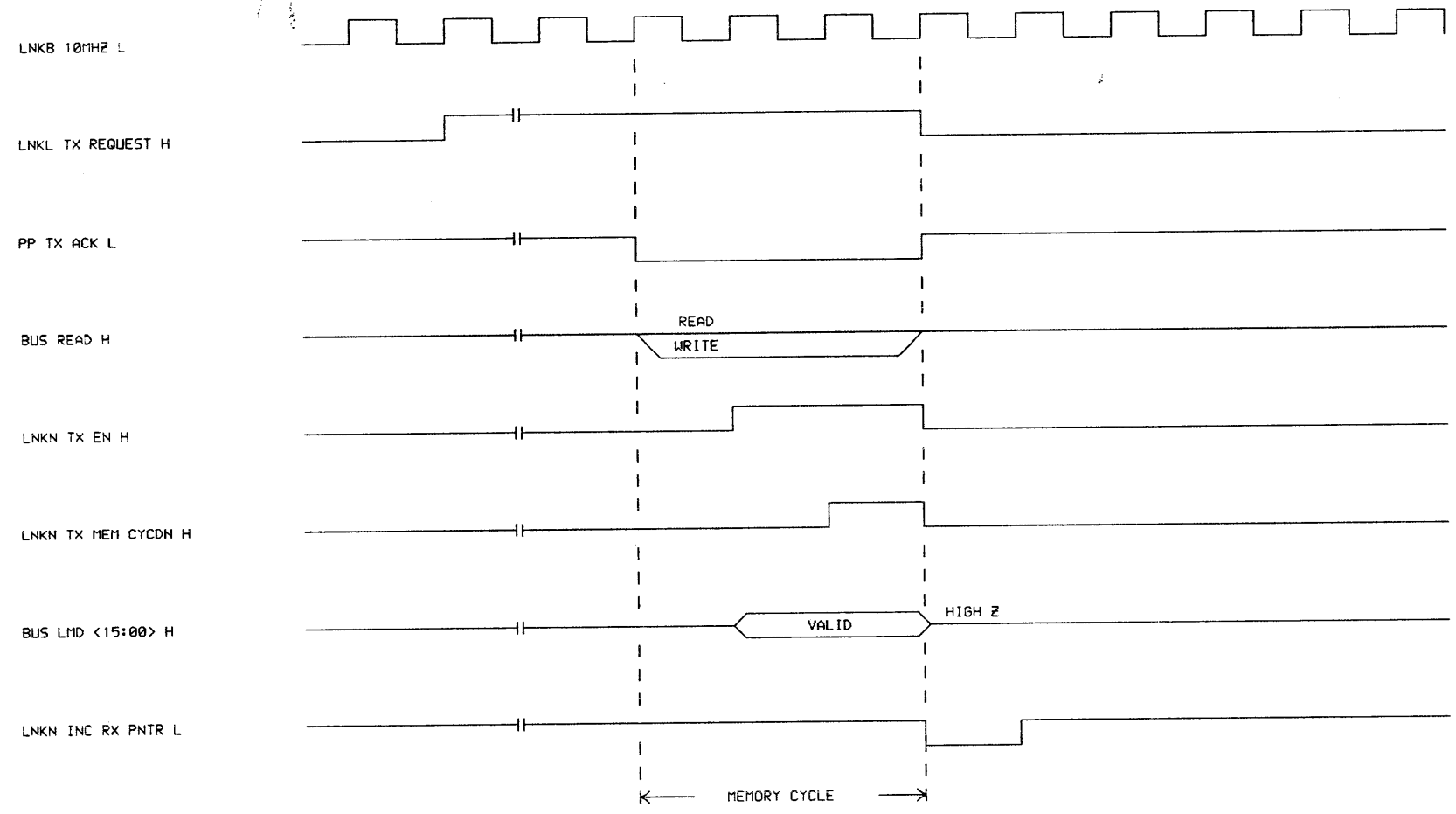
A

REV. A
NUMBER M7793-0-TDP
SIZE CODE K CS

B

A

A



TRANSMIT MEMORY BUS TRANSFER-LNKJ,L,N
TIMING DIAGRAM-13

THIS DRAWING AND SPECIFICATIONS ARE THE PROPERTY OF DIGITAL EQUIPMENT CORPORATION AND SHALL NOT BE REPRODUCED OR COPIED OR USED IN WHOLE OR IN PART AS THE BASIS FOR THE MANUFACTURE OR SALE OF ITEMS WITHOUT WRITTEN PERMISSION. COPYRIGHT © 1982, DIGITAL EQUIPMENT CORPORATION

REVISIONS	
CHK	CHANGE NO. REV

digital	DRN. CARLSON	DATE 17-NOV-82	ENG. Neil Bloomberg	DATE 17-NOV-82	TITLE: DEUNA LINK MODULE (LNK)
	CHK'D. <i>[Signature]</i>	DATE 17-NOV-82	BOARD LOCATION: SHEET 1 OF 1	SIZE CODE K CS	NUMBER M7793-0-TDP
DSKD:CSARGENT\LNKTDP.DRW 17-NOV-82 11:03			NEXT HIGHER ASSEMBLY: D-UA-M7793-0-0		REV. A
FIRST USED ON OPTION/MODEL: DEUNA					

8

7

6

5

4

3

2

1

8

7

6

5

4

3

2

REV. A

SIZE CODE K CS M7793-0-TDR

1

PREAMBLE DATA STATUS

LNKB 10MHZ L

LNKH BTATT H

LNKL INTERPACK L

LNKK RETRY STATE H

LNKJ TX FRAME SYNC H

LNKL TX REQUEST H

PP TX ACK L

BUS READ H

LNKL TX LEN REQ H

TX LENGTH COUNTER OUTPUTS <10:00> H (LNKJ)

TX DATA LATCH OUTPUTS <15:00> H (LNKJ)

LNKL RES TX PNTR L

LNKL PR INC TX PNTR L

LNKN INC TX PNTR L

LNKL TX WR STAT0 H

*1. LOADING OF THE BYTE COUNT REGISTER OCCURS DURING THE PREAMBLE 1 STATE.

MEMORY CYCLE

MEMORY CYCLE

MEMORY CYCLE

TRANSMIT LINK MEMORY TRANSFER-LNKJ, LNKL, LNKN TIMING DIAGRAM-14

THIS DRAWING AND SPECIFICATIONS HEREIN ARE THE PROPERTY OF DIGITAL EQUIPMENT CORPORATION AND SHALL NOT BE REPRODUCED OR COPIED OR USED IN WHOLE OR IN PART AS THE BASIS FOR THE MANUFACTURE OR SALE OF ITEMS WITHOUT WRITTEN PERMISSION. COPYRIGHT © 1982, DIGITAL EQUIPMENT CORPORATION

REVISIONS		
CHK	CHANGE NO.	REV

digital

DRN. CARLSON 17-NOV-82 ENG. Neil Bloomberg 17-NOV-82

DATE BOARD LOCATION: 17-NOV-82 SHEET 1 OF 1

TITLE: DELUNA LINK MODULE (LNK)

DSKD: <SARGENT>LNKTDR.DRW 17-NOV-82 11:05 NEXT HIGHER ASSEMBLY: D-LA-M7793-0-0

SIZE CODE K CS M7793-0-TDR NUMBER REV. A

8

7

6

5

4

3

2

1

REV. A

NUMBER M7793-0-TDR

SIZE CODE K CS

B

A

D

D

C

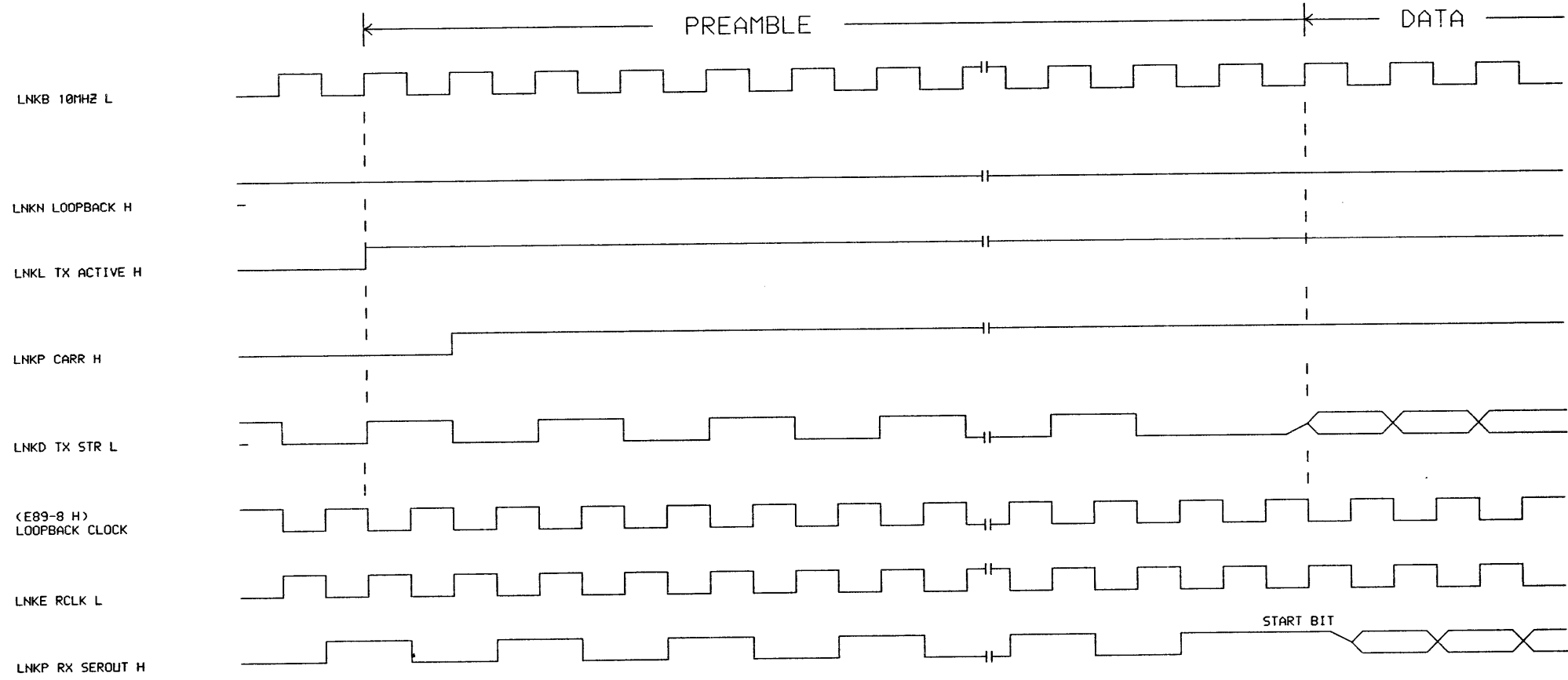
C

B

B

A

A



LOOPBACK LNKP, LNKL
TIMING DIAGRAM-15

THIS DRAWING AND SPECIFICATIONS
HEREIN ARE THE PROPERTY OF
DIGITAL EQUIPMENT CORPORATION AND
SHALL NOT BE REPRODUCED OR COPIED
OR USED IN WHOLE OR IN PART AS
THE BASIS FOR THE MANUFACTURE OR
SALE OF ITEMS WITHOUT WRITTEN
PERMISSION. COPYRIGHT © 1982,
DIGITAL EQUIPMENT CORPORATION

REVISIONS	
CHK	CHANGE NO. REV

digital	DRN. CARLSON	DATE 17-NOV-82	ENG. Neil Bloomberg	DATE 17-NOV-82	TITLE: DEUNA LINK MODULE (LNK)
	CHK'D. <i>R. Sargent</i>	DATE 17-NOV-82	BOARD LOCATION: 1 DE 1	SHEET 1 OF 1	
DSKD: <SARGENT>LNKTDS.DRW		17-NOV-82 11:03	NEXT HIGHER ASSEMBLY: D-LA-M7793-0-0		SIZE K CS
FIRST USED ON OPTION/MODEL: DEUNA				NUMBER M7793-0-TDS	REV. A

TW

8

7

6

5

4

3

2

REV. A

SIZE CODE NUMBER
K CS M7793-0-TDT

1

D

C

B

A

D

C

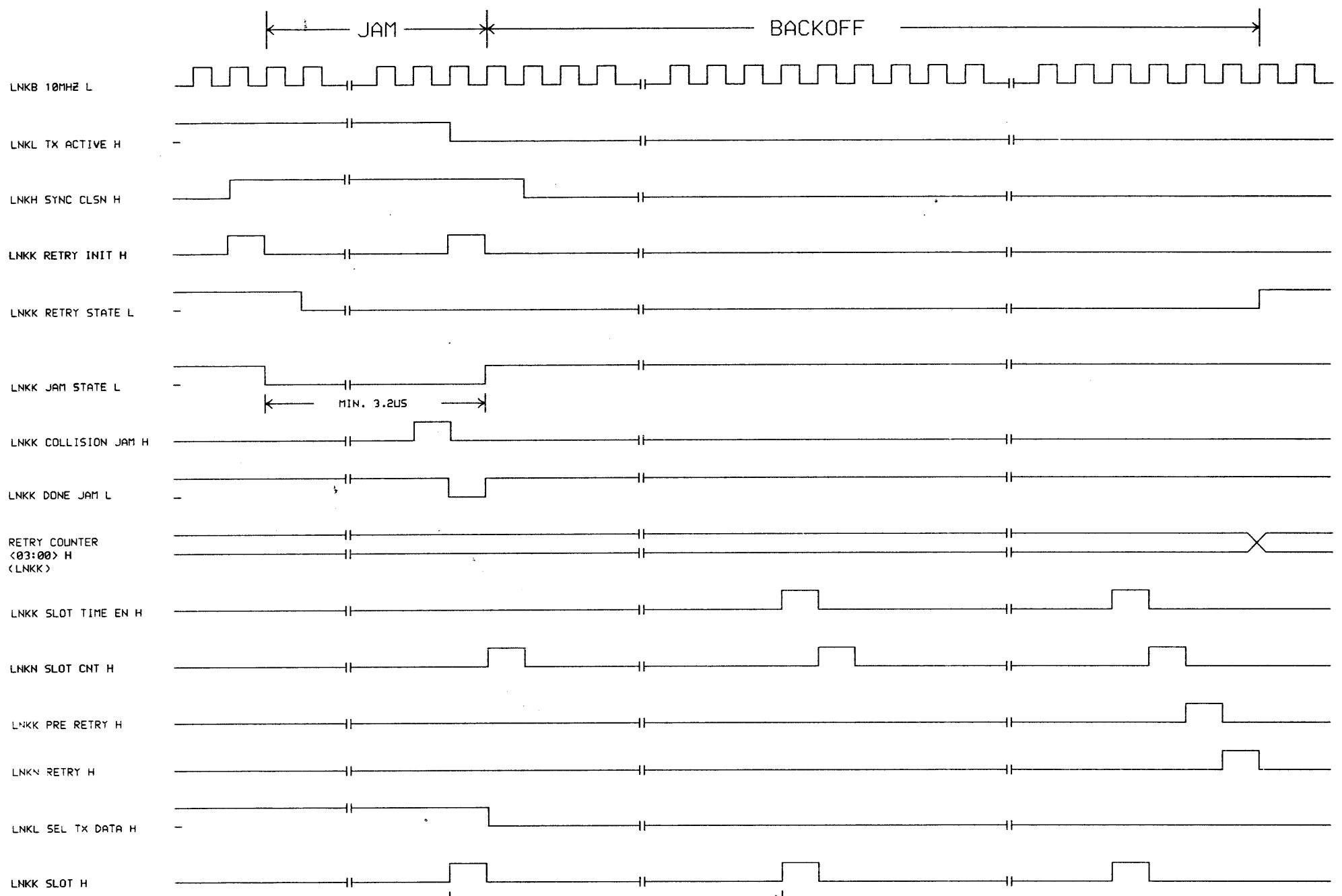
REV. A

NUMBER
M7793-0-TDT

SIZE CODE
K CS

B

A



RETRY-LNKK, LNKL, LNKN
JAM AND BACKOFF
TIMING DIAGRAM-16

THIS DRAWING AND SPECIFICATIONS
HEREIN, ARE THE PROPERTY OF
DIGITAL EQUIPMENT CORPORATION AND
SHALL NOT BE REPRODUCED OR COPIED
OR USED IN WHOLE OR IN PART AS
THE BASIS FOR THE MANUFACTURE OR
SALE OF ITEMS WITHOUT WRITTEN
PERMISSION. COPYRIGHT © 1982,
DIGITAL EQUIPMENT CORPORATION

REVISIONS	
CHK	CHANGE NO. REV

digital
DRN. CARLSON
CHK: D. Sargent
DATE: 17-NOV-82

DATE: 17-NOV-82
DATE: 17-NOV-82
SHEET 1 OF 1

ENG. Neil Bloomberg
BOARD LOCATION:
NEXT HIGHER ASSEMBLY:
D-UA-M7793-0-0

TITLE: DELUNA LINK MODULE (LNK)
SIZE CODE NUMBER REV.
K CS M7793-0-TDT A

8

7

6

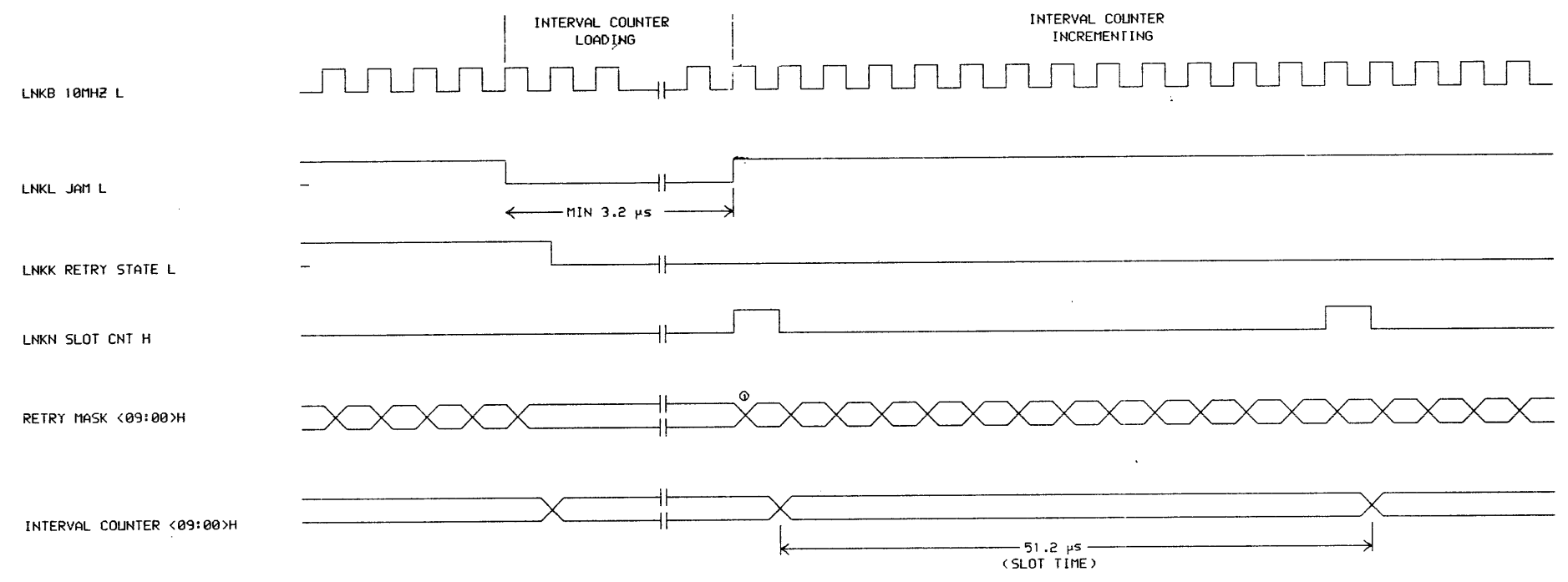
5

4

3

2

1



⊙ RETRY MASK <09:00>H IS CLOCK BY LNKL OSC L AND HENCE IS ASYNCHRONIS TO 10MHZ L.

RETRY-LNKK, LNKL
LOADING OF INTERVAL COUNTER
TIMING DIAGRAM-17

REV. A
NUMBER M7793-0-TDU
SIZE CODE K CS

"THIS DRAWING AND SPECIFICATIONS HEREIN ARE THE PROPERTY OF DIGITAL EQUIPMENT CORPORATION AND SHALL NOT BE REPRODUCED OR COPIED OR USED IN WHOLE OR IN PART AS THE BASIS FOR THE MANUFACTURE OR SALE OF ITEMS WITHOUT WRITTEN PERMISSION. COPYRIGHT © 1982, DIGITAL EQUIPMENT CORPORATION."

REVISIONS		
CHK	CHANGE NO.	REV

DRN. PAUL HEBERT"	DATE 17-NOV-82	ENG. Neil Bloomberg	DATE 17-NOV-82
CHK'D. [Signature]	DATE 17-NOV-82	BOARD LOCATION:	SHEET 1 OF 1
DSKD: <SARGENT>LNK.TDU.DRW 17-NOV-82 11:05		NEXT HIGHER ASSEMBLY:	
FIRST USED ON OPTION/MODEL: DELUNA		D-LIA-M7793-0-0	

TITLE: DELUNA LINK MODULE (LNK)			
SIZE CODE	NUMBER	REV.	
K CS	M7793-0-TDU	A	

8

7

6

5

4

3

2

1

REV. A
SIZE CODE CS
M7793-0-TDV

D

C

B

A

D

C

REV. A

NUMBER

M7793-0-TDV

SIZE CODE CS

K

B

A

LNKL OSC L

RETRY COUNT (E21-11 H)
(LNKK)

(E21-12 H)

(E21-13 H)

(E21-14 H)

RANDOM NUMBER (09:00) H

INTERVAL COUNT (09:05) L
(LNKK)

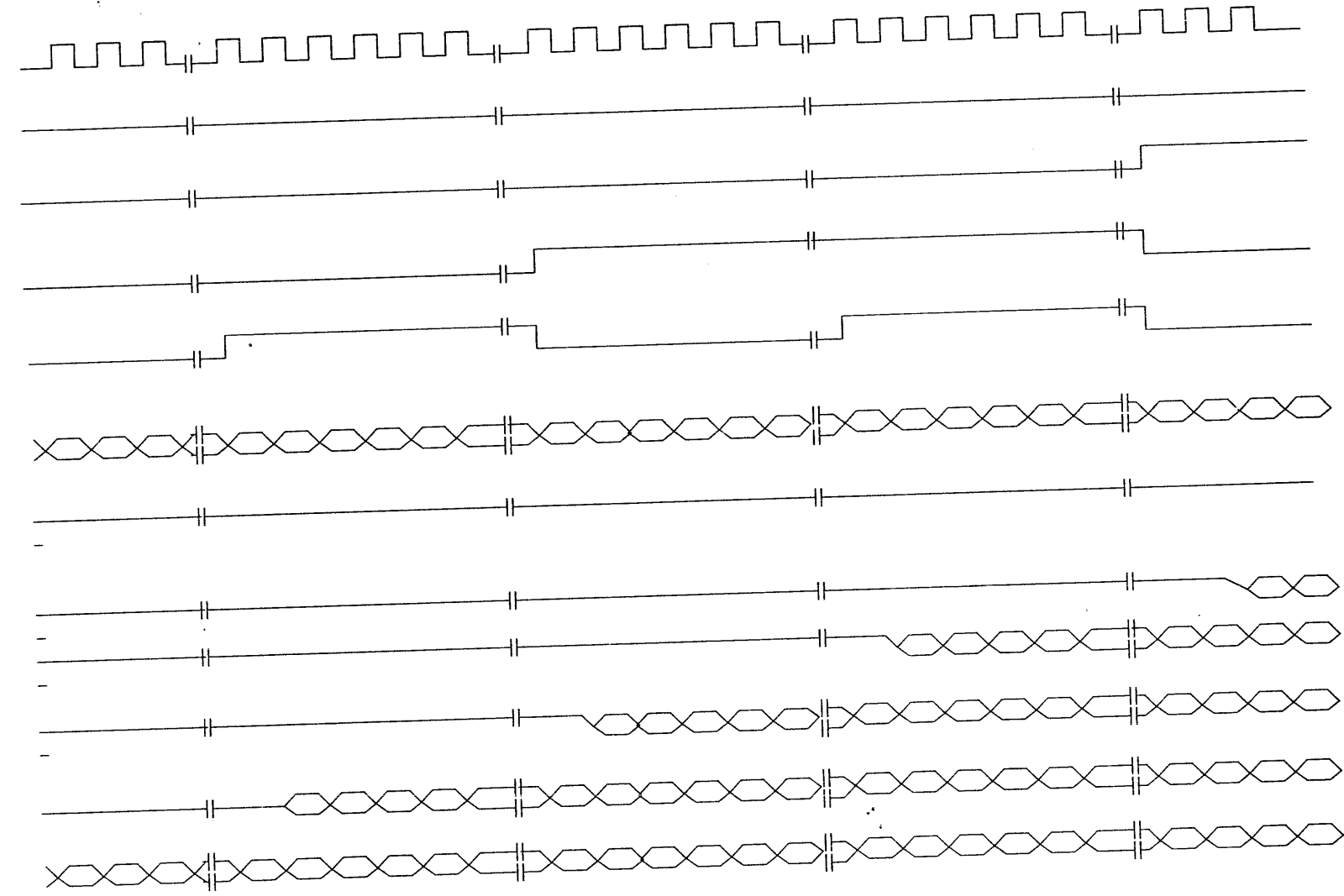
(E22-18 L)

(E22-17 L)

(E22-16 L)

(E22-15 L)

(E22-14 L)



NOTE 1. THIS COUNT IS INCREMENTED AT THE DEASSERTION OF RNKK RETRY STATE L.

RETRY-LNKK, LNKL
RANDOM NUMBER MASK OPENING
TIMING DIAGRAM-18

THIS DRAWING AND SPECIFICATIONS ARE THE PROPERTY OF DIGITAL EQUIPMENT CORPORATION AND SHALL NOT BE REPRODUCED OR COPIED OR USED IN WHOLE OR IN PART AS THE BASIS FOR THE MANUFACTURE OR SALE OF ITEMS WITHOUT WRITTEN PERMISSION. COPYRIGHT © 1982, DIGITAL EQUIPMENT CORPORATION.

REVISIONS		
CHK	CHANGE NO.	REV

digital	DRN. C. GIROUARD	DATE 17-NOV-82	ENG. Neil Bloomberg	DATE 17-NOV-82	TITLE: DELUNA LINK MODULE (LNK)
	CHK'D. <i>[Signature]</i>	DATE 17-NOV-82	BOARD LOCATION: DE 1	SHEET 1	NUMBER M7793-0-TDV
DSKD: <SARGENT>LNKTDV.DRW17-NOV-82 11:06		NEXT HIGHER ASSEMBLY: D-UA-M7793-0-0		SIZE CODE K CS	REV. A
FIRST USED ON OPTION/MODEL: DELUNA				2	1

8

7

6

5

4

3

2

1

8

7

6

5

4

3

2

REV. A
NUMBER M7793-0-TDM
SIZE CODE K CS

1

D

C

B

A

D

C

REV. A

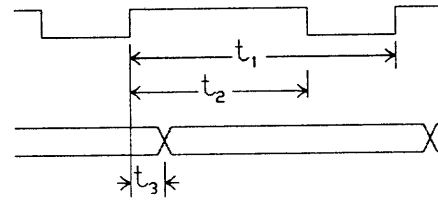
NUMBER M7793-0-TDM

SIZE CODE K CS

B

D

(E151-6 H)ECL
CLK OUTPUT

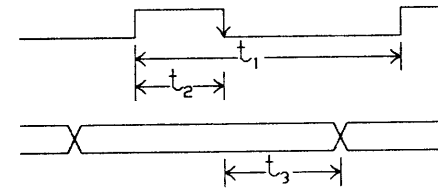


(E151-3 H)ECL
DATA OUTPUT

PARAMETER	MIN	TYPE	MAX
t_1	80	100	120
t_2	26	50	70
t_3		2	

MANCHESTER DECODER -

LNKC PRE RCLK H



LNKC PRE RX SEROUT H

PARAMETER	MIN	TYPE	MAX
t_1	80	100	120
t_2		30	
t_3		50	

CLOCK SHAPER -

RECEIVE CLOCK, DATA OUTPUTS-LNKC TIMING DIAGRAMS-19

THIS DRAWING AND SPECIFICATIONS ARE THE PROPERTY OF DIGITAL EQUIPMENT CORPORATION AND SHALL NOT BE REPRODUCED OR COPIED OR USED IN WHOLE OR IN PART AS THE BASIS FOR THE MANUFACTURE OR SALE OF ITEMS WITHOUT WRITTEN PERMISSION. COPY: 3/82 © 1982. DIGITAL EQUIPMENT CORPORATION

REVISIONS		
CHK	CHANGE NO.	REV

digital	DRN. PAUL HEBERT	DATE 17-NOV-82	ENG. Neil Bloomberg	DATE 17-NOV-82	TITLE: DELUNA LINK MODULE (LNK)
	CHK'D. <i>[Signature]</i>	DATE 17-NOV-82	BOARD LOCATION: 1 OF 1	SHEET 1 OF 1	
DSKD: <SARGENT>LNKTDW.DRW 17-NOV-82 11:03			NEXT HIGHER ASSEMBLY: D-LA-M7793-0-0		SIZE CODE K CS
FIRST USED ON OPTION/MODEL: DELUNA					NUMBER M7793-0-TDM
					REV. A

8

7

6

5

4

3

2

1

TW

8

7

6

5

4

3

2

1

REV. H
NUMBER M7793-0-TTE
SIZE CODE K CS
NUMBER 3005

PART NUMBER: 23-035K4-00

LOCATION: E22

DEVICE TYPE: PAL16R6

PIN NUMBER = SYMBOL TABLE:

1= CLK	8= SEL2 H	15= RMD1 L
2= RAN3 H	9= SEL3 H	16= RMD2 L
3= RAN2 H	10= GND	17= RMD3 L
4= RAN1 H	11= EN	18= RMD4 L
5= RAN0 H	12= Load L	19= RAN4 H
6= SEL0 H	13= ONE L	20= VCC
7= SEL1 H	14= RMD0 L	

NOTES: RNMS1.PAL - (LNKK)
This program implements the random number mask function specified in the Ethernet spec.

PAL PINS: 101010101011111111111111
213141516171819213141516171819

OUTPIN 19

OUTPIN 18
XXXXXXXXXLXXXXX SEL3 H RAN4 H Load L
XXXXXXXXXLXXXXX SEL2 H RAN4 H Load L
XXXXXXXXXLXXXXX RMD4 L Load L

OUTPIN 17
XXXXXXXXXLXXXXX SEL3 H RAN3 H Load L
XXXXXXXXXLXXXXX SEL2 H RAN3 H Load L
XXXXXXXXXLXXXXX SEL0 H SEL1 H RAN3 H Load L
XXXXXXXXXLXXXXX RMD3 L Load L

OUTPIN 16
XXXXXXXXXLXXXXX SEL1 H RAN2 H Load L
XXXXXXXXXLXXXXX SEL2 H RAN2 H Load L
XXXXXXXXXLXXXXX SEL3 H RAN2 H Load L
XXXXXXXXXLXXXXX RMD2 L Load L

OUTPIN 15
XXXXXXXXXLXXXXX SEL0 H RAN1 H Load L
XXXXXXXXXLXXXXX SEL1 H RAN1 H Load L
XXXXXXXXXLXXXXX SEL2 H RAN1 H Load L
XXXXXXXXXLXXXXX SEL3 H RAN1 H Load L
XXXXXXXXXLXXXXX RMD1 L Load L

OUTPIN 14
XXXXXXXXXLXXXXX RAN0 H Load L
XXXXXXXXXLXXXXX RMD0 L Load L

OUTPIN 13
XXXXHL L L L XXXXXXXX SEL3 H SEL2 H SEL1 H SEL0 H

OUTPIN 12

"THIS DRAWING AND SPECIFICATIONS ARE THE PROPERTY OF DIGITAL EQUIPMENT CORPORATION AND SHALL NOT BE REPRODUCED OR COPIED OR USED IN WHOLE OR IN PART AS THE BASIS FOR THE MANUFACTURE OR SALE OF ITEMS WITHOUT WRITTEN PERMISSION. COPYRIGHT © 1982, DIGITAL EQUIPMENT CORPORATION"

REVISIONS		
CHK	CHANGE NO.	REV

DRN: *K. Sargent*
DATE 08-NOV-82 ENG. Neil Bloomberg
DATE 08-NOV-82
CHK'D: Ken Sargent
DATE 08-NOV-82 SHEET 1 OF 1
BOARD LOCATION:

TITLE: DEUNA LINK MODULE
PAL LISTINGS

DSK:LNK1TE.T2P14,271 108-NOV-82 16:14 NEXT HIGHER ASSEMBLY:
FIRST USED ON OPTION/MODEL: DEUNA D-UA-M7793-0-0
SIZE CODE K CS
NUMBER M7793-0-TTE
REV. A

8

7

6

5

4

3

2

1

REV. A

NUMBER M7793-0-TTE

SIZE CODE K CS

B

A

PART NUMBER: 23-026K4-00
 LOCATION: E23
 DEVICE TYPE: PAL16P6
 PIN NUMBER = SYMBOL TABLE:

1= CLK	8= SEL2 H	15= RMD6 L
2= RAN8 H	9= SEL3 H	16= RMD7 L
3= RAN7 H	10= FND	17= RMD8 L
4= RAN6 H	11= FN	18= RMD9 L
5= RAN5 H	12= Load L	19= RAN3 H
6= SEL0 H	13= MDRE L	20= VCC
7= SEL1 H	14= RMD5 L	

NOTES: RNMS2.PAL - (LNKK)
 This program implements the Random number mask function specified in the Ethernet spec.

PAL PINS: 10101010101011111111111111
 2131415161718191213141516171819
 OUTPIN 19

OUTPIN 18 X X X X X H H L X X X X X H SEL3 H * SEL2 H * RAN8 H * Load L
 X X X X X H H L X X X X X H SEL3 H * SEL1 H * RAN9 H * Load L
 X X X X X H H L X X X X X H SEL3 H * SEL0 H * RAN5 H * Load L
 X X X X X X H X X X X L * RMD9 L * /Load L

OUTPIN 17 H X X X X X H L X X X X X SEL3 H * RAN8 H * Load L
 X X X X X X X H X X X X L X X * RMD6 L * /Load L

OUTPIN 16 X H X X X X H L X X X X X SEL3 H * RAN7 H * Load L
 X H X X H H X L X X X X X SEL2 H * SEL1 H * SEL0 H * RAN7 H * Load L
 X X X X X X H X X X L X X * RMD7 L * /Load L

OUTPIN 15 X X H X X X H L X X X X X SEL3 H * RAN6 H * Load L
 X X H X X H H X L X X X X X SEL2 H * SEL1 H * RAN6 H * Load L
 X X X X X X X H X X X L X X * RMD6 L * /Load L

OUTPIN 14 X X X H X X X H L X X X X X SEL3 H * RAN5 H * Load L
 X X X H H X H X L X X X X X SEL2 H * SEL0 H * RAN5 H * Load L
 X X X H H H X L X X X X X SEL2 H * SEL1 H * RAN5 H * Load L
 X X X X X X X H X L X X X X * RMD5 L * /Load L

OUTPIN 13 X X X X X X H X X X X X SEL3 H
 X X X X X H X X X X X X SEL2 H
 X X X X X H X X X X X X SEL1 H

OUTPIN 12

THIS DRAWING AND SPECIFICATIONS ARE THE PROPERTY OF DIGITAL EQUIPMENT CORPORATION AND SHALL NOT BE REPRODUCED OR COPIED OR USED IN WHOLE OR IN PART AS THE BASIS FOR THE MANUFACTURE OR SALE OF ITEMS WITHOUT WRITTEN PERMISSION. COPYRIGHT © 1982, DIGITAL EQUIPMENT CORPORATION

REVISIONS		
CHK	CHANGE NO.	REV

digital	DATE ENG: 08-NOV-82 Neil Bloomberg	DATE: 08-NOV-82	TITLE: DELUNA LINK MODULE
	DATE BOARD LOCATION: 08-NOV-82 SHEET 1 OF 1		PAL LISTINGS
DRN: K. Sargent	CHK'D: Ken Sargent	DATE: 08-NOV-82 16:14	
DSK:LNKTTF.12PL4.221	FIRST USED ON OPTION/MODEL: DELUNA	NEXT HIGHER ASSEMBLY: D-UA-M793-0-0	
		SIZE CODE: K CS	NUMBER: M793-0-TTF

PART NUMBER: 23-037K4-00
LOCATION: E102, E103
DEVICE TYPE: PAL16R6
PIN NUMBER = SYMBOL TABLE:

1= CLK 8= Rx In H 15= Match3 L
2= STA ADR0 H 9= Clr L 16= Match2 L
3= STA ADR1 H 10= GND 17= Match1 L
4= STA ADR2 H 11= EN 18= Match0 L
5= STA ADR3 H 12= CRY Out L 19= CRY In H
6= STA ADR4 H 13= Match5 L 20= VCC
7= STA ADR5 H 14= Match4 L

NOTES: STMT1.PAL - (LNKF)
This program is the memory contents of the PAL logic used to form the Station Address Detection STA ADR Logic.

PAL PINS: 10101010101011111111111111111111
213141516171819213141516171819
OUTPIN 19

OUTPIN 18 L X X X X X L X X X X X X X X L X /Rx In H * /STA ADR0 H * Match0 L
H X X X X X H X X X X X X X X L X Rx In H * STA ADR0 H * Match0 L
X X X X X X L X X X X X X X X Clr L

OUTPIN 17 X L X X X X L X X X X X X X X L X X /Rx In H * /STA ADR1 H * Match1 L
X H X X X X H X X X X X X X X L X X Rx In H * STA ADR1 H * Match1 L
X X X X X X L X X X X X X X X Clr L

OUTPIN 16 X X L X X X L X X X X X X X X L X X /Rx In H * /STA ADR2 H * Match2 L
X X H X X X H X X X X X X X X L X X Rx In H * STA ADR2 H * Match2 L
X X X X X X L X X X X X X X X Clr L

OUTPIN 15 X X X L X X L X X X X L X X X X /Rx In H * /STA ADR3 H * Match3 L
X X X H X X H X X X X L X X X X Rx In H * STA ADR3 H * Match3 L
X X X X X X L X X X X X X X X Clr L

OUTPIN 14 X X X X L X L X X X X L X X X X /Rx In H * /STA ADR4 H * Match4 L
X X X X H X H X X X L X X X X X Rx In H * STA ADR4 H * Match4 L
X X X X X X L X X X X X X X X Clr L

OUTPIN 13 X X X X X L L X X L X X X X X /Rx In H * /STA ADR5 H * Match5 L
X X X X X H H X X X L X X X X X Rx In H * STA ADR5 H * Match5 L
X X X X X X L X X X X X X X X Clr L

OUTPIN 12 X X X X X X X X X X X X X X X VCC
X X X X X X X X X X X X X X L X Match0 L
X X X X X X X X X X X X X X L X Match1 L
X X X X X X X X X X X X X X L X Match2 L
X X X X X X X X X X X X X X L X Match3 L
X X X X X X X X X X L X X X X X Match4 L
X X X X X X X X X X L X X X X X Match5 L
X X X X X X X X X X X X X X H CRY In H

THIS DRAWING AND SPECIFICATIONS HEREIN ARE THE PROPERTY OF DIGITAL EQUIPMENT CORPORATION AND SHALL NOT BE REPRODUCED OR COPIED OR USED IN WHOLE OR IN PART AS THE BASIS FOR THE MANUFACTURE OR SALE OF ITEMS WITHOUT WRITTEN PERMISSION. COPYRIGHT © 1982 DIGITAL EQUIPMENT CORPORATION.

REVISIONS table with columns: CHK, CHANGE NO., REV.

digital logo, DRN: Ken Sargent, DATE: 18-NOV-82, ENG: Neil Bloomberg, TITLE: DELUNA LINK MODULE PAL LISTINGS, DSK:LNKTTK.T2PC4.271, NEXT HIGHER ASSEMBLY: D-UA-M7793-0-0, SIZE CODE: K CS, NUMBER: M7793-0-TTK, REV: A

REV. A
NUMBER M7793-0-TTK
SIZE CODE K CS

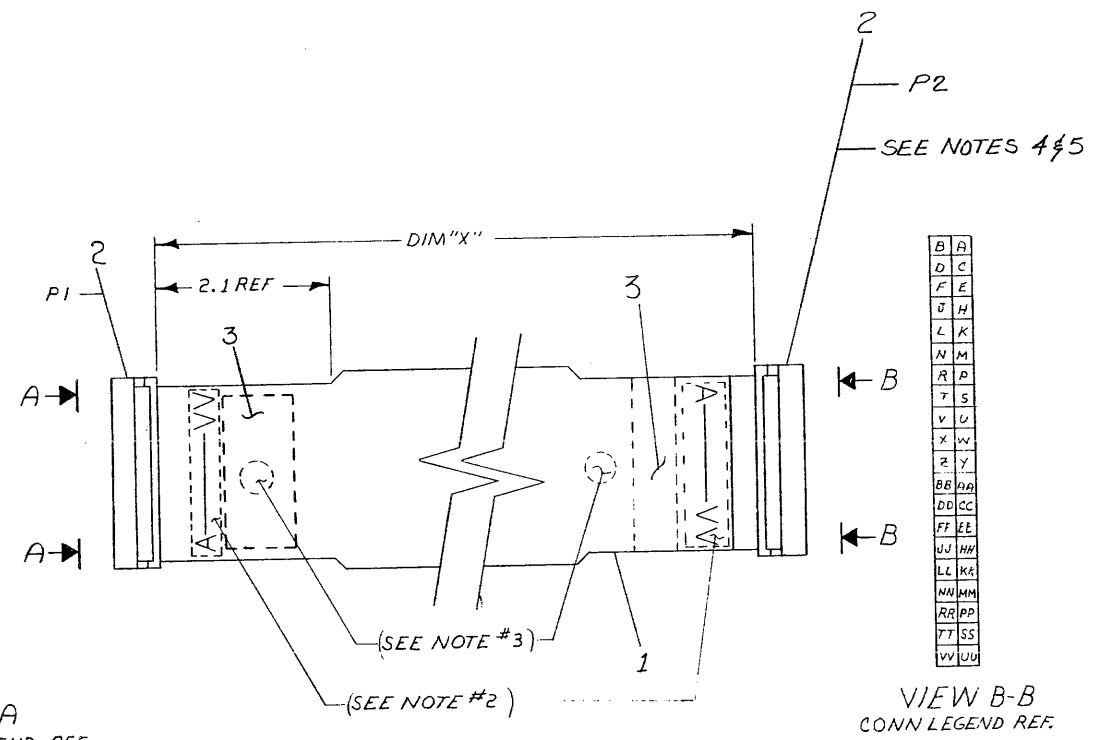
"THIS DRAWING AND SPECIFICATIONS, HEREIN, ARE THE PROPERTY OF DIGITAL EQUIPMENT CORPORATION AND SHALL NOT BE REPRODUCED OR COPIED OR USED IN WHOLE OR IN PART AS THE BASIS FOR THE MANUFACTURE OR SALE OF ITEMS WITHOUT WRITTEN PERMISSION. COPYRIGHT © 1976 DIGITAL EQUIPMENT CORPORATION"

WIRE TABLE			
FROM	TO	FROM	TO
P1-A	P2-VV	P1-Y	P2-X
P1-B	P2-UU	P1-Z	P2-W
P1-C	P2-TT	P1-AA	P2-V
P1-D	P2-SS	P1-BB	P2-U
P1-E	P2-RR	P1-CC	P2-T
P1-F	P2-PP	P1-DD	P2-S
P1-H	P2-NN	P1-EE	P2-R
P1-J	P2-MM	P1-FF	P2-P
P1-K	P2-LL	P1-HH	P2-N
P1-L	P2-KK	P1-JJ	P2-M
P1-M	P2-JJ	P1-KK	P2-L
P1-N	P2-HH	P1-LL	P2-K
P1-P	P2-FF	P1-MM	P2-J
P1-R	P2-EE	P1-NN	P2-H
P1-S	P2-DD	P1-PP	P2-F
P1-T	P2-CC	P1-RR	P2-E
P1-U	P2-BB	P1-SS	P2-D
P1-V	P2-AA	P1-TT	P2-C
P1-W	P2-Z	P1-UU	P2-B
P1-X	P2-Y	P1-VV	P2-A

LEGEND			
NUMBER	REV	DIM "X"	PRECUT LENGTH
BCØBR-Ø1	T1	1.00 FT.	1.00 FT. 1.5 IN. ± .00 IN.
BCØBR-Ø2		2.00 FT.	2.00 FT. 1.5 IN. ± .00 IN.
BCØBR-Ø3		3.00 FT.	3.00 FT. 1.5 IN. ± .00 IN.
BCØBR-Ø4		4.00 FT.	4.00 FT. 1.5 IN. ± .00 IN.
BCØBR-Ø5		5.00 FT.	5.00 FT. 1.5 IN. ± .00 IN.
BCØBR-Ø6		6.00 FT.	6.00 FT. 1.5 IN. ± .00 IN.
BCØBR-Ø7		7.00 FT.	7.00 FT. 1.5 IN. ± .00 IN.
BCØBR-Ø8		8.00 FT.	8.00 FT. 1.5 IN. ± .00 IN.
BCØBR-Ø9		9.00 FT.	9.00 FT. 1.5 IN. ± .00 IN.
BCØBR-10		10.00 FT.	10.00 FT. 1.5 IN. ± .00 IN.
BCØBR-11		11.00 FT.	11.00 FT. 1.5 IN. ± .00 IN.
BCØBR-12		12.00 FT.	12.00 FT. 1.5 IN. ± .00 IN.
BCØBR-13		13.00 FT.	13.00 FT. 1.5 IN. ± .00 IN.
BCØBR-14		14.00 FT.	14.00 FT. 1.5 IN. ± .00 IN.
BCØBR-15		15.00 FT.	15.00 FT. 1.5 IN. ± .00 IN.
BCØBR-16		16.00 FT.	16.00 FT. 1.5 IN. ± .00 IN.
BCØBR-17		17.00 FT.	17.00 FT. 1.5 IN. ± .00 IN.
BCØBR-18		18.00 FT.	18.00 FT. 1.5 IN. ± .00 IN.
BCØBR-19		19.00 FT.	19.00 FT. 1.5 IN. ± .00 IN.
BCØBR-20		20.00 FT.	20.00 FT. 1.5 IN. ± .00 IN.
BCØBR-25		25.00 FT.	25.00 FT. 1.5 IN. ± .00 IN.
BCØBR-30		30.00 FT.	30.00 FT. 1.5 IN. ± .00 IN.
BCØBR-35		35.00 FT.	35.00 FT. 1.5 IN. ± .00 IN.
BCØBR-50		50.00 FT.	50.00 FT. 1.5 IN. ± .00 IN.
BCØBR-60		60.00 FT.	60.00 FT. 1.5 IN. ± .00 IN.
BCØBR-75		75.00 FT.	75.00 FT. 1.5 IN. ± .00 IN.
BCØBR-AØ		100.00 FT.	100.00 FT. 1.5 IN. ± .00 IN.
BCØBR-A3		130.00 FT.	130.00 FT. 1.5 IN. ± .00 IN.
BCØBR-A6		160.00 FT.	160.00 FT. 1.5 IN. ± .00 IN.
BCØBR-2D		28 IN.	29.50 IN. ± 1.0 IN.
BCØBR-2J		32 IN.	33.50 IN. ± 1.0 IN.
BCØBR-ØFT1		6 IN.	7.50 IN. ± 0.5 IN.

1. DELETED.
2. CONNECTOR LEGEND IDENTIFICATION TO BE PLACED ON SHIELD SIDE OF CABLE IN THIS AREA AS SHOWN.
3. INSPECTION & TEST STAMPS TO BE PLACED AT EACH END OF THE CABLE ASSY.
4. STRIP LENGTH SHOULD BE $5/32 \pm 4/32$.
5. WHEN INSTALLING STRAIN RELIEF, MAKE SURE THAT THE RECESSED SIDE IS AGAINST THE CABLE.

UU	VV
SS	TT
PP	RR
MM	NN
KK	LL
HH	JJ
EE	FF
CC	DD
AA	BB
Y	Z
W	X
U	V
S	T
P	R
M	N
K	L
H	J
E	F
C	D
A	B



VIEW A-A
CONN LEGEND REF

VIEW B-B
CONN LEGEND REF

CAUTION:
OFF SHEET PARTS LIST
K-PL-BCØBR-Ø-Ø.

1 LABEL IDENT	3216073-00	3
2 CONNECTOR, 4Ø SOCKET	1211206	2
AIR CABLE, 4Ø COND. FLAT W/SHIELD	1700004	1

DESCRIPTION		DWG./PART NO.	ITEM NO.
UNLESS OTHERWISE SPECIFIED DIMENSIONS ARE IN INCHES			
ANGLES ±0° 30'	CLASS OF ACCURACY (CHECK ONE)	NOMINAL DIMENSION RANGE INCHES	
SURFACE QUALITY IN	MEDIUM <input type="checkbox"/>	OVER 0 TO 0.2	OVER 0.2 TO 1.2
		OVER 1.2 TO 4.0	OVER 4.0 TO 12.0
MICROINCHES	PREFERRED <input type="checkbox"/>	±.004	±.008
		±.012	±.016
		±.025	±.031

THIRD ANGLE PROJECTION	DRND. FONTAINE 8-28-70	FIRST USED ON	digital
REMOVE BURRS AND BREAK SHARP CORNERS	CHK'D J. FLEMING 8-28-70	TITLE BCØSR TO CABLE	
DO NOT SCALE DWG	ENG'D GARDNER 9-3-70	PROJ. ENG. GARDNER 9-3-70	
MATERIAL	PROD. DONALD 9-4-70	NEXT HIGHER ASSY.	
FINISH	SCALE	SIZE D UA	NUMBER FCØSR-Ø-Ø
SHEET 1 OF 1	DIST.	REV. T	

REVISIONS	CHANGE NO.	REV.
1	FCØSR-ØØØØ	L
2	REVISIED & REDRAWN	
3	1-1-76	
4	S. HOLMES	
5	1-25-77	
6	FCØSR-ØØØØ	M
7	2-1-77	
8	P. GARDNER	
9	FCØSR-MLØØØ	N
10	1-15-77	
11	D. FRENIERE	
12	FCØSR-MKØØØ	P
13	1-14-77	
14	H. GARDNER	
15	FCØSR-MKØØØ	R
16	1-14-77	
17	DAVID ZOPF	
18	FCØSR-MKØØØ	S
19	1-17-75	
20	CHRIS RYAN	
21	FCØSR-MKØØØ	T
22	1-17-75	
23	T. HUMMEL	
24	FCØSR-MKØØØ	
25	1-17-75	
26	CHRIS RYAN	

LINE ITEM	TOP DOCUMENT	PART NUMBER	MIN REV	DESCRIPTION	QTY PER VARIATION											
					01	02	03	04	05	06	07	08	09	10	11	12
				VARIATION REVISION LEVEL:	T1	T1	T1	T1	T1	T1	T1	T1	T1	T1	T1	T1
1	1	1700004-00		CABLE,RIBBON BOND 40COND 30AWG	A/R	A/R	A/R	A/R	A/R	A/R	A/R	A/R	A/R	A/R	A/R	A/R
2	2	1211206-00		CONN,IDC 40SKI(2X20),100CC GOL	2	2	2	2	2	2	2	2	2	2	2	2
3	3	3616073-00		LABEL,ID W/COPY VERTICAL	2	2	2	2	2	2	2	2	2	2	2	2

REVISION HISTORY			BASIC PART NO: BC08R	DRN: R.FONTAINE	DATE: 28-AUG-70	D I G I T A L				
ENG	ECO NUMBER	REV	SECTION A OF C	CHK'D: J.FLEMING	DATE: 28-AUG-70	TITLE PARTS LIST				
DF	BC08R-MK009	P	SECTION VARIATION INDEX			BC08R-0-0				
DZ	BC08R-MK010	R	[A]01,02,03,04,05,06,							
CR	BC08R-MK011	S	07,08,09,10,11,12							
CR	BC08R-MK012	T	[B]13,14,15,16,17,18,	DES.ENG: P.GARDNER	DATE: 09-MAR-70	DOCUMENT NUMBER				
			19,20,25,30,35,50			SIZE CODE NUMBER		REV		
			[C]60,75,A0,A3,A6,2D,	RESP.ENG.: DAVID ZOPF <i>David Zopf</i>	DATE: 14-DEC-81	K	PL	BC08R-0-0	I	
			2J,OF							
			[D]							
			[E]	MFG.ENG.: J.RISKO	DATE: 14-DEC-81	RELEASE DATE: 17-JAN-85				
			[F]							
				ASSEMBLY NUMBER: ID-UA-BC08R-0-0	TOP DOCUMENT NUMBER:	FILE NAME: MK0406,PLS	EDIT #:		5	

"THIS DRAWING AND THE SPECIFICATIONS CONTAINED HEREIN ARE CONFIDENTIAL AND PROPRIETARY. THEY ARE THE PROPERTY OF DIGITAL EQUIPMENT CORPORATION AND SHALL NOT BE REPRODUCED OR COPIED OR USED IN WHOLE OR IN PART AS THE BASIS FOR THE MANUFACTURE OR SALE OF ITEMS WITHOUT WRITTEN PERMISSION. THIS IS AN UNPUBLISHED WORK PROTECTED UNDER THE FEDERAL COPYRIGHT LAWS."

AUTOMATED BY PRTLST,5R(55)

PARTS LIST

SHEET A1 OF A1

LINE ITEM	TOP DOCUMENT	PART NUMBER	MIN REV	DESCRIPTION	VARIATION REVISION LEVEL:	QTY PER VARIATION			
						00	KL	KM	K1
1	D-AD-7018799-0-0	7018799-00		UNA BULKHEAD ASSY.	REF	1	1	1	
2	D-IA-7018798-0-0	7018798-08		UNA BULKHEAD CABLE ASSY.	REF	0	1	1	
3	D-IA-7018798-0-0	7018798-04		UNA BULKHEAD CABLE ASSY.	REF	1	0	0	
4	D-IA-7427292-0-DBU	7427292-01		FRAME,I/O DOUBLE QUAD	REF	1	1	1	
5		9006073-03		SCREW,MACH TRUSS PHIL	10- REF	0	0	2	
6		9007786-00		RETAINER,U-NUT	10-32X REF	0	0	2	

REVISION HISTORY			BASIC PART NO: CKDEUNA		DRN:	DATE:	D I G I T A L			
ENG	ECO NUMBER	REV	SECTION A OF A	CHK'D:	<i>M. Mattock</i>	05-Mar-85	TITLE PARTS LIST			
---	INITIAL	A	SECTION, VARIATION INDEX [A]00, KL, KM, K1		<i>F. Carbone</i>	05-Mar-85	DEUNA CAB KIT			
			[B]	DES. ENG:	<i>M. Mattock</i>	05-Mar-85	DOCUMENT NUMBER			
			[C]		<i>M. Mattock</i>	05-Mar-85	SIZE	CODE	NUMBER	REV
			[D]	RESP. ENG.:	<i>M. Mattock</i>	05-Mar-85	K	PL	CKDEUNA-0-0	A
			[E]	MFG. ENG.:	DANA DUNCAN	06-Mar-85	RELEASE DATE: 01-MAR-85			
			[F]	ASSEMBLY NUMBER:	<i>M. Mattock</i>	01-MAR-85	TOP DOCUMENT NUMBER:		FILE NAME:	EDIT #
							#K-DD-CKDEUNA-0		MK1164.PLS	4

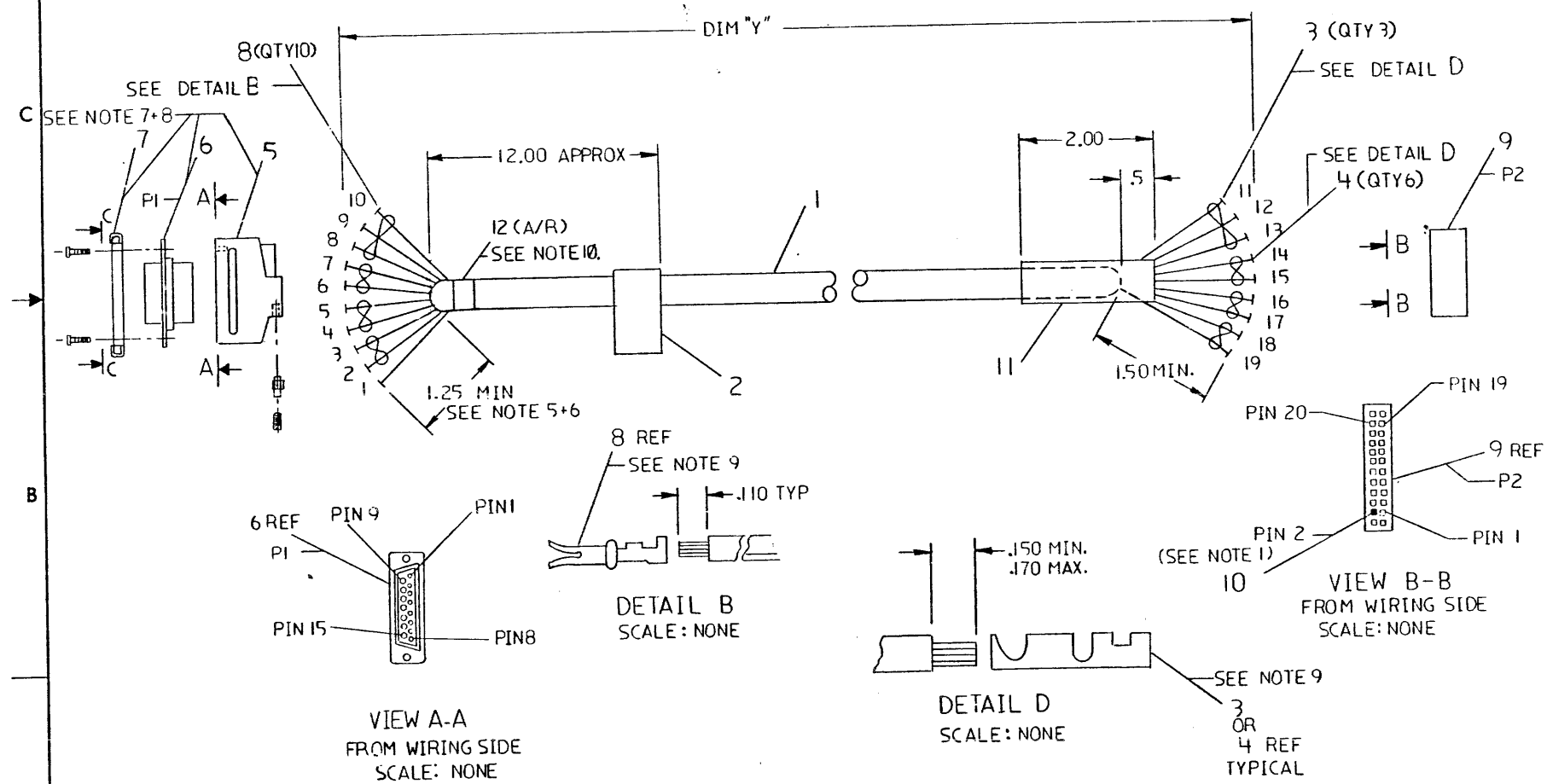
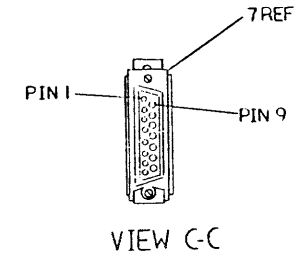
"THIS DRAWING AND THE SPECIFICATIONS CONTAINED HEREIN ARE CONFIDENTIAL AND PROPRIETARY. THEY ARE THE PROPERTY OF DIGITAL EQUIPMENT CORPORATION AND SHALL NOT BE REPRODUCED OR COPIED OR USED IN WHOLE OR IN PART AS THE BASIS FOR THE MANUFACTURE OR SALE OF ITEMS WITHOUT WRITTEN PERMISSION. THIS IS AN UNPUBLISHED WORK PROTECTED UNDER THE FEDERAL COPYRIGHT LAWS."

THIS DRAWING AND SPECIFICATIONS, HEREIN, ARE THE PROPERTY OF DIGITAL EQUIPMENT CORPORATION AND SHALL NOT BE REPRODUCED OR COPIED OR USED IN WHOLE OR IN PART AS THE BASIS FOR THE MANUFACTURE OR SALE OF ITEMS WITHOUT WRITTEN PERMISSION. COPYRIGHT © 1982 DIGITAL EQUIPMENT CORPORATION.

WIRE TABLE									
ITEM NO.	DESCRIPTION	COLOR	POINT	FROM		TO		REMARKS	
				CONNECTION	TERM	POINT	CONNECTION		
1	SHIELD		1	PI-1	8,6				SHIELD DRAIN WIRE
1	28	BLU	2	PI-2	8,6	19	P2-14	4,9	COLLISION PRESENCE +
		GRN	3	PI-9	8,6	18	P2-15	4,9	COLLISION PRESENCE -
1	28	WHT	4	PI-5	8,6	17	P2-6	4,9	RECEIVE +
		GRY	5	PI-12	8,6	16	P2-7	4,9	RECEIVE -
1	28	ORG	6	PI-3	8,6	15	P2-10	4,9	TRANSMIT +
		YEL	7	PI-10	8,6	14	P2-11	4,9	TRANSMIT -
1	24	RED	9	PI-13	8,6	11	P2-1	3,9	POWER
		VIO	10	PI-15	8,6	12	P2-20	3,9	FUSE LOW
1	BLK	8	PI-6	8,6	13	P2-4	3,9	POWER RETURN	

LEGEND		
NUMBER	DIM 'Y' (PRE-CUT)	REV
7018798-08	7 FT. 10 IN ± 2 IN.	B2
7018798-04	4 FT. 0 IN ± 2 IN.	B2
7018798-03	3 FT. 0 IN ± 2 IN.	A1
7018798-07	7 FT. 0 IN ± 2 IN.	A1

- NOTES:
- KEYING PLUG (ITEM 10) IS INSERTED INTO P2-2.
 - REMOVE JACKET & OUTER BRAID 1.50" TO ALLOW SEPARATION OF WIRES, P2 END.
 - STRIP FOIL SHIELD FROM WIRES, P2 SIDE.
 - CUT "SHIELD WIRE" FLUSH WITH OUTER JACKET, (P2 SIDE ONLY).
 - REMOVE JACKET & OUTER BRAID TO ALLOW SEPARATION OF WIRES, P1 SIDE.
 - STRIP FOIL SHIELD FROM WIRES 1.00 IN.
 - MOVE PLASTIC HOOD UP TO P1 CONNECTOR & ATTACH SLIDE LATCH ASSY. ITEM NO. 7 USING SLIDE LATCH ASSY SCREWS PROVIDED (DISCARD WASHERS & NUTS - ITEM NO. 7) TIGHTEN 3 IN - LBS. (DISCARD TWO CONNECTOR MOUNTING SCREWS HOOD ASSY) ITEM NO. 5.
 - TIGHTEN STRAIN RELIEF SET SCREW ON PLASTIC HOOD. 3 IN - LBS.
 - HAND CRIMP TOOLS: AMP P/N 90302-1 BERG ELECTRIC P/N HT-95
 - ADD ITEM NO. 12 FLUSH WITH OUTER JACKET.
 - DO NOT USE MORE THAN 8 FT (2.5M) OR ETHERNET SPECIFICATION MAY BE VIOLATED IN STANDARD CONFIGURATIONS.



CAUTION: SEE OFF SHEET PARTS LIST K-PL-7018798-0-DBF (MK 1172.FLS)

REV.	DATE	BY	CHKD.	APP'D.	DESCRIPTION
B	11/17/82	M. LAWRENCE			REVISED TO 7018798-0-DBF
A	11/17/82	M. LAWRENCE			REVISED TO 7018798-0-DBF

DESCRIPTION	DRAWING NO.	PART NO.	ITEM NO.
UNLESS OTHERWISE SPECIFIED DIMENSIONS ARE IN INCHES AND THE FOLLOWING TOLERANCES APPLY (PER DEC STD 114)			
DIMENSION RANGE IN INCHES			
INCHES TOLERANCES	ANGLES ± 0° 30'	APPLICABLE DIMENSION RANGE (CHECK ONE)	OVER 0 TO 1.2 ± 0.05
X ± .1	SURFACE QUALITY	1.2 TO 4.0 ± 0.08	4.0 TO 12.0 ± 0.12
.XX ± .02	MICROINCHES	12.0 TO 40.0 ± 0.15	40.0 TO 80.0 ± 0.24
.XXX ± .005		80.0 TO 120.0 ± 0.24	120.0 TO 160.0 ± 0.30
		160.0 TO 200.0 ± 0.30	200.0 TO 250.0 ± 0.36
		250.0 TO 300.0 ± 0.36	300.0 TO 350.0 ± 0.42
		350.0 TO 400.0 ± 0.42	400.0 TO 450.0 ± 0.48
		450.0 TO 500.0 ± 0.48	500.0 TO 550.0 ± 0.54
		550.0 TO 600.0 ± 0.54	600.0 TO 650.0 ± 0.60
		650.0 TO 700.0 ± 0.60	700.0 TO 750.0 ± 0.66
		750.0 TO 800.0 ± 0.66	800.0 TO 850.0 ± 0.72
		850.0 TO 900.0 ± 0.72	900.0 TO 950.0 ± 0.78
		950.0 TO 1000.0 ± 0.78	
THIRD ANGLE PROJECTION	DATE 12 MAY 82	TITLE digital	
DO NOT SCALE DRAWING	DATE	UNA BULKHEAD CABLE ASSY	
REMOVE BURRS AND BREAK SHARP CORNERS	DATE	DOCUMENT NUMBER	
MATERIAL SEE PARTS LIST	DATE 23-27-82	SIZE CODE D I A	NUMBER 7018798-0-0
FINISH	NEXT HIGHER DOC	SCALE	SHEET 1 OF 1

LINE	ITEM	TOP DOCUMENT	PART NUMBER	MIN REV DESCRIPTION	QTY PER VARIATION			
					04	08	03	07
				VARIATION REVISION LEVEL:	B2	B2	A1	A1
1	1	SEE NOTE	1700347-01	CABLE,RND 09COND 28AWG TWP	48	96	36	84
2	2		3616073-00	LABEL,ID W/COPY VERTICAL	1	1	1	1
3	3		1210089-07	CONN,P+S 01SKT 28-22AWG .0500D	3	3	3	3
4	4		1210089-00	CONN,P+S 01SKT 32-28AWG .0500D	6	6	6	6
5	5		1211245-02	CONN,D SUB 15POS HOOD STRAIGHT P	1	1	1	1
6	6		1210493-58	CONN,D SUB 15SKT HSG STR	1	1	1	1
7	7		1218489-00	LATCH ASSY,SLIDE 410 LG	1	1	1	1
8	8		1210493-45	CONN,D SUB SKT CRIMP 28-24AWG	10	10	10	10
9	9		1210918-25	CONN,P+S 24POS(2X12).100CC HSG	1	1	1	1
10	10		9009140-00	CONN,P+S POLARIZING PLUG FOR-	1	1	1	1
11	11	SEE NOTE	9107252-00	TUBING,SHRINK .375ID EXP	2	2	2	2
12	12		9007934-00	TAPE,URETHAN ADHDBC .50 WDX .03	A/R	A/R	A/R	A/R

13 NOTE: ITEMS 1 & 11 ARE IN INCHES

REVISION HISTORY			BASIC PART NO: 7018798		DRN:	R.J.RILEY	DATE:	16-NOV-82	D I G I T A L			
ENG	ECD NUMBER	REV	SECTION A OF A		CHK'D:	R.J.RILEY	DATE:	16-NOV-82	TITLE PARTS LIST			
---	INITIAL	A	SECTION VARIATION INDEX		DES.ENG:	R.GRAHAM	DATE:	16-NOV-82	UNA BULKHEAD CABLE ASSY			
RG	7018798-TW001	B	[A]04,08,03,07				DATE:	16-NOV-82	DOCUMENT NUMBER			
ML	7018798-MK002	C	[B]				DATE:	16-NOV-82	SIZE CODE NUMBER REV			
			[C]		RESP.ENG.:	R.GRAHAM	DATE:	16-NOV-82	K	PL	7018798-0-0	C
			[D]				DATE:	16-NOV-82	RELEASE DATE: 30-JAN-85			
			[E]		MFG.ENG.:	D.DUNCAN	DATE:	16-NOV-82				
			[F]		ASSEMBLY NUMBER:		TOP DOCUMENT NUMBER:		FILE NAME:		EDIT #:	
					D-IA-7018798-0-0		K-DD-DEUNA-0-0		MK1172.PLS		10	

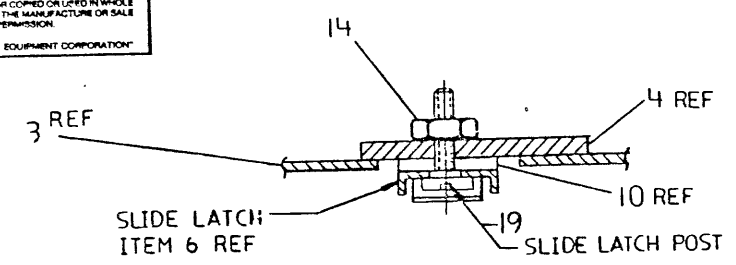
"THIS DRAWING AND THE SPECIFICATIONS CONTAINED HEREIN ARE CONFIDENTIAL AND PROPRIETARY. THEY ARE THE PROPERTY OF DIGITAL EQUIPMENT CORPORATION AND SHALL NOT BE REPRODUCED OR COPIED OR USED IN WHOLE OR IN PART AS THE BASIS FOR THE MANUFACTURE OR SALE OF ITEMS WITHOUT WRITTEN PERMISSION. THIS IS AN UNPUBLISHED WORK PROTECTED UNDER THE FEDERAL COPYRIGHT LAWS."

THIS DRAWING AND SPECIFICATIONS HEREIN ARE THE PROPERTY OF DIGITAL EQUIPMENT CORPORATION AND SHALL NOT BE REPRODUCED OR COPIED OR LENT IN WHOLE OR IN PART AS THE BASIS FOR THE MANUFACTURE OR SALE OF ITEMS WITHOUT WRITTEN PERMISSION.
 1982 DIGITAL EQUIPMENT CORPORATION

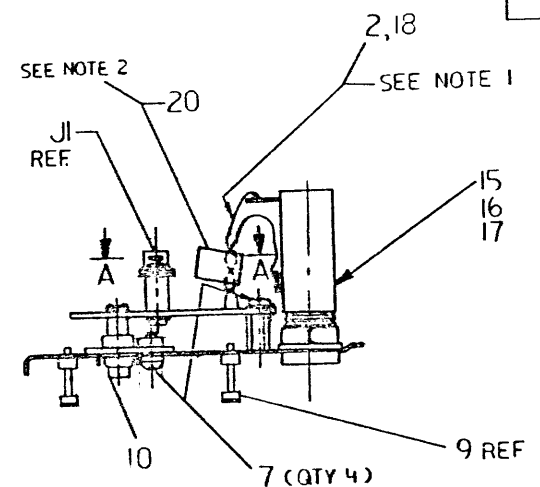
DWG NO. 7018799-0-0

LEGEND		REV
7018799-00	AS SHOWN	C2
7018799-01	USED ON DECISA OPTIONS	C2

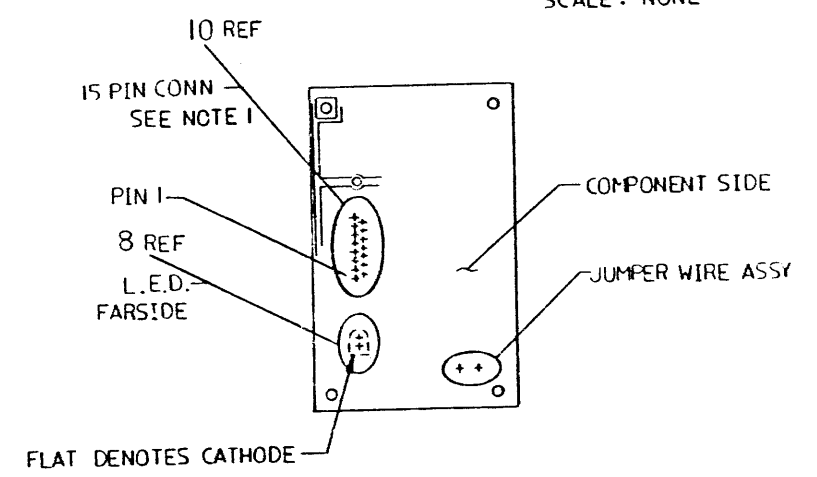
- NOTES:
- VIEW A-A IS FOR LOCATION POINTS FOR ITEMS 2, 8 AND 10.
 - MARK DEC PART NO. & REV LEVEL PER DEC STD 178.



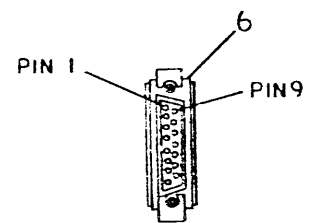
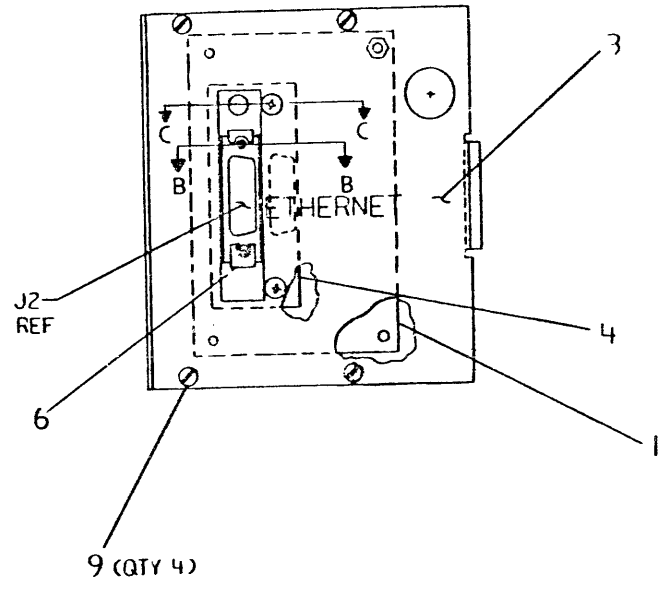
SECTION B-B
SCALE: NONE



SECTION C-C
SCALE: 2/1



VIEW A-A
LOCATION OF SOLDERING POINTS



DETAIL D-D

CAUTION: SEE OFF SHEET PARTS LIST
K-PL-7013799-0-0

DATE	REV	ECO NUMBER	BY	CHKD	DATE
11-21-82	A		R. GRAHAM		
11-21-82	B		R. GRAHAM		
11-21-82	C		D. GARDNER		
11-21-82	D		R. GRAHAM		
11-21-82	E		T. HUMMEL		
11-21-82	F		G. GRAHAM		
11-21-82	G		R. GRAHAM		
11-21-82	H		R. GRAHAM		
11-21-82	I		R. GRAHAM		
11-21-82	J		R. GRAHAM		
11-21-82	K		R. GRAHAM		
11-21-82	L		R. GRAHAM		
11-21-82	M		R. GRAHAM		
11-21-82	N		R. GRAHAM		
11-21-82	O		R. GRAHAM		
11-21-82	P		R. GRAHAM		
11-21-82	Q		R. GRAHAM		
11-21-82	R		R. GRAHAM		
11-21-82	S		R. GRAHAM		
11-21-82	T		R. GRAHAM		
11-21-82	U		R. GRAHAM		
11-21-82	V		R. GRAHAM		
11-21-82	W		R. GRAHAM		
11-21-82	X		R. GRAHAM		
11-21-82	Y		R. GRAHAM		
11-21-82	Z		R. GRAHAM		

DESCRIPTION		DRAWING NO.	PART NO.	ITEM NO.			
UNLESS OTHERWISE SPECIFIED DIMENSIONS ARE IN INCHES AND THE FOLLOWING TOLERANCES APPLY (PER DEC STD 114)							
DIMENSION RANGE IN INCHES							
INCHES TOLERANCES	ANGLES ± 0° 30'	APPLICABLE DIMENSION RANGE	OVER	OVER	OVER	OVER	OVER
			TO	TO	TO	TO	TO
X = ± .1	SURFACE QUALITY	(CHECK ONE)	± .02	± .05	± .10	± .15	± .20
XX = ± .02			± .004	± .008	± .012	± .016	± .024
XXX = ± .005			± .004	± .008	± .012	± .016	± .024
QUANTITY & VARIATION	MICROINCHES						
THIRD ANGLE PROJECTION	DWG	DATE	TITLE			digital	
DO NOT SCALE DRAWING	CHKD	DATE	UNA			BULKHEAD ASSY	
REMOVE BURRS AND BREAK SHARP CORNERS	ENGR	DATE	DOCUMENT NUMBER			D AD 7018799-0-0 E	
MATERIAL SEE PARTS LIST	INFL ENGR	DATE	SCALE 1/1			SHEET 1 OF 1	
FINISH	NEXT HIGH-ER DOC.						

AUTOMATED BY PRTLST.5R(55)

PARTS LIST

LINE	ITEM	TOP DOCUMENT	PART NUMBER	MIN REV	DESCRIPTION	VARIATION REVISION LEVEL:		QTY PER VARIATION	
						C2	C2	00	01
1	1	D-UA-5415552-0-0	5415552-00		UNA BULKHEAD			1	1
2	2	B-IA-7018810-0-0	7018801-00		JUMPER WIRE ASSY.			-	1
3	3	D-IA-7426404-09-0	7426404-09		PANEL, QUAD (D-IA)			1	-
4	4	C-IA-7427299-0-0	7427299-01		PLATE, CONNECTOR MIG			1	1
5	5		1210242-01		*** THIS ITEM IS NOT USED ***			-	-
6	6		1218489-03		LATCH ASSY, SLIDE			1	1
7	7		9009984-02		SCREW, SEMS PAN PHIL	6-		4	-
8	8		1110864-00		LED 2MCD@10MA			1	1
9	9		1219534-01		SCREW, CAPTV SLOT	4-		4	-
10	10		1220350-01		CONN, D SUB 15SKI ASSY STR TIN PL			1	1
11	11		7427750-01		*** THIS ITEM IS NOT USED ***			-	-
12	12		1012784-00		*** THIS ITEM IS NOT USED ***			-	-
13	13		9107279-11		TUBING, TEFLON .042ID			A/R	A/R
14	14		9006557-00		NUT, HEX EXT TOOTH LCK*SHR	4-40		2	2
15	15		1222255-02		FUSEHOLDER, 16. A 250 V HIGH			1	-
16	16		1222255-03		FUSECARRIER, 1/4X1 1/4 FUSE (GRE			1	-
17	17		9007213-00		FUSE, SLO BLO 1-1/2 A, 250V GLASS			1	-
18	18	D-IA-7018810-0-0	7018801-01		CKT BKR JUMPER WIRE ASSY			1	-
19	19		1218489-05		LATCH ASSY, SLIDE .41 LG POS			2	2
20	20		3616073-00		LABEL, ID W/COPY VERTICAL			1	1

21 NOTE: IF OLD 5415552 REV IS USED ADD QTY. OF 2 CAPS. #1012784-00 (.047 MFD, 50V +80-20%)

REVISION HISTORY		BASIC PART NO: 7018799		DRN: R.J. RILEY	DATE: 01-APR-85	DIGITAL		
ENG	ECO NUMBER	REV	SECTION A OF A	CHK'D: R.J. RILEY	5-AUG 85	TITLE PARTS LIST		
---	INITIAL	IA	SECTION, VARIATION INDEX	DES. E.G.: R. GRAHAM	3-AUG 85	UNA BULKHEAD ASSY.		
PG	7018799-T*001	IB	(A) 00, 01	RESP. ENG.: R. GRAHAM	DATE: 01-APR-85	DOCUMENT NUMBER	SIZE	CODE
PG	7018799-T*002	IC	(B)	MFG. ENG.: D. DUNCAN	DATE: 01-APR-85	NUMBER	PL	REV
GG	7018799-MK003	ID	(C)	ASSEMBLY NUMBER:	DATE: 01-APR-85	7018799-0-0		E
ML	7018799-MK004	IE	(D)	D-AD-7018799-0-0	DATE: 01-APR-85	RELEASE DATE: 05-AUG-85		
			(E)		TOP DOCUMENT NUMBER:	FILE NAME:		EDIT
			(F)		B-DD-DEUNA-0-0	MK1191.PLS		15

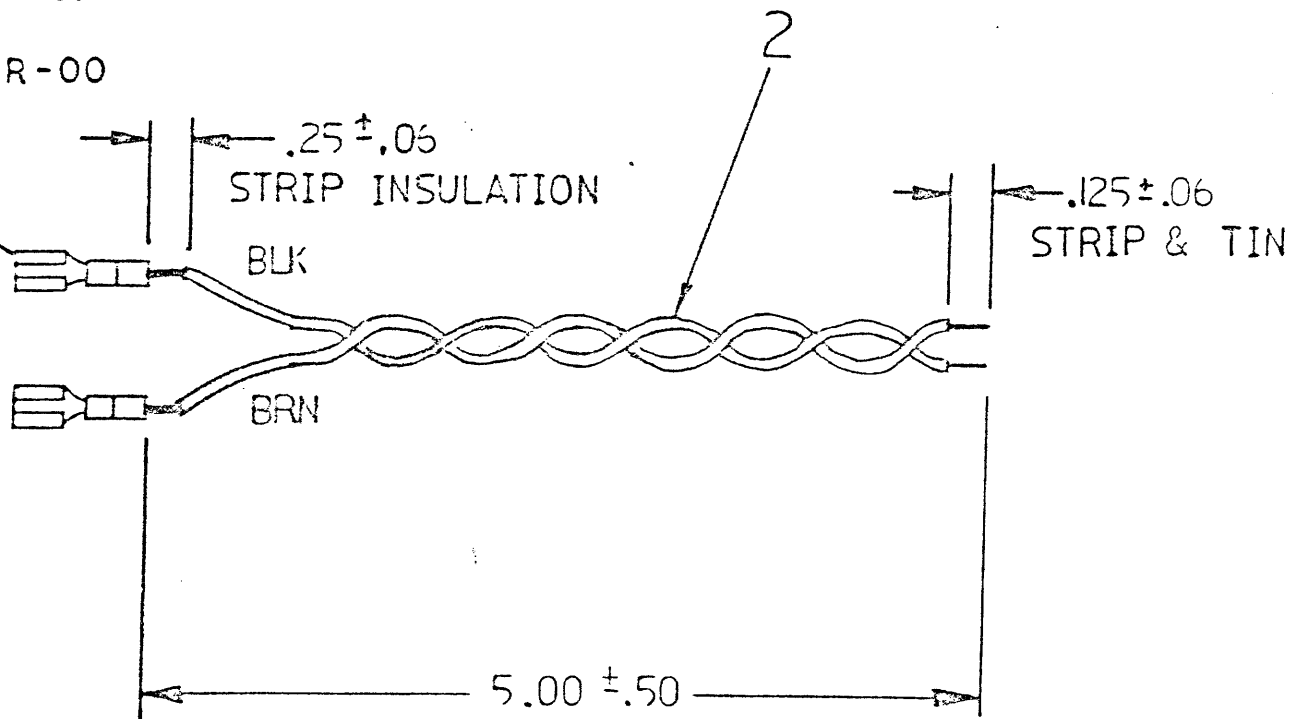
"THIS DRAWING AND THE SPECIFICATIONS CONTAINED HEREIN ARE CONFIDENTIAL AND PROPRIETARY. THEY ARE THE PROPERTY OF DIGITAL EQUIPMENT CORPORATION AND SHALL NOT BE REPRODUCED OR COPIED OR USED IN WHOLE OR IN PART AS THE BASIS FOR THE MANUFACTURE OR SALE OF ITEMS WITHOUT WRITTEN PERMISSION. THIS IS AN UNPUBLISHED WORK PROTECTED UNDER THE FEDERAL COPYRIGHT LAWS."

THIS DRAWING AND SPECIFICATIONS HEREIN ARE THE PROPERTY OF DIGITAL EQUIPMENT CORPORATION AND SHALL NOT BE REPRODUCED OR COPIED OR LENT IN WHOLE OR IN PART AS THE BASIS FOR THE MANUFACTURE OR SALE OF ITEMS WITHOUT WRITTEN PERMISSION.
 COPYRIGHT © 1982 DIGITAL EQUIPMENT CORPORATION

LEGEND	
PART NO.	REV
7018801-00	AI
7018801-01	AI

3 (QTY 2) VAR-01

1 (QTY 2) VAR-00



CAUTION: SEE OFF SHEET PARTS LIST
 K-PL-7018801-0-0

REVISION HISTORY	
DATE	ECO NUMBER
	7018799-14003 B
T. Hummel 4-3-85	
M. LAWRENCE	
W. G. Galvan 7-23-87	

DESCRIPTION	DRAWING NO.	PART NO.	FILE NO.					
UNLESS OTHERWISE SPECIFIED DIMENSIONS ARE IN INCHES AND THE FOLLOWING TOLERANCES APPLY (PER DEC STD 114)								
INCHES TOLERANCES	ANGLES OF 30°	APPLICABLE DIMENSION RANGE	DIMENSIONS RANGE IN INCHES					
			OVER 0 TO 0.2	OVER 0.2 TO 0.4	OVER 0.4 TO 1.2	OVER 1.2 TO 4.0	OVER 4.0 TO 12.0	OVER 12.0 TO 40.0
X = ± .1	SURFACE QUALITY	(CHECK ONE)	± .02	± .03	± .05	± .10	± .10	
XX = ± .02		<input type="checkbox"/>	± .004	± .003	± .012	± .010	± .01	
XXX = ± .005		<input type="checkbox"/>						
QUANTITY & VARIATION	MICROFINISH	<input type="checkbox"/>						
THIRD ANGLE PROJECTION	DRPL	DATE	TITLE					
	<i>J. Waldman</i>	7 JUN 82	CKT BKR JUMPER WIRE ASSY					
DO NOT SCALE DRAWING	CHK'D	DATE	DOCUMENT NUMBER					
REMOVE BURRS AND BREAK SHARP CORNERS	<i>J. Waldman</i>	11-16-82	SIZE CODE NUMBER REV					
MATERIAL	DESIGN	DATE	IA 7018801-0-0 B					
SEE PARTS LIST	TEST ENGR	DATE	SCALE 1/1 SHEET 1 OF 1					
FINISH	MTG. ENGR	DATE						
++	<i>Dan L. Dorman</i>	28-07-82						
	NEXT HIGH LOGO		D-AD-7018799-0-0					

DRB 1008

4

3

2

1 TW

THIS DRAWING AND THE SPECIFICATIONS CONTAINED HEREIN ARE CONFIDENTIAL AND PROPRIETARY. THEY ARE THE PROPERTY OF DIGITAL EQUIPMENT CORPORATION AND SHALL NOT BE REPRODUCED OR COPIED OR USED IN WHOLE OR IN PART AS THE BASIS FOR MANUFACTURING OR SALE OF ITEMS WITHOUT WRITTEN PERMISSION. THIS IS AN UNPUBLISHED WORK PROTECTED UNDER THE FEDERAL COPYRIGHT LAWS.

DRAWING DIRECTORY

ITEM	DRAWING NO.	NO. OF SHTS	PART NO.	DESCRIPTION	TYPE	REVISIONS								
						A1	B1	B2	B2					
1			5415552-00	SURGE CURRENT LIMITER										
2	D-UA-5415552-0-C	1		SURGE CURRENT LIMITER										
3	K-PL-5415552-0-DBP	1		SURGE CURRENT LIMITER	A	B	C	D	D					
4	K-PC-5415552-0-DBI	-		P.C. DATA BASE	A	A	B	C	C					
5	K-CS-5415552-0-DBS	-		SUDS DATA BASE	A	B	B	B	B					
6	K-CS-5415552-0-1	1		SURGE CURRENT LIMITER	A	B	C	C	C					
7	K-DD-5015551-0-0	1		DRAWING DIRECTORY	-	-	REF	REF	REF					

NOTES:

DD
REV

A

B

C

D

E

REVISION HISTORY

CONT. REVISION HISTORY

ENG	ECO NUMBER	REV
	5415552-TW001	B
CC	5415552-MK002	C
ML	5415552-MK003	D
ML	5415552-MK004	E

ENG	ECO NUMBER	REV

MADE BY: T. WALSH
DATE: 01 SEP 82

CHECKED BY: T. WALSH
DATE: 01 SEP 82

DESIGN ENGINEER: M. STECKLER
DATE: 12 DEC 82

RESPONSIBLE ENG: M. STECKLER
DATE: 12 DEC 82

PRODUCTION ENG: D. DUNCAN
DATE: 12 DEC 82

d i g i t a l

TITLE DRAWING DIRECTORY

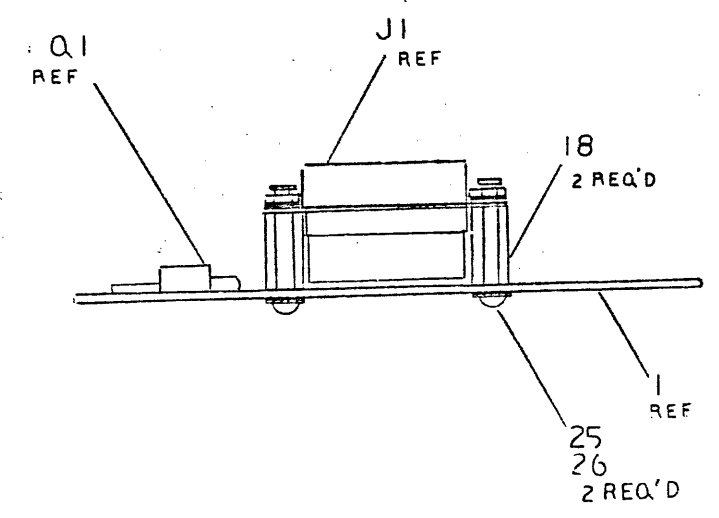
SURGE CURRENT LIMITER

SIZE	CODE	DOCUMENT NUMBER	REV.
K	DD	5415552-0-0	E

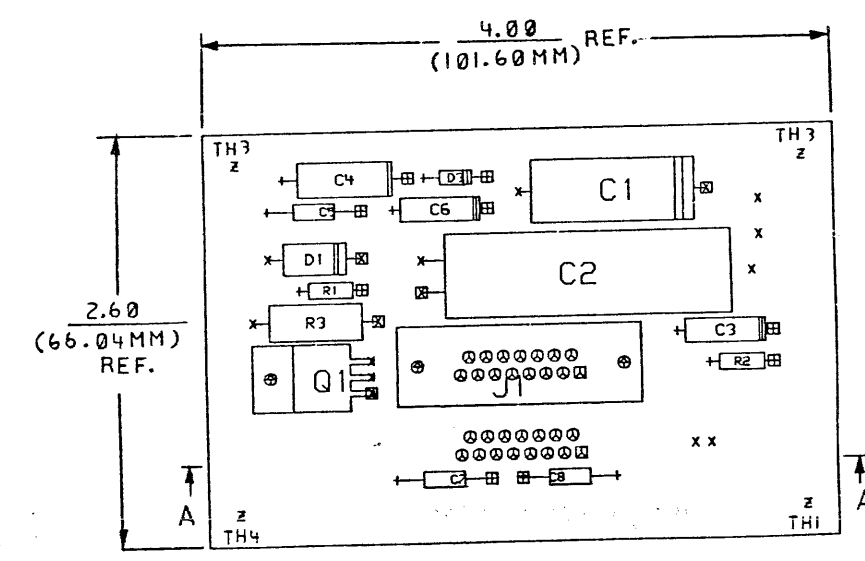
SHEET 1 OF 1 MKO

THIS DRAWING AND SPECIFICATIONS, HEREIN, ARE THE PROPERTY OF DIGITAL EQUIPMENT CORPORATION AND SHALL NOT BE REPRODUCED OR COPIED OR USED IN WHOLE OR IN PART FOR THE DESIGN OR THE MANUFACTURE OR SALE OF ITEMS WITHOUT WRITTEN PERMISSION. DIGITAL EQUIPMENT CORPORATION COPYRIGHT © 1954

COMPONENT SIDE VIEW



VIEW A-A
SCALE 2/1



CHK	DRAWN BY	ENGINEER	CHANGE NO	DATE	REV
	A. KRAWIECKI	C. CARROLL	541552 MK	30 JAN 55	C
			541552-MK 3	30 JAN 56	D

CHK	DRAWN BY	ENGINEER	CHANGE NO	DATE	REV

NOTES:
 1- LOCKING POSTS ARE ASSEMBLED USING TWO
 (2) FLAT WASHERS. DO NOT USE LOCK WASHERS.

STEP E → Y AXIS 2.60 STEP 1 TIMES
 REPEAT → X AXIS 4.00 STEP 3 TIMES

ETCH REV.	BI-P2
-----------	-------

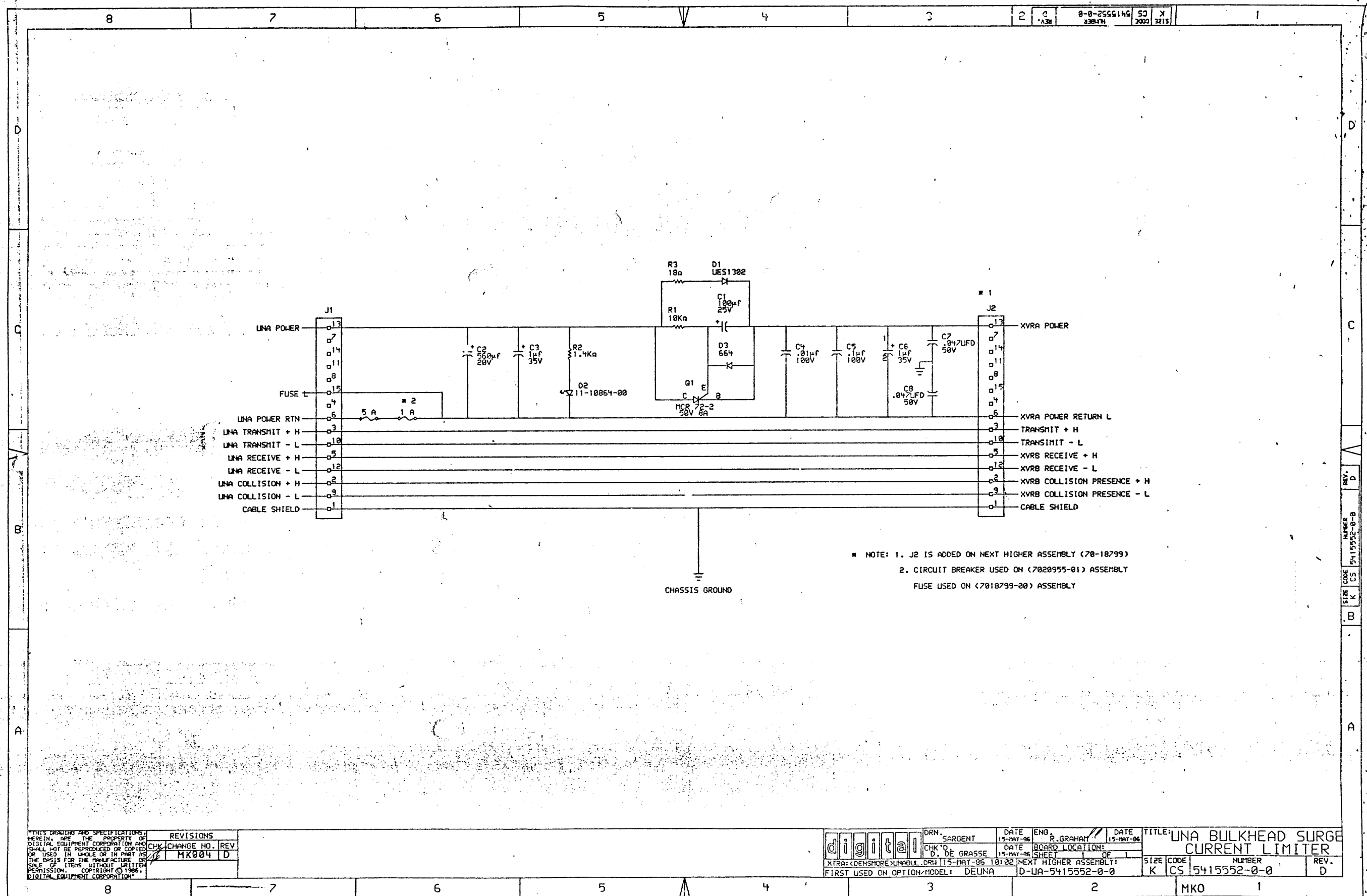
SIGNATURES		DATE	digital	TITLE	SURGE CURRENT LIMITER
DRN.	A. KRAWIECKI	1/30/55			
CHK'D	<i>[Signature]</i>	1/30/55			
MECH. ENG.	<i>[Signature]</i>	1/30/55			
PROJ. ENG.	<i>[Signature]</i>	1/30/55			
SCALE	2/1		SIZE	CODE	NUMBER
SHT.	OF 1		D	UA	541552-0-0
NEXT HIGHER ASSY. K-00-5415552-0					

MKO 1 WO# 302327

LINE ITEM	TOP DOCUMENT	PART NUMBER	MIN REV	DESCRIPTION	QTY PER VAR/REV	REFERENCE DESIGNATORS
1	1	D-MD-5015551-0-0		50-15551-00 DRILL AND ETCH	1	
2	2			10-01776-00 1 MFD 35V 10% S.TANT	2	C3,C6
3	3			10-02781-00 100 MFD 25V +75-10% AL EL	1	C1
4	4			10-05784-00 .01 MFD 100V 200V 10% MYLR	1	C4
5	5			10-13466-22 .1 MFD 50V +80-20% Z5U CER	1	C5
6	6			10-18584-01 560 MFD 20V+100-20% AL EL	1	C2
7	7			11-00114-00 PIV= 25 IO=135 MA	1	D3
8	8			11-10864-00 LED 2MCD@10MA	1	D2
9	9			11-14602-00 RECT,ULTRA FAST PIV= 100 IO= 4.0	1	D1
10	10			13-03312-00 10.0 K .25 W 1.0 % RN55D-F10	1	R1
11	11			13-13589-00 1.40 K .25 W 1.0 % RN55D-F10	1	R2
12	12			13-19255-10 18.0 1.0 W 5.0 % M.OXIDE	1	R3
13	13	BLANK		*** THIS ITEM IS NOT USED ***	-	
14	14	BLANK		*** THIS ITEM IS NOT USED ***	-	
15	15			12-21634-01 CONN,D SUB 15PIN ASSY STRAIGHT P	1	J1
16	16			15-20353-01 SCR PIV= 50 IO= 8.00A	1	Q1
17	17	BLANK		*** THIS ITEM IS NOT USED ***	-	
18	18	BLANK		*** THIS ITEM IS NOT USED ***	-	
19	19	BLANK		*** THIS ITEM IS NOT USED ***	-	
20	20	BLANK		*** THIS ITEM IS NOT USED ***	-	
21	21	BLANK		*** THIS ITEM IS NOT USED ***	-	
22	22	BLANK		*** THIS ITEM IS NOT USED ***	-	
23	23	BLANK		*** THIS ITEM IS NOT USED ***	-	
24	24			10-12784-00 .047 MFD 50V +80-20% CER	2	C7,C8
25	25			90-00037-03 WASHER,LOCK INTERNAL STEEL	2	
26	26			90-08032-01 SCREW,MACH PAN PHIL 4-	2	

REVISION HISTORY			KPL MODULE FORMAT		SECTION A OF A		DRN: P. GROSSE		
ENG	ECO NUMBER	REV	SECTION/VARIATION INDEX	DATE	DATE	DIGITAL			
	INITIAL	A	[A] 00	[M]	16-JUN-82	CHK'D: F. GAROFALO	TITLE PARTS LIST		
ML	5415552-MK002	B	[B]	[N]	16-JUN-82	DATE: 16-JUN-82	SURGE CURRENT LIMITER		
ML	5415552-MK003	C	[C]	[P]		DES.ENG: R. GRAHAM	DOCUMENT NUMBER		
			[D]	[Q]		DATE: 16-JUN-82	SIZE	CODE	NUMBER
			[E]	[R]		RESP.ENG: M. LAWRENCE			REV
			[F]	[S]		DATE: 25-MAR-85	K	PL	5415552-0-0
			[H]	[T]		MFG.ENG: W. BROOKE	RELEASE DATE: 28-JAN-86		
			[J]	[V]		DATE: 25-MAR-85	RELEASE STATUS: RELEASED		
			[K]	[W]					
			[L]	[Y]					
BASIC PART NUMBER:		ASSEMBLY NUMBER:		TOP DOCUMENT NUMBER:		FILE NAME:		EDIT #	
5415552		D-UA-5415552-0-0		K-DD-5415552-0		MK1277.PLS		3	

"THIS DRAWING AND THE SPECIFICATIONS CONTAINED HEREIN ARE CONFIDENTIAL AND PROPRIETARY. THEY ARE THE PROPERTY OF DIGITAL EQUIPMENT CORPORATION AND SHALL NOT BE REPRODUCED OR COPIED OR USED IN WHOLE OR IN PART AS THE BASIS FOR THE MANUFACTURE OR SALE OF ITEMS WITHOUT WRITTEN PERMISSION. THIS IS AN UNPUBLISHED WORK PROTECTED UNDER THE FEDERAL COPYRIGHT LAWS."



NOTE: 1. J2 IS ADDED ON NEXT HIGHER ASSEMBLY (70-18799)
 2. CIRCUIT BREAKER USED ON (7020955-01) ASSEMBLY
 FUSE USED ON (7018799-00) ASSEMBLY

THIS DRAWING AND SPECIFICATIONS ARE THE PROPERTY OF DIGITAL EQUIPMENT CORPORATION AND SHALL NOT BE REPRODUCED OR COPIED OR USED IN WHOLE OR IN PART AS THE BASIS FOR THE MANUFACTURE OR SALE OF ITEMS WITHOUT WRITTEN PERMISSION. COPYRIGHT © 1986, DIGITAL EQUIPMENT CORPORATION.

REVISIONS		
CHK	CHANGE NO.	REV
	MK004	D

digital	DRN. SARGENT	DATE 15-MAY-86	ENG. R. GRAHAM	DATE 15-MAY-86	TITLE: UNA BULKHEAD SURGE CURRENT LIMITER
	CHK'D D. DE GRASSE	DATE 15-MAY-86	BOARD LOCATION: SHEET 1 OF 1		
XTRA: (DENSMORE) UNABL. DRN 15-MAY-86 10:02 NEXT HIGHER ASSEMBLY: D-UA-5415552-0-0					SIZE CODE NUMBER REV.
FIRST USED ON OPTION/MODEL: DEUNA					K CS 5415552-0-0 D

REV. D
 NUMBER 5415552-0-0
 SIZE CODE CS
 K CS
 B