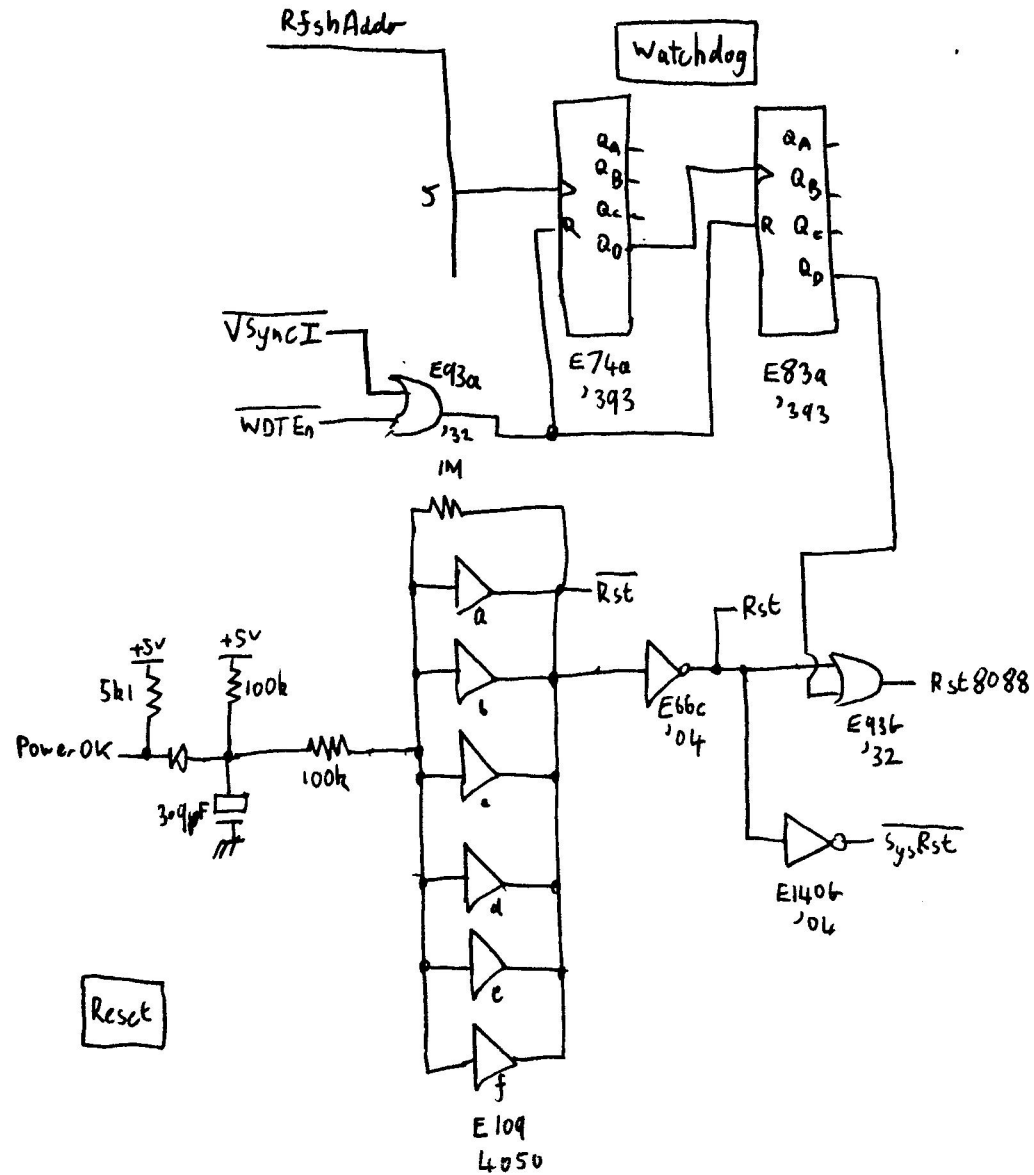
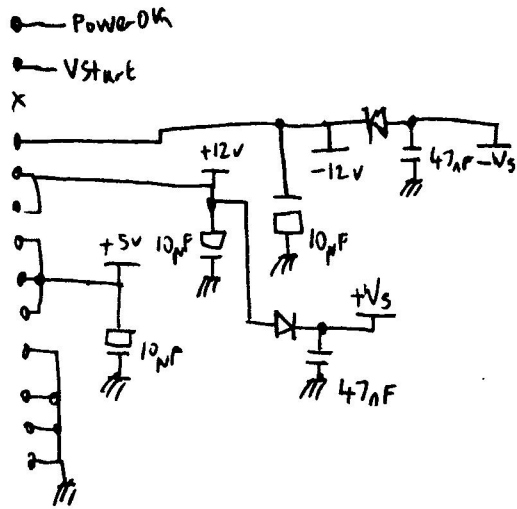
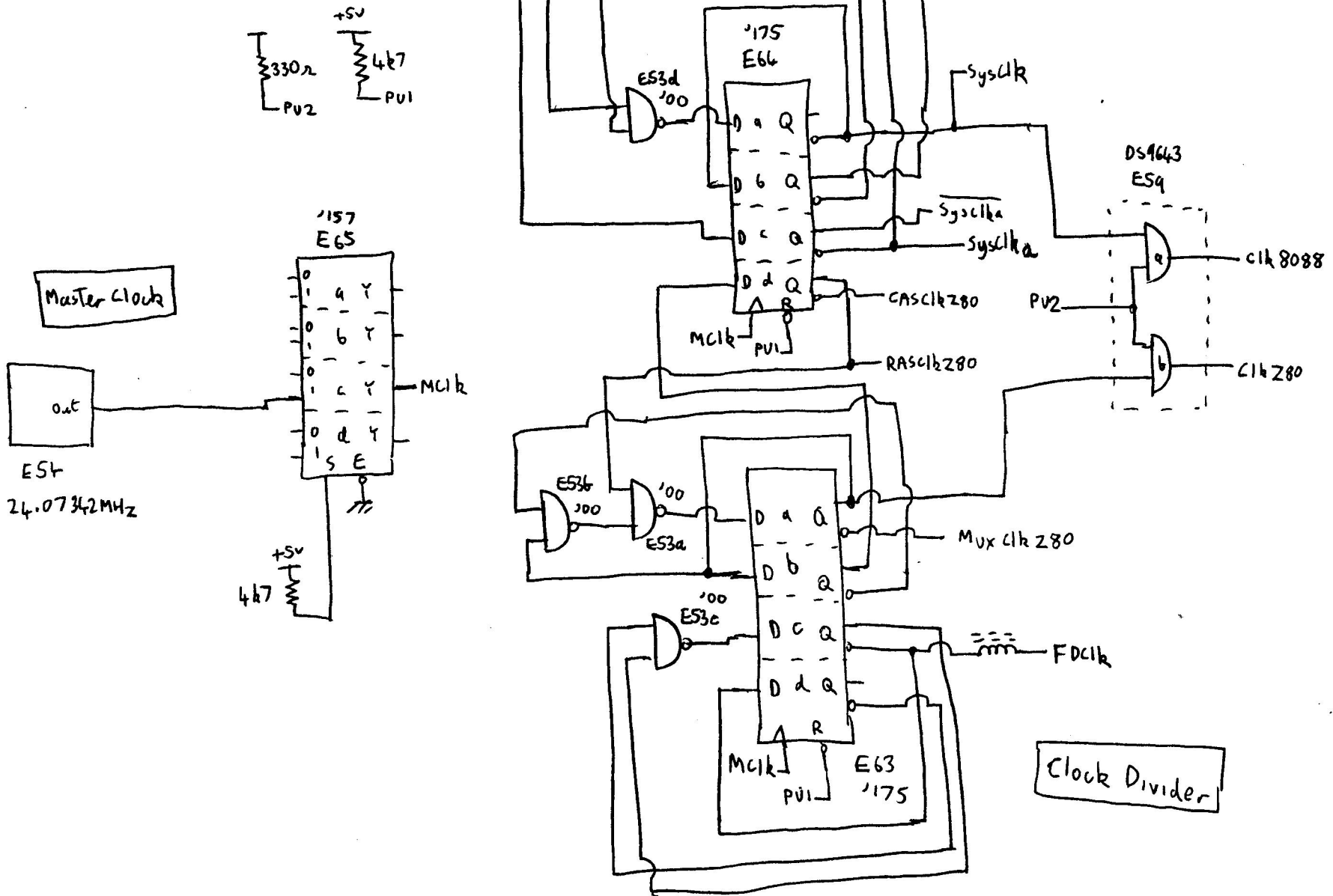
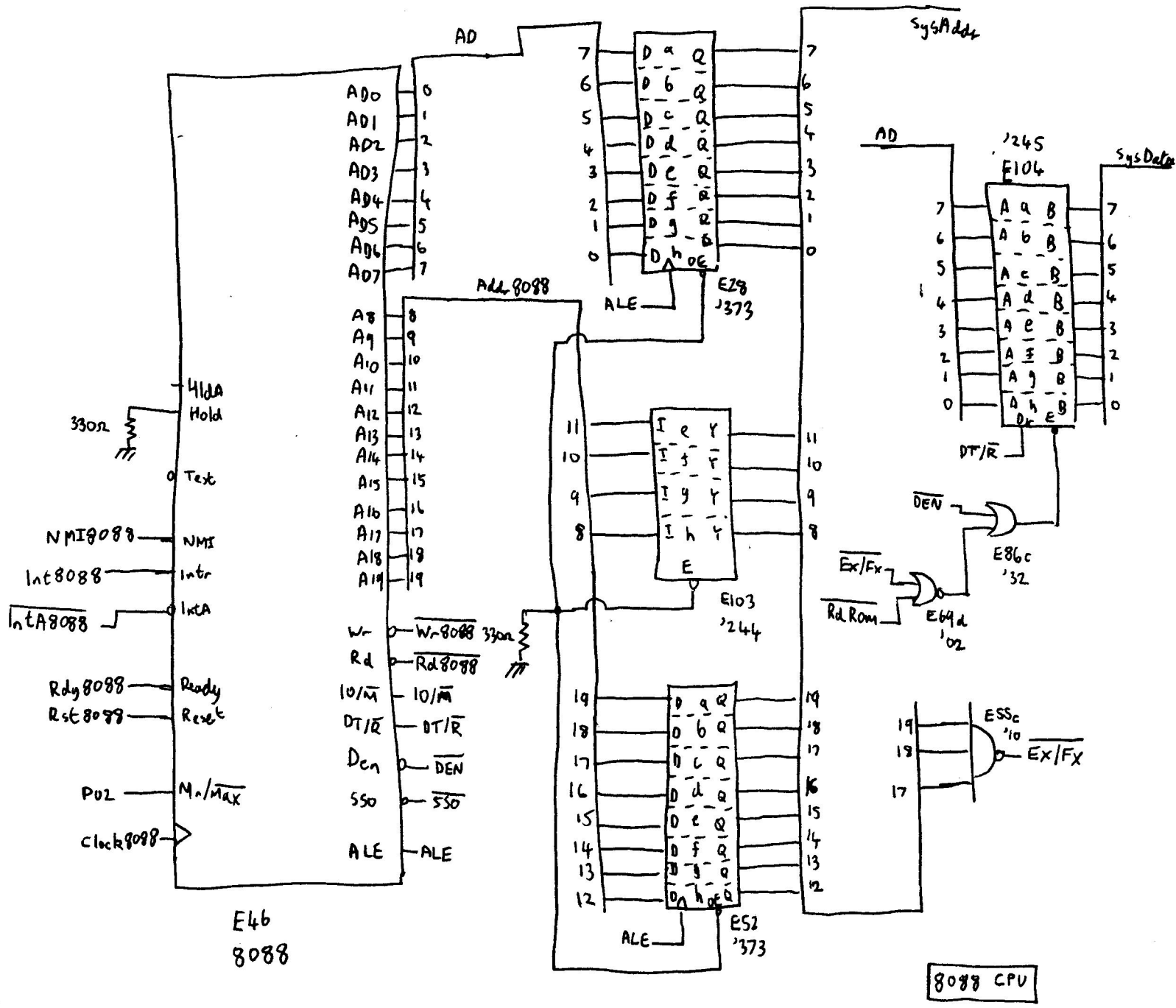


PSU

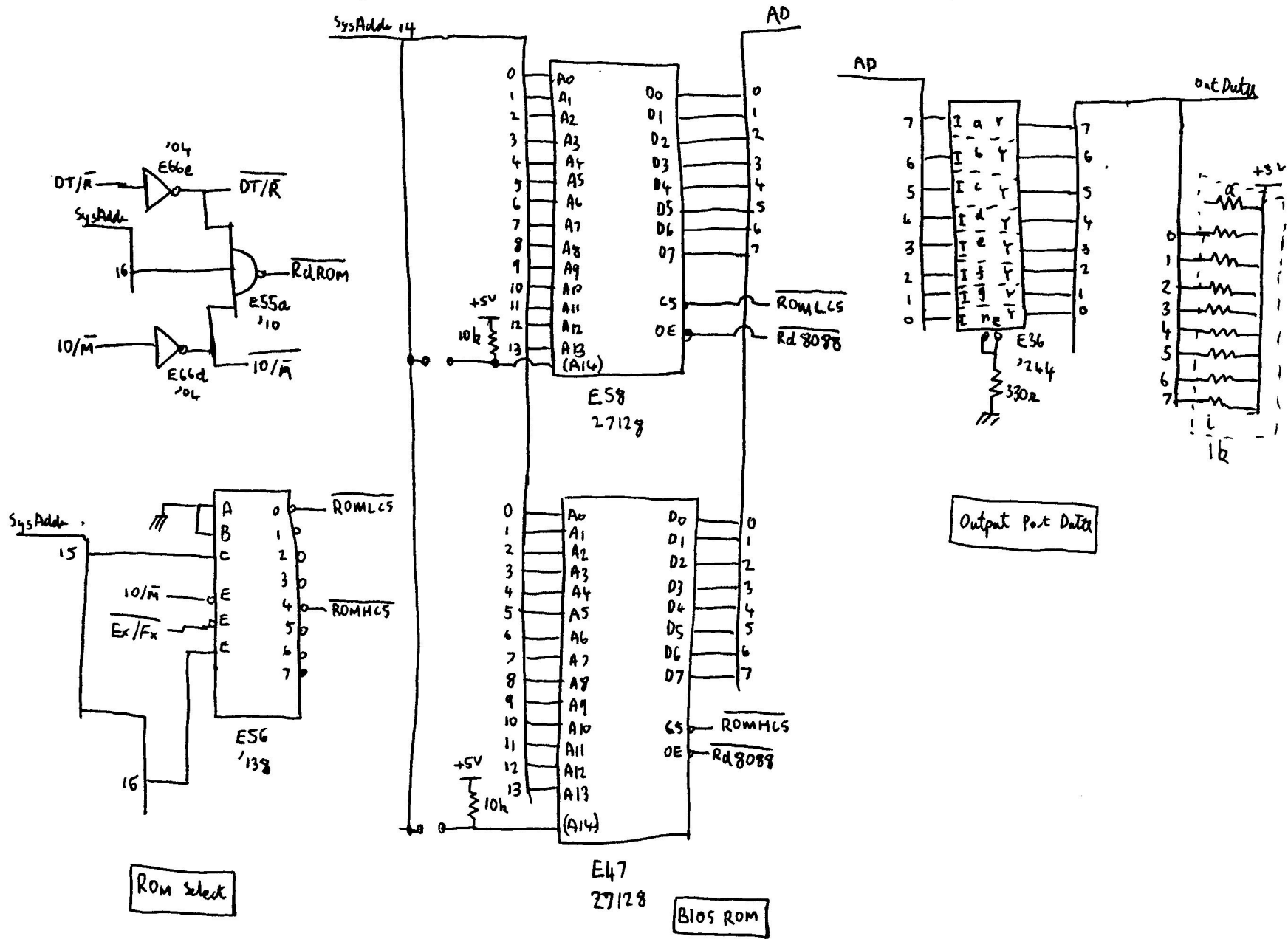


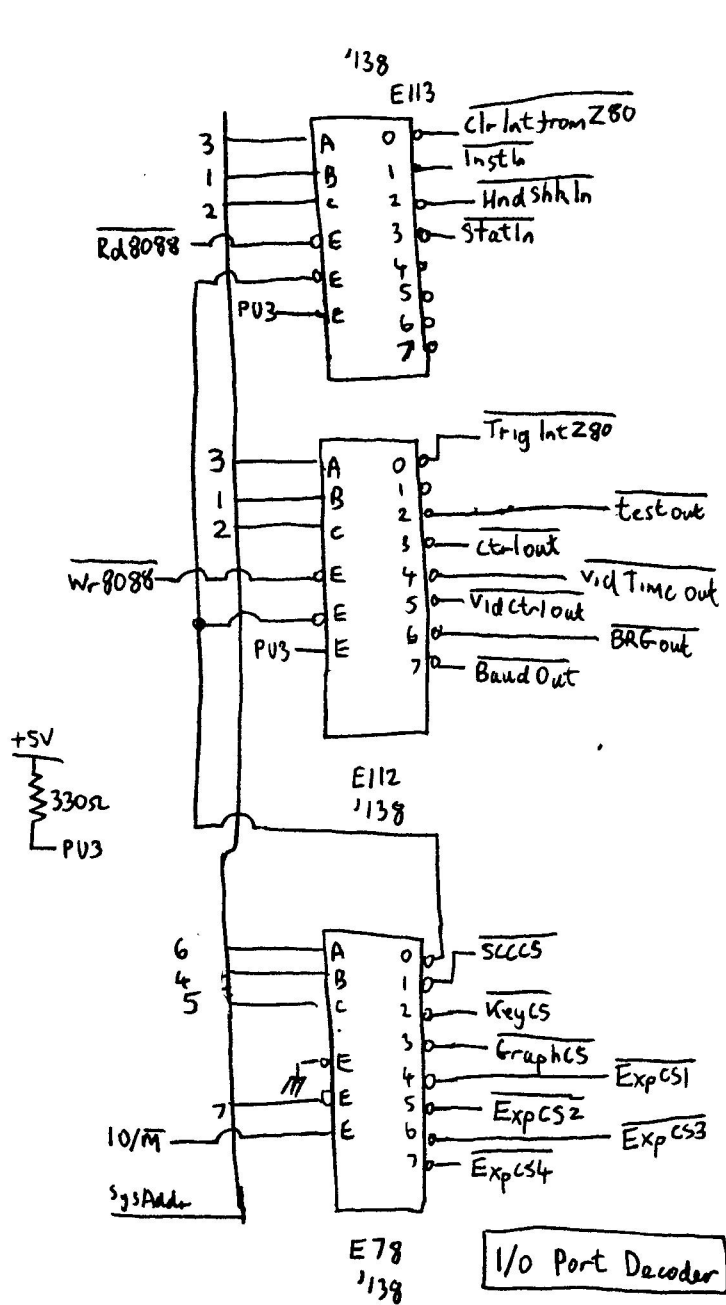
Reset



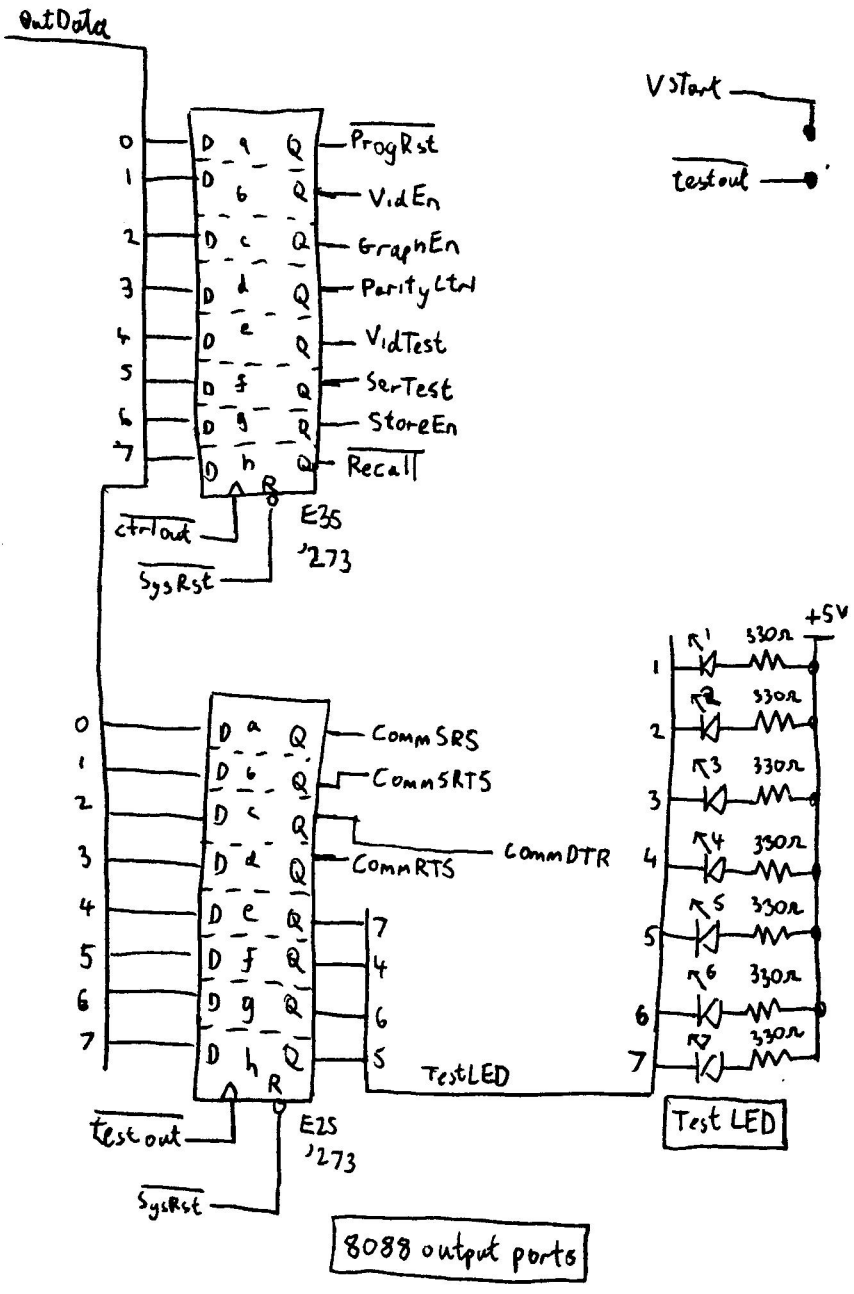


Rainbow Mother board sheet (3)

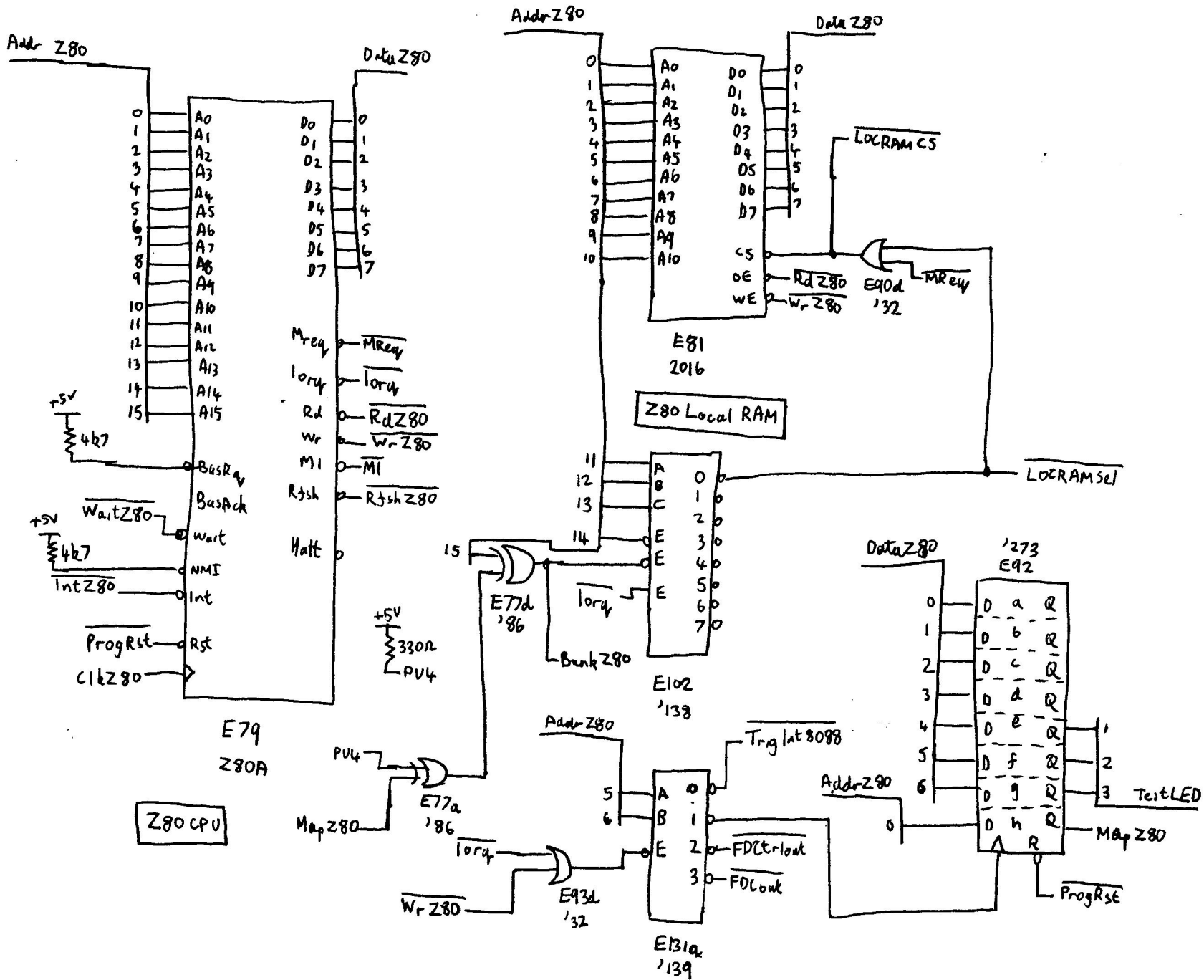


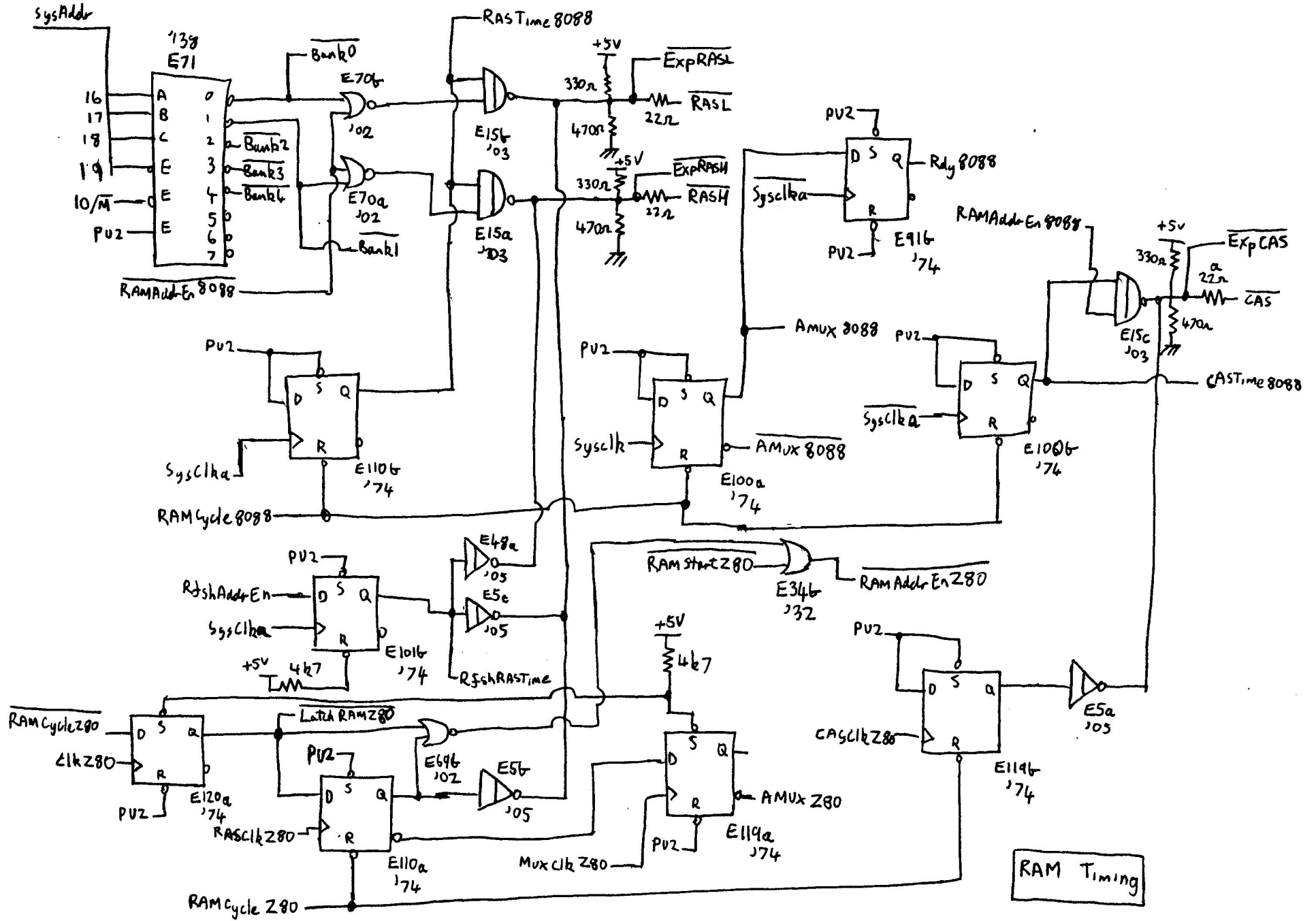


I/O Port Decoder

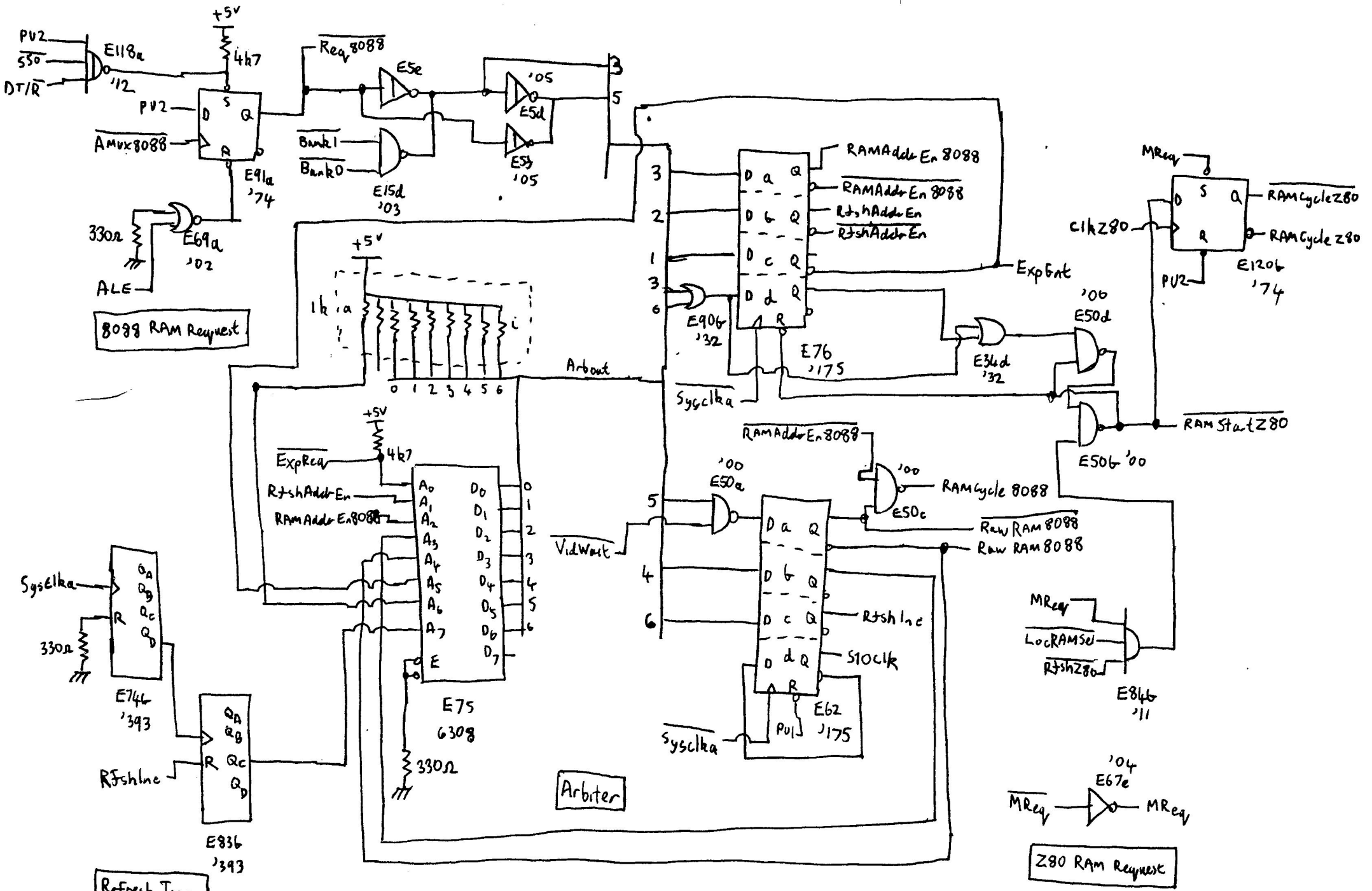


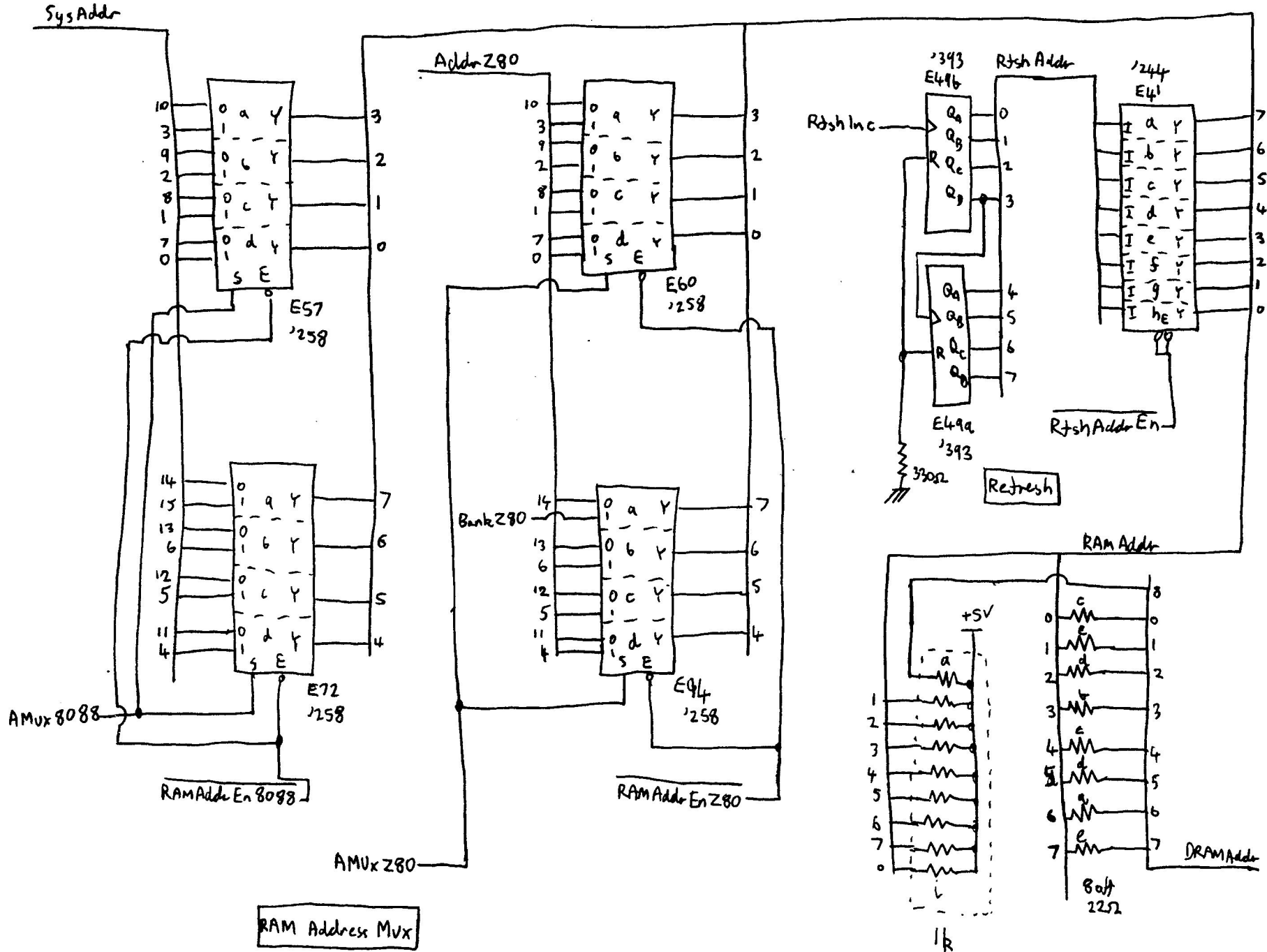
8088 output ports

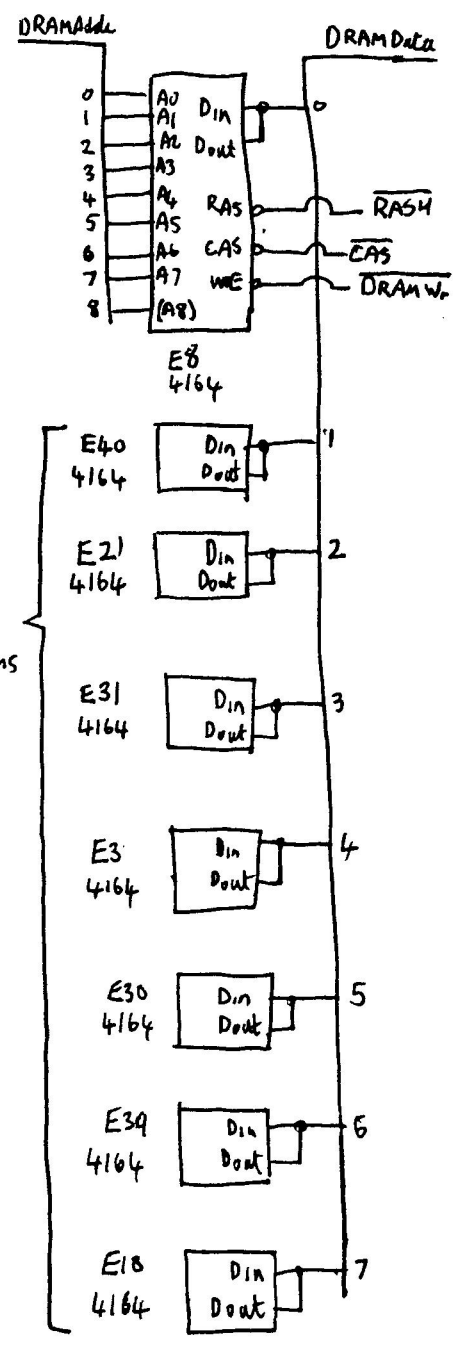
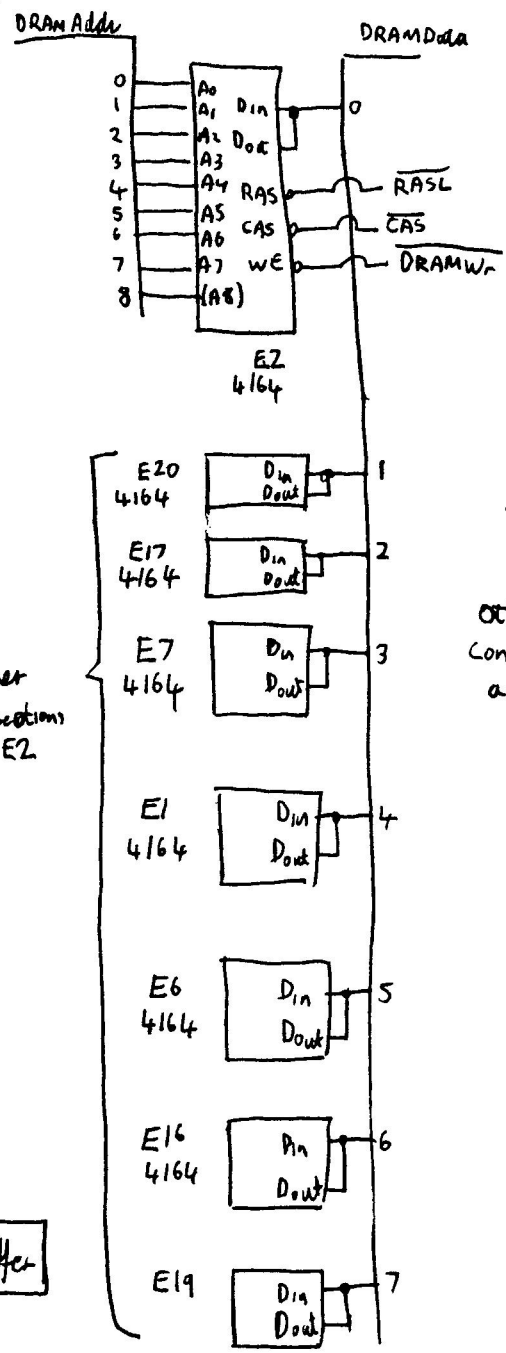
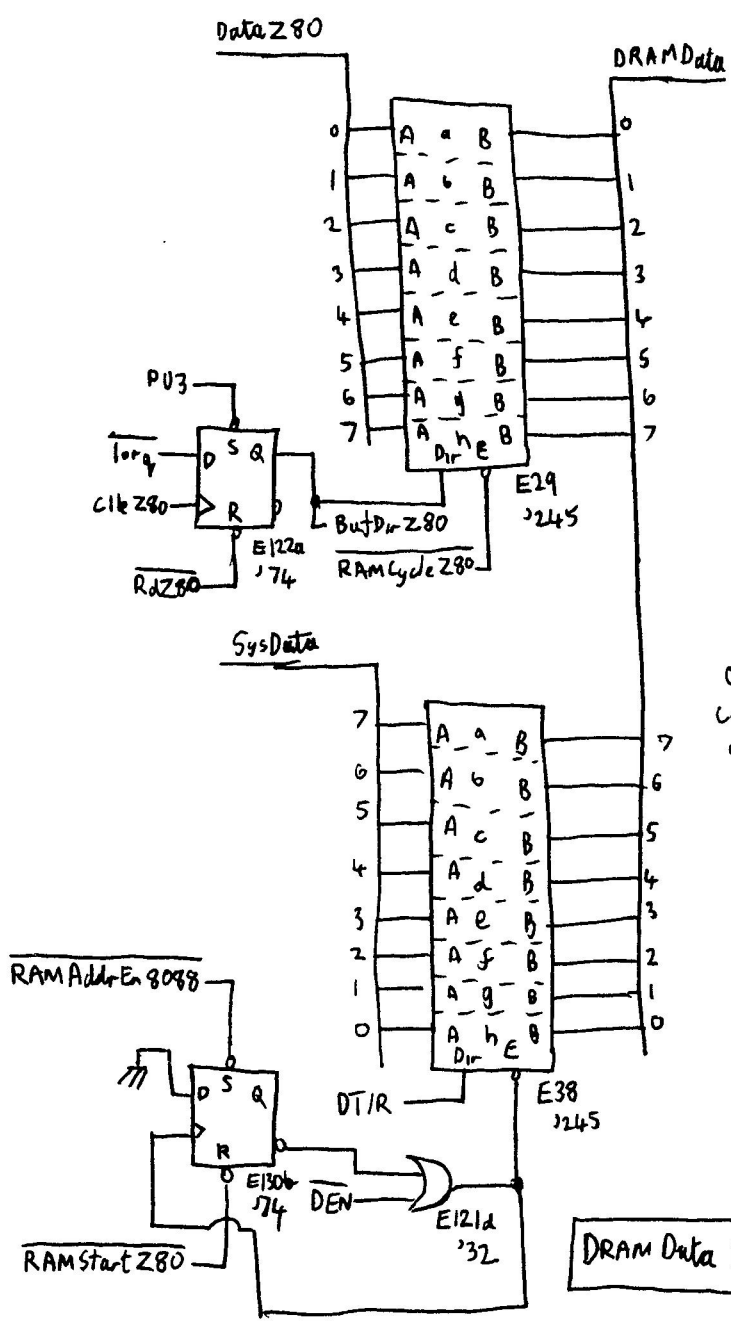




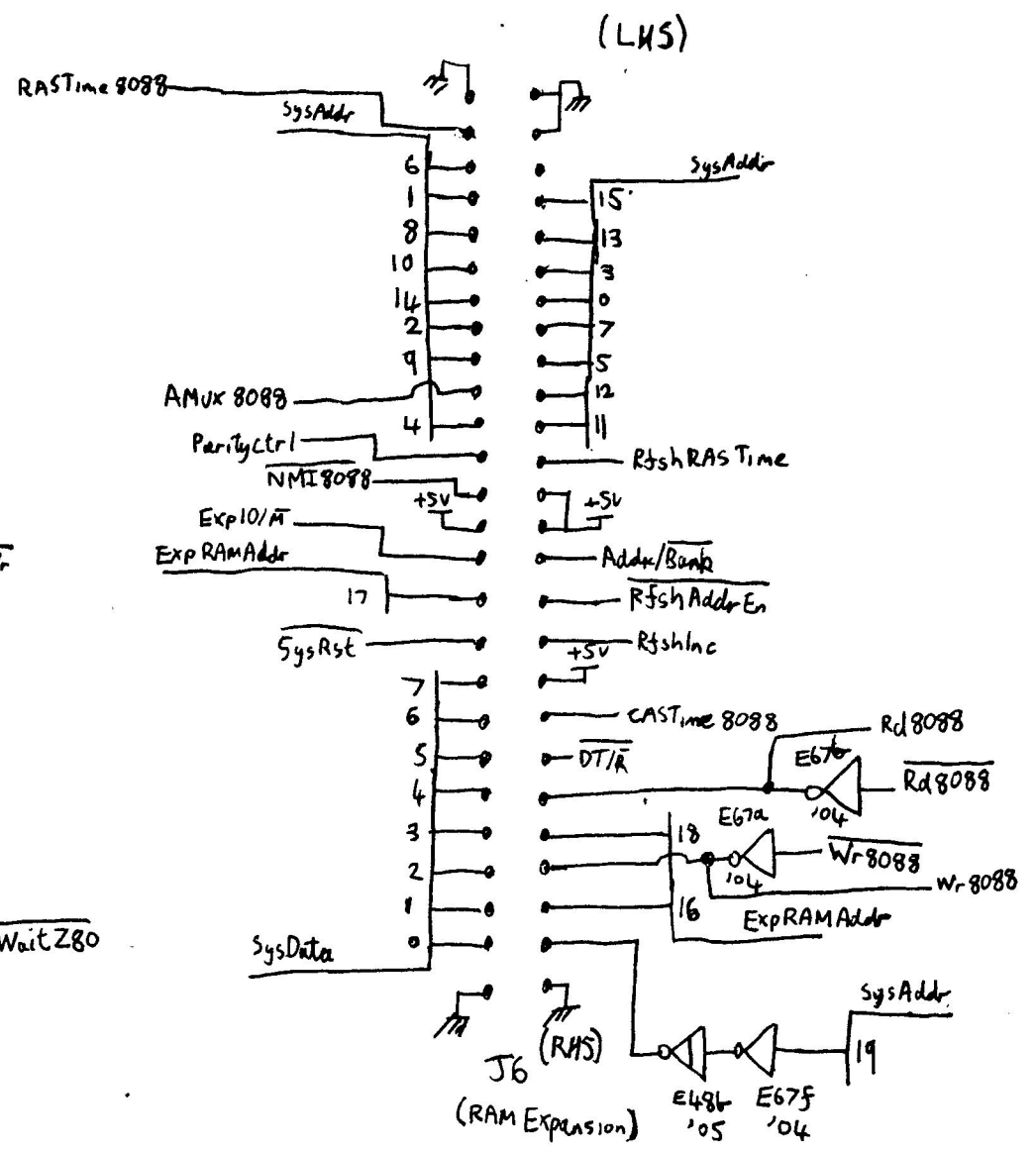
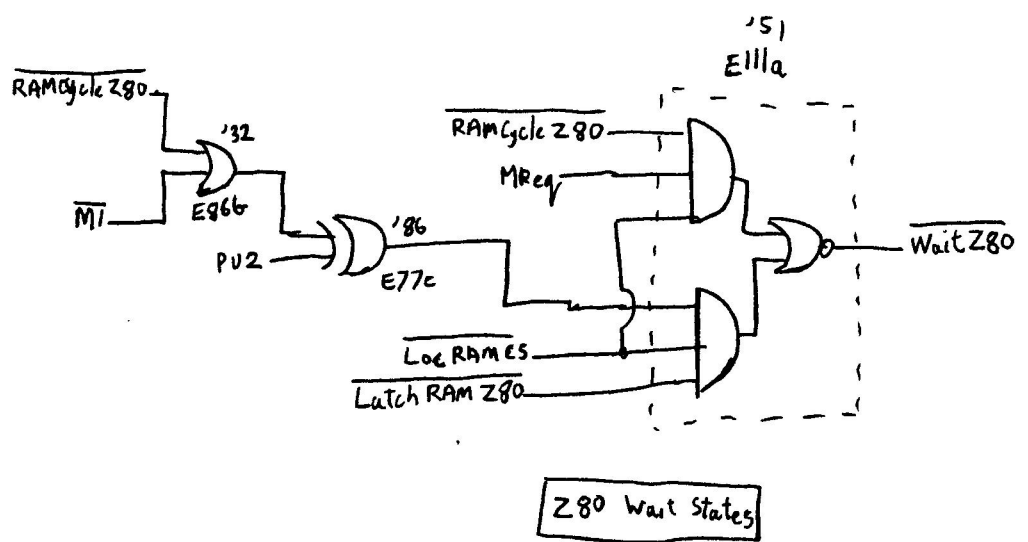
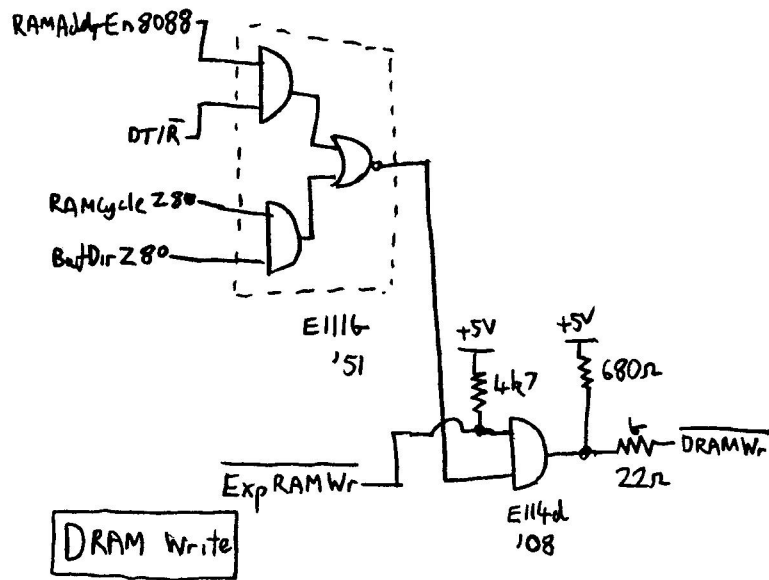
RAM Timing

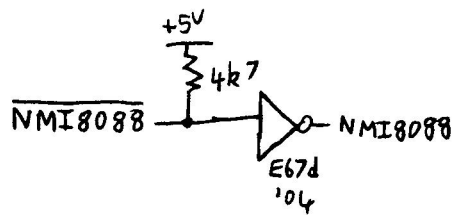
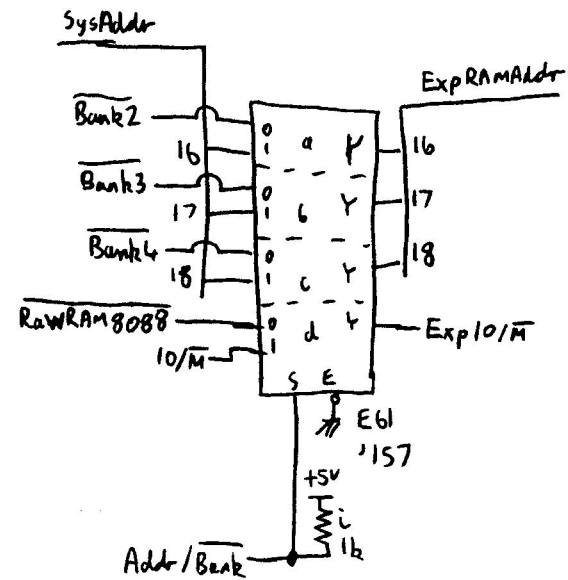




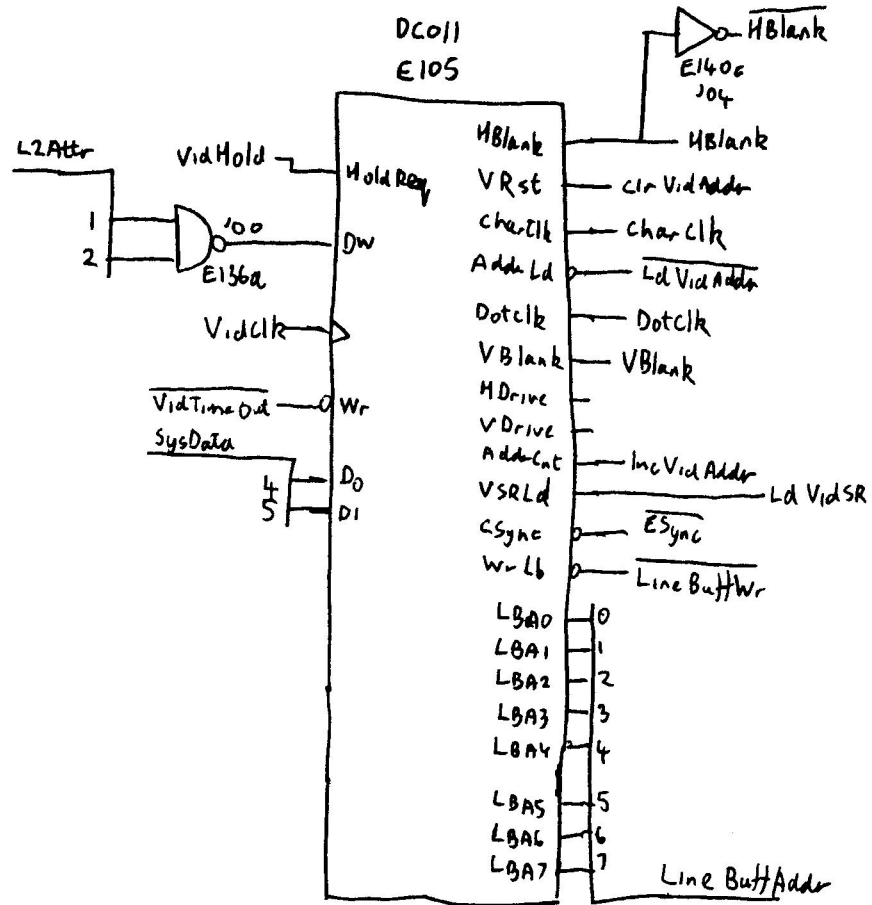


DRAM

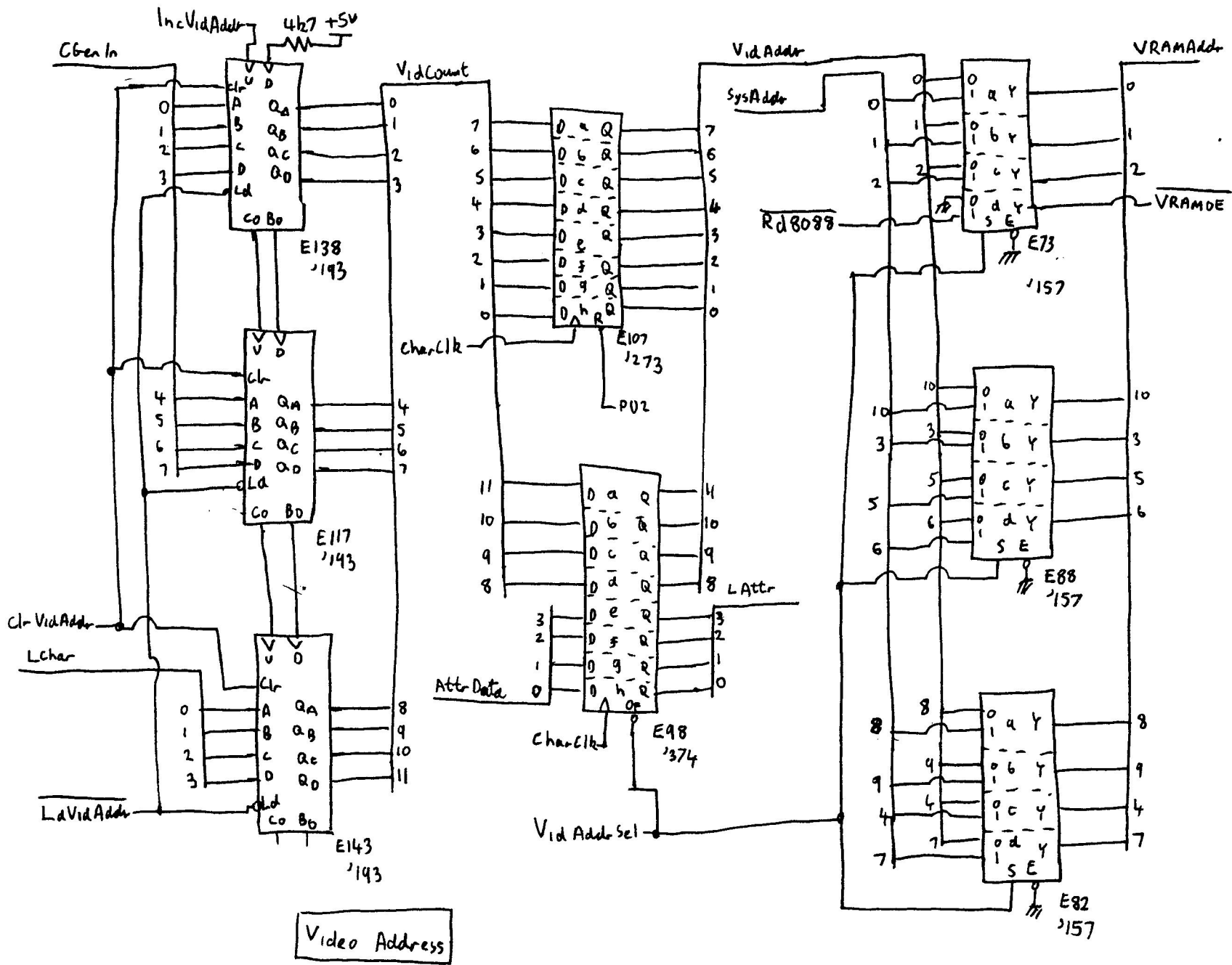




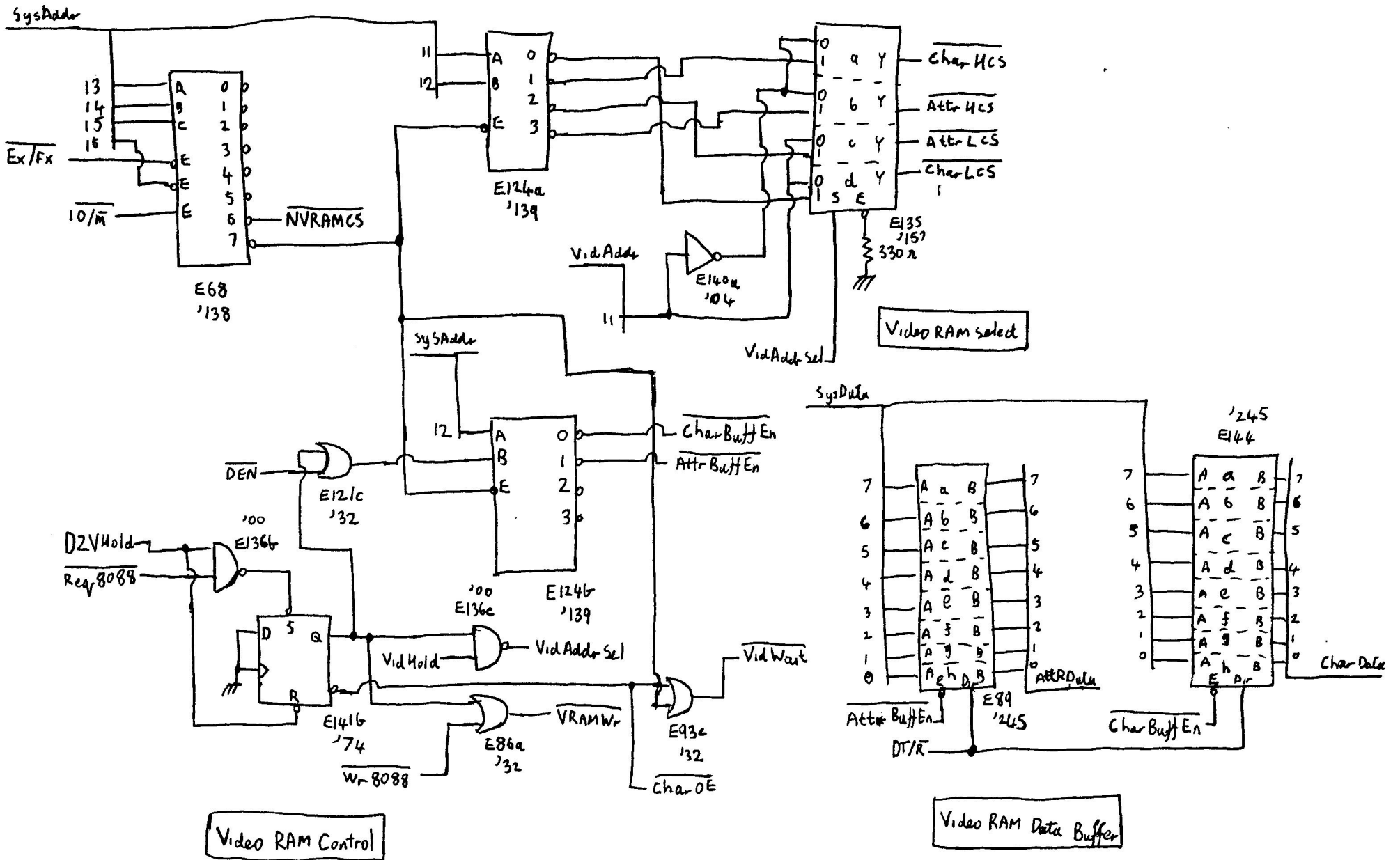
Expansion RAM Control

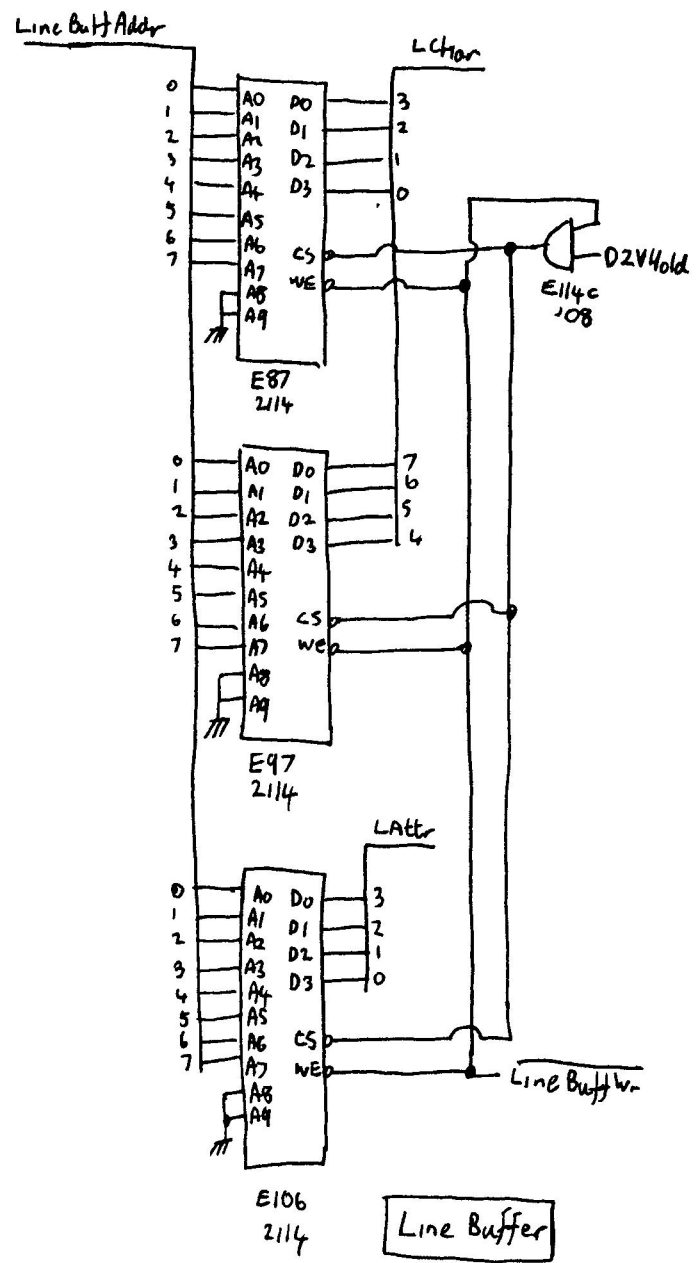
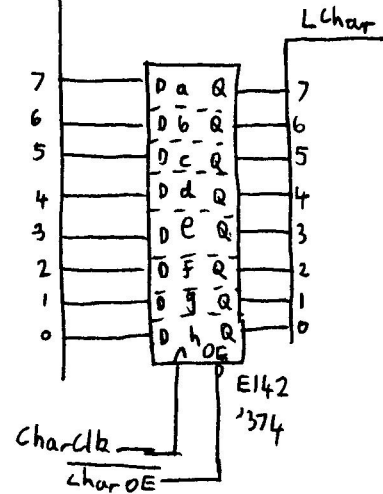
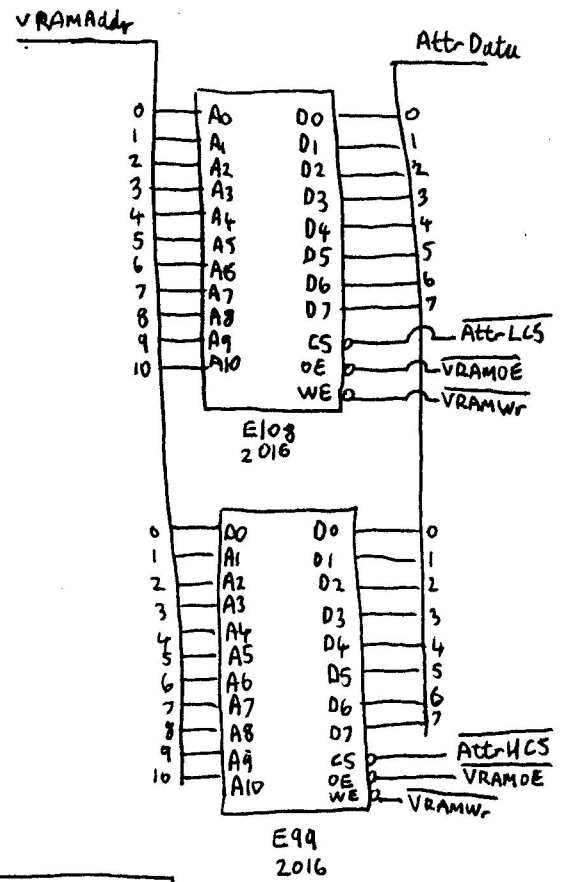
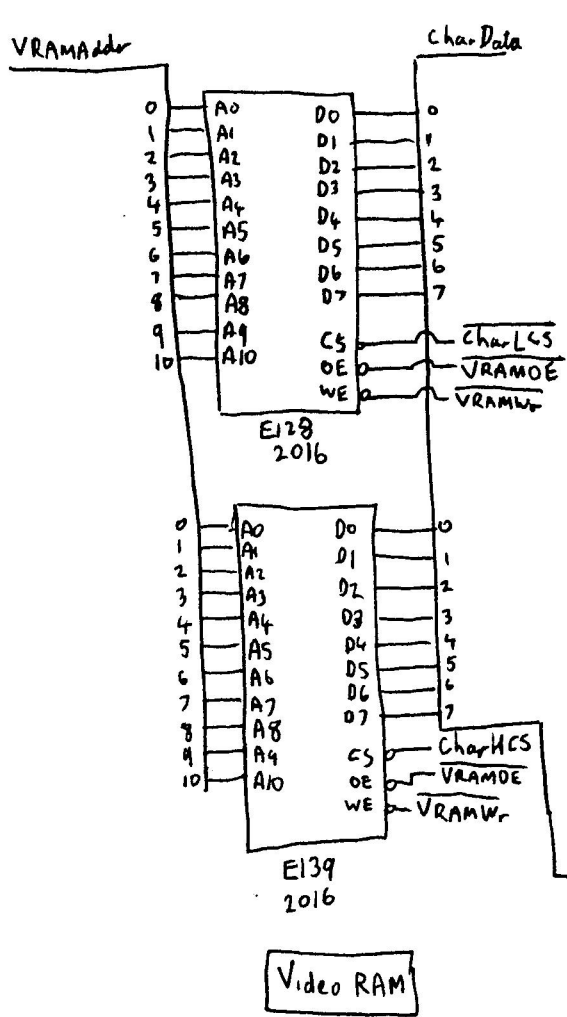


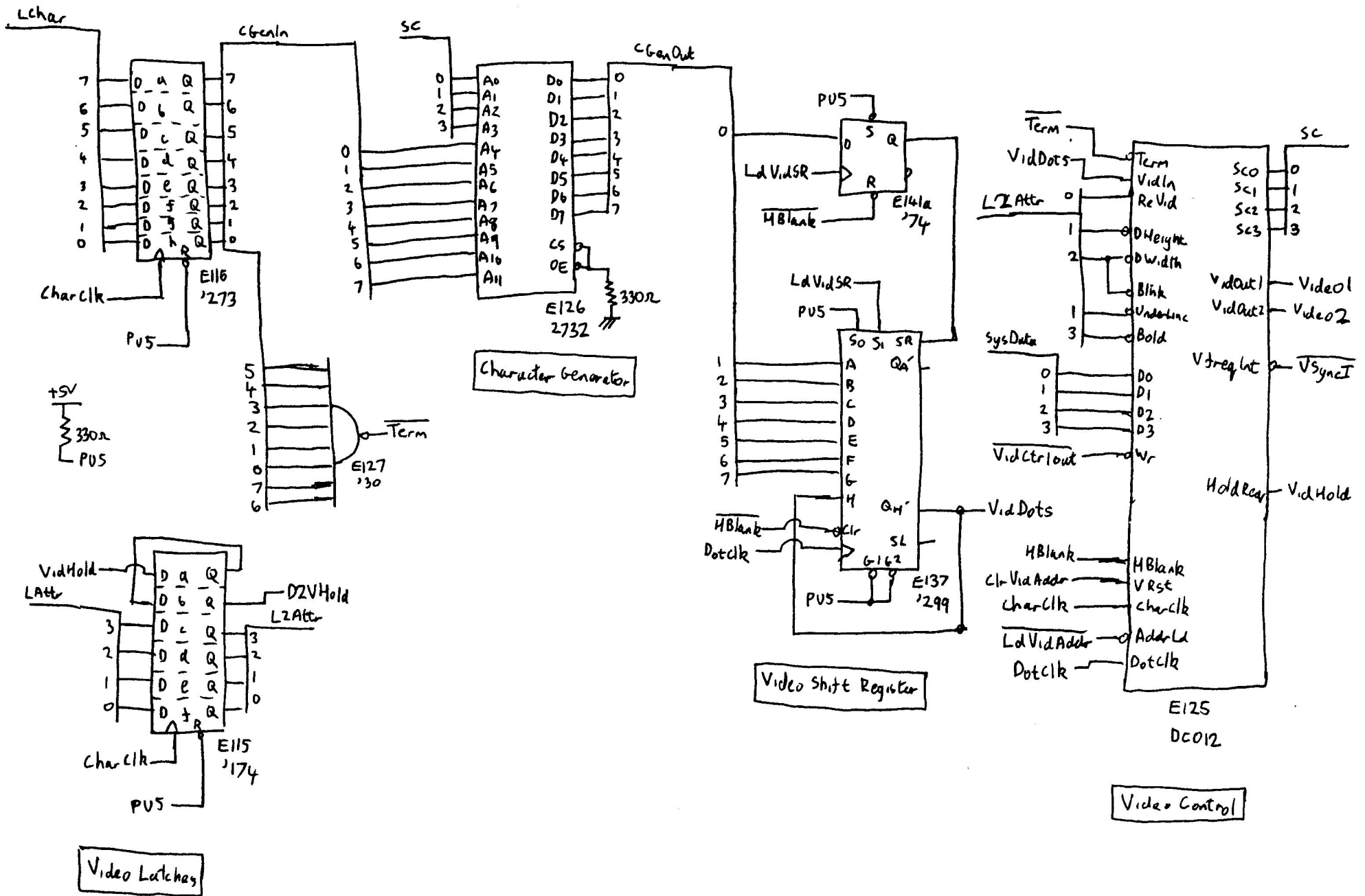
Video Master Timing

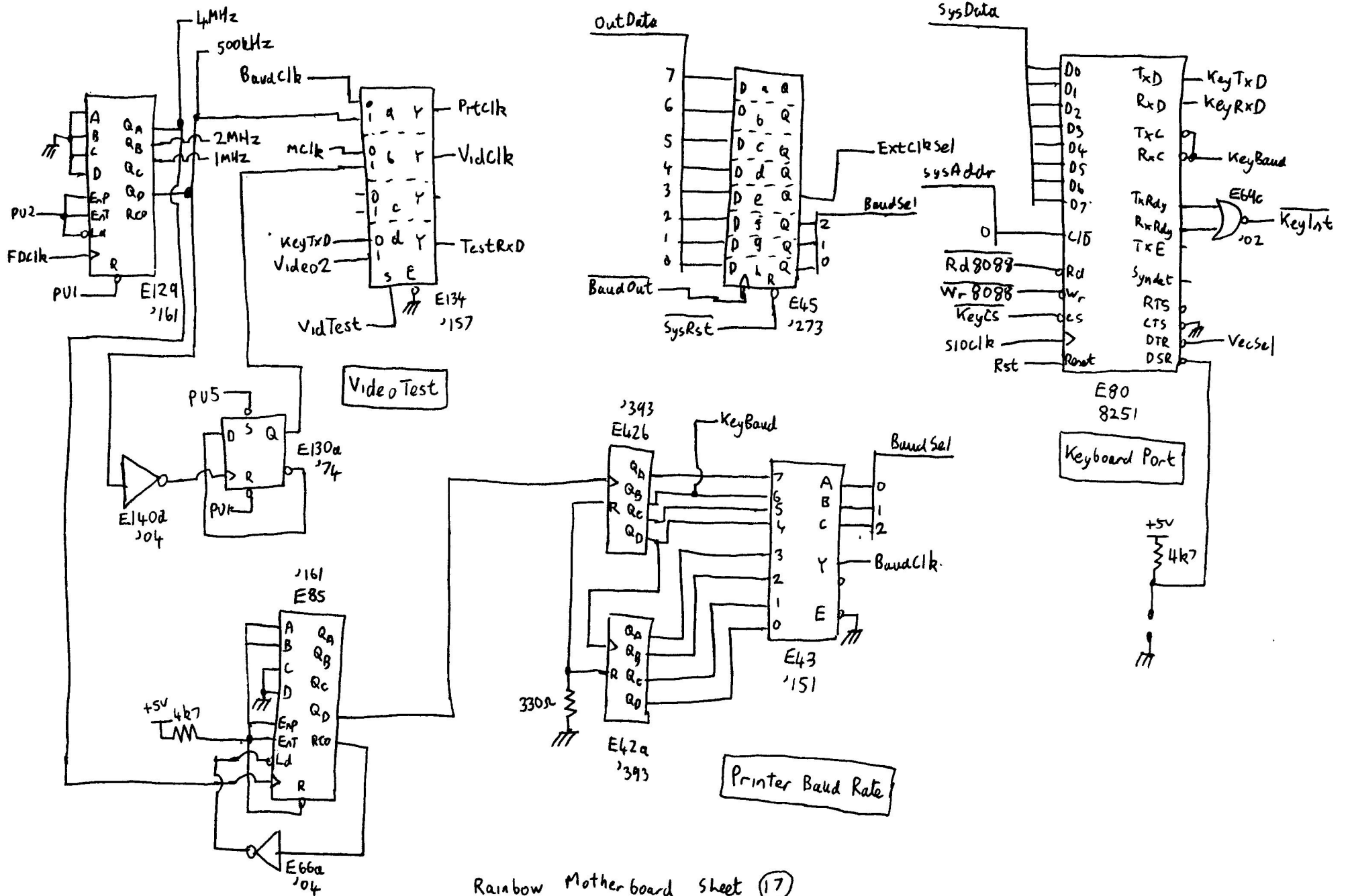


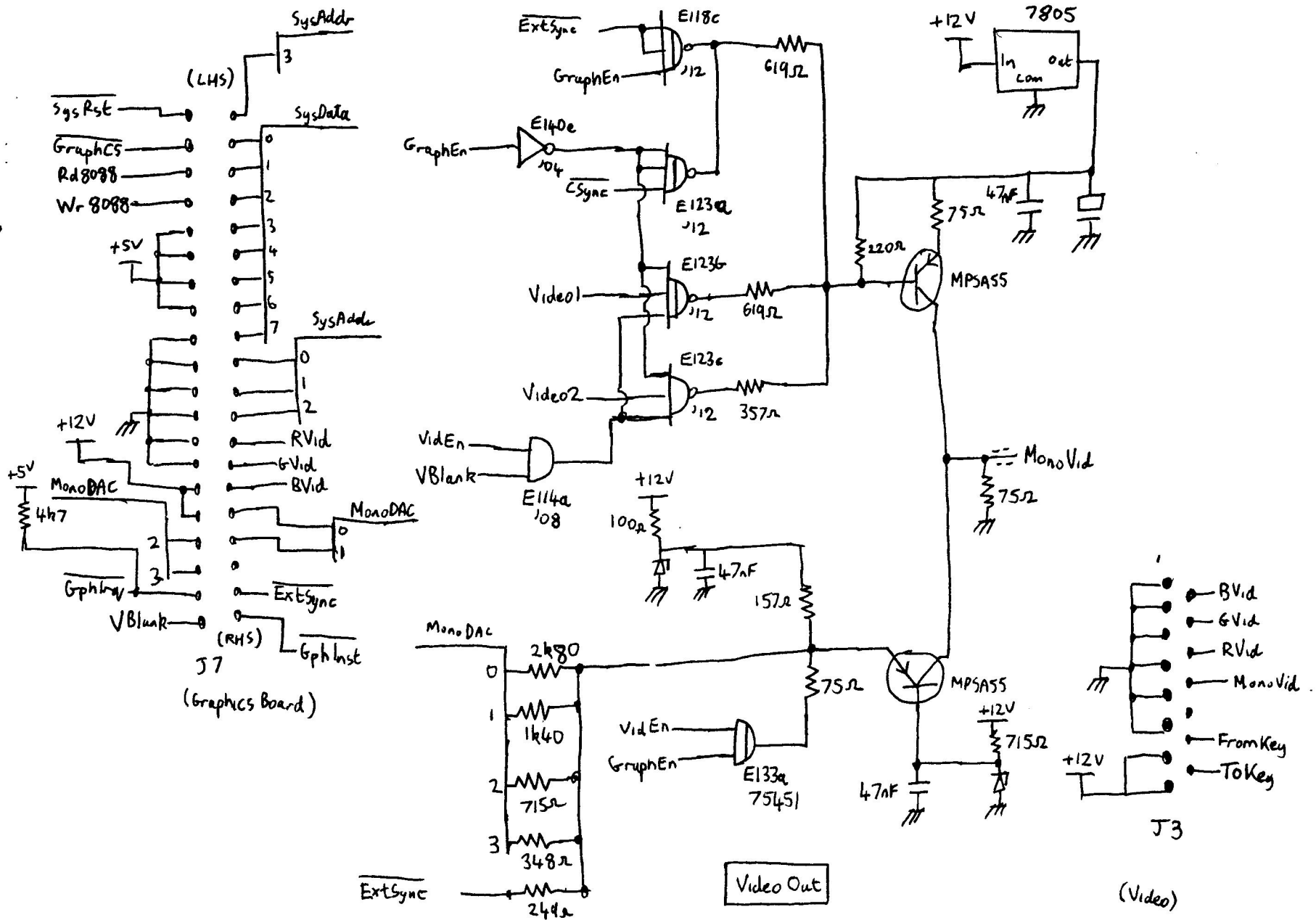
Rainbow Motherboard sheet (13)



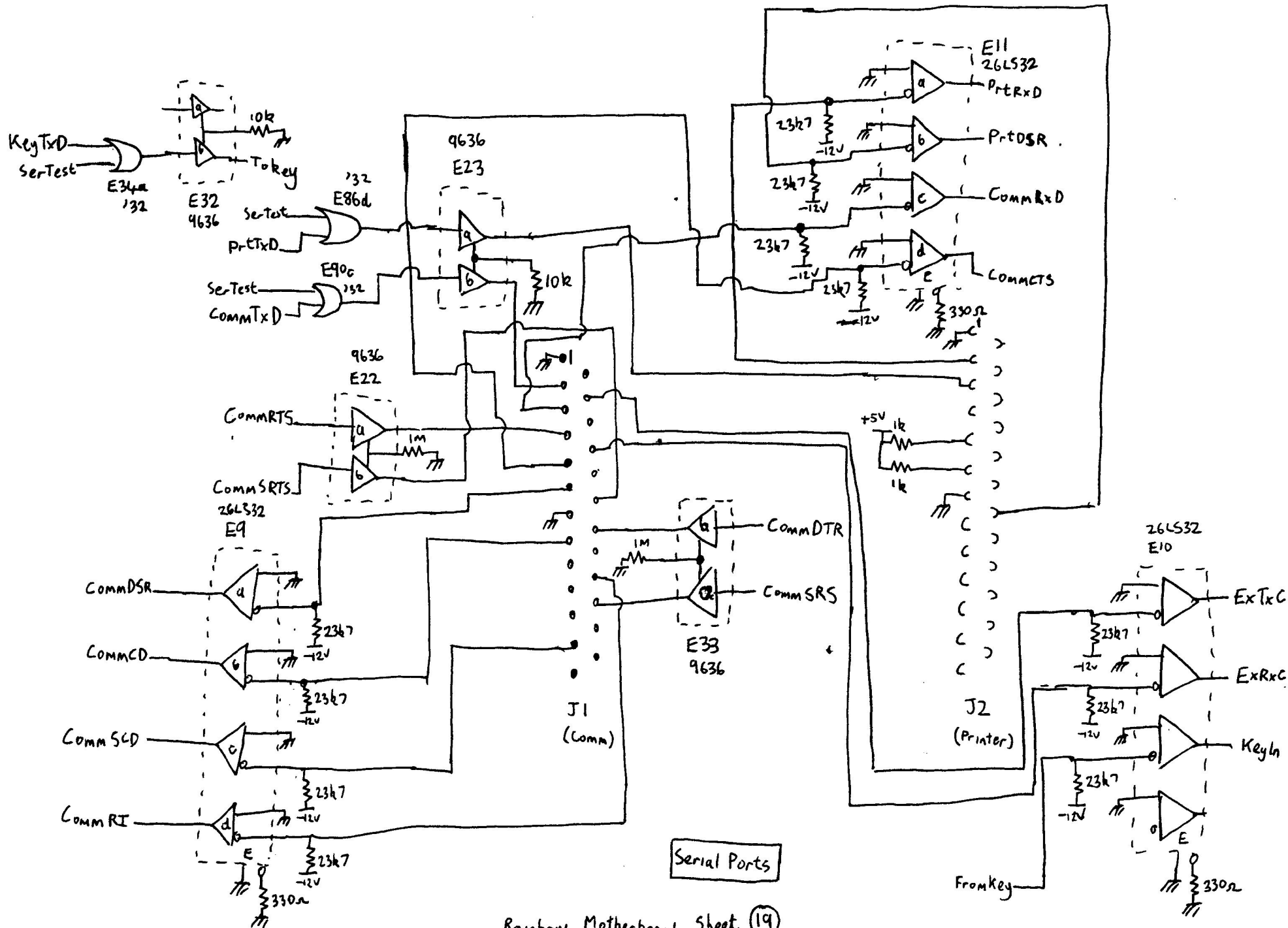




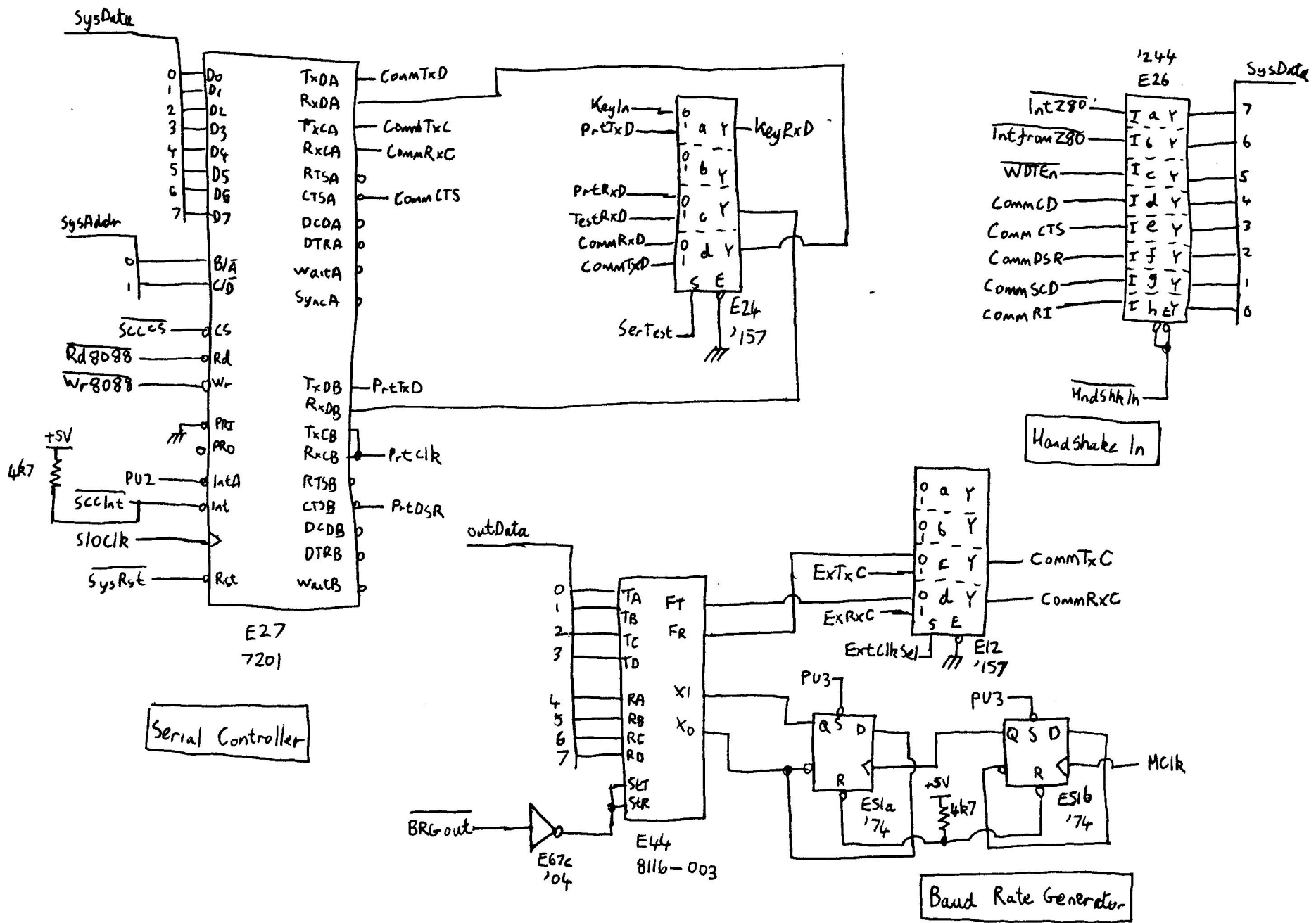


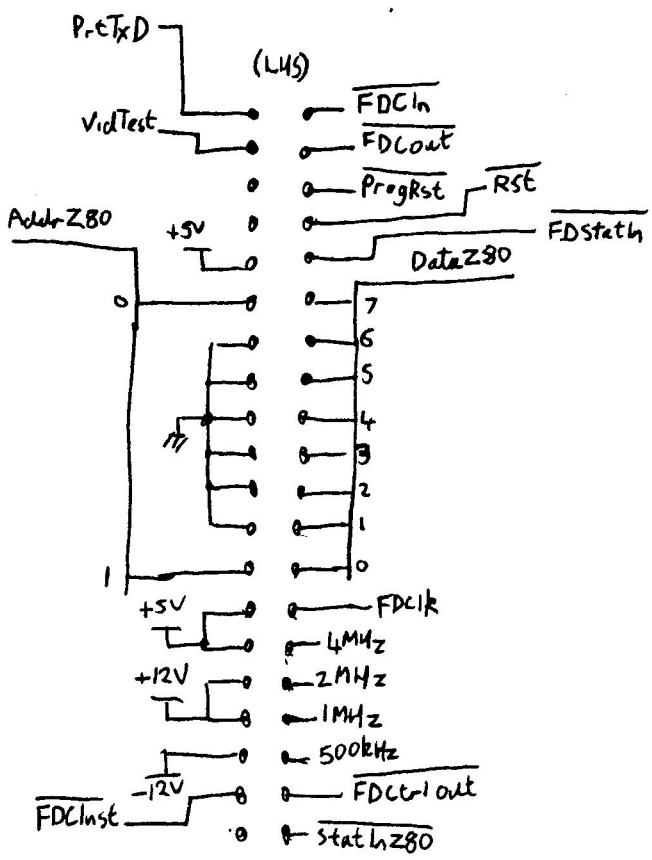
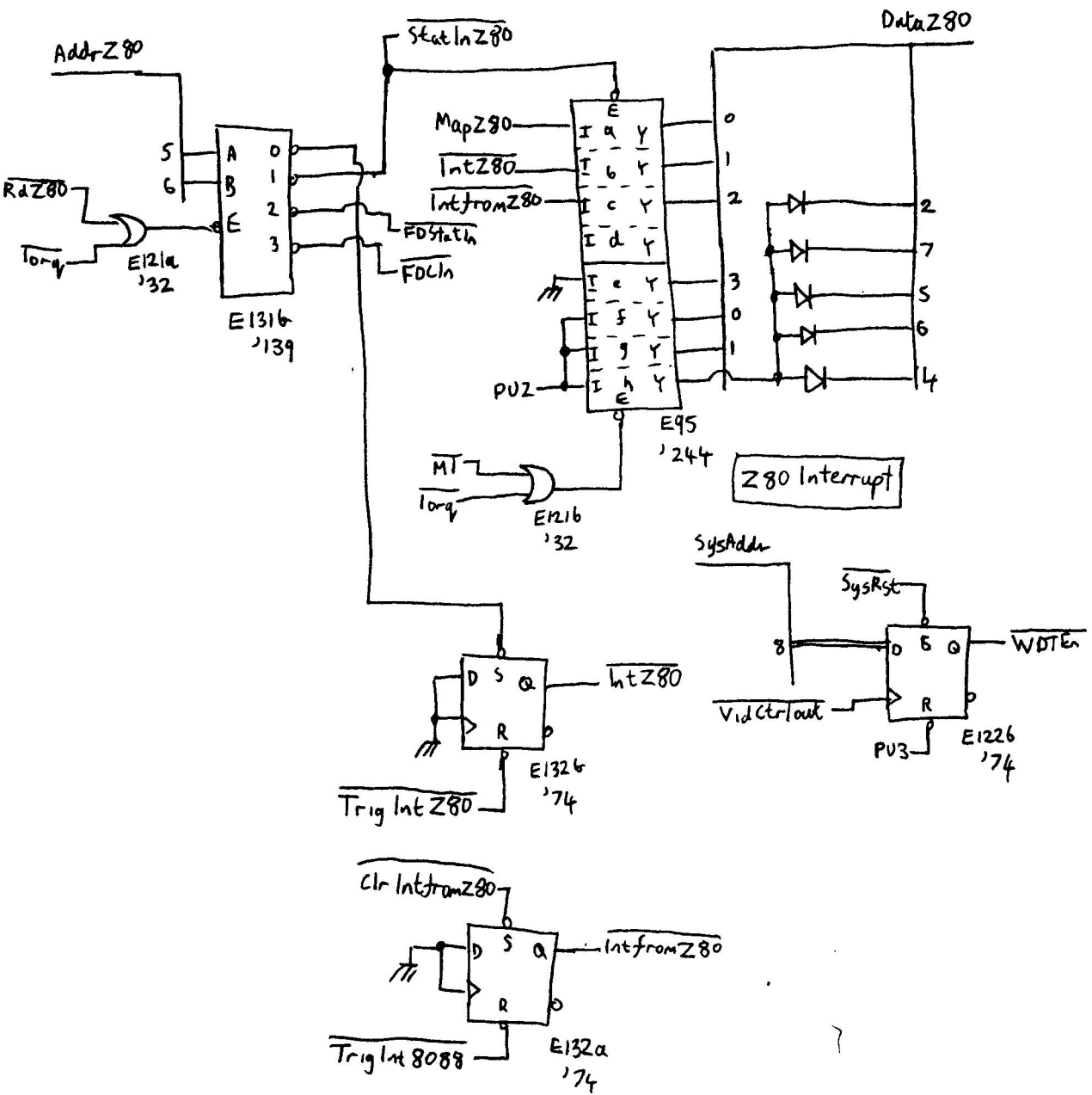


Rainbow Motherboard sheet (18)

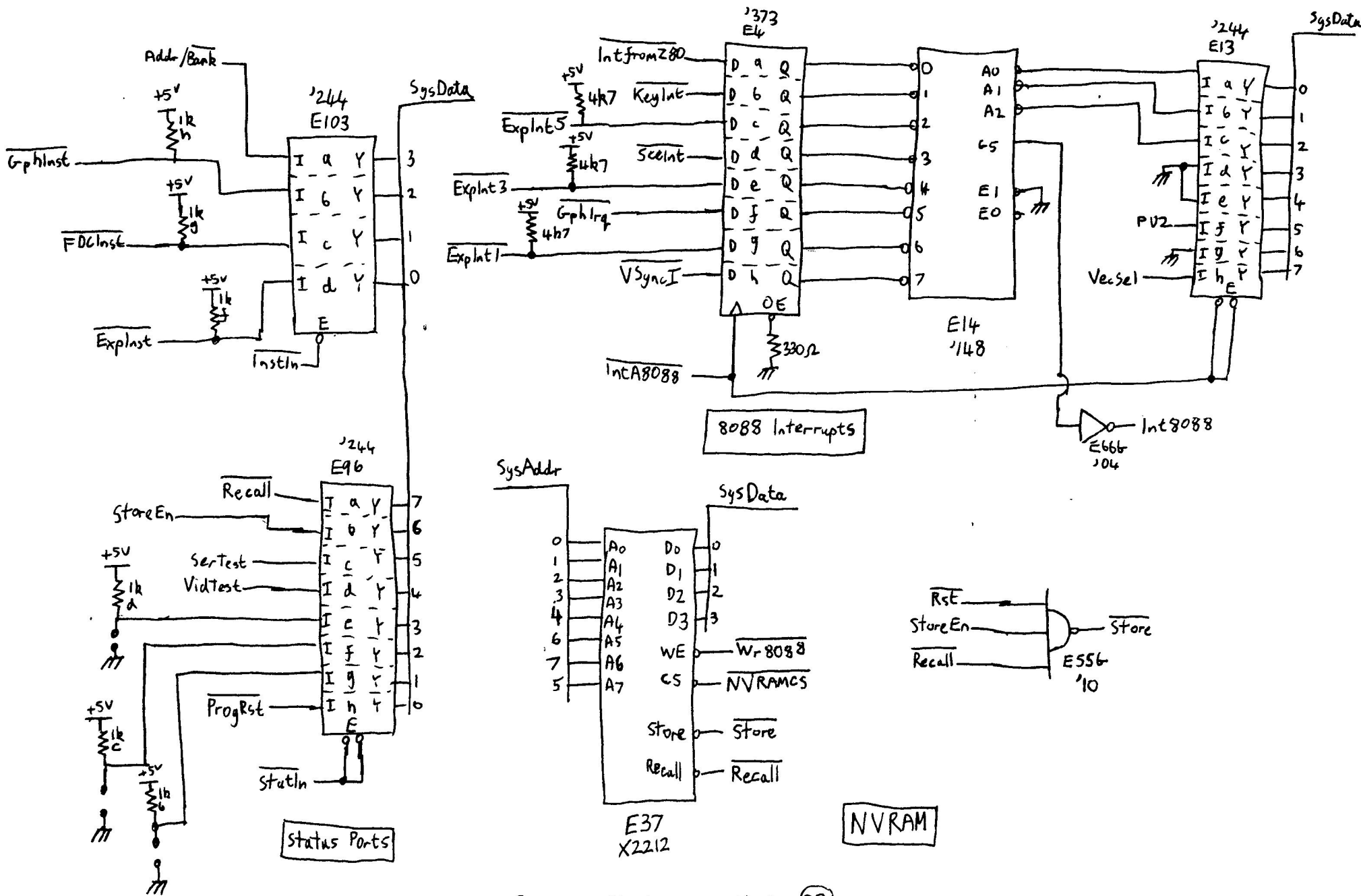


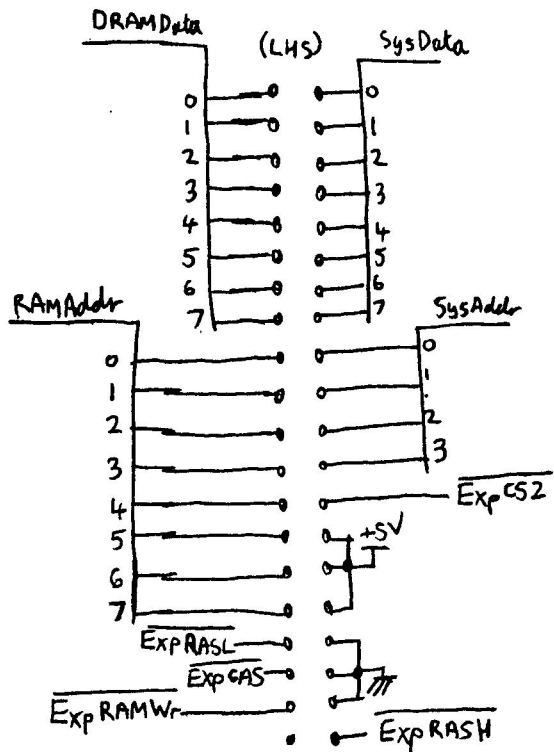
Serial Ports



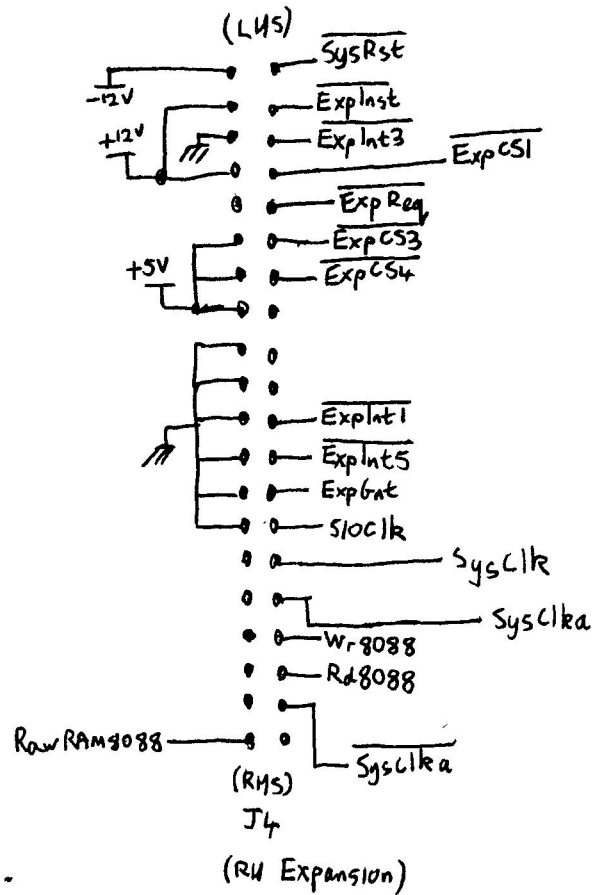


(R4s)
 J8
 (Floppy Controller)





JS
 (LH Expansion)



Expansion Bus