

- NOTES:
- CAUTION: OFF SHEET PARTS LIST EXISTS SEE A-PL-11/34-0
 - SEE DDII-PK MODULE UTILIZATION DRAWING FOR MODULE PLACEMENT INFORMATION
 - FOR ADDITIONAL INFORMATION REFER TO E-UR-BALL-K-8
 - TIGHTEN ALL SYSTEM UNIT MOUNTING SCREWS TO 13 IN LBS WITH A TORQUE SCREW DRIVER
 - WHEN THE DDII-PK IS USED WITH A BALL-K EXPANSION BOX WITHOUT BATTERY BACK UP, INSTALL THE THREE JUMPERS SHOWN:
 - 15 TO -15B
 - +15 TO +15B
 - +5 TO +5B
 USE #20 INSULATED BUS WIRE ON SIDE 2. THIS WILL PROVIDE POWER TO THE MOS MEMORY VOLTAGE RAILS.
 - LOOP THE M9301 CABLE ITEM #29 UNDER THE CABLE HOLD DOWN BAR (SERVICE LOOP)
 - TIE DOWN FIG. PART OF ITEM #16, WITH TWO TIE WRAPS (ITEM #60) WHEN H754 IS NOT USED
 - GROUND THE BLK CHASSIS GROUND UNDER THE H744 MOUNTING SCREW
 - CUTOUT IN FILTER ITEM #51 FOR ROUTING OF CABLES ITEM #34 & 29
 - H754 REGULATOR AVAILABLE ONLY IN CORE MEMORY SYSTEMS
 - ITEM 53 AND 56 ARE INSTALLED AT F.A. AND T.
 - IN PDP 11/34 SYSTEMS WITHOUT BATTERY BACKUP (OPTION H755) THE TPI CONNECTION TO THE M9301 WILL CAUSE BOOTS ON ALL POWER RESTARTS. IF BOOTS ON POWER RESTARTS ARE NOT DESIRED, REMOVE THE TPI CONNECTION, INSULATE THE CABLE TERMINAL AND TIE IT BACK ON ITSELF WITH A TIE WRAP
 - REPLACE FOAM STRIPS WITH ITEM 49. 2 PLACES & ADD 2 OUTSIDE STRIPS AS SHOWN
 - AFTER INSERTING WIRE IN CLAMPS, HAND FLEX THE ADHESIVE BACK SECTIONS SUCH THAT THEY ARE AGAIN FLAT. HEAT CURE THE DESIGNATED AREAS USING A HEAT GUN AT A DISTANCE OF 1 INCHES FOR A PERIOD OF 10 SECONDS

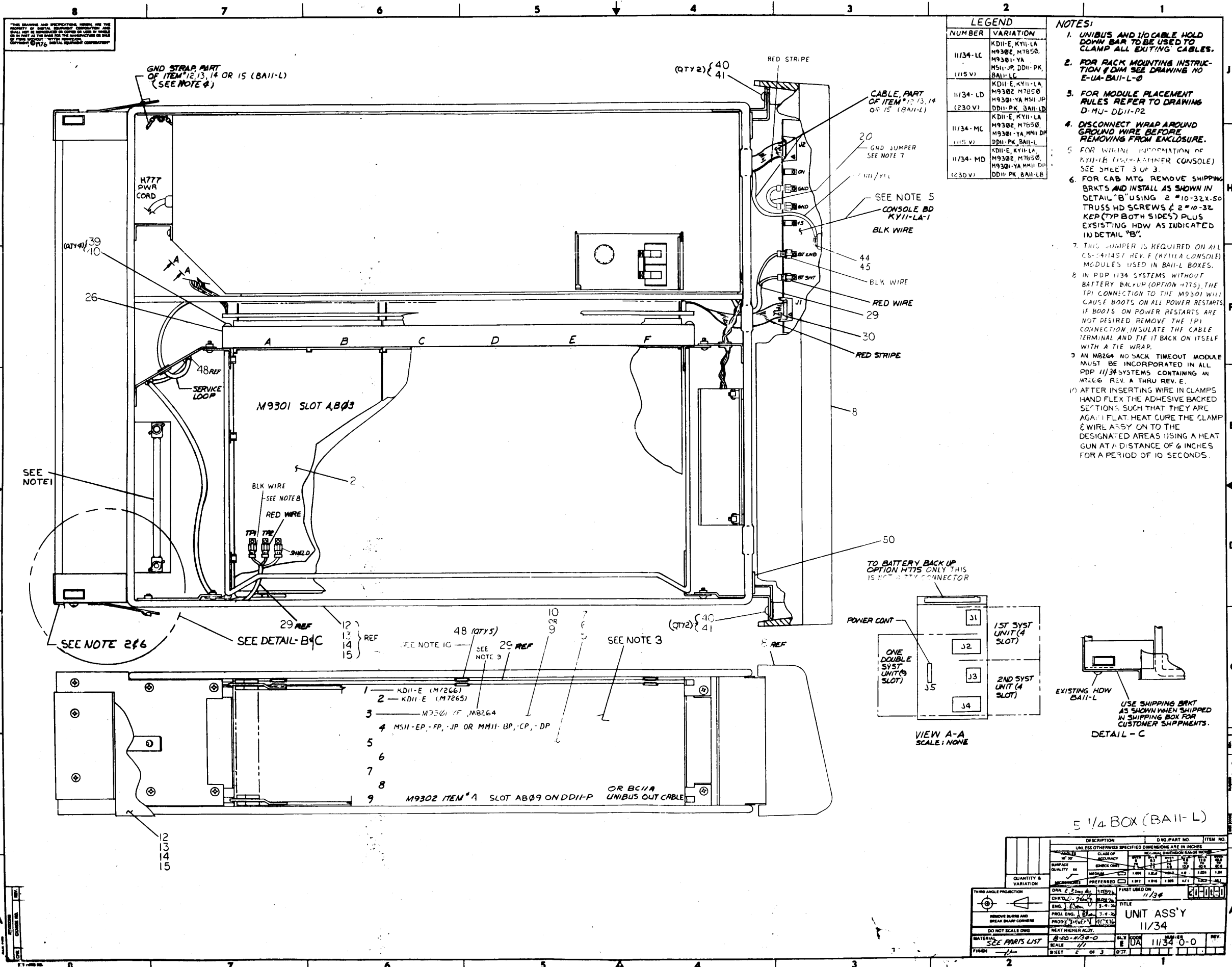
THIS DRAWING AND SPECIFICATIONS SHALL BE THE PROPERTY OF ANALOG SYSTEMS CORP. NO PART OF THIS DRAWING OR SPECIFICATIONS SHALL BE REPRODUCED OR TRANSMITTED IN ANY FORM OR BY ANY MEANS, ELECTRONIC OR MECHANICAL, INCLUDING PHOTOCOPYING, RECORDING, OR BY ANY INFORMATION STORAGE AND RETRIEVAL SYSTEM.

REV.	DATE	BY	CHKD.	DESCRIPTION
1	11/24/0001	A		REVISED AND REDESIGNED
2	11/24/0002	B		REVISED AND REDESIGNED
3	11/24/0003	C		REVISED AND REDESIGNED
4	11/24/0004	D		REVISED AND REDESIGNED
5	11/24/0005	E		REVISED AND REDESIGNED
6	11/24/0006	F		REVISED AND REDESIGNED
7	11/24/0007	G		REVISED AND REDESIGNED
8	11/24/0008	H		REVISED AND REDESIGNED
9	11/24/0009	I		REVISED AND REDESIGNED
10	11/24/0010	J		REVISED AND REDESIGNED

10 1/2" BOX (BALL-K)
OFF SHEET PARTS LIST EXISTS
SEE C-PL-11/34-0

DESCRIPTION	DWG. PART NO.	ITEM NO.
UNLESS OTHERWISE SPECIFIED DIMENSIONS ARE IN INCHES		
ANGLE	±30	
CLASS OF ACCURACY		
SURFACE		
QUALITY		
CHECK ONE		
QUANTITY		
VARIATION		
MICROINCHES		
PREFERRED		
FIRST USED ON		
DATE		
CHKD.		
ENG.		
PROJ. ENGR.		
PROJ. ZONE		
REV. HIGHER AUTH.		
DO NOT SCALE DIMS		
SEE PARTS LIST		
SCALE		
SHEET	1 OF 3	
DIST.		

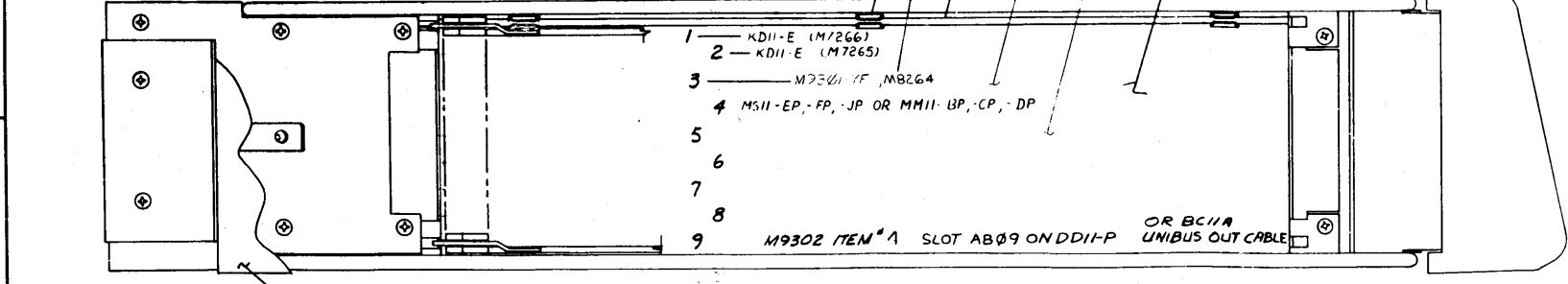
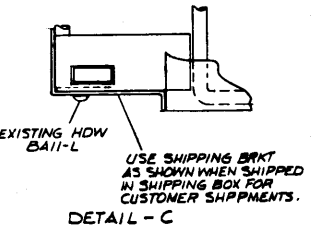
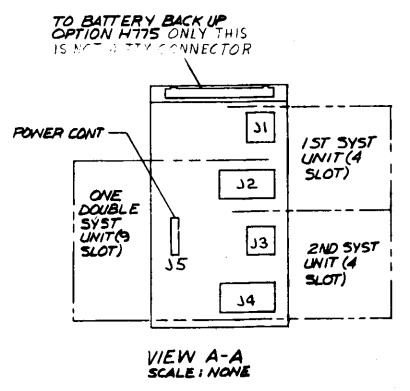
TITLE
UNIT ASSY
11/34
REV. 1
E JA 11/34-0-0



THIS DRAWING AND SPECIFICATIONS HEREAFTER ARE THE PROPERTY OF THE UNITED STATES GOVERNMENT AND SHALL NOT BE REPRODUCED OR COPIED IN WHOLE OR IN PART IN ANY MANNER FOR THE DISTRIBUTION OR SALE OF OTHER THAN THE ORIGINAL CONTRACTOR.

LEGEND	
NUMBER	VARIATION
11/34-LC (115 V)	KD11-E, KY11-LA M9302, M7850, M9301-YA MS11-JP, DD11-PK, BA11-LC
11/34-LD (230 V)	KD11-E, KY11-LA M9302, M7850, M9301-YA, MS11-JP, DD11-PK, BA11-LD
11/34-MC (115 V)	KD11-E, KY11-LA M9302, M7850, M9301-YA, MM11-DP, DD11-PK, BA11-L
11/34-MD (230 V)	KD11-E, KY11-LA M9302, M7850, M9301-YA, MM11-DP, DD11-PK, BA11-LB

- NOTES:**
- UNIBUS AND I/O CABLE HOLD DOWN BAR TO BE USED TO CLAMP ALL EXITING CABLES.
 - FOR RACK MOUNTING INSTRUCTION # DIM SEE DRAWING NO E-UA-BA11-L-0
 - FOR MODULE PLACEMENT RULES REFER TO DRAWING D-MU-DD11-P2
 - DISCONNECT WRAP AROUND GROUND WIRE BEFORE REMOVING FROM ENCLOSURE.
 - FOR WIRING INFORMATION OF KY11-LB (EXAMINER CONSOLE) SEE SHEET 3 OF 3.
 - FOR CAB MTG REMOVE SHIPPING BRKTS AND INSTALL AS SHOWN IN DETAIL "B" USING 2 #10-32X.50 TRUSS HD SCREWS & 2 #10-32 KEP (TYP BOTH SIDES) PLUS EXISTING HDW AS INDICATED IN DETAIL "B".
 - THIS JUMPER IS REQUIRED ON ALL CS-411437 REV. F (KY11A CONSOLE) MODULES USED IN BA11-L BOXES.
 - IN PDP 11/34 SYSTEMS WITHOUT BATTERY BACKUP (OPTION 4775), THE TPI CONNECTION TO THE M9301 WILL CAUSE BOOTS ON ALL POWER RESTARTS. IF BOOTS ON POWER RESTARTS ARE NOT DESIRED REMOVE THE TPI CONNECTION, INSULATE THE CABLE TERMINAL AND TIE IT BACK ON ITSELF WITH A TIE WRAP.
 - AN M9264 NO SACK TIMEOUT MODULE MUST BE INCORPORATED IN ALL PDP 11/34 SYSTEMS CONTAINING AN M9266 REV. A THRU REV. E.
 - AFTER INSERTING WIRE IN CLAMPS HAND FLEX THE ADHESIVE BACKED SECTIONS SUCH THAT THEY ARE AGAIN FLAT. HEAT CURE THE CLAMP & WIRE ASSY ON TO THE DESIGNATED AREAS USING A HEAT GUN AT A DISTANCE OF 6 INCHES FOR A PERIOD OF 10 SECONDS.



5 1/4 BOX (BA11-L)

QUANTITY & VARIATION	DESCRIPTION	DWG. PART NO.	ITEM NO.
1	UNIBUS AND I/O CABLE HOLD DOWN BAR		
2	FOR RACK MOUNTING INSTRUCTION # DIM SEE DRAWING NO E-UA-BA11-L-0		
3	FOR MODULE PLACEMENT RULES REFER TO DRAWING D-MU-DD11-P2		
4	DISCONNECT WRAP AROUND GROUND WIRE BEFORE REMOVING FROM ENCLOSURE.		
5	FOR WIRING INFORMATION OF KY11-LB (EXAMINER CONSOLE) SEE SHEET 3 OF 3.		
6	FOR CAB MTG REMOVE SHIPPING BRKTS AND INSTALL AS SHOWN IN DETAIL "B" USING 2 #10-32X.50 TRUSS HD SCREWS & 2 #10-32 KEP (TYP BOTH SIDES) PLUS EXISTING HDW AS INDICATED IN DETAIL "B".		
7	THIS JUMPER IS REQUIRED ON ALL CS-411437 REV. F (KY11A CONSOLE) MODULES USED IN BA11-L BOXES.		
8	IN PDP 11/34 SYSTEMS WITHOUT BATTERY BACKUP (OPTION 4775), THE TPI CONNECTION TO THE M9301 WILL CAUSE BOOTS ON ALL POWER RESTARTS. IF BOOTS ON POWER RESTARTS ARE NOT DESIRED REMOVE THE TPI CONNECTION, INSULATE THE CABLE TERMINAL AND TIE IT BACK ON ITSELF WITH A TIE WRAP.		
9	AN M9264 NO SACK TIMEOUT MODULE MUST BE INCORPORATED IN ALL PDP 11/34 SYSTEMS CONTAINING AN M9266 REV. A THRU REV. E.		
10	AFTER INSERTING WIRE IN CLAMPS HAND FLEX THE ADHESIVE BACKED SECTIONS SUCH THAT THEY ARE AGAIN FLAT. HEAT CURE THE CLAMP & WIRE ASSY ON TO THE DESIGNATED AREAS USING A HEAT GUN AT A DISTANCE OF 6 INCHES FOR A PERIOD OF 10 SECONDS.		

UNIT ASS'Y
11/34

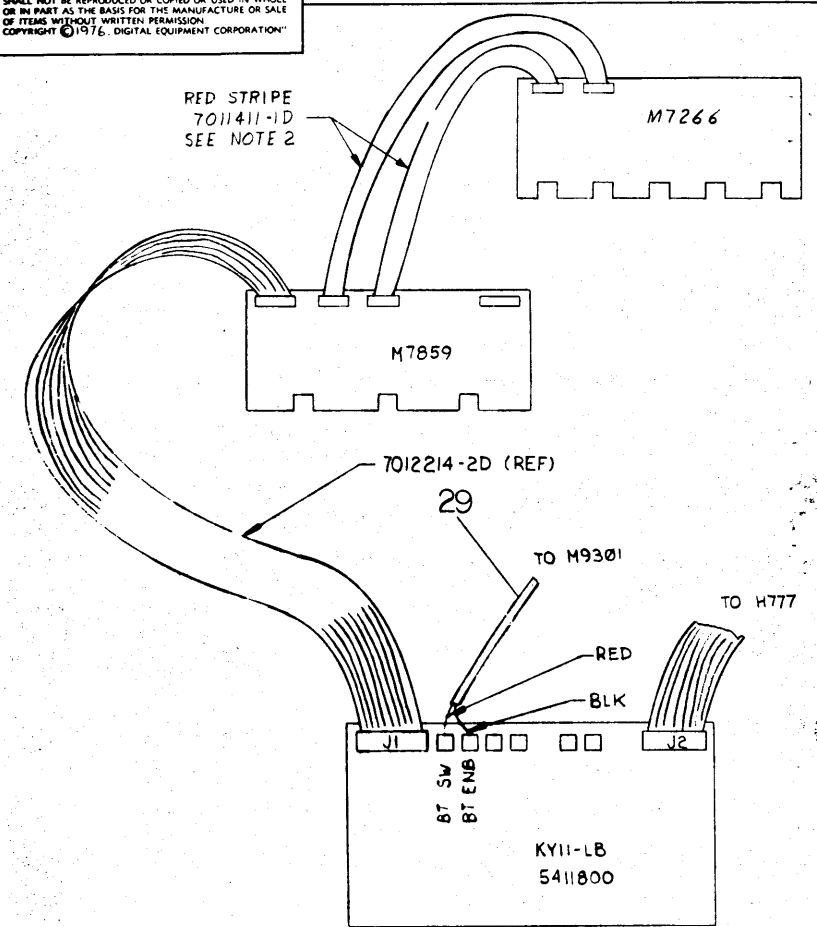
SCALE: 1/1

SHEET 2 OF 3

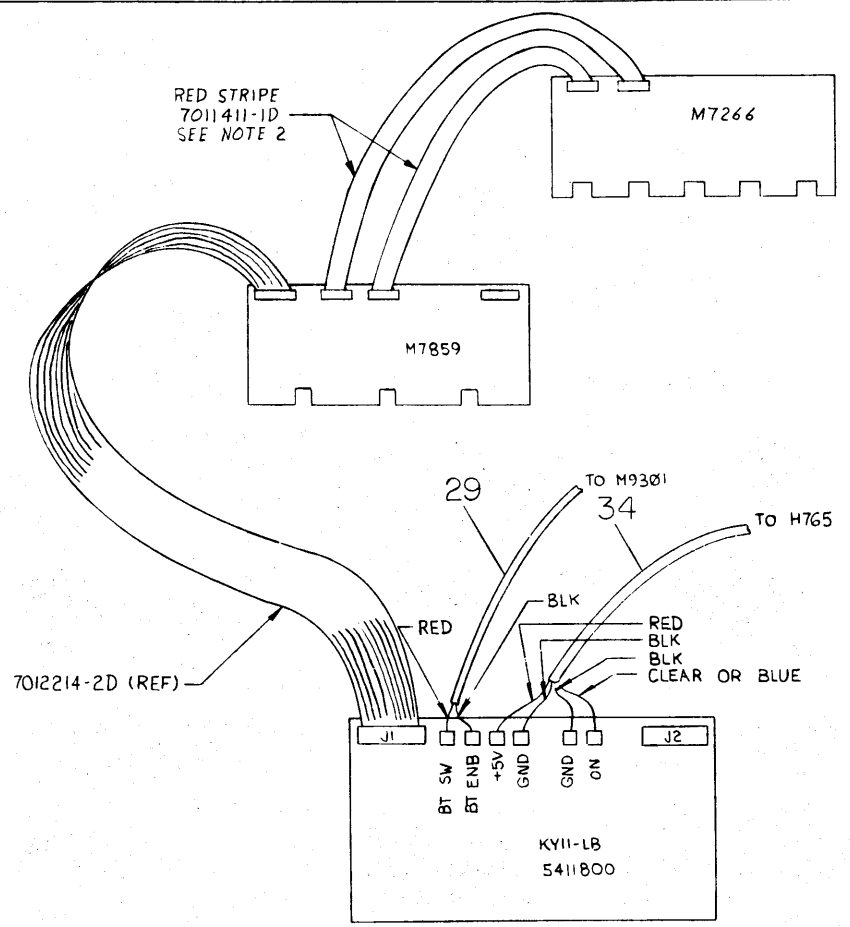
THIS DRAWING AND SPECIFICATIONS, HEREIN, ARE THE PROPERTY OF DIGITAL EQUIPMENT CORPORATION AND SHALL NOT BE REPRODUCED OR COPIED OR USED IN WHOLE OR IN PART AS THE BASIS FOR THE MANUFACTURE OR SALE OF ITEMS WITHOUT WRITTEN PERMISSION. COPYRIGHT © 1976, DIGITAL EQUIPMENT CORPORATION.

WIRING DIAGRAMS FOR KY11-LB

DUA 11/34-0-0 2

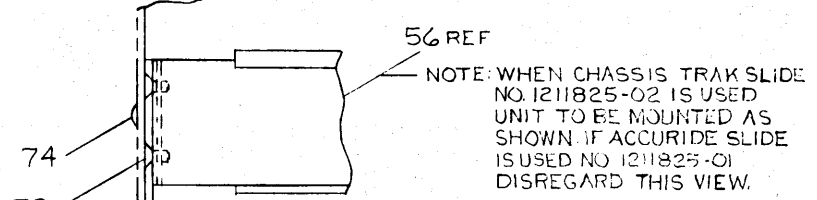
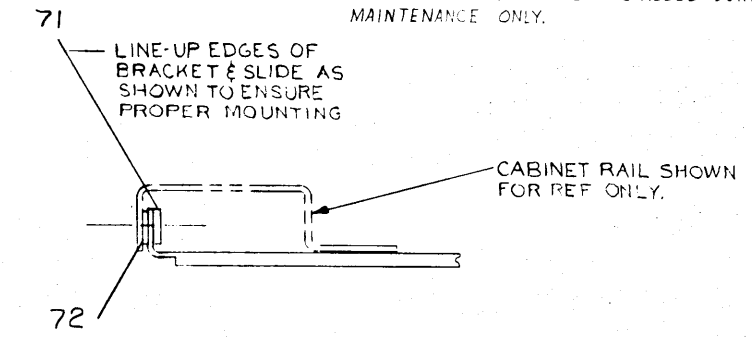


BA11-L
5 1/4" MTG BOX

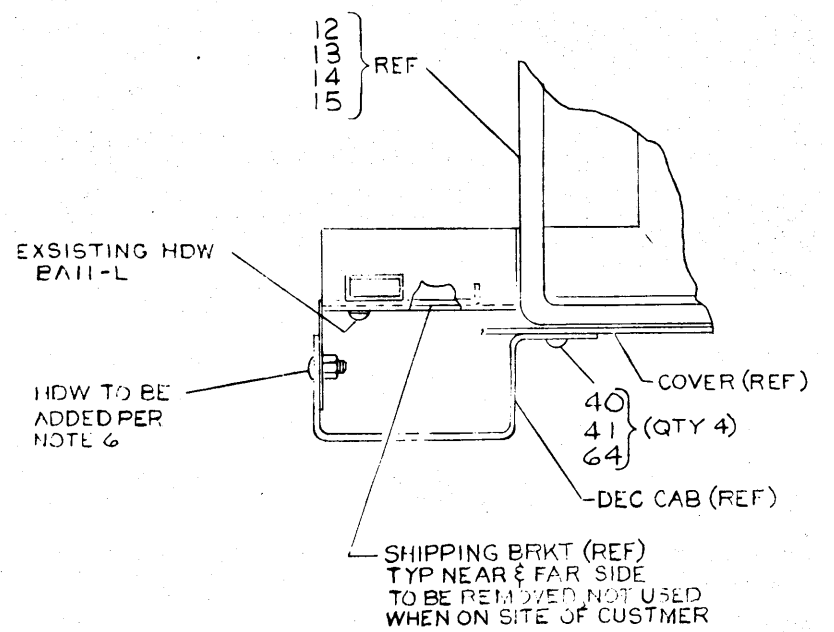


BA11-K
10 1/2" MTG BOX

- NOTES:
1. THE M7859 PROGRAMERS CONSOLE INTERFACE MODULE, WHEN USED, MUST BE INSTALLED IN THE CPU BACKPLANE. IT IS AN SFC MODULE.
 2. THESE CABLES ARE TO BE INSTALLED DURING MAINTENANCE ONLY.



DETAIL D
SCALE 1/2
SHEET 1
(SEE NOTE 1)



DETAIL - B
(SEE NOTE 6)

REVISIONS		
CHK	CHANGE NO	REV

TITLE	UNIT ASSY 11/34	SIZE CODE	DUA 11/34-0-0	NUMBER		REV.	R
SCALE		SHEET	3 OF 3	DIST.			

THIS DRAWING AND SPECIFICATIONS, HEREIN ARE THE PROPERTY OF DIGITAL EQUIPMENT CORPORATION AND SHALL NOT BE REPRODUCED OR COPIED OR USED IN WHOLE OR IN PART AS THE BASIS FOR THE MANUFACTURE OR SALE OF ITEMS WITHOUT WRITTEN PERMISSION. COPYRIGHT © 1976, DIGITAL EQUIPMENT CORPORATION			4								3								2								1							
ITEM NO.	DRAWING NO.	DESCRIPTION	11/34-DC	11/34-DD	11/34-HC	11/34-HD	11/34-LC	11/34-LD	11/34-MC	11/34-MD	11/34-LH	11/34-LJ	11/34-DH	11/34-DJ	11/34-ME	11/34-MF	11/34-HU	11/34-LM	11/34-LN	11/34-DM	11/34-DS	11/34-NV	11/34-NW	11/34-EM	11/34-EN									
1	A-PL-FD11-E-0	11/34 CPU (M7266, M7265)	1	1	1	1	1	1	1	1	1	1	1	1	1	1	1	1	1	1	1	1	1	1	1	1								
2	D-CS-M9301-YF-1	TERM/BOOT	1	1	1	1	1	1	1	1	1	1	1	1	1	1	1	1	1	1	1	1	1	1	1	1								
3	D-CS-M9301-YF-1	TERM/BOOT (END USER)																																
4	D-CS-M9302-0-1	UNIBUS TERMINATOR / SACK TURN AROUND	1	1	1	1	1	1	1	1	1	1	1	1	1	1	1	1	1	1	1	1	1	1	1	1								
5	B-CS-G727-0-1	GRANT CONTINUITY	6	6	6	6	5	5	5	5	5	5	6	6	5	5	6	4	4	5	5	4	4	5	5	5								
6	A-PL-DL11-WA-0	SERIAL LINE/LINE CLOCK (DL11-W)	-	-	-	-	-	-	-	-	-	-	-	-	-	-	-	-	-	-	-	-	-	-	-	-								
7	D-CS-M7950-0-1	PARITY, MEMORY MODULE	1	1	1	1	1	1	1	1	1	1	1	1	1	1	1	1	1	1	1	1	1	1	1	1								
8	D-UA-KY11-LA-0	CONSOLE, OPERATORS	1	1	1	1	1	1	1	1	1	1	1	1	1	1	1	1	1	1	1	1	1	1	1	1								
9	A-PL-MS11-JP-0	MEMORY, MOS 16K PARITY (M7847)	1	1	-	-	2	2	-	-	2	2	1	1	-	-	-	-	2	2	1	1	-	-	-	-								
10	D-UA-MM11-DP-0	MEMORY, CORE 16K PARITY	-	-	1	1	-	2	2	-	-	-	-	2	2	1	1	-	-	-	-	2	2	1	1	1								
11	D-CS-M8264-0-1	NO SACK TIMEOUT	1	1	1	1	1	1	1	1	1	1	1	1	1	1	1	1	1	1	1	1	1	1	1	1								
12	E-UA-B11-LC-0	MTG. BOX 5.25, MOS ONLY 115V	1	-	-	-	1	-	-	-	-	-	-	-	-	-	-	-	-	-	-	-	-	-	-	-								
13	E-UA-B11-LD-0	MTG. BOX 5.25, MOS ONLY 230V	-	1	-	-	-	1	-	-	-	-	-	-	-	-	-	-	-	-	-	-	-	-	-	-								
14	E-UA-B11-LA-0	MTG. BOX 5.25, CORE/MOS 115V	-	-	1	-	-	-	1	-	-	-	-	-	-	-	-	-	-	-	-	-	-	-	-	-								
15	E-UA-B11-LB-0	MTG. BOX 5.25, CORE/MOS 230V	-	-	-	1	-	-	-	1	-	-	-	-	-	-	-	-	-	-	-	-	-	-	-	-								
16	D-UA-B11-KK-0	MOUNTING BOX 10 1/2, MOS ONLY 115V	-	-	-	-	-	-	-	-	1	-	1	-	-	-	-	1	-	1	-	-	-	-	-	-								
17	D-UA-B11-KL-0	MOUNTING BOX 10 1/2, MOS ONLY 230V	-	-	-	-	-	-	-	-	1	-	1	-	-	-	-	1	-	1	-	-	-	-	-	-								
18	D-UA-B11-KH-0	MOUNTING BOX 10 1/2, CORE ONLY 115V	-	-	-	-	-	-	-	-	-	-	1	-	1	-	-	-	-	1	-	-	-	-	-	-								
19	D-UA-B11-KJ-0	MOUNTING BOX 10 1/2, CORE ONLY 230V	-	-	-	-	-	-	-	-	-	-	1	-	1	-	-	-	-	-	1	-	-	-	-	-								
20	C-IA-7012752-0-0	CABLE JUMPER (B11-L)	1	1	1	1	1	1	1	1	-	-	-	-	-	-	-	-	-	-	-	-	-	-	-	-								
21	D-IA-7009768-0-0	COVER, CHASSIS	-	-	-	-	-	-	-	-	2	2	2	2	2	2	2	2	2	2	2	2	2	2	2	2								
22	9006020-3	SCREW, PHIL TRUSS HD #6-32 x .25	-	-	-	-	-	-	-	-	4	4	4	4	4	4	4	4	4	4	4	4	4	4	4	4								
23	9007801	WASHER LOCK #6									12	12	12	12	12	12	12	12	12	12	12	12	12	12	12	12								
24	9006071-3	SCREW, PHIL TRUSS HD #10-32 x .38	-	-	-	-	-	-	-	-	12	12	12	12	12	12	12	12	12	12	12	12	12	12	12	12								
25	9007651	WASHER EXTERNAL TOOTH #10	-	-	-	-	-	-	-	-	6	6	6	6	6	6	6	6	6	6	6	6	6	6	6	6								
26	A-PL-DD11-PK-0	BACKPLANE, 11/34 9 SLOT for L & K BOXES	1	1	1	1	1	1	1	1	1	1	1	1	1	1	1	1	1	1	1	1	1	1	1	1								
27	9006565	NUT, KEPS #10-32	-	-	-	-	-	-	-	-	6	6	6	6	6	6	6	6	6	6	6	6	6	6	6	6								
28	B-MU-DD11-P-2	MODULE UTILIZATION (DD11P)	REF	REF	REF	REF	REF	REF	REF	REF	REF	REF	REF	REF	REF	REF	REF	REF	REF	REF	REF	REF	REF	REF	REF	REF								
29	C-IA-7011413-3F-0	CABLE, EXTERNAL BOOT M9301	1	1	1	1	1	1	1	1	1	1	1	1	1	1	1	1	1	1	1	1	1	1	1	1								
30	C-IA-7011411-0T-0	CABLE, CONSOLE/(DD11PK for L or K BOX)	1	1	1	1	1	1	1	1	1	1	1	1	1	1	1	1	1	1	1	1	1	1	1	1								
31	B-MD-7417628-0-0	BRACKET, BEZEL	-	-	-	-	-	-	-	-	2	2	2	2	2	2	2	2	2	2	2	2	2	2	2	2								
32	B-MD-7417627-0-0	BRACKET, BEZEL ADAPTER	-	-	-	-	-	-	-	-	2	2	2	2	2	2	2	2	2	2	2	2	2	2	2	2								
34	D-IA-7011992-0-0	CONSOLE POWER HARNESS (K BOX)	-	-	-	-	-	-	-	-	1	1	1	1	1	1	1	1	1	1	1	1	1	1	1	1								
35	D-IA-7008360-0-0	CABLE ASSY TTY (20 MA)									-	-	-	-	-	-	-	-	-	-	-	-	-	-	-	-								
36	9007651	WASHER EXTERNAL TOOTH #10	-	-	-	-	-	-	-	-	2	2	2	2	2	2	2	2	2	2	2	2	2	2	2	2								
37	D-IA-7012185-0-0	MOUNTING BRACKET CONSOLE (K BOX LEFT)									1	1	1	1	1	1	1	1	1	1	1	1	1	1	1	1								
38	D-IA-7012186-0-0	MOUNTING BRACKET CONSOLE (K BOX RIGHT)									1	1	1	1	1	1	1	1	1	1	1	1	1	1	1	1								
39	9006043-3	SCR PHIL TRUSS HD 8-32 x 1.00	4	4	4	4	4	4	4	4	4	4	4	4	4	4	4	4	4	4	4	4	4	4	4	4								
40	9008072	WASHER, EXT. TOOTH #8	12	12	12	12	12	12	12	12	4	4	4	4	4	4	4	4	4	4	4	4	4	4	4	4								
41	9006037-3	SCR PHIL TRUSS HD 8-32 x .38	8	8	8	8	8	8	8	8	4	4	4	4	4	4	4	4	4	4	4	4	4	4	4	4								
43	9006185	NUT, KEP #6									2	2	2	2	2	2	2	2	2	2	2	2	2	2	2	2								

REV.	CHANGE NO.	CHK	REVISED AND REDRAWN
A	11/34-00001	J. Bloem	19 Mar 76
B	11/34-00002	P. Porreca	14 Jan 77
C	11/34-00003	J. Bloem	29 Sep 76
D	11/34-00004	J. Bloem	14 Jun 76
E	11/34-00005	P. Porreca	14 Jan 77
F	11/34-00006	P. Porreca	14 Jan 77

DRN. <i>0-1552</i>	9 FEB 76	FIRST USED ON	11/34	digital
CHK'D <i>0-1552</i>	24 FEB 76	TITLE		
ENG. <i>0-1552</i>	3-4-76	UNIT ASSY 11/34		
PROJ. ENG. <i>0-1552</i>	3-4-76			
PROD'G <i>0-1552</i>	3-4-76			
NEXT HIGHER ASSY.		SIZE CODE	NUMBER	REV.
D-UA-11/34-0-0		C	PL	F
SCALE		DIST.		
SHEET 1 OF 2				

ITEM NO.	DRAWING NO.	DESCRIPTION	11/34																								
			DC	DD	HC	HD	LC	LD	MC	MD	LH	LJ	DH	DJ	MH	MJ	HH	HJ	LM	LN	DM	DN	MM	ML	HM	HL	HS
44	9006658	WASHER, FLAT #6	-	-	-	-	-	-	-	-	-	-	-	-	-	-	-	-	-	-	-	-	-	-	-	-	-
45	9006022-1	SCR, PHL PAN HD #6-32 x 3/8	-	-	-	-	-	-	-	-	-	-	-	-	-	-	-	-	-	-	-	-	-	-	-	-	-
46	9006634	WASHER, LOCK #8	-	-	-	-	-	-	-	-	-	-	-	-	-	-	-	-	-	-	-	-	-	-	-	-	-
47	9006070-2	SCR, PHL FLAT HD 10-32 x .31	-	-	-	-	-	-	-	-	-	-	-	-	-	-	-	-	-	-	-	-	-	-	-	-	-
48	9009771-0	CLAMP, CABLE	5	5	5	5	5	5	5	5	5	5	5	5	5	5	5	5	5	5	5	5	5	5	5	5	5
49	1211336-02	TAPE	-	-	-	-	-	-	-	-	-	-	-	-	-	-	-	-	-	-	-	-	-	-	-	-	-
50	1212707	AIR FILTER BALL-L	1	1	1	1	1	1	1	1	1	1	1	1	1	1	1	1	1	1	1	1	1	1	1	1	1
51	1212392-02	AIR FILTER BALL-K	-	-	-	-	-	-	-	-	-	-	-	-	-	-	-	-	-	-	-	-	-	-	-	-	-
52	D-UA-H958-PB-8	COVER, 5 1/4" BEZEL	-	-	-	-	-	-	-	-	-	-	-	-	-	-	-	-	-	-	-	-	-	-	-	-	-
53	D-IA-7010059-0-0	SHIPPING BRACKET ASSY BALL-K	-	-	-	-	-	-	-	-	-	-	-	-	-	-	-	-	-	-	-	-	-	-	-	-	-
54	1209224	LATCH, MOLDING	-	-	-	-	-	-	-	-	-	-	-	-	-	-	-	-	-	-	-	-	-	-	-	-	-
55	A-DC-7409478-0-0	DECAL, PATENT	-	-	-	-	-	-	-	-	-	-	-	-	-	-	-	-	-	-	-	-	-	-	-	-	-
56	D-PS-1211825-0-0	SLIDE, 3 POS. TILT	-	-	-	-	-	-	-	-	-	-	-	-	-	-	-	-	-	-	-	-	-	-	-	-	-
57	A-DC-5309414-0-0	DECAL, UL	1	1	1	1	1	1	1	1	1	1	1	1	1	1	1	1	1	1	1	1	1	1	1	1	1
58	A-DC-5309413-0-0	DECAL, NEPA	1	1	1	1	1	1	1	1	1	1	1	1	1	1	1	1	1	1	1	1	1	1	1	1	1
59	B-DC-7414727-0-0	DECAL STICKER 11/34	1	1	1	1	1	1	1	1	1	1	1	1	1	1	1	1	1	1	1	1	1	1	1	1	1
60	9007880	TIE WRAP	2	2	2	2	2	2	2	2	2	2	2	2	2	2	2	2	2	2	2	2	2	2	2	2	2
61	1209340-00	CONNECTOR, DUMMY	-	-	-	-	-	-	-	-	-	-	-	-	-	-	-	-	-	-	-	-	-	-	-	-	-
63	A-DC-7415501-0-0	MODULE DECAL	-	-	-	-	-	-	-	-	-	-	-	-	-	-	-	-	-	-	-	-	-	-	-	-	-
64	9006660	WASH, FL .38 O.D.X. .19 I.D.X .03	4	4	4	4	4	4	4	4	4	4	4	4	4	4	4	4	4	4	4	4	4	4	4	4	4
65	A-SP-3700197-0-0	INPLANT PKG. INSTRUCTIONS	1	1	1	1	1	1	1	1	1	1	1	1	1	1	1	1	1	1	1	1	1	1	1	1	1
66	A-SP-3700061-0-0	CUSTOM CUSHIONED PKG. INSTRUCTIONS	1	1	1	1	1	1	1	1	1	1	1	1	1	1	1	1	1	1	1	1	1	1	1	1	1
67	A-SP-3700134-0-0	CUSHION CONSOLIDATED LOAD ASSY	1	1	1	1	1	1	1	1	1	1	1	1	1	1	1	1	1	1	1	1	1	1	1	1	1
68	A-SP-3700235-0-0	INPLANT PKG. INSTRUCTIONS	-	-	-	-	-	-	-	-	-	-	-	-	-	-	-	-	-	-	-	-	-	-	-	-	-
69	A-SP-3700165-0-0	SKID LOAD PKG. INSTRUCTIONS	-	-	-	-	-	-	-	-	-	-	-	-	-	-	-	-	-	-	-	-	-	-	-	-	-
70	A-SP-3700169-0-0	CUSTOM CUSHIONED PKG. INSTRUCTIONS	-	-	-	-	-	-	-	-	-	-	-	-	-	-	-	-	-	-	-	-	-	-	-	-	-
71	B-MD-7417882-0-0	NUT PLATE	-	-	-	-	-	-	-	-	-	-	-	-	-	-	-	-	-	-	-	-	-	-	-	-	-
72	B-MD-7417883-0-0	PLATE SLIDE MOUNTING	-	-	-	-	-	-	-	-	-	-	-	-	-	-	-	-	-	-	-	-	-	-	-	-	-
73	9006071-2	SCR PHL FLAT HD 10-32 x .38	-	-	-	-	-	-	-	-	-	-	-	-	-	-	-	-	-	-	-	-	-	-	-	-	-
74	9006073-03	SCR PHIL TRUSS HD 10-32 x .50	-	-	-	-	-	-	-	-	-	-	-	-	-	-	-	-	-	-	-	-	-	-	-	-	-
75	9006664	WASHER, FLAT #10	-	-	-	-	-	-	-	-	-	-	-	-	-	-	-	-	-	-	-	-	-	-	-	-	-
76	A-PS-3613210-0-0	LABEL ELECTRICAL DATA	1	1	1	1	1	1	1	1	1	1	1	1	1	1	1	1	1	1	1	1	1	1	1	1	1

D

C

B

A

D

C

B

A

8

THIS DRAWING AND SPECIFICATIONS, HEREIN ARE THE PROPERTY OF DIGITAL EQUIPMENT CORPORATION AND SHALL NOT BE REPRODUCED OR COPIED OR USED IN WHOLE OR IN PART AS THE BASIS FOR THE MANUFACTURE OR SALE OF ITEMS WITHOUT WRITTEN PERMISSION. COPYRIGHT © 1976 . DIGITAL EQUIPMENT CORPORATION

REV.	
CHG	
CHK	
REV. NO.	
CHANGE NO.	

DRN. <i>A-11/34</i>	9 FEB 76	FIRST USED ON	11/34	digital
CHK'D. <i>1/24/76</i>	24 FEB 76	TITLE		
ENG. <i>1/24/76</i>	3-9-76			
PROJ. ENG. <i>1/24/76</i>	3-9-76			
PROD. <i>1/24/76</i>	4 MAR 76			
NEXT HIGHER ASSY.				
D-UA-11/34-0-0		SIZE	CODE	NUMBER
SCALE		C	PL	11/34-0-0
SHEET 2 OF 2		DIST.		REV. F

REV. F
NUMBER 11/34-0-0
SIZE CODE C
PL

~~CUSTOMER PRINT SET INDEX~~

~~THIS IS PRINT SET~~

FOR FIELD MAINTENANCE
PRINT SET REFER TO
B-TC-11/34-Ø-1 (5.25)
B-TC-11/34-Ø-2 (10.50)

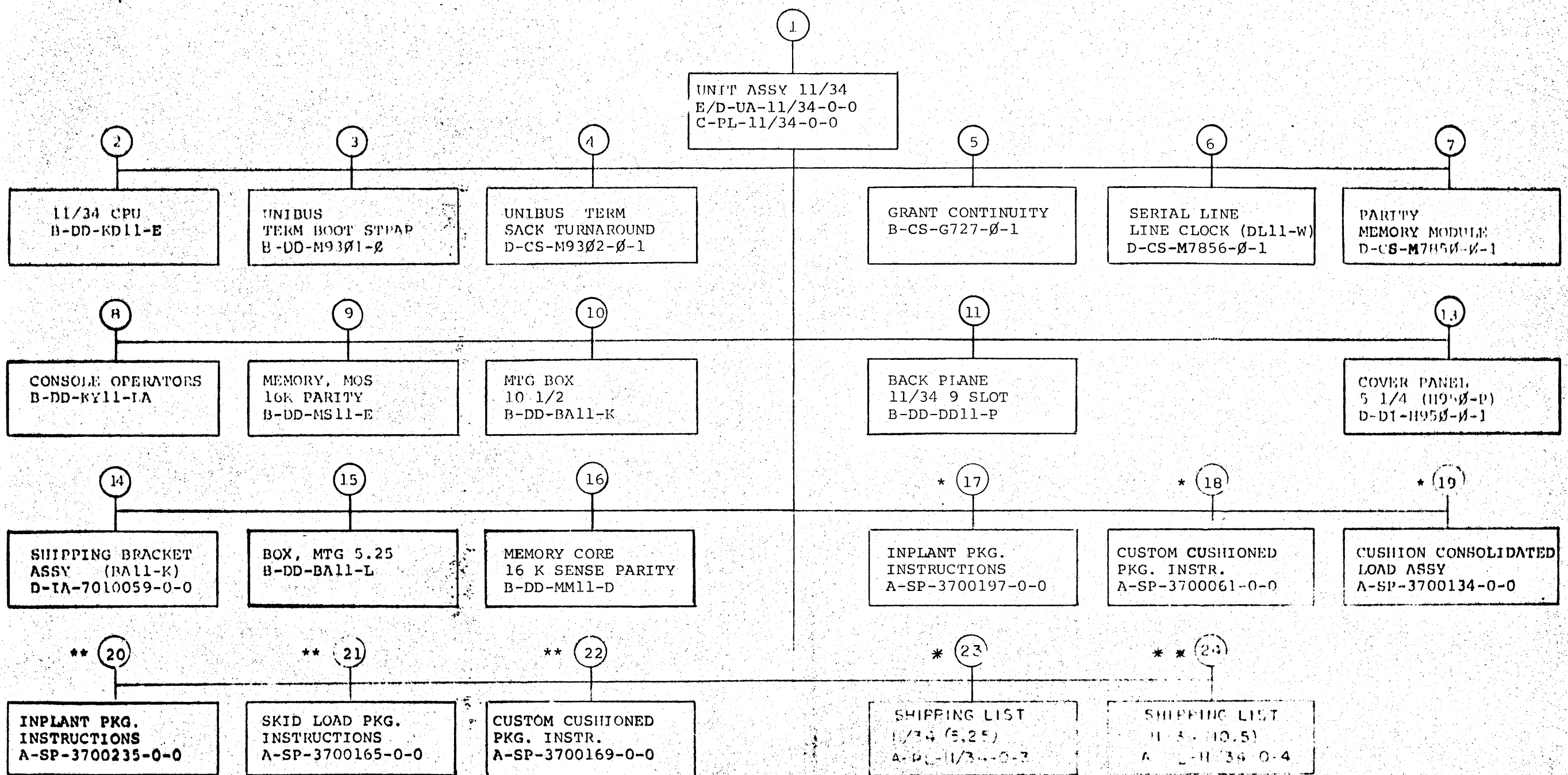
UNIT VARIATIONS		PRINT SET
VAR	TITLE	
11/34-DC	KD11-E, MS11-JP, BALL-LC, M785Ø, M93Ø1-YF, 115V	
11/34-DD	KD11-E, MS11-JP, BALL-LD, M785Ø, M93Ø1-YF, 230V	
11/34-HC	KD11-E, MM11-DP, BALL-LA, M785Ø, M93Ø1-YF, 115V	
11/34-HD	KD11-E, MM11-DP, BALL-LB, M785Ø, M93Ø1-YF, 230V	
11/34-LC	11/34-DC & MS11-JP 115V	
11/34-LD	11/34-DD & MS11-JP 230V	
11/34-MC	11/34-HC & MM11-DP 115V	
11/34-MD	11/34-HD & MM11-DP 230V	
11/34-LH	11/34-DH & MS11-JP 115V	
11/34-LJ	11/34-DJ & MS11-JP 230V	
11/34-DH	KD11-E, MS11-JP, BALL-KK, M785Ø, M93Ø1-YF, 115V	
11/34-DJ	KD11-E, MS11-JP, BALL-KL, M785Ø, M93Ø1-YF, 230V	
11/34-MH	11/34-HH & MM11-DP 115V	
11/34-MJ	11/34-HJ & MM11-DP 230V	
11/34-HH	KD11-E, MM11-DP, BALL-KH, M785Ø, M93Ø1-YF, 115V	
11/34-HJ	KD11-E, MM11-DP, BALL-KJ, M785Ø, M93Ø1-YF, 230V	
11/34-IM	11/34-DM & MS11-JP 115V	
11/34-LN	11/34-DN & MS11-JP 230V	
11/34-DM	KD11-E, MS11-JP, BALL-KK, M785Ø, M93Ø1-YF, DL11-W, 115V	
11/34-DN	KD11-E, MS11-JP, BALL-KL, M785Ø, M93Ø1-YF, DL11-W, 230V	

5.25
BOX
(BALL-L)

10.50
BOX
(BALL-K)

REVISIONS		CHG. NO.	REV
DATE	3-76	11/34-1	-
ORIGINATED			
DATE	6-76	11/34-2	A
DATE	11-76	11/34-4	B
DATE	1-77	11/34-5	C
DATE	3-77	11/34-6	L

USED ON OPTION/MODEL	DRN.	DATE	TITLE			
	CHK'D.	DATE	UNIT ASSY 11/34			
	PROJ ENG.	DATE				
	PROD.	DATE	SIZE	CODE	NUMBER	REV
	FIELD SERV.	DATE	B	DD	11/34-0	
SHEET 1 OF 6			DIST			



* Used for 5.25" box (BALL-L) only
 ** Used for 10 1/2" box (BALL-K) only

TITLE	UNIT CODE	NUMBER	REV
UNIT ASSY 11/34	B DD	11/34-0	
SHEET 3 OF 6			

CUSTOMER PRINT SET					MECHANICAL (SECTION 2)					CUSTOMER PRINT SET					MECHANICAL (SECTION 2)				
FIND NO.	DRAWING NO.	REV	NO OF SHT	DESCRIPTION	OPTION NO. / FILE DATE	FIND NO.	DRAWING NO.	REV	NO OF SHT	DESCRIPTION	OPTION NO. / FILE DATE								
1	MP00044		REF	PRINT SET ORDER NO. 5.25		2	B-DD-KD11-E		2	11/34 CPU									
	B-TC-11/34-0-1		REF	FIELD MAINTENANCE PRINT SET 5.25															
	MP00082		REF	PRINT SET ORDER NO. 10.50															
	B-TC-11/34-0-2		REF	FIELD MAINTENANCE PRINT SET 10.50															
	E/D-UA-11/34-0-0	F	3	UNIT ASSY 11/34		3	B-DD-M9301-0			UNIBUS TERMINATOR BOOT STRAP									
	C-PL-11/34-0-0	F	2	UNIT ASSY 11/34 (PL)															
	D-IA-7011992-0-0		1	CONSOLE, POWER HARNESS															
	A-DC-7409478-0-0		1	DECAL, PATENT															
	B-DC-7414727-0-0		1	DECAL, STICKER 11/34															
	C-IA-7011413-0-0		1	CABLE, EXTERNAL BOOT M9301															
	C-IA-7011414-0-0		1	CABLE, CONSOLE/BACKPLANE															
	D-IA-7008860-0-0		1	CABLE, TTY		4	D-CS-M9302-0-1		2	UNIBUS TERM. SACK TURN AROUND									
	A-DC-7415501-0-0		1	DECAL, MODULE			K-CO-M9302-0-4		-	X-Y COORDINATE HOLE LOCATION									
	A-PS-3613210-0-0		2	LABEL, ELECTRICAL DATA			D-AH-M9302-0-5		1	ASSY/DRILLING HOLE LAYOUT									
							B-MH-M9302-0-6		1	MODULE ECO HISTORY									
							5011311		REF	ETCHED CIRCUIT BOARD									
						5	B-CS-G727-0-1		1	GRANT CONTINUITY									
						6	D-CS-M7856-0-1		9	SERIAL LINE/LINE CLOCK (DL11-W)									
							K-CO-M7856-0-4		-	X-Y COORDINATE HOLE LOCATION									
							D-AH-M7856-0-5		1	ASSY/DRILLING HOLE LAYOUT									
							B-MH-M7856-0-6		1	MODULE ECO HISTORY									
							5011464		REF	ETCHED CIRCUIT BOARD									
						7	D-CS-M7850-0-1		3	PARITY MEMORY MODULE									
							K-CO-M7850-0-4		-	X-Y COORDINATE HOLE LOCATION									
							D-AH-M7850-0-5		1	ASSY/DRILLING HOLE LAYOUT									
							B-MH-M7850-0-6		1	MODULE ECO HISTORY									
							5010651		REF	ETCHED CIRCUIT BOARD									
						8	B-DD-KY11-IA		2	CONSOLE OPERATORS									

CUSTOMER PRINT SET
 CODES
 X = PRINT OF DOCUMENT INCLUDED IN PRINT SET
 C = INCLUDES ALL PRINTS INDICATED ON DOCUMENT
 S = CONFIDENTIAL AUTHORIZED SIGNATURE REQUIRED

TITLE UNIT ASSY 11/34
 SHEET 5 OF 6
 SIZE CODE B DD
 NUMBER 11/34-0
 REV D

CUSTOMER PRINT SET		MECHANICAL (SECTION 2)					CUSTOMER PRINT SET		MECHANICAL (SECTION 2)				
MFG SET	FIND NO.	DRAWING NO.	REV	NO OF SHT	DESCRIPTION	OPTION NO / FILE DATE	MFG SET	FIND NO.	DRAWING NO.	REV	NO OF SHT	DESCRIPTION	OPTION NO / FILE DATE
	9	B-DD-MS11-E		2	MEMORY MOS 16K PARITY			17	A-SP-3700235-0-0		3	INPLANT PKG. INSTRUCTIONS	
									A-PS-9905650-0-0		2	REGULAR SLOTTED CARTON	
									A-PS-9905889-0-0		2	BEZEL PROTECTOR	
									A-PS-9905644-0-0		2	REAR PAD	
									A-PS-9905323-0-0		2	LAMINATED SADDLE	
									A-PS-9905129-0-0		4	POLY BAG	
	10	B-DD-Ball-K		4	MTG BOX 10 1/2								
	11	B-DD-DD11-P		3	BACK PLANE 11/34 9 SLOT			18	A-SP-3700165-0-0		4	SKID LOAD PKG. INSTRUCTIONS	
									A-PS-1210568-01-0		2	CUSHIONED SKID	
									A-PS-9905445-0-0		2	HALF OVERLAP SLOTTED CARTON (TOP)	
									A-PS-9905419-0-0		2	FLANGED TUBE (BOTTOM)	
	13	D-DI-H95Ø-Ø-1		1	COVER PANEL 5 1/4 (H95Ø-P)			19	A-SP-3700169-0-0		2	CUST. CUSHIONED PKG. INSTRUCTIONS	
									A-PS-9905645-0-0		2	FULL TELESCOPE	
									A-PS-9905642-0-0		2	FOAM, PAD	
									A-PS-9905643-0-0		2	FOAM/CORRUGATED SIDE WALL ASSY	
	14	D-IA-7010059-0-0		1	SHIPPING BRACKET ASSY (Ball-K)			20	A-SP-3700197-0-0		3	INPLANT PKG. INSTRUCTIONS	
		C-MD-7412190-0-0		1	SHIPPING BRACKET PT1				A-PS-9905418-0-0		2	REGULAR SLOTTED CARTON	
		D-MD-7412131-0-0		1	SHIPPING BRACKET PT2				A-PS-9905754-0-0		2	BEZEL PROTECTOR	
									A-PS-9905755-0-0		2	LAMINATED SADDLE	
									A-PS-9905129-0-0		2	POLY BAG	
									A-PS-9905729-0-0		2	TAPE	
	15	B-DD-Ball-L		4	BOX, MTG 5.25			21	A-SP-3700061-0-0		4	CUSTOM CUSHIONED PKG. INSTR.	
	16	B-DD-MM11-F		2	MEMORY CORE 16K SENSE PARITY			22	A-SP-3700134-0-0		4	CUSHION CONSOLIDATED LOAD ASSY	
									A-PL-11/34-0-3		1	SHIPPING LIST 11/34 (5.25)	
									A-PL-11/34-0-4		1	SHIPPING LIST 11/34 (10.5)	

CUSTOMER PRINT SET CODES	X = PRINT OF DOCUMENT INCLUDED IN PRINT SET C = INCLUDES ALL PRINTS INDICATED ON DOCUMENT S = CONFIDENTIAL AUTHORIZED SIGNATURE REQUIRED	TITLE	UNIT ASSY 11/34	SHEET 6 OF 6	SIZE CODE	B DD	NUMBER	11/34-0	REV	D
--------------------------	--	-------	-----------------	--------------	-----------	------	--------	---------	-----	---

14

"THE MATERIAL HEREIN IS FOR INFORMATION PURPOSES ONLY AND IS SUBJECT TO CHANGE WITHOUT NOTICE. DIGITAL EQUIPMENT CORPORATION ASSUMES NO RESPONSIBILITY FOR ANY ERRORS WHICH MAY APPEAR HEREIN."

FIELD MAINTENANCE PRINT SET

"THIS DRAWING AND SPECIFICATIONS, HEREIN, ARE THE PROPERTY OF DIGITAL EQUIPMENT CORPORATION AND SHALL NOT BE REPRODUCED OR COPIED OR USED IN WHOLE OR IN PART AS THE BASIS FOR THE MANUFACTURE OR SALE OF ITEMS WITHOUT WRITTEN PERMISSION. COPYRIGHT © 1975, DIGITAL EQUIPMENT CORPORATION."

TABLE OF CONTENTS

FIELD MAINT. PRINT SET KD11-E	B-TC-KD11-E-3
KD11-E BLOCK DIAGRAM	D-BD-KD11-E-2
KD11-E FLOW DIAGRAMS	D-FD-KD11-E-1
KD11-E DATA PATH	D-CS-M7265-0-1
KD11-E CONTROL	D-CS-M7266-0-1

UNIT VARIATIONS COVERED BY THIS PRINT SET
KD11-E

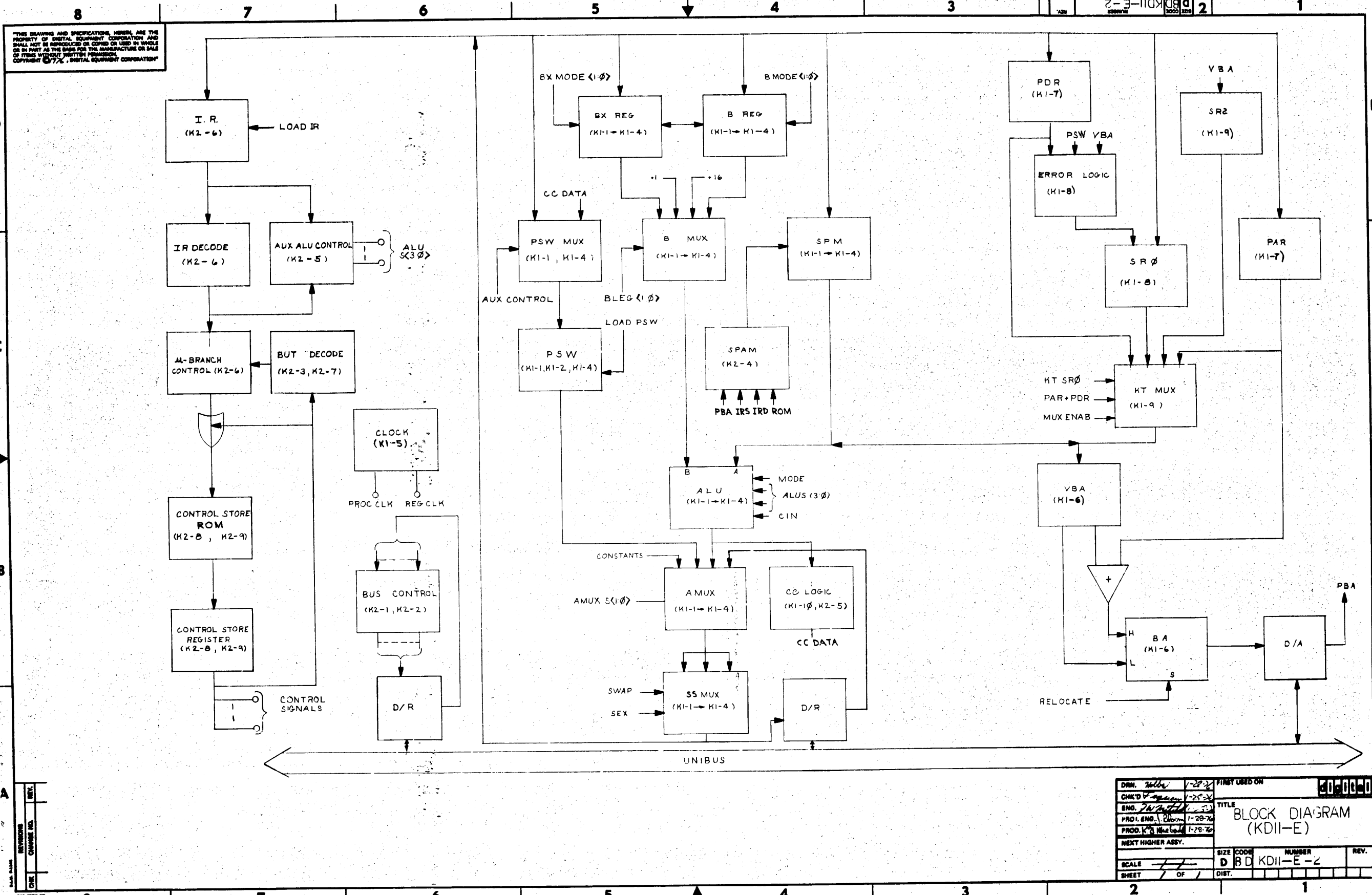
KD11-E
Field Maintenance
Print Set

Digital Equipment
Corporation

PRINT SET ORDER NO.
MP00043

REV.	CHG. NO.	DATE	USED ON OPTION/MODEL	DRN.	DATE	TITLE:	digital			
							SIZE	CODE	NUMBER	REV.
			11/34	D. HEALY	12/29/75	FIELD MAINTENANCE PRINT SET KD11-E	B	TC	KD11-E-3	
				CHK'D	DATE					
				D. HEALY	12/29/75					
				PROJ. ENG.	DATE					
				FIELD SERV.	DATE					
			SHEET 1 OF 1		3/1/76	DIST.				

EN-01124 (6/675-1327)



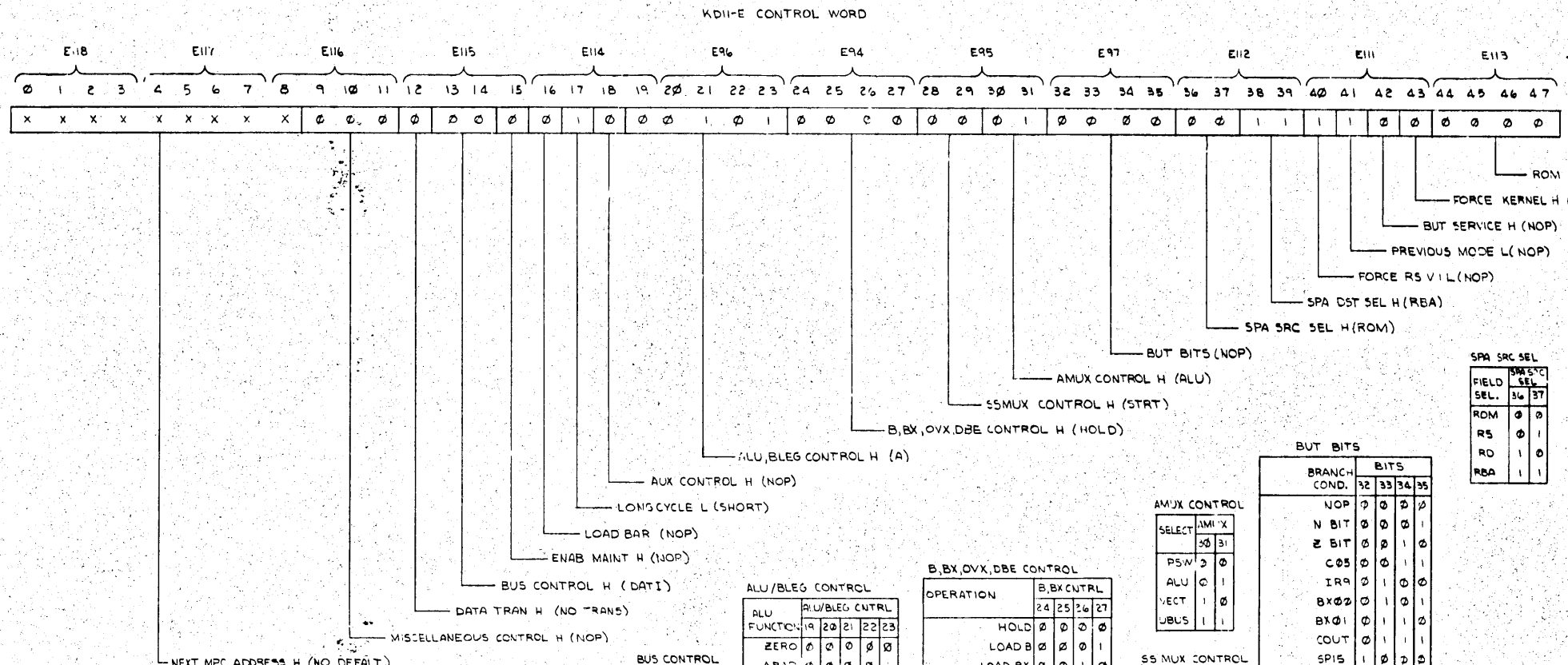
"THIS DRAWING AND SPECIFICATIONS HEREIN ARE THE PROPERTY OF DIGITAL EQUIPMENT CORPORATION AND SHALL NOT BE REPRODUCED OR COPIED OR USED IN WHOLE OR IN PART AS THE BASIS FOR THE MANUFACTURE OR SALE OF ITEMS WITHOUT WRITTEN PERMISSION. COPYRIGHT © 1972, DIGITAL EQUIPMENT CORPORATION"

DRN. <i>Wells</i>	1-28-72	FIRST USED ON	
CHK'D <i>Wells</i>	1-28-72	TITLE	BLOCK DIAGRAM (KDII-E)
ENG. <i>Wells</i>	1-28-72	SIZE	D B D
PROJ. ENG. <i>Wells</i>	1-28-72	NUMBER	KDII-E-2
PROD. <i>Wells</i>	1-28-72	REV.	
NEXT HIGHER ASSY.		SCALE	
		SHEET	1

16

THIS DRAWING AND SPECIFICATIONS HEREIN ARE THE PROPERTY OF DIGITAL EQUIPMENT CORPORATION AND SHALL NOT BE REPRODUCED OR COPIED OR USED IN WHOLE OR IN PART AS THE BASIS FOR THE MANUFACTURE OR SALE OF ITEMS WITHOUT WRITTEN PERMISSION. COPYRIGHT © 1975, DIGITAL EQUIPMENT CORPORATION

REV. 1
DATE 1/28/76
D/E/KDII-E-1



← INTEGRATED CIRCUIT DESIGNATION
← NORMAL CONDITION OF EACH BIT

ROM SPA LINES

REG. SELEC. TED	44	45	46	47
R5	1	0	1	0
R6 (SP)	1	2	0	1
R7 (PC)	1	0	0	0
R10	0	1	1	1
R11	0	1	1	2
R12	0	1	0	1
R13	0	1	0	0
R14	0	1	0	1
R15	0	0	1	0
R16	0	0	0	1
R17	0	0	0	0

SPA DST SEL

FIELD SEL.	36	37
ROM	0	0
R5	0	1
RD	1	0
RBA	1	1

SPA SRC SEL

FIELD SEL.	36	37
ROM	0	0
R5	0	1
RD	1	0
RBA	1	1

BUT BITS

BRANCH COND.	32	33	34	35
NOP	0	0	0	0
N BIT	0	0	0	1
Z BIT	0	0	1	0
C05	0	0	1	1
IR9	0	1	0	0
BX00	0	1	0	1
BX01	0	1	1	1
COUT	0	1	1	1
SP15	1	0	2	0
NBIT + Z BIT	1	2	2	1
BX00 + SP15	1	2	1	0
BX01 + BX00	1	1	1	1
C05 - BX01 + BX00	1	1	0	0
NBT + C05	1	1	0	1
BX00 + C05	1	1	1	0
ALL	1	1	1	1

AMUX CONTROL

SELECT	30	31
ALU	0	1
VECT	1	0
UBUS	1	1

B, BX, OVX, DBE CONTROL

OPERATION	24	25	26	27
HOLD	0	0	0	0
LOAD B	0	0	0	1
LOAD BX	0	0	1	0
SL (BX-0), LDB	0	0	1	1
SL (BX-COUT), LDB	0	1	0	0
SL (BX-1), LDB	0	1	0	1
SL (B-0), LDB	0	1	1	0
SL (B-0), LDBX	0	1	1	1
SL (B-BX15)	1	0	0	0
SL (BX-0)	1	0	0	1
SL (BX-1)	1	0	1	0
SL (BX-OVX)	1	0	1	1
SL (BX-COUT)	1	1	0	0
SL (B-BX-0)	1	1	0	1
SR (B15-B-BX)	1	1	1	0
ENAB DBE	1	1	1	1

ALU/BLEG CONTROL

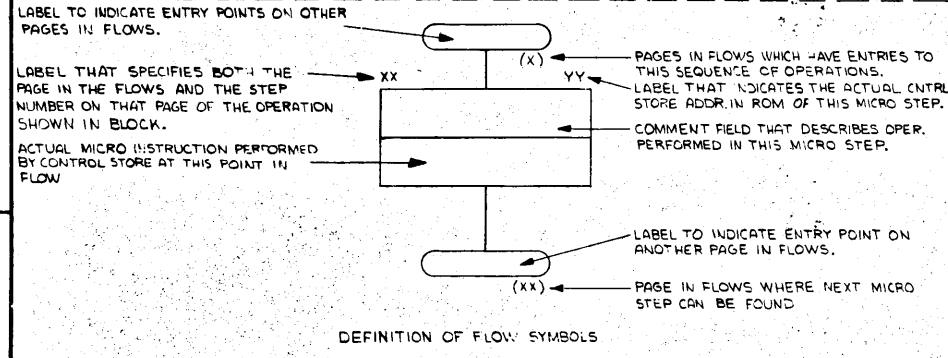
ALU FUNCTION	19	20	21	22	23
ZERO	0	0	0	0	0
ABAR	0	0	0	0	1
A+1	0	0	0	1	0
A-1	0	0	0	1	1
A-B	0	0	1	0	0
A	0	0	1	0	1
B	0	0	1	1	0
ONE BAR	0	0	1	1	1
A+B	0	1	0	0	0
A-B	0	1	0	0	1
ABAR-B	0	1	0	1	0
A+B	0	1	0	1	1
A*B	0	1	1	0	0
A/B	0	1	1	0	1
A-BAR	0	1	1	0	1
A16	0	1	1	1	0
A+B+1	1	0	0	0	0
A+BX	1	0	0	0	1
A-BX	1	0	0	1	0
A-BX+1	1	0	0	1	1
A+2	1	0	1	0	0
A-2	1	0	1	0	1
A+A	1	0	1	1	0
BX	1	0	1	1	1
BBAR	1	1	0	0	0
BBAR	1	1	0	0	1
A+A+1	1	1	0	1	0

BUS CONTROL

OPERATION	13	14
DATI	0	0
DATIP	0	1
DATOB	1	0

MISC. CONTROL

OPERATION	9	10	11
NOP	0	0	0
LOAD IR	0	0	1
LOAD PSW	0	1	0
LOAD CC	0	1	1
BUT DEST	1	0	0
ENAB STOV	1	0	1
LOAD CNT	1	1	0
COUNT	1	1	1



FIRST USED ON OPTION/MODEL	QTY.	DESCRIPTION	PART NO.	ITEM NO.
PARTS LIST				
DIMENSIONAL TOLERANCE		DATE 11/18/75	digital	
DIMENSIONS ARE MILLIMETERS UNLESS OTHERWISE SPECIFIED		CHK'D. DATE 1-28-76		
MILLIMETERS	INCHES	ANGLES	TITLE	
X,XX = ±0.10 X.X = ±0.5 X = ±2	XXX = ±0.08 .XX = ±0.02 .X = ±0.1	30° 30'	KDII-E FLOW DIAGRAMS	
THIRD ANGLE PROJECTION	REMOVE BURRS AND BREAK SHARP CORNERS SURFACE QUALITY	DATE 1-28-76	SIZE CODE	NUMBER
MATERIA	FINISH	DATE 1-28-76	D/E/KDII-E-1	REV.
SCALE		DATE 1-28-76	DIST.	
SHEET 1 OF 26				

REVISIONS

REV.	CHANGE NO.
1	1

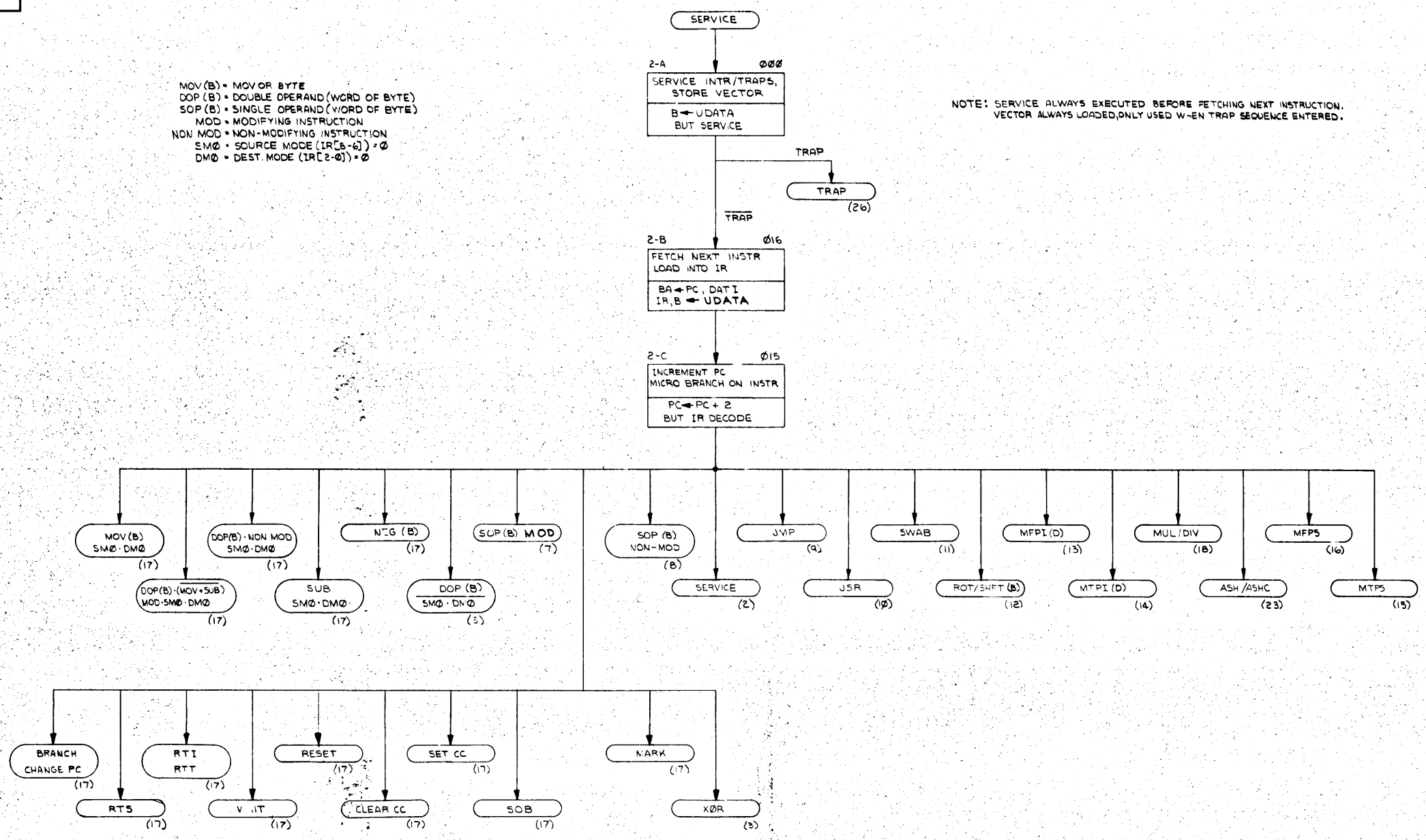
800 100-100

"THIS DRAWING AND SPECIFICATIONS, HEREIN, ARE THE PROPERTY OF DIGITAL EQUIPMENT CORPORATION AND SHALL NOT BE REPRODUCED OR COPIED OR USED IN WHOLE OR IN PART AS THE BASIS FOR THE MANUFACTURE OR SALE OF ITEMS WITHOUT WRITTEN PERMISSION. COPYRIGHT © 1975 DIGITAL EQUIPMENT CORPORATION"

1-3-11001 DFD KDI-E-1 2

MOV(B) = MOV OR BYTE
 DOP(B) = DOUBLE OPERAND (WORD OF BYTE)
 SOP(B) = SINGLE OPERAND (WORD OF BYTE)
 MOD = MODIFYING INSTRUCTION
 NON MOD = NON-MODIFYING INSTRUCTION
 SMØ = SOURCE MODE (IR[8-6]) = Ø
 DMØ = DEST. MODE (IR[2-0]) = Ø

NOTE: SERVICE ALWAYS EXECUTED BEFORE FETCHING NEXT INSTRUCTION. VECTOR ALWAYS LOADED, ONLY USED W-EN TRAP SEQUENCE ENTERED.

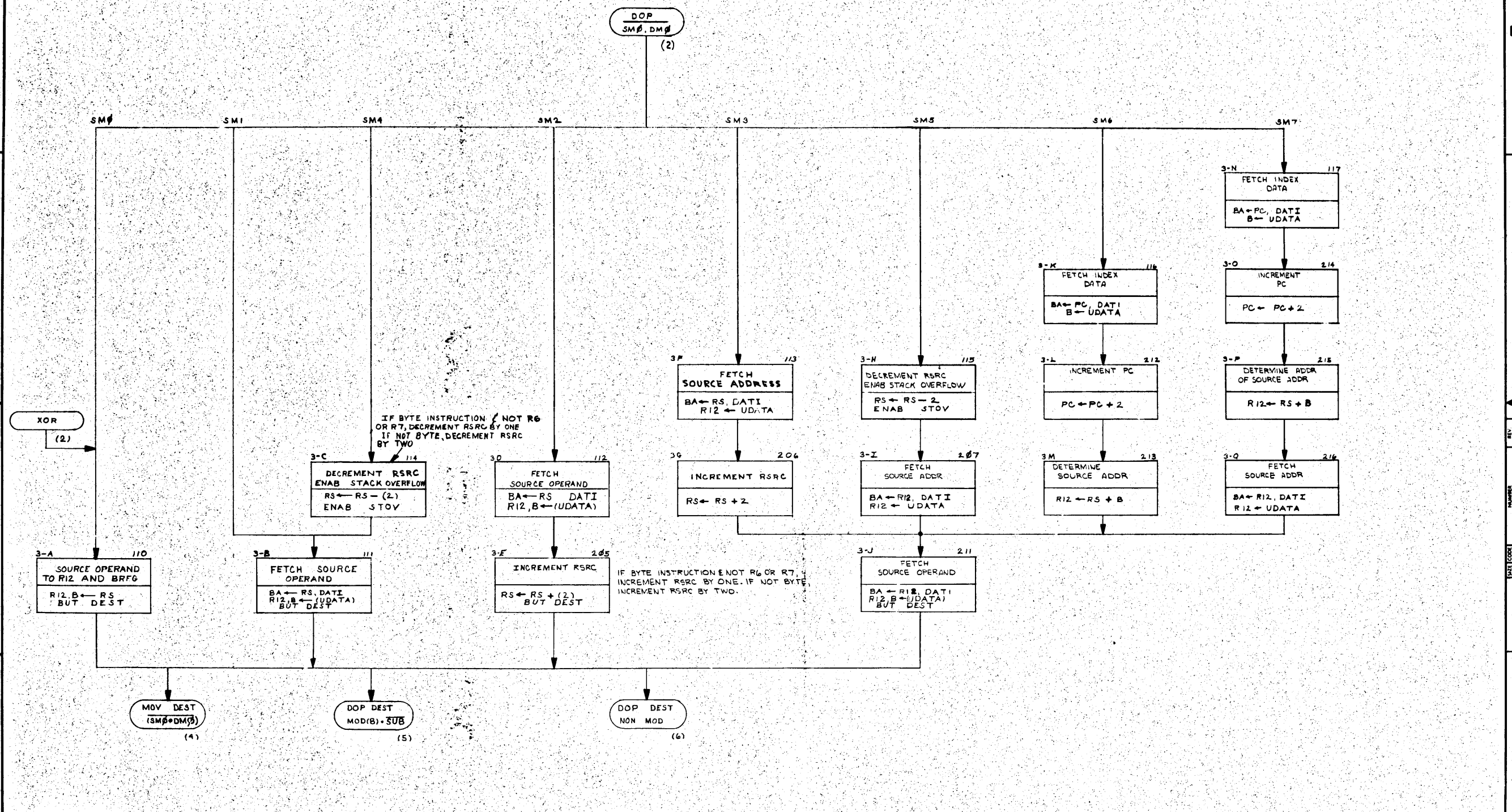


REVISIONS		
CHK	CHANGE NO.	REV.

TITLE	SIZE/CODE	NUMBER	REV.
KDIE FLOW DIAGRAMS	DFD	KDI-E-1	
SCALE	SHEET	DIST.	
	2 OF 26		

18

"THIS DRAWING AND SPECIFICATIONS HEREIN ARE THE PROPERTY OF DIGITAL EQUIPMENT CORPORATION AND SHALL NOT BE REPRODUCED OR COPIED OR USED IN WHOLE OR IN PART AS THE BASIS FOR THE MANUFACTURE OR SALE OF ITEMS WITHOUT WRITTEN PERMISSION. COPYRIGHT © 1971 DIGITAL EQUIPMENT CORPORATION"

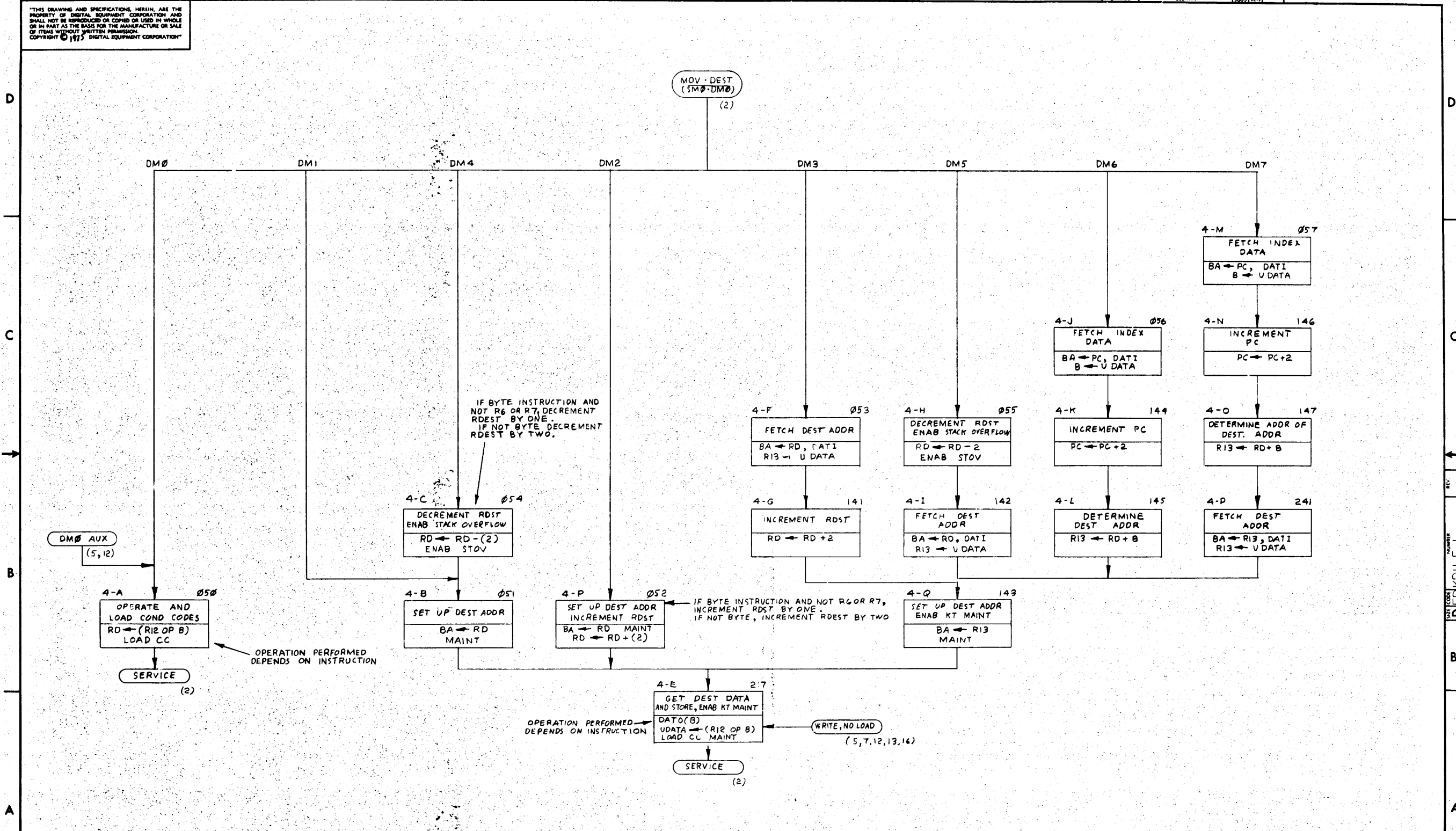


REVISIONS		
CHK	CHANGE NO.	REV.

19

"THIS DRAWING AND SPECIFICATIONS HEREIN, ARE THE PROPERTY OF DIGITAL EQUIPMENT CORPORATION AND SHALL NOT BE REPRODUCED OR COPIED OR USED IN WHOLE OR IN PART AS THE BASIS FOR THE MANUFACTURE OR SALE OF ITEMS WITHOUT WRITTEN PERMISSION. COPYRIGHT © 1973 DIGITAL EQUIPMENT CORPORATION"

MOV · DEST
(SM0 · DM0)
(2)



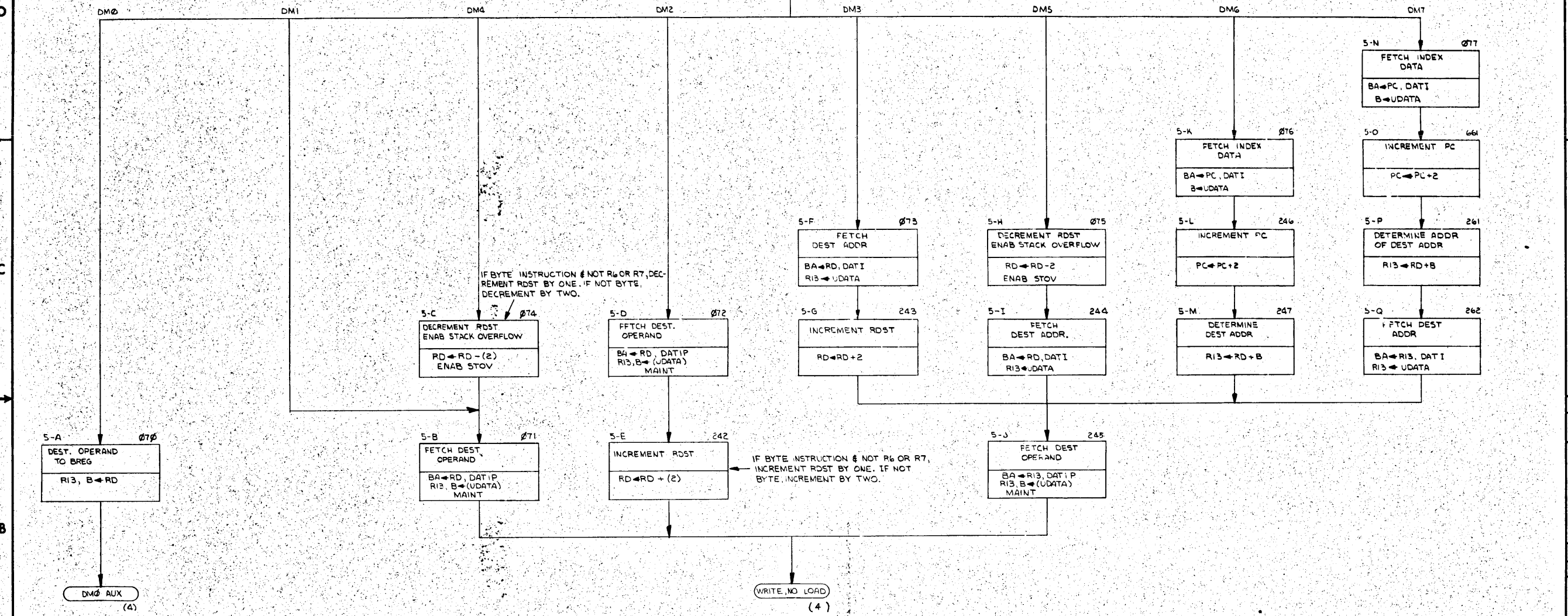
REVISIONS		
CHK	CHANGE NO.	REV.

TITLE	SIZE CODE	NUMBER	REV
KDII E FLOW DIAGRAMS	D FDKDII-E-1		
SCALE	SHEET 4 OF 26	DIST	

"THIS DRAWING AND SPECIFICATIONS, HEREIN, ARE THE PROPERTY OF DIGITAL EQUIPMENT CORPORATION AND SHALL NOT BE REPRODUCED OR COPIED OR USED IN WHOLE OR IN PART AS THE BASIS FOR THE MANUFACTURE OR SALE OF ITEMS WITHOUT WRITTEN PERMISSION. COPYRIGHT © 1975, DIGITAL EQUIPMENT CORPORATION"

SIZE CODE D FD KDII-E-1 NUMBER 2

DOP DEST
MOD(B) · SUB
(3,7)

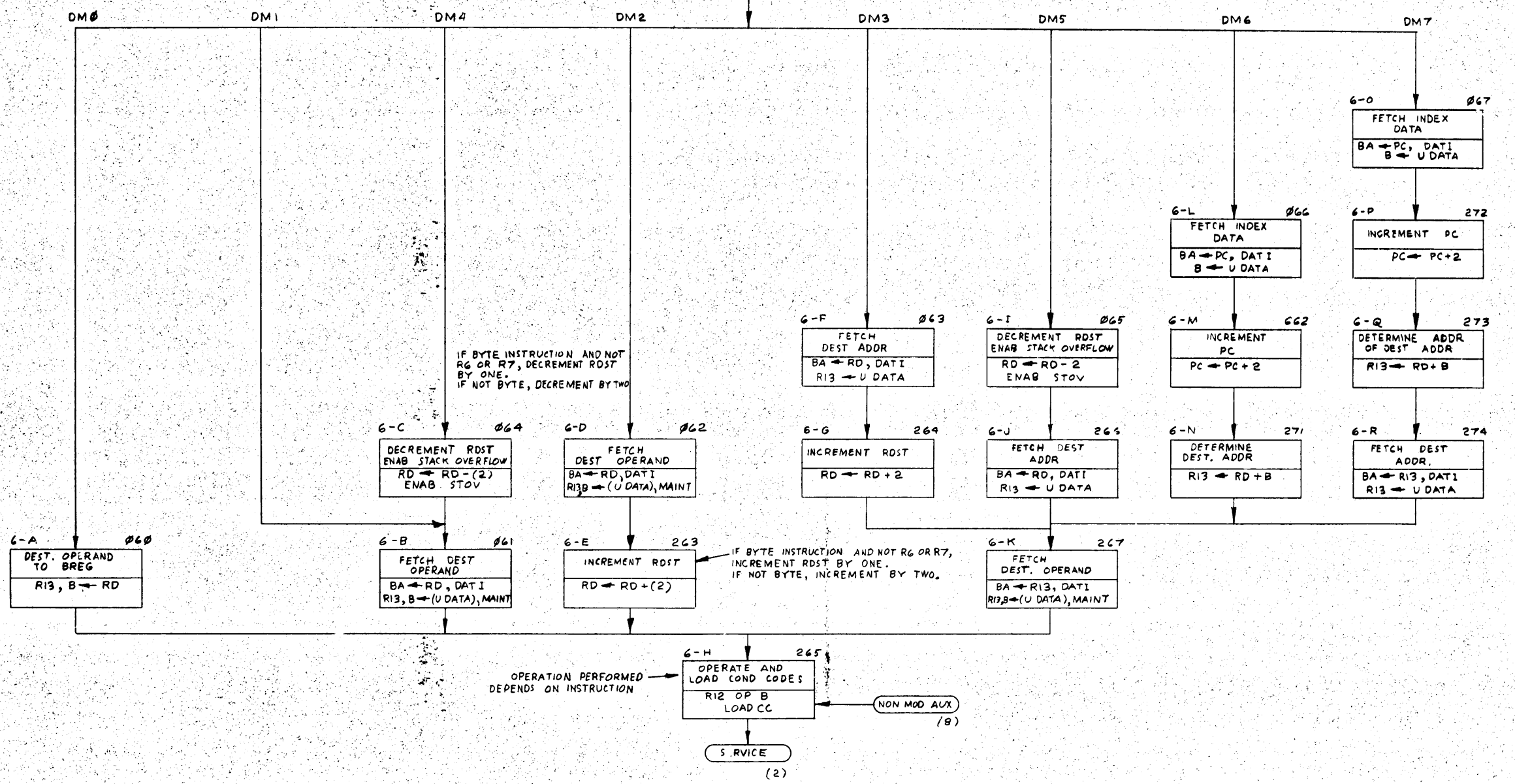


REVISIONS		
CHK	CHANGE NO.	REV.

TITLE KDIIE FLOW DIAGRAMS SIZE CODE D FD KDII-E-1 NUMBER 2 REV. 1
SCALE / / SHEET 5 OF 26 DIST. 1

"THIS DRAWING AND SPECIFICATIONS HEREIN ARE THE PROPERTY OF DIGITAL EQUIPMENT CORPORATION AND SHALL NOT BE REPRODUCED OR COPIED OR USED IN WHOLE OR IN PART AS THE BASIS FOR THE MANUFACTURE OR SALE OF ITEMS WITHOUT WRITTEN PERMISSION. COPYRIGHT © 1975 DIGITAL EQUIPMENT CORPORATION"

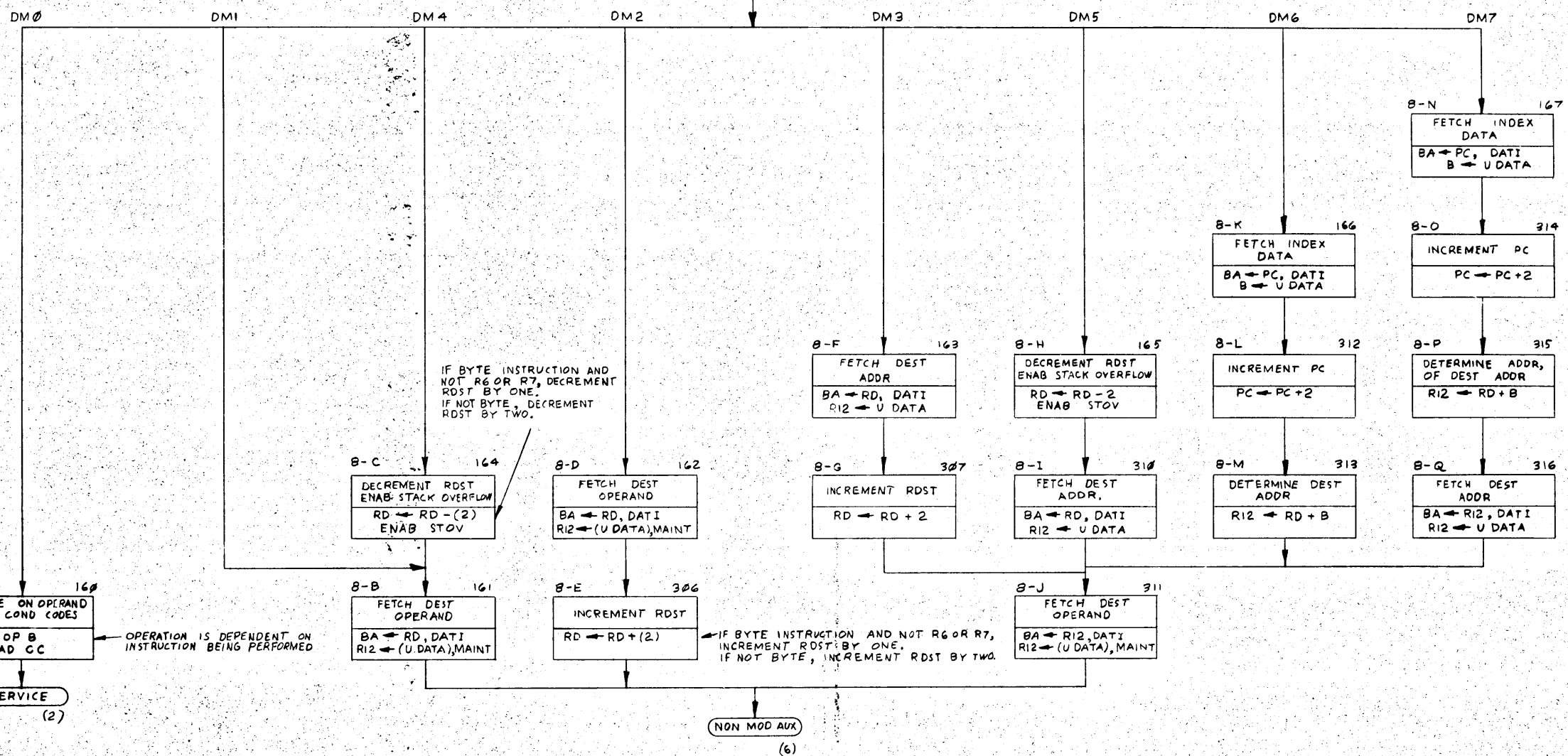
DOP DEST
NON MOD
(3)



REVISIONS		
CHK	CHANGE NO.	REV.

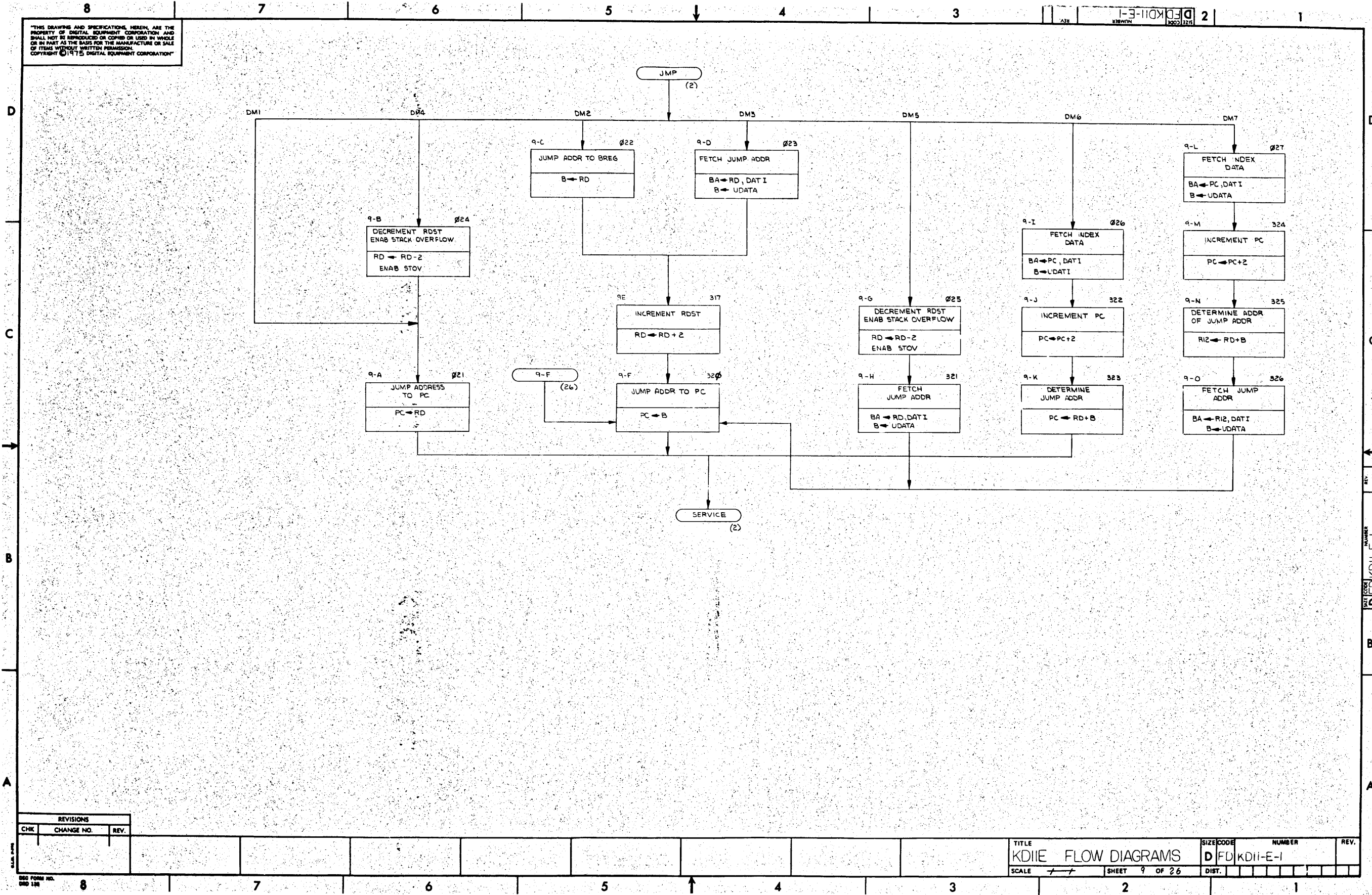
"THIS DRAWING AND SPECIFICATIONS HEREIN ARE THE PROPERTY OF DIGITAL EQUIPMENT CORPORATION AND SHALL NOT BE REPRODUCED OR COPIED OR USED IN WHOLE OR IN PART AS THE BASIS FOR THE MANUFACTURE OR SALE OF ITEMS WITHOUT WRITTEN PERMISSION. COPYRIGHT © 1974 DIGITAL EQUIPMENT CORPORATION"

SOP
NON-MOD
(2)



REVISIONS		
CHK	CHANGE NO.	REV.

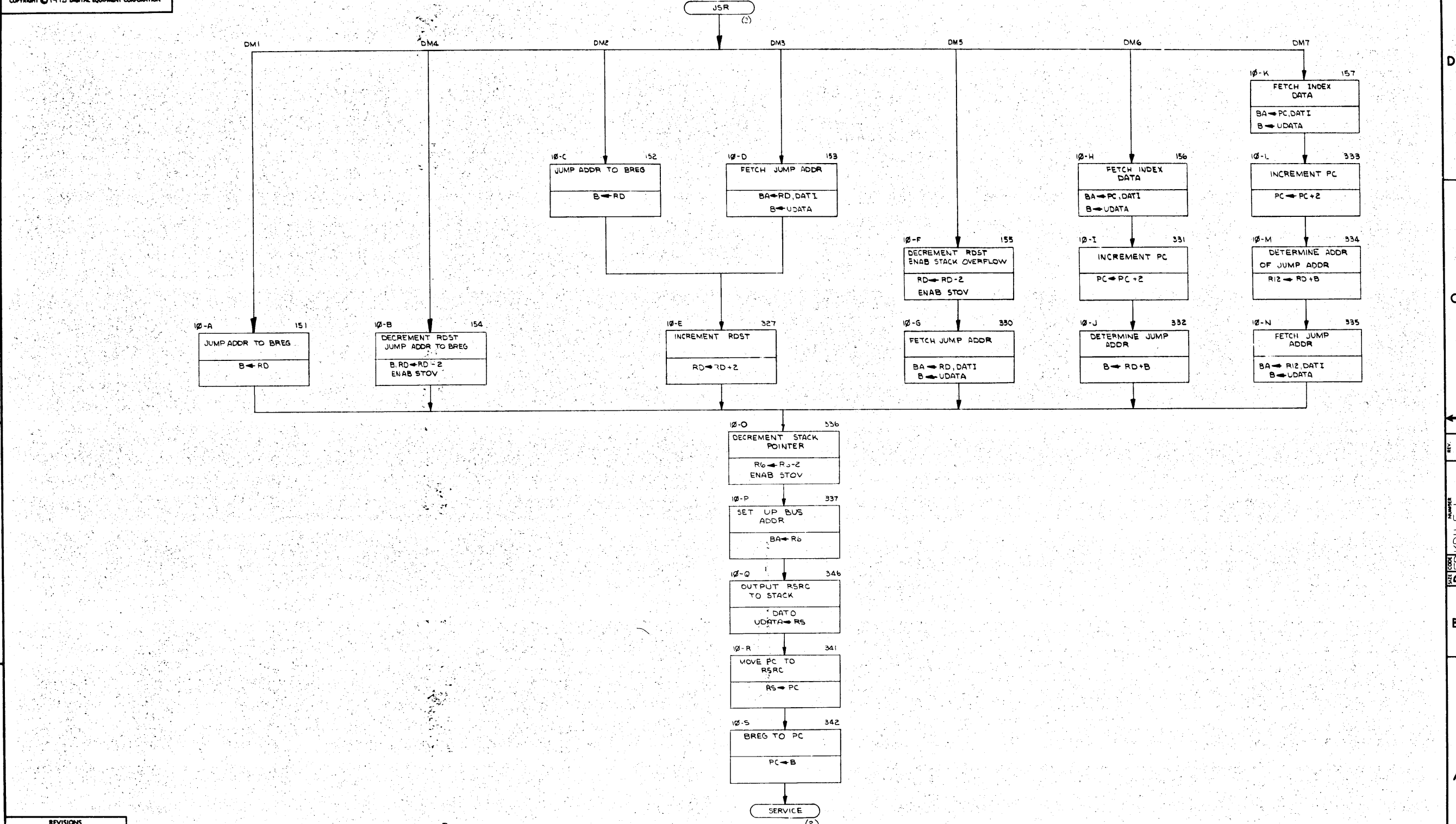
"THIS DRAWING AND SPECIFICATIONS HEREIN ARE THE PROPERTY OF DIGITAL EQUIPMENT CORPORATION AND SHALL NOT BE REPRODUCED OR COPIED OR USED IN WHOLE OR IN PART AS THE BASIS FOR THE MANUFACTURE OR SALE OF ITEMS WITHOUT WRITTEN PERMISSION. COPYRIGHT © 1975 DIGITAL EQUIPMENT CORPORATION"



REVISIONS		
CHK	CHANGE NO.	REV.

25

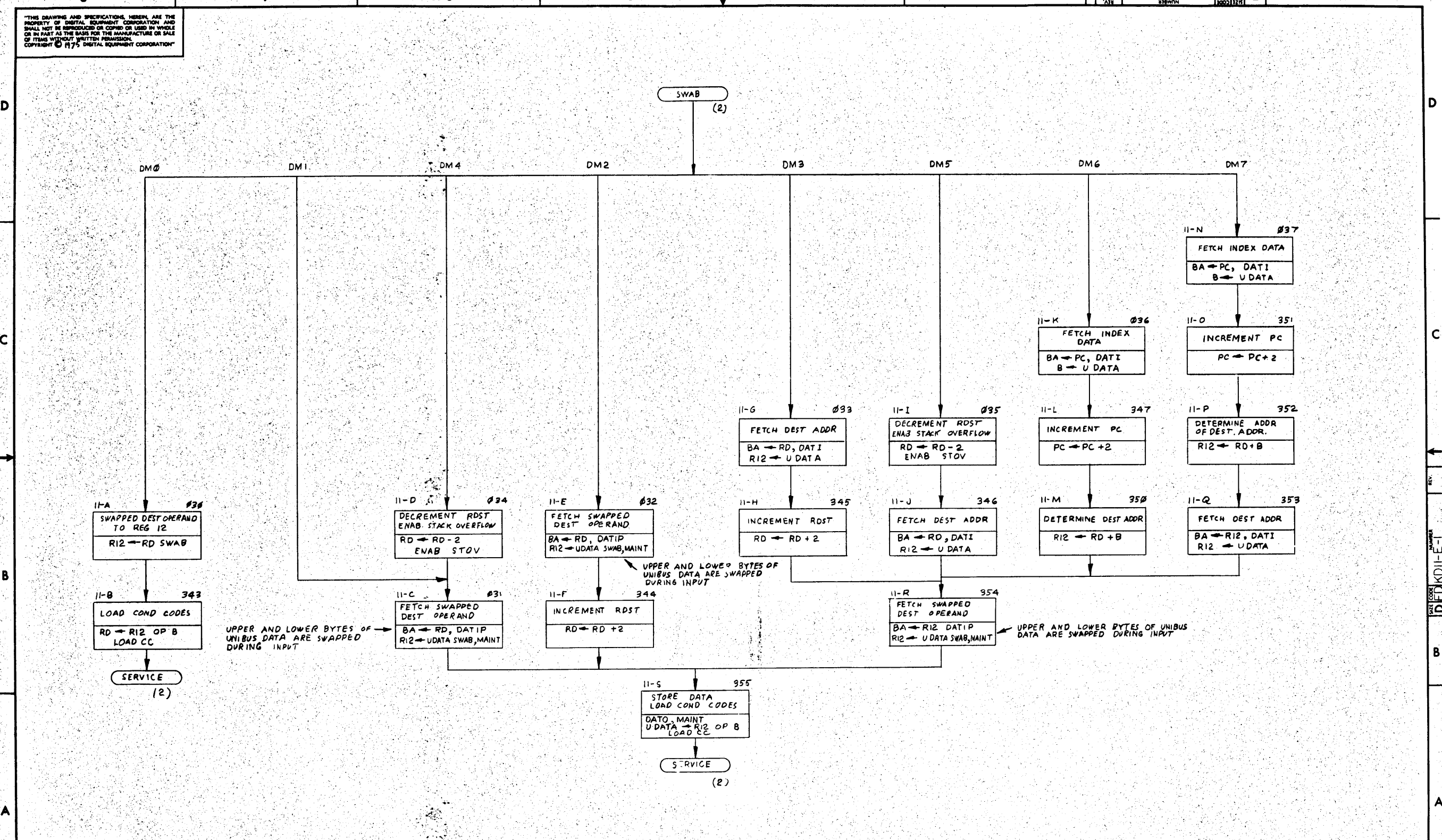
THIS DRAWING AND SPECIFICATIONS HEREIN ARE THE PROPERTY OF DIGITAL EQUIPMENT CORPORATION AND SHALL NOT BE REPRODUCED OR COPIED OR USED IN WHOLE OR IN PART AS THE BASIS FOR THE MANUFACTURE OR SALE OF ITEMS WITHOUT WRITTEN PERMISSION. COPYRIGHT © 1975 DIGITAL EQUIPMENT CORPORATION



REVISIONS		
CHK	CHANGE NO.	REV.

26

"THIS DRAWING AND SPECIFICATIONS HEREIN ARE THE PROPERTY OF DIGITAL EQUIPMENT CORPORATION AND SHALL NOT BE REPRODUCED OR COPIED OR USED IN WHOLE OR IN PART AS THE BASIS FOR THE MANUFACTURE OR SALE OF ITEMS WITHOUT WRITTEN PERMISSION. COPYRIGHT © 1975 DIGITAL EQUIPMENT CORPORATION"

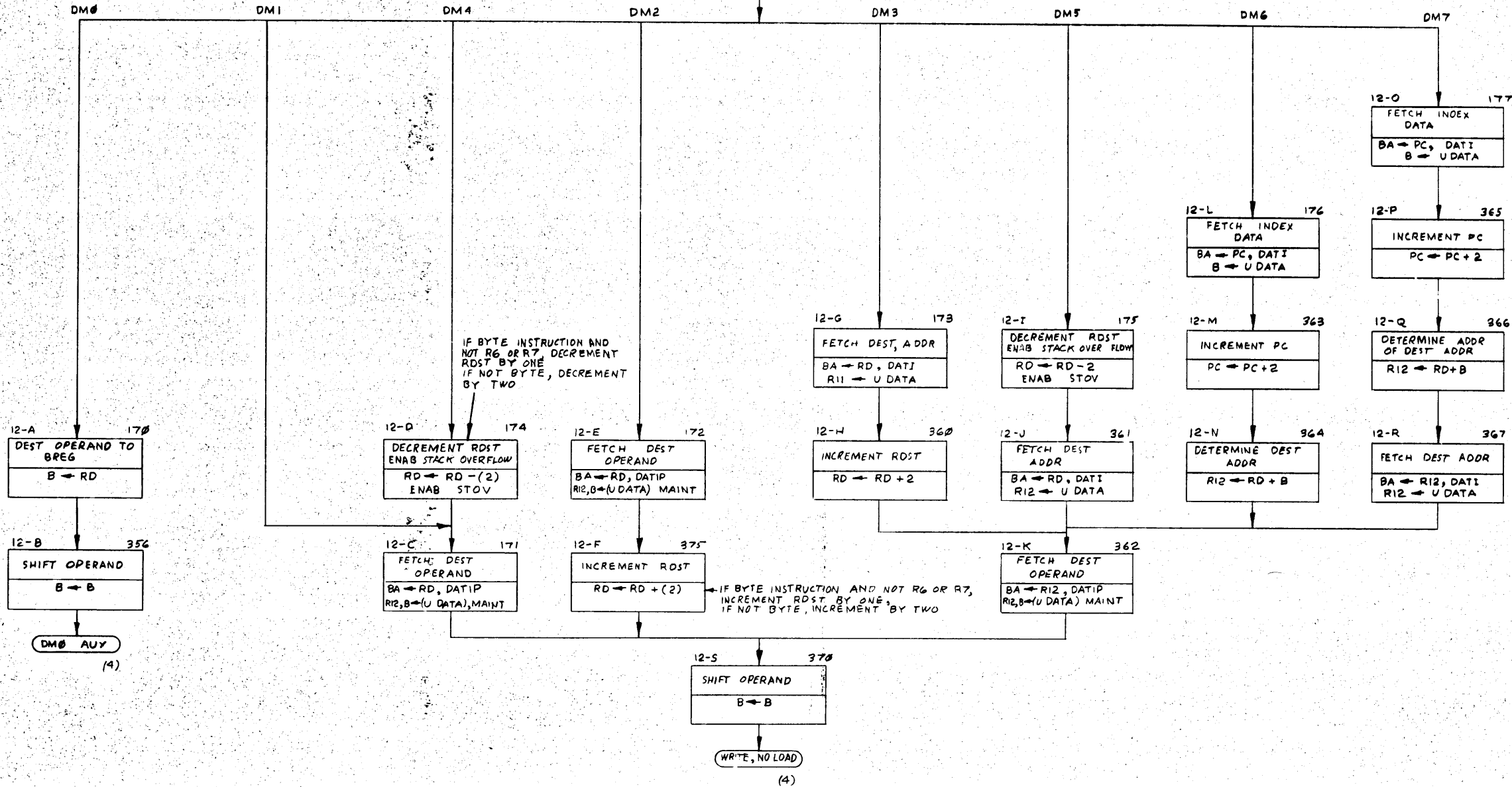


REVISIONS			TITLE		SIZE CODE	NUMBER	REV.
CHK	CHANGE NO.	REV.	KDIIE FLOW DIAGRAMS		D	FD	KDIIE-1
			SCALE	+	SHEET	11	OF 26
					DIST.		

21

THIS DRAWING AND SPECIFICATIONS HEREIN ARE THE PROPERTY OF DIGITAL EQUIPMENT CORPORATION AND SHALL NOT BE REPRODUCED OR COPIED OR USED IN WHOLE OR IN PART AS THE BASIS FOR THE MANUFACTURE OR SALE OF ITEMS WITHOUT WRITTEN PERMISSION. COPYRIGHT © 1975 DIGITAL EQUIPMENT CORPORATION

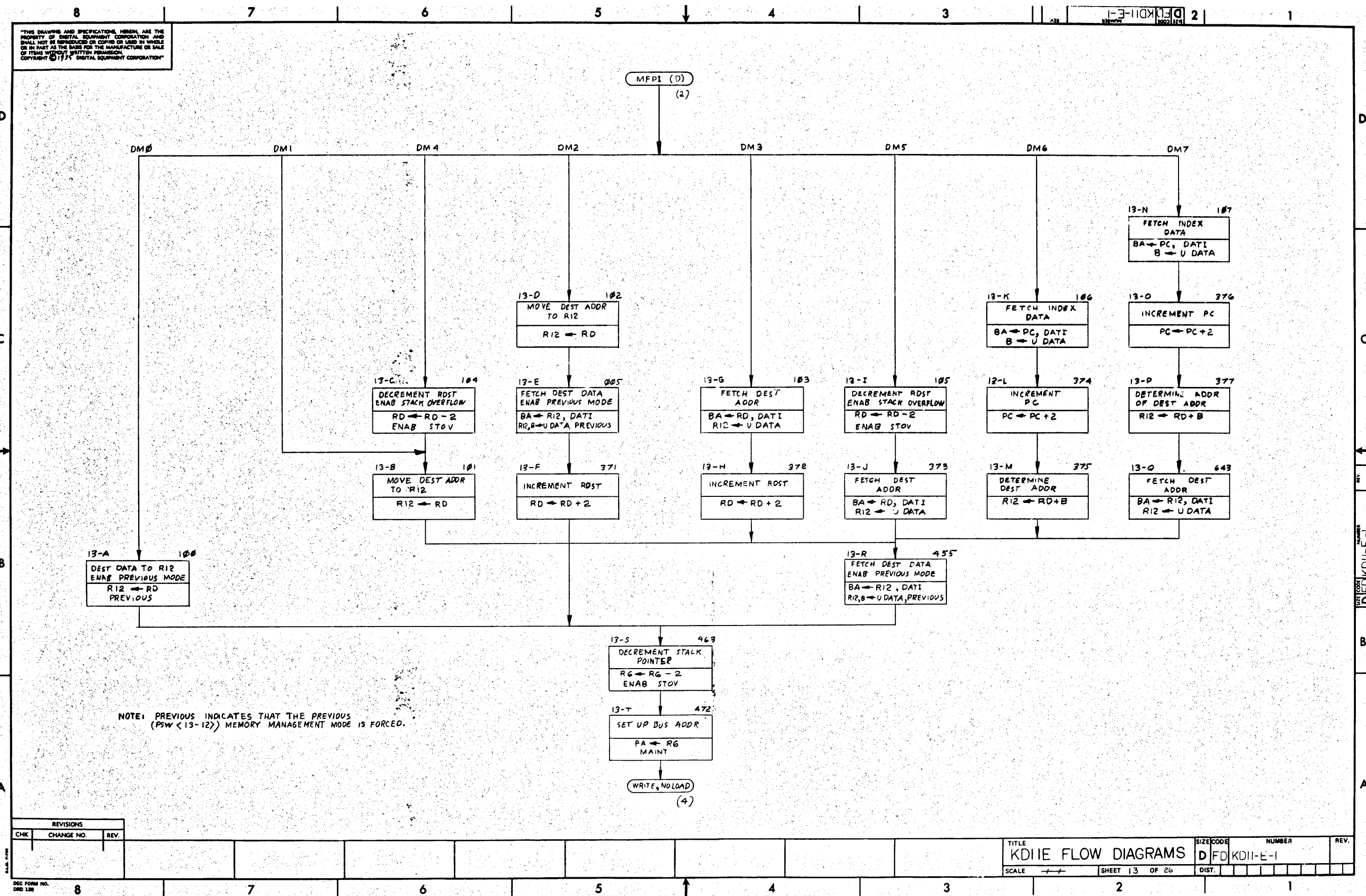
ROT
SHIFT
(2)



REVISIONS		
CHK	CHANGE NO.	REV.

TITLE: KDIIE FLOW DIAGRAMS
 SIZE CODE: DFD KDIIE-1
 NUMBER: 1
 SHEET 12 OF 26
 DIST.:

THIS DRAWING AND SPECIFICATIONS HEREIN ARE THE PROPERTY OF DIGITAL EQUIPMENT CORPORATION AND SHALL NOT BE REPRODUCED OR COPIED OR USED IN WHOLE OR IN PART AS THE BASIS FOR THE MANUFACTURE OR SALE OF ITEMS WITHOUT WRITTEN PERMISSION. COPYRIGHT © 1975 DIGITAL EQUIPMENT CORPORATION

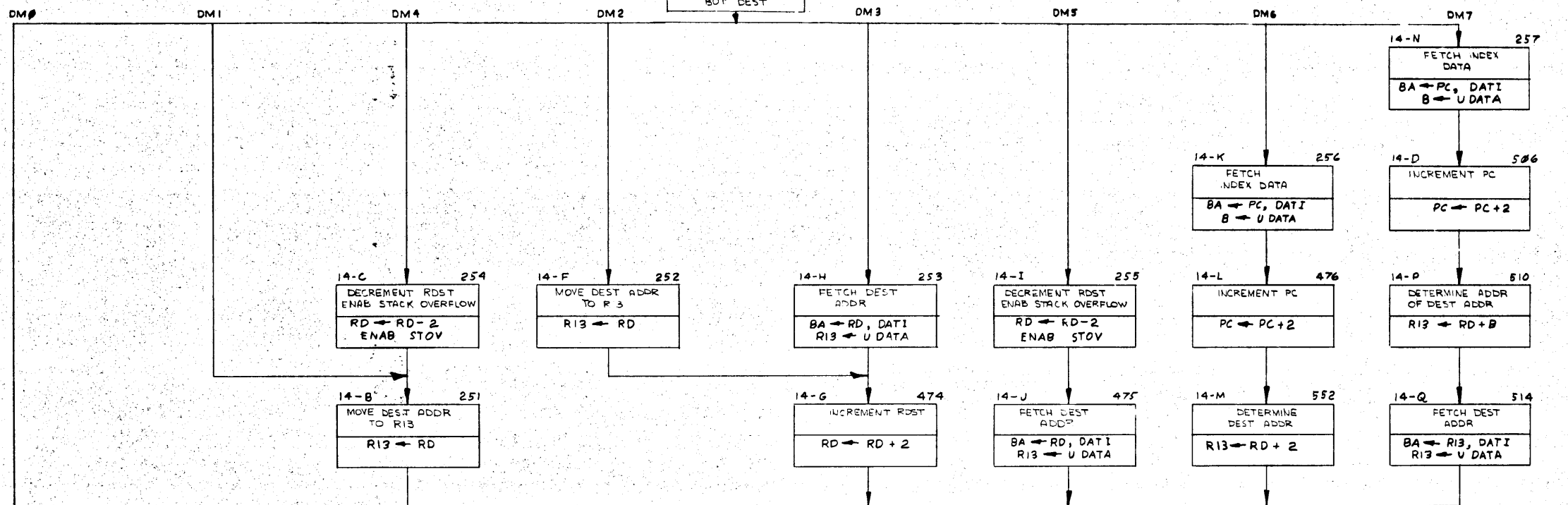
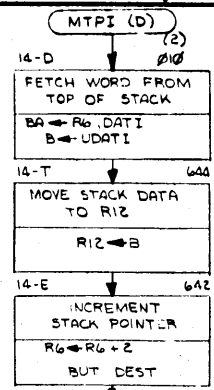


REVISIONS		
CHK	CHANGE NO.	REV.

TITLE	SIZE CODE	NUMBER	REV.
KDIE FLOW DIAGRAMS	D/FD	KDII-E-1	
SCALE	SHEET	OF	DIST.
	13	26	

29

THIS DRAWING AND SPECIFICATIONS HEREIN ARE THE PROPERTY OF DIGITAL EQUIPMENT CORPORATION AND SHALL NOT BE REPRODUCED OR COPIED OR USED IN WHOLE OR IN PART AS THE BASIS FOR THE MANUFACTURE OR SALE OF ITEMS WITHOUT WRITTEN PERMISSION. COPYRIGHT © 1977 DIGITAL EQUIPMENT CORPORATION



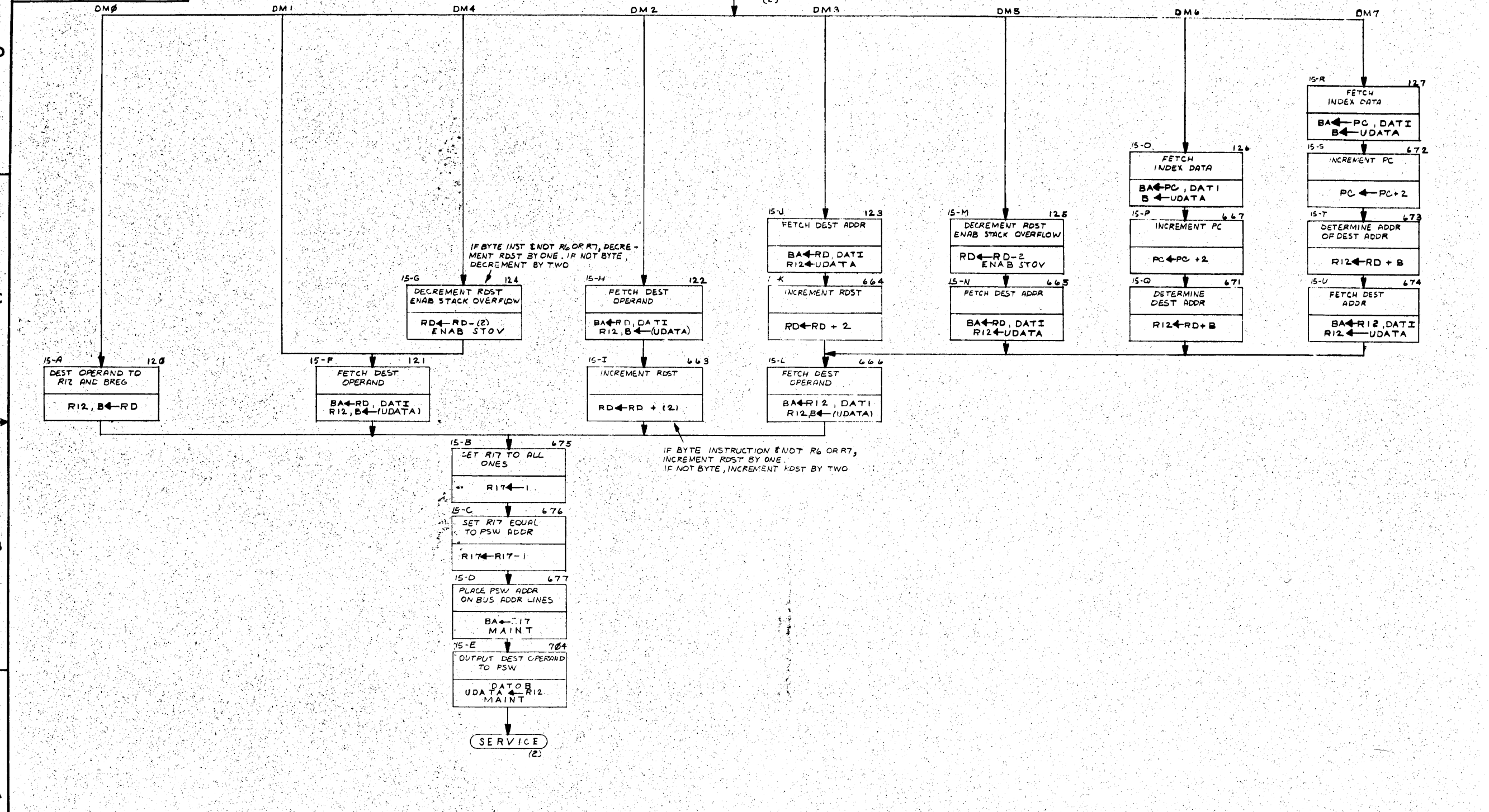
NOTE: PREVIOUS INDICATES THAT THE PREVIOUS (PSW<13-12>) MEMORY MANAGEMENT MODE IS FORCED

REVISIONS		
CHK	CHANGE NO.	REV.

30

THIS DRAWING AND SPECIFICATIONS HEREIN ARE THE PROPERTY OF DIGITAL EQUIPMENT CORPORATION AND SHALL NOT BE REPRODUCED OR COPIED OR USED IN WHOLE OR IN PART AS THE BASIS FOR THE MANUFACTURE OR SALE OF ITEMS WITHOUT WRITTEN PERMISSION. COPYRIGHT © 1975 DIGITAL EQUIPMENT CORPORATION

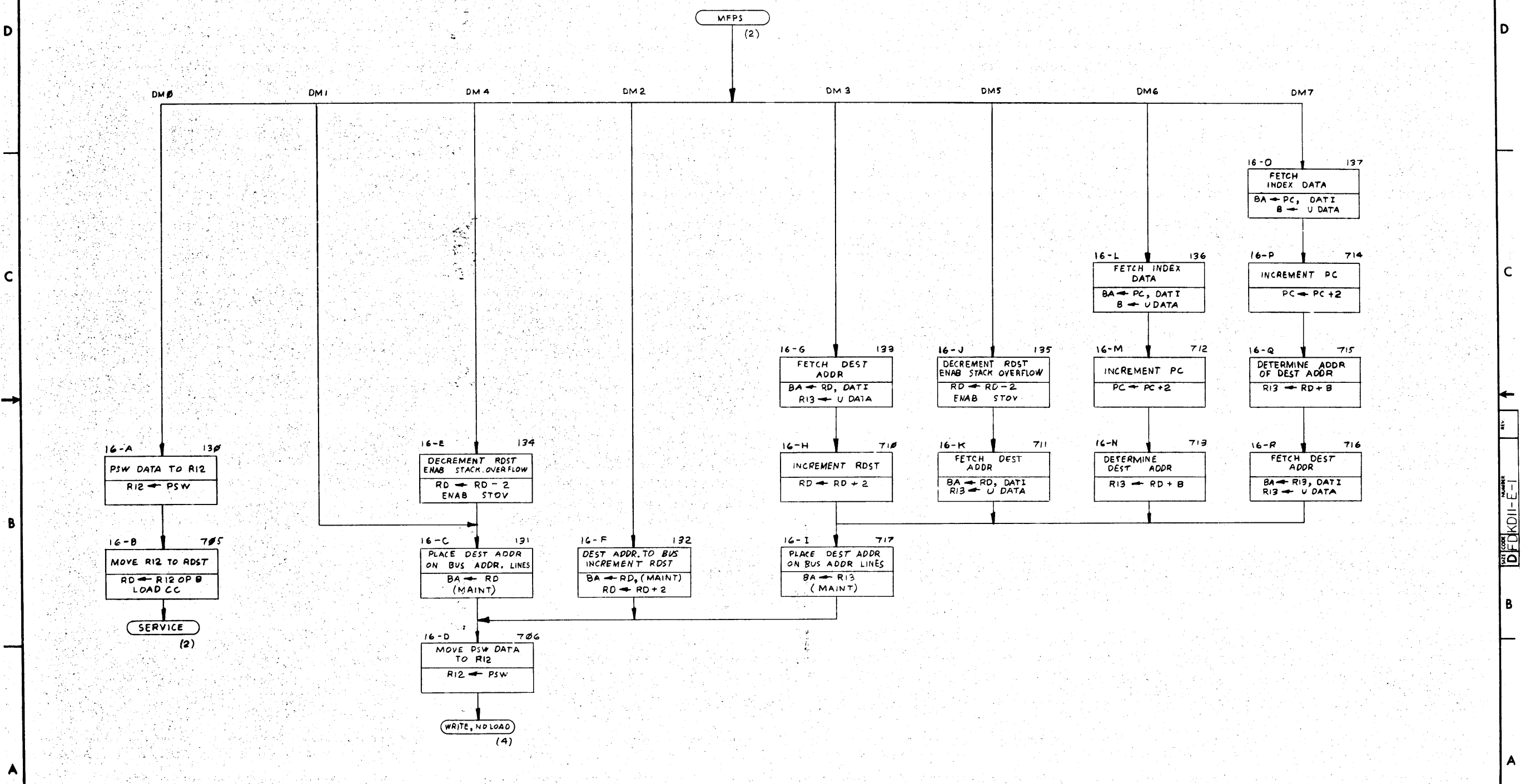
MTPS
(2)



REVISIONS		
CHK	CHANGE NO.	REV.

THIS DRAWING AND SPECIFICATIONS HEREIN ARE THE PROPERTY OF DIGITAL EQUIPMENT CORPORATION AND SHALL NOT BE REPRODUCED OR COPIED OR USED IN WHOLE OR IN PART AS THE BASIS FOR THE MANUFACTURE OR SALE OF ITEMS WITHOUT WRITTEN PERMISSION. COPYRIGHT © 1975 DIGITAL EQUIPMENT CORPORATION

SIZE CODE NUMBER
D FDKDII-E-1 2 1



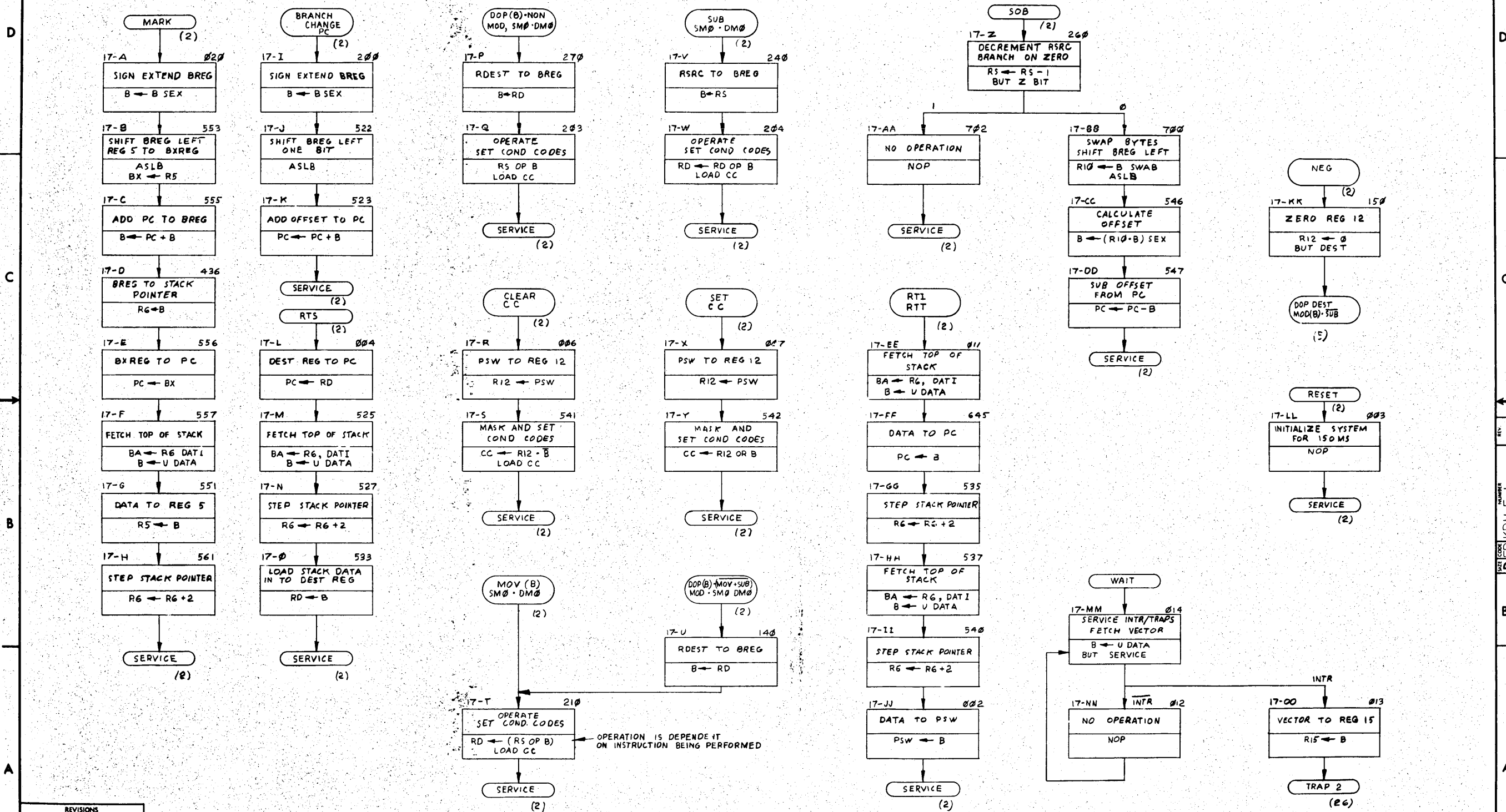
REVISIONS		
CHK	CHANGE NO.	REV.

TITLE
KDIIE FLOW DIAGRAMS
SCALE $\frac{1}{1}$ SHEET 16 OF 26
SIZE CODE NUMBER REV.
D FDKDII-E-1
DIST.

8 7 6 5 4 3 2 1

32

THIS DRAWING AND SPECIFICATIONS, HEREIN, ARE THE PROPERTY OF DIGITAL EQUIPMENT CORPORATION AND SHALL NOT BE REPRODUCED OR COPIED OR USED IN WHOLE OR IN PART AS THE BASIS FOR THE MANUFACTURE OR SALE OF ITEMS WITHOUT WRITTEN PERMISSION. COPYRIGHT © 1975 DIGITAL EQUIPMENT CORPORATION



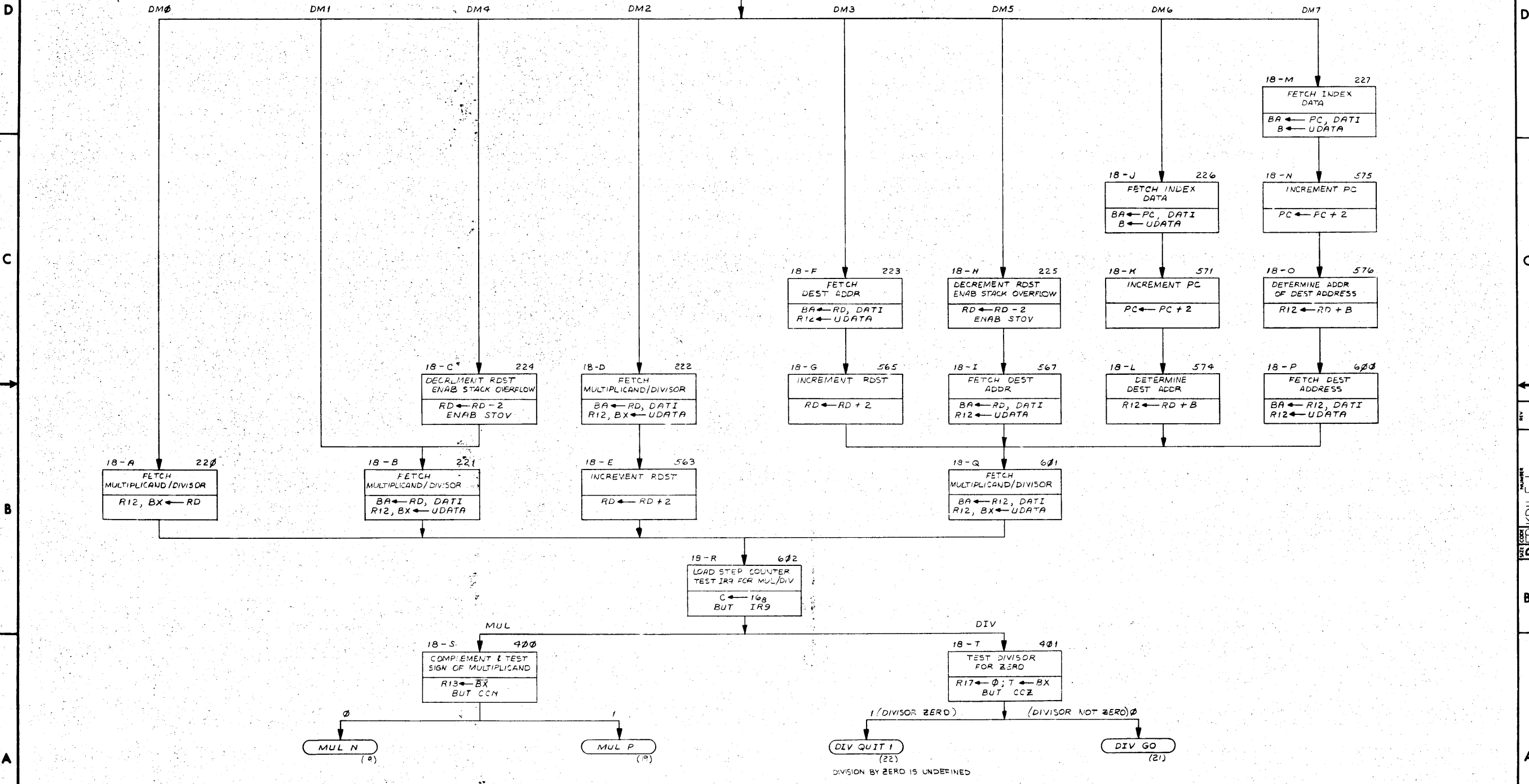
REVISIONS		
CHK	CHANGE NO.	REV.

TITLE	KDII E FLOW DIAGRAMS	SIZE CODE	D FDKDII-E-1	NUMBER		REV.	
SCALE		SHEET	17 OF 26	DIST.			

"THIS DRAWING AND SPECIFICATIONS HEREIN, ARE THE PROPERTY OF DIGITAL EQUIPMENT CORPORATION AND SHALL NOT BE REPRODUCED OR COPIED OR USED IN WHOLE OR IN PART AS THE BASIS FOR THE MANUFACTURE OR SALE OF ITEMS WITHOUT WRITTEN PERMISSION. COPYRIGHT © 1975 DIGITAL EQUIPMENT CORPORATION"

FDK11-E-1 2

MUL - DIV
(2)

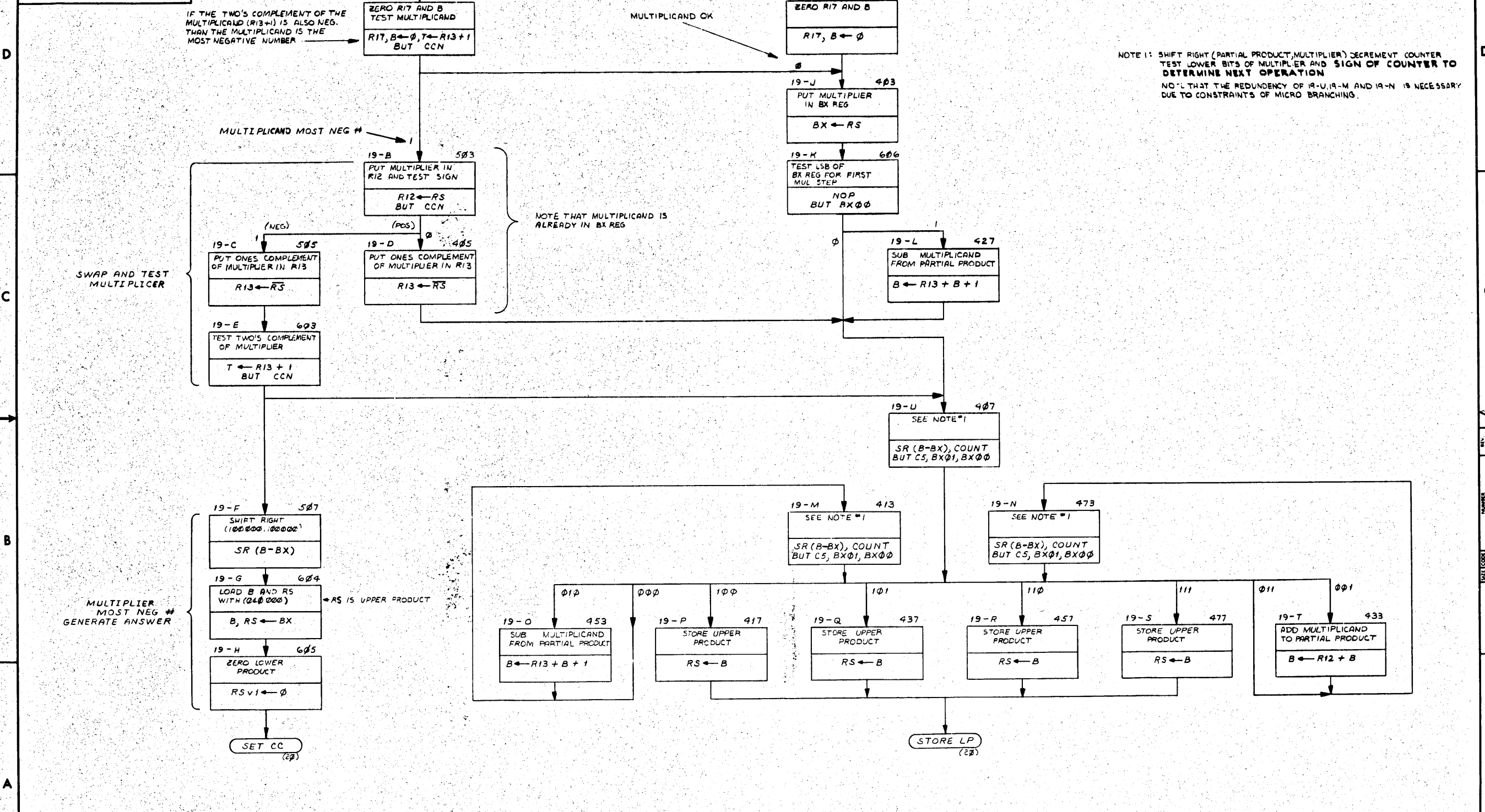


REVISIONS		
CHK	CHANGE NO	REV.

TITLE
KDIIE FLOW DIAGRAMS
SCALE + + SHEET 18 OF 26
SIZE CODE D
NUMBER
FDK11-E-1
REV.

34

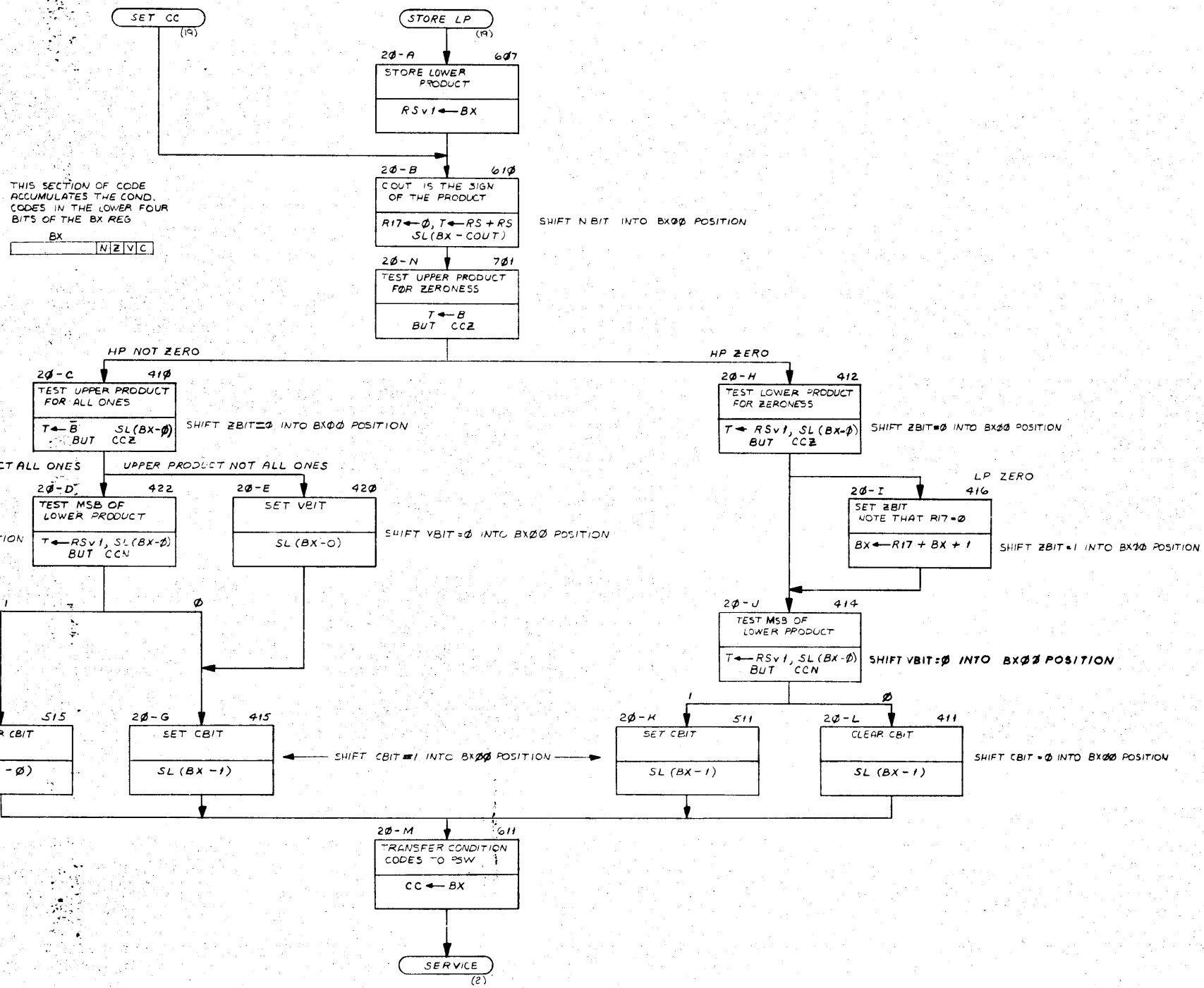
"THIS DRAWING AND SPECIFICATIONS HEREIN ARE THE PROPERTY OF DIGITAL EQUIPMENT CORPORATION AND SHALL NOT BE REPRODUCED OR COPIED OR USED IN WHOLE OR IN PART AS THE BASIS FOR THE MANUFACTURE OR SALE OF ITEMS WITHOUT WRITTEN PERMISSION. COPYRIGHT © 1975 DIGITAL EQUIPMENT CORPORATION"



NOTE #1: SHIFT RIGHT (PARTIAL PRODUCT, MULTIPLIER) DECREMENT COUNTER
TEST LOWER BITS OF MULTIPLIER AND SIGN OF COUNTER TO DETERMINE NEXT OPERATION
NOTE THAT THE REDUNDANCY OF 19-U, 19-M AND 19-N IS NECESSARY DUE TO CONSTRAINTS OF MICRO BRANCHING.

35

"THIS DRAWING AND SPECIFICATIONS, HEREIN, ARE THE PROPERTY OF DIGITAL EQUIPMENT CORPORATION AND SHALL NOT BE REPRODUCED OR COPIED OR USED IN WHOLE OR IN PART AS THE BASIS FOR THE MANUFACTURE OR SALE OF ITEMS WITHOUT WRITTEN PERMISSION. COPYRIGHT © 1975 DIGITAL EQUIPMENT CORPORATION"



NOTE THAT FOR MUL VBIT IS ALWAYS ZERO

SHIFT VBIT = 0 INTO BX00 POSITION

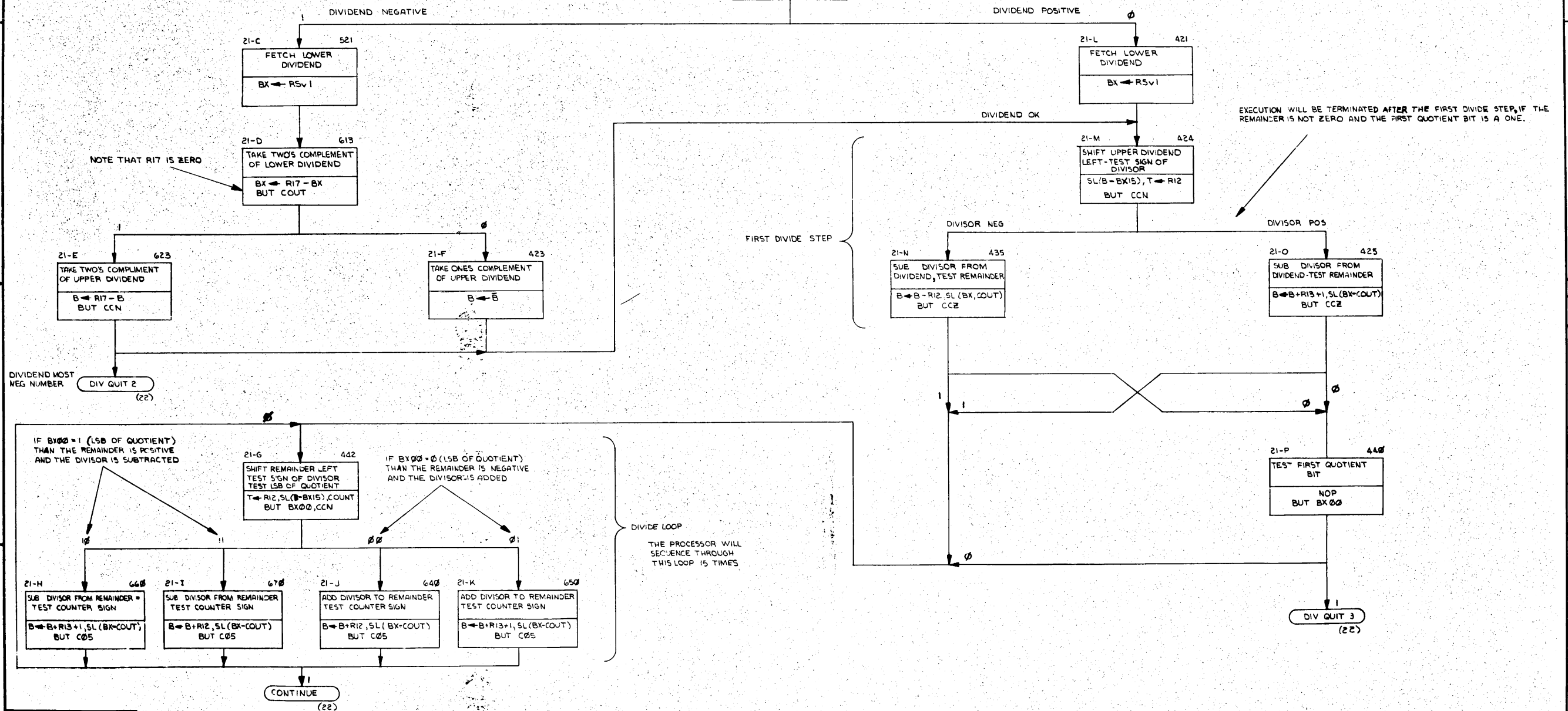
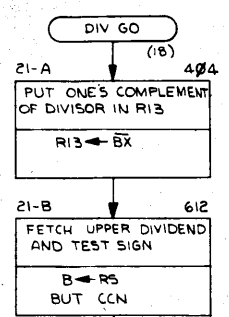
SHIFT CBIT = 0 INTO BX00 POSITION

SHIFT CBIT = 1 INTO BX00 POSITION

SHIFT CBIT = 0 INTO BX00 POSITION

REVISIONS		
CHK	CHANGE NO.	REV.

"THIS DRAWING AND SPECIFICATIONS, HEREIN, ARE THE PROPERTY OF DIGITAL EQUIPMENT CORPORATION AND SHALL NOT BE REPRODUCED OR COPIED OR USED IN WHOLE OR IN PART AS THE BASIS FOR THE MANUFACTURE OR SALE OF ITEMS WITHOUT WRITTEN PERMISSION. COPYRIGHT © 1975 DIGITAL EQUIPMENT CORPORATION"

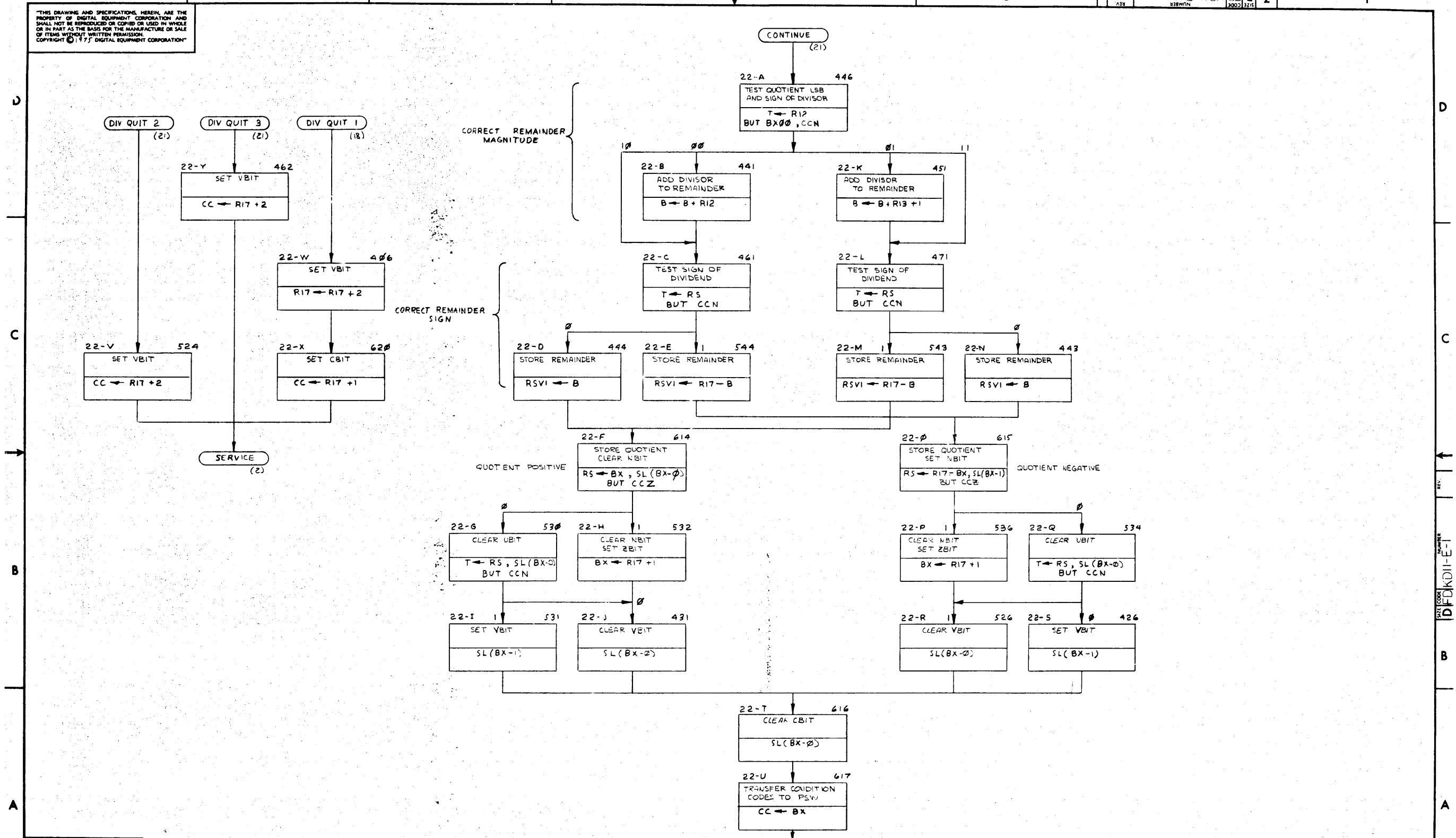


REVISIONS		
CHK	CHANGE NO.	REV.

37

THIS DRAWING AND SPECIFICATIONS HEREIN ARE THE PROPERTY OF DIGITAL EQUIPMENT CORPORATION AND SHALL NOT BE REPRODUCED OR COPIED OR USED IN WHOLE OR IN PART AS THE BASIS FOR THE MANUFACTURE OR SALE OF ITEMS WITHOUT WRITTEN PERMISSION. COPYRIGHT © 1977 DIGITAL EQUIPMENT CORPORATION

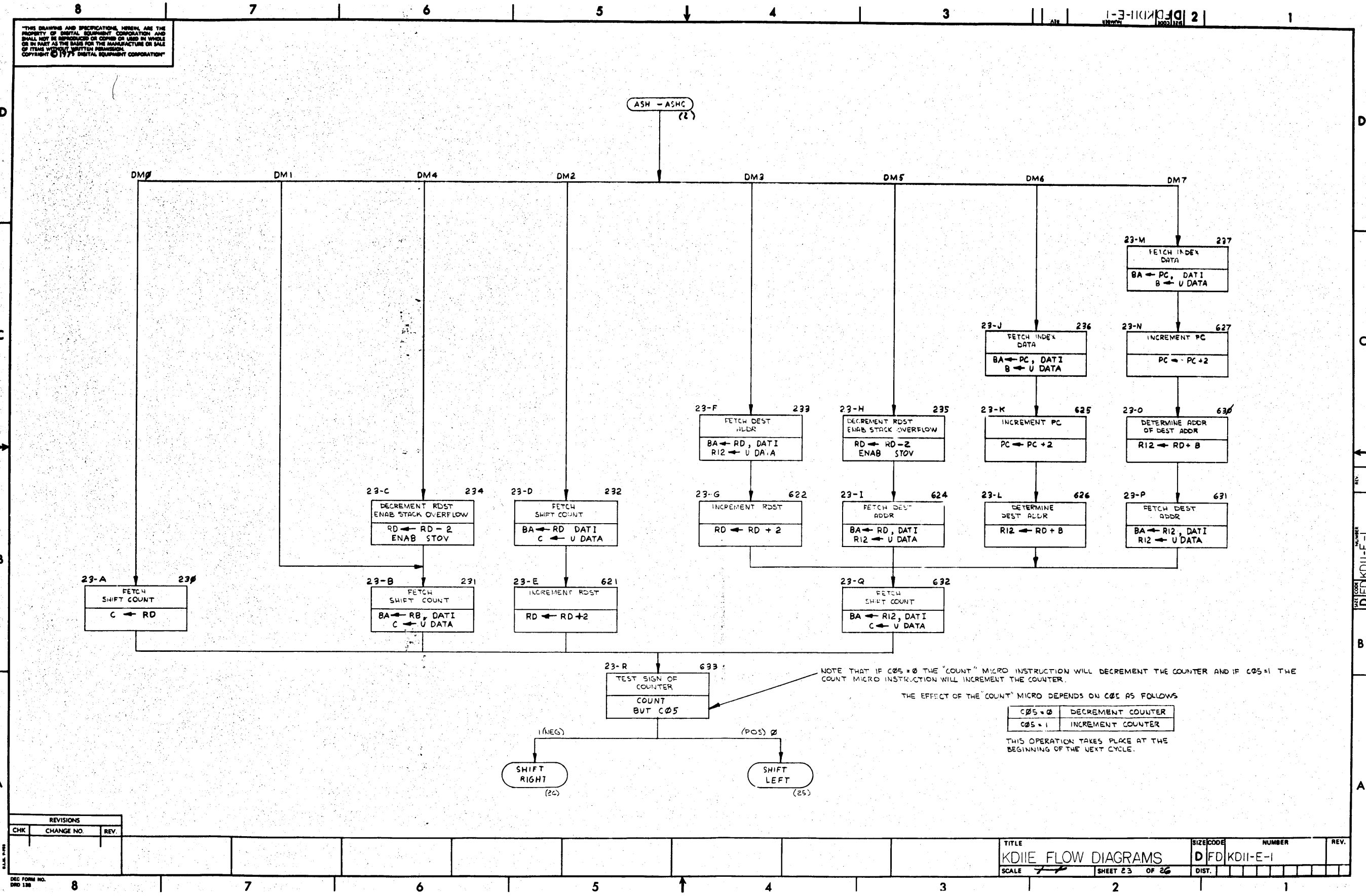
1-3-110KDII-E-1 2



REVISIONS		
CHK	CHANGE NO.	REV.

TITLE: KDII FLOW DIAGRAMS
 SIZE CODE: D FD
 NUMBER: KDII-E-1
 SHEET 22 OF 26

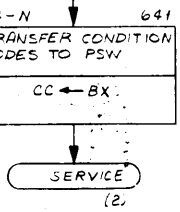
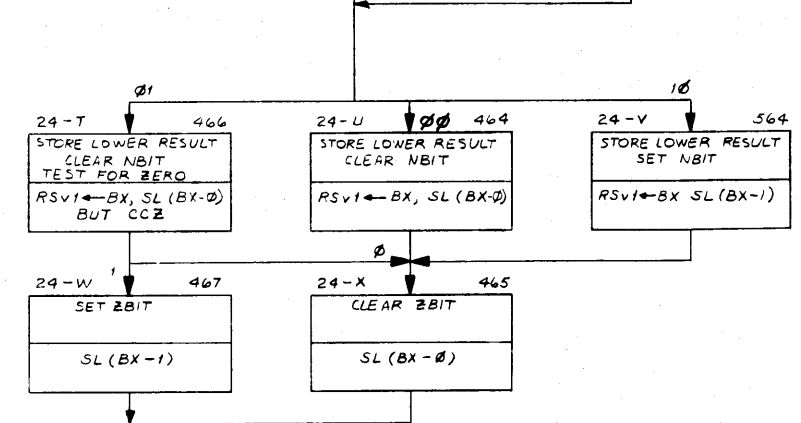
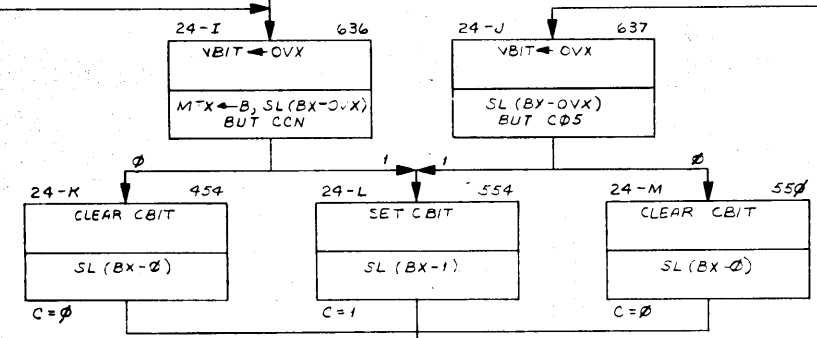
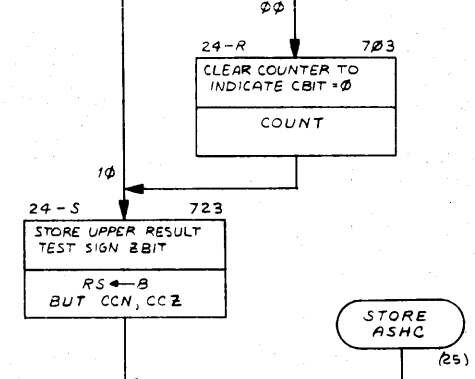
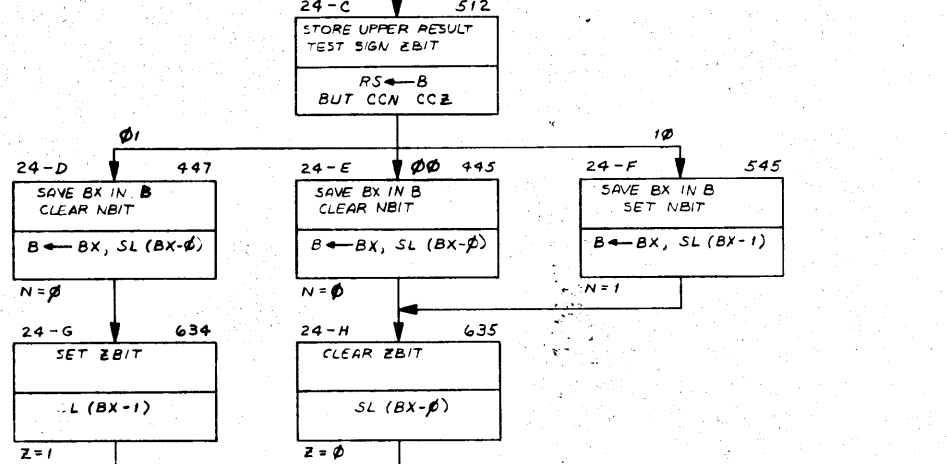
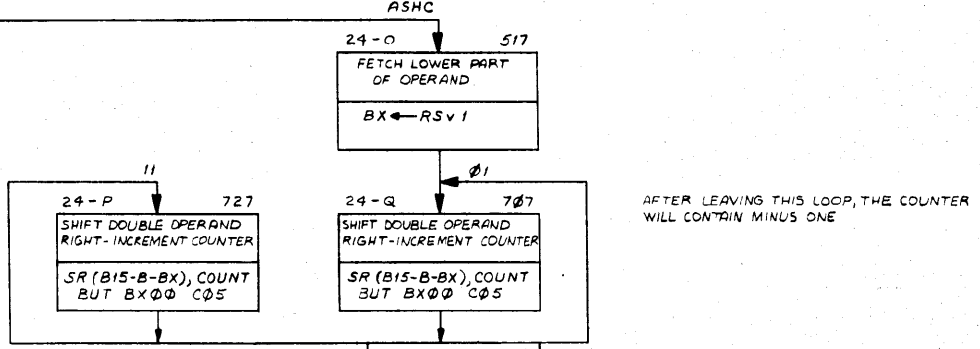
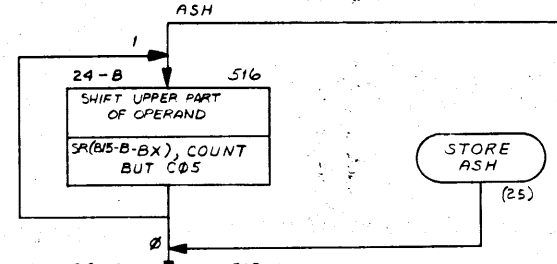
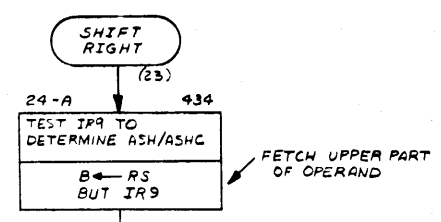
THIS DRAWING AND SPECIFICATIONS HEREIN ARE THE PROPERTY OF DIGITAL EQUIPMENT CORPORATION AND SHALL NOT BE REPRODUCED OR COPIED OR USED IN WHOLE OR IN PART AS THE BASIS FOR THE MANUFACTURE OR SALE OF ITEMS WITHOUT WRITTEN PERMISSION. COPYRIGHT © 1977 DIGITAL EQUIPMENT CORPORATION



REVISIONS		
CHK	CHANGE NO.	REV.

39

"THIS DRAWING AND SPECIFICATIONS, HEREIN, ARE THE PROPERTY OF DIGITAL EQUIPMENT CORPORATION AND SHALL NOT BE REPRODUCED OR COPIED OR USED IN WHOLE OR IN PART AS THE BASIS FOR THE MANUFACTURE OR SALE OF ITEMS WITHOUT WRITTEN PERMISSION. COPYRIGHT © 1975 DIGITAL EQUIPMENT CORPORATION"

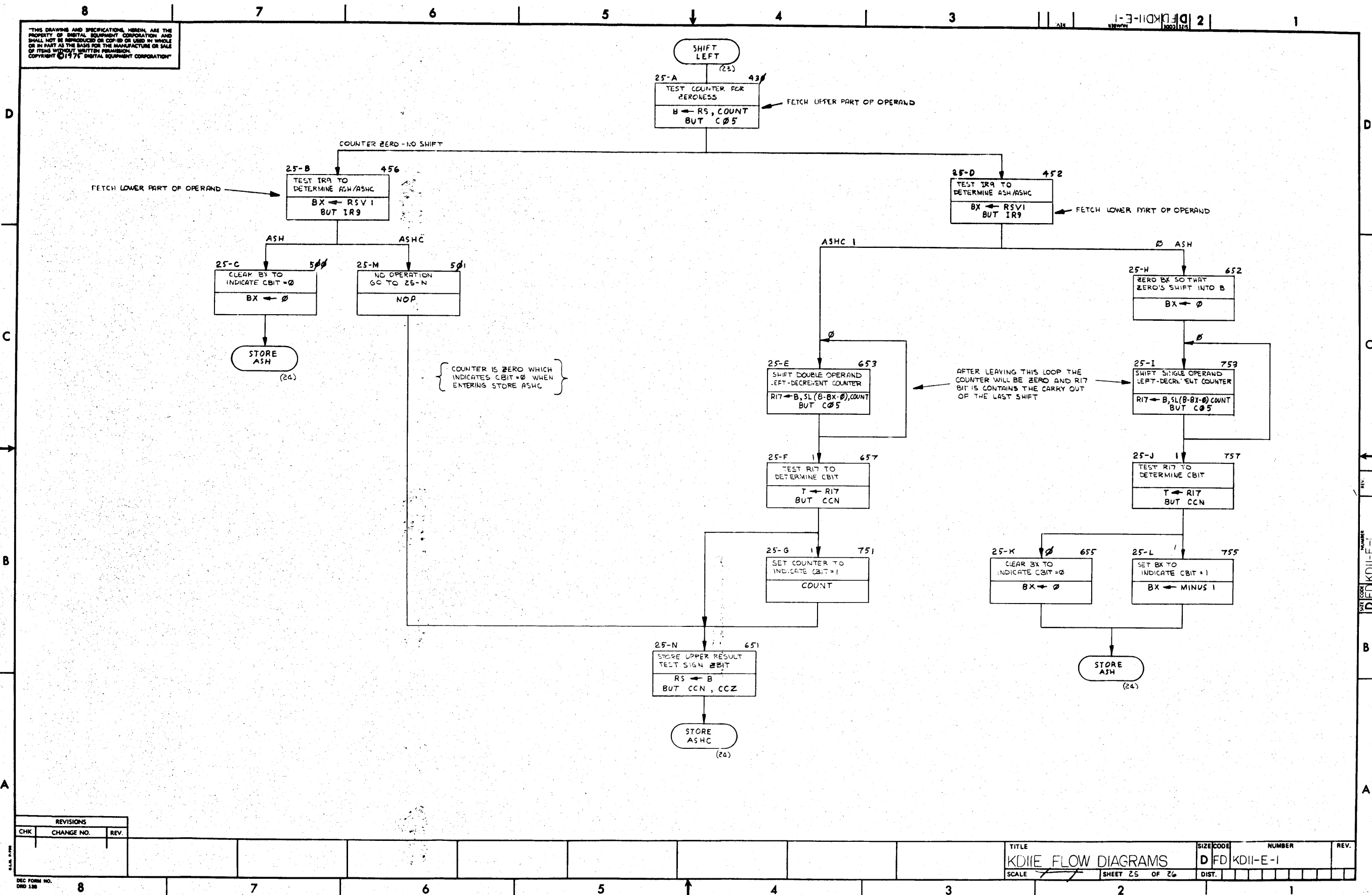


AFTER LEAVING THIS LOOP, THE COUNTER WILL CONTAIN MINUS ONE

REVISIONS		
CHK	CHANGE NO.	REV.

TITLE	SIZE CODE	NUMBER	REV.
KD11E FLOW DIAGRAMS	D FD KD11-E-1		
SCALE	SHEET 24 OF 26	DIST.	

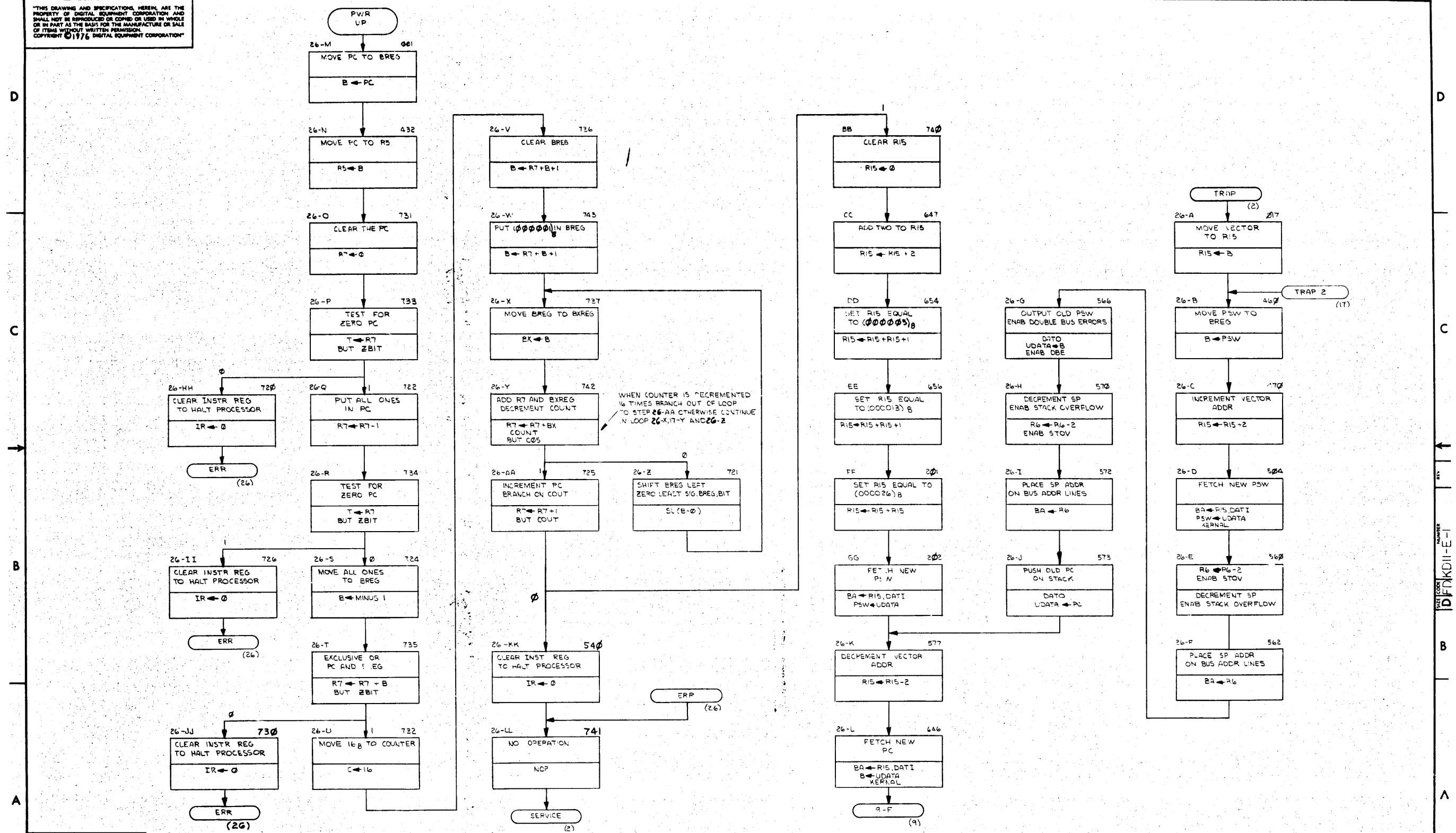
"THIS DRAWING AND SPECIFICATIONS HEREIN ARE THE PROPERTY OF DIGITAL EQUIPMENT CORPORATION AND SHALL NOT BE REPRODUCED OR COPIED OR USED IN WHOLE OR IN PART AS THE BASIS FOR THE MANUFACTURE OR SALE OF ITEMS WITHOUT WRITTEN PERMISSION. COPYRIGHT © 1971 DIGITAL EQUIPMENT CORPORATION"



REVISIONS		
CHK	CHANGE NO.	REV.

41

"THIS DRAWING AND SPECIFICATIONS HEREIN ARE THE PROPERTY OF DIGITAL EQUIPMENT CORPORATION AND SHALL NOT BE REPRODUCED OR COPIED OR USED IN WHOLE OR IN PART AS THE BASIS FOR THE MANUFACTURE OR SALE OF ITEMS WITHOUT WRITTEN PERMISSION. COPYRIGHT © 1976 DIGITAL EQUIPMENT CORPORATION"



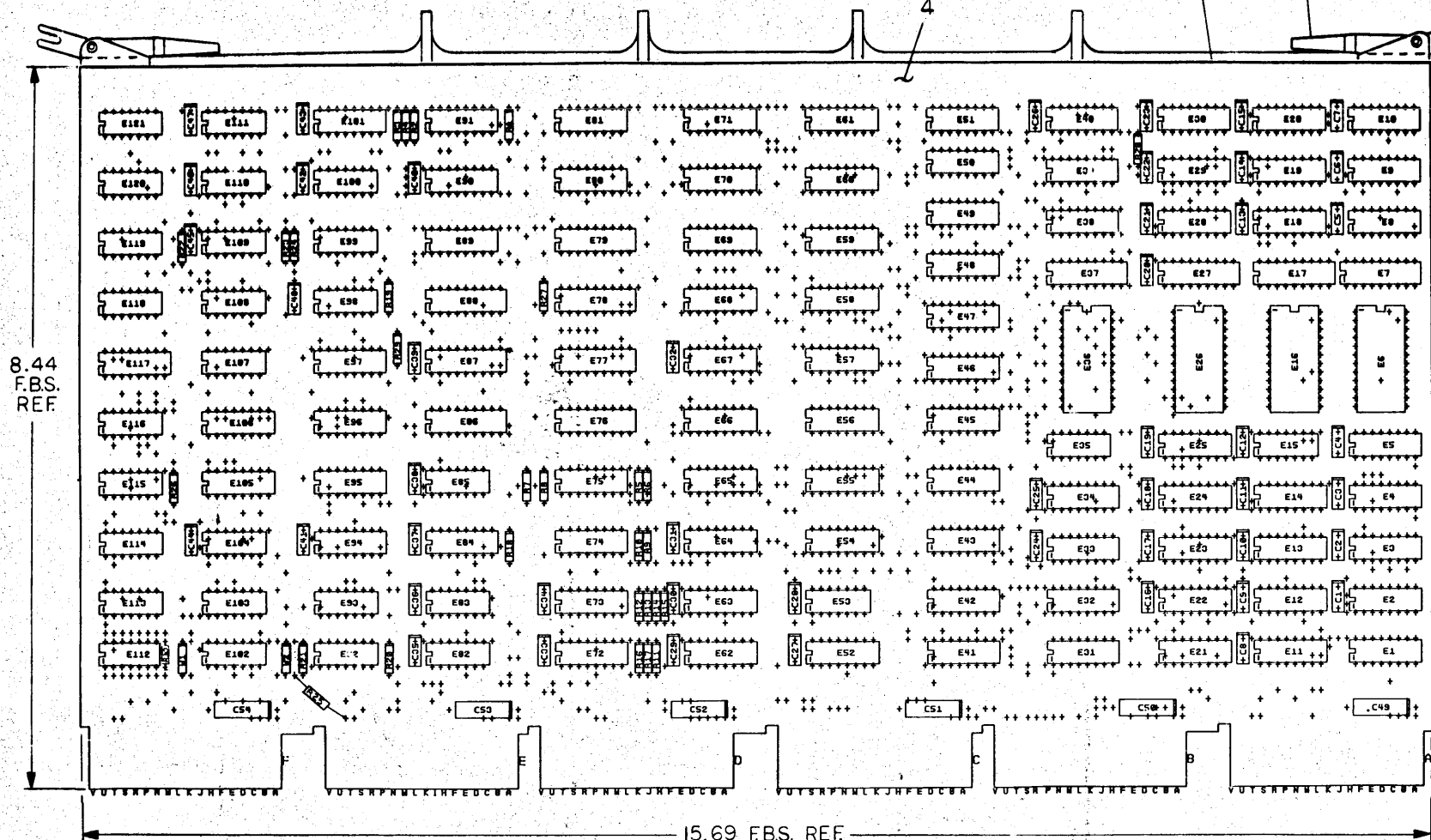
REVISIONS		
CHK	CHANGE NO.	REV.

THIS DRAWING AND SPECIFICATIONS HEREON ARE THE PROPERTY OF DIGITAL EQUIPMENT CORPORATION AND SHALL NOT BE REPRODUCED OR COPIED OR USED IN WHOLE OR IN PART AS THE BASIS FOR THE MANUFACTURE OR SALE OF ITEMS WITHOUT WRITTEN PERMISSION.
 COPYRIGHT © 1975 DIGITAL EQUIPMENT CORPORATION

NOTES:

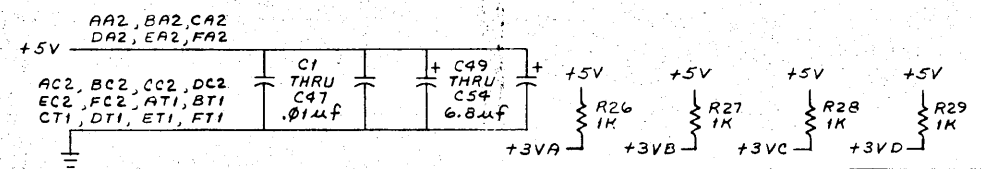
2	E82, E83	IC DEC 74587	1912746-00	51
1	E75	IC 256X4 BIT ROM OC	23167A2	52
1	E81	IC 256X4 BIT ROM OC	23168A2	53
1	E84	IC 256X4 BIT ROM OC	23166A2	54
1	E105	IC 256X4 BIT ROM T9	23164A2	55
A/R		WIRE, 30AWG GREEN	9105740-55	56
1	E112	IC DEC 74564	1910542-00	57

1-0-5922M 2



QTY	REF. DESIGNATION	DESCRIPTION	PART NO.	ITEM NO.
		X-Y COORDINATE HOLE LOCATION	K-CO-M7265-B-4	1
		ASSY DRILLING HOLE LAYOUT	D-AM-M7265-B-5	2
		MODULE ECO HISTORY	D-WH-M7265-B-6	3
		ETCHED CIRCUIT BOARD	9011820	4
	47 C1 THRU C47	CAPACITOR, .01uf, 100V, 20%	1001810-01	5
	4 C48 THRU C54	CAPACITOR, 0.0uf, 38V, 10%	1005300	6
	1 C48	CAPACITOR, 220pf, 100V, 5%	1000021	7
	1	HANDLE, HEX MODULE	1210711-02	8
	19 R1 THRU R17	RESISTOR, 470 OHM, 1/4W, 5%	1300310	9
	8 R20 THRU R23, R25 THRU R29	RESISTOR, 1K, 1/4W, 5%	1300365	10
	1 R24	RESISTOR, 47 OHM, 1/4W, 5%	1300202	11
	2 R25, R30 (RETROFIT)	RESISTOR, 220 OHM, 1/4W, 5%	1300271	12
	1 E102	DELAY LINE, 150 NS	1612483	13
	1 E120	I.C. DEC 7432	1911521	14
	1 E121	I.C. DEC 7410	1904578	15
	2 E99, E100	I.C. DEC 7402	1904004	16
	1 E115	I.C. DEC 7404	1909888	17
	2 E104, E110	I.C. DEC 7408	1910155	18
	1 E108	I.C. DEC 7400	1905575	19
	1 E118	I.C. DEC 74132	1911837	20
	2 E53, E85	I.C. DEC 7430	1905578	21
	1 E114	I.C. DEC 7437	1910091	22
	2 E98, E107	I.C. DEC 74574	1910944	23
	2 E80, E81	I.C. DEC 7485	1910204	24
	1 E113	I.C. DEC 7488	1910011	25
	9 E1, E11, E21, E31, E41, E42, E52, E82, E83	I.C. DEC 8641	1911579	26
	2 E15, E35	I.C. DEC 8815	1909713	27
	3 E5, E8, E117	I.C. DEC 74153	1909937	28
	5 E18, E29, E38, E90, E91	I.C. DEC 74157	1910855	29
	4 E49, E50, E51, E71	I.C. DEC 74174	1910852	30
	3 E80, E97, E101	I.C. DEC 74175	1910651	31
	8 E9, E10, E19, E20, E29, E30, E39, E40	I.C. DEC 74194	1910623	32
	3 E44, E55, E85	I.C. DEC 7483-A	1909932-01	33
	3 E43, E54, E84	I.C. DEC 74298	1911271	34
	1 E109	I.C. DEC 74801-1	1909849	35
	3 E93, E111, E116	I.C. DEC 74588	1910532	36
	1 E103	I.C. DEC 74584	1910534	37
	10 E3, E4, E12, E13, E23, E24, E32, E33, E34, E45	I.C. DEC 745153	1910547	38
	8 E2, E14, E22, E70, E89, E94, E96, E108	I.C. DEC 745157	1910548	39
	3 E46, E47, E48	I.C. DEC 745174	1910550	40
	4 E6, E16, E26, E36	I.C. DEC 745181	1910531	41
	1 E25	I.C. DEC 745182	1912097	42
	8 E56, E57, E58, E59, E66, E67, E68, E69	I.C. DEC 74LS253	1912646	43
	11 E7, E17, E27, E37, E76, E77, E78, E79, E86, E87, E88	I.C. DEC 85588	1912586	44
	2 E92, E119	I.C. DEC 74S18	1910536	45
	1 E95	I.C. DEC 74S175	1910957	46
	2 E72, E73	I.C. 256 X 4 BIT ROM OC	23167A2	47
	12	EYELET (HANDLE)	9006732	48
	2 W1, W2	WIRE, JUMPER (INSULATED)	9009185	49
	1 E74	I.C. 256 X 4 BIT ROM OC	23168A2	50

I.C. DEC 74S181	12	24					
I.C. DEC 74S157	8	16					
I.C. DEC 74S153	8	16					
I.C. DEC 74S175	8	16					
I.C. DEC 85S68	8	16					
I.C. DEC 74187	8	16					
I.C. DEC 74194	8	16	I.C. DEC 74S174	8	16		
I.C. DEC 74157	8	16	I.C. DEC 74298	8	16		
I.C. DEC 74175	8	16	I.C. DEC 74174	8	16		
I.C. DEC 74153	8	16	I.C. DEC 7483	12	5		
I.C. DEC 7485	8	16	I.C. DEC 74S182	8	16		
I.C. DEC 8641	8	16	I.C. DEC 74LS253	8	16		
IC TYPE	GND	+5V	IC TYPE	GND	+5V	-5V	



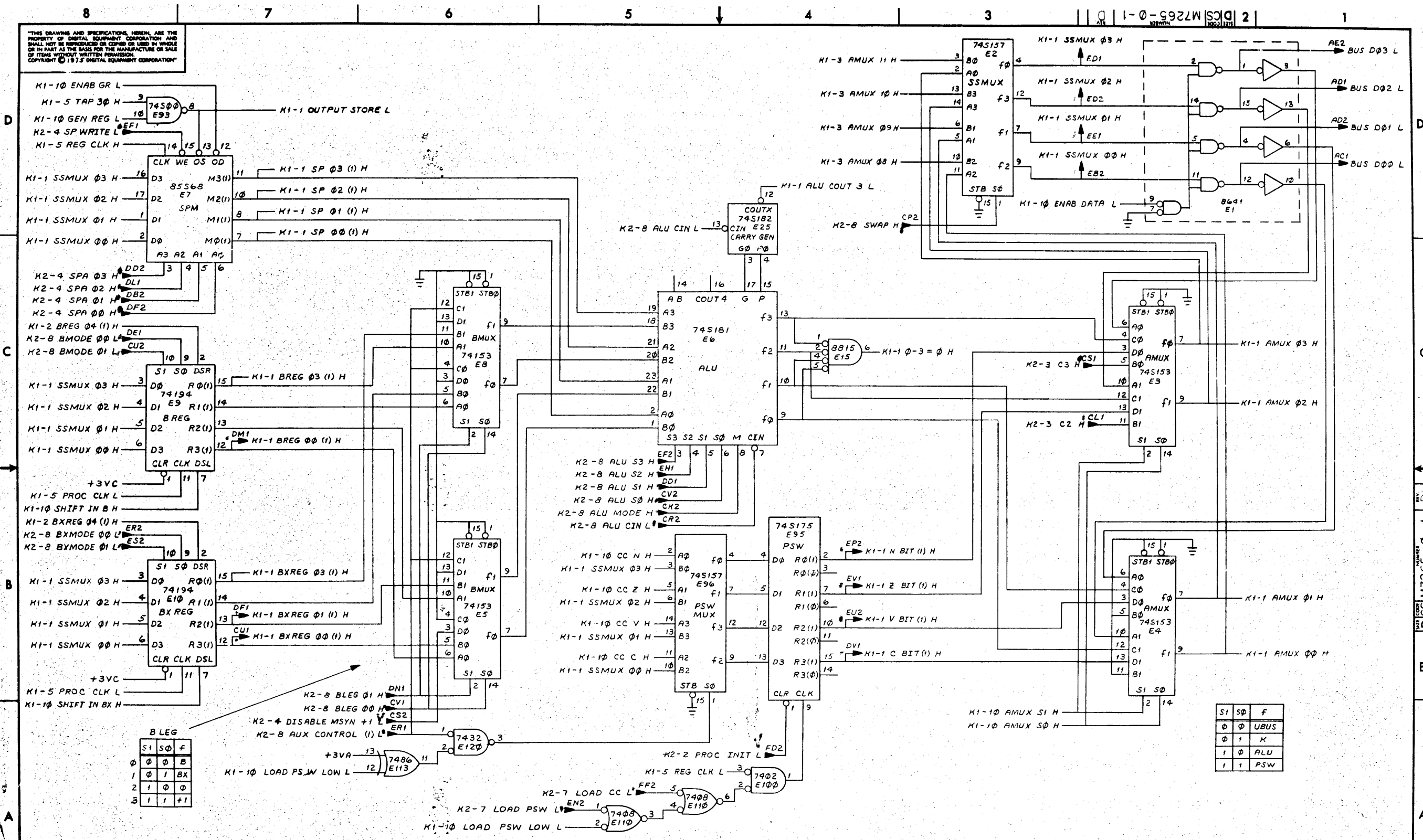
GND AND 5V ARE USUALLY PIN 7 AND 14 RESPECTIVELY EXCEPTIONS ARE STATED ABOVE
 IC PIN LOCATIONS

DRN	J. Vincent	DATE	10-23-75
CHKD		DATE	12-1-75
ENG		DATE	12-1-75
APP		DATE	12-1-75
PROG		DATE	12-1-75
NEXT HIGHER ASSY			

FIRST USED ON OPTION MODEL				PARTS LIST			
ETCH BOARD REV.	C						
DEC NO.	EIA NO.	DEC NO.	EIA NO.	SCALE	1 OF 11	TITLE	
						KDIIE DATA PATH	
SEMICONDUCTOR CONVERSION CHART				SIZE CODE	D CS	NUMBER	M7265-0-1
				DIST.		REV.	D

43

THIS DRAWING AND SPECIFICATIONS HEREIN ARE THE PROPERTY OF DIGITAL EQUIPMENT CORPORATION AND SHALL NOT BE REPRODUCED OR COPIED OR USED IN WHOLE OR IN PART AS THE BASIS FOR THE MANUFACTURE OR SALE OF ITEMS WITHOUT WRITTEN PERMISSION. COPYRIGHT © 1975 DIGITAL EQUIPMENT CORPORATION



B LEG

S1	S0	F
0	0	BX
0	1	BX
1	0	0
1	1	+1

S1	S0	F
0	0	UBUS
0	1	K
1	0	ALU
1	1	PSW

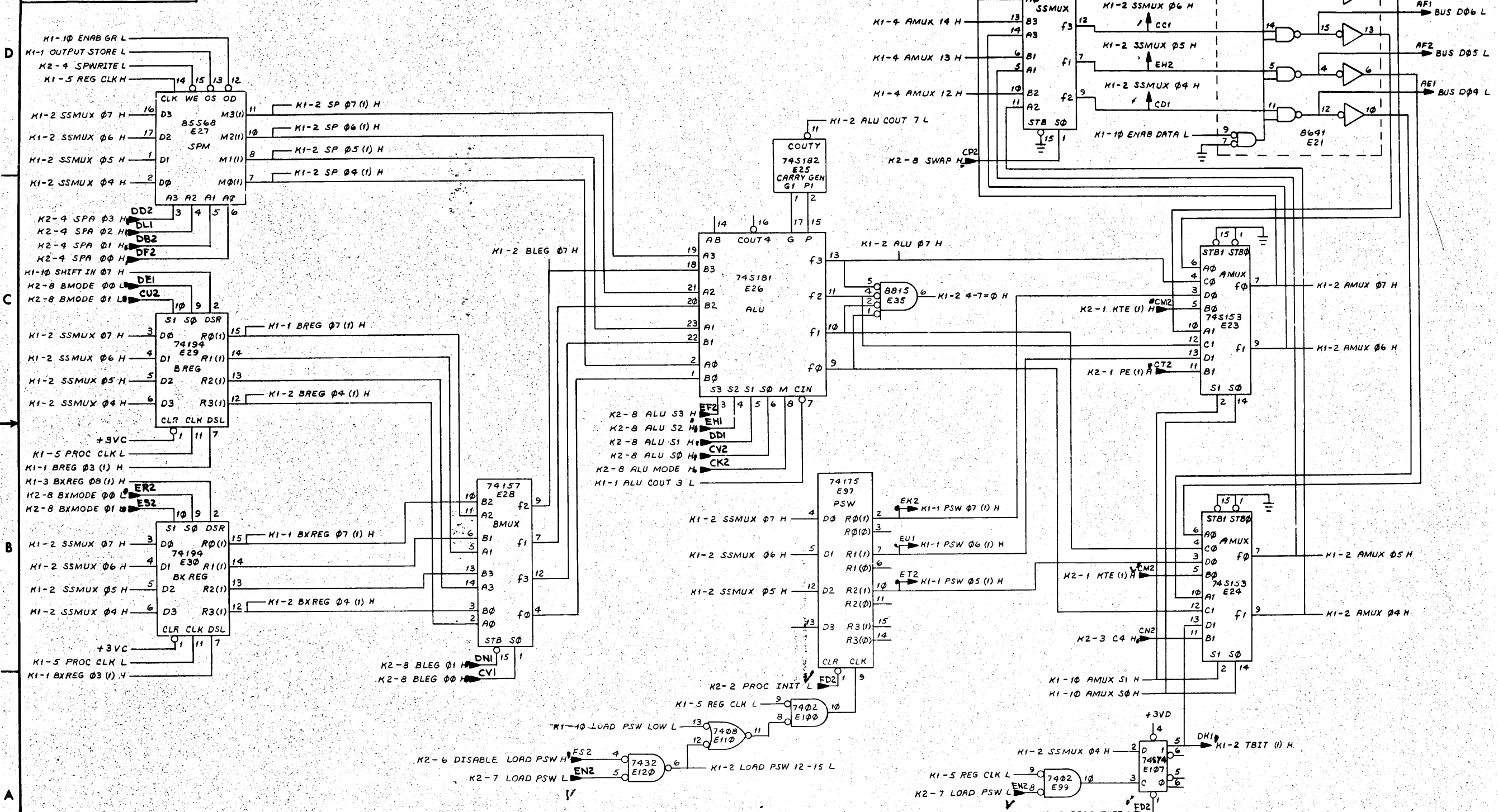
(DATA PATH 0-3)

REVISIONS		
CHK	CHANGE NO.	REV.

TITLE	KDIIE DATA PATH (KI-1)	SIZE CODE	NUMBER	REV.
SCALE	SHEET 2 OF 11	DIST.	DCS M7265-0-1	D

44

"THIS DRAWING AND SPECIFICATIONS HEREIN ARE THE PROPERTY OF DIGITAL EQUIPMENT CORPORATION AND SHALL NOT BE REPRODUCED OR COPIED OR USED IN WHOLE OR IN PART AS THE BASIS FOR THE MANUFACTURE OR SALE OF ITEMS WITHOUT WRITTEN PERMISSION. COPYRIGHT © 1975 DIGITAL EQUIPMENT CORPORATION."



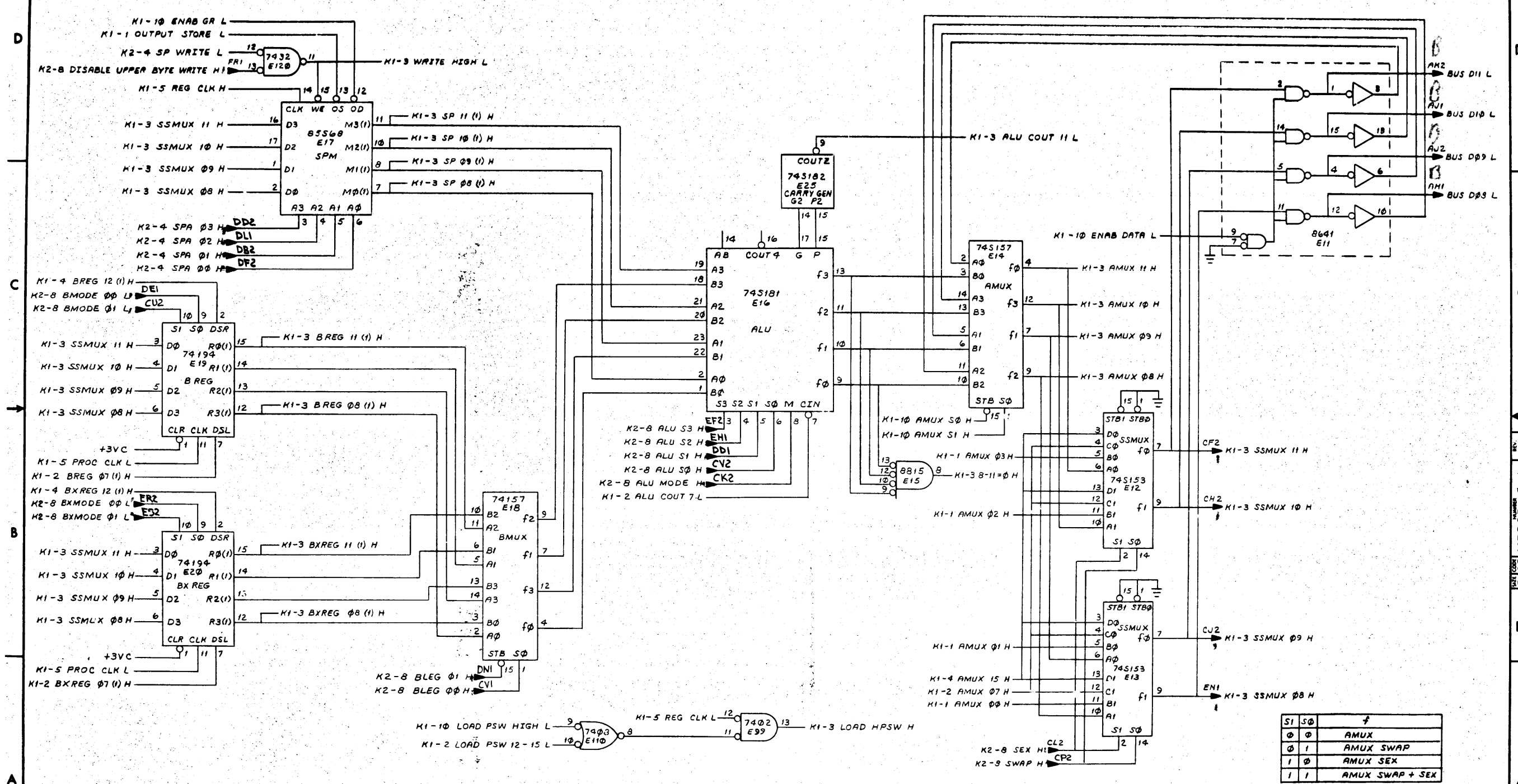
(DATA PATH 4-7)

REVISIONS		
CHK	CHANGE NO.	REV.

TITLE	KDIIE DATA PATH (K1-2)	SIZE CODE	DCS	NUMBER	M7265-0-1	REV.	D
SCALE	1/1	SHEET	3 OF 11	DIST.			

45

THIS DRAWING AND SPECIFICATIONS HEREIN ARE THE PROPERTY OF DIGITAL EQUIPMENT CORPORATION AND SHALL NOT BE REPRODUCED OR COPIED OR USED IN WHOLE OR IN PART AS THE BASIS FOR THE MANUFACTURE OR SALE OF ITEMS WITHOUT WRITTEN PERMISSION. COPYRIGHT © 1973 DIGITAL EQUIPMENT CORPORATION



S1	S0	f
0	0	AMUX
0	1	AMUX SWAP
1	0	AMUX SEX
1	1	AMUX SWAP + SEX

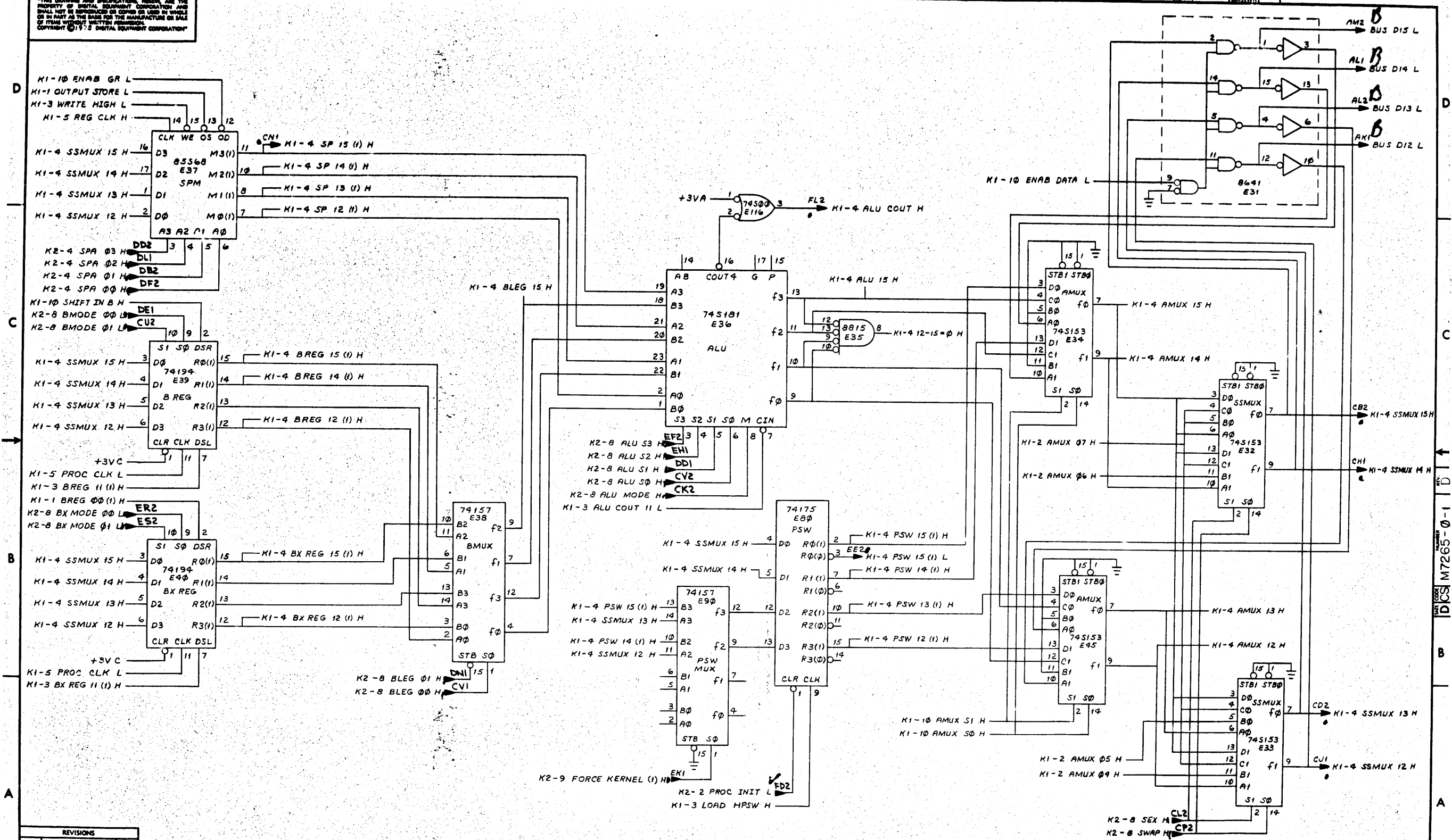
(DATA PATH 8-11)

REVISIONS		
CHK	CHANGE NO.	REV.

46

THE DRAWING AND SPECIFICATIONS HEREIN ARE THE PROPERTY OF DIGITAL EQUIPMENT CORPORATION AND SHALL NOT BE REPRODUCED OR COPIED OR USED IN WHOLE OR IN PART AS THE BASIS FOR THE MANUFACTURE OR SALE OF ITEMS WITHOUT WRITTEN PERMISSION. COPYRIGHT © 1973 DIGITAL EQUIPMENT CORPORATION.

DCS M7265-0-1

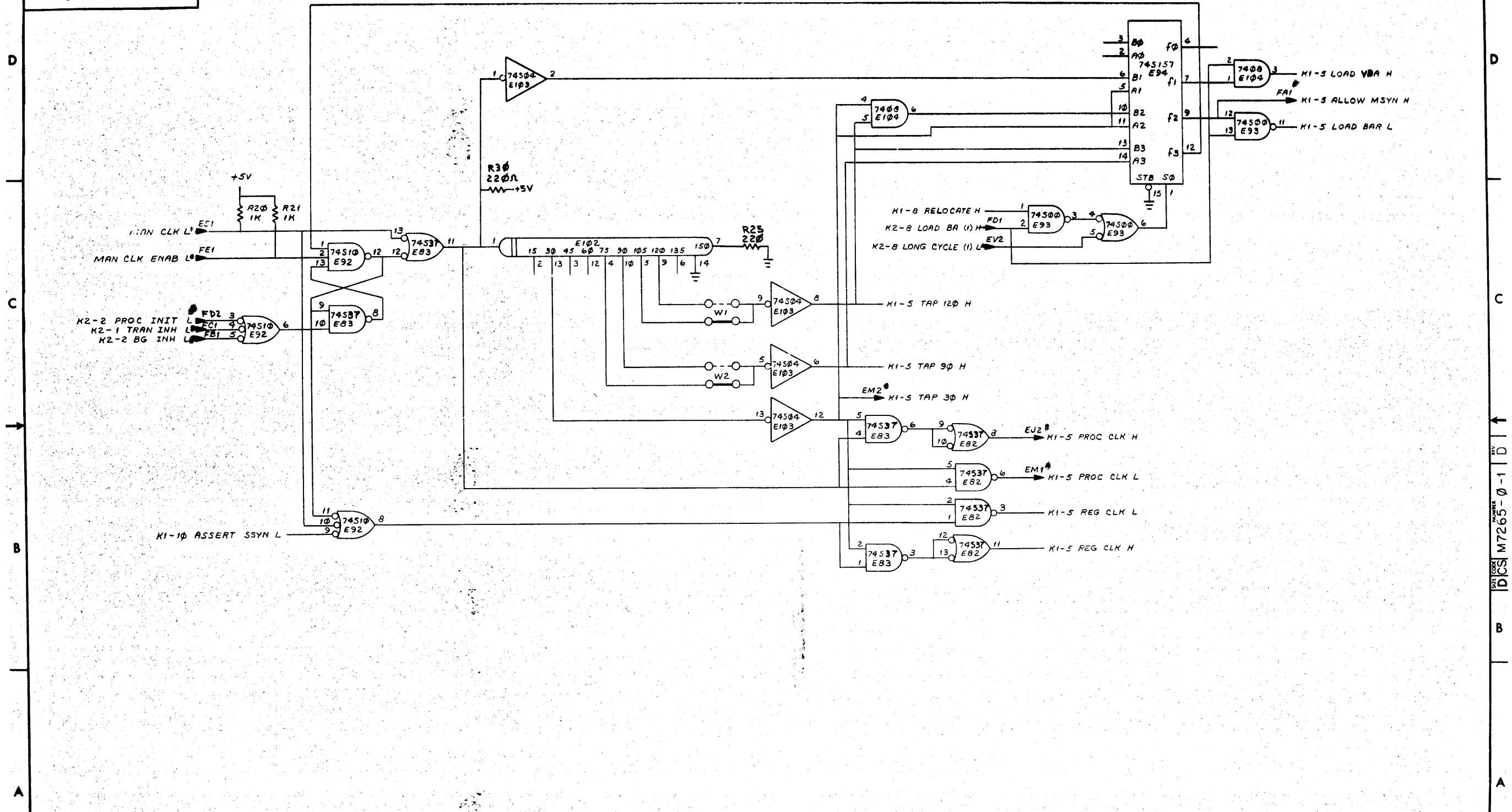


REVISIONS		
CHK	CHANGE NO.	REV.

TITLE		SIZE/SCALE		NUMBER		REV.	
KDIIE DATA PATH (K1-4)		DCS M7265-0-1		5 OF 11		D	
SCALE		SHEET		DIST.			

47

THIS DRAWING AND SPECIFICATIONS HEREIN ARE THE PROPERTY OF DIGITAL EQUIPMENT CORPORATION AND SHALL NOT BE REPRODUCED OR COPIED OR USED IN WHOLE OR IN PART AS THE BASIS FOR THE MANUFACTURE OR SALE OF ITEMS WITHOUT WRITTEN PERMISSION.
 COPYRIGHT © 1975 DIGITAL EQUIPMENT CORPORATION

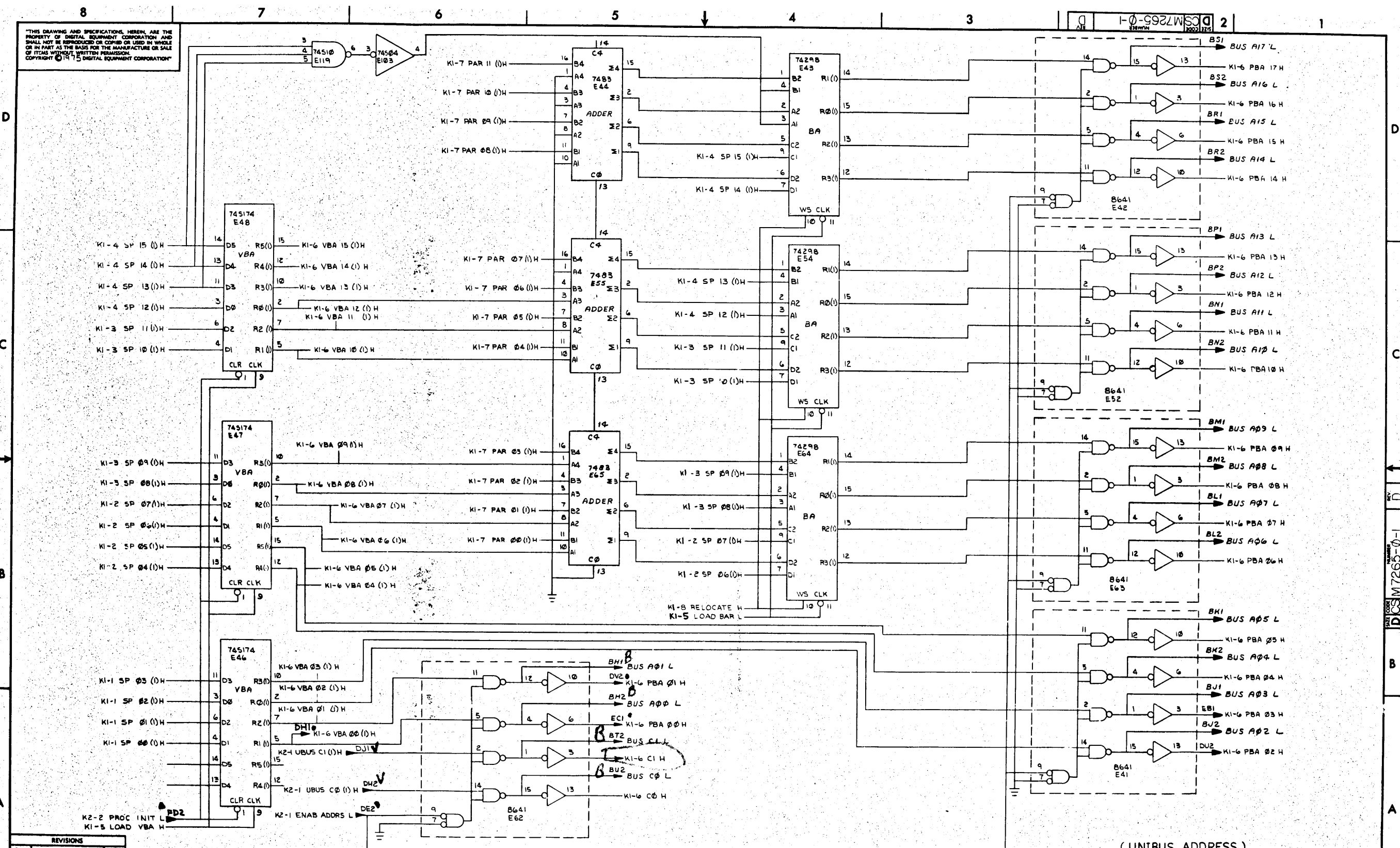


(CPU CLK)

REVISIONS		
CHK	CHANGE NO.	REV.

TITLE	KDITE DATA PATH (K1-5)	SIZE CODE	DCS	NUMBER	M7265-0-1	REV.	D
SCALE	1/1	SHEET	6 OF 11	DIST.			

48



"THIS DRAWING AND SPECIFICATIONS, HEREIN, ARE THE PROPERTY OF DIGITAL EQUIPMENT CORPORATION AND SHALL NOT BE REPRODUCED OR COPIED OR USED IN WHOLE OR IN PART AS THE BASIS FOR THE MANUFACTURE OR SALE OF ITEMS WITHOUT WRITTEN PERMISSION. COPYRIGHT © 1975 DIGITAL EQUIPMENT CORPORATION"

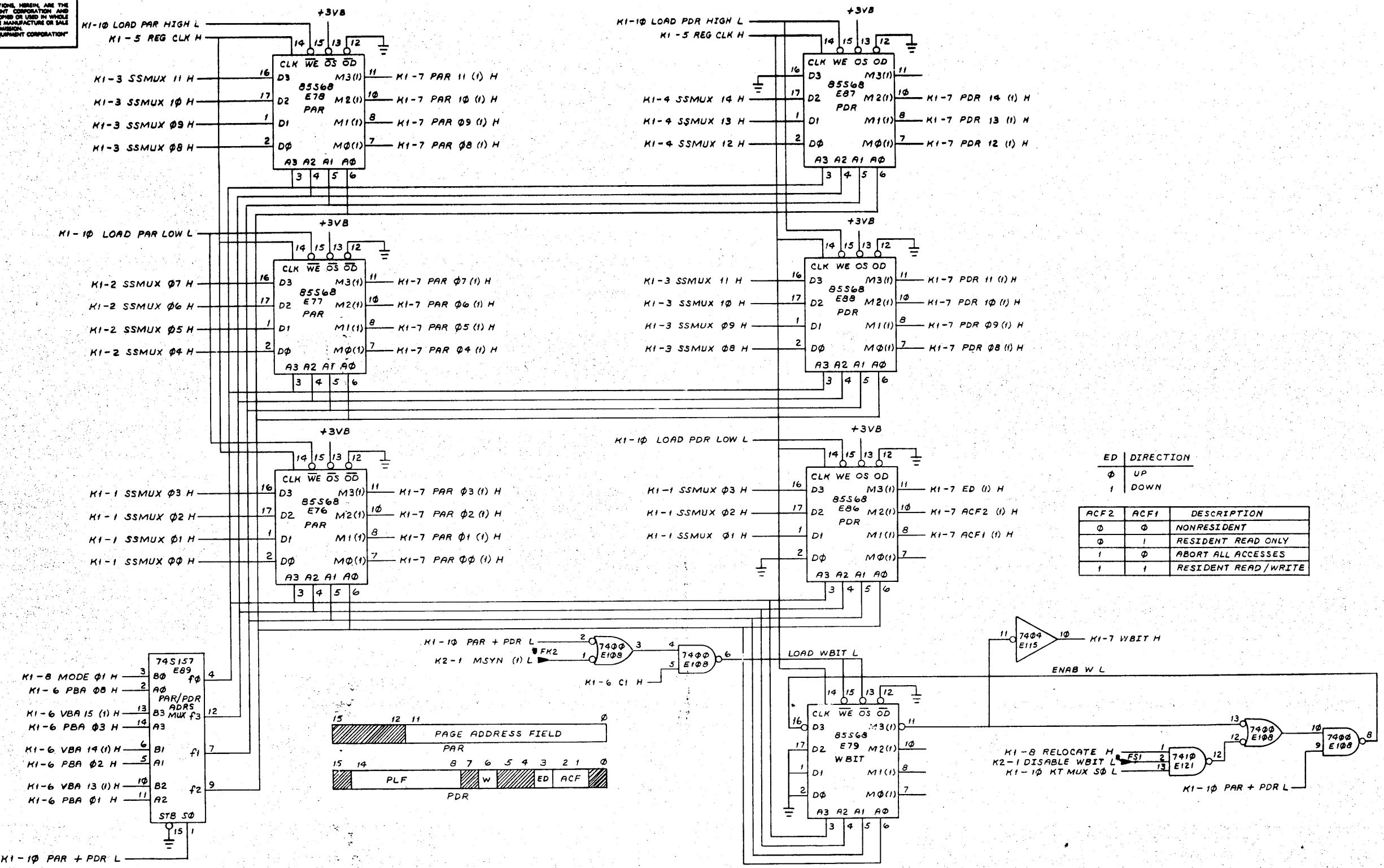
REVISIONS		
CHK	CHANGE NO.	REV.

TITLE	SIZE CODE	NUMBER	REV.
KDIII DATA PATH (KI-6)	D	CSM7265-0-1	D
SCALE	SHEET	DIST.	
	7 OF 11		

CSM7265-0-1

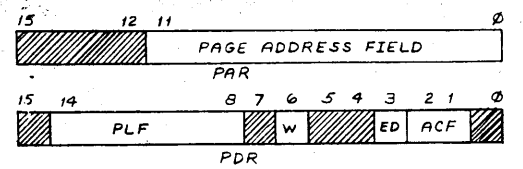
49

"THIS DRAWING AND SPECIFICATIONS, HEREIN, ARE THE PROPERTY OF DIGITAL EQUIPMENT CORPORATION AND SHALL NOT BE REPRODUCED OR COPIED OR USED IN WHOLE OR IN PART AS THE BASIS FOR THE MANUFACTURE OR SALE OF ITEMS WITHOUT WRITTEN PERMISSION. COPYRIGHT © 1972 DIGITAL EQUIPMENT CORPORATION"



ED	DIRECTION
0	UP
1	DOWN

ACF2	ACF1	DESCRIPTION
0	0	NONRESIDENT
0	1	RESIDENT READ ONLY
1	0	ABORT ALL ACCESSES
1	1	RESIDENT READ/WRITE

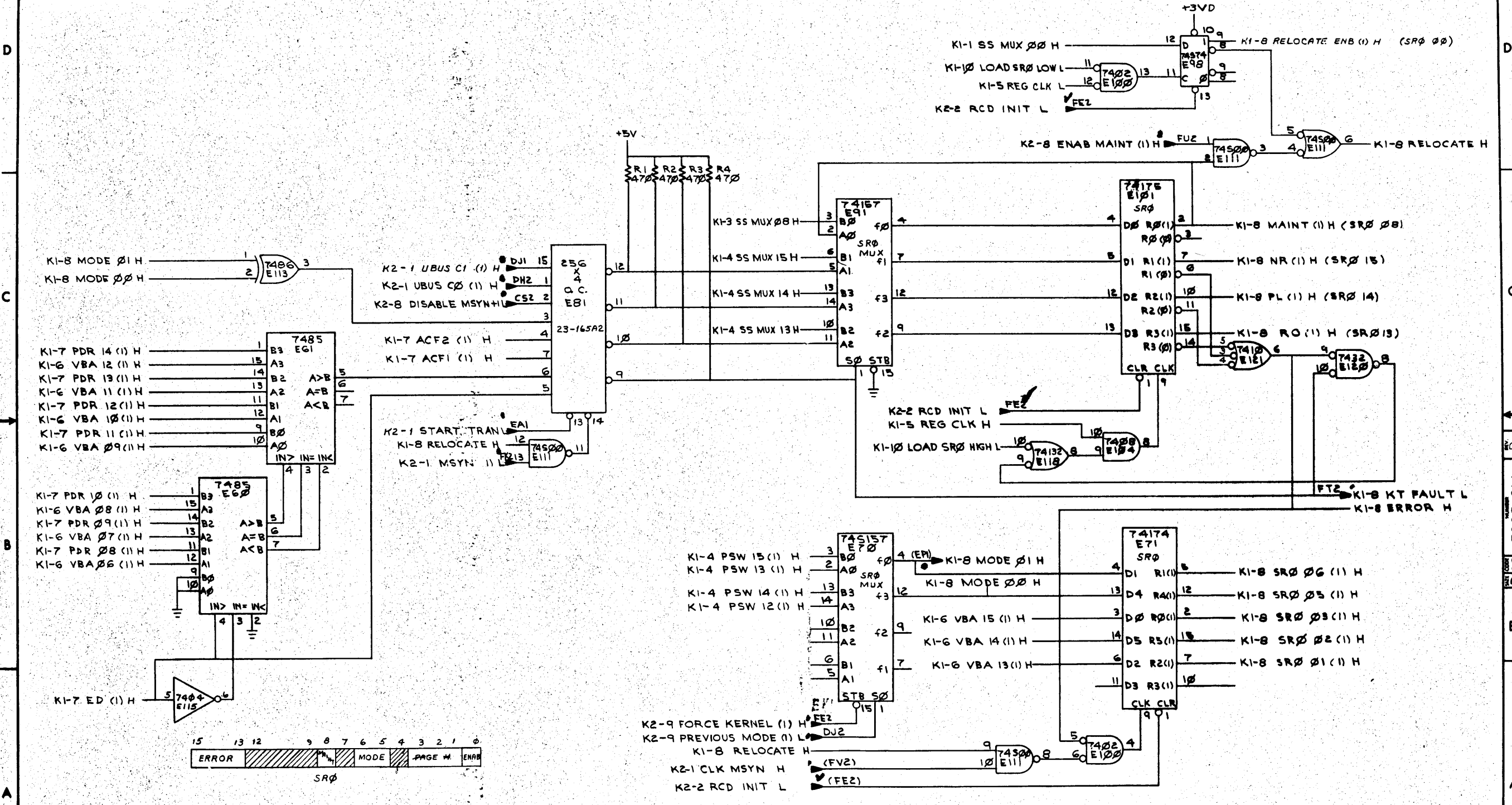


CHK	CHANGE NO.	REV.

TITLE	SIZE/COOE	NUMBER	REV.
KDIIIE DATA PATH (K1-7)	DCS	M7265-0-1	D
SCALE	SHEET	DIST.	
	8 OF 11		

50

"THIS DRAWING AND SPECIFICATIONS, HEREIN, ARE THE PROPERTY OF DIGITAL EQUIPMENT CORPORATION AND SHALL NOT BE REPRODUCED OR COPIED OR USED IN WHOLE OR IN PART AS THE BASIS FOR THE MANUFACTURE OR SALE OF ITEMS WITHOUT WRITTEN PERMISSION. COPYRIGHT © 1975 DIGITAL EQUIPMENT CORPORATION"



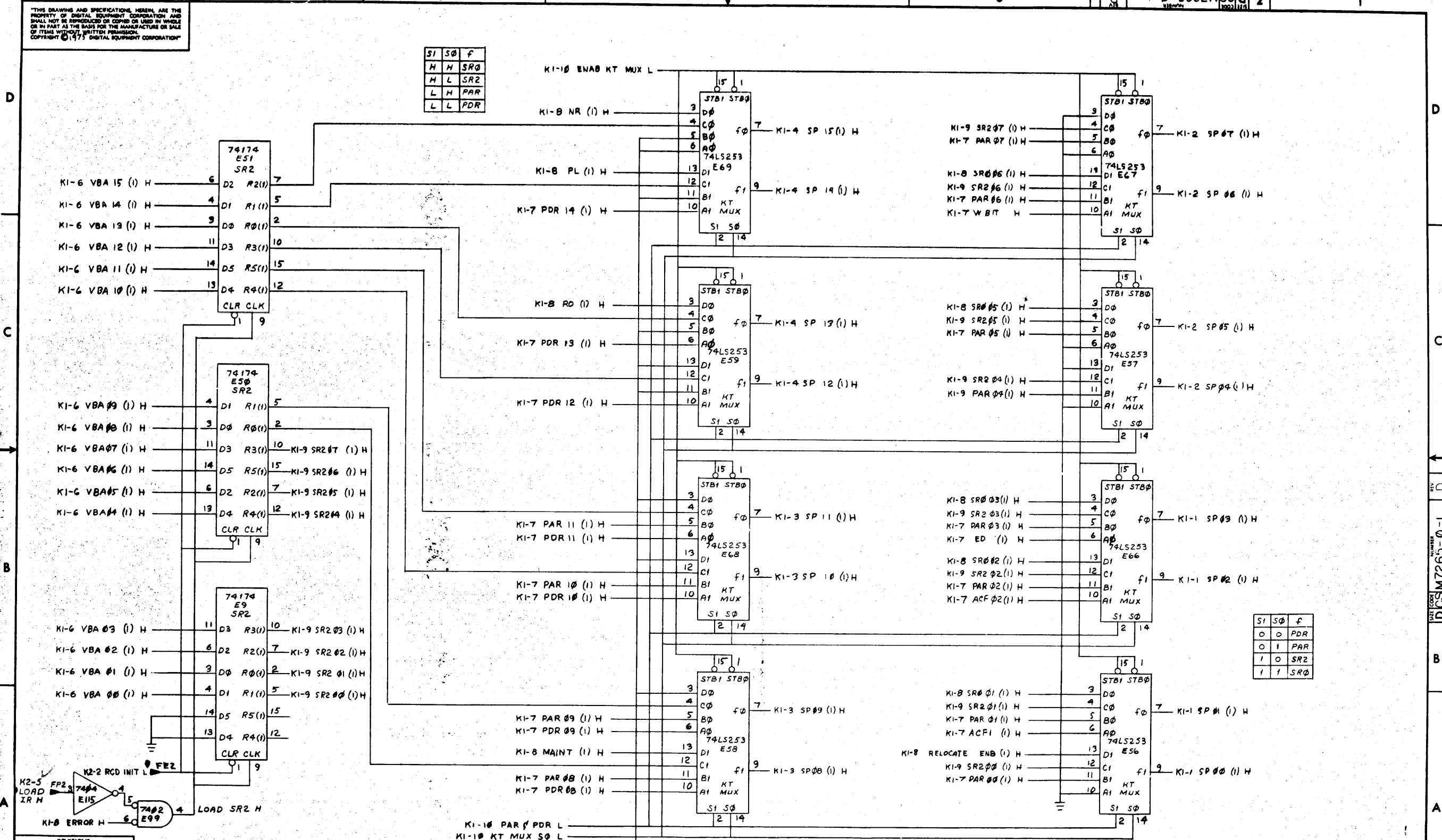
REVISIONS			TITLE		SIZE CODE		NUMBER		REV.
CHK	CHANGE NO.	REV.	KDIIE DATA PATH (K1-8)		DCS M7265-0-1				D
			SCALE		SHEET	9	OF	11	

51

THIS DRAWING AND SPECIFICATIONS HEREIN ARE THE PROPERTY OF DIGITAL EQUIPMENT CORPORATION AND SHALL NOT BE REPRODUCED OR COPIED OR USED IN WHOLE OR IN PART AS THE BASIS FOR THE MANUFACTURE OR SALE OF ITEMS WITHOUT WRITTEN PERMISSION. COPYRIGHT © 1975 DIGITAL EQUIPMENT CORPORATION

1-0-9922W53 2

S1	S0	F
H	H	SR0
H	L	SR2
L	H	PAR
L	L	PDR

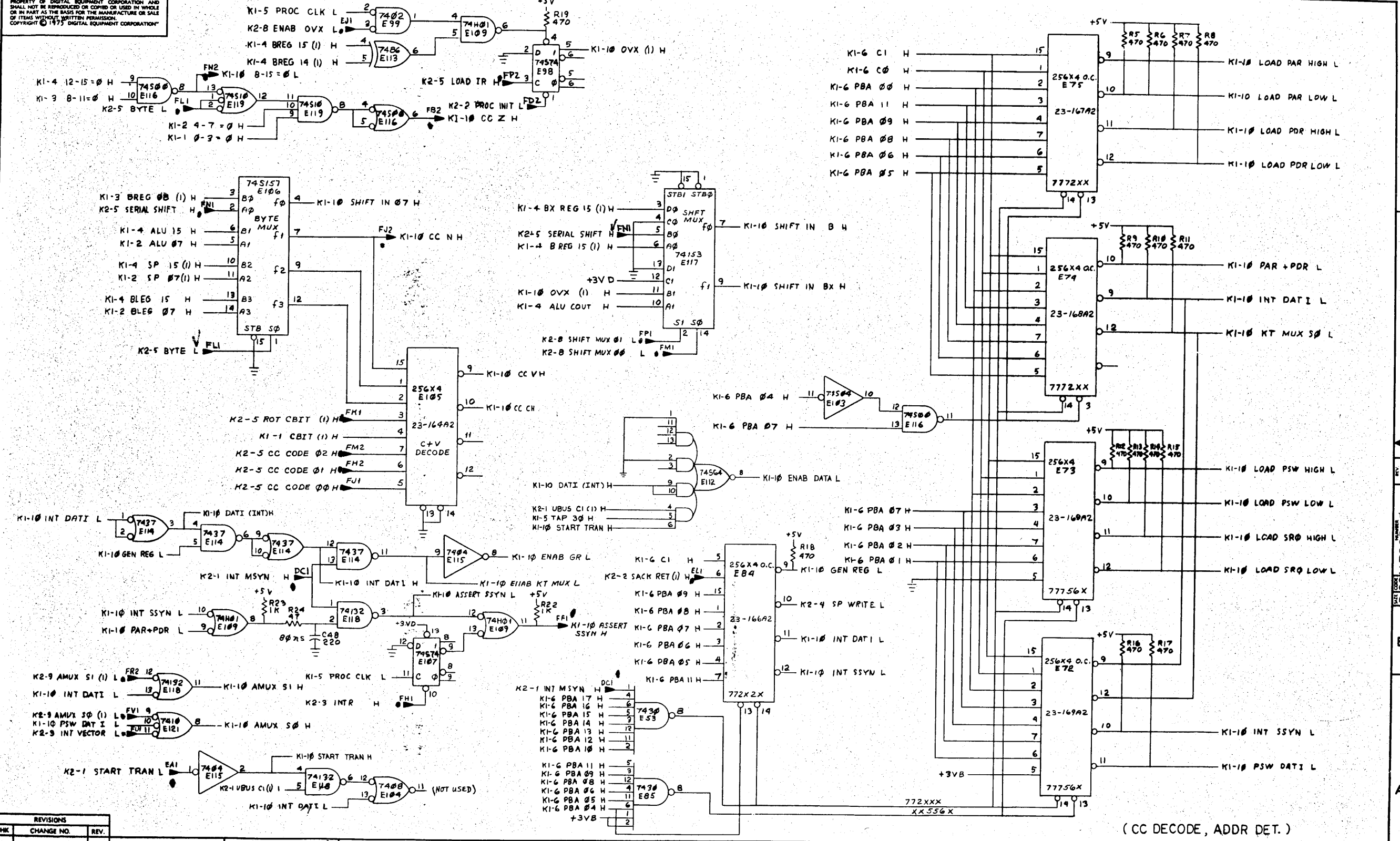


CHK	CHANGE NO.	REV.

TITLE: KD11E DATA PATH (KI-9)
 SIZE CODE: D
 NUMBER: CSM7265-0-1
 REV: D
 SCALE: 1:1
 SHEET 10 OF 11
 DIST.:

52

"THIS DRAWING AND SPECIFICATIONS, HEREIN, ARE THE PROPERTY OF DIGITAL EQUIPMENT CORPORATION AND SHALL NOT BE REPRODUCED OR COPIED OR USED IN WHOLE OR IN PART AS THE BASIS FOR THE MANUFACTURE OR SALE OF ITEMS WITHOUT WRITTEN PERMISSION. COPYRIGHT © 1975 DIGITAL EQUIPMENT CORPORATION"

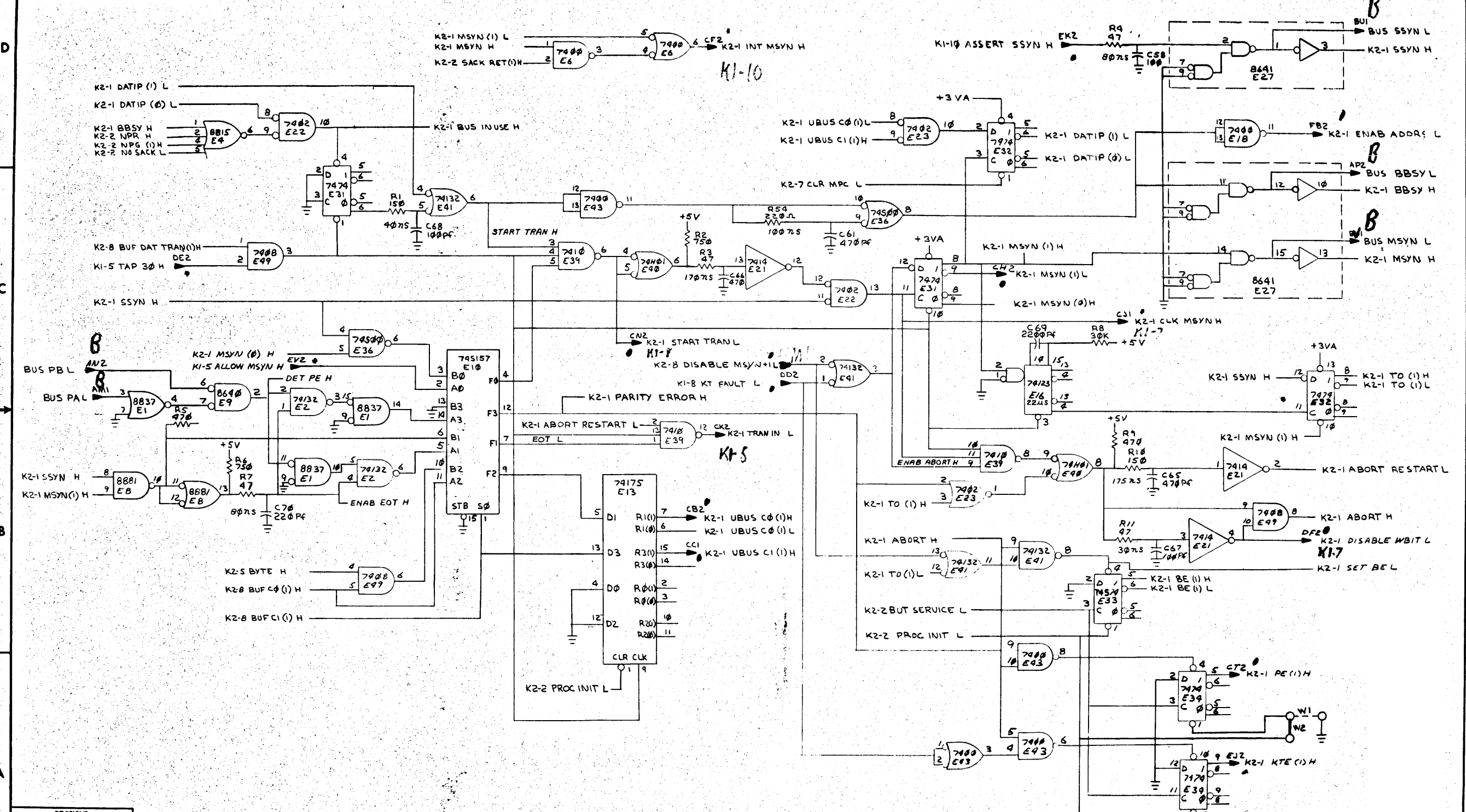


REVISIONS		
CHK	CHANGE NO.	REV.

(CC DECODE, ADDR DET.)

53

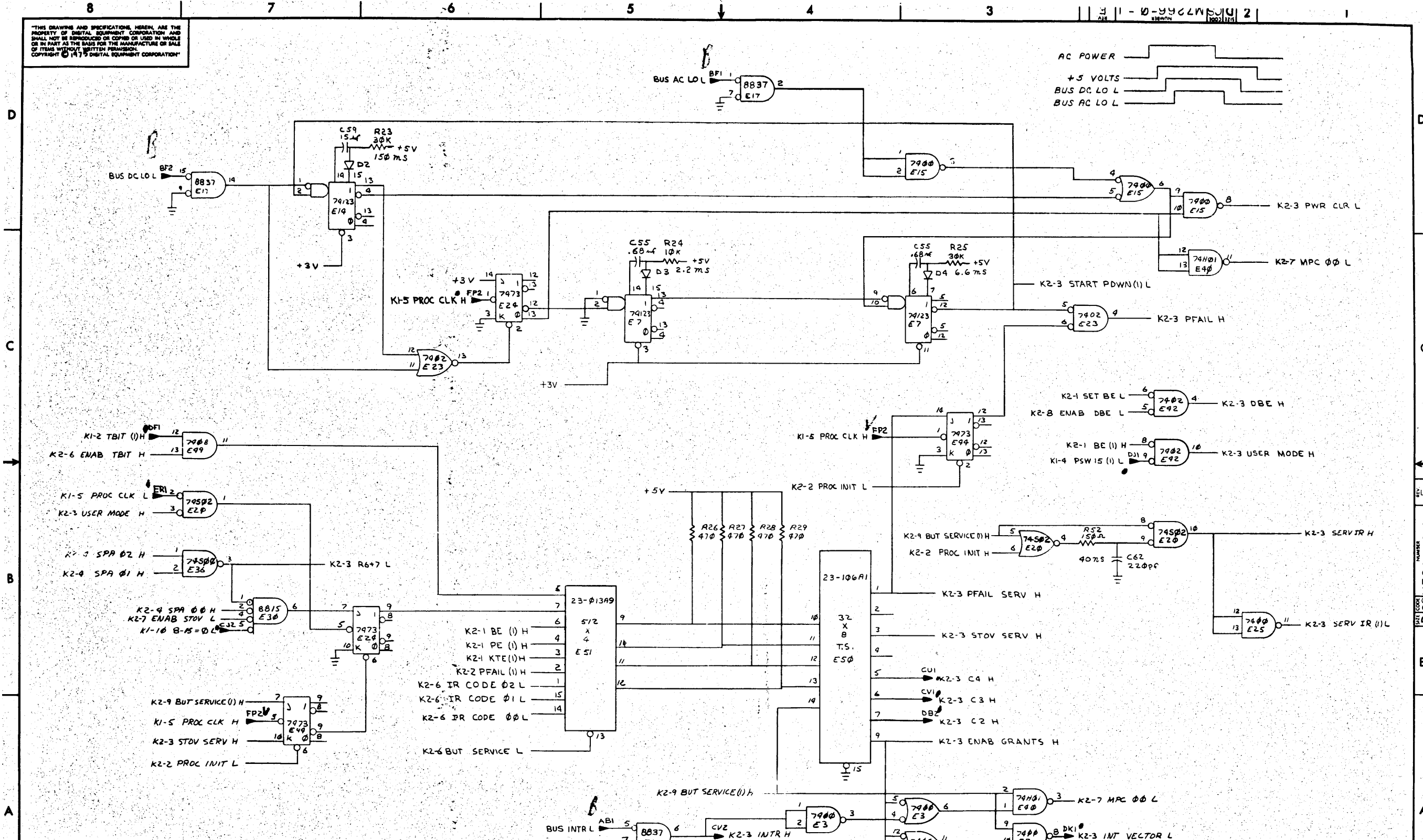
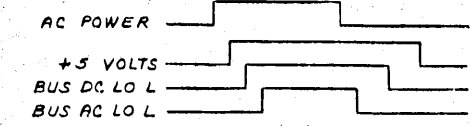
"THE DRAWING AND SPECIFICATIONS HEREIN ARE THE PROPERTY OF DIGITAL EQUIPMENT CORPORATION AND SHALL NOT BE REPRODUCED OR COPIED IN WHOLE OR IN PART AS THE BASIS FOR THE MANUFACTURE OR SALE OF ITEMS WITHOUT WRITTEN PERMISSION. COPYRIGHT © 1975 DIGITAL EQUIPMENT CORPORATION"



REVISIONS		
CHK	CHANGE NO.	REV.

TITLE: KDIIE CONTROL (K2-1) SIZE CODE: DCS M7266-0-1 NUMBER: 2 REV: F
 SCALE: 1:1 SHEET 2 OF 14 DIST: 55

"THIS DRAWING AND SPECIFICATIONS HEREIN ARE THE PROPERTY OF DIGITAL EQUIPMENT CORPORATION AND SHALL NOT BE REPRODUCED OR COPIED OR USED IN WHOLE OR IN PART AS THE BASIS FOR THE MANUFACTURE OR SALE OF ITEMS WITHOUT WRITTEN PERMISSION. COPYRIGHT © 1975 DIGITAL EQUIPMENT CORPORATION"



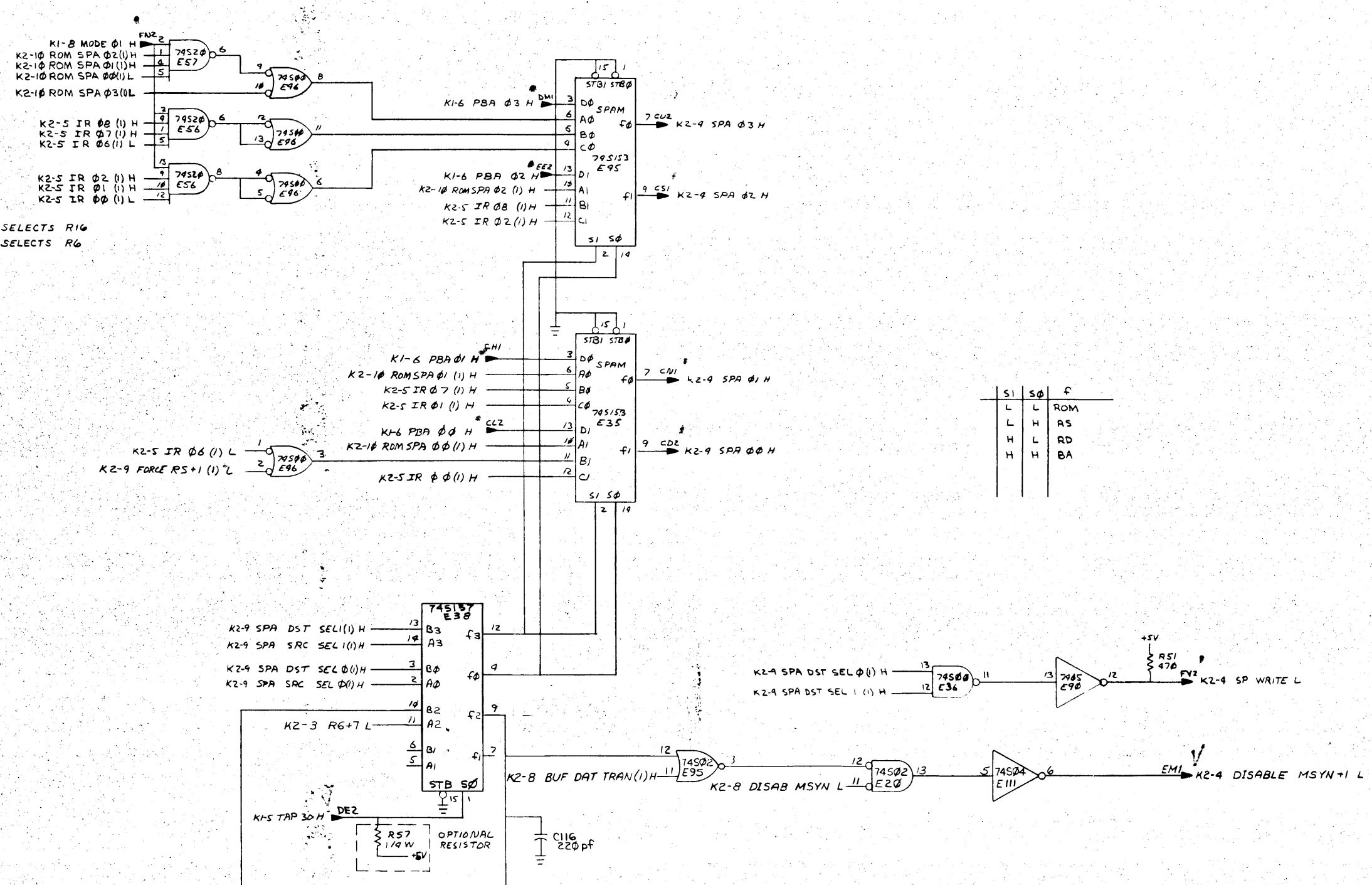
REVISIONS		
CHK	CHANGE NO.	REV.

TITLE	KDIE CONTROL (K2-3)	SIZE CODE	DCSM7266-0-1	NUMBER		REV.	F
SCALE		SHEET	4 OF 11	DIST.			

DRAWING NUMBER DCSM7266-0-1

57

"THIS DRAWING AND SPECIFICATIONS, HEREIN, ARE THE PROPERTY OF DIGITAL EQUIPMENT CORPORATION AND SHALL NOT BE REPRODUCED OR COPIED OR USED IN WHOLE OR IN PART AS THE BASIS FOR THE MANUFACTURE OR SALE OF ITEMS WITHOUT WRITTEN PERMISSION. COPYRIGHT © 1975 DIGITAL EQUIPMENT CORPORATION"

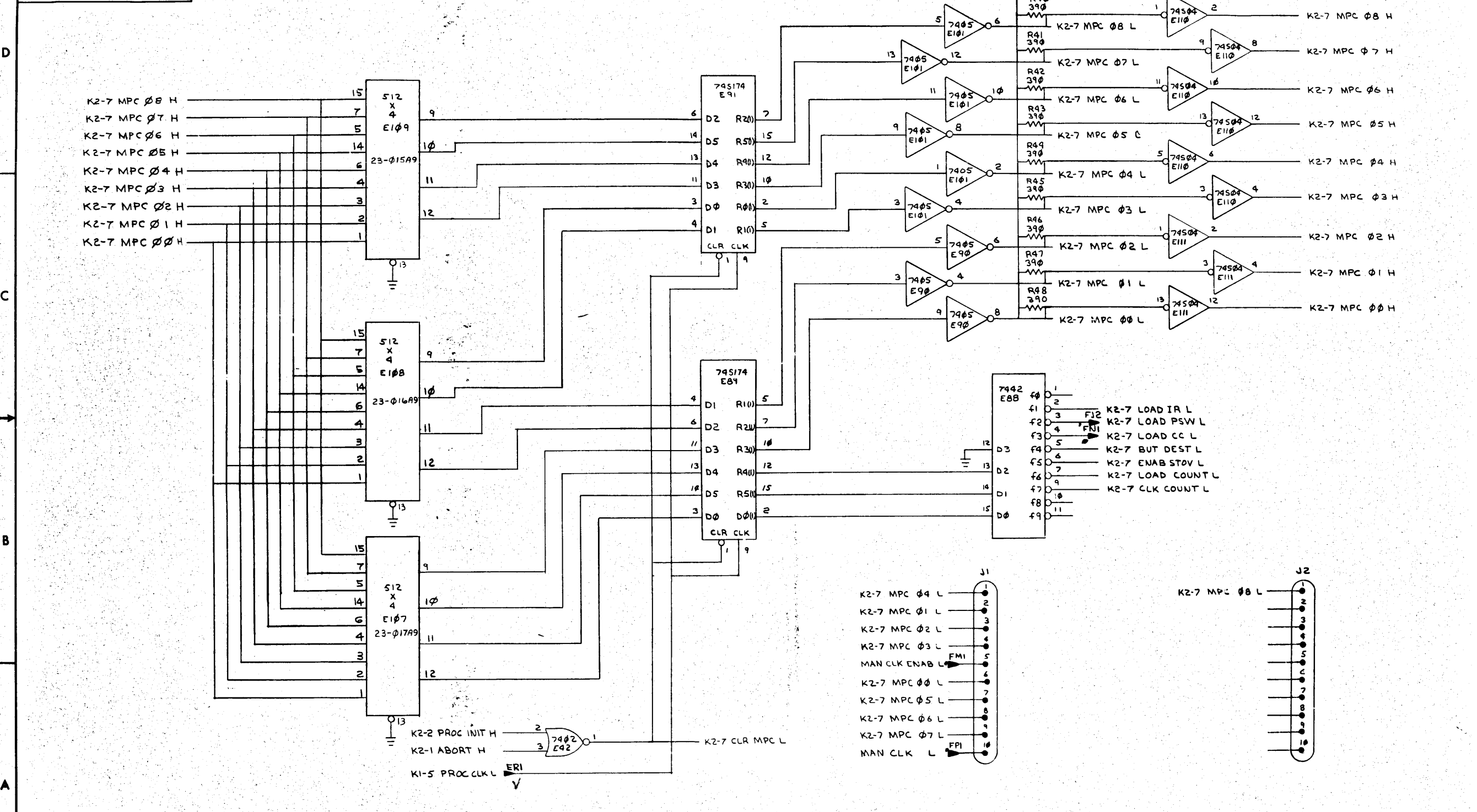


REVISIONS		
CHK	CHANGE NO.	REV.

TITLE		SIZE CODE		NUMBER		REV.	
KDIIE CONTROL (K2-4)		D		DCSM7266-0-1		F	
SCALE		SHEET		DIST.			
		5 OF 11					

58

"THIS DRAWING AND SPECIFICATIONS, HEREIN, ARE THE PROPERTY OF DIGITAL EQUIPMENT CORPORATION AND SHALL NOT BE REPRODUCED OR COPIED OR USED IN WHOLE OR IN PART AS THE BASIS FOR THE MANUFACTURE OR SALE OF ITEMS WITHOUT WRITTEN PERMISSION. COPYRIGHT © 1975 DIGITAL EQUIPMENT CORPORATION"

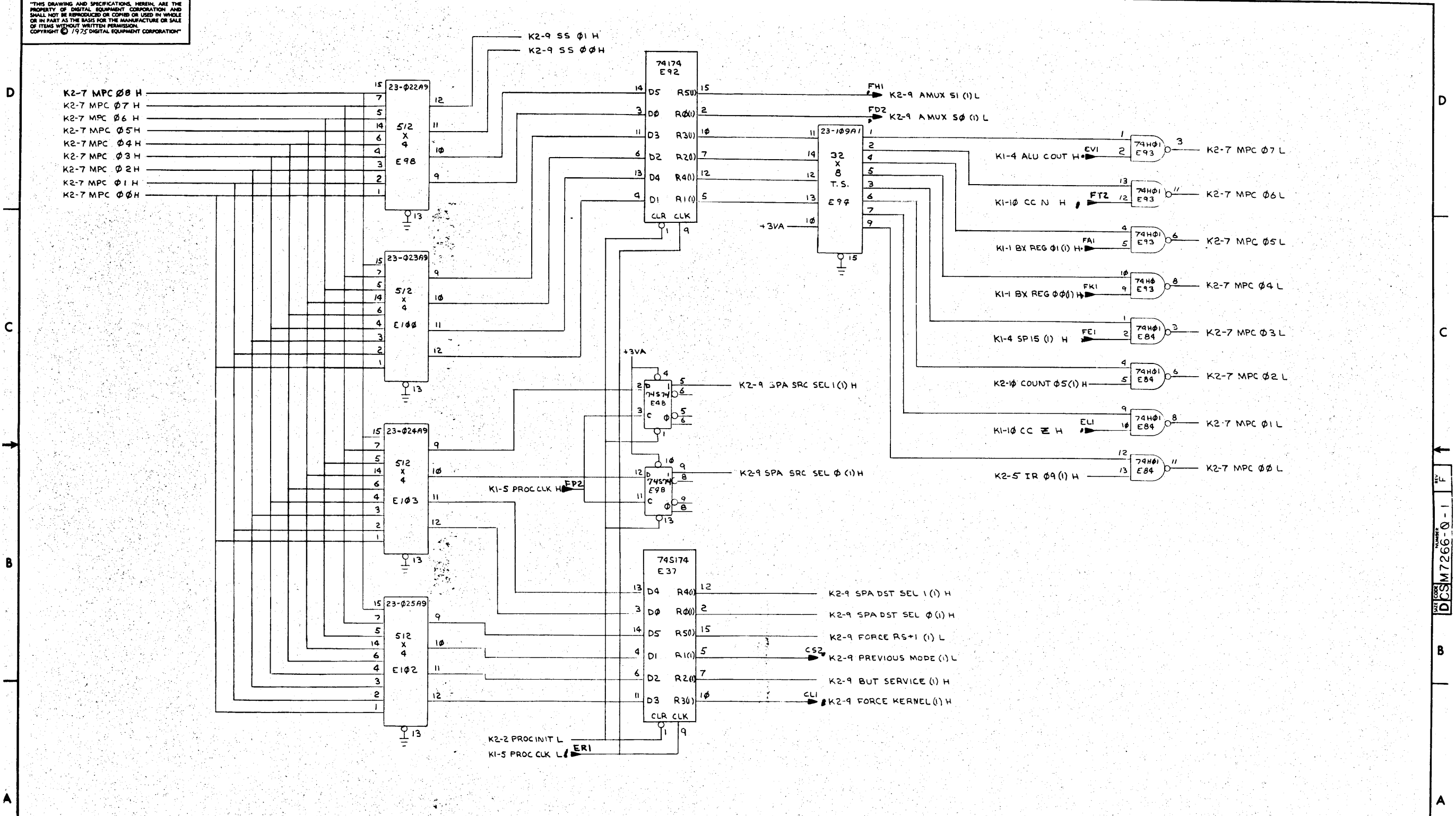


REVISIONS		
CHK	CHANGE NO.	REV.

D E C S M 7 2 6 6 - 0 - 1

61

"THIS DRAWING AND SPECIFICATIONS, HEREIN, ARE THE PROPERTY OF DIGITAL EQUIPMENT CORPORATION AND SHALL NOT BE REPRODUCED OR COPIED OR USED IN WHOLE OR IN PART AS THE BASIS FOR THE MANUFACTURE OR SALE OF ITEMS WITHOUT WRITTEN PERMISSION. COPYRIGHT © 1975 DIGITAL EQUIPMENT CORPORATION"

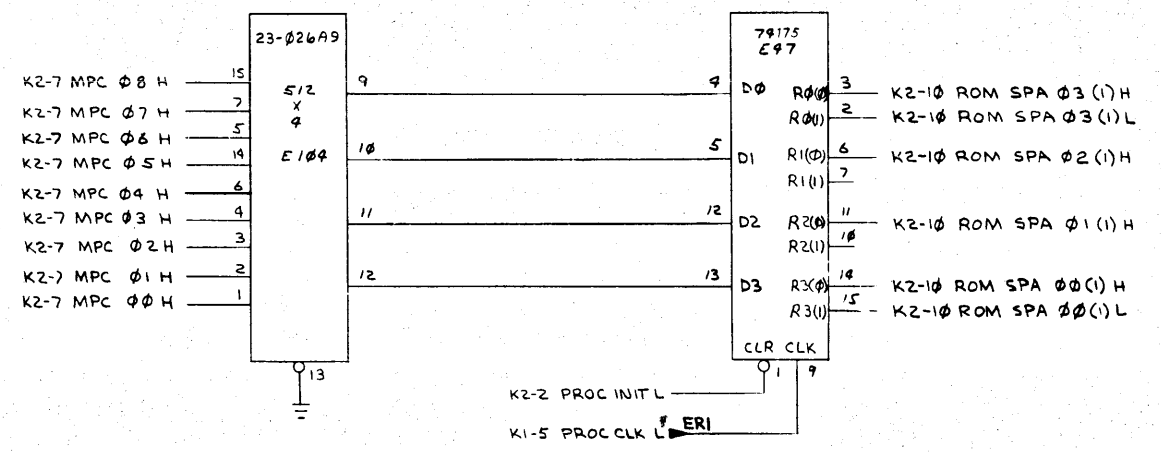
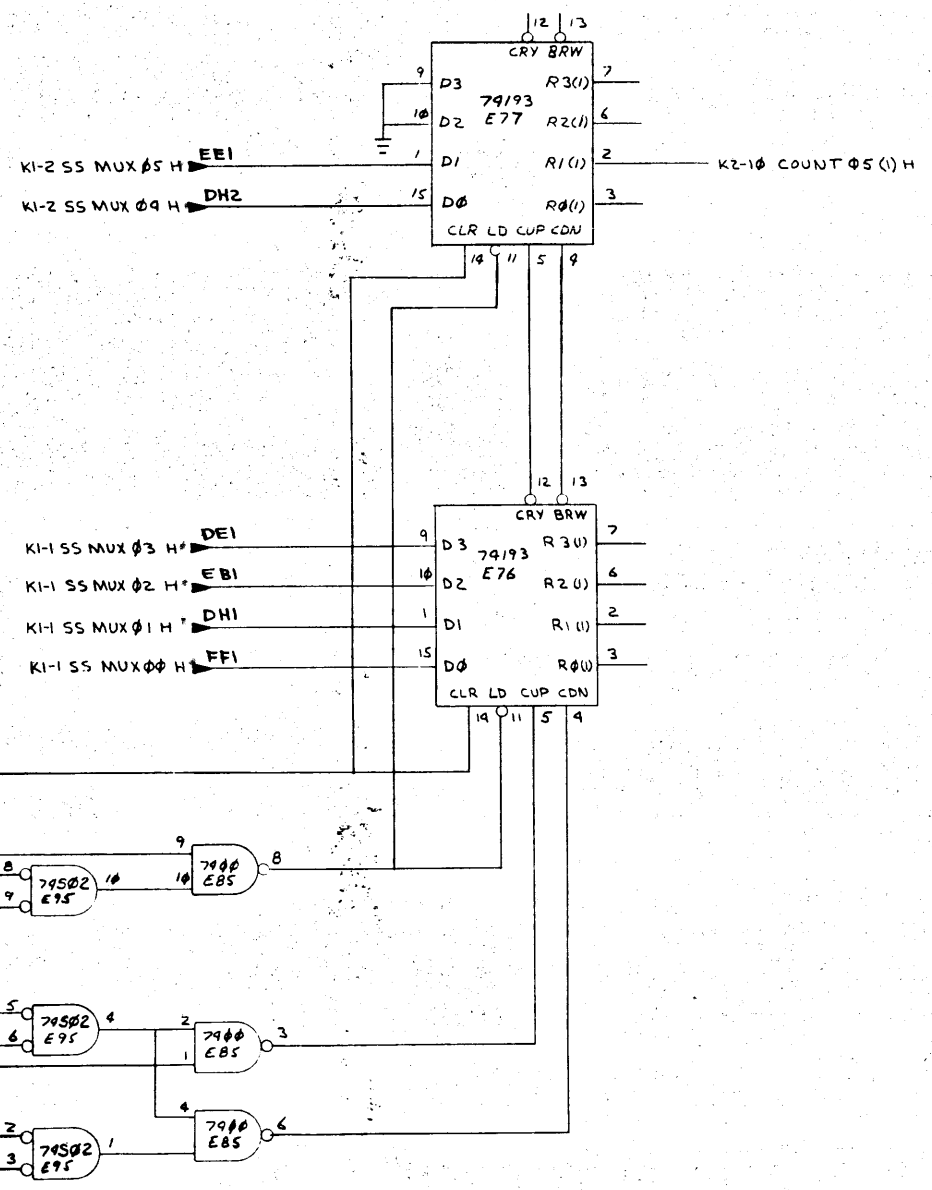


REVISIONS		
CHK	CHANGE NO.	REV.

TITLE		SIZE CODE	NUMBER	REV.
KDIE CONTROL (K2-9)		DCS	M7266-0-1	F
SCALE	SHEET	OF	DIST.	
	10	11		

63

THIS DRAWING AND SPECIFICATIONS HEREIN ARE THE PROPERTY OF DIGITAL EQUIPMENT CORPORATION AND SHALL NOT BE REPRODUCED OR COPIED OR USED IN WHOLE OR IN PART AS THE BASIS FOR THE MANUFACTURE OR SALE OF ITEMS WITHOUT WRITTEN PERMISSION. COPYRIGHT © 1975 DIGITAL EQUIPMENT CORPORATION

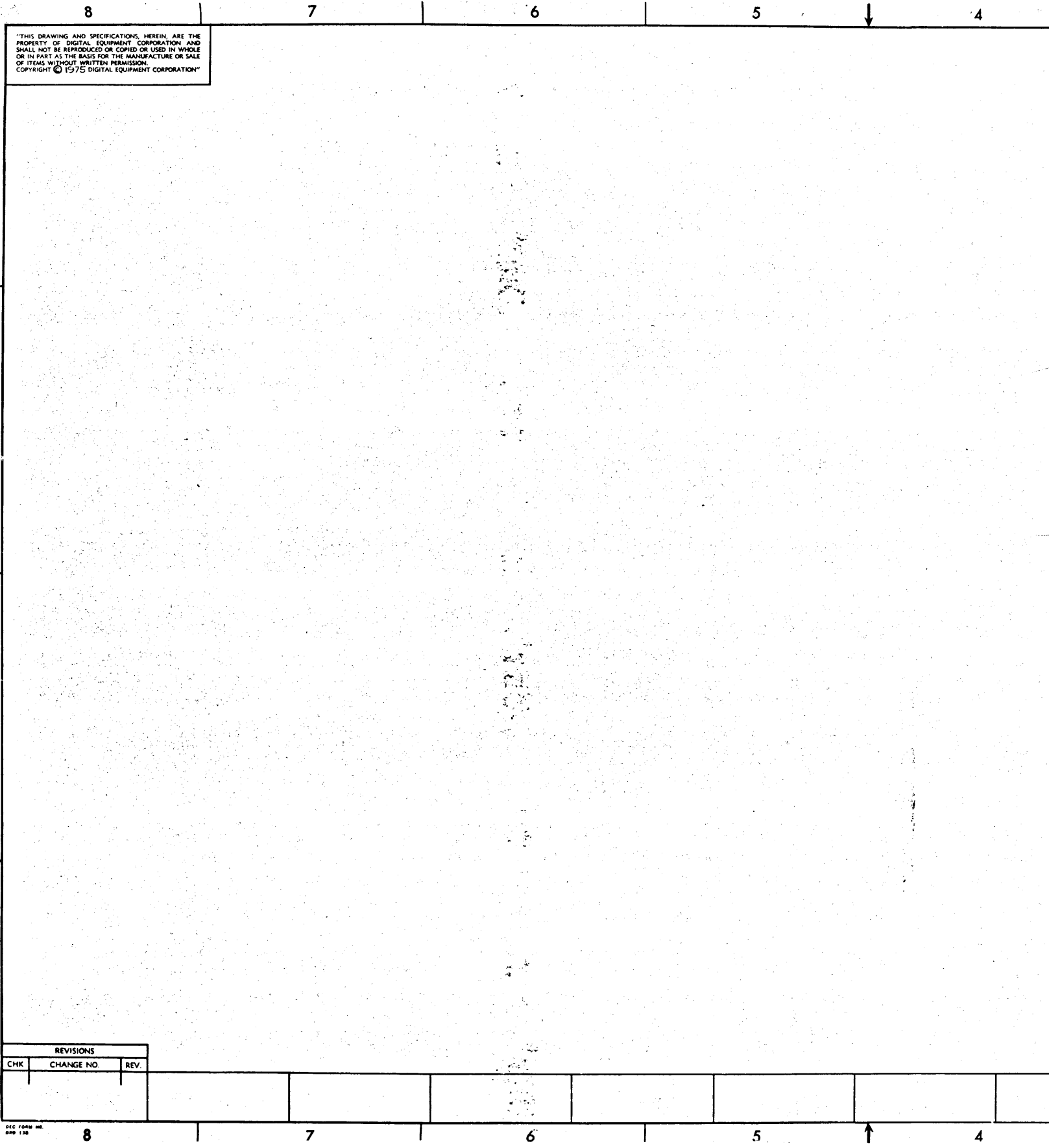


REVISIONS		
CHK	CHANGE NO.	REV.

(ROM SPA COUNTER)

TITLE	SIZE CODE	NUMBER	REV.
KDIIE CONTROL (K2-10)	D CS	M7266-0-1	F
SCALE	SHEET	OF	DIST.

64



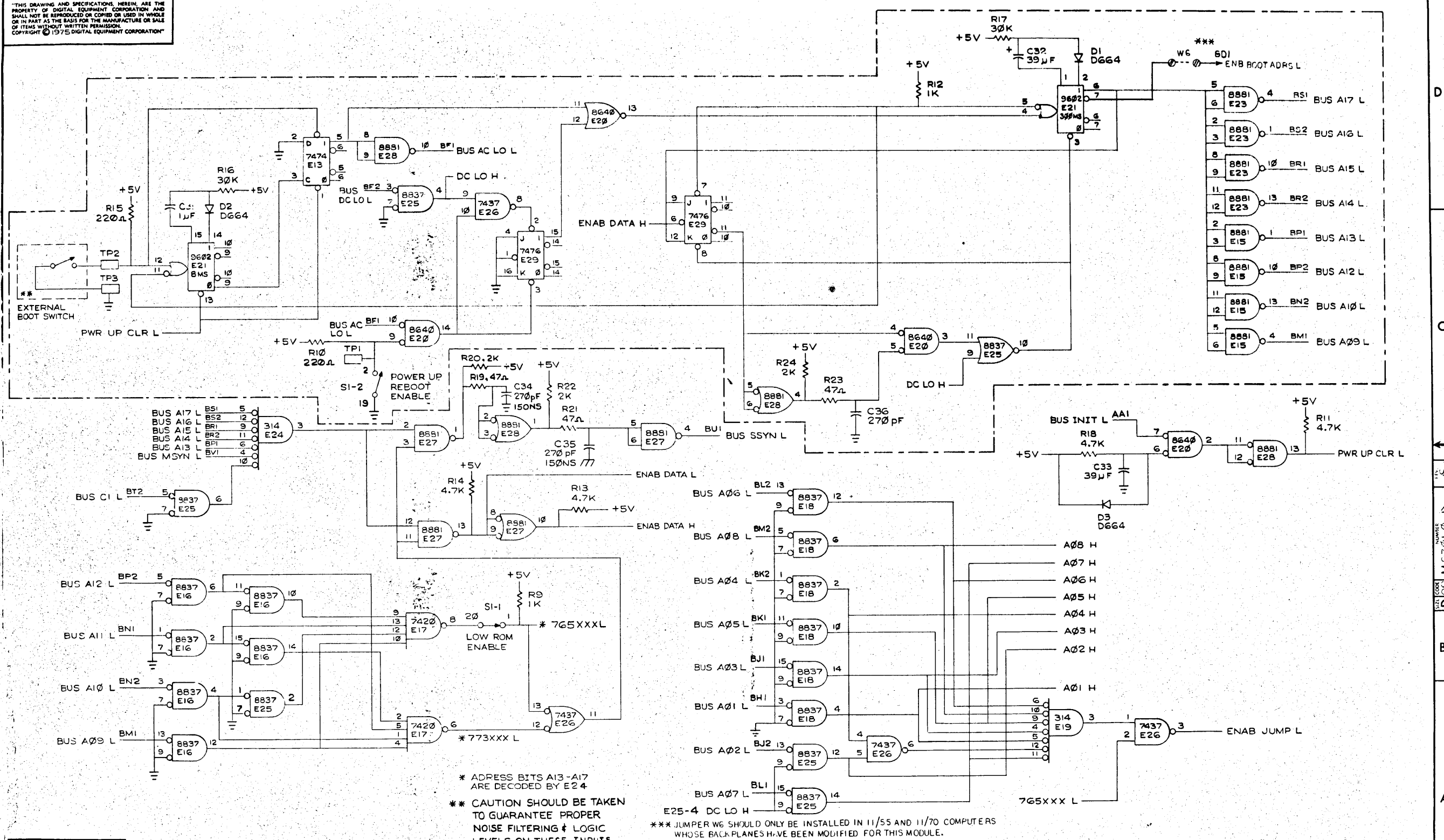
QTY	QTY	QTY	QTY	QTY	QTY	QTY	QTY	QTY	QTY	REF DESIGNATION	DESCRIPTION	PART NO.	ITEM NO
4	4	4	4	4	4	4	4	4	4	E5, E6, E11, E12	SOCKET, 16 PIN, I.C.	1211813	37
0	0	0	0	0	0	0	0	1	0	E5	I.C. DEC. TRI-STATE 2048 ROM	23034A9	38
0	0	0	0	0	0	0	0	1	0	E6	I.C. DEC TRI-STATE 2048 ROM	23035A9	39
0	0	0	0	0	0	0	0	1	0	E11	I.C. DEC TRI-STATE 2048 ROM	23036A9	40
0	0	0	0	0	0	0	0	1	0	E12	I.C. DEC TRI-STATE 2048 ROM	23037A9	41
0	0	0	0	0	0	0	0	1	0	E5	I.C. DEC TRI-STATE 2048 ROM	23038A9	42
0	0	0	0	0	0	0	0	1	0	E6	I.C. DEC TRI-STATE 2048 ROM	23039A9	43
0	0	0	0	0	0	0	0	1	0	E11	I.C. DEC TRI-STATE 2048 ROM	23040A9	44
0	0	0	0	0	0	0	0	1	0	E12	I.C. DEC TRI-STATE 2048 ROM	23041A9	45
0	0	0	0	0	0	0	0	1	0	E5	I.C. DEC TRI-STATE 2048 ROM	23042A9	46
0	0	0	0	0	0	0	0	1	0	E6	I.C. DEC TRI-STATE 2048 ROM	23043A9	47
0	0	0	0	0	0	0	0	1	0	E11	I.C. DEC TRI-STATE 2048 ROM	23044A9	48
0	0	0	0	0	0	0	0	1	0	E12	I.C. DEC TRI-STATE 2048 ROM	23045A9	49
0	0	0	0	0	0	0	0	1	0	E5	I.C. DEC TRI-STATE 2048 ROM	23046A9	50
0	0	0	0	0	0	0	0	1	0	E6	I.C. DEC TRI-STATE 2048 ROM	23047A9	51
0	0	0	0	0	0	0	0	1	0	E11	I.C. DEC TRI-STATE 2048 ROM	23123A9	52
0	0	0	0	0	0	0	0	1	0	E12	I.C. DEC TRI-STATE 2048 ROM	23049A9	53
0	0	5	0	0	5	0	0	0	0	WI THRU WS	JUMPER, WIRE, WHITE INSULATION	90091B5	54
2	2	2	2	2	2	2	2	2	2	R10, R15	RES 220A, 1/4W, 5%	1300271	55
0	0	0	0	0	0	0	0	0	0	E5	SPLIT LUG	9006735	56
0	0	0	0	0	0	0	0	0	0	E6	I.C. DEC TRI-STATE 2048 ROM	23492A9	57
0	0	0	0	0	0	0	0	0	0	E11	I.C. DEC TRI-STATE 2048 ROM	23481A9	58
0	0	0	0	0	0	0	0	0	0	E12	I.C. DEC TRI-STATE 2048 ROM	23482A9	59
0	0	0	0	0	0	0	0	0	0	E5	I.C. DEC TRI-STATE 2048 ROM	23483A9	60
0	0	0	0	0	0	0	0	0	0	F6	I.C. DEC TRI-STATE 2048 ROM	23332A9	61
0	0	0	0	0	0	0	0	0	0	E11	I.C. DEC TRI-STATE 2048 ROM	23333A9	62
0	0	0	0	0	0	0	0	0	0	E12	I.C. DEC TRI-STATE 2048 ROM	23334A9	63
0	0	0	0	0	0	0	0	0	0	E5	I.C. DEC TRI-STATE 2048 ROM	23335A9	64
0	0	0	0	0	0	0	0	0	0	E6	I.C. DEC TRI-STATE 2048 ROM	23539A9	65
0	0	0	0	0	0	0	0	0	0	E11	I.C. DEC TRI-STATE 2048 ROM	23539A9	66
0	0	0	0	0	0	0	0	0	0	E12	I.C. DEC TRI-STATE 2048 ROM	23540A9	67
1	0	0	0	0	0	0	0	0	0	E5	I.C. DEC TRI-STATE 2048 ROM	23541A9	68
1	0	0	0	0	0	0	0	0	0	E6	I.C. DEC TRI-STATE 2048 ROM	23520A9	69
1	0	0	0	0	0	0	0	0	0	E11	I.C. DEC TRI-STATE 2048 ROM	23521A9	70
1	0	0	0	0	0	0	0	0	0	E12	I.C. DEC TRI-STATE 2048 ROM	23522A9	71

REVISIONS		
CHK	CHANGE NO	REV.

TITLE	UNIBUS TERMINATOR/BOOTSTRAP	SIZE CODE	D CS	NUMBER	M9301-0-1	REV.	S
SCALE	1/4"	SHEET	2	OF	5	DIST.	

66

"THIS DRAWING AND SPECIFICATIONS, HEREIN, ARE THE PROPERTY OF DIGITAL EQUIPMENT CORPORATION AND SHALL NOT BE REPRODUCED OR COPIED OR USED IN WHOLE OR IN PART AS THE BASIS FOR THE MANUFACTURE OR SALE OF ITEMS WITHOUT WRITTEN PERMISSION. COPYRIGHT © 1975 DIGITAL EQUIPMENT CORPORATION"



* ADDRESS BITS A13-A17 ARE DECODED BY E24
 ** CAUTION SHOULD BE TAKEN TO GUARANTEE PROPER NOISE FILTERING & LOGIC LEVELS ON THESE INPUTS

E25-4 DC LO H
 *** JUMPER W6 SHOULD ONLY BE INSTALLED IN 11/55 AND 11/70 COMPUTERS WHOSE BACK PLANES HAVE BEEN MODIFIED FOR THIS MODULE.

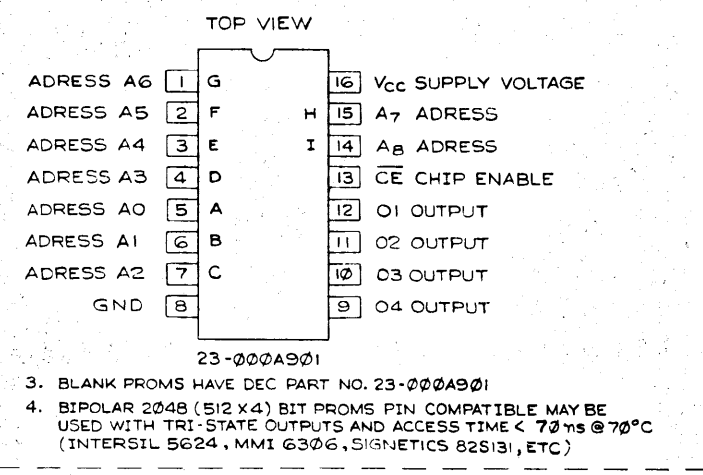
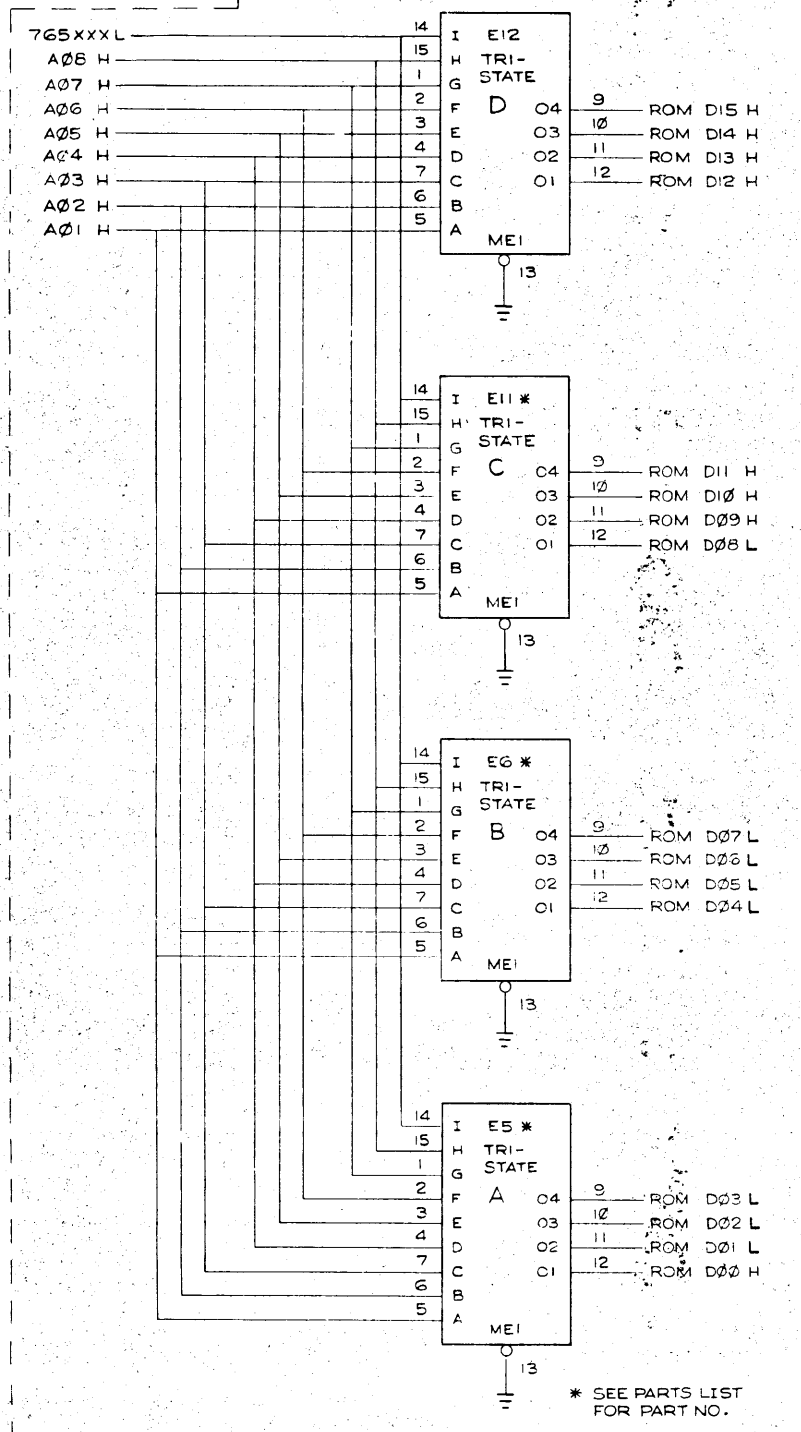
REVISIONS		
CHK	CHANGE NO.	REV.

TITLE	UNIBUS TERMINATOR/BOOTSTRAP	SIZE CODE	D CS	NUMBER	M9301-0-1	REV.	S
SCALE		SHEET	3	OF	5	DIST.	

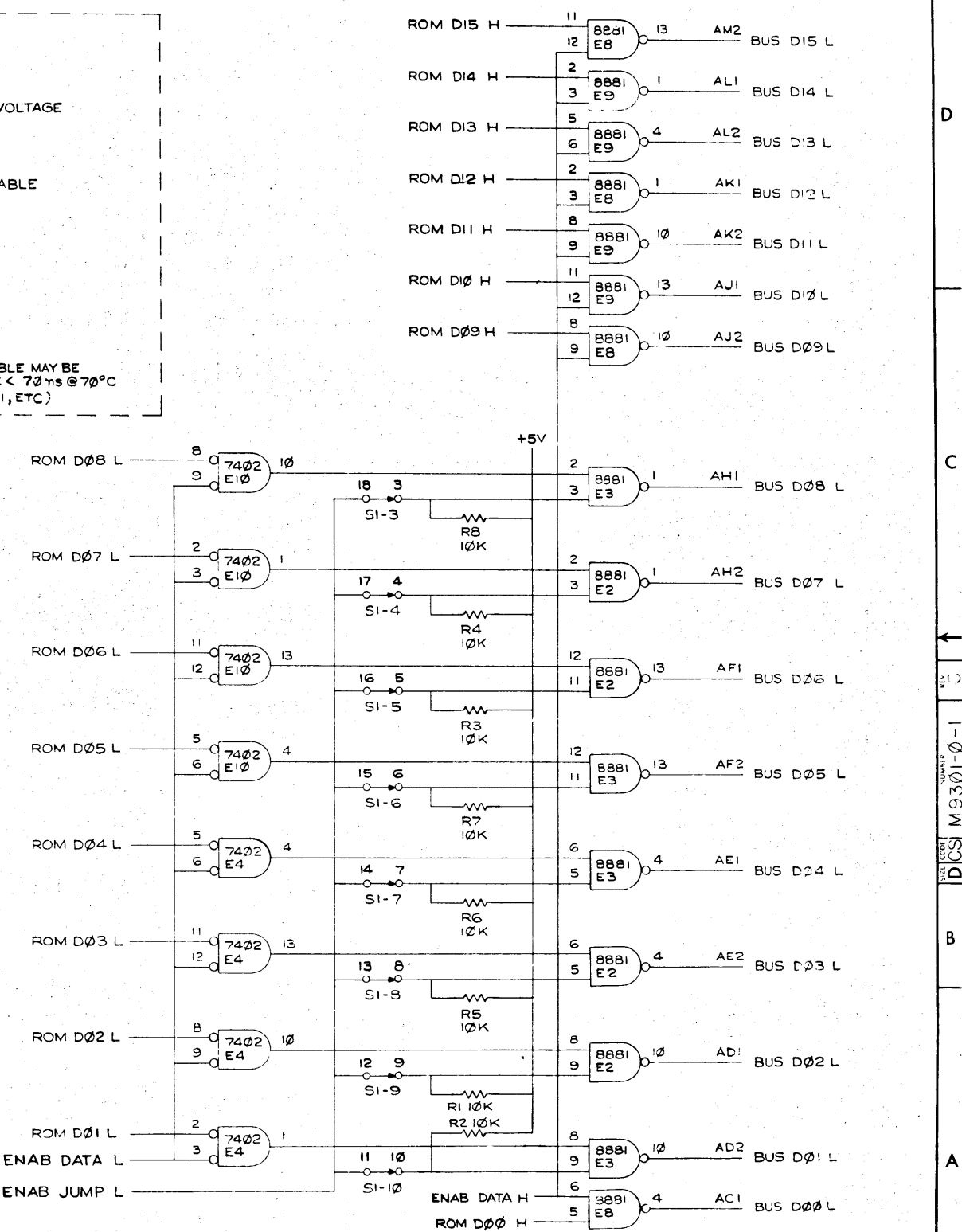
67

"THIS DRAWING AND SPECIFICATIONS HEREIN ARE THE PROPERTY OF DIGITAL EQUIPMENT CORPORATION AND SHALL NOT BE REPRODUCED OR COPIED OR USED IN WHOLE OR IN PART AS THE BASIS FOR THE MANUFACTURE OR SALE OF ITEMS WITHOUT WRITTEN PERMISSION. COPYRIGHT © 1975 DIGITAL EQUIPMENT CORPORATION"

D
C
B
A



ADDRESS RANGE	
765000-765776	LOW ROM
773000-773776	HIGH ROM

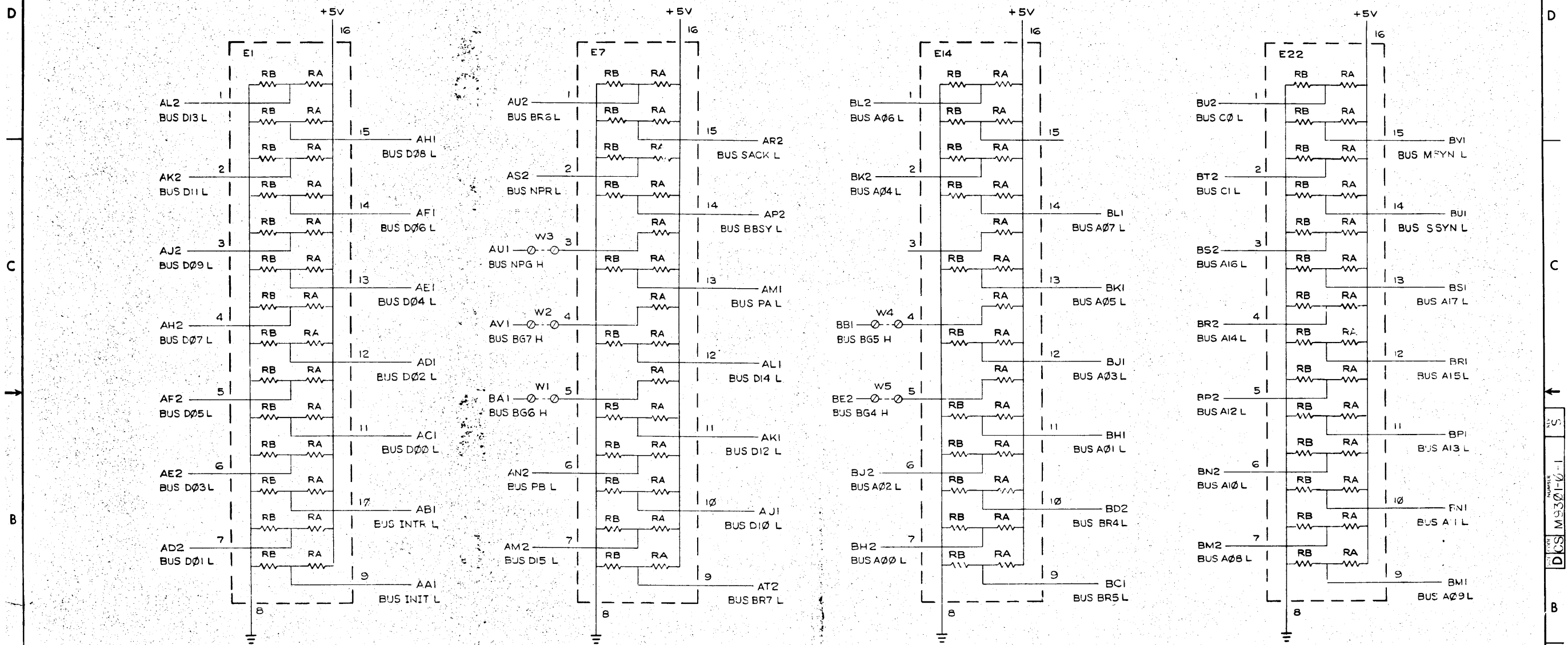


D
C
B
A

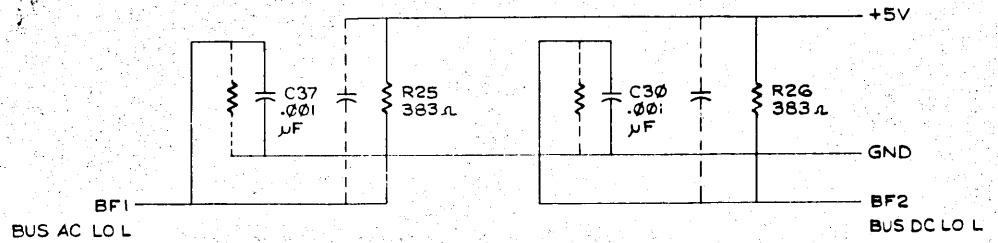
REVISIONS		
CHK	CHANGE NO	REV.

68

"THIS DRAWING AND SPECIFICATIONS HEREIN ARE THE PROPERTY OF DIGITAL EQUIPMENT CORPORATION AND SHALL NOT BE REPRODUCED OR COPIED OR USED IN WHOLE OR IN PART AS THE BASIS FOR THE MANUFACTURE OR SALE OF ITEMS WITHOUT WRITTEN PERMISSION. COPYRIGHT © 1975 DIGITAL EQUIPMENT CORPORATION"



- NOTES :**
1. ALL RA RESISTORS SHOWN ARE 176.5 Ω, ±2%
 2. ALL RB RESISTORS SHOWN ARE 375 Ω, ±2%
 3. JUMPERS W1 THRU W5 ARE ONLY INSERTED ON THE M9301-YC AND M9301-YH IF USED IN AN 11/70 COMPUTER.

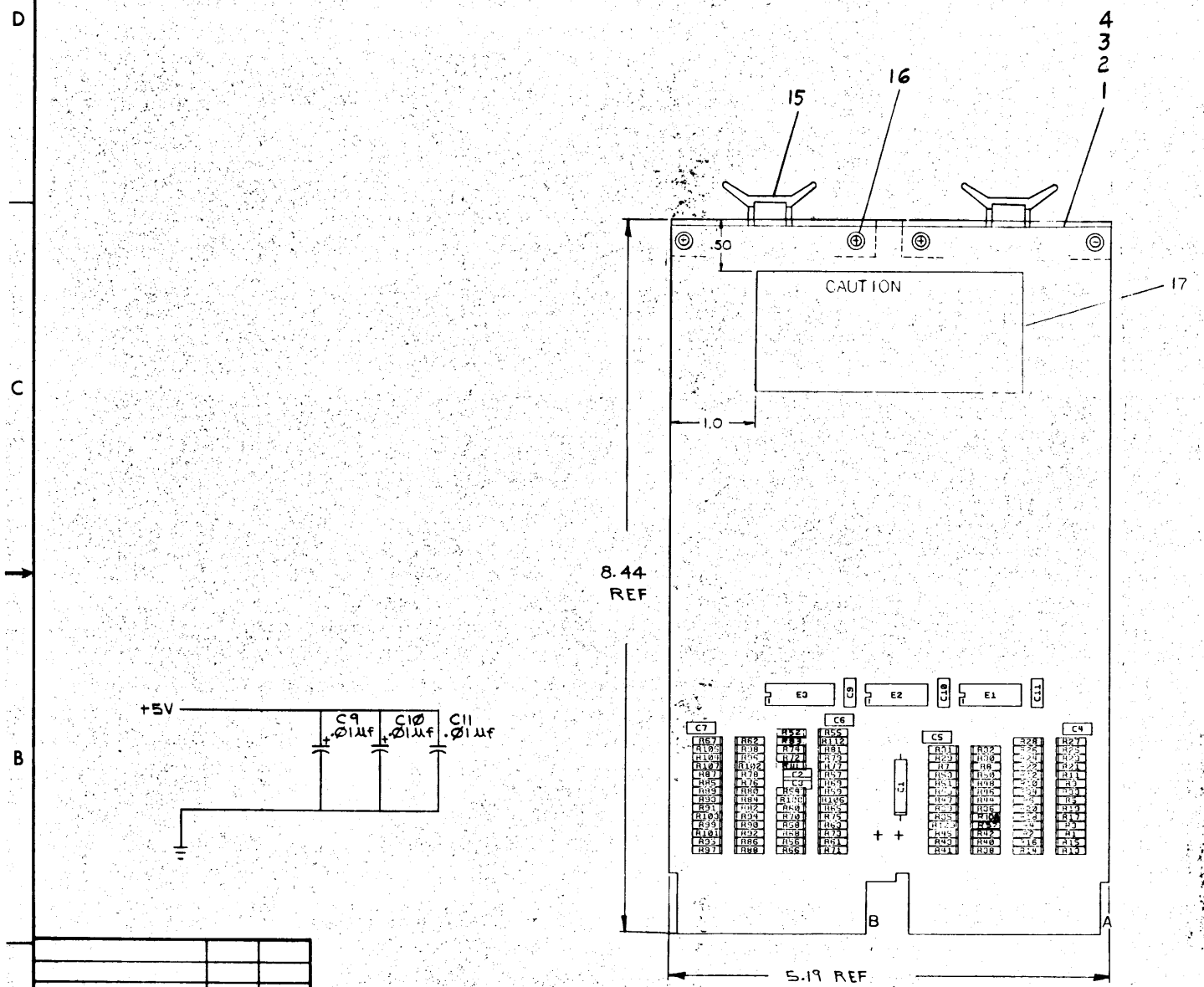


REVISIONS		
CHK	CHANGE NO	REV.

TITLE	UNIT BUS TERMINATOR/BOOTSTRAP	SIZE/CODE	DCS	NUMBER	M9301-0-1	REV.	S
SCALE	—#—	SHEET	5	OF	5	DIST.	

THIS DRAWING AND SPECIFICATIONS HEREIN ARE THE PROPERTY OF DIGITAL EQUIPMENT CORPORATION AND SHALL NOT BE REPRODUCED OR COPIED OR USED IN WHOLE OR IN PART AS THE BASIS FOR THE MANUFACTURE OR SALE OF ITEMS WITHOUT WRITTEN PERMISSION. COPYRIGHT © 1974, DIGITAL EQUIPMENT CORPORATION.

NOTES:
1) THE FOLLOWING REFERENCE DESIGNATIONS ARE NOT USED: C8, R64, AND R110.



IC TYPE	GND	+5V
IC DEC 8837	8	16
GND AND 5V ARE USUALLY PIN 7 AND 14 RESPECTIVELY. EXCEPTIONS ARE STATED ABOVE.		
IC PIN LOCATIONS		

REF	X-Y HOLE COORDINATE HOLE LOCATION	K-CO-M9302-0-4	1
REF	ASSY/DRILLING HOLE LAYOUT	D-AH-M9302-0-5	2
REF	MODULE ECO HISTORY	B-MH-M9302-0-6	3
1	ETCHED CIRCUIT BOARD	5011311	4
3	C9, C10, C11	CAP .01 uf 100V 20% DISC	5
1	C1	CAP 39 uf 10V 10%	6
1	C8	CAP 0.01 uf 25V 10%	7
4	C4 THRU C7	CAP 22 uf 50V 2%	8
2	C2, C3	CAP .001 uf 250V 20% DISC	9
56	R2, R4, R6, R8, R10, R12, R14, R16, R18, R20, R22, R24, R26, R28, R30, R32, R34, R36, R38, R40, R42, R44, R46, R48, R50, R54, R56, R58, R60, R62, R66, R68, R70, R72, R74, R76, R78, R80, R82, R84, R86, R88, R90, R92, R94, R96, R98, R100, R102, R57, R60, R37, R52, R93, R108, R111	RES 383 OHM 1/4W 1%	10
54	R1, R3, R5, R7, R9, R11, R13, R15, R17, R19, R21, R23, R25, R27, R29, R31, R33, R35, R39, R41, R43, R45, R47, R49, R51, R53, R55, R59, R61, R63, R65, R67, R71, R73, R75, R77, R79, R81, R85, R87, R89, R91, R93, R95, R97, R99, R101, R103 THRU R107, R109, R112	RES 178 OH 1/4W 1%	11
1	E2	I.C. DEC 7430	12
1	E1	I.C. DEC 8881	13
1	E3	I.C. DEC 8837	14
2		HANDLE, FLIP-CHIP (MAGENTA)	15
4		EYELETS	16
1		DECAL	17

FIRST USED ON OPTION MODEL		PARTS LIST	
ETCH BOARD REV	B	QTY	REF DESIGNATION
DRN	2	DATE	10/1/74
CHK'D	1	DATE	1-1-75
ENG	1	DATE	1-25-75
PROJ. ENG.	1	DATE	3-15-75
PROD.	1	DATE	3-27-75
NEXT HIGHER ASSY		SIZE CODE	DCS
SEMICONDUCTOR CONVERSION CHART		NUMBER	M9302-0-1
DEC NO.	EIA NO.	DEC NO.	EIA NO.
SHEET 1 OF 2		REV.	C

R. Barry
14 June 76
R. BARRY
6-1-76
M9302-0-1002
C
T. DUBANIEWICZ
M9302-00001
REV
CHANGE NO.
C. K.

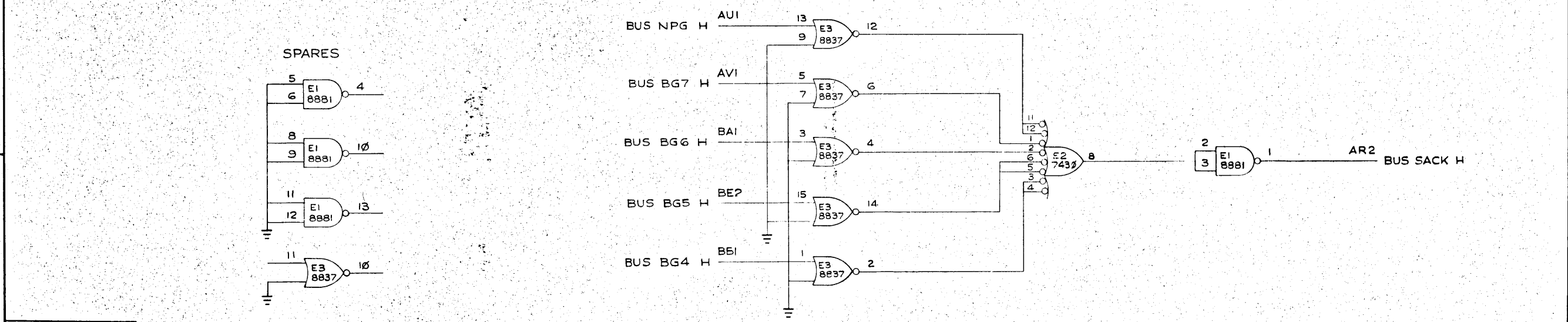
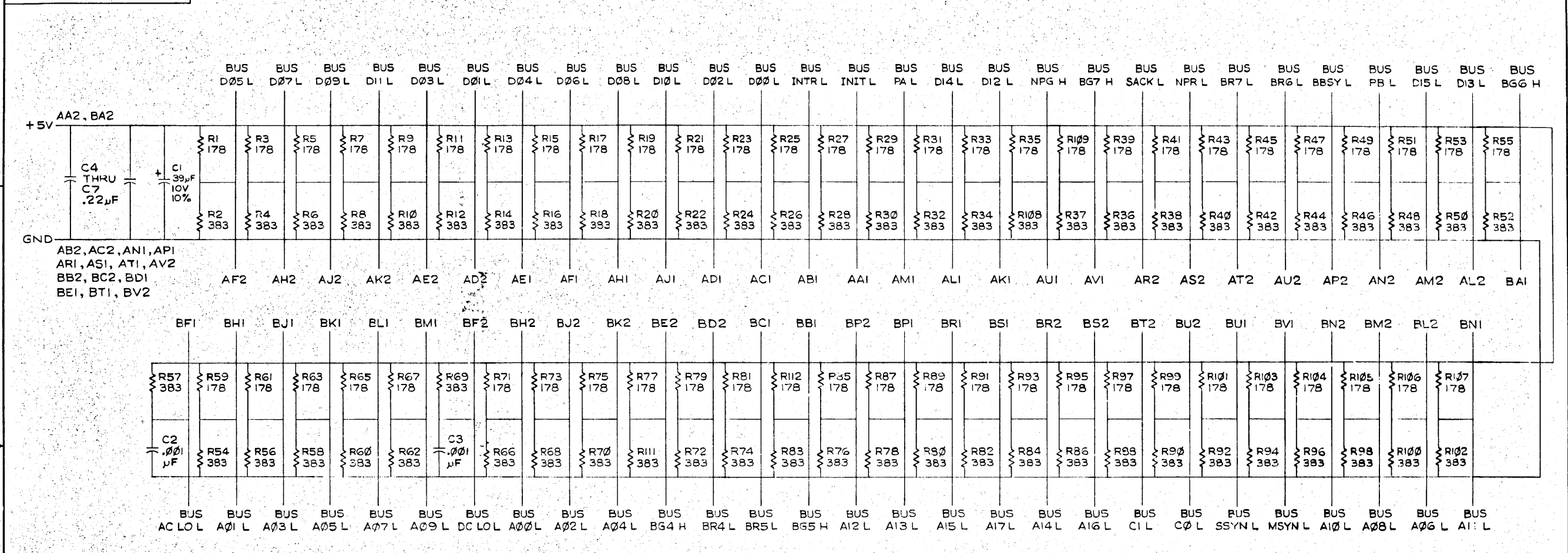
DCS M9302-0-1 C

B

A

30

THIS DRAWING AND SPECIFICATIONS HEREIN ARE THE PROPERTY OF DIGITAL EQUIPMENT CORPORATION AND SHALL NOT BE REPRODUCED OR COPIED OR USED IN WHOLE OR IN PART AS THE BASIS FOR THE MANUFACTURE OR SALE OF ITEMS WITHOUT WRITTEN PERMISSION. COPYRIGHT © 1975 DIGITAL EQUIPMENT CORPORATION



REVISIONS			TITLE		SIZE CODE	NUMBER	REV.
CHK	CHANGE NO	REV	UNIBUS TERMINATOR		D CS	M9302-0-1	C
			SCALE	SHEET 2 OF 2	DIST.		

CUSTOMER PRINT SET				ELECTRICAL				CUSTOMER PRINT SET				MECHANICAL							
MFG. SET				FIND NO.	DRAWING NO.	REV	NO OF SHT	DESCRIPTION	OPTION NO / FILE DATE	MFG. SET				FIND NO.	DRAWING NO.	REV	NO OF SHT	DESCRIPTION	OPTION NO / FILE DATE
					B-TC-MM11-DP -3 MP00032	#		MM11-DP FIELD MAINT. PRINT SET MM11-DP PRINT SET							D-UA-MM11-DP-0		1	MM11-DP MEMORY MODULE ASSY	
					B-DD-MM11-DP			MM11-DP DRAWING DIRECTORY							D-UA-H222-A-0		1	H222 MEMORY STACK ASSY	
					D-TD-MM11-DP-2		2	MM11-DP TIMING DIAGRAM											
					D-CS-G652-0-1			16K X 18 BIT CORE MEMORY											

CUSTOMER PRINT SET CODES	X = PRINT OF DOCUMENT INCLUDED IN PRINT SET C = INCLUDES ALL PRINTS INDICATED ON DOCUMENT S = CONFIDENTIAL AUTHORIZED SIGNATURE REQUIRED	TITLE	MM11-DP MEMORY MODULE	SHEET 2 OF 2	SIZE CODE	B DD	NUMBER	MM11-DP	REV	B
--------------------------	--	-------	-----------------------	--------------	-----------	------	--------	---------	-----	---

DRB 108

24

"THIS DRAWING AND SPECIFICATIONS HEREIN ARE THE PROPERTY OF DIGITAL EQUIPMENT CORPORATION AND SHALL NOT BE REPRODUCED OR COPIED OR USED IN WHOLE OR IN PART AS THE BASIS FOR THE MANUFACTURE OR SALE OF ITEMS WITHOUT WRITTEN PERMISSION.
 COPYRIGHT © 1975 DIGITAL EQUIPMENT CORPORATION"

NOTES:

1. INTERLEAVE CONTROL IS ACHIEVED AS FOLLOWS:
 - (A) NON-INTERLEAVED
WS, WG OUT
 - (B) INTERLEAVED
WS IN
WG OUT } ONE MEMORY
 - WS OUT
WG IN } THE OTHER MEMORY
- (C) ADDRESS JUMPERS FOR THE COMBINED INTERLEAVED MEMORY ARE NOT THE SAME AS FOR THE NON-INTERLEAVED CASE (W1 THRU W4 MUST BE CUT THE SAME FOR BOTH INTERLEAVED MEMORIES). SEE BANK SELECTION CHART AT LEFT FOR BOTH INTERLEAVED AND NON-INTERLEAVED CASES.
2. UNDER NORMAL CONDITIONS (WB OUT) THE MEMORY WILL NOT RESPOND TO ADDRESSES BETWEEN 124K AND 128K, BECAUSE THESE ADDRESSES ARE RESERVED FOR PERIPHERAL DEVICES ON THE UNIBUS. FOR SPECIAL APPLICATIONS WHERE THE RANGE OF PERIPHERAL ADDRESSES IS MORE RESTRICTED THAN THIS 4K RANGE THE MEMORY CAN BE CONFIGURED TO INCLUDE THE ADDITIONAL UNIBUS ADDRESSES AS FOLLOWS:
 - WB IN } 124K TO 126K
 - W7 OUT
 - WB IN } 124K TO 127K
 - W7 IN

NOTE THAT FOR SYSTEMS WITHOUT MEMORY MANAGEMENT THIS MEANS THE USEFUL VIRTUAL ADDRESS SPACE FOR MEMORY CAN BE EXTENDED FROM 28K TO 30K OR 31K, BY SACRIFICING SOME PERIPHERAL SPACE.

CAUTION

SOME DIGITAL SOFTWARE MAY NOT BE COMPATIBLE WITH THE REDUCED PERIPHERAL ADDRESS SPACE. TO ASSURE COMPATIBILITY W8 MUST BE OUT.

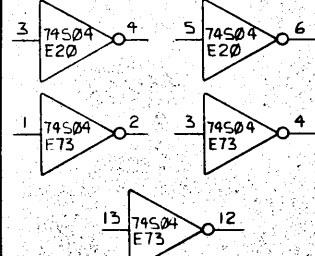
3. SCHEMATIC FOR H222 MEMORY STACK IS SHOWN ON CS 5411554-0-1.

NOTES CONTINUED ON SHEET 2

MEM9 BIT 16 E17 LOCK OUT	J178
BB2	J152 STACK XY
J180-T	J179 STACK XY LO
J180-S	J180 STACK XY HI
+20V	J153
+5V	J155
MEM1 X STACK CHG H	J149
MEM2 Y STACK CHG H	J150
CE1	J151 STACK V REF
GND	J19 J60 GND
GND	J26 J77 GND
GND	J45 J54 GND

BANK SELECTION							
S.A.	EA+1	W1	W2	W3	W4		
0	16K	OUT	OUT	OUT	IN		
2	32K	OUT	OUT	IN	IN		
4	48K	OUT	IN	OUT	IN		
6	64K	OUT	IN	IN	IN		
8	80K	OUT	IN	IN	OUT		
10	96K	OUT	IN	IN	OUT		
12	112K	OUT	IN	OUT	IN		
14	128K	OUT	IN	OUT	IN		
16	144K	OUT	IN	IN	OUT		
18	160K	OUT	IN	IN	OUT		
20	176K	OUT	IN	IN	OUT		

SPARES:

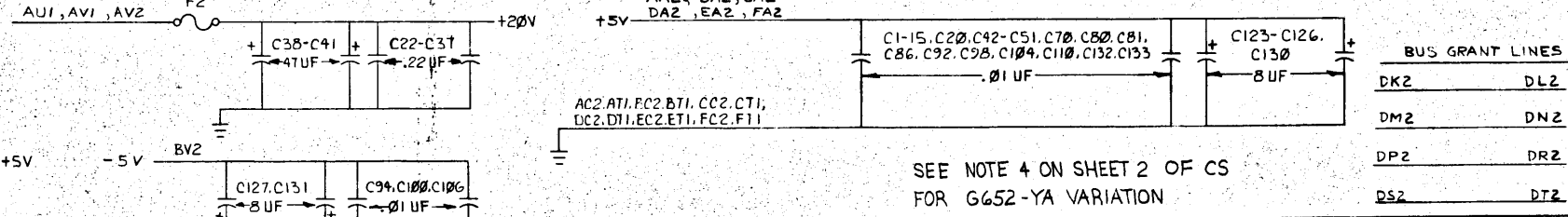
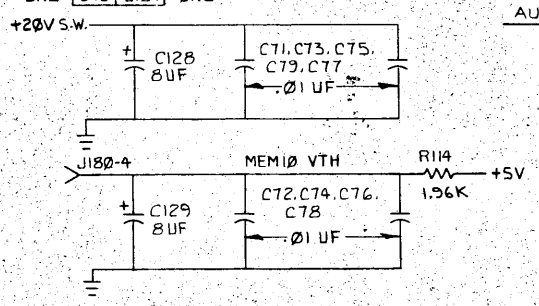
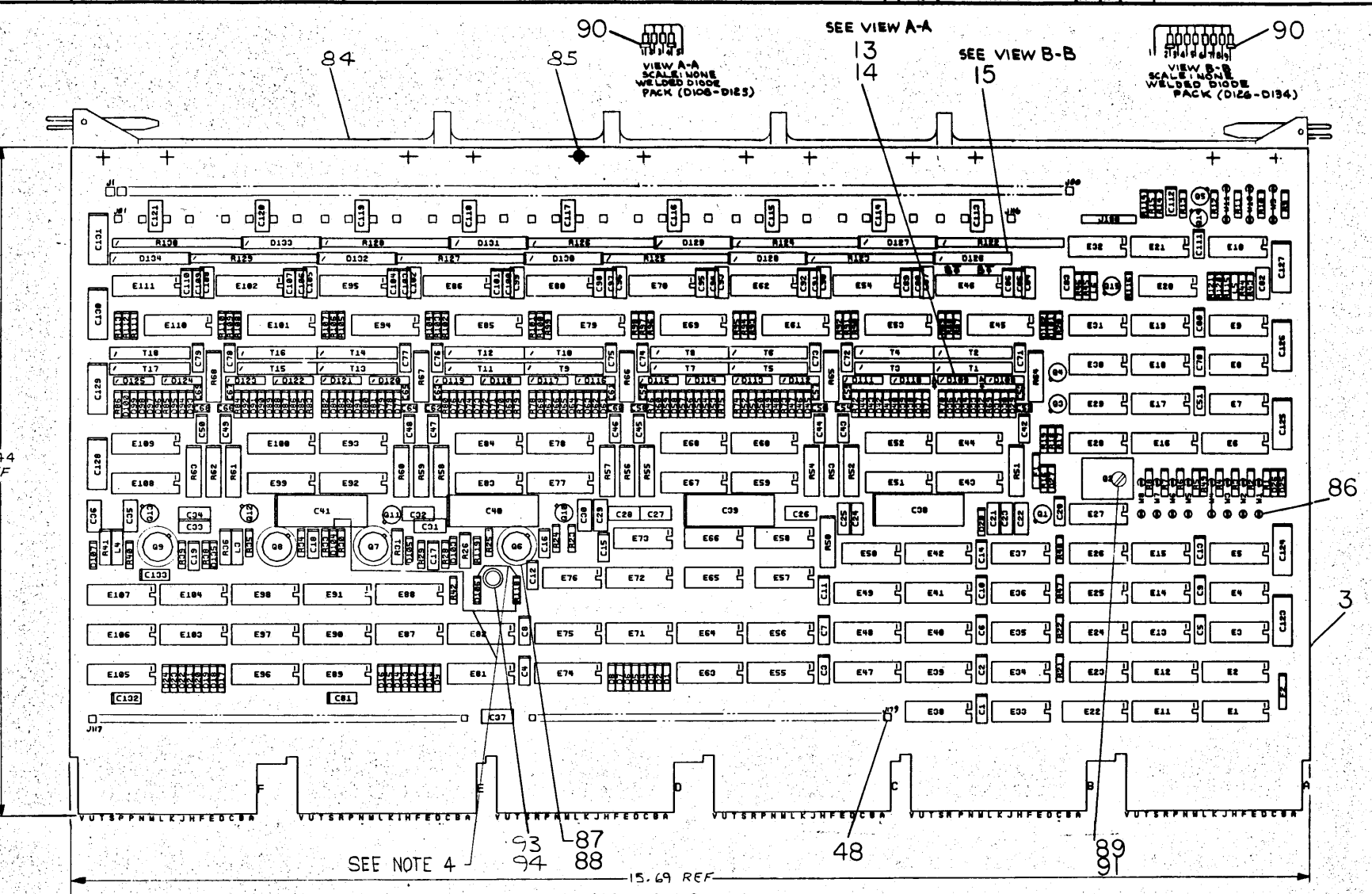


J180-1	+5V
J180-2	STROBE
J180-3	GND
J180-4	VTH
J180-5	STACK XY HI
J180-6	GND
J180-7	STACK XY LO

IC TYPE	GND	+5V	+20V SW
8690	1	8	
8691	8	16	
75325	8	9	16
7520	9	16	
74157	8	16	
74153	8	16	
7483	12	5	
1475	12	5	
7442	8	16	

GND AND 5V ARE USUALLY PIN 7 AND 14 RESPECTIVELY EXCEPTIONS ARE STATED ABOVE

IC PIN LOCATIONS



SEE NOTE 4 ON SHEET 2 OF CS FOR G652-YA VARIATION

QTY	REF. DESIGNATION	DESCRIPTION	PART NO.	ITEM NO.
	F2	MMII-D/DP		

DRY DATE 6-9-75		<div style="border: 1px solid black; padding: 2px;">digital</div> <p>TITLE 16K X 18 MEMORY ELECTRONICS</p>
CHK DATE 7/17/75		
ENR DATE 7/21/75		
PROJ. ENG. DATE 7/21/75		
NEXT HIGHER ASSY		

8

7

6

5

4

3

3 1-0-2999 CS D 2

THIS DRAWING AND SPECIFICATIONS, HEREIN, ARE THE PROPERTY OF DIGITAL EQUIPMENT CORPORATION AND SHALL NOT BE REPRODUCED OR COPIED OR USED IN WHOLE OR IN PART AS THE BASIS FOR THE MANUFACTURE OR SALE OF ITEMS WITHOUT WRITTEN PERMISSION. COPYRIGHT © 1977, DIGITAL EQUIPMENT CORPORATION

PARTS LIST

Table with columns: QTY, REF, REF, REF, DESCRIPTION, PART NO., ITEM NO. Rows include: ASSY/DRILLING HOLE LAYOUT, MODULE ECO HISTORY, ETCHED CIRCUIT BOARD, CAPACITOR, DIODE PACK, RESISTOR, DIODE ZENER, TRANSFORMER, INDUCTOR, DELAY LINE, I.C. DEC, JUMPER, WIRE.

PARTS LIST

Table with columns: QTY, QTY, REF, REF, REF, DESCRIPTION, PART NO., ITEM NO. Rows include: RECEPTACLE, CONNECTOR, TRANSISTOR, TRANSFORMER, INDUCTOR, DELAY LINE, I.C. DEC, DIODE ASSEMBLY SPACER, NUT, WIRE, SPACER, BINDER, RESISTOR, WIRE.

NOTES:

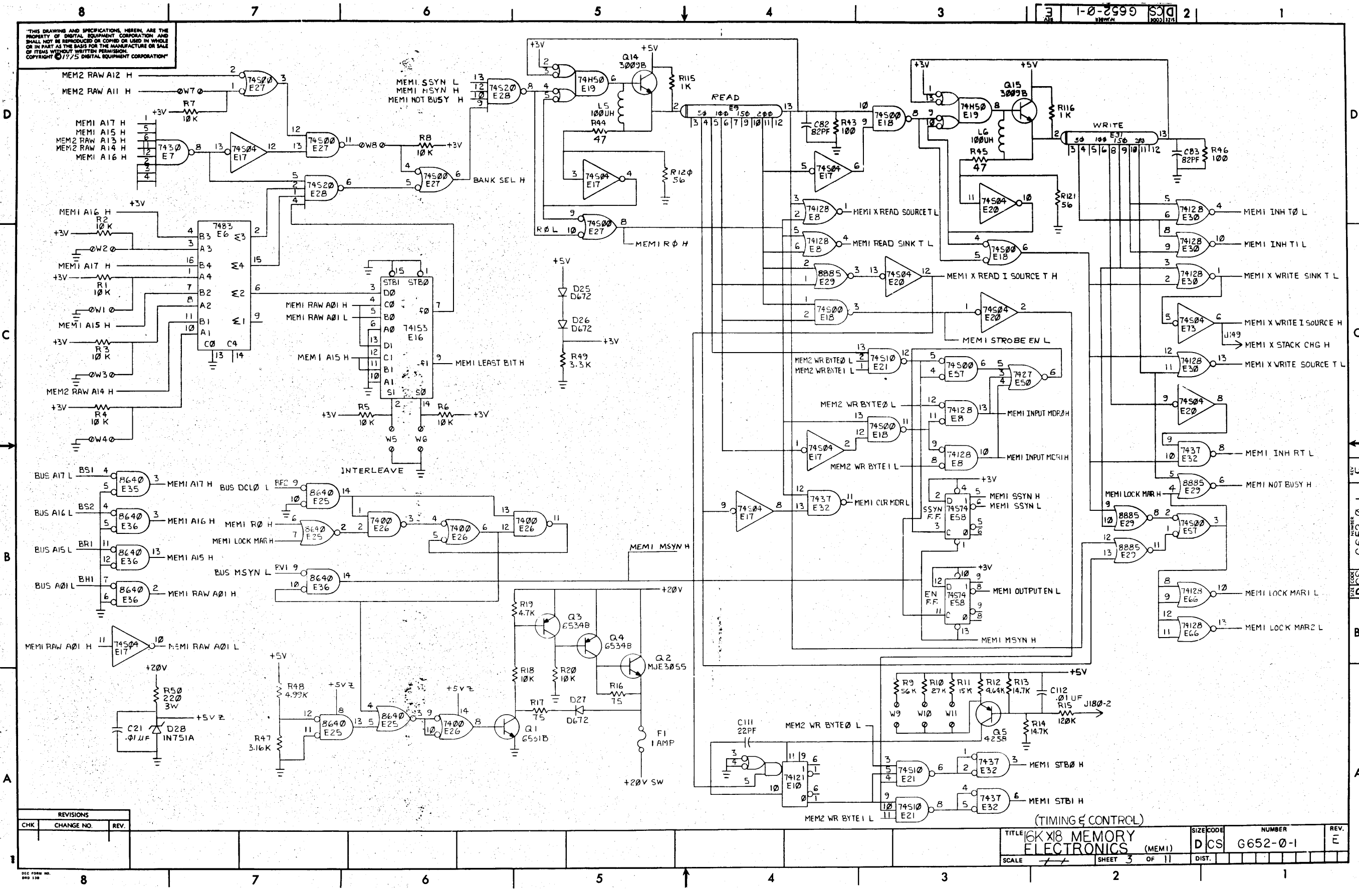
- 4. G652-YA VARIATION: ETCH CUT #1 SIDE 1 BETWEEN BOTTOM OF R118 AND FEEDTHRU. ETCH CUT #2 SIDE 2 BETWEEN TOP OF R118 AND E76 PIN 10. ETCH CUT #3 SIDE 2 BETWEEN CATHODE OF D104 AND CATHODE OF D105. COMPONENT CHANGE, RESISTOR, R118 CHANGED FROM 750Ω TO 22Ω 1/4W 5%. RESISTOR, R41 CHANGED FROM 11Ω TO 12Ω 1W, 1%. JUMPER #1 FROM CATHODE OF D104 TO BOTTOM OF R118. JUMPER #2 FROM CATHODE OF D106 TO TOP OF R118. JUMPER WIRE PART # 30AWG GRN 9105740-55. 5. G652-YA WILL NOT OPERATE WITH H222-A'S & B'S. G652 WILL NOT OPERATE WITH H222-YA'S & YB'S.

TITLE 16K X 18 MEMORY ELECTRONICS SIZE CODE DCS NUMBER G652-0-1 REV. E

SCALE # SHEET 2 OF 11 DIST.

76

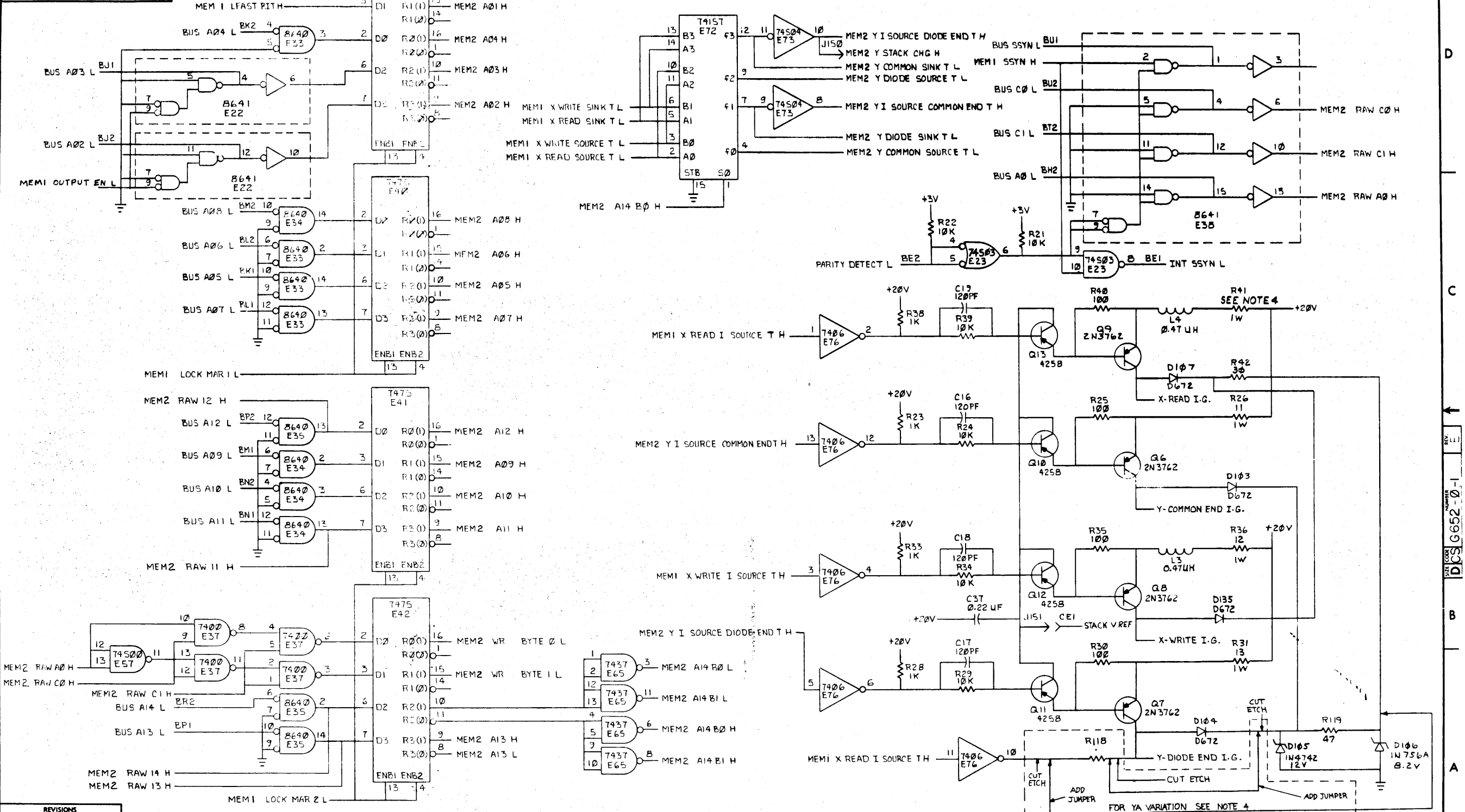
"THIS DRAWING AND SPECIFICATIONS, HEREIN, ARE THE PROPERTY OF DIGITAL EQUIPMENT CORPORATION AND SHALL NOT BE REPRODUCED OR COPIED OR USED IN WHOLE OR IN PART AS THE BASIS FOR THE MANUFACTURE OR SALE OF ITEMS WITHOUT WRITTEN PERMISSION. COPYRIGHT © 1975 DIGITAL EQUIPMENT CORPORATION"



REVISIONS		
CHK	CHANGE NO.	REV.

TITLE	16K X 18 MEMORY ELECTRONICS (MEM1)	SIZE CODE	DCS	NUMBER	G652-0-1	REV.	E
SCALE	1/1	SHEET	3	OF	11	DIST.	

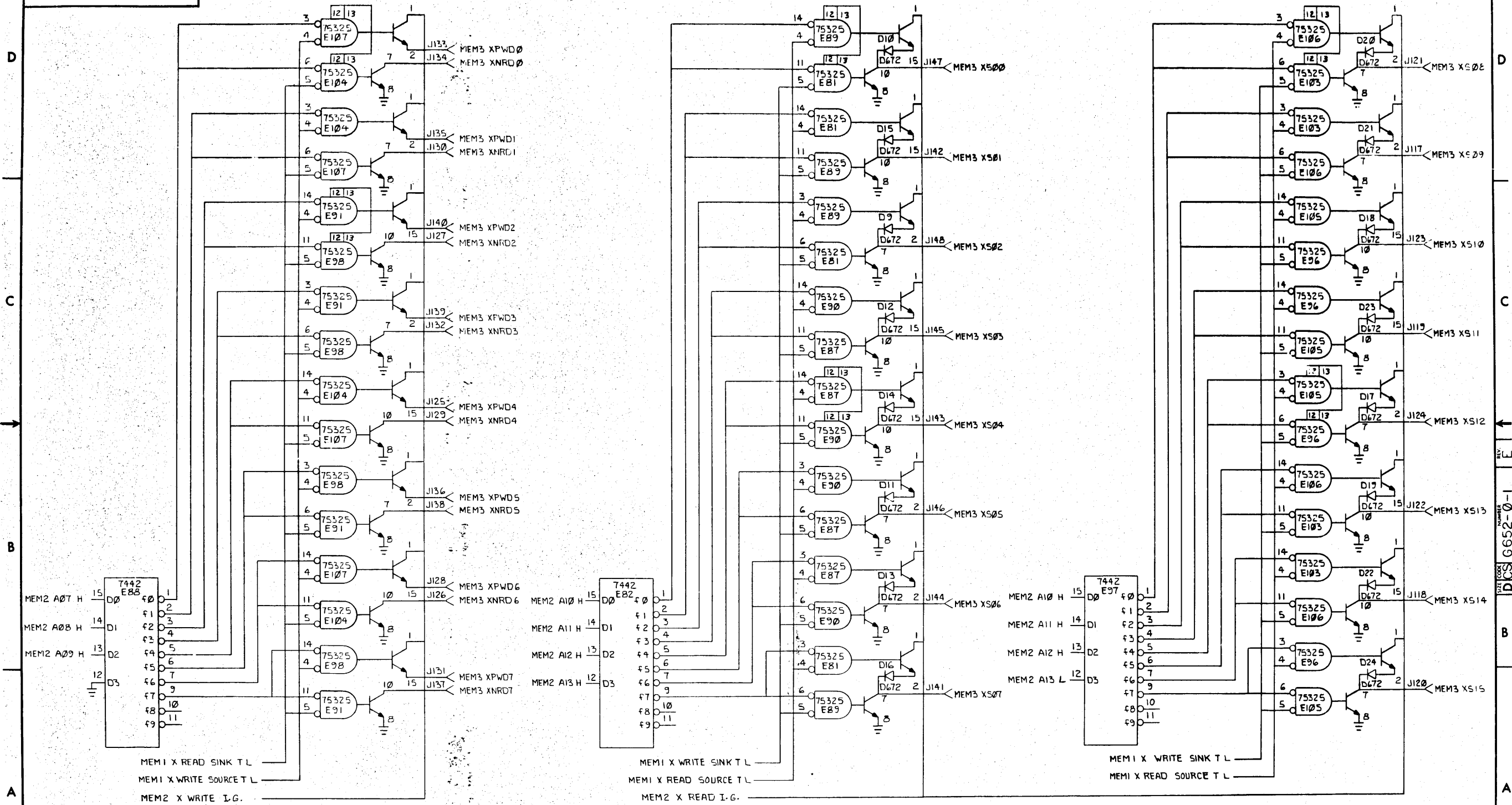
THIS DRAWING AND SPECIFICATIONS HEREBY ARE THE PROPERTY OF DIGITAL EQUIPMENT CORPORATION AND SHALL NOT BE REPRODUCED OR COPIED OR USED IN WHOLE OR IN PART AS THE BASIS FOR THE MANUFACTURE OR SALE OF ITEMS WITHOUT WRITTEN PERMISSION. COPYRIGHT © 1975 DIGITAL EQUIPMENT CORPORATION



REVISIONS		
CHK	CHANGE NO.	REV.

8	7	6	5	4	3	2	1		
TITLE 16Kx18 MEMORY ELECTRONICS (MEM2)							SIZE CODE DCS	NUMBER G652-0-1	REV. E
SCALE 1/4"							SHEET 4	OF 11	DIST.

THIS DRAWING AND SPECIFICATIONS HEREIN ARE THE PROPERTY OF DIGITAL EQUIPMENT CORPORATION AND SHALL NOT BE REPRODUCED OR COPIED OR USED IN WHOLE OR IN PART AS THE BASIS FOR THE MANUFACTURE OR SALE OF ITEMS WITHOUT WRITTEN PERMISSION. COPYRIGHT © 1975 DIGITAL EQUIPMENT CORPORATION

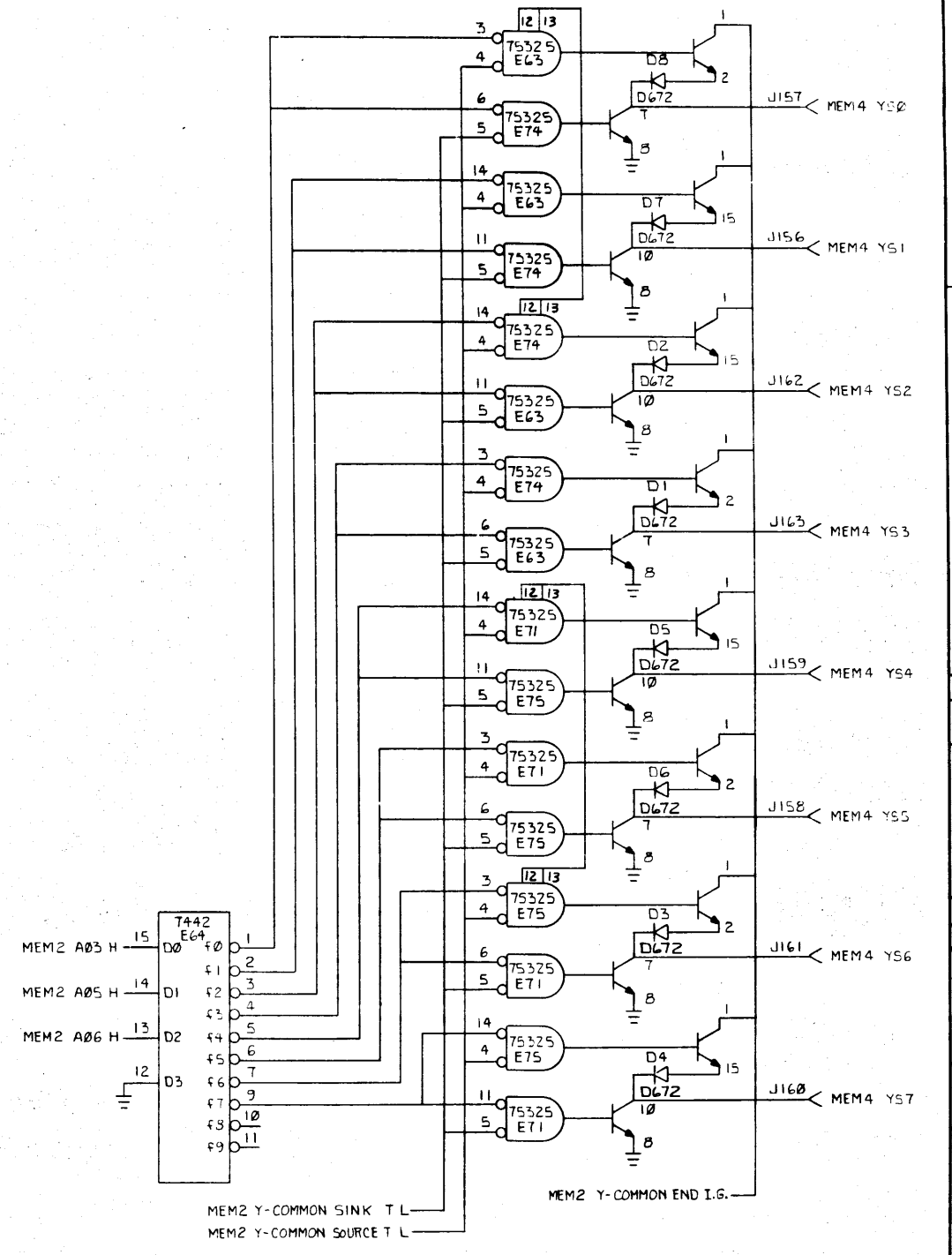
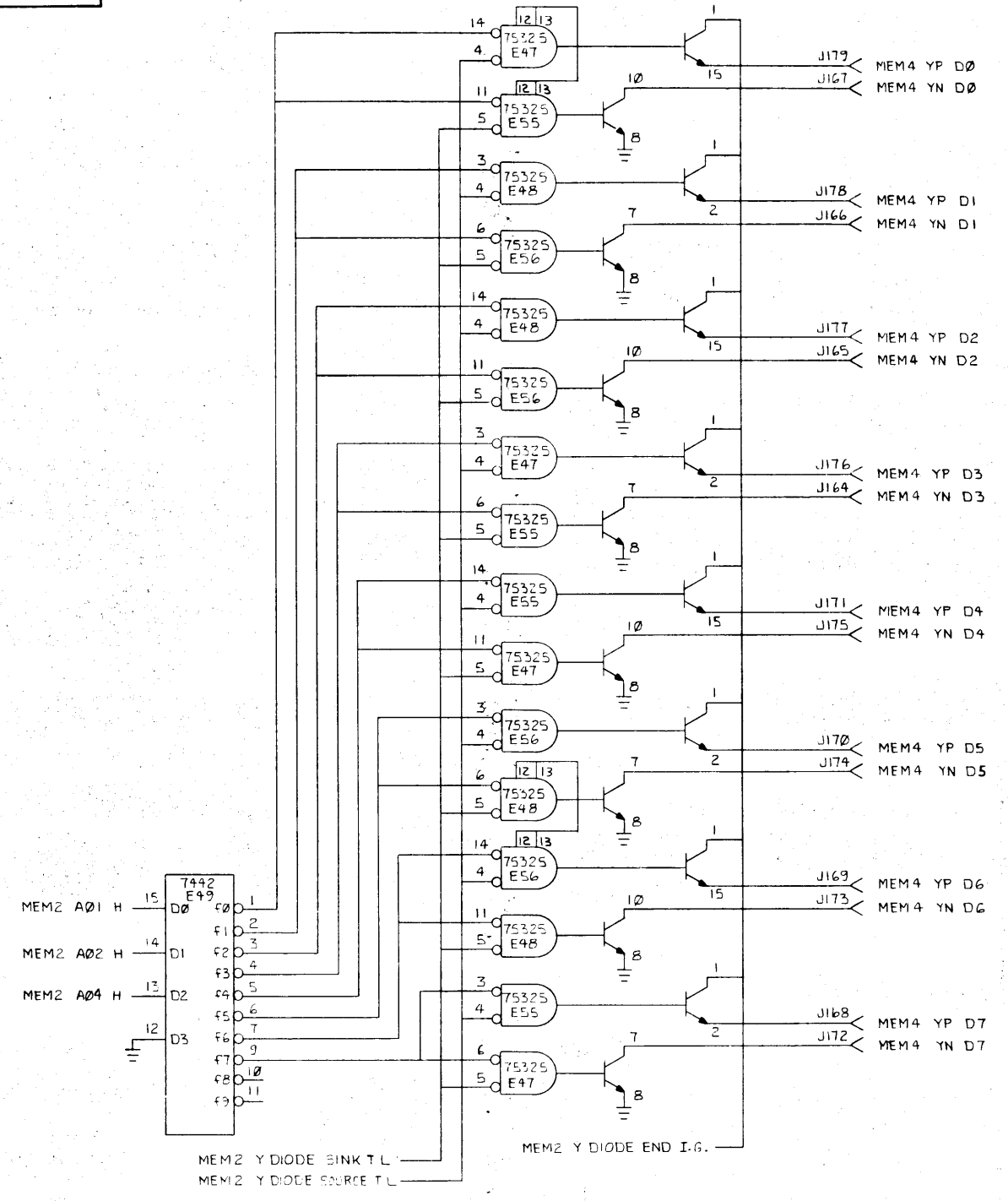


REVISIONS		
CHK	CHANGE NO.	REV.

(X DRIVE)		TITLE	SIZE CODE	NUMBER	REV.
16K x 18 MEMORY ELECTRONICS (MEM3)		DCS	G652-0-1	E	
SCALE	SHEET	OF	DIST.		
	5	11			

79

"THIS DRAWING AND SPECIFICATIONS, HEREIN, ARE THE PROPERTY OF DIGITAL EQUIPMENT CORPORATION AND SHALL NOT BE REPRODUCED OR COPIED OR USED IN WHOLE OR IN PART AS THE BASIS FOR THE MANUFACTURE OR SALE OF ITEMS WITHOUT WRITTEN PERMISSION. COPYRIGHT © 1975 DIGITAL EQUIPMENT CORPORATION"



REVISIONS		
CHK	CHANGE NO.	REV.

(Y DRIVE)

TITLE 16K x 18 MEMORY ELECTRONICS (MEM4)

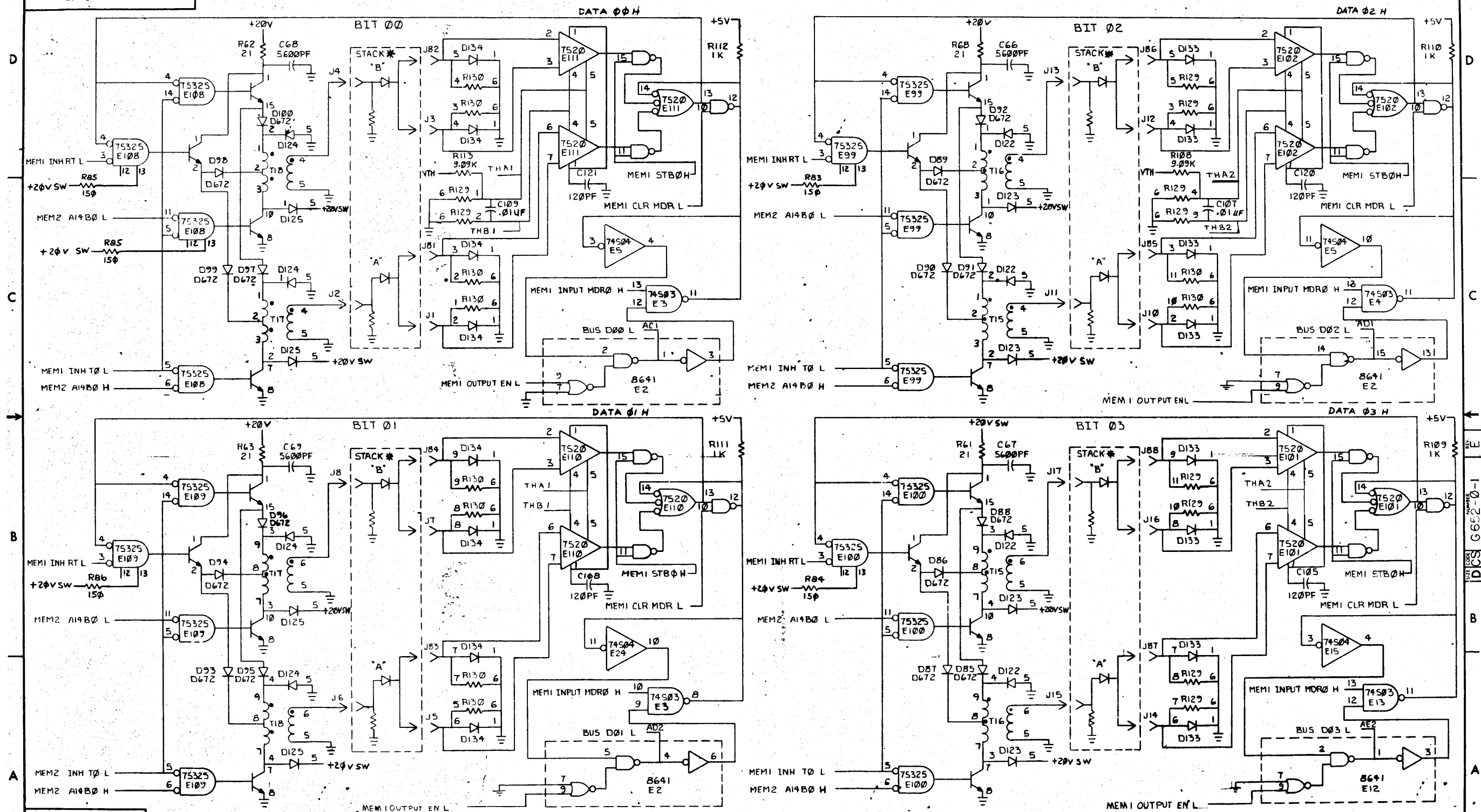
SIZE CODE DCS NUMBER G652-0-1 REV. 5

SCALE 1/8 SHEET 6 OF 11 DIST.

80

"THIS DRAWING AND SPECIFICATIONS HEREIN ARE THE PROPERTY OF DIGITAL EQUIPMENT CORPORATION AND SHALL NOT BE REPRODUCED OR COPIED OR USED IN WHOLE OR IN PART AS THE BASIS FOR THE MANUFACTURE OR SALE OF ITEMS WITHOUT WRITTEN PERMISSION. COPYRIGHT © 1975 DIGITAL EQUIPMENT CORPORATION"

* MOUNTED ON H222 BD :



REVISIONS		
CHK	CHANGE NO.	REV.

TITLE		6Kx18 MEMORY ELECTRONICS (MEM5)		SCALE	SHEET	OF	11	DIST.	REV.
DCS		G652-0-1							E

8

7

6

5

4

3

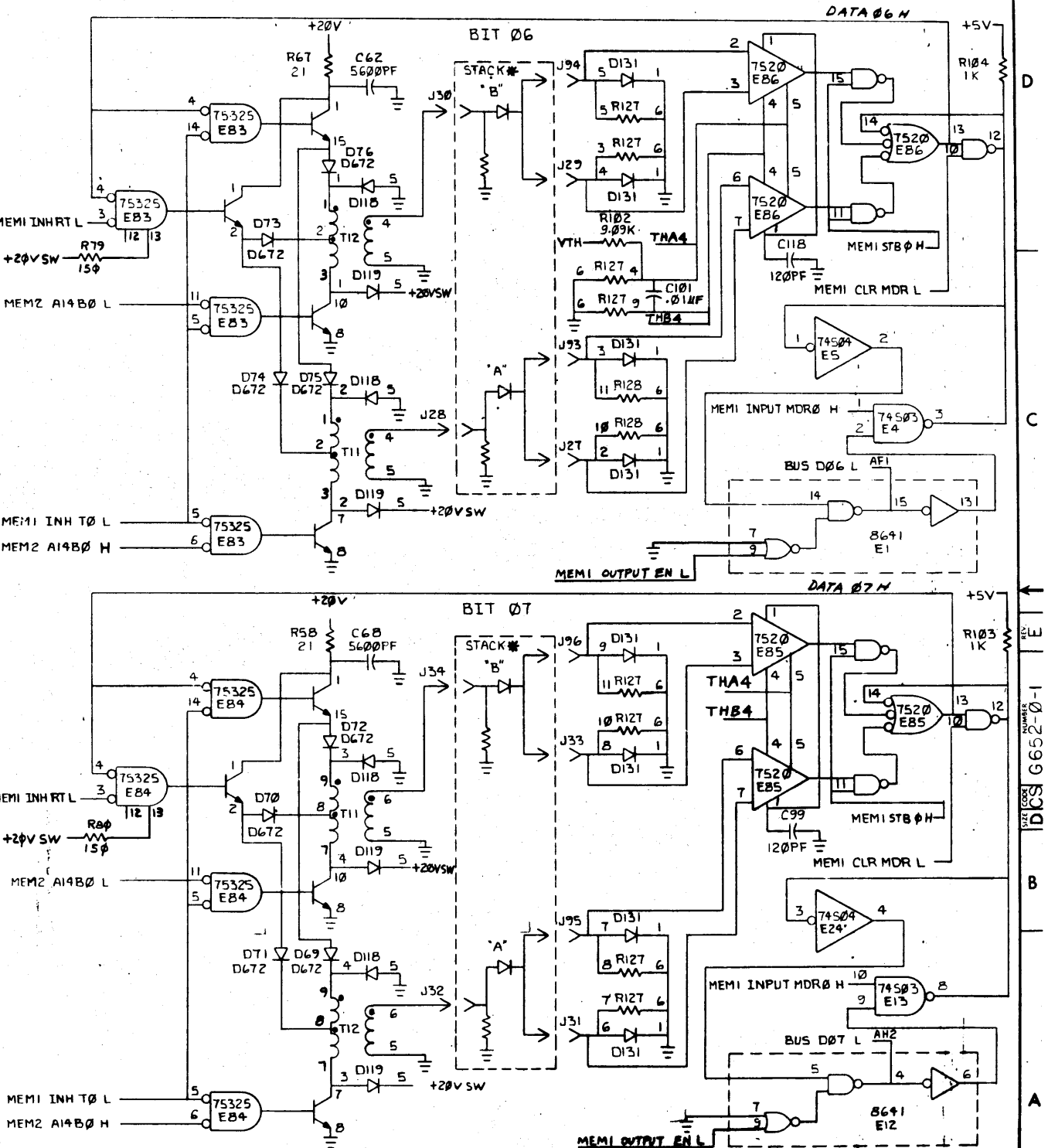
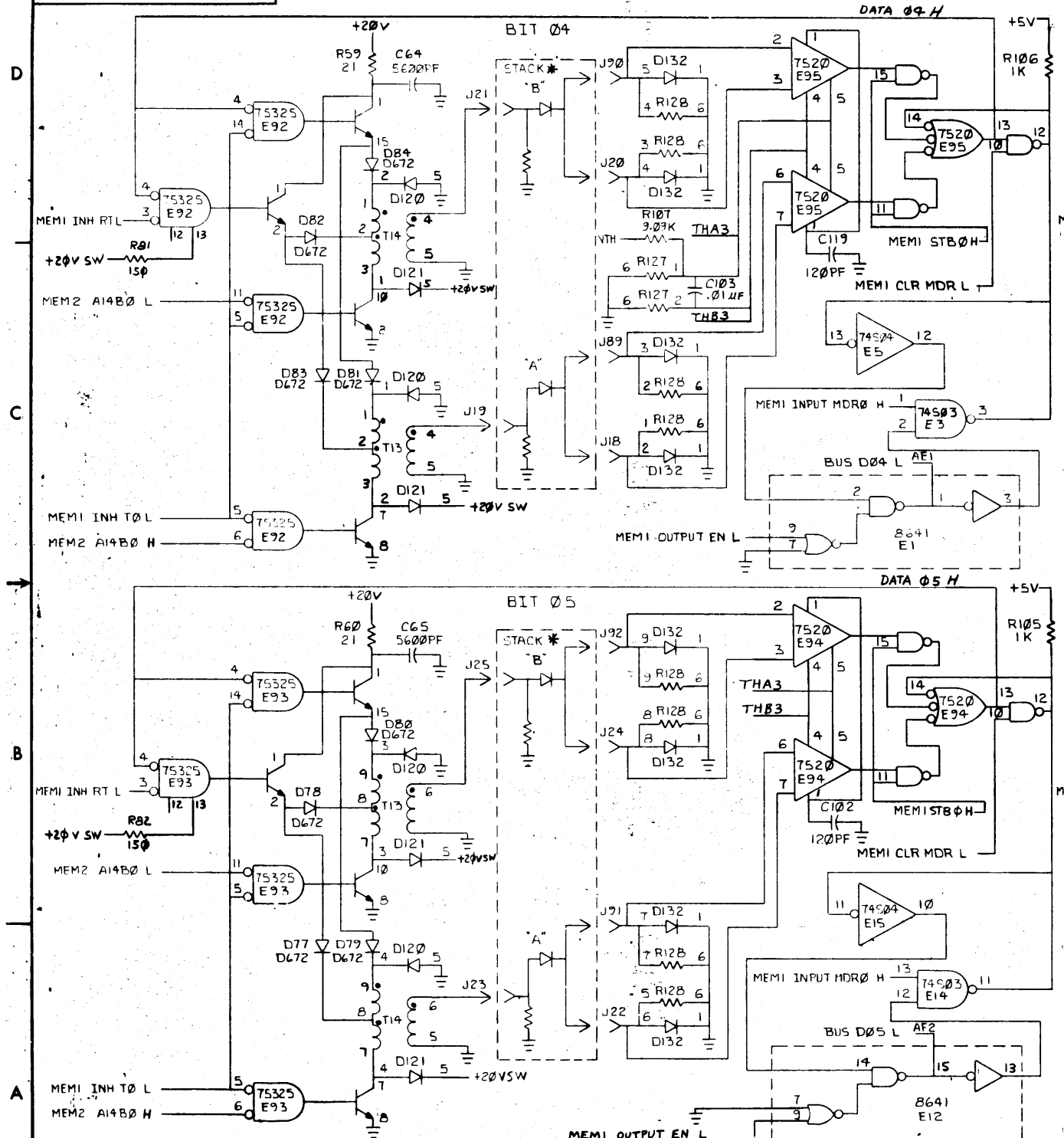
DCS 6652-0-1

2

1

THIS DRAWING AND SPECIFICATIONS HEREIN ARE THE PROPERTY OF DIGITAL EQUIPMENT CORPORATION AND SHALL NOT BE REPRODUCED OR COPIED OR USED IN WHOLE OR IN PART AS THE BASIS FOR THE MANUFACTURE OR SALE OF ITEMS WITHOUT WRITTEN PERMISSION. COPYRIGHT © 1975 DIGITAL EQUIPMENT CORPORATION

* MOUNTED ON H22Z BD



REV.	CHANGE NO.	REV.

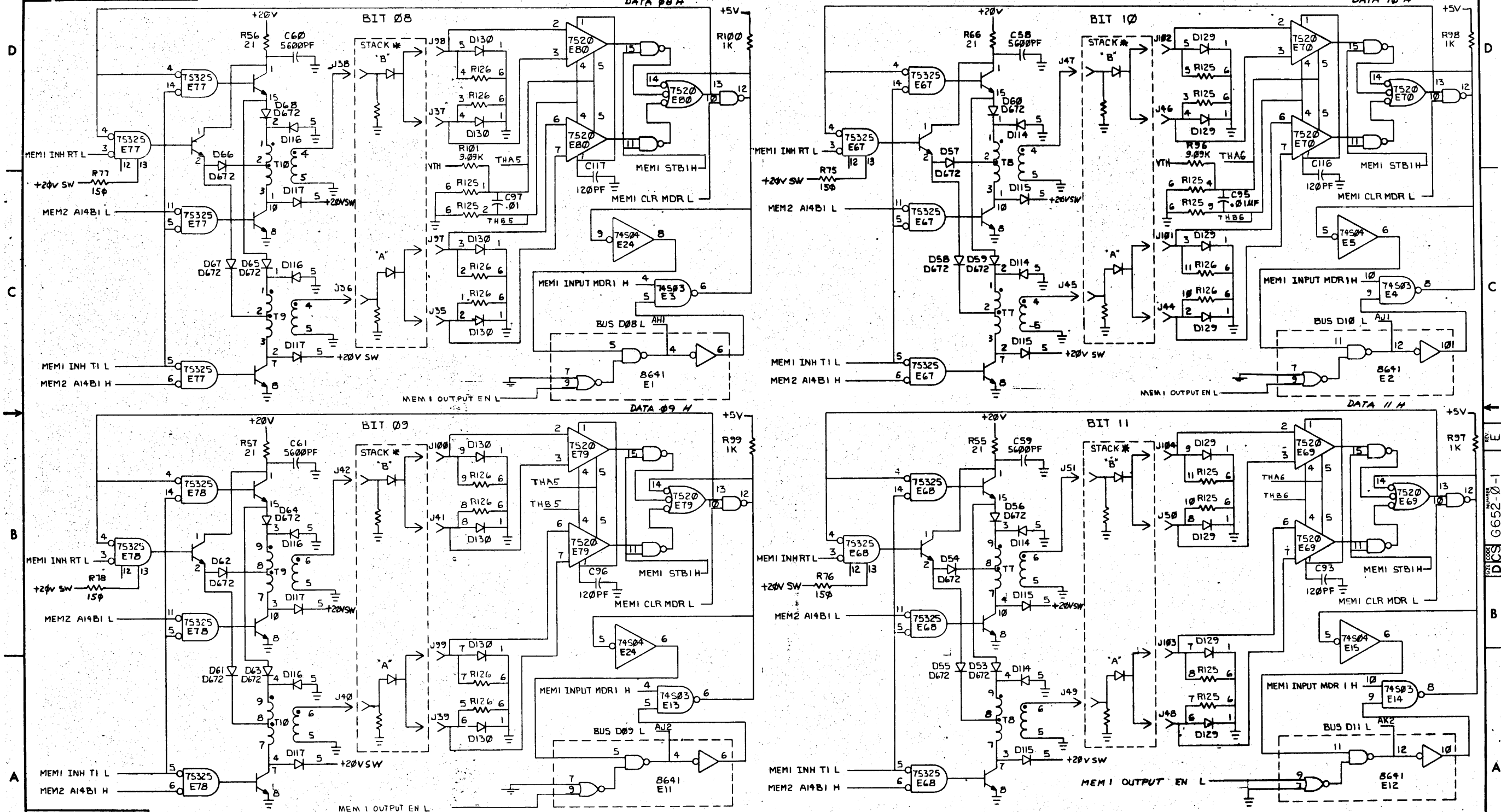
(SENSE INHIBIT BITS 4-7)

TITLE	16Kx18 MEMORY	SIZE CODE	DCS	NUMBER	G652-0-1	REV.	E
SCALE	SHEET 2 OF 11			DIST.			

82

THIS DRAWING AND SPECIFICATIONS HEREIN ARE THE PROPERTY OF DIGITAL EQUIPMENT CORPORATION AND SHALL NOT BE REPRODUCED OR COPIED OR USED IN WHOLE OR IN PART AS THE BASIS FOR THE MANUFACTURE OR SALE OF ITEMS WITHOUT WRITTEN PERMISSION. COPYRIGHT © 1975 DIGITAL EQUIPMENT CORPORATION

* MOUNTED ON H222 BD:



REVISIONS		
CHK	CHANGE NO.	REV.

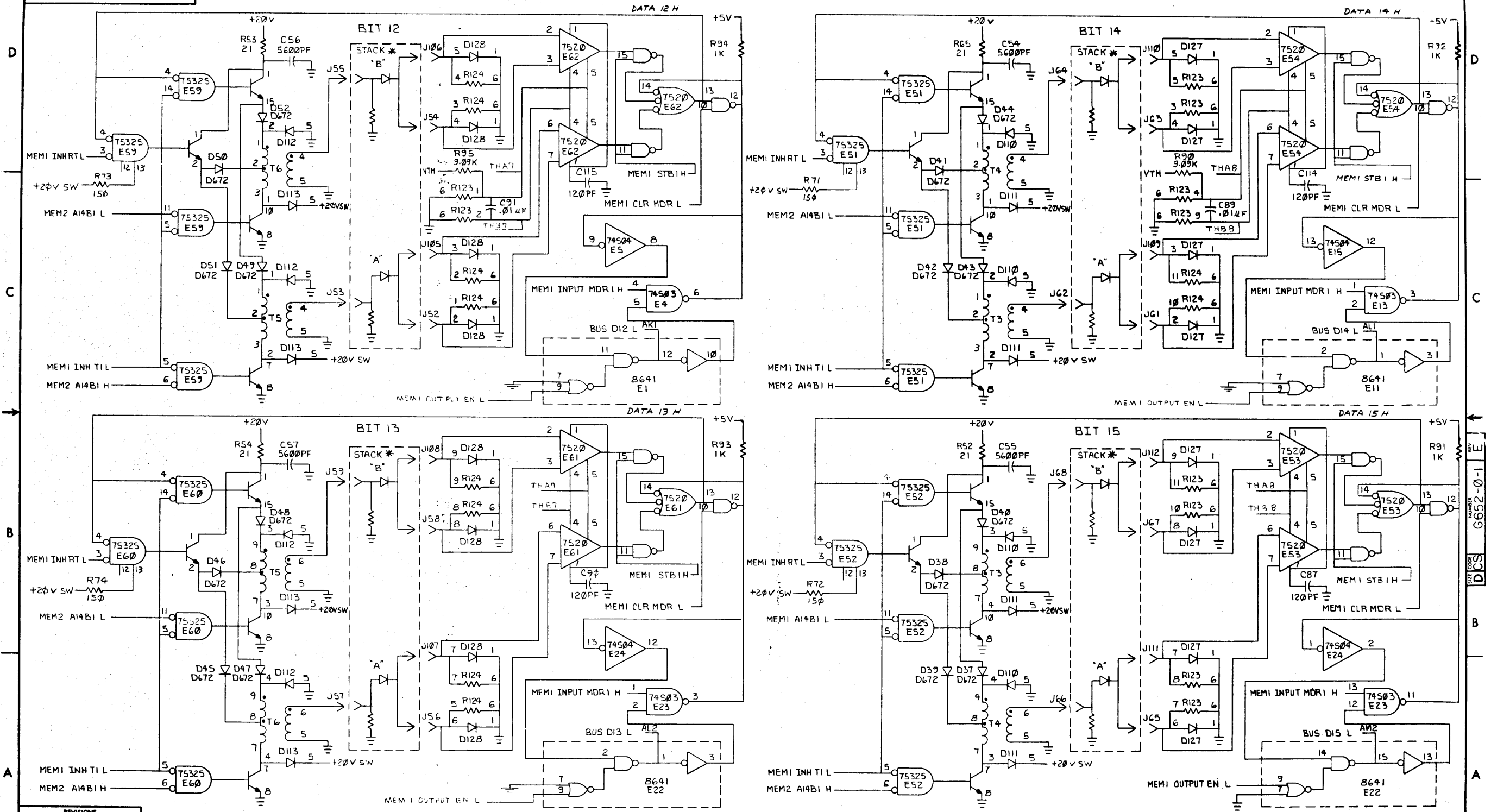
(SENSE INHIBIT BITS 8-11)

TITLE	6Kx18 MEMORY ELECTRONICS (MEM17)	SIZE CODE	DCS	NUMBER	G652-0-1	REV.	E
SCALE	1/8"	BUDGET	5	OF	11	DIST.	

83

"THIS DRAWING AND SPECIFICATIONS HEREIN ARE THE PROPERTY OF DIGITAL EQUIPMENT CORPORATION AND SHALL NOT BE REPRODUCED OR COPIED OR USED IN WHOLE OR IN PART AS THE BASIS FOR THE MANUFACTURE OR SALE OF ITEMS WITHOUT WRITTEN PERMISSION. COPYRIGHT © 1975 DIGITAL EQUIPMENT CORPORATION"

* MOUNTED ON H222 8D



(SENSE INHIBIT BITS 12-15)

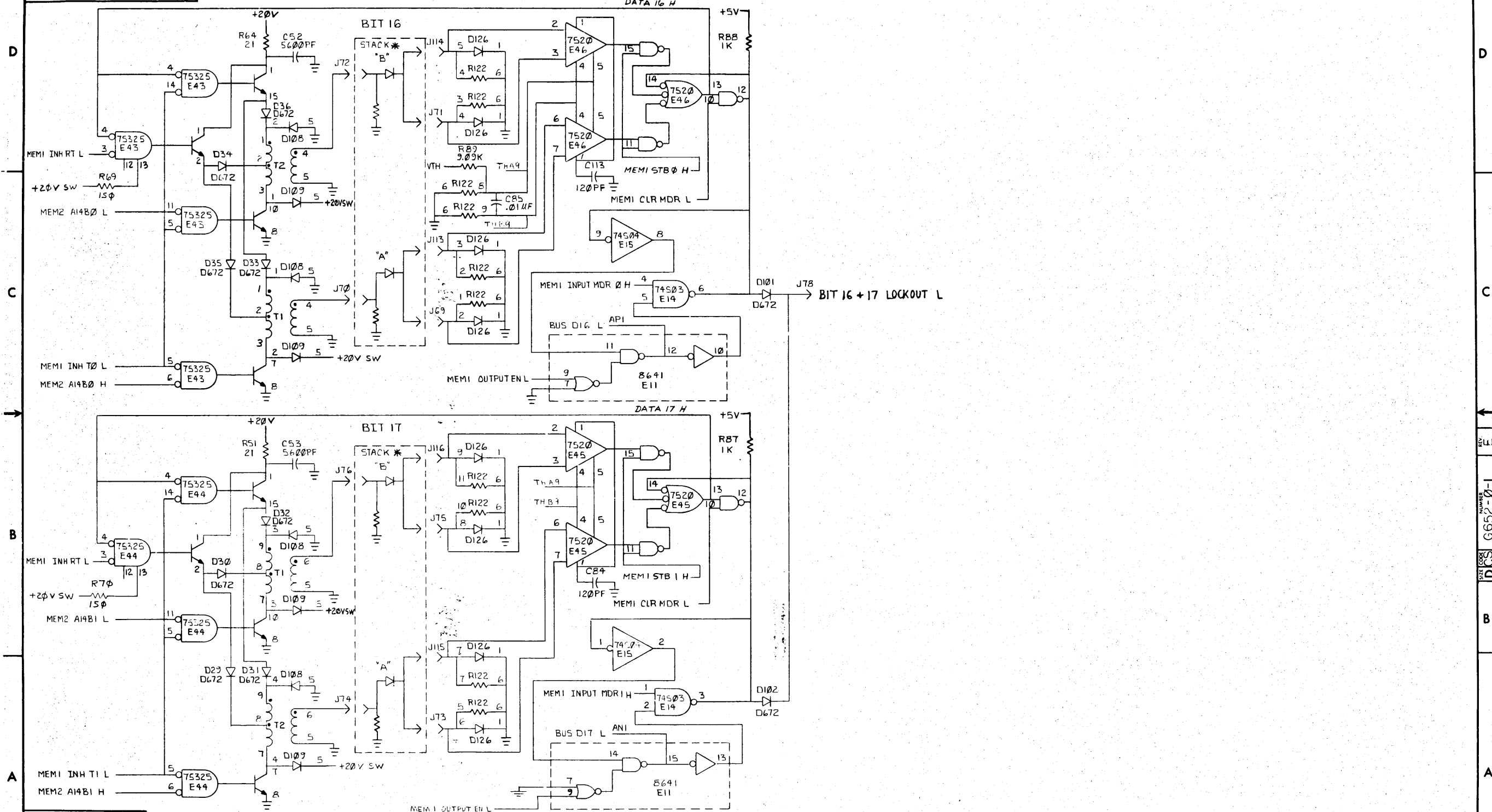
REVISIONS		
CHK	CHANGE NO.	REV.

TITLE	6Kx18 MEMORY ELECTRONICS (MEM18)	SIZE CODE	D CS	NUMBER	G652-0-1	REV.	E
SCALE	1/1	SHEET	10	OF	11	DIST.	

84

"THIS DRAWING AND SPECIFICATIONS, HEREIN, ARE THE PROPERTY OF DIGITAL EQUIPMENT CORPORATION AND SHALL NOT BE REPRODUCED OR COPIED OR USED IN WHOLE OR IN PART AS THE BASIS FOR THE MANUFACTURE OR SALE OF ITEMS WITHOUT WRITTEN PERMISSION. COPYRIGHT © 1975 DIGITAL EQUIPMENT CORPORATION"

* MOUNTED ON HZ22 BD.



REVISIONS		
CHK	CHANGE NO.	REV.

(SENSE & INHIBIT BITS 16 & 17)

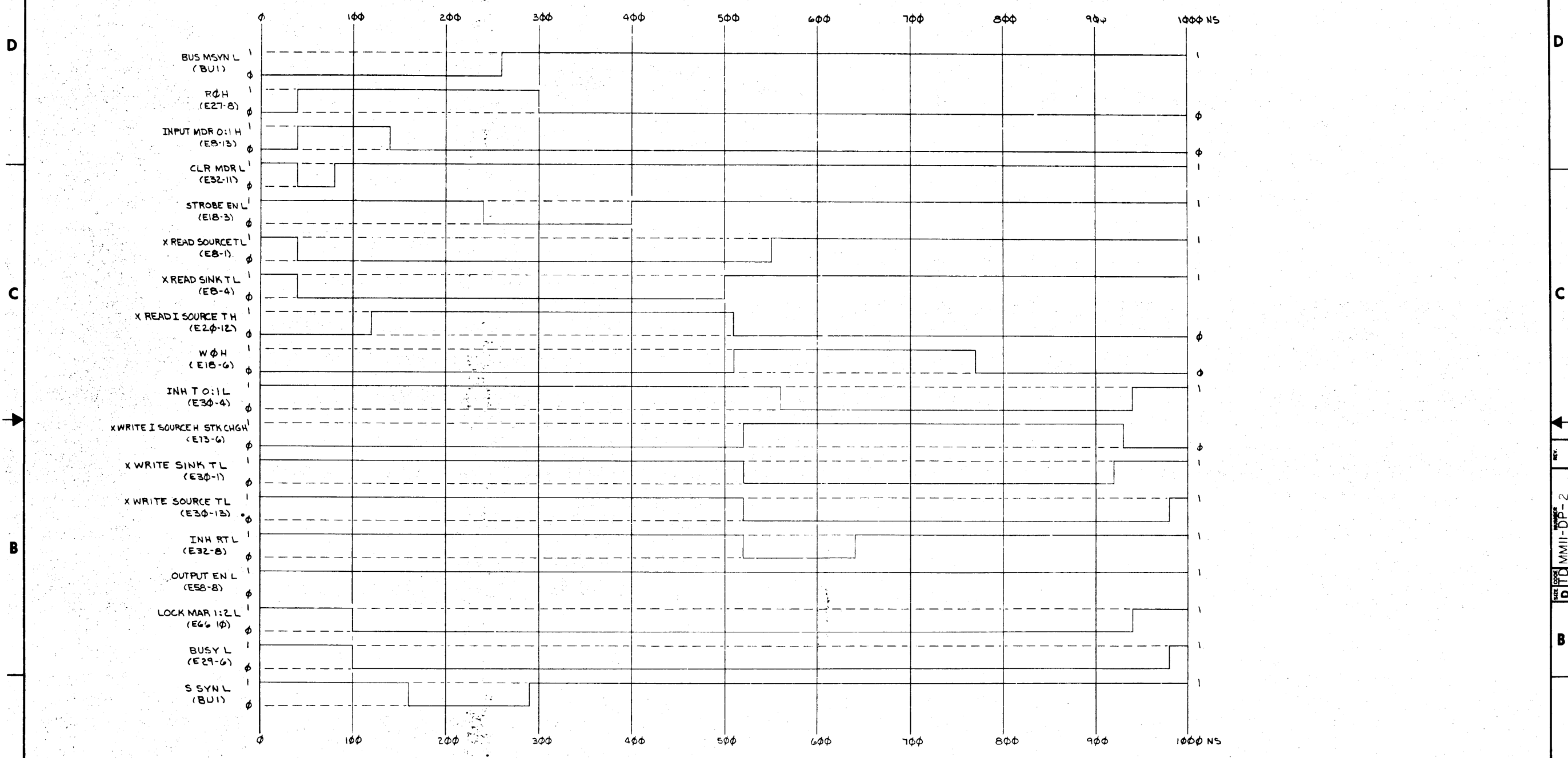
TITLE	16Kx18 MEMORY ELECTRONICS (MEM9)	SIZE CODE	DCS	NUMBER	G652-0-1	REV.	E
SCALE		SHEET		OF		DIST.	

85

"THIS DRAWING AND SPECIFICATIONS HEREIN ARE THE PROPERTY OF DIGITAL EQUIPMENT CORPORATION AND SHALL NOT BE REPRODUCED OR COPIED OR USED IN WHOLE OR IN PART AS THE BASIS FOR THE MANUFACTURE OR SALE OF ITEMS WITHOUT WRITTEN PERMISSION. COPYRIGHT © 1975, DIGITAL EQUIPMENT CORPORATION"

REV. 2 DATE CODE MMII-DP-2

DAT 0



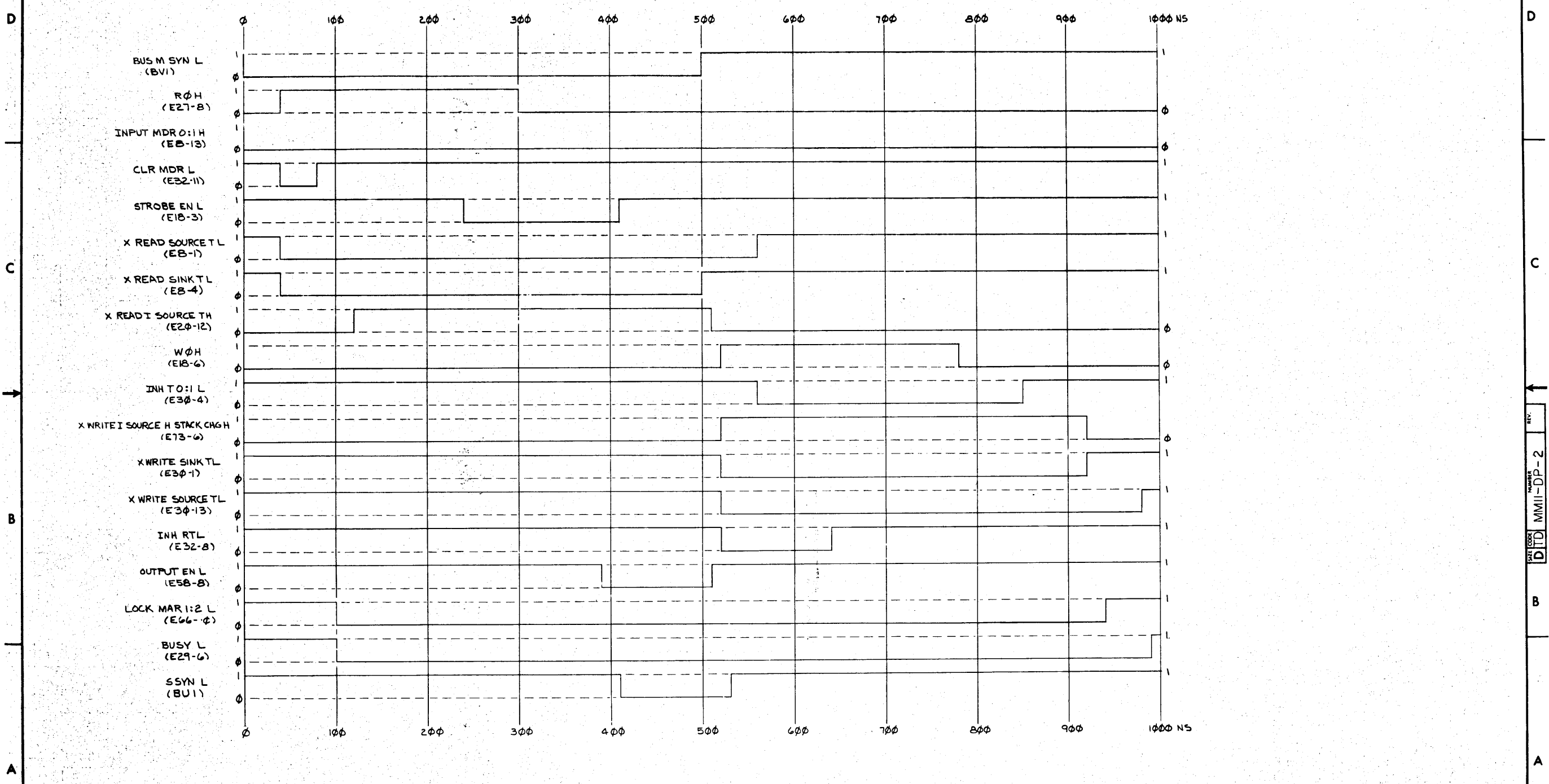
REV.	
CHANGE NO.	

DRN. W. LUFKIN	DATE 11/27/75	FIRST USED ON	MMII-DP
CHK'D W. LUFKIN	DATE 12/1/75	TITLE	MMII-DP
ENG. D. L. ...	DATE 11/22/75	PROJECT	MMII-DP
PROJ. ENG. ...	DATE 11/22/75	NEXT HIGHER ASSY.	
SCALE	1 OF 2	SIZE CODE	D TD
SHEET	1 OF 2	NUMBER	MMII-DP-2
		REV.	

86

"THIS DRAWING AND SPECIFICATIONS HEREIN ARE THE PROPERTY OF DIGITAL EQUIPMENT CORPORATION AND SHALL NOT BE REPRODUCED OR COPIED OR USED IN WHOLE OR IN PART AS THE BASIS FOR THE MANUFACTURE OR SALE OF ITEMS WITHOUT WRITTEN PERMISSION. COPYRIGHT © 1975 DIGITAL EQUIPMENT CORPORATION"

DAT I



REVISIONS		
CHK	CHANGE NO.	REV.

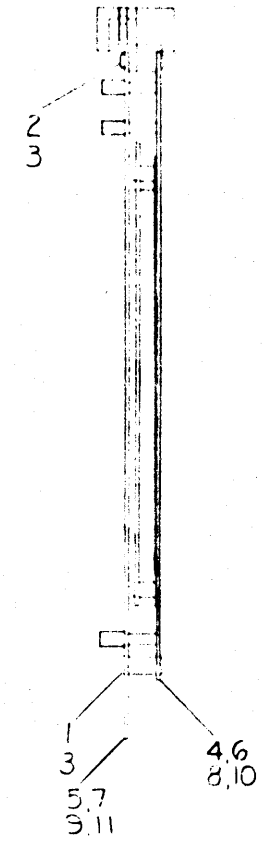
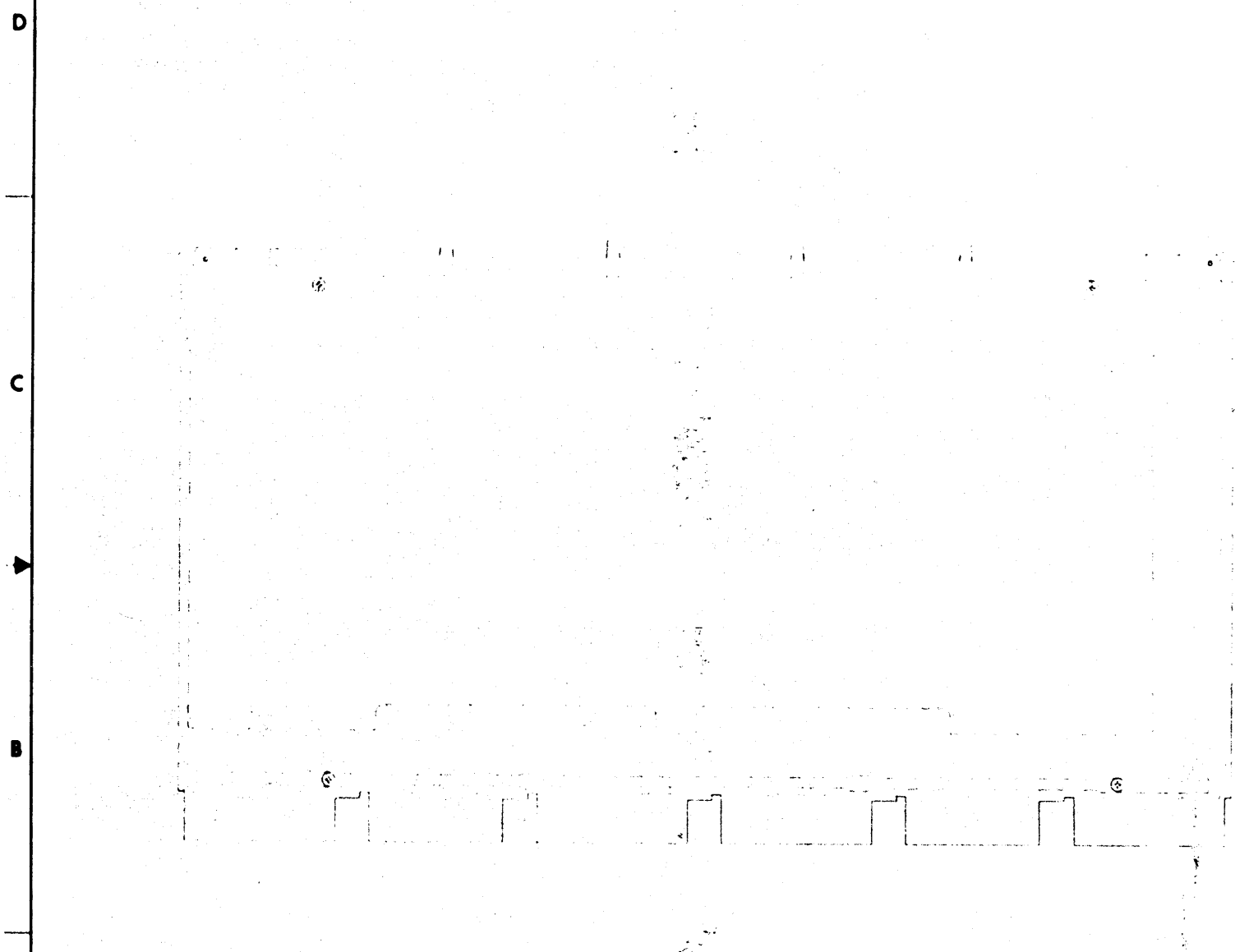
TITLE	SIZE CODE	NUMBER	REV.
MMII-DPTIMING DIAGRAM	D1TD	MMII-DP-2	
SCALE	SHEET	DIST.	
	2 OF 2		

87

THIS DRAWING AND SPECIFICATIONS HEREIN ARE THE PROPERTY OF DIGITAL EQUIPMENT CORPORATION AND SHALL NOT BE REPRODUCED OR COPIED OR USED IN WHOLE OR IN PART AS THE BASIS FOR THE MANUFACTURE OR SALE OF ITEMS WITHOUT WRITTEN PERMISSION. COPYRIGHT © 1971 DIGITAL EQUIPMENT CORPORATION

LEGEND		
VARIATION	DESCRIPTION	DWG. NUMBER
MM11-D WILL INCLUDE MODULE	D-6652 YA 16K X 18 CORE MEM	D-CS-6652-0-1
	H222 YB STACK BOARD (16 BIT)	D-UA-H222-B-0
COMBINATION C OR D	-6652 16K X 18 CORE MEM	D-CS-6652-0-1
	-H222-B STACK BOARD (16 BIT)	D-UA-H222-B-0
MM11-DP WILL INCLUDE MODULE	B-6652 YA 16K X 18 CORE MEM	D-CS-6652-0-1
	H222-1A STACK BOARD (18 BIT)	D-UA-H222-A-0
COMBINATION A OR B	A-6652 16K X 18 CORE MEM	D-CS-6652-0-1
	H222-A STACK BOARD (18 BIT)	D-UA-H222-A-0

NOTE:
 1 MM11-DP MEMORY MODULE ASSEMBLY (16K X 18 BIT) MAY BE SUBSTITUTED FOR MM11-D MODULE ASSEMBLY (16K X 16 BIT)
 2 6652-YA'S WILL NOT OPERATE WITH H222'S.
 3 H222-YA'S & YB'S WILL NOT OPERATE WITH 6652'S



QTY	DESCRIPTION	DWG PART NO	ITEM NO
4	WASHER LOCK #2 INT TIGHT	9006631-00	6
2	SCR PAN PAN HD 55° 2.56 X .31 LG	9006002-01	5
2	SCR PAN PAN HD 55° 2.56 X .19	9006000-01	4
1	16K X 18 CORE MEMORY (6652)	D-CS-6652-0-1	3
1	H222 STACK BOARD (16 BIT)	D-UA-H222-B-0	2
1	H222 STACK BOARD (18 BIT)	D-UA-H222-A-0	1

MM11-D	DESCRIPTION	DWG PART NO		ITEM NO	
	UNLESS OTHERWISE SPECIFIED DIMENSIONS ARE IN INCHES				
MM11-DP	ANGLES	CLASS OF ACCURACY	TYPICAL DIMENSION RANGE MICRONS		
	OF 90°	(CHECK ONE)	1000	1250	1500
QUANTITY & VARIATION	SURFACE QUALITY	(CHECK ONE)	100	125	150
	IN	(CHECK ONE)	100	125	150
MATERIAL	FINISH	PREFERRED	1.017	1.016	1.015
	SEE PARTS LIST	SCALE	1:1	DIST	

THIRD ANGLE PROJECTION

DRW: R. LUTZIN 1/18/71

CHK'D: [Signature]

ENG: [Signature]

PROJ ENGR: [Signature]

PROD: [Signature]

REMOVE BURRS AND BREAK SHARP CORNERS

DO NOT SCALE DWG

NEXT HIGHER ASLT

FIRST USED ON: MM11-DP

TITLE: MM11-DP MEMORY MODULE ASSEMBLY

SIZE CODE: D UA

NUMBER: MM11-DP-0

REV: A

SHEET: 1 OF 1

REV	DATE	BY
1	10/15/71	SL
2	11/15/71	SL
3	1/16/72	SL
4	3/16/72	SL

DRAWING DIRECTORY

"THIS DRAWING AND SPECIFICATIONS, HEREIN, ARE THE PROPERTY OF DIGITAL EQUIPMENT CORPORATION AND SHALL NOT BE REPRODUCED OR COPIED OR USED IN WHOLE OR IN PART AS THE BASIS FOR THE MANUFACTURE OR SALE OF ITEMS WITHOUT WRITTEN PERMISSION. COPYRIGHT © 1975, DIGITAL EQUIPMENT CORPORATION"

CUSTOMER PRINT SET INDEX

SEQUENCE
┌┐

SEQUENCE
┌┐

THIS IS PRINT SET

--	--	--	--

UNIT VARIATIONS		PRINT SET			
VAR	TITLE				
H222-A	16K X 18 BIT DEC				
H222-B	16K X 16 BIT DEC				
H222-YA	16K X 18 BIT CONTROL DATA				
H222-YB	16K X 16 BIT CONTROL DATA				

REVISIONS

DATE	CHG. NO.	REV
5-76	H222-1	A
2-77	H222-2	B

USED ON OPTION/MODEL	DRN.	DATE	TITLE				
	CHK'D	DATE	H222 MEMORY STACK				
	PROJ ENG.	DATE					
	PROD.	DATE	SIZE	CODE	NUMBER		REV
	FIELD SERV.	DATE	B	DD	H222-Ø		B
SHEET 1 OF 2			DIST				

DEC 16-13251-1062-1A-R/9/2

89

CUSTOMER PRINT SET	ELECTRICAL					CUSTOMER PRINT SET	MECHANICAL								
	MFG. SET	FIND NO.	DRAWING NO.	REV	NO OF SHT		OPTION NO / FILE DATE	MFG. SET	FIND NO.	DRAWING NO.	REV	NO OF SHT	DESCRIPTION	OPTION NO / FILE DATE	
			B-DD-H222-Ø		2	DRAWING DIRECTORY						D-UA-H222-A-0	1	H222 CORE MEMORY STACK ASSY	
			D-CS-5411554-0-1			H222 STACK BOARD						D-PA-1211725-0-0	1	STIFFENER, FINGER END	
			E-IA-7011661-0-0		2	CORE PLANE WIRING ASSEMBLY						D-PS-1211726-0-0	1	STIFFENER, HANDLE END	
												D-MD-5511796-0-0	1	CORE SUPPORT (16K x 16/18 BIT)	
												D-MD-5511797-0-0	1	COVER (16K X 16/18 BIT)	
												A-PL-5411554-C-C		PARTS LIST	
												D-AH-5411554-C-5		MEMORY STACK SUB	

CUSTOMER PRINT SET CODES	X = PRINT OF DOCUMENT INCLUDED IN PRINT SET C = INCLUDES ALL PRINTS INDICATED ON DOCUMENT S = CONFIDENTIAL AUTHORIZED SIGNATURE REQUIRED	TITLE H222 MEMORY STACK	SHEET 2 OF 2	SIZE CODE B DD	NUMBER H222-Ø	REV B
--------------------------	--	----------------------------	--------------	-------------------	------------------	----------

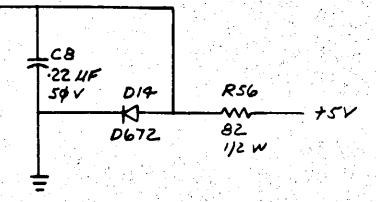
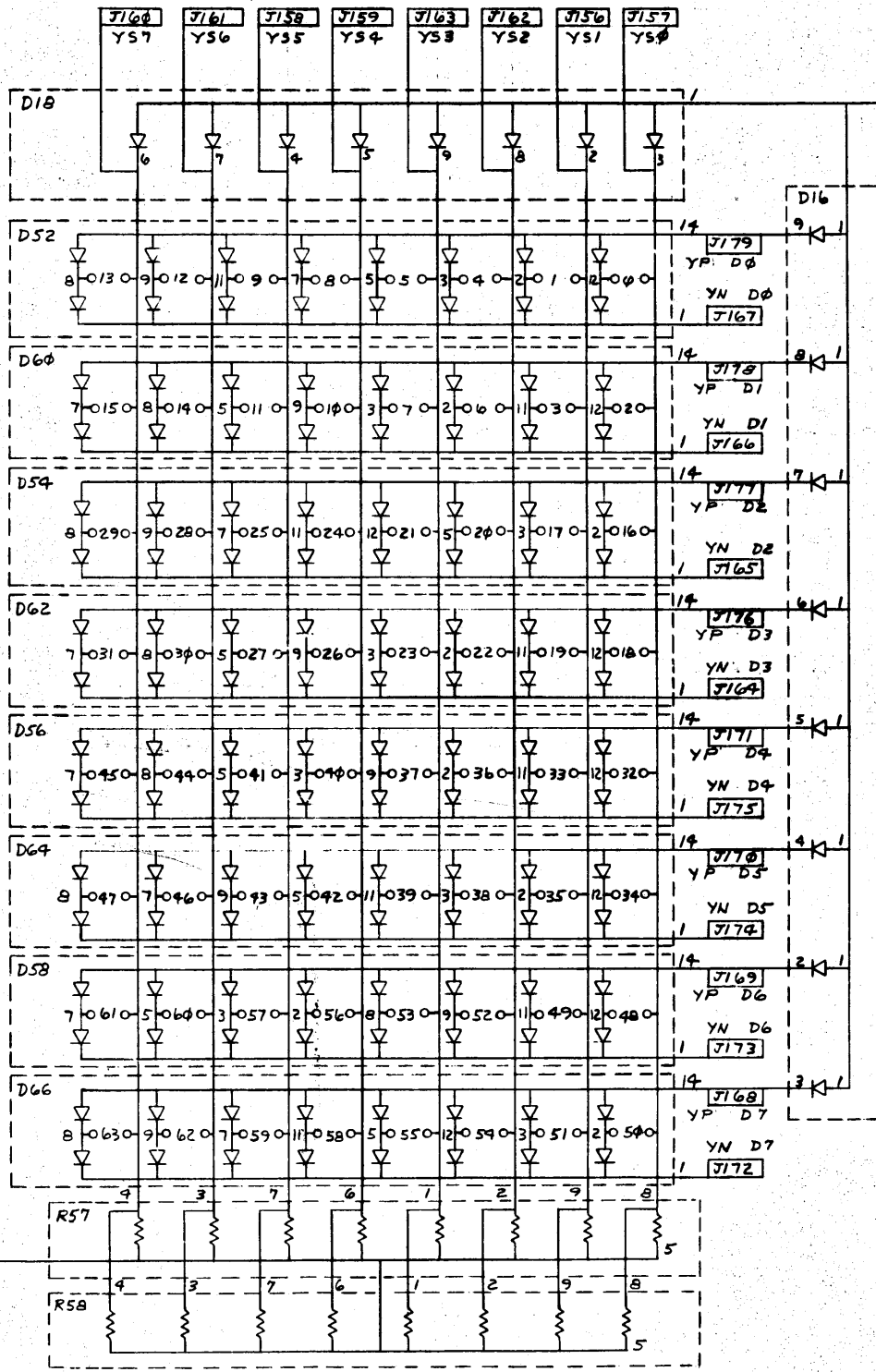
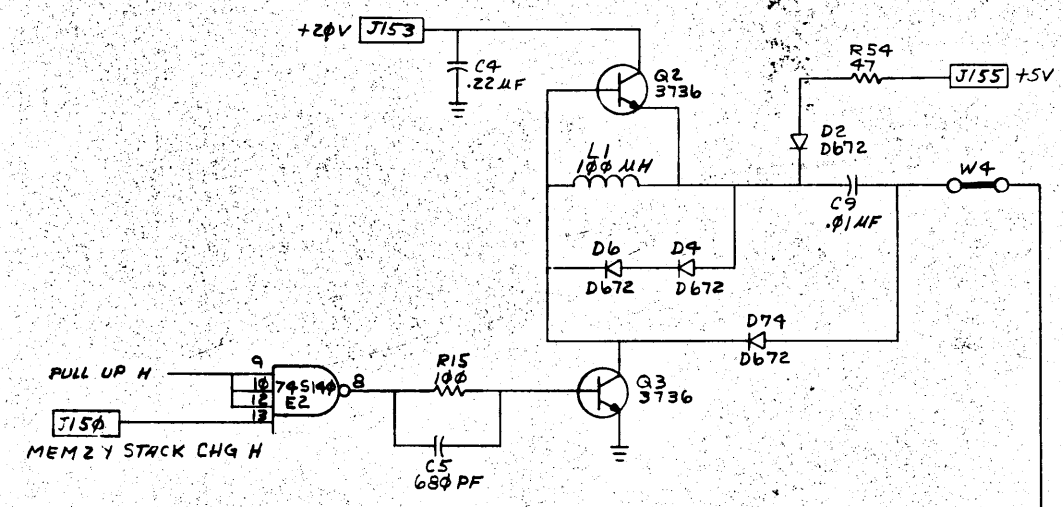
DRB 108

90

"THIS DRAWING AND SPECIFICATIONS HEREIN ARE THE PROPERTY OF DIGITAL EQUIPMENT CORPORATION AND SHALL NOT BE REPRODUCED OR COPIED OR USED IN WHOLE OR IN PART AS THE BASIS FOR THE MANUFACTURE OR SALE OF ITEMS WITHOUT WRITTEN PERMISSION. COPYRIGHT © 1975, DIGITAL EQUIPMENT CORPORATION"

NOTE:
PREFIX FOR J156-J179 IS MEM4.

"Y" DIODE MATRIX



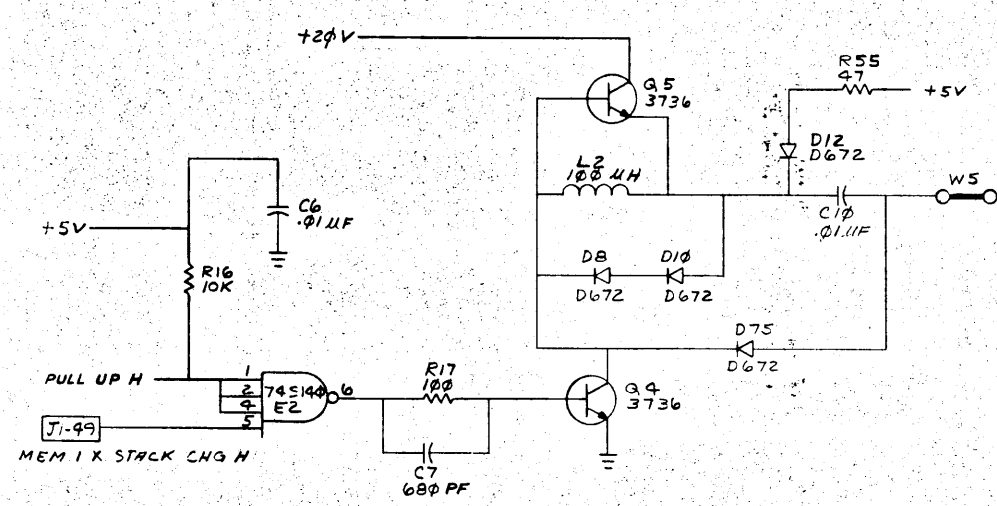
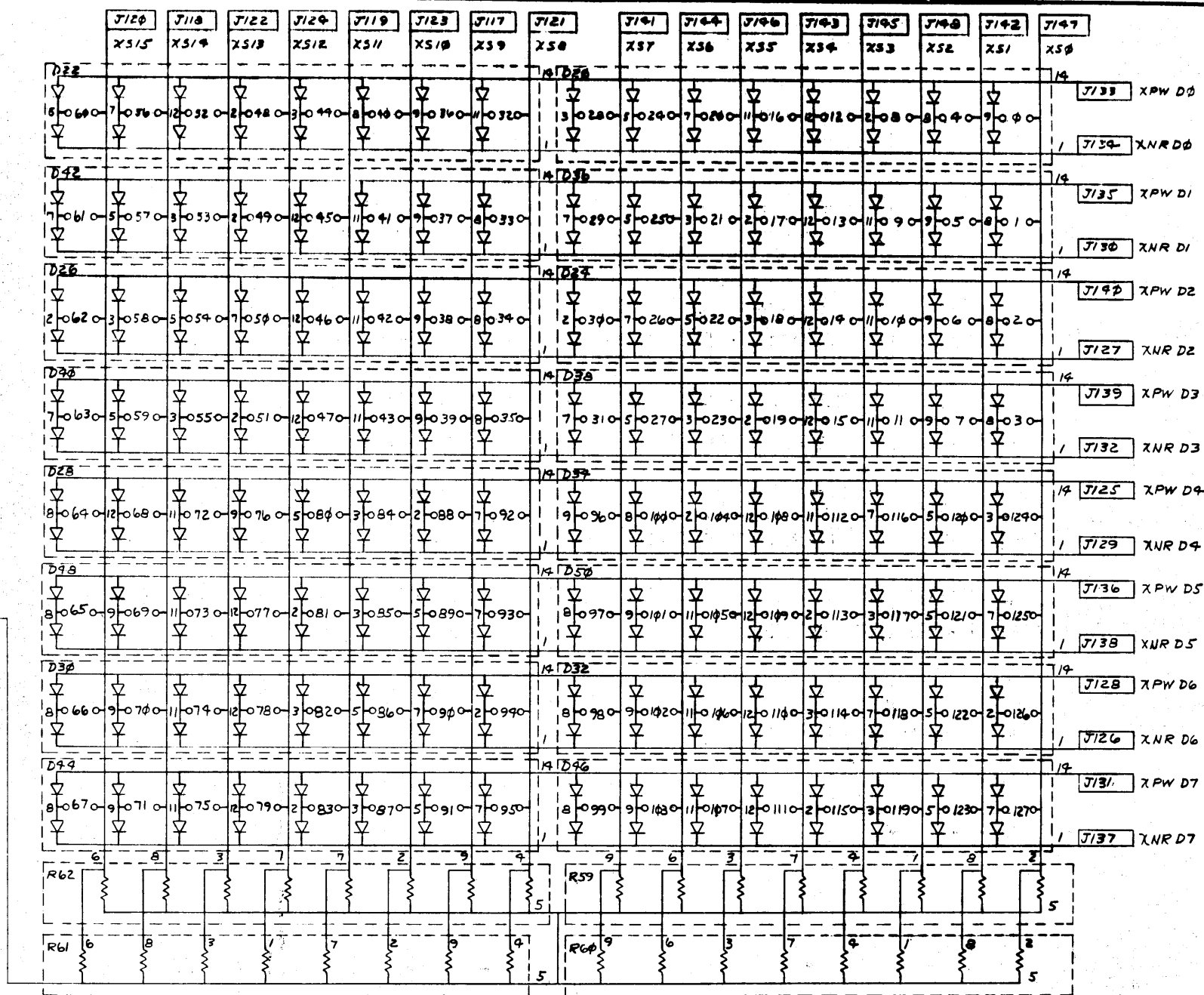
REV.	CHG	NO.	DATE	BY	CHKD
1		1	6/16/76	D. SMELSER	
2		2	7/14/76	D. SMELSER	
3		3	7/14/76	D. SMELSER	

DRN: H. H. 6-26-75	FIRST USED ON	MM1D/DP	Digital
CHK'D: H. H. 7/14/76	TITLE	16K X 15, 18	
ENG: D. H. 7/14/76	MEMORY STACK		
PROJ. ENG: D. H. 7/14/76	SIZE	CODE	NUMBER
PROD. RA: W. J. 7/14/76	D	CS	5411554-0-1
NEXT HIGHER ASSY.	SCALE	REV.	D
D-UA-H222-0	1/1		
SHEET 1 OF 3	DIST.		

"THE DRAWING AND SPECIFICATIONS HEREIN ARE THE PROPERTY OF DIGITAL EQUIPMENT CORPORATION AND SHALL NOT BE REPRODUCED OR COPIED IN WHOLE OR IN PART AS THE BASIS FOR THE MANUFACTURE OR SALE OF ITEMS WITHOUT WRITTEN PERMISSION. COPYRIGHT © 1971, DIGITAL EQUIPMENT CORPORATION"

"X" DIODE MATRIX

NOTE:
PREFIX FOR J117-J148 IS MEM 3.



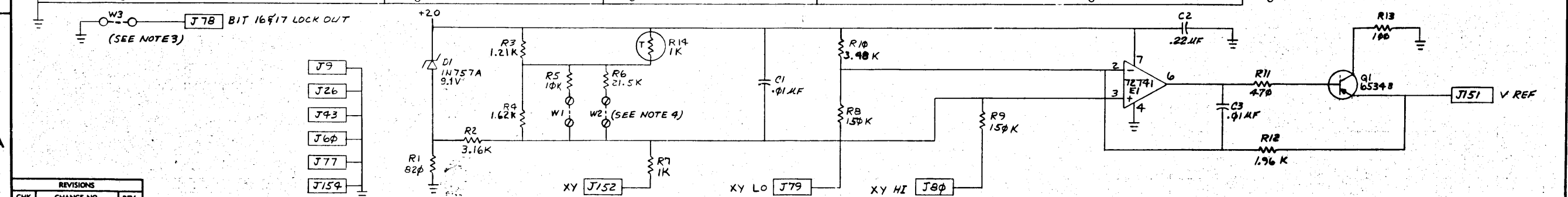
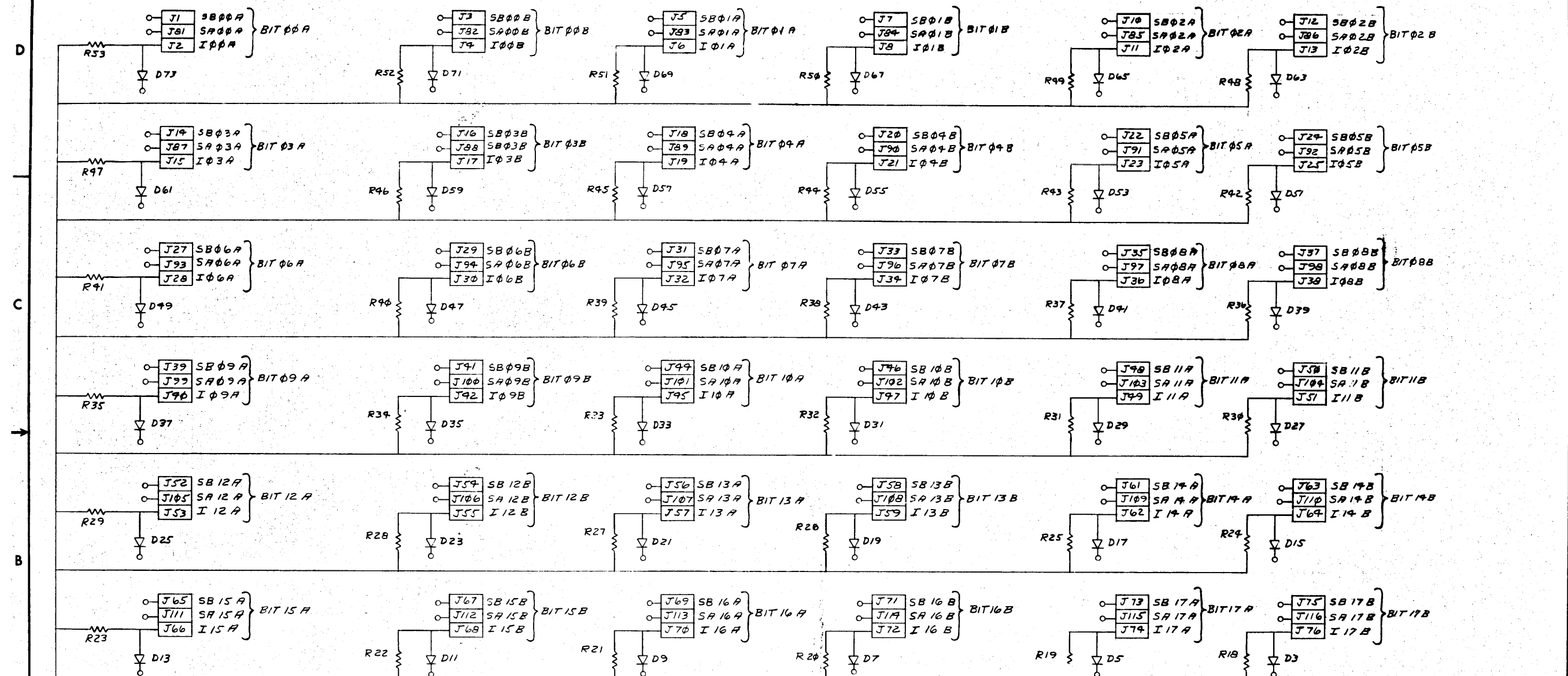
REVISIONS		
CHK	CHANGE NO.	REV.

TITLE	6K X 16, 18 MEMORY STACK	SIZE CODE	NUMBER	REV.
SCALE	SHEET 2 OF 3	DIST.	DCS 5411554-0-1	D

92

"THIS DRAWING AND SPECIFICATIONS HEREIN ARE THE PROPERTY OF DIGITAL EQUIPMENT CORPORATION AND SHALL NOT BE REPRODUCED OR COPIED OR USED IN WHOLE OR IN PART AS THE BASIS FOR THE MANUFACTURE OR SALE OF ITEMS WITHOUT WRITTEN PERMISSION. COPYRIGHT © 1975 DIGITAL EQUIPMENT CORPORATION"

- NOTES:
1. R18 THRU R53 ARE 1K, 1/4W ± 5%.
 2. UNLESS OTHERWISE SPECIFIED: ALL DIODES ARE D672.
 3. W3 MUST BE INSTALLED FOR A 16 BIT MEMORY -- H222B, OR H222A USED WITHOUT A PARITY CONTROLLER (M7B50).
 4. W1 & W2 ARE USED TO ADJUST VREF.



REVISIONS		
CHK	CHANGE NO.	REV.

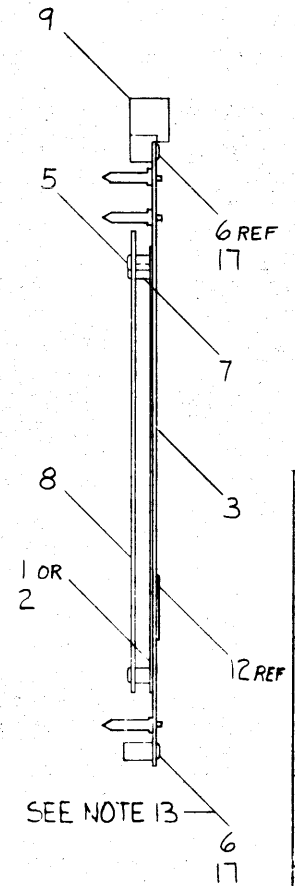
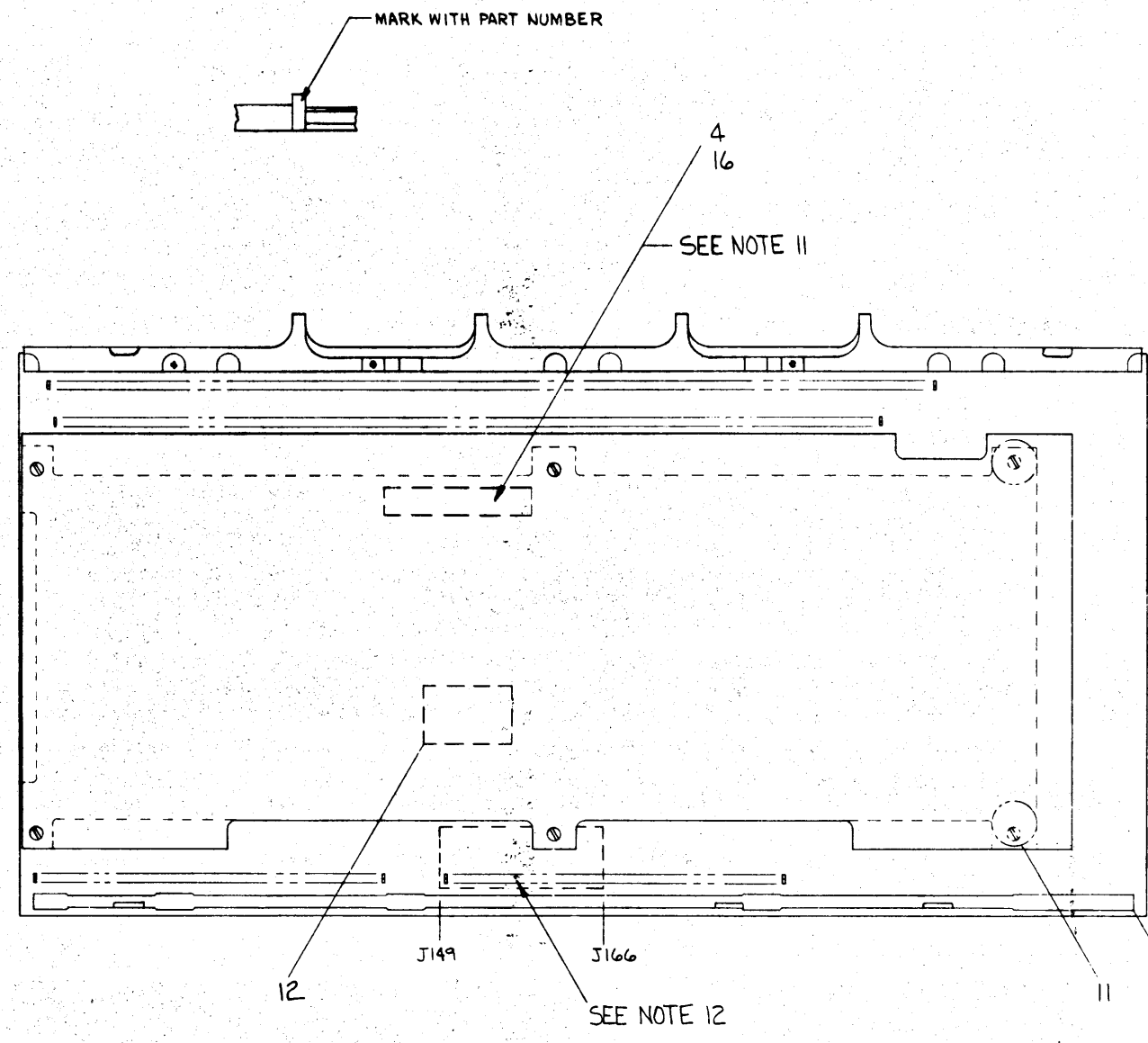
REV. D
D CS 5411554-0-1

93

THIS DRAWING AND SPECIFICATIONS HEREIN ARE THE PROPERTY OF DIGITAL EQUIPMENT CORPORATION AND SHALL NOT BE REPRODUCED OR COPIED OR USED IN WHOLE OR IN PART AS THE BASIS FOR THE MANUFACTURE OR SALE OF ITEMS WITHOUT WRITTEN PERMISSION. COPYRIGHT © 1975, DIGITAL EQUIPMENT CORPORATION

LEGEND			
NUMBER	NUMBER	VARIATION	USED ON
H222-YA	H222 A	16K X 16 BIT	MM11-DP
H222-YB	H222 B	16K X 16 BIT	MM11-D

- NOTES:
- BOND ITEM 1 (CORE PLANE) TO ITEM 3 (STACK BOARD) WITH ITEM 14 (ADHESIVE).
 - SWAGE ITEM 1 (CORE PLANE) AND ITEM 3 (STACK BOARD) TOGETHER WITH ITEM 7 (STANDOFF).
 - USE ITEM 5 (PROTECTIVE COATING) TO COAT ALL MAGNETIC WIRE TERMINATIONS AFTER ELECTRICAL TEST. (REF E-IA-7011661-0-0)
 - BOND TWISTED CABLES TO ITEM 1 (CORE PLANE) WITH ITEM 13 (ADHESIVE). SEE E-IA-7011661-0-0.
 - BOND X & Y DRIVE LOOPS IN PLACE WITH ITEM 13 (ADHESIVE). SEE E-IA-7011661-0-0 NOTES
 - REFER TO E-IA-7011661-0-0 WHEN SOLDERING WIRE TERMINATIONS TO ITEM 3 (STACK BOARD).
 - ASSEMBLE ITEMS 9 & 10 (STIFFENERS) TO ITEM 3 (STACK BOARD) USING ITEMS 6 & 17.
 - ATTACH ITEM 8 (COVER) TO ITEM 3 (STACK BOARD) USING ITEM 5 (NYLON SCREW).
 - APPLY ITEM 11 (WARRANTY SEAL) WHERE SHOWN.
 - APPLY ITEM 12 (NAME PLATE) TO SIDE 2 OF ITEM 3 (STACK BOARD) AS SHOWN.
 - MARK ITEM 3 (STACK BOARD) ON SIDE 2 WITH DEC PART NUMBER, SEQUENTIAL SERIAL NUMBER, AND CIRCUIT SCHEMATIC REVISION USING ITEM 4 (INK) AND ITEM 16 (EPOXY). EXAMPLE: H222-A-001-CS-B.
 - TRIM AMP POSTS AND COMPONENT LEADS TO BE .05 IN THIS AREA OF SIDE 2.
 - INSTALL ITEM 17 (LOCKWASHER) "TORQUE HAND TIGHT".



QTY	DESCRIPTION	DWG./PART NO.	ITEM NO.
1	CORE PLANE WIRING ASSY.	E-IA-7011661-3-0	19
1	CORE PLANE WIRING ASSY.	E-IA-7011661-2-0	18
8	WASHER, LOCK #2 INT TOOTH	9006631-00	17
A/R	EPOXY	4901082-00	16
A/R	PROTECTIVE COATING (F145)	4901093-00	15
A/R	ADHESIVE (RTV 3145)	4901086-00	14
A/R	ADHESIVE (RTV 3140)	4901085-00	13
1	NAME PLATE	9009238-00	12
2	WARRANTY SEAL		11
1	STIFFENER, FINGER END	D-PS-1211725-0-0	10
1	STIFFENER, HANDLE END	D-PS-1211726-0-0	9
1	COVER	D-MD-5511797-0-0	8
6	STANDOFF .25 DIA X .19 LG	9009677-00	7
8	SCR, PHL PAN HD SS #2-56 X .19	9006000-01	6
6	SCR, SLT BDR HD NYLON #4-40 X .19	9009233-04	5
A/R	INK, BLACK	4901084-00	4
1	H222 STACK BOARD	5411554	3
1	CORE PLANE WIRING ASSY	E-IA-7011661-1-0	2
1	CORE PLANE WIRING ASSY	E-IA-7011661-0-0	1

UNLESS OTHERWISE SPECIFIED DIMENSIONS ARE IN INCHES	
ANGLES 10° 30°	CLASS OF ACCURACY (CHECK ONE)
SURFACE QUALITY IN	MEDIUM <input type="checkbox"/> MEDIUM <input type="checkbox"/> PREFERRED <input type="checkbox"/>
QUANTITY & VARIATION	MICROINCHES
	PREFERRED <input type="checkbox"/> ±.012 ±.018 ±.026 ±.04 ±.063 ±0.1

THIRD ANGLE PROJECTION	DRN. M. LUFKIN 7/1775	FIRST USED ON	MM11-DP
REMOVE BURRS AND BREAK SHARP CORNERS	CHK'D [Signature] 8/2/75	TITLE	H222 CORE MEMORY STACK ASSEMBLY
DO NOT SCALE DWG	ENG. [Signature] 8/2/75	SIZE CODE	D UA
MATERIAL SEE PARTS LIST	PROD. [Signature] 8/2/75	NUMBER	H222-0-0
FINISH	SCALE 1/1	REV.	A
	SHEET 1 OF 1	DIST.	

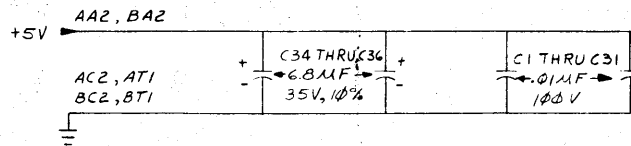
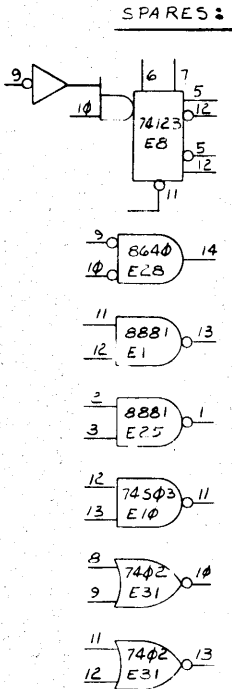
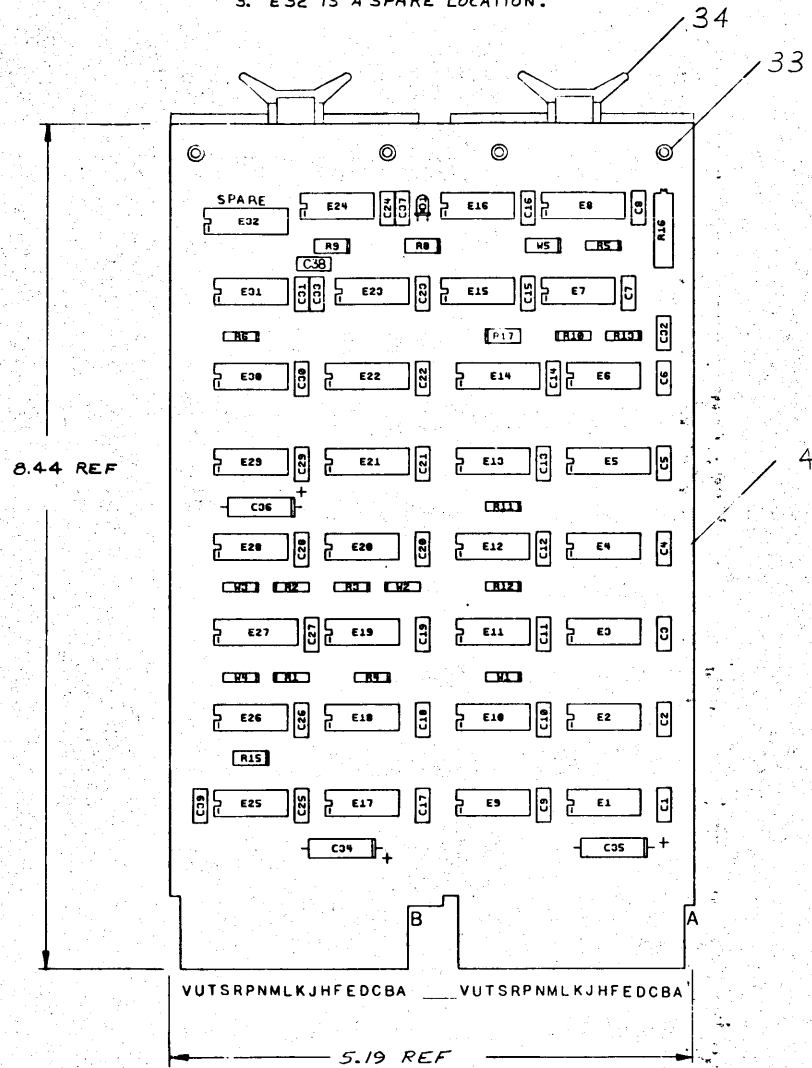
REVISIONS	REV.
CHANGE NO.	A
DATE	7/17/75
BY	[Signature]
CHK'D	[Signature]

94

"THIS DRAWING AND SPECIFICATIONS, HEREIN, ARE THE PROPERTY OF DIGITAL EQUIPMENT CORPORATION AND SHALL NOT BE REPRODUCED OR COPIED OR USED IN WHOLE OR IN PART AS THE BASIS FOR THE MANUFACTURE OR SALE OF ITEMS WITHOUT WRITTEN PERMISSION. COPYRIGHT © 1975 DIGITAL EQUIPMENT CORPORATION"

NOTES:

1. ALL RESISTORS 1/4 W, 5% UNLESS OTHERWISE NOTED. ALL CAPACITORS ARE 100V, 20% UNLESS OTHERWISE NOTED.
2. JUMPER CONTROL OPERATIONS AS FOLLOWS:
W1 THRU W4 SELECT CSR ADDRESS, W5 CAPACITOR FOR S SYN DLY, NOT USED.
3. E32 IS A SPARE LOCATION.



REF	DESCRIPTION	PART NO.	ITEM NO.
	CIRCUIT SCHEMATIC	D-CS-M7850-0-1	REF
	X-Y COORDINATE HOLE LOCATION	K-CS-M7850-0-4	1
	ASSY/DRILLING HOLE LAYOUT	D-AH-M7850-0-5	2
	MODULE ECO HISTORY	B-MH-M7850-0-6	3
1	ETCHED CIRCUIT BOARD	5010651-00	4
1	C39	CAP 470 PF, 100V, 5% (DM)	1000024-00 5
2	C33, C37	CAP 330 PF, 100V, 5% (DM)	1000023-00 6
32	C1 THRU C32	CAP .01µF, 100V, 20% DISC	1001610-01 7
3	C34, C35, C36	CAP 6.8µF, 35V, 10% STANT	1005306-00 8
1	D1	DIODE, LED.	1110324-00 9
5	R1 THRU R5	RES 4.7K 1/4W 5%	1302447-00 10
3	R8, R9, R15	RES 100 1/4W 5%	1300229-00 11
5	R6, R10, R11, R12, R17	RES 470 1/4W 5%	1300316-00 12
1	R13	RES 1K 1/4W 5%	1300365-00 13
1	R16	RES 10K 3/4W 20% (7% PR.PT)	1309143-10 14
1	E24	I.C. 7400	1905575-00 15
1	E30	I.C. 7430	1905578-00 16
1	E31	I.C. 7402	1909004-00 17
1	E19	IC. 314A	1909704-00 18
1	E23	IC. 7408	1910155-00 19
4	E1, E9, E17, E25	IC. 8881	1909705-00 20
1	E16	I.C. 74404	1909931-00 21
1	E27	I.C. 7485	1910224-00 22
1	E8	I.C. 74123	1910436-00 23
1	E10	I.C. 74503	1910533-00 24
1	E15	I.C. 74574	1910544-00 25
1	E21	I.C. 74174	1910652-00 26
2	E5, E22	I.C. 74157	1910655-00 27
9	E2, E3, E11, E12, E18, E20, E26, E28, E29	I.C. 8640	1911469-00 28
2	E4, E13	I.C. 745280	1911573-00 29
1	E14	I.C. 8266	1909934-00 30
2	E6, E7	I.C. 7474	1905547-00 31
4	W1 THRU W4	INSULATED JUMPER	9009185-00 32
4		EYELET	9006732-00 33
2		HANDLE, FLIP-CHIP (MAGENTA)	9008337-6 34

IC TYPE	QTY	LOC
8640	1	8
8266	3	16
74157	8	16
74174	8	16
74123	8	16
7485	8	16
314A	1	8
GND		
+5V		

GND AND 5V ARE USUALLY PIN 7 AND 14 RESPECTIVELY EXCEPTIONS ARE STATED ABOVE

IC PIN LOCATIONS

PARTS LIST

FIRST USED ON OPTION MODEL

ETCH BOARD REV. B

DRN. W. LUFKIN DATE 2-5-75
 CHK'D. DATE 2/17/75
 ENG. DATE 2/15/75
 PROD. ENG. DATE 2/15/75
 PROD. DATE 2/23/75

TITLE: PARITY MODULE

SIZE CODE: DCS NUMBER: M7850-0-1 REV. B

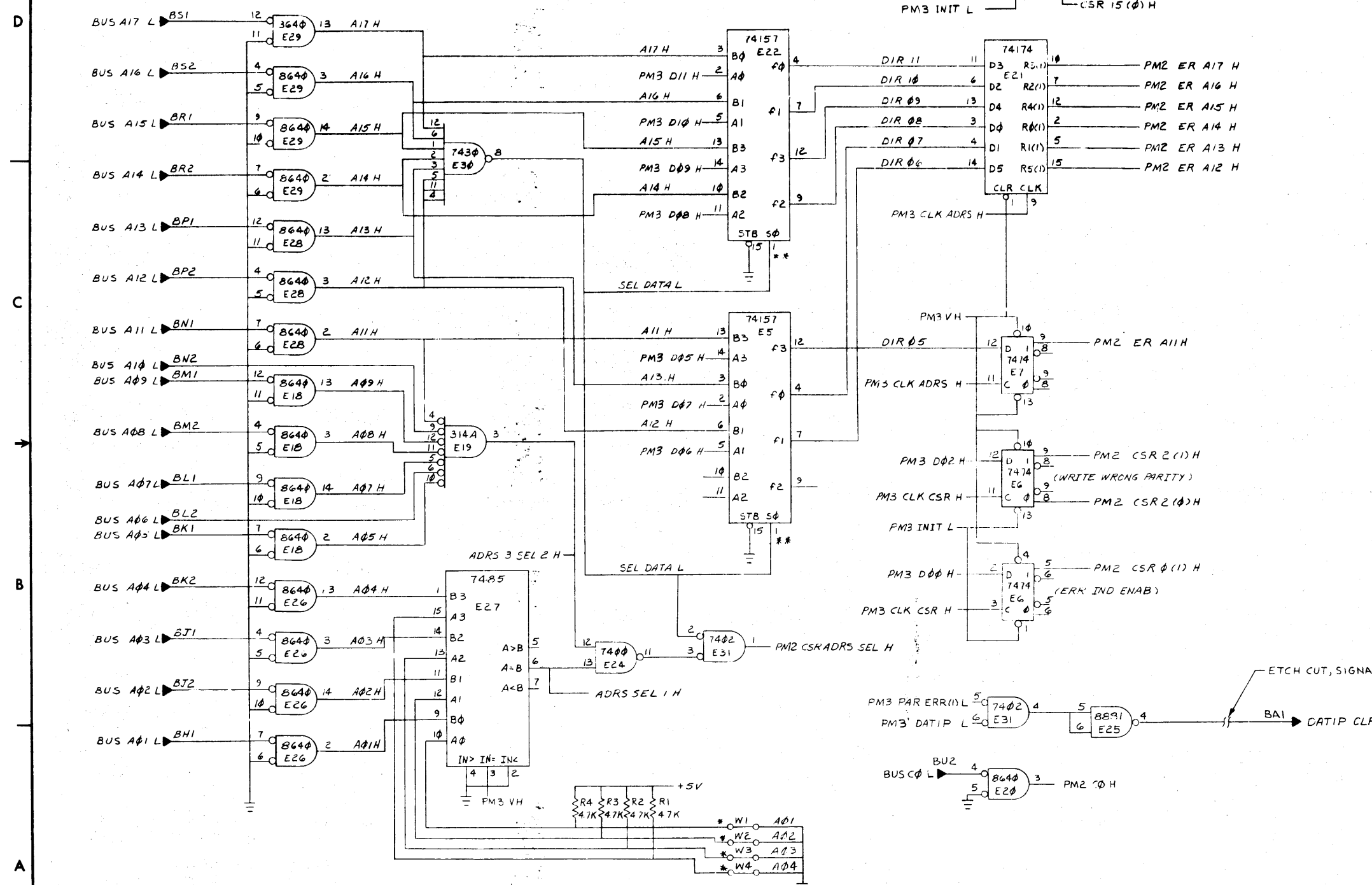
SCALE: DIST.

SEMICONDUCTOR CONVERSION CHART

SHEET 2 OF 3

15

"THIS DRAWING AND SPECIFICATIONS, HEREIN, ARE THE PROPERTY OF DIGITAL EQUIPMENT CORPORATION AND SHALL NOT BE REPRODUCED OR COPIED IN WHOLE OR IN PART AS THE BASIS FOR THE MANUFACTURE OR SALE OF ITEMS WITHOUT WRITTEN PERMISSION. COPYRIGHT © 1975 DIGITAL EQUIPMENT CORPORATION"



NOTES:
 * THE CSR REGISTER ADDRESS IS LOCATED BETWEEN 772100 AND 772136. IT IS SELECTED WITH JUMPERS WITHIN. REMOVING A JUMPER SELECTS A "ONE" FOR THAT BIT POSITION. (*)

MACHINE ADDRESS (WORDS) B	W4 A4	W3 A3	W2 A2	W1 A1
772100	IN	IN	IN	IN
772102	IN	IN	IN	OUT
772104	IN	IN	OUT	IN
772106	IN	IN	OUT	OUT
772110	IN	OUT	IN	IN
772112	IN	OUT	IN	OUT
772114	IN	OUT	OUT	IN
772116	IN	OUT	OUT	OUT
772120	OUT	IN	IN	IN
772122	OUT	IN	IN	OUT
772124	OUT	IN	OUT	IN
772126	OUT	IN	OUT	OUT
772130	OUT	OUT	IN	IN
772132	OUT	OUT	IN	OUT
772134	OUT	OUT	OUT	IN
772136	OUT	OUT	OUT	OUT

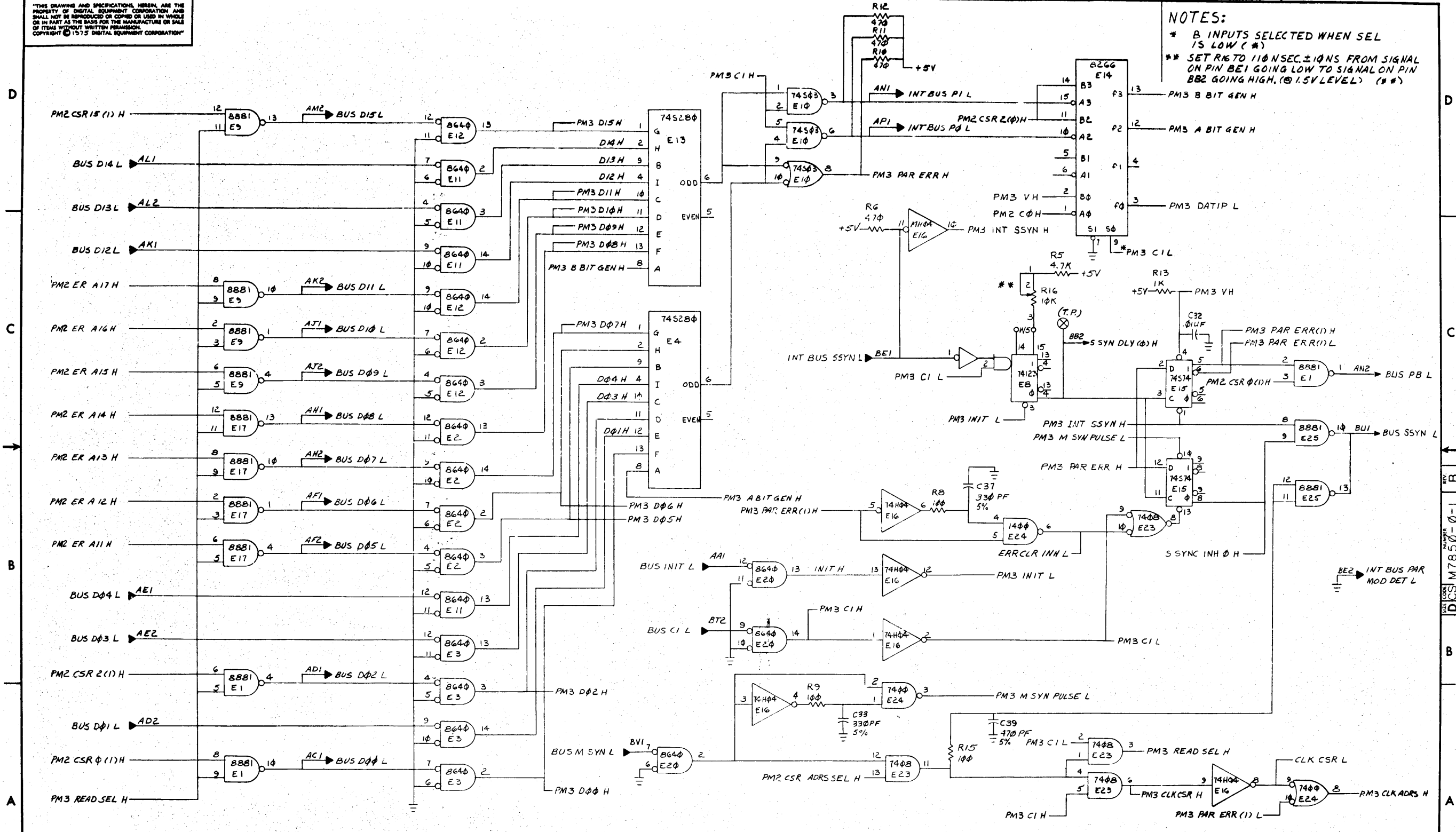
** THE "A" INPUTS ARE SELECTED WHEN THE SEL INPUT GOES LOW. (**)

REVISIONS	TITLE	SIZE CODE	NUMBER	REV.
CHK CHANGE NO. REV.	PARITY MODULE (PM2)	DCS	M7850-0-1	B
	SCALE	SHEET	2 OF 3	

96

"THIS DRAWING AND SPECIFICATIONS HEREIN ARE THE PROPERTY OF DIGITAL EQUIPMENT CORPORATION AND SHALL NOT BE REPRODUCED OR COPIED OR USED IN WHOLE OR IN PART AS THE BASIS FOR THE MANUFACTURE OR SALE OF ITEMS WITHOUT WRITTEN PERMISSION. COPYRIGHT © 1975 DIGITAL EQUIPMENT CORPORATION"

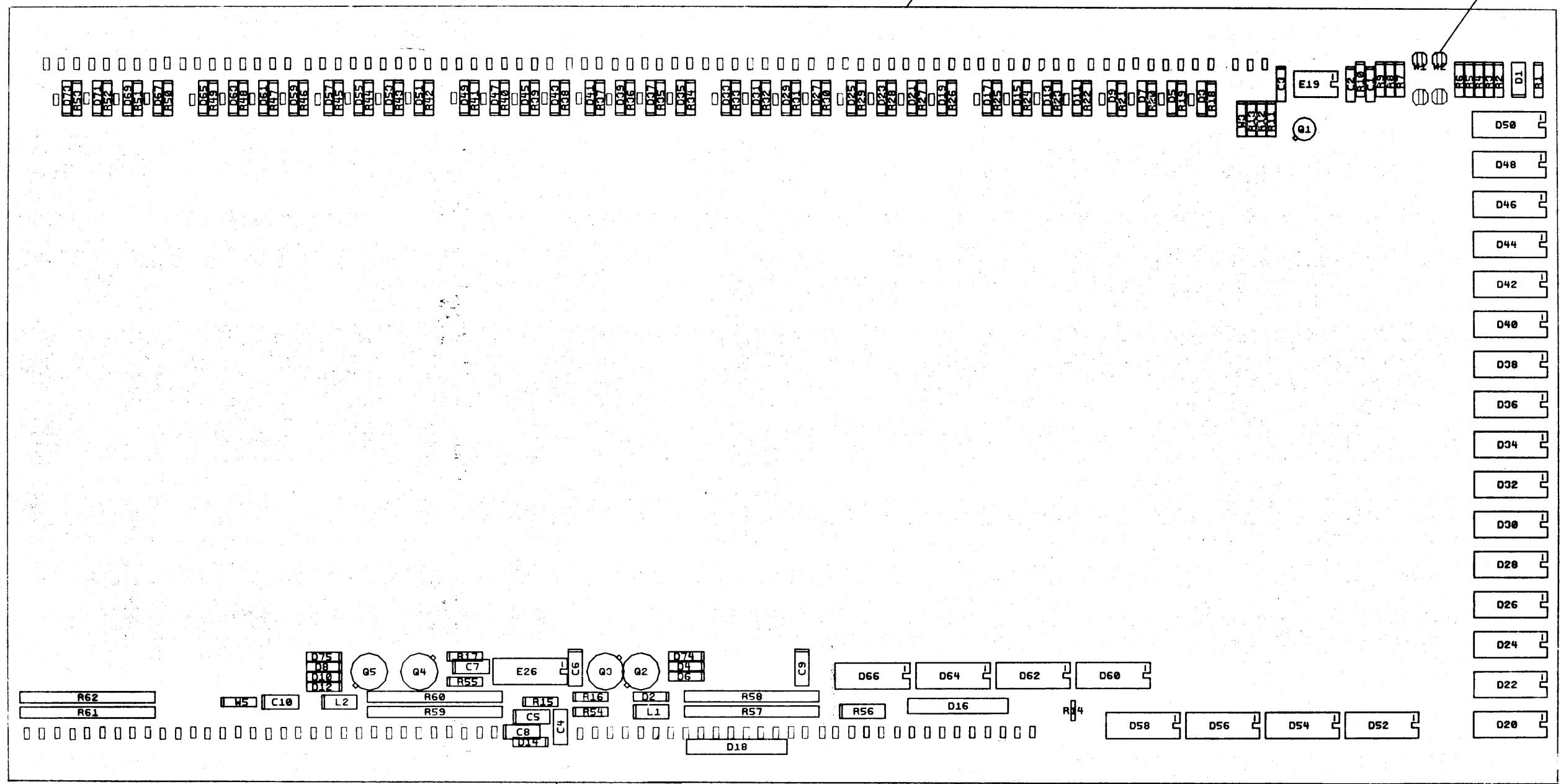
NOTES:
 * B INPUTS SELECTED WHEN SEL IS LOW (*)
 ** SET R16 TO 110 NSEC. ± 10% FROM SIGNAL ON PIN BE1 GOING LOW TO SIGNAL ON PIN BB2 GOING HIGH. (@ 1.5V LEVEL) (**)



REVISIONS		
CHK	CHANGE NO.	REV.

TITLE	SIZE CODE	NUMBER	REV.
PARITY MODULE (PM3)	DCS	M7850-0-1	B
SCALE	SHEET	3 OF 3	DIST.

THIS DRAWING IS THE PROPERTY OF DIGITAL EQUIPMENT CORPORATION AND SHALL BE RETURNED TO THE COMPANY ON DEMAND BY THE USER. IT IS NOT TO BE REPRODUCED OR TRANSMITTED IN ANY FORM OR BY ANY MEANS, ELECTRONIC OR MECHANICAL, INCLUDING PHOTOCOPYING, RECORDING, OR BY ANY INFORMATION STORAGE AND RETRIEVAL SYSTEM, WITHOUT WRITTEN PERMISSION. COPYRIGHT © 1975 DIGITAL EQUIPMENT CORPORATION



NOTES:

CHG. NO.	REV.	DATE	BY
5411554-0002	D		
D. SMELSER			

SIGNATURES	DATE	digital
DRN. C. Ellis	2/1/75	
CHK'D. J. Thompson	2/19/75	TITLE 16K X 16.18 MEMORY STACK
ENG. D. Smith	2/19/75	
PROD. J. Smith	2/19/75	SIZE CODE NUMBER REV
SCALE 2/1		D UA 5411554-0-0 D
SHT. / OF /		
ETCH REV C FIRST USED ON		

DIGITAL EQUIPMENT CORPORATION MAYNARD, MASSACHUSETTS PARTS LIST					QUANTITY/VARIATION											
MADE BY M. Poirier		CHECKED <i>V. Parshian</i>		SECTION												
DATE 7/7/75		DATE 7/7/75														
ENG <i>D. Smoker</i>		PROD <i>R. A. Hill</i>		ISSUED SECT.												
DATE 7/14/75		DATE 7/14/75														
ITEM NO.	DWG NO. / PART NO.	DESCRIPTION				QTY	REFERENCE DESIGNATIONS									
1	D-CS-5411554-0-1	CIRCUIT SCHEMATIC				REF										
2	D-AH-5411554-0-5	ASSY/DRILLING HOLE LAYOUT				REF										
3	B-MH-5411554-0-6	MODULE ECO HISTORY				REF										
4	5011493	ETCHED CIRCUIT BOARD				1										
5	1000026-00	CAP 680 PF 100V 5% DM				2	C5, C7									
6	1001610-01	CAP .01UF 100V CER				5	C1, C3, C6, C9, C10									
7	1010274-00	CAP .22UF 50V CER				3	C4, C8, C2									
8	1105275-00	DIODE D672				44	D2-D15, D17, D19, D21, D23, D25, D27 D29, D31, D33, D35, D37, D39, D41, D43, D45, D47, D49, D51, D53, D55, D59 D61, D63, D65, D67, D69, D71, D73, D74 D75									
9	1109990-00	DIODE, ZENER 1N757A 9.1V 5%				1	D1									
10	7010918-3-0	DIODE NETWORK				2	D16, D18									
11	1910010-00	DIODE PACK 2501				24	D20, D22, D24, D26, D28, D30, D32, D34 D36, D38, D40, D42, D44, D46, D48, D50 D52, D54, D56, D58, D60, D62, D64, D66									
12	1300229-00	RES 100 1/4W 5%				3	R13, R15, R17									
13	1301775-00	RES 820 1/4W 5%				1	R1									
14	1304862-00	RES 1.62K 1/8W 1%				1	R4									
15	1302871-00	RES 1.21K 1/8W 1%				1	R3									
16	1304833-00	RES 1.96K 1/8W 1%				1	R12,									
TITLE 16K x 16, 18 MEMORY STACK		ASSY NO. D-UA-5411554-0-0		SIZE A	CODE PL	NUMBER 5411554-0-0				REV. D	ECO NO. 0002					
		SHEET 1 OF 2		DIST.												

DEC FORM DEC 16-(325)-1031-N870
DRA

DIGITAL EQUIPMENT CORPORATION MAYNARD, MASSACHUSETTS PARTS LIST					QUANTITY/VARIATION											
MADE BY M. Poirier		CHECKED <i>V. Parshian</i>		SECTION												
DATE 7/7/75		DATE 7/7/75														
ENG <i>D. Smoker</i>		PROD <i>R. A. Hill</i>		ISSUED SECT.												
DATE 7/14/75		DATE 7/14/75														
ITEM NO.	DWG NO. / PART NO.	DESCRIPTION				QTY	REFERENCE DESIGNATIONS									
17	1303045-00	RES 3.16K 1/4W 1%				1	R2									
18	1300479-00	RES 10K 1/4W 5%				1	R16									
19	1303312-00	RES 10K 1/8W 1%				1	R5									
20	1300316-00	RES 470 1/4W 5%				1	R11									
21	1303155-00	RES 21.5K 1/8W 1%				1	R6									
22	1302396-00	RES 150K 1/4W 5%				2	R8, R9									
23	1301781-00	RES 82 1/2W 5%				1	R56									
24	1300202-00	RES 47 1/4W 5%				2	R54, R55									
25	1300365-00	RES 1K 1/4W 5%				37	R18-R53, R7									
26	1310071-00	RES 1K 1% THERMISTER				1	R14									
27	1311742-00	RES NETWORK 220 1/4W 1%				6	R57-R62									
28	1503366-00	TRANS 2N3736				4	Q2-Q5									
29	1503409-01	TRANS 6534B				1	Q1									
30	1610662-00	INDUCTOR 100UH				2	L1, L2									
31	1910298-00	I.C. 72741				1	E1									
32	1910546-00	I.C. 74S140				1	E2									
33	1211727-00	CONTACT, MALE				179	J1-J179									
34	9009185-00	JUMPER, INSULATED (.4 LONG)				1	W5									
35	9107560-01	JUMPER, BUSS WIRE (#22 AWG)				4	W1-W4 (OPTIONAL)									
36	9006735-00	EYELET (SPLIT LUG)				4										
37	1305114-00	RES 3.48K 1/8W 1%				1	R10									
TITLE 16K x 16, 18 MEMORY STACK		ASSY NO. D-UA-5411554-0-0		SIZE A	CODE PL	NUMBER 5411554-0-0				REV. D	ECO NO.					
		SHEET 2 OF 2		DIST.												

DEC FORM DEC 16-(325)-1031-N870
DRA

DIGITAL EQUIPMENT CORPORATION MAYNARD, MASSACHUSETTS PARTS LIST					QUANTITY / VARIATION																
MADE BY D. HEALY		CHECKED D. HEALY		SECTION 1	MS11-E	MS11-EP	MS11-F	MS11-FP	MS11-J	MS11-JP											
DATE 10/6/75		DATE 10/6/75																			
ENG R. BARRY R Barry		PRODR K [Signature]		ISSUED SECT. 1																	
DATE 10-27-75		DATE 10/27/75																			
ITEM NO.	DWG NO. / PART NO.	DESCRIPTION																			
	D-CS-M7847-AA-1	UNIBUS MOS MEM			1	-	-	-	-	-											
	D-CS-M7847-AB-1	UNIBUS MOS MEM			-	1	-	-	-	-											
	D-CS-M7847-AC-1	UNIBUS MOS MEM			-	-	1	-	-	-											
	D-CS-M7847-AD-1	UNIBUS MOS MEM			-	-	-	1	-	-											
	D-CS-M7847-AH-1	UNIBUS MOS MEM			-	-	-	-	1	-											
	D-CS-M7847-AJ-1	UNIBUS MOS MEM			-	-	-	-	-	1											
TITLE MOS RAM (MS11-E)		ASSY NO. NONE		SIZE A	CODE PL	NUMBER MS11-E-Ø				REV. A	ECO NO. MS11-E-00001										
		SHEET 1 OF 1		DIST.																	

DEC FORM DEC 16-(325)-1031-N870
DRA 110

101

THIS DRAWING AND SPECIFICATIONS HEREIN ARE THE PROPERTY OF DIGITAL EQUIPMENT CORPORATION AND SHALL NOT BE REPRODUCED OR COPIED OR USED IN WHOLE OR IN PART AS THE BASIS FOR THE MANUFACTURE OR SALE OF ITEMS WITHOUT WRITTEN PERMISSION
 COPYRIGHT © 1975 DIGITAL EQUIPMENT CORPORATION

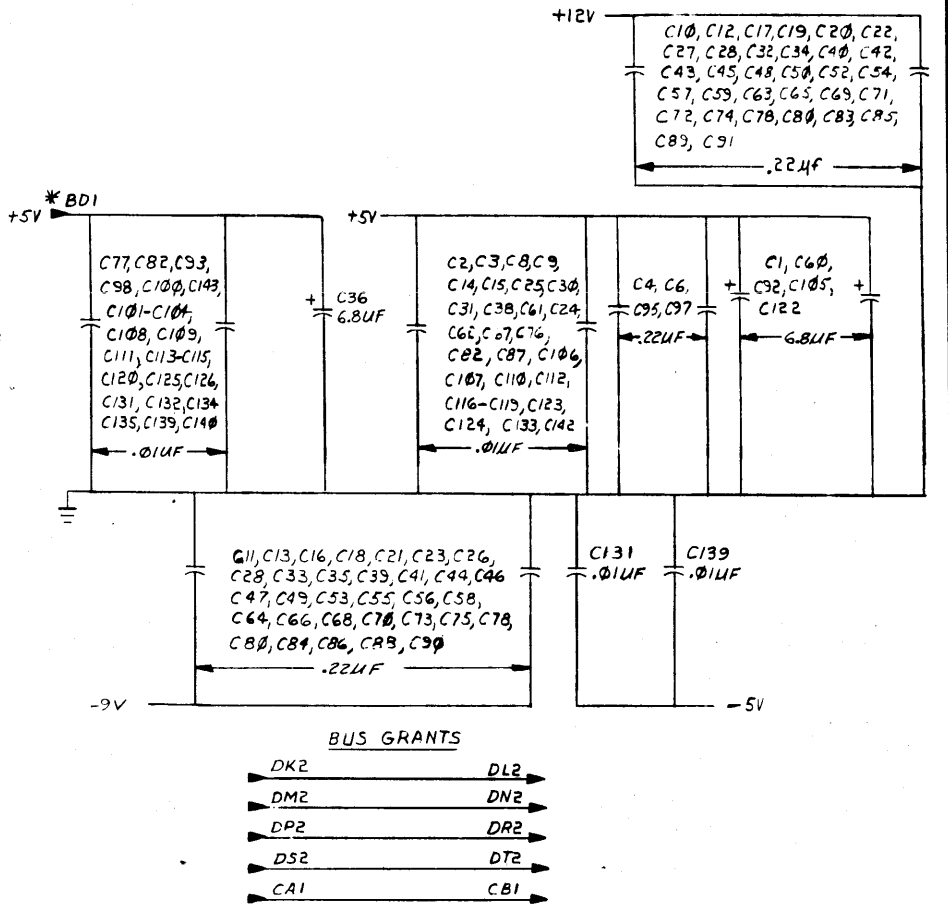
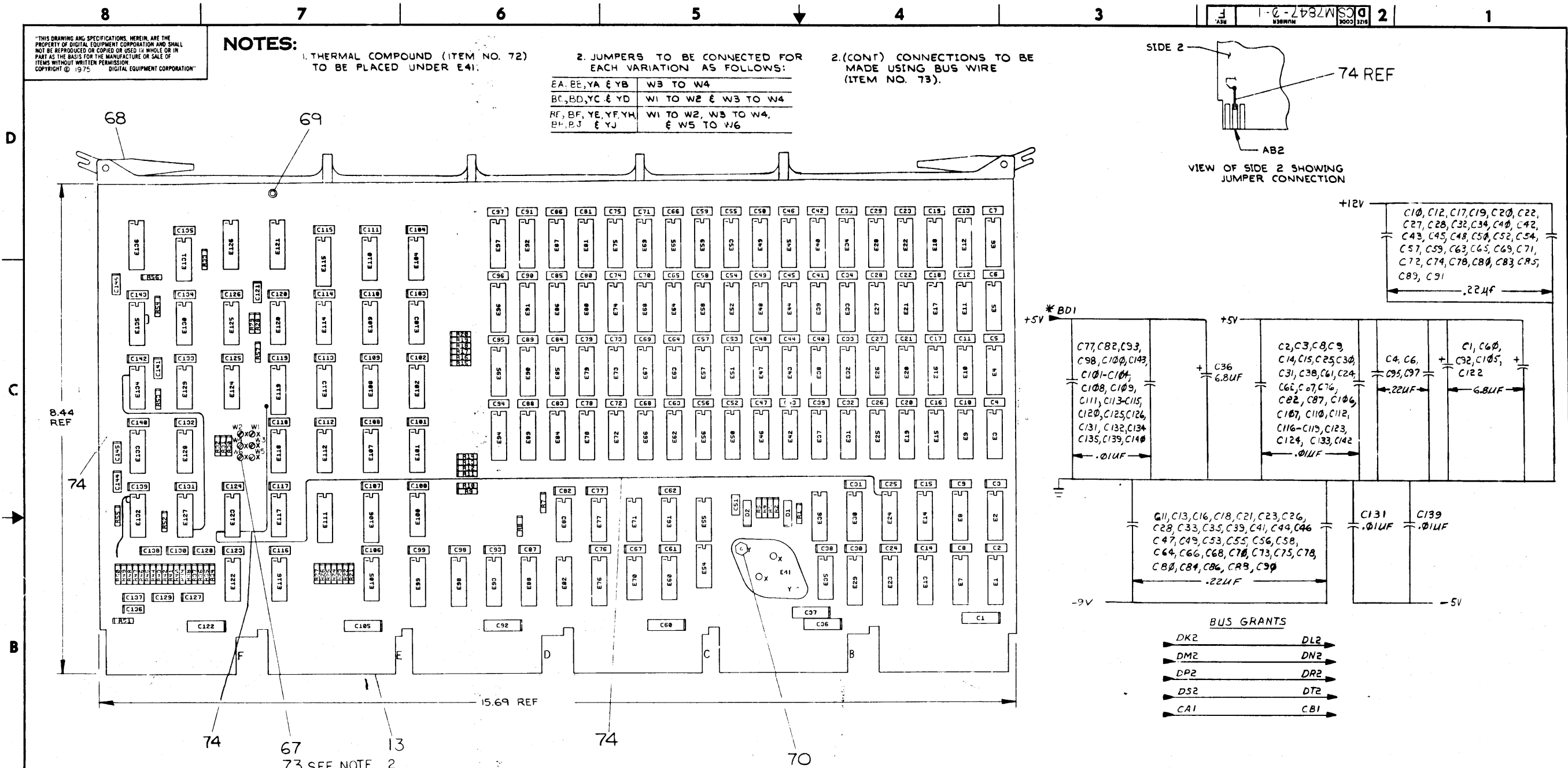
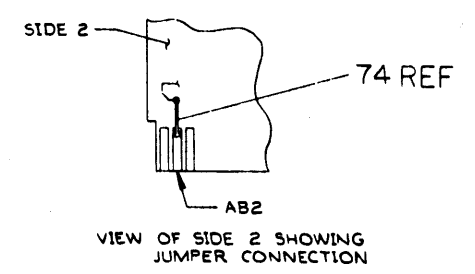
NOTES:

1. THERMAL COMPOUND (ITEM NO. 72) TO BE PLACED UNDER E41.

2. JUMPERS TO BE CONNECTED FOR EACH VARIATION AS FOLLOWS:

EA, EE, YA & YB	W3 TO W4
BC, BD, YC & YD	W1 TO W2 & W3 TO W4
RF, BF, YE, YF, YH, BH, BJ & YJ	W1 TO W2, W3 TO W4, & W5 TO W6

2.(CONT) CONNECTIONS TO BE MADE USING BUS WIRE (ITEM NO. 73).



7475	12	5	-
74S153	8	16	-
75107	7	14	13
74174	8	16	-
8641	8	16	-
8648	1	8	-
7483	12	5	-
IC TYPE	GND	+5V	-5V

GND AND -5V ARE USUALLY PIN 7 AND 14 RESPECTIVELY EXCEPTIONS ARE STATED ABOVE
 IC PIN LOCATIONS

73 SEE NOTE 2

70
71
72 SEE NOTE 1

FOR PARTS LIST REFER TO SHEETS 2 & 3

QTY	REF. DESIGNATION	DESCRIPTION	PART NO.	ITEM NO.
PARTS LIST				
ETCH BOARD REV. D				

DRN	DATE	
CHKD	DATE	
ENG	DATE	
PROJ. ENG.	DATE	
PROD.	DATE	
TITLE UNIBUS MOS MEMORY		
NEXT HIGHER ASSY		
SCALE	DIST.	REV. F
SHEET 1 OF 16		

SEMICONDUCTOR CONVERSION CHART

DEC. NO.	EIA NO.	DEC. NO.	EIA NO.

102

"THIS DRAWING AND SPECIFICATIONS, HEREIN, ARE THE PROPERTY OF DIGITAL EQUIPMENT CORPORATION AND SHALL NOT BE REPRODUCED OR COPIED OR USED IN WHOLE OR IN PART AS THE BASIS FOR THE MANUFACTURE OR SALE OF ITEMS WITHOUT WRITTEN PERMISSION. COPYRIGHT © 1975 DIGITAL EQUIPMENT CORPORATION"

NOTES:

- DEC PART NO. 1001610-00 IS AN ACCEPTABLE REPLACEMENT FOR DEC PART NO. 1001610-01 (ITEM 14).
- VARIATIONS YATHRU VJ ITEM 21: DI DIODE, ZENER IN757A, 9.1V, 5% (1109990-00)
 VARIATIONS YATHRU YL ITEM 26: R2 RES 270, 1/4W, 5% CC (1301972-00)
 VARIATIONS BATHRU BJ DI DIODE, ZENER IN751A, 5.1V, 5% (1109940-00)
 VARIATIONS YA THRU YJ R2 560, 1/4W, 5% CC (1301890-00)
 VARIATIONS YATHRU YK ITEM 65: 4K16PIN MOSRAM VBB = -9V (21-11749-00)
 VARIATIONS BATHRU BL ITEM 65: 4K16PIN MOSRAM VBB = -5V (21-12726-00)

PARTS LIST

QTY	QTY	QTY	QTY	QTY	QTY	QTY	QTY	QTY	REF DESIGNATION	DESCRIPTION	PART NO.	ITEM NO
1	1	1	1	1	1	1	1	1		DATA BASE TAPE	5011215-0-0	1
								1		DATA BASE TAPE	M7847-YA-0	2
								1		DATA BASE TAPE	M7847-YB-0	3
								1		DATA BASE TAPE	M7847-YC-0	4
								1		DATA BASE TAPE	M7847-YD-0	5
								1		DATA BASE TAPE	M7847-YE-0	6
								1		DATA BASE TAPE	M7847-YF-0	7
								1		DATA BASE TAPE	M7847-YH-0	8
								1		DATA BASE TAPE	M7847-YJ-0	9
REF	REF	REF	REF	REF	REF	REF	REF	REF		ASSY LAYOUT	D-AH-M7847-0-5	10
REF	REF	REF	REF	REF	REF	REF	REF	REF		DRILLING HOLE LAYOUT	D-AH-5011215-0-5	11
REF	REF	REF	REF	REF	REF	REF	REF	REF		MODULE ECO HISTORY	B-MH-M7847-0-6	12
1	1	1	1	1	1	1	1	1		ETCHED CIRCUIT BOARD	5011215	13
57	57	57	57	57	57	57	57	57		CAP .01UF, 100V, 20% DISC C2, C3, C8, C9, C14, C15, C24, C25, C30, C31, C38, C61, C82, C87, C76, C77, C82, C87, C93, C98, C184, C188 - C120, C123-C127, C131-C137, C139, C140, C142, C143	1001610-01(SEE NOTE)	14
				37	37	37	37	37		CAP .22UF, 50V CER C6, C7, C12, C13, C18, C19, C22, C23, C28, C29, C34, C35, C41, C42, C45, C46, C49, C51, C54, C55, C58, C59, C65, C68, C70, C74, C75, C80, C81, C85, C86, C90, C91, C97, C71, C96	1010274-01	15
73	73	73	73							CAP 6.0UF, 35V, 10% S-TANT C1, C36, C37, C60, C92, C185, C122	1005306-00	16
2	2	2	2	2	2	2	2	2		CAP 47PF, 100V, 5% DM C141, C146	1000011-00	17
4	4	4	4	4	4	4	4	4		CAP 220PF, 100V, 1% DM C128 - C130, C138	1012121-00	18
1	1	1	1	1	1	1	1	1		CAP 220PF, 100V, 5% DM C121	1000021-00	19
2	2	2	2	2	2	2	2	2		CAP 560PF, 100V, 5% DM C144, C145	1000025-00	20
1	1	1	1	1	1	1	1	1		SEE NOTE 2 D1		21
1	1	1	1	1	1	1	1	1		DIODE, ZENER IN751A, 5.1V, 5% D2	1110994-00	22
13	13	13	13	13	13	13	13	13		RES 10, 1/4W, 5%, CC R9, R20, R57	1302124-00	23
16	16	16	16	16	16	16	16	16		RES 1K, 1/4W, 5%, CC R7, R8, R21-R27, R30-R33, R52, R54, R55	1300365-00	24
5	5	5	5	5	5	5	5	5		RES 500, 1/4W, 5%, CC R3-R5, R20, R29	1301890-00	25
1	1	1	1	1	1	1	1	1		SEE NOTE 2 R2		26
1	1	1	1	1	1	1	1	1		RES 300, 1/4W, 5%, CC R53	1300309-00	27
1	1	1	1	1	1	1	1	1		RES 10K, 1/4W, 5%, CC R1	1300479-00	28
1	1	1	1	1	1	1	1	1		RES 30K, 1/4W, 5%, CC R48	1302394-00	29
7	7	7	7	7	7	7	7	7		RES 1K, 1/4W, 1%, MF R37, R38, R41, R45, R47, R49, R50	1303114-00	30
1	1	1	1	1	1	1	1	1		RES 681, 1/4W, 1%, MF R34	1302872-00	31
3	3	3	3	3	3	3	3	3		RES 4.7K, 1/4W, 5%, CC R36, R46, R51	1300447-00	32
1	1	1	1	1	1	1	1	1		RES 100, 1/4W, 5%, CC R56	1300229-00	33
1	1	1	1	1	1	1	1	1		RES 1.54K, 1/4W, 1%, MF R43	1312480-00	34
1	1	1	1	1	1	1	1	1		RES 1.05K, 1/4W, 1%, MF R40	1312479-00	35
1	1	1	1	1	1	1	1	1		RES 2.7K, 1/4W, 5%, CC R35	1300426-00	36
1	1	1	1	1	1	1	1	1		RES 6.8K, 1/4W, 5%, CC R39	1301423-00	37
1	1	1	1	1	1	1	1	1		RES 12K, 1/4W, 5%, CC R44	1300488-00	38
1	1	1	1	1	1	1	1	1		RES 4.3K, 1/4W, 5%, CC R42	1302389-00	39
6	6	6	6	6	6	6	6	6		IC 74174 E2, E8, E14, E24, E30, E36	1910652-00	40
5	5	5	5	5	5	5	5	5		IC 8641 E1, E7, E13, E23, E29	1910790-00	41

CHK	CHANGE NO.	REV.

DCS M7847-0-1 2

PARTS LIST

QTY	QTY	QTY	QTY	QTY	QTY	QTY	QTY	QTY	REF DESIGNATION	DESCRIPTION	PART NO.	ITEM NO
1	1	1	1	1	1	1	1	1	E35	IC 8881	1909705-00	42
6	6	6	6	6	6	6	6	6	E54, E55, E60, E81, E70, E71	IC 8640	1911469-00	43
2	2	2	2	2	2	2	2	2	E77, E135	IC 7474	1905547-00	44
1	1	1	1	1	1	1	1	1	E83	IC 74197	1910035-00	45
5	5	5	5	5	5	5	5	5	E76, E82, E88, E115, E119	IC 7475	1909050-00	46
3	3	3	3	3	3	3	3	3	E93, E98, E99	IC 74S153	1910547-00	47
6	6	6	6	6	6	6	6	6	E100-E103, E107, E109	IC 74S140	1910548-00	48
2	2	2	2	2	2	2	2	2	E104, E105	IC 7420	1905577-00	49
1	1	1	1	1	1	1	1	1	E106	IC 7483	1909932-00	50
3	3	3	3	3	3	3	3	3	E110, E113, E131	IC 7400	1905575-00	51
3	3	3	3	3	3	3	3	3	E112, E110, E123	IC 74S20	1910539-00	52
1	1	1	1	1	1	1	1	1	E117	IC 7405	1910011-00	53
1	1	1	1	1	1	1	1	1	E124	IC 74S84	1910534-00	54
1	1	1	1	1	1	1	1	1	E125	IC 74S83	1910533-00	55
3	3	3	3	3	3	3	3	3	E127, E132, E133	IC 75107	1910268-00	56
1	1	1	1	1	1	1	1	1	E128	IC 74S85	1910535-00	57
1	1	1	1	1	1	1	1	1	E129	IC 7404	1909888-00	58
3	3	3	3	3	3	3	3	3	E114, E120, E122	IC 7448	1905579-00	59
1	1	1	1	1	1	1	1	1	E116	IC 74S11	1910537-00	60
1	1	1	1	1	1	1	1	1	E108	IC 7437	1910091-00	61
1	1	1	1	1	1	1	1	1	E41	IC 7012	1912040-01	62
1	1	1	1	1	1	1	1	1	E134	IC 74S10	1910536-00	63
1	1	1	1	1	1	1	1	1	E130	IC 74S74	1910544-00	64
								18	E12, E18, E22, E28, E34, E40, E45, E49, E59, E65, E69, E75, E81, E87, E92, E97			
								18	E6, E12, E18, E22, E28, E34, E40, E45, E49, E53, E59, E65, E69, E75, E81, E87, E92, E97			
								32	E11, E12, E17, E18, E21, E22, E27, E28, E33, E34, E39, E40, E44, E45, E48, E49, E50, E59, E64, E65, E68, E69, E74, E75, E80, E81, E86, E87, E91, E92, E96, E97			
								36	E5, E6, E11, E12, E17, E18, E21, E22, E27, E28, E33, E34, E39, E40, E44, E45, E48, E49, E52, E53, E58, E59, E64, E65, E68, E69, E74, E75, E80, E81, E86, E87, E91, E92, E98, E97			
								48	E10-E12, E16-E18, E20-E22, E26-E28, E32-E34, E38-E40, E43-E45, E47-E49, E57-E59, E63-E65, E67-E69, E73-E75, E79-E81, E85-E87, E89-E92, E95-E97			
								54	E4, E6, E10-E12, E16-E18, E20-E22, E26-E28, E32-E34, E38-E40, E43-E45, E47-E49, E51-E53, E57-E59, E63-E65, E67-E69, E73-E75, E79-E81, E85-E87, E89-E92, E95-E97			
								64	E9-E12, E15-E22, E25-E28, E31-E34, E37-E40, E42-E49, E94-E97, E56-E59, E62-E69, E72-E75, E78-E81, E84-E87, E89-E92			
72									E3-E6, E9-E12, E15-E22, E25-E28, E31-E34, E37-E40, E42-E53, E56-E59, E62-E69, E72-E75, E78-E81, E84-E87, E89-E92, E94-E97			

SEE NOTE 2

10.

"THIS DRAWING AND SPECIFICATIONS HEREIN ARE THE PROPERTY OF DIGITAL EQUIPMENT CORPORATION AND SHALL NOT BE REPRODUCED OR COPIED OR USED IN WHOLE OR IN PART AS THE BASIS FOR THE MANUFACTURE OR SALE OF ITEMS WITHOUT WRITTEN PERMISSION. COPYRIGHT © 1975 DIGITAL EQUIPMENT CORPORATION"

									PARTS LIST			
RU	BU	BF	BF	BD	RC	BB	BA		REF DESIGNATION	DESCRIPTION	PART NO.	ITEM NO.
M7847-YJ-1	M7847-YH-1	M7847-YF-1	M7847-YE-1	M7847-YD-1	M7847-YC-1	M7847-YB-1	M7847-YA-1					
QTY	QTY	QTY	QTY	QTY	QTY	QTY	QTY					
1	1	1	1	1	1	1	1	E111	DIP SWITCH	1211164-04		66
6	6	6	6	6	6	6	6		SPLIT LUGS	9006735-00		67
1	1	1	1	1	1	1	1		HANDLE ASSY	1210711-02		68
12	12	12	12	12	12	12	12		EYELET	9006732-00		69
2	2	2	2	2	2	2	2		NUT, KEP #4-40	9008557-00		70
2	2	2	2	2	2	2	2		SCR, PPH, #4-40 X .31	9008010-01		71
A/R	A/R	A/R	A/R	A/R	A/R	A/R	A/R		THERMAL COMPOUND	9008288-00		72
A/R	A/P	A/R	A/R	A/R	A/R	A/R	A/R		WIRE, #22 AWG BUS	9107560-01		73
A/R	A/R	A/R	A/R	A/R	A/R	A/R	A/R		WIRE, #30 AWG WIRE WRAP	9105740-55		74

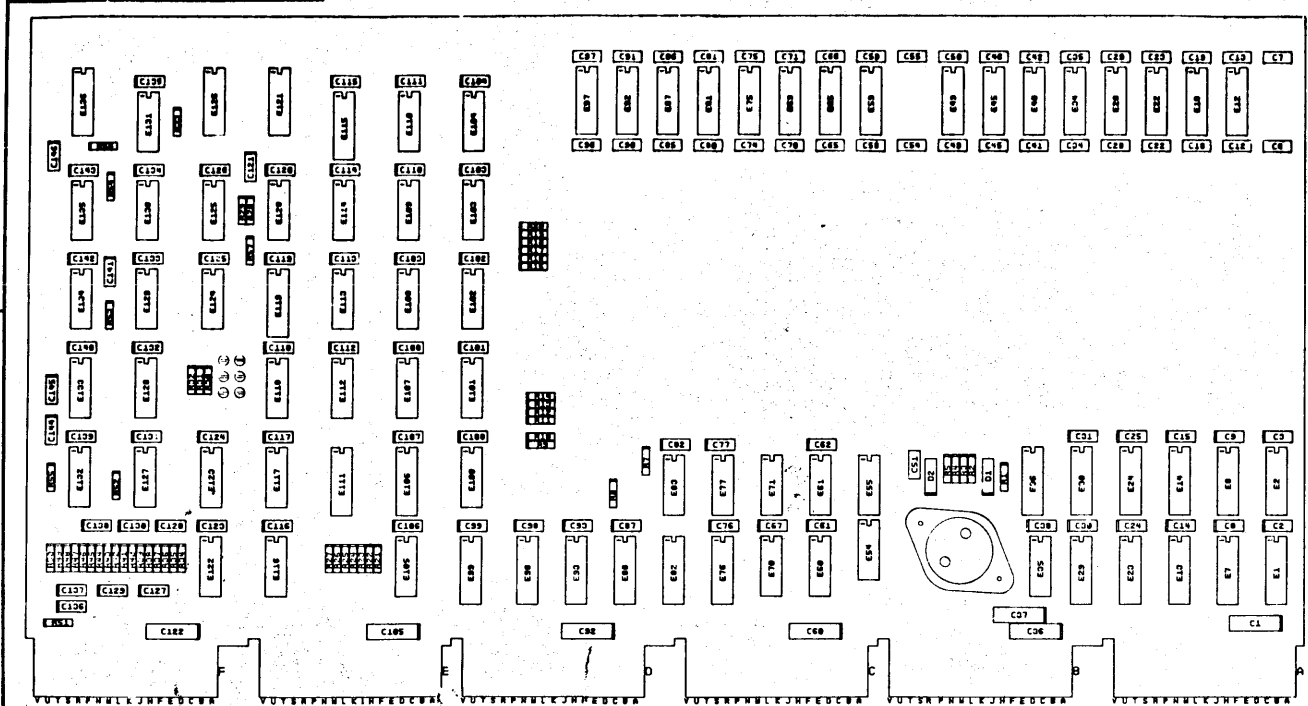
REVISIONS		
CHK	CHANGE NO.	REV.

D CS M7847-0-1

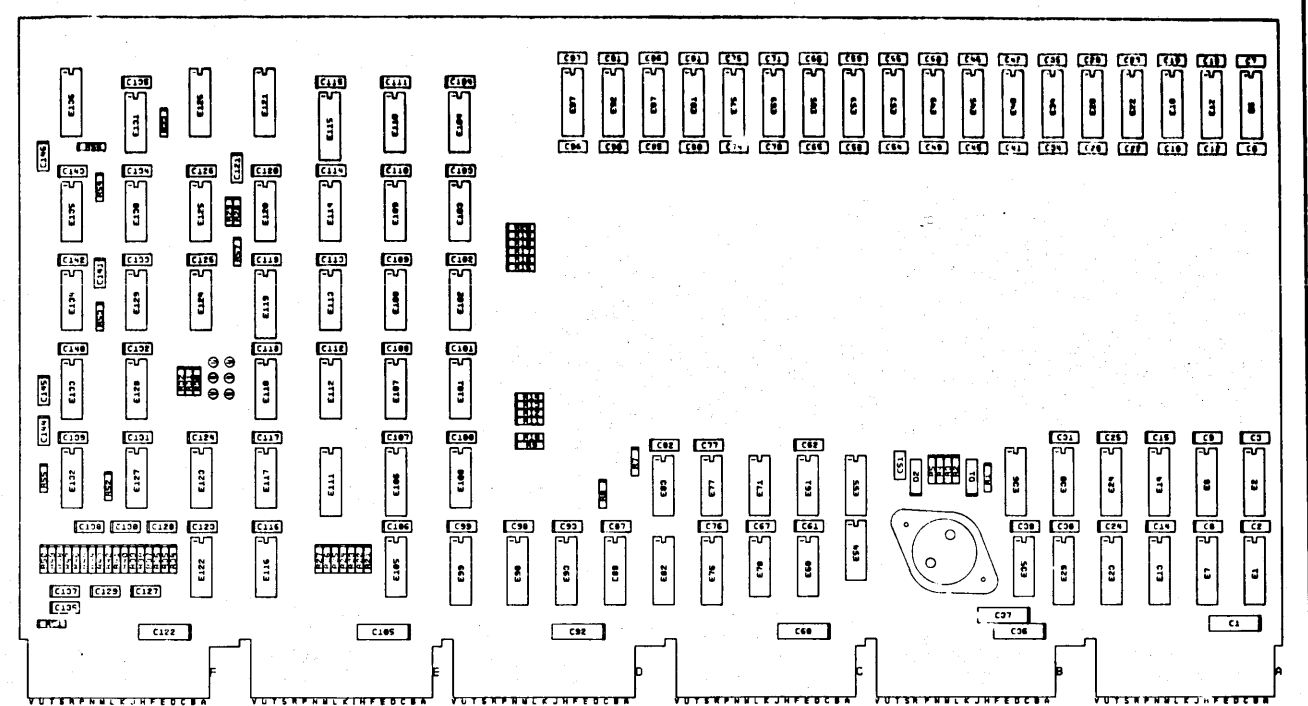
104

THIS DRAWING AND SPECIFICATIONS, HEREIN, ARE THE PROPERTY OF DIGITAL EQUIPMENT CORPORATION AND SHALL NOT BE REPRODUCED OR COPIED OR USED IN WHOLE OR IN PART AS THE BASIS FOR THE MANUFACTURE OR SALE OF ITEMS WITHOUT WRITTEN PERMISSION OF DIGITAL EQUIPMENT CORPORATION.

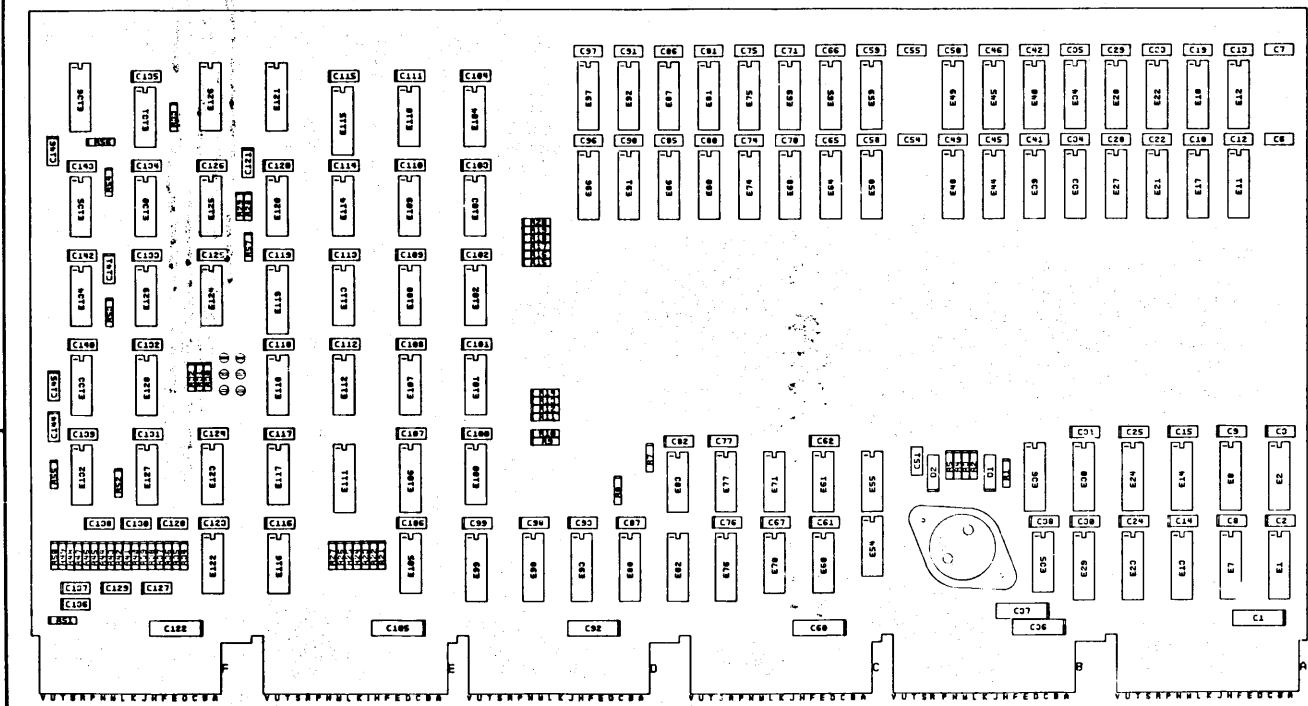
NOTE:
THESE OVERLAYS ONLY TO INDICATE POSITIONS FOR 4K MOS MEMORY IC'S & .22UF CAPS.



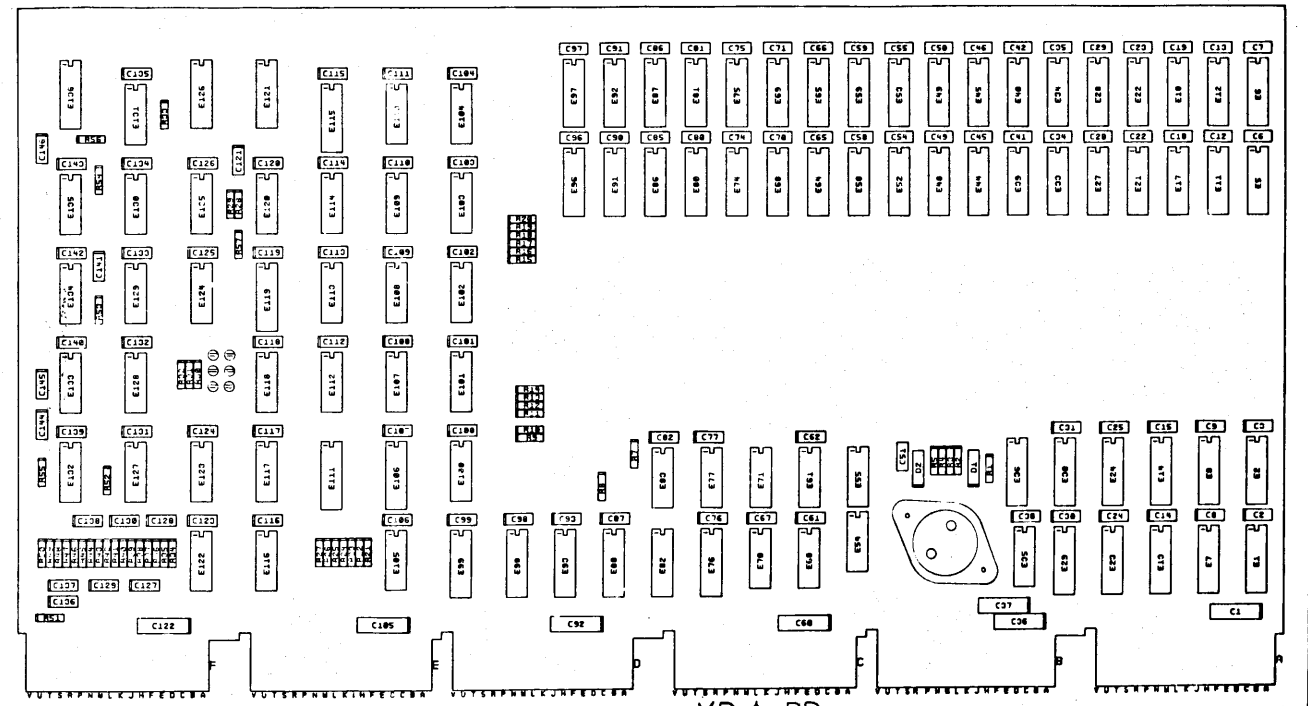
-YA & -BA



-YB & -BB



-YC & -BC



-YD & -BD

REVISIONS		
CHK	CHANGE NO	REV.

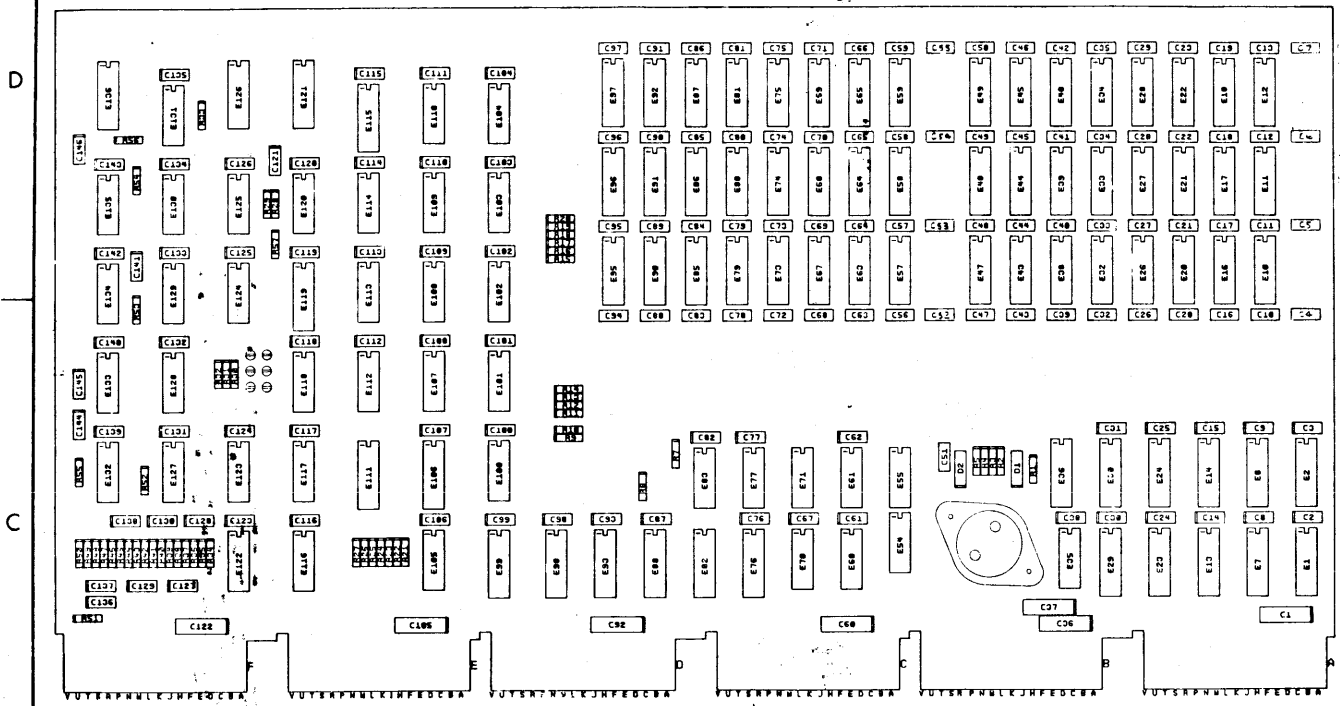
TITLE	UNIBUS MOS MEMORY	SIZE CODE	D CS	NUMBER	M7847-0-1	REV.	F
SCALE	SHEET 4 OF 16		DIST.				

DCS M7847-0-1 F

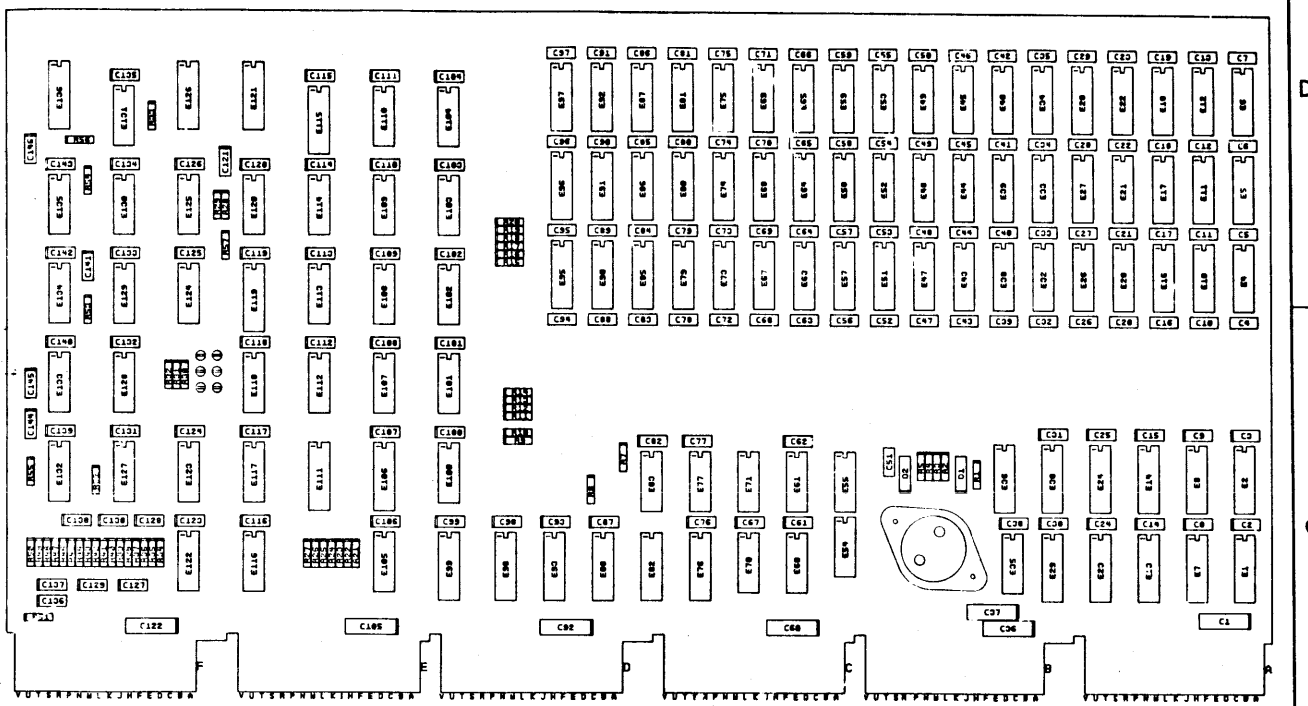
105

THIS DRAWING AND SPECIFICATIONS HEREIN ARE THE PROPERTY OF DIGITAL EQUIPMENT CORPORATION AND SHALL NOT BE REPRODUCED OR COPIED OR USED IN WHOLE OR IN PART AS THE BASIS FOR THE MANUFACTURE OR SALE OF ITEMS WITHOUT WRITTEN PERMISSION. COPYRIGHT © 1977 DIGITAL EQUIPMENT CORPORATION.

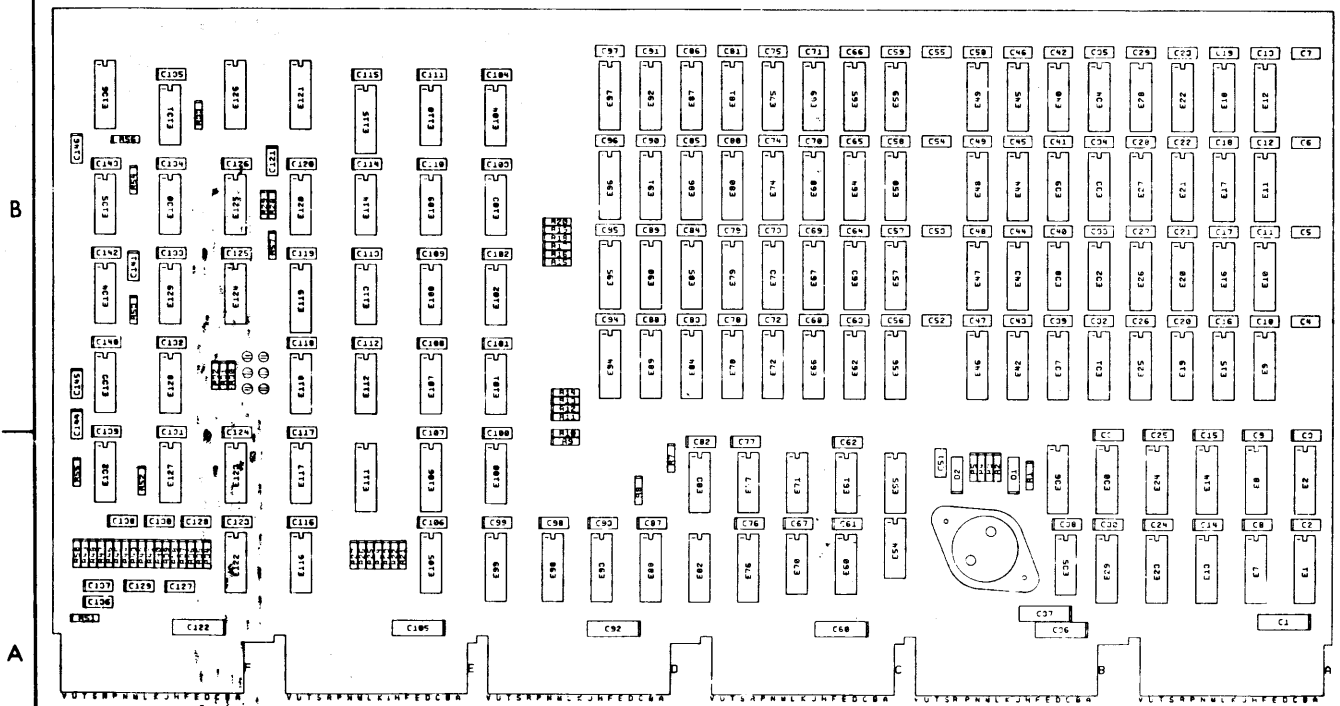
NOTE:
THESE OVERLAYS ONLY TO INDICATE POSITIONS FOR 4K MOS MEMORY IC'S AND .22UF CAPS.



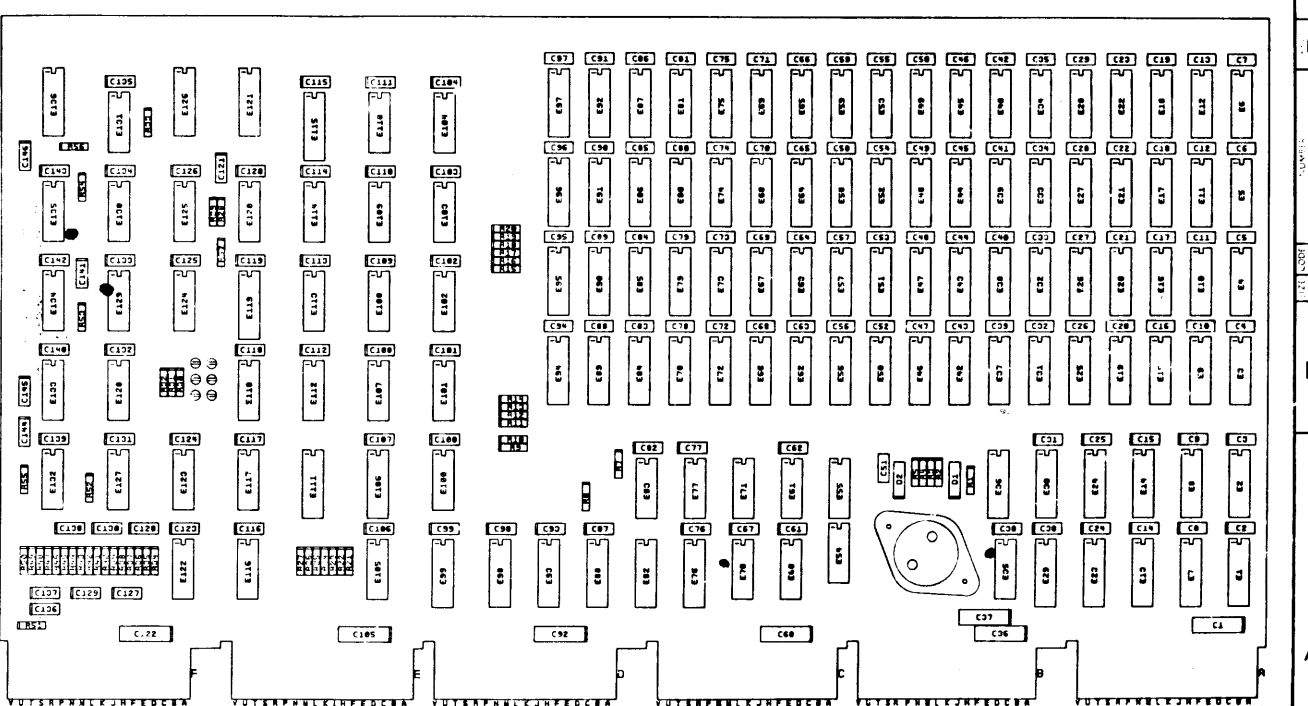
-YE & -BE



-YF & -BF



-YH & -BH



-YJ & -BJ

REVISIONS		
CHK	CHANGE NO	REV

TITLE	SIZE CODE	NUMBER	REV.
UNIBUS MOS MEMORY	D CS	M7847-0-1	F
SCALE	SHEET 5 OF 16	DIST.	

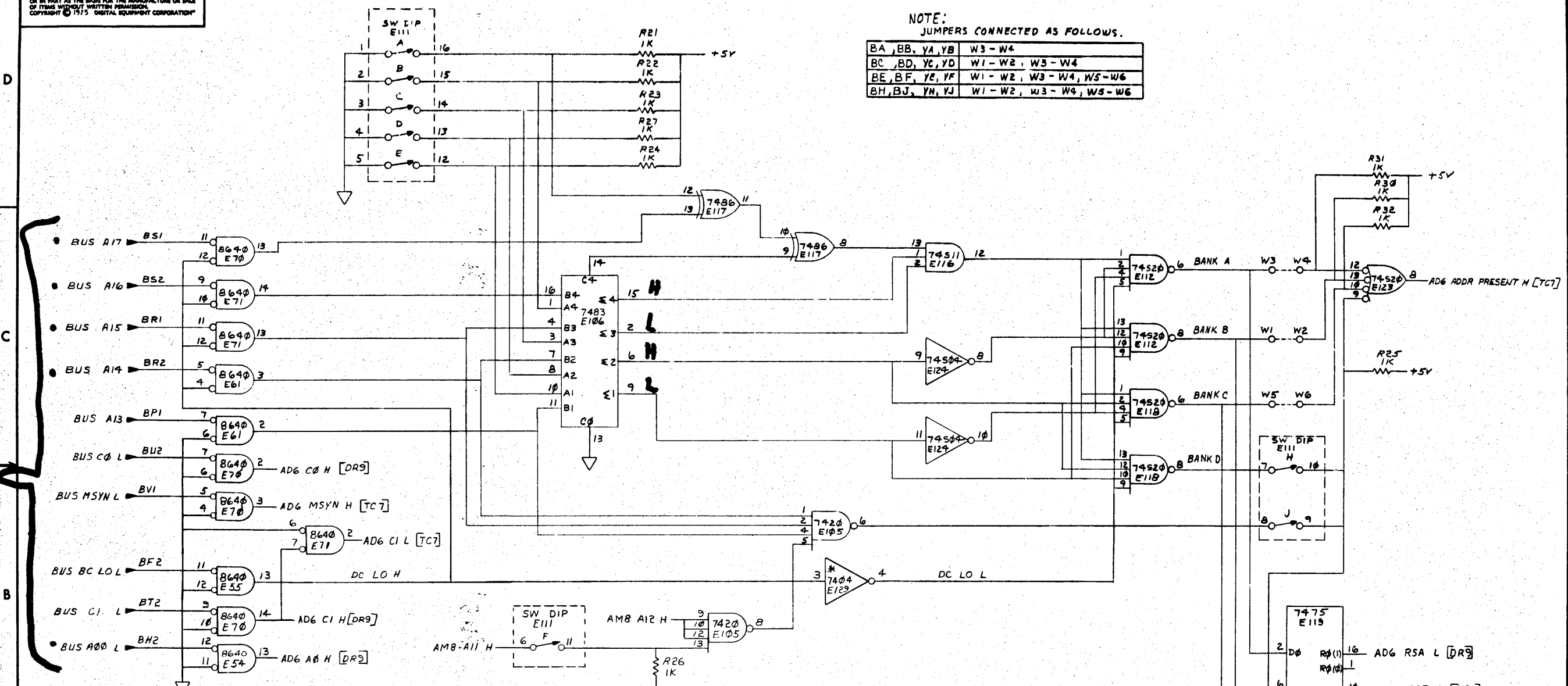
D CS M7847-0-1

106

"THIS DRAWING AND SPECIFICATIONS HEREIN ARE THE PROPERTY OF DIGITAL EQUIPMENT CORPORATION AND SHALL NOT BE REPRODUCED OR COPIED OR USED IN WHOLE OR IN PART AS THE BASIS FOR THE MANUFACTURE OR SALE OF ITEMS WITHOUT WRITTEN PERMISSION. COPYRIGHT © 1975 DIGITAL EQUIPMENT CORPORATION"

NOTE:
JUMPERS CONNECTED AS FOLLOWS.

BA, BB, YA, YB	W3 - W4
BC, BD, YC, YD	W1 - W2, W3 - W4
BE, BF, YE, YF	W1 - W2, W3 - W4, W5 - W6
BH, BJ, YH, YJ	W1 - W2, W3 - W4, W5 - W6



ASSY VARIATION	F	H	J
BA, BB, YA, YB, YC, YD, BC, BD, BE, BF, YE, YF	OFF	OFF	OFF
BH, BJ, YH, YJ, NORMAL OPERATION	OFF	ON	OFF
BH, BJ, YH, YJ * 2K I/O PAGE	OFF	ON	ON
BH, BJ, YH, YJ * 3K I/O PAGE	ON	ON	ON

* A-E MUST BE SET FOR STARTING ADDRESS OF 100 000.

STARTING ADDRESS	SWITCH					STARTING ADDRESS	SWITCH					STARTING ADDRESS	SWITCH										
	A	B	C	D	E		A	B	C	D	E		A	B	C	D	E						
0	1	1	1	0	0	200,000	1	0	1	0	0	400,000	0	1	1	0	0	600,000	0	0	1	0	0
20,000	1	1	0	1	1	220,000	1	0	0	1	1	420,000	0	1	0	1	1	620,000	0	0	0	1	1
40,000	1	1	0	1	0	240,000	1	0	0	1	0	440,000	0	1	0	1	0	640,000	0	0	0	1	0
60,000	1	1	0	0	1	260,000	1	0	0	0	1	460,000	0	1	0	0	1	660,000	0	0	0	0	1
100,000	1	1	0	0	0	300,000	1	0	0	0	0	500,000	0	1	0	0	0	700,000	0	0	0	0	0
120,000	1	0	1	1	1	320,000	0	1	1	1	1	520,000	0	0	1	1	1	720,000	1	1	1	1	1
140,000	1	0	1	1	0	340,000	0	1	1	1	0	540,000	0	0	1	1	0	740,000	1	1	1	1	0
160,000	1	0	1	0	1	360,000	0	1	1	0	1	560,000	0	0	1	0	1						

0 = ON
1 = OFF

* Note SW. Ho on for 10 K Bds Only

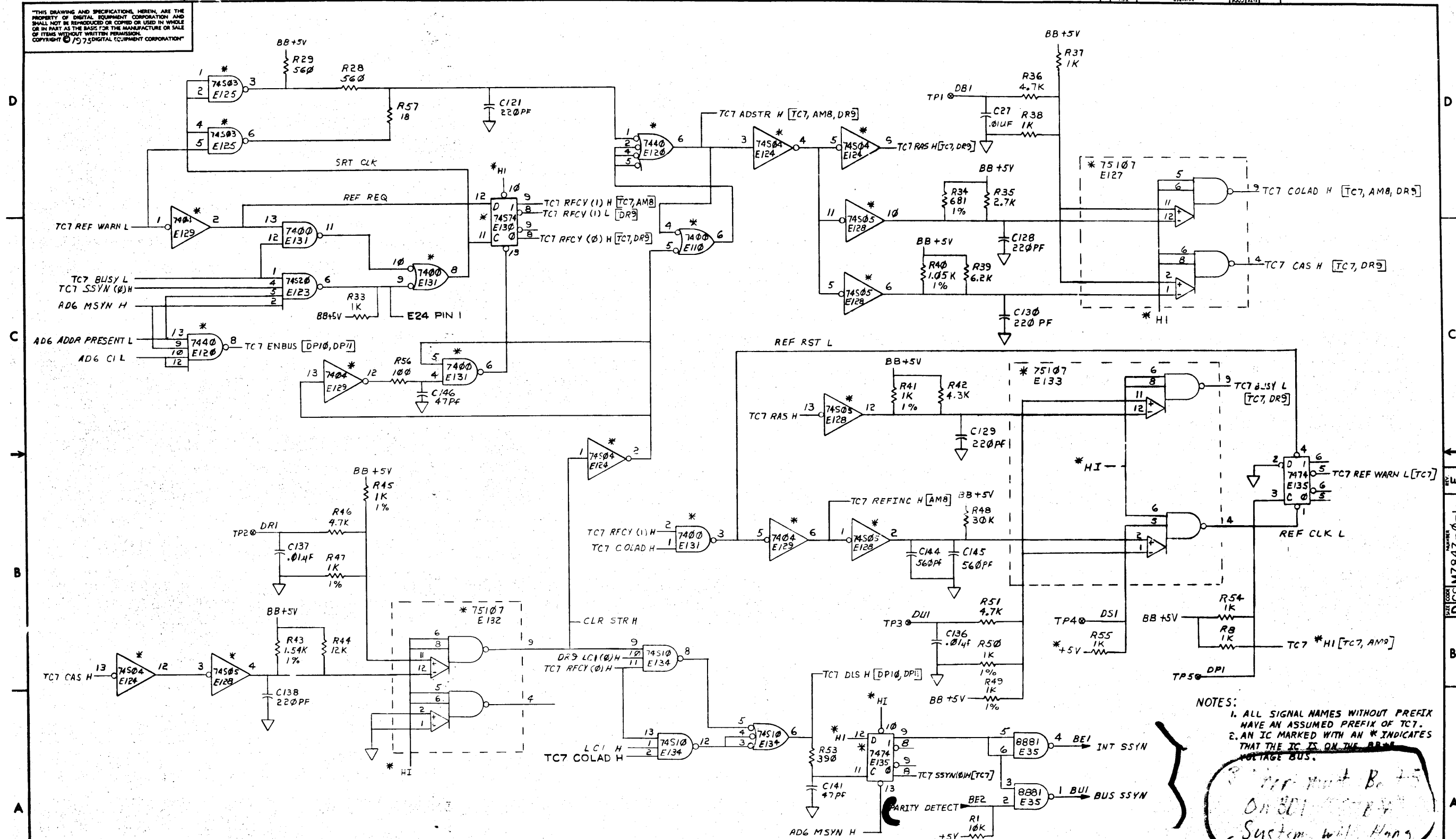
CHK	CHANGE NO.	REV.

TITLE	SIZE CODE	NUMBER	REV.
UNIBUS MOS MEMORY (AD6)	D CS	M7847-0-1	F

SCALE: 1/8" = 1" SHEET: 6 OF 16 DIST.:

REV. F

"THIS DRAWING AND SPECIFICATIONS, HEREIN, ARE THE PROPERTY OF DIGITAL EQUIPMENT CORPORATION AND SHALL NOT BE REPRODUCED OR COPIED OR USED IN WHOLE OR IN PART AS THE BASIS FOR THE MANUFACTURE OR SALE OF ITEMS WITHOUT WRITTEN PERMISSION. COPYRIGHT © 1975 DIGITAL EQUIPMENT CORPORATION"



NOTES:
 1. ALL SIGNAL NAMES WITHOUT PREFIX HAVE AN ASSUMED PREFIX OF TCT.
 2. AN IC MARKED WITH AN * INDICATES THAT THE IC IS ON THE BB+5V VOLTAGE BUS.

Handwritten note:
 * must be +5V on D01 system with Hang

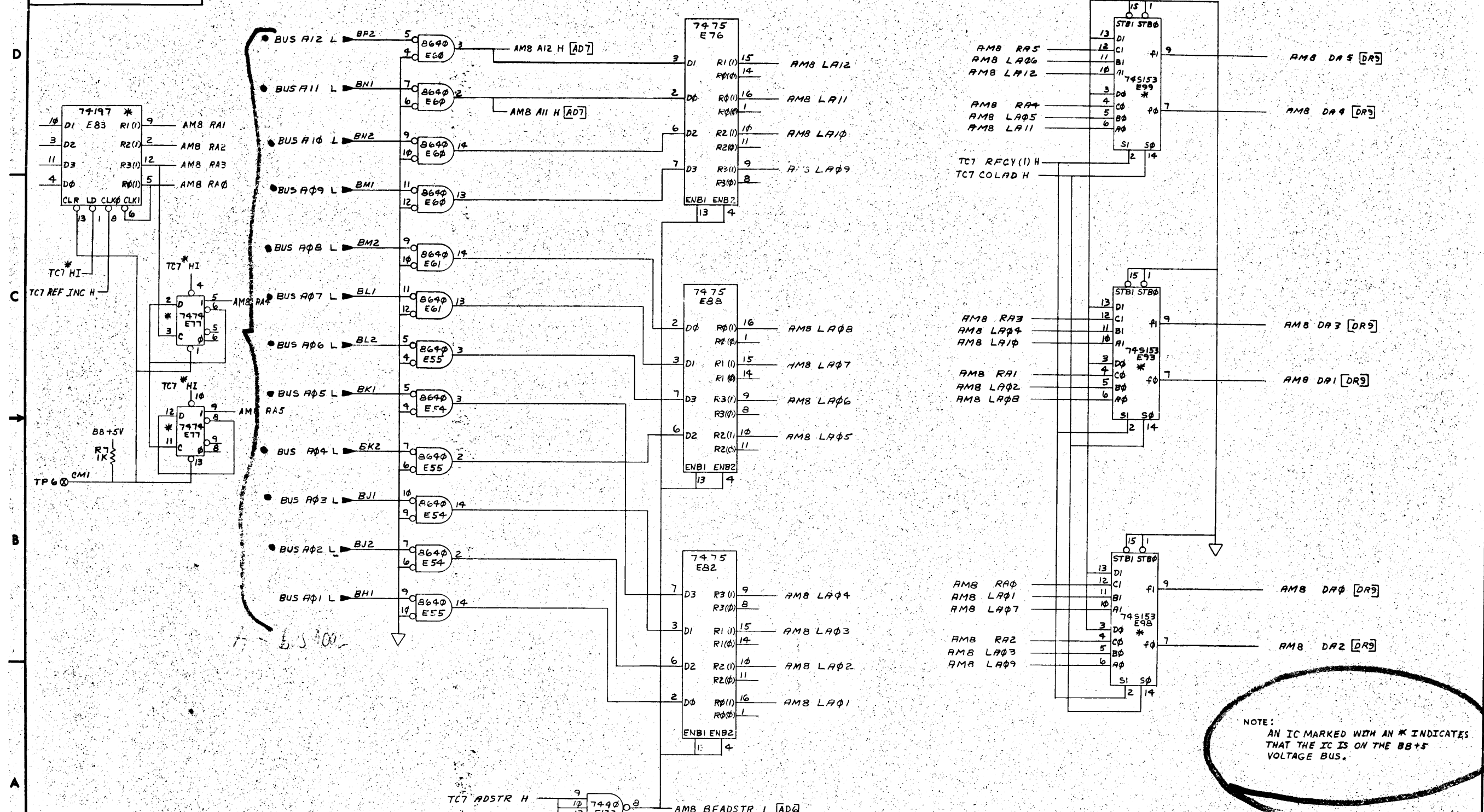
(TIMING CHAIN)

TITLE	UNIBUS MOS MEMORY (TC7)	REV.	F
SCALE	++	SHEET	7 OF 7
DIST.	DCS M7847-0-1		

CHK	CHANGE NO.	REV.

Handwritten note:
 Note

THIS DRAWING AND SPECIFICATIONS, HEREIN, ARE THE PROPERTY OF DIGITAL EQUIPMENT CORPORATION AND SHALL NOT BE REPRODUCED OR COPIED OR USED IN WHOLE OR IN PART AS THE BASIS FOR THE MANUFACTURE OR SALE OF ITEMS WITHOUT WRITTEN PERMISSION. COPYRIGHT © 1977 DIGITAL EQUIPMENT CORPORATION



NOTE:
AN IC MARKED WITH AN * INDICATES THAT THE IC IS ON THE BB+5 VOLTAGE BUS.

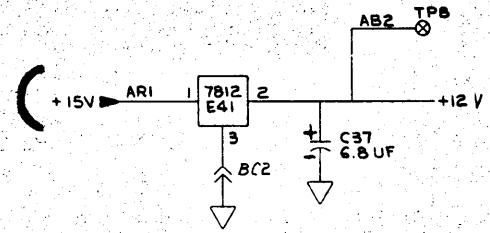
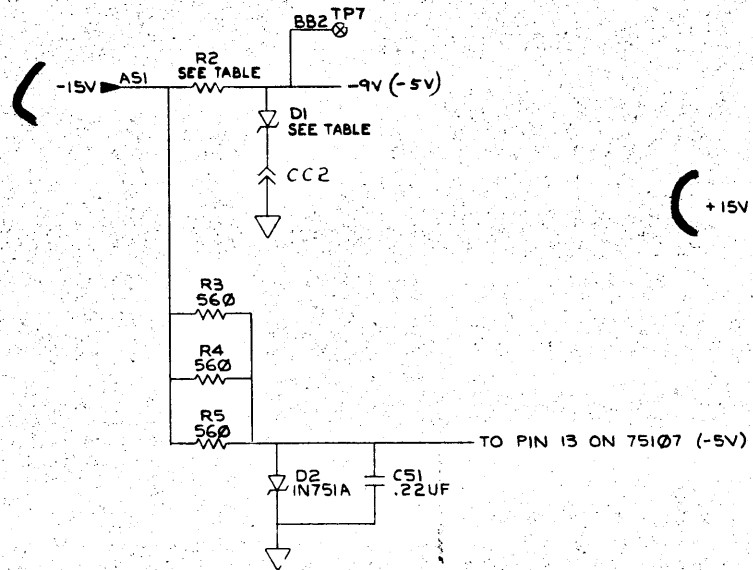
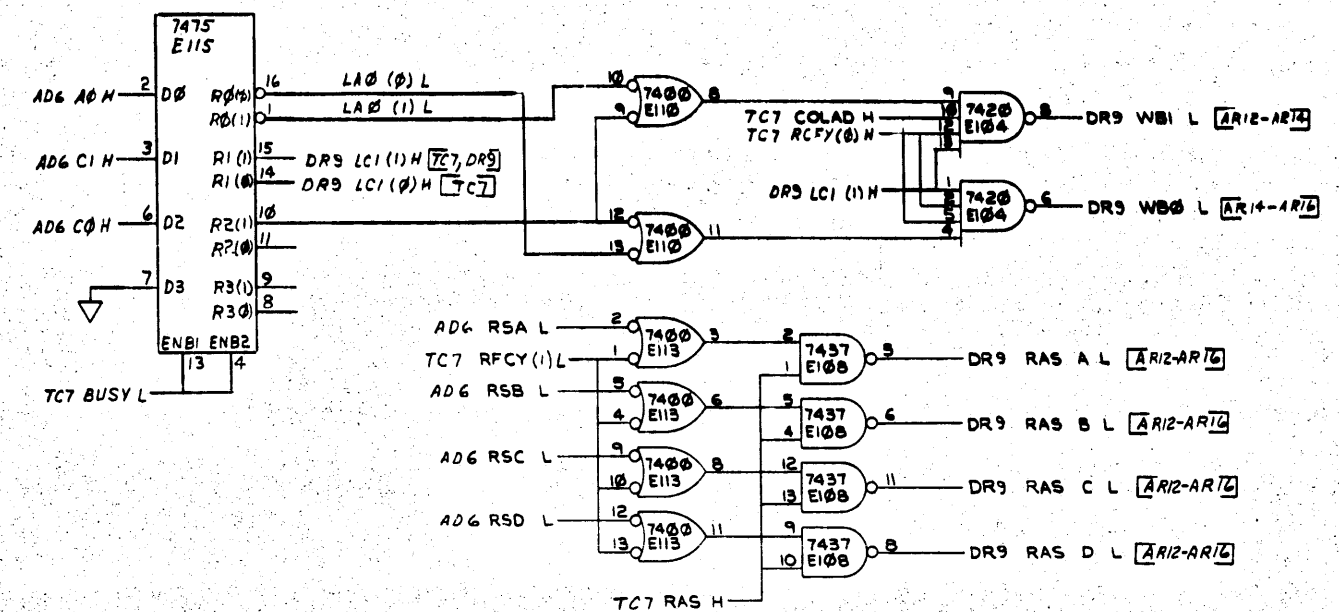
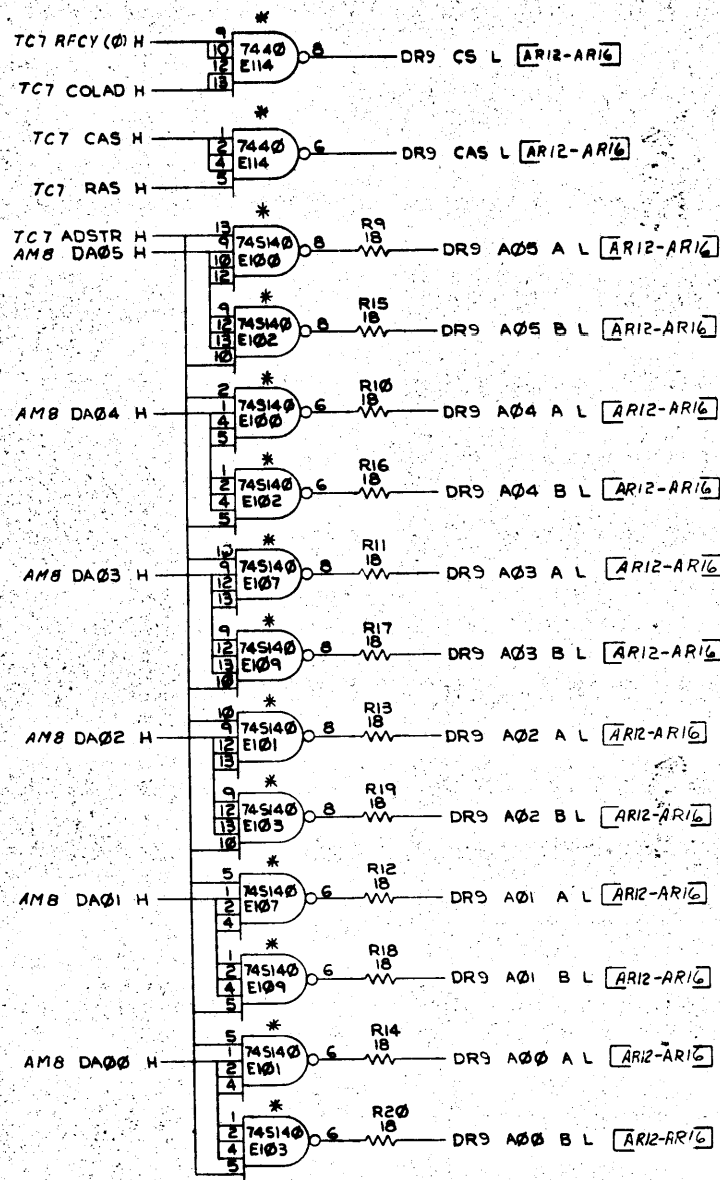
REVISIONS		
CHK	CHANGE NO.	REV.

(ADDRESS MULTIPLEX)			
TITLE	SIZE	NUMBER	REV.
UNIBUS MOS MEMORY (AMB)	D	DCS M7847-0-1	F
SCALE	SHEET 8 OF 16	DIST.	

"THIS DRAWING AND SPECIFICATIONS HEREIN ARE THE PROPERTY OF DIGITAL EQUIPMENT CORPORATION AND SHALL NOT BE REPRODUCED OR COPIED OR USED IN WHOLE OR IN PART AS THE BASIS FOR THE MANUFACTURE OR SALE OF ITEMS WITHOUT THE WRITTEN PERMISSION OF DIGITAL EQUIPMENT CORPORATION"

D
C
B
A

D
C
B
A



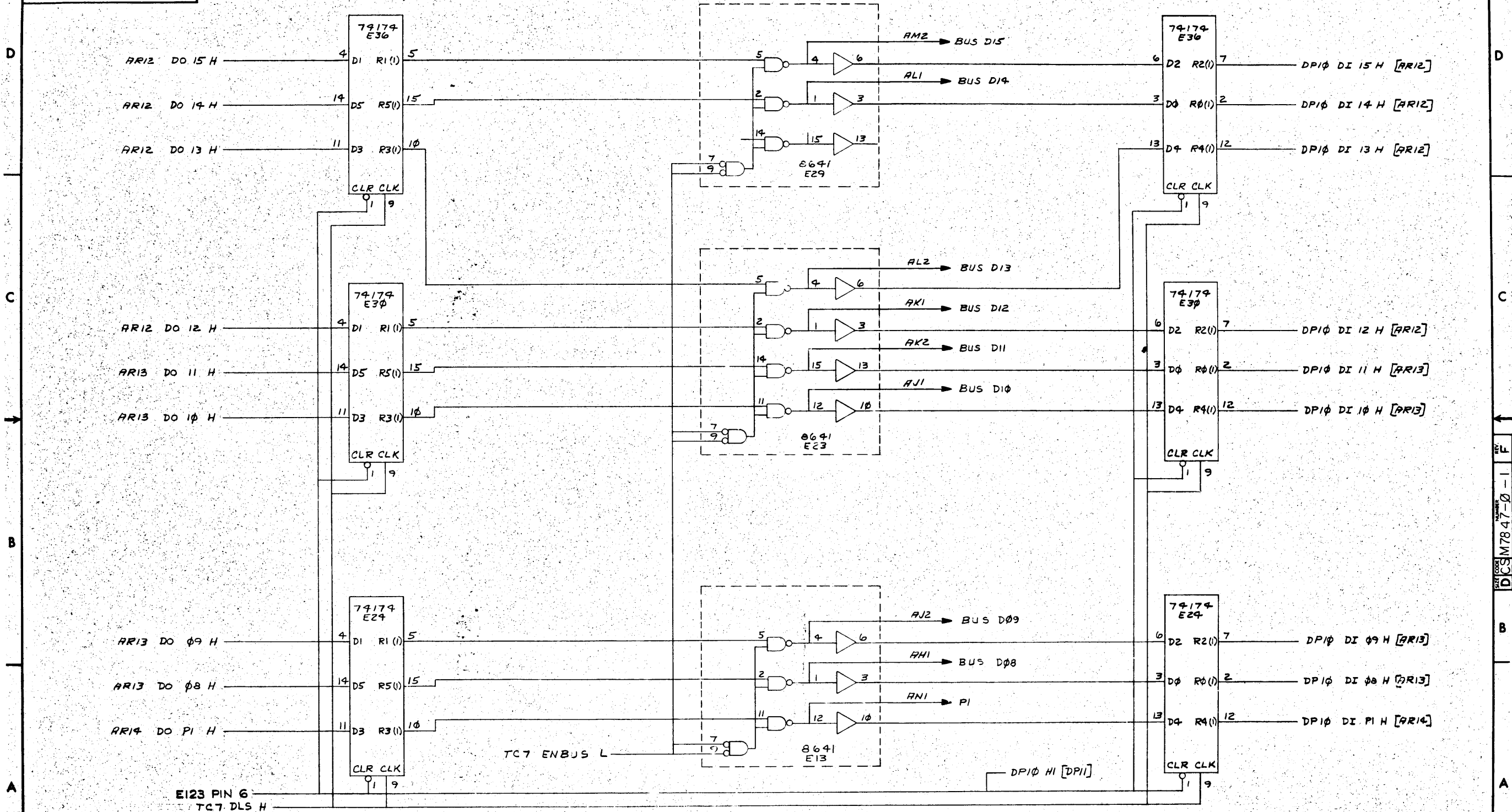
VARIATION	R2 VALUE	D1 VALUE
YA, YB, YC, YD	270	IN 757A 9V
BA, BB, BC, BD, BE, BF	560Ω	IN 751A 5V

But with -15
 Note without **+15** you can't
 examine that memory loc that are
 to AP...
 Note without **-15** you can't
 examine Address what portion of the
 memory loc...
 missing from
 (DRIVERS)

REVISIONS		
CHK	CHANGE NO.	REV.

TITLE	UNIBUS MOS MEMORY	DCS M7847-0-1	REV. F
SCALE	1:1	SHEET 9 OF 16	DNT.

"THIS DRAWING AND SPECIFICATIONS, HEREIN, ARE THE PROPERTY OF DIGITAL EQUIPMENT CORPORATION AND SHALL NOT BE REPRODUCED OR COPIED OR USED IN WHOLE OR IN PART AS THE BASIS FOR THE MANUFACTURE OR SALE OF ITEMS WITHOUT WRITTEN PERMISSION. COPYRIGHT © 1975 DIGITAL EQUIPMENT CORPORATION"

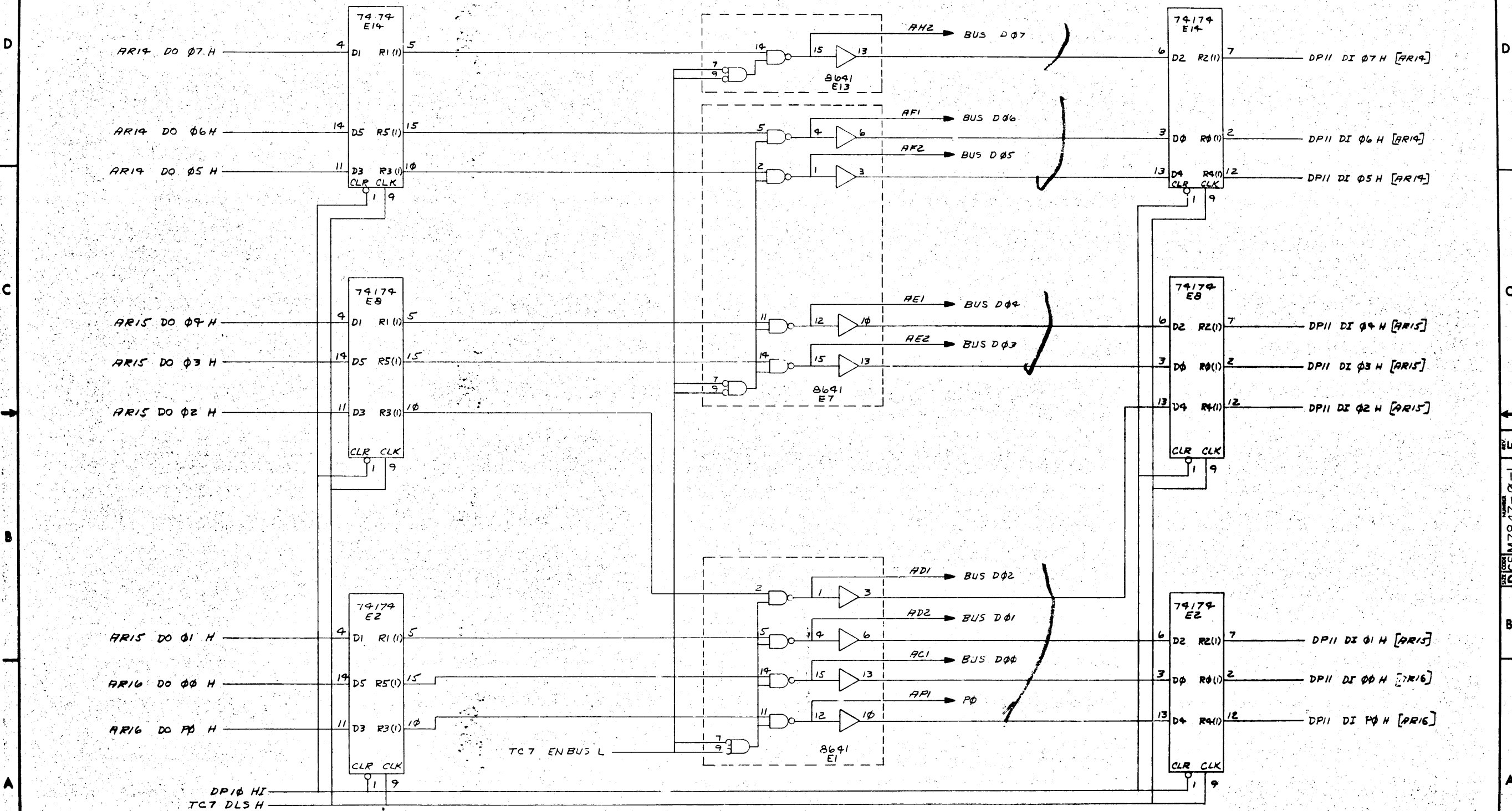


REVISIONS		
CHK	CHANGE NO.	REV.

(DATA PATH)

TITLE		(DP10)	SIZE CODE	NUMBER	REV.
UNIBUS MOS MEMORY		DCS	M7847-0-1	F	
SCALE	SHEET	10	OF	16	DIST.

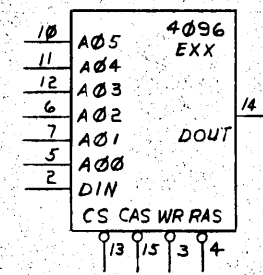
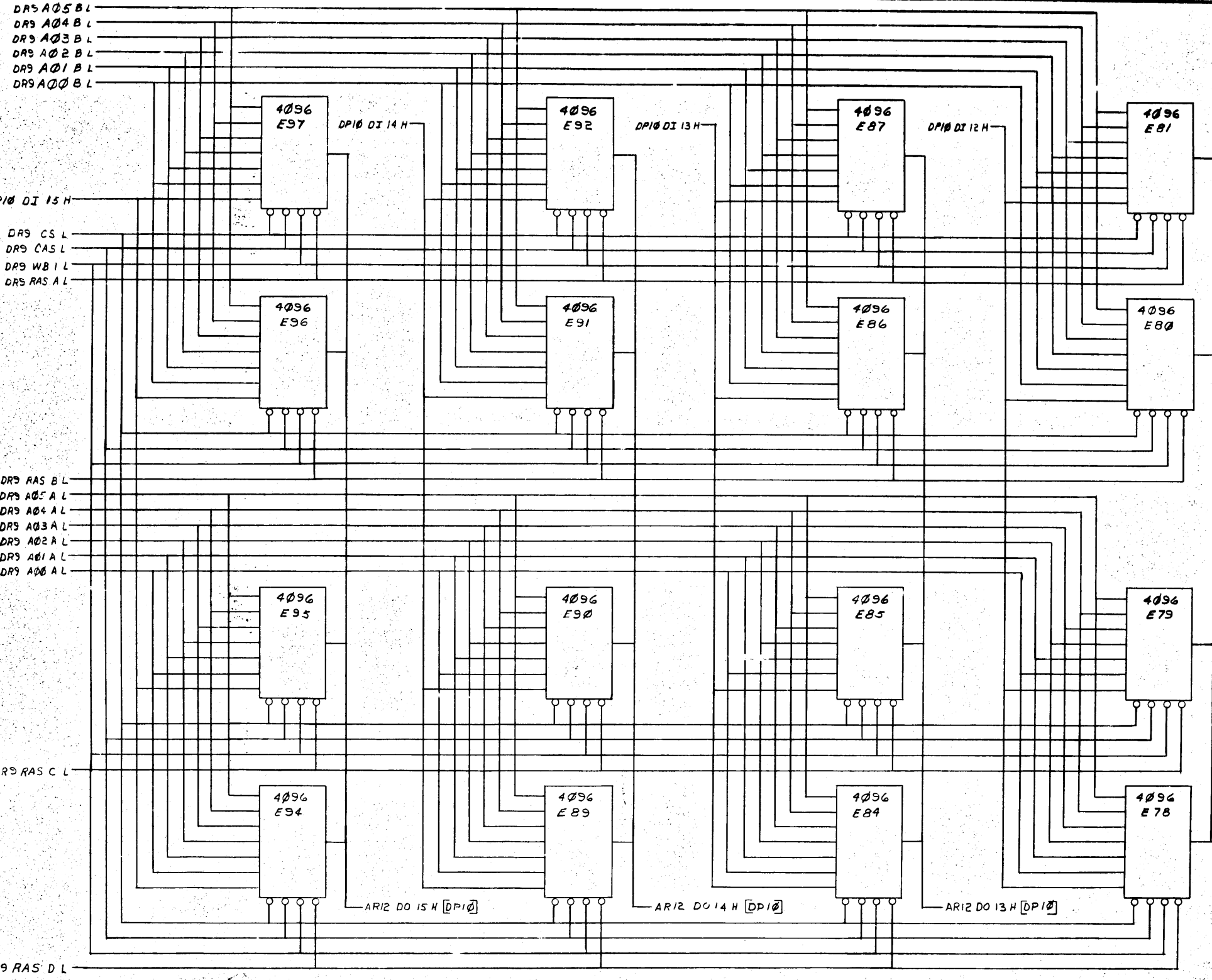
THIS DRAWING AND SPECIFICATIONS HEREIN ARE THE PROPERTY OF DIGITAL EQUIPMENT CORPORATION AND SHALL NOT BE REPRODUCED OR COPIED OR USED IN WHOLE OR IN PART AS THE BASIS FOR THE MANUFACTURE OR SALE OF ITEMS WITHOUT WRITTEN PERMISSION. COPYRIGHT © 1975 DIGITAL EQUIPMENT CORPORATION



REVISIONS		
CHK	CHANGE NO.	REV.

(DATA PATH)		TITLE	(DPI) SIZE CODE	NUMBER	REV.
		UNIBUS MOS MEMORY	DCS	M7847-0-1	F
SCALE	SHEET	OF			
	11	OF		16	
		DIST.			

"THIS DRAWING AND SPECIFICATIONS HEREIN ARE THE PROPERTY OF DIGITAL EQUIPMENT CORPORATION AND SHALL NOT BE REPRODUCED OR COPIED OR USED IN WHOLE OR IN PART AS THE BASIS FOR THE MANUFACTURE OR SALE OF ITEMS WITHOUT WRITTEN PERMISSION. COPYRIGHT © 1975 DIGITAL EQUIPMENT CORPORATION"



GND PIN 16
 (-5V) -9V PIN 1
 +12V PIN 8
 +5V PIN 9

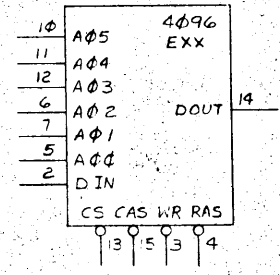
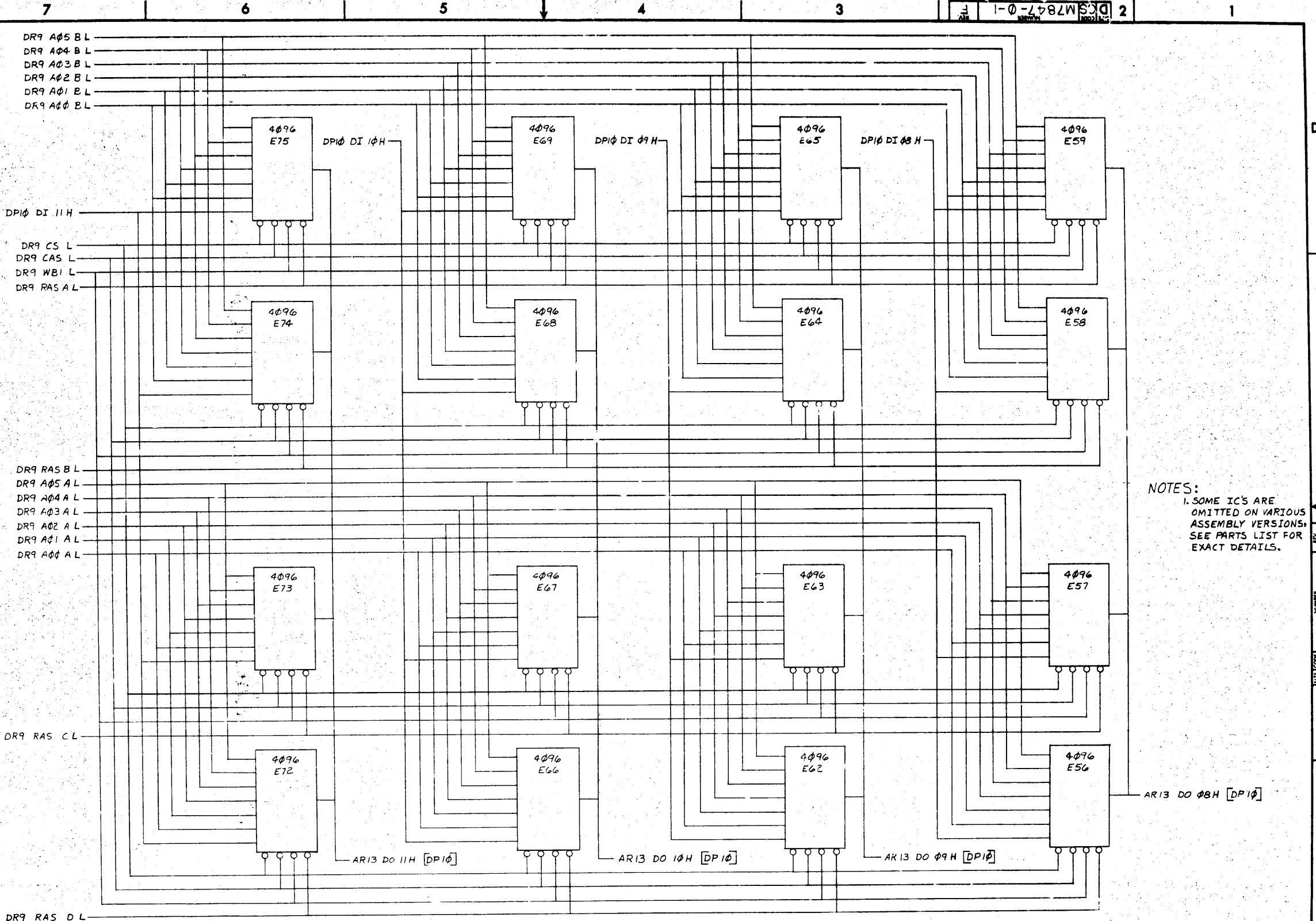
NOTE:
 1. SOME IC'S ARE OMITTED ON VARIOUS ASSEMBLY VERSIONS, SEE PARTS LIST FOR EXACT DETAILS.

REVISIONS		
CHK	CHANGE NO.	REV.

(ARRAY)		TITLE	UNIBUS MOS MEMORY	(AR12)	SIZE CODE	D CS	NUMBER	M7847-0-1	REV.	F
SCALE	---	SHEET	12	OF	16	DIST.				

113

THIS DRAWING AND SPECIFICATIONS HEREIN ARE THE PROPERTY OF DIGITAL EQUIPMENT CORPORATION AND SHALL NOT BE REPRODUCED OR COPIED OR USED IN WHOLE OR IN PART AS THE BASIS FOR THE MANUFACTURE OR SALE OF ITEMS WITHOUT WRITTEN PERMISSION. COPYRIGHT © 1975 DIGITAL EQUIPMENT CORPORATION



PIN 16 GND
 PIN 1 -9V (-5V)
 PIN 8 +12V
 PIN 9 +5V

NOTES:
 1. SOME IC'S ARE OMITTED ON VARIOUS ASSEMBLY VERSIONS. SEE PARTS LIST FOR EXACT DETAILS.

REVISIONS		
CHK	CHANGE NO.	REV.

(ARRAY)		TITLE UNIBUS MOS (AR13) MEMORY		SIZE CODE DCS	NUMBER M7847-0-1	REV. F
SCALE	SHEET 13 OF 16	DIST.				

DCS M7847-0-1

114

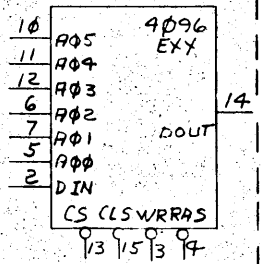
"THIS DRAWING AND SPECIFICATIONS HEREIN ARE THE PROPERTY OF DIGITAL EQUIPMENT CORPORATION AND SHALL NOT BE REPRODUCED OR COPIED OR USED IN WHOLE OR IN PART AS THE BASIS FOR THE MANUFACTURE OR SALE OF ITEMS WITHOUT WRITTEN PERMISSION. COPYRIGHT © 1975 DIGITAL EQUIPMENT CORPORATION"

DR9 A05 B L
 DR9 A04 B L
 DR9 A03 B L
 DR9 A02 B L
 DR9 A01 B L
 DR9 A00 B L

DR9 CS L
 DR9 CAS L
 DR9 WB1 L
 DR9 RAS A L

DR9 RAS B L
 DR9 A05 A L
 DR9 A04 A L
 DR9 A03 A L
 DR9 A02 A L
 DR9 A01 A L
 DR9 A00 A L

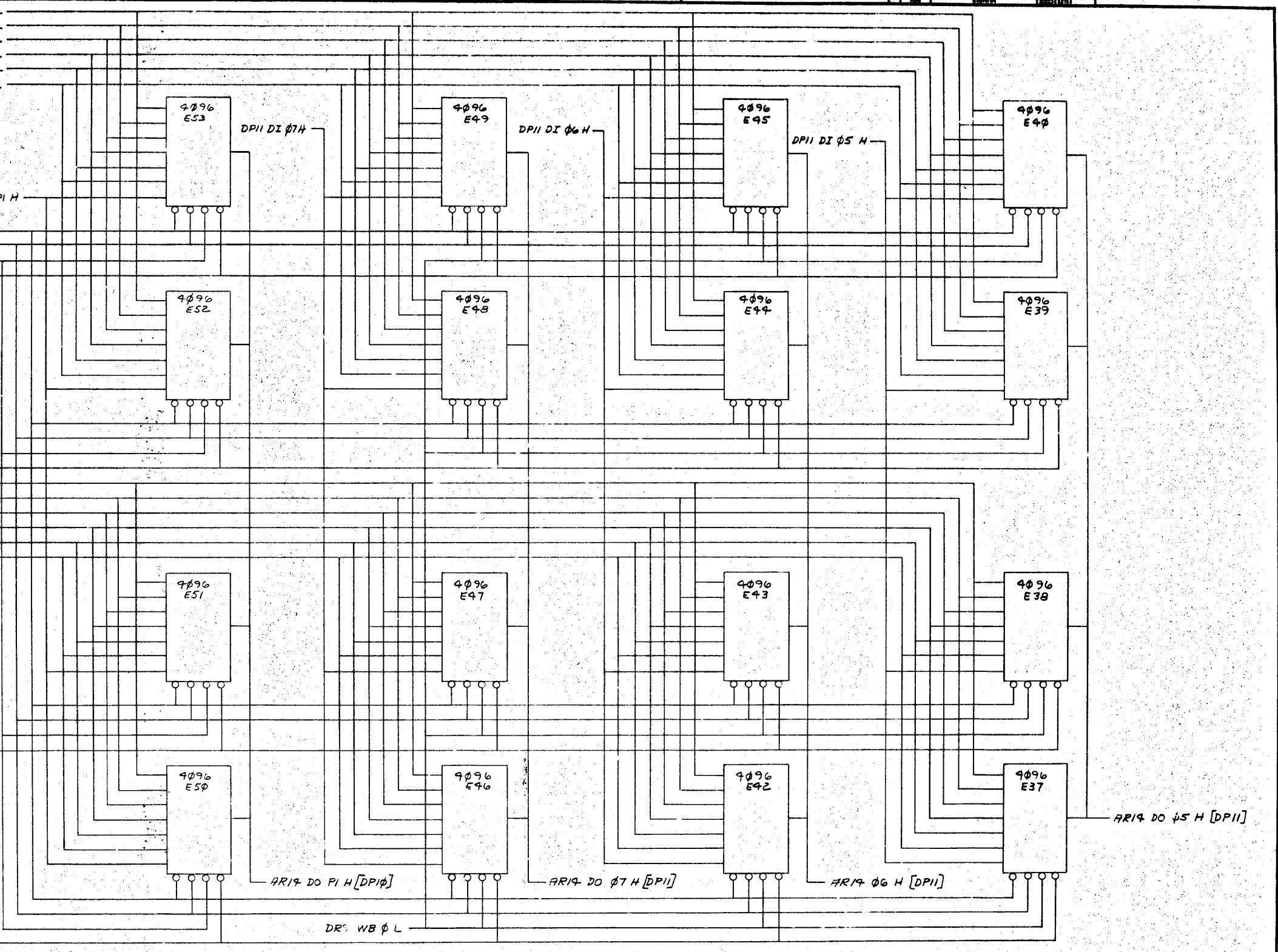
NOTE:
 SOME IC'S ARE OMITTED ON VARIOUS
 ASSEMBLY VERSIONS. SEE PARTS LIST
 FOR EXACT DETAILS.



GND PIN 16
 (-5V) -9V PIN 1
 +12V PIN 8
 +5V PIN 9

DR9 RAS C L

DR9 RAS D L



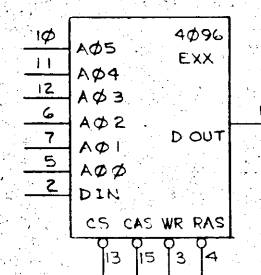
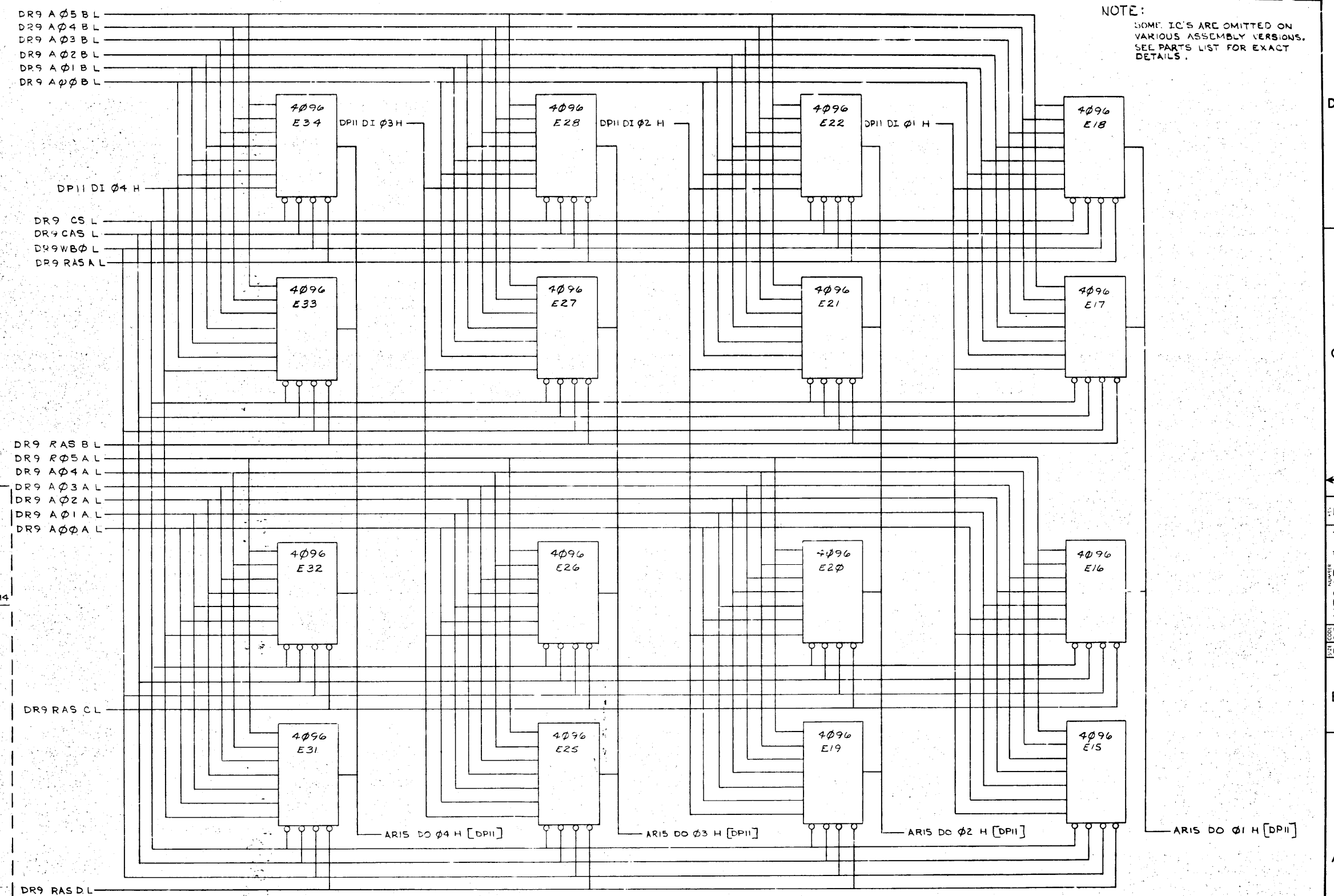
REVISIONS		
CHK	CHANGE NO.	REV.

115

THIS DRAWING AND SPECIFICATIONS HEREIN ARE THE PROPERTY OF DIGITAL EQUIPMENT CORPORATION AND SHALL NOT BE REPRODUCED OR COPIED OR USED IN WHOLE OR IN PART AS THE BASIS FOR THE MANUFACTURE OR SALE OF ITEMS WITHOUT WRITTEN PERMISSION. COPYRIGHT © 1975 DIGITAL EQUIPMENT CORPORATION.

DCS M7847-0-1 2

NOTE:
SOME IC'S ARE OMITTED ON VARIOUS ASSEMBLY VERSIONS. SEE PARTS LIST FOR EXACT DETAILS.

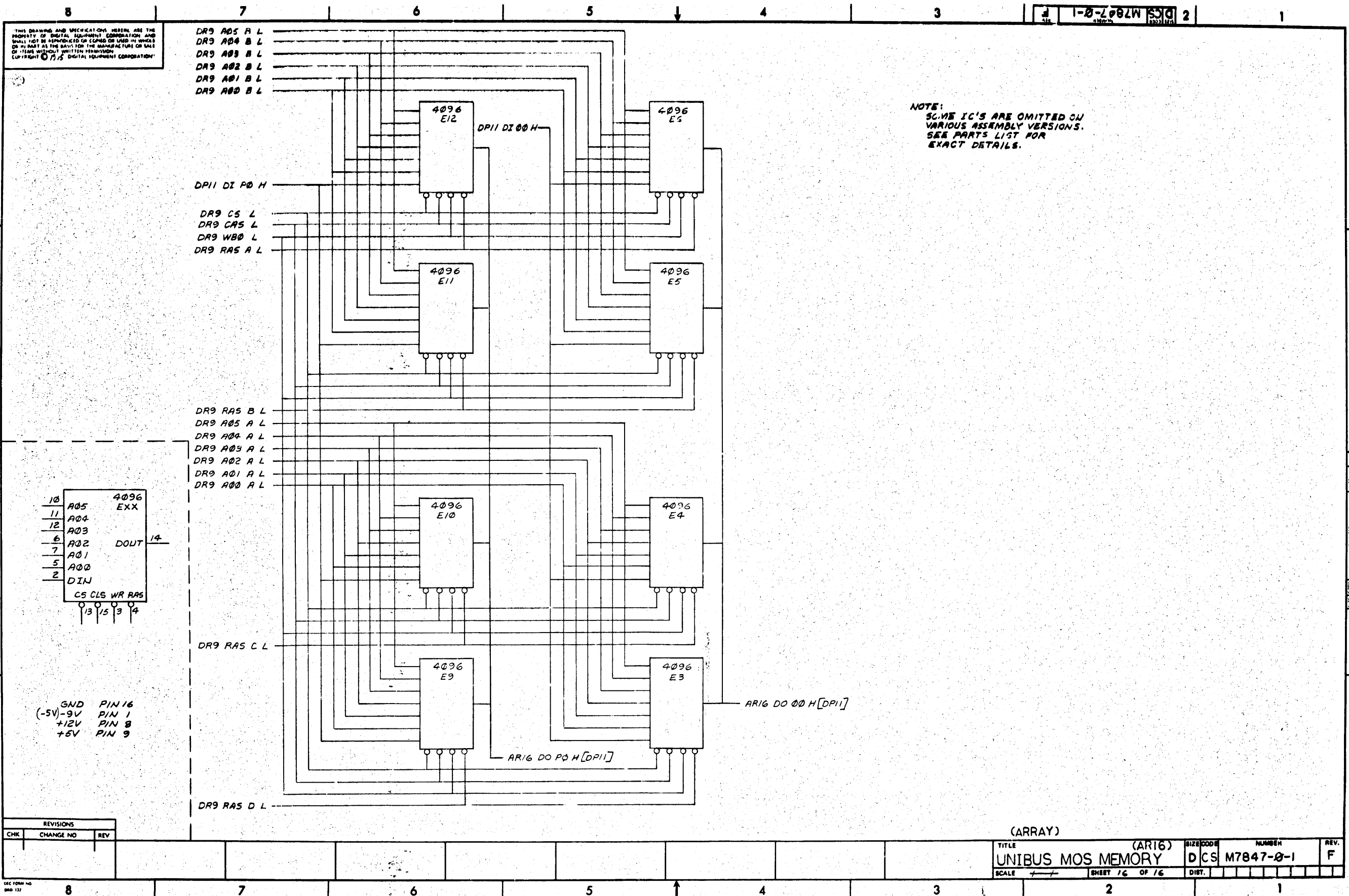


GND PIN 16
(-5V) -9V PIN 1
+12V PIN 8
+5V PIN 9

REVISIONS		
CHK	CHANGE NO	REV

(ARRAY)		(AR15)	SIZE CODE	NUMBER	REV.
TITLE		UNIBUS MOS MEMORY	DCS	M7847-0-1	F
SCALE	SHEET	15	OF	16	DIST.

116



THIS DRAWING AND SPECIFICATION HEREIN ARE THE PROPERTY OF DIGITAL EQUIPMENT CORPORATION AND SHALL NOT BE REPRODUCED OR COPIED OR USED IN WHOLE OR IN PART AS THE BASIS FOR THE MANUFACTURE OR SALE OF ITEMS WITHOUT WRITTEN PERMISSION. COPYRIGHT © 1975 DIGITAL EQUIPMENT CORPORATION.

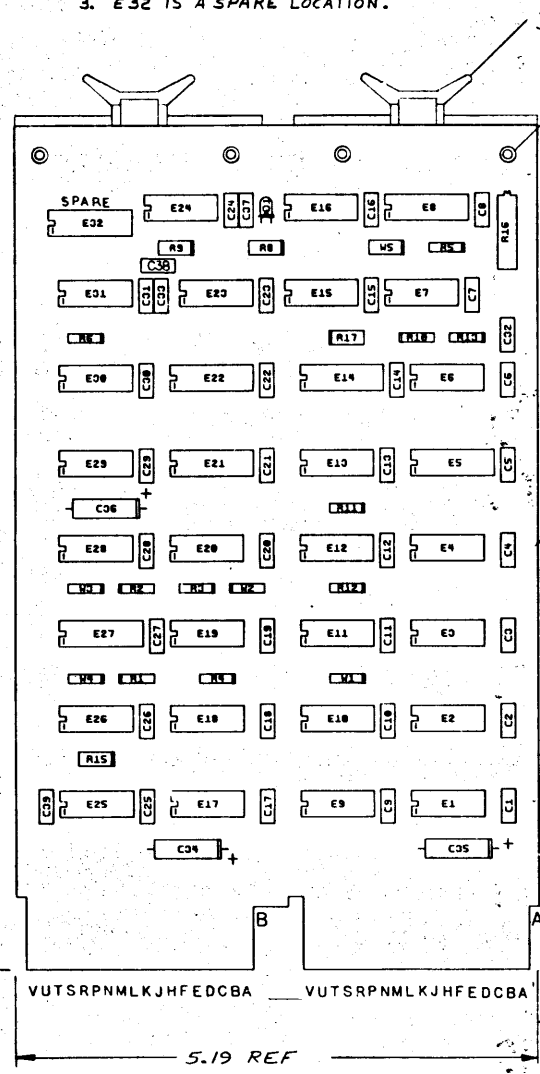
NOTE:
SOME IC'S ARE OMITTED ON
VARIOUS ASSEMBLY VERSIONS.
SEE PARTS LIST FOR
EXACT DETAILS.

REVISIONS		
CHK	CHANGE NO	REV

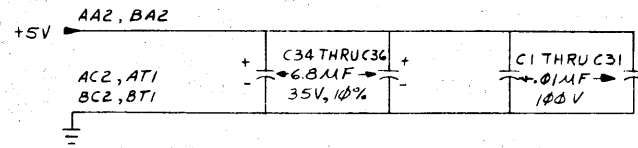
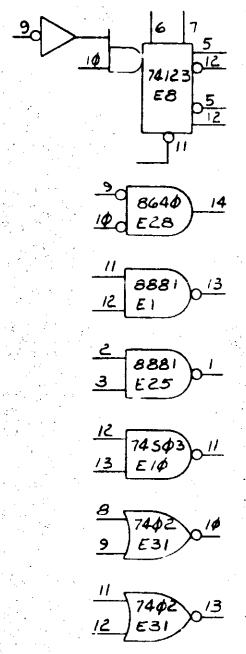
THIS DRAWING AND SPECIFICATIONS HEREIN ARE THE PROPERTY OF DIGITAL EQUIPMENT CORPORATION AND SHALL NOT BE REPRODUCED OR COPIED OR USED IN WHOLE OR IN PART AS THE BASIS FOR THE MANUFACTURE OR SALE OF ITEMS WITHOUT WRITTEN PERMISSION.
 COPYRIGHT © 1975 DIGITAL EQUIPMENT CORPORATION

NOTES:

1. ALL RESISTORS 1/4 W, 5% UNLESS OTHERWISE NOTED. ALL CAPACITORS ARE 100V, 20% UNLESS OTHERWISE NOTED.
2. JUMPER CONTROL OPERATIONS AS FOLLOWS:
 W1 THRU W4 SELECT CSR ADDRESS, W5 CAPACITOR FOR S SYN DLY, NOT USED.
3. E32 IS A SPARE LOCATION.



SPARES:



REF	DESCRIPTION	PART NO.	ITEM NO.
	CIRCUIT SCHEMATIC	D-CS-M7850-0-1	REF
	X-Y COORDINATE HOLE LOCATION	K-CO-M7850-0-4	1
	ASSY/DRILLING HOLE LAYOUT	D-AH-M7850-0-5	2
	MODULE ECO HISTORY	B-MH-M7850-0-6	3
1	ETCHED CIRCUIT BOARD	5010651-00	4
1	C39	CAP 470 PF, 100V, 5% (DM)	1000024-00 5
2	C33, C37	CAP 330 PF, 100V, 5% (DM)	1000023-00 6
32	C1 THRU C32	CAP .01µF, 100V, 20% DISC	1001610-01 7
3	C34, C35, C36	CAP 6.8µF, 35V, 10% STANT	1005306-00 8
1	D1	DIODE, LED	1110324-00 9
5	R1 THRU R5	RES 4.7K 1/4W 5%	1300447-00 10
3	R8, R9, R15	RES 100 1/4W 5%	1300229-00 11
5	R6, R10, R11, R12, R17	RES 470 1/4W 5%	1300316-00 12
1	R13	RES 1K 1/4W 5%	1300365-00 13
1	R16	RES 10K 3/4W 20% (1% PR.PRT)	1309143-10 14
1	E24	I.C. 7400	1905575-00 15
1	E30	I.C. 7430	1905578-00 16
1	E31	I.C. 7402	1909004-00 17
1	E19	I.C. 314A	1909704-00 18
1	E23	I.C. 7408	1910155-00 19
4	E1, E9, E17, E25	I.C. 8881	1909705-00 20
1	E16	I.C. 74H04	1909931-00 21
1	E27	I.C. 7485	1910224-00 22
1	E8	I.C. 74123	1910436-00 23
1	E10	I.C. 74503	1910533-00 24
1	E15	I.C. 74574	1910544-00 25
1	E21	I.C. 74174	1910652-00 26
2	E5, E22	I.C. 74157	1910655-00 27
9	E2, E3, E11, E12, E18, E20, E26, E28, E29	I.C. 8640	1911469-00 28
2	E4, E13	I.C. 745280	1911573-00 29
1	E14	I.C. 8266	1909934-00 30
2	E6, E7	I.C. 7474	1905547-00 31
4	W1 THRU W4	INSULATED JUMPER	9009185-00 32
4		EYELET	9006732-00 33
2		HANDLE, FLIP-CHIP (MAGENTA)	9008337-6 34

IC TYPE	QTY	REV.
8640	1	8
8266	8	16
74157	8	16
74174	8	16
74123	8	16
7485	8	16
314A	1	8
IC TYPE	GND	+5V

GND AND 5V ARE USUALLY PIN 7 AND 14 RESPECTIVELY EXCEPTIONS ARE STATED ABOVE

IC PIN LOCATIONS

FIRST USED ON OPTION MODEL

ETCH BOARD REV. B

digital

TITLE: PARITY MODULE

SIZE CODE: DCS M7850-0-1

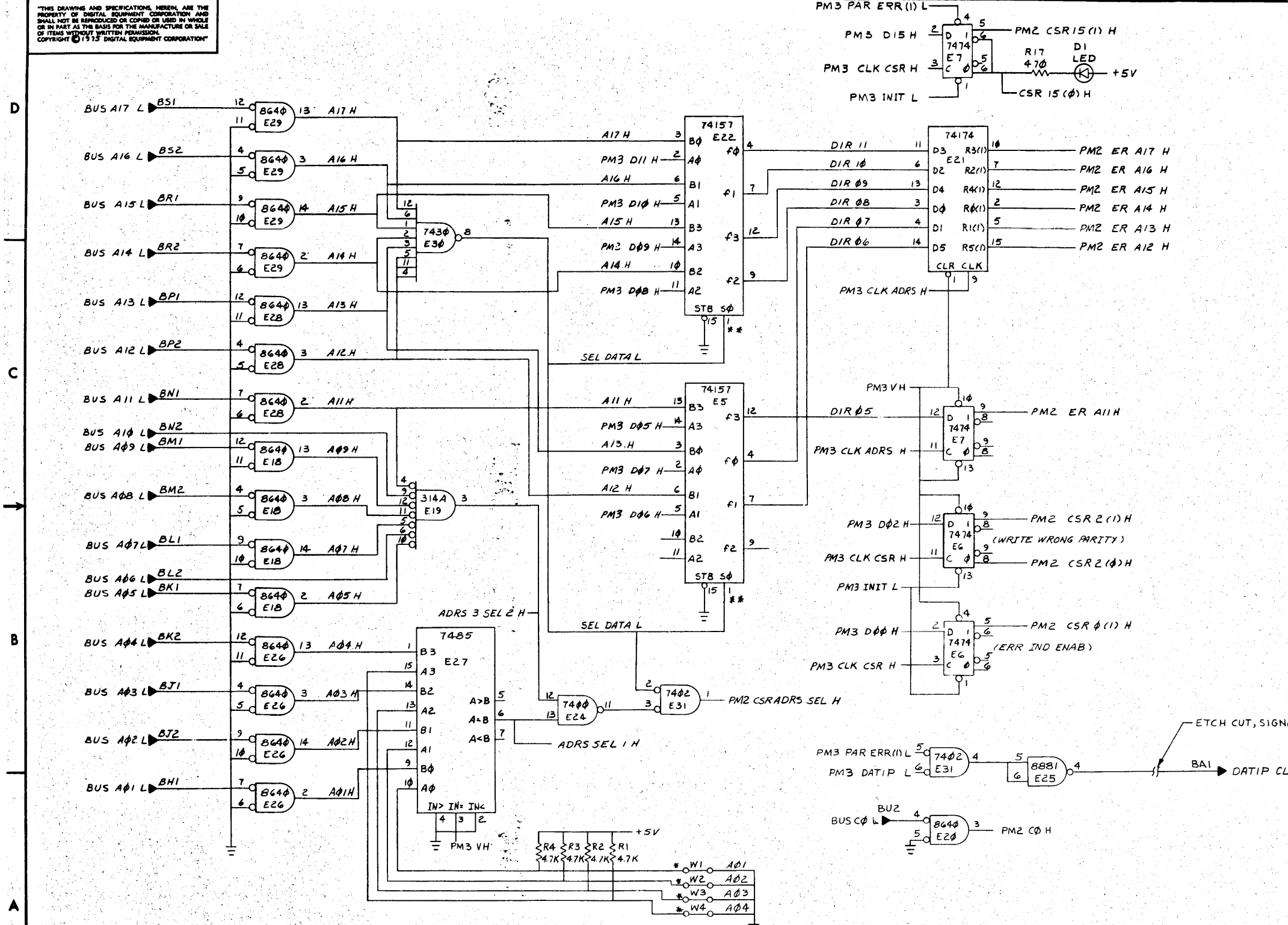
REV. B

SEMICONDUCTOR CONVERSION CHART

SHEET 1 OF 3

118

"THIS DRAWING AND SPECIFICATIONS, HEREIN, ARE THE PROPERTY OF DIGITAL EQUIPMENT CORPORATION AND SHALL NOT BE REPRODUCED OR COPIED OR USED IN WHOLE OR IN PART AS THE BASIS FOR THE MANUFACTURE OR SALE OF ITEMS WITHOUT WRITTEN PERMISSION. COPYRIGHT © 1975 DIGITAL EQUIPMENT CORPORATION"



NOTES:
 * THE CSR REGISTER ADDRESS IS LOCATED BETWEEN 772100 AND 772136. IT IS SELECTED WITH JUMPERS W1 THRU W4. REMOVING A JUMPER SELECTS A "ONE" FOR THAT BIT POSITION. (*)

MACHINE ADDRESS (WORDS) 8	W4 A4	W3 A3	W2 A2	W1 A1
772100	IN	IN	IN	IN
772102	IN	IN	IN	OUT
772104	IN	IN	OUT	IN
772106	IN	IN	OUT	OUT
772110	IN	OUT	IN	IN
772112	IN	OUT	IN	OUT
772114	IN	OUT	OUT	IN
772116	IN	OUT	OUT	OUT
772120	OUT	IN	IN	IN
772122	OUT	IN	IN	OUT
772124	OUT	IN	OUT	IN
772126	OUT	IN	OUT	OUT
772130	OUT	OUT	IN	IN
772132	OUT	OUT	IN	OUT
772134	OUT	OUT	OUT	IN
772136	OUT	OUT	OUT	OUT

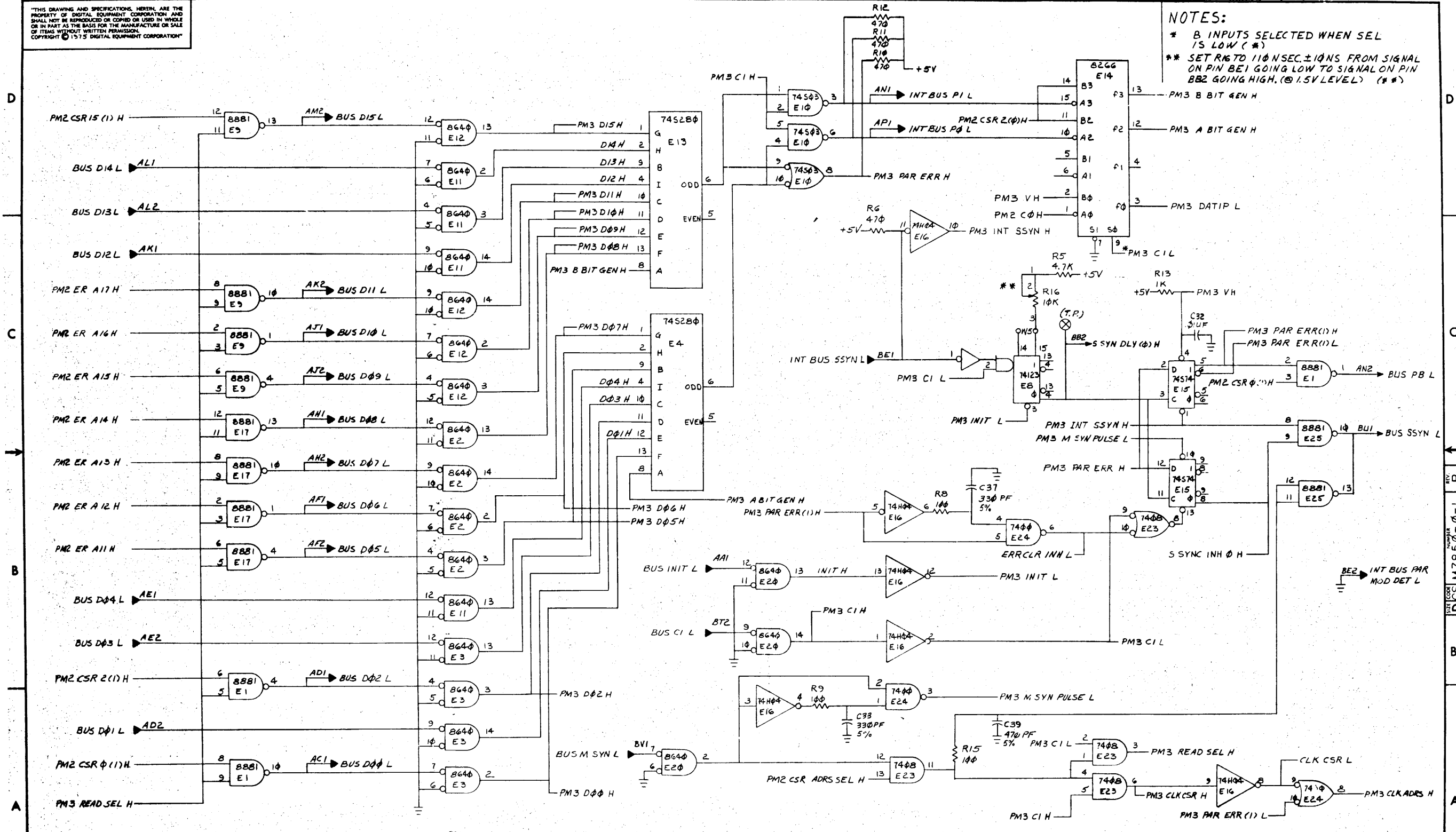
** THE 'A' INPUTS ARE SELECTED WHEN THE SEL INPUT GOES LOW. (**)

CHK	CHANGE NO.	REV.

119

"THIS DRAWING AND SPECIFICATIONS, HEREIN, ARE THE PROPERTY OF DIGITAL EQUIPMENT CORPORATION AND SHALL NOT BE REPRODUCED OR COPIED OR USED IN WHOLE OR IN PART AS THE BASIS FOR THE MANUFACTURE OR SALE OF ITEMS WITHOUT WRITTEN PERMISSION. COPYRIGHT © 1973 DIGITAL EQUIPMENT CORPORATION"

NOTES:
 * B INPUTS SELECTED WHEN SEL IS LOW (*)
 ** SET R16 TO 110 NSEC. ± 10% FROM SIGNAL ON PIN BE1 GOING LOW TO SIGNAL ON PIN BB2 GOING HIGH. (@ 1.5V LEVEL) (**)

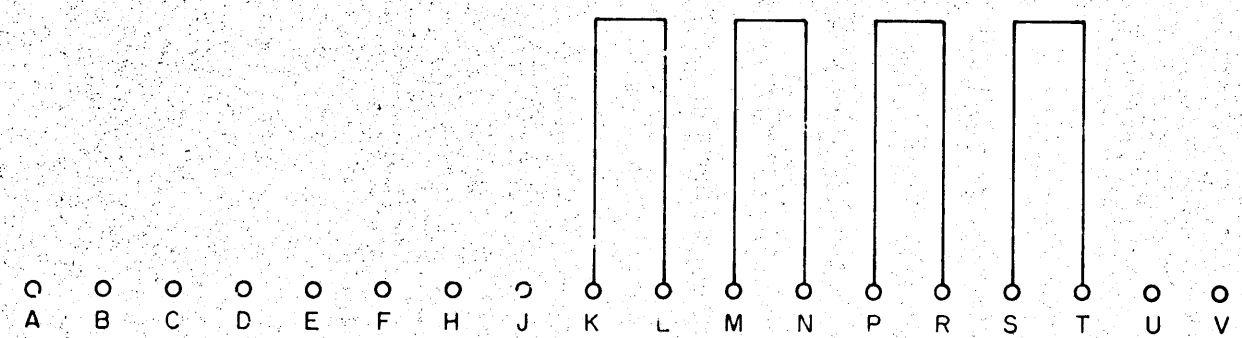


REVISIONS		
CHK	CHANGE NO.	REV.

TITLE	PARITY MODULE (PM3)	SIZE CODE	DCS M7850-0-1	NUMBER	B	REV.	B
SCALE		SHEET	3 OF 3	DIST.			

120

THIS SCHEMATIC IS FURNISHED ONLY FOR TEST AND MAINTENANCE PURPOSES. THE CIRCUITS ARE PROPRIETARY IN NATURE AND SHOULD BE TREATED ACCORDINGLY. COPYRIGHT 1969 BY DIGITAL EQUIPMENT CORPORATION



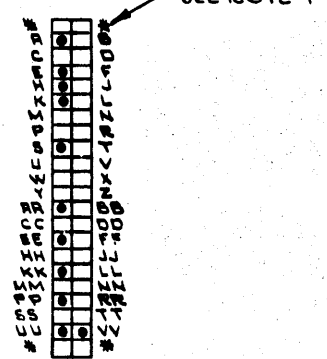
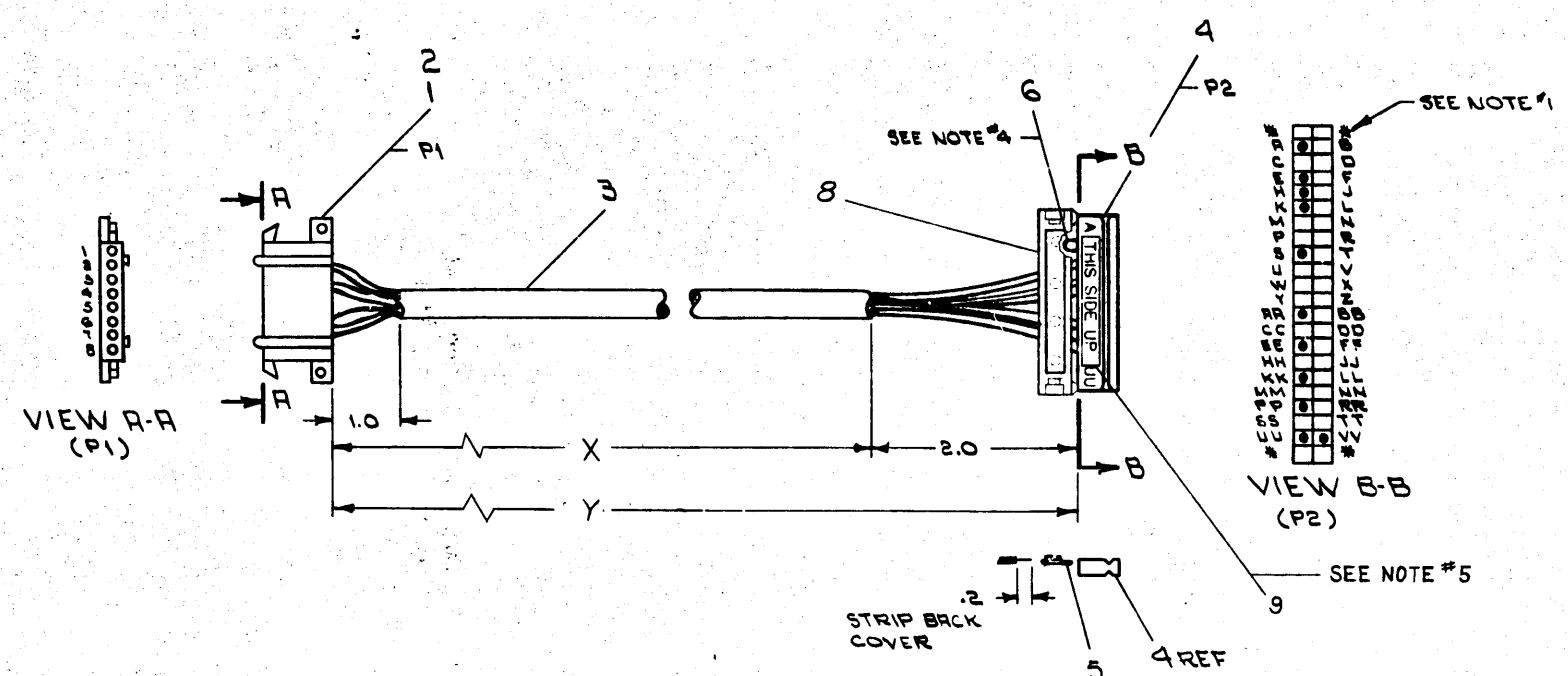
REVISIONS CHK CHG P.O. REV	DRN. <i>BUTLER</i>	DATE <i>11-19-69</i>	TRANSISTOR & DIODE CONVERSION CHART				EQUIPMENT CORPORATION MAYNARD MASSACHUSETTS	TITLE GRANT CONTINUITY G727			
	CHK'D	DATE	DEC	EIA	DEC	EIA		SIZE B	CODE CS	NUMBER G727-0-1	REV
	ENG.	DATE									
	PROD.	DATE									
PRINTED CIRCUIT REV							A				

This drawing and specification herein are the property of Digital Equipment Corporation and shall not be reproduced or copied or used in whole or in part as the basis for the manufacture or sale of items without written permission.

WIRE TABLE					
ITEM NO.	DESCRIPTION	PAIR NO.	FROM CONNECTION WITH	TO CONNECTION WITH	
3	22 BLK	1	P1-2	P2-KK	5
3	RED		P1-3	P2-S	
3,7	SHIELD		SEE NOTE #2	P2-A(NOTE#3)	
3	BLK	2	P1-4	P2-EE	
3	WHT		P1-5	P2-RR	
3,7	SHIELD		SEE NOTE #2	P2-U(NOTE#3)	
3	BLK	3	P1-6	P2-PP	
3	GRN		P1-7	P2-K	
3,7	SHIELD		SEE NOTE #2	P2-V(NOTE#3)	
6	22 BLK	-	P2-E	P2-H	5

LEGEND			
VARIATION	LENGTH		
	X	Y	
7008360-0	25IN±1.0	27IN±1.0	
7008360-1	46IN±1.0	48IN±1.0	
7008360-9	9FT±2IN	9FT 2IN±2IN	

- NOTES:**
- * ASTERISKS INDICATE CAVITIES NOT USED OR DESIGNATED BY LETTERS.
 - DRAIN WIRES TO BE CUT BACK TO OUTER INSULATION ON P1 END OF CABLE ONLY. SHIELDS TO BE CUT BACK TO OUTER INSULATION ON BOTH ENDS OF CABLES.
 - DRAIN WIRES ON P2 END OF CABLE TO BE EACH ENCLOSED WITH ITEM #7 (TUBING) FROM END OF CABLE JACKET TO POINT WHERE THEY ENTER P2 CONNECTOR.
 - ITEM #6 (WIRE) TO BE APPROXIMATELY ONE (1) INCH LONG.
 - PLACE ITEM #9 ("THIS SIDE UP" STICKER) ON LETTERED SIDE OF ITEM #4 (BERG HOUSING) AS SHOWN.



QTY.	DESCRIPTION	PART NO.	ITEM NO.
1	LABEL, THIS SIDE UP	3611567	9
1	STRAIN RELIEF	1211166	8
R/R	TUB. #18 TEF. THINWALL NAT	910728-11	7
R/R	WIRE, #22 AWG STRD TEF BLK	9127350-00	6
11	SOCKET, CRIMP # 4-7216	1210089-07	5
1	HOUSING, BERG # 650-015	1210918-15	4
R/R	CABLE, BELDEN # BTT-3PL 6HLW	910728-0	3
6	CONTACT MATE-LOCK (FEMALE)	1209379-03	2
1	CONN. MATE-LOCK (FEMALE)	1209340-00	1

REV.	CHG	NO.	DATE	BY	CHK
1	KLBE-00002	A	5/3/71	J. MCNAMARA	
2	KLBE-00005	B		E. CLARK	
3	7008360-00001	C	10-29-79	B. REGAN	
4	7008360-00002	D		R. REGAN	
5	7008360-00003	E	3/2/74	R. REGAN	
6	7008360-00004	F	9-30-74	R. REGAN	
7	7008360-00001	F	10/2/76	R. REGAN	
8	7008360-00001	H	7-19-76	M.E. LEWANDOWSKI	
9	7008360-00001	H	7-19-76	M.E. LEWANDOWSKI	
10	7008360-00001	H	10-27-76	J. MCNAMARA	

FIRST USED ON OPTION/MODL
 PDP-8E

DO NOT SCALE DRAWING

UNLESS OTHERWISE SPECIFIED DIMENSION IN INCHES	ANGLES ± 0.30°
TOLERANCES	FINAL SURFACE QUALITY REMOVE BURRS AND BREAK SHARP CORNERS
MATERIAL	SEE PARTS LIST
FINISH	

digital EQUIPMENT CORPORATION
 MATYARD, MASSACHUSETTS

TITLE
CABLE ASSEMBLY (KLBE)

SCALE NONE

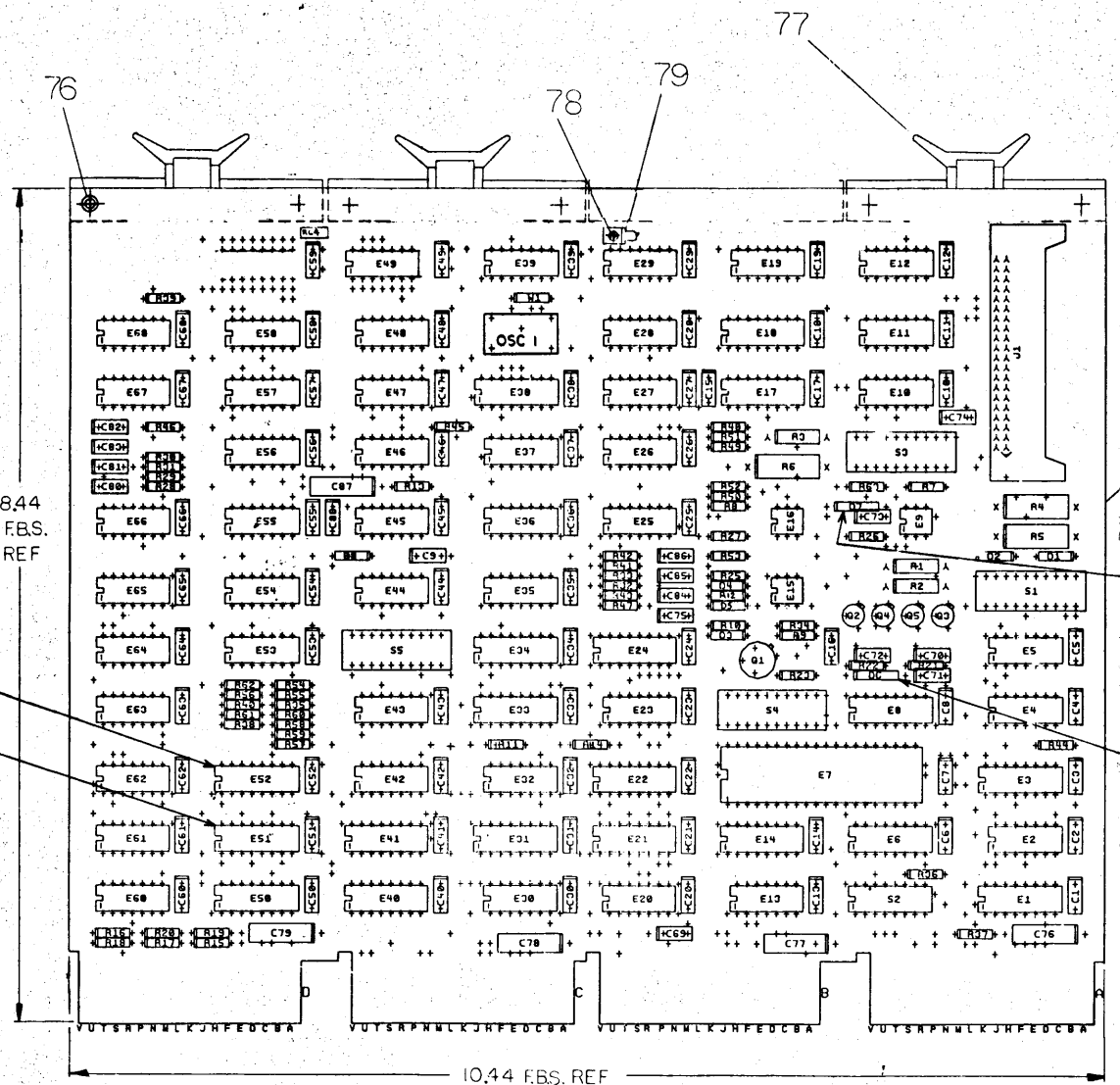
SIZE CODE
 DIA 7008360-0-0

THIS DRAWING AND SPECIFICATIONS, HEREIN, ARE THE PROPERTY OF DIGITAL EQUIPMENT CORPORATION AND SHALL NOT BE REPRODUCED OR COPIED OR USED IN WHOLE OR IN PART AS THE BASIS FOR THE MANUFACTURE OR SALE OF ITEMS WITHOUT WRITTEN PERMISSION. DIGITAL EQUIPMENT CORPORATION. COPYRIGHT © 1975

NOTES:

ENGINEER OPTION
DO NOT INSERT

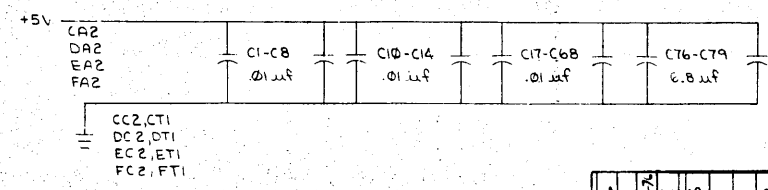
ENGINEER OPTION
DO NOT INSERT



RETROFIT D7
AS SHOWN

RETROFIT D6
AS SHOWN

IC 384	1	8
IC 8037	8	16
IC 314A	1	8
IC 74123	8	16
IC 74157	8	16
IC 74153	8	16
IC 7493	10	5
IC 7492	10	5
IC 74151	8	16
IC 74175	8	16
IC UART	1	3
IC 8097	8	16
IC 8041	8	16
IC TYPE	GND	+5V
GND AND 5V ARE USUALLY PIN 7 AND 14 RESPECTIVELY EXCEPTIONS ARE STATED ABOVE		
IC PIN LOCATIONS		



REF	DESIGNATION	DESCRIPTION	PART NO.	ITEM NO.
REF		X-Y COORDINATE HOLE LOCATION	K-CO-M7856-0-4	1
REF		ASSY/DRILLING HOLE LAYOUT	D-AH-M7856-0-5	2
REF		MODULE ECO HISTORY	B-MH-M7856-0-8	3
1		ETCHED CIRCUIT BOARD	5011464	4
67	C1 THRU C8, C10 THRU C15, C17 THRU C68, C88	CAPACITOR, .01uf, 100V, 20%	1001810-01	5
7	C9, C89 THRU C74	CAPACITOR, 470pf, 100V, 5%	1000024	6
1	C75	CAPACITOR, 330pf, 100V, 5%	1000023	7
6	C80 THRU C85	CAPACITOR, 82pf, 100V, 5%	1000015	8
1	C86	CAPACITOR, 150pf, 100V, 5%	1000019	9
1	C87	CAPACITOR, 2.2uf, 20V, 10%	1002627	10
4	C76, C77, C78, C79	CAPACITOR, 8.8uf, 35V, 10%	1005306	11
1	C16	CAPACITOR, 5000pf, 100V, 20%	1001765	12
3	D1, D2, D3	DIODE, 1N4004	1105796	13
1	D4	DIODE, ZENER 1N4742	1109502	14
2	D6, D7	DIODE, CURRENT LIMITER MCL1301	1105610	15
1	D8	DIODE, D684	1100114	16
4	S1, S3, S4, S5	SWITCH, 10 POSITION	1211164-06	17
1	S2	SWITCH, 6 POSITION	1211164-04	18
				19
				20
1	J1	CONNECTOR, 40 PIN	1209941	21
1	R83	RESISTOR, 330, 1/4W, 5%	1300295	22
3	R1, R2, R3	RESISTOR, 180 OHM, 1/2W, 5%	1300260	23
3	R4, R5, R6	RESISTOR, 560 OHM, 1W, 5%	1303848	24
2	R7, R8	RESISTOR, 88K, 1/4W, 5%	1301327	25
1	R9	RESISTOR, 33 OHM, 1/4W, 5%	1300197	26
1	R10	RESISTOR, 120K, 1/4W, 5%	1300539	27
1	R12	RESISTOR, 660, 1/4W, 5%	1301424	28
1	R25	RESISTOR, 88 OHM, 1/4W, 5%	1300219	29
2	R13, R14	RESISTOR, 100 OHM, 1/4W, 5%	1300229	30
4	R15, R16, R17, R18	RESISTOR, 100 OHM, 1/4W, 5%	1301362	31
4	R19, R20, R21, R22	RESISTOR, 390 OHM, 1/4W, 5%	1300309	32
1	R23	RESISTOR, 7.5K, 1/4W, 5%	1301422	33
2	R27, R28	RESISTOR, 150 OHM, 1/4W, 5%	1300250	34
6	R28 THRU R33	RESISTOR, 270 OHM, 1/4W, 5%	1301972	35
27	R35, R36, R37, R39 THRU R82	RESISTOR, 10K, 1/4W, 5%	1308479	36
3	R11, R64, R38	RESISTOR, 1K, 1/4W, 5%	1300365	37
1	R34	RESISTOR, 220 OHM, 1/4W, 5%	1300871	38
1	Q1	TRANSISTOR, BEC 6531B	1509338	39
2	Q3, Q4	TRANSISTOR, A05	1510705	40
2	Q2, Q5	TRANSISTOR, A55	1510706	41
2	E9, E16	OPTICALLY COUPLED ISOLATOR	1510727-1	42
1	OSC 1	OSCILLATOR 50688 MHZ	1811660-02	43
1	E15	I.C. DEC 4N26	1911998	44
3	E1, E6, E14	I.C. DEC 8641	1911579	45
6	E2, E13, E20, E80, E81, E49	I.C. DEC 8881	1909705	46
1	E3	I.C. DEC 8097	1911527	47
3	E4, E44, E64	I.C. DEC 7408	1910155	48
7	E5, E35, E37, E55, E57, E83, E88	I.C. DEC 7474	1905547	49
1	E7	I.C. DEC UART (1808)	1919459-01	50
1	E8	I.C. DEC 74175	1910851	51
1	E10	I.C. C 1489L	1910323	52
1	E11	I.C. DEC 1488L	1910322	53
2	E17, E18	I.C. DEC 74151	1909936	54

SEMICONDUCTOR CONVERSION CHART

ETCH BOARD REV. D

DATE 9/1/75

DATE 7-9-75

DATE 11-20-75

DATE 1-24-75

DATE 11-25-75

SLU/RTC OPTION

SIZE CODE D

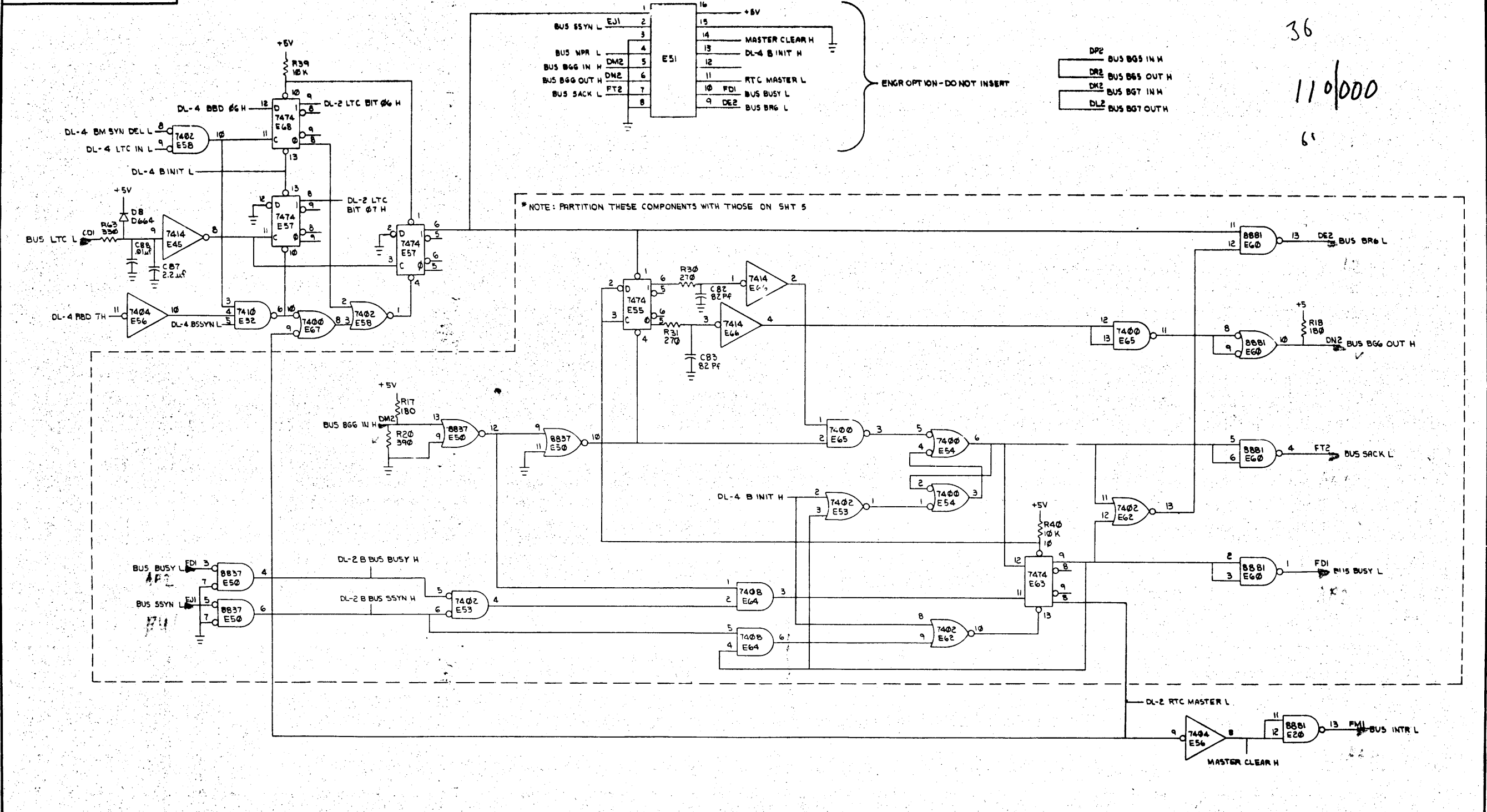
NUMBER CS M7856-0-1

REV. E

SHEET 1 OF 9

125

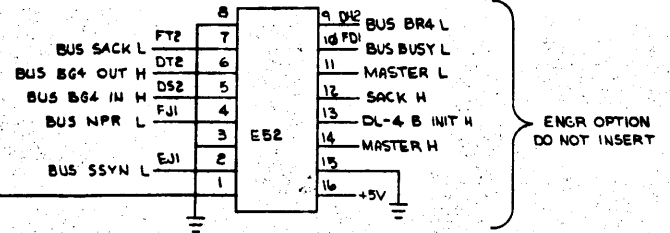
"THIS DRAWING AND SPECIFICATIONS HEREIN ARE THE PROPERTY OF DIGITAL EQUIPMENT CORPORATION AND SHALL NOT BE REPRODUCED OR COPIED OR USED IN WHOLE OR IN PART AS THE BASIS FOR THE MANUFACTURE OR SALE OF ITEMS WITHOUT WRITTEN PERMISSION. COPYRIGHT © 1975 DIGITAL EQUIPMENT CORPORATION"



REVISIONS		
CHK	CHANGE NO.	REV.

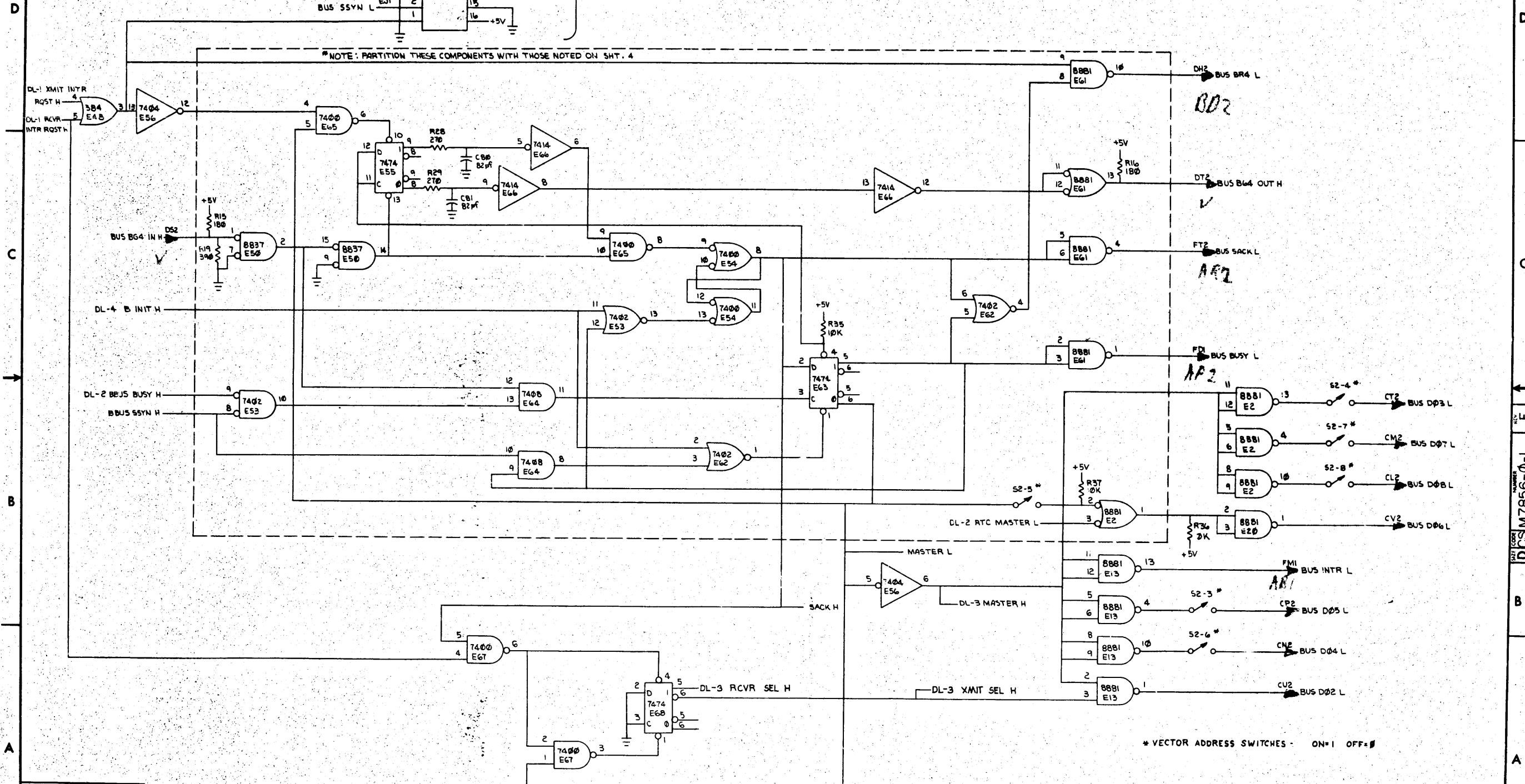
TITLE	SIZE CODE	NUMBER	REV.
SLU/RTC OPTION (DL-2)	D	CS M7856-0-1	E
SCALE	SHEET	OF	DIST.
	4	9	

"THIS DRAWING AND SPECIFICATIONS HEREIN ARE THE PROPERTY OF DIGITAL EQUIPMENT CORPORATION AND SHALL NOT BE REPRODUCED OR COPIED OR USED IN WHOLE OR IN PART AS THE BASIS FOR THE MANUFACTURE OR SALE OF ITEMS WITHOUT WRITTEN PERMISSION. COPYRIGHT © 1975 DIGITAL EQUIPMENT CORPORATION"



ENGR OPTION DO NOT INSERT

*NOTE: PARTITION THESE COMPONENTS WITH THOSE NOTED ON SHT. 4

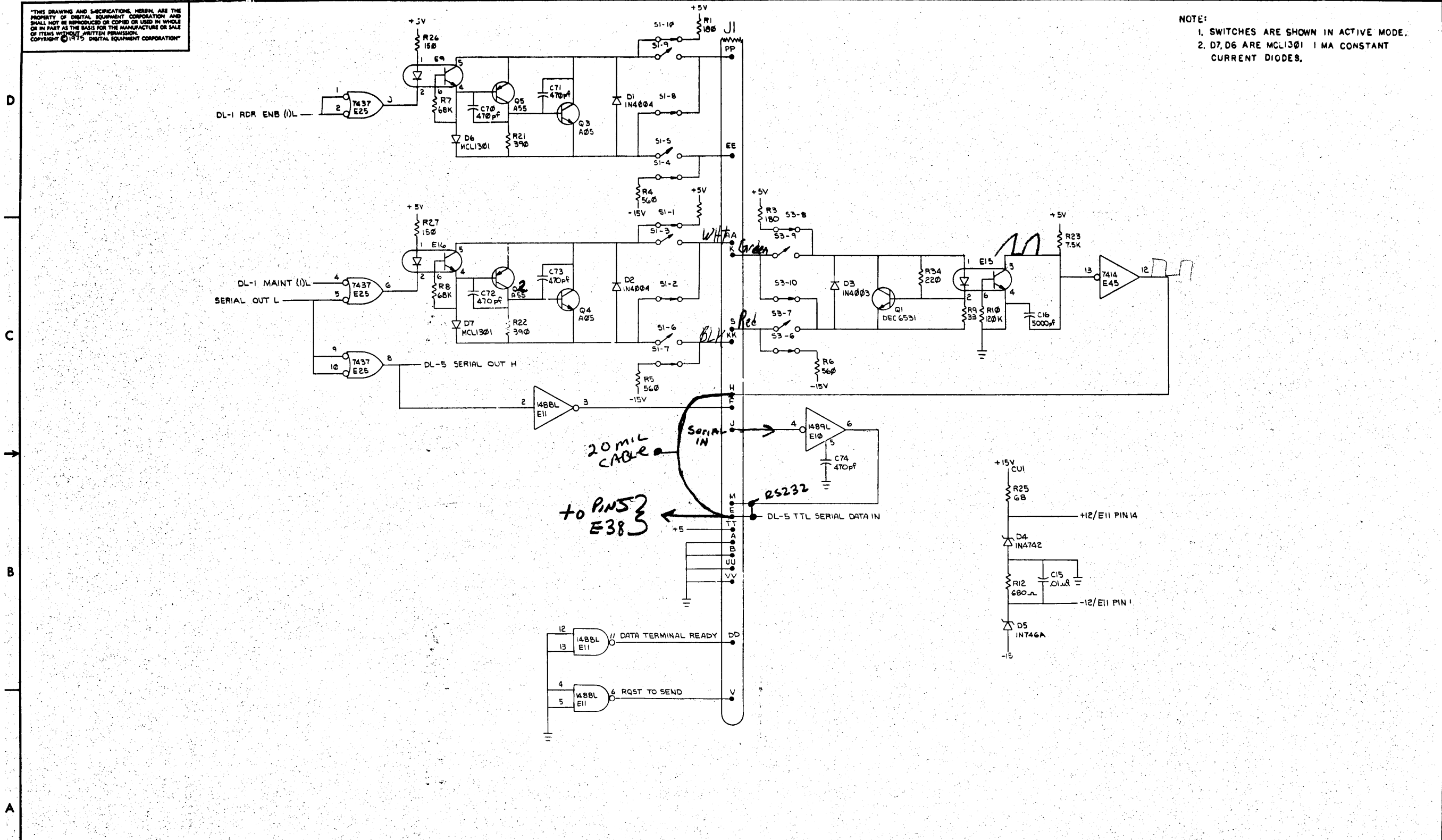


REVISIONS		
CHK	CHANGE NO.	REV.

1500
 1p11 loop exp to
 160000

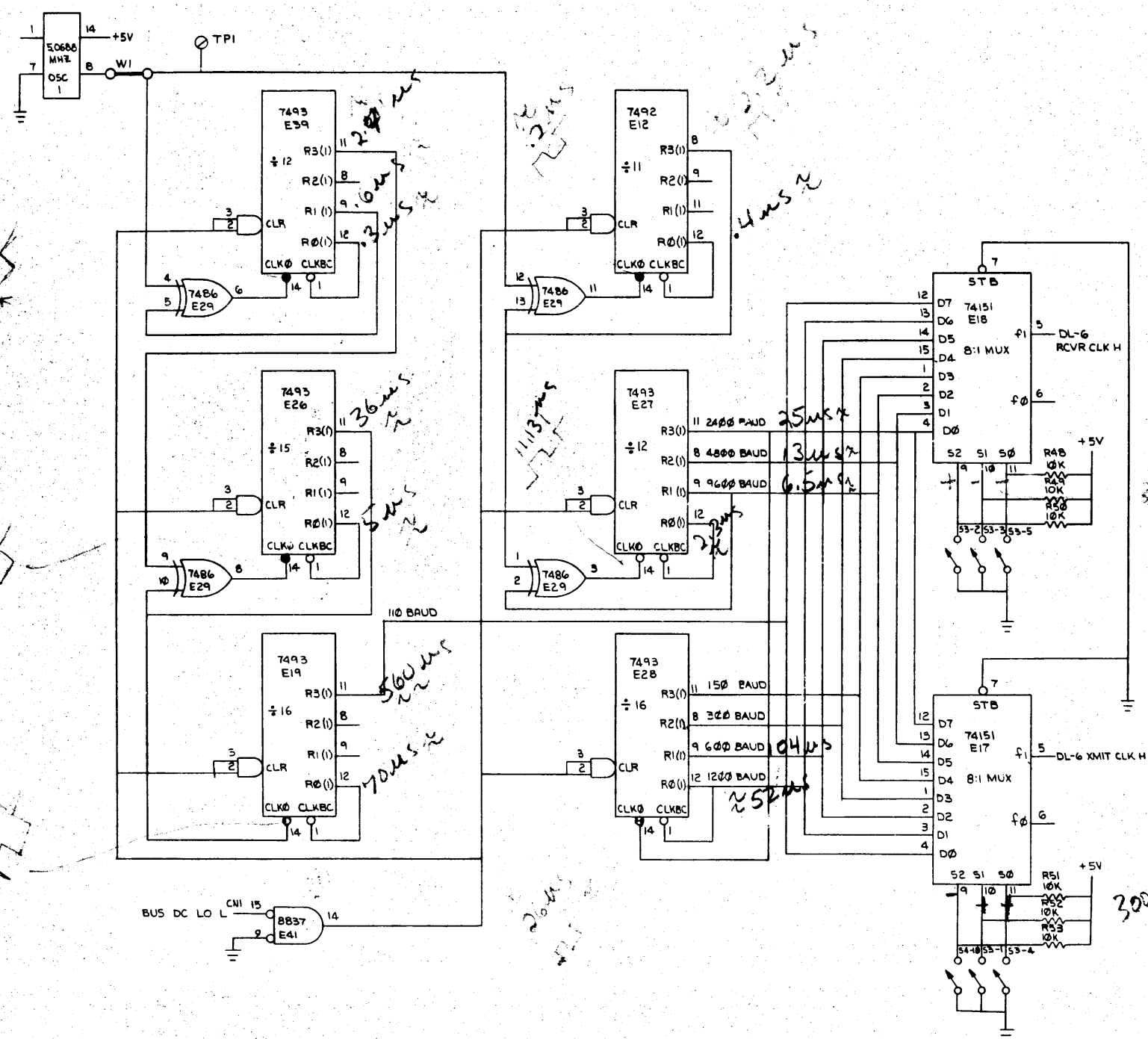
THIS DRAWING AND SPECIFICATIONS HEREIN ARE THE PROPERTY OF DIGITAL EQUIPMENT CORPORATION AND SHALL NOT BE REPRODUCED OR COPIED OR USED IN WHOLE OR IN PART AS THE BASIS FOR THE MANUFACTURE OR SALE OF ITEMS WITHOUT WRITTEN PERMISSION. COPYRIGHT © 1975 DIGITAL EQUIPMENT CORPORATION

NOTE:
 1. SWITCHES ARE SHOWN IN ACTIVE MODE.
 2. D7, D6 ARE MCL1301 1 MA CONSTANT CURRENT DIODES.



REVISIONS			TITLE		SIZE CODE	NUMBER	REV.
CHK	CHANGE NO.	REV.	SLU/RTC OPTION (DL-5)		D	CS M7856-0-1	E
			SCALE		SHEET	7 OF 9	DIST.

"THIS DRAWING AND SPECIFICATIONS HEREIN ARE THE PROPERTY OF DIGITAL EQUIPMENT CORPORATION AND SHALL NOT BE REPRODUCED OR COPIED OR USED IN WHOLE OR IN PART AS THE BASIS FOR THE MANUFACTURE OR SALE OF ITEMS WITHOUT WRITTEN PERMISSION. COPYRIGHT © 1975 DIGITAL EQUIPMENT CORPORATION"



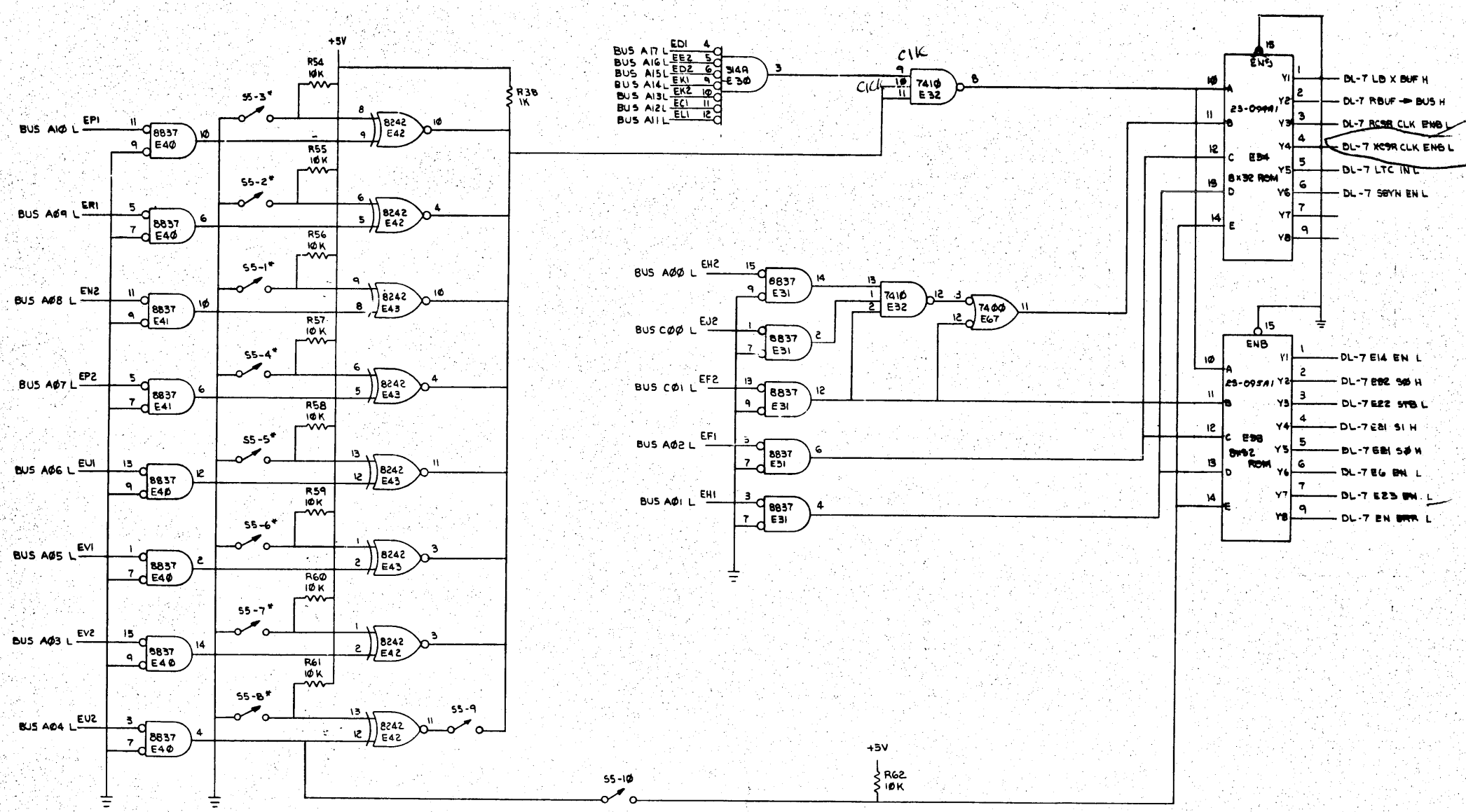
BAUD RATE	RCVR			XMIT		
	S3-2	S3-3	S3-5	S4-10	S3-1	S3-4
110	OFF	OFF	OFF	ON	ON	ON
150	ON	OFF	OFF	OFF	ON	ON
300	OFF	ON	ON	ON	OFF	OFF
600	OFF	ON	OFF	ON	OFF	ON
1200	OFF	OFF	ON	ON	ON	OFF
2400	ON	ON	ON	OFF	OFF	OFF
4800	ON	ON	OFF	OFF	OFF	ON
9600	ON	OFF	ON	OFF	ON	OFF

Handwritten notes on the left side of the diagram:
 2.4ms
 3.6ms
 1.1ms
 1.3ms
 0.4ms
 0.5ms
 0.4ms
 0.5ms

Handwritten notes on the right side of the diagram:
 300 Baud
 300 Baud

REVISIONS		
CHK	CHANGE NO.	REV.

THIS DRAWING AND SPECIFICATIONS HEREIN ARE THE PROPERTY OF DIGITAL EQUIPMENT CORPORATION AND SHALL NOT BE REPRODUCED OR COPIED OR USED IN WHOLE OR IN PART AS THE BASIS FOR THE MANUFACTURE OR SALE OF ITEMS WITHOUT WRITTEN PERMISSION.
 © 1975 DIGITAL EQUIPMENT CORPORATION



* ADDRESS SELECTION SWITCHES OFF=1 ON=0

REVISIONS		
CHK	CHANGE NO.	REV.

TITLE	SLU/RTC OPTION (DL-7)	SIZE CODE	CS M7856-0-1	NUMBER		REV.	E
SCALE		SHEET	9 OF 9				

DCS M7856-0-1

4

3



REV. NUMBER 6-0-9987W KCS 2

1

"THIS DRAWING AND SPECIFICATIONS HEREIN ARE THE PROPERTY OF DIGITAL EQUIPMENT CORPORATION AND SHALL NOT BE REPRODUCED OR COPIED OR USED IN WHOLE OR IN PART AS THE BASIS FOR THE MANUFACTURE OR SALE OF ITEMS WITHOUT WRITTEN PERMISSION. COPYRIGHT © 1975, DIGITAL EQUIPMENT CORPORATION"

B



(FOR 23094AI-A07 & 23095AI-A07)

DESCRIPTION		DWG./PART NO.		ITEM NO.		
UNLESS OTHERWISE SPECIFIED DIMENSIONS ARE IN INCHES						
ANGLES ±0° 30'	CLASS OF ACCURACY (CHECK ONE)	NOMINAL DIMENSION RANGE INCHES				
SURFACE QUALITY IN		OVER 0 TO 0.2	OVER 0.2 TO 1.2	OVER 1.2 TO 4.0	OVER 4.0 TO 12.0	OVER 12.0 TO 40.0
	MEDIUM <input type="checkbox"/>	±.004	±.008	±.012	±.016	±.024
	PREFERRED <input checked="" type="checkbox"/>	±.012	±.016	±.025	±.04	±.063
MICROINCHES						
THIRD ANGLE PROJECTION		DRN. <i>J. Quinn</i> 9-20-75		FIRST USED ON		
		CHK'D <i>F. Quinn</i> 9-22-75		DL11-W digital		
REMOVE BURRS AND BREAK SHARP CORNERS		ENG. <i>Quinn</i> 9-22-75		TITLE		
DO NOT SCALE DWG		PROJ. ENG. <i>Quinn</i> 9-22-75		ROM LISTING		
MATERIAL <i>+</i>		NEXT HIGHER ASSY.		SIZE CODE NUMBER REV.		
FINISH <i>+</i>		D-CS-M7856-0-1		K CS M7856-0-9		
		SCALE <i>+</i>		DIST.		
		SHEET 1 OF 3				

A

134

REV.	
CHANGE NO.	
CHK	

4

3



2



1

1
DEC PART NUMB: 2309401-A07
ORIGINATOR: BOB PRATT
DATE OF ORIGIN: 2/28/75

ROM PATTERN SPEC

DECIMAL LOC	OCTAL LOC	BINARY DATA	OCTAL DATA
0	00	00111100	074
1	01	00111100	074
2	02	00111100	074
3	03	00111100	074
4	04	00111100	074
5	05	00111100	074
6	06	00111100	074
7	07	00111100	074
8	10	00111100	074
9	11	00111100	074
10	12	00111100	074
11	13	00111100	074
12	14	00001100	014
13	15	00111100	074
14	16	00011100	034
15	17	00111100	074
16	20	00011000	030
17	21	00111100	074
18	22	00011100	034
19	23	00111100	074
20	24	00010100	024
21	25	00111100	074
22	26	00011100	034
23	27	00111100	074
24	30	00011100	034
25	31	00111100	074
26	32	00011110	036
27	33	00111100	074
28	34	00011101	035
29	35	00111100	074
30	36	00011100	034
31	37	00111100	074

135

1
DEC PART NUMB: 23-095A1-A07
ORIGINATOR: BOB PRATT
DATE OF ORIGIN: 2/28/75-

ROM PATTERN SPEC

PAGE 3 OF 3

DECIMAL LOC	OCTAL LOC	BINARY DATA	OCTAL DATA
0	00	11111111	377
1	01	11111111	377
2	02	11111111	377
3	03	11111111	377
4	04	11111111	377
5	05	11111111	377
6	06	11111111	377
7	07	11111111	377
8	10	11111111	377
9	11	11111111	377
10	12	11111111	377
11	13	11111111	377
12	14	11011111	337
13	15	11111111	377
14	16	11111111	377
15	17	11111111	377
16	20	10001111	217
17	21	11111111	377
18	22	11111111	377
19	23	11111111	377
20	24	11010001	321
21	25	11111111	377
22	26	11111111	377
23	27	11111111	377
24	30	01000010	102
25	31	11111111	377
26	32	11111111	377
27	33	11111111	377
28	34	11111111	377
29	35	11111111	377
30	36	11111111	377
31	37	11111111	377

136

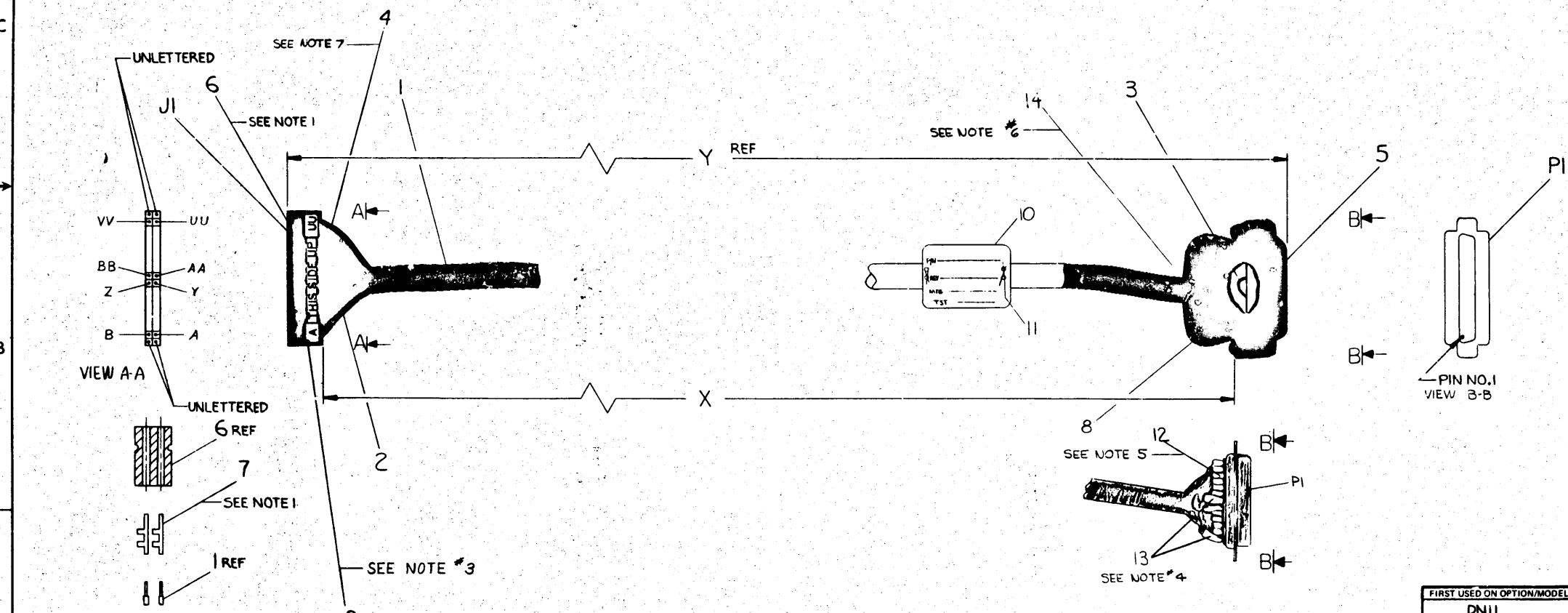
The drawing and specifications herein are the property of Digital Equipment Corporation and shall not be reproduced or copied in whole or in part for the basis for the manufacture or sale of items without written permission.

WIRE TABLE							LEGEND					
ITEM NO.	AWG	COLOR	FROM		TO		NUMBER	VARIATION		DIM X	DIM Y (PRE CUT)	
			CONNECTION	WITH	CONNECTION	WITH		DIM X	DIM Y (PRE CUT)			
1	26	BLU/WHT	PI-1	* SOLDER	J1-VV	7	BC05C-25	25'±3"	25'1.8"			
		WHT/BLU	PI-2		J1-F		BC05C-50	50'±2%	50'1.8"			
		ORN/WHT	PI-3		J1-J		BC05C-09	9'±3"	9'1.8"			
		WHT/ORN	PI-4		J1-V							
		GRN/WHT	PI-5		J1-T							
		WHT/GRN	PI-6		J1-Z							
		BRN/WHT	PI-7	**	J1-UU							
		WHT/BRN	PI-8		J1-BB							
		SLA/WHT	PI-9		J1-Y							
		WHT/SLA	PI-10		J1-W							
		BLU/RED	PI-11		J1-FF							
		RED/BLU	PI-12		J1-JJ							
		ORN/RED	PI-13		J1-D							
		SLA/RED	PI-14		J1-LL							
1	26	SLA/GRN	PI-15	SOLDER	J1-N	7						

NUMBER	VARIATION	
	DIM X	DIM Y (PRE CUT)
BC05C-25	25'±3"	25'1.8"
BC05C-50	50'±2%	50'1.8"
BC05C-09	9'±3"	9'1.8"

- NOTES:**
- MANUFACTURING SHOULD USE MACHINE CRIMPER TOOL FOR CRIMPING PINS (ITEM #7) MUST BE HT68 FROM BERG ELECT
 - ONLY DEC PART #1210090-0-0 MAY BE USED AS J1.
 - PLACE ITEM #9 ("THIS SIDE UP" STICKER) ON LETTERED SIDE OF ITEM #6 (BERG HOUSING) AS SHOWN.
 - USE ITEM #13 (9107302-11) IN TWO PLACES (PI-1, PI-7) TO PREVENT SHORTING
 - USE ITEM #12 (9107295-11) ON ALL REMAINING SOLDER CUPS TO PREVENT SHORTING.
 - DUE TO ± TOLERANCES WITH DIFFERENT VENDORS THE HOOD (ITEM #8) MAY VARY IN OUTSIDE DIAMETER. CAUSING POTENTIAL STRAIN RELIEF GRIPPING PROBLEM. SHOULD THIS CONDITION BE PRESENT USE ITEM #4 (9107834) AT JUNCTION OF CABLE AND HOOD.
 - PLACE ITEM #4 (9107256) OVER SHIELD WIRE J1-A, J1-B, PI-1, PI-7.

NB * DENOTES THREE WIRES ARE SOLDERED INTO THE PI-1 SOLDER CUP
 ** DENOTES THREE WIRES ARE SOLDERED INTO THE PI-7 SOLDER CUP



TOP VIEW OF HOUSING

REV	DATE	BY	CHK	DESCRIPTION
1	7-11-78	SMITH		BC05C-00001
2	7-11-78	SMITH		BC05C-00002
3	7-11-78	SMITH		BC05C-00003
4	7-11-78	SMITH		BC05C-00004
5	7-11-78	SMITH		BC05C-00005
6	7-11-78	SMITH		BC05C-00006
7	7-11-78	SMITH		BC05C-00007
8	7-11-78	SMITH		BC05C-00008
9	7-11-78	SMITH		BC05C-00009
10	7-11-78	SMITH		BC05C-00010

A/R	DESCRIPTION	QTY	PART NO.	ITEM I.D.
A/R	TAPE, DOUBLE SIDED		9007834	14
A/R	TUBING, 10 AWG, CLEAR		9107302-11	13
A/R	TUBING, 14 AWG, CLEAR		9107295-11	12
2	TIE WRAPS		9007031	11
1	CABLE, LABEL		9009532	10
1	LABEL, THIS SIDE UP		3611567	9
1	HOOD, #DB51226-1 CINCH		1205085	8
29	SOCKET, #HT-60		1210089-5	7
1	HOUSING, #20383 BERG		1210090-0-0	6
1	PLUG, #DB-25P CINCH		1205866	5
A/R	TUBING, #22 AWG TEF BLK		9107256-00	4
A/R	WIRE, #26 AWG STRD TEF BLK		9107636-00	3
A/R	WIRE, #26 AWG STRD TEF RED		9107636-22	2
A/R	CABLE, 25 CONDUCTOR #26 AWG		9107736	1

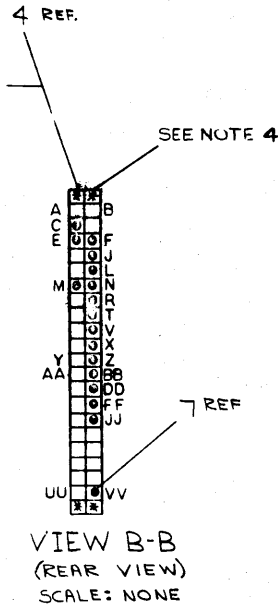
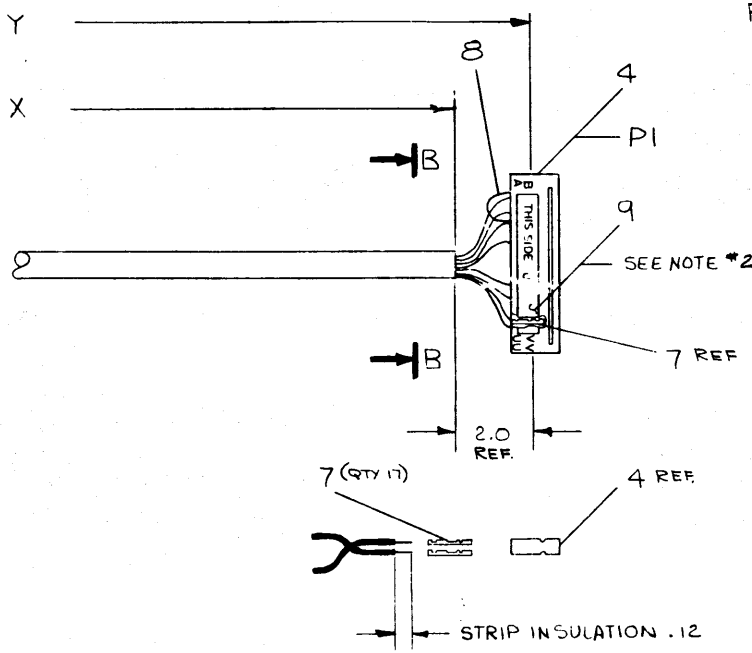
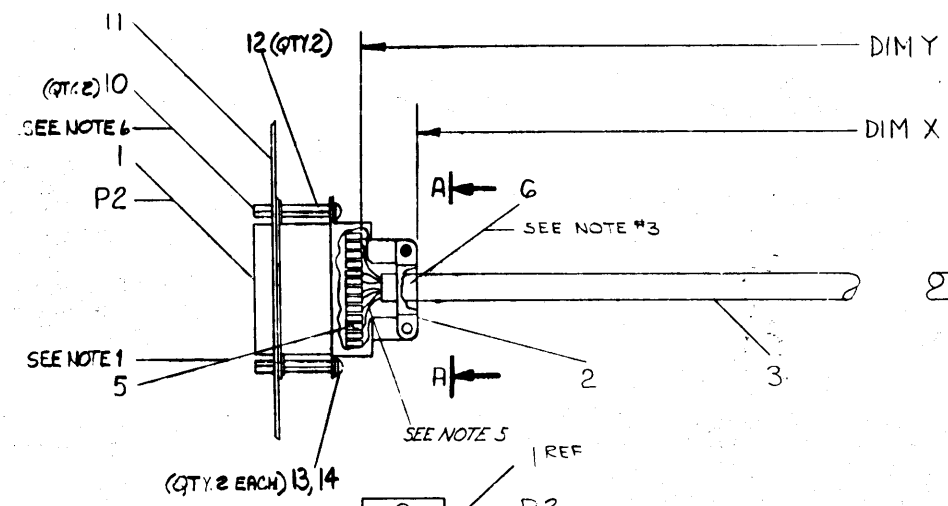
FIRST USED ON OPTION/MODEL	QTY.	DESCRIPTION	PART NO.	ITEM I.D.
DN11				
UNLESS OTHERWISE SPECIFIED DIMENSION IN INCHES TOLERANCES				
DECIMALS	ANGLES	TITLE		
.XXX - .005	±0° 30'	CABLE, MODEM		
.XX - .02		BC05C		
.X - .1		BC05C-0-0-0		
REMOVE BURRS AND BREAK SHARP CORNERS SURFACE QUALITY				
MATERIAL	FINISH	SCALE	SIZE CODE	NUMBER
			DJA	BC05C-0-0-0

THIS DRAWING AND SPECIFICATIONS, HEREIN, ARE THE PROPERTY OF DIGITAL EQUIPMENT CORPORATION AND SHALL NOT BE REPRODUCED OR COPIED IN WHOLE OR IN PART AS THE BASIS FOR THE MANUFACTURE OR SALE OF ITEMS WITHOUT WRITTEN PERMISSION. COPYRIGHT © 1975, DIGITAL EQUIPMENT CORPORATION

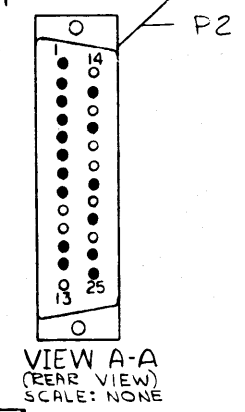
WIRE TABLE						
ITEM NO	DESCRIPTION	FROM		TO		WITH
		AWG	COLOR	CONNECTION	WITH	
3	22	BLK	PI-VV	7	P2-7	SOLDER
		GRN/WHT	PI-C		P2-25	
		GRN/BLK	PI-JJ		P2-12	
		ORN/BLK	PI-FF		P2-11	
		RED	PI-DD		P2-20	
		GRN	PI-BB		P2-8	
		BLU/WHT	PI-Z		P2-6	
		ORN	PI-X		P2-22	
		BLU	PI-V		P2-4	
		WHT	PI-T		P2-5	
		BLU/BLK	PI-R		P2-17	
		BLK/WHT	PI-N		P2-15	
		RED/WHT	PI-L		P2-24	
		WHT/BLK	PI-J		P2-3	
3		RED/BLK	PI-F		P2-2	SOLDER
8		BLK	PI-E	7	PI-M	7
8	22	BLK	P2-1	SOLDER	P2-7	SOLDER

LEGEND		
NUMBER	VARIATION	
	DIM "X"	DIM "Y" PRECUT
BC03L-10	10FT ± 2IN	10FT, 5IN
BC03L-5	5FT ± 2IN	5FT, 5IN
BC03L-1K	1FT 9IN ± 1IN	2FT

- NOTES:
- EACH SOLDERED CONN ON P2 SHALL BE INSULATED WITH A .25 PIECE OF SHRINK TUBING (ITEM #5)
 - PLACE ITEM #9 (THIS SIDE UP STICKER) ON LETTERED SIDE OF ITEM #4 (CONN HOUSING) AS SHOWN.
 - FOR STRAIN RELIEF WRAP 2 TURNS OF TAPE (ITEM #6) AROUND CABLE (ITEM #3) AS SHOWN.
 - PINS MARKED * IN VIEW B-B ARE NOT USEABLE
 - WIRES COMING FROM CENTER OF PLUG CONN. SHOULD BE 5/8" LG. ALL OTHERS SHOULD BE CONFINED INTO HOOD OF CONN. SO THAT THEY'RE NOT BUNCHED.
 - PLACE LOCKWASHER (SUPPLIED WITH ITEM #10) BETWEEN SPACER AND CONNECTOR FLANGE. DISCARD NUT (QTY 2) SUPPLIED WITH ITEM #10.



QTY	DESCRIPTION	DWG/PART NO.	ITEM NO.
2	WASHER, LOCK #4	9006688	14
2	SCR. PHL PAN HD #4-40 X .25	9008301-1	13
2	SPACER, THREADED, HEX	9008833	12
1	PLATE, CONN. MFG.	B-MD-7414072-0-0	11
2	SCREW LOCK ASSY	9008451-00	10
1	LABEL (THIS SIDE UP)	3611567	9
3	WIRE, STRANDED #22 AWG IPVC (BLK)	9107350-00	8
17	SOCKET, CRIMP	1210089-07	7
A/R	TAPE, DOUBLE SIDED .50 W.D.	9007834	6
16	TUBING, HEAT SHRINK .12	9107255-09	5
1	CONN, 44 POS, HSG.	1210918-15	4
A/R	CABLE, 15 COND, 22 AWG.	9107672-00	3
1	HOOD, CONN.	1212516-00	2
1	CONNECTOR, PLUG, FILTERED	1214031-00	1



DESCRIPTION		DWG/PART NO.	ITEM NO.
UNLESS OTHERWISE SPECIFIED DIMENSIONS ARE IN INCHES			
ANGLES 40° 30'	CLASS OF ACCURACY (CHECK ONE)	NOMINAL DIMENSION RANGE INCHES	
SURFACE QUALITY IN	MEDIUM	OVER 0 TO 0.2	OVER 0.2 TO 0.5
		OVER 0.5 TO 1.2	OVER 1.2 TO 2.0
MICROINCHES	PREFERRED	±.004	±.008
		±.012	±.018
		±.025	±.04
		±.06	±.1

THIRD ANGLE PROJECTION	DWG. NO. 1214031-00	FIRST USED ON	
REMOVE BURRS AND BREAK SHARP CORNERS	CHK'D BY [Signature]	TITLE	FILTERED CABLE ASSY. BC03L
DO NOT SCALE DWG	PROJ. BY [Signature]	SIZE CODE	D UA
MATERIAL SEE PARTS LIST	PROD. BY [Signature]	NUMBER	BC03L-0-0
FINISH	SCALE 1/1	REV.	D
	SHEET 1 OF 1	DIST.	

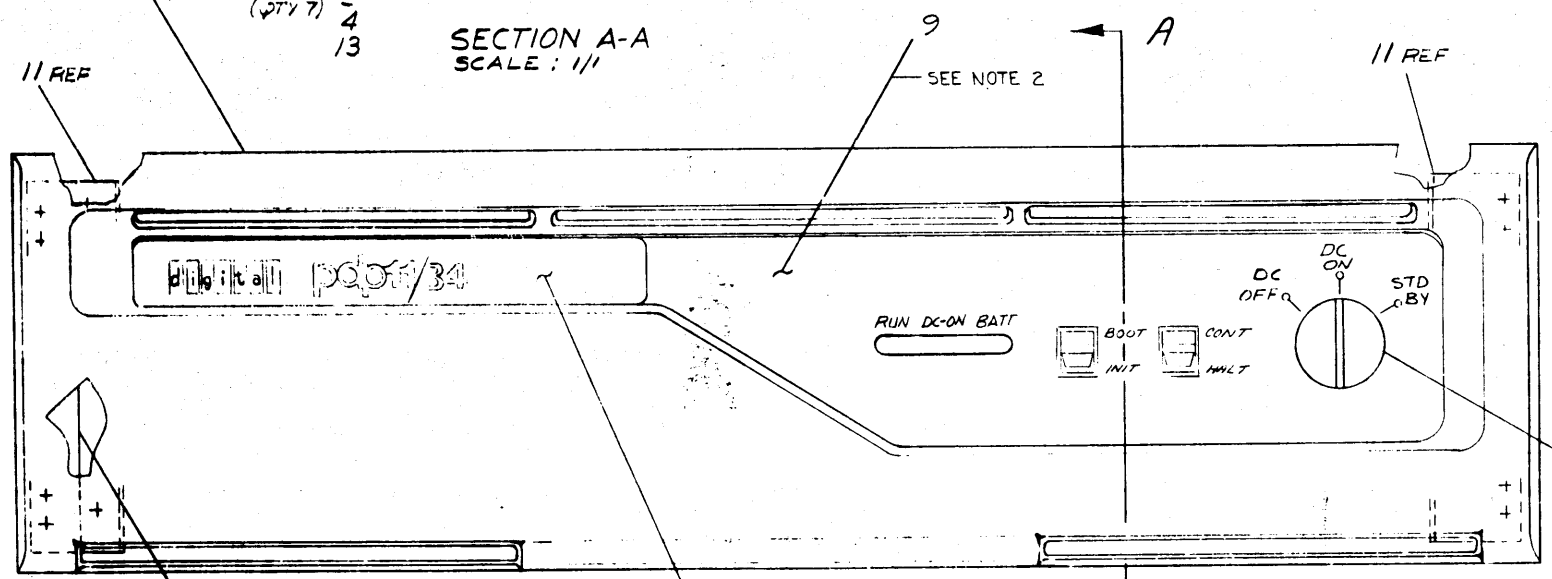
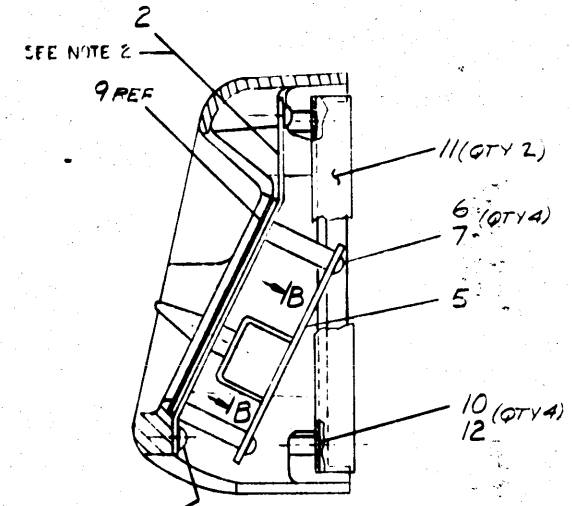
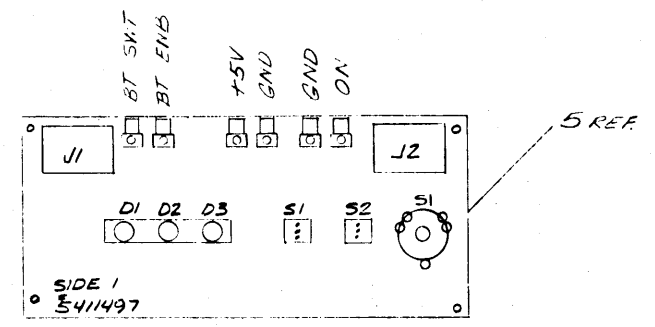
REV.	CHG.	BY	DATE
1		B. SAMPSON	10-13-75
2		M. E. LEWIS	10-13-75
3		M. E. LEWIS	10-13-75
4		M. E. LEWIS	10-13-75
5		M. E. LEWIS	10-13-75
6		M. E. LEWIS	10-13-75
7		M. E. LEWIS	10-13-75
8		M. E. LEWIS	10-13-75

138

"THIS DRAWING AND SPECIFICATIONS HEREIN ARE THE PROPERTY OF DIGITAL EQUIPMENT CORPORATION AND SHALL NOT BE REPRODUCED OR COPIED OR USED IN WHOLE OR IN PART AS THE BASIS FOR THE MANUFACTURE OR SALE OF ITEMS WITHOUT WRITTEN PERMISSION. COPYRIGHT © 1973, DIGITAL EQUIPMENT CORPORATION"

NOTES

- PART NO. 7415539-1-0 MAY BE USED IF 7415539 IS NOT AVAILABLE.
- BEFORE ASSEMBLY OF CONTROL PANEL TO OPERATOR PANEL, CLEAN ITEM 2 THOROUGHLY. AFTER CLEANING, APPLY AN EVEN THIN LAYER OF AEROSOL ADHESIVE #77N TO ITEM 2. ONLY TO AVOID ATTACKING THE SILK SCREENING, POSITION ITEM 2 IN PLACE AND HOLD AT 15-20 LB. PRESSURE FOR A PERIOD OF 15-30 SECONDS.
- OVERLAY DECAL TO BE SHIPPED LOOSE AND PLACED WITH THE UNIT AND ADDED AS SHOWN IF REQUIRED AT FA 4 T.



ITEM NO.	DESCRIPTION	DWG/PART NO.	ITEM NO.
1	OVERLAY, DECAL 11/34	A-PS-761335-0-1	14
7	WASHER, FLAT, 375x187x.036	9502660	13
4	SPACER, HEX 1/4x.38 LG	9006802	12
2	BRKT, FILTER SUPPORT	GND-7414962-0-0	11
4	SCR, PHIL FL HD #8-32x.62	9006040-2	10
1	PANEL, CONTROL, CONSOLE	D-1A-7413502-0-0	9
1	KNOB, ROTARY SWITCH	1212570	5
4	SCR, PHIL HD PAN #8-32x.38	9006022-1	7
4	SPACER #6-32x.87	9006861	6
1	CIRCUIT ETCH BD KY11-LA	D-5-5411497-0-0	5
7	SCR, FILL HD PAN #8-32x.31	9009799-036	4
7	WASHER, SPRING LOCK #8	9006690	3
1	SUPPORT, PANEL	D-1A-7413501-0-0	2
1	BEZEL 11/04	E-MD-7415539-1-0	1

CLASS OF ACCURACY	OVER 4.9	OVER 12.5	OVER 17.5	OVER 25.0	OVER 31.8	OVER 39.9
ANGLES 10' 30'	±.02	±.03	±.04	±.05	±.06	±.07
SURFACE QUALITY IN	1.00	1.00	1.01	1.02	1.03	1.04
QUANTITY & VARIATION	1.00	1.01	1.02	1.03	1.04	1.05

THIRD ANGLE PROJECTION

REMOVE BIRDS AND BREAK SHARP CORNERS

DO NOT SCALE DWG

MATERIAL SPECIFICATIONS

FINISH

DRY CLEANING

CHECKED: [Signature]

ENG: [Signature]

PROJ. ENG: [Signature]

PROD:

NEXT HIGHER ASSY.

SCALE: 1:1

SHEET 1 OF 1

FIRST USED ON 11/04

TITLE: CONSOLE, OPER, ASSEMBLY

SIZE: D

CODE: UA

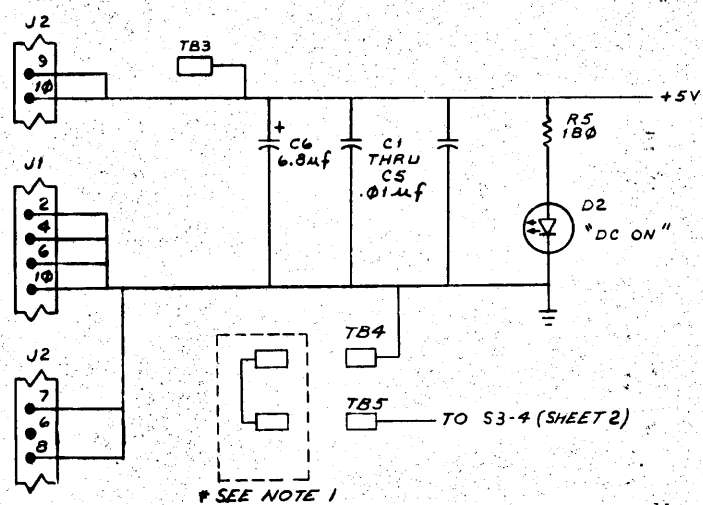
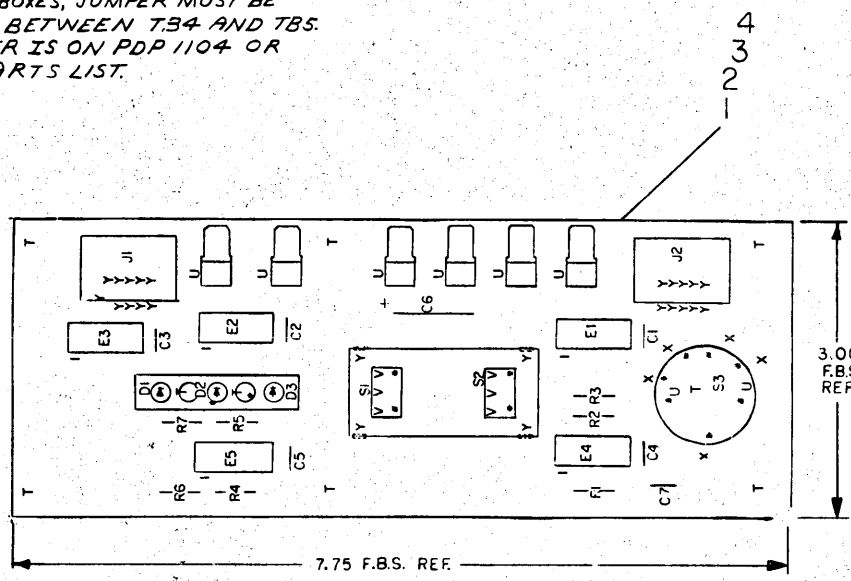
NUMBER: KY11-LA-0

REV: C

REV.	CHANGE NO.	DESCRIPTION	DATE
1	1	INITIAL RELEASE	11/77
2	2	REVISED TO 11/04	11/77
3	3	REVISED TO 11/04	11/77
4	4	REVISED TO 11/04	11/77
5	5	REVISED TO 11/04	11/77
6	6	REVISED TO 11/04	11/77
7	7	REVISED TO 11/04	11/77
8	8	REVISED TO 11/04	11/77

"THIS DRAWING AND SPECIFICATIONS HEREBY ARE THE PROPERTY OF DIGITAL EQUIPMENT CORPORATION AND SHALL NOT BE REPRODUCED OR COPIED OR USED IN WHOLE OR IN PART AS THE BASIS FOR THE MANUFACTURE OR SALE OF ITEMS WITHOUT WRITTEN PERMISSION.
 COPYRIGHT © 1975 DIGITAL EQUIPMENT CORPORATION"

NOTES:
 1. IN B111-L BOXES, JUMPER MUST BE INSTALLED BETWEEN T34 AND T35. THE JUMPER IS ON PDP 1104 OR PDP 1134 PARTS LIST.



IC TYPE	QTY	QTY	QTY
I.C. DEC 8640	1	0	0
IC PIN LOCATIONS	QND	+5V	

QND AND 5V ARE USUALLY PIN 7 AND 14 RESPECTIVELY EXCEPTS ARE STATED ABOVE

REF	DESCRIPTION	PART NO.	ITEM NO.
REF	X-Y COORDINATE HOLE LOCATION	11-00-5411497-0-4	1
REF	ASSY/DRILLING HOLE LAYOUT	D-11-5411497-0-5	2
REF	MODULE ECO HISTORY	B-MH-5411497-0-6	3
1	ETCHED CIRCUIT BOARD	5011496	4
5	C1 THRU C5	CAPACITOR, 0.1μF, 100V	1001610-01
1	C6	CAPACITOR, 6.8μF, 35V, 10%	1005306
1	C7	CAPACITOR, 1000PF, 100V	1000042
3	D1, D2, D3	DIODE, LIGHT EMITTING	1110864
1	S2	SWITCH, TOGGLE	1210840
1	S1	SWITCH, MOMENTARY	1210841
1	S3	SWITCH, ROTARY	1212560
1		HOLDER, TRIPLE L.E.D.	1210940-02
2	J1, J2	CONNECTOR, 10 PIN	1209941-05
2	R4, R6	RESISTOR, 1K, 1/4W, 5%	1300365
3	R1, R5, R7	RESISTOR, 180Ω, 1/4W, 5%	1301322
1	E5	I.C. DEC 7474	1905547
1	E3	I.C. DEC 8640	1911469
2	E1, E2	I.C. DEC 8881	1909705
1	E4	I.C. DEC 7402	1909004
6		TERMINAL, QUICK DISCONNECT	9007112
6		EYELET	9009000
2		SCREW, SELF-TAPING, #4-40X.31 LG	9009236
1		PLATE, SWITCH MTG.	7413505-0-0
2	(S1), (S2)	KNOB	1210786
2	R2, R3	RESISTOR 390 1/4W, 5%	1300295
A/R		WIRE, BUS #20	9107560-02
A/R		TUBING, CLEAR #E0	9107267-10

FIRST USED ON OPTION MODEL: 11/04

ETCH BOARD REV. E

DATE: 4-23-75
 DATE: 7-15-75
 DATE: 8-11-75
 DATE: 11-11-75

DESIGNER: J. V. V. V.
 CHECKED: J. V. V. V.
 SPECIAL INSP: J. V. V. V.
 PROG: J. V. V. V.

NEXT HIGHER ASSY

SCALE: 1 OF 2

SEMICONDUCTOR CONVERSION CHART

DATE: 4-23-75
 DATE: 7-15-75
 DATE: 8-11-75
 DATE: 11-11-75

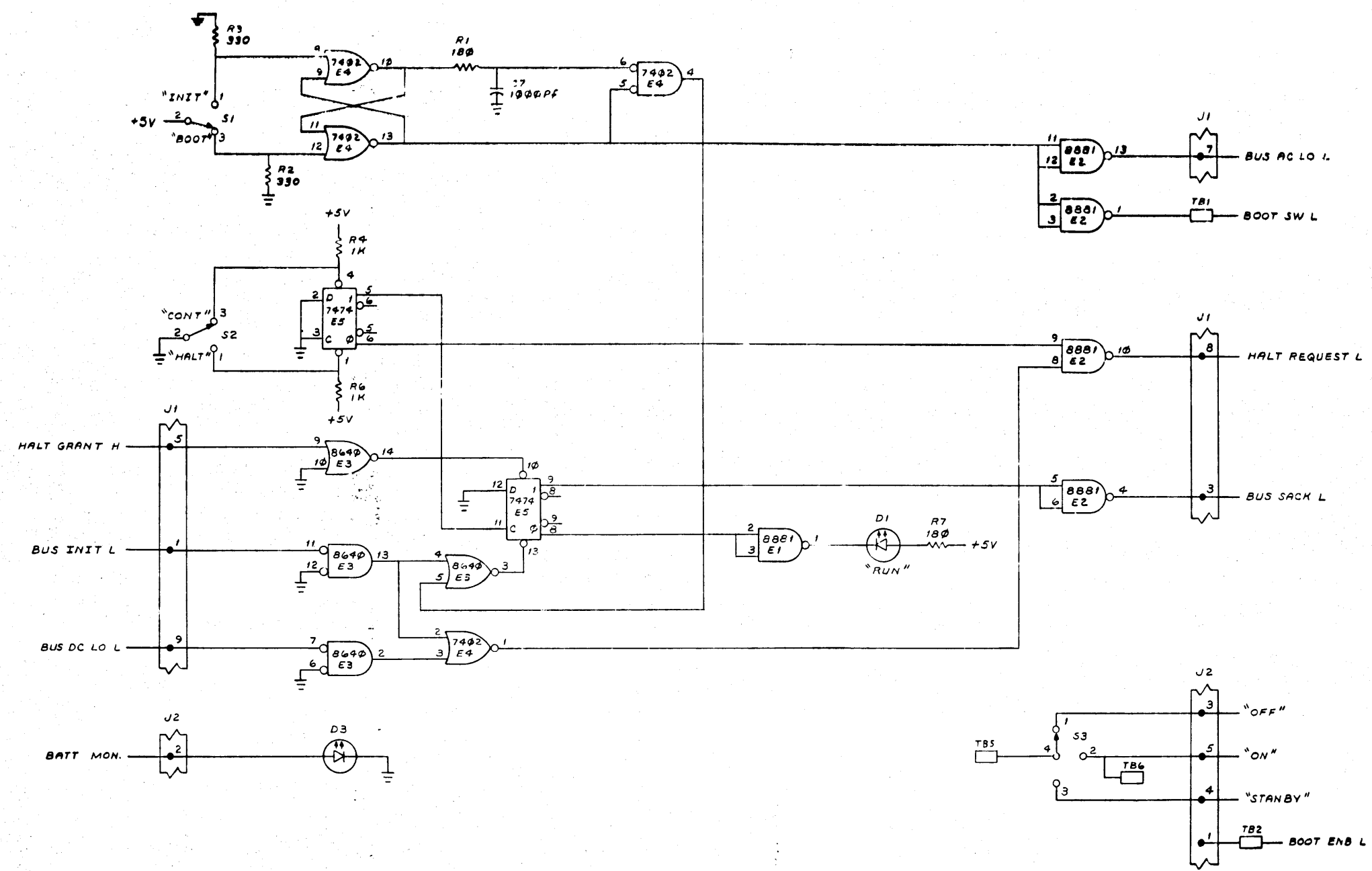
TITLE: KY11-LA

BOX CODE: D CS 5411497-0-1

REV. E

THIS DRAWING AND SPECIFICATIONS HERON ARE THE PROPERTY OF DIGITAL EQUIPMENT CORPORATION AND SHALL NOT BE REPRODUCED OR COPIED IN WHOLE OR IN PART AS THE BASIS FOR THE MANUFACTURE OR SALE OF ITEMS WITHOUT WRITTEN PERMISSION. COPYRIGHT © 1971 DIGITAL EQUIPMENT CORPORATION

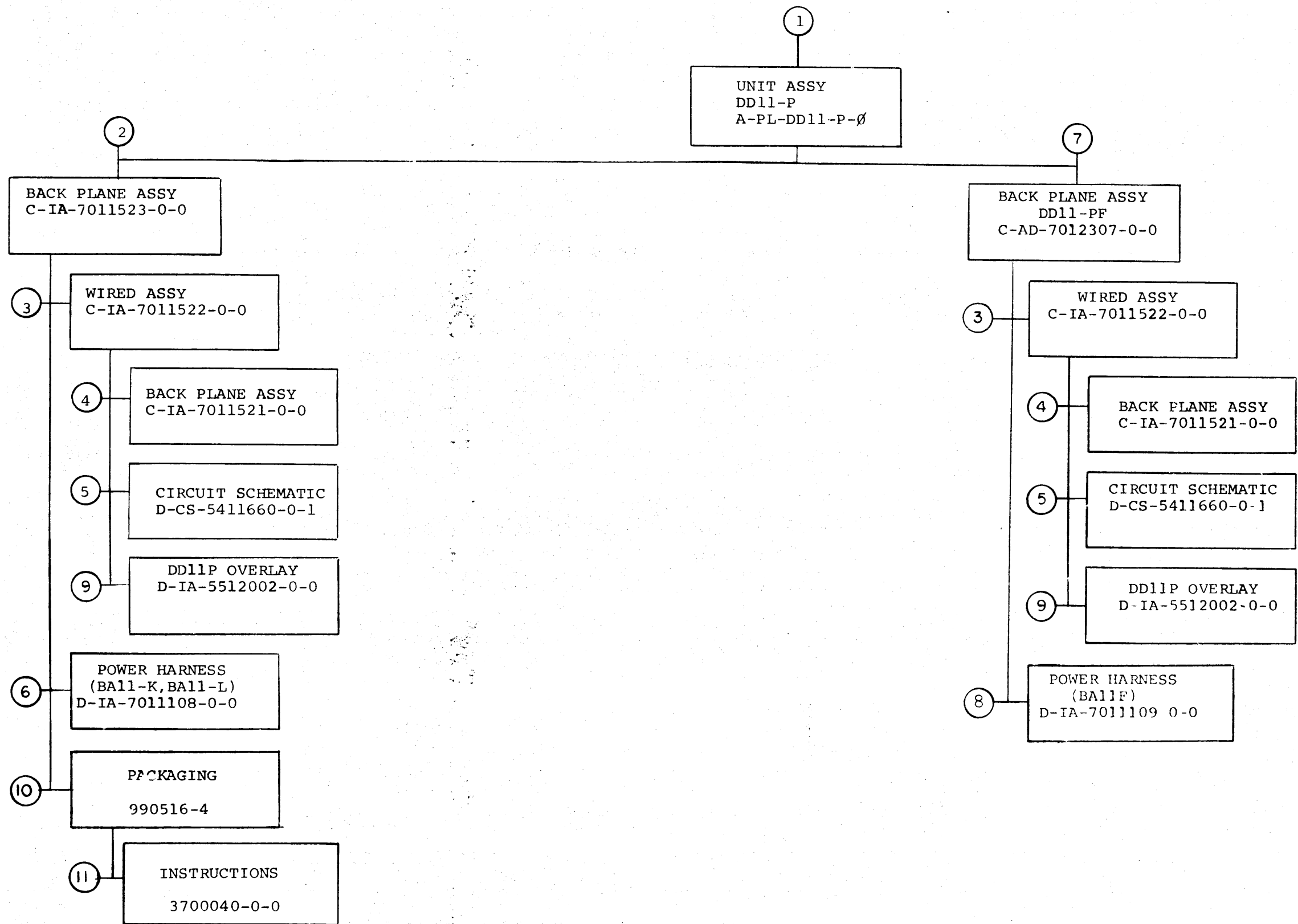
DCS 5411497-0-1



REVISIONS		
CHK	CHANGE NO.	REV.

TITLE	KY11-LA	SHEETCODE	DCS 5411497-0-1	NUMBER	2	REV.	E
SCALE		SHEET	2 OF 2	DIST.			

142



TITLE	SHEET	OF	SIZE	CODE	NUMBER	REV
DRAWING DIRECTORY DD11-P	2	3	B	DD	DD11-P	D

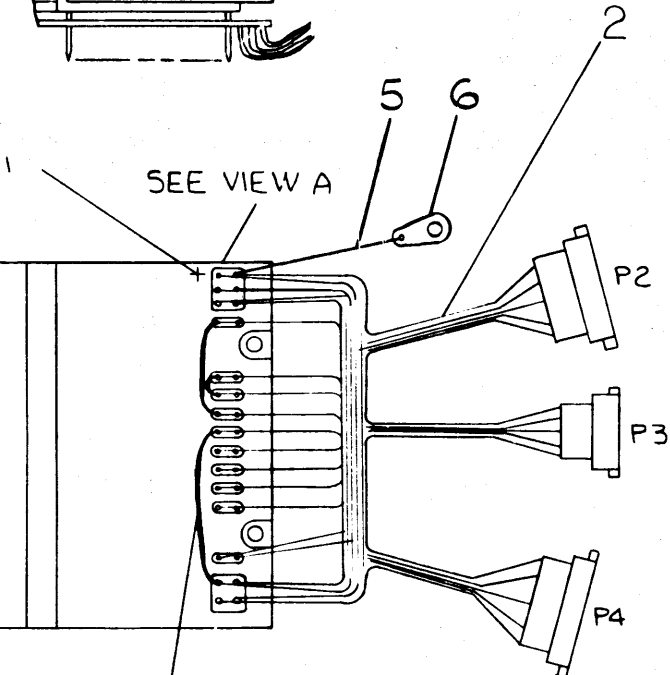
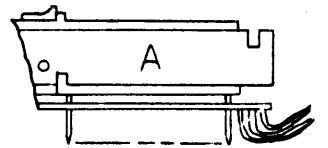
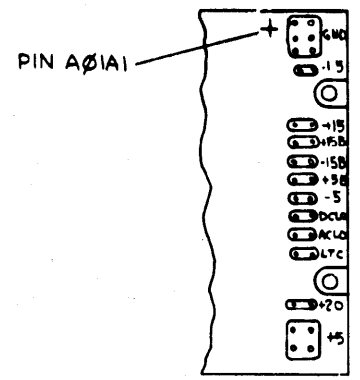
"THIS DRAWING AND SPECIFICATIONS, HEREIN, ARE THE PROPERTY OF DIGITAL EQUIPMENT CORPORATION AND SHALL NOT BE REPRODUCED OR COPIED OR USED IN WHOLE OR IN PART AS THE BASIS FOR THE MANUFACTURE OR SALE OF ITEMS WITHOUT WRITTEN PERMISSION. COPYRIGHT © 1975 DIGITAL EQUIPMENT CORPORATION"

WIRE TABLE

FROM			TO	FROM			TO
COLOR	POINT	CONNECTION	SIGNAL	COLOR	POINT	CONNECTION	SIGNAL
BLUE	P4-13	SOLDER	-15V	BRN	P2-14	SOLDER	-5V
RED	P4-4		+5V	BLK	P2-8		GND
RED	P4-1		+5V	GRAY	P2-2		+15
BLK	P4-8		GND	ORG	P2-3		+20
ORG	P4-3		+20V	BLK	P2-9		GND
BLK	P4-9		GND	RED	P2-12	SOLDER	+5B
WHT	P4-6		+15B	ITEM 5	ITEM 6	SOLDER	GND
GRN	P4-15		-15B				
YEL	P3-4		ACLO				
BLK	P3-1		GND				
BRN	P3-2		LTC				
VIO	P3-3		DCLO				
RED	P2-4		+5V				
RED	P2-1	SOLDER	+5V				

NOTES:

- WHEN THE DDII-PK IS USED WITH A BAI1-K EXPANSION BOX WITHOUT BATTERY BACK UP, INSTALL THE THREE JUMPERS SHOWN:
 - 15 TO -15B
 - +15 TO +15B
 - +5 TO +5B
 USE #22 SHIELDED BUS WIRE ON SIDE 2. THIS WILL PROVIDE POWER TO THE MOS MEMORY VOLTAGE RAILS.
- INSTALL ITEM #6 UNDER LOGIC FRAME MOUNTING SCREW TO TIE LOGIC GROUND TO CHASSIS GROUND.



A/R	COPRESS-O-CARTON	9905016-4	8
REF.	PACKAGING INSTRUCTIONS	3700040-0-0	7
1	TERMINAL, SOLDER	9008150	6
2"	WIRE, BLK, STRD#14	9107370-00	5
6"	TUBING #22 (BLUE)	9107256-06	4
6"	WIRE BUS #22	9107560-01	3
1	POWER HARNESS (BA11K, BA11L)	D-IA-7011108-0-0	2
1	WIRED ASSY DDII-P	C-IA-7011522-0-0	1

REV.	CHANGE NO.	DATE	BY
A	7011523-0001	15 OCT 75	R. BARRY
B	00002	24 FEB 76	R. BARRY
C	00005	8 MARCH 76	R. BARRY
	00005	17 FEB 77	D. BARRY
		7 APR 77	Richard Barry

FIRST USED ON OPTION/MODEL	QTY.	DESCRIPTION	PART NO.	ITEM NO.
DDII-P				

DIMENSIONAL TOLERANCE		PARTS LIST	
DIMENSIONS ARE INCHES UNLESS OTHERWISE SPECIFIED		DRN. <i>R. Barry</i>	DATE 5/20/75
MILLIMETERS		CHK'D <i>D. Hoag</i>	DATE 7/1/75
X,XX ±0.10	.XXX ±.006	ENG. <i>R. Barry</i>	DATE 7-2-75
X,X ±0.5	.XX ±.02	PROJ. ENG. <i>R. Barry</i>	DATE 7-2-75
X ±.2	.X ±.1	PROD. <i>R. Barry</i>	DATE 7/2/75
THIRD ANGLE PROJECTION	REMOVE BURRS AND BREAK SHARP CORNERS SURFACE QUALITY ✓	NEXT HIGHER ASSY.	
MATERIAL SEE PARTS LIST		SCALE <i>1:1</i>	
FINISH <i>++</i>		SHEET 1 OF 1	

TITLE		SIZE CODE	NUMBER	REV.
BACKPLANE ASS'Y (DDII-PK)		C IA	7011523-0-0	C

REV. C
 NUMBER 7011523-0-0
 SIZE CODE C IA

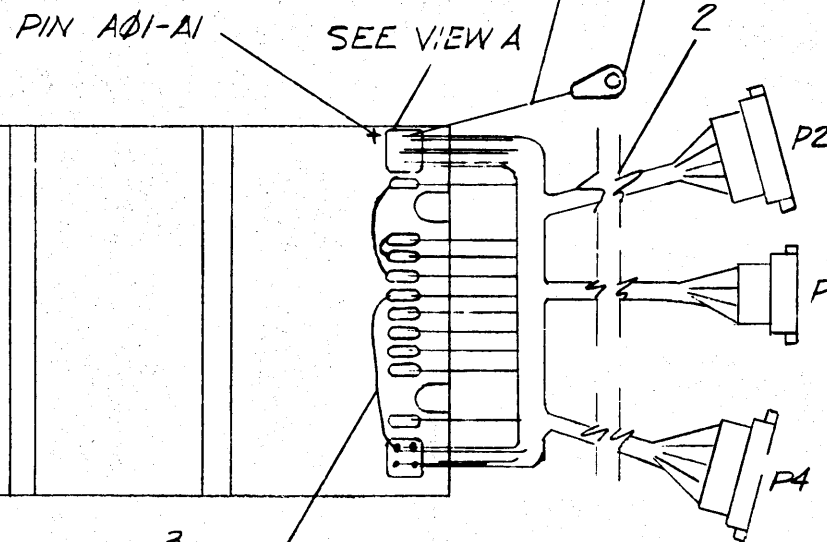
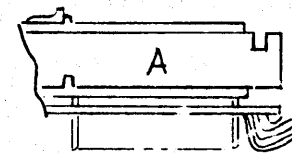
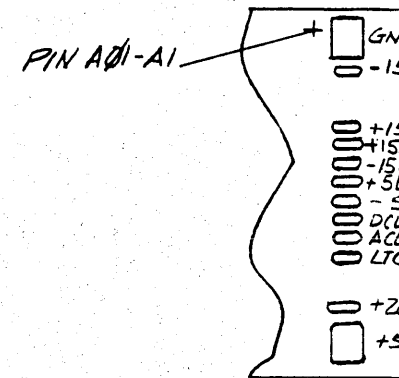
"THIS DRAWING AND SPECIFICATIONS, HEREIN, ARE THE PROPERTY OF DIGITAL EQUIPMENT CORPORATION AND SHALL NOT BE REPRODUCED OR COPIED OR USED IN WHOLE OR IN PART AS THE BASIS FOR THE MANUFACTURE OR SALE OF ITEMS WITHOUT WRITTEN PERMISSION. COPYRIGHT © 1975 DIGITAL EQUIPMENT CORPORATION"

WIRE TABLE

FROM		TO	FROM		TO		
COLOR	POINT	CONNECTION	SIGNAL	COLOR	POINT	CONNECTION	SIGNAL
BLU	P4-13	SOLDER	-15V	BRN	P2-14	SOLDER	-5V
RED	P4-4		+5V	BLK	P2-8		GND
RED	P4-1		+5V	GRAY	P2-2		+15
BLK	P4-8		GND	ORN	P2-3		+20
ORN	P4-3		+20V	BLK	P2-9		GND
BLK	P4-9		GND	RED	P2-10	SOLDER	+5B
WHT	P4-6		+15B	ITEM#5	ITEM#6	SOLDER	GND
GRN	P4-15		-15B				
YEL	P3-4		ACLO				
BLK	P3-1		GND				
BRN	P3-2		LTC				
VIO	P3-3		DCLO				
RED	P2-4		+5V				
RED	P2-1	SOLDER	+5V				

NOTES:

- WHEN DD11-PF IS USED WITH A BAI1-F EXP BOX WITHOUT BATTERY BACK UP INSTALL THE THREE JUMPERS SHOWN:
 1) -15 TO -15B
 2) +15 TO +15B
 3) +5 TO +5B
 USE #20 INSULATED BUS WIRE ON SIDE 2 THIS WILL PROVIDE POWER TO THE MOS MEM VOLTAGE RAILS.
- INSTALL ITEM #6 UNDER LOGIC FRAME MOUNTING SCREW TO TIE LOGIC GROUND TO CHASSIS GROUND.



QTY.	DESCRIPTION	PART NO.	ITEM NO.
1	TERMINAL, SOLDER	9008150	6
A/R	WIRE, BLK STRD #14	9107370-00	5
A/R	TUBING, #20 (CLEAR)	9107267-10	4
A/R	WIRE, BUS #20	9107560-02	3
1	POWER HARNESS BAI1-F	D-7A-7011109-0-0	2
1	WIRED ASSY DD11-P	C-7A-7011522-0-0	1

FIRST USED ON OPTION/MODEL DD11-PF		QTY.	DESCRIPTION	PART NO.	ITEM NO.
DIMENSIONAL TOLERANCE		PARTS LIST			
DIMENSIONS ARE <u>MILLIMETERS</u> INCHES UNLESS OTHERWISE SPECIFIED		DRN <i>[Signature]</i>	DATE 10/29/75		
MILLIMETERS INCHES ANGLES		CHK'D <i>[Signature]</i>	DATE 12/18/75		
X,XX ±0.10 .XX ±.005 ±0° 30'		ENG <i>[Signature]</i>	DATE 12/18/75		
X,X ±0.5 .X ±.02		PROJ. ENG. <i>[Signature]</i>	DATE 12/18/75		
X ±.2 .X ±.1		PROD. <i>[Signature]</i>	DATE 12-18-75	TITLE BACK PLANE ASSY (DD11-PF)	
THIRD ANGLE PROJECTION	REMOVE BURRS AND BREAK SHARP CORNERS SURFACE QUALITY ✓	NEXT HIGHER ASSY.		SIZE CODE C:AD	NUMBER 7012307-0-0
	MATERIAL SEE PARTS LIST	A-PL-DD11-PF-0		REV.	
	FINISH	SCALE NONE			
		SHEET / OF /		DIST.	

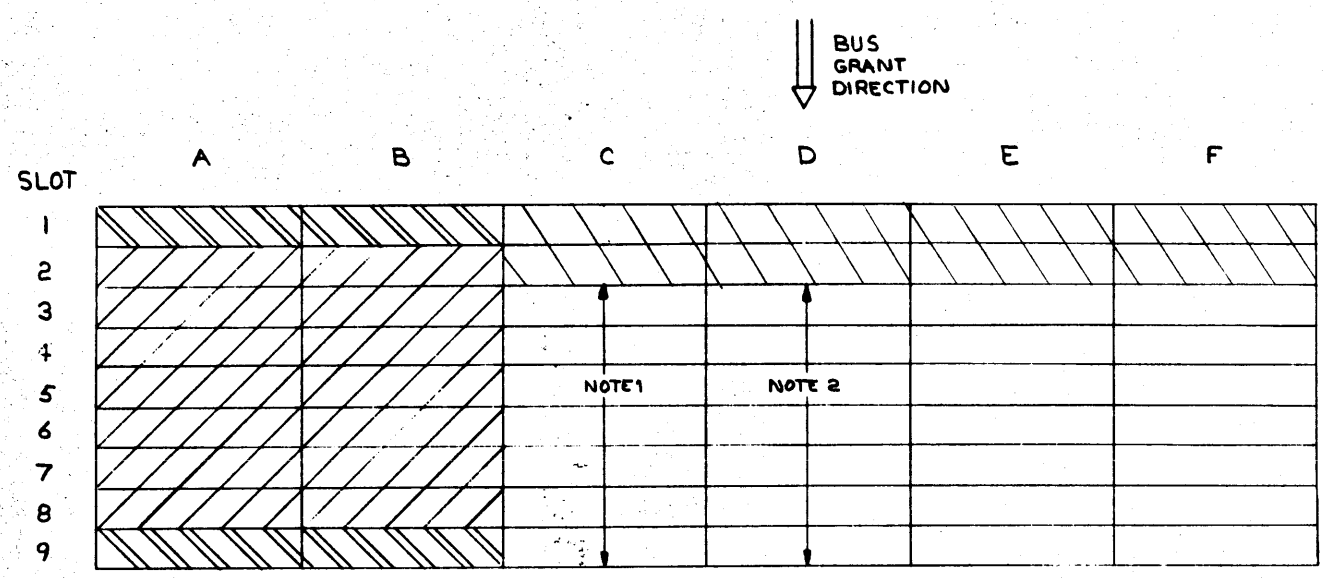
REV.	
CHANGE NO.	
CHK	

REV. NUMBER
CAD7012307-0-0

THIS DRAWING AND SPECIFICATIONS, HEREIN, ARE THE PROPERTY OF DIGITAL EQUIPMENT CORPORATION AND SHALL NOT BE REPRODUCED OR COPIED OR USED IN WHOLE OR IN PART AS THE BASIS FOR THE MANUFACTURE OR SALE OF ITEMS WITHOUT WRITTEN PERMISSION. COPYRIGHT © 1975, DIGITAL EQUIPMENT CORPORATION

REV. A DDII-P-2 2 1

- NOTES:
1. REMOVE CA1 TO CB1 WIRE WRAP JUMPER TO INSTALL AN NPR OPTION IN ANY SPC SLOT.
 2. G727 REQUIRED IN ANY UNUSED SPC SLOT TO PROVIDE BUS GRANT CONTINUITY.
 3. GRANT DIRECTION IS SLOT 1 TO SLOT 9.
 4. USE M92#2 TO INTERCONNECT SYSTEM UNITS INSTEAD OF M92#1. M92#2 IS A 2 FT. UNIBUS JUMPER CABLE USED TO DISTRIBUTE UNIBUS LOADING.
 5. M93#2 (SACK/TERM) AND M93#1 (TERM) MUST NEVER BE INSTALLED IN ANY SLOT OTHER THAN SLOT 9 (A & B). POWER SUPPLY VOLTAGES WILL BE SHORTED OUT IF THESE TERMINATORS ARE MOUNTED IN THE MODIFIED UNIBUS SLOTS.
 6. MODIFIED UNIBUS SECTION CARRIES CORE AND MOS MEMORY VOLTAGE RAILS AND MEMORY PARITY CONTROL SIGNALS INSTEAD OF BUS GRANT AND SOME GND SIGNALS THAT ARE CONTAINED IN STANDARD UNIBUS SLOTS.
 7. REFER TO NEXT PAGE FOR RECOMMENDED UTILIZATION OF THIS SLOT IN STANDARD SYSTEM.



CABLE FROM KV11-LA OPERATORS CONSOLE, USED WITH PDP 11/04, PDP 11/34, PDP 11/34A TERMINATES HERE

VIEW FROM MODULE SIDE

STANDARD UNIBUS (SLOTS 1 & 9)
 DUAL MODULES WHICH PLUG INTO STANDARD UNIBUS SLOTS ONLY:
 BC11A UNIBUS CABLE
 M9302 SACK/TERM (MILS)
 M920 (NOTE 4)
 M930 (NOTE 5)
 M9202 (NOTE 4)
 SLOT 9 (A&B) IS EITHER THE TERMINATION OF THE UNIBUS OR THE OUTPUT CABLE (BC11A)

MODIFIED UNIBUS (SLOTS 2-8)
 DUAL MODULES WHICH PLUG INTO THE MODIFIED UNIBUS ONLY:
 M9301 BOOT/TERM.
 M9306 TERM.
 M7850 PARITY CONT.

SMALL PERIPHERAL CONTROLLER (SLOTS 3-9)
 ANY S.P.C. OPTION
 CPU BUS (SLOTS 1 & 2)
 PROCESSOR INTERCONNECT FOR KD11-E AND KD11-EA

HEX MODULE WITH MODIFIED UNIBUS SIGNALS (SLOTS 2-8)
 HEX MODULES THAT PLUG INTO MODIFIED UNIBUS ONLY:
 M7847 MOS MEMORY (MS11)

GENERAL
 ANY HEX MODULE THAT MEETS EITHER OF THE FOLLOWING REQUIREMENTS CAN BE MOUNTED IN THESE SLOTS.
 1.) THOSE PINNED TO TAKE SIGNALS FROM MODIFIED UNIBUS (A&B) WITH THE BUS GRANTS TAKEN FROM SPC SLOTS 10: ABOVE
 2.) THOSE PINNED TO TAKE SIGNALS FROM STANDARD SPC PINNING WITH THE EXCEPTION OF POWER FROM (A&B). 10: SPECIAL OPTIONS

HEX MODULE WITH STANDARD UNIBUS SIGNALS SLOT 2 ONLY
 M7263 PDP11/04 CPU MODULE OR M7266 PDP 11/34 CONTROL MODULE
 M7266 KD11-E (PDP 11/34) CONTROL MODULE
 M8266 KD11-AE (PDP 11/34A) CONTROL MODULE

REV. A	DATE	BY
7/1	DDII-P-00005	A
6-28-77		
6-28-77		

THIRD ANGLE PROJECTION	DESCRIPTION	DWG. PART NO.	ITEM NO.																				
REMOVE BURRS AND BREAK SHARP CORNERS	UNLESS OTHERWISE SPECIFIED DIMENSIONS ARE IN INCHES																						
DO NOT SCALE DWG	<table border="1"> <tr> <th rowspan="2">CLASS OF ACCURACY</th> <th colspan="4">NOMINAL DIMENSION RANGE INCHES</th> </tr> <tr> <th>0 TO .25</th> <th>.25 TO 1.0</th> <th>1.0 TO 3.0</th> <th>3.0 TO 10.0</th> </tr> <tr> <td>CLASS OF ACCURACY</td> <td>±.005</td> <td>±.008</td> <td>±.012</td> <td>±.015</td> </tr> </table>			CLASS OF ACCURACY	NOMINAL DIMENSION RANGE INCHES				0 TO .25	.25 TO 1.0	1.0 TO 3.0	3.0 TO 10.0	CLASS OF ACCURACY	±.005	±.008	±.012	±.015						
CLASS OF ACCURACY	NOMINAL DIMENSION RANGE INCHES																						
	0 TO .25	.25 TO 1.0	1.0 TO 3.0	3.0 TO 10.0																			
CLASS OF ACCURACY	±.005	±.008	±.012	±.015																			
MATERIAL	<table border="1"> <tr> <td>QUANTITY & VARIATION</td> <td>DRN. 11/27</td> <td>FIRST USED ON</td> <td>000000</td> </tr> <tr> <td>FINISH</td> <td>CHK'D. 7/1/75</td> <td>TITLE</td> <td>MODULE UTILIZATION (DDII-P)</td> </tr> <tr> <td></td> <td>ENG. R. B. 7-2-75</td> <td></td> <td></td> </tr> <tr> <td></td> <td>PROJ. ENG. 7-2-75</td> <td></td> <td></td> </tr> <tr> <td></td> <td>PROD. 7-2-75</td> <td></td> <td></td> </tr> </table>			QUANTITY & VARIATION	DRN. 11/27	FIRST USED ON	000000	FINISH	CHK'D. 7/1/75	TITLE	MODULE UTILIZATION (DDII-P)		ENG. R. B. 7-2-75				PROJ. ENG. 7-2-75				PROD. 7-2-75		
QUANTITY & VARIATION	DRN. 11/27	FIRST USED ON	000000																				
FINISH	CHK'D. 7/1/75	TITLE	MODULE UTILIZATION (DDII-P)																				
	ENG. R. B. 7-2-75																						
	PROJ. ENG. 7-2-75																						
	PROD. 7-2-75																						
	B-DD-DDII-P	SIZE CODE	NUMBER																				
	SCALE	D	MU DDII-P-2																				
	SHEET	1 OF 2	REV. A																				

"THIS DRAWING AND SPECIFICATIONS HEREIN ARE THE PROPERTY OF DIGITAL EQUIPMENT CORPORATION AND SHALL NOT BE REPRODUCED OR COPIED OR USED IN WHOLE OR IN PART AS THE BASIS FOR THE MANUFACTURE OR SALE OF ITEMS WITHOUT WRITTEN PERMISSION. COPYRIGHT © DIGITAL EQUIPMENT CORPORATION"

RECOMMENDED SLOT UTILIZATION IN STANDARD SYSTEMS

KD11-D w/M9301 & MS11-JP(FP) PDP-11/04

SLOT 1	M7263
2	MS11-JP (FP)
3	M9301
4	
5	
6	
7	
8	
SLOT 9	

KD11-E w/M9301 PDP-11/34

SLOT 1	M7266
2	M7265
3	M9301
4	
5	
6	
7	
8	
SLOT 9	

KD11-D w/M9301 & MM11-DP PDP-11/04

SLOT 1	M7263
2	MM11-DP
3	
4	M9301
5	
6	
7	
8	
SLOT 9	

KD11-EA w/M9301 FP11-A PDP-1134A

SLOT 1	M8266
2	M8265
3	M8267
4	M9301
5	
6	
7	
8	
SLOT 9	

KD11-D w/M9301 & MM11-CP PDP-11/04

SLOT 1	M7263
2	MM11-CP
3	M9301
4	
5	
6	
7	
8	
SLOT 9	

SLOT 1	
2	
3	
4	
5	
6	
7	
8	
SLOT 9	

KD11-EA w/M9301 PDP-1134A

SLOT 1	M8266
2	M8265
3	M9301
4	
5	
6	
7	
8	
SLOT 9	

SLOT 1	
2	
3	
4	
5	
6	
7	
8	
SLOT 9	

A B C D E F

A B C D E F

REVISIONS		
CHK	CHANGE NO.	REV.

TITLE	SIZE CODE	NUMBER	REV.
MODULE UTILIZATION (DD11-P)	DMU	DD11-P-2	
SCALE	SHEET	DIST.	
	2 OF 2		

REV. NUMBER DD11-P-2

149

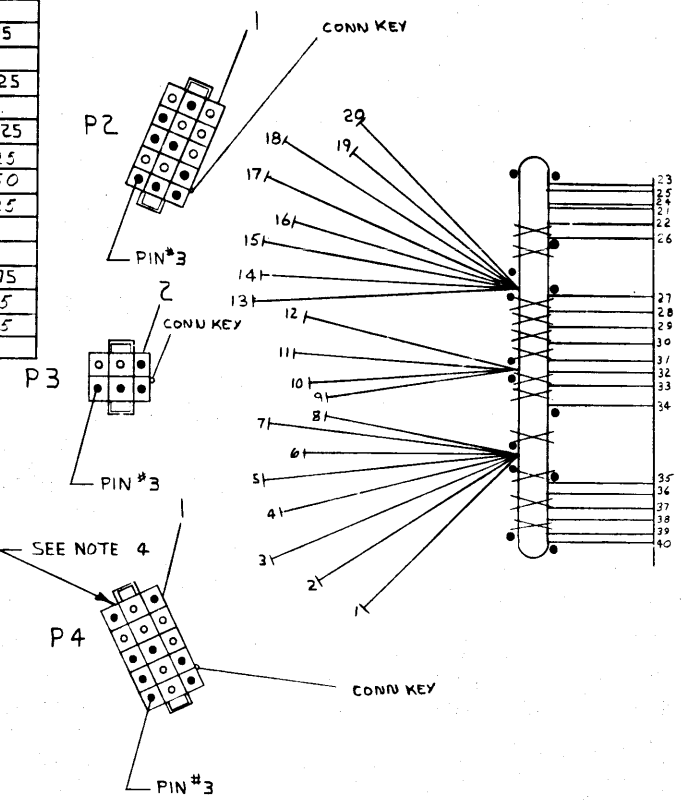
THIS DRAWING AND SPECIFICATIONS HEREIN ARE THE PROPERTY OF DIGITAL EQUIPMENT CORPORATION AND SHALL NOT BE REPRODUCED OR COPIED OR USED IN WHOLE OR IN PART AS THE BASIS FOR THE MANUFACTURE OR SALE OF ITEMS WITHOUT WRITTEN PERMISSION. COPYRIGHT © 1975, DIGITAL EQUIPMENT CORPORATION

0-0-801102 2 1

WIRING TABLE

ITEM NO.	AWG	COLOR	FROM		TO		SIGNAL	LENGTH
			POINT	CONNECTION	WITH	POINT		
9	#18	BLUE	1	P4-13	3	26	-15V	7
5	14	RED	2	P4-4		37	+5V	5
5	14	RED	3	P4-1		38	+5V	5
6	14	BLK	4	P4-8		21	GND	7.75
7	14	ORN	5	P4-3		35	+20V	5
6	14	BLK	6	P4-9		22	GND	8
13	18	WHT	7	P4-6		28	+5B	6.15
14	18	GFN	8	P4-15		29	-15B	6
12	18	YEL	9	P3-4		33	ACLO	4.25
6	14	BLK	10	P3-1		23	GND	6
10	18	BRN	11	P3-2		34	LTC	4.25
11	18	VIO	12	P3-3		32	DCLO	4.25
5	14	RED	13	P2-4		39	+5V	7.50
5	14	RED	14	P2-1		40	+5V	7.25
10	18	BRN	15	P2-14		31	-5V	5
6	14	BLK	16	P2-8		24	GND	5
8	18	GREY	17	P2-2		27	+15	4.75
7	14	ORN	18	P2-3		36	+20	6.75
6	14	BLK	19	P2-9		25	GND	5.15
5	14	RED	20	P2-12	3	30	SOLDER	5

- NOTES:
1. USE TIE WRAPS (X) ITEMS AT BREAKOUT POINTS SHOWN
 2. DOT (•) INDICATES NAIL LOCATION FOR ASS'Y USE ONLY. COVER NAILS WITH SHINK TUBING TO PREVENT CUTTING HARNESS.
 3. WIRE LENGTH TOLERANCES WILL BE +1/8, -0 INCHES.
 4. ALL CONN. SHOWN FROM WIRING SIDE.



DO NOT REDUCE SCALE FOR MANUFACTURING PURPOSES ONLY

FOR WIRE LENGTHS SEE WIRING TABLE

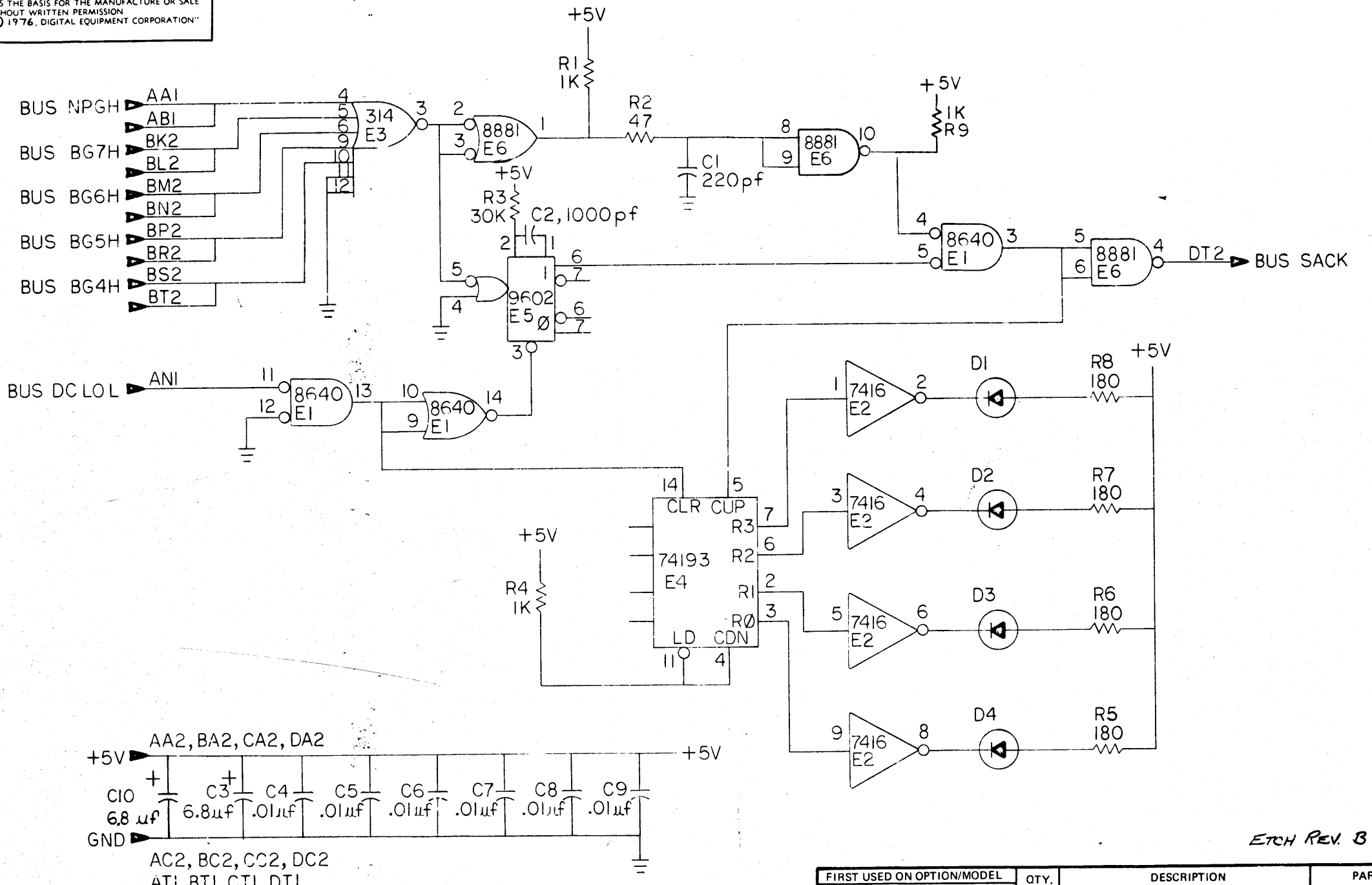
QTY	DESCRIPTION	DWG./PART NO.	ITEM NO.
1	POWER HARNESS DECALS	7409872-2-0	15
A/R	WIRE #18 AWG, GRN	9107360-55	14
A/R	WIRE #18 AWG, WHT	9107360-99	13
A/R	WIRE #18 AWG, YEL	9107360-44	12
A/R	WIRE #18 AWG, VIO	9107360-77	11
A/R	WIRE #18 AWG, BRN	9107360-11	10
A/R	WIRE #18 AWG, BLUE	9107360-66	9
A/R	WIRE #18 AWG, GREY	9107360-88	8
A/R	WIRE #14 AWG, ORN	9107370-33	7
A/R	WIRE #14 AWG, BLK	9107370-00	6
A/R	WIRE #14 AWG, RED	9107370-22	5
12	TIE WRAP	9007031	4
20	PIN MALE	1209378-01	3
1	CONN. 6 PIN HOUSING	1209351-06	2
2	CONN. 15 PIN HOUSING	1209351-15	1

THIRD ANGLE PROJECTION		QUANTITY & VARIATION		UNLESS OTHERWISE SPECIFIED DIMENSIONS ARE IN INCHES	
REMOVE BURRS AND BREAK SHARP CORNERS		DO NOT SCALE DWG		NEXT HIGHER ASSY.	
MATERIAL SEE PARTS LIST		FINISH		SCALE 1/1	
DRN. <i>[Signature]</i>		CHK'D. <i>[Signature]</i>		PROJ. ENG. <i>[Signature]</i>	
DATE: 9/11/75		FIRST USED ON: DD11-D		TITLE: POWER HARNESS (BAII-K, BAII-L)	
C-AD-701164-0-0		SIZE: D		NUMBER: 701108-0-0	
SHEET 1/1		OF 1		REV. B	

REV.	CHANGE NO.	DESCRIPTION
1	1	INITIAL DESIGN
2	2	REVISED PER COMMENTS
3	3	REVISED PER COMMENTS
4	4	REVISED PER COMMENTS
5	5	REVISED PER COMMENTS
6	6	REVISED PER COMMENTS
7	7	REVISED PER COMMENTS
8	8	REVISED PER COMMENTS

150

THIS DRAWING AND SPECIFICATIONS HEREIN ARE THE PROPERTY OF DIGITAL EQUIPMENT CORPORATION AND SHALL NOT BE REPRODUCED OR COPIED OR USED IN WHOLE OR IN PART AS THE BASIS FOR THE MANUFACTURE OR SALE OF ITEMS WITHOUT WRITTEN PERMISSION
 COPYRIGHT © 1976, DIGITAL EQUIPMENT CORPORATION



REV.	
CHANGE NO.	
CHK	

- NOTES:
 1. ALL DIODES ARE 1110324 DEC NUMBER
 2. E7, E8, ARE SPARE IC LOCATIONS

ETCH REV. B

FIRST USED ON OPTION/MODEL	QTY.	DESCRIPTION	PART NO.	ITEM NO.
PARTS LIST				
UNLESS OTHERWISE SPECIFIED DIMENSION IN INCHES	DRN <i>Paul Wilson</i>	DATE 7/3/76	digital EQUIPMENT CORPORATION MAYNARD, MASSACHUSETTS	
TOLERANCES	CHK'D <i>Mark De Felz</i>	DATE 8-12-76		
DECIMALS	ENG. <i>Bill Buxton</i>	DATE 8-12-76	TITLE NO SACK TIMEOUT MODULE	
ANGLES	PROJ. ENG. <i>Bill Buxton</i>	DATE 8-12-76		
.xxx = .005 .xx = .02 .x = .1	PROD. <i>Bill Buxton</i>	DATE 8-12-76		
REMOVE BURRS AND BREAK SHARP CORNERS SURFACE QUALITY V	NEXT HIGHER ASSY.		SIZE CODE C CS	NUMBER M8264-0-1
MATERIAL			REV. A	
FINISH	SCALE	SHEET	DIST.	

REV. A
NUMBER M8264-0-1
SIZE CODE C CS

258

DIGITAL EQUIPMENT CORPORATION
MAYNARD, MASSACHUSETTS
PARTS LIST

MADE BY	D. Healy	CHECKED	D. Healy	SECTION
DATE	12 May 76	DATE	12 May 76	1
ENG	<i>Richard Barry</i>	PROD	<i>R.B. King</i>	ISSUED SECT.
DATE	<i>10/17/1976</i>	DATE	<i>10/17/76</i>	1

QUANTITY / VARIATION

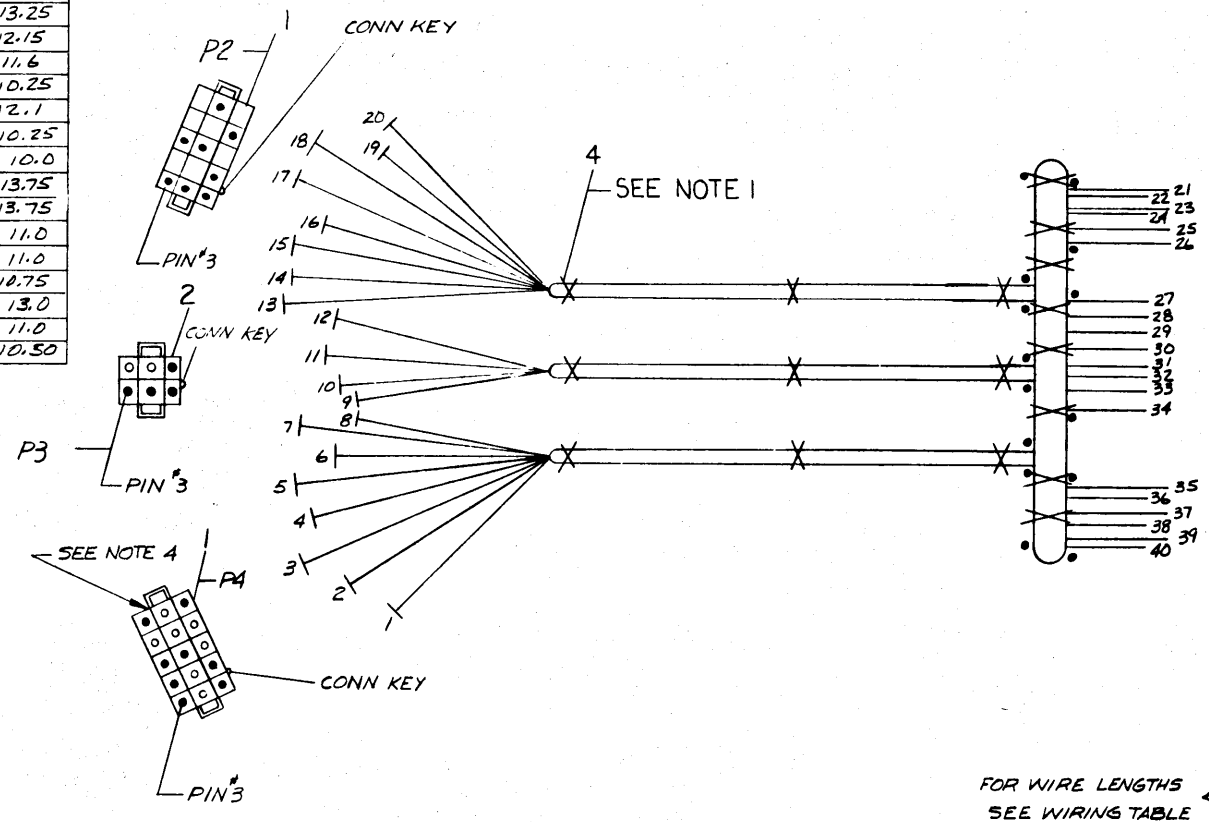
ITEM NO.	DWG NO. / PART NO.	DESCRIPTION	DH, DJ, LH, LJ	DM, DN, LM, LN	HH, HJ, MH, MJ	HM, HN, MM, MN												
	EK-11/034-OP-PRE	USERS MANUAL	1	1	1	1												
	ZJ010-RB	SOFTWARE LIB KIT (PAPER TAPE KIT)	1	1	1	1												
	MP00082	PRINT SET 11/34 VOL. 2	1	1	1	1												
	EK-KD11-E-TM-PRE	KD11-E TECHNICAL MANUAL *	1	1	1	1												
	EK-MS11E-MM-001	MS11-E-J MAINTENANCE MANUAL *	1	1	-	-												
	EK-MM11D-TM-PRE	MM11-D, DP TECHNICAL MANUAL *	-	-	1	1												
	EK-B11K-MM-002	B11-K MAINTENANCE MANUAL *	1	1	1	1												
	EK-M7850-MM-PRE	M7850 MAINTENANCE MANUAL *	1	1	1	1												
	EK-DL11W-MM-PRE	DL11-W MAINTENANCE MANUAL *	-	1	-	1												
	EK-M9301-MM-PRE	M9301 MAINTENANCE MANUAL *	1	1	1	1												
	7008360-1	CABLE ASSY (20 MA) DL11-WA	-	1	-	1												
	BC05C-25	CABLE MODEM (EIA) DL11-WB	-	-	-	-												
	1211825	CHASSIS TRACKS & MTG HDW.	1	1	1	1												
	7010059	SHIPPING BRACKET	1	1	1	1												

* Do not ship to OEM customers.

TITLE	SHIPPING LIST 11/34 (10 1/2" Ball-K)	ASSY NO.	NONE	SIZE	CODE	NUMBER	REV.	ECO NO.
		SHEET	1	OF	1			
				DIST.				

257

WIRING TABLE										
ITEM NO	DESCRIPTION			FROM			TO		SIGNAL	LENGTH
	AWG	COLOR	POINT	CONNECTION	WITH	POINT	CONNECTION			
9	18	BLU	1	P4-13	3	26	SOLDER	-15V	12.75	
5	14	RED	2	P4-4		37		+5V	11	
5	14	RED	3	P4-1		38		+5V	11.25	
6	14	BLK	4	P4-8		21		GND	13.75	
7	14	ORN	5	P4-3		35		+20V	11.0	
6	14	BLK	6	P4-9		22		GND	13.25	
13	18	WHT	7	P4-6		28		+15B	12.15	
14	18	GRN	8	P4-15		29		-15B	11.6	
12	18	YEL	9	P3-4		33		ACLO	10.25	
6	14	BLK	10	P3-1		23		GND	12.1	
10	18	BRN	11	P3-2		34		LTC	10.25	
11	18	VID	12	P3-3		32		DCLO	10.0	
5	14	RED	13	P2-4		39		+5V	13.75	
5	14	RED	14	P2-1		40		+5V	13.75	
15	14	BRN	15	P2-14		31		-5V	11.0	
6	14	BLK	16	P2-8		24		GND	11.0	
8	18	GRY	17	P2-2		27		+15	10.75	
7	14	ORN	18	P2-3		36		+20	13.0	
6	14	BLK	19	P2-9		25		GND	11.0	
5	14	RED	20	P2-10	3	30	SOLDER	+5B	10.50	



DESCRIPTION	DWG./PART NO.	ITEM NO.
1 POWER HARNESS DECAL	7409872-2	16
17 WIRE #14 AWG (BRN)	9107370-11	15
18 WIRE #18 AWG (GRN)	9107360-55	14
19 WIRE #18 AWG (WHT)	9107360-99	13
20 WIRE #18 AWG (YEL)	9107360-44	12
21 WIRE #18 AWG (VID)	9107360-77	11
22 WIRE #18 AWG (BRN)	9107360-11	10
23 WIRE #18 AWG (BLU)	9107360-66	9
24 WIRE #18 AWG (GRY)	9107360-88	8
25 WIRE #14 AWG (ORN)	9107370-33	7
26 WIRE #14 AWG (BLK)	9107370-00	6
27 WIRE #14 AWG (RED)	9107370-22	5
28 TIE WRAP	9007031	4
29 PIN MALE	1209378-01	3
30 CONN 6 PIN HOUSING	1209351-06	2
31 CONN 15 PIN HOUSING	1209351-15	1

DO NOT REDUCE
SCALE
6 IN
FOR MANUFACTURING PURPOSES ONLY

REV.	CHG	NO.	DATE	BY	APP.
1		1	12/19/75	D. BARRY	
2		2	12/19/75	P. PORRECA	

THIRD ANGLE PROJECTION

REMOVE BURRS AND BREAK SHARP CORNERS

DO NOT SCALE DWG

MATERIAL SEE PARTS LIST

FINISH

UNLESS OTHERWISE SPECIFIED DIMENSIONS ARE IN INCHES

ANGLES	CLAS. OF ACCURACY	NOMINAL DIMENSION RANGE					
30° 30'	3	OVER 0	OVER 0.2	OVER 0.5	OVER 1.0	OVER 1.5	OVER 2.0
		±0.004	±0.008	±0.012	±0.016	±0.024	±0.04

QUANTITY & VARIATION

DRW. BY: [Signature] 11/3/75

CHK'D BY: [Signature] 12/19/75

ENG. BY: [Signature] 12/19/75

PROJ. ENG. BY: [Signature] 12/19/75

PROD. BY: [Signature] 12-19-75

FIRST USED ON DD11-DF, PF

TITLE POWER HARNESS (BA11-F)

CAD-7012307-0-0

SCALE 1:1

SHEET 1 OF 1

SIZE D

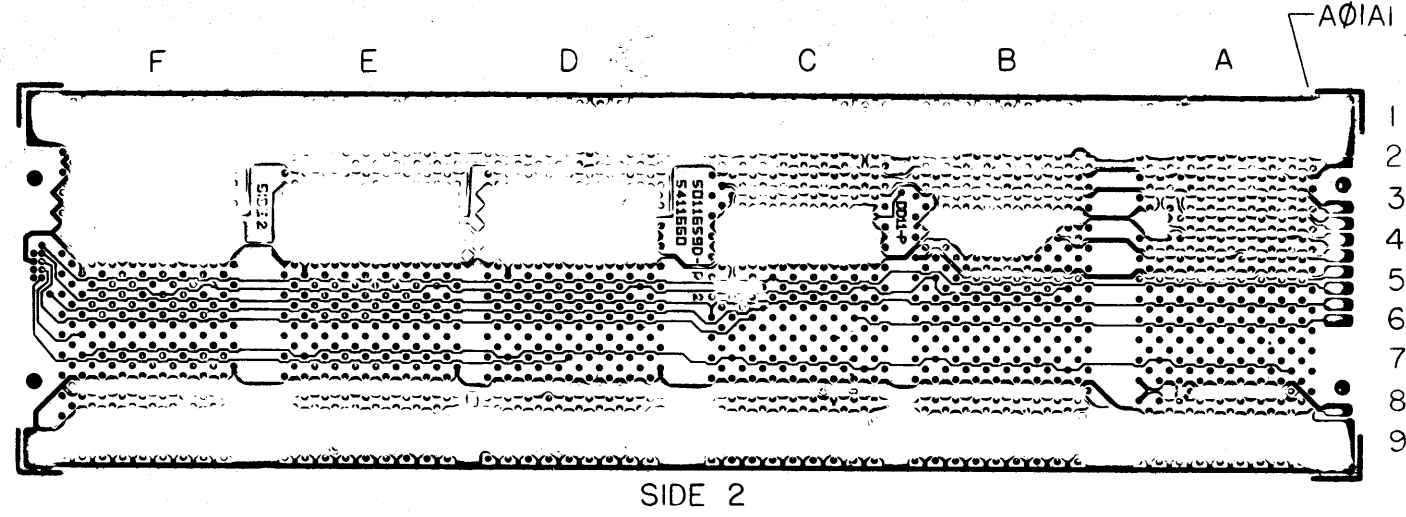
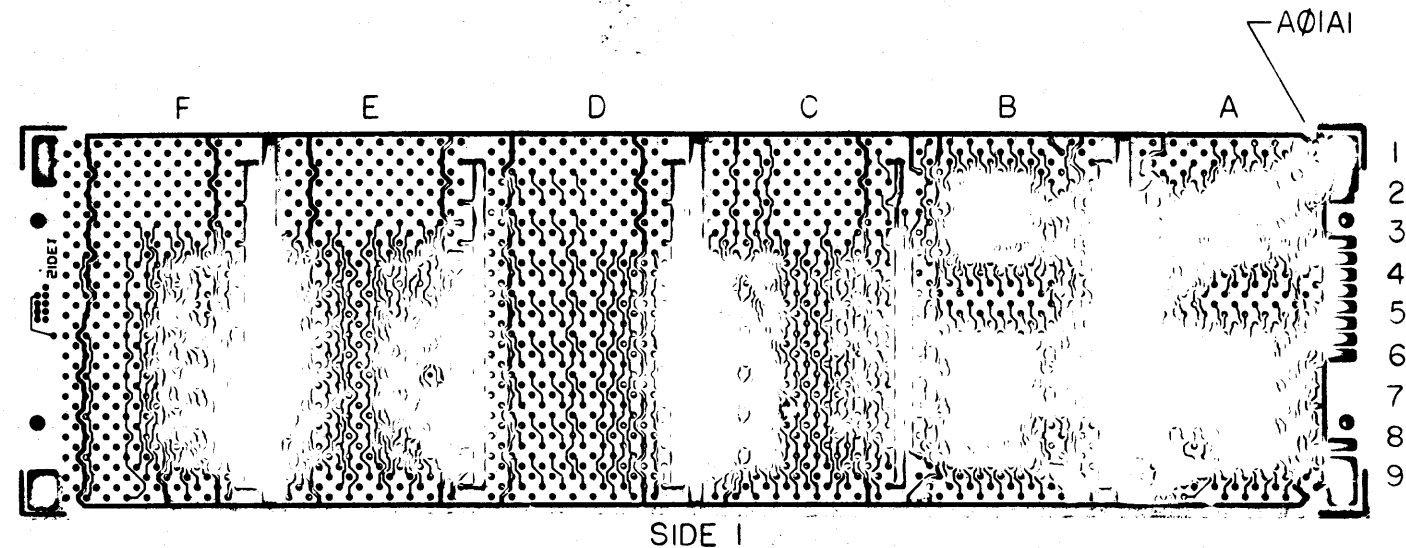
CODE IA

NUMBER 7011109-0-0

REV. B

THIS DRAWING AND SPECIFICATIONS HEREIN ARE THE PROPERTY OF DIGITAL EQUIPMENT CORPORATION AND SHALL NOT BE REPRODUCED OR COPIED OR USED IN WHOLE OR IN PART AS THE BASIS FOR THE MANUFACTURE OR SALE OF ITEMS WITHOUT WRITTEN PERMISSION.
 COPYRIGHT © 1975 DIGITAL EQUIPMENT CORPORATION

NOTES:



IC TYPE	GND	+5V
GND AND 5V ARE USUALLY PIN 7 AND 14 RESPECTIVELY EXCEPTIONS ARE STATED ABOVE		
IC PIN LOCATIONS		

DRN	D. Barry	DATE	6-20-75
CHK	R. Barry	DATE	7/1/75
DESIGN	R. Barry	DATE	2-8-75
PROD.	R. Barry	DATE	7-2-75

FIRST USED ON OPTION MODEL

REF	AWT REV STATUS	A-WT-701522-0	5
REF	MODULE ECO HISTORY	B-MH-5411660-0-6	4
REF	ASSY/DRILLING HOLE LAYOUT	D-AH-5411660-0-5	3
REF	X-Y COORDINATE HOLE LOCATION	K-CO-5411660-0-4	2
I	ETCHED CIRCUIT BOARD	5011659	1

PARTS LIST		DATE	
ETCH BOARD REV.	D	DATE	7/1/75
TITLE		CIRCUIT SCHEMATIC	
NEXT HIGHER ASSY		C-TA-7011521-0-0	
DEC NO.	EIA NO.	DEC NO.	EIA NO.
SEMICONDUCTOR CONVERSION CHART		SCALE 1/1	
SHEET		OF 1	

REV. E DCS 541166-0-1


152

This drawing and specifications, herein, are the property of Digital Equipment Corporation and shall not be reproduced or copied or used in whole or in part as the basis for the manufacture or sale of items without written permission. COPYRIGHT © 1975

DIGITAL EQUIP. CORP.

REV. C
 NUMBER DDII-P-1
 SIZE CODE K WL
 2
 1



FIRST USED ON OPTION MODEL	QTY.	DESCRIPTION	PART NO.	ITEM NO.
DDII-P				
PARTS LIST				
DRN. <i>W. Miller</i>	DATE 6/30/75	 DIGITAL EQUIPMENT CORPORATION <small>MAYNARD, MASSACHUSETTS</small>		
CHK'D <i>D. Barry</i>	DATE 6/30/75			
ENG. <i>R. Barry</i>	DATE 7-2-75			
PROJ. ENG. <i>J. Barry</i>	DATE 7/2/75			
PROD. <i>K. Peterson</i>	DATE 7/2/75			
NEXT HIGHER ASSEMBLY		TITLE WIRE LIST DDII-P		
B-DD-DDII-P				
SCALE <i>1/1</i>				
SHEET 1 OF 1		SIZE CODE K WL	NUMBER DDII-P-1	REV. C
		DIST.		

REVISIONS		REV.
CHANGE NO.		
DDIIP-00001	A	
DDIIP-00003	B	
DDIIP-00004	C	

DEC FORM NO. DRB 109

153

DD11P.C
RUN NAME

APF288.V34(63)-1 23-AUG-76
A/P PIN ORDER MAT - Q DRAW RV RG Y X Z
NAME PIN ORDER OPT

15-NOV-76
REMARKS

9:13 PAGE 1
NC LENGTH EXCEPTIONS
FLAG

RUN
NUMBER

+15/+8V		CP301	1-01 *	P								1		1
+15/+8V		CP401	1-02 *	P								1		1
+15/+8V		CP501	1-03 *	P								1		1
+15/+8V		CP601	1-04 *	P								1		1
+15/+8V		CP701	1-05 *	P								1		1
+15/+8V		CP801	1-06 *	P								1		1
+15/+8V		CP901	1-07 *	P								1		1
+15/+8V		:	:									6-0/8	1400000000	1
+20V		AP201	1-01 *	P								0-1/8		2
+20V		AP2V1	1-02 *	P								0-4/8		2
+20V		AP2V2	1-03 *	P								0-1/8		2
+20V		AP301	1-04 *	P								0-1/8		2
+20V		AP3V1	1-05 *	P								0-4/8		2
+20V		AP3V2	1-06 *	P								0-1/8		2
+20V		AP401	1-07 *	P								0-1/8		2
+20V		AP4V1	1-08 *	P								0-4/8		2
+20V		AP4V2	1-09 *	P								0-1/8		2
+20V		AP501	1-10 *	P								0-1/8		2
+20V		AP5V1	1-11 *	P								0-4/8		2
+20V		AP5V2	1-12 *	P								0-1/8		2
+20V		AP601	1-13 *	P								0-1/8		2
+20V		AP6V1	1-14 *	P								0-4/8		2
+20V		AP6V2	1-15 *	P								0-1/8		2
+20V		AP701	1-16 *	P								0-1/8		2
+20V		AP7V1	1-17 *	P								0-4/8		2
+20V		AP7V2	1-18 *	P								0-1/8		2
+20V		AP801	1-19 *	P								0-1/8		2
+20V		AP8V1	1-20 *	P								0-4/8		2
+20V		AP8V2	1-21 *	P								5-1/8	1400000000	2
+20V		:	:											2

DD11P.C RUN NAME	WPP2R8.V34(63)-1 A/P PIN NAME ORDER PIN	23-AUG-76 BAY - Q ORDER	DRAW OPT	RV RG Y X Z	15-NOV-76 REMARKS	9:13 NC FLAG	PAGE 2 LENGTH EXCEPTIONS	RUN NUMBER
+5V	A01A2	1-01 * P					1	3
+5V	A02A2	1-02 * P					1	3
+5V	A03A2	1-03 * P					1	3
+5V	A04A2	1-04 * P					1	3
+5V	A05A2	1-05 * P					1	3
+5V	A06A2	1-06 * P					1	3
+5V	A07A2	1-07 * P					1	3
+5V	A08A2	1-08 * P					1	3
+5V	A09A2	1-09 * P					3-2/8	3
+5V	B09A2	1-10 * P					1	3
+5V	B08A2	1-11 * P					1	3
+5V	B07A2	1-12 * P					1	3
+5V	B06A2	1-13 * P					1	3
+5V	B05A2	1-14 * P					1	3
+5V	B04A2	1-15 * P					1	3
+5V	B03A2	1-16 * P					1	3
+5V	B02A2	1-17 * P					1	3
+5V	B01A2	1-18 * P					3	3
+5V	C01A2	1-19 * P					1	3
+5V	C02A2	1-20 * P					1	3
+5V	C03A2	1-21 * P					1	3
+5V	C04A2	1-22 * P					1	3
+5V	C05A2	1-23 * P					1	3
+5V	C06A2	1-24 * P					1	3
+5V	C07A2	1-25 * P					1	3
+5V	C08A2	1-26 * P					1	3
+5V	C09A2	1-27 * P					3-2/8	3
+5V	D09A2	1-28 * P					1	3
+5V	D08A2	1-29 * P					1	3
+5V	D07A2	1-30 * P					1	3
+5V	D06A2	1-31 * P					1	3
+5V	D05A2	1-32 * P					1	3
+5V	D04A2	1-33 * P					1	3
+5V	D03A2	1-34 * P					1	3
+5V	D02A2	1-35 * P					1	3
+5V	D01A2	1-36 * P					3	3
+5V	E01A2	1-37 * P					1	3
+5V	E02A2	1-38 * P					1	3
+5V	E03A2	1-39 * P					1	3
+5V	E04A2	1-40 * P					1	3
+5V	E05A2	1-41 * P					1	3
+5V	E06A2	1-42 * P					1	3
+5V	E07A2	1-43 * P					1	3
+5V	E08A2	1-44 * P					1	3
+5V	E09A2	1-45 * P					3-2/8	3
+5V	F09A2	1-46 * P					1	3
+5V	F08A2	1-47 * P					1	3
+5V	F07A2	1-48 * P					1	3
+5V	F06A2	1-49 * P					1	3
+5V	F05A2	1-50 * P					1	3
+5V	F04A2	1-51 * P					1	3
+5V	F03A2	1-52 * P					1	3
+5V	F02A2	1-53 * P					1	3
+5V	F01A2	1-54 * P					1	3
		1					63-6/8 1400000000	3

DD11P.C RUN NAME	WPP2R8.V34(63)-1 A/P PIN NAME ORDER PIN	23-AUG-76 BAY - Q ORDER	DRAW OPT	RV RG Y X Z	15-NOV-76 REMARKS	9:13 NC FLAG	PAGE 3 LENGTH EXCEPTIONS	RUN NUMBER
-15V	C03B2	1-01 * P					1	4
-15V	C04B2	1-02 * P					1	4
-15V	C05B2	1-03 * P					1	4
-15V	C06B2	1-04 * P					1	4
-15V	C07B2	1-05 * P					1	4
-15V	C08B2	1-06 * P					1	4
-15V	C09B2	1-07 * P					3-2/8	4
-15V	D09B2	1-08 * P					1	4
-15V	D08B2	1-09 * P					1	4
-15V	D07B2	1-10 * P					1	4
-15V	D06B2	1-11 * P					1	4
-15V	D05B2	1-12 * P					1	4
-15V	D04B2	1-13 * P					1	4
-15V	D03B2	1-14 * P					3	4
-15V	D02B2	1-15 * P					1	4
-15V	D01B2	1-16 * P					1	4
-15V	E05B2	1-17 * P					1	4
-15V	E06B2	1-18 * P					1	4
-15V	E07B2	1-19 * P					1	4
-15V	E08B2	1-20 * P					1	4
-15V	E09B2	1-21 * P					3-2/8	4
-15V	F09B2	1-22 * P					1	4
-15V	F08B2	1-23 * P					1	4
-15V	F07B2	1-24 * P					1	4
-15V	F06B2	1-25 * P					1	4
-15V	F05B2	1-26 * P					1	4
-15V	F04B2	1-27 * P					1	4
-15V	F03B2	1-28 * P					1	4
-15V		1					33-4/8 1400000000	4
-5V	R02V2	1-01 * P					1	5
-5V	R03V2	1-02 * P					1	5
-5V	R04V2	1-03 * P					1	5
-5V	B05V2	1-04 * P					1	5
-5V	B06V2	1-05 * P					1	5
-5V	B07V2	1-06 * P					1	5
-5V	B08V2	1-07 * P					1	5
-5V		1					6-0/8 1400000000	5
AC LO L	B01F1	1-01 * P					1	6
AC LO L	B02F1	1-02 * P					1	6
AC LO L	B03F1	1-03 * P					1	6
AC LO L	B04F1	1-04 * P					4-7/8	6
AC LO L	C03V1	1-05 * P					1	6
AC LO L	C04V1	1-06 * P					1	6
AC LO L	C05V1	1-07 * P					1	6
AC LO L	C06V1	1-08 * P					1	6
AC LO L	C07V1	1-09 * P					1	6
AC LO L	C08V1	1-10 * P					1	6
AC LO L	C09V1	1-11 * P					6-3/8	6
AC LO L	B05F1	1-12 * P					1	6
AC LO L	B06F1	1-13 * P					1	6
AC LO L	B07F1	1-14 * P					1	6
AC LO L	B08F1	1-15 * P					1	6
AC LO L	B09F1	1-16 * P					1	6
AC LO L		1					24-2/8 1400000000	6

157

DD11P.C RUN NAME	WRP288.V34(63)-1 A/P PIN NAME	23-AUG-76 ORDER PIN	BAY - ORDER	Q	DRAW OPT	RV RG Y	X	Z	REMARKS	15-Nov-76	9:13 NC LENGTH FLAG	PAGE 4 EXCEPTIONS	RUN NUMBER
BB+15	A02R1		1-01 * P					2					7
BB+15	A03R1		1-02 * P					1					7
BB+15	A04R1		1-03 * P					2					7
BB+15	A05R1		1-04 * P					1					7
BB+15	A06R1		1-05 * P					2					7
BB+15	A07R1		1-06 * P					1					7
BB+15	A08R1		1-07 * P										7
BB+15			1								6-0/8 1400000000		7
BB+5	B02D1		1-01 * P					2					8
BB+5	B03D1		1-02 * P					1					8
BB+5	B04D1		1-03 * P					2					8
BB+5	B05D1		1-04 * P					1					8
BB+5	B06D1		1-05 * P					2					8
BB+5	B07D1		1-06 * P					1					8
BB+5	B08D1		1-07 * P										8
BB+5			1								6-0/8 1400000000		8
BB-15	A02S1		1-01 * P					2					9
BB-15	A03S1		1-02 * P					1					9
BB-15	A04S1		1-03 * P					2					9
BB-15	A05S1		1-04 * P					1					9
BB-15	A06S1		1-05 * P					2					9
BB-15	A07S1		1-06 * P					1					9
BB-15	A08S1		1-07 * P										9
BB-15			1								6-0/8 1400000000		9
BBSY L	A01P2		1-01 * P					2					10
BBSY L	A02P2		1-02 * P					1					10
BBSY L	A03P2		1-03 * P					2					10
BBSY L	A04P2		1-04 * H					1	TWP		13-1/8		10
BBSY L	F03D1		1-05 * P					2					10
BBSY L	F04D1		1-06 * H					1	2" TWP				10
BBSY L	F05D1		1-07 * P					2					10
BBSY L	F06D1		1-08 * P					1					10
BBSY L	F07D1		1-09 * P					2					10
BBSY L	F08D1		1-10 * P					1					10
BBSY L	F09D1		1-11 * H					2	TWP		14-3/8		10
BBSY L	A05P2		1-12 * P					1					10
BBSY L	A06P2		1-13 * P					2					10
BBSY L	A07P2		1-14 * P					1					10
BBSY L	A08P2		1-15 *					2					10
BBSY L	A09P2		1-16 *										10
BBSY L			1								40-4/8 1100000000		10
BG4 A	H01E2		1-01 * H					1	TWP				11
BG4 A	H01S2		1-02 *										11
BG4 A			1								7-0/8 1400000000		11
BG4 A	D01T2		1-01 * P					1					12
BG4 A	D02S2		1-02 * P										12
BG4 A			1								0-5/8 1400000000		12

JD11P.C RUN NAME	WRP288.V34(63)-1 A/P PIN NAME	23-AUG-76 ORDER PIN	BAY - ORDER	Q	DRAW OPT	RV RG Y	X	Z	REMARKS	15-Nov-76	9:13 NC LENGTH FLAG	PAGE 5 EXCEPTIONS	RUN NUMBER
BG4 C	D02T2		1-01 * P					1					13
BG4 C	D03S2		1-02 * P										13
BG4 C			1								0-5/8 1400000000		13
BG4 D	D03T2		1-01 * P					1					14
BG4 D	D04S2		1-02 * P										14
BG4 D			1								0-5/8 1400000000		14
BG4 E	D04T2		1-01 * P					1					15
BG4 E	D05S2		1-02 * P										15
BG4 E			1								0-5/8 1400000000		15
BG4 F	D05T2		1-01 * P					1					16
BG4 F	D06S2		1-02 * P										16
BG4 F			1								0-5/8 1400000000		16
BG4 H	D06T2		1-01 * P					1					17
BG4 H	D07S2		1-02 * P										17
BG4 H			1								0-5/8 1400000000		17
BG4 J	D07T2		1-01 * P					1					18
BG4 J	D08S2		1-02 * P										18
BG4 J			1								0-5/8 1400000000		18
BG4 K	D08T2		1-01 * P					1					19
BG4 K	D09S2		1-02 * P										19
BG4 K			1								0-5/8 1400000000		19
BG4 L	B09E2		1-01 * H					1	TWP		7-1/8		20
BG4 L	D09T2		1-02 * X										20
BG4 L			1								7-1/8 1400000000		20
BG5 A	B01B1		1-01 * H					1	TWP		7-1/8		21
BG5 A	D01P2		1-02 * X										21
BG5 A			1								7-1/8 1400000000		21
BG5 B	D01R2		1-01 * P					1					22
BG5 B	D02P2		1-02 * P										22
BG5 B			1								0-5/8 1400000000		22
BG5 C	D02R2		1-01 * P					1					23
BG5 C	D03P2		1-02 * P										23
BG5 C			1								0-5/8 1400000000		23
BG5 D	D03R2		1-01 * P					1					24
BG5 D	D04P2		1-02 * P										24
BG5 D			1								0-5/8 1400000000		24
BG5 E	D04R2		1-01 * P					1					25
BG5 E	D05P2		1-02 * P										25
BG5 E			1								0-5/8 1400000000		25
BG5 F	D05R2		1-01 * P					1					26
BG5 F	D06P2		1-02 * P										26
BG5 F			1								0-5/8 1400000000		26

151

DD11P.C RUN NAME	WRP288.V34(63)-1 A/P PIN NAME	ORDER PIN	23-AUG-76 BAY - ORDER	Q	DRAW RV RG Y OPT	X	Z	REMARKS	15-NOV-76	9:13 NC LENGTH EXCEPTIONS FLAG	PAGE 6	RUN NUMBER
BG5 H	D06R2		1-01 * P				1			0-5/8		27
BG5 H	D07P2		1-02 * P									27
BG5 H			1							0-5/8 1400000000		27
BG5 J	D07R2		1-01 * P				1			0-5/8		28
BG5 J	D08P2		1-02 * P									28
BG5 J			1							0-5/8 1400000000		28
BG5 K	D08R2		1-01 * P				1			0-5/8		29
BG5 K	D09P2		1-02 * P									29
BG5 K			1							0-5/8 1400000000		29
BG5 L	B09B1		1-01 * H				1	TWP		7-3/8		30
BG5 L	D09R2		1-02 * X									30
BG5 L			1							7-3/8 1400000000		30
BG6 A	B01A1		1-01 * H				1	TWP		7-1/8		31
BG6 A	D01M2		1-02 * X									31
BG6 A			1							7-1/8 1400000000		31
BG6 B	D01N2		1-01 * P				1			0-5/8		32
BG6 B	D02M2		1-02 * P									32
BG6 B			1							0-5/8 1400000000		32
BG6 C	D02N2		1-01 * P				1			0-5/8		33
BG6 C	D03M2		1-02 * P									33
BG6 C			1							0-5/8 1400000000		33
BG6 D	D03N2		1-01 * P				1			0-5/8		34
BG6 D	D04M2		1-02 * P									34
BG6 D			1							0-5/8 1400000000		34
BG6 E	D04N2		1-01 * P				1			0-5/8		35
BG6 E	D05M2		1-02 * P									35
BG6 E			1							0-5/8 1400000000		35
BG6 F	D05N2		1-01 * P				1			0-5/8		36
BG6 F	D06M2		1-02 * P									36
BG6 F			1							0-5/8 1400000000		36
BG6 H	D06N2		1-01 * P				1			0-5/8		37
BG6 H	D07M2		1-02 * P									37
BG6 H			1							0-5/8 1400000000		37
BG6 J	D07N2		1-01 * P				1			0-5/8		38
BG6 J	D08M2		1-02 * P									38
BG6 J			1							0-5/8 1400000000		38
BG6 K	D08N2		1-01 * P				1			0-5/8		39
BG6 K	D09M2		1-02 * P									39
BG6 K			1							0-5/8 1400000000		39
BG6 L	B09A1		1-01 * H				1	TWP		7-3/8		40
BG6 L	D09N2		1-02 * X									40
BG6 L			1							7-3/8 1400000000		40

DD11P.C RUN NAME	WRP288.V34(63)-1 A/P PIN NAME	ORDER PIN	23-AUG-76 BAY - ORDER	Q	DRAW RV RG Y OPT	X	Z	REMARKS	15-NOV-76	9:13 NC LENGTH EXCEPTIONS FLAG	PAGE 7	RUN NUMBER
BG7 A	A01V1		1-01 * H				1	TWP		7-3/8		41
BG7 A	D01K2		1-02 * X									41
BG7 A			1							7-3/8 1400000000		41
BG7 B	D01L2		1-01 * P				1			0-5/8		42
BG7 B	D02K2		1-02 * P									42
BG7 B			1							0-5/8 1400000000		42
BG7 C	D02L2		1-01 * P				1			0-5/8		43
BG7 C	D03K2		1-02 * P									43
BG7 C			1							0-5/8 1400000000		43
BG7 D	D03L2		1-01 * P				1			0-5/8		44
BG7 D	D04K2		1-02 * P									44
BG7 D			1							0-5/8 1400000000		44
BG7 E	D04L2		1-01 * P				1			0-5/8		45
BG7 E	D05K2		1-02 * P									45
BG7 E			1							0-5/8 1400000000		45
BG7 F	D05L2		1-01 * P				1			0-5/8		46
BG7 F	D06K2		1-02 * P									46
BG7 F			1							0-5/8 1400000000		46
BG7 H	D06L2		1-01 * P				1			0-5/8		47
BG7 H	D07K2		1-02 * X									47
BG7 H			1							0-5/8 1400000000		47
BG7 J	D07L2		1-01 * P				1			0-5/8		48
BG7 J	D08K2		1-02 * P									48
BG7 J			1							0-5/8 1400000000		48
BG7 K	D08L2		1-01 * P				1			0-5/8		49
BG7 K	D09K2		1-02 * P									49
BG7 K			1							0-5/8 1400000000		49
BG7 L	A09V1		1-01 * H				1	TWP		7-5/8		50
BG7 L	D09L2		1-02 * X									50
BG7 L			1							7-5/8 1400000000		50

51

DD11P.C RUN NAME	WRP288.V34(63)-1 A/P PIN NAME	ORDER PIN	23-AUG-76 BAY - ORDER	Q	DRAW RV RG Y OPT	X	Z	REMARKS	15-Nov-76	9:13	PAGE 8 NC LENGTH EXCEPTIONS FLAG	RUN NUMBER
BR4 L	B01D2		1-01 *				2				1	51
BR4 L	B02D2		1-02 *				1				1	51
BR4 L	B03D2		1-03 *				2				1	51
BR4 L	B04D2		1-04 *				1				6-5/8	51
BR4 L	D03H2		1-05 * P				2				1	51
BR4 L	D04H2		1-06 * P				1				1	51
BR4 L	D05H2		1-07 * P				2				1	51
BR4 L	D06H2		1-08 * P				1				1	51
BR4 L	D07H2		1-09 * P				2				1	51
BR4 L	D08H2		1-10 * P				1				1	51
BR4 L	D09H2		1-11 *				2				7-7/8	51
BR4 L	F05D2		1-12 *				1				1	51
BR4 L	B06D2		1-13 *				2				1	51
BR4 L	B07D2		1-14 *				1				1	51
BR4 L	B08D2		1-15 *				2				1	51
BR4 L	B09D2		1-16 *				1				1	51
BR4 L			1								27-4/8 1400000000	51
BR5 L	B01C1		1-01 * P				1				1	52
BR5 L	B02C1		1-02 * P				2				1	52
BR5 L	B03C1		1-03 * P				1				1	52
BR5 L	B04C1		1-04 *				2				6-1/8	52
BR5 L	D03F2		1-05 * P				1				1	52
BR5 L	D04F2		1-06 * P				2				1	52
BR5 L	D05F2		1-07 * P				1				1	52
BR5 L	D06F2		1-08 * P				2				1	52
BR5 L	D07F2		1-09 * P				1				1	52
BR5 L	D08F2		1-10 * P				2				1	52
BR5 L	D09F2		1-11 *				1				8-3/8	52
BR5 L	B05C1		1-12 * P				2				1	52
BR5 L	B06C1		1-13 * P				1				1	52
BR5 L	B07C1		1-14 * P				2				1	52
BR5 L	B08C1		1-15 * P				1				1	52
BR5 L	B09C1		1-16 * P				1				1	52
BR5 L			1								27-4/8 1400000000	52
BR6 L	A01U2		1-01 *				2				1	53
BR6 L	A02U2		1-02 *				1				1	53
BR6 L	A03U2		1-03 *				2				1	53
BR6 L	A04U2		1-04 *				1				7-3/8	53
BR6 L	D03F2		1-05 * P				2				1	53
BR6 L	D04E2		1-06 * P				1				1	53
BR6 L	D05E2		1-07 * P				2				1	53
BR6 L	D06E2		1-08 * P				1				1	53
BR6 L	D07E2		1-09 * P				2				1	53
BR6 L	D08E2		1-10 * P				1				1	53
BR6 L	D09E2		1-11 *				2				8-7/8	53
BR6 L	A05U2		1-12 *				1				1	53
BR6 L	A06U2		1-13 *				2				1	53
BR6 L	A07U2		1-14 *				1				1	53
BR6 L	A08U2		1-15 *				2				1	53
BR6 L	A09U2		1-16 *				1				1	53
BR6 L			1								29-2/8 1400000000	53

DD11P.C RUN NAME	WRP288.V34(63)-1 A/P PIN NAME	ORDER PIN	23-AUG-76 BAY - ORDER	Q	DPAW RV RG Y OPT	X	Z	REMARKS	15-Nov-76	9:13	PAGE 9 NC LENGTH EXCEPTIONS FLAG	RUN NUMBER
BR7 L	A01T2		1-01 * P				2				1	54
BR7 L	A02T2		1-02 * P				1				1	54
BR7 L	A03T2		1-03 * P				2				1	54
BR7 L	A04T2		1-04 *				1				7-3/8	54
BR7 L	D03D2		1-05 * P				2				1	54
BR7 L	D04D2		1-06 * P				1				1	54
BR7 L	D05D2		1-07 * P				2				1	54
BR7 L	D06D2		1-08 * P				1				1	54
BR7 L	D07D2		1-09 * P				2				1	54
BR7 L	D08D2		1-10 * P				1				1	54
BR7 L	D09D2		1-11 *				2				8-7/8	54
BR7 L	A05T2		1-12 * P				1				1	54
BR7 L	A06T2		1-13 * P				2				1	54
BR7 L	A07T2		1-14 * P				1				1	54
BR7 L	A08T2		1-15 *				2				1	54
BR7 L	A09T2		1-16 *				1				1	54
BR7 L			1								29-2/8 1400000000	54
BUS A00 L	B01H2		1-01 * P				2				1	55
BUS A00 L	B02H2		1-02 * P				1				1	55
BUS A00 L	B03H2		1-03 * P				2				1	55
BUS A00 L	B04H2		1-04 *				1				8-5/8	55
BUS A00 L	E03H2		1-05 *				2				1	55
BUS A00 L	E04H2		1-06 *				1				1	55
BUS A00 L	E05H2		1-07 * P				2				1	55
BUS A00 L	E06H2		1-08 * P				1				1	55
BUS A00 L	E07H2		1-09 *				2				1	55
BUS A00 L	E08H2		1-10 *				1				1	55
BUS A00 L	E09H2		1-11 *				2				10-1/8	55
BUS A00 L	B05H2		1-12 * P				1				1	55
BUS A00 L	B06H2		1-13 * P				2				1	55
BUS A00 L	B07H2		1-14 * P				1				1	55
BUS A00 L	B08H2		1-15 * P				2				1	55
BUS A00 L	B09H2		1-16 * P				1				1	55
BUS A00 L			1								31-6/8 1400000000	55
BUS A01 L	B01H1		1-01 * P				2				1	56
BUS A01 L	B02H1		1-02 * P				1				1	56
BUS A01 L	B03H1		1-03 * P				2				1	56
BUS A01 L	B04H1		1-04 *				1				8-5/8	56
BUS A01 L	E03H1		1-05 * P				2				1	56
BUS A01 L	E04H1		1-06 * P				1				1	56
BUS A01 L	E05H1		1-07 * P				2				1	56
BUS A01 L	E06H1		1-08 * P				1				1	56
BUS A01 L	E07H1		1-09 * P				2				1	56
BUS A01 L	E08H1		1-10 * P				1				1	56
BUS A01 L	E09H1		1-11 *				2				10-1/8	56
BUS A01 L	B05H1		1-12 * P				1				1	56
BUS A01 L	B06H1		1-13 * P				2				1	56
BUS A01 L	B07H1		1-14 * P				1				1	56
BUS A01 L	B08H1		1-15 * P				2				1	56
BUS A01 L	B09H1		1-16 * P				1				1	56
BUS A01 L			1								31-6/8 1400000000	56

851

DD11P.C RUN NAME	MRP280.V34(63)-1 A/P PIN NAME	23-AUG-76 ORDER PIN	BAY - ORDER	Q	DRAW OPT	RV RG Y	X	Z	REMARKS	15-NOV-76	9:13 PAGE 10 NC LENGTH EXCEPTIONS FLAG	RUN NUMBER
BUS A02 L	B01J2		1-01 * P					2			1	57
BUS A02 L	B02J2		1-02 * P					1			1	57
BUS A02 L	B03J2		1-03 * P					2			1	57
BUS A02 L	B04J2		1-04 * P					1			8-5/8	57
BUS A02 L	E03F1		1-05 * P					2			1	57
BUS A02 L	E04F1		1-06 * P					1			1	57
BUS A02 L	E05F1		1-07 * P					2			1	57
BUS A02 L	E06F1		1-08 * P					1			1	57
BUS A02 L	E07F1		1-09 * P					2			1	57
BUS A02 L	E08F1		1-10 * P					1			1	57
BUS A02 L	E09F1		1-11 * P					2			9-5/8	57
BUS A02 L	B05J2		1-12 * P					1			1	57
BUS A02 L	B06J2		1-13 * P					2			1	57
BUS A02 L	B07J2		1-14 * P					1			1	57
BUS A02 L	B08J2		1-15 * P					2			1	57
BUS A02 L	B09J2		1-16 * P									57
BUS A02 L			1								31-2/8 1400000000	57
BUS A03 L	B01J1		1-01 * P					1			1	58
BUS A03 L	B02J1		1-02 * P					2			1	58
BUS A03 L	B03J1		1-03 * P					1			1	58
BUS A03 L	B04J1		1-04 * P					2			9-5/8	58
BUS A03 L	F03V2		1-05 * P					1			1	58
BUS A03 L	E04V2		1-06 * P					2			1	58
BUS A03 L	E05V2		1-07 * P					1			1	58
BUS A03 L	E06V2		1-08 * P					2			1	58
BUS A03 L	E07V2		1-09 * P					1			1	58
BUS A03 L	E08V2		1-10 * P					2			1	58
BUS A03 L	E09V2		1-11 * P					1			11-5/8	58
BUS A03 L	B05J1		1-12 * P					2			1	58
BUS A03 L	B06J1		1-13 * P					1			1	58
BUS A03 L	B07J1		1-14 * P					2			1	58
BUS A03 L	B08J1		1-15 * P					1			1	58
BUS A03 L	B09J1		1-16 * P									58
BUS A03 L			1								34-2/8 1400000000	58
BUS A04 L	B01K2		1-01 * P					2			1	59
BUS A04 L	B02K2		1-02 * P					1			1	59
BUS A04 L	B03K2		1-03 * P					2			1	59
BUS A04 L	B04K2		1-04 * P					1			9-5/8	59
BUS A04 L	E03U2		1-05 * P					2			1	59
BUS A04 L	E04U2		1-06 * P					1			1	59
BUS A04 L	E05U2		1-07 * P					2			1	59
BUS A04 L	E06U2		1-08 * P					1			1	59
BUS A04 L	E07U2		1-09 * P					2			1	59
BUS A04 L	E08U2		1-10 * P					1			1	59
BUS A04 L	E09U2		1-11 * P					2			11-1/8	59
BUS A04 L	B05K2		1-12 * P					1			1	59
BUS A04 L	B06K2		1-13 * P					2			1	59
BUS A04 L	B07K2		1-14 * P					1			1	59
BUS A04 L	B08K2		1-15 * P								1	59
BUS A04 L	B09K2		1-16 * P					2				59
BUS A04 L			1								33-6/8 1400000000	59

DD11P.C RUN NAME	MRP280.V34(63)-1 A/P PIN NAME	23-AUG-76 ORDER PIN	BAY - ORDER	Q	DRAW OPT	RV RG Y	X	Z	REMARKS	15-NOV-76	9:13 PAGE 11 NC LENGTH EXCEPTIONS FLAG	RUN NUMBER
BUS A05 L	B01K1		1-01 * P					1			1	60
BUS A05 L	B02K1		1-02 * P					2			1	60
BUS A05 L	B03K1		1-03 * P					1			1	60
BUS A05 L	B04K1		1-04 * P					2			9-5/8	60
BUS A05 L	E03V1		1-05 * P					1			1	60
BUS A05 L	E04V1		1-06 * P					2			1	60
BUS A05 L	E05V1		1-07 * P					1			1	60
BUS A05 L	E06V1		1-08 * P					2			1	60
BUS A05 L	E07V1		1-09 * P					1			1	60
BUS A05 L	E08V1		1-10 * P					2			1	60
BUS A05 L	E09V1		1-11 * P					1			11-3/8	60
BUS A05 L	B05K1		1-12 * P					2			1	60
BUS A05 L	B06K1		1-13 * P					1			1	60
BUS A05 L	B07K1		1-14 * P					2			1	60
BUS A05 L	B08K1		1-15 * P					1			1	60
BUS A05 L	B09K1		1-16 * P									60
BUS A05 L			1								34-0/8 1400000000	60
BUS A06 L	B01L2		1-01 * P					2			1	61
BUS A06 L	B02L2		1-02 * P					1			1	61
BUS A06 L	B03L2		1-03 * P					2			1	61
BUS A06 L	B04L2		1-04 * P					1			9-7/8	61
BUS A06 L	E03U1		1-05 * P					2			1	61
BUS A06 L	E04U1		1-06 * P					1			1	61
BUS A06 L	E05U1		1-07 * P					2			1	61
BUS A06 L	E06U1		1-08 * P					1			1	61
BUS A06 L	E07U1		1-09 * P					2			1	61
BUS A06 L	E08U1		1-10 * P					1			1	61
BUS A06 L	E09U1		1-11 * P					2			10-5/8	61
BUS A06 L	B05L2		1-12 * P					1			1	61
BUS A06 L	B06L2		1-13 * P					2			1	61
BUS A06 L	B07L2		1-14 * P					1			1	61
BUS A06 L	B08L2		1-15 * P					2			1	61
BUS A06 L	B09L2		1-16 * P									61
BUS A06 L			1								33-4/8 1400000000	61
BUS A07 L	B01L1		1-01 * P					1			1	62
BUS A07 L	B02L1		1-02 * P					2			1	62
BUS A07 L	B03L1		1-03 * P					1			1	62
BUS A07 L	B04L1		1-04 * P					2			8-7/8	62
BUS A07 L	E03P2		1-05 * P					1			1	62
BUS A07 L	E04P2		1-06 * P					2			1	62
BUS A07 L	E05P2		1-07 * P					1			1	62
BUS A07 L	E06P2		1-08 * P					2			1	62
BUS A07 L	E07P2		1-09 * P					1			1	62
BUS A07 L	E08P2		1-10 * P					2			1	62
BUS A07 L	E09P2		1-11 * P					1			10-5/8	62
BUS A07 L	B05L1		1-12 * P					2			1	62
BUS A07 L	B06L1		1-13 * P					1			1	62
BUS A07 L	B07L1		1-14 * P					2			1	62
BUS A07 L	B08L1		1-15 * P					1			1	62
BUS A07 L	B09L1		1-16 * P									62
BUS A07 L			1								32-4/8 1400000000	62

159

DD11P.C RUN NAME	WPP288.V34(63)-1 A/P PIN NAME	ORDER PIN	23-AUG-76 BAY - ORDER	Q	DRAW RV RG Y X Z OPT	REMARKS	15-Nov-76	9:13	PAGE 12 NC LENGTH EXCEPTIONS	RUN NUMBER
								FLAG		
BUS A08 L	B01M2		1-01 *	P				1		63
BUS A08 L	B02M2		1-02 *	P				1		63
BUS A08 L	B03M2		1-03 *	P				1		63
BUS A08 L	B04M2		1-04 *	P				2	8-5/8	63
BUS A08 L	E03N2		1-05 *	P				1		63
BUS A08 L	E04N2		1-06 *	P				2		63
BUS A08 L	E05N2		1-07 *	P				1		63
BUS A08 L	E06N2		1-08 *	P				2		63
BUS A08 L	E07N2		1-09 *	P				1		63
BUS A08 L	E08N2		1-10 *	P				2		63
BUS A08 L	E09N2		1-11 *	P				1	10-3/8	63
BUS A08 L	B05M2		1-12 *	P				2		63
BUS A08 L	B06M2		1-13 *	P				1		63
BUS A08 L	B07M2		1-14 *	P				2		63
BUS A08 L	B08M2		1-15 *	P				1		63
BUS A08 L	B09M2		1-16 *	P				1		63
BUS A08 L			1						32-0/8 1400000000	63
BUS A09 L	B01M1		1-01 *	P				1		64
BUS A09 L	B02M1		1-02 *	P				2		64
BUS A09 L	B03M1		1-03 *	P				1		64
BUS A09 L	B04M1		1-04 *	P				2	8-7/8	64
BUS A09 L	E03R1		1-05 *	P				1		64
BUS A09 L	E04P1		1-06 *	P				2		64
BUS A09 L	E05R1		1-07 *	P				1		64
BUS A09 L	E06F1		1-08 *	P				2		64
BUS A09 L	E07R1		1-09 *	P				1		64
BUS A09 L	E08R1		1-10 *	P				2		64
BUS A09 L	E09H1		1-11 *	P				1	10-5/8	64
BUS A09 L	B05M1		1-12 *	P				2		64
BUS A09 L	B06M1		1-13 *	P				1		64
BUS A09 L	B07M1		1-14 *	P				2		64
BUS A09 L	B08M1		1-15 *	P				1		64
BUS A09 L	B09M1		1-16 *	P				1		64
BUS A09 L			1						32-4/8 1400000000	64
BUS A10 L	B01N2		1-01 *	P				2		65
BUS A10 L	B02N2		1-02 *	P				1		65
BUS A10 L	B03N2		1-03 *	P				2		65
BUS A10 L	B04N2		1-04 *	P				1	9-1/8	65
BUS A10 L	E03P1		1-05 *	P				2		65
BUS A10 L	E04P1		1-06 *	P				1		65
BUS A10 L	E05P1		1-07 *	P				2		65
BUS A10 L	E06P1		1-08 *	P				1		65
BUS A10 L	E07P1		1-09 *	P				2		65
BUS A10 L	E08P1		1-10 *	P				1		65
BUS A10 L	E09P1		1-11 *	P				2	9-7/8	65
BUS A10 L	B05N2		1-12 *	P				1		65
BUS A10 L	B06N2		1-13 *	P				2		65
BUS A10 L	B07N2		1-14 *	P				1		65
BUS A10 L	B08N2		1-15 *	P				2		65
BUS A10 L	B09N2		1-16 *	P				1		65
BUS A10 L			1						32-0/8 1400000000	65

DD11P.C RUN NAME	WPP288.V34(63)-1 A/P PIN NAME	ORDER PIN	23-AUG-76 BAY - ORDER	Q	DRAW RV RG Y X Z OPT	REMARKS	15-Nov-76	9:13	PAGE 13 NC LENGTH EXCEPTIONS	RUN NUMBER
								FLAG		
BUS A11 L	B01N1		1-01 *	P				2		66
BUS A11 L	B02N1		1-02 *	P				1		66
BUS A11 L	B03N1		1-03 *	P				2		66
BUS A11 L	B04N1		1-04 *	P				1	8-3/8	66
BUS A11 L	E03L1		1-05 *	P				2		66
BUS A11 L	E04L1		1-06 *	P				1		66
BUS A11 L	E05L1		1-07 *	P				2		66
BUS A11 L	E06L1		1-08 *	P				1		66
BUS A11 L	E07L1		1-09 *	P				2		66
BUS A11 L	E08L1		1-10 *	P				1		66
BUS A11 L	E09L1		1-11 *	P				2	9-7/8	66
BUS A11 L	B05N1		1-12 *	P				1		66
BUS A11 L	B06N1		1-13 *	P				2		66
BUS A11 L	B07N1		1-14 *	P				1		66
BUS A11 L	B08N1		1-15 *	P				2		66
BUS A11 L	B09N1		1-16 *	P				1		66
BUS A11 L			1						31-2/8 1400000000	66
BUS A12 L	B01P2		1-01 *	P				2		67
BUS A12 L	B02P2		1-02 *	P				1		67
BUS A12 L	B03P2		1-03 *	P				2		67
BUS A12 L	B04P2		1-04 *	P				1	7-5/8	67
BUS A12 L	E03C1		1-05 *	P				2		67
BUS A12 L	E04C1		1-06 *	P				1		67
BUS A12 L	E05C1		1-07 *	P				2		67
BUS A12 L	E06C1		1-08 *	P				1		67
BUS A12 L	E07C1		1-09 *	P				2		67
BUS A12 L	E08C1		1-10 *	P				1		67
BUS A12 L	E09C1		1-11 *	P				2	8-5/8	67
BUS A12 L	B05P2		1-12 *	P				1		67
BUS A12 L	B06P2		1-13 *	P				2		67
BUS A12 L	B07P2		1-14 *	P				1		67
BUS A12 L	B08P2		1-15 *	P				2		67
BUS A12 L	B09P2		1-16 *	P				1		67
BUS A12 L			1						29-2/8 1400000000	67
BUS A13 L	B01P1		1-01 *	P				1		68
BUS A13 L	B02P1		1-02 *	P				2		68
BUS A13 L	B03P1		1-03 *	P				1		68
BUS A13 L	B04P1		1-04 *	P				2	7-7/8	68
BUS A13 L	E03K2		1-05 *	P				1		68
BUS A13 L	E04K2		1-06 *	P				2		68
BUS A13 L	E05K2		1-07 *	P				1		68
BUS A13 L	E06K2		1-08 *	P				2		68
BUS A13 L	E07K2		1-09 *	P				1		68
BUS A13 L	E08K2		1-10 *	P				2		68
BUS A13 L	E09K2		1-11 *	P				1	9-7/8	68
BUS A13 L	B05P1		1-12 *	P				2		68
BUS A13 L	B06P1		1-13 *	P				1		68
BUS A13 L	B07P1		1-14 *	P				2		68
BUS A13 L	B08P1		1-15 *	P				1		68
BUS A13 L	B09P1		1-16 *	P				1		68
BUS A13 L			1						30-6/8 1400000000	68

156

DD11P.C RUN NAME	WRP288.V34(63)-1 A/P PIN NAME	23-AUG-76 ORDER PIN	BAY - ORDER	Q	DRAW	RV RG Y	X Z	REMARKS	15-Nov-76	9:13	PAGE 14	NC LENGTH EXCEPTIONS	RUN NUMBER
					OPT							FLAG	
BUS A14 L	B01R2		1-01 * P				2						69
BUS A14 L	B02R2		1-02 * P				1						69
BUS A14 L	B03R2		1-03 * P				2						69
BUS A14 L	B04R2		1-04 * P				1						69
BUS A14 L	E03K1		1-05 * P				2					8-3/8	69
BUS A14 L	E04K1		1-06 * P				1						69
BUS A14 L	E05K1		1-07 * P				2						69
BUS A14 L	E06K1		1-08 * P				1						69
BUS A14 L	E07K1		1-09 * P				2						69
BUS A14 L	E08K1		1-10 * P				1						69
BUS A14 L	E09K1		1-11 * P				2					9-1/8	69
BUS A14 L	B05R2		1-12 * P				1						69
BUS A14 L	B06R2		1-13 * P				2						69
BUS A14 L	B07R2		1-14 * P				1						69
BUS A14 L	B08R2		1-15 * P				2						69
BUS A14 L	B09R2		1-16 * P				1						69
BUS A14 L			1									30-4/8 1400000000	69
BUS A15 L	B01R1		1-01 * P				1						70
BUS A15 L	B02R1		1-02 * P				2						70
BUS A15 L	B03R1		1-03 * P				1						70
BUS A15 L	B04R1		1-04 * P				2						70
BUS A15 L	E03D2		1-05 *				1					7-1/8	70
BUS A15 L	E04D2		1-06 *				2						70
BUS A15 L	E05D2		1-07 *				1						70
BUS A15 L	E06D2		1-08 *				2						70
BUS A15 L	E07D2		1-09 *				1						70
BUS A15 L	E08D2		1-10 *				2						70
BUS A15 L	E09D2		1-11 *				1						70
BUS A15 L	B05R1		1-12 * P				2					9-1/8	70
BUS A15 L	B06R1		1-13 * P				1						70
BUS A15 L	B07R1		1-14 * P				2						70
BUS A15 L	B08R1		1-15 * P				1						70
BUS A15 L	B09R1		1-16 * P				1						70
BUS A15 L			1									29-2/8 1400000000	70
BUS A16 L	B01S2		1-01 * P				2						71
BUS A16 L	B02S2		1-02 * P				1						71
BUS A16 L	B03S2		1-03 * P				2						71
BUS A16 L	B04S2		1-04 * P				1						71
BUS A16 L	E03E2		1-05 * P				2					7-3/8	71
BUS A16 L	E04E2		1-06 * P				1						71
BUS A16 L	E05E2		1-07 * P				2						71
BUS A16 L	E06E2		1-08 * P				1						71
BUS A16 L	E07E2		1-09 * P				2						71
BUS A16 L	E08E2		1-10 * P				1						71
BUS A16 L	E09E2		1-11 * P				2						71
BUS A16 L	B05S2		1-12 * P				1					8-7/8	71
BUS A16 L	B06S2		1-13 * P				2						71
BUS A16 L	B07S2		1-14 * P				1						71
BUS A16 L	B08S2		1-15 * P				2						71
BUS A16 L	B09S2		1-16 * P				1						71
BUS A16 L			1									29-2/8 1400000000	71

DD11P.C RUN NAME	WRP288.V34(63)-1 A/P PIN NAME	23-AUG-76 ORDER PIN	BAY - ORDER	Q	DRAW	RV RG Y	X Z	REMARKS	15-Nov-76	9:13	PAGE 15	NC LENGTH EXCEPTIONS	RUN NUMBER
					OPT							FLAG	
BUS A17 L	B01S1		1-01 * P				1						72
BUS A17 L	B02S1		1-02 * P				2						72
BUS A17 L	B03S1		1-03 * P				1						72
BUS A17 L	B04S1		1-04 * P				2						72
BUS A17 L	E03D1		1-05 * P				1					7-1/8	72
BUS A17 L	E04D1		1-06 * P				2						72
BUS A17 L	E05D1		1-07 * P				1						72
BUS A17 L	E06D1		1-08 * P				2						72
BUS A17 L	E07D1		1-09 * P				1						72
BUS A17 L	E08D1		1-10 * P				2						72
BUS A17 L	E09D1		1-11 *				1						72
BUS A17 L	B05S1		1-12 * P				2					8-7/8	72
BUS A17 L	B06S1		1-13 * P				1						72
BUS A17 L	B07S1		1-14 * P				2						72
BUS A17 L	B08S1		1-15 * P				1						72
BUS A17 L	B09S1		1-16 * P				1						72
BUS A17 L			1									29-0/8 1400000000	72
BUS D00 L	A01C1		1-01 * P				1						73
BUS D00 L	A02C1		1-02 * P				2						73
BUS D00 L	A03C1		1-03 * P				1						73
BUS D00 L	A04C1		1-04 * P				2						73
BUS D00 L	C03S2		1-05 *				1					7-3/8	73
BUS D00 L	C04S2		1-06 *				2						73
BUS D00 L	C05S2		1-07 *				1						73
BUS D00 L	C06S2		1-08 *				2						73
BUS D00 L	C07S2		1-09 *				1						73
BUS D00 L	C08S2		1-10 *				2						73
BUS D00 L	C09S2		1-11 *				1						73
BUS D00 L	A05C1		1-12 * P				2					9-3/8	73
BUS D00 L	A06C1		1-13 * P				1						73
BUS D00 L	A07C1		1-14 * P				2						73
BUS D00 L	A08C1		1-15 * P				1						73
BUS D00 L	A09C1		1-16 * P				1						73
BUS D00 L			1									29-6/8 1400000000	73
BUS D01 L	A01D2		1-01 * P				2						74
BUS D01 L	A02D2		1-02 * P				1						74
BUS D01 L	A03D2		1-03 * P				2						74
BUS D01 L	A04D2		1-04 *				1						74
BUS D01 L	C03R2		1-05 * P				2					7-3/8	74
BUS D01 L	C04R2		1-06 * P				1						74
BUS D01 L	C05R2		1-07 * P				2						74
BUS D01 L	C06R2		1-08 * P				1						74
BUS D01 L	C07R2		1-09 * P				2						74
BUS D01 L	C08R2		1-10 * P				1						74
BUS D01 L	C09R2		1-11 *				2						74
BUS D01 L	A05D2		1-12 * P				1					8-7/8	74
BUS D01 L	A06D2		1-13 * P				2						74
BUS D01 L	A07D2		1-14 * P				1						74
BUS D01 L	A08D2		1-15 * P				2						74
BUS D01 L	A09D2		1-16 * P				1						74
BUS D01 L			1									29-2/8 1400000000	74

171

DD11P.C		WRP200.V34(63)-1 23-AUG-76				15-NOV-76				9:13	PAGE 16	NC LENGTH EXCEPTIONS		RUN	
RUN NAME		A/P	PIN	ORDER	BAY -	Q	DRAW	RV	RG	Y	X	Z	REMARKS	FLAG	NUMBER
			NAME	PIN	ORDER		OPT								
BUS D02 L	A0101				1-01	*	P								75
BUS D02 L	A0201				1-02	*	P								75
BUS D02 L	A0301				1-03	*	P								75
BUS D02 L	A0401				1-04	*	P								75
BUS D02 L	C0302				1-05	*	P							7-5/8	75
BUS D02 L	C0402				1-06	*	P								75
BUS D02 L	C0502				1-07	*	P								75
BUS D02 L	F05E2				1-08	*	P							1-4/8	75
BUS D02 L	F03E2				1-09	*	P								75
BUS D02 L	F04E2				1-10	*	P							1-4/8	75
BUS D02 L	F06E2				1-11	*	P								75
BUS D02 L	F07E2				1-12	*	P								75
BUS D02 L	F08E2				1-13	*	P								75
BUS D02 L	F09E2				1-14	*	P							0-3/8	75
BUS D02 L	C0602				1-15	*	P								75
BUS D02 L	C0702				1-16	*	P								75
BUS D02 L	C0802				1-17	*	P								75
BUS D02 L	C0902				1-18	*	P							9-3/8	75
BUS D02 L	A0501				1-19	*	P								75
BUS D02 L	A0601				1-20	*	P								75
BUS D02 L	A0701				1-21	*	P								75
BUS D02 L	A0801				1-22	*	P								75
BUS D02 L	A0901				1-23	*	P								75
BUS D02 L					1									51-3/8 1400000000	75
BUS D03 L	A01E2				1-01	*	P								76
BUS D03 L	A02E2				1-02	*	P								76
BUS D03 L	A03E2				1-03	*	P								76
BUS D03 L	A04E2				1-04	*	P							7-3/8	76
BUS D03 L	C03T2				1-05	*	P								76
BUS D03 L	C04T2				1-06	*	P								76
BUS D03 L	C05T2				1-07	*	P								76
BUS D03 L	F05L1				1-08	*	P								76
BUS D03 L	F03L1				1-09	*	P								76
BUS D03 L	F04L1				1-10	*	P							1-4/8	76
BUS D03 L	F06L1				1-11	*	P								76
BUS D03 L	F07L1				1-12	*	P								76
BUS D03 L	F08L1				1-13	*	P								76
BUS D03 L	F09L1				1-14	*	P								76
BUS D03 L	C06T2				1-15	*	P								76
BUS D03 L	C07T2				1-16	*	P								76
BUS D03 L	C08T2				1-17	*	P								76
BUS D03 L	C09T2				1-18	*	P								76
BUS D03 L	A05F2				1-19	*	P								76
BUS D03 L	A06E2				1-20	*	P								76
BUS D03 L	A07E2				1-21	*	P								76
BUS D03 L	A08E2				1-22	*	P								76
BUS D03 L	A09E2				1-23	*	P								76
BUS D03 L					1									52-2/8 1400000000	76

DD11P.C		WRP200.V34(63)-1 23-AUG-76				15-NOV-76				9:13	PAGE 17	NC LENGTH EXCEPTIONS		RUN	
RUN NAME		A/P	PIN	ORDER	BAY -	Q	DRAW	RV	RG	Y	X	Z	REMARKS	FLAG	NUMBER
			NAME	PIN	ORDER		OPT								
BUS D04 L	A01E1				1-01	*	P								77
BUS D04 L	A02E1				1-02	*	P								77
BUS D04 L	A03E1				1-03	*	P								77
BUS D04 L	A04E1				1-04	*	P							6-5/8	77
BUS D04 L	C03N2				1-05	*	P								77
BUS D04 L	C04N2				1-06	*	P								77
BUS D04 L	C05N2				1-07	*	P								77
BUS D04 L	F05N2				1-08	*	P								77
BUS D04 L	F03N2				1-09	*	P								77
BUS D04 L	F04N2				1-10	*	P								77
BUS D04 L	F06N2				1-11	*	P								77
BUS D04 L	F07N2				1-12	*	P								77
BUS D04 L	F08N2				1-13	*	P								77
BUS D04 L	F09N2				1-14	*	P								77
BUS D04 L	C06N2				1-15	*	P								77
BUS D04 L	C07N2				1-16	*	P								77
BUS D04 L	C08N2				1-17	*	P								77
BUS D04 L	C09N2				1-18	*	P								77
BUS D04 L	A05E1				1-19	*	P								77
BUS D04 L	A06E1				1-20	*	P								77
BUS D04 L	A07E1				1-21	*	P								77
BUS D04 L	A08E1				1-22	*	P								77
BUS D04 L	A09E1				1-23	*	P								77
BUS D04 L					1									52-7/8 1400000000	77
BUS D05 L	A01F2				1-01	*	P								78
BUS D05 L	A02F2				1-02	*	P								78
BUS D05 L	A03F2				1-03	*	P								78
BUS D05 L	A04F2				1-04	*	P							7-1/8	78
BUS D05 L	C03P2				1-05	*	P								78
BUS D05 L	C04P2				1-06	*	P								78
BUS D05 L	C05P2				1-07	*	P								78
BUS D05 L	F05F1				1-08	*	P								78
BUS D05 L	F03F1				1-09	*	P								78
BUS D05 L	F04F1				1-10	*	P								78
BUS D05 L	F06F1				1-11	*	P								78
BUS D05 L	F07F1				1-12	*	P								78
BUS D05 L	F08F1				1-13	*	P								78
BUS D05 L	F09F1				1-14	*	P								78
BUS D05 L	C06P2				1-15	*	P								78
BUS D05 L	C07P2				1-16	*	P								78
BUS D05 L	C08P2				1-17	*	P								78
BUS D05 L	C09P2				1-18	*	P								78
BUS D05 L	A05F2				1-19	*	P								78
BUS D05 L	A06F2				1-20	*	P								78
BUS D05 L	A07F2				1-21	*	P								78
BUS D05 L	A08F2				1-22	*	P								78
BUS D05 L	A09F2				1-23	*	P								78
BUS D05 L					1									51-0/8 1400000000	78

102

DD11P.C WRP288.V34(63)-1 23-AUG-76 15-NOV-76 9:13 PAGE 18

RUN NAME	A/P	PIN NAME	ORDER PIN	BAY - ORDER	Q	DRAM	RV	RG	Y	X	Z	REMARKS	NC FLAG	LENGTH	EXCEPTIONS	RUN NUMBER
BUS D06 L		A01F1		1-01 *	P											79
BUS D06 L		A02F1		1-02 *	P											79
BUS D06 L		A03F1		1-03 *	P											79
BUS D06 L		A04F1		1-04 *	P								7-3/8			79
BUS D06 L		C03V2		1-05 *	P											79
BUS D06 L		C04V2		1-06 *	P											79
BUS D06 L		C05V2		1-07 *	P											79
BUS D06 L		F05F2		1-08 *	P											79
BUS D06 L		F03F2		1-09 *	P											79
BUS D06 L		F04F2		1-10 *	P											79
BUS D06 L		F06F2		1-11 *	P											79
BUS D06 L		F07F2		1-12 *	P											79
BUS D06 L		F08F2		1-13 *	P											79
BUS D06 L		F09F2		1-14 *	P											79
BUS D06 L		C06V2		1-15 *	P											79
BUS D06 L		C07V2		1-16 *	P											79
BUS D06 L		C08V2		1-17 *	P											79
BUS D06 L		C09V2		1-18 *	P											79
BUS D06 L		A05F1		1-19 *	P											79
BUS D06 L		A06F1		1-20 *	P											79
BUS D06 L		A07F1		1-21 *	P											79
BUS D06 L		A08F1		1-22 *	P											79
BUS D06 L		A09F1		1-23 *	P											79
BUS D06 L				1											51-1/8 1400000000	79

BUS D07 L		A01H2		1-01 *	P											80
BUS D07 L		A02H2		1-02 *	P											80
BUS D07 L		A03H2		1-03 *	P											80
BUS D07 L		A04H2		1-04 *	P								6-5/8			80
BUS D07 L		C03M2		1-05 *	P											80
BUS D07 L		C04M2		1-06 *	P											80
BUS D07 L		C05M2		1-07 *	P											80
BUS D07 L		F05H1		1-08 *	P											80
BUS D07 L		F03H1		1-09 *	P											80
BUS D07 L		F04H1		1-10 *	P											80
BUS D07 L		F06H1		1-11 *	P											80
BUS D07 L		F07H1		1-12 *	P											80
BUS D07 L		F08H1		1-13 *	P											80
BUS D07 L		F09H1		1-14 *	P											80
BUS D07 L		C06M2		1-15 *	P											80
BUS D07 L		C07M2		1-16 *	P											80
BUS D07 L		C08M2		1-17 *	P											80
BUS D07 L		C09M2		1-18 *	P											80
BUS D07 L		A05H2		1-19 *	P											80
BUS D07 L		A06H2		1-20 *	P											80
BUS D07 L		A07H2		1-21 *	P											80
BUS D07 L		A08H2		1-22 *	P											80
BUS D07 L		A09H2		1-23 *	P											80
BUS D07 L				1											51-0/8 1400000000	80

DD11P.C WRP288.V34(63)-1 23-AUG-76 15-NOV-76 9:13 PAGE 19

RUN NAME	A/P	PIN NAME	ORDER PIN	BAY - ORDER	Q	DRAM	RV	RG	Y	X	Z	REMARKS	NC FLAG	LENGTH	EXCEPTIONS	RUN NUMBER
BUS D08 L		A01H1		1-01 *	P											81
BUS D08 L		A02H1		1-02 *	P											81
BUS D08 L		A03H1		1-03 *	P											81
BUS D08 L		A04H1		1-04 *	P											81
BUS D08 L		C03L2		1-05 *	P											81
BUS D08 L		C04L2		1-06 *	P											81
BUS D08 L		C05L2		1-07 *	P											81
BUS D08 L		F05K1		1-08 *	P											81
BUS D08 L		F03K1		1-09 *	P											81
BUS D08 L		F04K1		1-10 *	P											81
BUS D08 L		F06K1		1-11 *	P											81
BUS D08 L		F07K1		1-12 *	P											81
BUS D08 L		F08K1		1-13 *	P											81
BUS D08 L		F09K1		1-14 *	P											81
BUS D08 L		C06L2		1-15 *	P											81
BUS D08 L		C07L2		1-16 *	P											81
BUS D08 L		C08L2		1-17 *	P											81
BUS D08 L		C09L2		1-18 *	P											81
BUS D08 L		A05H1		1-19 *	P											81
BUS D08 L		A06H1		1-20 *	P											81
BUS D08 L		A07H1		1-21 *	P											81
BUS D08 L		A08H1		1-22 *	P											81
BUS D08 L		A09H1		1-23 *	P											81
BUS D08 L				1											51-4/8 1400000000	81
BUS D09 L		A01J2		1-01 *	P											82
BUS D09 L		A02J2		1-02 *	P											82
BUS D09 L		A03J2		1-03 *	P											82
BUS D09 L		A04J2		1-04 *	P											82
BUS D09 L		C03K2		1-05 *	P											82
BUS D09 L		C04K2		1-06 *	P											82
BUS D09 L		C05K2		1-07 *	P											82
BUS D09 L		C06K2		1-08 *	P											82
BUS D09 L		C07K2		1-09 *	P											82
BUS D09 L		C08K2		1-10 *	P											82
BUS D09 L		C09K2		1-11 *	P											82
BUS D09 L		A05J2		1-12 *	P											82
BUS D09 L		A06J2		1-13 *	P											82
BUS D09 L		A07J2		1-14 *	P											82
BUS D09 L		A08J2		1-15 *	P											82
BUS D09 L		A09J2		1-16 *	P											82
BUS D09 L				1											27-0/8 1400000000	82

DD11P.C RUN NAME	WRP288.V34(63)-1 A/P PIN NAME	23-AUG-76 ORDER PIN	BAY - ORDER	Q	DRAW OPT	RV	RG	Y	X	Z	REMARKS	15-NOV-76 9:13	PAGE 20 NC LENGTH EXCEPTIONS FLAG	RUN NUMBER
BUS D10 L	A01J1		1-01 * P							1			1	83
BUS D10 L	A02J1		1-02 * P							2			1	83
BUS D10 L	A03J1		1-03 * P							1			1	83
BUS D10 L	A04J1		1-04 * P							2			5-7/8	83
BUS D10 L	C03J2		1-05 * P							1			1	83
BUS D10 L	C04J2		1-06 * P							2			1	83
BUS D10 L	C05J2		1-07 * P							1			1	83
BUS D10 L	C06J2		1-08 * P							2			1	83
BUS D10 L	C07J2		1-09 * P							1			1	83
BUS D10 L	C08J2		1-10 * P							2			1	83
BUS D10 L	C09J2		1-11 * P							1			7-7/8	83
BUS D10 L	A05J1		1-12 * P							2			1	83
BUS D10 L	A06J1		1-13 * P							1			1	83
BUS D10 L	A07J1		1-14 * P							2			1	83
BUS D10 L	A08J1		1-15 * P							1			1	83
BUS D10 L	A09J1		1-16 * P							1			1	83
BUS D10 L			1										26-6/8 1400000000	83
BUS D11 L	A01K2		1-01 * P							2			1	84
BUS D11 L	A02K2		1-02 * P							1			1	84
BUS D11 L	A03K2		1-03 * P							2			1	84
BUS D11 L	A04K2		1-04 * P							1			6-1/8	84
BUS D11 L	C03H1		1-05 * P							2			1	84
BUS D11 L	C04H1		1-06 * P							1			1	84
BUS D11 L	C05H1		1-07 * P							2			1	84
BUS D11 L	C06H1		1-08 * P							1			1	84
BUS D11 L	C07H1		1-09 * P							2			1	84
BUS D11 L	C08H1		1-10 * P							1			1	84
BUS D11 L	C09H1		1-11 * P							2			7-1/8	84
BUS D11 L	A05K2		1-12 * P							1			1	84
BUS D11 L	A06K2		1-13 * P							2			1	84
BUS D11 L	A07K2		1-14 * P							1			1	84
BUS D11 L	A08K2		1-15 * P							2			1	84
BUS D11 L	A09K2		1-16 * P							1			1	84
BUS D11 L			1										26-2/8 1400000000	84
BUS D12 L	A01K1		1-01 * P							1			1	85
BUS D12 L	A02K1		1-02 * P							2			1	85
BUS D12 L	A03K1		1-03 * P							1			1	85
BUS D12 L	A04K1		1-04 * P							2			5-5/8	85
BUS D12 L	C03H2		1-05 * P							1			1	85
BUS D12 L	C04H2		1-06 * P							2			1	85
BUS D12 L	C05H2		1-07 * P							1			1	85
BUS D12 L	C06H2		1-08 * P							2			1	85
BUS D12 L	C07H2		1-09 * P							1			1	85
BUS D12 L	C08H2		1-10 * P							2			1	85
BUS D12 L	C09H2		1-11 * P							1			7-5/8	85
BUS D12 L	A05K1		1-12 * P							2			1	85
BUS D12 L	A06K1		1-13 * P							1			1	85
BUS D12 L	A07K1		1-14 * P							2			1	85
BUS D12 L	A08K1		1-15 * P							1			1	85
BUS D12 L	A09K1		1-16 * P							1			1	85
BUS D12 L			1										26-2/8 1400000000	85

DD11P.C RUN NAME	WRP288.V34(63)-1 A/P PIN NAME	23-AUG-76 ORDER PIN	BAY - ORDER	Q	DRAW OPT	RV	RG	Y	X	Z	REMARKS	15-NOV-76 9:13	PAGE 21 NC LENGTH EXCEPTIONS FLAG	RUN NUMBER
BUS D13 L	A01L2		1-01 * P							1			1	86
BUS D13 L	A02L2		1-02 * P							2			1	86
BUS D13 L	A03L2		1-03 * P							1			1	86
BUS D13 L	A04L2		1-04 * P							2			5-5/8	86
BUS D13 L	C03F2		1-05 * P							1			1	86
BUS D13 L	C04F2		1-06 * P							2			1	86
BUS D13 L	C05F2		1-07 * P							1			1	86
BUS D13 L	C06F2		1-08 * P							2			1	86
BUS D13 L	C07F2		1-09 * P							1			1	86
BUS D13 L	C08F2		1-10 * P							2			1	86
BUS D13 L	C09F2		1-11 * P							1			7-1/8	86
BUS D13 L	A05L2		1-12 * P							2			1	86
BUS D13 L	A06L2		1-13 * P							1			1	86
BUS D13 L	A07L2		1-14 * P							2			1	86
BUS D13 L	A08L2		1-15 * P							1			1	86
BUS D13 L	A09L2		1-16 * P							1			1	86
BUS D13 L			1										25-6/8 1400000000	86
BUS D14 L	A01L1		1-01 * P							1			1	87
BUS D14 L	A02L1		1-02 * P							2			1	87
BUS D14 L	A03L1		1-03 * P							1			1	87
BUS D14 L	A04L1		1-04 * P							2			5-3/8	87
BUS D14 L	C03E2		1-05 * P							1			1	87
BUS D14 L	C04E2		1-06 * P							2			1	87
BUS D14 L	C05E2		1-07 * P							1			1	87
BUS D14 L	C06E2		1-08 * P							2			1	87
BUS D14 L	C07E2		1-09 * P							1			1	87
BUS D14 L	C08E2		1-10 * P							2			1	87
BUS D14 L	C09E2		1-11 * P							1			7-1/8	87
BUS D14 L	A05L1		1-12 * P							2			1	87
BUS D14 L	A06L1		1-13 * P							1			1	87
BUS D14 L	A07L1		1-14 * P							2			1	87
BUS D14 L	A08L1		1-15 * P							1			1	87
BUS D14 L	A09L1		1-16 * P							1			1	87
BUS D14 L			1										25-4/8 1400000000	87
BUS D15 L	A01M2		1-01 * P							1			1	88
BUS D15 L	A02M2		1-02 * P							2			1	88
BUS D15 L	A03M2		1-03 * P							1			1	88
BUS D15 L	A04M2		1-04 * P							2			5-1/8	88
BUS D15 L	C03D2		1-05 * P							1			1	88
BUS D15 L	C04D2		1-06 * P							2			1	88
BUS D15 L	C05D2		1-07 * P							1			1	88
BUS D15 L	C06D2		1-08 * P							2			1	88
BUS D15 L	C07D2		1-09 * P							1			1	88
BUS D15 L	C08D2		1-10 * P							2			1	88
BUS D15 L	C09D2		1-11 * P							1			6-7/8	88
BUS D15 L	A05M2		1-12 * P							2			1	88
BUS D15 L	A06M2		1-13 * P							1			1	88
BUS D15 L	A07M2		1-14 * P							2			1	88
BUS D15 L	A08M2		1-15 * P							1			1	88
BUS D15 L	A09M2		1-16 * P							1			1	88
BUS D15 L			1										25-0/8 1400000000	88

124

DD11P.C RUN NAME	WRP288.V34(63)-1 A/P PIN ORDER NAME PIN	23-AUG-76 BAY - ORDER	Q	DRAW	RV	RG	Y	X	Z	REMARKS	15-NOV-76 9:13	PAGE 22 NC LENGTH EXCEPTIONS FLAG	RUN NUMBER
C BG IN	D03U2	1-01 *							1			3-7/8	89
C BG IN	F03B1	1-02 *											89
C BG IN		1										3-7/8 1400000000	89
C BG OUT	D03V2	1-01 *							1			3-7/8	90
C BG OUT	F03A1	1-02 *											90
C BG OUT		1										3-7/8 1400000000	90
C BR OUT	D03J2	1-01 *							1			6-5/8	91
C BR OUT	F03P1	1-02 *							2			1	91
C BR OUT	F03U2	1-03 *											91
C BR OUT		1										7-5/8 1400000000	91
C IN	D03H1	1-01 *							1			3-4/8	92
C IN	E03M1	1-02 *											92
C IN		1										3-4/8 1400000000	92
C INT A	D03N1	1-01 *							1			6-3/8	93
C INT A	F03U1	1-02 *											93
C INT A		1										6-3/8 1400000000	93
C INT B	C03J1	1-01 *							1			8-5/8	94
C INT B	F03F2	1-02 *											94
C INT B		1										8-5/8 1400000000	94
C INT ENB A	D03M1	1-01 *							1			6-5/8	95
C INT ENB A	F03V1	1-02 *											95
C INT ENB A		1										6-5/8 1400000000	95
C INT ENB B	C03L1	1-01 *							1			8-1/8	96
C INT ENB B	F03H2	1-02 *											96
C INT ENB B		1										8-1/8 1400000000	96
C OUT HIGH	D03K1	1-01 *							1			3-3/8	97
C OUT HIGH	E03M2	1-02 *											97
C OUT HIGH		1										3-3/8 1400000000	97
C OUT LOW	D03D1	1-01 *							1			4	98
C OUT LOW	E03N1	1-02 *											98
C OUT LOW		1										4-0/8 1400000000	98
C SEL 0	D03F1	1-01 *							1			4-1/8	99
C SEL 0	F03S2	1-02 *											99
C SEL 0		1										4-1/8 1400000000	99
C SEL 4	D03E1	1-01 *							1			4-3/8	100
C SEL 4	E03R2	1-02 *											100
C SEL 4		1										4-3/8 1400000000	100
C SEL 6	D03C1	1-01 *							1			4-4/8	101
C SEL 6	E03S1	1-02 *											101
C SEL 6		1										4-4/8 1400000000	101
C SER 2	D03J1	1-01 *							1			4-1/8	102
C SER 2	E03T2	1-02 *											102
C SER 2		1										4-1/8 1400000000	102

DD11P.C RUN NAME	WRP288.V34(63)-1 A/P PIN ORDER NAME PIN	23-AUG-76 BAY - ORDER	Q	DRAW	RV	RG	Y	X	Z	REMARKS	15-NOV-76 9:13	PAGE 23 NC LENGTH EXCEPTIONS FLAG	RUN NUMBER
C SSYN IN H	D03V1	1-01 *							1			1	103
C SSYN IN H	F03B1	1-02 *											103
C SSYN IN H		1										1-0/8 1400000000	103
C0 L	B01U2	1-01 *							1			1	104
C0 L	B02U2	1-02 *							2			1	104
C0 L	E03U2	1-03 *							1			1	104
C0 L	B04U2	1-04 *							2			7-3/8	104
C0 L	E03J2	1-05 *	P						1			1	104
C0 L	E04J2	1-06 *	P						2			1	104
C0 L	E05J2	1-07 *	P						1			1	104
C0 L	E06J2	1-08 *	P						2			1	104
C0 L	E07J2	1-09 *	P						1			1	104
C0 L	E08J2	1-10 *	P						2			1	104
C0 L	E09J2	1-11 *							1			9-1/8	104
C0 L	B05U2	1-12 *							2			1	104
C0 L	B06U2	1-13 *							1			1	104
C0 L	B07U2	1-14 *							2			1	104
C0 L	B08U2	1-15 *							1			1	104
C0 L	B09U2	1-16 *							1				104
C0 L		1										29-4/8 1400000000	104
C1 L	B01T2	1-01 *							2			1	105
C1 L	B02T2	1-02 *							1			1	105
C1 L	B03T2	1-03 *							2			1	105
C1 L	B04T2	1-04 *							1			7-3/8	105
C1 L	E03F2	1-05 *	P						2			1	105
C1 L	E04F2	1-06 *	P						1			1	105
C1 L	E05F2	1-07 *	P						2			1	105
C1 L	E06F2	1-08 *	P						1			1	105
C1 L	E07F2	1-09 *	P						2			1	105
C1 L	E08F2	1-10 *	P						1			1	105
C1 L	E09F2	1-11 *							2			8-7/8	105
C1 L	B05T2	1-12 *							1			1	105
C1 L	B06T2	1-13 *							2			1	105
C1 L	B07T2	1-14 *							1			1	105
C1 L	B08T2	1-15 *							1			1	105
C1 L	B09T2	1-16 *							2			1	105
C1 L		1										29-2/8 1400000000	105
D BG IN	D04U2	1-01 *							1			3-7/8	106
D BG IN	F04B1	1-02 *											106
D BG IN		1										3-7/8 1400000000	106
D BG OUT	D04V2	1-01 *							1			3-7/8	107
D BG OUT	F04A1	1-02 *											107
D BG OUT		1										3-7/8 1400000000	107
D BR OUT	D04J2	1-01 *							1			6-5/8	108
D BR OUT	F04P1	1-02 *							2			1	108
D BR OUT	F04U2	1-03 *											108
D BR OUT		1										7-5/8 1400000000	108

105

DDIIP.C RUN NAME	A/P	WPP288.V34(63)-1 PIN NAME	ORDER PIN	BAY - ORDER	Q	DRAW OPT	RV RG	Y	X	Z	REMARKS	15-NOV-76 9113	PAGE 24 NC LENGTH EXCEPTIONS FLAG	RUN NUMBER
D IN		D04H1		1-01 *						1			3-4/8	109
D IN		E04M1		1-02 *										109
D IN				1									3-4/8 1400000000	109
D INT A		D04N1		1-01 *						1			6-3/8	110
D INT A		F04U1		1-02 *										110
D INT A				1									6-3/8 1400000000	110
D INT B		C04J1		1-01 *						1			8-5/8	111
D INT B		F04K2		1-02 *										111
D INT B				1									8-5/8 1400000000	111
D INT ENB A		D04M1		1-01 *						1			6-5/8	112
D INT ENB A		F04V1		1-02 *										112
D INT ENB A				1									6-5/8 1400000000	112
D INT ENB B		C04L1		1-01 *						1			8-1/8	113
D INT ENB B		F04H2		1-02 *										113
D INT ENB B				1									8-1/8 1400000000	113
D OUT HIGH		D04K1		1-01 *						1			3-3/8	114
D OUT HIGH		F04M2		1-02 *										114
D OUT HIGH				1									3-3/8 1400000000	114
D OUT LOW		D04D1		1-01 *						1			4	115
D OUT LOW		E04N1		1-02 *										115
D OUT LOW				1									4-0/8 1400000000	115
D SEL 0		D04F1		1-01 *						1			4-1/8	116
D SEL 0		F04S2		1-02 *										116
D SEL 0				1									4-1/8 1400000000	116
D SEL 4		D04E1		1-01 *						1			4-3/8	117
D SEL 4		F04H2		1-02 *										117
D SEL 4				1									4-3/8 1400000000	117
D SEL 6		D04C1		1-01 *						1			4-4/8	118
D SEL 6		E04S1		1-02 *										118
D SEL 6				1									4-4/8 1400000000	118
D SER 2		D04J1		1-01 *						1			4-1/8	119
D SER 2		E04T2		1-02 *										119
D SER 2				1									4-1/8 1400000000	119
D SSYN IN H		D04V1		1-01 *						1			1	120
D SSYN IN H		E04B1		1-02 *										120
D SSYN IN H				1									1-0/8 1400000000	120

DDIIP.C RUN NAME	A/P	WPP288.V34(63)-1 PIN NAME	ORDER PIN	BAY - ORDER	Q	DRAW OPT	RV RG	Y	X	Z	REMARKS	15-NOV-76 9113	PAGE 25 NC LENGTH EXCEPTIONS FLAG	RUN NUMBER
DC L		B01F2		1-01 *	P					2			1	121
DC L		F02F2		1-02 *	P					1				121
DC L		F03F2		1-03 *	P					2				121
DC L		R04F2		1-04 *	P					1			4-3/8	121
DC L		C03N1		1-05 *	P					2			1	121
DC L		C04N1		1-06 *	P					1				121
DC L		C05N1		1-07 *	P					2				121
DC L		C06N1		1-08 *	P					1				121
DC L		C07N1		1-09 *	P					2				121
DC L		C08N1		1-10 *	F					1				121
DC L		C09N1		1-11 *	P					2			5-3/8	121
DC L		H05F2		1-12 *	P					1				121
DC L		H06F2		1-13 *	P					2				121
DC L		H07F2		1-14 *	P					1				121
DC L		H08F2		1-15 *	P					2				121
DC L		H09F2		1-16 *	P									121
DC L				1									22-6/8 1400000000	121
E BG IN		D05U2		1-01 *						1			3-7/8	122
E BG IN		F05B1		1-02 *										122
E BG IN				1									3-7/8 1400000000	122
E BG OUT		D05V2		1-01 *						1			3-7/8	123
E BG OUT		F05A1		1-02 *										123
E BG OUT				1									3-7/8 1400000000	123
E BR OUT		D05J2		1-01 *						1			6-5/8	124
E BR OUT		F05P1		1-02 *						2				124
E BR OUT		F05U2		1-03 *										124
E BR OUT				1									7-5/8 1400000000	124
E IN		D05H1		1-01 *						1			3-4/8	125
E IN		E05M1		1-02 *										125
E IN				1									3-4/8 1400000000	125
E INT A		D05N1		1-01 *						1			6-3/8	126
E INT A		F05U1		1-02 *										126
E INT A				1									6-3/8 1400000000	126
E INT B		C05J1		1-01 *						1			8-5/8	127
E INT B		F05K2		1-02 *										127
E INT B				1									8-5/8 1400000000	127
E INT ENB A		D05N1		1-01 *						1			6-5/8	128
E INT ENB A		F05V1		1-02 *										128
E INT ENB A				1									6-5/8 1400000000	128
E INT ENB B		C05L1		1-01 *						1			8-1/8	129
E INT ENB B		F05H2		1-02 *										129
E INT ENB B				1									8-1/8 1400000000	129
E OUT HIGH		D05K1		1-01 *						1			3-3/8	130
E OUT HIGH		E05M2		1-02 *										130
E OUT HIGH				1									3-3/8 1400000000	130

136

DD11P.C RUN NAME	WRP288.V34(63)-1 A/P PIN NAME	23-AUG-76 ORDER PIN	BAY - ORDER	Q	DRAW OPT	RV	RG	Y	X	Z	REMARKS	15-NOV-76	9113	PAGE 26 NC LENGTH EXCEPTIONS FLAG	RUN NUMBER
E OUT LOW	D0501		1-01 *							1					131
E OUT LOW	E05N1		1-02 *											4-0/8 1400000000	131
E OUT LOW			1												131
E SEL 0	D05F1		1-01 *							1				4-1/8	132
E SEL 0	E05S2		1-02 *											4-1/8 1400000000	132
E SEL 0			1												132
E SEL 4	D05E1		1-01 *							1				4-3/8	133
E SEL 4	E05R2		1-02 *											4-3/8 1400000000	133
E SEL 4			1												133
E SEL 6	D05C1		1-01 *							1				4-4/8	134
E SEL 6	E05S1		1-02 *											4-4/8 1400000000	134
E SEL 6			1												134
E SER 2	D05J1		1-01 *							1				4-1/8	135
E SER 2	E05T2		1-02 *											4-1/8 1400000000	135
E SER 2			1												135
E SSYN IN H	D05V1		1-01 *							1				1	136
E SSYN IN H	E05B1		1-02 *											1-0/8 1400000000	136
E SSYN IN H			1												136
F BG IN	D06U2		1-01 *							1				3-7/8	137
F BG IN	F06B1		1-02 *											3-7/8 1400000000	137
F BG IN			1												137
F BG OUT	D06V2		1-01 *							1				3-7/8	138
F BG OUT	F06A1		1-02 *											3-7/8 1400000000	138
F BG OUT			1												138
F BR OUT	D06J2		1-01 *							1				6-5/8	139
F BR OUT	F06P1		1-02 *							2				1	139
F BR OUT	F06U2		1-03 *											7-5/8 1400000000	139
F BR OUT			1												139
F IN	D06H1		1-01 *							1				3-4/8	140
F IN	F06M1		1-02 *											3-4/8 1400000000	140
F IN			1												140
F INT A	D06N1		1-01 *							1				6-3/8	141
F INT A	F06U1		1-02 *											6-3/8 1400000000	141
F INT A			1												141
F INT B	D06J1		1-01 *							1				8-5/8	142
F INT B	F06K2		1-02 *											8-5/8 1400000000	142
F INT B			1												142
F INT ENB A	D06M1		1-01 *							1				6-5/8	143
F INT ENB A	F06V1		1-02 *											6-5/8 1400000000	143
F INT ENB A			1												143
F INT ENB B	C06L1		1-01 *							1				8-1/8	144
F INT ENB B	F06H2		1-02 *											8-1/8 1400000000	144
F INT ENB B			1												144

DD11P.C RUN NAME	WRP288.V34(63)-1 A/P PIN NAME	23-AUG-76 ORDER PIN	BAY - ORDER	Q	DRAW OPT	RV	RG	Y	X	Z	REMARKS	15-NOV-76	9113	PAGE 27 NC LENGTH EXCEPTIONS FLAG	RUN NUMBER
F OUT HIGH	D06K1		1-01 *							1				3-3/8	145
F OUT HIGH	E06M2		1-02 *											3-3/8 1400000000	145
F OUT HIGH			1												145
F OUT LOW	D06D1		1-01 *							1				4	146
F OUT LOW	E06N1		1-02 *											4-0/8 1400000000	146
F OUT LOW			1												146
F SEL 0	D06F1		1-01 *							1				4-1/8	147
F SEL 0	E06S2		1-02 *											4-1/8 1400000000	147
F SEL 0			1												147
F SEL 4	D06E1		1-01 *							1				4-3/8	148
F SEL 4	E06R2		1-02 *											4-3/8 1400000000	148
F SEL 4			1												148
F SEL 6	D06C1		1-01 *							1				4-4/8	149
F SEL 6	E06S1		1-02 *											4-4/8 1400000000	149
F SEL 6			1												149
F SER 2	D06J1		1-01 *							1				4-1/8	150
F SER 2	E06T2		1-02 *											4-1/8 1400000000	150
F SER 2			1												150
F SSYN IN H	D06V1		1-01 *							1				1	151
F SSYN IN H	E06B1		1-02 *											1-0/8 1400000000	151
F SSYN IN H			1												151
F03D2	F03D2		1-01 *							2				1-6/8	152
F03D2	F03R2		1-02 *							1				0-4/8	152
F03D2	F03N1		1-03 *											2-2/8 1400000000	152
F03D2			1												152
F03E1	F03E1		1-01 *							1				2-3/8	153
F03E1	F03V2		1-02 *											2-3/8 1400000000	153
F03E1			1												153
F03L2	F03L2		1-01 *							1				1	154
F03L2	F03R1		1-02 *											1-0/8 1400000000	154
F03L2			1												154
F03M2	F03M2		1-01 *							1				1	155
F03M2	F03S1		1-02 *											1-0/8 1400000000	155
F03M2			1												155
F03P2	F03P2		1-01 *							1				0-4/8	156
F03P2	F03S2		1-02 *											0-4/8 1400000000	156
F03P2			1												156
F04D2	F04D2		1-01 *							2				1-6/8	157
F04D2	F04R2		1-02 *							1				0-4/8	157
F04D2	F04N1		1-03 *											2-2/8 1400000000	157
F04D2			1												157

DD11P.C RUN NAME	WPP288.V34(63)-1 A/P PIN NAME	ORDER PIN	23-AUG-76 BAY - ORDER	Q	DRAW	RV	RG	Y	X	Z	REMARKS	15-Nov-76	9:13	PAGE 28 NC LENGTH EXCEPTIONS FLAG	RUN NUMBER
F04E1	F04E1		1-01 *							1				2-3/8	158
F04E1	F04V2		1-02 *												158
F04E1			1											2-3/8 1400000000	158
F04L2	F04L2		1-01 *							1				1	159
F04L2	F04R1		1-02 *												159
F04L2			1											1-0/8 1400000000	159
F04M2	F04M2		1-01 *							1				1	160
F04M2	F04S1		1-02 *												160
F04M2			1											1-0/8 1400000000	160
F04P2	F04P2		1-01 *							1				0-4/8	161
F04P2	F04S2		1-02 *												161
F04P2			1											0-4/8 1400000000	161
F05D2	F05D2		1-01 *							2				1-6/8	162
F05D2	F05R2		1-02 *							1				0-4/8	162
F05D2	F05N1		1-03 *												162
F05D2			1											2-2/8 1400000000	162
F05E1	F05E1		1-01 *							1				2-3/8	163
F05E1	F05V2		1-02 *												163
F05E1			1											2-3/8 1400000000	163
F05L2	F05L2		1-01 *							1				1	164
F05L2	F05R1		1-02 *												164
F05L2			1											1-0/8 1400000000	164
F05M2	F05M2		1-01 *							1				1	165
F05M2	F05S1		1-02 *												165
F05M2			1											1-0/8 1400000000	165
F05P2	F05P2		1-01 *							1				0-4/8	166
F05P2	F05S2		1-02 *												166
F05P2			1											0-4/8 1400000000	166
F06D2	F06D2		1-01 *							2				1-6/8	167
F06D2	F06R2		1-02 *							1				0-4/8	167
F06D2	F06N1		1-03 *												167
F06D2			1											2-2/8 1400000000	167
F06E1	F06E1		1-01 *							1				2-3/8	168
F06E1	F06V2		1-02 *												168
F06E1			1											2-3/8 1400000000	168
F06L2	F06L2		1-01 *							1				1	169
F06L2	F06R1		1-02 *												169
F06L2			1											1-0/8 1400000000	169
F06M2	F06M2		1-01 *							1				1	170
F06M2	F06S1		1-02 *												170
F06M2			1											1-0/8 1400000000	170

DD11P.C RUN NAME	WPP288.V34(63)-1 A/P PIN NAME	ORDER PIN	23-AUG-76 BAY - ORDER	Q	DRAW	RV	RG	Y	X	Z	REMARKS	15-Nov-76	9:13	PAGE 29 NC LENGTH EXCEPTIONS FLAG	RUN NUMBER
F06P2	F06P2		1-01 *							1				0-4/8	171
F06P2	F06S2		1-02 *												171
F06P2			1											0-4/8 1400000000	171
F07D2	F07D2		1-01 *							2				1-6/8	172
F07D2	F07R2		1-02 *							1				0-4/8	172
F07D2	F07N1		1-03 *												172
F07D2			1											2-2/8 1400000000	172
F07E1	F07E1		1-01 *							1				2-3/8	173
F07E1	F07V2		1-02 *												173
F07E1			1											2-3/8 1400000000	173
F07L2	F07L2		1-01 *							1				1	174
F07L2	F07R1		1-02 *												174
F07L2			1											1-0/8 1400000000	174
F07M2	F07M2		1-01 *							1				1	175
F07M2	F07S1		1-02 *												175
F07M2			1											1-0/8 1400000000	175
F07P2	F07P2		1-01 *							1				0-4/8	176
F07P2	F07S2		1-02 *												176
F07P2			1											0-4/8 1400000000	176
F08D2	F08D2		1-01 *							2				1-6/8	177
F08D2	F08R2		1-02 *							1				0-4/8	177
F08D2	F08N1		1-03 *												177
F08D2			1											2-2/8 1400000000	177
F08E1	F08E1		1-01 *							1				2-3/8	178
F08E1	F08V2		1-02 *												178
F08E1			1											2-3/8 1400000000	178
F08L2	F08L2		1-01 *							1				1	179
F08L2	F08R1		1-02 *												179
F08L2			1											1-0/8 1400000000	179
F08M2	F08M2		1-01 *							1				1	180
F08M2	F08S1		1-02 *												180
F08M2			1											1-0/8 1400000000	180
F08P2	F08P2		1-01 *							1				0-4/8	181
F08P2	F08S2		1-02 *												181
F08P2			1											0-4/8 1400000000	181
F09D2	F09D2		1-01 *							2				1-6/8	182
F09D2	F09R2		1-02 *							1				0-4/8	182
F09D2	F09N1		1-03 *												182
F09D2			1											2-2/8 1400000000	182
F09E1	F09E1		1-01 *							1				2-3/8	183
F09E1	F09V2		1-02 *												183
F09E1			1											2-3/8 1400000000	183

189

DD11P.C RUN NAME	WRP288.V34(63)-1 A/P PIN NAME	23-AUG-76 ORDER PIN	BAY - ORDER	Q	DRAW OPT	RV	RG	Y	X	Z	REMARKS	15-Nov-76 9:13 PAGE 30 NC LENGTH EXCEPTIONS FLAG	RUN NUMBER
F09L2	F09L2		1-01 *							1		1	104
F09L2	F09R1		1-02 *									1	104
F09L2			1									1-0/8 1400000000	104
F09M2	F09M2		1-01 *							1		1	105
F09M2	F09S1		1-02 *									1	105
F09M2			1									1-0/8 1400000000	105
F09P2	F09P2		1-01 *							1		0-4/8	106
F09P2	F09S2		1-02 *									0-4/8	106
F09P2			1									0-4/8 1400000000	106
GND (01)	A01C2		1-01 *	P						1		1	107
GND (01)	A02C2		1-02 *	P						2		1	107
GND (01)	A03C2		1-03 *	P						1		1	107
GND (01)	A04C2		1-04 *	P						2		1	107
GND (01)	A05C2		1-05 *	P						1		1	107
GND (01)	A06C2		1-06 *	P						2		1	107
GND (01)	A07C2		1-07 *	P						1		1	107
GND (01)	A08C2		1-08 *	P						2		1	107
GND (01)	A09C2		1-09 *	P						1		2-1/8	107
GND (01)	A09T1		1-10 *	P						2		1	107
GND (01)	A08T1		1-11 *	P						1		1	107
GND (01)	A07T1		1-12 *	P						2		1	107
GND (01)	A06T1		1-13 *	P						1		1	107
GND (01)	A05T1		1-14 *	P						2		1	107
GND (01)	A04T1		1-15 *	P						1		1	107
GND (01)	A03T1		1-16 *	P						2		1	107
GND (01)	A02T1		1-17 *	P						1		1	107
GND (01)	A01T1		1-18 *	P						2		1-5/8	107
GND (01)	B01C2		1-19 *	P						1		1	107
GND (01)	B02C2		1-20 *	P						2		1	107
GND (01)	B03C2		1-21 *	P						1		1	107
GND (01)	B04C2		1-22 *	P						2		1	107
GND (01)	B05C2		1-23 *	P						1		1	107
GND (01)	B06C2		1-24 *	P						2		1	107
GND (01)	B07C2		1-25 *	P						1		1	107
GND (01)	F09C2		1-26 *	P						2		1	107
GND (01)	B09C2		1-27 *	P						1		2-1/8	107
GND (01)	B09T1		1-28 *	P						2		1	107
GND (01)	B08T1		1-29 *	P						1		1	107
GND (01)	B07T1		1-30 *	P						2		1	107
GND (01)	B06T1		1-31 *	P						1		1	107
GND (01)	F05T1		1-32 *	P						2		1	107
GND (01)	B04T1		1-33 *	P						1		1	107
GND (01)	B03T1		1-34 *	P						2		1	107
GND (01)	B02T1		1-35 *	P						1		1	107
GND (01)	B01T1		1-36 *	P						2		1-3/8	107
GND (01)	C01C2		1-37 *	P						1		1	107
GND (01)	C02C2		1-38 *	P						2		1	107
GND (01)	C03C2		1-39 *	P						1		1	107
GND (01)	C04C2		1-40 *	P						2		1	107
GND (01)	C05C2		1-41 *	P						1		1	107
GND (01)	C06C2		1-42 *	P						2		1	107
GND (01)	C07C2		1-43 *	P						1		1	107
GND (01)	C08C2		1-44 *	P						2		1	107

DD11P.C RUN NAME	WRP288.V34(63)-1 A/P PIN NAME	23-AUG-76 ORDER PIN	BAY - ORDER	Q	DRAW OPT	RV	RG	Y	X	Z	REMARKS	15-Nov-76 9:13 PAGE 31 NC LENGTH EXCEPTIONS FLAG	RUN NUMBER
GND (01)	C09C2		1-45 *	P						1		2-1/8	107
GND (01)	C09T1		1-46 *	P						2		1	107
GND (01)	C08T1		1-47 *	P						1		1	107
GND (01)	C07T1		1-48 *	P						2		1	107
GND (01)	C06T1		1-49 *	P						1		1	107
GND (01)	C05T1		1-50 *	P						2		1	107
GND (01)	C04T1		1-51 *	P						1		1	107
GND (01)	C03T1		1-52 *	P						2		1	107
GND (01)	C02T1		1-53 *	P						1		1	107
GND (01)	C01T1		1-54 *	P						2		57-3/8 1400000000	107
GND (02)	D01C2		1-01 *	P						1		1	108
GND (02)	D02C2		1-02 *	P						2		1	108
GND (02)	D03C2		1-03 *	P						1		1	108
GND (02)	D04C2		1-04 *	P						2		1	108
GND (02)	D05C2		1-05 *	P						1		1	108
GND (02)	D06C2		1-06 *	P						2		1	108
GND (02)	D07C2		1-07 *	P						1		1	108
GND (02)	D08C2		1-08 *	P						2		1	108
GND (02)	D09C2		1-09 *	P						1		2-1/8	108
GND (02)	D09T1		1-10 *	P						2		1	108
GND (02)	D08T1		1-11 *	P						1		1	108
GND (02)	D07T1		1-12 *	P						2		1	108
GND (02)	D06T1		1-13 *	P						1		1	108
GND (02)	D05T1		1-14 *	P						2		1	108
GND (02)	D04T1		1-15 *	P						1		1	108
GND (02)	D03T1		1-16 *	P						2		1	108
GND (02)	D02T1		1-17 *	P						1		1	108
GND (02)	D01T1		1-18 *	P						2		1-3/8	108
GND (02)	E01C2		1-19 *	P						1		1	108
GND (02)	E02C2		1-20 *	P						2		1	108
GND (02)	E03C2		1-21 *	P						1		1	108
GND (02)	E04C2		1-22 *	P						2		1	108
GND (02)	E05C2		1-23 *	P						1		1	108
GND (02)	E06C2		1-24 *	P						2		1	108
GND (02)	E07C2		1-25 *	P						1		1	108
GND (02)	E08C2		1-26 *	P						2		1	108
GND (02)	E09C2		1-27 *	P						1		2-1/8	108
GND (02)	E09T1		1-28 *	P						2		1	108
GND (02)	E08T1		1-29 *	P						1		1	108
GND (02)	E07T1		1-30 *	P						2		1	108
GND (02)	F06T1		1-31 *	P						1		1	108
GND (02)	E05T1		1-32 *	P						2		1	108
GND (02)	E04T1		1-33 *	P						1		1	108
GND (02)	E03T1		1-34 *	P						2		1	108
GND (02)	E02T1		1-35 *	P						1		1	108
GND (02)	E01T1		1-36 *	P						2		1-5/8	108
GND (02)	F01C2		1-37 *	P						1		1	108
GND (02)	F02C2		1-38 *	P						2		1	108
GND (02)	F03C2		1-39 *	P						1		1	108
GND (02)	F04C2		1-40 *	P						2		1	108
GND (02)	F05C2		1-41 *	P						1		1	108
GND (02)	F06C2		1-42 *	P						2		1	108
GND (02)	F07C2		1-43 *	P						1		1	108
GND (02)	F08C2		1-44 *	P						2		1	108

691

DD11P.C RUN NAME	WRP288.V34(63)-1 A/P PIN NAME	ORDER PIN	23-AUG-76 BAY - ORDER	Q	DRAW OPT	RV RG	Y	X	Z	REMARKS	15-NOV-76 9:13 PAGE 32 NC LENGTH EXCEPTIONS FLAG	RUN NUMBER
GND (02)	F09C2		1-45 *	P					1		2-1/8	180
GND (02)	F09T1		1-46 *	P					2		1	180
GND (02)	F08T1		1-47 *	P					1		1	180
GND (02)	F07T1		1-48 *	P					2		1	180
GND (02)	F06T1		1-49 *	P					1		1	180
GND (02)	F05T1		1-50 *	P					2		1	180
GND (02)	F04T1		1-51 *	P					1		1	180
GND (02)	F03T1		1-52 *	P					2		1	180
GND (02)	F02T1		1-53 *	P					1		1	180
GND (02)	F01T1		1-54 *	P							57-3/8 1400000000	180
GND (02)			1									
GND (03)	B09V2		1-01 *	P					2		2-3/8	189
GND (03)	B09E1		1-02 *	P					1		0-1/8	189
GND (03)	B09D1		1-03 *	P					2		0-4/8	189
GND (03)	B09R2		1-04 *	P					1		1-2/8	189
GND (03)	A09V2		1-05 *	P					2		0-5/8	189
GND (03)	A09S1		1-06 *	P					1		0-1/8	189
GND (03)	A09R1		1-07 *	P					2		0-1/8	189
GND (03)	A09P1		1-08 *	P					1		0-1/8	189
GND (03)	A09N1		1-09 *	P					2		1-7/8	189
GND (03)	A09R2		1-10 *	P					1		4-4/8	189
GND (03)	A01R2		1-11 *	P					2		1-7/8	189
GND (03)	A01R2		1-11 *	P					1		0-1/8	189
GND (03)	A01N1		1-12 *	P					2		0-1/8	189
GND (03)	A01P1		1-13 *	P					1		0-1/8	189
GND (03)	A01R1		1-14 *	P					2		0-5/8	189
GND (03)	A01S1		1-15 *	P					1		1-2/8	189
GND (03)	A01V2		1-16 *	P					2		0-4/8	189
GND (03)	B01R2		1-17 *	P					1		0-1/8	189
GND (03)	B01D1		1-18 *	P					2		2-3/8	189
GND (03)	B01E1		1-19 *	P					1		6-5/8	189
GND (03)	B01V2		1-20 *	P					2		1	189
GND (03)	E03A1		1-21 *	P					1		1	189
GND (03)	E04A1		1-22 *	P					2		1	189
GND (03)	E05A1		1-23 *	P					1		1	189
GND (03)	E06A1		1-24 *	P					2		1	189
GND (03)	F07A1		1-25 *	P					1		1	189
GND (03)	E08A1		1-26 *	P					2		4-3/8	189
GND (03)	E09A1		1-27 *	P					1		1	189
GND (03)	F09J2		1-28 *	P					2		1	189
GND (03)	F08J2		1-29 *	P					1		1	189
GND (03)	F07J2		1-30 *	P					2		1	189
GND (03)	F06J2		1-31 *	P					1		1	189
GND (03)	F05J2		1-32 *	P					2		1	189
GND (03)	F04J2		1-33 *	P					1		1	189
GND (03)	F03J2		1-34 *	P							41-6/8 1400000000	189
GND (03)			1									
H BG IN	D07U2		1-01 *						1		3-7/8	190
H BG IN	F07B1		1-02 *								3-7/8 1400000000	190
H BG IN			1									190
H BG OUT	D07V2		1-01 *						1		3-7/8	191
H BG OUT	F07A1		1-02 *								3-7/8 1400000000	191
H BG OUT			1									191

DD11P.C RUN NAME	WRP288.V34(63)-1 A/P PIN NAME	ORDER PIN	23-AUG-76 BAY - ORDER	Q	DRAW OPT	RV RG	Y	X	Z	REMARKS	15-NOV-76 9:13 PAGE 33 NC LENGTH EXCEPTIONS FLAG	RUN NUMBER
H BR OUT	D07J2		1-01 *						1		6-5/8	192
H BR OUT	F07P1		1-02 *						2		1	192
H BR OUT	F07U2		1-03 *								7-5/8 1400000000	192
H BR OUT			1									192
H IN	D07H1		1-01 *						1		3-4/8	193
H IN	E07M1		1-02 *								3-4/8 1400000000	193
H IN			1									193
H INT A	D07N1		1-01 *						1		6-3/8	194
H INT A	F07U1		1-02 *								6-3/8 1400000000	194
H INT A			1									194
H INT B	C07J1		1-01 *						1		8-5/8	195
H INT B	F07K2		1-02 *								8-5/8 1400000000	195
H INT B			1									195
H INT ENB A	D07M1		1-01 *						1		6-5/8	196
H INT ENB A	F07V1		1-02 *								6-5/8 1400000000	196
H INT ENB A			1									196
H INT ENB B	C07L1		1-01 *						1		8-1/8	197
H INT ENB B	F07H2		1-02 *								8-1/8 1400000000	197
H INT ENB B			1									197
H OUT HIGH	D07K1		1-01 *						1		3-3/8	198
H OUT HIGH	E07M2		1-02 *								3-3/8 1400000000	198
H OUT HIGH			1									198
H OUT LOW	D07D1		1-01 *						1		4	199
H OUT LOW	E07N1		1-02 *								4-0/8 1400000000	199
H OUT LOW			1									199
H SEL 0	D07F1		1-01 *						1		4-1/8	200
H SEL 0	E07S2		1-02 *								4-1/8 1400000000	200
H SEL 0			1									200
H SEL 4	D07E1		1-01 *						1		4-3/8	201
H SEL 4	E07P2		1-02 *								4-3/8 1400000000	201
H SEL 4			1									201
H SEL 6	D07C1		1-01 *						1		4-4/8	202
H SEL 6	E07S1		1-02 *								4-4/8 1400000000	202
H SEL 6			1									202
H SER 2	D07J1		1-01 *						1		4-1/8	203
H SER 2	E07T2		1-02 *								4-1/8 1400000000	203
H SER 2			1									203
H SSYN IN H	D07V1		1-01 *						1		1	204
H SSYN IN H	E07B1		1-02 *								1-0/8 1400000000	204
H SSYN IN H			1									204

DD11P.C RUN NAME	WRP208.V34(63)-1 23-AUG-76				15-NOV-76					REMARKS	9:13 NC LENGTH EXCEPTIONS FLAG	PAGE 34	RUN NUMBER
	A/P	PIN NAME	ORDER PIN	BAY - ORDER	Q	DRAW OPT	RV	RG	Y				
HALT GRANT		C01R1		1-01 *	P							1	205
HALT GRANT		C02R1		1-02 *	P							1	205
HALT GRANT		C03R1		1-03 *	P							1	205
HALT GRANT		C04R1		1-04 *	P							1	205
HALT GRANT		C05R1		1-05 *	P							2	205
HALT GRANT		C06R1		1-06 *	P							1	205
HALT GRANT		C07R1		1-07 *	P							1	205
HALT GRANT		C08R1		1-08 *	P							1	205
HALT GRANT		C09R1		1-09 *	P							1	205
HALT GRANT				1								0-0/8 1400000000	205
HALT REQ		C01P1		1-01 *	P							1	206
HALT REQ		C02P1		1-02 *	P							1	206
HALT REQ		C03P1		1-03 *	P							1	206
HALT REQ		C04P1		1-04 *	P							1	206
HALT REQ		C05P1		1-05 *	P							1	206
HALT REQ		C06P1		1-06 *	P							1	206
HALT REQ		C07P1		1-07 *	P							1	206
HALT REQ		C08P1		1-08 *	P							1	206
HALT REQ		C09P1		1-09 *	P							1	206
HALT REQ				1								0-0/8 1400000000	206
INIT L		A01A1		1-01 *	P							1	207
INIT L		A02A1		1-02 *	P							1	207
INIT L		A03A1	A04A1	1-03 *	P							1	207
INIT L		A04A1		1-04 *	H							9-7/8	207
INIT L		D03L1		1-05 *	P							1	207
INIT L		D04L1		1-06 *	P							1	207
INIT L		D05L1		1-07 *	P							1	207
INIT L		D06L1		1-08 *	P							1	207
INIT L		D07L1		1-09 *	P							1	207
INIT L		D08L1	D09L1	1-10 *	P							1	207
INIT L		D09L1		1-11 *	H							11-5/8	207
INIT L		A05A1		1-12 *	P							1	207
INIT L		A06A1		1-13 *	P							1	207
INIT L		A07A1		1-14 *	P							1	207
INIT L		A08A1		1-15 *	P							1	207
INIT L		A09A1		1-16 *	P							1	207
INIT L				1								34-4/8 1400000000	207
INT SSYN		B02E1		1-01 *	P							1	208
INT SSYN		B03E1		1-02 *	P							1	208
INT SSYN		B04E1		1-03 *	P							1	208
INT SSYN		B05E1		1-04 *	P							1	208
INT SSYN		B06E1		1-05 *	P							1	208
INT SSYN		B07E1		1-06 *	P							1	208
INT SSYN		B08E1		1-07 *	P							1	208
INT SSYN				1								6-0/8 1400000000	208

DD11P.C RUN NAME	WRP208.V34(63)-1 23-AUG-76				15-NOV-76					REMARKS	9:13 NC LENGTH EXCEPTIONS FLAG	PAGE 35	RUN NUMBER
	A/P	PIN NAME	ORDER PIN	BAY - ORDER	Q	DRAW OPT	RV	RG	Y				
INTR L		A01B1		1-01 *	P							1	209
INTR L		A02B1		1-02 *	P							1	209
INTR L		A03B1		1-03 *	P							1	209
INTR L		A04B1		1-04 *	P							15-3/8	209
INTR L		F03M1		1-05 *	P							1	209
INTR L		F04M1		1-06 *	P							1	209
INTR L		F05M1		1-07 *	P							1	209
INTR L		F06M1		1-08 *	P							1	209
INTR L		F07M1		1-09 *	P							1	209
INTR L		F08M1		1-10 *	P							1	209
INTR L		F09M1		1-11 *	P							16-5/8	209
INTR L		A05B1		1-12 *	P							1	209
INTR L		A06B1		1-13 *	P							1	209
INTR L		A07B1		1-14 *	P							1	209
INTR L		A08B1		1-15 *	P							1	209
INTR L		A09B1		1-16 *	P							1	209
INTR L				1								45-0/8 1400000000	209
J A IN		D08H1		1-01 *	P							1	210
J A IN		E08M1		1-02 *	P							1	210
J A IN				1								3-4/8 1400000000	210
J BG IN		D08U2		1-01 *	P							1	211
J BG IN		F08B1		1-02 *	P							1	211
J BG IN				1								3-7/8 1400000000	211
J BG OUT		D08V2		1-01 *	P							1	212
J BG OUT		F08A1		1-02 *	P							1	212
J BG OUT				1								3-7/8 1400000000	212
J BR OUT		D08J2		1-01 *	P							1	213
J BR OUT		F08P1		1-02 *	P							2	213
J BR OUT		F08U2		1-03 *	P							1	213
J BR OUT				1								7-5/8 1400000000	213
J INT A		D08N1		1-01 *	P							1	214
J INT A		F08U1		1-02 *	P							1	214
J INT A				1								6-3/8 1400000000	214
J INT B		C08J1		1-01 *	P							1	215
J INT B		F08K2		1-02 *	P							1	215
J INT B				1								0-5/8 1400000000	215
J INT ENB A		D08M1		1-01 *	P							1	216
J INT ENB A		F08V1		1-02 *	P							1	216
J INT ENB A				1								6-5/8 1400000000	216
J INT ENB B		C08L1		1-01 *	P							1	217
J INT ENB B		F08H2		1-02 *	P							1	217
J INT ENB B				1								0-1/8 1400000000	217
J OUT HIGH		D08K1		1-01 *	P							1	218
J OUT HIGH		E08M2		1-02 *	P							1	218
J OUT HIGH				1								3-3/8 1400000000	218

121

DD11P.C RUN NAME	WRP280.V34(63)-1 23-AUG-76				Q	DRAW	RV	RG	Y	X	Z	REMARKS	15-Nov-76	9:13	PAGE 36		RUN NUMBER
	A/P	PIN NAME	ORDER PIN	BAY - ORDER											NC	LENGTH	
J OUT LOW		D08D1		1-01 *											4		219
J OUT LOW		E08N1		1-02 *											4-0/8	1400000000	219
J OUT LOW				1													
J SEL 0		D08F1		1-01 *						1					4-1/8		220
J SEL 0		E08S2		1-02 *											4-1/8	1400000000	220
J SEL 0				1													
J SEL 4		D08E1		1-01 *						1					4-3/8		221
J SEL 4		E08R2		1-02 *											4-3/8	1400000000	221
J SEL 4				1													
J SEL 6		D08C1		1-01 *						1					4-4/8		222
J SEL 6		E08S1		1-02 *											4-4/8	1400000000	222
J SEL 6				1													
J SER 2		D08J1		1-01 *						1					4-1/8		223
J SER 2		E08T2		1-02 *											4-1/8	1400000000	223
J SER 2				1													
J SSYN IN H		D08V1		1-01 *						1					1		224
J SSYN IN H		E08B1		1-02 *											1-0/8	1400000000	224
J SSYN IN H				1													
K A IN		D09M1		1-01 *						1					3-4/8		225
K A IN		E09M1		1-02 *											3-4/8	1400000000	225
K A IN				1													
K BG IN		D09U2		1-01 *						1					3-7/8		226
K BG IN		F09H1		1-02 *											3-7/8	1400000000	226
K BG IN				1													
K BG OUT		D09V2		1-01 *						1					3-7/8		227
K BG OUT		F09A1		1-02 *											3-7/8	1400000000	227
K BG OUT				1													
K BR OUT		D09J2		1-01 *						1					6-5/8		228
K BR OUT		F09P1		1-02 *						2					1		228
K BR OUT		F09U2		1-03 *											7-5/8	1400000000	228
K BR OUT				1													
K INT A		D09M1		1-01 *						1					6-3/8		229
K INT A		F09U1		1-02 *											6-3/8	1400000000	229
K INT A				1													
K INT B		D09J1		1-01 *						1					8-5/8		230
K INT B		F09K2		1-02 *											8-5/8	1400000000	230
K INT B				1													
K INT ENB A		D09M1		1-01 *						1					6-5/8		231
K INT ENB A		F09V1		1-02 *											6-5/8	1400000000	231
K INT ENB A				1													
K INT ENR B		D09L1		1-01 *						1					8-1/8		232
K INT ENR B		F09H2		1-02 *											8-1/8	1400000000	232
K INT ENR B				1													

DD11P.C RUN NAME	WRP280.V34(63)-1 23-AUG-76				Q	DRAW	RV	RG	Y	X	Z	REMARKS	15-Nov-76	9:13	PAGE 37		RUN NUMBER
	A/P	PIN NAME	ORDER PIN	BAY - ORDER											NC	LENGTH	
K OUT HIGH		D09K1		1-01 *						1					3-3/8		233
K OUT HIGH		F09M2		1-02 *											3-3/8	1400000000	233
K OUT HIGH				1													
K OUT LOW		D09D1		1-01 *						1					4		234
K OUT LOW		E09N1		1-02 *											4-0/8	1400000000	234
K OUT LOW				1													
K SEL 0		D09F1		1-01 *						1					4-1/8		235
K SEL 0		E09S2		1-02 *											4-1/8	1400000000	235
K SEL 0				1													
K SEL 4		D09E1		1-01 *						1					4-3/8		236
K SEL 4		E09R2		1-02 *											4-3/8	1400000000	236
K SEL 4				1													
K SEL 6		D09C1		1-01 *						1					4-4/8		237
K SEL 6		E09S1		1-02 *											4-4/8	1400000000	237
K SEL 6				1													
K SER 2		D09J1		1-01 *						1					4-1/8		238
K SER 2		E09T2		1-02 *											4-1/8	1400000000	238
K SER 2				1													
K SSYN IN H		D09V1		1-01 *						1					1		239
K SSYN IN H		E09B1		1-02 *											1-0/8	1400000000	239
K SSYN IN H				1													
K1-1 BERG 00(1) H		D01M1		1-01 *						1					0-5/8		240
K1-1 BERG 00(1) H		D02M1		1-02 *											0-5/8	1400000000	240
K1-1 BERG 00(1) H				1													
K1-1 BXREG 00(1) H		C02U1		1-01 *						1					7-7/8		241
K1-1 BXREG 00(1) H		F01K1		1-02 *											7-7/8	1400000000	241
K1-1 BXREG 00(1) H				1													
K1-1 BXREG 01(1) H		D02F1		1-01 *						1					5-5/8		242
K1-1 BXREG 01(1) H		F01A1		1-02 *											5-5/8	1400000000	242
K1-1 BXREG 01(1) H				1													
K1-1 CBIT(1) H		D01U2		1-01 *						1					0-5/8		243
K1-1 CBIT(1) H		D02V1		1-02 *											0-5/8	1400000000	243
K1-1 CBIT(1) H				1													
K1-1 NBIT(1) H		D01L1		1-01 *						1					3-7/8		244
K1-1 NBIT(1) H		E02P2		1-02 *											3-7/8	1400000000	244
K1-1 NBIT(1) H				1													
K1-1 SSMUX 00 H		E02B2		1-01 *						1					4-3/8		245
K1-1 SSMUX 00 H		F01F1		1-02 *											4-3/8	1400000000	245
K1-1 SSMUX 00 H				1													
K1-1 SSMUX 01 H		D01H1		1-01 *						1					3-1/8		246
K1-1 SSMUX 01 H		E02E1		1-02 *											3-1/8	1400000000	246
K1-1 SSMUX 01 H				1													

152

DD11P.C RUN NAME	WRP288.V34(63)-1 A/P PIN NAME	23-AUG-76 ORDER PIN	BAY - ORDER	Q	DRAW OPT	RV RG Y	X Z	REMARKS	15-Nov-76	9:13 NC LENGTH FLAG	PAGE 38 EXCEPTIONS	RUN NUMBER
K1-1 SSMUX 02 H	E0101		1-01 *				1			1-3/8		247
K1-1 SSMUX 02 H	E02D2		1-02 *							1-3/8 1400000000		247
K1-1 SSMUX 02 H			1									247
K1-1 SSMUX 03 H	D01E1		1-01 *				1			3-3/8		248
K1-1 SSMUX 03 H	E02D1		1-02 *							3-3/8 1400000000		248
K1-1 SSMUX 03 H			1									248
K1-1 VBIT(1) H	F01D1		1-01 *				1			2-5/8		249
K1-1 VBIT(1) H	E02U2		1-02 *							2-5/8 1400000000		249
K1-1 VBIT(1) H			1									249
K1-1 ZBIT(1) H	E02V1		1-01 *				1			1-7/8		250
K1-1 ZBIT(1) H	F01F2		1-02 *							1-7/8 1400000000		250
K1-1 ZBIT(1) H			1									250
K1-10 8-15=0 L	C01J2		1-01 *				1			9-3/8		251
K1-10 8-15=0 L	F02N2		1-02 *							9-3/8 1400000000		251
K1-10 8-15=0 L			1									251
K1-10 ASSERT SSYN H	F01K2		1-01 *				1			3-1/8		252
K1-10 ASSERT SSYN H	F02F1		1-02 *							3-1/8 1400000000		252
K1-10 ASSERT SSYN H			1									252
K1-10 CCN H	F01T2		1-01 *				1			1-7/8		253
K1-10 CCN H	F02J2		1-02 *							1-7/8 1400000000		253
K1-10 CCN H			1									253
K1-10 CCZ H	E01L1		1-01 *				1			2-7/8		254
K1-10 CCZ H	F02H2		1-02 *							2-7/8 1400000000		254
K1-10 CCZ H			1									254
K1-2 PSW 05(1) H	C01P2		1-01 *				1			6-5/8		255
K1-2 PSW 05(1) H	E02T2		1-02 *							6-5/8 1400000000		255
K1-2 PSW 05(1) H			1									255
K1-2 PSW 06(1) H	C01M2		1-01 *				1			6-5/8		256
K1-2 PSW 06(1) H	E02U1		1-02 *							6-5/8 1400000000		256
K1-2 PSW 06(1) H			1									256
K1-2 PSW 07(1) H	E02K2		1-01 *				1			3-3/8		257
K1-2 PSW 07(1) H	F01H2		1-02 *							3-3/8 1400000000		257
K1-2 PSW 07(1) H			1									257
K1-2 SSMUX 04 H	C02D1		1-01 *				1			3-7/8		258
K1-2 SSMUX 04 H	D01H2		1-02 *							3-7/8 1400000000		258
K1-2 SSMUX 04 H			1									258
K1-2 SSMUX 05 H	F01F1		1-01 *				1			1-3/8		259
K1-2 SSMUX 05 H	E02H2		1-02 *							1-3/8 1400000000		259
K1-2 SSMUX 05 H			1									259
K1-2 SSMUX 06 H	C02C1		1-01 *				1			6-7/8		260
K1-2 SSMUX 06 H	F01K1		1-02 *							6-7/8 1400000000		260
K1-2 SSMUX 06 H			1									260

DD11P.C RUN NAME	WRP288.V34(63)-1 A/P PIN NAME	23-AUG-76 ORDER PIN	BAY - ORDER	Q	DRAW OPT	RV RG Y	X Z	REMARKS	15-Nov-76	9:13 NC LENGTH FLAG	PAGE 39 EXCEPTIONS	RUN NUMBER
K1-2 SSMUX 07 H	C02E2		1-01 *				1			3-7/8		261
K1-2 SSMUX 07 H	D01J2		1-02 *							3-7/8 1400000000		261
K1-2 SSMUX 07 H			1									261
K1-2 TBIT(1) H	D01F1		1-01 *				1			0-5/8		262
K1-2 TBIT(1) H	D02K1		1-02 *							0-5/8 1400000000		262
K1-2 TBIT(1) H			1									262
K1-3 SSMUX 08 H	F01N2		1-01 *				1			0-4/8		263
K1-3 SSMUX 08 H	F02N1		1-02 *							0-4/8 1400000000		263
K1-3 SSMUX 08 H			1									263
K1-3 SSMUX 09 H	C02J2		1-01 *				1			6-5/8		264
K1-3 SSMUX 09 H	E01M2		1-02 *							6-5/8 1400000000		264
K1-3 SSMUX 09 H			1									264
K1-3 SSMUX 10 H	C02H2		1-01 *				1			5-1/8		265
K1-3 SSMUX 10 H	D01V1		1-02 *							5-1/8 1400000000		265
K1-3 SSMUX 10 H			1									265
K1-3 SSMUX 11 H	C02F2		1-01 *				1			5-7/8		266
K1-3 SSMUX 11 H	E01A1		1-02 *							5-7/8 1400000000		266
K1-3 SSMUX 11 H			1									266
K1-4 ALU COUT H	E01V1		1-01 *				1			2-7/8		267
K1-4 ALU COUT H	F02L2		1-02 *							2-7/8 1400000000		267
K1-4 ALU COUT H			1									267
K1-4 PSW 15(1) L	D01J1		1-01 *				1			3-1/8		268
K1-4 PSW 15(1) L	E02E2		1-02 *							3-1/8 1400000000		268
K1-4 PSW 15(1) L			1									268
K1-4 SP15(1) H	C02N1		1-01 *	H			1	TWP		8-1/8		269
K1-4 SP15(1) H	F01E1		1-02 *	X				TWP		8-1/8 1400000000		269
K1-4 SP15(1) H			1									269
K1-4 SSMUX 12 H	C02J1		1-01 *				1			5-1/8		270
K1-4 SSMUX 12 H	E01B2		1-02 *							5-1/8 1400000000		270
K1-4 SSMUX 12 H			1									270
K1-4 SSMUX 13 H	C02D2		1-01 *				1			5-3/8		271
K1-4 SSMUX 13 H	D01V2		1-02 *							5-3/8 1400000000		271
K1-4 SSMUX 13 H			1									271
K1-4 SSMUX 14 H	C02H1		1-01 *				1			6-5/8		272
K1-4 SSMUX 14 H	E01P2		1-02 *							6-5/8 1400000000		272
K1-4 SSMUX 14 H			1									272
K1-4 SSMUX 15 H	C01D1		1-01 *				1			1-3/8		273
K1-4 SSMUX 15 H	C02B2		1-02 *							1-3/8 1400000000		273
K1-4 SSMUX 15 H			1									273
K1-5 ALLOW MSYN H	E01V2		1-01 *				1			1-1/8		274
K1-5 ALLOW MSYN H	F02A1		1-02 *							1-1/8 1400000000		274
K1-5 ALLOW MSYN H			1									274

153

DD11P.C RUN NAME	WRP288.V34(63)-1 A/P PIN NAME	ORDER PIN	23-AUG-76 BAY - ORDER	Q	DRAW RV RG Y OPT	X	Z	REMARKS	15-NOV-76	9:13	PAGE 40 NC LENGTH EXCEPTIONS FLAG	RUN NUMBER
K1-5 MAN CLK ENAB L	F01M1		1-01 *				1				1-3/8	275
K1-5 MAN CLK ENAB L	F02E1		1-02 *								1-3/8 1400000000	275
K1-5 MAN CLK ENAB L			1									275
K1-5 MAN CLK L	E02S1		1-01 *				1				3-3/8	276
K1-5 MAN CLK L	F01P1		1-02 *								3-3/8 1400000000	276
K1-5 MAN CLK L			1									276
K1-5 PROC CLK H	E02J2		1-01 * H				1	TWP			4-3/8	277
K1-5 PROC CLK H	F01P2		1-02 * X					TWP			4-3/8 1400000000	277
K1-5 PROC CLK H			1									277
K1-5 PROC CLK L	F01R1		1-01 *				1				0-5/8	278
K1-5 PROC CLK L	E02M1		1-02 *								0-5/8 1400000000	278
K1-5 PROC CLK L			1									278
K1-5 TAP 30 H	D01E2		1-01 * H				1	TWP			4-1/8	279
K1-5 TAP 30 H	E02M2		1-02 * X					TWP			4-1/8 1400000000	279
K1-5 TAP 30 H			1									279
K1-6 PBA 00 H	C01L2		1-01 *				1				4-7/8	280
K1-6 PBA 00 H	E02C1		1-02 *								4-7/8 1400000000	280
K1-6 PBA 00 H			1									280
K1-6 PBA 01 H	C01H1		1-01 *				1				5-3/8	281
K1-6 PBA 01 H	D02V2		1-02 *								5-3/8 1400000000	281
K1-6 PBA 01 H			1									281
K1-6 PBA 02 H	D02U2		1-01 *				1				1-7/8	282
K1-6 PBA 02 H	F01E2		1-02 *								1-7/8 1400000000	282
K1-6 PBA 02 H			1									282
K1-6 PBA 03 H	D01M1		1-01 *				1				2-3/8	283
K1-6 PBA 03 H	E02B1		1-02 *								2-3/8 1400000000	283
K1-6 PBA 03 H			1									283
K1-6 VBA 00(1) H	D02H1		1-01 *				1				4-1/8	284
K1-6 VBA 00(1) H	F01T2		1-02 *								4-1/8 1400000000	284
K1-6 VBA 00(1) H			1									284
K1-8 KT FAULT L	D01D2		1-01 *				1				7-5/8	285
K1-8 KT FAULT L	F02T2		1-02 *								7-5/8 1400000000	285
K1-8 KT FAULT L			1									285
K2-1 CLK MSYN H	C01J1		1-01 *				1				10-3/8	286
K2-1 CLK MSYN H	F02V2		1-02 *								10-3/8 1400000000	286
K2-1 CLK MSYN H			1									286
K2-1 DISABLE WBIT L	D01F2		1-01 *				1				6-7/8	287
K2-1 DISABLE WBIT L	F02S1		1-02 *								6-7/8 1400000000	287
K2-1 DISABLE WBIT L			1									287
K2-1 ENAB ADDR5 L	D02E2		1-01 *				1				5-5/8	288
K2-1 ENAB ADDR5 L	F01R2		1-02 *								5-5/8 1400000000	288
K2-1 ENAB ADDR5 L			1									288

DD11P.C RUN NAME	WRP288.V34(63)-1 A/P PIN NAME	ORDER PIN	23-AUG-76 BAY - ORDER	Q	DRAW RV RG Y OPT	X	Z	REMARKS	15-NOV-76	9:13	PAGE 41 NC LENGTH EXCEPTIONS FLAG	RUN NUMBER
K2-1 INT MSYN H	C01F2		1-01 *				1				2-7/8	289
K2-1 INT MSYN H	D02C1		1-02 *								2-7/8 1400000000	289
K2-1 INT MSYN H			1									289
K2-1 KTE(1) H	D02M2		1-01 *				1				5-5/8	290
K2-1 KTE(1) H	F01J2		1-02 *								5-5/8 1400000000	290
K2-1 KTE(1) H			1									290
K2-1 MSYN(1) L	C01H2		1-01 *				1				9-1/8	291
K2-1 MSYN(1) L	F02K2		1-02 *								9-1/8 1400000000	291
K2-1 MSYN(1) L			1									291
K2-1 PE(1) H	C01T2		1-01 *				1				1	292
K2-1 PE(1) H	D02T2		1-02 *								1-0/8 1400000000	292
K2-1 PE(1) H			1									292
K2-1 START TRAN L	C01R2		1-01 *				1				4-3/8	293
K2-1 START TRAN L	E02A1		1-02 *								4-3/8 1400000000	293
K2-1 START TRAN L			1									293
K2-1 TRAN INH L	C01A2		1-01 *				1				7-7/8	294
K2-1 TRAN INH L	F02C1		1-02 *								7-7/8 1400000000	294
K2-1 TRAN INH L			1									294
K2-1 UBUS C0(1) H	C01B2		1-01 *				1				4-1/8	295
K2-1 UBUS C0(1) H	D02H2		1-02 *								4-1/8 1400000000	295
K2-1 UBUS C0(1) H			1									295
K2-1 UBUS C1(1) H	C01C1		1-01 *				1				4-3/8	296
K2-1 UBUS C1(1) H	D02J1		1-02 *								4-3/8 1400000000	296
K2-1 UBUS C1(1) H			1									296
K2-2 BG INH L	F01R2		1-01 *				1				2-1/8	297
K2-2 BG INH L	F02B1		1-02 *								2-1/8 1400000000	297
K2-2 BG INH L			1									297
K2-2 PROC INIT L	E01U1		1-01 *				1				1-7/8	298
K2-2 PROC INIT L	F02D2		1-02 *								1-7/8 1400000000	298
K2-2 PROC INIT L			1									298
K2-2 RCD INIT L	C01E2		1-01 *				1				8-7/8	299
K2-2 RCD INIT L	F02E2		1-02 *								8-7/8 1400000000	299
K2-2 RCD INIT L			1									299
K2-2 SACK RET(1) H	C01R2		1-01 *				1				5-3/8	300
K2-2 SACK RET(1) H	E02L1		1-02 *								5-3/8 1400000000	300
K2-2 SACK RET(1) H			1									300
K2-3 C2 H	C02L1		1-01 *				1				2-3/8	301
K2-3 C2 H	D01B2		1-02 *								2-3/8 1400000000	301
K2-3 C2 H			1									301
K2-3 C3 H	C01V1		1-01 *				1				0-5/8	302
K2-3 C3 H	C02S1		1-02 *								0-5/8 1400000000	302
K2-3 C3 H			1									302

100

DD11P.C RUN NAME	WRP288.V34(63)-1 A/P PIN ORDER NAME PIN	23-AUG-76 BAY - ORDER	Q	DRAW	RV RG Y	X Z	REMARKS	15-Nov-76	9:13	PAGE 42	NC LENGTH EXCEPTIONS FLAG	RUN NUMBER
K2-3 C4 H	C01U1	1-01 *									1-5/8	303
K2-3 C4 H	C02N2	1-02 *									1-5/8 1400000000	303
K2-3 C4 H		1										303
K2-3 INT VECTOR L	D01K1	1-01 *									7-1/8	304
K2-3 INT VECTOR L	F02U1	1-02 *									7-1/8 1400000000	304
K2-3 INT VECTOR L		1										304
K2-3 INTR H	C01V2	1-01 *									7-1/8	305
K2-3 INTR H	F02H1	1-02 *									7-1/8 1400000000	305
K2-3 INTR H		1										305
K2-4 SP WRITE L	E02F1	1-01 *									4-7/8	306
K2-4 SP WRITE L	F01V2	1-02 *									4-7/8 1400000000	306
K2-4 SP WRITE L		1										306
K2-4 SPA 00 H	C01D2	1-01 * H					TWP				3-7/8	307
K2-4 SPA 00 H	D02F2	1-02 * X					TWP				3-7/8 1400000000	307
K2-4 SPA 00 H		1										307
K2-4 SPA 01 H	C01N1	1-01 * H					TWP				2-5/8	308
K2-4 SPA 01 H	D02B2	1-02 * X					TWP				2-5/8 1400000000	308
K2-4 SPA 01 H		1										308
K2-4 SPA 02 H	C01S1	1-01 * H					TWP				3-1/8	309
K2-4 SPA 02 H	D02L1	1-02 * X					TWP				3-1/8 1400000000	309
K2-4 SPA 02 H		1										309
K2-4 SPA 03 H	C01U2	1-01 * H					TWP				2	310
K2-4 SPA 03 H	D02D2	1-02 * X					TWP				2-0/8 1400000000	310
K2-4 SPA 03 H		1										310
K2-5 BYTE L	E01H2	1-01 *									3-7/8	311
K2-5 BYTE L	F02L1	1-02 *									3-7/8 1400000000	311
K2-5 BYTE L		1										311
K2-5 CC CODE 00 H	F01S1	1-01 *									1-5/8	312
K2-5 CC CODE 00 H	F02J1	1-02 *									1-5/8 1400000000	312
K2-5 CC CODE 00 H		1										312
K2-5 CC CODE 01 H	E01U2	1-01 *									2-3/8	313
K2-5 CC CODE 01 H	F02H2	1-02 *									2-3/8 1400000000	313
K2-5 CC CODE 01 H		1										313
K2-5 CC CODE 02 H	F01C1	1-01 *									4-7/8	314
K2-5 CC CODE 02 H	F02K2	1-02 *									4-7/8 1400000000	314
K2-5 CC CODE 02 H		1										314
K2-5 LOAD IR H	E01D2	1-01 *									4-5/8	315
K2-5 LOAD IR H	F02P2	1-02 *									4-5/8 1400000000	315
K2-5 LOAD IR H		1										315
K2-5 ROT CBIT(1) H	F01R1	1-01 *									1-2/8	316
K2-5 ROT CBIT(1) H	F02K1	1-02 *									1-2/8 1400000000	316
K2-5 ROT CBIT(1) H		1										316

DD11P.C RUN NAME	WRP288.V34(63)-1 A/P PIN ORDER NAME PIN	23-AUG-76 BAY - ORDER	Q	DRAW	RV RG Y	X Z	REMARKS	15-Nov-76	9:13	PAGE 43	NC LENGTH EXCEPTIONS FLAG	RUN NUMBER
K2-5 SERIAL SHIFT H	E01F2	1-01 *									4-1/8	317
K2-5 SERIAL SHIFT H	F02N1	1-02 *									4-1/8 1400000000	317
K2-5 SERIAL SHIFT H		1										317
K2-6 DISAB LOAD PSW H	D01C1	1-01 *									7-7/8	318
K2-6 DISAB LOAD PSW H	F02S2	1-02 *									7-7/8 1400000000	318
K2-6 DISAB LOAD PSW H		1										318
K2-7 LOAD CC L	F01N1	1-01 *									1-4/8	319
K2-7 LOAD CC L	F02F2	1-02 *									1-4/8 1400000000	319
K2-7 LOAD CC L		1										319
K2-7 LOAD PSW L	E02N2	1-01 *									3-1/8	320
K2-7 LOAD PSW L	F01J2	1-02 *									3-1/8 1400000000	320
K2-7 LOAD PSW L		1										320
K2-8 ALU CIN L	C02R2	1-01 *									7-7/8	321
K2-8 ALU CIN L	F01E2	1-02 *									7-7/8 1400000000	321
K2-8 ALU CIN L		1										321
K2-8 ALU MODE H	C02K2	1-01 *									6-7/8	322
K2-8 ALU MODE H	F01J1	1-02 *									6-7/8 1400000000	322
K2-8 ALU MODE H		1										322
K2-8 ALU S0 H	C02V2	1-01 *									7-1/8	323
K2-8 ALU S0 H	F01B1	1-02 *									7-1/8 1400000000	323
K2-8 ALU S0 H		1										323
K2-8 ALU S1 H	D02D1	1-01 *									3-7/8	324
K2-8 ALU S1 H	E01H1	1-02 *									3-7/8 1400000000	324
K2-8 ALU S1 H		1										324
K2-8 ALU S2 H	E01F1	1-01 *									6-5/8	325
K2-8 ALU S2 H	E02H1	1-02 *									6-5/8 1400000000	325
K2-8 ALU S2 H		1										325
K2-8 ALU S3 H	E01R2	1-01 *									1-7/8	326
K2-8 ALU S3 H	E02F2	1-02 *									1-7/8 1400000000	326
K2-8 ALU S3 H		1										326
K2-8 AUX CONTROL(1) L	D01D1	1-01 *									4-5/8	327
K2-8 AUX CONTROL(1) L	E02F1	1-02 *									4-5/8 1400000000	327
K2-8 AUX CONTROL(1) L		1										327
K2-8 BLEG 00 H	C02V1	1-01 *									7-1/8	328
K2-8 BLEG 00 H	F01C1	1-02 *									7-1/8 1400000000	328
K2-8 BLEG 00 H		1										328
K2-8 BLEG 01 H	D02N1	1-01 *									5-7/8	329
K2-8 BLEG 01 H	F01M2	1-02 *									5-7/8 1400000000	329
K2-8 BLEG 01 H		1										329
K2-8 BMODE 00 L	D02E1	1-01 *									6-3/8	330
K2-8 BMODE 00 L	F01L2	1-02 *									6-3/8 1400000000	330
K2-8 BMODE 00 L		1										330

125

DD11P.C RUN NAME	WRP28R.V34(63)-1	23-AUG-76	15-NOV-76	9:13	PAGE 44	NC LENGTH EXCEPTIONS	RUN			
A/P	PIN	ORDER	BAY -	Q	DRAW	RV RG Y	X Z	REMARKS	FLAG	NUMBER
NAME	PIN	ORDER	ORDER		OPT					
K2-8 BMODE 01 L	C02U2		1-01 *						8-7/8	331
K2-8 BMODE 01 L	F01U2		1-02 *							331
K2-8 BMODE 01 L			1						8-7/8 1400000000	331
K2-8 BXMODE 00 L	E01S1		1-01 *				1		1-3/8	332
K2-8 BXMODE 00 L	E02R2		1-02 *							332
K2-8 BXMODE 00 L			1						1-3/8 1400000000	332
K2-8 BXMODE 01 L	E02S2		1-01 *				1		3-1/8	333
K2-8 BXMODE 01 L	F01L1		1-02 *							333
K2-8 BXMODE 01 L			1						3-1/8 1400000000	333
K2-8 DIS UPR BTWRT H	E01P1		1-01 *				1		3-7/8	334
K2-8 DIS UPR BTWRT H	F02R1		1-02 *							334
K2-8 DIS UPR BTWRT H			1						3-7/8 1400000000	334
K2-8 DISABLE MSYN+1 L	C02S2		1-01 *				1		5-7/8	335
K2-8 DISABLE MSYN+1 L	F01M1		1-02 *							335
K2-8 DISABLE MSYN+1 L			1						5-7/8 1400000000	335
K2-8 ENAB MAINT(1) H	F01S2		1-01 *				1		1	336
K2-8 ENAB MAINT(1) H	F02U2		1-02 *							336
K2-8 ENAB MAINT(1) H			1						1-0/8 1400000000	336
K2-8 ENAB OVX L	E01N1		1-01 *				1		1-1/8	337
K2-8 ENAB OVX L	E02J1		1-02 *							337
K2-8 ENAB OVX L			1						1-1/8 1400000000	337
K2-8 LOAD BA(1) H	F01D1		1-01 *				1		1	338
K2-8 LOAD BA(1) H	F02D1		1-02 *							338
K2-8 LOAD BA(1) H			1						1-0/8 1400000000	338
K2-8 LONG CYCLE(1) L	F02V2		1-01 *				1		3-7/8	339
K2-8 LONG CYCLE(1) L	F01V1		1-02 *							339
K2-8 LONG CYCLE(1) L			1						3-7/8 1400000000	339
K2-8 MODE 01 H	E02P1		1-01 *				1		3-1/8	340
K2-8 MODE 01 H	F01N2		1-02 *							340
K2-8 MODE 01 H			1						3-1/8 1400000000	340
K2-8 SEX H	C02L2		1-01 *				1		6-1/8	341
K2-8 SEX H	E01J1		1-02 *							341
K2-8 SEX H			1						6-1/8 1400000000	341
K2-8 SHIFT MUX 00 L	F01K2		1-01 *				1		0-4/8	342
K2-8 SHIFT MUX 00 L	F02M1		1-02 *							342
K2-8 SHIFT MUX 00 L			1						0-4/8 1400000000	342
K2-8 SHIFT MUX 01 L	F01U1		1-01 *				1		1-1/8	343
K2-8 SHIFT MUX 01 L	F02P1		1-02 *							343
K2-8 SHIFT MUX 01 L			1						1-1/8 1400000000	343
K2-8 SWAP H	C02P2		1-01 *				1		6-3/8	344
K2-8 SWAP H	E01S2		1-02 *							344
K2-8 SWAP H			1						6-3/8 1400000000	344

DD11P.C RUN NAME	WRP28R.V34(63)-1	23-AUG-76	15-NOV-76	9:13	PAGE 45	NC LENGTH EXCEPTIONS	RUN			
A/P	PIN	ORDER	BAY -	Q	DRAW	RV RG Y	X Z	REMARKS	FLAG	NUMBER
NAME	PIN	ORDER	ORDER		OPT					
K2-9 AMUX S0(1) L	F01D2		1-01 *				1		2-3/8	345
K2-9 AMUX S0(1) L	F02V1		1-02 *							345
K2-9 AMUX S0(1) L			1						2-3/8 1400000000	345
K2-9 AMUX S1(1) L	F01H1		1-01 *				1		1-6/8	346
K2-9 AMUX S1(1) L	F02P2		1-02 *							346
K2-9 AMUX S1(1) L			1						1-6/8 1400000000	346
K2-9 FORC KERNEL(1) H	C01L1		1-01 *				1		5-7/8	347
K2-9 FORC KERNEL(1) H	F02K1		1-02 *							347
K2-9 FORC KERNEL(1) H			1						5-7/8 1400000000	347
K2-9 PREV MODE(1) L	C01S2		1-01 *				1		2-7/8	348
K2-9 PREV MODE(1) L	F02J2		1-02 *							348
K2-9 PREV MODE(1) L			1						2-7/8 1400000000	348
LTC	C03D1		1-01 *	P			2		1	349
LTC	C04D1		1-02 *	P			1		1	349
LTC	C05D1		1-03 *	P			2		1	349
LTC	C06D1		1-04 *	P			1		1	349
LTC	C07D1		1-05 *	P			2		1	349
LTC	C08D1		1-06 *	P			1		1	349
LTC	C09D1		1-07 *	P					1	349
LTC			1						6-0/8 1400000000	349
MSYN L (1)	F01V1		1-01 *				2		1	350
MSYN L (1)	F02V1		1-02 *				1		1	350
MSYN L (1)	F03V1		1-03 *				2		1	350
MSYN L (1)	F04V1		1-04 *	H			1	TWP	7-1/8	350
MSYN L (1)	E03E1		1-05 *	P			2		1	350
MSYN L (1)	F04F1		1-06 *				1		1	350
MSYN L (1)	F05E1		1-07 *	P			2		1	350
MSYN L (1)	F06E1		1-08 *	P			1		1	350
MSYN L (1)	F07E1		1-09 *	P			2		1	350
MSYN L (1)	F08E1		1-10 *	P					1	350
MSYN L (1)			1						15-1/8 1400000000	350
MSYN L (2)	F09E1		1-01 *	H			1	TWP	8-3/8	351
MSYN L (2)	F05V1		1-02 *				2		1	351
MSYN L (2)	F06V1		1-03 *				1		1	351
MSYN L (2)	F07V1		1-04 *				2		1	351
MSYN L (2)	F08V1		1-05 *				1		1	351
MSYN L (2)	F09V1		1-06 *						1	351
MSYN L (2)			1						12-3/8 1400000000	351
MSYN L JMP	F08E1		1-01 *	P			1		1	352
MSYN L JMP	F09E1		1-02 *							352
MSYN L JMP			1						1-0/8 1400000000	352

176

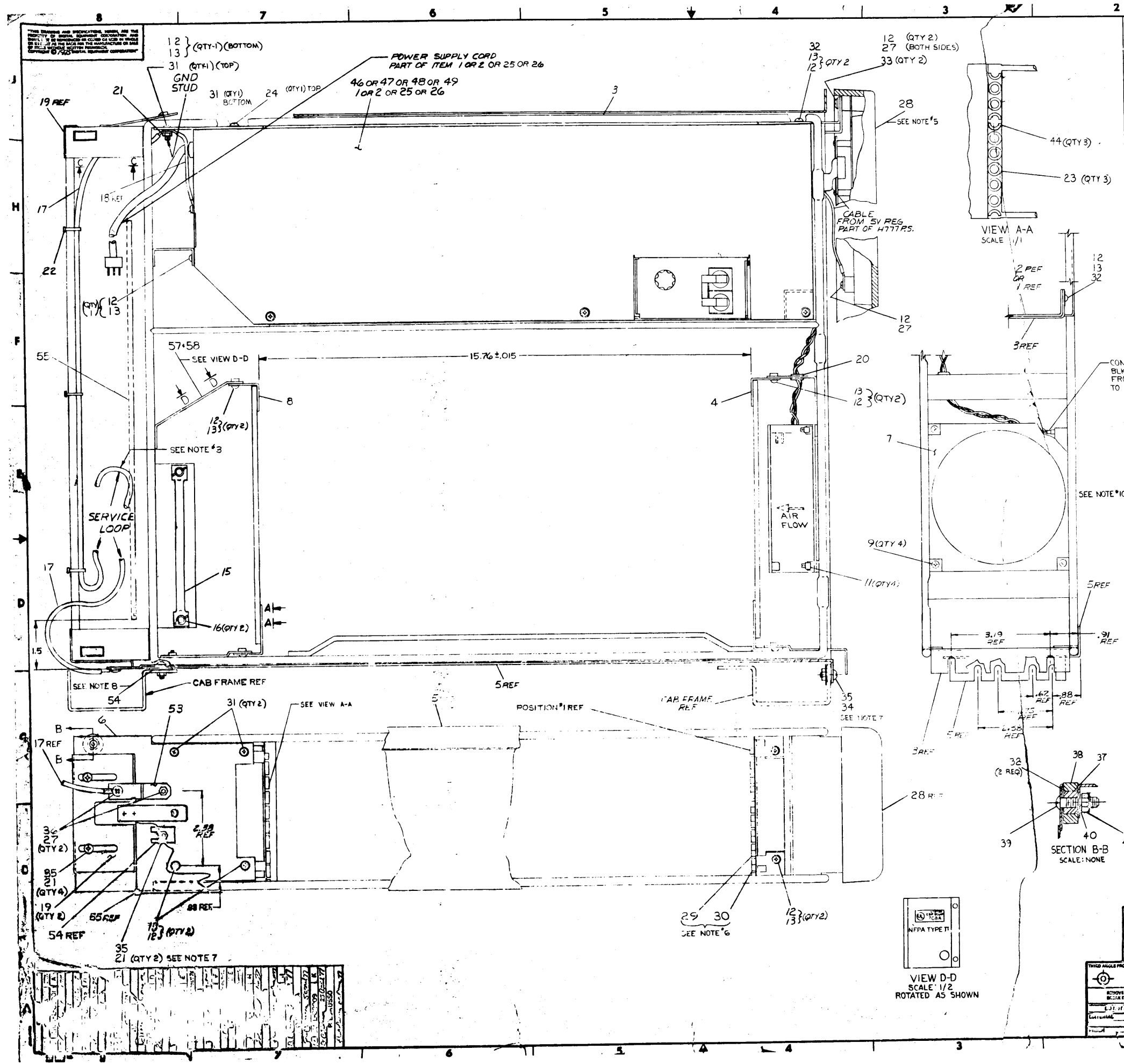
DD11P.C RUN NAME	*RP288.V34(63)-1 A/P PIN ORDER	23-AUG-76 BAY - ORDER	Q	DRAW OPT	RV RG Y	X	Z	REMARKS	15-NOV-76	9113 NC LENGTH FLAG	PAGE 46 EXCEPTIONS	RUN NUMBER
NPG L	A01U1	1-01 *					1				3-0/8	353
NPG L	C01A1	1-02 *					2				0-1/8	353
NPG L	C01B1	1-03 *	P				2				0-5/8	353
NPG L	C02A1	1-04 *					1				0-1/8	353
NPG L	C02R1	1-05 *	P				2				0-5/8	353
NPG L	C03A1	1-06 *					1				0-1/8	353
NPG L	C03B1	1-07 *	P				2				0-5/8	353
NPG L	C04A1	1-08 *					1				0-1/8	353
NPG L	C04B1	1-09 *	P				2				0-5/8	353
NPG L	C05A1	1-10 *					1				0-1/8	353
NPG L	C05B1	1-11 *	P				2				0-5/8	353
NPG L	C06A1	1-12 *					1				0-1/8	353
NPG L	C06B1	1-13 *	P				2				0-5/8	353
NPG L	C07A1	1-14 *					1				0-1/8	353
NPG L	C07B1	1-15 *	P				2				0-5/8	353
NPG L	C08A1	1-16 *					1				0-1/8	353
NPG L	C08B1	1-17 *	P				2				0-5/8	353
NPG L	C09A1	1-18 *					1				0-1/8	353
NPG L	C09B1	1-19 *					2				3-7/8	353
NPG L	A09U1	1-20 *					1					353
NPG L											13-6/8 1400000000	353
NPR L	A01S2	1-01 *					2				1	354
NPR L	A02S2	1-02 *					1				1	354
NPR L	A03S2	1-03 *	A04S2				2				1	354
NPR L	A04S2	1-04 *		H			1	TWPR			13-3/8	354
NPR L	F03J1	1-05 *		P			2				1	354
NPR L	F04J1	1-06 *		P			1				1	354
NPR L	F05J1	1-07 *		P			2				1	354
NPR L	F06J1	1-08 *		P			1				1	354
NPR L	F07J1	1-09 *		P			2				1	354
NPR L	F08J1	1-10 *	F09J1				1				1	354
NPR L	F09J1	1-11 *		H			2	TWPR			14-5/8	354
NPR L	A05S2	1-12 *					1				1	354
NPR L	A06S2	1-13 *					2				1	354
NPR L	A07S2	1-14 *					1				1	354
NPR L	A08S2	1-15 *					2				1	354
NPR L	A09S2	1-16 *					1				1	354
NPR L											41-0/8 1400000000	354

DD11F.C RUN NAME	*RF288.V34(63)-1 A/P PIN ORDER	23-AUG-76 BAY - ORDER	Q	DRAW OPT	RV RG Y	X	Z	REMARKS	15-NOV-76	9113 NC LENGTH FLAG	PAGE 47 EXCEPTIONS	RUN NUMBER
PA L	A01M1	1-01 *	P				1				1	355
PA L	A02M1	1-02 *	P				2				1	355
PA L	A03M1	1-03 *	P				1				1	355
PA L	A04M1	1-04 *					2				5-1/8	355
PA L	C03C1	1-05 *					1				1	355
PA L	C04C1	1-06 *					2				1	355
PA L	C05C1	1-07 *					1				1	355
PA L	C06C1	1-08 *					2				1	355
PA L	C07C1	1-09 *					1				1	355
PA L	C08C1	1-10 *					2				1	355
PA L	C09C1	1-11 *					1				0-5/8	355
PA L	A05M1	1-12 *	P				2				1	355
PA L	A06M1	1-13 *	P				1				1	355
PA L	A07M1	1-14 *	P				2				1	355
PA L	A08M1	1-15 *	P				1				1	355
PA L	A09M1	1-16 *	P				1				1	355
PA L											24-6/8 1400000000	355
PAR DET	R02E2	1-01 *					2				1	356
PAR DET	R03E2	1-02 *					1				1	356
PAR DET	R04E2	1-03 *					2				1	356
PAR DET	R05E2	1-04 *					1				1	356
PAR DET	R06E2	1-05 *					2				1	356
PAR DET	R07E2	1-06 *					1				1	356
PAR DET	R09E2	1-07 *					1				1	356
PAR DET											6-0/8 1400000000	356
PAR P0	A02P1	1-01 *	P				2				1	357
PAR P0	A03P1	1-02 *	P				1				1	357
PAR P0	A04P1	1-03 *	P				2				1	357
PAR P0	A05P1	1-04 *	P				1				1	357
PAR P0	A06P1	1-05 *	P				2				1	357
PAR P0	A07P1	1-06 *	P				1				1	357
PAR P0	A08P1	1-07 *	P				1				1	357
PAR P0											6-0/8 1400000000	357
PAR P1	A02N1	1-01 *	P				2				1	358
PAR P1	A03N1	1-02 *	P				1				1	358
PAR P1	A04N1	1-03 *	P				2				1	358
PAR P1	A05N1	1-04 *	P				1				1	358
PAR P1	A06N1	1-05 *	P				2				1	358
PAR P1	A07N1	1-06 *	P				1				1	358
PAR P1	A08N1	1-07 *	P				1				1	358
PAR P1											6-0/8 1400000000	358

DD11P.C RUN NAME	#PP260.V34(63)-1 A/P PIN NAME	23-AUG-76 ORDER PIN	BAY - ORDER	Q	DRAW OPT	RV RG Y	X	Z	REMARKS	15-NOV-76	9:13 NC LENGTH FLAG	PAGE 48 EXCEPTIONS	RUN NUMBER
PB L	A01N2	1-01	*	P				2					359
PB L	A02N2	1-02	*	P				1					359
PB L	A03N2	1-03	*	P				2					359
PB L	A04N2	1-04	*	P				1					359
PB L	C03S1	1-05	*	P				2			6-7/8		359
PB L	C04S1	1-06	*	P				1					359
PB L	C05S1	1-07	*	P				2					359
PB L	C06S1	1-08	*	P				1					359
PB L	C07S1	1-09	*	P				2					359
PB L	C08S1	1-10	*	P				1					359
PB L	C09S1	1-11	*	P				2			7-5/8		359
PB L	A05N2	1-12	*	P				1					359
PB L	A06N2	1-13	*	P				2					359
PB L	A07N2	1-14	*	P				1					359
PB L	A08N2	1-15	*	P				2					359
PB L	A09N2	1-16	*	P				1					359
PB L											27-4/8	1400000000	359
RESERVED M BUS	C01E1	1-01	*	P				1					360
RESERVED M BUS	B02A1	1-02	*	P				2			3-7/8		360
RESERVED M BUS	R03A1	1-03	*	P				1					360
RESERVED M BUS	R04A1	1-04	*	P				2					360
RESERVED M BUS	R05A1	1-05	*	P				1					360
RESERVED M BUS	R06A1	1-06	*	P				2					360
RESERVED M BUS	R07A1	1-07	*	P				1					360
RESERVED M BUS	R08A1	1-08	*	P				1					360
RESERVED M BUS											9-7/8	1400000000	360
SACK L	A01R2	1-01	*	P				2					361
SACK L	A02R2	1-02	*	P				1					361
SACK L	A03R2	1-03	*	P				2					361
SACK L	A04R2	1-04	*	P				1					361
SACK L	F03T2	1-05	*	P				2			14-3/8		361
SACK L	F04T2	1-06	*	H				1	2" TWP				361
SACK L	F05T2	1-07	*	P				2					361
SACK L	F06T2	1-08	*	P				1					361
SACK L	F07T2	1-09	*	P				2					361
SACK L	F08T2	1-10	*	P				1					361
SACK L	F09T2	1-11	*	P				2			15-7/8		361
SACK L	A05R2	1-12	*	P				1					361
SACK L	A06R2	1-13	*	P				2					361
SACK L	A07R2	1-14	*	P				1					361
SACK L	A08R2	1-15	*	P				2					361
SACK L	A09R2	1-16	*	P				1					361
SACK L											43-2/8	1400000000	361
SSYN L (1)	F01U1	1-01	*	P				1					362
SSYN L (1)	F02U1	1-02	*	P				2					362
SSYN L (1)	F03U1	1-03	*	P				1					362
SSYN L (1)	F04U1	1-04	*	H				2	TWP		7-3/8		362
SSYN L (1)	F03J1	1-05	*	P				1					362
SSYN L (1)	F04J1	1-06	*	P				2			2-5/8		362
SSYN L (1)	F04C1	1-07	*	P				2					362
SSYN L (1)	F03C1	1-08	*	P				1					362
SSYN L (1)											15-0/8	1400000000	362

DD11P.C RUN NAME	#RF280.V34(63)-1 A/P PIN NAME	23-AUG-76 ORDER PIN	BAY - ORDER	Q	DRAW OPT	RV RG Y	X	Z	REMARKS	15-NOV-76	9:13 NC LENGTH FLAG	PAGE 49 EXCEPTIONS	RUN NUMBER
SSYN L (2)	B09U1	1-01	*	P				1					363
SSYN L (2)	B08U1	1-02	*	P				1					363
SSYN L (2)	F07U1	1-03	*	P				2					363
SSYN L (2)	F06U1	1-04	*	P				1					363
SSYN L (2)	F05U1	1-05	*	H				2	TWP		9-1/8		363
SSYN L (2)	F09J1	1-06	*	P				1					363
SSYN L (2)	F08J1	1-07	*	P				2					363
SSYN L (2)	F07J1	1-08	*	P				1					363
SSYN L (2)	F06J1	1-09	*	P				2					363
SSYN L (2)	F05J1	1-10	*	P				1			2-5/8		363
SSYN L (2)	F05C1	1-11	*	P				1					363
SSYN L (2)	F06C1	1-12	*	P				2					363
SSYN L (2)	F07C1	1-13	*	P				1					363
SSYN L (2)	F08C1	1-14	*	P				2					363
SSYN L (2)	F09C1	1-15	*	P				1					363
SSYN L (2)											23-6/8	1400000000	363
SSYN L JMP	F05C1	1-01	*	H				1	2" TWP				364
SSYN L JMP	F04C1	1-02	*	P									364
SSYN L JMP											1-0/8	1400000000	364

128



NOTES:

1. CUT ITEM 23 AS INDICATED BY VIEW A-A (AND ITEM 27 OR ITEM 25 WILL MAKE THIS TYPE 6 PLACES FROM THE HIGH).

2. USE ITEM 28 AS IS NO REWORK IS REQUIRED. TYPE ITEM 28 REQ'D.

3. ITEM #17 SERVICE LOOP SHOULD BE 24 IN. CHES.

4. BAIL-LA, LB, LC, LD, LK, LL, LM AND LN (MANUFACTURING USE ONLY). BAIL-LE, LF, LH AND LJ (FANIL EXPANSION BOX).

5. ADD CONSOLE FOR EXPANSION BOX ONLY.

6. ALTERNATE COLORS: POSITIONS 1, 3, 5, 7 & 9 TO HAVE MAGENTA. POSITIONS 2, 4, 6, 8 & 10 TO HAVE NATURAL.

7. HARDWARE FOR MOUNTING ITEM 5 (ENCLOSURE ASSEMBLY) TO CABINET.

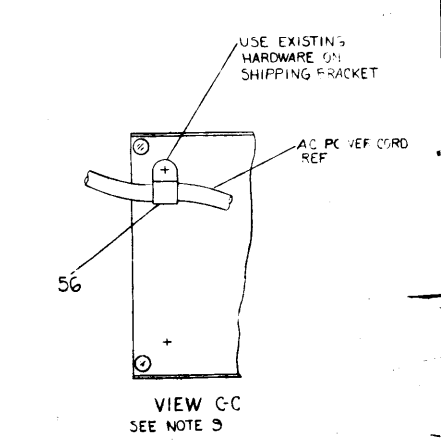
8. ITEM #54 TO BE USED A/R TO TAKE UP ANY GAP PRESENT BETWEEN ENCLOSURE AND CABINET UPRIGHTS.

9. STRAIN RELIEF POWER CORD, ON VARIATIONS THAT HAVE REMOVABLE AC CORD, AS SHOWN.

10. EXPANDER BOX VERSIONS BAIL-LE, LF, LH & LJ CANNOT BE CONFIGURED WITH 4 OF 3 SLOT BACKPLANES THAT HAVE POWER HARNESS ROUTED ALONG BOTTOM (SLOT 5). A WIRE STRIPPING HAZARD WOULD EXIST IF THESE COMBINATIONS WERE CONFIGURED AS SUCH. EXAMPLES OF PROBLEMATIC BACKPLANE CONFIGURATIONS ARE: K11-DQ11-AA, DAI1-F, TMB11, DD11-B, DQ11-AB, RH11, DH11, DB11-A, DJ11, VT43 & VT11.

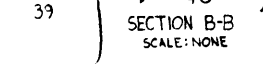
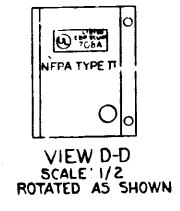
LEGEND

PART NO.	VARIATION
BAIL-LA	5.25 BOX+H777-AA 115V CORE MOS
BAIL-LB	5.25 BOX+H777-AB 230V
BAIL-LC	5.25 BOX+H777-BA 115V MOS ONLY
BAIL-LD	5.25 BOX+H777-BB 230V MOS ONLY
BAIL-LE	5.25 BOX+H777-CA 115V CONSOLE (CORE MOS)
BAIL-LF	5.25 BOX+H777-CB 230V CONSOLE (CORE MOS)
BAIL-LH	5.25 BOX+H777-DA 115V CONSOLE (MOS ONLY)
BAIL-LJ	5.25 BOX+H777-DB 230V CONSOLE (MOS ONLY)
BAIL-LK	5.25 BOX+H777-CA 115V CORE MOS
BAIL-LL	5.25 BOX+H777-CB 230V CORE MOS
BAIL-LM	5.25 BOX+H777-DA 115V MOS ONLY
BAIL-LN	5.25 BOX+H777-DB 230V MOS ONLY

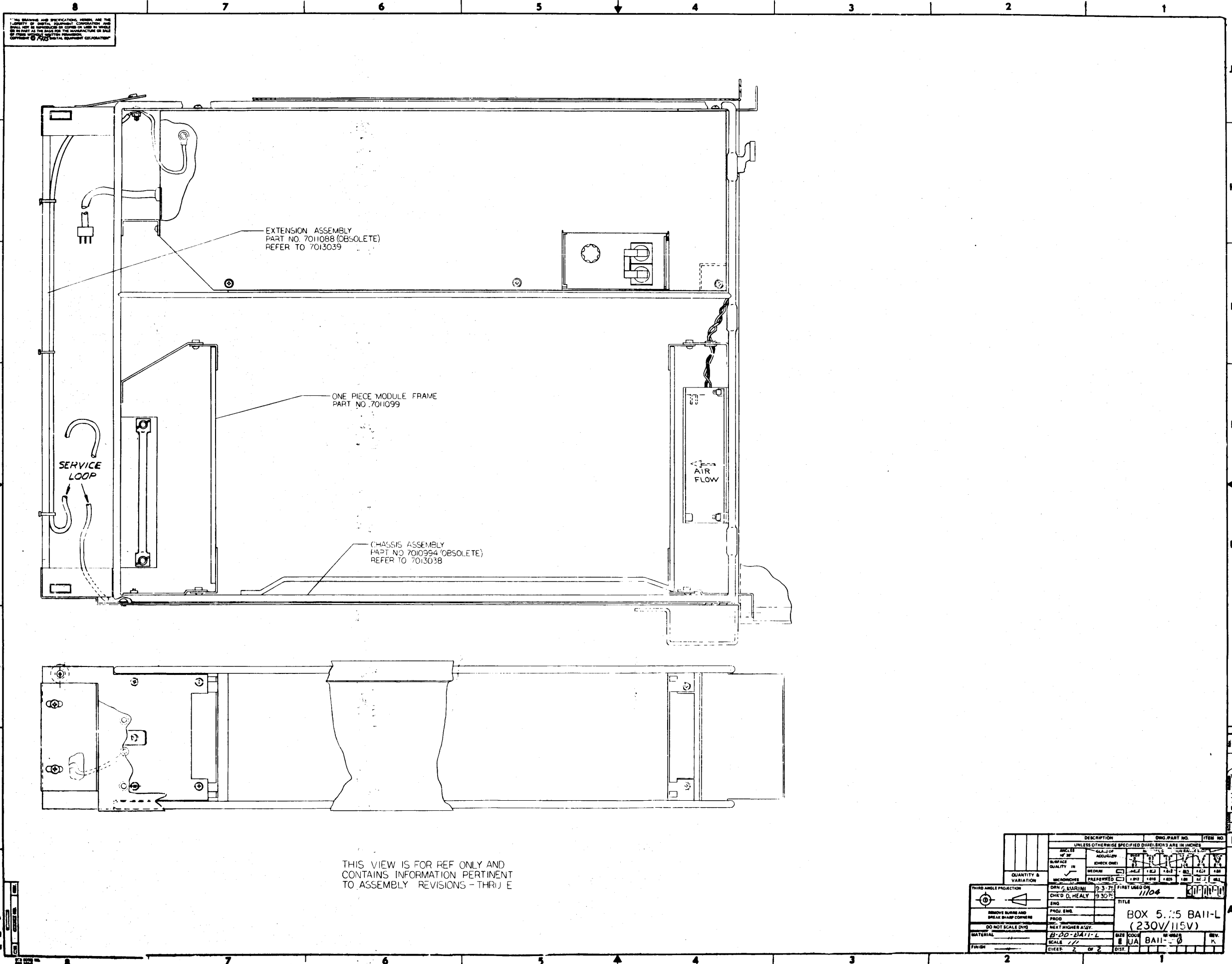


FOR PARTS LIST SEE A-PL-BAIL-L-O

DESCRIPTION	QTY	ITEM NO.
...
...
...



180



THIRD ANGLE PROJECTION		DESCRIPTION		DRWG. PART NO.	ITEM NO.
UNLESS OTHERWISE SPECIFIED DIMENSIONS ARE IN INCHES		QUANTITY & VARIATION		1104	
ANGLE	90°	QUANTITY	1		
ACCURACY	±0.005	VARIATION			
SURFACE QUALITY	16	MATERIAL		TITLE	
FINISH		B-20-2111-L		BOX 5.0:5 BAIL-L	
DO NOT SCALE DIMS		SCALE 1/16"		(230V/115V)	
FINISH		CHECK 2 OF 2		REV. K	

181

DIGITAL EQUIPMENT CORPORATION MAYNARD, MASSACHUSETTS PARTS LIST			QUANTITY/VARIATION													
MADE BY G. MARINI		CHECKED D. HEALY	SECTION		BALL-LA	BALL-LB	BALL-LC	BALL-LD	BALL-LE	BALL-LF	BALL-LH	BALL-LJ	BALL-LK	BALL-LL	BALL-LM	BALL-LN
DATE 3-SEP-75		DATE 30-SEP-75														
ENG R. BARRY		PROD R.K. PETERSON	ISSUED SECT.													
DATE 2-OCT-75		DATE 2-OCT-75														
ITEM NO.	DWG NO. / PART NO.	DESCRIPTION														
1	E-UA-H777-DA-0	POWER SUPPLY H777 (115V)														
2	E-UA-H777-DB-0	POWER SUPPLY H777 (230V)														
3	E-IA-7013038-0-0	CHASSIS ASSY														
4	C-IA-7012653-0-0	MODULE FRAME, RIGHT SIDE														
5	D-AD-7011132-0-0	ENCLOSURE ASSY														
6	D-IA-7013039-0-0	EXTENSION CHASSIS ASSY														
7	1213013-0-0	FAN (115V) 50/60HZ														
8	C-IA-7012846-0-0	MODULE FRAME, LEFT SIDE														
9	9006025-2	SCR, PHL FLAT HD 6-32 .62L														
10	9006633	WASHER INT. TOOTH LOCK #8														
11	9009165	CLIP MTG #6-32														
12	9006037-3	SCR PHL HD TRUSS #8-32 x .38L														
13	9006634	WASHER INT TOOTH LOCK #8														
14	9006038-1	SCR, PHL HD PAN #6-32 x .25														
15	B-MD-7413846-0-0	BAR, CABLE STRAIN REL														
16	9009711	NUT, WING #6-32														
17	C-IA-7011412-03-0	CABLE, CHASSIS GND														
18	C-IA-7011412-0F-0	CABLE CHASSIS GND														
19	C-MD-7414963-0-0	BRKT, SHIPPING & CAB MT														
20	9007023	GROMMET .31 ID x .62 O.D.														
21	9006565	NUT, KEPS #10-32														
22	9007031	TIE WRAP														

TITLE	BOX 5.25 Ball-L (230V/115V)	ASSY NO.	E-UA-BALL-L-Ø	SIZE CODE	A PL	NUMBER	BALL-L-Ø	REV	K	ECO NO.	11009
SHEET	1	OF	3	DIST.							

DEC FORM DEC 16-(325)-1031-N870
DRA 110

DIGITAL EQUIPMENT CORPORATION MAYNARD, MASSACHUSETTS PARTS LIST			QUANTITY/VARIATION													
MADE BY G. MARINI		CHECKED D. HEALY	SECTION		BALL-LA	BALL-LB	BALL-LC	BALL-LD	BALL-LE	BALL-LF	BALL-LH	BALL-LJ	BALL-LK	BALL-LL	BALL-LM	BALL-LN
DATE 3-SEP-75		DATE 30-SEP-75														
ENG R. BARRY		PROD R.K. PETERSON	ISSUED SECT.													
DATE 2-OCT-75		DATE 2-OCT-75														
ITEM NO.	DWG NO. / PART NO.	DESCRIPTION														
44	C-MD-7418077	CARD GUIDE CENTER														
45	1209403-01	FAN (115V) 50/60 HZ														
46	E-UA-H777-BA-0	POWER SUPPLY H777 (115V)														
47	E-UA-H777-BB-0	POWER SUPPLY H777 (230V)														
48	E-UA-H777-AA-0	POWER SUPPLY H777 (115V)														
49	E-UA-H777-AB-0	POWER SUPPLY H777 (230V)														
50	E-IA-7010994-0-0	CHASSIS ASSY														
51	D-IA-7011099-0-0	FRAME MODULE														
52	D-IA-7011088-0-0	CHASSIS ASSY EXTENSION														
53	B-IA-7418258	STRAP, GROUND														
54	B-MD-7418259	SPACER, ENCLOSURE														
55	9007035	GROMMET CATERPILLAR														
56	9007083	CLAMP, CABLE														
57	A-DC-5309413-0-0	DECAL, NFPA														
58	A-DC-5309414-0-0	DECAL, UL														

TITLE	BOX 5.25 Ball-L (230V/115V)	ASSY NO.	E-UA-BALL-L-Ø	SIZE CODE	A PL	NUMBER	BALL-L-Ø	REV	K	ECO NO.	11009
SHEET	3	OF	3	DIST.							

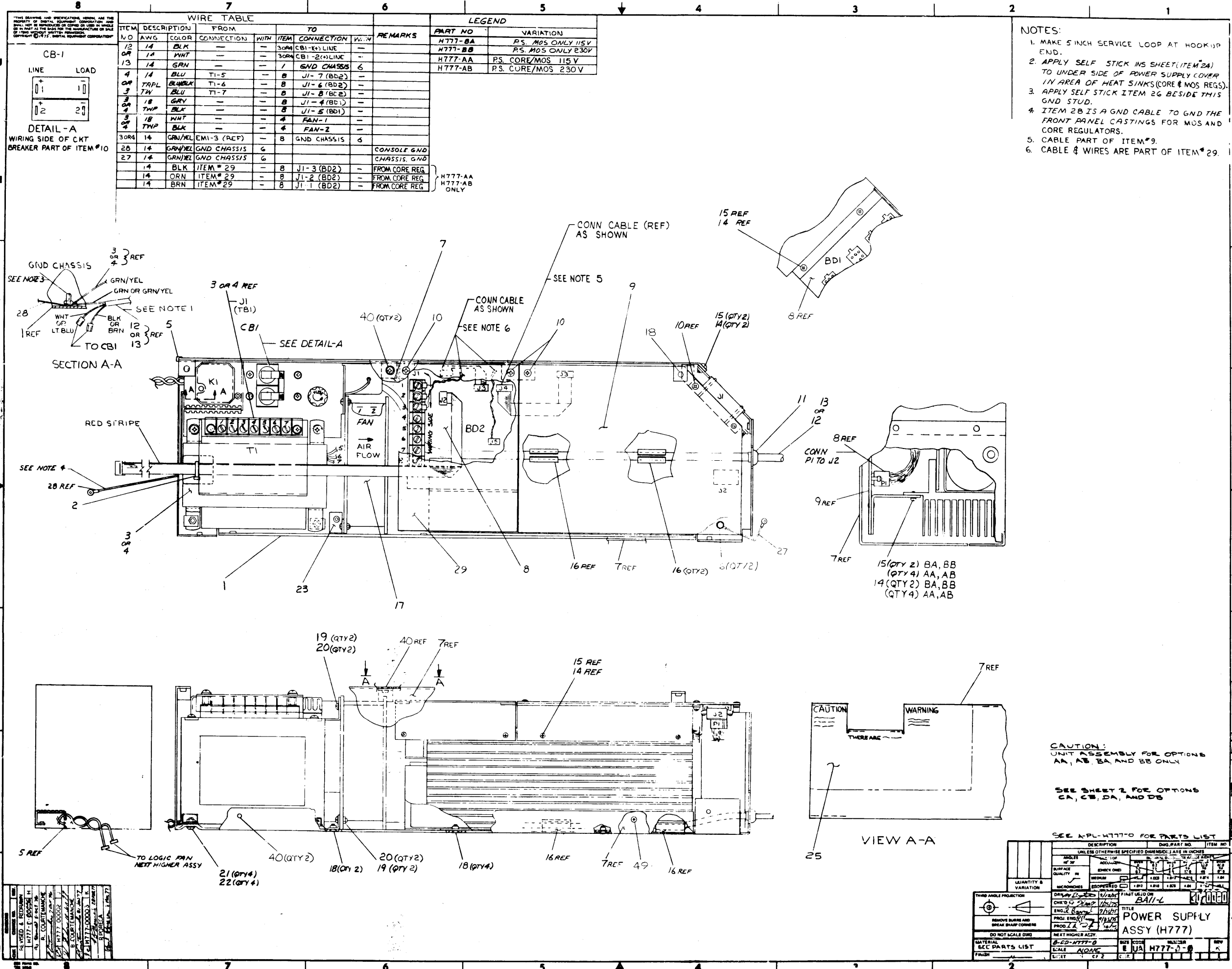
DEC FORM DEC 16-(325)-1031-N870
DRA 110

DIGITAL EQUIPMENT CORPORATION MAYNARD, MASSACHUSETTS PARTS LIST			QUANTITY/VARIATION													
MADE BY G. MARINI		CHECKED D. HEALY	SECTION		BALL-LA	BALL-LB	BALL-LC	BALL-LD	BALL-LE	BALL-LF	BALL-LH	BALL-LJ	BALL-LK	BALL-LL	BALL-LM	BALL-LN
DATE 3-SEP-75		DATE 30-SEP-75														
ENG R. BARRY		PROD R.K. PETERSON	ISSUED SECT.													
DATE 2-OCT-75		DATE 2-OCT-75														
ITEM NO.	DWG NO. / PART NO.	DESCRIPTION														
23	1211630-0	CENTER CARD GUIDE														
24	9009836-0	SCREW PHL TRUSS HD #8-32 x .25L LOCKING														
25	E-UA-H777-CA-0	POWER SUPPLY H777 (115V)														
26	E-UA-H777-CB-0	POWER SUPPLY H777 (230V)														
27	9008072	WASHER, EXT. TOOTH #8														
28	D-AD-7012540-0-0	CONSOLE ASSY														
29	1212405-4	CARD GUIDE, SINGLE														
30	1212405-5	CARD GUIDE, SINGLE														
31	9009836-1	SCR., PHL. HD. TRUSS #8-32 x .38 (LOCKING)														
32	9006666	WASHER, FLAT #8														
33	9006664	WASHER, FLAT														
34	9007786	NUT-10-32 SELF RETAINING														
35	9006071-03	SCR., PHL. TRUSS HD. #10-32 x .38														
35	9006035-3	SCR., PHL. TRUSS HD. #8-32 x .25														
37	B-MD-7417606	SLEEVE, ROLLER														
38	B-MD-7417607	ROLLER														
39	9009483-03	SCR., PHL. TRUSS HD. #8-32 x .75														
40	9006690	WASHER, SPLIT LOCK #8														
41	9006561	NUT, HEX #8-32														
42	3700061	CUST. SHIPPING PKG.														
43	3700133	INPLANT PACKAGING														
44	1212405-30	CARD GUIDE, SINGLE NATURAL														

TITLE	BOX 5.25 Ball-L (230V/115V)	ASSY NO.	E-UA-BALL-L-Ø	SIZE CODE	A PL	NUMBER	BALL-L-Ø	REV	K	ECO NO.	11009
SHEET	2	OF	3	DIST.							

DEC FORM DEC 16-(325)-1031-N870
DRA 110

180



WIRE TABLE										
ITEM NO	AWG	COLOR	CONNECTION	WITH	ITEM	CONNECTION	WITH	REMARKS	PART NO	VARIATION
12	14	BLK	---	---	3094	CBI-1(L) LINE	---		H777-BA	P.S. MOS ONLY 115V
13	14	WHT	---	---	3094	CBI-2(L) LINE	---		H777-BB	P.S. MOS ONLY 230V
14	14	GRN	---	---	---	GND CHASSIS	6		H777-AA	P.S. CORE/MOS 115V
15	14	BLU	---	---	---	GND CHASSIS	6		H777-AB	P.S. CORE/MOS 230V
16	14	TRPL	---	---	---	---	---			
17	18	GRY	---	---	---	---	---			
18	18	BLK	---	---	---	---	---			
19	18	WHT	---	---	---	---	---			
20	18	TWP	---	---	---	---	---			
21	14	GRN/YEL	---	---	---	---	---			
22	14	GRN/YEL	---	---	---	---	---			
23	14	GRN/YEL	---	---	---	---	---			
24	14	GRN/YEL	---	---	---	---	---			
25	14	GRN/YEL	---	---	---	---	---			
26	14	GRN/YEL	---	---	---	---	---			
27	14	GRN/YEL	---	---	---	---	---			
28	14	BLK	---	---	---	---	---			
29	14	ORN	---	---	---	---	---			
30	14	BRN	---	---	---	---	---			

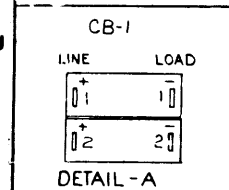
LEGEND	
PART NO	VARIATION
H777-BA	P.S. MOS ONLY 115V
H777-BB	P.S. MOS ONLY 230V
H777-AA	P.S. CORE/MOS 115V
H777-AB	P.S. CORE/MOS 230V

- NOTES:
1. MAKE 5 INCH SERVICE LOOP AT HOOK UP END.
 2. APPLY SELF STICK INS SHEET (ITEM #24) TO UNDER SIDE OF POWER SUPPLY COVER IN AREA OF HEAT SINKS (CORE & MOS REGS).
 3. APPLY SELF STICK ITEM 26 BESIDE THIS GND STUD.
 4. ITEM 28 IS A GND CABLE TO GND THE FRONT PANEL CASTINGS FOR MOS AND CORE REGULATORS.
 5. CABLE PART OF ITEM #9.
 6. CABLE & WIRES ARE PART OF ITEM #29.

CAUTION:
UNIT ASSEMBLY FOR OPTIONS AA, AB, BA, AND BB ONLY

SEE SHEET 2 FOR OPTIONS CA, CB, DA, AND DB

DESCRIPTION		QTY	PART NO	ITEM NO
15 (QTY 2)	BA, BB			
14 (QTY 2)	AA, AB			
14 (QTY 2)	BA, BB			
15 (QTY 4)	AA, AB			



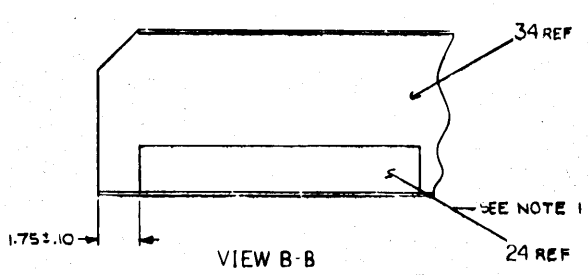
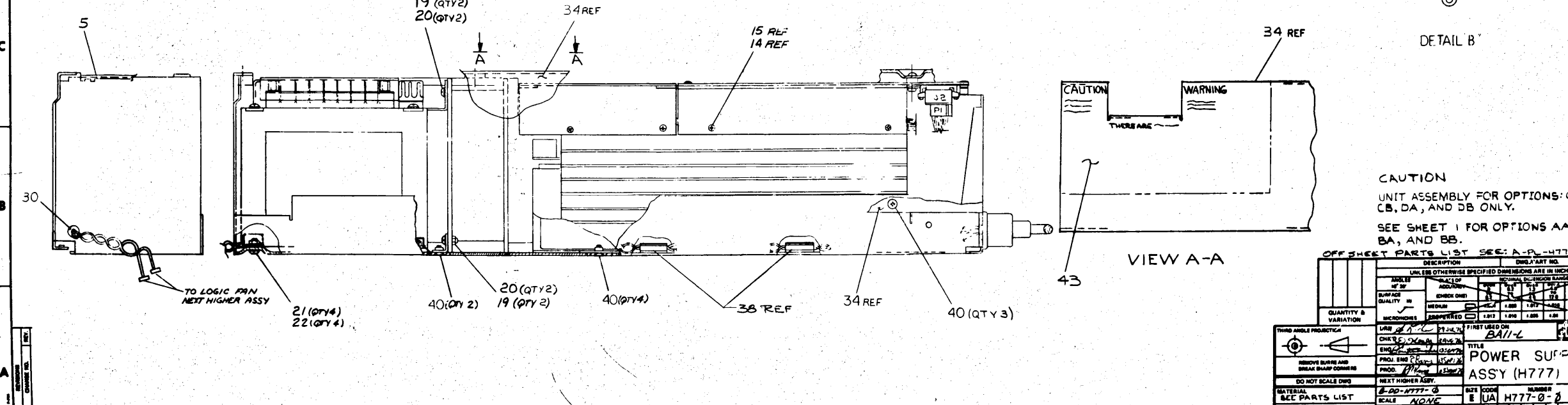
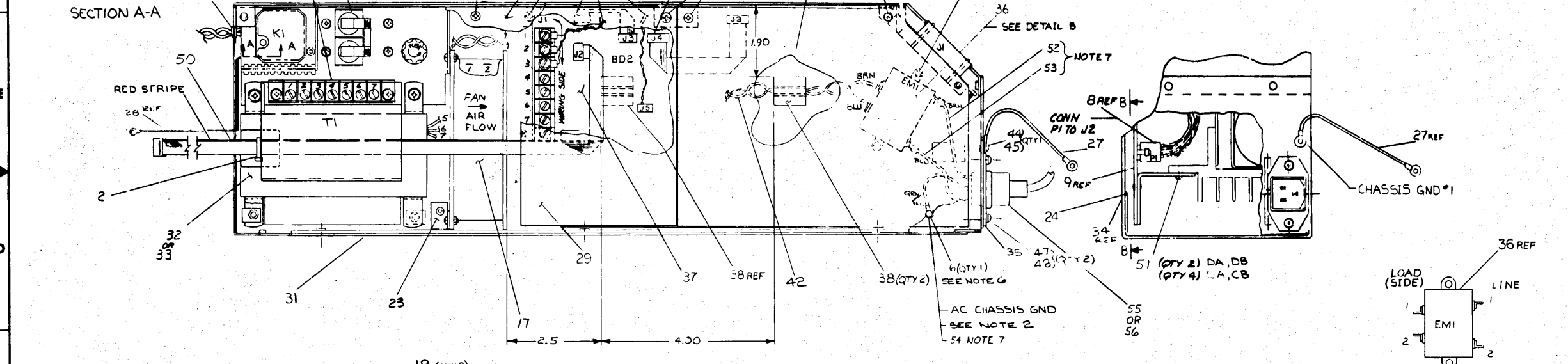
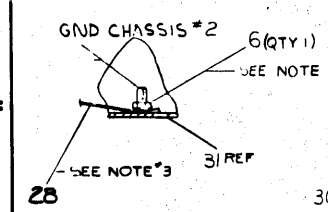
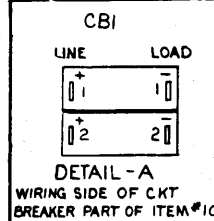
SECTION A-A

VIEW A-A

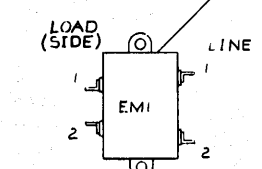
REV	DATE	BY	CHKD	DESCRIPTION
1	11/27/77	E. B. COLEMAN		ISSUED FOR PRODUCTION
2	12/1/77	E. B. COLEMAN		REVISED FOR PRODUCTION
3	12/1/77	E. B. COLEMAN		REVISED FOR PRODUCTION
4	12/1/77	E. B. COLEMAN		REVISED FOR PRODUCTION
5	12/1/77	E. B. COLEMAN		REVISED FOR PRODUCTION
6	12/1/77	E. B. COLEMAN		REVISED FOR PRODUCTION
7	12/1/77	E. B. COLEMAN		REVISED FOR PRODUCTION
8	12/1/77	E. B. COLEMAN		REVISED FOR PRODUCTION

184

WIRE TABLE										LEGEND	
ITEM NO	AWG	COLOR	CONNECTION FROM	WITH ITEM	CONNECTION TO	WITH ITEM	REMARKS	PART NO	VARIATION		
53	14	BLU	ITEM 35	SLDR 36	EMI LINE - 1		RC LINE CORD	H777-DA	P.S. MOS ONLY 115V		
52	14	BRN	ITEM 35	SLDR 36	EMI LINE - 2		RC LINE CORD	H777-DB	P.S. MOS ONLY 230V		
54	14	GRN/YEL	ITEM 35	SLDR 31	RC GND CHASSIS		RC LINE CORD	H777-CB	P.S. CORE/MOS 115V		
4	14	BLU	T1-5		J1-7 (BD2)		SEC VOLTAGE				
TRPL		BLU/BLK	T1-6		J1-6 (BD2)						
3	TRP	BLU	T1-7		J1-8 (BC2)						
18	TWP	GRY			J1-4 (BD1)		TO RELAY COIL				
18	TWP	BLK			J1-5 (BD1)						
3	18	WHT			FAN-1		POWER SUPPLY				
4	TWP	BLK			FAN-2		FAN POWER				
20	14	GRN/YEL	GND CHASSIS#2	G			CONSOLE GND				
27	14	GRN/YEL	GND CHASSIS#4	G			CHASSIS GND				
14	BLK	ITEM# 29		8	J1-3 (BD2)		FROM CORE REG	H777-CA			
14	ORN	ITEM# 29		8	J1-2 (BD2)		FROM CORE REG	H777-CB			
14	BRN	ITEM# 29		8	J1-1 (BD2)		FROM CORE REG				
42	14	BRN	EMI-2 LOAD	41	(CB1) LINE	41					
		BLU	EMI-1 LOAD	41	(CB1) LINE	41					



- NOTES:
- 1 APPLY SELF STICK INS SHEET (ITEM #24) TO UNDER SIDE OF POWER SUPPLY COVER IN AREA OF HEAT SINKS (CORE & MOS REGS).
 - 2 APPLY SELF STICK ITEM 26 BESIDE THIS GND STUD.
 - 3 ITEM 28 IS A GND CABLE TO GND THE FRONT PANEL CASTINGS FOR MOS AND CORE REGULATORS.
 - 4 CABLE PART OF ITEM #9.
 - 5 CABLE & WIRES ARE PART OF ITEM #29.
 - 6 ITEM #6 (METRIC NUT M4) CAN BE USED AS A REPLACEMENT IN FIELD IF NECESSARY.
 - 7 INSTAL ITEM #41 OVER SOLDER ENDS PRIOR TO SOLDERING



CAUTION
UNIT ASSEMBLY FOR OPTIONS: CA, CB, DA, AND DB ONLY.
SEE SHEET 1 FOR OPTIONS AA, BA, AND BB.

OFF SHEET PARTS LIST SEE: A-P-H777-0-0		DESCRIPTION		QTY	ART NO.	ITEM NO.
1	2	3	4	5	6	7
8	9	10	11	12	13	14
15	16	17	18	19	20	21
22	23	24	25	26	27	28
29	30	31	32	33	34	35
36	37	38	39	40	41	42
43	44	45	46	47	48	49
50	51	52	53	54	55	56
57	58	59	60	61	62	63
64	65	66	67	68	69	70
71	72	73	74	75	76	77
78	79	80	81	82	83	84
85	86	87	88	89	90	91
92	93	94	95	96	97	98
99	100	101	102	103	104	105

185

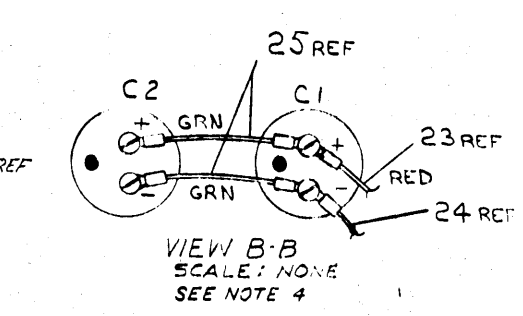
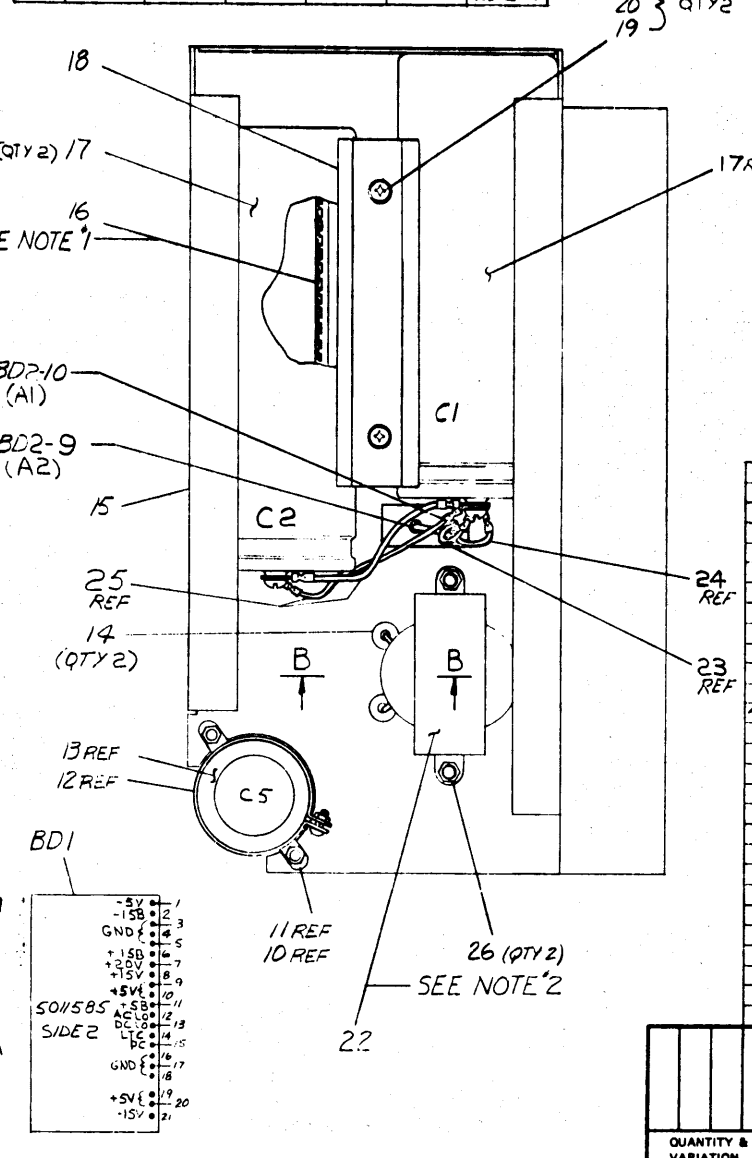
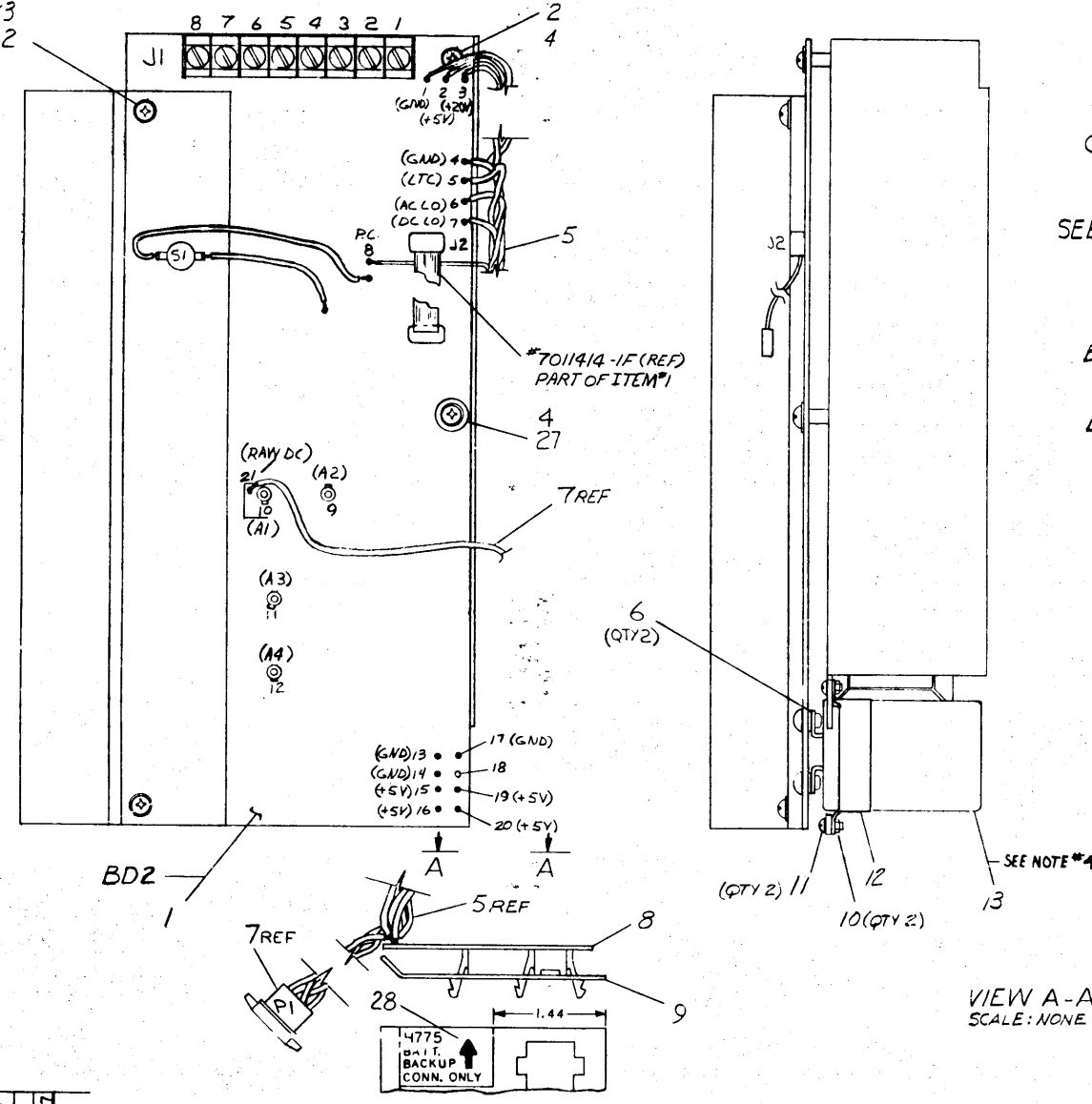
THIS DRAWING AND SPECIFICATIONS HEREIN ARE THE PROPERTY OF DIGITAL EQUIPMENT CORPORATION AND SHALL NOT BE REPRODUCED OR COPIED IN WHOLE OR IN PART AS THE BASIS FOR THE MANUFACTURE OR SALE OF ITEMS WITHOUT WRITTEN PERMISSION. COPYRIGHT © 1975, DIGITAL EQUIPMENT CORPORATION

REV.	DATE	BY	CHKD.	APP'D.	DESCRIPTION
1	1/23/75	R. BARRY			ISSUE FOR MANUFACTURE
2	2/10/75	B. COURTEMANCHE			REVISED TO ADD PART 14775
3	2/10/75	B. COURTEMANCHE			REVISED TO ADD PART 14775
4	2/10/75	B. COURTEMANCHE			REVISED TO ADD PART 14775
5	2/10/75	B. COURTEMANCHE			REVISED TO ADD PART 14775
6	2/10/75	B. COURTEMANCHE			REVISED TO ADD PART 14775
7	2/10/75	B. COURTEMANCHE			REVISED TO ADD PART 14775
8	2/10/75	B. COURTEMANCHE			REVISED TO ADD PART 14775

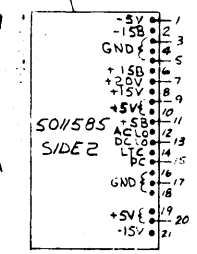
WIRE CHART

ITEM NO	DESCRIPTION	FROM	TO	ITEM NO	DESCRIPTION	FROM	TO	ITEM NO	DESCRIPTION	FROM	TO			
	AWS	COLOR	POINT NO	CONN	POINT NO	CONN			AWS	COLOR	POINT NO	CONN	POINT NO	CONN
5	20	WHT	1	BD2-8	18	BD1-15	5	14	BLK	28	BD2-13	11	BD1-4	
	14	BRN	2	2	9	1		14	RED	29	15	14	9	
	14	BLK	3	1	12	5		14	RED	26	19	15	10	
	14	ORN	4	3	13	7		14	BLK	25	14	21	17	
	20	BRN	5	5	19	14		14	RED	24	16	22	19	
	20	BLK	6	4	20	14		14	RED	27	BD2-20	23	BD1-20	
	20	YEL	7	6	16	12		18	BLU	1	BD1-21	*11	-	
	20	VIO	8	7	17	13		14	BLK	2	BD1-18	*8	-	
7	14	BLK	30	BD2-17	10	BD1-3	7	18	RED	3	BD1-11	*14	-	
	18	GRY	4	BD1-8	*9	-		25	14	GRN	-	C1(+)	-	C2(+)
	18	WHT	5	BD1-6	*10	-		23	14	GRN	-	C1(-)	-	C2(-)
	14	RED	6	BD2-21	*13	-		24	14	RED	-	BD2-10	-	C1(+)
	18	GRN	7	BD1-2	12	-	24	14	BLK	-	BD2-9	-	C1(-)	
	-	BARE	-	-	-	-	22	-	BARE	-	-	-	BD2-11	
	-	BARE	-	-	-	-	22	-	BARE	-	-	-	BD2-12	

- NOTES:**
- USE ITEM #16 (GROMMET) TO COVER RAW METAL EDGES UNDER CAPACITORS.
 - LEADS FROM ITEMS #22, 23 & 24 ARE TO BE CUT FLUSH WITH TOP OF CLAMPS ON ITEM #1. A1, A2, A3 & A4
 - * ASTERISK INDICATES THAT THESE CONN. ALREADY HAVE BEEN MADE ON PLUG PI ON HARNESS D-1A-7011560-0-0 THEY ARE SHOWN FOR REF ONLY.
 - ITEMS #17 & #13 ARE TO HAVE THEIR ELECTRICAL CONNECTIONS TORQUED TO 12 IN-LBS (-0, +10) IN-LBS.



QTY	DESCRIPTION	DWG/PART NO.	ITEM NO.
1	DECAL	A-DC-7416911-0-0	28
1	WASHER NYLON #6	9006707	27
2	NUT KEPS #8-32	9006563	26
2	JUMPER (GRN)	B-A-7011800-0-0	25
1	JUMPER (BLK)	B-A-7011802-0-0	24
1	JUMPER (RED)	B-A-7011801-0-0	23
1	CHOKE	162584	22
2	SPACER HEX #8-32 X 1.38L	9008258	21
2	WASHER INT TOOTH LOCK #8	9006634	20
2	SCR PHIL HD PAN #8-32 X .50L	9006037-1	19
1	C.L.A. 10 CAPACITOR	C-MD-744021-0-0	18
2	CAPACITOR 24 KUF 50V	1010702	17
1/2	GROMMET CATERPILLAR	9007035	16
1	BRACKET CAPACITOR	E-A-7413743-0-0	15
2	GROMMET RUBBER	9007017	14
1	CAPACITOR 39004F/6.0V (E5)	1012740	13
1	CLAMP CAPACITOR	9009052	12
2	SCR PHIL HD PAN #6-32 X .25L	9006020-1	11
2	NUT KEPS #6-32	9008185	10
1	BRACKET CONN	D-1A-7413752-0-0	9
1	BOARD, PWR DISTR. H777	D-CS-541584-0-1	8
1	HARNESS BD NOS REG PWR DST	D-1A-7011560-0-0	7
2	WASH, 375 O.D. X .147 I.D. X .036	9006660	6
1	HARNESS H777 +5V REG	D-1A-7011415-0-0	5
2	SCR PHIL HD PAN #6-32 X .31L	9006021-1	4
2	SCR PHIL HD PAN #6-32 X .50L	9006024-1	3
3	WASHER INT TOOTH LOCK #6	9006633	2
1	H777 +5V REGULATOR	D-CS-541597-0-1	1



QUANTITY & VARIATION

THIRD ANGLE PROJECTION

REMOVE BURRS AND BREAK SHARP CORNERS

DO NOT SCALE DWG

MATERIAL: D-1A-4777-0-0

FINISH: #

UNLESS OTHERWISE SPECIFIED DIMENSIONS ARE IN INCHES

CLASS OF ACCURACY (CHECK ONE)	NOMINAL DIMENSION RANGE INCHES							
	OVER 0 TO 0.25	0.25 TO 0.4	0.4 TO 0.6	0.6 TO 1.0	1.0 TO 2.0	2.0 TO 4.0	4.0 TO 12.0	OVER 12.0
MEDIUM	±0.004	±0.005	±0.006	±0.008	±0.010	±0.012	±0.015	±0.020
PREFERRED	±0.003	±0.004	±0.005	±0.007	±0.009	±0.011	±0.014	±0.018

DRN: [Signature] DATE: 1/22/75

CHK'D: [Signature] DATE: 1/22/75

ENG: [Signature] DATE: 1/22/75

PROJ. ENG: [Signature] DATE: 1/22/75

PROD. L: [Signature] DATE: 1/22/75

FIRST USED ON: H777

TITLE: +5V REG ASSY

SIZE: D

CODE: AD

NUMBER: 7011073-0-0

REV.: C

SHEET: / OF /

DIST:

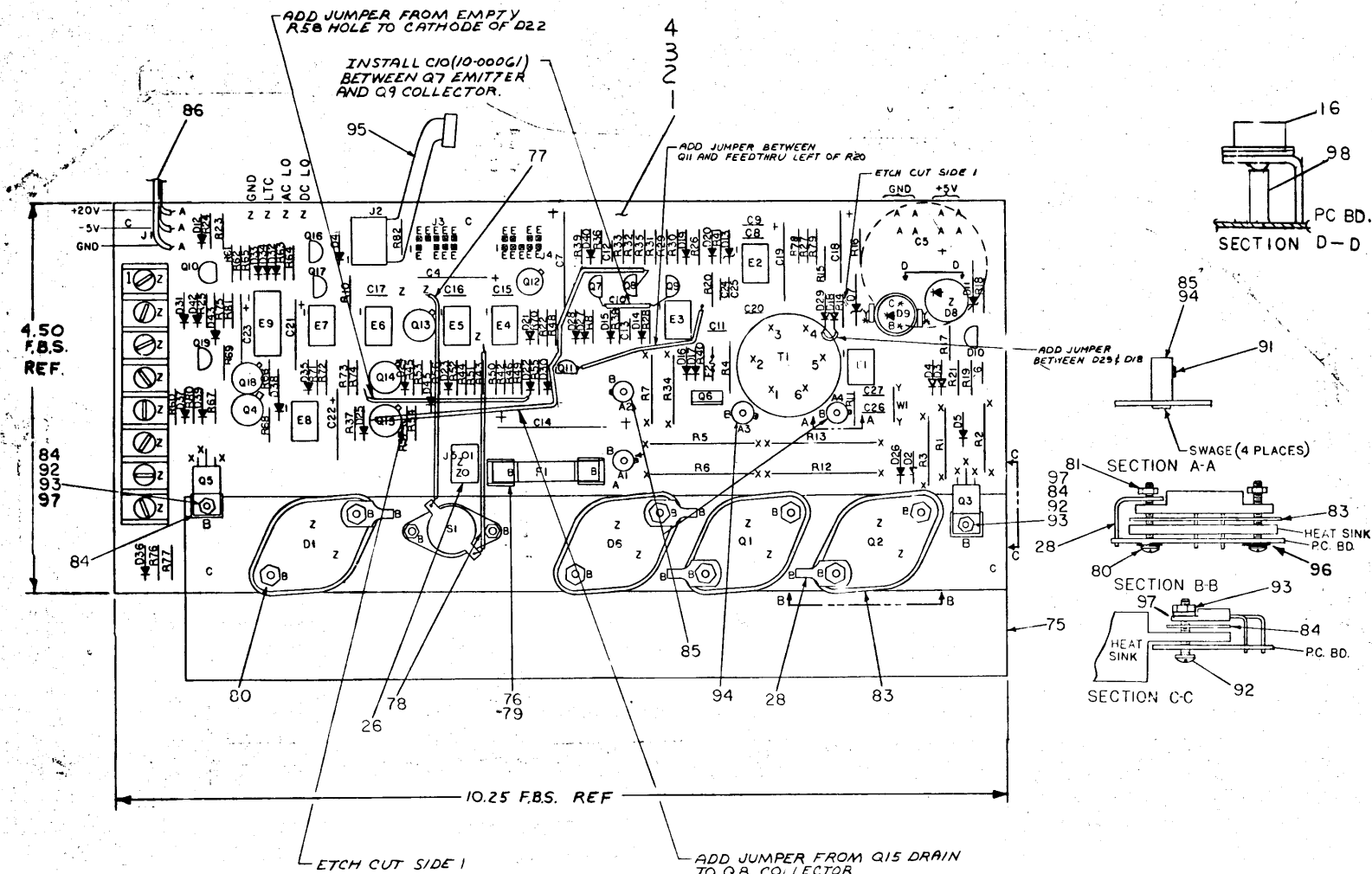
186

THIS DRAWING AND SPECIFICATIONS HEREAFTER ARE THE PROPERTY OF AVIAL CORPORATION AND SHALL NOT BE REPRODUCED OR COPIED OR USED IN WHOLE OR IN PART AS THE BASIS FOR THE MANUFACTURE OR SALE OF ITEMS WITHOUT WRITTEN PERMISSION. © 1975 AVIAL CORPORATION

NOTES:
 1. HARDWARE ON D1, Q1, Q2, D6, S1, C5 MUST BE TORQUED TO 12 IN-LBS (-0,+1)

1	C19	CAPACITOR, 1.5mf, 50V, POLYCARB	1010031-08
1	D1	DIODE	1112723-01
QTY REF DESIGNATION		SUBSTITUTION LIST	PART NO.

QTY	REF. DESIGNATION	DESCRIPTION	PART NO.	ITEM NO.
		X-Y COORDINATE HOLE LOCATION	K-CO-5411597-0-4	1
		ASSY/DRILLING HOLE LAYOUT	D-AH-5411597-0-5	2
		MODULE ECO HISTORY	B-MH-5411597-0-6	3
1		ETCHED CIRCUIT BOARD	5011598	4
1	C12	CAPACITOR, 100pf, 100V, 5% DM	1000016	5
1	C13	CAPACITOR, 470pf, 100V, 5% DM	1000024	6
1	C14	CAPACITOR, 50mf, 50V, AL.EL.	1000080	7
8	C6, C9, C11, C20, C24 - C27	CAPACITOR, .01mf, 100V DISC	1001610-01	8
2	C22, C23	CAPACITOR, 1mf, 35V, 10% TANT	1001776	9
3	C15, C16, C17	CAPACITOR, 5pf, 100V, 5% DM	1002425	10
				11
1	C19	CAPACITOR, 1.5mf, 35V, 10% TANT	1003725	12
2	C4, C18	CAPACITOR, 2.2mf, 20V, 10% TANT	1002627	13
2	C7, C21	CAPACITOR, 10mf, 20V, 10% TANT	1004813	14
1	D11	DIODE IN752A	1102808	15
1	D8	DIODE MR1033B	1103341	16
28	D3, D4, D12, D14 THRU D20, D22 THRU D25, D27, D30 THRU D37, D40, D42, D5, D39, D28	DIODE D672	1105275	17
3	D21, D41, D23	DIODE IN4004	1105796	18
1	D13	DIODE, ZENER, 5.1V, 2% [ZT = 5ma]	1110713	19
1	D6	DIODE, T03	1110715	20
1	D10	DIODE 2N5062	1110988	21
3	D7, D43, D45	DIODE IN751A	1110994	22
1	D1	DIODE, DUAL, T03	1112723-00	23
2	D2, D26	DIODE A114B	1112595-01	24
1	D38	DIODE, ZENER 13V IN964B	1109988	25
1	J5	CONNECTOR 2 PIN MATE-IN-LOC	1219342-2	26
1	J1	TERMINAL BOARD 8 STATION	1212484-01	27
4		SOLDER LUG	9009676	28
18		PINS, STAKING	9009149	29
1	F2	FUSE 5A	1209070	30
2	R18, R19	RESISTOR, 100, 1/4W, 5%	1300229	31
1	R10	RESISTOR, 150, 1/4W, 5%	1300250	32
1	R2	RESISTOR, 160, 1W, 5%	1300255	33
1	R34	RESISTOR, 220, 1W, 10%	1300277	34
2	R76, R81	RESISTOR, 390, 1/4W, 5%	1300300	35
2	R29, R16	RESISTOR, 470, 1/4W, 5%	1300318	36
7	R82, R28, R39, R50, R69, R52, R54	RESISTOR, 1K, 1/4W, 5%	1300365	37
2	R8, R66	RESISTOR, 2.7K, 1/4W, 5%	1300426	38
7	R31, R60, R62, R65, R88, R15, R39	RESISTOR, 4.7K, 1/4W, 5%	1300447	39
13	R63, R25, R32, R39, R86, R37, R84, R55 THRU R57, R87, R70, R77	RESISTOR, 10K, 1/4W, 5%	1300470	40
1	R24	RESISTOR, 12, 1/4W, 10%	1301430	41
1	R4	RESISTOR, 47, 1/2W, 5%	1301685	42
6	R11, R23, R48, R40, R64, R75	RESISTOR, 270, 1/4W, 5%	1301972	43
2	R72, R74	RESISTOR, 550K, 1/4W, 5%	1302396	44
2	R28, R61	RESISTOR, 2K, 1/4W, 5%	1302336	45
4	R22, R71, R41, R73	RESISTOR, 10K, 1/4W, 5%	1302394	46
3	R49, R51, R53	RESISTOR, 58K, 1/4W, 5%	1302395	47
1	R27	RESISTOR, 100K, 1/4W, 5%	1302466	48
2	R17, R21	RESISTOR, 30, 1/4W, 5%	1302751	49
2	R43, R44	RESISTOR, 1.21K, 1/4W, 1%	1302871	50
1	R48	RESISTOR, 1K, 1/4W, 1%	1303114	51
2	R33, R14	RESISTOR, 8.2K, 1/4W, 5%	1303179	52
1	R45	RESISTOR, 10K, 1/2W, 1%	1303312	53



IC PIN LOCATION	IC TYPE	GND	+5V
1			
2			
3			
4			
5			
6			
7			
8			
9			
10			
11			
12			
13			
14			

SEMICONDUCTOR CONVERSION CHART

DEC. NO.	EIA NO.	DEC. NO.	EIA NO.

REVISIONS

REV.	DATE	BY	CHK
1	11-21-75	J. SOFIO	
2	12-17-75	R. BARRY	
3	1-19-76	R. BARRY	
4	1-19-76	G. POTTIER	

SCALE: 1 OF 4

TITLE: H777 +5V REGULATOR

SIZE CODE: DCS 5411597-0-1

188

THIS DRAWING AND SPECIFICATIONS HEREIN ARE THE PROPERTY OF DIGITAL EQUIPMENT CORPORATION AND SHALL NOT BE REPRODUCED OR COPIED OR USED IN WHOLE OR IN PART AS THE BASIS FOR THE MANUFACTURE OR SALE OF ITEMS WITHOUT WRITTEN PERMISSION. COPYRIGHT © 1971 BY DIGITAL EQUIPMENT CORPORATION.

DCS 541597-0-1

1	R76	RESISTOR, 2.2K, 1/4W, 5%	1303428	54
1	R78	RESISTOR, 2.2K, 1/4W, 5%	1303428	55
1	R42	RESISTOR, 3.48K, 1/4W, 1%	1303156	56
2	R1, R7	RESISTOR, .39, 2W, 3%	1310880	57
2	R12, R13	RESISTOR, .02, 5W, 3%	1310878	58
2	R5, R8	RESISTOR, .04, 5W,	1311362	59
1	R3	RESISTOR, 3, 3W, 5%	1312682	60
2	Q1, Q2	TRANSISTOR, 2N5302	1510188	61
3	Q7, Q8, Q10	TRANSISTOR, A05	1510705	62
5	Q9, Q11, Q16, Q17, Q18	TRANSISTOR, A55	1510706	63
2	Q3, Q5	TRANSISTOR, D45H8	1510708	64
5	Q4, Q12 THRU Q15	TRANSISTOR, 2N5433	1511886	65
1	Q19	TRANSISTOR, 2N6028	1510877	66
1	Q8	TRANSISTOR, D44C11	1512790	67
1	D9	TRANSISTOR, C32AX135	1510928	68
1	T1	TRANSFORMER PULSE	1612592	69
1	E9	I.C. DEC 7410	1905576	70
5	E1, E2, E4, E5, E8	I.C. DEC 301A	1910282	71
3	E3, E7, E8	I.C. DEC LM555	1911944	72
1	F1	FUSE 15A, 32V	9007226	73
1	S1	THERMOSTAT (ELMWOOD)	1212787	74
1		HEAT SINK	7414238	75
2		EYELET	9009000	76
3		WIRE, #22 AWG STRANDED (WHITE)	9107350-99	77
3		WIRE, #22 AWG STRANDED (WHITE)	9107350-88	78
2		FUSECLIP	9007203	79
10		SCREW, #4-40 x 7/16 1g PHILLIPS HD	9008012-1	80
10		NUT, KEP #4-40	9006557	81
A/R		COMPOUND, THERMAL	9008288	82
4		INSULATOR, T03	9008419	83
2		INSULATOR, THERMA-FILM	9009597	84
5	A1, A2, A4	STANDOFF	7414048-0	85
REF		ASSY, HARNESS	7011415-0-0	86
A/R	W1	WIRE #18 AWG	9107380-99	87
1	C10	CAPACITOR 8200 PF 100V MYLAR	1000061	88
1	C8	CAPACITOR, 33 PF, 100V, 5% D.M.	1000009	89
				90
4		SET SCREW #6-32 x 1/8 LG.	9006290-10	91
2		SCREW NYLON #4-40 x 1/2 LG.	9006402-4	92
2		NUT NYLON #4-40	9007982	93
1	A3	STANDOFF	7414048-F	94
1	J2	CONTROL CABLE (CONSOLE)	7011414-1F	95
8		WASHER, FLAT	9008172	96
2		WASHER, INT, LOK #4	9006432	97
1		SPACER, INSULATOR	9007615	98
1	R30	RES 220, 1/4W, 5%	1300271	99
1	R20	RES. 3.3K, 1/4W, 5%	1300439	100

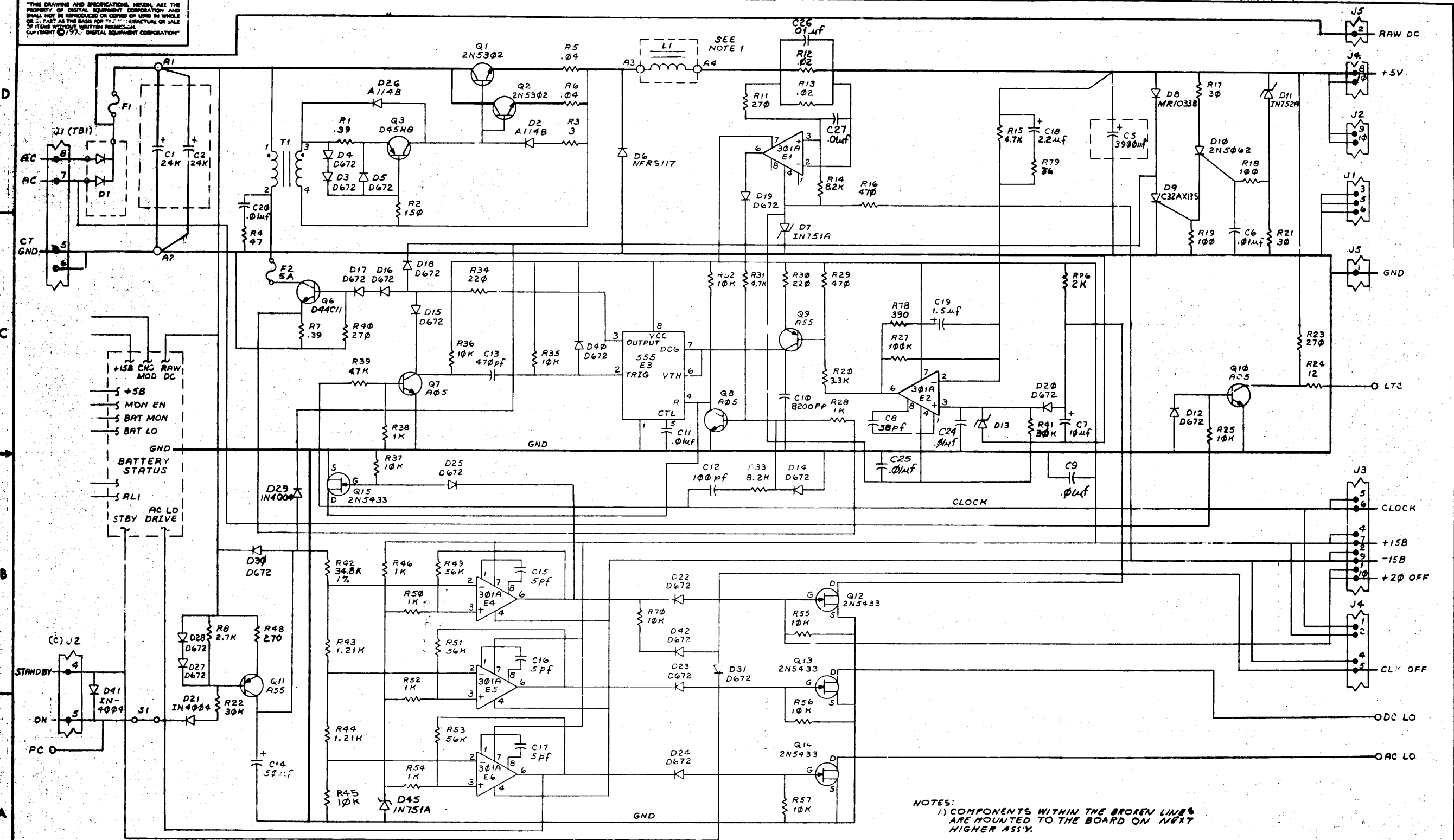
REVISIONS		
CHK	CHANGE NO	REV

TITLE: H777+5V REGULATOR
 SIZE CODE: DCS 541597-0-1
 NUMBER: 1
 REV: H
 SCALE: 1/16" = 1"
 SHEET: 2 OF 4
 DIST:

189

THIS DRAWING AND SPECIFICATIONS HEREIN ARE THE PROPERTY OF DIGITAL EQUIPMENT CORPORATION AND SHALL NOT BE REPRODUCED OR COPIED OR USED IN WHOLE OR IN PART AS THE BASIS FOR THE STRUCTURE OR SALE OF ITEMS WITHOUT WRITTEN PERMISSION. COPYRIGHT © 1971, DIGITAL EQUIPMENT CORPORATION.

H 1-0-269115 DCS 5411597-0-1 2



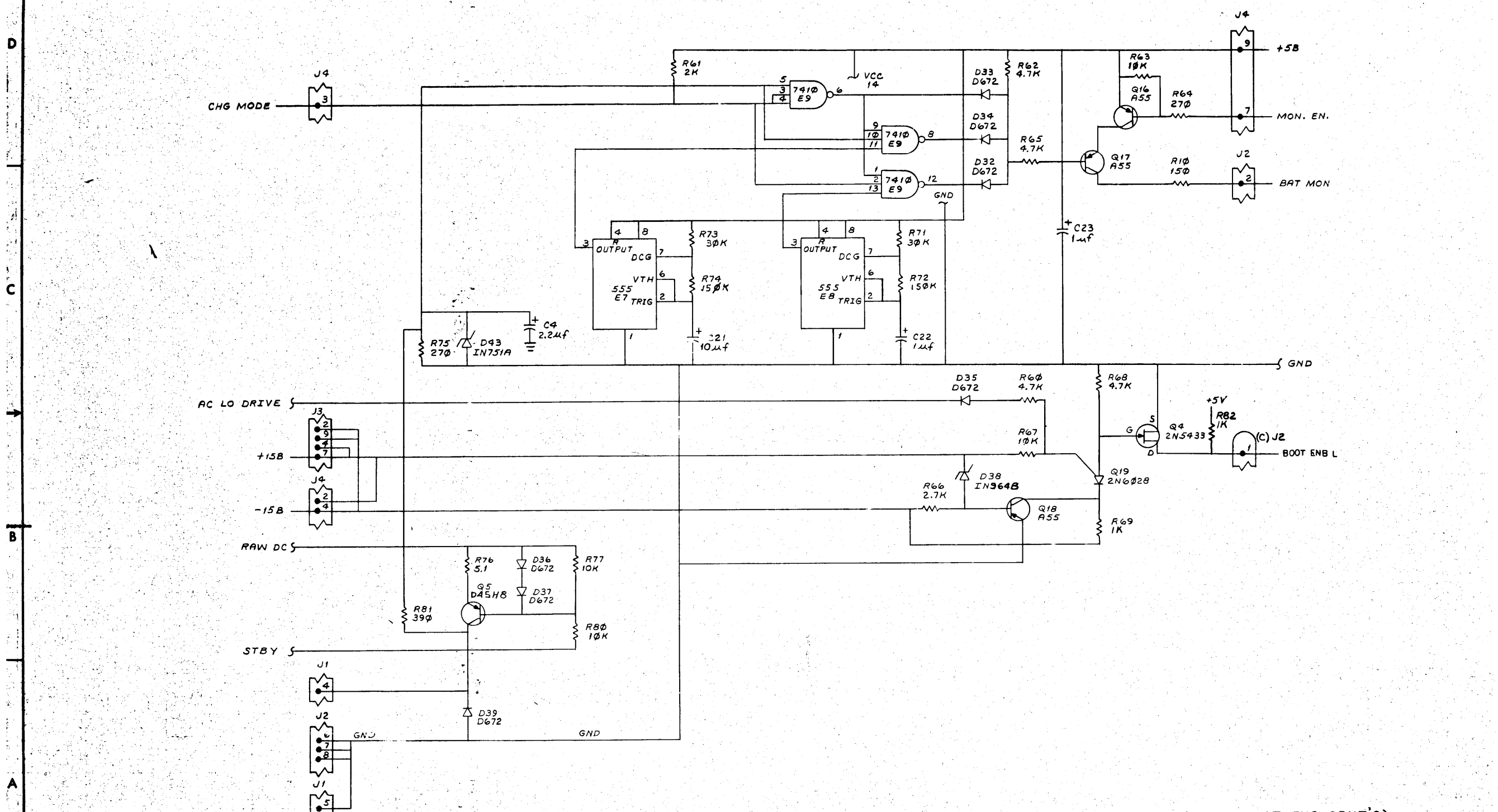
NOTES:
1) COMPONENTS WITHIN THE BROKEN LINES ARE MOUNTED TO THE BOARD ON NEXT HIGHER ASSY.

REVISIONS		
CHK	CHANGE NO.	REV.

TITLE	H777 +5V REGULATOR	SIZE/COOR	NUMBER	REV.
SCALE	1/1	SHEET	5 OF 4	DIST.

190

"THIS DRAWING AND SPECIFICATIONS HEREIN ARE THE PROPERTY OF DIGITAL EQUIPMENT CORPORATION AND SHALL NOT BE REPRODUCED OR COPIED OR USED IN WHOLE OR IN PART AS THE BASIS FOR THE MANUFACTURE OR SALE OF ITEMS WITHOUT WRITTEN PERMISSION. COPYRIGHT © 1973 DIGITAL EQUIPMENT CORPORATION"



(BATTERY STATUS CRKT'S)

REVISIONS		
CHK	CHANGE NO.	REV.

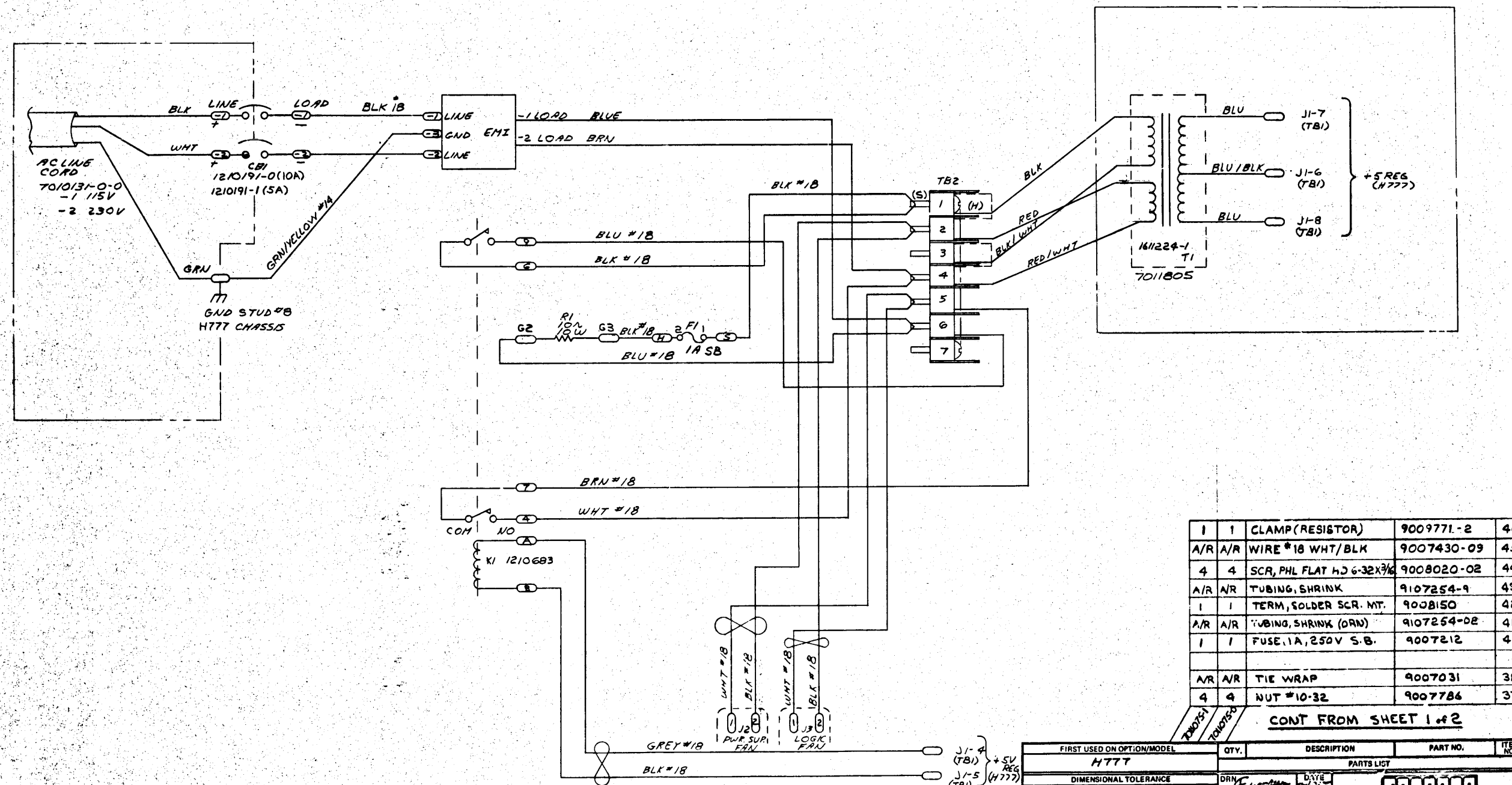
TITLE	H777 +5V REGULATOR	SIZE CODE	NUMBER	REV.
SCALE	SHEET 4 OF 4	DIST.	DCS 5411597-0-1	H

191

THIS DRAWING AND SPECIFICATIONS HEREIN ARE THE PROPERTY OF DIGITAL EQUIPMENT CORPORATION AND SHALL NOT BE REPRODUCED OR COPIED IN WHOLE OR IN PART AS THE BASIS FOR THE MANUFACTURE OR SALE OF ITEMS WITHOUT WRITTEN PERMISSION. COPYRIGHT © 1975, DIGITAL EQUIPMENT CORPORATION.

REV. 1
 22 1701075-0-0001 A
 23 1701075-0-0002 B
 24 1701075-0-0003 C
 25 1701075-0-0004 D
 26 1701075-0-0005 E
 27 1701075-0-0006 F
 28 1701075-0-0007 G
 29 1701075-0-0008 H
 30 1701075-0-0009 I
 31 1701075-0-0010 J
 32 1701075-0-0011 K
 33 1701075-0-0012 L
 34 1701075-0-0013 M
 35 1701075-0-0014 N
 36 1701075-0-0015 O
 37 1701075-0-0016 P
 38 1701075-0-0017 Q
 39 1701075-0-0018 R
 40 1701075-0-0019 S
 41 1701075-0-0020 T
 42 1701075-0-0021 U
 43 1701075-0-0022 V
 44 1701075-0-0023 W
 45 1701075-0-0024 X
 46 1701075-0-0025 Y
 47 1701075-0-0026 Z
 48 1701075-0-0027 AA
 49 1701075-0-0028 AB
 50 1701075-0-0029 AC
 51 1701075-0-0030 AD
 52 1701075-0-0031 AE
 53 1701075-0-0032 AF
 54 1701075-0-0033 AG
 55 1701075-0-0034 AH
 56 1701075-0-0035 AI
 57 1701075-0-0036 AJ
 58 1701075-0-0037 AK
 59 1701075-0-0038 AL
 60 1701075-0-0039 AM
 61 1701075-0-0040 AN
 62 1701075-0-0041 AO
 63 1701075-0-0042 AP
 64 1701075-0-0043 AQ
 65 1701075-0-0044 AR
 66 1701075-0-0045 AS
 67 1701075-0-0046 AT
 68 1701075-0-0047 AU
 69 1701075-0-0048 AV
 70 1701075-0-0049 AW
 71 1701075-0-0050 AX
 72 1701075-0-0051 AY
 73 1701075-0-0052 AZ
 74 1701075-0-0053 BA
 75 1701075-0-0054 BB
 76 1701075-0-0055 BC
 77 1701075-0-0056 BD
 78 1701075-0-0057 BE
 79 1701075-0-0058 BF
 80 1701075-0-0059 BG
 81 1701075-0-0060 BH
 82 1701075-0-0061 BI
 83 1701075-0-0062 BJ
 84 1701075-0-0063 BK
 85 1701075-0-0064 BL
 86 1701075-0-0065 BM
 87 1701075-0-0066 BN
 88 1701075-0-0067 BO
 89 1701075-0-0068 BP
 90 1701075-0-0069 BQ
 91 1701075-0-0070 BR
 92 1701075-0-0071 BS
 93 1701075-0-0072 BT
 94 1701075-0-0073 BU
 95 1701075-0-0074 BV
 96 1701075-0-0075 BW
 97 1701075-0-0076 BX
 98 1701075-0-0077 BY
 99 1701075-0-0078 BZ
 100 1701075-0-0079 CA
 101 1701075-0-0080 CB
 102 1701075-0-0081 CC
 103 1701075-0-0082 CD
 104 1701075-0-0083 CE
 105 1701075-0-0084 CF
 106 1701075-0-0085 CG
 107 1701075-0-0086 CH
 108 1701075-0-0087 CI
 109 1701075-0-0088 CJ
 110 1701075-0-0089 CK
 111 1701075-0-0090 CL
 112 1701075-0-0091 CM
 113 1701075-0-0092 CN
 114 1701075-0-0093 CO
 115 1701075-0-0094 CP
 116 1701075-0-0095 CQ
 117 1701075-0-0096 CR
 118 1701075-0-0097 CS
 119 1701075-0-0098 CT
 120 1701075-0-0099 CU
 121 1701075-0-0100 CV
 122 1701075-0-0101 CW
 123 1701075-0-0102 CX
 124 1701075-0-0103 CY
 125 1701075-0-0104 CZ
 126 1701075-0-0105 DA
 127 1701075-0-0106 DB
 128 1701075-0-0107 DC
 129 1701075-0-0108 DD
 130 1701075-0-0109 DE
 131 1701075-0-0110 DF
 132 1701075-0-0111 DG
 133 1701075-0-0112 DH
 134 1701075-0-0113 DI
 135 1701075-0-0114 DJ
 136 1701075-0-0115 DK
 137 1701075-0-0116 DL
 138 1701075-0-0117 DM
 139 1701075-0-0118 DN
 140 1701075-0-0119 DO
 141 1701075-0-0120 DP
 142 1701075-0-0121 DQ
 143 1701075-0-0122 DR
 144 1701075-0-0123 DS
 145 1701075-0-0124 DT
 146 1701075-0-0125 DU
 147 1701075-0-0126 DV
 148 1701075-0-0127 DW
 149 1701075-0-0128 DX
 150 1701075-0-0129 DY
 151 1701075-0-0130 DZ
 152 1701075-0-0131 EA
 153 1701075-0-0132 EB
 154 1701075-0-0133 EC
 155 1701075-0-0134 ED
 156 1701075-0-0135 EE
 157 1701075-0-0136 EF
 158 1701075-0-0137 EG
 159 1701075-0-0138 EH
 160 1701075-0-0139 EI
 161 1701075-0-0140 EJ
 162 1701075-0-0141 EK
 163 1701075-0-0142 EL
 164 1701075-0-0143 EM
 165 1701075-0-0144 EN
 166 1701075-0-0145 EO
 167 1701075-0-0146 EP
 168 1701075-0-0147 EQ
 169 1701075-0-0148 ER
 170 1701075-0-0149 ES
 171 1701075-0-0150 ET
 172 1701075-0-0151 EU
 173 1701075-0-0152 EV
 174 1701075-0-0153 EW
 175 1701075-0-0154 EX
 176 1701075-0-0155 EY
 177 1701075-0-0156 EZ
 178 1701075-0-0157 FA
 179 1701075-0-0158 FB
 180 1701075-0-0159 FC
 181 1701075-0-0160 FD
 182 1701075-0-0161 FE
 183 1701075-0-0162 FF
 184 1701075-0-0163 FG
 185 1701075-0-0164 FH
 186 1701075-0-0165 FI
 187 1701075-0-0166 FJ
 188 1701075-0-0167 FK
 189 1701075-0-0168 FL
 190 1701075-0-0169 FM
 191 1701075-0-0170 FN
 192 1701075-0-0171 FO
 193 1701075-0-0172 FP
 194 1701075-0-0173 FQ
 195 1701075-0-0174 FR
 196 1701075-0-0175 FS
 197 1701075-0-0176 FT
 198 1701075-0-0177 FU
 199 1701075-0-0178 FV
 200 1701075-0-0179 FW
 201 1701075-0-0180 FX
 202 1701075-0-0181 FY
 203 1701075-0-0182 FZ
 204 1701075-0-0183 GA
 205 1701075-0-0184 GB
 206 1701075-0-0185 GC
 207 1701075-0-0186 GD
 208 1701075-0-0187 GE
 209 1701075-0-0188 GF
 210 1701075-0-0189 GG
 211 1701075-0-0190 GH
 212 1701075-0-0191 GI
 213 1701075-0-0192 GJ
 214 1701075-0-0193 GK
 215 1701075-0-0194 GL
 216 1701075-0-0195 GM
 217 1701075-0-0196 GN
 218 1701075-0-0197 GO
 219 1701075-0-0198 GP
 220 1701075-0-0199 GQ
 221 1701075-0-0200 GR
 222 1701075-0-0201 GS
 223 1701075-0-0202 GT
 224 1701075-0-0203 GU
 225 1701075-0-0204 GV
 226 1701075-0-0205 GW
 227 1701075-0-0206 GX
 228 1701075-0-0207 GY
 229 1701075-0-0208 GZ
 230 1701075-0-0209 HA
 231 1701075-0-0210 HB
 232 1701075-0-0211 HC
 233 1701075-0-0212 HD
 234 1701075-0-0213 HE
 235 1701075-0-0214 HF
 236 1701075-0-0215 HG
 237 1701075-0-0216 HH
 238 1701075-0-0217 HI
 239 1701075-0-0218 HJ
 240 1701075-0-0219 HK
 241 1701075-0-0220 HL
 242 1701075-0-0221 HM
 243 1701075-0-0222 HN
 244 1701075-0-0223 HO
 245 1701075-0-0224 HP
 246 1701075-0-0225 HQ
 247 1701075-0-0226 HR
 248 1701075-0-0227 HS
 249 1701075-0-0228 HT
 250 1701075-0-0229 HU
 251 1701075-0-0230 HV
 252 1701075-0-0231 HW
 253 1701075-0-0232 HX
 254 1701075-0-0233 HY
 255 1701075-0-0234 HZ
 256 1701075-0-0235 IA
 257 1701075-0-0236 IB
 258 1701075-0-0237 IC
 259 1701075-0-0238 ID
 260 1701075-0-0239 IE
 261 1701075-0-0240 IF
 262 1701075-0-0241 IG
 263 1701075-0-0242 IH
 264 1701075-0-0243 II
 265 1701075-0-0244 IJ
 266 1701075-0-0245 IK
 267 1701075-0-0246 IL
 268 1701075-0-0247 IM
 269 1701075-0-0248 IN
 270 1701075-0-0249 IO
 271 1701075-0-0250 IP
 272 1701075-0-0251 IQ
 273 1701075-0-0252 IR
 274 1701075-0-0253 IS
 275 1701075-0-0254 IT
 276 1701075-0-0255 IU
 277 1701075-0-0256 IV
 278 1701075-0-0257 IW
 279 1701075-0-0258 IX
 280 1701075-0-0259 IY
 281 1701075-0-0260 IZ
 282 1701075-0-0261 JA
 283 1701075-0-0262 JB
 284 1701075-0-0263 JC
 285 1701075-0-0264 JD
 286 1701075-0-0265 JE
 287 1701075-0-0266 JF
 288 1701075-0-0267 JG
 289 1701075-0-0268 JH
 290 1701075-0-0269 JI
 291 1701075-0-0270 JJ
 292 1701075-0-0271 JK
 293 1701075-0-0272 JL
 294 1701075-0-0273 JM
 295 1701075-0-0274 JN
 296 1701075-0-0275 JO
 297 1701075-0-0276 JP
 298 1701075-0-0277 JQ
 299 1701075-0-0278 JR
 300 1701075-0-0279 JS
 301 1701075-0-0280 JT
 302 1701075-0-0281 JU
 303 1701075-0-0282 JV
 304 1701075-0-0283 JW
 305 1701075-0-0284 JX
 306 1701075-0-0285 JY
 307 1701075-0-0286 JZ
 308 1701075-0-0287 KA
 309 1701075-0-0288 KB
 310 1701075-0-0289 KC
 311 1701075-0-0290 KD
 312 1701075-0-0291 KE
 313 1701075-0-0292 KF
 314 1701075-0-0293 KG
 315 1701075-0-0294 KH
 316 1701075-0-0295 KI
 317 1701075-0-0296 KJ
 318 1701075-0-0297 KK
 319 1701075-0-0298 KL
 320 1701075-0-0299 KM
 321 1701075-0-0300 KN
 322 1701075-0-0301 KO
 323 1701075-0-0302 KP
 324 1701075-0-0303 KQ
 325 1701075-0-0304 KR
 326 1701075-0-0305 KS
 327 1701075-0-0306 KT
 328 1701075-0-0307 KU
 329 1701075-0-0308 KV
 330 1701075-0-0309 KW
 331 1701075-0-0310 KX
 332 1701075-0-0311 KY
 333 1701075-0-0312 KZ
 334 1701075-0-0313 LA
 335 1701075-0-0314 LB
 336 1701075-0-0315 LC
 337 1701075-0-0316 LD
 338 1701075-0-0317 LE
 339 1701075-0-0318 LF
 340 1701075-0-0319 LG
 341 1701075-0-0320 LH
 342 1701075-0-0321 LI
 343 1701075-0-0322 LJ
 344 1701075-0-0323 LK
 345 1701075-0-0324 LL
 346 1701075-0-0325 LM
 347 1701075-0-0326 LN
 348 1701075-0-0327 LO
 349 1701075-0-0328 LP
 350 1701075-0-0329 LQ
 351 1701075-0-0330 LR
 352 1701075-0-0331 LS
 353 1701075-0-0332 LT
 354 1701075-0-0333 LU
 355 1701075-0-0334 LV
 356 1701075-0-0335 LW
 357 1701075-0-0336 LX
 358 1701075-0-0337 LY
 359 1701075-0-0338 LZ
 360 1701075-0-0339 MA
 361 1701075-0-0340 MB
 362 1701075-0-0341 MC
 363 1701075-0-0342 MD
 364 1701075-0-0343 ME
 365 1701075-0-0344 MF
 366 1701075-0-0345 MG
 367 1701075-0-0346 MH
 368 1701075-0-0347 MI
 369 1701075-0-0348 MJ
 370 1701075-0-0349 MK
 371 1701075-0-0350 ML
 372 1701075-0-0351 MM
 373 1701075-0-0352 MN
 374 1701075-0-0353 MO
 375 1701075-0-0354 MP
 376 1701075-0-0355 MQ
 377 1701075-0-0356 MR
 378 1701075-0-0357 MS
 379 1701075-0-0358 MT
 380 1701075-0-0359 MU
 381 1701075-0-0360 MV
 382 1701075-0-0361 MW
 383 1701075-0-0362 MX
 384 1701075-0-0363 MY
 385 1701075-0-0364 MZ
 386 1701075-0-0365 NA
 387 1701075-0-0366 NB
 388 1701075-0-0367 NC
 389 1701075-0-0368 ND
 390 1701075-0-0369 NE
 391 1701075-0-0370 NF
 392 1701075-0-0371 NG
 393 1701075-0-0372 NH
 394 1701075-0-0373 NI
 395 1701075-0-0374 NJ
 396 1701075-0-0375 NK
 397 1701075-0-0376 NL
 398 1701075-0-0377 NM
 399 1701075-0-0378 NN
 400 1701075-0-0379 NO
 401 1701075-0-0380 NP
 402 1701075-0-0381 NQ
 403 1701075-0-0382 NR
 404 1701075-0-0383 NS
 405 1701075-0-0384 NT
 406 1701075-0-0385 NU
 407 1701075-0-0386 NV
 408 1701075-0-0387 NW
 409 1701075-0-0388 NX
 410 1701075-0-0389 NY
 411 1701075-0-0390 NZ
 412 1701075-0-0391 OA
 413 1701075-0-0392 OB
 414 1701075-0-0393 OC
 415 1701075-0-0394 OD
 416 1701075-0-0395 OE
 417 1701075-0-0396 OF
 418 1701075-0-0397 OG
 419 1701075-0-0398 OH
 420 1701075-0-0399 OI
 421 1701075-0-0400 OJ
 422 1701075-0-0401 OK
 423 1701075-0-0402 OL
 424 1701075-0-0403 OM
 425 1701075-0-0404 ON
 426 1701075-0-0405 OO
 427 1701075-0-0406 OP
 428 1701075-0-0407 OQ
 429 1701075-0-0408 OR
 430 1701075-0-0409 OS
 431 1701075-0-0410 OT
 432 1701075-0-0411 OU
 433 1701075-0-0412 OV
 434 1701075-0-0413 OW
 435 1701075-0-0414 OX
 436 1701075-0-0415 OY
 437 1701075-0-0416 OZ
 438 1701075-0-0417 PA
 439 1701075-0-0418 PB
 440 1701075-0-0419 PC
 441 1701075-0-0420 PD
 442 1701075-0-0421 PE
 443 1701075-0-0422 PF
 444 1701075-0-0423 PG
 445 1701075-0-0424 PH
 446 1701075-0-0425 PI
 447 1701075-0-0426 PJ
 448 1701075-0-0427 PK
 449 1701075-0-0428 PL
 450 1701075-0-0429 PM
 451 1701075-0-0430 PN
 452 1701075-0-0431 PO
 453 1701075-0-0432 PP
 454 1701075-0-0433 PQ
 455 1701075-0-0434 PR
 456 1701075-0-0435 PS
 457 1701075-0-0436 PT
 458 1701075-0-0437 PU
 459 1701075-0-0438 PV
 460 1701075-0-0439 PW
 461 1701075-0-0440 PX
 462 1701075-0-0441 PY
 463 1701075-0-0442 PZ
 464 1701075-0-0443 QA
 465 1701075-0-0444 QB
 466 1701075-0-0445 QC
 467 1701075-0-0446 QD
 468 1701075-0-0447 QE
 469 1701075-0-0448 QF
 470 1701075-0-0449 QG
 471 1701075-0-0450 QH
 472 1701075-0-0451 QI
 473 1701075-0-0452 QJ
 474 1701075-0-0453 QK
 475 1701075-0-0454 QL
 476 1701075-0-0455 QM
 477 1701075-0-0456 QN
 478 1701075-0-0457 QO
 479 1701075-0-0458 QP
 480 1701075-0-0459 QQ
 481 1701075-0-0460 QR
 482 1701075-0-0461 QS
 483 1701075-0-0462 QT
 484 1701075-0-0463 QU
 485 1701075-0-0464 QV
 486 1701075-0-0465 QW
 487 1701075-0-0466 QX
 488 1701075-0-0467 QY
 489 1701075-0-0468 QZ
 490 1701075-0-0469 RA
 491 1701075-0-0470 RB
 492 1701075-0-0471 RC
 493 1701075-0-0472 RD
 494 1701075-0-0473 RE
 495 1701075-0-0474 RF
 496 1701075-0-0475 RG
 497 1701075-0-0476 RH
 498 1701075-0-0477 RI
 499 1701075-0-0478 RJ
 500 1701075-0-0479 RK
 501 1701075-0-0480 RL
 502 1701075-0-0481 RM
 503 1701075-0-0482 RN
 504 1701075-0-0483 RO
 505 1701075-0-0484 RP
 506 1701075-0-0485 RQ
 507 1701075-0-0486 RR
 508 1701075-0-0487 RS
 509 1701075-0-0488 RT
 510 1701075-0-0489 RU
 511 1701075-0-0490 RV
 512 1701075-0-0491 RW
 513 1701075-0-0492 RX
 514 1701075-0-0493 RY
 515 1701075-0-0494 RZ
 516 1701075-0-0495 SA
 517 1701075-0-0496 SB
 518 1701075-0-0497 SC
 519 1701075-0-0498 SD
 520 1701075-0-0499 SE
 521 1701075-0-0500 SF
 522 1701075-0-0501 SG
 523 1701075-0-0502 SH
 524 1701075-0-0503 SI
 525 1701075-0-0504 SJ
 526 1701075-0-0505 SK
 527 1701075-0-0506 SL
 528 1701075-0-0507 SM
 529 1701075-0-0508 SN
 530 1701075-0-0509 SO
 531 1701075-0-0510 SP
 532 1701075-0-0511 SQ
 533 1701075-0-0512 SR

"THIS DRAWING AND SPECIFICATIONS HEREIN ARE THE PROPERTY OF DIGITAL EQUIPMENT CORPORATION AND SHALL NOT BE REPRODUCED OR COPIED OR USED IN WHOLE OR IN PART AS THE BASIS FOR THE MANUFACTURE OR SALE OF ITEMS WITHOUT THE WRITTEN PERMISSION OF DIGITAL EQUIPMENT CORPORATION"



1	1	CLAMP (RESISTOR)	9009771-2	46
A/R	A/R	WIRE #18 WHT/BLK	9007430-09	45
4	4	SCR, PHL FLAT HJ 6-32X3/16	9008020-02	44
A/R	A/R	TUBING, SHRINK	9107254-9	43
1	1	TERM, SOLDER SCR. MT.	9008150	42
A/R	A/R	TUBING, SHRINK (GRN)	9107254-02	41
1	1	FUSE, 1A, 250V S.B.	9007212	40
A/R	A/R	TIE WRAP	9007031	38
4	4	NUT #10-32	9007784	37

CONT FROM SHEET 1 OF 2

FIRST USED ON OPTION/MODEL H777		QTY.	DESCRIPTION	PART NO.	ITEM NO.
PARTS LIST					
DIMENSIONAL TOLERANCE		DRN	DATE	REV. NO.	
DIMENSIONS ARE $\frac{1}{16}$ INCHES UNLESS OTHERWISE SPECIFIED		CHKD	DATE	REV. NO.	
MILLIMETERS	INCHES	ANGLS	ENG	DATE	REV. NO.
X.XX ± 0.10	XXX ± 0.005	90° 30'	PHOTO	DATE	REV. NO.
X.X ± 0.05	XXX ± 0.002		PROOF	DATE	REV. NO.
X ± 0.2	XXX ± 0.001		PHOTO	DATE	REV. NO.
THIRD ANGLE PROJECTION	REMOVE BURNING AND BREAK SHARP CORNERS SURFACE QUALITY	NEXT HIGHER ASSY.		SIZE CODE	NUMBER
MATERIAL	FINISH	SCALE	SHEET	DIST.	REV.
		12 OF 2	12 OF 2		B

A/C INPUT ASSY (120V/230V)

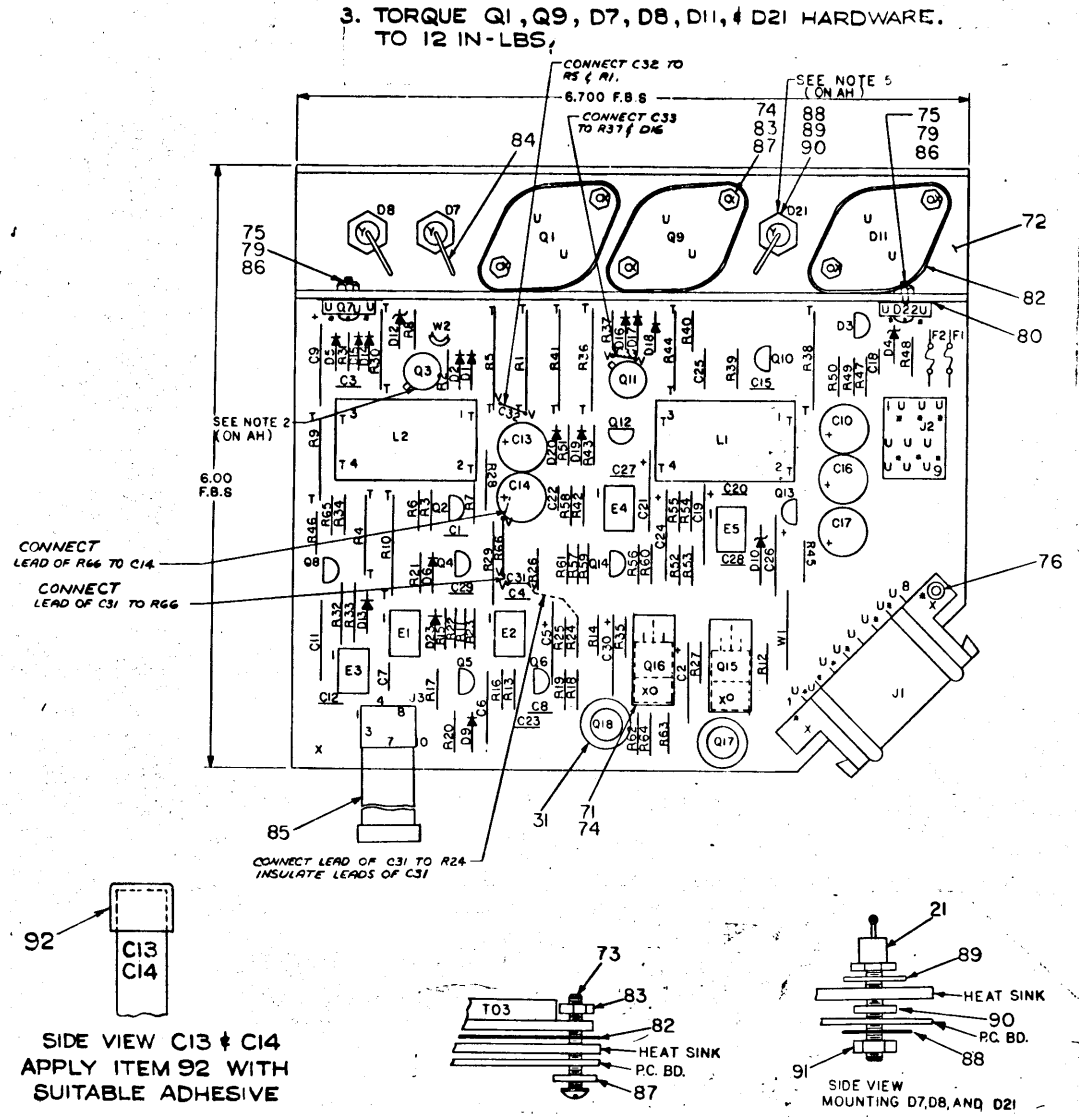
DAD 7011075-0-0

REV.	CHG.	NO.	DATE

DAD 7011075-0-0 B

THIS DRAWING AND SPECIFICATIONS, HEREIN, ARE THE PROPERTY OF DIGITAL EQUIPMENT CORPORATION AND SHALL NOT BE REPRODUCED OR COPIED OR USED IN WHOLE OR IN PART AS THE BASIS FOR THE MANUFACTURE OR SALE OF ITEMS WITHOUT WRITTEN PERMISSION.
 COPYRIGHT © 1975 DIGITAL EQUIPMENT CORPORATION

NOTES:
 1. ITEMS 88, 89, 90 ARE PACKAGED WITH THE DIODES. SUBSTITUTE PACKAGED WASHER FOR ITEM #88.
 3. TORQUE Q1, Q9, D7, D8, D11, & D21 HARDWARE TO 12 IN-LBS.



IC TYPE	GND	+5V
GND AND 5V ARE USUALLY PIN 7 AND 14 RESPECTIVELY (EXCEPTIONS ARE STATED ABOVE)		
IC PIN LOCATIONS		

QTY	REF. DESIGNATION	DESCRIPTION	PART NO.	ITEM NO.
1	R18	RESISTOR, 8.2K, 1/4W, 5%	1303179	31
1	R28	RESISTOR, 4.9K, 1/4W, 1% MF	1305324	52
2	R1, R38	RESISTOR, 1.2W, 1%, WW	1305428	53
1	R55	RESISTOR, 5/1, 1/4W, 5%	1309422	54
2	R5, R38	RESISTOR, .15, 2W, 10%	1310147	55
2	R32, R33	RESISTOR, 2.21K, 1/4W, 1%	1310631	56
1	D22	DIODE 2N4441 SCR	1505887	57
3	Q3, Q11, Q17	TRANSISTOR, 2N4038	1509700	58
1	Q18	TRANSISTOR, DEC 3734	1510082	59
1	Q7	TRANSISTOR, MJE3055	1510555	60
7	Q4, Q5, Q6, Q8, Q12 THRU Q14	TRANSISTOR, XA05	1510705	61
2	Q2, Q10	TRANSISTOR, XA55	1510706	62
1	Q16	TRANSISTOR, D45H8	1510708	63
2	Q1, Q9	TRANSISTOR, 2N5038	1510969	64
1	Q15	TRANSISTOR, D44H5	1512722	65
2	L1, L2	INDUCTOR, 500uh	1612593	66
2	E2, E5	I.C. L.M. 301A	1910282	67
3	E1, E3, E4	I.C. L.M. 555	1911944	68
1	C22	CAPACITOR, 470pf, 100V, 5%	1000024	69
11	D1, D2, D6, D13 THRU D17, D19, D20, D23	DIODE D672		1105275
2		HEAT SINK	7414765	71
1		HEAT SINK	7413842	72
2		SCREW #4-40 x 5/16 LG.	9006010-1	73
8		SCREW #4/40 x 7/16 LG.	9006012-1	74
2		SCREW, NYLON #4/40 x 1/2 LG.	9006402-4	75
1		EYELET	9006745	76
2		TRANSIPAD	9007201	77
A/R		TUBING	9107267-09	78
2		NUT, NYLON #4/40	9007992	79
2		WASHER, THERMAFILM	9008225	80
A/R		THERMAL COMPOUND	9008268	81
3		INSULATOR	9008419	82
6		NUT, KEP #4/40	9006557	83
A/R		WIRE #20 AWG STRANDED	9107460-68	84
1	J4	CONTROL CABLE	7011414-D	85
2		WASHER, LOCK, INTERNAL TOOTH #4	9006632	86
6		WASHER, FLAT	9008172	87
3		WASHER, FLAT	9006660	88
3		WASHER THERMAFILM	9008424	89
3		BUSHING, NYLON	9006711	90
3		NUT, HEX #10-32	9009005	91
2		INSULATOR, CAPACITOR	9009731-03	92
A/R	W1, W2	WIRE #20 AWG. SOLID	9107560-02	93
2	R7, R65	RESISTOR, 4.7K, 1/4W, 5%		1300447
2	R23, R56	RESISTOR, 5.62K, 1/4W, 1%		1305128
11	R13, R15, R16, R17, R21, R22, R42, R46, R51, R57, R58	RESISTOR, 10K, 1/4W, 5%		1300479
2	R53, R24	RESISTOR, 100K, 1/4W, 5%		1302466
3	R8, R31, R40	RESISTOR, 10, 1/4W, 5%		1301317
2	R10, R41	RESISTOR, 330, 2W, 10%		1301981
2	R26, R34	RESISTOR, 2K, 1/4W, 5%		1302588
1	R66	RESISTOR, 180, 1/4W, 5%		1301322
1	R4	RESISTOR, .12K, 1W, 10%		1302950
1	R30	RESISTOR, 1.8K, 1W, 5%		1303122
50				

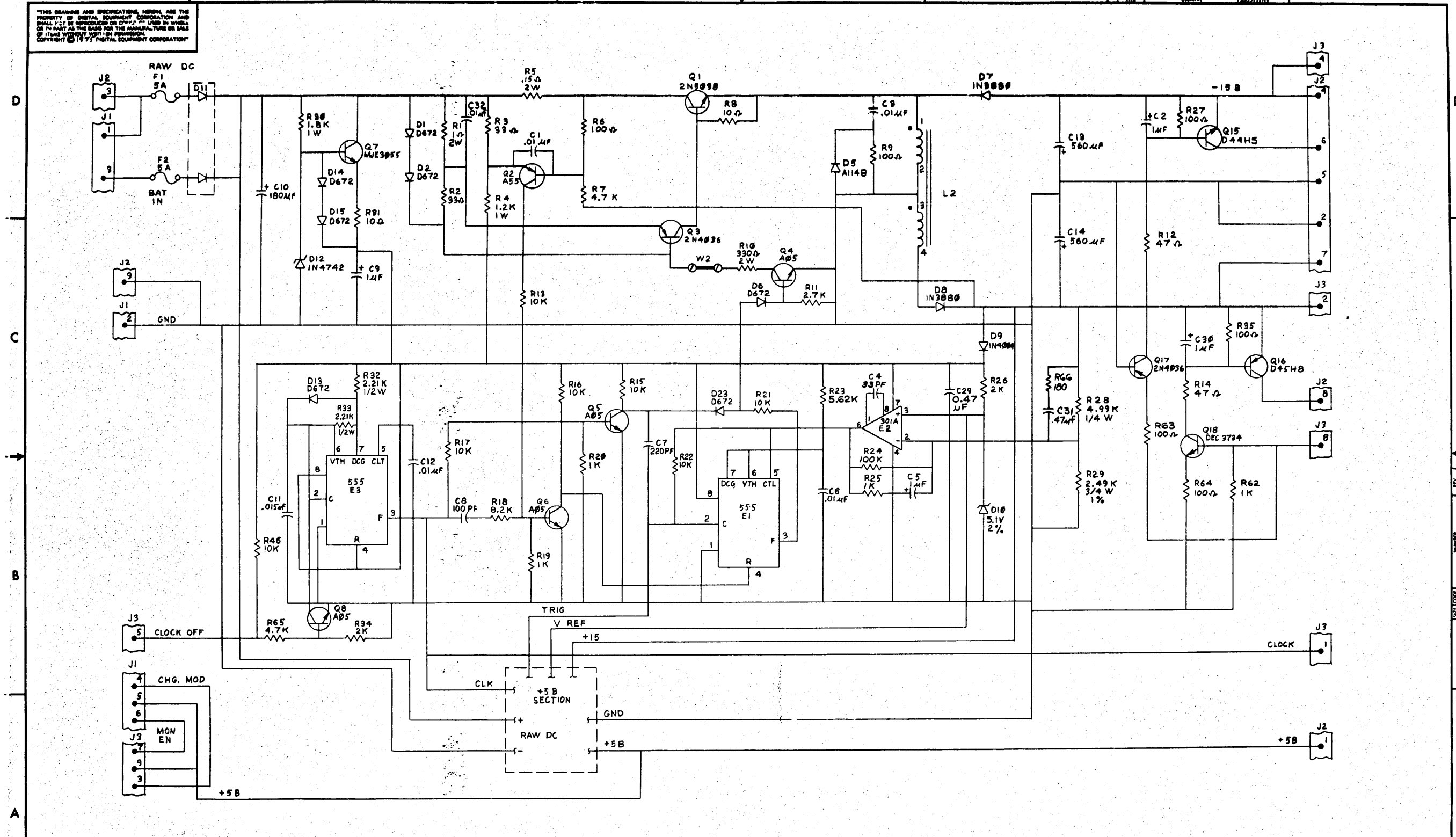
FIRST USED ON OPTION MODEL		PARTS LIST	
ETCH BOARD REV.	D	DATE	8-28-75
DRN. 0. J. Ledwith		DATE	8-28-75
CHKD. 10/2/75		DATE	10/2/75
ENG. 10/2/75		DATE	10/2/75
PROF. ENG. 10/2/75		DATE	10/2/75
PROD. 10/2/75		DATE	10/2/75
NEXT HIGHER ASSY			
DEC. NO.	EIA NO.	DEC. NO.	EIA NO.
SEMICONDUCTOR CONVERSION CHART			
SCALE	SHEET 1 OF 3		
TITLE		MOS REGULATOR H777	
SIZE CODE	D CS	NUMBER	5411601-0-1
DIST.		REV.	J

11/18/77
 R. DAY
 3/28/77
 5411601-00004 J
 G. POTTER
 5411601-00003 H
 G. POTTER
 5411601-00002 F
 Richard Barry 7-10-75
 Richard Barry 12-6-75
 5411601-00001 E

194

THIS DRAWING AND SPECIFICATIONS HEREIN ARE THE PROPERTY OF DIGITAL EQUIPMENT CORPORATION AND SHALL NOT BE REPRODUCED OR TRANSMITTED IN ANY FORM OR BY ANY MEANS, ELECTRONIC OR MECHANICAL, INCLUDING PHOTOCOPYING, RECORDING, OR BY ANY INFORMATION STORAGE AND RETRIEVAL SYSTEM, WITHOUT PERMISSION IN WRITING FROM DIGITAL EQUIPMENT CORPORATION.

DCS 5411601-0-1

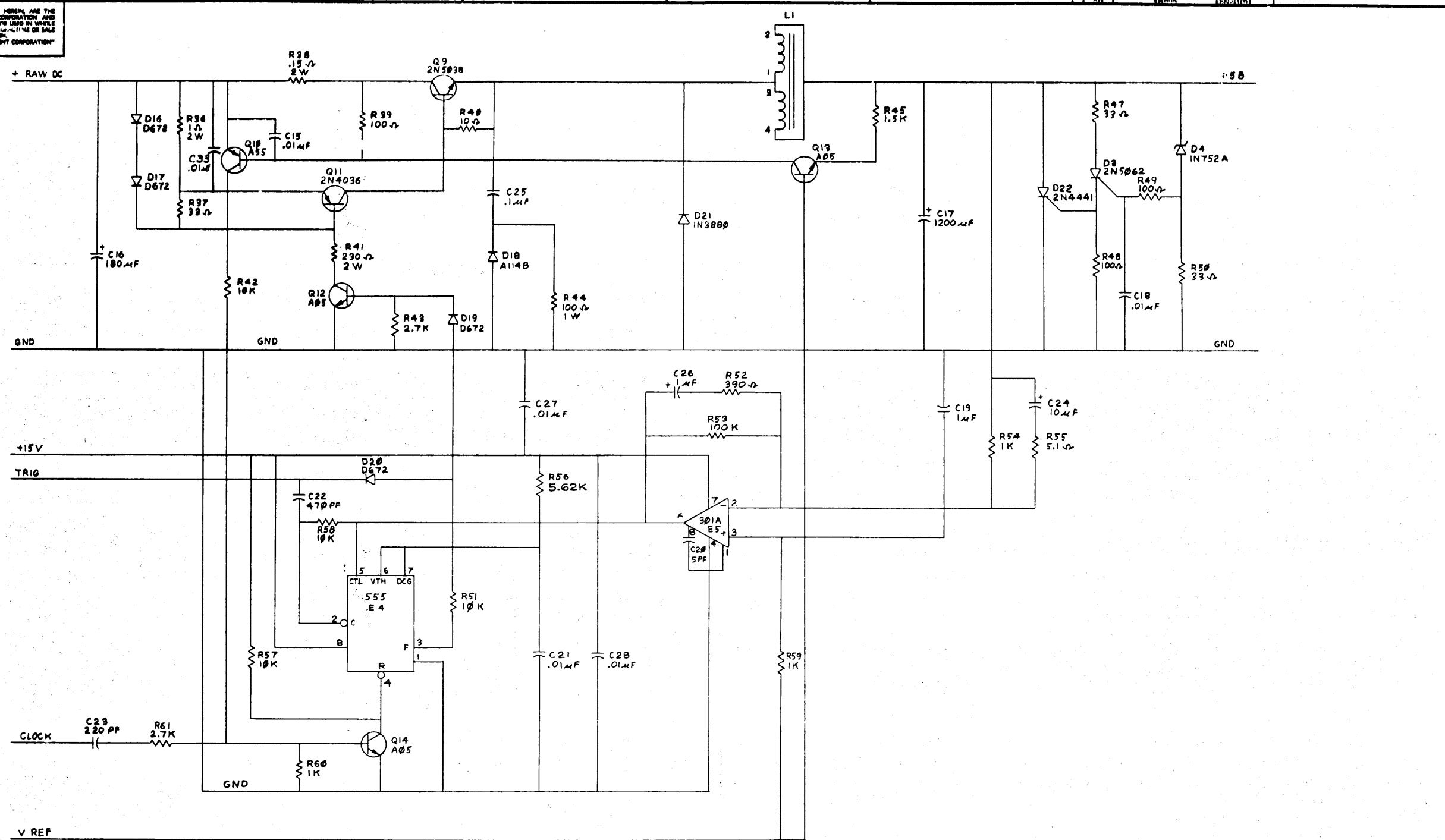


REVISIONS		
CHK	CHANGE NO.	REV.

TITLE	DCS 5411601-0-1	SIZE CODE	NUMBER	REV.
MOS REGULATOR H777	DCS 5411601-0-1	J		
SCALE	SHEET 2 OF 3	DIST.		

195

THIS DRAWING AND SPECIFICATIONS HEREIN ARE THE PROPERTY OF DIGITAL EQUIPMENT CORPORATION AND SHALL NOT BE REPRODUCED OR COPIED IN WHOLE OR IN PART AS THE BASIS FOR THE MANUFACTURE OR SALE OF ITEMS WITHOUT WRITTEN PERMISSION. COPYRIGHT © 1977 DIGITAL EQUIPMENT CORPORATION



REVISIONS		
CHK	CHANGE NO.	REV.

TITLE	MOS REGULATOR H777	SIZE CODE	D CS	NUMBER	5411601-0-1	REV.	J
SCALE		SHEET	3	OF	3	DIST.	

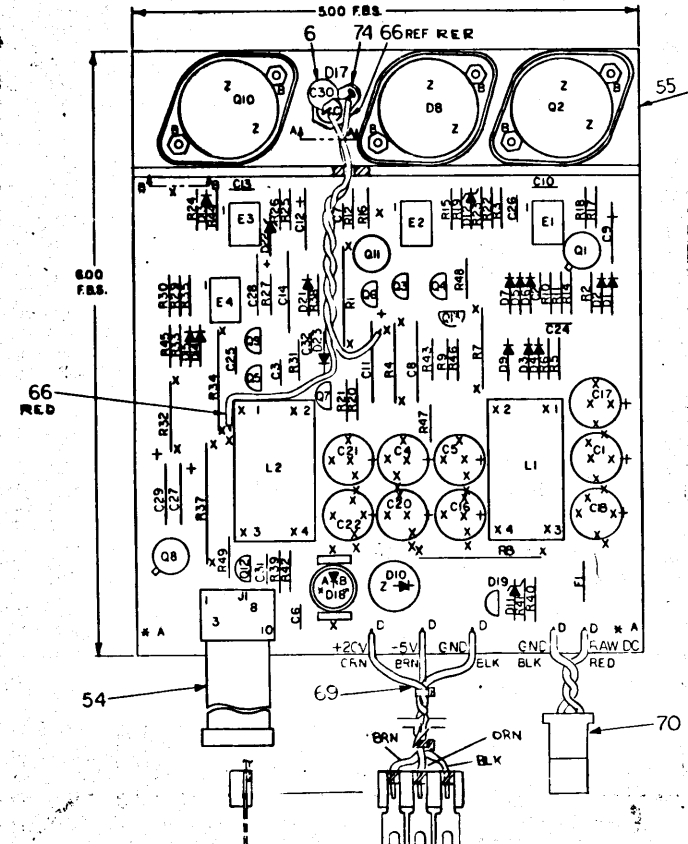
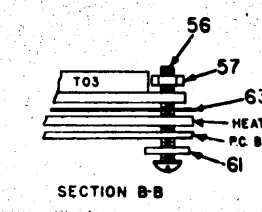
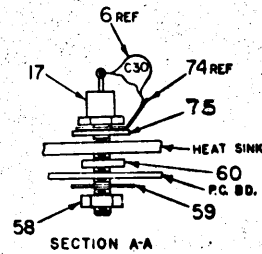
196

"THIS DRAWING AND SPECIFICATIONS HEREIN ARE THE PROPERTY OF DIGITAL EQUIPMENT CORPORATION AND SHALL NOT BE REPRODUCED OR COPIED OR USED IN WHOLE OR IN PART AS THE BASIS FOR THE MANUFACTURE OR SALE OF ITEMS WITHOUT WRITTEN PERMISSION.
COPYRIGHT © 1971 DIGITAL EQUIPMENT CORPORATION"

NOTES:

USE TRANSIPAD DEC# 9007201 UNDER Q1 & Q8

1	HEAT SINK	7416236-0-0	55	REF	X-Y COORDINATE HOLE LOCATION	K-CO-5411599-0-4	1	
6	SCREW, #4-40 x 1/2" LG PH HD	9008013-1	56	REF	ASSY/DRILLING HOLE LAYOUT	D-AH-5411599-0-5	2	
6	NUT, KEP #4-40	9008557	57	REF	MODULE ECO HISTORY	6-MH-5411599-0-6	3	
1	NUT, HEX #10-32	9008584	58	1	ETCHED CIRCUIT BOARD	5011598	4	
1	WASHER, FLAT	9008662	59	1	C7	CAPACITOR, 100PF, 100V, 5%	1000016	
1	BUSHING, NYLON	9008440	60	6	C2, C3, C6, C30, C24, C25	CAPACITOR, .01uf, 100V DISC	1001610-01	
6	WASHER, FLAT	9008172	61	3	C9, C27, C28	CAPACITOR, 1uf, 35V, 10% TANT	1001776	
A/R	COMPOUND, THERMAL	9008288	62	2	C10, C13	CAPACITOR, 33pf, 100V DM	1000009	
3	INSULATOR, TO 3	1213071-02	63	1	C11	CAPACITOR, 1.5uf, 35V, 10% TANT	1009725	
1	WASHER, THERMAFILM	9008424	64	2	C8, C14	CAPACITOR, .01uf, 100V, 10% MYLAR	1005784	
2	TRANSIPAD	9007201	65	1	C31	CAPACITOR, 220pf, 100V, 5%	1000021	
A/R	WIRE #18 AWG, TWISTED PAIR	9107430-02	66	2	C5, C16	CAPACITOR, 1200uf, 63V	1012607-01	
1	C29	CAPACITOR 2.2UF 20V	1002627	67	7	C1, C17, C18, C4, C20, C21, C22	CAPACITOR, 180uf, 50V	1012607-02
1	R47	RESISTOR 200, 1/4W, 5%	1311522	68	1	D22	DIODE, IN 4742	1109502
1		HARNES (THREE WIRE)	C-IA 7012547-0-0	69	1	D10	DIODE, M10338	1103341
1		HARNES (TWO WIRE)	C-IA 7012546-0-0	70	10	D1 THRU D7, D14, D15, D21	DIODE, D872	1105275
1	C12	CAPACITOR, 10uf, 20V, 10%, TANT	1004813	71	1	D17	DIODE, M3880	1109440
1	D23	DIODE, IN 753A	1102421	72	2	D12, D13	DIODE, IN 751, 3.1V 2%	1110713
1	C26	CAPACITOR, .47uf, 25V, 20%, CER	1010279	73	1	D8	DIODE	1110715
1		SOLDER, TERM., SCREW MTG.	9007815	74	1	D11	DIODE, IN 978B	1110858
1		SIL PAD, .800, .190 I.D.	1213071-05	75	1	D19	DIODE, 2N5982	1110968
1	C32	CAP. 1UF 50V CER.	1010274-02	76	1	D9	DIODE, A1148	1112595-01
1					1	F1	FUSE, 15A, PICO	1210929
1					1	R46	RESISTOR, 18K, 1/4W, 5%	1302465
6					6	R9, R39, R40, R41, R43, R45	RESISTOR, 100, 1/4W, 5%	1300229
1					1	R7	RESISTOR, 100, 1W, 5%	1300232
3					3	R11, R12, R33	RESISTOR, 390, 1/4W, 5%	1300309
6					6	R6, R12, R23, R31, R17, R48	RESISTOR, 1K, 1/4W, 5%	1300385
3					3	R10, R14, R30	RESISTOR, 2.7K, 1/4W, 5%	1300426
4					4	R42, R44, R15, R27	RESISTOR, 4.7K, 1/4W, 5%	1300447
1					1	R4	RESISTOR, 1K, 1W, 5%	1300368
3					3	R16, R29, R38	RESISTOR, 10K, 1/4W, 5%	1300479
2					2	R3, R35	RESISTOR, 10, 1/4W, 5%	1301317
1					1	R45	RESISTOR, 470, 1/4W, 5%	1300316
1					1	R5	RESISTOR, 27, 1/4W, 5%	1301522
1					1	R34	RESISTOR, 330, 2W, 10%	1501961
2					2	R19	RESISTOR, 2K, 1/4W, 5%	1302388
2					2	R18, R26	RESISTOR, 170K, 1/4W, 5%	1302488
1					1	R22	RESISTOR, 2.74K, 1/4W, 1%	1304888
2					2	R1, R32	RESISTOR, 1, 2W, 5% WW	1305428
1					1	R24, R25	RESISTOR, 1.5K, 1/4W, 5%	1300391
1					1	R21	RESISTOR, 8.25K, 1/4W, 1%	1309428
2					2	R8, R37	RESISTOR, .08, 5W, 3% WW	1311903
1					1	R20	RESISTOR, 56, 1/4W, 5%	1302602
2					2	Q1, Q8	TRANSISTOR, 2N4838	1509700
7					7	Q3, Q5, Q6, Q7, Q9, Q12, Q13	TRANSISTOR, XA95	1510705
1					1	Q4	TRANSISTOR, XA95	1510708
1					1	D18	TRANSISTOR, C32AX134	1510928
2					2	Q2, Q10	TRANSISTOR, 2N5038	1510989
1					1	Q11	TRANSISTOR, 2N5433	1511888
2					2	L1, L2	INDUCTOR, 900uh	1812593
2					2	E1, E3	I.C. DEC 901A	1910282
2					2	E2, E4	I.C. DEC 955	1911844
1					1	J1	CABLE ASSY	7011414 -0E



IC TYPE	QND	+5V

GND AND 5V ARE USUALLY PIN 7 AND 14 RESPECTIVELY EXCEPTS ARE STATED ABOVE

IC PIN LOCATIONS

FIRST USED ON OPTION MODEL

ETCH BOARD REV. 1

DATE 11/9/75

TITLE **+20V REGULATOR/H777**

DESIGNED BY W. J. SOFLO

DRWN BY B. COURTENANCE

CHECKED BY G. POTTER

REVISED BY W. J. SOFLO

DATE 11/9/75

SCALE 1"=1"

SHEET 1 OF 2

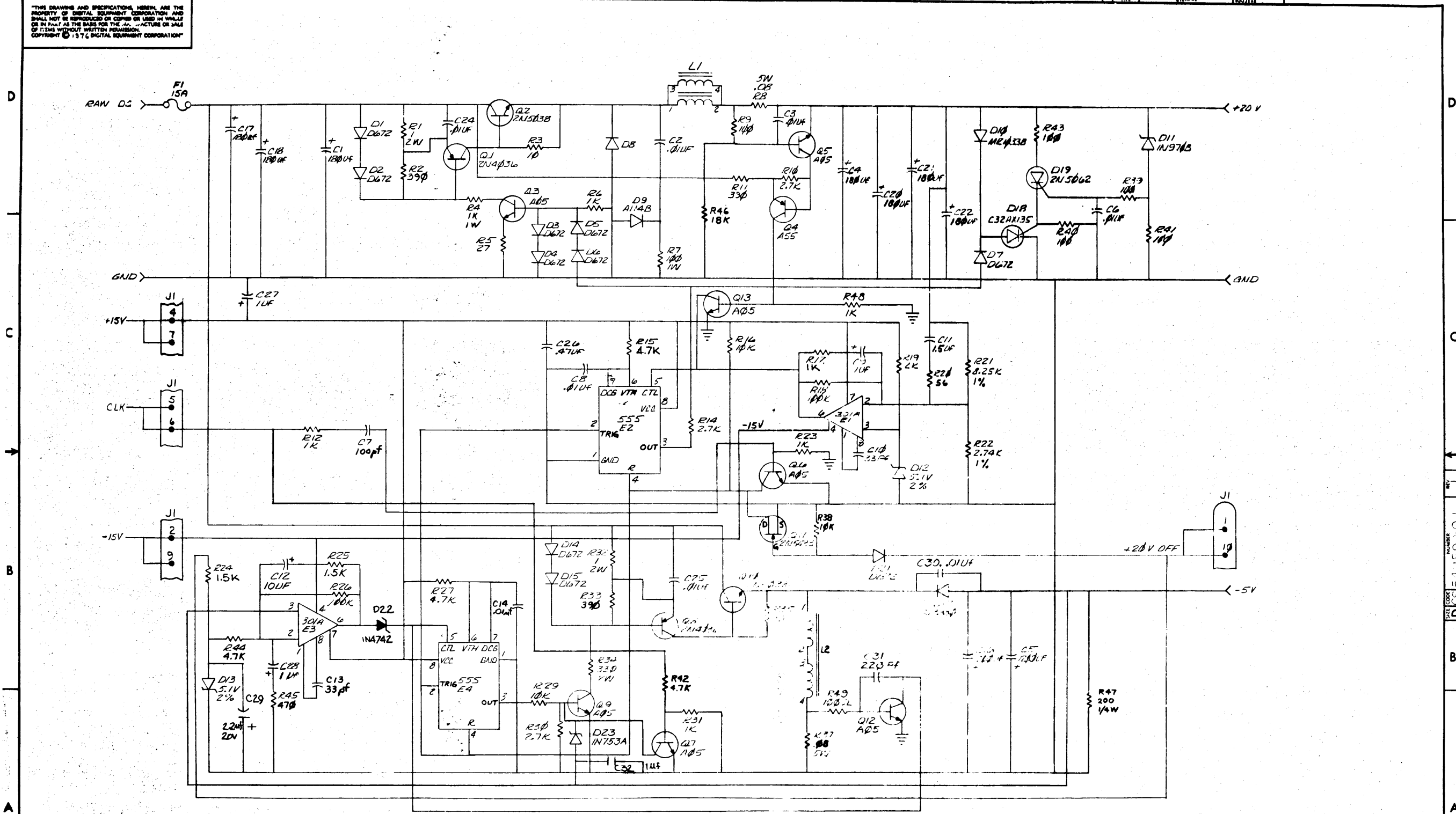
DEC NO. 572 EIA NO. 5411599-0001 DEC NO. 5411599-0-0 EIA NO. 5411599-0-1

SEMICONDUCTOR CONVERSION CHART

DIST.

THIS DRAWING AND SPECIFICATIONS HEREIN ARE THE PROPERTY OF DIGITAL EQUIPMENT CORPORATION AND SHALL NOT BE REPRODUCED OR COPIED OR USED IN WHOLE OR IN PART AS THE BASIS FOR THE MANUFACTURE OR SALE OF ITEMS WITHOUT WRITTEN PERMISSION. COPYRIGHT © 1974, DIGITAL EQUIPMENT CORPORATION

1-0-6691159-0-1



REVISIONS		
CHK	CHANGE NO.	REV.

TITLE: +20V REGULATOR/H777
 SIZE CODE: DCS
 NUMBER: 5411599-0-1
 SHEET 2 OF 2

198

DIGITAL EQUIPMENT CORPORATION MAYNARD, MASSACHUSETTS PARTS LIST			QUANTITY/VARIATION										
MADE BY <i>A. Nickol</i>	CHECKED D. HEALY		SECTION		H777-AA	H777-AB	H777-BA	H777-BB	H777-CA	H777-CB	H777-DA	H777-DB	
DATE <i>17/Jul/76</i>	DATE 29 JUL 76		1		A	RA	RA	RA	RA	RA	RA	R	
ENG <i>R. Barry</i>	PROD <i>RB King</i>		ISSUED SECT.										
DATE <i>26 Aug 76</i>	DATE <i>26 Aug 76</i>		1										
ITEM NO.	DWG NO. / PART NO.	DESCRIPTION	H777-AA	H777-AB	H777-BA	H777-BB	H777-CA	H777-CB	H777-DA	H777-DB			
1	D-IA-7011248-0-0	CHASSIS ASSY P.S.	1	1	1	1	-	-	-	-			
2	9007031	TIE WRAP	A	RA	RA	RA	RA	RA	RA	RA	R		
3	D-AD-7011075-0-0	A/C INPUT ASSY (120V)	1	-	1	-	-	-	-	-			
4	D-AD-7011075-1-0	A/C INPUT ASSY (230V)	-	1	-	1	-	-	-	-			
5	9007035	GROMMET CAT.	A	RA	RA	RA	RA	RA	RA	RA	R		
6	9006563	NUT, KEPS #8 - 32	2	2	2	2	2	2	2	2			
7	E-MD-7413825-0-0	COVER, POWER SUPPLY	1	1	1	1	-	-	-	-			
8	D-AD-7011073-0-0	+5V REGULATOR ASSY	1	1	1	1	-	-	-	-			
9	D-CS-5411601-0-1	MOS. REG. H777	1	1	1	1	1	1	1	1			
10	9006020-1	SCR. PHIL HD PAN #6 - 32 x .25	4	4	2	2	3	3	1	1			
11	9008509	STRAIN RELIEF	1	1	1	1	-	-	-	-			
12	D-IA-7012320-0	POWER CORD (115V)	1	-	1	-	-	-	-	-			
13	D-IA-7012320-1	POWER CORD (230V)	-	1	-	1	-	-	-	-			
14	9006022-1	SCR. PHIL HD PAN #6-32 x .38	6	6	2	2	-	-	-	-			
15	9006633	WASHER, INT. TOOTH #6	6	6	2	2	-	-	-	-			
16	9009771-02	CLAMP	2	2	2	2	-	-	-	-			
17	1209403-01	FAN, BOXER 115V, 50/60 HZ	1	1	1	1	1	1	1	1			
18	9006020-2	SCR. PHIL FLAT HD #6 - 32 x .25	7	7	7	7	-	-	-	-			
19	9008185	NUT, KEPS #6 - 32	4	4	4	4	6	6	6	6			
20	9006023-1	SCR., PHIL HD PAN #6 - 32 x .44	4	4	4	4	4	4	4	4			
21	9006074-3	SCR., PHIL TRUSS #10 - 32 x .62	4	4	4	4	4	4	4	4			
22	9007651	WASHER, EXT. TOOTH #10	4	4	4	4	4	4	4	4			
TITLE POWER SUPPLY ASSY (H777)			ASSY NO. E-UA-H777-0-0	SIZE CODE A PL	NUMBER H777-0-0				REV. K	ECO NO. 00003			
SHEET 1 OF 3			DIST.										

DEC FORM DEC 16 (325) 1031-N870
DRA 110

DIGITAL EQUIPMENT CORPORATION MAYNARD, MASSACHUSETTS PARTS LIST			QUANTITY/VARIATION										
MADE BY	CHECKED D. HEALY		SECTION		H777-AA	H777-AB	H777-BA	H777-BB	H777-CA	H777-CB	H777-DA	H777-DB	
DATE	DATE 29 JUL 76		1		-	-	-	-	-	-	-	-	
ENG <i>R. Barry</i>	PROD <i>RB King</i>		ISSUED SECT.										
DATE <i>26 Aug 76</i>	DATE <i>26 Aug 76</i>		1										
ITEM NO.	DWG NO. / PART NO.	DESCRIPTION	H777-AA	H777-AB	H777-BA	H777-BB	H777-CA	H777-CB	H777-DA	H777-DB			
45	9006634	WASHER INT. TOOTH LOCK #8	-	-	-	-	1	1	1	1			
46	9006634	WASHER INT. TOOTH LOCK #8	-	-	-	-	1	1	1	1			
47	9006011-1	SCR PH HD PAN #4 - 40 x .38	-	-	-	-	2	2	2	2			
48	9006632	WASHER INT. TOOTH LOCK #4	-	-	-	-	2	2	2	2			
49	9008020-02	SCR, PHIL FLAT HD. #6-32 x .18	1	1	1	1	-	-	-	-			
50	7011411-1L	CABLE, CONSOLE CONTROL	-	-	-	-	1	1	1	1			
51	9006022-03	SCR. PHIL. TRUSS #6-32 x .38	-	-	-	-	4	4	2	2			
52	C-IA-7013938-1	CABLE JUMPER	-	-	-	-	1	1	1	1			
53	C-IA-7013938-0	CABLE JUMPER	-	-	-	-	1	1	1	1			
54	C-IA-7013939-0	CABLE GROUNDING	-	-	-	-	1	1	1	1			
55	A-PS-1700083-05	AC POWER CORD (115V)	-	-	-	-	1	-	1	-			
56	A-PS-1700083-04	AC POWER CORD (230V)	-	-	-	-	1	-	1	-			
TITLE POWER SUPPLY ASSY (H777)			ASSY NO. E-UA-H777-0-0	SIZE CODE A PL	NUMBER H777-0-0				REV. K	ECO NO.			
SHEET 3 OF 3			DIST.										

DEC FORM DEC 16 (325) 1031-N870
DRA 110

DIGITAL EQUIPMENT CORPORATION MAYNARD, MASSACHUSETTS PARTS LIST			QUANTITY/VARIATION										
MADE BY <i>A. Nickol</i>	CHECKED D. HEALY		SECTION		H777-AA	H777-AB	H777-BA	H777-BB	H777-CA	H777-CB	H777-DA	H777-DB	
DATE <i>19/Jul/76</i>	DATE 29 JUL 76		1		A <td colspan="1">RA</td> <td colspan="1">RA</td> <td colspan="1">RA</td> <td colspan="1">RA</td> <td colspan="1">RA</td> <td colspan="1">RA</td> <td colspan="1">R</td>	RA	RA	RA	RA	RA	RA	R	
ENG <i>R. Barry</i>	PROD <i>RB King</i>		ISSUED SECT.										
DATE <i>26 Aug 76</i>	DATE <i>26 Aug 76</i>		1										
ITEM NO.	DWG NO. / PART NO.	DESCRIPTION	H777-AA	H777-AB	H777-BA	H777-BB	H777-CA	H777-CB	H777-DA	H777-DB			
23	C-IA-7413773-0-0	BRACKET, FAN	2	2	2	2	2	2	2	2			
24	1210984	INS SHEET 9.0 ± .1 X 1.5 ± .1	A	RA	RA	RA	RA	RA	RA	RA	R		
25	B-DC-7414744-0-0	DECAL H777 P.S.	1	1	1	1	-	-	-	-			
26	A-PS-3612680-0-0	DECAL, CHASSIS GROUND	1	1	1	1	1	1	1	1			
27	C-IA-7011412-0F	CABLE, CHASSIS GROUND	1	1	1	1	1	1	1	1			
28	C-IA-7011412-1H	CABLE, CONSOLE GROUND	1	1	1	1	1	1	1	1			
29	D-CS-5411599-0-1	CORE REG. H777	1	1	-	-	1	1	-	-			
30	9007015	GROMMET	-	-	-	-	1	1	1	1			
31	D-IA-7417407-0-0	CHASSIS P.S.	-	-	-	-	1	1	1	1			
32	D-AD-7012910-0-0	A/C INPUT ASSY (120V)	-	-	-	-	1	-	1	-			
33	D-AD-7012910-1-0	A/C INPUT ASSY (230V)	-	-	-	-	1	-	1	-			
34	E-IA-7417018-0-0	COVER, POWER SUPPLY	-	-	-	-	1	1	1	1			
35	A-PS-1213773-0-0	AC RECEPTACLE	-	-	-	-	1	1	1	1			
36	A-PS-1212877-0-0	FILTER	-	-	-	-	1	1	1	1			
37	D-AD-7012909-0-0	+5V REGULATOR ASSY	-	-	-	-	1	1	1	1			
38	9009771-1-0	CABLE CLAMP	-	-	-	-	2	2	2	2			
39	9006024-01	SCREW, PAN #6 - 32 x .50	-	-	-	-	1	1	1	1			
40	9008404-2	SCR. PHIL FLAT HD #6 - 32 x .31	4	4	4	4	11	11	11	11			
41	9107253-02	TUBING, SHRINK (ORN)	-	-	-	-	A	RA	RA	RA	R		
42	C-IA-7417288-0-0	WIRE A.C. CONN. HARNESS	-	-	-	-	1	1	1	1			
43	B-DC-7414744-1-0	DECAL H777 P.S.	-	-	-	-	1	1	1	1			
44	9006037-1	SCR, PHIL PAN HD #8 - 32 x .38	-	-	-	-	1	1	1	1			
TITLE POWER SUPPLY ASSY (H777)			ASSY NO. E-UA-H777-0-0	SIZE CODE A PL	NUMBER H777-0-0				REV. K	ECO NO.			
SHEET 2 OF 3			DIST.										

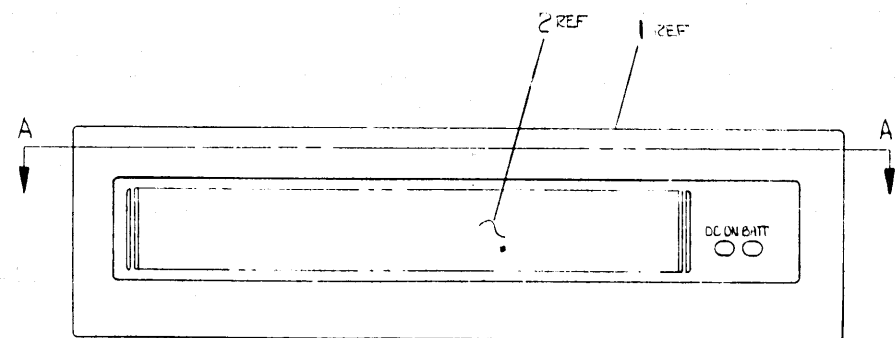
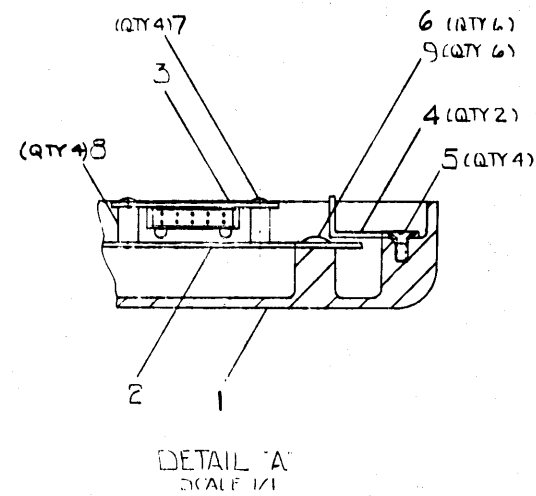
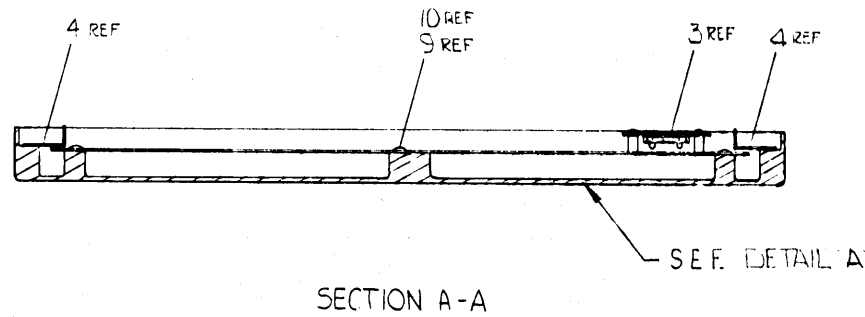
DEC FORM DEC 16 (325) 1031-N870
DRA 110

199

THIS DRAWING AND SPECIFICATIONS HEREIN ARE THE PROPERTY OF DIGITAL EQUIPMENT CORPORATION AND SHALL NOT BE REPRODUCED OR COPIED OR USED IN WHOLE OR IN PART AS THE BASIS FOR THE MANUFACTURE OR SALE OF ITEMS WITHOUT WRITTEN PERMISSION. COPYRIGHT © 1976, DIGITAL EQUIPMENT CORPORATION

NOTES:

1. TO SELECT STAND BY/MODE, ON MODE OR OFF MODE SEE D-CS-5411501-0-1.



QTY	DESCRIPTION	DCS/PART NO.	ITEM NO.
9	SCREW PAN HD. PHIL #8-32 X .31 LG	9006036-1	9
4	SPACER, 25 DY 6-32 X .44 LG	9009835	8
4	SCREW PAN HD. PHIL 6-32 X .19 LG	9008020-1	7
6	WASHER, INT. TOOTH #8	9006634	6
4	SCR FLAT HD PHIL #8-32 X .38	9006037-2	5
2	BRACKET SUPPORT FILTER	CMD-744962-1-0	4
1	CONT. EXP. BOX (BATT-L)	D-VA-5411501-0-0	3
1	PANEL EXPANDER BOX	B-1A-7012540-0-0	2
1	BEZEL	E-MD-7416747-0-0	1

QUANTITY & VARIATION		DESCRIPTION		DCS/PART NO.	ITEM NO.
UNLESS OTHERWISE SPECIFIED DIMENSIONS ARE IN INCHES					
ANGLES 90° 30'		CLASS OF ACCURACY (CHECK ONE)		SURFACE QUALITY IN MICROINCHES	
SURFACE QUALITY IN MICROINCHES		PREFERRED		MICROINCHES	
THIRD ANGLE PROJECTION		DRG		FIRST USED ON	
REMOVE BURRS AND BREAK SHARP CORNERS		CHK'D		1104	
DO NOT SCALE DWG		PROJ. ENG		TITLE	
MATERIAL SEE PARTS LIST		SCALE 1/2		CONSOLE ASSY EXPANDER BOX	
FINISH		SHEET 1 OF 1		D AD 7012540-0-0	

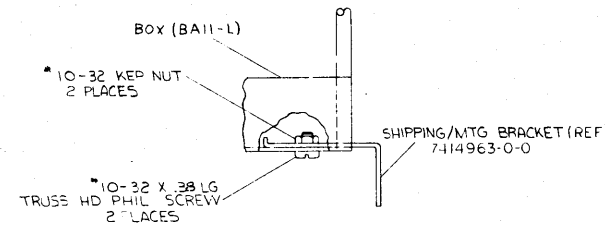
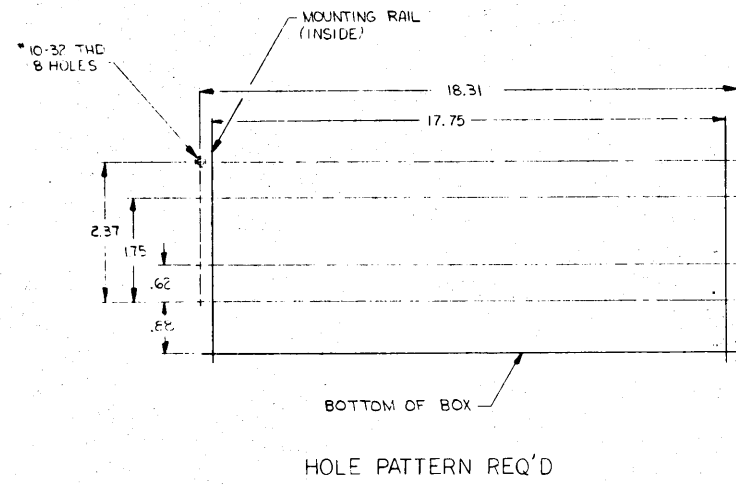
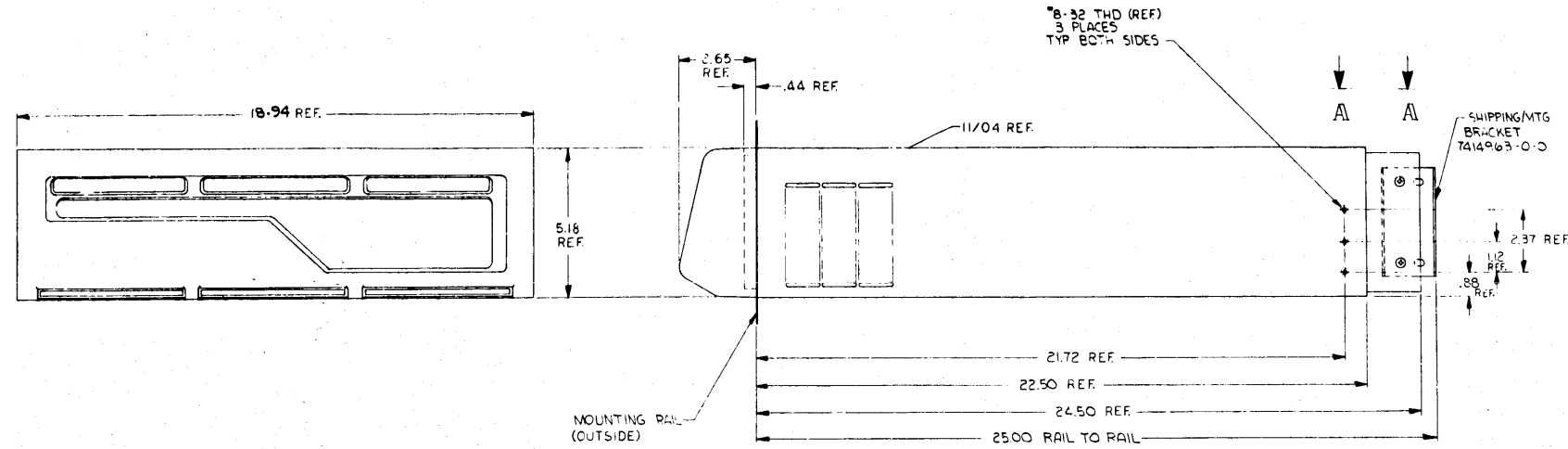
D AD 7012540-0-0

200

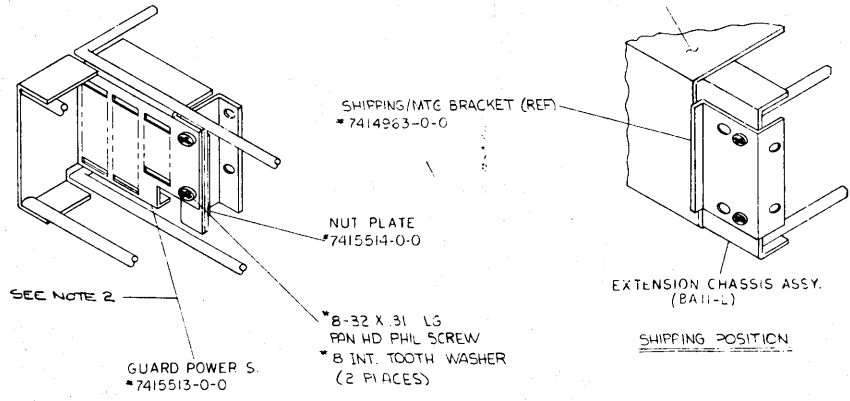
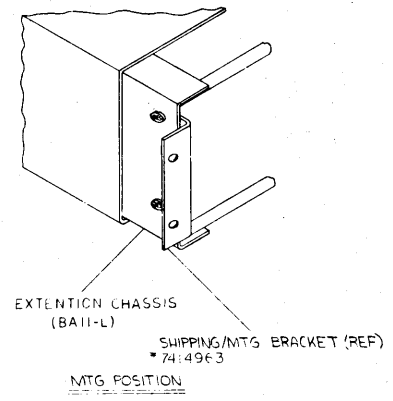
THIS DRAWING AND SPECIFICATIONS HEREBY ARE THE PROPERTY OF DIGITAL EQUIPMENT CORPORATION AND SHALL NOT BE REPRODUCED OR COPIED IN WHOLE OR IN PART AS THE BASIS FOR THE MANUFACTURE OR SALE OF ANY EQUIPMENT WITHOUT THE WRITTEN PERMISSION OF DIGITAL EQUIPMENT CORPORATION.

NOTES:

- 1 SHOWN IN MTG BRACKET POSITION ALSO SHOWN METRIC OF BOX IN MTG POSITION & SHIPPING POSITION.
- 2 BECAUSE OF U.L. REQUIREMENTS THE REAR OF THE POWER SUPPLY MUST BE COVERED. THE GUARD SHOWN IS TO BE INSTALLED ON UNITS THAT DON'T HAVE THE NEW PWR SUPPLY WITH CLOSED ENDS. THERE SHOULD BE APPROX. 500 UNITS THAT WILL REQUIRE THIS RETRACT.



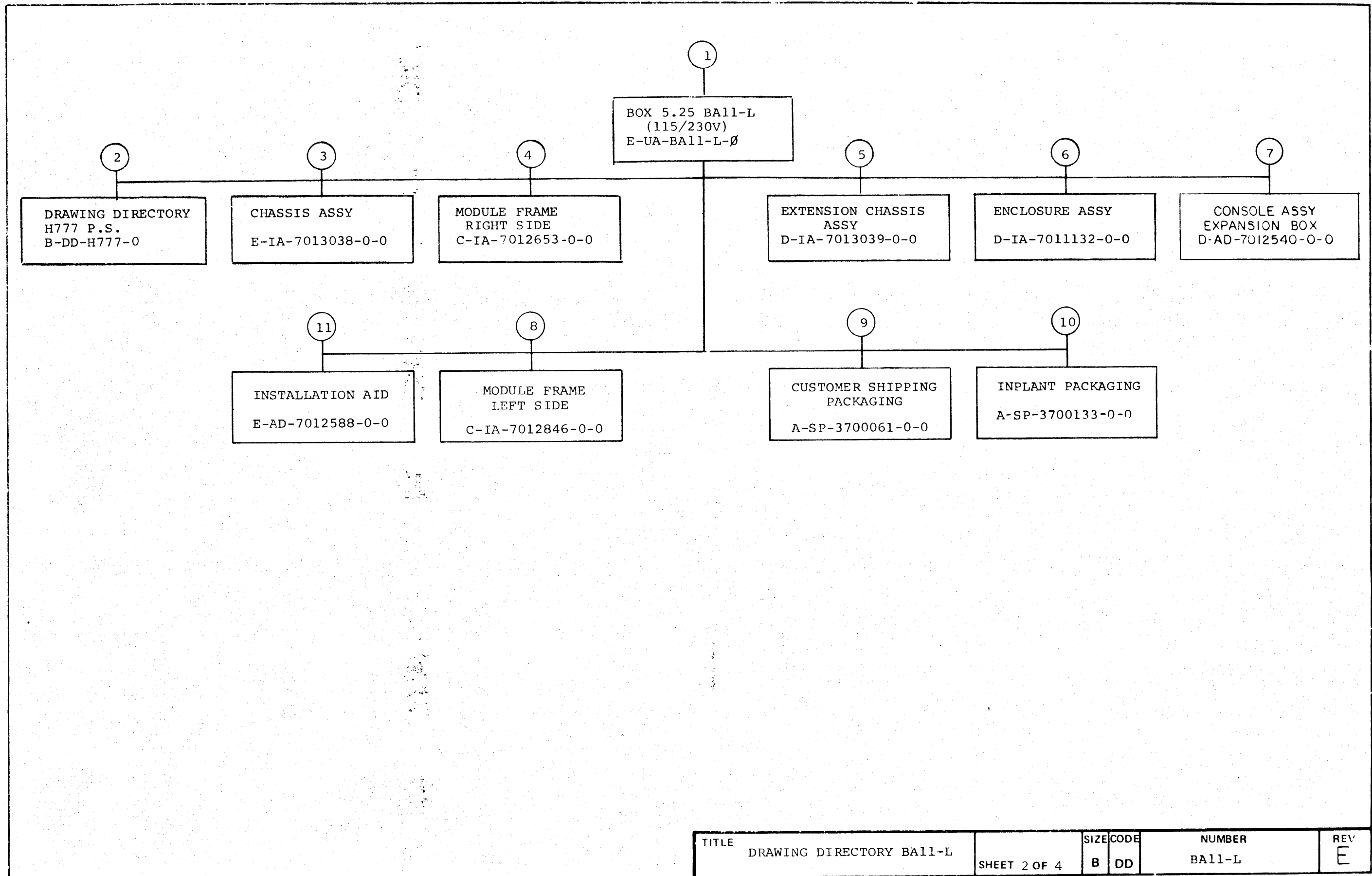
VIEW A-A
NO SCALE
SEE NOTE 1



DESCRIPTION		DWG. PART NO.	ITEM NO.
UNLESS OTHERWISE SPECIFIED DIMENSIONS ARE IN INCHES			
ANGLE	CLASS OF ACCURACY	SIZE	MIN. DIM. RANGE INCHES
1/2	AS BUILT	1/8" - 1 1/2"	1/8" - 1/4" .0015 1/4" - 1/2" .0025 1/2" - 1" .0035 1" - 2" .0045 2" - 6" .0055 6" - 30" .0075
SURFACE QUALITY	FINISH	FINISH	FINISH
MEDIUM	PPREFERRED	PPREFERRED	PPREFERRED
QUANTITY & VARIATION	MICROMETERS	PPREFERRED	PPREFERRED
DRN: [Signature]	17 FEB 74	FIRST USED ON	7414963
CHECKED: [Signature]	26 FEB 74	TITLE	INSTALLATION AID
ENGR: [Signature]	16 MAR 74	NUMBER	7012 88-0-0
PROD. ENGR: [Signature]		SCALE	NC SCALE
NEXT HIGHER ASSY.		SHEET	1 OF 1
MATERIAL	E-UN-BA11-L	SIZE	CODE
FINISH		SCALE	NC SCALE

7012568-0-01X01

201



TITLE	DRAWING DIRECTORY Ball-L	SIZE	CODE	NUMBER	REV
	SHEET 2 OF 4	B	DD	Ball-L	E

ELECTRICAL (SECTION 1)				MECHANICAL (SECTION 2)							
FIND NO.	DRAWING NO.	REV	NO OF SHT	DESCRIPTION	OPTION NO / FILE DATE	FIND NO.	DRAWING NO.	REV	NO OF SHT	DESCRIPTION	OPTION NO / FILE DATE
1	E-UA-BALL-L-Ø A-PL-BALL-L-Ø		1 3	BOX 5.25 BALL-L 115/230V BOX 5.25 BALL-L 115/230V (PL)		1	E-UA-BALL-L-Ø B-MD-7413846-0-0 C-IA-7011412-0-0 C-MD-7414963-0-0 A-PL-BALL-L-Ø A-DC-5309413-0-0 A-DC-5309414-0-0		1 1 1 1 3 1 1	BOX 5.25 BALL-L (115/230V) BAR, CABLE STRAIN RELIEF CABLE, CHASSIS GND BRKT., SHIPPING AND CAB MOUNT BOX 5.25 BALL-L 115/230V (PL) DECAL NFPA DECAL UL	
2	B-DD-H777-B		4	DRAWING DIRECTORY H777		2	B-DD-H777-B		4	DRAWING DIRECTORY H777 P.S.	
3	D-AD-70124C-0 0 DCS-5411501-0 0		1 1	CONSOLE ASSY, EXPANSION BOX BALL-L EXP. BOX CONTROL		3	E-IA-7013038-0-0 C-MD-7414236-0-0 C-MD-7413855-0-0 C-MD-7413852-0-0 C-MD-7413853-0-0 C-IA-7414442-0-0 C-IA-7414441-0-0 C-MD-7413857-0-0 C-MD-7413858-0-0 B-MD-7414237-0-0 B-MD-7413856-0-0 B-MD-7414235-0-0 C-MD-7413854-0-0 B-IA-7414443-0-0 C-MD-7417221-0-0		1 1 1 1 1 1 1 1 1 1 1 1 1 1 1 1 1 1 1	CHASSIS ASSY FRAME, CHASSIS BRACKET MTG (LH) BRACKET MTG (RH) BRACKET, FRAME BRACKET LOGIC SUPPORT (BOT) BRACKET LOGIC SUPPORT (BOT) BRACKET MAIN SUPPORT BRACKET, SUPPORT ROD CONNECTING CHASSIS BRACKET, FAN MOUNTING SUPPORT DIAGONAL ROD BRACKET POWER SUPPLY SUPPORT CLAMP PLATE CABLE ROD MODULE RETAINER	
4						4	C-IA-7012653-0-0 C-MD-7414084-0-0 C-MD-7414082-0-0 C-MD-7416516-0-0 C-MD-7416517-0-0		1 1 1 1 1	MODULE FRAME RIGHT HAND BRACKET EJECTOR (MODULE FRAME) BRACKET BACKPLANE (MODULE FRAME) ROD, MODULE FRAME BRACKET, CARD GUIDE	

CUSTOMER PRINT SET
 Y = PRINT OF DOCUMENT INCLUDED IN PRINT SET
 C = INCLUDES ALL PRINTS INDICATED ON DOCUMENT
 S = CONFIDENTIAL AUTHORIZED SIGNATURE REQUIRED

TITLE DRAWING DIRECTORY BALL-L
 SHEET 3 OF 4
 SIZE CODE B DD
 NUMBER BALL-L
 REV E

204

CUSTOMER PRINT SET		MECHANICAL (SECTION 2)				CUSTOMER PRINT SET		MECHANICAL (SECTION 2)			
FIND NO.	DRAWING NO.	REV	NO OF SHT	DESCRIPTION	OPTION NO FILE DATE	FIND NO.	DRAWING NO.	REV	NO OF SHT	DESCRIPTION	OPTION NO FILE DATE
5	D-IA-7013039-0-0		1	EXTENSION CHASSIS ASSY		10	A-SP-3700133-0-0			PACKAGING IN PLANT	
	B-MD-7414086-0-0		1	ROD EXTENSION FRAME			A-PS-9905271-0-0			LAMINATED BUILDUPS SADDLE	
	C-MD-7417220-0-0			PLATE END RIGHT HAND			A-PS-9905184-0-0			BEZEL PROTECTOR	
	C-MD-7417239-0-0			PLATE END LEFT HAND			A-PS-9905418-0-0			REGULAR SLOTTED CARTON	
							A-PS-9905129-7			POLY BAG	
							A-PS-9905729-0-0			3 IN. WIDE GLASFLEX TAPE	
6	D-IA-7011132-0-0		1	ENCLOSURE ASSY							
	D-IA-7013868-0-0		1	ENCLOSURE BOTTOM							
	D-MD-7413869-0-0		1	ENCLOSURE TOP		11	E-AD-7012588-0-0			INSTALLATION AID	
7	D-AD-7412540-0-0		1	CONSOLE ASSY, EXPANSION BOX							
8	C-IA-7012846-0-0			MODULE FRAME LEFT SIDE							
	C-MD-7414084-0-0			BRKT. EJECTOR L.H.							
	C-MD-7416517-0-0			BRKT. CARD GUIDE							
	C-MD-7414082-0-0			BRKT. BACKPLANE L.H.							
	C-MD-7416516-0-0			ROD							
9	A-SP-3700061-0-0			PACKAGING INSTRUCTIONS CUST.							
	A-PS-9905647-0-0			FULL-TELESCOPE CAP							
	A-PS-9905648-0-0			FOAM PAD							
	A-PS-9905646-0-0			FOAM WITH CORRUGATED SIDEWALL ASSEMBLY							
	A-PS-9905734-0-0			STRAPPING (STEEL OR PLASTIC)							

CUSTOMER PRINT SET CODES
 X = PRINT OF DOCUMENT INCLUDED IN PRINT SET
 C = INCLUDES ALL PRINTS INDICATED ON DOCUMENT
 S = CONFIDENTIAL. AUTHORIZED SIGNATURE REQUIRED

TITLE
DRAWING DIRECTORY BALL-L

SHEET 4 OF 4
 SIZE CODE B DD

NUMBER
BALL-L

REV
E

205

DRB 108

digital

EQUIPMENT CORPORATION
WATYARD MASSACHUSETTS

DRAWING DIRECTORY

"THIS DRAWING AND SPECIFICATIONS, HEREIN, ARE THE PROPERTY OF DIGITAL EQUIPMENT CORPORATION AND SHALL NOT BE REPRODUCED OR COPIED OR USED IN WHOLE OR IN PART AS THE BASIS FOR THE MANUFACTURE OR SALE OF ITEMS WITHOUT WRITTEN PERMISSION. COPYRIGHT © 1974, DIGITAL EQUIPMENT CORPORATION"

CUSTOMER PRINT SET INDEX

THIS IS PRINT SET

--	--	--	--

SEQUENCE

SEQUENCE

DRAWING DIRECTORY BALL-K
UNIT ASSY BALL-K
UNIT ASSY BALL-K P.L.
DRAWING DIRECTORY H765
UNIT ASSY BC11A
BC11A UNIBUS CABLE, M919
BC11A UNIBUS CABLE, M929

B-DD-BALL-K
E-UA-BALL-K-Ø
A-PL-BALL-K-Ø
B-DD-H765-Ø
D-UA-BC11A-1Ø-Ø
B-CS-M919-0-1
B-CS-M929-0-1

MFG. PRINT SET
IN PLANT PACK INST.
SKID LOAD PACK INST.
CUST. CUSHIONED PACK INST.

A-SP-3700167-0-0
A-SP-3700165-0-0
A-SP-3700169-0-0

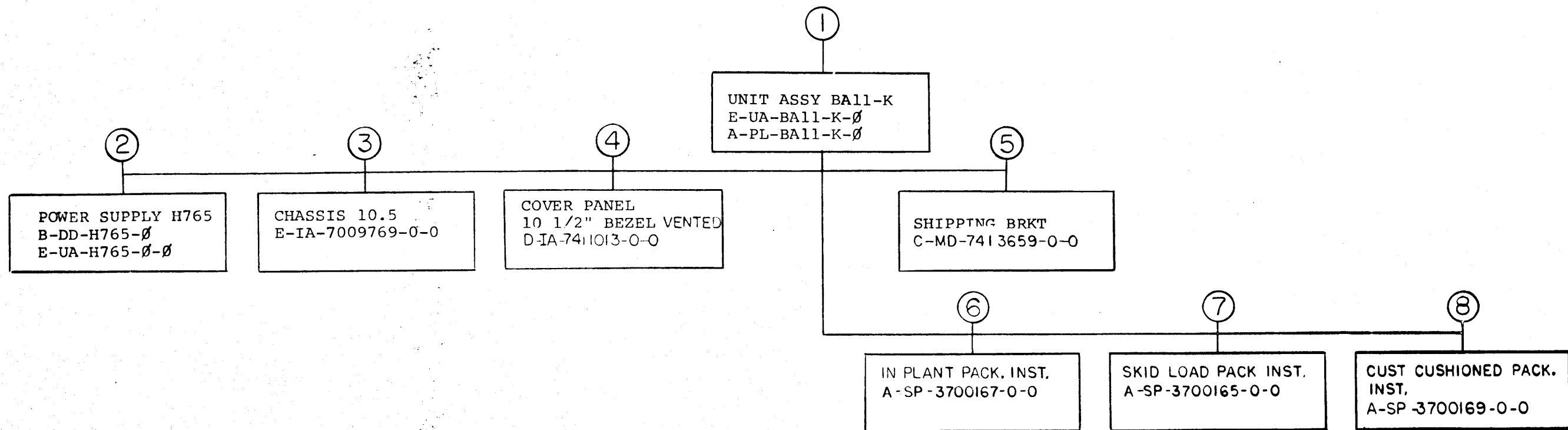
UNIT VARIATIONS		PRINT SET			
VAR	TITLE				
BALL-KE	115 VAC 50/60 HZ	X			
BALL-KF	230 VAC 50/60 HZ	X			
BALL-KH	115 VAC 50/60 HZ (MANUF. ONLY)	X			
BALL-KJ	230 VAC 50/60 HZ (MANUF. ONLY)	X			
BALL-KK	115VAC 50/60 HZ (NO H754) (MANUF ONLY)	X			
BALL-KL	230VAC 50/60 HZ (NO H754) (MANUF ONLY)	X			
BALL-KA	NO POWER SUPPLY (MANUF ONLY)	X			

REVISIONS		REV
DATE	CHG. NO.	
E.A.	BAIK-4	A
E.A.	BAIK-5	B
WRA	BAIK-7	C
BM	BAIK-8	D
JT	BAIK-9	E
RTS	BAIK-10	F
RG	BAIK-11	H
RIP	BAIK-12	J
RVP	BAIK-13	K
3-77	BAIK-14	L

USED ON OPTION/MODEL	DRM.	DATE
	J. FERGUSEN	6/22/74
	CHK'D.	DATE
11/05-S	D. HEALY	7/3/74
	PROJ ENG.	DATE
11/35-S	<i>E. Anton</i>	9/4/74
	PROD.	DATE
	<i>R.P. Stern</i>	10/1/74
	FIELD SERV.	DATE
	R.L. Gates	9/13/74

TITLE										
DRAWING DIRECTORY BALL-K										
SIZE	CODE	NUMBER	REV							
B	DD	BALL-K	L							
DIST <table border="1" style="display: inline-table;"><tr><td style="width: 20px; height: 15px;"></td><td style="width: 20px; height: 15px;"></td><td style="width: 20px; height: 15px;"></td><td style="width: 20px; height: 15px;"></td><td style="width: 20px; height: 15px;"></td><td style="width: 20px; height: 15px;"></td><td style="width: 20px; height: 15px;"></td></tr></table>										

DEC 16 (325) 1062 1A-R072



TITLE	SHEET	SIZE	CODE	NUMBER	REV
DRAWING DIRECTORY BALL-K	2 OF 4	B	DD	BALL-K	L

007

CUSTOMER PRINT SET		ELECTRICAL					CUSTOMER PRINT SET		ELECTRICAL								
		MFG. SET	FIND NO.	DRAWING NO.	REV	NO OF SHT	DESCRIPTION	OPTION NO / FILE DATE			MFG. SET	FIND NO.	DRAWING NO.	REV	NO OF SHT	DESCRIPTION	OPTION NO / FILE DATE
1																	
X			1	E-UA-Ball-K-Ø	L	2	UNIT ASSY BALL-K										
X				A-PL-Ball-K-Ø	L	2	UNIT ASSY BALL-K PL										
				A-SP-Ball-K-6		8	BALL-K BASIC CHECKOUT AND ACCEPTANCE PROCEDURE										
				A-SP-Ball-K-7		10	BALL-K BASIC ASSEMBLY PROCEDURE										
C			2	B-DD-H765-Ø	✳	5	POWER SUPPLY H765										

CUSTOMER PRINT SET CODES
 X = PRINT OF DOCUMENT INCLUDED IN PRINT SET
 C = INCLUDES ALL PRINTS INDICATED ON DOCUMENT
 S = CONFIDENTIAL AUTHORIZED SIGNATURE REQUIRED

TITLE
 DRAWING DIRECTORY Ball-K

SHEET 3 OF 4
 SIZE CODE B DD
 NUMBER Ball-K

REV
 L

288

CUSTOMER PRINT SET		MECHANICAL					CUSTOMER PRINT SET		MECHANICAL							
1	1	FEED NO.	DRAWING NO.	REV	NO OF SHT	DESCRIPTION	OPTION NO./FILE DATE	1	1	MFG SET	FIND NO.	DRAWING NO.	REV	NO OF SHT	DESCRIPTION	OPTION NO./FILE DATE
		1	E-UA-BALL-K-Ø	L	2	UNIT ASSY BALL-K				X	6	A-SP-3700167-0-0	-	3	IN PLANT PACK. INST.	
			A-PL-BALL-K-Ø	L	2	UNIT ASSY BALL-K PL						A-PS-9905650-0-0	-	2	REGULAR SLOTTED CARTON	
			D-IA-7009768-0-0		1	COVER, CHASSIS						A-PS-9905335-0-0	-	2	BEZEL PROTECTOR	
			D-PS-1211825-0-0		3	SLIDE, 3 POS TILT						A-PS-9905644-0-0	-	2	REAR PROTECTOR	
			D-MD-7412184-0-0		1	CABLE, TROUGH CHASSIS						A-PS-9905323-0-0	A	2	SIDE PROTECTOR	
X			D-UA-BC11A-1Ø-Ø		1	UNIBUS, CABLE, 10 FT						A-PS-9905129-0-0	A	4	POLY BAG 20 x 13 x 40in 1-1/2 mil.	
X			B-CS-M919-Ø-1	#	1	BUS CONNECTOR M919										
X			B-CS-M929-Ø-1	#	1	BUS CONNECTOR M929										
			D-PS-1212401-00		1	CARD GUIDE				X	7	A-SP-3700165-0-0	-	4	SKID LOAD PACK. INST.	
			A-DC-5309414-0		1	DECAL UL						A-PS-1210568-0-0	-	2	CUSHIONED SKID	
			A-DC-5309413-0		1	DECAL NFPA						A-PS-9905445-0-0	-	2	HALF OVERLAP SLOTTED CARTON (TOP)	
			A-PS-3613281-0-0		1	DECAL						A-PS-9905419-0-0	-	2	FLANGED TUBE (BOTTOM)	
										X	8	A-SP-3700169-0-0	-	2	CUST. CUSHIONED PACK. INST.	
												A-PS-9905645-0-0	-	2	FULL TELESCOPE CAP	
												A-PS-9905642-0-0	-	2	FOAM PAD	
												A-PS-9905643-0-0	-	2	FOAM WITH CORRUGATED SIDE WALL ASSEMBLY	
		2	B-DD-H765-Ø		5	DWG DIRECTORY H765										
			E-UA-H765-Ø-Ø		2	POWER SUPPLY H765										
		3	E-IA-7009769-0-0		1	CHASSIS, 10.5										
			E-IA-7411703-0-0		1	CHASSIS, FRONT										
			E-IA-7411707-0-0		1	CHASSIS, SIDE										
			D-MD-7411706-0-0		1	BRACKET, HAT										
			D-MD-7411705-0-0		1	BRACKET, CARD GUIDE										
			C-MD-7412185-0-0		1	PLATE CABLE										
		4	D-IA-7411713-0-0		1	COVER PANEL 10 1/2 PEZEL										
		5	C-MD-7413659-0-0		1	SHIPPING BRKT										

CUSTOMER PRINT SET CODES
X = PRINT OF DOCUMENT INCLUDED IN PRINT SET
C = INCLUDES ALL PRINTS INDICATED ON DOCUMENT
S = CONFIDENTIAL AUTHORIZED SIGNATURE REQUIRED

TITLE
DRAWING DIRECTORY BALL-K
SHEET 4 OF 4
SIZE CODE
B DD
NUMBER
BALL-K
RFV
L

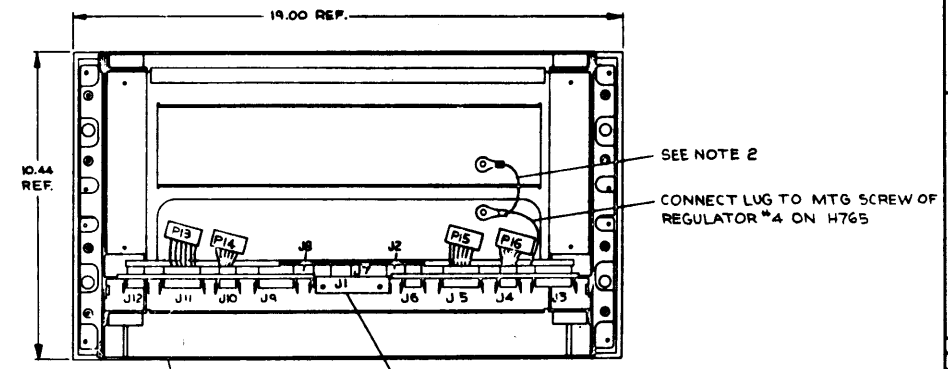
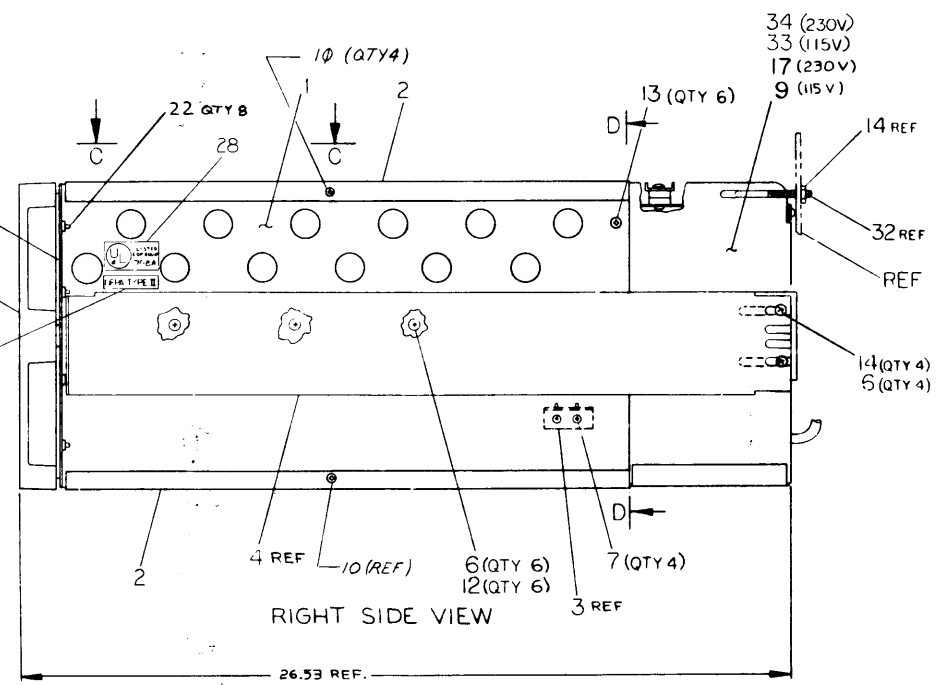
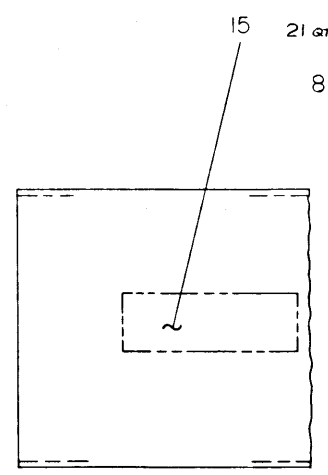
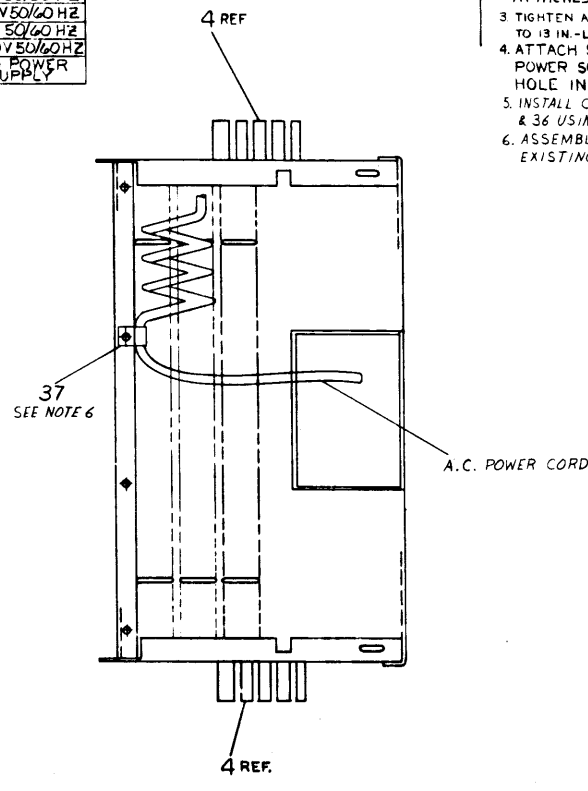
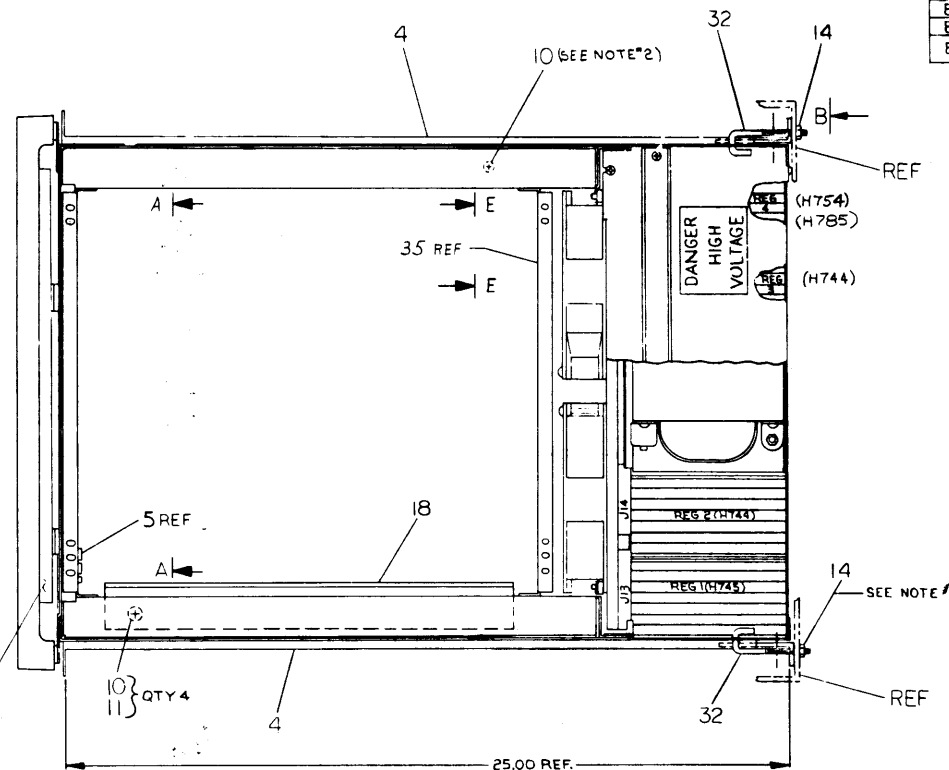
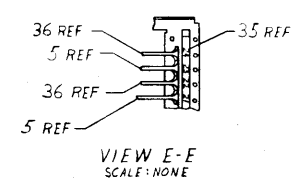
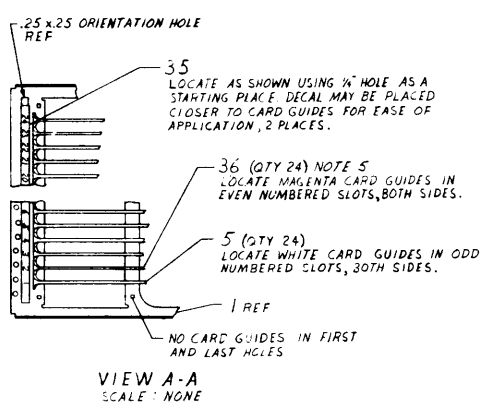
209

THIS DRAWING AND SPECIFICATION, HEREIN, ARE THE PROPERTY OF DIGITAL EQUIPMENT CORPORATION AND SHALL NOT BE REPRODUCED OR COPIED OR USED IN WHOLE OR IN PART AS THE BASIS FOR THE MANUFACTURE OR SALE OF ITEMS WITHOUT WRITTEN PERMISSION. COPYRIGHT © 1974, DIGITAL EQUIPMENT CORPORATION.

FOR MFG USE ONLY

LEGEND	
NUMBER	VARIATION
B111-KE	115V 50/60HZ
B111-KF	230V 50/60HZ
B111-KH	115V 50/60 HZ
B111-KJ	230V 50/60 HZ
B111-KK	115V 50/60 HZ
B111-KL	230V 50/60 HZ
B111-KA	NO POWER SUPPLY

- NOTES:
- CAUTION: OFF SHEET PARTS LISTS EXISTS SEE A-PL-B111-K-0
 - GROUND LUG OF PWR DISTRIBUTION BD. ATTACHES TO SCREW ON CHASSIS.
 - TIGHTEN ALL SYSTEM UNIT MOUNTING SCREWS TO 13 IN.-LBS WITH A TORQUE SCREW DRIVER
 - ATTACH SHIPPING BRACKETS TO POWER SUPPLY AND BOLT THROUGH HOLE IN CABINET RAILS.
 - INSTALL CARD GUIDES, ITEM NOS. 5 & 36 USING TOOL NO. 9412610-2.
 - ASSEMBLE ITEM NO. 37 USING EXISTING HARDWARE.

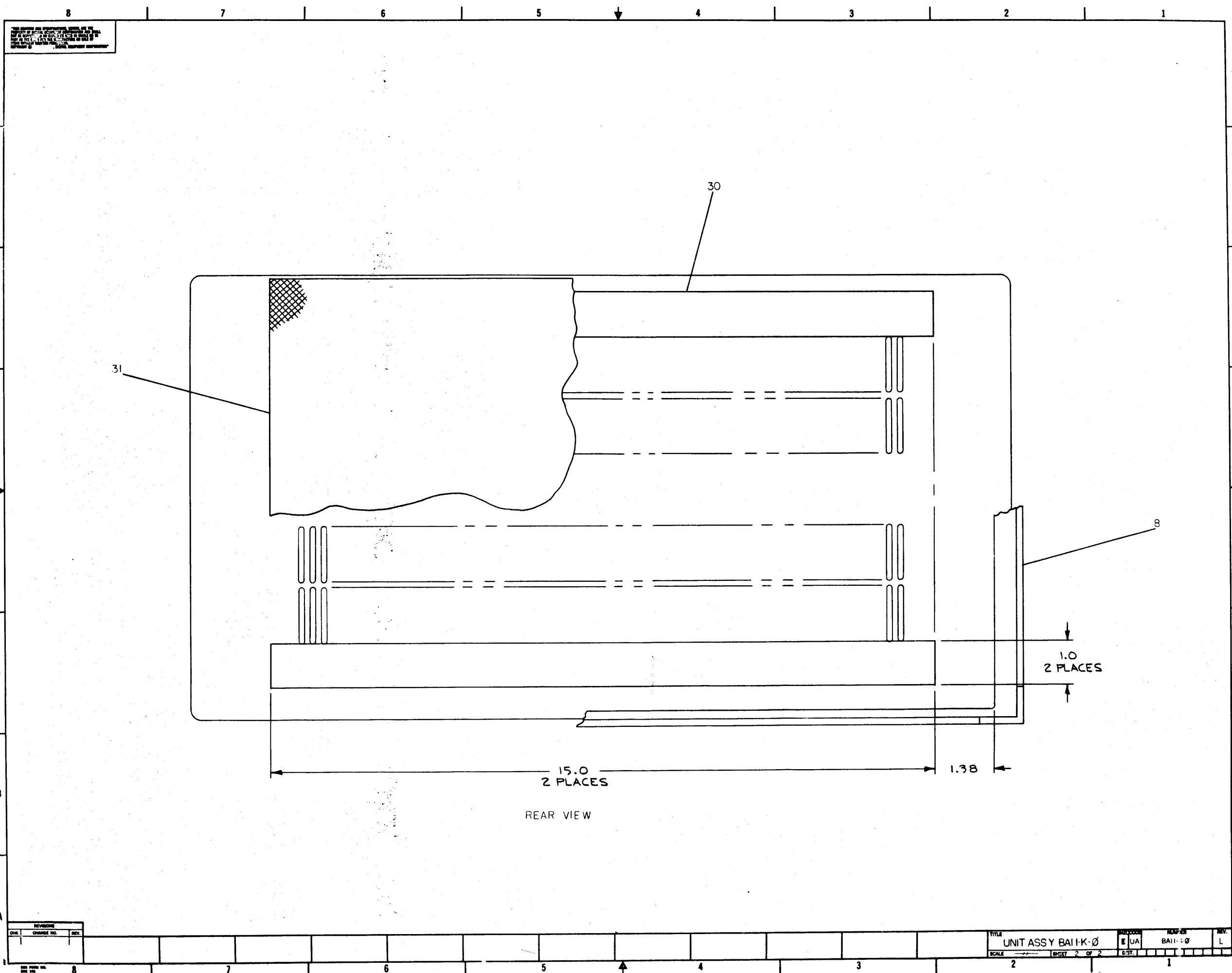


REV	DESCRIPTION	DATE	BY	CHKD
1	REVISED TO ADD PARTS LIST	11/77
2
3
4
5
6
7
8

PARTS LIST		QTY	DESCRIPTION	PART NO.
1	B111-K		UNIT ASSY B111-K	
2	B111-K-0		...	
3	B111-K-1		...	
4	B111-K-2		...	
5	B111-K-3		...	
6	B111-K-4		...	
7	B111-K-5		...	
8	B111-K-6		...	
9	B111-K-7		...	
10	B111-K-8		...	
11	B111-K-9		...	
12	B111-K-10		...	
13	B111-K-11		...	
14	B111-K-12		...	
15	B111-K-13		...	
16	B111-K-14		...	
17	B111-K-15		...	
18	B111-K-16		...	
19	B111-K-17		...	
20	B111-K-18		...	
21	B111-K-19		...	
22	B111-K-20		...	
23	B111-K-21		...	
24	B111-K-22		...	
25	B111-K-23		...	
26	B111-K-24		...	
27	B111-K-25		...	
28	B111-K-26		...	
29	B111-K-27		...	
30	B111-K-28		...	
31	B111-K-29		...	
32	B111-K-30		...	
33	B111-K-31		...	
34	B111-K-32		...	
35	B111-K-33		...	
36	B111-K-34		...	
37	B111-K-35		...	

210

THIS DRAWING IS THE PROPERTY OF THE
 UNITED STATES GOVERNMENT AND IS
 LOANED TO YOU BY THE NATIONAL BUREAU
 OF STANDARDS. IT IS TO BE USED ONLY
 FOR THE SPECIFIC PURPOSE AND
 PROJECT FOR WHICH IT IS LOANED.
 IT IS NOT TO BE REPRODUCED OR
 TRANSMITTED IN ANY FORM OR BY
 ANY MEANS, ELECTRONIC OR MECHANICAL,
 INCLUDING PHOTOCOPYING, RECORDING,
 OR BY ANY INFORMATION STORAGE
 AND RETRIEVAL SYSTEM, WITHOUT
 PERMISSION IN WRITING FROM THE
 NATIONAL BUREAU OF STANDARDS.



REAR VIEW

REV.	DATE	BY	CHK.	CHANGE NO.

TITLE	UNIT ASSY BAI-K-Ø	DESIGN	EUA	NUMBER	BAI-K-Ø	REV.	L
SCALE	2	SHEET	2 OF 2	DIST.			

211

DIGITAL EQUIPMENT CORPORATION MAYNARD, MASSACHUSETTS				QUANTITY / VARIATION											
PARTS LIST				BALL-KE	BALL-KF	BALL-KH	BALL-KJ	BALL-KK	BALL-KL	BALL-KA					
MADE BY BILL BLODGET		CHECKED D. HEALY		SECTION											
DATE 6/26/74		DATE 6/27/74		1											
ENG P. E. JANSON		PROD W. LUCAS		ISSUED SECT.											
DATE 8-23-74		DATE 8/23/74		1											
ITEM NO.	DWG NO. / PART NO.	DESCRIPTION		BALL-KE	BALL-KF	BALL-KH	BALL-KJ	BALL-KK	BALL-KL	BALL-KA					
1	E-IA-7009769-0-0	CHASSIS 10.5		1	1	1	1	1	1	1					
2	D-IA-7009768-0-0	COVER, CHASSIS		2	2	-	-	-	-	-					
3	D-CS-5410864-C-1	POWER DISTRIBUTION BOARD		REF	REF	REF	REF	REF	REF	REF					
4	D-PS-1211825-0-0	SLIDE, 3 POS TILT		lpr	lpr	-	-	-	-	-					
5	D-PS-1212405-0	CARD GUIDE, SINGLE		24	24	24	24	24	24	24					
6	9006071-3	SCREW, PHL TRUSS HD #10-32 X .38		10	10	-	-	-	-	-					
7	9006020-2	SCREW, PHL FLAT HD #6-32 X .25		4	4	4	4	4	4	-					
8	D-IA-7411013-0-0	COVER, PANEL 10 1/2 BEZEL (SNAP-ON VENTED)		1	1	-	-	-	-	-					
9	B-DD-H765-A	POWER SUPPLY H765-A 115V 50/60 HZ		1	-	1	-	-	-	-					
10	9006020-3	SCREW, PHL. TRUSS HD #6-32 X .25		9	9	5	5	5	5	5					
11	9006633	WASHER INTERNAL TOOTH LOCK #6		4	4	4	4	-	-	-					
12	9007651	WASHER EXTERNAL TOOTH #10		6	6	-	-	-	-	-					
13	9009599	SCREW, PHL FLAT HD (SPECIAL)		6	6	6	6	6	6	-					
14	9006565	NUT, KEPS, #10-32		6	6	-	-	-	-	-					
15	DEC-3-(374)-1825 N1174	STICKER, "CONFIGURATION"		1	1	-	-	-	-	-					
16	D-IA-7010059-0-0	SHIPPING BRKT, ASSY		1	1	-	-	-	-	-					
17	B-DD-H765-B	POWER SUPPLY H765-B, 230V 50/60 HZ		-	1	-	1	-	-	-					
18	D-MD-7412184-0-0	CABLE TROUGH CHASSIS		-	-	1	1	1	1	1					
19	9008408-1	SCR, PH. HD SELF TAP #6-32 X .25		1	1	5	5	-	-	-					
20	D-UA-BC11A-10-0	UNIBUS CABLE, 10 FT		1	1	-	-	-	-	-					
21	1209224	LATCH MOLDING		4	4	-	-	-	-	-					
22	9008007-2	SCR PH HD FLT #10-32 X .25		8	8	-	-	-	-	-					
TITLE UNIT ASSY BALL-K		ASSY NO. E-UA-BALL-K-0		SIZE	CODE	NUMBER		REV.	ECO NO.						
				A	PL	BALL-K-0		L	BALL-K-00014						
		SHEET 1 OF 2		DIST.											

DEC FORM DEC 16-(325)-1031-N870
DRA 110

DIGITAL EQUIPMENT CORPORATION MAYNARD, MASSACHUSETTS				QUANTITY / VARIATION											
PARTS LIST				BALL-KE	BALL-KF	BALL-KH	BALL-KJ	BALL-KK	BALL-KL	BALL-KA					
MADE BY BILL BLODGET		CHECKED D. HEALY		SECTION											
DATE 6/26/74		DATE 6/27/74		1											
ENG P. E. JANSON		PROD W. LUCAS		ISSUED SECT.											
DATE 8-23-74		DATE 8-23-74		1											
ITEM NO.	DWG NO. / PART NO.	DESCRIPTION		BALL-KE	BALL-KF	BALL-KH	BALL-KJ	BALL-KK	BALL-KL	BALL-KA					
23	A-SP-3700167-0-0	IN PLANT PACK. INST.		REF	REF	REF	REF	REF	REF	REF					
24	A-SP-3700165-0-0	SKID LOAD PACK INST.		REF	REF	REF	REF	REF	REF	REF					
25	A-SP-3700169-0-0	CUST. CUSHIONED PACK. INST.		REF	REF	REF	REF	REF	REF	REF					
26	A-SP-BALL-K-6	BALL-K BASIC CHECKOUT AND ACCEPTANCE PROCEDURE		REF	REF	REF	REF	REF	REF	REF					
27	A-SP-BALL-K-7	BALL-K BASIC ASSEMBLY PROCEDURE		REF	REF	REF	REF	REF	REF	REF					
28	A-DC-5309414-0	DECAL, UL		1	1	-	-	-	-	-					
29	A-DC-5309413-0	DECAL, NFPA		1	1	-	-	-	-	-					
30	1211336-02	TAPE		1/2	1/2	-	-	-	-	-					
31	1211255-0-0	PRE FILTER		1	1	-	-	-	-	-					
32	C-MD-7413659-0-0	SHIPPING BRACKET		2	2	-	-	-	-	-					
33	B-DD-H765-C	POWER SUPPLY H765-C 115VAC 50/60HZ NO H754		-	-	-	-	1	-	-					
34	B-DD-H765-D	POWER SUPPLY H765-D 230VAC 50/60HZ NO H754		-	-	-	-	-	1	-					
35	A-PS-3613281-00	DECAL, ADHESIVE BACKED, BALL-K		2	2	2	2	2	2	2					
36	D-PS-1212405-1	CARD GUIDE, SINGLE		24	24	24	24	24	24	24					
37	9007086-00	CLAMP, CABLE		1	1	1	1	1	1	-					
TITLE UNIT ASSY BALL-K		ASSY NO. E-UA-BALL-K-0		SIZE	CODE	NUMBER		REV.	ECO NO.						
				A	PL	BALL-K-0		L							
		SHEET 2 OF 2		DIST.											

DEC FORM DEC 16-(325)-1031-N870
DRA 110

213

CUSTOMER PRINT SET INDEX

THIS IS PRINT SET

SEQUENCE

SEQUENCE

DRAWING DIRECTORY H765
UNIT ASSY H765
AC INPUT BOX ASSY
AC PWR CONTROL BOARD

B-DD-H765-0
E-UA-H765-0-0
D-AD-7009811-0-0
D-CS-5410993-0-1

MFG. PRINT SET
PACKAGING INSTRUCTIONS

A-SP-3700174-0-0

DRAWING DIRECTORY H744
DRAWING DIRECTORY H745
DRAWING DIRECTORY H754

B-DD-H744-0
B-DD-H745-0
E-DD-H754-0

PWR DISTRIBUTION BOARD
AC POWER CORD
PWR LINE MONITOR/15V REG
TRANSFORMER ASSEMBLY

D-CS-5410864-0-1
D-AD-7012500-0-0
D-CS-5411086-0-1
E-AD-7011486-0-0

UNIT VARIATIONS		PRINT SET			
VAR	TITLE				
H765-A	120V 50/60 HZ	X			
H765-B	240V 50/60 HZ	X			
H765-C	120V 50/60 HZ NO H754 NO B.B.	X			
H765-D	240V 50/60 HZ NO H754 NO B.B.	X			
H765-P	120V 50/60 HZ NO REG	X			
H765-R	240V 50/60 HZ NO REG.	X			

REVISONS		REV
DATE	CHG. NO.	
11/21/74	H765-3	A
11/21/74	H765-4	B
11/21/74	H765-5	C
11/21/74	H765-7	D
11/21/74	H765-8	E
11/21/74	H765-9	F
11/21/74	H765-10	H
11/21/74	H765-11	J
11/21/74	H765-12	K
11/21/74	H765-13	L
11/21/74	H765-14	M

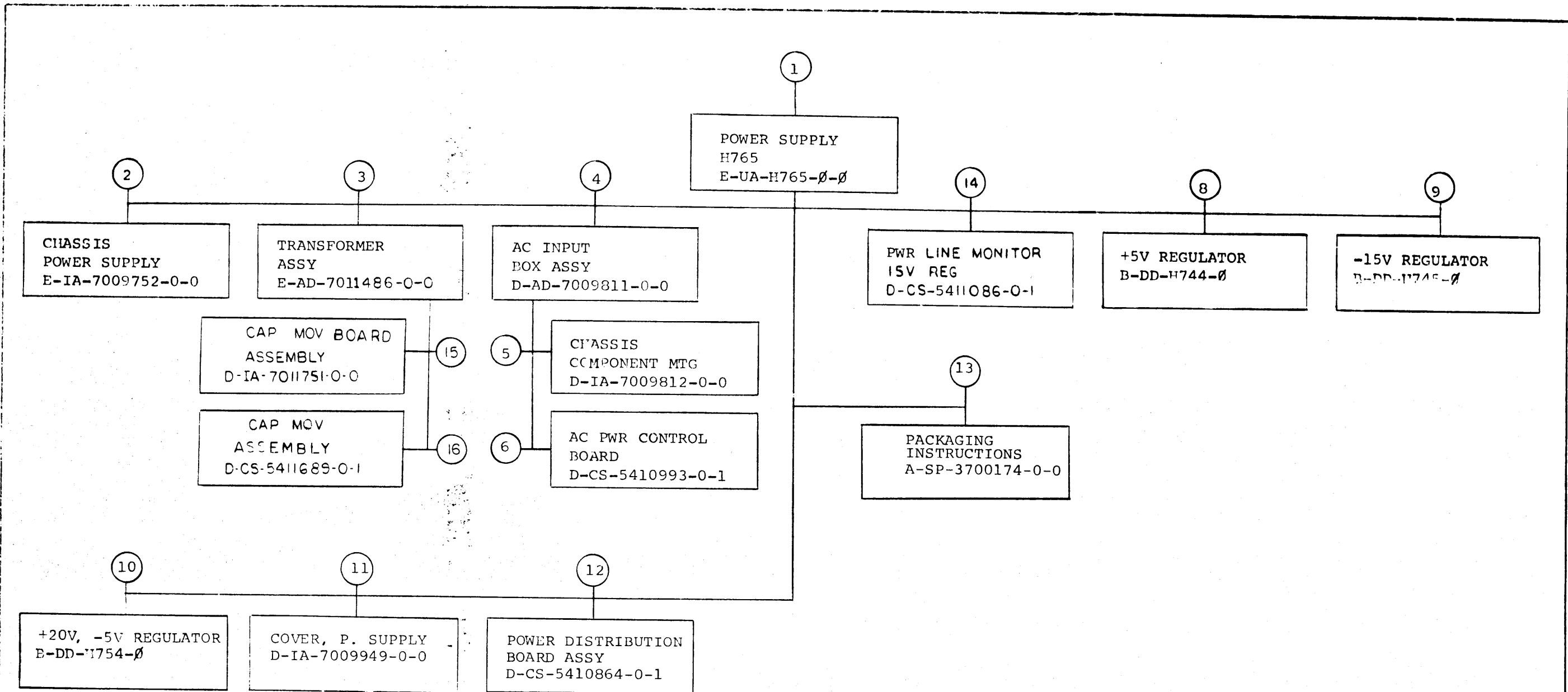
USED ON OPTION/MODEL		DRN.	DATE	TITLE
H111-K		J. FERGUSON	5/25/74	
11/35-S		D. EALY	7/3/74	
		PROJ. ENG.	8/4/74	
		PROD.	11/1/74	
		FIELD SERV	11/3/74	

SIZE	CODE	NUMBER	REV
B	DD	H765-0	M

SHEET	1	OF	5	DIST							
-------	---	----	---	------	--	--	--	--	--	--	--

DEC 16 (13251-1062) A-R972

213



TITLE	DRAWING DIRECTORY POWER SUPPLY H765	SHEET 2 OF 5	SIZE CODE B DD	NUMBER H765-Ø	REV M
-------	--	--------------	-------------------	------------------	----------

CUSTOMER PRINT SET		ELECTRICAL					CUSTOMER PRINT SET		ELECTRICAL							
	MFG SET	FIND NO.	DRAWING NO.	REV	NO OF SHT	DESCRIPTION	OPTION NO / FILE DATE		MFG SET	FIND NO.	DRAWING NO.	REV	NO OF SHT	DESCRIPTION	OPTION NO / FILE DATE	
X		1	E-UA-H765-0-0 A-SP-H765-0-9	R	2	POWER SUPPLY H765 H765 POWER SUPPLY ASSEMBLY PROCEDURE		X		12	D-CS-5410864-0-1 D-IA-5010863-0-0 A-SP-5410864-0-8 A-SP-5410864-0-9	#	3 1	POWER DIST. BD. ASSY ETCHED CIRCUIT BOARD TEST PROCEDURE ASSEMBLY PROCEDURE		
X		3	E-AD-7011486-0-0 A-SP-7010014-0-8 A-CS-7010014-TA-1 A-UA-7010014-TA-0 A-PL-7010014-TA-0 A-SP-7011486-0-9	# A A A A		TRANSFORMER ASSY TEST PROCEDURE TESTER C.S. TESTER U.A. TESTER P.L. TRANSFORMER ASSY PROCEDURE		X		14	D-CS-5411086-0-1 A-SP-11/45-TA-2 A-SP-5411086-0-3 D-IA-7010138-0-0	#	4	PWR LINE MONITOR/15V REG TEST PROCEDURE ENGINEERING SPECIFICATION HARNESS INTERCONNECTION		
X		4	D-AD-7009811-0-0 A-SP-7009811-0-8 A-CS-7009811-TA-1 A-UA-7009811-TA-0 A-PL-7009811-TA-0 A-SP-7009811-0-9	#	2	AC INPUT BOX ASSY TEST PROCEDURE TESTER C.S. TESTER U. A. TESTER P.L. AC INPUT BOX ASSY PROCEDURE				15	D-IA-7011751-0-0			CAP MOV BOARD ASSY		
X		6	D-CS-5410993-0-1 A-SP-5410993-0-8 A-CS-5410993-TA-1 A-UA-5410993-TA-0 A-PL-5410993-TA-0	#	1	AC POWER CONTROL BD TEST PROCEDURE TESTER C. S. TESTER U.A. TESTER P.L.				16	D-CS-5411689-0-1			CAP MOV ASSY		
C		8	B-DD-H744-0	#	2	DRAWING DIRECTORY H744										
C		9	B-DD-H745-0	#	2	DRAWING DIRECTORY H745										
C		10	B-DD-H754-0	#	3	DRAWING DIRECTORY H754										
CUSTOMER PRINT SET CODES		X = PRINT OF DOCUMENT INCLUDED IN PRINT SET C = INCLUDES ALL PRINTS INDICATED ON DOCUMENT S = CONFIDENTIAL AUTHORIZED SIGNATURE REQUIRED					TITLE		DRAWING DIRECTORY POWER SUPPLY H765		SIZE CODE		NUMBER		REV	
									SHEET 3 OF 5		B DD		H765-0		M	

215

CUSTOMER PRINT SET		MECHANICAL					CUSTOMER PRINT SET		MECHANICAL						
	REF SET	FIG NO.	DRAWING NO.	REV	NO OF SHT	DESCRIPTION	OPTION NO / FILE DATE		REF SET	FIG NO.	DRAWING NO.	REV	NO OF SHT	DESCRIPTION	OPTION NO / FILE DATE
		1	E-IA-1765-0-0	R	1	POWER SUPPLY H765				6	D-CS-5410993-0-1	1	1	AC PWR CONTROL BD.	
			D-IA-7009950-0-0		1	THROUGH WIRE					K-CO-5410993-0-4	1	1	X-Y COORDINATE HOLE LOC.	
											D-AH-5410993-0-5	1	1	ASSY/DRILLING HOLE LAYOUT	
											B-MH-5410993-0-6	1	1	MODULE ECO HISTORY	
											5010992	REF	1	ETCH CIRCUIT BOARD	
		2	E-IA-7009752-0-0		1	CHASSIS, POWER SUPPLY									
			E-IA-7411682-0-0		1	CHASSIS, POWER SUPPLY									
			D-MD-7411685-0-0		1	SIDE, POWER SUPPLY									
			D-MD-7411684-0-0		1	HOUSING COMP. CHASSIS									
		3	E-AD-7011486-0-0		2	TRANSFORMER ASSY					8	B-DD-H744-0	2	DRAWING DIRECTORY H744	
			C-MC-7414301-0-0		1	COVER									
		4	D-AD-7009811-0-0		2	AC INPUT BOX ASSY					9	B-DD-H745-0	2	DRAWING DIRECTORY H745	
			A-DC-7412303-0-0		1	DECAL 115V									
X			D-AD-7012500-0-0		1	POWER CORD					10	B-DD-H754-0	3	DRAWING DIRECTORY H754	
			A-DX-7412380-0-0		1	DECAL 230V									
			D-IA-7010302-0-0		1	POWER CONTROL HARN.									
			D-IA-7010301-0-0		1	POWER JUMPER									
			C-IA-7010300-0-0		1	VARISTOR ASSY									
			A-DC-7409873-0-0		1	DECAL (PLUG NUMBERS)					11	D-IA-7009949-0-0	1	COVER, POWER SUPPLY	
											C-MD-7412473-0-0	1	1	STRIP, CLAMP	
		5	D-IA-7009812-0-0	A	1	CHASSIS COMPONENT MTG.									
			D-IA-7411765-0-0		1	PLATE SWITCH									
			D-IA-7411766-0-0	B	1	PLATE COMPONENT MTG.									

CUSTOMER PRINT SET CODES
 X = PRINT OF DOCUMENT INCLUDED IN PRINT SET
 C = INCLUDES ALL PRINTS INDICATED ON DOCUMENT
 S = CONFIDENTIAL AUTHORIZED SIGNATURE REQUIRED

TITLE DRAWING DIRECTORY
 POWER SUPPLY H765
 SHEET 4 OF 5
 SIZE CODE B DD
 NUMBER H765-0
 M

216

CUSTOMER PRINT SET		MECHANICAL					CUSTOMER PRINT SET										
		MFG. SET	FIND NO.	DRAWING NO.	REV	NO OF SHT	DESCRIPTION	OPTION NO./FILE DATE			MFG. SET	FIND NO.	DRAWING NO.	REV	NO OF SHT	DESCRIPTION	OPTION NO./FILE DATE
1			12	D-CS-5410864-0-1		3	POWER DIST. BD. ASSY										
				C-MD-7412192-0-0		1	SHIELD										
				D-MD-7411704-0-0		1	BRACKET, CONN. MTG.										
				C-IA-9305937-0-0			MATE-N-LOK FIXTURES										
				D-IA-5010863-0-0		1	ETCHED CIRCUIT BD.										
				K-CO-5410864-0-4			X-Y COORDINATE HOLE LOC.										
				D-AH-5410864-0-5		1	ASSY DRILLING HOLE LAYOUT										
				B-MH-5410864-0-6		1	MODULE ECO HISTORY										
				5010863		REF	ETCH CIRCUIT BOARD										
			K 13	A-SP-3700174-0-0	-	2	PACKAGING INSTRUCTIONS										
				A-PS-9905664-0-0	-	2	REGULAR SLOTTED CARTON										
				A-PS-9905665-0-0	-	2	LAMINATED BUILDUP										
			14	D-AH-5411086-0-5		1	ASSY DRILLING HOLE LAYOUT										
				B-MH-5411086-0-6		1	MODULE ECO HISTORY										
			15	D-AD-7011486-0-0		1	ASSEMBLY DRAWING										
			16	D-AH-5411689-0-5		1	ASSY DRILLING HOLE LAYOUT										
				D-MH-5411689-0-6		1	MODULE ECO HISTORY										

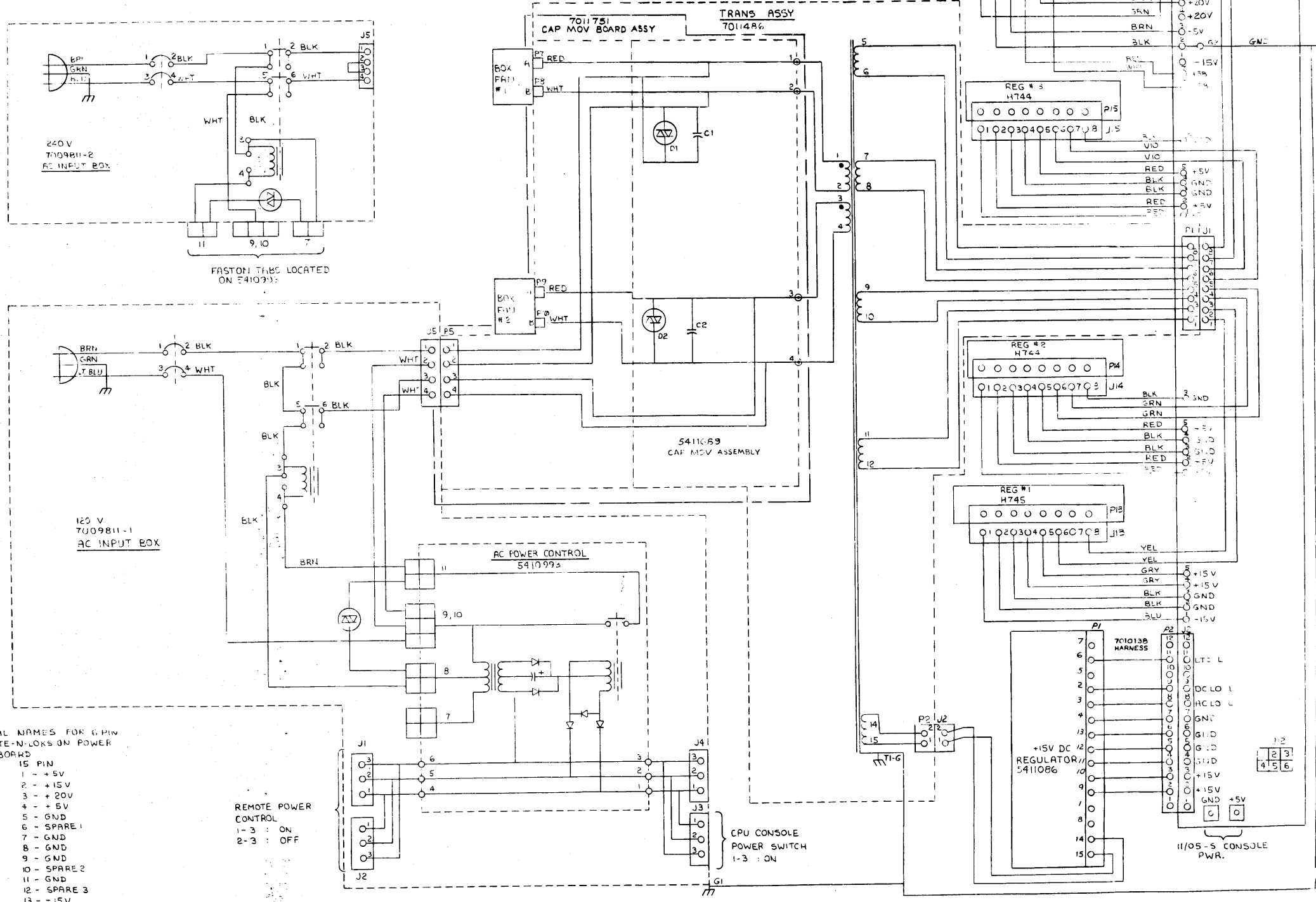
CUSTOMER PRINT SET CODES
X = PRINT OF DOCUMENT INCLUDED IN PRINT SET
C = INCLUDES ALL PRINTS INDICATED ON DOCUMENT
S = CONFIDENTIAL AUTHORIZED SIGNATURE REQUIRED

TITLE
DRAWING DIRECTORY
POWER SUPPLY H765

SHEET 5 OF 5
SIZE CODE B DD
NUMBER H765-Ø
REV M

THIS DRAWING AND SPECIFICATIONS, HEREIN, ARE THE PROPERTY OF RCA. UNLESS OTHERWISE SPECIFIED, ALL DIMENSIONS ARE IN INCHES. UNLESS OTHERWISE SPECIFIED, ALL DIMENSIONS ARE TO BE TAKEN TO THE CENTER OF THE HOLE. ALL DIMENSIONS ARE TO BE TAKEN TO THE CENTER OF THE HOLE. ALL DIMENSIONS ARE TO BE TAKEN TO THE CENTER OF THE HOLE. ALL DIMENSIONS ARE TO BE TAKEN TO THE CENTER OF THE HOLE.

CONNECTION TABLE			CONNECTION TABLE		
FROM CONNECTION	TO CONNECTION	SIGNALS	FROM CONNECTION	TO CONNECTION	SIGNALS
P2 FROM TRANS. ASSY	J2 FROM +15V REG.	2B VAC	P4 FROM +15V REG.	J2 LOCATED ON PWR DIST. BD	-15V, LTC L, AC LO L, DC LO L, GND
J16 FROM PWR. DIST. BD.	P16 LOCATED ON REG. #4 (H754)	GND, -5V, +20V, 28 VAC			
J15 FROM PWR. DIST. BD.	P15 LOCATED ON REG. #3 (H744)	GND, +5V, 28VAC	P5 FROM TRANS. ASSY	J5 LOCATED ON AC INPUT BOX	120/240 VAC
J14 FROM PWR. DIST. BD.	P14 LOCATED ON REG. #2 (H744)	GND, +5V, 28VAC	P7 (RED)	FAN #1 - A	120 VAC - HOT
J13 FROM PWR. DIST. BD.	P13 LOCATED ON REG. #1 (H745)	GND, +15V, -15V, -28 VAC	P8 (WHT)	FAN #1 - B	120 VAC - NEUTRAL
GND LUG LOCATED ON PWR. DIST. BD. G3	G1 YEL LUG	SAFETY GROUND	P9 (RED)	FAN #2 - A	120 VAC - HOT
P1 FROM TRANS. ASSY	J1 LOCATED ON PWR. DIST. BD.	28 VAC	P10 (WHT)	FAN #2 - B	120 VAC - NEUTRAL
			T1-G	G1	SAFETY GROUND
					SAFETY GROUND, 3" ITEM 19 WITH 2



- COMMON SIGNAL NAMES FOR 6-PIN AND 15-PIN MATE-N-LOKS ON POWER DISTRIBUTION BOARD
- | | |
|-------------|--------------|
| 6-PIN | 15-PIN |
| 1 - GND | 1 - +5V |
| 2 - LTC L | 2 - +15V |
| 3 - DC LO L | 3 - +20V |
| 4 - AC LO L | 4 - +5V |
| 5 - SPARE 4 | 5 - GND |
| 6 - SPARE 5 | 6 - SPARE 1 |
| | 7 - GND |
| | 8 - GND |
| | 9 - GND |
| | 10 - SPARE 2 |
| | 11 - GND |
| | 12 - SPARE 3 |
| | 13 - -15V |
| | 14 - -5V |
| | 15 - SPARE 3 |

REMOTE POWER CONTROL
1-3 : ON
2-3 : OFF

CPU CONSOLE POWER SWITCH
1-3 : ON

SEE NOTE 8

POWER DISTRIBUTION BOARD

REV. 1
EUA
H765-0-0

REV.	CHG. NO.	REV.

TITLE	POWER SUPPLY H765	SCALE	SHEET 2 OF 2
NUMBER	H765-0-0	DIST.	

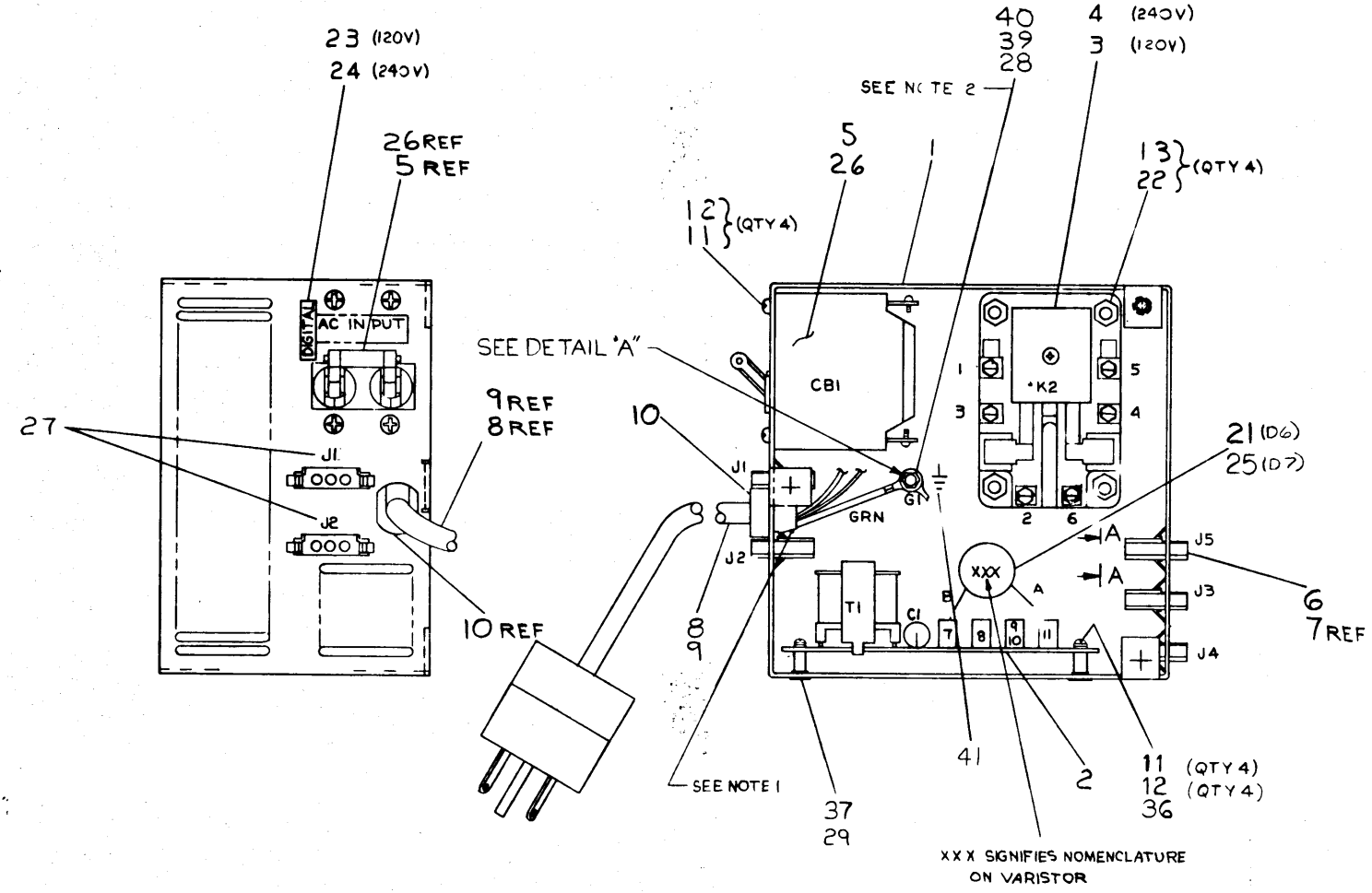
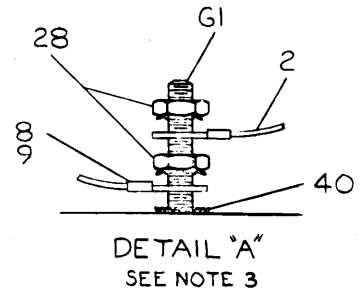
219

THIS DRAWING AND SPECIFICATIONS, HEREIN, ARE THE PROPERTY OF DIGITAL EQUIPMENT CORPORATION AND SHALL NOT BE REPRODUCED OR COPIED OR USED IN WHOLE OR IN PART AS THE BASIS FOR THE MANUFACTURE OR SALE OF ITEMS WITHOUT WRITTEN PERMISSION OF DIGITAL EQUIPMENT CORPORATION.

NOTES:

1. LEAVE .5 IN ±.2 IN OF OUTER INSULATION OF LINE CORD INSIDE BOX.
2. REMOVE PAINT MASK FROM G1 ONLY AND APPLY CONDUCTIVE GREASE TO AREA AROUND STUD G1 BEFORE INSTALLING ITEMS 40 (LOCKWASHER), LUG ON GRN/YEL WIRE, AND 28 (KEPNUT).
3. ENSURE THAT LUG CONNECTED TO GRN/YEL WIRE FROM LINE CORD, WASHER ITEM 40, AND KEPNUT ITEM 28 ARE THE FIRST ITEMS INSTALLED ON G1. SEE DETAIL A.

LEGEND	
NUMBER	VARIATION
7009811-1	120V 47-63HZ 12A
7009811-2	240V 47-63HZ 6A

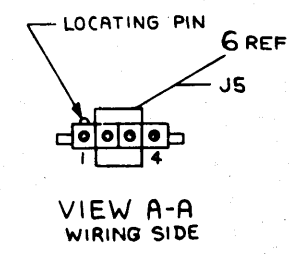
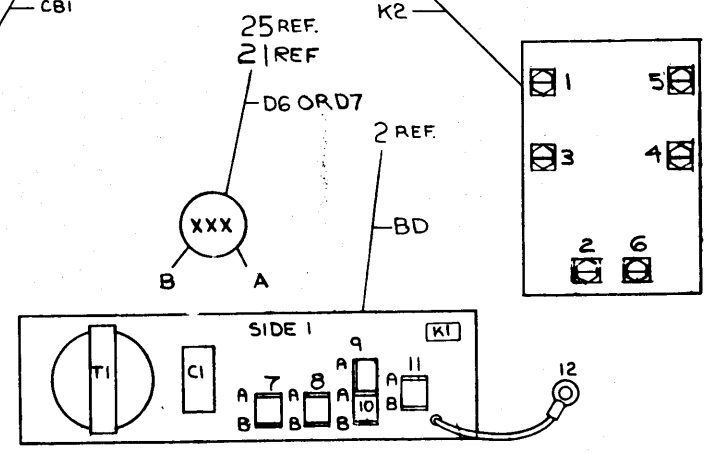
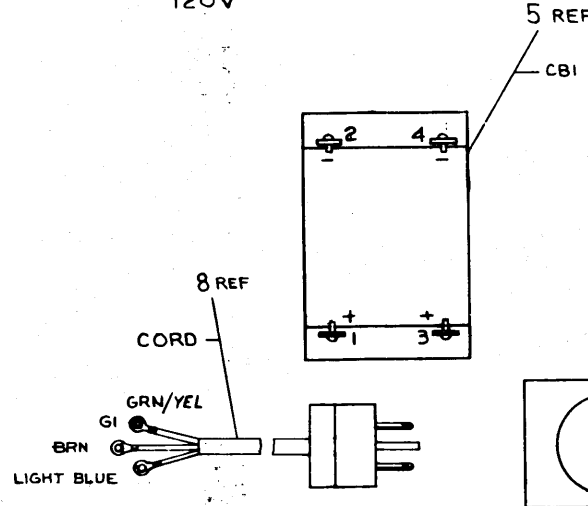
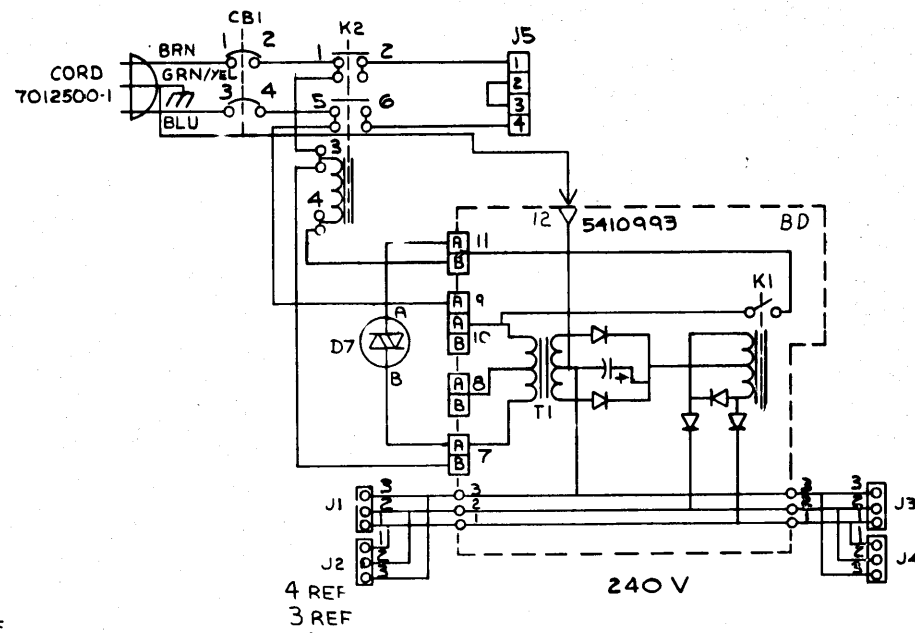
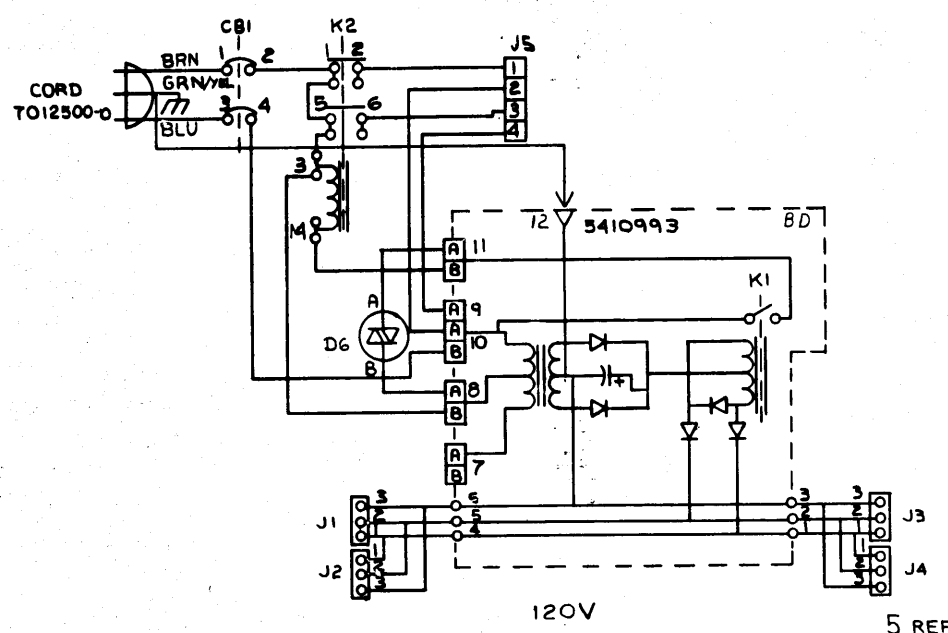


QTY.	DESCRIPTION	PART NO.	REV.
1	DECAL, SAFTY GROUND	A-DC-3612680-01	41
1	WASHER, EXT TOOTH #8	9008072	40
A/R	A/R GREASE, CONDUCTIVE	4901173-01	39
1	JUMPER, POWER (WHT)	7010301-8	38
4	SCR PH. FL. HD. 6-32X1/4	9006020-02	37
4	WASHER, FLAT	9006653	36
F.F	REF A.C. INPUT BOX ASSEMBLY PROCEDURE	A-SP-7009311-0-9	35
REF	REF TESTER PARTS LIST	A-PL-7009311-TA-0	34
REF	REF TESTER TEST PROCEDURE	A-SP-7009311-0-8	33
REF	REF TESTER U.A.	A-UA-7009311-0-8	32
REF	REF TESTER C.S.	A-CS-7009311-0-8	31
4	SPACER 6-32X 3/8"	9006844	29
3	NUT, KEPS #8-32	9006563	28
1	DECAL	A-DC-7409373-0-0	27
1	CIRCUIT BRK 10 A	1212124-03	26
1	VARISTOR (D7) ASSY	C-1A-7010300-2-0	25
1	DECAL 230V 47-63 HZ 6A	A-DC-7410300-0-0	24
1	DECAL 115V 47-63 HZ 12A	A-DC-7410300-0-0	23
4	SCR PH FL HD #6-32 X50	9006024-2	22
1	VARISTOR (D6) ASSY	C-1A-7010300-1-0	21
2	POWER JUMPER (BLK)	D-1A-7010301-2-0	20
1	POWER JUMPER (BLK)	D-1A-7010301-3-0	19
2	POWER JUMPER (BLK)	D-1A-7010301-4-0	18
1	POWER JUMPER (WHT)	D-1A-7010301-5-0	17
2	POWER JUMPER (WHT)	D-1A-7010301-6-0	16
1	POWER JUMPER (BRN)	D-1A-7010301-7-0	15
1	POWER JUMPER (BLK)	D-1A-7010301-1-0	14
4	NUT KEPS #6-32	9008185	13
8	WASHER, INT TOOTH #6	9006633	12
8	SCR PHL PAN HD #6-32X25	9006020-1	11
1	STRAIN RELIEF	9008509	10
1	POWER CORD 240V	D-AD-7012500-1	9
1	POWER CORD 120V	D-AD-7012500-0	8
1	PWR CONTROL HARN. 240V	D-1A-7010302-2-0	7
1	PWR CONTROL HARN 120V	D-1A-7010302-1-0	6
1	CIRCUIT BREAK 20A	1212124-05	5
1	RELAY 240V	1211222-02	4
1	RELAY 120V	1211222-01	3
1	AC PWR CONTR BOARD	D-CS-5410993-0-1	2
1	CHASSIS, COMP MTG	D-1A-7009312-0-0	1

FIRST USED ON OPTION/MODEL		QTY.	DESCRIPTION	PART NO.
B11-K				
PARTS LIST				
DIRECTIONAL TOLERANCE		DATE 6-7-77		
DIMENSIONS ARE UNLESS OTHERWISE SPECIFIED		LATE 5-27-77		
THIRD ANGLE PROJECTION		TITLE AC INPUT BOX ASSY		
MATERIAL SEE PARTS LIST		DAD 7009811-0-0		
FINISH		REV. J		

REV.	CHG. NO.	REV.
A	0003	A
B	0001	B
C	0002	C
D	0003	D
E	0010	E
F	0004	F
G	0006	G
H	0005	H
I	0007	I
J	0008	J

THIS DRAWING AND SPECIFICATIONS HEREIN ARE THE PROPERTY OF DIGITAL EQUIPMENT CORPORATION AND SHALL NOT BE REPRODUCED OR TRANSMITTED IN ANY FORM OR BY ANY MEANS, ELECTRONIC OR MECHANICAL, INCLUDING PHOTOCOPYING, RECORDING, OR BY ANY INFORMATION STORAGE AND RETRIEVAL SYSTEM, WITHOUT THE WRITTEN PERMISSION OF DIGITAL EQUIPMENT CORPORATION.



REVISIONS		
CHK	CHANGE NO.	REV.

TITLE	AC INPUT BOX ASSY.	SIZE CODE	DAD	NUMBER	7009311-0-0	REV.	J
SCALE	NOTE	SHEET	2	OF 3	DATE		

221

"THIS DRAWING AND SPECIFICATIONS HEREIN ARE THE PROPERTY OF DIGITAL EQUIPMENT CORPORATION AND SHALL NOT BE REPRODUCED OR COPIED OR USED IN WHOLE OR IN PART AS THE BASIS FOR THE MANUFACTURE OR SALE OF ITEMS WITHOUT WRITTEN PERMISSION. COPYRIGHT © 1972 DIGITAL EQUIPMENT CORPORATION"

0-0-118600Z QM D 2
8780000 13023 12711

WIRE TABLE (120V)

ITEM NO.	DESCRIPTION		CONNECTION		CONNECTION		REMARKS
	AWG	COLOR	FROM	WITH	TO	WITH	
8	14	BRN	CORD	---	CBI-1(+)	---	
8		BLU	CORD	---	CBI-3(+)	---	
14		BLK	CBI-2(-)	---		---	
18		BLK		---	K2-1	---	
18		BLK	K2-5	---		---	
19		BLK		---	K2-3	---	
17		WHT	BD-8B	---		---	
17		WHT	CBI-4(-)	---	BD-10B	---	
6		WHT	BD-10A	---	J5-2(REF)	---	
6		WHT	BD-9A	---	J5-4(REF)	---	
15		BRN	K2-4	---	BD-11B	---	
6		BLK	K2-6	---	J5-3(REF)	---	
6	14	BLK	K2-2	---	J5-1(REF)	---	
21	22	RED	D6-A	---	BD-11A	---	
21	22	RED	D6-B	---	BD-8A	---	
8	14	GRN/YEL	CORD	---	G1	---	SEE NOTE 2
2	14	GRN/YEL	BD-12	---	G1	---	SEE DETAIL A AND NOTE 2+3

WIRE TABLE (240V)

ITEM NO.	DESCRIPTION		CONNECTION		CONNECTION		REMARKS
	AWG	COLOR	FROM	WITH	TO	WITH	
8	14	BRN	CORD	---	CBI-1(+)	---	
8		BLU	CORD	---	CBI-3(+)	---	
14		BLK	CBI-2	---		---	
20		BLK		---	K2-1	---	
19		BLK	K2-3	---		---	
19		BLK		---	BD-7B	---	
38		WHT	K2-5	---	CBI-4(-)	---	
16		WHT		---	BD-9A	---	
15		BRN	K2-4	---	BD-11B	---	
7		BLK	K2-2	---	J5-1(REF)	---	
7		BLK	J5-2(REF)	---	J5-3(REF)	---	
7	14	WHT	K2-6	---	J5-4(REF)	---	
25	22	RED	D7-A	---	BD-11A	---	
25	22	RED	D7-B	---	BD-7A	---	
8	14	GRN/YEL	CORD	---	G1	---	SEE NOTE 2
2	14	GRN/YEL	BD-12	---	G1	---	SEE DETAIL A AND NOTE 2+3

REVISIONS		
CHK	CHANGE NO.	REV.

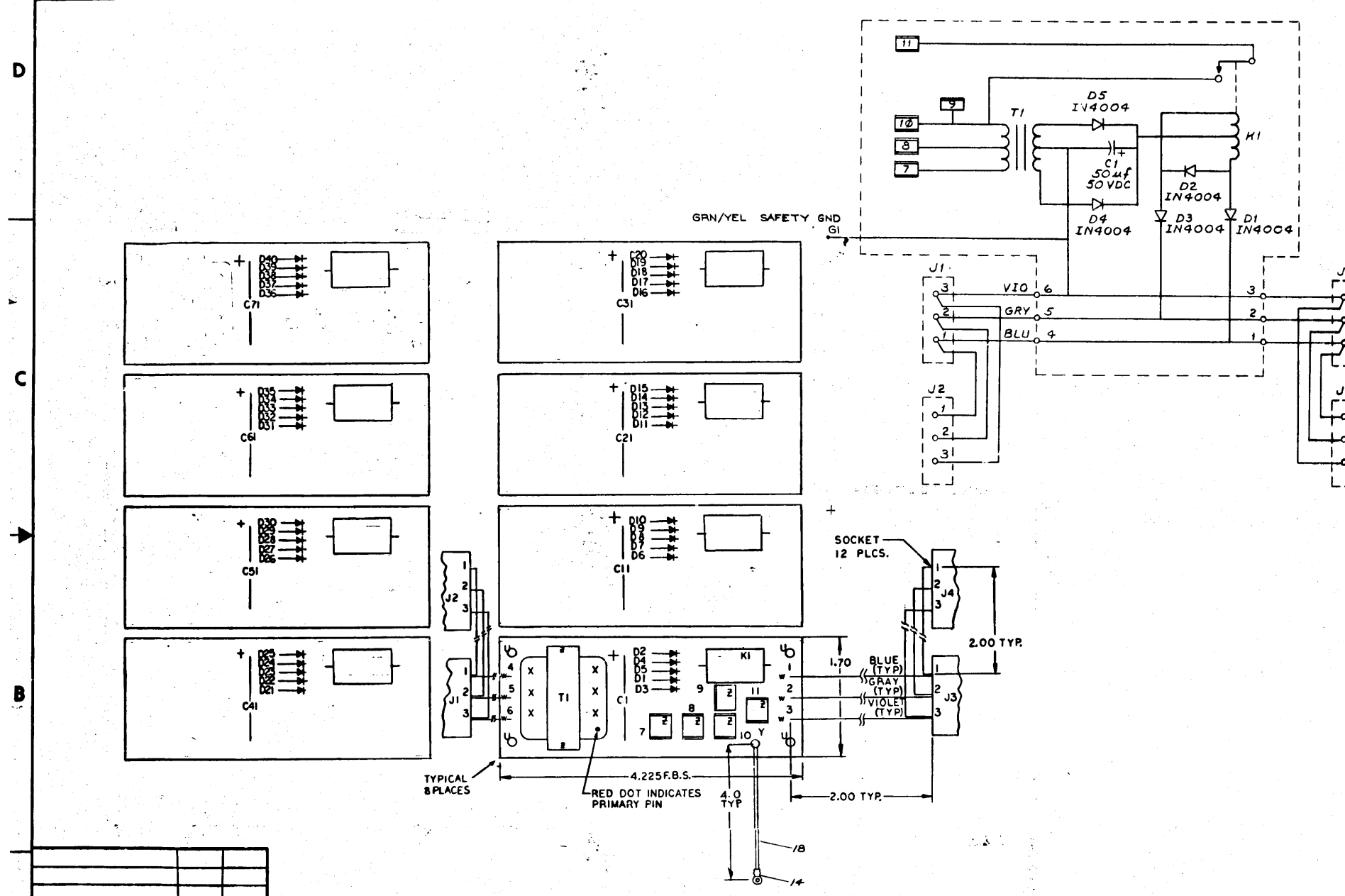
TITLE: AC INPUT BOX ASSY
 SIZE CODE: D AD
 NUMBER: 7009811-0-0
 SCALE: NONE
 SHEET: 3 OF 3
 DIST.:

7009811-0-0
 D AD
 J

222

THIS DRAWING AND SPECIFICATIONS, HEREIN, ARE THE PROPERTY OF DIGITAL EQUIPMENT CORPORATION AND SHALL NOT BE REPRODUCED OR COPIED OR USED IN WHOLE OR IN PART AS THE BASIS FOR THE MANUFACTURE OR SALE OF ITEMS WITHOUT WRITTEN PERMISSION.
COPYRIGHT © JULY 1979 DIGITAL EQUIPMENT CORPORATION

NOTES:



REF	QTY	REF. DESIGNATION	DESCRIPTION	PART NO.	ITEM NO.
			X-Y COORDINATE HOLE LOCATION	H-CO-5410993-0-4	1
			ASSY/DRILLING HOLE LAYOUT	D-AH-5410993-0-5	2
			MODULE ECO HISTORY	B-MH-5410993-0-6	3
			ETCHED CIRCUIT BOARD	5010992	4
		C1	CAP. 50 µf 50 VDC	1000080	5
		D1 THRU D5	DIODE IN4004	1105796	6
		K1	REED RELAY	1211179	7
		J1 THRU J4	CONNECTOR, MATE-N-LOCK, 3 SKT	1209350-03	8
		T1	PIN, MATE-N-LOCK SKT, FEMALE	1209379-00	9
		T1	TRANSFORMER	1611178	10
		7, 8, 10, 11	FASTON TAB, DUEL	9007113	11
		9	FASTON TAB, SINGLE	9008219	12
		5	EYELET	9009000	13
			RING TERMINAL BLUE	9007928	14
			WIRE, #18 AWG, BLUE	9107360-66	15
			WIRE, #18 AWG, VIOLET	9107360-77	16
			WIRE, #18 AWG, GRAY	9107360-88	17
			WIRE #14 AWG GRN/YEL	9107777-54	18

QTY	REF. DESIGNATION	DESCRIPTION	PART NO.	ITEM NO.

IC TYPE	GND	+5V

REVISIONS

1	ORIGINAL	A	REV.
2	CHANGE NO.		REV.

DEC. NO. EIA NO. CSC NO. EIA NO. SEMICONDUCTOR CONVERSION CHART

FIRST USED ON OPTION MODEL H765

ETCH BOARD REV. D

TITLE: **AC POWER CONTROL BOARD**

D-AD-7009811-0-0

D/CS 5410993-0-1 C

223

DRAWING NO.	NO. OF SHTS	PART NO.	DESCRIPTION	REVISIONS																											
				1	2	3	4	5	6	7	8	9	10	11	12	13	14	15	16	17	18	19	20	21	22	23	24	25	26	27	28
D-AH-H744-Ø-5			ASSY DRILLING/HOLE LAYOUT	Y	Y																										
E-UA-H744-Ø-Ø	1		UNIT ASSY	Y	Z																										
D-CS-H744-Ø-1	1		CIRCUIT SCHEMATIC	Y	Y																										
B-MH-H744-Ø-6	4		MODULE ECO HISTORY	AD	AE																										
		5009725	ETCHED BOARD	H	H																										
A-SP-H744-Ø-3			TEST PROCEDURE	REF																											
A-SP-H744-Ø-8			MFG SPEC	REF																											
D-PS-1210737-Ø-Ø	1		HEAT SINK	REF																											
D-IA-5309756-Ø-Ø	1		REGULATOR BRK'T	REF																											
C-IA-5309760-Ø-Ø	1		COMPONENT COVER	REF																											
C-MD-5309759-Ø-Ø	1		CAPACITOR STRAP	REF																											
A-PI-3700074-Ø-Ø	2		PACKAGING INSTRUCTION	REF																											
A-PS-9905211-Ø-Ø	2		OUTER CARTON	REF																											
A-PS-9905212-Ø-Ø	2		INNER PACKAGING	REF																											
C-IA-7412388-Ø-Ø			2.5 CAP HOLDER	REF																											

NOTES:

REVISIONS	DATE	CHG NO	REV.																												
				1	2	3	4	5	6	7	8	9	10	11	12	13	14	15	16	17	18	19	20	21	22	23	24	25	26	27	28
	2-77	00018	R																												
		00019	R																												

"THIS DRAWING AND SPECIFICATIONS, HEREIN, ARE THE PROPERTY OF DIGITAL EQUIPMENT CORPORATION AND SHALL NOT BE REPRODUCED OR COPIED OR USED IN WHOLE OR IN PART AS THE BASIS FOR THE MANUFACTURE OR SALE OF ITEMS WITHOUT WRITTEN PERMISSION. COPYRIGHT © 1977, DIGITAL EQUIPMENT CORPORATION"



USED ON OPTION/MODEL	DRN.	TITLE	SIZE CODE	NUMBER	REV.
11/45	D. FONTAINE	+5V REGULATOR	BDD	H744-Ø	R
	CHK'D				
	D. FONTAINE				
	ENG.				
	G. POTTER				
	PROD.				
	A. HIRSCH				
SHEET 2 OF 4					

DRAWING NO.	NO. OF SHTS	PART NO.	DESCRIPTION	REVISIONS															
				Y	Y														
D-AH-H744-Ø-5			ASSY DRILLING/HOLE LAYOUT	Y	Y														
E-UA-H744-Ø-Ø	1		UNIT ASSY	V	V1														
D-CS-H744-Ø-1	1		CIRCUIT SCHEMATIC	W	W1														
B-MH-H744-Ø-6	4		MODULE ECO HISTORY	AB	AE														
		5009725	ETCHED BOARD	H	H														
A-SP-H744-Ø-3			TEST PROCEDURE	REF															
A-SP-H744-Ø-8			MFG SPEC	REF															
D-PS-1210737-Ø-Ø	1		HEAT SINK	REF															
D-IA-5309756-Ø-Ø	1		REGULATOR BRK'T	REF															
C-IA-5309760-Ø-Ø	1		COMPONENT COVER	REF															
C-MD-5309759-Ø-Ø	1		CAPACITOR STRAP	REF															
A-PI-3700074-Ø-Ø	2		PACKAGING INSTRUCTION	REF															
A-PS-9905211-Ø-Ø	2		OUTER CARTON	REF															
A-PS-9905212-Ø-Ø	2		INNER PACKAGING	REF															
C-IA-7412388-Ø-Ø			2.5 CAP HOLDER	REF															

NOTES:

REVISIONS		DATE	CHG NO.	REV
		00016		R
		2-77	00019	

"THIS DRAWING AND SPECIFICATIONS, HEREIN, ARE THE PROPERTY OF DIGITAL EQUIPMENT CORPORATION AND SHALL NOT BE REPRODUCED OR COPIED OR USED IN WHOLE OR IN PART AS THE BASIS FOR THE MANUFACTURE OR SALE OF ITEMS WITHOUT WRITTEN PERMISSION. COPYRIGHT © 1977, DIGITAL EQUIPMENT CORPORATION"

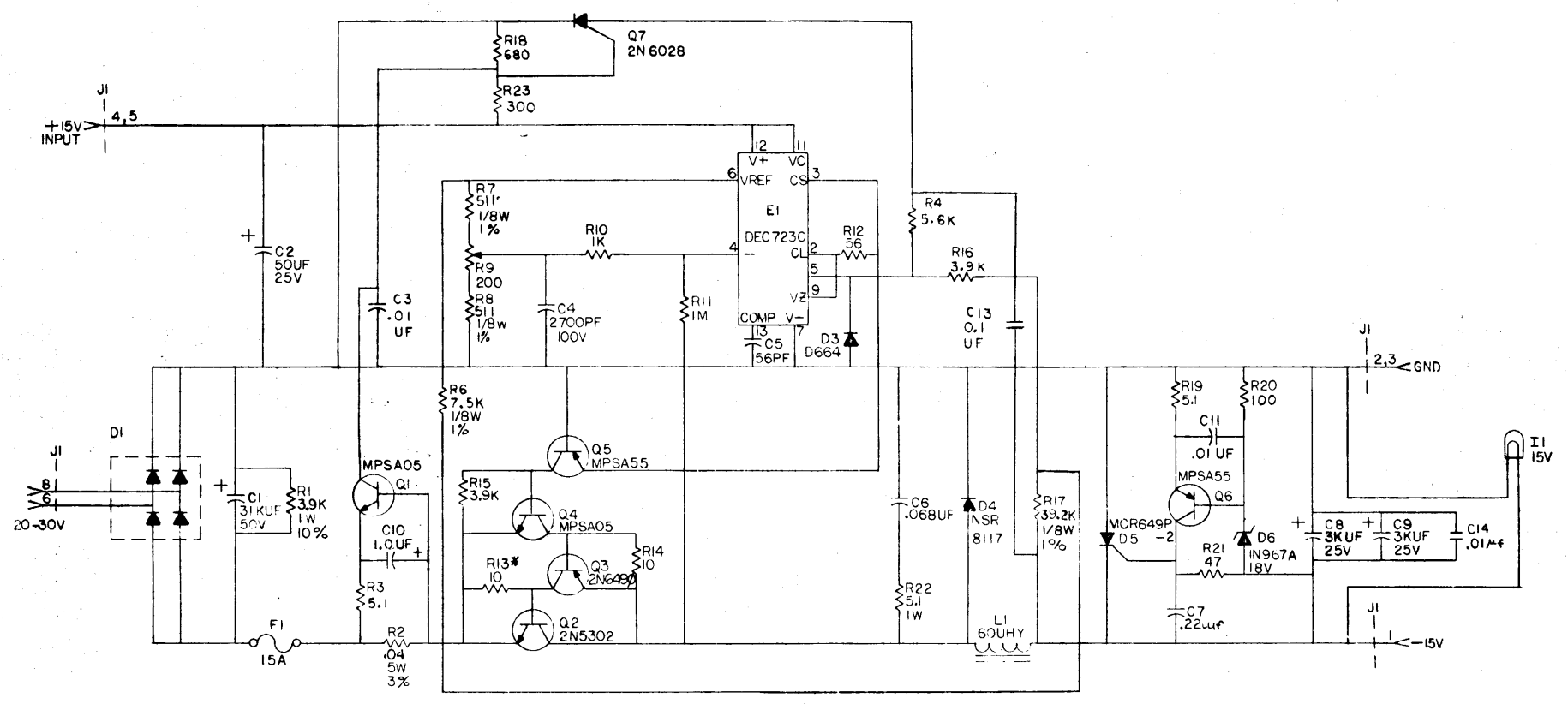


USED ON OPT!ON/MODEL	DRN.	TITLE
11/45	D. FONTAINE	2-4-72
	CHK'D	
	D. FONTAINE	2-4-72
	ENG.	
	G. POTTER	2-24-72
	PROD.	
	A. HIRSCH	2-24-72
	SIZE CODE	NUMBER
	BDD	H744-Ø
	SHEET 4 OF 4	
	REV.	R

CUSTOMER PRINT SET					ELECTRICAL					CUSTOMER PRINT SET					MECHANICAL							
H745-1					FIND NO.	DRAWING NO.	REV	NO OF SHT	DESCRIPTION	OPTION NO.	H745-1					FIND NO.	DRAWING NO.	REV	NO OF SHT	DESCRIPTION	OPTION NO.	
X					1	D-CS-H745-0-1	Y	1	CIRCUIT SCHEMATIC	H745	X					1	E-UA-H745-0-0	Y	1	UNIT ASSY	H745	
						A-ST-11/45-TA-2			TEST PROCEDURE	H745							D-PS-1210777-0-0		1	HEAT SINK	H745	
						A-SP-H745-0-8			MFG SPEC	H745							D-1A-5309756-0-0		1	REGULATOR BRKT	H745	
						D-AH-H745-0-5											D-1A-5309761-0-0		1	2 - 5 CAP BRKT	H745	
						B-MH-H745-0-6											C-MD-5309759-0-0		1	CAPACITOR STRAP	H745	
																	2	A-PI-3700074-0-0	-	2	PACKAGING INSTRUCTIONS	H745
																		A-PS-9905211-0-0	-	2	OUTER CARTON	H745
																		A-PS-9905212-0-0	-	2	INNER PACKAGE	H745

TITLE	SIZE	CODE	NUMBER	REV
-15V REGULATOR	B	DD	H745-0	1P
SHEET 2 OF 2				

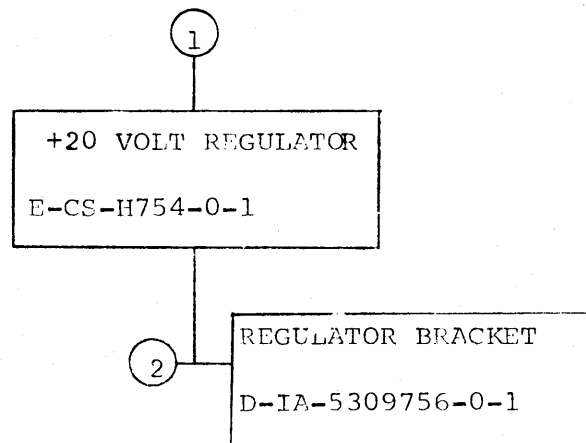
This drawing and specifications, herein, are the property of Digital Equipment Corporation and shall not be reproduced or used in whole or in part as the basis for the manufacture or sale of items without written permission. REV. 11/17/72 © 1972
 DIGITAL EQUIP. CORP., MAYNARD, MASS.



* FUSIBLE
 UNLESS OTHERWISE INDICATED:
 RESISTORS = 1/4W, 5%

QTY	REF DESIGNATION	DESCRIPTION	PART NO.	ITEM NO.
PARTS LIST				
	ETCH BOARD REV	E		
	D664	IN 3606	D45H 8	
	NSR 8117		2N 6028	
	MCR 649P - 2			
	IN 967A	SAME		
	2N 5302			
	MPS A05			
	MPS A55			
	DEC NO.	EIA NO.	DEC NO.	EIA NO.
SEMICONDUCTOR CONVERSION CHART				
DRN. <i>Wagner</i> DATE 11-4-71		EQUIPMENT CORPORATION MAYNARD, MASSACHUSETTS		
CHK'D. <i>Lincoln Moore</i> DATE 1-9-71				
ENG. <i>Wagner</i> DATE 11/1/72		TITLE		
PRD. <i>Wagner</i> DATE 11/1/72		-15V REG.		
NEXT HIGHER ASSY		SIZE CODE NUMBER		
		DCS H745-0-1		
		DST.		

SIZE CODE DCS
 NUMBER H745-0-1
 REV. 11/17/72

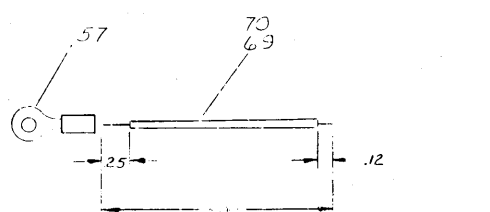
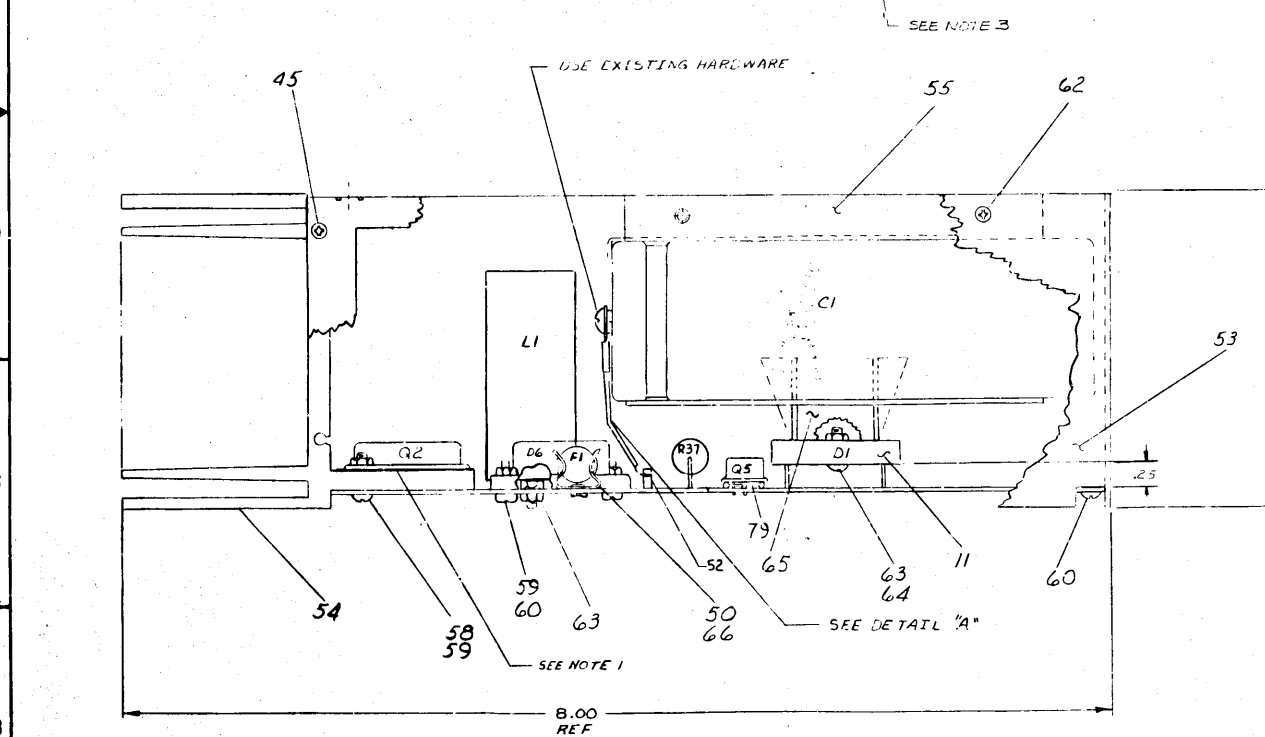
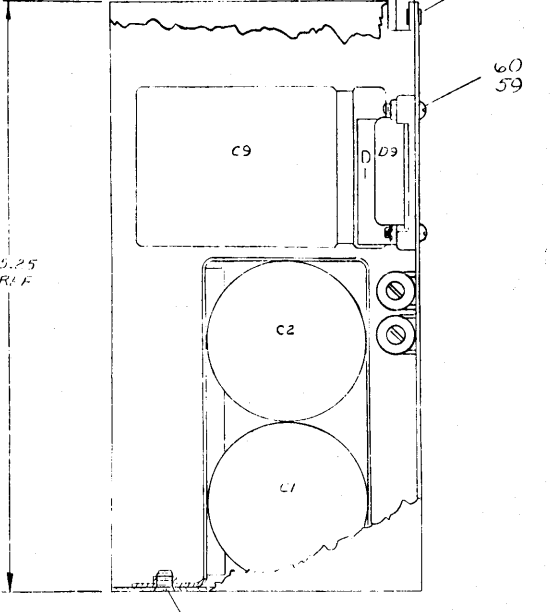
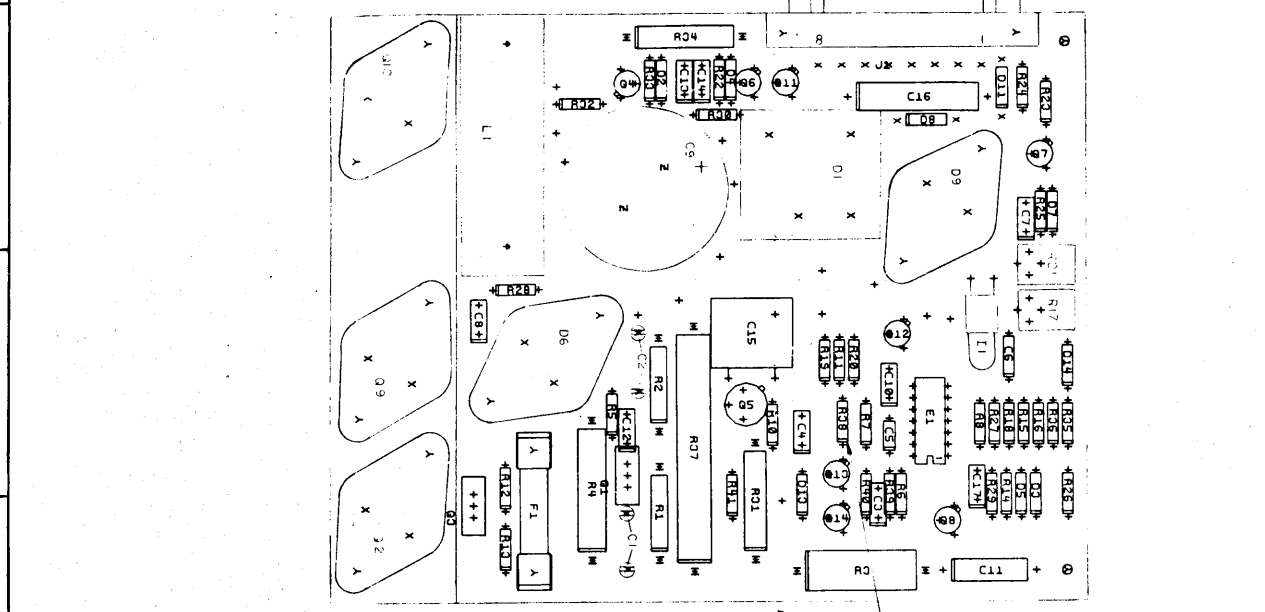


TITLE +20 VOLT REGULATOR	SHEET 3 OF 3	SIZE CODE B DD	NUMBER H754-0	REV B
------------------------------------	----------------------------	--------------------------	-------------------------	-----------------

THIS DRAWING AND ASSOCIATED ITEMS ARE THE PROPERTY OF THE COMPANY AND SHOULD BE KEPT IN CONFIDENCE. IT IS TO BE USED ONLY FOR THE PURPOSES SPECIFIED IN THE DRAWING. ANY REPRODUCTION OR USE OF THIS DRAWING WITHOUT THE WRITTEN PERMISSION OF THE COMPANY IS STRICTLY PROHIBITED.

DESIGNED BY: [Name] DATE: [Date]
 DRAWN BY: [Name] DATE: [Date]
 CHECKED BY: [Name] DATE: [Date]

NOTES:
 1. APPLY ITEM # 11 (COMPOUND) ON BOTH SIDES OF FILM # 12 (INSULATOR WASHER) FOR Q2, Q3, Q4. ALSO APPLY BETWEEN ITEM # 11 (DIODE BRIDGE DI) AND ITEM # 65 (HEAT SINK BRIDGE DI).
 2. UNLESS OTHERWISE INDICATED: RESISTORS ARE 1/4W, 5% CAPACITORS ARE 100V, 5%.
 3. ADD INSULATION (9107256-11) TO BOTH LEADS OF R38 TO AVOID SHORT TO ETCH.



DETAIL "A"
 SCALE: NONE
 RED WIRE GOES TO POSITIVE TERMINAL
 BLK WIRE GOES TO NEGATIVE TERMINAL

DELETED COMPONENTS	
RESISTORS	R9
DIODES	D10, D12

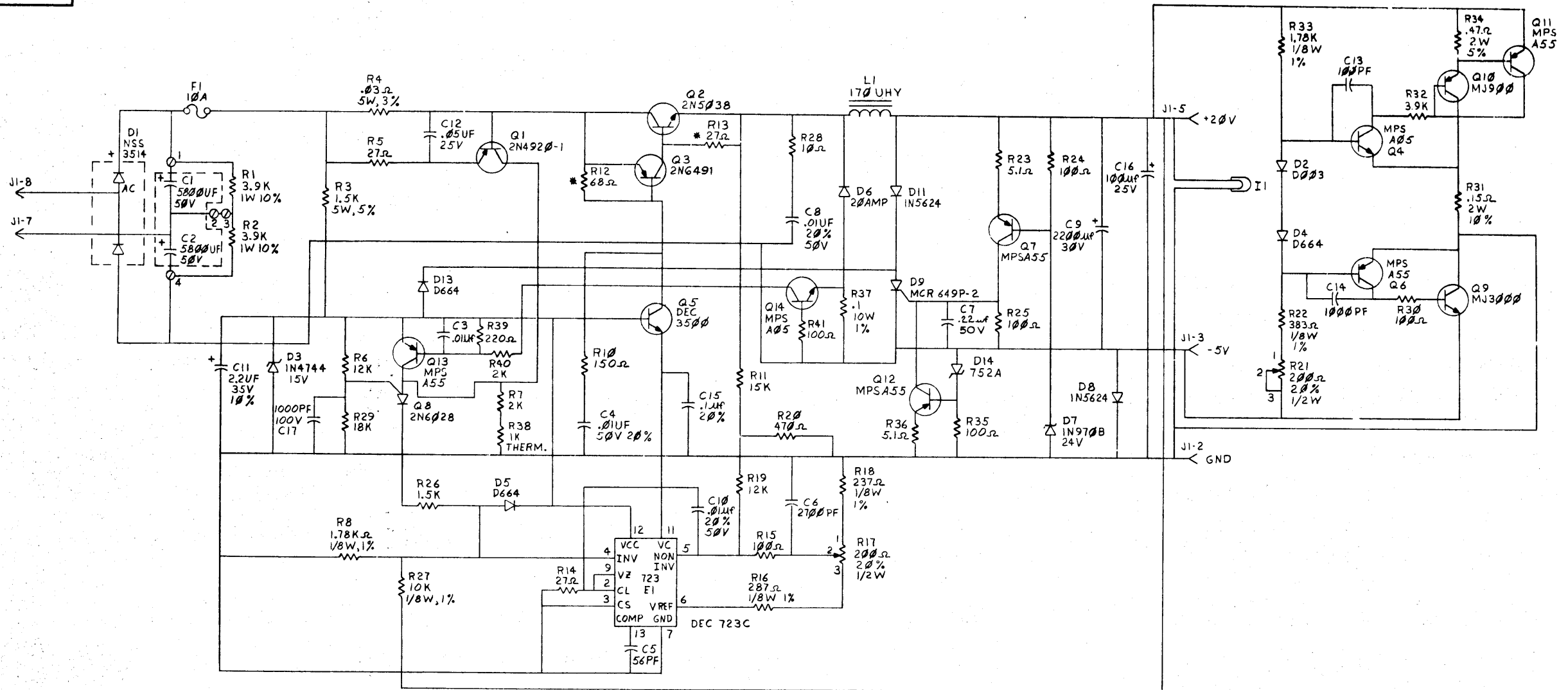
IC TYPE	QTY	REF	DESCRIPTION	PART NO.	REV.
74181	1	Q1	TRANSISTOR 2N4570-1	1509605-1	92
74181	1	Q2	TRANSISTOR 2N4570-1	1509605-1	92
74181	1	Q3	TRANSISTOR 2N4570-1	1509605-1	92
74181	1	Q4	TRANSISTOR 2N4570-1	1509605-1	92
74181	1	Q5	TRANSISTOR 2N4570-1	1509605-1	92

ITEM NO.	ANG	FROM	TO	PT	PT
1					
2					
3					
4					
5					
6					
7					
8					

QTY	REF DESIGNATION	DESCRIPTION	PART NO.	REV.
1	Q1	TRANSISTOR 2N4570-1	1509605-1	92
1	Q2	TRANSISTOR 2N4570-1	1509605-1	92
1	Q3	TRANSISTOR 2N4570-1	1509605-1	92
1	Q4	TRANSISTOR 2N4570-1	1509605-1	92
1	Q5	TRANSISTOR 2N4570-1	1509605-1	92
1	R1	RES 220 1/4W 5%	1300271	89
1	R2	RES 220 1/4W 5%	1300271	89
1	R3	RES 220 1/4W 5%	1300271	89
1	R4	RES 220 1/4W 5%	1300271	89
1	R5	RES 220 1/4W 5%	1300271	89
1	R6	RES 220 1/4W 5%	1300271	89
1	R7	RES 220 1/4W 5%	1300271	89
1	R8	RES 220 1/4W 5%	1300271	89
1	R9	RES 220 1/4W 5%	1300271	89
1	R10	RES 220 1/4W 5%	1300271	89
1	R11	RES 220 1/4W 5%	1300271	89
1	R12	RES 220 1/4W 5%	1300271	89
1	R13	RES 220 1/4W 5%	1300271	89
1	R14	RES 220 1/4W 5%	1300271	89
1	R15	RES 220 1/4W 5%	1300271	89
1	R16	RES 220 1/4W 5%	1300271	89
1	R17	RES 220 1/4W 5%	1300271	89
1	R18	RES 220 1/4W 5%	1300271	89
1	R19	RES 220 1/4W 5%	1300271	89
1	R20	RES 220 1/4W 5%	1300271	89
1	R21	RES 220 1/4W 5%	1300271	89
1	R22	RES 220 1/4W 5%	1300271	89
1	R23	RES 220 1/4W 5%	1300271	89
1	R24	RES 220 1/4W 5%	1300271	89
1	R25	RES 220 1/4W 5%	1300271	89
1	R26	RES 220 1/4W 5%	1300271	89
1	R27	RES 220 1/4W 5%	1300271	89
1	R28	RES 220 1/4W 5%	1300271	89
1	R29	RES 220 1/4W 5%	1300271	89
1	R30	RES 220 1/4W 5%	1300271	89
1	R31	RES 220 1/4W 5%	1300271	89
1	R32	RES 220 1/4W 5%	1300271	89
1	R33	RES 220 1/4W 5%	1300271	89
1	R34	RES 220 1/4W 5%	1300271	89
1	R35	RES 220 1/4W 5%	1300271	89
1	R36	RES 220 1/4W 5%	1300271	89
1	R37	RES 220 1/4W 5%	1300271	89
1	R38	RES 220 1/4W 5%	1300271	89
1	R39	RES 220 1/4W 5%	1300271	89
1	R40	RES 220 1/4W 5%	1300271	89
1	C1	CAP 100UF 25V	1002781	84
1	C2	CAP 100UF 25V	1002781	84
1	C3	CAP 100UF 25V	1002781	84
1	C4	CAP 100UF 25V	1002781	84
1	C5	CAP 100UF 25V	1002781	84
1	C6	CAP 100UF 25V	1002781	84
1	C7	CAP 100UF 25V	1002781	84
1	C8	CAP 100UF 25V	1002781	84
1	C9	CAP 100UF 25V	1002781	84
1	C10	CAP 100UF 25V	1002781	84
1	C11	CAP 100UF 25V	1002781	84
1	C12	CAP 100UF 25V	1002781	84
1	C13	CAP 100UF 25V	1002781	84
1	C14	CAP 100UF 25V	1002781	84
1	C15	CAP 100UF 25V	1002781	84
1	C16	CAP 100UF 25V	1002781	84
1	C17	CAP 100UF 25V	1002781	84
1	D1	DIODE 1N4148	1102808	89
1	D2	DIODE 1N4148	1102808	89
1	D3	DIODE 1N4148	1102808	89
1	D4	DIODE 1N4148	1102808	89
1	D5	DIODE 1N4148	1102808	89
1	D6	DIODE 1N4148	1102808	89
1	D7	DIODE 1N4148	1102808	89
1	D8	DIODE 1N4148	1102808	89
1	D9	DIODE 1N4148	1102808	89
1	D10	DIODE 1N4148	1102808	89
1	D11	DIODE 1N4148	1102808	89
1	D12	DIODE 1N4148	1102808	89
1	D13	DIODE 1N4148	1102808	89
1	D14	DIODE 1N4148	1102808	89
1	D15	DIODE 1N4148	1102808	89
1	D16	DIODE 1N4148	1102808	89
1	D17	DIODE 1N4148	1102808	89
1	D18	DIODE 1N4148	1102808	89
1	D19	DIODE 1N4148	1102808	89
1	D20	DIODE 1N4148	1102808	89
1	D21	DIODE 1N4148	1102808	89
1	D22	DIODE 1N4148	1102808	89
1	D23	DIODE 1N4148	1102808	89
1	D24	DIODE 1N4148	1102808	89
1	D25	DIODE 1N4148	1102808	89
1	D26	DIODE 1N4148	1102808	89
1	D27	DIODE 1N4148	1102808	89
1	D28	DIODE 1N4148	1102808	89
1	D29	DIODE 1N4148	1102808	89
1	D30	DIODE 1N4148	1102808	89
1	D31	DIODE 1N4148	1102808	89
1	D32	DIODE 1N4148	1102808	89
1	D33	DIODE 1N4148	1102808	89
1	D34	DIODE 1N4148	1102808	89
1	D35	DIODE 1N4148	1102808	89
1	D36	DIODE 1N4148	1102808	89
1	D37	DIODE 1N4148	1102808	89
1	D38	DIODE 1N4148	1102808	89
1	D39	DIODE 1N4148	1102808	89
1	D40	DIODE 1N4148	1102808	89
1	D41	DIODE 1N4148	1102808	89
1	D42	DIODE 1N4148	1102808	89
1	D43	DIODE 1N4148	1102808	89
1	D44	DIODE 1N4148	1102808	89
1	D45	DIODE 1N4148	1102808	89
1	D46	DIODE 1N4148	1102808	89
1	D47	DIODE 1N4148	1102808	89
1	D48	DIODE 1N4148	1102808	89
1	D49	DIODE 1N4148	1102808	89
1	D50	DIODE 1N4148	1102808	89
1	D51	DIODE 1N4148	1102808	89
1	D52	DIODE 1N4148	1102808	89
1	D53	DIODE 1N4148	1102808	89
1	D54	DIODE 1N4148	1102808	89
1	D55	DIODE 1N4148	1102808	89
1	D56	DIODE 1N4148	1102808	89
1	D57	DIODE 1N4148	1102808	89
1	D58	DIODE 1N4148	1102808	89
1	D59	DIODE 1N4148	1102808	89
1	D60	DIODE 1N4148	1102808	89
1	D61	DIODE 1N4148	1102808	89
1	D62	DIODE 1N4148	1102808	89
1	D63	DIODE 1N4148	1102808	89
1	D64	DIODE 1N4148	1102808	89
1	D65	DIODE 1N4148	1102808	89
1	D66	DIODE 1N4148	1102808	89
1	D67	DIODE 1N4148	1102808	89
1	D68	DIODE 1N4148	1102808	89
1	D69	DIODE 1N4148	1102808	89
1	D70	DIODE 1N4148	1102808	89
1	D71	DIODE 1N4148	1102808	89
1	D72	DIODE 1N4148	1102808	89
1	D73	DIODE 1N4148	1102808	89
1	D74	DIODE 1N4148	1102808	89
1	D75	DIODE 1N4148	1102808	89
1	D76	DIODE 1N4148	1102808	89
1	D77	DIODE 1N4148	1102808	89
1	D78	DIODE 1N4148	1102808	89
1	D79	DIODE 1N4148	1102808	89
1	D80	DIODE 1N4148	1102808	89
1	D81	DIODE 1N4148	1102808	89
1	D82	DIODE 1N4148	1102808	89
1	D83	DIODE 1N4148	1102808	89
1	D84	DIODE 1N4148	1102808	89
1	D85	DIODE 1N4148	1102808	89
1	D86	DIODE 1N4148	1102808	89
1	D87	DIODE 1N4148	1102808	89
1	D88	DIODE 1N4148	1102808	89
1	D89	DIODE 1N4148	1102808	89
1	D90	DIODE 1N4148	1102808	89
1	D91	DIODE 1N4148	1102808	89
1	D92	DIODE 1N4148	1102808	89
1	D93	DIODE 1N4148	1102808	89
1	D94	DIODE 1N4148	1102808	89
1	D95	DIODE 1N4148	1102808	89
1	D96	DIODE 1N4148	1102808	89
1	D97	DIODE 1N4148	1102808	89
1	D98	DIODE 1N4148	1102808	89
1	D99	DIODE 1N4148	1102808	89
1	D100	DIODE 1N4148	1102808	89

ETCH BOARD REV	J	REVISIONS	EQUIPMENT CORPORATION
D664	IN 3606		
+ 20 VOLT REGULATOR			
EICS H754-0-1			
DEC NO.	EIA NO.	DEC REV	EIA NO.
SEMICONDUCTOR CONVERSION CHART			

THIS DRAWING AND SPECIFICATIONS HEREON ARE THE PROPERTY OF DIGITAL EQUIPMENT CORPORATION AND SHALL NOT BE REPRODUCED OR COPIED OR USED IN WHOLE OR IN PART AS THE BASIS FOR THE MANUFACTURE OR SALE OF ITEMS WITHOUT WRITTEN PERMISSION. COPYRIGHT © 1972, DIGITAL EQUIPMENT CORPORATION

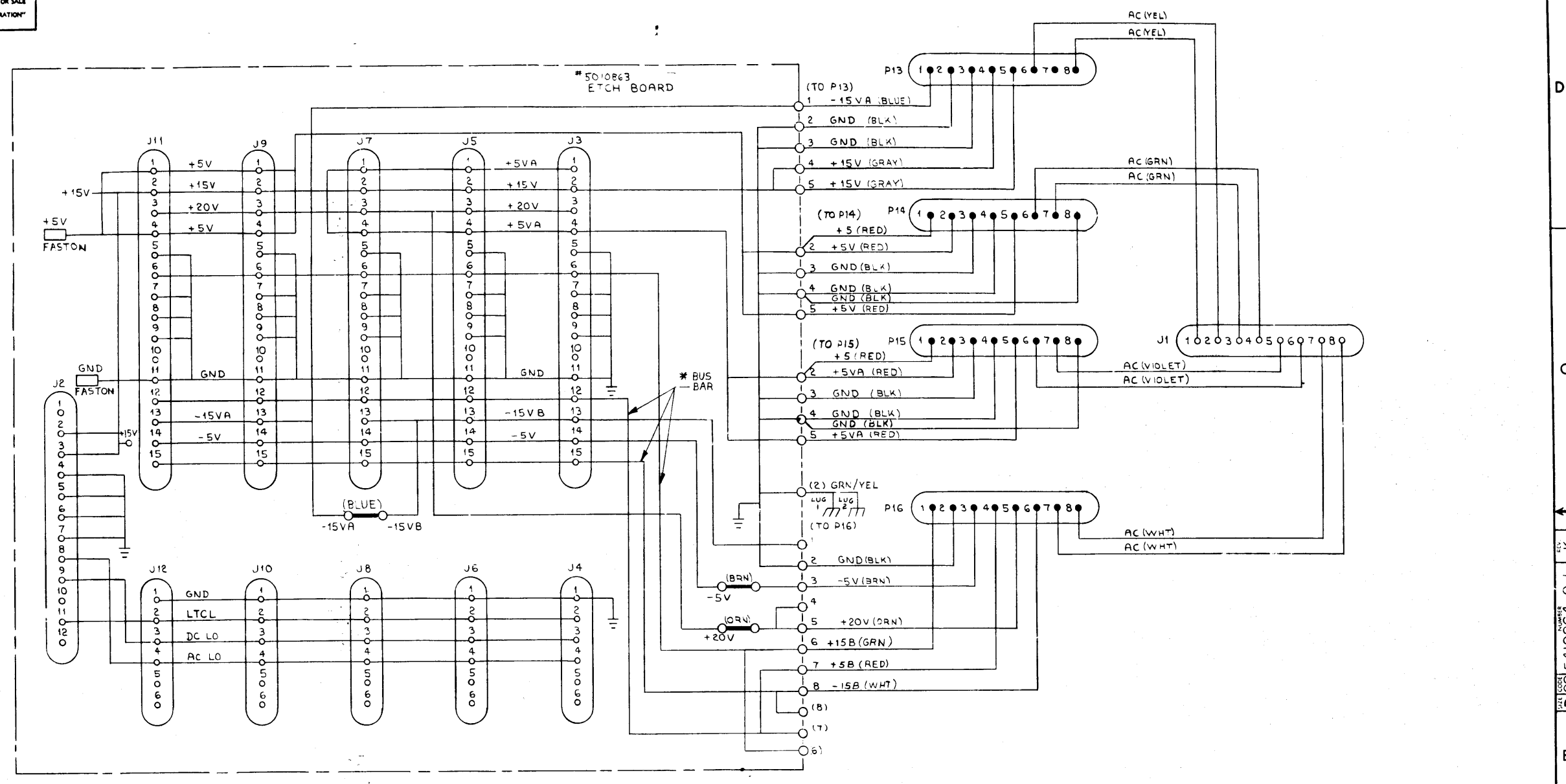


* FUSIBLE RESISTOR

DRN. BESONNETTE 8-29-72	FIRST USED ON	H754	Digital
CHK'D R. VOWLES 2-17-72	TITLE	+20 VOLT REGULATOR	
ENG. R. BURTON 5-7-73	SIZE	CODE	NUMBER
PROJ. ENG. R. BURTON 5-7-73	D	CS	H754-0-1
PROD. L. BAPTISTE 5-9-73	SHEET	2	OF 2
NEXT HIGHER ASSY.	SCALE		
	DIST.		

REV. T
NUMBER H754-0-1
D CS

"THIS DRAWING AND SPECIFICATIONS HEREIN ARE THE PROPERTY OF DIGITAL EQUIPMENT CORPORATION AND SHALL NOT BE REPRODUCED OR COPIED OR USED IN WHOLE OR IN PART AS THE BASIS FOR THE MANUFACTURE OR SALE OF ITEMS WITHOUT WRITTEN PERMISSION. COPYRIGHT © 1974 DIGITAL EQUIPMENT CORPORATION"



* BUS BAR USED IN THE YA VARIATION ONLY

REVISIONS		
CHK	CHANGE NO.	REV.

TITLE	SIZE CODE	NUMBER	REV.
PWR DIST BOARD	DCS	5410864-0-1	K
SCALE NONE	SHEET 2 OF 3	DIST.	

240

"THIS DRAWING AND SPECIFICATIONS, HEREIN, ARE THE PROPERTY OF DIGITAL EQUIPMENT CORPORATION AND SHALL NOT BE REPRODUCED OR COPIED OR USED IN WHOLE OR IN PART AS THE BASIS FOR THE MANUFACTURE OR SALE OF ITEMS WITHOUT WRITTEN PERMISSION. COPYRIGHT © 1974, DIGITAL EQUIPMENT CORPORATION."

WIRE TABLE								
ITEM NO	DESCRIPTION	FROM		TO		LENGTH	SIGNAL NAME	
		AWG	COLOR	CONNECTION	WITH			CONNECTION
24	14	YEL	J1-1	8	P13-8	7	12.5"	AC/H745
24		YEL	J1-2		P13-6		12.5"	AC/H745
25		GRN	J1-3		P14-7		11"	AC/H744-1
25		GRN	J1-4		P14-6		11"	AC/H744-1
26		VIO	J1-5		P15-7		8.75"	AC/H744-2
26		VIO	J1-6		P15-6		8.75"	AC/H744-2
27		WHT	J1-7		P16-8		11.25"	AC/H754
27		WHT	J1-8	8	P16-7		11.25"	AC/H754
23		BLU	PDBP13-1	SOLDER	P13-1		5"	-15V
22		BLK	PDBP13-2		P13-2			GND
22		BLK	PDBP13-3		P13-3			GND
21		GRY	PDBP13-4		P13-4			+15V
21		GRY	PDBP13-5		P13-5			+15V
20		RED	PDBP14-2		P14-2			+5V
22		BLK	PDBP14-3		P14-3			GND
22		BLK	PDBP14-4		P14-4			GND
20		RED	PDBP14-5		P14-5			+5V
20		RED	PDBP15-2		P15-2			+5V
22		BLK	PDBP15-3		P15-3			GND
22		BLK	PDBP15-4		P15-4			GND
20		RED	PDBP15-5		P15-5			+5V
22		BLK	PDBP16-2		P16-2			GND
19		BRN	PDBP16-3		P16-3			-5V
18		ORN	PDBP16-5		P16-5	7	5"	+20V
23		BLU	PDBP15A		PDB-15B	SOLDER	1.75	-15V
18		ORN	PDBP16-5		PDB+20V		5"	+20V
19		BRN	PDBP16-3	SOLDER	PDB-5V		2"	-5V
33		GRN/YEL	LUG 1	35	PDBP16-2	SOLDER	11"	SAFETY GND
33		GRN/YEL	LUG 2	34	LUG 2		15"	SAFETY GND
20		RED	PDBP16-7	SOLDER	P16-4	7	5.5"	+5B
20		RED	PDBP15-1		P15-1		5"	+5V
20		RED	PDBP14-1		P14-1		5"	+5V
22		BLK	PDBP15-4		P15-8		5.5"	GND
22		BLK	PDBP14-4		P14-8			GND
25		GRN	PDBP16-6		P16-1			+15B
27	14	WHT	PDBP16-8	SOLDER	P16-6	7	5.5"	-15B

BUS BAR CONNECTIONS FOR YA VARIATION		
LEVEL A	PDBP16-6 J11,J9,J7,J5,J3 ALL PIN#6	+15V.B
LEVEL B	PDBP16-7 J11,J9,J7,J5,J3 ALL PIN#12	+5V
LEVEL C	PDBP16-8 J11,J9,J7,J5,J3 ALL PIN#15	-15V.B

YA VARIATION ONLY.

REVISIONS		
CHK	CHANGE NO	REV

TITLE	SIZE CODE	NUMBER	REV.
PWR DIST BOARD	DCS	5410864-0-1	K
SCALE NONE	SHEET 3 OF 3	DIST.	

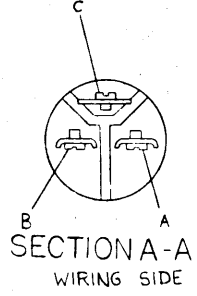
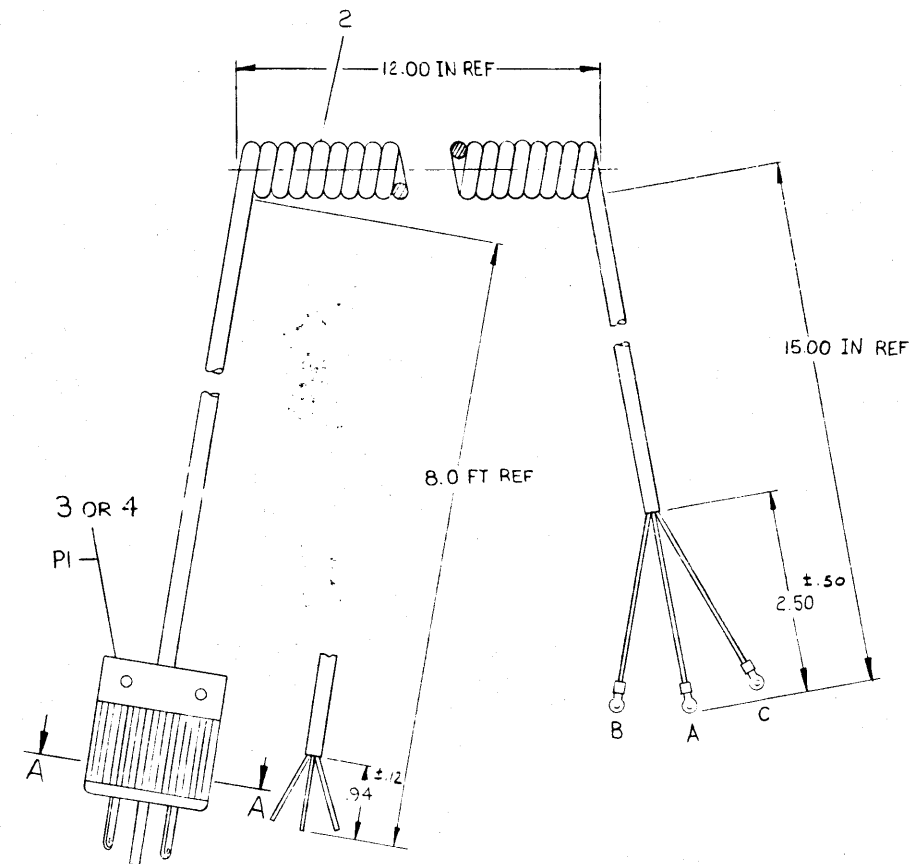
8 7 6 5 4 3 2 1

THIS DRAWING AND SPECIFICATIONS HEREIN ARE THE PROPERTY OF DIGITAL EQUIPMENT CORPORATION AND SHALL NOT BE REPRODUCED OR COPIED OR USED IN WHOLE OR IN PART AS THE BASIS FOR THE MANUFACTURE OR SALE OF ITEMS WITHOUT WRITTEN PERMISSION. COPYRIGHT © 1976, DIGITAL EQUIPMENT CORPORATION.

LEGEND

NUMBER	VARIATION
7012500-0	120V
7012500-1	240V

WIRE TABLE (7012500-0)								WIRE TABLE (7012500-1)									
ITEM NO.	DESCRIPTION			FROM		TO		REMARKS	ITEM NO.	DESCRIPTION			FROM		TO		REMARKS
	AWG	COLOR	CONNECTION	WITH	CONNECTION	WITH	AWG			COLOR	CONNECTION	WITH	CONNECTION	WITH			
2	14	BRN	PI-B	---	B	6	AC LINE	2	14	BRN	PI-B	---	B	6	LINE		
2	14	LT BLU	PI-A	---	A	6	AC NEUTRAL	2	14	LT BLU	PI-A	---	A	6	NEUTRAL		
2	14	GRN/YEL	PI-C	---	C	6	AC SAFETY GND	2	14	GRN/YEL	PI-C	---	C	6	AC SAFETY GND		



QTY	DESCRIPTION	DWG. PART NO.	ITEM NO.
3	TERMINAL, RING TONGUE	9007928	6
2	TERMINAL, QUICK CONNECT	9007919-0	5
1	PLUG, 240 V	9008853	4
1	PLUG, 120 V	9008938	3
1	POWER CORD	1700065-0	2
1	POWER CORD	1700065-1	1

DESCRIPTION	DWG. PART NO.	ITEM NO.
7012500-0		
7012500-1		

THIRD ANGLE PROJECTION

REMOVE BURRS AND BREAK SHARP CORNERS

DO NOT SCALE DWG

MATERIAL SEE PARTS LIST

FINISH

DRN. E. Ben July 2-27-76

CHK. [Signature] 3/2/76

ENG. [Signature] 3/2/76

PROJ. ENG. [Signature] 5/2/76

PRCD. [Signature]

FIRST USED ON 8A11-K

TITLE POWER CORD 120V 240V

SIZE CODE NUMBER REV. DIA 7012500-0-0 A

SHEET 1 OF 1

REV.	CHANGE NO.	DESCRIPTION
A	1	7009811-00004
		R WOLF
		11/2/76

8 7 6 5 4 3 2 1

THIS DRAWING AND SPECIFICATIONS HEREIN ARE THE PROPERTY OF DIGITAL EQUIPMENT CORPORATION AND SHALL NOT BE REPRODUCED OR COPIED OR USED IN WHOLE OR IN PART AS THE BASIS FOR THE MANUFACTURE OR SALE OF ITEMS WITHOUT WRITTEN PERMISSION. COPYRIGHT © 1974 DIGITAL EQUIPMENT CORPORATION.

NOTES:

D
C
B
A

IC TYPE	GND	+ 5V

GND AND 5V ARE USUALLY PIN 7 AND 14 RESPECTIVELY. EXCEPTIONS ARE STATED ABOVE.

IC PIN LOCATIONS

DCS 5411086-0-1 J

YA	QTY	REF DESIGNATION	DESCRIPTION	PART NO	ITEM NO
1 1	1	R29	RESISTOR 3.48K 1/4W 1%	1305114	55
1 1	1	R28	RESISTOR 5.82K 1/4W 1%	1305128	56
1 1	1	R27	RESISTOR 4.99K 1/4W 1%	1305324	57
0 1	1	R35	RESISTOR 24.8K 1/4W 1%	1305405	58
0 1	1	R24	RESISTOR 200 20% 62PR	1309150-10	59
1 1	1	R32	RESISTOR 18.2K 1/4W 1%	1309412	60
0 2	2	R5, R6	RESISTOR .2 5W 5% WW	1309884	61
0 1	1	Q7	TRANSISTOR MJE3055	1510555	62
4 8	8	Q2, Q3, Q5, Q6, Q18, Q19	TRANSISTOR MPSA05	1510705	63
0 2	2	Q4, Q9	TRANSISTOR MPS A55	1510708	64
0 1	1	Q8	TRANSISTOR 2N 4441	1505867	65
4 5	5	Q1, Q11, Q12, Q13, Q18	TRANSISTOR 2N 4250	1509142	66
4 4	4	Q14, Q15, Q17, Q18	TRANSISTOR 2N 5433	1511888	67
0 1	1	L1	INDUCTOR, 500uH	1811868	68
1 1	1	T1	TRANSFORMER	1812028	69
0 1	1	E1	I. C. DEC 723	1910415	70
0 1	1		SCREW, PHM #4-40 X 7/16 LG.	9008012-1	71
0 1	1		SCREW, PHM #8-32 X 1/4 LG.	9008020-1	72
0 1	1		SCREW, PHM #6-32 X 7/8 LG.	900602-1	73
0 1	1		KEP NUT #4-40	9006557	74
0 2	2		KEP NUT #10-32	9006565	75
2 2	2		WASHER, ITTLKWR #10	9006835	76
0 2	2		WASHER, FLAT	9006888	77
0 2	2	(WI)	SPLIT LUG	9006851	78
0 1	1		SPACER, 1/4AF X 1/2	9008844	79
4 4	4		CABLE TIE	9007880	80
2 2	2		TERMINAL	9007930	81
2 2	2		SCREW, PHM #10-32 X 1/4 LG.	9008007-1	82
0 2	2		TERMINAL	9008150	83
0 1	1		KEP NUT #6-32	9008185	84
0 A/R	A/R		COMPOUND, THERMAL JOINT	9008268	85
0 5	5		WASHER, MICA	9008424	86
0 2	2		WASHER, RING	9008440	87
0 1	1		FUSE HOLDER	9009141	88
1 1	1	R22	RESISTOR, 390, 2W 10%	1301880	89
0 1	1	W1	JUMPER	9009185	90
2 12	12		WIRE #18 STRANDED BLK	9107580-0-0	91
REF REF			MODULE TEST PROCEDURE	A-SP-11445-7A-2	92
1 1	1		WASHER, RING	9006773	93
1 1	1		.010 INCH SHIM	7413721-0-0	94
REF REF			ENG. SPEC-AND TEST PROC.	A-SP-5411086-0-3	95

DCS 5411086-0-1 J

FIRST USED ON OPTION MODEL

PARTS LIST

CHK	CHANGE NO	REV	DATE	BY

ETCH BOARD REV D

DRN *J. Vincent* DATE 10-9-74

CHKD *J. Vincent* DATE 10-9-74

ENG *Paul Brown* DATE 11/2/74

PROJ ENG *Paul Brown* DATE 11/2/74

PROD *Paul Brown* DATE 11/4/74

NEXT HIGHER ASSY

SCALE ---

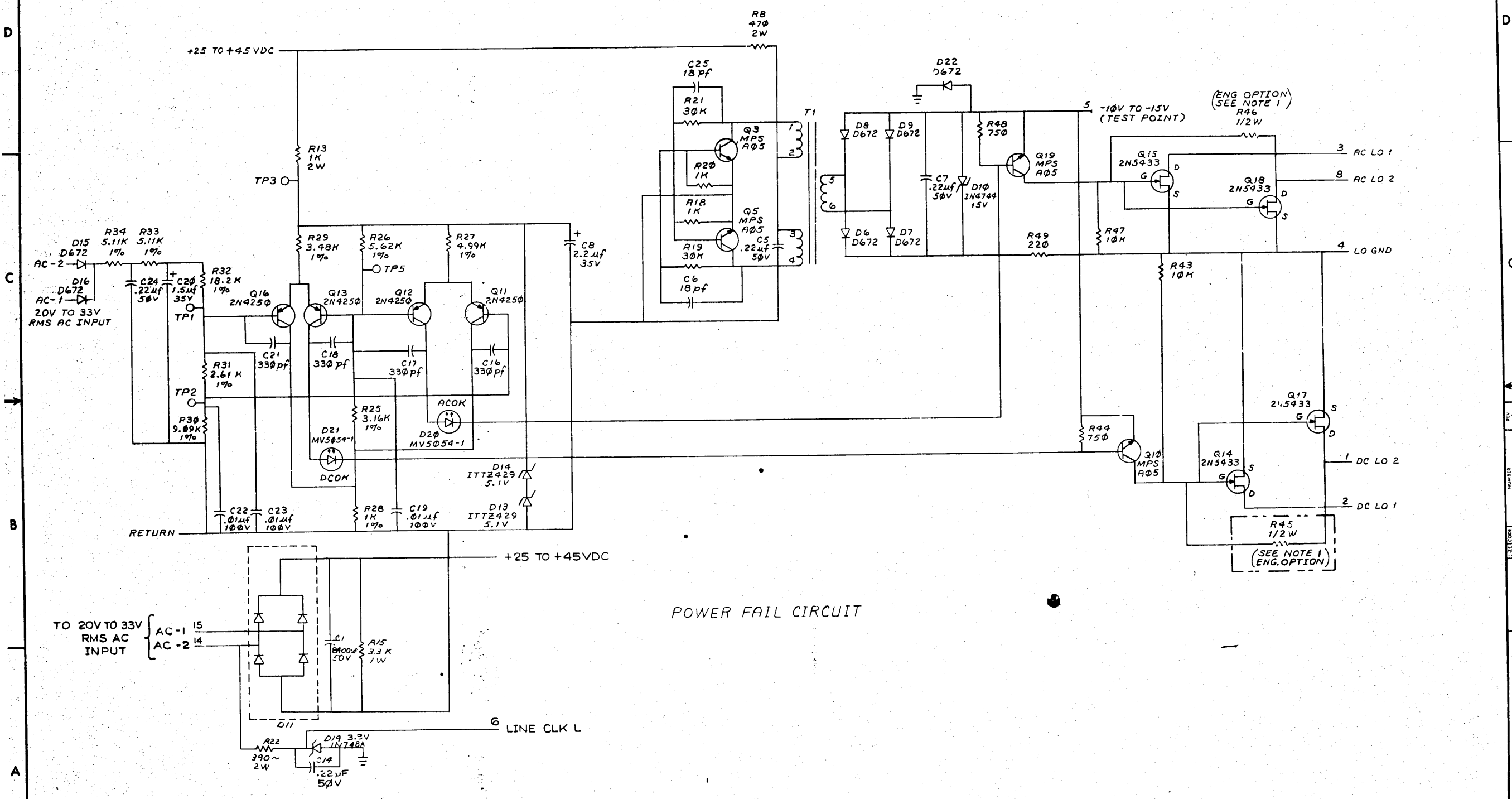
SHEET 2 OF 4

digital EQUIPMENT CORPORATION
TITLE PWR. LINE MONITOR/15V REG.
SIZE CODE NUMBER REV
DCS 5411086-0-1 J

SEMICONDUCTOR CONVERSION CHART

244

THIS DRAWING AND SPECIFICATIONS HEREIN ARE THE PROPERTY OF DIGITAL EQUIPMENT CORPORATION AND SHALL NOT BE REPRODUCED OR COPIED OR USED IN WHOLE OR IN PART AS THE BASIS FOR THE MANUFACTURE OR SALE OF ITEMS WITHOUT WRITTEN PERMISSION. COPYRIGHT © 1974 DIGITAL EQUIPMENT CORPORATION



REVISIONS		
CHK	CHANGE NO.	REV.

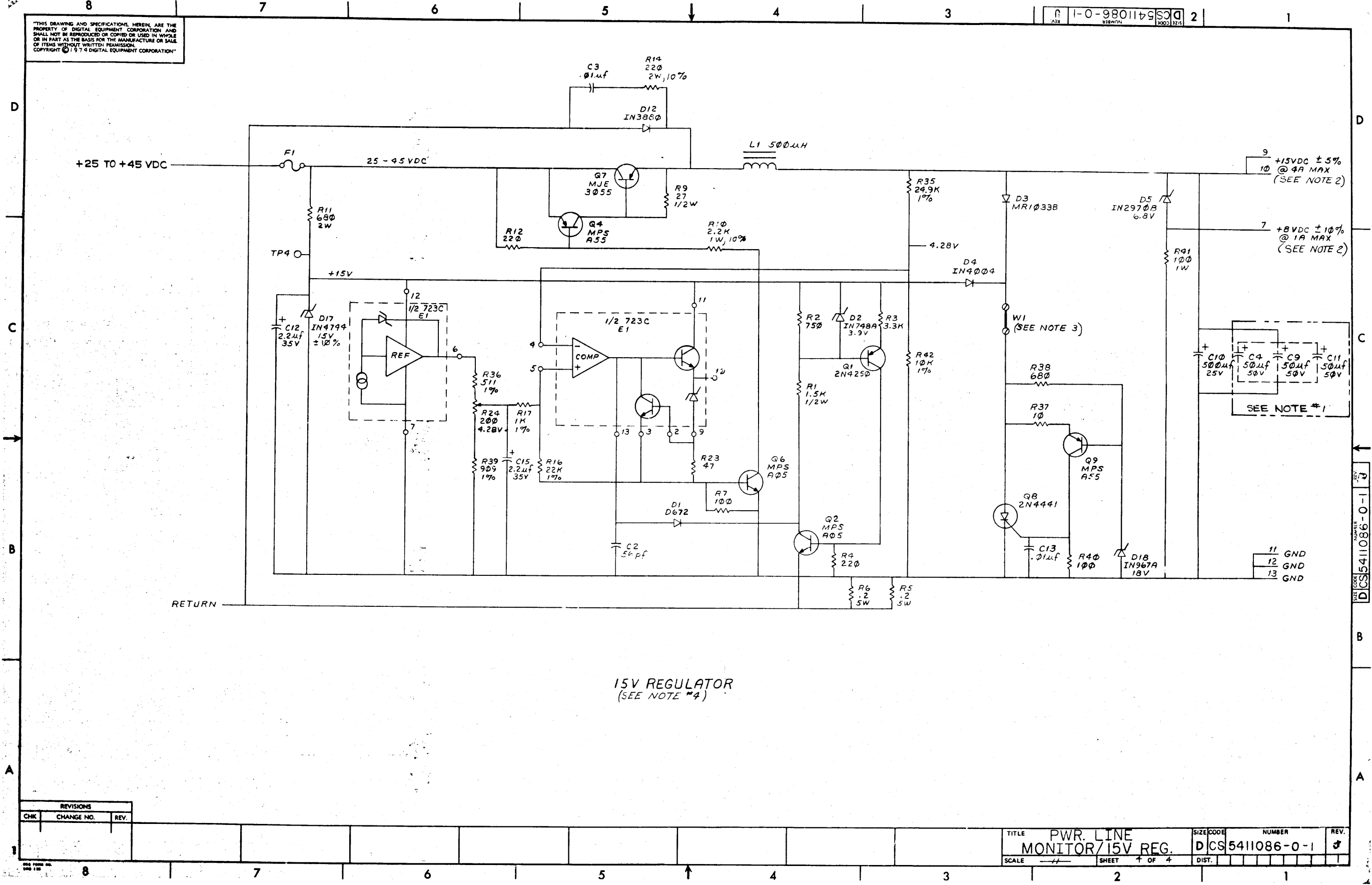
TITLE	PWR. LINE MONITOR/15V REG.	SIZE CODE	D	NUMBER	5411086-0-1	REV.	1
SCALE		SHEET	3	OF	4	DIST.	

D E S I G N 5411086-0-1

245

THIS DRAWING AND SPECIFICATIONS HEREIN ARE THE PROPERTY OF DIGITAL EQUIPMENT CORPORATION AND SHALL NOT BE REPRODUCED OR COPIED OR USED IN WHOLE OR IN PART AS THE BASIS FOR THE MANUFACTURE OR SALE OF ITEMS WITHOUT WRITTEN PERMISSION. COPYRIGHT © 1974 DIGITAL EQUIPMENT CORPORATION

DCS 5411086-0-1 2

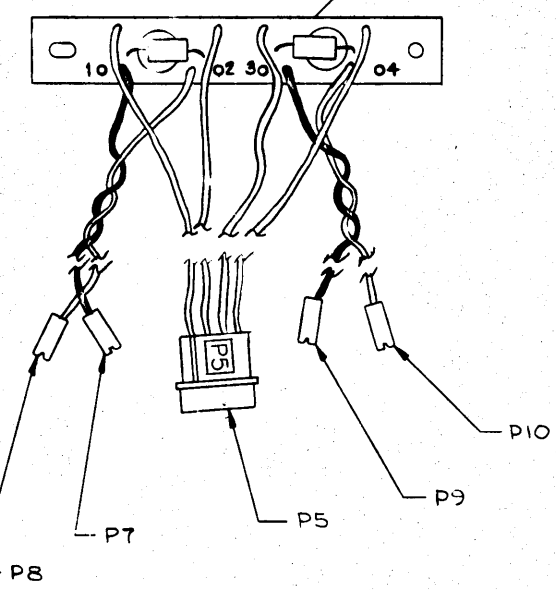
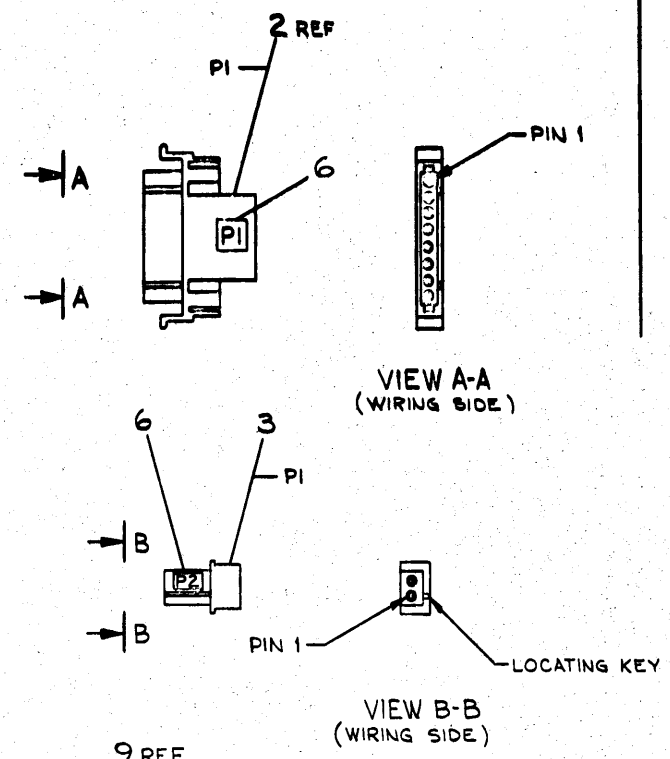
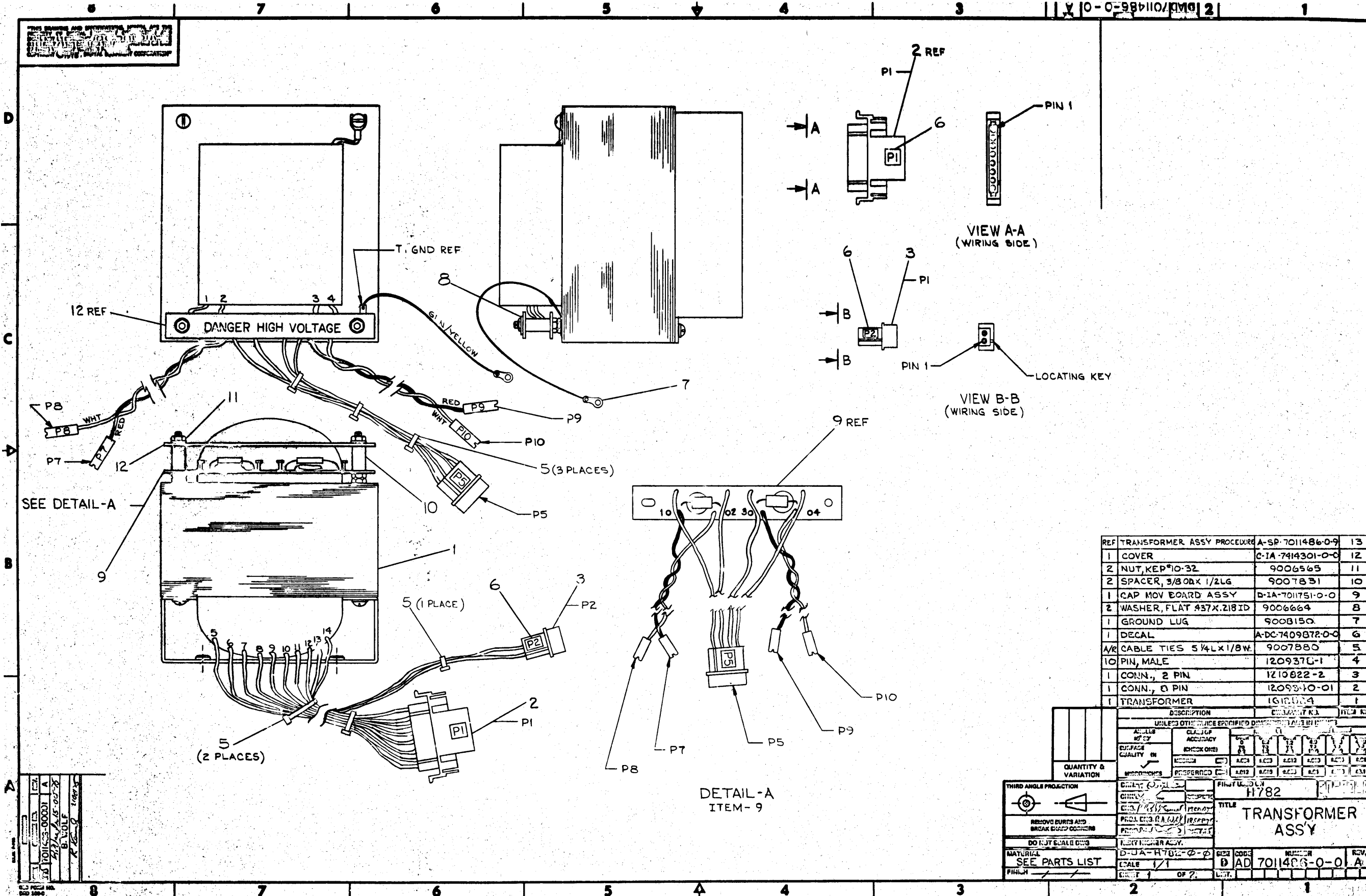
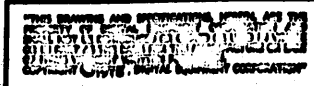


15V REGULATOR
(SEE NOTE #4)

REVISIONS		
CHK	CHANGE NO.	REV.

TITLE	PWR. LINE MONITOR/15V REG.	SIZE CODE	NUMBER	REV.
SCALE	1/1	SHEET	4 OF 4	1
DISTR.		DCS 5411086-0-1		1

246



REF	DESCRIPTION	QUANTITY	UNIT
	TRANSFORMER ASSY PROCEDURE	A-SR-7011486-0-9	13
1	COVER	C-1A-7414301-0-0	12
2	NUT, KEP #0-32	9006565	11
2	SPACER, 3/8 OD X 1/2 LG	9007831	10
1	CAP MOV BOARD ASSY	D-1A-7011751-0-0	9
2	WASHER, FLAT 437X.218 ID	9006664	8
1	GROUND LUG	9008150	7
1	DECAL	A-DC-7409878-0-0	6
A/R	CABLE TIES 5/4 L X 1/8 W	9007880	5
10	PIN, MALE	1209370-1	4
1	CONN., 2 PIN	1210822-2	3
1	CONN., 3 PIN	1209340-01	2
1	TRANSFORMER	1610564	1

QUANTITY & VARIATION		DESCRIPTION		REVISION	

THIRD ANGLE PROJECTION
 REMOVE BURRS AND BREAK SHARP CORNERS
 DO NOT SCALE DIMS
 MATERIAL SEE PARTS LIST
 FINISH

CHECKED BY: [Signature]
 DESIGNED BY: [Signature]
 DRAWN BY: [Signature]
 APPROVED BY: [Signature]

TITLE: TRANSFORMER ASSY
 H782
 D-1A-H782-0-0
 1 OF 2

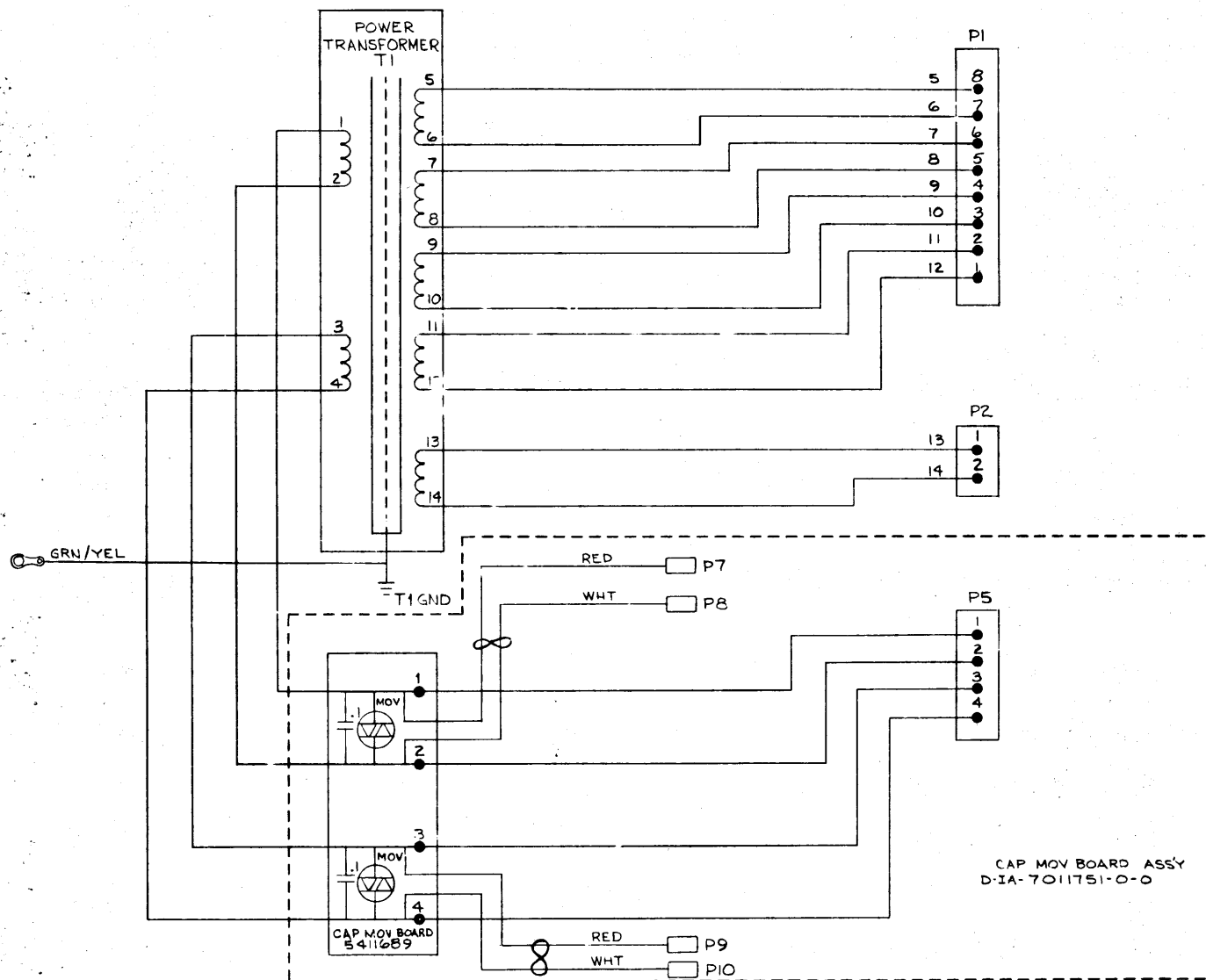
347.0

245

240

WIRE TABLE

ITEM NO.	DESCRIPTION		FROM		TO		WIRE LENGTH
	AWG	COLOR	CONNECTION	WITH	CONNECTION	WITH	
1	14	BLK	T1-1	---	CAP MOV BD-1	SOLDER	1.5 IN
			T1-2	---	CAP MOV BD-2	SOLDER	2.0 IN
			T1-3	---	CAP MOV BD-3	SOLDER	2.0 IN
			T1-4	---	CAP MOV BD-4	SOLDER	1.5 IN
			T1-5	---	PI-5	ITEM 4	12.0 IN
			T1-6	---	PI-7		
			T1-7	---	PI-6		
			T1-8	---	PI-5		
			T1-9	---	PI-4		
			T1-10	---	PI-3		
			T1-11	---	PI-2		
			T1-12	---	PI-1	ITEM 4	
			T1-13	---	P2-1	ITEM 4	
1	14	BLK	T1-14	---	P2-2	ITEM 4	12.0 IN
1	14	GRN/YEL	T1-GND	---	GND LUG (ITEM 7)	SOLDER	14.0 IN



REVISIONS		
CHK	CHAN. E. NO.	REV.

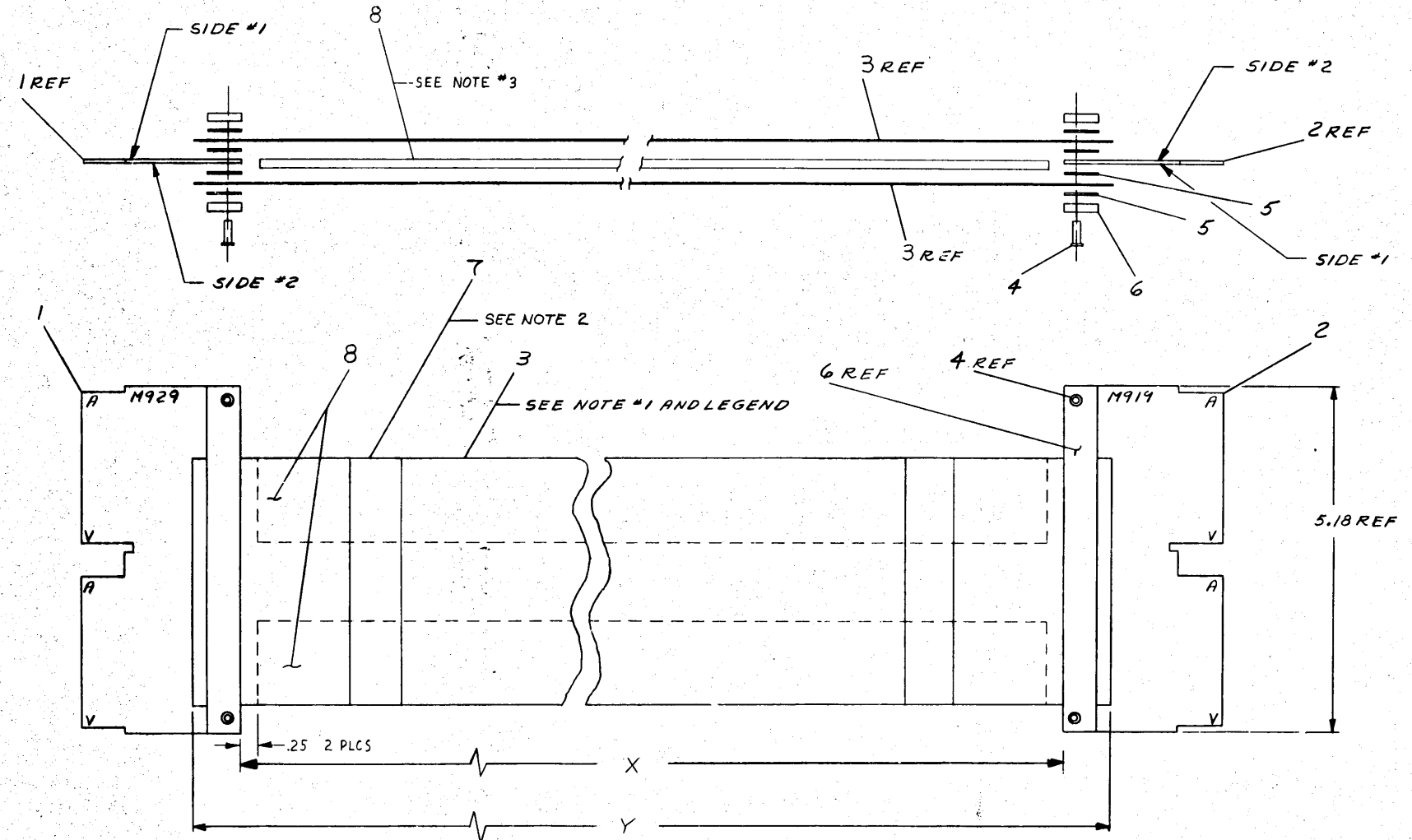
DAD 7011486-0-0

248

This drawing and specifications, herein, are the property of Digital Equipment Corporation and shall not be reproduced or copied in whole or in part without the prior written permission of Digital Equipment Corporation.

NOTES:

- VARIATIONS AND LENGTHS SHOWN IN LEGEND ARE STANDARD. OTHER THAN STANDARD VARIATIONS WILL BE SPECIFIED BY ALPHANUMERIC DESIGNATION. FOR LENGTHS OTHER THAN FOOT INCREMENTS FROM ONE (1) FOOT THROUGH NINE (9) FEET, ELEVEN (11) INCHES.
 A=1" G=7"
 B=2" H=8"
 C=3" J=9"
 D=4" K=10"
 E=5" L=11"
 F=6"
 EXAMPLE: BC11A-3D=3'4". LENGTHS WILL BE IN FOOT INCREMENTS FROM TEN (10) FEET ON, AND WILL BE SPECIFIED BY THE CORRESPONDING NUMERICAL DESIGNATION. EXAMPLE: BC11A-11=11 FEET. THE TOLERANCE ON DIMENSION "A" WILL BE 2% OF THE FOOT INCREMENT.
- FLEXPRINTS TO BE BOUND TOGETHER BY WRAPPING WITH BLACK ELECTRICAL TAPE (ITEM 7) EVERY 18 INCHES.
- INSTALL 2 PIECES OF FOAM TAPE (ITEM 8) BETWEEN FLEX PRINT CABLES AS SHOWN.



QTY.	DESCRIPTION	PART NO.	ITEM NO.
1	GRAY FOAM	9008881	8
1	DLX ELECTRICAL TAPE	9009260	7
4	CLAMP, CABLE	C-5C-1207X2000	6
1	TAPE #4032 1/2" X 3 1/4" L	9007834	5
4	EYELET GS-4-11 STIMPSON	9006750	4
2	CABLE, FLEXPRINT	1700C02-01	3
1	EXT. BUS CONN	A-PL-M919-0-0	2
1	BUS CONN	A-PL-M929-0-0	1

REV.	DESCRIPTION
A	BC11A-00001
B	BC11A-00002
C	BC11A-00003
D	BC11A-00004
E	BC11A-00005
F	BC11A-00006

FIRST USED ON OPTION/MODEL PDP11

UNLESS OTHERWISE SPECIFIED DIMENSIONS IN INCHES

TOLERANCES

FINISH

MATERIAL

DATE: 11/20/80

SCALE: 1/1

REV. F

TITLE: CABLE ASSY (BC11A)

REV. F

249

"THIS DRAWING AND SPECIFICATIONS HEREIN ARE THE PROPERTY OF DIGITAL EQUIPMENT CORPORATION AND SHALL NOT BE REPRODUCED OR COPIED OR USED IN WHOLE OR IN PART AS THE BASIS FOR THE MANUFACTURE OR SALE OF ITEMS WITHOUT WRITTEN PERMISSION. COPYRIGHT © 1975 DIGITAL EQUIPMENT CORPORATION."

LEGEND		
NUMBER	DIM"X" VARIATION	DIM"Y"(PRECUT) REF.
BC11A-02	2'0"±0.5"	2'1.5"
BC11A-03	3'0"±1.0"	3'1.5"
BC11A-04	4'0"±1.0"	4'1.5"
BC11A-05	5'0"±1.0"	5'1.5"
BC11A-06	6'0"±1.0"	6'1.5"
BC11A-07	7'0"±2.0"	7'1.5"
BC11A-08	8'0"±2.0"	8'1.5"
BC11A-09	9'0"±2.0"	9'1.5"
BC11A-10	10'0"±2.0"	10'1.5"
BC11A-11	11'0"±3.0"	11'1.5"
BC11A-12	12'0"±3.0"	12'1.5"
BC11A-13	13'0"±3.0"	13'1.5"
BC11A-14	14'0"±3.0"	14'1.5"
BC11A-15	15'0"±4.0"	15'1.5"
BC11A-16	16'0"±4.0"	16'1.5"
BC11A-17	17'0"±4.0"	17'1.5"
BC11A-18	18'0"±4.0"	18'1.5"
BC11A-19	19'0"±5.0"	19'1.5"
BC11A-20	20'0"±5.0"	20'1.5"
BC11A-21	21'0"±5.0"	21'1.5"
BC11A-22	22'0"±5.0"	22'1.5"
BC11A-23	23'0"±6.0"	23'1.5"
BC11A-24	24'0"±6.0"	24'1.5"
BC11A-25	25'0"±6.0"	25'1.5"
BC11A-0F	0'6"±0.5"	0'7.5"
BC11A-8F	8'6"±2.0"	8'7.5"

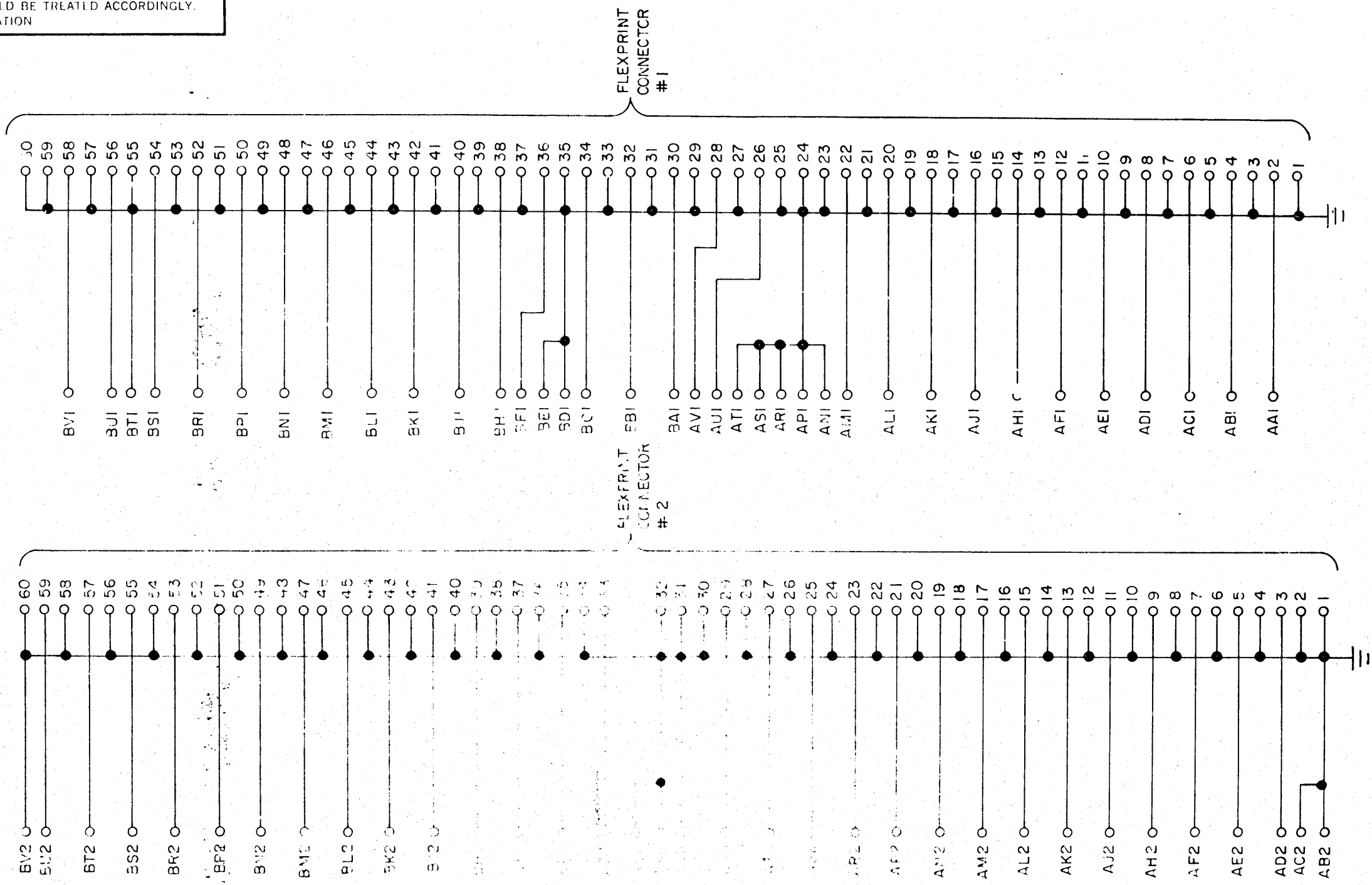
REVISIONS		
CHK	CHANGE NO.	REV.

TITLE	SIZE/ODE	NUMBER	REV.
CABLE ASSY (BC1A)	DUA	BC1A-0-0	F
SCALE	SHEET 2 OF 2	DIST.	

250

THIS SCHEMATIC IS FURNISHED ONLY FOR TEST AND MAINTENANCE PURPOSES. THE CIRCUITS ARE PROPRIETARY IN NATURE AND SHOULD BE TREATED ACCORDINGLY. COPYRIGHT 1969 BY DIGITAL EQUIPMENT CORPORATION

SIZE	B	CODE	CS	NUMBER	M919-0-1	REV	A
------	---	------	----	--------	----------	-----	---



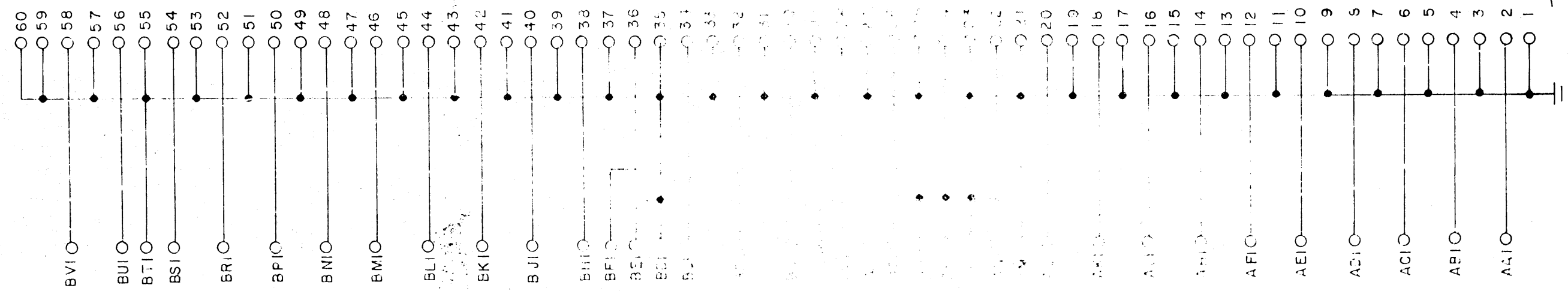
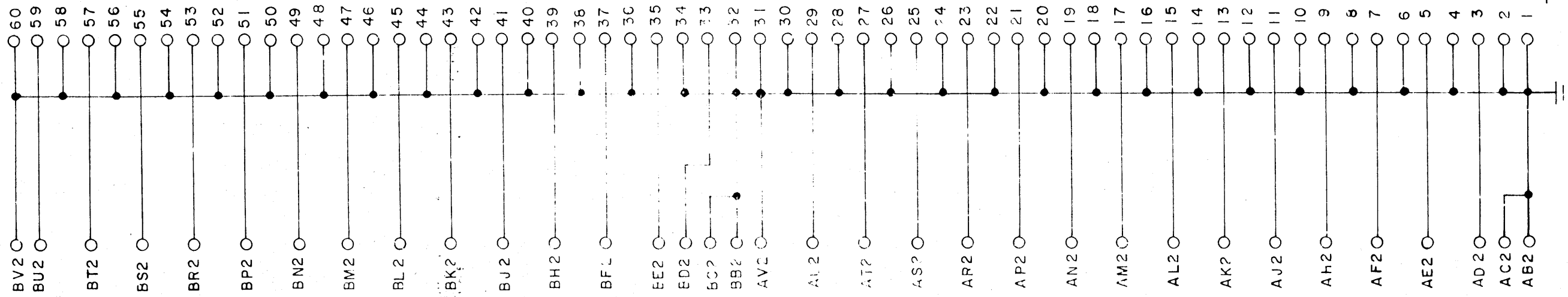
REVISIONS	CHK C-IG NO	REV	DATE	DATE	DATE	DATE	TITLE	SIZE	CODE	NUMBER	REV
	102001	A	10/17/69								
EQUIPMENT CORPORATION MAYNARD, MASSACHUSETTS							BUS CONNECTOR M919 PRINTED CIRCUIT REV B				

THIS SCHEMATIC IS FURNISHED ONLY FOR TEST AND MAINTENANCE PURPOSES. THE CIRCUITS ARE PROPRIETARY IN NATURE AND SHOULD BE TREATED ACCORDINGLY. COPYRIGHT 1969 BY DIGITAL EQUIPMENT CORPORATION.

SIZE	B
CODE	CS
NUMBER	M929-0-1
REV	

FLEX PRINT CONNECTOR #1

FLEX PRINT CONNECTOR #2



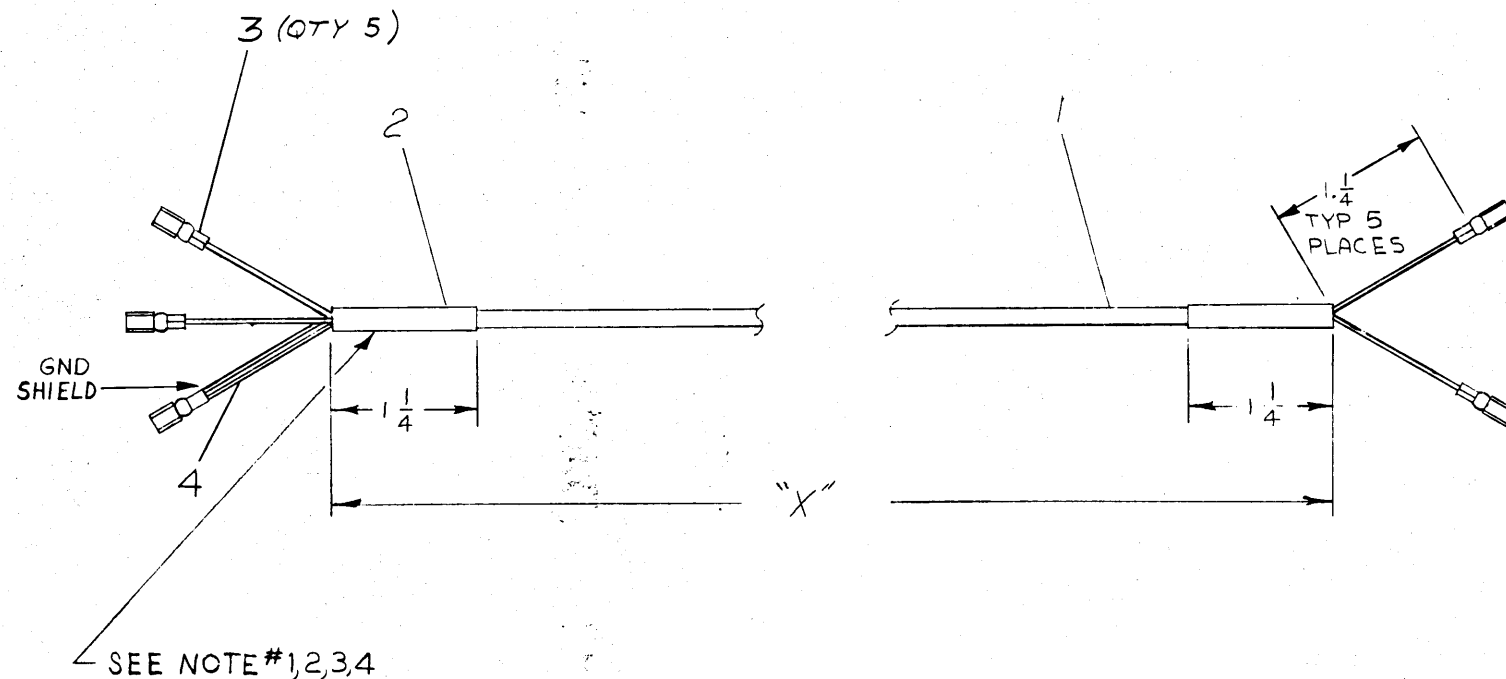
REVISIONS CHK C NO REV		DATE: _____ BY: _____ AUTH: _____				BUS CONNECTOR M929	
SIZE	B	CODE	CS	NUMBER	M929-0-1	REV.	
PRINTED CIRCUIT REV							B

"THIS DRAWING AND SPECIFICATIONS, HEREIN, ARE THE PROPERTY OF DIGITAL EQUIPMENT CORPORATION AND SHALL NOT BE REPRODUCED OR COPIED OR USED IN WHOLE OR IN PART AS THE BASIS FOR THE MANUFACTURE OR SALE OF ITEMS WITHOUT WRITTEN PERMISSION. COPYRIGHT © 1975 DIGITAL EQUIPMENT CORPORATION"

LEGEND		
NUMBER	DIM "X"	USED ON
7011413-3F	3 FT 6 IN ± 1 IN	BALL-L OR K
7011413-7	7 FT ± 2 IN	H928Ø
7011413-10	10 FT 0 IN ± 1 IN	1104/34-TA

NOTES:

1. AFTER STRIPING OUTSIDE COVERING (1-1/4 IN.) FOLD BACK THE GROUND WIRE. (BARE ONE) AND REMOVE THE WRAPPER
2. COVER THE FOLDED BACK BARE WIRE, WITH ITEM #2 AND SHRINK (ON BOTH ENDS).
3. ADD ITEM #4 (CLEAR TUBING) OVER ITEM #1 (SHIELD) ON ONE END.
4. STAKE ITEM #3 (5 PLACES) ONTO ITEM #1



A/R	DESCRIPTION	PART NO.	ITEM NO.
A/R	CLEAR TUBING	9107278-11	4
5	TERMINAL LUG FAST-ON (RED)	9007917-00	3
A/R	TUBING SHRINK WHT 3/32	91-07254-09	2
A/R	WIRE SHIELDED *22 AWG	91-07703	1

REV.	CHANGE NO.	DATE	BY
A	7011413-00001		R. BARRY
B	7011413-00002	9-2-75	R. BARRY
C	7011413-00003	11-25-75	R. BARRY
D	7011413-00004	16 AUG 76	R. BARRY
		9 Sept 76	B. Chason
		23 Sept 76	D. Barry

FIRST USED ON OPTION/MODEL		QTY.	DESCRIPTION	PART NO.	ITEM NO.												
SEE LEGEND																	
PARTS LIST																	
DIMENSIONAL TOLERANCE		<table border="1"> <tr> <td>DRN.</td> <td>DATE</td> <td rowspan="5"> </td> </tr> <tr> <td>CHK'D</td> <td>DATE</td> </tr> <tr> <td>ENG.</td> <td>DATE</td> </tr> <tr> <td>PROJ. ENG.</td> <td>DATE</td> </tr> <tr> <td>PROD.</td> <td>DATE</td> </tr> </table>				DRN.	DATE		CHK'D	DATE	ENG.	DATE	PROJ. ENG.	DATE	PROD.	DATE	
DRN.	DATE																
CHK'D	DATE																
ENG.	DATE																
PROJ. ENG.	DATE																
PROD.	DATE																
DIMENSIONS ARE MILLIMETERS INCHES UNLESS OTHERWISE SPECIFIED		TITLE															
<table border="1"> <tr> <th>MILLIMETERS</th> <th>INCHES</th> <th>ANGLES</th> </tr> <tr> <td>X,XX = ±0.10</td> <td>.XXX = ±.005</td> <td>±0° 30'</td> </tr> <tr> <td>X,X = ±0.05</td> <td>.XX = ±.02</td> <td></td> </tr> <tr> <td>X = ±.2</td> <td>.X = ±.1</td> <td></td> </tr> </table>		MILLIMETERS	INCHES	ANGLES	X,XX = ±0.10	.XXX = ±.005	±0° 30'	X,X = ±0.05	.XX = ±.02		X = ±.2	.X = ±.1		CABLE, EXTERNAL BOOT, M93Ø1			
MILLIMETERS	INCHES	ANGLES															
X,XX = ±0.10	.XXX = ±.005	±0° 30'															
X,X = ±0.05	.XX = ±.02																
X = ±.2	.X = ±.1																
THIRD ANGLE PROJECTION		NEXT HIGHER ASSY.															
MATERIAL SEE PARTS LIST		SCALE NONE															
FINISH #-		SHEET 1 OF 1															
		SIZE CODE CIA		NUMBER 7011413-0-0	REV. D												

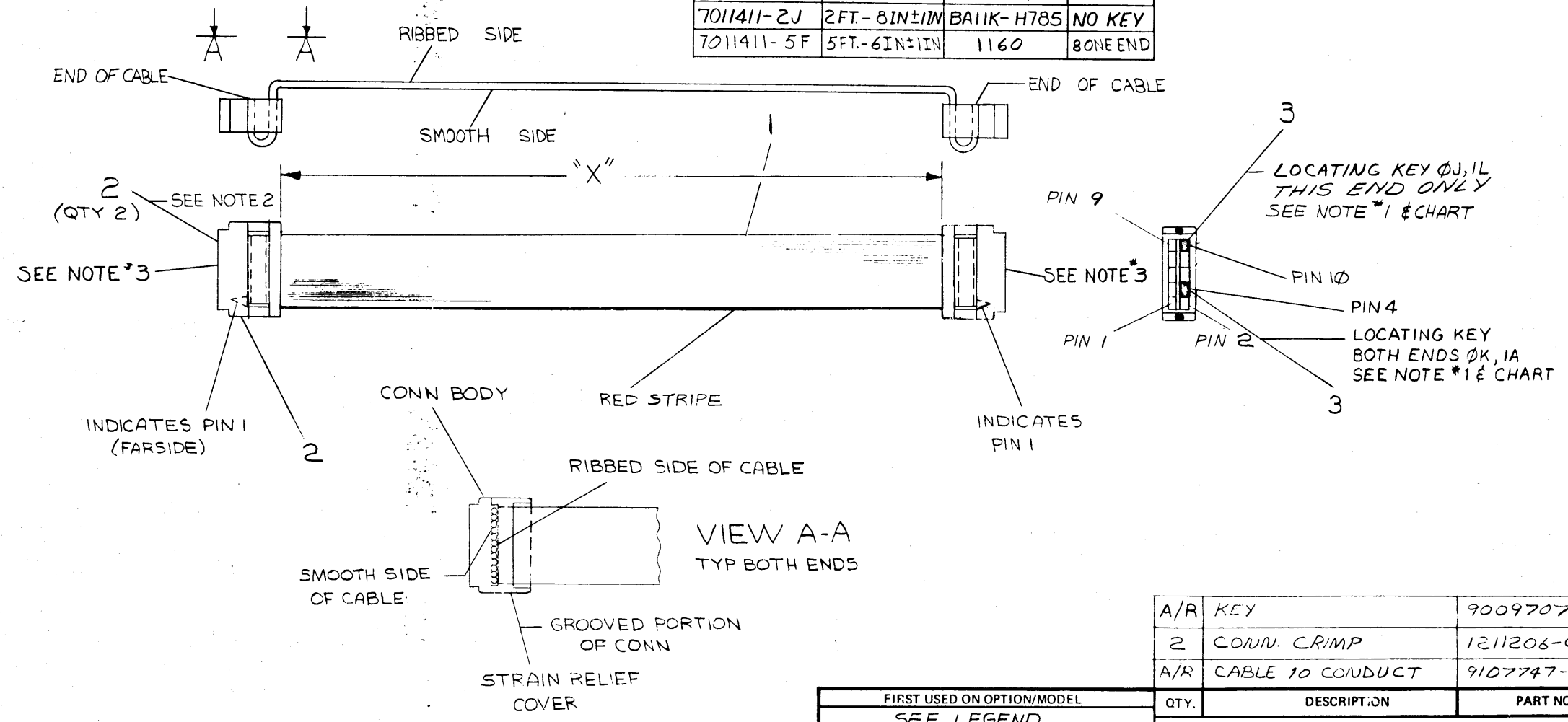
REV. D
NUMBER 7011413-0-0
SIZE CODE CIA

253

"THIS DRAWING AND SPECIFICATIONS, HEREIN, ARE THE PROPERTY OF DIGITAL EQUIPMENT CORPORATION AND SHALL NOT BE REPRODUCED OR COPIED OR USED IN WHOLE OR IN PART AS THE BASIS FOR THE MANUFACTURE OR SALE OF ITEMS WITHOUT WRITTEN PERMISSION. COPYRIGHT © 1975 DIGITAL EQUIPMENT CORPORATION"

LEGEND			
NUMBER	DIM "X" VARIATION	USED ON	KEY PIN
7011411-0J	8 IN ± .5 IN	BALL-L OR K	10 ONE END
7011411-0K	9 IN ± .5 IN	LSI-11	BOTH ENDS
7011411-1D	1 FT-4 IN ± 1 IN	KY11-LB	
7011411-2D	2 FT-4 IN ± 1 IN	BALL-F/DD11PF	10 ONE END
7011411-0H	7 IN ± .5 IN	H790, 1, 2, 3	
7011411-1J	1 FT. 8 IN ± 1 IN	1114-29 TA	
7011411-1L	1 FT. 10 IN ± 1 IN	BALL-L, H777	PIN 3 1 END
7011411-1A	1 FT. - 1 IN ± 1 IN	H787	BOTH ENDS
7011411-3J	3 FT. - 8 IN ± 1 IN	BALL-K, H785	
7011411-2J	2 FT. - 8 IN ± 1 IN	BALL-K-H785	NO KEY
7011411-5F	5 FT. - 6 IN ± 1 IN	1160	8 ONE END

- NOTES:
1. INSERT KEY IN PROPER CONNECTOR PIN AND BREAK OFF TAB.
 2. USE CRIMP PRESS 3M# 3440 OR 3445 AND LOCATOR GUIDE PLATE 3M# 3443-9 TO CRIMP ITEM #2.
 3. FOR ITEM (2) DWG 15 SHOWING 3M CONN.



VIEW A-A
TYP BOTH ENDS

A/R	KEY	DESCRIPTION	PART NO.	ITEM NO.
A/R	KEY		9009707	3
2	CONN. CRIMP		1211206-02	2
A/R	CABLE 10 CONDUCT		9107747-02	1

REV.	CHANGE NO.	REV.
A	7011411-00001	
B	7011411-00002	
C	7011411-00003	
D	7011411-00004	
E	7011411-00005	
F	7011411-00006	
G	7011411-00007	
H	7011411-00008	
J	7011411-00009	
K	7011411-00010	
L	7011411-00011	

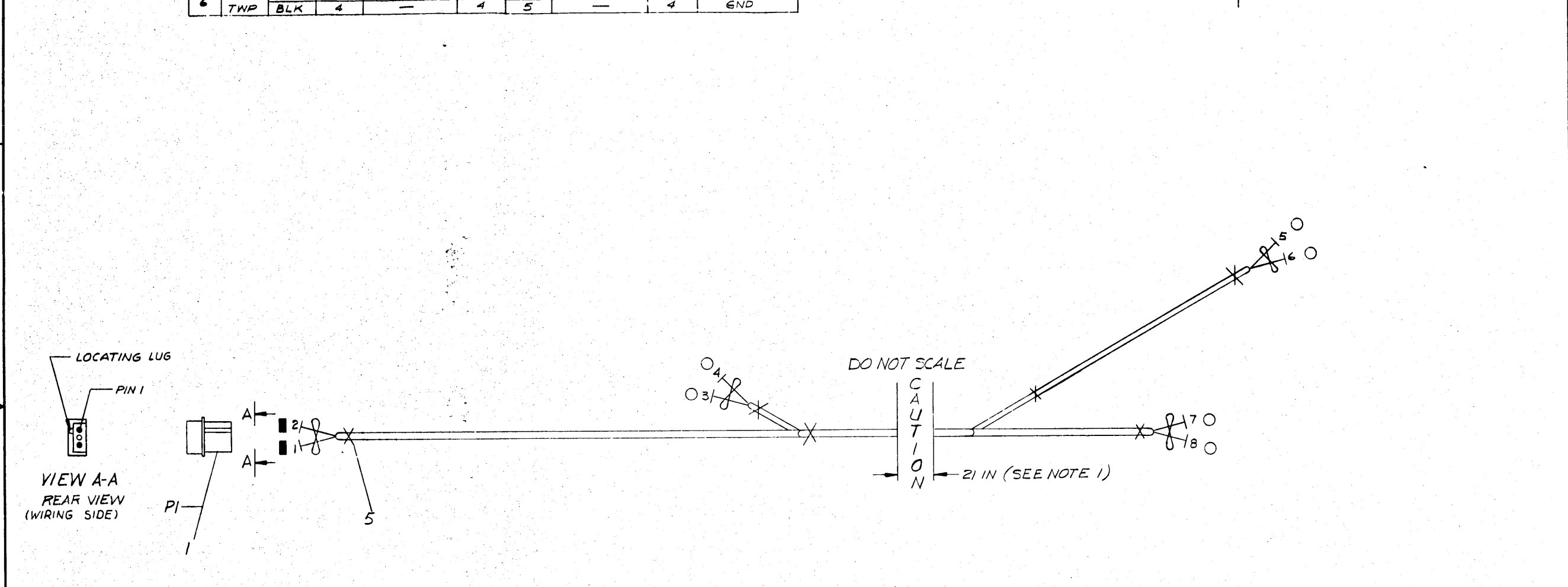
FIRST USED ON OPTION/MODEL SEE LEGEND		DRN. <i>M. Byrd</i> DATE 5/20/75	
DIMENSIONAL TOLERANCE DIMENSIONS ARE MILLIMETERS INCHES UNLESS OTHERWISE SPECIFIED		CHK'D. <i>D. Spang</i> DATE 4/13/75	
MILLIMETERS X.XX = ±0.10 X.X = ±0.5 X = ±2	INCHES .XXX = ±.005 .XX = ±.02 .X = ±.1	ENG. <i>R. Barry</i> DATE 6/18/75	
THIRD ANGLE PROJECTION		PROJ. ENG. <i>R. Barry</i> DATE 6/18/75	
REMOVE BURRS AND BREAK SHARP CORNERS SURFACE QUALITY ✓		PROD. <i>R. Barry</i> DATE 6/19/75	
MATERIAL SEE PARTS LIST		TITLE CABLE, CONSOLE/BACKPLANE	
FINISH //		SIZE CODE NUMBER REV. C IA 7011411-0-0 J	
SCALE NONE		DIST.	
SHEET 1 OF 1			

SIZE CODE NUMBER REV
C IA 7011411-0-0 J

THIS DRAWING AND SPECIFICATIONS HEREIN ARE THE PROPERTY OF DIGITAL EQUIPMENT CORPORATION AND SHALL NOT BE REPRODUCED OR COPIED OR USED IN WHOLE OR IN PART AS THE BASIS FOR THE MANUFACTURE OR SALE OF ITEMS WITHOUT WRITTEN PERMISSION. COPYRIGHT © 1975 DIGITAL EQUIPMENT CORPORATION

ITEM NO	DESCRIPTION		FROM			TO			SIGNAL
	AWG	COLOR	POINT	CONNECTION	WITH	POINT	CONNECTION	WITH	
5	18	BLU	2	PI-1	2	7	--	4	
	TWP	BLK	7	PI-3	2	8	--	4	
6	18	RED	3	--	4	6	--	4	+5
	TWP	BLK	4	--	4	5	--	4	GND

NOTES:
1. APPLY TIE WRAP (ITEM 5) EVERY 4 IN.



SYMBOL	DESCRIPTION	DWG. PART NO.	ITEM NO.
AW	WIRE 18 AWG TWP BLK/RED	9107430-02	6
AW	WIRE 18 AWG TWP BLK/BLU	9107430-06	5
○	CONN SOLDERLESS (RED)	9007917	4
×	TIE WRAP 1 M	9007031	3
■	PIN MALE	120937B-01	2
□	HOUSING, 3 PIN	1209351-03	1

THIRD ANGLE PROJECTION	DRG. <i>[Signature]</i> 11/34/75	FIRST USED ON 1134
REMOVE BURRS AND BREAK SHARP CORNERS	CHK'D <i>[Signature]</i> 11/3/75	
DO NOT SCALE DWG	PROJ. ENG. <i>[Signature]</i> 11/23/75	TITLE PDP11C4/1134 CONSOLE POWER HARNESS
MATERIAL SEE PARTS LIST	PROD. <i>[Signature]</i> 11/23/75	SIZE CODE D NUMBER 7011992-0-0
FINISH ++	NEXT HIGHER ASSY.	REV.

REV.	
CHANGE NO.	
CHK	

