

MASTER DRAWING LIST

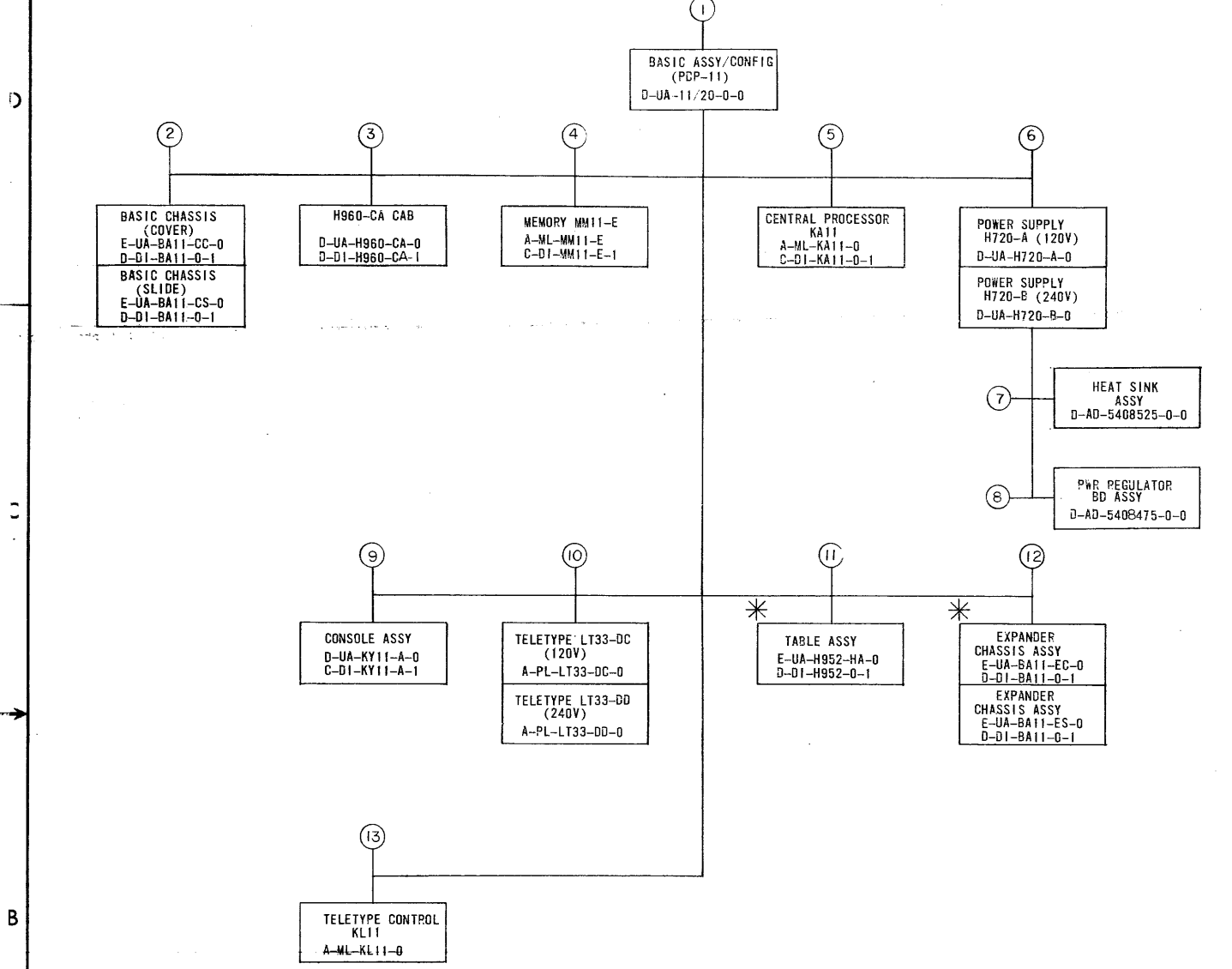
This drawing and specifications, herein, are the property of Digital Equipment Corporation and shall not be reproduced or copied or used in whole or in part as the basis for the manufacture or sale of items without written permission.

DWG. NO.	REV. LET.	NO. OF SHEETS	TITLE
D-DI-11/20-0-1	A	1	PDP11/20 DRAWING INDEX
A-ML-KA11-0		1	CENTRAL PROCESSOR
A-ML-KY11-A		1	KY11 CONSOLE
A-ML-MM11-E		1	MEMORY
A-ML-KL11-0		1	TELETYPE CONTROL
A-ML-LT33-DC-0		1	TELETYPE ASR33 120V 60HZ
A-ML-LT33-DD-0		1	TELETYPE ASR33 240V 50HZ
D-UA-11/20-0-0		2	BASIC ASSY/CONFIGURATION
C-PL-11/20-0-0		1	BASIC ASSY/CONFIGURATION (PL)
A-ML-H720-A		1	POWER SUPPLY 120V 50/60HZ
A-ML-H720-B		1	POWER SUPPLY 240V 50/60HZ

ISSUED DATE
NOV 16 1970

REVISIONS				DRN. P. MARCOTTE	DATE 1-20-70	digital EQUIPMENT CORPORATION <small>MAYNARD, MASSACHUSETTS</small>	TITLE PDP 11/20
REV.	DATE	CHG. NO.	APP'D.	CHK'D. K. RUSSELL	DATE 1-26-70		
A	8/70	00005	J.L.	ENG. <i>(Signature)</i>	DATE 1-30-70		
				PROJ. ENG. <i>(Signature)</i>	DATE 1-30-70		
				PROJ. <i>(Signature)</i>	DATE 2/4/70		
				FIRST USED ON			
				SCALE		SIZE CODE	NUMBER
						A ML	11/20-0
				SHEET	OF	DIST.	

This drawing and specifications, herein, are the property of Digital Equipment Corporation and shall not be reproduced or copied or used in whole or in part as the basis for the manufacture or sale of items without written permission.



* (ASTERISK) INDICATES OPTIONS

MECHANICAL						DEPT USAGE			ELECTRICAL						DEPT USAGE			
FIND NO.	DESCRIPTION	PART NO.	PROD	CUST	F/C	FIND NO.	DESCRIPTION	PART NO.	PROD	CUST	F/C	FIND NO.	DESCRIPTION	PART NO.	PROD	CUST	F/C	
1.	BASIC ASSY/CONFIG BASIC ASSY/CONFIG (PL) SHIPPING BRKT BASIC CHASSIS (COVER) BASIC CHASSIS PL BASIC CHASSIS (SLIDES) BASIC CHASSIS PL DRAWING INDEX LIST PDP11 COMPUTER	D-UA-11/20-0-0 C-PL-11/20-0-0 B-1A-7407301-0-0 E-UA-B11-CC-0 A-PL-B11-CC-0 E-UA-B11-CS-0 A-PL-B11-CS-0 D-DI-B11-0-1 A-PI-3700017-0-0				1.	BASIC ASSY/CONFIG	A-ML-11/20-0				4.	MEMORY MM11-E	A-ML-MM11-E				
3.	H960-CA CAB H960-CA CAB PL DRAWING INDEX LIST	D-UA-H960-CA-0 A-PL-H960-CA-0 D-DI-H960-CA-1				4.	MEMORY MM11-E	A-ML-MM11-E				5.	CENTRAL PROCESSOR KA11	A-ML-KA11-0				
4.	MEMORY MM11-E DRAWING INDEX LIST	A-ML-MM11-E C-DI-MM11-E-1				5.	CENTRAL PROCESSOR KA11	A-ML-KA11-0				6.	CIRCUIT SCHEMATIC H720-A	D-CS-H720-0-1				
5.	CENTRAL PROCESSOR KA11 DRAWING INDEX LIST	A-ML-KA11-0 C-DI-KA11-0-1				6.	CIRCUIT SCHEMATIC PRINTED CIRCUIT	D-CS-5408475-0-1 PC-5008474-0-1				10.	TELETYPE LT33-DC TELETYPE LT33-DD	A-ML-LT33-DC A-ML-LT33-DD				
6.	POWER SUPPLY H720-A POWER SUPPLY H720-A (PL) POWER SUPPLY H720-B POWER SUPPLY H720-B (PL) PWR SUPPLY CHASSIS PWR SUPPLY COVER BRKT SUPPORT CAPACITOR BRKT PWR SUPPLY DECALS PWR SUPPLY DECALS (120V) PWR SUPPLY DECALS (240V)	D-UA-H720-A-0 A-PL-H720-A-0 D-UA-H720-B-0 A-PL-H720-B-0 E-MD-5308519-0-0 C-MD-5308518-0-0 C-MD-5308521-0-0 D-MD-5308520-0-0 E-DC-5308524-0-0 A-DC-5308771-0-0 A-DC-5308772-0-0				7.	HEAT SINK ASSY HEAT SINK ASSY (PL) HEAT SINK COIL, TRANSFORMER	D-AD-5408525-0-0 A-PL-5408525-0-0 C-SC-1209685-0-0 C-SC-1609762-0-0				11.	TELETYPE CONTROL KL11	A-ML-KL11-0				
7.	HEAT SINK ASSY DRAWING INDEX LIST	D-AD-5408525-0-0				8.	PWR REGULATOR BD ASSY PWR REGULATOR BD ASSY (PL) HEAT SINK ASSY/DRILLING HOLE LAYOUT PWR REGULATOR ETCH BD	D-AD-5408475-0-0 A-PL-5408475-0-0 B-MD-5308733-0-0 D-AH-5408475-0-5 D-1A-5008474-0-0				9.	CONSOLE ASSY CONSOLE ASSY (PL) DRAWING INDEX LIST	E-UA-KY11-A-0 A-PL-KY11-A-0 C-DI-KY11-A-1				
8.	PWR REGULATOR BD ASSY DRAWING INDEX LIST	D-AD-5408475-0-0				9.	CONSOLE ASSY CONSOLE ASSY (PL) DRAWING INDEX LIST	E-UA-KY11-A-0 A-PL-KY11-A-0 C-DI-KY11-A-1				10.	TELETYPE LT33-DC (PL) TELETYPE LT33-DD (PL)	A-PL-LT33-DC-0 A-PL-LT33-DD-0				
9.	CONSOLE ASSY DRAWING INDEX LIST	E-UA-KY11-A-0				10.	TELETYPE LT33-DC (PL) TELETYPE LT33-DD (PL)	A-PL-LT33-DC-0 A-PL-LT33-DD-0				*11.	TABLE ASSY TABLE ASSY (PL) DRAWING INDEX LIST	E-UA-H952-HA-0 A-PL-H952-HA-0 D-DI-H952-0-1				
10.	TELETYPE LT33-DC (PL) DRAWING INDEX LIST	A-PL-LT33-DC-0				*12.	EXPANDER CHASSIS ASSY EXPANDER CHASSIS ASSY (PL) EXPANDER CHASSIS ASSY EXPANDER CHASSIS ASSY (PL)	E-UA-B11-EC-0 A-PL-B11-EC-0 E-UA-B11-ES-0 A-PL-B11-ES-0										

REV.	REV. NO.	DATE	BY	CHK
1	11/20-00005	A		
2	11/20-00005	A		
3	11/20-00005	A		
4	11/20-00005	A		
5	11/20-00005	A		
6	11/20-00005	A		
7	11/20-00005	A		
8	11/20-00005	A		

REVISIONS
LAWRENCE B-31-70
J.W. Lawrence B-31-70

FIRST USED ON OPTION/ MODEL
PDP-11


DO NOT SCALE DRAWING		DATE	11/20/70
UNLESS OTHERWISE SPECIFIED	CHK'D	DATE	11/20/70
DIMENSION IN INCHES	ENG	DATE	11/20/70
TOLERANCES	PROF	DATE	11/20/70
ANGLES = 0°30'	PRD	DATE	11/20/70
FINAL SURFACE QUALITY			
REMOVE BLURS AND BREAK SHARP CORNERS			
MATERIAL			
FINISH			
NEXT HIGHER ASSY		D-UA-11/20-0-0	
SCALE	NONE		
SHEET	OF 1		
PARTS LIST		TITLE	
digital EQUIPMENT CORPORATION		DRAWING INDEX LIST	
MAYNARD, MASSACHUSETTS		(PDP-11)	
SIZE CODE	NUMBER	REV.	
DDI 11/20-0-1	11/20-0-1	A	

DIGITAL EQUIPMENT CORPORATION
MAYNARD, MASSACHUSETTS
PARTS LIST

QUANTITY/VARIATION

MADE BY AL PFYFFER	CHECKED AL PFYFFER	SECTION
DATE 3/11/70	DATE 3/11/70	1
ENG J. O'Loughlin	PROD Thae Donald	ISSUED SECT.
DATE 3-17-70	DATE 3/19/70	1

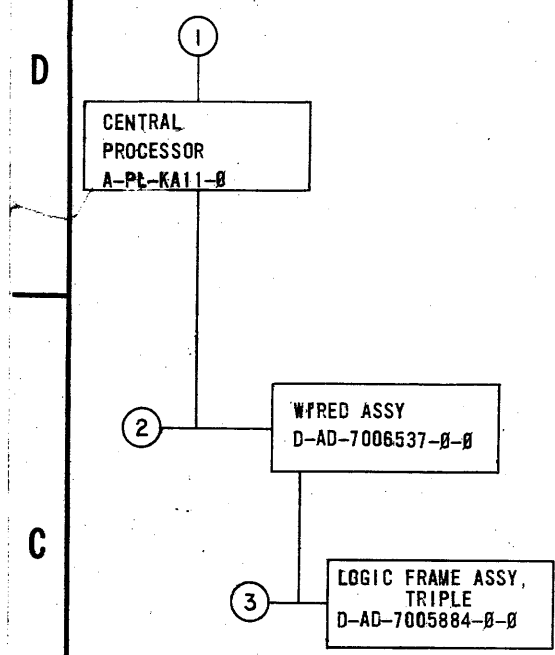
ITEM NO.	DWG NO. / PART NO.	DESCRIPTION	QUANTITY/VARIATION																				
1	D-AD-7006537-0-0	WIRED ASSY	1																				
2	A-PL-K11-0-MU	MODULE UTILIZATION	1																				

TITLE	ASSY NO.	SIZE CODE	NUMBER	REV.	ECO NO.
CENTRAL PROCESSOR		A PL	K11-0-0		
SHEET 1 OF 1		DIST. 			

DEC FORM NO. 16-1031
DRA 110

X

This drawing and specifications, herein, are the property of Digital Equipment Corporation and shall not be reproduced or copied or used in whole or in part as the basis for the manufacture or sale of items without written permission.



MECHANICAL				USAGE		ELECTRICAL				USAGE	
FIND NO	DESCRIPTION	PART NO.	PROD	CUST	FC	FIND NO	DESCRIPTION	PART NO.	PROD	CUST	FC
1.	CENTRAL PROCESSOR MODULE UTILIZATION	A-PL-KA11-0-0 A-PL-KA11-0-MU				1.	CENTRAL PROCESSOR TIMING & STATES M728 STATE CNTL M727 PRIORITY M824 REGISTER CNTL M821 REGISTER M225 DATA PATH CNTL M820 DATA PATH 1 M224 DATA PATH 2 M224 BUS INTERFACE & IR M725 IR DECODE M726 CODES DATA M823 FLAG CNTL M822 BUS & CONSOLE CNTL M724 KA11 BUS & POWER CONNECTIONS PWR FAIL & CNTL M825 MODULE UTILIZATION	A-ML-KA11-0 D-CS-M728-0-1 D-CS-M727-0-1 D-CS-M824-0-1 D-CS-M821-0-1 D-BS-KA11-0-REG D-CS-M820-0-1 D-BS-KA11-0-DP1 D-BS-KA11-0-DP2 D-CS-M725-0-1 D-CS-M726-0-1 D-CS-M823-0-1 D-CS-M822-0-1 D-CS-M724-0-1 D-FC-KA11-0-BP D-CS-M825-0-1 D-MU-KA11-0-MU			
2.	WIRED ASSY WIRED ASSY (PL) LOGIC SERIAL #DECAL	D-AD-7006537-0-0 A-PL-7006537-0-0 A-SS-7407846-0-0					BLOCK DIAG. CUT ACROSS 1 BIT INSTRUCTION FLOW DIAGRAM BUS FLOW WAVE FORMS KA11 BLOCK DIAGRAM	D-BD-KA11-0-DBCA D-FD-KA11-0-IFD D-FD-KA11-0-BF D-TD-KA11-0-WF D-BD-KA11-0-BD			
3.	LOGIC FRAME ASSY, TRIPLE LOGIC FRAME ASSY, TRIPLE STRAP, TRIPLE FRAME CONN BLOCK MTG FRAME	D-AD-7005884-0-0 A-PL-7005884-0-0 C-MD-7407513-0-0 D-IA-7407507-0-0				2.	WIRED ASSY WIRE LIST	D-AD-7006537-0-0 K-WL-KA11-0-WL			

REV.	CHANGE NO.	DATE	BY
A	00002	5-19-70	O'LOUGHLIN
		5/20/70	

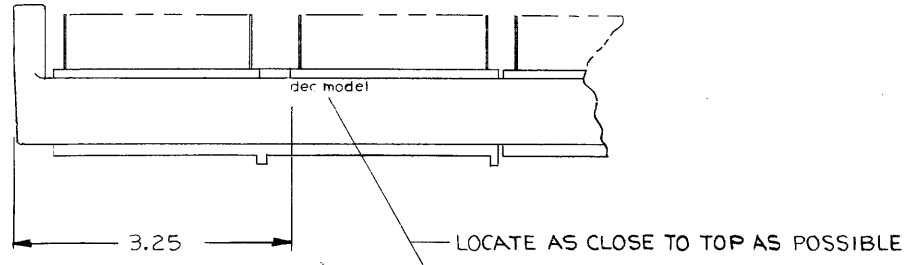
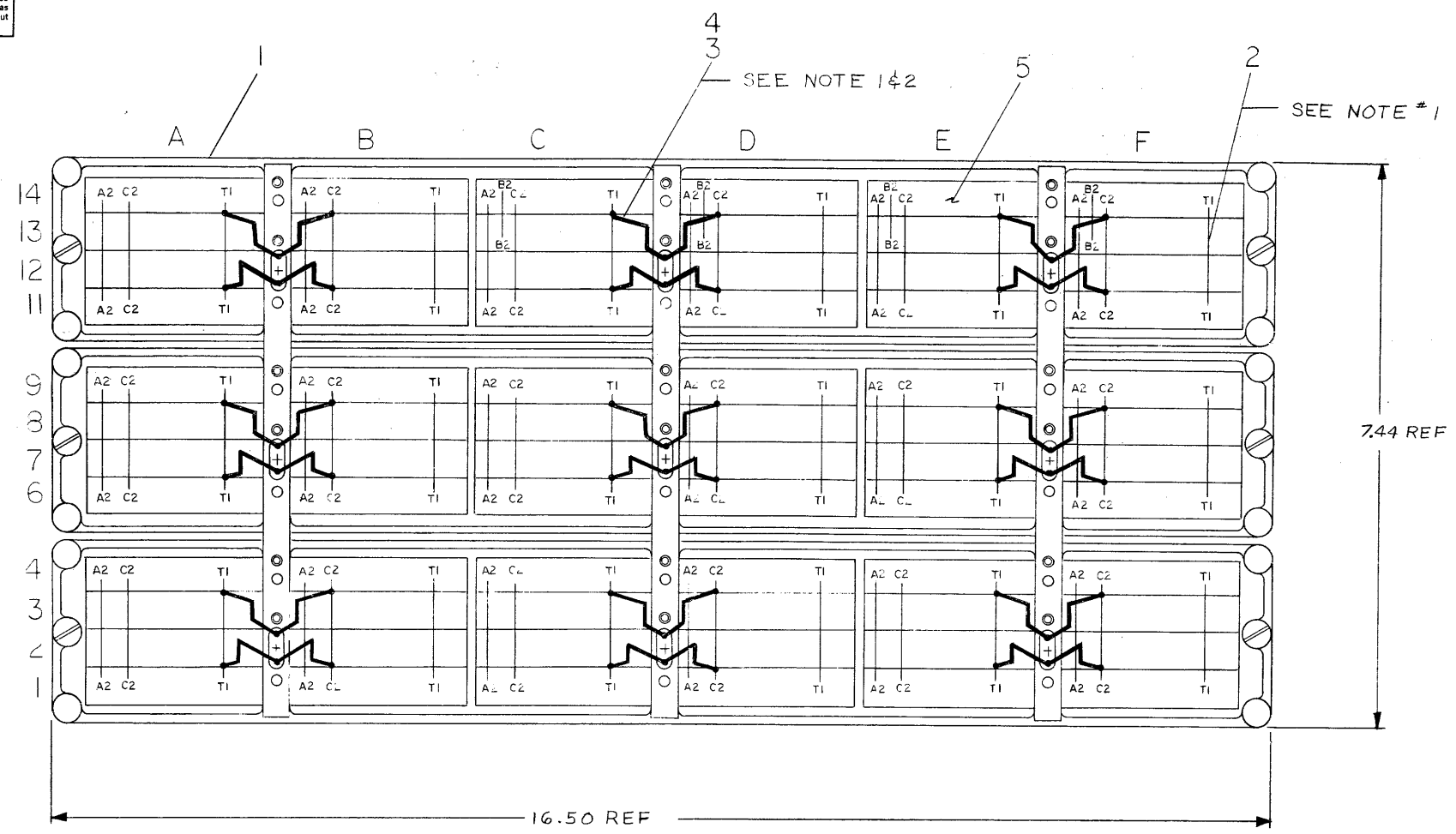
FIRST USED ON OPTION/MODEL PDP-11	QTY.	DESCRIPTION	PART NO.	ITEM NO.
PARTS LIST				
UNLESS OTHERWISE SPECIFIED DIMENSION IN INCHES TOLERANCES DECIMALS ± .005 FRACTIONS ± 1/64 ANGLES ± 0°30'	DRN. F. MARCOTTE	DATE 10-19-69	digital EQUIPMENT CORPORATION MAYNARD, MASSACHUSETTS	
FINAL SURFACE QUALITY REMOVE BURRS AND BREAK SHARP CORNERS	CHK'D [Signature]	DATE 3/11/70	TITLE DRAWING INDEX (KA11)	
	ENG. [Signature]	DATE 3-19-70	SIZE CODE C D I K A 1 1 - 0 - 1	
	PROJ. ENG. [Signature]	DATE 3-19-70	NUMBER K A 1 1 - 0 - 1	
	DATE 3/19/70		REV. A	
			SHEET OF DIST.	

SIZE CODE C D I K A 1 1 - 0 - 1
NUMBER K A 1 1 - 0 - 1
REV. A

This drawing and specifications, herein, are the property of Digital Equipment Corporation and shall not be reproduced or copied or used in whole or in part as the basis for the manufacture or sale of items without written permission.

REV 0-0-2899002 AD 7006537-0-0 2

- NOTES:
1. CONNECTIONS ON ITEMS 2 & 3 TO BE SOLDERED AND LOCATED AT MINIMUM PRACTICAL HEIGHT ABOVE BLOCKS.
 2. CONNECTOR BLOCKS TO BE GROUNDED TO GROUND LUG AS SHOWN.
 3. ALL VERTICAL HAND WIRING TO RUN OUTSIDE OF CONNECTOR BLOCKS.

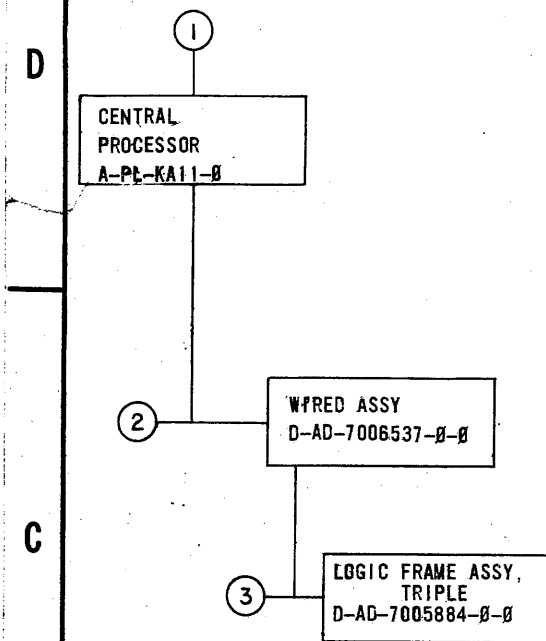


REV	CHANGE NO.	DESCRIPTION
A	K11-0002	...
B
C
D

QTY.	DESCRIPTION	PART NO.	ITEM NO.
PARTS LIST			
FIRST USED ON OPTION/MODEL K11		DO NOT SCALE DRAWING UNLESS OTHERWISE SPECIFIED DIMENSION IN INCHES TOLERANCES DECIMALS FRACTIONS ANGLES ± .005 ± 1/64 ± 90° FINAL SURFACE QUALITY REMOVE BURRS AND BREAK SHARP CORNERS MATERIAL FINISH	
PRN: <i>Moravik</i> DATE: 10-3-69 CHK'D: <i>A. Jones</i> DATE: 10/2/69 ENG: <i>J. Cloughlin</i> DATE: 3-17-70 PROJ. ENG: <i>J. Cloughlin</i> DATE: 3-17-70 PROB: <i>Mike Bredt</i> DATE: 3/19/70		digital EQUIPMENT CORPORATION MAYNARD, MASSACHUSETTS TITLE WIRED ASSY (K11) SIZE/NUMBER D AD 7006537-0-0 REV. A	
SCALE 1/1		SHEET 1 OF 2	

REV A
NUMBER
AD 7006537-0-0
SIZE CODE
D

This drawing and specifications, herein, are the property of Digital Equipment Corporation and shall not be reproduced or copied or used in whole or in part as the basis for the manufacture or sale of items without written permission.



MECHANICAL					ELECTRICAL					
FIND NO	DESCRIPTION	PART NO.	PRODCUST	FC	FIND NO	DESCRIPTION	PART NO.	PRODCUST	FC	
1.	CENTRAL PROCESSOR MODULE UTILIZATION	A-PL-KA11-B-B A-PL-KA11-B-MU			1.	CENTRAL PROCESSOR TIMING & STATES M728 STATE CNTL M727 PRIORITY M824 REGISTER CNTL M821 REGISTER M225 DATA PATH CNTL M82B DATA PATH 1 M224 DATA PATH 2 M224 BUS INTERFACE & IR M725 IR DECODE M726 CODES DATA M823 FLAG CNTL M822 BUS & CONSOLE CNTL M724 KA11 BUS & POWER CONNECTIONS PWR FAIL & CNTL M825 MODULE UTILIZATION	A-ML-KA11-B D-CS-M728-B-1 D-CS-M727-B-1 D-CS-M824-B-1 D-CS-M821-B-1 D-BS-KA11-B-REG D-CS-M82B-B-1 D-BS-KA11-B-DP1 D-BS-KA11-B-DP2 D-CS-M725-B-1 D-CS-M726-B-1 D-CS-M823-B-1 D-CS-M822-B-1 D-CS-M724-B-1 D-FC-KA11-B-BP D-CS-M825-B-1 D-WU-KA11-B-WU			
2.	WIRED ASSY WIRED ASSY (PL) LOGIC SERIAL #DECAL	D-AD-7006537-0-0 A-PL-7006537-0-0 A-SS-7407846-0-0				BLOCK DIAG. CUT ACROSS 1 BIT INSTRUCTION FLOW DIAGRAM BUS FLOW WAVE FORMS KA11 BLOCK DIAGRAM	D-BD-KA11-B-DBCA D-FD-KA11-B-IFD D-FD-KA11-B-BF D-TD-KA11-B-WF D-BD-KA11-B-BD			
3.	LOGIC FRAME ASSY, TRIPLE LOGIC FRAME ASSY, TRIPLE STRAP, TRIPLE FRAME CONN BLOCK MTG FRAME	D-AD-7005884-0-0 A-PL-7005884-0-0 C-MD-7407513-0-0 D-IA-7407507-0-0			2.	WIRED ASSY WIRE LIST	D-AD-7006537-0-0 K-WL-KA11-B-WL			

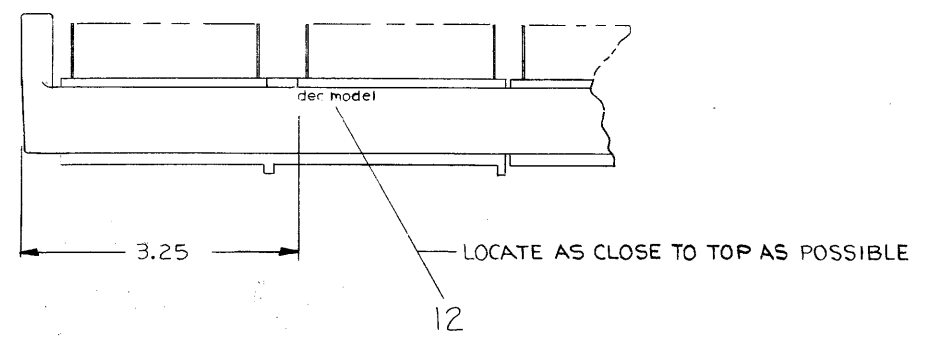
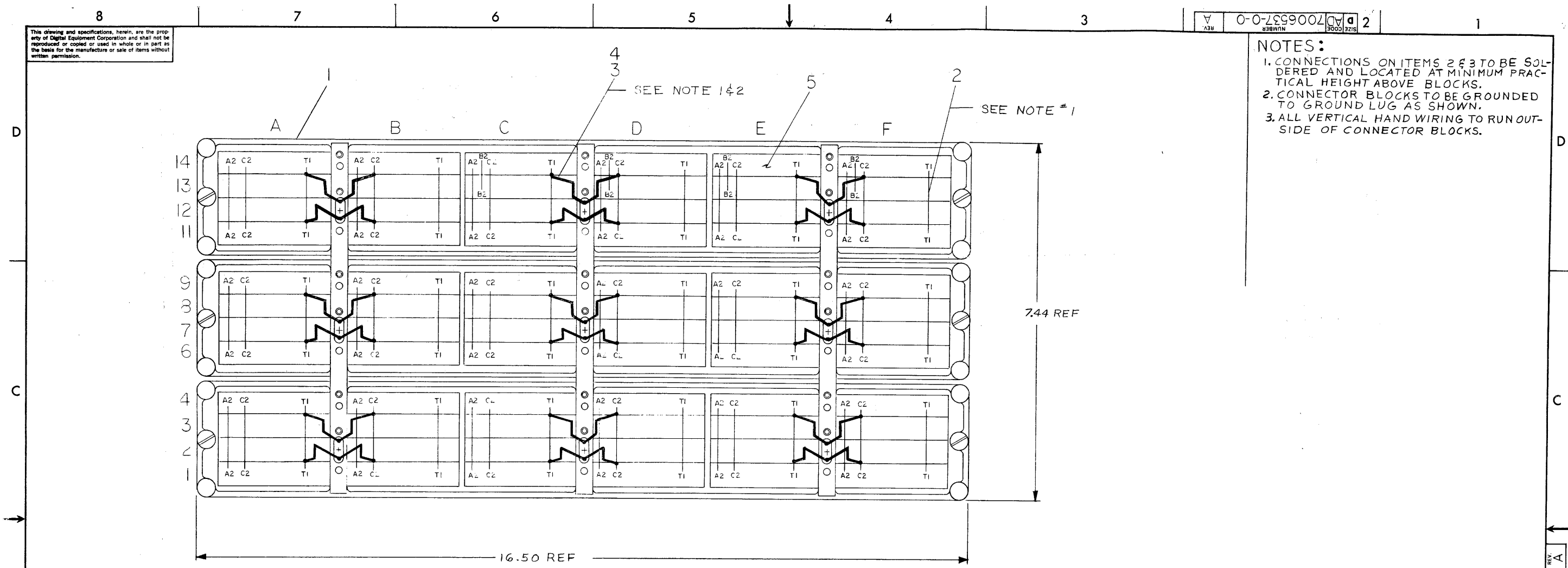
REV.	A
CHANGE NO.	KAI1-00002
CHK	pc-eb
DATE	5/20/70
BY	O'LOUGHLIN
DATE	5/20/70
BY	W. W. W.

FIRST USED ON OPTION/MODEL PDP-11	QTY.	DESCRIPTION	PART NO.	ITEM NO.
PARTS LIST				
UNLESS OTHERWISE SPECIFIED	DRN.	DATE	digital EQUIPMENT CORPORATION MAYNARD, MASSACHUSETTS	
UNLESS OTHERWISE SPECIFIED	F. MARCOTTE	10-19-69	TITLE DRAWING INDEX (KAI1)	
DIMENSION IN INCHES	CHK'D	DATE		
TOLERANCES	ENG.	DATE		
DECIMALS ± .005 FRACTIONS ± 1/64 ANGLES ± 0°30'	17 O'LOUGHLIN	3-19-70		
FINAL SURFACE QUALITY REMOVE BURRS AND BREAK SHARP CORNERS	PROJ. ENG.	DATE	REV. A	
	17 O'LOUGHLIN	3-19-70	SIZE CODE C D I K A I I - 0 - 1	
	DATE	DATE	NUMBER	
	DATE	DATE	REV. A	
	DATE	DATE	PART NO.	
	DATE	DATE	ITEM NO.	

This drawing and specifications, herein, are the property of Digital Equipment Corporation and shall not be reproduced or copied or used in whole or in part as the basis for the manufacture or sale of items without written permission.

REV. A
 0-0-7006537-0-0
 NUMBER
 3000 12/76

NOTES:
 1. CONNECTIONS ON ITEMS 2 & 3 TO BE SOLDERED AND LOCATED AT MINIMUM PRACTICAL HEIGHT ABOVE BLOCKS.
 2. CONNECTOR BLOCKS TO BE GROUNDED TO GROUND LUG AS SHOWN.
 3. ALL VERTICAL HAND WIRING TO RUN OUTSIDE OF CONNECTOR BLOCKS.



REV.	CHG. NO.	DATE	BY
A	K11-0002	10-3-69	W. J. DUGAN
		3-17-76	J. DOUGLASS
		3-17-76	J. DOUGLASS
		3-17-76	J. DOUGLASS

DEC FORM NO. DRD 100

QTY.	DESCRIPTION	PART NO.	ITEM NO.
	PARTS LIST		
	digital EQUIPMENT CORPORATION MAYNARD, MASSACHUSETTS		
	TITLE WIRED ASSY (K11)		
	NEXT HIGHER ASSY A-ML-K11-Ø		
	SCALE 1/1	SIZE CODE DAD	NUMBER 7006537-0-0
	SHEET 1 OF 2	DIST.	REV. A

REV. A
 NUMBER
 0-0-7006537-0-0
 SIZE CODE
 DAD

MASTER DRAWING LIST

This drawing and specifications, herein, are the property of Digital Equipment Corporation and shall not be reproduced or copied or used in whole or in part as the basis for the manufacture or sale of items without written permission.

DWG. NO.	REV. LET.	NO. OF SHEETS	TITLE
A-PL-KA11-0-0		1	CENTRAL PROCESSOR
C-DI-KA11-0-1	A	1	DRAWING INDEX
D-AD-7006537-0-0	A	2	WIRED ASSY
A-PL-7006537-0-0	A	1	WIRED ASSY
D-BD-KA11-0-BD		1	KA11 BLOCK DIAGRAM
D-FD-KA11-0-IFD		1	INSTRUCTION FLOW DIAGRAM
D-FD-KA11-0-BF		1	BUS FLOW
D-TD-KA11-0-WF		1	WAVEFORMS
D-CS-M728-0-1	C	4	TIMING & STATES M728 K1
D-CS-M727-0-1	E	3	STATE CNTL M727 K2
D-CS-M824-0-1	C	3	PRIORITY M824 K3
D-CS-M821-0-1	B	3	REGISTER CNTL M821 K4
D-BS-KA11-0-REG	A	2	REGISTER M225 K5
D-CS-M820-0-1	B	5	DATA PATH CNTL M820 K6
D-BS-KA11-0-DP1	A	2	DATA PATHS 1 M224 K7
D-BS-KA11-0-DP2	A	2	DATA PATHS 2 M224 K8
D-CS-M725-0-1	B	5	BUS INTERFACE & IR M725 K9
D-CS-M726-0-1	A	4	IR DECODE M726 K10
D-CS-M823-0-1		2	CODES DATA M823 K11
D-CS-M822-0-1	B	3	FLAG CNTL M822 K12
D-CS-M724-0-1	C	4	BUS & CONSOLE CNTL M724 K13
D-IC-KA11-0-BP	A	1	KA11 BUS & POWER CONNECTIONS K14
D-CS-M825-0-1	B	2	PWR FAIL & CNTL M825 K15
A-ML-KY11-A	REF	1	KA11 CONSOLE

REVISIONS				DRN. AL.	DATE	digital EQUIPMENT CORPORATION <small>MAYNARD, MASSACHUSETTS</small>
REV.	DATE	CHG. NO.	APP'D.	CHK'D.	DATE	
A	4/70	00001	J.O'L	A. PFYFFER	3/9/70	TITLE CENTRAL PROCESSOR
B	4/70	00002	J.O'L	A. PFYFFER	3/9/70	
C	5/70	00003	J.O'L	ENG.	3-19-70	
D	5/70	00005	J.O'L	PROJ. ENG.	3-19-70	
E	8/70	00006	J.L.	PROJ. ENG.	3-19-70	
F	8/70	00007	J.L.	PROJ. ENG.	3-19-70	
FIRST USED ON				PDP 11		SIZE CODE
SCALE				A ML		NUMBER
SHEET 1 OF 2				DIST.		REV.
						F

WIRE TABLE

This drawing and specifications, herein, are the property of Digital Equipment Corporation and shall not be reproduced or copied or used in whole or in part as the basis for the manufacture or sale of items without written permission.

ITEM NO.	SIGNAL NAME	FROM PIN	TO PIN	COLOR	REMARKS	ITEM NO.	SIGNAL NAME	FROM PIN	TO PIN	COLOR	REMARKS					
6.	GND	A03D2 A03C2 A03E2 A03N1 A03R1 A03P1 A03U1 A03S1 A03F2	A73E2 A03D2 A03F2 A03P1 A03S1 A03R1 A03V1 A03U1 A03N1	BLACK		11	-15V	C13B2 E13B2 D13B2 C13B2	D13B2 F13B2 E13B2 A13L1	BLUE ↑ BLUE	WIRES MUST RUN PHYSICALLY TO RIGHT OF THE THIRD BLOCKS AND PINS					
		A08D2 A08C2 A08E2 A08N1 A08R1 A08P1 A08U1 A08S1 A08F2	A08E2 A08D2 A08F2 A08P1 A08S1 A08R1 A08V1 A08U1 A08N1					A03T2 A03U2 A03V2	A01K2 A03V2 A01J2			ORANGE ORANGE ORANGE				
7	+5V	A03A2 B01A2 A03H2 A03J2 E01A2 E01A2 A03K2	B02A2 C01A2 D01A2 E01A2 F01A2 B03A2	RED	WIRES MUST RUN PHYSICALLY TO LEFT OF THE FIRST BLOCKS AND PINS	8	+8V	A03T2 A03U2 A03V2	A01K2 A03V2 A01J2	ORANGE ORANGE ORANGE	9	-20V	A03B2 A01D2	A01E2 A01F2	GREEN GREEN	
		B04A2 A03L2 A03M2 E04A2	C04A2 D04A2 E04A2 F04A2					WIRES MUST RUN PHYSICALLY TO RIGHT OF THE FIRST BLOCKS AND PINS								
		A08A2 B06A2 A08H2 A08J2 E06A2 A08K2	B07A2 C06A2 D06A2 E06A2 F06A2 B08A2						WIRES MUST RUN PHYSICALLY TO LEFT OF THE SECOND BLOCKS AND PINS							
		B09A2 A08L2 A08M2 E09A2	C09A2 D09A2 E09A2 F09A2										WIRES MUST RUN PHYSICALLY TO RIGHT OF THE SECOND BLOCKS AND PINS			
		A13A2 B11A2 A13H2 A13J2 E11A2	B12A2 C11A2 D11A2 E11A2 F11A2											WIRES MUST RUN PHYSICALLY TO LEFT OF THE THIRD BLOCKS AND PINS		
		A13K2 B14A2 A13L2 A13M2 E14A2	B13A2 C14A2 D14A2 E14A2 F14A2													WIRES MUST RUN PHYSICALLY TO RIGHT OF THE THIRD BLOCKS AND PINS
		B03A2 C03A2 D03A2 E03A2 F03A2	B07A2 C07A2 D07A2 E07A2 F07A2													
B08A2 C08A2 D08A2 E08A2 F08A2	B11A2 C11A2 D11A2 E11A2 F11A2															

REV.	NO.
CHANGE NO.	
CHK.	

FIRST USED ON OPTION/MODEL
KAI1

DO NOT SCALE DRAWING
UNLESS OTHERWISE SPECIFIED
DIMENSION IN INCHES
TOLERANCES
DECIMALS FRACTIONS ANGLES
± 1/64 ± 0°30'
FACE QUALITY
SEW CORNERS AND BREAK SHARP CORNERS

QTY.	DESCRIPTION	PART NO.	ITEM NO.
PARTS LIST			
DRN	DATE	digital EQUIPMENT CORPORATION MAYNARD, MASSACHUSETTS	
CHK'D	DATE	TITLE	
ENG	DATE	WIRED ASSY (KAI1)	
PROJ. ENG.	DATE	SIZE CODE	NUMBER
PRD	DATE	DAD	7006537-0-0
NEXT HIGHER ASSY		SCALE	NONE
A-ML-KAI1-0		SHEET	2 OF 2
REV. A		DIST.	

B AD 7006537-0-0

DIGITAL EQUIPMENT CORPORATION
MAYNARD, MASSACHUSETTS
PARTS LIST

QUANTITY / VARIATION

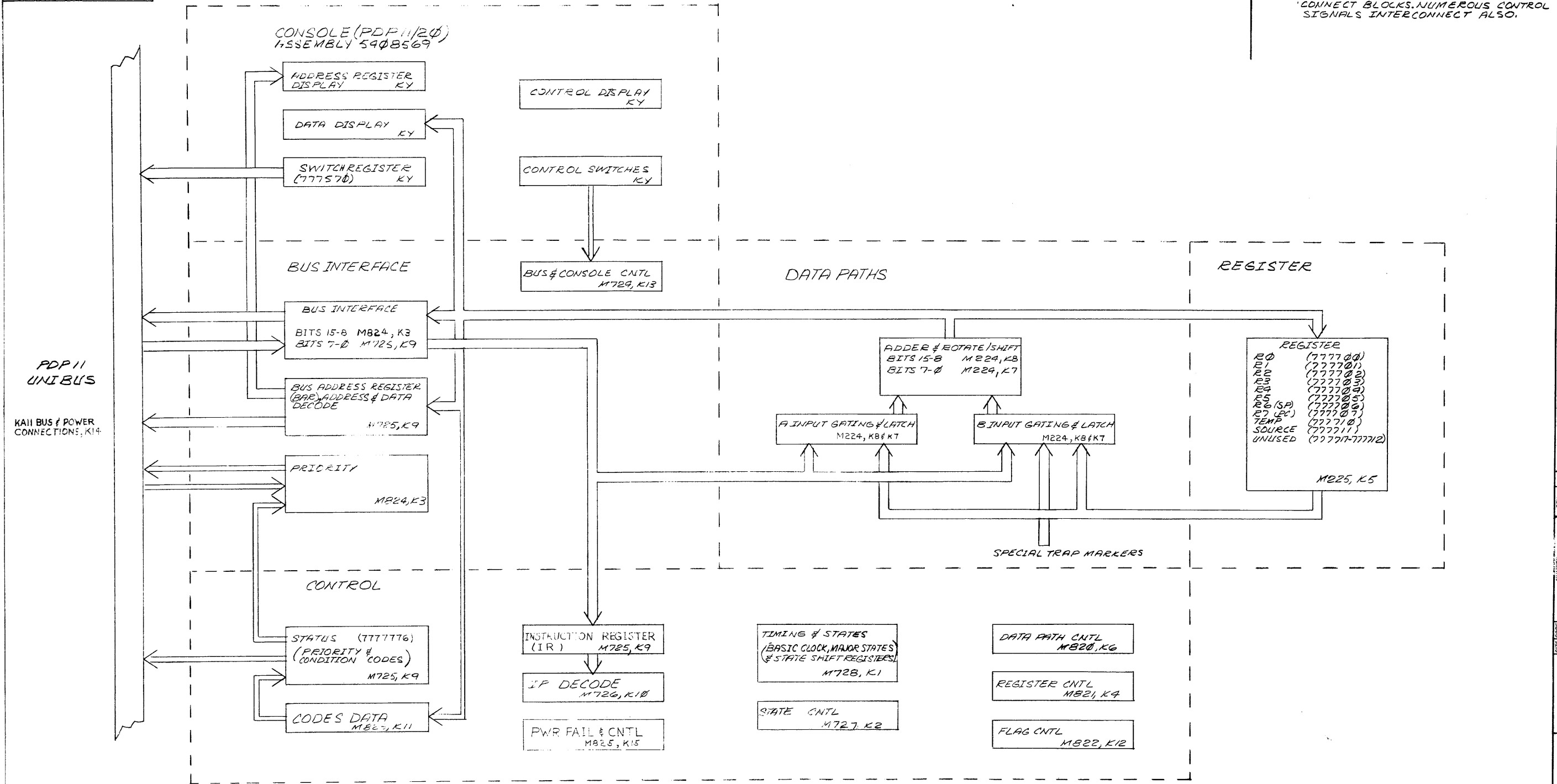
MADE BY P. MARCOTTE	CHECKED K. RUSS	SECTION
DATE 10/6/69	DATE 10/10/69	1
ENG <i>J. J. Loughlin</i>	PROD <i>Hugh Donald</i>	ISSUED SECT.
DATE 3-17-70	DATE 3/19/70	1

ITEM NO.	DWG NO. / PART NO.	DESCRIPTION	QUANTITY	VARIATION
1	D-AD-7005884-0-0	LOGIC FRAME ASSY TRIPLE	1	
2	1205541	BUS STRIP	A/R	
3	9107560-01	#22 AWG BUS WIRE	A/R	
4	9107265-09	#22 TUBING TEFLON, WHITE	A/R	
5	9105740-44	#30 AWG SOLID KYNAR INS WIRE, YEL	A/R	
6	9107470-00	#24 AWG SOLID KYNAR INS WIRE, BLK	A/R	
7	9107470-22	#24 AWG SOLID KYNAR INS WIRE, RED	A/R	
8	9107470-33	#24 AWG SOLID KYNAR INS WIRE, ORN	A/R	
9	9107470-55	#24 AWG SOLID KYNAR INS WIRE, GRN	A/R	
10	9107470-44	#24 AWG SOLID KYNAR INS WIRE, YEL	A/R	
11	9107470-66	#24 AWG SOLID KYNAR INS WIRE, BLUE	A/R	
12	A-SS-7407846-0-0	LOGIC SERIAL # DECAL	1	
REF	K-WL-KA11-Ø-WL	WIRE LIST	1	

TITLE	ASSY NO.	SIZE	CODE	NUMBER	REV.	ECO NO.
WIRED ASSY (KA11)	D-AD-700653790-0	A	PL	7006537-0-0	A	KA11-00002
	SHEET 1 OF 1	DIST.				

This drawing and specifications, herein, are the property of Digital Equipment Corporation and shall not be reproduced or copied or used in whole or in part as the basis for the manufacture or sale of items without written permission.

NOTES:
1. ONLY MAJOR DATA FLOWS INTERCONNECT BLOCKS. NUMEROUS CONTROL SIGNALS INTERCONNECT ALSO.



REV.	CHANGE NO.

DEC FORM NO. 300 100

FIRST USED ON OPTION/MODEL PDP 11	QTY.	DESCRIPTION	PART NO.	ITEM NO.
PARTS LIST				
DO NOT SCALE DRAWING	DRN: <i>J. M. ...</i>	DATE: 12-22-68	digital EQUIPMENT CORPORATION MAYNARD, MASSACHUSETTS	
UNLESS OTHERWISE SPECIFIED	CHKD: <i>A. ...</i>	DATE: 3/19/70		
DIMENSION IN INCHES	ENG: <i>J. ...</i>	DATE: 3-10-70	TITLE KAI I BLOCK DIAGRAM	
DECIMALS FRACTIONS ANGLES	PROJ. ENG: <i>J. ...</i>	DATE: 3-10-70		
± .005 ± 1/64 ± 0°30'	DESIGN: <i>J. ...</i>	DATE: 3/13/70	SIZE CODE: D BD NUMBER: KAI I-0-BD REV.	
FINAL SURFACE QUALITY REMOVE BURRS AND BREAK SHARP CORNERS	FINISH: <i>J. ...</i>	DATE: 3/13/70		
MATERIAL	NEXT HIGHER ASSY		SCALE: NONE	
FINISH	SHEET 1 OF 1		DIST.	

PARTS REFERENCE

ITEM NO.	DRAWING REFERENCE	DESCRIPTION	PART NUMBER	QUANTITY
1	E23	DEC 74H50N	1909060	2
2	E5, E10, E28, E37	DEC 7402N	1909004	5
3	E9	DEC 74H74N	1909667	2
4	E25, E26, E29, E38, E43, E50, E54	DEC 74H40N	1905586	8
5	E7, E11, E19, E20, E31, E49	DEC 7400N	1905575	6
6	E8	DEC 8881	1909705	1
7	E12, E14, E18, E39, E40, E41, E42, E44, E53	DEC 74H00N	1909056	9
8	E13, E15, E24, E34	DEC 74H10N	1909057	4
9	E16	DEC 74H20N	1905635	1
10	E17, E47, E48	DEC 74H30N	1909059	3
11	E21, E51	DEC 7410N	1905576	2
12	E22, E46	DEC 8815A	1909713	2
13	E27, E30, E45	DEC 8271	1909615	2
14	E32, E33, E35, E36	8251B	1909594	4
15	E52	DEC 7420N	1905577	1
16	C1-C10, C13, C15-C27, C29-C55, C59	.01 MFD, 100V, 20% CAP	1001610	52
17	C11, C60	330 MMFD, 100V, 5% CAP	1000023	2
18	C12	18 MMFD, 100V, 5% CAP	1002608	1
19	C14	150 MMFD, 100V, 5% CAP	1000009	1
20	C56-C58, C28	6.8 MFD, 35V, 20% CAP	1000067	4
21	R1	300, 1/4W, 5% RES	1301425	1
22	R2, R4, R7, R10	1000, 1/4W, 5% RES	1300365	4
23	R3	47, 1/4W, 5% RES	1300202	1
24	R5	470, 1/4W, 5% RES	1300316	1
25	R6, R9	220, 1/4W, 5% RES	1300271	2
26	R8	5000 OHM POTENTIOMETER	1305451	1
27	D1	D664 DIODE	1100114	1
28	Q1	DEC 3009B TRANSISTOR	1503100	1

NOTES:

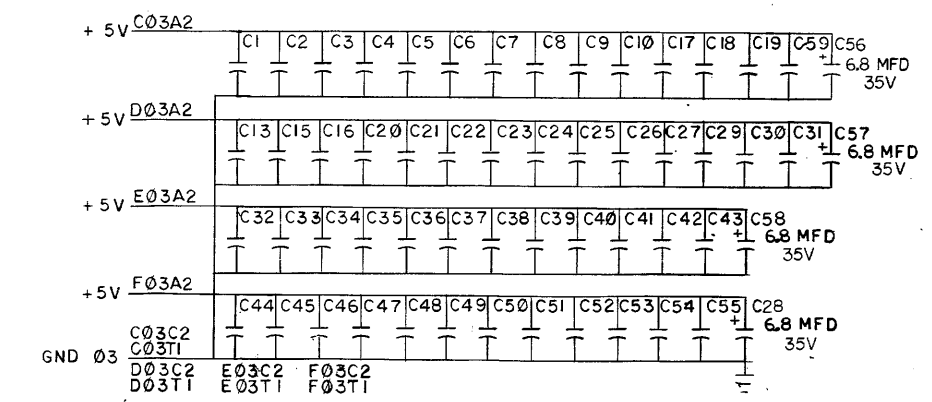
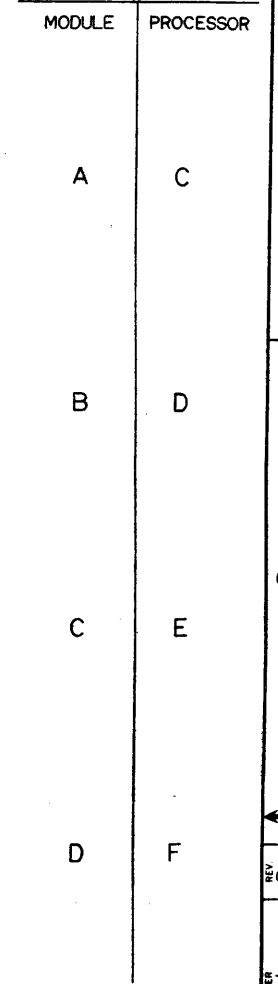
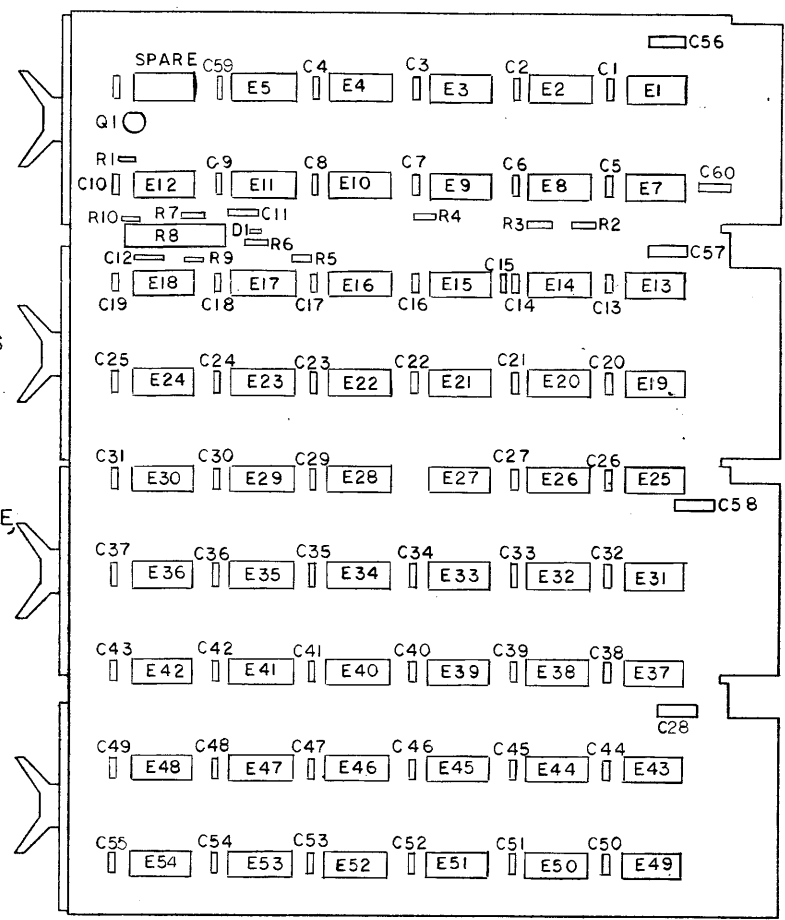
- PIN NOTATION THROUGHOUT IS ORDERED UPON MODULE PLACEMENT IN THE KAI1 PROCESSOR. MODULE REFERENCE ALONE IS OBTAINED BY DELETING THE NUMBER (SLOT LOCATION) AFTER THE FIRST LETTER, AND CONVERTING THE FIRST LETTER ACCORDING TO THE PIN NOMENCLATURE CHART AT RIGHT.
- ALL SIGNALS THAT HAVE MODULE PINS ARE SO NOTED; MULTIPLE NOTATIONS OF THE SAME SIGNALS WITHIN A MODULE HAVE THE PIN NOTED ON EACH. AN INPUT SIGNAL IS NOTED ONLY ONCE PER SHEET UNLESS SEPERATE PINS ARE USED; MULTIPLE INPUTS ARE CONNECTED. MODULE OUTPUT SIGNALS ARE BROUGHT TO THE EXTREME RIGHT OF EACH SHEET.
- PROCESSOR SIGNAL SOURCE NOTATION (K10-2, FOR EXAMPLE) IDENTIFIES THE SIGNAL SOURCE (PRINT AND MODULE). THE FIRST NUMBER AFTER THE K INDICATES THE MODULE PRINT SET, WHILE THE SECOND INDICATES THE SHEET WITHIN THE SET. IF ON A PRINT, THE FIRST NUMBER OF THE K PREFIXES COINCIDE FOR A SIGNAL NAME AND THE PRINT (SEE TITLE BLOCK), THE SIGNAL IS GENERATED ON THE MODULE. A DIFFERENCE IN THE FIRST NUMBER OF THE K PREFIXES INDICATES A SIGNAL GENERATED OFF THE MODULE. SIGNALS WITH A "BUS" PREFIX REPRESENT A "WIRED OR" SITUATION, AND MULTIPLE SOURCES FOR THE SIGNAL CAN EXIST.
- DETAILS ON COMPONENTS ARE NOTED IN THE PARTS REFERENCE. PLACEMENT IS NOTED IN THE COMPONENT PLACEMENT DIAGRAM.
- GND AND +5V ARE USUALLY PIN 7 AND PIN 14, RESPECTIVELY. EXCEPTIONS ARE:

IC TYPE	GND	+5V
DEC 7481	PIN 10	PIN 4
DEC 7482	PIN 11	PIN 4
8251	PIN 8	PIN 16
DEC 8271	PIN 8	PIN 16
DEC 380	PIN 1	PIN 8
DEC 384	PIN 1	PIN 8

6. UNLESS OTHERWISE NOTED: RESISTANCE IS IN OHMS; CAPACITANCE IS IN PICO FARADS. CAPACITORS WITHOUT ANY NOTED VALUES ARE .01 MFD.

COMPONENT PLACEMENT

PIN NOMENCLATURE

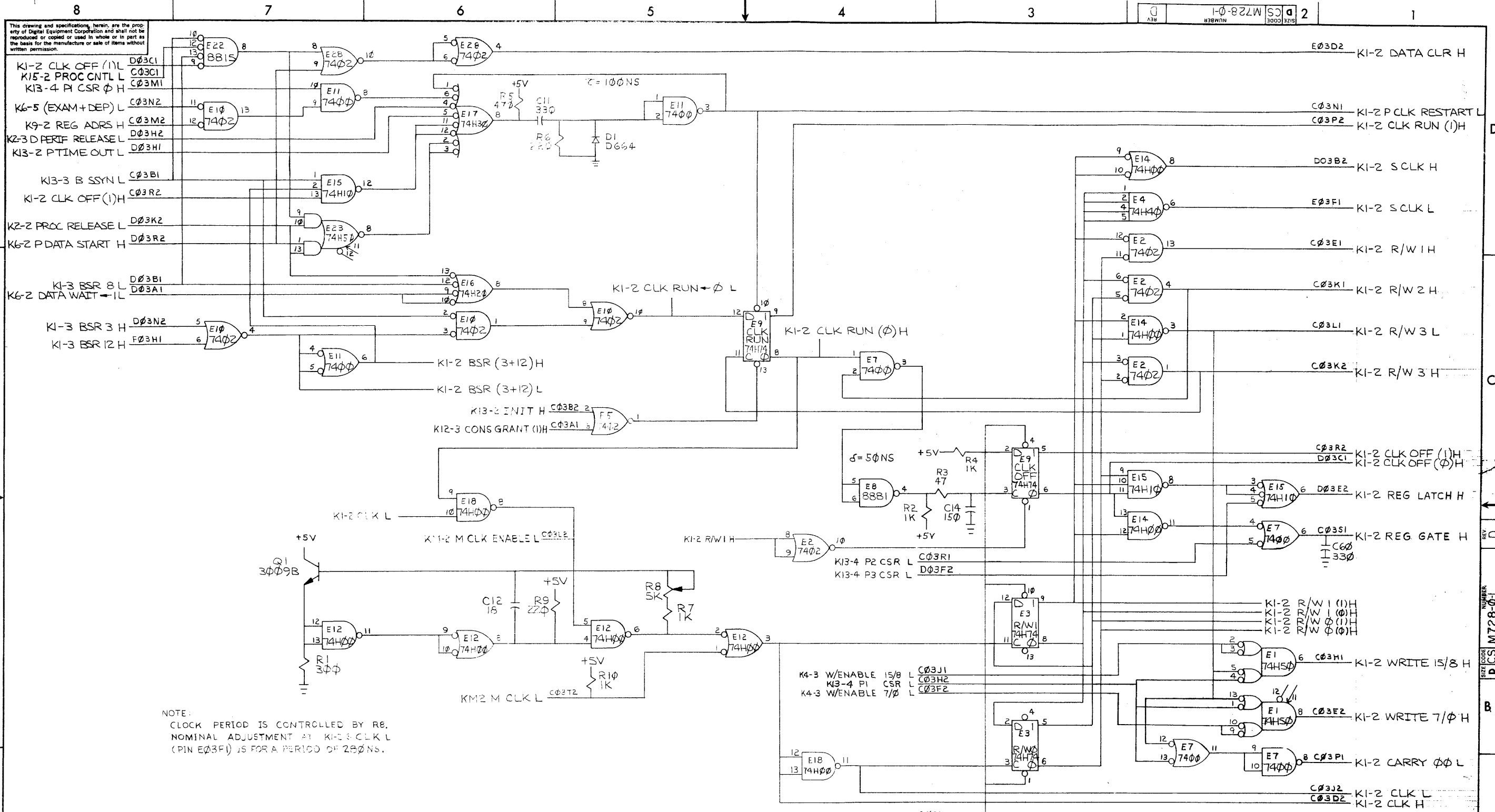


REVISIONS

REV	CHANGE NO.	DATE	BY
B	M728-00001	4-22-70	J.O'LOUGHLIN
C	M728-00003	4/23/70	J.O'LOUGHLIN
D	M728-00004	7-23-70	J.O'LOUGHLIN
E	M728-00005	7-24/70	J.O'LOUGHLIN
F	M728-00006		J.O'LOUGHLIN
G	M728-00007		J.O'LOUGHLIN
H	M728-00008		J.O'LOUGHLIN
I	M728-00009		J.O'LOUGHLIN
J	M728-00010		J.O'LOUGHLIN

FIRST USED ON OPTION/MODEL PDP 11	QTY.	DESCRIPTION	PART NO.	ITEM NO.
PARTS LIST				
UNLESS OTHERWISE SPECIFIED		DRN: R Hillan	DATE: 2/17/70	digital EQUIPMENT CORPORATION MAYNARD, MASSACHUSETTS
UNLESS OTHERWISE SPECIFIED		CHKD: G. Hillan	DATE: 3-2-70	
DIMENSION IN INCHES		ENG: J. O'Loughlin	DATE: 3-6-70	TITLE TIMING & STATES
TOLERANCES		PROL ENG: J. O'Loughlin	DATE: 3-6-70	
DECIMALS FRACTIONS ANGLES		PROL: J. O'Loughlin	DATE:	M728 K1-1
± .005 ± 1/64 ± 0°30'		PROL: J. O'Loughlin	DATE:	
FINAL SURFACE QUALITY REMOVE BURRS AND BREAK SHARP CORNERS		PROL: J. O'Loughlin	DATE:	SIZE CODE NUMBER DCS M728-0-1
MATERIAL		PROL: J. O'Loughlin	DATE:	
FINISH		NEXT HIGHER ASSY A-ML-KAI-0	SCALE	REV. D
		SCALE	SHEET 1 OF 4	ETCH REV B C D

REV. D
NUMBER
DCS M728-0-1

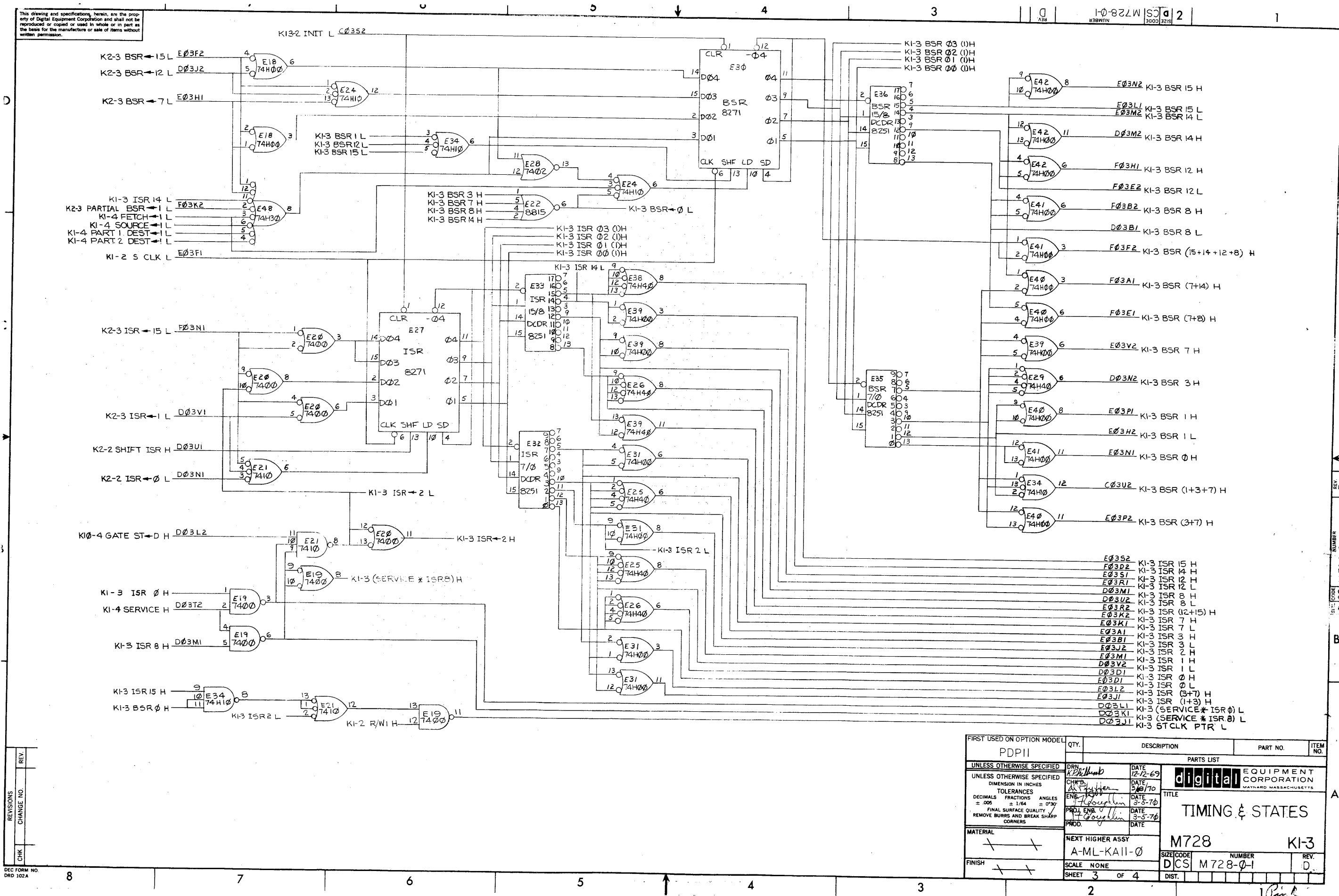


NOTE:
CLOCK PERIOD IS CONTROLLED BY R8.
NOMINAL ADJUSTMENT AT KI-2 CLK L
(PIN E03F1) IS FOR A PERIOD OF 280NS.

REV.	CHANGE NO.

FIRST USED ON OPTION/MODEL	QTY.	DESCRIPTION	PART NO.	ITEM NO.
PDP11				
PARTS LIST				
UNLESS OTHERWISE SPECIFIED	DRN. <i>A. Raina</i>	DATE 12-12-69	digital EQUIPMENT CORPORATION MAYNARD, MASSACHUSETTS	
UNLESS OTHERWISE SPECIFIED	CHK'D. <i>A. Raina</i>	DATE 5/18/70		
TOLERANCES		DATE 3-5-70	TIMING & STATES M728 KI-2	
DECIMALS FRACTIONS ANGLES		DATE 3-5-70		
± .005 ± .001 ± .0005		DATE 3-5-70	SCALE NONE DCS M728-0-1 SHEET 2 OF 4	
FINAL SURFACE QUALITY REMOVE BURRS AND BREAK SHARP CORNERS		DATE 3-5-70		
MATERIAL	NEXT HIGHER ASSY	DATE	SIZE CODE NUMBER REV A-ML-KA11-0 DCS M728-0-1 DI	
FINISH	SCALE NONE	DATE		

This drawing and specifications, herein, are the property of Digital Equipment Corporation and shall not be reproduced or copied or used in whole or in part as the basis for the manufacture or sale of items without written permission.



REV.	CHANGE NO.

DEC FORM NO. ORD 102A

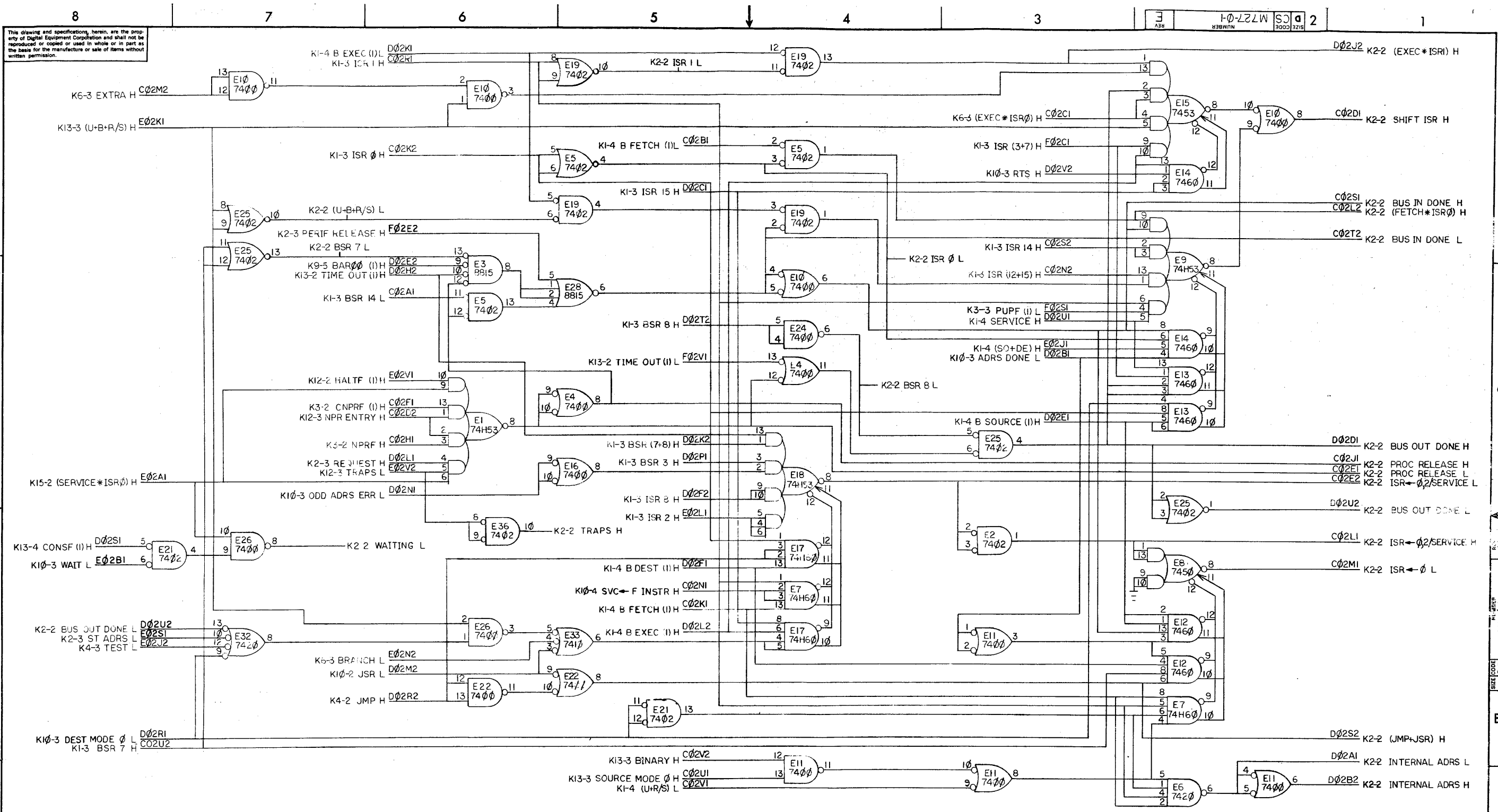
FIRST USED ON OPTION MODEL	QTY.	DESCRIPTION	PART NO.	ITEM NO.
PDP11				
UNLESS OTHERWISE SPECIFIED		DRN	DATE	
UNLESS OTHERWISE SPECIFIED		CHK'D	DATE	
DIMENSION IN INCHES		ENG	DATE	
TOLERANCES		PROL ENG	DATE	
DECIMALS FRACTIONS ANGLES		PROD.	DATE	
± .005 ± 1/64 ± 0°30'				
FINAL SURFACE QUALITY				
REMOVE BURRS AND BREAK SHARP CORNERS				
MATERIAL	NEXT HIGHER ASSY	PARTS LIST		
	A-ML-KA11-0	digital EQUIPMENT CORPORATION		
FINISH	SCALE NONE	TIMING & STATES		
		M728 KI-3		
		SIZE CODE NUMBER		
		DCS M728-01		
		REV. D		
		SHEET 3 OF 4		
		DIST.		

REV. D
NUMBER
DCS M728-01

A

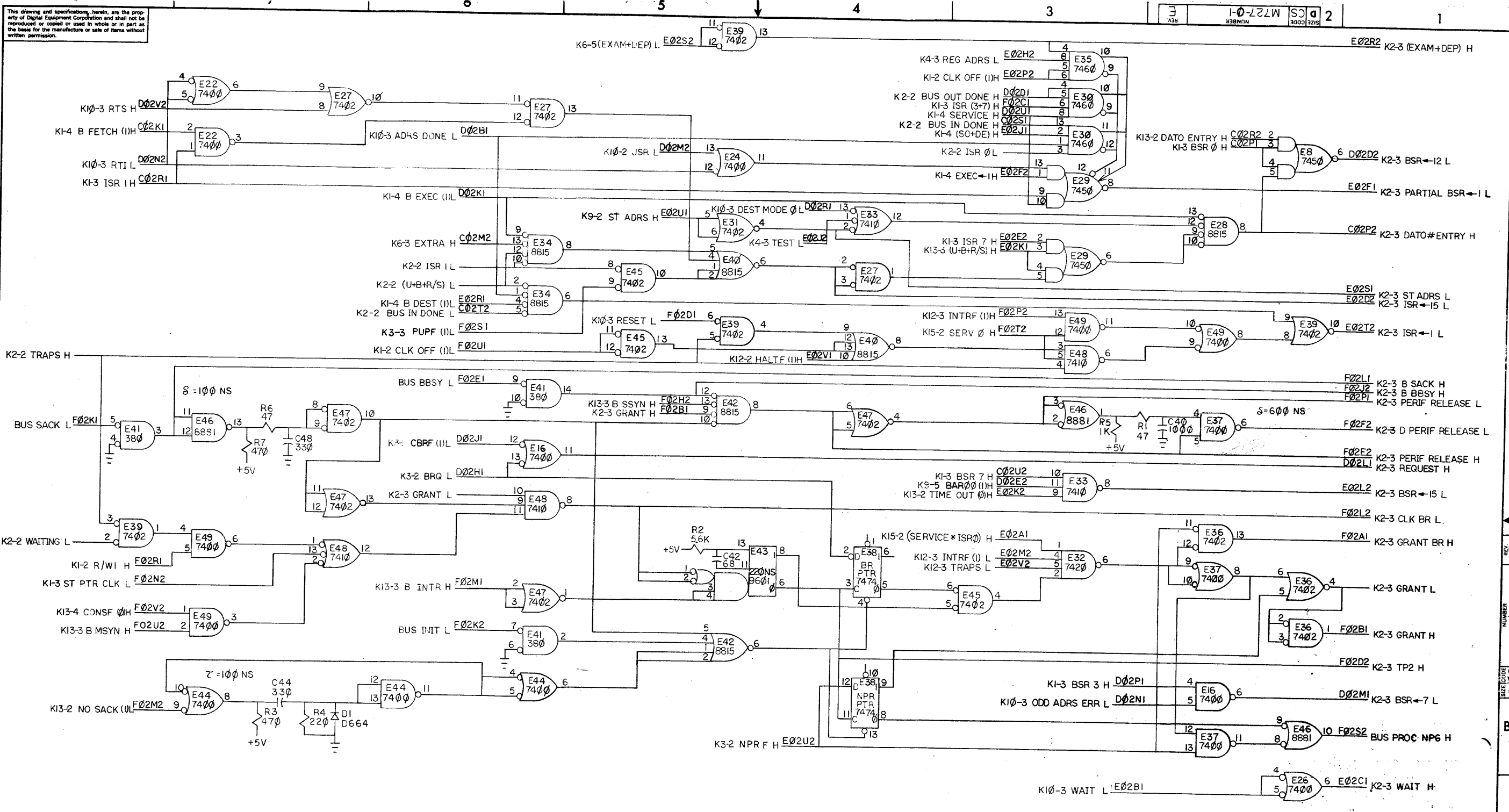
10/1/69

This drawing and specifications, herein, are the property of Digital Equipment Corporation and shall not be reproduced or copied or used in whole or in part as the basis for the manufacture or sale of items without written permission.



REV.	CHANGE NO.

FIRST USED ON OPTION/MODEL PDPII	QTY.	DESCRIPTION	PART NO.	REV. NO.
UNLESS OTHERWISE SPECIFIED	DRN	DATE	PARTS LIST	
UNLESS OTHERWISE SPECIFIED	CHKD	DATE	digital EQUIPMENT CORPORATION	
UNLESS OTHERWISE SPECIFIED	ENR	DATE	MAYNARD, MASSACHUSETTS	
UNLESS OTHERWISE SPECIFIED	PRD	DATE	TITLE	
UNLESS OTHERWISE SPECIFIED	PRD	DATE	STATE CNTL	
MATERIAL	NEXT HIGHER ASSEMBLY	M727	K2-2	
FINISH	A-ML-KAII-0	SIZE CODE	NUMBER	REV.
SCALE NONE	DCS M727-0-1	DIST.		E3
SHEET 2 OF 3				



This drawing and specifications, herein, are the property of Digital Equipment Corporation and shall not be reproduced or copied or used in whole or in part as the basis for the manufacture or sale of items without written permission.

REV	NO.
CHK	NO.

DEC FORM NO. DRD 102A

FIRST USED ON OPTION/MODEL PDP11	QTY.	DESCRIPTION	PART NO.	ITEM NO.
UNLESS OTHERWISE SPECIFIED: DRN: <i>Guides</i> DATE: 12-7-69				
UNLESS OTHERWISE SPECIFIED: DIMENSION IN INCHES: CHECKED: <i>A. Sullivan</i> DATE: 3/16/70				
TOLERANCES: DECIMALS FRACTIONS ANGLES: = .005 = 1/64 = 0°30'				
FINAL SURFACE QUALITY: REMOVE BURRS AND BREAK SHARP CORNERS: ENGR: <i>T. Sullivan</i> DATE: 3-5-70				
MATERIAL: NEXT HIGHER ASSEMBLY: A-ML-KA11-0				
FINISH: SCALE: NONE				
SHEET 3 OF 3				
PARTS LIST		TITLE: STATE CNTL		
M727		K2-3		
D.C.S. M727-01		REV. E		

This drawing and its components, forms, are the property of Digital Equipment Corporation and shall not be reproduced or used in whole or in part in any form for any purpose other than that for which it was prepared without the written permission of Digital Equipment Corporation.

PARTS REFERENCE

ITEM NO	DRAWING REFERENCE	DESCRIPTION	PART NUMBER	QUANTITY
1	E1, E6, E21	DEC 8881 IC	1909705	3
2	E2, E7	DEC 74H00N IC	1909056	2
3	E3, E9, E18	DEC 7402N IC	1909004	3
4	E4, E8	DEC 74H20N IC	1905635	2
5	E5	DEC 74H10N IC	1909057	1
6	E10	DEC 7450N IC	1905580	1
7	E11, E17, E22, E25	DEC 380 IC	1909485	4
8	E12, E13, E14, E19	DEC 74H74N IC	1909667	4
9	E16	DEC 74H50N IC	1909060	1
10	E23	DEC 7410N IC	1905576	1
11	E24	DEC 7400N IC	1905575	1
12	C1-C24	.01 MFD, 100V, 20% CAP	1001610	24
13	C25, C26	6.8 MFD, 35V, 20% CAP	1000067	2
14	E20	DEC 7474N IC	1905547	1

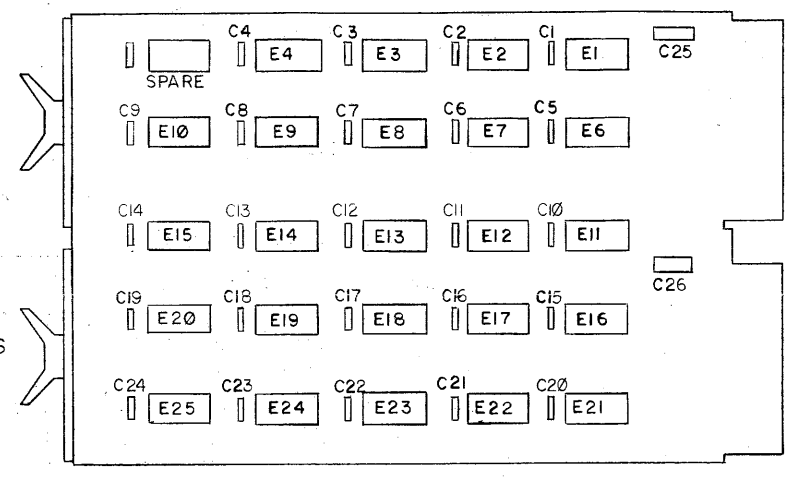
NOTES:

- PIN NOTATION THROUGHOUT IS ORDERED UPON MODULE PLACEMENT IN THE K111 PROCESSOR. MODULE REFERENCE ALONE IS OBTAINED BY DELETING THE NUMBER (SLOT LOCATION) AFTER THE FIRST LETTER, AND CONVERTING THE FIRST LETTER ACCORDING TO THE PIN NOMENCLATURE CHART AT RIGHT.
- ALL SIGNALS THAT HAVE MODULE PINS ARE SO NOTED; MULTIPLE NOTATIONS OF THE SAME SIGNALS WITHIN A MODULE HAVE THE PIN NOTED ON EACH. AN INPUT SIGNAL IS NOTED ONLY ONCE PER SHEET UNLESS SEPARATE PINS ARE USED; MULTIPLE INPUTS ARE CONNECTED. MODULE OUTPUT SIGNALS ARE BROUGHT TO THE EXTREME RIGHT OF EACH SHEET.
- PROCESSOR SIGNAL SOURCE NOTATION (K10-2, FOR EXAMPLE) IDENTIFIES THE SIGNAL SOURCE (PRINT AND MODULE). THE FIRST NUMBER AFTER THE K INDICATES THE MODULE PRINT SET, WHILE THE SECOND INDICATES THE SHEET WITHIN THE SET. IF ON A PRINT, THE FIRST NUMBER OF THE K PREFIXES COINCIDE FOR A SIGNAL NAME AND THE PRINT (SEE TITLE BLOCK), THE SIGNAL IS GENERATED ON THE MODULE. A DIFFERENCE IN THE FIRST NUMBER OF THE K PREFIXES INDICATES A SIGNAL GENERATED OFF THE MODULE. SIGNALS WITH A "BUS" PREFIX REPRESENT A "WIRED OR" SITUATION, AND MULTIPLE SOURCES FOR THE SIGNAL CAN EXIST.
- DETAILS ON COMPONENTS ARE NOTED IN THE PARTS REFERENCE. PLACEMENT IS NOTED IN THE COMPONENT PLACEMENT DIAGRAM.
- GND AND +5V ARE USUALLY PIN 7 AND PIN 14, RESPECTIVELY. EXCEPTIONS ARE:

IC TYPE	GND	+5V
DEC 7481	PIN 10	PIN 4
DEC 7482	PIN 11	PIN 4
8251	PIN 8	PIN 16
DEC 8271	PIN 8	PIN 16
DEC 380	PIN 1	PIN 8
DEC 384	PIN 1	PIN 8

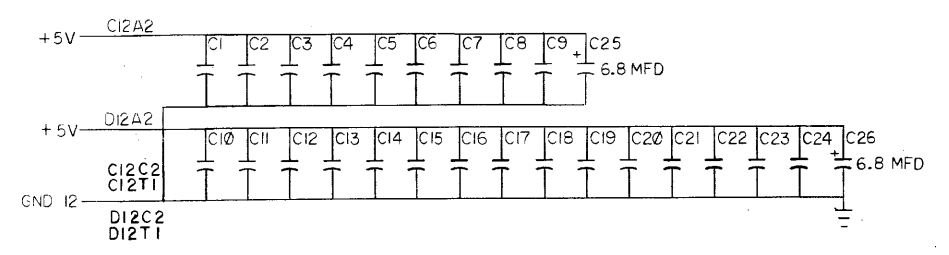
6 UNLESS OTHERWISE NOTED: RESISTANCE IS IN OHMS; CAPACITANCE IS IN PICOFARADS. CAPACITORS WITHOUT ANY NOTED VALUES ARE .01 MFD.

COMPONENT PLACEMENT



PIN NOMENCLATURE

MODULE	PROCESSOR
A	C
B	D



FIRST USED ON OPTION/MODEL PDP 11	QTY.	DESCRIPTION	PART NO.	ITEM NO.
PARTS LIST				
UNLESS OTHERWISE SPECIFIED DIMENSION IN INCHES TOLERANCES DECIMALS FRACTIONS ANG. LS ± .005 ± .164 ± .30 FINAL SURFACE QUALITY REMOVE BURRS AND BREAK SHARP CORNERS	DRN DATE 3/10/70	CHKD DATE 3/6/70	ENG DATE 3-6-70	PROD. DATE DATE 3-6-70
MATERIAL //	NEXT HIGHER ASSY A-ML-K11-0	digital EQUIPMENT CORPORATION MAYNARD, MASSACHUSETTS		
FINISH //	SCALE 1 OF 3	TITLE PRIORITY		
		M824 K3-1		
		SIZE CODE NUMBER REV. DCS M824-0-1 C		
		ETCH REV. B C		
		DIST.		

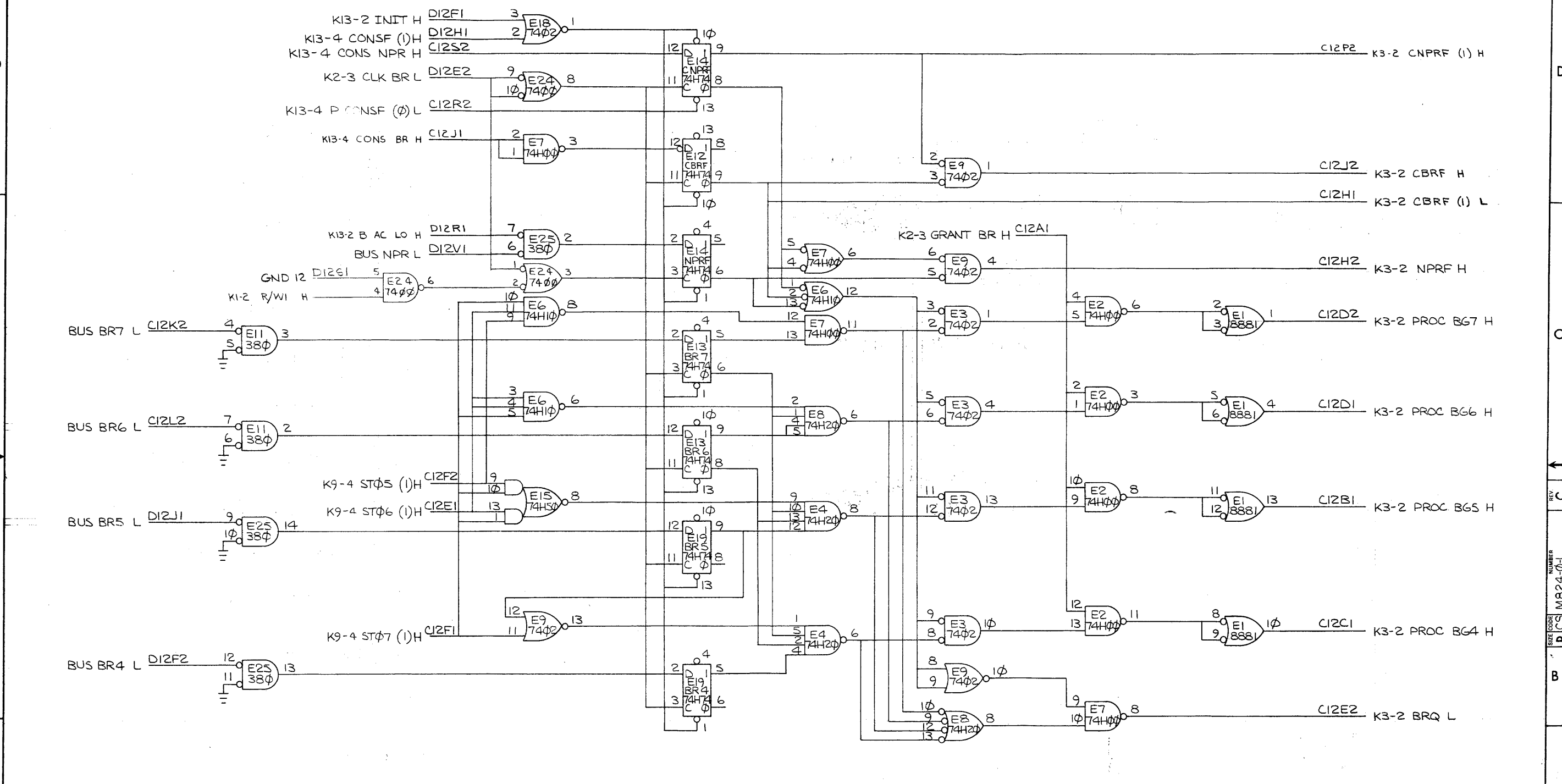
REVISIONS

REV	CHANGE NO	DATE	BY
B	00001	4-21-70	J. O'LOUGHLIN
C	00002	6-1-70	J. O'LOUGHLIN

REV. C
NUMBER DCS M824-0-1
SIZE CODE DCS M824-0-1

1 Pink Blue

This drawing and specifications herein, are the property of Digital Equipment Corporation and shall not be reproduced or copied or used in whole or in part as the basis for the manufacture or sale of items without written permission.



REV	
CHANGE NO.	
CHK	

FIRST USED ON OPTION MODEL PDP11	QTY.	DESCRIPTION	PART NO.	ITEM NO.
PARTS LIST				
UNLESS OTHERWISE SPECIFIED DIMENSION IN INCHES TOLERANCES DECIMALS FRACTIONS ANGLES ± .005 ± 1/64 ± 0°30'	DRN A. R. De	DATE 12-9-69	digital EQUIPMENT CORPORATION MAYNARD, MASSACHUSETTS	
FINAL SURFACE QUALITY REMOVE BURRS AND BREAK SHARP CORNERS	CHK'D R. J. ...	DATE 3/18/70	TITLE PRIORITY	
MATERIAL + +	ENG. T. ...	DATE 3-5-70	M824 K3-2	
FINISH + +	PROJ. ENG. J. ...	DATE 3-5-70	M824 K3-2	
	PROD. J. ...	DATE	M824 K3-2	
	NEXT HIGHER ASS'Y A-ML-KA11-0		M824 K3-2	
	SCALE NONE		M824 K3-2	
	SHEET 2 OF 3		M824 K3-2	

This drawing and specifications, herein, are the property of Digital Equipment Corporation and shall not be reproduced or used in whole or in part as the basis for the manufacture of any item without written permission.

PARTS REFERENCE

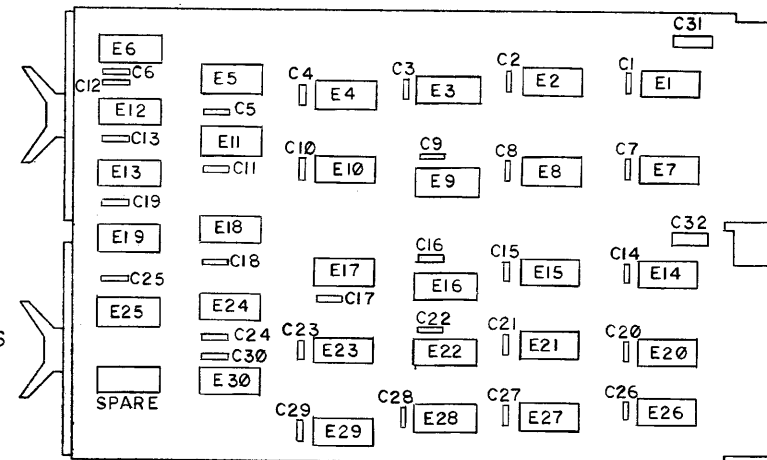
ITEM NO	DRAWING REFERENCE	DESCRIPTION	PART NUMBER	QUANTITY
1	E1, E6, E7, E21, E25	DEC 7400N	IC 1905575	5
2	E2, E14, E22	DEC 8815A	IC 1909713	3
3	E3, E4	DEC 7402N	IC 1909004	2
4	E5, E10, E30	DEC 7450N	IC 1905580	5
5	E8, E13, E16, E19, E27	DEC 7453N	IC 1905582	5
6	E9, E28	DEC 7410N	IC 1905576	2
7	F11, E12, E18, E23, E24, E26	DEC 7460N	IC 1905581	6
8	F15	DEC 7420N	IC 1905577	1
9	C1, C30	.01MFD 100V 20%	CAP 1001610	30
10	C31, C32	6.8MFD 35V 20%	CAP 1000067	2
11	F17	DEC 74H60N	IC 1909064	1
12	E20	DEC 74H00N	IC 1909056	1
13	E29	DEC 74H50N	IC 1909060	1

NOTES:

- PIN NOTATION THROUGHOUT IS ORDERED UPON MODULE PLACEMENT IN THE K411 PROCESSOR. MODULE REFERENCE ALONE IS OBTAINED BY DELETING THE NUMBER (SLOT LOCATION) AFTER THE FIRST LETTER, AND CONVERTING THE FIRST LETTER ACCORDING TO THE PIN NOMENCLATURE CHART AT RIGHT.
- ALL SIGNALS THAT HAVE MODULE PINS ARE SO NOTED; MULTIPLE NOTATIONS OF THE SAME SIGNALS WITHIN A MODULE HAVE THE PIN NOTED ON EACH. AN INPUT SIGNAL IS NOTED ONLY ONCE PER SHEET UNLESS SEPERATE PINS ARE USED; MULTIPLE INPUTS ARE CONNECTED. MODULE OUTPUT SIGNALS ARE BROUGHT TO THE EXTREME RIGHT OF EACH SHEET.
- PROCESSOR SIGNAL SOURCE NOTATION (K10-2, FOR EXAMPLE) IDENTIFIES THE SIGNAL SOURCE (PRINT AND MODULE). THE FIRST NUMBER AFTER THE K INDICATES THE MODULE PRINT SET, WHILE THE SECOND INDICATES THE SHEET WITHIN THE SET. IF ON A PRINT, THE FIRST NUMBER OF THE K PREFIXES COINCIDE FOR A SIGNAL NAME AND THE PRINT (SEE TITLE BLOCK), THE SIGNAL IS GENERATED ON THE MODULE. A DIFFERENCE IN THE FIRST NUMBER OF THE K PREFIXES INDICATES A SIGNAL GENERATED OFF THE MODULE. SIGNALS WITH A "BUS" PREFIX REPRESENT A "WIRED OR" SITUATION, AND MULTIPLE SOURCES FOR THE SIGNAL CAN EXIST.
- DETAILS ON COMPONENTS ARE NOTED IN THE PARTS REFERENCE. PLACEMENT IS NOTED IN THE COMPONENT PLACEMENT DIAGRAM.
- GND AND +5V ARE USUALLY PIN 7 AND PIN 14, RESPECTIVELY. EXCEPTIONS ARE:

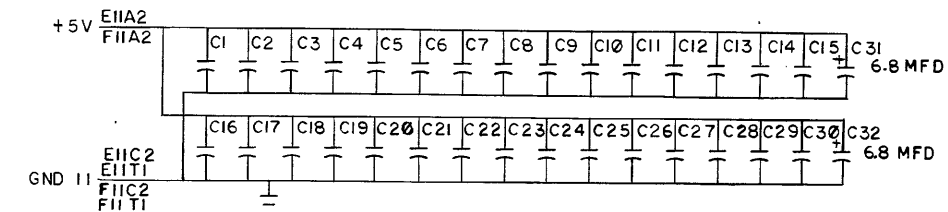
IC TYPE	GND	+5V
DEC 7481	PIN 10	PIN 4
DEC 7482	PIN 11	PIN 4
8251	PIN 8	PIN 16
DEC 8271	PIN 8	PIN 16
DEC 380	PIN 1	PIN 8
DEC 384	PIN 1	PIN 8
- UNLESS OTHERWISE NOTED: RESISTANCE IS IN OHMS; CAPACITANCE IS IN PICOFARADS. CAPACITORS WITHOUT ANY NOTED VALUES ARE .01 MFD.

COMPONENT PLACEMENT



PIN NOMENCLATURE

MODULE	PROCESSOR
A	E
B	F



FIRST USED ON OPTION/MODEL PDP 11	QTY.	DESCRIPTION	PART NO.	ITEM NO.
PARTS LIST				
UNLESS OTHERWISE SPECIFIED DIMENSION IN INCHES TOLERANCES DECIMALS FRACTIONS ANGLES = .005 = 1/64 = 0°30'	DRN DATE 3/28/70	DATE 3/28/70	digital EQUIPMENT CORPORATION MAYNARD, MASSACHUSETTS	
UNLESS OTHERWISE SPECIFIED FINAL SURFACE QUALITY REMOVE BURRS AND BREAK SHARP CORNERS	PROJ. ENG. DATE 3-6-70	DATE 3-6-70	TITLE REGISTER CNTL	
MATERIAL	NEXT HIGHER ASSY	M821	K4-1	
FINISH	SCALE	A-ML-K411-0	SIZE CODE DCS	NUMBER M821-0-1
SHEET 1 OF 3	ETCH REV B C	REV. B		

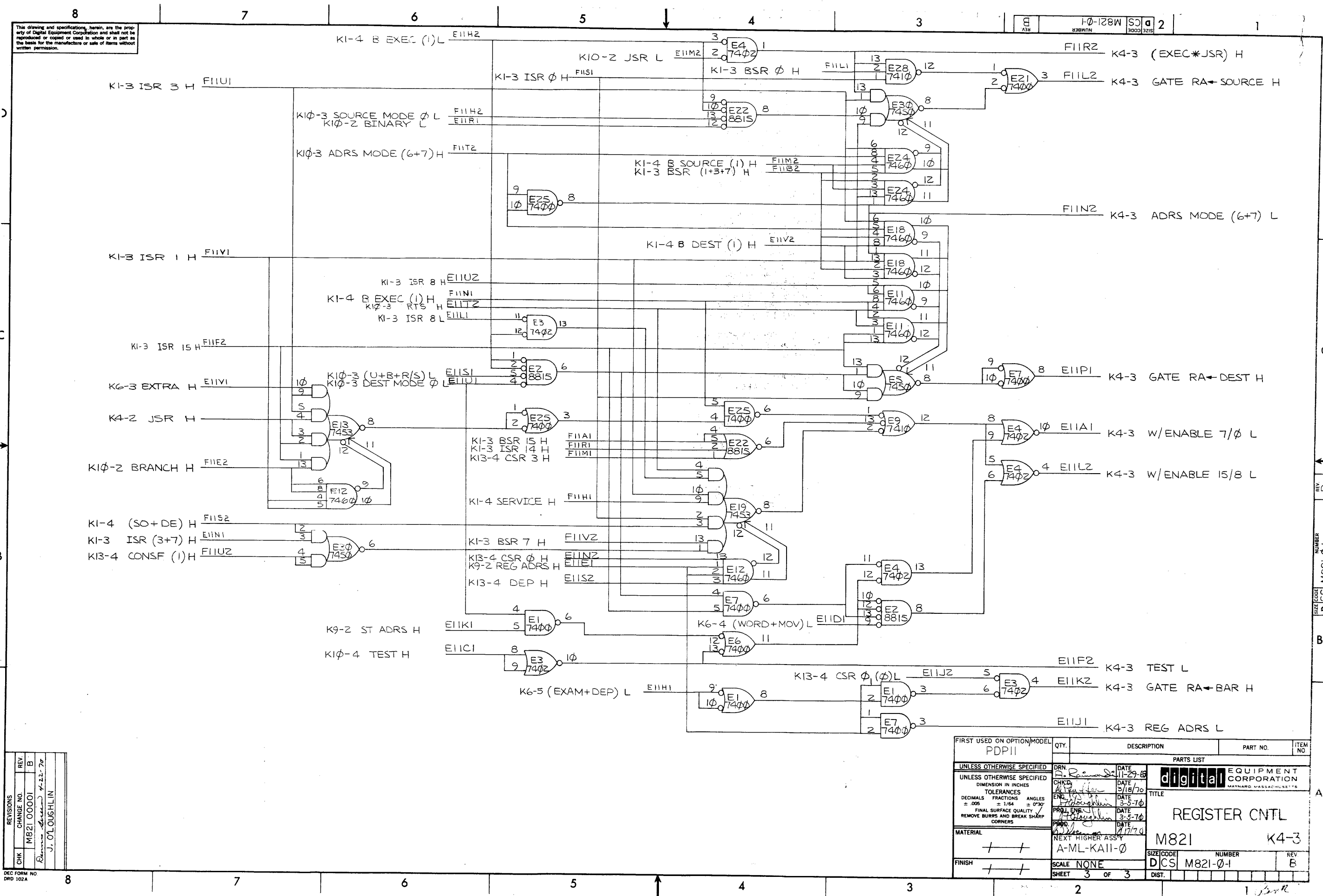
REV.	CHANGE NO.	BY	DATE
B	0001	J. O'LOUGHLIN	4/28/70

REV. B
NUMBER M821-0-1
SIZE CODE DCS

DIST. 1 Pin

This drawing and specifications, herein, are the property of Digital Equipment Corporation and shall not be reproduced or copied or used in whole or in part as the basis for the manufacture or sale of items without written permission.

REV 10-128W SC 2



REV	CHG	NO	DATE
B	00001		4-22-70

J. O'LOUGHLIN

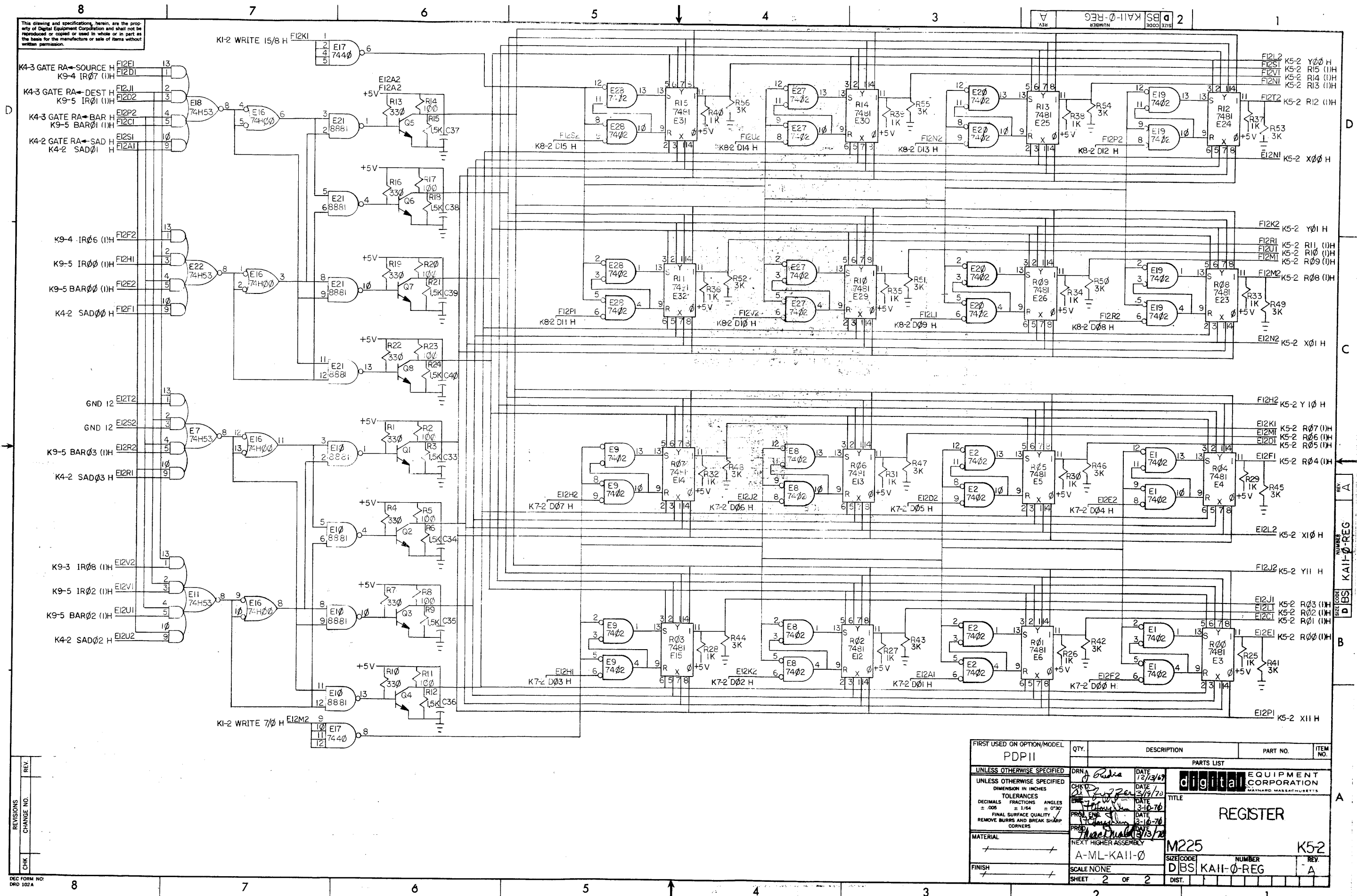
DEC FORM NO. DRD 102A

FIRST USED ON OPTION/MODEL	QTY.	DESCRIPTION	PART NO.	ITEM NO.
PDPII				
UNLESS OTHERWISE SPECIFIED				
DIMENSION IN INCHES				
TOLERANCES				
DECIMALS	FRACTIONS	ANGLES		
± .005	± 1/64	± 0°30'		
FINAL SURFACE QUALITY				
REMOVE BURRS AND BREAK SHARP CORNERS				
MATERIAL		NEXT HIGHER ASSY		
+		A-ML-K411-0		
FINISH		SCALE		
+		NONE		
SHEET 3 OF 3		PARTS LIST		
DRN <i>P. Reardon</i> DATE 11-29-65		digital EQUIPMENT CORPORATION		
CHKD <i>A. P. ...</i> DATE 3-18-70		MAYNARD, MASSACHUSETTS		
ENG. <i>A. P. ...</i> DATE 3-5-70		TITLE		
PRD. <i>A. P. ...</i> DATE 3-5-70		REGISTER CNTL		
MATERIAL		M821 K4-3		
FINISH		SIZE CODE NUMBER REV		
		DICS M821-0-1 B		

REV B
NUMBER M821-0-1
SIZE CODE DICS

A

This drawing and specifications, herein, are the property of Digital Equipment Corporation and shall not be reproduced or copied in whole or in part as the basis for the manufacture or sale of items without written permission.



REV	
CHG	
REVISIONS	CHANGE NO.

DEC FORM NO. DRD 102A

FIRST USED ON OPTION/MODEL	QTY.	DESCRIPTION	PART NO.	ITEM NO.
PDPII				
PARTS LIST				
UNLESS OTHERWISE SPECIFIED				
DRN. <i>J. O'Brien</i> DATE 12/13/69				
CHKD. <i>J. P. Z...</i> DATE 3/19/70				
DATE 3-10-70				
DATE 3-10-70				
DATE 3-10-70				
DATE 3-13-70				
TITLE				
REGISTER				
MATERIAL			M225	K5-2
NEXT HIGHER ASSEMBLY			A-ML-KAII-0	NUMBER
FINISH			SCALE NONE	REV. A
SHEET 2 OF 2			D/BS KAII-0-REG	DIST.

NUMBER
 D/BS KAII-0-REG
 REV. A

PARTS REFERENCE

ITEM	DRAWING REFERENCE	DESCRIPTION	PART NUMBER	QUANTITY
1	E1, E2, E3, E4, E5, E6, E7, E8, E9, E10, E11, E12, E13, E14, E15, E16, E17, E18, E19, E20, E21, E22, E23, E24, E25, E26, E27, E28, E29, E30, E31, E32, E33, E34, E35, E36, E37, E38, E39, E40, E41, E42, E43, E44, E45, E46, E47, E48, E49, E50, E51, E52, E53, E54, E55, E56, E57, E58, E59	DEC 7400N	IC 1905575	14
2	E2, E12, E24, E25, E52, E54	DEC 7410N	IC 1905576	6
3	E3, E30, E37, E40, E42, E47, E49, E50	DEC 7450N	IC 1905580	8
4	E4, E6, E21, E61	DEC 8815A	IC 1909713	4
5	E5, E13, E17, E32, E33, E45, E53, E56	DEC 7402N	IC 1909004	8
6	E7, E23, E26, E57	DEC 7440N	IC 1905579	4
7	E9	DEC 7453N	IC 1905582	1
8	E11	DEC 7420N	IC 1905577	1
9	E14, E15, E38, E41, E43, E46, E48, E51	DEC 7460N	IC 1905581	8
10	E19	DEC 7453N	IC 1909062	1
11	E20	DEC 74H00N	IC 1909056	1
12	E28, E29	DEC 7474N	IC 1905547	2
13	E31	DEC 7401N	IC 1905590	1
14	E35	DEC 74H30N	IC 1909059	1
15	E60	DEC 74H40N	IC 1905586	1
16	C1-C54	.01 MFD 100V 20%	CAP 1001610	54
17	C55-C58	6.8 MFD 35V 20%	CAP 1000067	4
18	C59	270 MMF 100V 5%	CAP 1000022	1
19	C60, C61, C62	330 MMF 100V 5%	CAP 1000023	3
20	R1	1000 OHMS 1/4W 5%	RES 1300365	1
21	R2	47 OHMS 1/4W 5%	RES 1300202	1
22	R3, R5	470 OHMS 1/4W 5%	RES 1300316	2
23	R4, R6, R8	220 OHMS 1/4W 5%	RES 1300271	3
24	R7	560 OHMS 1/4W 5%	RES 1301890	1
25	D1, D2, D3	D664 DIODE	1100114	3

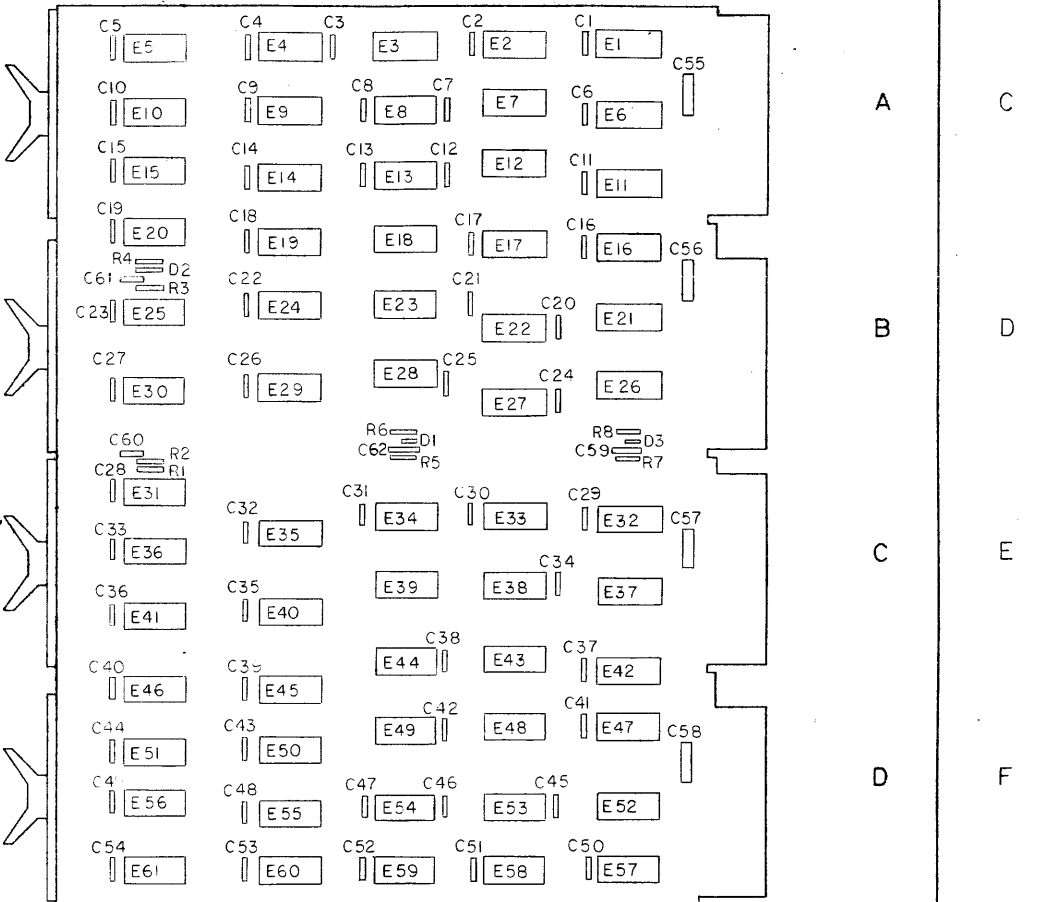
NOTES:

- PIN NOTATION THROUGHOUT IS ORDERED UPON MODULE PLACEMENT IN THE KAI1 PROCESSOR. MODULE REFERENCE ALONE IS OBTAINED BY DELETING THE NUMBER (SLOT LOCATION) AFTER THE FIRST LETTER, AND CONVERTING THE FIRST LETTER ACCORDING TO THE PIN NOMENCLATURE CHART AT RIGHT.
- ALL SIGNALS THAT HAVE MODULE PINS ARE SO NOTED; MULTIPLE NOTATIONS OF THE SAME SIGNALS WITHIN A MODULE HAVE THE PIN NOTED ON EACH. AN INPUT SIGNAL IS NOTED ONLY ONCE PER SHEET UNLESS SEPERATE PINS ARE USED; MULTIPLE INPUTS ARE CONNECTED. MODULE OUTPUT SIGNALS ARE BROUGHT TO THE EXTREME RIGHT OF EACH SHEET.
- PROCESSOR SIGNAL SOURCE NOTATION (K10-2, FOR EXAMPLE) IDENTIFIES THE SIGNAL SOURCE (PRINT AND MODULE). THE FIRST NUMBER AFTER THE K INDICATES THE MODULE PRINT SET, WHILE THE SECOND INDICATES THE SHEET WITHIN THE SET. IF ON A PRINT, THE FIRST NUMBER OF THE K PREFIXES COINCIDE FOR A SIGNAL NAME AND THE PRINT (SEE TITLE BLOCK), THE SIGNAL IS GENERATED ON THE MODULE. A DIFFERENCE IN THE FIRST NUMBER OF THE K PREFIXES INDICATES A SIGNAL GENERATED OFF THE MODULE. SIGNALS WITH A "BUS" PREFIX REPRESENT A "WIRED OR" SITUATION, AND MULTIPLE SOURCES FOR THE SIGNAL CAN EXIST.
- DETAILS ON COMPONENTS ARE NOTED IN THE PARTS REFERENCE. PLACEMENT IS NOTED IN THE COMPONENT PLACEMENT DIAGRAM.
- GND AND +5V ARE USUALLY PIN 7 AND PIN 14, RESPECTIVELY. EXCEPTIONS ARE:

IC TYPE	GND	+5V
DEC 7481	PIN 10	PIN 4
DEC 7482	PIN 11	PIN 4
6251	PIN 8	PIN 16
DEC 8271	PIN 8	PIN 16
DEC 380	PIN 1	PIN 8
DEC 384	PIN 1	PIN 8

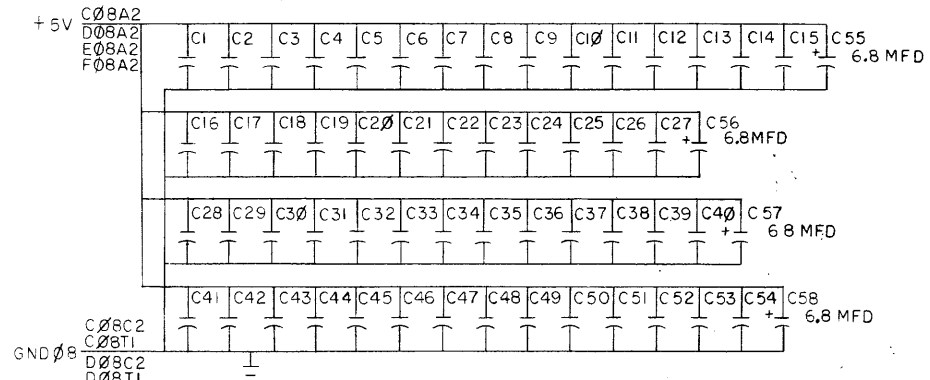
- UNLESS OTHERWISE NOTED: RESISTANCE IS IN OHMS; CAPACITANCE IS IN MICROFARADS. CAPACITORS WITHOUT ANY NOTED VALUES ARE .01 MFD.

COMPONENT PLACEMENT



PIN NOMENCLATURE

MODULE	PROCESSOR
A	C
B	D
C	E
D	F



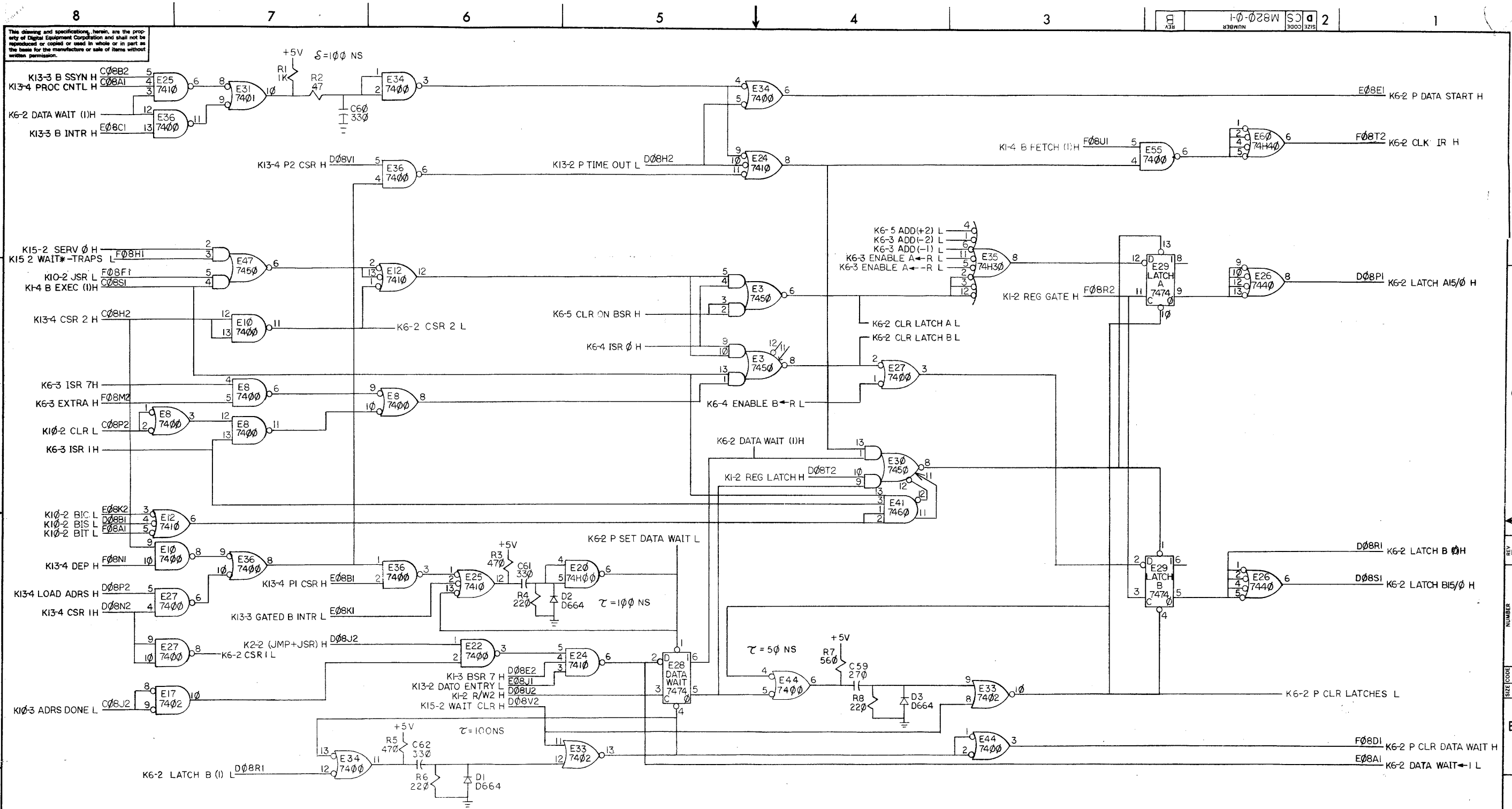
FIRST USED ON OPTION/MODEL PDP 11	QTY.	DESCRIPTION	PART NO.	ITEM NO.
PARTS LIST				
UNLESS OTHERWISE SPECIFIED	DRN	DATE	digital EQUIPMENT CORPORATION MAYNARD, MASSACHUSETTS	
UNLESS OTHERWISE SPECIFIED	CHK'D	DATE	TITLE	
TOLERANCES	ENG	DATE	DATA PATH CNTL	
DECIMALS FRACTIONS ANGLES	PROJ. ENG.	DATE	M820 K6-1	
= .005 = 1/64 = 0°30'	PROD.	DATE	SIZE CODE NUMBER REV.	
FINAL SURFACE QUALITY			DCS M820-0-1 B	
REMOVE BURRS AND BREAK SHARP CORNERS			SCALE	
MATERIAL	NEXT HIGHER ASSY		SHEET 1 OF 5	
FINISH	A-ML-KAI1-0		ETCH REV. B C	

REV	DATE	BY	APP
B	4/23/70	J. O'LOUGHLIN	
A	4/23/70	J. O'LOUGHLIN	

REV B
NUMBER DCS M820-0-1
SIZE CODE

DIST. 344 444 435 1 Pin

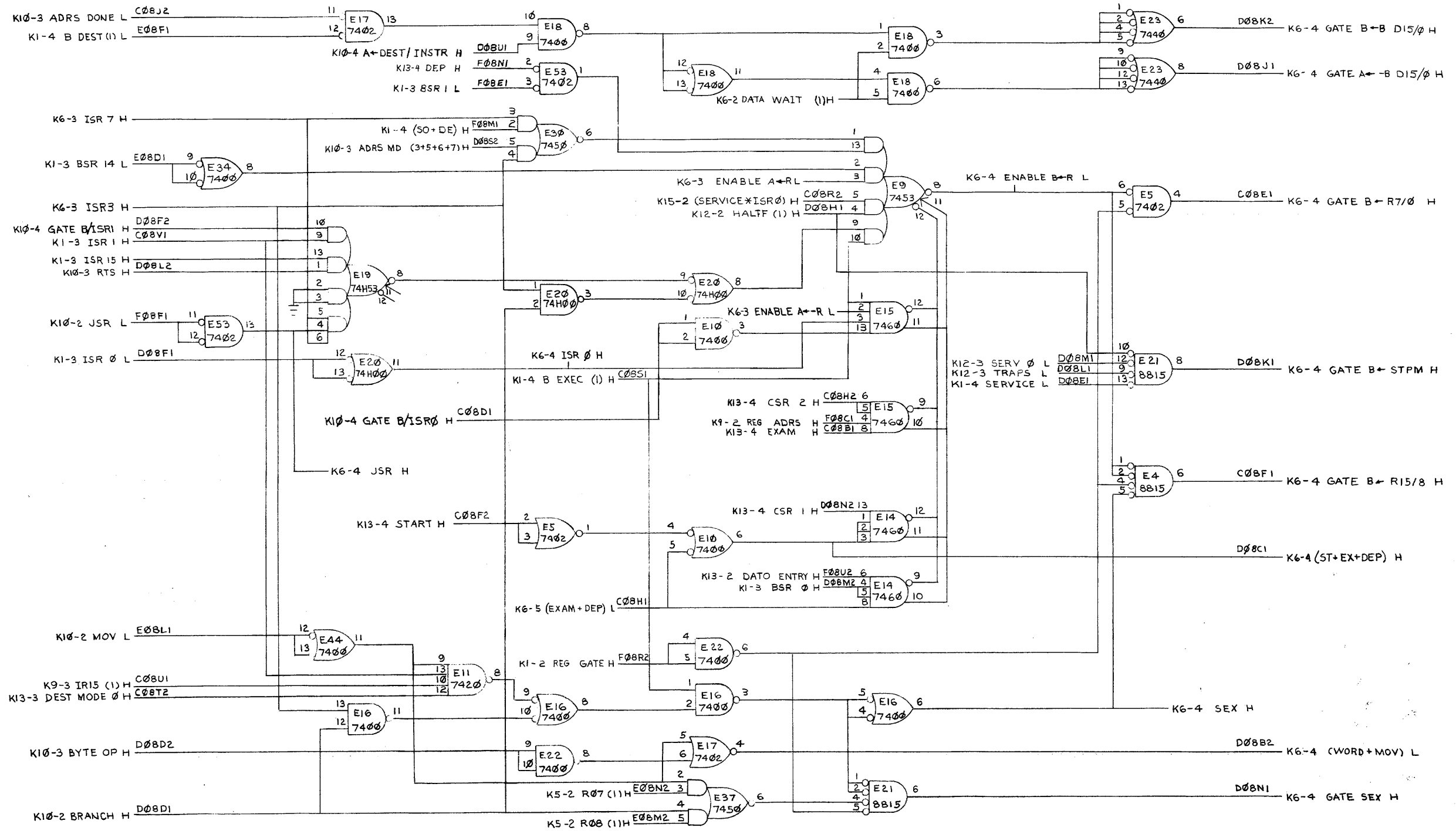
This drawing and specifications, herein, are the property of Digital Equipment Corporation and shall not be reproduced or copied or used in whole or in part as the basis for the manufacture or sale of items without written permission.



REV.	CHANGE NO.

FIRST USED ON OPTION/MODEL PDP11	QTY.	DESCRIPTION	PART NO.	ITEM NO.
PARTS LIST				
UNLESS OTHERWISE SPECIFIED				
DIMENSION IN INCHES				
TOLERANCES				
DECIMALS	FRACTIONS	ANGLES	DATE	
± .005	± 1/64	± 0°30'	3-5-70	
FINAL SURFACE QUALITY				
REMOVE BURRS AND BREAK SHARP CORNERS				
MATERIAL	NEXT HIGHEST ASSY	TITLE		
	A-ML-KA11-0	DATA PATH CNTL		
FINISH	SCALE NONE	SIZE CODE	NUMBER	REV.
		DICS	M820-0-1	B
SHEET 2 OF 5		DIST.		

This drawing and specifications herein are the property of Digital Equipment Corporation and shall not be reproduced or copied or used in whole or in part as the basis for the manufacture or sale of items without written permission.

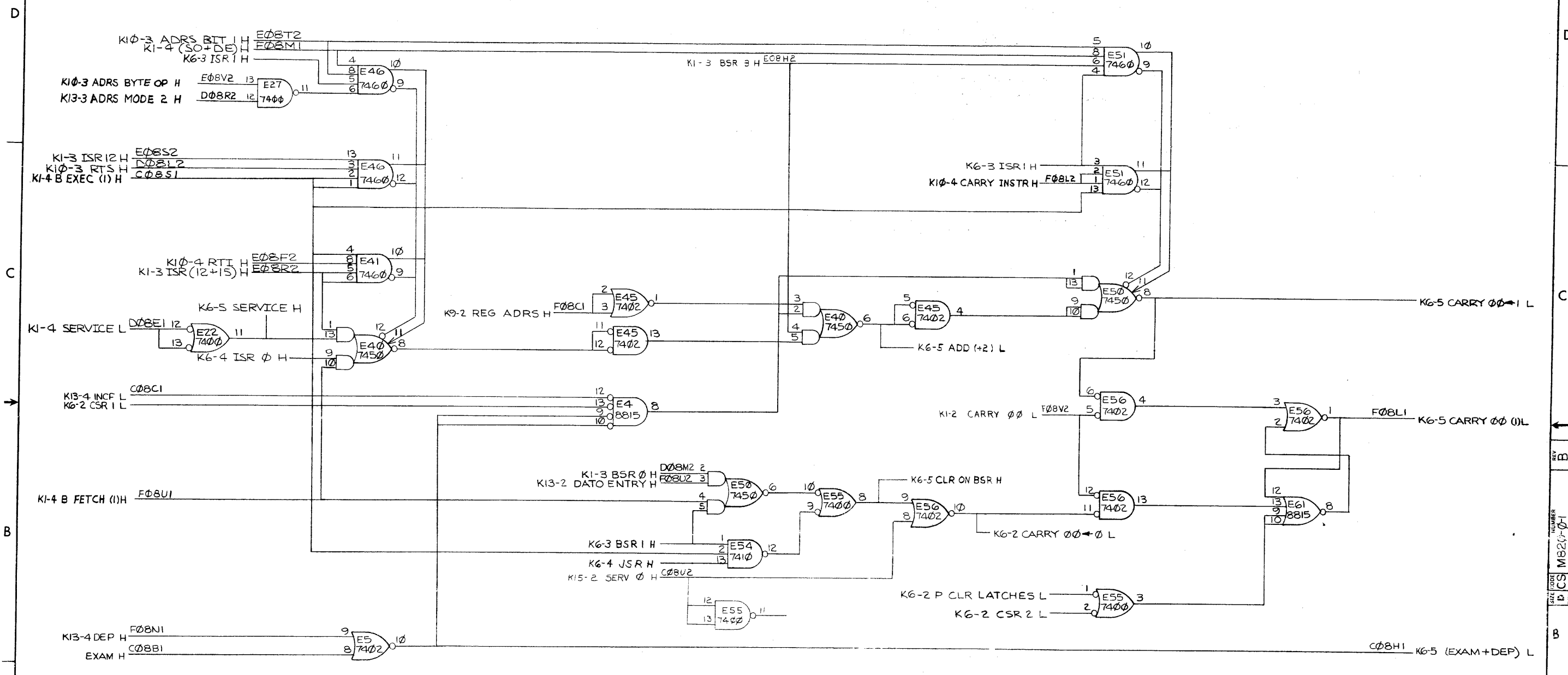


REV.	CHG.	NO.	DATE

FIRST USED ON OPTION/MODEL	QTY.	DESCRIPTION	PART NO.	ITEM NO.
PDP11				
UNLESS OTHERWISE SPECIFIED	DRN.	DATE	PARTS LIST	
UNLESS OTHERWISE SPECIFIED	CHK'D	DATE	digital EQUIPMENT CORPORATION MAYNARD, MASSACHUSETTS	
TOLERANCES	ENG.	DATE	TITLE	
DECIMALS FRACTIONS ANGLES	PROJ. ENGR.	DATE	DATA PATH CNTL	
± .005 ± 1/64 ± 0°30'	PROD.	DATE	M820 K6-4	
FINAL SURFACE QUALITY REMOVE BURRS AND BREAK SHARP CORNERS			A-ML-KA11-0	
MATERIAL			SIZE CODE NUMBER REV	
FINISH			DCS M820-0-1 B.1	
			SCALE NONE SHEET 4 OF 5 DIST.	

This drawing and specifications herein are the property of Digital Equipment Corporation and shall not be reproduced or copied or used in whole or in part as the basis for the manufacture or sale of items without written permission.

SIZE CODE DCS M820-0-1 2

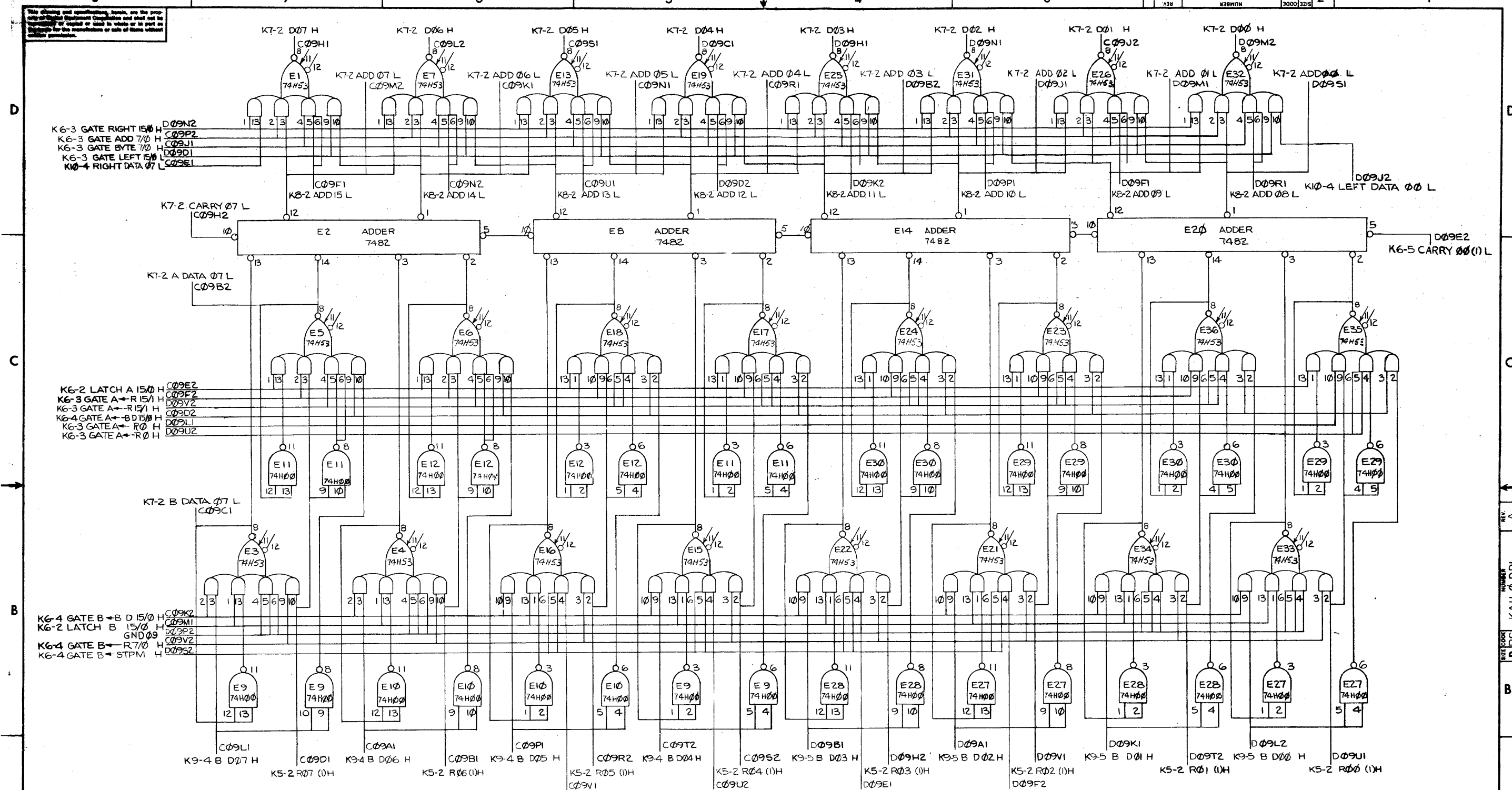


REV	CHANGE NO

FIRST USED ON OPTION MODEL	QTY.	DESCRIPTION	PART NO.	ITEM NO.
PDP11				
PARTS LIST				
UNLESS OTHERWISE SPECIFIED		DRN <i>Audis</i>	DATE <i>12-31-68</i>	
UNLESS OTHERWISE SPECIFIED		CHKD <i>Audis</i>	DATE <i>3/18/70</i>	
DIMENSION IN INCHES		ENG <i>J. Toloughan</i>	DATE <i>3-5-70</i>	DATA PATH CNTL
TOLERANCES		PROJ. ENG <i>J. Toloughan</i>	DATE <i>3-5-70</i>	
DECIMALS FRACTIONS ANGLES		PROD.	DATE	M820 K6-5
= .005 = 1/64 = 0°30'		NEXT HIGHER ASSY		A-ML-KA11-0
FINAL SURFACE QUALITY		SCALE NONE		SIZE CODE DCS NUMBER M820-0-1 REV. B
REMOVE BURRS AND BREAK SHARP CORNERS		SHEET 5 OF 5		DIST.

1 Pink

The drawing and specifications herein are the property of Digital Equipment Corporation and shall not be reproduced or used in whole or in part in any manner without the written permission of Digital Equipment Corporation.

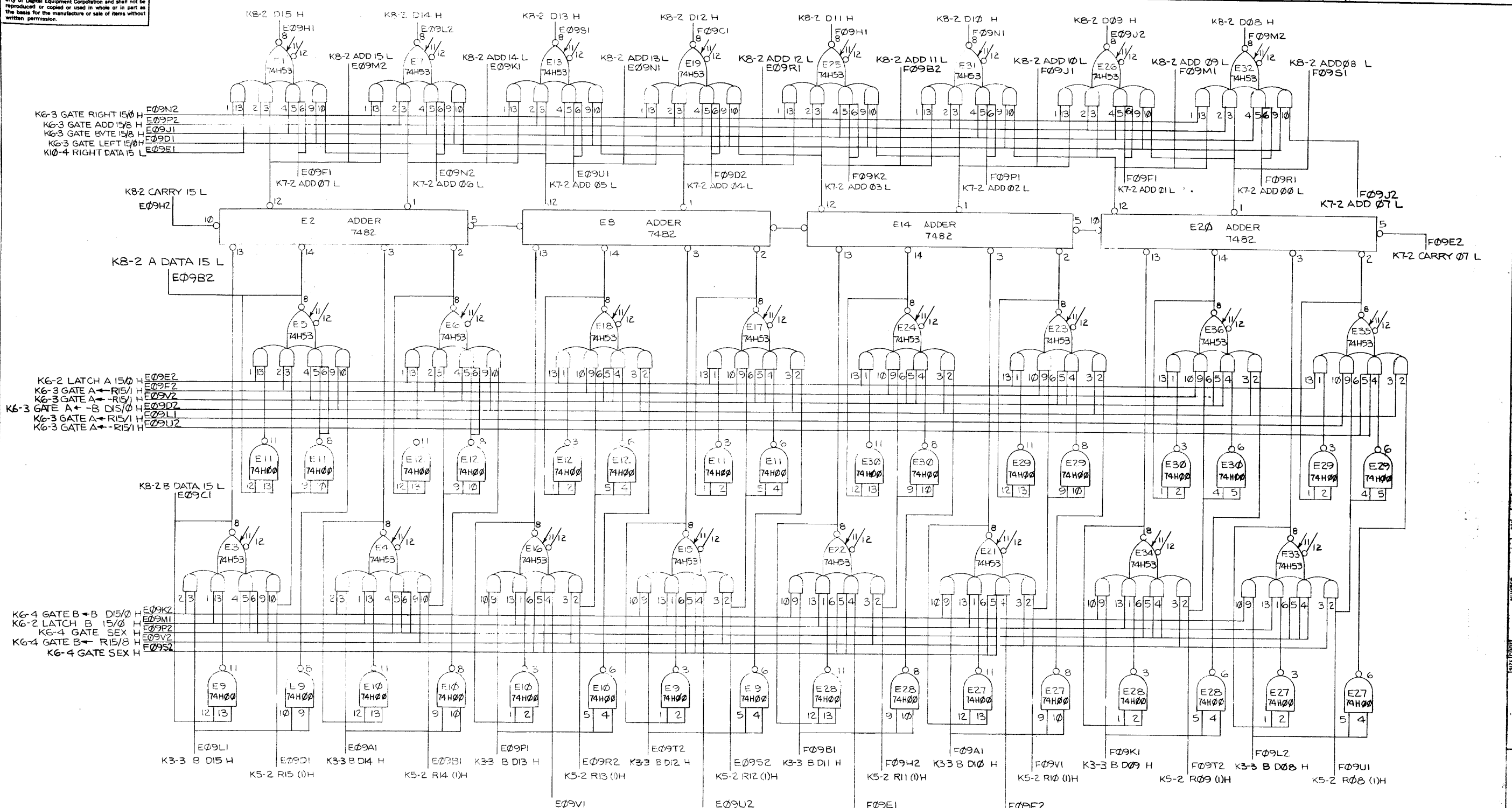


REV	NO	DATE	BY
1	1	12-21-69	J.P.P.
2	1	1-21-70	J.P.P.

FIRST USED ON OPTION MODEL PDP11	QTY.	DESCRIPTION	PART NO.	ITEM NO.
UNLESS OTHERWISE SPECIFIED DIMENSION IN INCHES TOLERANCES DECIMALS: FRACTIONS ANGLER ± .005 ± .1/64 ± 90° FINAL SURFACE QUALITY REMOVE BURRS AND BREAK SHARP CORNERS				
MATERIAL		NEXT HIGHER ASSY		
FINISH		SCALE NONE		
SHEET 2 OF 2		DST.		
PARTS LIST		EQUIPMENT CORPORATION MAYNARD, MASSACHUSETTS		
TITLE		DATA PATHS I M224 K7-2		
SIZE CODE		NUMBER DBS KAI1-0-DPI		

REV. A
NUMBER KAI1-0-DPI
SIZE CODE DBS

This drawing and specifications, herein, are the property of Digital Equipment Corporation and shall not be reproduced or copied or used in whole or in part as the basis for the manufacture or sale of items without written permission.



REV.	CHANGE NO.

FIRST USED ON OPTION/MODEL	QTY.	DESCRIPTION	PART NO.	ITEM NO.
PDP11				
PARTS LIST				
DATA PATHS 2 M224 K8-2				
MATERIAL		NEXT HIGHER ASSY		
FINISH		SCALE NONE		
		SHEET 2 OF 2		
		DIST.		

REV. A
 KAI1-0-DP2
 B
 A

PARTS REFERENCE

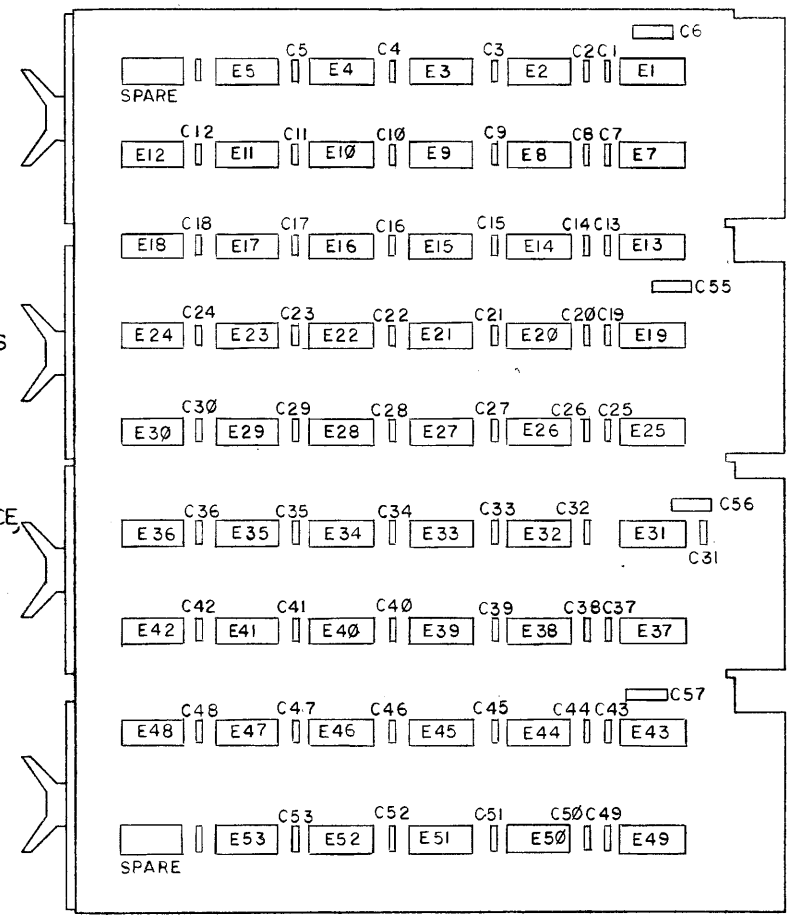
ITEM NO.	DRAWING REFERENCE	DESCRIPTION	PART NUMBER	QUANTITY
1	E1, E7, E13, E19, E25, E31, E37, E43, E49	DEC 8881	IC 1909705	9
2	E2, E8, E9, E14, E15, E20, E21, E26, E27	DEC 7474N	IC 1905547	21
3	E3, E17, E22, E29	DEC 8815A	IC 1909713	4
4	E4, E24	DEC 7410N	IC 1905576	2
5	E5, E16, E53	DEC 7400N	IC 1905575	3
6	E10, E28	DEC 7430N	IC 1905578	2
7	E11, E23	DEC 7420N	IC 1905577	2
8	E12, E46, E47	DEC 7450N	IC 1905580	3
9	E18, E42, E48	DEC 7440N	IC 1905579	3
10	E32, E50	DEC 380	IC 909485	2
11	E40	DEC 7402N	IC 909004	1
12	C1, C5, C7, C53	.01 MFD 100V 20%	CAP 1001610	52
13	C55, C57, C6	.68 MFD 35V 20%	CAP 1000067	4

NOTES:

- PIN NOTATION THROUGHOUT IS ORDERED UPON MODULE PLACEMENT IN THE KAI1 PROCESSOR. MODULE REFERENCE ALONE IS OBTAINED BY DELETING THE NUMBER (SLOT LOCATION) AFTER THE FIRST LETTER, AND CONVERTING THE FIRST LETTER ACCORDING TO THE PIN NOMENCLATURE CHART AT RIGHT.
- ALL SIGNALS THAT HAVE MODULE PINS ARE SO NOTED; MULTIPLE NOTATIONS OF THE SAME SIGNALS WITHIN A MODULE HAVE THE PIN NOTED ON EACH. AN INPUT SIGNAL IS NOTED ONLY ONCE PER SHEET UNLESS SEPERATE PINS ARE USED; MULTIPLE INPUTS ARE CONNECTED. MODULE OUTPUT SIGNALS ARE BROUGHT TO THE EXTREME RIGHT OF EACH SHEET.
- PROCESSOR SIGNAL SOURCE NOTATION (K10-2, FOR EXAMPLE) IDENTIFIES THE SIGNAL SOURCE (PRINT AND MODULE). THE FIRST NUMBER AFTER THE K INDICATES THE MODULE PRINT SET, WHILE THE SECOND INDICATES THE SHEET WITHIN THE SET. IF ON A PRINT, THE FIRST NUMBER OF THE K PREFIXES COINCIDE FOR A SIGNAL NAME AND THE PRINT (SEE TITLE BLOCK), THE SIGNAL IS GENERATED ON THE MODULE. A DIFFERENCE IN THE FIRST NUMBER OF THE K PREFIXES INDICATES A SIGNAL GENERATED OFF THE MODULE. SIGNALS WITH A "BUS" PREFIX REPRESENT A "WIRED OR" SITUATION, AND MULTIPLE SOURCES FOR THE SIGNAL CAN EXIST.
- DETAILS ON COMPONENTS ARE NOTED IN THE PARTS REFERENCE. PLACEMENT IS NOTED IN THE COMPONENT PLACEMENT DIAGRAM.
- GND AND +5V ARE USUALLY PIN 7 AND PIN 14, RESPECTIVELY. EXCEPTIONS ARE:

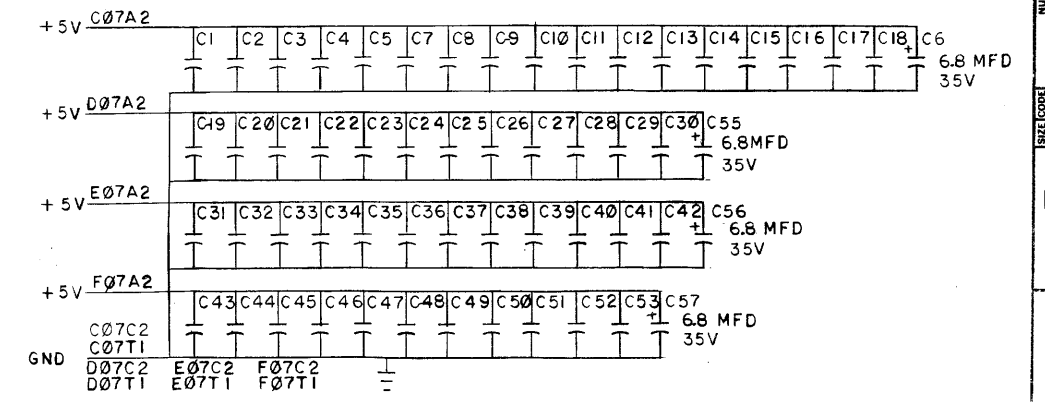
IC TYPE	GND	+5V
DEC 7481	PIN 10	PIN 4
DEC 7482	PIN 11	PIN 4
8251	PIN 8	PIN 16
DEC 8271	PIN 8	PIN 16
DEC 380	PIN 1	PIN 8
DEC 384	PIN 1	PIN 8
- UNLESS OTHERWISE NOTED: RESISTANCE IS IN OHMS; CAPACITANCE IS IN PICOFARADS-CAPACITORS WITHOUT ANY NOTED VALUES ARE .01 MFD.

COMPONENT PLACEMENT



PIN NOMENCLATURE

MODULE	PROCESSOR
A	C
B	D
C	E
D	F



REVISIONS
 CHANGE NO. REV. DATE BY
 1 0001 B 5/21/70 J. G. LORAIN
 2 0002 A 5-28-70

FIRST USED ON OPTION/MODEL PDP 11	QTY.	DESCRIPTION	PART NO.	ITEM NO.
UNLESS OTHERWISE SPECIFIED		DATE 4/28/72	PARTS LIST	
UNLESS OTHERWISE SPECIFIED		DATE 3/6/70	digital EQUIPMENT CORPORATION	
DIMENSION IN INCHES		DATE 3-6-70	TITLE	
TOLERANCES		DATE 3-6-70	BUS INTERFACE & IR	
DECIMALS FRACTIONS ANGLES		DATE 3-6-70	M725 K9-1	
± .008 ± 1/64 ± 0°30'		DATE	NUMBER	
FINAL SURFACE QUALITY		DATE	D/CS M725-0-1	
REMOVE BURRS AND BREAK SHARP CORNERS		DATE	REV. B	
MATERIAL	NEXT HIGHER ASSY	SCALE		
FINISH	A-ML-KAI-0	SHEET OF 5		
ETCH REV. B		DIST.		

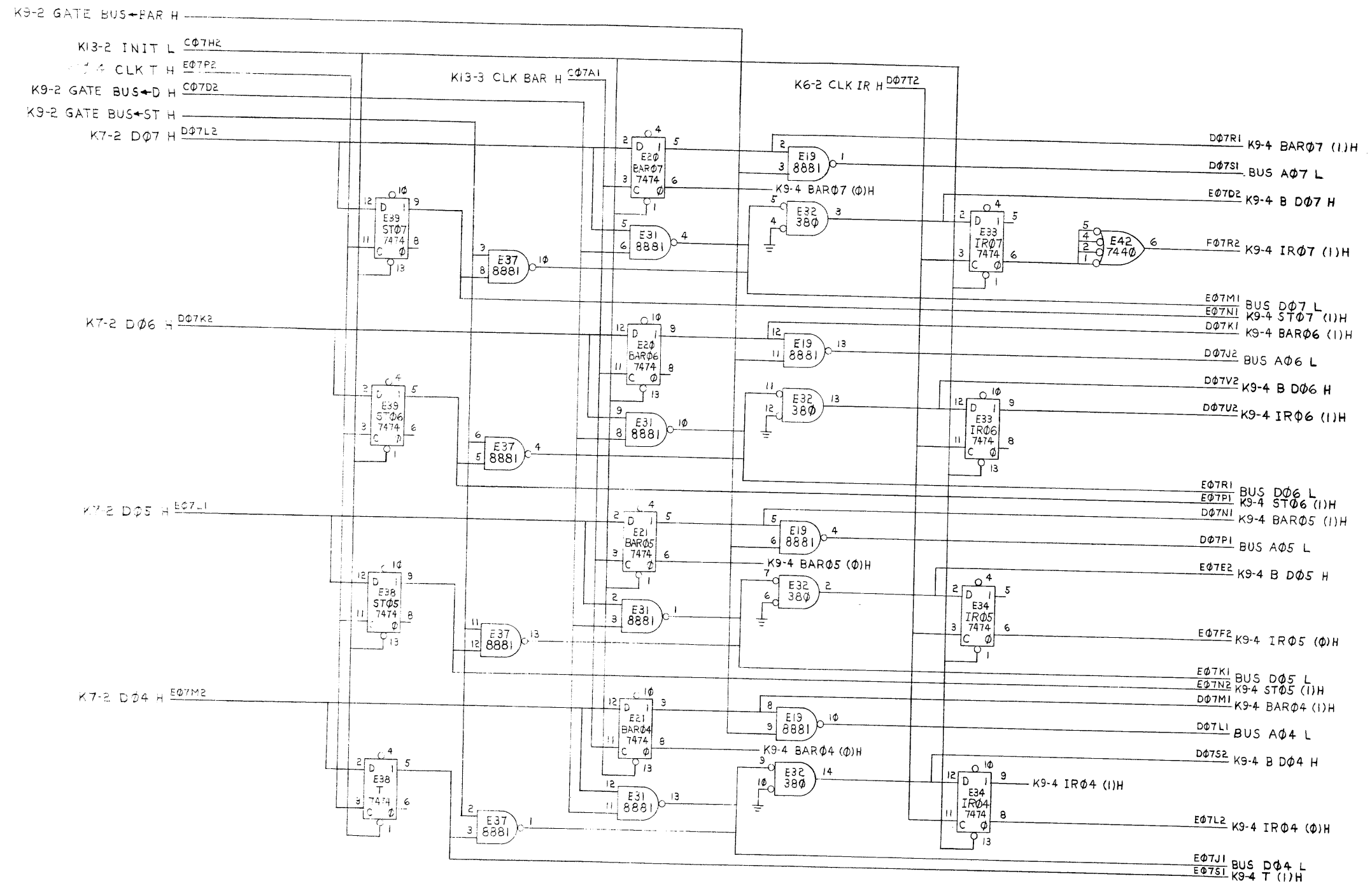
SHEET NUMBER
D/CS M725-0-1

A

1 Pink Blue

This drawing and specifications, herein, are the property of Digital Equipment Corporation and shall not be reproduced or copied or used in whole or in part as the basis for the manufacture or sale of items without written permission.

REV B
 SIZE CODE DCS
 NUMBER M725-0-1
 1



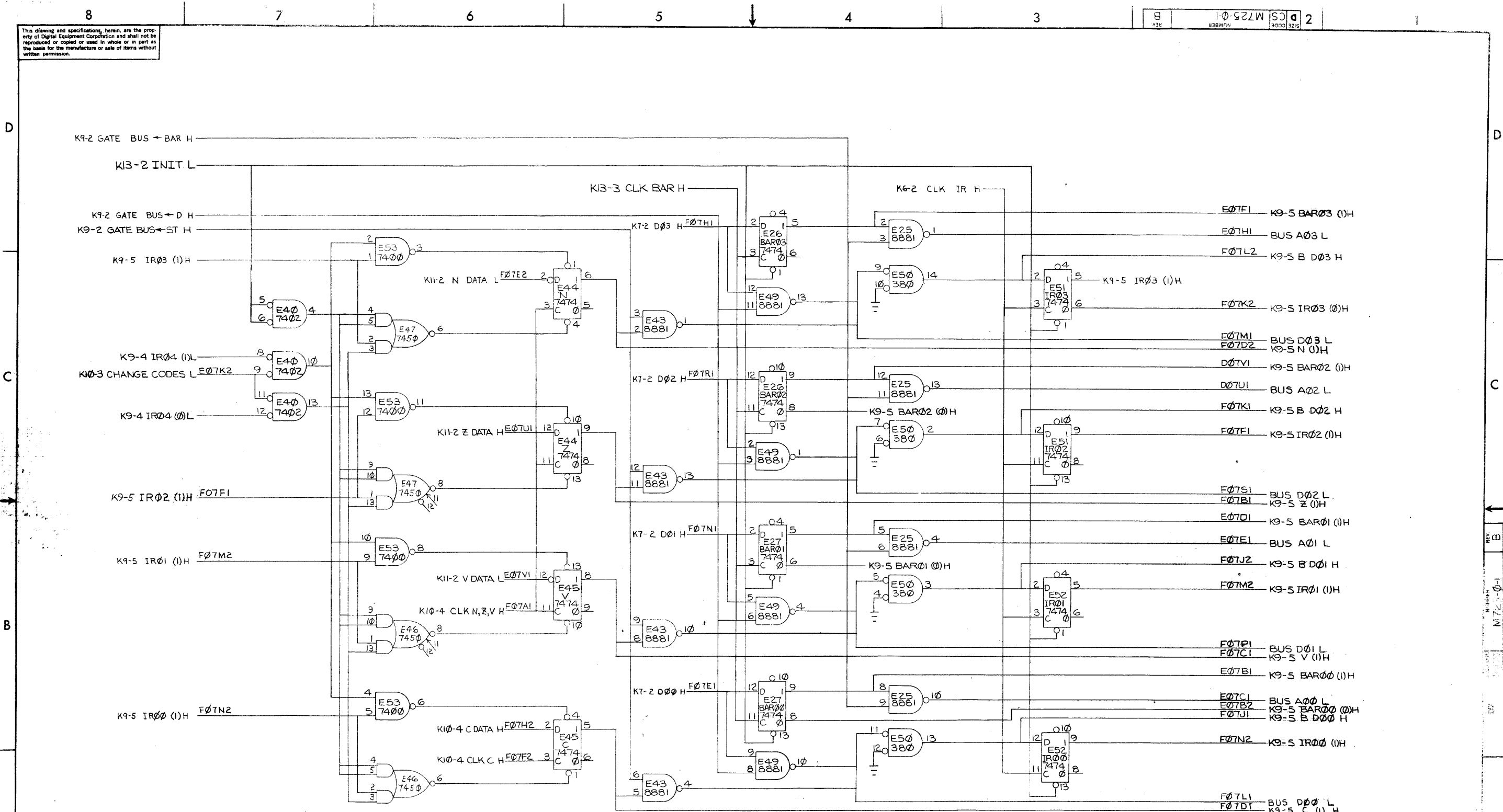
REV
 CHANGE NO.
 CHK

FIRST USED ON OPTION/MODEL	QTY.	DESCRIPTION	PART NO.	ITEM NO.
PDP 11				
PARTS LIST				
UNLESS OTHERWISE SPECIFIED		DRN. <i>J. G. Sullivan</i>	DATE 2-27-70	digital EQUIPMENT CORPORATION MAYNARD, MASSACHUSETTS BUS INTERFACE & IR M725 K9-4
DIMENSION IN INCHES		CHK'D <i>A. J. Miller</i>	DATE 3/18/70	
TOLERANCES		ENG. <i>J. G. Sullivan</i>	DATE 3-6-70	
DECIMALS FRACTIONS ANGLES		PRD. ENG. <i>J. G. Sullivan</i>	DATE 3-6-70	
± .005 ± 1/64 ± 0°30'		PROD.	DATE	
FINAL SURFACE QUALITY / REMOVE BURRS AND BREAK SHARP CORNERS				
MATERIAL	NEXT HIGHER ASSY			
FINISH	A-ML-KA11-0			
SCALE NONE		SIZE CODE NUMBER		REV.
SHEET 4 OF 5		DCS M725-0-1		B

DEC FORM NO. DRD 102A

1 Park B. line

This drawing and specifications herein are the property of Digital Equipment Corporation and shall not be reproduced or copied in whole or in part as the basis for the manufacture or sale of items without written permission.



REVISIONS	REV.
CHANGE NO.	
CHK	

FIRST USED ON OPTION/MODEL PDP 11	QTY.	DESCRIPTION	PART NO.	REV. NO.
UNLESS OTHERWISE SPECIFIED	DRN. <i>H. Phillips</i>	DATE <i>12-5-69</i>	PARTS LIST	
UNLESS OTHERWISE SPECIFIED DIMENSION IN INCHES	DATE <i>3/18/70</i>	DATE <i>3-6-70</i>	digital EQUIPMENT CORPORATION MAYNARD, MASSACHUSETTS	
TOLERANCES	ENG. <i>H. Phillips</i>	DATE <i>3-6-70</i>	TITLE BUS INTERFACE & IR	
DECIMALS FRACTIONS ANGLES = .005 = 1/200 = 0°00'	PROJ. ENG. <i>H. Phillips</i>	DATE <i>3-6-70</i>	M725-01 K9-5	
FINAL SURFACE QUALITY REMOVE BURRS AND BREAK SHARP CORNERS	PROD.	DATE	A-ML-K11-0	
MATERIAL	NEXT HIGHER ASSY		SIZE CODE	NUMBER
FINISH	SCALE NONE		D/CS	M725-01
	SHEET 5 OF 5		DIST.	

Pinck Blau

This drawing and specifications herein are the property of Digital Equipment Corporation and shall not be reproduced or copied or used in whole or in part as the basis for the manufacture or sale of items without written permission.

PARTS REFERENCE

ITEM NO	DRAWING REFERENCE	DESCRIPTION	PART NUMBER	QUANTITY
1	E1,E7,E18,E27,E45,E54	8251B	I.C. 19 09594	6
2	E2,E5,E6,E8,E16,E17,E20,E21,E24,E37,E38 E40,E44,E49,E52,E59	DEC 7400N	I.C. 19 05575	16
3	E3,E4,E11,E14,E15,E22,E25,E34,E41,E43 E46,E47,E50,E51	DEC 7402N	I.C. 19 09004	14
4	E9,E10,E26,E57	DEC 7453N	I.C. 19 05579	4
5	E12,E29,E30,E36,E53,E58	DEC 7450N	I.C. 19 05580	6
6	E13,E32,E55,E60	DEC 7420N	I.C. 19 05577	4
7	E19,E31,E33,E48,E56	DEC 7410N	I.C. 19 05576	5
8	E23,E39	DEC 7453N	I.C. 19 05582	2
9	E28,E42,E61	DEC 8815A	I.C. 19 09713	3
10	E35	DEC 7460N	I.C. 19 05581	1
11	C1-C33,C35-C61	.01 MFD, 100V, 20%	CAP. 10 01610	60
12	C62-C64,C34	5.8MFD, 35V, 20%	CAP. 10 00067	4

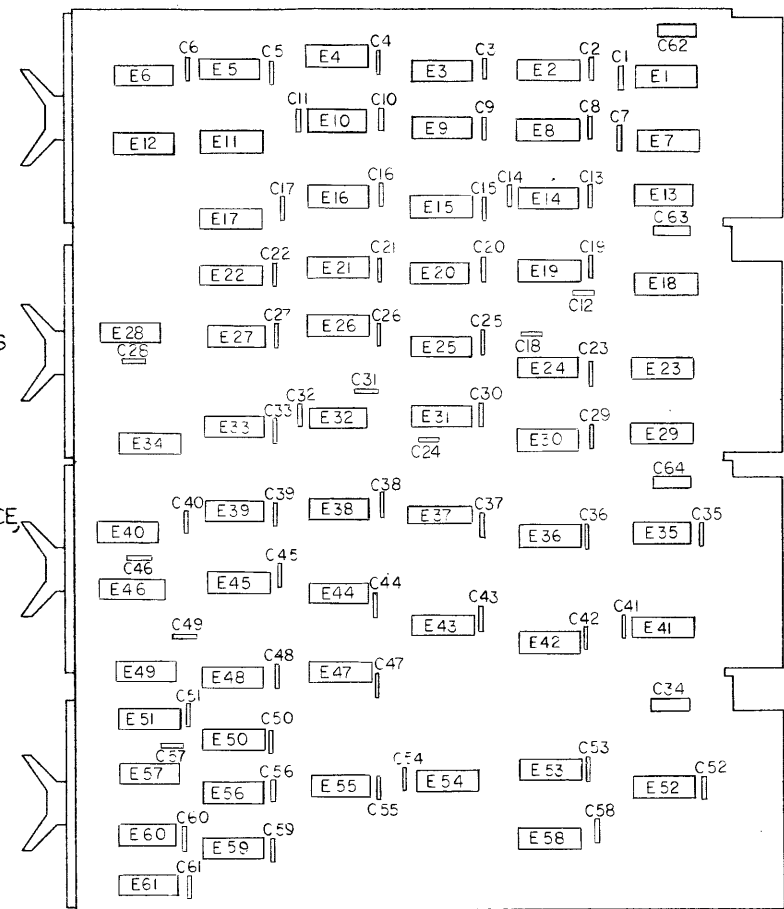
NOTES:

- PIN NOTATION THROUGHOUT IS ORDERED UPON MODULE PLACEMENT IN THE KAI1 PROCESSOR. MODULE REFERENCE ALONE IS OBTAINED BY DELETING THE NUMBER (SLOT LOCATION) AFTER THE FIRST LETTER, AND CONVERTING THE FIRST LETTER ACCORDING TO THE PIN NOMENCLATURE CHART AT RIGHT.
- ALL SIGNALS THAT HAVE MODULE PINS ARE SO NOTED; MULTIPLE NOTATIONS OF THE SAME SIGNALS WITHIN A MODULE HAVE THE PIN NOTED ON EACH. AN INPUT SIGNAL IS NOTED ONLY ONCE PER SHEET UNLESS SEPERATE PINS ARE USED; MULTIPLE INPUTS ARE CONNECTED. MODULE OUTPUT SIGNALS ARE BROUGHT TO THE EXTREME RIGHT OF EACH SHEET.
- PROCESSOR SIGNAL SOURCE NOTATION (K10-2, FOR EXAMPLE) IDENTIFIES THE SIGNAL SOURCE (PRINT AND MODULE). THE FIRST NUMBER AFTER THE K INDICATES THE MODULE PRINT SET, WHILE THE SECOND INDICATES THE SHEET WITHIN THE SET. IF ON A PRINT, THE FIRST NUMBER OF THE K PREFIXES COINCIDE FOR A SIGNAL NAME AND THE PRINT (SEE TITLE BLOCK), THE SIGNAL IS GENERATED ON THE MODULE. A DIFFERENCE IN THE FIRST NUMBER OF THE K PREFIXES INDICATES A SIGNAL GENERATED OFF THE MODULE. SIGNALS WITH A "BUS" PREFIX REPRESENT A "WIRED OR" SITUATION, AND MULTIPLE SOURCES FOR THE SIGNAL CAN EXIST.
- DETAILS ON COMPONENTS ARE NOTED IN THE PARTS REFERENCE. PLACEMENT IS NOTED IN THE COMPONENT PLACEMENT DIAGRAM.
- GND AND +5V ARE USUALLY PIN 7 AND PIN 14, RESPECTIVELY. EXCEPTIONS ARE:

IC TYPE	GND	+5V
DEC 7481	PIN 10	PIN 4
DEC 7482	PIN 11	PIN 4
8251	PIN 8	PIN 16
DEC 8271	PIN 8	PIN 16
DEC 380	PIN 1	PIN 8
DEC 384	PIN 1	PIN 8

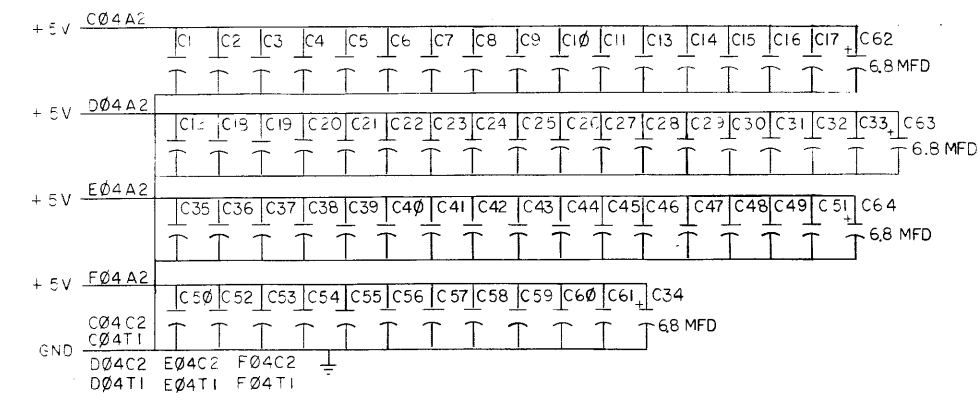
6. UNLESS OTHERWISE NOTED: RESISTANCE IS IN OHMS; CAPACITANCE IS IN PICOFARADS. CAPACITORS WITHOUT ANY NOTED VALUES ARE .01MFD

COMPONENT PLACEMENT



PIN NOMENCLATURE

MODULE	PROCESSOR
A	C
B	D
C	E
D	F

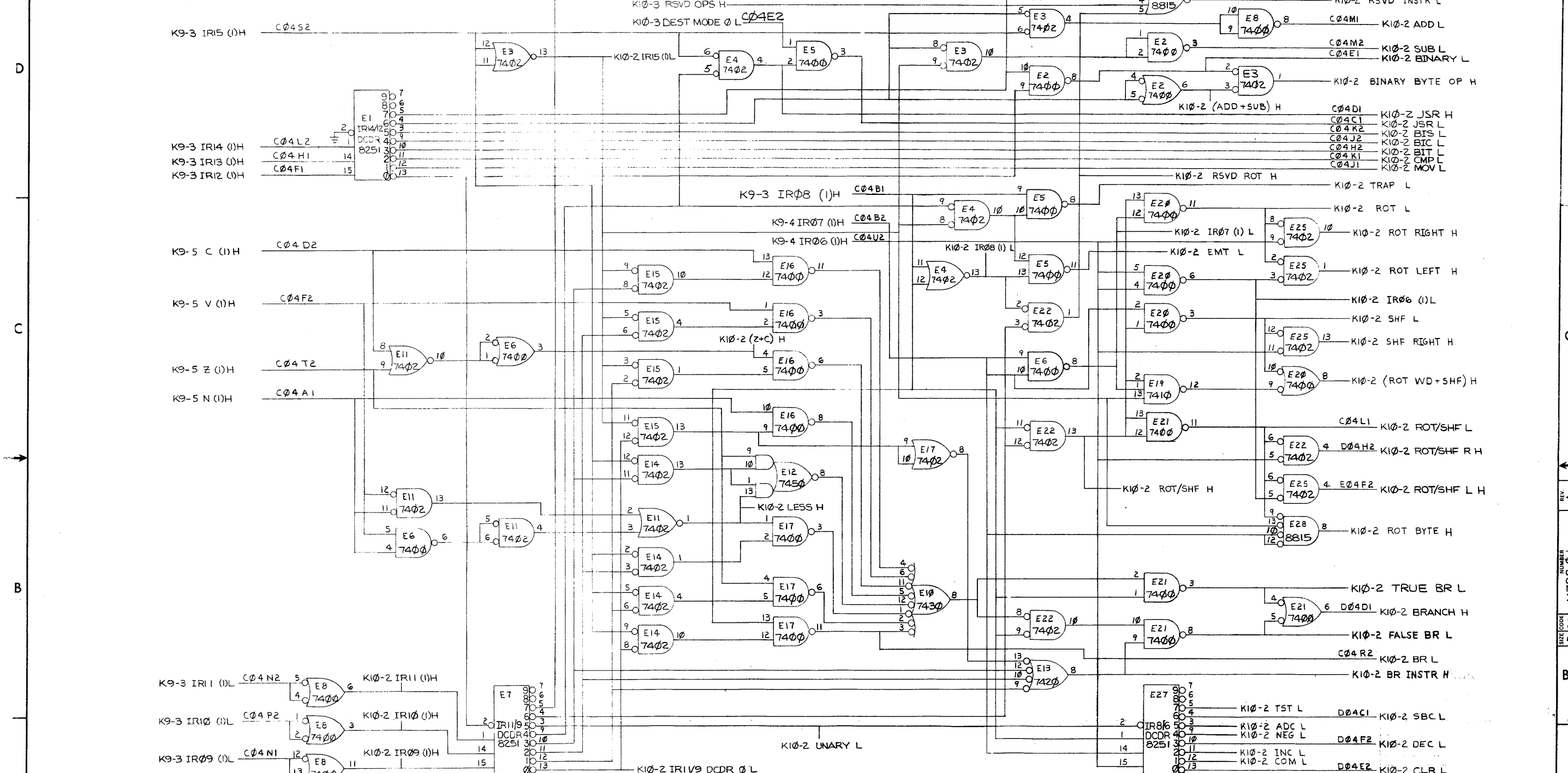


REV	CHANGE NO

FIRST USED ON OPTION / MODEL PDP 11	QTY.	DESCRIPTION	PART NO.	ITEM NO.
PARTS LIST				
UNLESS OTHERWISE SPECIFIED	DRN	DATE	digital EQUIPMENT CORPORATION MAYNARD, MASSACHUSETTS	
UNLESS OTHERWISE SPECIFIED	CHK'D	DATE	TITLE	
DIMENSION IN INCHES			IR DECODE	
TOLERANCES	ENG	DATE	M726 KI0-1	
DECIMALS FRACTIONS ANGLES				
= .005 = 1/64 = 0°30'	PROL ENG	DATE		
FINAL SURFACE QUALITY				
REMOVE BURRS AND BREAK SHARP CORNERS	PRD.	DATE		
MATERIAL	NEXT HIGHER ASSY		SIZE CODE	NUMBER
	A-ML-KAI1-0		DCS	M726-0-1
FINISH	SCALE		ETCH REV	REV
			B	A
SHEET 1 OF 4			DIST.	

REV A
NUMBER
D C S M726-0-1

This drawing and specifications herein are the property of Digital Equipment Corporation and shall not be reproduced or copied in whole or in part as the basis for the manufacture or sale of items without written permission.

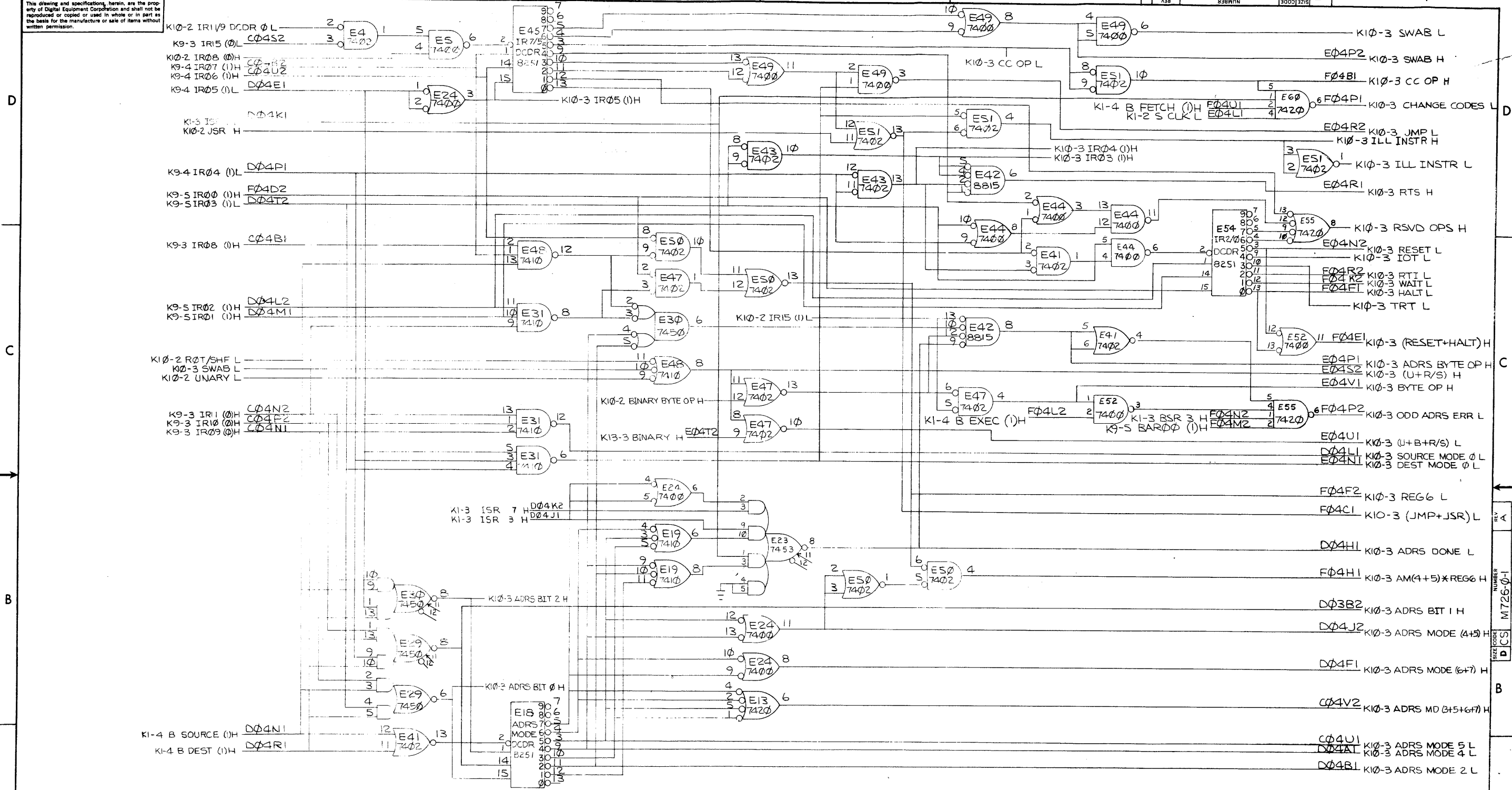


REV.	CHANGE NO.

FIRST USED ON OPTION/MODEL	QTY.	DESCRIPTION	PART NO.	ITEM NO.	
PDP 11					
UNLESS OTHERWISE SPECIFIED	DRN	DATE	PARTS LIST		
DIMENSION IN INCHES	CHK	DATE	digital EQUIPMENT CORPORATION MAYNARD, MASSACHUSETTS		
TOLERANCES	ENG	DATE			
DECIMALS FRACTIONS ANGLES	PRG	DATE			
= .005 = 1/64 = 0°30'	PROD.	DATE			
FINAL SURFACE QUALITY					
REMOVE BURRS AND BREAK SHARP CORNERS			TITLE		
MATERIAL	NEXT HIGHER ASSY			IR DECODE M726 K10-2	
FINISH	A-ML-KAII-0				
SHEET 2 OF 4	SCALE				
	DIST.			NUMBER	
				M726-01	
				REV. A	

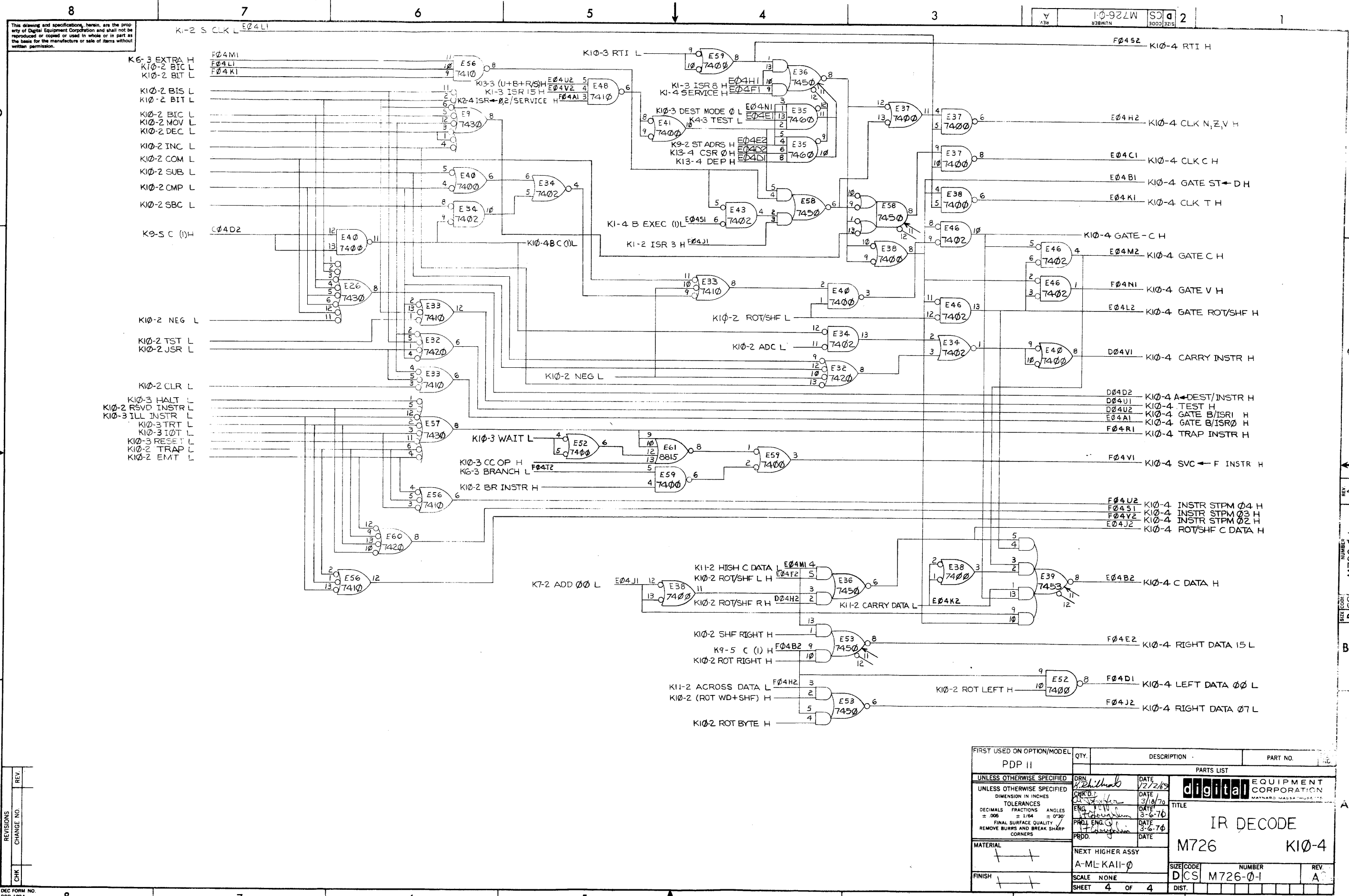
This drawing and specifications, herein, are the property of Digital Equipment Corporation and shall not be reproduced or copied or used in whole or in part as the basis for the manufacture or sale of items without written permission.

1-0-921W SC 2



REV	
CHANGE NO.	
CHK	

FIRST USED ON OPTION/MODEL PDP 11	QTY.	DESCRIPTION	PART NO.	ITEM NO.
UNLESS OTHERWISE SPECIFIED	PARTS LIST			
UNLESS OTHERWISE SPECIFIED	DRN <i>R. Phillips</i>	DATE 1/1/70	digital EQUIPMENT CORPORATION MAYNARD, MASSACHUSETTS	
DIMENSIONS IN INCHES	CHK'D <i>[Signature]</i>	DATE 3/18/70	TITLE IR DECODE	
TOLERANCES	ENG. <i>[Signature]</i>	DATE 3-6-70	M726 K10-3	
DECIMALS FRACTIONS ANGLES	PROJ. ENG. <i>[Signature]</i>	DATE 3-6-70	SIZE CODE NUMBER REV DCS M726-01 A	
± .005 ± 1/64 ± 0°30'	PRDD. <i>[Signature]</i>	DATE	SHEET 3 OF 4	
FINAL SURFACE QUALITY REMOVE BURRS AND BREAK SHARP CORNERS	MATERIAL + + +	NEXT HIGHER ASSY A-ML-K11-0	SCALE NONE	
	FINISH + + +		DIST.	



This drawing and specifications, herein, are the property of Digital Equipment Corporation and shall not be reproduced or copied or used in whole or in part as the basis for the manufacture or sale of items without written permission.

REV.	
CHANGE NO.	
CHK	

FIRST USED ON OPTION/MODEL PDP 11	QTY.	DESCRIPTION	PART NO.
PARTS LIST			
UNLESS OTHERWISE SPECIFIED DIMENSION IN INCHES TOLERANCES DECIMALS FRACTIONS ANGLES = .005 = 1/64 = 0°30' REMOVE BURRS AND BREAK SHARP CORNERS	DRN J. Williams	DATE 7/2/69	digital CORPORATION MAYNARD, MASSACHUSETTS TITLE IR DECODE M726 KI0-4
MATERIAL	ENG J. Williams	DATE 3-6-70	
FINISH	PHL J. Williams	DATE 3-6-70	
	PRDD. J. Williams	DATE	
NEXT HIGHER ASSY A-M: KAI-0	SCALE NONE	SIZE CODE DCS	NUMBER M726-01
SHEET 4 OF 4	DIST.		REV. A

This drawing and specifications herein are the property of Digital Equipment Corporation and shall not be reproduced or copied or used in whole or in part as the basis for the manufacture or sale of items without written permission.

PARTS REFERENCE

ITEM NO	DRAWING REFERENCE	DESCRIPTION	PART NUMBER	QUANTITY
1	E1,E2	DEC 7450N	IC 19 05582	2
2	E3,E7,E8	DEC 7450N	IC 19 05580	3
3	E4,E5	DEC 7460N	IC 19 05581	2
4	E6	DEC 7402N	IC 19 09004	1
5	E9	DEC 8815A	IC 19 09713	1
6	E10	DEC 7400N	IC 19 05575	1
7	C1-C10		CAP 10 01E10	10
8	C11	6.8MFD, 35V, 20%	CAP 10 00067	1

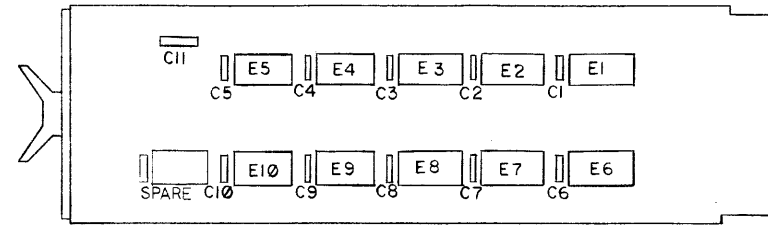
NOTES:

- PIN NOTATION THROUGHOUT IS ORDERED UPON MODULE PLACEMENT IN THE K11 PROCESSOR. MODULE REFERENCE ALONE IS OBTAINED BY DELETING THE NUMBER (SLOT LOCATION) AFTER THE FIRST LETTER, AND CONVERTING THE FIRST LETTER ACCORDING TO THE PIN NOMENCLATURE CHART AT RIGHT.
- ALL SIGNALS THAT HAVE MODULE PINS ARE SO NOTED; MULTIPLE NOTATIONS OF THE SAME SIGNALS WITHIN A MODULE HAVE THE PIN NOTED ON EACH. AN INPUT SIGNAL IS NOTED ONLY ONCE PER SHEET UNLESS SEPERATE PINS ARE USED; MULTIPLE INPUTS ARE CONNECTED. MODULE OUTPUT SIGNALS ARE BROUGHT TO THE EXTREME RIGHT OF EACH SHEET.
- PROCESSOR SIGNAL SOURCE NOTATION (K10-2, FOR EXAMPLE) IDENTIFIES THE SIGNAL SOURCE (PRINT AND MODULE). THE FIRST NUMBER AFTER THE K INDICATES THE MODULE PRINT SET, WHILE THE SECOND INDICATES THE SHEET WITHIN THE SET. IF ON A PRINT, THE FIRST NUMBER OF THE K PREFIXES COINCIDE FOR A SIGNAL NAME AND THE PRINT (SEE TITLE BLOCK), THE SIGNAL IS GENERATED ON THE MODULE. A DIFFERENCE IN THE FIRST NUMBER OF THE K PREFIXES INDICATES A SIGNAL GENERATED OFF THE MODULE. SIGNALS WITH A "BUS" PREFIX REPRESENT A "WIRED OR" SITUATION, AND MULTIPLE SOURCES FOR THE SIGNAL CAN EXIST.
- DETAILS ON COMPONENTS ARE NOTED IN THE PARTS REFERENCE. PLACEMENT IS NOTED IN THE COMPONENT PLACEMENT DIAGRAM.
- GND AND +5V ARE USUALLY PIN 7 AND PIN 14, RESPECTIVELY. EXCEPTIONS ARE:

IC TYPE	GND	+5V
DEC 7481	PIN 10	PIN 4
DEC 7482	PIN 11	PIN 4
DEC 8251	PIN 8	PIN 16
DEC 8271	PIN 8	PIN 16
DEC 380	PIN 1	PIN 8
DEC 384	PIN 1	PIN 8

6 UNLESS OTHERWISE NOTED: RESISTANCE IS IN OHMS; CAPACITANCE IS IN PICO FARADS. CAPACITORS WITHOUT ANY NOTED VALUES ARE .01 MFD.

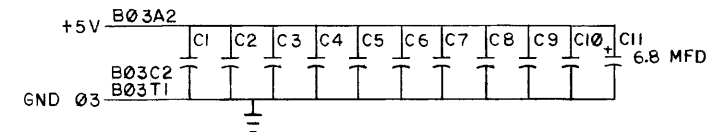
COMPONENT PLACEMENT



PIN NOMENCLATURE

MODULE PROCESSOR

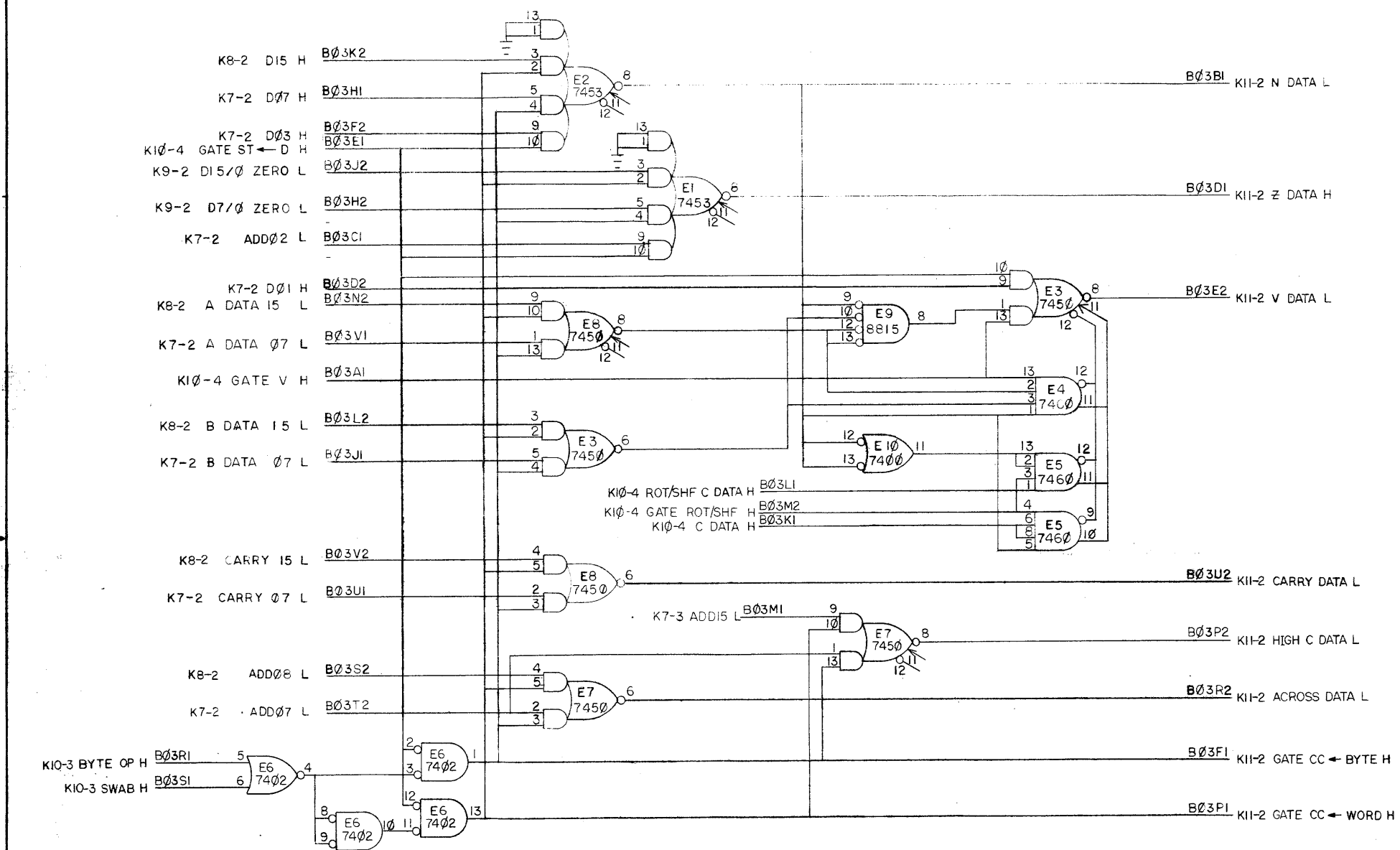
A B



REVISIONS
CHANGE NO.
CHK

FIRST USED ON OPTION/MODEL	QTY.	DESCRIPTION	PART NO.	ITEM NO.
PDP 11				
PARTS LIST				
UNLESS OTHERWISE SPECIFIED		DATE	digital EQUIPMENT CORPORATION	
DIMENSION IN INCHES		3-2-70	MAYNARD, MASSACHUSETTS	
TOLERANCES		DATE	TITLE	
DECIMALS FRACTIONS ANGLES		3-6-70	CODES DATA	
= .005 ± 1/64 ± 0°30'		DATE	M823 K11-1	
FINAL SURFACE QUALITY		3-6-70	SIZE CODE NUMBER REV.	
REMOVE BURRS AND BREAK SHARP CORNERS		5/18/70	DCS M823-01	
MATERIAL	NEXT HIGHER ASSY	ETCH REV. A		
	A - ML - K11 - 0	SHEET 1 OF 2		
FINISH	SCALE	DIST. 300 434 435 3		

This drawing and specifications herein are the property of Digital Equipment Corporation and shall not be reproduced or copied or used in whole or in part as the basis for the manufacture or sale of items without written permission.



REV.	
CHG	
NO.	

FIRST USED ON OPTION/MODEL PDP 11	QTY.	DESCRIPTION	PART NO. *	ITEM NO.
PARTS LIST				
UNLESS OTHERWISE SPECIFIED	DRN.	DATE	digital EQUIPMENT CORPORATION MAYNARD, MASSACHUSETTS	
UNLESS OTHERWISE SPECIFIED	CHK'D	DATE	TITLE	
DIMENSION IN INCHES			CODES DATA	
TOLERANCES	ENG.	DATE	REV.	
DECIMALS FRACTIONS ANGLES			101-2	
± .005 ± 1/64 ± .030			MATERIAL	
FINAL SURFACE QUALITY			NEXT HIGHER ASSEMBLY	
REMOVE BURRS AND BREAK SHARP CORNERS			AML-K11-0	
			FINISH	
			SCALE NONE	
			SHEET 2 OF 2	
			D.C.S. M823-01	
			DIST.	

REV. NUMBER
M823-01

A

D

C

B

This drawing and specifications herein, are the property of Digital Equipment Corporation and shall not be reproduced or copied or used in whole or in part as the basis for the manufacture or sale of items without written permission.

PARTS REFERENCE

ITEM NO	DRAWING REFERENCE	DESCRIPTION	PART NUMBER	QUANTITY
1	E3, E11, E18, E22, E27	DEC 7402N I.C.	1909004	5
2	E4, E23, E26	DEC 7450N I.C.	1905580	3
3	E5, E10	DEC 7453N I.C.	1905582	2
4	E6	DEC 8815A I.C.	1909713	1
5	E7, E15, E29, E20	DEC 74H74N I.C.	1909667	4
6	E8, E18, E21, E28	DEC 7410N I.C.	1905576	2
7	E9	DEC 381 I.C.	1909705	1
8	E13	DEC 74H30N I.C.	1909059	1
9	E14, E24	DEC 7410N I.C.	1905576	2
10	E16	DEC 74H00N I.C.	1909056	2
11	E25	DEC 7460N I.C.	1905581	1
12	E30	DEC 7420N I.C.	1905577	1
13	C1-C26	.01MFD, 100V, 20% CAP.	1001610	26
14	C27-C28	6.8MFD, 35V, 20% CAP.	1000067	2

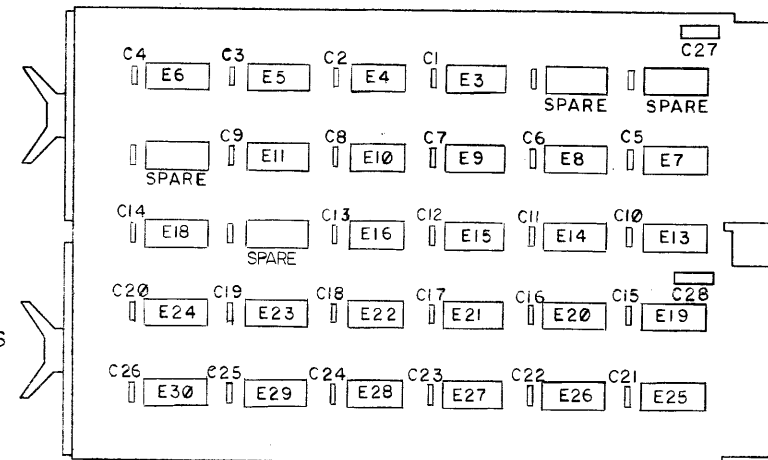
NOTES:

- PIN NOTATION THROUGHOUT IS ORDERED UPON MODULE PLACEMENT IN THE KAI1 PROCESSOR. MODULE REFERENCE ALONE IS OBTAINED BY DELETING THE NUMBER (SLOT LOCATION) AFTER THE FIRST LETTER, AND CONVERTING THE FIRST LETTER ACCORDING TO THE PIN NOMENCLATURE CHART AT RIGHT.
- ALL SIGNALS THAT HAVE MODULE PINS ARE SO NOTED; MULTIPLE NOTATIONS OF THE SAME SIGNALS WITHIN A MODULE HAVE THE PIN NOTED ON EACH. AN INPUT SIGNAL IS NOTED ONLY ONCE PER SHEET UNLESS SEPERATE PINS ARE USED; MULTIPLE INPUTS ARE CONNECTED. MODULE OUTPUT SIGNALS ARE BROUGHT TO THE EXTREME RIGHT OF EACH SHEET.
- PROCESSOR SIGNAL SOURCE NOTATION (K10-2, FOR EXAMPLE) IDENTIFIES THE SIGNAL SOURCE (PRINT AND MODULE). THE FIRST NUMBER AFTER THE K INDICATES THE MODULE PRINT SET, WHILE THE SECOND INDICATES THE SHEET WITHIN THE SET. IF ON A PRINT, THE FIRST NUMBER OF THE K PREFIXES COINCIDE FOR A SIGNAL NAME AND THE PRINT (SEE TITLE BLOCK), THE SIGNAL IS GENERATED ON THE MODULE. A DIFFERENCE IN THE FIRST NUMBER OF THE K PREFIXES INDICATES A SIGNAL GENERATED OFF THE MODULE. SIGNALS WITH A "BUS" PREFIX REPRESENT A "WIRED OR" SITUATION, AND MULTIPLE SOURCES FOR THE SIGNAL CAN EXIST.
- DETAILS ON COMPONENTS ARE NOTED IN THE PARTS REFERENCE, PLACEMENT IS NOTED IN THE COMPONENT PLACEMENT DIAGRAM.
- GND AND +5V ARE USUALLY PIN 7 AND PIN 14, RESPECTIVELY. EXCEPTIONS ARE:

IC TYPE	GND	+5V
DEC 7481	PIN 10	PIN 4
DEC 7482	PIN 11	PIN 4
8251	PIN 8	PIN 16
DEC 8271	PIN 8	PIN 16
DEC 380	PIN 1	PIN 8
DEC 384	PIN 1	PIN 8

- UNLESS OTHERWISE NOTED: RESISTANCE IS IN OHMS; CAPACITANCE IS IN PICOFARADS. CAPACITORS WITHOUT ANY NOTED VALUES ARE .01 MFD.

COMPONENT PLACEMENT



PIN NOMENCLATURE

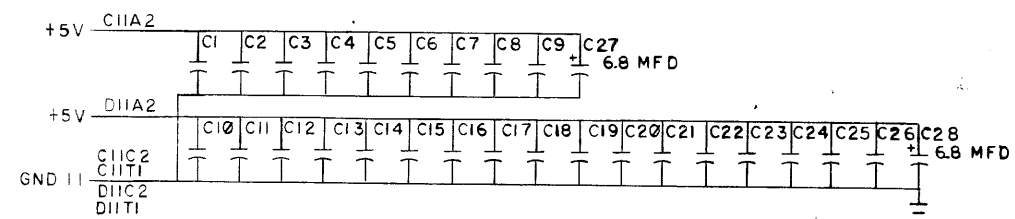
MODULE PROCESSOR

A

C

B

D

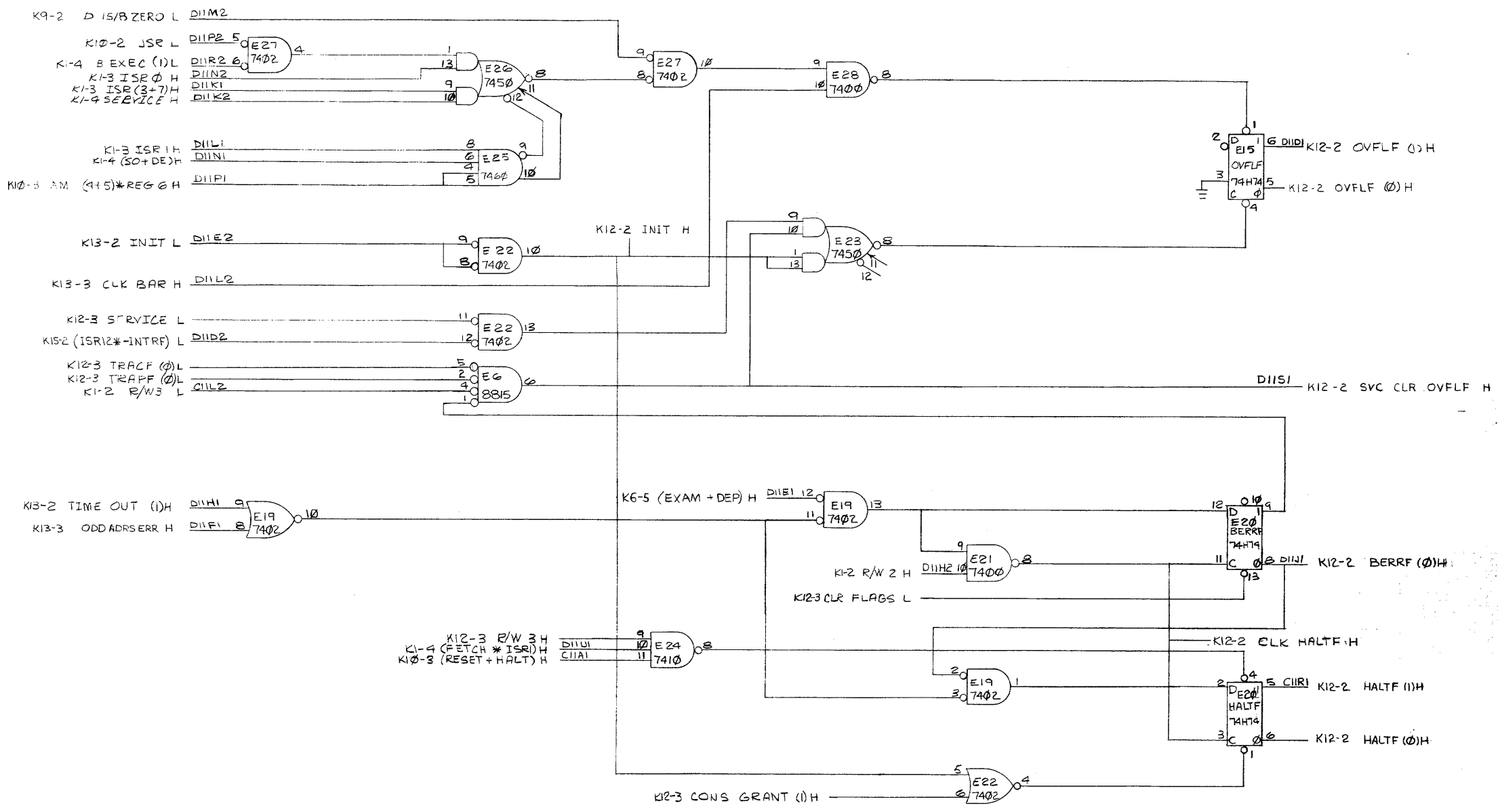


REV	NO	DATE	BY
1	1		
2	1		
3	1		
4	1		
5	1		
6	1		
7	1		
8	1		

FIRST USED ON OPTION/MODEL PDP 11	QTY.	DESCRIPTION	PART NO.	ITEM NO.
PARTS LIST				
UNLESS OTHERWISE SPECIFIED DIMENSION IN INCHES TOLERANCES DECIMALS FRACTIONS ANGLES ± .005 ± 1/64 ± 0°30' FINAL SURFACE QUALITY REMOVE BURRS AND BREAK SHARP CORNERS	DRN C. E. Blane	DATE 5/2/70	DIGITAL EQUIPMENT CORPORATION MAYNARD, MASSACHUSETTS	
MATERIAL	ENG. C. E. Blane	DATE 3-2-70	TITLE FLAG CNTL	
FINISH	PROJ. ENG. C. E. Blane	DATE 3-6-70	M822 K12-1	
	PROD.	DATE	SIZE/CODE D/CS M822-0-1	
			REVISION B	
			SCALE	
			SHEET 1 OF 3	
			ETCH REV B	
			DIST.	

REV B
ITEM NO. M822-0-1
SIZE CODE D/CS

This drawing and specifications herein are the property of Digital Equipment Corporation and shall not be reproduced or copied or used in whole or in part as the basis for the manufacture or sale of items without written permission.

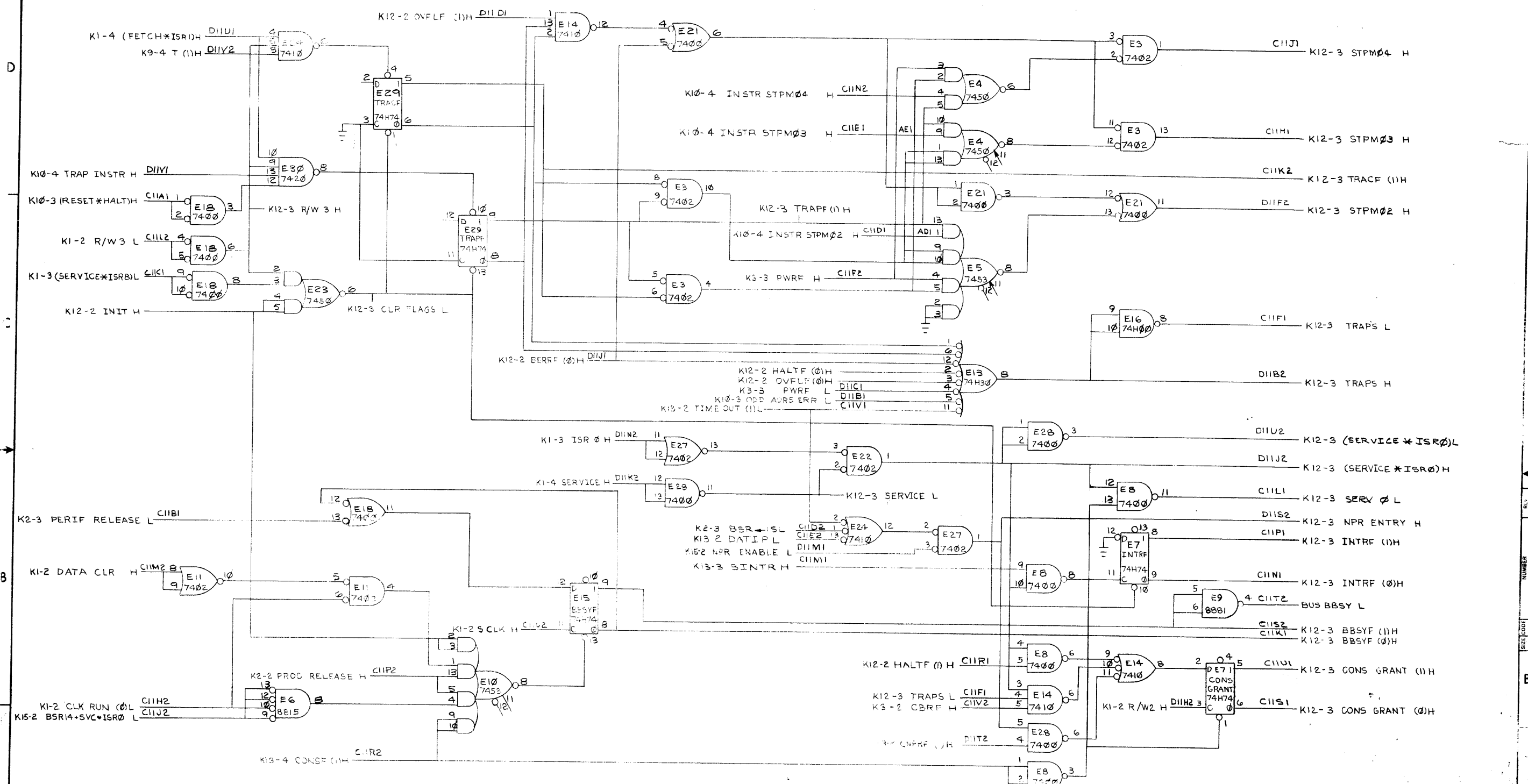


REVISIONS	REV.
CHK	CHANGE NO.

FIRST USED ON OPTION/MODEL PDP 11	QTY.	DESCRIPTION	PART NO.	ITEM NO.
PARTS LIST				
UNLESS OTHERWISE SPECIFIED		DATE	EQUIPMENT CORPORATION	
UNLESS OTHERWISE SPECIFIED		DATE	MAYNARD, MASSACHUSETTS	
DIMENSION IN INCHES		DATE	TITLE	
TOLERANCES		DATE	FLAG CNTL	
DECIMALS FRACTIONS ANGLES		DATE	M822 K12-2	
± .005 ± 1/64 ± 0°30'		DATE	SIZE CODE NUMBER	
FINAL SURFACE QUALITY / REMOVE BURRS AND BREAK SHARP CORNERS		DATE	DCS M822-01	
MATERIAL		DATE	REV.	
NEXT HIGHER ASSY		DATE	B	
A-M-L-KA11-0		DATE	SHEET	
SCALE NONE		DATE	2 OF 3	
FINISH		DATE	DIST.	
SHEET		DATE	1 Pink	

This drawing and specifications herein, are the property of Digital Equipment Corporation and shall not be reproduced or copied or used in whole or in part as the basis for the manufacture or sale of items without written permission.

REV 9
NUMBER 1-0-228W
CODE DCS
SIZE 2
2



REV.	CHANGE NO.

DEC FORM NO. DRD 102A

FIRST USED ON OPTION/MODEL	QTY.	DESCRIPTION	PART NO.	ITEM NO.
PDP 11				
UNLESS OTHERWISE SPECIFIED				
DRN. DATE 12-11-69	PARTS LIST			
CHK'D DATE 3/18/70	digital EQUIPMENT CORPORATION MAYNARD, MASSACHUSETTS			
ENG. DATE 3-6-70	TITLE FLAG CNTL			
PRD. ENG. DATE 3-6-70	MATERIAL //			
PROD. DATE	NEXT HIGHER ASSY M822 K12-3			
	A-ML-KAII-0			
	FINISH //			
	SCALE NONE			
	SHEET 3 OF 3			
	SIZE CODE DCS NUMBER M822-01 REV. B			
	DIST. DIST.			

10202

This drawing and specifications herein, are the property of Digital Equipment Corporation and shall not be reproduced or copied or used in whole or in part as the basis for the manufacture or sale of items without written permission.

PARTS REFERENCE

ITEM NO.	DRAWING REFERENCE	DESCRIPTION	PART NUMBER	QUANTITY
1	E1,E3,E5,E7,E9,E13,E15,E20,E23,E26,E27,E37,E39,E42	DEC 7400N	I.C. 1905575	14
2	E2,E38,E52	DEC 7410N	I.C. 1905576	3
3	E4,E33	DEC 380	I.C. 1909485	2
4	E6,E41	DEC 7420N	I.C. 1905577	2
5	E8,E45	DEC 8815A	I.C. 1309713	2
6	E10,E11,E14,E21,E24,E28	DEC 7402N	I.C. 1909004	6
7	E12,E18,E22,E29,E40,E46,E48	DEC 7474N	I.C. 1905547	7
8	E16,E44,E49	DEC 8881	I.C. 1909705	3
9	E17,E19,E32	DEC 7450N	I.C. 1905580	3
10	E25,E34,E35,E43,E47,E50,E51	DEC 9601	I.C. 1909487	7
11	E30	DEC 74H40N	I.C. 1905586	1
12	E31	DEC 7420N	I.C. 1905579	1
13	E36	DEC 7453N	I.C. 1905582	1
14	C1-C4,C7,C9,C14,C20	330 MMF, 100V, 5%	CAP. 1000023	8
15	C5,C11,C13,C67	1000 MMF, 100V, 5%	CAP. 1000042	4
16	C6	120 MMF, 100V, 5%	CAP. 1000018	1
17	C8,C10,C12,C68	470 MMF, 100V, 5%	CAP. 1000024	4
18	C15,C16,C19	1.0 MFD, 35V, 10%	CAP. 1001775	3
19	C17	2.2 MFD, 20V, 10%	CAP. 1002627	1
20	C21-C22,C69,C70,C71	.01 MFD, 100V, 20%	CAP. 1001610	45
21	C63-C66,C18	6.8 MFD, 35V	CAP. 1000067	8
22	R1,R4,R6,R8,R10,R15,R30,R33	220, 1/4W, 5%	RES. 1300271	5
23	R2,R3,R5,R7,R9,R14,R22,R29	470, 1/4W, 5%	RES. 1300316	8
24	R11	5600, 1/4W, 5%	RES. 1301874	1
25	R12,R13,R16,R18,R32	1000, 1/4W, 5%	RES. 1300365	5
26	R17,R19,R25,R26	30K, 1/4W, 5%	RES. 1302394	4
27	R20,R21,R34,R35	47, 1/4W, 5%	RES. 1300202	4
28	R23,R24,R27	15K, 1/4W, 5%	RES. 1300496	3
29	R28	10K, 1/4W, 5%	RES. 1300479	1
30	R31	3.9K, 1/4W, 5%	RES. 1300444	1
31	D1-D12	D664 DIODE	1100114	12
32	Q1	DEC 3009B TRANSISTOR	1503100	1

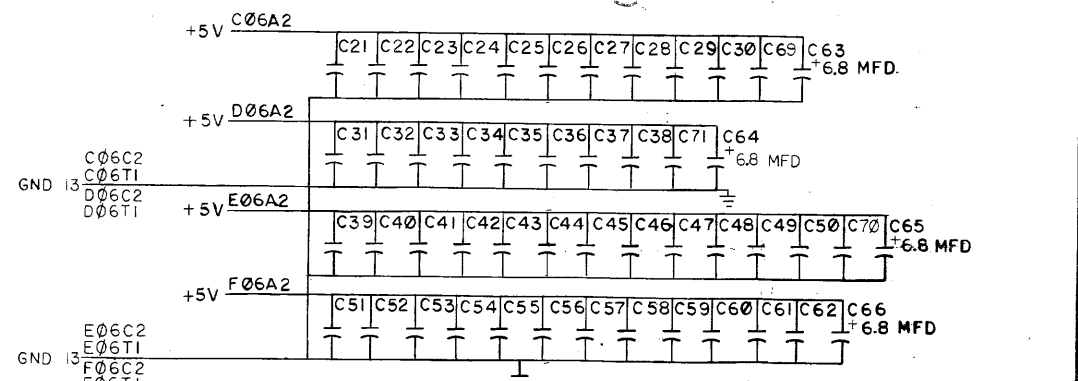
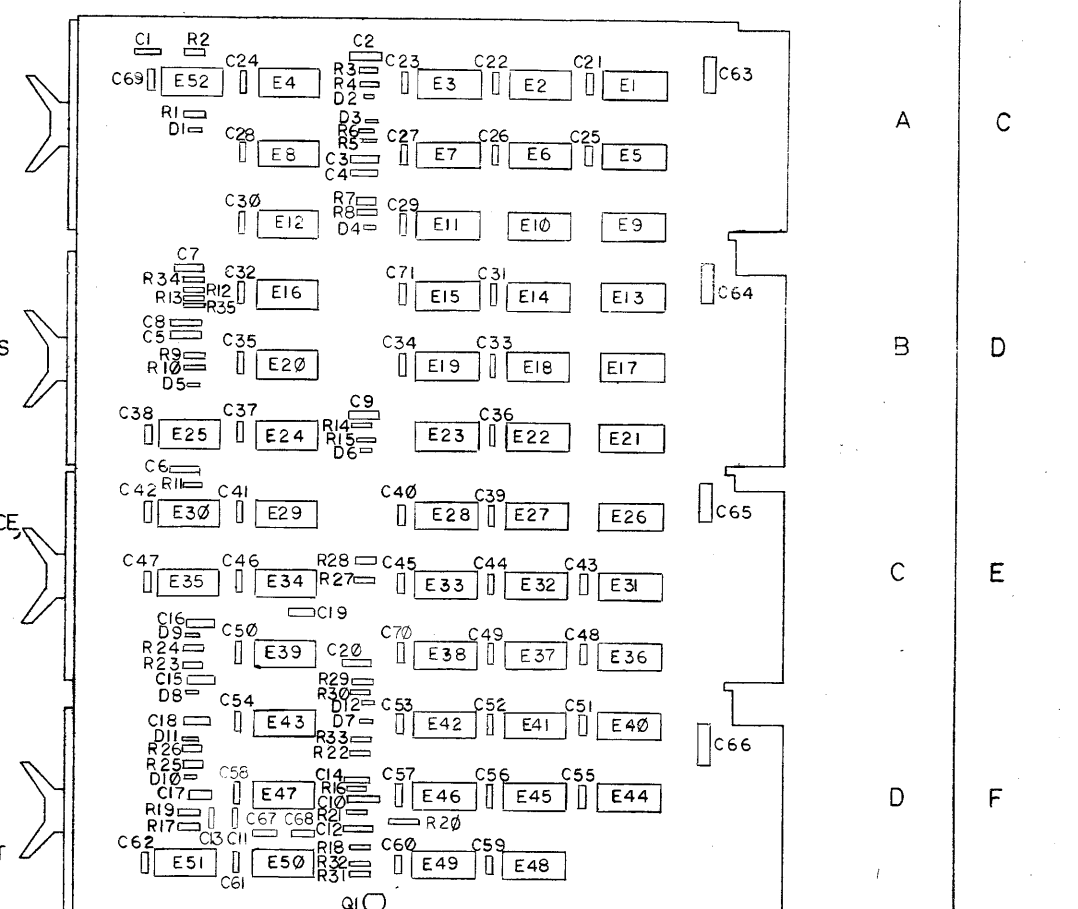
NOTES:

- PIN NOTATION THROUGHOUT IS ORDERED UPON MODULE PLACEMENT IN THE KAI1 PROCESSOR. MODULE REFERENCE ALONE IS OBTAINED BY DELETING THE NUMBER (SLOT LOCATION) AFTER THE FIRST LETTER, AND CONVERTING THE FIRST LETTER ACCORDING TO THE PIN NOMENCLATURE CHART AT RIGHT.
- ALL SIGNALS THAT HAVE MODULE PINS ARE SO NOTED; MULTIPLE NOTATIONS OF THE SAME SIGNALS WITHIN A MODULE HAVE THE PIN NOTED ON EACH. AN INPUT SIGNAL IS NOTED ONLY ONCE PER SHEET UNLESS SEPERATE PINS ARE USED; MULTIPLE INPUTS ARE CONNECTED. MODULE OUTPUT SIGNALS ARE BROUGHT TO THE EXTREME RIGHT OF EACH SHEET.
- PROCESSOR SIGNAL SOURCE NOTATION (K10-2, FOR EXAMPLE) IDENTIFIES THE SIGNAL SOURCE (PRINT AND MODULE). THE FIRST NUMBER AFTER THE K INDICATES THE MODULE PRINT SET, WHILE THE SECOND INDICATES THE SHEET WITHIN THE SET. IF ON A PRINT, THE FIRST NUMBER OF THE K PREFIXES COINCIDE FOR A SIGNAL NAME AND THE PRINT (SEE TITLE BLOCK), THE SIGNAL IS GENERATED ON THE MODULE. A DIFFERENCE IN THE FIRST NUMBER OF THE K PREFIXES INDICATES A SIGNAL GENERATED OFF THE MODULE. SIGNALS WITH A "BUS" PREFIX REPRESENT A "WIRED OR" SITUATION, AND MULTIPLE SOURCES FOR THE SIGNAL CAN EXIST.
- DETAILS ON COMPONENTS ARE NOTED IN THE PARTS REFERENCE PLACEMENT IS NOTED IN THE COMPONENT PLACEMENT DIAGRAM.
- GND AND +5V ARE USUALLY PIN 7 AND PIN 14, RESPECTIVELY. EXCEPTIONS ARE:

IC TYPE	GND	+5V
DEC 7481	PIN 10	PIN 4
DEC 7482	PIN 11	PIN 4
DEC 8251	PIN 8	PIN 16
DEC 8271	PIN 8	PIN 16
DEC 380	PIN 1	PIN 8
DEC 384	PIN 1	PIN 8
- UNLESS OTHERWISE NOTED: RESISTANCE IS IN OHMS; CAPACITANCE IS IN PICO FARADS. CAPACITORS WITHOUT ANY NOTED VALUES ARE .01 MFD.

COMPONENT PLACEMENT

PIN NOMENCLATURE



REVISIONS

CHK	CHANGE NO	REV	DATE
	M724-00001	B	7-21-70
			4/23/70
			5/23/70

U. O'LOUGHLIN
J. O'LOUGHLIN

FIRST USED ON OPTION/MODEL PDP 11	QTY.	DESCRIPTION	PART NO.	ITEM NO.
UNLESS OTHERWISE SPECIFIED		DRN	DATE	3/28/70
UNLESS OTHERWISE SPECIFIED		CHK'D	DATE	3-2-70
DIMENSION IN INCHES		ENG.	DATE	3-6-70
TOLERANCES		PROJ. ENG.	DATE	3-6-70
DECIMALS FRACTIONS ANGLES		FRD.	DATE	
± .005 ± .001 ± .030				
FINAL SURFACE QUALITY				
REMOVE BURRS AND BREAK SHARP CORNERS				
MATERIAL	NEXT HIGHER ASSY	TITLE		
	A-ML-KAI1-0	BUS & CONSOLE CNTL.		
FINISH	SCALE	PARTS LIST		
		M724 K13-1		
SHEET 1 OF 4		DCS M724-0-1		

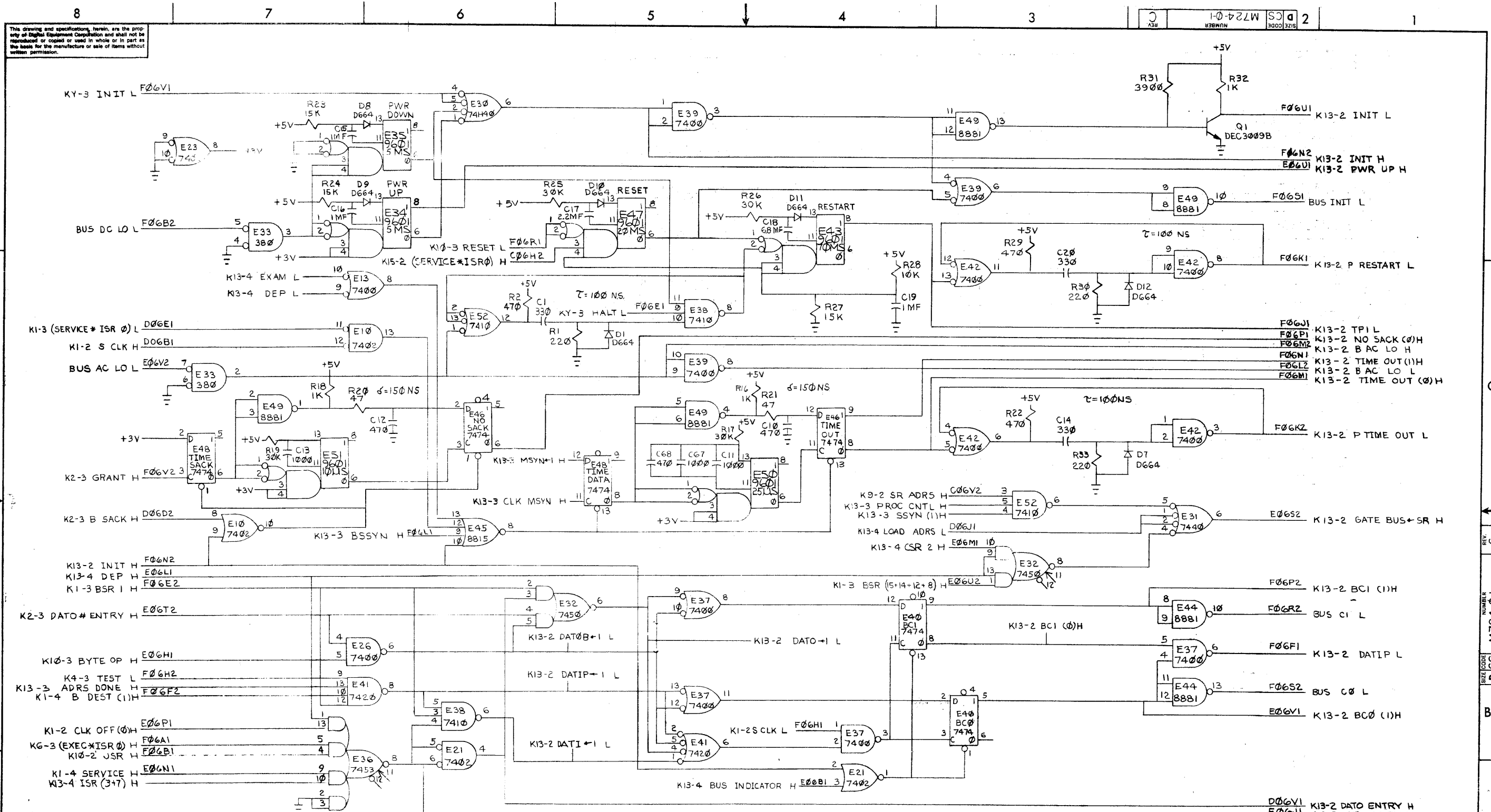
SIZE CODE M724-0-1

B

A

1 Panel

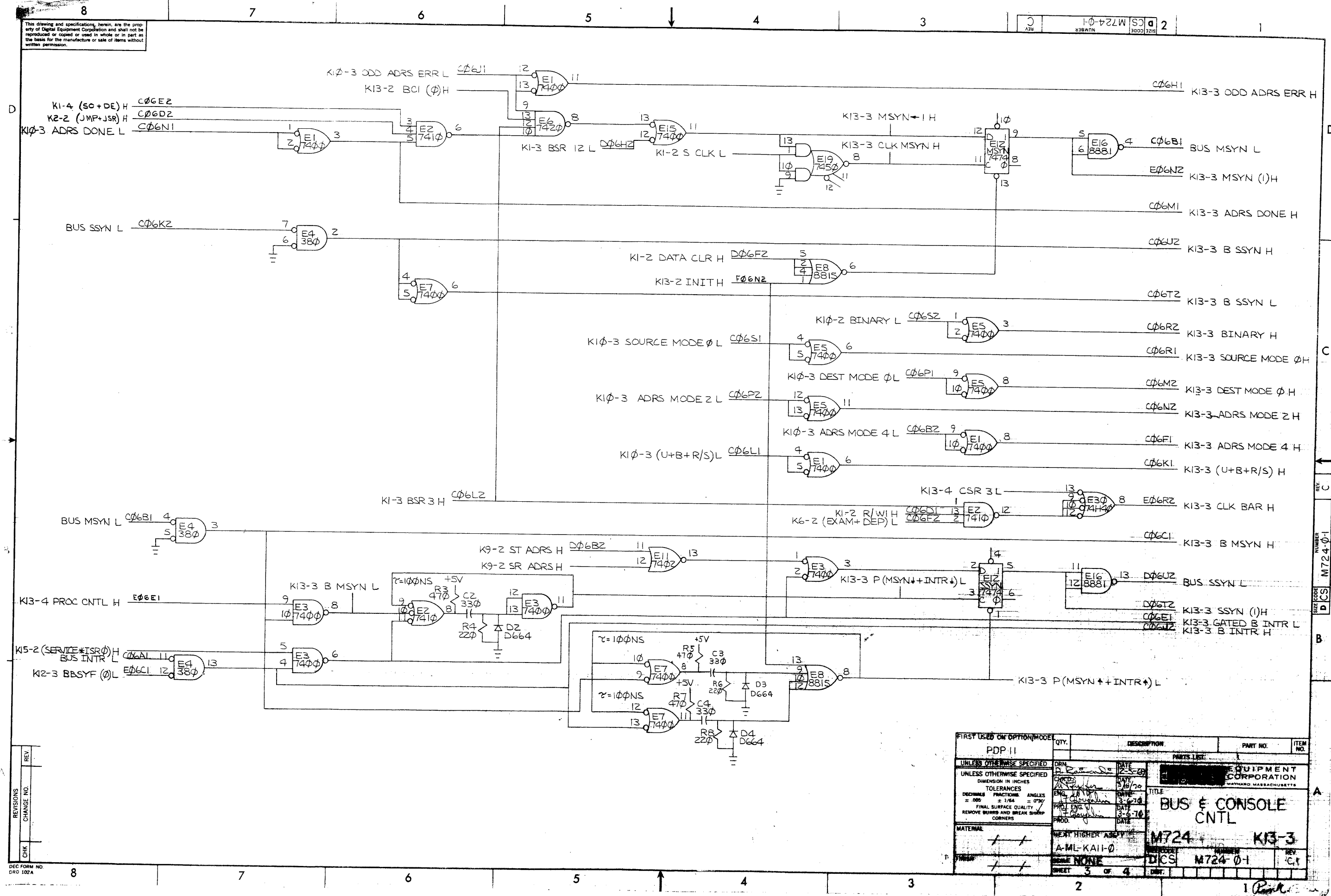
This drawing and specifications, herein, are the property of Digital Equipment Corporation and shall not be reproduced or copied or used in whole or in part as the basis for the manufacture or sale of items without written permission.



REV	
CHG	
REVISIONS	
CHANGE NO.	

FIRST USED ON OPTION/MODEL PDP 11		QTY.	DESCRIPTION	PART NO.	ITEM NO.
UNLESS OTHERWISE SPECIFIED		DRN	DATE	PARTS LIST	
UNLESS OTHERWISE SPECIFIED		CHKD	DATE	digital EQUIPMENT CORPORATION MAYNARD, MASSACHUSETTS	
DIMENSION IN INCHES		ENG	DATE	TITLE	
TOLERANCES		PRJ. ENG.	DATE	BUS & CONSOLE CNTL	
DECIMALS FRACTIONS ANGLES		PROB.	DATE	M724 K13-2	
± .005 ± 1/64 ± 0°30'				NEXT HIGHER ASSY	
FINAL SURFACE QUALITY				A-ML-KA11-0	
REMOVE BURRS AND BREAK SHARP CORNERS				SCALE NONE	
MATERIAL	FINISH			SIZE CODE	NUMBER
///	///			DICS	M724-01
					REV C
				SHEET 2 OF 4	DIST.

This drawing and specifications, herein, are the property of Digital Equipment Corporation and shall not be reproduced or copied or used in whole or in part as the basis for the manufacture or sale of items without written permission.



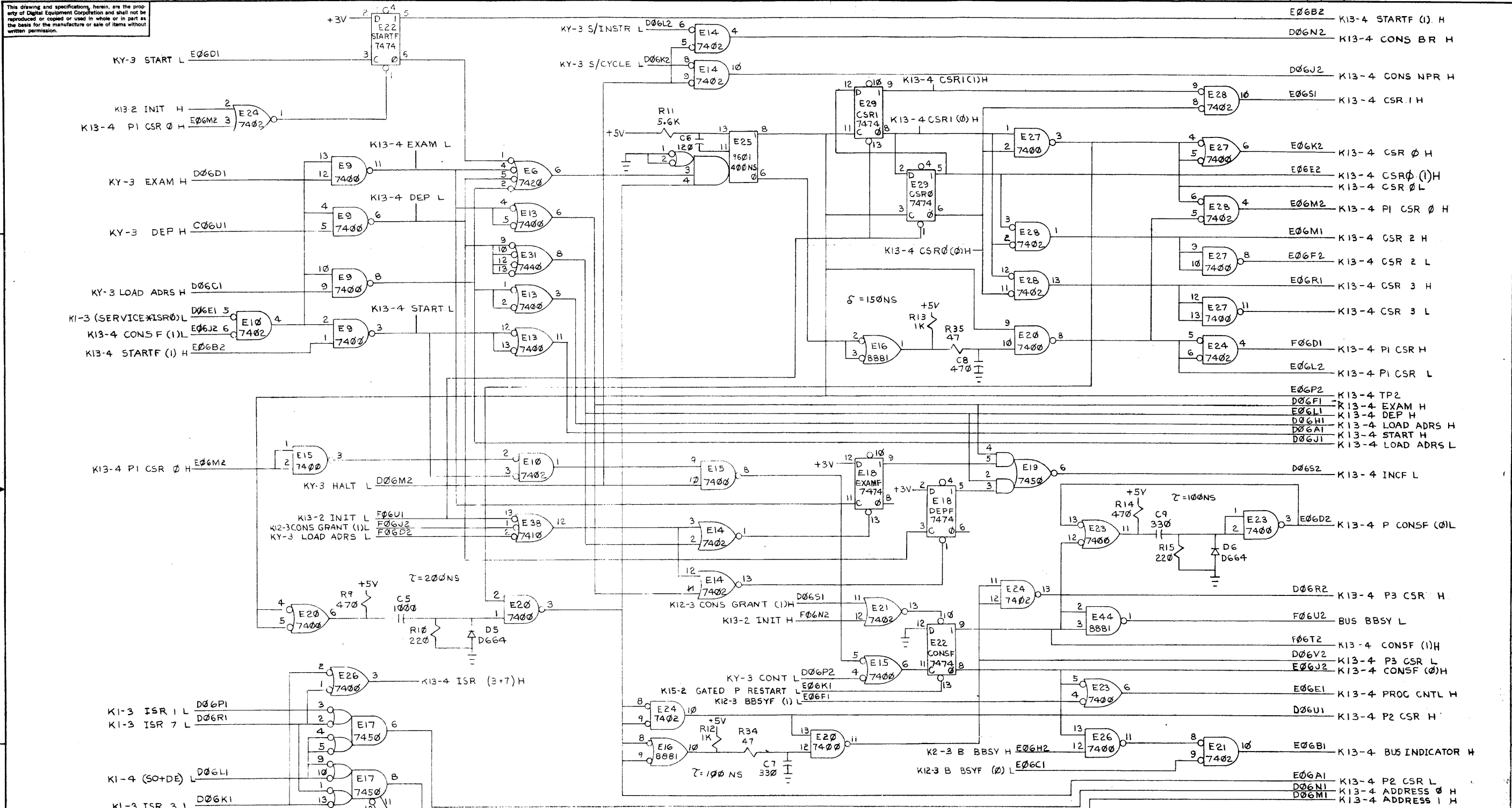
REV	
CHANGE NO.	
CHK	

FIRST USED OR OPTION MODE		QTY.	DESCRIPTION	PART NO.	ITEM NO.
PDP 11					
UNLESS OTHERWISE SPECIFIED		PARTS LIST			
UNLESS OTHERWISE SPECIFIED		DIGITAL EQUIPMENT CORPORATION MAYNARD, MASSACHUSETTS			
DIMENSION IN INCHES		TITLE			
TOLERANCES		BUS & CONSOLE CNTL			
DECIMALS FRACTIONS ANGLES		M724 K13-3			
± .005 ± 1/64 ± 0°30'		MATERIAL			
FINAL SURFACE QUALITY		NEXT HIGHER ASSY			
REMOVE BURRS AND BREAK SHARP CORNERS		A-ML-KA11-0			
MATERIAL		INCLUDE			
/ /		DICS M724-01			
/ /		SHEET 3 OF 4			

DEC FORM NO. 102A

REV. C
M724-01
REV. C
M724-01

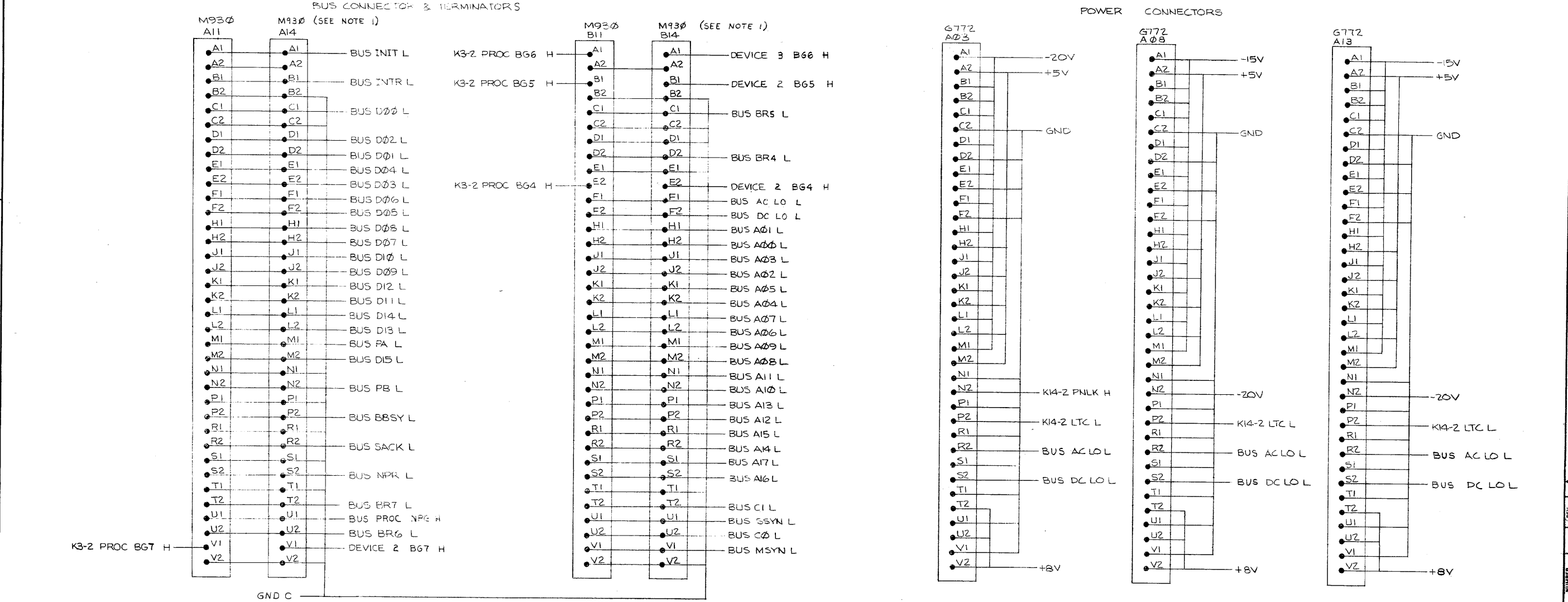
This drawing and specifications, herein, are the property of Digital Equipment Corporation and shall not be reproduced or copied or used in whole or in part as the basis for the manufacture or sale of items without written permission.



REVISIONS	REV.
CHANGE NO.	
CHK	

FIRST USED ON OPTION/MODEL	QTY.	DESCRIPTION	PART NO.	ITEM NO.
PDP11				
PARTS LIST				
UNLESS OTHERWISE SPECIFIED	DRN.	DATE	digital EQUIPMENT CORPORATION MAYNARD, MASSACHUSETTS	
UNLESS OTHERWISE SPECIFIED	CHKD.	DATE	TITLE: BUS & CONSOLE CNTL	
TOLERANCES	ENG.	DATE	M724 K13-4	
DECIMALS FRACTIONS ANGLES	PROJ. ENG.	DATE	M724 K13-4	
± .005 ± 1/64 ± 0°30'	PROD.	DATE	M724 K13-4	
FINAL SURFACE QUALITY			M724 K13-4	
REMOVE BURRS AND BREAK SHARP CORNERS			M724 K13-4	
MATERIAL			M724 K13-4	
FINISH			M724 K13-4	
NEXT HIGHER ASSY				
A-ML-KA11-Ø				
SCALE NONE				
SHEET 4 OF 4				
DIST.				

This drawing and specifications, herein, are the property of Digital Equipment Corporation and shall not be reproduced or copied or used in whole or in part as the basis for the manufacture or sale of items without written permission.



NOTES:
 1. BEFORE THE KAI1 IS INTERCONNECTED TO OTHER SYSTEM UNITS, A M93Ø BUS TERMINATOR IS IN LOCATIONS AB14. THIS TERMINATOR IS MOVED TO THE END SYSTEM UNIT UPON INTERCONNECTION; AND A M92Ø INTERNAL BUS CONNECTOR IS IN LOCATIONS AB14.

REV. NO.	REV.
1	A
2	B
3	C
4	D

CHG. NO. KAI-0007
 J. O'LOUGHLIN
 1/20/70

FIRST USED ON OPTION/MODEL PDP 11	QTY.	DESCRIPTION	PART NO.	ITEM NO.
PARTS LIST				
UNLESS OTHERWISE SPECIFIED	DRN	DATE	digital EQUIPMENT CORPORATION MAYNARD, MASSACHUSETTS	
UNLESS OTHERWISE SPECIFIED	CHKD.	DATE	TITLE	
DIMENSION IN INCHES	ENG.	DATE	KAI-1 BUS & POWER CONNECTIONS	
TOLERANCES	PROJ. ENG.	DATE	K14-2	
DECIMALS FRACTIONS ANGLES	PROB.	DATE	SIZE CODE	NUMBER
= .005 = 1/64 = 0°30'			DIC	KAI-0-BP
FINAL SURFACE QUALITY			SCALE	REV.
REMOVE BURRS AND BREAK SHARP CORNERS			SHEET	A
MATERIAL	NEXT HIGHER ASSY			
FINISH	A-ML-KAI-0			
	DIST.			

This drawing and specifications herein are the property of Digital Equipment Corporation and shall not be reproduced or applied or used in whole or in part as the basis for the manufacture or sale of items without written permission.

PARTS REFERENCE

ITEM NO	DRAWING REFERENCE	DESCRIPTION	PART NUMBER	QUANTITY
1	E1	DEC 8881	I.C. 1909705	1
2	E2, E8	DEC 7402N	I.C. 1909004	2
3	E3, E4, E5	DEC 9601	I.C. 1909487	3
4	E6	DEC 7400N	I.C. 1905575	1
5	E7	DEC 7420N	I.C. 1905577	1
6	E9	DEC 7400N	I.C. 1909004	1
7	E10	DEC 74H53N	I.C. 1909062	1
8	E11	DEC 8815A	I.C. 1909713	1
9	E12	DEC 7410N	I.C. 1905576	1
10	E13	DEC 7474N	I.C. 1905547	1
11	C1-C11	.01 MFD 100V 20%	CAP 1001610	11
12	C13	6.8 MFD 35V 20%	CAP 1000067	1
13	C14	2200 MMF 250V 20%	CAP 1000055	1
14	C15	3.9 MFD 10V 10%	CAP 1000064	1
15	C16	1.2 MFD 35V 10%	CAP 1001776	1
16	C17	.47 MFD 35V 10%	CAP 1005965	1
17	C18	330 MMF 100V 5%	CAP 1000023	1
18	C19	680 MMF 100V 5%	CAP 1000026	1
19	R1, R3, R13	220 1/4W 5%	RES 1300271	3
20	R2, R4, R7, R14, R15	470 1/4W 5%	RES 1300316	5
21	R5	10 K 1/4W 5%	RES 1300479	1
22	R6	22K 1/4W 5%	RES 1301508	1
23	R8, R11, R12	1K 1/4W 5%	RES 1300365	3
24	R10	2.2K 1/4W 5%	RES 1300417	1
25	D1-D6	D564 DIODE	1120114	6
26	Q1	DEC 3009B TRANSISTOR	1503100	1
27	R9	20K 1/4W 5%	RES 1302391	1

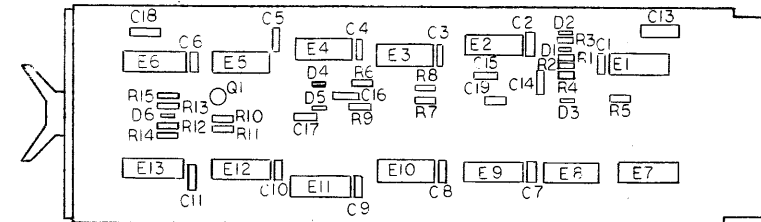
NOTES:

- PIN NOTATION THROUGHOUT IS ORDERED UPON MODULE PLACEMENT IN THE K11 PROCESSOR. MODULE REFERENCE ALONE IS OBTAINED BY DELETING THE NUMBER (SLOT LOCATION) AFTER THE FIRST LETTER, AND CONVERTING THE FIRST LETTER ACCORDING TO THE PIN NOMENCLATURE CHART AT RIGHT.
- ALL SIGNALS THAT HAVE MODULE PINS ARE SO NOTED; MULTIPLE NOTATIONS OF THE SAME SIGNALS WITHIN A MODULE HAVE THE PIN NOTED ON EACH. AN INPUT SIGNAL IS NOTED ONLY ONCE PER SHEET UNLESS SEPERATE PINS ARE USED; MULTIPLE INPUTS ARE CONNECTED. MODULE OUTPUT SIGNALS ARE BROUGHT TO THE EXTREME RIGHT OF EACH SHEET.
- PROCESSOR SIGNAL SOURCE NOTATION (K10-2, FOR EXAMPLE) IDENTIFIES THE SIGNAL SOURCE (PRINT AND MODULE). THE FIRST NUMBER AFTER THE K INDICATES THE MODULE PRINT SET, WHILE THE SECOND INDICATES THE SHEET WITHIN THE SET. IF ON A PRINT, THE FIRST NUMBER OF THE K PREFIXES COINCIDE FOR A SIGNAL NAME AND THE PRINT (SEE TITLE BLOCK), THE SIGNAL IS GENERATED ON THE MODULE. A DIFFERENCE IN THE FIRST NUMBER OF THE K PREFIXES INDICATES A SIGNAL GENERATED OFF THE MODULE. SIGNALS WITH A "BUS" PREFIX REPRESENT A "WIRED OR" SITUATION, AND MULTIPLE SOURCES FOR THE SIGNAL CAN EXIST.
- DETAILS ON COMPONENTS ARE NOTED IN THE PARTS REFERENCE. PLACEMENT IS NOTED IN THE COMPONENT PLACEMENT DIAGRAM.
- GND AND +5V ARE USUALLY PIN 7 AND PIN 14, RESPECTIVELY. EXCEPTIONS ARE:

IC TYPE	GND	+5V
DEC 7481	PIN 10	PIN 4
DEC 7482	PIN 11	PIN 4
8251	PIN 8	PIN 16
DEC 8271	PIN 8	PIN 16
DEC 380	PIN 1	PIN 8
DEC 384	PIN 1	PIN 8

6. UNLESS OTHERWISE NOTED: RESISTANCE IS IN OHMS; CAPACITANCE IS IN PICO FARADS. CAPACITORS WITHOUT ANY NOTED VALUES ARE .01 MFD.

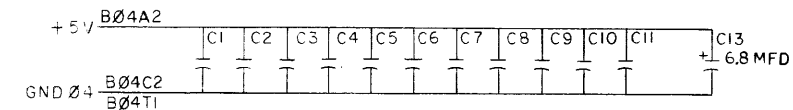
COMPONENT PLACEMENT



PIN NOMENCLATURE

MODULE PROCESSOR

A B



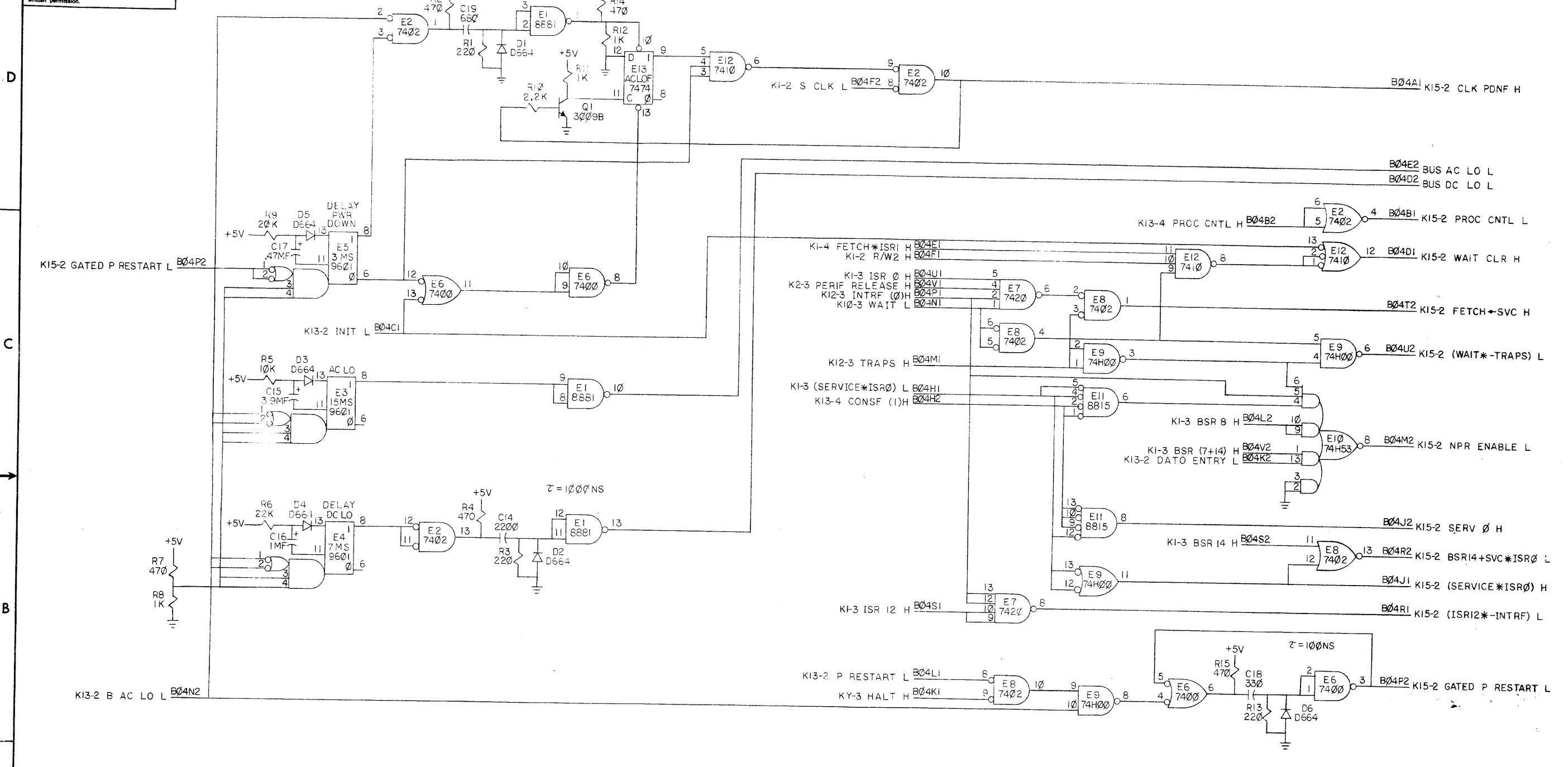
REVISIONS

CHK	CHANGE NO	REV	B
	M825-00002		
	J.F. O'LOUGHLIN	5/13/70	
	J.F. O'LOUGHLIN	7-1-70	

FIRST USED ON OPTION/MODEL PDP11	QTY.	DESCRIPTION	PART NO.	ITEM NO.
PARTS LIST				
UNLESS OTHERWISE SPECIFIED DRN	DATE	digital EQUIPMENT CORPORATION MAYNARD, MASSACHUSETTS		
UNLESS OTHERWISE SPECIFIED DIMENSION IN INCHES	DATE	TITLE POWER FAIL & CNTL		
TOLERANCES DECIMALS FRACTIONS ANGLES	DATE	M825 K15-1		
± .005 ± 1/64 ± 0°30'	DATE	SIZE CODE NUMBER REV D CS M825-0-1 B		
FINAL SURFACE QUALITY REMOVE BURRS AND BREAK SHARP CORNERS	DATE	SCALE OF 2 SHEET OF 2		
MATERIAL NEXT HIGHER ASSY	DATE	ETCH REV A B C		
A-ML-K11-0	DATE	DIST.		
FINISH	DATE	1 Pink		

REV B
M825-0-1
CS

This drawing and specifications, herein, are the property of Digital Equipment Corporation and shall not be reproduced or copied or used in whole or in part as the basis for the manufacture or sale of items without written permission.



REV.	
CHANGE NO.	
CHK	

FIRST USED ON OPTION/ MODEL	QTY.	DESCRIPTION	PART NO.	ITEM NO.
PDP 11				
UNLESS OTHERWISE SPECIFIED	DRN	DATE	PARTS LIST	
UNLESS OTHERWISE SPECIFIED	CHK'D	DATE	digital EQUIPMENT CORPORATION	
DIMENSION IN INCHES	ENG	DATE	TITLE	
DECIMALS FRACTIONS ANGLES	PRJ. ENG.	DATE	PWR FAIL & CNTL	
± .005 ± .001 ± .010	PRD.	DATE	M825 K15-2	
FINAL SURFACE QUALITY	NEXT HIGHER ASSY.		A-ML: K11-0	
REMOVE BURRS AND BREAK SHARP CORNERS			SCALE NONE	
MATERIAL			SIZE CODE NUMBER REV.	
			DICS M825-0-1 B	
FINISH			SHEET 2 OF 2	
			DIST.	

This drawing and specifications, herein, are the property of Digital Equipment Corporation and shall not be reproduced or copied or used in whole or in part as the basis for the manufacture or sale of items without written permission.

- NOTES:**
- SLOTS 5 AND 10 ARE CASTING SPACES. NO MODULES CAN BE INSERTED, BUT THE SLOTS ARE NUMBERED.
 - A CONSOLE PANEL IS REQUIRED IN THE KAI1. THE PDP 11/20 SYSTEM UTILIZES THE KY11-A CONSOLE (5408560) IN LOCATIONS ABCDEF1. THE PDP11/10 SYSTEM UTILIZES THE KY11-B CONSOLE () IN LOCATIONS EPI.
 - PREWIRED MODULE SLOTS FOR NOTED OPTIONS.
 - PREWIRED MODULE SLOTS FOR SMALL PERIPHERAL OPTIONS. WITH NO OPTIONS INSTALLED, BUS GRANT CONTINUITY IS PROVIDED BY THE G727 MODULE IN LOCATIONS D13 AND D14. THE G727 MODULE IS REMOVED WHEN A SMALL PERIPHERAL OPTION IS INSTALLED. SHOWN ARE THE USUAL OPTION CONFIGURATIONS OF DEVICE CONTROL IN LOCATIONS C AND D. ADDRESS SELECTOR IN LOCATION E, AND INTERRUPT CONTROL IN LOCATION F. IT IS POSSIBLE FOR OTHER MODULE CONFIGURATIONS TO UTILIZE THE STANDARD WIRING PROVIDED.
 - BEFORE THE KAI1 IS INTERCONNECTED TO OTHER SYSTEM UNITS, A M930 BUS TERMINATOR IS IN LOCATIONS AB14. THIS TERMINATOR IS MOVED TO THE END SYSTEM UNIT UPON INTERCONNECTION; AND A M920 INTERNAL BUS CONNECTOR IS IN LOCATIONS AB14

	1	2	3	4	5	6	7	8	9	10	11	12	13	14
		G772					G772				M930		G772	M930
A	CONSOLE PANEL KY11A OP OPTION (SEE NOTE 2)		POWER CONNECTOR	RESERVED		RESERVED		POWER CONNECTOR	RESERVED		BUS TERMINATOR		POWER CONNECTOR	BUS TERMINATOR OR INTERNAL BUS CONNECTOR (SEE NOTE 5)
B		M130	M823	M825								M787		
		(OPTIONAL) KM11A (SEE NOTE 3)	CODES DATA	PMS FAIL & CNTL		RESERVED	RESERVED	RESERVED	RESERVED			(OPTIONAL) KW11A (SEE NOTE 3)	RESERVED	
C		M727	M728	M728		M724	M725	M820	M224		M822	M824		
		STATE CNTL	TIMING & STATES	IR DECODE		BUS & CONSOLE CNTL	BUS INTERFACE & IR	DATA PATH CNTL	DATA PATHS 1		FLAG CNTL	PRIORITY	(OPTIONAL) DEVICE CONTROL DEVICE 1 (SEE NOTE 4)	(OPTIONAL) DEVICE CONTROL DEVICE 2 (SEE NOTE 4)
D													G727	G727
													GRANT CONTINUITY (SEE NOTE 4)	GRANT CONTINUITY (SEE NOTE 4)
E									M224		M821	M225	M105	M105
									DATA PATHS 2		REGISTER CNTL	REGISTER	(OPTIONAL) ADDRESS SELECTOR DEVICE 1 (SEE NOTE 4)	(OPTIONAL) ADDRESS SELECTOR DEVICE 2 (SEE NOTE 4)
F													M782	M782
													(OPTIONAL) INTERRUPT CONTROL DEVICE 1 (SEE NOTE 4)	(OPTIONAL) INTERRUPT CONTROL DEVICE 2 (SEE NOTE 4)

CASTING SPACE

CASTING SPACE

REV. A	CHANGE NO. KAI1-0002	CHK. [Signature]
DATE 5-14-70	BY [Signature]	
DATE 5/24/70	BY [Signature]	

FIRST USED ON OPTION/MODEL PDP 11

DO NOT SCALE DRAWING
UNLESS OTHERWISE SPECIFIED
DIMENSION IN INCHES
TOLERANCES
DECIMALS FRACTIONS ANGLES
± .005 ± 1/64 ± 0°30'
FINAL SURFACE QUALITY
REMOVE BURRS AND BREAK SHARP CORNERS

QTY.	DESCRIPTION	PART NO.	ITEM NO.
PARTS LIST			
DRG. Helton	DATE 3/11/70	digital EQUIPMENT CORPORATION MAYNARD, MASSACHUSETTS	
CHKD. [Signature]	DATE 3/12/70	TITLE MODULE UTILIZATION	
ENG. [Signature]	DATE 3-17-70	SIZE CODE NUMBER REV. DMU KAI1-0-MU A	
PROJ. ENG. [Signature]	DATE 3-17-70	SCALE NONE	
PROJ. [Signature]	DATE 3/17/70	SHEET OF 1	
MATERIAL NEXT HIGHER ASSY A-ML-KAI1-0		DIST.	