

digital

LARGE SYSTEMS PRODUCT SUMMARY

January 1980

DECsystem10 DECSYSTEM20 DECsystem10
DECSYSTEM20 DECsystem10 DECSYSTEM20
DECsystem10 DECSYSTEM20 DECsystem10
DECSYSTEM20 DECsystem10 DECSYSTEM20
DECsystem10 DECSYSTEM20 DECsystem10
DECSYSTEM20 DECsystem10 DECSYSTEM20
DECsystem10 DECSYSTEM20 DECsystem10
DECSYSTEM20 DECsystem10 DECSYSTEM20
DECsystem10 DECSYSTEM20 DECsystem10
DECSYSTEM20 DECsystem10 DECSYSTEM20
DECsystem10 DECSYSTEM20 DECsystem10
DECSYSTEM20 DECsystem10 DECSYSTEM20
DECsystem10 DECSYSTEM20 DECsystem10
DECSYSTEM20 DECsystem10 DECSYSTEM20
DECsystem10 DECSYSTEM20 DECsystem10
DECSYSTEM20 DECsystem10 DECSYSTEM20

COMPANY CONFIDENTIAL

CONTENTS

INTRODUCTION	1
AUTOMATIC QUOTATION SYSTEM PROGRAM	2
POLICIES AND PROCEDURES	3
1090 SYSTEM & OPTIONS	
Hardware Consolidation	8
1090 System Package	9
Initial Support Package	9
System Package	9
1090 Symmetrical Multi-Processing (SMP):	
1090P to 1090 SMP Upgrades	9
Central Processors	9
Memory	10
Disk & Tape Controller	10
Add-on Disk Pack Drives	10
TU45 Series-Magnetic Tape Subsystem	10
Add-On Magnetic Tape Drive	10
TU77 Series-Magnetic Tape Subsystem	10
Add-On Magnetic Tape Drive	10
TU72 Series-Magnetic Tape Subsystem	1
Add-On Magnetic Tape Drive	10
TU72 Series-Switch Options	11
Line Printers	11
LP100 Charabands	11
Card Equipment	12
Paper Tape	12
Front End Communications	12
Synchronous Line Interfaces for DN20	12
Asynchronous Line Interfaces for DN20	13
DN200 Remote Station	13
DN200 Options	13
CPU Package Upgrades	13
Upgrade Policies for the DECsystem-1090	14
1090 CONFIGURATORS & RULES	
DECsystem-1090 Configurator	16
DN20 Configurator	17
DN200 Configurator	18
1091 SYSTEM & OPTIONS	
1091 System Package	21
Initial Support Package	21
System Packages	21
Core Memory	21
MOS Memory	21
Disk & Tape Controller	22
Add-on Disk Pack Drives	22
TU45 Series-Magnetic Tape Subsystem	22
Add-On Magnetic Tape Drive	22
TU77 Series-Magnetic Tape Subsystem	22
Add-On Magnetic Tape Drive	23
TU72 Series-Magnetic Tape Subsystem	23
Add-On Magnetic Tape Drive	23
TU72 Series-Switch Options	23
Line Printers	23
LP200 Charabands	23
Card Equipment	24
Paper Tape	24

I/O Bus Interface	24
Asynchronous Line Interfaces	24
Front End Communications	25
Synchronous Line Interfaces for DN20	25
Asynchronous Line Interfaces for DN20	25
DN200 Remote Station	25
DN200 Options	25

1091 CONFIGURATORS & RULES	
DECsystem-1091-P Configurator	29
DECsystem-1091-S Configurator	30
DN20 Configurator	31
DN200 Configurator	32

2020 SYSTEM & OPTIONS	
Tops-10/Tops-20 System Packages	35
Initial Support Package	35
System Packages	35
2020-J/K Packages	35
MOS Memory	36
Add-on Disk Pack Drives	36
TAU45 Series-Magnetic Tape Subsystem	36
Add-On Magnetic Tape Drive	36
TAU77 Series-Magnetic Tape Subsystem	36
Add-On Magnetic Tape Drive	36
Line Printers	36
Card Readers	37
Synchronous Line Interfaces/Tops-20 Only	37
Asynchronous Line Multiplexers	37
2780/3780/HASP Communications	37
Upgrade Policies for the DECSYSTEM-2020	38

2020 CONFIGURATOR & RULES	
DECSYSTEM-2020 Configurator	41
DECSYSTEM-20 Rules	42

2040 SYSTEM & OPTIONS	
2040 System Package	45
Initial Support Package	45
System Package	45
Core Memory	45
MOS Memory	45
Disk & Tape Controller	46
Add-on Disk Pack Drives	46
TU45 Series-Magnetic Tape Subsystem	46
Add-On Magnetic Tape Drive	46
TU77 Series-Magnetic Tape Subsystem	46
Add-On Magnetic Tape Drive	46
TU72 Series-Magnetic Tape Subsystem	47
Add-On Magnetic Tape Drive	47
TU72 Series-Switch Options	47
Line Printers	47
LP200 Charabands	47
Card Equipment	48
Paper Tape	48
I/O Bus Interface	48
Asynchronous Line Interfaces	48
Synchronous Front End Communications	48
Synchronous Line Interfaces for DN20	49

DN200 Remote Station	49
DN200 Options	49
DECSYSTEM-20 Upgrade Packages	49
DECSYSTEM-20 Memory Guidelines	50

2040 CONFIGURATORS & RULES	
DECSYSTEM-2040 Configurator	53
DECSYSTEM-20 Configuration Guidelines	54
DN20 Configurator	55
DN200 Configurator	55
DECSYSTEM-20 Memory Guidelines	56

2060 SYSTEM & OPTIONS	
2060 System Package	59
Initial Support Package	59
System Package	59
MOS Memory	59
Disk & Tape Controller	60
Add-on Disk Pack Drives	60
TU45 Series-Magnetic Tape Subsystem	60
Add-On Magnetic Tape Drive	60
TU77 Series-Magnetic Tape Subsystem	60
Add-On Magnetic Tape Drive	60
TU72 Series-Magnetic Tape Subsystem	60
Add-On Magnetic Tape Drive	60
TU72 Series-Switch Options	60
Line Printers	61
LP200 Charabands	61
Card Equipment	62
Paper Tape	62
I/O Bus interface	62
Asynchronous Line Interfaces	62
Synchronous Front End Communications	62
Synchronous Line Interfaces for DN20	62
DN200 Remote Station	63
DN200 Options	63
DECSYSTEM-20 Upgrade Packages	63
DECSYSTEM-20 Memory Guidelines	63

2060 CONFIGURATORS & RULES	
DECSYSTEM-2060 Configurator	67
DECSYSTEM Configuration Guidelines	68
DN20 Configurator	69
DN200 Configurator	69
DECSYSTEM-20 Memory Guidelines	70

ADDITIONAL EQUIPMENT AND INFORMATION	
Field Service	73
Cables	74
Miscellaneous	77
TU70 Series Magnetic Tape	
Configuration Overview	80
TU70 Series Magnetic Tape	
Drive Configurations	81
TU70 Series Magnetic Tape	
Drive Component Options	82

TERMINALS	85
------------------------	----

TOPS-10/TOPS-20 SOFTWARE	
How to Order	89
Initial Software Services	89
Annual Service	90
KA10 Support Policy	90
Software Units	90
Licenses	90
Sources	90
Miscellaneous Charges and Expenses	90
Software Packages	91
1090 Symmetrical Multi-Processing (SMP)	91
Communications Software	91
Language & Data Management	91
License Upgrades	92
Support Services	92
Miscellaneous Unsupported Software	92
Sources (Unsupported)	93
Microcode & Diagnostics (Unsupported)	93
INDEX	94

This document was produced by Sales Support Literature
using an In-house Text Processing System
operating on the DECSYSTEM-20.

COPYRIGHT©1979 DIGITAL EQUIPMENT CORPORATION

INTRODUCTION

This summary gives you a concise description of our TOPS-10/TOPS-20 systems, options, configurators, and their rules.

The catalog is divided into five major sections:

- The first section includes the policies and procedures of the Large Systems Product Line.
- The second section features the TOPS-10 Basic Systems with Configurators, Rules, and Upgrade policies.
- The third section features the TOPS-20 Basic Systems with Configurators, Rules, and Upgrade policies.
- The fourth section features Additional Equipment & Information such as Field Service, Cables, Terminals and Miscellaneous information.
- The fifth section features the TOPS-10/TOPS-20 additional software and how to order your software.

An alphabetical index is included at the back of the summary. Also, included is a Price Insert for easy reference of all systems, options, and software.

NOTE: The following are changes to this edition of the Large Systems Product Summary:

Pricing Insert

- A brief description and a prerequisite column has been added for your convenience
- Quantity Discounts - Page 18
MH10L
- LSG Terminal Quantity Discounts Page 20
- Trade In Allowances - Page 19
MA20/MB20
- Corrected 2020 Trade-In Allowance Prices - Page 19

Product Summary

- The CP10/20 has been deleted and will no longer be available.
- The 2020J/K Special System Packages have replaced the 2020 Packages. (The TAU45 Magnetic Tape Subsystems is now unbundled). Page 35
- 1090 SMP Upgrade Note. Page 9
- 1090 Upgrades - Hardware Consolidation Note. Page 8
- Listings of the Product Line Technical Support Managers. Page 3

AUTOMATIC QUOTATION SYSTEM PROGRAM

Pricing and configuring information for the DECsystem-1091, DECSYSTEM-2020, -2040, and -2060 product offerings are available to you on a computer program running on the Marketing Support System in Marlboro.

The Automatic Quotation System program may be used from either your own office or your customer's office. The latest product and price information is used.

Please refer to the June 25, 1979 issue of SALES UPDATE for complete details.

A 300 baud terminal and acoustic coupler, set to full duplex is needed. A printed quote may be obtained with the use of a hard copy terminal.

The following is a brief explanation on how to use the Automatic Quotation System Program:

1. Place a telephone call to Digital in Marlboro in one of the following ways:
 - *Dedicated number:* (617) 481-5893.
 - *DTN number:* 8-231-1120 or 1125.
 - *Outside Local Lines:* Call your nearest Digital office and ask the Digital Operator to complete the DTN call for you.
 - *Long Distance:* (617) 481-8851.

When the call is complete, place the phone in the cradle of the acoustic coupler.

2. The computer will answer the following on your terminal:

MARKETING, TOPS-20 MONITOR

(followed by a brief system message)

3. When the " @ " sign appears, type the characters that are shown in the *italicized caps* in the example:

@ LOG AUTO (hit escape key)-QUOTE (password) LSG(hit return key)

4. The program will now start to run and will type:

"You have logged into the DECsystem-10/DECSYSTEM-20 Automatic Quotation Program. "

All you have to do from this point on, is answer the questions that the program will ask you.

If you have any further questions on this program, please call or write:

Joe Viula

DTN: 231-6857

Mail Stop: MR1-2/E78

POLICIES AND PROCEDURES

Installation

- Field Service installation costs are included in the Initial Support Package bundled with the Basic System Packages.
- Field Service installation costs are not included in system add-on hardware prices listed in the Price Insert. Please add them to your order.

Cables

Cable information is needed 60 days prior to delivery to be tested. Only those cables necessary for normal installation will be supplied with each order. Communication cables are not bundled and must be ordered separately.

Replacement cables and cables for reconfiguring systems and extending units should be ordered through Logic Products.

Lease Rates

Due to significant fluctuations in interest rates, lease quotes require written confirmation from the Product Line or Customer Financing.

Refurbished Equipment

Refurbished equipment is subject to prior sale and is available only with written delivery commitment from the Product Line. Tape drives, line printers, and card equipment are not available refurbished.

Special Equipment

Orders forwarded to Order Processing which include hardware or software not shown in this summary should be accompanied by the Product Line approval upon which the quotation was based, a copy of the quotation, and any supporting documentation.

Foreign Attachments

In the event the customer installs non-DIGITAL equipment, it will become the customer's responsibility to assure the system's performance and reliability since the interconnection of devices that are non-DIGITAL can have a marked effect on the systems performance. The system software in this case is also considered part of the entire system. Software for devices not purchased from DIGITAL will be licensed separately.

Discounts

- S = Discountable under Large Systems Group Discount Agreement
- N = Not discountable

Contact the Contracts Department for any information on Discount Agreements.

Prices

All prices listed are F.O.B. DIGITAL's plant in Massachusetts and apply in the continental United States only. Prices do not include shipping or transit insurance.

Options are offered for use only with supported DIGITAL software.

Equipment is scheduled and allocated by individual Product Groups: Commercial Services Industries, Education Computer Systems, Engineering Systems Group, Government Systems Group, Laboratory Products Group, and Manufacturing & Distribution Control Product Group. Each Product Group has a "Product Line Representative" who handles equipment reservations and scheduling.

TECHNICAL SUPPORT MANAGERS

Kent Blackett	Engineering Systems Group
Dave Clutter	Laboratory Data Products
Dana Lajoie	Government Systems Group
Dave Luchini	Medical Data Products Group
Twig McKie	Commercial Service Industries
Fred Smith	Education Computer Systems

ORDER PROCESSING CONTACTS

Technical Group Order Processing Managers

Barbara Farnsworth	Engineering Systems Group (P/L 74)
Jack Conrad	Government Systems Group (P/L 73)
D. Baxter	Government Systems Group (P/L 76)
Brian Mullen	Laboratory Products Group (P/L 002)
Jack Conrad	Education Computer Systems (P/L 67)

Commercial Group Order Processing Managers

Bob Martin	Commercial Services Industries (P/L 78, 68, 105)
Paul Naun	Manufacturing & Distribution Control Product Group (P/L 044)

Technical Group Product Line Representatives

Hope Karl	Engineering Systems Group (P/L 74)
Terry Hendrix	Government Systems Group (P/L 73)
L. Edwards	Government Systems Group (P/L 76)
Brenda Santucci	Laboratory Products Group (P/L 002)
Peg Grady	Education Computer Systems (P/L 67)

Commercial Group Product Line Representatives

Bill Boyle	Commercial Services Industries (P/L 78, 68, 105)
Joyce Kavalchuck	Manufacturing & Distribution Control Product Group (P/L 044)
Harry Manuel	Manufacturing & Distribution Control Product Group (P/L 044)

Equipment Reservations

Hardware can be reserved in anticipation of a customer's Purchase Order.

Contact the appropriate Product Line Representative providing the following information:

- Salesperson's name, location, badge #, and booking center.
- Customer's name and address.
- Requested delivery date. For systems, must be at least sixty days from current delivery date. For add-ons, at least thirty days from current delivery date.
- Requested equipment, including software and any inter product line options.
- Amount of allowance or discount, if applicable.
- Reservation expiration date.

Booking Information

Master Order Form.

Signed DECsystem Purchase and Sale Agreement or a purchase order from the customer with terms and conditions acceptable to DIGITAL.

All cable requirements and floor plans. The policy on cables for systems and add-ons is outlined below.

1. System Orders:
 - a. Cable/floor plan information received at least 60 days prior to shipment will guarantee the specified cables will be tested and shipped with the system.
 - b. Cable information received between 30 and 60 days prior to shipment will result in correct but untested cables being shipped with the system.
 - c. Cable information received less than 30 days prior to shipment will result in the system being shipped with cables used to stage the system.
2. Add-on Orders:
 - a. Cable information, when applicable, must be submitted with the Master Order Form and Contract or Purchase Order.

Orders submitted without meeting the above requirements will not be booked until complete.

Licensing Information

A License is required for any Software Product and will be specified in the Software Product Descriptions.

The TOPS-10/20 Operating System License that is shown in the corresponding Software Product Descriptions is the definition for the following:

TOPS-10/20 License

TOPS-10/20 Operating System License

TOPS-10/20 Monitor License

DECsystem-1090 System & Options

*HARDWARE CONSOLIDATION

External channel based KA, KI, and KL processors are recommended to upgrade to internal channel based KL10 processors.

Internal channels feature:

- Reduced space and power
- Lower maintenance costs
- Reduced system complexity
- Improved reliability
- Future support

For example:

	RH10/DF10	RH20
Maintenance	\$300	\$32
Space	2-19" cabinet	in KL10
Power	1350 watts	in KL10

1090 SYSTEM PACKAGE

- KL10-D Central Processor (includes one RH20 for disk)
- LA36 console terminal
- DN20 with 16 asynchronous lines
- One 256K word MH10 memory module
- One RP06-B disk
- Initial Support Package
- TOPS-10 Operating System with TOPS-10 License
- TOPS-10 Sources (Front End (RSX-20F) Sources are not included)

A minimum system must include in addition to the basic system package, a magnetic tape subsystem with a 1600 bit per inch tape transport and a line printer.

INITIAL SUPPORT PACKAGE

- 10 training credits
- Hardware installation with 90-day warranty
- Software installation with 90-day warranty
- 1 set Software Notebooks and 90 days Update service
- 5 sets of manuals for the Operating System

SYSTEM PACKAGE

1090-PA 1090 Basic System Package, RP06, TOPS-10.
1090-PB

1090 SYMMETRICAL MULTI-PROCESSING (SMP)

1090P to 1090 SMP Upgrades

The SMP features of TOPS-10 Release 7.00 for dual KL10 central processors provides the capability of attaching and sharing memory and I/O devices between both CPUs in symmetric dual (master/master) configurations. A single reentrant copy of the monitor is used. The basic SMP product is software; it is a new version of the TOPS-10 Operating System. The hardware remains the same as with the older master/slave configurations (such as DECsystem-1099).

**See note on page 8 Hardware Consolidate*

1090S-UA 1090 "Model A" to 1090 SMP upgrade. Includes KL10-D, KL10-PV, QH302 SMP fea-
1090S-UB tures, and (2) M9301 Bootstraps (specify type). (In addition, an RP06 must be provided
separately for the KL10D included in the 1090S package. This may be ordered as a
separate line item or the customer may utilize an extra RP06 from his existing system.)

1090S-UC 1090 "Model B" to 1090 SMP upgrade. Includes KL10-D, QH302 SMP features, and (2)
1090S-UD M9301 Bootstraps (specify type). (In addition, an RP06 must be provided separately for
the KL10D included in the 1090S package. This may be ordered as a separate line item
or the customer may utilize an extra RP06 from his existing system.)

M9301-WA *SMP bootstrap for DN87.*

M9301-WB *SMP bootstrap for DN20.*

QH302-AX SMP software features for TOPS-10.

CENTRAL PROCESSOR

KL10-DA Add-on or upgrade central processor for the 1090 system. Included is one RH20 mass-
KL10-DB bus controller (expandable up to 7 massbus controller and 3 communication subsys-
tems), and the LA36 console terminal. Cables, software and the Initial Support Package
are not included.

MEMORY

MH10-HA 128K word 1.2 microsecond memory module. Also includes 8 ports.
MH10-HB *PREREQUISITE:* KA10, K110, KL10

MH10-LA 256K word 1.2 microsecond memory module (one MH10-H and two MH10-E's). Also
MH10-LB includes 8 ports.
PREREQUISITE: KA10, K110, KL10

MH10-E 64K words expansion module. Upgrades the MH10-HA to MH10-L.
PREREQUISITE: MH10-H

DISK & TAPE CONTROLLER

RH20 Massbus Controller for disks and tapes.
The 1090 system does not contain an RH20 for the tapes. It must be ordered separately.

ADD-ON DISK PACK DRIVES

RP06-AA Single access 40 million word add-on disk pack drive which also includes one RP06-P
RP06-AB disk pack.
PREREQUISITE: RH20

RP06-BA Dual access 40 million word add-on disk pack drive which also includes one RP06-P
RP06-BB disk pack.
PREREQUISITE: RH20

RP06-C RP06 dual access kit.
PREREQUISITE: RP06-A

TU45 SERIES

MAGNETIC TAPE SUBSYSTEMS

TU45C-EC Magnetic tape subsystem including a controller and one master tape drive 9-track, 75
TU45C-ED inches per second, 800/1600 bits per inch. (Expandable to a maximum of 4 tape drives
per controller) with the addition of TU45C-EH(EJ) add-on tape drives.
PREREQUISITE: RH20

TU45 SERIES

ADD-ON MAGNETIC TAPE DRIVES

TU45C-EH 9-track, 75 inches per second, 800/1600 bits per inch add-on magnetic tape drive.
TU45C-EJ *PREREQUISITE:* TU45C-EC(ED)

TU77 SERIES

MAGNETIC TAPE SUBSYSTEMS

TU77-CB Magnetic tape subsystem including controller and one master tape drive 9-track, 125
TU77-CD inches per second, 800/1600 bits per inch. (Expandable to a maximum of 4 tape drives
per controller) with the addition of TU77-AF(AJ) add-on tape drives.
PREREQUISITE: RH20

TU77 SERIES

ADD-ON MAGNETIC TAPE DRIVES

TU77-AF 9-track, 125 inches per second, 800/1600 bits per inch add-on tape drive.
TU77-AJ *PREREQUISITE:* TU77-CB(CD)

TU72 SERIES

MAGNETIC TAPE SUBSYSTEMS

TX02-EC Magnetic tape controller & DX20 channel for TU72 Series Tapes.
TX02-ED *PREREQUISITE:* RH20

TU72 SERIES

ADD-ON MAGNETIC TAPE DRIVES

TU72-EC 9-track, 125 inches per second, 1600/6250 bits per inch add-on tape drive.
TU72-ED *PREREQUISITE:* TX02-E

TU72 SERIES SWITCH OPTIONS

See page 18 for configurations.

TX03-EC TX03-ED	Two channel switch option and DX20 channel. Includes a BC10Z-25 cable. <i>PREREQUISITE:</i> TX02-E; <i>TOPS-10, Release 7.01</i>
TX03-FB	Two channel switch for (2) TX02s. Includes 4 BC10Y-25 cables. <i>PREREQUISITE:</i> (2) TX02-Es; <i>TOPS-10, Release 7.01</i>
TX05-EC TX05-ED	Two control unit tape switch option and TX02. Includes BC10X-25, two BC10W-25, and two BC10Y-25 cables. <i>PREREQUISITE:</i> TX02-E; <i>TOPS-10, Release 7.01</i>
TX05-FB	Two control unit tape switch option. Includes BC10X-25, two BC10W-25 cables. <i>PREREQUISITE:</i> (2) TX02-Es; <i>TOPS-10, Release 7.01</i>

LINE PRINTERS

LP100-DA LP100-DB	300 lines per minute, LP05 line printer with 64-characters EDP drum, 132 columns and LP100 controller.
LP100-DC LP100-DD	300 lines per minute, LP05 line printer with 64-characters Scientific drum, 132 columns and LP100 controller.
LP100-EA LP100-EB	240 lines per minute, LP05 line printer with 96-characters EDP drum, 132 columns and LP100 controller.
LP100-EC LP100-ED	240 lines per minute, LP05 line printer with 96-characters Scientific drum, 132 columns and LP100 controller.
LP100-FA LP100-FB	900 lines per minute, LP14 line printer with 64-characters EDP drum, 132 columns with long line interface, and LP100 controller.
LP100-FC LP100-FD	900 lines per minute, LP14 line printer with 64-characters Scientific drum, 132 columns with long line interface, and LP100 controller.
LP100-HA LP100-HB	660 lines per minute, LP14 line printer with 96-characters EDP drum, 132 columns with long line interface, and LP100 controller.
LP100-HC LP100-HD	660 lines per minute, LP14 line printer with 96-characters Scientific drum, 132 columns with long line interface, and LP100 controller.

LP100 CHARABANDS

LP100-BA LP100-BB	LP07 Charaband line printer with LP100 controller, 900/1200 lines per minute. Specify one or more charabands listed below.
LP07-YC	Standard Charaband containing one set of EDP 64-character fonts and one set of EDP 96-character fonts. <i>PREREQUISITE:</i> LP100-B
LP07-YA	Charaband containing two sets of EDP 64-character fonts. <i>PREREQUISITE:</i> LP100-B
LP07-YB	Charaband containing two sets of EDP 96-character fonts. <i>PREREQUISITE:</i> LP100-B
LP07-YD	Charaband one set of 64-character EDP fonts and one set of Kata Kana 49-character fonts. <i>PREREQUISITE:</i> LP100-B
LP07-YF	Charaband containing one set of OCR-A 64-character fonts and one set of OCR-A 96-character fonts. <i>PREREQUISITE:</i> LP100-B
LP07-YH	Charaband containing two sets of Scientific 96-character fonts. <i>PREREQUISITE:</i> LP100-B

- LP07-YJ Charaband containing one set of **EDP** 96-character fonts and one set of **Scientific** 96-character fonts.
PREREQUISITE: LP100-B
- LP07-YK Charaband containing two sets of **Swedish/Finnish EDP** 96-character fonts.
PREREQUISITE: LP100-B
- LP07-YL Charaband containing one set of **British EDP** 96-character fonts and one set of **British EDP** 64-character fonts.
PREREQUISITE: LP100-B
- LP07-YM Charaband containing two sets of **Open Gothic EDP** 64-character fonts (IBM 1401).
PREREQUISITE: LP100-B

CARD EQUIPMENT

- CR10-FA 300 cards per minute table reader and control.
CR10-FB PREREQUISITE: BA10
- CR10-HA 1200 cards per minute console reader and control.
CR10-HB PREREQUISITE: BA10

PAPER TAPE

- PC10-CL 300 characters per second paper tape reader/50 characters per second punch including cabinet, power supplies, PC04 high-speed PTR/PTP.
PC10-CM PREREQUISITE: DIA (Digital Analyzer & Monitoring Device), which is included on KL10-D.

FRONT END COMMUNICATIONS

See page 17 for configurations.

NOTE: DN87-based Communication Front Ends and options will continue to be available. See Miscellaneous Section of Product Summary.

- DN20-CC Data Communications Universal Front End with 32K words of core memory. Requires the addition of DN20-XX or DN21-XX options for synchronous and asynchronous operations.
DN20-CD

NOTE: DN20-based Communication Front Ends do not include single device cables to asynchronous terminals or modems. They must be ordered separately. See Cable Section of Product Summary.

SYNCHRONOUS LINE INTERFACES FOR DN20

- DN20-BA Low speed synchronous line controller, including one low speed line interface expandable to 4 with the addition of DN20-BBs.
PREREQUISITE: DN20-C
- DN20-DA Synchronous expansion drawer, including one low speed line interface expandable to 4 with the addition of DN20-BBs.
DN20-DB PREREQUISITE: DN20-BA
- DN20-BB Low speed synchronous line interface for speeds between 2.4Kb and 19.2Kb. (RS-232-C modem interface).
PREREQUISITE: DN20-BA or DN20-DA
- DN21-DA Synchronous expansion drawer, including one high speed line interface expandable to 4 with the addition of DN21-BAs.
DN21-DB PREREQUISITE: DN20-C
- DN21-BA High speed synchronous line interface for speeds between 19.2Kb and 56Kb.
PREREQUISITE: DN21-D

ASYNCHRONOUS LINE INTERFACES FOR DN20/TOPS-10 ONLY

DN25-EC DN25-ED	Asynchronous expansion cabinet and first drawer including one 8-line multiplexer. <i>PREREQUISITE:</i> DN20-C
DN25-DA DN25-DB	Asynchronous expansion drawer including one 8-line multiplexer, expandable to 16 lines with the addition of a DN25-BA. <i>PREREQUISITE:</i> DN25-E
DN25-AA	8-line asynchronous line multiplexer and controller expandable to 16 lines with the addition of a DN25-BA. <i>PREREQUISITE:</i> DN25-AB
DN25-AB	8 line asynchronous multiplexer with distribution panel, expandable to 16 with addition of a DN25-BA. <i>PREREQUISITE:</i> DN25-D/E
DN25-BA	8 line asynchronous expansion multiplexer. <i>PREREQUISITE:</i> DN25-A/D/E

DN200 REMOTE STATION

See page 18 for configurations.

DN200-AA DN200-AB	Remote Station. Includes only the Kernel hardware and console terminal. Requires the addition of add-on options for operations. <i>PREREQUISITE:</i> DN87 or DN20
----------------------	----------------------------------------------------------------------------------------------------------------------------------------------------------------------

DN200 OPTIONS

DNSXX-AA	Synchronous line unit for speeds between 2.4Kb and 19.2Kb. RS-232-C interface with cable. Maximum of 2. <i>PREREQUISITE:</i> DN200
DNLXX-BA DNLXX-BB	300 lines per minute, LP05 line printer with 64-character EDP drum, 132 columns. <i>PREREQUISITE:</i> DN200
DNLXX-CA DNLXX-CB	240 lines per minute, LP05 line printer with 96-character EDP drum, 132 columns. <i>PREREQUISITE:</i> DN200
DNCXX-AA DNCXX-AB	300 cards per minute card reader. <i>PREREQUISITE:</i> DN200

CPU PACKAGE UPGRADES TO THE DECSYSTEM 1090

1090-VA 1090-VB	This Upgrade Package includes the KL10-D (includes one RH20) Central Processor, RP06-B Disk, Software License and Sources+ for TOPS-10 and the Initial Support Package. There is an allowance for the KA and KI trade-ins. See the Large Systems Price Insert.
KL10-PM*	KL10-A to KL10-B Upgrades. Adds backplane wiring for up to 8 Massbus Controllers and up to 3 DTE Communication Interfaces. Installation included. Does not include channels or controllers.
KL10-PV*	KL10-B to KL10-D. Upgrades KL10-B CPU to latest design. Installation included. Does not include channels or controllers.

*Does not include software. +Does not include Front-End Sources.

UPGRADE POLICIES FOR THE DECSYSTEM-1090

- When quoting an upgrade, the following language must be included in your quote:

Customer agrees to pay all transportation charges connected with the return of the trade-in for the upgrade equipment and the delivery of the new equipment including all shipping, insurance, rigging and drayage charges. Customer warrants that as of the date of the acceptance of this offer he will convey to DIGITAL good and clear title to the trade-in equipment. The trade-in equipment will be returned to DIGITAL's Marlboro, Massachusetts, facility in good condition, reasonable wear and tear excepted.

- When upgrading equipment on lease, the upgrade allowances can only be applied after the customer pays off the lease for the upgraded equipment.
- Customers will be invoiced for the full selling price of all systems/options shipped in upgrade situations. When equipment is returned, credit will be issued against his account.
- Any reconfiguration or moving of equipment during the upgrade installation will be billed by Field Service on a "time and material" basis. The Cable Policy delineated in the Policy Section of this Product Summary will apply: Only those cables necessary for normal installation will be supplied. Cables for reconfiguration of the system must be quoted and ordered as separate line items on an upgrade order.
- Maintenance prices are not quoted separately. Use new system prices.

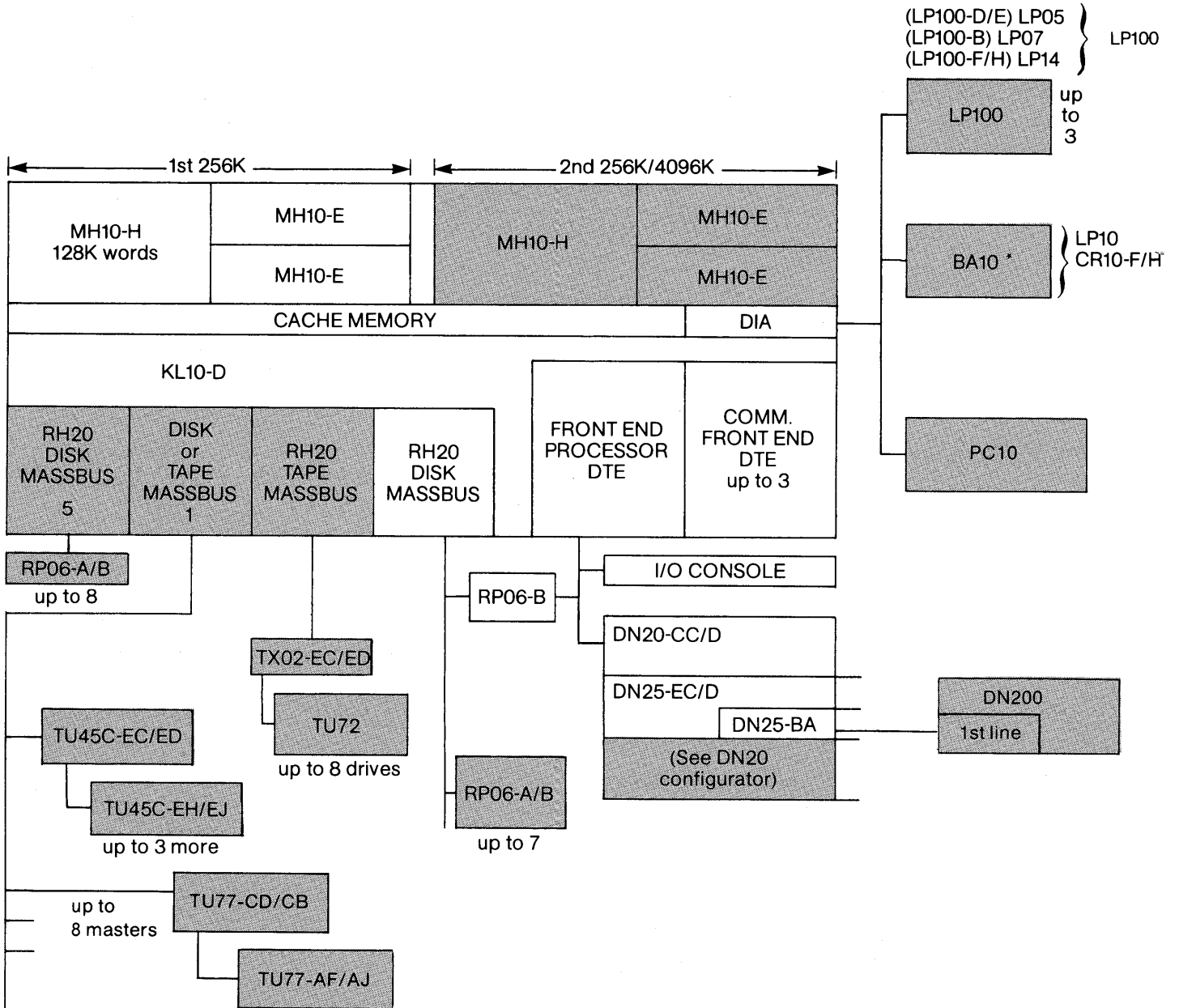
1090
Configurators
&
Rules

DECsystem-1090-P CORE Configurator

Basic DECsystem-1090 includes:

CPU & Cache	RP06 Disk
256K Words MH10 Core Memory	16 Asynchronous Lines
One RH20 for Disks	LA36 Console

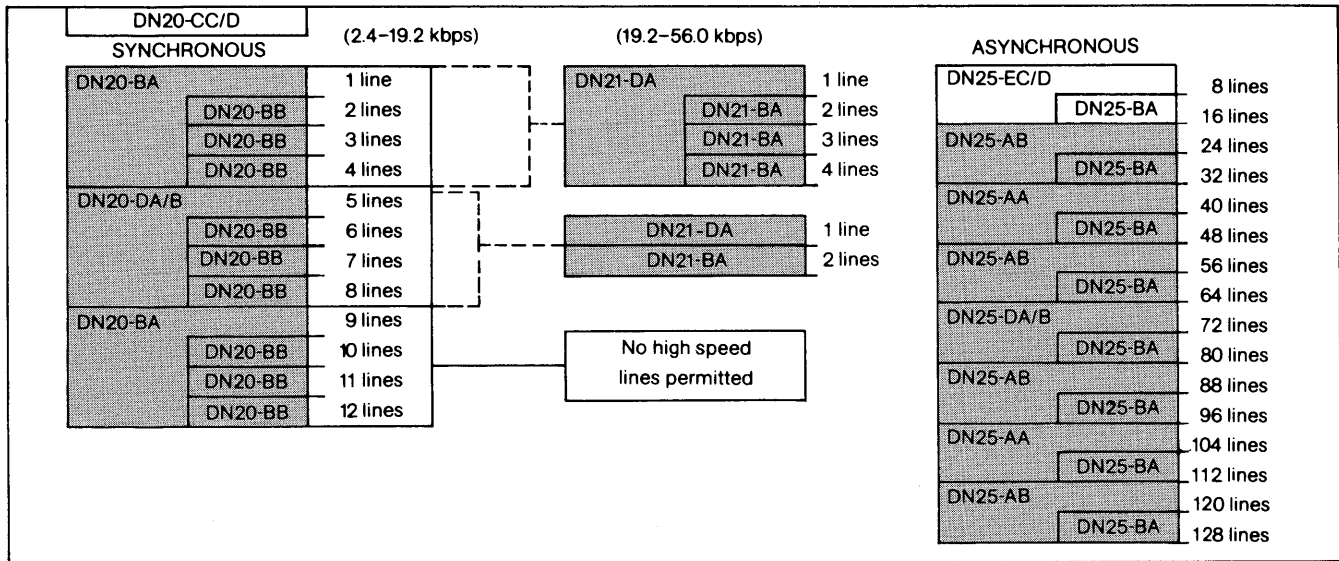
Minimum System includes the basic system plus a tape subsystem and line printer.



SHADED AREA OPTIONAL

*The BA10 devices are not sold on 1090 but may be attached from KA or KI upgrades.

COMMUNICATIONS FRONT END (DN20) CONFIGURATOR



*If there are no low speed or asynchronous lines, you may have up to 6 high speed lines.

The general rule for configuring a DN-20 Front-End is the following:

$$\frac{\text{Aggregate DUP-11}}{38\text{Kb}} + \frac{\text{Aggregate DMC-11}}{75\text{Kb}} \leq 1 \text{ of any async lines}$$

$$\frac{\text{Aggregate DUP-11}}{19.2\text{Kb}} + \frac{\text{Aggregate DMC-11}}{55\text{Kb}} \leq 1 \text{ of any async lines}$$

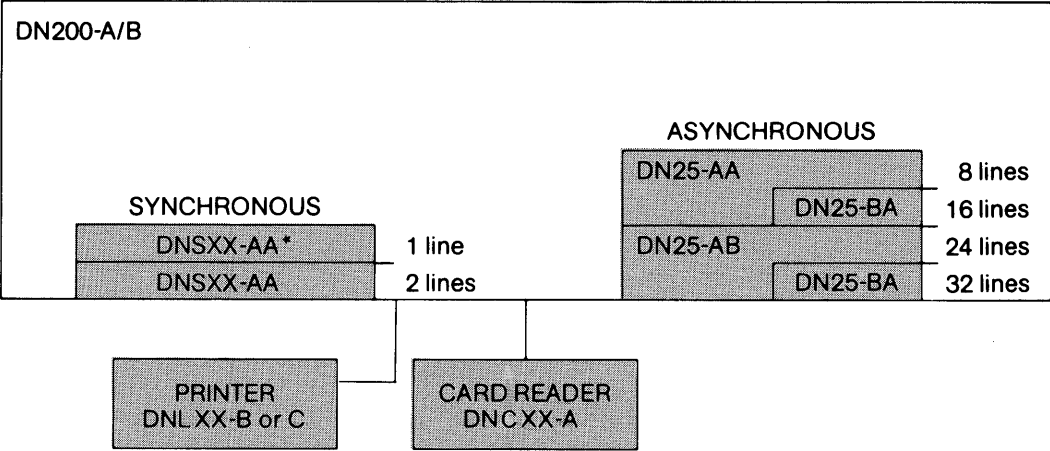
The maximum number of async lines is 128. DUP-11s are not recommended for use at line speeds above 9.6Kb. Examples of legal configurations are as follows:

- 12 DUP-11s at 2.4Kb, no DMC-11s, no async lines.
- 4 DMC-11s at 19.2Kb, no DUP-11s, no async lines.
- 3 DMC-11s at 19.2Kb, no DUP-11s, some async lines.
- 2 DUP-11s at 9.6Kb, no DMC-11s, some async lines.
- 1 DUP-11 at 9.6Kb, 2 DMC-11s at 19.2Kb, some async lines.

Up to 3 DN20's can be supported on 1090-P systems. The software (except DECnet-10 (DCP) Task to Task) for this universal communication front end is included in the basic system package.

A separate DN20 is required to run QH061-X (2780/3780 Software) with maximum configuration of DN20-CC/CD, DN20-BA, DN20-DA/DB, (4)DN20-BB (a total of 6 bisync lines) in a single cabinet.

DN200 CONFIGURATOR



* The first DNSXX-AA is used for connecting to the system.

SHADED AREA OPTIONAL

DECsystem-1091 System & Options

1091 SYSTEM PACKAGE

- KL10-E Central Processor (includes two RH20 for disks and tapes)
- MCA20 Cache Memory
- LA36 console terminal
- 16 Asynchronous lines (Console Front End)
- 256K words MB20 Core or MF20 MOS memory module
- One RP06-B disk
- Initial Support Package
- TOPS-10 Operating System with TOPS-10 License
- TOPS-10 Sources (Front End (RSX-20F) Sources are not included)

A minimum system must include in addition to the basic system package, a magnetic tape subsystem with a 1600 bit per inch tape transport and a line printer.

INITIAL SUPPORT PACKAGE

- 10 training credits
- Hardware installation with 90-day warranty
- Software installation with 90-day warranty
- 1 set Software Notebooks and 90 day Update service
- 5 sets of manuals for the Operating System

SYSTEM PACKAGE

1091-PA 1091 System Package with 256K words MB20 core memory, RP06, TOPS-10.
1091-PB *(Not available for delivery after Q3, FY'80).*

1091-SA 1091 System Package with 256K words MF20 MOS memory, RP06, TOPS-10.
1091-SB *(Not available for delivery until Q4, FY'80).*

CORE MEMORY

(Available for add-ons only to existing 1091-PA/PB systems)

MB20-GC First 64K words expansion beyond 256K words.
MB20-GD

MB20-E 64K words expansion module. Maximum of three per MB20-G.

MOS MEMORY

MF20-LA 256K words MOS memory, space for 2 MF20-E, first backplane.
MF20-LB *(Included in 1091-S system package, shown here for upgrade orders only.)*

MF20-LC 256K words MOS memory, space for 2 MF20-E, second backplane.
MF20-LD

MF20-LM 256K words External MOS memory, space for 2 MF20-E, first backplane.
MF20-LN *(Not available for delivery until Q3, FY'80).*
PREREQUISITE: TOPS-10, Release 7.01

MF20-LK 256K words External MOS memory, space for 2 MF20-E, second backplane.
MF20-LL *(Not available for delivery until Q3, FY'80).*
PREREQUISITE: TOPS-10, Release 7.01

MF20-E 256K words expansion memory.
PREREQUISITE: MF20-L

MF20 MEMORY CONFIGURATORS

Memory Size (words)	MF20-LA(LB)*	MF20-LC(LD)	MF20-LM(LN)	MF20-LK(LL)	MF20-E
256K*	1				
512K	1				1
768K	1				2
1024K	1	1			2
1280K	1	1			3
1536K	1	1			4
1792K	1	1	1		4
2048K	1	1	1		5
2304K	1	1	1		6
2560K	1	1	1	1	6
2816K	1	1	1	1	7
3072K	1	1	1	1	8

*Included in System Package--shown here for upgrades only.

DISK & TAPE CONTROLLER

RH20 MASSBUS Controller for disks and tapes.

ADD-ON DISK PACK DRIVES

RP06-AA Single access 40 million word add-on disk pack drive which also includes one RP06-P
 RP06-AB disk pack.
PREREQUISITE: RH20

RP06-BA Dual access 40 million word add-on disk pack drive which also includes one RP06-P
 RP06-BB disk pack.
PREREQUISITE: RH20

RP06-C RP06 dual access kit.
PREREQUISITE: RP06-A

TU45 SERIES

MAGNETIC TAPE SUBSYSTEMS

TU45C-EC Magnetic tape subsystem including controller and one master tape drive, 9-track, 75
 TU45C-ED inches per second and 800/1600 bits per inch. (Expandable to a maximum of 4 tape
 drives per controller) with the addition of TU45C-EH(EJ) add-on tape drives.
PREREQUISITE: RH20

TU45 SERIES

ADD-ON MAGNETIC TAPE DRIVE

TU45C-EH 9-track, 75 inches per second, 800/1600 bits per inch add-on magnetic tape drive.
 TU45C-EJ *PREREQUISITE:* TU45C-EC(ED)

TU77 SERIES

MAGNETIC TAPE SUBSYSTEMS

TU77-CB Magnetic tape subsystem including controller and one master tape drive 9-track, 125
 TU77-CD inches per second, 800/1600 bits per inch. (Expandable to a maximum of 4 tape drives
 per controller) with the addition of TU77-AF(AJ) add-on tape drives.
PREREQUISITE: RH20

**TU77 SERIES
ADD-ON MAGNETIC TAPE DRIVES**

TU77-AF 9-track, 125 inches per second, 800/1600 bits per inch add-on tape drive.
TU77-AJ *PREREQUISITE:* TU77-CB(CD)

**TU72 SERIES
MAGNETIC TAPE SUBSYSTEMS**

TX02-EH Magnetic tape controller and DX20 channel for TU72 series tapes.
TX02-EJ *PREREQUISITE:* RH20

**TU72 SERIES
ADD-ON MAGNETIC TAPE DRIVE**

TU72-EC 9-track, 125 inches per seconds, 1600/6250 bits per inch add-on tape drive.
TU72-ED *PREREQUISITE:* TX02-E

**TU72 SERIES
SWITCH OPTIONS**

TX03-EH Two channel switch option and DX20 channel. Includes a BC10Z-25 cable.
TX03-EJ *PREREQUISITE:* TX02-E; *TOPS-10, Release 7.01*

TX03-FB Two channel switch for (2) TX02s. Includes 4 BC10Y-25 cables.
PREREQUISITE: (2) TX02-Es; *TOPS-10, Release 7.01*

TX05-EC Two control unit tape switch option and TX02. Includes BC10X-25, two BC10W-25, and
TX05-ED two BC10Y-25 cables.
PREREQUISITE: TX02-E; *TOPS-10, Release 7.01*

TX05-FB Two control unit tape switch option. Includes BC10X-25, two BC10W-25 cables.
PREREQUISITE: (2) TX02-Es; *TOPS-10, Release 7.01*

LINE PRINTERS

LP20-AA 300 lines per minute, LP05 line printer with 64-characters **EDP** drum, 132 columns,
LP20-AB LP20 controller and cable kit.

LP20-AC 300 lines per minute, LP05 line printer with 64-character **Scientific** drum, 132 columns,
LP20-AD LP20 controller and cable kit.

LP20-BA 240 lines per minute, LP05 line printer with 96-character **EDP** drum, 132 columns, LP20
LP20-BB controller and cable kit.

LP20-BC 240 lines per minute, LP05 line printer with 96-character **Scientific** drum, 132 columns,
LP20-BD LP20 controller and cable kit.

LP20-CA 900 lines per minute, LP14 line printer with 64-character **EDP** drum, 132 columns, LP20
LP20-CB controller and cable kit.

LP20-CC 900 lines per minute, LP14 line printer with 64-character **Scientific** drum, 132 columns,
LP20-CD LP20 controller and cable kit.

LP20-DA 660 lines per minute, LP14 line printer with 96-character **EDP** drum, 132 columns, LP20
LP20-DB controller and cable kit.

LP20-DC 660 lines per minute, LP14 line printer with 96-character **Scientific** drum, 132 columns,
LP20-DD LP20 controller and cable kit.

LP200 CHARABANDS

LP200-BA LP07 **Charaband** line printer with LP20 control & cable kit, 900/1200 lines per minute.
LP200-BB Specify one or more charabands listed .

LP07-YC	Standard Charaband containing one set of EDP 64-character fonts and one set of EDP 96-character fonts. <i>PREREQUISITE:</i> LP200-B
LP07-YA	Charaband containing two sets of EDP 64-character fonts. <i>PREREQUISITE:</i> LP200-B
LP07-YB	Charaband containing two sets of EDP 96-character fonts. <i>PREREQUISITE:</i> LP200-B
LP07-YD	Charaband one set of 64-character EDP fonts and one set of Kata Kana 49-character fonts. <i>PREREQUISITE:</i> LP200-B
LP07-YF	Charaband containing one set of OCR-A 64-character fonts and one set of OCR-A 96-character fonts. <i>PREREQUISITE:</i> LP200-B
LP07-YH	Charaband containing two sets of Scientific 96-character fonts. <i>PREREQUISITE:</i> LP200-B
LP07-YJ	Charaband containing one set of EDP 96-character fonts and one set of Scientific 96-character fonts. <i>PREREQUISITE:</i> LP200-B
LP07-YK	Charaband containing one set of Swedish/Finnish EDP 96-character fonts. <i>PREREQUISITE:</i> LP200-B
LP07-YL	Charaband containing one set of British EDP 96-character fonts and one set of British EDP 64-character fonts. <i>PREREQUISITE:</i> LP200-B
LP07-YM	Charaband containing two sets of Open Gothic EDP 64-character fonts (IBM 1401). <i>PREREQUISITE:</i> LP200-B

CARD EQUIPMENT

CD20-AA 300 cards per minute table-model reader and control.
CD20-AB

CD20-CA 1200 cards per minute console-model reader and control.
CD20-CB

PAPER TAPE

PC20-BL 300 characters per second paper tape reader/50 characters per second punch including cabinet, power supplies, PC04 high-speed PTR/PTP.
PC20-BM
PREREQUISITE: DIB20

I/O BUS INTERFACE

DIB20 I/O Bus Interface.

ASYNCHRONOUS LINE INTERFACES

Cables are not included with the DC20 Interfaces

DC20-AA Basic 8-line group, expandable to 16 lines with the addition of DC20-DA.

DC20-DA 8-line asynchronous expansion group (maximum of one per DC20-AA).
PREREQUISITE: DC20-AA

DC20-CD Distribution cabinet (required for configuration between 32 and 128 lines).
PREREQUISITE: DC20

DC20-EA Communications expansion cabinet for over 32 lines--includes one DC20-AA. Can accommodate up to 3 additional DC20-AA.
DC20-EB
PREREQUISITE: DC20-CD

FRONT END COMMUNICATIONS

See page 31 for configuration.

DN20-CC Data Communications Universal Front End with 32K words of core memory. Requires
DN20-CD the addition of DN20-XX or DN21-XX options for synchronous and asynchronous operations.

NOTE: DN20-based Communication Front Ends do not include single device cables to asynchronous terminals or modems. They must be ordered separately. See Cable Section of Product Summary.

SYNCHRONOUS LINE INTERFACES FOR DN20

DN20-BA Low speed synchronous line controller, including one low speed line interface expandable to 4 with the addition of DN20-BBs.
PREREQUISITE: DN20-C

DN20-DA Synchronous expansion drawer, including one low speed line interface expandable to 4
DN20-DB with the addition of DN20-BA.
PREREQUISITE: DN20-BA

DN20-BB Low speed synchronous line interface for speeds between 2.4Kb and 19.2Kb. (RS-232-C modem interface).
PREREQUISITE: DN20-BA or DN20-DA

DN21-DA Synchronous expansion drawer, including one high speed line interface, expandable to
DN21-DB 4 with the addition of DN21-BAs.
PREREQUISITE: DN20-C

DN21-BA High speed synchronous line interface for speeds between 19.2Kb and 56Kb.
PREREQUISITE: DN21-D

ASYNCHRONOUS LINE INTERFACES FOR DN20/TOPS-10 ONLY

DN25-EC Asynchronous expansion cabinet and first drawer including one 8-line multiplexer.
DN25-ED PREREQUISITE: DN20-C

DN25-DA Asynchronous expansion drawer including one 8-line multiplexer, expandable to 16
DN25-DB lines with the addition of a DN25-BA.
PREREQUISITE: DN25-E

DN25-AA 8-line asynchronous line multiplexer and controller expandable to 16 lines with the
addition of a DN25-BA.
PREREQUISITE: DN25-AB

DN25-AB 8 line asynchronous multiplexer with distribution panel, expandable to 16 with addition
of a DN25-BA.
PREREQUISITE: DN25-D/E

DN25-BA 8 line asynchronous expansion multiplexer.
PREREQUISITE: DN25-A/D/E

DN200 REMOTE STATION

See page 32 for configuration.

DN200-AA Remote Station. Includes only the Kernel hardware and console terminal. Requires the
DN200-AB addition of add-on options for operations.
PREREQUISITE: DN87 or DN20

DN200 OPTIONS

DNSXX-AA Synchronous line unit for speeds between 2.4Kb and 19.2Kb. RS-232-C interface with
cable. Maximum of 2.
PREREQUISITE: DN200

DNLXX-BA 300 lines per minute, LP05 line printer with 64-character **EDP** drum, 132 columns.
DNLXX-BB PREREQUISITE: DN200

DNLXX-CA 240 lines per minute, LP05 line printer with 64-character **EDP** drum, 132 columns.
DNLXX-CB PREREQUISITE: DN200

DNCXX-AA 300 cards per minute card reader.
DNCXX-AB PREREQUISITE: DN200

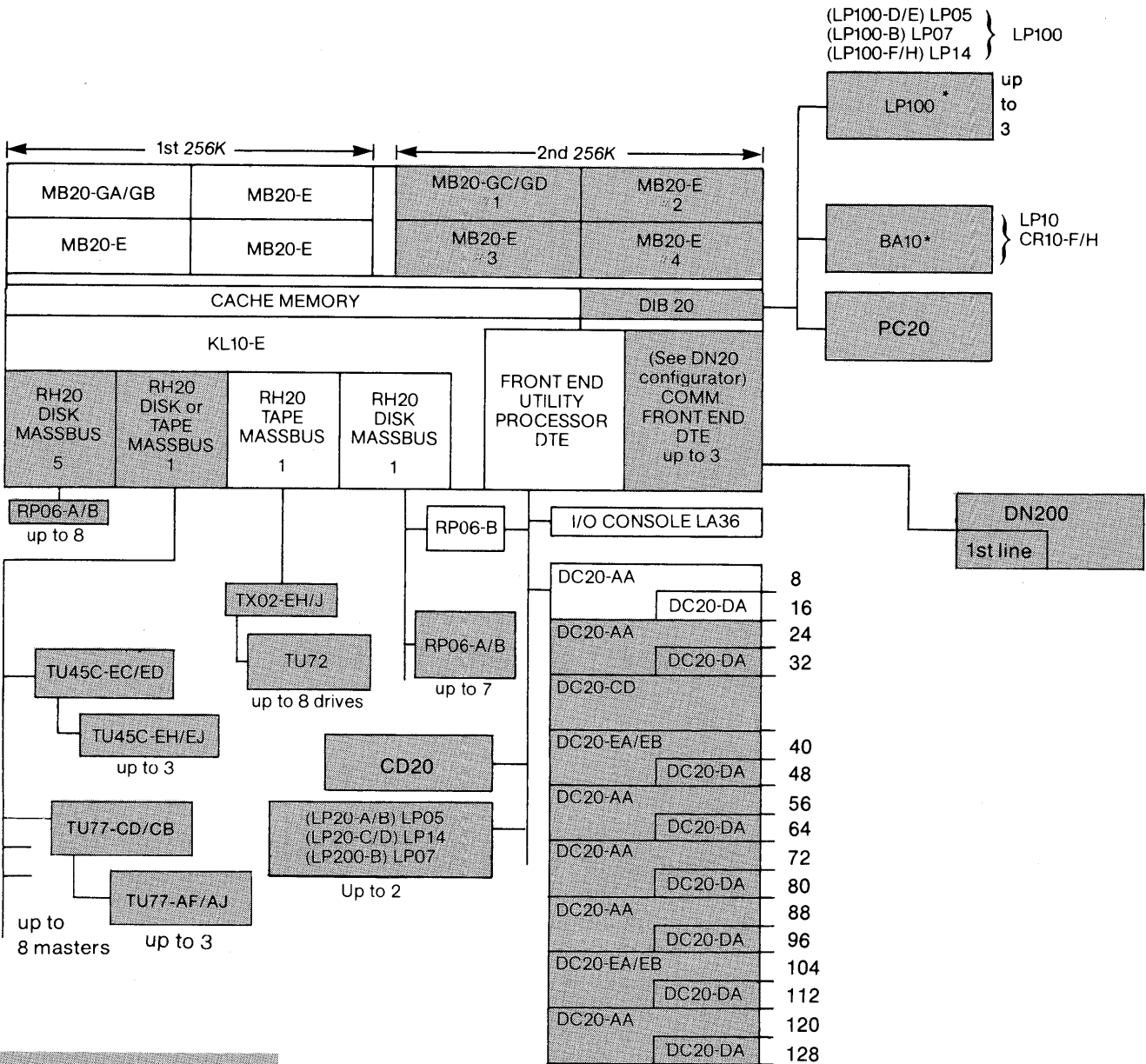
1091
Configurators
&
Rules

DECsystem-1091-P CORE Configurator

Basic DECsystem-1091 includes:

CPU & Cache	RP06 Disk
256K Words MB20 Core Memory	16 Asynchronous Lines
Two RH20 for Disks and Tapes	LA36 Console

Minimum System includes the basic system plus a tape subsystem and line printer.



SHADED AREA OPTIONAL

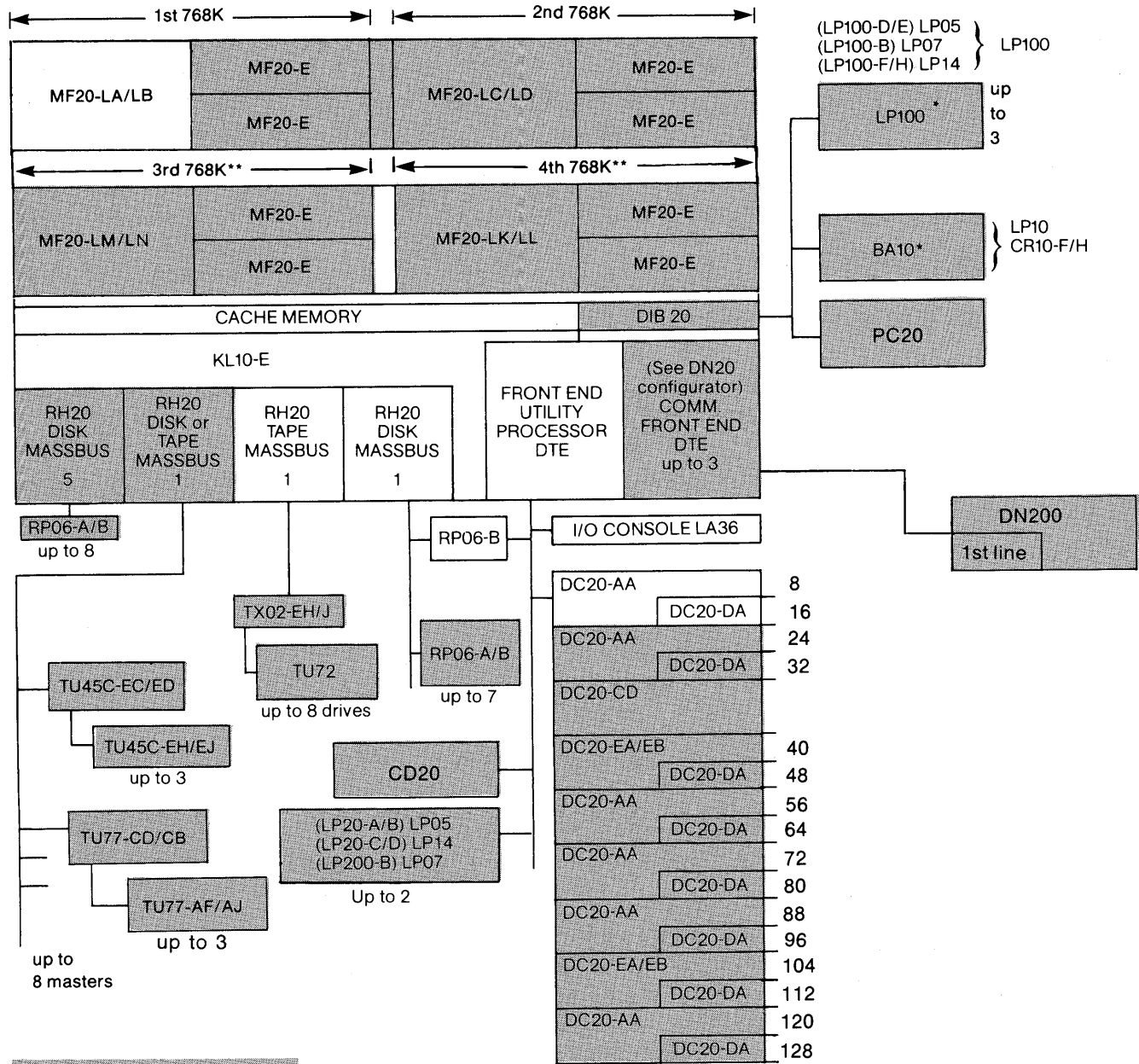
*The BA10 devices and LP100 line printer are not sold on 1091 but may be attached from KA or KI upgrades. Requires the addition of a DIB20.

DECsystem-1091-S MOS Configurator

Basic DECsystem-1091 includes:

CPU & Cache	RP06 Disk
256K Words MF20 MOS Memory	16 Asynchronous Lines
Two RH20 for Disks and Tapes	LA36 Console

Minimum System includes the basic system plus a tape subsystem and line printer.

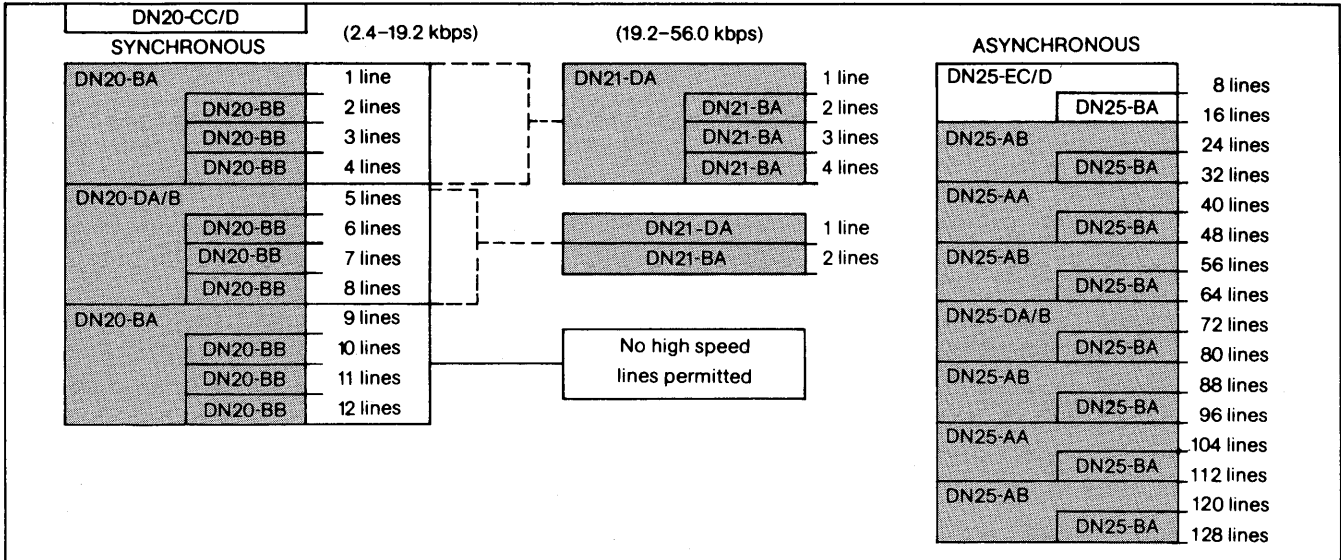


SHADED AREA OPTIONAL

*The BA10 devices and LP100 line printer are not sold on 1091 but may be attached from KA or KI upgrades. Requires the addition of a DIB20.

**Memory sizes greater than 1536K words, require TOPS-20, Release 4.

COMMUNICATIONS FRONT END (DN20) CONFIGURATOR



*If there are no low speed or asynchronous lines, you may have up to 6 high speed lines.

The general rule for configuring a DN-20 Front-End is the following:

$$\frac{\text{Aggregate DUP-11}}{38\text{Kb}} + \frac{\text{Aggregate DMC-11}}{75\text{Kb}} \leq 1 \text{ of any async lines}$$

$$\frac{\text{Aggregate DUP-11}}{19.2\text{Kb}} + \frac{\text{Aggregate DMC-11}}{55\text{Kb}} \leq 1 \text{ of any async lines}$$

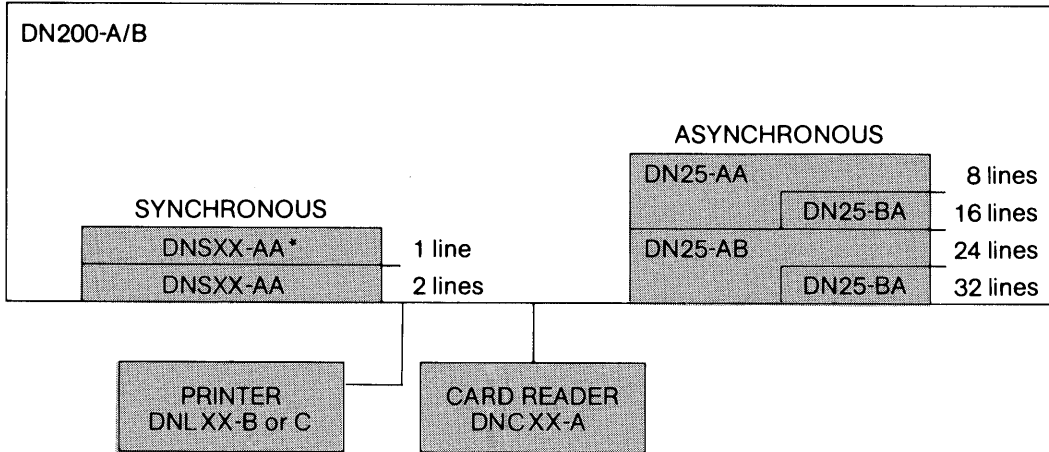
The maximum number of async lines is 128. DUP-11s are not recommended for use at line speeds above 9.6Kb. Examples of legal configurations are as follows:

- 12 DUP-11s at 2.4Kb, no DMC-11s, no async lines.
- 4 DMC-11s at 19.2Kb, no DUP-11s, no async lines.
- 3 DMC-11s at 19.2Kb, no DUP-11s, some async lines.
- 2 DUP-11s at 9.6Kb, no DMC-11s, some async lines.
- 1 DUP-11 at 9.6Kb, 2 DMC-11s at 19.2Kb, some async lines.

Up to 3 DN20's can be supported on 1091-P or 1091-S systems. The software (except DECnet-10 (DCP) Task to Task) for this universal communication front end is included in the basic system package.

A separate DN20 is required to run QH061-X (2780/3780 Software) with maximum configuration of DN20-CC/CD, DN20-BA, DN20-DA/DB, (4)DN20-BB (a total of 6 bisync lines) in a single cabinet.

DN200 CONFIGURATOR



* The first DNSXX-AA is used for connecting to the system.

DECSYSTEM-2020 Systems & Options

2020 BASIC SYSTEM PACKAGES

TOPS-10

KS10 Central Processor
256K words MS10 Memory
One RM03 or RP06
16 Asynchronous Lines
LA36 Console Terminal
TOPS-10 Operating System
with TOPS-10 License
TOPS-10 Sources
Initial Support Package
25 day Consulting Services Package

TOPS-20

KS10 Central Processor
256K words MS10 Memory
One RM03 or RP06
16 Asynchronous Lines
LA36 Console Terminal
TOPS-20 Operating System
with TOPS-20 License
Initial Support Package
25 day Consulting Services Package

A minimum system must include in addition to the basic system package, a magnetic tape subsystem with a 1600 bit per inch tape transport and a line printer.

INITIAL SUPPORT PACKAGE

- 10 Training Credits
- Hardware installation and a 90-day warranty
- Software installation with 90-day warranty
- 1 Set Software Notebooks and 90 day Update Service
- 5 sets of manuals for the Operating System

Note: No maintenance documentation or diagnostics are provided.

SYSTEM PACKAGES

2020-PA 2020 Basic System Package, RM03, TOPS-20.
2020-PB

2020-PC 2020 Basic System Package, RM03, TOPS-10.
2020-PD

2020-SA 2020 Basic System Package, RP06, TOPS-20.
2020-SB

2020-SC 2020 Basic System Package, RP06, TOPS-10.
2020-SD

2020 J/K PACKAGES

2020-JA Special System Package, Including: 256K words Memory, (2) RM03 Disks, 16 Asynchronous Lines, LA36 Terminal, Initial Support Package, 25-Day Consulting Services Package, (5) Software Units*, TOPS-20+.

2020-JC Special System Package, Including: 256K words Memory, (2) RM03 Disks, 16 Asynchronous Lines, LA36 Terminal, Initial Support Package, 25-Day Consulting Services Package, (5) Software Units*, TOPS-10 Monitor, TOPS-10 Sources+.

2020-KA Special System Package, Including: 256K words Memory, (2) RP06 Disks, 16 Asynchronous Lines, LA36 Terminal, Initial Support Package, 25-Day Consulting Services Package, (5) Software Units*, TOPS-20+.

2020-KC Special System Package, Including: 256K words Memory, (2) RP06 Disks, 16 Asynchronous Lines, LA36 Terminal, Initial Support Package, 25-Day Consulting Services Package, (5) Software Units*, TOPS-10 Monitor, TOPS-10 Sources+.

*2020-J/K Special System Packages **booked** with 384K words of memory will receive 6 Software Units and packages **booked** with 512K words of memory will receive 8 Software Units.

+Requires TOPS-10/20 License.

NOTE: 2020-J/K Special System Packages

Minimum System Requirements: In addition to the basic system package, a minimum system must include a magnetic tape subsystem with 800/1600 bits per inch tape transport and a line printer.

MOS MEMORY

MS10-BA 64K words add-on MOS Memory

ADD-ON DISK PACK DRIVES

RM03-AA Single access 67.0 megabyte top loading disk pack drive which also includes one
RM03-AD RM03-P disk pack.

RP06-AA Single access 40 million word add-on disk pack drive which also includes one RP06-P
RP06-AB disk pack.

TAU45 SERIES

MAGNETIC TAPE SUBSYSTEM

TAU45-EC Magnetic tape subsystem including an RH11 tape channel, a controller and one master
TAU45-ED tape drive 9-track, 75 inches per second, 800/1600 bits per inch. (Expandable to a maximum of 4 tape drives per controller) with the addition of TU45A-EH(EJ) add-on tape drives.

TU45 SERIES

ADD-ON MAGNETIC TAPE DRIVES

TU45A-EH 9-track, 75 inches per second, 800/1600 bits per inch add-on magnetic tape drive.
TU45A-EJ PREREQUISITE: TAU45-E

TAU77 SERIES

MAGNETIC TAPE SUBSYSTEMS

TAU77-EC Magnetic tape subsystem including controller and one master tape drive 9-track, 125
TAU77-ED inches per second, 800/1600 bits per inch. (Expandable to a maximum of 4 tape drives per controller) with the addition of TU77-AF(AJ) add-on tape drives.

TU77 SERIES

ADD-ON MAGNETIC TAPE DRIVES

TU77-AF 9-track, 125 inches per second, 1600/800 bits per inch add-on tape drive.
TU77-AJ PREREQUISITE: TAU77-EC(ED)

LINE PRINTERS

LP20-AA 300 lines per minute, LP05 line printer with 64-characters **EDP** drum, 132 columns,
LP20-AB LP20 controller and cable kit.

LP20-AC 300 lines per minute, LP05 line printer with 64-character **Scientific** drum, 132 columns,
LP20-AD LP20 controller and cable kit.

LP20-BA 240 lines per minute, LP05 line printer with 96-character **EDP** drum, 132 columns, LP20
LP20-BB controller and cable kit.

LP20-BC 240 lines per minute, LP05 line printer with 96-character **Scientific** drum, 132 columns,
LP20-BD LP20 controller and cable kit.

LP20-CA 900 lines per minute, LP14 line printer with 64-character **EDP** drum, 132 columns, LP20
LP20-CB controller and cable kit.

LP20-CC 900 lines per minute, LP14 line printer with 64-character **Scientific** drum, 132 columns,
LP20-CD LP20 controller and cable kit.

LP20-DA 660 lines per minute, LP14 line printer with 96-character **EDP** drum, 132 columns, LP20
LP20-DB controller and cable kit.

LP20-DC 660 lines per minute, LP14 line printer with 96-character **Scientific** drum, 132 columns,
LP20-DD LP20 controller and cable kit.

CARD READERS

CD20-AA 300 cards per minute table-model reader and control.
CD20-AB *PREREQUISITE: DNHXX-A*

CD20-CA 1200 cards per minute console-model reader and control.
CD20-CB *PREREQUISITE: DNHXX-A*

DNHXX-AA Expansion cabinet with BA11-K and 861 power supply. Use **only** with CD20 card reader.
DNHXX-AB

SYNCHRONOUS LINE INTERFACES/TOPS-20 ONLY

DN20-BA First synchronous line and control for speeds between 2.4Kb and 19.2Kb. (RS-232-C modem interface).

DN20-BB Second synchronous line interface for speeds between 2.4Kb and 19.2Kb. (RS-232-C modem interface).

ASYNCHRONOUS LINE MULTIPLEXERS

DZ11-AA Asynchronous 8-line multiplexer for EIA terminals or lines. Features programmable speeds (up to 9600 bits per second) and formats on a per-line basis. Can expand to 16 lines with an addition of a DZ11-B. Includes data set control for use with Bell-103 modems or equivalent. Cables are not included.

DZ11-BA 8-line EIA expansion multiplexer is required when more than 24 lines are ordered. Cables are not included.
PREREQUISITE: DZ11-AA

2780/3780/HASP COMMUNICATIONS

DN22-AA **IBM 2780/3780/HASP-Multileaving Emulator/Terminator**
DN22-AB

Hardware/software bundled subsystem acting as a remote station to an IBM host in emulation mode, or as a host communicating with 2780, 3780, or HASP multileaving terminals in termination mode. Two communication lines are provided in any mix of emulation or termination.

PREREQUISITE: DECSYSTEM-2020 running TOPS-10 Version 7.01 or TOPS-20 Release 4 and one DN20-B synchronous line from DECSYSTEM-2020 with either synchronous modems for remote use or a single synchronous null modem for local use.

UPGRADE POLICIES FROM A DECSYSTEM-2020 TO DECSYSTEM-2040/60

- When quoting an upgrade, the following language should be included in your quote:

Customer agrees to pay all transportation charges connected with the return of the trade-in for the upgrade equipment and the delivery of the new equipment including all shipping, insurance, rigging and drayage charges. Customer warrants that as of the date of the acceptance of this offer he will convey to DIGITAL good and clear title to the trade-in equipment. The trade-in equipment will be returned to DIGITAL's Marlboro, Massachusetts, facility in good condition, reasonable wear and tear excepted.

- Any reconfiguration or moving of equipment during the upgrade installation will be billed by Field Service on a "time and material" basis. The Cable Policy delineated in the Policy Section of this Product Summary will apply: Only those cables necessary for normal installation will be supplied. Cables for reconfiguration of the system must be quoted and ordered as separate line items on an upgrade order.
- Maintenance prices are not quoted separately. Use new system prices.

Trade-In Equipment

(See Price Insert for allowances)

- 2020 Central Processor, First 256K words
Memory, Communications Lines, Magnetic Tape
Interface, Disk Interfaces, and Console
- Exchange RM03 for RP06
- 64K words Add-on Memory
- 128K words Add-on Memory
- 256K words Add-on Memory

Peripherals Upgrades

The following peripherals can be used to upgrade to the 2040/50/60:

RP06 (Less RH11)
Card Reader

TU45 (Less RH11)
Terminal

Line Printer

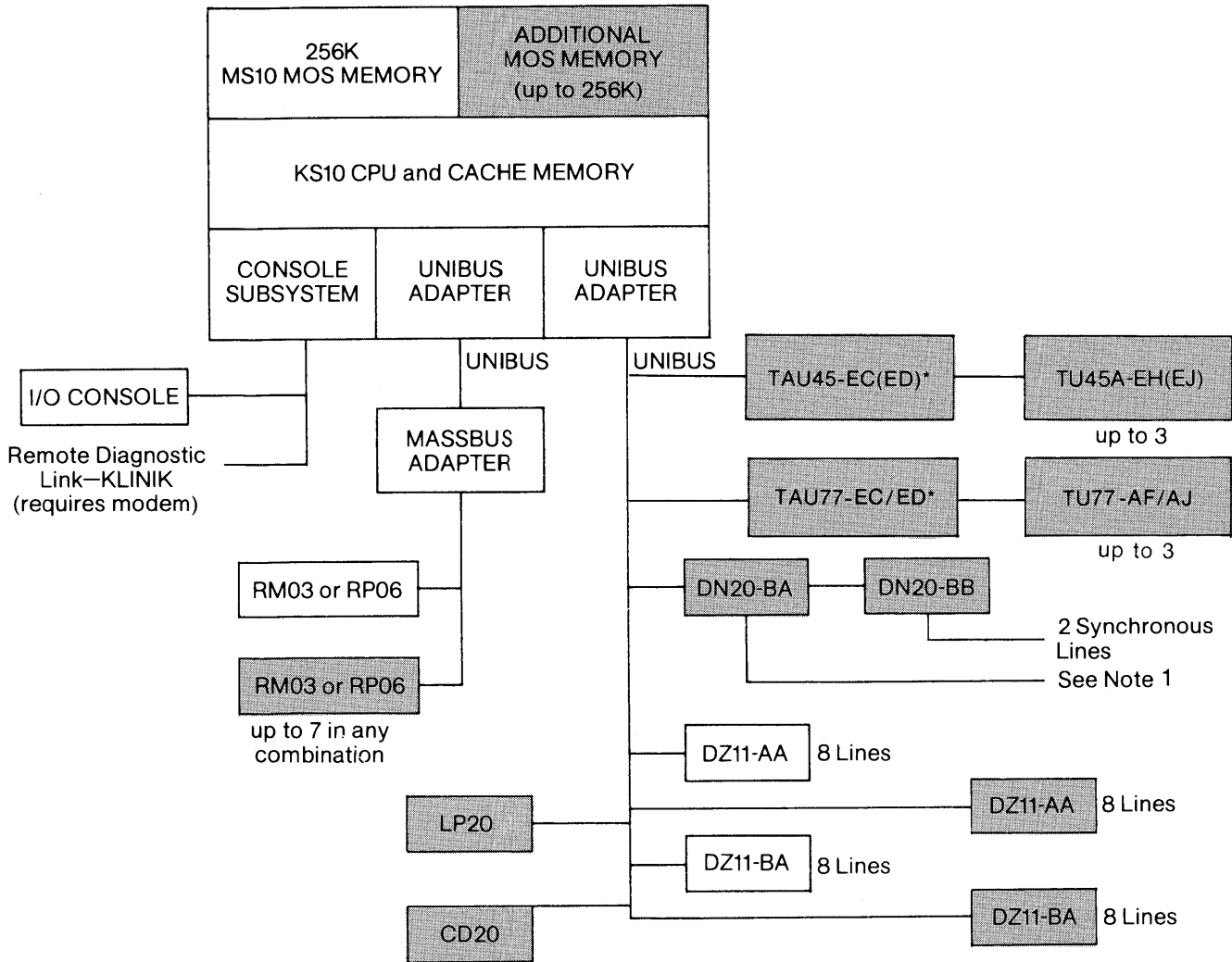
2020
Configurators
&
Rules

DECSYSTEM-2020 Configurator

Basic DECSYSTEM-2020 includes:

CPU, Console Subsystem & Cache
 256K Words MS10 MOS Memory
 RM03 or RP06 Disk

16 Asynchronous Lines
 I/O Console
 Disk MASSBUS Adaptor



TOPS-20 only--requires DECnet -20 software QTD20-AM.

*The TAU45 and TAU77 cannot be combined on the same UNIBUS.

SHADED AREA OPTIONAL

DECSYSTEM-2020 Configuration Rules

Memory	First 256K words are bundled in the system package. Maximum configuration is 512K words per system.
Disks	First RM03 or RP06 is bundled in the system package. RM03s and RP06s may be mixed on the same system. Maximum configuration is 8 disk drives per system. The 2020-G Special Bundled Systems are bundled with two disks.
Tapes	A TAU45 or TAU77 tape drive must be ordered separately as Field Service contracts require one tape drive.
Line Printers	DEC Field Service contracts require a hard copy printer device. Maximum configuration is one line printer per system.
Asynchronous Communications	Maximum configuration is 32 asynchronous lines per system.
Synchronous Communications	Supported under TOPS-20 only. Speeds between 2.4Kb and 19.2Kb. Maximum configuration is 2 synchronous lines.

DECSYSTEM-2040

Systems & Options

2040 SYSTEM PACKAGE

- KL10-E Central Processor (includes two RH20 for disks and tapes)
- 256K words MF20 MOS Memory
- One RP06-B Disk
- 16 Asynchronous Lines
- LA36 Console Terminal
- TOPS-20 Operating System with Extended Features and the TOPS-20 License
- Initial Support Package
- Consulting Services Package (50 days)

A minimum system must include in addition to the basic system package, a magnetic tape subsystem with a 1600 bit per inch tape transport and a line printer.

INITIAL SUPPORT PACKAGE

- 10 Training Credits
- Hardware installation & 90-day warranty
- Software installation with 90-day warranty
- 1 Set Software Notebooks and 90 day Update Service
- 5 sets of manuals for the Operating System

Note: No maintenance documentation or diagnostics are provided.

SYSTEM PACKAGE

2040-SA 2040 Basic System Package with 256K words MOS Memory, RP06, TOPS-20.
2040-SB

CORE MEMORY

(Available for add-ons only to existing 2040-PA/PB or the 2050-PA/PB systems)

MB20-GC First 64K words expansion beyond 256K words.
MB20-GD

MB20-E 64K words expansion module. Maximum of three per MB20-G.

MOS MEMORY

MF20-LA 256K words MOS memory, space for 2 MF20-E, first backplane.
MF20-LB *(Included in 2040-S system package, shown here for upgrade orders only.)*

MF20-LC 256K words MOS memory, space for 2 MF20-E, second backplane.
MF20-LD

MF20-LM 256K words External MOS memory, space for 2 MF20-E, first backplane.
MF20-LN *(Not available for delivery until Q3, FY'80).*
PREREQUISITE: TOPS-20, Release 4

MF20-LK 256K words External MOS memory, space for 2 MF20-E, second backplane.
MF20-LL *(Not available for delivery until Q3, FY'80).*
PREREQUISITE: TOPS-20, Release 4

MF20-E 256K words expansion memory.
PREREQUISITE: MF20-L

MF20 MEMORY CONFIGURATORS

Memory Size (words)	MF20-LA(LB)*	MF20-LC(LD)	MF20-LM(LN)	MF20-LK(LL)	MF20-E
256K*	1				1
512K	1				2
768K	1				2
1024K	1	1			3
1280K	1	1			4
1536K	1	1			4
1792K	1	1	1		5
2048K	1	1	1		6
2304K	1	1	1		6
2560K	1	1	1	1	7
2816K	1	1	1	1	8
3072K	1	1	1	1	8

*Included in System Package--shown here for upgrades only.

DISK & TAPE CONTROLLER

RH20 MASSBUS Controller for Disk and Tape.

ADD-ON DISK PACK DRIVES

RP06-AA Single access 40 million word add-on disk pack drive which also includes one RP06-P disk pack.

RP06-AB *PREREQUISITE:* RH20

RP06-BA Dual access 40 million word add-on disk pack drive which also includes one RP06-P disk pack.

RP06-BB *PREREQUISITE:* RH20

RP06-C RP06 dual access kit.

PREREQUISITE: RP06-A

TU45 SERIES

MAGNETIC TAPE SUBSYSTEM

TU45A-EC Magnetic tape subsystem including controller and one master tape drive 9-track, 75 inches per second, 800/1600 bits per inch. (Expandable to a maximum of 4 tape drives per controller) with the addition of TU45A-EH(EJ) add-on tape drives.

TU45A-ED *PREREQUISITE:* RH20

TU45 SERIES

ADD-ON MAGNETIC TAPE DRIVE

TU45A-EH 9-track, 75 inches per second, 800/1600 bits per inch add-on magnetic tape drive.

TU45A-EJ *PREREQUISITE:* TU45A-EC/ED

TU77 SERIES

MAGNETIC TAPE SUBSYSTEMS

TU77-CB Magnetic tape subsystem including controller and one master tape drive 9-track, 125 inches per second, 800/1600 bits per inch. (Expandable to a maximum of 4 tape drives per controller) with the addition of TU77-AF(AJ) add-on tape drives.

TU77-CD *PREREQUISITE:* RH20

TU77 SERIES

ADD-ON MAGNETIC TAPE DRIVES

TU77-AF 9-track, 125 inches per second, 800/1600 bits per inch add-on tape drive.

TU77-AJ *PREREQUISITE:* TU77-CB(CD)

**TU72 SERIES
MAGNETIC TAPE SUBSYSTEMS**

TX02-EE Magnetic tape controller and DX20 channel for TU72 Series Tapes.
TX02-EF *PREREQUISITE:* RH20

**TU72 SERIES
ADD-ON MAGNETIC TAPE DRIVES**

TU72-EC 9-track, 125 inches per second, 1600/6250 bits per inch add-on tape drive.
TU72-ED *PREREQUISITE:* TX02-E

**TU72 SERIES
SWITCH OPTIONS**

TX03-EE Two channel switch option and DX20 channel. Includes a BC10Z-25 cable.
TX03-EF *PREREQUISITE:* TX02-E; TOPS-20, Release 4

TX03-FB Two channel switch for (2) TX02s. Includes 4 BC10Y-25 cables.
PREREQUISITE: (2) TX02-Es; TOPS-20, Release 4

TX05-EC Two control unit tape switch option and TX02. Includes BC10X-25, two BC10W-25, and
TX05-ED two BC10Y-25 cables.
PREREQUISITE: TX02-E; TOPS-20, Release 4

TX05-FB Two control unit tape switch option. Includes BC10X-25, two BC10W-25 cables.
PREREQUISITE: (2) TX02-Es; TOPS-20, Release 4

LINE PRINTERS

LP20-AA 300 lines per minute, LP05 line printer with 64-characters **EDP** drum, 132 columns,
LP20-AB LP20 controller and cable kit.

LP20-AC 300 lines per minute, LP05 line printer with 64-character **Scientific** drum, 132 columns,
LP20-AD LP20 controller and cable kit.

LP20-BA 240 lines per minute, LP05 line printer with 96-character **EDP** drum, 132 columns, LP20
LP20-BB controller and cable kit.

LP20-BC 240 lines per minute, LP05 line printer with 96-character **Scientific** drum, 132 columns,
LP20-BD LP20 controller and cable kit.

LP20-CA 900 lines per minute, LP14 line printer with 64-character **EDP** drum, 132 columns, LP20
LP20-CB controller and cable kit.

LP20-CC 900 lines per minute, LP14 line printer with 64-character **Scientific** drum, 132 columns,
LP20-CD LP20 controller and cable kit.

LP20-DA 660 lines per minute, LP14 line printer with 96-character **EDP** drum, 132 columns, LP20
LP20-DB controller and cable kit.

LP20-DC 660 lines per minute, LP14 line printer with 96-character **Scientific** drum, 132 columns,
LP20-DD LP20 controller and cable kit.

LP200 CHARABANDS

LP200-BA LP07 **Charaband** line printer with LP20 control & cable kit, 900/1200 lines per minute.
LP200-BB Specify one or more charabands listed

LP07-YC Standard Charaband containing one set of **EDP** 64-character fonts and one set of **EDP**
96-character fonts.
PREREQUISITE: LP200-B

LP07-YA Charaband containing two sets of **EDP** 64-character fonts.
PREREQUISITE: LP200-B

LP07-YB Charaband containing two sets of **EDP** 96-character fonts.
PREREQUISITE: LP200-B

- LP07-YD Charaband one set of 64-character **EDP** fonts and one set of **Kata Kana** 49-character fonts.
PREREQUISITE: LP200-B
- LP07-YF Charaband containing one set of **OCR-A** 64-character fonts and one set of **OCR-A** 96-character fonts.
PREREQUISITE: LP200-B
- LP07-YH Charaband containing two sets of **Scientific** 96-character fonts.
PREREQUISITE: LP200-B
- LP07-YJ Charaband containing one set of **EDP** 96-character fonts and one set of **Scientific** 96-character fonts.
PREREQUISITE: LP200-B
- LP07-YK Charaband containing one set of **Swedish/Finnish EDP** 96-character fonts.
PREREQUISITE: LP200-B
- LP07-YL Charaband containing one set of **British EDP** 96-character fonts and one set of **British EDP** 64-character fonts.
PREREQUISITE: LP200-B
- LP07-YM Charaband containing two sets of **Open Gothic EDP** 64-character fonts (IBM 1401).
PREREQUISITE: LP200-B

CARD EQUIPMENT

CD20-AA 300 cards per minute table-model reader and control.
CD20-AB

CD20-CA 1200 cards per minute console-model reader and control.
CD20-CB

PAPER TAPE

PC20-CL 300 characters per second paper tape reader/50 characters per second punch including cabinet, power supplies, PC04 high-speed PTR/PTP.
PC20-CM
PREREQUISITE: DIB20

I/O BUS INTERFACE

DIB20 I/O Bus Interface.

ASYNCHRONOUS LINE INTERFACES

Cables are not included with the DC20 Interfaces

DC20-AA Basic 8-line group, expandable to 16 lines with the addition of DC20-DA.

DC20-DA 8-line asynchronous expansion group (maximum of one per DC20-AA).
PREREQUISITE: DC20-AA

DC20-CC Distribution cabinet (required for configuration between 32 and 128 lines).
PREREQUISITE: DC20

DC20-EC Communications expansion cabinet for over 32 lines--includes one DC20-AA. Can accommodate up to 3 additional DC20-AA.
DC20-ED
PREREQUISITE: DC20-CC

SYNCHRONOUS FRONT END COMMUNICATIONS

See page 55 for configuration.

DN20-CA Data Communications Universal Front End with 32K words of core memory. Requires the addition of DN20-xx or DN21-xx options for synchronous operations.
DN20-CB

DN20-MA Data Communications Universal Front End with 128K words of MOS memory and used with DECnet-20 Version 2. Requires the addition of DN20-xx or DN21-xx options for synchronous operations.
DN20-MB

DN20-MU 32K words to 128K words of MOS memory upgrade kit.
PREREQUISITE: DN20-CA(CB).

SYNCHRONOUS LINE INTERFACES FOR DN20

DN20-BA	Low speed synchronous line controller, including one low speed line interface expandable to 4 with the addition of DN20-BBs. <i>PREREQUISITE: DN20-C</i>
DN20-DA DN20-DB	Synchronous expansion drawer, including one low speed line interface expandable to 4 with the addition of DN20-BA. <i>PREREQUISITE: DN20-BA</i>
DN20-BB	Low speed synchronous line interface for speeds between 2.4Kb and 19.2Kb. (RS-232-C modem interface). <i>PREREQUISITE: DN20-BA or DN20-DA</i>
DN21-DA DN21-DB	Synchronous expansion drawer, including one high speed line interface, expandable to 4 with the addition of DN21-BAs. <i>PREREQUISITE: DN20-C</i>
DN21-BA	High speed synchronous line interface for speeds between 19.2Kb and 56Kb. <i>PREREQUISITE: DN21-D</i>

DN200 REMOTE STATION

See page 55 for configuration.

DN200-AA DN200-AB	Remote Station. Includes only the Kernal hardware and console terminal. Requires the addition of add-on options for operations. <i>PREREQUISITE: DN20</i>
----------------------	--------------------------------------------------------------------------------------------------------------------------------------------------------------

DN200 OPTIONS

DNSXX-AA	Synchronous line unit for speeds between 2.4Kb and 19.2Kb. RS-232-C interface with cable. Maximum of 2. <i>PREREQUISITE: DN200</i>
DNLXX-BA DNLXX-BB	300 lines per minute, LP05 line printer with 64-character EDP drum, 132 columns. <i>PREREQUISITE: DN200</i>
DNLXX-CA DNLXX-CB	240 lines per minute, LP05 line printer with 64-character EDP drum, 132 columns. <i>PREREQUISITE: DN200</i>
DNCXX-AA DNCXX-AB	300 cards per minute card reader. <i>PREREQUISITE: DN200</i>

DECSYSTEM-20 UPGRADES

Upgrades are installed in the field and should take a minimum of one (1) to two (2) days depending upon the number of add-ons. The installation price is charged separately on the M.O.F.

2040 to 2060 Upgrade Package*

2060-UA	2040-2060 UG with MCA20, TOPS-20 Extended Features
2060-UB	2040-2060 UG with MCA20, TOPS-20 Extended Features, KLPV

2050 to 2060 Upgrade Package*

2060-UC	2050-2060 UG with TOPS-20 Extended Features
2060-UD	2050-2060 UG with TOPS-20 Extended Features, KLPV

* Contact Field Service to determine if customer requires KLPV.

NOTE: The maintenance price will change to reflect the new 2060 system which will exist after the upgrade.

DECSYSTEM-20 MEMORY GUIDELINES

System Memory Guidelines

2040		2050		2060	
128-256KW	MA Only	128-256KW	MA Only	512KW	MB Only
128-384KW	MA 128KW, MB 256KW	128-384KW	MA 128KW, MB 256KW	512-1664KW	MA 128KW, MF 1536KW
128-512KW	MB20 Only	128-512KW	MB Only	512-1792KW	MB 256KW, MF 1536KW
				512-1536KW	MF20

Memory Expansion/Exchange Guidelines

In order to expand memory it is sometimes necessary to exchange an old memory type for a newer higher density type memory, e.g., MB exchanged for MF memory.

When an exchange is required to expand memory, all of the memory in a section must be traded in to make room for the new memory. Memory is installed in a DECSYSTEM-20 in two sections (Section A and B).

This means that two sections of different memory types may exist in the same processor, however, different memory types cannot be mixed within a section.

A section can have a maximum amount of memory depending on the memory type as follows:

MA - 128KW

MB - 256KW

MF - 768KW

Memory Expansion/Exchange Procedures

When a customer wants to expand memory requiring an exchange the following procedure is to be followed:

1. Determine the amount of memory which must be traded-in (usually the amount in Section B).
2. Add to this the amount of memory expansion required.
3. Select and order the memory expansion options corresponding to this total amount of memory.
4. Show as a "trade-in allowance" on the order the appropriate dollar value for the amount of memory determined in step one. Be sure to specify the type of memory being traded-in.
5. The memory ordered in Step 3 will be shipped and invoiced along with a "Return Authorization" for the memory being traded-in.
6. When the exchanged memory is returned a credit will be issued for the amount of the trade-in allowance on the purchase order.

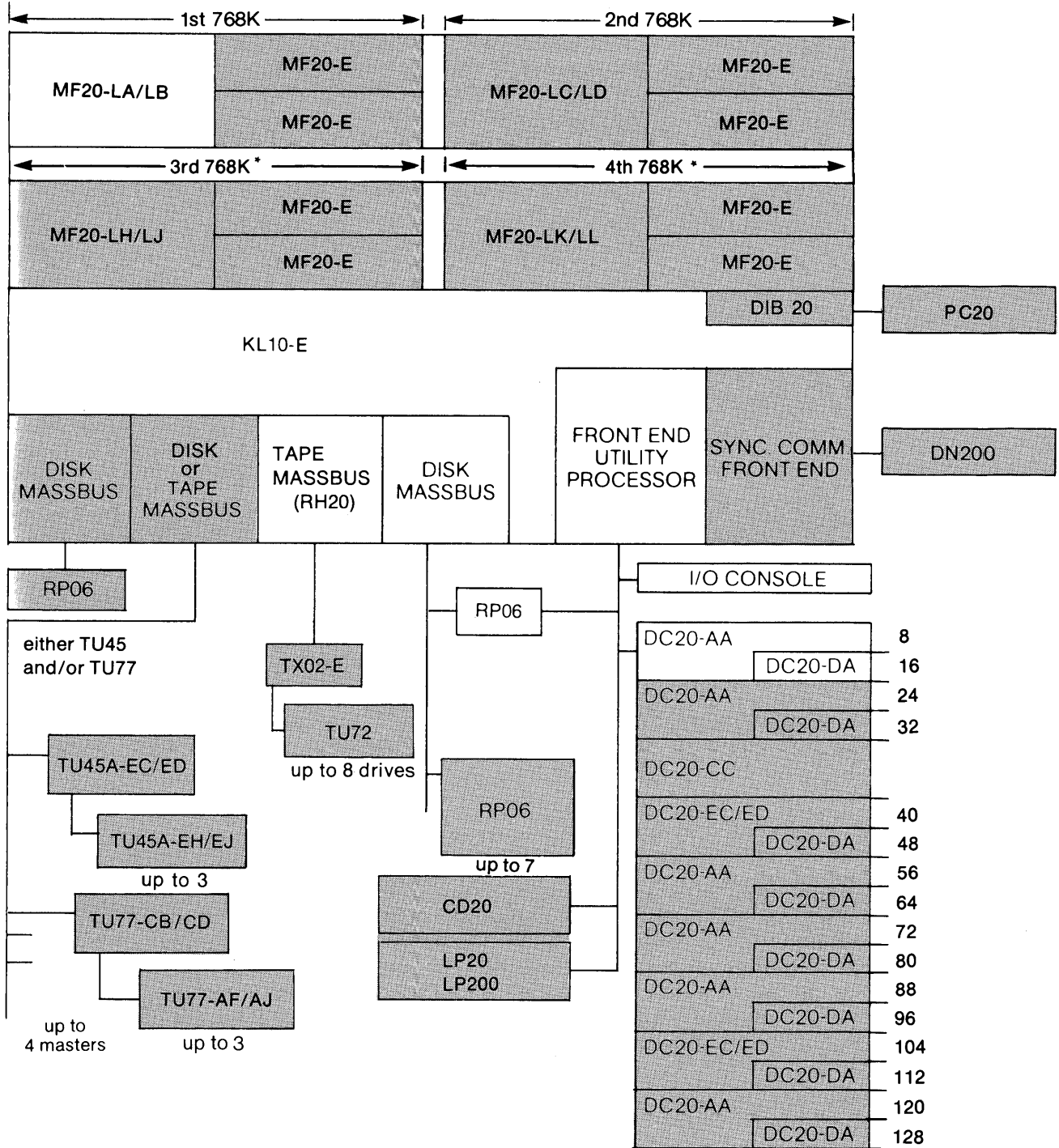
2040
Configurators
&
Rules

DECSYSTEM-2040 Configurator

Basic DECSYSTEM-2040 includes:

CPU & Front End Processor
 256K Words MF20 MOS Memory
 Two RH20 for Disks and Tapes

16 Asynchronous Lines
 LA36 Console
 RP06



SHADED AREA OPTIONAL

*Memory sizes greater than 1536K words, require TOPS-20, Release 4.

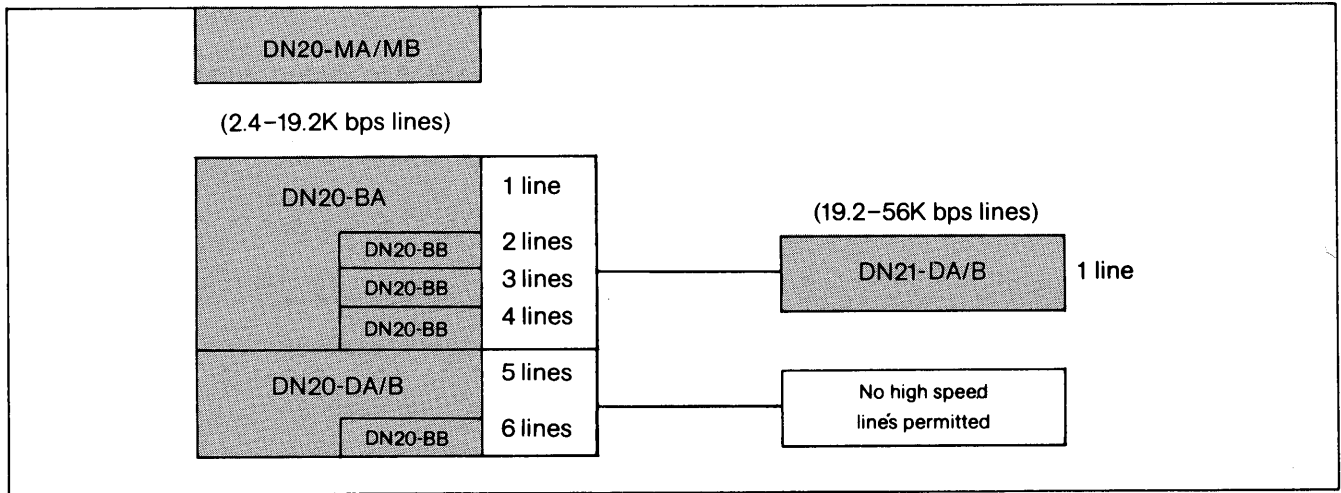
DECSYSTEM-20 Configuration Guidelines

	2040 MOS	2060 MOS
Relative CPU Perf.	1.0	3.0
CPU	KL10-E	KL10-E
Cache Memory	0	1
Memory K words	256-3072**	256-3072**
Disk Channels	1-3	1-7
Disk Drives/Channel	1-8	1-8
Total RP06	1-56*	1-56*
Magtape Channels	1-2	1-2
Tape Drives/Channel	1-8	1-8
Total Drives	1-16	1-16
Printers	0-2	0-2
Card Readers	0-1	0-1
Paper Tape	0-1	0-1
DN20	0-2	0-2
Asynch. Lines	16-128	16-128
2780/3780 Lines	0-6	0-6
DECnet Lines	0-1	0-1

*Maximum 32 structures per system. One structure equals 6 RP06s (Max.--1200MB).

**Memory configuration of greater than 1536K words will not be available until TOPS-20 Release 4.

SYNCHRONOUS COMMUNICATIONS FRONT-END (DN20) CONFIGURATOR FOR 2040

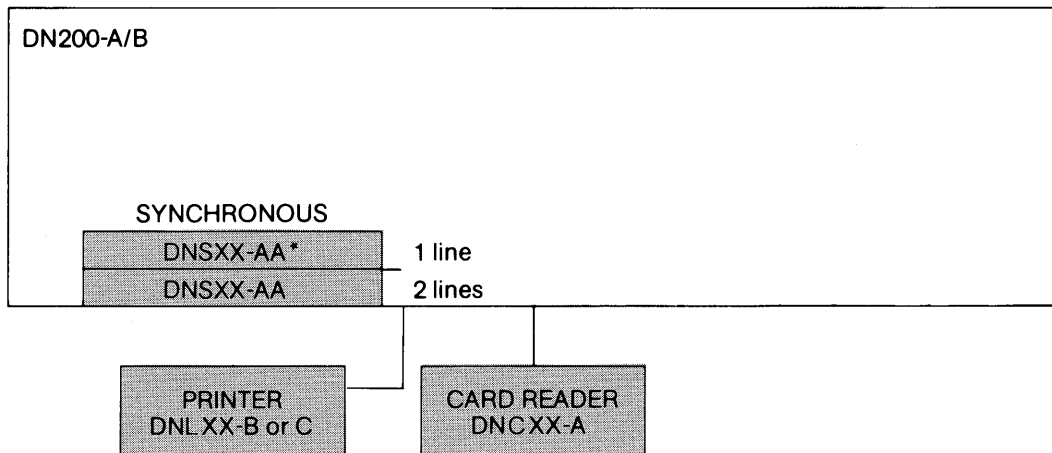


Configuration Guidelines

	2040	2060
DN20	0-2	0-2
TOPS-20 2780/3780	0-6	0-6
TOPS-20 2780/3780/HASP		
Running 2780/3780	0-4	0-4
Running HASP	0-2	0-2
DECnet Lines		
(DN20-CA/CB)	0-1	0-1
(DN20-MA/MB)	0-8	0-8

Software for the DN20-CA/CB must be ordered separately: 2780/3780 Emulator/Terminator or DECnet-20.

DN200 CONFIGURATOR



* The first DNSXX-AA is used for connecting to the system.

DECSYSTEM-20 Memory Guidelines

Memory Expansion/Exchange Guidelines

In order to expand memory it is sometimes necessary to exchange an old memory type for a newer , higher density type memory, for example, MA exchanged for MB memory.

When an exchange is required to expand memory, all of the memory in a section must be traded in to make room for the new memory.

Memory Expansion/Exchange Procedure

When a customer wants to expand memory requiring an exchange the following procedure is to be followed:

1. Determine the amount of memory which must be traded-in (usually the amount in Section B).
2. Add to this the amount of memory expansion required.
3. Select and order the memory expansion options corresponding to this total amount of memory.
4. Show as a "trade-in allowance" on the order the appropriate dollar value for the amount of memory determined in step one. Be sure to specify the type of memory being traded-in.
5. The memory ordered in Step 3 will be shipped and invoiced along with a "Return Authorization" for the memory being traded-in.
6. When the exchanged memory is returned, a credit will be issued for the amount of the trade-in allowance on the purchase order.

DECSYSTEM-2060

Systems & Options

2060 SYSTEM PACKAGE

- KL10-E Central Processor with Cache (includes two RH20 for disks and tapes)
- 256K words MF20 MOS Memory
- One RP06-B Disk
- 16 Asynchronous Lines
- LA36 Console Terminal
- TOPS-20 Operating System with Extended Features and TOPS-20 License
- Initial Support Package
- Consulting Services Package (50 days)

A minimum system must include in addition to the basic system package, a magnetic tape subsystem with a 1600 bit per inch tape transport and a line printer must be included.

INITIAL SUPPORT PACKAGE

- 10 Training Credits
- Hardware installation & 90-day warranty
- Software installation with 90-day warranty
- 1 Set Software Notebooks and 90 day Update Service
- 5 sets of manuals for the Operating System

Note: No maintenance documentation or diagnostics are provided.

SYSTEM PACKAGE

2060-PA 2060 Basic System Package with 256K words MOS Memory, RP06, TOPS-20.
 2060-PB

MOS MEMORY

MF20-LA 256K words MOS memory, space for 2 MF20-E, first backplane.
 MF20-LB *(Included in 2060-P system package, shown here for upgrade orders only.)*

MF20-LC 256K words MOS memory, space for 2 MF20-E, second backplane.
 MF20-LD

MF20-LM 256K words External MOS memory, space for 2 MF20-E, first backplane.
 MF20-LN *(Not available for delivery until Q3, FY'80).*
PREREQUISITE: TOPS-20, Release 4

MF20-LK 256K words External MOS memory, space for 2 MF20-E, second backplane.
 MF20-LL *(Not available for delivery until Q3, FY'80).*
PREREQUISITE: TOPS-20, Release 4

MF20-E 256K words expansion memory.
PREREQUISITE: MF20-L

MF20 MEMORY CONFIGURATORS

Memory Size (words)	MF20-LA(LB)*	MF20-LC(LD)	MF20-LM(LN)	MF20-LK(LL)	MF20-E
256K*	1				
512K	1				1
768K	1				2
1024K	1	1			2
1280K	1	1			3
1536K	1	1			4
1792K	1	1	1		4
2048K	1	1	1		5
2304K	1	1	1		6
2560K	1	1	1	1	6
2816K	1	1	1	1	7
3072K	1	1	1	1	8

*Included in System Package--shown here for upgrades only.

DISK & TAPE CONTROLLER

RH20 Massbus Controller for Disk and Tape.

ADD-ON DISK PACK DRIVES

RP06-AA Single access 40 million word add-on disk pack drive which also includes one RP06-P
RP06-AB disk pack.
PREREQUISITE: RH20

RP06-BA Dual access 40 million word add-on disk pack drive which also includes one RP06-P
RP06-BB disk pack.
PREREQUISITE: RH20

RP06-C RP06 dual access kit.
PREREQUISITE: RP06-A

TU45 SERIES

MAGNETIC TAPE SUBSYSTEM

TU45A-EC Magnetic tape subsystem including controller and one master tape drive 9-track, 75
TU45A-ED inches per second, 800/1600 bits per inch. (Expandable to a maximum of 4 tape drives
per controller) with the addition of TU45A-EH(EJ) add-on tape drives.
PREREQUISITE: RH20

TU45

ADD-ON MAGNETIC TAPE DRIVES

TU45A-EH 9-track, 75 inches per second, 800/1600 bits per inch add-on magnetic tape drive.
TU45A-EJ PREREQUISITE: TU45A-EC(ED)

TU77 SERIES

MAGNETIC TAPE SUBSYSTEMS

TU77-CB Magnetic tape subsystem including controller and one master tape drive 9-track, 125
TU77-CD inches per second, 1600/800 bits per inch. (Expandable to a maximum of 4 tape drives
per controller) with the addition of TU77-AF(AJ) add-on tape drives.
PREREQUISITE: RH20

TU77 SERIES

ADD-ON MAGNETIC TAPE DRIVES

TU77-AF 9-track, 125 inches per second, 1600/800 bits per inch add-on tape drive.
TU77-AJ PREREQUISITE: TU77-CB(CD)

TU72 SERIES

MAGNETIC TAPE SUBSYSTEM

TX02-EE Magnetic tape controller and DX20 channel for TU72 Series Tapes.
TX02-EF PREREQUISITE: RH20

TU72 SERIES

ADD-ON MAGNETIC TAPE DRIVES

TU72-EC 9-track, 125 inches per second, 1600/6250 bits per inch add-on tape drive.
TU72-ED PREREQUISITE: TX02-E

TU72 SERIES

SWITCH OPTIONS

TX03-EE Two channel switch option and DX20 channel. Includes a BC10Z-25 cable.
TX03-EF PREREQUISITE: TX02-E; TOPS-20, Release 4

TX03-FB Two channel switch for (2) TX02s. Includes 4 BC10Y-25 cables.
PREREQUISITE: (2) TX02-Es; TOPS-20, Release 4

TX05-EC Two control unit tape switch option and TX02. Includes BC10X-25, two BC10W-25, and
TX05-ED two BC10Y-25 cables.
PREREQUISITE: TX02-E; TOPS-20, Release 4

TX05-FB Two control unit tape switch option. Includes BC10X-25, two BC10W-25 cables.
PREREQUISITE: (2) TX02-Es; TOPS-20, Release 4

LINE PRINTERS

LP20-AA LP20-AB	300 lines per minute, LP05 line printer with 64-character EDP drum, 132 columns, LP20 controller and cable kit.
LP20-AC LP20-AD	300 lines per minute, LP05 line printer with 64-character Scientific drum, 132 columns, LP20 controller and cable kit.
LP20-BA LP20-BB	240 lines per minute, LP05 line printer with 96-character EDP drum, 132 columns, LP20 controller and cable kit.
LP20-BC LP20-BD	240 lines per minute, LP05 line printer with 96-character Scientific drum, 132 columns, LP20 controller and cable kit.
LP20-CA LP20-CB	900 lines per minute, LP14 line printer with 64-character EDP drum, 132 columns, LP20 controller and cable kit.
LP20-CC LP20-CD	900 lines per minute, LP14 line printer with 64-character Scientific drum, 132 columns, LP20 controller and cable kit.
LP20-DA LP20-DB	660 lines per minute, LP14 line printer with 96-character EDP drum, 132 columns, LP20 controller and cable kit.
LP20-DC LP20-DD	660 lines per minute, LP14 line printer with 96-character Scientific drum, 132 columns, LP20 controller and cable kit.

LP200 CHARABANDS

LP200-BA LP200-BB	LP07 Charaband line printer with LP20 control & cable kit, 900/1200 lines per minute. Specify one or more charabands listed below.
LP07-YC	Standard Charaband containing one set of EDP 64-character fonts and one set of EDP 96-character fonts. <i>PREREQUISITE:</i> LP200-B
LP07-YA	Charaband containing two sets of EDP 64-character fonts. <i>PREREQUISITE:</i> LP200-B
LP07-YB	Charaband containing two sets of EDP 96-character fonts. <i>PREREQUISITE:</i> LP200-B
LP07-YD	Charaband one set of 64-character EDP fonts and one set of Kata Kana 49-character fonts. <i>PREREQUISITE:</i> LP200-B
LP07-YF	Charaband containing one set of OCR-A 64-character fonts and one set of OCR-A 96-character fonts. <i>PREREQUISITE:</i> LP200-B
LP07-YH	Charaband containing two sets of Scientific 96-character fonts. <i>PREREQUISITE:</i> LP200-B
LP07-YJ	Charaband containing one set of EDP 96-character fonts and one set of Scientific 96-character fonts. <i>PREREQUISITE:</i> LP200-B
LP07-YK	Charaband containing one set of Swedish/Finnish EDP 96-character fonts. <i>PREREQUISITE:</i> LP200-B
LP07-YL	Charaband containing one set of British EDP 96-character fonts and one set of British EDP 64-character fonts. <i>PREREQUISITE:</i> LP200-B
LP07-YM	Charaband containing two sets of Open Gothic EDP 64-character fonts (IBM 1401). <i>PREREQUISITE:</i> LP200-B

CARD EQUIPMENT

CD20-AA 300 cards per minute table-model reader and control.
CD20-AB

CD20-CA 1200 cards per minute console-model reader and control.
CD20-CB

PAPER TAPE

PC20-CL 300 characters per second paper tape reader/50 characters per second punch including cabinet, power supplies, PC04 high-speed PTR/PTP.
PC20-CM
PREREQUISITE: DIB20

I/O BUS INTERFACE

DIB20 I/O Bus Interface.

ASYNCHRONOUS LINE INTERFACES

Cables are not included with the DC20 Interfaces

DC20-AA Basic 8-line group, expandable to 16 lines with the addition of DC20-DA.

DC20-DA 8-line asynchronous expansion group (maximum of one per DC20-AA).
PREREQUISITE: DC20-AA

DC20-CC Distribution cabinet (required for configuration between 32 and 128 lines).
PREREQUISITE: DC20

DC20-EC Communications expansion cabinet for over 32 lines--includes one DC20-AA. Can accommodate up to 3 additional DC20-AA.
DC20-ED
PREREQUISITE: DC20-CD

SYNCHRONOUS FRONT END COMMUNICATIONS

DN20-CA Data Communications Universal Front End with 32K words of core memory. Requires the addition of DN20-xx or DN21-xx options for synchronous operations.
DN20-CB

DN20-MA Data Communications Universal Front End with 128K words of MOS memory and used with DECnet-20 Version 2. Requires the addition of DN20-xx or DN21-xx options for synchronous operations.
DN20-MB

DN20-MU 32K words to 128K words of MOS memory upgrade kit.
PREREQUISITE: DN20-CA(CB).

SYNCHRONOUS LINE INTERFACES FOR DN20

See page 69 for configurations.

DN20-BA Low speed synchronous line controller, including one low speed line interface expandable to 4 with the addition of DN20-BBs.
PREREQUISITE: DN20-C

DN20-DA Synchronous expansion drawer, including one low speed line interface expandable to 4 with the addition of DN20-BA.
DN20-DB
PREREQUISITE: DN20-BA

DN20-BB Low speed synchronous line interface for speeds between 2.4Kb and 19.2Kb. (RS-232-C modem interface).
PREREQUISITE: DN20-BA or DN20-DA

DN21-DA Synchronous expansion drawer, including one high speed line interface, expandable to 4 with the addition of DN21-BAs.
DN21-DB
PREREQUISITE: DN20-C

DN21-BA High speed synchronous line interface for speeds between 19.2Kb and 56Kb.
PREREQUISITE: DN21-D

DN200 REMOTE STATION

See page 69 for configuration.

DN200-AA Remote Station. Includes only the Kernel hardware and console terminal. Requires the
DN200-AB addition of add-on options for operations.
PREREQUISITE:DN20

DN200 OPTIONS

DNSXX-AA Synchronous line unit for speeds between 2.4Kb and 19.2Kb. RS-232-C interface with
cable. Maximum of 2.
PREREQUISITE: DN200

DNLXX-BA 300 lines per minute, LP05 line printer with 64-character **EDP** drum, 132 columns.
DNLXX-BB PREREQUISITE: DN200

DNLXX-CA 240 lines per minute, LP05 line printer with 64-character **EDP** drum, 132 columns.
DNLXX-CB PREREQUISITE: DN200

DNCXX-AA 300 cards per minute card reader.
DNCXX-AB PREREQUISITE: DN200

DECSYSTEM-20 UPGRADES

Upgrades are installed in the field and should take a minimum of one (1) to two (2) days depending upon the number of add-ons. The installation price is charged separately on the M.O.F.

2040 to 2060 Upgrade Package*

2060-UA 2040-2060 UG with MCA20, TOPS-20 Extended Features

2060-UB 2040-2060 UG with MCA20, TOPS-20 Extended Features, KLPV

2050 to 2060 Upgrade Package*

2060-UC 2050-2060 UG with TOPS-20 Extended Features

2060-UD 2050-2060 UG with TOPS-20 Extended Features, KLPV

* Contact Field Service to determine if customer requires KLPV.

NOTE: The maintenance price will change to reflect the new 2060 system which will exist after the upgrade.

DECSYSTEM-20 MEMORY GUIDELINES

System Memory Guidelines

2040		2050		2060	
128-256KW	MA Only	128-256KW	MA Only	512KW	MB Only
128-384KW	MA 128KW, MB 256KW	128-384KW	MA 128KW, MB 256KW	512-1664KW	MA 128KW, MF 1536KW
128-512KW	MB20 Only	128-512KW	MB Only	512-1792KW	MB 256KW, MF 1536KW
				512-1536KW	MF20

Memory Expansion/Exchange Guidelines

In order to expand memory it is sometimes necessary to exchange an old memory type for a newer higher density type memory, e.g., MB exchanged for MF memory.

When an exchange is required to expand memory, all of the memory in a section must be traded in to make room for the new memory. Memory is installed in a DECSYSTEM-20 in two sections (Section A and B).

This means that two sections of different memory types may exist in the same processor, however, different memory types cannot be mixed within a section.

A section can have a maximum amount of memory depending on the memory type as follows:

MA - 128KW

MB - 256KW

MF - 768KW

Memory Expansion/Exchange Procedures

When a customer wants to expand memory requiring an exchange the following procedure is to be followed:

1. Determine the amount of memory which must be traded-in (usually the amount in Section B).
2. Add to this the amount of memory expansion required.
3. Select and order the memory expansion options corresponding to this total amount of memory.
4. Show as a "trade-in allowance" on the order the appropriate dollar value for the amount of memory determined in step one. Be sure to specify the type of memory being traded-in.
5. The memory ordered in Step 3 will be shipped and invoiced along with a "Return Authorization" for the memory being traded-in.
6. When the exchanged memory is returned a credit will be issued for the amount of the trade-in allowance on the purchase order.

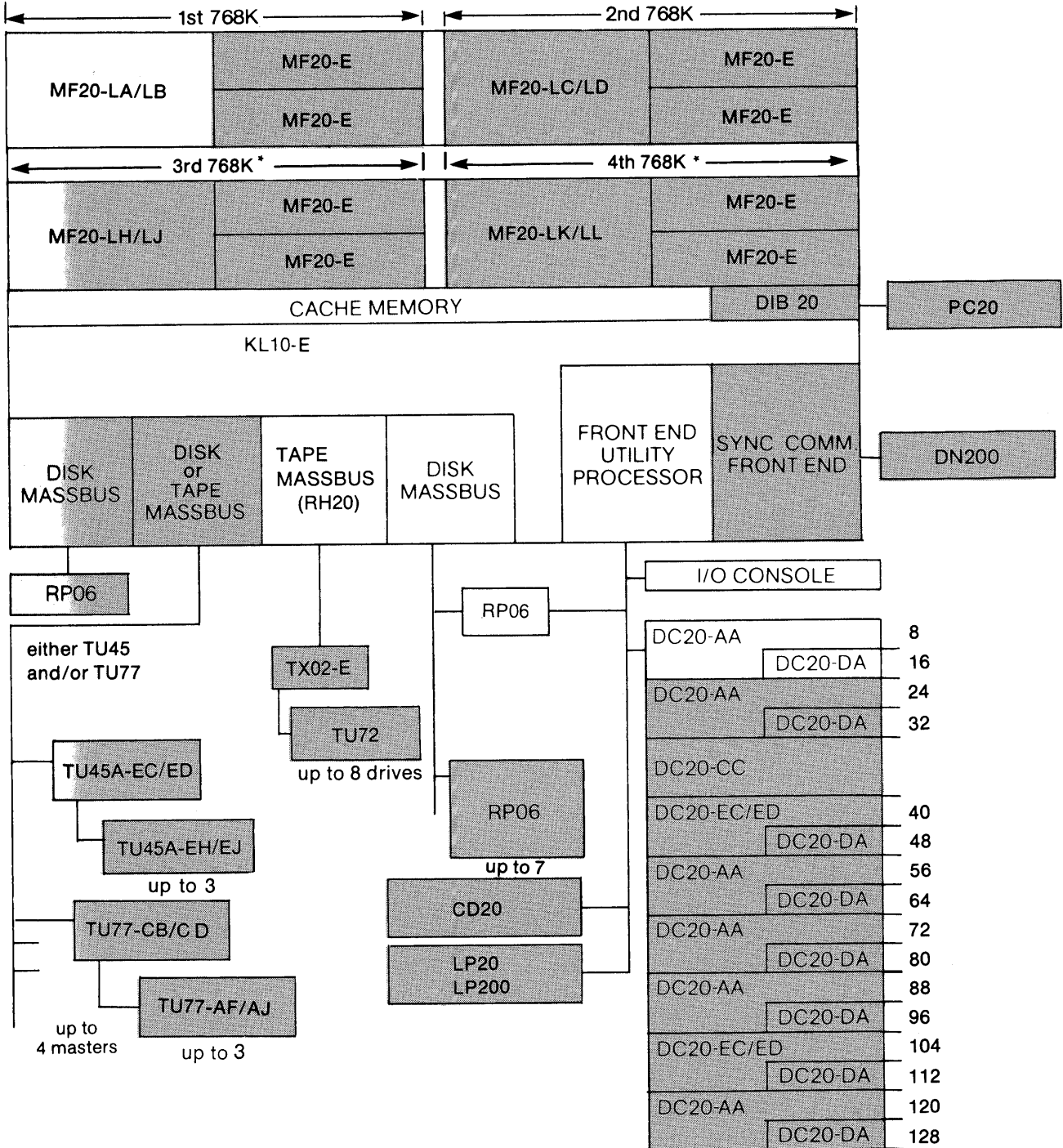
2060
Configurators
&
Rules

DECSYSTEM -2060 Configurator

Basic DECSYSTEM-2060 includes:

CPU & Front End Processor
 256K Words MF20 MOS Memory
 Cache Memory
 Two RH20 for Disks and Tapes

RP06 Disk
 16 Asynchronous Lines
 LA36 Console



SHADED AREA OPTIONAL

*Memory sizes greater than 1536K words, require TOPS-20, Release 4.

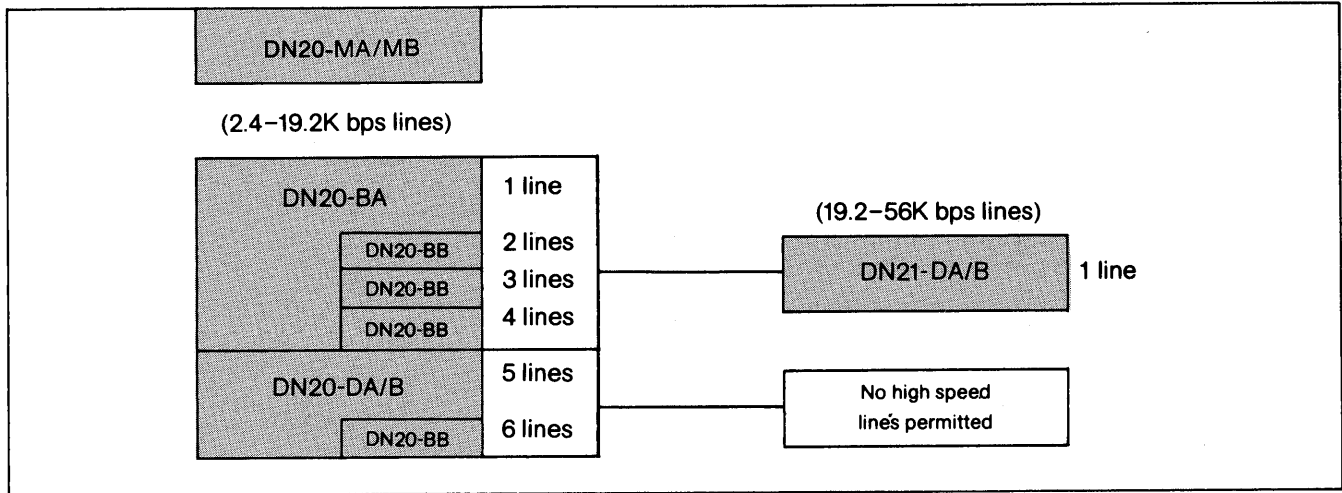
DECSYSTEM-20 Configuration Guidelines

	2040 MOS	2060 MOS
Relative CPU Perf.	1.0	3.0
CPU	KL10-E	KL10-E
Cache Memory	0	1
Memory K words	256-3072**	256-3072**
Disk Channels	1-3	1-7
Disk Drives/Channel	1-8	1-8
Total RP06	1-56*	1-56*
Magtape Channels	1-2	1-2
Tape Drives/Channel	1-8	1-8
Total Drives	1-16	1-16
Printers	0-2	0-2
Card Readers	0-1	0-1
Paper Tape	0-1	0-1
DN20	0-2	0-2
Asynch. Lines	16-128	16-128
2780/3780 Lines	0-6	0-6
DECnet Lines	0-1	0-1

*Maximum 32 structures per system. One structure equals 6 RP06s (Max.--1200MB).

**Memory configuration of greater than 1536K words will not be available until TOPS-20 Release 4.

SYNCHRONOUS COMMUNICATIONS FRONT-END (DN20) CONFIGURATOR FOR 2060

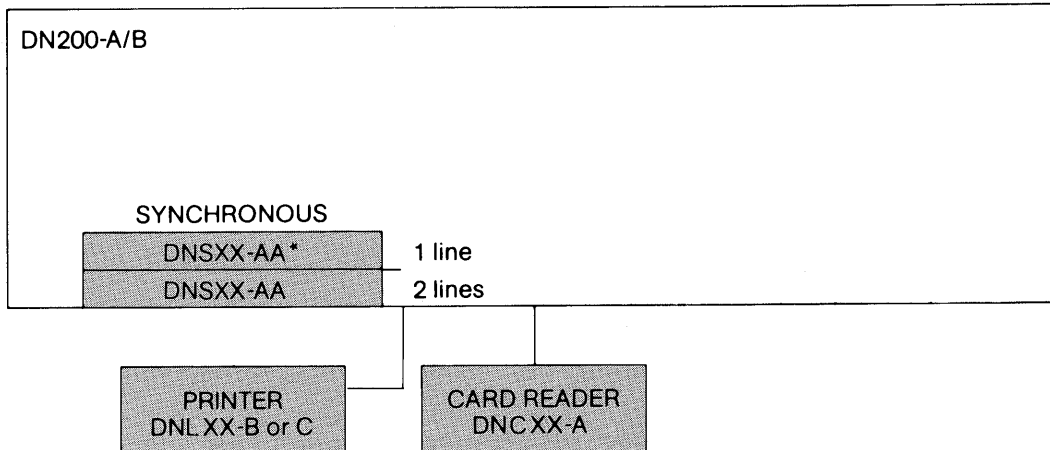


Configuration Guidelines

	2040	2060
DN20	0-2	0-2
TOPS-20 2780/3780	0-6	0-6
TOPS-20 2780/3780/HASP		
Running 2780/3780	0-4	0-4
Running HASP	0-2	0-2
DECnet Lines		
(DN20-CA/CB)	0-1	0-1
(DN20-MA/MB)	0-8	0-8

Software for the DN20-CA/CB must be ordered separately: 2780/3780 Emulator/Terminator or DECnet-20.

DN200 CONFIGURATOR



* The first DNSXX-AA is used for connecting to the system.

DECSYSTEM-20 Memory Guidelines

Memory Expansion/Exchange Guidelines

In order to expand memory it is sometimes necessary to exchange an old memory type for a newer, higher density type memory, for example, MA exchanged for MB memory.

When an exchange is required to expand memory, all of the memory in a section must be traded in to make room for the new memory.

Memory Expansion/Exchange Procedure

When a customer wants to expand memory requiring an exchange the following procedure is to be followed:

1. Determine the amount of memory which must be traded-in (usually the amount in Section B).
2. Add to this the amount of memory expansion required.
3. Select and order the memory expansion options corresponding to this total amount of memory.
4. Show as a "trade-in allowance" on the order the appropriate dollar value for the amount of memory determined in step one. Be sure to specify the type of memory being traded-in.
5. The memory ordered in Step 3 will be shipped and invoiced along with a "Return Authorization" for the memory being traded-in.
6. When the exchanged memory is returned, a credit will be issued for the amount of the trade-in allowance on the purchase order.

Additional Equipment & Information

FIELD SERVICE

Field Service pricing shown herein reflects 12-hour/5 day DECservice coverage. This coverage includes:

- Field Service response within four (4) hours, provided the call for service is received during the contracted hours of coverage.
- Continuous remedial service until the system is fully operational again, with no extra charge to that customer should this service be performed outside the hours of coverage (providing Digital was notified during the contracted hours of coverage).
- Scheduled PM's performance outside normal working hours.

All of the services noted above are provided at no additional cost.

Only designated Field Service locations provide DECservice coverage, and the customer site must be within a 50-mile radius of the Service Office. Check with your local Branch Field Service Manager for applicability.

EXTENDED DECservice COVERAGE

To determine extended coverages, use the following multipliers:

16-hour DECservice 5 day = $1.038 \times$ DECservice 5-day pricing

24-hour DECservice 5 day = $1.115 \times$ DECservice 5-day pricing

Saturday Coverage

12-hour DECservice: Add $0.092 \times$ DECservice 5-day pricing

16-hour DECservice: Add $0.108 \times$ DECservice 5-day pricing

24-hour DECservice: Add $0.131 \times$ DECservice 5-day pricing

Sunday Coverage (same as Saturday Coverage)

12-hour DECservice: Add $0.092 \times$ DECservice 5-day pricing

16-hour DECservice: Add $0.108 \times$ DECservice 5-day pricing

24-hour DECservice: Add $0.131 \times$ DECservice 5-day pricing

Examples:

To provide system coverage for 16-hour DECservice, Monday through Saturday:

DECservice 5-day pricing $\times (1.038 + 0.092)$, or

DECservice 5-day pricing $\times 1.13$

To provide system coverage for 24-hour DECservice, seven days per week:

DECservice 5-day pricing $\times (1.115 + .131 + .131)$, or

DECservice 5-day pricing $\times 1.377$

If, under unusual circumstances, your customer requires less than DECservice coverage, BASIC coverage may be provided, but with approval from Field Service management and your Product Line Representative. Basic coverage may be computed as follows:

BASIC coverage for 12-hour/5 day = $.869 \times$ DECservice 12-hour/5 day pricing

BASIC coverage for 8-hour/5 day = $.769 \times$ DECservice 12-hour/5 day pricing

DECsystem-10/DECSYSTEM-20 COMMUNICATIONS CABLING (DC20, DN20, and DZ11)

On an individual basis each asynchronous line may be either local EIA or EIA with full modem control. By the use of an H313-A TTY voltage/current adapter, an EIA local line may terminate a 20mA current mode terminal. This difference is transparent to the communications hardware and is determined solely by the type of cable attached to the DN25, DC20-AA, DC20-DA, or DZ11. Therefore, it is extremely critical that the correct type of line is ordered.

FULL MODEM CONTROL LINES

- For each full modem control line specified, a BC05D-25 cable must be ordered. This is a 25 foot cable.
- If a 25 foot cable is not long enough, one additional BC05D-25 cable per line may be ordered as a separate line item. Two is the maximum number of BC05D-25 cables that may be joined together.

LOCAL LINES

- For each local EIA line specified, a BC03M-A0 cable must be ordered. This is a 100 foot cable.
- Note that no H313-A is included. This means that in order to support 20mA current loop terminals, the appropriate number of H313-A's must be ordered as separate line items, one H313-A per line, at the current price.
- If the 100 foot local EIA cable is not long enough, then either longer cables must be ordered as separate items at current prices or cables may be customer built to DIGITAL supplied specifications (available from Field Service).

20mA CURRENT MODE TERMINAL SUPPORT

- The DC20, DN25, and DZ11 hardware internally is EIA and it supports EIA lines and terminals only.
- When cable length requirements for local terminals are in excess of the published capabilities (1000 feet at up to 2400 baud and 250 feet at up to 9600 baud) then EIA short-haul modems or the use of dial-up is required. Note that the 20mA current mode is not supported for longer distance than the EIA because the transmission must be all EIA and not current mode.
- All new terminals ordered with or for systems must be EIA.
- Most terminal vendors provide a field upgrade to convert current mode terminals to EIA terminals.
- When it is necessary to attach a current mode terminal to a system--this should only be when the customer has an installed current mode terminal which is non-field convertible to EIA--then an H313-A can be ordered. Remember that this only converts EIA to/from current mode; the terminal must still be operated within the published EIA length specifications and the H313-A must be within 25 feet(7.5m) of the terminal.
- The H313-A works at any power frequency in the 50 to 500 hertz range but works only with 120 volt power. Customers in countries which do not use 120 volt power will be required to supply their own step-down transformer from 240 volt to 120 volt. Local Field Service has the specifications for the required transformer.

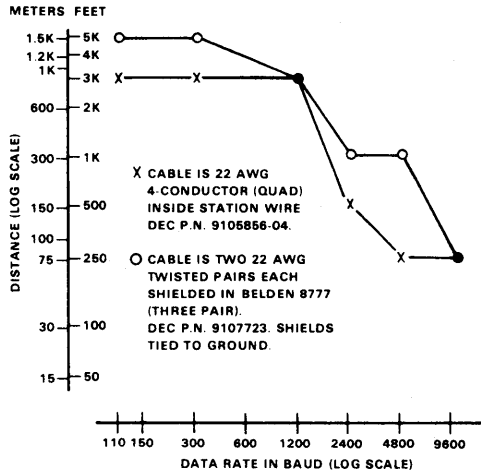
TERMINAL CABLING

All terminals equipped with the 20mA current loop interface will be supplied with a cable terminated with a 4-pin telephone plug connector unless otherwise specified. Conversely, all terminals equipped with an EIA interface will be supplied with a cable that is terminated with a 25-pin dataset connector.

BC11S-25	Cable, H856 to H856, 18 twisted pair, for use with the LA180.
BC03M-xx	Null modem cable allows local connection of asynchronous interfaces or terminals having EIA interfaces. The following lengths are available: 25 ft. (7.6m), 100 ft. (30.5m), 250 ft. (76.2m), 500 (152.4m), 1000 ft (304.8m) cable (3 shielded twisted pair) with two DB25S sockets.
BC05D-xx	EIA extension cable for use with cinch DB25S socket and DB25P plug. The following lengths are available: 10ft. (3.0m) and 25 ft. (7.6m).

CABLE SPECIFICATIONS

Line Type	Local EIA	EIA with Full Modem Control	Local 20mA Current Loop
Line Usage	Direct attachments to EIA terminals or to non-dial-up EIA modems (i.e., data only no modem control)	Direct attachments to EIA dial-up modems. The modems must have user interfaces which meet EIA RS-232-C interface type E (i.e., Bell 103-A type interface compatible).	Direct attachments to Local Current Loop terminals
Maximum Cable Length	1000 ft. if terminal speed is equal to or less than 2400 baud. 250 ft. if terminal speed is equal to or less than 9600 baud.	equal to or less than 50 ft.	max. length computer to H313-A equal to or less than 1000 ft. @ 2400 baud equal to or less than 250 ft. @ 9600 baud max. length H313-A to terminal equal to or less than 25 ft.



BAUD	SHIELDED (IN FEET)	UNSHIELDED (IN FEET)
110	5000	3000
300	5000	3000
1200	3000	3000
2400	1000	500
4800	1000	250
9600	250	250

All distances shown are more than 50 feet/2500ft, hence these transmissions violate RS-232-C.

Note that in the "EIA" interface case, shielded pair outperformed unshielded wire.

Cable Type	one BC03M-xx per line	one BC05D-25 per line	one BC03M-xx plus one H313-A per line
Cable Specification for customer desired length	BC03M-25 25 ft. BC03M-A0 100 ft. BC03M-B5 250 ft. BC03M-E0 500 ft. BC03M-L0 1000 ft.	BC05D-25 25 ft. for 50 ft use two (max.) joined together	BC03M-25 25 ft. BC03M-A0 100 ft. BC03M-B5 250 ft. BC03M-E0 500 ft. BC03M-L0 1000 ft. plus one H313-A line
Notes	BC03M cables cannot be joined together for length extension purposes		Requires one desired length BC03M cable plus one H313-A per line

TX02/03/05 CABLING

The TX02, TX03 and TX05 options are supplied in 25 foot standard lengths. Longer lengths are available at additional charge, 90 days ARO.

- BC10X-xx Emergency power-off cable. Used with the TX02s and the TX05s. The following lengths are available: 25 ft. (7.6m), 50 ft. (15.2m), 75 ft., and 100 ft. (30.5m).
- BC10Y-xx IBM bus or tag. Used with the TX02s and the TX05s. The following lengths are available: 25 ft. (7.6m), 50 ft. (15.2m), 75 ft., and 100 ft. (30.5m).
- BC10W-xx Communication cable for the TX05 connector switches. The following lengths are available: 25 ft. (7.6m), 50 ft. (15.2m), 75 ft., and 100 ft. (30.5m).

STANDARD 2020 CABLES

From	To	Length
KS10	LP*	25 ft.
KS10	RM03	25 ft.
KS10	RP06	15 ft.
KS10	TAU45	15 ft.
RP06	RP06	2/25 ft.
RM03	RM03	15 ft.
TAU45	TAU45	10 ft.
KS10	LA36 CTY	25 ft.
KS10	MODEM or TERMINAL	25 ft.

*A special 100 foot line printer cable is available at additional charge.

LINE PRINTER

- 70-11426-A0 Optional 100-ft. Line Printer Cable.
PREREQUISITE: LP20

MISCELLANEOUS

DF10-CA DF10-CB	Data Channel (22-bit), 4096KW address range. <i>PREREQUISITE:</i> 1090
DT03-DT	1 x 2 I/O bus switch--no cabinet or power control <i>PREREQUISITE:</i> 15¾" Mounting Space, if mounting space not available, cabinet must be ordered.
DT05-DT	1 x 2 memory bus switch--no cabinet or power control <i>PREREQUISITE:</i> 10½" Mounting Space, if mounting space not available, cabinet must be ordered.
H956	19" option cabinet for KI10 (no power control).
MC10	Memory Port MC10 port for MA10 memory MC10-E port for ME10 memory MC10-F port for MF10 memory MC10-G 2 ports for MG10 memory
MA20R-E	32K words refurbished core memory. <i>(Delivery subject to availability)</i>
MB20R-E	64K words refurbished core memory. <i>(Delivery subject to availability)</i>
TX03-A	Two channel switch for TX01. <i>PREREQUISITE:</i> TU70-C or TU72-C
TX05-A	2 x 16 tape switch. <i>PREREQUISITE:</i> TU70-C or TU72-C
TX03-B	Two channel switch for TX02.
TX05-B	2 x 16 tape switch for TX02.
TU72-CA TU72-CB	Magnetic tape system including DX10 external channel, controller and one TU72-E. (Blue cabinet). <i>PREREQUISITE:</i> KI10, KL10-A, or KL10-B/D. (Obsolete product, delivery subject to availability).
TU72-EA TU72-EB	9-track, 125 inches per second, 1600/6250 bits per inch add-on tape drive. (Blue cabinet). <i>PREREQUISITE:</i> TU72-C TU72-C. (Obsolete product, delivery subject to availability).
TU70-AC TU70-AD	9-track, 200 inches per second, 800/1600 bits per inch add-on tape drive. <i>PREREQUISITE:</i> TX02-E. (Obsolete product, delivery subject to availability. Check with product line for remaining stock.)

NOTE: These options are made available for existing systems that may require the continued availability of these items. In most cases it is much more desirable to sell newer and mainstream items which would be found in the appropriate system sections of this product summary.

DECSYSTEM-1090 ONLY

Front End Communication Upgrade Options

The DN87 is a Synchronous/Asynchronous Front End Communications Subsystem. The DN87 requires the addition of DN81-XX Synchronous and/or Asynchronous Line Options.

DN87-BA DN87-BB	DN87 including DL10-A communications interface.
DN87-CA DN87-CB	DN87 including DL10-C port only. Requires DL10-A with available port.
DN87S-AA DN87S-AB	Synchronous/Asynchronous communications subsystem for KL10-B systems (includes DTE).
DN87-U	Upgrade from DC76-A or D to DN87-A or D
DN87-UM	Upgrade from DN87-A to B and DN87-D to C
DN87S-U	Upgrade from DN87-B or C to DN87S.

Synchronous Line Options For DN87

DN81-EE DN81-EF	Synchronous expansion cabinet which includes one DN81-H synchronous line controller for up to 10K bits per second with EIA RS-232-C modem interface.
DN81-H	Synchronous expansion line controller, for speeds up to 10K bits per second with EIA RS-232-C modem interface. Includes 25 foot cable.
DN81-J	Synchronous expansion line controller, for speeds up to 40.8K bits per second with 303-type current modem interface. Includes 25 foot cable.
DN83-A	Null Modem for use with DN81-H. Speeds: 2.0, 2.4, 4.8, 9.6, 19.2Kb.

Asynchronous Line Options For DN87

DN81-EA DN81-EB	Asynchronous expansion cabinet which includes one DN81-EC 16-line asynchronous expansion group. Requires two DN81-Fx 8-line terminator groups to activate the lines.
DN81-EC DN81-ED	Asynchronous 16-line expansion group. This requires two DN81-Fx 8-line terminator groups to activate the lines.
DN81-FA	8-line terminators with 20mA current loop local interfaces. Includes an H322 distribution panel.
DN81-FB	8-line terminators with EIA local interfaces. Includes 25 foot cables plus H312 null modems.
DN81-FC	8-line terminators with EIA full modem control interfaces. Includes 8 25 foot cables.
DN81-FD	8-line terminators with Integral Auto-Answer modems.
DN81-FF	Controller for 2 Bell 801-type Automatic Calling Units (ACU) and includes one DN81-FG.
DN81-FG	Expansion for additional Bell 801-type Automatic Calling Unit (ACU).
H312-A	Null modem for use with DN81-FC.
H322	Distribution Panel. Distributes signals from two DN81-FAs to nine 10-screw terminal strips.

NOTE: These options are made available for existing systems that may require the continued availability of these items. In most cases it is much more desirable to sell newer and mainstream items which would be found in the appropriate system sections of this product summary.

DECSYSTEM-1090 OR 1091 ONLY

DN92 Options

DN92-E	Asynchronous 4-line multiplexer, including line drivers.
DN92-CA DN92-CB	300 cards per minute table-top card reader and controller.
DN92-PA DN92-PD	180 characters per second, LA180 DECprinter with 96 character set, 132 column.
DN92-VA DN92-VD	300 lines per minute, LP05 line printer with 64 character EDP drum, 132 columns.
DN92-WA DN92-WD	240 lines per minute, LP05 line printer with 96-character EDP drum, 132 columns.

NOTE: These options are made available for existing systems that may require the continued availability of these items. In most cases the desirability is to sell newer and mainstream items which would be found in the appropriate system sections of this product summary.

TU70 SERIES MAGNETIC TAPE DRIVE CONFIGURATION OVERVIEW

A system may consist of one or more TU72 drives, a maximum of eight drives with either a TU70 or TU71 drive, a TX02 tape control unit, and a DX20 data channel.

The tape control unit connects to each drive using radial cabling. The DX20 data channel connects directly to the internal data channel of the mainframe.

The TX03 and TX05 switches can be installed in the TX02 control unit of TOPS-10 systems only and only with a special quotation. These switches will be available as standard options on TOPS-10 with Release 7.01 and on TOPS-20 with Release 4.

The TX03 allows the user to interface between the two data channels, one control unit, and up to eight tape drives. The TX05 allows interface operations between two data channels, two control units, and up to 16 tape drives.

TOPS-20 Release 3A supports one DX20, one TX02, and up to eight tape drives (TU70, TU71, TU72). A TOPS-10 LIR under Release 6.03A currently supports the DX20/TX02 subsystem. TX03 and TX05 switches are supported configurations when there is a close operator control over one channel at a time. These configurations are not supported when both channels are enabled because the user must bear the responsibility of timesharing a single drive with its attendant problems and insure by careful assignment of device identifiers that either processor will not ask for the same device. By making the drives protected devices, a mount must be requested by a system operator before any user can avail himself of the device. The operator must ensure the specified tape is mounted before awarding a request.

The TX03 switch is a dual-ported switch which allows access to all tape drives available to the TX02.

The TX05 switch is essentially a drive switch. It enables a tape drive which is physically attached to one tape controller to be controlled by a second tape controller. This is accomplished by two communicator cables which connect the two TX02's via the TX05 option. Switch panels (which contain two rows of eight switches each and are provided with the TX05 option) enable access to individual drives to be manually enabled/disabled from either controller.

Figure 2A shows the basic configuration. Figure 2B is for dual access from one or two processors, and is generally requested when a user would like to share tape drives between two processors. Figure 2C shows tape controller redundancy from a single processor and when a user wants a high-availability tape system, one which will assure him that the system has minimum downtime from subsystem failure, this should be the requested configuration.

Figure 2D shows tape sharing and redundancy from two processors and this configuration is requested when a user with two processors wants to share tape drives and also have a high-availability tape system to assure uptime.

Figure 2E shows tape sharing and dual redundancy in high-availability environments. Users requesting this configuration are generally providing timesharing services and are trying to keep downtime to a minimum by utilizing redundancy design throughout the entire computing system.

TU70 SERIES MAGNETIC TAPE DRIVE CONFIGURATIONS

(See page 74 for Component options)

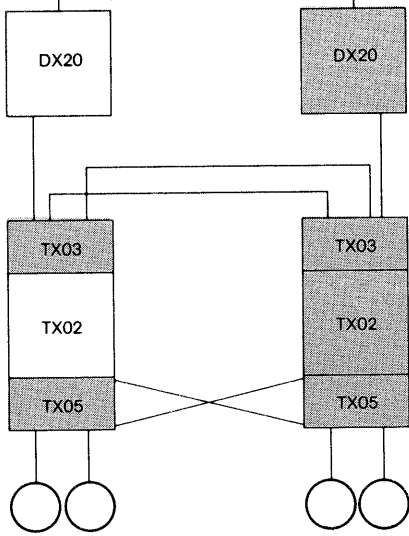


Figure 2A
TX02-E plus drive(s)

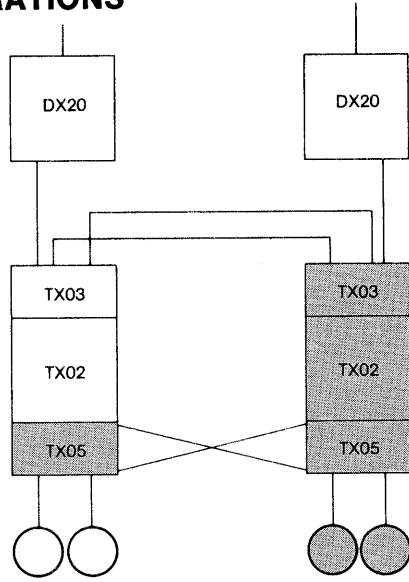


Figure 2B
(2) TX02-E plus TX03-E plus drives

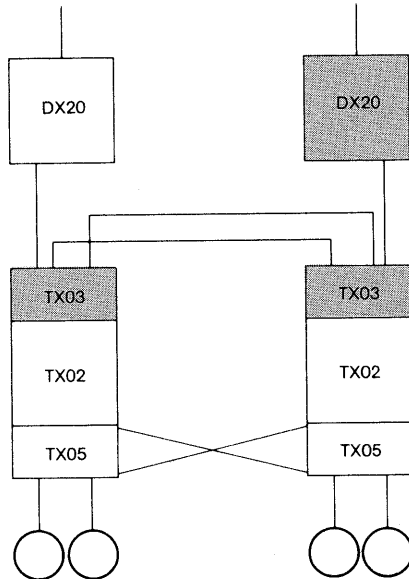


Figure 2C
TX02-E plus TX05-E plus drives

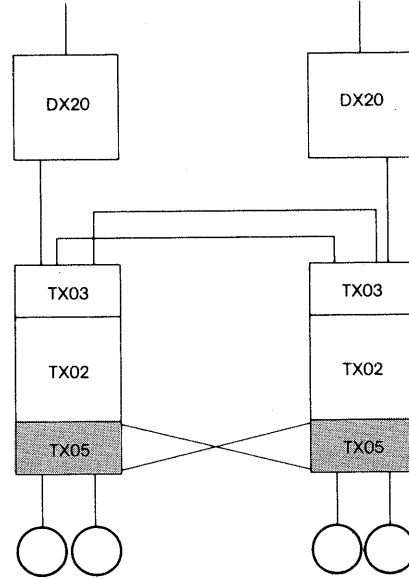


Figure 2D
(2) TX02-E plus TX03-F plus drives

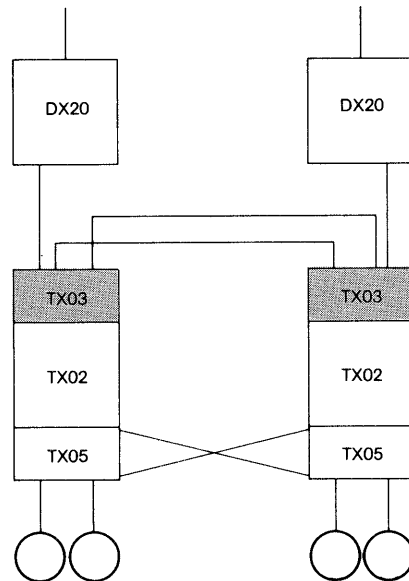


Figure 2E
(2) TX02-E plus TX05-F plus drives

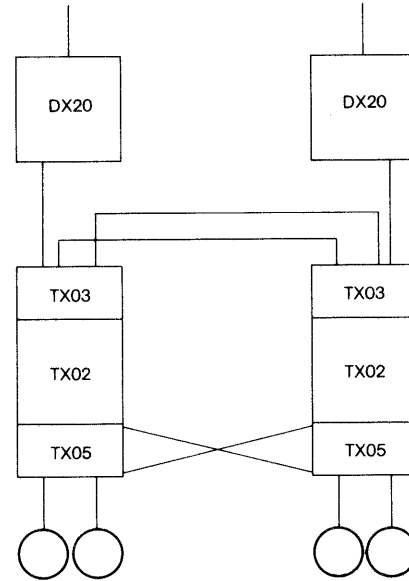
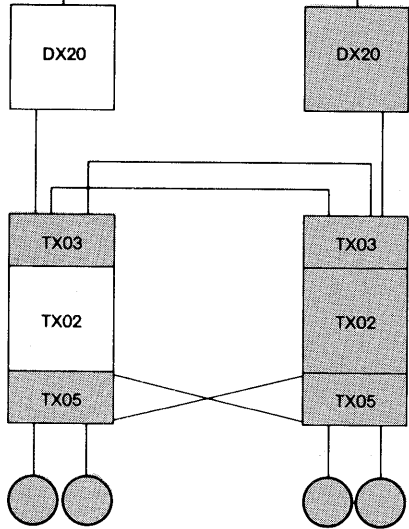


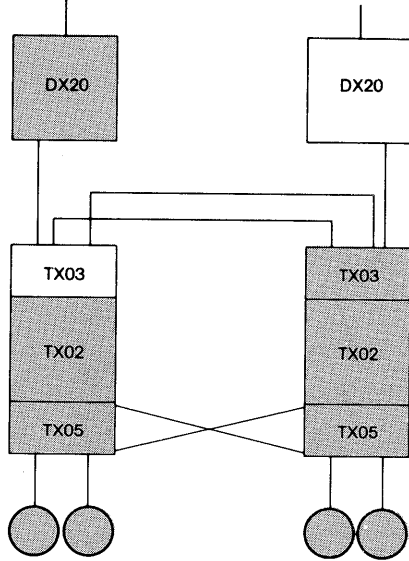
Figure 2F
(2) TX02-E plus TX03-F plus TX05-F plus drives

TU70 SERIES MAGNETIC TAPE DRIVE SUBSYSTEM COMPONENT OPTIONS

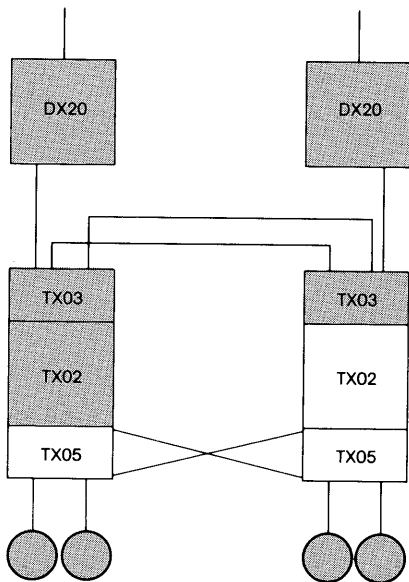
(See page 73 for Configuring of these options)



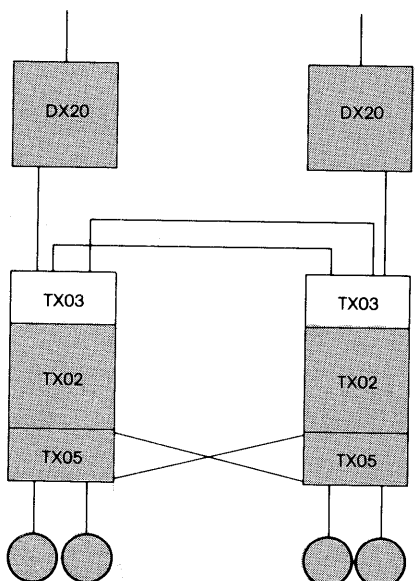
TX02-E



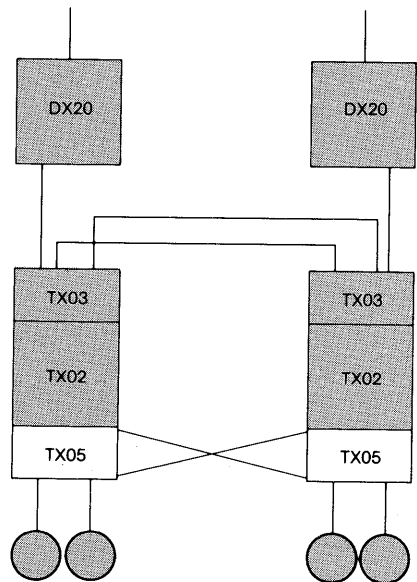
TX03-E



TX05-E



TX03-F



TX05-F

Terminals

TERMINALS

DF01-A	Acoustic Telephone Coupler with data rates up to 300 bauds, TTY and (RS-232-C) output and half- and full-duplex operations. Used with remote terminals to provide information transfer to/from a Bell 103A3 dataset or equivalent.
LA36-CE LA36-CJ	20mA version free-standing DECwriter II hardcopy terminal. 30 characters per second, 96 keyboard characters, 132 columns, 14 keypad.
LA36-HE LA36-HF	EIA version free-standing DECwriter II hardcopy terminal with 14 numeric keypad. 30 characters per second, 96 keyboard characters, 132 columns.
LAXX-LG	EIA half/full duplex option with modem control and 9 ft. cable terminated with a 25 pin data set connector.
LA37-CE LA37-CJ	20mA version free-standing DECwriter II hardcopy terminal, plus special character set for APL-11 software. 30 characters per second, 96 keyboard characters, 132 columns, 14 keypad.
LA37-PE LA37-PJ	EIA version free-standing DECwriter II hardcopy terminal, plus special character set for APL-11 software. 30 characters per second, 96 keyboard characters, 132 columns, 14 keypad.
LA38-GA	Table-top DECwriter IV printing terminal. Includes universal power supply, standard EIA interface. Variable horizontal tabs and margins, four character sizes, six line spacings and printhead adjustment. 18-button numeric keypad, 30-character per second print speed and baud rates up to 300 bits per second. Requires EIA modem or null modem cable or 20mA option.
LA38-HA	Free-standing DECwriter IV printing terminal. Includes stand, universal power supply, standard EIA interface. Variable horizontal tabs and margins, four character sizes, six line spacings and printhead adjustment. 18-button numeric keypad, 30-character per second print speed and baud rates up to 300 bits per second. Requires EIA modem or null modem cable or 20mA option.
LAX34-CL	20mA current loop option for LA38.
LA120-BA	Free-standing high speed interactive hardcopy terminal with contoured typewriter-styled keyboard with N-key rollover. EIA version, 180 characters per second, up to 9600 baud and 7x7 dot matrix. Requires EIA modem or null modem cable or 20mA option.
LA12X-AL	20mA conversion kit for LA120.

LA180-EA LA180-ED	Serial I/O DECprinter for use with the VT61. EIA version, 180 character per second, 132 columns, 96 character ASCII set.
LA180-PA LA180-PD	Parallel I/O DECprinter for use with the VT61. 180 character per second, 132 columns, 96 character ASCII set.
VT100-AA VT100-AB	High performance table-top video display terminal. Double-width/double-size characters, 80 columns x 24 lines or 132 columns x 14 lines, detachable keyboard, line-drawing graphic characters, smooth scrolling, split screen, reverse video or underline character attribute and composite video input/output. The VT100 operates on full-duplex asynchronous communication lines, and is supplied with a standard EIA interface. Requires EIA modem or null modem cable or 20mA option.
VT1XX-AA	20mA current loop adapter for the VT100 which allows a VT100 terminal to connect to a 20mA current loop interface. BC05F-15 cable is included.
VT62-AC VT62-AD	Table-top alphanumeric video display terminal for transaction processing applications. Form fill for user entry, function keys, reverse video, automatic cursor positioning, local error detection capability, left and right justification. 24 X 80-character upper/lower case display with EIA interface.
VT62-AA VT62-AB	Table-top alphanumeric video display terminal for transaction processing applications. Form fill for user entry, function keys, reverse video, automatic cursor positioning, local error detection capability, left and right justification. 24 X 80-character upper/lower case display with 20mA current loop interface.
VT61-AA VT61-AB	20mA buffered CRT Terminal 24 lines x 80 characters, 128 character ASCII. This CRT requires specific software.
VT61-AC VT61-AD	EIA buffered CRT Terminal 24 lines x 80 characters, 128 character ASCII. This CRT requires specific software.

Software

HOW TO ORDER SOFTWARE & SERVICES

The format of a Q-number is:

QHxxx-cx for TOPS-10 software

QTxxx-cx for TOPS-20 software

The first five characters (QHxxx or QTxxx) indicate the product code. For example, QH500 stands for FORTRAN-10 and QT001 stands for FORTRAN-20.

The code "c" indicates software products or services, support level (supported versus unsupported), as well as distribution type (binaries-only versus binaries and sources). Here are examples:

Support/Distribution	TOPS-10	Annual Svc	TOPS-20	Annual Svc
Binaries only, supported	QHxxx-Ax	QHxxx-3x	QTxxx-Ax	QTxxx-3x
Binaries and/or sources, supported	QHxxx-Xx	QHxxx-5x	QTxxx-Xx	QTxxx-5x
Binaries only, unsupported	QHxxx-Cx	--	QTxxx-Cx	--
Sources only, unsupported	QHxxx-Ex	QHxxx-4x*	QTxxx-Ex	QTxxx-4x*
Notebooks & Notebook updates/Dispatch	--	QHxxx-Kx	QTxxx-Kx	
Binaries & sources, unsupported	QHxxx-Yx	--	QTxxx-Yx	--
Additional software DISPATCH subscription	--	QHxxx-1x	QTxxx-1x	

There are four additional product option codes used by the Federal Government:

QHxxx-Ux: TOPS-10 product QTxxx-Ux: TOPS-20 product

QHxxx-Zx: Annual Service QTxxx-Zx: Annual Service

*Unsupported updates only.

The code "x" indicates the type of media:

Media type	Value of "x"	Where used
7-track tape	F	TOPS-10 software only
9-track tape, 800 bpi	P	TOPS-10 software only
9-track tape, 1600 bpi	M	TOPS-10 or TOPS-20 software
RP04-P	K	Front end source code only
RP06-P	L	Front end source code only
Microfiche	R	Software Dispatch
Paper	Z	Software Dispatch, Notebooks and Notebook Updates

Notice that TOPS-10 software is available on three different kinds of tape, while TOPS-20 software is available only on 9-track tape, 1600 bpi (media type "M"). Front end source code is available only on RP04 and RP06 disk packs (codes K, L). The front end cannot access tape drives.

INITIAL SOFTWARE SERVICES

DIGITAL software is categorized into two levels of support (Digital or Customer Supported):

Digital Installed	Provides installation, on-site remedial coverage when necessary during ninety (90) days following installation; SPR service, software updates and software DISPATCHes during the first 90 days after installation.
Digital Supported	
Customer Installed	Provides SPR service, software updates and software DISPATCHes during the first 90 days after delivery.
Digital Supported	
Customer Installed	Provided on an "as-is" basis with no services.
Customer Supported	

ANNUAL SERVICE

After conclusion of the warranty services, customers may purchase the Annual Service. Annual Service for the operating system is a prerequisite for the purchase of services for all other system software.

Annual Service for TOPS-10 or TOPS-20 consist of annual subscriptions to the following:

- Monitor code updates.
- Documentation and notebook updates.
- Personal responses to SPRs.
- Software DISPATCH.

Annual services for non-operating system software consists of the above, except for DISPATCHes. DEC-system-10 or DECSYSTEM-20 DISPATCHes include coverage for all system software.

TOPS-10 customers with systems purchased before January 1, 1979 containing any of the following compilers in a package, may purchase Customer Software Maintenance Service (QHK02), which includes annual services for products indicated below, if the customer is licensed for each product:

ALGOL-10 —COBOL-10 —GALAXY-10 —BASIC-10 —FORTRAN-10

KA10 SUPPORT POLICY

Customers who operate KA10-based systems and are presently supported may renew their annual service with the clear understanding of the following conditions:

1. All such contracts will be at full price regardless of expiration date, and will not include TOPS-10 V7.01.
2. All software services applicable to V6.03 will extend for*:
 - a. 6 months after the release of TOPS-10 version 7.01 for monitor support.
 - b. 3 months after the release of the following software versions:

APL V.2 —DBMS V.6 —FORTRAN V.6 —COBOL V.13

OR UNTIL JUNE 30, 1980, WHICHEVER OCCURS EARLIER

Only software services will extend. This does not include hardware services.

SOFTWARE UNITS

The "software units" column of the following table shows the number of software units associated with each product.

LICENSES

A binary license entitles the customer to run the licensed software on the single CPU on which it is first installed. The source enables the user to make changes in the software.

SOURCES

There are three source policy codes used in the following tables:

1. B, S - Binaries and sources are shipped with the product.
2. B, S# - Binaries and sources are shipped with the product, even though the Software Product Description (SPD) for the product indicates that sources are not shipped. In this case, the sources are intended for use by the customer only as a product support tool.
3. B - No sources are shipped with the product. In this case, the customer may purchase the sources from DIGITAL.

The appropriate source policy is indicated by product in the source policy column of the following table.

MISCELLANEOUS CHARGES AND EXPENSES

TRAVEL EXPENSES--When commercial and/or overnight travel is required, the customer will be charged actual expenses.

SHIFT DIFFERENTIAL--Services performed at times other than during DIGITAL's normal working hours will be charged at basic hourly rates plus the percentage indicated below:

Monday through Friday, 5 pm to Midnight

10%

All other times

20%

Prices effective in the United States and Canada only.

SOFTWARE PACKAGES

TOPS-10	TOPS-20	Description	SW Units	Source TOPS-10	Policy TOPS-20
1090 SYMMETRICAL MULTI-PROCESSING (SMP)					
QH302-Ax		TOPS-10 SMP support for 1090 only (Prerequisite is TOPS-10 License M9301-W bootstrap - See Section on 1090)		B,S	

COMMUNICATION SOFTWARE (Supported)

QH681-Xx	QH682-Xx (7.00 Only)	DECnet-10 (DCP)Task-to-Task	1	B,S	
	QT042-Xx	2780/3780 Software (2040, 2050, 2060)	1		B,S
	QT052-Xx	2780/3780/HASP			B
	QTD01-Ax	DECnet-20 (2040, 2060)	1		B
	QTD20-Ax	DECnet-20 (2020)	1		B
	QT062-Ax	RJE-20	1		B

LANGUAGE AND DATA MANAGEMENT (Supported)

QH500-Xx	QT001-Ax	FORTRAN (ANS-66 compiler)	1	B,S	B,S#
QH502-Xx	QT002-Ax	ALGOL (ALGOL-60 compiler)	1	B,S	B,S#
QH503-Xx		BASIC-10	1	B,S	
	QT027-Ax	BASIC-Plus-2	1		B
QH300-Xx	QT007-Ax	SORT-MERGE	1	B,S	B,S#
QH099-Xx	QT099-Ax	COBOL-74 (ANS-74) compiler plus COBOL-68 with SORT/MERGE	1	B,S	B,S#
QH101-Xx	QT008-Ax	DBMS (Includes 2 training credits)	3	B	B
QH045-Xx	QT016-Ax	IQL, Interactive Query Language (Extended version, with DBMS interface, and both ISAM and sequential)	2	B	B
QH020-Xx		MCS-10 Message Control System		B,S	
	QT037-Ax	TRAFFIC-20	1		B
QH072-Xx	QT014-Ax	APL (Basic Version) (Same as APLSF, but with no file input-output)	1	B	B
QH071-Xx	QT012-Ax	APLSF (APL with system functions)	2	B	B
QH060-Xx	QT009-Ax	CPL Conversational Program Language (ANS-76 PL/I subset interpreter)	1	B	B

LICENSE UPGRADES

QH074-Ax	QT025-Ax	APL (Basic) to APLSF	B	B
QH076-Ax		APL-E and APL-F to APL-SF	B	
	QT028-Ax	BASIC to BASIC-PLUS-2		B
QH509-Ax	QT024-Ax	SORT/MERGE to COBOL-68 with SORT/MERGE		B
QH511-Ax	QT044-Ax	COBOL-68 with SORT/MERGE to COBOL-74 with SORT/MERGE	B	B

SUPPORT SERVICES

<i>\$1200</i> QHK20-KZ	QT018-KZ	Software Notebook Set (Includes one year of update service.)	N/A	N/A
<i>6640</i> QHK14-3Z	QT018-3Z	Software Notebook Update Service	N/A	N/A
QHK12-1Z	QT021-1Z	Additional Software DISPATCH subscription (paper)	N/A	N/A
QHK12-KR		Additional Software DISPATCH subscription (fiche)	N/A	N/A

MISCELLANEOUS UNSUPPORTED SOFTWARE

QH301-Yx		TOPS-10 CUSPS	B, S	
QH090-Yx*		SITGO for KL CPU	B, S	
QH093-Yx*		SITGO for KA or KI CPU (Load-and-go FORTRAN compiler written by Stevens Institute of Technology)	B, S	
QH091-CD(CF)*		SITBOL SNOBOL Compiler (Written by Stevens Institute of Technology)	B, S	
QHCAP-BD*		CAAP-10 (College Administration Application Package, Sources and documentation only)	S	
	QT004-Cx	BASIC-20		B, S

* These are not DIGITAL Products. Order through Product Line.

SOURCES (UNSUPPORTED)

All source packages require the corresponding binary package.

	QT030-Ex	TOPS-20 monitor Sources		S
	QT038-Ex	TOPS-20 Exec Sources		S
	QT029-Ex	TOPS-20 Front End Sources		S
	QT040-Ex	TOPS-20 Source Package (Includes QT030, QT029, QT038)		S
QH666-Ex		TOPS-10 Front End Sources	S	
	QT045-Ax	RPG-FORTRAN-20 V1 Sources		S
QH101-Ex	QT008-Ex	DBMS Sources	S	S
QH071-Ex	QT012-Ex	APLSF Sources	S	S
QH060-Ex	QT009-Ex	CPL Sources	S	S
	QT027-Ex	BASIC-PLUS-2 Sources		S

MICROCODE AND DIAGNOSTICS (UNSUPPORTED)

QH850-		1090 Microcode Source Code	B, S	
ZH009-Cx		KL10-A/B Maintenance Product	B	
	ZH006-Cx	KL10C Maintenance Product		B
ZH007-Cx		KL10D Maintenance Product		
	ZH008-Cx	KL10E Maintenance Product	B	B
	ZH010-Cx	10/20 Maintenance Product ZH006 to ZH009 Upgrade		
QT046-Yx	QT046-Yx	KS10 Microcode Product	B	B
ZT001-Yx	ZT001-Yx	2020 Diagnostics	B	B

SYSTEMS & OPTIONS INDEX

System Code	Page
1090-PA(PB)	9
1090-VA(VB)	13
1090S-UA(UB)	9
1090S-UC(UD)	9
1091-PA(PB)	21
1091-SA(SB)	21
2020-JA(JB)	35
2020-JC(JD)	35
2020-KA(KB)	35
2020-KC(KD)	35
2020-PA(PB)	35
2020-PC(PD)	35
2020-SA(SB)	35
2020-SC(SD)	35
2040-SA(SB)	45
2060-PA(PB)	59
2060-UA	49,63
2060-UB	49,63
2060-UC	49,63
2060-UD	49,63
Option No.	Page
70-11426-A0	76
BC05D-10	74
BC05D-25	74
BC10W-25	76
BC10W-50	76
BC10W-75	76
BC10W-AO	76
BC10X-25	76
BC10X-50	76
BC10X-75	76
BC10X-AO	76
BC10Y-25	76
BC10Y-50	76
BC10Y-75	76
BC10Y-AO	76
BC11S-25	74
BC03M-25	74
BC03M-A0	74
BC03M-B5	74
BC03M-E0	74
BC03M-L0	74
CD20-AA(AB)	24,37,48,62
CD20-CA(CB)	24,37,48,62
CR10-FA(FB)	12
CR10-HA(HB)	12
DC20-AA	24,48,62
DC20-CC	48,62
DC20-CD	24
DC20-DA	24,48,62
DC20-EA(EB)	24
DC20-EC(ED)	48,62
DF01-A	85
DF01-A	77
DIB20	24,48,62
DN20-BA	12,25,37,49,62
DN20-BB	12,25,37,49,62
DN20-CA(CB)	48,62

Option No.	Page
DN20-CC(CD)	12,25
DN20-DA(DB)	12,25,49,62
DN20-MA(MB)	48,62
DN20-MU	48,62
DN200-AA(AB)	13,25,49,- 63
DN21-BA	12,25,49,62
DN21-DA(DB)	12,25,49,62
DN22-AA(AB)	37
DN25-AA	12,25
DN25-AB	12,25
DN25-BA	12,25
DN25-DA(DB)	12,25
DN25-EC(ED)	13,25
DN81-EA(EB)	78
DN81-EC(ED)	78
DN81-EE(EF)	78
DN81-FA	78
DN81-FB	78
DN81-FC	78
DN81-FD	78
DN81-FF	78
DN81-FG	78
DN81-H	78
DN81-J	78
DN83-A	78
DN87-BA(BB)	78
DN87-CA(CB)	78
DN87-U	78
DN87-UM	78
DN87S-AA(AB)	78
DN87S-U	78
DN92-CA(CB)	79
DN92-E	79
DN92-PA(PD)	79
DN92-VA(VD)	79
DN92-WA(WD)	79
DNCXX-AA(AB)	13,25,49,- 63
DNHXX-AA(AB)	37
DNLXX-BA(BB)	13,25,49,- 63
DNLXX-CA(CB)	13,25,49,- 63
DNSXX-AA	13,25,49,63
DT03-DT	77
DT05-DT	77
DZ11-AA	37
DZ11-BA	37
H312-A	78
H322	78
H956	77
KL10-DA(DB)	9
KL10-PM	13
KL10-PV	13
LA120-BA	85
LA12X-AL	85

Option No.	Page
LA180-EA(ED)	86
LA180-PA(PD)	86
LA36-CE(CJ)	85
LA36-HE(HF)	85
LA37-CE(CJ)	85
LA37-PE(PJ)	85
LA38-GA	85
LA38-HA	85
LAX34-CL	85
LAXX-LG	85
LP07-YA	11,24,47,61
LP07-YB	11,24,47,61
LP07-YC	11,24,47,61
LP07-YD	11,24,48,61
LP07-YF	11,24,48,61
LP07-YH	11,24,48,61
LP07-YJ	11,24,48,61
LP07-YK	11,24,48,61
LP07-YL	11,24,48,61
LP07-YM	11,24,48,61
LP100-BA(BB)	11
LP100-DA(DB)	11
LP100-DC(DD)	11
LP100-EA(EB)	11
LP100-EC(ED)	11
LP100-FA(FB)	11
LP100-FC(FD)	11
LP100-HA(HB)	11
LP100-HC(HD)	11
LP20-AA(AB)	23,36,47,61
LP20-AC(AD)	23,36,47,61
LP20-BA(BB)	23,36,47,61
LP20-BC(BD)	23,36,47,61
LP20-CA(CB)	23,36,47,61
LP20-CC(CD)	23,36,47,61
LP20-DA(DB)	23,36,47,61
LP20-DC(DD)	23,36,47,61
LP200-BA(BB)	23,47,61
M9301-WA	9
M9301-WB	9
MA20R-E	77
MB20-E	21,45
MB20-GC(GD)	21,45
MB20R-E	77
MC10	77
MC10-E	77
MC10-F	77
MC10-G	77
MF20-E	21,45,59
MF20-LA(LB)	21,45,59
MF20-LC(LD)	21,45,59
MF20-LK(LL)	21,45,59
MF20-LM(LN)	21,45,59
MH10-E	10
MH10-HA(HB)	10
MH10-LA(LB)	10
MS10-BA	36
PC10-CL(CM)	12

Option No.	Page
PC20-BL(BM)	24
PC20-CL(CM)	48,62
RH20	10,22,46,60
RM03-AA(AD)	36
RP06-AA(AB)	10,22,36,46,60
RP06-BA(BB)	10,22,46,60
RP06-C	10,22,46,60
TAU45-EC(ED)	36
TAU77-EC(ED)	36
TU45A-EC(ED)	36,46,60
TU45A-EH(EJ)	46,60
TU45C-EC(ED)	10,22
TU45C-EH(EJ)	10,22
TU70-AC(AD)	77
TU72-CA(CB)	77
TU72-EA(EB)	77
TU72-EC(ED)	10,23,47,60
TU77-AF(AJ)	10,22,36,46,- 60
TU77-CB(CD)	10,22,46,60
TX02-EC(ED)	10
TX02-EE(EF)	47,60
TX02-EH(EJ)	23
TX03-A	77
TX03-B	77
TX03-EC(ED)	10
TX03-EE(EF)	47,60
TX03-EH(EJ)	23
TX03-FB	10,23
TX05-A	77
TX05-B	77
TX05-EC(ED)	10,23,47,60
TX05-FB	10,23,47,60
VT100-AA(AB)	86
VT1XX-AA	86
VT61-AA(AB)	86
VT61-AC(AD)	86
VT62-AA(AB)	86
VT62-AC(AD)	86

SYSTEM SOFTWARE

Option No.	Page
QH020-5F	91
QH020-5M	91
QH020-5P	91
QH020-UF	91
QH020-UM	91
QH020-UP	91
QH020-XF	91
QH020-XM	91
QH020-XP	91
QH020-ZF	91
QH020-ZM	91
QH020-ZP	91
QH045-5F	91
QH045-5M	91
QH045-5P	91
QH045-AF	91

Option No.	Page
QH045-AM	91
QH045-AP	91
QH045-EF	91
QH045-EM	91
QH045-EP	91
QH060-5F	91
QH060-5M	91
QH060-5P	91
QH060-AF	91
QH060-AM	91
QH060-AP	91
QH060-Ex	93
QH060-UM	91
QH060-UP	91
QH061-5F	91
QH061-5M	91
QH061-5P	91
QH061-UF	91
QH061-UM	91
QH061-UP	91
QH061-XF	91
QH061-XM	91
QH061-XP	91
QH067-UF	91
QH067-UM	91
QH067-UP	91
QH067-XF	91
QH067-XM	91
QH067-XP	91
QH071-3F	91
QH071-3M	91
QH071-3P	91
QH071-5F	91
QH071-5M	91
QH071-5P	91
QH071-AF	91
QH071-AM	91
QH071-AP	91
QH071-Ex	93
QH071-UF	91
QH071-UM	91
QH071-UP	91
QH071-ZF	91
QH071-ZM	91
QH071-ZP	91
QH072-5F	91
QH072-5M	91
QH072-5P	91
QH072-AF	91
QH072-AM	91
QH072-AP	91
QH072-UF	91
QH072-UM	91
QH072-UP	91
QH072-ZF	91
QH072-ZM	91
QH072-ZP	91
QH074-AF	92
QH074-AM	92

Option No.	Page
QH074-AP	92
QH076-AF	92
QH076-AM	92
QH076-AP	92
QH090-UF	92
QH090-UM	92
QH090-UP	92
QH090-YF	92
QH090-YM	92
QH090-YP	92
QH091-CD	92
QH091-CF	92
QH093-UF	92
QH093-UM	92
QH093-UP	92
QH093-YF	92
QH093-YM	92
QH093-YP	92
QH099-UF	91
QH099-UM	91
QH099-UP	91
QH099-XF	91
QH099-XM	91
QH099-XP	91
QH101-5F	91
QH101-5M	91
QH101-5P	91
QH101-AF	91
QH101-AM	91
QH101-AP	91
QH101-Ex	93
QH101-UF	91
QH101-UM	91
QH101-UP	91
QH101-ZF	91
QH101-ZM	91
QH101-ZP	91
QH300-5F	91
QH300-5M	91
QH300-5P	91
QH300-UF	91
QH300-UM	91
QH300-UP	91
QH300-XF	91
QH300-XM	91
QH300-XP	91
QH300-ZF	91
QH300-ZM	91
QH300-ZP	91
QH301-YM	92
QH302-XF	9,91
QH302-XM	9,91
QH302-XP	9,91
QH500-UF	91
QH500-UM	91
QH500-UP	91
QH500-XF	91
QH500-XM	91

Option No.	Page
QH500-XP	91
QH502-5F	91
QH502-5M	91
QH502-5P	91
QH502-UF	91
QH502-UM	91
QH502-UP	91
QH502-XF	91
QH502-XM	91
QH502-XP	91
QH503-5F	91
QH503-5M	91
QH503-5P	91
QH503-UF	91
QH503-UM	91
QH503-UP	91
QH503-XF	91
QH503-XM	91
QH503-XP	91
QH509-UF	92
QH509-UM	92
QH509-UP	92
QH509-XF	92
QH509-XM	92
QH509-XP	92
QH511-UF	92
QH511-UM	92
QH511-UP	92
QH511-XF	92
QH511-XM	92
QH511-XP	92
QH666-EK	93
QH666-EL	93
QH681-5F	91
QH681-5M	91
QH681-5P	91
QH681-UF	91
QH681-UM	91
QH681-UP	91
QH681-XF	91
QH681-XM	91
QH681-XP	91
QH682-UF	91
QH682-UM	91
QH682-UP	91
QH682-XF	91
QH682-XM	91
QH682-XP	91
QH850-NM	93
QH850-NP	93
QH850-YD	93
QH850-YM	93
QH850-YP	93
QHCAP-BD	92
QHCAP-UD	92
QHK12-KR	92
QHK12-1Z	92
QHK14-3Z	92

Option No.	Page
QT001-3M	91
QT001-AM	91
QT001-UM	91
QT001-ZM	91
QT002-3M	91
QT002-AM	91
QT002-UM	91
QT002-ZM	91
QT004-CM	92
QT004-UM	92
QT007-3M	91
QT007-AM	91
QT007-UM	91
QT007-ZM	91
QT008-3M	91
QT008-AM	91
QT008-EM	93
QT008-UM	91
QT008-ZM	91
QT009-3M	91
QT009-AM	91
QT009-EM	93
QT009-UM	91
QT009-ZM	91
QT012-3M	91
QT012-AM	91
QT012-EM	93
QT012-UM	91
QT012-ZM	91
QT014-3M	91
QT014-AM	91
QT014-UM	91
QT014-ZM	91
QT016-3M	91
QT016-AM	91
QT016-EM	91
QT016-UM	91
QT016-ZM	91
QT018-3Z	92
QT018-KZ	92
QT021-1Z	92
QT024-AM	92
QT024-UM	92
QT025-AM	92
QT025-UM	92
QT027-3M	91
QT027-AM	91
QT027-EM	93
QT027-UM	91
QT027-ZM	91
QT028-AM	92
QT028-UM	92
QT029-4K	93
QT029-4L	93
QT029-EK	93
QT029-EL	93

Option No.	Page
QT030-4M	93
QT030-EM	93
QT030-UM	93
QT037-3M	91
QT037-AM	91
QT037-UM	91
QT037-ZM	91
QT038-4M	93
QT038-EM	93
QT038-UM	93
QT038-ZM	93
QT040-4K	93
QT040-4L	93
QT040-EK	93
QT040-EL	93
QT042-3M	91
QT042-UM	91
QT042-XM	91
QT042-ZM	91
QT044-AM	92
QT044-UM	92
QT045-AM	93
QT0465-YM	93
QT052-Xm	91
QT062-Am	91
QT099-3M	91
QT099-AM	91
QT099-UM	91
QT099-ZM	91
QTD01-3M	91
QTD01-AM	91
QTD01-UM	91
QTD01-ZM	91
QTD20-3M	91
QTD20-AM	91
QTD20-UM	91
QTD20-ZM	91
ZH006-CM	93
ZH006-CP	93
ZH007-CM	93
ZH007-CP	93
ZH008-CM	93
ZH008-CP	93
ZH009-CM	93
ZH009-CP	93
ZH010-CM	93
ZH010-CP	93
ZT001-YM	93

