

* THE MATERIAL HEREIN IS FOR INFORMATION PURPOSES ONLY AND IS SUBJECT TO CHANGE WITHOUT NOTICE. DIGITAL EQUIPMENT CORPORATION ASSUMES NO RESPONSIBILITY FOR ANY ERRORS WHICH MAY APPEAR HEREIN.

FIELD MAINTENANCE PRINT SET

THIS DRAWING AND THE SPECIFICATIONS CONTAINED HEREIN ARE CONFIDENTIAL AND PROPRIETARY. THEY ARE THE PROPERTY OF DIGITAL EQUIPMENT CORPORATION AND SHALL NOT BE REPRODUCED OR COPIED OR USED IN WHOLE OR IN PART AS THE BASIS FOR THE MANUFACTURE OR SALE OF ITEMS WITHOUT WRITTEN PERMISSION. THIS IS AN UNPUBLISHED WORK PROTECTED UNDER THE FEDERAL COPYRIGHT LAWS.

TABLE OF CONTENTS

B-TC-DN20F-0-1	SYS. COMM. SUB-SYSTEM
D-AR-DN20F-0-0	DN20F CABINET CONFIGURATOR
K-PL-7021028-0-DBP	DN20F MA/MC MECH ASSY
D-AD-7021028-0-0	DN20F MA/MC MECH ASSY
D-UA-DN20F-0-0	SYNC. COMM. SUB-SYSTEM
K-PL-DN20F-0-DBP	SYNC. COMM. SUB SYSTEM
K-PL-DN20F-0-SH	DN20F SHIP LIST KLI0B,C,D,E,R
D-CS-M9306-0-1	UNIBUS TERMINATOR (1134A)
MP-BM873-0	RESTART LOADER
MP-DTE20-0-0	10/11 INTERFACE
MP-DL11-0	ASYN. LINE INTERFACE
MP-DB11-A	BUS REPEATER
C-UA-BC11A-0-0	UNIBUS CABLE ASSY
B-CS-M9014-0	UNBUS TO H854 ADAPTER BOARD
B-CS-M9310-0	UNIBUS TERMINATOR (DET20)
D-1A-BC11Y-0-0	SHIELD RUGGEDIZED UNIBUS CABLE
D-AD-7014211-0-0	RUGGEDIZED UNIBUS CABLE
C-UA-BC03U-0-0	BC03U I/O CABLE
D-AD-7014002-0-0	INTERNAL UNIBUS CABLE ASSY (I/O BAY)
D-AD-7014246-0-0	INTERNAL UNIBUS CABLE ASSY (DN2X)
C-1A-7008288-0-0	RTO CABLE ASSY
E-1A-7021174-0-0	HARNESS DTE REMOTE ADAPTOR #2
E-1A-7020843-0-0	CABLE DTE REMOTE
E-1A-7021033-0-0	HARNESS DTE REMOTE ADAPTOR #1
MP00190	11/34A F.M.P.S
MP00575	H7850 F.M.P.S.
MP00014	H775 F.M.P.S.

UNIT VARIATIONS COVERED BY THIS PRINT SET

- DN20F - MA
- DN20F - MC
- DN20F - BA
- DN20F - BB

DN20F
FIELD MAINTENANCE
PRINT SET

DIGITAL EQUIPMENT
CORPORATION

PRINT SET PART
NUMBER MP01712-00

NOTE: THE FOLLOWING ITEMS OF DOCUMENTATION ARE LISTED FOR REFERENCE ONLY AND ARE NOT PART OF THIS PRINT SET.

MP00339	FIELD MAINT. PRINT SET (KMC11)
MP00911	FIELD MAINT. PRINT SET (DMR11)
MPDUP11	FIELD MAINT. PRINT SET (DUP11)

REVISION HISTORY	REV.	A
	ECO NUMBER	RELEASED
	DATE	

DRN.	G. FLANDERS	DATE	27MAR84	TITLE		
CHK'D	J. DONAHER	DATE	28MAR84	digital		
DES. ENG.	K SULLIVAN	DATE	17APR84	SYNC. COMM. SUB-SYSTEM		
RESP. ENG.	R SCOTT	DATE	17APR84	SIZE	CODE	NUMBER
FIELD SERVICE	JOE SWEENEY	DATE	17APR84	B	TC	DN20F-0-1
TOP DOC.	B-DD-DN20F-0-DBU					REV.
						A
						SHEET 1 OF 1

REV. A
 NUMBER DN20F-0-1
 SIZE CODE BTC

START

INSTRUCTIONS

- 1) DEFINE THE REQUIRED SYSTEM CAPABILITY AS FOLLOWS:
 - A) DETERMINE THE NUMBER OF LOW SPEED SYNC (2.4K-19.2K BPS CCITT V.21RS232-C) LINES REQUIRED.
 - B) DETERMINE THE NUMBER OF REMOTE HIGH SPEED SYNC (56K BPS CCITT V.35/005) LINES REQUIRED.
 - C) DETERMINE THE NUMBER OF LOCAL HIGH SPEED SYNC (56K BPS OR 1M BPS) INTEGRAL MODEM LINES REQUIRED.

NOTE:
 THIS CHART IS A DN20F XX HARDWARE CONFIGURATOR ONLY. CURRENTLY, NEITHER TOPS-10 NOR TOPS-20 SOFTWARE IS CAPABLE OF DRIVING A FULLY CONFIGURED SYSTEM. CONSIDER ALL SOFTWARE RESTRICTIONS BEFORE USING THIS CONFIGURATOR.

IS EXECUTIVE A TOPS-20 OPERATING SYSTEM? (KL10 ONLY)

IS EXECUTIVE A TOPS-10 OPERATING SYSTEM? (1091 ONLY)

EXIT HERE INDICATES NO REQUIREMENTS FOR A DN2X-DNHXX SUBSYSTEM

SYSTEM REQUIRES THE FOLLOWING BASIC OPTIONS

QTY	OPTION
1	DN20F-MA
1	DN20F-MC

1 DN20F-MA

1 DN20F-MC

A

THIS DRAWING AND SPECIFICATIONS HEREIN ARE THE PROPERTY OF DIGITAL EQUIPMENT CORPORATION AND SHALL NOT BE REPRODUCED OR COPIED OR USED IN WHOLE OR IN PART AS THE BASIS FOR THE MANUFACTURE OF SALE OF ITEMS WITHOUT WRITTEN PERMISSION. COPYRIGHT © 1984 DIGITAL EQUIPMENT CORPORATION

REVISIONS	
CHK	CHANGE NO. REV

digital	DRN. ROGER G. DAME	DATE 14-MAR-84	ENG.	DATE	TITLE: DN20F CABINET CONFIGURATOR
	CHK'D.	DATE	BOARD LOCATION: SHEET 1 OF 4		
FIRST USED ON OPTION/MODEL: B-DD-DN20F-0-DBU		NEXT HIGHER ASSEMBLY:		SIZE CODE D AR	NUMBER DN20F-0-2
					REV. A

ARE THE NUMBER OF LOW SPEED (2.4K TO 19.2K BPS CCITT V.24/RS232-C) SYNC LINES REQUIRED MORE THAN 4?

SYSTEM REQUIRES THE FOLLOWING ADDITIONAL OPTIONS

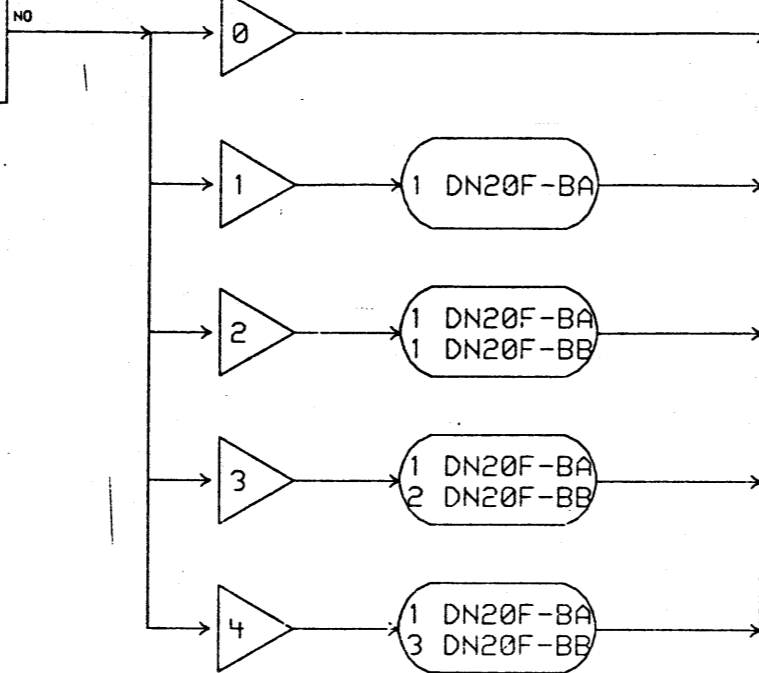
SYSTEM REQUIRES THE FOLLOWING ADDITIONAL OPTIONS

QTY OPTION

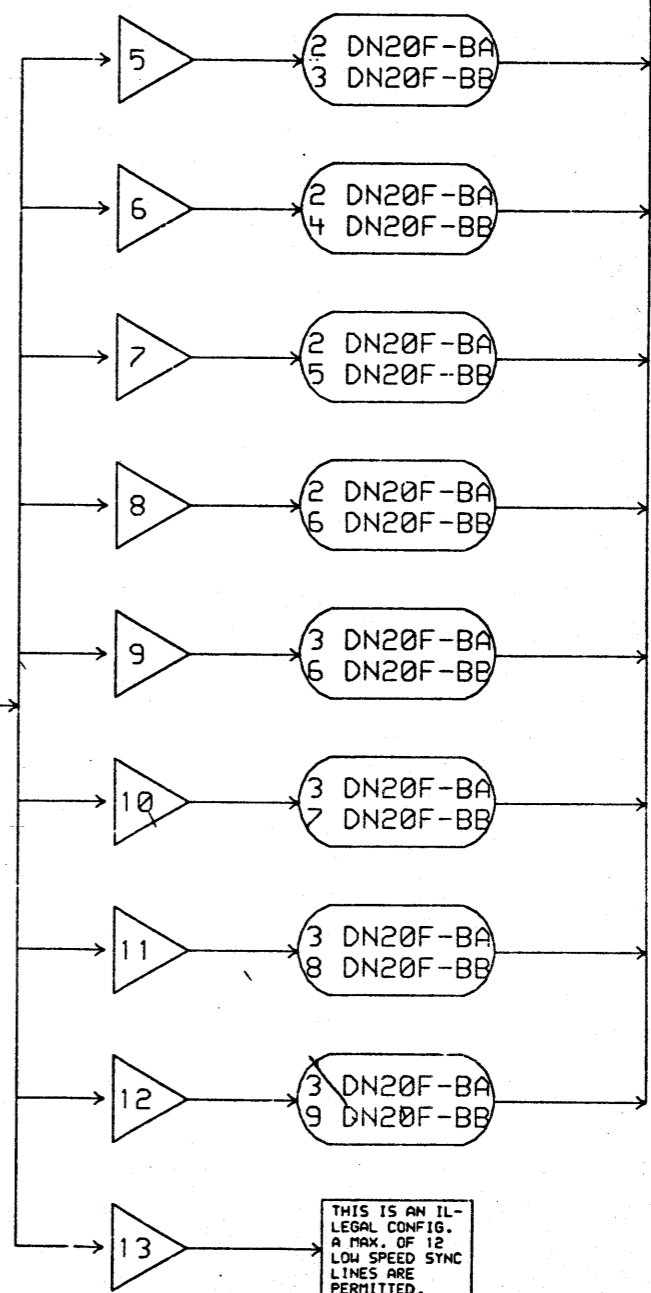
QTY OPTION EXPANSION DRAWER

(A)

(B)



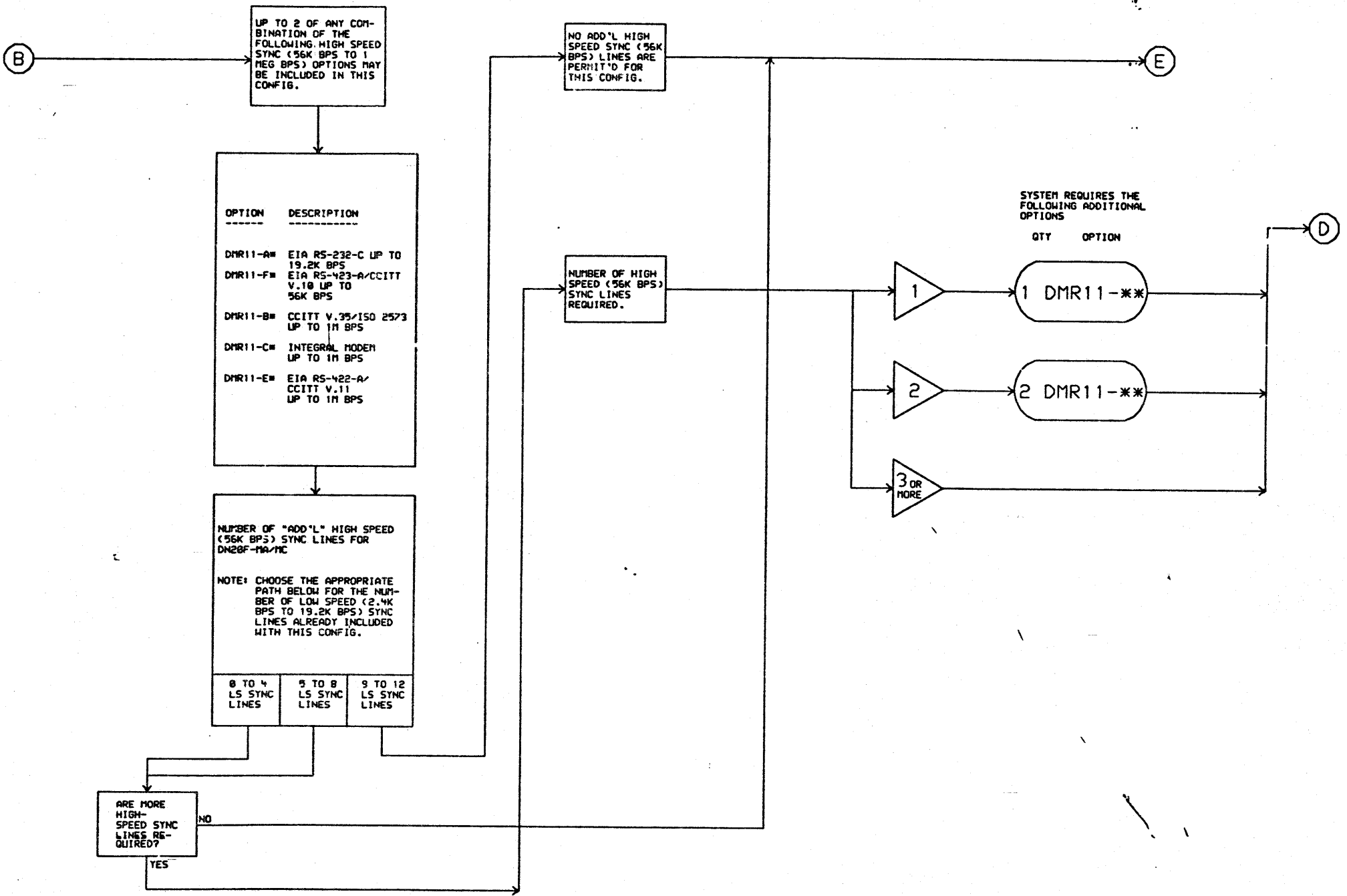
NUMBER OF LOW SPEED (2.4K TO 19.2K BPS) SYNC LINES REQUIRED?



THIS DRAWING AND SPECIFICATIONS HEREIN ARE THE PROPERTY OF DIGITAL EQUIPMENT CORPORATION AND SHALL NOT BE REPRODUCED OR COPIED OR USED IN WHOLE OR IN PART AS THE BASIS FOR THE MANUFACTURE OR SALE OF ITEMS WITHOUT WRITTEN PERMISSION. COPYRIGHT © 1984, DIGITAL EQUIPMENT CORPORATION

REVISIONS		
CHK	CHANGE NO.	REV

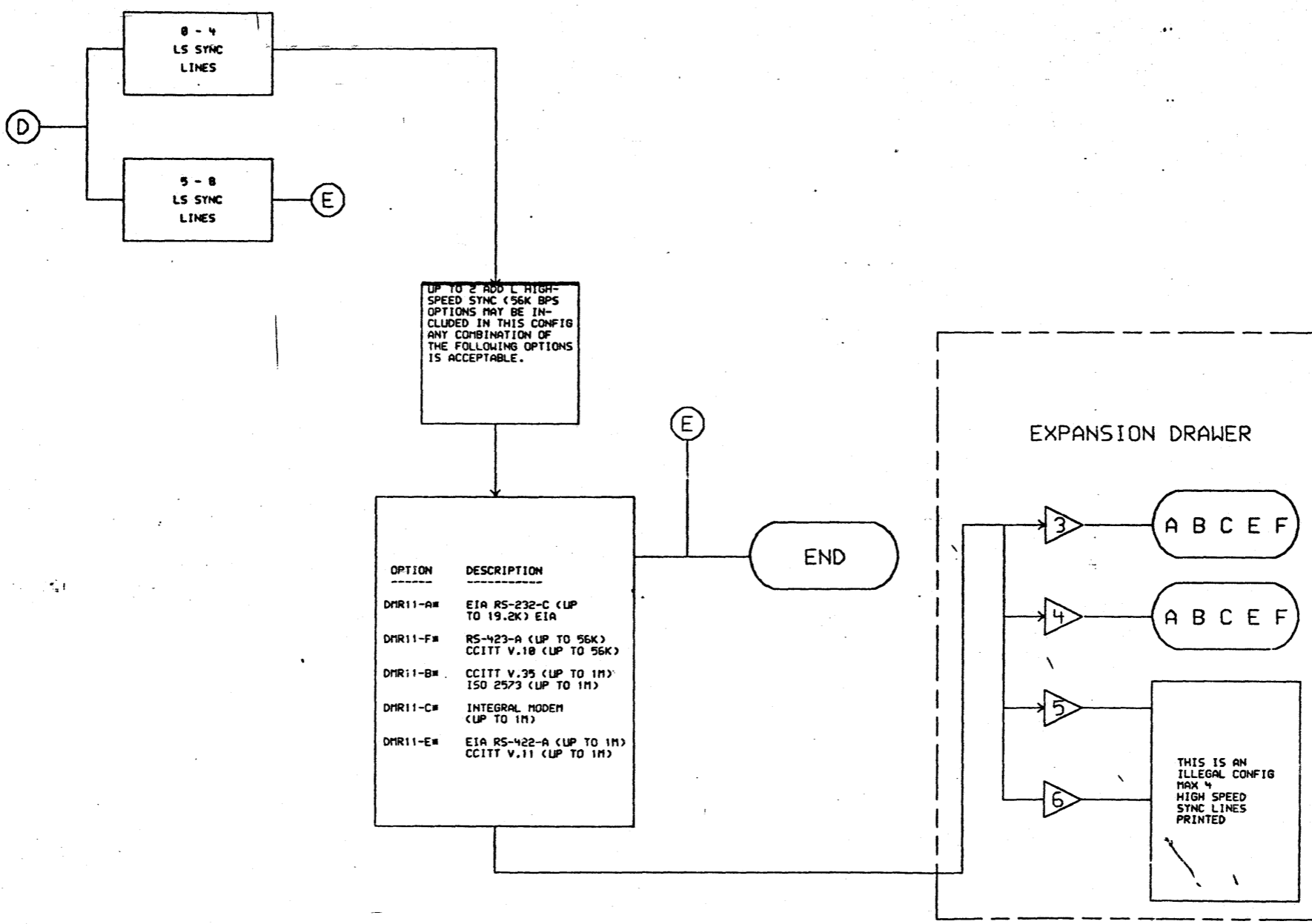
digital	DRN. ROGER G. DAME	DATE 14-MAR-84	ENG.	DATE	TITLE: DN20F CABINET CONFIGURATOR
	CHK'D.	DATE	BOARD LOCATION: SHEET 2 OF 4	SIZE CODE D AR	NUMBER DN20F-0-2
FIRST USED ON OPTION/MODEL: B-DD-DN20F-0-DBU		NEXT HIGHER ASSEMBLY: B-DD-DN20F-0-DBU		REV. A	MR



THIS DRAWING AND SPECIFICATIONS ARE THE PROPERTY OF DIGITAL EQUIPMENT CORPORATION AND SHALL NOT BE REPRODUCED OR COPIED OR USED IN WHOLE OR IN PART AS THE BASIS FOR THE MANUFACTURE OR SALE OF ITEMS WITHOUT WRITTEN PERMISSION. COPYRIGHT © 1984, DIGITAL EQUIPMENT CORPORATION.

REVISIONS		
CHK	CHANGE NO.	REV

digital	DRN. ROGER G. DAME	DATE 14-MAR-84	ENG.	DATE	TITLE: DN20F CABINET CONFIGURATOR
	CHK'D.	DATE 14-MAR-84 14:14	BOARD LOCATION: SHEET 3 OF 4	NEXT HIGHER ASSEMBLY: B-DD-DN20F-0-DBU	SIZE CODE D AR
FIRST USED ON OPTION/MODEL:		NUMBER		REV. A	



THIS DRAWING AND SPECIFICATIONS HEREIN ARE THE PROPERTY OF DIGITAL EQUIPMENT CORPORATION AND SHALL NOT BE REPRODUCED OR CITED IN ANY MANNER OR IN ANY MANNER USED IN WHOLE OR IN PART AS THE BASIS FOR THE MANUFACTURE OR SALE OF ITEMS WITHOUT WRITTEN PERMISSION. COPYRIGHT © 1984, DIGITAL EQUIPMENT CORPORATION.

REVISIONS	
CHK	CHANGE NO. REV

LINE ITEM	TOP DOCUMENT	PART NUMBER	MIN REV	DESCRIPTION	QTY PER VARIATION
1	E-AD-7019030-0-DBU	7019030-00		FRAME ASSY, SINGLE	1
2	D-UA-11/34-0-0	1134A-XX		KD11-EA,DL11-W,BALL-KA,H765-P,2	1
3	D-AD-7014173-0-0	7014173-00		EXPANSION DRAWER ASSY. 60HZ	1
4	D-AD-7021027-0-0	7021027-01		POWER CONTROL 3 PH (861 REWORK)	1
5	D-IA-7021176-0-DBU	7021176-01		BULKHEAD WELDMENT	1
6	E-UA-H775-0-0	H775 -A		24V 2 HR BATTERY BACKUP W CHARGE	1
7	D-IA-7418098-0-0	7418098-00		RETAINER BRACKET	6
8	D-MD-7418097-0-0	7418097-00	A	BRACKET CAGE 1	1
9	D-IA-7011223-0-0	7011223-02		BASKET WIRE CABLE 1 BAY	5
10		9006565-00	C	NUT,HEX EXT TOOTH LCKNSHR 10-32	4
11		9007651-00	B	WASHER,LOCK EXTERNAL STEEL	1
12		9007786-00	F	RETAINER,U-NUT 10-32X	42
13	D-IA-7429126-0-DBU	7429126-01	A	BRACKET,SUPPORT	1
14	E-MD-7414087-0-0	7414087-00		ARM STABILIZER	2
15		9000022-01		FOOT, LEVELER, CUSHION, 1/2-13,	2
16		3615810-00		LABEL,ADHESIVE BACK,CAUTION STAB	1
17	BLANK				0
18		9007772-11	B	CLAMP,CABLE	3
19		9006039-02	A	SCREW,MACH FLAT PHIL 8-	3
20		3622339-01	A	LABEL,DN20P BULKHEAD SET	1
21	A-DC-7418579-0-0	7418579-00		DECAL	1
22	D-IA-7417662-0-0	7417662-00		BEZEL	1
23	D-MD-7417663-0-0	7417663-00	A	PLATE BEZEL	1
24	A-PL-DD11-0-0	DD11 -CK		BACK PLANE ASSY	1
25	A-PL-DD11-0-0	DD11 -DK		BACK PLANE ASSY	1
26	D-CS-M9306-0-1	M9306-00		UNIBUS TERMINATOR 11A05	1
27		9006043-01	A	SCREW,MACH PAN PHIL 8-	2
28	SEE NOTE 1			STICKER "CONFIGURATION"	1
29		1213246-00	B	FILTER,AIR FOAM 030PPI	1
30		1211825-02	P	SLIDE,CHASSIS TILT 3POSITION	1

REVISION HISTORY			BASIC PART NO: 7021028			DRN: J. F. BROWN			DATE: 12 AUG 83			DIGITAL		
ENG	ECO NUMBER	REV	SECTION A OF A	CHK'D:	JOE DONAHER	DATE:	17 APR 84	TITLE	PARTS LIST					
---	INITIAL	IA	SECTION.VARIATION INDEX	CAJ01				DN20P MECH.	ASSY					
			[B]	DES.ENG:	K. SULLIVAN	DATE:	17 APR 84	DOCUMENT NUMBER						
			[C]	RESP.ENG.:	R. SCOTT	DATE:	17 APR 84	SIZE:CODE: NUMBER	REV					
			[D]	IMFG.ENG.:	J. SANNACANDRO	DATE:	17 APR 84	K PL 7021028-0-DBP	A					
			[E]	ASSEMBLY NUMBER:	ID-AD-7021028-0-DBU	TOP DOCUMENT NUMBER:	ID-AD-7021028-0-DBU	FILE NAME:	27439A.PLS	EDIT #				
			[F]							36				

"THIS DRAWING AND THE SPECIFICATIONS CONTAINED HEREIN ARE CONFIDENTIAL AND PROPRIETARY. THEY ARE THE PROPERTY OF DIGITAL EQUIPMENT CORPORATION AND SHALL NOT BE REPRODUCED OR COPIED OR USED IN WHOLE OR IN PART AS THE BASIS FOR THE MANUFACTURE OR SALE OF ITEMS WITHOUT WRITTEN PERMISSION. THIS IS AN UNPUBLISHED WORK PROTECTED UNDER THE FEDERAL COPYRIGHT LAWS."

MR

LINE	ITEM	TOP DOCUMENT	PART NUMBER	MIN REV	DESCRIPTION	QTY	PER VARIATION
						01	
						A1	
31	31		9006666-00	A	WASHER, FLAT SST	7	
32	32		9007773-00	A	NUT, HEX SLP-LOCK NYL INS 8-32	7	
33	33		9008007-03	A	SCREW, MACH TRUSS PHIL 10-	10	
34	34		9006635-00	A	WASHER, LOCK INTERNAL STEEL	10	
35	35	D-MD-7430163-0-DRU	7430163-01		PANEL, BULKHEAD (RTO)	1	
36	36		9007036-00	B	GROMMET, CATERPILLAR POLYAMIDE	A/R	
37	37		9007594-00	A	ADHESIVE, NEOPRENE	A/R	
38	38		9008825-00	A	SPACER, CLEAR HOLE HEX ALUM 10	12	
39	39		9006020-03	A	SCREW, MACH TRUSS PHIL 6-	1	
40	40		9006633-00	A	WASHER, LOCK INTERNAL STEEL	1	
41	41	B-DD-MS11-L	MS11 -LD		MS11-LD 128K 18 BIT MOS MEM W PA	1	
42	42	E-UA-H7850-0-0	H7850-00		BATTERY BACK-UP REG	1	
43	43	D-IA-7011411-0-0	7011411-2J		CABLE, KY11 CONSOLE	1	
44	44	C-IA-7013676-0-0	7013676-00		CABLE AC/DC	1	
45	45	C-IA-7013059-0-0	7013059-08		STRAPGROUND	1	
46	46		9006724-00	A	WASHER, LOCK EXTERNAL STEEL	1	
47	47		9008203-00	A	NUT, HEX EXT TOOTH LCKWSHR 1/4-20	1	
48	48		3613272-00	B	LABEL, ADH BACK, MYLAR CAP	1	
49	49		9009700-00	A	SCREW, SEMS TRUSS PHIL 10-	112	
50	50	D-IA-7426407-0-DBU	7426407-01	A	PANEL, SUB, DOUBLE	16	
51	51	D-AD-7019605-0-0	7019605-12		GASKET ASSY.	4	
52	52	D-AD-7019605-0-0	7019605-16		GASKET ASSY.	2	
53	53		1221535-01	A	CLIP, NYLON FOR RF GASKET	65	
54	54	C-MD-7413659-0-0	7413659-00		BRACKET SHIPPING	4	
55	55		9006014-01	A	SCREW, MACH PAN PHIL 4-	4	
56	56		9006557-00	A	NUT, HEX EXT TOOTH LCKWSHR 4-40	4	
57	57		1219534-01		SCREW, CAPTV SLOT 4-	34	
58	58	BLANK				0	
59	59	D-AD-7019605-0-0	7019605-24		GASKET ASSY.	2	
60	60	C-MD-7430162-0-DBU	7430162-01	A	BAR, LEG LOCK	2	
61	61	C-IA-7416523-0-0	7416523-00	A	BRKT GUIDE	2	

62 NOTE: 1. PART NUMBER FOR ITEM 28 IS DEC-3-(374)1825-N1174

D	I	G	I	T	A	L	TITLE	SECTION A OF A	SIZE	CODE	DOCUMENT NUMBER	REV
							DN20F MECH. ASSY				7021028-0-DBP	A
									K	PL		

MR

THIS DRAWING AND SPECIFICATIONS, HEREIN, ARE THE PROPERTY OF DIGITAL EQUIPMENT CORPORATION AND SHALL NOT BE REPRODUCED OR COPIED OR USED IN WHOLE OR IN PART AS THE BASIS FOR THE MANUFACTURE OR SALE OF ITEMS WITHOUT WRITTEN PERMISSION. COPYRIGHT © 1983 DIGITAL EQUIPMENT CORPORATION

LEGEND		
PART NO.	REV	VARIATION
7021028-01	A1	AS SHOWN

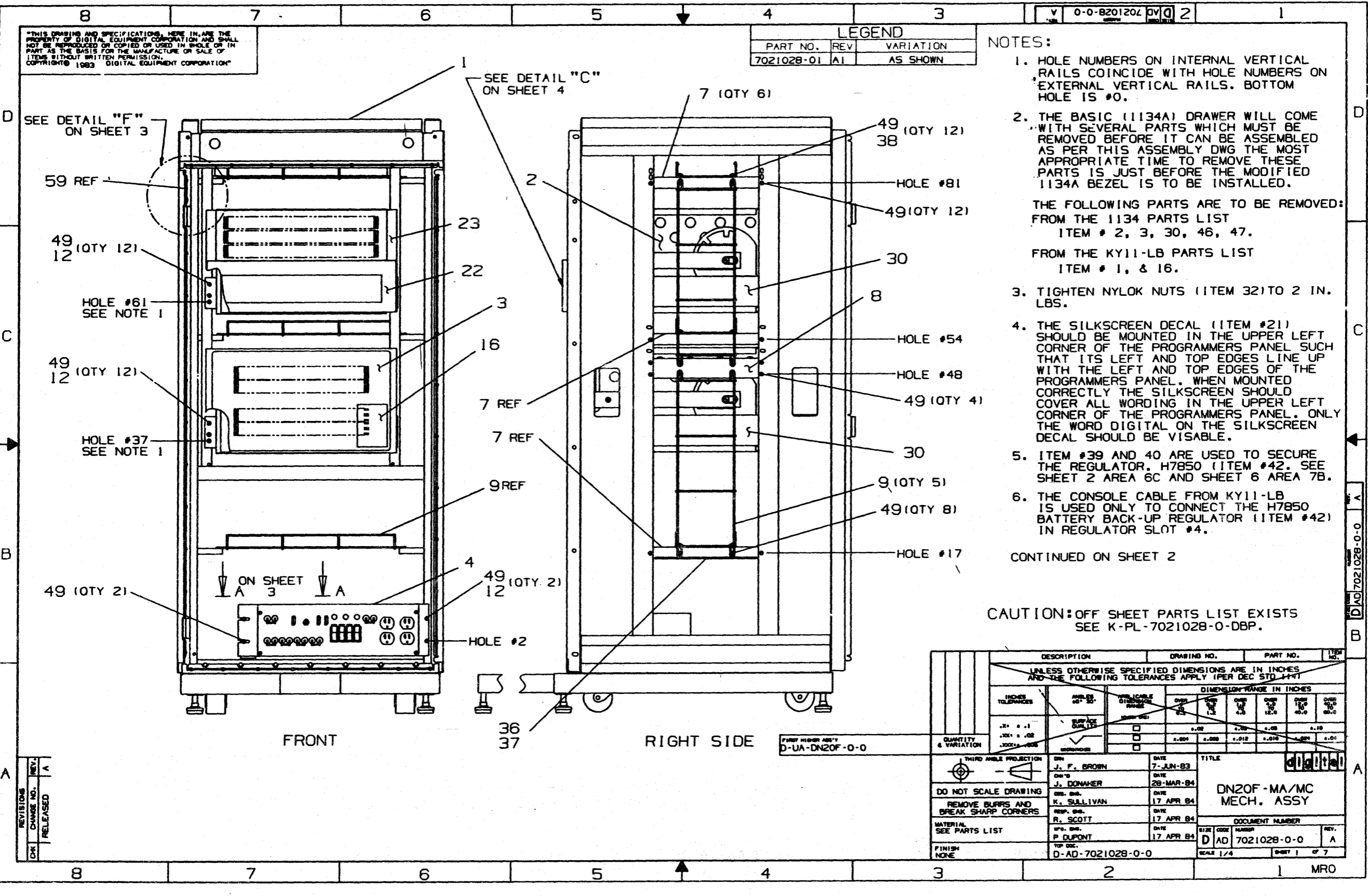
NOTES:

- HOLE NUMBERS ON INTERNAL VERTICAL RAILS COINCIDE WITH HOLE NUMBERS ON EXTERNAL VERTICAL RAILS. BOTTOM HOLE IS #0.
- THE BASIC (1134A) DRAWER WILL COME WITH SEVERAL PARTS WHICH MUST BE REMOVED BEFORE IT CAN BE ASSEMBLED AS PER THIS ASSEMBLY DWG THE MOST APPROPRIATE TIME TO REMOVE THESE PARTS IS JUST BEFORE THE MODIFIED 1134A BEZEL IS TO BE INSTALLED.

THE FOLLOWING PARTS ARE TO BE REMOVED: FROM THE 1134 PARTS LIST
ITEM # 2, 3, 30, 46, 47.
FROM THE KY11-LB PARTS LIST
ITEM # 1, & 16.
- TIGHTEN NYLOK NUTS (ITEM 32) TO 2 IN. LBS.
- THE SILKSCREEN DECAL (ITEM #21) SHOULD BE MOUNTED IN THE UPPER LEFT CORNER OF THE PROGRAMMERS PANEL SUCH THAT ITS LEFT AND TOP EDGES LINE UP WITH THE LEFT AND TOP EDGES OF THE PROGRAMMERS PANEL. WHEN MOUNTED CORRECTLY THE SILKSCREEN SHOULD COVER ALL WORDING IN THE UPPER LEFT CORNER OF THE PROGRAMMERS PANEL. ONLY THE WORD DIGITAL ON THE SILKSCREEN DECAL SHOULD BE VISABLE.
- ITEM #39 AND 40 ARE USED TO SECURE THE REGULATOR. H7850 (ITEM #42. SEE SHEET 2 AREA 6C AND SHEET 6 AREA 7B).
- THE CONSOLE CABLE FROM KY11-LB IS USED ONLY TO CONNECT THE H7850 BATTERY BACK-UP REGULATOR (ITEM #42) IN REGULATOR SLOT #4.

CONTINUED ON SHEET 2

CAUTION: OFF SHEET PARTS LIST EXISTS SEE K-PL-7021028-0-DBP.



DESCRIPTION	DRAWING NO.	PART NO.	ITEM NO.
UNLESS OTHERWISE SPECIFIED DIMENSIONS ARE IN INCHES AND THE FOLLOWING TOLERANCES APPLY (PER DEC STD 11-7)			
DIMENSION RANGE IN INCHES			
INCHES TOLERANCES	APPLICABLE DIMENSION RANGE	OVER 1/4" TO 1/2"	OVER 1/2" TO 1"
.12 ± .01	0.001	0.002	0.003
.12 ± .02	0.004	0.008	0.012
.12 ± .03	0.009	0.018	0.027
SURFACE QUALITY			
✓	0.004	0.008	0.012
□	0.009	0.018	0.027
THIRD ANGLE PROJECTION			
DATE	DESIGNER	DATE	TITLE
7-JUN-83	J. F. BROWN	28-MAR-84	DN20F-MA/MC MECH. ASSY
DATE	DESIGNER	DATE	TITLE
17 APR 84	J. DONAHER	17 APR 84	DN20F-MA/MC MECH. ASSY
DATE	DESIGNER	DATE	TITLE
17 APR 84	K. SULLIVAN	17 APR 84	DN20F-MA/MC MECH. ASSY
DATE	DESIGNER	DATE	TITLE
17 APR 84	R. SCOTT	17 APR 84	DN20F-MA/MC MECH. ASSY
DATE	DESIGNER	DATE	TITLE
17 APR 84	P. DUPONT	17 APR 84	DN20F-MA/MC MECH. ASSY
DATE	DESIGNER	DATE	TITLE
17 APR 84	P. DUPONT	17 APR 84	DN20F-MA/MC MECH. ASSY
DOCUMENT NUMBER			
D AD 7021028-0-0			
SCALE 1/4			
SHEET 1 OF 7			

REV.	CHANGE NO.	RELEASED
A		

D AD 7021028-0-0

MRO

"THIS DRAWING AND SPECIFICATIONS, HEREIN, ARE THE PROPERTY OF DIGITAL EQUIPMENT CORPORATION AND SHALL NOT BE REPRODUCED OR COPIED OR USED IN WHOLE OR IN PART AS THE BASIS FOR THE MANUFACTURE OR SALE OF ITEMS WITHOUT WRITTEN PERMISSION. COPYRIGHT © 1983 DIGITAL EQUIPMENT CORPORATION"

- NOTES:
 CONTINUED FROM SHEET 1.
7. AC/DC-LO CABLE P3 PLUGS INTO J3 OF AC INPUT BOX, P8 PLUGS INTO J12 OF POWER DIST. PANEL, J7 PLUGS INTO P7 OF H7850 BATTERY BACK-UP REGULATOR.
 8. P2 OF THE DB11-M UNIBUS REPEATER MUST BE UNPLUGGED. IF THIS PLUG IS NOT DISCONNECTED "ACLO" AND "DCLO" WILL REMAIN CONTINUOUSLY ASSERTED ON THE UNIBUS AFTER POWER IS APPLIED. SEE DETAIL N ON SH. 7.

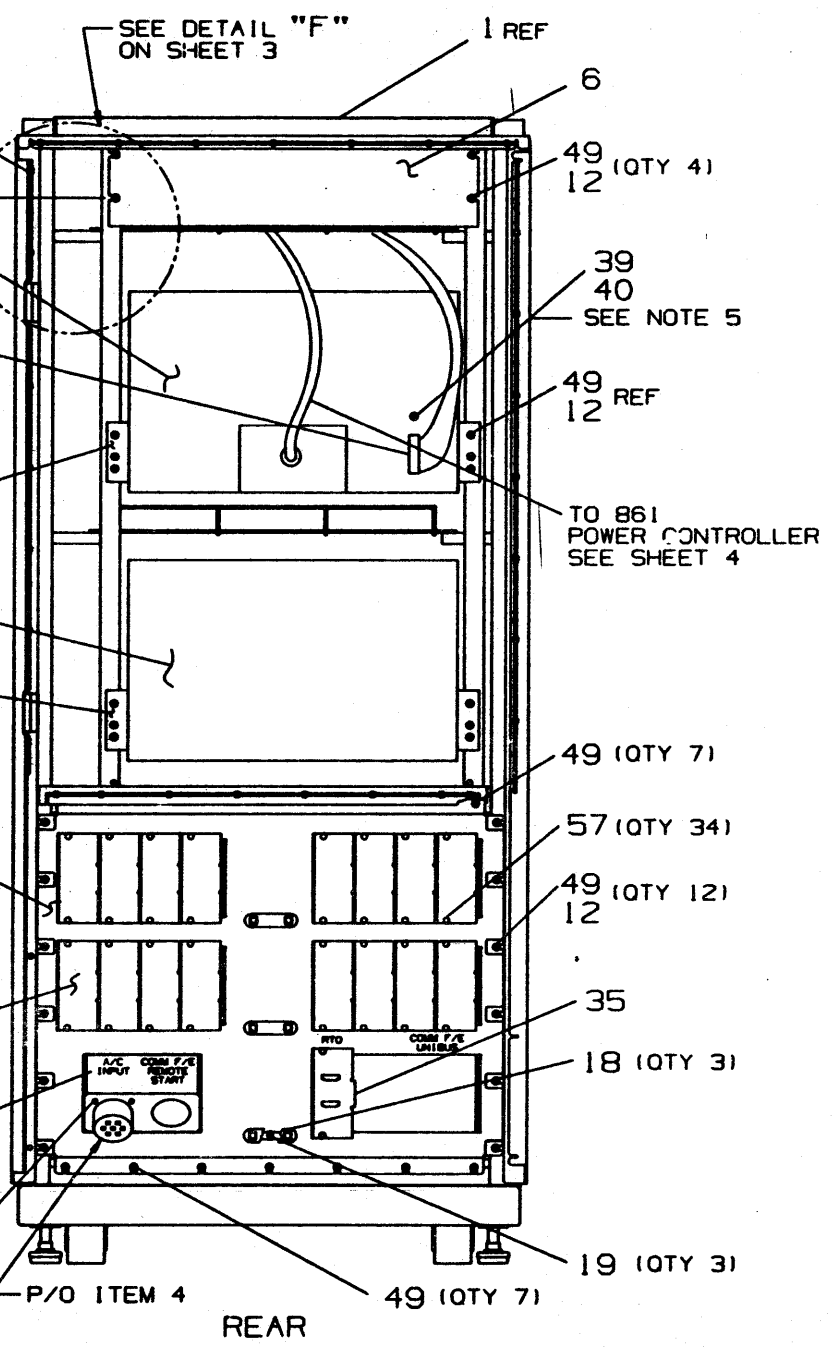
D/AD 7021028-0-0

C

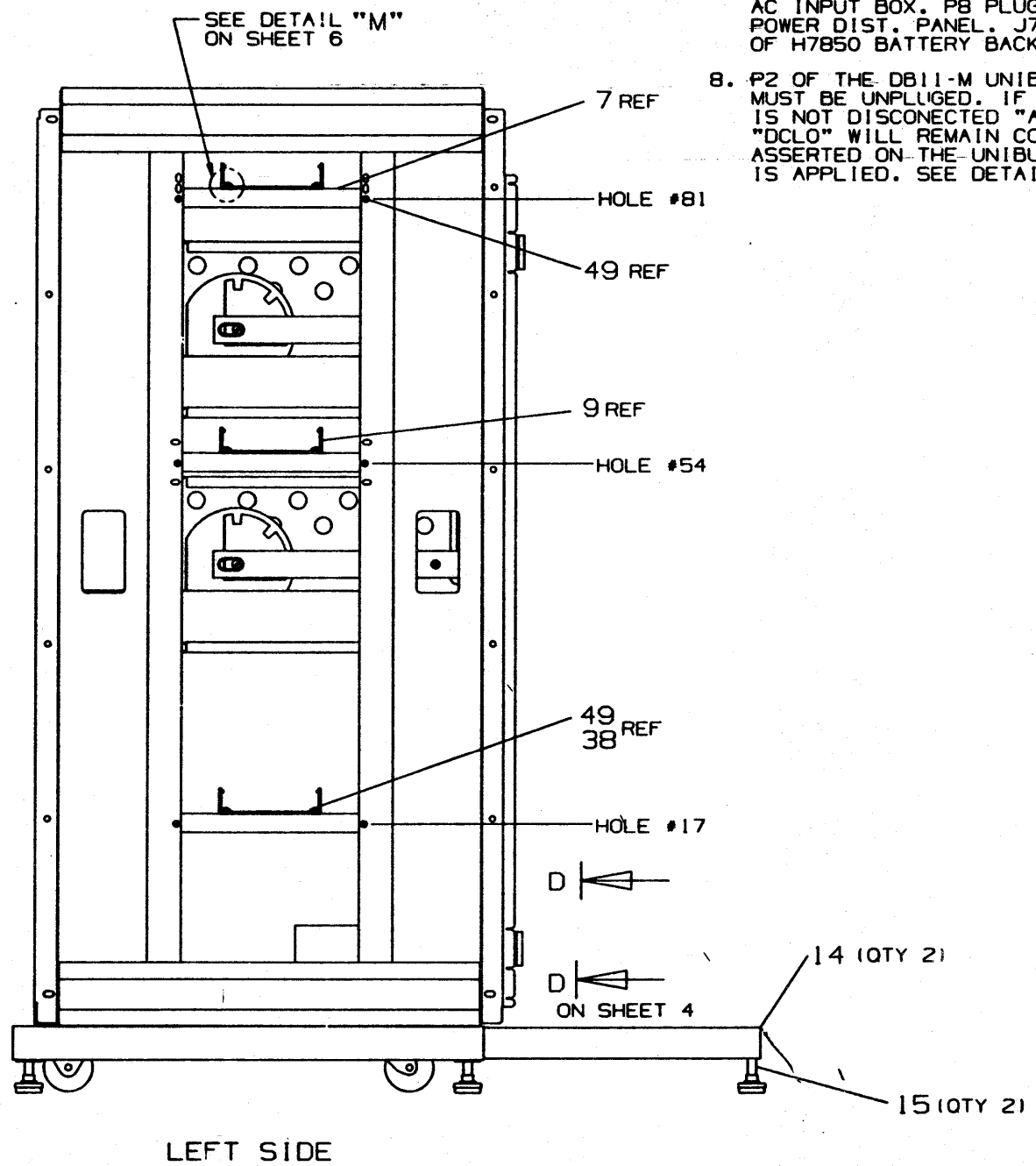
B

A

REVISIONS		
CHK	CHANGE NO	REV



REAR



LEFT SIDE

D/AD 7021028-0-0

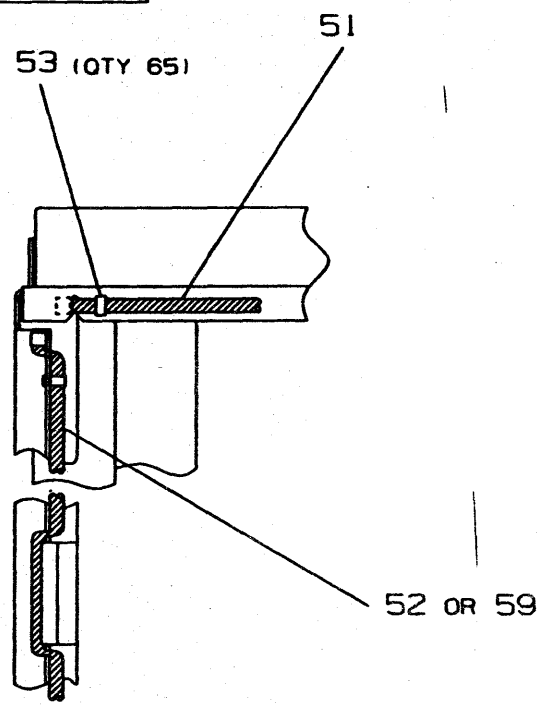
A

TITLE	DN20F - MA/MC MECH. ASSY	SIZE CODE	D/AD	NUMBER	7021028-0-0	REV	A
SCALE	1/4	SHEET	2	OF	7	DIST	

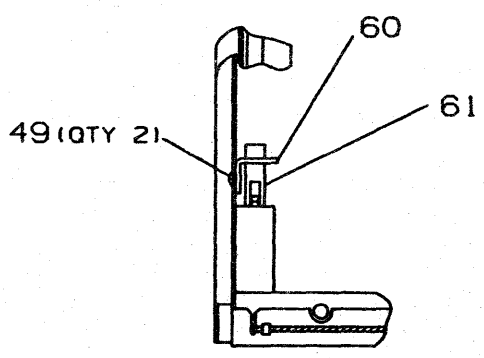
"THIS DRAWING AND SPECIFICATIONS HEREIN ARE THE PROPERTY OF DIGITAL EQUIPMENT CORPORATION AND SHALL NOT BE REPRODUCED OR COPIED OR USED IN WHOLE OR IN PART AS THE BASIS FOR THE MANUFACTURE OR SALE OF ITEMS WITHOUT WRITTEN PERMISSION. COPYRIGHT © 1983 DIGITAL EQUIPMENT CORPORATION"

D/AD 7021028-0-0

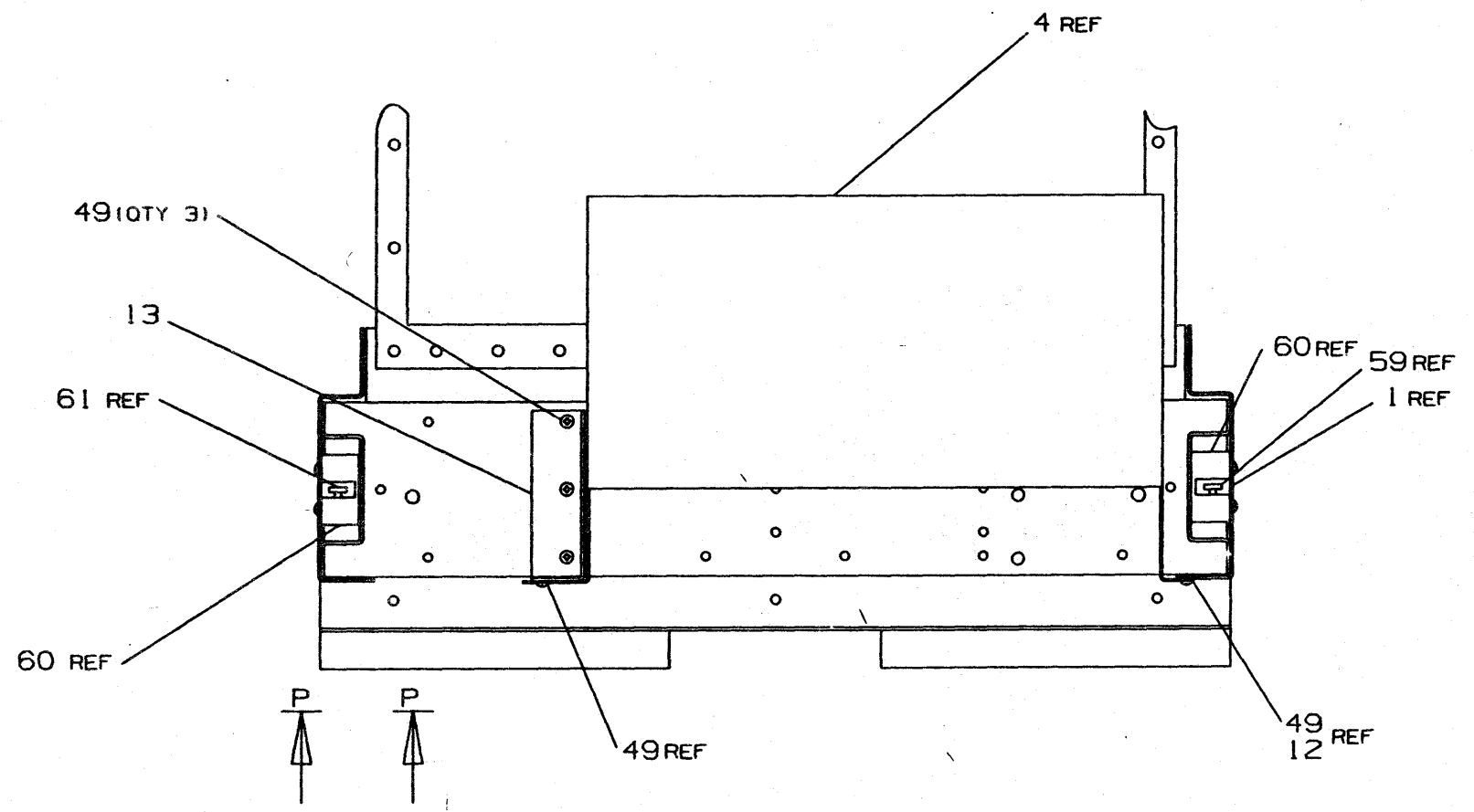
V 0-0-820120Z DV D 2 1



DETAIL "F"
TYP GASKET SCHEME
SCALE: NONE
TYP FRONT & REAR



VIEW "P-P"
SCALE 1/4
TYP 2 PLACES



VIEW "A-A"
SCALE 1/2

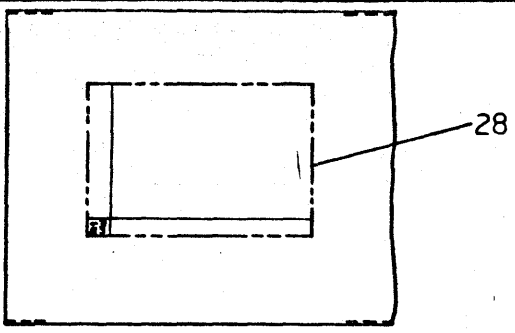
REVISIONS		
CHK	CHANGE NO	REV

TITLE	DN20F-MA/MC MECH. ASSY	SIZE CODE	D/AD	NUMBER	7021028-0-0	REV	A
SCALE	NONE	SHEET	3	OF	7	DIST	

D/AD 7021028-0-0

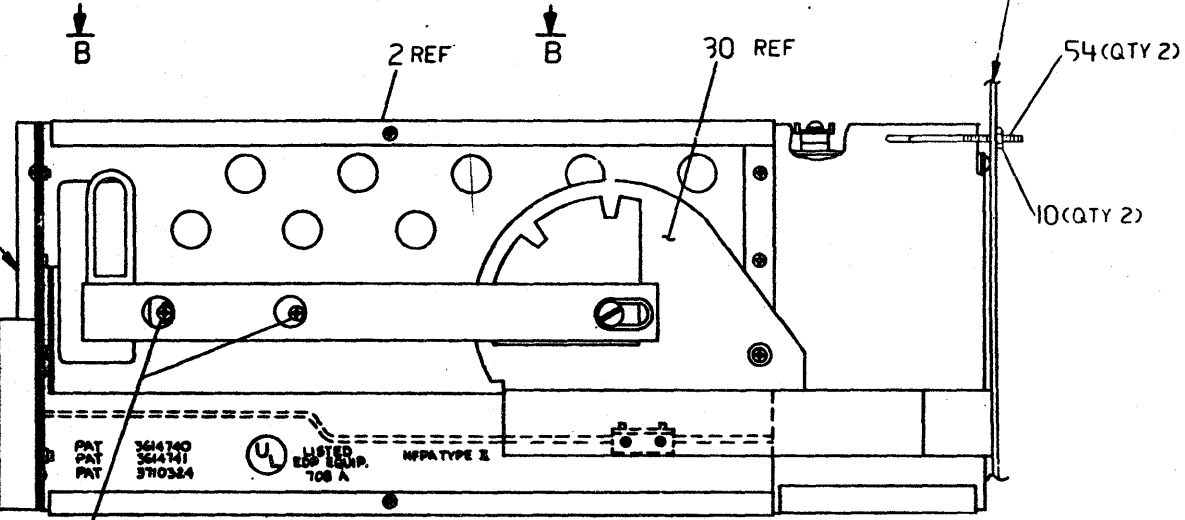
MRO

THE DRAWING AND SPECIFICATIONS HEREIN ARE THE PROPERTY OF GUSTAF BERGMAN CORPORATION AND SHALL NOT BE REPRODUCED OR COPIED IN WHOLE OR IN PART AS THE BASIS FOR THE MANUFACTURE OR SALE OF OTHER EQUIPMENT WITHOUT WRITTEN PERMISSION. COPYRIGHT © 1983 GUSTAF BERGMAN CORPORATION



VIEW B-B
(TOP COVER ONLY)
SCALE: NONE

CAB RAIL (REF)
INSTALL SHIPPING BRKT
(ITEM 54) AS SHOWN ON
BOTH
TO BE USED WHEN
DRAWER IS IN CLOSED
POSITION FOR SHIPPING.

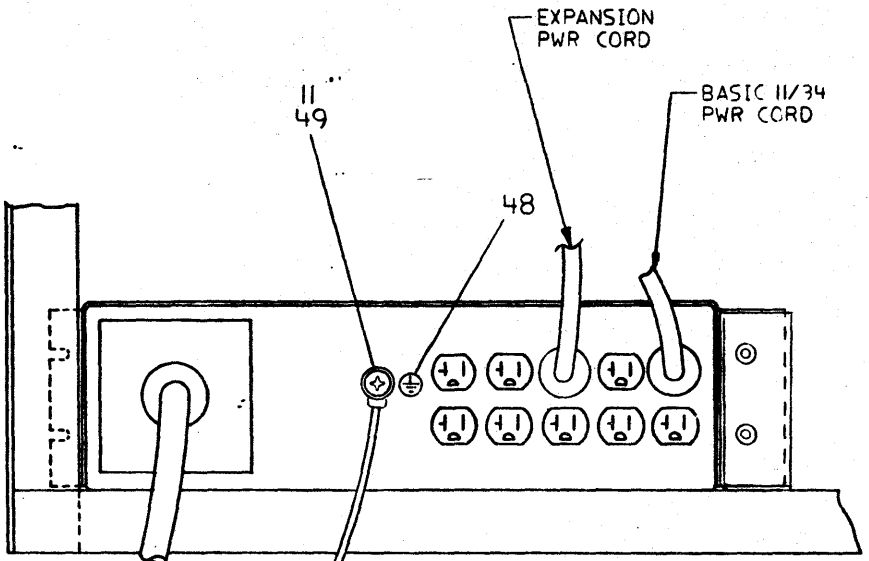


SEE DETAIL 'E'
ON SHEET 5

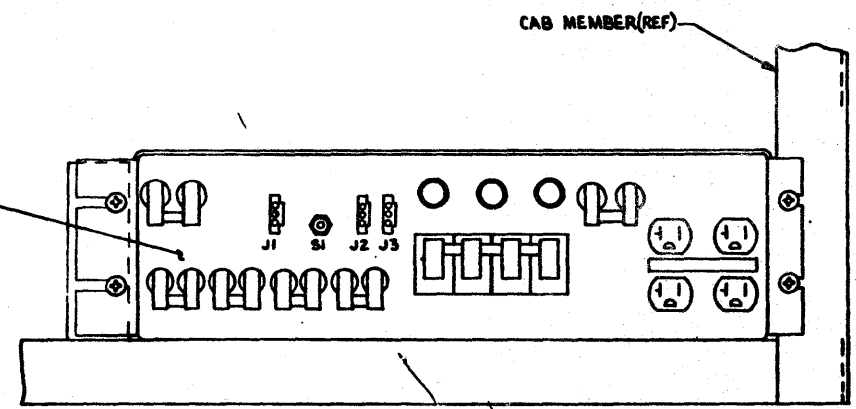
49 (QTY 4)
TYP 2 PLACES

DETAIL 'C'
BASIC DRAWER (1134A)

PAT 364140
PAT 364141
PAT 370384
UL LISTED
EQUIP. 708 A
NEMA TYPE 2



ATTACH TO GND STD
ON CAB WITH ITEMS 46 & 47.



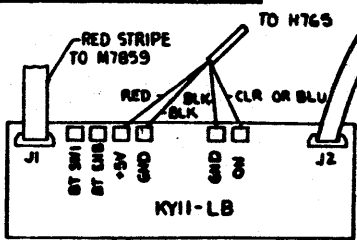
VIEW D-D

REV.	CHG.	NO.	DATE

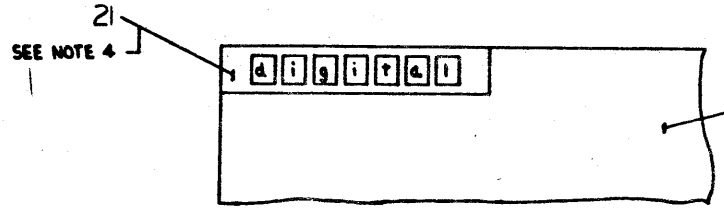
TITLE	DN20F-MA/MC MECH. ASSY	SIZE/DOC	D AD	NUMBER	7021028-0-0	REV.	A
SCALE	1/2	SHEET	4	OF	7	DIST.	

MR 1

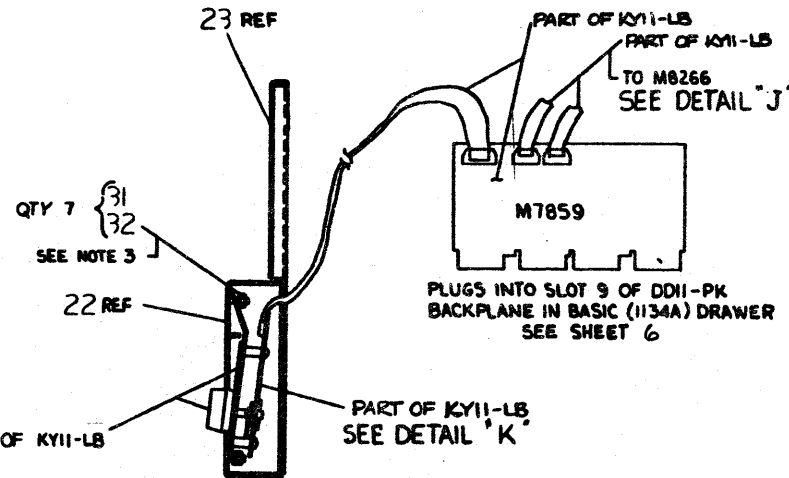
THIS DRAWING AND OPERATIONAL NOTES ARE THE PROPERTY OF SPATIAL SERVICES CORPORATION. IT SHALL NOT BE REPRODUCED OR COPIED OR USED IN WHOLE OR IN PART AS THE BASIS FOR THE MANUFACTURE OR SALE OF ITEMS UNLESS WRITTEN PERMISSION IS GRANTED BY SPATIAL SERVICES CORPORATION.



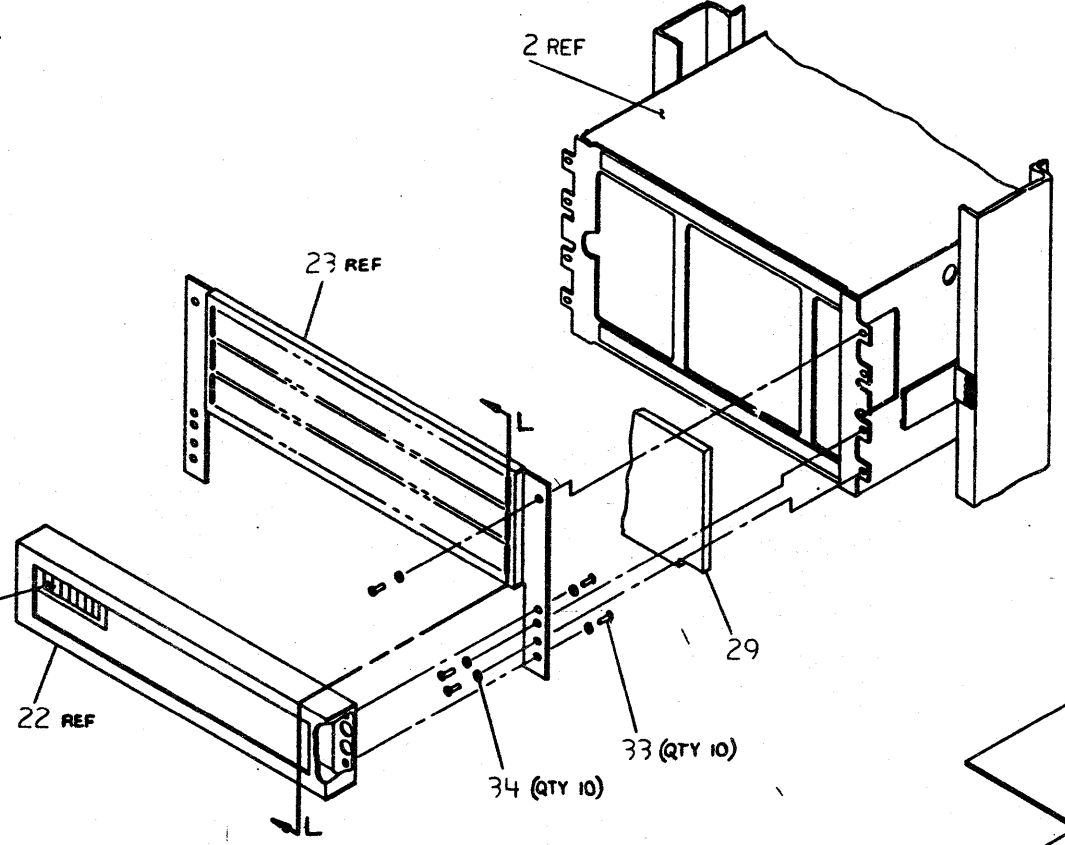
DETAIL 'K'
SCALE: NONE



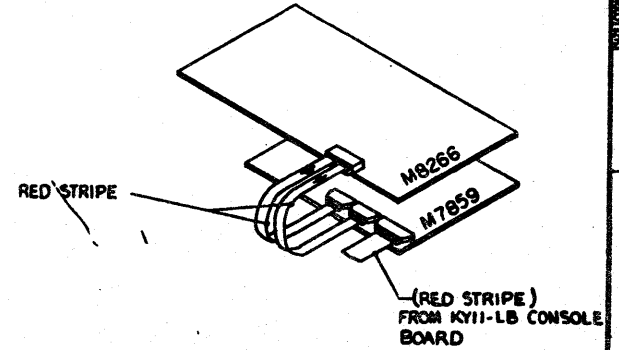
DETAIL 'H'
SCALE: NONE



SECTION L-L
SCALE: 1/2
(BEZEL ASSEMBLED BY USING KY11-LB MATERIALS PROVIDED WITH ITEM '2')



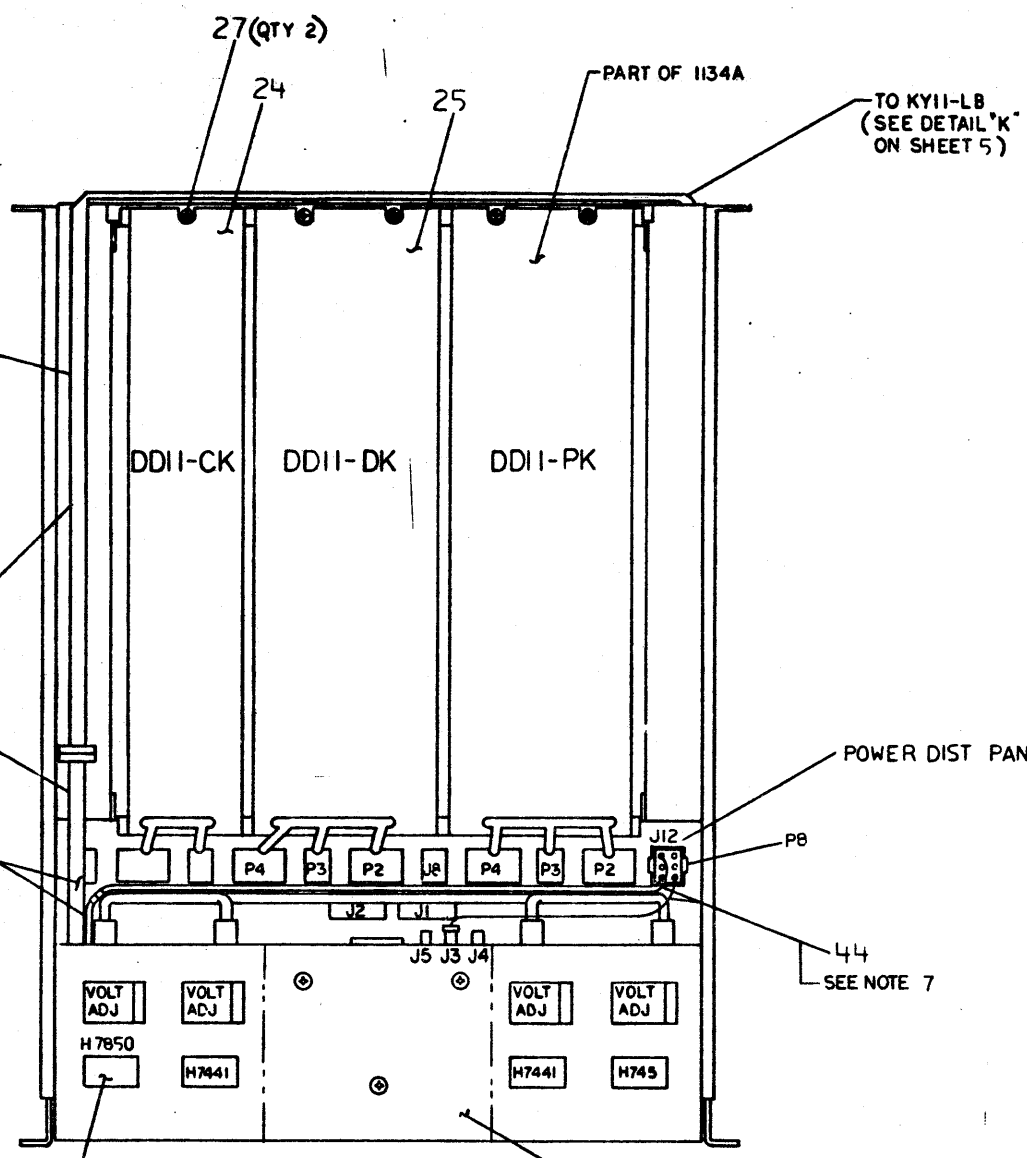
BASIC (1134A) DRAWER PROGRAMMER'S
PANEL BEZEL ASSY.
SEE NOTE 2



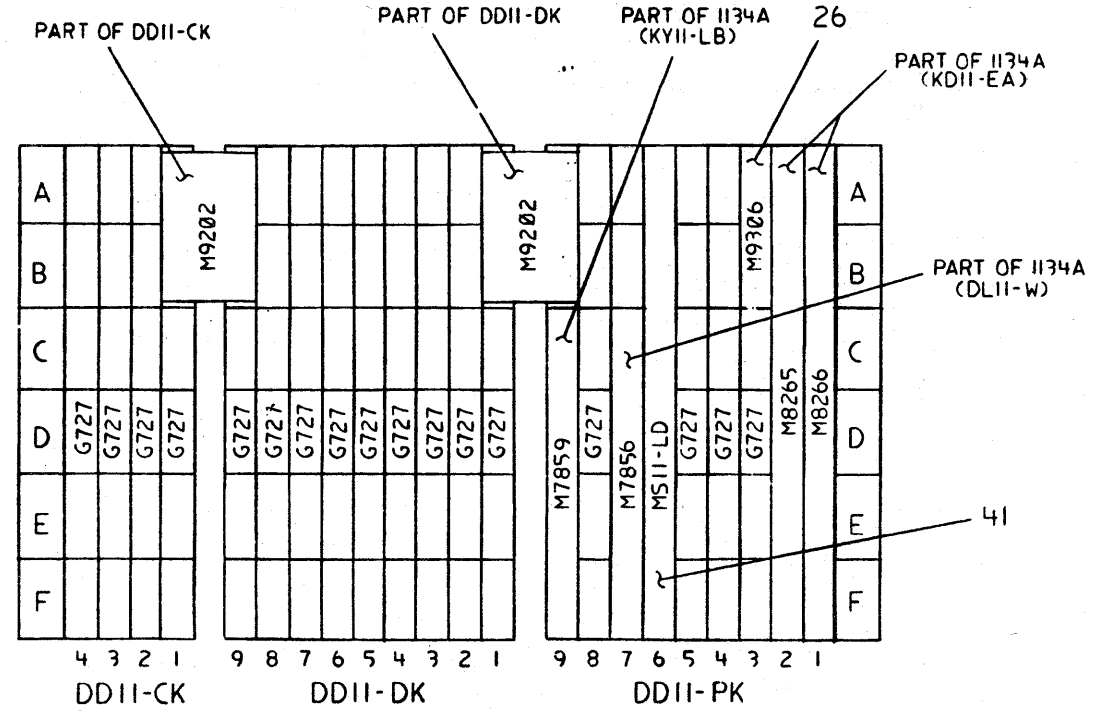
DETAIL 'J'
SCALE: NONE

REVISIONS		
CHK	CHANGE NO.	REV.

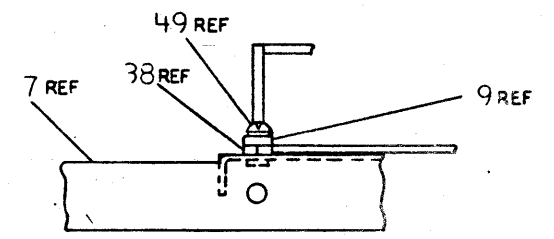
THIS DRAWING AND SPECIFICATIONS HEREBY ARE THE PROPERTY OF GENERAL ELECTRIC COMPANY AND SHALL NOT BE REPRODUCED OR USED IN WHOLE OR IN PART AS THE BASIS FOR THE MANUFACTURE OR SALE OF THIS EQUIPMENT WITHOUT PERMISSION OF THE GENERAL ELECTRIC COMPANY.



BASIC 1134A BOX
(BOTTOM VIEW)
PIN SIDE VIEW
SCALE: 1/4



MODULE UTILIZATION
BASIC 1134A DRAWER
(MODULE SIDE)
ITEM 2 REF



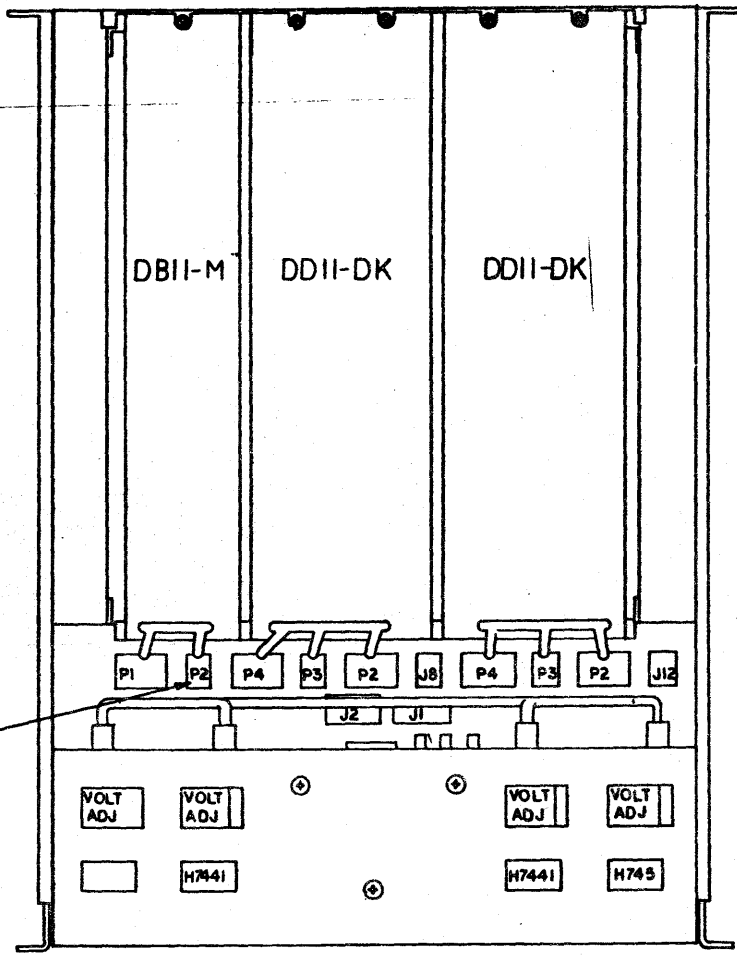
DETAIL *M*
SCALE: 1/1

REVISIONS		
CHK	CHANGE NO.	REV.

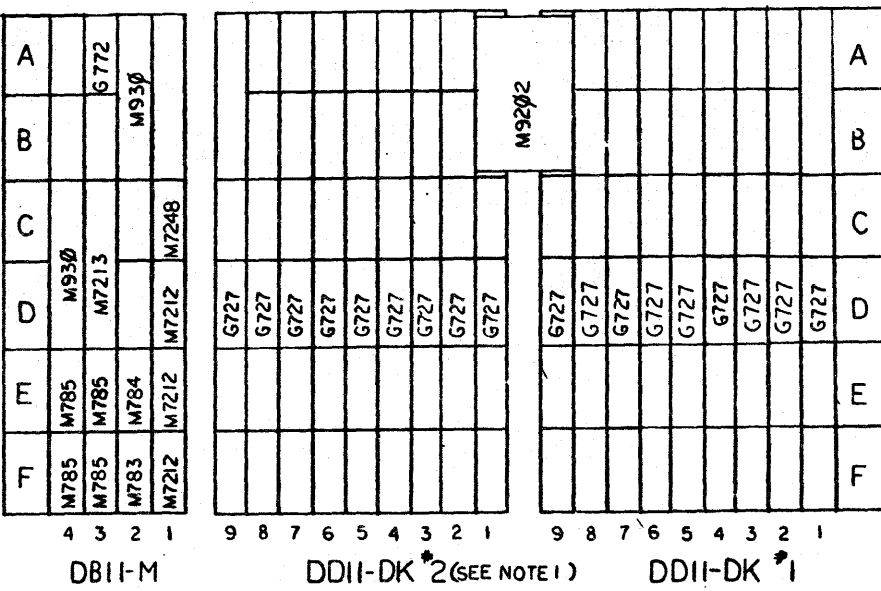
DAD 7021028-0-0

"THE DRAWING AND SPECIFICATIONS HEREON ARE THE PROPERTY OF METAL EQUIPMENT CORPORATION AND SHALL NOT BE REPRODUCED OR COPIED OR USED IN WHOLE OR IN PART AS THE BASIS FOR THE MANUFACTURE OR SALE OF ITEMS WITHOUT WRITTEN PERMISSION. COPYRIGHT © 1963 METAL EQUIPMENT CORPORATION"

G-G-8201201 2



DETAIL "N"
EXPANSION DRAWER
(BOTTOM VIEW)



MODULE UTILIZATION
EXPANSION DRAWER
(MODULE SIDE)
ITEM 3 REF

REVISIONS		
CHK	CHANGE NO.	REV.

TITLE	DN20F MA/MC MECH. ASSY	SIZE/CODE	D AD	NUMBER	7021028-0-0	REV.	A
SCALE	1/4	SHEET	OP	DIST.			

D AD 7021028-0-0 A

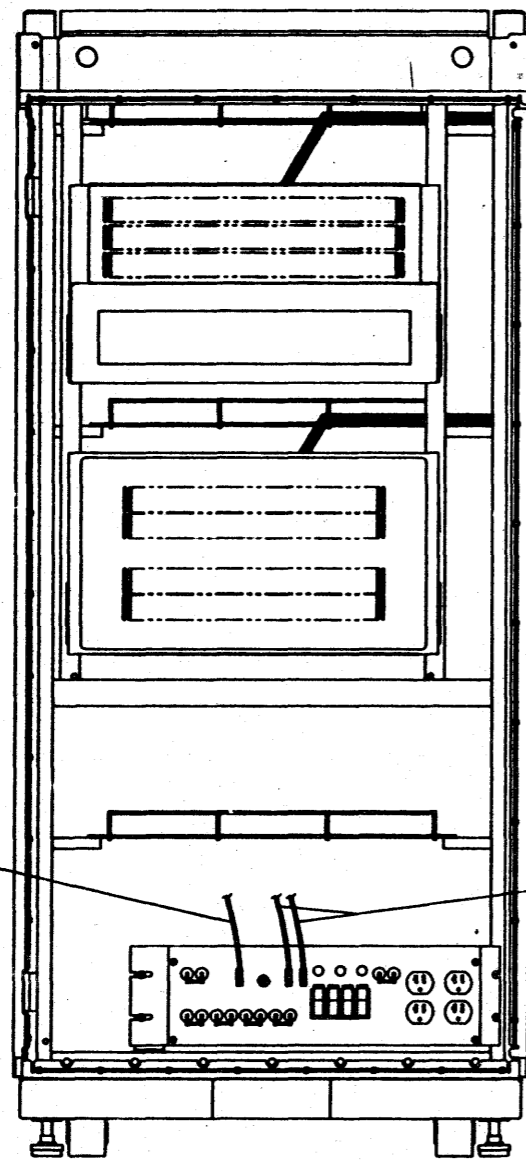


DUA DN20F-0-0

NOTES:
1. REFER TO SHEET 3 OF 24.

ON SHEET 6
N

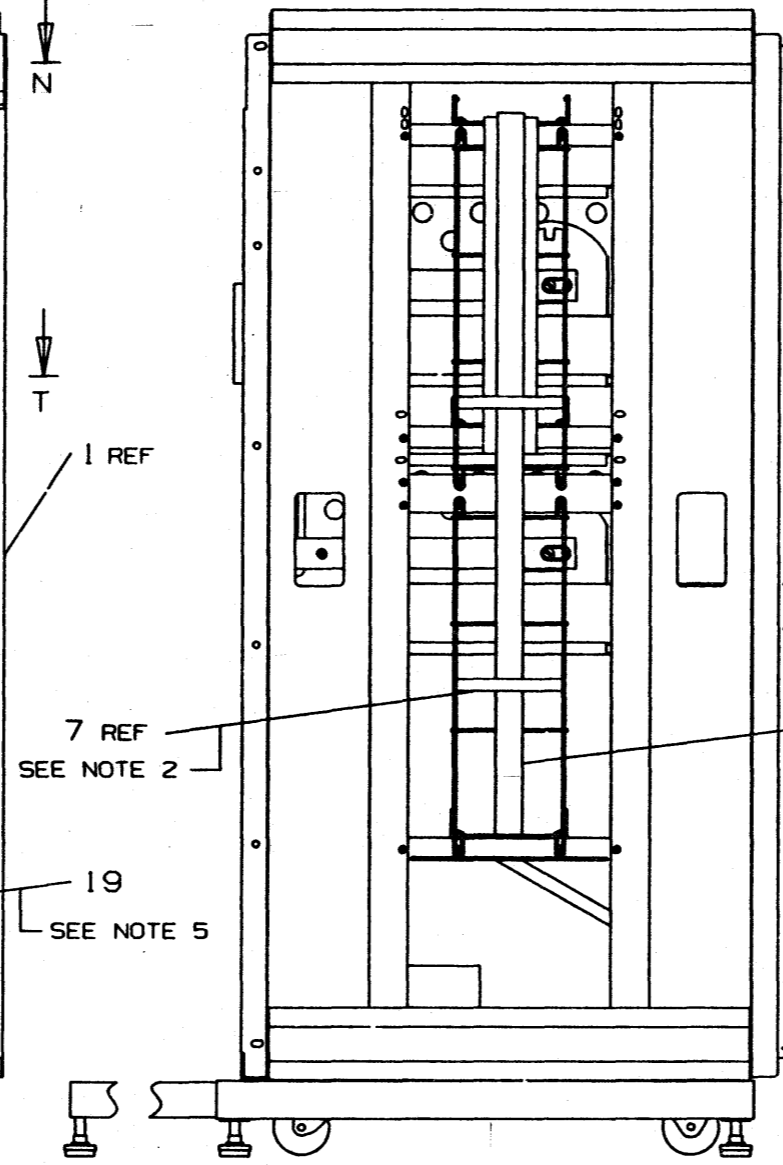
ON SHEET 6
T



FRONT

N

T



RIGHT SIDE

52 REF

1 REF

7 REF
SEE NOTE 2

19
SEE NOTE 5

10 REF

CAUTION: OFF SHEET PARTS LIST EXISTS.
SEE K-PL-DN20F-0-DBP.

REV	A
CHANGE NO.	
RELEASED	

DESCRIPTION	DRAWING NO.	PART NO.	ITEM NO.		
UNLESS OTHERWISE SPECIFIED DIMENSIONS ARE IN INCHES AND THE FOLLOWING TOLERANCES APPLY (PER DEC STD 114)					
INCHES TOLERANCES	ANGLES 90° 30'	DIMENSION RANGE IN INCHES			
		OVER 12.0	OVER 12.0	OVER 12.0	OVER 12.0
.12 ± .01	SURFACE QUALITY	0.004	0.003	0.012	0.010
.101 ± .002		0.004	0.003	0.012	0.010
QUANTITY & VARIATION	THIRD ANGLE PROJECTION	DATE	TITLE		
		J. BROWN 11-DEC-83	SYNC COMM SUB-SYSTEM		
DO NOT SCALE DRAWING	DATE	J. DONAHUE 17 APR 84	DOCUMENT NUMBER		
REMOVE BURRS AND BREAK SHARP CORNERS	DES. ENG.	K. SULLIVAN 17 APR 84	DUA DN20F-0-0		
MATERIAL SEE PARTS LIST	REP. ENG.	R. SCOTT 17 APR 84	SCALE 1/4		
FINISH NONE	APP. ENG.	P. DUPONT 17 APR 84	SHEET 1 OF 24		
	DATE	B-00-DN20F-0-DBU	MRO		

THIS DRAWING AND THE SPECIFICATIONS CONTAINED HEREIN ARE CONFIDENTIAL AND PROPRIETARY. THEY ARE THE PROPERTY OF DIGITAL EQUIPMENT CORPORATION AND SHALL NOT BE REPRODUCED OR COPIED OR USED IN WHOLE OR IN PART AS THE BASIS FOR THE MANUFACTURE OF SALE OF ITEMS WITHOUT WRITTEN PERMISSION. THIS IS AN UNPUBLISHED WORK PROTECTED UNDER THE FEDERAL COPYRIGHT LAWS.

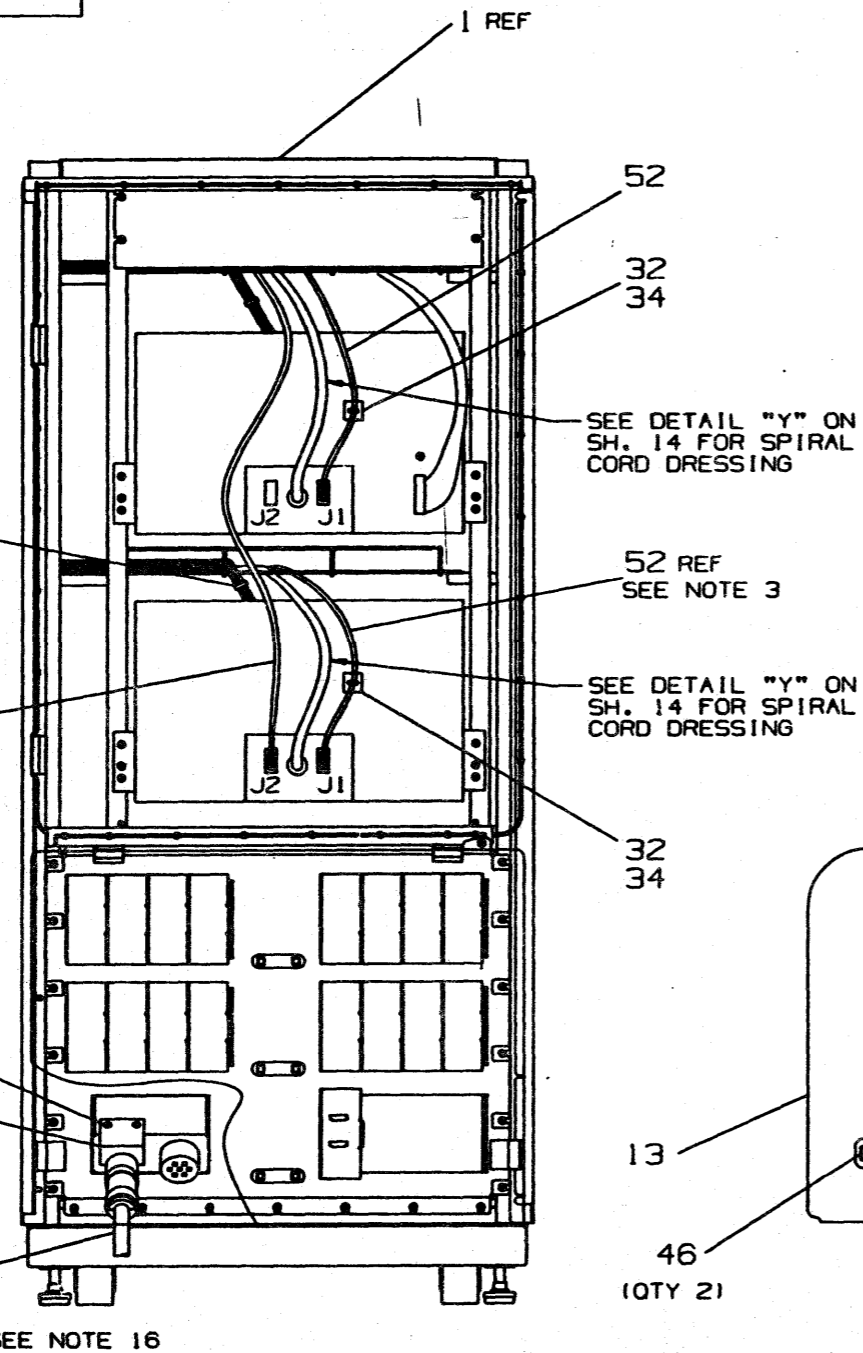
DUA DN20F-0-0 A

C

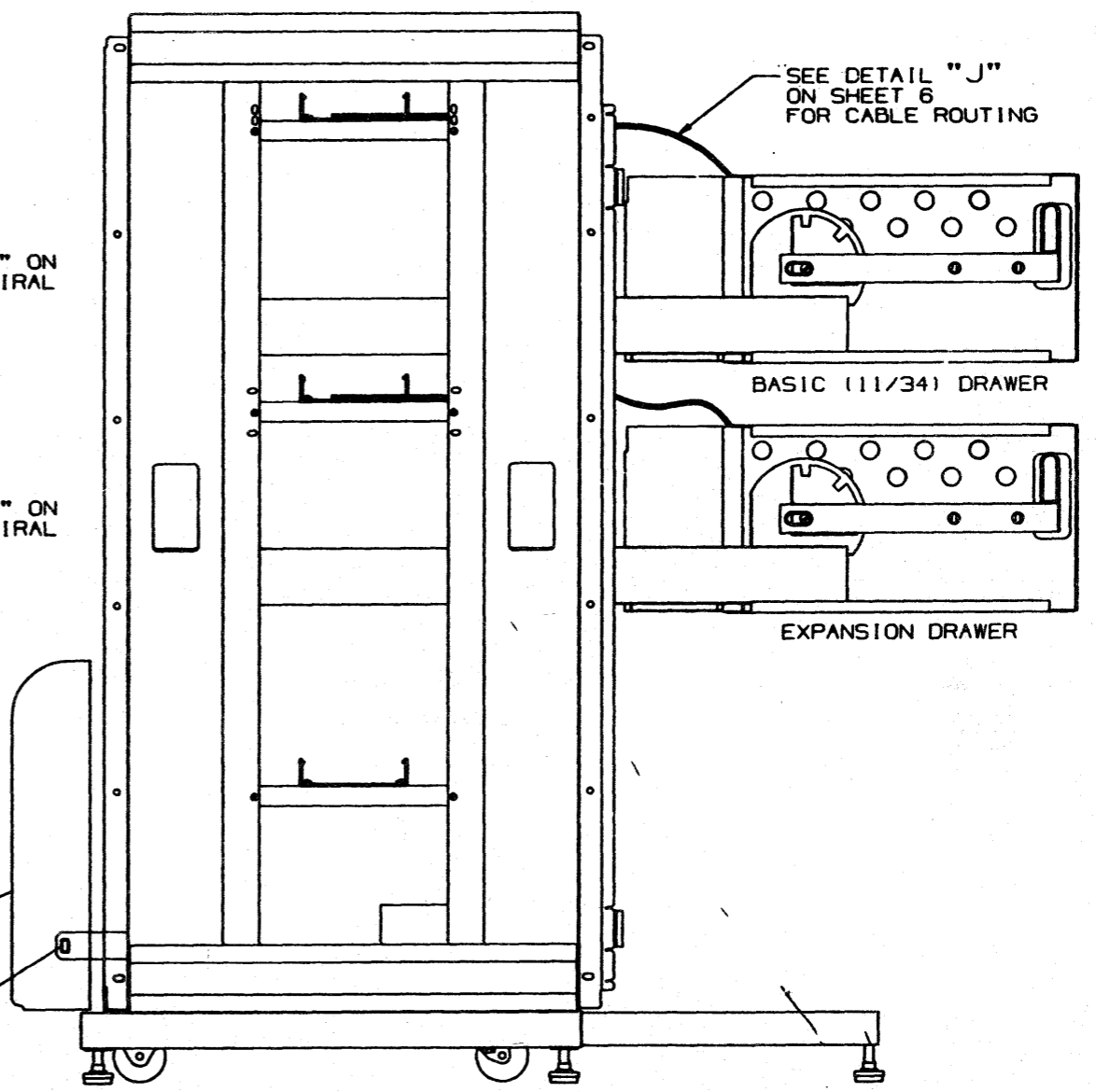
B

A

A



REAR VIEW



LEFT SIDE VIEW

D

C

DUA DN20F-0-0 A

A

REVISIONS		
CHK	CHANGE NO	REV

TITLE	SYNC COMM SUB-SYSTEM	SIZE CODE	DUA	NUMBER	DN20F-0-0	REV	A
SCALE	1/4	SHEET	2	OF	24	DIST	

THIS DRAWING AND THE SPECIFICATIONS CONTAINED HEREIN ARE CONFIDENTIAL AND PROPRIETARY. THEY ARE THE PROPERTY OF DIGITAL EQUIPMENT CORPORATION AND SHALL NOT BE REPRODUCED OR COPIED OR USED IN WHOLE OR IN PART AS THE BASIS FOR THE MANUFACTURE OF SALES OF ITEMS WITHOUT WRITTEN PERMISSION. THIS IS AN UNPUBLISHED WORK PROTECTED UNDER THE FEDERAL COPYRIGHT LAWS.

NOTES:

1. THE SPECIFIC OPTIONS FOR THE UNDEDICATED BACKPLANE WILL DEPEND ON THE DESIRED CUSTOMER CONFIGURATION.
SEE THE ARRANGEMENT DRAWING D-AR-DN20F-M-2 FOR DETAILED INFORMATION.
2. SECURE THE CABLES IN THE CABLE BASKETS BY USING PLASTIC CLAMP (ITEM #7) WHERE NEEDED (QTY 20). THESE CLAMPS MAY BE MOUNTED IN THE FRONT, REAR OR VERTICALLY ACROSS THE LADDER RUNGS OF THE CABLE BASKETS. MAKE CERTAIN THAT THEY HAVE BEEN MOUNTED IN SUCH A WAY SO AS TO CONTAIN ALL CABLES SECURELY WITHIN THE BASKETS SO THAT THE DRAWERS WILL NOT INTERFERE WITH THE CABLES.
3. MOUNT TIE-MOUNT (ITEM 32) TO TOP CENTER OF BASIC & EXPANSION SYNC. DRAWERS. FASTEN REMOTE POWER CONTROL CABLE (ITEM 12) TO TIE MOUNT USING CABLE TIE (ITEM 34). SEE SHEET 2
4. A DN20F-BB IS EQUIVALENT TO ONE DUPII-M + CK-DUPII-A1 (SEE PARTS LIST)
EACH DUPII-M + CK-DUPII-A1 CONSIST OF THE FOLLOWING ITEMS:
 1 M7867 SYNC. MODEM
 1 H3001 PANEL
 1 BC08S-10 CABLE
 1 7427292-01 FRAME (FOR KL10-B/C/D/E) SEE NOTE 6&14
 1 1215278 CABLE
 SEE DETAIL Y ON SH. 14 FOR ASSEMBLY INSTRUCTIONS
 A DN20F-BA IS EQUIVALENT TO ONE DUPII-M + CK-DUPII-A1 AND ONE KMC11-A (M8204) MODULE (SEE PARTS LIST) SEE NOTE 6&14
 EACH DN20F-BA AND DN20F-BB BACKPLANE MODULE SLOT WHICH DOES NOT HAVE A DN20F-BA OR DN20F-BB OPTION INSTALLED MUST HAVE A G727 GRANT CONTINUITY CARD (SUPPLIED WITH DD11-PK, DD11-DK AND DD11-CK BACKPLANES) INSTALLED IN ROW "D" OF THAT RESPECTED SLOT.
 REMOVE THE WIRE FROM PIN CA1 TO PIN CB1 OF ALL DN20F-BA BACKPLANE SLOTS WHICH HAVE A KMC11-A (M8204) MODULE INSTALLED. SEE NOTE UNDER CONFIGURATION INFORMATION FOR M8204 (KMC11-A) MODULES ON SHEET 19.
5. THE REMOTE POWER CONTROL CABLE (ITEM 19) SHOULD BE ROUTED FROM ANY AVAILABLE REMOTE POWER CONTROL JACK OF THE 861-D POWER CONTROL IN THE DN20F CABINET TO ANY AVAILABLE REMOTE POWER CONTROL PANEL OPENING ON THE BULKHEAD.

6. LABEL ALL DUPII-M CABLES (BC08S-10) AT BOTH ENDS WITH BRADY MARKERS TO IDENTIFY THEIR CORRECT LINE NUMBERS.
7. THE BC11A-13 UNIBUS CABLE WHICH ROUTES BETWEEN THE BASIC (111/34A) AND EXPANSION DRAWERS SHOULD HAVE A FOLD SIMILAR TO THAT ONE SHOWN IN VIEW "T-T" (ALTERNATE CABLE FOLD) AT THE ENTRANCE TO ONE HORIZONTAL CABLE BASKET AND A FOLD SIMILAR TO THE ONE SHOWN IN VIEW "N-N" (STANDARD CABLE FOLD) AT THE ENTRANCE TO THE OTHER HORIZONTAL CABLE BASKET.

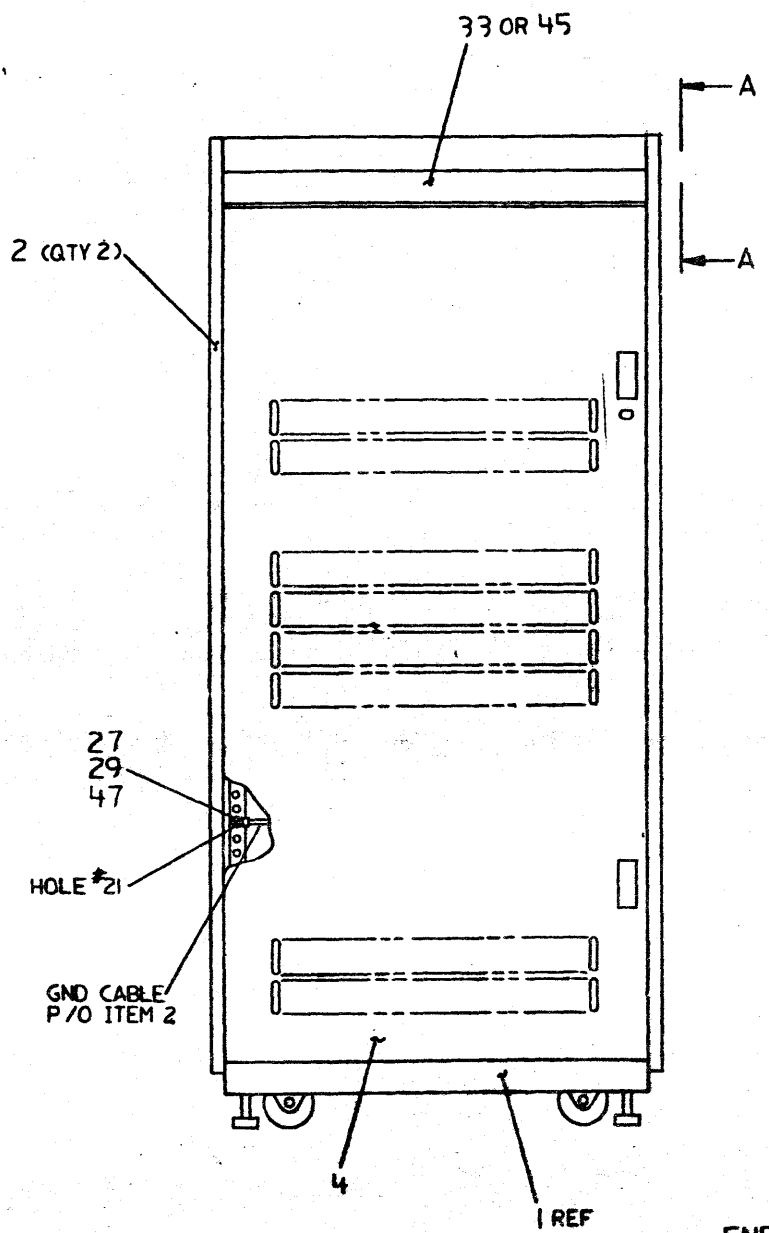
THIS IS TO ORIENT THE CABLE CORRECTLY SO THAT IT CAN EASILY BE PLUGGED INTO THE "UNIBUS" IN SLOT OF THE EXPANSION DRAWER TO WHICH IT IS BEING ROUTED USING THE SIMPLE FOLDS ILLUSTRATED IN DETAIL "S" ON SHEET 7.
8. THE SERVICE LOOP FOR THE BASIC AND EXPANSION DRAWERS SHOULD BE INSTALLED WITH THE DRAWERS EXTENDED FULLY AND TILTED 90 DEGREES VERTICALLY AS SHOWN BY DETAIL "J". THE ELECTRICAL TAPE BINDING THE INTERNAL UNIBUS ASSY TOGETHER SHOULD BE REMOVED FOR THE LENGTH OF THE SERVICE LOOP. THE SERVICE LOOP, WHEN PROPERLY INSTALLED, WILL BE APPROXIMATELY 30.0" LONG.
9. ALL DD11-B BACKPLANE SLOTS IN THE KL10 F/E WHICH DO NOT HAVE A DL11-M MODULE INSTALLED MUST HAVE A G727 GRANT CONTINUITY CARD (SUPPLIED WITH THE DD11-B BACKPLANE) INSTALLED IN ROW "D" OF THAT SLOT.
10. ROUTE THE BC08S-10 CABLES FOR THE DL11-M INTO THE KL10 CONSOLE PROCESSOR DRAWER IN THE SAME MANNER AS BC08S-10 CABLE FOR THE KLINIK LINK ROUTING SEE KL10 PRINT SET FOR CABLE ROUTING DETAILS.
11. CHECK J2 THRU J4 IN THE KL10 I/O BAY TO MAKE CERTAIN THEY ARE WIRED CORRECTLY BEFORE PLUGGING IN CABLE (ITEM 21). SOME UNITS HAVE BEEN BUILT INCORRECTLY
12. THE BERG CONNECTORS ON THE INTERNAL UNIBUS ASSEMBLY CAN EASILY BE INSERTED INTO THE UNIBUS PANEL ASSY INCORRECTLY (EITHER SHIFTED UP OR DOWN ONE ROW OF PINS). CAUTION SHOULD BE EXERCISED WHEN INSERTING THESE CONNECTORS TO GUARANTEE THAT THEY ARE INSERTED CORRECTLY.
13. THE BC11A-03 (ITEM 44 OF THE PARTS LIST) CABLE ROUTES BETWEEN SLOTS ABO1 OF DD11-DK #1 AND ABO4 OF THE DB11-M UNIBUS REPEATER.

14. DISCARD THE 7427292-01 MOUNTING BRACKET THAT COMES WITH THE CK-DL11-A1 WHEN USED ON KL10R.
15. HIGH SPEED SYNC MEANS
DMR11-M +CK-DMR11-A*/B*/C*/E*/F*1
16. IF THE POWER CORD IS REMOVED FOR SERVICING THE POWER CONNECTOR CLAMP MUST BE REINSTALLED FOR UL/CSA COMPLIANCE.
17. WHEN ATTACHING THE DL11 TO A KL10R BULKHEAD REMOVE THE BC27C PANEL FROM THE CONNECTOR FILTER AND CONNECT IT THRU THE D SUB HOLE IN THE BULKHEAD REF E-UA-KL10R-0-0.
18. WHEN ATTACHING THE DTE REMOTE CABLES TO THE KL10-B,C,D,E. CONNECT THE EXTERNAL DTE REMOTE CABLE & THE DTE REMOTE ADAPTOR #1 TO FORM ONE LONG CABLE.

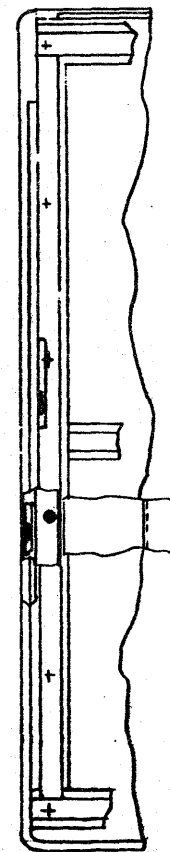
REVISIONS		
CHK	CHANGE NO	REV

TITLE	SYNC COMM SUB-SYSTEM	SIZE/SCALE	NUMBER	REV
SCALE	NONE	SHEET	3 OF 24	A
DIST				

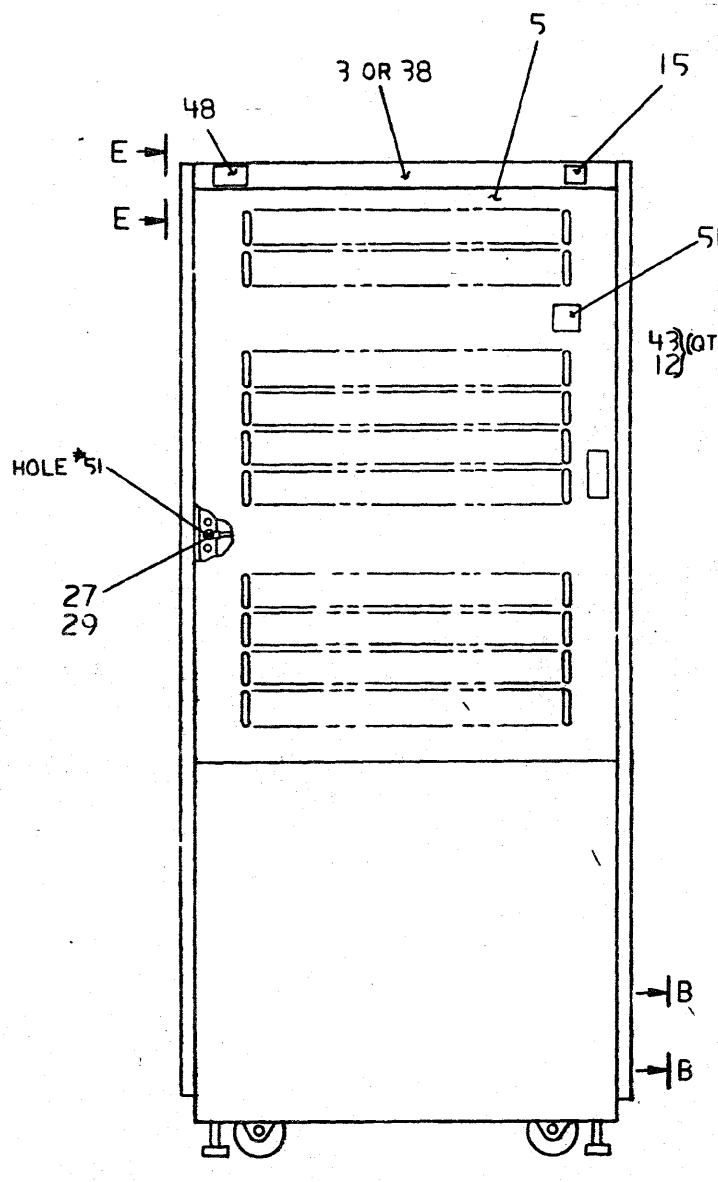
THIS DRAWING AND THE SPECIFICATIONS CONTAINED HEREIN ARE CONFIDENTIAL AND PROPRIETARY. THEY ARE THE PROPERTY OF DIGITAL EQUIPMENT CORPORATION AND SHALL NOT BE REPRODUCED OR COPIED OR USED IN WHOLE OR IN PART AS THE BASIS FOR THE MANUFACTURE OR SALE OF ITEMS WITHOUT WRITTEN PERMISSION. THIS IS AN UNPUBLISHED WORK PROTECTED UNDER THE FEDERAL COPYRIGHT LAWS. 1963



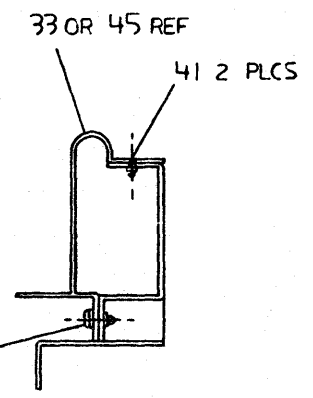
FRONT VIEW



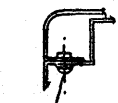
END PANEL MOUNTING
TYP. 4 PLCS



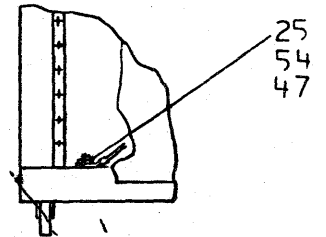
REAR VIEW



VIEW A-A
WITHOUT SIDE PANEL



VIEW E-E
WITHOUT SIDE PANEL



PARTIAL END VIEW
GROUND TERMINATION
TYP 2 ENDS

REV.	ECO NUMBER	DATE

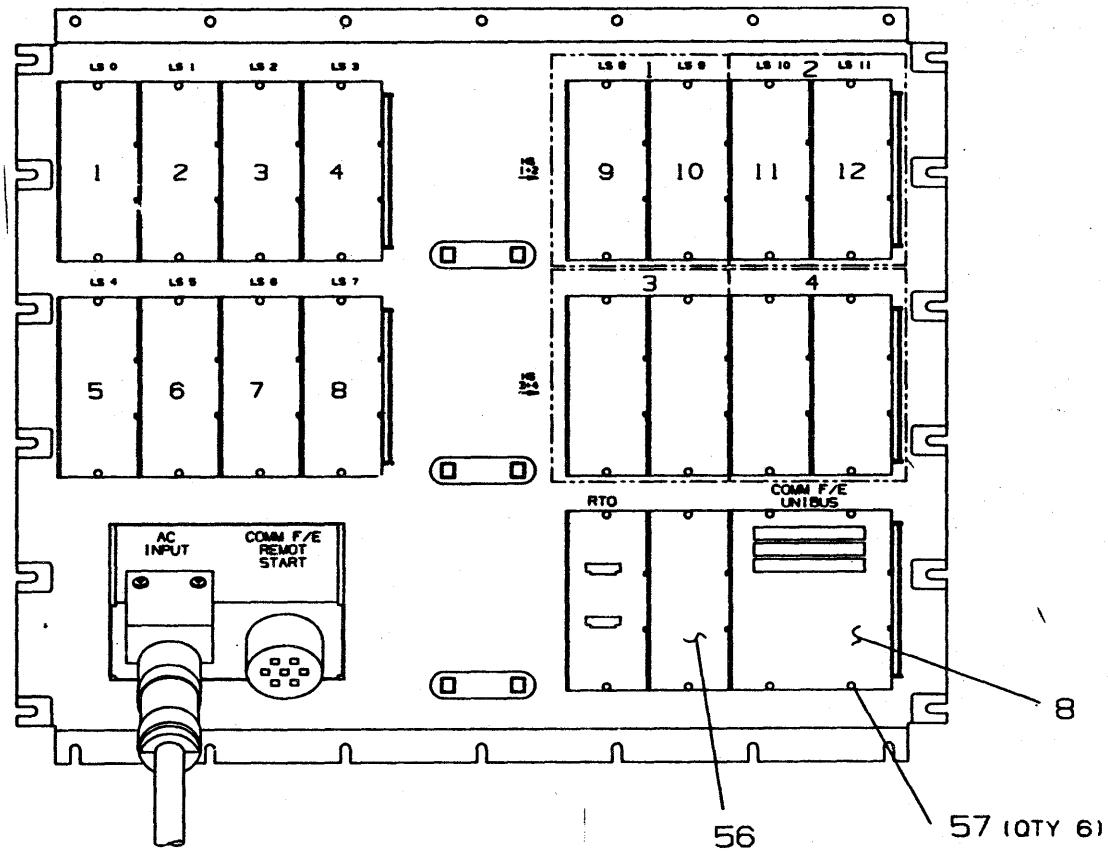
TITLE SYNC
COMM SUB SYSTEM

SIZE CODE	NUMBER	REV.
DUA	DN20F-0-0	
SCALE NONE	SHEET 4 OF 4	

1 MRO

THIS DRAWING AND THE SPECIFICATIONS CONTAINED HEREIN ARE CONFIDENTIAL AND PROPRIETARY. THEY ARE THE PROPERTY OF DIGITAL EQUIPMENT CORPORATION AND SHALL NOT BE REPRODUCED OR COPIED OR USED IN WHOLE OR IN PART AS THE BASIS FOR THE MANUFACTURE OF SALE OF ITEMS WITHOUT WRITTEN PERMISSION. THIS IS AN UNPUBLISHED WORK PROTECTED UNDER THE FEDERAL COPYRIGHT LAWS.

DN20F-0-0



BULKHEAD NUMBERING
 FOR
 HIGH SPEED
 &
 LOW SPEED
 VARIATIONS

REVISIONS		
CHK	CHANGE NO	REV

TITLE	SYNC COMM SUB-SYSTEM	SIZE CODE	DJA	NUMBER	DN20F-0-0	REV	A
SCALE	2/1	SHEET	5	OF	24	DIST	

THE DRAWING AND SPECIFICATIONS HEREIN ARE THE PROPERTY OF DIGITAL EQUIPMENT CORPORATION AND SHALL NOT BE REPRODUCED OR COPIED OR USED IN WHOLE OR IN PART AS THE BASIS FOR THE MANUFACTURE OR SALE OF ITEMS WITHOUT WRITTEN PERMISSION.
 DRAWING C-1753 DIGITAL EQUIPMENT CORPORATION

SIZE CODE DUA DN20F-0-0 SHEET 6 OF 25

D

C

B

A

D

C

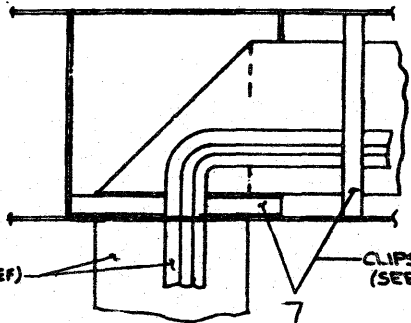
B

A

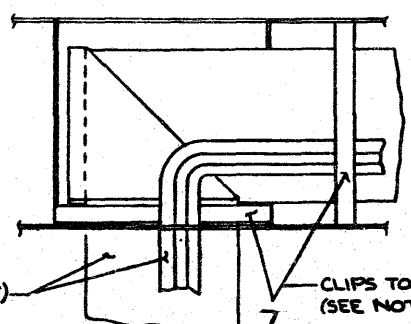
SEE DETAIL 'S'
ON SHEET 7

CABLE BASKET
P/O ITEM 1

BATTERY BACK-UP CABLE
FROM H7850 TO BATTERY
BACK-UP UNIT (H775-A) P/O
ITEM 1



VIEW N-N
STANDARD CABLE FOLD
SCALE: 1/2
SEE NOTE 7



VIEW T-T
ALTERNATE CABLE FOLD
SCALE: 1/2
SEE NOTE 7

7 REF

FLAT CABLES

34

ROUND CABLES

ROUTE POWER CORD
AS SHOWN ON SH. 2

DETAIL 'J'
SEE NOTE 8

POWER CORD

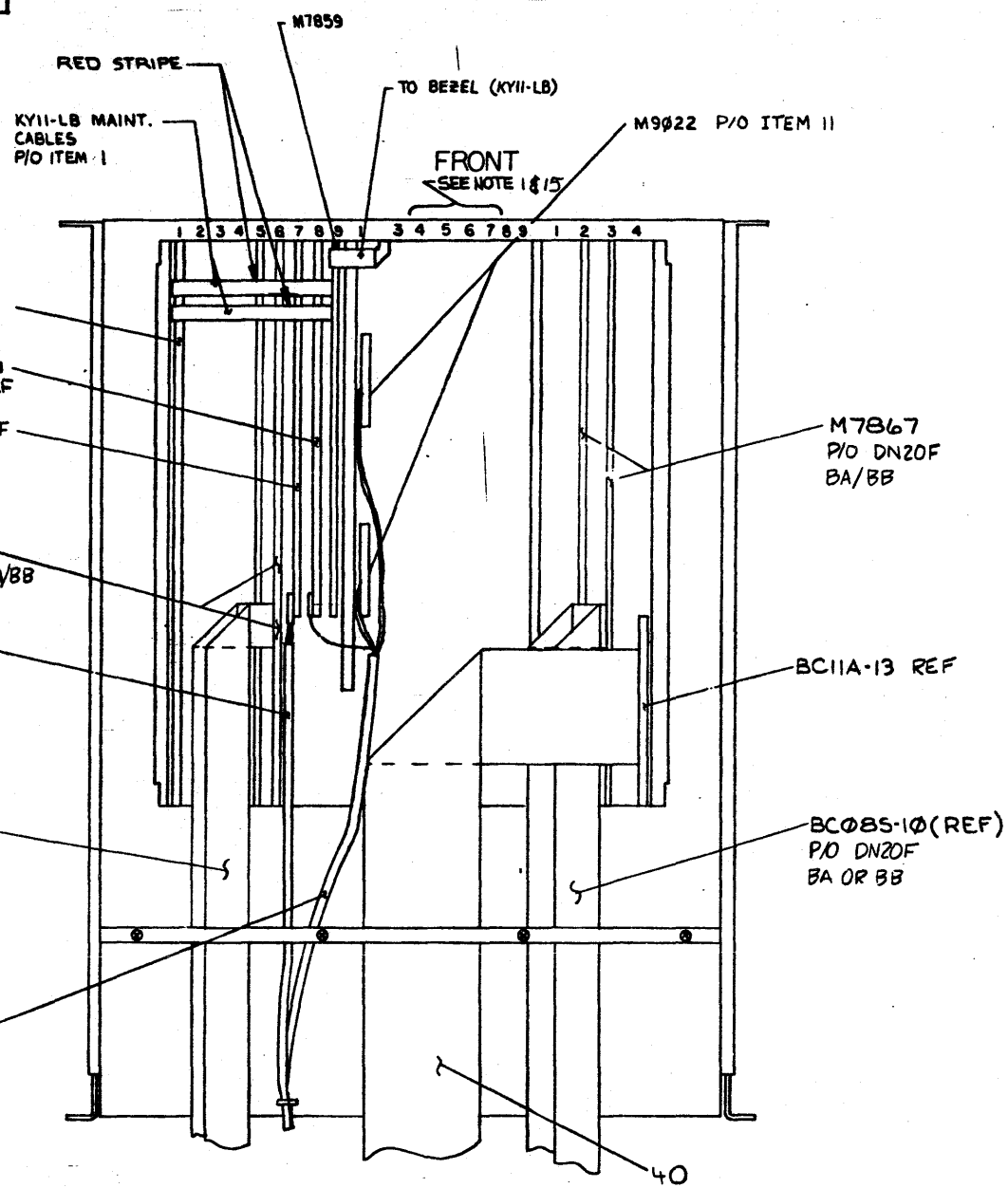
BATTERY BACK-UP
CABLE FOR DN20F-MA/MC
TO BATTERY BACK-UP REGULATOR H7850
FROM H775-A.

REVISIONS		
CHK	CHANGE NO.	REV.

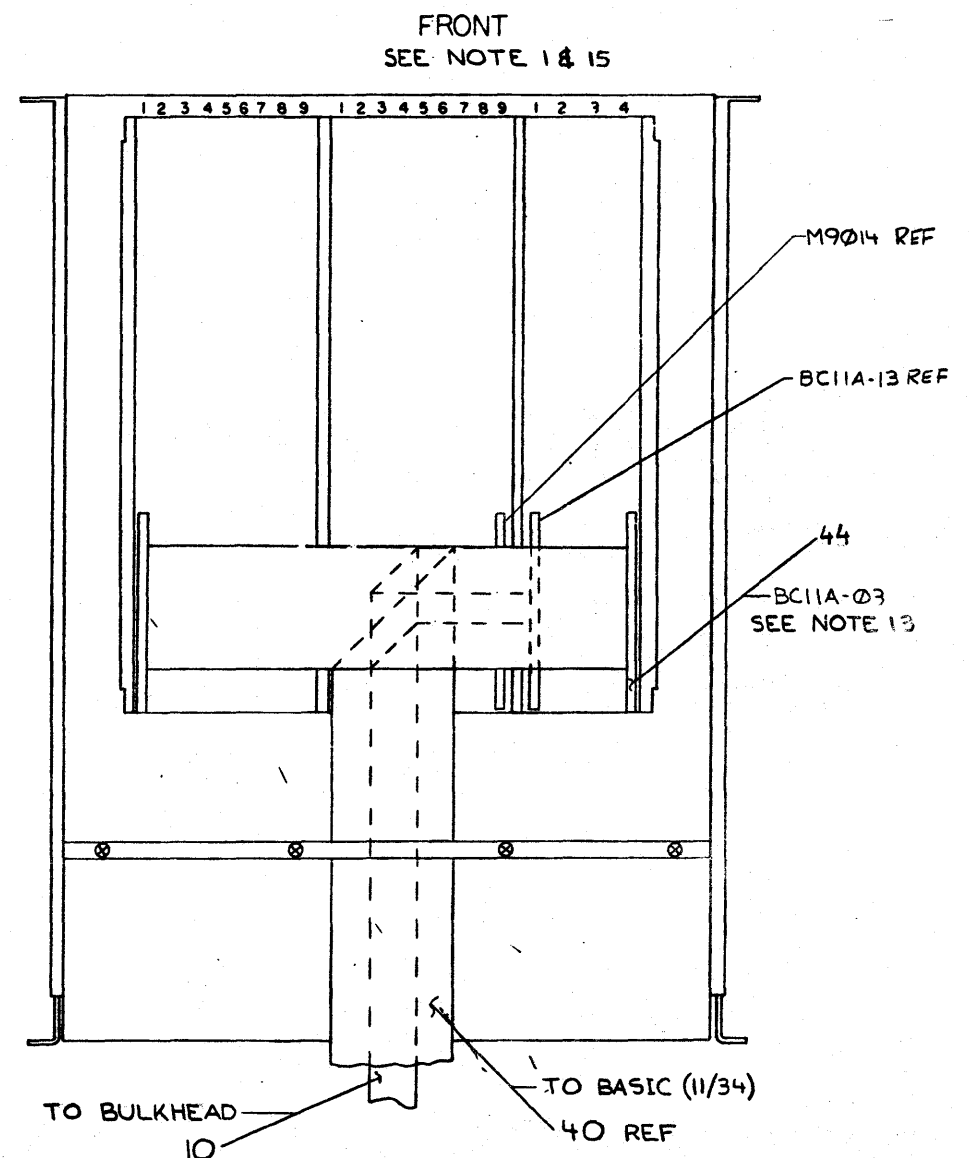
TITLE	SYNC COMM SUB SYSTEM	SIZE CODE	DUA	NUMBER	DN20F-0-0	REV.	A
SCALE	1/2	SHEET	6	OF	25	DIST.	

THIS DRAWING AND SPECIFICATIONS HEREAFTER ARE THE PROPERTY OF DIGITAL EQUIPMENT CORPORATION AND SHALL NOT BE REPRODUCED OR COPIED OR USED IN WHOLE OR IN PART AS THE BASIS FOR THE MANUFACTURE OR SALE OF ITEMS WITHOUT WRITTEN PERMISSION. COPYRIGHT © P.E.S. DIGITAL EQUIPMENT CORPORATION

7 2-2-102NO 2



BASIC (1134A) DRAWER
DN20F -MA/MC



EXPANSION DRAWER

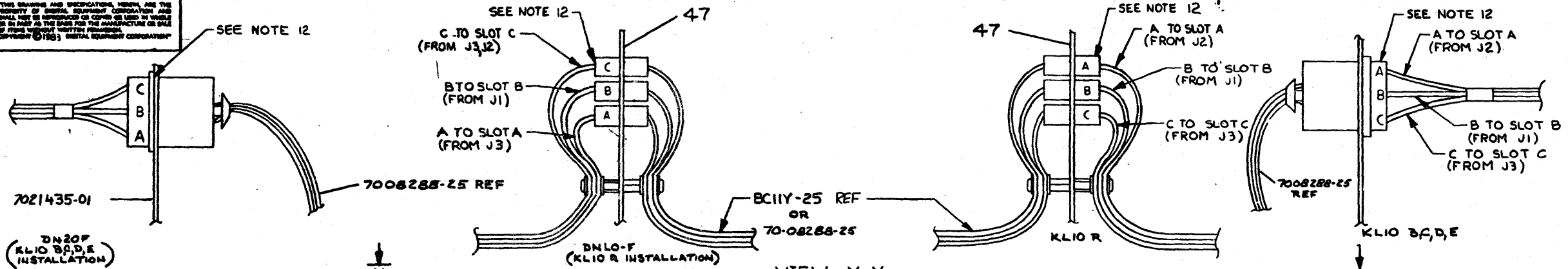
DETAIL 'S'

REVISIONS		
CHK	CHANGE NO.	REV.

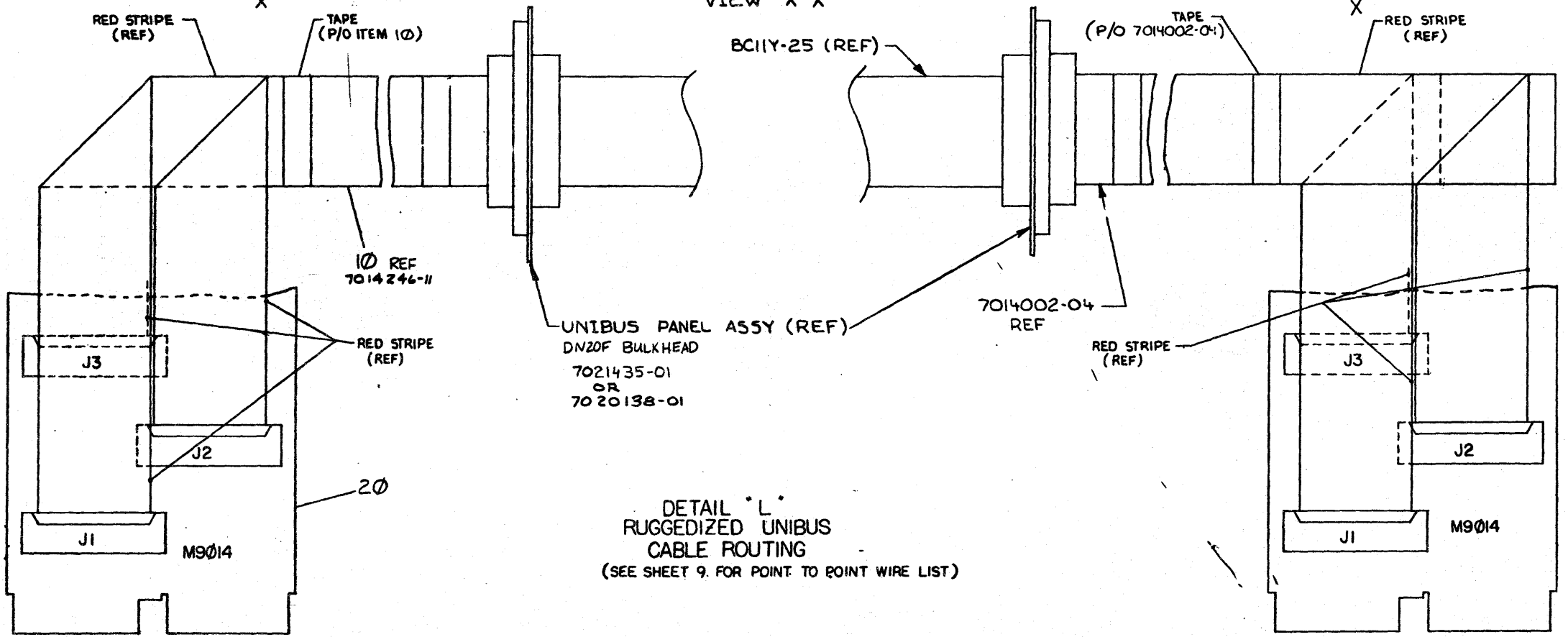
TITLE	SYNC COMM SUB-SYSTEM	SIZE/COOR	D UA	NUMBER	DN20F-0-0	REV.	A
SCALE	1/4	SHEET	7 OF 25	DIST.			

DUA DN20F-0-0

THIS DRAWING AND SPECIFICATIONS, HEREIN, ARE THE PROPERTY OF DIGITAL EQUIPMENT CORPORATION AND SHALL NOT BE REPRODUCED OR COPIED, IN WHOLE OR IN PART, AS THE BASIS FOR THE MANUFACTURE OR SALE OF ITEMS WITHOUT WRITTEN PERMISSION. COPYRIGHT © 1983 DIGITAL EQUIPMENT CORPORATION



VIEW X-X



DETAIL L RUGGEDIZED UNIBUS CABLE ROUTING (SEE SHEET 9 FOR POINT TO POINT WIRE LIST)

TO UNIBUS OUT SLOT IN BASIC OR EXPANSION DRAWER OF DN20F (SEE SHEET 14)

TO UNIBUS IN SLOT FOR DTE20 IN KLIOR I/O BAY (SEE SHEET 15)

REVISIONS		
CHK	CHANGE NO.	REV.

THIS DOCUMENT IS UNCLASSIFIED
DATE 08-19-2010 BY 60322 UCBAW/STP/SJG/K

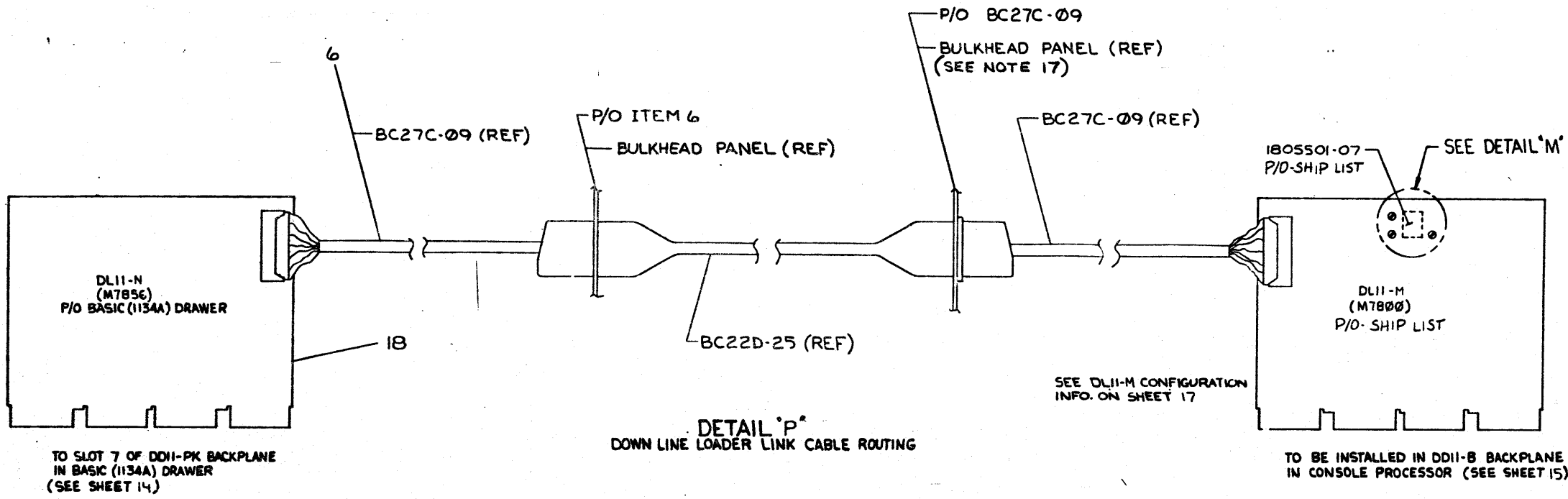
INDICATED
UNIBUS CABLE ROUTING
POINT TO POINT
WIRE LIST

UNIBUS SIGNAL NAME	FRONT END UNIBUS PIN ASSIGNMENT	FRONT END NDB14 CONN. PIN ASSIGNMENT		FRONT END TRANSITION CONNECTOR (PWT00006) PIN ASSIGNMENT		KL10 TRANSITION CONNECTOR (PWT00006) PIN ASSIGNMENT		KL10 NDB14 CONN. PIN ASSIGNMENT		KL10 UNIBUS PIN ASSIGNMENT	
		JACK	PIN	SLOT	PIN	SLOT	PIN	JACK	PIN		
AB0 L	BH2	J1	D	B	4	B	4	J1	D	BH2	
AB1 L	BH1	J1	B	B	2	B	2	J1	B	BH1	
AB2 L	BJ2	J1	J	B	6	B	6	J1	J	BJ2	
AB3 L	BJ1	J1	F	B	6	B	6	J1	F	BJ1	
AB4 L	BK2	J1	N	B	12	B	12	J1	N	BK2	
AB5 L	BK1	J1	L	B	10	B	10	J1	L	BK1	
AB6 L	BL2	J1	T	B	16	B	16	J1	T	BL2	
AB7 L	BL1	J1	R	B	14	B	14	J1	R	BL1	
AB8 L	BM2	J1	X	B	20	B	20	J1	X	BM2	
AB9 L	BM1	J1	V	B	18	B	18	J1	V	BM1	
A10 L	BW2	J1	BB	B	24	B	24	J1	BB	BW2	
A11 L	BW1	J1	Z	B	22	B	22	J1	Z	BW1	
A12 L	BP2	J1	FF	B	26	B	26	J1	FF	BP2	
A13 L	BP1	J1	DD	B	26	B	26	J1	DD	BP1	
A14 L	BR2	J1	LL	B	32	B	32	J1	LL	BR2	
A15 L	BR1	J1	JJ	B	30	B	30	J1	JJ	BR1	
A16 L	BS2	J1	RR	B	36	B	36	J1	RR	BS2	
A17 L	BS1	J1	NN	B	34	B	34	J1	NN	BS1	
ACLO L	BF1	J2	VV	A	40	C	40	J2	VV	BF1	
DBSY L	AP2	J3	BB	C	24	A	24	J3	BB	AP2	
BC4 H	BE2	J3	X	C	20	A	20	J3	X	BE2	
BC6 H	BB1	J3	T	C	16	A	16	J3	T	BB1	
BC8 H	BA1	J3	N	C	12	A	12	J3	N	BA1	
BC7 H	AV1	J3	J	C	8	A	8	J3	J	AV1	
BR4 L	BD2	J3	V	C	18	A	18	J3	V	BD2	
BR5 L	BC1	J3	R	C	14	A	14	J3	R	BC1	
BR6 L	AU2	J3	L	C	10	A	10	J3	L	AU2	
BR7 L	AT2	J3	F	C	6	A	6	J3	F	AT2	
CB L	BU2	J3	NN	C	34	A	34	J3	NN	BU2	
C1 L	BT2	J1	TT	B	38	B	38	J1	TT	BT2	
DBW L	AC1	J2	B	A	2	C	2	J2	B	AC1	
DB1 L	AD2	J2	F	A	6	C	6	J2	F	AD2	
DB2 L	AD1	J2	D	A	4	C	4	J2	D	AD1	
DB3 L	AE2	J2	L	A	10	C	10	J2	L	AE2	
DB4 L	AE1	J2	J	A	6	C	6	J2	J	AE1	
DB5 L	AF2	J2	R	A	14	C	14	J2	R	AF2	
DB6 L	AF1	J2	N	A	12	C	12	J2	N	AF1	
DB7 L	AH2	J2	V	A	18	C	18	J2	V	AH2	
DB8 L	AH1	J2	T	A	16	C	16	J2	T	AH1	
DB9 L	AJ2	J2	Z	A	22	C	22	J2	Z	AJ2	
D10 L	AJ1	J2	X	A	20	C	20	J2	X	AJ1	
D11 L	AK2	J2	DD	A	26	C	26	J2	DD	AK2	
D12 L	AK1	J2	BB	A	24	C	24	J2	BB	AK1	
D13 L	AL2	J2	JJ	A	30	C	30	J2	JJ	AL2	
D14 L	AL1	J2	FF	A	28	C	28	J2	FF	AL1	
D15 L	AM2	J2	NN	A	34	C	34	J2	NN	AM2	
GROUND	AB2	THE FOLLOWING PINS ON J1, J2 AND J3 ARE GROUNDED.		THE FOLLOWING PINS ON SLOTS A, B AND C ARE GROUNDED.		THE FOLLOWING PINS ON SLOTS A, B AND C ARE GROUNDED.		THE FOLLOWING PINS ON J1, J2 AND J3 ARE GROUNDED.		AB2	
GROUND	AC2									AC2	
GROUND	AN1									AN1	
GROUND	AP1	A	S	H	1	15	20	A	S	H	AP1
GROUND	AR1	C	U	KK	3	17	31	C	U	KK	AR1
GROUND	AS1	E	W	MM	5	19	33	E	W	MM	AS1
GROUND	AT1	H	Y	PP	7	21	35	H	Y	PP	AT1
GROUND	AV2	K	AA	SS	9	23	37	K	AA	SS	AV2
GROUND	BB2	M	CC	UU	11	25	39	M	CC	UU	BB2
GROUND	BC2	P	EE		13	27		P	EE		BC2
GROUND	BD1	J1	VV	B	40	B	40	J1	VV	BD1	
GROUND	BE1	J2	TT	A	38	C	38	J2	TT	BE1	
GROUND	BT1	J3	DD	C	26	A	26	J3	DD	BT1	
GROUND	BV2	J3	RR	C	36	A	36	J3	RR	BV2	
INIT L	AA1	J3	Z	C	22	A	22	J3	Z	AA1	
INTA L	AB1	J3	FF	C	28	A	28	J3	FF	AB1	
BSYN L	BV1	J3	LL	C	32	A	32	J3	LL	BV1	
NPG H	AU1	J3	D	C	4	A	4	J3	D	AU1	
NPR L	AS2	J3	B	C	2	A	2	J3	B	AS2	
PA L	AM1	J2	LL	A	32	C	32	J2	LL	AM1	
PB L	AN2	J2	RR	A	36	C	36	J2	RR	AN2	
+5V	AA2									AA2	
+5V	BA2									BA2	
SACK L	AR2	J3	TT	C	38	A	38	J3	TT	AR2	
DCL0 L	BF2	J3	VV	C	40	A	40	J3	VV	BF2	
SSYN L	BU1	J3	JJ	C	30	A	30	J3	JJ	BU1	

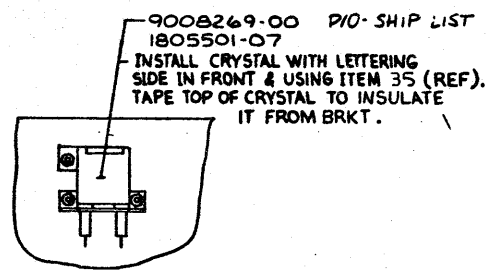
TITLE SYNC COMM SUB SYSTEM
SCALE NONE
SHEET 9 OF 25
DUA DN20F-0-0
REV. A

REV. A
DUA DN20F-0-0
SHEET 9 OF 25
REV. A

THIS DRAWING AND SPECIFICATION HEREIN ARE THE PROPERTY OF DIGITAL EQUIPMENT CORPORATION AND SHALL NOT BE REPRODUCED OR COPIED OR USED IN WHOLE OR IN PART AS THE BASIS FOR THE MANUFACTURE OR SALE OF ITEMS WITHOUT THE WRITTEN PERMISSION OF DIGITAL EQUIPMENT CORPORATION.



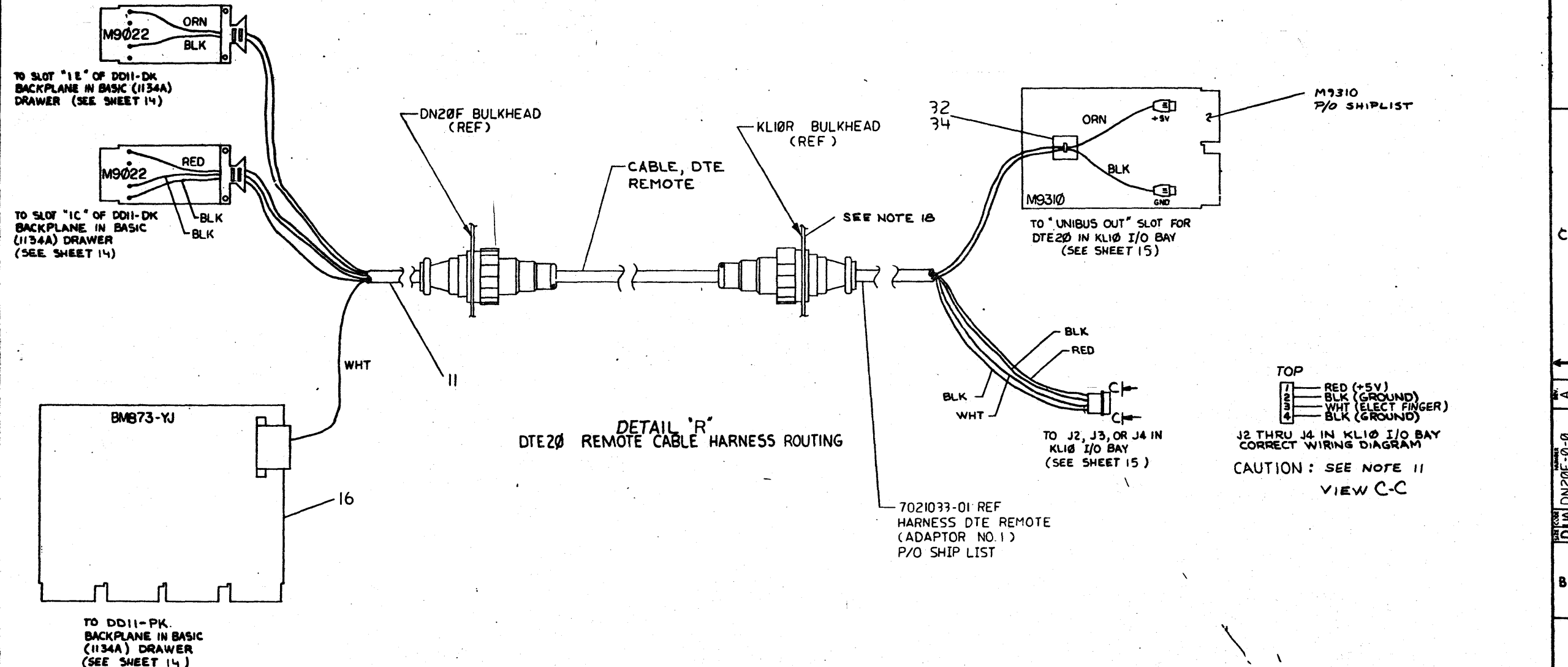
DETAIL 'P'
DOWN LINE LOADER LINK CABLE ROUTING



DETAIL 'M'
FRONT OF MODULE
SCALE: 1/1

REVISIONS		
CHK	CHANGE NO.	REV.

THE DIMENSIONS AND SPECIFICATIONS HEREIN ARE THE PROPERTY OF BENTON ELECTRONIC CORPORATION AND SHALL NOT BE REPRODUCED OR COPIED OR USED IN WHOLE OR IN PART AS THE BASIS FOR THE REPRODUCTION OR SALE OF ITEMS WITHOUT WRITTEN PERMISSION FROM BENTON ELECTRONIC CORPORATION © 1967 BENTON ELECTRONIC CORPORATION

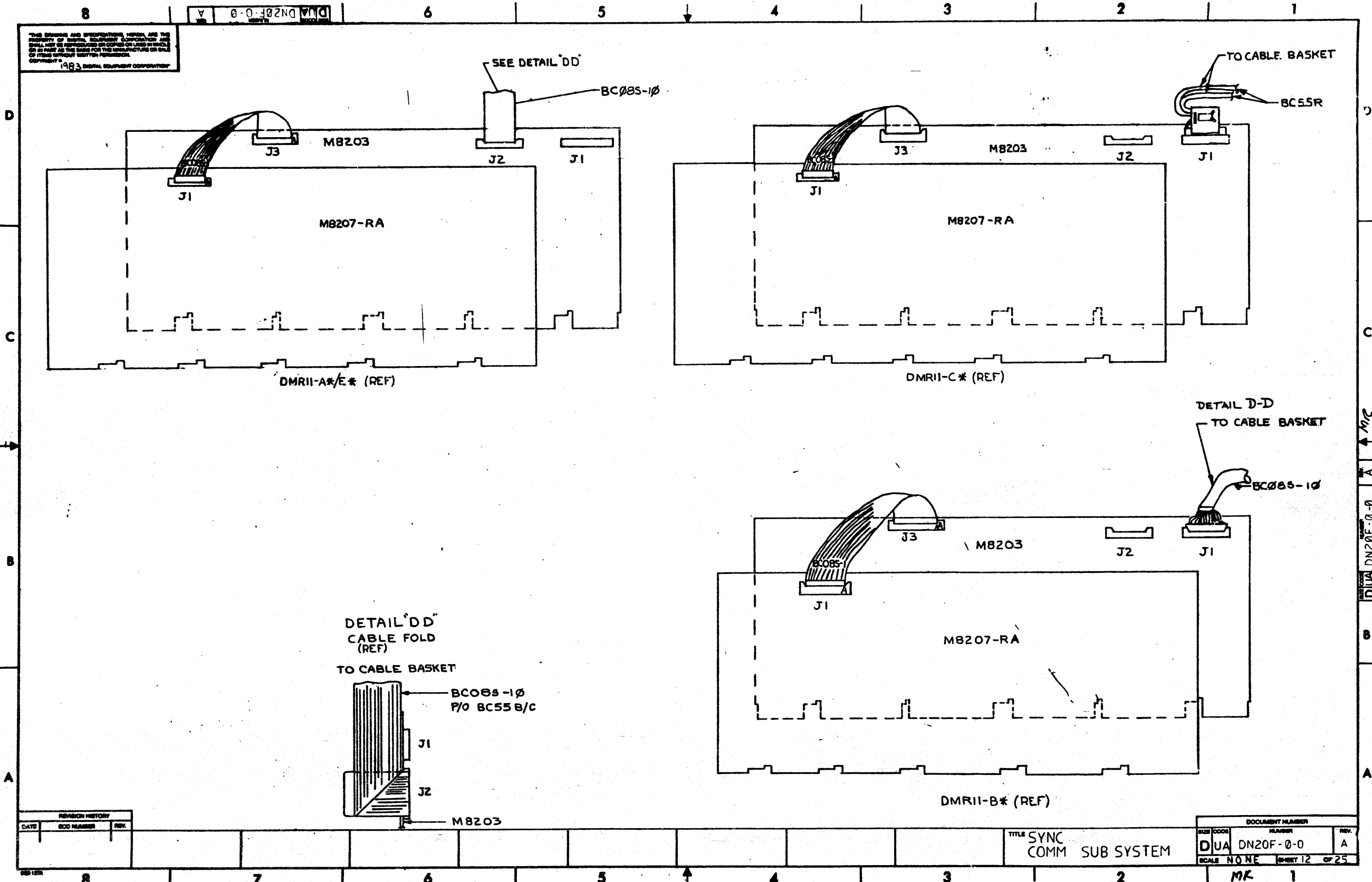


DETAIL 'R'
DTE20 REMOTE CABLE HARNESS ROUTING

REVISIONS		
CHK	CHANGE NO.	REV.

THIS DRAWING AND SPECIFICATIONS HEREON ARE THE PROPERTY OF DIGITAL EQUIPMENT CORPORATION AND SHALL NOT BE REPRODUCED OR COPIED OR LENT IN WHOLE OR IN PART AS THE BASIS FOR THE MANUFACTURE OR SALE OF ITEMS WITHOUT WRITTEN PERMISSION.
 COPYRIGHT © 1983 DIGITAL EQUIPMENT CORPORATION

DUA DN20F-0-0



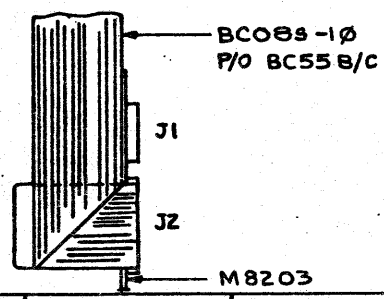
DMR11-A*/E* (REF)

DMR11-C* (REF)

DMR11-B* (REF)

DETAIL 'DD'
 CABLE FOLD
 (REF)

TO CABLE BASKET

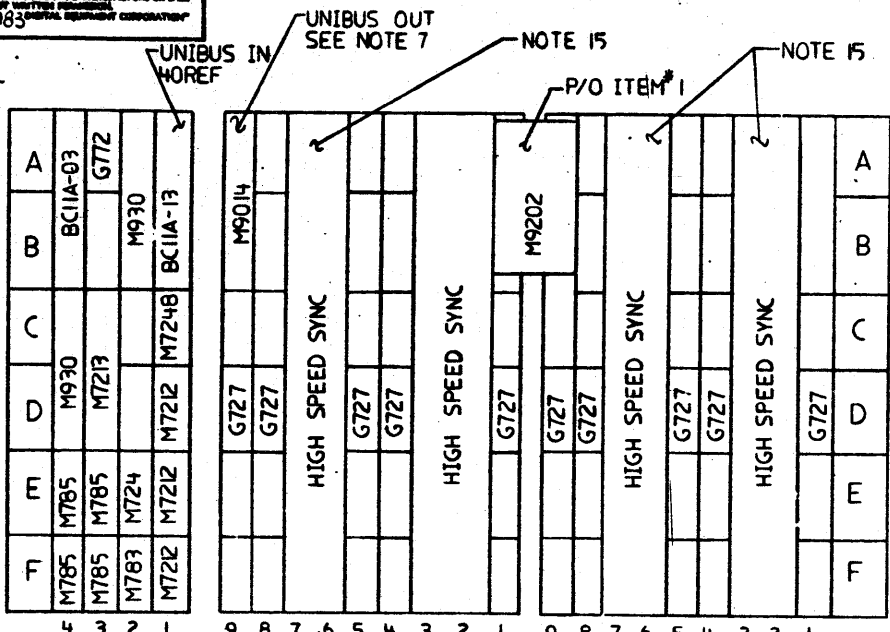


REVISION HISTORY		
DATE	ECO NUMBER	REV.

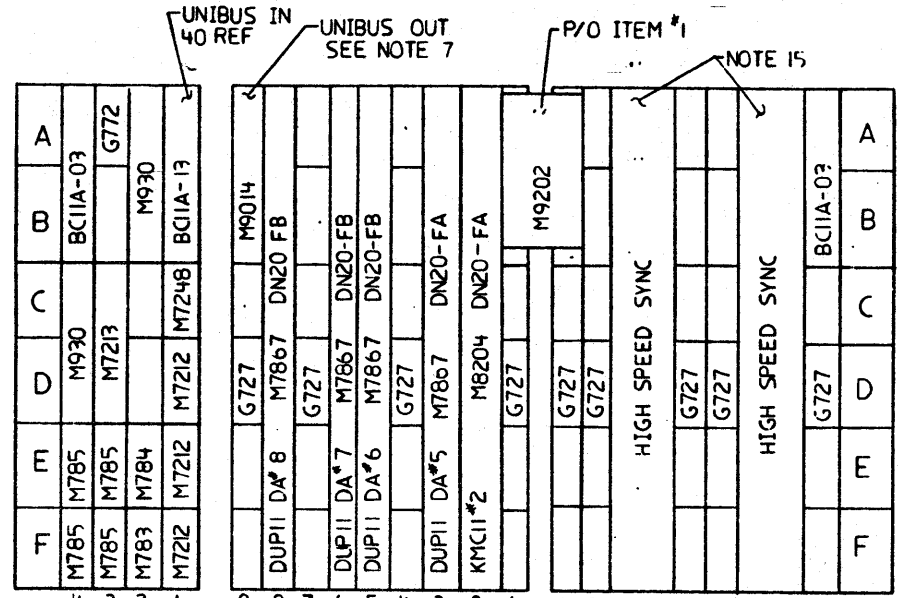
TITLE SYNC
 COMM SUB SYSTEM

DOCUMENT NUMBER		
REV.	NUMBER	SCALE
A	DUA DN20F-0-0	NONE
SHEET 12 OF 25		

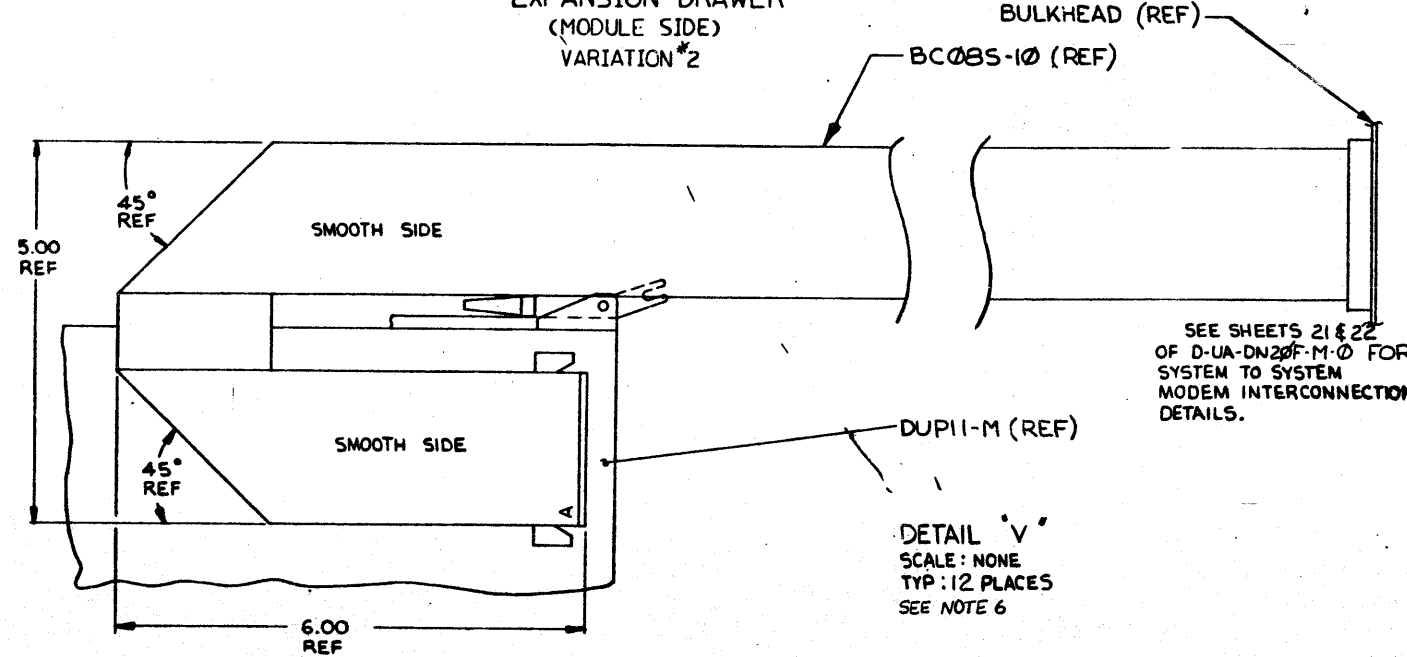
THE DIMENSIONS AND SPECIFICATIONS HEREIN ARE THE PROPERTY OF DIGITAL EQUIPMENT CORPORATION AND ARE TO BE USED IN CONNECTION WITH THE EQUIPMENT OR SYSTEMS MANUFACTURED BY DIGITAL EQUIPMENT CORPORATION. NO PART OF THIS DOCUMENT IS TO BE REPRODUCED OR TRANSMITTED IN ANY FORM OR BY ANY MEANS, ELECTRONIC OR MECHANICAL, INCLUDING PHOTOCOPYING, RECORDING, OR BY ANY INFORMATION STORAGE AND RETRIEVAL SYSTEM, WITHOUT PERMISSION IN WRITING FROM DIGITAL EQUIPMENT CORPORATION.



DBII-M
 DDII-DK *2 (SEE NOTE #1)
 DDII-DK #1
 MODULE UTILIZATION
 EXPANSION DRAWER
 (MODULE SIDE)
 VARIATION #1



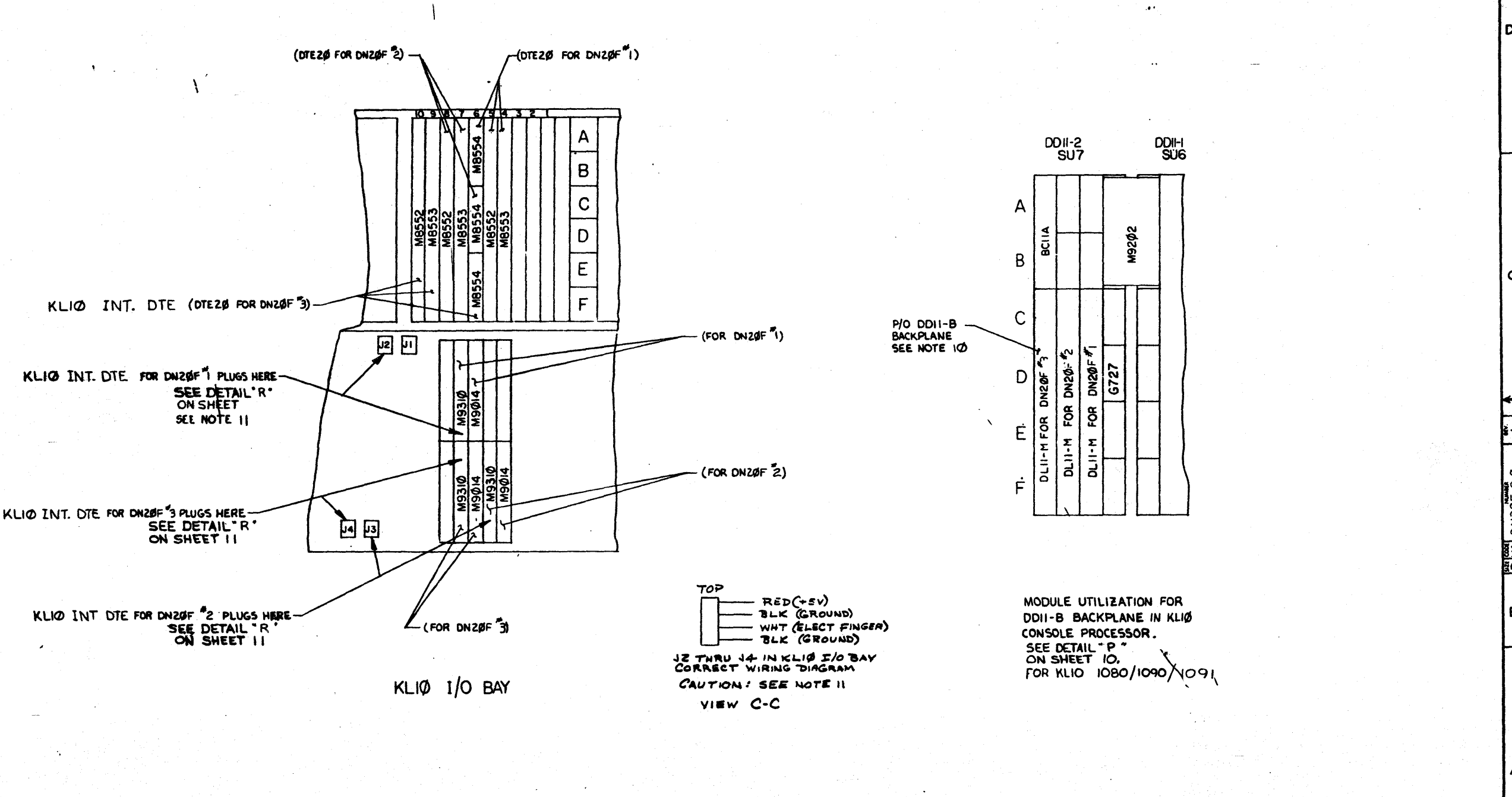
DBII-M
 DDII-DK *2 (SEE NOTE #1)
 DDII-DK #1
 MODULE UTILIZATION
 EXPANSION DRAWER
 (MODULE SIDE)
 VARIATION #2



DETAIL 'V'
 SCALE: NONE
 TYP: 12 PLACES
 SEE NOTE 6

REVISIONS		
CHK	CHANGE NO.	REV.

THE DRAWING AND SPECIFICATIONS HEREIN ARE THE PROPERTY OF DIGITAL EQUIPMENT CORPORATION AND SHALL NOT BE REPRODUCED OR COPIED OR USED IN WHOLE OR IN PART AS THE BASIS FOR THE MANUFACTURE OR SALE OF ITEMS WITHOUT WRITTEN PERMISSION. COPYRIGHT © 1975 DIGITAL EQUIPMENT CORPORATION



REVISIONS		
CHK	CHANGE NO.	REV.

THIS DRAWING AND SPECIFICATIONS HEREIN ARE THE PROPERTY OF DIGITAL EQUIPMENT CORPORATION AND SHALL NOT BE REPRODUCED OR COPIED OR USED IN WHOLE OR IN PART AS THE BASIS FOR THE MANUFACTURE OR SALE OF THIS PRODUCT WITHOUT WRITTEN PERMISSION. COPYRIGHT © 1983 DIGITAL EQUIPMENT CORPORATION

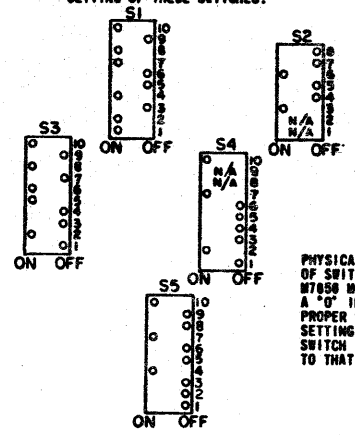
M7850 SWITCH SETTING TABLE

I.) MODULE CONFIGURATION INFORMATION

1) **M7285 LOWEST ACCEPTABLE REV. D**
THIS MODULE CONTAINS TWO JUMPERS W1 AND W2 WHICH ARE ALWAYS PRESENT. THESE JUMPERS DETERMINE THE SPEED OF THE PROCESSOR CLOCK AND MUST NOT BE REMOVED.

2) **M9266 LOWEST ACCEPTABLE REV. E**
JUMPER W1 DETERMINES THE CAPABILITY OF THE PROCESSOR TO DETECT PARITY ERRORS. ALL M9266 MODULES WILL HAVE W1 PRESENT TO ALLOW THE CPU TO DETECT PARITY ERRORS.

3) **M7850 (D111-N) LOWEST ACCEPTABLE REV. J**
THE M7850 MODULE CONTAINS 5 SWITCH PACKS. THEY SHOULD BE CONFIGURED ACCORDING TO THE FOLLOWING TABLE. A DIAGRAM OF THE SWITCH PACKS PRECEDES THE TABLE TO AID IN RAPID SETTING OF THESE SWITCHES.



PHYSICAL POSITION OF SWITCHES ON M7850 MODULE. A "0" INDICATES PROPER SWITCH SETTING WHEN SWITCH IS MOVED TO THAT POSITION.

THE M7850 MODULE CONTAINS ONE JUMPER W1 WHICH IS USED FOR TEST PURPOSES ONLY. THIS JUMPER MUST ALWAYS BE PRESENT.
PRIORITY LEVELS ARE HARDWIRED INTO THE M7850 MODULE.
THE SERIAL LINE UNIT = BR4
THE REAL TIME CLOCK = BR8

PACK	SWITCH	STATE	
5	1	OFF	
5	2	OFF	
5	3	OFF	
5	4	ON	SELECT ADDRESS
5	5	OFF	777580
5	6	OFF	
5	7	ON	
5	8	OFF	
5	9	OFF	
5	10	ON	ENABLE REAL TIME CLOCK
4	10	ON	TRANSMIT AT 300 BAUD
3	1	OFF	
3	4	OFF	
3	2	ON	RECEIVE AT 9600 BAUD
3	3	OFF	
3	5	ON	
2	3	ON	
2	4	OFF	SELECT VECTOR P3
2	5	OFF	
2	6	ON	
2	7	OFF	
2	8	OFF	
4	4	OFF	NUMBER OF DATA BITS = 8
4	3	OFF	2 STOP BIT
4	5	OFF	DISABLE PARITY
4	6	OFF	ODD PARITY
1	1	ON	
1	2	ON	ACTIVE TRANSMITTER MODE
1	3	OFF	
1	6	OFF	
1	7	ON	
1	4	ON	ACTIVE PAPER TAPE READER MODE
1	5	OFF	
1	8	ON	
1	9	OFF	
1	10	ON	
3	6	ON	
3	7	OFF	ACTIVE RECEIVER MODE
3	8	ON	
3	9	OFF	
3	10	ON	
4	1	OFF	DISABLE BREAK
4	7	OFF	DISABLE ERROR BIT

4) **M727 LOWEST ACCEPTABLE REV. M**
THERE ARE NO SWITCHES OR JUMPERS ON THIS MODULE.

6) **541180 CONSOLE BOARD LOWEST ACCEPTABLE REV. M**
THERE ARE NO SWITCHES OR JUMPERS ON THIS MODULE.
THERE IS ONE CABLE (P/N 70-2214) WHICH CONNECTS THIS MODULE WITH THE M7850 MODULE. IT SHOULD BE INSTALLED AS PER THIS U.A.

5) **M873-Y LOWEST ACCEPTABLE REV. J**
THE M873-Y MODULE SHOULD ALREADY BE CONFIGURED CORRECTLY. HOWEVER, AS A QUICK VERIFY THE MODULE MAY BE COMPARED AGAINST THE FOLLOWING TABLES.

DIODE FIELD

BOOT FUNCTION	STARTING ADDRESS	BIT 8	BIT 7	BIT 6	BIT 5	BIT 4	BIT 3	BIT 2	BIT 1
N/A	773220	D29 OUT	D25 IN	D21 OUT	D17 OUT	D13 IN	D9 OUT	D5 OUT	D1
N/A	77300C	D30 OUT	D26 OUT	D22 OUT	D18 OUT	D14 IN	D10 IN	D6 OUT	D2
DL11	773020	D31 OUT	D27 OUT	D23 OUT	D19 OUT	D15 IN	D11 OUT	D7 OUT	D3
D1E20	773230	D32 OUT	D28 IN	D24 OUT	D20 OUT	D16 IN	D12 IN	D8 OUT	D4

7) **M9272 LOWEST ACCEPTABLE REV. C**
THERE ARE NO SWITCHES OR JUMPERS ON THIS MODULE.

8) **M9272 LOWEST ACCEPTABLE REV. C**
THERE ARE NO SWITCHES OR JUMPERS ON THIS MODULE.

ROW PART NOS.

LOCATION	PART NUMBER
E16	23412A2
E17	23413A2
E19	23414A2
E20	23415A2

9) **M7850 LOWEST ACCEPTABLE REV. B**
THERE ARE 4 JUMPERS ON THE M7850 PARITY CONTROL MODULE. THEY ARE TO BE CONFIGURED AS FOLLOWS.

- W1 = IN } SELECT ADDRESS
- W2 = IN }
- W3 = IN } 772180
- W4 = IN }

THESE ARE THE STANDARD SETTINGS FOR THE M7850 JUMPERS THUS, THE JUMPERS SHOULD ALREADY BE CONFIGURED CORRECTLY.

JUMPER CONFIG.

W1 = IN
W2 = OUT
W3 = OUT
RESISTOR R3 SHOULD BE REMOVED.

6) **KY11-LB ASSEMBLY LOWEST ACCEPTABLE REV. H**
A) **M7850 (P/O KY11-LB) LOWEST ACCEPTABLE REV. D**
THERE IS ONLY ONE JUMPER W1 ON THE M7850 MODULE. IT MUST ALWAYS BE INSTALLED.
THERE ARE TWO CABLES SUPPLIED WITH THE KY11-LB MAINT. CONSOLE (P/N 7011411-10). THESE CABLES ARE USED FOR MAINTENANCE PURPOSES ONLY. THEY SHOULD BE INSTALLED AS PER THIS UNIT ASSY.

REVISIONS		
CHK	CHANGE NO.	REV.

10) M8014 LOWEST ACCEPTABLE REV A
THERE ARE NO SWITCHES OR JUMPERS ON THIS MODULE.

11) DB11-M MODULES
THERE ARE NO SWITCHES OR JUMPERS ON ANY OF THE DB11-M MODULES.

A) M830 LOWEST ACCEPTABLE REV E
B) M7213 LOWEST ACCEPTABLE REV S
C) M705 LOWEST ACCEPTABLE REV C
D) M7212 LOWEST ACCEPTABLE REV C
E) M703 LOWEST ACCEPTABLE REV *
F) M704 LOWEST ACCEPTABLE REV E
G) M7240 LOWEST ACCEPTABLE REV C

12) DTE20 MODULES
THERE ARE SOME JUMPERS ON THE DTE20 MODULES. HOWEVER, THEY ARE ALL FACTORY SETTABLE ONLY. THEY SHOULD NOT BE CHANGED.

A) M8582 LOWEST ACCEPTABLE REV E
B) M8583 LOWEST ACCEPTABLE REV J
C) M8584 LOWEST REV F

13) M7000 (DL11-M) LOWEST ACCEPTABLE REV P
THE JUMPERS AND SWITCHES FOR THE M7000 (DL11-M) MODULE ARE TO BE CONFIGURED ACCORDING TO THE FOLLOWING TABLE

JUMPERS

J1 IN (TIES EIA DRIVER-TO-REQUEST-TO-SEND LEAD)
J2 OUT (TIES EIA DRIVER TO FORCE BUSY LEAD)
J3 IN (ALLOWS REQUEST-TO-SEND TO BE CONTROLLED BY BIT 2 OF THE RECEIVER STATUS REGISTER)

J4 OUT (FORCES DATA LEADS ONLY MODE OF EIA OPERATION)
J5 IN (ALLOWS BREAK BIT TO FUNCTION)
J6 IN (ALLOWS DSET INT TO CAUSE INTERRUPTS)
J7 IN (ALLOWS DATA SET CONTROL BITS TO BE READ AS PART OF RECEIVER STATUS REGISTER)
J8 IN (ALLOWS ERROR BITS TO BE READ AS PART OF THE RECEIVER DATA REGISTER)

A3 OUT		A3 IN		A3 OUT	
A4 OUT		A4 IN		A4 IN	
A5 IN		A5 OUT		A5 OUT	
A6 IN		A6 IN		A6 IN	
A7 OUT	SELECT ADDRESS	A7 OUT	SELECT ADDRESS	A7 OUT	SELECT ADDRESS
A8 OUT	77563B	A8 OUT	77564B	A8 OUT	77565B
A9 OUT	FOR	A9 OUT	FOR	A9 OUT	FOR
A10 IN	DN20 #1	A10 IN	DN20 #2	A10 IN	DN20 #3

V3 OUT		V3 IN		V3 OUT	
V4 OUT		V4 IN		V4 IN	
V5 IN	SELECT VECTOR	V5 OUT	SELECT VECTOR	V5 OUT	SELECT VECTOR
V6 IN	74B	V6 IN	75B	V6 IN	76B
V7 IN	FOR	V7 IN	FOR	V7 IN	FOR
V8 IN	DN20 #1	V8 IN	DN20 #2	V8 IN	DN20 #3

N1 IN ALWAYS IN FOR 11/40 CPU
N2 OUT 8 BITS
N3 OUT NO PARITY
N4 OUT 1 STOP BIT

SWITCHES
R SWITCH POSITION 2 (RECEIVER SPEED 300 BAUD)
Y SWITCH POSITION 0 (TRANSMIT SPEED 9600 BAUD)
SWITCH POSITION #1 IS THE MOST COUNTER CLOCKWISE POSITION FOR BOTH OF THE ABOVE ROTARY TYPE SWITCHES.
A 4.608 MHZ CRYSTAL (PN 10-00901-7) MUST BE INSTALLED AT POSITION Y1 OF THE MODULE.
DR PRIORITY LEVEL 4 (PRIORITY JUMPER PN 5409776).

13.5) M7891-DA/MS11-LD) LOWEST ACCEPTABLE REV E
THE MS11-LD CONTAINS FIFTEEN JUMPERS AND NO SWITCHPACKS. THE JUMPERS AND SWITCHES ON THE M7891-DA MODULES SHOULD BE CONFIGURED ACCORDING TO THE FOLLOWING TABLE:

JUMPERS

W1 IN } A 12V REGULATOR IS SUPPLYING VOLTAGE TO THE MODULE.
W2 OUT }
W3 OUT }
W7 IN } ENABLES BATTERY BACK-UP VOLTAGE TO BE ROUTED TO MEMORY REFRESH LOGIC
W4 OUT UNIBUS OPERATION
W5 OUT } INDICATES 4K I/O PERIPHERAL PAGE
W21 IN }
W16-W19 AND W20 ARE FACTORY SETTABLE ONLY. THEY SHOULD NOT BE TAMPERED WITH IN THE FIELD

SWITCH

SWITCH PACK #1

S1 - ON }
S2 - ON } CSR ADDRESS
S3 - ON } 77210B
S4 - ON }

SWITCH PACK #2

S1 - ON }
S2 - ON } ADDRESS SELECTION
S3 - ON } 0-120K
S4 - ON }
S5 - ON }
S6 - ON }
S7 - ON }
S8 - ON }
S9 - ON }

REVISIONS		
CHK	CHANGE NO.	REV.

THE DRAWING AND SPECIFICATIONS HEREIN ARE THE PROPERTY OF DIGITAL EQUIPMENT CORPORATION AND SHALL NOT BE REPRODUCED OR COPIED OR USED IN WHOLE OR IN PART AS THE BASIS FOR THE MANUFACTURE OR SALE OF EQUIPMENT WITHOUT WRITTEN PERMISSION. COMPANY © 1983 DIGITAL EQUIPMENT CORPORATION

14) M7807 (DUP11-M) LOWEST ACCEPTABLE REV N A FULLY CONFIGURED DN20F SUBSYSTEM WILL HAVE UP TO 12 M7807 (DUP11-M) MODULES. THEIR ADDRESS AND VECTOR ASSIGNMENTS WILL BE ACCORDING TO THE FOLLOWING CHART.

DN20F CONFIGURATIONS (ADDRESS & VECTORS)

Table with 12 columns (#1 to #12) and 12 rows (#1 to #12) showing address and vector assignments for modules.

THERE ARE 2 SWITCH PACKS ON EACH M7807 (DUP11-M) MODULE. THEIR SWITCH SETTINGS ARE AS FOLLOWS IN ORDER TO PROPERLY CONFIGURE THE ABOVE ADDRESS AND VECTOR ASSIGNMENTS.

Three tables labeled DUP11 #1, DUP11 #2, and DUP11 #3, each with columns PACK, SWITCH, STATE and rows E05 to E110.

Table labeled DUP11 #4 with columns PACK, SWITCH, STATE and rows E05 to E110.

Table labeled DUP11 #5 with columns PACK, SWITCH, STATE and rows E05 to E110.

Table labeled DUP11 #6 with columns PACK, SWITCH, STATE and rows E05 to E110.

Table labeled DUP11 #10 with columns PACK, SWITCH, STATE and rows E05 to E110.

Table labeled DUP11 #11 with columns PACK, SWITCH, STATE and rows E05 to E110.

Table labeled DUP11 #12 with columns PACK, SWITCH, STATE and rows E05 to E110.

Table labeled DUP11 #7 with columns PACK, SWITCH, STATE and rows E05 to E110.

Table labeled DUP11 #8 with columns PACK, SWITCH, STATE and rows E05 to E110.

Table labeled DUP11 #9 with columns PACK, SWITCH, STATE and rows E05 to E110.

THERE ARE 7 JUMPERS ON EACH M7807 (DUP11-M) MODULE. THEY ARE ALL FACTORY SETTABLE FOR COMPATIBILITY WITH BELL 201. BELL 209 AND 209 SERIES MODEMS AND SHOULD NOT HAVE TO BE CHANGED UNLESS ANOTHER TYPE MODEM IS USED. SHOULD ANOTHER TYPE MODEM BE USED THE JUMPERS MUST BE RE-CONFIGURED SO THAT THEY ARE COMPATIBLE WITH THE TYPE MODEM USED. REFER TO THE DUP11-1A BIT SYNCHRONOUS INTERFACE MAINTENANCE MANUAL (EK-DUP11-AM). AS A QUICK VERIFY THE STANDARD FACTORY SETTABLE JUMPER SETTINGS ARE AS FOLLOWS:

- W1 IN, W2 OUT, W3 IN, W4 IN, W5 OUT, W6 IN, W7 IN

BR PRIORITY LEVEL 6 (PRIORITY JUMPER P/N 5408780). IS REQUIRED IN DEC SYSTEMS 1090 AND 1091. FOR 1091 AND 1090 SYSTEMS ONLY, REPLACE THE BR5 PRIORITY JUMPER ON THE DUP-11 WITH THE BR6 PRIORITY JUMPER INCLUDED WITH THE DN20F-BA/BB FOR SYSTEMS OTHER THAN THE 1090/1091, LEAVE THE BR5 PRIORITY JUMPER (P/N 5408778) ON THE DUP-11.

Table with columns REVISIONS, CHK, CHANGE NO., REV.

THIS DRAWING AND SPECIFICATIONS, WHEN AS THE BASIS OF CONSTRUCTION, SHALL BE THE PROPERTY OF THE UNITED STATES GOVERNMENT. IT IS HEREBY GRANTED ON THE BASIS OF A LIMITED LICENSE TO REPRODUCE OR TO TRANSMIT IN ANY FORM OR BY ANY MEANS, ELECTRONIC OR MECHANICAL, INCLUDING PHOTOCOPYING, RECORDING, OR BY ANY INFORMATION STORAGE AND RETRIEVAL SYSTEM, WITHOUT PERMISSION IN WRITING FROM THE UNITED STATES GOVERNMENT. GPO: 1983

15) M204 (KMC11) LOWEST ACCEPTABLE REV F
A FULLY CONFIGURED DN20F SUB-SYSTEM WILL HAVE UP TO 3 M204 (KMC11) MODULES. THEIR ADDRESS AND VECTOR ASSIGNMENTS WILL BE ACCORDING TO THE FOLLOWING CHART.

KMC	#1	#2	#3	
KMC11 #1	ADDRESS VECTOR 700540 540	700540 540	700540 540	CONTROLS DUP11 #1 THRU 4
#2	ADDRESS VECTOR 700550 550	700550 550	700550 550	CONTROLS DUP11 #5 THRU 8
#3	ADDRESS VECTOR 700560 560		700560 560	CONTROLS DUP11 #9 THRU 12

THERE ARE 2 SWITCH PACKS ON EACH M204 MODULE. THEIR SWITCH SETTINGS ARE AS FOLLOWS IN ORDER TO PROPERLY CONFIGURE THE ABOVE ADDRESS AND VECTOR ASSIGNMENTS.

KMC11 #1			KMC11 #2			KMC11 #3		
PACK	SWITCH	STATE	PACK	SWITCH	STATE	PACK	SWITCH	STATE
E05	1	OFF	E05	1	OFF	E05	1	OFF
E05	2	OFF	E05	2	OFF	E05	2	ON
E05	3	ON	E05	3	ON	E05	3	ON
E05	4	ON	E05	4	ON	E05	4	ON
E05	5	OFF	E05	5	OFF	E05	5	OFF
E05	6	ON	E05	6	ON	E05	6	ON
E05	7	N/A	E05	7	N/A	E05	7	N/A
E05	8	N/A	E05	8	N/A	E05	8	N/A
E10	1	ON	E10	1	OFF	E10	1	ON
E10	2	ON	E10	2	ON	E10	2	OFF
E10	3	OFF	E10	3	OFF	E10	3	OFF
E10	4	OFF	E10	4	OFF	E10	4	OFF
E10	5	ON	E10	5	ON	E10	5	ON
E10	6	OFF	E10	6	OFF	E10	6	OFF
E10	7	ON	E10	7	ON	E10	7	ON
E10	8	ON	E10	8	ON	E10	8	ON
E10	9	ON	E10	9	ON	E10	9	ON
E10	10	ON	E10	10	ON	E10	10	ON

NOTE: EACH BACKPLANE SLOT WHICH HAS AN M204 (KMC11) MODULE INSTALLED MUST HAVE THE BACKPLANE WIRE FROM PIN CA1 TO PIN CB1 OF THAT SLOT REMOVED. SHOULD THE KMC11 EVER BE REMOVED FROM THAT SLOT THE WIRE MUST BE RE-INSERTED IN ORDER TO GUARANTEE THAT THE MP0 SIGNAL WILL BE PASSED ALONG THE UNIBUS.

THE ONLY SLOTS AFFECTED BY THIS IN THE DN20F ARE AS FOLLOWS:

DRAWER	BACKPLANE	SLOT #
BASIC (1134A)	DB11-PK	4
EXPANSION	BOTH DB11-DK BACKPLANES	2

DR PRIORITY LEVEL=5 (PRIORITY JUMPER PN 540770)

IX) BACKPLANE CONFIGURATION INFORMATION

1) DB11-PK LOWEST ACCEPTABLE REV D
ALL SLOTS WHICH HAVE NO QUAD OR HEX MODULE INSTALLED MUST HAVE A GRANT CONTINUITY CARD (6727) INSTALLED IN ROW "D" OF THAT SLOT.
FOR MA/MC UNITS ONLY, THE FOLLOWING JUMPERS MUST BE REMOVED:
15V TO 15VB
15V TO 15VB
5V TO 5VB
TO PROVIDE:
12VB ON ARI ON SLOTS 2-8
12VB ON ASI ON SLOTS 2-8
5VB ON B01 ON SLOTS 2-8

2) DB11-DK(701164 WIRED ASSY REV C)
ALL SLOTS WHICH HAVE NO QUAD OR HEX MODULE INSTALLED MUST HAVE A GRANT CONTINUITY CARD (6727) INSTALLED IN ROW "D" OF THAT SLOT.
FOR MA/MC UNITS ONLY, THE FOLLOWING JUMPERS MUST BE REMOVED:
15V TO 15VB
15V TO 15VB
5V TO 5VB
TO PROVIDE:
12VB ON ARI SLOTS 2-8
12VB ON ASI SLOTS 2-8
5VB ON B01 SLOTS 2-8

3) DB11-DK(701163 WIRED ASSY REV E)
ALL SLOTS WHICH HAVE NO QUAD OR HEX MODULES INSTALLED MUST HAVE A GRANT CONTINUITY CARD (6727) INSTALLED IN ROW "D" OF THAT SLOT.
FOR MA/MC UNITS ONLY, THE FOLLOWING JUMPERS MUST BE REMOVED:
15V TO 15VB
15V TO 15VB
5V TO 5VB
TO PROVIDE:
12VB ON ARI SLOTS 2 3
12VB ON ASI SLOTS 2 3
5VB ON B01 SLOTS 2 3

4) DB11-M BACKPLANE (LOGIC DB11-A REV T)
THERE ARE NO MODIFICATIONS NECESSARY TO THIS BACKPLANE.

16) HIGH SPEED SYNC ADDRESS AND VECTORS
THE DN20F-B# AND THE UNDEDICATED BACKPLANE SLOTS WHICH MAY ACCOMMODATE HIGH SPEED SYNCHRONOUS LINES. UP TO TWO LINES MAY BE INSTALLED IN EACH OPTION FOR A TOTAL OF FOUR LINES WHEN A IS USED WITH A DN20F-B#
THE ADDRESS AND VECTORS FOR THESE ARE SET ACCORDING TO THE FOLLOWING CHART:

HIGH SPEED SYNC LINE #	1	2	3	4
1 ADDRESS VECTOR	700740 870	700740 870	700740 870	700740 870
2 ADDRESS VECTOR		700750 700	700750 700	700750 700
3 ADDRESS VECTOR			700760 710	700760 710
4 ADDRESS VECTOR				700770 720

TO SET THE ADDRESS AND VECTORS REFER TO SET-UP PROCEDURES FOR THE FOLLOWING BOARD:

DB11 M207-RA
ANY SLOT CONTAINING AN M207-RA MUST HAVE THE BACKPLANE WIRE CONNECTING CA1 AND CB1 REMOVED. IF THE BOARD IS REMOVED THE BACKPLANE WIRE MUST BE REPLACED
THE DR LEVEL FOR HIGH SPEED SYNC LINES IS 5 AND IS SELECTED BY PLACING PART NO 540770 ON THE M207-RA

REV.	CHANGE NO.	CHK

REV A
DUA DN20F-0-0

THIS DRAWING AND SPECIFICATIONS HEREIN ARE THE PROPERTY OF DIGITAL EQUIPMENT CORPORATION AND SHALL NOT BE REPRODUCED OR COPIED OR USED IN WHOLE OR IN PART AS THE BASIS FOR THE MANUFACTURE OR SALE OF ITEMS WITHOUT WRITTEN PERMISSION OF DIGITAL EQUIPMENT CORPORATION.
 1983 DIGITAL EQUIPMENT CORPORATION

18) DMR11-AA/AB/AC/AE(M8209) LOWEST ACCEPTABLE REV K3
 THE M8209 IS THE LINE UNIT FOR THE DMR11. IT HAS THE CAPABILITY OF BEING CONFIGURED IN SEVERAL DIFFERENT WAYS ACCORDING TO SWITCH SETTINGS AND JUMPERS. REFERENCE THE FOLLOWING TABLE FOR CONFIGURATIONS:

VARIATION	INTERFACE	SPEED
DMR11-A*	EIA RS232C	UP TO 19.2K B/A
DMR11-F*	EIA RS422	UP TO 56K B/S
DMR11-B*	150/CCITT V.35	UP TO 1M B/S
DMR11-C*	INTEGRAL MODEM	56K, 28K, 800K, 1M B/S
DMR11-E*	EIA RS422	UP TO 1M B/S

JUMPERS:
 W1-8, W11, W14, W17: OUT
 W7-10, W12, W13: IN
 IF A BCSC-XX IS USED BY W9, W18, AND W12 ARE REMOVED THE DMR11 DOES NOT SUPPORT A BCSC-XX CABLE HOWEVER.

SWITCH PACK E30	DMR11-AA EIA RS-232-C RS-422-A	DMR11-AB CCITT V.35	DMR11-AE EIA RS-422-A	DMR11-AC INTEGRAL MODEM 56K B/S	DMR11-AC INTEGRAL MODEM 1 MEG B/S
S1-4	ON	ON	ON	ON	ON
S5	OFF	ON	OFF	OFF	OFF
S6	OFF	OFF	OFF	OFF	OFF
S7	OFF	OFF	ON	OFF	OFF
S8	OFF	ON	ON	OFF	ON
S9	OFF	ON	ON	OFF	ON
S10	ON	ON	ON	ON	ON

17) DMR11-A*/BA/C*/E*(M8207-RA) LOWEST ACCEPTABLE REV M
 THE M8207-RA IS THE MICROPROCESSOR CONTROL BOARD FOR THE DMR11. THE ADDRESS AND VECTOR SWITCHES ARE LOCATED ON THIS BOARD AND ARE SET ACCORDING TO THE FOLLOWING TABLES: (REFERENCE SECTION 16)

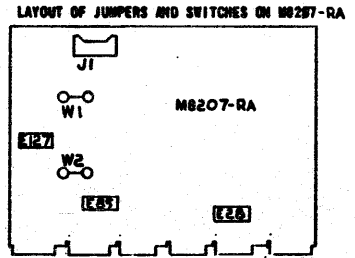
ADDRESS TABLE

LINE	SWITCH PACK	10	9	8	7	6	5	4	3	2	1
1	E127	ON	ON	ON	ON	OFF	OFF	OFF	OFF	ON	ON
2	E127	ON	ON	ON	ON	OFF	OFF	OFF	OFF	ON	OFF
3	E127	ON	ON	ON	ON	OFF	OFF	OFF	OFF	OFF	ON
4	E127	ON	ON	ON	ON	OFF	OFF	OFF	OFF	OFF	OFF

VECTOR TABLE

LINE #	SWITCH PACK	0	5	4	3	2	1
1	E20	ON	ON	OFF	ON	ON	ON
2	E20	ON	ON	ON	OFF	OFF	OFF
3	E20	ON	ON	ON	OFF	OFF	ON
4	E20	ON	ON	ON	OFF	ON	OFF

E20 SWITCH 0:OFF W1:IN
 E20 SWITCH 7:ON
 E20 SWITCH 1:ON W2:IN
 E20 SWITCH 2-4:OFF

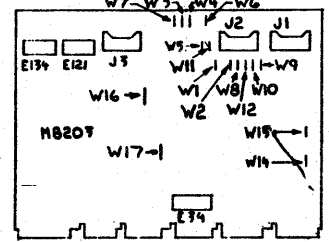


SWITCH PACK E121

SW1-8	SW9	SW10	CONFIGURATION
ON	ON	ON	DOCMP VERSION 4.00 LESS THAN 1 M B/S
ON	ON	OFF	DOCMP VERSION 4.00 1M B/S
ON	OFF	ON	DMR11 CONNECTED TO DMR11-AR
ON	OFF	OFF	DMR11 CONNECTED TO DMR11-AL

* NOT SUPPORTED BY SYSTEM SOFTWARE
 SWITCH PACK E134
 SW1-8: OFF
 SW9: OFF
 SW10: ON

USE THE FOLLOWING DIAGRAM AS A REFERENCE WHEN CHECKING JUMPERS AND SWITCHES



REFER TO THE DMR11 USERS GUIDE #K-DMR11-UG-001 FOR MORE DETAIL ON JUMPERS AND SWITCHES.

REVISION HISTORY

DATE	ECO NUMBER	REV.

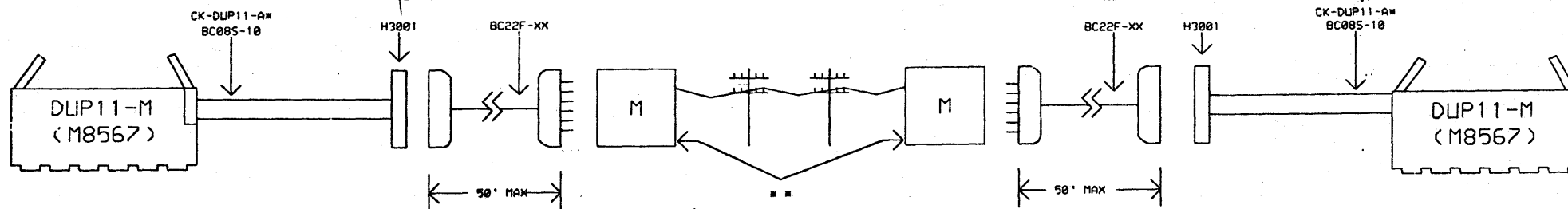
TITLE
 SYNC
 COMM SUB SYSTEM

DOCUMENT NUMBER

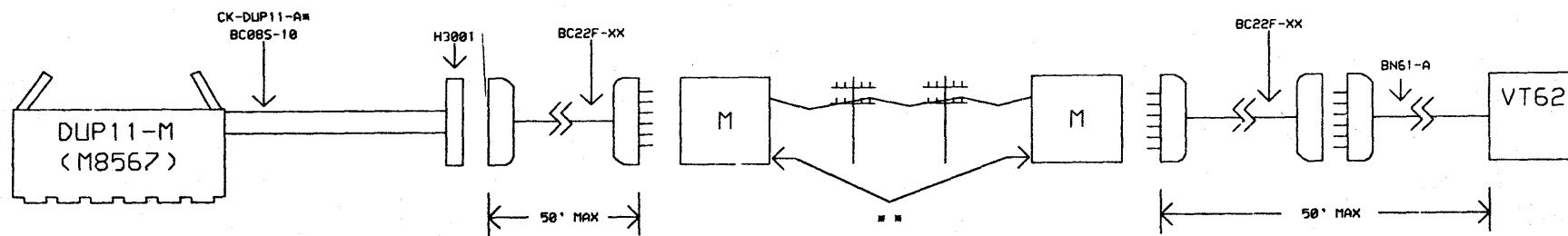
SIZE CODE	NUMBER	REV.
DUA	DN20F-0-0	A

SCALE NONE SHEET 20 OF 25

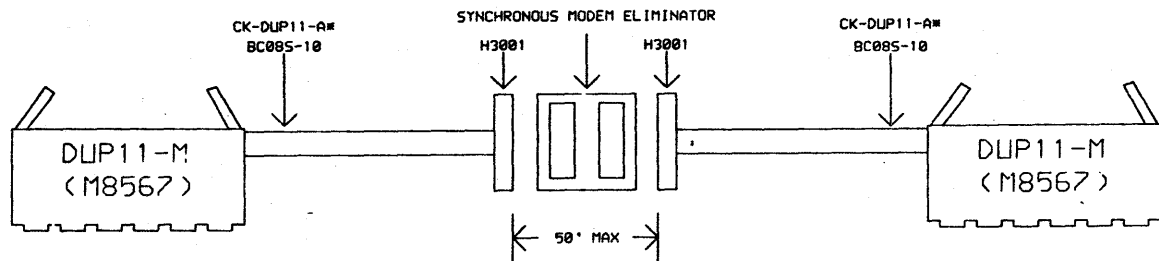
REMOTE SYNCHRONOUS MODEM CONNECTIONS (SYSTEM TO SYSTEM)



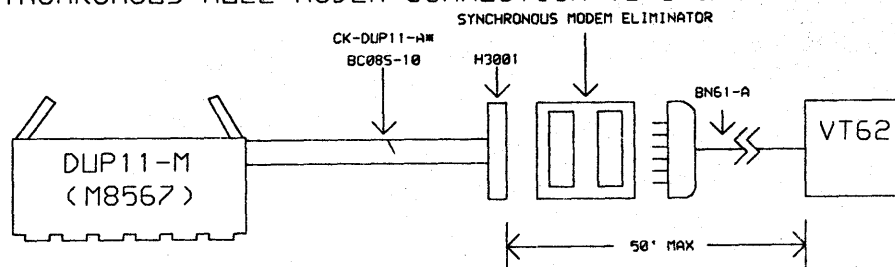
REMOTE SYNCHRONOUS MODEM CONNECTIONS (SYSTEM TO TERMINAL)



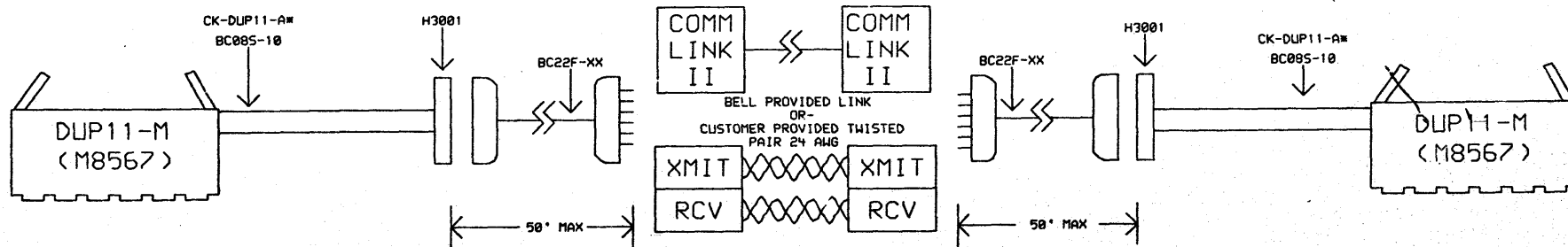
LOCAL SYNCHRONOUS NULL MODEM CONNECTION (SYSTEM TO SYSTEM)



LOCAL SYNCHRONOUS NULL MODEM CONNECTION (SYSTEM TO TERMINAL)



SYNCHRONOUS LIMITED DISTANCE ADAPTERS (SHORT HAUL) SEE DISTANCE TABLE ON SHEET 22



THIS DRAWING AND SPECIFICATIONS
HEREIN ARE THE PROPERTY OF
DIGITAL EQUIPMENT CORPORATION AND
SHALL NOT BE REPRODUCED OR COPIED
OR USED IN WHOLE OR IN PART AS
THE BASIS FOR THE MANUFACTURE OR
SALE OF ITEMS WITHOUT WRITTEN
PERMISSION. COPYRIGHT © 1984
DIGITAL EQUIPMENT CORPORATION

REVISIONS	
CHK	CHANGE NO. REV.

digital
DRN. ROGER G. DAME
CHK'D.

DATE 12-02-84
DATE 10-APR-84 13:23
BOARD LOCATION: SHEET 21 OF 25
NEXT HIGHER ASSEMBLY: B-DD-DN20F-0-0DBU

DATE: TITLE: SYNC COMM. SUB-SYS
SIZE CODE: D UA NUMBER: DN20F-0-0
REV. A

----- DISTANCE TABLE -----

IF RESTRICTED BY BELL PUB 4340:		FOR COMM LINK II		IF CUSTOMER PROVIDED TWISTED PAIR (24 AWG)	
BAUD RATE	DISTANCE	BAUD RATE	DISTANCE	BAUD RATE	DISTANCE
2.4 KBPS	12.8 KM	2.4 KBPS	12.8 KM	2.4 KBPS	12.8 KM
4.8 KBPS	9.8 KM	4.8 KBPS	9.8 KM	4.8 KBPS	9.6 KM
7.2 KBPS	7.36 KM	7.2 KBPS	7.36 KM	7.2 KBPS	7.36 KM
9.6 KBPS	5.44 KM	9.6 KBPS	5.44 KM	9.6 KBPS	5.88 KM
19.2 KBPS	2.72 KM	19.2 KBPS	2.72 KM	19.2 KBPS	4.96 KM

1489L INPUT
(EIA LEVELS)
6V TO 1.5V
0V TO -6V

1489L OUTPUT
(TTL LEVELS)
0.8V TO 0V
2.4V TO 5V

EACH 1489L HAS AN EXTERNAL RESPONSE CONTROL INPUT THAT IS CONNECTED TO ONE SIDE OF A 470 pF CAPACITOR. THE OTHER SIDE OF THE CAPACITOR IS CONNECTED TO GROUND. THE UNGROUNDED SIDE OF THE CAPACITOR IS ALSO CONNECTED TO ONE PAIR OF TERMINALS. THE OTHER TERMINAL IS CONNECTED TO -15V. IF DESIRED, A RESISTOR CAN BE CONNECTED ACROSS THE TERMINALS TO CHANGE THE THRESHOLD VOLTAGE FOR THE LEVEL CONVERSION. THE DUPII IS SHIPPED WITHOUT RESISTORS INSTALLED.

1488 INPUT
(TTL LEVELS)
0.4V TO 0V
2.4V TO 5V

1488 OUTPUT
(EIA LEVELS)
3V TO 6V
-3V TO -6V

FOR TIMING AND CONTROL INTERCHANGE CIRCUITS, THE FUNCTION SHALL BE CONSIDERED ON WHEN THE VOLTAGE (VI) ON THE INTERCHANGE CIRCUIT IS MORE POSITIVE THAN PLUS THREE VOLTS WITH RESPECT TO CIRCUIT AB, AND SHALL BE CONSIDERED OFF WHEN THE VOLTAGE (VI) IS MORE NEGATIVE THAN MINUS THREE VOLTS WITH RESPECT TO CIRCUIT AB. THE FUNCTION IS NOT UNIQUELY DEFINED FOR VOLTAGES IN THE TRANSITION REGION BETWEEN PLUS THREE VOLTS AND MINUS THREE VOLTS.

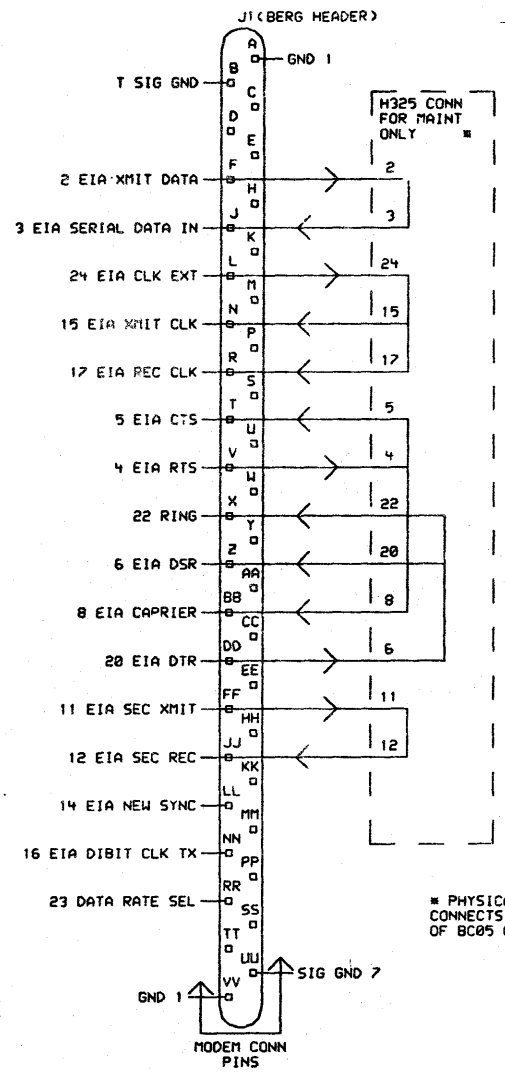
NOTATION	INTERCHANGE VOLTAGE	
	NEGATIVE	POSITIVE
BINARY STATE	1	0
SIGNAL CONDITION	MARKING	SPACING
FUNCTION	OFF	ON

COMPATIBLE MODEMS RECOMMENDED CUSTOMER OPTIONS.

208A- BASIC UNCONDITIONED 4 WIRE PRIVATE LINE, 3002 CHANNEL, POINT TO POINT OPERATION.

LINE INTERFACE-4 WIRE PRIVATE LINE.
 TRANSMIT TIMING-INTERNAL.
 CARRIER-SWITCHED.
 REQUEST TO SEND-SWITCHED(XMS CA-CB DELAY).
 1 SEC. HOLD-COVER-PROVIDED(X IN).
 NEW SYNC OPTION-NOT USED-NEW SYNC IS STRAPPED "OFF" WITHIN DATA SET.
 DATA SET READY LEAD OPTION-CC IS "OFF" WHEN AL BUTTON IS PUSHED.
 GROUND-AB CONNECTED TO AA.

208B- 2 WIRE SWITCHED NETWORK-HALF DUPLEX
 TRANSMITTER TIMING - DATA SET(INTERNAL).
 DATA SET READY LEAD OPTION - CC"ON" WHEN AL BUTTON IS PUSHED.
 ACU (WITH OR WITHOUT) - WITHOUT.
 AUTO ANSWER - SELECTABLE.



* PHYSICALLY, H325 CONNECTS TO MODEM END OF BC05 CABLE

DB25-PORTS PIN NUMBER	INTERCHANGE CIRCUIT	C.C.I.T.T. EQUIVALENT	RS-232-C DISCRPTION
1 7	AA AB	101 102	PROTECTIVE GROUND SIGNAL GROUND/Common RETURN
2 3	BA BB	103 104	TRANSMITTED DATA RECEIVED DATA
4 5 6 20 22 21 23 23	CA CB CC CD CE CF CG CH CI	105 106 107 108.2 109 109 110 111 112	REQUEST TO SEND CLEAR TO SEND DATA SET READY DATA TERMINAL READY RING INDICATOR RECEIVED LINE SIGNAL DETECTOR SIGNAL QUALITY DETECTOR DATA SIGNAL RATE SELECTOR (DTE) DATA SIGNAL RATE SELECTOR (DCE)
24 15 17	DA DB DD	113 114 115	TRANSMITTER SIGNAL ELEMENT TIMING (DTE) TRANSMITTER SIGNAL ELEMENT TIMING (DCE) RECEIVER SIGNAL ELEMENT TIMING (DCE)
14 16	SBA SBB	118 119	SECONDARY TRANSMITTED DATA SECONDARY RECEIVED DATA
19 13 12	SCA SCB SCF	120 121 122	SECONDARY REQUEST TO SEND SECONDARY CLEAR TO SEND SECONDARY REC'D LINE SIGNAL DETECTOR

THIS DRAWING AND SPECIFICATIONS ARE THE PROPERTY OF DIGITAL EQUIPMENT CORPORATION AND SHALL NOT BE REPRODUCED OR COPIED OR USED IN WHOLE OR IN PART AS THE BASIS FOR THE MANUFACTURE OR SALE OF ITEMS WITHOUT WRITTEN PERMISSION. COPYRIGHT © 1984, DIGITAL EQUIPMENT CORPORATION.

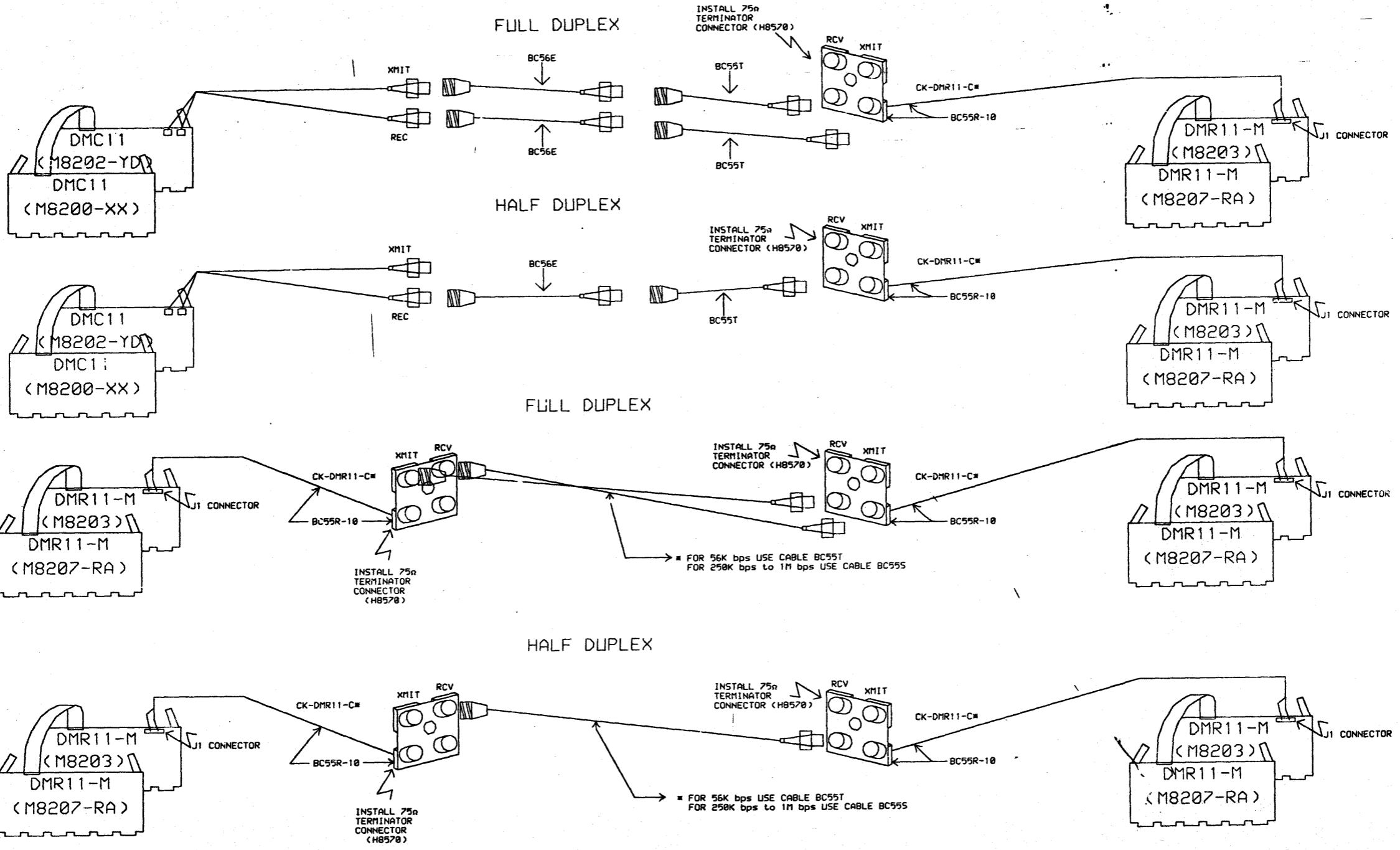
REVISIONS		
CHK	CHANGE NO.	REV

digital *DRW. J. L. Smith* DATE 12-APR-84 ENG. DATE 12-APR-84 TITLE: SYNC COMM. SUB-SYS

CHK'D. DATE BOARD LOCATION: SHEET 22 OF 25 NUMBER 13

SIZE CODE D UA NUMBER DN20F-0-0 REV. A

FIRST USED ON OPTION/MODEL: DN20F B-DD-DN20F-0-DBU

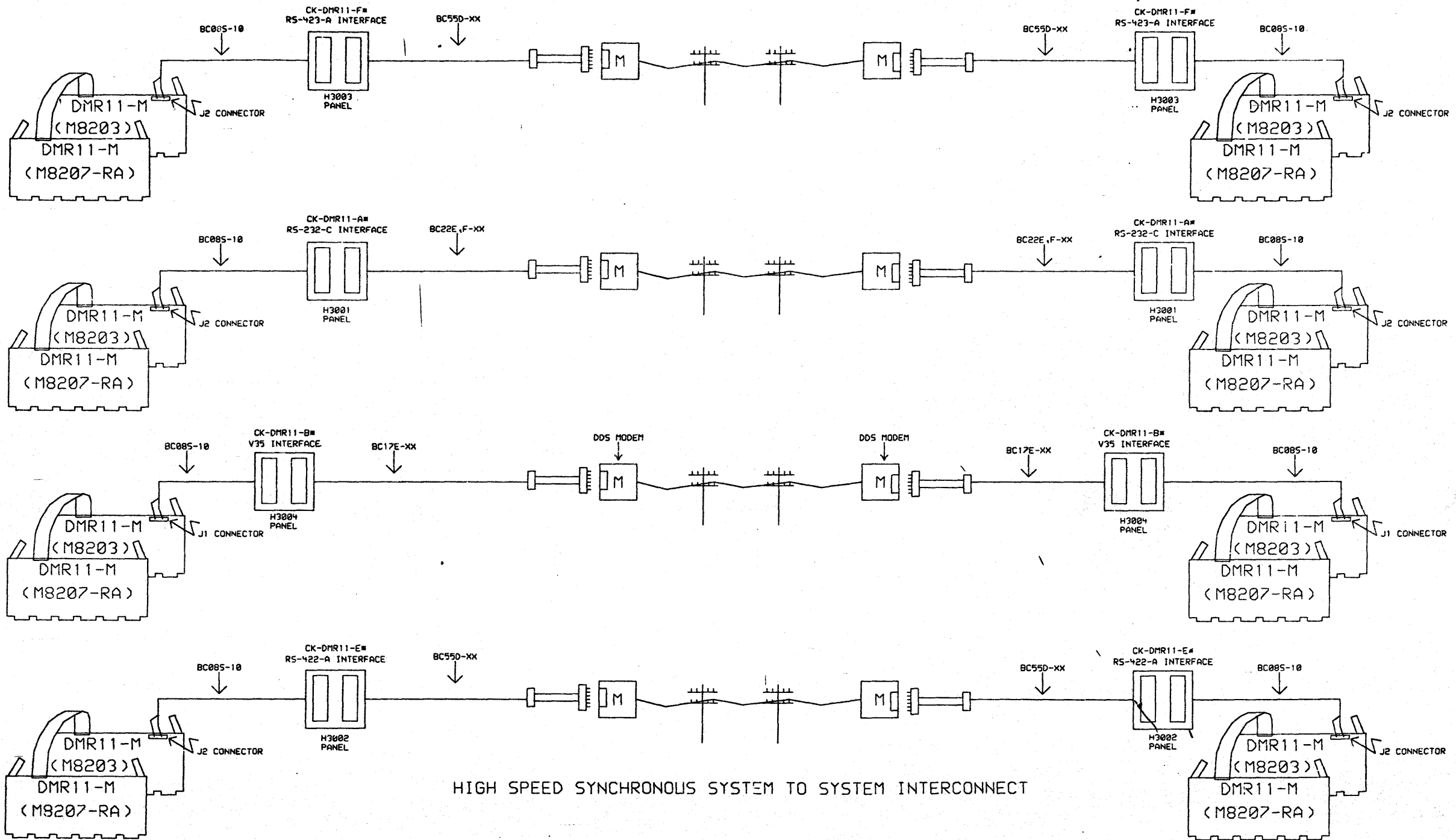


HIGH SPEED SYNCHRONOUS SYSTEM TO SYSTEM INTERCONNECT

THIS DRAWING AND SPECIFICATIONS HEREIN ARE THE PROPERTY OF DIGITAL EQUIPMENT CORPORATION AND SHALL NOT BE REPRODUCED OR COPIED OR USED IN WHOLE OR IN PART AS THE BASIS FOR THE MANUFACTURE OR SALE OF ITEMS WITHOUT WRITTEN PERMISSION. COPYRIGHT © 1984, DIGITAL EQUIPMENT CORPORATION.

REVISIONS	
CHK	CHANGE NO. REV

digital	DRN. ROGER G. DAME	DATE 12-APR-84	ENG.	DATE	TITLE: SYNC COMM. SUB-SYS
	CHK'D.	DATE	BOARD LOCATION: SHEET 23 OF 25		
PARTS: (TOWER NUMBER) DN20F.DRW 10-APR-84 13:24		NEXT HIGHER ASSEMBLY: B-DD-DN20F-0-DBU		SIZE CODE D	NUMBER DN20F-0-0
FIRST USED ON OPTION/MODEL: DN20F					REV. A



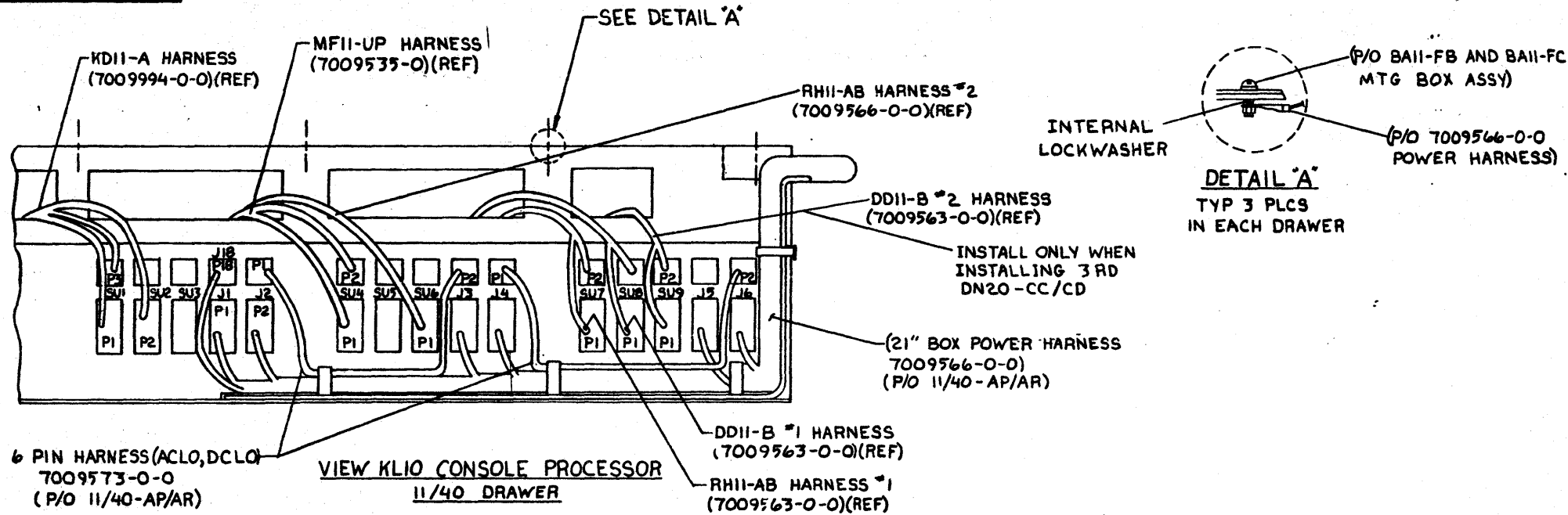
HIGH SPEED SYNCHRONOUS SYSTEM TO SYSTEM INTERCONNECT

THIS DRAWING AND SPECIFICATIONS HEREIN ARE THE PROPERTY OF DIGITAL EQUIPMENT CORPORATION AND SHALL NOT BE REPRODUCED OR COPIED OR USED IN WHOLE OR IN PART AS THE BASIS FOR THE MANUFACTURE OR SALE OF ITEMS WITHOUT WRITTEN PERMISSION. COPYRIGHT © 1984 DIGITAL EQUIPMENT CORPORATION.

REVISIONS	
CHK	CHANGE NO. REV

digital	DRN. ROGER G. DAME	DATE 12-APR-84	ENG.	DATE	TITLE: SYNC COMM. SUB-SYS
	CHK'D.	DATE	BOARD LOCATION: SHEET 25 OF 25	NUMBER	REV. A
PARTS LIST TOLERANCE: DN20F1.DRW 10-APR-84 13:25		NEXT HIGHER ASSEMBLY: B-DD-DN20F-0-DBU		SIZE CODE D LA	NUMBER DN20F-0-0
FIRST USED ON OPTION/MODEL: DN20F					

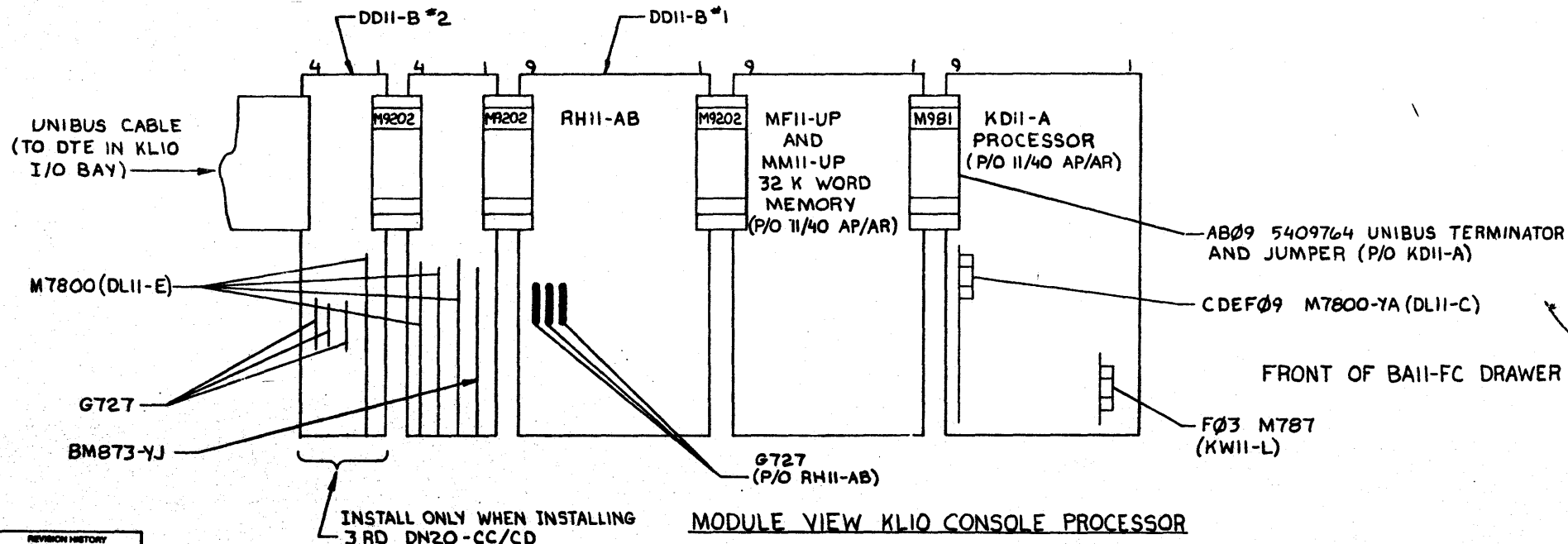
THIS DRAWING AND SPECIFICATIONS HEREIN ARE THE PROPERTY OF DIGITAL EQUIPMENT CORPORATION AND SHALL NOT BE REPRODUCED OR COPIED OR USED IN WHOLE OR IN PART AS THE BASIS FOR THE MANUFACTURE OR SALE OF ITEMS WITHOUT WRITTEN PERMISSION OF DIGITAL EQUIPMENT CORPORATION
 1983 DIGITAL EQUIPMENT CORPORATION



	DDII-B #2	DDII-B #1
A	BC11A	M9202
B		M9202
C		
D	G727 G727	
E	DLII-E FOR DN20 #3	DLII-E FOR DN20 #2
F		DLII-E FOR DN20 #1
F		DLII-E FOR KLIO K
		BM873-YJ

MODULE UTILIZATION FOR DDII-B BACKPLANES IN KLIO CONSOLE PROCESSOR

CONFIGURATION USED WITH DEC SYSTEMS 1080 AND 1090 ONLY.



REVISION HISTORY		
DATE	DOC NUMBER	REV.

TITLE SYNC. COMM. SUB-SYSTEM

DOCUMENT NUMBER			
SIZE CODE	NUMBER	REV.	
DUA	DN20F-0-0	A	
SCALE NONE		SHEET 25 OF 25	

LINE ITEM	TOP DOCUMENT	PART NUMBER	MIN REV	DESCRIPTION	QTY PER VARIATION			
					BA A1	BB A1	MA A1	MC A1
1	D-AD-7021028-0-DBU	7021028-01		DN20F-MA/MC MECH ASSY.	-	-	1	1
2	E-IA-7019485-0-DBU	7019485-00		END PANEL ASSY.	-	-	2	2
3	E-UA-7019497-0-DBU	7019497-02		COVER, WELDMENT TOP TERRA COTTA	-	-	1	-
4	E-AD-7021016-0-DBU	7021016-01		DOOR ASSY, FRONT SW	-	-	1	1
5	E-AD-7019532-0-DBU	7019532-01		DOOR ASSY, REAR SW	-	-	1	1
6	K-PL-CKDL11-0-DBP	CKDL11 -AD		CAB KIT FOR DL11 EIA,10" CABLE MO	-	-	1	1
7	C-MD-7413983-0-0	7413983-00		CLAMP WIRE BASKET	-	-	20	20
8	D-AD-7020138-0-0	7020138-01		UNIBUS PANEL ASSY	-	-	1	1
9		9006014-01	A	SCREW,MACH PAN PHIL 4-	-	-	4	4
10	D-AD-7014246-0-0	7014246-11	A	CABLE ASSY INTERNAL	-	-	1	1
11	E-IA-7021174-0-0	7021174-01		HARNESS DTE REMOTE (ADAPTOR NO.	-	-	1	1
12		9006635-00		WASHER,LOCK INTERNAL STEEL	-	-	2	2
13	E-MD-7429287-0-DBU	7429287-01	A	DN20F BULKHEAD COVER	-	-	1	1
14		9009700-00	A	SCREW,SEMS TRUSS PHIL 10-	1	-	4	4
15		3618307-05	A	ASSY,04,01	-	-	1	1
16	D-CS-M873-YJ-0	BM873-YJ		BOOT STRAP LOADER	-	-	1	1
17	BLANK				0	0	0	0
18	K-PL-DUP11-0-DBP	DUP11-M		DUP11 BASE OPTION SINGLE LINE P	1	1	-	-
19	C-IA-7021175-0-0	7021175-04		CABLE INTERNAL, RTO	-	-	2	2
20	D-UA-M9014-0-0	M9014-00		ADAPTOR BOARD	-	-	1	1
21	K-PL-CKDUP11-0-DBP	CKDUP11-AD		CAB KIT FOR DUP11 EIA,10" CABLE MO	1	1	-	-
22		9006074-03	A	SCREW,MACH TRUSS PHIL 10-	-	-	6	6
23		9006056-01	A	SCREW,MACH PAN PHIL 1/4-	-	-	4	6
24		9006676-00	A	WASHER,FLAT SST	-	-	4	4
25		9008203-00	A	NUT,HEX EXT TOOTH LCKWSHR 1/4-20	-	-	32	32
26		9006633-00	A	WASHER,LOCK INTERNAL STEEL	-	-	4	4
27		9006565-00	C	NUT,HEX EXT TOOTH LCKWSHR 10-32	-	-	4	4
28	BLANK				0	0	0	0
29		9007651-00	B	WASHER,LOCK EXTERNAL STEEL	-	-	4	4
30		9006073-03	A	SCREW,MACH TRUSS PHIL 10-	-	-	17	17

REVISION HISTORY		BASIC PART NO: DN20F		IDRM:	J. F. BROWN	DATE: 27-JUL-83	DIGITAL			
ENGR	ECO NUMBER	REV	SECTION A OF A	CHK'D:	JOE DONAHER	DATE: 27 MAR 84	TITLE PARTS LIST			
	INITIAL	A	SECTION VARIATION INDEX				SYNC COMM SUB-SYSTEM			
			EAJBA, BB, MA, MC							
			CBJ	DES.ENG:	K SULLIVAN	DATE: 17 APR 84	DOCUMENT NUMBER			
			ECJ				SIZE	CODE	NUMBER	REV
			CDJ	RESP.ENG.:	R SCOTT	DATE: 17 APR 84	K	PL	DN20F-0-DBP	A
			CEJ	MPG.ENG.:	J SANACANDRO	DATE: 17 APR 84	RELEASE DATE: 10-MAY-84			
			CFJ	ASSEMBLY NUMBER:		TOP DOCUMENT NUMBER:	FILE NAME:		EDIT #	
				ID-AD-DN20F-0-0		IB-DD-DN20F-0-DBU	Z7440A.PLS		32	

"THIS DRAWING AND THE SPECIFICATIONS CONTAINED HEREIN ARE CONFIDENTIAL AND PROPRIETARY. THEY ARE THE PROPERTY OF DIGITAL EQUIPMENT CORPORATION AND SHALL NOT BE REPRODUCED OR COPIED OR USED IN WHOLE OR IN PART AS THE BASIS FOR THE MANUFACTURE OR SALE OF ITEMS WITHOUT WRITTEN PERMISSION. THIS IS AN UNPUBLISHED WORK PROTECTED UNDER THE FEDERAL COPYRIGHT LAWS."

mk

LINE ITEM	TOP DOCUMENT	PART NUMBER	MIN REV	DESCRIPTION	QTY PER VARIATION			
					BA A1	BB A1	MA A1	MC A1
31	31			BLANK	0	0	0	0
32	32	9008264-00	A	MOUNT, CABLE TIE, ADHESIVE BACKE	-	-	3	3
33	33	7021024-01	A	BEZEL FRONT SW TERRACOTTA	-	-	1	-
34	34	9007032-00		TIE,CABLE BUNDL.DIA 0-1-3/4"=101	-	-	A/R	A/R
35	35	KNC11-M		KMC11 BASE OPT 300NSEC UPROC,DMC	1	-	-	-
36	36	9006557-00	A	NUT,HEX EXT TOOTH LCKWSHR 4-40	-	-	4	4
37	37	9006242-09	A	SCREW,MACH HEX PLN 1/4-	-	-	14	14
38	38	7019497-03		COVER, WELDMENT TOP BLAISI BLUE	-	-	-	1
39	39	7429923-01		CLAMP,POWER CORD CONNECTOR	-	-	1	1
40	40	BC11A-13		M919 TO M929 FLAT MYLAR EXTERNAL	-	-	1	1
41	41	9010387-01	A	SCREW,FLAT PHIL 10-	-	-	2	2
42	42	7021428-15		CABLE, EXTERNAL POWER	-	-	1	1
43	43	9006074-01	A	SCREW,MACH PAN PHIL 10-	-	-	4	4
44	44	BC11A-03		CABLE ASSY POP-11	-	-	1	1
45	45	7021024-02		BEZEL FRONT SW BLASI BLUE	-	-	-	1
46	46	9009537-00	A	FASTENER, SQUEEZE RELEASE, BLACK	-	-	2	2
47	47	3613272-00	B	LABEL,ADH BACK,MYLAR CAP	-	-	4	4
48	48	3617674-00	E	LABEL,SERIAL/POWER W/D UL + CSA	-	-	2	2
49	49	3612449-00		LABEL, UL. FOIL VINYL, ADH BACK,	-	-	2	2
50	50	3613211-01	A	DECAL,CLEAR PREPRINTED CSA 1-1/4	-	-	2	2
51	51	3618307-05		ASSY,04,01	-	-	1	1
52	52	7008288-15		CABLE ASSY	-	-	2	2
53	53			BLANK	0	0	0	0
54	54	9006724-00		WASHER,LOCK EXTERNAL STEEL	-	-	1	1
55	55			BLANK	0	0	0	0
56	56	BC27C-09		9 FT CABLE,BC05C-10,7426407-00 F	-	-	1	1
57	57	3623205-01		LABEL,DM20F	-	-	6	6

1	D	I	G	I	T	A	L	1	TITLE	1	SECTION A	OF	A	1	1	SIZE	CODE	DOCUMENT NUMBER	1	REV	1
1								1	SYNC	1				1	1	K	PL	DN20F-0-DBP	1	A	1
1								1	COMM SUB-SYSTEM	1				1	1						

MR

LINE ITEM	TOP DOCUMENT	PART NUMBER	MIN REV	DESCRIPTION	QTY PER VARIATION			
					MA A1	MC A1	BA A1	BB A1
1		7020843-24		CABLE, DTE REMOTE	1	1	-	-
2		7021033-01		HARNESS, DTE, REMOTE (ADAPTOR NO	1	1	-	-
3		7020138-01		UNIBUS PANEL ASSY	1	1	-	-
4		7008288-25		CABLE ASSY 25FT	1	1	-	-
5		BC11Y-25		25FT EXTERNAL SHIELDED UNIBUS CA	1	1	-	-
6		BC22D-25		25FT CABLE, ASYNC, NULL MODEM, 6 WI	1	1	-	-
7		7014002-04	A	CABLE ASSY INTERNAL UNIBUS	1	1	-	-
8		CKDL11 -A1		CAB KT FR DL11 EIA, 10" CABLE MNT	1	1	-	-
9		DL11 -M		M7800 RS232 FULL MODEM CONTROL E	1	1	-	-
10		DTE20-00		PDP11 TO KL10 INTERFACE	1	1	-	-
11		9006014-01	A	SCREW, MACH PAN PHIL 4-	8	8	-	-
12		9006557-00	A	NUT, HEX EXT TOOTH LCKWSHR 4-40	4	4	-	-
13	B-TC-DN20F-0-1	MP01712-00		F.M.P.S. (DN20F)	1	1	-	-
14		M9014-00		ADAPTOR BOARD	1	1	-	-
15		9008269-00	A	TAPE, PLASTIC ADH .75 WDX .005	A/R	A/R	-	-
16		1805501-00	H	XTAL 1.000-10MHZ (GEN.SPEC)	1	1	-	-
17	K-AR-CKCKREF-0-0			FLEXIBLE OPTION PLAN (REF)	1	1	-	-
18		M9310-00		UNIBUS TERMINATOR	1	1	-	-
19	SEE NOTES 1 & 2	EKDMR11-TM		*** THIS ITEM IS NOT USED ***	-	-	-	-
20	SEE NOTE 2	EKDUP11-MM		DUP-11 BIT SYNC INTERF MAINT MAN	-	-	1	1
21	D-CS-H325-0-1	H325 -00		CONN. MODEM TEST	1	1	-	-
22	SEE NOTE 2	MP00339-00		F.M.P.S. KMC11	-	-	1	-
23	SEE NOTE 2	MPDUP11-00		CUSTOMER PRINTSET DUP11	-	-	1	1
24	SEE NOTES 1 & 2	MP0J911-00		*** THIS ITEM IS NOT USED ***	-	-	-	-
25	D-AD-7021187-0-0	7021187-01		PLATE, ADAPTOR ASSY.	1	1	-	-
26	BLANK				0	0	0	0
27		7008288-30		CABLE ASSY.	1	1	-	-
28	SEE NOTES 1 & 2	EKDMRQM-UG		*** THIS ITEM IS NOT USED ***	-	-	-	-
29	SEE NOTE 2	EKDUP11-OP			-	-	1	1
30		EKODN2X-TM		DN2X-DNHXX COMM. SUBSYSTEM TECH.	1	1	-	-

REVISION HISTORY			BASIC PART NO: DN20F		DIGITAL			
ENG	ECD NUMBER	REV	SECTION A OF A	ORN:	J. BROWN	DATE:	12-DEC-83	
	INITIAL	1A	SECTION VARIATION INDEX	CHK'D:	JOE DONAHER	DATE:	12 APR 84	TITLE
			CAJMA, MC, BA, BB					PARTS LIST
			[B]	DES. ENG:	K SULLIVAN	DATE:	17 APR 84	DN20F SHIP LIST
			[C]					KL10-B,C,D,E,R
			[D]	RESP. ENG.:	R SCOTT	DATE:	17 APR 84	DOCUMENT NUMBER
			[E]					SIZE CODE NUMBER
			[F]	MFG. ENG.:	JOE SWEENEY	DATE:	17 APR 84	REV
				ASSEMBLY NUMBER:				K PL DN20F-SH-DBP A
								RELEASE DATE: 17-APR-84
								FILE NAME: 28512A.PLS
								EDIT # 4

"THIS DRAWING AND THE SPECIFICATIONS CONTAINED HEREIN ARE CONFIDENTIAL AND PROPRIETARY. THEY ARE THE PROPERTY OF DIGITAL EQUIPMENT CORPORATION AND SHALL NOT BE REPRODUCED OR COPIED OR USED IN WHOLE OR IN PART AS THE BASIS FOR THE MANUFACTURE OR SALE OF ITEMS WITHOUT WRITTEN PERMISSION. THIS IS AN UNPUBLISHED WORK PROTECTED UNDER THE FEDERAL COPYRIGHT LAWS."

MR

LINE ITEM TOP DOCUMENT

MIN
PART NUMBER REV DESCRIPTION

QTY PER VARIATION
MA MC BA BB
A1 A1 A1 A1

VARIATION REVISION LEVEL:

31 NOTE: 1. FOR DMR11 SHIPMENTS
32 NOTE: 2. ONLY ONE PER SHIPMENT

D	I	G	I	T	A	L	TITLE	SECTION A OF A	SIZE	CODE	DOCUMENT NUMBER	REV
							DN20F SHIP LIST KL10-B,C,D,E,R		K	PL	DN20F-SH-DBP	A

MR

THIS DRAWING AND SPECIFICATIONS HEREIN ARE THE PROPERTY OF DIGITAL EQUIPMENT CORPORATION AND SHALL NOT BE REPRODUCED OR COPIED OR USED IN WHOLE OR IN PART AS THE BASIS FOR THE MANUFACTURE OR SALE OF ITEMS WITHOUT WRITTEN PERMISSION FROM DCS M9306-0-1 DIGITAL EQUIPMENT CORPORATION

NOTES:

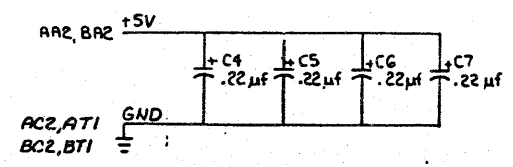
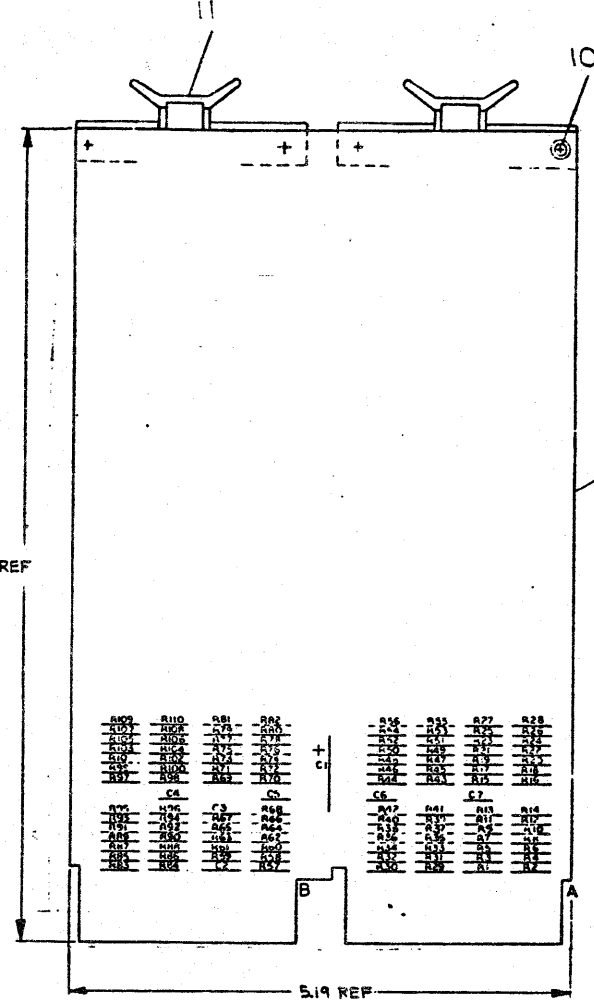


Table with 3 columns: IC TYPE, GND, +5V. Contains pin location data and a note: 'GND AND 5V ARE USUALLY PIN 7 AND 14 RESPECTIVELY. EXCEPTIONS ARE STATED ABOVE'. Title: 'IC PIN LOCATIONS'.

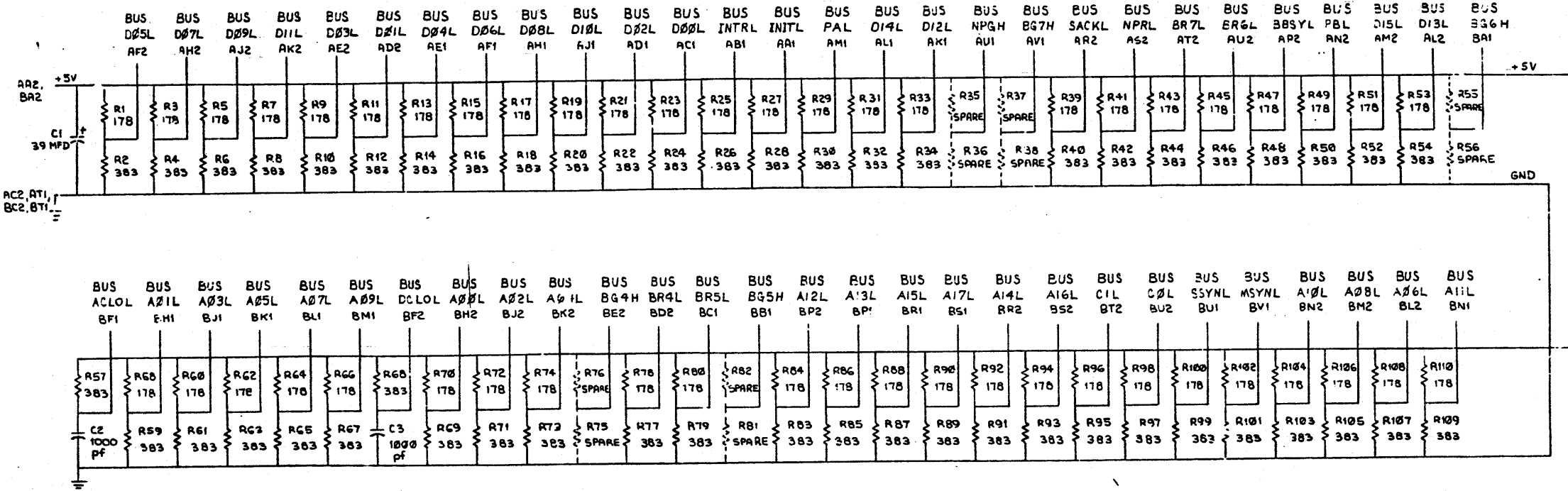
Revision table with columns: REV, CHG, CHANGE NO, REV. Includes entries for 'TOUBANIE WICZ', 'M9306-00002 C', and 'T. DUBANE WTCZ'.

SEMICONDUCTOR CONVERSION CHART and PARTS LIST. Includes fields for DATE (11/05), ETCH BOARD REV (B), and a detailed parts list with columns: QTY, REF DESIGNATION, DESCRIPTION, PART NO, ITEM NO. Includes Digital Equipment Corporation logo and title 'PDP 11 TERMINATOR'.

Parts list table with columns: REF, DESCRIPTION, PART NO, ITEM NO. Lists components such as CAPACITOR, RESISTOR, EYELETS, and HANDLE, FLIP CHIP (MAGENTA).

DCS M9306-0-1 C

THIS DRAWING AND SPECIFICATIONS HEREIN ARE THE PROPERTY OF DIGITAL EQUIPMENT CORPORATION AND SHALL NOT BE REPRODUCED OR COPIED OR USED IN WHOLE OR IN PART AS THE BASIS FOR THE MANUFACTURE OR SALE OF ITEMS WITHOUT WRITTEN PERMISSION. COPYRIGHT © 1975, DIGITAL EQUIPMENT CORPORATION.



REVISIONS			TITLE		SIZE CODE	NUMBER	REV.
CHK	CHANGE NO.	REV.	PDP 11 TERMINATOR		D CS	M9306-0-1	C
			SCALE		SHEET 2 OF 2	DIST.	

REV. C
M9306-0-11 C

CUSTOMER PRINT SET INDEX

THIS IS PRINT SET

SEQUENCE		SEQUENCE
	RESTART LOADER (PL)	A-PL-BM873-0
	RESTART LOADER	D-CS-M873-0-1
	WORD LISTING OF ROM CONTENTS (FOR M873-YA)	B-AP-M873-0-9
	WORD LISTING OF ROM CONTENTS (FOR M873-YB)	B-AP-M873-0-14
	WORD LISTING OF ROM CONTENTS (FOR M873-YC)	B-CS-M873-0-17
	WORD LISTING OF ROM CONTENTS (FOR M873-YD)	B-CS-M873-0-22
	WORD LISTING OF ROM CONTENTS (FOR M873-YE)	B-CS-M873-0-27
	WORD LISTING OF ROM CONTENTS (FOR M873-YF)	K-CS-M873-0-32
	WORD LISTING OF ROM CONTENTS (FOR M873-WA)	B-CS-M873-0-33
	WORD LISTING OF ROM CONTENTS (FOR M873-YG)	B-CS-M873-0-34
	WORD LISTING OF ROM CONTENTS (FOR M873-YH)	B-GL-M873-0-35
	WORD LISTING OF ROM CONTENTS (FOR M873-YJ)	

UNIT VARIATIONS		PRINT SET			
VAR	TITLE				
M873-0	RESTART LOADER	1			
BM873 YA	RESTART LOADER	1			
BM873 YB	RESTART LOADER	1			
BM873-YC	RESTART LOADER	1			
BM873 YD	RESTART LOADER	1			
BM873-YF	RESTART LOADER	1			
BM873-WA	RESTART LOADER DN80 SERIES	1			
BM873-YG	RESTART LOADER	1			
BM873-YH	RESTART LOADER	1			
BM873-YJ	RESTART LOADER				

REVISIONS	DATE	CHG. NO.	REV
	10/75	BM873-4	D
	10/75	BM873-5	E
	9/76	BM873-6	F
	4-77	BM873-7	H

USED ON OPTION/MODEL	DRN.	DATE	TITLE			
	K. GLEEZEN	11/73	RESTART LOADER			
	CHK'D.	DATE				
	K. GLEEZEN	11/73				
	PROJ ENG.	DATE				
	R. DIETER	11/73				
	PROD.	DATE	SIZE	CODE	NUMBER	REV
	J. BORENSTEIN	11/73	B	DD	BM873 0	H
	FIELD SERV.	DATE	DIST			
	G. KLOPPMAN					
SHEET 1 OF 2						

CUSTOMER PRINT SET							CUSTOMER PRINT SET												
			MFG. SET	FIND NO.	DRAWING NO.	REV	NO OF SHT	DESCRIPTION	OPTION NO./FILE DATE				MFG. SET	FIND NO.	DRAWING NO.	REV	NO OF SHT	DESCRIPTION	OPTION NO./FILE DATE
X			X	1	A-PL-BM873-0-0	A	1	RESTART LOADER (PL)					X	7	K-CS-M873-0-28	9	9	ROM LISTING (FOR 23225A2)	
			X		A-SP-BM873-0-1		16	BM873 ENG. SPECIFICATION					X		K-CS-M873-0-29	9	9	ROM LISTING (FOR 23226A2)	
			X		A-SP-BM873-0-2		1	BM873 TEST PROCEDURE					X		K-CS-M873-0-30	9	9	ROM LISTING (FOR 23227A2)	
X					A-AL-BM88730-3		1	BM873 ACCESSORY LIST					X		K-CS-M873-0-31	9	9	ROM LISTING (FOR 23228A2)	
													X		K-CS-M873-0-32	1	1	WORD LISTING OF ROM CONTENTS (FOR BM873-WA)	
X			X	2	D-CS-M873-0-1	#	4	RESTART LOADER											
					K-CO-M873-0-4		1	X-Y COORDINATE HOLE LOCATION					X	8	A-PS-23338A2-0-0	3	3	ROM LISTING (FOR 23338A2)	
					D-AH-M873-0-5		1	ASSY/DRILLING HOLE LAYOUT					X		A-PS-23339A2-0-0	3	3	ROM LISTING (FOR 23339A2)	
			X		B-MH-M873-0-6		1	MODULE ECO HISTORY					X		A-PS-23340A2-0-0	3	3	ROM LISTING (FOR 23340A2)	
			X		K-RL-M873-0-7	#	9	ROM LISTING (FOR 23044A2)					X		A-PS-23341A2-0-0	3	3	ROM LISTING (FOR 23341A2)	
			X		K-RL-M873-0-8	#	9	ROM LISTING (FOR 23045A2)				X	X		B-CS-M873-0-33	1	1	WORD LISTING OF ROM CONTENTS (FOR BM873-YG)	
X			X		B-AP-M873-0-9	#	1	WORD LISTING OF ROM CONTENTS (FOR M873-YA)											
			X		K-RL-M873-0-10		9	ROM LISTING (FOR 23089A2)					X	9	A-PS-23327A2-0-0	3	3	ROM LISTING (FOR 23327A2)	
			X		K-RL-M873-0-11		9	ROM LISTING (FOR 23090A2)					X		A-PS-23328A2-0-0	3	3	ROM LISTING (FOR 23328A2)	
			X		K-RL-M873-0-12		9	ROM LISTING (FOR 23091A2)					X		A-PS-23329A2-0-0	3	3	ROM LISTING (FOR 23329A2)	
			X		K-RL-M873-0-13		9	ROM LISTING (FOR 23092A2)				X	X		A-PS-23330A2-0-0	3	3	ROM LISTING (FOR 23330A2)	
X			X		B-AP-M873-0-14		1	WORD LISTING OF ROM CONTENTS (FOR M873-YB)					X		B-CS-M873-0-34	1	1	WORD LISTING OF ROM CONTENTS (FOR BM873-YH)	
			X	4	K-RL-M873-0-7		9	ROM LISTING (FOR 23044A2)					X		A-PS-23412A2-0-0	3	3	ROM LISTING (FOR 23412A2)	
			X		K-RL-M873-0-8		9	ROM LISTING (FOR 23045A2)					X		A-PS-23413A2-0-0	3	3	ROM LISTING (FOR 23413A2)	
			X		K-CS-M873-0-15		9	ROM LISTING (FOR 23109A2)					X		A-PS-23414A2-0-0	3	3	ROM LISTING (FOR 23414A2)	
			X		K-CS-M873-0-16		9	ROM LISTING (FOR 23110A2)				X	X		A-PS-23415A2-0-0	3	3	ROM LISTING (FOR 23415A2)	
X			X		B-CS-M873-0-17		1	WORD LISTING OF ROM CONTENTS (FOR M873YC)					X		B-GL-M873-0-35	1	1	WORD LISTING OF ROM CONTENTS (FOR BM873-YJ)	
			X	5	K-CS-M873-0-18		9	ROM LISTING (FOR 23095A2)											
			X		K-CS-M873-0-19		9	ROM LISTING (FOR 23096A2)											
			X		K-CS-M873-0-20		9	ROM LISTING (FOR 23097A2)											
			X		K-CS-M873-0-21		9	ROM LISTING (FOR 23098A2)											
X			X		B-CS-M873-0-22		1	WORD LISTING OF ROM CONTENTS (FOR M873 YD)											
			X	6	K-CS-M873-0-23		9	ROM LISTING (FOR 23215A2)											
			X		K-CS-M873-0-24		9	ROM LISTING (FOR 23216A2)											
			X		K-CS-M873-0-25		9	ROM LISTING (FOR 23217A2)											
			X		K-CS-M873-0-26		9	ROM LISTING (FOR 23218A2)											
			X		B-CS-M873-0-27		1	WORD LISTING OF ROM CONTENTS (FOR M873-YF)											

CUSTOMER PRINT SET CODES
X = PRINT OF DOCUMENT INCLUDED IN PRINT SET
C = INCLUDES ALL PRINTS INDICATED ON DOCUMENT
S = CONFIDENTIAL AUTHORIZED SIGNATURE REQUIRED

TITLE
RESTART LOADER

SHEET 2 OF 2
SIZE CODE B DD
NUMBER BM873-0

REV
H

DIGITAL EQUIPMENT CORPORATION
 MAYNARD, MASSACHUSETTS

PARTS LIST

MADE BY *R. Dieter*
 DATE *11/30/73*
 ENG *R. Dieter*
 DATE *11-30-73*

CHECKED *R. Dieter*
 DATE *11/30/73*
 PROD *for bornated*
 DATE *11/30/73*

SECTION
 ISSUED SECT.

QUANTITY / VARIATION

ITEM NO.	DWG NO. / PART NO.	DESCRIPTION
	D-CS-M873-Ø	RESTART LOADER

M873-Ø	BM873-YA	BM873-YB	BM873-YC	BM873-YD	BM873-YF	BM873-YG	BM873-YH	BM873-YJ				
1	1	1	1	1	1	1	1	1				

TITLE
RESTART LOADER

ASSY NO.
B-DD-BM873-Ø
 SHEET **1** OF **1**

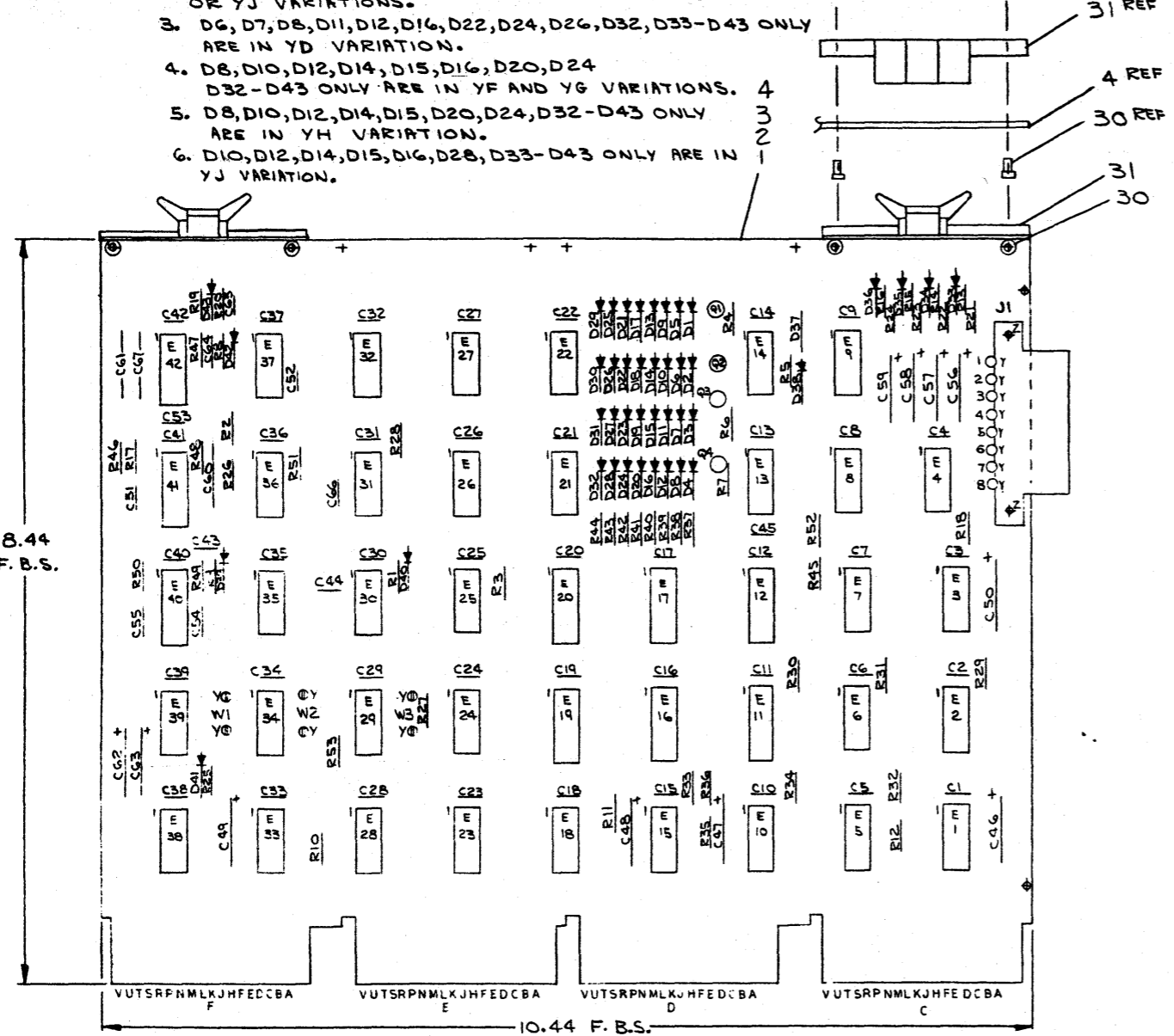
SIZE CODE
A PL
 NUMBER
BM873-Ø-Ø
 DIST.

REV.
C
 ECO NO.
BM873-00007

THIS DRAWING AND SPECIFICATIONS HEREAFTER ARE THE PROPERTY OF DIGITAL EQUIPMENT CORPORATION AND SHALL NOT BE REPRODUCED OR COPIED OR USED IN WHOLE OR IN PART AS THE BASIS FOR THE MANUFACTURE OR SALE OF ITEMS WITHOUT WRITTEN PERMISSION. COPYRIGHT © 1973, DIGITAL EQUIPMENT CORPORATION

NOTES:

- E4 MUST BE AN 11380 PART NO. 19-11113.
- R3 WILL NOT BE USED IN THE YD,YF,YG,YH OR YJ VARIATIONS.
- D6,D7,D8,D11,D12,D16,D22,D24,D26,D32,D33-D43 ONLY ARE IN YD VARIATION.
- D8,D10,D12,D14,D15,D16,D20,D24 D32-D43 ONLY ARE IN YF AND YG VARIATIONS.
- D8,D10,D12,D14,D15,D20,D24,D32-D43 ONLY ARE IN YH VARIATION.
- D10,D12,D14,D15,D16,D28,D33-D43 ONLY ARE IN YJ VARIATION.

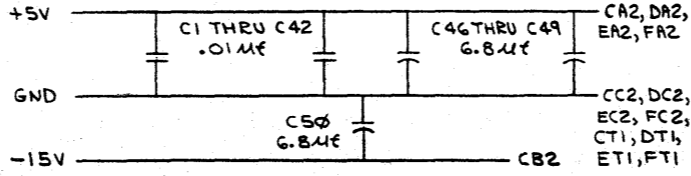
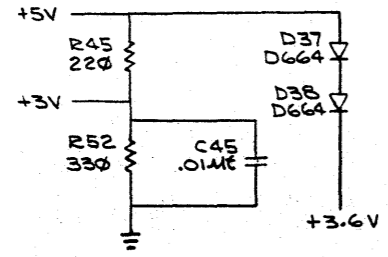


										PARTS LIST CONTINUED ON SHEET 2		
M873-XJ	M873-YH	M873-YG	M873-YF	M873-YE	M873-YD	M873-YC	M873-YB	M873-YA	M873-Ø	REF	DESCRIPTION	PART NO.
REF	REF	REF	REF	REF	REF	REF	REF	REF	REF	REF	ETCHED CKT BRD	5010703
REF	REF	REF	REF	REF	REF	REF	REF	REF	REF	REF	CAP 33PF 100V DM	1000009
REF	REF	REF	REF	REF	REF	REF	REF	REF	REF	REF	CAP 100PF 100V DM	1000016
2	2	2	2	2	2	2	2	2	2	C65,C66	CAP 470PF 100V DM	1000024
46	46	46	46	46	46	46	46	46	46	C1-C45,C53	CAP .01µF 50V 20% DISC	1001610-01
1	1	1	1	1	1	1	1	1	1	C64	CAP .15µF 35V 20 TANT	1002180
2	2	2	2	2	2	2	2	2	2	C54,55	CAP 1µF 35V 10% TANT	1001776
4	4	4	4	4	4	4	4	4	4	C56-C59	CAP 2.2µF 35V 10% TANT	1002431
2	2	2	2	2	2	2	2	2	2	C60,C61	CAP 3.3µF 20V 10% TANT	1005334
5	5	5	5	5	5	5	5	5	5	C46-C50	CAP 6.8µF 35V 10% TANT	1005306
3	3	3	3	3	3	3	3	3	3	C62,C63,C67	CAP 39µF 10V 10% TANT	1000076
17	19	20	20	21	43	43	43	43	43	D1-D43	DIODE D664 (SEE NOTES 3,4,5,6)	1100114
1	1	1	1	1	1	1	1	1	1	J1	CONNECTOR	1209340-00
5	5	5	5	5	5	5	5	5	5	J1	PINS CONTACT	1209456-01
1	1	1	1	1	1	1	1	1	1	R51	RES 100 1/4W 5%	1300229
9	9	9	9	9	9	9	9	9	9	R37-R45	RES 220 1/4W 5%	1300271
1	1	1	1	1	1	1	1	1	1	R52	RES 330 1/4W 5%	1300295
8	8	8	8	8	8	8	8	8	8	R24-R36	RES 470 1/4W 5%	1300316
12	12	12	12	12	13	13	13	13	13	R1-R12,R20	RES 1K 1/4W 5% (SEE NOTE 2)	1300365
8	8	8	8	8	8	8	8	8	8	R21-R28	RES 4.7K 1/4W 5%	1300447
8	8	8	8	8	8	8	8	8	8	R13-R19,R53	RES 10K 1/4W 5%	1300479
5	5	5	5	5	5	5	5	5	5	R46-R50	RES 18K 1/4W 5%	1302465
4	4	4	4	4	4	4	4	4	4	Q1-Q4	TRANS MXA85	1510706
2	2	2	2	2	2	2	2	2	2		SCREW,NYLON	9006401-4
2	2	2	2	2	2	2	2	2	2		NUT,HEX,NYLON	9007992
6	6	6	6	6	6	6	6	6	6		SPLIT LUG	9006735
8	8	8	8	8	8	8	8	8	8		EYELET	9006732
4	4	4	4	4	4	4	4	4	4		HANDLE FLIP/CHIP MAGENTA	9008337-06
6	6	6	6	6	6	6	6	6	6	E6,7,8,9,13,25	IC 7400	1905575
1	1	1	1	1	1	1	1	1	1	E34	IC 7404	1905586
1	1	1	1	1	1	1	1	1	1	E31	IC 7410	1905576
1	1	1	1	1	1	1	1	1	1	E29	IC 7430	1905578
4	4	4	4	4	4	4	4	4	4	E14,21,30,37	IC 7474	1905547
3	3	3	3	3	3	3	3	3	3	E40,41,42	IC 74123	1910436
2	2	2	2	2	2	2	2	2	2	E11,12	IC 74175	1910651
8	8	8	8	8	8	8	8	8	8	E1,2,3,5,15,24,28,36	IC 8881	1909705
5	5	5	5	5	5	5	5	5	5	E22,26,27,32,35	IC 8815	1909713
1	1	1	1	1	1	1	1	1	1	E4	IC 11380	1911113
1	1	1	1	1	1	1	1	1	1	E16	IC 74187	23044-A2
1	1	1	1	1	1	1	1	1	1	E17	IC 74187	23045-A2

IC TYPE	GND	+5V
8640	1	8
74175	8	16
11380	1	8
74123	8	16
74187	8	16

GND AND 5V ARE USUALLY PIN 7 & 14 RESPECTIVELY EXCEPTIONS ARE STATED ABOVE

IC PIN LOCATIONS



CHKD	CHG	NO.	REV
S. HOLMES			
R. DIETER			
R. DIETER			
R. DIETER			
R. DIETER			
R. DIETER			
R. DIETER			
R. DIETER			
R. DIETER			
R. DIETER			
R. DIETER			
R. DIETER			

ETCH BOARD REV	D	DESCRIPTION	DESCRIPTION	PART NO.	ITEM NO.
ETCH BOARD REV	D				
DRN	7	11-10-73	FIRST USED ON	PDP 11	digital A
CHK'D		11-30-73	TITLE		
ENG		11-30-73	RESTART LOADER		
PROJ. ENG		11-30-73			
PROD.		11-30-73			
NEXT HIGHER ASSY.					
DEC NO.	EIA NO.	DEC NO.	EIA NO.	B-DD-BM873-Ø	REV. J
SCALE	NONE			SIZE CODE	
SHEET	OF 4			D CSM873-Ø-1	
				NUMBER	
				DIST.	

THIS DRAWING AND SPECIFICATIONS HEREBY ARE THE PROPERTY OF DIGITAL EQUIPMENT CORPORATION AND SHALL NOT BE REPRODUCED OR COPIED OR USED IN WHOLE OR IN PART AS THE BASIS FOR THE MANUFACTURE OR SALE OF ITEMS WITHOUT WRITTEN PERMISSION. COPYRIGHT © 1974 DIGITAL EQUIPMENT CORPORATION

SEE PARTS LIST

M873-YA	E19, E20	MMI 6300	OPTIONAL
M873-YB	E19, E20	74187 OR EQUIV.	REQUIRED
M873-YC	E19, E20	74187 OR EQUIV.	REQUIRED
M873-YD	E19, E20	74187 OR EQUIV.	REQUIRED
M873-YE			
M873-YF	E19, E20	74187 OR EQUIV	REQUIRED
M873-YG	E19, E20	74187 OR EQUIV	REQUIRED
M873-YH	E19, E20	74187 OR EQUIV	REQUIRED
M873-YJ	E19, E20	74187 OR EQUIV	REQUIRED

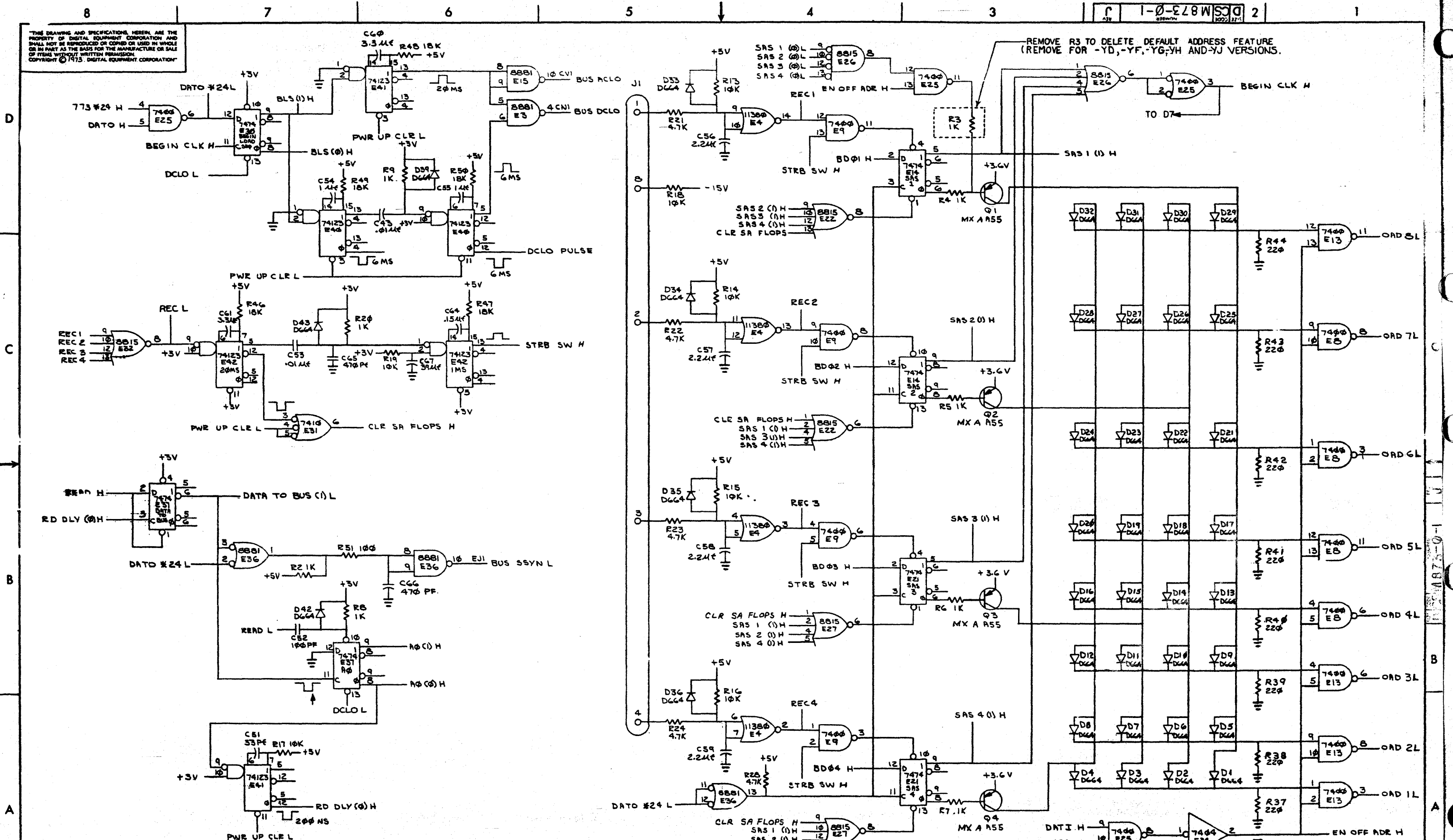
REF											ROM LISTING OF 23415A2	A-PS-23415A2-0-0	100
REF											ROM LISTING OF 23414A2	A-PS-23414A2-0-0	100
REF											ROM LISTING OF 23413A2	A-PS-23413A2-0-0	100
REF											ROM LISTING OF 23412A2	A-PS-23412A2-0-0	100
REF											WORD LISTING OF YJ CONTENTS	B-GI-M873-0-35	100
1										E20	IC74187	23415A2	100
1										E19	IC74187	23414A2	100
1										E17	IC74187	23413A2	100
1										E16	IC74187	23412A2	100
REF											ROM LISTING OF 23330A2	A-PS-23330A2-0-0	99
REF											ROM LISTING OF 23329A2	A-PS-23329A2-0-0	98
REF											ROM LISTING OF 23328A2	A-PS-23328A2-0-0	97
REF											ROM LISTING OF 23327A2	A-PS-23327A2-0-0	97
REF											WORD LISTING OF YH CONTENTS	B-CS-M873-0-34	97
1										E20	IC 74187	23330A2	97
1										E19	IC 74187	23329A2	97
1										E17	IC 74187	23328A2	97
1										E16	IC 74187	23327A2	97
REF											ROM LISTING OF 23341A2	A-PS-23341A2-0-0	90
REF											ROM LISTING OF 23340A2	A-PS-23340A2-0-0	89
REF											ROM LISTING OF 23339A2	A-PS-23339A2-0-0	88
REF											ROM LISTING OF 23338A2	A-PS-23338A2-0-0	87
REF											WORD LISTING OF YG CONTENTS	B-CS-M873-0-33	86
1										E20	IC 74187	23341A2	85
1										E19	IC 74187	23340A2	84
1										E17	IC 74187	23339A2	83
1										E16	IC 74187	23338A2	82
REF											ROM LISTING OF 23218A2	K-CSM873-0-26	81
REF											ROM LISTING OF 23217A2	K-CSM873-0-25	80
REF											ROM LISTING OF 23216A2	K-CSM873-0-24	79
REF											ROM LISTING OF 23215A2	K-CSM873-0-23	78
REF											WORD LISTING OF YF CONTENTS	B-CS-M873-0-27	77
1										E20	IC 74187	23218A2	76
1										E19	IC 74187	23217A2	75
1										E17	IC 74187	23216A2	74
1										E16	IC 74187	23215A2	73
REF											ROM LISTING OF 23098A2	KRL-M873-0-21	72
REF											ROM LISTING OF 23097A2	KRL-M873-0-20	71
REF											ROM LISTING OF 23096A2	KRL-M873-0-19	70
REF											ROM LISTING OF 23095A2	KRL-M873-0-18	69
REF											WORD LISTING OF YD CONTENTS	B-AP-M873-0-28	68
1										E20	IC 74187	23098A2	67
1										E19	IC 74187	23097A2	66
1										E17	IC 74187	23096A2	65
1										E16	IC 74187	23095A2	64
REF											ROM LISTING OF 23110A2	K-RL-M873-0-16	63
REF											ROM LISTING OF 23109A2	K-RL-M873-0-15	62
REF											WORD LISTING OF YC CONTENTS	B-AP-M873-0-17	61
1										E20	IC 74187	23110A2	60
1										E19	IC 74187	23109A2	59
6	6	6	6	6	6	6	6	6	6	E10,18,23,33,38,39	IC 8640	1911469	58
1	1	1	1	1	1	1	1	1	1	W1	JUMPER	9107560-01	57
REF											WORD LISTING OF YB ROM CONTENTS	B-AP-M873-0-14	56
REF											WORD LISTING OF YA ROM CONTENTS	B-AP-M873-0-9	55
REF											ROM LISTING FOR 23092 A2	K-RL-M873-0-13	54
REF											ROM LISTING FOR 23091 A2	K-RL-M873-0-12	53
REF											ROM LISTING FOR 23090 A2	K-RL-M873-0-11	52
REF											ROM LISTING FOR 23089 A2	K-RL-M873-0-10	51
REF											ROM LISTING FOR 23045A2	K-RL-M873-0-8	50
REF											ROM LISTING FOR 23044A2	K-RL-M873-0-7	49
REF										W1,W2,W3	JUMPER	9107560-1	48
REF										E20	IC 74187	23092-A2	47

REVISIONS		
CHK	CHANGE NO.	REV.

TITLE: RESTART LOADER
 SIZE CODE: DCS
 NUMBER: M873-0-1
 SHEET: 2 OF 4
 DIST.:

M873-YU
M873-YH
M873-YG
M873-YF
M873-YE
M873-YD
M873-YC
M873-YB
M873-YA
M873-0

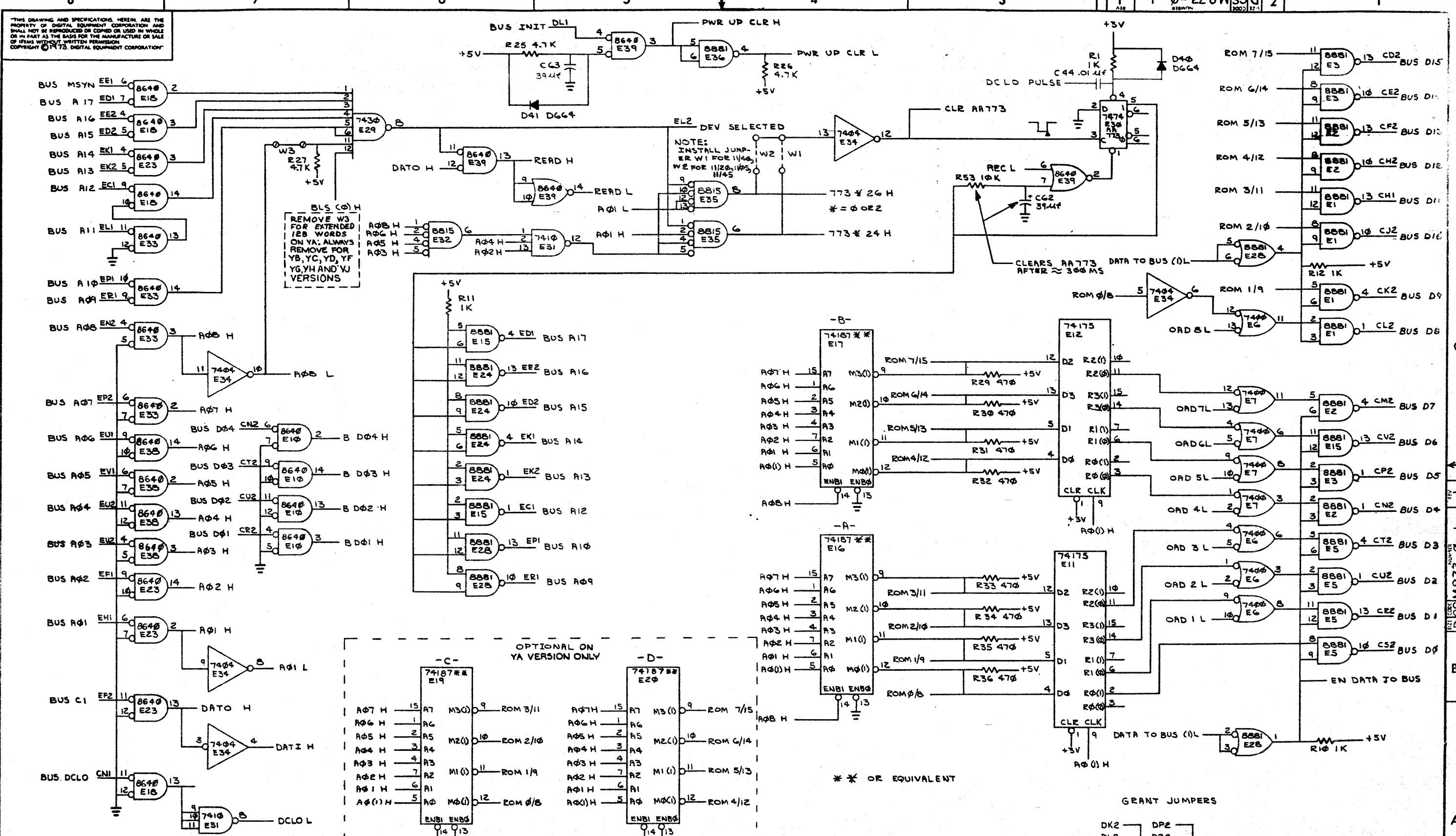
"THE DRAWING AND SPECIFICATIONS HEREIN ARE THE PROPERTY OF DIGITAL EQUIPMENT CORPORATION AND SHALL NOT BE REPRODUCED OR COPIED OR USED IN WHOLE OR IN PART AS THE BASIS FOR THE MANUFACTURE OR SALE OF ITEMS WITHOUT WRITTEN PERMISSION. COPYRIGHT © 1973, DIGITAL EQUIPMENT CORPORATION"



CHK	CHANGE NO	REV.
	1	11/5/73
	2	11/6/73

TITLE	RESTART LOADER	SIZE CODE	DCS M873-0-1	NUMBER	J
SCALE	1/1	SHEET	3 OF 4	DIST.	

THIS DRAWING AND SPECIFICATIONS HEREIN ARE THE PROPERTY OF DIGITAL EQUIPMENT CORPORATION AND SHALL NOT BE REPRODUCED OR COPIED OR USED IN WHOLE OR IN PART AS THE BASIS FOR THE MANUFACTURE OR SALE OF ITEMS WITHOUT WRITTEN PERMISSION. COPYRIGHT © 1973, DIGITAL EQUIPMENT CORPORATION.




REVISIONS		
CHK	CHANGE NO	REV.
1	7/10/73 11-C-73	P01
2	8/21/73 11-C-73	A

TITLE	RESTART/LOADER	SIZE CODE	D CS M873-0-1	NUMBER	1	REV.	J
SCALE		SHEET	4	OF	4	DIST.	

This drawing and specifications, herein, are the property of Digital Equipment Corporation and shall not be reproduced or copied or used in whole or in part as the basis for the manufacture or sale of items without written permission.

COPYRIGHT © 1973.
DIGITAL EQUIPMENT CORPORATION

ADDRESS	ADD+00	ADD+02	ADD+04	ADD+06	ADD+10	ADD+12	ADD+14	ADD+16
773000	010702	000464	177462	000005	010702	000460	177406	000005
773020	013707	177570	173000	000340	010702	000426	177344	004003
773040	100000	024000	000445	000005	010702	000416	172524	060017
773060	000200	100000	000413	060011	000200	100000	000431	060003
773100	010702	000424	176716	000005	010200	005720	000005	005720
773120	016201	000002	005311	012041	031011	001776	005720	032041
773140	001063	000110	010702	000402	177450	000005	010200	005720
773160	005720	000005	016201	000002	012711	177000	011041	105711
773200	100376	005711	100441	005007	012704	177560	000440	017640
773220	002415	112024	173000	000340	005004	012700	177500	000005
773240	010410	012701	173216	012702	000375	112103	112110	100407
773260	130310	001776	105202	100772	116012	000002	000771	005710
773300	100756	005002	120312	001377	000112	012704	177550	000005
773320	012701	160000	012702	000006	012712	000340	010742	012706
773340	000024	010441	040601	010111	011102	005214	105714	100376
773360	116412	000002	005211	120227	000375	001366	105222	000142


FIRST USED ON OPTION MODEL	QTY.	DESCRIPTION	PART NO.	ITEM NO.
PDP 11				
PARTS LIST				
DRN. <i>K. J. ...</i>	DATE 11-5-73	 DIGITAL EQUIPMENT CORPORATION <small>MAYNARD, MASSACHUSETTS</small>		
CHK'D. <i>[Signature]</i>	DATE 11-20-73			
ENG. <i>R. D. ...</i>	DATE 11-30-73			
PROJ. ENG. <i>R. D. ...</i>	DATE 11-30-73			
PROD. <i>E. B. ...</i>	DATE 11-30-73			
NEXT HIGHER ASSEMBLY		WORD LISTING OF ROM CONTENTS (FOR M873-YA)		
B-DD-BM873-0				
SCALE <i>1/1</i>	SIZE CODE B AP		NUMBER M873-0-9	REV.
SHEET 1 OF 1	DIST.			

REV.
CHANGE NO.
CHK

This drawing and specifications, herein, are the property of Digital Equipment Corporation and shall not be reproduced or copied or used in whole or in part as the basis for the manufacture or sale of items without written permission.

ADDRESS	ADD+00	ADD+02	ADD+04	ADD+06	ADD+10	ADD+12	ADD+14	ADD+16
773000	000405	010703	113737	177570	172050	000401	010703	012700
773020	172040	000526	173000	000340	000412	010703	113705	177570
773040	052705	000010	006105	103376	010537	177412	000401	010703
773060	010702	000546	177406	000005	010703	010702	000570	177344
773100	000005	004003	100000	024000	010703	012737	060017	172522
773120	010702	000555	172524	060003	060011	000200	100000	010703
773140	010702	000516	177462	000005	010703	012700	172440	012710
773160	000021	012760	001300	000032	012760	177777	000006	012710
773200	000031	105760	000012	100375	000433	010703	010702	000470
773220	177450	000005	173200	000340	000405	010703	113737	177570
773240	176310	000401	010703	012700	176300	032760	040000	000026
773260	001336	012710	000021	012760	014000	000032	012710	000011
773300	005720	010037	000002	012737	000071	000004	005002	000430
773320	000405	010703	113737	177570	176710	000401	010703	012700
773340	176700	000743	013707	177570	000405	010703	113705	177570
773360	000305	000402	010703	005005	010702	000403	176716	000005

ADDRESS	ADD+00	ADD+02	ADD+04	ADD+06	ADD+10	ADD+12	ADD+14	ADD+16
773400	005005	010200	005720	012001	012711	177000	051005	010541
773420	032711	100200	001775	100012	005702	001024	032761	040000
773440	000026	001420	022761	001000	000014	001014	005007	010200
773460	005720	012001	005311	005720	012041	031011	001776	005720
773500	031041	001736	000005	000113	012704	177560	000443	017640
773520	002415	112024	000404	113704	177570	000304	000401	005004
773540	012700	177500	000005	010410	012701	173516	012702	000375
773560	112103	112110	100407	130310	001776	105202	100772	116012
773600	000002	000771	005710	100756	005002	120312	001377	000112
773620	012700	177550	000005	012701	160000	012702	000006	012712
773640	000340	010742	012706	000024	010441	040601	010111	011102
773660	005214	105714	100376	116412	000002	005211	120227	000375
773700	001366	105222	000142	000000	000000	000000	000000	000000
773720	000000	000000	000000	000000	000000	000000	000000	000000
773740	000000	000000	000000	000000	000000	000000	000000	000000
773760	000000	000000	000000	000000	000000	000000	000000	000000

QTY.	DESCRIPTION	PART NO.	ITEM NO.
PARTS LIST			
 DIGITAL EQUIPMENT CORPORATION <small>MAYNARD, MASSACHUSETTS</small>			
WORD LISTING OF ROM CONTENTS (FOR M873-YB)			
UNLESS OTHERWISE SPECIFIED DIMENSION IN INCHES TOLERANCES DECIMALS FRACTIONS ANGLES ± .005 ± 1/64 ± 0°30' FINAL SURFACE QUALITY REMOVE BURRS AND BREAK SHARP CORNERS		DRN. <i>D. Karabel</i> DATE <i>8-29-74</i> CHK. <i>D. Karabel</i> DATE <i>8-29-74</i> ENG. <i>D. Karabel</i> DATE <i>8-29-74</i> PROJ. ENG. <i>D. Karabel</i> DATE <i>8-29-74</i> PROD. DATE	
MATERIAL		FIRST USED ON PDP 11	
FINISH		SCALE <i>1 1 1</i>	
SHEET 1 OF 1		SIZE CODE NUMBER REV. B AP M873-0-14	
DIST.			


REV.	
CHANGE NO.	
CHK	

This drawing and specifications, herein, are the property of Digital Equipment Corporation and shall not be reproduced or copied or used in whole or in part as the basis for the manufacture or sale of items without written permission. COPYRIGHT © 1975

DIGITAL EQUIPMENT CORPORATION

ADDRESS	ADD+00	ADD:02	ADD:04	ADD:06	ADD+10	ADD+12	ADD+14	ADD+16
773000	010702	000464	177462	000005	010702	000460	177406	000005
773020	013707	177570	173000	000340	010702	000426	177344	004003
773040	100000	024000	000445	000005	010702	000416	172524	060017
773060	000200	100000	000413	060011	000200	100000	000431	060003
773100	010702	000424	176716	000005	010200	005720	000005	005720
773120	016201	000002	005311	012041	031011	001776	005720	032041
773140	001063	000110	010702	000402	177450	000005	010200	005720
773160	005720	000005	016201	000002	012711	177000	011041	105711
773200	100376	005711	100441	005007	012704	177560	000440	017640
773220	002415	112024	173000	000340	005004	012700	177500	000005
773240	010410	012701	173216	012707	000375	112103	112110	100407
773260	130310	001776	105202	100772	116012	000002	000771	005710
773300	100756	005002	120312	001377	000112	012704	177550	000005
773320	012701	160000	012702	000006	012712	000340	010742	012706
773340	000024	010441	040601	010111	011102	005214	105714	100376
773360	116412	000002	005211	120227	000375	001366	105222	000142
773400	012700	005000	000005	012706	017776	010702	062702	000360
773420	012703	000006	005013	010243	160313	005303	012701	160010
773440	005711	111204	060401	005201	040401	005703	001371	005700
773460	001002	063701	177570	012711	000006	012761	036226	000002
773500	032711	020000	001775	022121	052711	000020	010700	062700
773520	000230	012704	000026	112061	000002	105711	100376	005304
773540	001372	042711	000020	024141	042711	000020	012711	000422
773560	005003	012700	000001	012704	000010	004767	000060	005703
773600	001363	123727	000006	000001	001357	123727	000001	000220
773620	001322	013704	000002	042704	140000	122424	005000	004767
773640	000014	005703	001310	105713	001306	000137	000006	105711
773660	100376	042711	000400	116110	000002	012705	000010	112002
773700	000241	006003	103003	006002	103003	000410	006002	103006
773720	012746	120001	040316	042703	120001	052603	005305	001360
773740	005304	001345	000207	113226	113226	002220	000000	000400
773760	050055	001010	000001	030242	122243	000002	007407	003407

REV.
CHANGE NO.
CHK

FIRST USED ON OPTION/MODEL	QTY.	DESCRIPTION	PART NO.	ITEM NO.
PDP11				
PARTS LIST				
UNLESS OTHERWISE SPECIFIED DIMENSION IN INCHES	DRN. <i>W. K. Kypner</i>	DATE 5-7-75	 digital EQUIPMENT CORPORATION <small>MAYNARD, MASSACHUSETTS</small>	
TOLERANCES	CHK'D. <i>R. Dieter</i>	DATE 4/14/75		
DECIMALS .xxx = .005	ENG. <i>R. Dieter</i>	DATE 4/15/75		
ANGLES ±0° 30'	PROJ. ENG. <i>R. Dieter</i>	DATE 4/16/75		
REMOVE BURRS AND BREAK SHARP CORNERS SURFACE QUALITY 1	PROD. <i>W. Wall</i>	DATE 1/16/75	TITLE WORD LISTING OF ROM CONTENTS (FOR M873YC)	
MATERIAL	NEXT HIGHER ASSY.		SIZE CODE	NUMBER
FINISH	B-DD-BM873-Ø		B CS	M873-Ø-17
	SCALE	SHEET 1 OF 1	DIST.	REV.

This drawing and specifications, herein, are the property of Digital Equipment Corporation and shall not be reproduced or copied or used in whole or in part as the basis for the manufacture or sale of items without written permission. COPYRIGHT © 1975

DIGITAL EQUIPMENT CORPORATION

ADDRESS	ADD+00	ADD+02	ADD+04	ADD+06	ADD+10	ADD+12	ADD+14	ADD+16
773000	033727	177570	000001	001010	013707	177570	111704	005001
773020	005005	000424	173000	000340	013701	177570	106301	122701
773040	000340	101404	122701	000060	101001	005001	000301	042701
773060	177770	013705	177570	005004	105705	100507	012700	000005
773100	012702	177400	012703	004003	000301	050103	050100	012701
773120	177344	012706	000024	005705	100404	005306	100002	000000
773140	000770	000005	010341	005711	100376	005721	005761	177774
773160	100362	010211	010041	105711	100376	005721	100754	005741
773200	105011	122700	000005	001001	000137	000000	000776	010037
773220	000040	000402	173000	000340	010700	000410	012700	004015
773240	012702	110000	012703	000003	005005	000721	010137	000042
773260	012701	000044	010221	010321	010421	010521	010621	010021
773300	000160	000002	111704	005005	005001	012700	034400	012702
773320	177400	012703	000626	050100	012701	176700	000005	010006
773340	042706	177770	010661	000010	032711	004000	001767	012721
773360	000021	010306	042706	176000	010661	000032	010306	100003
773400	012761	010000	000030	006206	006206	105006	150006	106006
773420	106206	106206	010661	000004	010211	010006	105006	000306
773440	010641	105711	100376	032711	060000	001330	032761	140000
773460	000012	001324	022706	000071	001250	022737	000240	000000
773500	001643	000000	000641	010037	000040	010700	000657	012700
773520	030500	012702	110000	012703	032631	000676	010037	000040
773540	010700	000644	005005	012501	012503	012504	011500	012715
773560	000340	005745	012702	174340	010715	010506	062702	000040
773600	105702	100770	032762	004000	000034	001770	026217	000014
773620	001365	005725	010015	010445	010345	010145	012700	000130
773640	010204	012420	022700	000160	101374	010201	062701	000032
773660	012721	000100	005012	005062	000020	032711	004000	001775
773700	032762	000026	000036	001403	012711	000400	000000	012762
773720	000100	000032	005062	000022	012762	107400	000016	032711
773740	004000	001775	132711	000202	001775	100003	022715	000240
773760	001403	012711	000400	000000	012762	000100	000032	000115


B

B

A

A

REV.
CHANGE NO.
CHK

FIRST USED ON OPTION/MODEL PDP 11		QTY.	DESCRIPTION	PART NO.	ITEM NO.
UNLESS OTHERWISE SPECIFIED DIMENSION IN INCHES		PARTS LIST			
TOLERANCES		DRN. Robert Kopperal	DATE 3-25-75	 digital EQUIPMENT CORPORATION MAYNARD, MASSACHUSETTS	
DECIMALS	ANGLES	CHK'D. Steve Slego	DATE 7/14/75		
.xxx = .005	20° 30'	ENG. R. Dieter	DATE 4-16-75		
.xx = .02		PROJ. ENG. R. Dieter	DATE 4-15-75		
.x = .1		PROD. R. Wall	DATE 4-15-75		
REMOVE BURRS AND BREAK SHARP CORNERS SURFACE QUALITY Y		NEXT HIGHER ASSY.		TITLE WORD LISTING OF ROM CONTENTS (FOR M873YD)	
MATERIAL		B-DD-BM873-Ø		SIZE CODE	NUMBER
FINISH		SCALE		B CS	M873-Ø-22
		SHEET	OF	DIST.	

This drawing and specifications, herein, are the property of Digital Equipment Corporation and shall not be reproduced or copied or used in whole or in part as the basis for the manufacture or sale of items without written permission. 1975

ADDRESS	ADD+00	ADD+02	ADD+04	ADD+06	ADD+10	ADD+12	ADD+14	ADD+16
773000	010037	000040	013700	177570	032700	000001	001007	000557
773020	005000	000404	173000	000340	012700	000200	010005	106300
773040	122700	000340	101404	122700	000060	101001	005000	000300
773060	042700	177770	105705	100550	012703	000401	005700	001402
773100	012700	000020	052700	000007	012706	000012	012701	177170
773120	005705	100402	005306	002475	000005	005004	010302	032711
773140	000040	001775	005700	100454	110011	105711	100376	110261
773160	000002	105711	100376	000302	110261	000002	000302	032711
773200	100040	001775	100745	005703	100421	012711	000003	132711
773220	000240	000402	173000	000340	001772	100003	116124	000002
773240	000766	122222	022704	001000	101337	005007	005202	122702
773260	000032	103003	105002	062702	000401	022704	160000	101516
773300	012711	000001	132711	000240	001775	100316	112461	000002
773320	000771	012711	000017	032711	000040	001775	016100	000002
773340	000476	012703	035401	012700	100005	005005	000655	010037
773360	000056	012700	000056	010640	010540	010440	010340	010240
773400	010140	014000	000177	004446	005002	005003	052700	034400
773420	012704	177400	012706	000012	012701	176700	005705	100402
773440	005306	002437	000005	110061	000010	032711	004000	001766
773460	012711	000021	010261	000034	010361	000006	010461	000002
773500	000300	110011	000300	105711	100376	032711	060000	001346
773520	032761	140000	000012	001342	005700	100247	005000	000000
773540	000776	016100	000012	000773	012702	000631	012703	006410
773560	012700	130400	012704	110000	005005	000714	010037	000040
773600	012700	173606	000664	005005	012500	012501	011502	012725
773620	173634	011503	012715	000340	012704	174340	012706	000004
773640	062704	000040	105704	100770	032764	004000	000034	001770
773660	026417	000014	001365	010315	010245	010145	010045	012700
773700	000130	012420	022700	000156	103374	005724	010401	012700
773720	000100	010021	005061	177744	005061	177764	032711	004000
773740	001775	010014	005061	177766	012761	107400	177762	032711
773760	004000	001775	010014	012705	100000	005007	000000	000000


B

B

A

A

REVISIONS	REV.	-
CHANGE NO.		
	M873-00004	
ORIGINATED		
CHK		

FIRST USED ON OPTION/MODEL		QTY.	DESCRIPTION	PART NO.	ITEM NO.
M873			PARTS LIST		
UNLESS OTHERWISE SPECIFIED DIMENSION IN INCHES		DRN <i>W. Fisher</i>	DATE <i>11-3-75</i>	 digital EQUIPMENT CORPORATION <small>MAYNARD MASSACHUSETTS</small>	
TOLERANCES		CHK'D <i>E. Remond</i>	DATE <i>11-3-75</i>		
DECIMALS	ANGLES	ENG. <i>R. Dieter</i>	DATE <i>11-3-75</i>		
.xxx = .005 .xx = .02 .x = .1	±0° 30'	PROJ. ENG. <i>R. Dieter</i>	DATE <i>11-3-75</i>		
REMOVE BURRS AND BREAK SHARP CORNERS SURFACE QUALITY ✓		PROD.	DATE	TITLE: WORD LISTING OF ROM CONTENTS (FOR M873-YF)	
MATERIAL		NEXT HIGHER ASSY.		SIZE	CODE
— H —		D-CS-M873-0-1		B	CS
FINISH		SCALE — H —		NUMBER	
— H —		SHEET 1 OF 1		M873-0-27	
				DIST.	

4

3

REV. NUMBER KCS M873-0-32

2

1

This drawing and specifications, herein, are the property of Digital Equipment Corporation and shall not be reproduced or copied or used in whole or in part as the basis for the manufacture or sale of items without written permission. COPYRIGHT © 1975

DIGITAL EQUIP. CORP.

FIRST USED ON OPTION MODEL	QTY.	DESCRIPTION	PART NO.	ITEM NO.
M873-WA				
PARTS LIST				
DRN. E. DeVries	DATE 15-Dec-75	<div style="display: flex; align-items: center;"> DIGITAL EQUIPMENT CORPORATION MAYNARD, MASSACHUSETTS </div>		
CHK'D: <i>[Signature]</i>	DATE 15-Dec-75			
ENG. <i>[Signature]</i>	DATE 15-Dec-75			
PROJ. ENG. <i>[Signature]</i>	DATE 15-Dec-75			
PROD. R. Yeager	DATE 12-15-75			
NEXT HIGHER ASSEMBLY D-AD-7606994-0-0		TITLE WORD LISTING OF ROM CONTENTS		
SCALE --				
SHEET 1 OF 2				
		SIZE CODE K CS	NUMBER M873-0-32	REV.
		DIST.		

REV.	
CHANGE NO.	
CHK	

4

3

2

1

MAINDEC-11-DZBMDE
 DEVICE VERSION
 BM873-Y*

PROGRAM NO. (1,2,3,4) 2

BLIND READ OF ROM

NOTE: NO CHECKING IS PERFORMED.

ADDRESS	ADD+00	ADD+02	ADD+04	ADD+06	ADD+10	ADD+12	ADD+14	ADD+16
173000	000005	012706	000500	012737	173000	000024	005037	000026
173020	012703	160020	012737	173046	000004	005037	000026	005713
173040	062703	000020	000774	062703	000010	004737	173440	012725
173060	002015	012725	000200	004736	004737	173714	112715	000220
173100	012714	000030	105215	012714	177560	012713	000001	032713
173120	000200	001003	077004	077105	000723	042713	110321	012700
173140	000030	122710	000220	001350	012701	000010	004737	173672
173160	001307	113746	000031	113756	000032	000001	011601	062701
173200	000002	004737	173672	001274	012602	005302	012704	000041
173220	112400	005302	032700	177774	001006	012737	173372	000004
173240	006300	000170	173252	000137	173000	173000	173262	173322
173260	173352	004737	173404	010001	004737	173404	004737	173440
173300	112725	000012	004737	173424	112125	020001	001375	004736
173320	000663	004737	173404	010001	112420	077202	004737	173440
173340	112725	000011	004737	173424	000762	004737	173404	010046
173360	004737	173440	112725	000011	000207	004737	173440	112725

EXTENDED 128. WORD ROM DUMP.

CONTENTS DUMPED IS PLACED IN THE SOFTWARE
 MAP. VISUAL INSPECTION OF DATA IS
 YOUR RESPONSIBILITY!!

ADDRESS	ADD+00	ADD+02	ADD+04	ADD+06	ADD+10	ADD+12	ADD+14	ADD+16
173400	000013	000745	112446	112466	000001	105724	162702	000003
173420	012600	000207	110125	000301	110125	000301	105025	000207
173440	012705	000044	012725	000200	004736	010504	162704	000044
173460	012702	113225	012705	000030	110225	010225	010500	112725
173500	000220	110425	000304	110425	000304	105025	105025	112725
173520	000001	012701	000006	004737	173672	013720	170702	010401
173540	004737	173672	113720	170702	113720	170703	032700	000001
173560	001401	110220	010220	010220	004737	173714	112715	000022
173600	012714	000030	113746	000035	113766	000035	000001	062716
173620	000022	105215	005416	012614	012712	001500	032712	020000
173640	001775	052712	000001	012701	000040	032712	000200	001004
173660	077004	077105	000137	173000	000207	012737	000121	170700
173700	112037	170704	077103	005737	170702	000207	010302	005722
173720	010205	005725	105725	010504	105724	112715	000012	012714
173740	000040	112715	000012	012714	000040	112715	000012	012714
173760	004000	112715	000011	012714	113226	000207	000000	000000

4

3

REV. A

NUMBER M873-0-33

SIZE CODE BCS

2

1

This drawing and specifications, herein, are the property of Digital Equipment Corporation and shall not be reproduced or copied or used in whole or in part as the basis for the manufacture or sale of items without written permission. 1976

B


B



A

A

REVISIONS	CHANGE NO.	REV.
1	M873-00005	
ORIGINATED		
JH	M873-MR007	A
E. P. Powell 20-DEC-77		
S. HOLMES		
A. R. Robinson 5-JAN-78		

FIRST USED ON OPTION MODEL	QTY.	DESCRIPTION	PART NO.	ITEM NO.
PDP 11				
PARTS LIST				
DRN.	DATE	 digital EQUIPMENT CORPORATION MAYNARD, MASSACHUSETTS TITLE WORD LISTING OF ROM CONTENTS (FOR BM873-YG)		
<i>W. Fisher</i>	<i>3 Sep 76</i>			
CHK'D.	DATE			
<i>E. Remond</i>	<i>20 SEP 76</i>			
ENG.	DATE			
<i>K. Dieter</i>	<i>20 Sep 76</i>			
PROJ. ENG.	DATE			
<i>K. Dieter</i>	<i>20 Sep 76</i>			
PROD.	DATE			
NEXT HIGHER ASSEMBLY				
D-CS-M873-0-1				
SCALE		SIZE CODE	NUMBER	REV.
— 11 —		B CS	M873-0-33	A
SHEET	1 OF 2	DIST.		

4

3

2

1

"THIS DRAWING AND SPECIFICATIONS, HEREIN, ARE THE PROPERTY OF DIGITAL EQUIPMENT CORPORATION AND SHALL NOT BE REPRODUCED OR COPIED OR USED IN WHOLE OR IN PART AS THE BASIS FOR THE MANUFACTURE OR SALE OF ITEMS WITHOUT WRITTEN PERMISSION. 1977
 COPYRIGHT © DIGITAL EQUIPMENT CORPORATION"

BLIND READ OF ROM
 NOTE: NO CHECKING IS PREFORMED

ADDRESS	ADD+00	ADD+02	ADD+04	ADD+06	ADD+10	ADD+12	ADD+14	ADD+16
173000	000005	012706	002000	012701	173374	105737	176004	100375
173020	000403	000000	173000	000340	112137	176006	105711	001365
173040	005005	012701	002100	105737	176000	100375	113711	176002
173060	142711	000200	001770	121127	000001	001413	005705	001763
173100	122127	000012	001410	020127	002304	003755	004737	173346
173120	000000	005205	000750	012703	002310	012701	002100	122127
173140	000105	001403	004737	173346	000000	122127	000000	001403
173160	004737	173346	000000	005002	112100	122700	000015	001774
173200	122700	000012	001422	122700	000054	001415	006302	006302
173220	006302	000402	173000	000340	006302	006302	006302	042700
173240	000100	050002	000751	010223	000746	010223	012702	002310
173260	005000	062200	020203	002775	005700	001403	004737	173346
173300	000000	013700	002310	001413	012702	002314	013701	002312
173320	112221	112221	005300	003374	004737	173354	000642	004737
173340	173354	013707	002312	012700	000025	000402	112700	000006
173360	105737	176004	100375	110037	176006	000207	041001	005015
173400	000000	000000	000000	000000	000000	000000	000000	000000
173420	000000	000000	000000	000000	000000	000000	000000	000000
173440	000000	000000	000000	000000	000000	000000	000000	000000
173460	000000	000000	000000	000000	000000	000000	000000	000000
173500	000000	000000	000000	000000	000000	000000	000000	000000
173520	000000	000000	000000	000000	000000	000000	000000	000000
173540	010037	000056	012700	000056	010640	010540	010440	010340
173560	010240	010140	014000	000177	004264	000000	010037	000040
173600	012700	173606	000755	005005	012500	012501	011502	012725
173620	173634	011503	012715	000340	012704	174340	012706	000004
173640	062704	000040	105704	100770	032764	004000	000034	001770
173660	026417	000014	001365	010315	010245	010145	010045	012700
173700	000130	012420	022700	000156	103374	005724	010401	012700
173720	000100	010021	005061	177744	005061	177764	032711	004000
173740	001775	010014	005061	177766	012761	107400	177762	032711
173760	004000	001775	010014	012705	100000	005007	000000	000000

4

3

REV. -

NUMBER M873-0-34

SIZE CODE K WL

2

1

This drawing and specifications, herein, are the property of Digital Equipment Corporation and shall not be reproduced or copied or used in whole or in part as the basis for the manufacture or sale of items without written permission. 1976

B

B

FIRST USED ON OPTION MODEL	QTY.	DESCRIPTION	PART NO.	ITEM NO.
PDP11				
PARTS LIST				
DRN.	DATE	digital EQUIPMENT CORPORATION MAYNARD, MASSACHUSETTS TITLE: WORD LISTING OF ROM CONTENTS (FOR BM873-Y11)		
CHK'D <i>E. Remond</i>	DATE <i>30 SEP 76</i>			
ENG. <i>R. Lintz</i>	DATE <i>25 SEP 76</i>			
PROJ. ENG. <i>K. Ditt</i>	DATE <i>23 SEP 76</i>			
PROD.	DATE			
NEXT HIGHER ASSEMBLY D-CS-M873-0-1		SIZE CODE B CS	NUMBER M873-0-34	REV. -
SCALE 11	SHEET 1 OF 2		DIST.	

REVISIONS	REV.	
CHANGE NO.		
M873-00005		
ORIGINATED		
CHK		

A

A

4

3



2

1

BLIND READ OF ROM
NOTE: NO CHECKING

ADDRESS	ADD+00	ADD+02	ADD+04	ADD+06	ADD+10	ADD+12	ADD+14	ADD+16
173000	010037	000040	013700	177570	032700	000001	001007	000513
173020	005000	000404	173020	000340	012700	000200	010005	106300
173040	122700	000060	101001	005000	000300	042700	177770	105705
173060	100553	012737	173304	000004	005037	000006	012706	000014
173100	012701	177170	010003	005705	100402	005306	002445	000005
173120	032711	000040	001775	010300	001402	012700	000020	052700
173140	000007	010102	010022	105711	106376	012712	000001	105711
173160	100376	012712	000001	032711	100040	001775	100744	012711
173200	000003	005004	132711	000240	001775	100153	111224	000772
173220	000000	000000	173020	000340	012711	000017	032711	000040
173240	001775	011200	000541	010037	000056	012700	000056	010640
173260	010540	010440	010340	010240	010140	014000	000177	004556
173300	005000	005005	012706	000014	012701	177342	005705	100402
173320	005306	002427	000005	010003	000303	010304	052703	004003
173340	010311	005711	100376	005761	177776	100360	012761	177400
173360	000002	052704	000005	010411	105711	100376	005711	100746
173400	000460	016100	177776	000460	012706	000014	012701	176700
173420	012702	004000	005705	100402	005306	002444	000005	110061
173440	000010	032711	004000	001766	012711	000021	005061	000034
173460	005061	000006	050261	000032	012761	177400	000002	012711
173500	000071	105711	100376	032761	000020	000014	001403	052702
173520	010000	000740	032711	050000	001335	032761	140000	000012
173540	001331	005007	016100	000012	000000	000776	010037	000040
173560	012700	173566	000630	005005	012500	012501	011502	012725
173600	173612	011503	005015	012704	174340	012706	000004	062704
173620	000040	105704	100770	032764	004000	000034	001770	026417
173640	000014	001365	010315	010245	010145	010045	012700	000130
173660	012420	022700	000156	103374	005724	010401	012700	000100
173700	010021	005061	177744	005061	177764	032711	004000	001775
173720	010014	005061	177766	012761	107400	177762	032711	000200
173740	001775	005007	000000	000000	000000	000000	000000	000000
173760	000000	000000	000000	000000	000000	000000	000000	000000

TITLE	WORD LISTING OF ROM CONTENTS(FOR BM873-YH)	SHEET 2 OF 2	SIZE	CODE	NUMBER	REV
			B	CS	M873-0-34	-

BLIND READ OF ROM
NOTE: NO CHECKING

ADDRESS	ADD+00	ADD+02	ADD+04	ADD+06	ADD+10	ADD+12	ADD+14	ADD+16
173060	010037	000040	013700	177570	032700	000001	001007	000510
173020	005000	000404	173020	000340	012700	000200	010005	106300
173040	122700	000060	101001	005000	000300	042700	177770	105705
173060	100551	012737	173274	000004	005037	000006	012706	000020
173100	012701	177170	005711	005705	100402	005306	002531	000005
173120	032711	000040	001775	111704	010002	001402	012702	000020
173140	052702	000007	010103	010223	105711	106376	012713	000301
173160	005304	001372	032711	100040	001775	106745	012711	000003
173200	132711	000240	001775	100147	111324	000772	005000	000425
173220	000000	000666	173020	000340	010037	000040	012700	173622
173240	010037	000055	012700	000056	010640	010540	010440	010340
173260	010240	010140	014000	000177	004564	005005	012737	173530
173300	000004	012706	000020	012701	177342	105011	005705	100402
173320	005306	002426	000005	110061	000001	052711	004003	005711
173340	100376	005761	177776	100361	012761	177400	000002	042711
173360	004000	112711	000005	105711	100376	005711	100746	005007
173400	000000	000776	012706	000020	012701	176700	012702	004000
173420	005705	100402	005306	002764	000005	110061	000010	012711
173440	000021	005061	000034	005061	000006	050261	000032	012761
173460	177400	000002	012711	000071	105711	100376	022761	000020
173500	000014	001402	052702	010000	032711	060000	001341	032761
173520	140000	000012	001335	005007	012701	177560	011706	005004
173540	012702	173610	004712	124027	000220	001374	004742	014403
173560	042703	140000	004712	004712	005722	004712	005004	004712
173600	005393	003375	005007	004717	105711	100376	116124	000002
173620	000207	005005	012500	012501	011502	012725	173646	011503
173640	005015	012704	174340	012706	000140	062704	000040	105704
173660	100770	032764	004000	000034	001770	026417	000014	001365
173700	010315	010245	010145	010045	012700	000130	012420	022700
173720	000156	103374	005724	010401	012700	000100	010021	005061
173740	177744	005061	177764	032711	004000	001775	010014	005061
173760	177766	012761	107400	177762	105711	100376	005007	000000

WORD LISTING OF ROM
CONTENTS (FOR BM873-YJ)
B-GL-M873-0-35

DIGITAL EQUIPMENT CORPORATION

MAYNARD, MASSACHUSETTS

PARTS LIST

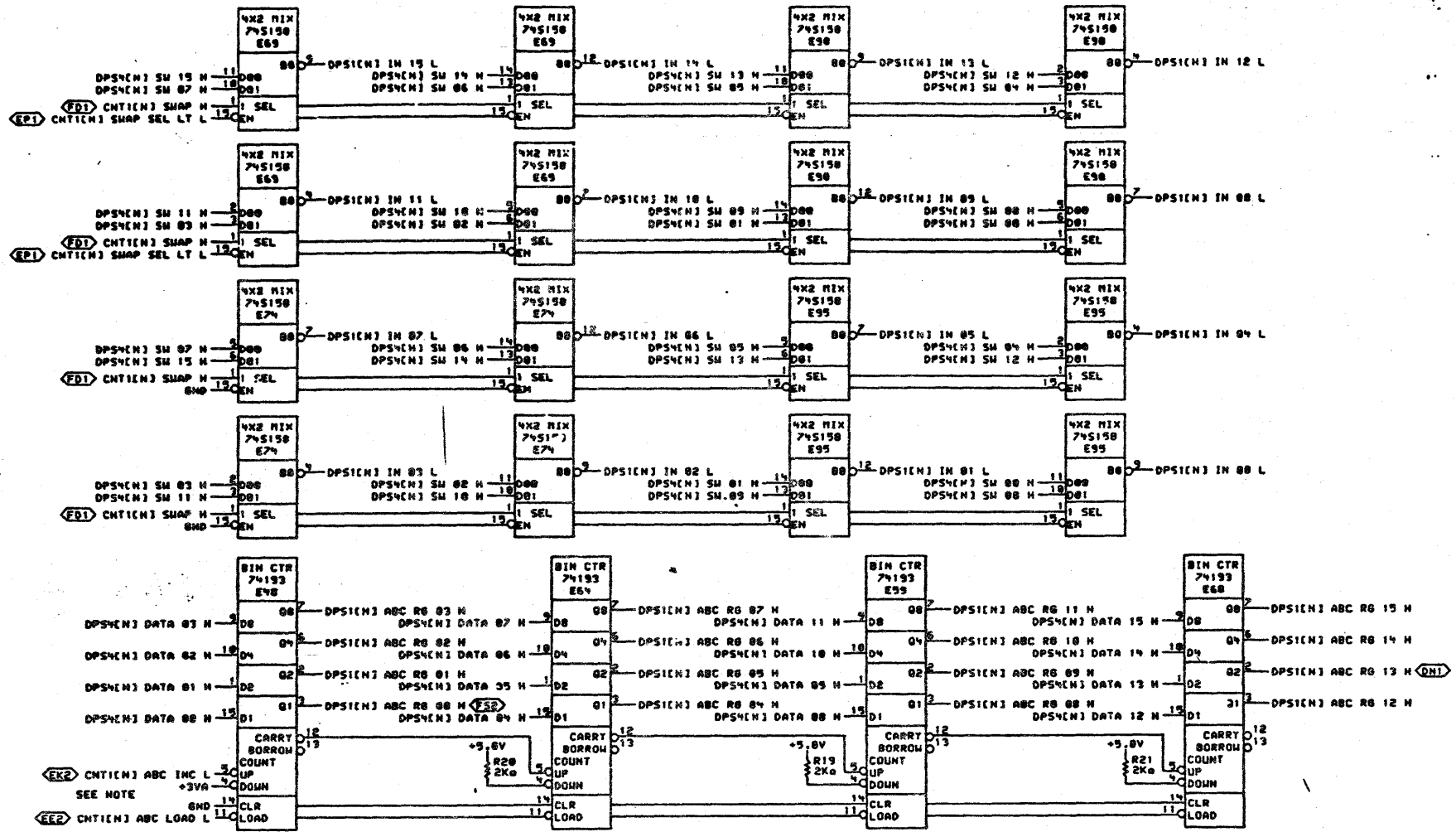
QUANTITY / VARIATION

MADE BY	M. ARCHIE	CHECKED <i>V. Stangor</i>	SECTION
DATE	4/16/75	DATE	4-22-75
ENG	<i>W. Brewster</i>	PROD	<i>J. Regier</i>
DATE	4/25/75	DATE	4-28-75
			ISSUED SECT.
			1

ITEM NO.	DWG NO. / PART NO.	DESCRIPTION
1	M8552	10/11 DATA PATH
2	M8553	10/11 BUS AND DATA CONTROL
3	M8554	11/10 BUS DATA CONTROL
4	C-1A-5408780-0-0	PRIORITY PLUG

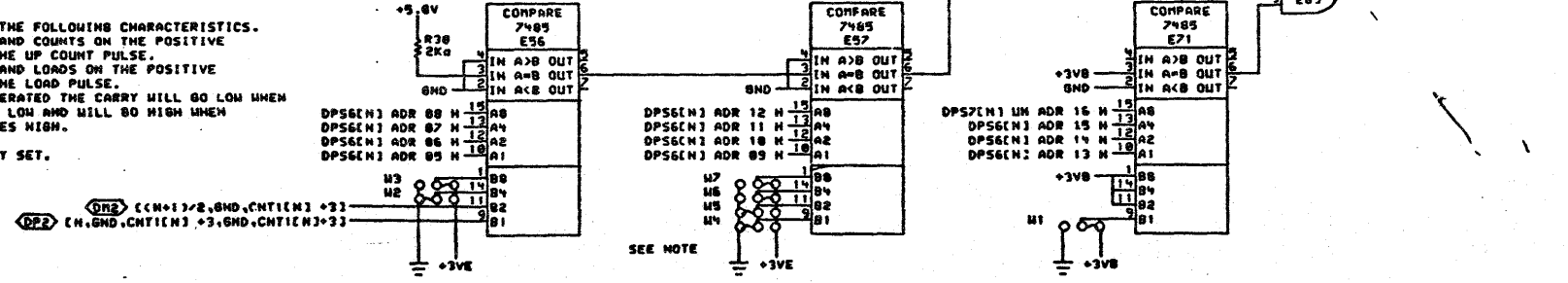
DTE20																				
1																				
1																				
1																				
1																				

TITLE	ASSY NO.	SIZE	CODE	NUMBER	REV.	ECO NO.
10/11 INTERFACE	#	A	PL	DTE20-0-0	A	DTE20-00001
	SHEET 1 OF 1	DIST.				



NOTES:

THE 74193 COUNTER HAS THE FOLLOWING CHARACTERISTICS.
 UP-COUNT: SETS UP WHEN LOW AND COUNTS ON THE POSITIVE TRANSITION OF THE UP COUNT PULSE.
 LOAD: SETS UP WHEN LOW AND LOADS ON THE POSITIVE TRANSITION OF THE LOAD PULSE.
 CARRY: IF A CARRY IS GENERATED THE CARRY WILL GO LOW WHEN THE UP INPUT IS LOW AND WILL GO HIGH WHEN THE UP INPUT GOES HIGH.
 *WIRE JUMPERS W1-W7 ARE FACTORY SET.



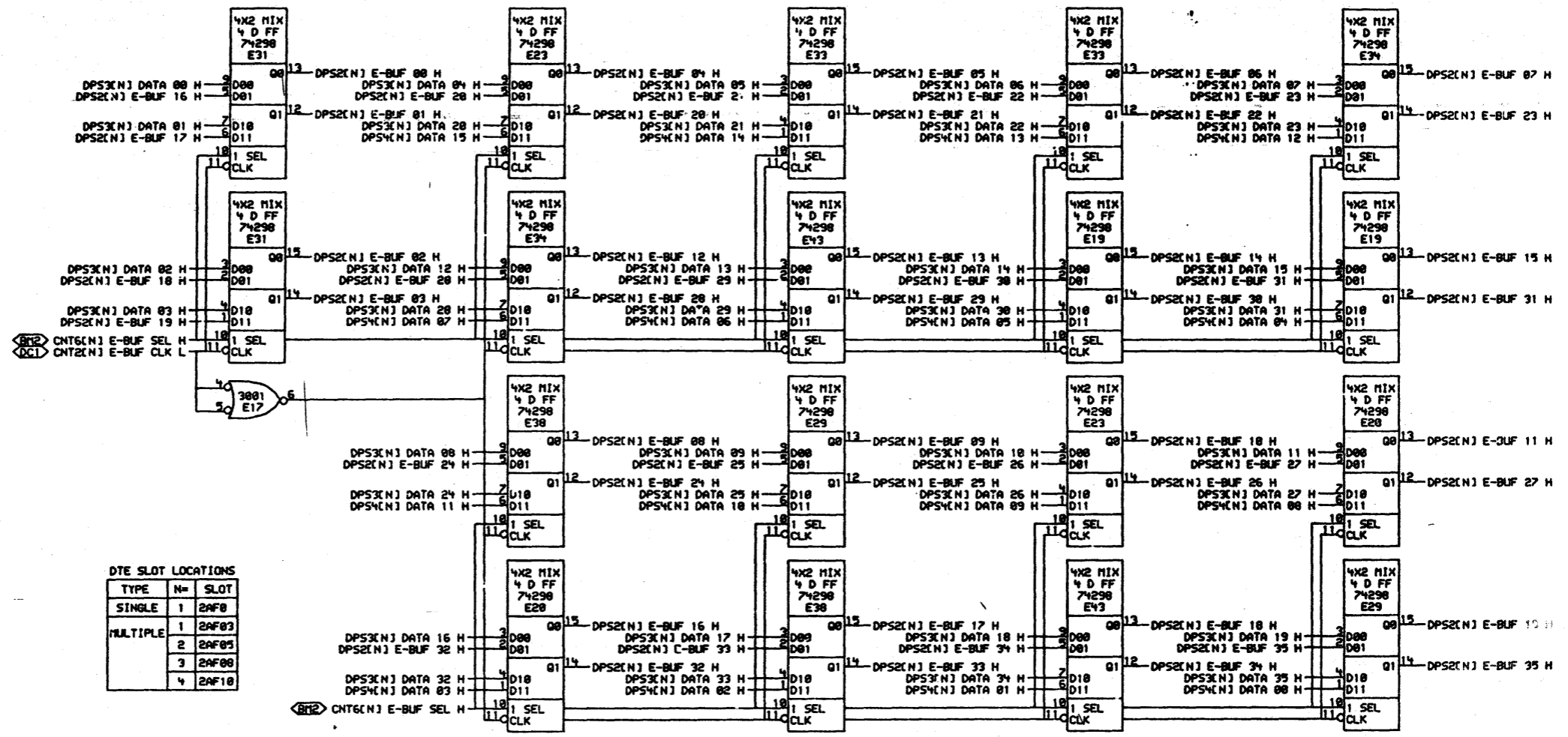
DTE SLOT LOCATIONS

TYPE	N	SLOT
SINGLE	1	2AF0
MULTIPLE	1	2AF03
	2	2AF05
	3	2AF08
	4	2AF10

REVISIONS

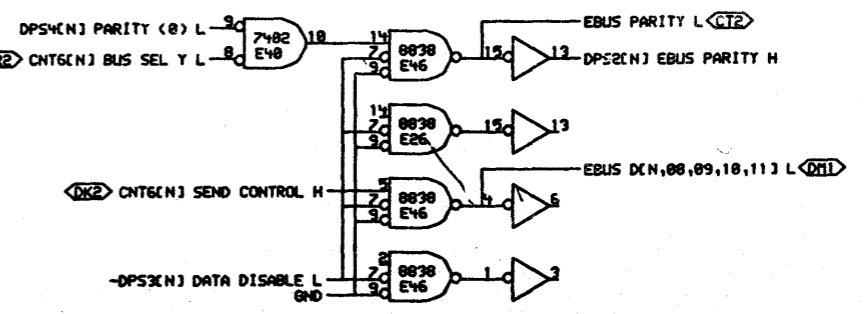
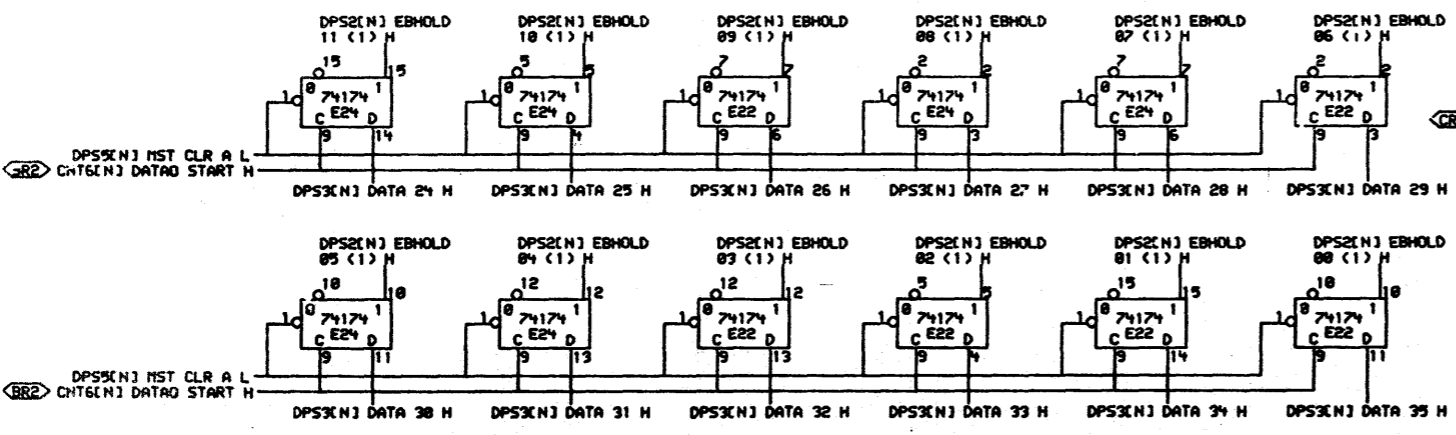
REV.	CHG	CHANGE NO.	REV.
1	1	1	1

DATE	ENG	DATE	TITLE
28-JAN-01	BOWEN	17-MAR-01	DATA PATH AND STATUS
DATE	BOARD LOCATION	DATE	BOARD LOCATION
17-MAR-01	1	17-MAR-01	1
PSL-BOWEN, SCRATCH/DPS4(S), DRW 126-JAN-01 15115	NEXT HIGHER ASSEMBLY:	SIZE	CODE
FIRST USED ON OPTION/MODEL: DTE20	B-00-M8532-0	D	CS
		NUMBER	REV.
		M8552-0-DPS1	D



DTE SLOT LOCATIONS

TYPE	N#	SLOT
SINGLE	1	2AF8
MULTIPLE	1	2AF03
	2	2AF05
	3	2AF08
	4	2AF10

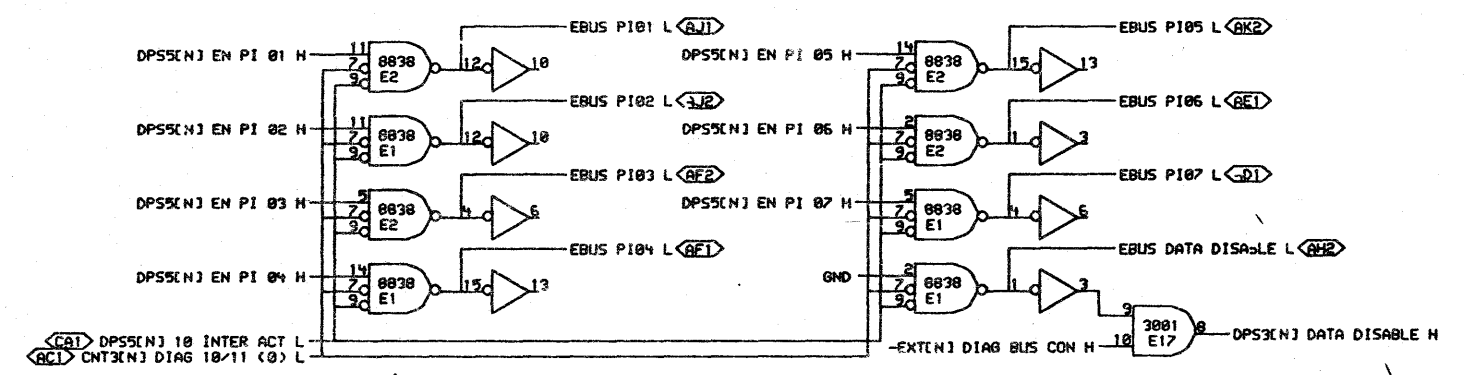
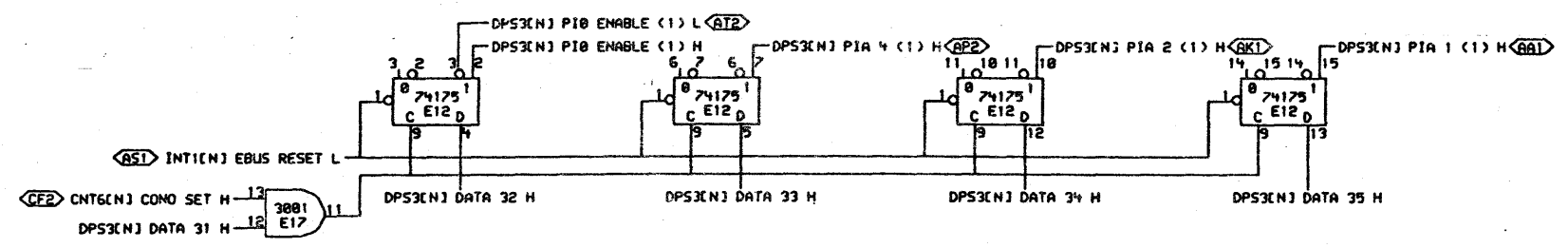


THIS DRAWING AND SPECIFICATIONS, HEREIN, ARE THE PROPERTY OF DIGITAL EQUIPMENT CORPORATION AND SHALL NOT BE REPRODUCED OR COPIED OR USED IN WHOLE OR IN PART AS THE BASIS FOR THE MANUFACTURE OR SALE OF ITEMS WITHOUT WRITTEN PERMISSION. COPYRIGHT © 1977, DIGITAL EQUIPMENT CORPORATION.

REVISIONS	DATE	BY	CHK
1	11/17	W. BRUCKERT	

digital
 DATE 18-FEB-77
 DRAWN BY J. J. J. J.
 CHECKED BY
 DATE 03-FEB-77
 TITLE: DATA PATH AND STATUS
 DTE20
 FIRST USED ON OPTION MODEL: DTE20

TITLE	NUMBER	REV.
DATA PATH AND STATUS	M8552-0-DPS2	B



DTE SLOT LOCATIONS

TYPE	N=	SLOT
SINGLE	1	2AF0
MULTIPLE	1	2AF03
	2	2AF05
	3	2AF08
	4	2AF10

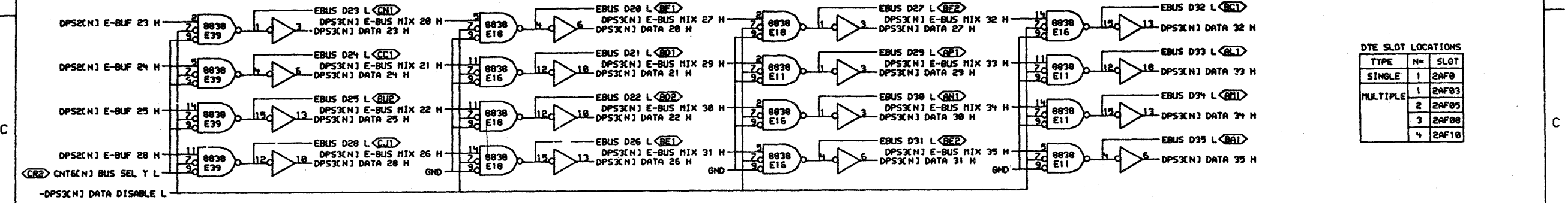
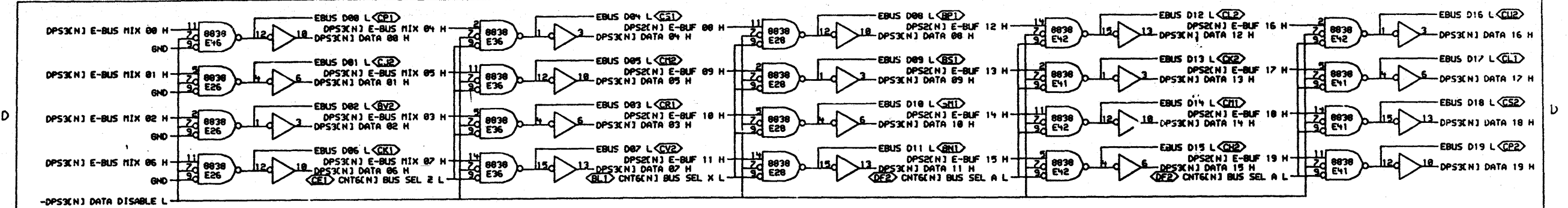
3A OF 8

"THIS DRAWING AND SPECIFICATIONS, HEREIN, ARE THE PROPERTY OF DIGITAL EQUIPMENT CORPORATION AND SHALL NOT BE REPRODUCED OR COPIED OR USED IN WHOLE OR IN PART AS THE BASIS FOR THE MANUFACTURE OR SALE OF ITEMS WITHOUT WRITTEN PERMISSION.
COPYRIGHT © 1977, DIGITAL EQUIPMENT CORPORATION"

REVISIONS	
CHK	CHANGE NO. REV
	M8552-0-005 B
	W. BRUCKERT
	10/77

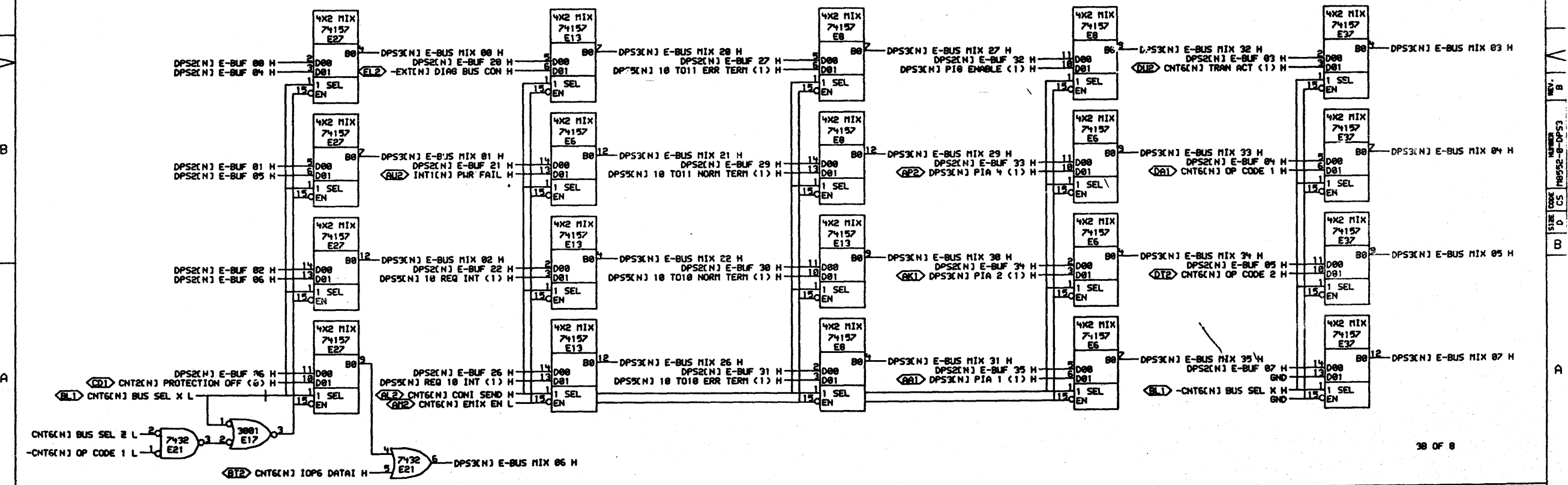
DATE	ENG.	DATE	TITLE:
11-FEB-77	W. Bruckert	23/077	DATA PATH AND STATUS
DATE	BOARD LOCATION	SHEET	OF 2
109/FEB-77		1	
FIRST USED ON OPTION/MODEL: DTE20		NEXT HIGHER ASSEMBLY: B-DD-M8552-0	

SIZE CODE	NUMBER	REV.
D CS	M8552-0-DPS3	B



DTE SLOT LOCATIONS

TYPE	N#	SLOT
SINGLE	1	2AF0
MULTIPLE	1	2AF03
	2	2AF05
	3	2AF08
	4	2AF10

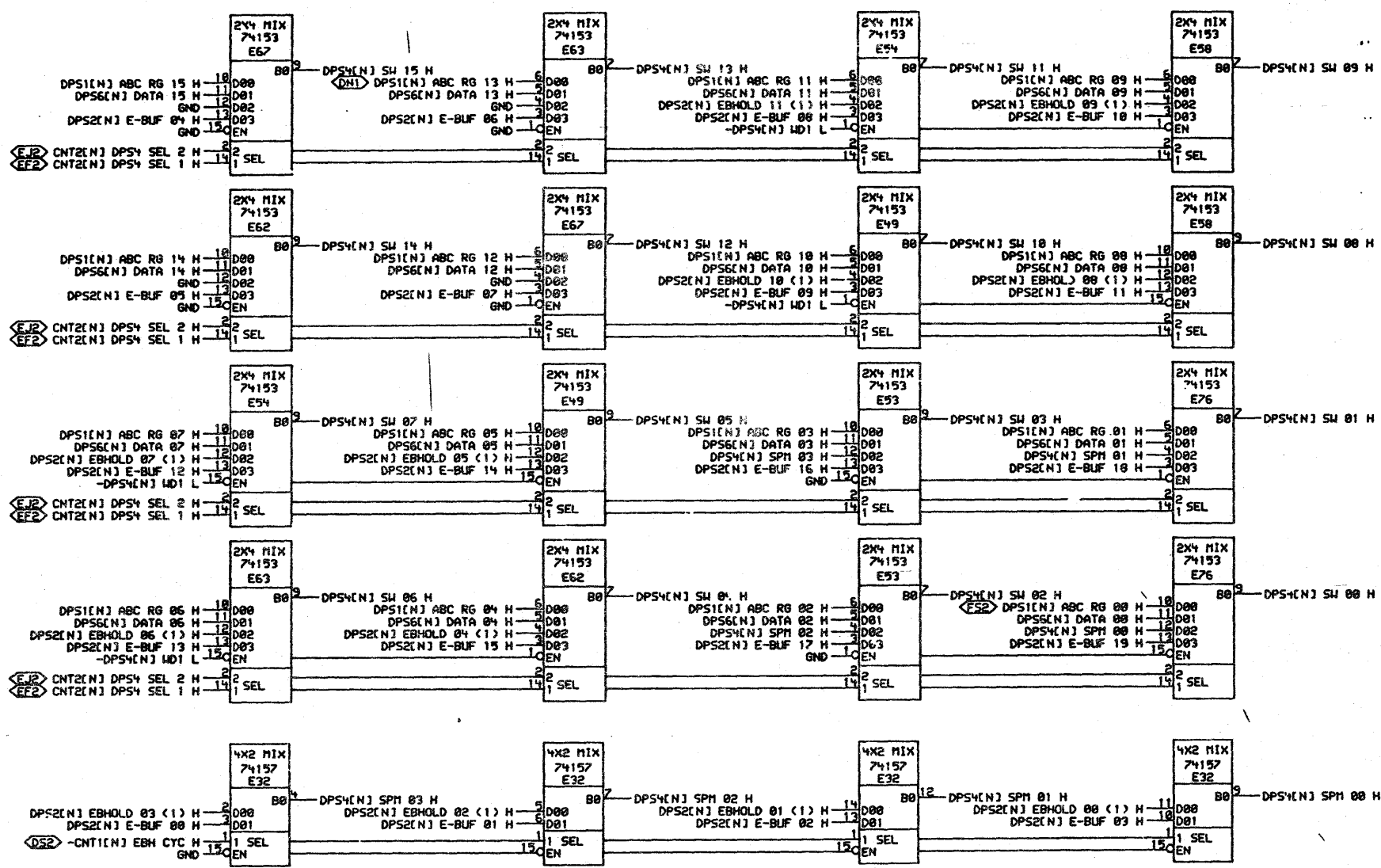


"THIS DRAWING AND SPECIFICATIONS, HEREIN, ARE THE PROPERTY OF DIGITAL EQUIPMENT CORPORATION AND SHALL NOT BE REPRODUCED OR COPIED OR USED IN WHOLE OR IN PART AS THE BASIS FOR THE MANUFACTURE OR SALE OF ITEMS WITHOUT WRITTEN PERMISSION. COPYRIGHT © 1977, DIGITAL EQUIPMENT CORPORATION"

REVISIONS	DATE	BY	CHK	CHANGE NO.	REV
M8552-00005					

	DATE ENG. 10-FEB-77	DATE 12-SEP-77	TITLE: DATA PATH AND STATUS
	DATE 01-11-77	DATE 08-08-77	NUMBER 1
FIRST USED ON OPTION/MODEL: DTE20		NEXT HIGHER ASSEMBLY: 1B-DD-M8552-0	SIZE CODE: D CS

D
C
B
A



DTE SLOT LOCATIONS

TYPE	N#	SLOT
SINGLE	1	2AF0
MULTIPLE	1	2AF03
	2	2AF05
	3	2AF08
	4	2AF10

THIS DRAWING AND SPECIFICATIONS, HEREIN, ARE THE PROPERTY OF DIGITAL EQUIPMENT CORPORATION AND SHALL NOT BE REPRODUCED OR COPIED OR USED IN WHOLE OR IN PART AS THE BASIS FOR THE MANUFACTURE OR SALE OF ITEMS WITHOUT WRITTEN PERMISSION. COPYRIGHT © 1977, DIGITAL EQUIPMENT CORPORATION

REVISIONS	DATE	ENG.	DATE	TITLE:
1	11-FEB-77	W. Bruckert	23FEB77	DATA PATH AND STATUS

digital

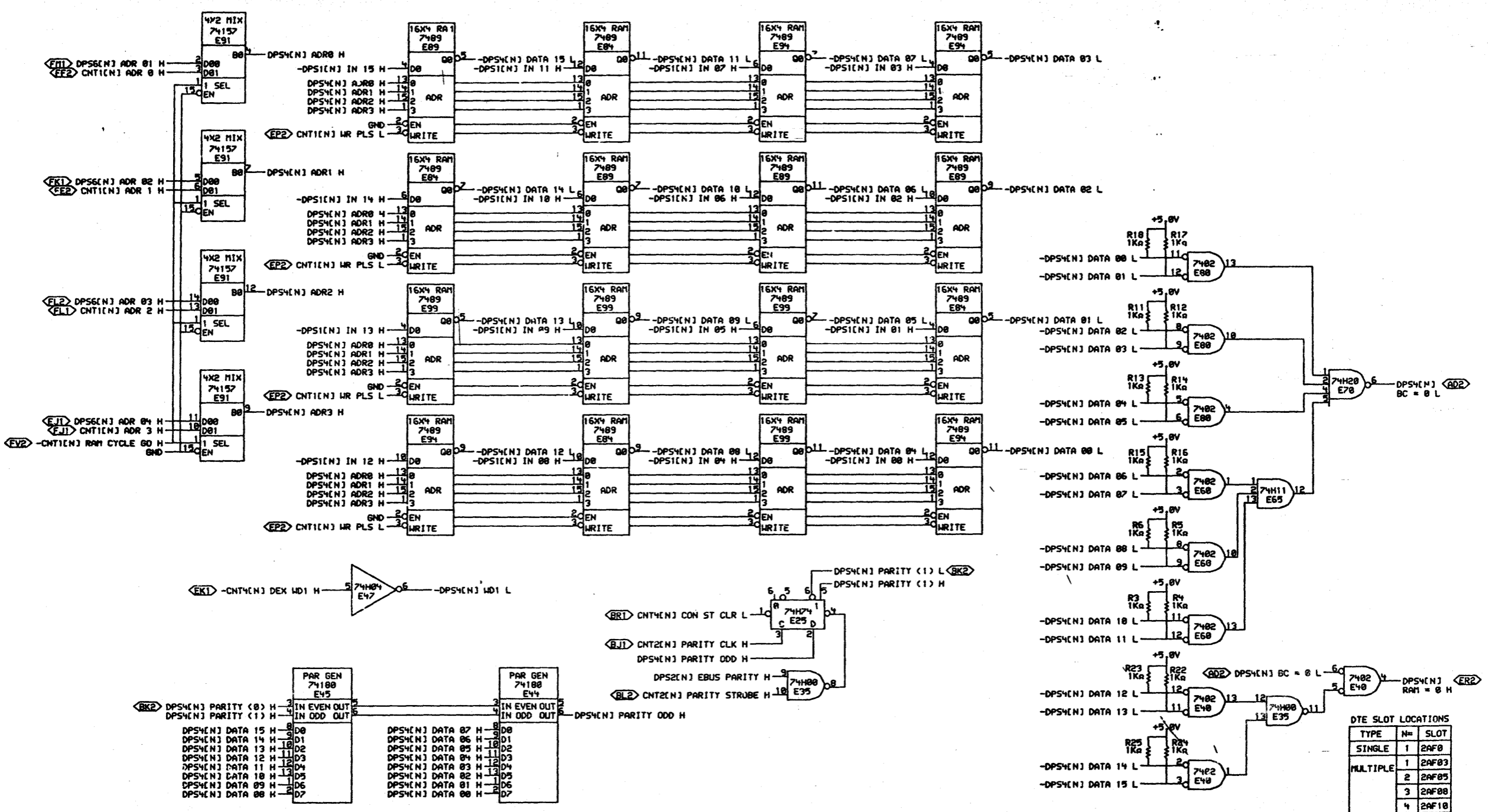
DATE BOARD LOCATION: 2102 SHEET 2 OF 2

DATE NEXT HIGHER ASSEMBLY: 18-FEB-77 13:03

SIZE CODE NUMBER REV. D CS M8552-0-DPS4 B

FIRST USED ON OPTION/MODEL: DTE20 B-DD-M8552-0

REV. B
NUMBER M8552-0-DPS4
SIZE CODE CS



DTE SLOT LOCATIONS

TYPE	N#	SLOT
SINGLE	1	2AF0
MULTIPLE	1	2AF03
	2	2AF05
	3	2AF08
	4	2AF10

THIS DRAWING AND SPECIFICATIONS, HEREIN, ARE THE PROPERTY OF DIGITAL EQUIPMENT CORPORATION AND SHALL NOT BE REPRODUCED OR COPIED IN WHOLE OR IN PART AS THE BASIS FOR THE MANUFACTURE OR SALE OF ITEMS WITHOUT WRITTEN PERMISSION. COPYRIGHT © 1977, DIGITAL EQUIPMENT CORPORATION

REVISIONS

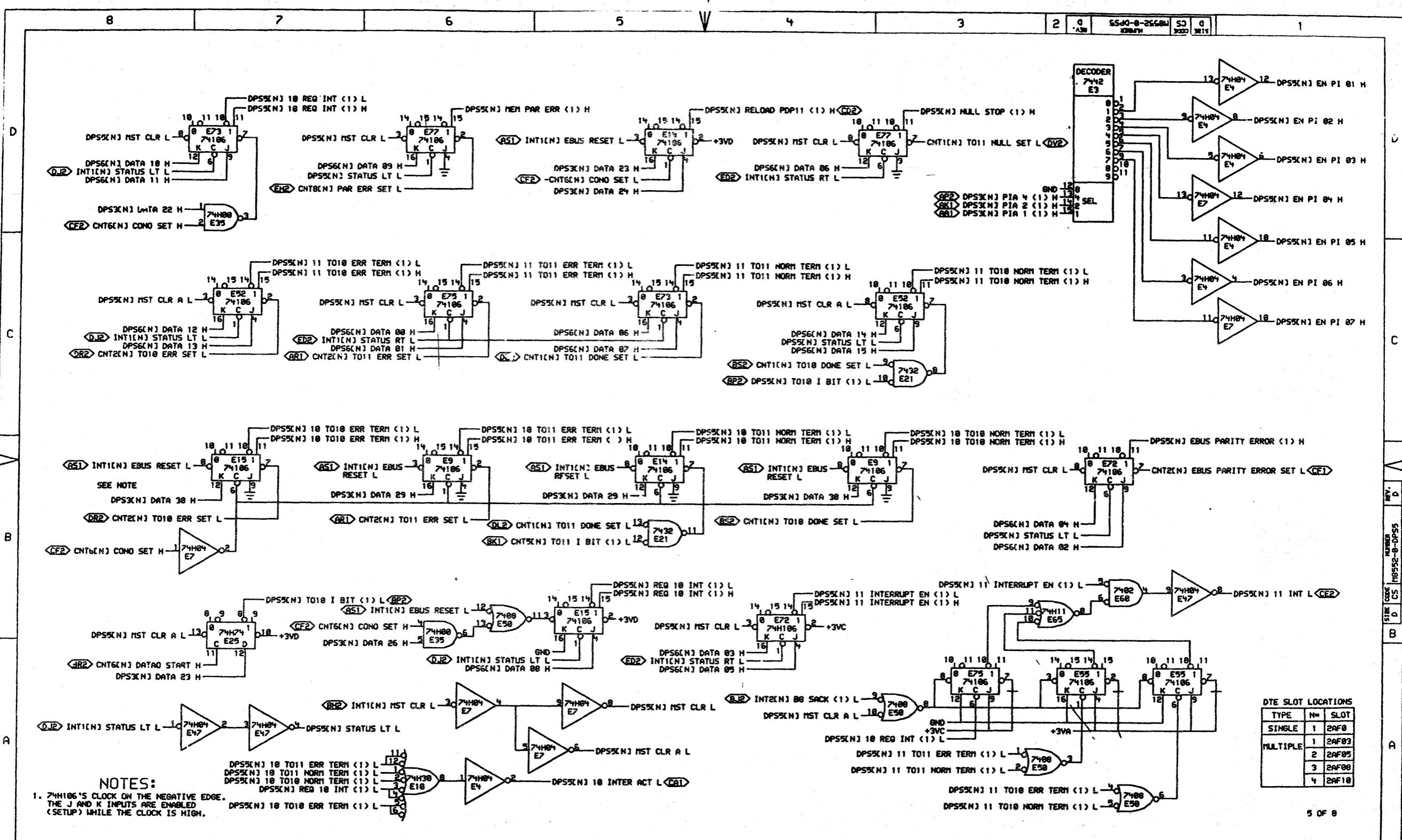
CHK	CHANGE NO.	REV	DATE	BY
			4/1/77	W. BRUCKERT

M8552-00005 B
 W. BRUCKERT
 12/11/76

digital
 DPN: J. Lashby
 DATE: 11-FEB-77
 DATE: 23-FEB-77
 BOARD LOCATION:
 SHEET 2 OF 2
 FIRST USED ON OPTION MODEL: DTE20

DATE: 11-FEB-77
 DATE: 23-FEB-77
 BOARD LOCATION:
 SHEET 2 OF 2
 NEXT HIGHER ASSEMBLY:
 B-DD-M8552-0

TITLE: DATA PATH AND STATUS
 SIZE CODE: D CS
 NUMBER: M8552-0-DPS4
 REV: B

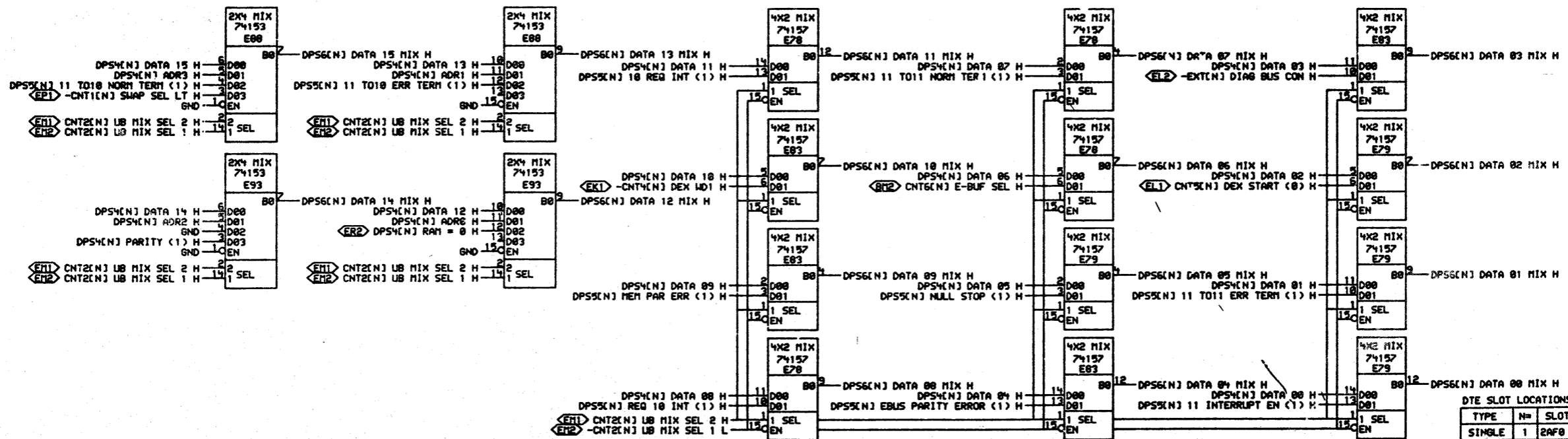
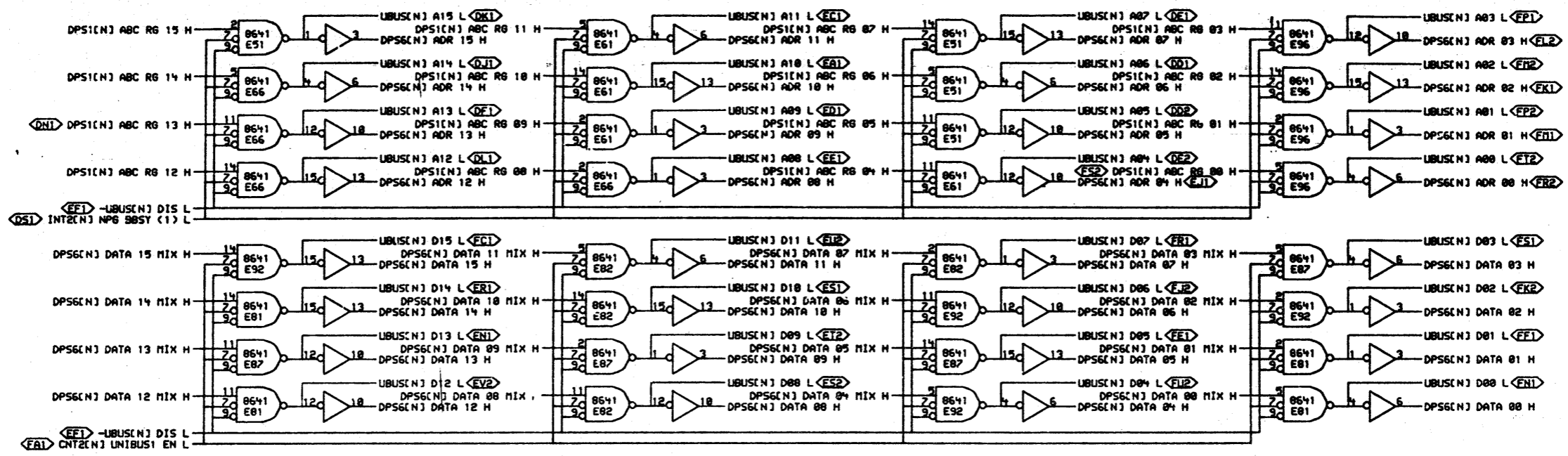


NOTES:
 1. 74106'S CLOCK ON THE NEGATIVE EDGE. THE J AND K INPUTS ARE ENABLED (SETUP) WHILE THE CLOCK IS HIGH.

DTE SLOT LOCATIONS

TYPE	N=	SLOT
SINGLE	1	2AF0
MULTIPLE	1	2AF03
	2	2AF05
	3	2AF08
	4	2AF10

<p>THIS DRAWING AND SPECIFICATIONS, HEREIN, ARE THE PROPERTY OF DIGITAL EQUIPMENT CORPORATION AND SHALL NOT BE REPRODUCED OR COPIED OR USED IN WHOLE OR IN PART AS THE BASIS FOR THE MANUFACTURE OR SALE OF ITEMS WITHOUT WRITTEN PERMISSION. COPYRIGHT © 1977, DIGITAL EQUIPMENT CORPORATION</p>		<p>REVISIONS</p> <table border="1"> <tr> <th>CHK</th> <th>CHANGE NO.</th> <th>REV</th> <th>DATE</th> <th>BY</th> </tr> <tr> <td></td> <td></td> <td></td> <td></td> <td></td> </tr> </table>	CHK	CHANGE NO.	REV	DATE	BY						<p>DATE: 18-FEB-77 END: 20-FEB-77 DATE: 20-FEB-77</p>	<p>TITLE: DATA PATH AND STATUS</p>	<p>SIZE CODE: D CS NUMBER: M8552-0-DP55 REV.: D</p>
CHK	CHANGE NO.	REV	DATE	BY											



DTE SLOT LOCATIONS

TYPE	NO	SLOT
SINGLE	1	2AF0
MULTIPLE	1	2AF03
	2	2AF05
	3	2AF08
	4	2AF10

THIS DRAWING AND SPECIFICATIONS, HEREIN, ARE THE PROPERTY OF DIGITAL EQUIPMENT CORPORATION AND SHALL NOT BE REPRODUCED OR COPIED OR USED IN WHOLE OR IN PART AS THE BASIS FOR THE MANUFACTURE OR SALE OF ITEMS WITHOUT WRITTEN PERMISSION.
 COPYRIGHT © 1977, DIGITAL EQUIPMENT CORPORATION

REVISIONS		
CHK	CHANGE NO.	REV

M3552-0005 B
 4/1/77
 W. BRUCKERT
 [Signature]

digital

DATE 18-FEB-77
 DATE 03-FEB-77

DRG. [Signature]
 DATE 03-FEB-77

ENG. [Signature]
 DATE 03-FEB-77

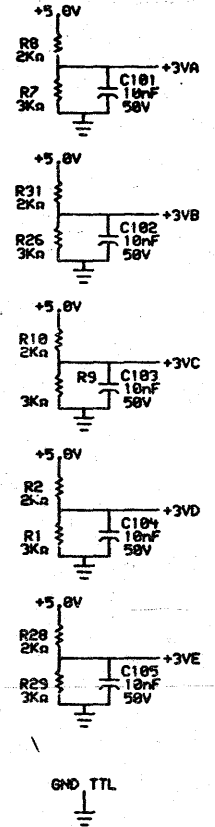
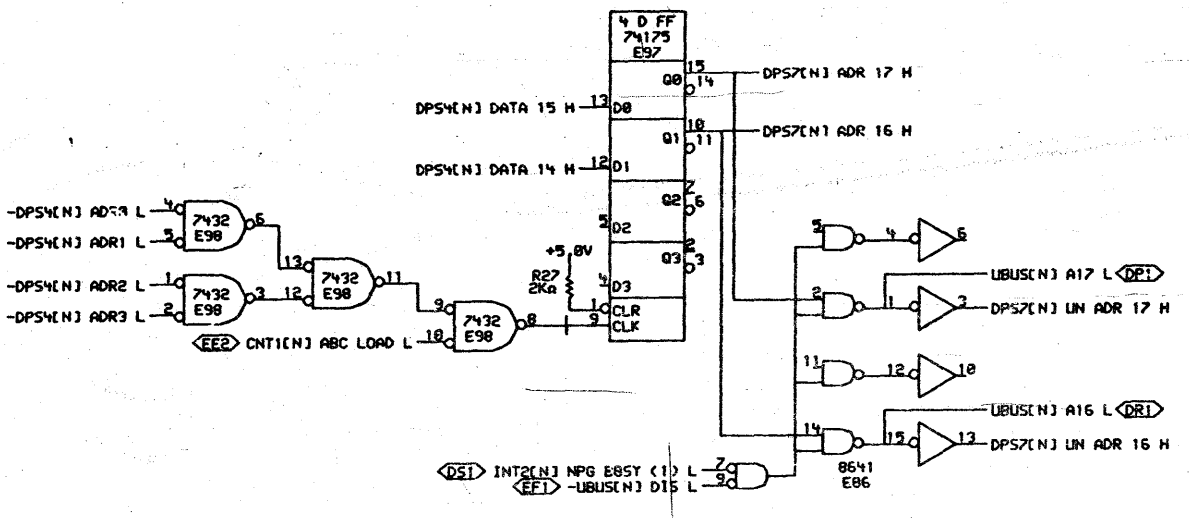
BOBBO LOCATION:

SIZE CODE NUMBER
 D CS M8552-0-DP56

TITLE: DATA PATH AND STATUS

REV. B

FIRST USED ON OPTION/MODEL: DTE20 18-DD-M8552-0



GND TTL

DTE SLOT LOCATIONS

TYPE	N=	SLOT
SINGLE	1	2AF8
MULTIPLE	1	2AF83
	2	2AF85
	3	2AF88
	4	2AF18

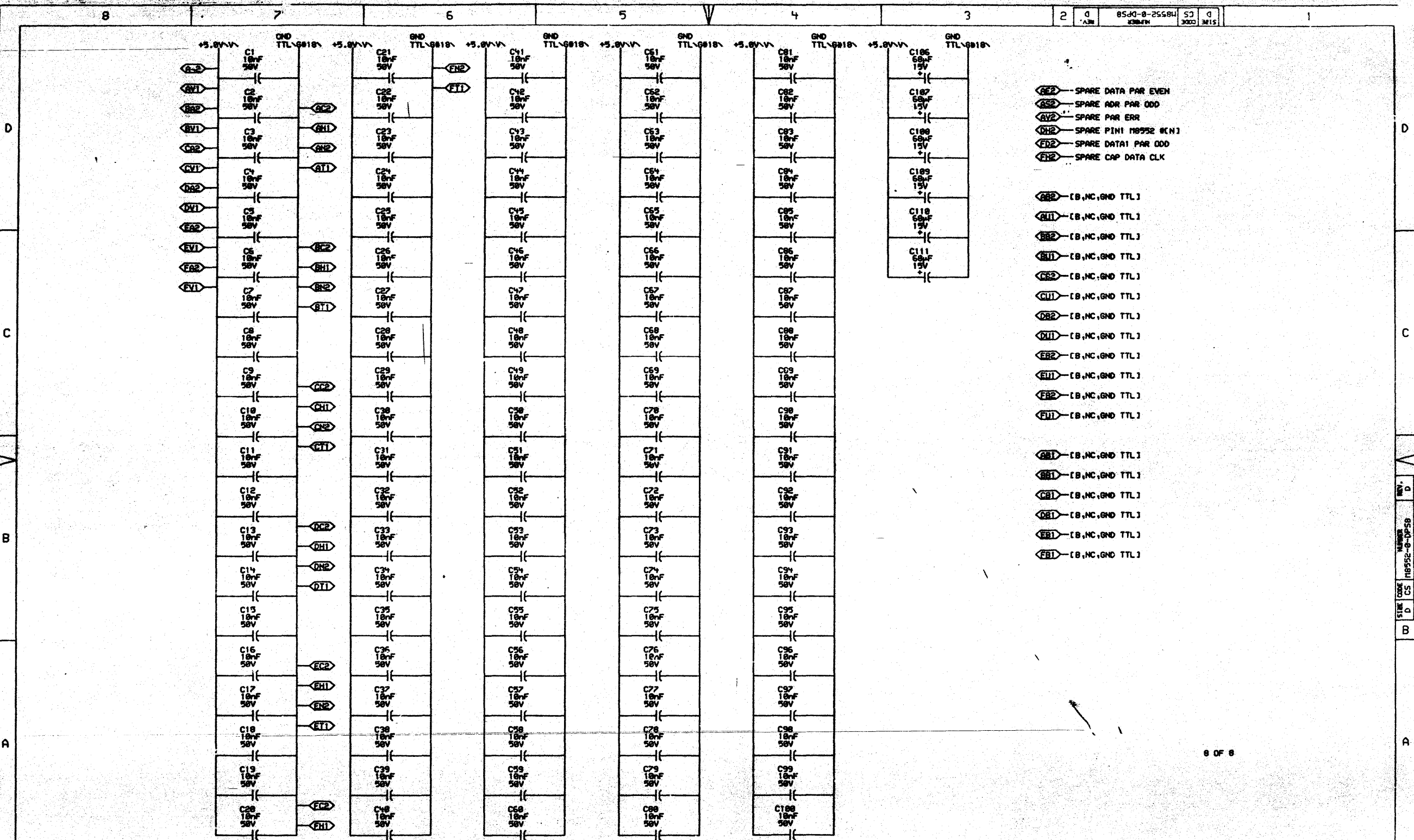
7 OF 8

THIS DRAWING AND SPECIFICATIONS, HEREIN, ARE THE PROPERTY OF DIGITAL EQUIPMENT CORPORATION AND SHALL NOT BE REPRODUCED OR COPIED OR USED IN WHOLE OR IN PART AS THE BASIS FOR THE MANUFACTURE OR SALE OF ITEMS WITHOUT WRITTEN PERMISSION.
COPYRIGHT © 1977, DIGITAL EQUIPMENT CORPORATION

REVISIONS		
CHK	CHANGE NO.	REV
		0
		1
		2

DATE ENG.	DATE EXP.	TITLE
11-FEB-77	11-FEB-77	DATA PATH AND STATUS
DATE BOARD LOCATIONS	DATE SHEET	SIZE CODE
2/12/77	1 OF 1	D CS
FIRST USED ON OPTION/MODEL: DTE20		NUMBER
		18-DD-18552-0

digital DRN 7
 DATE ENG. 11-FEB-77
 DATE BOARD LOCATIONS 2/12/77
 DATE SHEET 1 OF 1
 FIRST USED ON OPTION/MODEL: DTE20
 NEXT HIGHER ASSEMBLY: 18-DD-18552-0
 SIZE CODE D CS
 NUMBER 18552-0-DPS7
 REV. D



- Ⓢ2 SPARE DATA PAR EVEN
- Ⓢ3 SPARE ADR PAR ODD
- Ⓢ4 SPARE PAR ERR
- Ⓢ5 SPARE PIN1 M8552 (KCN)
- Ⓢ6 SPARE DATA1 PAR ODD
- Ⓢ7 SPARE CAP DATA CLK

- Ⓢ8 (B,NC,GND TTL)
- Ⓢ9 (B,NC,GND TTL)
- Ⓢ10 (B,NC,GND TTL)
- Ⓢ11 (B,NC,GND TTL)
- Ⓢ12 (B,NC,GND TTL)
- Ⓢ13 (B,NC,GND TTL)
- Ⓢ14 (B,NC,GND TTL)
- Ⓢ15 (B,NC,GND TTL)
- Ⓢ16 (B,NC,GND TTL)
- Ⓢ17 (B,NC,GND TTL)
- Ⓢ18 (B,NC,GND TTL)
- Ⓢ19 (B,NC,GND TTL)
- Ⓢ20 (B,NC,GND TTL)
- Ⓢ21 (B,NC,GND TTL)
- Ⓢ22 (B,NC,GND TTL)
- Ⓢ23 (B,NC,GND TTL)
- Ⓢ24 (B,NC,GND TTL)
- Ⓢ25 (B,NC,GND TTL)
- Ⓢ26 (B,NC,GND TTL)
- Ⓢ27 (B,NC,GND TTL)
- Ⓢ28 (B,NC,GND TTL)
- Ⓢ29 (B,NC,GND TTL)
- Ⓢ30 (B,NC,GND TTL)
- Ⓢ31 (B,NC,GND TTL)
- Ⓢ32 (B,NC,GND TTL)
- Ⓢ33 (B,NC,GND TTL)
- Ⓢ34 (B,NC,GND TTL)
- Ⓢ35 (B,NC,GND TTL)
- Ⓢ36 (B,NC,GND TTL)
- Ⓢ37 (B,NC,GND TTL)
- Ⓢ38 (B,NC,GND TTL)
- Ⓢ39 (B,NC,GND TTL)
- Ⓢ40 (B,NC,GND TTL)

"THIS DRAWING AND SPECIFICATIONS, HEREIN, ARE THE PROPERTY OF DIGITAL EQUIPMENT CORPORATION AND SHALL NOT BE REPRODUCED OR COPIED OR USED IN WHOLE OR IN PART AS THE BASIS FOR THE MANUFACTURE OR SALE OF ITEMS WITHOUT WRITTEN PERMISSION.
 COPYRIGHT © 1977, DIGITAL EQUIPMENT CORPORATION"

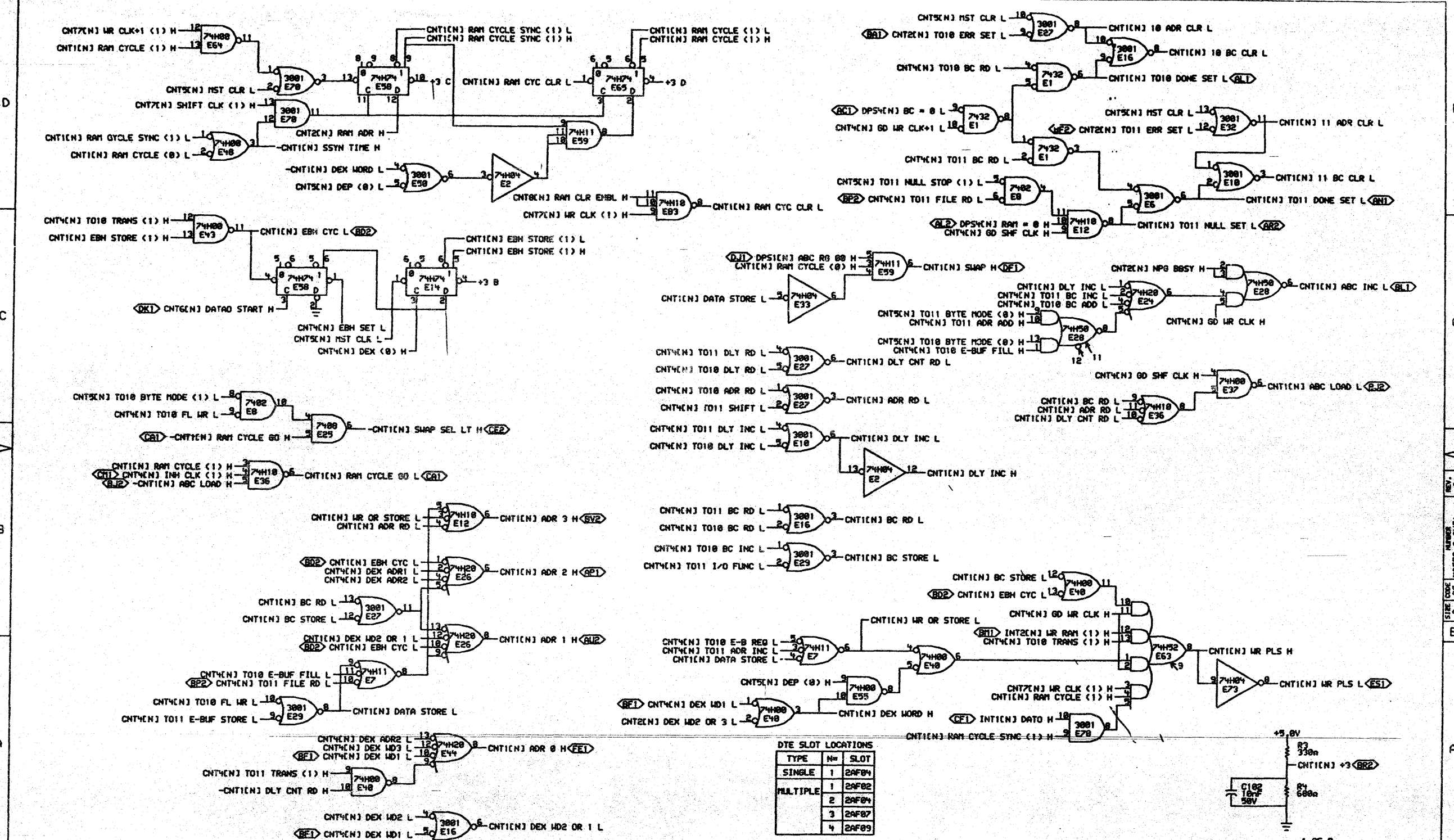
REVISIONS		DATE	BY
1	W. BRUCKERT	11-18-77	W. BRUCKERT
2	W. BRUCKERT	12-14-77	W. BRUCKERT

REV	CHK	CHANGE NO.	DATE	BY
D				

digital DRW. *W. Bruckert* DATE 11-FEB-77 ENG. *W. Bruckert* DATE 11-FEB-77
 207E BOARD LOCATION 207E DE 1
 DP5085, DRW. 4, 613 118-FEB-77 18136 NEXT HIGHER ASSEMBLY: 8-DD-M8552-0
 FIRST USED ON OPTION MODEL: DTE20

TITLE	SIZE	CODE	NUMBER	REV.
DATA PATH & STATUS PWR, CAP & GND	D	CS	M8552-0-DPS8	D

REV. D
 NUMBER CS M8552-0-DPS8
 SIZE D
 D



DTE SLOT LOCATIONS

TYPE	N#	SLOT
SINGLE	1	2AF04
	1	2AF02
MULTIPLE	2	2AF04
	3	2AF07
	4	2AF09
	4	2AF09

"THIS DRAWING AND SPECIFICATIONS, HEREIN, ARE THE PROPERTY OF DIGITAL EQUIPMENT CORPORATION AND SHALL NOT BE REPRODUCED OR COPIED OR USED IN WHOLE OR IN PART AS THE BASIS FOR THE MANUFACTURE OR SALE OF ITEMS WITHOUT WRITTEN PERMISSION. COPYRIGHT © 1977, DIGITAL EQUIPMENT CORPORATION"

REVISIONS

CHK	CHANGE NO.	REV	DATE	BY

W BRUCKERT

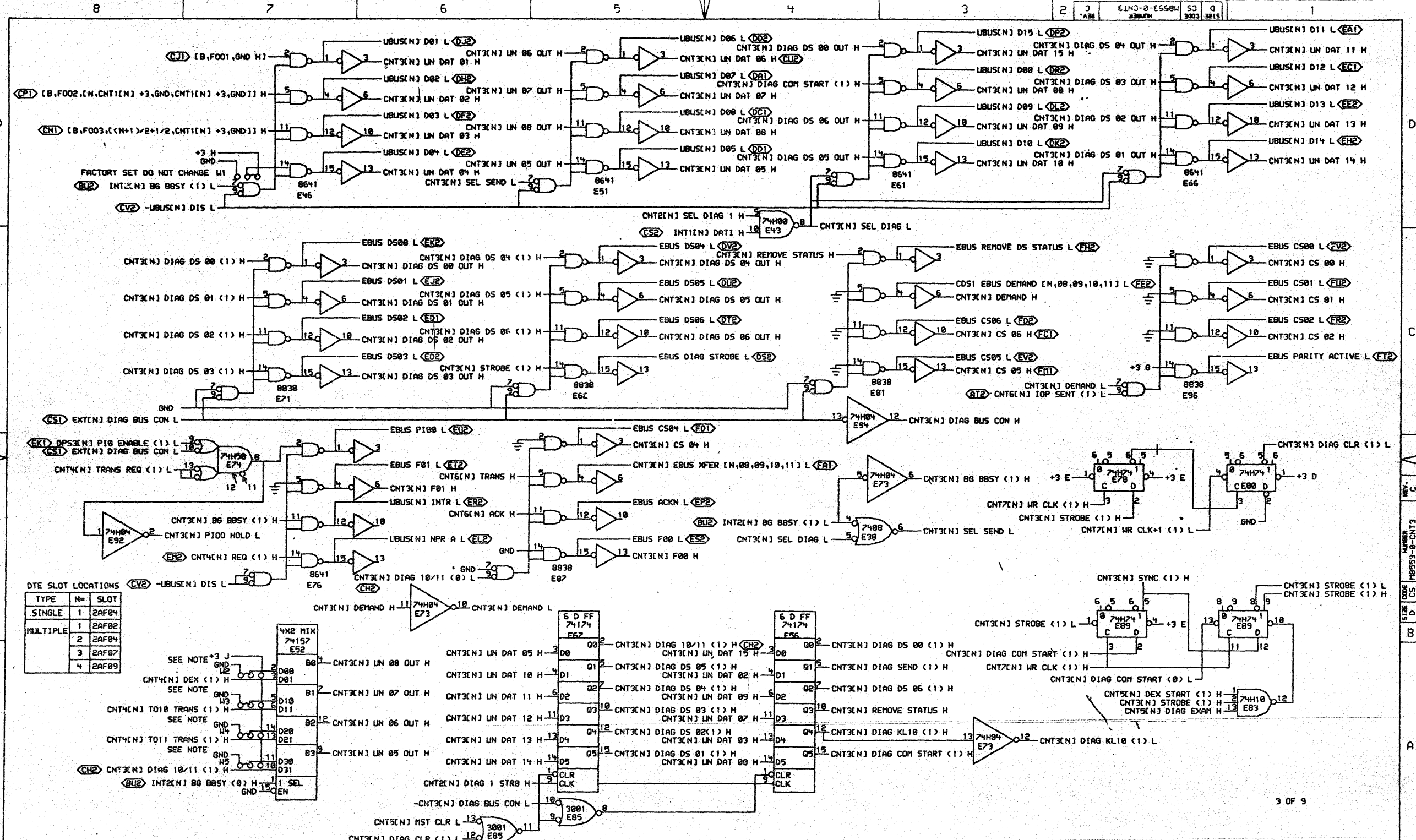
digital

DATE: 02-FEB-77
 DATE: 16-FEB-77
 NEXT HIGHER ASSEMBLY: B-DD-M8553-0

DR: [Signature]
 ENGR: [Signature]
 DATE: 02-FEB-77
 DATE: 16-FEB-77
 NEXT HIGHER ASSEMBLY: B-DD-M8553-0

TITLE: DTE20 CONTROL LOGIC

SIZE CODE: D CS
 NUMBER: M8553-0-CNT1
 REV: C



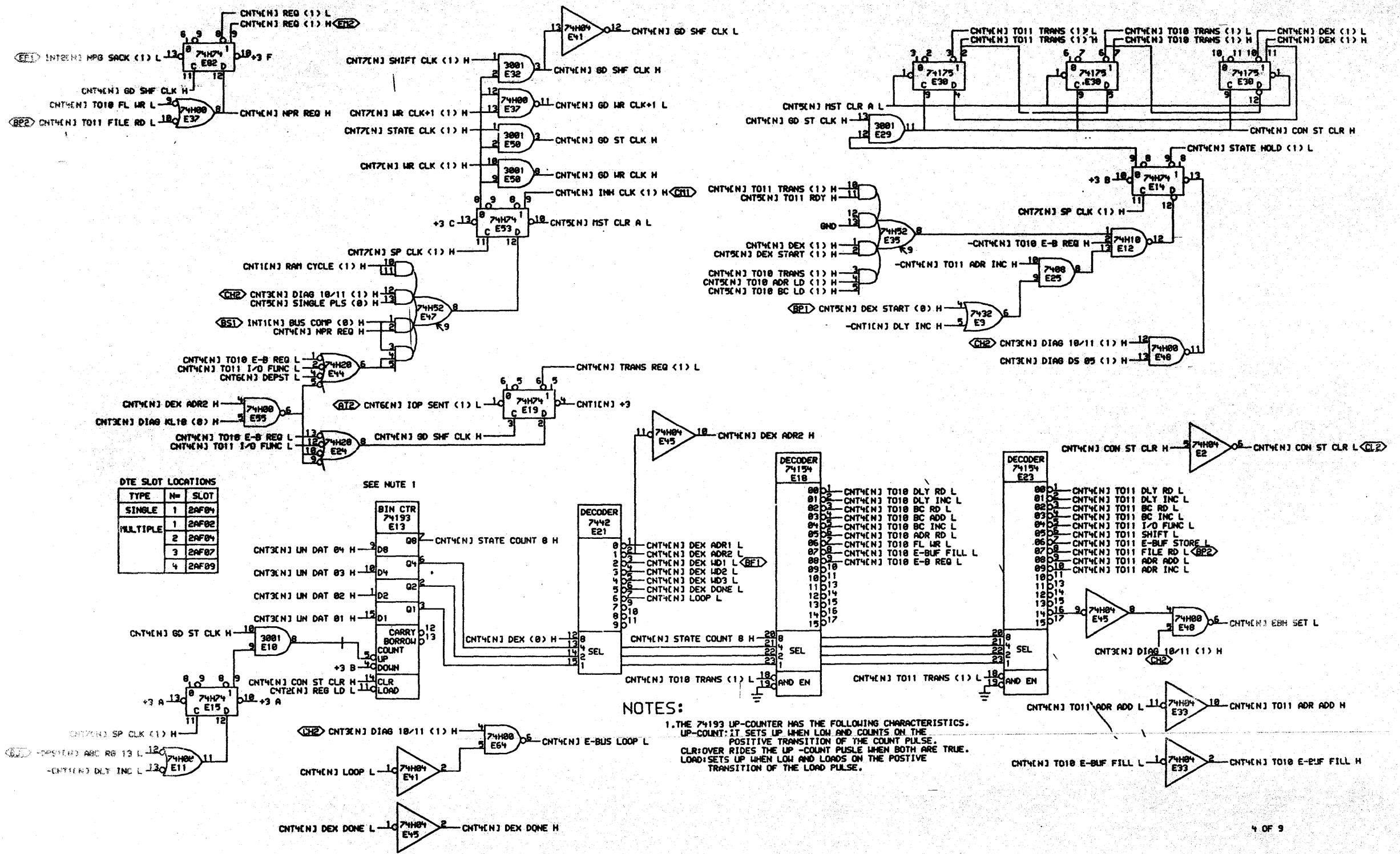
DTE SLOT LOCATIONS

TYPE	N=	SLOT
SINGLE	1	2AF04
MULTIPLE	1	2AF02
	2	2AF04
	3	2AF07
	4	2AF09

THIS DRAWING AND SPECIFICATIONS HEREIN ARE THE PROPERTY OF DIGITAL EQUIPMENT CORPORATION AND SHALL NOT BE REPRODUCED OR COPIED OR USED IN WHOLE OR IN PART AS A BASIS FOR THE MANUFACTURE OR SALE OF ITEMS WITHOUT WRITTEN PERMISSION. COPYRIGHT © 1984, DIGITAL EQUIPMENT CORPORATION.

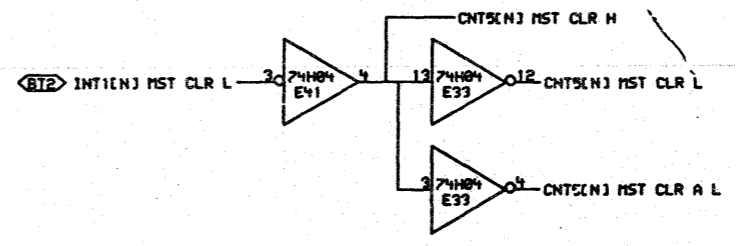
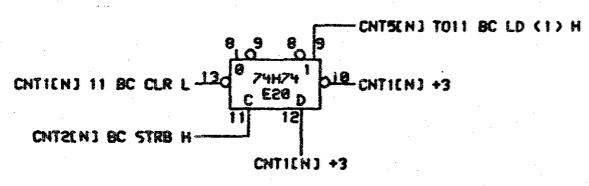
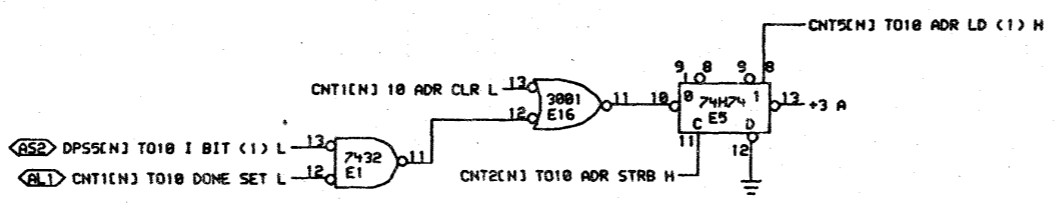
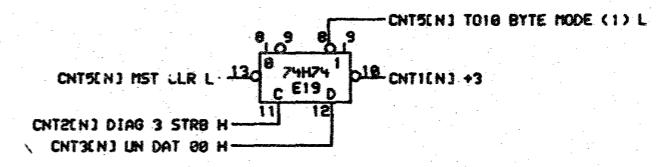
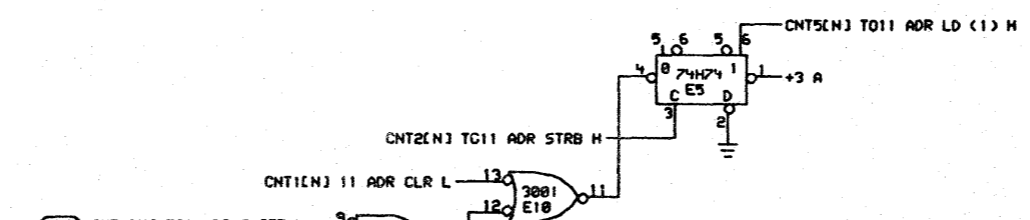
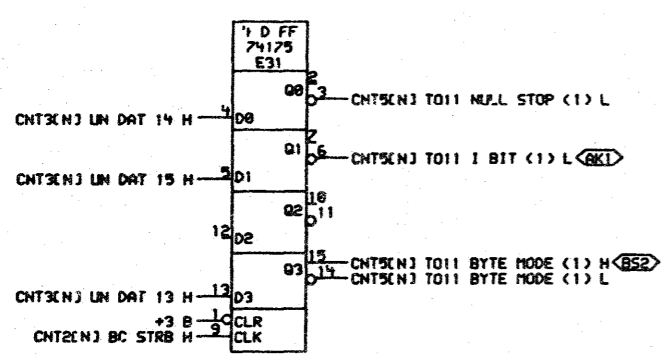
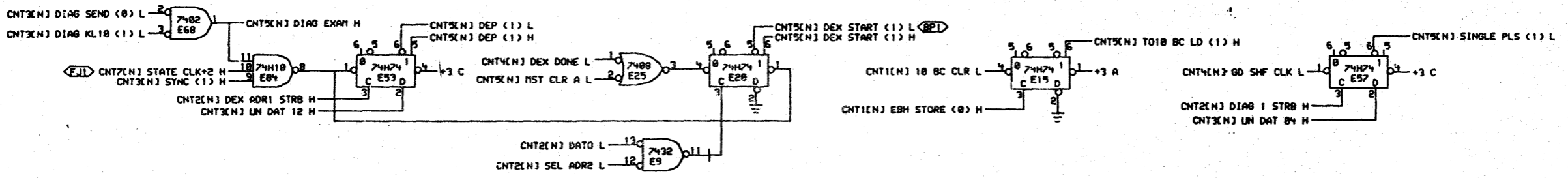
REVISIONS		
CHK	CHANGE NO.	REV

	DRAWN: <i>J. J. J.</i> CHK'D: <i> </i> DATE: 12-28-85	ENG: <i> </i> DATE: BOARD LOCATION: SHEET: 1 OF 1	TITLE: DTE20 CONTROL LOGIC
	PS: <DATE> CNT3EE.DRW [27-NOV-84 10:01] NEXT HIGHER ASSEMBLY: FIRST USED ON OPTION/MODEL: KL10 [8-DO-M8553-0]	SIZE: D CODE: CS	NUMBER: M8553-0-CNT3



NOTES:

- The 74193 UP-COUNTER HAS THE FOLLOWING CHARACTERISTICS.
 UP-COUNT: IT SETS UP WHEN LOW AND COUNTS ON THE POSITIVE TRANSITION OF THE COUNT PULSE.
 CLR: OVER RIDES THE UP-COUNT PULSE WHEN BOTH ARE TRUE.
 LOAD: SETS UP WHEN LOW AND LOADS ON THE POSITIVE TRANSITION OF THE LOAD PULSE.



DTE SLOT LOCATIONS		
TYPE	N#	SLOT
SINGLE	1	2AF04
MULTIPLE	1	2AF02
	2	2AF04
	3	2AF07
	4	2AF09

THIS DRAWING AND SPECIFICATIONS, HEREIN, ARE THE PROPERTY OF DIGITAL EQUIPMENT CORPORATION AND SHALL NOT BE REPRODUCED OR COPIED OR USED IN WHOLE OR IN PART AS THE BASIS FOR THE MANUFACTURE OR SALE OF ITEMS WITHOUT WRITTEN PERMISSION.
COPYRIGHT © 1977, DIGITAL EQUIPMENT CORPORATION

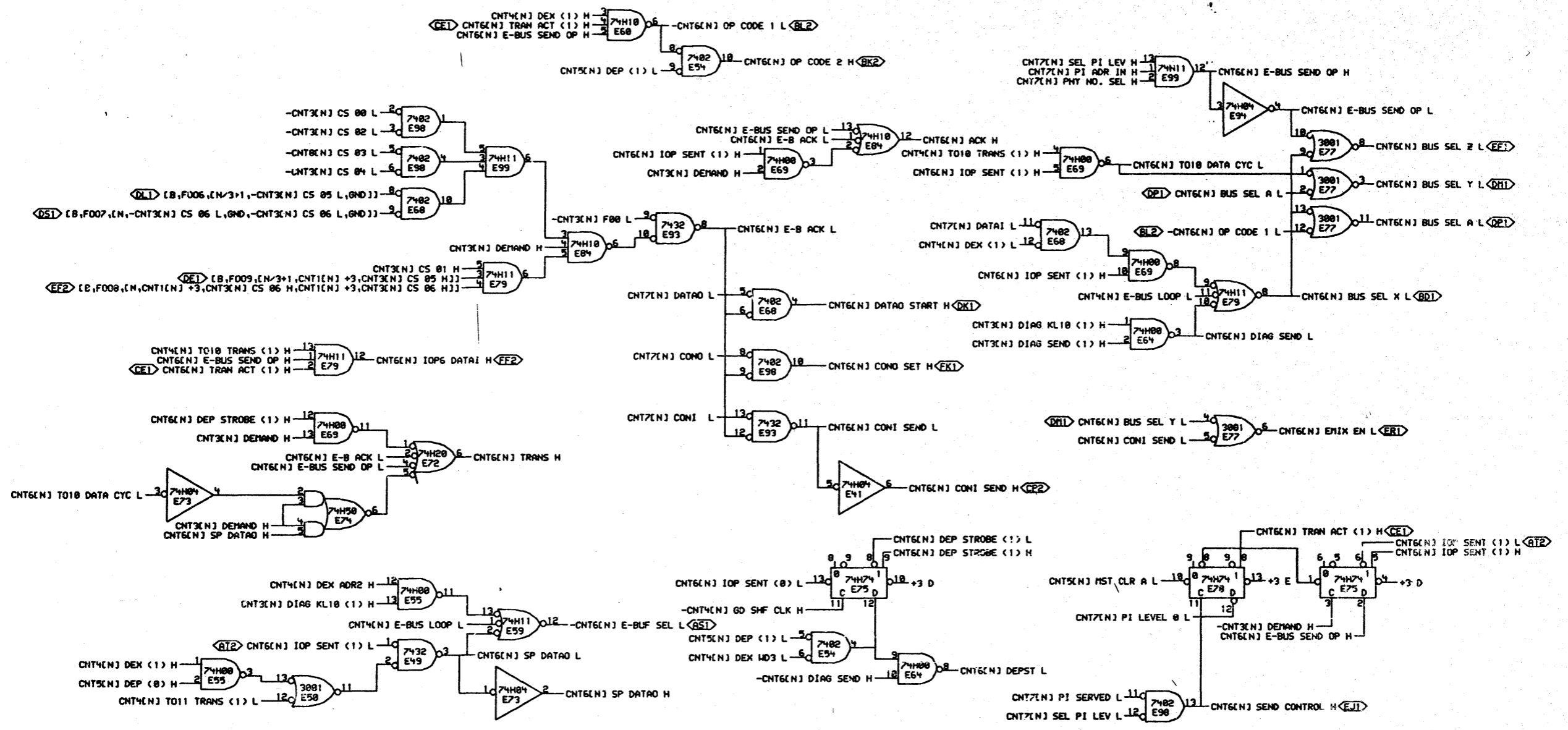
REVISIONS		
CHK	CHANGE NO.	REV

118553-00003	C
74 H. L. W.	4/77
W. BRUCKENT	

digital	DATE 10-FEB-77	ENG. <i>Dr. Bruckent</i>	DATE 23-FEB-77	TITLE: DTE20 CONTROL LOGIC
	DATE 10-FEB-77	BOARD LOCATION		

SIZE	CODE	NUMBER	REV.
D	CS	M8553-0-CNT5	C

REV. C
SITE CODE NUMBER M8553-0-CNT5



DTE SLOT LOCATIONS

TYPE	N#	SLOT
SINGLE	1	2AF04
MULTIPLE	1	2AF02
	2	2AF04
	3	2AF07
	4	2AF09

"THIS DRAWING AND SPECIFICATIONS, HEREIN, ARE THE PROPERTY OF DIGITAL EQUIPMENT CORPORATION AND SHALL NOT BE REPRODUCED OR COPIED OR USED IN WHOLE OR IN PART AS THE BASIS FOR THE MANUFACTURE OR SALE OF ITEMS WITHOUT WRITTEN PERMISSION. COPYRIGHT © 1977, DIGITAL EQUIPMENT CORPORATION"

REVISIONS		
CHK	CHANGE NO.	REV

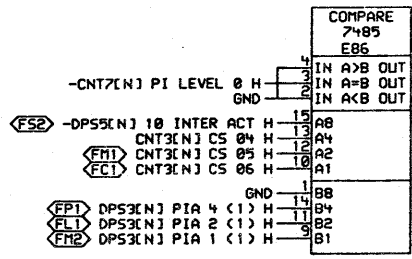
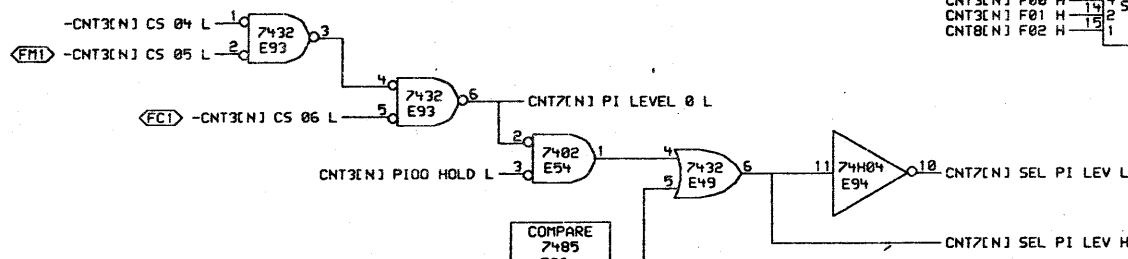
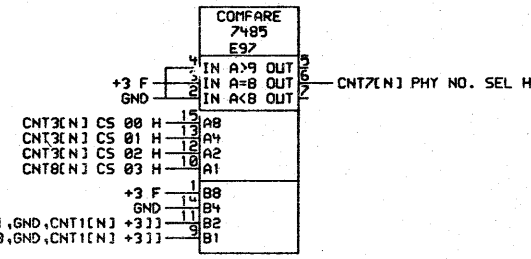
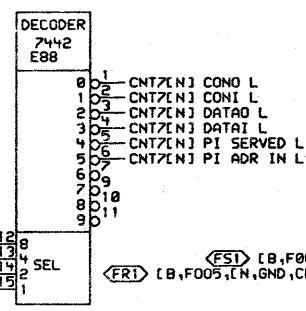
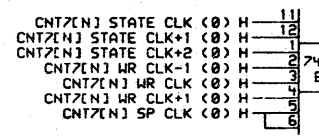
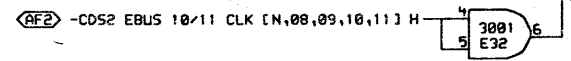
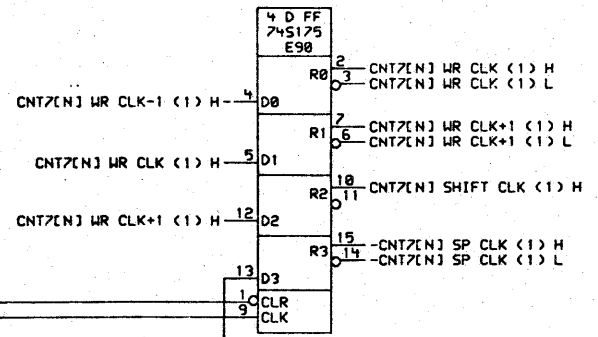
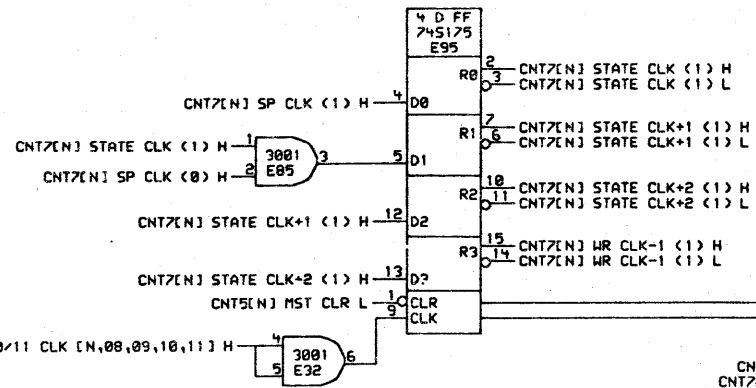
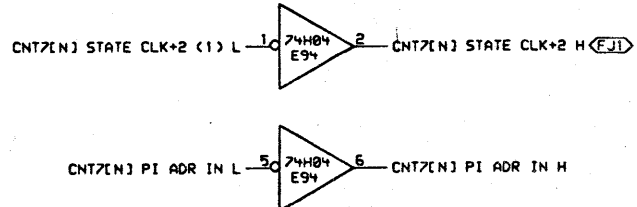
	DATE	10-FEB-77	ENG.	J. J. Brant	DATE	23-FEB-77	TITLE:	DTE20 CONTROL LOGIC	
	DRG.	J. J. Brant	DATE	10-FEB-77	13:41	NEXT HIGHER ASSEMBLY:	B-DD-M8553-0	REV.	C
FIRST USED ON OPTION MODEL:		KL10		SIZE		CODE		D CS M8553-0-CNT6	

D

C

B

A



DTE SLOT LOCATIONS

TYPE	N=	SLOT
SINGLE	1	2AF04
MULTIPLE	1	2AF02
	2	2AF04
	3	2AF07
	4	2AF09

THIS DRAWING AND SPECIFICATIONS ARE THE PROPERTY OF DIGITAL EQUIPMENT CORPORATION AND SHALL NOT BE REPRODUCED OR COPIED OR USED IN WHOLE OR IN PART AS THE BASIS FOR THE MANUFACTURE OR SALE OF ITEMS WITHOUT WRITTEN PERMISSION. COPYRIGHT © 1984, DIGITAL EQUIPMENT CORPORATION.

REVISIONS

CHK	CHANGE NO.	REV

digital DRG. J. J. J. DATE ENG. 27-NOV-84 DATE 15-MS-85 TITLE: DTE20 CONTROL LOGIC

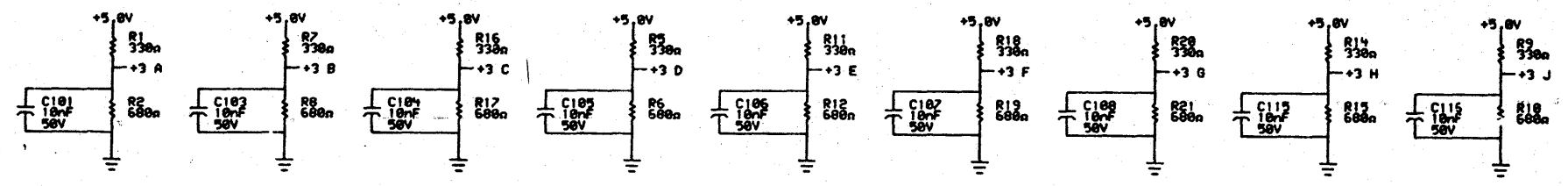
CHK'D. DATE BOARD LOCATION: 3-DE-IV SHEET 1 OF 1

PS: (DAME)CNT7EE.DRW 127-NOV-84 10:03 NEXT HIGHER ASSEMBLY: B-DD-M8553-0

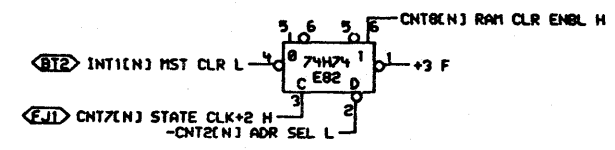
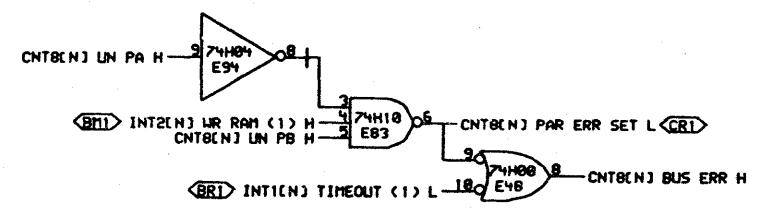
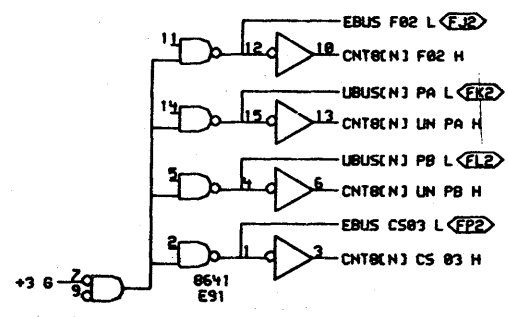
FIRST USED ON OPTION/MODEL: KL10 B-DD-M8553-0

SIZE	CODE	NUMBER	REV.
D	CS	M8553-0-CNT7	C

REV. C
 NUMBER HB553-0-CNT7
 SIZE D
 CS



(B,+3 B, SPARE PAR ERR) (C1)



DTE SLOT LOCATIONS

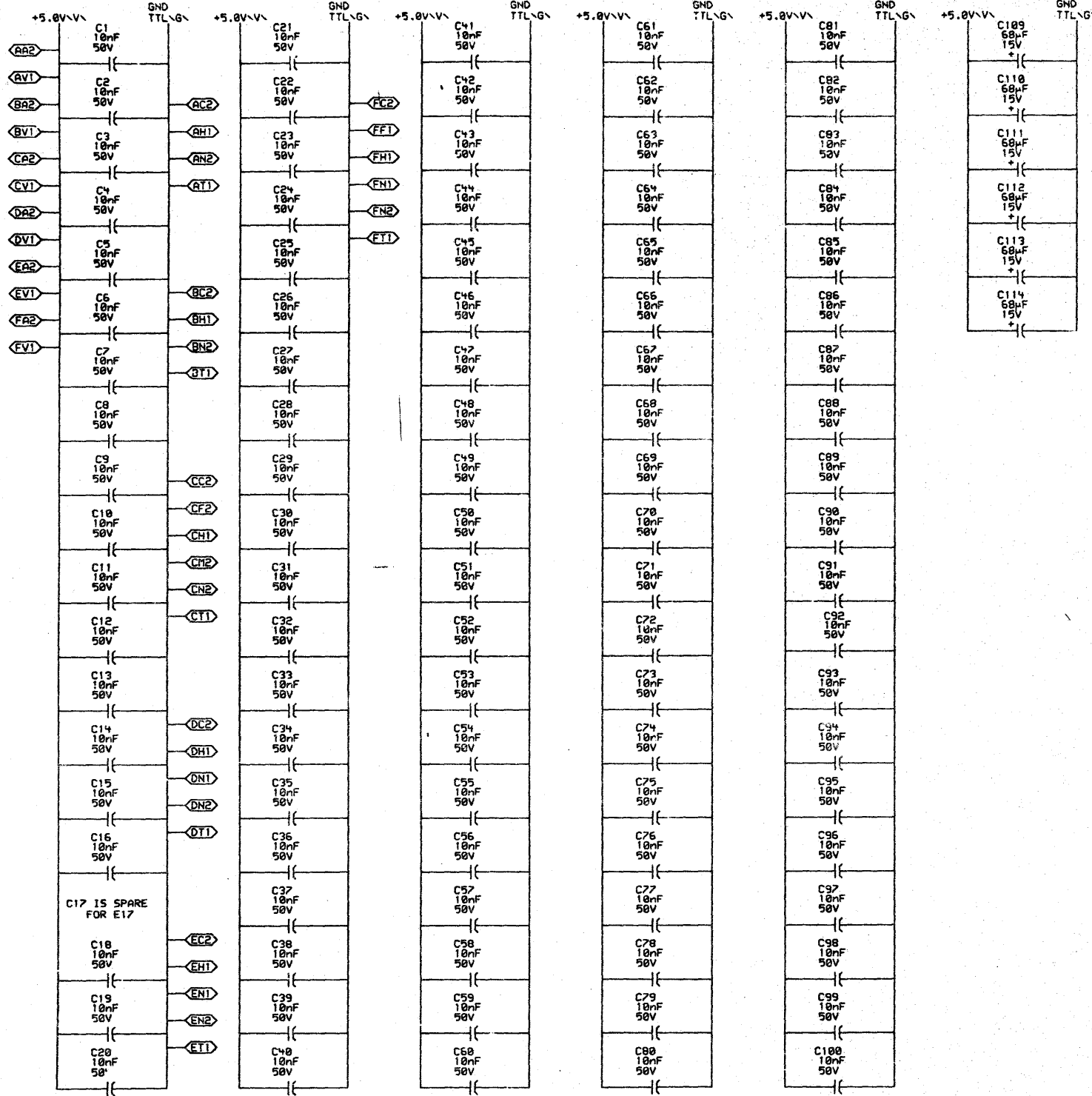
TYPE	N#	SLOT
SINGLE	1	2AF04
MULTIPLE	1	2AF02
	2	2AF04
	3	2AF07
	4	2AF09

THIS DRAWING AND SPECIFICATIONS, HEREIN, ARE THE PROPERTY OF DIGITAL EQUIPMENT CORPORATION AND SHALL NOT BE REPRODUCED OR COPIED OR USED IN WHOLE OR IN PART AS THE BASIS FOR THE MANUFACTURE OR SALE OF ITEMS WITHOUT WRITTEN PERMISSION.
 COPYRIGHT © 1977, DIGITAL EQUIPMENT CORPORATION

REVISIONS		
CHK	CHANGE NO.	REV

M3553-0-0003 D
 W. BRUCKERT
 12/77

digital	DATE	ENG.	DATE	TITLE:
	18-FEB-77	Ch. Bunt	15-FEB-77	DTE20 CONTROL LOGIC
	DATE	BOARD LOCATION:		
	18-FEB-77	13:41		
FIRST USED ON OPTION/MODEL:		NEXT HIGHER ASSEMBLY:		
KL10		B-DD-M8553-0		
SIZE	CODE	NUMBER	REV.	
D	CS	M8553-0-CNT8	D	



- AD2 [B,NC,N,GND,CNT1CN]+3,CNT1CN]+3,GND]]
- AE2 SPARE ADR 00
- DI1 SPARE DATA1 PAR ODD
- EI1 SPARE CAP DATA CLK
- EL1 SPARE ADR PAR ODD
- EN1 SPARE DATA PAR EVEN

- SPARE PIN1 M8553 #N1\#400 [BE1]
- SPARE PIN2 M8553 #N1\#400 [BK1]
- SPARE PIN3 M8553 #N1\#400 [BH1]
- SPARE PIN4 M8553 #N1\#400 [CD1]
- SPARE PIN5 M8553 #N1\#400 [CK1]
- SPARE PIN6 M8553 #N1\#400 [CT1]
- SPARE PIN7 M8553 #N1\#400 [DE1]

- AB2 [B,NC,GND TTL]
- AI1 [B,NC,GND TTL]
- BB2 [B,NC,GND TTL]
- BU1 [B,NC,GND TTL]
- CB2 [B,NC,GND TTL]
- CU1 [B,NC,GND TTL]
- DB2 [B,NC,GND TTL]
- DU1 [B,NC,GND TTL]
- EB2 [B,NC,GND TTL]
- EU1 [B,NC,GND TTL]
- FB2 [B,NC,GND TTL]
- AB1 [B,NC,GND TTL]
- BB1 [B,NC,GND TTL]
- CB1 [B,NC,GND TTL]
- DB1 [B,NC,GND TTL]
- EB1 [B,NC,GND TTL]
- FB1 [B,NC,GND TTL]
- FU1 [B,NC,-5.0V\V]

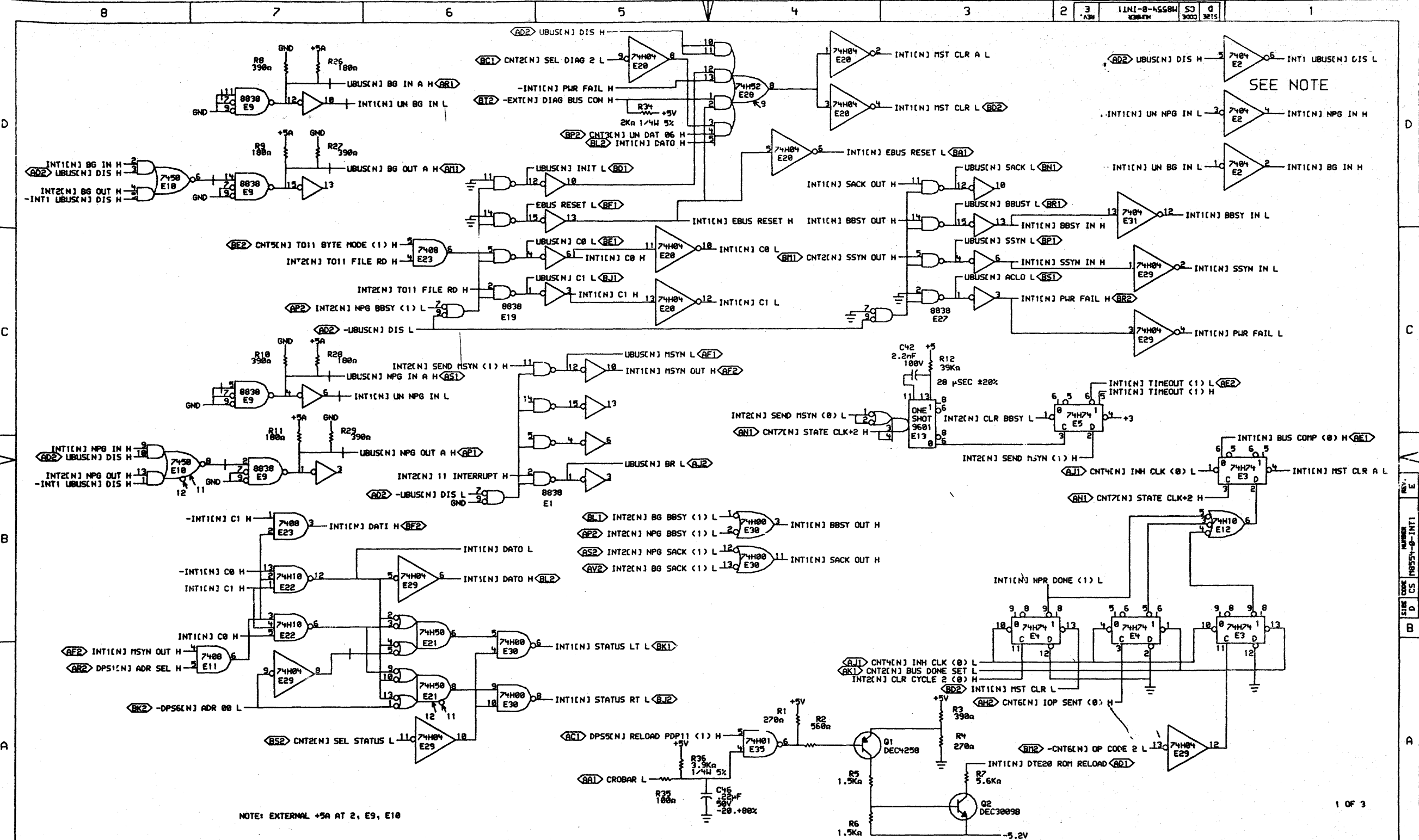
DTE SLOT LOCATIONS

TYPE	N#	SLOT
SINGLE	1	2AF04
MULTIPLE	1	2AF02
	2	2AF04
	3	2AF07
	4	2AF09

THIS DRAWING AND SPECIFICATIONS ARE THE PROPERTY OF DIGITAL EQUIPMENT CORPORATION AND SHALL NOT BE REPRODUCED OR COPIED OR USED IN WHOLE OR IN PART AS THE BASIS FOR THE MANUFACTURE OR SALE OF ITEMS WITHOUT WRITTEN PERMISSION. COPYRIGHT © 1984, DIGITAL EQUIPMENT CORPORATION.

REVISIONS		
CHK	CHANGE NO.	REV

	DRG. <i>J. J. J.</i>	DATE <i>27-NOV-84</i>	ENG. <i>M. K. C.</i>	DATE <i>15-2-85</i>	TITLE: DTE20 CNTRL LOGIC PWR, CAP, AND GND
	CHK'D <i>W. J. J.</i>	DATE <i>12-NOV-84</i>	BOARD LOCATION: <i>B-DD-1</i>	SHEET <i>1</i> OF <i>1</i>	
PS: <NAME>CNT9EE.DRW			127-NOV-84 10:09	NEXT HIGHER ASSEMBLY: <i>B-DD-M8553-0</i>	SIZE CODE NUMBER REV. <i>D CS M8553-0-CNT9 D</i>
FIRST USED ON OPTION/MODEL: <i>KL10</i>					<i>MRC 1</i>



NOTE: EXTERNAL +5A AT 2, E9, E10

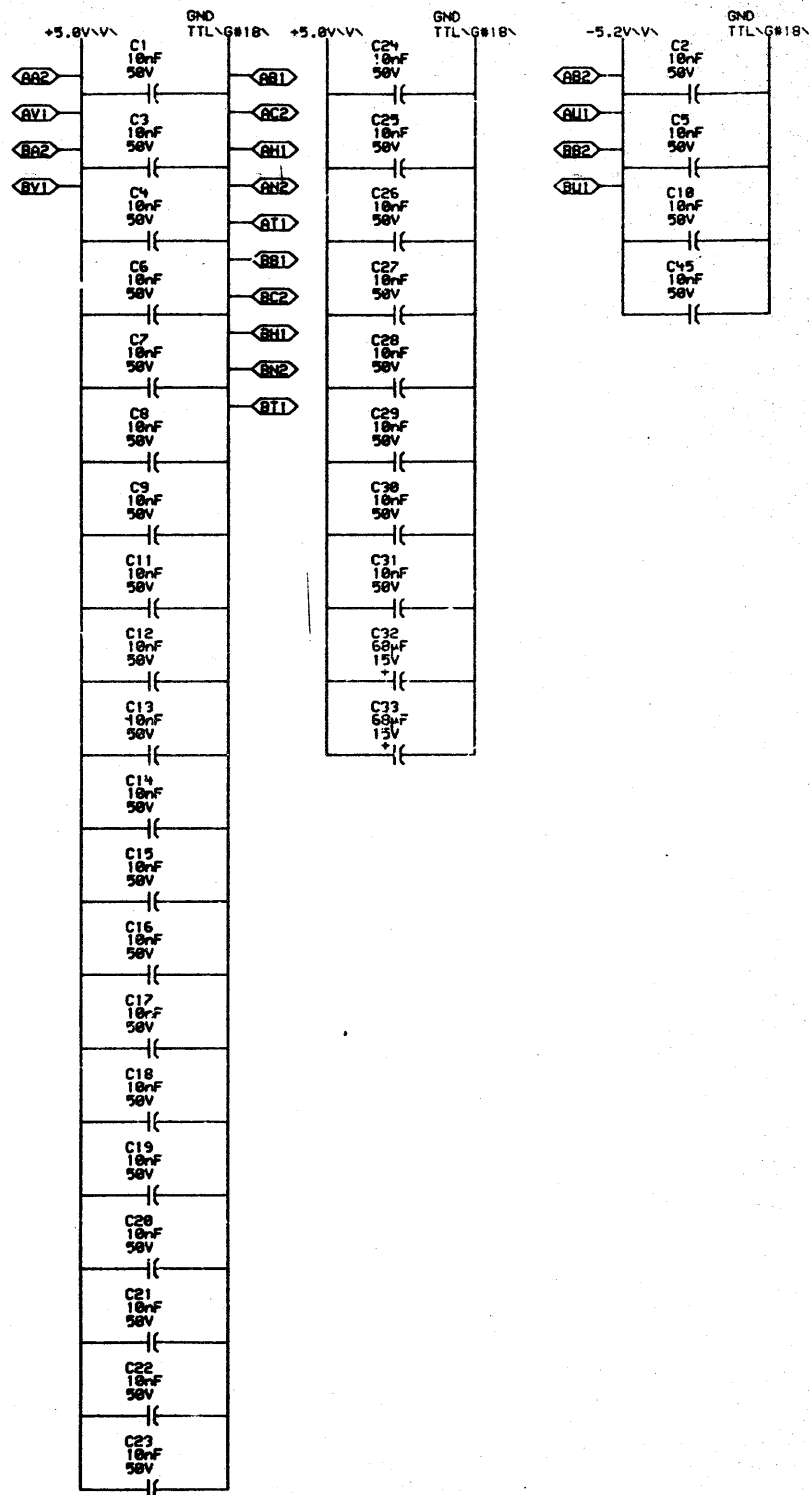
SEE NOTE

THIS DRAWING AND SPECIFICATIONS, HEREIN, ARE THE PROPERTY OF DIGITAL EQUIPMENT CORPORATION AND SHALL NOT BE REPRODUCED OR COPIED OR USED IN WHOLE OR IN PART AS THE BASIS FOR THE MANUFACTURE OR SALE OF ITEMS WITHOUT WRITTEN PERMISSION.
 COPYRIGHT © 1977, DIGITAL EQUIPMENT CORPORATION

REVISIONS	
CHK	CHANGE NO. / REV
	M8554-MR02 E
	BALES
	2/20/77

	DATE: 11-27-77	ENG: J. J. S. / J. S.	DATE: 11-27-77	TITLE: DTE20 UNIBUS INTERRUPT CONTROL	
	CHN: J. J. S. / J. S. DATE: 11-27-77 SHEET: 12 OF 12	BOARD LOCATION: 1 OF 1	NEXT HIGHER ASSEMBLY: B-DD-M8554-0	SIZE CODE: D CS	NUMBER: M8554-0-INT1
INTX.DRL 4.613 11-27-77		FIRST USED ON OPTION/MODEL: KL10			

DATE: 11-27-77	ENG: J. J. S. / J. S.	DATE: 11-27-77	TITLE: DTE20 UNIBUS INTERRUPT CONTROL
CHN: J. J. S. / J. S.	BOARD LOCATION: 1 OF 1	NEXT HIGHER ASSEMBLY: B-DD-M8554-0	SIZE CODE: D CS
INTX.DRL 4.613 11-27-77	FIRST USED ON OPTION/MODEL: KL10		



- SPARE PIN1 M8554 #CNJ <BB2>
- SPARE PIN2 M8554 #CNJ <AH2>
- SPARE PIN3 M8554 #CNJ <BU2>
- SPARE PIN4 M8554 #CNJ <BV2>

*THIS DRAWING AND SPECIFICATIONS, HEREIN, ARE THE PROPERTY OF DIGITAL EQUIPMENT CORPORATION AND SHALL NOT BE REPRODUCED OR COPIED OR USED IN WHOLE OR IN PART AS THE BASIS FOR THE MANUFACTURE OR SALE OF ITEMS WITHOUT WRITTEN PERMISSION.
 COPYRIGHT © 1977, DIGITAL EQUIPMENT CORPORATION*

REVISIONS		
CHK	CHANGE NO.	REV
	2	1
	3	1
	4	1
	5	1
	6	1
	7	1
	8	1

DATE	31-OCT-77	ENG.	<i>John Smith</i>	DATE	1-20-77
DATE		BOARD LOCATION		SHEET	1 OF 1
INT 3EX.DRW 4.6151		31-OCT-77 11:39	NEXT HIGHER ASSEMBLY:	SIZE	D
FIRST USED ON OPTION/MODEL:		KL10	B-DD-M8554-0	CODE	CS

digital	DATE	31-OCT-77	ENG.	<i>John Smith</i>	DATE	1-20-77	TITLE: UNIBUS INTERRUPT POWER AND GROUND
	DATE		BOARD LOCATION		SHEET	1 OF 1	
INT 3EX.DRW 4.6151	31-OCT-77 11:39	NEXT HIGHER ASSEMBLY:	B-DD-M8554-0	SIZE	D	CODE	CS
FIRST USED ON OPTION/MODEL:	KL10			NUMBER	M8554-0-INT3	REV.	C

THIS DRAWING AND THE SPECIFICATIONS CONTAINED HEREIN ARE CONFIDENTIAL AND PROPRIETARY. THEY ARE THE PROPERTY OF DIGITAL EQUIPMENT CORPORATION AND SHALL NOT BE REPRODUCED OR COPIED OR USED IN WHOLE OR IN PART AS THE BASIS FOR MANUFACTURING OR SALE OF ITEMS WITHOUT WRITTEN PERMISSION. THIS IS AN UNPUBLISHED WORK PROTECTED UNDER THE FEDERAL COPYRIGHT LAWS.

DRAWING DIRECTORY

FOR FIELD MAINTENANCE PRINT SET REFER TO K-TC-DL11-0-6

UNIT VARIATIONS

VARIATION	TITLE
DL11-M	M7800 RS232 FULL MODEM CONTROL, EIA, ASYNC
DL11-N	M7856 RS232/20 MA LIMITED MODEM CONTROL
DL11-AP	SYSTEM INTEGRATED DL11-M
DL11-DP	SYSTEM INTEGRATED DL11-N RS232
DL11-HP	SYSTEM INTEGRATED DL11-N 20 MA

REVISION HISTORY

USED ON OPTION/MODEL

ENG ECO NUMBER REV

ML DL11-MK011 M

DL11

RESPONSIBLE ENGR. : M. LAWRENCE

DATE : 9-Dec-83 *R. Bergeron*

MADE BY : R. ROBICHAUD

DATE : 28 NOV 83

CHECKED BY : J. FALKOWSKI

DATE : 9 DEC 83 *John Falkowski*

DESIGN ENGINEER : R. BERGERON

DATE : 9-Dec-83 *R. Bergeron*

PRODUCTION ENGR. : RADAMES GARCIA

DATE : 9-Dec-83 *Radames Garcia*

d i g i t a l

TITLE: DRAWING DIRECTORY

DL11

SIZE	CODE	DOCUMENT NUMBER	REV.
K	DD	DL11-0	M

SHEET 1 OF 2

MK

F
I
N
D

T
Y
P
E

F
I
N
D

T
Y
P
E

#	DRAWING NUMBER	DESCRIPTION	T Y P E	#	DRAWING NUMBER	DESCRIPTION	T Y P E
1	MP00968-01	F.M.P.S. DL11 (MP)	-				
	K-TC-DL11-0-6	F.M.P.S. DL11 (TC)	-				
	K-PL-DL11-0-0	DL11 OPTION	E/M				
	K-AR-CKCKREF-0-0	FLEXIBLE OPTION PLAN	-				
2	E-CS-M7800-0-1	ASYNCHRONOUS LINE INTERFACE	E/M				
	K-PL-M7800-0-DBP	ASYNCHRONOUS LINE INTERFACE	E/M				
	K-CO-M7800-0-4	X-Y COORDINATE HOLE LAYOUT	-				
	D-AH-M7800-0-5	ASSY DRILLING/HOLE LOCATION	E/M				
	B-MH-M7800-0-6	MODULE ECO HISTORY	-				
	B-SP-M7800-0-7	LA-2335 TEST PROCEDURE	-				
	A-SP-M7800-0-8	M7800 MODULE TEST PROCEDURE	-				
3	B-DD-M7856-0	SLU/RTC MDULE	-				
4	K-DD-CKDL11-0	CKDL11 DRAWING DIRECTORY	-				
5	K-PL-7020866-0-0	SHIPPING LIST DL11	-				

PARTS LIST

AUTOMATED BY PRTLST.40(50)

LINE ITEM	TOP DOCUMENT	PART NUMBER	MIN REV	DESCRIPTION	QTY PER VARIATION				
					M	N	AP	DP	HP
1	E-CS-M7800-0-1	M7800-00		ASYNCHRONOUS LINE INTERFACE	1	-	1	-	-
2	D-UA-M7856-0-0	M7856-00		DL11-W SLU/RTC OPT QUAD	-	1	-	1	1
3		1318784-00		R NETWORK MULTI-VALUE 16PIN	1	1	1	1	1
4	K-PL-CKDL11-0-0	CKDL11 -00		CABKIT REF TO K-AR-CKCKREF-0-0	-	-	1	1	1
5	K-PL-7020866-0-0	7020866-01		SHIPPING LIST DL11-M	A/R	-	-	-	-
6	K-PL-7020866-0-0	7020866-02		SHIPPING LIST DL11-N	-	A/R	-	-	-

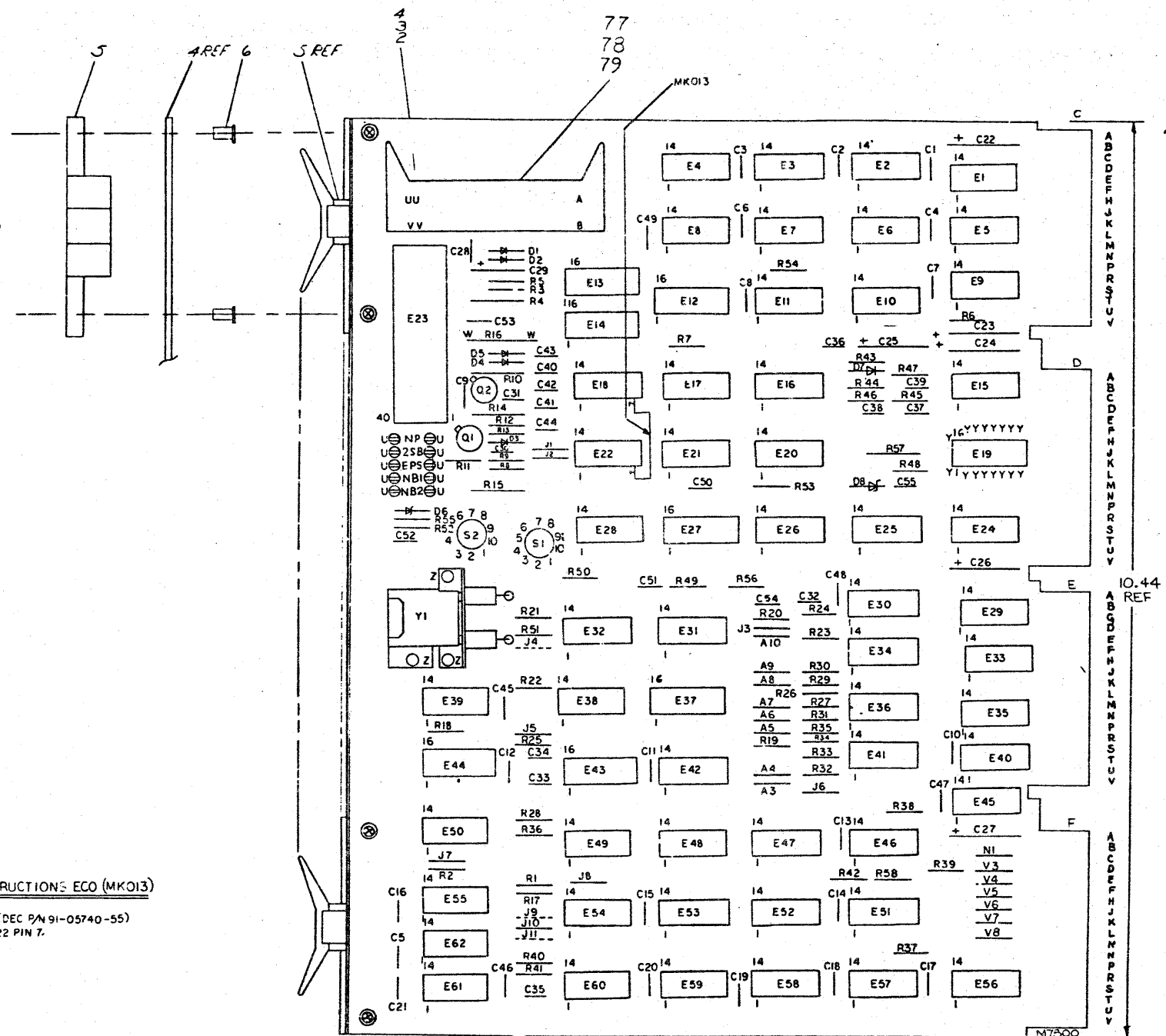
7 NOTE: CKDL11-00 IS A REFERENCE VARIANT ONLY,SEE K-AR-CKCKREF-0-0 FOR EXACT APPLICATION.

REVISION HISTORY		BASIC PART NO: DL11		DRN: R,ROBICHAUD	DATE: 21-NOV-83	DIGITAL			
ENG	ECO NUMBER	REV	SECTION A OF A			TITLE		PARTS LIST	
PL	DL11-MK011	J	SECTION,VARIATION INDEX	CHK'D: <i>J. Falkowski</i>	DATE: 9 DEC 83	DL11 OPTION			
			(A)M ,N ,AP,DP,HP						
			(B)	DES.ENG: <i>R. Bergeron</i>	DATE: 9 Dec 83	DOCUMENT NUMBER			
			(C)	RESP.ENG.: <i>R. Bergeron</i>	DATE: 21-NOV-83	SIZE	CODE	NUMBER	REV
			(D)	M.LAWRENCE	DATE: 21-NOV-83	K	PL	DL11-0-0	J
			(E)	MFG.ENG.: <i>Radames Garcia</i>	DATE: 9-DEC-83	RELEASE DATE:			
			(F)	ASSEMBLY NUMBER:	TOP DOCUMENT NUMBER:	FILE NAME:		EDIT #	
					SK-DD-DL11-0	MK0939.PLS		7	

"THIS DRAWING AND THE SPECIFICATIONS CONTAINED HEREIN ARE CONFIDENTIAL AND PROPRIETARY. THEY ARE THE PROPERTY OF DIGITAL EQUIPMENT CORPORATION AND SHALL NOT BE REPRODUCED OR COPIED OR USED IN WHOLE OR IN PART AS THE BASIS FOR THE MANUFACTURE OR SALE OF ITEMS WITHOUT WRITTEN PERMISSION, THIS IS AN UNPUBLISHED WORK PROTECTED UNDER THE FEDERAL COPYRIGHT LAWS."

LMK

NOTES:
 1.) PIN NOTATION THROUGHOUT IS ORDERED UPON MODULE PLACEMENT IN THE SYSTEM UNIT. MODULE REFERENCE ALONE IS OBTAINED BY CONVERTING THE FIRST LETTER ACCORDING TO THE PIN NOMENCLATURE CHART AT THE LEFT.
 2.) NUMBERS TO BE USED AT CONNECTIONS A3-A10, J1-J10, V3-V8, AND N1.
 3.) LETTERS ENCLOSED IN PARENTHESIS REFER TO PINS ON THE BERG CONNECTOR. EXAMPLE: (X1).



PIN NOMENCLATURE
 MODULE SYSTEM UNIT

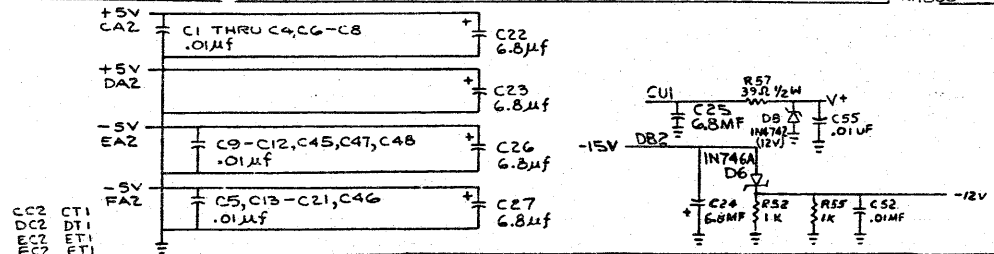
- DEC B6403 WERE PHASED IN AS DEC 380 REPLACEMENTS ANY 380 FAILURES SHOULD BE REPLACED BY B640'S EXCEPT E28. E28 MUST BE REPLACED WITH J380
- FOR VC VERSION, C36 VALUE IS 1200PF.

YC	QTY	REF DESIGNATION	DESCRIPTION	PART NO.	ITEM NO.
1	1	E28	IC DEC 7380	1910330	54
1	1		LATCH RIGHT	1209941-04	79
1	1		LATCH LEFT	1209941-03	77
1	1		CONNECTOR BERG	1209941-02	78
1	1		INSULATED JUMPER	9009185	76
1	0	C36	CAP 1200 PF, 100V, 5%	1002424	75
1	1		WIRE #22.50/10 BUS	9107540-01	74
1	1		RES 39, 1/4W, 5%	1302336	73
1	1		DIODE 1N422, 12V, 10%, 1W, ZENKER	1101525	72
1	1		INT WASHER #2	9006631	71
1	1		IC DEC 74161	1910650	70
1	1		NUT, HEX #2	9006555	69
1	1		SCR PHL PAN HDR 256X1V16	9006555	68
1	1		AUGAT B000 PG-1	1202812	67
1	1		DIODE 1N4001	1100114	66
1	1		DIODE 1N4001	1100114	65
1	1		TRANSISTOR 2N3638	1103404-01	64
1	1		CAP 100PF 100V 5% 10000016	10000016	63
1	1		CAP 100PF 100V 5% 10000016	10000016	62
1	1		CAP 100PF 100V 5% 10000016	10000016	61
1	1		CAP 100PF 100V 5% 10000016	10000016	60
1	1		CAP 100PF 100V 5% 10000016	10000016	59
1	1		CAP 100PF 100V 5% 10000016	10000016	58
1	1		CAP 100PF 100V 5% 10000016	10000016	57
1	1		CAP 100PF 100V 5% 10000016	10000016	56
1	1		CAP 100PF 100V 5% 10000016	10000016	55
1	1		CAP 100PF 100V 5% 10000016	10000016	54
1	1		CAP 100PF 100V 5% 10000016	10000016	53
1	1		CAP 100PF 100V 5% 10000016	10000016	52
1	1		CAP 100PF 100V 5% 10000016	10000016	51
1	1		CAP 100PF 100V 5% 10000016	10000016	50
1	1		CAP 100PF 100V 5% 10000016	10000016	49
1	1		CAP 100PF 100V 5% 10000016	10000016	48
1	1		CAP 100PF 100V 5% 10000016	10000016	47
1	1		CAP 100PF 100V 5% 10000016	10000016	46
1	1		CAP 100PF 100V 5% 10000016	10000016	45
1	1		CAP 100PF 100V 5% 10000016	10000016	44
1	1		CAP 100PF 100V 5% 10000016	10000016	43
1	1		CAP 100PF 100V 5% 10000016	10000016	42
1	1		CAP 100PF 100V 5% 10000016	10000016	41
1	1		CAP 100PF 100V 5% 10000016	10000016	40
1	1		CAP 100PF 100V 5% 10000016	10000016	39
1	1		CAP 100PF 100V 5% 10000016	10000016	38
1	1		CAP 100PF 100V 5% 10000016	10000016	37
1	1		CAP 100PF 100V 5% 10000016	10000016	36
1	1		CAP 100PF 100V 5% 10000016	10000016	35
1	1		CAP 100PF 100V 5% 10000016	10000016	34
1	1		CAP 100PF 100V 5% 10000016	10000016	33
1	1		CAP 100PF 100V 5% 10000016	10000016	32
1	1		CAP 100PF 100V 5% 10000016	10000016	31
1	1		CAP 100PF 100V 5% 10000016	10000016	30
1	1		CAP 100PF 100V 5% 10000016	10000016	29
1	1		CAP 100PF 100V 5% 10000016	10000016	28
1	1		CAP 100PF 100V 5% 10000016	10000016	27
1	1		CAP 100PF 100V 5% 10000016	10000016	26
1	1		CAP 100PF 100V 5% 10000016	10000016	25
1	1		CAP 100PF 100V 5% 10000016	10000016	24
1	1		CAP 100PF 100V 5% 10000016	10000016	23
1	1		CAP 100PF 100V 5% 10000016	10000016	22
1	1		CAP 100PF 100V 5% 10000016	10000016	21
1	1		CAP 100PF 100V 5% 10000016	10000016	20
1	1		CAP 100PF 100V 5% 10000016	10000016	19
1	1		CAP 100PF 100V 5% 10000016	10000016	18
1	1		CAP 100PF 100V 5% 10000016	10000016	17
1	1		CAP 100PF 100V 5% 10000016	10000016	16
1	1		CAP 100PF 100V 5% 10000016	10000016	15
1	1		CAP 100PF 100V 5% 10000016	10000016	14
1	1		CAP 100PF 100V 5% 10000016	10000016	13
1	1		CAP 100PF 100V 5% 10000016	10000016	12
1	1		CAP 100PF 100V 5% 10000016	10000016	11
1	1		CAP 100PF 100V 5% 10000016	10000016	10
1	1		CAP 100PF 100V 5% 10000016	10000016	9
1	1		CAP 100PF 100V 5% 10000016	10000016	8
1	1		CAP 100PF 100V 5% 10000016	10000016	7
1	1		CAP 100PF 100V 5% 10000016	10000016	6
1	1		CAP 100PF 100V 5% 10000016	10000016	5
1	1		CAP 100PF 100V 5% 10000016	10000016	4
1	1		CAP 100PF 100V 5% 10000016	10000016	3
1	1		CAP 100PF 100V 5% 10000016	10000016	2
1	1		CAP 100PF 100V 5% 10000016	10000016	1

REWORK INSTRUCTIONS ECO (MK013)

WIRE ADD:
 ADD 30 GAUGE WIRE (DEC PN 91-05740-55)
 FROM E18 PIN 7 TO E22 PIN 7.

DEC	TYPE	QTY	REF	DESCRIPTION
DEC 74161	B	16		
DEC 1400	7	14	1	
DEC UART	3	1	2	
DEC 74175	B	16		
DEC 8271	B	16		
DEC 7442	B	16		
DEC 314	1	8		
DEC 7493	10	5		
DEC 7492	10	5		
DEC 74153	B	16		
DEC B640	1	8		
DEC 7490	10	5		
DEC 74123	B	16		

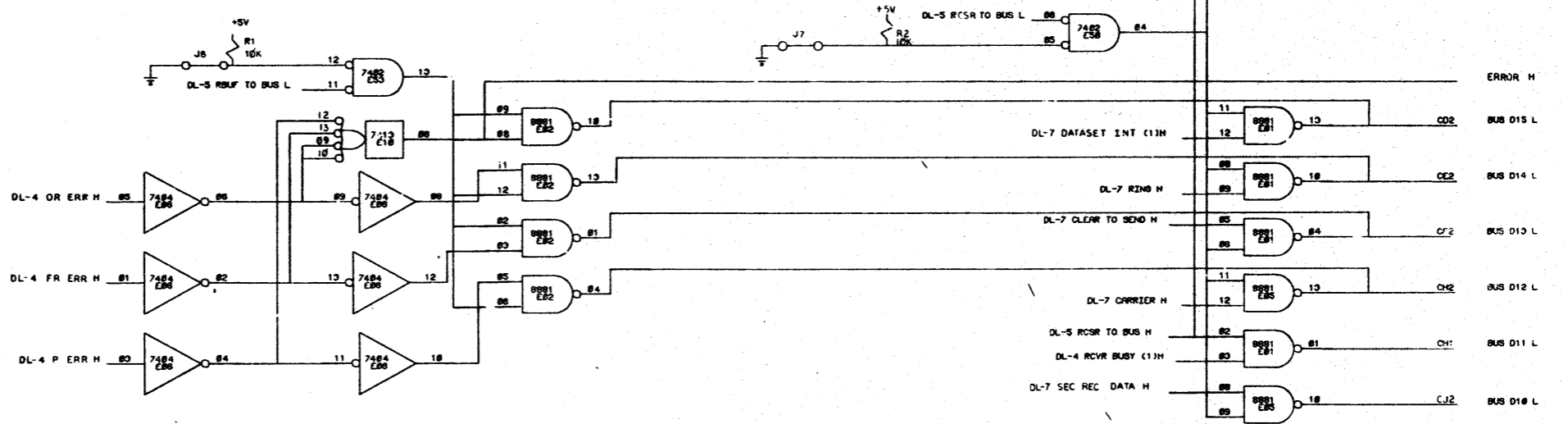
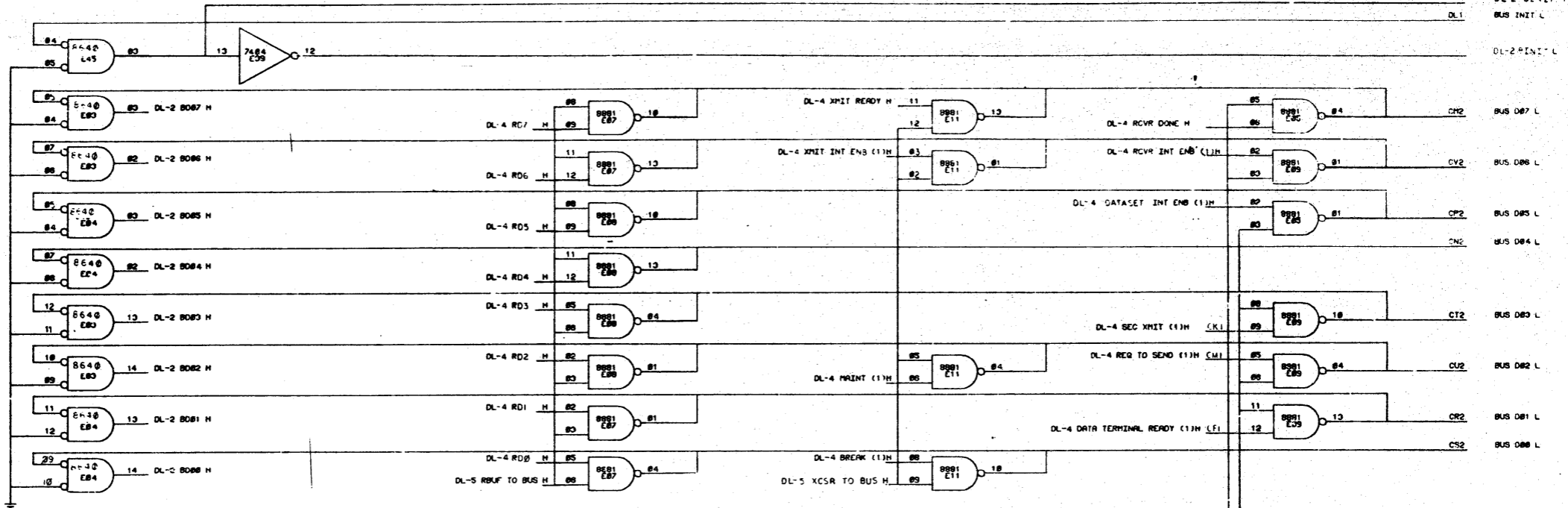


REF	DESCRIPTION	QTY	REF	DESCRIPTION	QTY
C1	THRU C4, C6-C8		C22	6.8µf	
C9	C12, C45, C47, C48		C23	6.8µf	
C5	C13-C21, C46		C26	6.8µf	
C24	6.8µf		C27	6.8µf	

ETCH BOARD REV	W	PARTS LIST	EQUIPMENT CORPORATION
G534D	MPS6639	ASYNCHRONOUS LINE INTERFACE	
0664	1N3634		
0664	1N3634		

END AND 5V ARE USUALLY PIN 7 AND 14 RESPECTIVELY EXCEPT AS STATED ABOVE

This drawing and specifications are the property of Digital Equipment Corporation and shall not be reproduced or copied in whole or in part or the same for the reproduction or use of items without written permission. UNITS DIGITAL EQUIP CO. 27



REVISIONS		
CHK.	CHANGE NO.	REV.

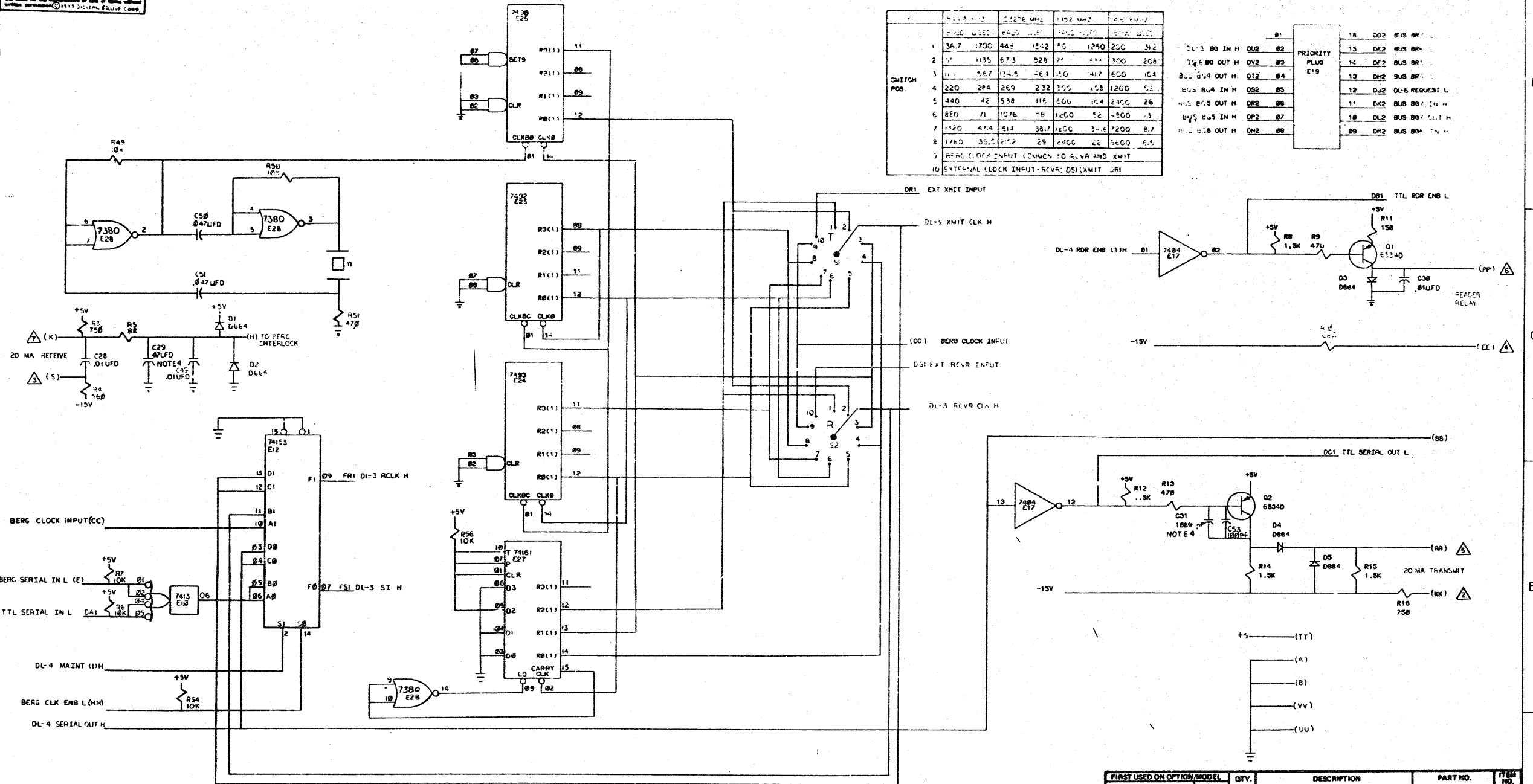
FIRST USED ON OPTI/MODEL	QTY.	DESCRIPTION	PART NO.	ITEM NO.									
DL11													
UNLESS OTHERWISE SPECIFIED DIMENSION IN INCHES TOLERANCES													
DECIMALS	ANGLES	PARTS LIST											
.XXX - .005	20° 30'	<table border="1"> <tr> <td>DATE</td> <td>3-20-72</td> <td rowspan="4"> digital EQUIPMENT CORPORATION MAYNARD MASSACHUSETTS </td> </tr> <tr> <td>DATE</td> <td>2-17-72</td> </tr> <tr> <td>DATE</td> <td>4-27-72</td> </tr> <tr> <td>DATE</td> <td>4-27-72</td> </tr> </table>			DATE	3-20-72	digital EQUIPMENT CORPORATION MAYNARD MASSACHUSETTS	DATE	2-17-72	DATE	4-27-72	DATE	4-27-72
DATE	3-20-72				digital EQUIPMENT CORPORATION MAYNARD MASSACHUSETTS								
DATE	2-17-72												
DATE	4-27-72												
DATE	4-27-72												
REMOVE BURRS AND BREAK SHARP CORNERS SURFACE QUALITY		TITLE	ASYNCHRONOUS LINE INTERFACE (BUS RECEIVERS & DRIVERS) DL-2										
MATERIAL	NEXT HIGHER ASSY.	SCALE	DCS										
FINISH		SHEET	M7800-0-1										
		OF	R										

The drawing and specifications herein are the property of Digital Equipment Corporation and shall not be reproduced or copied in whole or in part, or any part thereof, for the manufacture or sale of items, without written permission of Digital Equipment Corp.

SEE NOTE 3

SWITCH POS.	115.2 MHz	115.2 MHz	115.2 MHz	115.2 MHz
1	36.7	1700	44.2	12.02
2	113.5	67.3	92.8	7.5
3	5.67	124.5	46.1	15.0
4	220	24.4	26.9	2.32
5	140	42	53.8	11.6
6	880	71	107.6	5.8
7	1120	47.4	61.1	38.7
8	1760	35.5	21.2	2.9
9	REAR CLOCK INPUT COMMON TO RCVR AND XMIT			
10	EXTERNAL CLOCK INPUT-RCVR; DS1; XMIT; JRI			

DL-3	DL-2	DL-1	DL-6	DL-5	DL-4	DL-3	DL-2	DL-1
18	DO2	BUS BR	13	DE2	BUS BR	14	DF2	BUS BR
15	DE2	BUS BR	12	DO2	DL-6 REQUEST L	13	DK2	BUS BR
16	DF2	BUS BR	11	DK2	BUS BR	10	DL2	BUS BR
17	DO2	BUS BR	9	DE2	BUS BR	8	DF2	BUS BR
18	DO2	BUS BR	7	DE2	BUS BR	6	DF2	BUS BR
19	DO2	BUS BR	5	DE2	BUS BR	4	DF2	BUS BR
20	DO2	BUS BR	3	DE2	BUS BR	2	DF2	BUS BR
21	DO2	BUS BR	1	DE2	BUS BR			

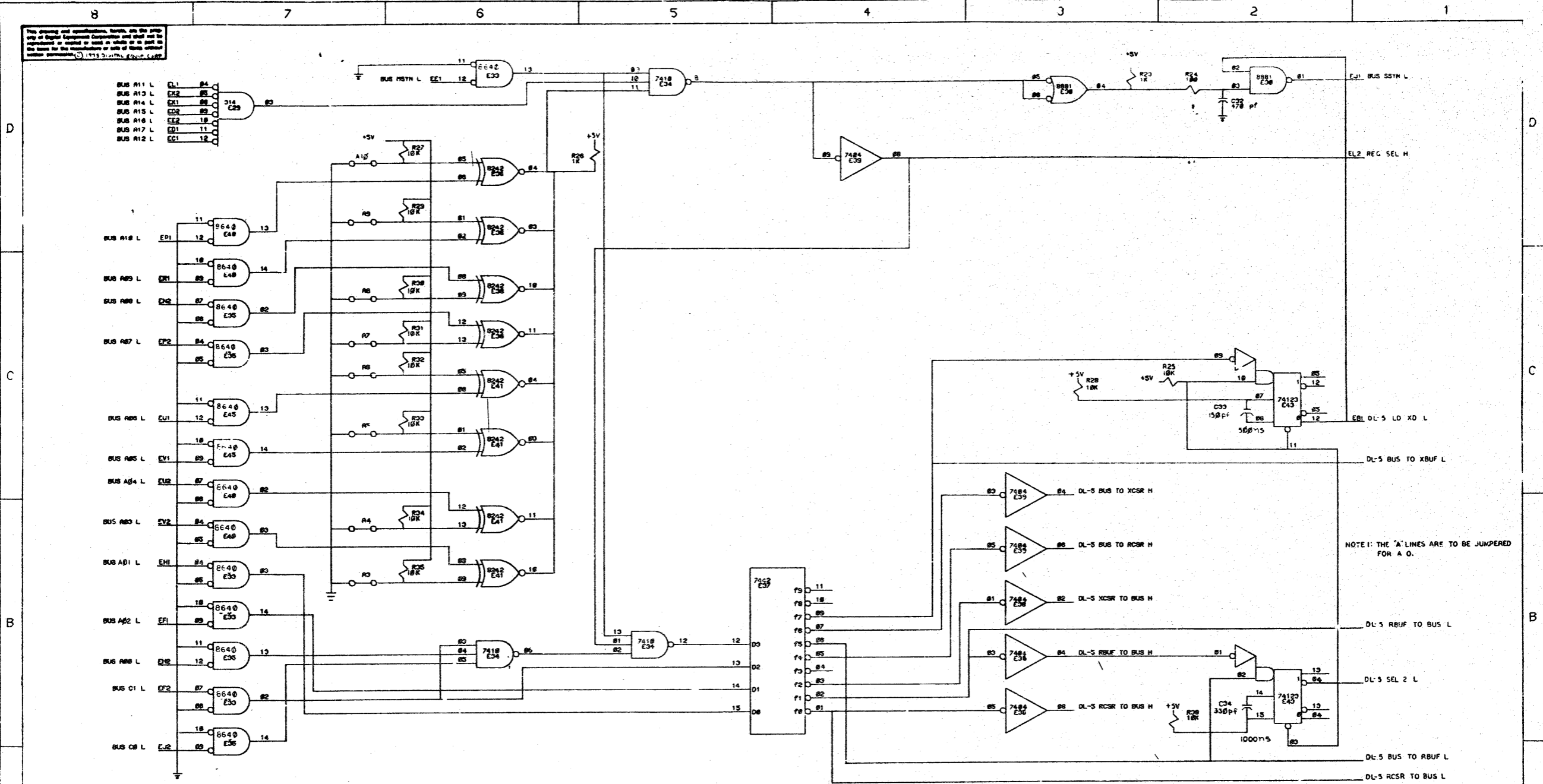


NOTES:
 1. LETTERS ENCLOSED IN PARENTHESIS REFER TO PINS ON THE BERG CONNECTOR, EXAMPLE: (X)
 2. NUMBERS WITHIN TRIANGLES REFER TO PINS ON THE FEMALE MATE-LOCK CONNECTOR WHEN USING THE 7008360 CABLE. THIS CABLE ALSO CONNECTS BERG PINS H TO E.
 3. ALTHOUGH THE ABOVE TABLE INCLUDES ONLY THE STANDARD DLII CRYSTALS OTHER VALUES MAY BE SPECIFIED BY THE CUSTOMER OR BY OTHER DOCUMENTATION OF AN OPTION WHICH USES THE DLII.
 4. C29 AND C31 ARE REQUIRED ONLY FOR 20MA OPERATION AT 150BAUD OR LESS, DLII-A OR C.

REV. NO.	CHANGE NO.	REV.

FIRST USED ON OPTION/MODEL	QTY.	DESCRIPTION	PART NO.	ITEM NO.
DLII		PARTS LIST		
UNLESS OTHERWISE SPECIFIED DIMENSION IN INCHES. TOLERANCES	DATE 3-22-72	DATE 4-5-72		
DECIMALS ANGLES	DATE 4-27-72	DATE 4-27-72		
REMOVE BURRS AND BREAK SHARP CORNERS SURFACE QUALITY	DATE 4-27-72	DATE 4-27-72	TITLE ASYNCHRONOUS LINE INTERFACE (CLOCK & CURRENT LOOPS) DL-3	
MATERIAL	NEXT HIGHER ASSY.	SIZE CODE	NUMBER	REV.
FINISH	SCALE	D CS	M7800-0-1	R
	SHEET 3 OF 7	DIST.		

This drawing and specifications, forms, are the property of Digital Equipment Corporation and shall not be reproduced or copied in whole or in part without the written permission of Digital Equipment Corporation.

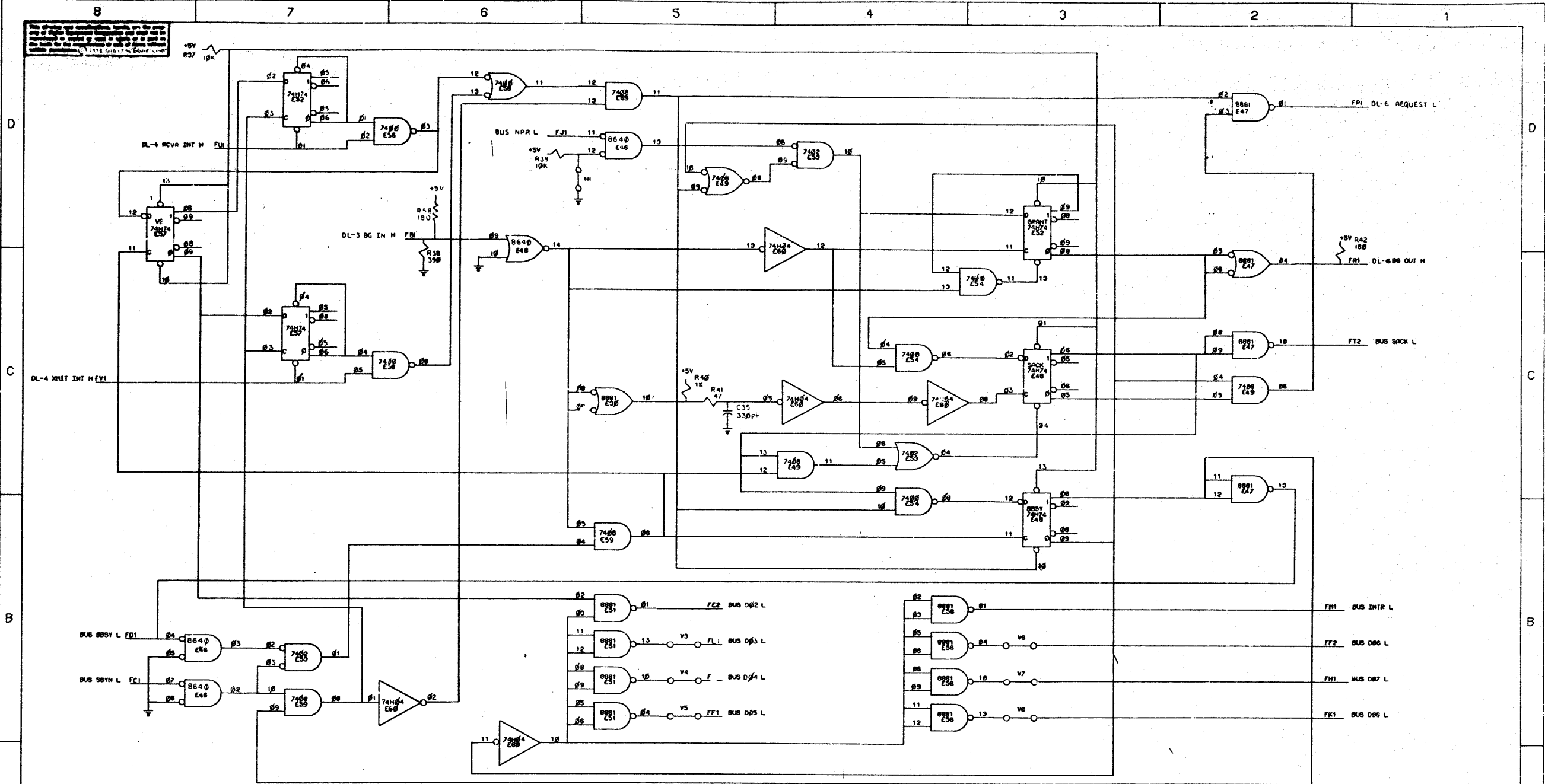


NOTE: THE 'A' LINES ARE TO BE JUMPERED FOR A 0.

REVISIONS		
CHK.	CHANGE NO.	REV.

FIRST USED ON OPTION/MODEL	QTY.	DESCRIPTION	PART NO.	ITEM NO.
DL11				
UNLESS OTHERWISE SPECIFIED DIMENSION IN INCHES TOLERANCES		DATE 12-20-71		
DECIMALS ANGLES		DATE 1-25-72		
.XXX - .000 .XX - .00 .X - .0		DATE 1-27-73		ASYNCHRONOUS L LINE INTERFACE (ADDRESS SELECTION) DL-5
REMOVES BURRS AND BREAK SHARP CORNERS SURFACE QUALITY		DATE 1-27-73		
MATERIAL	FINISH	NEXT HIGHER ASSY.	SIZE CODE	NUMBER
SCALE		D CS		REV. R
SHEET 3 OF 7		DST.		

Use standard and commercial grades, unless the quantity of Digital Equipment Corporation parts used in this assembly is such as to require the use of special order parts for the replacement of any of them without undue delay.



NOTE: THE 'V' LINES ARE TO BE JUMPED FOR A L.

REVISIONS		
CHK.	CHANGE NO.	REV.

FIRST USED ON OPTION/MODEL	QTY.	DESCRIPTION	PART NO.	ITEM NO.
DL11				
UNLESS OTHERWISE SPECIFIED DIMENSION IN INCHES				
TOLERANCES				
DECIMALS	ANGLES			
.XX - .00	± 30°			
.X - .1				
REMOVE BURRS AND BREAK SHARP CORNERS SURFACE QUALITY				
MATERIAL				
FINISH				
NEXT HIGHER ASSY.				
SCALE				
SHEET OF				
PARTS LIST				
DIGITAL EQUIPMENT CORPORATION				
TITLE ASYNCHRONOUS LINE INTERFACE (INTERRUPT CONTROL) DL-6				
SIZE CODE			NUMBER	REV.
D CS M7800-0-1				R

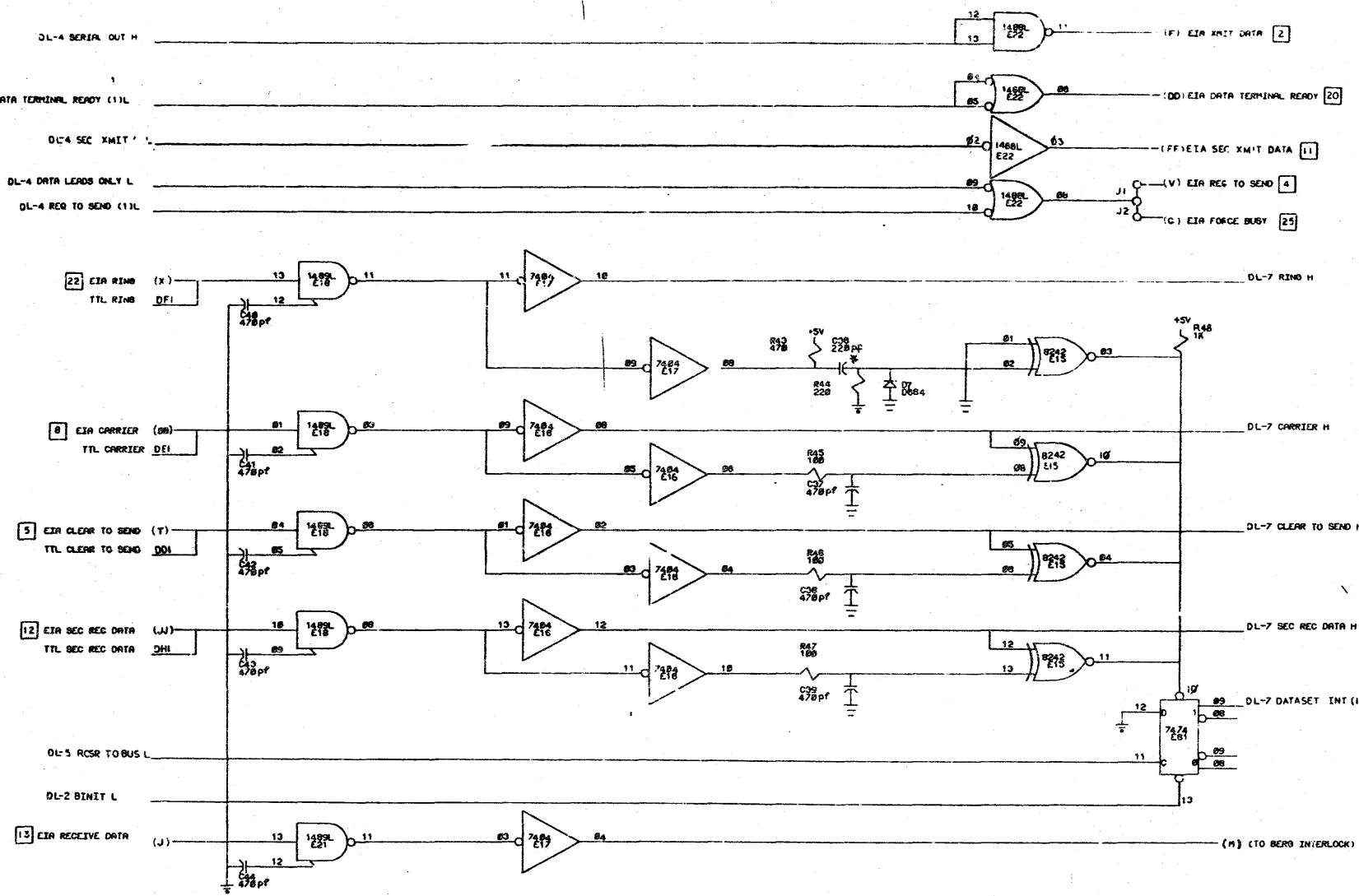
This drawing and specifications, based on the approval of Digital Equipment Corporation and shall not be reproduced or copied in whole or in part, in any form, for the reproduction or sale of any other product without permission. © 1975 DIGITAL EQUIPMENT CORPORATION

D

C

B

A



NOTES:
 1. LETTERS ENCLOSED-EXAMPLE (M) REFER TO PINS ON THE BERG CONNECTOR.
 2. NUMBERS IN THIN BOXES REFER TO PINS ON THE MALE CINCH CONNECTOR WHEN USING THE BC05-C CABLE. THIS CABLE ALSO CONNECTS BERG PINS M TO E.

* FOR YC VERSION, C39 VALUE CHANGES TO 1200PF

REVISIONS		
CHG.	CHANGE NO.	REV.

FIRST USED ON OPTION/MODEL	QTY.	DESCRIPTION	PART NO.	ITEM NO.
DL11		PARTS LIST		
UNLESS OTHERWISE SPECIFIED DIMENSION IN INCHES.	DRAWN BY <i>B. Pinder</i>	DATE 5-26-72	DIGITAL EQUIPMENT CORPORATION	
TOLERANCES	CHK'D BY <i>J. Ferguson</i>	DATE 6-5-72	MATERIALS NO. M780000000000	
DECIMALS ANGLES	ENG. BY <i>Kenny Gordon</i>	DATE 4/27/72	TITLE ASYNCHRONOUS LINE INTERFACE (EIA DRIVERS & RECEIVERS) DL-7	
.XXX - .005 .XX - .02 .X - .1	PROJ. ENG. BY <i>J. Ferguson</i>	DATE 6-27-72		
REMOVE BURRS AND BREAK SHARP CORNERS SURFACE QUALITY	PROD. BY <i>M. J. ...</i>	DATE 6-27-72		
MATERIAL	NEXT HIGHER ASSY.	SIZE CODE	NUMBER	REV.
FINISH	SCALE	D CS	M7800-0-1	R
	SHEET 7 OF 7	DIST.		

LINE	ITEM	DOCUMENT NO.	PART NO.	DESCRIPTION	QTY	REFERENCE DESIGNATORS
1	1	K-C0-M7800-0-4		X-Y COORDINATE HOLE LOCATION		REF
2	2	D-AH-M7800-0-5		ASSY/DRILLING HOLE LAYOUT		REF
3	3	B-MH-M7800-0-6		MODULE ECO HISTORY		REF
4	4		5009978-00	M7800 H		1
5	5		9008337-06	HANDLE, FLIP CHIP, MAGENTA		4
6	6		9006732-00	EYELET, ROLLED FLANGE, .121 OD X .219 LG		8
7	7		9006735-00	EYELET, FUNNEL FLANGE, .059 OD X .187 LG		10
8	8	"BLANK"				0
9	9		1210042-01	SW,ROT 1P 10POS		2 S1,S2
10	10		1209838-00	SOCKET 16PIN		i E19
11	11		5303154-00	R405-2026 BRKT		1
12	12		5302825-00	R405-2024 BRKT		1
13	13		1910651-00	DEC 74175 FF-D QUAD		2 E13,E14
14	14		1909615-00	DEC 8271 SHIFT REG.,4BIT PARALLEL IN/OU		1 E44
15	15		1910046-00	7442 DECODER-1 OF 10,BCD SELECTED		1 E37
16	16		1909794-00	DEC 314A NOR GATE-SINGLE 7IN,UTILOGIC		1 E29
17	17		1905576-00	7410 NAND GATE-TRIPLE 3IN		1 E34
18	18		1909054-00	7493 COUNTER,ASYNCH UP,BINARY		1 E24
19	19		1909686-00	7404 INVERTER GATE-HEX 1IN		4 E6,E16,E38,E39
20	20		1909053-00	7492 COUNTER,ASYNCH UP,DEVIDE BY 1		1 E25
21	21		1909931-00	DEC 74H04 INVERTER GATE-HEX 1IN		1 E60
22	22		1909937-00	74153 MUX 1 OF 4 (DUAL)		1 E12
23	23		1911469-00	DEC 8640 RECEIVER,BUS,QUAD,UNIBUS,0-BU		7 E3,E4,E33,E35,E40,E45,E46
24	24		1909004-00	DEC 7402 NOR GATE-QUAD 2IN		2 E50,E53
25	25		1909989-00	DEC 7413 NAND GATE-DUAL 4IN SCHMITT TRI		1 E10
26	26		1905575-00	7400 NAND GATE-QUAD 2IN		3 E42,E54,E58
27	27		1909667-00	74H74 FF-D DUAL,EDGE TRIGGER,35MHZ		3 E48,E52,E57
28	28		1910436-00	DEC 74123 ONE SHOT-DUAL,RETRIGGERABLE		1 E43
29	29		1910322-00	DEC 1488L DRIVER,LINE,QUAD,EIA RS-232C		1 E22
30	30		1909705-00	DEC 8881 NAND GATE-QUAD 2IN OPN COLL		11 E1,E2,E5,E7-E9,E11,E30,E47,

REVISION HISTORY			VARIATIONS FOR THIS ASSY.			DIGITAL EQUIPMENT CORPORATION MAYNARD, MASSACHUSETTS		
CRK	ECO NO	REV		FIRST USED ON:		TITLE		
JF	00013	R	00, YC	M7800	MADE BY: M. PIERCE	DATE: 08-FEB-72	PARTS LIST	
					CHECKED: J. FERGUSON	DATE: 19-APR-72	ASYNCHRONOUS LINE INTERFACE	
					DSN. ENG.: L. CONDON	DATE: 27-APR-72		
					PROD.: J. MC INTYRE	DATE: 27-APR-72	SIZE CODE: K PL	DOCUMENT NUMBER: M7800-0-DBP
					RESP. ENG.: R. HARRINGTON	DATE: 19-OCT-78	ASSY. NO.: E-C5-M7800-0-1	REV: R
								EDIT#: 5

"THIS DRAWING AND SPECIFICATIONS HEREIN, ARE THE PROPERTY OF DIGITAL EQUIPMENT CORPORATION AND SHALL NOT BE REPRODUCED OR COPIED OR USED IN WHOLE OR IN PART AS THE BASIS FOR THE MANUFACTURE OR SALE OF ITEMS WITHOUT WRITTEN PERMISSION. COPYRIGHT 1978, DIGITAL EQUIPMENT CORPORATION"

LINE	ITEM	DOCUMENT NO.	PART NO.	DESCRIPTION	QTY	REFERENCE DESIGNATORS
31	31		1909051-00	7490 COUNTER, ASYNCH UP, DECADE	CONT 2	E51, E56 E20, E26
32	32	"BLANK"			0	
33	33		1910155-00	DEC 7408 AND GATE, POS, QUAD 2IN 14	3	E31, E49, E59
34	34		1909712-00	DEC 8242 COMPARTOR-4BIT N, OPN COLL.	3	E15, E36, E41
35	35		1905547-00	DEC 7474 FF-D DUAL, EDGE TRIGGER, 15MHZ	4	E32, E55, E61, E62
36	36		2114137-50	UART MOS P-OR N-CHANNEL 8	1	E23
37	37		1300391-00	1.5 K 1/4W 5% CC (13-00)	2	R8, R12
38	38		1300479-00	10 K 1/4W 5% CC (13-00)	27	R1, R2, R6, R7, R17-R22, R25, CONT R27-R37, R39, R49, R50, R54, R56
39	39		1302385-00	750 1W 5% CC (13-00)	1	R16
40	40		1301401-00	750 1/4W 5% CC (13-00)	1	R3
41	41		1300338-00	560 1/2W 5% CC (13-00)	1	R4
42	42		1300316-00	470 1/4W 5% CC (13-00)	4	R9, R13, R43, R51
43	43		1300309-00	390 1/4W 5% CC (13-00)	1	R38
44	44		1300771-00	220 1/4W 5% CC (13-00)	2	R44, R53
45	45		1301322-00	180 1/4W 5% CC (13-00)	2	R42, R58
46	46		1300250-00	150 1/4W 5% CC (13-00)	1	R11
47	47		1300229-00	100 1/4W 5% CC (13-00)	4	R24, R45-R47
48	48		1301477-00	82 1/4W 5% CC (13-00)	1	R5
49	49		1309405-00	68 1/2W 5% CC (13-00)	1	R10
50	50		1300202-00	47 1/4W 5% CC (13-00)	1	R41
51	51		1300365-00	1 K 1/4W 5% CC (13-00)	6	R23, R26, R40, R48, R52, R55
52	52		1300394-00	1.5 K 1/2W 5% CC (13-00)	2	R14, R15
53	53		1000019-00	150.0 MMF 100V 5%200PPM DM15S (10-00)	1	C33
54	54		1005306-00	6.0MFD 35V 10% S, TANT (10-00)	6	C22-C27
55	55		1005965-00	.47 MFD 35V 10% 150D S, TA (10-00)	1	C29
56	56		1001610-01	.01 MFD 100V -20+80 Z5U DISC 8000PF MIN 30	30	C1-C21, C28, C30, C45-C49, C52, C55
57	57		1000042-00	1000.0 MMF 100V 5%200PPM DM15S (10-00)	1	C31
58	58		1000024-00	470.0 MMF 100V 5%200PPM DM15S (10-00)	9	C32, C37-C44
59	59		1000023-00	330.0 MMF 100V 5%200PPM DM15S (10-00)	2	C34, C35
60	60		1000021-00	220.0 MMF 100V 5%200PPM DM15S (10-00)	1	C36
61	61		1009678-00	.047 MFD 16V -20+80 Y5T DISC 2	2	C50, C51
62	62		1000025-00	560.0 MMF 100V 5%200PPM DM15S (10-00)	1	C54
63	63		1000016-00	100.0 MMF 100V 5%200PPM DM15S (10-00)	1	C53
64	64		1503409-00	DEC65340 PNP 310MW SI 40 90 2	2	Q1, Q2
65	65		1104800-00	1N 746A VZ= 3.3 5% 1	1	D6
66	66		1100114-00	D 664 QS\75PCB PIV= 25V SP 6	6	D1-D5, D7
67	67		1202812-00	INSULATOR AUGAT#8000PG1 2	2	
68	68		9006001-01	SCREW, PAN-PHIL, 2-56X 1/4 SS/PAS 3	3	
69	69		9006555-00	NUT, HEX, 2-56X3/16AF X 1/16 THK SS/ 3	3	
70	70		1910650-00	74161 COUNTER, SYNCHR, UP 1	1	E27
71	71		9006531-00	WASHER, LOCK, INT, .1800D X .096ID X .031 THK 3	3	
72	72		1109502-00	1N 4742 VZ= 12.0 10% 1W Y 1	1	D8
73	73		1302336-00	39 1/2W 5% CC (13-00)	1	R57
74	74		9107560-01	WIRE, BUSS, 22AWG A/R		
75	75		1002424-00	1200.0 MMF 100V 5%200PPM DM15S (10-00)	0	
76	76		9009185-00	JUMPER, WIRE, INSULATED, BLACK BAND 1	1	

DIGITAL EQUIPMENT CORPORATION MAYNARD, MASSACHUSETTS		TITLE ASYNCHRONOUS LINE INTERFACE	SIZE K	CODE PL	DOCUMENT NUMBER M7800-0-DBP	REV R
---	--	--------------------------------------	-----------	------------	--------------------------------	----------

LINE ITEM	DOCUMENT NO.	PART NO.	DESCRIPTION	QTY	REFERENCE DESIGNATORS
77	77	1209941-02	HEADER 100 40POS RT ANGLE	1	
78	78	1209941-03	HEADER RT ANGLE LEFT LATCH FOR	1	
79	79	1209941-04	HEADER RT ANGLE, RIGHT LATCH FOR	1	
80	80	1910390-00	DEC 7380 NOR GATE-QUAD 2IN, FAST 380, UTI	1	E28
81	81	1913130-00	DEC 1489A RECEIVER, LINE, QUAD, EIA RS-232	2	E18, E21
82	82	1911324-00	7414 INVERTER, HEX 1IN SCHMITT TRIGG	1	E17
83	83	9105740-55	WIRE(WRAP)30AWG UL1423 (91-00 A/R		

DIGITAL EQUIPMENT CORPORATION MAYNARD, MASSACHUSETTS	TITLE	PARTS LIST	SIZE	CODE	DOCUMENT NUMBER	REV
		ASYNCHRONOUS LINE INTERFACE	K	PL	M7800-0-DBP	R

THIS DRAWING AND SPECIFICATIONS HEREIN ARE THE PROPERTY OF DIGITAL EQUIPMENT CORPORATION AND SHALL NOT BE REPRODUCED OR COPIED OR USED IN WHOLE OR IN PART AS THE BASIS FOR THE MANUFACTURE OR SALE OF ITEMS WITHOUT WRITTEN PERMISSION.
 COPYRIGHT © 1980 DIGITAL EQUIPMENT CORPORATION

M 7856-0-0
 D 2

REWORK INSTRUCTIONS

ECO M7856-MK005

REFER TO DEC-5011464-0-0 FOR ETCH CUTS

WIRE ADDS (30 GAUGE WIRES):

- Ø5-1 E31 PIN 7 TO E31 PIN 9.
- Ø5-2 E31 PIN 9 TO E32 PIN 8.

REINSTALL NEW 8837 E31 (NOT NECESSARY IN VOLUME MANUFACTURING IF ETCH CUTS DONE PRIOR TO IC INSERTION).

REVISIONS		
CHK	CHANGE NO.	REV.

TITLE	SIZE CODE	NUMBER	REV.
SLU/RTC MODULE	D UA	M7856-0-0	K
SCALE NONE	SHEET 2 OF 2	DIST.	

LINE ITEM	DOCUMENT NUMBER	PART NUMBER	DESCRIPTION	QTY	PER VARIATION	REFERENCE DESIGNATOR
				00		
1	1	1001610-01	.01 MFD50/100V +30-20% DISC	67		C1-C8,C10-C15,C17-C68,C88
2	2	1000024-00	470.0 MMF 100V 5%200PPM MICA	7		C9,C69-C74
3	3	1000023-00	330.0 MMF 100V 5%200PPM MICA	1		C75
4	4	1000015-00	82.0 MMF 100V 5%200PPM MICA	6		C80-C85
5	5	1000019-00	150.0 MMF 100V 5%200PPM MICA	1		C86
6	6	1002627-00	2.2MFD 20V 10% S.TANT	1		C87
7	7	1005306-00	6.8MFD 35V 10% S.TANT	4		C76-C79
8	8	1001765-00	.005 MFD 100V 20% Z5T DISC	1		C16
9	9	1105796-00	1N 4004 PIV=400 I= 1A D041 SP	3		D1-D3
10	10	1109502-00	1N 4742 VZ= 12.0 10% 1W Y	1		D4
11	11	1105610-00	MCL1301 CL@1MA FROM10-80V	2		D6,D7
12	12	1100114-00	D 664 QS\75PCB PIV= 25V SP	1		D8
13	13	1211164-06	SW,DIP 1P 1A 10POS	4		S1,S3,S4,S5
14	14	1211164-04	SW,DIP 1P 1A 8POS	1		S2
15	15	1209941-02	HEADER 100 40POS RT ANGLE	1		J1
16	16	1300295-00	330.0 .25 W 5.0 % CC	1		R63
17	17	1300260-00	180.0 .50 W 5.0 % CC	3		R1,R2,R3
18	18	1303048-00	560.0 1.0 W 5.0 % CC	3		R4-R6
19	19	1301327-00	68.0 K .25 W 5.0 % CC	2		R7,R8
20	20	1300197-00	33.0 .25 W 5.0 % CC	1		R9
21	21	1300539-00	120.0 K .25 W 5.0 % CC	1		R10
22	22	1301424-00	680.0 .25 W 5.0 % CC	1		R12
23	23	1300219-00	68.0 .25 W 5.0 % CC	1		R25
24	24	1300229-00	100.0 .25 W 5.0 % CC	2		R13,R14
25	25	1301322-00	180.0 .25 W 5.0 % CC	4		R15,R16,R17,R18
26	26	1300309-00	390.0 .25 W 5.0 % CC	4		R19-R22
27	27	1301422-00	7.50 K .25 W 5.0 % CC	1		R23
28	28	1300250-00	150.0 .25 W 5.0 % CC	2		R26,R27
29	29	1301972-00	270.0 .25 W 5.0 % CC	6		R28-R33
30	30	1300479-00	10.0 K .25 W 5.0 % CC	27		R35,R36,R37,R39-R62

REVISION HISTORY			BASIC PART NO: M7856			D I G I T A L			
ENG	ECO NUMBER	REV	SECTION A OF A	DRN:	J.THELLAN	DATE:	02-MAR-78	TITLE	PARTS LIST
!RH	!MK005	!J	!SECTION.VARIATION INDEX	!CHK'D:	!J.FERGUSON	!DATE:	!02-MAR-78	!SLU/RTC OPTION	
!RH	!MK006	!K	! [A] 00	!DES.ENG:	!R.B.PRATT	!DATE:	!02-MAR-78		
			! [B]						
			! [C]						
			! [D]						
			! [E]						
			! [F]	!RESP.ENG.:	!R.HARRINGTON	!DATE:	!16-APR-80		
			! [G]					!SIZE CODE!	!NUMBER
			! [H]						!REV
			! [I]						
			! [J]	!MFG.ENG.:	!JUAN AVILES	!DATE:	!16-APR-80	!K	!FL
			! [K]						!M7856-0-0
			! [L]						!K
			! [M]	!ASSEMBLY NUMBER:		!TOP DOCUMENT NUMBER:		!FILE NAME:	!EDIT #!
			! [N]	!D-UA-M7856-0-0		!#B-DD-M7856-0		!MK0243.PLS	!12

*THIS DRAWING AND SPECIFICATIONS HEREIN, ARE THE PROPERTY OF DIGITAL EQUIPMENT CORPORATION AND SHALL NOT BE REPRODUCED OR COPIED OR USED IN WHOLE OR IN PART AS THE BASIS FOR THE MANUFACTURE OR SALE OF ITEMS WITHOUT WRITTEN PERMISSION. COPYRIGHT (C) 1981. DIGITAL EQUIPMENT CORPORATION *

LINE	ITEM	DOCUMENT NUMBER	PART NUMBER	DESCRIPTION	QTY	PER VARIATION	REFERENCE DESIGNATOR
					00		
31	31		1300365-00	1.0 K .25 W 5.0 % CC	3		R11,R38,R64
32	32		1300271-00	220.0 .25 W 5.0 % CC	1		R34
33	33		1509338-00	DEC6531B NPN 310MW SI 40 90 P	1		Q1
34	34		1510705-00	XA 05 NPN 500MW SI 60 50 P	2		Q3,Q4
35	35		1510706-00	XA 55 PNP 500MW SI 60 50 P	2		Q2,Q5
36	36		1510727-01	OPTO COUPLED ISOLATOR	2		E9,E16
37	37		1811660-02	OSCILLATOR, XTAL 5.0688 MHZ	1		OSC1
38	38		1911998-00	4N26 OPTO COUPLED ISLTR	1		E15
39	39		1911579-00	8641 TRANSCEIVER,BUS,QUA	3		E1,E6,E14
40	40		1909705-00	DEC 8881 NAND GATE-QUAD 2IN 0	6		E2,E13,E20,E60,E61,E49
41	41		1911527-00	8097 BUFFER GATE-HEX 2INP	1		E3
42	42		1910155-00	DEC 7408 AND GATE,POS,QUAD 2I	3		E4,E44,E64
43	43		1905547-00	7474 FF-D DUAL,EDGE TRIGG	7		E5,E35,E37,E55,E57,E63,E68
44	44		1910459-01	UART,WSTRN DIG #TR1602A (1.5 STO	1		E7
45	45		1910651-00	DEC 74175 FF-D QUAD	1		E8
46	46		1910323-00	DEC 1489L RECEIVER,LINE,QUAD,	1		E10
47	47		1910322-00	DEC 1488L DRIVER,LINE,QUAD,EI	1		E11
48	48		1909936-00	74151 MUX 1 OF 8	2		E17,E18
49	49		1909053-00	7492 COUNTER,ASYNCH UP,D	1		E12
50	50		1909054-00	7493 COUNTER,ASYNCH UP,BI	5		E19,E26,E27,E28,E39
51	51		1909937-00	74153 MUX 1 OF 4 (DUAL)	1		E21
52	52		1910655-00	74157 MUX 2 TO 1 QUAD	2		E22,E38
53	53		1909004-00	DEC 7402 NOR GATE-QUAD 2IN	5		E23,E53,E58,E62,E36
54	54		1910436-00	DEC 74123 ONE SHOT-DUAL,RETRIG	1		E24
55	55		1910091-00	DEC 7437 AND GATE-QUAD 2IN,BU	1		E25
56	56		1910011-00	DEC 7486 X-OR GATE-QUAD 2INPU	1		E29
57	57		1909704-00	DEC 314A NOR GATE-SINGLE 7IN,	1		E30
58	58		1911116-00	DEC 8837 RECEIVER,BUS,HEX,UN	4		E31,E40,E41,E50
59	59		1905576-00	7410 NAND GATE-TRIPLE 3IN	1		E32
60	60		1909712-00	DEC 8242 COMPARATOR-4BIT N,	2		E42,E43
61	61		1911324-00	7414 INVERTER,HEX 1IN SCH	2		E45,E66
62	62		1905575-00	7400 NAND GATE-QUAD 2IN	4		E46,E54,E65,E67
63	63		1910035-00	DEC 74197 COUNTER,ASYNCH UP,H1	1		E47
64	64		1909486-00	DEC 384 OR GATE-QUAD 2IN,UTI	1		E48
65	65		1909686-00	7404 INVERTER GATE-HEX 1I	1		E56
66	66		23095A1-00	A1-07	1		E33
67	67		23094A1-00	A1-07	1		E34
68	68		9009185-00	JUMPER, WIRE, INSULATED, BLACK B	1		W1
69	69		9006732-00	EYELET, ROLLED FLANGE, .121 OD X	6		
70	70		9008337-06	HANDLE, FLIP CHIP, MAGENTA	3		
71	71		9009000-00	EYELET, ROLLED FLANGE, .121 OD X	1		
72	72		9007112-00	TERM QUICK 1POS ADAPTER	1		
73	73		9007791-00	TERM PCB 2POS SOLDIER,TURRET	1		TP1
74	74		1104860-00	IN 746A VZ= 3.3 5Z	1		D5
75	75		1209941-03	HEADER RT ANGLE LEFT L	1		
76	76		1209941-04	HEADER RT ANGLE,RIGHT	1		
77	77		9105740-55	WIRE(WRAP)30AWG UL1423	A/R		

D	I	G	I	T	A	L	TITLE	SECTION A	OF A	SIZE	CODE	DOCUMENT NUMBER	REV
							SLU/RTC OPTION					M7856-0-0	K

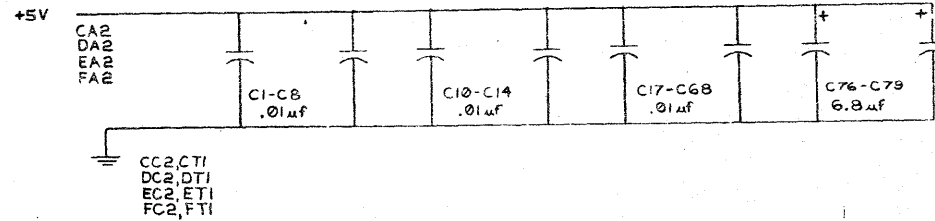
LINE ITEM	DOCUMENT NUMBER	PART NUMBER	DESCRIPTION	QTY PER VARIATION	REFERENCE DESIGNATOR
-----------	-----------------	-------------	-------------	-------------------	----------------------

78 NOTE: 1001610-00 MAY BE USED IN PLACE OF 1001610-01

D	I	G	I	T	A	L	TITLE	SECTION A OF A	SIZE	CODE	DOCUMENT NUMBER	REV
							SLU/RTC OPTION				M7856-0-0	K

THIS DRAWING AND SPECIFICATIONS HEREIN ARE THE PROPERTY OF DIGITAL EQUIPMENT CORPORATION AND SHALL NOT BE REPRODUCED OR COPIED, IN WHOLE OR IN PART, AS THE BASIS FOR THE MANUFACTURE OR SALE OF ITEMS WITHOUT WRITTEN PERMISSION. COPYRIGHT © 1975 DIGITAL EQUIPMENT CORPORATION

NOTES:



IC 8641	8	16
IC 384	1	8
IC 8837	8	16
IC 314A	1	8
IC 74123	8	16
IC 74157	8	16
IC 74153	8	16
IC 7493	10	5
IC 7492	10	5
IC 74151	8	16
IC 74175	8	16
IC UART	1	3
IC 8097	8	16
IC TYPE	GND	+5V

GND AND 5V ARE USUALLY PIN 7 AND 14 RESPECTIVELY. EXCEPTIONS ARE STATED ABOVE.

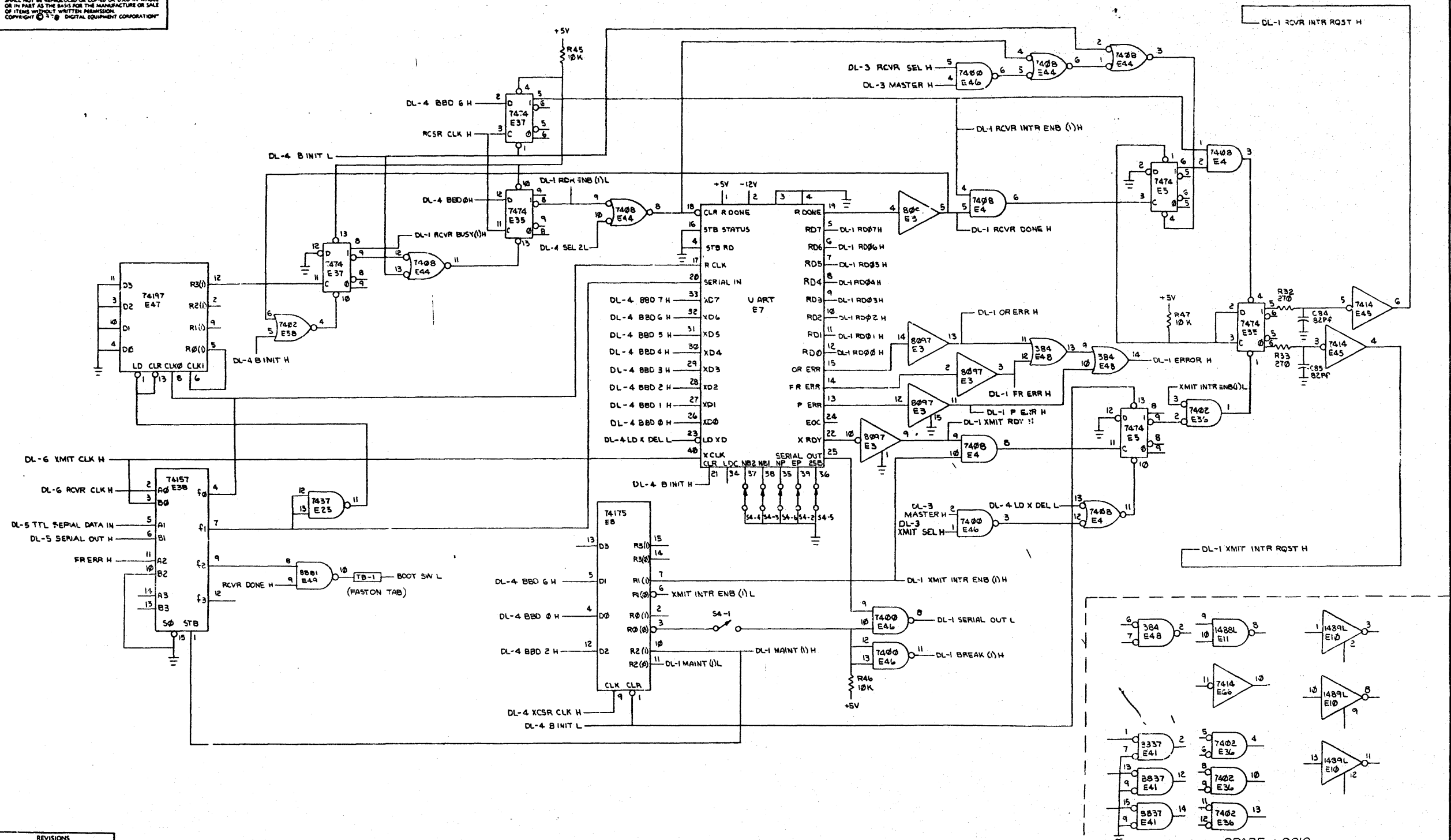
IC PIN LOCATIONS

R. HARRINGTON
 M7856-MK006
 R. HARRINGTON
 M7856-MK005
 B. CRAMM
 M7856-000004
 M7856-000004

FIRST USED OR OPTION MODEL		QTY	REF. DESIGNATION	DESCRIPTION	PART NO.	ITEM NO.
ETCH BOARD REV.		PARTS LIST				
E		DRN: D. Dingledine DATE: 2/23/78 CHK'D: [Signature] DATE: 3-2-78 ENG: Bob Platt DATE: 7-9-78 PROJ. ENGR: [Signature] DATE: 7-9-78 PROD: 22 DATE: 3-13-78				
DEC NO.		EIA NO.	DEC NO.	EIA NO.	TITLE: digital SLU/RTC OPTION	
SEMICONDUCTOR CONVERSION CHART		NEXT HIGHER ASSY		SIZE CODE: DCS NUMBER: M7856-0-1 REV: K		
SCALE		SHEET		OF 8		

DCS M7856-0-1
 1-0-9582W
 2000 224
 2

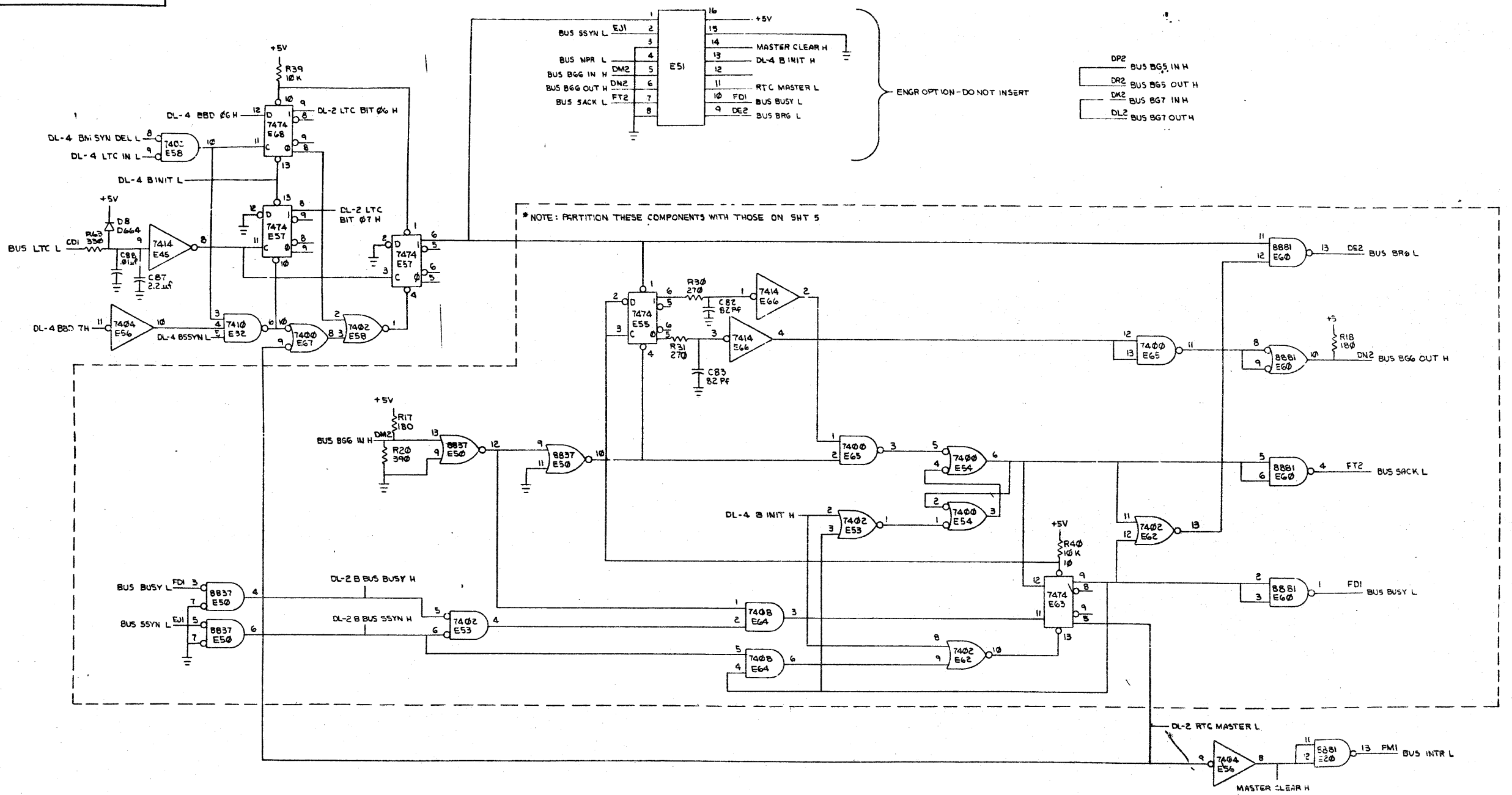
"THIS DRAWING AND SPECIFICATIONS HEREIN ARE THE PROPERTY OF DIGITAL EQUIPMENT CORPORATION AND SHALL NOT BE REPRODUCED OR COPIED OR USED IN WHOLE OR IN PART AS THE BASIS FOR THE MANUFACTURE OR SALE OF ITEMS WITHOUT WRITTEN PERMISSION. COPYRIGHT © 1972 DIGITAL EQUIPMENT CORPORATION"



REVISIONS		
CHK	CHANGE NO.	REV.

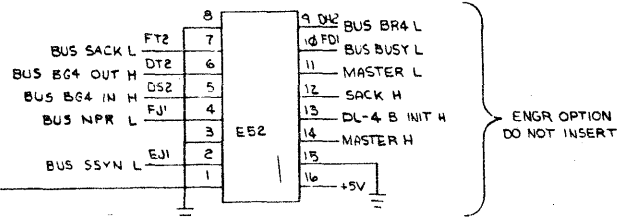
TITLE	SLU/RTC OPTION (DL-1)	SIZE CODE	DCS	NUMBER	M7856-0-1	REV.	K
SCALE	1:1	SHEET	2	OF	8	DIST.	

"THIS DRAWING AND SPECIFICATIONS HEREIN ARE THE PROPERTY OF DIGITAL EQUIPMENT CORPORATION AND SHALL NOT BE REPRODUCED OR COPIED OR USED IN WHOLE OR IN PART AS THE BASIS FOR THE MANUFACTURE OR SALE OF ITEMS WITHOUT WRITTEN PERMISSION. COPYRIGHT © 1978 DIGITAL EQUIPMENT CORPORATION"



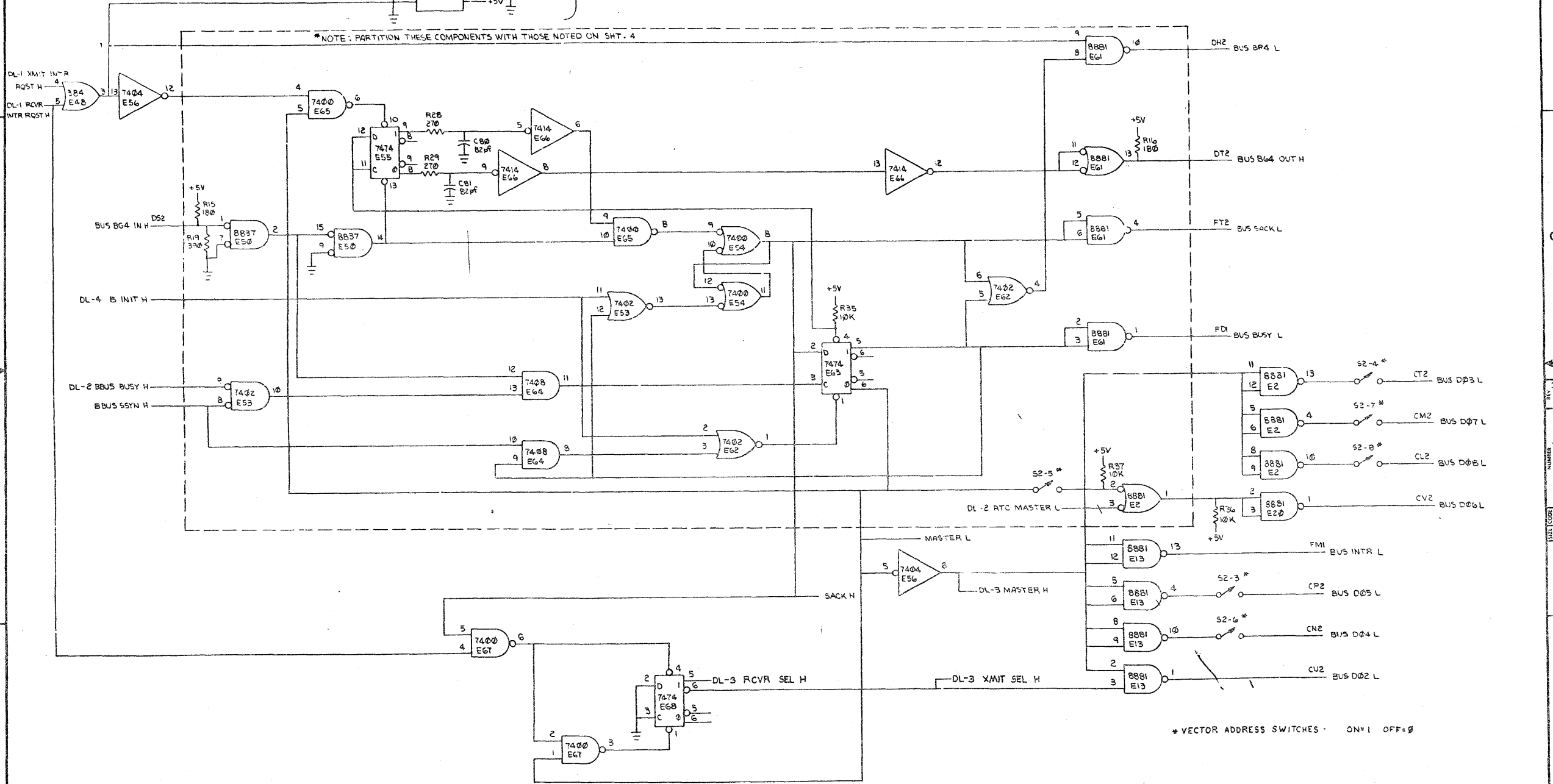
REVISIONS		
CHK	CHANGE NO.	REV.

"THIS DRAWING AND SPECIFICATIONS, HEREIN, ARE THE PROPERTY OF DIGITAL EQUIPMENT CORPORATION AND SHALL NOT BE REPRODUCED OR COPIED OR USED IN WHOLE OR IN PART AS THE BASIS FOR THE MANUFACTURE OR SALE OF ITEMS WITHOUT WRITTEN PERMISSION. COPYRIGHT © 1975 DIGITAL EQUIPMENT CORPORATION"



ENGR OPTION
DO NOT INSERT

*NOTE: PARTITION THESE COMPONENTS WITH THOSE NOTED ON SHT. 4

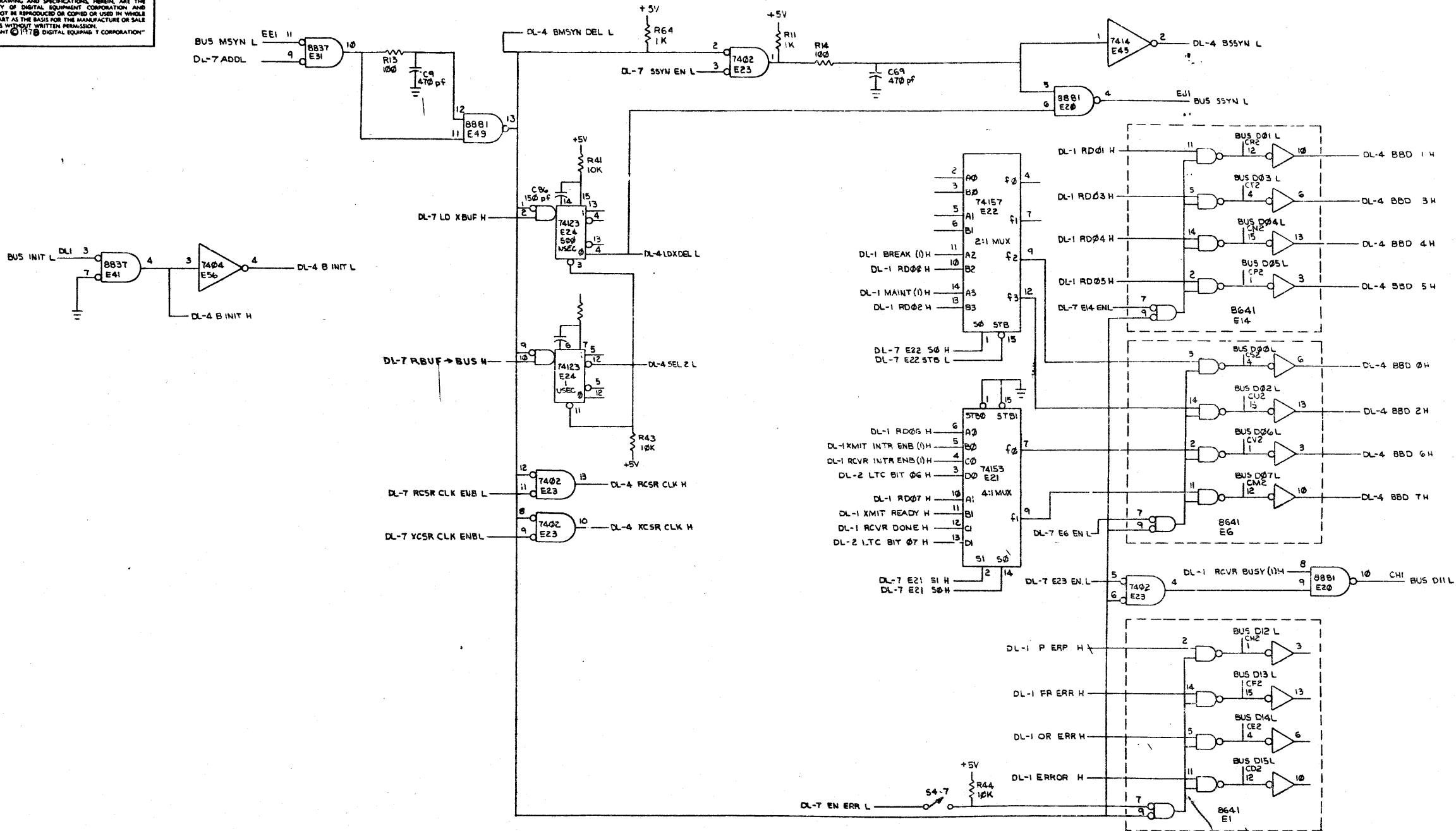


* VECTOR ADDRESS SWITCHES - ON=1 OFF=0

REVISIONS		
CHK	CHANGE NO.	REV

DEC FORM NO. DRG 138	3	7	6	5	4	3	2	1
TITLE	SLU/RTC OPTION (DL-3)			SIZE CODE	D03M7856-0-1		NUMBER	REV.
SCALE	SHEET 4 OF 5		DIST.					

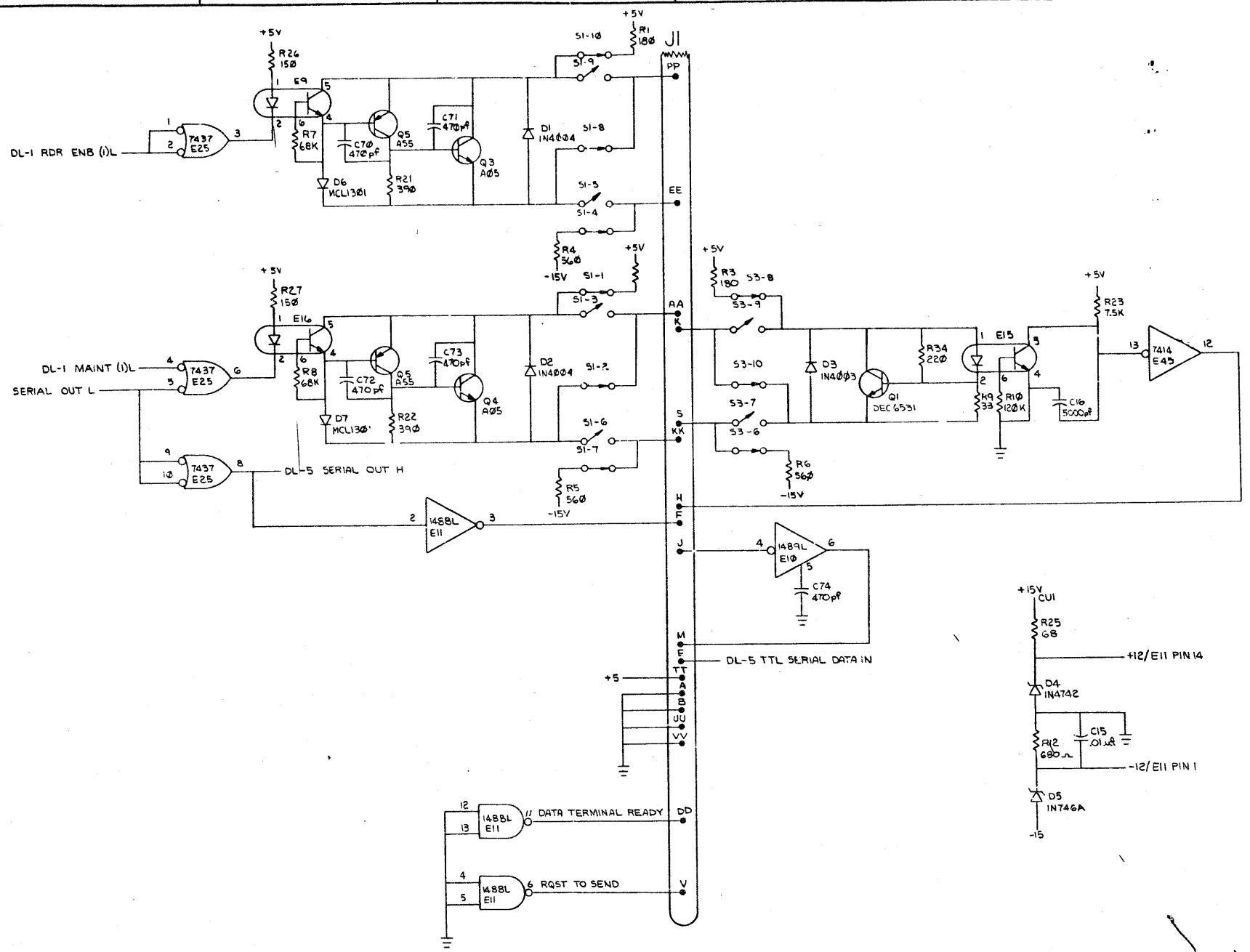
THIS DRAWING AND SPECIFICATIONS HEREIN ARE THE PROPERTY OF DIGITAL EQUIPMENT CORPORATION AND SHALL NOT BE REPRODUCED OR COPIED OR USED IN WHOLE OR IN PART AS THE BASIS FOR THE MANUFACTURE OR SALE OF ITEMS WITHOUT WRITTEN PERMISSION. COPYRIGHT © 1977 DIGITAL EQUIPMENT CORPORATION



REVISIONS		
CHK	CHANGE NO.	REV.

THIS DRAWING AND SPECIFICATIONS HEREIN ARE THE PROPERTY OF DIGITAL EQUIPMENT CORPORATION AND SHALL NOT BE REPRODUCED OR COPIED OR USED IN WHOLE OR IN PART AS THE BASIS FOR THE MANUFACTURE OR SALE OF ITEMS WITHOUT WRITTEN PERMISSION. COPYRIGHT © 1978 DIGITAL EQUIPMENT CORPORATION

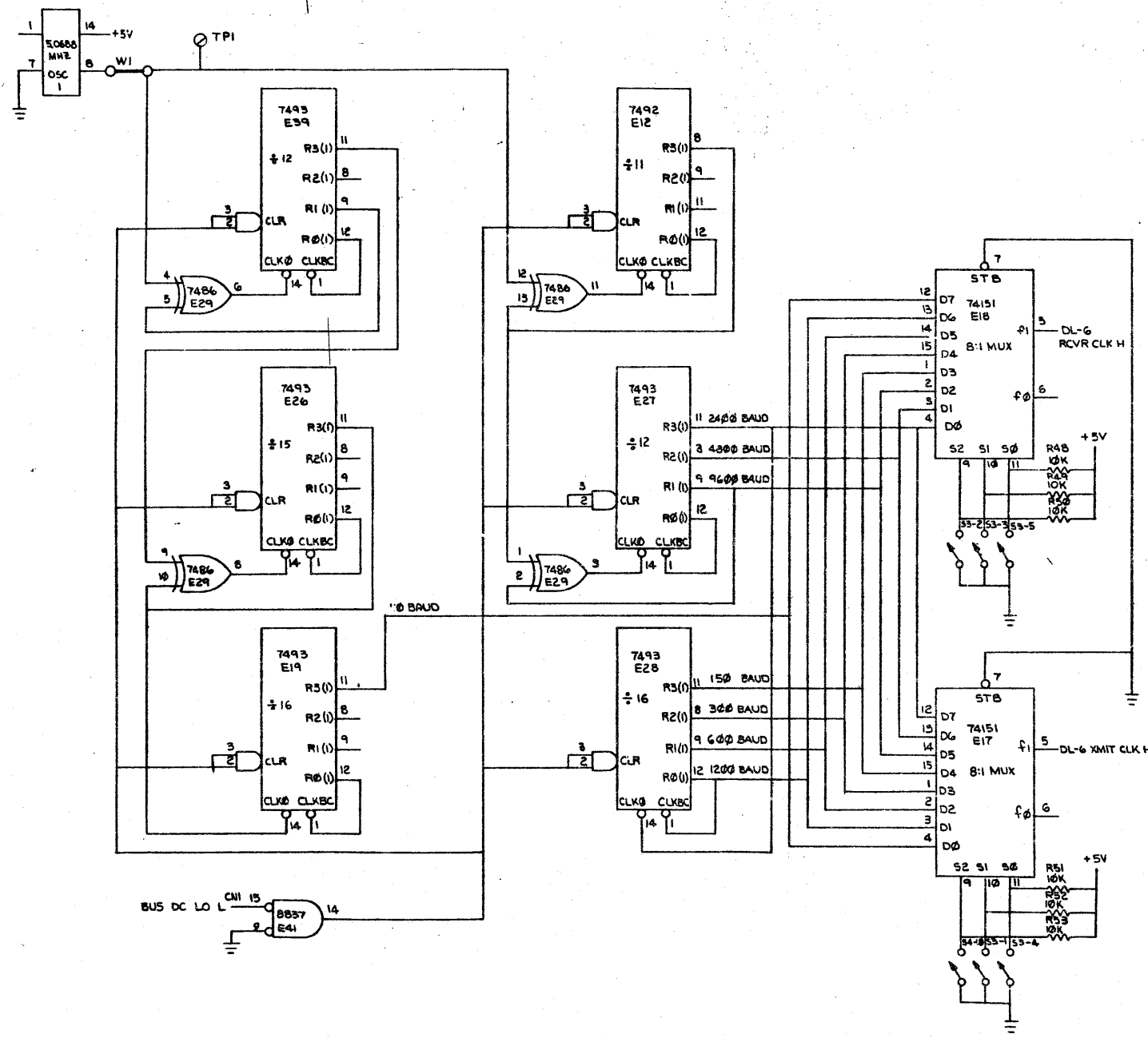
NOTE:
 1. SWITCHES ARE SHOWN IN ACTIVE MODE.
 2. D7, D6 ARE MCL1301 1 MA CONSTANT CURRENT DIODES.



REVISIONS		
CHK	CHANGE NO.	REV.

TITLE	SLU/RTC OPTION (DL-5)	SIZE CODE	D	NUMBER	M7356-0-1	REV.	K
SCALE	1:1	SHEET	6	OF	8	DIST.	

THIS DRAWING AND SPECIFICATIONS HEREIN ARE THE PROPERTY OF DIGITAL EQUIPMENT CORPORATION AND SHALL NOT BE REPRODUCED OR COPIED OR USED IN WHOLE OR IN PART AS THE BASIS FOR THE MANUFACTURE OR SALE OF ITEMS WITHOUT WRITTEN PERMISSION. COPYRIGHT © 1978 DIGITAL EQUIPMENT CORPORATION

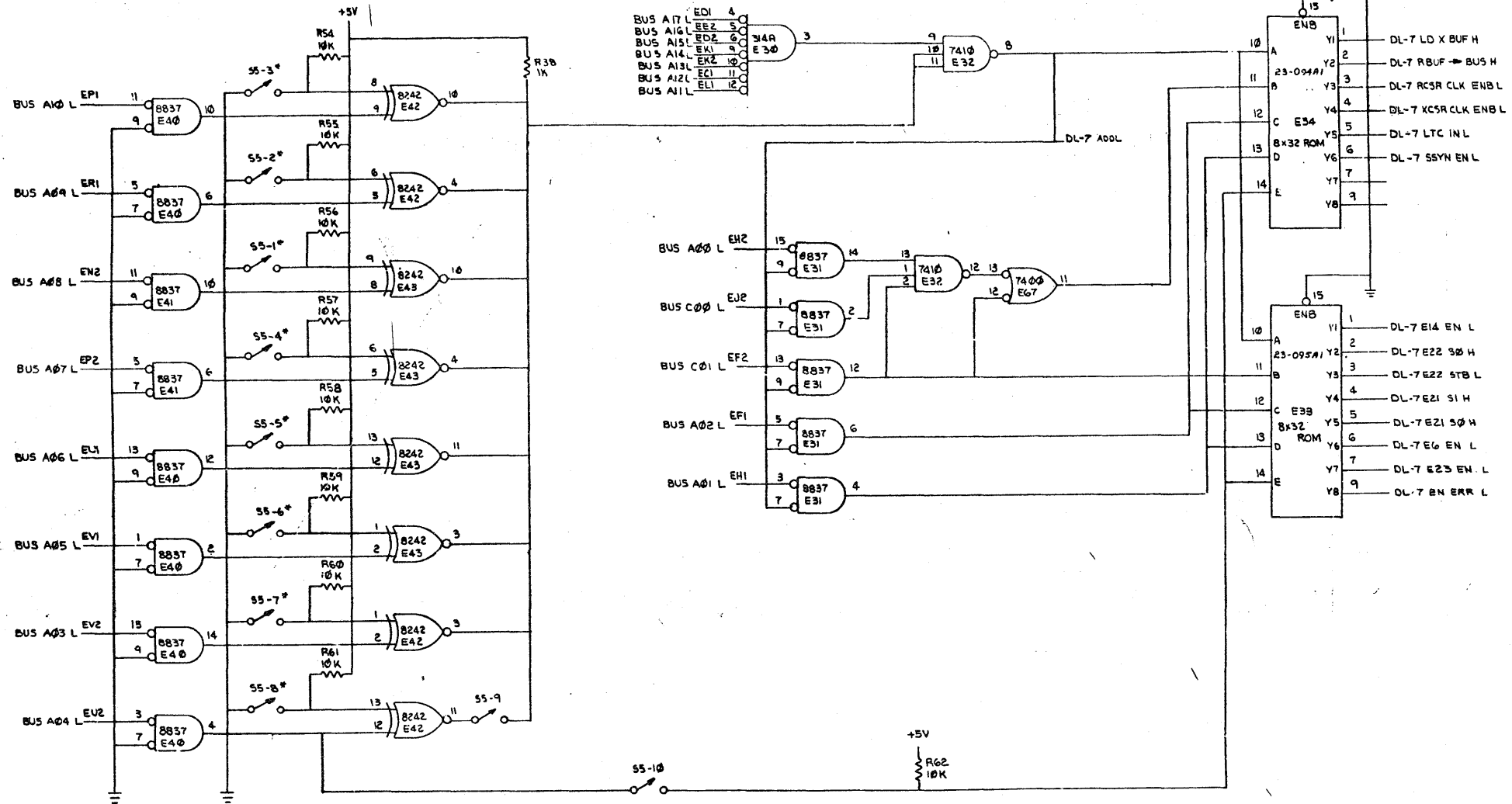


BAUD RATE	RCVR			XMIT		
	S3-2	S3-3	S3-5	S4-10	S3-1	S3-4
110	OFF	OFF	OFF	ON	ON	ON
150	ON	OFF	OFF	OFF	ON	ON
300	OFF	ON	ON	ON	OFF	OFF
600	OFF	ON	OFF	ON	OFF	ON
1200	OFF	OFF	ON	ON	ON	OFF
2400	ON	ON	ON	OFF	OFF	OFF
4800	ON	ON	OFF	OFF	OFF	ON
9600	ON	OFF	ON	OFF	ON	OFF

REVISIONS		
CHK	CHANGE NO.	REV.

TITLE	SLU/RTC OPTION (DL-6)	SIZE CODE	D	NUMBER	CSM7856-0-1	REV.	K
SCALE	1:1	SHEET	7	OF	8	DIST.	

"THIS DRAWING AND SPECIFICATIONS HEREIN ARE THE PROPERTY OF DIGITAL EQUIPMENT CORPORATION AND SHALL NOT BE REPRODUCED OR COPIED OR USED IN WHOLE OR IN PART AS THE BASIS FOR THE MANUFACTURE OR SALE OF ITEMS WITHOUT WRITTEN PERMISSION. COPYRIGHT © 1970 DIGITAL EQUIPMENT CORPORATION"



* ADDRESS SELECTION SWITCHES " OFF=1 ON=0

REVISIONS		
CHK	CHANGE NO.	REV.

TITLE SLU/RTC OPTION (DL-7)		SIZE CODE DCS	NUMBER M7856-0-1	REV. K-
SCALE 1:1	SHEET 8	OF 8	DIST.	

THIS DRAWING AND THE SPECIFICATIONS CONTAINED HEREIN ARE CONFIDENTIAL AND PROPRIETARY. THEY ARE THE PROPERTY OF DIGITAL EQUIPMENT CORPORATION AND SHALL NOT BE REPRODUCED OR COPIED OR USED IN WHOLE OR IN PART AS THE BASIS FOR MANUFACTURING OR SALE OF ITEMS WITHOUT WRITTEN PERMISSION. THIS IS AN UNPUBLISHED WORK PROTECTED UNDER THE FEDERAL COPYRIGHT LAWS.

FIELD MAINTENANCE PRINT SET

TABLE OF CONTENTS

K-TC-DB11-0-1	FIELD MAINTENANCE PRINT SET
K-DD-DB11-0	DB11 DRAWING DIRECTORY
K-PL-DB11-0-0	DB11 OPTION
D-MU-DB11-A-01	MODULE UTILIZATION
D-BS-DB11-A-02	BUS REPEATER DB11 UNIDIR. LINES
D-BS-DB11-A-03	BUS REPEATER DATA LINES
D-IC-DB11-A-04	BUS AND POWER CONNECTIONS
D-BD-DB11-A-05	DB11 INTERCONNECTION DIAGRAM
D-AD-7009612-0-0	WIRED ASSY (DB11-A)
A-WT-7009612-0	AWT REVISION STATUS
D-IA-7009563-0-0	POWER HARNESS DA11-F/DD11-B
C-IA-7008855-0-0	POWER CABLE SYSTEM UNIT
D-IA-7008909-0-0	CABLE, POWER EXPANDER BOX 11/45
D-CS-M7212-0-1	BUS REPEATER A LINES M7212
D-CS-M7213-0-1	BUS REPEATER CARD
E-CS-M783-0-1	UNIBUS DRIVERS M783
E-CS-M784-0-1	UNIBUS RECEIVERS M784
E-CS-M785-0-1	UNIBUS TRANSCEIVERS M785
D-CS-M930-0-1	BUS TERMINATOR
D-CS-M7248-0-1	UNIBUS REPEATER BBSY
C-CS-M920-0-1	INTERNAL BUS CONNECTOR M920

UNIT VARIATIONS COVERED BY THIS PRINT SET

- DB11-M
- ✓ DB11-MP

DB11
FIELD MAINTENANCE PRINT SET

DIGITAL EQUIPMENT CORPORATION
PRINTSET ORDER NO.
MP00976-01 REV A1

REVISION HISTORY

CONT. REVISION HISTORY

MADE BY: R. ROBICHAUD
DATE: 17 AUG 83

d i g i t a l

REVI	ECO NUMBER	DATE	REVI	ECO NUMBER	DATE
A	INITIAL	17 AUG 83			

CHECKED BY: J. FALKOWSKI
DATE: 17 AUG 83 *J. Falkowski*
24 OCT 83
PROJECT ENGR: R. BERGERON
DATE: 17 AUG 83 *27 OCT 83*

TITLE: FIELD MAINTENANCE PRINT SET

DB11

RSPBLE ENGR: M. LAWRENCE
DATE: 17 AUG 83 *M. Lawrence*
27 OCT 83

FIELD SERVICE: S. CRANSTON
DATE: 17 AUG 83 *S. Cranston*
10-27-83

SIZE | CODE | DOCUMENT NUMBER | REV.
K | TC | DB11-0-1 | A

SHEET 1 OF 1

"THE MATERIAL HEREIN IS FOR INFORMATION PURPOSES ONLY AND IS SUBJECT TO CHANGE WITHOUT NOTICE. DIGITAL EQUIPMENT CORPORATION ASSUMES NO RESPONSIBILITY FOR ANY ERRORS WHICH MAY APPEAR HEREIN."

DRAWING DIRECTORY

"THIS DRAWING AND SPECIFICATIONS, HEREIN, ARE THE PROPERTY OF DIGITAL EQUIPMENT CORPORATION AND SHALL NOT BE REPRODUCED OR COPIED OR USED IN WHOLE OR IN PART AS THE BASIS FOR THE MANUFACTURE OR SALE OF ITEMS WITHOUT WRITTEN PERMISSION. COPYRIGHT (C) 1983 DIGITAL EQUIPMENT CORPORATION"

FOR FIELD MAINTENANCE PRINT SET REFER TO K-TC-DB11-0-1

UNIT VARIATIONS

VARIATION	TITLE
DB11-M DB11-MP	UNIBUS REPEATER SYSTEM INTEGRATED DB11-M

REVISION HISTORY			USED ON OPTION/MODEL	RESPONSIBLE ENG.	d i g i t a l			
ENG	ECO NUMBER	REV		DATE	TITLE			
---	INITIAL	A	DB11	17 AUG 83	DRAWING DIRECTORY			
					DB11			
					SIZE	CODE	DOCUMENT NUMBER	REV.
					K	DD	DB11-0	A
					SHEET 1 OF 3			EDIT # 0001

RESPONSIBLE ENG. : *P. Bergeron*
 : M. LAWRENCE
 DATE : 17 AUG 83
 : 5 OCT 83
 MADE BY : *R.R. 5 OCT 83*
 : R. ROBICHAUD
 DATE : 17 AUG 83
 CHECKED BY : *J. Falkowski*
 : J. FALKOWSKI
 DATE : 17 AUG 83
 : 22 AUG 83
 DESIGN ENGINEER : R. BERGERON
 DATE : 17 AUG 83
 : *R. Bergeron*
 : 5 OCT 83
 PRODUCTION ENG. : W. LADNER
 DATE : 17 AUG 83
 : *W. Ladner*
 : 27 OCT 83

F
I
N
D

T
Y
P
E

#	DRAWING NUMBER	DESCRIPTION	T Y P E
1	MP00976-01 K-TC-DB11-0-1 K-PL-DB11-0-0 D-IA-7009563-0-0	FIELD MAINTENANCE PRINTSET (MP) F.M.P.S. DB11 DB11 OPTION POWER HARNESS DA11-F/DD11-B	- - E/M E/M
2	D-AD-7009612-0-0 D-IA-7009152-0-0 A-DC-7406371-0-0 A-DC-7411881-0-0 K-WL-DB11-A-6 A-WT-7009612-0	WIRED ASSY (DB11-A) BACKPLANE ASSY LOGIC FRAME DECALS DECAL LOGIC ASSY REVISION WIRE LIST DB11-A, REVISION STATUS	E/M E/M - - E -
3	C-UA-M920-0-0 A-PL-M920-0-0 C-CS-M920-0-1 K-CO-M920-0-4 D-AH-M920-0-5 D-IA-5008647-0-0 A-DC-7407806-0-0 B-MH-M920-0-6	INTERNAL BUS CONN ASSY INTERNAL BUS CONN ASSY CIRCUIT SCHEMATIC X-Y COORDINATE HOLE LOCATION ASSY/DRILLING HOLE LOCATION ETCH BOARD (M920) DEC UNIBUS DECAL MODULE ECO HISTORY	E/M E/M E - E/M E/M - -
4	C-IA-7008855-0-0	POWER CABLE SYSTEM UNIT	E/M
5	A-PL-G772-0-0 B-CS-G772-0-1 K-CO-G772-0-4 C-AH-G772-0-5 B-MH-G772-0-6 D-IA-5008633-0-0	POWER CONNECTOR G772 POWER CONNECTOR G772 X-Y COORDINATE HOLE LOCATION ASSY/DRILLING HOLE LAYOUT MODULE ECO HISTORY ETCH BOARD G772	E/M E - E/M - E/M
6	D-IA-7008909-0-0	CABLE, POWER EXPANDER BOX 11/45	E/M
7	C-IA-7011960-0-0 C-MD-7412443-0-0 C-MD-7415015-0-0	SUPPORT, HARNESS HOLDER, CABLE BRACKET, CABLE RETAINING	M M M

F
I
N
D

T
Y
P
E

#	DRAWING NUMBER	DESCRIPTION	T Y P E
8	A-PL-M7212-0-0 D-CS-M7212-0-1 K-CO-M7212-0-4 D-AH-M7212-0-5 B-MH-M7212-0-6	BUS REPEATER A LINES M7212 BUS REPEATER A LINES M7212 X-Y COORDINATE HOLE LOCATION ASSY/DRILLING HOLE LOCATION MODULE ECO HISTORY	E/M E - E/M -
9	B-DD-M7213-0	BUS REPEATER CARD	-
10	A-PL-M783-0-0 B-CS-M783-0-1 K-CO-M783-0-4 D-AH-M783-0-5 B-MH-M783-0-6	UNIBUS DRIVERS M783 UNIBUS DRIVERS M783 X-Y COORDINATE HOLE LOCATION ASSY/DRILLING HOLE LAYOUT MODULE ECO HISTORY	E/M E - E/M -
11	A-PL-M784-0-0 B-CS-M784-0-1 K-CO-M784-0-4 D-AH-M784-0-5 B-MH-M784-0-6	UNIBUS RECEIVERS M784 UNIBUS RECEIVERS M784 X-Y COORDINATE HOLE LOCATION ASSY/DRILLING HOLE LAYOUT MODULE ECO HISTORY	E/M E - E/M -
12	A-PL-M785-0-0 B-CS-M785-0-1 K-CO-M785-0-4 D-AH-M785-0-5 B-MH-M785-0-6	UNIBUS DRIVERS & RECEIVERS M785 UNIBUS TRANSCEIVERS M785 X-Y COORDINATE HOLE LOCATION ASSY/DRILLING HOLE LAYOUT MODULE ECO HISTORY	E/M E - E/M -

TYPE: E ELECTRICAL
M MECHANICAL
E/M ELECTRO/MECHANICAL

d i g i t a l TITLE

DRAWING DIRECTORY

DB11

SIZE	CODE	DOCUMENT NUMBER	REV.
K	DD	DB11-0	A
SHEET 2 OF 3		EDIT # 0001	

MK

F
I
N
D

T
Y
P
E

F
I
N
D

T
Y
P
E

#	DRAWING NUMBER	DESCRIPTION	T Y P E
13	D-CS-M930-0-1	BUS TERMINATOR	E
	K-CO-M930-0-4	X-Y COORDINATE HOLE LOCATION	-
	D-AH-M930-0-5	ASSY/DRILLING HOLE LAYOUT	E/M
	B-MH-M930-0-6	MODULE ECO HISTORY	-
14	A-PL-M7248-0-0	UNIBUS REPEATER BBSY	E/M
	D-CS-M7248-0-1	UNIBUS REPEATER BBSY	E
	K-CO-M7248-0-4	X-Y COORDINATE HOLE LOCATION	-
	D-AH-M7248-0-5	ASSY/DRILLING HOLE LAYOUT	E/M
	B-MH-M7248-0-6	MODULE ECO HISTORY	-
15	K-PL-7020877-0-0	SHIPPING LIST (DB11)	-

#	DRAWING NUMBER	DESCRIPTION	T Y P E
---	----------------	-------------	------------------

TYPE: E ELECTRICAL
M MECHANICAL
E/M ELECTRO/MECHANICAL

d	i	g	i	t	a	l
---	---	---	---	---	---	---

TITLE

DRAWING DIRECTORY

DB11

SIZE	CODE	DOCUMENT NUMBER	REV.
K	DD	DB11-0	A
SHEET 3 OF 3		EDIT # 0001	

MK

LINE ITEM	TOP DOCUMENT	PART NUMBER	MIN REV DESCRIPTION	QTY	PER VARIATION
				M	MP
VARIATION REVISION LEVEL:					
1	D-AD-7009612-0-0	7009612-00	LOGIC DB11-A	1	1
2	C-UA-M920-0-0	M920 -00	INTERNAL BUSS CONNECTOR	1	1
3	D-IA-7009563-0-0	7009563-00	HARNESS PWR DA11-F/DD11-B	A/R	A/R
4	C-IA-7008855-0-0	7008855-00	POWER CABLE SYSTEM UNIT	A/R	A/R
5	D-IA-7008909-0-0	7008909-00	CABLE, POWER EXPANDER BOX 1YS	A/R	A/R
6		1209856-01	CLIP, MODULE HOLDER W SEPARATO	1	1
7		1209856-02	CLIP, MODULE HOLDER W/O SEPARA	1	1
8	C-IA-7011960-0-0	7011960-00	SUPPORT HARNESS	1	1
9	D-CS-M7212-0-1	M7212-00	ALINES, BUS REPEATER	3	3
10	D-UA-M7213-0-0	M7213-00	CARD, REPEATER MASTER	1	1
11	A-PL-M783-0-0	M783 -00	UNIBUS DRIVERS	1	1
12	A-PL-M784-0-0	M784 -00	UNIBUS RECEIVERS	1	1
13	A-PL-M785-0-0	M785 -00	UNIBUS DRIVERS & RECEIVER	4	4
14	D-CS-M930-0-1	M930 -00	BUSS TERMINATOR	2	2
15	D-CS-M7248-0-1	M7248-00	UNIBUS REPEATER	1	1
16	K-PL-7020877-0-0	7020877-01	SHIPPING LIST (DB11)	A/R	A/R
17		3613210-00	LABEL, UL. FOIL ADH BACK	1	1

- 18 NOTE: NOTE 1: ITEM #4 (7008855-00) POWER CABLE USED ON 11/45 - 11/50 CPU WITH S/N LESS THAN 2000.
 19 NOTE: NOTE 2: ITEM #5 (7008909-00) POWER CABLE USED ON 11/35 - 11/40 CPU WITH S/N LESS THAN 6000.
 20 NOTE: NOTE 2: (CONTINUED) OR H960-D,E WITH S/N LESS THAN 7000, ALSO 11/05,11/10,11/35, 10.5" BOXES.
 21 NOTE: NOTE 3: ITEM #3 (7009563-00) UNIT HARNESS USED ON ALL OTHER CPU'S.

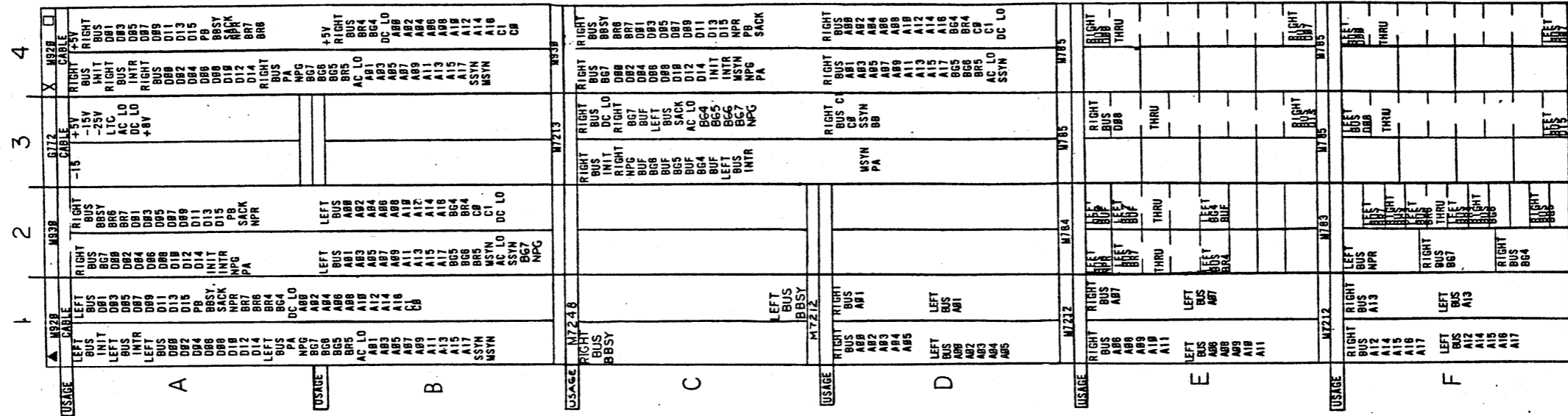
REVISION HISTORY		BASIC PART NO:	DB11	DRN:	R. ROBICHAUD	DATE:	17-AUG-83	D I G I T A L			
ENG:	ECO NUMBER	REV	SECTION A OF A	CHK'D:	<i>J. Falkowski</i>	DATE:	24 OCT 83	TITLE	PARTS LIST		
---	INITIAL	A	SECTION VARIATION INDEX		<i>J. Falkowski</i>	DATE:	17-AUG-83	DB11 OPTION			
			[A] M, MP		<i>R. Bergeron</i>	DATE:	27 OCT 83	DOCUMENT NUMBER			
			[B]	DES. ENG:	R. BERGERON	DATE:	17-AUG-83	SIZE CODE NUMBER	REV		
			[C]	RESP. ENG.:	<i>R. Bergeron</i>	DATE:	27 OCT 83	K PL DB11-0-0	A		
			[D]		M. LAWRENCE	DATE:	17-AUG-83	RELEASE DATE:			
			[E]	MFG. ENG.:	<i>W. Ladner</i>	DATE:	27 OCT 83	TOP DOCUMENT NUMBER:	FILE NAME:	EDIT #	
			[F]	ASSEMBLY NUMBER:				#K-DD-DB11-0	MK0934.PLS	2	

"THIS DRAWING AND THE SPECIFICATIONS CONTAINED HEREIN ARE CONFIDENTIAL AND PROPRIETARY. THEY ARE THE PROPERTY OF DIGITAL EQUIPMENT CORPORATION AND SHALL NOT BE REPRODUCED OR COPIED OR USED IN WHOLE OR IN PART AS THE BASIS FOR THE MANUFACTURE OR SALE OF ITEMS WITHOUT WRITTEN PERMISSION. THIS IS AN UNPUBLISHED WORK PROTECTED UNDER THE FEDERAL COPYRIGHT LAWS."

This drawing and specifications herein are the property of Digital Equipment Corporation and shall not be reproduced or used in whole or in part as the basis for the manufacture or sale of items without written permission.

NOTES:

1. ALL OPTIONS CONNECTED TO THE OUTPUT SIDE OF THE DB11-A AND OPERATING FROM THE SAME PHYSICAL POWER SUPPLY AS THE DB11-A MUST HAVE THEIR RESPECTIVE ACLO AND DCLO WIRES REMOVED FROM THE POWER HARNESSSES.



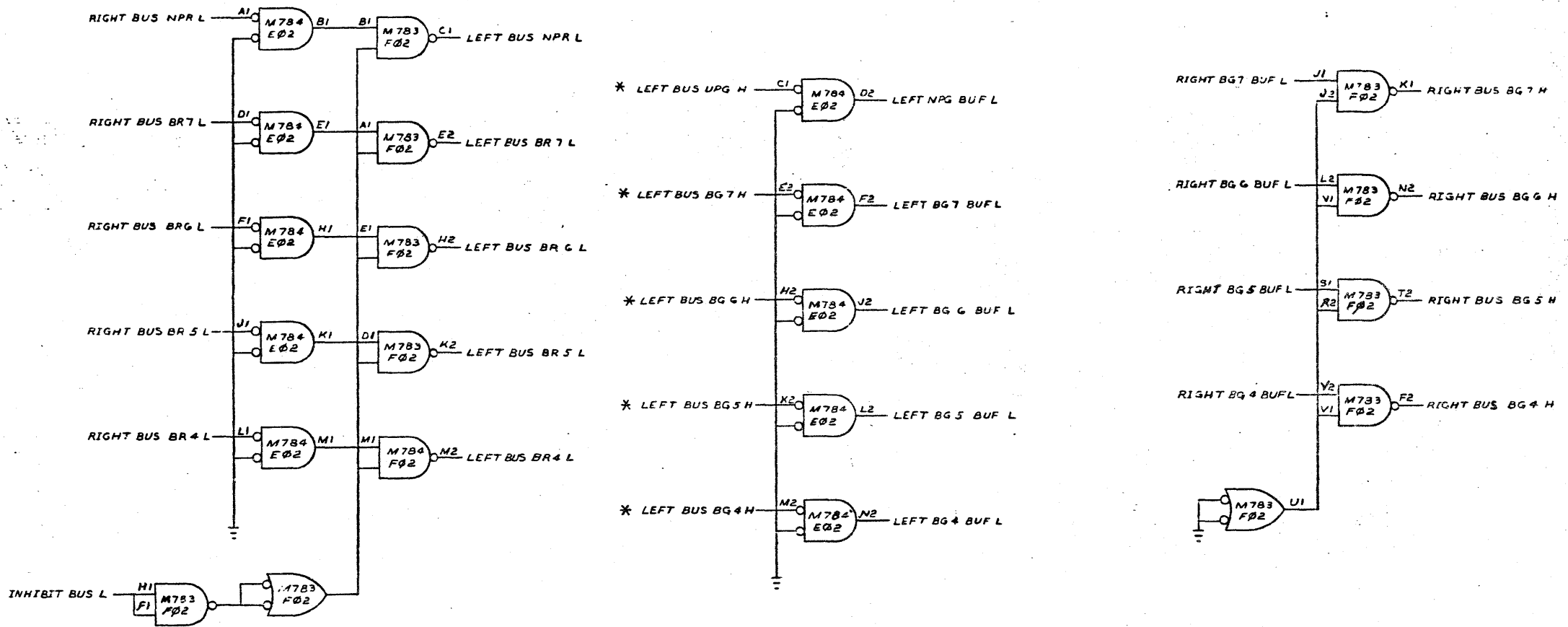
- IF END OF BUS REPLACE M92B WITH M93B
- X IF LAST UNIT IN BASIC BOX REPLACE M92B WITH BC11A CABLE END WHEN EXPANDING TO PERIPHERAL BOX.
- ▲ IF FIRST UNIT IN EXPANDER BOX REPLACE M92B WITH BC11A CABLE END

CHK	REVISIONS	CHANGE NO.	REV
	DB11A-00001	A	
	BASTIANI		
	DB11A-00003	B	
	BASTIANI		
	DB11A-00012	C	
	BASTIANI		
	DB11A-00018	E	
	BASTIANI		

FIRST USED ON OPTION/MODEL	QTY.	DESCRIPTION	PART NO.	ITEM NO.
PDP11				
PARTS LIST				
MODULE UTILIZATION				
UNLESS OTHERWISE SPECIFIED		DRN	DATE	
DIMENSION IN INCHES		CHK'D	DATE	
TOLERANCES		ENG	DATE	
DECIMALS FRACTIONS ANGLES		PROJ. ENG.	DATE	
= .008 = 1/64 = 0°30'		PROD.	DATE	
FINAL SURFACE QUALITY / REMOVE BURRS AND BREAK SWARP CORNERS				
MATERIAL		NEXT HIGHER ASSY		
FINISH				
SCALE		A-ML-DB11-A-0		REV
SHEET		DMU DB11-A-01		E

This drawing and associated documents, forms, are the property of Digital Equipment Corporation and shall not be reproduced or copied in whole or in part, or the herein, by the manufacturer of such of items without written permission.

* BUS GRANTS ARE TERMINATED ON THE M7213 MODULE INTO A 390 OHM RESISTOR

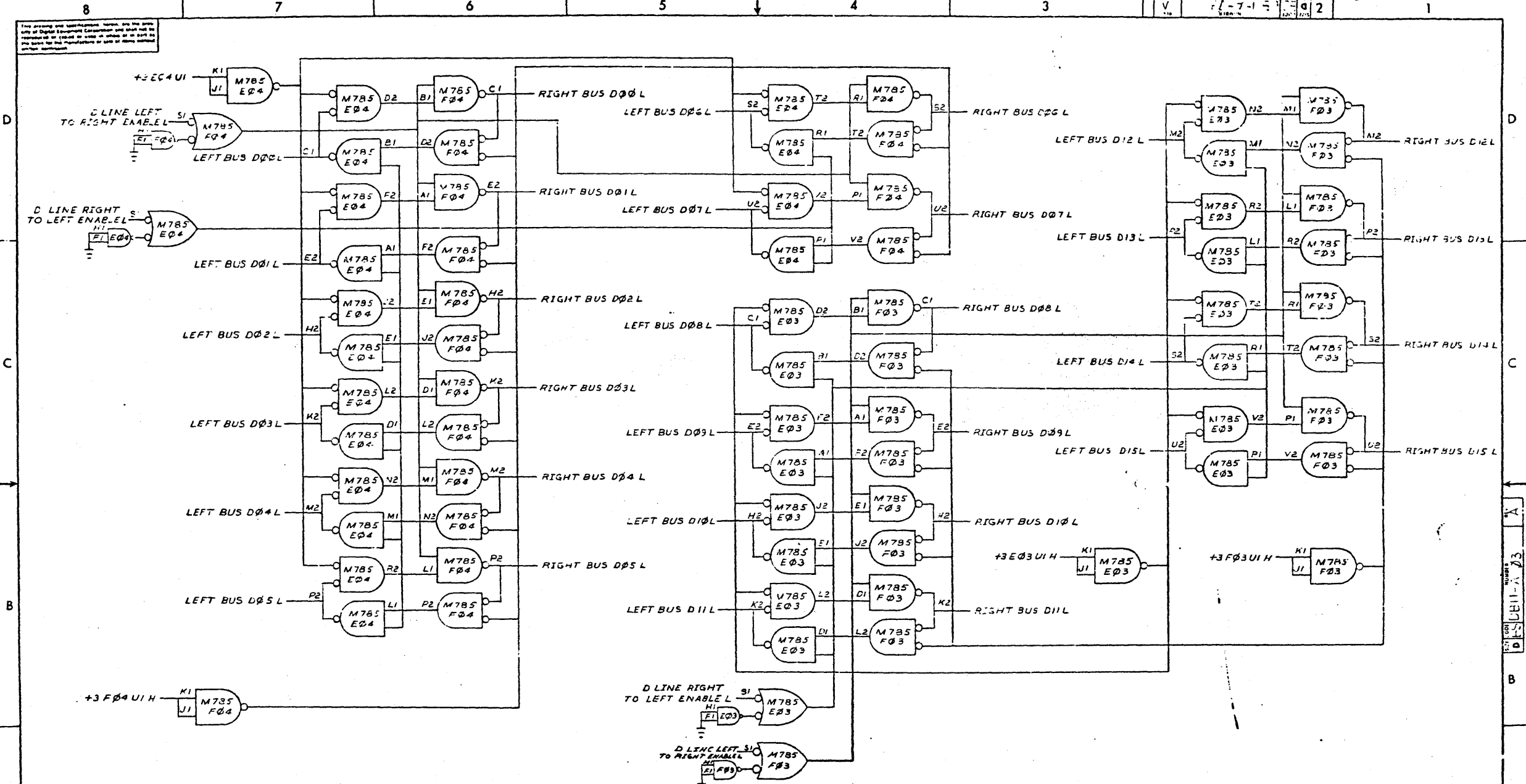


REV	REV	DATE	BY
1	1	1/17	W. FERRELL
2	1	1/17	V. BASTIANI
3	1	1/17	J. BASTIANI
4	1	1/17	J. BASTIANI
5	1	1/17	J. BASTIANI
6	1	1/17	J. BASTIANI
7	1	1/17	J. BASTIANI
8	1	1/17	J. BASTIANI

FIRST USED OR OPTION/MODIF PCP 1:	QTY.	DESCRIPTION	PART NO.	ITEM NO.
UNLESS OTHERWISE SPECIFIED DIMENSIONS IN INCHES TOLERANCES DECIMALS FRACTIONS ANGLES ± 0.00 ± 0.01 ± 0.02 FINISH SURFACE QUALITY REMOVE BURRS AND BREAK SHARP CORNERS	DATE 2-20-71	DATE 3/18/71	PARTS LIST digital EQUIPMENT CORPORATION	
MATERIAL + + +	DATE 3/15/71	DATE 3/15/71	TITLE BUS REPEATER DB 11 UNIDIR. LINES	
FINISH + + +	SCALE 1 OF 1	DATE 3/15/71	SIZE/CODE D-ES DB11-A-02	NUMBER REV B

DB 11 BUS SUB 1-A-02

Use assembly and maintenance forms are the property of Digital Equipment Corporation and shall not be reproduced or transmitted in any form or by any means, electronic, mechanical, photocopying, recording, or by any information storage and retrieval system, without the prior written permission of Digital Equipment Corporation.

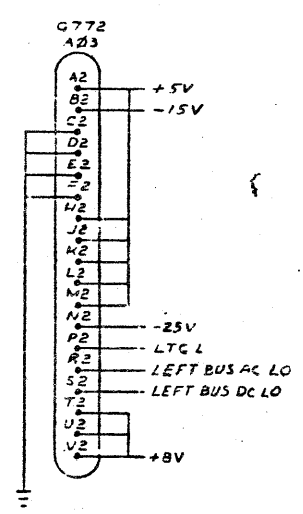
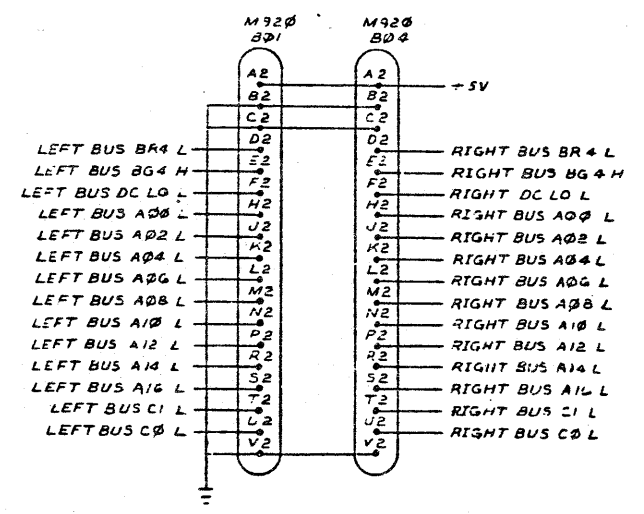
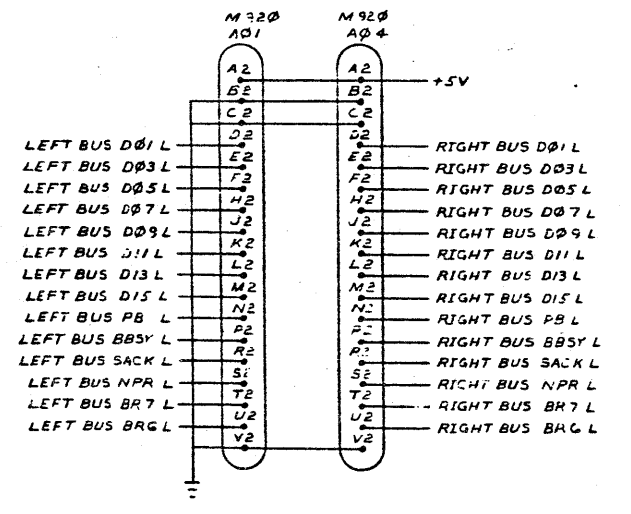
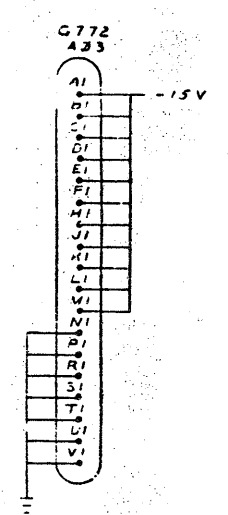
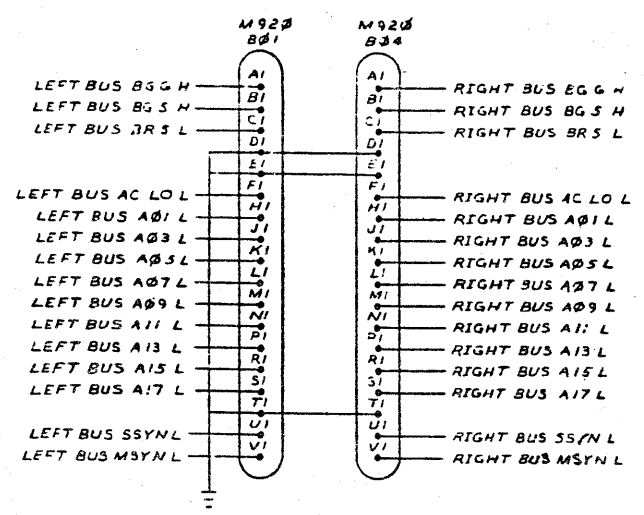
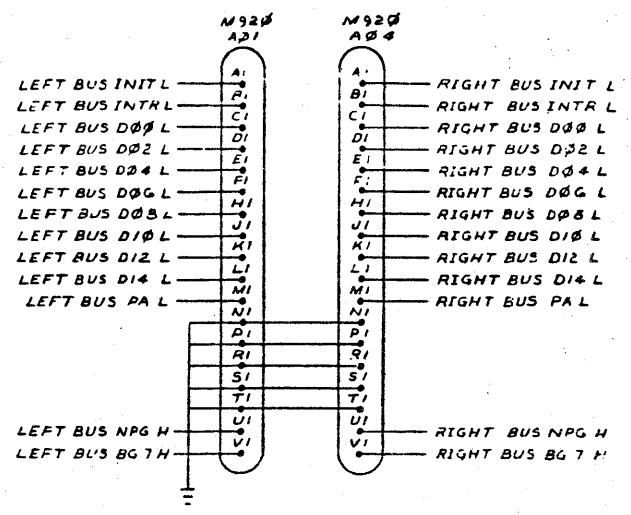


REV. CHANGES	REL. NO.
1	A
2	A
3	A
4	A
5	A
6	A
7	A
8	A

REV. NO.	DESCRIPTION	PART NO.	ITEM NO.
1	PCP 11		
PARTS LIST			
UNLESS OTHERWISE SPECIFIED	DRN	DATE	
UNLESS OTHERWISE SPECIFIED	CHK'D	DATE	
UNLESS OTHERWISE SPECIFIED	ENG	DATE	
UNLESS OTHERWISE SPECIFIED	PRD	DATE	
UNLESS OTHERWISE SPECIFIED	APP'D	DATE	
BUS REPEATER DATA LINES			
MATERIAL	A-ML-EB11-A-0	SIZE CODE	NUMBER
FINISH		DIST	REV
			A

A
B
C
D
E
F
G
H
I
J
K
L
M
N
O
P
Q
R
S
T
U
V
W
X
Y
Z
AA
AB
AC
AD
AE
AF
AG
AH
AI
AJ
AK
AL
AM
AN
AO
AP
AQ
AR
AS
AT
AU
AV
AW
AX
AY
AZ
BA
BB
BC
BD
BE
BF
BG
BH
BI
BJ
BK
BL
BM
BN
BO
BP
BQ
BR
BS
BT
BU
BV
BW
BX
BY
BZ
CA
CB
CC
CD
CE
CF
CG
CH
CI
CJ
CK
CL
CM
CN
CO
CP
CQ
CR
CS
CT
CU
CV
CW
CX
CY
CZ
DA
DB
DC
DD
DE
DF
DG
DH
DI
DJ
DK
DL
DM
DN
DO
DP
DQ
DR
DS
DT
DU
DV
DW
DX
DY
DZ
EA
EB
EC
ED
EE
EF
EG
EH
EI
EJ
EK
EL
EM
EN
EO
EP
EQ
ER
ES
ET
EU
EV
EW
EX
EY
EZ
FA
FB
FC
FD
FE
FF
FG
FH
FI
FJ
FK
FL
FM
FN
FO
FP
FQ
FR
FS
FT
FU
FV
FW
FX
FY
FZ
GA
GB
GC
GD
GE
GF
GG
GH
GI
GJ
GK
GL
GM
GN
GO
GP
GQ
GR
GS
GT
GU
GV
GW
GX
GY
GZ
HA
HB
HC
HD
HE
HF
HG
HH
HI
HJ
HK
HL
HM
HN
HO
HP
HQ
HR
HS
HT
HU
HV
HW
HX
HY
HZ
IA
IB
IC
ID
IE
IF
IG
IH
II
IJ
IK
IL
IM
IN
IO
IP
IQ
IR
IS
IT
IU
IV
IW
IX
IY
IZ
JA
JB
JC
JD
JE
JF
JG
JH
JI
JJ
JK
JL
JM
JN
JO
JP
JQ
JR
JS
JT
JU
JV
JW
JX
JY
JZ
KA
KB
KC
KD
KE
KF
KG
KH
KI
KJ
KK
KL
KM
KN
KO
KP
KQ
KR
KS
KT
KU
KV
KW
KX
KY
KZ
LA
LB
LC
LD
LE
LF
LG
LH
LI
LJ
LK
LM
LN
LO
LP
LQ
LR
LS
LT
LU
LV
LW
LX
LY
LZ
MA
MB
MC
MD
ME
MF
MG
MH
MI
MJ
MK
ML
MN
MO
MP
MQ
MR
MS
MT
MU
MV
MW
MX
MY
MZ
NA
NB
NC
ND
NE
NF
NG
NH
NI
NJ
NK
NL
NM
NN
NO
NP
NQ
NR
NS
NT
NU
NV
NW
NX
NY
NZ
OA
OB
OC
OD
OE
OF
OG
OH
OI
OJ
OK
OL
OM
ON
OO
OP
OQ
OR
OS
OT
OU
OV
OW
OX
OY
OZ
PA
PB
PC
PD
PE
PF
PG
PH
PI
PJ
PK
PL
PM
PN
PO
PP
PQ
PR
PS
PT
PU
PV
PW
PX
PY
PZ
QA
QB
QC
QD
QE
QF
QG
QH
QI
QJ
QK
QL
QM
QN
QO
QP
QQ
QR
QS
QT
QU
QV
QW
QX
QY
QZ
RA
RB
RC
RD
RE
RF
RG
RH
RI
RJ
RK
RL
RM
RN
RO
RP
RQ
RR
RS
RT
RU
RV
RW
RX
RY
RZ
SA
SB
SC
SD
SE
SF
SG
SH
SI
SJ
SK
SL
SM
SN
SO
SP
SQ
SR
SS
ST
SU
SV
SW
SX
SY
SZ
TA
TB
TC
TD
TE
TF
TG
TH
TI
TJ
TK
TL
TM
TN
TO
TP
TQ
TR
TS
TT
TU
TV
TW
TX
TY
TZ
UA
UB
UC
UD
UE
UF
UG
UH
UI
UJ
UK
UL
UM
UN
UO
UP
UQ
UR
US
UT
UU
UV
UW
UX
UY
UZ
VA
VB
VC
VD
VE
VF
VG
VH
VI
VJ
VK
VL
VM
VN
VO
VP
VQ
VR
VS
VT
VU
VV
VW
VX
VY
VZ
WA
WB
WC
WD
WE
WF
WG
WH
WI
WJ
WK
WL
WM
WN
WO
WP
WQ
WR
WS
WT
WU
WV
WW
WX
WY
WZ
XA
XB
XC
XD
XE
XF
XG
XH
XI
XJ
XK
XL
XM
XN
XO
XP
XQ
XR
XS
XT
XU
XV
XW
XX
XY
XZ
YA
YB
YC
YD
YE
YF
YG
YH
YI
YJ
YK
YL
YM
YN
YO
YP
YQ
YR
YS
YT
YU
YV
YW
YX
YY
YZ
ZA
ZB
ZC
ZD
ZE
ZF
ZG
ZH
ZI
ZJ
ZK
ZL
ZM
ZN
ZO
ZP
ZQ
ZR
ZS
ZT
ZU
ZV
ZW
ZX
ZY
ZZ

This drawing and associated notes are the property of Digital Equipment Corporation and shall not be reproduced or copied in whole or in part on any basis for the manufacture of parts of items without written permission.

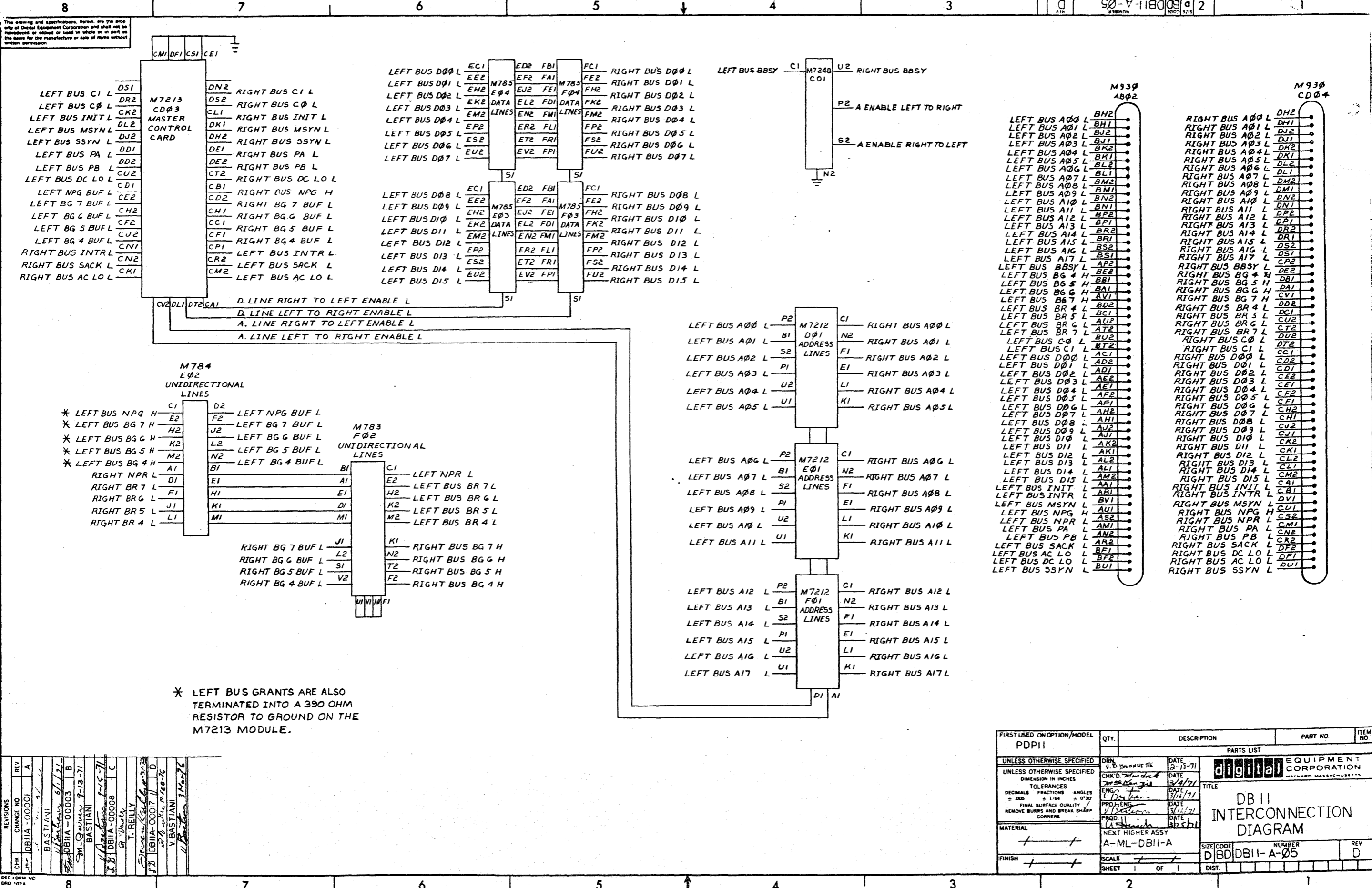


REV	DATE	BY	CHKD
1	11/11/71	BASTIANI	BASTIANI
2	11/11/71	BASTIANI	BASTIANI
3	11/11/71	BASTIANI	BASTIANI

FIRST USED ON OPT. 04 / MODEL	QTY.	DESCRIPTION	PART NO.	ITEM NO.
PDP 11				
UNLESS OTHERWISE SPECIFIED: DIMENSIONS IN INCHES, TOLERANCES AS SHOWN, FINISH AS SPECIFIED, REMOVE BURRS AND BREAK SHARP CORNERS.				
MATERIAL		A- VL-DB11-A-04		
FINISH		SCALE: 1" = 1"		
SHEET		OF 1		
DATE		11/11/71		
DRAWN BY		BASTIANI		
CHECKED BY		BASTIANI		
ENGR. DATE		11/11/71		
PROJ. ENG. DATE		11/11/71		
TITLE		BUS AND POWER CONNECTIONS		
SIZE		A- VL-DB11-A-04		
SCALE		D11C DB11-A-04		
SHEET		OF 1		

REV. NO. 1
D11C DB11-A-04

The drawing and specifications herein are the property of Digital Equipment Corporation and shall not be reproduced or copied in whole or in part as the basis for the manufacture or sale of items without written permission.



* LEFT BUS GRANTS ARE ALSO TERMINATED INTO A 390 OHM RESISTOR TO GROUND ON THE M7213 MODULE.

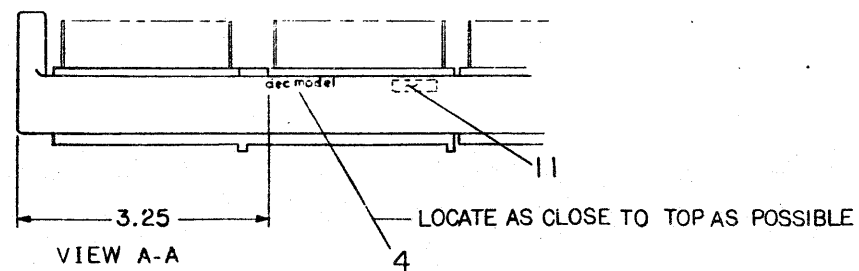
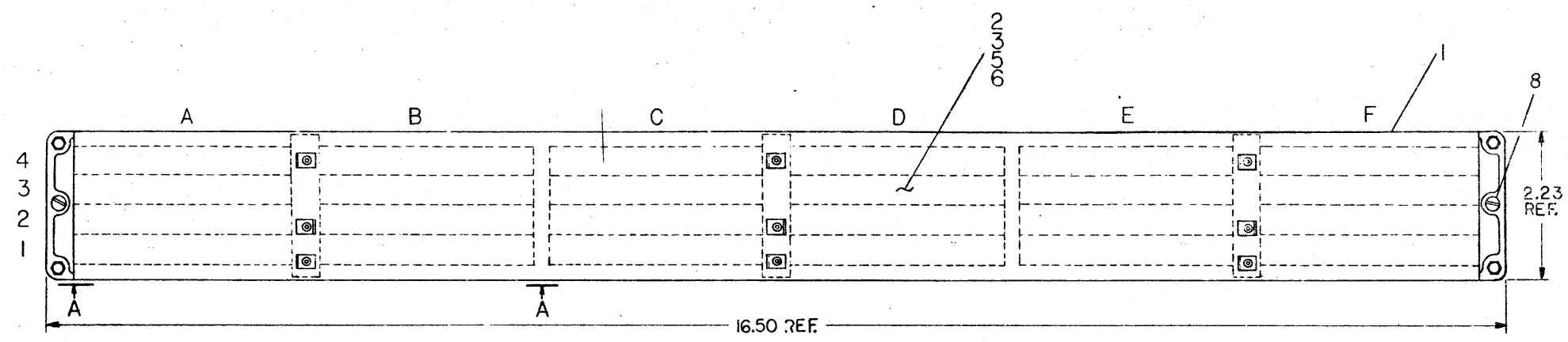
REV	CHG	NO	BY	DATE
1	00001	A		
2	00002	B		
3	00003	C		
4	00004	D		
5	00005	E		
6	00006	F		
7	00007	G		
8	00008	H		
9	00009	I		
10	00010	J		
11	00011	K		
12	00012	L		
13	00013	M		
14	00014	N		
15	00015	O		
16	00016	P		
17	00017	Q		
18	00018	R		
19	00019	S		
20	00020	T		
21	00021	U		
22	00022	V		
23	00023	W		
24	00024	X		
25	00025	Y		
26	00026	Z		

FIRST USED ON OPTION/MODEL	QTY.	DESCRIPTION	PART NO.	ITEM NO.
PDPII				
UNLESS OTHERWISE SPECIFIED				
DRN	U. D. 1550HUE TIE	DATE	2-18-71	
CHK'D	W. D. 1550HUE TIE	DATE	3/1/71	
ENG	W. D. 1550HUE TIE	DATE	3/1/71	
PROD. ENG	W. D. 1550HUE TIE	DATE	3/1/71	
PROD. MGR	W. D. 1550HUE TIE	DATE	3/1/71	
MATERIAL				
NEXT HIGHER ASSY				
A-ML-DB11-A				
FINISH				
SCALE				
SHEET 1 OF 1				
TITLE				
DB11 INTERCONNECTION DIAGRAM				
SIZE CODE				
D B D DB11-A-05				
NUMBER				
REV. D				

This drawing and specifications, herein, are the property of Digital Equipment Corporation and shall not be reproduced or copied or used in whole or in part as the basis for the manufacture or sale of items without written permission 1-7-73

0-2196002 (14) 2

- NOTES:
1. ALL VERTICAL HAND WIRING TO RUN OUTSIDE OF CONNECTOR BLOCK
 2. WIRE WRAP ONE END OF 24AWG BLK WIRE TO PIN F02T1 AND SOLDER THE OTHER END TO THE TERMINAL WHICH IS MOUNTED UNDER THE CAPTIVE SCREW.



A/R	COMPRESS-O-CARTON	9905016-4	13
REF	PACKAGING INSTRUCTIONS	3700040-0-0	12
1	DECAL, LOGIC ASSY	A-DC-7411681-01	11
2	RING, 0"	9007835-00	10
1	TERMINAL, SOLDER	9008150-00	3
2	SCREW, CAPTIVE	9008157-00	8
REF	AWT REVISION STATUS	A-WT-7009612-0	7
REF	WIRE LIST	KWLDBIIA06	REF
A/R	WIRE 30AWG TWP BLK/WHT	9107720-09	6
A/R	WIRE 24AWG SOLID KYNARINS. BLK	9107688-00	5
A/R	LOGIC FRAME DECALS	A-DC-7406371-0-0	4
A/R	WIRE 24AWG SOLID KYNARINS. RED	9107688-22	3
A/R	WIRE 30AWG SOLID KYNARINS. YEL	9105740-94	2
1	BACK PLANE ASSY	7009152	1

FIRST USED ON Q. TION/MODEL		QTY.		DESCRIPTION		PART NO.		ITEM NO.	
DBII-A									
PARTS LIST									
UNLESS OTHERWISE SPECIFIED DIMENSION IN INCHES. TOLERANCES		DRN. <i>A. Burke</i> DATE 8-3-73		CHK'D. <i>[Signature]</i> DATE 8-30-73		digital EQUIPMENT CORPORATION			
DECIMALS .XXX - .006		ANGLES ± 0° 30'		PROJ. ENG. <i>[Signature]</i> DATE 8-3-73		TITLE WIRED ASSY (DBII-A)			
REMOVE BURRS AND BREAK SHARP CORNERS SURFACE QUALITY		PROD. <i>[Signature]</i> DATE 8-3-73		NEXT HIGHER ASSY.		SIZE CODE D:AD		NUMBER 7009612-0-0	
MATERIAL		FINISH		SCALE		SHEET 1 OF 2		REV. F	

REV	CHANGE NO	DESCRIPTION
1		ORIGINATED
2		DBIIA-0000R
3		DBIIA-0000S
4		REVISION 12-17-73
5		REVISION 12-17-73
6		REVISION 12-17-73
7		REVISION 12-17-73
8		REVISION 12-17-73

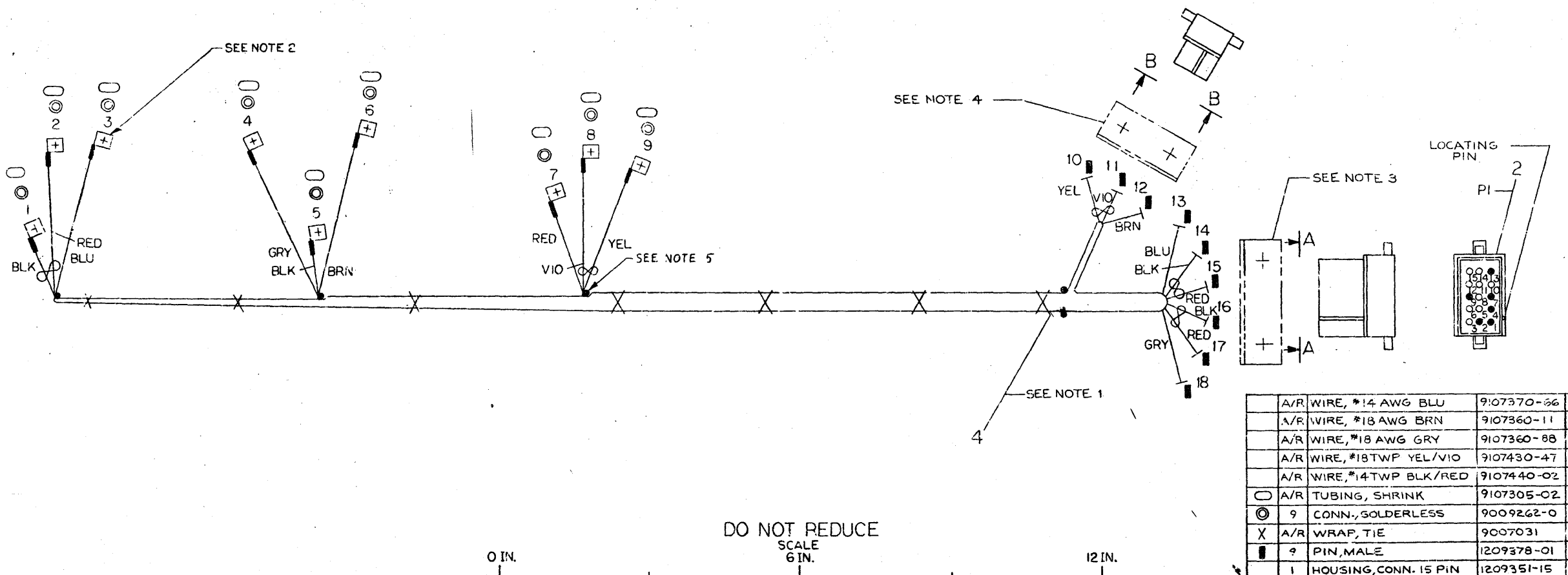
This drawing and specifications, herein, are the property of Digital Equipment Corporation and shall not be reproduced or copied or used in whole or in part as the basis for the manufacture or use of parts without written permission. COPYRIGHT © 1973 DIGITAL EQUIP. CORP.

WIRE TABLE

ITEM NO	DESCRIPTION		FROM			TO			REMARKS
	AWG	COLOR	POINT	CONNECTION	TERM	POINT	CONNECTION	TERM	
7	14 TWP	RED	7		5,6	17	P1-1	3	+5V
		BLK	5			16	P1-7		GND
9	18 AWG	GRY	4			18	P1-2		+15
7	14 TWP	RED	2			15	P1-4		+5
		BLK	1			14	P1-9		GND
11	14 AWG	BLU	3			13	P1-13		-15
10	18 AWG	BRN	6			12	P2-2		LINE CLOCK
8	18 TWP	VIO	8			11	P2-3		DC LO
		YEL	7		5,6	10	P2-4	3	AC LO

NOTES:

- USE TIE WRAPS (X) ITEM 4 APPROXIMATELY EVERY THREE (3) INCHES WHEN NECESSARY, AND AT EVERY BREAK-OUT POINT.
- ATTACH MALE FASTON DEC 9008219-0 WITH #4 WOOD SCREWS (9 PLACES).
- USE CONN. BRKT C-MD-9305761-H15-0 MOUNT WITH #6 WOOD SCREWS. USE MATING CONN. 1209350-15.
- USE CONN. BRKT C-MD-9305761-H6-0 MOUNT WITH #6 WOOD SCREWS. USE MATING CONN. 1209350-06.
- DOT (•) INDICATES NAIL LOCATIONS FOR ASSEMBLY USE ONLY. COVER NAILS WITH SHRINK TUBING TO PREVENT CUTTING HARNESS.



A/R WIRE, #14 AWG BLU	9107370-66	11
A/R WIRE, #18 AWG BRN	9107360-11	10
A/R WIRE, #18 AWG GRY	9107360-88	9
A/R WIRE, #18 TWP YEL/VIO	9107430-47	8
A/R WIRE, #14 TWP BLK/RED	9107440-02	7
A/R TUBING, SHRINK	9107305-02	6
9 CONN., SOLDERLESS	9009262-0	5
X A/R WRAP, TIE	9007031	4
9 PIN, MALE	1209378-01	3
1 HOUSING, CONN. 15 PIN	1209351-15	2
1 HOUSING, CONN. 6 PIN	1209351-06	1

FIRST USED ON OPT/MOD	SYM	QTY.	DESCRIPTION	PART NO.	ITEM NO.
PARTS LIST					
UNLESS OTHERWISE SPECIFIED DIMENSION IN INCHES. TOLERANCES	DRN	DATE	PARTS LIST		
DECIMALS	ANGLES	DATE	TITLE		
.XXX = 0.003	± 30°	DATE	POWER HARNESS		
.XX = 0.02		DATE	DA11-F/DD11-B		
X = .1		DATE			
REMOVE BURRS AND BREAK SHARP CORNERS SURFACE QUALITY	PROG. DATE	DATE			
MATERIAL	NEXT HIGHER ASSY.	DATE			
SEE PARTS LIST		DATE			
FINISH	SCALE 1/1	DATE			
	SHEET 1 OF 1	DATE			

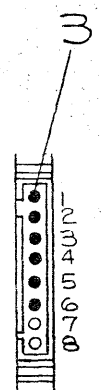
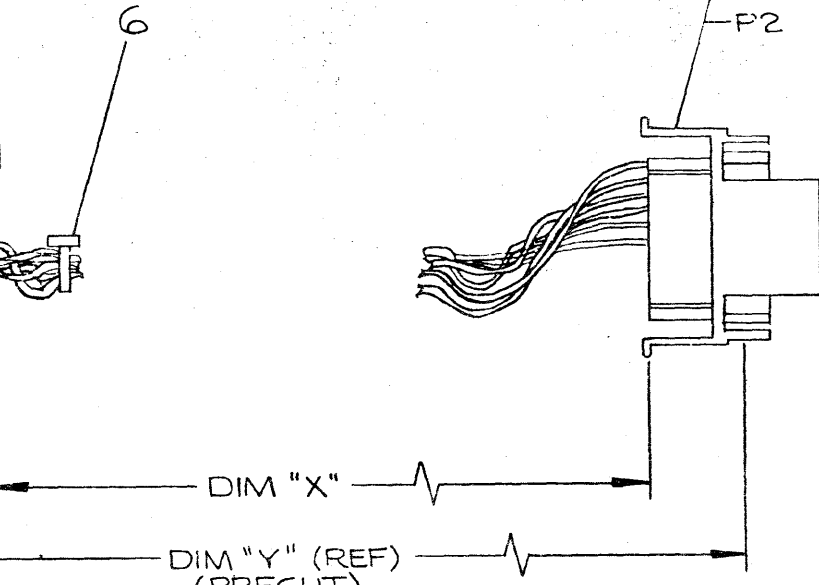
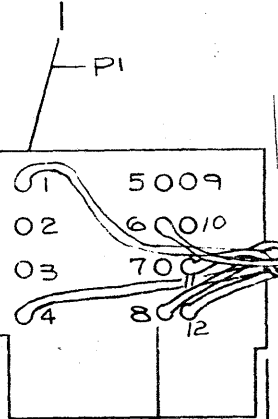
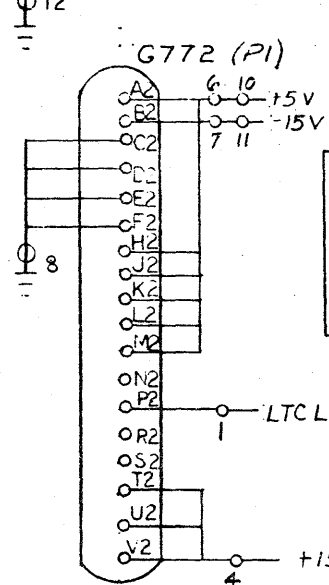
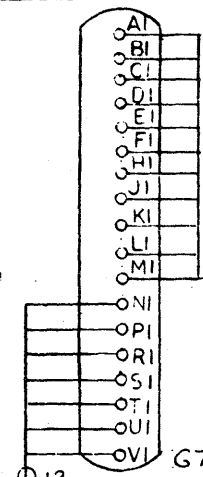
REV.	CHANGE NO.	DATE	BY	CHKD.
1	1	12/27/73	H. KWAN	
2	1	1/10/74	H. KWAN	

NUMBER
 DIA7009563-0-0
 SHEET CODE
 DIA7009563-0-0

This drawing and specifications, herein, are the property of Digital Equipment Corporation and shall not be reproduced or copied or used in whole or in part as the basis for the manufacture or sale of items without written permission.

WIRE TABLE

ITEM NO	DESCRIPTION		FROM	TO	SIGNALS
	AWG	COLOR	CONNECTION	CONNECTION	
4	14	BLK	PI-8	P2-1	GND
	TWP	RED	PI-6	P2-2	+5V
5	14	BLK	PI-12	P2-3	GND
	TWP	BLU	PI-11	P2-4	-15V
7	14	GRY	PI-4	P2-5	+15V
8	18	BRN	PI-1	P2-6	LTCL



LEGEND

NUMBER	VARIATION	
7008855-1J	DIM "X"	DIM "Y" REF
7008855-1J	20 ± 1 IN	22 INCHES
7008855-2B	26 ± 1 IN	28 INCHES

REV.	CHANGE NO.	DATE	BY	REASON
A	7008855-00001	5/2/72	SWANSON	Initial
B	7008855-00002	5/19/72	SWANSON	Change
C	11/45-00024	5/23/72	SWANSON	Change
D	11/45-00037	11/10/72	SWANSON	Change

A/R	DESCRIPTION	PART NO.	QTY.
A/R	WIRE #18 AWG BRN	9107360-11	8
A/R	WIRE #14 AWG GRY	9107370-88	7
A/R	TIE WRAP #35T-1.5M	9007880	6
A/R	WIRE, #14 TWP BLK/BLU	9107440-06	5
A/R	WIRE, #14 TWP BLK/RED	9107440-02	4
6	MATE-N-LOCK TERM	1209378-01	3
1	MATE-N-LOCK HOUSING	1209340-01	2
1	POWER CONNECTOR	G772	1

FIRST USED ON OPTION/MODEL 11/45	QTY.	DESCRIPTION	PART NO.	ITEM NO.
PARTS LIST				
UNLESS OTHERWISE SPECIFIED DIMENSION IN INCHES TOLERANCES	DRN. <i>[Signature]</i>	DATE 3/1/72	 digital EQUIPMENT CORPORATION MAYNARD, MASSACHUSETTS	
DECIMALS: .xxx = .005, .xx = .02, .x = .1	CHK'D <i>[Signature]</i>	DATE 3/21/72		
ANGLES: ±0° 30'	ENG. <i>[Signature]</i>	DATE 3/21/72		
REMOVE BURRS AND BREAK SHARP CORNERS SURFACE QUALITY ✓	PROJ. ENG. <i>[Signature]</i>	DATE 3-21-72		
MATERIAL: //	PROD. <i>[Signature]</i>	DATE 3-21-72	TITLE POWER CABLE, SYSTEM UNIT	
FINISH: //	NEXT HIGHER ASSY.			
	D-UA-11/45-0-0			
	SCALE: //		SIZE CODE: CIA	NUMBER: 7008855-0-0
	SHEET 1 OF 1		DIST. 2	REV. D

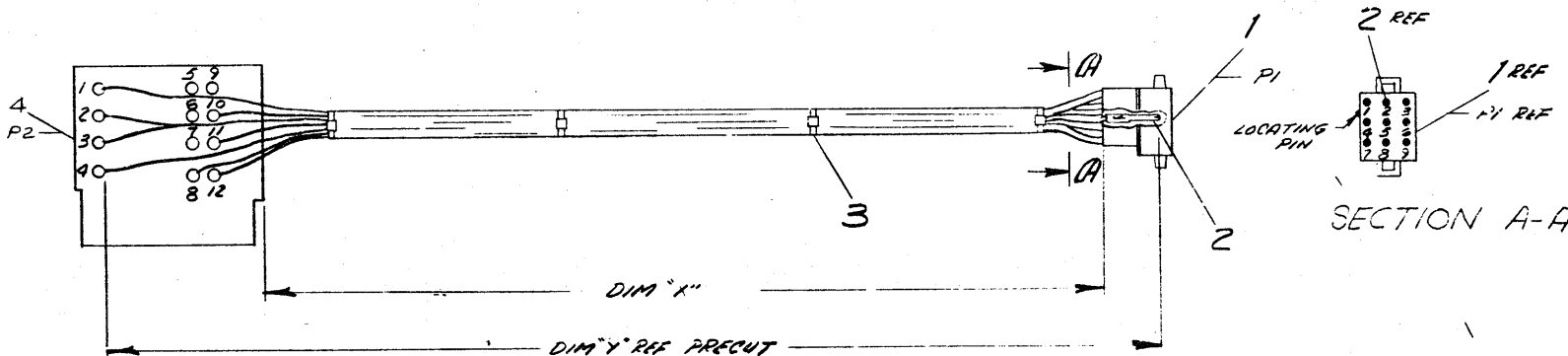
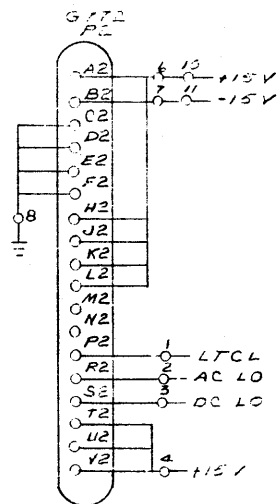
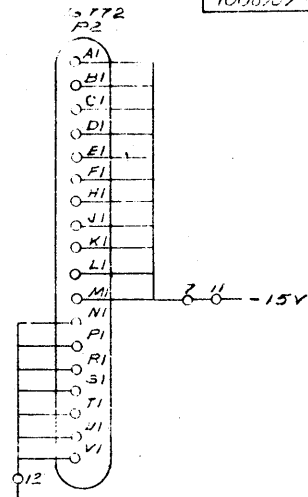
This drawing is a special effort herein are the property of Digital Equipment Corporation and shall not be reproduced or used in whole or in part without the prior written permission of the manufacturer or sale of items without written permission.

LEGEND

NUMBER	VARIATION	
	DIM. "X"	DIM. "Y"
7008909-11	11 IN ± .5 IN	13.5 IN
7008909-17	17 IN ± 1 IN	13.5 IN

WIRE TABLE

ITEM NO	DESCRIPTION	COL 2	FROM		TO		SIGNALS
			CONNECTION	WITH	CONNECTION	WITH	
5	14	BLK	PI-4	*2	P2-12	SOLDER	GND
5	14	BLK	PI-5		P2-8		-GND
6	14	BLU	PI-3		P2-11		-15V
7	14	RED	PI-9		P2-10		+5V
8	14	GRY	PI-8		P2-4		+15V
9	18	YEL	PI-2		P2-2		HC LO
10	18	VIO	PI-1		P2-3		DC LO
11	18	BRN	PI-7	*2	P2-1	SOLDER	LTCL



QTY.	DESCRIPTION	PART NO	ITEM NO
11	WIRE #18 AWG BRN	9107360-11	11
10	WIRE #18 AWG VIO	9107360-77	10
9	WIRE #18 AWG YEL	9107360-44	9
8	WIRE #14 AWG GRY	9107370-88	8
7	WIRE #14 AWG RED	9107370-22	7
6	WIRE #14 AWG BLU	9107370-66	6
5	WIRE #14 AWG BLK	9107370-00	5
4	POWER CONNECTOR 9772 A	9772 A	4
3	TIE WRAP SST-15M	9007880	3
2	MATE-N-LOCK TIEWRAP (FEMALE)	1209378-01	2
1	COUPLER MATE-N-LOCK (9 PIN)	1209351-09	1

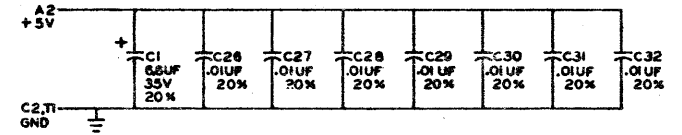
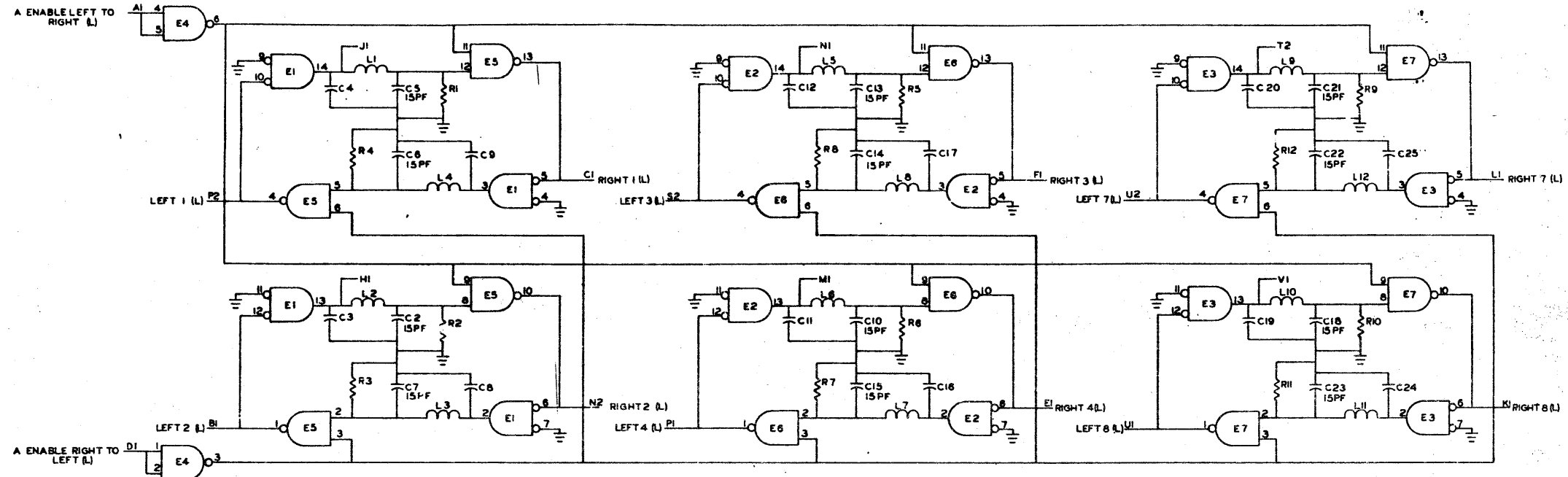
FIRST USED ON OPTION MODEL		QTY.	DESCRIPTION	PART NO	ITEM NO
1145					
UNLESS OTHERWISE SPECIFIED DIMENSION IN INCHES TOLERANCES		PARTS LIST			
DECIMALS	ANGLES	digital EQUIPMENT CORPORATION			
xxx - 005	± 0.30	CABLE, POWER EXPANDER BOX 1145			
xx - 02		DIA 7008909-0-0			
x - 1		SCALE 1/1			
REMOVE BURRS AND BREAK SHARP EDGES TO RAISE QUALITY		SHEET 1 OF 1			
MATERIAL		NEXT HIGHER ASSY.			
FINISH		DIA 7008909-0-0			

REV	CHANGE NO.	DATE	BY	CHK
A	1	5-21-72	SULLER	
B	1	5-21-72	SULLER	
C	1	5-21-72	SULLER	
D	1	5-21-72	SULLER	
E	1	5-21-72	SULLER	

DIA 7008909-0-0

THIS SCHEMATIC IS FURNISHED ONLY FOR TEST AND MAINTENANCE PURPOSES. THE CIRCUITS ARE PROPRIETARY IN NATURE AND SHOULD BE TREATED ACCORDINGLY. COPYRIGHT 1974 BY DIGITAL EQUIPMENT CORPORATION.

0 1-0-212LM SC D
REV 0 2003 1/75



UNLESS OTHERWISE SPECIFIED
 CAPACITORS ARE 100 PF, 100V, 5%
 RESISTORS ARE 1K, 1/4W, 5%
 INDUCTORS ARE 47UH
 PIN 7 - GND
 PIN 14 - +5V ON EACH IC EXCEPT DEC8640
 PIN 1 - GND ON DEC 8640
 PIN 8 - +5V ON DEC 8640
 E1, E2, E3 - DEC 8640
 E4 - DEC 74H00
 E5, E6, E7 - DEC 8801

REVISIONS
 DATE
 BY
 APPROVED
 DESIGNED BY
 CHECKED BY
 DRAWN BY
 ENGINEER
 MANUFACTURING

TRANSISTOR & DIODE CONVERSION CHART			
TRANSISTOR	DIODE	TRANSISTOR	DIODE

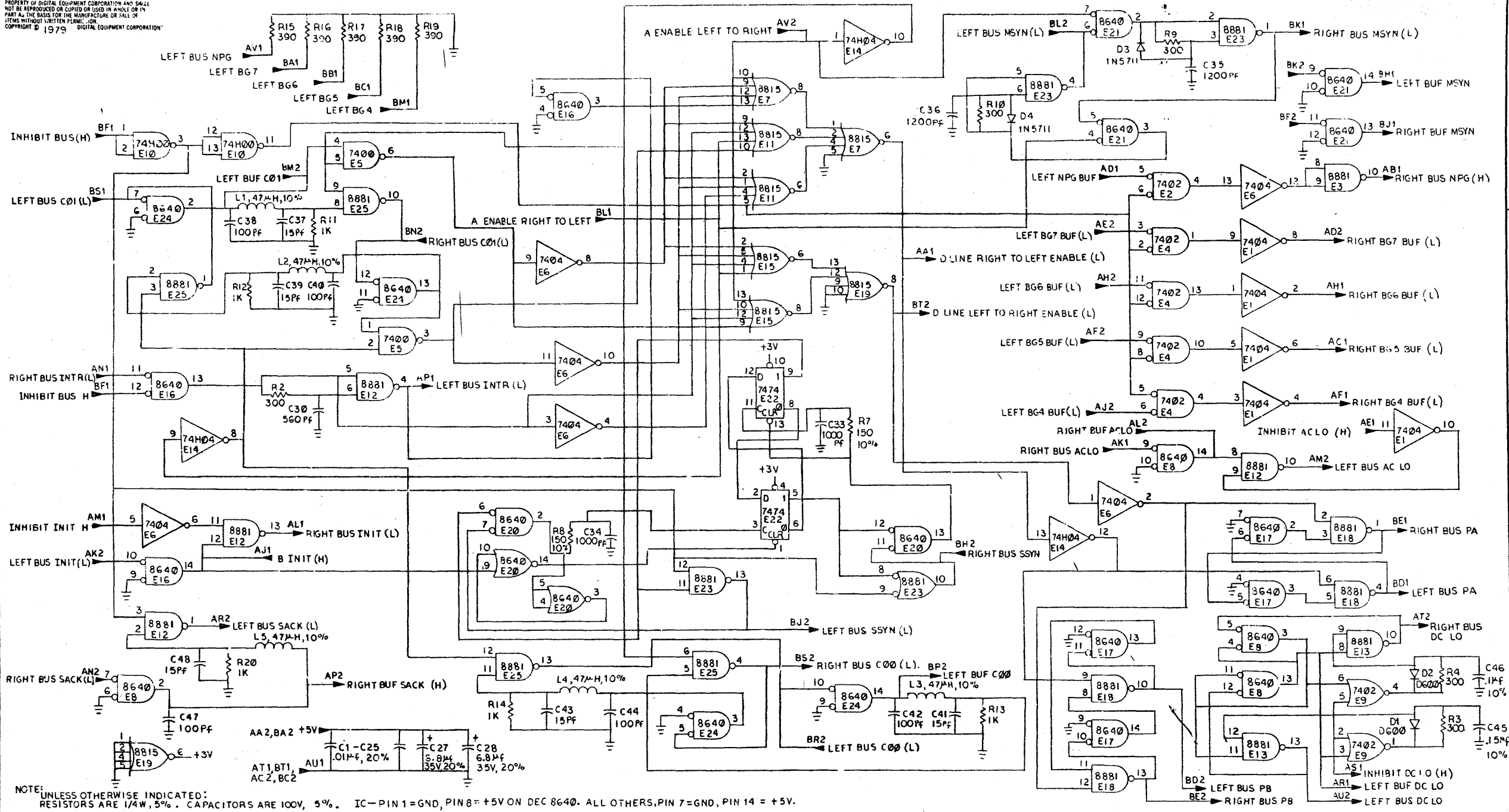
EQUIPMENT CORPORATION		BUS REPEATER A LINES	
DATE	CODE	NUMBER	REV
D	CS	M7212-01	D
PRINTED CIRCUIT REV.			

REV D
 M7212-0-1
 D CS

MS1071

Dist 324-134-4352

THIS DRAWING AND SPECIFICATIONS, HEREIN ARE THE PROPERTY OF DIGITAL EQUIPMENT CORPORATION AND SHALL NOT BE REPRODUCED OR COPIED OR USED IN WHOLE OR IN PART AS THE BASIS FOR THE MANUFACTURE OR SALE OF ITEMS WITHOUT WRITTEN PERMISSION. DIGITAL EQUIPMENT CORPORATION. COPYRIGHT © 1979

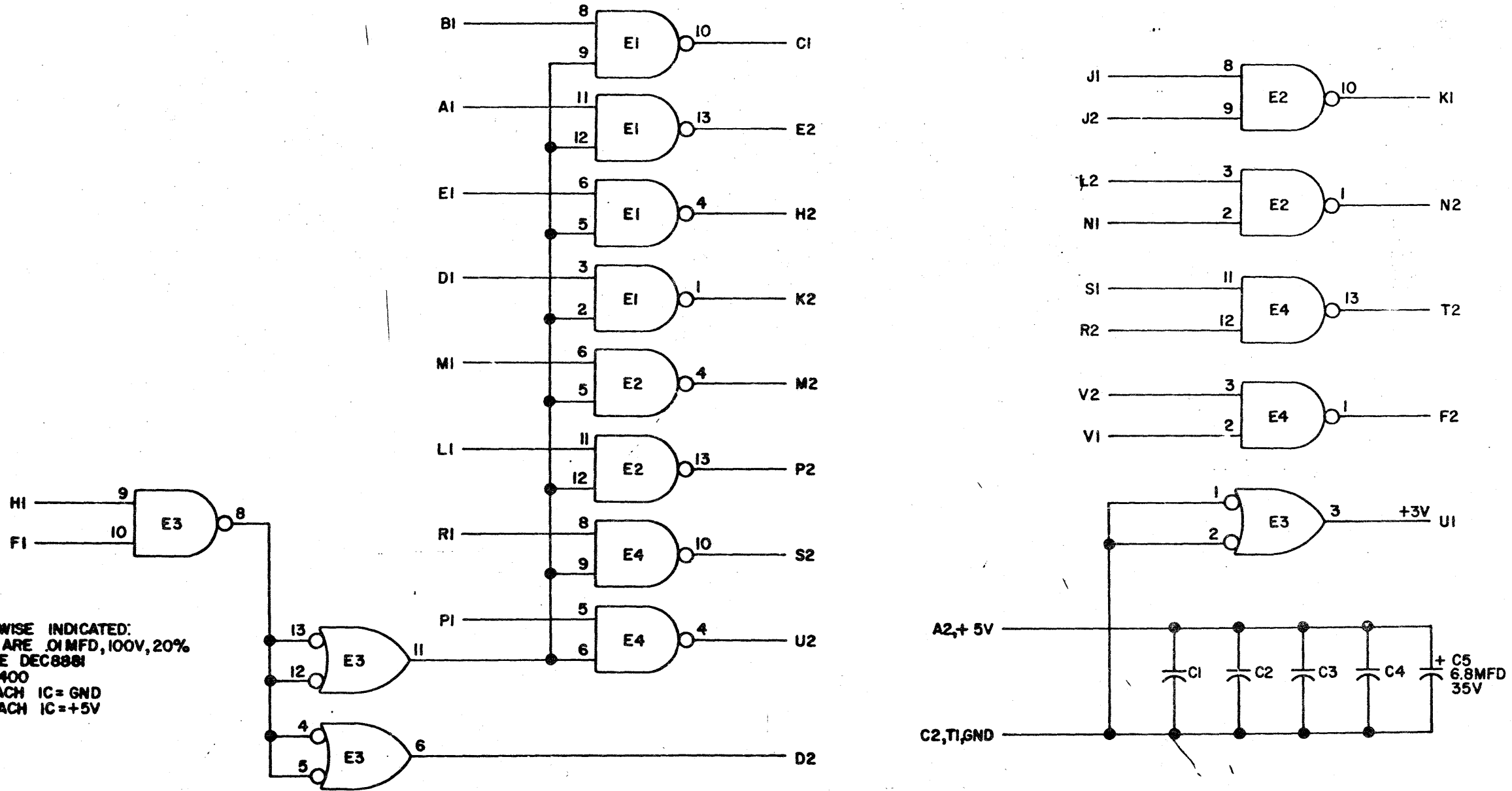


NOTE: UNLESS OTHERWISE INDICATED: RESISTORS ARE 1/4W, 5%. CAPACITORS ARE 100V, 5%. IC - PIN 1 = GND, PIN 8 = +5V ON DEC 8640. ALL OTHERS, PIN 7 = GND, PIN 14 = +5V.

REV.	DATE	BY	CHK
1	11-15-79	R. HARRINGTON	J. HARRINGTON
2	12-11-79	R. HARRINGTON	J. HARRINGTON
3	1-10-80	R. HARRINGTON	J. HARRINGTON
4	2-10-80	R. HARRINGTON	J. HARRINGTON
5	3-10-80	R. HARRINGTON	J. HARRINGTON
6	4-10-80	R. HARRINGTON	J. HARRINGTON
7	5-10-80	R. HARRINGTON	J. HARRINGTON
8	6-10-80	R. HARRINGTON	J. HARRINGTON

DRN. NO.	213.79	FIRST USED ON	M7213
CHK'D	J. HARRINGTON	TITLE	BUS REPEATER CARD
ENG.	J. HARRINGTON	PROJ. ENG.	
PROD.		NEXT HIGHER ASSY.	
D-UA-M7213-0-0	SIZE	CODE	NUMBER
SCALE NONE	D	CS	M7213-0-1
SHEET 1	OF 1	DIST.	

THIS SCHEMATIC IS FURNISHED ONLY FOR TEST AND MAINTENANCE PURPOSES. THE CIRCUITS ARE PROPRIETARY IN NATURE AND SHOULD BE TREATED ACCORDINGLY. COPYRIGHT 1969 BY DIGITAL EQUIPMENT CORPORATION

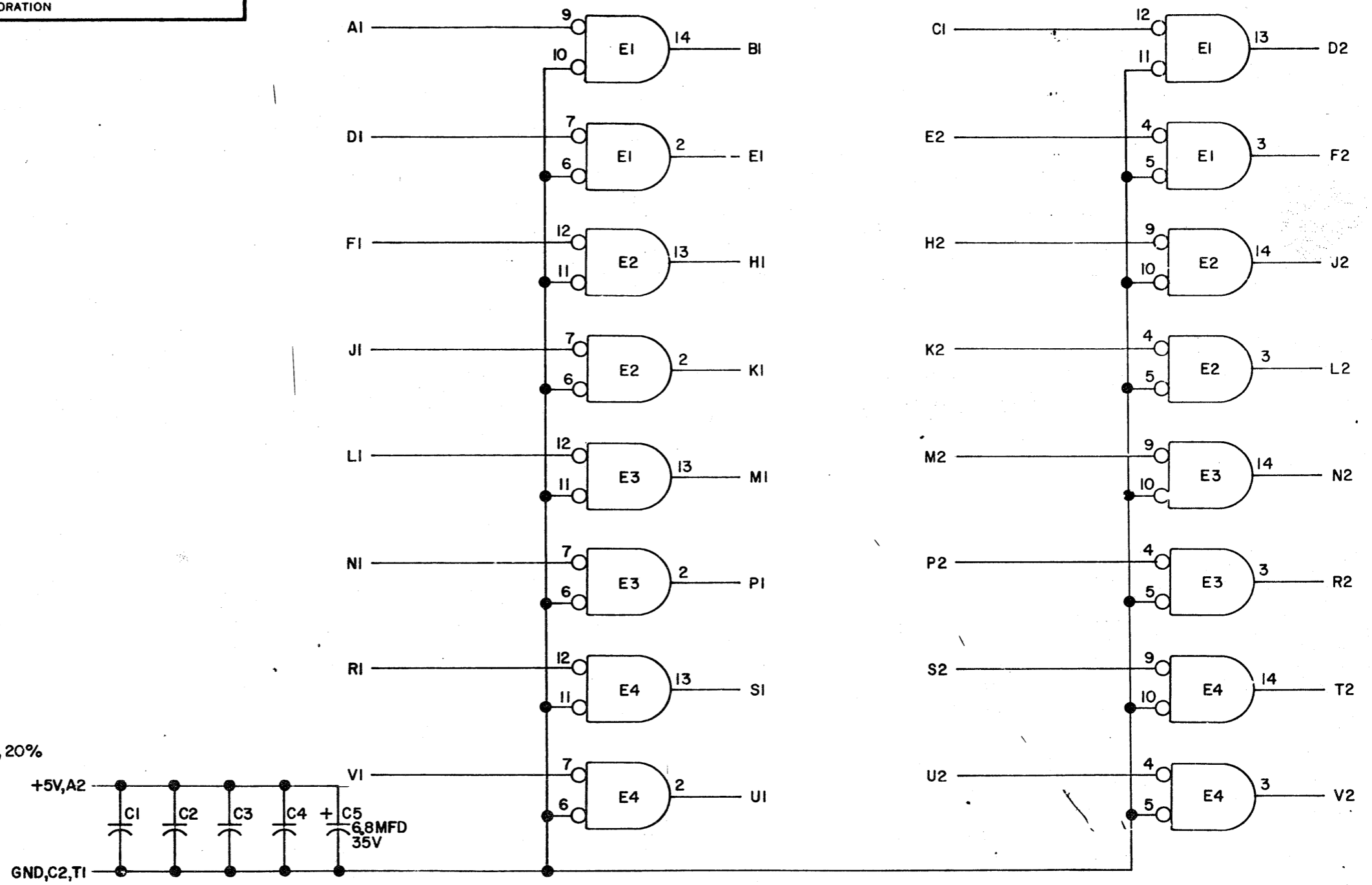


UNLESS OTHERWISE INDICATED:
 CAPACITORS ARE .01MFD, 100V, 20%
 E1, E2, E4 ARE DEC8881
 E3 IS DEC7400
 PIN 7 ON EACH IC = GND
 PIN 14 ON EACH IC = +5V

REVISIONS CHG NO. REV.	DRN <i>B. Patey</i>	DATE 11-21-69	TRANSISTOR & DIODE CONVERSION CHART				digital EQUIPMENT CORPORATION MAYNARD, MASSACHUSETTS	TITLE UNIBUS DRIVERS M783			
	CHK'D <i>T. M. ...</i>	DATE 1-7-70	DEC	EIA	DEC	EIA		SIZE B	CODE CS	NUMBER M783-0-1	REV.
	ENG <i>V.E. ...</i>	DATE 3/25/70									
	PROD.	DATE									

THIS SCHEMATIC IS FURNISHED ONLY FOR TEST AND MAINTENANCE PURPOSES. THE CIRCUITS ARE PROPRIETARY IN NATURE AND SHOULD BE TREATED ACCORDINGLY. COPYRIGHT 1969 BY DIGITAL EQUIPMENT CORPORATION

NOTE:
FOR YA ONLY
ICs ARE DEC 384.



UNLESS OTHERWISE INDICATED:
CAPACITORS ARE .01MFD, 100V, 20%
ICs ARE DEC 8640
PIN 1 ON EACH IC=GND
PIN 8 ON EACH IC=+5V

REVISIONS	CHK	CHG NO.	REV.
	8.5	00001	A
	2.5	00002	B
		00003	C
			D
			E

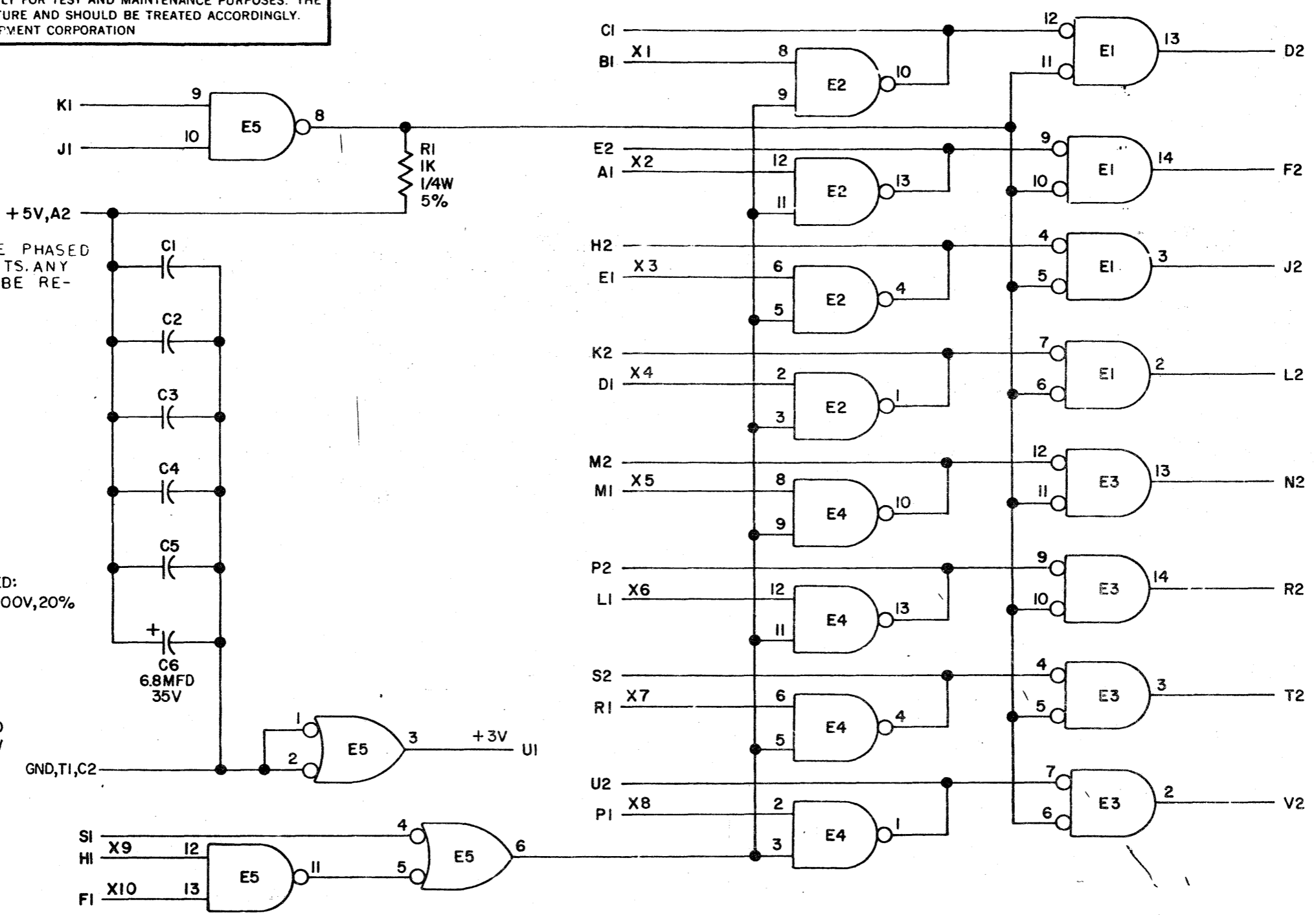
DRN <i>G. Alley</i>	DATE 11-18-69
CHK'D <i>L. Mitanski</i>	DATE 1-7-70
ENS <i>P. E. Janion</i>	DATE 3/11/70
PROD.	DATE

TRANSISTOR & DIODE CONVERSION CHART			
DEC	EIA	DEC	EIA



TITLE UNIBUS RECEIVERS M784			
SIZE B	CODE CS	NUMBER M784-0-1	REV E
PRINTED CIRCUIT REV.			A B C

THIS SCHEMATIC IS FURNISHED ONLY FOR TEST AND MAINTENANCE PURPOSES. THE CIRCUITS ARE PROPRIETARY IN NATURE AND SHOULD BE TREATED ACCORDINGLY. COPYRIGHT 1969 BY DIGITAL EQUIPMENT CORPORATION



NOTE:
DEC 8640'S WERE PHASED IN AS 380 REPLACEMENTS. ANY 380 FAILURES SHOULD BE REPLACED BY 8640'S.

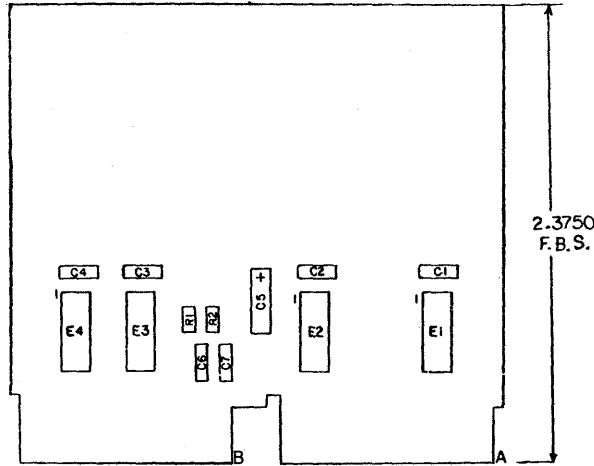
UNLESS OTHERWISE INDICATED:
CAPACITORS ARE .01MFD, 100V, 20%
E1, E3 ARE DEC 8640
E2, E4 ARE DEC8881
E5 IS DEC7400
PIN 1 ON E1, E3 = GND
PIN 8 ON E1, E3 = +5V
PIN 7 ON E2, E4, E5 = GND
PIN 14 ON E2, E4, E5 = +5V

REVISIONS	CHK	CHG NO.	REV.	DRN. <i>G. Patey</i> DATE 11-19-69	DATE 11-19-69	TRANSISTOR & DIODE CONVERSION CHART				 EQUIPMENT CORPORATION MAYNARD, MASSACHUSETTS	TITLE UNIBUS TRANCEIVERS M785			
	00001	A				DEC	EIA	DEC	EIA		SIZE	CODE	NUMBER	REV.
	00003	B									B	CS	M785-0-1	D
	00004	C									PRINTED CIRCUIT REV. ABC			
	00005	D		ENG. <i>J. P. Janney</i> DATE 3/11/70	DATE 3/11/70									
				PRD. <i>G. Patey</i> DATE 3/11/70										

"THIS DRAWING AND SPECIFICATIONS HEREIN ARE THE PROPERTY OF DIGITAL EQUIPMENT CORPORATION AND SHALL NOT BE REPRODUCED OR COPIED OR USED IN WHOLE OR IN PART AS THE BASIS FOR THE MANUFACTURE OR SALE OF ITEMS WITHOUT WRITTEN PERMISSION. COPYRIGHT © 1975 DIGITAL EQUIPMENT CORPORATION"

NOTES:

REF	X-Y COORDINATE HOLE LOCATION	K-CO-M930-0-4	1	
REF	ASSY/DRILLING HOLE LAYOUT	D-AH-M930-0-5	2	
REF	MODULE ECO HISTORY	B-MH-M930-0-6	3	
1	ETCHED CIRCUIT BOARD	5008696	4	
4	C1 THRU C4	CAP .22 μF 50V CER	1010274-01	5
2	C6, C7	CAP 1000 pF 250V 20% DISC	1000043	6
1	C5	CAP 39 μF 10V 10% TANT	1000076	7
2	R1, R2	RES 383 Ω 1/4W 1%	1305125	8
2	E1, E4	28 RES DIVIDER NETWORK	1312628-00	9
2	E2, E3	25 RES DIVIDER NETWORK	1312628-01	10

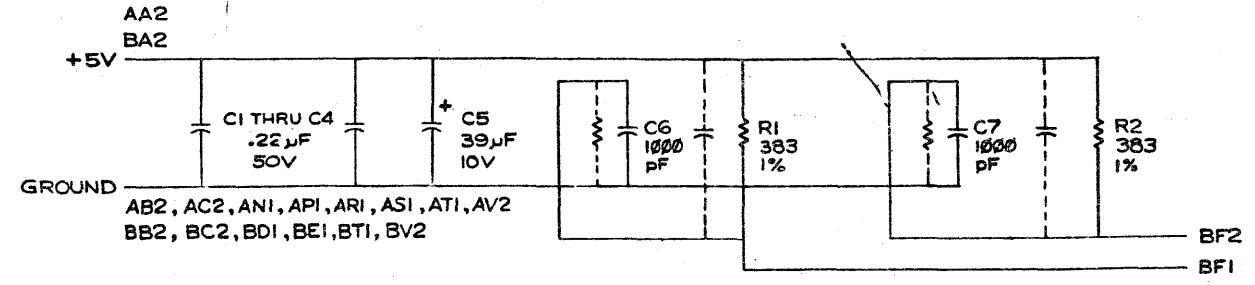
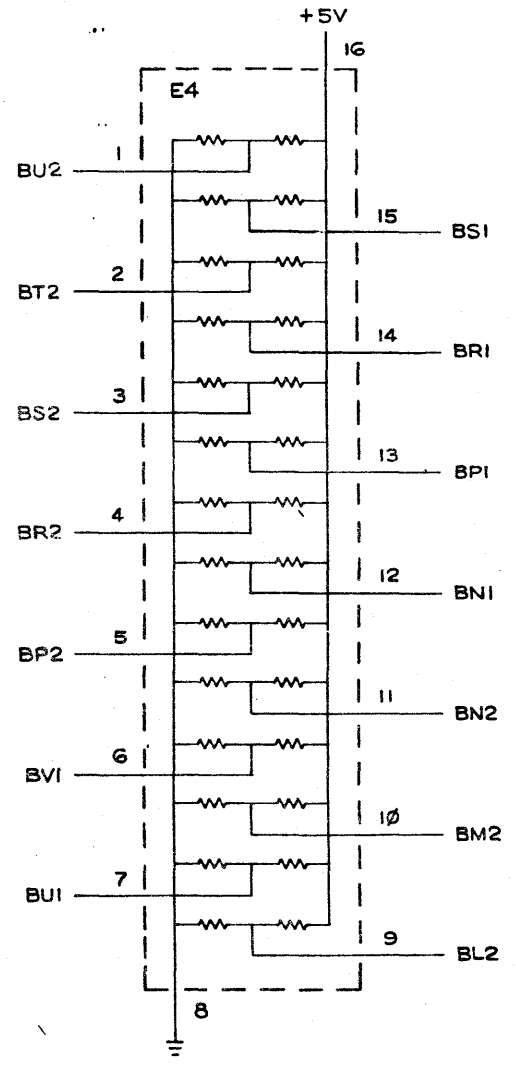
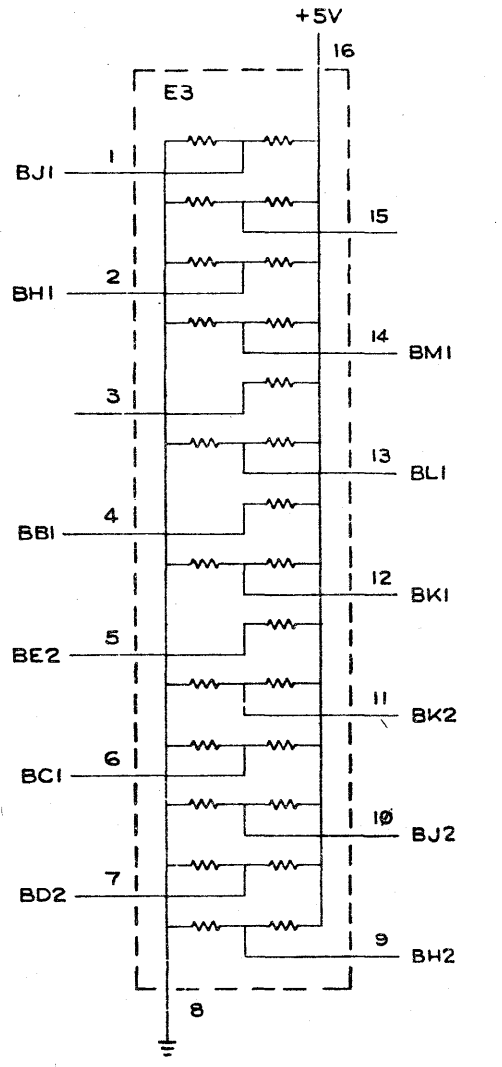
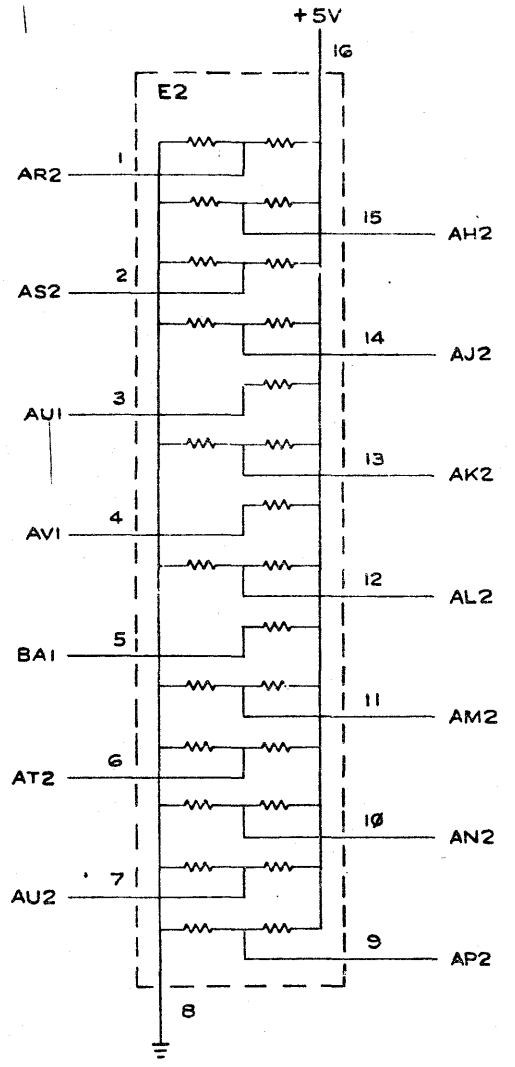
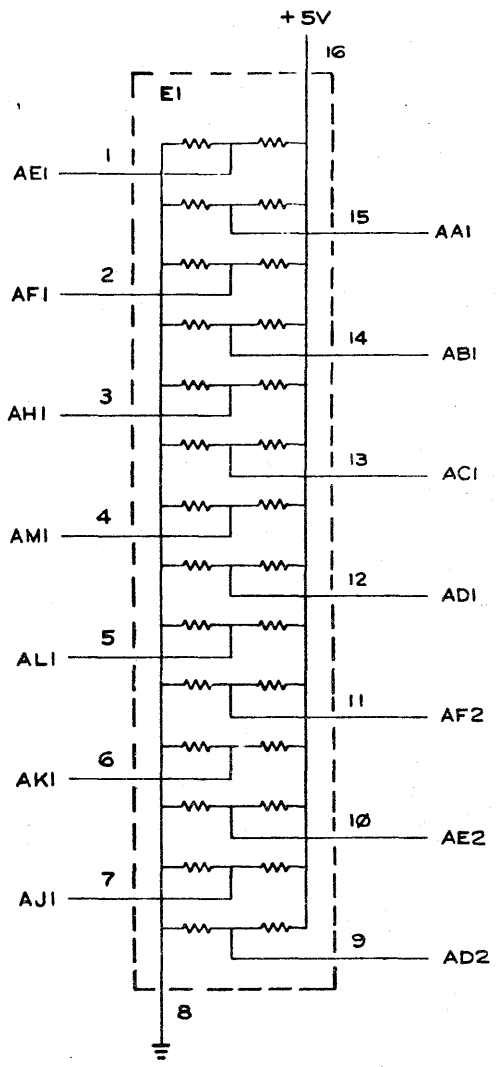


QTY	REF. DESIGNATION	DESCRIPTION	PART NO.	ITEM NO.
FIRST USED ON OPTION MODEL				
M930				
PARTS LIST				
ETCH BOARD REV. [E-P3] F				
DRN. J. CARTER		DATE 7-9-75		
CHKD. [Signature]		DATE 7-16-75		
ENG. [Signature]		DATE 10-2-75		
PROJ. [Signature]		DATE 10-3-75		
P. PROD. [Signature]		DATE	TITLE BUS TERMINATOR	
NEXT HIGHER ASSY				
DEC NO.		EIA NO.	DEC NO.	EIA NO.
SEMICONDUCTOR CONVERSION CHART				
SCALE		SIZE CODE		NUMBER
SHEET 1 OF 2		D [CS]		M930-0-1
				REV. F

IC TYPE	GND	+5V
GND AND 5V ARE USUALLY PIN 7 AND 14 RESPECTIVELY EXCEPTIONS ARE STATED ABOVE		
IC PIN LOCATIONS		

REV. [CS] M930-0-1
 DCS M930-0-1

THIS DRAWING AND SPECIFICATIONS HEREIN ARE THE PROPERTY OF DIGITAL EQUIPMENT CORPORATION AND SHALL NOT BE REPRODUCED OR COPIED OR USED IN WHOLE OR IN PART AS THE BASIS FOR THE MANUFACTURE OR SALE OF ITEMS WITHOUT WRITTEN PERMISSION. COPYRIGHT © 1975 DIGITAL EQUIPMENT CORPORATION



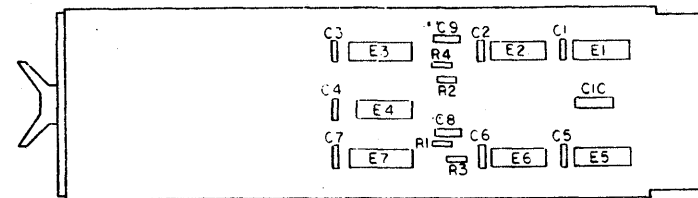
REVISIONS		
CHK	CHANGE NO.	REV

The drawing and specifications herein are the property of Digital Equipment Corporation and shall not be reproduced or copied in whole or in part as the basis for the manufacture or sale of items without written permission.

PARTS REFERENCE

ITEM NO	DRAWING REFERENCE	DESCRIPTION	PART NUMBER	QUANTITY
1	E5	IC DEC 74C4	1505686	1
2	E2, E6	IC DEC 314	1503704	2
3	E1	IC DEC 6881	1503705	1
4	E4	IC DEC 74C5	1503302	1
5	E3, E7	IC DEC 74123	1510436	2
6	C10	CAP 6.8UF 35V20% S. TANT	1000057	1
7	C1, C7	CAP .01UF 100V 20% DISC	1001610	7
8	C8, C9	CAP 27PF 100V 5% MICA	1001739	2
9	R2, R3	RES 5.6K 1/4W 5%	1301674	2
10	R1, R4	RES 5.1K 1/8W 1% MF	1304654	2
11		SPLIT LUGS	9006735	8

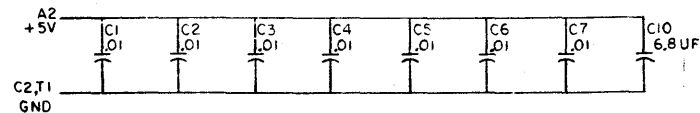
COMPONENT PLACEMENT



NOTES:

1. DETAILS ON COMPONENTS ARE NOTED IN THE PARTS REFERENCE, PLACEMENT IS NOTED IN THE COMPONENT PLACEMENT DIAGRAM. CAPACITORS WITHOUT NOTED VALUES ARE .01 MFD.
2. GND AND +5V ARE USUALLY PIN 7 AND PIN 14, RESPECTIVELY. EXCEPTIONS ARE:

IC TYPE	GND	+5V
DEC 74123	PIN 8	PIN 16
DEC 314	PIN 1	PIN 8

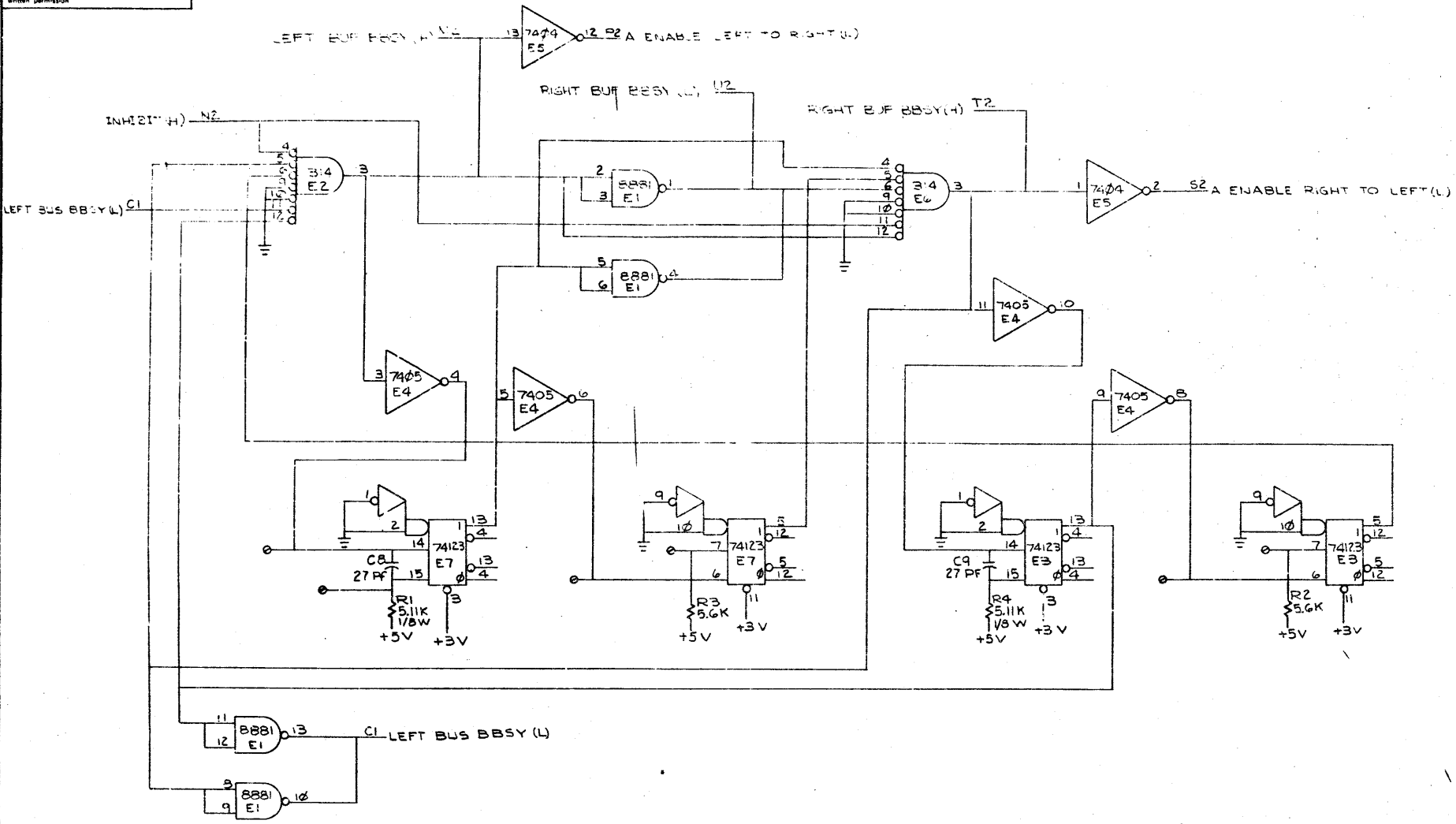


REV	CHG	NO
1	17748	MILOO
2	17748	MILOO

FIRST USED OR OPTION/MODEL	QTY.	DESCRIPTION	PART NO.	ITEM NO.
PARTS LIST				
UNLESS OTHERWISE SPECIFIED	DRN	DATE	digital EQUIPMENT CORPORATION MAYNARD, MASSACHUSETTS	
UNLESS OTHERWISE SPECIFIED	CHKD	DATE		
TOLERANCES	ENG	DATE		
DECIMALS FRACTIONS ANGLES	PROJ. ENG	DATE		
± .008 ± 1/64 ± 0°30'	DATE	DATE	UNIBUS REPEATER BBSY	
FINAL SURFACE QUALITY REMOVE BURRS AND BREAK SHARP CORNERS	DATE	DATE		
MATERIAL	SEE PARTS LIST		SIZE CODE	NUMBER
FINISH	SCALE	1/1	DCSM7248-0-1	REV C
SHEET 1 OF 2		DIST.		

REV C
PART NUMBER DCSM7248-0-1

This drawing and specifications, herein, are the property of Digital Equipment Corporation and shall not be reproduced or copied or used in whole or in part as the basis for the manufacture or sale of items without written permission.

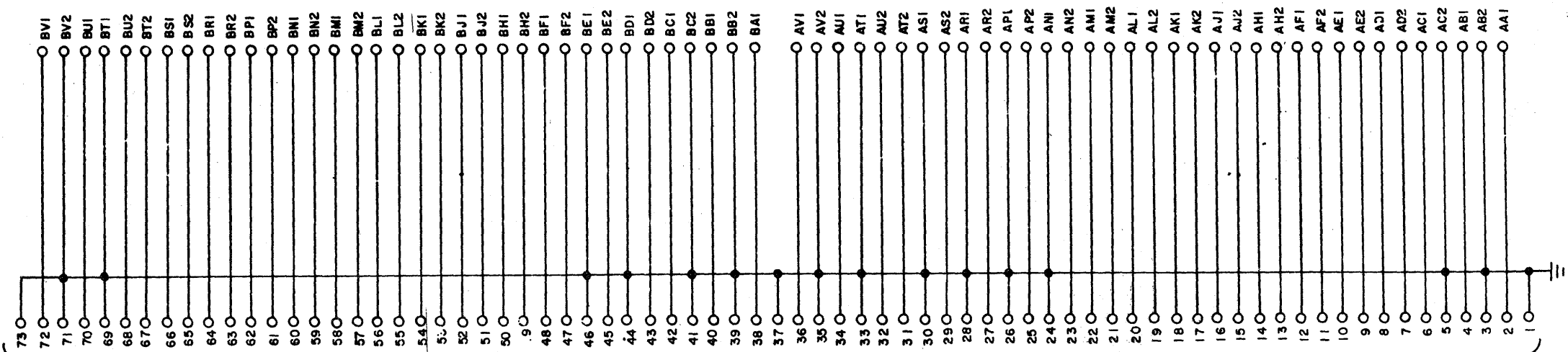


FIRST USED ON OPTION / MODEL	QTY.	DESCRIPTION	PART NO.	ITEM NO.	
PARTS LIST					
UNLESS OTHERWISE SPECIFIED DIMENSIONS IN INCHES TOLERANCES	DRN CHK'D	DATE DATE	 DIGITAL EQUIPMENT CORPORATION MAYNARD, MASSACHUSETTS		
DECIMALS	ENG.	DATE			TITLE UNIBUS REPEATER BBSY
ANGLES	PROJ. ENG.	DATE			
XXX - .006 .XX - .02 .X - .1	PRDD	DATE			
REMOVE BURRS AND BREAK SHARP CORNERS SURFACE QUALITY	NEXT HIGHER ASSY.		SIZE CODE	NUMBER	
MATERIAL			DCSM7248-0-1	REV. C	
FINISH	SCALE		SHEET 2 OF 2	DIST.	

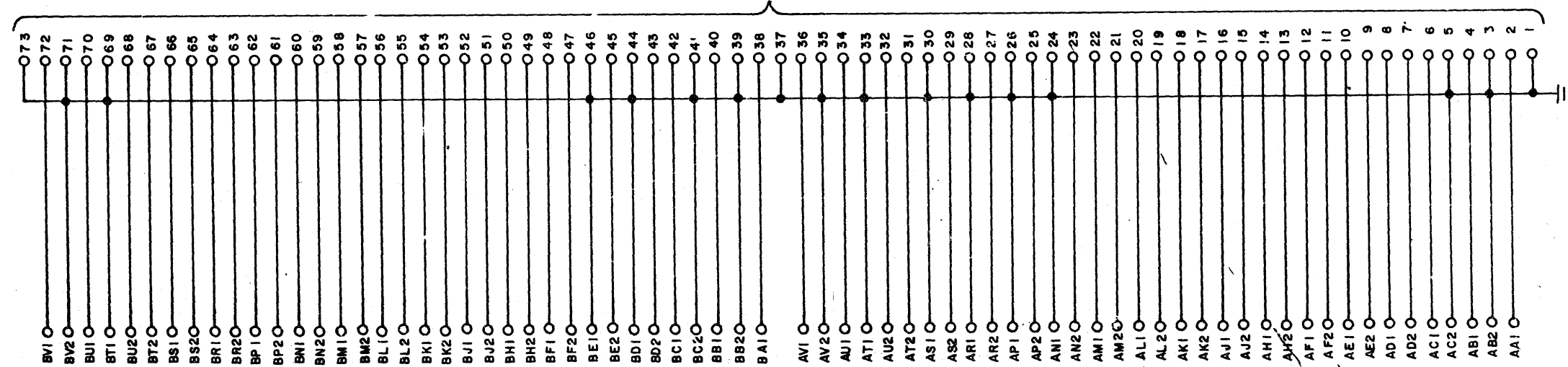
REVISIONS	REV
CHANGE NO	
CHK	

DCSM7248-0-1
 REV. C
 11/77

THIS SCHEMATIC IS FURNISHED ONLY FOR TEST AND MAINTENANCE PURPOSES. THE CIRCUITS ARE PROPRIETARY IN NATURE AND SHOULD BE TREATED ACCORDINGLY. COPYRIGHT 1969 BY DIGITAL EQUIPMENT CORPORATION



FLEX PRINT CONNECTOR



REV. NO.	CHG. NO.	REV.
00001	A	
00002	B	
00004	C	

DEC FORM NO. CR9-102

DRN <i>R. Williams</i>	DATE 11-6-68
CHK'D <i>V. Garcia</i>	DATE 11-6-68
ENGR <i>R. Allen</i>	DATE 7-17-70
PROOF <i>R. Williams</i>	DATE 3/26/70

TRANSISTOR & DIODE CONVERSION CHART

DEC		EIA	

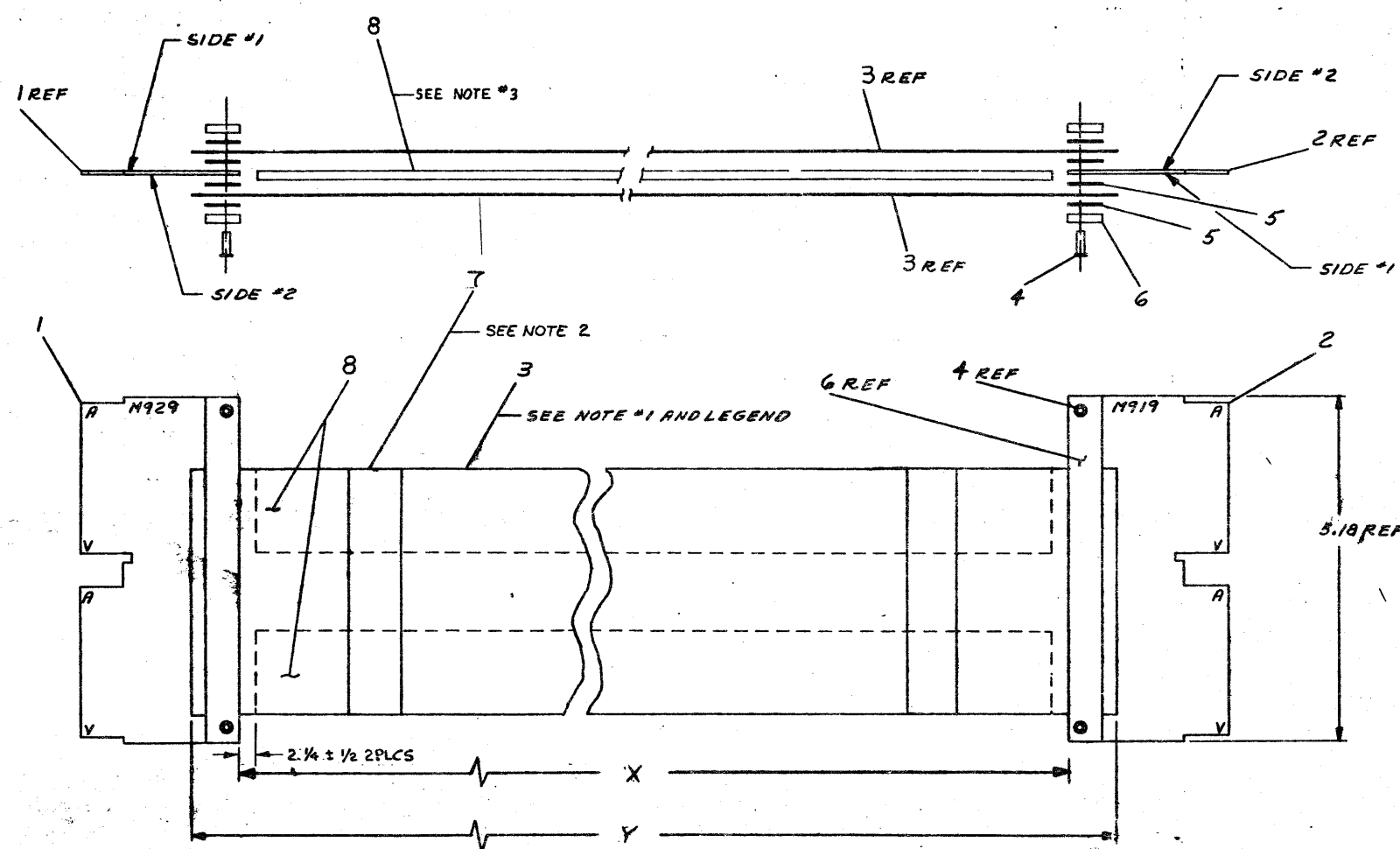


TITLE INTERNAL BUS CONNECTOR M920			
SIZE C	CODE CS	NUMBER M920-0-1	REV. C
PRINTED CIRCUIT REV.			B

SIZE CODE NUMBER REV.
C CS M920-0-1 C

This drawing and specifications herein are the property of Digital Equipment Corporation and shall not be reproduced or copied or used in whole or in part in the design for the manufacture of any of items without written permission.

- NOTES:**
- VARIATIONS AND LENGTHS SHOWN IN LEGEND ARE STANDARD. OTHER THAN STANDARD VARIATIONS WILL BE SPECIFIED BY ALPHANUMERIC DESIGNATION. FOR LENGTHS OTHER THAN FOOT INCREMENTS FROM ONE (1) FOOT THRU NINE (9) FEET, ELEVEN (11) INCHES.
 A=1" G=7"
 B=2" H=8"
 C=3" J=9"
 D=4" K=10"
 E=5" L=11"
 F=6"
 EXAMPLE: BC11A-3D=3'4". LENGTHS WILL BE IN FOOT INCREMENTS FROM TEN (10) FEET ON, AND WILL BE SPECIFIED BY THE CORRESPONDING NUMERICAL DESIGNATION. EXAMPLE: BC11A-11=11 FEET. THE TOLERANCE ON DIMENSION 'W' WILL BE 2% OF THE FOOT INCREMENT.
 - FLEXPRINTS TO BE BOUND TOGETHER BY WRAPPING WITH ELECTRICAL TAPE (ITEM 7) EVERY 18 INCHES.
 - INSTALL 2 PIECES OF FOAM TAPE (ITEM 8) BETWEEN FLEX PRINT CABLES AS SHOWN.



QTY.	DESCRIPTION	PART NO.	ITEM NO.
NR	GRAY FOAM - 3" WIDE	9008881-01	8
NR	ELECTRICAL TAPE	9009260	7
4	CLAMP, CABLE	C-3C-120768-00	6
4	TAPE #0032 1/4" X 3/16" L6	9007834-01	5
4	EYELET 65-9-11 STAIN30N	9006750	4
2	CABLE, FLEXPRINT	1700002-01	3
1	EXT. BUS CONN	A-PL-M919-0-0	2
1	BUS CONN	A-PL-M929-0-0	1

REV.	CHANGE NO.	BY	DATE
1	BC11A-00001	A	11/1/70
2	BLASI		11/1/70
3	BC11A-00002	B	11/1/70
4	BC11A-00003	C	11/1/70
5	BC11A-00004	D	11/1/70
6	BC11A-00005	E	11/1/70
7	BC11A-00006	F	11/1/70
8	BC11A-00007	H	11/1/70

FIRST USED ON OPTION/ MODEL
PDP11

DO NOT SCALE DRAWING UNLESS OTHERWISE SPECIFIED
DIMENSIONS IN INCHES
TOLERANCES
DECIMAL FRACTIONS ANGLES
± .005 ± .001 ± .010
FINAL SURFACE QUALITY
REMOVE BURRS AND BREAK SHARP CORNERS

PARTS LIST

digital EQUIPMENT CORPORATION
MAYFIELD, MASSACHUSETTS

TITLE: **CABLE ASSY (BC11A)**

DATE: 11/1/70
DRAWN: [Signature]
CHECKED: [Signature]
APPROVED: [Signature]

SCALE: 1/1
SHEET 1 OF 2

SIZE CODE: DUA
NUMBER: BC11A-0-0
REV: H

THIS DRAWING AND SPECIFICATIONS HEREIN ARE THE PROPERTY OF DIGITAL EQUIPMENT CORPORATION AND SHALL NOT BE REPRODUCED OR COPIED OR USED IN WHOLE OR IN PART AS THE BASIS FOR THE MANUFACTURE OR SALE OF ITEMS WITHOUT WRITTEN PERMISSION. COPYRIGHT © 1973 DIGITAL EQUIPMENT CORPORATION

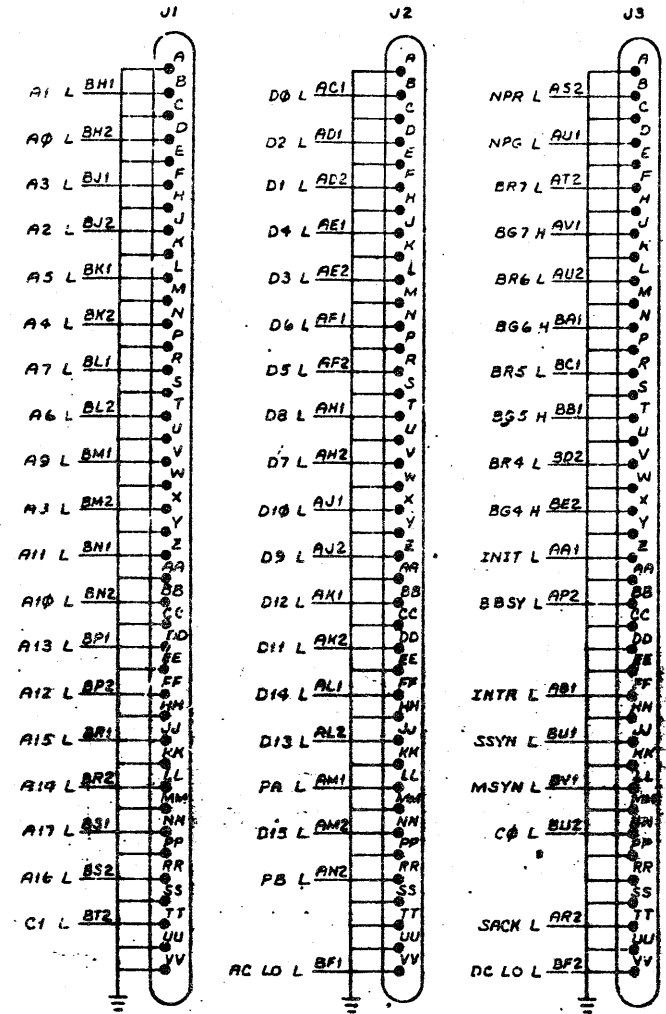
LEGEND

NUMBER	DIM X VARIATION	DIM Y (PRECUT) REF.
BC11A-02	2'0"±0.5"	2'1.5"
BC11A-03	3'0"±1.0"	3'1.5"
BC11A-04	4'0"±1.0"	4'1.5"
BC11A-05	5'0"±1.0"	5'1.5"
BC11A-06	6'0"±1.0"	6'1.5"
BC11A-07	7'0"±2.0"	7'1.5"
BC11A-08	8'0"±2.0"	8'1.5"
BC11A-09	9'0"±2.0"	9'1.5"
BC11A-10	10'0"±2.0"	10'1.5"
BC11A-11	11'0"±3.0"	11'1.5"
BC11A-12	12'0"±3.0"	12'1.5"
BC11A-13	13'0"±3.0"	13'1.5"
BC11A-14	14'0"±3.0"	14'1.5"
BC11A-15	15'0"±4.0"	15'1.5"
BC11A-16	16'0"±4.0"	16'1.5"
BC11A-17	17'0"±4.0"	17'1.5"
BC11A-18	18'0"±4.0"	18'1.5"
BC11A-19	19'0"±5.0"	19'1.5"
BC11A-20	20'0"±5.0"	20'1.5"
BC11A-21	21'0"±5.0"	21'1.5"
BC11A-22	22'0"±5.0"	22'1.5"
BC11A-23	23'0"±6.0"	23'1.5"
BC11A-24	24'0"±6.0"	24'1.5"
BC11A-25	25'0"±6.0"	25'1.5"
BC11A-0F	0'6"±0.5"	0'7.5"
BC11A-8F	8'6"±2.0"	8'7.5"

REVISIONS		
CHK	CHANGE NO.	REV.

TITLE	CABLE ASSY (BC11A)	SIZE CODE	DUA	NUMBER	BC11A-0-0	REV.	H
SCALE		SHEET	2	OF	2	DIST.	

THIS DRAWING AND SPECIFICATIONS HEREIN ARE THE PROPERTY OF DIGITAL EQUIPMENT CORPORATION AND SHALL NOT BE REPRODUCED OR COPIED OR USED IN WHOLE OR IN PART AS THE BASIS FOR THE MANUFACTURE OR SALE OF ITEMS WITHOUT WRITTEN PERMISSION. COPYRIGHT © 1977, DIGITAL EQUIPMENT CORPORATION



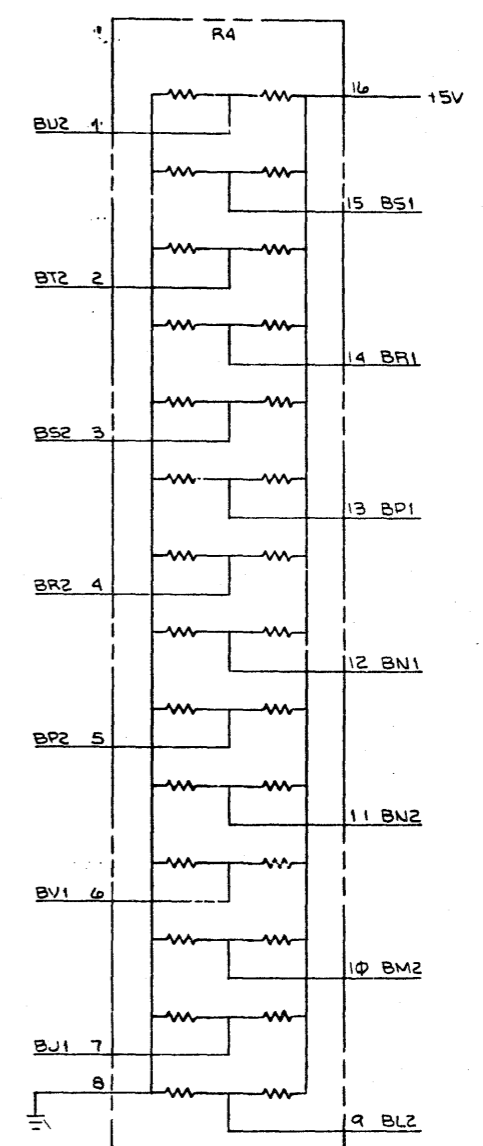
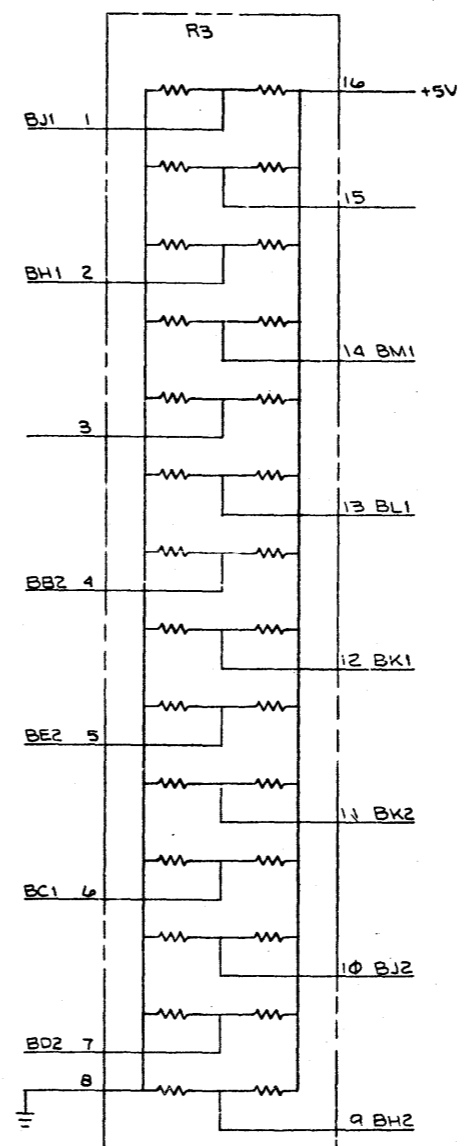
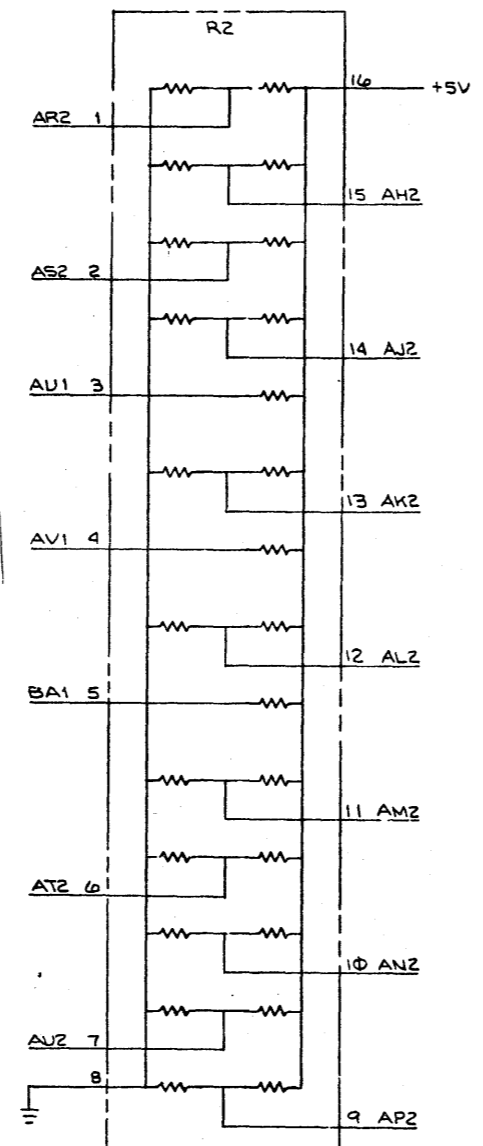
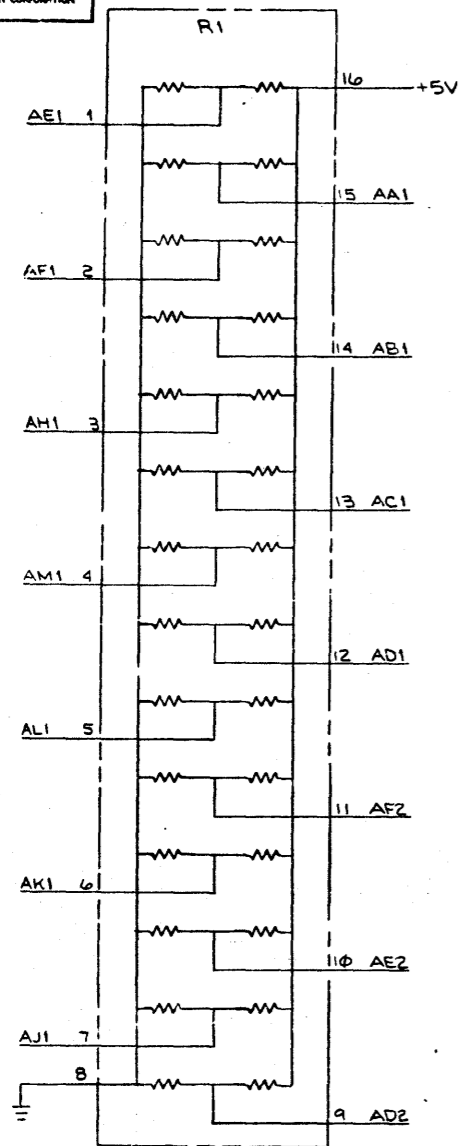
AB2 AC2 AN1
 AP1 AR1 AS1
 AT1 AV2 BB2
 BC2 BS1 BE1
 BT1 BV2

REV.	CHG.	NO.

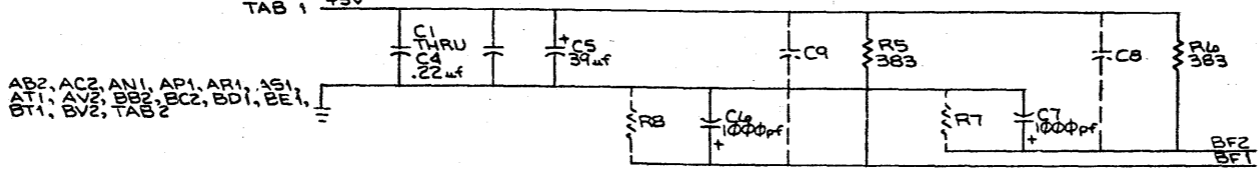
DRN <i>X. Sasaki</i>	DATE <i>1/28/77</i>	FIRST USED ON	PDP11
CHK'D <i>R. C. ...</i>	DATE <i>1/28/77</i>	TITLE	UNIBUS TO H854 ADAPTER BOARD
ENG. <i>P. M. ...</i>	DATE <i>1/28/77</i>	PROJ. ENGR. <i>M. ...</i>	DATE <i>1/28/77</i>
PROD. <i>W. ...</i>	DATE <i>1/28/77</i>	NEXT HIGHER ASSY.	
B-DD-M9014-0		SIZE CODE	D CS
SCALE		NUMBER	M9014-0-1
SHEET 1 OF 1		DIST.	

THIS DRAWING AND SPECIFICATIONS HEREIN ARE THE PROPERTY OF DIGITAL EQUIPMENT CORPORATION AND SHALL NOT BE REPRODUCED OR COPIED OR USED IN WHOLE OR IN PART AS THE BASIS FOR THE MANUFACTURE OR SALE OF ITEMS WITHOUT WRITTEN PERMISSION. COPYRIGHT © 1976, DIGITAL EQUIPMENT CORPORATION

1-0-0136W SCQ 2



TAB 1 +5V



NOTES:
1. RT, RB, CB & C9 ARE SPARES.

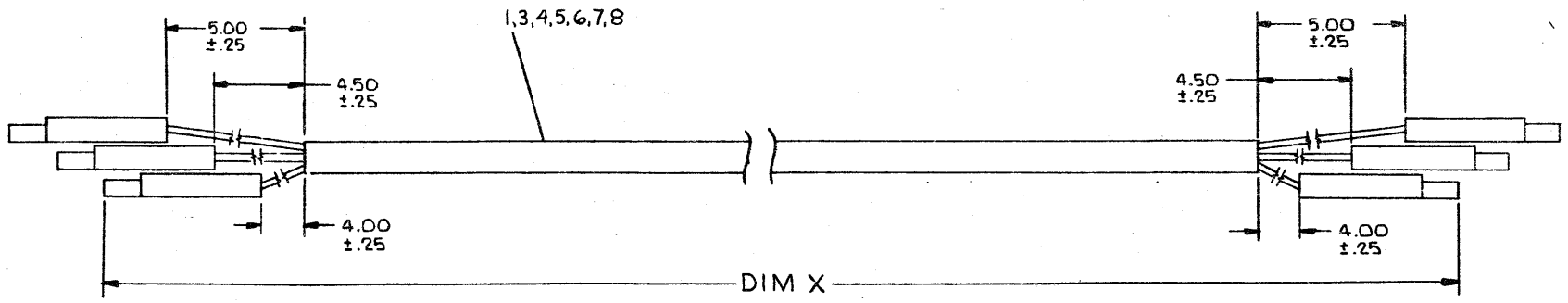
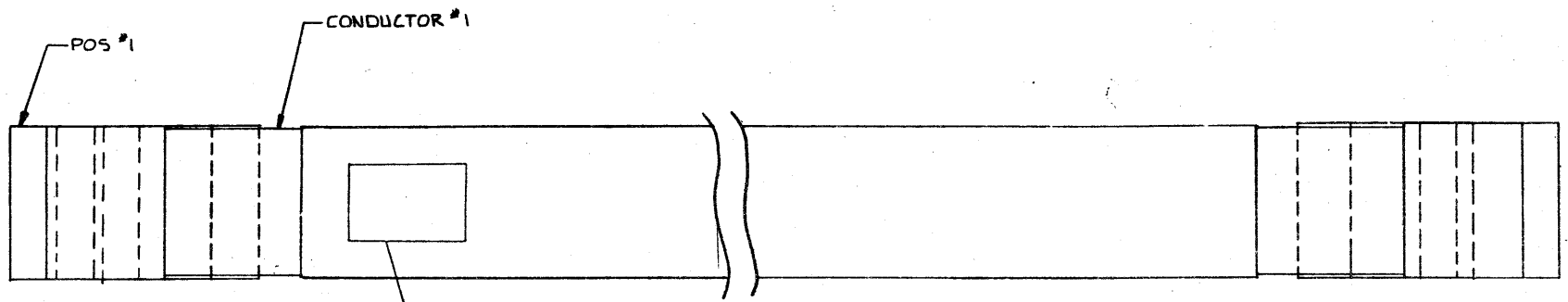
REV.	
CHG	
CHK	
DESIGN	
CHANGE NO.	
REVISIONS	

DRN. RL3 Counter	5049276	FIRST USED ON	DN87-S	digital
CHK		TITLE	UNIBUS TERMINATOR-REM PWR	
ENG.		PROJ. ENG.		
PROD.		NEXT HIGHER ASSY.		
SIZE	D	CODE	CS	NUMBER
SCALE		DIST.		M9310-0-1
SHEET	1	OF	1	REV.

THIS DRAWING AND SPECIFICATIONS HEREIN ARE THE PROPERTY OF DIGITAL EQUIPMENT CORPORATION AND SHALL NOT BE REPRODUCED OR COPIED OR USED IN WHOLE OR IN PART AS THE BASIS FOR THE MANUFACTURE OR SALE OF ITEMS WITHOUT WRITTEN PERMISSION. COPYRIGHT © 1983 DIGITAL EQUIPMENT CORPORATION.

LEGEND	
PART NUMBER	DIM X
BC11Y-05	60.00 ± .37
BC11Y-06	72.00 ± .50
BC11Y-10	120.00 ± 2.0
BC11Y-12	144.00 ± 2.0
BC11Y-14	168.00 ± 2.0
BC11Y-16	192.00 ± 2.0
BC11Y-25	300.00 ± 4.0
BC11Y-36	432.00 ± 4.0

SEE SHEET #2

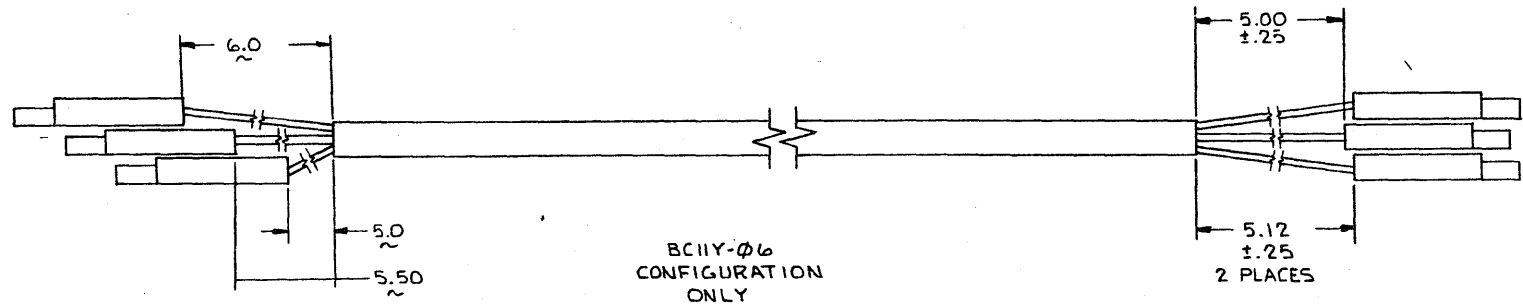
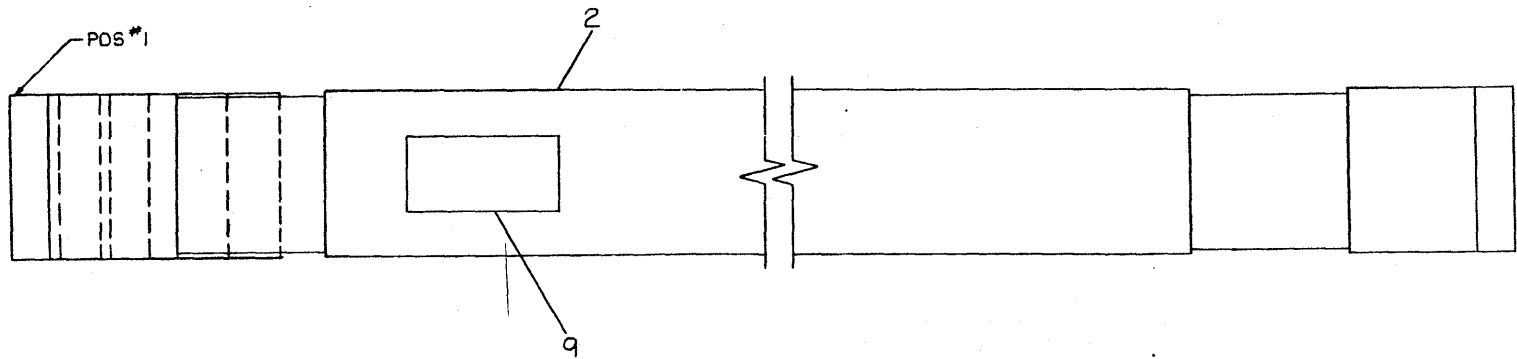


SEE OFF SHEET PARTS LIST
K-PL-BC11Y-0-0-DBP

REV.	ECO NUMBER	ORIGIN	DATE
A			

DESCRIPTION	DRAWING NO.	PART NO.	ITEM NO.					
UNLESS OTHERWISE SPECIFIED DIMENSIONS ARE IN INCHES AND THE FOLLOWING TOLERANCES APPLY (PER DEC STD 114)								
INCHES TOLERANCES X = ± .1 XX = ± .02 XXX = ± .005	ANGLES ± 0° 30' SURFACE QUALITY ✓	APPLICABLE DIMENSION RANGE (CHECK ONE) <input type="checkbox"/> <input type="checkbox"/> <input type="checkbox"/>	DIMENSION RANGE IN INCHES					
			OVER 0 TO 0.2	OVER 0.2 TO 1.2	OVER 1.2 TO 4.0	OVER 4.0 TO 12.0	OVER 12.0 TO 40.0	OVER 40.0 TO 60.0
QUANTITY & VARIATION				± .02	± .03	± .05	± .10	
				± .004	± .008	± .012	± .024 ± .04	
THIRD ANGLE PROJECTION	DRW: <i>D. Corey</i>	DATE: 22-FEB-83	TITLE: BC11Y digital					
DO NOT SCALE DRAWING	CHKD: <i>[Signature]</i>	DATE: 14-JAN-84	CABLE ASSEMBLY					
REMOVE BURRS AND BREAK SHARP CORNERS	DES. ENG: <i>[Signature]</i>	DATE: 20-JAN-85						
MATERIAL	REP. ENG: <i>[Signature]</i>	DATE: 22-JAN-85						
FINISH	WFO. ENG: <i>[Signature]</i>	DATE: 20-JAN-85						
	TOP DOC NO: D-AR-DT07-0-0		DOCUMENT NUMBER: DIA BC11Y-0-0					
			SCALE: 1-1 SHEET 1 OF 2					

THIS DRAWING AND SPECIFICATIONS HEREIN ARE THE PROPERTY OF DIGITAL EQUIPMENT CORPORATION AND SHALL NOT BE REPRODUCED OR COPIED OR USED IN WHOLE OR IN PART AS THE BASIS FOR THE MANUFACTURE OR SALE OF ITEMS WITHOUT WRITTEN PERMISSION.
 COPYRIGHT © 1972 DIGITAL EQUIPMENT CORPORATION

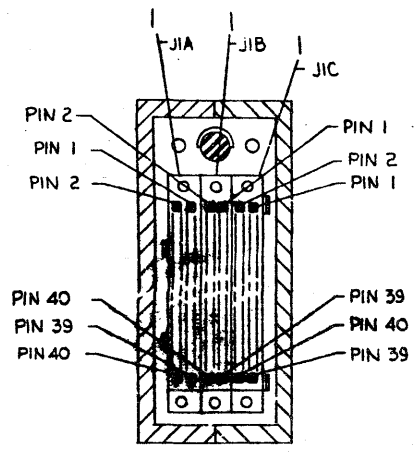


REVISION HISTORY		
REV.	ECO NUMBER	DATE

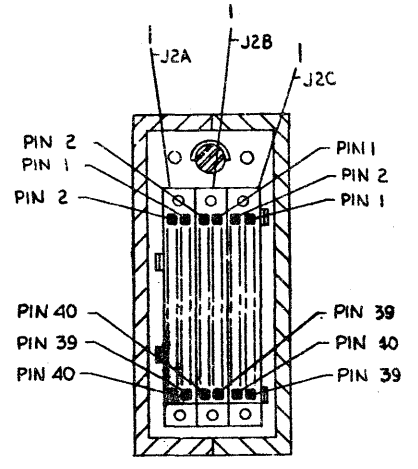
TITLE BCIIY
CABLE ASSEMBLY

DOCUMENT NUMBER		
SIZE	CODE	NUMBER
DIA	BCIIY-0-0	A
SCALE		SHEET 2 OF 2

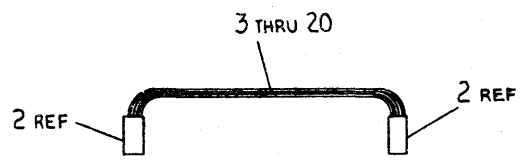
THIS DRAWING AND SPECIFICATIONS, HEREIN, ARE THE PROPERTY OF DIGITAL EQUIPMENT CORPORATION AND SHALL NOT BE REPRODUCED OR COPIED OR USED IN WHOLE OR IN PART AS THE BASIS FOR THE MANUFACTURE OR SALE OF ITEMS WITHOUT WRITTEN PERMISSION. COPYRIGHT © 1978, DIGITAL EQUIPMENT CORPORATION



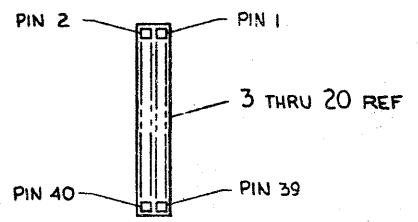
SECTION A-A
SCALE: NONE
(SEE NOTE 1)



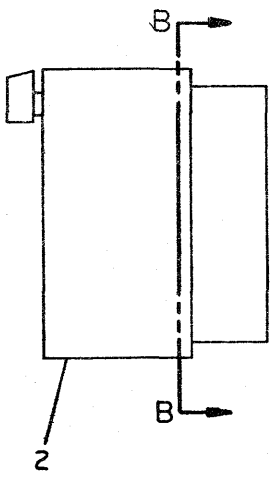
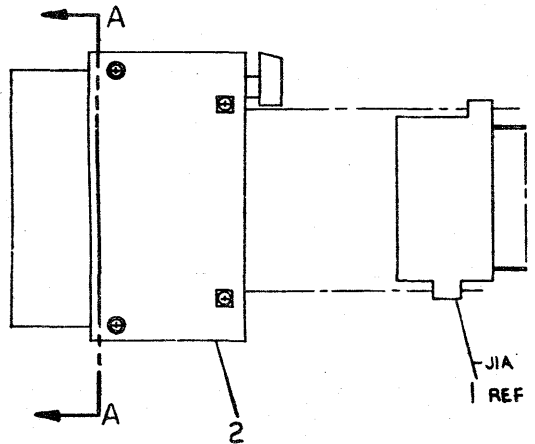
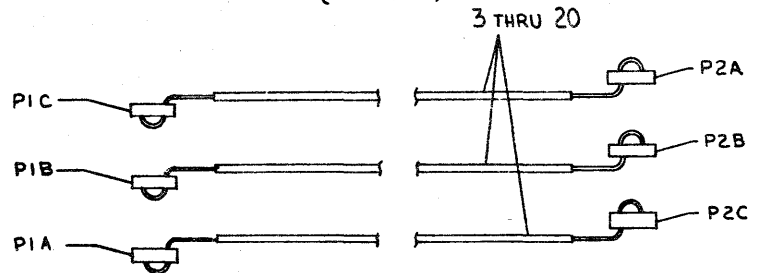
SECTION B-B
SCALE: NONE
(SEE NOTE 1)



DETAIL 'D'
SEE NOTE 2
SCALE: NONE



VIEW C-C
SCALE: NONE
(SEE NOTE 1)
(3 PLACES)



- NOTES:
- CONNECT PLUGS OF BC03U I/O CABLE ASSY. (ITEM #3 THRU #20) AS FOLLOWS: P1A TO J1A, P1B TO J1B, P1C TO J1C, P2A TO J2A, P2B TO J2B, P2C TO J2C. VIEW C-C SHOWS THE PIN NO. ON THE BC03U CABLE. SHOWN HERE FOR REF ONLY, DO NOT USE THESE NUMBERS THEY ARE DIFFERENT FROM SECTION A-A & B-B.
 - BEFORE FINAL ASSEMBLY "CABLES" (ITEM #3 THRU #20) TO LAY FLAT SO THAT ANY SLACK WILL BE REMOVED BEFORE "CABLE CLAMP" (PART OF ITEM #2) IS TIGHTENED THIS CAUSES A PERMANENT BEND TO OCCUR. (SEE DETAIL 'D')
 - "PLUG HOUSING" (-02) & "TERMINATOR PLUG ASSY" (ITEM #1) TO BE ASSEMBLED PRIOR TO THE INSTALLATION OF "CABLES" (ITEM #3 THRU #20)
 - INSERTS PROVIDED IN "CABLE PLUG KIT" (ITEM #2) ARE NOT USED IN THIS ASSY.

CAUTION:
OFF SHEET PARTS LIST EXIST
C-PL-7014211-0-0

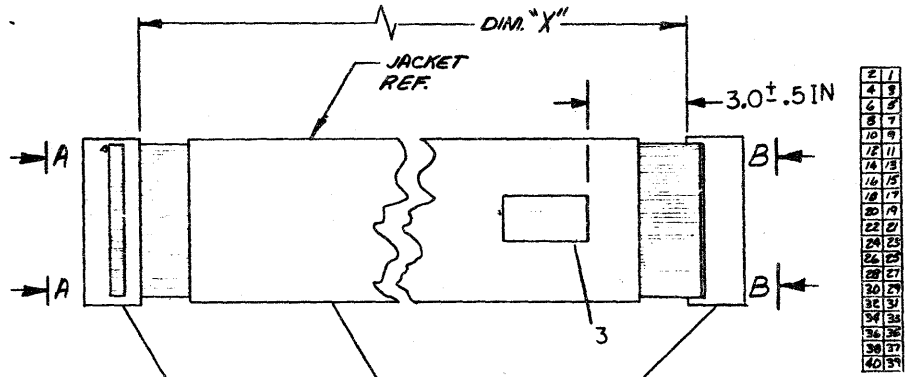
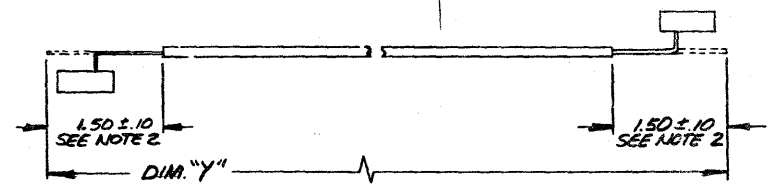
REV.	CHANGE NO.	DATE	BY
A	1	9/28/78	J. BISOL
B	1	11/14/78	J. BISOL

THIRD ANGLE PROJECTION	DRN. <i>M. J. ...</i>	21 Dec 76	FIRST USED ON	DN20 digital
	CHK'D <i>B. J. ...</i>	1/24/77	TITLE	CABLE, RUGGEDIZED UNIBUS
REMOVE BURRS AND BREAK SHARP CORNERS	ENG. <i>E. J. ...</i>	7 June 77	MATERIAL	D-UA-DN20-0-0
DO NOT SCALE DWG	PROD. <i>M. J. ...</i>	7 June 77	SCALE	NONE
SEE PARTS LIST			SIZE	D
FINISH			CODE	AD
			NUMBER	7014211-0-0
			REV.	A
			SHEET	1 OF 2
			DIST.	

THIS DRAWING AND SPECIFICATIONS HEREIN ARE THE PROPERTY OF DIGITAL EQUIPMENT CORPORATION AND SHALL NOT BE REPRODUCED OR COPIED OR USED IN WHOLE OR IN PART AS THE BASIS FOR THE MANUFACTURE OR SALE OF ITEMS WITHOUT WRITTEN PERMISSION. DIGITAL EQUIPMENT CORPORATION

LEGEND		
NUMBER	DIM. "X" VARIATION	DIM. "Y" (PRECUT) REF.
BC03U-03	3FT. ± 1 IN.	3FT. 1.5 IN. ± 2 IN.
BC03U-06	6FT. ± 2 INCHES	6FT. 1.5 IN. ± 2 IN.
BC03U-10	10FT. ± 2 INCHES	10FT. 1.5 IN. ± 2 IN.
BC03U-12	12FT. ± 2 INCHES	12FT. 1.5 IN. ± 2 IN.
BC03U-14	14FT. ± 2 INCHES	14FT. 1.5 IN. ± 2 IN.
BC03U-16	16FT. ± 2 INCHES	16FT. 1.5 IN. ± 2 IN.
BC03U-18	18FT. ± 2 INCHES	18FT. 1.5 IN. ± 2 IN.
BC03U-20	20FT. ± 3 INCHES	20FT. 1.5 IN. ± 3 IN.
BC03U-22	22FT. ± 3 INCHES	22FT. 1.5 IN. ± 3 IN.
BC03U-24	24FT. ± 3 INCHES	24FT. 1.5 IN. ± 3 IN.
BC03U-26	26FT. ± 3 INCHES	26FT. 1.5 IN. ± 3 IN.
BC03U-28	28FT. ± 2%	28FT. 1.5 IN. ± 2%
BC03U-30	30FT. ± 2%	30FT. 1.5 IN. ± 2%
BC03U-32	32FT. ± 2%	32FT. 1.5 IN. ± 2%
BC03U-34	34FT. ± 2%	34FT. 1.5 IN. ± 2%
BC03U-36	36FT. ± 2%	36FT. 1.5 IN. ± 2%
BC03U-38	38FT. ± 2%	38FT. 1.5 IN. ± 2%
BC03U-40	40FT. ± 2%	40FT. 1.5 IN. ± 2%

NOTES:
 1. EACH CONNECTOR IS WIRED POINT TO POINT
 2. CUT BACK JACKET ON CABLE 1.5 INCHES BOTH ENDS BEFORE ATTACHING ITEM 1.



VIEW A-A
CONN. LEGEND (REF.)

VIEW B-B
CONN. LEGEND (REF.)

CAUTION:
OFF SHEET PARTS LIST
SEE K-PL-BC03U-0-0.

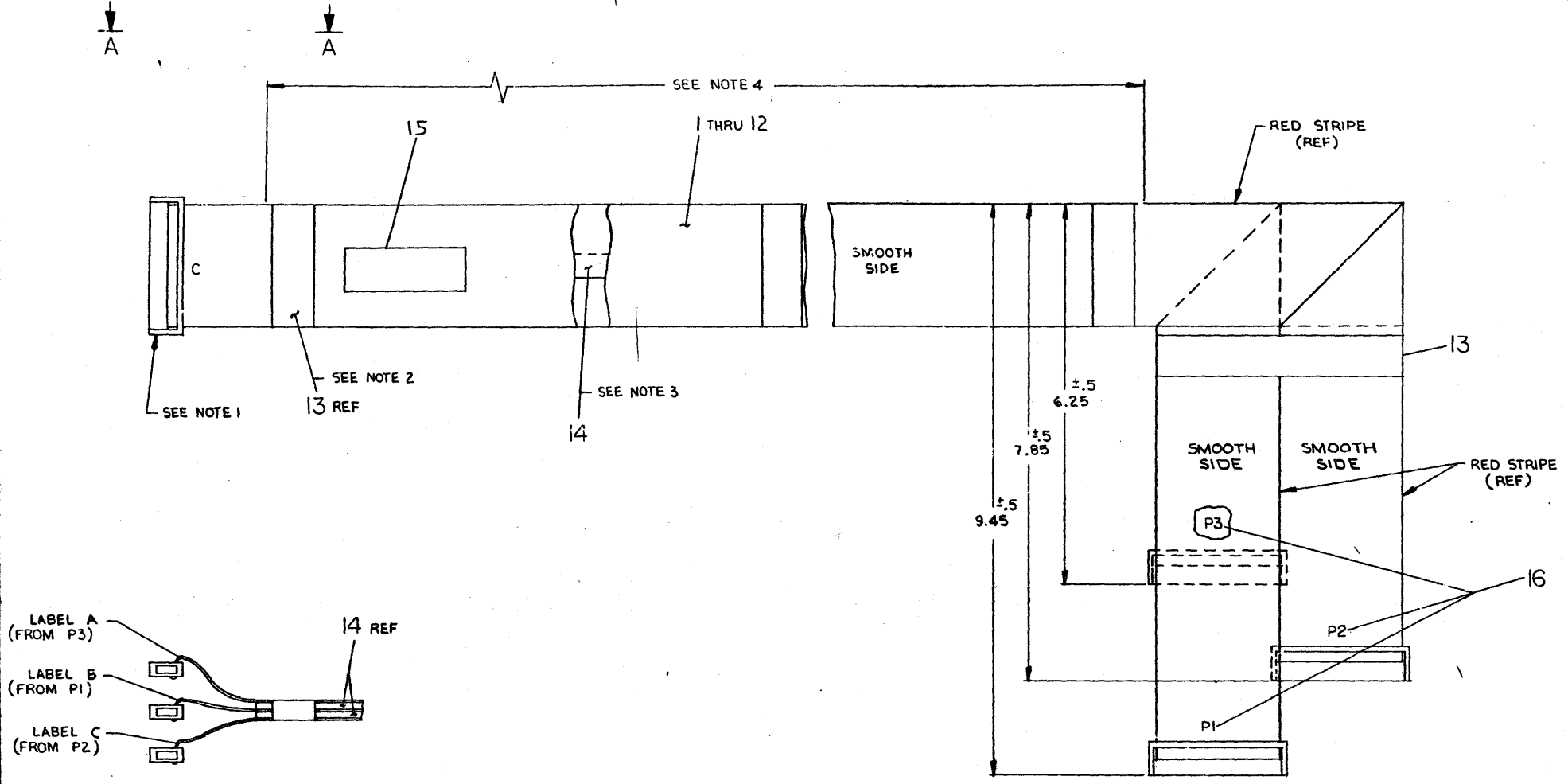
DO NOT SCALE
DRAWING

REV.	DATE	BY	DESCRIPTION
1			
2			
3			
4			
5			
6			
7			
8			
9			
10			
11			
12			
13			
14			
15			
16			
17			
18			
19			
20			
21			
22			
23			
24			
25			
26			
27			
28			
29			
30			
31			
32			
33			
34			
35			
36			
37			
38			
39			
40			

A/R	CABLE, 40-CONDUCTOR	1720060-01	2			
2	CONN. TO SOCKET	121206-00	1			
DESCRIPTION		DWG./PART NO.	ITEM NO.			
UNLESS OTHERWISE SPECIFIED DIMENSIONS ARE IN INCHES						
ANGLES ± 30'	CLASS OF ACCURACY	NOMINAL DIMENSION RANGE INCHES				
SURFACE QUALITY IN	(CHECK ONE)	OVER 0	OVER 1.2	OVER 4.0	OVER 12.0	OVER 40.0
		0 TO 0.2	0.2 TO 1.2	1.2 TO 4.0	4.0 TO 12.0	12.0 TO 40.0
MEDIUM	PREFERRED	± 0.004	± 0.008	± 0.012	± 0.018	± 0.024
		± 0.012	± 0.018	± 0.024	± 0.036	± 0.048
QUANTITY & VARIATION	MICROINCHES					
THIRD ANGLE PROJECTION	DRN. W. MC CARTHY 31-MAR-76	FIRST USED ON				
REMOVE BURRS AND BREAK SHARP CORNERS	CHK'D W. MCCARTHY 1-APR-76	BCVIC				
DO NOT SCALE DWG	ENG. T. ORR 2-APR-76	TITLE				
MATERIAL SEE PARTS LIST	PROJ. ENG. TORR 2-APR-76	BC03U I/O CABLE				
FINISH	PROD. F. PETERSON 11-APR-76	SIZE	CODE			
	NEXT HIGHER ASSY.	D UA	BC03U-0-0			
	SCALE	NUMBER	REV.			
	SHEET 1 OF 1	1	C			

THIS DRAWING AND SPECIFICATIONS, HEREIN, ARE THE PROPERTY OF DIGITAL EQUIPMENT CORPORATION AND SHALL NOT BE REPRODUCED OR COPIED OR USED IN WHOLE OR IN PART AS THE BASIS FOR THE MANUFACTURE OR SALE OF ITEMS WITHOUT WRITTEN PERMISSION.
 COPYRIGHT © 1977, DIGITAL EQUIPMENT CORPORATION

- NOTES:**
1. ALL CABLES END AT SAME POINT AND ANY CABLE THAT EXCEEDS THIS POINT MAY BE FOLDED OVER TO TAKE UP THE DIFFERENCE.
 2. USE TAPE (ITEM #13) APPROX. EVERY 8 INCHES.
 3. SHOWING FOAM (ITEM #14) OVERLAPPING.
 4. FOAM (ITEM #14) TO BE USED IN THIS AREA ONLY.



CAUTION:
 OFF SHEET PARTS LIST EXIST
 C-PL-7014002-0-0

REV	DATE	BY	CHKD
A	9/17/78	J. BISOL	J. B. [Signature]
B	13/11/77		

THIRD ANGLE PROJECTION	DESCRIPTION	DWG./PART NO.	ITEM NO.
	UNLESS OTHERWISE SPECIFIED DIMENSIONS ARE IN INCHES		
REMOVE BURRS AND BREAK SHARP CORNERS DO NOT SCALE DWG	CLASS OF ACCURACY	NOMINAL DIMENSION RANGE INCHES	
	CHECK ONE	OVER 0 TO 1.25	OVER 1.25 TO 3.15
MATERIAL SEE PART LIST	QUALITY	1.004	2.008
	FINISH	±.012	±.018
SCALE 1/1	QUANTITY & VARIATION	±.028	±.04
	DO NOT SCALE DWG	±.04	±.05
SHEET 1 OF 2	DRN. [Signature]	DATE 4 MAR 77	FIRST USED ON
	CHKD. [Signature]		DN20 digital
	ENGR. [Signature]		TITLE
	PROD. [Signature]		CABLE ASSY, INTERNAL UNIBUS
			SIZE CODE NUMBER
			D AD 7014002-0-0
			REV. A
			DIST.

THIS DRAWING AND SPECIFICATIONS HEREIN ARE THE PROPERTY OF DIGITAL EQUIPMENT CORPORATION AND SHALL NOT BE REPRODUCED OR COPIED OR USED IN WHOLE OR IN PART AS THE BASIS FOR THE MANUFACTURE OR SALE OF ITEMS WITHOUT WRITTEN PERMISSION. COPYRIGHT © 1977 DIGITAL EQUIPMENT CORPORATION

LEGEND	
NUMBER	VARIATION
7014002-04	4 FT
7014002-05	5 FT
7014002-06	6 FT
7014002-07	7 FT
7014002-08	8 FT
7014002-09	9 FT
7014002-10	10 FT
7014002-11	11 FT
7014002-12	12 FT
7014002-13	13 FT
7014002-14	14 FT
7014002-15	15 FT

REV. 0-0-0-0
 SIZE CODE D AD 2

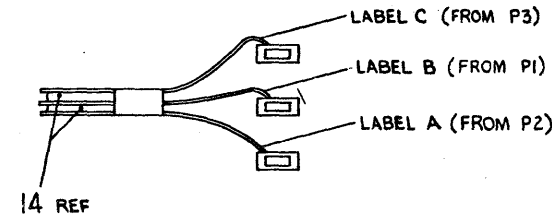
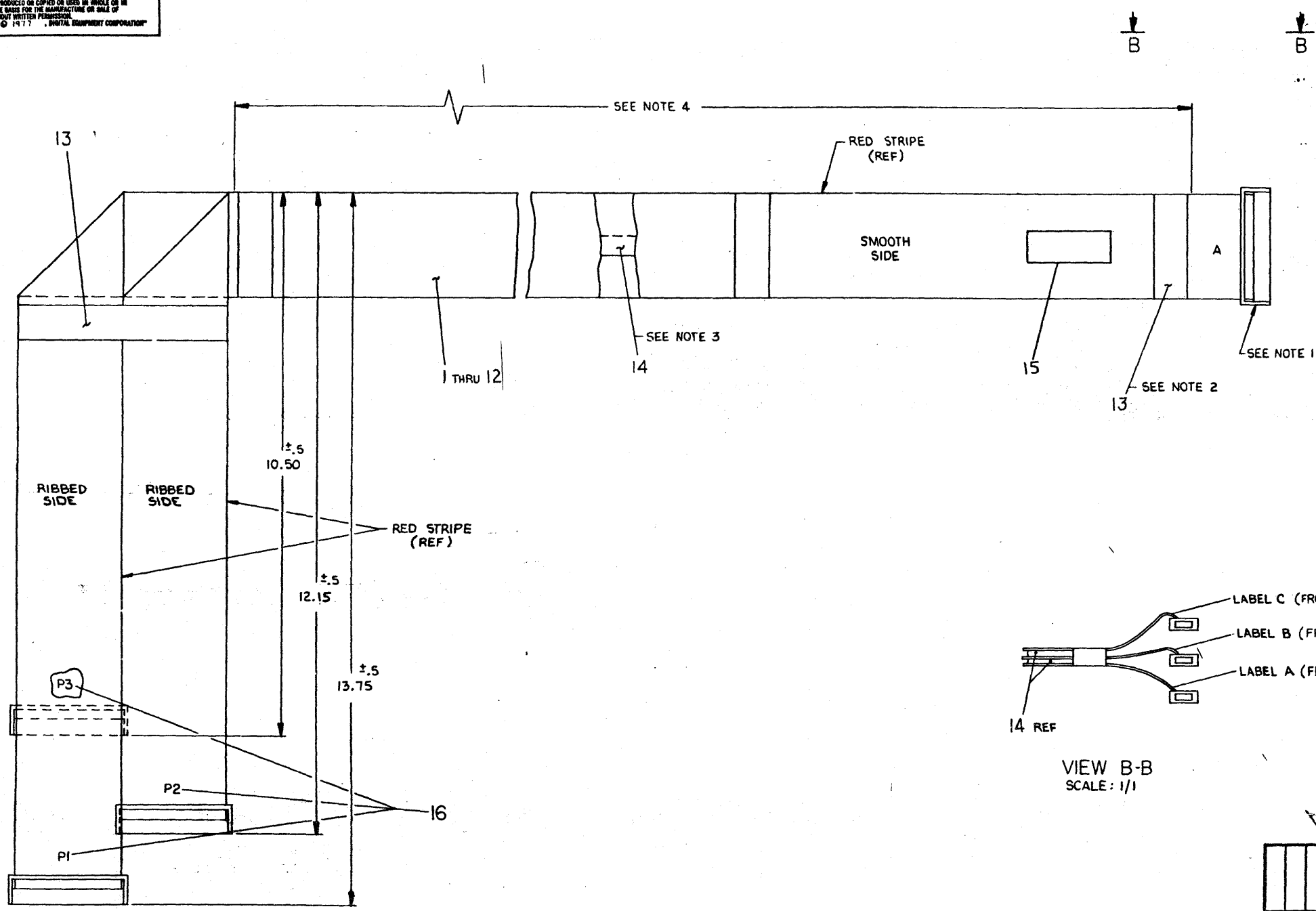
REVISIONS		
CHK	CHANGE NO.	REV.

TITLE CABLE ASSY.
 INTERNAL UNIBUS
 SCALE →→→ SHEET 2 OF 2
 SIZE CODE D AD NUMBER 7014002-0-0 REV. A

MR
 D
 C
 A
 B
 A
 REV. 0-0-0-0
 SIZE CODE D AD 2
 NUMBER 7014002-0-0

THIS DRAWING AND SPECIFICATIONS, HEREIN, ARE THE PROPERTY OF DIGITAL EQUIPMENT CORPORATION AND SHALL NOT BE REPRODUCED OR COPIED OR USED IN WHOLE OR IN PART AS THE BASIS FOR THE MANUFACTURE OR SALE OF ITEMS WITHOUT WRITTEN PERMISSION.
 COPYRIGHT © 1977, DIGITAL EQUIPMENT CORPORATION

- NOTES:
1. ALL CABLES END AT SAME POINT AND ANY CABLE THAT EXCEEDS THIS POINT MAY BE FOLDED OVER TO TAKE UP THE DIFFERENCE.
 2. USE TAPE (ITEM #13) APPROX. EVERY 8 INCHES.
 3. SHOWING FOAM (ITEM #14) OVERLAPPING.
 4. FOAM (ITEM #16) TO BE USED IN THIS AREA ONLY.



CAUTION:
 OFF SHEETS PARTS LIST EXIST
 C-PL-7014246-0-0

REV.	A
CHANGE NO.	2
DATE	9/20/78
BY	J. RISOL
CHECKED	J. RISOL
APPROVED	J. RISOL

THIRD ANGLE PROJECTION		REMOVE BURRS AND BREAK SHARP CORNERS		DO NOT SCALE DWG		MATERIAL SEE PARTS LIST		FINISH	
DRN. M. G. L. 4 Nov 77		CHK'D. D. H. 17 Nov 77		ENG. E. J. B. 17 Nov 77		PROJ. ENG. P. B. 17 Nov 77		PROD. M. H. 17 Nov 77	
UNLESS OTHERWISE SPECIFIED DIMENSIONS ARE IN INCHES		CLASS OF ACCURACY		NOMINAL DIMENSION RANGE INCHES		QUANTITY & VARIATION		FIRST USED ON	
ANGLE	CLASS OF ACCURACY	OVER 0	OVER 12.1	OVER 12.1	OVER 24.2	OVER 24.2	OVER 48.3	OVER 48.3	OVER 96.6
30°	1	1.004	2.008	4.012	8.024	16.048	32.096	64.192	128.384
SURFACE QUALITY	CHECK ONLY	MEDIUM		PREFERRED		MICROMETERS		TITLE	
IN		1.004		2.008		4.012		CABLE ASSY, INTERNAL UNIBUS	
		1.004		2.008		4.012		D-U-A-DN20-0-0	
		1.004		2.008		4.012		SIZE CODE D AD	
		1.004		2.008		4.012		NUMBER 7014246-0-0	
		1.004		2.008		4.012		REV. A	
		1.004		2.008		4.012		SHEET 1 OF 2	
		1.004		2.008		4.012		DIST.	

THIS DRAWING AND SPECIFICATIONS HEREIN ARE THE PROPERTY OF DIGITAL EQUIPMENT CORPORATION AND SHALL NOT BE REPRODUCED OR COPIED OR USED IN WHOLE OR IN PART AS THE BASIS FOR THE MANUFACTURE OR SALE OF ITEMS WITHOUT WRITTEN PERMISSION. COPYRIGHT © 1977 DIGITAL EQUIPMENT CORPORATION

LEGEND

NUMBER	VARIATION
7014246-04	4 FT
7014246-05	5 FT
7014246-06	6 FT
7014246-07	7 FT
7014246-08	8 FT
7014246-09	9 FT
7014246-10	10 FT
7014246-11	11 FT
7014246-12	12 FT
7014246-13	13 FT
7014246-14	14 FT
7014246-15	15 FT

REVISIONS		
CHK	CHANGE NO.	REV.
RLC	1 Jun 77	201

TITLE	CABLE ASSY INTERNAL UNIBUS	SIZE CODE	D AD	NUMBER	7014246-0-0	REV.	A
SCALE	---	SHEET	2	OF	2	DIST.	

MR 1

This drawing and specifications, herein, are the property of Digital Equipment Corporation and shall not be reproduced or copied or used in whole or in part as the basis for the manufacture or sale of items without written permission.

WIRE TABLE

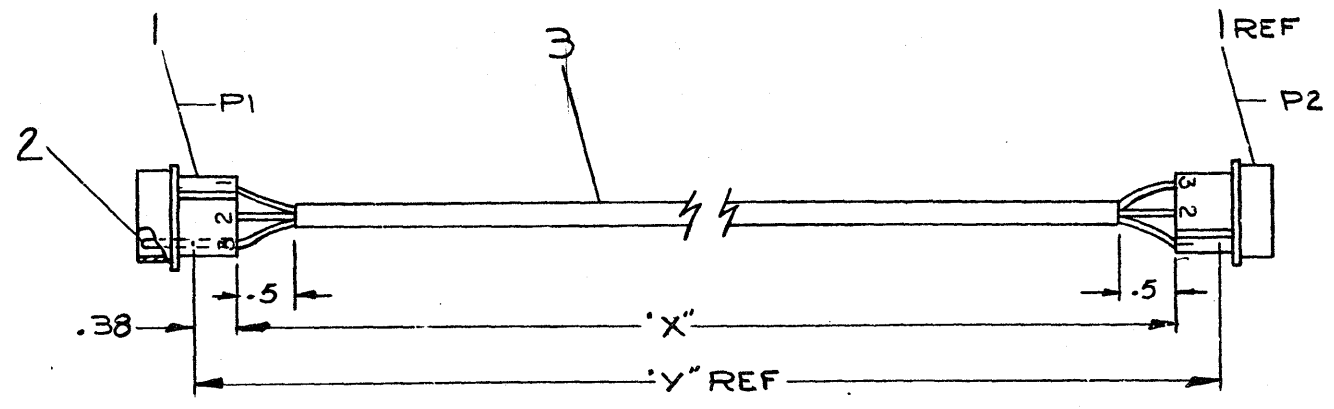
ITEM NO	DESCRIPTION		FROM		TO	
	AWG	COLOR	CONNECTION	WITH	CONNECTION	WITH
3	22	RED	PI-1	2	P2-1	2
3	22	BLK	PI-2	2	P2-2	2
3	22	GRN	PI-3	2	P2-3	2

LEGEND

NUMBER	DIM X VARIATION	DIM Y (PRECUT) REF
7008288-3P	3FT. 6 IN ± 1 IN.	3FT. 6.8 IN ± 1 IN.
7008288-8F	8FT. 6 IN ± 2 IN.	8FT. 6.8 IN ± 2 IN.
7008288-06	6FT. ± 2 IN.	6FT. 0.8 IN ± 2 IN.
7008288-12	12FT. ± 3 IN.	12FT. 0.8 IN ± 3 IN.
7008288-05	5FT. ± 1 IN.	5FT. 0.8 IN ± 2 IN.
7008288-10	10FT. ± 2 IN.	10FT. 0.8 IN ± 3 IN.
7008288-15	15FT. ± 3 IN.	15FT. 0.8 IN ± 3 IN.
7008288-08	8FT. ± 2 IN.	8FT. 0.8 IN ± 2 IN.
7008288-30	30FT. ± 7 IN.	30FT. 0.8 IN ± 7 IN.
7008288-40	40FT. ± 10 IN.	40FT. 0.8 IN ± 10 IN.
7008288-25	25FT. ± 10 IN.	25FT. 0.8 IN ± 10 IN.

NOTES:

~~THE REMAINING BLK WIRE IS TO BE CUT BACK AT JACKET (BOTH ENDS.)~~



REV.	CHG NO.	REV.	DATE
A	7008288-00001	A	10-15-72
B	7008288-00002	B	10-25-72
C	7008288-00003	C	8-5-74
D	7008288-00004	D	8-13-74
E	7008288-00005	E	3-21-75
F	7008288-00006	F	3-28-75
G	7008288-00007	G	5-MAR-76
H	7012401-00003	H	23-APR-76
J	7008288-ML007	J	23 May 77
K	7008288-5/2/80	K	24 MAY 77

FIRST USED ON OPTION/MODEL
PDP/11

UNLESS OTHERWISE SPECIFIED
DIMENSION IN INCHES
TOLERANCES
DECIMALS FRACTIONS ANGLES
± .005 ± .001 ± 0°30'

MATERIAL
SEE PARTS LIST

FINISH
#

A/R WIRE, 3 COND #22 AWG	9107756	3
6 PIN MALE #60620-1	1209378-03	2
2 PIN HOUSING #1-480305-0	1209351-03	1

QTY.	DESCRIPTION	PART NO.	ITEM NO.
	PARTS LIST		

DRN. *J. Flandin* DATE 3/28/71
CHK'D *J. Flandin* DATE 3/31/71
ENG. *R. Blasi* DATE 4-9-71
PROJ. ENG. *R. Blasi* DATE 4-9-71
PROD. *H. Call* DATE 4/12/71

digital EQUIPMENT CORPORATION
MAYNARD, MASSACHUSETTS

TITLE
CABLE ASSY

SCALE 1 OF 1
SHEET 1 OF 1

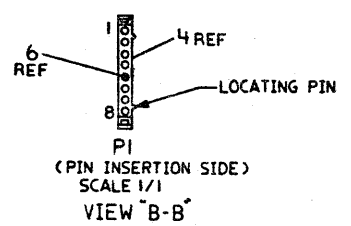
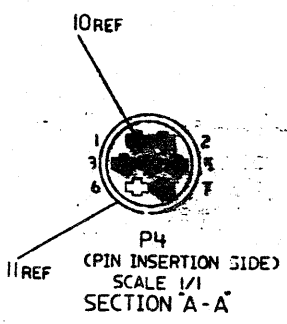
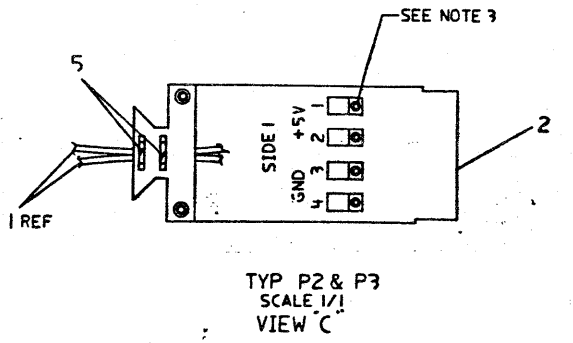
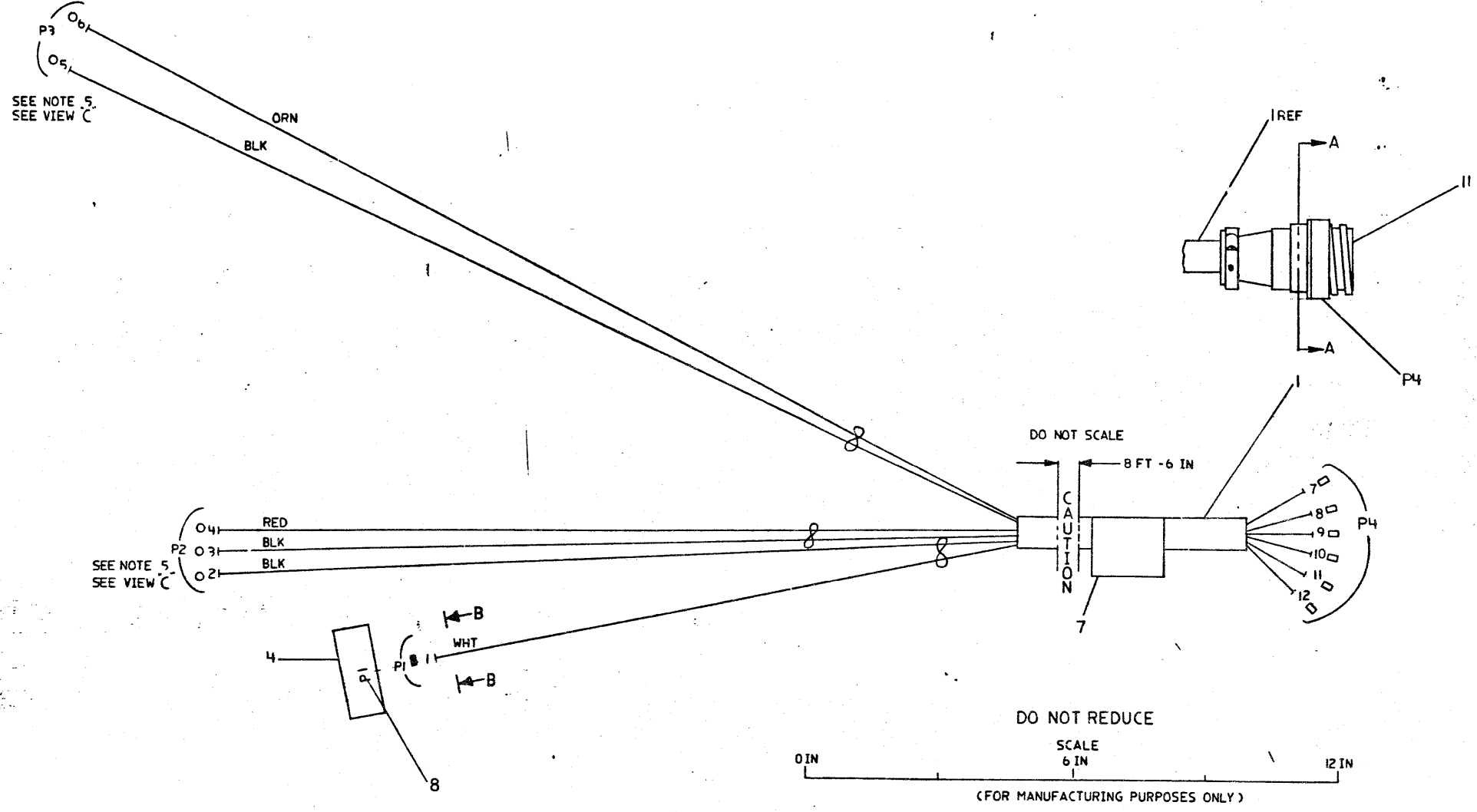
SIZE CODE NUMBER REV.
CIA 7008288-0-0 J

SYM	ITEM NO	PART NO (REF)
O	3	9007920-00
I	6	1215004-00
I	10	1211541-01

ITEM NO	DESCRIPTION		FROM		TO		REMARKS		
	AWG	COLOR	POINT	CONN	POINT	CONN			
1	12	WHT	1	P1-5	ITEM 6	7	P4-3	ITEM 10	SEE NOTE 1
	12	BLK	2	P2-3	ITEM 3	8	P4-4		
	12	RED	4	P2-1		10	P4-1		SEE NOTES 1 & 2
	12	BLK	3	P2-4		9	P4-2		
	12	ORN	6	P3-1		12	P4-5		
12	BLK	5	P3-3	ITEM 3	11	P4-6	ITEM 10	SEE NOTE 1	

LEGEND		
PART NO	VARIATION	REV
7021174-01	AS SHOWN	A1

- NOTES:
- ITEM 3 TO BE SOLDERED TO WIRE AFTER BEING CRIMPED.
 - ITEM 3 TO BE SOLDERED TO APPROPRIATE TABS ON ITEM 2.
 - TABS ON MODULE (ITEM 2) TO BE SOLDERED AT EYELETS.
 - TERMINATION POINTS TO BE LABELED WITH BRADY MARKERS.
 - SHRINKAGE OF YELLOW INSULATION ON FASTON TABS (ITEM 3) IS ALLOWABLE WITHIN REASONABLE LIMITS, I.E.:
 - A. THE INSULATION SHALL NOT BE SPLIT.
 - B. THE INSULATION SHALL NOT BE CHARRED OR OTHERWISE DISCOLORED BY HEAT.
 - C. THE COPPER OF THE FASTON TAB MAY BE EXPOSED.



CAUTION: OFF SHEET PARTS LIST EXISTS
SEE K-PL-7021174-0-DBP.

DESCRIPTION		DRAWING NO.		PART NO.		TEST
UNLESS OTHERWISE SPECIFIED DIMENSIONS ARE IN INCHES AND THE FOLLOWING TOLERANCES APPLY (PER DEC STD 114)						
DIMENSION	ANGLES	DIMENSIONAL RANGE	DIMENSIONAL TOLERANCES IN INCHES			
	± 0.1		OVER	TO	OVER	TO
QUANTITY & VARIATION	SURFACE QUALITY	± 0.01	± 0.02	± 0.05	± 0.10	± 0.15
THIRD ANGLE PROJECTION		DATE		TITLE		REV
DO NOT SCALE DRAWING		7/31/83		HARNES, DTE REMOTE CADAPTOR NC 2)		1
REMOVE BURRS AND BREAK SHARP CORNERS		DATE		DRAWN BY		
SEE PARTS LIST		DATE		CHECKED BY		
FINISH: NONE		DATE		APPROVED BY		
E-TA-7021174-0-0						

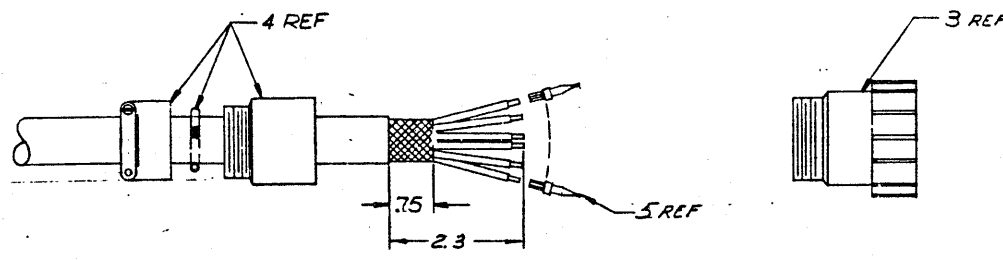
RELEASED

E-TA-7021174-0-0

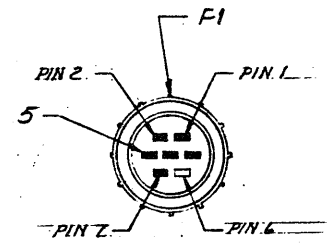
DIGITAL EQUIPMENT CORPORATION

NO.	AWG	COLOR	CONN	WITH	CONN	WITH	REMARKS
1	12	RED	PI-1	5	P2-1	5	
1	TWP	BLK	PI-2	5	P2-2	5	
1	12	ORN	PI-5	5	P2-5	5	
1	TWP	BLK	PI-6	5	P2-6	5	
1	12	WHT	PI-3	5	P2-3	5	
1	TWP	BLK	PI-4	5	P2-4	5	

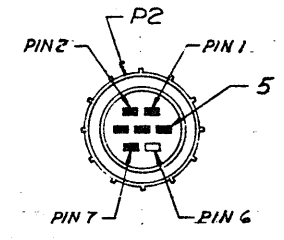
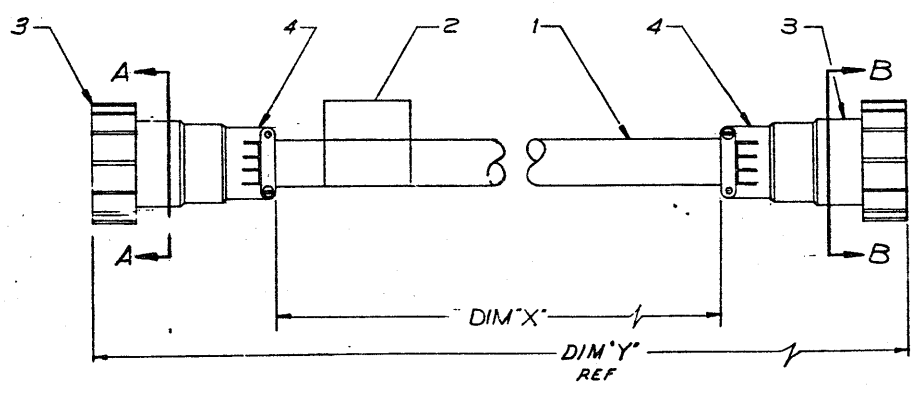
ITEM NO.	QTY	DESCRIPTION	REV
7020843-24	23 FT 3/16" ± 3/16"	24 FT	A1



PREPARATION OF BOTH ENDS



SECTION A-A
PIN INSERTION SIDE



SECTION B-B
PIN INSERTION SIDE

CAUTION: OFF SHEET PARTS LIST EXISTS
SEE K-PL-7020843-C-DBP

DESCRIPTION		DRAWING NO.	PART NO.	ITEM NO.
UNLESS OTHERWISE SPECIFIED DIMENSIONS ARE IN INCHES AND THE FOLLOWING TOLERANCES APPLY (PER DEC STD 116)				
SHOES TOLER. ± .005	ANGLES ± 90°	RELIEFABLE DIMENSIONAL RANGE	OVER	OVER
			UNDER	UNDER
SURFACE QUALITY	REWORKS	REWORKS	TO	TO
			TO	TO
QUANTITY & VARIATION	REWORKS	REWORKS	REWORKS	REWORKS
THIRD ANGLE PROJECTION	DATE 30-83	TITLE	digital	
DO NOT SCALE DRAWING	DATE 2-2-83	CABLE, DTE REMOTE		
REMOVE BURRS AND BREAK SHARP CORNERS	DATE 5-22-87	DOCUMENT NUMBER		
MATERIAL SEE PARTS LIST	DATE 2-2-80	EIA 7020843 A		
FINISH	DATE 1-1-81	SCALE N/A		

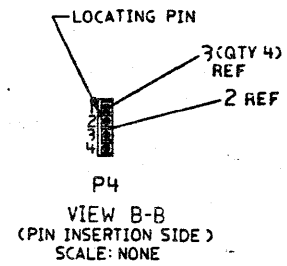
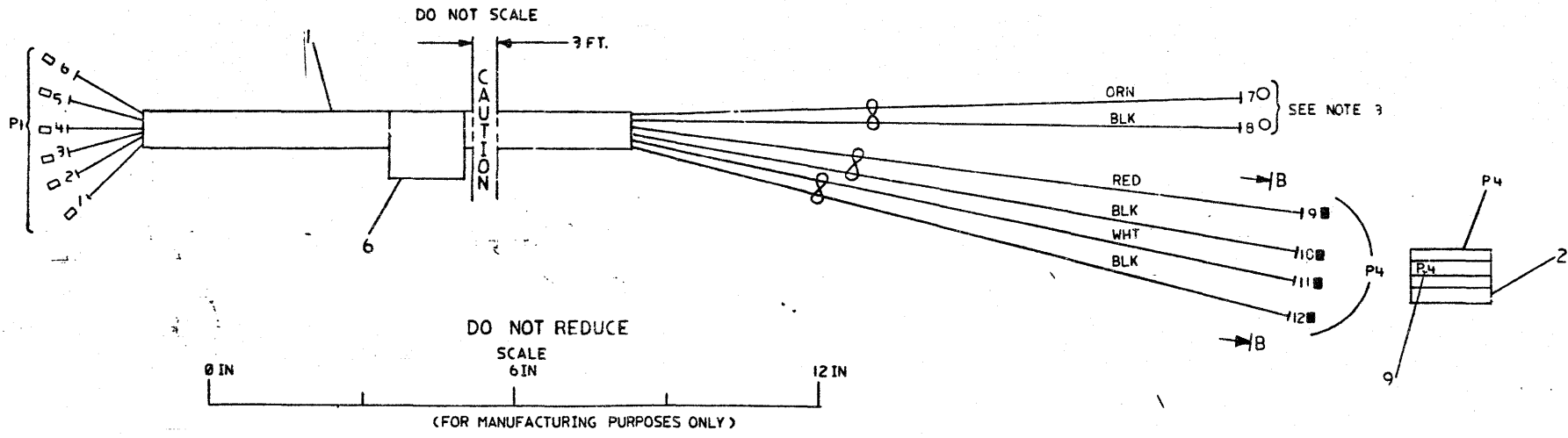
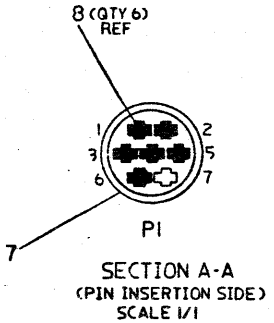
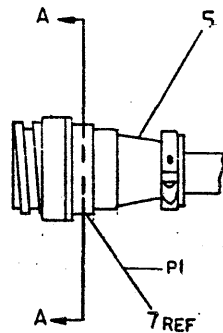
REVISION HISTORY
NO. DATE BY

SYM	ITEM NO	PART NO
	3	121504-00
C	4	9307923-00
D	8	1211541-00

PART NO	VARIATION	REV
021033-01	AS SHOWN	A1

ITEM NO	DESCRIPTION	FROM		TO		REMARKS			
		AWG	COLOR	POINT	CONN		WITH	POINT	CONN
12	ORN	7			ITEM 4	6	PI-5	ITEM 8	SEE NOTE 1
TWP	BLK	8			ITEM 4	5	PI-6		
12	RED	9		P4-1	ITEM 3	4	PI-1		
TWP	BLK	10				3	PI-2		
12	WHT	11		P4-3		2	PI-3		
TWP	BLK	12		P4-4	ITEM 3	1	PI-4	ITEM 8	SEE NOTE 1

- ITEMS 3 & 4 TO BE SOLDERED TO WIRE AFTER BEING CRIMPED
- TERMINATION POINTS TO BE LABELED WITH BRADY MARKERS
- SHRINKAGE OF YELLOW INSULATION ON FASTON TABS (ITEM 4) IS ALLOWABLE WITHIN REASONABLE LIMITS I.E.:
 - THE INSULATION SHALL NOT BE SPLIT.
 - THE INSULATION SHALL NOT BE CHARRED OR OTHERWISE DISCOLORED BY HEAT.
 - THE COPPER OF THE FASTON TAB MAY BE EXPOSED.



CAUTION: OFF SHEET PARTS LIST EXISTS
SEE K-PL-7021033-0-DBP.

DESCRIPTION		DRAWING NO.		PART NO.		ITEM NO.
UNLESS OTHERWISE SPECIFIED DIMENSIONS ARE IN INCHES AND THE FOLLOWING TOLERANCES APPLY (PER DEC STD 114)						
DIMENSION		TOLERANCE IN INCHES				
INCHES	ANGLES	FRAMING	OVER 12	OVER 12 TO 48	OVER 48 TO 120	OVER 120 TO 250
± .01	± 30'	± .01	± .01	± .01	± .01	± .01
QUANTITY & VARIATION	THIRD ANGLE PROJECTION	DATE	TITLE			
30 ± .01	AS SHOWN	15 OCT 53	HARNES DTE REMOTE (ADAPTOR NO 1)			
DO NOT SCALE DRAWINGS	REMOVE BURRS AND BREAK SHARP CORNERS	DATE	DOCUMENT NUMBER			
SEE PARTS LIST		DATE	EIA 7021033-0-0 A			
MATERIAL		DATE	EIA 7021033-0-0 A			
FINISH		DATE	EIA 7021033-0-0 A			

RELEASED

TABLE OF CONTENTS

B-TC-1134A-0-1	FIELD MAINTENANCE PRINT SET (1134A)
E-UA-1134A-0-0	UNIT ASSEMBLY (1134A)
K-PL-1134A-0-D0P	PARTS LIST (1134A)
B-DD-1134A-0-0	DRAWING DIRECTORY (1134A)
MP00192	PRINT SET KD11-EA (COMPLETE SET)
D-CS-M9301-0-1	UNIBUS TERMINATOR/BOOT STRAP
D-CS-M9302-0-1	UNIBUS TERMINATOR
MP00017	PRINT SET KY11-LA (COMPLETE SET)
MP00015	PRINT SET KY11-LB (COMPLETE SET)
MP00106	PRINT SET DL11-W (COMPLETE SET)
B-CS-M7850-0-1	PARITY MODULE
B-CS-0727-0-1	GRANT CONTINUITY
MP00021	PRINT SET MS11-E (COMPLETE SET)
MP00032	PRINT SET MM11-D (COMPLETE SET)
MP00317	PRINT SET MM11-YP (COMPLETE SET)
B-DD-DD11-P	DRAWING DIRECTORY DD11-P (COMPLETE SET)
MP00018	PRINT SET BALL-L (COMPLETE SET)
E-UA-BALL-K-0	UNIT ASSY BALL-K
A-PL-BALL-K-0	UNIT ASSY BALL-K (PL)
B-DD-BALL-K	DRAWING DIRECTORY BALL-K
MP00270	PRINT SET 1134A P.S. (COMPLETE SET)
C-IA-7011413-0-0	EXTERNAL BOOT CABLE
C-IA-7011411-0-0	CONSOLE CABLE
D-IA-7011992-0-0	CONSOLE POWER HARNESS
A-PL-1134A-0-4	SHIPPING LIST (1134A)
D-CS-M9312-0-1	UNIBUS TERM. BOOT STRAP
MP00672	PRINT SET MS11-L (COMPLETE SET)
D-UA-G7273-0-0	BUS GRANT/NPR GRANT CARD

		120V	240V
		UNIT VARIATIONS COVERED BY THIS PRINT SET	
5.25 Box	1134A-I :		1134A-DD
	1134A-HC		1134A-HD
	1134A-LC		1134A-LD
	1134A-MC		1134A-MD
	1134A-JC		1134A-JD
	1134A-WC		1134A-WD
	1134A-XC		1134A-XD
	1134A-YC		1134A-YD
	1134A-ZC		1134A-ZD
	10.5 Box	1134A-DH	
1134A-HH			1134A-HJ
1134A-LH			1134A-LJ
1134A-MH			1134A-MJ
1134A-DE			1134A-DF
1134A-HE			1134A-HF
1134A-LE			1134A-LF
1134A-ME			1134A-MF
1134A-JH			1134A-JJ
1134A-JE			1134A-JF
1134A-WE			1134A-WF
1134A-XE			1134A-XF
1134A-YE			1134A-YF
1134A-ZE			1134A-ZF

1134A

Field Maintenance Print Set

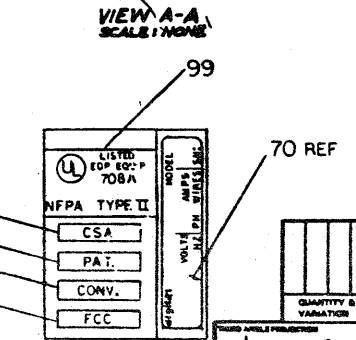
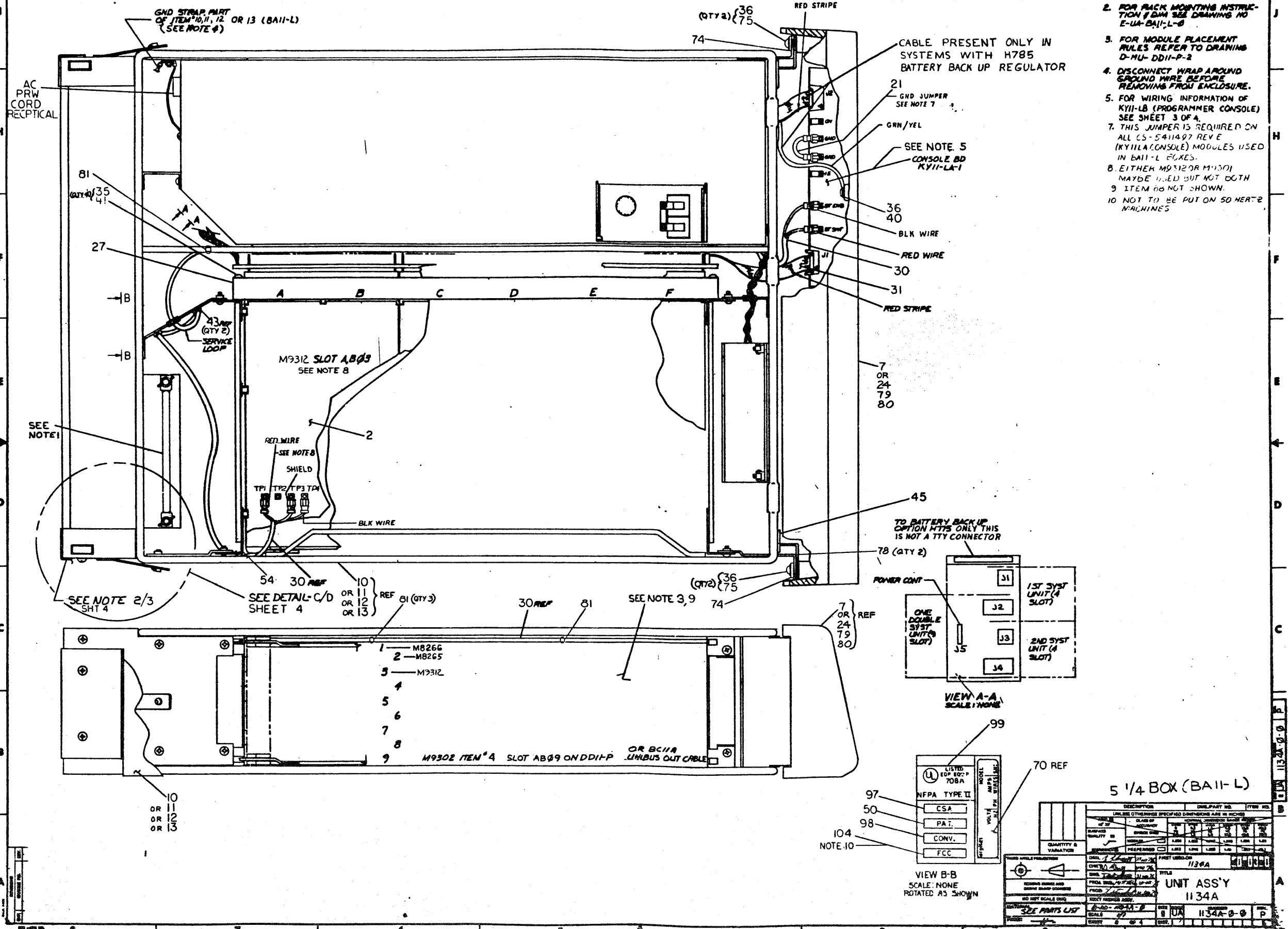
Digital Equipment Corporation

PRINT SET ORDER NO.
MP00190

REVISIONS				USED ON OPTION/MODEL	DRN.	DATE	TITLE:	digital				
DATE	CHG. NO.	REV.						SIZE	CODE	NUMBER	REV.	
12-77	1134A-7	A			D. HEALY	NOV 76	1134A FIELD MAINTENANCE PRINT SET	B	TC	1134A-0-1	C	
2-78	1134A-8	B			CHK'D	DATE		DIST.				
3-81	1134A-12	C			D. HEALY	NOV 76						
					PROJ. ENG.	DATE						
					DAVE MOBELEY	13JAN77						
					FIELD SERV.	DATE						
					ROY M EVANS	13JAN77						
				SHEET I OF 1								

ALL DIMENSIONS ARE IN INCHES UNLESS OTHERWISE SPECIFIED

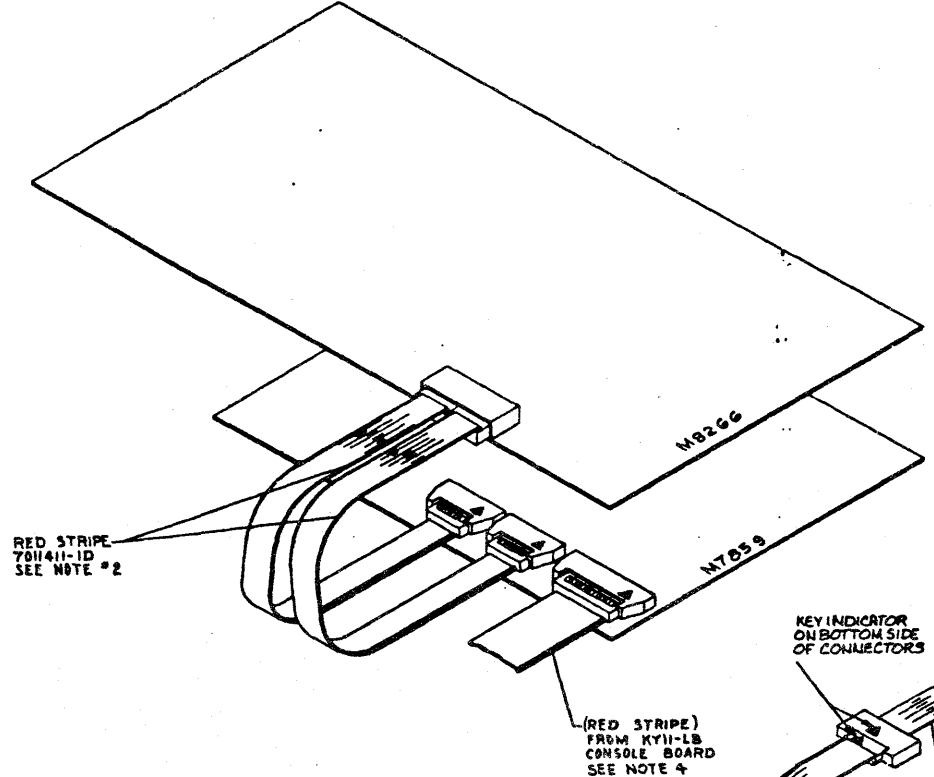
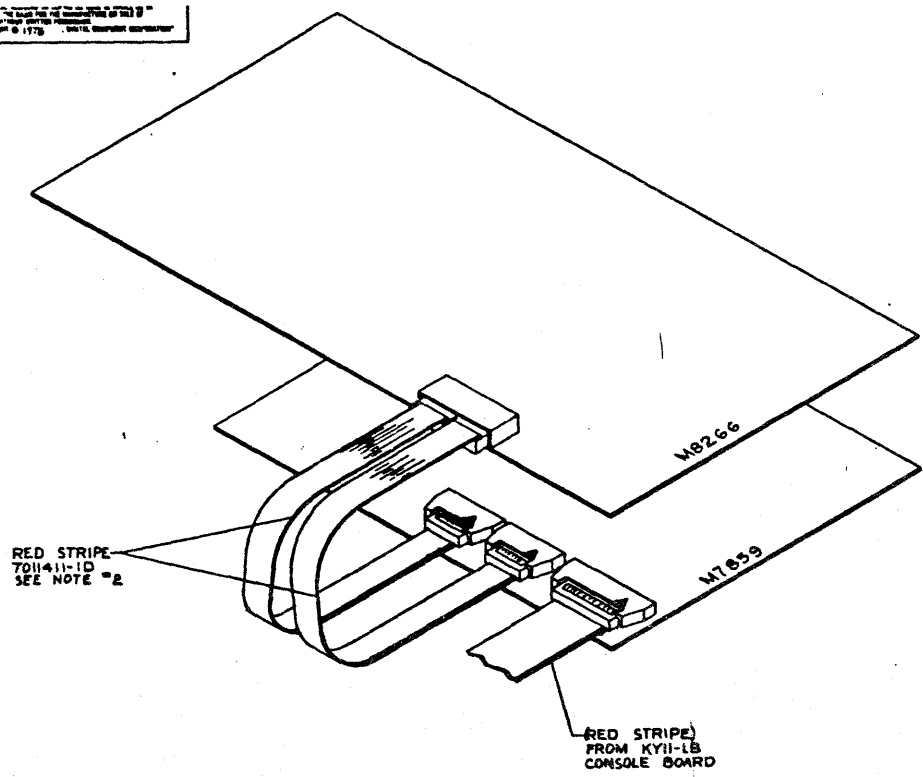
- NOTES:**
1. UNIBUS AND I/O CABLE HOLD DOWN BAR TO BE USED TO CLAMP ALL EXITING CABLES.
 2. FOR RACK MOUNTING INSTRUCTION DIM SEE DRAWING NO E-UA-B11-L-6
 3. FOR MODULE PLACEMENT RULES REFER TO DRAWING D-MU-DD11-P-2
 4. DISCONNECT WRAP AROUND GROUND WIRE BEFORE REMOVING FROM ENCLOSURE.
 5. FOR WIRING INFORMATION OF KY11-LB (PROGRAMMER CONSOLE) SEE SHEET 3 OF 4.
 7. THIS JUMPER IS REQUIRED ON ALL CS-5411497 REV E (KY11LA CONSOLE) MODULES USED IN B11-L EXCES.
 8. EITHER M9312 OR M9301 MAYBE USED BUT NOT BOTH
 9. ITEM 66 NOT SHOWN.
 10. NOT TO BE PUT ON 50 HERTZ MACHINES



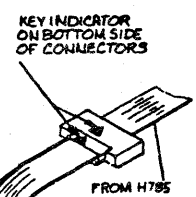
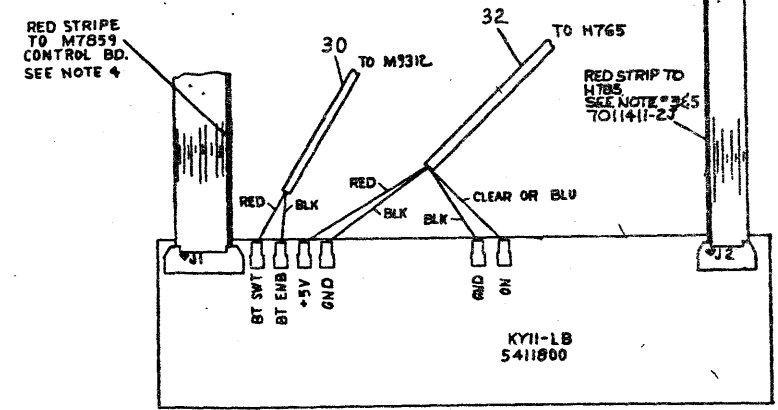
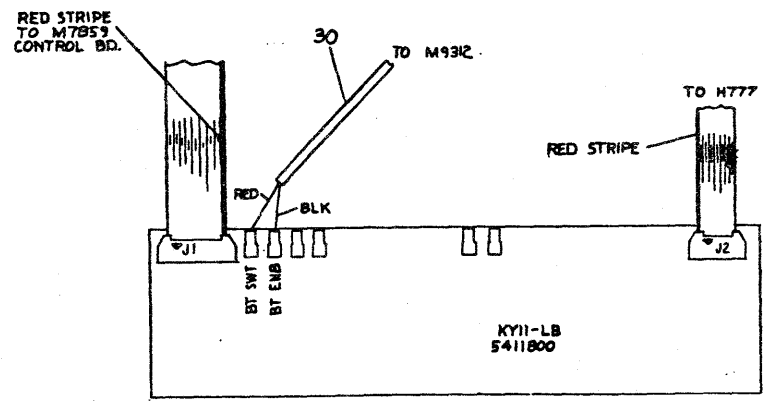
5 1/4 BOX (B11-L)

DESCRIPTION	QUANTITY	UNIT NO.	ITEM NO.
UNIBUS AND I/O CABLE HOLD DOWN BAR	1	1134A	
FOR RACK MOUNTING INSTRUCTION DIM SEE DRAWING NO E-UA-B11-L-6			
FOR MODULE PLACEMENT RULES REFER TO DRAWING D-MU-DD11-P-2			
DISCONNECT WRAP AROUND GROUND WIRE BEFORE REMOVING FROM ENCLOSURE.			
FOR WIRING INFORMATION OF KY11-LB (PROGRAMMER CONSOLE) SEE SHEET 3 OF 4.			
THIS JUMPER IS REQUIRED ON ALL CS-5411497 REV E (KY11LA CONSOLE) MODULES USED IN B11-L EXCES.			
EITHER M9312 OR M9301 MAYBE USED BUT NOT BOTH			
ITEM 66 NOT SHOWN.			
NOT TO BE PUT ON 50 HERTZ MACHINES			

UNIBUS AND I/O CABLE HOLD DOWN BAR	1	1134A	
FOR RACK MOUNTING INSTRUCTION DIM SEE DRAWING NO E-UA-B11-L-6			
FOR MODULE PLACEMENT RULES REFER TO DRAWING D-MU-DD11-P-2			
DISCONNECT WRAP AROUND GROUND WIRE BEFORE REMOVING FROM ENCLOSURE.			
FOR WIRING INFORMATION OF KY11-LB (PROGRAMMER CONSOLE) SEE SHEET 3 OF 4.			
THIS JUMPER IS REQUIRED ON ALL CS-5411497 REV E (KY11LA CONSOLE) MODULES USED IN B11-L EXCES.			
EITHER M9312 OR M9301 MAYBE USED BUT NOT BOTH			
ITEM 66 NOT SHOWN.			
NOT TO BE PUT ON 50 HERTZ MACHINES			



- NOTES:
1. THE M7859 PROGRAMERS CONSOLE INTERFACE MODULE MUST BE INSTALLED INTO AN SPC SLOT.
 2. PART OF THE KY11-LB OPTION
 3. PRESENT ONLY IN SYSTEMS WITH H785 BATTERY BACK UP REGULATOR.
 4. KY11-LB CABLE IS TO BE RUN BEHIND THE CONSOLE BUT IN FRONT OF THE FILTER TO THE RIGHT SIDE OF THE MACHINE THEN THRU THE HOLE IN THE FILTER AND UP OVER THE CPU MODULES TO THE M7859.
 5. SERVICE LOOP TO BE LEFT BETWEEN ITEM NO.95 AND THE H785, ALSO ALL EXTRA CABLE LENGTH TO BE FOLDED BETWEEN THE MIDDLE AND FRONT MUST HOLD DOWN (ITEM NO.95)

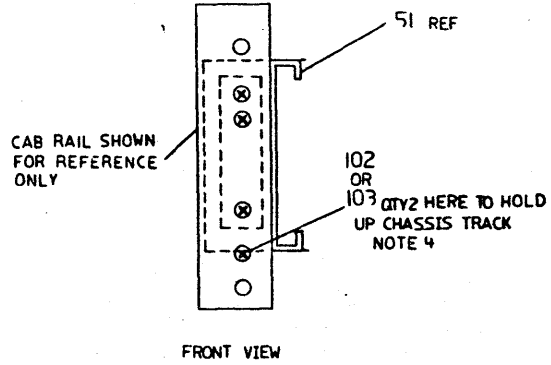
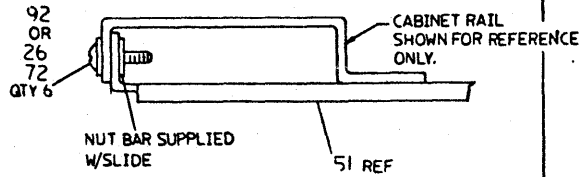


BAI-L
 5 1/4 MTG. BOX

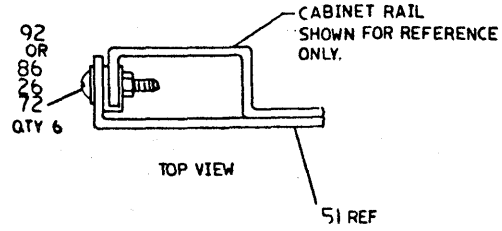
BAI-K
 10 1/2 MTG. BOX

SCALE: NONE

CHASSIS TRACK SLIDE

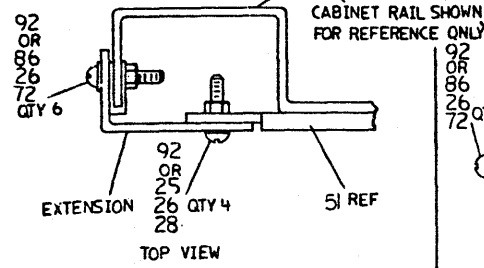
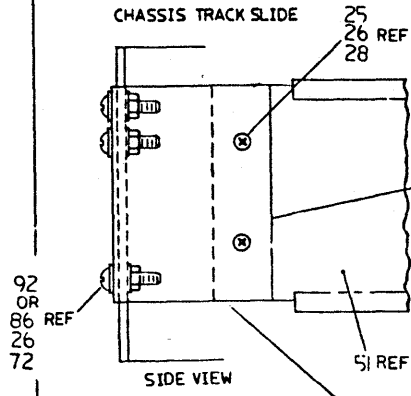


ACCURIDE SLIDE

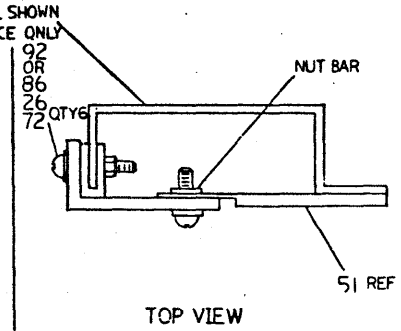
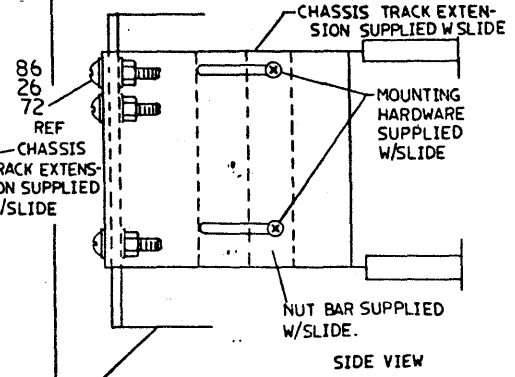


SCALE: NONE

CHASSIS TRACK SLIDE

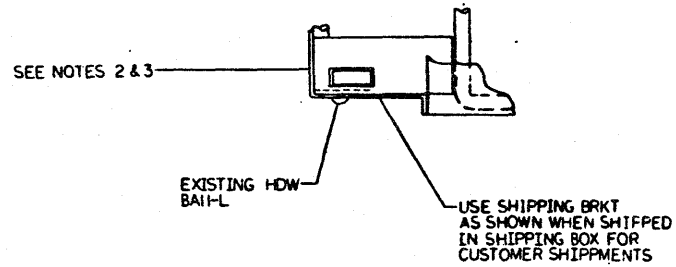


ACCURIDE SLIDE

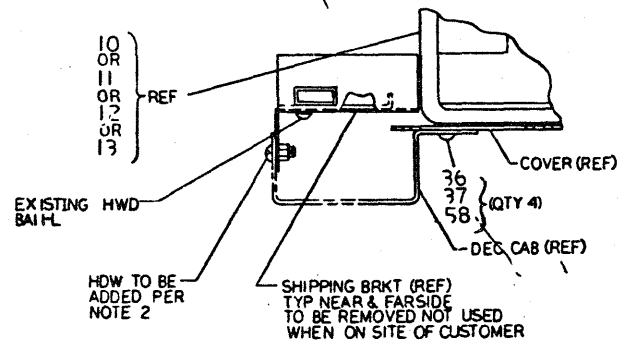


1. THESE ITEMS ARE INSTALLED AT FA & T.
2. FOR CAB MTG. REMOVE SHIPPING BRKTS AND INSTALL AS SHOWN IN DETAIL 'D' USING 2"10-32 X.5 TRUSS HD SCREWS & 2"10-32 KEP NUTS (TYP BOTH SIDES) PLUS EXISTING HDW AS INDICATED IN DETAIL 'D'.
3. FOR RACK MOUNTING INSTRUCTION & DIM. SEE DRAWING E-UA-BAIL-L-O.
4. EITHER A NUMBER 6 OR NUMBER 8 SCREW MAYBE USED. THE FINAL CAB CONFIGURATION SHALL DETERMINE WHICH SCREW IS TO BE USED.

DETAIL C
SCALE: NONE



DETAIL D
SCALE: NONE



DATE	REV	BY	APP

DOCUMENT NUMBER	REV
EUA 1134A-O-C	P
SCALE: NONE	SHEET 4 OF 4

LINE	ITEM	DOCUMENT NUMBER	PART NUMBER	DESCRIPTION	QUANTITY PER VARIATION													
					DC	DD	HC	HD	LC	LD	MC	MD	JC	JD	DH	DJ		
1	1	A-PL-KD11-0-0	0KD11-EA	11/34 CPU	1	1	1	1	1	1	1	1	1	1	1	1	1	
2	2	SEE NOTE 3	M9301-YF	49301 W BOOT FOR PC11,RP02-6,RS0	1	1	1	1	1	1	1	1	1	1	1	1	1	
3	3	D-CS-M9302-0-0	M9302-00	UNIBUS TERMINATOR	1	1	1	1	1	1	1	1	1	1	1	1	1	
4	4	BLANK			0	0	0	0	0	0	0	0	0	0	0	0	0	
5	5	A-PL-DL11-0-0	0DL11-W	M7856(DL11-A THRU -D W LINE FREQ	0	0	0	0	0	0	0	0	0	0	0	0	0	
6	6	D-CS-M7850-0-1	M7850-00	MEM PARITY BOARD FOR G651	1	1	1	1	1	1	1	1	1	1	1	1	1	
7	7	D-UA-KY11-0-0	0KY11-LA	OPERATORS CONSOLE	1	1	1	1	1	1	1	1	1	1	1	1	1	
8	8	A-PL-MS11-0-0	0MS11-JP	16K UNIBUS MDS MEM/PARITY	1	1	0	0	2	2	0	0	0	0	0	0	0	
9	9	D-UA-MM11-0-0	0MM11-DF	16K CORE MEMORY	0	0	1	1	0	0	2	2	0	0	0	0	0	
10	10	E-UA-BA11-0-0	0BA11-LK	5.25" BOX W H777-CA PS,115V	0	0	1	0	0	0	1	0	1	0	0	0	0	
11	11	E-UA-BA11-0-0	0BA11-LL	5.25" W H777-CB PS,230V	0	0	0	1	0	0	0	1	0	1	0	0	0	
12	12	E-UA-BA11-0-0	0BA11-LM	5.25" BOX W H777-DA PS, 115V	1	0	0	0	1	0	0	0	0	0	0	0	0	
13	13	E-UA-BA11-0-0	0BA11-LN	5.25" BOX W H777-DB PS,240V	0	1	0	0	0	1	0	0	0	0	0	0	0	
14	14	E-UA-BA11-0-0	0BA11-KA	10.5"BOX,CHASSIS ONLY	0	0	0	0	0	0	0	0	0	0	1	1	1	
15	15	E-UA-7013323-0-0	7013323-00	MOSS POWER SUPPLY 115V W/O BATTE	0	0	0	0	0	0	0	0	0	0	0	1	2	
16	16	E-UA-7013323-0-0	7013323-01	MOSS POWER SUPPLY 115V W/BATTERY	0	0	0	0	0	0	0	0	0	0	0	0	0	
17	17	E-UA-7013323-0-0	7013323-02	CORE POWER SUPPLY 115V	0	0	0	0	0	0	0	0	0	0	0	0	0	
18	18	E-UA-7013323-0-0	7013323-03	MOSS POWER SUPPLY 230V W/O BATTE	0	0	0	0	0	0	0	0	0	0	0	0	1	
19	19	E-UA-7013323-0-0	7013323-04	MOSS POWER SUPPLY 230V W/BATTERY	0	0	0	0	0	0	0	0	0	0	0	0	0	
20	20	E-UA-7013323-0-0	7013323-05	CORE POWER SUPPLY 230V	0	0	0	0	0	0	0	0	0	0	0	0	0	
21	21	C-IA-7012752-0-0	7012752-00	CABLE JUMPER (BA11-L)	1	1	1	1	1	1	1	1	1	1	0	0	0	
22	22	D-IA-7009768-0-0	7009768-00	COVER CHASSIS (BA11-K)	0	0	0	0	0	0	0	0	0	0	0	2	2	
23	23	"BLANK"			0	0	0	0	0	0	0	0	0	0	0	0	0	
24	24	D-UA-KY11-0-0	0KY11-LB	CONSOLE ASSY PROGRAMERS	0	0	0	0	0	0	0	0	0	0	0	0	0	
25	25	SEE NOTE 5	9006071-03	SCREW,TRUS,PHIL, 10-32X 3/8	0	0	0	0	0	0	0	0	0	0	12	12	12	
26	26	SEE NOTES 5,6	9007651-00	WASHER, LOCK, EXTERNAL TOOTH #10	0	0	0	0	0	0	0	0	0	0	24	24	24	
27	27	A-PL-DD11-0-0	0DD11-PK	DD11-DK W/2SLOTS FOR KD11-E	1	1	1	1	1	1	1	1	1	1	1	1	1	
28	28	SEE NOTE 5	9006565-00	NUT,KEP 10-32X 3/8 AF	0	0	0	0	0	0	0	0	0	0	6	6	6	
29	29	B-MU-DD11-0-P	0DD11-P	BACKPLANE NINE SLOT	REF	REF	REF	REF	REF	REF	REF	REF	REF	REF	REF	REF	REF	
30	30	C-IA-7011413-0-0	7011413-00	EXTERNAL CABLE (M9301)	1	1	1	1	1	1	1	1	1	1	1	1	1	

REVISION HISTORY			BASIC PART NO: 1134A			IDRN: B.BLODGETT			DATE: 16-JAN-80			DIGITAL		
ENGR	ECO NUMBER	REV	SECTION A OF E	SECTION. VARIATION INDEX	CHK'D:	D.HEALY	DATE:	16-JAN-80	TITLE	PARTS LIST				
BC	112	IN	CAJ	DC,DD,HC,HD,LC,LD,MC,MD,JC,JD,DH,DJ					UNIT ASSY. 1134A					
BC	1134A-TW012A	IN	CBJ	HH,HJ,LH,LJ,MH,MJ,DE,DF,HE,HF,LE,LF										
JJS	1134A-TW013	IP	CCJ	ME,MF,JH,JJ,JE,JF,XX,XY,YX,YY,WC,WD	DES.ENG.:	R BARRY	DATE:	16-JAN-80						
			CDJ	WE,WF,XC,XD,XE,XF,YC,YD,YE,YF,ZC,ZD	RESP.ENG.:	ERNIE CROCKER	DATE:	16-JAN-80						
			CEJ	ZE,ZF,XW,XZ,YN,YZ	MFG.ENG.:	J ALVES	DATE:	16 JAN 80	K	PL	1134A-0-DBP	P		
			CFJ		ASSEMBLY NUMBER:		TOP DOCUMENT NUMBER:		FILE NAME:	Z0592P.PLS		EDIT #		
					E-UA-1134A-0-0		E-UA-1134A-0-0					3		

"THIS DRAWING AND SPECIFICATIONS HERFIN, ARE THE PROPERTY OF DIGITAL EQUIPMENT CORPORATION AND SHALL NOT BE REPRDUCED OR COPIED OR USED IN WHOLE OR IN PART AS THE BASIS FOR THE MANUFACTURE OR SALE OF ITEMS WITHOUT WRITTEN PERMISSION. COPYRIGHT (C) 1982. DIGITAL EQUIPMENT CORPORATION"

172725 / E020-07846

TW

LINE ITEM	DOCUMENT NUMBER	PART NUMBER	DESCRIPTION	QUANTITY PER VARIATION												
				DC	DD	HC	HC	LC	LD	MC	MD	JC	JD	DH	DJ	
31	31	C-1A-7011411-J-J	7011411-3J	3M CABLE CONSOLE/BACKPLANE	1	1	1	1	1	1	1	1	1	1	1	1
32	32	D-1A-7011992-J-J	7011992-00	PDP 1104/1134 CONSOLE POWER HARN	0	0	0	0	0	0	0	0	0	0	1	1
33	33	B-MD-7417628-0-0	7417628-00	BEZEL BRACKET	0	0	0	0	0	0	0	0	0	0	2	2
34	34	B-MD-7417627-0-0	7417627-00	ADAPTOR BRACKET-BEZEL	0	0	0	0	0	0	0	0	0	0	2	2
35	35		9006043-03	SCREW,TRUS,PHIL, 8-32X 1	4	4	4	4	4	4	4	4	4	4	4	4
36	36		9008072-00	WASHER, LOCK, EXTERNAL TOOTH #8	5	5	5	5	5	5	5	5	5	5	5	5
37	37		9006037-03	SCREW,TRUS,PHIL, 8-32X 3/8	4	4	4	4	4	4	4	4	4	4	4	4
39	38	"BLANK"			0	0	0	0	0	0	0	0	0	0	0	0
39	39	"BLANK"			0	0	0	0	0	0	0	0	0	0	0	0
40	40		9009799-00	SCREW, FILLISTER HD 8-32 X .31	1	1	1	1	1	1	1	1	1	1	0	0
41	41		9006634-30	WASHER,LOCK,INT,.2300D X .172ID	4	4	4	4	4	4	4	4	4	4	8	8
42	42		9006070-02	SCREW,FLAT,PHIL, 10-32X 5/16	0	0	0	0	0	0	0	0	0	0	4	4
43	43		9009771-03	CLAMP, CABLE, PVC, 3/16 ID	2	2	2	2	2	2	2	2	2	2	3	3
44	44		1211336-02	TAPE FOR FOAM AIR FILTERS,SEMIPE	0	0	0	0	0	0	0	0	0	0	A/R	A/R
45	45		1212707-00	FILTER,AIR FOAM EXPAND 030PPI	1	1	1	1	1	1	1	1	1	1	0	0
45	45		1212392-02	FILTER,AIR FOAM 030PPI	0	0	0	0	0	0	0	0	0	0	1	1
47	47	D-UA-H950-0-0	0H950-PB	COVER PANEL,5-1/4" W NO LATCHES	0	0	0	0	0	0	0	0	0	0	1	1
48	48	C-MD-7413659-J-J	7413659-00	BRACKET SHIPPING	0	0	0	0	0	0	0	0	0	0	1	1
49	49		1209224-00	LATCH, NORYL PLASTIC	0	0	0	0	0	0	0	0	0	0	2	2
50	50	A-DC-7409478-J-0	7409478-00	DECAL PAT-11/35 20/SHEET	1	1	1	1	1	1	1	1	1	1	1	1
51	51	"NOTES 1,2"	1211825-01	SLIDE,CHASSIS TITLT 3POSITION	0	0	0	0	0	0	0	0	0	0	1	1
52	52	"BLANK"			0	0	0	0	0	0	0	0	0	0	0	0
53	53	"BLANK"			0	0	0	0	0	0	0	0	0	0	0	0
54	54	B-DC-7417820-0-0	7417820-00	DECAL PDP1134A MOD LAYOUT	1	1	1	1	1	1	1	1	1	1	1	1
55	55		9007800-00	TIE,CABLE BUNDL DIA 0-1.14"=101	2	2	2	2	2	2	2	2	2	2	2	2
56	56		1209340-00	MATE-N-LOK 08SKT(1X08). HSG	0	0	0	0	0	0	0	0	0	0	1	1
57	57	"BLANK"			0	0	0	0	0	0	0	0	0	0	0	0
58	58		9006660-00	WASHER, FLAT, .375 O.D. X .187 I	4	4	4	4	4	4	4	4	4	4	0	0
59	59	"BLANK"			0	0	0	0	0	0	0	0	0	0	0	0
60	60	"BLANK"			0	0	0	0	0	0	0	0	0	0	0	0
61	61	"BLANK"			0	0	0	0	0	0	0	0	0	0	0	0
62	62	A-PS-3700235-J-0	3700235-00	INSTR PKG COMPUTER 11/34 10.5IN	1	1	1	1	1	1	1	1	1	1	1	1
63	63	"BLANK"			0	0	0	0	0	0	0	0	0	0	0	0
64	64	A-PS-3700169-J-0	3700169-00	INSTR PKG COMPUTER CUSHIONED 11/	1	1	1	1	1	1	1	1	1	1	1	1
65	65	A-PS-3700197-0-0	3700197-00	INSTR PKG COMPUTER PDP11/04 INTE	1	1	1	1	1	1	1	1	1	1	0	0
66	66	"BLANK"			0	0	0	0	0	0	0	0	0	0	0	0
67	67		9009599-00	SCREW, PHILLIPS FLAT HD, 10-32 X	0	0	0	0	0	0	0	0	0	0	6	6
68	68		9006020-02	SCREW,FLAT,PHIL, 6-32X 1/4	0	0	0	0	0	0	0	0	0	0	4	4
69	69	"BLANK"			0	0	0	0	0	0	0	0	0	0	0	0
70	70	A-PS-3613210-0-0	3613210-00	LABEL, UL. FOIL ADH BACK	1	1	1	1	1	1	1	1	1	1	1	1
71	71	"BLANK"			0	0	0	0	0	0	0	0	0	0	0	0
72	72	"NOTE 5"	9006073-03	SCREW,TRUS,PHIL, 10-32X 1/2	0	0	0	0	0	0	0	0	0	0	12	12
73	73	"BLANK"			0	0	0	0	0	0	0	0	0	0	0	0
74	74	B-MD-7418879-J-0	7418879-00	STRIP BEARING	2	2	2	2	2	2	2	2	2	2	0	0
75	75		9006039-03	SCREW,TRUS,PHIL, 8-32X 1/2	4	4	4	4	4	4	4	4	4	4	0	0
76	76	D-UA-MM11-0-0	0MM11-YP	32K 18BIT MEMORY ONE 1" BOARD	0	0	0	0	0	0	0	0	0	0	1	1
77	77	D-CS-M9312-0-1	M9312-00	BOOTSTRAP TERMINATOR W 5 EMPTY R	1	1	1	1	1	1	1	1	1	1	1	1
78	78	C-MD-7414962-0-0	7414962-00	BRKT FILTER SUPPORT	2	2	2	2	2	2	2	2	2	2	0	0

I D I G I T I A L										I T I T L E										I U N I T A S S Y . 1 1 3 4 A										I S E C T I O N A O F E										I S I Z E I C O D E I										I D O C U M E N T N U M B E R										I R E V									
																																								K P L 1134A-0-DBP										P																			

LINE ITEM	DOCUMENT NUMBER	PART NUMBER	DESCRIPTION	QUANTITY PER VARIATION												
				HH	HJ	LH	LJ	MH	MJ	DE	DF	HE	HF	LE	LF	
1	1	A-PL-KD11-0-0	0KD11-2A	11/34 CPU	1	1	1	1	1	1	1	1	1	1	1	1
2	2	SEE NOTE 3	M9301-YF	M9301 W BOOT FOR PC11,RP02-6,RS0	1	1	1	1	1	1	1	1	1	1	1	1
3	3	D-CS-M9302-0-0	M9302-00	UNIBUS TERMINATOR	1	1	1	1	0	1	1	1	1	1	1	1
4	4	BLANK			0	0	0	0	0	0	0	0	0	0	0	0
5	5	A-PL-DL11-0-0	0DL11-W	M7856(DL11-A THRU -D W LINE FREQ	0	0	0	0	0	0	1	1	1	1	1	1
6	5	D-CS-M7850-0-1	M7850-00	MEM PARITY BOARD FOR G651	1	1	1	1	1	1	1	1	1	1	1	1
7	7	D-UA-KY11-0-0	0KY11-LA	OPERATORS CONSOLE	1	1	1	1	1	1	0	0	0	0	0	0
8	8	A-PL-MS11-0-0	0MS11-JP	16K UNIBUS MOS MEM/PARITY	0	0	2	2	0	0	1	1	0	0	2	2
9	9	D-UA-MM11-0-0	0MM11-0P	16K CORE MEMORY	1	1	0	0	2	2	0	0	1	1	0	0
10	10	E-UA-BA11-0-0	0BA11-LK	5.25" BOX W H777-CA PS,115V	0	0	0	0	0	0	0	0	0	0	0	0
11	11	E-UA-BA11-0-0	0BA11-LL	5.25" W H777-CB PS,230V	0	0	0	0	0	0	0	0	0	0	0	0
12	12	E-UA-BA11-0-0	0BA11-LM	5.25" BOX W H777-DA PS, 115V	0	0	0	0	0	0	0	0	0	0	0	0
13	13	F-UA-BA11-0-0	0BA11-LN	5.25" BOX W H777-DB PS,240V	0	0	0	0	0	0	0	0	0	0	0	0
14	14	E-UA-BA11-0-0	0BA11-KA	10.5"BOX,CHASSIS ONLY	1	1	1	1	1	1	1	1	1	1	1	1
15	15	F-UA-7013323-0-0	7013323-00	MOSS POWER SUPPLY 115V W/O BATTE	0	0	1	0	0	0	0	0	0	0	1	0
16	16	E-UA-7013323-0-0	7013323-01	MOSS POWER SUPPLY 115V W/BATTERY	0	0	0	0	0	0	0	0	0	0	0	0
17	17	E-UA-7013323-0-0	7013323-02	CORE POWER SUPPLY 115V	1	0	0	0	1	0	0	0	1	0	0	0
18	18	E-UA-7013323-0-0	7013323-03	MOSS POWER SUPPLY 230V W/O BATTE	0	0	0	1	0	0	0	1	0	0	0	1
19	19	E-UA-7013323-0-0	7013323-04	MOSS POWER SUPPLY 230V W/BATTERY	0	0	0	0	0	0	0	0	0	0	0	0
20	20	E-UA-7013323-0-0	7013323-05	CORE POWER SUPPLY 230V	0	1	0	0	0	1	0	0	0	1	0	0
21	21	C-IA-7012752-0-0	7012752-00	CABLE JUMPER (BA11-L)	0	0	0	0	0	0	0	0	0	0	0	0
22	22	D-IA-7009758-0-0	7009758-00	COVER CHASSIS (BA11-K)	2	2	2	2	2	2	2	2	2	2	2	2
23	23	"BLANK"			0	0	0	0	0	0	0	0	0	0	0	0
24	24	D-UA-KY11-0-0	0KY11-LB	CONSOLE ASSY PROGRAMERS	0	0	0	0	0	0	1	1	1	1	1	1
25	25	SEE NOTE 5	9006071-03	SCREW,TRUS,PHIL, 10-32X 3/8	12	12	12	12	12	12	12	12	12	12	12	12
26	26	SEE NOTES 5,6	9007551-00	WASHER, LOCK, EXTERNAL TOOTH #10	24	24	24	24	24	24	24	24	24	24	24	24
27	27	A-FL-DD11-0-0	0DD11-PK	DD11-DK W/2SLOTS FOR KD11-E	1	1	1	1	1	1	1	1	1	1	1	1
28	28	SEE NOTE 5	9006565-00	NUT,KEP 10-32X 3/8 AF	6	6	6	6	6	6	6	6	6	6	6	6
29	29	E-MU-DD11-0-P	0DD11-P	BACKPLANE NINE SLOT	REF	REF	REF	REF	REF	REF	REF	REF	REF	REF	REF	REF
30	30	C-IA-7011413-0-0	7011413-3F	EXTERNAL CABLE CM9301J	1	1	1	1	1	1	1	1	1	1	1	1

REVISION HISTORY			BASIC PART NO: 1134A		
ENGR	ECO NUMBER	REV	SECTION B OF E	DRN: B.BLODGETT	DATE: 16-JAN-80
INITIAL		IN	SECTION. VARIATION INDEX	CHK'D: D.HEALY	DATE: 16-JAN-80
IBC 112		IN	[A] DC,DD,HC,HD,LC,LD,	DES.ENG.: R BARRY	DATE: 16-JAN-80
IBC 11134A-T0012A		IN	MC,MD,JC,JD,DH,DJ	RESP.ENG.: ERNIE CROCKER	DATE: 16-JAN-80
IJS 11134A-T0013		IP	[P] HH,HJ,LH,LJ,MH,MJ,	IMFG.ENG.: J ALVES	DATE: 16 JAN 80
			DE,DF,HE,HF,LE,LF		
			[C] ME,MF,JH,JJ,JE,JF,		
			XX,XY,YX,YY,WC,WD		
			[D] WE,WF,XC,XD,XF,XE,		
			YC,YD,YE,YF,ZC,ZD		
			[E] ZE,ZF,XW,XZ,YW,YZ		
			[F]		
			ASSEMBLY NUMBER:	TOP DOCUMENT NUMBER:	FILE NAME:
			E-UA-1134A-0-0	E-UA-1134A-0-0	Z0692P.PLS
					EDIT #
					3

"THIS DRAWING AND SPECIFICATIONS HEREIN, ARE THE PROPERTY OF DIGITAL EQUIPMENT CORPORATION AND SHALL NOT BE REPRODUCED OR COPIED OR USED IN WHOLE OR IN PART AS THE BASIS FOR THE MANUFACTURE OR SALE OF ITEMS WITHOUT WRITTEN PERMISSION. COPYRIGHT (C) 1982. DIGITAL EQUIPMENT CORPORATION"

LINE	ITEM	DOCUMENT NUMBER	PART NUMBER	DESCRIPTION	QUANTITY PER VARIATION											
					HH	HJ	LH	LJ	MH	MJ	DE	DF	HE	HF	LE	LF
31	31	C-IA-7011411-0-0	7011411-0J	3M CABLE CONSOLE/BACKPLANE	1	1	1	1	1	1	0	0	0	0	0	0
32	32	D-IA-7011992-0-0	7011992-00	PDP 1104/1134 CONSOLE POWER HARN	1	1	1	1	1	1	1	1	1	1	1	1
33	33	B-MD-7417628-0-0	7417628-00	BEZEL BRACKET	2	2	2	2	2	2	2	2	2	2	2	2
34	34	B-MD-7417627-0-0	7417627-00	ADAPTOR BRACKET-BEZEL	2	2	2	2	2	2	2	2	2	2	2	2
35	35		9006043-03	SCREW,TRUS,PHIL, 8-32X 1	4	4	4	4	4	4	4	4	4	4	4	4
36	36		9008072-00	WASHER, LOCK, EXTERNAL TOOTH #8	0	0	0	0	0	0	0	0	0	0	0	0
37	37		9006037-03	SCREW,TRUS,PHIL, 8-32X 3/8	4	4	4	4	4	4	4	4	4	4	4	4
38	38	"BLANK"			0	0	0	0	0	0	0	0	0	0	0	0
39	39	"BLANK"			0	0	0	0	0	0	0	0	0	0	0	0
40	40		9009799-00	SCREW, FILLISTER HD 8-32 X .31	0	0	0	0	0	0	0	0	0	0	0	0
41	41		9006634-00	WASHER,LOCK,INT,.2300D X .172ID	8	8	8	8	8	8	8	8	8	8	8	8
42	42		9006070-02	SCREW,FLAT,PHIL, 10-32X 5/16	4	4	4	4	4	4	4	4	4	4	4	4
43	43		9009771-03	CLAMP, CABLE, PVC, 3/16 ID	3	3	3	3	3	3	3	3	3	3	3	3
44	44		1211336-02	TAPE FOR FOAM AIR FILTERS,SEWIPE	A/R	A/R	A/R	A/R	A/R	A/R	A/R	A/R	A/R	A/R	A/R	A/R
45	45		1212707-00	FILTER,AIR FOAM EXPAND 030PPI	0	0	0	0	0	0	0	0	0	0	0	0
46	46		1212392-02	FILTER,AIR FOAM 030PPI	1	1	1	1	1	1	1	1	1	1	1	1
47	47	D-UA-H950-0-0	0H950-P8	COVER PANEL,5-1/4" W NO LATCHES	1	1	1	1	1	1	1	1	1	1	1	1
48	48	C-MD-7413659-0-0	7413659-00	BRACKET SHIPPING	1	1	1	1	1	1	1	1	1	1	1	1
49	49		1209224-00	LATCH, NORYL PLASTIC	2	2	2	2	2	2	2	2	2	2	2	2
50	50	A-DC-7409478-0-0	7409478-00	DECAL PAT-11/35 20/SHEET	1	1	1	1	1	1	1	1	1	1	1	1
51	51	"NOTES 1,2"	1211825-01	SLIDE,CHASSIS TITLT 3POSITION	1	1	1	1	1	1	1	1	1	1	1	1
52	52	"BLANK"			0	0	0	0	0	0	0	0	0	0	0	0
53	53	"BLANK"			0	0	0	0	0	0	0	0	0	0	0	0
54	54	B-DC-7417820-0-0	7417820-00	DECAL PDP1134A MOD LAYOUT	1	1	1	1	1	1	1	1	1	1	1	1
55	55		9007880-00	TIE,CABLE BUNDL DIA 0-1.14"=101	2	2	2	2	2	2	2	2	2	2	2	2
56	56		1209340-00	MATE-N-LOK 08SKT(1X08). HSG	1	0	0	1	0	0	1	1	1	1	1	1
57	57	"BLANK"			0	0	0	0	0	0	0	0	0	0	0	0
58	58		9006660-00	WASHER, FLAT, .375 O.D. X .187 I	0	0	0	0	0	0	0	0	0	0	0	0
59	59	"BLANK"			0	0	0	0	0	0	0	0	0	0	0	0
60	60	"BLANK"			0	0	0	0	0	0	0	0	0	0	0	0
61	61	"BLANK"			0	0	0	0	0	0	0	0	0	0	0	0
62	52	A-PS-3700235-0-0	3700235-00	INSTR PKG COMPUTER 11/34 10.5IN	1	1	1	1	1	1	1	1	1	1	1	1
63	63	"BLANK"			0	0	0	0	0	0	0	0	0	0	0	0
64	64	A-PS-3700169-0-0	3700169-00	INSTR PKG COMPUTER CUSHIONED 11/	1	1	1	1	1	1	1	1	1	1	1	1
65	65	A-PS-3700197-0-0	3700197-00	INSTR PKG COMPUTER PDP11/04 INTE	0	0	0	0	0	0	0	0	0	0	0	0
66	66	"BLANK"			0	0	0	0	0	0	0	0	0	0	0	0
67	57		9009599-00	SCREW, PHILLIPS FLAT HD, 10-32 X	6	6	5	6	6	6	6	6	6	6	6	6
68	58		9006020-02	SCREW,FLAT,PHIL, 6-32X 1/4	4	4	4	4	4	4	4	4	4	4	4	4
69	69	"BLANK"			0	0	0	0	0	0	0	0	0	0	0	0
70	70	A-PS-3613210-0-0	3613210-00	LABEL, UL. FOIL ADH BACK	1	1	1	1	1	1	1	1	1	1	1	1
71	71	"BLANK"			0	0	0	0	0	0	0	0	0	0	0	0
72	72	"NOTE 6"	9006073-03	SCREW,TRUS,PHIL, 10-32X 1/2	12	12	12	12	12	12	12	12	12	12	12	12
73	73	"BLANK"			0	0	0	0	0	0	0	0	0	0	0	0
74	74	B-MD-7418879-0-0	7418879-00	STRIP BEARING	0	0	0	0	0	0	0	0	0	0	0	0
75	75		9006039-03	SCREW,TRUS,PHIL, 8-32X 1/2	0	0	0	0	0	0	0	0	0	0	0	0
76	76	D-UA-MM11-0-0	0M411-YP	32K 18BIT MEMORY ONE 1" BOARD	0	0	0	0	0	0	0	0	0	0	0	0
77	77	D-CS-M9312-0-1	49312-00	BOOTSTRAP TERMINATOR W 5 EMPTY R	1	1	1	1	1	1	1	1	1	1	1	1
78	78	C-MD-7414962-0-0	7414962-00	BRKT FILTER SUPPORT	0	0	0	0	0	0	0	0	0	0	0	0

I D I G I T A L					TITLE	SECTION B OF E					SIZE	CODE	DOCUMENT NUMBER	REV
					UNIT ASSY. 1134A						K	PL	1134A-0-DBP	P

LINE	ITEM	DOCUMENT NUMBER	PART NUMBER	DESCRIPTION	QUANTITY PER VARIATION															
					HH	HJ	LH	LJ	MH	MJ	DE	DF	HE	HF	LE	LF				
79	79	E-MD-7415599-0-0	7415599-00	BEZEL (DIE CAST)	1	1	1	1	1	1	1	1	1	1	1	1	1	1		
80	80	D-MD-7415656-0-0	7415656-00	COVER PROTECTIVE BEZEL	1	1	1	1	1	1	1	1	1	1	1	1	1	1		
81	81		9007031-00	TIE,CABLE BUNDL.DIA 0- 3/4"=101	0	0	0	0	0	0	0	0	0	0	0	0	0	0		
82	82		9006636-00	WASHER,LOCK,INT,.3800D X .200ID	4	4	4	4	4	4	4	4	4	4	4	4	4	4		
83	83		9006071-01	SCREW,PAN,PHIL 10-32X 3/8 SS	4	4	4	4	4	4	4	4	4	4	4	4	4	4		
84	84		9006635-00	WASHER,LOCK,INT,.3100D X .200ID	1	1	1	1	1	1	1	1	1	1	1	1	1	1		
85	85		9006231-09	SCREW,HEX 10-32X 1/2	1	1	1	1	1	1	1	1	1	1	1	1	1	1		
86	86	"NOTE 7"	9007786-00	RETAINER, U-NUT, 10-32	12	12	12	12	12	12	12	12	12	12	12	12	12	12		
87	87	"NOTE 11"	23248F1-00	F1-01	1	1	1	1	1	1	1	1	1	1	1	1	1	1		
88	88		1209856-02	CLIP, MODULE HOLDER W/O SEPARA	0	0	0	0	0	0	0	0	0	0	0	0	0	0		
89	89	K-PL-M7891-0-0	M7891-BC	MS11-LB,64K X 18,PARITY LOGIC,FU	0	0	0	0	0	0	0	0	0	0	0	0	0	0		
90	90	K-PL-M7891-0-0	M7891-DC	MS11-LD: 128K 18-BIT,PARITY LJC,	0	0	0	0	0	0	0	0	0	0	0	0	0	0		
91	91	"NOTE 9"	G7273-00	BUS GRANT & NON-PROCESSOR GRANT	6	6	5	5	5	5	5	5	5	5	5	5	4	4		
92	92		9009700-00	SCREW,TRUS,PHIL,SEMS10-32X .500L	16	16	15	16	16	16	16	16	16	15	16	16	16	16		
93	93		9007084-00	CLAMP,CABLE,SCREW MTD. 7/16"	1	1	1	1	1	1	1	1	1	1	1	1	1	1		
94	94	"NOTE 8"	9007032-00	TIE,CABLE BUNDL.DIA 0-1-3/4"=101	3	3	3	3	3	3	3	3	3	3	3	3	3	3		
95	95	"NOTE 8"	9008264-00	MOUNT, CABLE TIE, ADHESIVE BACKE	3	3	3	3	3	3	3	3	3	3	3	3	3	3		
96	96	A-PS-3617996-01-0	3617996-01	LABEL,OPT/MODULE 1134A	1	1	1	1	1	1	1	1	1	1	1	1	1	1		
97	97	"NOTE 4"	3613211-01	DECAL,CLEAR PREPRINTED CSA 1-1/4	1	1	1	1	1	1	1	1	1	1	1	1	1	1		
98	98	A-PS-3615946-00-0	3615946-00	LABEL,PRODUCT VARIATION	A/R	A/R	A/R	A/R	A/R	A/R	A/R	A/R	A/R	A/R	A/R	A/R	A/R	A/R		
99	99	"NOTE 4"	7416197-00	LABEL, UL	1	1	1	1	1	1	1	1	1	1	1	1	1	1		
100	100	"NOTE 1"	7008360-01	CABLE ASSY	0	0	0	0	0	0	1	1	1	1	1	1	1	1		
101	101		9000049-11	SCREW,TRUS,PHIL,SEM 6-32X .375L	4	4	4	4	4	4	4	4	4	4	4	4	4	4		
102	102	"NOTE 10"	9000049-12	SCREW,TRUS,PHIL,SEMS 8-32X .500L	2	2	2	2	2	2	2	2	2	2	2	2	2	2		
103	103	"NOTE 10"	9000049-13	SCREW,TRUS,PHIL,SEM 6-32X .500L	2	2	2	2	2	2	2	2	2	2	2	2	2	2		
104	104	"NOTE 12"	3617880-01	LABEL,NON-COMPLIANT FCC	A/R	A/R	A/R	A/R	A/R	A/R	A/R	A/R	A/R	A/R	A/R	A/R	A/R	A/R		
105	105	B-PL-BA11-L-5		INSTALLATION KIT 5.25	REF	REF	REF	REF	REF	REF	REF	REF	REF	REF	REF	REF	REF	REF		
106	106	B-PL-BA11-K-2		INSTALLATION KIT 10.5	REF	REF	REF	REF	REF	REF	REF	REF	REF	REF	REF	REF	REF	REF		

- 107 NOTE: 1.SUPPLIED AND INSTALLED AT FA&T
- 108 NOTE: 2.1211825-02 IS AN ALLOWABLE SUBSTITUTE
- 109 NOTE: 3.EITHER M9312 OR M9301 MAYBE USED BUT NOT BOTH
- 110 NOTE: 4. USE WHITE ON CLEAR ON BA11-K BOX AND BLACK ON CLEAR ON BA11-L BOX
- 111 NOTE: 5.DECREASE QTY BY 4 WHEN USING 1211825-01
- 112 NOTE: 6.ITEM NO. 92 IS AN ALLOWABLE SUBSTITUTE FOR ITEM NOS.72 AND 26
- 113 NOTE: 7.DECREASE QTY BY 6 WHEN USING 1211825-02
- 114 NOTE: 8.REQUIRED ONLY WITH ITEM NOS. 16 AND 19
- 115 NOTE: 9.G727 IS AN ALLOWABLE SUBSTITUTE FOR ITEM NO.91
- 116 NOTE: 10.DECREASE QTY BY 2 WHEN USING 1211825-01

NOTE: 11.TO BE SHIPPED WITH 49312 ONLY
 NOTE: 12.NOT PUT ON 50 HERTZ MACHINES

D I G I T A L				TITLE	UNIT ASSY. 1134A	SECTION B OF E	SIZE CODE	DOCUMENT NUMBER	REV.
							K PL	1134A-0-DBP	P

LINE ITEM	DOCUMENT NUMBER	PART NUMBER	DESCRIPTION	QUANTITY PER VARIATION												
				ME	MF	JH	JJ	JE	JF	XX	XY	YX	YY	WC	WD	
1	1	A-PL-KD11-0-0	0KD11-EA	11/34 CPU	1	1	1	1	1	1	1	1	1	1	1	1
2	2	SEE NOTE 3	M9301-YF	M9301 W BOOT FOR PC11,RP02-6,RS0	1	1	1	1	1	1	1	1	1	1	1	1
3	3	D-CS-M9302-0-0	M9302-00	UNIBUS TERMINATOR	1	1	1	1	1	1	1	1	1	1	1	1
4	4	BLANK			0	0	0	0	0	0	0	0	0	0	0	0
5	5	A-PL-DL11-0-0	0DL11-W	M7856(DL11-A THRU -D W LINE FREQ	1	1	0	0	1	1	1	1	1	1	0	0
6	6	D-CS-M7850-0-1	M7850-00	MEM PARITY BOARD FOR G651	1	1	1	1	1	1	0	0	0	0	0	0
7	7	D-UA-KY11-0-0	0KY11-LA	OPERATORS CONSOLE	0	0	1	1	0	0	0	0	0	0	1	1
8	8	A-PL-MS11-0-0	0MS11-JF	16K UNIBUS MOS MEM/PARITY	0	0	0	0	0	0	0	0	0	0	0	0
9	9	D-UA-MM11-0-0	0MM11-0P	16K CORE MEMORY	2	2	0	0	0	0	0	0	0	0	0	0
10	10	E-UA-BA11-0-0	0BA11-LK	5.25" BOX W H777-CA PS,115V	0	0	0	0	0	0	0	0	0	0	0	0
11	11	E-UA-BA11-0-0	0BA11-LL	5.25" W H777-CB PS,230V	0	0	0	0	0	0	0	0	0	0	0	0
12	12	E-UA-BA11-0-0	0BA11-LM	5.25" BOX W H777-DA PS, 115V	0	0	0	0	0	0	0	0	1	0	1	0
13	13	E-UA-BA11-0-0	0BA11-LN	5.25" BOX W H777-DB PS,240V	0	0	0	0	0	0	0	0	0	1	0	1
14	14	E-UA-BA11-0-0	0BA11-KA	10.5"BOX,CHASSIS ONLY	1	1	1	1	1	1	1	1	1	0	0	0
15	15	E-UA-7013323-0-0	7013323-00	MOSS POWER SUPPLY 115V W/O BATTE	0	0	0	0	0	0	1	0	0	0	0	0
16	16	E-UA-7013323-0-0	7013323-01	MOSS POWER SUPPLY 115V W/BATTERY	0	0	0	0	0	0	0	0	0	0	0	0
17	17	E-UA-7013323-0-0	7013323-02	CORE POWER SUPPLY 115V	1	0	1	0	1	0	0	0	0	0	0	0
18	18	E-UA-7013323-0-0	7013323-03	MOSS POWER SUPPLY 230V W/O BATTE	0	0	0	0	0	0	0	1	0	0	0	0
19	19	E-UA-7013323-0-0	7013323-04	MOSS POWER SUPPLY 230V W/BATTERY	0	0	0	0	0	0	0	0	0	0	0	0
20	20	E-UA-7013323-0-0	7013323-05	CORE POWER SUPPLY 230V	0	1	0	1	0	1	0	0	0	0	0	0
21	21	C-IA-7012752-0-0	7012752-00	CABLE JUMPER (BA11-L)	0	0	0	0	0	0	0	0	0	0	1	1
22	22	D-IA-7009768-0-0	7009768-00	COVER CHASSIS (BA11-K)	2	2	2	2	2	2	2	2	2	0	0	0
23	23	"BLANK"			0	0	0	0	0	0	0	0	0	0	0	0
24	24	D-UA-KY11-0-0	0KY11-LB	CONSOLE ASSY PROGRAMERS	1	1	0	0	1	1	1	1	1	1	0	0
25	25	SEE NOTE 5	9006071-03	SCREW,TRUS,PHIL, 10-32X 3/8	12	12	12	12	12	12	12	12	0	0	0	0
26	26	SEE NOTES 5,6	9007651-00	WASHER, LOCK, EXTERNAL TOOTH #10	24	24	24	24	24	24	24	24	0	0	0	0
27	27	A-PL-DD11-0-0	0DD11-PK	DD11-DK W/2SLOTS FOR KD11-E	1	1	1	1	1	1	1	1	1	1	1	1
28	28	SEE NOTE 5	9006565-00	NUT,KEP 10-32X 3/8 AF	6	6	5	5	5	6	6	6	0	0	0	0
29	29	B-MU-DD11-0-P	0DD11-P	BACKPLANE NINE SLOT	REF	REF	REF	REF	REF	REF	REF	REF	REF	REF	REF	REF
30	30	C-IA-7011413-0-0	7011413-3F	EXTERNAL CABLE CM9301J	1	1	1	1	1	1	1	1	1	1	1	1

REVISION HISTORY			BASIC PART NO: 1134A		DRN:	B.BLODGETT	DATE:	16-JAN-80	DIGITAL							
ENG	ECO NUMBER	REV	SECTION C	OF E	CHK'D:	D.HEALY	DATE:	16-JAN-80	PARTS LIST							
	INITIAL	IN	SECTION. VARIATION INDEX		CHK'D:	D.HEALY	DATE:	16-JAN-80	UNIT ASSY. 1134A							
IBC	112	IN	[A]	DC,DD,HC,HD,LC,LD,												
IBC	1134A-TW012A	IN		MC,MD,JC,JD,DH,DJ												
IJS	1134A-TW013	IP	[B]	HH,HJ,LH,LJ,MH,MJ,	DES.ENG.:	R BARRY	DATE:	16-JAN-80								
				DE,DF,HE,HF,LE,LF												
			[C]	ME,MF,JH,JJ,JE,JF,	RESP.ENG.:	ERNIE CROCKER	DATE:	16-JAN-80								
				XX,XY,YX,YY,WC,WD												
			[D]	WE,WF,XC,XD,XF,XE,					SIZE	CODE	NUMBER	REV				
				YC,YD,YE,YF,ZC,ZD												
			[E]	ZE,ZF,XW,XZ,YW,YZ	MPG.ENG.:	J ALVES	DATE:	16 JAN 80	K	PL	1134A-0-DBP	P				
			[F]		ASSEMBLY NUMBER:		TOP DOCUMENT NUMBER:		FILE NAME:		EDIT #					
					E-UA-1134A-0-0		E-UA-1134A-0-0		Z0692P.PLS		3					

"THIS DRAWING AND SPECIFICATIONS HEREIN, ARE THE PROPERTY OF DIGITAL EQUIPMENT CORPORATION AND SHALL NOT BE REPRODUCED OR COPIED OR USED IN WHOLE OR IN PART AS THE BASIS FOR THE MANUFACTURE OR SALE OF ITEMS WITHOUT WRITTEN PERMISSION. COPYRIGHT (C) 1982. DIGITAL EQUIPMENT CORPORATION"

LINE	ITEM	DOCUMENT NUMBER	PART NUMBER	DESCRIPTION	QUANTITY PER VARIATION													
					ME	MF	JH	JJ	JE	JF	XX	XY	YX	YY	WC	WD		
79	79	E-MD-7415599-0-0	7415599-00	BEZEL (DIE CAST)	1	1	1	1	1	1	1	1	1	1	1	1		
80	80	D-MD-7415656-0-0	7415656-00	COVER PROTECTIVE BEZEL	1	1	1	1	1	1	1	1	1	1	1	1		
81	91		9007031-00	TIE,CABLE BUNDL.DIA 0- 3/4"=101	0	0	0	0	0	0	0	0	3	3	3	3		
82	92		9006636-00	WASHER,LOCK,INT,.3000D X .200ID	4	4	4	4	4	4	4	4	0	0	0	0		
83	93		9006071-01	SCREW,PAN,PHIL 10-32X 3/8 SS	4	4	4	4	4	4	4	4	0	0	0	0		
84	94		9006635-00	WASHER,LOCK,INT,.3100D X .200ID	1	1	1	1	1	1	1	1	0	0	0	0		
85	85		9006231-09	SCREW,HEX 10-32X 1/2	1	1	1	1	1	1	1	1	0	0	0	0		
86	86	"NOTE 7"	9007786-00	RETAINER, U-NUT, 10-32	12	12	12	12	12	12	12	0	0	0	0	0		
87	97	"NOTE 11"	23248F1-00	F1-01	1	1	1	1	1	1	1	1	1	1	1	1		
88	88		1209856-02	CLIP, MODULE HOLDER W/O SEPARA	0	0	0	0	0	0	0	0	A/R	A/R	A/R	A/R		
89	89	K-PL-M7891-0-0	M7891-BC	MS11-LB,64K X 18,PARITY LOGIC,FU	0	0	0	0	0	0	0	0	0	0	1	1		
90	90	K-PL-M7891-0-0	M7891-DC	MS11-LD: 128K 18-BIT,PARITY LJC,	0	0	0	0	0	0	0	0	0	0	0	0		
91	91	"NOTE 9"	G7273-00	BUS GRANT & NON-PROCESSOR GRANT	6	6	6	6	6	6	6	6	5	5	6	5		
92	92		9009700-00	SCREW,TRUS,PHIL,SEMS10-32X .500L	16	16	15	15	16	16	4	4	0	0	0	0		
93	93		9007084-00	CLAMP,CABLE,SCREW MTD. 7/16"	1	1	1	1	1	1	1	1	0	0	0	0		
94	94	"NOTE 8"	9007032-00	TIE,CABLE BUNDL.DIA 0-1-3/4"=101	3	3	3	3	3	3	3	3	0	0	0	0		
95	95	"NOTE 8"	9008264-00	MOUNT, CABLE TIE, ADHESIVE BACKE	3	3	3	3	3	3	3	3	0	0	0	0		
96	96	A-PS-3617996-01-0	3.17996-01	LABEL,OPT/MODULE 1134A	1	1	1	1	1	1	1	1	1	1	1	1		
97	97	"NOTE 4"	3613211-01	DECAL,CLEAR PREPRINTED CSA 1-1/4	1	1	1	1	1	1	1	1	1	1	1	1		
98	98	A-PS-3615946-00-0	3615946-00	LABEL,PRODUCT VARIATION	A/R	A/R	A/R	A/R	A/R	A/R	A/R	A/R	A/R	A/R	A/R	A/R		
99	99	"NOTE 4"	7416197-00	LABEL, UL	1	1	1	1	1	1	1	1	1	1	1	1		
100	100	"NOTE 1"	7008360-01	CABLE ASSY	1	1	0	0	1	1	0	0	0	0	0	0		
101	101		9000049-11	SCREW,TRUS,PHIL,SEM 6-32X .375L	4	4	4	4	4	4	4	4	0	0	0	0		
102	102	"NOTE 10"	9000049-12	SCREW,TRUS,PHIL,SEMS 8-32X .500L	2	2	2	2	2	2	2	2	0	0	0	0		
103	103	"NOTE 10"	9000049-13	SCREW,TRUS,PHIL,SEM 6-32X .500L	2	2	2	2	2	2	2	2	0	0	0	0		
104	104	"NOTE 12"	3617980-01	LABEL,NON-COMPLIANT FCC	A/R	A/R	A/R	A/R	A/R	A/R	A/R	A/R	A/R	A/R	A/R	A/R		
105	105	B-PL-BA11-L-5		INSTALLATION KIT 5.25	REF	REF	REF	REF	REF	REF	REF	REF	REF	REF	REF	REF		
106	106	B-PL-BA11-K-2		INSTALLATION KIT 10.5	REF	REF	REF	REF	REF	REF	REF	REF	REF	REF	REF	REF		

- 107 NOTE: 1.SUPPLIED AND INSTALLED AT FA&T
- 108 NOTE: 2.1211825-02 IS AN ALLOWABLE SUBSTITUTE
- 109 NOTE: 3.EITHER M9312 OR M9301 MAYBE USED BUT NOT BOTH
- 110 NOTE: 4. USE WHITE ON CLEAR ON BA11-K BOX AND BLACK ON CLEAR ON BA11-L BOX
- 111 NOTE: 5.DECREASE QTY BY 4 WHEN USING 1211825-01
- 112 NOTE: 6.ITEM NO. 92 IS AN ALLOWABLE SUBSTITUTE FOR ITEM NOS.72 AND 26
- 113 NOTE: 7.DECREASE QTY BY 6 WHEN USING 1211825-02
- 114 NOTE: 8.REQUIRED ONLY WITH ITEM NOS. 16 AND 19
- 115 NOTE: 9.G727 IS AN ALLOWABLE SUBSTITUTE FOR ITEM NO.91
- 116 NOTE: 10.DECREASE QTY BY 2 WHEN USING 1211825-01

NOTE: 11.TO BE SHIPPED WITH M9312 ONLY
 NOTE: 12.NOT PUT ON 50 HERTZ MACHINES

TITLE				SECTION C OF E				SIZE/ CODE/ DOCUMENT NUMBER				REV			
UNIT ASSY. 1134A								K PL 1134A-0-DBP				P			

LINE ITEM	DOCUMENT NUMBER	PART NUMBER	DESCRIPTION	QUANTITY PER VARIATION												
				WE	WF	XC	XD	XF	XE	YC	YD	YE	YF	ZC	ZD	
1	1	A-PL-KD11-0-0	0KD11-EA	11/34 CPU	1	1	1	1	1	1	1	1	1	1	1	1
2	2	SEE NOTE 3	M9301-YF	M9301 W BOOT FOR PC11,RP02-6,RS0	1	1	1	1	1	1	1	1	1	1	1	1
3	3	D-CS-M9302-0-0	M9302-00	UNIBUS TERMINATOR	1	1	1	1	1	1	1	1	1	1	1	1
4	4	BLANK			0	0	0	0	0	0	0	0	0	0	0	0
5	5	A-PL-DL11-0-0	0DL11-W	M7856(DL11-A THRU -D W LINE FREQ	0	0	1	1	1	1	1	1	1	1	0	0
6	6	D-CS-M7850-0-1	47850-00	MEM PARITY BOARD FOR G651	0	0	0	0	0	0	0	0	0	0	0	0
7	7	D-UA-KY11-0-0	0KY11-LA	OPERATORS CONSOLE	1	1	0	0	0	0	0	0	0	0	1	1
8	8	A-PL-MS11-0-0	0MS11-JP	16K UNIBUS MOS MEM/PARITY	0	0	0	0	0	0	0	0	0	0	0	0
9	9	D-UA-MM11-0-0	0MM11-DP	16K CORE MEMORY	0	0	0	0	0	0	0	0	0	0	0	0
10	10	E-UA-BA11-0-0	0BA11-LK	5.25" BOX W H777-CA PS,115V	0	0	0	0	0	0	0	0	0	0	0	0
11	11	E-UA-BA11-0-0	0BA11-LL	5.25" W H777-CB PS,230V	0	0	0	0	0	0	0	0	0	0	0	0
12	12	F-UA-BA11-0-0	0BA11-LM	5.25" BOX W H777-DA PS, 115V	0	0	1	0	0	0	1	0	0	0	1	0
13	13	E-UA-BA11-0-0	0BA11-LN	5.25" BOX W H777-DB PS,240V	0	0	0	1	0	0	0	1	0	0	0	1
14	14	E-UA-BA11-0-0	0BA11-KA	10.5"BOX,CHASSIS ONLY	1	1	0	0	1	1	0	0	1	1	0	0
15	15	E-UA-7013323-0-0	7013323-00	MOSS POWER SUPPLY 115V W/O BATTE	1	0	0	0	0	1	0	0	1	0	0	0
16	16	E-UA-7013323-0-0	7013323-01	MOSS POWER SUPPLY 115V W/BATTERY	0	0	0	0	0	0	0	0	0	0	0	0
17	17	E-UA-7013323-0-0	7013323-02	CORE POWER SUPPLY 115V	0	0	0	0	0	0	0	0	0	0	0	0
18	18	E-UA-7013323-0-0	7013323-03	MOSS POWER SUPPLY 230V W/O BATTE	0	1	0	0	1	0	0	0	0	1	0	0
19	19	E-UA-7013323-0-0	7013323-04	MOSS POWER SUPPLY 230V W/BATTERY	0	0	0	0	0	0	0	0	0	0	0	0
20	20	E-UA-7013323-0-0	7013323-05	CORE POWER SUPPLY 230V	0	0	0	0	0	0	0	0	0	0	0	0
21	21	C-IA-7012752-0-0	7012752-00	CABLE JUMPER (BA11-L)	0	0	1	1	0	0	1	1	0	0	1	1
22	22	D-IA-7009768-0-0	7009768-00	COVER CHASSIS (BA11-K)	2	2	0	0	2	2	0	0	2	2	0	0
23	23	"BLANK"			0	0	0	0	0	0	0	0	0	0	1	1
24	24	D-UA-KY11-0-0	0KY11-LB	CONSOLE ASSY PROGRAMERS	0	0	1	1	1	1	1	1	1	1	0	0
25	25	SEE NOTE 5	9006071-03	SCREW,TRUS,PHIL, 10-32X 3/8	12	12	0	0	12	12	0	0	12	12	0	0
26	26	SEE NOTES 5,6	9007651-00	WASHER, LOCK, EXTERNAL TOOTH #10	24	24	0	0	24	24	0	0	24	24	0	0
27	27	A-PL-DD11-0-0	0DD11-PK	DD11-DK W/2SLOTS FOR KD11-E	1	1	1	1	1	1	1	1	1	1	1	1
28	28	SEE NOTE 5	9006565-00	NUT,KEP 10-32X 3/8 AF	6	6	0	0	6	6	0	0	6	6	0	0
29	29	B-MU-DD11-0-P	0DD11-P	BACKPLANE NINE SLOT	REF	REF	REF	REF	REF	REF	REF	REF	REF	REF	REF	REF
30	30	C-IA-7011413-0-0	7011413-3F	EXTERNAL CABLE CM9301J	1	1	1	1	1	1	1	1	1	1	1	1

REVISION HISTORY			BASIC PART NO: 1134A			DRN: B.BLODGETT			DATE: 16-JAN-80			D I I G I T A L		
ENGI	ECO NUMBER	REV	SECTION D OF E	SECTION. VARIATION INDEX	CHK'D:	D.HEALY	DATE:	16-JAN-80	TITLE	PARTS LIST	UNIT ASSY.	1134A		
---	INITIAL	IN												
IBC	112	IN		CA] DC,DD,HC,HD,LC,LD,										
IBC	1134A-TW012A	IN		MC,MD,JC,JD,DH,DJ										
IJS	1134A-TW013	IP		CB] HH,HJ,LH,LJ,MH,MJ,	DES.ENG.:	R BARRY	DATE:	16-JAN-80						
				DE,DF,HE,HF,LE,LF										
				CC] ME,MF,JH,JJ,JE,JF,										
				XX,XY,YX,YY,WC,WD	RESP.ENG.:	ERNIE CROCKER	DATE:	16-JAN-80						
				DD] WE,WF,XC,XD,XF,XE,										
				YC,YD,YE,YF,ZC,ZD										
				EE] ZE,ZF,XW,XZ,YW,YZ	MFG.ENG.:	J ALVES	DATE:	16 JAN 80	K	PL	1134A-0-DBP	P		
				FF]	ASSEMBLY NUMBER:		TOP DOCUMENT NUMBER:		FILE NAME:		EDIT #			
					E-UA-1134A-0-0		E-UA-1134A-0-0		Z0692P.PLS		3			

"THIS DRAWING AND SPECIFICATIONS HEREIN, ARE THE PROPERTY OF DIGITAL EQUIPMENT CORPORATION AND SHALL NOT BE REPRODUCED OR COPIED OR USED IN WHOLE OR IN PART AS THE BASIS FOR THE MANUFACTURE OR SALE OF ITEMS WITHOUT WRITTEN PERMISSION. COPYRIGHT (C) 1982. DIGITAL EQUIPMENT CORPORATION"

LINE ITEM	DOCUMENT NUMBER	PART NUMBER	DESCRIPTION	QUANTITY PER VARIATION												
				WE	WF	XC	XD	XF	XE	YC	YD	YE	YF	ZC	ZD	
79	E-MD-7415599-0-0	7415599-00	BEZEL (DIE CAST)	1	1	1	1	1	1	1	1	1	1	1	1	1
80	D-MD-7415656-0-0	7415656-00	COVER PROTECTIVE BEZEL	1	1	1	1	1	1	1	1	1	1	1	1	1
81		9007031-00	TIE, CABLE BUNDL. DIA 0- 3/4"=101	0	0	3	3	0	0	3	3	0	0	3	3	0
82		9006636-00	WASHER, LOCK, INT., .3800D X .200ID	4	4	0	0	4	4	0	0	4	4	0	0	0
83		9006071-31	SCREW, PAN, PHIL 10-32X 3/8 SS	4	4	0	0	4	4	0	0	4	4	0	0	0
84		9006635-00	WASHER, LOCK, INT., .3100D X .200ID	1	1	0	0	1	1	0	0	1	1	0	0	0
85		9006231-09	SCREW, HEX 10-32X 1/2	1	1	0	0	1	1	0	0	1	1	0	0	0
86	"NOTE 7"	9007786-00	RETAINER, U-NUT, 10-32	12	12	0	0	12	12	0	0	12	12	0	0	0
87	"NOTE 11"	23248F1-00	F1-01	1	1	1	1	1	1	1	1	1	1	1	1	1
88		1209956-02	CLIP, MODULE HOLDER W/O SEPARA	0	0	A/R	A/R	0	0	A/R	A/R	0	0	A/R	A/R	0
89	K-PL-M7891-0-0	M7891-9C	MS11-LB, 64K X 18, PARITY LOGIC, PU	1	1	1	1	1	1	0	0	0	0	0	0	0
90	K-PL-M7891-0-0	M7891-DC	MS11-LD: 128K 18-BIT, PARITY LCG,	0	0	0	0	0	0	1	1	1	1	1	1	1
91	"NOTE 9"	G7273-00	BUS GRANT & NON-PROCESSOR GRANT	6	6	6	6	6	6	6	6	6	6	6	6	6
92		9009700-00	SCREW, TRUS, PHIL, SEMS 10-32X .500L	16	16	0	0	16	16	0	0	16	16	0	0	0
93		9007084-00	CLAMP, CABLE, SCREW MTD. 7/16"	1	1	0	0	1	1	0	0	1	1	0	0	0
94	"NOTE 8"	9007032-00	TIE, CABLE BUNDL. DIA 0-1-3/4"=101	3	3	0	0	3	3	0	0	3	3	0	0	0
95	"NOTE 8"	9008264-00	MOUNT, CABLE TIE, ADHESIVE BACKE	3	3	0	0	3	3	0	0	3	3	0	0	0
96	A-PS-3617996-01-0	3617996-01	LABEL, OPT/MODULE 1134A	1	1	1	1	1	1	1	1	1	1	1	1	1
97	"NOTE 4"	3613211-01	DECAL, CLEAR PREPRINTED CSA 1-1/4	1	1	1	1	1	1	1	1	1	1	1	1	1
98	A-PS-3615946-00-0	3615946-00	LABEL, PRODUCT VARIATION	A/R	A/R	A/R	A/R	A/R	A/R	A/R	A/R	A/R	A/R	A/R	A/R	A/R
99	"NOTE 4"	7416197-00	LABEL, UL	1	1	1	1	1	1	1	1	1	1	1	1	1
100	"NOTE 1"	7008360-01	CABLE ASSY	0	0	1	1	1	1	1	1	1	1	0	0	0
101		9000049-11	SCREW, TRUS, PHIL, SEM 6-32X .375L	4	4	0	0	4	4	0	0	4	4	0	0	0
102	"NOTE 10"	9000049-12	SCREW, TRUS, PHIL, SEMS 8-32X .500L	2	2	0	0	2	2	0	0	2	2	0	0	0
103	"NOTE 10"	9000049-13	SCREW, TRUS, PHIL, SEM 6-32X .500L	2	2	0	0	2	2	0	0	2	2	0	0	0
104	"NOTE 12"	3617880-01	LABEL, NON-COMPLIANT FCC	A/R	A/R	A/R	A/R	A/R	A/R	A/R	A/R	A/R	A/R	A/R	A/R	A/R
105	B-PL-BA11-L-5		INSTALLATION KIT 5.25	REF	REF	REF	REF	REF	REF	REF	REF	REF	REF	REF	REF	REF
106	B-PL-BA11-K-2		INSTALLATION KIT 10.5	REF	REF	REF	REF	REF	REF	REF	REF	REF	REF	REF	REF	REF

- 107 NOTE: 1. SUPPLIED AND INSTALLED AT FACT
- 108 NOTE: 2. 1211825-02 IS AN ALLOWABLE SUBSTITUTE
- 109 NOTE: 3. EITHER M9312 OR M9301 MAYBE USED BUT NOT BOTH
- 110 NOTE: 4. USE WHITE ON CLEAR ON BA11-K BOX AND BLACK ON CLEAR ON BA11-L BOX
- 111 NOTE: 5. DECREASE QTY BY 4 WHEN USING 1211825-01
- 112 NOTE: 6. ITEM NO. 92 IS AN ALLOWABLE SUBSTITUTE FOR ITEM NOS. 72 AND 26
- 113 NOTE: 7. DECREASE QTY BY 6 WHEN USING 1211825-02
- 114 NOTE: 8. REQUIRED ONLY WITH ITEM NOS. 16 AND 19
- 115 NOTE: 9. G727 IS AN ALLOWABLE SUBSTITUTE FOR ITEM NO. 91
- 116 NOTE: 10. DECREASE QTY BY 2 WHEN USING 1211825-01

NOTE: 11. TO BE SHIPPED WITH M9312 ONLY
 NOTE: 12. NOT PUT ON 50 HERTZ MACHINES

D I G I T A L		TITLE	UNIT ASSY. 1134A	SECTION D OF E	SIZE CODE	DOCUMENT NUMBER	REV
					K PL	1134A-0-DBP	P

LINE	ITEM	DOCUMENT NUMBER	PART NUMBER	DESCRIPTION	QUANTITY PER VARIATION					
					ZE	ZF	XW	XZ	YW	YZ
1	1	A-PL-KD11-0-0	0KD11-EA	11/34 CPU	1	1	1	1	1	1
2	2	SEE NOTE 3	M9301-YF	M9301 W BOOT FOR PC11,RP02-6,RS0	1	1	1	1	1	1
3	3	D-CS-M9302-0-0	M9302-00	UNIBUS TERMINATOR	1	1	1	1	1	1
4	4	BLANK			0	0	0	0	0	0
5	5	A-PL-DL11-0-0	0DL11-W	47856(DL11-A THRU -D W LINE FREQ	0	0	1	1	1	1
6	6	D-CS-M7850-0-1	M7850-00	MEM PARITY BOARD FOR G651	0	0	0	0	0	0
7	7	D-UA-KY11-0-0	0KY11-LA	OPERATORS CONSOLE	1	1	0	0	1	1
8	3	A-PL-MS11-0-0	0MS11-JP	16K UNIBUS MOS MEM/PARITY	0	0	0	0	0	0
9	9	D-UA-MM11-0-0	0MM11-0P	16K CORE MEMORY	0	0	0	0	0	0
10	10	E-UA-BA11-0-0	0BA11-LK	5.25" BOX W H777-CA PS,115V	0	0	0	0	1	0
11	11	E-UA-BA11-0-0	0BA11-LL	5.25" W H777-CB PS,230V	0	0	0	0	0	1
12	12	E-UA-BA11-0-0	0BA11-LM	5.25" BOX W H777-DA PS, 115V	0	0	0	0	0	0
13	13	E-UA-BA11-0-0	0BA11-LN	5.25" BOX W H777-DB PS,240V	0	0	0	0	0	0
14	14	E-UA-BA11-0-0	0BA11-KA	10.5"BOX,CHASSIS ONLY	1	1	1	1	0	0
15	15	E-UA-7013323-0-0	7013323-00	MOSS POWER SUPPLY 115V W/O BATTE	1	0	0	0	0	0
16	16	E-UA-7013323-0-0	7013323-01	MOSS POWER SUPPLY 115V W/BATTERY	0	0	0	0	0	0
17	17	E-UA-7013323-0-0	7013323-02	CORE POWER POWER SUPPLY 115V	0	0	1	0	0	0
18	18	E-UA-7013323-0-0	7013323-03	MOSS POWER SUPPLY 230V W/O BATTE	0	1	0	0	0	0
19	19	E-UA-7013323-0-0	7013323-04	MOSS POWER SUPPLY 230V W/BATTERY	0	0	0	0	0	0
20	20	E-UA-7013323-0-0	7013323-05	CORE POWER SUPPLY 230V	0	0	0	1	0	0
21	21	C-IA-7012752-0-0	7012752-00	CABLE JUMPER (BA11-L)	0	0	0	0	1	1
22	22	D-IA-7009768-0-0	7009768-00	COVER CHASSIS (6A11-K)	2	2	2	2	0	0
23	23	"BLANK"			0	0	0	0	0	0
24	24	D-UA-KY11-0-0	0KY11-LB	CONSOLE ASSY PROGRAMERS	0	0	1	1	0	0
25	25	SEE NOTE 5	9006071-03	SCREW,TRUS,PHIL, 10-32X 3/8	12	12	12	12	0	0
26	26	SEE NOTES 5,6	9007651-00	WASHER, LOCK, EXTERNAL TOOTH #10	24	24	24	24	0	0
27	27	A-PL-DD11-0-0	0DD11-PK	DD11-DK W/2SLOTS FOR KD11-E	1	1	1	1	1	1
28	28	SEE NOTE 5	9006565-00	NUT,KEP 10-32X 3/8 AF	6	6	6	6	0	0
29	29	P-MU-DD11-0-P	0DD11-P	BACKPLANE NINE SLOT	REF	REF	REF	REF	REF	REF
30	30	C-IA-7011413-0-0	7011413-3F	EXTERNAL CABLE (M9301)	1	1	1	1	1	1

REVISION HISTORY			BASIC PART NO: 1134A		DRN: B.BLODGETT		DATE: 16-JAN-80		DIGITAL		
ENGR	ECO NUMBER	REV	SECTION E OF E	CHK'D:	D.HEALY	DATE:	16-JAN-80	TITLE PARTS LIST			
	INITIAL	IN	SECTION. VARIATION INDEX	CHK'D:	D.HEALY <td>DATE:</td> <td>16-JAN-80 <td colspan="3">UNIT ASSY. 1134A</td> </td>	DATE:	16-JAN-80 <td colspan="3">UNIT ASSY. 1134A</td>	UNIT ASSY. 1134A			
IPC	112	IN	CAJ DC,DD,HC,HD,LC,LD,	DES.ENG.:	R BARRY <td>DATE:</td> <td>16-JAN-80 <td colspan="3">DOCUMENT NUMBER</td> </td>	DATE:	16-JAN-80 <td colspan="3">DOCUMENT NUMBER</td>	DOCUMENT NUMBER			
IBC	1134A-TW012A	IN	MC,MD,JC,JD,DH,DJ	RESP.ENG.:	ERNIE CROCKER <td>DATE:</td> <td>16-JAN-80 <td>SIZE</td> <td>CODE</td> <td>NUMBER</td> <td>REV</td> </td>	DATE:	16-JAN-80 <td>SIZE</td> <td>CODE</td> <td>NUMBER</td> <td>REV</td>	SIZE	CODE	NUMBER	REV
IJS	1134A-TW013	IP	CBJ HH,HJ,LH,LJ,MH,MJ	MFNG.ENG.:	J ALVES <td>DATE:</td> <td>16 JAN 80</td> <td>K</td> <td>PL</td> <td>1134A-0-DBP</td> <td>P</td>	DATE:	16 JAN 80	K	PL	1134A-0-DBP	P
			DE,DF,HE,HE,LE,LF	ASSEMBLY NUMBER:		TOP DOCUMENT NUMBER:		FILE NAME:		EDIT.#	
			CCJ ME,MF,JH,JJ,JE,JF,	E-UA-1134A-0-0		E-UA-1134A-0-0		Z0692P.PLS		3	
			XX,XY,YX,YY,AC,AD								
			CDJ WE,WF,XC,XD,XF,XE,								
			YC,YO,YE,YF,ZC,ZD								
			CEJ ZE,ZF,XW,XZ,YW,YZ								
			[?]								

"THIS DRAWING AND SPECIFICATIONS HERFIN, ARE THE PROPERTY OF DIGITAL EQUIPMENT CORPORATION AND SHALL NOT BE REPRODUCED OR COPIED OR USED IN WHOLE OR IN PART AS THE BASIS FOR THE MANUFACTURE OR SALE OF ITEMS WITHOUT WRITTEN PERMISSION. COPYRIGHT (C) 1982. DIGITAL EQUIPMENT CORPORATION"

LINE	ITEM	DOCUMENT NUMBER	PART NUMBER	DESCRIPTION	QUANTITY PER VARIATION					
					ZE	ZF	XW	XZ	YW	YZ
31	31	C-IA-7011411-0-0	7011411-00	3M CABLE CONSOLE/BACKPLANE	1	1	0	0	1	1
32	32	D-IA-7011992-0-0	7011992-00	PDP 1104/1134 CONSOLE POWER HARN	1	1	1	1	0	0
33	33	B-MD-7417628-0-0	7417628-00	BEZEL BRACKET	2	2	2	2	0	0
34	34	B-MD-7417627-0-0	7417627-00	ADAPTOR BRACKET-BEZEL	2	2	2	2	0	0
35	35		9006043-03	SCREW,TRUS,PHIL, 8-32X 1	4	4	4	4	4	4
36	36		9008072-00	WASHER, LOCK, EXTERNAL TOOTH #8	0	0	0	0	5	5
37	37		9006037-03	SCREW,TRUS,PHIL, 8-32X 3/8	4	4	4	4	4	4
38	38	"BLANK"			0	0	0	0	0	0
39	39	"BLANK"			0	0	0	0	0	0
40	40		9009799-00	SCREW, FILLISTER HD 8-32 X .31	0	0	0	0	1	1
41	41		9006634-00	WASHER,LOCK,INT,.23000 X .172ID	8	8	8	8	4	4
42	42		9006070-02	SCREW,FLAT,PHIL, 10-32X 5/16	4	4	4	4	0	0
43	43		9009771-03	CLAMP, CABLE, PVC, 3/16 ID	3	3	3	3	2	2
44	44		1211336-02	TAPE FOR FOAM AIR FILTERS,SEMIPE	A/R	A/R	A/R	A/R	0	0
45	45		1212707-00	FILTER,AIR FOAM EXPAND 330PPI	0	0	0	0	1	1
45	46		1212392-02	FILTER,AIR FOAM 030PPI	1	1	1	1	0	0
47	47	D-UA-H950-0-0	0H950-PB	COVER PANEL,5-1/4" W NO LATCHES	1	1	1	1	0	0
48	48	C-MD-7413659-0-0	7413659-00	BRACKET SHIPPING	1	1	1	1	0	0
49	49		1209224-00	LATCH, NORYL PLASTIC	2	2	2	2	0	0
50	50	A-DC-7409478-0-0	7409478-00	DECAL PAT-11/35 20/SHEET	1	1	1	1	1	1
51	51	"NOTES 1,2"	1211825-01	SLIDE,CHASSIS TITLT 3POSITION	1	1	1	1	0	0
52	52	"BLANK"			0	0	0	0	0	0
53	53	"BLANK"			0	0	0	0	0	0
54	54	B-DC-7417820-0-0	7417820-00	DECAL PDP1134A MOD LAYOUT	1	1	1	1	1	1
55	55		9007880-00	TIE,CABLE BUNDL DIA 0-1.14"=101	2	2	2	2	2	2
56	56		1209340-00	MATE-N-LJK 08SKT(1X08). HSG	1	1	1	1	0	0
57	57	"BLANK"			0	0	0	0	0	0
58	58		9006660-00	WASHER, FLAT, .375 O.D. X .187 I	0	0	0	0	4	4
59	59	"BLANK"			0	0	0	0	0	0
60	60	"BLANK"			0	0	0	0	0	0
61	61	"BLANK"			0	0	0	0	0	0
62	62	A-PS-3700235-0-0	3700235-00	INSTR PKG COMPUTER 11/34 10.5IN	1	1	1	1	1	1
63	63	"BLANK"			0	0	0	0	0	0
64	64	A-PS-3700169-0-0	3700169-00	INSTR PKG COMPUTER CUSHIONED 11/	1	1	1	1	1	1
65	65	A-PS-3700197-0-0	3700197-00	INSTR PKG COMPUTER PDP11/04 INTE	0	0	0	0	1	1
66	66	"BLANK"			0	0	0	0	0	0
67	67		9009599-00	SCREW, PHILLIPS FLAT HD, 10-32 X	6	6	5	5	0	0
68	68		9006020-02	SCREW,FLAT,PHIL, 6-32X 1/4	4	4	4	4	0	0
69	69	"BLANK"			0	0	0	0	0	0
70	70	A-PS-3613210-0-0	3613210-00	LABEL, UL. FOIL ADH BACK	1	1	1	1	1	1
71	71	"BLANK"			0	0	0	0	0	0
72	72	"NOTE 6"	9006073-03	SCREW,TRUS,PHIL, 10-32X 1/2	12	12	12	12	0	0
73	73	"BLANK"			0	0	0	0	0	0
74	74	B-MD-7418879-0-0	7418879-00	STRIP BEARING	0	0	0	0	2	2
75	75		9006039-03	SCREW,TRUS,PHIL, 8-32X 1/2	0	0	0	0	4	4
76	76	D-UA-MM11-0-0	0MM11-YP	32K 18BIT MEMORY ONE 1" BOARD	0	0	0	0	0	0
77	77	D-CS-M9312-0-1	M9312-00	BOOTSTRAP TERMINATOR W 5 EMPTY R	1	1	1	1	1	1
78	78	C-MD-7414962-0-0	7414962-00	BRKT FILTER SUPPORT	0	0	0	0	2	2

I	I	I	I	I	I	I	I	I	I	I	I	I	I	I	I	I	I	I	I							
TITLE											SECTION E OF E				SIZE CODE				DOCUMENT NUMBER				REV			
UNIT ASSY. 1134A															K PL 1134A-0-DBP				P							

LINE ITEM	DOCUMENT NUMBER	PART NUMBER	DESCRIPTION	QUANTITY PER VARIATION						
				ZE	ZF	XW	XZ	YW	YZ	
79	79	E-MD-7415599-3-0	7415599-00	BEZEL (DIE CAST)	1	1	1	1	1	1
80	80	D-MD-7415656-3-0	7415656-00	COVER PROTECTIVE BEZEL	1	1	1	1	1	1
81	91		9007031-00	TIE,CABLE BUNDL.DIA 0- 3/4"=101	0	0	0	0	3	3
82	92		9006636-00	WASHER,LOCK,INT,.3800D X .200ID	4	4	4	4	0	0
83	33		9006071-01	SCREW,PAN,PHIL 10-32X 3/8 SS	4	4	4	4	0	0
84	94		9006635-00	WASHER,LOCK,INT,.3100D X .200ID	1	1	1	1	0	0
85	85		9006231-09	SCREW,HEX 10-32X 1/2	1	1	1	1	0	0
86	96	"NOTE 7"	9007786-00	RETAINER, U-NUT, 10-32	12	12	12	12	0	0
87	97	"NOTE 11"	23248F1-00	F1-01	1	1	1	1	1	1
88	98		1209856-02	CLIP, MODULE HOLDER W/O SEPARA	0	0	0	0	A/R	A/R
89	99	K-PL-M7891-0-0	M7891-9C	MS11-LB,54K X 18,PARITY LOGIC,FU	0	0	0	0	0	0
90	90	K-PL-M7891-0-0	M7891-DC	MS11-LD: 128K 18-BIT,PARITY L3G,	1	1	0	0	0	0
91	91	"NOTE 9"	G7273-00	BUS GRANT & NON-PROCESSOR GRANT	6	6	5	5	5	6
92	92		9009700-00	SCREW,TRUS,PHIL,SEMS10-32X .500L	12	12	15	15	0	0
93	93		9007084-00	CLAMP,CABLE,SCREW MTD. 7/16"	1	1	1	1	0	0
94	94	"NOTE 8"	9007032-00	TIE,CABLE BUNDL.DIA 0-1-3/4"=101	3	3	3	3	0	0
95	95	"NOTE 8"	9008264-00	MOUNT, CABLE TIE, ADHESIVE BACKE	3	3	3	3	0	0
95	95	A-PS-3617995-01-0	3617996-01	LABEL,OPT/MODULE 1134A	1	1	1	1	1	1
97	97	"NOTE 4"	3613211-01	DECAL,CLEAR PREPRINTED CSA 1-1/4	1	1	1	1	1	1
98	98	A-PS-3615946-00-0	3615946-00	LABEL,PRODUCT VARIATION	A/R	A/R	A/R	A/R	A/R	A/R
99	99	"NOTE 4"	7416197-00	LABEL, UL	1	1	1	1	1	1
100	100	"NOTE 1"	7008360-01	CABLE ASSY	0	0	1	1	0	0
101	101		9000049-11	SCREW,TRUS,PHIL,SEM 6-32X .375L	4	4	4	4	0	0
102	102	"NOTE 10"	9000049-12	SCREW,TRUS,PHIL,SEMS 8-32X .500L	2	2	2	2	0	0
103	103	"NOTE 10"	9000049-13	SCREW,TRUS,PHIL,SEM 6-32X .500L	2	2	2	2	0	0
104	104	"NOTE 12"	3617880-01	LABEL,NON-COMPLIANT FCC	A/R	A/R	A/R	A/R	A/R	A/R
105	105	B-PL-BA11-L-5		INSTALLATION KIT 5.25	REF	REF	REF	REF	REF	REF
106	106	B-PL-BA11-K-2		INSTALLATION KIT 10.5	REF	REF	REF	REF	REF	REF

- 107 NOTE: 1.SUPPLIED AND INSTALLED AT FA&T NOTE: 11.TO BE SHIPPED WITH M9312 ONLY
108 NOTE: 2.1211825-02 IS AN ALLOWABLE SUBSTITUTE NOTE: 12.NOT PUT ON 50 HERTZ MACHINES
109 NOTE: 3.EITHER M9312 OR M9301 MAYBE USED BUT NOT BOTH
110 NOTE: 4. USE WHITE ON CLEAR ON BA11-K BOX AND BLACK ON CLEAR ON BA11-L BOX
111 NOTE: 5.DECREASE QTY BY 4 WHEN USING 1211825-01
112 NOTE: 6.ITEM NO. 92 IS AN ALLOWABLE SUBSTITUTE FOR ITEM NOS.72 AND 26
113 NOTE: 7.DECREASE QTY BY 6 WHEN USING 1211825-02
114 NOTE: 8.REQUIRED ONLY WITH ITEM NOS. 16 AND 19
115 NOTE: 9.G727 IS AN ALLOWABLE SUBSTITUTE FOR ITEM NO.91
116 NOTE: 10.DECREASE QTY BY 2 WHEN USING 1211825-01

UNIT ASSY. 1134A	SECTION E OF E	SIZE CODE	DOCUMENT NUMBER	REV
		K PL	1134A-0-DBP	P

CUSTOMER PRINT SET INDEX

THIS IS PRINT SET

NOTE: 1. EITHER M9312 OR M9301 MAY BE USED BUT NOT BOTH.

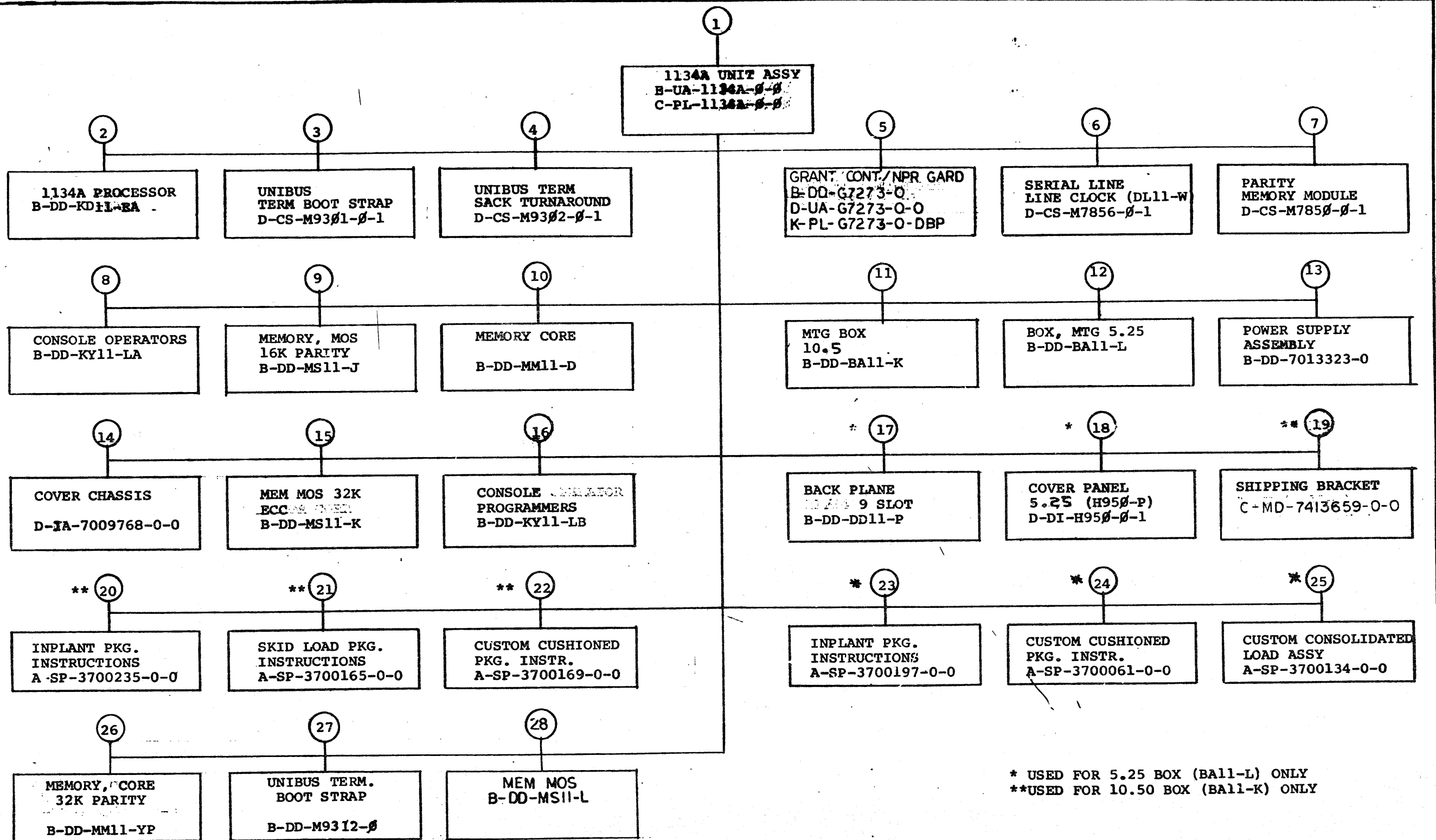
SEQUENCE

SEQUENCE

UNIT VARIATIONS		PRINT SET	
VAR	TITLE		
5.25" BOX	1134A-DC	KD11-EA, MS11-JP, BA11-LM, M7850 M9312- XX , 120V	
	1134A-DD	KD11-EA, MS11-JP, BA11-LN, M7850 M9312- XX , 240V	
	1134A-HC	KD11-EA, MM11-DP, BA11-LK, M7850 M9312- XX , 120V	
	1134A-HD	KD11-EA, MM11-DP, BA11-LL, M7850 M9312- XX , 240V	
	1134A-LC	1134A-DC & MS11-JP, 120V	
	1134A-LD	1134A-DD & MS11-JP, 240V	
	1134A-MC	1134A-HC & MM11-DP, 120V	
	1134A-MD	1134A-HD & MM11-DP, 240V	
	10.50" BOX	1134A-LH	1134A-DH & MS11-JP, 120V
		1134A-LJ	1134A-DJ & MS11-JP, 240V
1134A-DH		KD11-EA, MS11-JP, BA11-KA, M7850 M9312- XX , 115V	
1134A-DJ		KD11-EA, MS11-JP, BA11-KA, M7850 M9312- XX , 230V	
1134A-MH		1134A-IH & MM11-DP, 120V	
1134A-MJ		1134A-HJ & MM11-DP, 240V	
1134A-HH		KD11-EA, MM11-DP, BA11-KA, M7850 M9312- XX , 115V	
1134A-HJ		KD11-EA, MM11-DP, BA11-KA, M7850 M9312- XX , 230V	
1134A-LE		1134A-DE, & MS11-JP, 120V	
1134A-LF		1134A-DF & MS11-JP, 240V	
1134A-DE		KD11-EA, MS11-JP, BA11-KA, M7850 M9312- XX , DL11-WA, 120V	
1134A-DF		KD11-EA, MS11-JP, BA11-KA, M7850 M9312- XX , DL11-WA, 240V	

REVISIONS		USED ON OPTION/MODEL	DRN. D. HEALY	DATE NOV 76	TITLE			
DATE	CHG. NO.		CHK'D. D. HEALY	DATE NOV 76	UNIT ASSY 1134A			
4-77	1134A-3		PROJ ENG. <i>David Healy</i>	DATE 13 JAN 77				
7-77	1134A-5		PROD. <i>A. Stenham</i>	DATE 13 JAN 77				
8-77	1134A-6		FIELD SERV.	DATE	SIZE	CODE	NUMBER	REV
11-77	1134A-7				B	DD	1134A-0	F
2-78	1134A-8				DIST			
3-81	1134A-12							
		SHEET 1 OF 5						

EN-01062-1A-16-R972-1325



TITLE	UNIT ASSY 1134A	SIZE CODE	NUMBER	REV
		B DD	1134A-0	F
SHEET 3 OF 5				

FIND NO.	DRAWING NO.	DESCRIPTION	TYPE	FIND NO.	DRAWING NO.	DESCRIPTION	TYPE
1	B-TC-1134A-0-1	1134A (Field Maintenance Print Set)	-				
	MP00190	1134A (Print Set Order Number)	-	8	B-DD-KY11-LA	Console, Operators	E/M
	D-UA-1134A-0-0	1134A Unit Assy	E/M				
	C-PL-1134A-0-0	1134A Unit Assy (PL)	E/M				
	A-DC-7409478-0-0	Decal Patent	M				
	B-DC-7414727-0-0	Decal, Sticker	M				
	C-IA-7013752-0-0	Cable, Jumper (BALL-L)	E/M	9	B-DD-MS11-J	Memory Mos 16K Parity (M7847)	E/M
			N				
			M				
	C-IA-7011413-0-0	Cable, External Boot M9301	E/M				
	B-DC-7417820-0-0	Decal, Module Layout	M				
	B-MU-DD11-P-2	Module Utilization (DD11-P)	E/M	10	B-DD-MM11-D	Memory Core 16K Parity	E/M
	C-IA-7011411-0-0	Cable, Console (DD11-PK for L or K Box)	E/M				
	D-IA-7011992-0-0	Console, Power Harness (K Box)	E/M				
	A-PL-1134A-0-4	1134A Shipping List	E/M				
	B-MD-7417628-0-0	Bracket, Bezel	M				
	B-MD-7417627-0-0	Adapter Bracket, Bezel	M	11	B-DD-BALL-K	Mtg. Box 10.50	E/M
	B-MD-7417882-0-0	Nut Plate	M				
	B-MD-7417883-0-0	Plate, Slide Mounting	M				
	A-PS-3613210-0-0	Decal Electrical Data	M				
	B-PL-BALL-K-2	PARTS LIST INSTALLATION 10.5 BOX	E/M				
	B-PL-BALL-L-5	PARTS LIST INSTALLATION 5.25 BOX	E/M	12	B-DD-BALL-L	Mtg. Box 5.25	E/M
2	B-DD-KD11-EA	1134A Processor	E/M				
	B-PL-M8265-0-8	ROM LISTING		13	B-DD-7013323-0	Power Supply Assembly	E/M
	B-PL-M8266-0-8	ROM LISTING					
3	D-CS-M9301-Y-1	Unibus Term Boot Strap	E/M				
				14	D-IA-7009768-0-0	Cover, Chassis	E/M
4	D-CS-M9302-0-1	Unibus Term Sack Turn Around	E/M				
5	B-DD-G7273-0	BUS GRANT/NPR CONTINUITY CARD	E/M	15	B-DD-MS11-K-0	Memory Mos 32K ECC (M7984)	E/M
	D-UA-G7273-0-0	BUS GRANT/NPR CONTINUITY CARD					
	K-PL-G7273-0-DBP	BUS GRANT/NPR CONTINUITY CARD (P/L)					
				16	B-DD-KY11-LB	Console, Programmers	E/M
6	D-CS-M7856-0-1	Serial Line/ Line Clock (DL11-W)	E/M				
7	D-CS-M7850-0-1	Parity Memory Module	E/M				

TYPE: E ELECTRICAL
M MECHANICAL
E/M ELECTRO/MECHANICAL



TITLE UNIT ASSY 1134A SHEET 4 OF 5 SIZE B CODE DD NUMBER 1134A-0 REV F

FIND NO.	DRAWING NO.	DESCRIPTION	TYPE	FIND NO.	DRAWING NO.	DESCRIPTION	TYPE
17	B-DD-DD11-P	Backplane 1134 9 Slot for L & K Boxes	M/E				
						Custom Cushioned Pkg. Instr.	M
18	D-DI-H950-P-0 D-UA-H950-P-0	Dwg. Index List H950 Cover 5-1/4 Bezel	M M	24	A-SP-3700061-0-0		
				25	A-SP-3700134-0-0	Cushion Consolidated Load Assy.	M
19	C-MD-7413659-0-0	Shipping Bracket (BALL-K)	M M M	26	B-DD-MM11-YP	Memory, Core 32K Parity	
				27	B-DD-M9312-0	Unibus Term. Boot Strap	E/M
				28	B-DD-MS11-L-0	MEMORY MOS W/PARITY	
20	A-SP-3700235-0-0 A-PS-9905650-0-0 A-PS-9905889-0-0 A-PS-9905644-0-0 A-PS-9905323-0-0 A-PS-9905129-0-0	Inplant Pkg. Instructions Regular Slotted Carton Bezel Protector Rear Pad Laminated Saddle Poly Bag	M M M M M M				
21	A-SP-3700165-0-0 A-PS-1210568-01-0 A-PS-9905445-0-0 A-PS-9905419-0-0	Skid Load Pkg. Instructions Cushioned Skid Half Overlap Slotted Carton (Top) Flanged Tube (Bottom)	M M M M				
22	A-SP-3700169-0-0 A-PS-9905645-0-0 A-PS-9905642-0-0 A-PS-9905643-0-0	Cust. Cushioned Pkg. Instructions Full Telescope Foam, Pad Foam/Corrugated Side Wall Assy	M M M M				
23	A-SP-3700197-0-0 A-PS-9905418-0-0 A-PS-9905754-0-0 A-PS-9905755-0-0 A-PS-9905129-0-0 A-PS-9905729-0-0	Inplant Pkg. Instructions Regular Slotted Carton Bezel Protector Laminated Saddle Poly Bag Tape	M M M M M M				

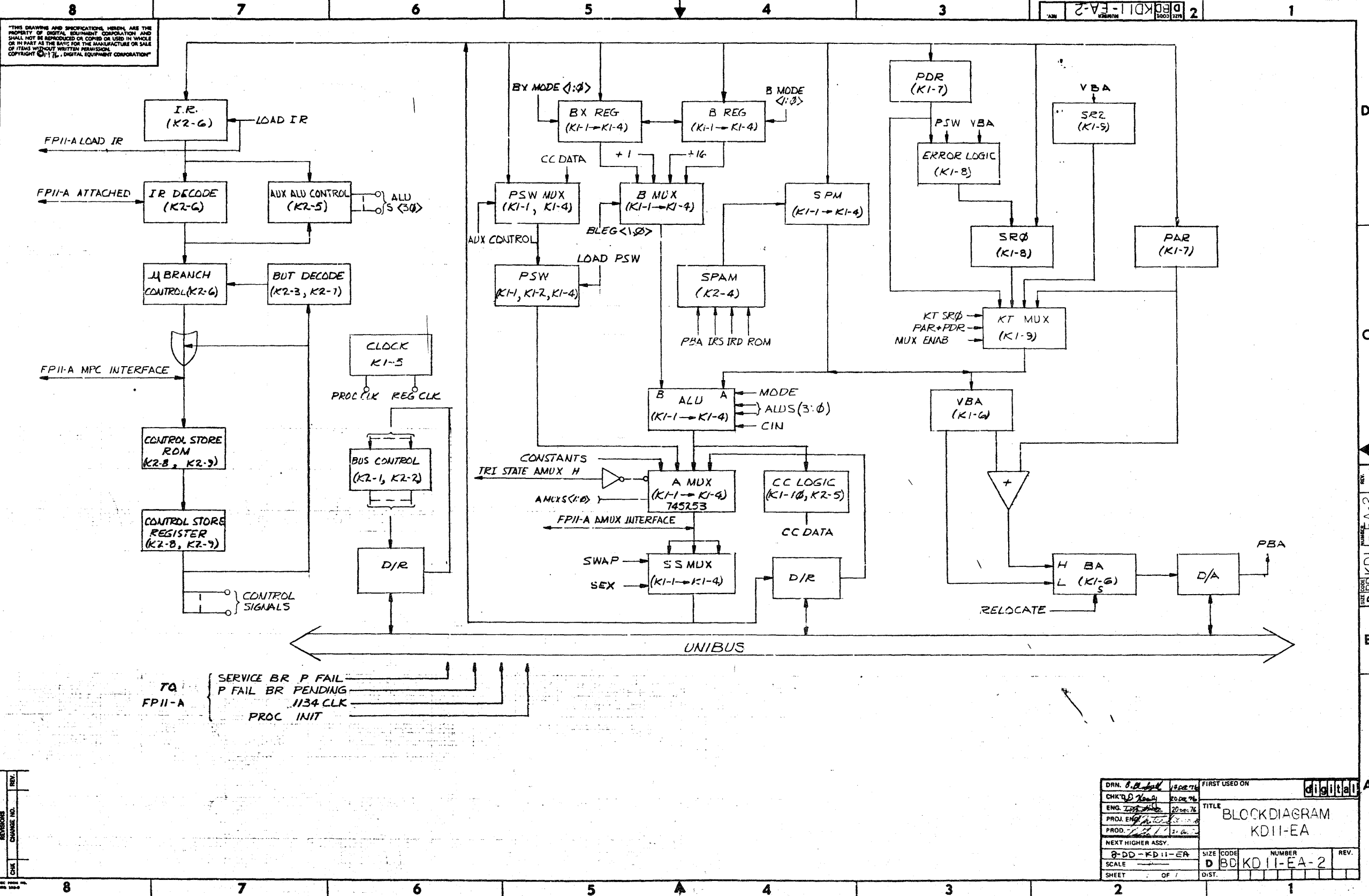
TYPE: E ELECTRICAL
M MECHANICAL
E/M ELECTRO/MECHANICAL



TITLE UNIT ASSY 1134A
SHEET 5 OF 5
SIZE CODE B DD
NUMBER 1134A-0
REV F

EN-01062-2C-16-R376-13251

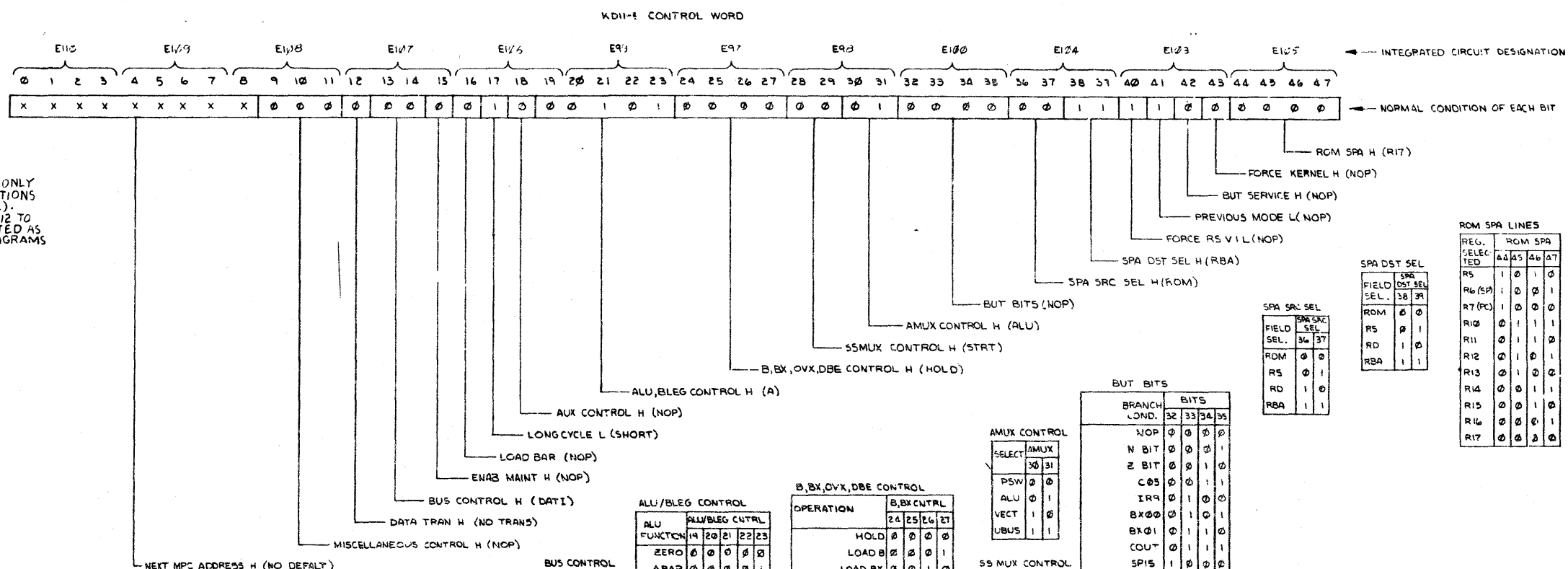
THIS DRAWING AND SPECIFICATIONS HEREIN ARE THE PROPERTY OF DIGITAL EQUIPMENT CORPORATION AND SHALL NOT BE REPRODUCED OR COPIED OR USED IN WHOLE OR IN PART AS THE BASIS FOR THE MANUFACTURE OR SALE OF ITEMS WITHOUT WRITTEN PERMISSION. COPYRIGHT © 1976, DIGITAL EQUIPMENT CORPORATION



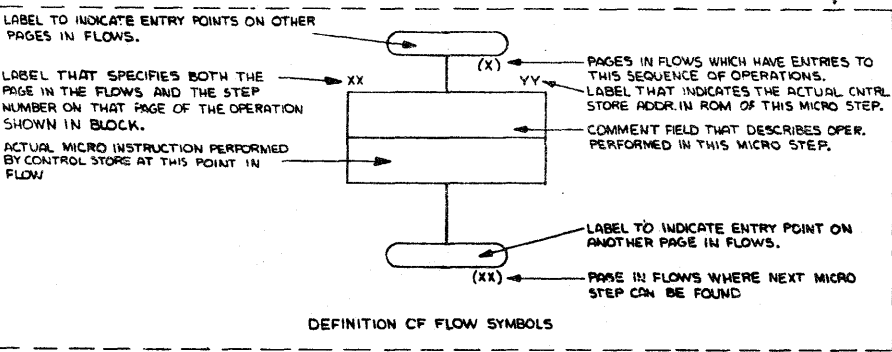
REV.	
CHG.	
CHK.	
REV.	
CHG.	
CHK.	

DRN. <i>S. D. [unclear]</i>	DATE <i>10/20/76</i>	FIRST USED ON	<i>digital</i>
CHK'D <i>[unclear]</i>	DATE <i>10/20/76</i>	TITLE	BLOCKDIAGRAM KD11-EA
ENG. <i>[unclear]</i>	DATE <i>10/20/76</i>	PROD. <i>[unclear]</i>	DATE <i>10/20/76</i>
PROJ. ENG. <i>[unclear]</i>	DATE <i>10/20/76</i>	NEXT HIGHER ASSY.	
8-DD-KD11-EA		SIZE CODE	NUMBER
SCALE	D	BD	KD11-EA-2
SHEET	OF 1	DIST.	

THIS DRAWING AND SPECIFICATIONS HEREIN ARE THE PROPERTY OF DIGITAL EQUIPMENT CORPORATION AND SHALL NOT BE REPRODUCED OR COPIED OR USED IN WHOLE OR IN PART AS THE BASIS FOR THE MANUFACTURE OR SALE OF ITEMS WITHOUT WRITTEN PERMISSION. COPYRIGHT © 1975 DIGITAL EQUIPMENT CORPORATION.



NOTE:
THIS SET OF FLOW DIAGRAMS ONLY DOCUMENTS MICROWORD LOCATIONS FROM 0000 TO 051 (DECIMAL). MICROWORD LOCATIONS FROM 0512 TO 1023 (DECIMAL) ARE DOCUMENTED AS PART OF THE FPII-A FLOW DIAGRAMS (SEE D-FD-FPII-A-1)



MISC. CONTROL

OPERATION	MISC	9	10	11
NOP	0	0	0	0
LOAD IR	0	0	0	1
LOAD PSW	0	1	0	0
LOAD CC	0	1	1	0
BUT DEST	1	0	0	0
ENAB STOV	1	0	1	0
LOAD CNT	1	1	1	0
COUNT	1	1	1	1

BUS CONTROL

OPERATION	CNTRL	13	14
DATI	0	0	0
DATIP	0	1	0
DATO	1	0	0
DATOB	1	1	1

ALU/BLEG CONTROL

ALU FUNCTION	19	20	21	22	23
ZERO	0	0	0	0	0
ABAR	0	0	0	0	1
A+1	0	0	0	1	0
A-1	0	0	0	1	1
A-B	0	0	1	0	0
A	0	0	1	0	1
B	0	0	1	1	0
ONE BAR	0	0	1	1	1
A+B	0	1	0	0	0
A-B	0	1	0	0	1
ABAR-B	0	1	0	1	0
AVB	0	1	0	1	1
A+B	0	1	1	0	0
A-BBAR	0	1	1	0	1
K16	0	1	1	1	0
A+B+1	1	0	0	0	0
A+Bx	1	0	0	0	1
A-Bx	1	0	0	1	0
A+Bx+1	1	0	1	0	0
A-2	1	0	1	0	1
A-2	1	0	1	1	0
A+A	1	0	1	1	0
Bx	1	0	1	1	1
BBAR	1	1	0	0	0
BxBAR	1	1	0	0	1
A+A+1	1	1	0	1	0

B, BX, OVX, DBE CONTROL

OPERATION	24	25	26	27
HOLD	0	0	0	0
LOAD B	0	0	0	1
LOAD BX	0	0	1	0
SL(BX-0),LDB	0	0	1	1
SL(BX-COUT),LDB	0	1	0	0
SL(BX-1),LDB	0	1	0	1
SL(B-0),LDBX	0	1	1	1
SL(B-BXIS)	1	0	0	0
SL(BX-0)	1	0	0	1
SL(BX-1)	1	0	1	0
SL(BX-OVX)	1	0	1	1
SL(BX-COUT)	1	1	0	0
SL(B-BX-0)	1	1	0	1
SR(BIS-B-BX)	1	1	1	0
ENAB DBE	1	1	1	1

AMUX CONTROL

SELECT	AMUX	30	31
PSW	0	0	0
ALU	0	1	0
VECT	1	0	0
UBUS	1	1	1

SSMUX CONTROL

SELECT	SS	28	29
START	0	0	0
SEX	0	1	0
SWAB	1	0	0
STRNL	1	1	1

BUT BITS

BRANCH COND.	32	33	34	35
NOP	0	0	0	0
N BIT	0	0	0	1
Z BIT	0	0	1	0
C05	0	0	1	1
IR9	0	1	0	0
Bx00	0	1	0	1
COUT	0	1	1	1
SPIS	1	0	0	0
NBIT + Z BIT	1	0	0	1
Bx00 + SPIS	1	0	1	0
Bx01 + Bx00	1	0	1	1
C05 + Bx01 + Bx00	1	1	0	0
NBIT + C05	1	1	0	1
Bx00 + C05	1	1	1	0
ALL	1	1	1	1

A "1" IN THE TABLES SHOWN INDICATES A LOGIC "1" ROM OUTPUT BETWEEN +2.4 VOLTS AND +5.2 VOLTS. A "0" IN THE TABLES SHOWN INDICATES A LOGIC "0" ROM OUTPUT BETWEEN 0.0 VOLTS AND +0.4 VOLTS. NOTE THAT ALL LEVELS SHOWN REPRESENT ACTUAL CONTROL STORE ROM OUTPUTS.

ROM SPA LINES

REG. SELEC. TED	ROM SPA	44	45	46	47
R5	1	0	1	0	0
R6 (SP)	1	0	0	0	1
R7 (PC)	1	0	0	1	0
R10	0	1	1	1	1
R11	0	1	1	0	0
R12	0	1	0	1	1
R13	0	1	0	0	0
R14	0	0	1	1	1
R15	0	0	1	0	0
R16	0	0	0	1	1
R17	0	0	0	0	0

SPA DST SEL

FIELD SEL.	SPA DST SEL	38	39
ROM	0	0	0
R5	0	1	0
RBA	1	1	1

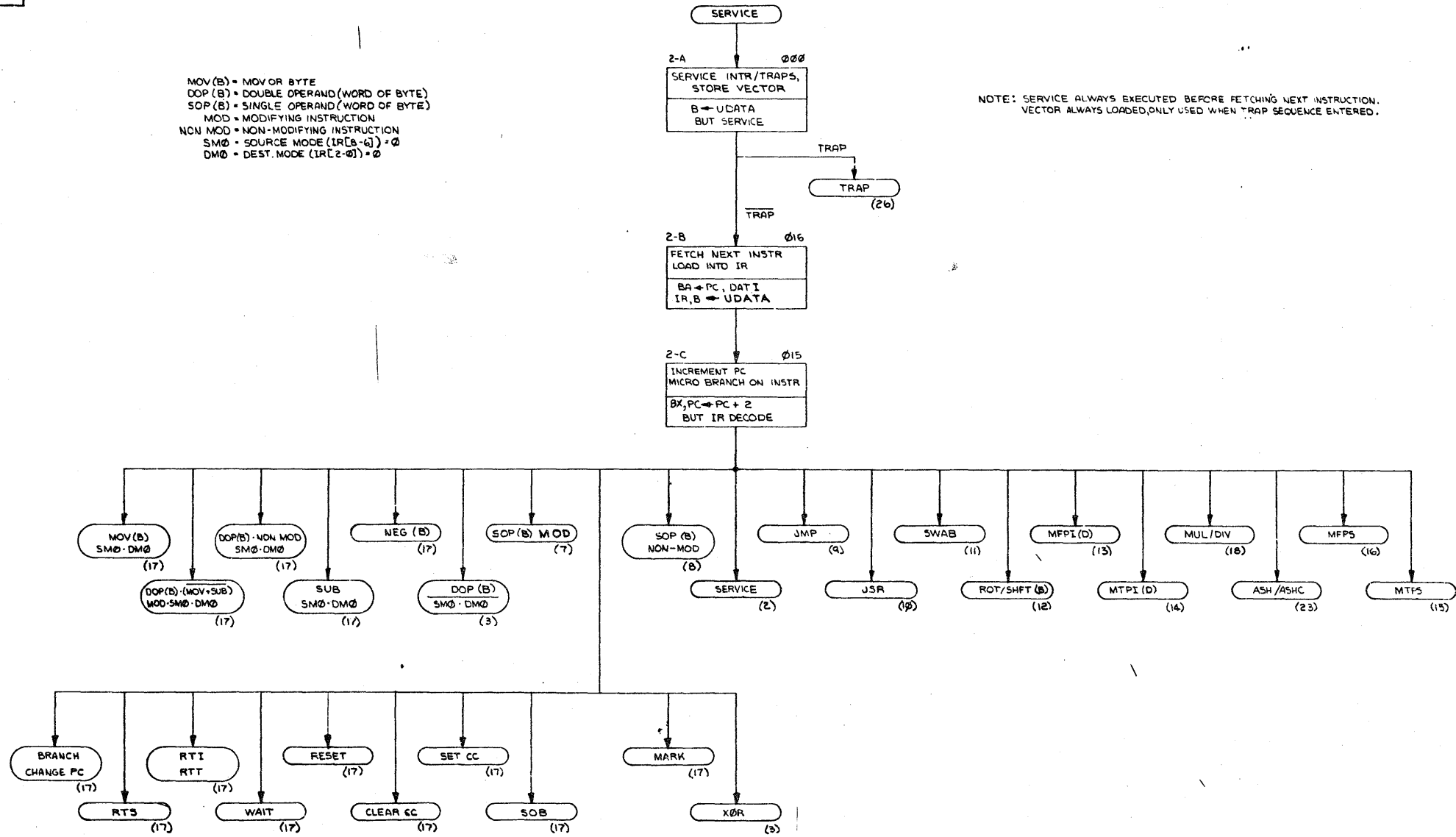
FIRST USED ON OPTION/MODEL	QTY.	DESCRIPTION	PART NO.	ITEM NO.
1134A				
DIMENSIONAL TOLERANCE		PARTS LIST		
DIMENSIONS ARE MILLIMETERS UNLESS OTHERWISE SPECIFIED		digital		
MILLIMETERS		TITLE		
THIRD ANGLE PROJECTION		KDII-EA FLOW DIAGRAMS		
MATERIAL		NUMBER		
FINISH		REV.		

REV.	CHANGE NO.

"THIS DRAWING AND SPECIFICATIONS HEREIN ARE THE PROPERTY OF DIGITAL EQUIPMENT CORPORATION AND SHALL NOT BE REPRODUCED OR COPIED OR USED IN WHOLE OR IN PART AS THE BASIS FOR THE MANUFACTURE OR SALE OF ITEMS WITHOUT WRITTEN PERMISSION. COPYRIGHT © 1975 DIGITAL EQUIPMENT CORPORATION"

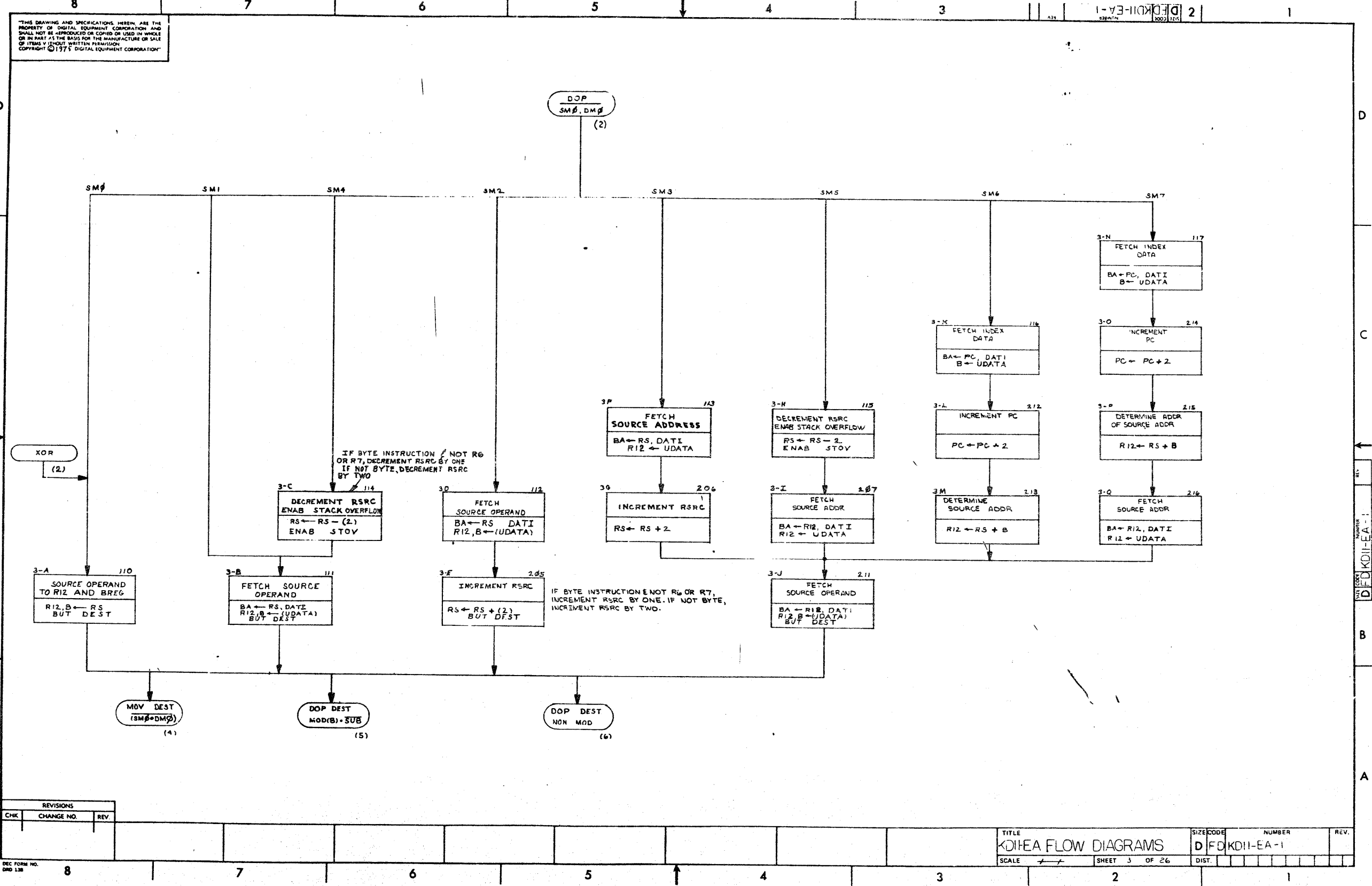
MOV(B) = MOVOR BYTE
 DOP(B) = DOUBLE OPERAND (WORD OF BYTE)
 SOP(B) = SINGLE OPERAND (WORD OF BYTE)
 MOD = MODIFYING INSTRUCTION
 NON MOD = NON-MODIFYING INSTRUCTION
 SMØ = SOURCE MODE (IR[8-6]) = Ø
 DMØ = DEST. MODE (IR[2-Ø]) = Ø

NOTE: SERVICE ALWAYS EXECUTED BEFORE FETCHING NEXT INSTRUCTION. VECTOR ALWAYS LOADED, ONLY USED WHEN TRAP SEQUENCE ENTERED.



REVISIONS		
CHK	CHANGE NO.	REV

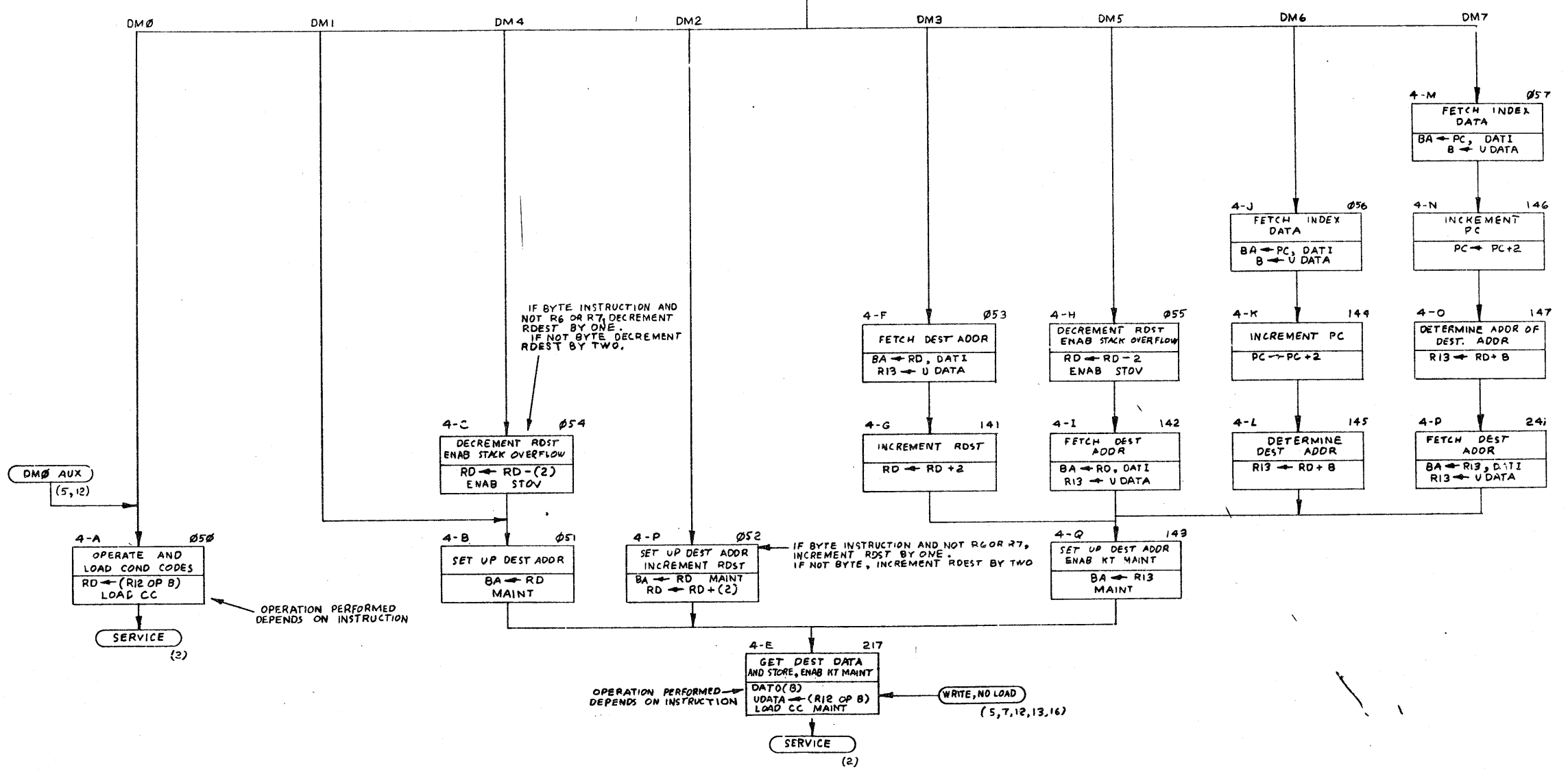
"THIS DRAWING AND SPECIFICATIONS, HEREIN, ARE THE PROPERTY OF DIGITAL EQUIPMENT CORPORATION AND SHALL NOT BE REPRODUCED OR COPIED OR USED IN WHOLE OR IN PART AS THE BASIS FOR THE MANUFACTURE OR SALE OF ITEMS WITHOUT WRITTEN PERMISSION. COPYRIGHT © 1975 DIGITAL EQUIPMENT CORPORATION"



REVISIONS		
CHK	CHANGE NO.	REV.

"THIS DRAWING AND SPECIFICATIONS HEREIN ARE THE PROPERTY OF DIGITAL EQUIPMENT CORPORATION AND SHALL NOT BE REPRODUCED OR COPIED OR USED IN WHOLE OR IN PART AS THE BASIS FOR THE MANUFACTURE OR SALE OF ITEMS WITHOUT WRITTEN PERMISSION. COPYRIGHT © 1975 DIGITAL EQUIPMENT CORPORATION"

MOV · DEST
 (SMØ·DMØ)
 (2)

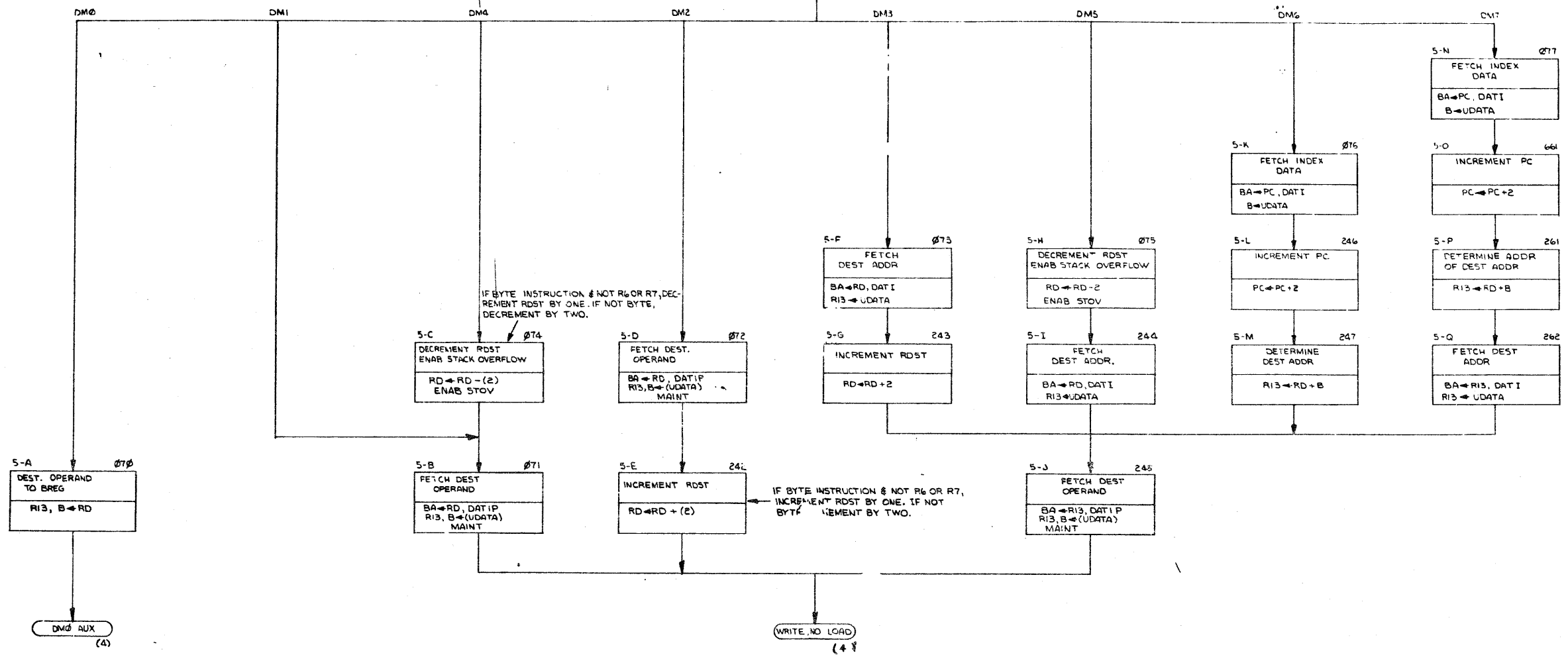


REVISIONS		
CHK	CHANGE NO.	REV.

TITLE	KDI HEAFLCW DIAGRAMS	SIZE CODE	D / FD	NUMBER	KDII-EA - 1	REV.	
SCALE		SHEET	4	OF	26	DIST.	

THIS DRAWING AND SPECIFICATIONS HEREIN ARE THE PROPERTY OF DIGITAL EQUIPMENT CORPORATION AND SHALL NOT BE REPRODUCED OR COPIED OR USED IN WHOLE OR IN PART AS THE BASIS FOR THE MANUFACTURE OR SALE OF ITEMS WITHOUT WRITTEN PERMISSION. COPYRIGHT © 1975 DIGITAL EQUIPMENT CORPORATION

POP DEST
 MOD(B) - 506

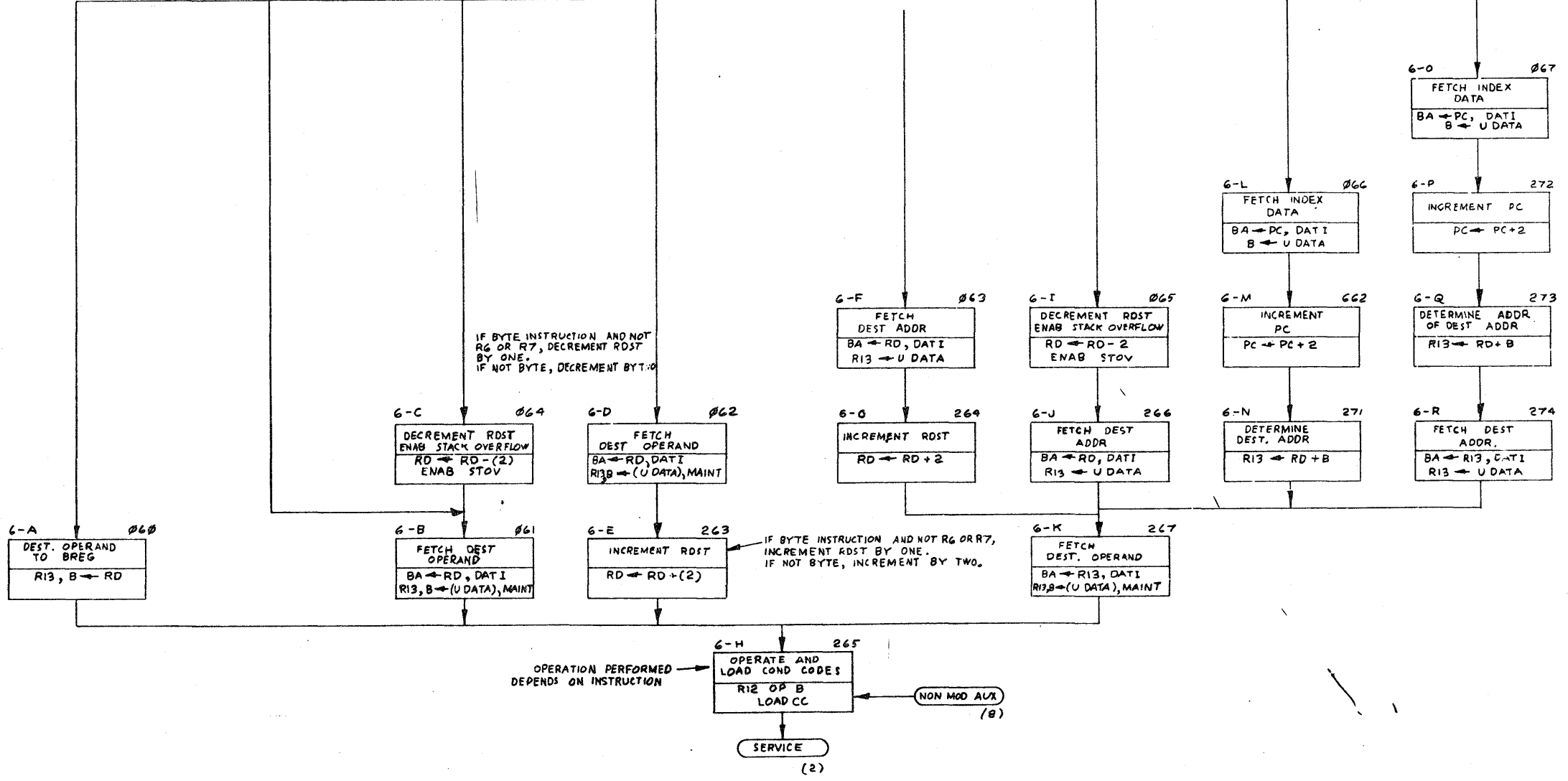


REVISIONS		
CHK	CHANGE NO.	REV

"THIS DRAWING AND SPECIFICATIONS, HEREIN, ARE THE PROPERTY OF DIGITAL EQUIPMENT CORPORATION AND SHALL NOT BE REPRODUCED OR COPIED OR USED IN WHOLE OR IN PART AS THE BASIS FOR THE MANUFACTURE OR SALE OF ITEMS WITHOUT WRITTEN PERMISSION. COPYRIGHT © 1975 DIGITAL EQUIPMENT CORPORATION"

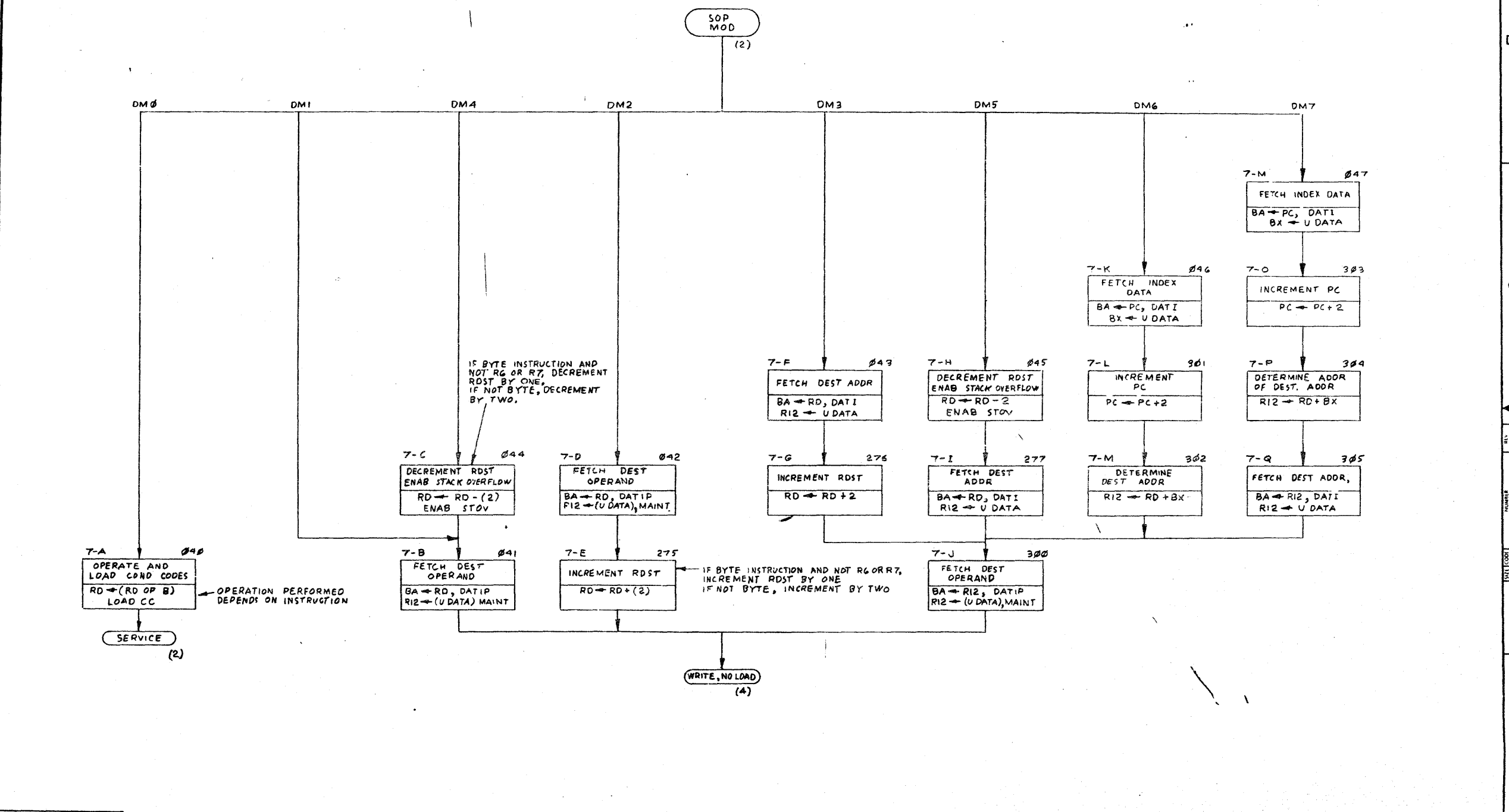
DOP DEST
NON MOD
(3)

DM0 DM1 DM4 DM2 DM3 DM5 DM6 DM7



REVISIONS		
CHK	CHANGE NO.	REV.

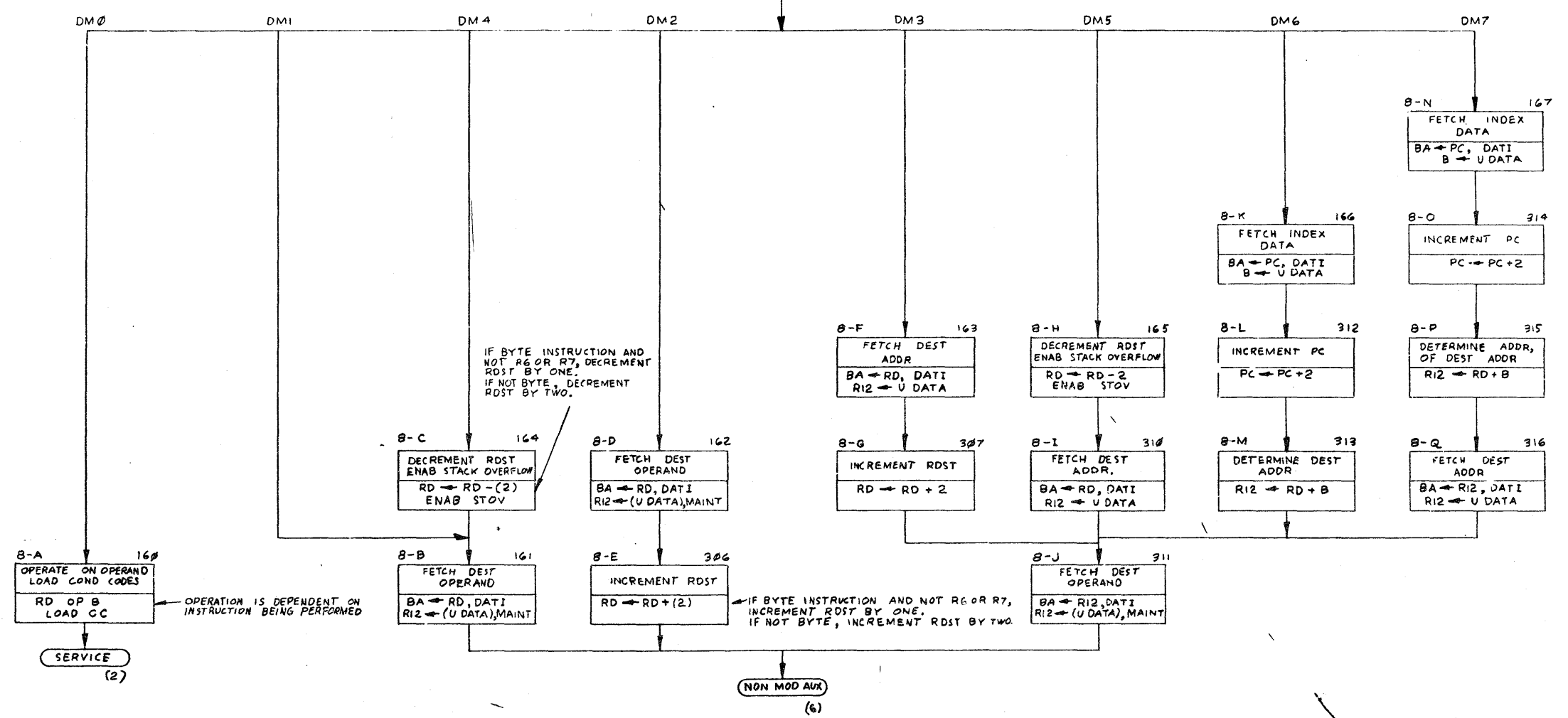
THIS DRAWING AND SPECIFICATIONS HEREIN ARE THE PROPERTY OF DIGITAL EQUIPMENT CORPORATION AND SHALL NOT BE REPRODUCED OR COPIED OR USED IN WHOLE OR IN PART AS THE BASIS FOR THE MANUFACTURE OR SALE OF ITEMS WITHOUT WRITTEN PERMISSION. COPYRIGHT © 1975 DIGITAL EQUIPMENT CORPORATION



REVISIONS			TITLE		SIZE CODE	NUMBER	REV.
CHK	CHANGE NO	REV	KDII-EAFLOW DIAGRAMS		D	FD	KDII-EA-1
			SCALE		SHEET	7 OF 10	DIST.

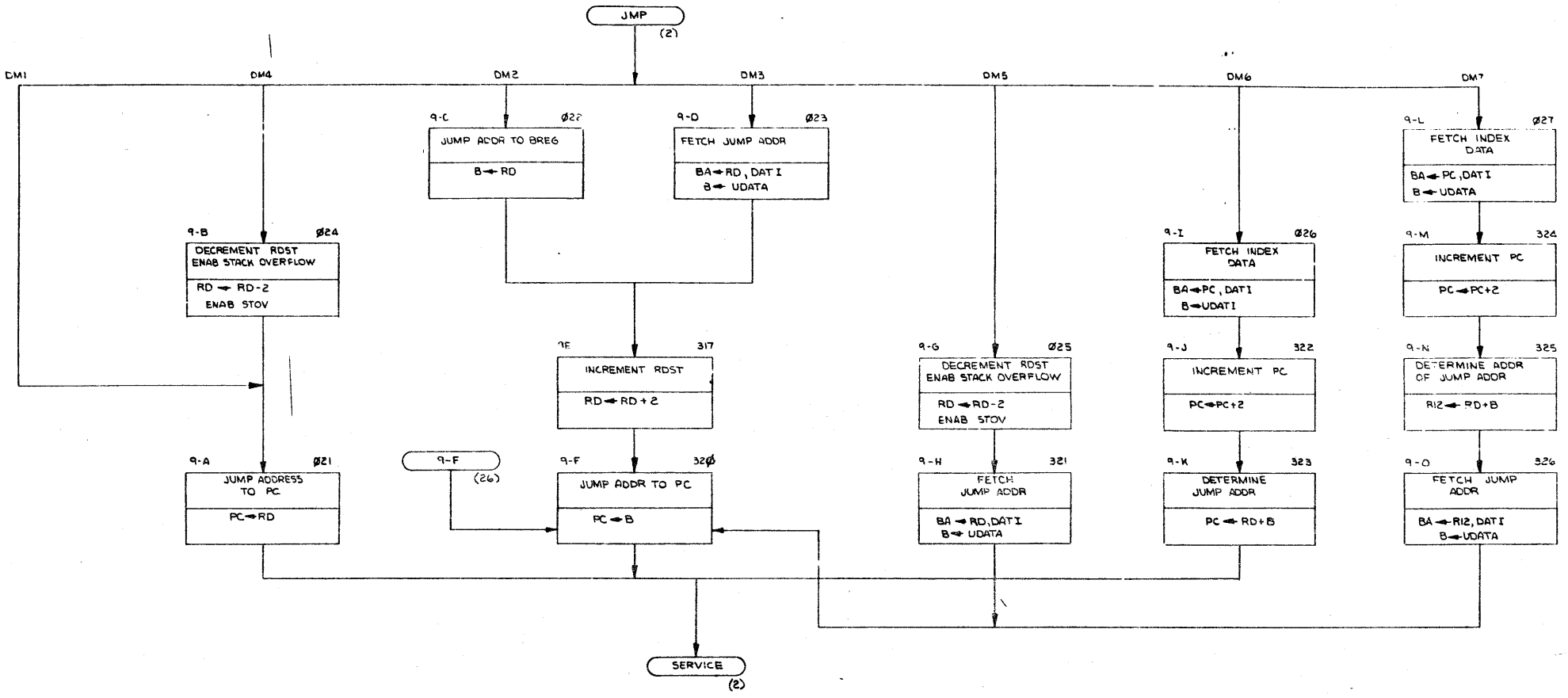
THIS DRAWING AND SPECIFICATIONS HEREIN ARE THE PROPERTY OF DIGITAL EQUIPMENT CORPORATION AND SHALL NOT BE REPRODUCED OR COPIED OR USED IN WHOLE OR IN PART AS THE BASIS FOR THE MANUFACTURE OR SALE OF ITEMS WITHOUT WRITTEN PERMISSION. COPYRIGHT © 1970 DIGITAL EQUIPMENT CORPORATION

SOP
NON-MOD
(2)



REVISIONS		
CHK	CHANGE NO.	REV.

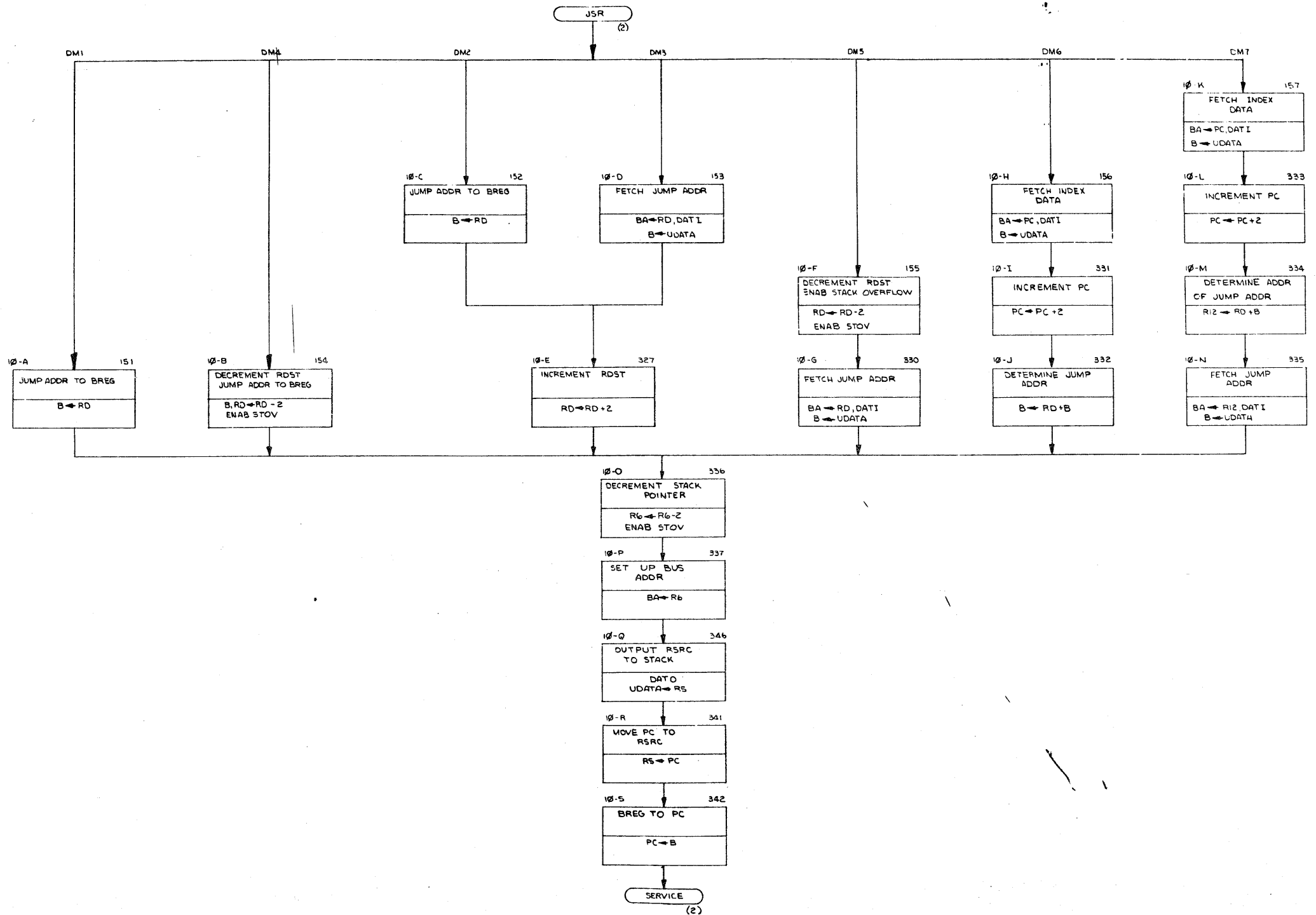
THIS DRAWING AND SPECIFICATIONS HEREIN ARE THE PROPERTY OF DIGITAL EQUIPMENT CORPORATION AND SHALL NOT BE REPRODUCED OR COPIED OR USED IN WHOLE OR IN PART AS THE BASIS FOR THE MANUFACTURE OR SALE OF ITEMS WITHOUT WRITTEN PERMISSION. COPYRIGHT © 1975 DIGITAL EQUIPMENT CORPORATION



REVISIONS		
CHK	CHANGE NO	REV.

REV. NUMBER D FDKDII-EA-1

"THIS DRAWING AND SPECIFICATIONS HEREIN ARE THE PROPERTY OF DIGITAL EQUIPMENT CORPORATION AND SHALL NOT BE REPRODUCED OR COPIED OR USED IN WHOLE OR IN PART AS THE BASIS FOR THE MANUFACTURE OR SALE OF ITEMS WITHOUT WRITTEN PERMISSION OF DIGITAL EQUIPMENT CORPORATION"

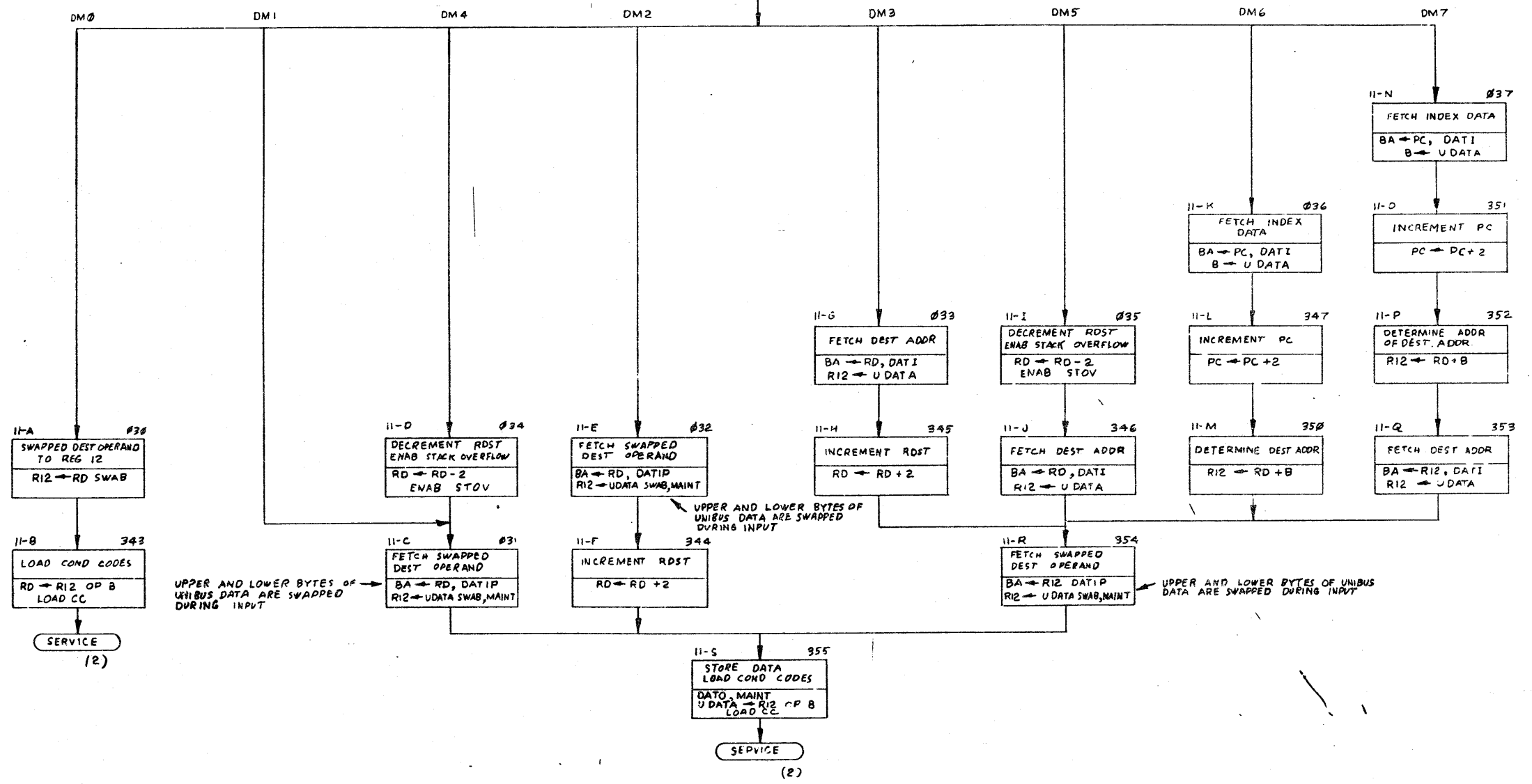


REVISIONS		
CHK	CHANGE NO.	REV.

UNIT CODE NUMBER DFKDII-EA-1

THIS DRAWING AND SPECIFICATIONS, HEREIN, ARE THE PROPERTY OF DIGITAL EQUIPMENT CORPORATION AND SHALL NOT BE REPRODUCED OR COPIED OR USED IN WHOLE OR IN PART AS THE BASIS FOR THE MANUFACTURE OR SALE OF ITEMS WITHOUT WRITTEN PERMISSION. COPYRIGHT © 1977, DIGITAL EQUIPMENT CORPORATION.

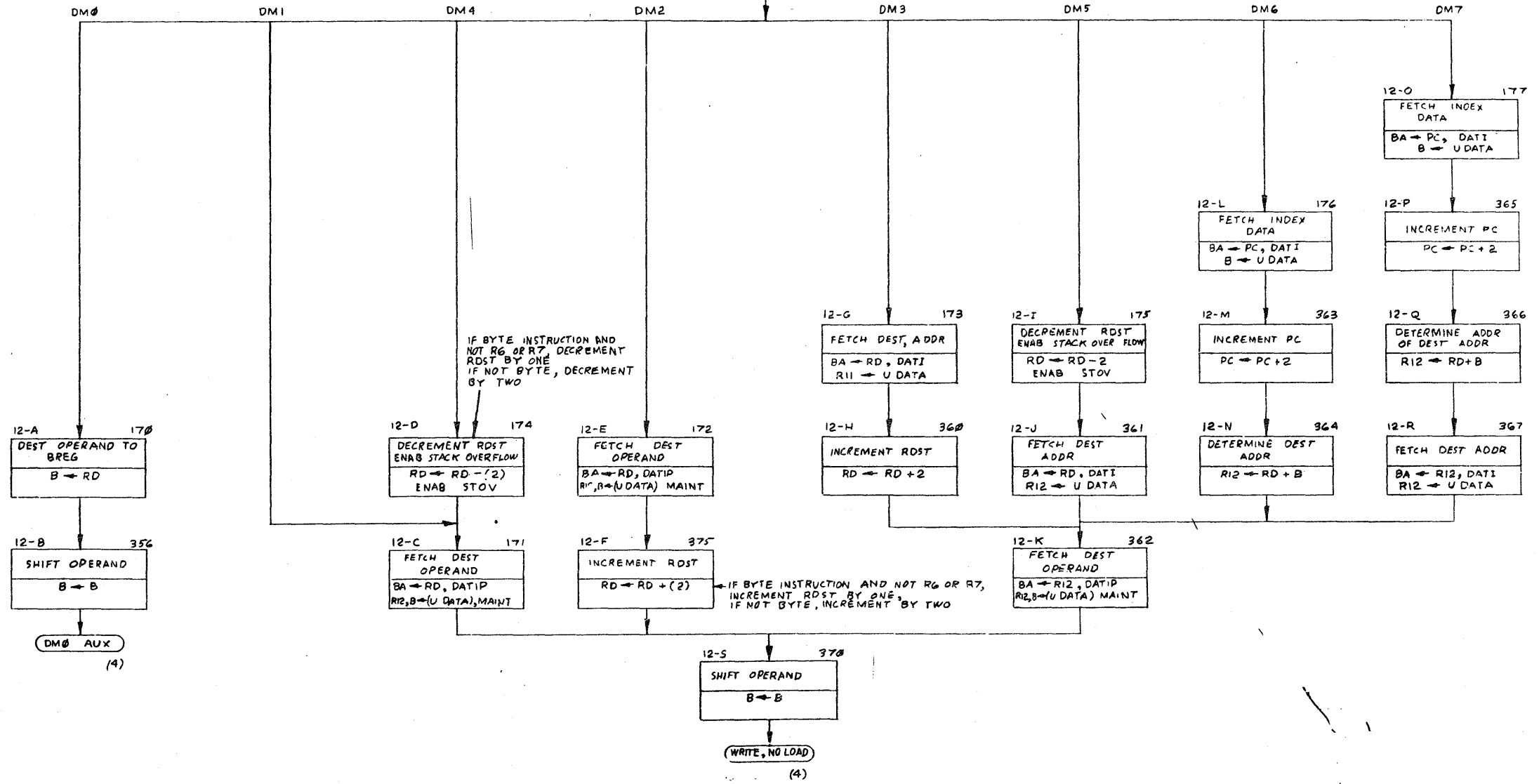
SWAB (2)



REVISIONS		
CHK	CHANGE NO	REV

"THIS DRAWING AND SPECIFICATIONS, HEREIN ARE THE PROPERTY OF DIGITAL EQUIPMENT CORPORATION AND SHALL NOT BE REPRODUCED OR COPIED OR USED IN WHOLE OR IN PART AS THE BASIS FOR THE MANUFACTURE OR SALE OF ITEMS WITHOUT WRITTEN PERMISSION. COPYRIGHT © 1975 DIGITAL EQUIPMENT CORPORATION"

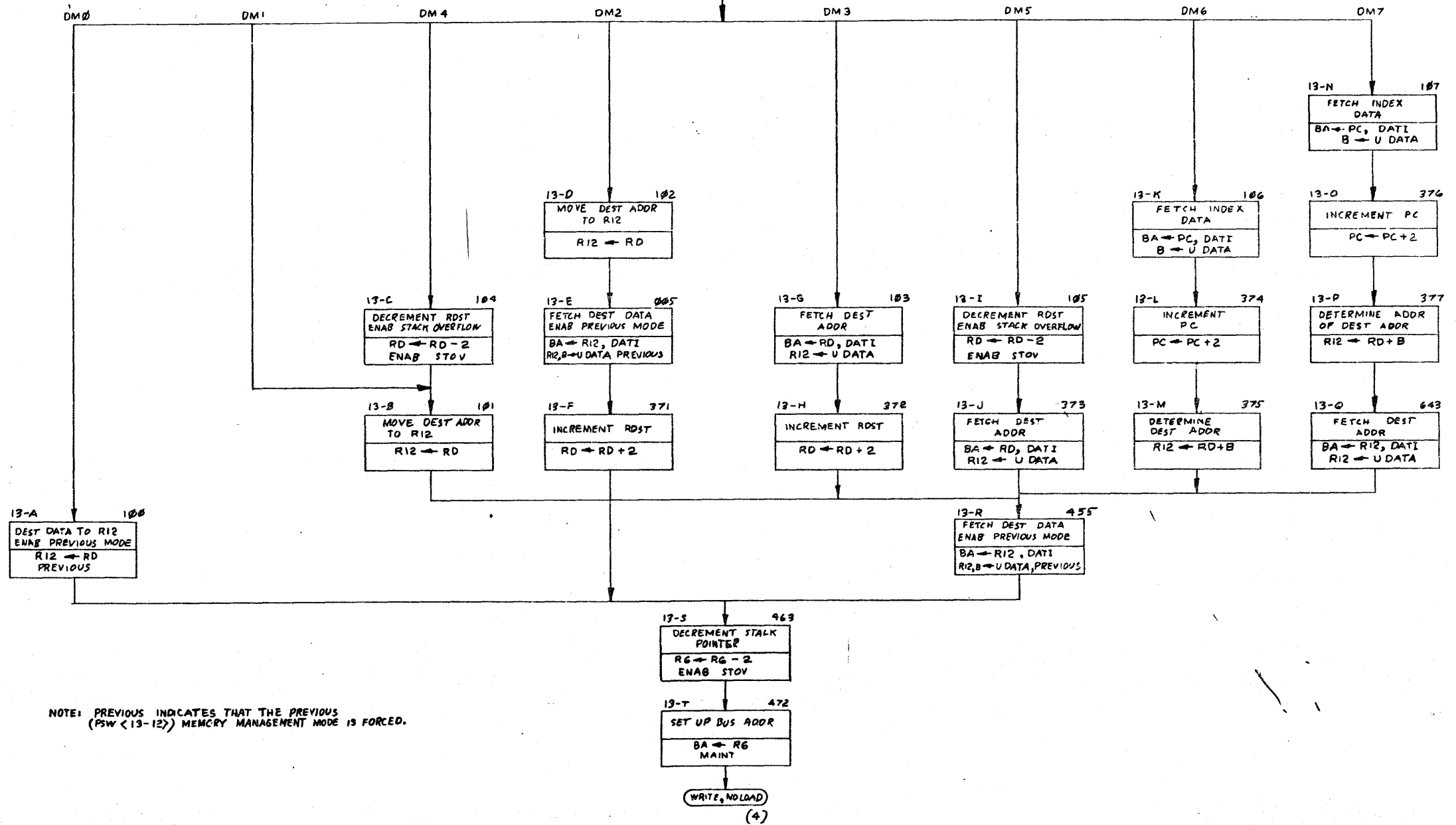
ROT SHIFT
(2)



REVISIONS		
CHK	CHANGE NO.	REV.

"THIS DRAWING AND SPECIFICATIONS HEREIN ARE THE PROPERTY OF DIGITAL EQUIPMENT CORPORATION AND SHALL NOT BE REPRODUCED OR COPIED OR USED IN WHOLE OR IN PART AS THE BASIS FOR THE MANUFACTURE OF ITEMS WITHOUT WRITTEN PERMISSION. COPYRIGHT © 1975 DIGITAL EQUIPMENT CORPORATION"

MFPI (D)
(2)

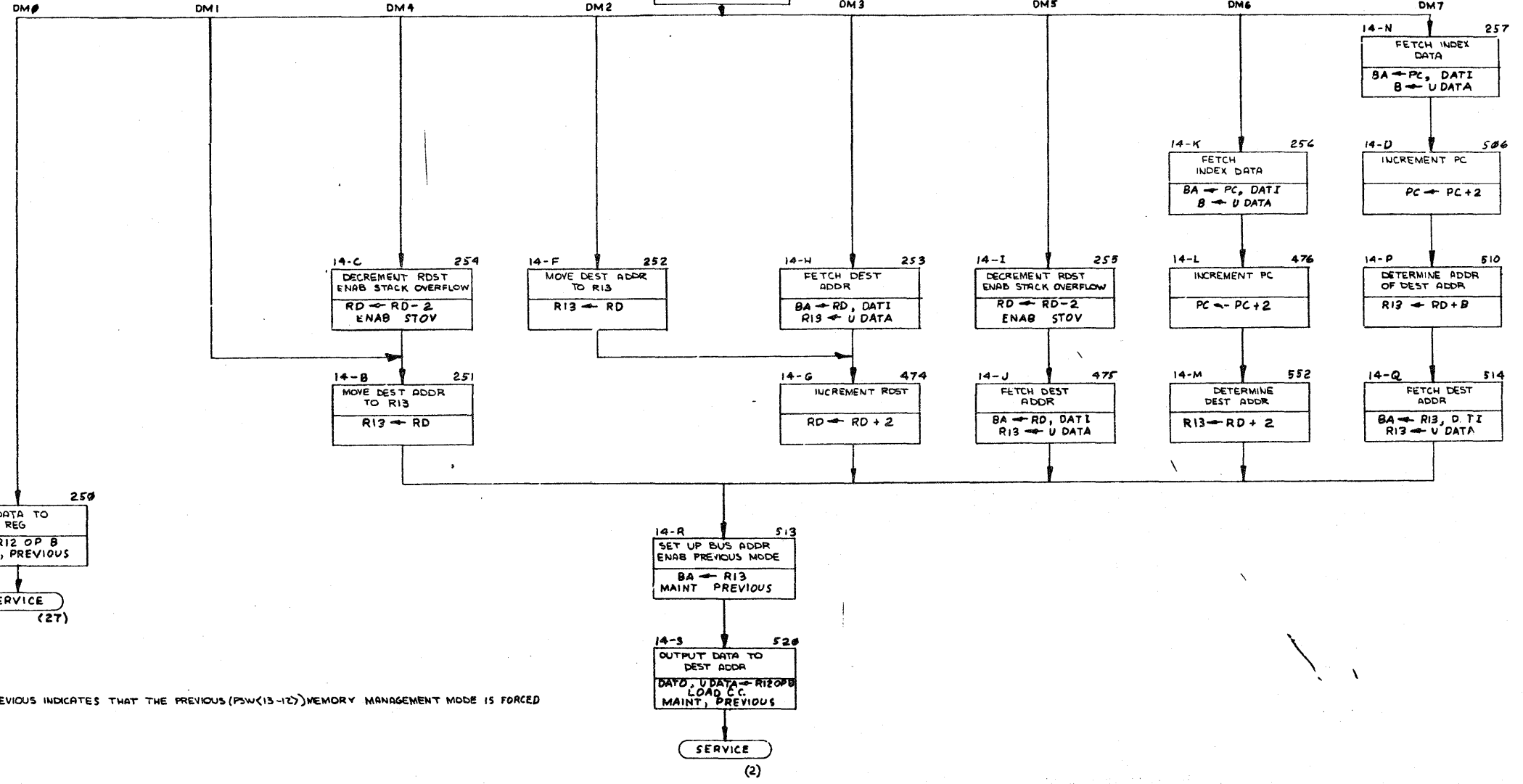
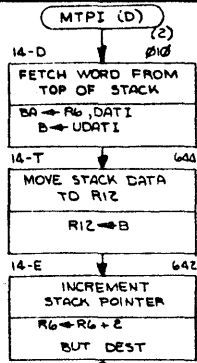


NOTE: PREVIOUS INDICATES THAT THE PREVIOUS (PSW < 13-12) MEMORY MANAGEMENT MODE IS FORCED.

REVISIONS		
CHK	CHANGE NO.	REV.

TITLE	SIZE CODE	NUMBER	REV.
KDII-EA FLOW DIAGRAMS	D FDKDII-EA-1		
SCALE	SHEET	OF	TOTAL
	13	26	

"THIS DRAWING AND SPECIFICATIONS, HEREIN, ARE THE PROPERTY OF DIGITAL EQUIPMENT CORPORATION AND SHALL NOT BE REPRODUCED OR COPIED OR USED IN WHOLE OR IN PART AS THE BASIS FOR THE MANUFACTURE OR SALE OF ITEMS WITHOUT WRITTEN PERMISSION. COPYRIGHT © 1970 DIGITAL EQUIPMENT CORPORATION"

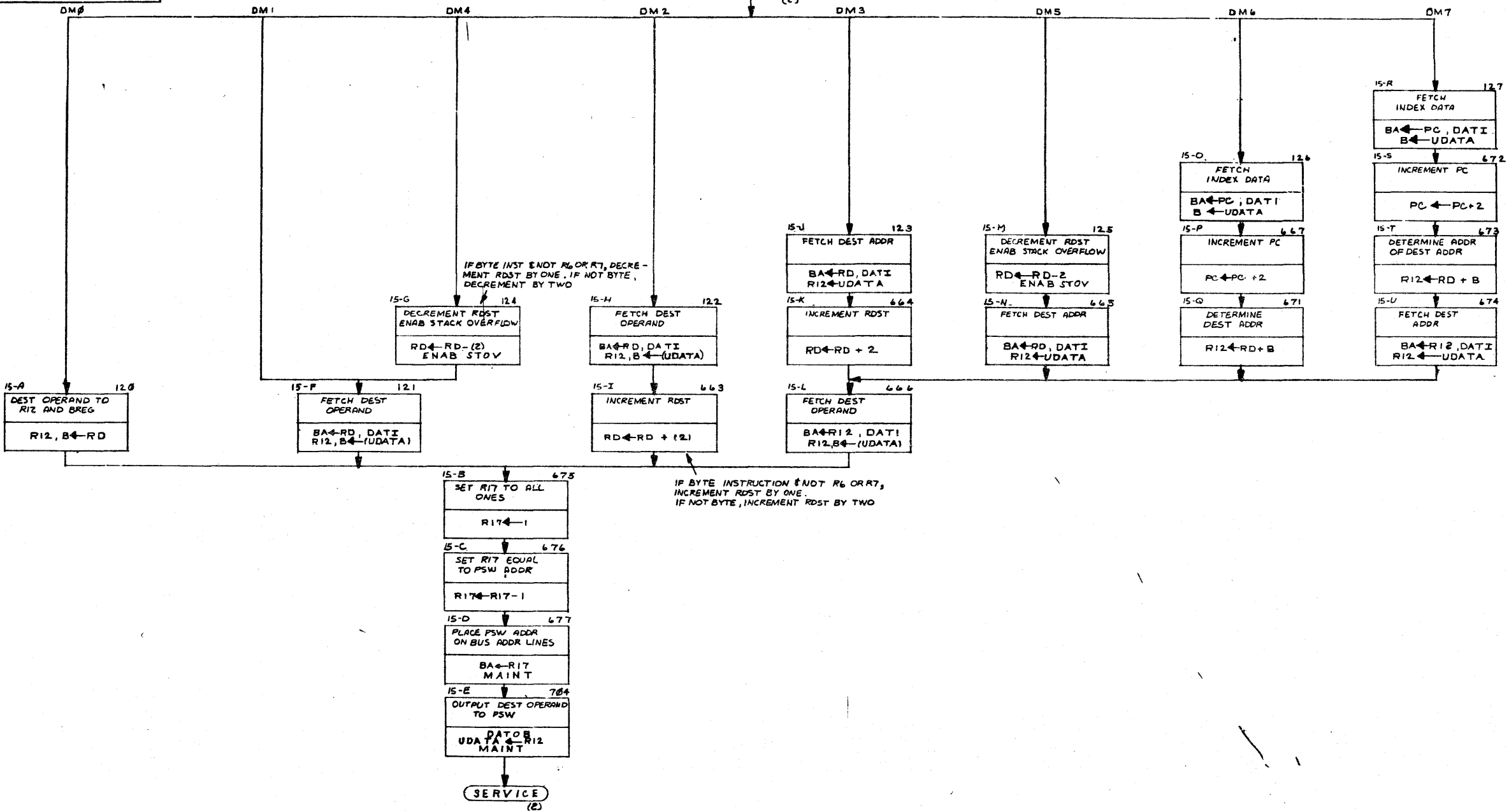


NOTE: PREVIOUS INDICATES THAT THE PREVIOUS (PSW(13-12)) MEMORY MANAGEMENT MODE IS FORCED

REVISIONS		
CHK	CHANGE NO.	REV

THIS DRAWING AND SPECIFICATIONS HEREON ARE THE PROPERTY OF DIGITAL EQUIPMENT CORPORATION AND SHALL NOT BE REPRODUCED OR COPIED OR USED IN WHOLE OR IN PART AS THE BASIS FOR THE MANUFACTURE OR SALE OF ITEMS WITHOUT WRITTEN PERMISSION. COPYRIGHT © 1972 DIGITAL EQUIPMENT CORPORATION

MTPS (2)



REVISIONS		
CHK	CHANGE NO.	REV.

"THIS DRAWING AND SPECIFICATIONS, HEREIN, ARE THE PROPERTY OF DIGITAL EQUIPMENT CORPORATION AND SHALL NOT BE REPRODUCED OR COPIED OR USED IN WHOLE OR IN PART AS THE BASIS FOR THE MANUFACTURE OR SALE OF ITEMS WITHOUT WRITTEN PERMISSION. COPYRIGHT © 1975 DIGITAL EQUIPMENT CORPORATION"

MFPS
(2)

DM0 DM1 DM4 DM2 DM3 DM5 DM6 DM7

16-A 138
PSW DATA TO R12
R12 ← PSW

16-B 705
MOVE R12 TO RDST
RD ← R12 OP B
LOAD CC

SERVICE
(2)

16-E 134
DECREMENT RDST
ENAB STACK OVERFLOW
RD ← RD - 2
ENAB STOV

16-C 131
PLACE DEST ADDR
ON BUS ADDR. LINES
BA ← RD
(MAINT)

16-D 706
MOVE PSW DATA
TO R12
R12 ← PSW

WRITE, NO LOAD
(4)

16-F 132
DEST ADDR. TO BUS
INCREMENT RDST
BA ← RD, (MAINT)
RD ← RD + 2

16-G 133
FETCH DEST
ADDR
BA ← RD, DATI
R13 ← U DATA

16-H 710
INCREMENT RDST
RD ← RD + 2

16-I 717
PLACE DEST ADDR
ON BUS ADDR LINES
BA ← R13
(MAINT)

16-J 135
DECREMENT RDST
ENAB STACK OVERFLOW
RD ← RD - 2
ENAB STOV

16-K 711
FETCH DEST
ADDR
BA ← RD, DATI
R13 ← U DATA

16-L 136
FETCH INDEX
DATA
BA ← PC, DATI
B ← U DATA

16-M 712
INCREMENT PC
PC ← PC + 2

16-N 713
DETERMINE
DEST
R13 ← RD + B

16-O 137
FETCH
INDEX DATA
BA ← PC, DATI
B ← U DATA

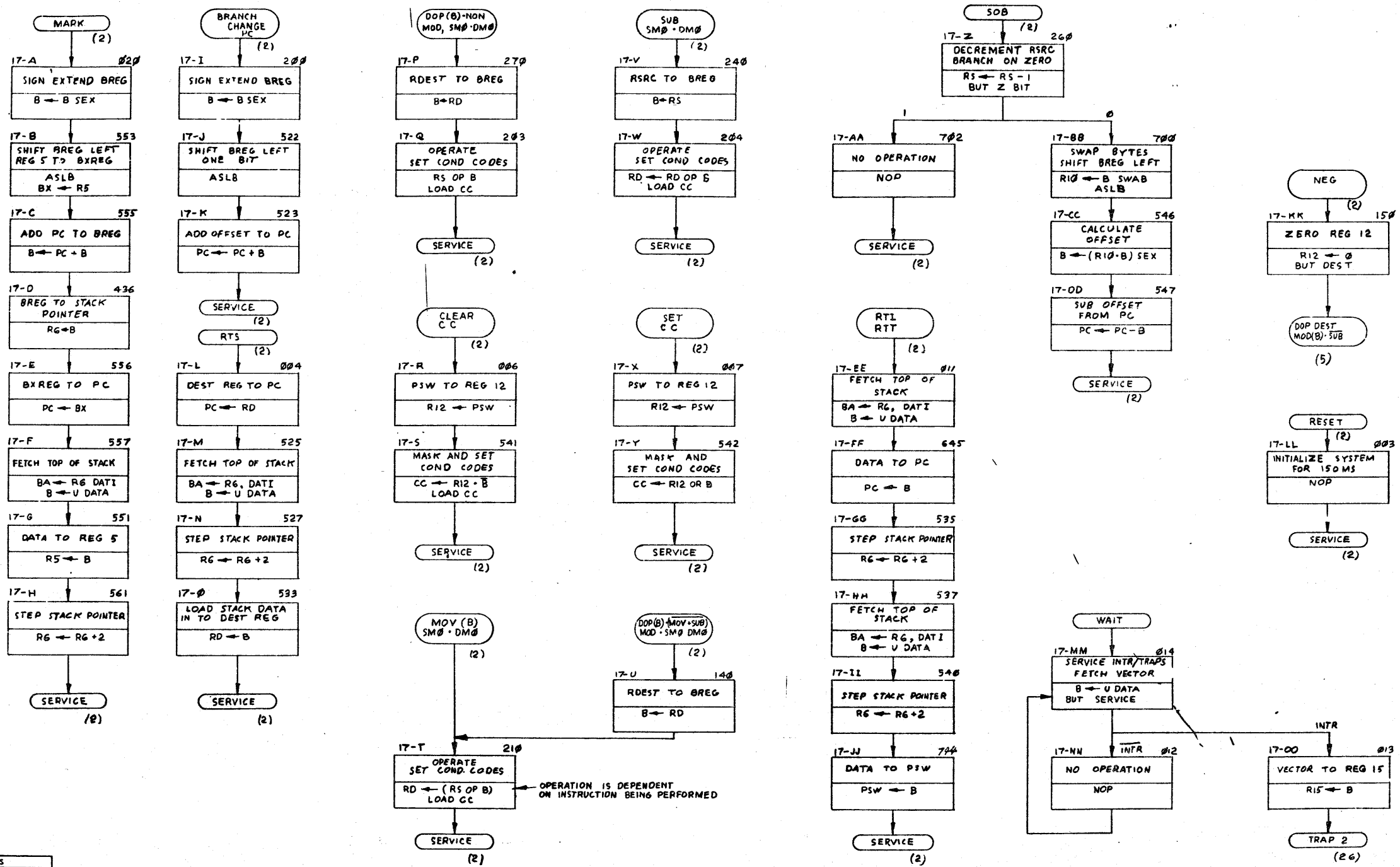
16-P 714
INCREMENT PC
PC ← PC + 2

16-Q 715
DETERMINE ADDR
OF DEST ADDR
R13 ← RD + B

16-R 716
FETCH DEST
ADDR
BA ← R13, DATI
R13 ← U DATA

REVISIONS		
CHK	CHANGE NO.	REV.

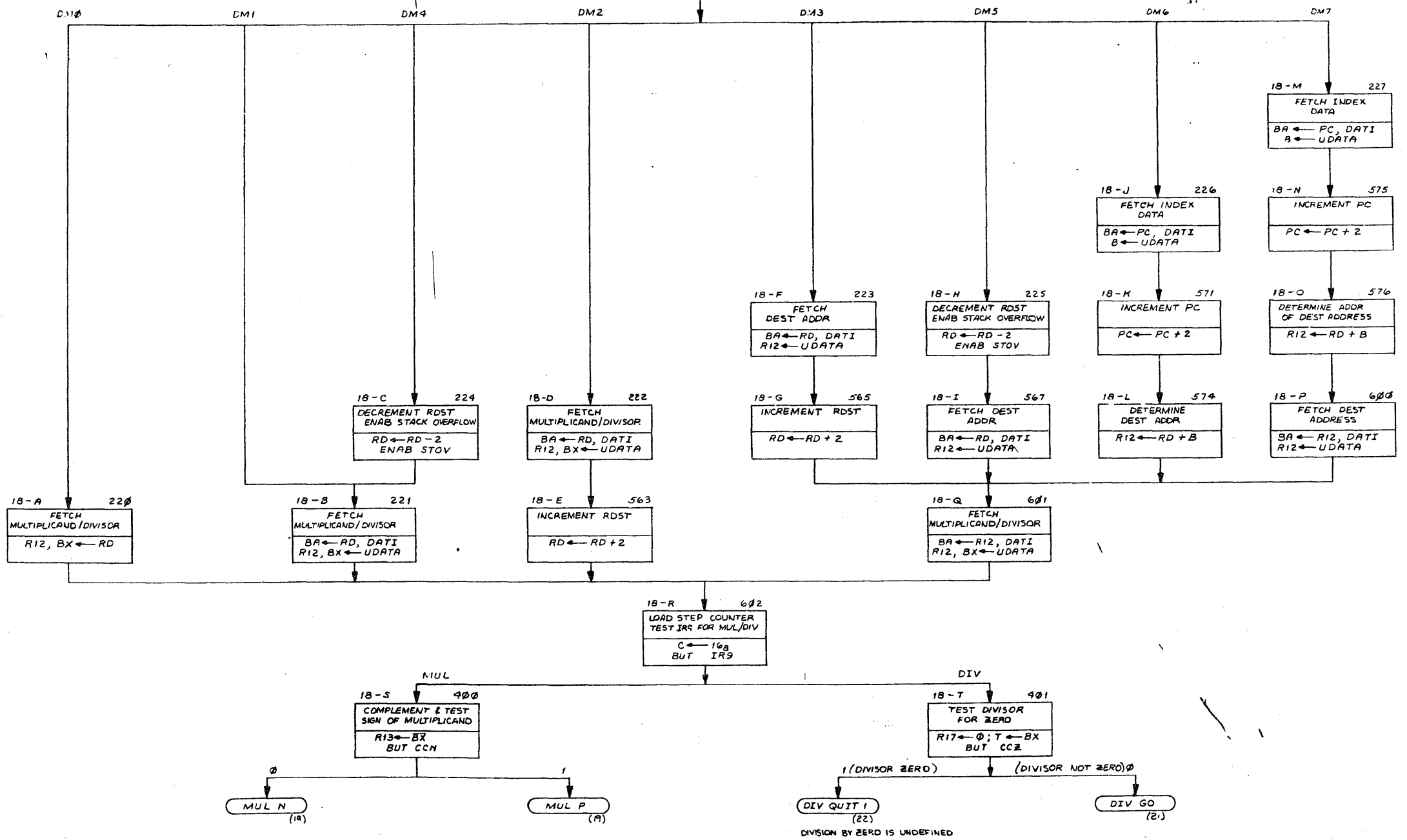
THIS DRAWING AND SPECIFICATION, HEREIN, ARE THE PROPERTY OF DIGITAL EQUIPMENT CORPORATION AND SHALL NOT BE REPRODUCED OR COPIED OR USED IN WHOLE OR IN PART AS THE BASIS FOR THE MANUFACTURE OR SALE OF ITEMS WITHOUT WRITTEN PERMISSION. COPYRIGHT © 1975 DIGITAL EQUIPMENT CORPORATION.



REVISIONS		
CHK	CHANGE NO.	REV.

"THIS DRAWING AND SPECIFICATIONS HEREIN, ARE THE PROPERTY OF DIGITAL EQUIPMENT CORPORATION AND SHALL NOT BE REPRODUCED OR COPIED OR USED IN WHOLE OR IN PART AS THE BASIS FOR THE MANUFACTURE OR SALE OF ITEMS WITHOUT WRITTEN PERMISSION. COPYRIGHT © 1973 DIGITAL EQUIPMENT CORPORATION"

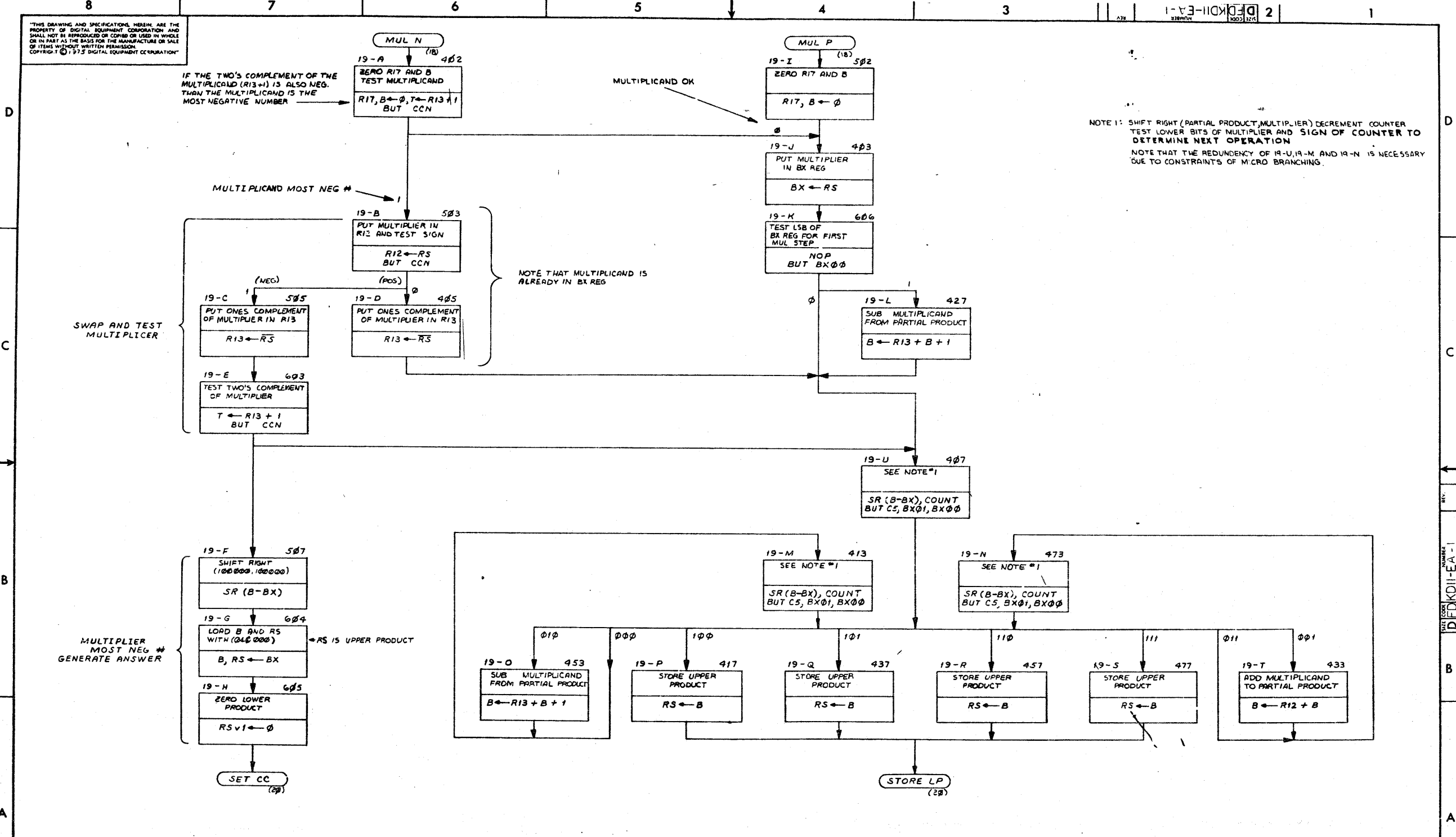
MUL-DIV
(2)



REVISIONS		
CHK	CHANGE NO	REV.

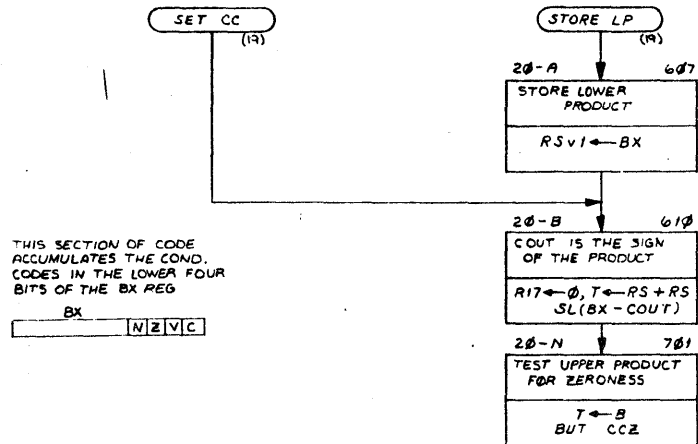
"THIS DRAWING AND SPECIFICATIONS HEREIN ARE THE PROPERTY OF DIGITAL EQUIPMENT CORPORATION AND SHALL NOT BE REPRODUCED OR COPIED OR USED IN WHOLE OR IN PART AS THE BASIS FOR THE MANUFACTURE OR SALE OF ITEMS WITHOUT WRITTEN PERMISSION. COPYRIGHT © 1975 DIGITAL EQUIPMENT CORPORATION"

NOTE 1: SHIFT RIGHT (PARTIAL PRODUCT, MULTIPLIER) DECREMENT COUNTER TEST LOWER BITS OF MULTIPLIER AND SIGN OF COUNTER TO DETERMINE NEXT OPERATION
NOTE THAT THE REDUNDANCY OF 19-U, 19-M AND 19-N IS NECESSARY DUE TO CONSTRAINTS OF MICRO BRANCHING.

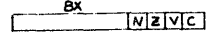


REVISIONS		
CHK	CHANGE NO.	REV.

"THIS DRAWING AND SPECIFICATIONS HEREIN ARE THE PROPERTY OF DIGITAL EQUIPMENT CORPORATION AND SHALL NOT BE REPRODUCED OR COPIED OR USED IN WHOLE OR IN PART AS THE BASIS FOR THE MANUFACTURE OR SALE OF ITEMS WITHOUT WRITTEN PERMISSION. COPYRIGHT © 1975 DIGITAL EQUIPMENT CORPORATION"

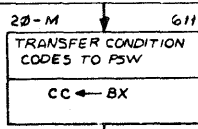
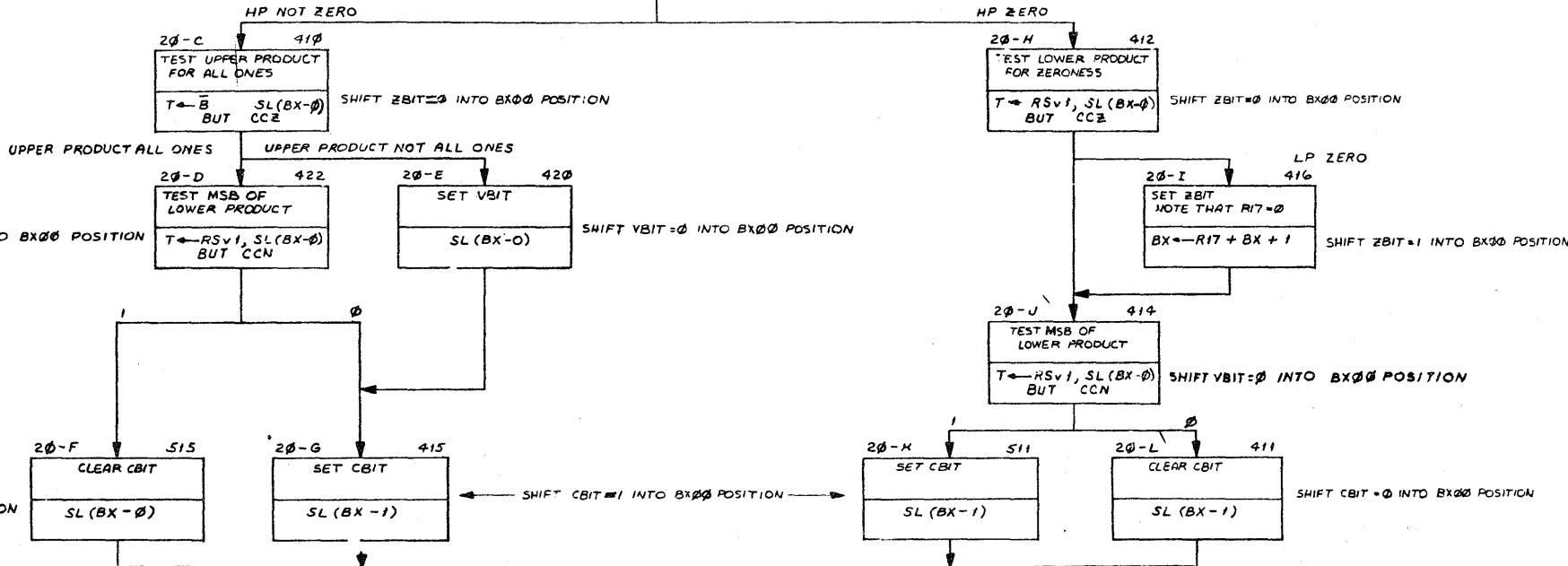


THIS SECTION OF CODE ACCUMULATES THE COND. CODES IN THE LOWER FOUR BITS OF THE BX REG



SHIFT N BIT INTO BX00 POSITION

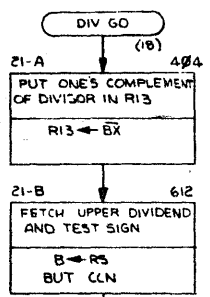
NOTE THAT FOR MUL VBIT IS ALWAYS ZERO



SERVICE (2)

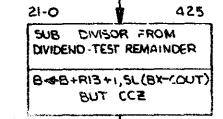
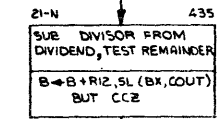
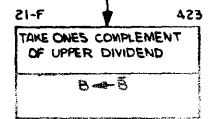
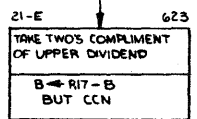
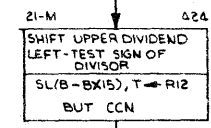
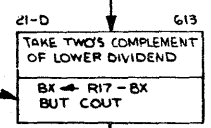
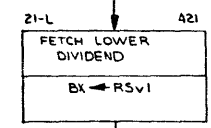
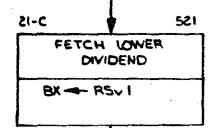
REVISIONS		
CHK	CHANGE NO.	REV.

THIS DRAWING AND SPECIFICATIONS HEREIN ARE THE PROPERTY OF DIGITAL EQUIPMENT CORPORATION AND SHALL NOT BE REPRODUCED OR COPIED OR USED IN WHOLE OR IN PART AS THE BASIS FOR THE MANUFACTURE OR SALE OF ITEMS WITHOUT WRITTEN PERMISSION. COPYRIGHT © 1975 DIGITAL EQUIPMENT CORPORATION



DIVIDEND NEGATIVE

DIVIDEND POSITIVE



DIVIDEND MOST NEG NUMBER
DIV QUIT 2
(22)

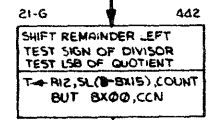
EXECUTION WILL BE TERMINATED AFTER THE FIRST DIVIDE STEP, IF THE REMAINDER IS NOT ZERO AND THE FIRST QUOTIENT BIT IS A ONE.

FIRST DIVIDE STEP

DIVISOR NEG

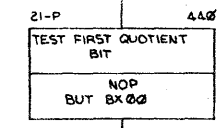
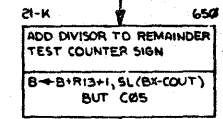
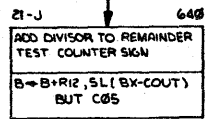
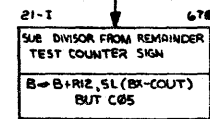
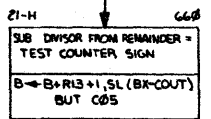
DIVISOR POS

IF BX00 = 1 (LSB OF QUOTIENT)
THAN THE REMAINDER IS POSITIVE
AND THE DIVISOR IS SUBTRACTED



IF BX00 = 0 (LSB OF QUOTIENT)
THAN THE REMAINDER IS NEGATIVE
AND THE DIVISOR IS ADDED

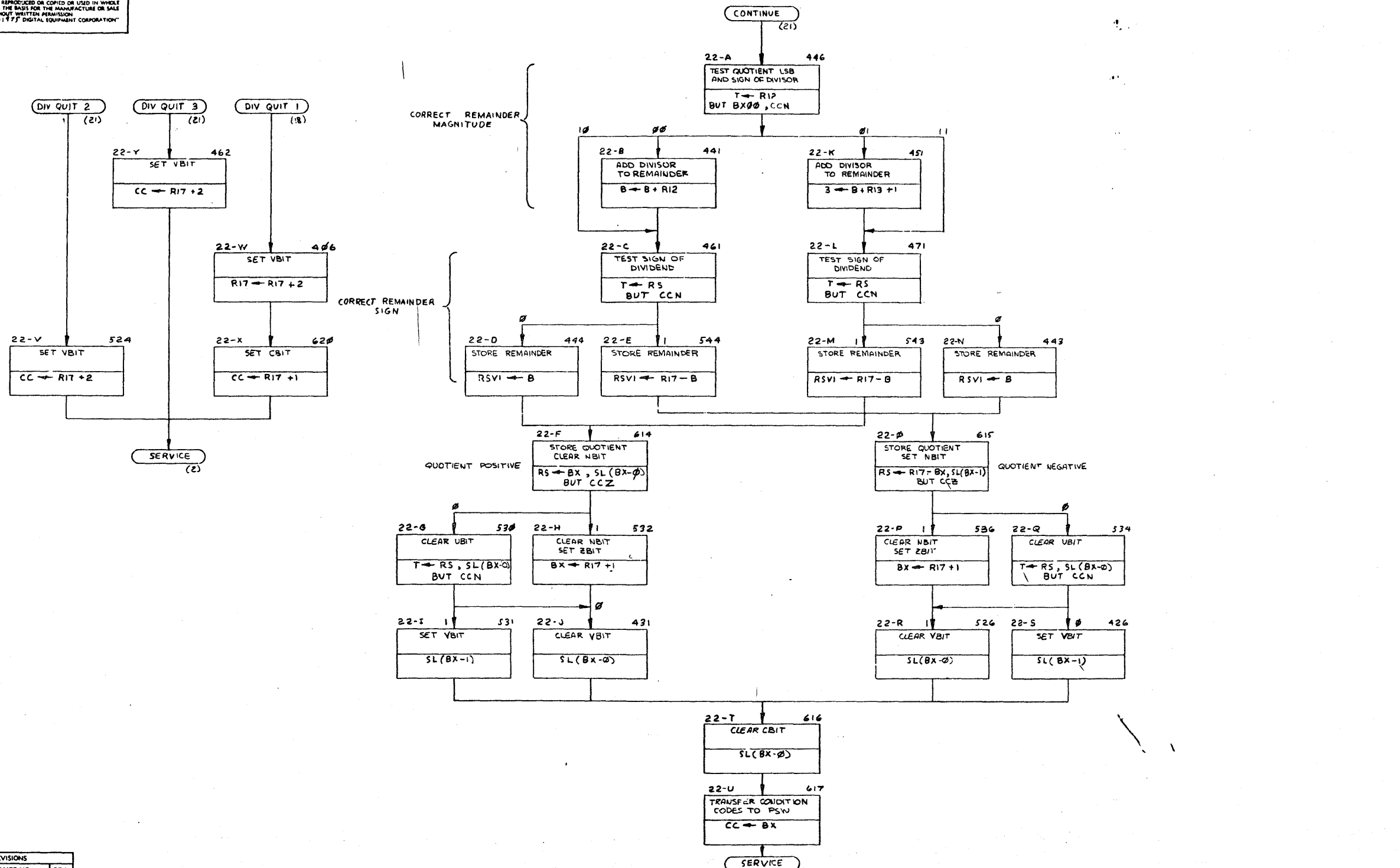
DIVIDE LOOP
THE PROCESSOR WILL
SEQUENCE THROUGH
THIS LOOP 15 TIMES



CONTINUE
(22)

REVISIONS		
CHK	CHANGE NO.	REV.

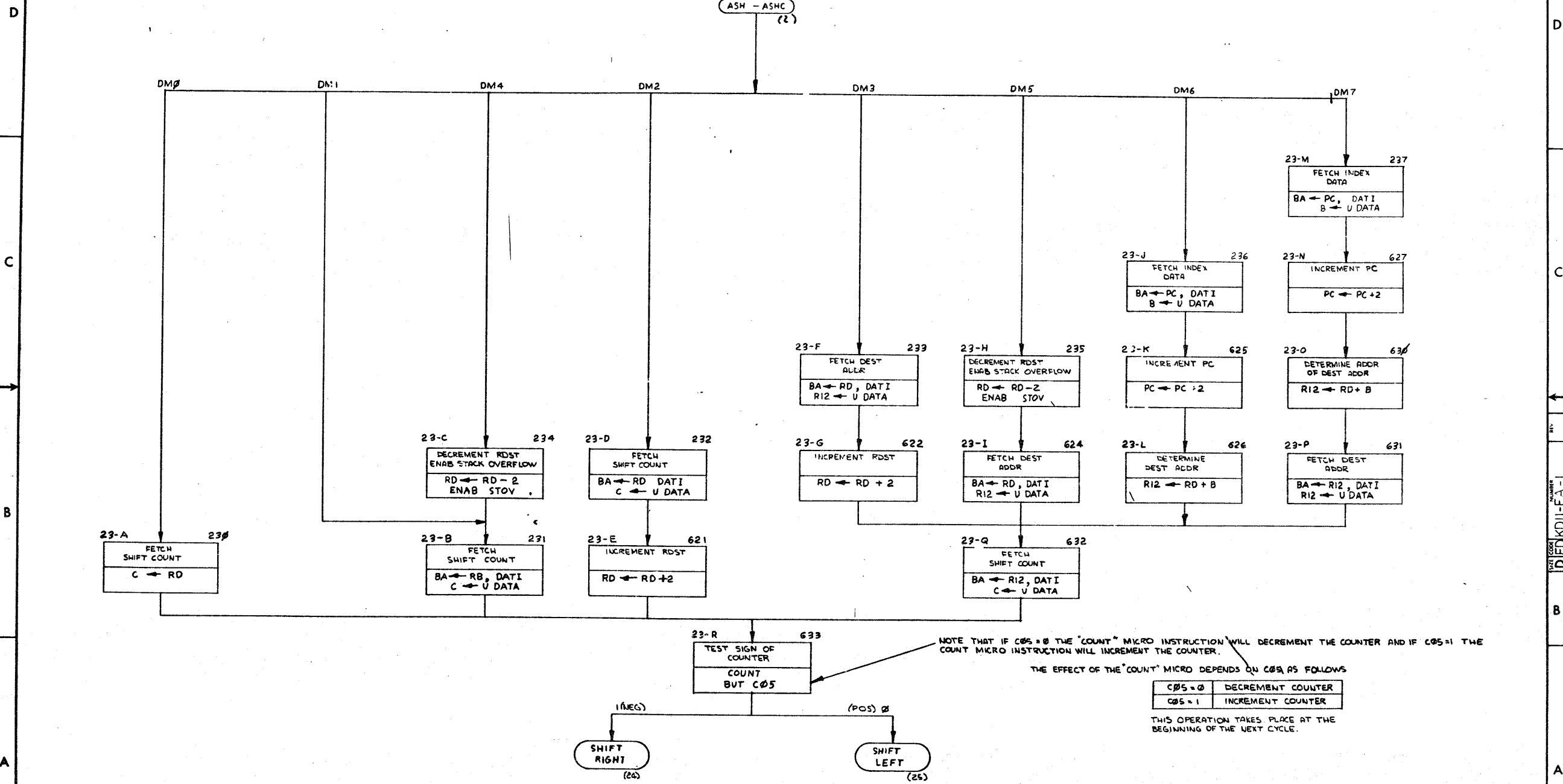
"THIS DRAWING AND SPECIFICATIONS, HEREIN, ARE THE PROPERTY OF DIGITAL EQUIPMENT CORPORATION AND SHALL NOT BE REPRODUCED OR COPIED OR USED IN WHOLE OR IN PART AS THE BASIS FOR THE MANUFACTURE OR SALE OF ITEMS WITHOUT WRITTEN PERMISSION. COPYRIGHT © 1977 DIGITAL EQUIPMENT CORPORATION"



REVISIONS		
CHK	CHANGE NO.	REV.

THIS DRAWING AND SPECIFICATIONS HEREIN, ARE THE PROPERTY OF DIGITAL EQUIPMENT CORPORATION AND SHALL NOT BE REPRODUCED OR COPIED OR USED IN WHOLE OR IN PART AS THE BASIS FOR THE MANUFACTURE OR SALE OF ITEMS WITHOUT WRITTEN PERMISSION. COPYRIGHT © 1975 DIGITAL EQUIPMENT CORPORATION

ASH - ASHC
(2)



NOTE THAT IF C05 = 0 THE "COUNT" MICRO INSTRUCTION WILL DECREMENT THE COUNTER AND IF C05 = 1 THE COUNT MICRO INSTRUCTION WILL INCREMENT THE COUNTER.

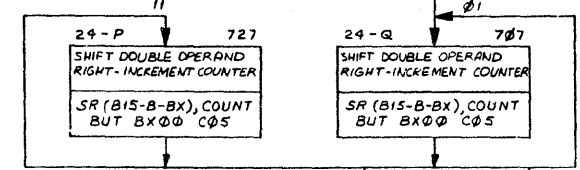
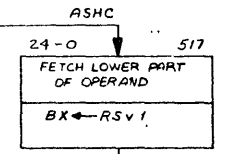
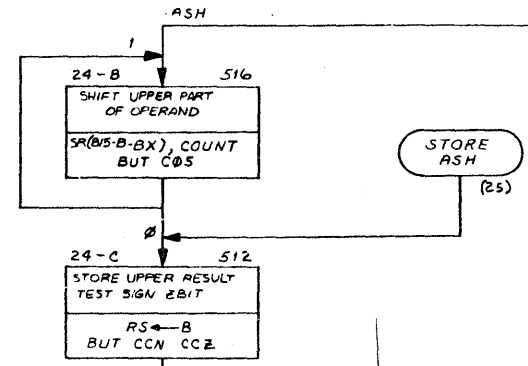
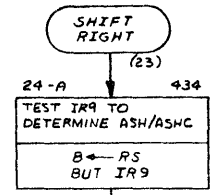
THE EFFECT OF THE "COUNT" MICRO DEPENDS ON C05 AS FOLLOWS

C05 = 0	DECREMENT COUNTER
C05 = 1	INCREMENT COUNTER

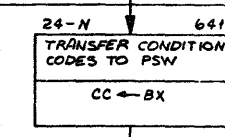
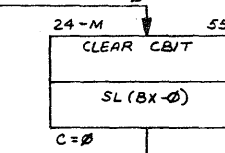
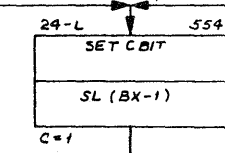
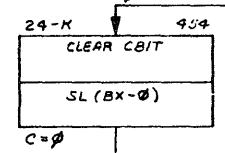
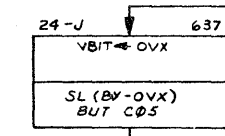
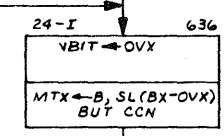
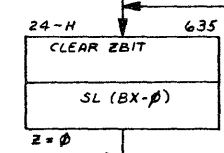
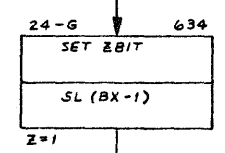
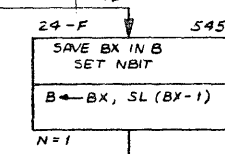
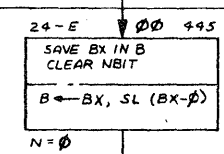
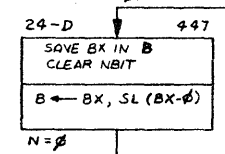
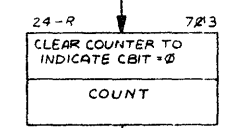
THIS OPERATION TAKES PLACE AT THE BEGINNING OF THE NEXT CYCLE.

REVISIONS		
CHK	CHANGE NO.	REV.

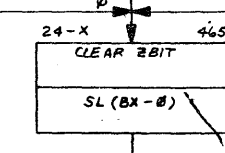
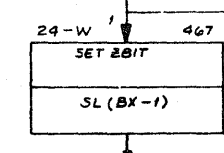
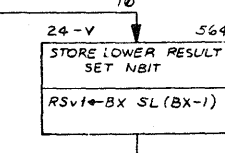
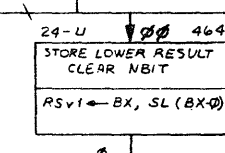
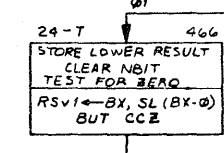
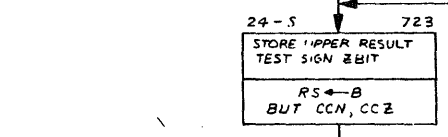
"THIS DRAWING AND SPECIFICATIONS HEREIN ARE THE PROPERTY OF DIGITAL EQUIPMENT CORPORATION AND SHALL NOT BE REPRODUCED OR COPIED OR USED IN WHOLE OR IN PART AS THE BASIS FOR THE MANUFACTURE OR SALE OF ITEMS WITHOUT WRITTEN PERMISSION. COPYRIGHT © 1975 DIGITAL EQUIPMENT CORPORATION"



AFTER LEAVING THIS LOOP, THE COUNTER WILL CONTAIN MINUS ONE



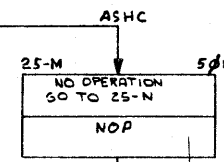
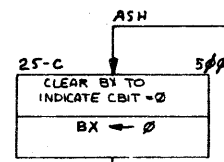
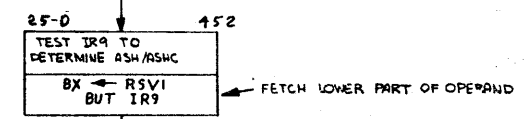
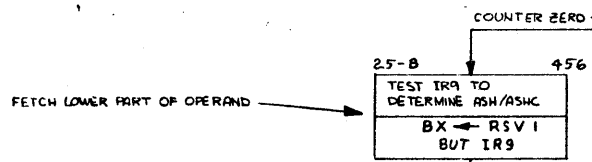
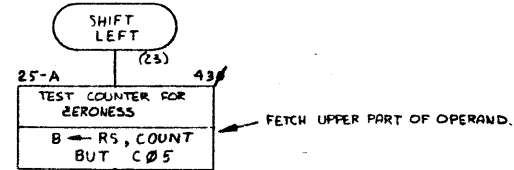
SERVICE (2)



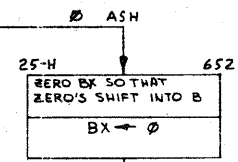
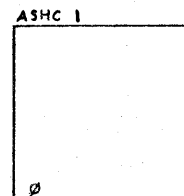
REVISIONS		
CHK	CHANGE NO.	REV.

8	7	6	5	4	3	2	1
---	---	---	---	---	---	---	---

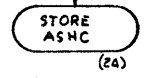
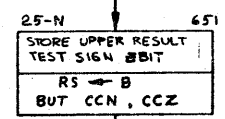
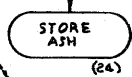
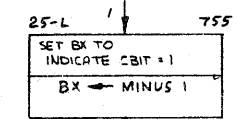
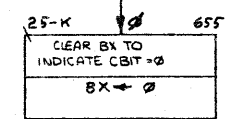
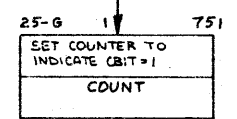
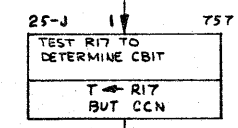
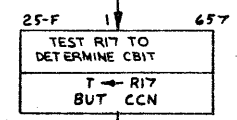
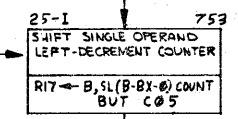
"THIS DRAWING AND SPECIFICATIONS HEREIN ARE THE PROPERTY OF DIGITAL EQUIPMENT CORPORATION AND SHALL NOT BE REPRODUCED OR COPIED OR USED IN WHOLE OR IN PART AS THE BASIS FOR THE MANUFACTURE OR SALE OF ITEMS WITHOUT WRITTEN PERMISSION. COPYRIGHT © 1977 DIGITAL EQUIPMENT CORPORATION"



COUNTER IS ZERO WHICH INDICATES CBIT = 0 WHEN ENTERING STORE ASHC

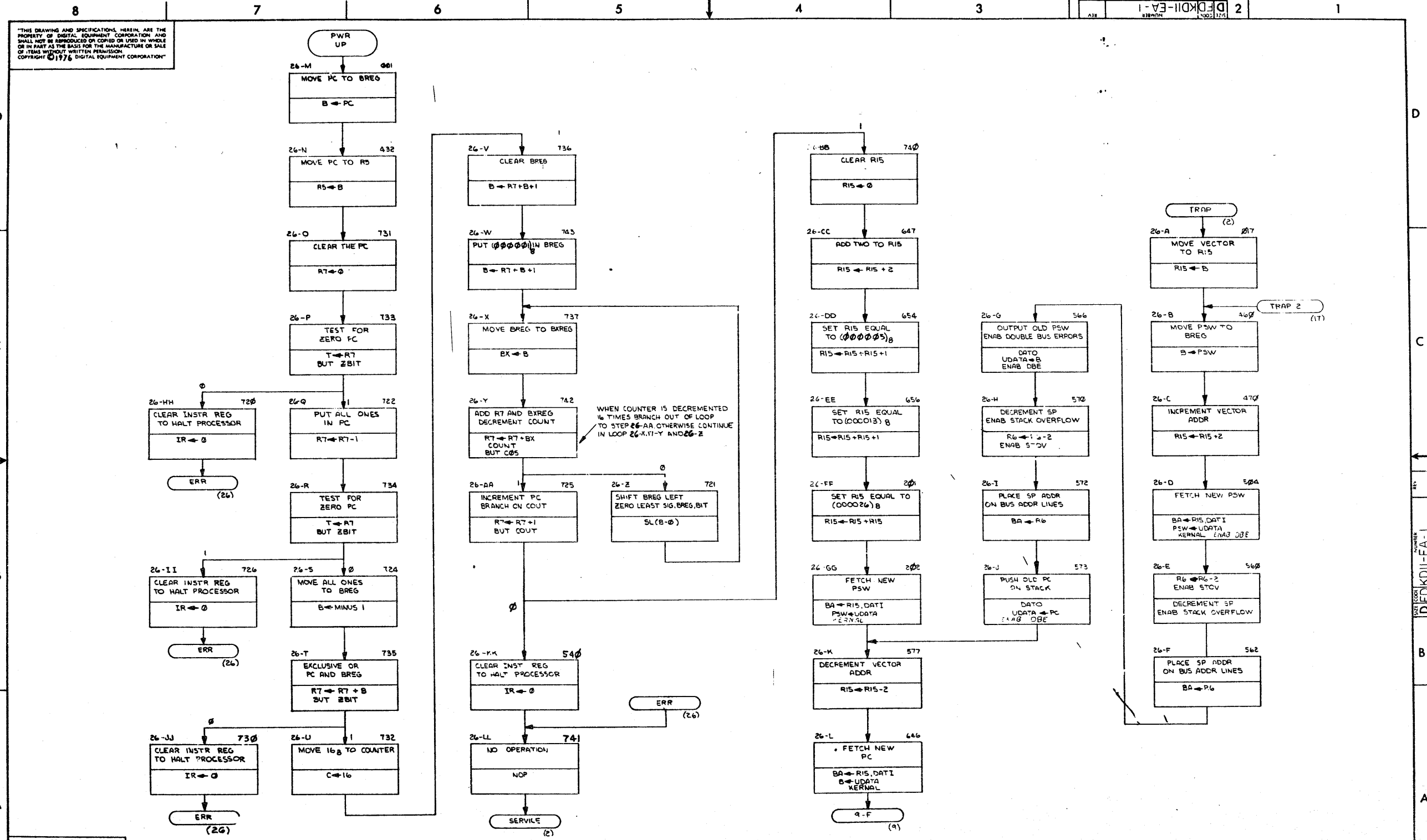


AFTER LEAVING THIS LOOP THE COUNTER WILL BE ZERO AND R17 BIT IS CONTAINS THE CARRY OUT OF THE LAST SHIFT



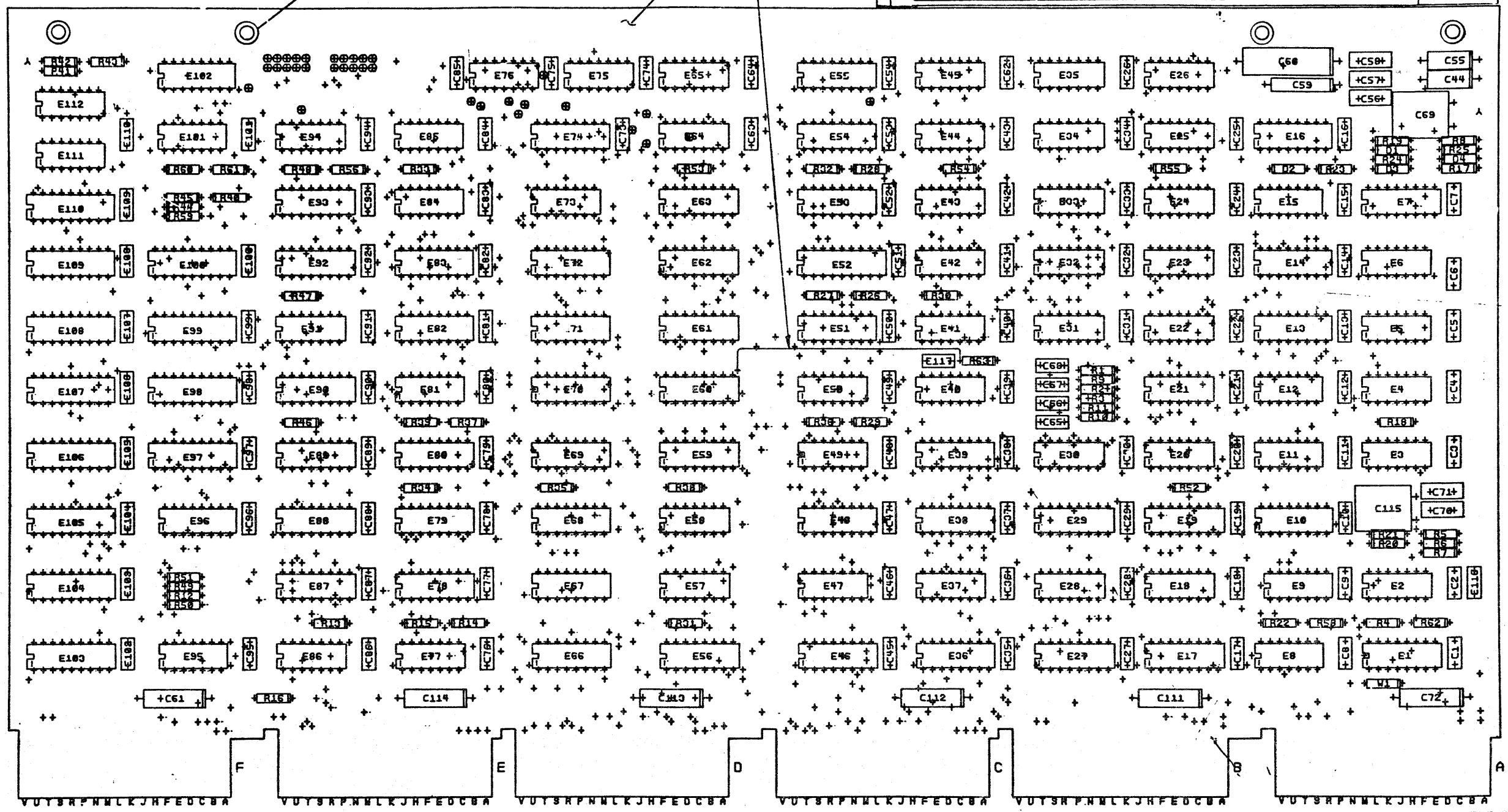
REVISIONS		
CHK	CHANGE NO.	REV.

"THIS DRAWING AND SPECIFICATIONS HEREIN ARE THE PROPERTY OF DIGITAL EQUIPMENT CORPORATION AND SHALL NOT BE REPRODUCED OR COPIED OR USED IN WHOLE OR IN PART AS THE BASIS FOR THE MANUFACTURE OR SALE OF ITEMS WITHOUT WRITTEN PERMISSION. COPYRIGHT © 1976 DIGITAL EQUIPMENT CORPORATION"



REVISIONS		
CHK	CHANGE NO.	REV.

COMPONENT SIDE VIEW



NOTES:

CHG	NO	REV	
P.C.	M8266-5	D	
REVISED BY	DRAWMAN		
BY	N. SULLIVAN		
DATE	1/18/77		
BY	E. POCKER		
DATE	1/18/77		

ETCH REV. C	
P.C. DESIGN DATA BASE REV. C	

SIGNATURES	DATE	digital
DRA. L. GIAMMARINO	8-8-77	
CHK'D. L. GIAMMARINO	8-18-77	
ENG. M. SULLIVAN	1/18/77	
PROJ. ENG. D. BARRY	1/18/77	
PROD. D. BARRY	1/18/77	TITLE
SCALE 2:1		KDIE A CONTROL
SHT. 1 OF 2		SIZE CODE
NEXT HIGHER ASSY. B-DD-M8266-0		NUMBER
		D JA M8266-0-0
		REV
		E

THIS DRAWING AND SPECIFICATIONS HEREIN ARE THE PROPERTY OF DIGITAL EQUIPMENT CORPORATION AND SHALL NOT BE REPRODUCED OR COPIED OR USED IN WHOLE OR IN PART AS THE BASIS FOR THE MANUFACTURE OR SALE OF ITEMS WITHOUT WRITTEN PERMISSION.
1967 DIGITAL EQUIPMENT CORPORATION

REWORK INSTRUCTIONS:

WIRE ADDS SIDE 1:

5-2 FROM R63 AT C117 END TO PTH
LOCATED ABOVE E60-3

REVISION HISTORY		
DATE	ECC NUMBER	REV.

DOCUMENT NUMBER		
SIZE CODE	NUMBER	REV.
D	UA M8266 - 0 - 0	E
SCALE 2:1		SHEET 2 OF 2

TITLE
KDIIE - A CONTROL

LINE	ITEM	DOCUMENT NUMBER	PART NUMBER	DESCRIPTION	QTY PER VARIATION	REFERENCE DESIGNATOR
1	1	D-MD-5012434-0-0	5012434-00	M8266	1	
2	2		1000016-00	100.0 MMF 100V 5%200PPM MICA	3	C58, C67, C68
3	3		1000024-00	470.0 MMF 100V 5%200PPM MICA	6	C56, C57, C65, C66, C71, C116
4	4		1000055-00	2200.0 MMF 250V 20% Y5S DISC	2	C69, C115
5	5		1001476-00	110 MFD 35V 10% S.TANT	1	C60
6	6		1001610-01	.01 MFD50/100V +80-20% DISC	93	C1-C43, C45-C54, C63, C64, C73-C110
7	7		1004812-00	15 MFD 20V 10% S.TANT	1	C59
8	8		1005306-00	6.8MFD 35V 10% S.TANT	6	C72, C111-C114, C61
9	9		1009964-00	.68 MFD 35V 10% S.TANT	2	C44, C55
10	10		1000021-00	220.0 MMF 100V 5%200PPM MICA	3	C62, C70, C117
11	11		1100114-00	D 664 QS\75PCB PIV= 25V SP	4	D1-D4
12	12		1300202-00	47.0 .25 W 5.0 % CC	6	R3, R4, R7, R11, R21, R63
13	13		1300250-00	150.0 .25 W 5.0 % CC	5	R10, R17, R18, R52, R1
14	14		1300271-00	220.0 .25 W 5.0 % CC	1	R62
15	15		1300309-00	390.0 .25 W 5.0 % CC	12	R40-R48, R60, R54, R61
16	16		1300316-00	470.0 .25 W 5.0 % CC	20	R26-R31, R33-R39, R49-R51, R53, R56, R55, R9
17	17		1300365-00	1.0 K .25 W 5.0 % CC	5	R12, R32, R20, R59, R58
18	18		1300473-00	10.0 K .25 W 5.0 % CC	1	R24
19	19		1302391-00	30.0 K .25 W 5.0 % CC	5	R8, R19, R23, R25, R5
20	20		1311422-00	178.0 .25 W 1.0 % RN55D-F10	5	R13-R16, R22
21	21		1301401-00	750.0 .25 W 5.0 % CC	1	R6
22	22		1213506-00	HEADER 24POS RT ANGLE W/3 SI	2	J1, J2
23	23		1905547-00	7474 FF-D DUAL, EDGE TRIGG	5	E5, E12, E31, E32, E34
24	24		1905575-00	7400 NAND GATE-QUAD 2IN	5	E3, E15, E18, E28, E86
25	25		1905587-00	DEC 7473 FF-JK DUAL, MASTER SL	2	E24, E45
26	26		1909004-00	DEC 7402 NOR GATE-QUAD 2IN	3	E22, E23, E43
27	27		1909705-00	DEC 8881 NAND GATE-QUAD 2IN 0	2	E8, E77
28	28		1909713-00	DEC 8815 NOR GATE-DUAL 4IN	2	E4, E30
29	29		1910533-00	74503 NAND GATE-QUAD 2IN, 0	5	E41, E64, E65, E76, E94

CONT

REVISION HISTORY		BASIC PART NO: M8266		DRN: R. BARILONE		DATE: 24-MAR-78		D I G I T A L	
ENG	ECO NUMBER	REV	SECTION A OF A	CHK'D:	L. GIAMMARINO	DATE:	24-MAR-78	TITLE	PARTS LIST
PG	00005	D	SECTION VARIATION INDEX					KD11E-A CONTROL	
BG	TW006	E	[A] 00						
			[B]	DES. ENG:	M. SULLIVAN	DATE:	24-MAR-78		
			[C]					DOCUMENT NUMBER	
			[D]	RESP. ENG.:	M. SULLAVAN	DATE:	24-MAR-78	SIZE: CODE: NUMBER	REV
			[E]						
			[F]	MFG. ENG.:	B. KING	DATE:	24-MAR-78	K PL M8265-0-DBP	E
			[H]						
			[J]	ASSEMBLY NUMBER:	D-UA-M8266-0-0	TOP DOCUMENT NUMBER:		FILE NAME:	EDIT #
			[K]					Z1277E.PLS	11
			[L]						
			[M]						
			[N]						

"THIS DRAWING AND SPECIFICATIONS HEREIN, ARE THE PROPERTY OF DIGITAL EQUIPMENT CORPORATION AND SHALL NOT BE REPRODUCED OR COPIED OR USED IN WHOLE OR IN PART AS THE BASIS FOR THE MANUFACTURE OR SALE OF ITEMS WITHOUT WRITTEN PERMISSION. COPYRIGHT (C) 1981. DIGITAL EQUIPMENT CORPORATION"

LINE	ITEM	DOCUMENT NUMBER	PART NUMBER	DESCRIPTION	QTY	PER VARIATION	REFERENCE DESIGNATOR
					00		
30	30		1909930-00	7405 INVERTER GATE-HEX 1I	2		E91, E101
31	31		1910018-00	DEC 74193 COUNTER, SYNCHR. UP/D	2		E78, E79
32	32		1911675-00	745138 DECODER/DEMUX 3-8 LIN	1		E89
33	33		1910091-00	DEC 7437 AND GATE-QUAD 2IN, BU	1		E81
34	34		1910155-00	DEC 7408 AND GATE, POS. QUAD 2I	2		E11, E50
35	35		1910436-00	DEC 74123 ONE SHOT-DUAL RETRIG	3		E16, E7, E14
36	36		1910532-00	74500 NAND GATE-QUAD 2IN	6		E25, E37, E47, E84, E6, E35
37	37		1910534-00	74504 INVERTER GATE-HEX 1I	2		E111, E112
38	38		1910539-00	74520 NAND GATE-DUAL 4INPU	2		E57, E58
39	39		1910547-00	745153 MUX 1 OF 4 (DUAL)	2		E46, E36
40	40		1910548-00	745157 MUX 1 OF 2 (QUAD)	2		E10, E39
41	41		1910550-00	745174 FF-D HEX	10		E19, E38, E66, E93, E71, E88, E90, E92,
						CONT	E96, E56
42	42		1910651-00	*** THIS ITEM IS NOT USED ***	-		
43	43		1910878-00	7427 NOR GATE-TRIPLE 3IN	1		E75
44	44		1910957-00	745175 FF-D QUAD COMMON CLO	4		E48, E55, E67, E13
45	45		1911116-00	DEC 8837 RECEIVER, BUS, HEX, UN	2		E1, E17
46	46		1911324-00	7414 INVERTER, HEX 1IN SCH	1		E21
47	47		1911459-00	DEC 8640 RECEIVER, BUS, QUAD, U	1		E9
48	48		1911579-00	8641 TRANSCEIVER, BUS, QUA	1		E27
49	49		1911637-00	74132 NAND GATE-QUAD 2 IN	2		E2, E42
50	50		1912388-00	74502 NOR GATE-QUAD 2IN, PO	3		E20, E73, E95
51	51		1912746-00	DEC 74537 NAND GATE-QUAD 2IN	1		E26
52	52		1910544-00	74574 FF-D DUAL, EDGE TRIGG	2		E33, E49
53	53		1910536-00	74510 NAND GATE-TRIPLE 3IN	2		E40, E85
54	54		1913340-00	74532 OR GATE-QUAD 2IN	1		E44
55	55		23106A1-00	A1-07	1		E51
56	56		23160A2-00	A2-05	1		E29
57	57		23175A2-00	A2-02, A2-04	1		E53
58	58		23162A2-00	A2-05	1		E54
59	59		23174A2-00	A2-02, A2-04	1		E59
60	60		23173A2-00	A2-02, A2-04	1		E60
61	61		23161A2-00	A2-05	1		E61
62	62		23170A2-00	A2-02, A2-04	1		E62
63	63		23176A2-00	A2-02, A2-04	1		E63
64	64		23014A9-00	A9-01	1		E68
65	65		23172A2-00	A2-02, A2-04	1		E69
66	66		23349A9-00	A9-04	1		E70
67	67		23A22A2-00	A2-02, A2-04	1		E72
68	68		23110A1-00	A1-03, A1-05	1		E74
69	69		23163A2-00	A2-05	1		E80
70	70		23108A1-00	A1-07	1		E82
71	71		23107A1-00	A1-07	1		E83
72	72		23109A1-00	A1-07	1		E87
73	73		23022F1-00	F1-01	1		E97
74	74		23023F1-00	F1-01	1		E98
75	75		23021F1-00	F1-01	1		E99
76	76		23024F1-00	F1-01	1		E100

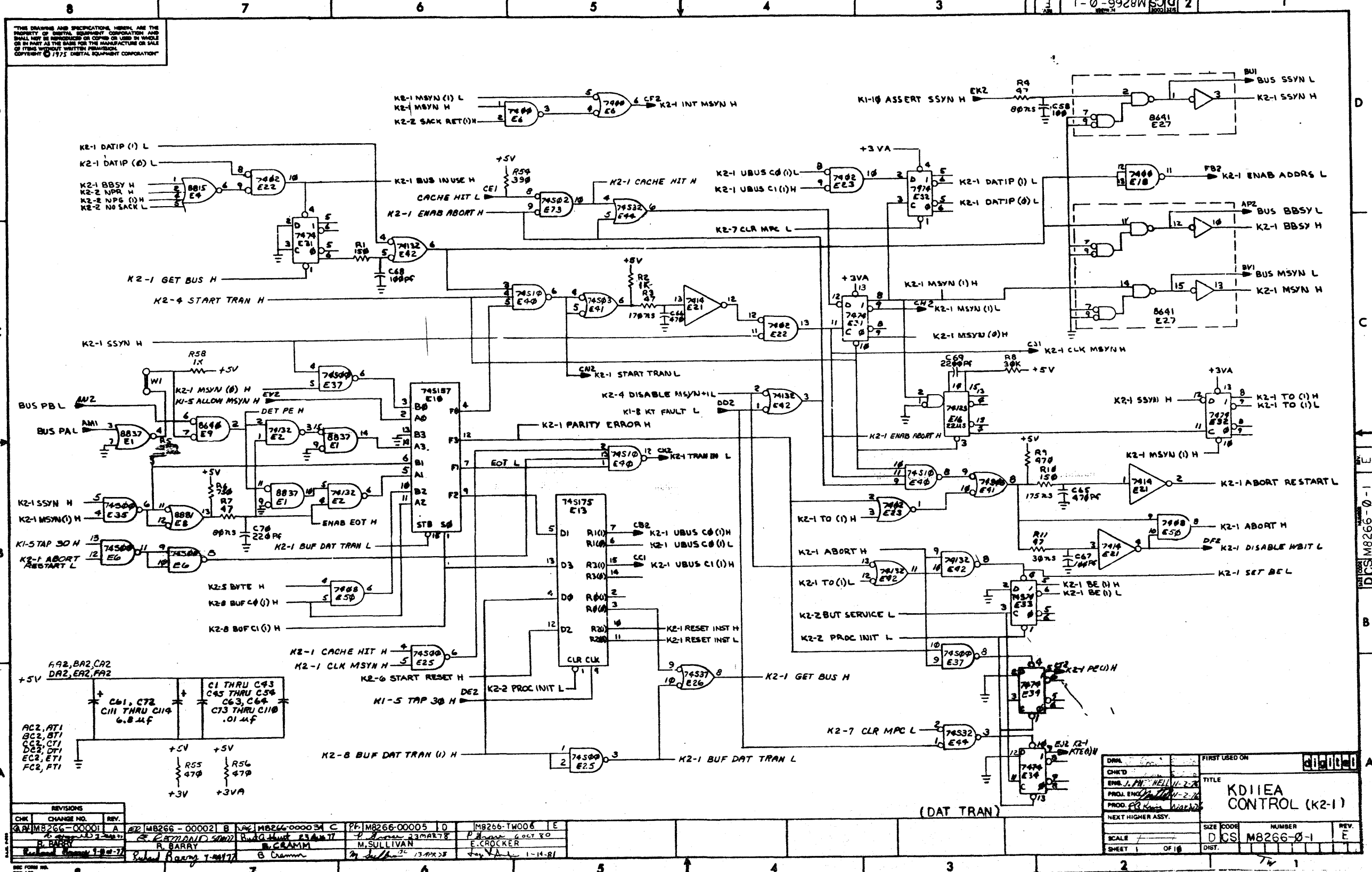
D	I	G	I	T	A	L	TITLE	KD11E-A CONTROL	SECTION A OF A	SIZE	CODE	DOCUMENT NUMBER	REV
										K	PL	M8266-0-DBP	E

LINE ITEM	DOCUMENT NUMBER	PART NUMBER	DESCRIPTION	QTY PER VARIATION 00	REFERENCE DESIGNATOR
77	77	23011F1-00	F1-01	1	E103
78	78	23025F1-00	F1-01	1	E104
79	79	23027F1-00	F1-01	1	E105
80	80	23020F1-00	F1-01	1	E106
81	81	23019F1-00	F1-01	1	E107
82	82	23018F1-00	F1-01	1	E108
83	83	23017F1-00	F1-01	1	E109
84	84	23016F1-00	F1-01	1	E110
85	85	23177A1-00	A1-07	1	E102
86	86	23013F1-00	F1-01	1	E52
87	87	9009185-00	JUMPER, WIRE, INSULATED, BLACK B	1	W1
88	88	9006732-00	EYELET, ROLLED FLANGE, .121 OD X	12	
89	89	1216988-02	HANDLE, MODULE, HEX TWO EJECTORS	1	
90	90	1303114-00	1.0 K .25 W 1.0 % RN550-F10	1	R2
91	91	9105740-55	WIRE(WRAP)30AWG UL1423	A/R	
92	92	9009157-00	ADH,LIG.RM.TEMP CURING COLORLESS	A/R	

93 NOTE: 1001610-01 MAY BE SUBSTITUED BY 1001610-00.

D	I	G	I	T	A	L	TITLE	SECTION A OF A	SIZE	CODE	DOCUMENT NUMBER	REV
							KD11E-A CONTROL		K	PL	M8266-0-DBP	E

THIS DRAWING AND SPECIFICATIONS HEREIN ARE THE PROPERTY OF DIGITAL EQUIPMENT CORPORATION AND SHALL NOT BE REPRODUCED OR COPIED OR USED IN WHOLE OR IN PART AS THE BASIS FOR THE MANUFACTURE OR SALE OF ITEMS WITHOUT WRITTEN PERMISSION. COPYRIGHT © 1975 DIGITAL EQUIPMENT CORPORATION.



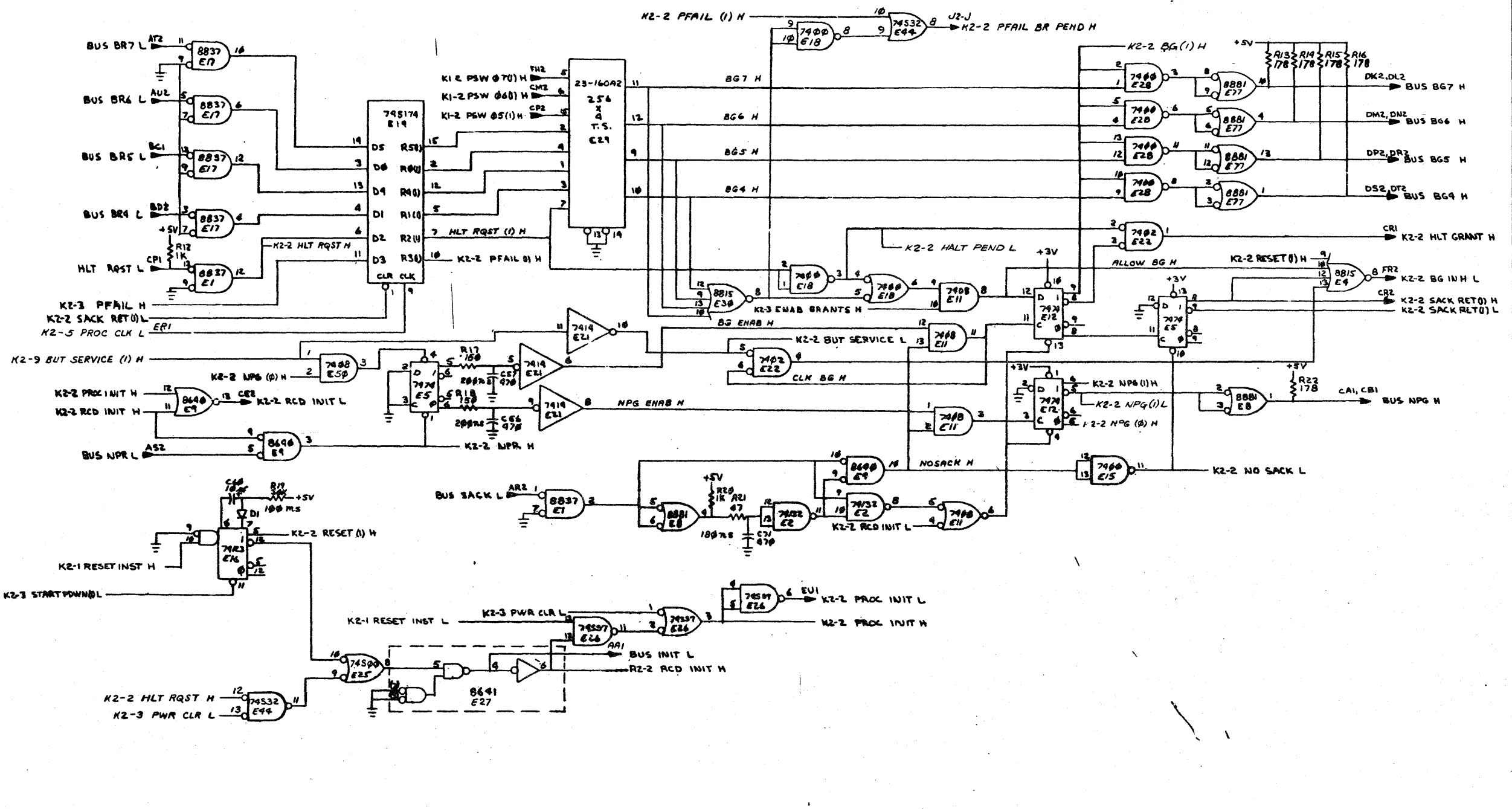
CHK	CHANGE NO.	REV.
01	M266-00001	A
02	M266-00002	B
03	M266-00003	C
04	M266-00004	D
05	M266-00005	E

REV. 1-14-81
 M266-TW006
 6 OCT 80
 M. SULLIVAN
 E. CROCKER
 1-14-81

DRAWN		FIRST USED ON	
CHK'D	DATE		
ENG. I. P. NEIL	11-2-78	TITLE	
PROJ. ENG. J. W. NEIL	11-2-78	KD11EA CONTROL (K2-1)	
PROD. P. R. KIM	11-2-78	SIZE	CODE
NEXT HIGHER ASSY.		D	CS
		NUMBER	REV.
		M8266-0-1	E
SCALE		DIST.	
SHEET 1	OF 10		

DCS M8266-0-1
 11-2-78

THIS DRAWING AND SPECIFICATIONS HEREIN ARE THE PROPERTY OF DIGITAL EQUIPMENT CORPORATION AND SHALL NOT BE REPRODUCED OR COPIED IN WHOLE OR IN PART AS THE BASIS FOR THE MANUFACTURE OR SALE OF ITEMS WITHOUT WRITTEN PERMISSION. COPYRIGHT © 1972 DIGITAL EQUIPMENT CORPORATION

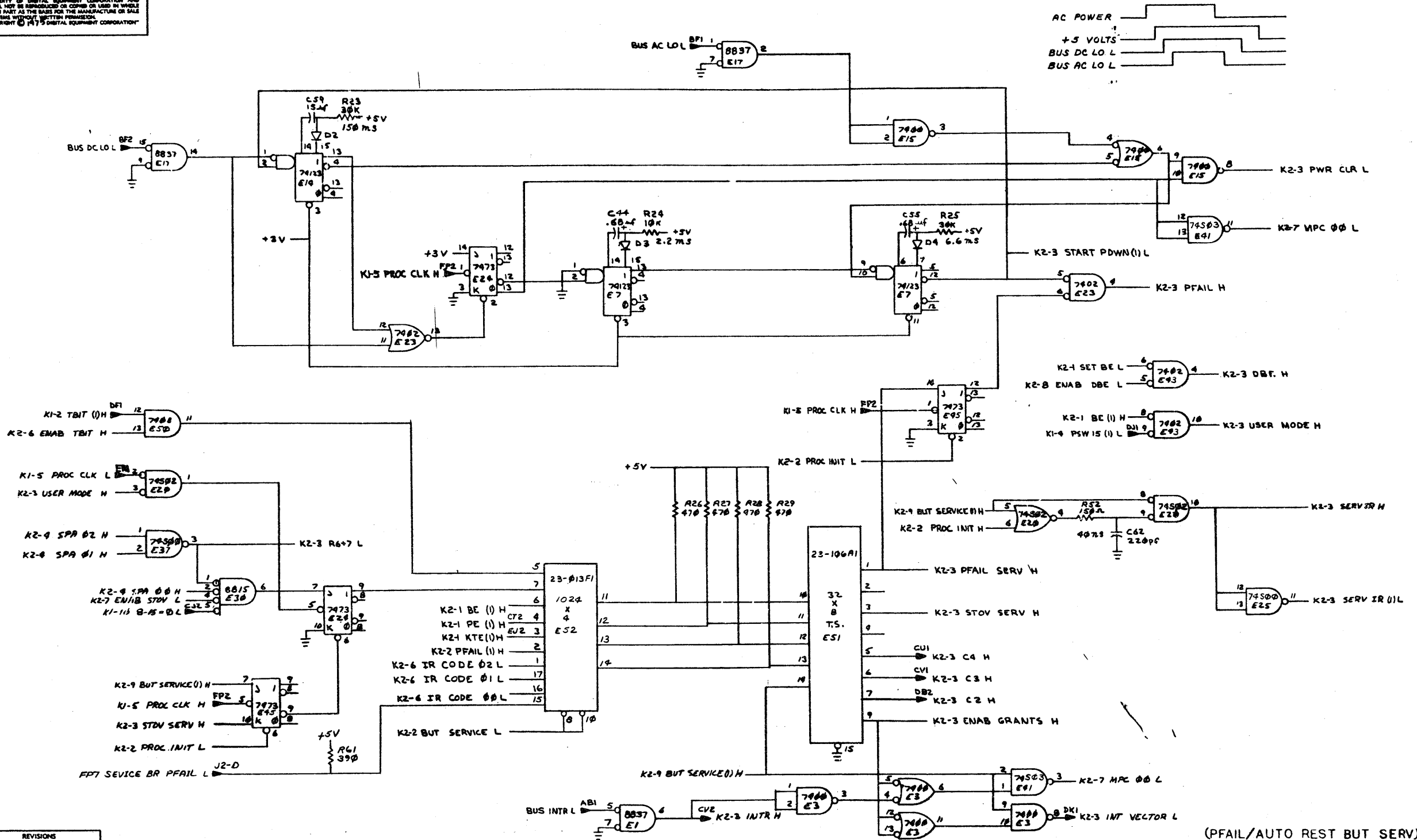
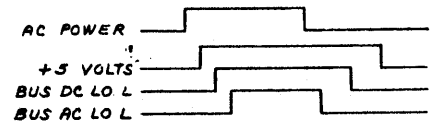


REVISIONS		
CHK	CHANGE NO.	REV.

(PRIORITY ARR)

TITLE	KDIEA CONTROL (K2-2)	SIZE CODE	D CS	NUMBER	M8266-0-1	REV.	E
SCALE	1:1	SHEET	2 OF 10	DIST.			

THIS DRAWING AND SPECIFICATIONS HEREIN ARE THE PROPERTY OF DIGITAL EQUIPMENT CORPORATION AND SHALL NOT BE REPRODUCED OR COPIED OR USED IN WHOLE OR IN PART AS THE BASIS FOR THE MANUFACTURE OR SALE OF ITEMS WITHOUT WRITTEN PERMISSION. COPYRIGHT © 1975 DIGITAL EQUIPMENT CORPORATION

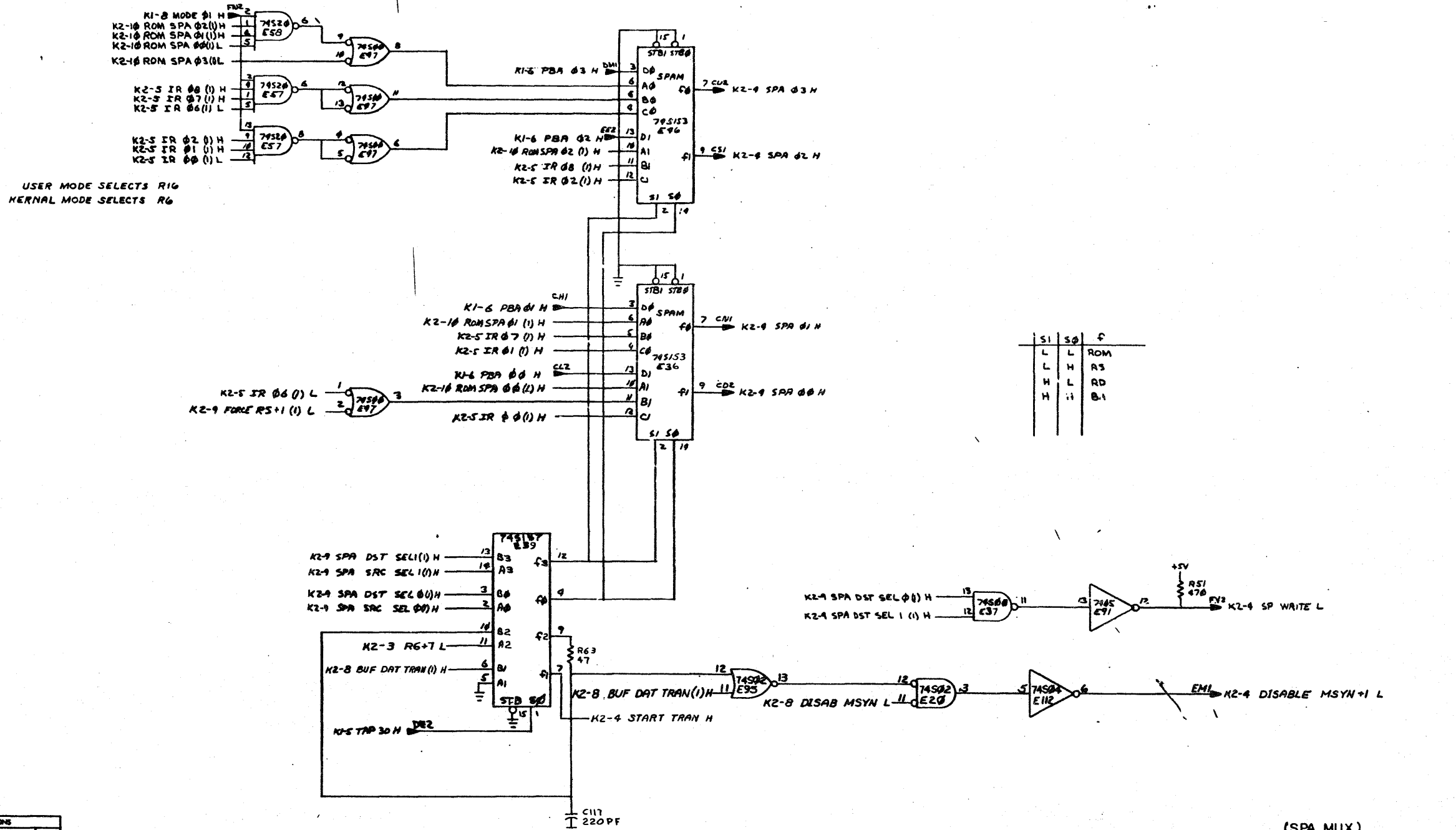


CHK	CHANGE NO.	REV.

TITLE	SIZE CODE	NUMBER	REV.
KDIEA CONTROL (K2-3)	DCS	M8266-0-1	E
SCALE	SHEET	DIST.	
1/1	3 OF 10		

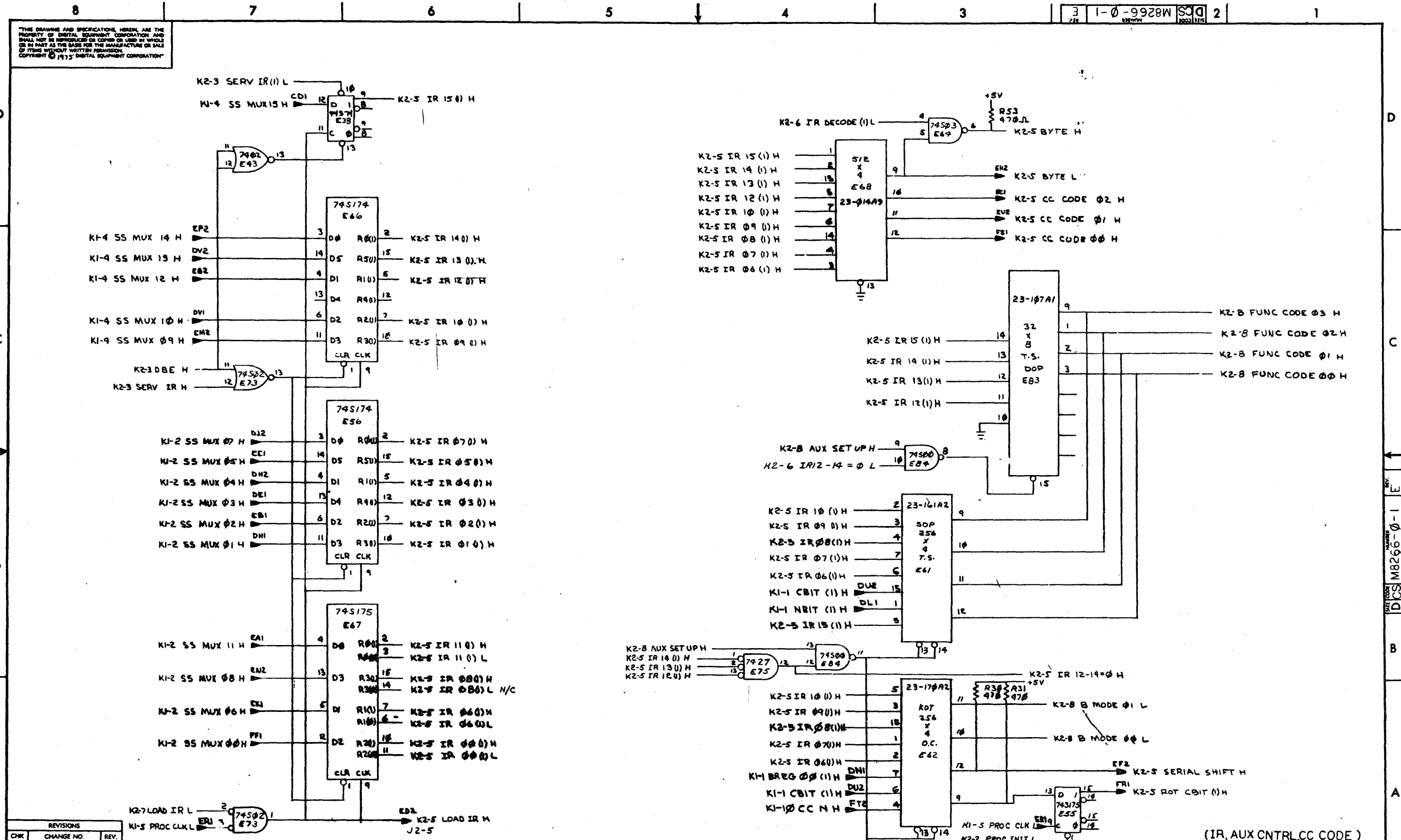
DCS M8266-0-1

THE DRAWING AND SPECIFICATIONS HEREIN ARE THE PROPERTY OF DIGITAL EQUIPMENT CORPORATION AND SHALL NOT BE REPRODUCED OR COPIED IN WHOLE OR IN PART AS THE BASIS FOR THE MANUFACTURE OR SALE OF ITEMS WITHOUT WRITTEN PERMISSION. COPYRIGHT © 1975 DIGITAL EQUIPMENT CORPORATION



REVISIONS		
CHK	CHANGE NO.	REV.

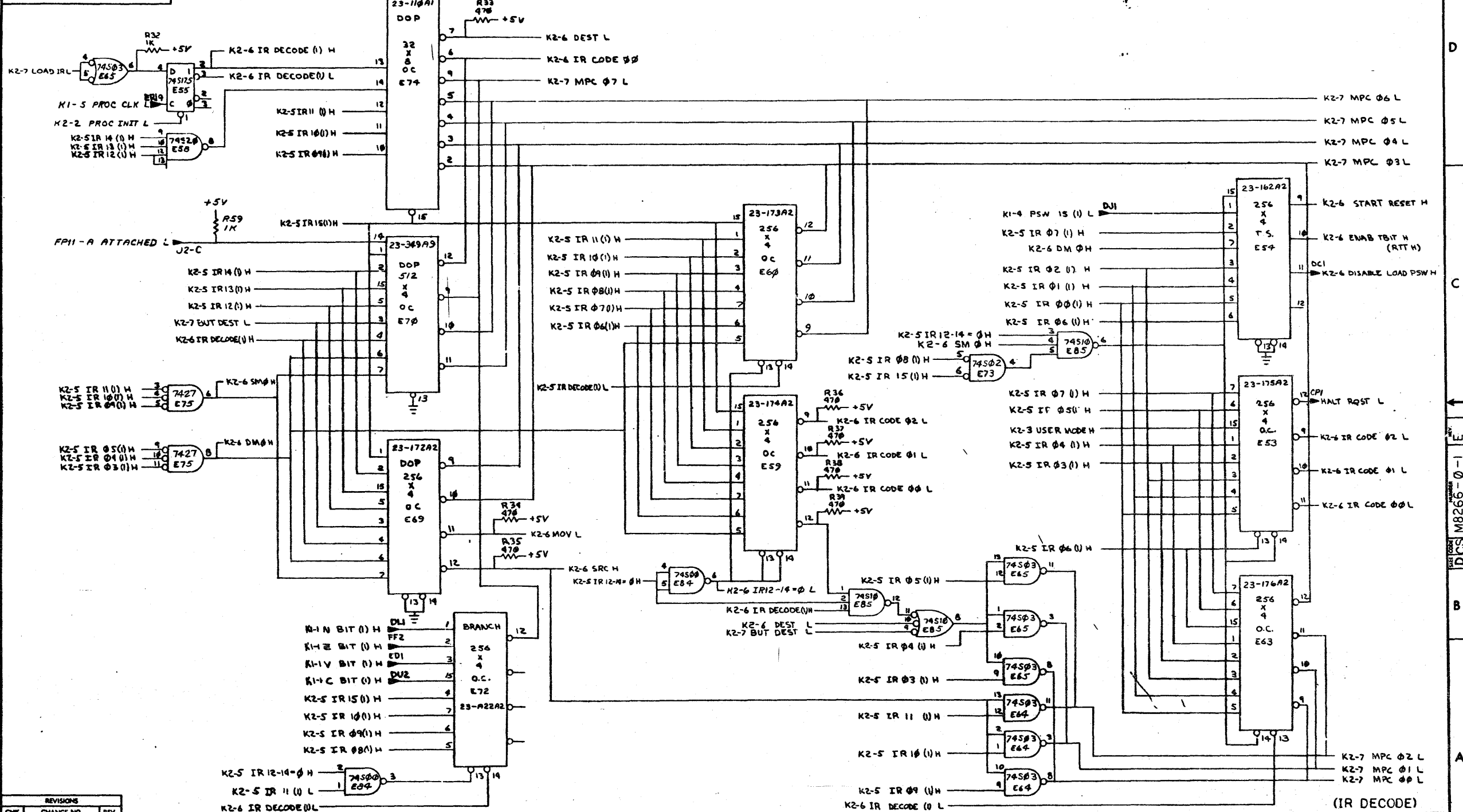
THIS DRAWING AND SPECIFICATIONS HEREIN ARE THE PROPERTY OF DIGITAL EQUIPMENT CORPORATION AND SHALL NOT BE REPRODUCED OR COPIED OR USED IN WHOLE OR IN PART AS THE BASIS FOR THE MANUFACTURE OR SALE OF ITEMS WITHOUT WRITTEN PERMISSION. COPYRIGHT © 1975 DIGITAL EQUIPMENT CORPORATION



REVISIONS		
CHK	CHANGE NO.	REV.

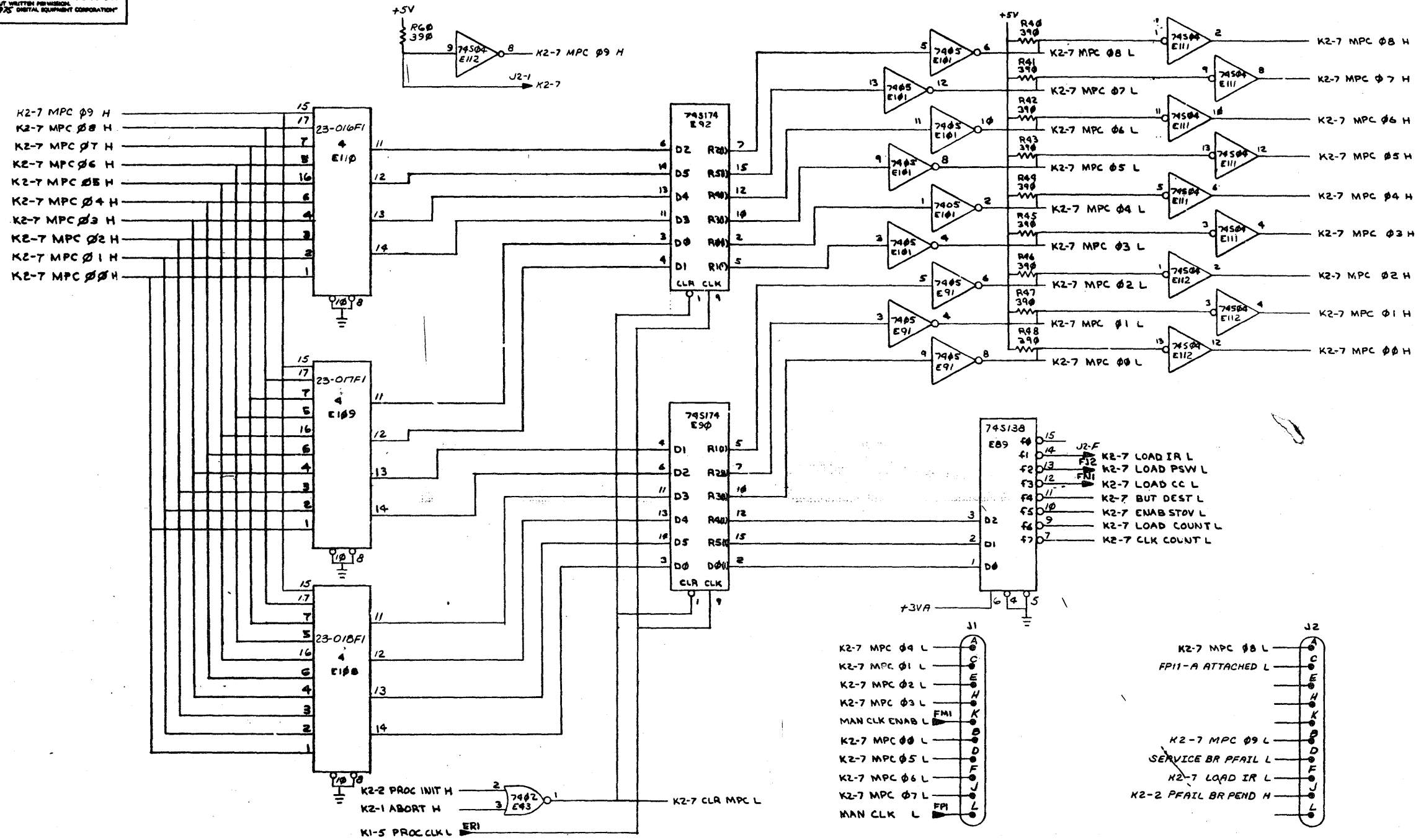
TITLE	KDIIEA CONTROL (K2-5)	SIZE CODE	DCS	NUMBER	M8266-0-1	REV.	E
SCALE	1/1	SHEET	5	OF 10	DIST.		

"THIS DRAWING AND SPECIFICATIONS HEREIN ARE THE PROPERTY OF DIGITAL EQUIPMENT CORPORATION AND SHALL NOT BE REPRODUCED OR COPIED OR USED IN WHOLE OR IN PART AS THE BASIS FOR THE MANUFACTURE OR SALE OF ITEMS WITHOUT WRITTEN PERMISSION. COPYRIGHT © 1975 DIGITAL EQUIPMENT CORPORATION"



REVISIONS		
CHK	CHANGE NO.	REV.

THIS DRAWING AND SPECIFICATIONS HEREIN ARE THE PROPERTY OF DIGITAL EQUIPMENT CORPORATION AND SHALL NOT BE REPRODUCED OR COPIED OR USED IN WHOLE OR IN PART AS THE BASIS FOR THE MANUFACTURE OR SALE OF ITEMS WITHOUT WRITTEN PERMISSION.
 COPYRIGHT © 1975 DIGITAL EQUIPMENT CORPORATION

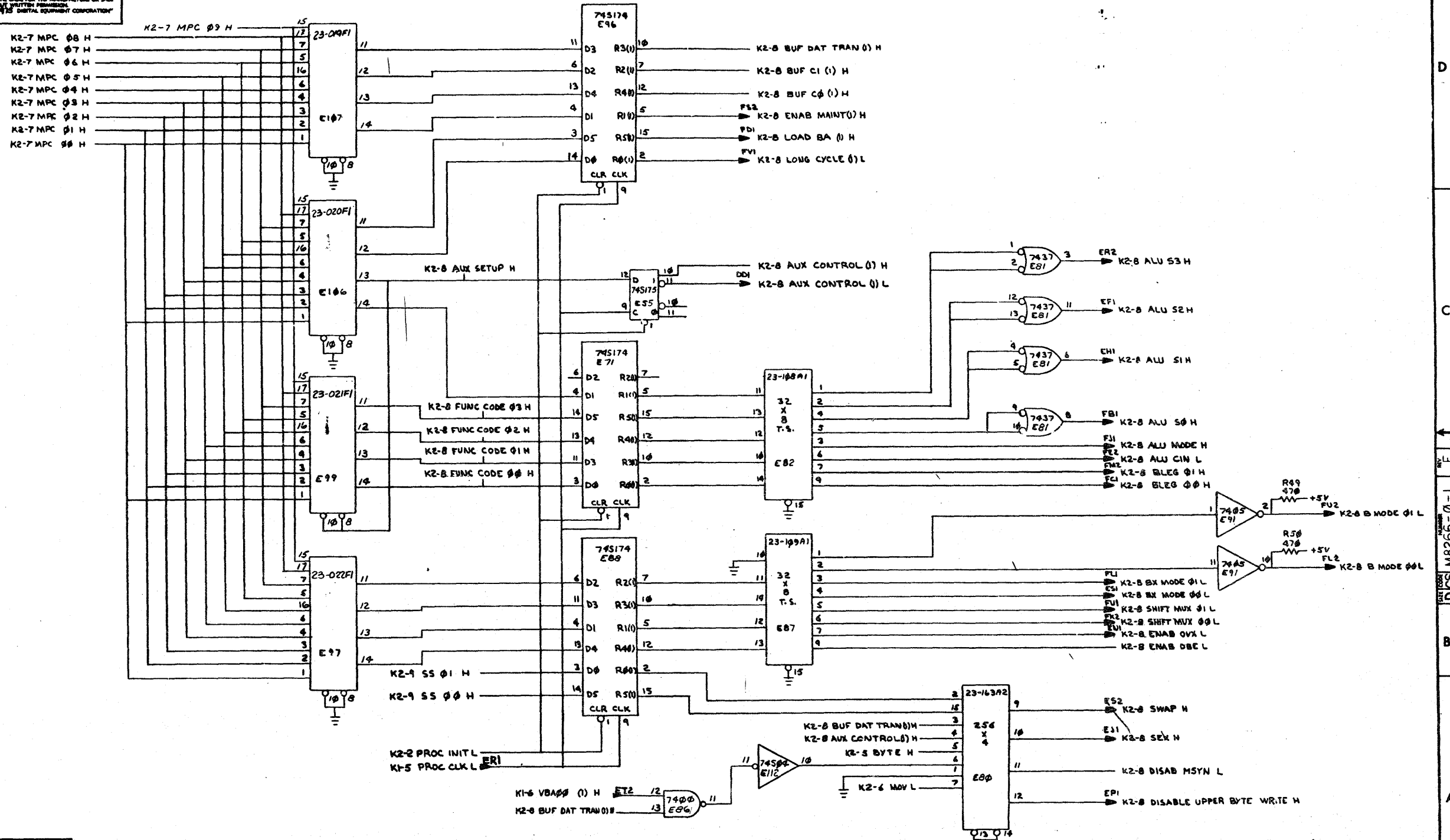


REVISIONS		
CHK	CHANGE NO.	REV.

TITLE KD11EA CONTROL (K2-7)		SIZE CODE DCS	NUMBER M8266-0-1	REV. E
SCALE	SHEET 7 OF 10	DIST.		

REV. E
NUMBER M8266-0-1
DATE LOC. DCS

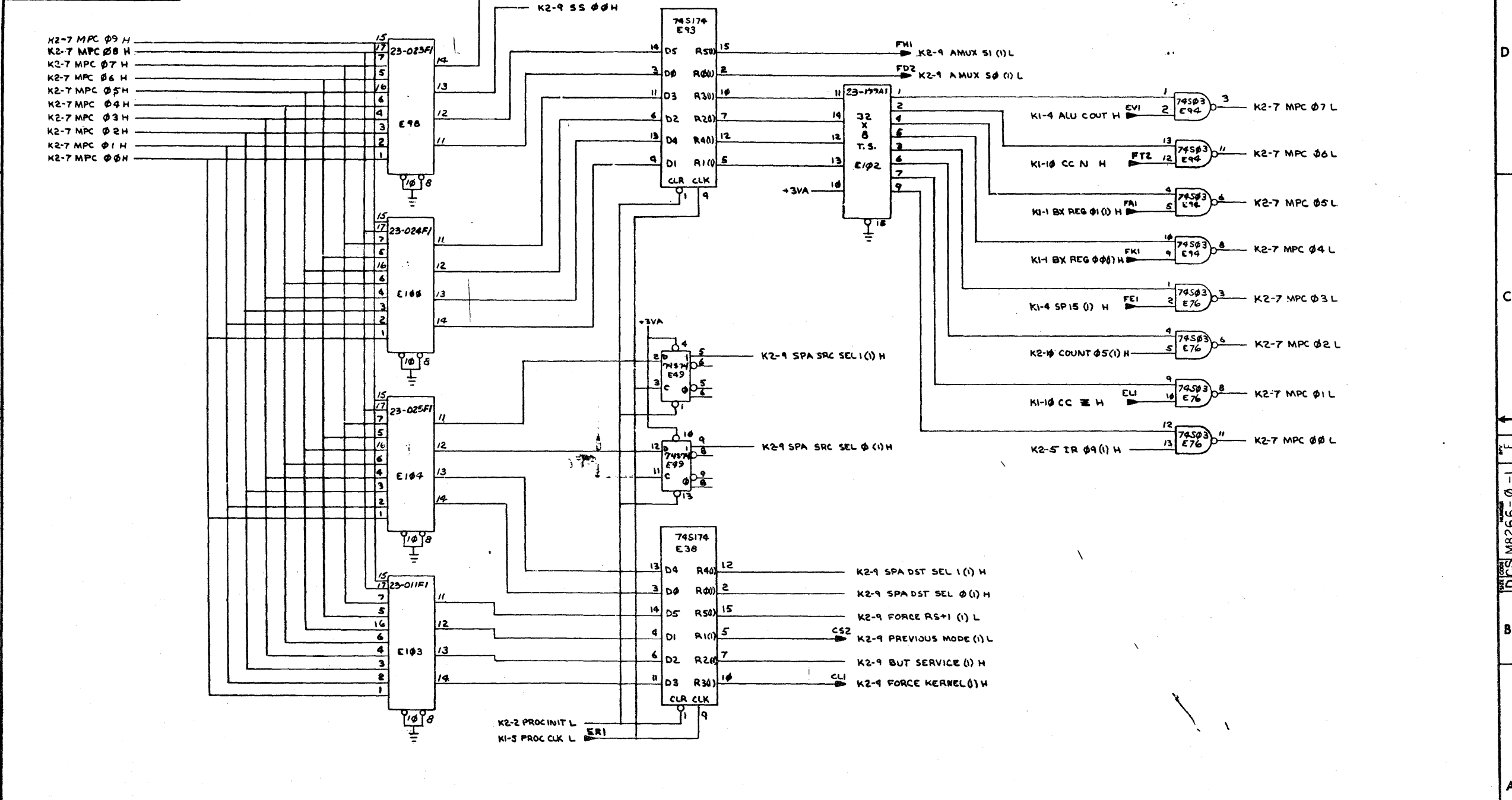
THIS DRAWING AND SPECIFICATIONS HEREAFTER ARE THE PROPERTY OF DIGITAL EQUIPMENT CORPORATION AND SHALL NOT BE REPRODUCED OR COPIED IN WHOLE OR IN PART AS THE BASIS FOR THE MANUFACTURE OR SALE OF ITEMS WITHOUT WRITTEN PERMISSION. COPYRIGHT © 1975 DIGITAL EQUIPMENT CORPORATION



REVISIONS		
CHK	CHANGE NO.	REV.

TITLE		NUMBER		REV.
KDIEA CONTROL (K2-8)		M8266-0-1		E
SCALE	SHEET	OF	DIST.	
	B	10		

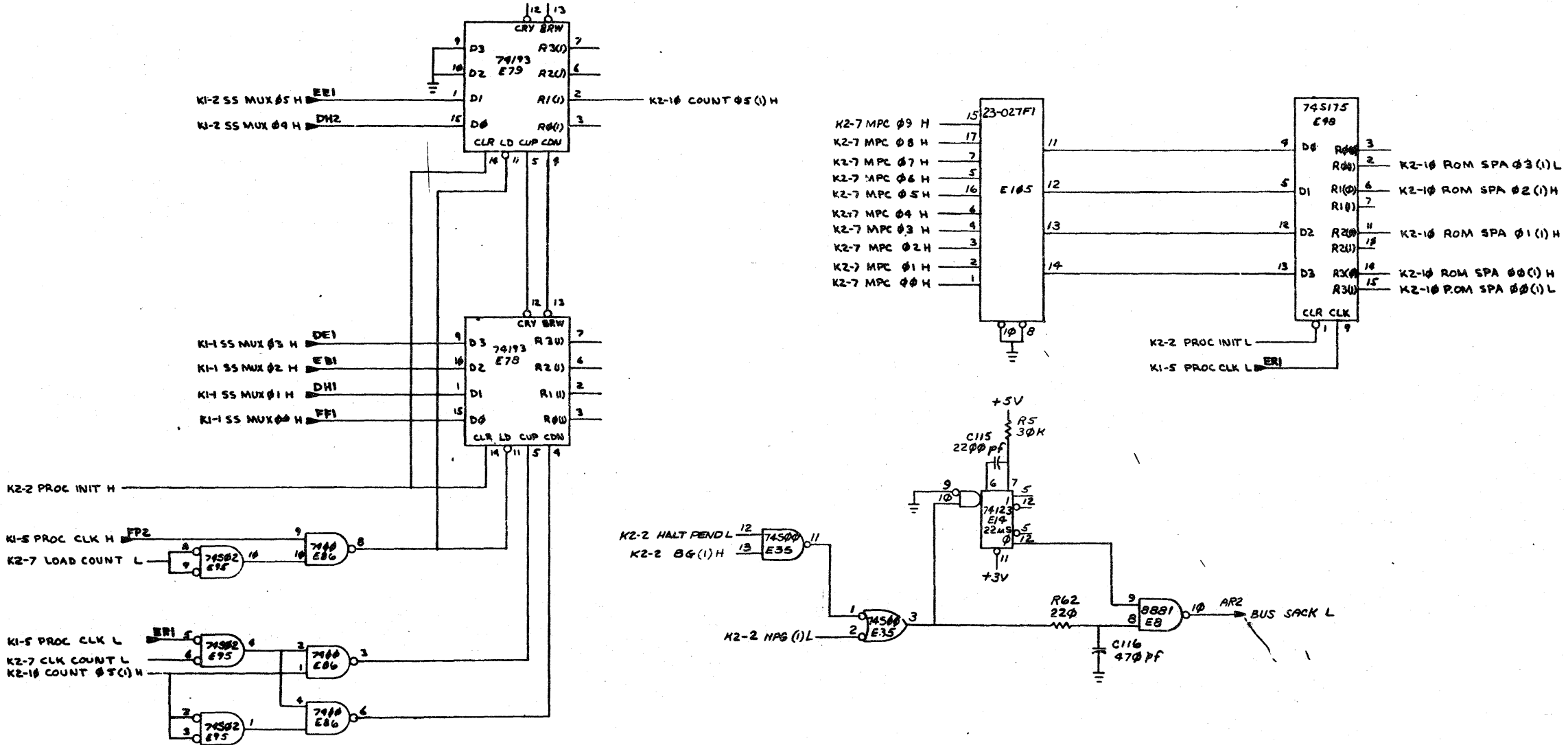
"THIS DRAWING AND SPECIFICATIONS, HEREIN, ARE THE PROPERTY OF DIGITAL EQUIPMENT CORPORATION AND SHALL NOT BE REPRODUCED OR COPIED OR USED IN WHOLE OR IN PART AS THE BASIS FOR THE MANUFACTURE OR SALE OF ITEMS WITHOUT WRITTEN PERMISSION. COPYRIGHT © 1975 DIGITAL EQUIPMENT CORPORATION"



REVISIONS		
CHK	CHANGE NO.	REV.

TITLE		SIZE CODE	NUMBER	REV.
KDIIEA CONTROL (K2-9)		D CS	M8266-0-1	E
SCALE	SHEET	9 OF 10	DIST.	

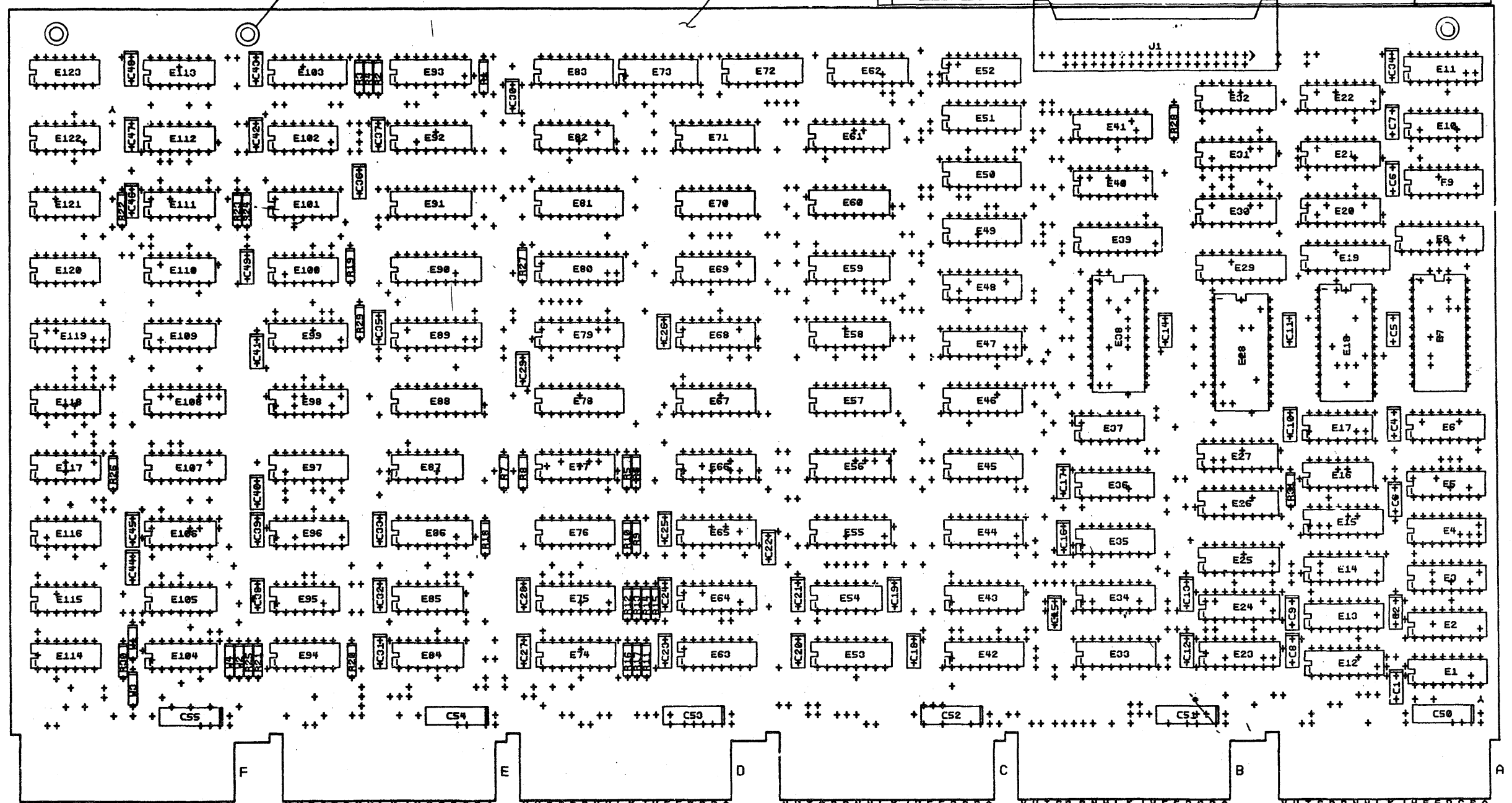
THIS DRAWING AND SPECIFICATIONS HEREIN ARE THE PROPERTY OF DIGITAL EQUIPMENT CORPORATION AND SHALL NOT BE REPRODUCED OR COPIED OR USED IN WHOLE OR IN PART AS THE BASIS FOR THE MANUFACTURE OR SALE OF ITEMS WITHOUT WRITTEN PERMISSION. COPYRIGHT © 1972 DIGITAL EQUIPMENT CORPORATION



REVISIONS		
CHK	CHANGE NO.	REV.

TITLE		SIZE CODE		NUMBER		REV.
KDI-EA CONTROL (K2-10)		DCS		M8266-0-1		E
SCALE	SHEET	10	OF	10	DIST.	

DCS M8266-0-1 E



THIS DRAWING IS THE PROPERTY OF
 THE UNITED STATES GOVERNMENT
 AND IS LOANED TO YOU BY THE
 NATIONAL BUREAU OF STANDARDS
 AND TECHNOLOGY. IT IS TO BE
 REPRODUCED AND TRANSMITTED IN
 ANY FORM AND BY ANY MEANS
 ELECTRONIC, MECHANICAL, PHOTOCOPYING,
 RECORDING, OR BY ANY INFORMATION
 STORAGE AND RETRIEVAL SYSTEM,
 WITHOUT PERMISSION IN WRITING
 FROM THE NATIONAL BUREAU OF
 STANDARDS AND TECHNOLOGY.

NOTES:

CHANGE NO	REV	DATE	BY	CHK'D
0002	B	7-11-77	M. SULLIVAN	

ETCH REV. C-PI
P.C. DESIGN DATA BASE REV.

SIGNATURES	DATE	TITLE
DRN. D. BILODEAU	9-8-76	digital
CHK'D. <i>[Signature]</i>	4-14-77	
ENG. <i>[Signature]</i>	7-11-77	
PROJ. ENG. <i>[Signature]</i>	7-11-77	
PROD. <i>[Signature]</i>	6-17-79	

TITLE KDII-EA
DATA PATH

SCALE 2/1	SIZE CODE D	NUMBER UA	REV C
-----------	-------------	-----------	-------

NEXT HIGHER ASSY. B DD M8265-0-0

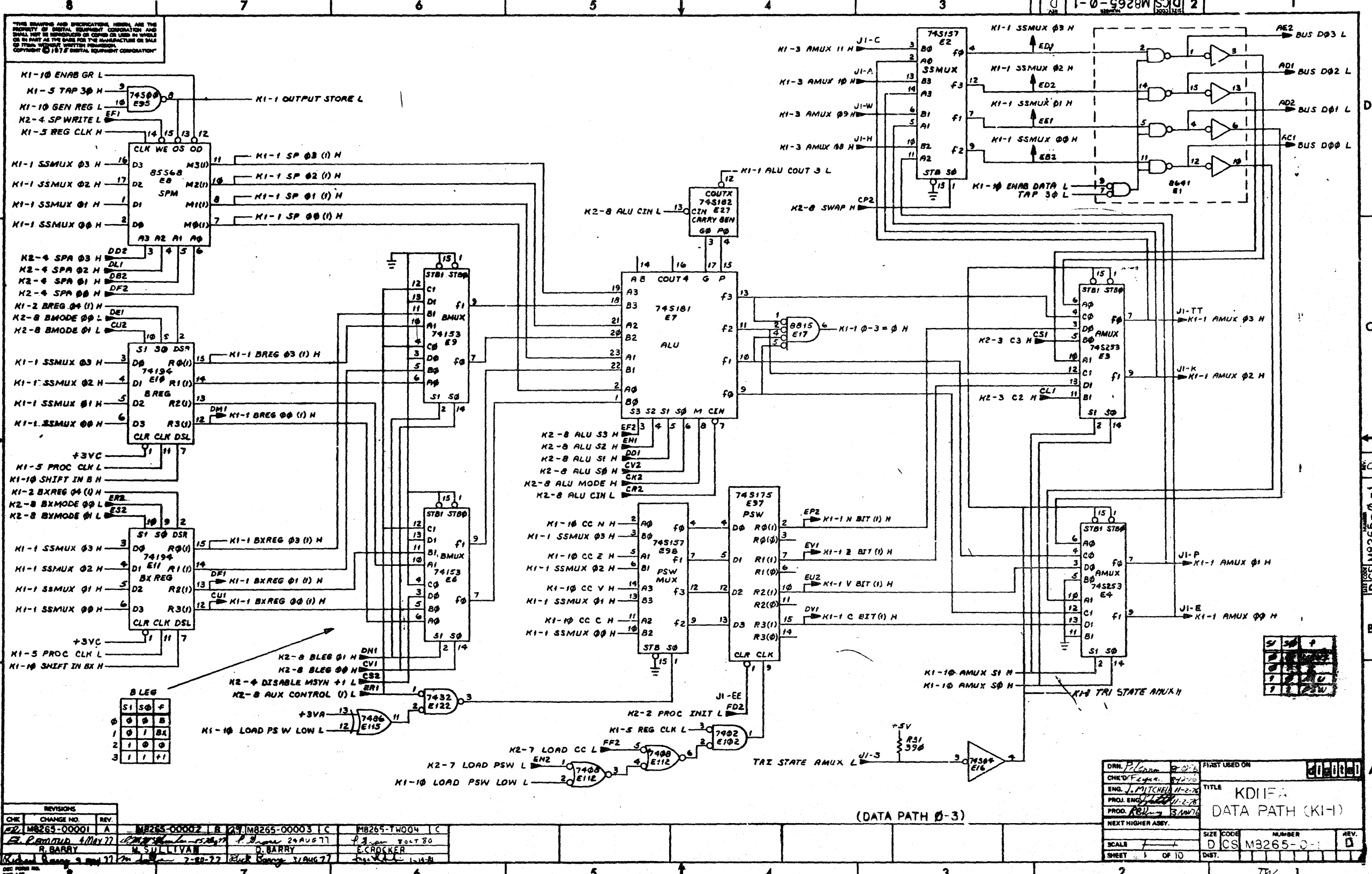
LINE	ITEM	DOCUMENT NUMBER	PART NUMBER	DESCRIPTION	QTY	PER VARIATION	REFERENCE DESIGNATOR
1	1	D-MD-5012433-0-0	5012433-00	M8265	1		
2	2		1001610-00	.01 MFD 50V +80-20% 25U CER	48		C1-C48
3	3		1005306-00	6.8MFD 35V 10% S.TANT	6		C50-C55
4	4		1000021-00	220.0 MMF 100V 5%200PPM MICA	1		C49
5	5		1300316-00	470.0 .25 W 5.0 % CC	19		R1-R19
6	6		1300365-00	1.0 K .25 W 5.0 % CC	8		R20-R23, R26-R29
7	7		1300202-00	47.0 .25 W 5.0 % CC	1		R24
8	8		1300271-00	220.0 .25 W 5.0 % CC	2		R25, R30
9	9		1300309-00	390.0 .25 W 5.0 % CC	1		R31
10	10		1216988-02	HANDLE, MODULE, HEX TWO EJECTORS	1		
11	11		1213506-01	HEADER 40POS RT ANGLE W/3 SI	1		J1
12	12		1612463-00	DELAY= 150NS, 10TAPS	1		E104
13	13		1911521-00	7432 OR GATE-QUAD 2IN, PO	1		E122
14	14		1905576-00	7410 NAND GATE-TRIPLE 3IN	1		E123
15	15		1909004-00	DEC 7402 NOR GATE-QUAD 2IN	3		E101, E102, E114
16	16		1909686-00	7404 INVERTER GATE-HEX 1I	1		E117
17	17		1910155-00	DEC 7408 AND GATE, POS. QUAD 2I	1		E112
18	18		1905575-00	7400 NAND GATE-QUAD 2IN	1		E110
19	19		1911637-00	74132 NAND GATE-QUAD 2 IN	1		E120
20	20		1905573-00	7430 NAND GATE-SINGLE 8IN	2		E54, E87
21	21		1910091-00	DEC 7437 AND GATE-QUAD 2IN, BU	1		E116
22	22		1910544-00	74574 FF-D DUAL, EDGE TRIGG	2		E100, E109
23	23		1910224-00	DEC 7485 COMPARTOR-4BIT	2		E61, E72
24	24		1910011-00	DEC 7486 X-OR GATE-QUAD 2INPU	1		E115
25	25		1911579-00	8641 TRANSCEIVER, BUS, QUA	9		E1, E12, E23, E42, E43, E53, E63, E64, E33
26	26		1909713-00	DEC 8815 NOR GATE-DUAL 4IN	2		E17, E37
27	27		1909937-00	74153 MUX 1 OF 4 (DUAL)	3		E6, E9, E119
28	28		1912389-00	74508 AND GATE-QUAD 2IN, PO	1		E106
29	29		1910655-00	74157 MUX 2 TO 1 QUAD	5		E20, E30, E40, E92, E93

CONT

REVISION HISTORY		BASIC PART NO: M8265		DRN: J. CASEY		DATE: 28-JAN-81		DIGITAL	
ENG	ECO NUMBER	REV	SECTION A OF A	CHK'D:	J. CASEY	DATE:	28-JAN-81	TITLE	PARTS LIST
	INITIAL	C	SECTION VARIATION INDEX					KD11E-A DATA PATH	
			[A] 00	DES. ENG.:	E. CROCKER	DATE:	28-JAN-81	DOCUMENT NUMBER	
			[B]	RESP. ENG.:	E. CROCKER	DATE:	28-JAN-81	SIZE: CODE: NUMBER	REV
			[C]						
			[D]	MFG. ENG.:	J. AUILY	DATE:	28-JAN-81	K PL M8265-0-DBP	C
			[E]	ASSEMBLY NUMBER:		TOP DOCUMENT NUMBER:		FILE NAME:	EDIT #
			[F]	D-UA-M8265-0-0				Z1278C.PLS	4
			[G]						
			[H]						
			[I]						
			[J]						
			[K]						
			[L]						
			[M]						
			[N]						

"THIS DRAWING AND SPECIFICATIONS HEREIN, ARE THE PROPERTY OF DIGITAL EQUIPMENT CORPORATION AND SHALL NOT BE REPRODUCED OR COPIED OR USED IN WHOLE OR IN PART AS THE BASIS FOR THE MANUFACTURE OR SALE OF ITEMS WITHOUT WRITTEN PERMISSION. COPYRIGHT (C) 1981. DIGITAL EQUIPMENT CORPORATION"

LINE ITEM	DOCUMENT NUMBER	PART NUMBER	DESCRIPTION	QTY PER VARIATION	REFERENCE DESIGNATOR
30	30	1910652-00	74174 FF-D HEX	4	E50, E51, E62, E73
31	31	1910651-00	DEC 74175 FF-D QUAD	3	E82, E99, E103
32	32	1910623-00	74194 SHIFT REG., 4BIT RIGH	8	E10, E11, E21, E22, E31, E32, E41, E52
33	33	1909932-01	7483A ADDER-4BIT W/LOOK AH	3	E45, E56, E66
34	34	1911271-00	74298 MUX 1 OF 4 W/STORA	3	E44, E55, E65
35	35	1909849-00	74H01 NAND GATE-QUAD 2IN, 0	1	E111
36	36	1910532-00	74500 NAND GATE-QUAD 2IN	3	E95, E113, E118
37	37	1910534-00	74504 INVERTER GATE-HEX 1I	2	E16, E105
38	38	1910547-00	745153 MUX 1 OF 4 (DUAL)	4	E13, E14, E34, E35
39	39	1910548-00	745157 MUX 1 OF 2 (QUAD)	7	E2, E24, E71, E91, E96, E98, E108
40	40	1910550-00	745174 FF-D HEX	3	E47-E49
41	41	1910531-00	DEC 745181 ALU-4BIT	4	E7, E18, E28, E38
42	42	1912097-00	SN 745182 LOOK AND CARRY GEN	1	E27
43	43	1912646-00	LS253 MUX 1 OF 4 (DUAL)	8	E57-E60, E67-E70
44	44	1912586-00	DM 85568N REGISTER, 64BIT EDGE	11	E8, E19, E29, E39, E78-E81, E88-E90
45	45	1910536-00	74510 NAND GATE-TRIPLE 3IN	1	E94
46	46	1910957-00	745175 FF-D QUAD COMMON CLO	1	E97
47	47	1910537-00	74511 AND GATE-TRIPLE 3INP	1	E121
48	48	23159A2-00	A2-02, A2-04	2	E74, E75
49	49	23159A2-00	A2-02, A2-04	1	E76
50	50	23167A2-00	A2-02, A2-04	1	E77
51	51	23165A2-00	A2-02, A2-04	1	E83
52	52	23166A2-00	A2-02, A2-04	1	E86
53	53	23164A2-00	A2-05	1	E107
54	54	1912746-00	DEC 74537 NAND GATE-QUAD 2IN	2	E84, E85
55	55	1912660-00	745253 MUX 1 OF 4 (DUAL)	8	E3-E5, E15, E25, E26, E36, E46
56	56	9000024-01	EYELET, ROLLED FLANGE, .121 OD X	11	
57	57	9009185-00	JUMPER, WIRE, INSULATED, BLACK B	2	W1, W2



THIS DRAWING AND SPECIFICATIONS HEREIN ARE THE PROPERTY OF DIGITAL EQUIPMENT CORPORATION AND SHALL NOT BE REPRODUCED OR COPIED IN WHOLE OR IN PART AS THE BASIS FOR THE MANUFACTURE OR SALE OF THIS EQUIPMENT WITHOUT WRITTEN PERMISSION. COPYRIGHT © 1977 DIGITAL EQUIPMENT CORPORATION

KI-10 ENAB GR L
 KI-5 TAP 30 H
 KI-10 GEN REG L
 K2-4 SP WRITE L
 KI-5 REG CLK H

KI-1 SSMUX 03 H
 KI-1 SSMUX 02 H
 KI-1 SSMUX 01 H
 KI-1 SSMUX 00 H

K2-4 SPA 03 H
 K2-4 SPA 02 H
 K2-4 SPA 01 H
 K2-4 SPA 00 H

KI-2 BREG 04 (1) H
 K2-8 BMODE 00 L
 K2-8 BMODE 01 L

KI-1 SSMUX 03 H
 KI-1 SSMUX 02 H
 KI-1 SSMUX 01 H
 KI-1 SSMUX 00 H

KI-5 PROC CLK L
 KI-10 SHIFT IN B H
 KI-2 BXREG 04 (1) H
 K2-8 BXMODE 00 L
 K2-8 BYMODE 01 L

KI-1 SSMUX 03 H
 KI-1 SSMUX 02 H
 KI-1 SSMUX 01 H
 KI-1 SSMUX 00 H

KI-5 PROC CLK L
 KI-10 SHIFT IN BX H

K2-8 BLEB 01 H
 K2-8 BLEB 00 H
 K2-4 DISABLE MSYN +1 L
 K2-8 AUX CONTROL (1) L

KI-10 LOAD PSW LOW L
 K2-7 LOAD CC L
 K2-7 LOAD PSW L
 KI-10 LOAD PSW LOW L

KI-1 SP 03 (1) H
 KI-1 SP 02 (1) H
 KI-1 SP 01 (1) H
 KI-1 SP 00 (1) H

KI-1 BREG 03 (1) H
 KI-1 BREG 02 (1) H
 KI-1 BREG 01 (1) H
 KI-1 BREG 00 (1) H

KI-1 BXREG 03 (1) H
 KI-1 BXREG 01 (1) H
 KI-1 BXREG 00 (1) H

KI-10 CC N H
 KI-1 SSMUX 03 H
 KI-10 CC Z H
 KI-1 SSMUX 02 H
 KI-10 CC V H
 KI-1 SSMUX 01 H
 KI-10 CC C H
 KI-1 SSMUX 00 H

K2-8 ALU S3 H
 K2-8 ALU S2 H
 K2-8 ALU S1 H
 K2-8 ALU S0 H
 K2-8 ALU MODE H
 K2-8 ALU CIN L

KI-10 CC N H
 KI-1 SSMUX 03 H
 KI-10 CC Z H
 KI-1 SSMUX 02 H
 KI-10 CC V H
 KI-1 SSMUX 01 H
 KI-10 CC C H
 KI-1 SSMUX 00 H

KI-10 AMUX S1 H
 KI-10 AMUX S0 H

KI-10 AMUX S1 H
 KI-10 AMUX S0 H

KI-10 AMUX S1 H
 KI-10 AMUX S0 H

KI-1 ALU COUT 3 L
 K2-8 ALU CIN L
 K2-8 SWAP H

KI-10 AMUX 11 H
 KI-3 AMUX 10 H
 KI-3 AMUX 09 H
 KI-3 AMUX 08 H

KI-10 AMUX 03 H
 KI-10 AMUX 02 H
 KI-10 AMUX 01 H
 KI-10 AMUX 00 H

KI-10 AMUX S1 H
 KI-10 AMUX S0 H

KI-10 AMUX S1 H
 KI-10 AMUX S0 H

KI-10 AMUX S1 H
 KI-10 AMUX S0 H

KI-10 AMUX S1 H
 KI-10 AMUX S0 H

KI-10 AMUX S1 H
 KI-10 AMUX S0 H

KI-10 AMUX S1 H
 KI-10 AMUX S0 H

KI-1 SSMUX 03 H
 KI-1 SSMUX 02 H
 KI-1 SSMUX 01 H
 KI-1 SSMUX 00 H

KI-1 SSMUX 03 H
 KI-1 SSMUX 02 H
 KI-1 SSMUX 01 H
 KI-1 SSMUX 00 H

KI-1 SSMUX 03 H
 KI-1 SSMUX 02 H
 KI-1 SSMUX 01 H
 KI-1 SSMUX 00 H

KI-1 SSMUX 03 H
 KI-1 SSMUX 02 H
 KI-1 SSMUX 01 H
 KI-1 SSMUX 00 H

KI-1 SSMUX 03 H
 KI-1 SSMUX 02 H
 KI-1 SSMUX 01 H
 KI-1 SSMUX 00 H

KI-1 SSMUX 03 H
 KI-1 SSMUX 02 H
 KI-1 SSMUX 01 H
 KI-1 SSMUX 00 H

KI-1 SSMUX 03 H
 KI-1 SSMUX 02 H
 KI-1 SSMUX 01 H
 KI-1 SSMUX 00 H

KI-1 SSMUX 03 H
 KI-1 SSMUX 02 H
 KI-1 SSMUX 01 H
 KI-1 SSMUX 00 H

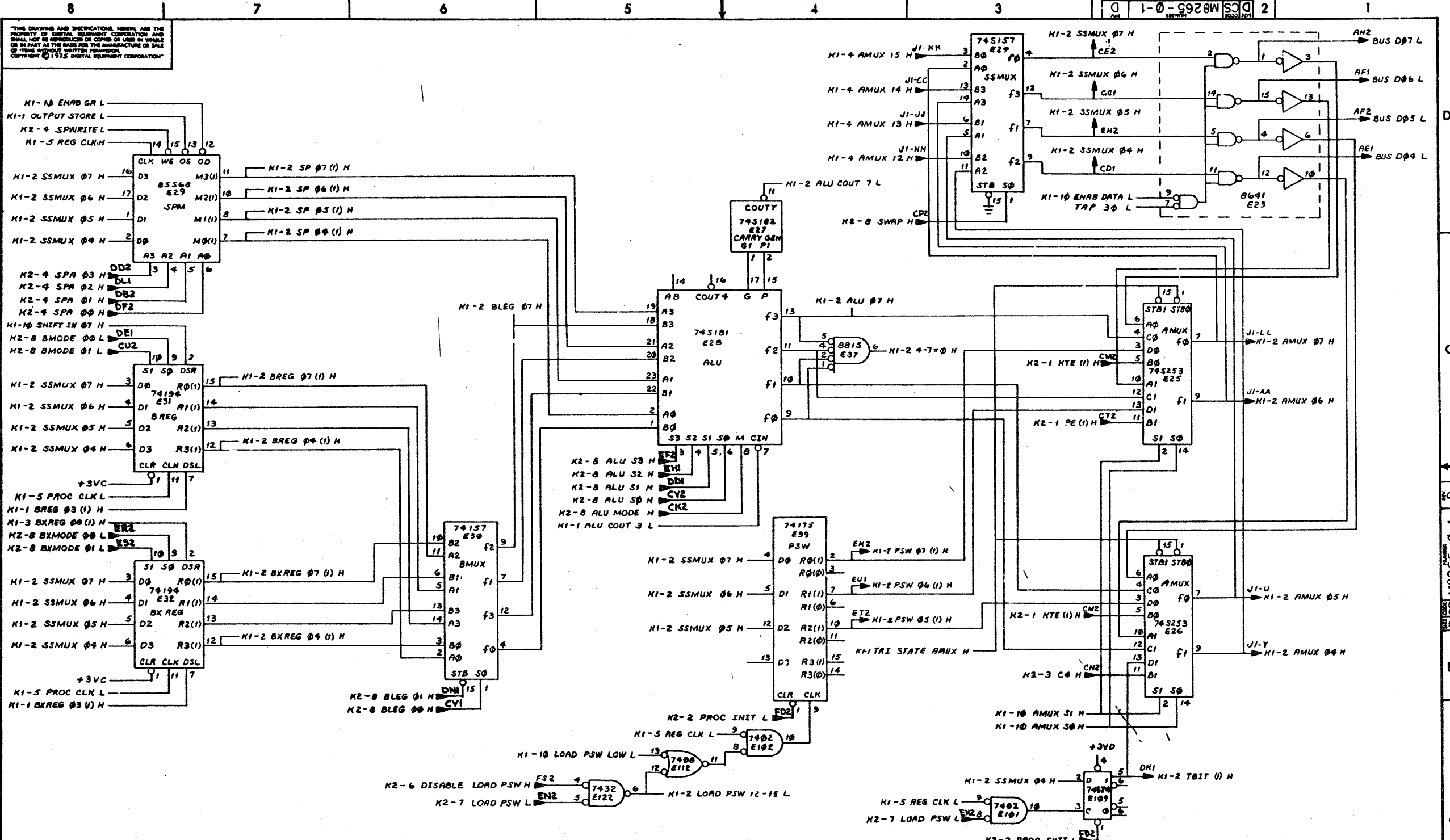
KI-1 SSMUX 03 H
 KI-1 SSMUX 02 H
 KI-1 SSMUX 01 H
 KI-1 SSMUX 00 H

REV	CHG	NO	REV	DATE	BY	CHKD	DATE
01		M8265-00001	A				
02		M8265-00002	B	24 AUG 77	P. Barry		
03		M8265-00003	C	29 AUG 77	P. Barry		
04		M8265-1W004	C	30 OCT 80	E. Crocker		

(DATA PATH 0-3)

DRN. P. Barry	FIRST USED ON	
CHK'D. P. Barry	TITLE	
ENG. J. MITCHELL	KDIEA	
PROJ. ENG. J. MITCHELL	DATA PATH (KI-1)	
PROD. P. Barry	SIZE CODE	DCS M8265-0-1
NEXT HIGHER ASSY.	NUMBER	
SCALE	REV.	1 OF 10
SHEET	DIST.	

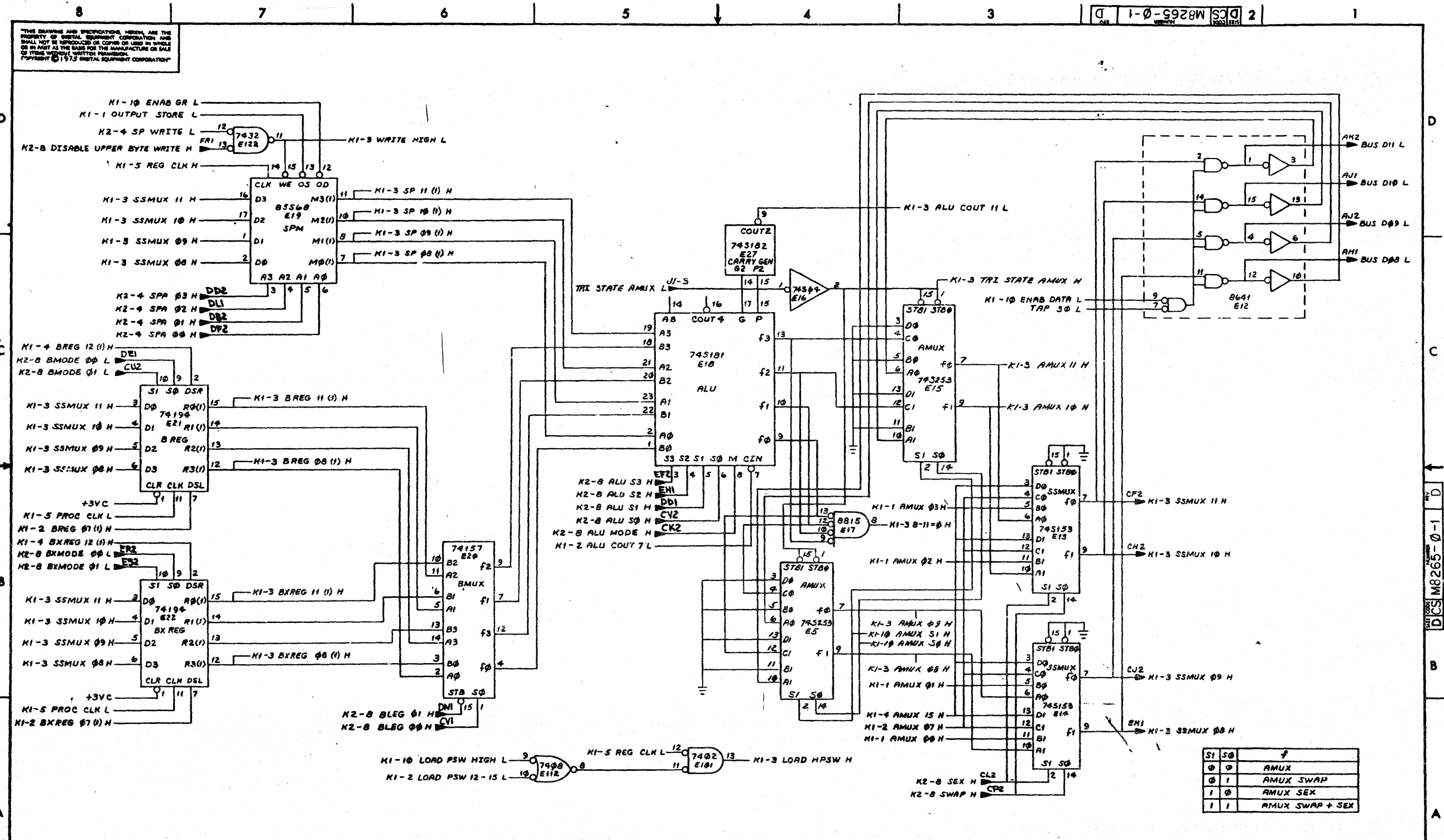
THIS DRAWING AND SPECIFICATIONS HEREIN ARE THE PROPERTY OF DIGITAL EQUIPMENT CORPORATION AND SHALL NOT BE REPRODUCED OR COPIED OR USED IN WHOLE OR IN PART AS THE BASIS FOR THE MANUFACTURE OR SALE OF ITEMS WITHOUT WRITTEN PERMISSION. COPYRIGHT © 1975 DIGITAL EQUIPMENT CORPORATION



REVISIONS		
CHK	CHANGE NO.	REV.

TITLE		KI-2 DATA PATH (KI-2)		SIZE CODE	NUMBER	REV.
SCALE		1/1		DIST.	2 OF 10	D
SHEET		2 OF 10		DCS M8265-0-1		

THIS DRAWING AND SPECIFICATIONS HEREIN ARE THE PROPERTY OF DIGITAL EQUIPMENT CORPORATION AND SHALL NOT BE REPRODUCED OR COPIED IN WHOLE OR IN PART AS THE BASIS FOR THE MANUFACTURE OR SALE OF ITEMS WITHOUT WRITTEN PERMISSION. COPYRIGHT © 1973 DIGITAL EQUIPMENT CORPORATION.

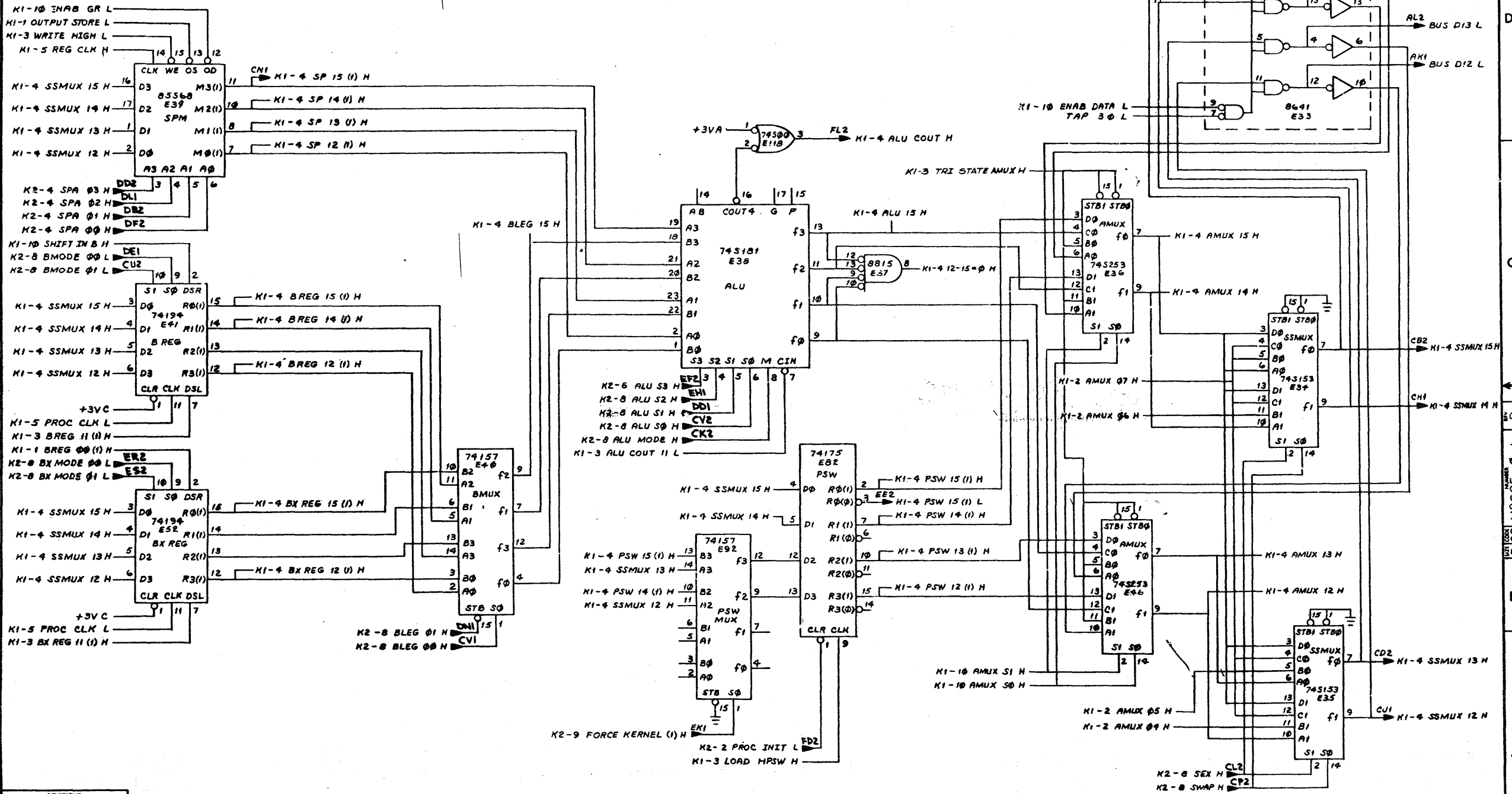


REVISIONS

CHK	CHANGE NO.	REV.

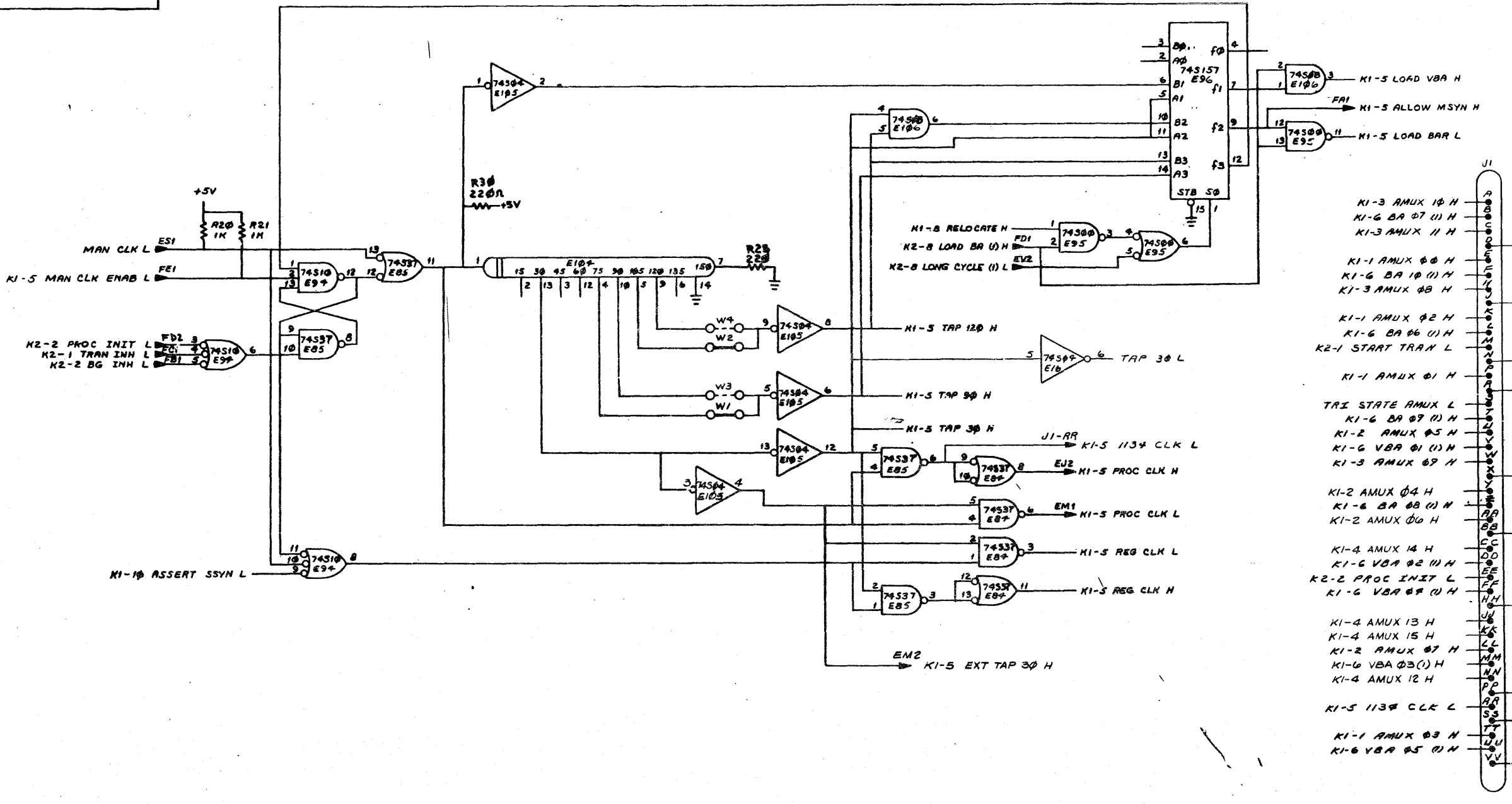
(DATA PATH 8-11)

THIS DRAWING AND SPECIFICATIONS HEREIN ARE THE PROPERTY OF DIGITAL EQUIPMENT CORPORATION AND SHALL NOT BE REPRODUCED OR COPIED OR USED IN WHOLE OR IN PART AS THE BASIS FOR THE MANUFACTURE OR SALE OF ITEMS WITHOUT WRITTEN PERMISSION. COPYRIGHT © 1975 DIGITAL EQUIPMENT CORPORATION



REVISIONS			TITLE		SIZE CODE		NUMBER		REV.
CHK	CHANGE NO.	REV.	KD1EA DATA PATH (KI-4)		DCS M8265-0-1				D
			SCALE	H	SHEET	4 OF 10	DIST.		

THIS DRAWING AND SPECIFICATIONS HEREIN ARE THE PROPERTY OF DIGITAL EQUIPMENT CORPORATION AND SHALL NOT BE REPRODUCED OR COPIED OR USED IN WHOLE OR IN PART AS THE BASIS FOR THE MANUFACTURE OR SALE OF ITEMS WITHOUT WRITTEN PERMISSION. COPYRIGHT © 1975 DIGITAL EQUIPMENT CORPORATION



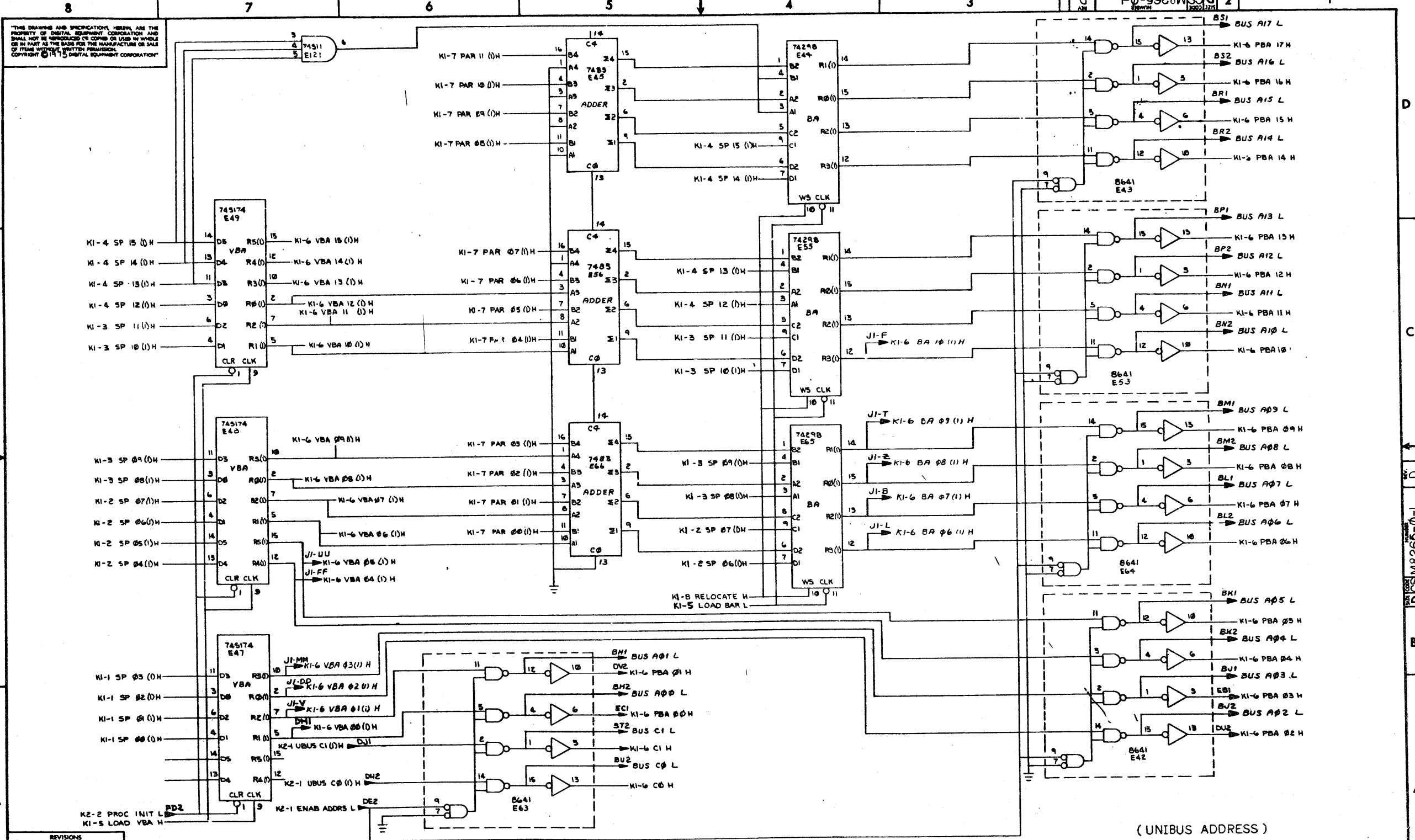
- K1-3 AMUX 10 H
- K1-6 BA 07 (U) H
- K1-3 AMUX 11 H
- K1-1 AMUX 00 H
- K1-6 BA 10 (U) H
- K1-3 AMUX 08 H
- K1-1 AMUX 02 H
- K1-6 BA 06 (U) H
- K2-1 START TRAN L
- K1-1 AMUX 01 H
- TRI STATE AMUX L
- K1-6 BA 09 (U) H
- K1-2 AMUX 05 H
- K1-6 VBA 01 (U) H
- K1-3 AMUX 07 H
- K1-2 AMUX 04 H
- K1-6 BA 08 (U) H
- K1-2 AMUX 06 H
- K1-4 AMUX 14 H
- K1-6 VBA 02 (U) H
- K2-2 PROC INIT L
- K1-6 VBA 04 (U) H
- K1-4 AMUX 13 H
- K1-4 AMUX 15 H
- K1-2 AMUX 07 H
- K1-6 VBA 03 (U) H
- K1-4 AMUX 12 H
- K1-5 1134 CLK L
- K1-1 AMUX 03 H
- K1-6 VBA 05 (U) H

(CPU CLK)

REVISIONS		
CHK	CHANGE NO.	REV.

TITLE	KD1EA DATA PATH (K1-5)	SIZE CODE	DCS	NUMBER	M8265-0-1	REV.	D
SCALE	1:1	SHEET	5 OF 10	DIST.			

"THIS DRAWING AND SPECIFICATIONS HEREIN ARE THE PROPERTY OF DIGITAL EQUIPMENT CORPORATION AND SHALL NOT BE REPRODUCED OR COPIED OR USED IN WHOLE OR IN PART AS THE BASIS FOR THE MANUFACTURE OR SALE OF ITEMS WITHOUT WRITTEN PERMISSION. COPYRIGHT © 1974 DIGITAL EQUIPMENT CORPORATION"



(UNIBUS ADDRESS)

CHK	CHANGE NO.	REV.

TITLE	SIZE CODE	NUMBER	REV.
KDIIEA DATA PATH (KI-6)	D	CSM8265-0-1	D
SCALE	SHEET	OF	TOTAL

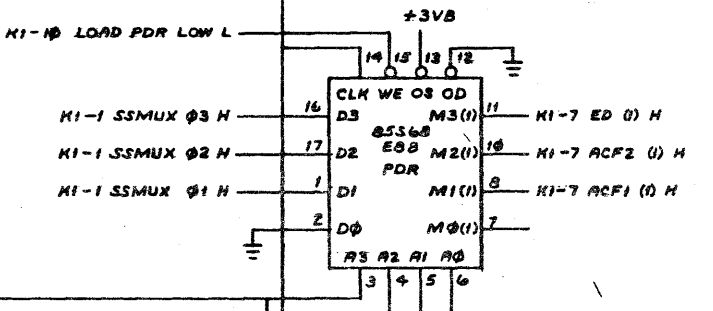
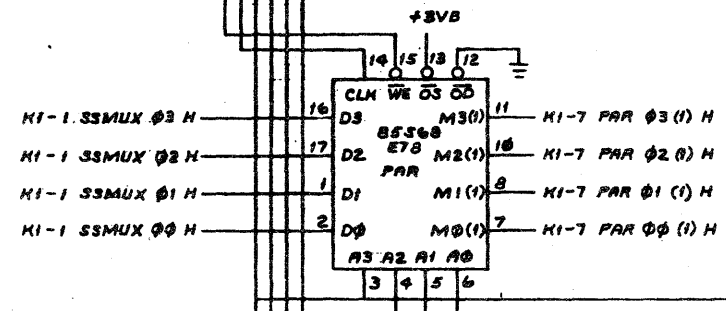
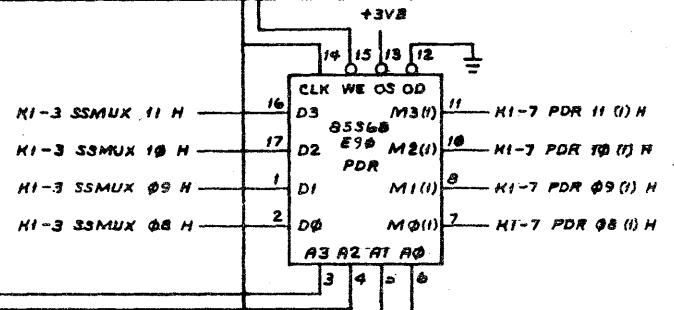
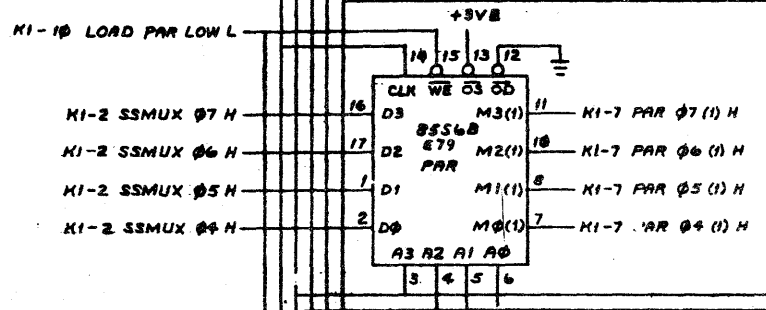
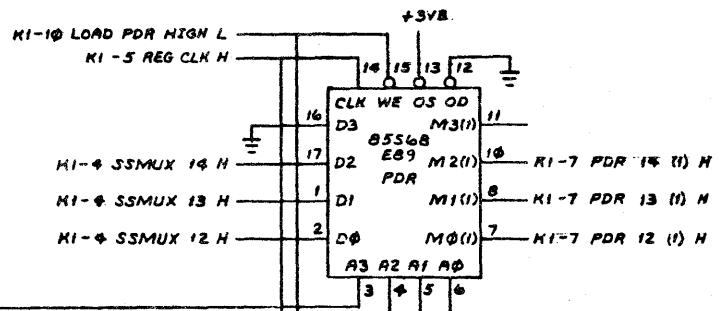
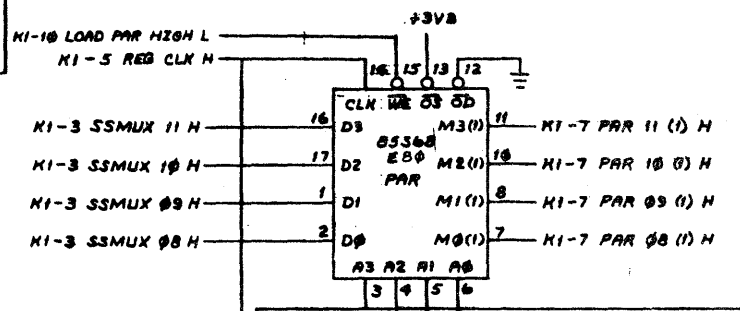
"THE DRAWING AND SPECIFICATIONS HEREIN ARE THE PROPERTY OF DIGITAL EQUIPMENT CORPORATION AND SHALL NOT BE REPRODUCED OR COPIED OR USED IN WHOLE OR IN PART AS THE BASIS FOR THE MANUFACTURE OR SALE OF ITEMS WITHOUT WRITTEN PERMISSION. COPYRIGHT © 1975 DIGITAL EQUIPMENT CORPORATION"

D

C

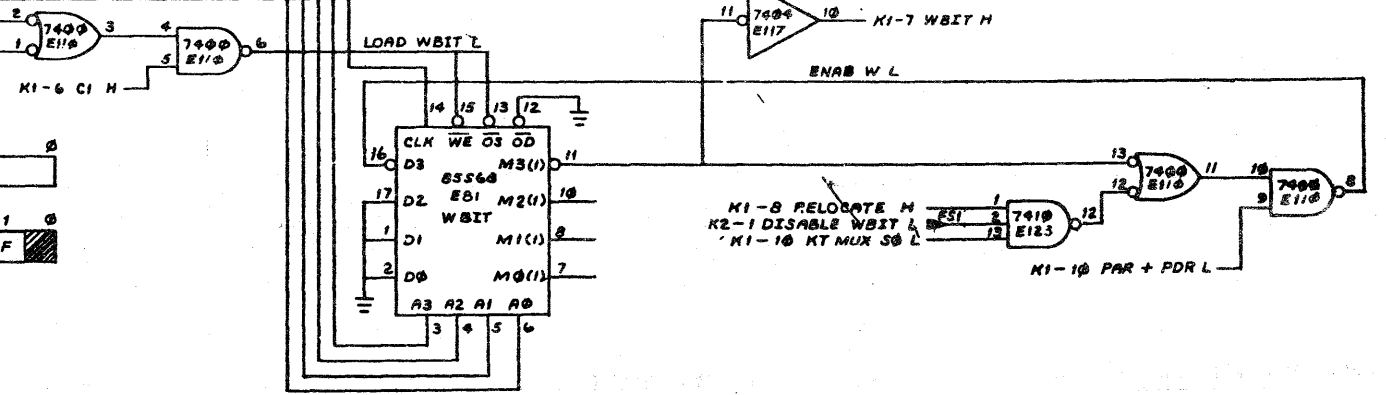
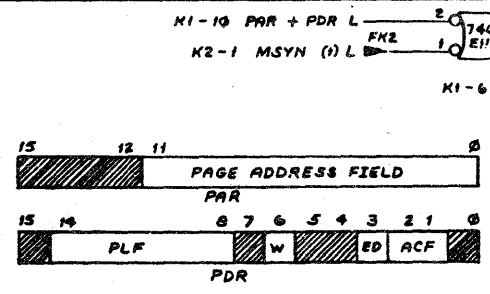
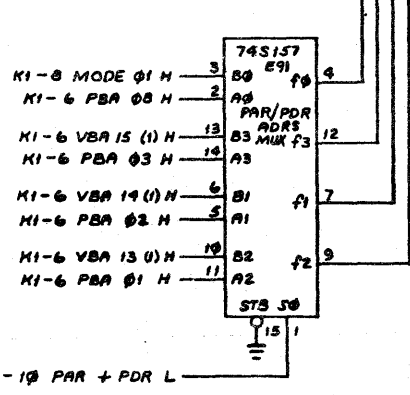
B

A



ED	DIRECTION
0	UP
1	DOWN

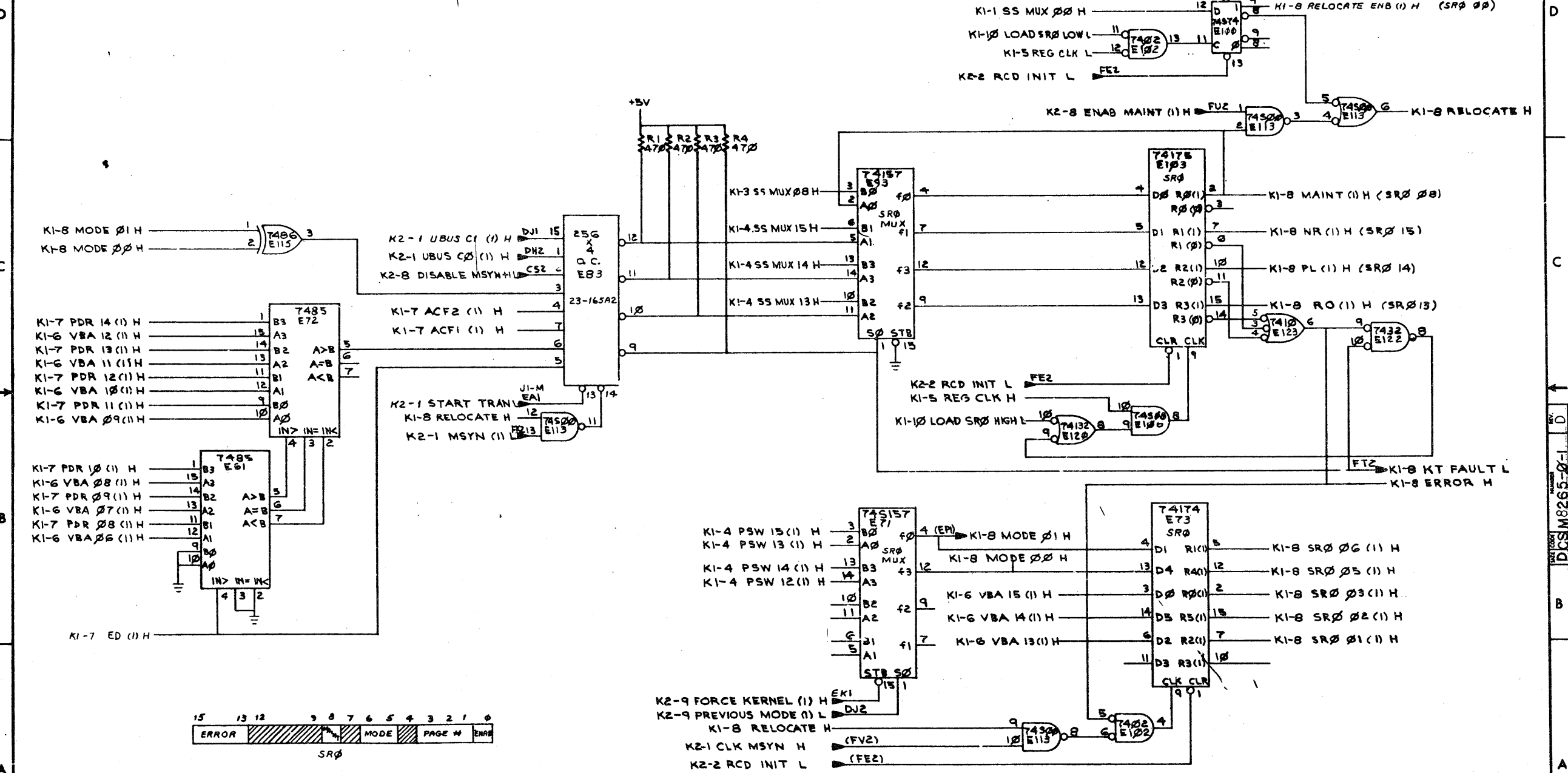
ACF2	ACF1	DESCRIPTION
0	0	NONRESIDENT
0	1	RESIDENT READ ONLY
1	0	ABOUT ALL ACCESSES
1	1	RESIDENT READ/WRITE



CHK	REVISIONS	CHANGE NO.	REV.

TITLE	SIZE CODE	NUMBER	REV.
KDIIEA DATA PATH (KI-7)	DCS	M8265-0-1	D
SCALE	SHEET	DIST.	

THIS DRAWING AND SPECIFICATIONS HEREIN ARE THE PROPERTY OF DIGITAL EQUIPMENT CORPORATION AND SHALL NOT BE REPRODUCED OR COPIED OR USED IN WHOLE OR IN PART AS THE BASIS FOR THE MANUFACTURE OR SALE OF ITEMS WITHOUT WRITTEN PERMISSION. COPYRIGHT © 1975 DIGITAL EQUIPMENT CORPORATION

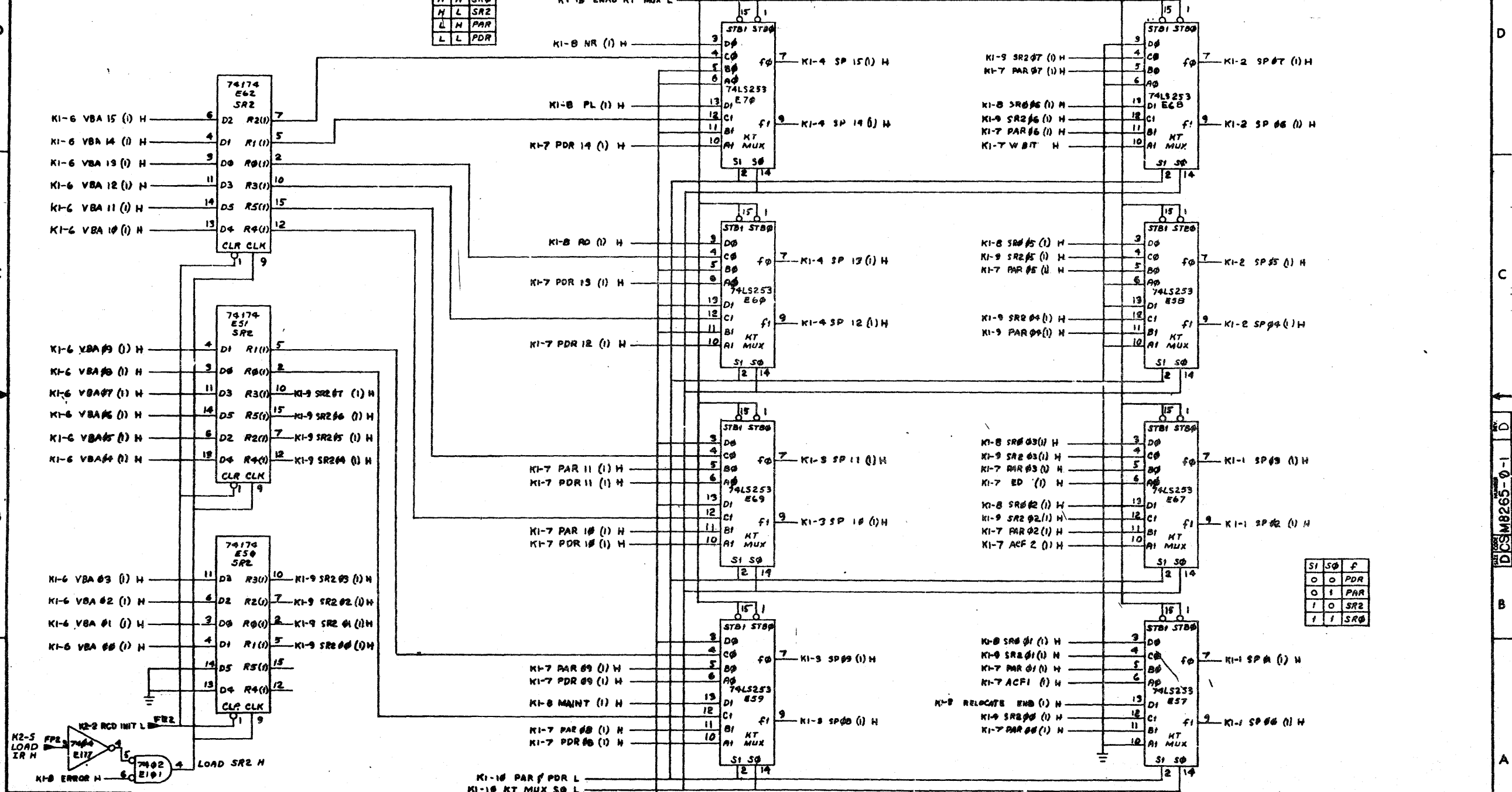


(SR0 AND KT ERROR)

REVISIONS	TITLE	SIZE CODE	NUMBER	REV.
CHK CHANGE NO. REV.	KDIEA DATA PATH (KI-8)	DCS M8265-0-1	1	D
	SCALE	SHEET 8 OF 10		

THIS DRAWING AND SPECIFICATIONS HEREIN ARE THE PROPERTY OF DIGITAL EQUIPMENT CORPORATION AND SHALL NOT BE REPRODUCED OR COPIED OR USED IN WHOLE OR IN PART AS THE BASIS FOR THE MANUFACTURE OR SALE OF ITEMS WITHOUT THE WRITTEN PERMISSION OF DIGITAL EQUIPMENT CORPORATION © 1975

SI	SO	F
H	H	SR0
H	L	SR2
L	H	PAR
L	L	PDR

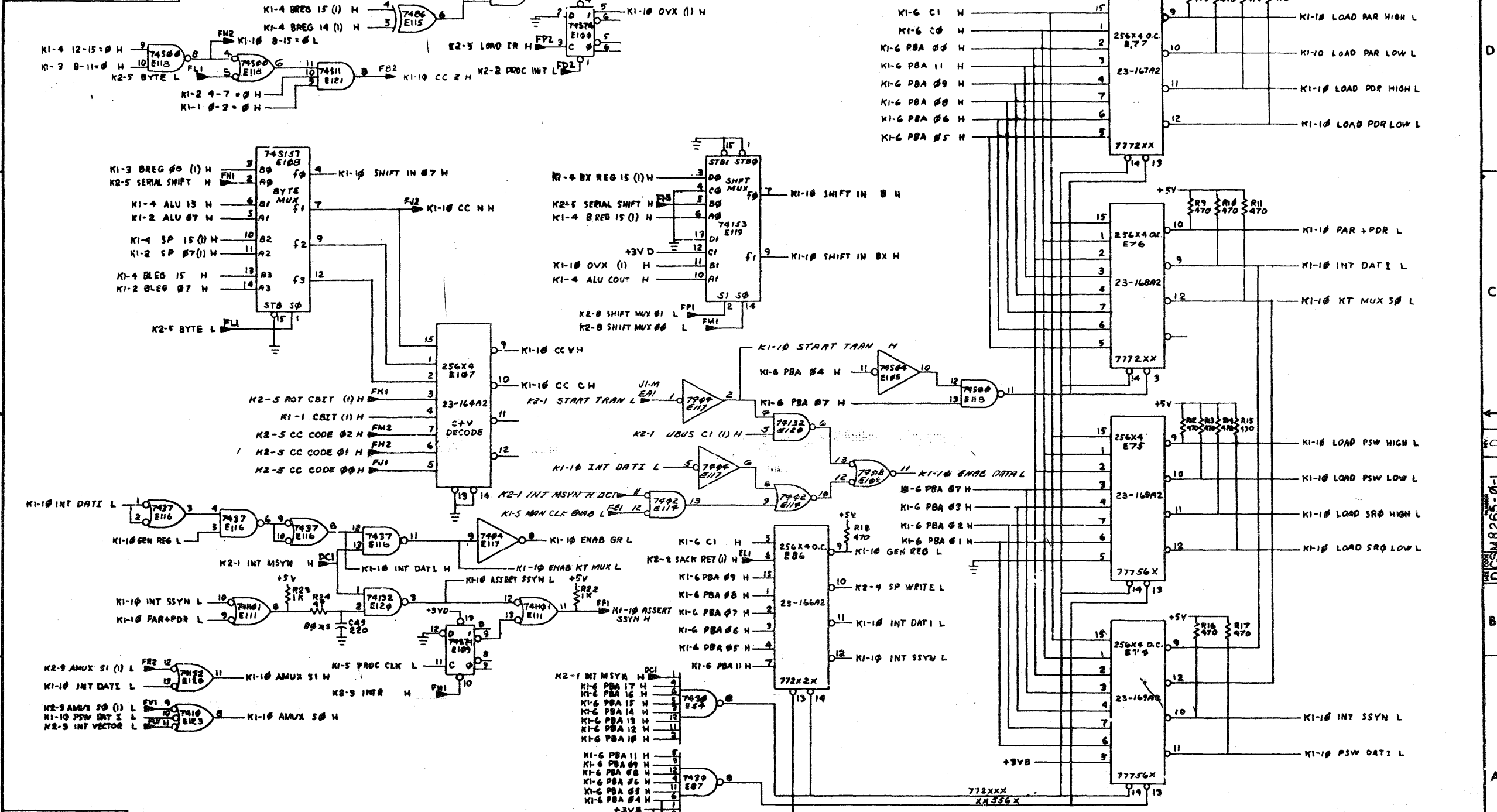


SI	SO	F
0	0	PDR
0	1	PAR
1	0	SR2
1	1	SR0

(SR2 AND KT MUX)

REVISIONS			TITLE		SIZE	CODE	NUMBER	REV.
CHK	CHANGE NO.	REV.	KD11EA DATA PATH (KI-9)		D	CS	M8265-0-1	0
			SCALE		SHEET	9	OF 10	DIST.

"THE DRAWING AND SPECIFICATIONS HEREIN ARE THE PROPERTY OF DIGITAL EQUIPMENT CORPORATION AND SHALL NOT BE REPRODUCED OR COPIED OR USED IN WHOLE OR IN PART AS THE BASIS FOR THE MANUFACTURE OR SALE OF THIS WITHOUT WRITTEN PERMISSION. COPYRIGHT © 1977 DIGITAL EQUIPMENT CORPORATION"



REVISIONS		
CHK	CHANGE NO.	REV.

(CC DECODE, ADDR DET.)

"THIS DRAWING AND SPECIFICATIONS HEREIN ARE THE PROPERTY OF DIGITAL EQUIPMENT CORPORATION AND SHALL NOT BE REPRODUCED OR COPIED OR USED IN WHOLE OR IN PART AS THE BASIS FOR THE MANUFACTURE OR SALE OF ITEMS WITHOUT WRITTEN PERMISSION. COPYRIGHT © 1975 DIGITAL EQUIPMENT CORPORATION"

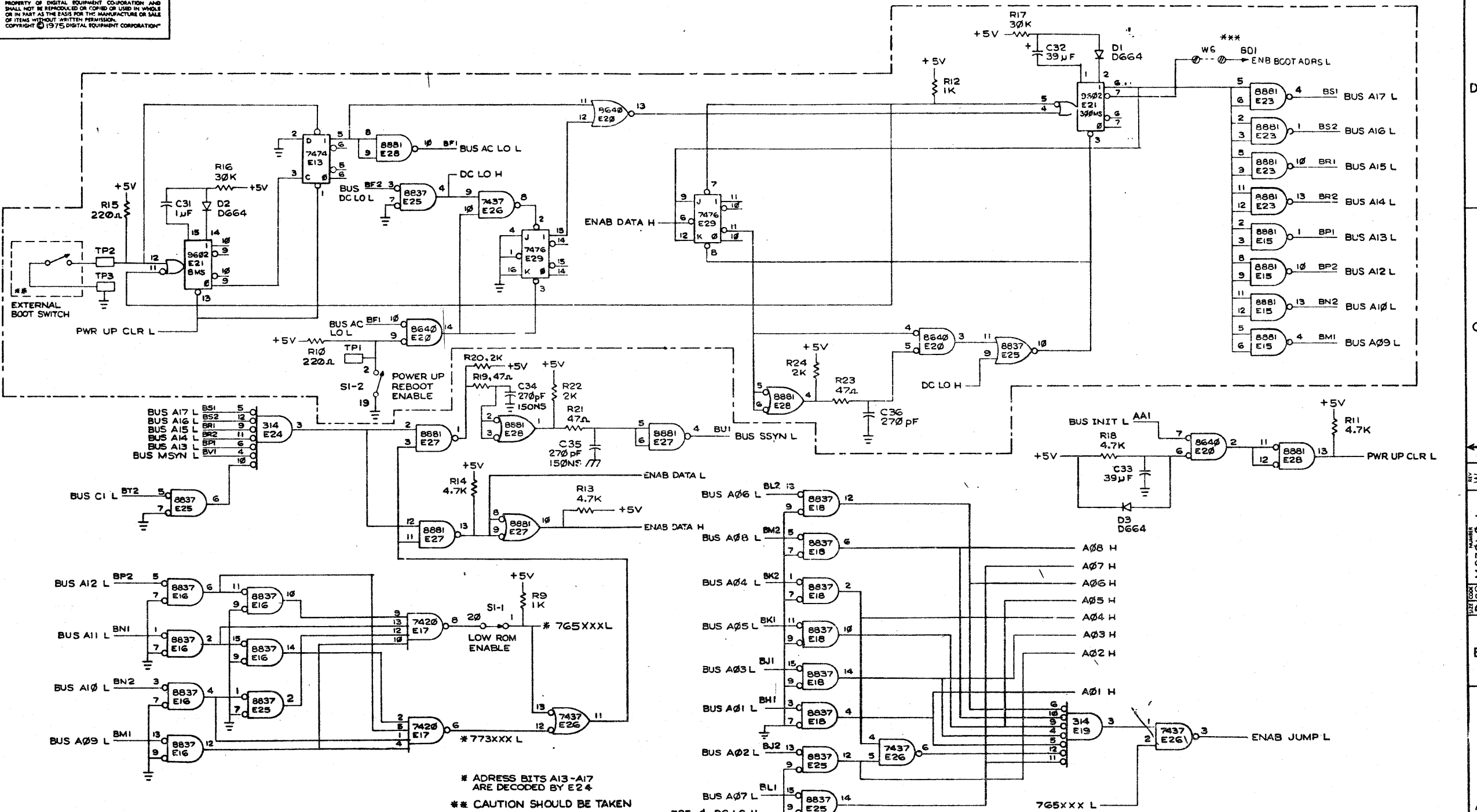
REWORK INSTRUCTIONS

FIELD SERVICE DEPOT: REMOVE THE INNER HANDLE LOCATED ABOVE C31 BY DRILLING OUT THE TWO EYELETS WITH A .125 INCH DRILL.

QTY	QTY	QTY	QTY	QTY	QTY	QTY	QTY	QTY	QTY	QTY	REF DESIGNATION	DESCRIPTION	PART NO.	ITEM NO.
4	4	4	4	4	4	4	4	4	4	4	E5, E6, E11, E12	SOCKET, 16 PIN, I.C.	1211B13	37
0	0	0	0	0	0	0	0	0	0	0	E5	I.C. DEC TRI-STATE 2048 ROM	23034A9	38
0	0	0	0	0	0	0	0	0	0	0	E6	I.C. DEC TRI-STATE 2048 ROM	23035A9	39
0	0	0	0	0	0	0	0	0	0	0	E11	I.C. DEC TRI-STATE 2048 ROM	23036A9	40
0	0	0	0	0	0	0	0	0	0	0	E12	I.C. DEC TRI-STATE 2048 ROM	23037A9	41
0	0	0	0	0	0	0	0	0	0	0	E5	I.C. DEC TRI-STATE 2048 ROM	23038A9	42
0	0	0	0	0	0	0	0	0	0	0	E6	I.C. DEC TRI-STATE 2048 ROM	23039A9	43
0	0	0	0	0	0	0	0	0	0	0	E11	I.C. DEC TRI-STATE 2048 ROM	23040A9	44
0	0	0	0	0	0	0	0	0	0	0	E12	I.C. DEC TRI-STATE 2048 ROM	23041A9	45
0	0	0	0	0	0	0	0	0	0	0	E5	I.C. DEC TRI-STATE 2048 ROM	23042A9	46
0	0	0	0	0	0	0	0	0	0	0	E6	I.C. DEC TRI-STATE 2048 ROM	23043A9	47
0	0	0	0	0	0	0	0	0	0	0	E11	I.C. DEC TRI-STATE 2048 ROM	23044A9	48
0	0	0	0	0	0	0	0	0	0	0	E12	I.C. DEC TRI-STATE 2048 ROM	23045A9	49
0	0	0	0	0	0	0	0	0	0	0	E5	I.C. DEC TRI-STATE 2048 ROM	23046A9	50
0	0	0	0	0	0	0	0	0	0	0	E6	I.C. DEC TRI-STATE 2048 ROM	23047A9	51
0	0	0	0	0	0	0	0	0	0	0	E11	I.C. DEC TRI-STATE 2048 ROM	23123A9	52
0	0	0	0	0	0	0	0	0	0	0	E12	I.C. DEC TRI-STATE 2048 ROM	23049A9	53
0	0	0	5	0	0	5	0	0	0	0	WI THRU WS	JUMPER, WIRE, WHITE INSULATION	90091B5	54
2	2	2	2	2	2	2	2	2	2	2	R10, R15	RES 220A, 1/4W, 5%	1300271	55
2	2	2	2	2	2	2	2	2	2	2		SPLIT LUG	9006735	56
0	0	0	0	0	0	0	0	0	0	0	E5	I.C. DEC TRI-STATE 2048 ROM	23480A9	57
0	0	0	0	0	0	0	0	0	0	0	E6	I.C. DEC TRI-STATE 2048 ROM	23481A9	58
0	0	0	0	0	0	0	0	0	0	0	E11	I.C. DEC TRI-STATE 2048 ROM	23482A9	59
0	0	0	0	0	0	0	0	0	0	0	E12	I.C. DEC TRI-STATE 2048 ROM	23483A9	60
0	0	0	0	0	0	0	0	0	0	0	E5	I.C. DEC TRI-STATE 2048 ROM	23332A9	61
0	0	0	0	0	0	0	0	0	0	0	E6	I.C. DEC TRI-STATE 2048 ROM	23333A9	62
0	0	0	0	0	0	0	0	0	0	0	E11	I.C. DEC TRI-STATE 2048 ROM	23334A9	63
0	0	0	0	0	0	0	0	0	0	0	E12	I.C. DEC TRI-STATE 2048 ROM	23335A9	64
0	0	0	0	0	0	0	0	0	0	0	E5	I.C. DEC TRI-STATE 2048 ROM	23538A9	65
0	0	0	0	0	0	0	0	0	0	0	E6	I.C. DEC TRI-STATE 2048 ROM	23539A9	66
0	0	0	0	0	0	0	0	0	0	0	E11	I.C. DEC TRI-STATE 2048 ROM	23540A9	67
0	0	0	0	0	0	0	0	0	0	0	E12	I.C. DEC TRI-STATE 2048 ROM	23541A9	68
0	0	0	0	0	0	0	0	0	0	0	E5	I.C. DEC TRI-STATE 2048 ROM	23520A9	69
0	0	0	0	0	0	0	0	0	0	0	E6	I.C. DEC TRI-STATE 2048 ROM	23521A9	70
0	0	0	0	0	0	0	0	0	0	0	E11	I.C. DEC TRI-STATE 2048 ROM	23522A9	71
0	0	0	0	0	0	0	0	0	0	0	E12	I.C. DEC TRI-STATE 2048 ROM	23523A9	72
A/R	A/R	A/R	A/R	A/R	A/R	A/R	A/R	A/R	A/R	A/R		WIRE 30 GA.	9105740-55	73
1	0	0	0	0	0	0	0	0	0	0	E5	I.C. DEC TRI-STATE 2048 ROM	23744A9	74
1	0	0	0	0	0	0	0	0	0	0	E6	I.C. DEC TRI-STATE 2048 ROM	23745A9	75
1	0	0	0	0	0	0	0	0	0	0	E11	I.C. DEC TRI-STATE 2048 ROM	23746A9	76
1	0	0	0	0	0	0	0	0	0	0	E12	I.C. DEC TRI-STATE 2048 ROM	23747A9	77
A/R	A/R	A/R	A/R	A/R	A/R	A/R	A/R	A/R	A/R	A/R		CEMENT PERMABOND	9009157	78

REVISIONS		
CHK	CHANGE NO.	REV.

"THIS DRAWING AND SPECIFICATIONS, HEREIN, ARE THE PROPERTY OF DIGITAL EQUIPMENT CORPORATION AND SHALL NOT BE REPRODUCED OR COPIED OR USED IN WHOLE OR IN PART AS THE BASIS FOR THE MANUFACTURE OR SALE OF ITEMS WITHOUT WRITTEN PERMISSION. COPYRIGHT © 1975 DIGITAL EQUIPMENT CORPORATION"

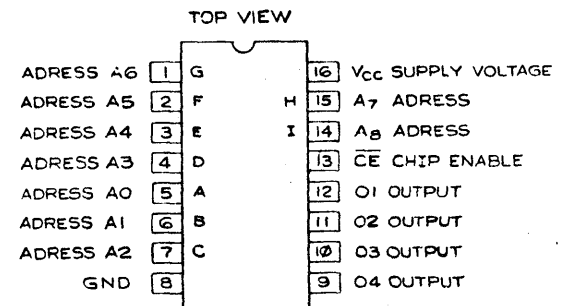
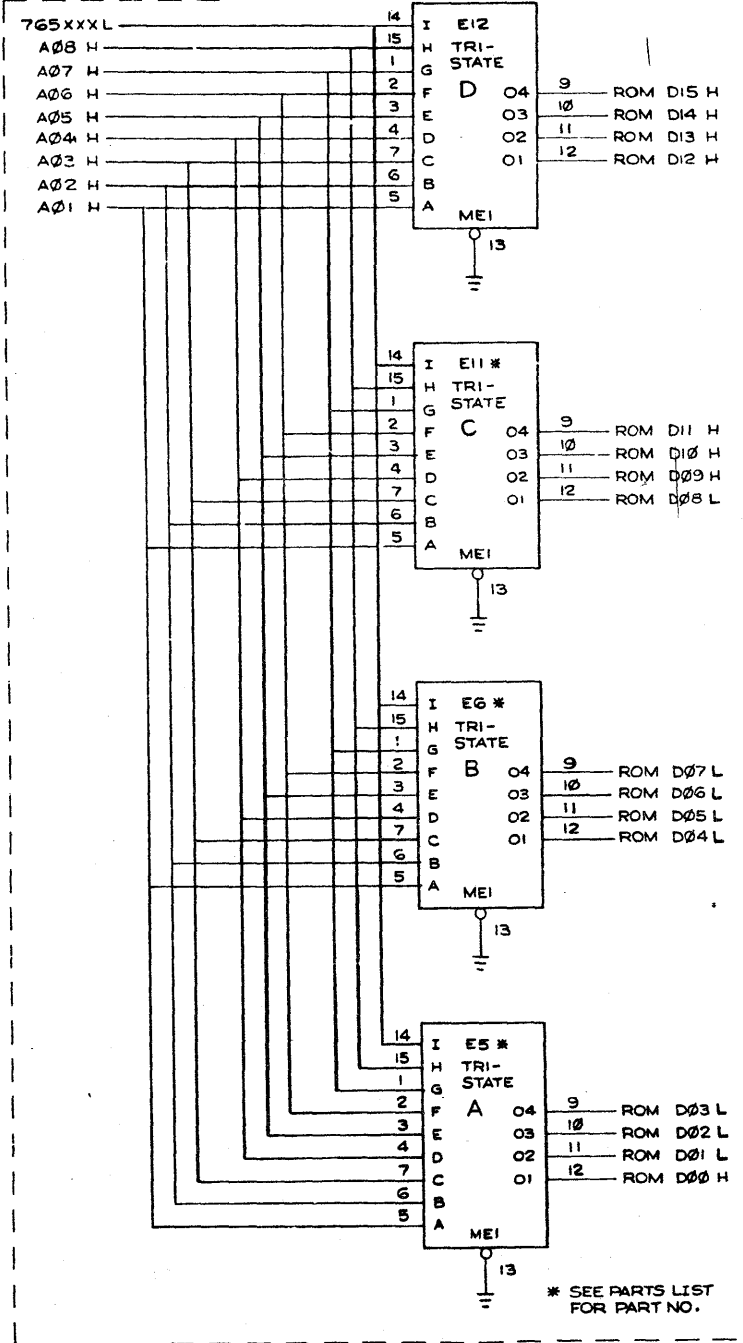


* ADDRESS BITS A13-A17 ARE DECODED BY E24
 ** CAUTION SHOULD BE TAKEN TO GUARANTEE PROPER NOISE FILTERING & LOGIC LEVELS ON THESE INPUTS

*** JUMPER W6 SHOULD ONLY BE INSTALLED IN 11/55 AND 11/70 COMPUTERS WHOSE BACKPLANES HAVE BEEN MODIFIED FOR THIS MODULE.

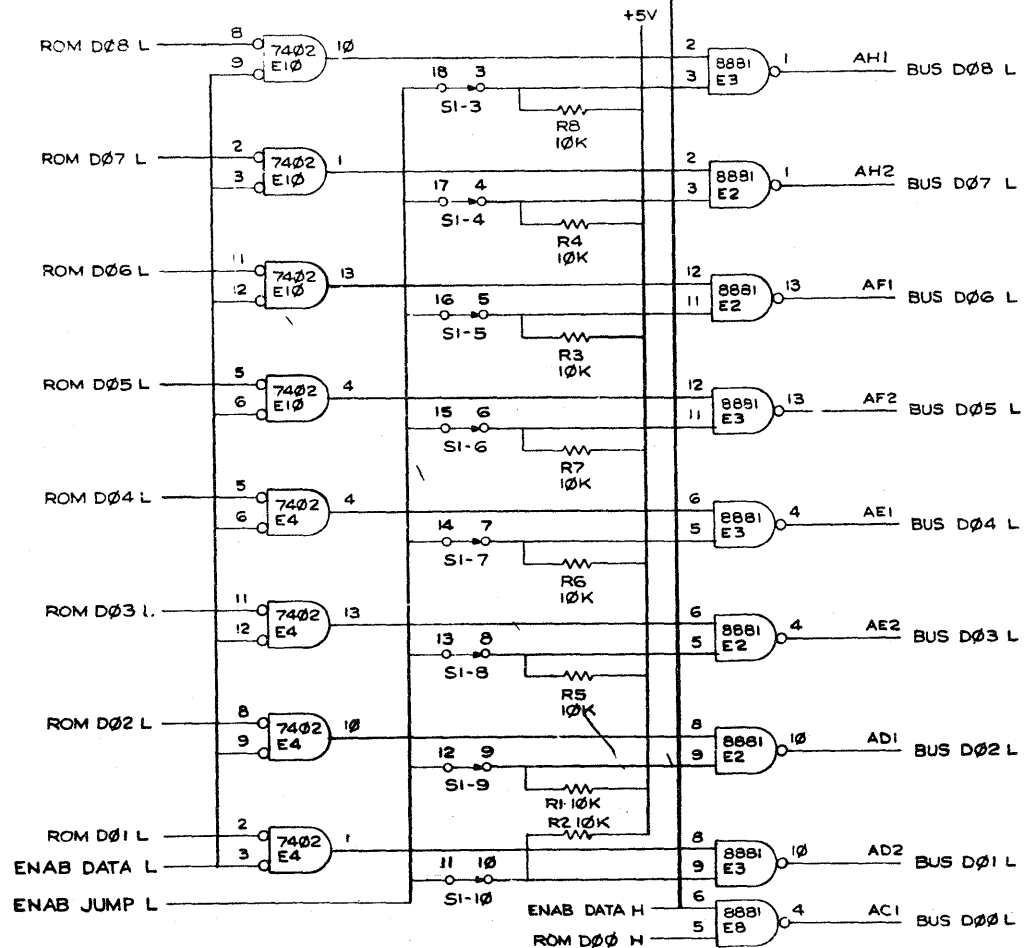
REVISIONS		
CHK	CHANGE NO.	REV.

"THIS DRAWING AND SPECIFICATIONS HEREIN, ARE THE PROPERTY OF DIGITAL EQUIPMENT CORPORATION AND SHALL NOT BE REPRODUCED OR COPIED OR USED IN WHOLE OR IN PART AS THE BASIS FOR THE MANUFACTURE OR SALE OF ITEMS WITHOUT WRITTEN PERMISSION. COPYRIGHT © 1975 DIGITAL EQUIPMENT CORPORATION"



- 3. BLANK PROMS HAVE DEC PART NO. 23-000A901
- 4. BIPOLAR 2048 (512 X 4) BIT PROMS PIN COMPATIBLE MAY BE USED WITH TRI-STATE OUTPUTS AND ACCESS TIME < 70 ns @ 70°C (INTERSIL 5624, MMI 6306, SIGNETICS 825131, ETC)

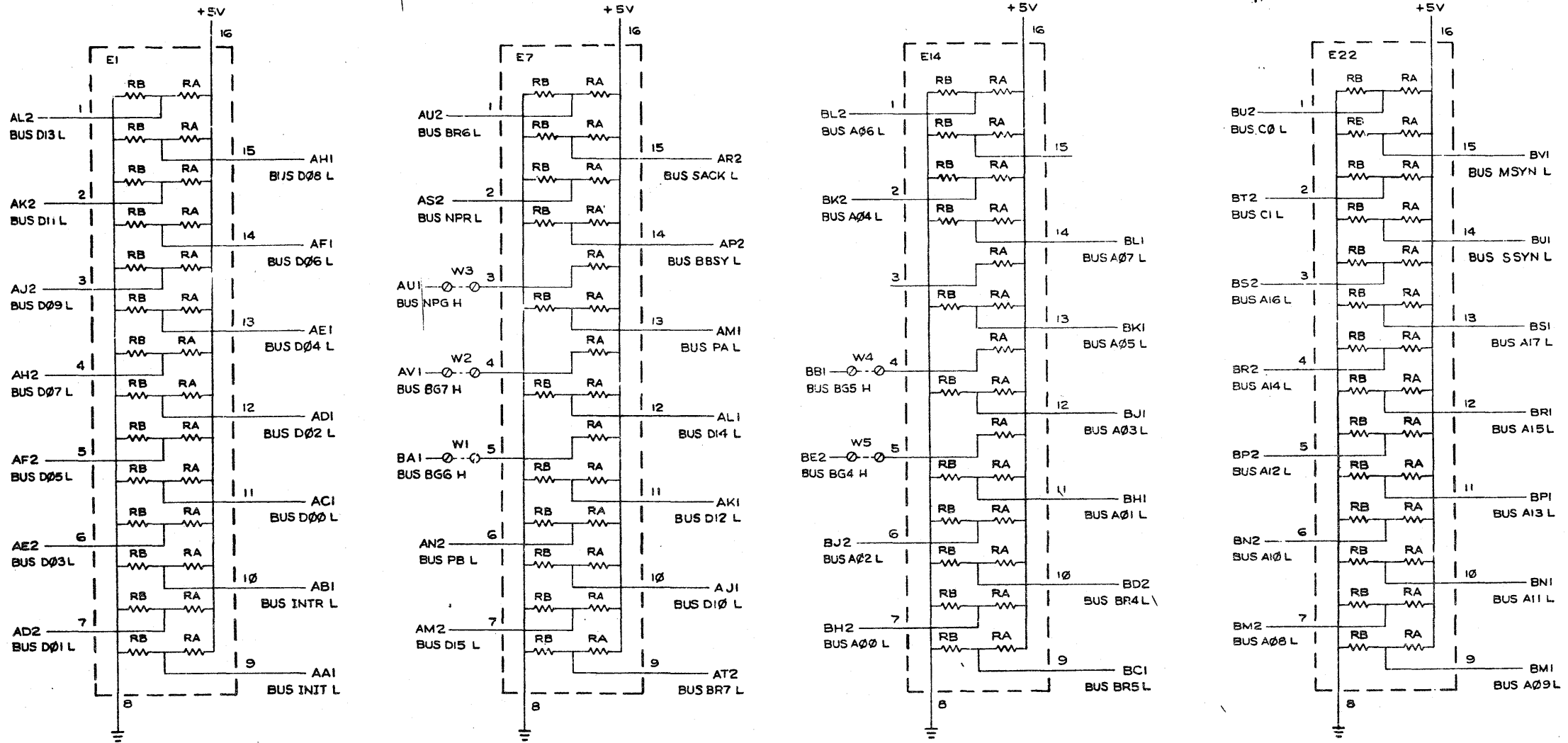
ADDRESS RANGE	
765000 - 765776	LOW ROM
773000 - 773776	HIGH ROM



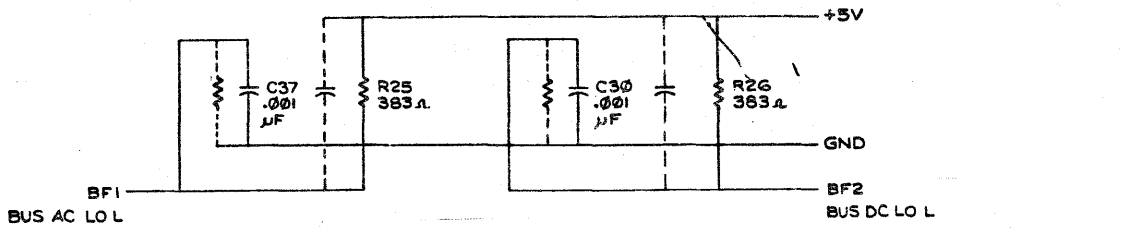
REVISIONS		
CHK	CHANGE NO.	REV.

REV. W
NUMBER M9301-0-1
DATE CODE DCS

"THIS DRAWING AND SPECIFICATIONS HEREIN ARE THE PROPERTY OF DIGITAL EQUIPMENT CORPORATION AND SHALL NOT BE REPRODUCED OR COPIED OR USED IN WHOLE OR IN PART AS THE BASIS FOR THE MANUFACTURE OR SALE OF ITEMS WITHOUT WRITTEN PERMISSION. COPYRIGHT © 1975 DIGITAL EQUIPMENT CORPORATION"



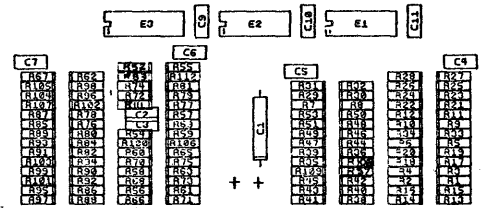
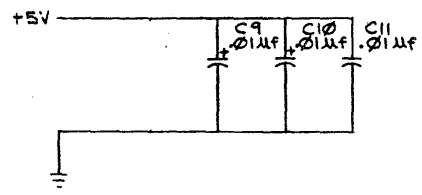
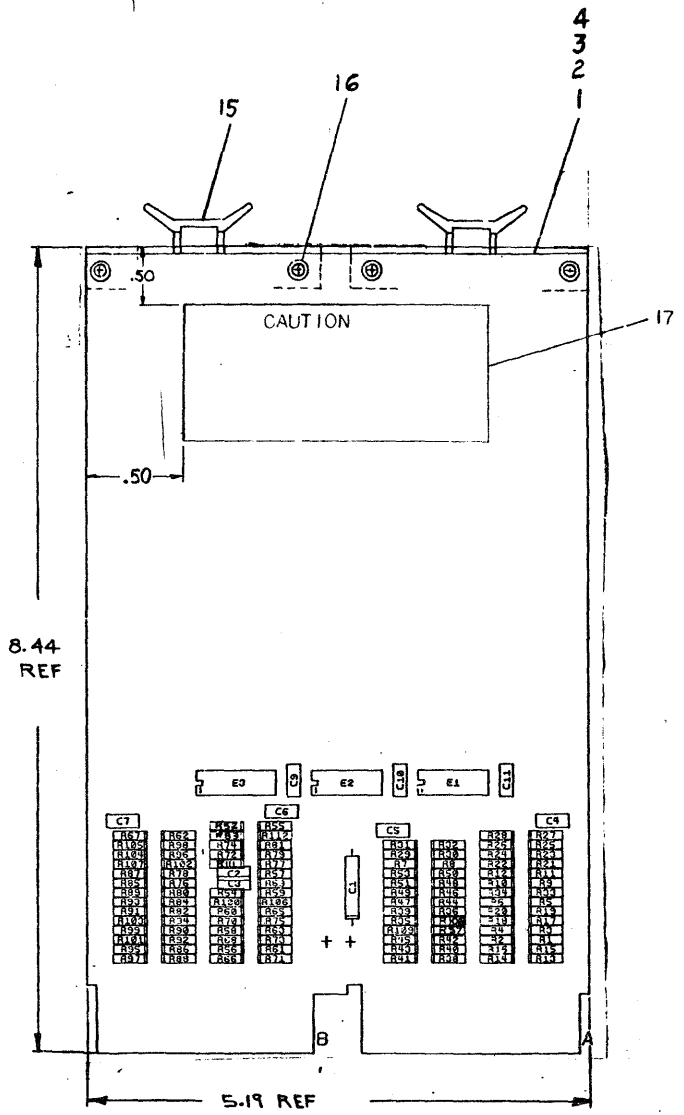
- NOTES :**
1. ALL RA RESISTORS SHOWN ARE 176.5Ω, ±2%
 2. ALL RB RESISTORS SHOWN ARE 375Ω, ±2%
 3. JUMPERS W1 THRU W5 ARE ONLY INSERTED ON THE M9301-YC AND M9301-YH IF USED IN AN 11/70 COMPUTER.



REVISIONS		
CHK	CHANGE NO.	REV.

THIS DRAWING AND SPECIFICATIONS HEREIN ARE THE PROPERTY OF DIGITAL EQUIPMENT CORPORATION AND SHALL NOT BE REPRODUCED OR COPIED OR USED IN WHOLE OR IN PART AS THE BASIS FOR THE MANUFACTURE OR SALE OF ITEMS WITHOUT WRITTEN PERMISSION.
COPYRIGHT © 1976, DIGITAL EQUIPMENT CORPORATION

NOTES:
1.) THE FOLLOWING REFERENCE DESIGNATIONS ARE NOT USED:
C8, R64, AND R110.



IC TYPE	GND	+5V
IC DEC 8837	8	16

GND AND 5V ARE USUALLY PIN 7 AND 14 RESPECTIVELY. EXCEPTIONS ARE STATED ABOVE.

IC PIN LOCATIONS

DRN. <i>J. Mapple</i>	DATE 10/9/76
CHKD. <i>[Signature]</i>	DATE 1-15-78
ENG. <i>[Signature]</i>	DATE 2-25-78
PROL. ENG. <i>[Signature]</i>	DATE 3-15-78
PRD. <i>[Signature]</i>	DATE 3/25/78
NEXT HIGHER ASSY?	

DEC NO.	EIA NO.	DEC NO.	EIA NO.

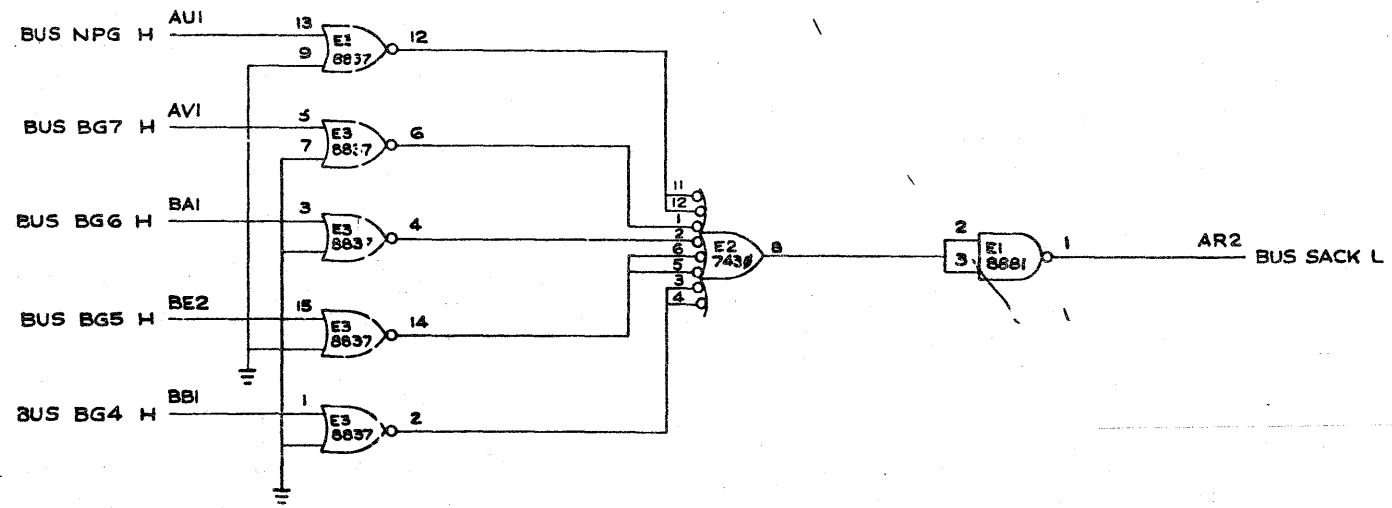
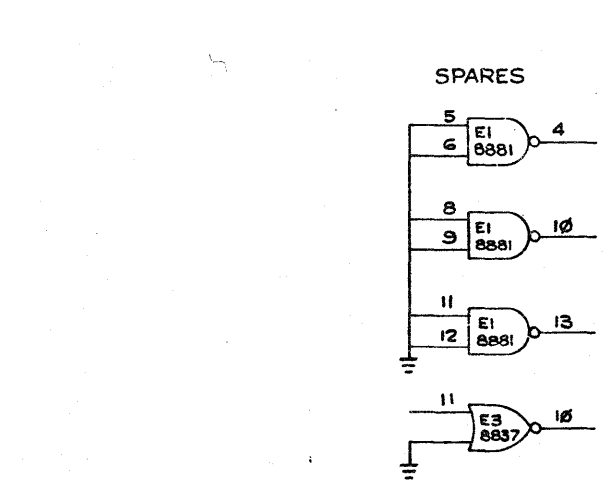
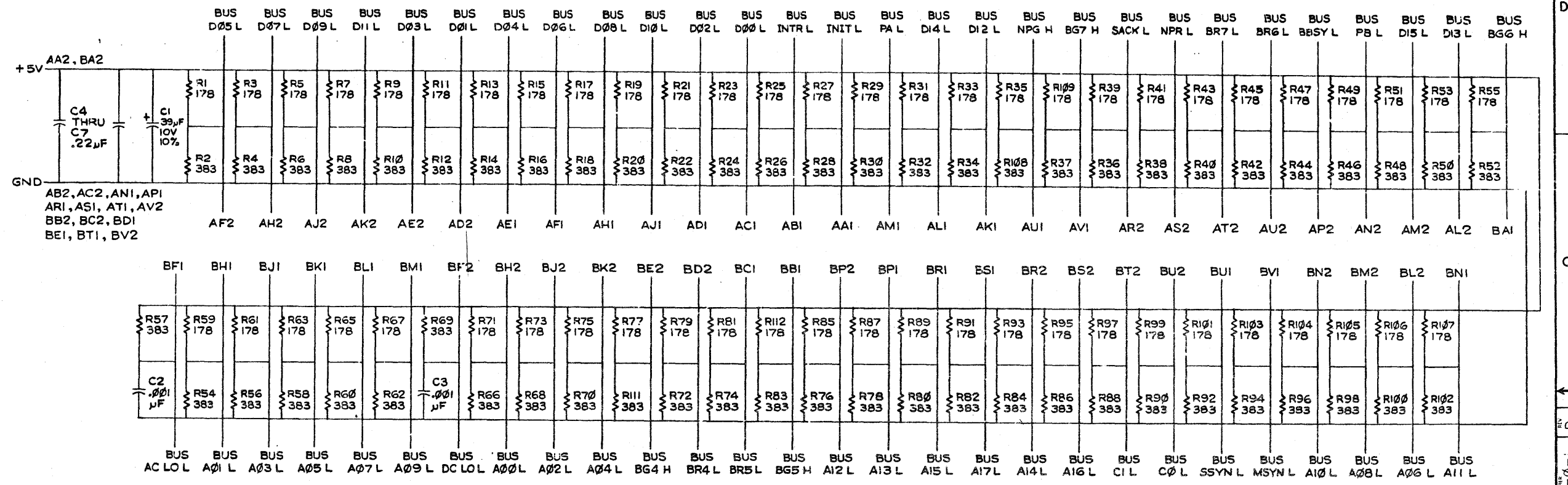
SEMICONDUCTOR CONVERSION CHART

DRN. <i>J. Mapple</i>	DATE 10/9/76	digital EQUIPMENT CORPORATION MAYNARD, MASSACHUSETTS
CHKD. <i>[Signature]</i>	DATE 1-15-78	
ENG. <i>[Signature]</i>	DATE 2-25-78	
PROL. ENG. <i>[Signature]</i>	DATE 3-15-78	
PRD. <i>[Signature]</i>	DATE 3/25/78	TITLE UNIBUS TERMINATOR
SCALE <i>[Signature]</i>	SHEET 1 OF 2	SIZE CODE DCS
		NUMBER M9302-0-1
		REV. 0
		DIST.

REF	DESCRIPTION	PART NO.	ITEM NO.
	X-Y HOLE COORDINATE HOLE LOCATION	K-CO-M9302-0-4	1
	ASSY/DRILLING HOLE LAYOUT	D-AH-M9302-0-5	2
	MODULE ECO HISTORY	B-MH-M9302-0-6	3
	ETCHED CIRCUIT BOARD	5011311	4
3	C9, C10, C11	CAP .01 µf 100V 20% DISC	5
1	C1	CAP 39 µf 10V 10%	6
1	C2	CAP 0.01 µf 250V 20% DISC	7
4	C4 THRU C7	CAP .22 µf 50V X5	8
2	C2, C3	CAP .001 µf 250V 20% DISC	9
36	R2, R4, R6, R8, R10, R12, R14, R16, R18, R20, R22, R24, R26, R28, R30, R32, R34, R36, R38, R40, R42, R44, R46, R48, R50, R54, R56, R58, R60, R62, R66, R68, R70, R72, R74, R76, R78, R80, R82, R84, R86, R88, R90, R92, R94, R96, R98, R100, R102, R104, R106, R108, R110, R112	RES 383 OHM 1/4W 1%	10
54	R1, R3, R5, R7, R9, R11, R13, R15, R17, R19, R21, R23, R25, R27, R29, R31, R33, R35, R39, R41, R43, R45, R47, R49, R51, R53, R55, R57, R59, R61, R63, R65, R67, R69, R71, R73, R75, R77, R79, R81, R83, R85, R87, R89, R91, R93, R95, R97, R99, R101, R103, R105, R107, R109, R111	RES 178 OHM 1/4W 1%	11
1	E2	I.C. DEC 7430	12
1	E1	I.C. DEC 8981	13
1	E3	I.C. DEC 8837	14
2	HANDWR. FLIP-CHIP (MAGENTA)	9008337-8	15
4	EYELETS	9006732	16
1	DECAL	B-DC-7416791-00	17

DCS M9302-0-1 0

"THIS DRAWING AND SPECIFICATIONS, HEREIN, ARE THE PROPERTY OF DIGITAL EQUIPMENT CORPORATION AND SHALL NOT BE REPRODUCED OR COPIED OR USED IN WHOLE OR IN PART AS THE BASIS FOR THE MANUFACTURE OR SALE OF ITEMS WITHOUT WRITTEN PERMISSION. COPYRIGHT © 1975 DIGITAL EQUIPMENT CORPORATION"

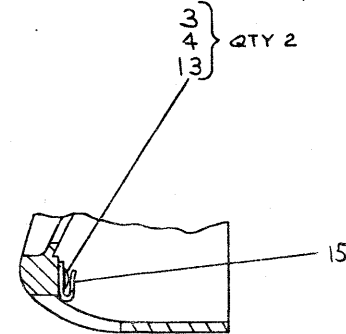
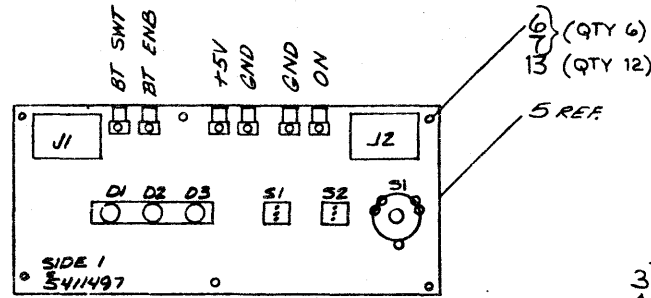
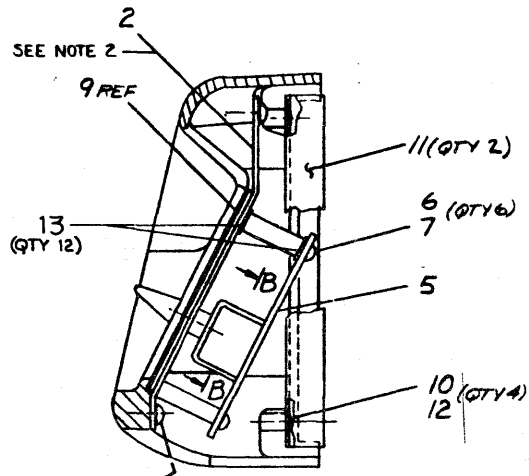


REVISIONS		
CHK	CHANGE NO.	REV.

THIS DRAWING AND SPECIFICATIONS HEREIN ARE THE PROPERTY OF DIGITAL EQUIPMENT CORPORATION AND SHALL NOT BE REPRODUCED OR COPIED OR USED IN WHOLE OR IN PART AS THE BASIS FOR THE MANUFACTURE OR SALE OF ITEMS WITHOUT WRITTEN PERMISSION. COPYRIGHT © 1975, DIGITAL EQUIPMENT CORPORATION

NOTES

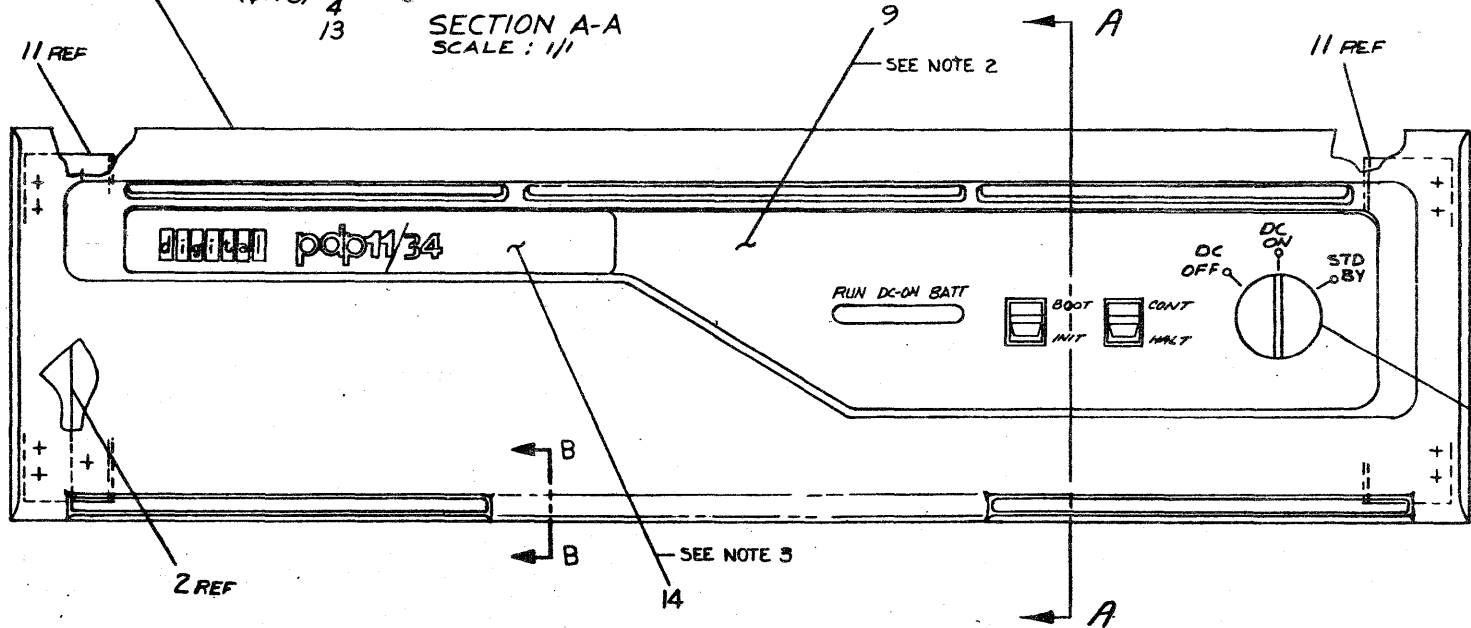
- PART NO. 7413657-1-0 MAY BE USED IF 7415599 IS NOT AVAILABLE.
- PRIOR TO ASSY. OF CONTROL PANEL TO SUPPORT PANEL, CLEAN ITEM 2 THOROUGHLY. AFTER CLEANING, APPLY THE ADHESIVE TRANSFER TAPE TO ITEM 2 ONLY TO AVI,10 ATTACHING THE SILK SCREENING. POSITION ITEM 9 IN PLACE AND BOND.
- OVERLAY DECAL TO BE SHIPPED LOOSE PIECE WITH THE UNIT AND ADDED AS SHOWN IF REQUIRED AT FA. & T.
- ITEM #16 & #19 NOT SHOWN.
- ITEMS NO'S 1, 11 AND 16 ARE ADDED AT FA & T.



VIEW B-B
SCALE: NONE

SECTION A-A
SCALE: 1/1

SECTION B-B
SCALE: NONE



SEE NOTE 4
SEE NOTE 5
SEE NOTES 4 & 5

SEE NOTE 5

SEE NOTES 1 & 5

ITEM NO.	DESCRIPTION	QTY	PART NO.
19	COVER, PROTECTIVE SAFETY	1	C-MD-7425910-0-0
18	TAPE, ADHESIVE TRANSFER	1	9009210
17	ADHESIVE, SPRAY	1	9008907
16	BEZEL, COVER PROTECTIVE	1	D-MD-7415656-00
15	BRACE, SUPPORT PNL	1	7419008
14	OVERLAY, DECAL 11/34	1	A-PS-3613359-01
13	WASHER, FLAT, .375X.187X.036	16	9006660
12	SPACER, HEX 1/4X.38 LG	4	9006802
11	BEXT, FILTER SUPPORT	1	GND-7414942-0-0
10	SCR, PHIL FL HD 8-32X.42	4	9006040-2
9	PANEL, CONTROL, CONSOLE	1	D-147435020-0
8	KNOB, ROTARY SWITCH	1	1212570
7	SCR PHIL HD PAN 8-32X.38	6	9006022-1
6	SPACER #6-32X.87	6	9006861
5	CIRCUIT ETCH BD KYII-LA	1	D-25-5A11997-0-1
4	SCR FILL HD PAN 8-32X.31	7	9009799-00
3	WASHER, SPRING LOCK #8	7	9006690
2	SUPPORT, PANEL	1	D-MD-743501-0-0
1	BEZEL 11/04	1	FMD-7415599-00

DESCRIPTION	QTY	PART NO.	ITEM NO.
1	1	FMD-7415599-00	1

ANGLES	ACCURACY	SURFACE QUALITY	FINISH
45°	±.005	MEDIUM	SPRINKLED

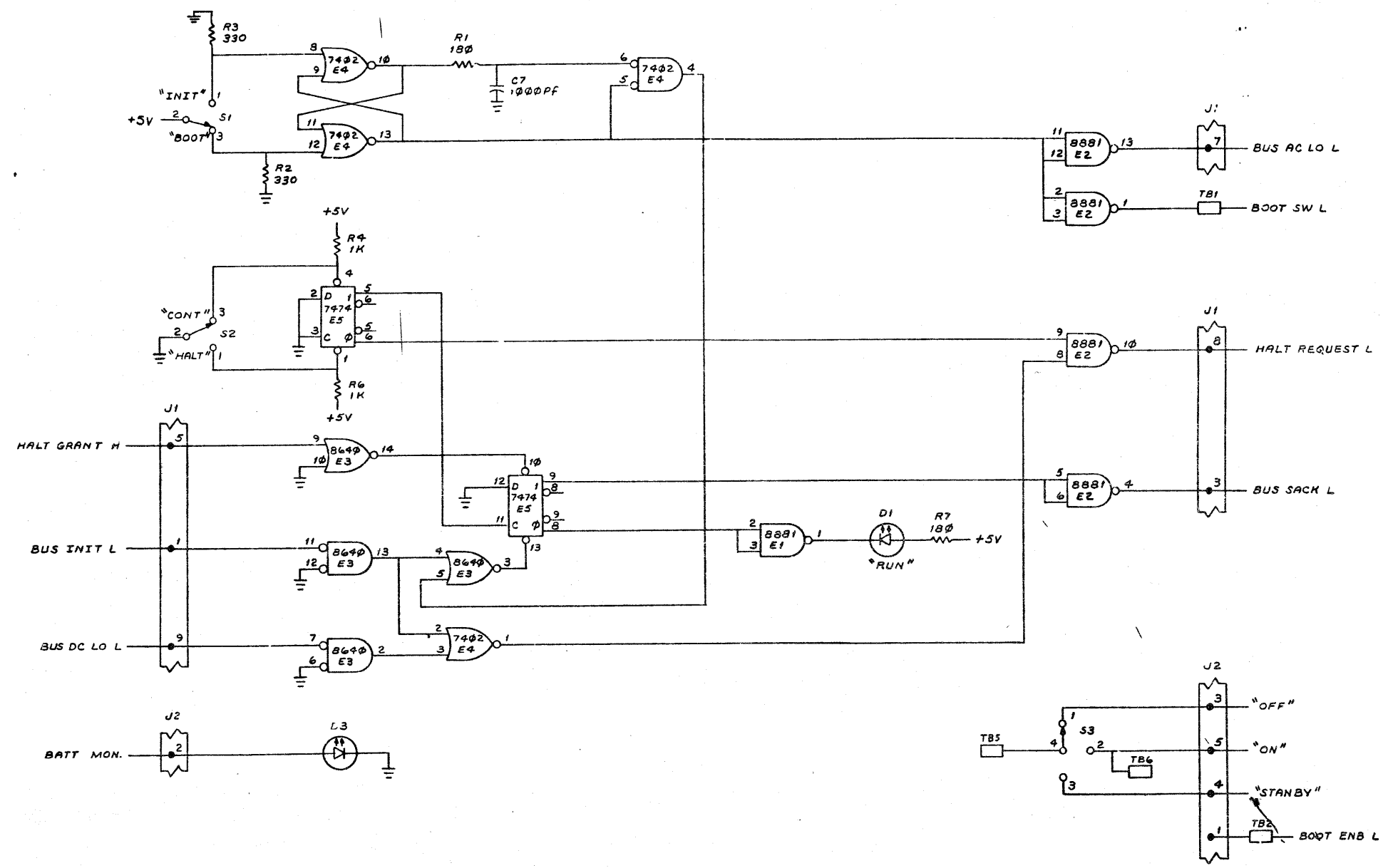
THIRD ANGLE PROJECTION	REMOVE BURRS AND BREAK SHARP CORNERS	DO NOT SCALE DWG	NEXT HIGHER ASSY.	MATERIAL	FINISH
AS SHOWN	AS SHOWN	AS SHOWN	AS SHOWN	AS SHOWN	AS SHOWN

DATE	BY	CHK'D	APP'D	TITLE
11/04	AS SHOWN	AS SHOWN	AS SHOWN	CONSOLE, OPER, ASSEMBLY

SIZE	CODE	NUMBER	REV.
D	UA	KYII-LA-0	J

REV.	DATE	BY	CHK'D	APP'D	DESCRIPTION
1	11/04	AS SHOWN	AS SHOWN	AS SHOWN	INITIAL RELEASE
2	11/04	AS SHOWN	AS SHOWN	AS SHOWN	REVISION
3	11/04	AS SHOWN	AS SHOWN	AS SHOWN	REVISION
4	11/04	AS SHOWN	AS SHOWN	AS SHOWN	REVISION
5	11/04	AS SHOWN	AS SHOWN	AS SHOWN	REVISION
6	11/04	AS SHOWN	AS SHOWN	AS SHOWN	REVISION
7	11/04	AS SHOWN	AS SHOWN	AS SHOWN	REVISION
8	11/04	AS SHOWN	AS SHOWN	AS SHOWN	REVISION
9	11/04	AS SHOWN	AS SHOWN	AS SHOWN	REVISION
10	11/04	AS SHOWN	AS SHOWN	AS SHOWN	REVISION
11	11/04	AS SHOWN	AS SHOWN	AS SHOWN	REVISION
12	11/04	AS SHOWN	AS SHOWN	AS SHOWN	REVISION
13	11/04	AS SHOWN	AS SHOWN	AS SHOWN	REVISION
14	11/04	AS SHOWN	AS SHOWN	AS SHOWN	REVISION
15	11/04	AS SHOWN	AS SHOWN	AS SHOWN	REVISION
16	11/04	AS SHOWN	AS SHOWN	AS SHOWN	REVISION
17	11/04	AS SHOWN	AS SHOWN	AS SHOWN	REVISION
18	11/04	AS SHOWN	AS SHOWN	AS SHOWN	REVISION
19	11/04	AS SHOWN	AS SHOWN	AS SHOWN	REVISION
20	11/04	AS SHOWN	AS SHOWN	AS SHOWN	REVISION
21	11/04	AS SHOWN	AS SHOWN	AS SHOWN	REVISION
22	11/04	AS SHOWN	AS SHOWN	AS SHOWN	REVISION
23	11/04	AS SHOWN	AS SHOWN	AS SHOWN	REVISION
24	11/04	AS SHOWN	AS SHOWN	AS SHOWN	REVISION
25	11/04	AS SHOWN	AS SHOWN	AS SHOWN	REVISION
26	11/04	AS SHOWN	AS SHOWN	AS SHOWN	REVISION
27	11/04	AS SHOWN	AS SHOWN	AS SHOWN	REVISION
28	11/04	AS SHOWN	AS SHOWN	AS SHOWN	REVISION
29	11/04	AS SHOWN	AS SHOWN	AS SHOWN	REVISION
30	11/04	AS SHOWN	AS SHOWN	AS SHOWN	REVISION
31	11/04	AS SHOWN	AS SHOWN	AS SHOWN	REVISION
32	11/04	AS SHOWN	AS SHOWN	AS SHOWN	REVISION
33	11/04	AS SHOWN	AS SHOWN	AS SHOWN	REVISION
34	11/04	AS SHOWN	AS SHOWN	AS SHOWN	REVISION
35	11/04	AS SHOWN	AS SHOWN	AS SHOWN	REVISION
36	11/04	AS SHOWN	AS SHOWN	AS SHOWN	REVISION
37	11/04	AS SHOWN	AS SHOWN	AS SHOWN	REVISION
38	11/04	AS SHOWN	AS SHOWN	AS SHOWN	REVISION
39	11/04	AS SHOWN	AS SHOWN	AS SHOWN	REVISION
40	11/04	AS SHOWN	AS SHOWN	AS SHOWN	REVISION
41	11/04	AS SHOWN	AS SHOWN	AS SHOWN	REVISION
42	11/04	AS SHOWN	AS SHOWN	AS SHOWN	REVISION
43	11/04	AS SHOWN	AS SHOWN	AS SHOWN	REVISION
44	11/04	AS SHOWN	AS SHOWN	AS SHOWN	REVISION
45	11/04	AS SHOWN	AS SHOWN	AS SHOWN	REVISION
46	11/04	AS SHOWN	AS SHOWN	AS SHOWN	REVISION
47	11/04	AS SHOWN	AS SHOWN	AS SHOWN	REVISION
48	11/04	AS SHOWN	AS SHOWN	AS SHOWN	REVISION
49	11/04	AS SHOWN	AS SHOWN	AS SHOWN	REVISION
50	11/04	AS SHOWN	AS SHOWN	AS SHOWN	REVISION

"THIS DRAWING AND SPECIFICATIONS HEREIN ARE THE PROPERTY OF DIGITAL EQUIPMENT CORPORATION AND SHALL NOT BE REPRODUCED OR COPIED OR USED IN WHOLE OR IN PART AS THE BASIS FOR THE MANUFACTURE OR SALE OF ITEMS WITHOUT WRITTEN PERMISSION. COPYRIGHT © 1975 DIGITAL EQUIPMENT CORPORATION"



REVISIONS		
CHK	CHANGE NO.	REV.

TITLE	KY11-LA	SIZE CODE	D CS	NUMBER	5411497-0-1	REV.	H
SCALE	1:1	SHEET	2	OF	2	DIST.	

~~CUSTOMER PRINT SET INDEX~~

~~THIS IS PRINT SET~~

SEQUENCE

SEQUENCE

NOTE:
FOR FIELD MAINTENANCE
PRINT SET REFER TO
B-TC-KY11-LA-1

UNIT VARIATIONS		PRINT SET
VAR	TITLE	
KY11-LA	OPER TURNKEY CONSOLE	X

DATE	CHG. NO.	REV
5-76	KY11-LA-1	A
1-77	KY11-LA-2	B
5-77	KY11-LA-3	C
12-77	KY11-LA-4	D
8-78	KY11-LA-5	E

USED ON OPTION/MODEL		DRN.	DATE	TITLE
11/04-AA	11/04-BD	G. MARINI	9/16/75	
11/04-AB	11/04-DC	CHK'D.	DATE	
11/04-AC	11/04-DD	D. HEALY	9/30/75	
11/04-AD	11/04-EC	PROJ ENG.	DATE	
11/04-BA	11/04-ED	<i>R. Barry</i>	10-22-75	
11/04-BB		PROD.	DATE	
11/04-BC		<i>R.K. Peterson</i>	10/22/75	
		FIELD SERV.	DATE	
		<i>—</i>	<i>—</i>	

SIZE	CODE	NUMBER	REV
B	DD	KY11-LA	E

SHEET 1 OF 2

EN-01052-1A-16-R872(325)

ELECTRICAL (SECTION 1)					MECHANICAL (SECTION 2)								
CUSTOMER PRINT SET	FINO NO.	DRAWING NO.	REV	NO OF SHT	DESCRIPTION	OPTION NO FILE DATE	CUSTOMER PRINT SET	FINO NO.	DRAWING NO.	REV	NO OF SHT	DESCRIPTION	OPTION NO FILE DATE
	1	D-UA-KY11-LA-Ø		1	CONSOLE OPER ASSY			1	D-UA-KY11-LA-Ø		1	CONSOLE OPER ASSY	
									D-MD-7413501-0-0		1	SUPPORT, PANEL	
									C-MD-7419008		1	BRACE, SUPPORT PANEL	
								2	D-IA-7413502-0-0		1	PANEL CONTROL CONSOLE	
									D-SS-7413502-0-1		1	SILK SCREEN LIGHT GRAY	
									D-SS-7413502-0-2		1	SILK SCREEN DARK GRAY	
	3	D-CS-5411497-0-1		2	CIRCUIT ETCH BOARD KY11-LA			3	D-CS-5411497-0-1		2	CIRCUIT ETCH BOARD KY11-LA	
									K-CO-5411497-0-4			X-Y COORDINATE HOLE LOCATION	
									D-AH-5411497-0-5			ASSY/DRILLING HOLE LAYOUT	
									B-MH-5411497-0-6			MODULE ECO HISTORY	
									5011496			ETCH CIRCUIT BOARD	
									C-MD-7413505-0-0		1	PLATE, SW MTG	

CUSTOMER PRINT SET CODES	Y = PRINT OF DOCUMENT INCLUDED IN PRINT SET C = INCLUDES ALL PRINTS INDICATED ON DOCUMENT S = CONFIDENTIAL AUTHORIZED SIGNATURE REQUIRED	TITLE DRAWING DIRECTORY KY11-LA	SHEET 2 OF 2	SIZE CODE B DD	NUMBER KY11-LA	REV E
--------------------------	--	------------------------------------	--------------	-------------------	-------------------	----------

"THE MATERIAL HEREIN IS FOR INFORMATION PURPOSES ONLY AND IS SUBJECT TO CHANGE WITHOUT NOTICE. DIGITAL EQUIPMENT CORPORATION ASSUMES NO RESPONSIBILITY FOR ANY ERRORS WHICH MAY APPEAR HEREIN."

FIELD MAINTENANCE PRINT SET

"THIS DRAWING AND SPECIFICATIONS, HEREIN, ARE THE PROPERTY OF DIGITAL EQUIPMENT CORPORATION AND SHALL NOT BE REPRODUCED OR COPIED OR USED IN WHOLE OR IN PART AS THE BASIS FOR THE MANUFACTURE OR SALE OF ITEMS WITHOUT WRITTEN PERMISSION. COPYRIGHT ©1975, DIGITAL EQUIPMENT CORPORATION."

TABLE OF CONTENTS	
FIELD MAINT. PRINT SET KY11-LB	B-TC-KY11-LB-1
CONSOLE ASSY PROGRAMMERS	D-UA-KY11-LB-Ø
CIRCUIT ETCH BOARD KY11-LB	D-CS-5411800-0-1
CIRCUIT, INTERFACE, PROG.	D-CS-M7859-Ø-1
CONSOLE	
DRAWING DIRECTORY	B-DD-KY11-LB

UNIT VARIATIONS COVERED BY THIS PRINT SET
KY11-LB

KY11-LB Field Maintenance Print Set

Digital Equipment Corporation

PRINT SET ORDER NO.
MPØØØ15



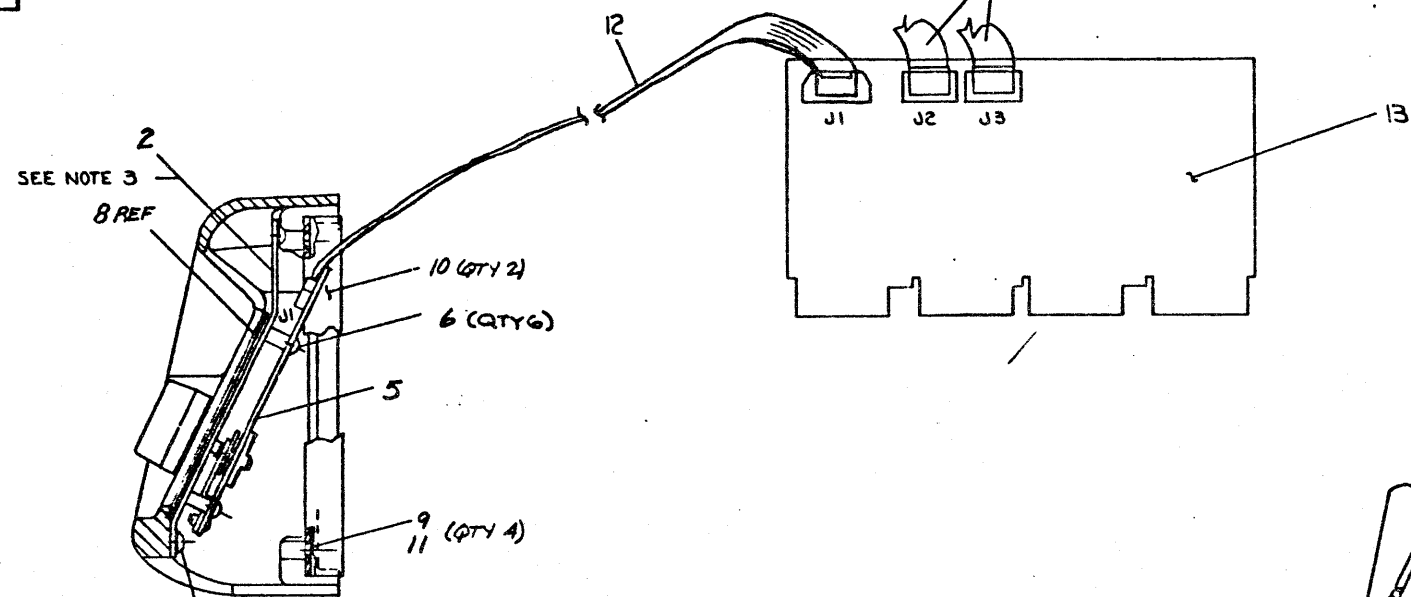
REVISIONS	CHG. NO.	REV.	USED ON OPTION/MODEL	DRN.	DATE	TITLE: FIELD MAINTENANCE PRINT SET KY11-LB	SIZE B	CODE TC	NUMBER KY11-LB-1	REV. A	
	524-77	KY11-LB-3	A	11/34	D. HEALY						11/5/75
					CHK'D						DATE
					D. HEALY						11/6/75
				PROJ. ENG.	DATE						
				R. B PRATT	12-11-75						
				FIELD SERV.	DATE						
				<i>Crane</i>	1-5-76						
			SHEET 1 OF 1			DIST.					

EN-01124-19-N676 (327)

THIS DRAWING AND SPECIFICATIONS HEREIN ARE THE PROPERTY OF DIGITAL EQUIPMENT CORPORATION AND SHALL NOT BE REPRODUCED OR COPIED OR USED IN WHOLE OR IN PART AS THE BASIS FOR THE MANUFACTURE OR SALE OF ITEMS WITHOUT WRITTEN PERMISSION OF DIGITAL EQUIPMENT CORPORATION.

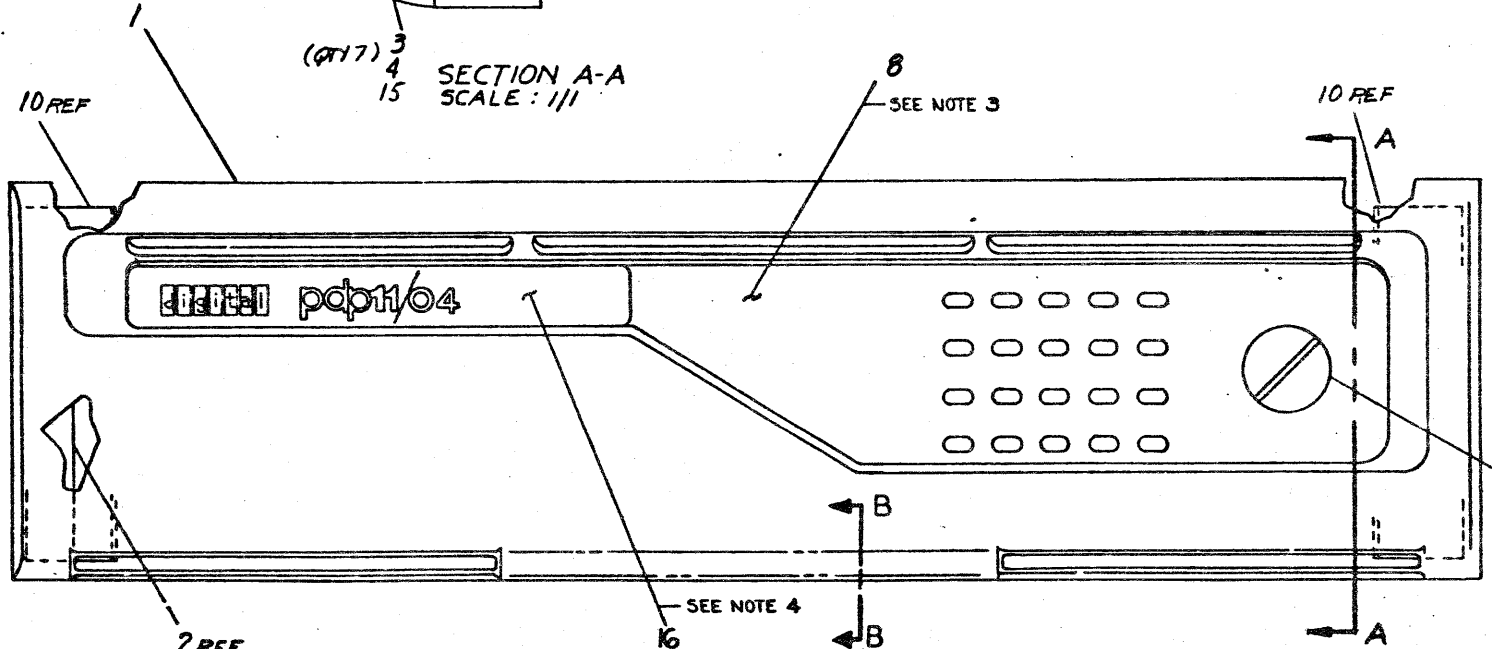
- NOTES:
- ITEM 14 NOT SHOWN ON THIS ASSY, TO BE SUPPLIED AS LOOSE PIECE - 2 REQ'D
 - PART #7413657-10 MAY BE USED WHEN 7415599 IS NOT AVAILABLE.
 - PRIOR TO ASSY OF PROGRAMMERS PANEL TO SUPPORT PANEL, CLEAN ITEM 2 THOROUGHLY. AFTER CLEANING, APPLY THE ADHESIVE TRANSFER TAPE TO ITEM 2 ONLY TO AVOID ATTACHING THE SILK SCREENING. POSITION ITEM 8 IN PLACE AND BOND.
 - OVERLAY DECAL TO BE SHIPPED LOOSE PIECE WITH THE UNIT AND ADDED AS SHOWN IF REQUIRED AT FA 4T.
 - ITEMS NO. 1 AND 10 ARE ADDED AT FA 4T.
 - ITEM NO. 19, NOT SHOWN.
 - REFER TO 11/04, 1134A, OR FP11-A DOCUMENTATION FOR CONNECT PLACEMENT OF CABLES.

CAUTION: OFF SHEET PARTS LIST REFER TO K-PL-KY11-LB-DBP



SECTION A-A SCALE: 1/11

SECTION B-B SCALE: NONE



QTY	DESCRIPTION	DRWG. PART NO.	ITEM NO.
1	TAPE, ADHESIVE TRANSFER	9003210	18
1	BRACE, SUPPORT PAN.	CMD-7413008-00	17
1	OVERLAY, DECAL 11/04	A-PS-3613353-0-0	16
7	WASHER, FLAT, 375x.187x.036	9006660	15
2	CABLE CONS TO BACKPLANE C-IA-701411-1D-0		14
1	INTERFACE, PROG CNSL	D-CS-117859-01	13
1	CABLE, CNSL TO MT859	D-IA-7012214-0-0	12
4	SPACER, HEX 1/4 x .38 L	9006802	11
1	BRKT, FILTER SUPPORT	CMD-7414362-0-0	10
4	SCREEN, PHIL FL. HD. 8-32x.62	9006040-2	9
1	PANEL, PROGRAMMERS	D-IA-7415047-0-0	8
1	KNOB, ROTARY	1212570	7
6	SCREEN, PHIL PAN. HD. 8-32x.38	9006022-1	6
1	CIRCUIT EXCH BRD KY11-LB	D-CS-5411800-0-1	5
7	SCREEN, PHIL PAN. HD. 8-32x.31	9003733-00	4
7	WASHER, SPRING LOCK	9006690	3
1	SUPPORT, PANEL	D-IA-7415048-0-0	2
1	BEZEL 11/04	CMD-7415333-0-0	1

SEE NOTE 5

SEE NOTE 5

REV.	DESCRIPTION	DATE
1	REVISED TO ADD PART 17	11/76
2	REVISED TO ADD PART 18	11/76
3	REVISED TO ADD PART 19	11/76
4	REVISED TO ADD PART 20	11/76
5	REVISED TO ADD PART 21	11/76
6	REVISED TO ADD PART 22	11/76
7	REVISED TO ADD PART 23	11/76
8	REVISED TO ADD PART 24	11/76
9	REVISED TO ADD PART 25	11/76
10	REVISED TO ADD PART 26	11/76
11	REVISED TO ADD PART 27	11/76
12	REVISED TO ADD PART 28	11/76
13	REVISED TO ADD PART 29	11/76
14	REVISED TO ADD PART 30	11/76
15	REVISED TO ADD PART 31	11/76
16	REVISED TO ADD PART 32	11/76
17	REVISED TO ADD PART 33	11/76
18	REVISED TO ADD PART 34	11/76
19	REVISED TO ADD PART 35	11/76
20	REVISED TO ADD PART 36	11/76
21	REVISED TO ADD PART 37	11/76
22	REVISED TO ADD PART 38	11/76
23	REVISED TO ADD PART 39	11/76
24	REVISED TO ADD PART 40	11/76
25	REVISED TO ADD PART 41	11/76
26	REVISED TO ADD PART 42	11/76
27	REVISED TO ADD PART 43	11/76
28	REVISED TO ADD PART 44	11/76
29	REVISED TO ADD PART 45	11/76
30	REVISED TO ADD PART 46	11/76
31	REVISED TO ADD PART 47	11/76
32	REVISED TO ADD PART 48	11/76
33	REVISED TO ADD PART 49	11/76
34	REVISED TO ADD PART 50	11/76
35	REVISED TO ADD PART 51	11/76
36	REVISED TO ADD PART 52	11/76
37	REVISED TO ADD PART 53	11/76
38	REVISED TO ADD PART 54	11/76
39	REVISED TO ADD PART 55	11/76
40	REVISED TO ADD PART 56	11/76
41	REVISED TO ADD PART 57	11/76
42	REVISED TO ADD PART 58	11/76
43	REVISED TO ADD PART 59	11/76
44	REVISED TO ADD PART 60	11/76
45	REVISED TO ADD PART 61	11/76
46	REVISED TO ADD PART 62	11/76
47	REVISED TO ADD PART 63	11/76
48	REVISED TO ADD PART 64	11/76
49	REVISED TO ADD PART 65	11/76
50	REVISED TO ADD PART 66	11/76
51	REVISED TO ADD PART 67	11/76
52	REVISED TO ADD PART 68	11/76
53	REVISED TO ADD PART 69	11/76
54	REVISED TO ADD PART 70	11/76
55	REVISED TO ADD PART 71	11/76
56	REVISED TO ADD PART 72	11/76
57	REVISED TO ADD PART 73	11/76
58	REVISED TO ADD PART 74	11/76
59	REVISED TO ADD PART 75	11/76
60	REVISED TO ADD PART 76	11/76
61	REVISED TO ADD PART 77	11/76
62	REVISED TO ADD PART 78	11/76
63	REVISED TO ADD PART 79	11/76
64	REVISED TO ADD PART 80	11/76
65	REVISED TO ADD PART 81	11/76
66	REVISED TO ADD PART 82	11/76
67	REVISED TO ADD PART 83	11/76
68	REVISED TO ADD PART 84	11/76
69	REVISED TO ADD PART 85	11/76
70	REVISED TO ADD PART 86	11/76
71	REVISED TO ADD PART 87	11/76
72	REVISED TO ADD PART 88	11/76
73	REVISED TO ADD PART 89	11/76
74	REVISED TO ADD PART 90	11/76
75	REVISED TO ADD PART 91	11/76
76	REVISED TO ADD PART 92	11/76
77	REVISED TO ADD PART 93	11/76
78	REVISED TO ADD PART 94	11/76
79	REVISED TO ADD PART 95	11/76
80	REVISED TO ADD PART 96	11/76
81	REVISED TO ADD PART 97	11/76
82	REVISED TO ADD PART 98	11/76
83	REVISED TO ADD PART 99	11/76
84	REVISED TO ADD PART 100	11/76

UNLESS OTHERWISE SPECIFIED DIMENSIONS ARE IN INCHES

CLASS OF ACCURACY	CLASS OF SURFACE QUALITY	FINISH	PLATING	COATING	OTHER
ASSEMBLY	PRECISION	1.000	1.000	1.000	1.000
GENERAL	STANDARD	1.000	1.000	1.000	1.000
ROUGH	ROUGH	1.000	1.000	1.000	1.000

QUANTITY & VARIATION

THIRD ANGLE PROJECTION

REMOVE BURRS AND BREAK SHARP CORNERS

DO NOT SCALE DRG

NEXT HIGHER ASSY.

MATERIAL: 8-00-KY11-LB

FINISH: -

SCALE: -

SHEET: 1 OF 1

DATE: 11/76

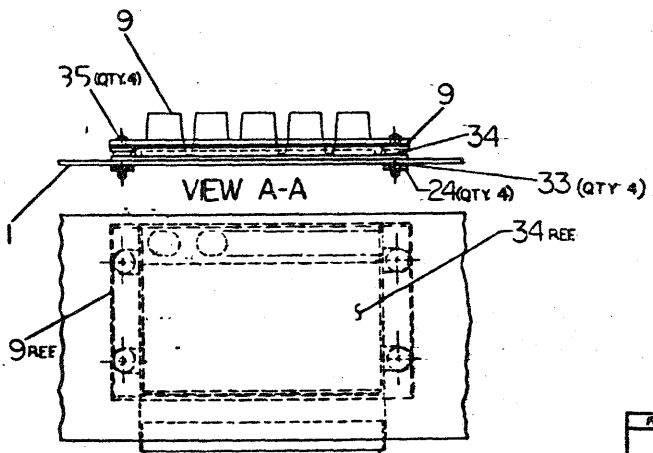
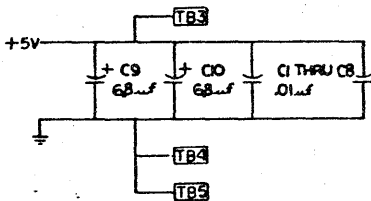
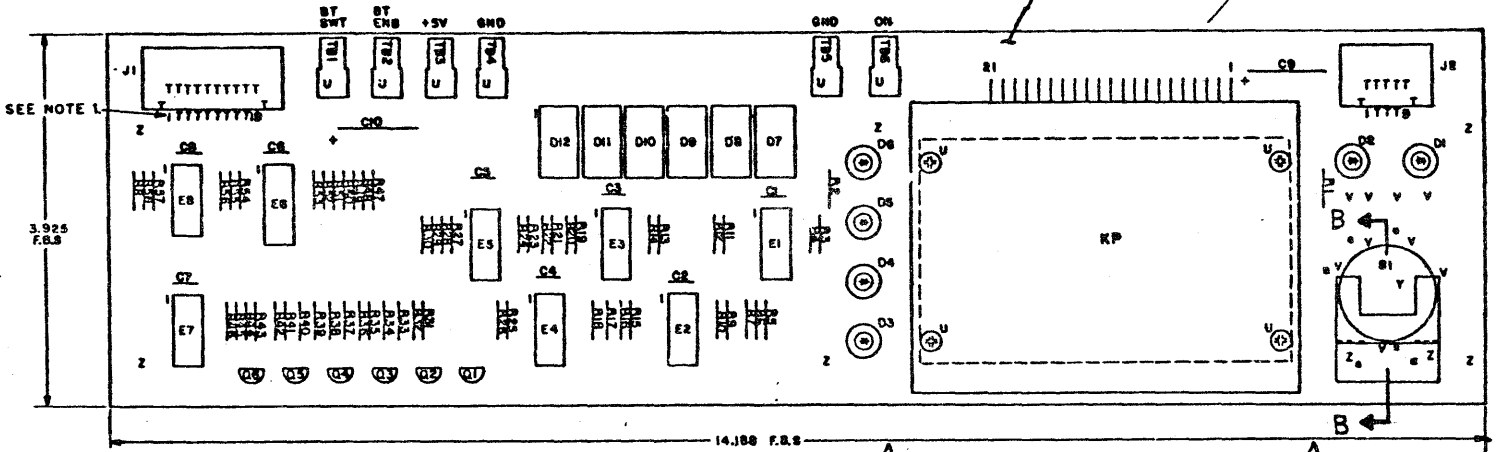
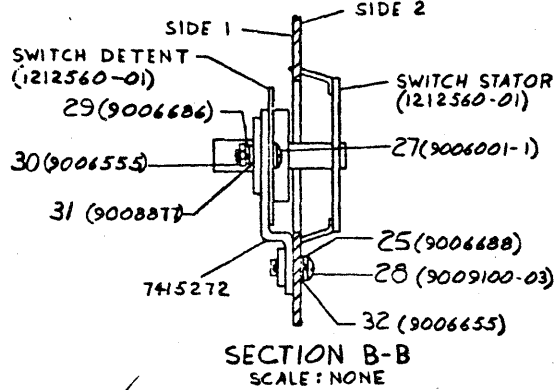
TITLE: CONSOLE ASSY PROGRAMMERS

REV. H

"THIS DRAWING AND SPECIFICATIONS HEREIN ARE THE PROPERTY OF DIGITAL EQUIPMENT CORPORATION AND SHALL NOT BE REPRODUCED OR COPIED IN ANY MANNER OR IN ANY MANNER AS THE BASIS FOR THE MANUFACTURE OR SALE OF ITEMS WITHOUT WRITTEN PERMISSION. COPYRIGHT © 1975 DIGITAL EQUIPMENT CORPORATION"

NOTES:

1. ARROW ON BOARD IS TO LINE UP WITH ARROW ON CONNECTOR (J1 & J2).



REF	DESCRIPTION	PART NO.	QTY
REF	X-Y COORDINATE HOLE LOCATION	K-CO-5411800-0-4	1
REF	ASSY/DRILLING HOLE LAYOUT	D-AH-5411800-0-5	2
REF	MODULE ECO HISTORY	D-MH-5411800-0-8	3
1	ETCHED CIRCUIT BOARD	5011750	4
0	C1 THRU C8	CAPACITOR, .01µF, 100V, 20%	1001810-01
2	C9, C10	CAPACITOR, 6.8µF, 35 VDC, 10%	1005300
0	D1 THRU D8	DIODE, LIGHT EMITTING	1110884
0	D7 THRU D12	7 SEGMENT, DISPLAY	1911297
1	J1	CONNECTOR, 20 PIN	120994-06
1	J2	CONNECTOR, 10 PIN	120994-05
1	S1	SWITCH, ROTARY, 3 POSITION	1212560-01
1	KP	KEYPAD	1211850
0	D7 THRU D12	SOCKET, 14 PIN	1211813-01
12	R1, R2, R5, R6, R7, R47 THRU R53	RESISTOR, 150 OHM, 1/4W, 5%	1300250
10	R32, R34, R36, R38, R40, R42, R27 THRU R30	RESISTOR, 1K, 1/4W, 5%	1300385
0	R37, R33, R35, R37, R39, R41	RESISTOR, 620 OHM, 1/4W, 5%	1303170
30	R3, R4, R8 THRU R28, R43 THRU R48, R54 THRU R58	RESISTOR, 10K, 1/4W, 5%	1300478
0	Q1 THRU Q6	TRANSISTOR, MPS455	1510706
1	E8	I.C. DEC 7404	1909688
1	E7	I.C. DEC 7417	1909829
1	E6	I.C. DEC 7447A	1911295
5	E1 THRU E5	I.C. DEC 8881	1909705
0		EYELET	9009100
0	TB1 THRU TB6	TERMINAL, QUICK DISCONNECT	9007112
6		WASHER, SHOULDER	9008318
4		SCREW, PHILLIPS #4/40 x 3/16 LG	9008033-01
4		NUT, KEP #4-40	9006587
2		WASHER, LOCK #4	9006688
1		BRACKET, SWITCH	7415272
2		SCREW, PHILLIPS #4/40 x 1/4 LG	9009100-03
2		SCREW, PHILLIPS #2-56 x 1/4 LG	9006001-1
1		RETAI, KEY BOARD ASSY	C-1A-70377-0-0
2		WASHER, LOCK #2	9006686
2		NUT, HEX	9006555
2		WASHER, FLAT #2	9008877
2		WASHER, FLAT #4	9006655
4		WASHER, NYLON	9006706

CAUTION: OFF-SHEET PARTS LIST K-PL-5411800-0-DBP

IC TYPE	QTY	QTY
I.C. DEC 7447A	8	16
IC PIN LOCATIONS		
GND AND SV ARE USUALLY PIN 7 AND 14 RESPECTIVELY EXCEPTS ARE STATED ABOVE		

DESIGNED BY	DATE
D. ELLISON	21 SEP 72
CHECKED BY	DATE
S. HOYLE	16 APR 80
APPROVED BY	DATE
B. BERNSTEIN	27 APR 80
REVISIONS	
1. CHANGE R1, R2, R5, R6, R7, R47 TO R53	
2. CHANGE R32, R34, R36, R38, R40, R42, R27 TO R30	
3. CHANGE R37, R33, R35, R37, R39, R41 TO R3	
4. CHANGE R3, R4, R8 TO R28, R43 TO R48, R54 TO R58	
5. CHANGE Q1 TO Q6	
6. CHANGE E8	
7. CHANGE E7	
8. CHANGE E6	
9. CHANGE E1 TO E5	
10. CHANGE TB1 TO TB6	
11. CHANGE W1 TO W6	
12. CHANGE N1 TO N6	
13. CHANGE S1	
14. CHANGE K1	
15. CHANGE C1 TO C8	
16. CHANGE C9, C10	
17. CHANGE D1 TO D8	
18. CHANGE D7 TO D12	
19. CHANGE J1, J2	
20. CHANGE S1	
21. CHANGE K1	
22. CHANGE C1 TO C8	
23. CHANGE C9, C10	
24. CHANGE D1 TO D8	
25. CHANGE D7 TO D12	
26. CHANGE J1, J2	
27. CHANGE S1	
28. CHANGE K1	
29. CHANGE C1 TO C8	
30. CHANGE C9, C10	
31. CHANGE D1 TO D8	
32. CHANGE D7 TO D12	
33. CHANGE J1, J2	
34. CHANGE S1	
35. CHANGE K1	
36. CHANGE C1 TO C8	
37. CHANGE C9, C10	
38. CHANGE D1 TO D8	
39. CHANGE D7 TO D12	
40. CHANGE J1, J2	
41. CHANGE S1	
42. CHANGE K1	
43. CHANGE C1 TO C8	
44. CHANGE C9, C10	
45. CHANGE D1 TO D8	
46. CHANGE D7 TO D12	
47. CHANGE J1, J2	
48. CHANGE S1	
49. CHANGE K1	
50. CHANGE C1 TO C8	
51. CHANGE C9, C10	
52. CHANGE D1 TO D8	
53. CHANGE D7 TO D12	
54. CHANGE J1, J2	
55. CHANGE S1	
56. CHANGE K1	
57. CHANGE C1 TO C8	
58. CHANGE C9, C10	
59. CHANGE D1 TO D8	
60. CHANGE D7 TO D12	
61. CHANGE J1, J2	
62. CHANGE S1	
63. CHANGE K1	
64. CHANGE C1 TO C8	
65. CHANGE C9, C10	
66. CHANGE D1 TO D8	
67. CHANGE D7 TO D12	
68. CHANGE J1, J2	
69. CHANGE S1	
70. CHANGE K1	
71. CHANGE C1 TO C8	
72. CHANGE C9, C10	
73. CHANGE D1 TO D8	
74. CHANGE D7 TO D12	
75. CHANGE J1, J2	
76. CHANGE S1	
77. CHANGE K1	
78. CHANGE C1 TO C8	
79. CHANGE C9, C10	
80. CHANGE D1 TO D8	
81. CHANGE D7 TO D12	
82. CHANGE J1, J2	
83. CHANGE S1	
84. CHANGE K1	
85. CHANGE C1 TO C8	
86. CHANGE C9, C10	
87. CHANGE D1 TO D8	
88. CHANGE D7 TO D12	
89. CHANGE J1, J2	
90. CHANGE S1	
91. CHANGE K1	
92. CHANGE C1 TO C8	
93. CHANGE C9, C10	
94. CHANGE D1 TO D8	
95. CHANGE D7 TO D12	
96. CHANGE J1, J2	
97. CHANGE S1	
98. CHANGE K1	
99. CHANGE C1 TO C8	
100. CHANGE C9, C10	

ETCH BOARD REV. C D

SEMICONDUCTOR CONVERSION CHART

SCALE: 1 OF 3

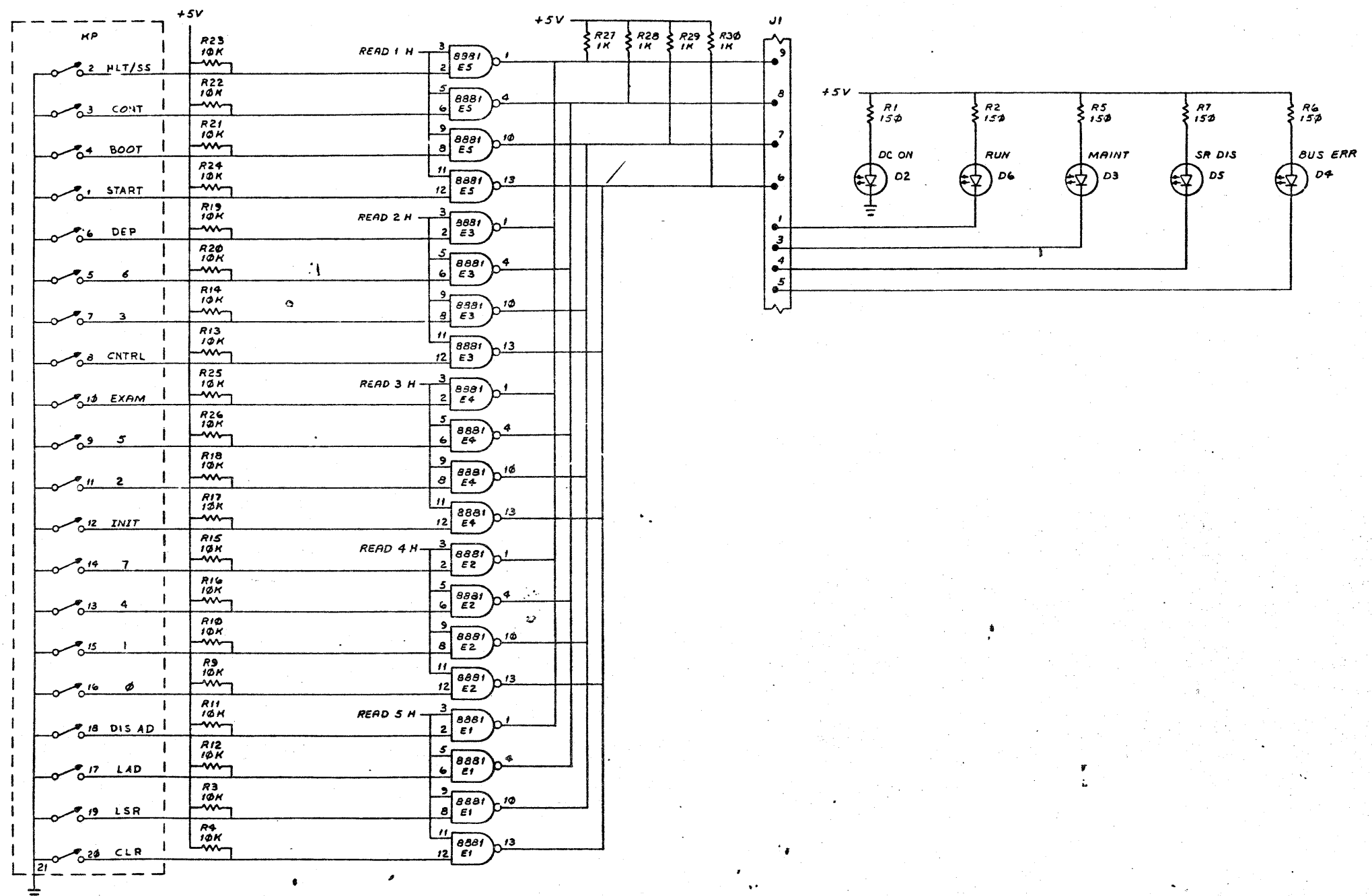
digital

TITLE: KY11-LB (CONSOLE BOARD)

REV. J

DCS 5411800-0-1

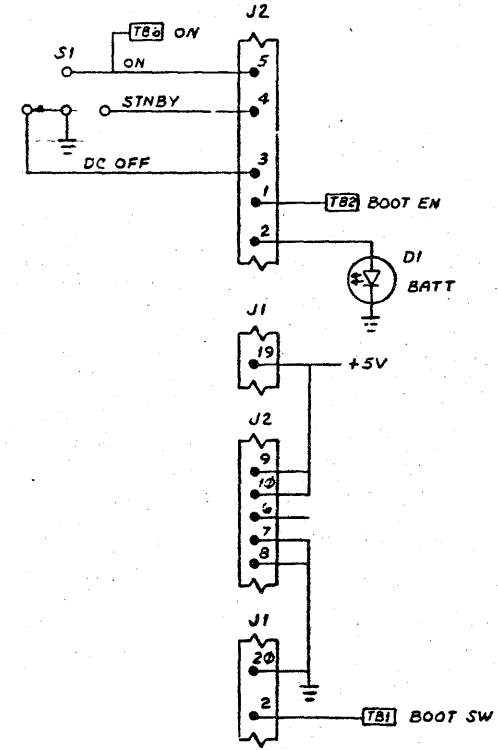
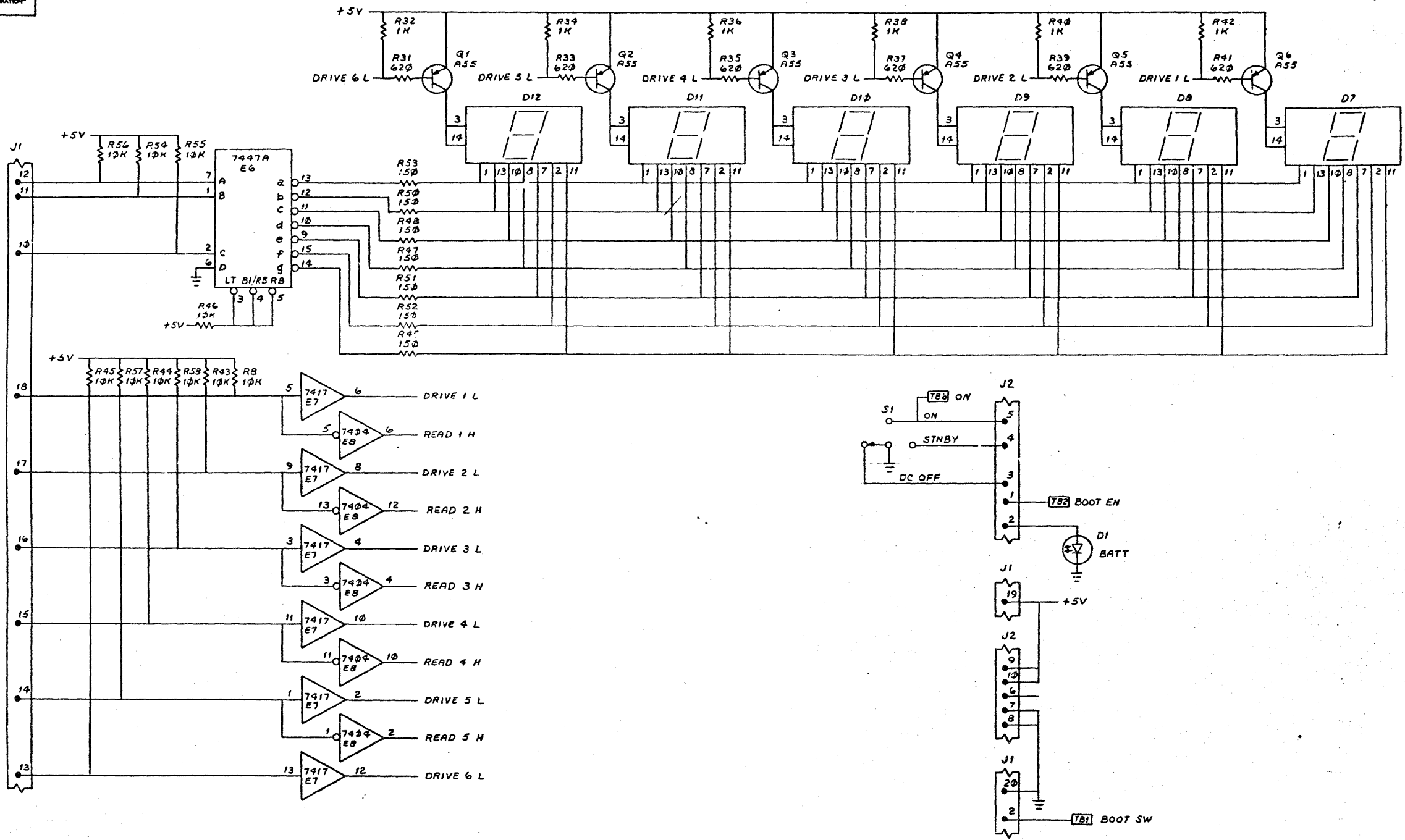
"THIS DRAWING AND SPECIFICATIONS, HEREIN, ARE THE PROPERTY OF DIGITAL EQUIPMENT CORPORATION AND SHALL NOT BE REPRODUCED OR COPIED OR USED IN WHOLE OR IN PART AS THE BASIS FOR THE MANUFACTURE OR SALE OF ITEMS WITHOUT WRITTEN PERMISSION. COPYRIGHT © 1975 DIGITAL EQUIPMENT CORPORATION"



REVISIONS		
CHK	CHANGE NO.	REV

THIS DRAWING AND SPECIFICATIONS HEREIN ARE THE PROPERTY OF DIGITAL EQUIPMENT CORPORATION AND SHALL NOT BE REPRODUCED OR COPIED OR USED IN WHOLE OR IN PART AS THE BASIS FOR THE MANUFACTURE OR SALE OF ITEMS WITHOUT WRITTEN PERMISSION. COPYRIGHT © 1975 DIGITAL EQUIPMENT CORPORATION.

D E S I G N I D C S 5411800-0-1 2

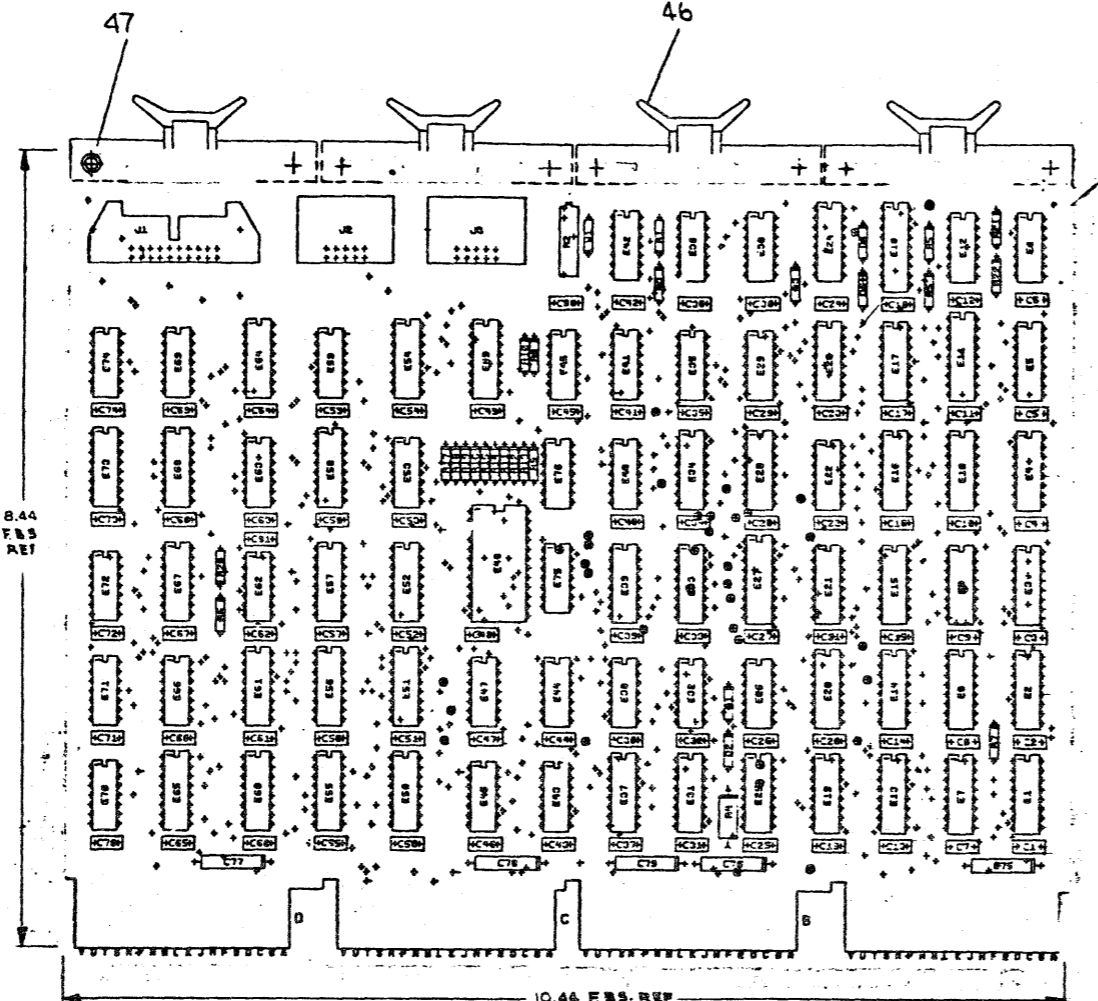


REVISIONS		
CHK	CHANGE NO.	REV.

TITLE	KY11-LB (CONSOLE BOARD)	SIZE CODE	D CS	NUMBER	5411800-0-1	REV.	J
SCALE		SHEET	3 OF 3	DIST.			

THIS DRAWING AND SPECIFICATIONS, HEREIN ARE THE PROPERTY OF DIGITAL EQUIPMENT CORPORATION AND SHALL NOT BE REPRODUCED OR COPIED OR USED IN WHOLE OR IN PART AS THE BASIS FOR THE MANUFACTURE OR SALE OF ITEMS WITHOUT WRITTEN PERMISSION.
 COPYRIGHT © 1977 DIGITAL EQUIPMENT CORPORATION

NOTES:



4	E14,26,31,37	IC DEC 74173	1911330	52	REF
1	W1	JUMPER INSULATED	9009185	53	REF

REF	DESCRIPTION	QTY	REF. DESIGNATION	DESCRIPTION	PART NO.	ITEM NO.
	X-Y COORDINATE HOLE LOCATION				K-CO-M7859-B-4	1
	ASSY. DRILLING HOLE LAYOUT				D-AH-M7859-B-5	2
	MODULE ECO HISTORY				B-MH-M7859-B-6	3
1	ETCHED CIRCUIT BOARD				5011750	4
1	C80			CAPACITOR, 270pf, 100V, 5%	1000022	5
1	C81			CAPACITOR, 470pf, 100V, 5%	1000024	6
74	C1 THRU C74			CAPACITOR, .01uf, 100V, 20% DISC	1001610-01	7
5	C75 THRU C79			CAPACITOR, 8.8uf, 35V, 10%	1005300	8
1	D2			DIODE, 1N748 A	1100122	9
4	D3 THRU D8			DIODE, D872	1105275	10
1	D1			DIODE, 1N751 A	1110994	11
2	J2, J3			CONNECTOR, 10 PIN, 3W	1209941-05	12
1	J1			CONNECTOR, 20 PIN, 3W	1209941-06	13
1	Z19			SOCKET I.C.	1211880	14
1	R20			RESISTOR, 100 OHM, 1/4W, 5%	1300229	15
1	R4			RESISTOR, 120 OHM, 1/2W, 5%	1300243	16
1	R21			RESISTOR, 220 OHM, 1/4W, 5%	1300271	17
3	R9, R8, R7			RESISTOR, 1K, 1/4W, 5%	1300385	18
12	R8 THRU R19			RESISTOR, 10K, 1/4W, 5%	1300479	19
1	R22			RESISTOR, 750 OHM, 1/4W, 5%	1301401	20
1	R3			RESISTOR, 8.8K, 1/4W, 5%	1301423	21
1	R1			RESISTOR, 5.6K, 1/4W, 5%	1301874	22
1	R2			RESISTOR, 10K, 3/4W, 10% POT 73 PR	1309143-10	23
4	E8, E12, E63, E75			I.C. DEC 7474	1905547	24
2	E29, E30			I.C. DEC 7402	1909004	25
1	E38			I.C. DEC 7493	1909054	26
2	E40, E47			I.C. DEC 7404	1909680	27
1	E48			I.C. DEC 74154	1909701	28
1	E32			I.C. DEC 314	1909704	29
2	E43, E82			I.C. DEC 9881	1909705	30
3	E68, E69, E72			I.C. DEC 7417	1909929	31
1	E23			I.C. DEC 7442	1910048	32
5	E26, E53, E76			I.C. DEC 7400	1910155	33
10	E2, E4, E5, E9, E10, E15, E19, E20, E51, E52, E58, E57, E84, E87, E88, E73			I.C. DEC 74179	1910851	34
10	E61, E44, E45, E46, E59, E70, E71, E74			I.C. DEC 8093	1910837	35
1	E22			I.C. DEC 7427	1910878	36
1	E42			I.C. DEC MC4024 P	1911030	37
4	E1, E24, E49, E54			I.C. DEC 8037	1911110	38
9	E7, E8, E13, E25, E50, E55, E56, E81, E85			I.C. DEC 8841	1911579	39
1	E80			I.C. DEC 74S133	1911983	40
2	E18, E17			I.C. DEC 8033	1912099	41
2	E11, E27			I.C. DEC 8558	1912586	42
1	E18			I.C. DEC 8008-1	2111844	43
1				SPLIT LUG	9006735	44
1	E34			I.C. DEC PROM 32 x 8 TRI STATE	23123A1	45
4				HANDLE (FLIP CHIP)	9008337-8	46
8				EYELET	9008732	47
1	E33			I.C. DEC PROM 512 x 4 TRI STATE	23345A9	48
1	E39			I.C. DEC PROM 512 x 4 TRI STATE	23346A9	49
1	E3			I.C. DEC PROM 512 x 4 TRI STATE	23347A9	50
1	E21			I.C. DEC PROM 512 x 4 TRI STATE	23348A9	51

IC 745133	8	16
IC 86A1	8	16
IC 8837	8	16
IC MC4024 P	9	13
IC 74175	8	16
IC 7442	6	16
IC 314	1	8
IC 74154	12	24
IC 7493	10	5
IC TYPE	GND	+5V

GND AND 5V ARE USUALLY PIN 7 AND 14 RESPECTIVELY EXCEPTIONS ARE STATED ABOVE

IC PIN LOCATIONS

REVISIONS

CHK	CHANGE NO.	REV.

FIRST USED ON OPTION MODEL.

ETCH BOARD REV. D

DATE 11/21/77

DATE 12-8-75

DATE 12-9-75

DATE 12-4-75

DATE 12-2-76

digital

TITLE INTERFACE, PROGRAMMER'S CONSOLE

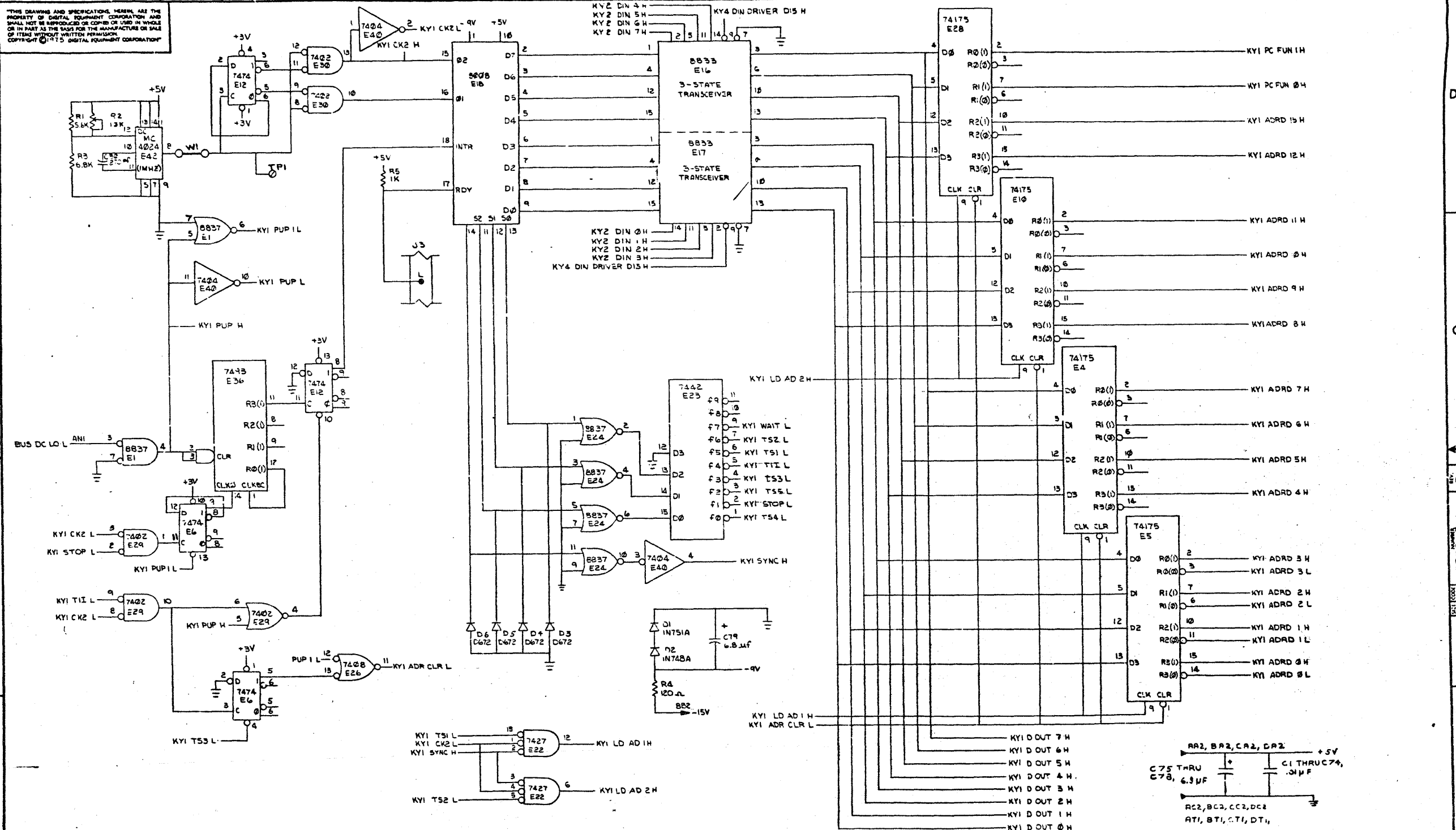
SIZE CODE NUMBER REV. D COS M7859-D-1 D

SCALE 1 OF 10

SHEET 1 OF 10

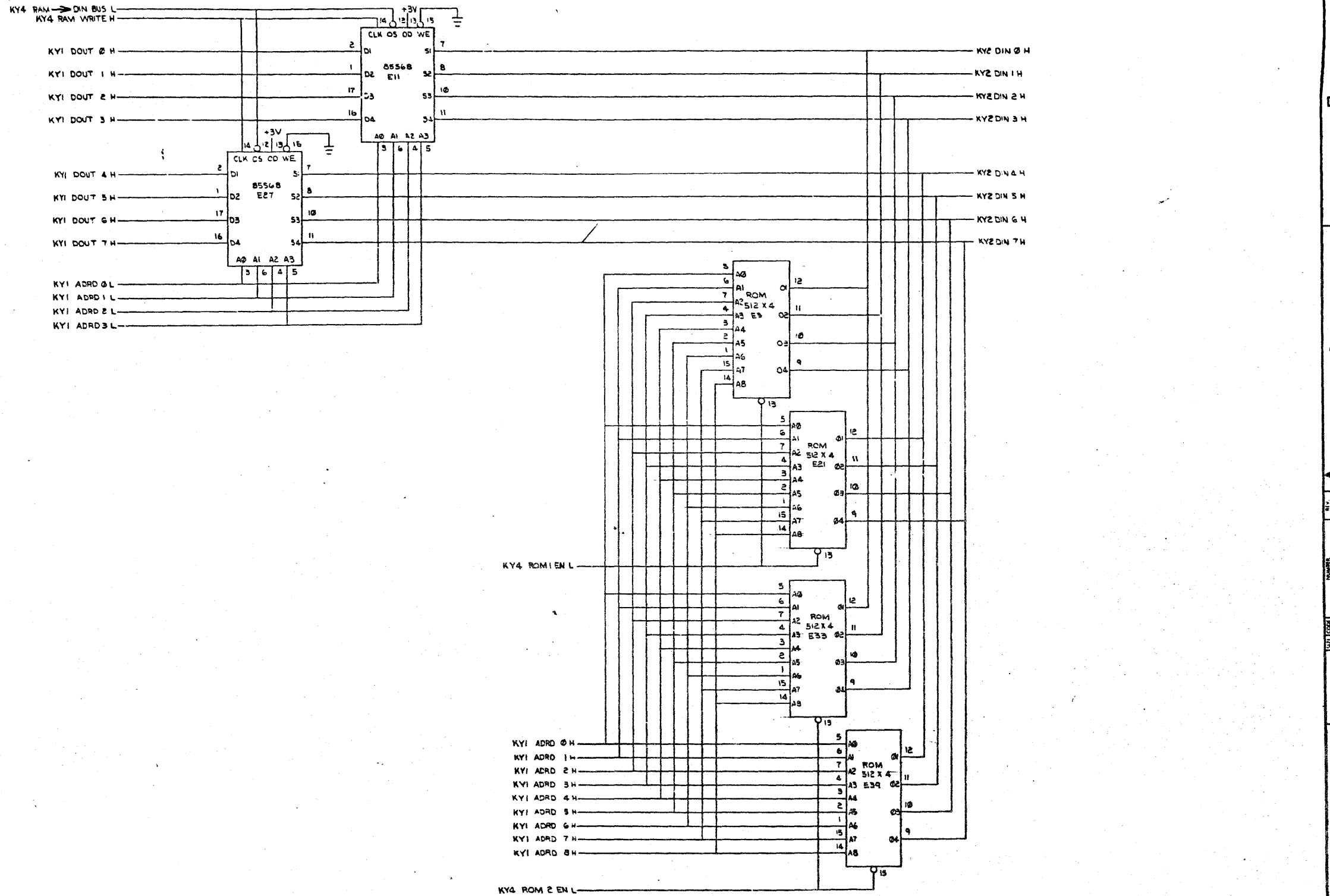
SEMICONDUCTOR CONVERSION CHART

THIS DRAWING AND SPECIFICATIONS HEREIN ARE THE PROPERTY OF DIGITAL EQUIPMENT CORPORATION AND SHALL NOT BE REPRODUCED OR COPIED OR TRANSMITTED IN ANY FORM OR BY ANY MEANS, ELECTRONIC OR MECHANICAL, INCLUDING PHOTOCOPYING, RECORDING, OR BY ANY INFORMATION STORAGE AND RETRIEVAL SYSTEM, WITHOUT WRITTEN PERMISSION OF DIGITAL EQUIPMENT CORPORATION. COPYRIGHT © 1975 DIGITAL EQUIPMENT CORPORATION.



REVISIONS		
CHK	CHANGE NO.	REV.

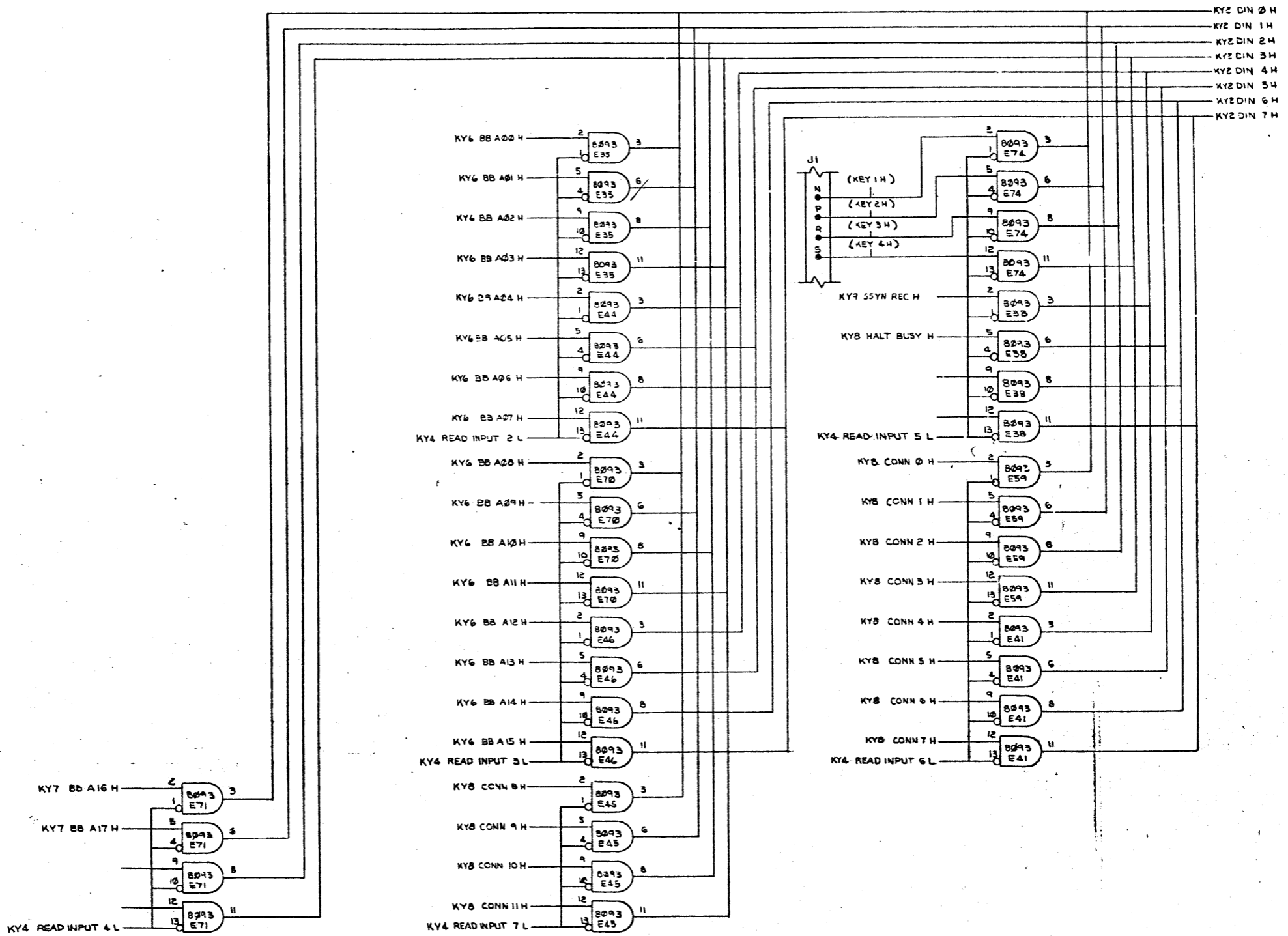
THIS DRAWING AND SPECIFICATIONS HEREIN ARE THE PROPERTY OF DIGITAL EQUIPMENT CORPORATION AND SHALL NOT BE REPRODUCED OR COPIED IN WHOLE OR IN PART AS THE BASIS FOR THE MANUFACTURE OR SALE OF ITEMS WITHOUT WRITTEN PERMISSION. COPYRIGHT © 1975 DIGITAL EQUIPMENT CORPORATION



REVISIONS		
CHK	CHANGE NO.	REV.

DCS M7859-0-1
 SHEET 3 OF 10

THIS DRAWING AND SPECIFICATIONS, HEREIN, ARE THE PROPERTY OF DIGITAL EQUIPMENT CORPORATION AND SHALL NOT BE REPRODUCED OR COPIED OR USED IN WHOLE OR IN PART AS THE BASIS FOR THE MANUFACTURE OR SALE OF ITEMS WITHOUT WRITTEN PERMISSION. COPYRIGHT © 1971 DIGITAL EQUIPMENT CORPORATION

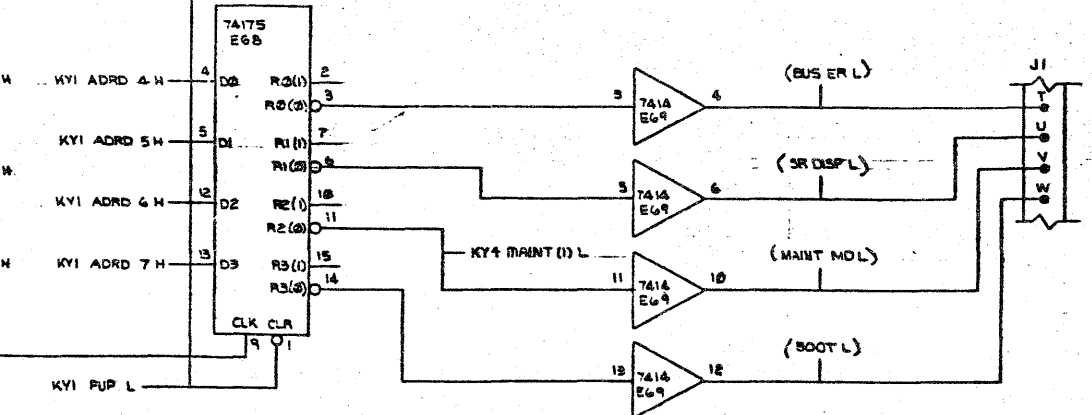
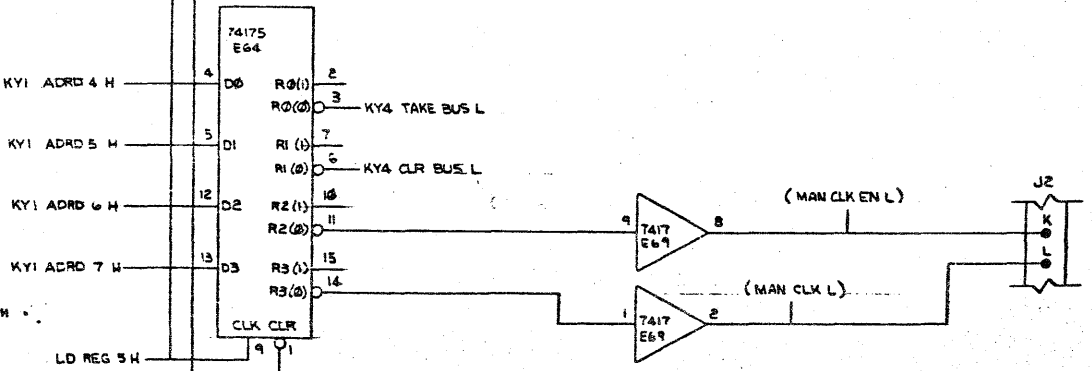
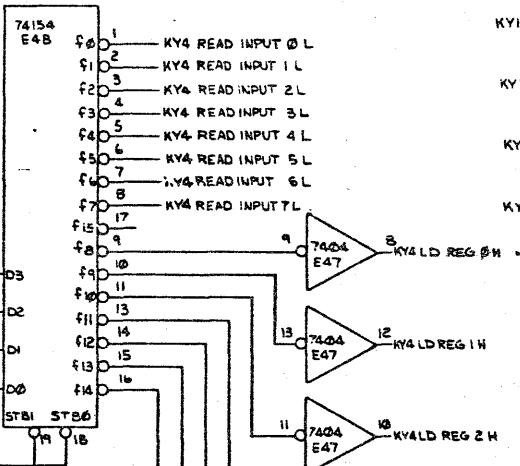
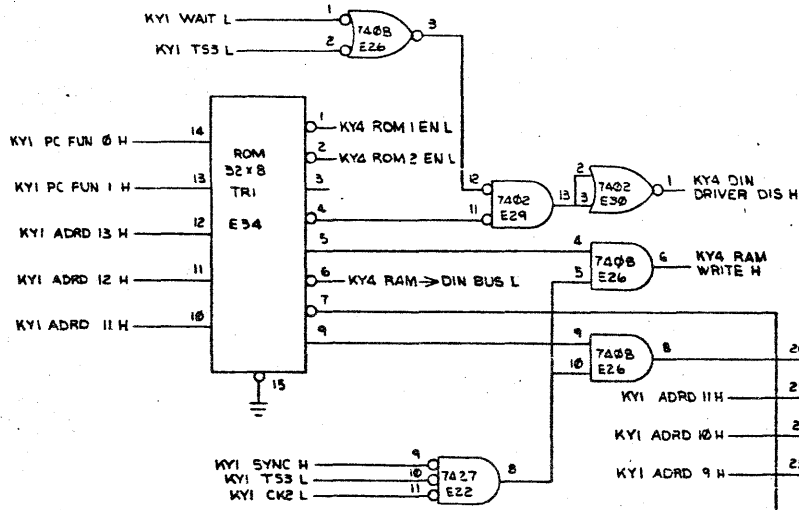
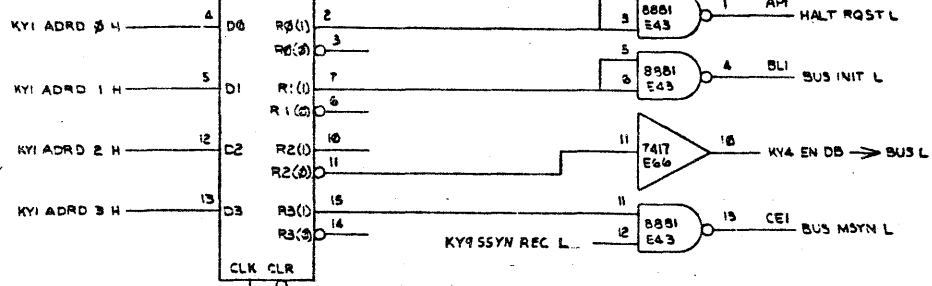
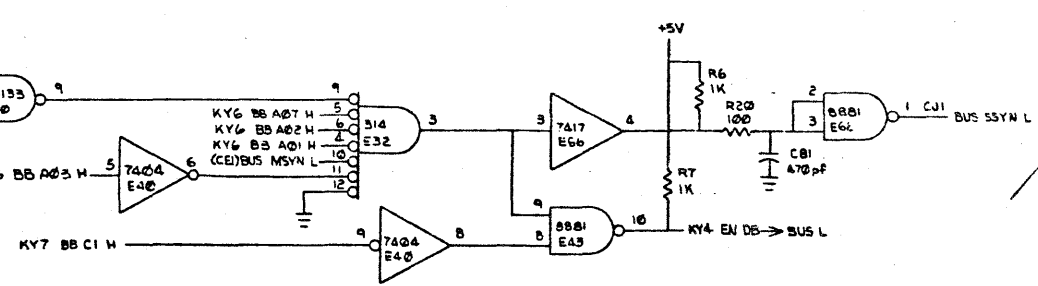


REVISIONS		
CHK	CHANGE NO	REV.

REV. D
DCS M7859-0-1

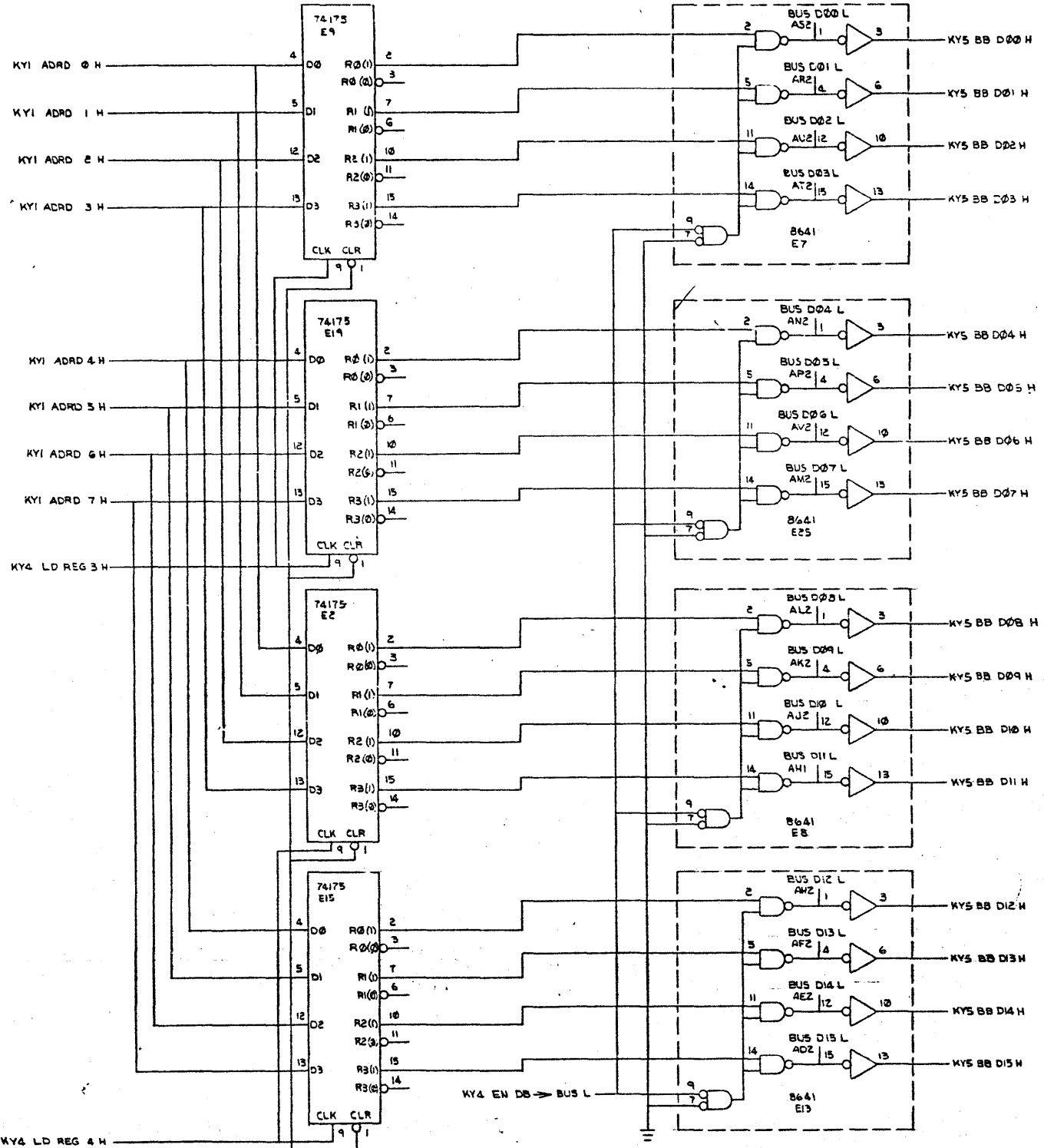
THIS DRAWING AND SPECIFICATIONS HEREIN ARE THE PROPERTY OF DIGITAL EQUIPMENT CORPORATION AND SHALL NOT BE REPRODUCED OR COPIED OR USED IN WHOLE OR IN PART AS THE BASIS FOR THE MANUFACTURE OR SALE OF ITEMS WITHOUT WRITTEN PERMISSION. COPYRIGHT © 1975 DIGITAL EQUIPMENT CORPORATION

- 1 KY7 BB A17 H
- 2 KY7 BB A16 H
- 3 KY6 BB A15 H
- 4 KY6 BB A14 H
- 5 KY6 BB A13 H
- 6 KY6 BB A12 H
- 7 KY6 BB A11 H
- 8 KY6 BB A10 H
- 9 KY6 BB A09 H
- 10 KY6 BB A08 H
- 11 KY6 BB A07 H
- 12 KY6 BB A06 H
- 13 KY6 BB A05 H
- 14 KY6 BB A04 H
- 15



REVISIONS		
CHK	CHANGE NO.	REV.

THIS DRAWING AND SPECIFICATIONS HEREIN ARE THE PROPERTY OF DIGITAL EQUIPMENT CORPORATION AND SHALL NOT BE REPRODUCED OR COPIED OR USED IN WHOLE OR IN PART AS THE BASIS FOR THE MANUFACTURE OR SALE OF ITEMS WITHOUT WRITTEN PERMISSION. COPYRIGHT © 1975 DIGITAL EQUIPMENT CORPORATION

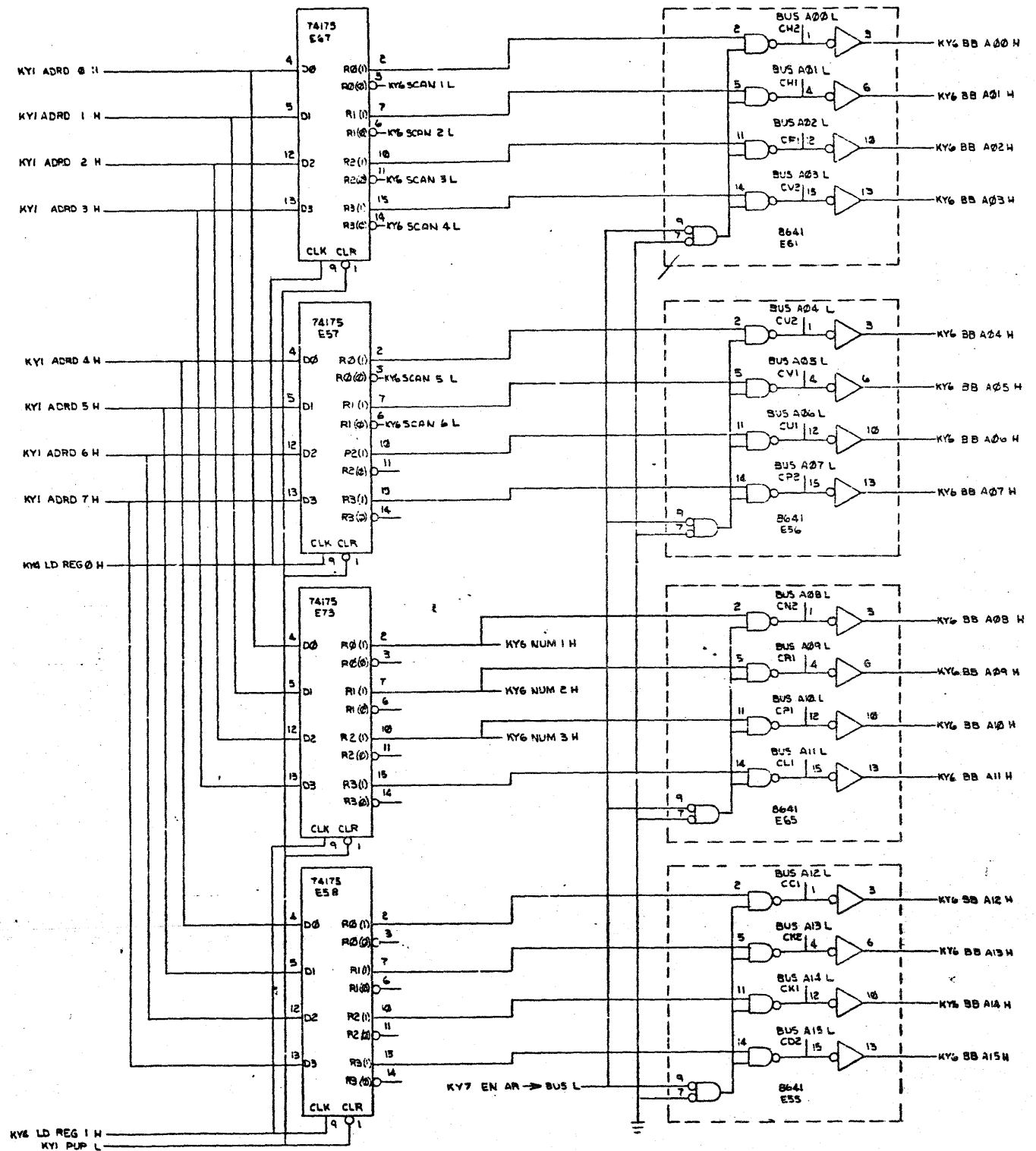


REVISIONS		
CHK	CHANGE NO.	REV.

KY4 LD REG 4 H
KY1 PUPIL

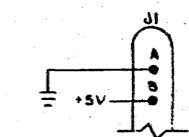
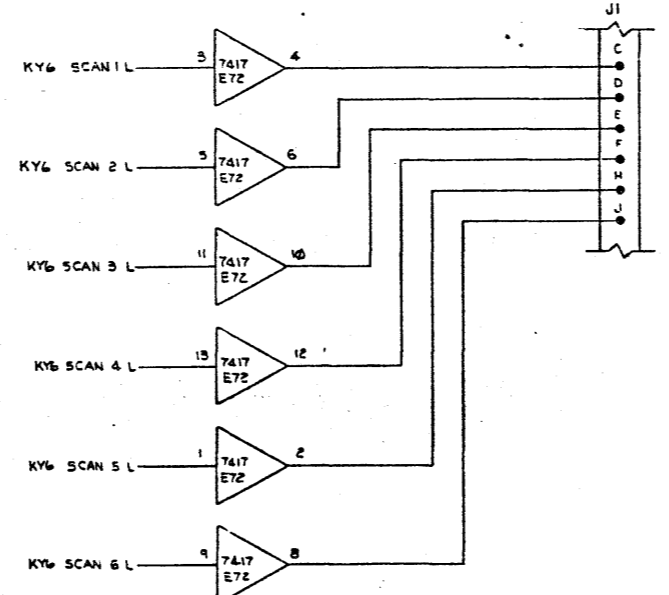
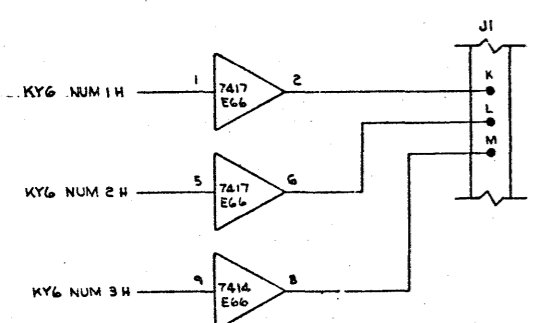
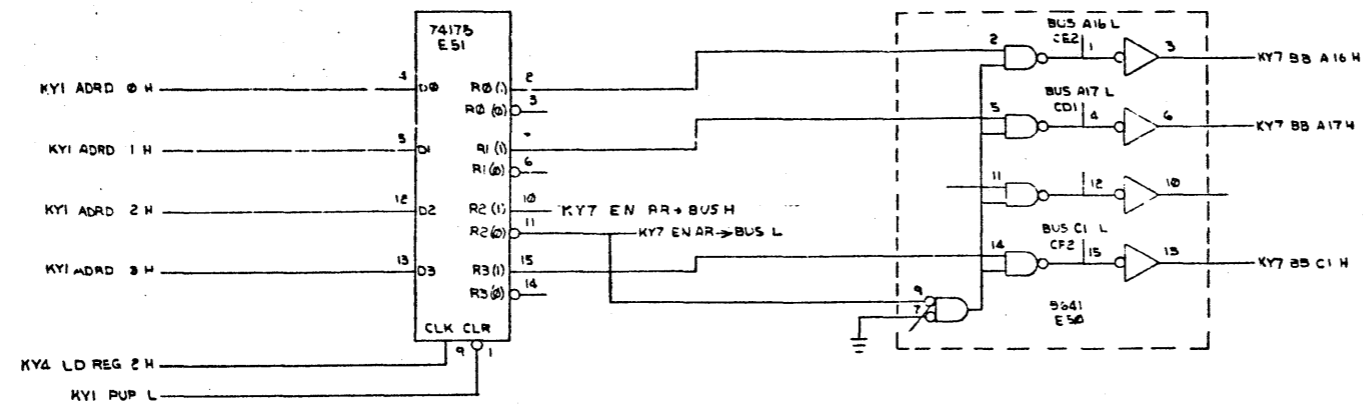
TITLE	INTERFACE (KY-5) PROGRAMMER'S CONSOLE	SIZE CODE	D CS M7859-0-1	NUMBER		REV.	D
SCALE	SHEET 6 OF 10	DIST.					

THIS DRAWING AND SPECIFICATIONS HEREIN ARE THE PROPERTY OF DIGITAL EQUIPMENT CORPORATION AND SHALL NOT BE REPRODUCED OR COPIED OR USED IN WHOLE OR IN PART AS THE BASIS FOR THE MANUFACTURE OR SALE OF ITEMS WITHOUT WRITTEN PERMISSION. COPYRIGHT © 1975 DIGITAL EQUIPMENT CORPORATION



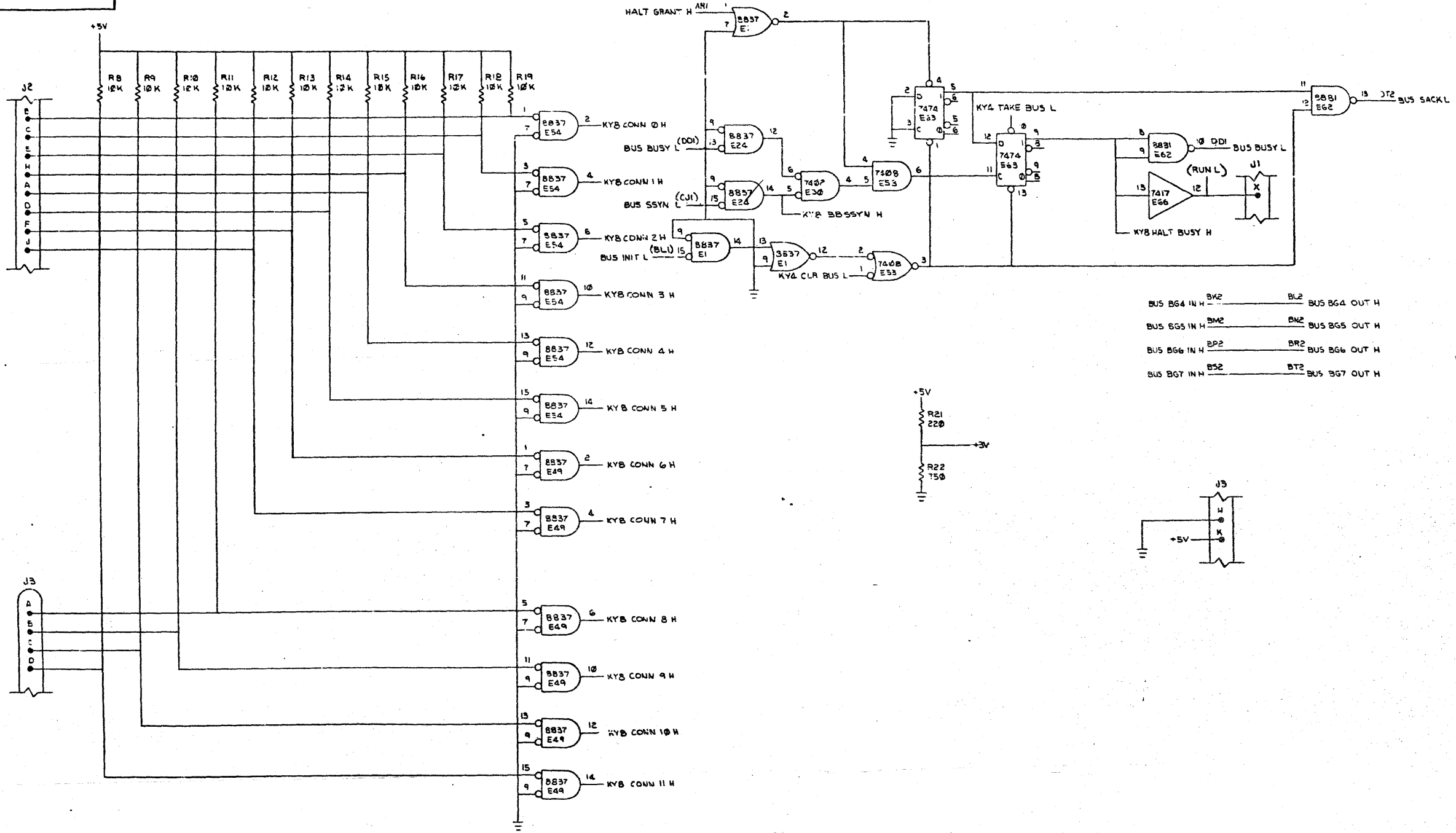
REVISIONS		
CHK	CHANGE NO.	REV

THIS DRAWING AND SPECIFICATIONS HEREIN ARE THE PROPERTY OF DIGITAL EQUIPMENT CORPORATION AND SHALL NOT BE REPRODUCED OR COPIED OR USED IN WHOLE OR IN PART AS THE BASIS FOR THE MANUFACTURE OR SALE OF ITEMS WITHOUT WRITTEN PERMISSION. COPYRIGHT © 1975 DIGITAL EQUIPMENT CORPORATION



REVISIONS		
CHK	CHANGE NO.	REV.

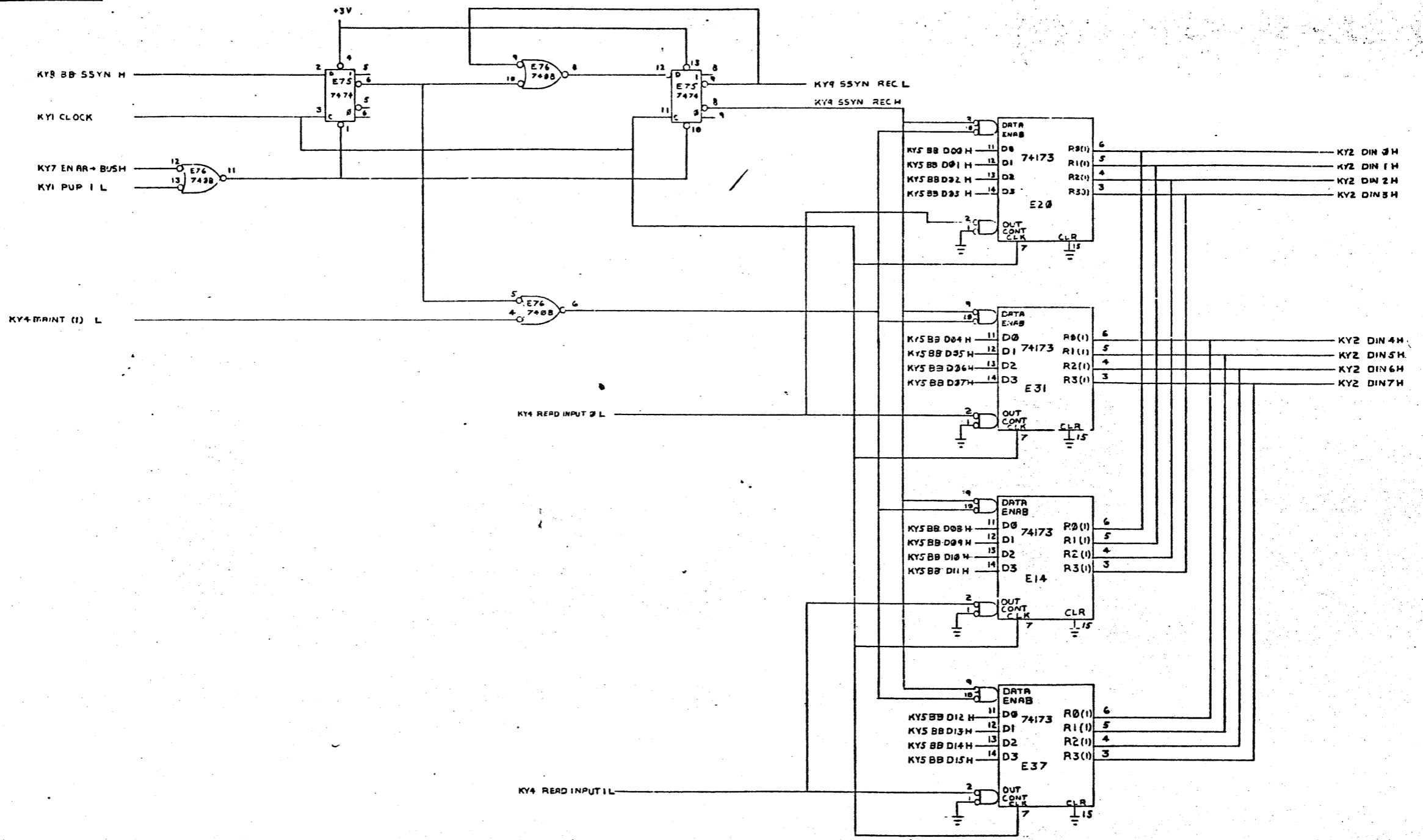
THIS DRAWING AND SPECIFICATIONS HEREON ARE THE PROPERTY OF DIGITAL EQUIPMENT CORPORATION AND SHALL NOT BE REPRODUCED OR COPIED IN WHOLE OR IN PART AS THE BASIS FOR THE MANUFACTURE OR SALE OF ITEMS WITHOUT WRITTEN PERMISSION. COPYRIGHT © 1975 DIGITAL EQUIPMENT CORPORATION



BUS B64 IN H — BK2 — BUS B64 OUT H
 BUS B65 IN H — BM2 — BUS B65 OUT H
 BUS B66 IN H — BP2 — BUS B66 OUT H
 BUS B67 IN H — BS2 — BUS B67 OUT H

REVISIONS		
CHK	CHANGE NO.	REV.

THIS DRAWING AND SPECIFICATIONS HEREIN ARE THE PROPERTY OF DIGITAL EQUIPMENT CORPORATION AND SHALL NOT BE REPRODUCED OR COPIED IN WHOLE OR IN PART AS THE BASIS FOR THE MANUFACTURE OR SALE OF ITEMS WITHOUT WRITTEN PERMISSION. COPYRIGHT © 1977 DIGITAL EQUIPMENT CORPORATION



REVISIONS		
CHK	CHANGE NO.	REV

~~CUSTOMER PRINT SET INDEX~~

~~THIS IS PRINT SET~~

NOTE:
FOR FIELD MAINTENANCE
PRINT SET REFER TO
B-7C-KY11-LB-1

SEQUENCE

77

77

SEQUENCE

77

UNIT VARIATIONS		PRINT SET
VAR	TITLE	<input checked="" type="checkbox"/>
KY11-LB	PROGRAMMERS CONSOLE	

REVISIONS		
DATE	CHG. NO.	REV
5-76	KY11-LB-1	A
12-76	KY11-LB-2	B
5-77	KY11-LB-3	C
8-78	KY11-LB-4	D
4-81	KY11-LB-6	E

USED ON OPTION/MODEL		DRM.	DATE	TITLE		
11/34		D. HEALY	11/5/75	DRAWING DIRECTORY KY11-LB		
		CHK'D. D. HEALY	11/6/75			
		PROJ. ENG. R. B. PRATT	DATE 12-11-75	SIZE	CODE	NUMBER
		PROD. K. Mac	DATE 12-12-75	B	DD	KY11-LB
ELECT. SERVIC.			DATE	DIST		REV E
SHEET 1 OF 2						

ELECTRICAL (SECTION 1)					MECHANICAL (SECTION 2)							
CUSTOMER PRINT SET	FIND NO.	DRAWING NO.	REV	NO OF SHT	DESCRIPTION	CUSTOMER PRINT SET	FIND NO.	DRAWING NO.	REV	NO OF SHT	DESCRIPTION	OPTION NO./FILE DATE
	1	D-UA-KY11-LB-Ø		1	CONSOLE ASSY PROGRAMMERS		1	D-UA-KY11-LB-Ø		1	CONSOLE ASSY PROGRAMMERS	
								D-IA-7415048-0-0		1	SUPPORT, PANEL	
								B-PL-KY11-LB-Ø-Ø		1	SHIPPING LIST	
								D-IA-7012214-0-0		1	CABLE, CONSOLE TO M7859	
								C-IA-7011411-0-0		1	CABLE, CONS. TO BACK PLANE	
								C-MD-7419008-0-0		1	BRACE, SUPPORT PANEL	
								D-MD-7424271-0-0		1	COVER, PROTECTIVE BEZEL	
							2	D-IA-7415047-0-0		1	PANEL, PROGRAM	
								C-SS-7415047-0-1		1	SILK SCREEN LIGHT GRAY	
								C-SS-7415047-0-2		1	SILK SCREEN DARK GRAY	
	3	D-CS-5411800-0-1		2	CIRCUIT ETCH BOARD KY11-LB		3	D-CS-5411800-0-1		2	CIRCUIT ETCH BOARD KY11-LB	
								K-CO-5411800-0-4			X-Y COORLINATE HOLE LOCATION	
								D-AH-5411800-0-5			ASSY/DRILLING HOLE LAYOUT	
								B-MH-5411800-0-6			MODULE ECO HISTORY	
								5011799	REF		ETCH CIRCUIT BOARD	
								C-IA-7415272-0-0	1		BRKT., SWITCH MTG	
	4	D-CS-M7859-Ø-1		1	INTERFACE PROGRAMMERS CONSOLE		4	D-CS-M7859-Ø-1		1	INTERFACE PROGRAMMERS CONSOLE	
								K-CO-M7859-Ø-4			X-Y COORDINATE HOLE LOCATION	
								D-AH-M7859-Ø-5			ASSY/DRILLING HOLE LAYOUT	
								B-MI-M7859-Ø-6			MODULE ECO HISTORY	
								5011756	REF		ETCH CIRCUIT BOARD	

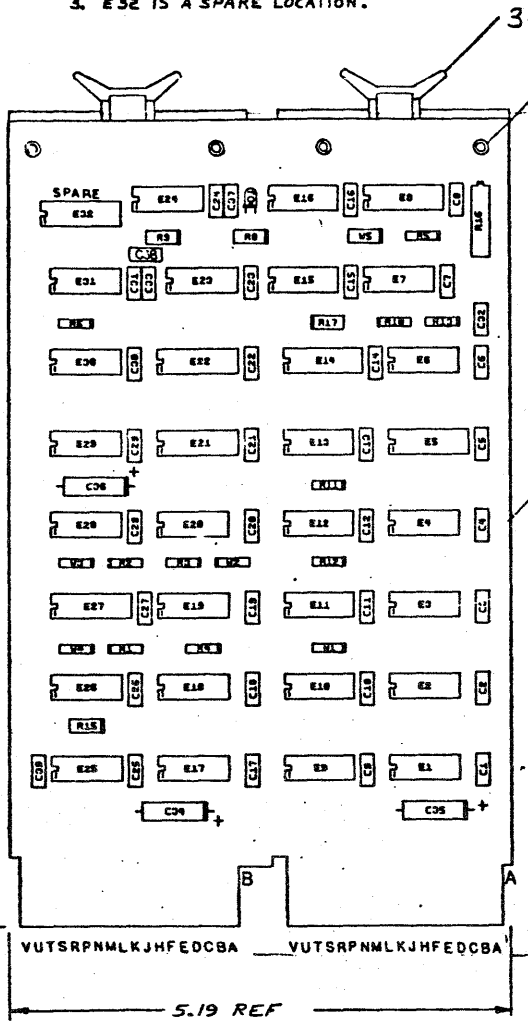
CUSTOMER PRINT SET
 X = PRINT OF DOCUMENT INCLUDED IN PRINT SET
 C = INCLUDES ALL PRINTS INDICATED ON DOCUMENT
 S = CONFIDENTIAL AUTHORIZED SIGNATURE REQUIRED

TITLE
 DRAWING DIRECTORY KY11-LB
 SHEET 2 OF 2
 SIZE CODE
 B DD
 NUMBER
 KY11-LB
 REV
 E

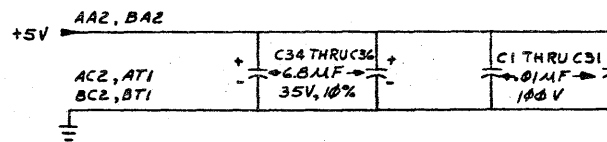
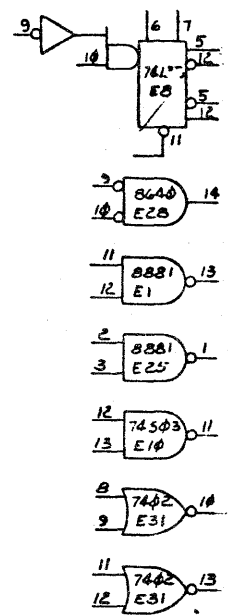
THIS DRAWING AND SPECIFICATIONS HEREIN ARE THE PROPERTY OF DIGITAL EQUIPMENT CORPORATION AND SHALL NOT BE REPRODUCED OR COPIED IN WHOLE OR IN PART AS THE BASIS FOR THE MANUFACTURE OR SALE OF ANYTHING WITHOUT WRITTEN PERMISSION. DIGITAL EQUIPMENT CORPORATION © 1975

NOTES:

- ALL RESISTORS 1/4 W, 5% UNLESS OTHERWISE NOTED. ALL CAPACITORS ARE 100V, 20% UNLESS OTHERWISE NOTED.
- JUMPER CONTROL OPERATIONS AS FOLLOWS: W1 THRU W4 SELECT CSR ADDRESS, W5 CAPACITOR FOR 3 SYN DLY, NOT USED.
- E32 IS A SPARE LOCATION.



SPARES:



REF	CIRCUIT SCHEMATIC	D-CS-M7850-0-1	REF
REF	X-Y COORDINATE HOLE LOCATION	K-C0-M7850-0-4	1
REF	ASSY/DRILLING HOLE LAYOUT	D-AH-M7850-0-5	2
REF	MODULE ECO HISTORY	B-MM-M7850-0-6	3
1	ETCHED CIRCUIT BOARD	5010651-00	4
1	C39 CAP 470 PF, 100V, 5% (DM)	1000024-60	5
2	C33, C37 CAP 330 PF, 100V, 5% (DM)	1000023-00	6
32	C1 THRU C32 CAP .01µF, 100V, 20% DISC	1001610-01	7
3	C34, C35, C36 CAP 6.8µF, 35V, 10% SMT	1005306-00	8
1	D1 DIODE, L.E.D.	1110324-00	9
5	R1 THRU R5 RES 4.7K 1/4W 5%	1300147-00	10
3	R8, R9, R15 RES 100 1/4W 5%	1300229-00	11
5	R6, R10, R11, R12, R17 RES 470 1/4W 5%	1300316-00	12
1	R13 RES 1K 1/4W 5%	1300365-00	13
1	R16 RES 10K 3/4W 20% (76 PR)	1300143-10	14
1	E24 I.C. 7400	1905575-00	15
1	E30 I.C. 7430	1905573-00	16
1	E31 I.C. 7402	1909004-00	17
1	E19 I.C. 314A	1909704-00	18
1	E23 I.C. 7408	1910155-00	19
4	E1, E9, E17, E25 I.C. 8881	1909705-00	20
1	E16 I.C. 74H04	1909931-00	21
1	E27 I.C. 7485	1910224-00	22
1	E8 I.C. 74123	1910436-00	23
1	E10 I.C. 74503	1910533-00	24
1	E15 I.C. 74574	1910544-00	25
1	E21 I.C. 74174	1910652-00	26
2	E5, E22 I.C. 74157	1910655-00	27
9	E2, E3, E11, E12, E18, E20, E26, E28, E29 I.C. 8640	1911469-00	28
2	E4, E13 I.C. 745280	1911573-00	29
1	E14 I.C. 8266	1909934-00	30
2	E6, E7 I.C. 7474	1905547-00	31
4	W1 THRU W4 INSULATED JUMPER	9009185-00	32
4	EYELET	9006732-00	33
2	HANDLE, FLIP-CHIP (MAGENTA)	9008337-6	34

QTY	REF. DESIGNATION	DESCRIPTION	PART NO.	ITEM NO.
FIRST USED ON OPTION MODEL				
PARTS LIST				
ETCH BOARD REV. B			PARTS LIST	
<div style="display: flex; justify-content: space-between;"> <div> <p>DR. R. LUFKIN</p> <p>CHKD. <i>[Signature]</i></p> <p>ENG. <i>[Signature]</i></p> <p>PROJ. ENG. <i>[Signature]</i></p> <p>PROD. <i>[Signature]</i></p> </div> <div> <p>DATE 2/5/75</p> <p>DATE 2/17/75</p> <p>DATE 2/17/75</p> <p>DATE 2/17/75</p> <p>DATE 2/17/75</p> </div> </div>				
TITLE: digital				
PARITY MODULE				
DEC NO. EIA NO.			NEXT HIGHER ASSY	
DEC NO. EIA NO.			SCALE 1 OF 3	
SEMICONDUCTOR CONVERSION CHART			SIZE CODE DCS M7850-0-1	
			REV. B	

8640	1	8
8266	8	16
74157	8	16
74174	8	16
74123	8	16
7485	8	16
314A	1	8
IC TYPE	GND	+5V
GND AND 5V ARE USUALLY PIN 7 AND 14 RESPECTIVELY EXCEPTIONS ARE STATED ABOVE		
IC PIN LOCATIONS		

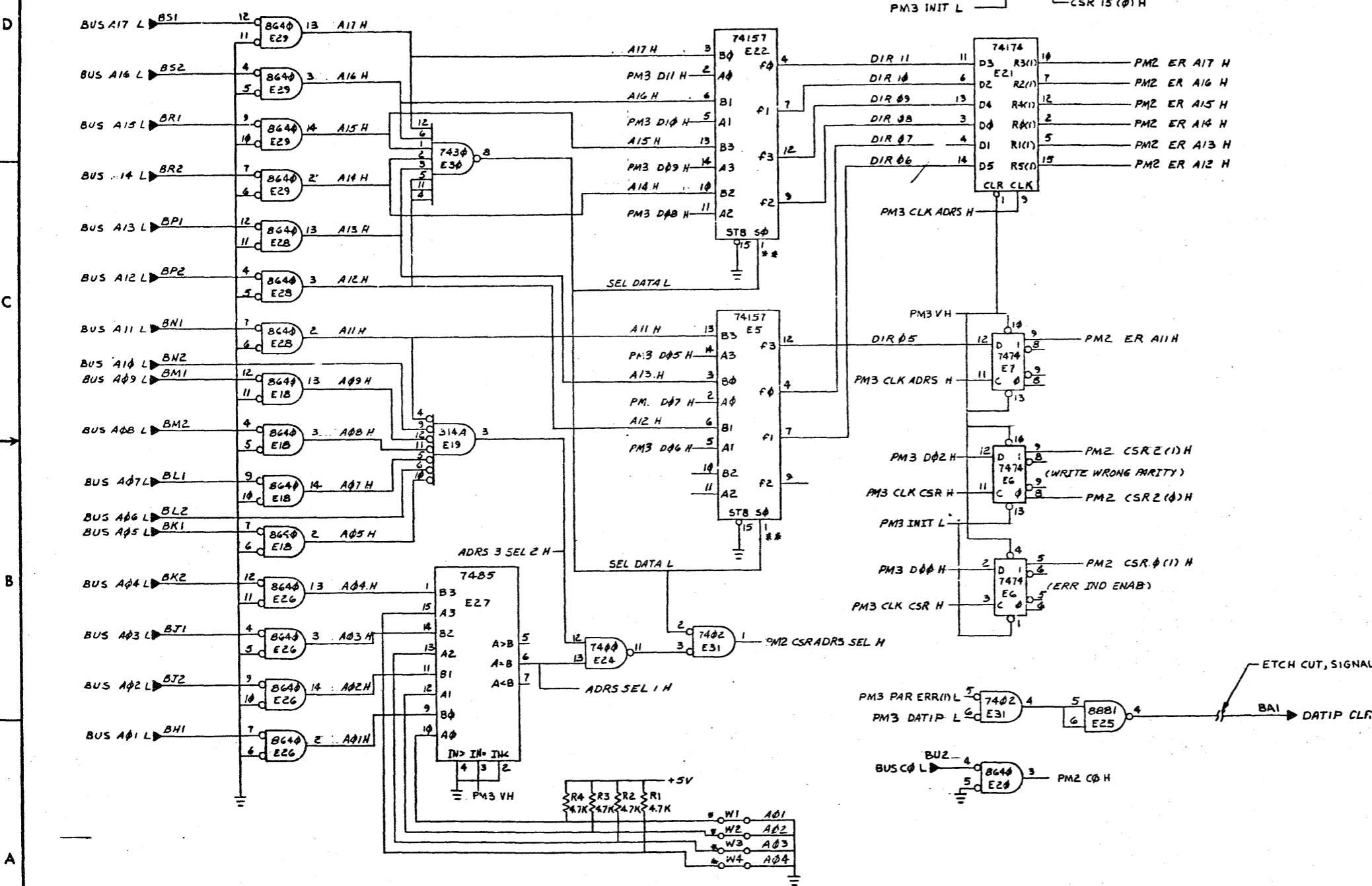
DCS M7850-0-1

THIS DRAWING AND SPECIFICATIONS HEREIN ARE THE PROPERTY OF DIGITAL EQUIPMENT CORPORATION AND SHALL NOT BE REPRODUCED OR COPIED OR USED IN WHOLE OR IN PART AS THE BASIS FOR THE MANUFACTURE OR SALE OF ITEMS WITHOUT WRITTEN PERMISSION. COPYRIGHT © 1975 DIGITAL EQUIPMENT CORPORATION

NOTES:
 * THE CSR REGISTER ADDRESS IS LOCATED BETWEEN 772100 AND 772136. IT IS SELECTED WITH JUMPERS W1 THRU W4. REMOVING A JUMPER SELECTS A "ONE" FOR THAT BIT POSITION. (**)

MACHINE ADDRESS (WORDS) 8	W4 A4	W3 A3	W2 A2	W1 A1
772100	IN	IN	IN	IN
772102	IN	IN	IN	OUT
772104	IN	IN	OUT	IN
772106	IN	IN	OUT	OUT
772110	IN	OUT	IN	IN
772112	IN	OUT	IN	OUT
772114	IN	OUT	OUT	IN
772116	IN	OUT	OUT	OUT
772120	OUT	IN	IN	IN
772122	OUT	IN	IN	OUT
772124	OUT	IN	OUT	IN
772126	OUT	IN	OUT	OUT
772130	OUT	OUT	IN	IN
772132	OUT	OUT	IN	OUT
772134	OUT	OUT	OUT	IN
772136	OUT	OUT	OUT	OUT

** THE 'A' INPUTS ARE SELECTED WHEN THE SEL INPUT GOES LOW. (**)

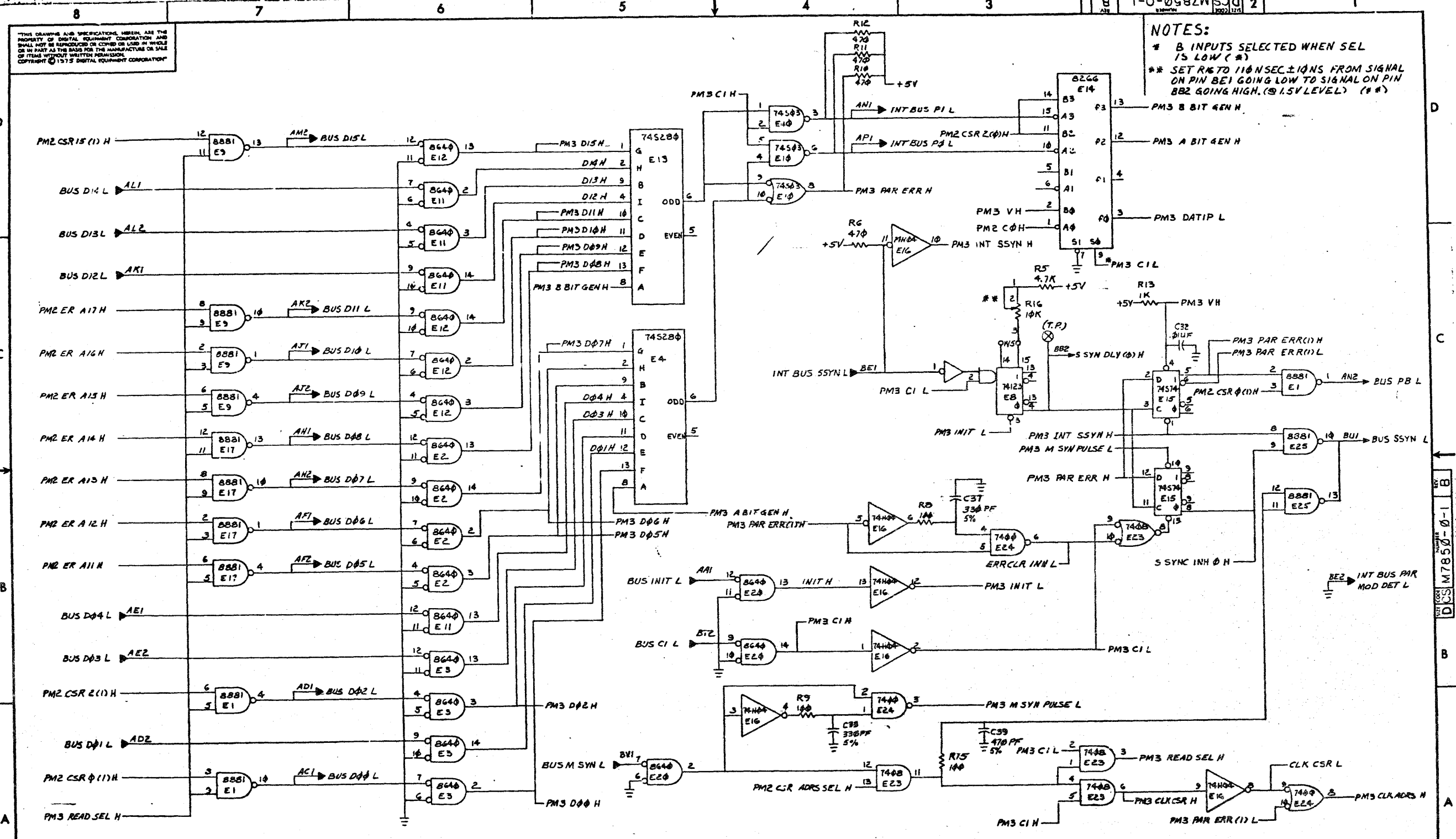


ETCH CUT, SIGNAL NOT USED

CHK	CHANGE NO.	REV.

THIS DRAWING AND SPECIFICATIONS HEREON ARE THE PROPERTY OF DIGITAL EQUIPMENT CORPORATION AND SHALL NOT BE REPRODUCED OR COPIED IN WHOLE OR IN PART AS THE BASIS FOR THE MANUFACTURE OR SALE OF ITEMS WITHOUT WRITTEN PERMISSION. COPYRIGHT © 1975 DIGITAL EQUIPMENT CORPORATION

NOTES:
 * B INPUTS SELECTED WHEN SEL IS LOW (*)
 ** SET R6 TO 110 NSEC ± 10% FROM SIGNAL ON PIN BE1 GOING LOW TO SIGNAL ON PIN BB2 GOING HIGH. (@ 1.5V LEVEL) (**)



REVISIONS		
CHK	CHANGE NO.	REV.

TITLE	DCS M7850-0-1	SIZE CODE	NUMBER	REV.
PARITY MODULE (PM3)	D6	3 OF 3	B	B
SCALE	SHEET	DIST.		

DCS M7850-0-1 B

DIGITAL EQUIPMENT CORPORATION
 MAYNARD, MASSACHUSETTS
PARTS LIST

MADE BY	D. HEALY	CHECKED	D. HEALY	SECTION
DATE	10/6/75	DATE	10/6/75	1
ENG	R. BARRY R Barry	PROD	R.K. Peter	ISSUED SECT.
DATE	10-22-75	DATE	10/24/75	1

QUANTITY / VARIATION

ITEM NO.	DWG NO. / PART NO.	DESCRIPTION /
	D-CS-M7847-AA-1	UNIBUS MOS MEM
	D-CS-M7847-AB-1	UNIBUS MOS MEM
	D-CS-M7847-AC-1	UNIBUS MOS MEM
	D-CS-M7847-AD-1	UNIBUS MOS MEM
	D-CS-M7847-AH-1	UNIBUS MOS MEM
	D-CS-M7847-AJ-1	UNIBUS MOS MEM

MS11-E	MS11-EP	MS11-F	MS11-FP	MS11-J	MS11-JP						
1	-	-	-	-	-						
-	1	-	-	-	-						
-	-	1	-	-	-						
-	-	-	1	-	-						
-	-	-	-	1	-						
-	-	-	-	-	1						

TITLE	MOS RAM (MS11-E)	ASSY NO.	SIZE CODE	NUMBER	REV.	ECO NO.
		NONE	A PL	MS11-E-Ø	A	MS11-E-00001
SHEET 1 OF 1		DIST.				

"THIS DRAWING AND SPECIFICATIONS, HEREIN, ARE THE PROPERTY OF DIGITAL EQUIPMENT CORPORATION AND SHALL NOT BE REPRODUCED OR COPIED OR USED, IN WHOLE OR IN PART AS THE BASIS FOR THE MANUFACTURE OR SALE OF ITEMS WITHOUT WRITTEN PERMISSION. COPYRIGHT © 1975. DIGITAL EQUIPMENT CORPORATION"

NOTES:

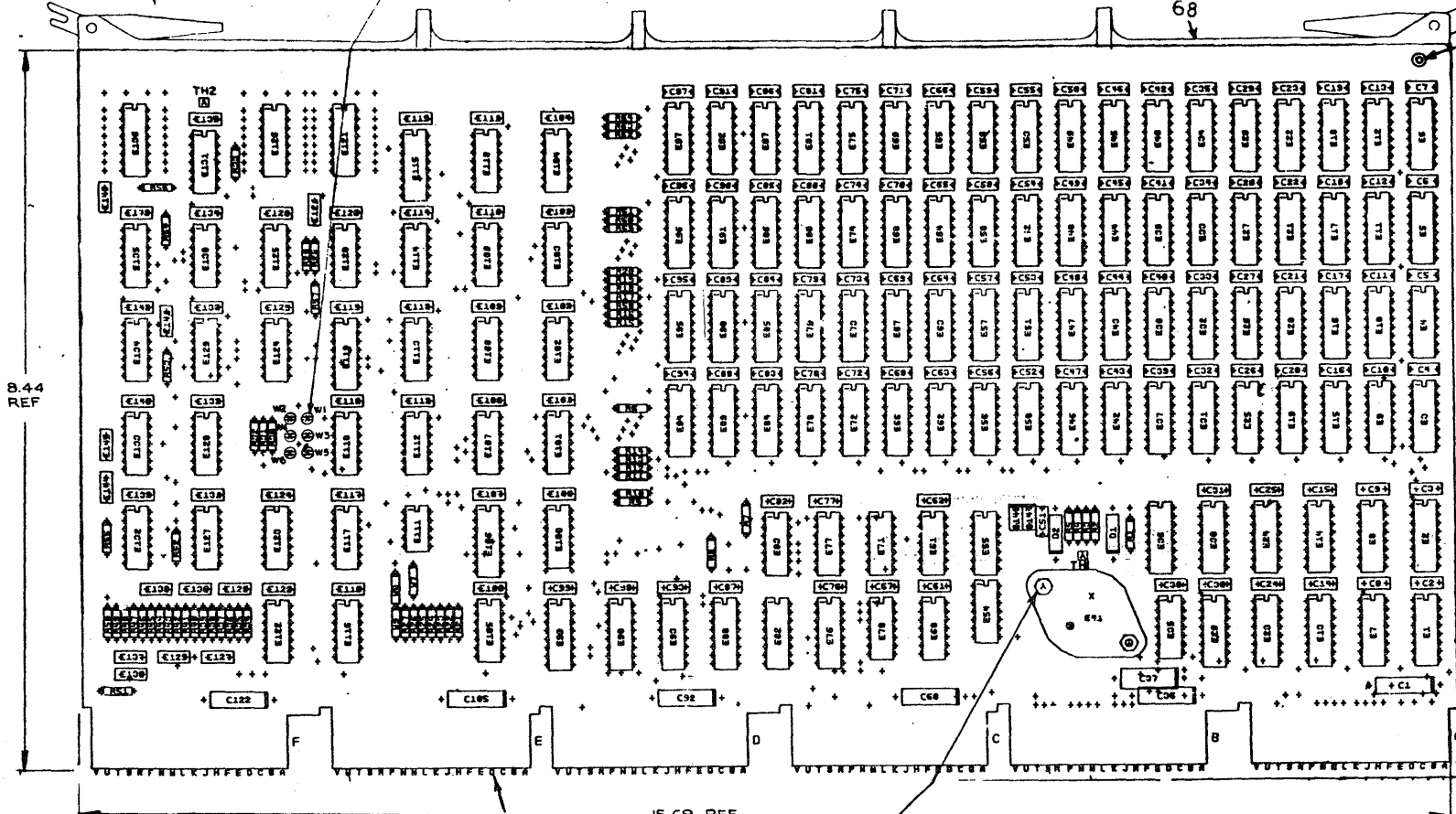
1. THERMAL COMPOUND (ITEM NO. 72) TO BE PLACED UNDER E41.

2. JUMPERS TO BE CONNECTED FOR EACH VARIATION AS FOLLOWS:

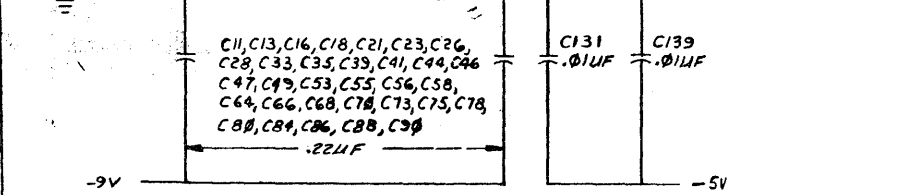
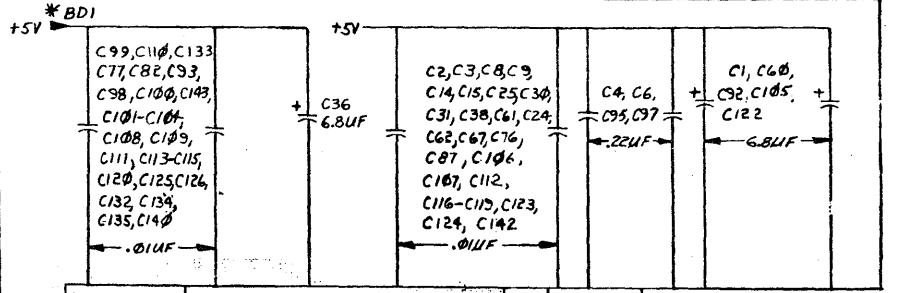
2.(CONT) CONNECTIONS TO BE MADE USING BUS WIRE (ITEM NO. 73).

BACA, DA, EA, BB, CB, DB, EB, YA + YB	W3 TO W4
BC, CC, DC, EC, BD, CD, DD, ED, YC + YD	W1 TO W2 & W3 TO W4
BE, CE, DE, EE, BF, CF, DF, EF, BH, CH, DH, EH, BJ, CJ, DJ, EJ, YE, YF, YH + YJ	W1 TO W2, W3 TO W4, & W5 TO W6

67, 73 SEE NOTE 2



- +12V
- C10, C12, C17, C19, C20, C22, C27, C32, C34, C40, C42, C43, C45, C48, C50, C52, C54, C57, C59, C63, C65, C69, C71, C72, C74, C83, C85, C89, C91, C97, C29, C79, C81, C74, C96
- .22µF



BUS GRANTS

- DK2 → DL2
- DM2 → DN2
- DP2 → DR2
- DS2 → DT2
- CA1 → CB1

70
71
72 SEE NOTE 1

7475	12	5	-
74S153	8	16	-
75107	7	14	13
74174	8	16	-
8641	8	16	-
8648	1	8	-
7483	12	5	-
IC TYPE	GND	+5V	-5V

GND AND -5V ARE USUALLY PIN 7 AND 14 RESPECTIVELY EXCEPTIONS ARE STATED ABOVE

IC PIN LOCATIONS

J. MANTON 5/15/70	J. MANTON 6/10/70	J. MANTON 6/10/70	J. MANTON 6/10/70	J. MANTON 6/10/70	J. MANTON 6/10/70	J. MANTON 6/10/70	J. MANTON 6/10/70	J. MANTON 6/10/70	J. MANTON 6/10/70	J. MANTON 6/10/70	J. MANTON 6/10/70	J. MANTON 6/10/70	J. MANTON 6/10/70	J. MANTON 6/10/70	J. MANTON 6/10/70	J. MANTON 6/10/70	J. MANTON 6/10/70	J. MANTON 6/10/70	J. MANTON 6/10/70	J. MANTON 6/10/70	J. MANTON 6/10/70	J. MANTON 6/10/70	J. MANTON 6/10/70
-------------------	-------------------	-------------------	-------------------	-------------------	-------------------	-------------------	-------------------	-------------------	-------------------	-------------------	-------------------	-------------------	-------------------	-------------------	-------------------	-------------------	-------------------	-------------------	-------------------	-------------------	-------------------	-------------------	-------------------

FOR PARTS LIST REFER TO SHEETS 2 & 3

QTY	REF. DESIGNATION	DESCRIPTION	PART NO.	ITEM NO.
ETCH BOARD REV. E				

SEMICONDUCTOR CONVERSION CHART

DEC. NO.	EIA NO.	DEC. NO.	EIA NO.
----------	---------	----------	---------

REVISIONS

CHK	CHANGE NO.	REV.	DATE
-----	------------	------	------

digital

TITLE UNIBUS MOS MEMORY

SIZE CODE DIST. M7847-0-1

NUMBER L

SHEET 1 OF 16

"THIS DRAWING AND SPECIFICATIONS HEREIN, ARE THE PROPERTY OF DIGITAL EQUIPMENT CORPORATION AND SHALL NOT BE REPRODUCED OR COPIED OR USED IN WHOLE OR IN PART AS THE BASIS FOR THE MANUFACTURE OR SALE OF ITEMS WITHOUT WRITTEN PERMISSION. COPYRIGHT © 1977 DIGITAL EQUIPMENT CORPORATION"

NOTES: 1. DEC PART NO 1001810-00 IS AN ACCEPTABLE REPLACEMENT FOR DEC PART NO. 1001810-01 (ITEM 14). 2. VARIATIONS YA THRU YJ. VARIATIONS BA THRU BJ. VARIATIONS CA THRU CJ. VARIATIONS DA THRU DJ. VARIATIONS EA THRU EJ. VARIATIONS FA THRU FJ. VARIATIONS GA THRU GJ. VARIATIONS HA THRU HJ. VARIATIONS JA THRU JI.

Grid for part variations (YI-YV, YW-YZ) with columns for QTY and REF.

PARTS LIST

Main parts list table with columns: QTY, REF, REF DESIGNATION, DESCRIPTION, PART NO., ITEM NO. Includes items like DATA BASE TAPE, UNIT ASSEMBLY, DRILL & ETCH DWE, MODULE EDD HISTORY, ETCHED CIRCUIT BOARD, CAP .1UF, 160V, 20% DISC, CAP .22UF, 50V CER, CAP 8.9UF, 35V, 10% S. TANT.

Grid for part variations (YI-YV, YW-YZ) with columns for QTY and REF.

PARTS LIST

Main parts list table with columns: QTY, REF, REF DESIGNATION, DESCRIPTION, PART NO., ITEM NO. Includes items like E35, IC 8881, IC 8640, IC 7474, IC 74197, IC 7475, IC 74S153, IC 74S140, IC 7420, IC 7483, IC 7400, IC 74S28, IC 7486, IC 74S94, IC 74S63, IC 75107, IC 74S85, IC 7404, IC 7440, IC 74S11, IC 7437, IC 7812, IC 74S18, IC 74S74, E12, E18, E22, E28, E34, E48, E49, E59, E65, E69, E75, E81, E87, E92, E97, E6, E12, E18, E22, E28, E34, E48, E49, E59, E65, E69, E75, E81, E87, E92, E97, E11, E12, E17, E18, E21, E22, E27, E28, E33, E34, E39, E48, E44, E45, E48, E49, E58, E59, E64, E65, E68, E69, E74, E75, E89, E81, E86, E87, E91, E92, E96, E97, E5, E6, E11, E12, E17, E18, E21, E22, E27, E28, E33, E34, E39, E48, E44, E45, E48, E49, E52, E53, E58, E59, E64, E65, E68, E69, E74, E75, E89, E81, E86, E87, E91, E92, E96, E97, E10, E12, E17, E18, E21, E22, E27, E28, E33, E34, E39, E48, E44, E45, E48, E49, E52, E53, E58, E59, E64, E65, E68, E69, E74, E75, E89, E81, E86, E87, E91, E92, E96, E97, E9, E12, E15, E22, E25, E28, E31, E34, E37, E48, E42, E49, E56, E59, E62, E69, E72, E75, E78, E81, E84, E87, E89, E92, E94, E97, E3, E8, E9, E12, E15, E22, E25, E28, E31, E34, E37, E48, E42, E49, E56, E59, E62, E69, E72, E75, E78, E81, E84, E87, E89, E92, E94, E97.

REVISIONS table with columns: CHK, CHANGE NO., REV.

THIS DRAWING AND SPECIFICATIONS HEREIN ARE THE PROPERTY OF DIGITAL EQUIPMENT CORPORATION AND SHALL NOT BE REPRODUCED OR COPIED OR USED IN WHOLE OR IN PART AS THE BASIS FOR THE MANUFACTURE OR SALE OF ITEMS WITHOUT WRITTEN PERMISSION. COPYRIGHT © 1977 DIGITAL EQUIPMENT CORPORATION

EJ	FI	GL	HL	JL	EH	FI	HL	JL	EH	FI	HL	JL	EH	FI	HL	JL
ED	FD	GD	HD	JD	ED	FD	GD	HD	ED	FD	GD	HD	ED	FD	GD	HD
ED	FD	GD	HD	JD	ED	FD	GD	HD	ED	FD	GD	HD	ED	FD	GD	HD
ED	FD	GD	HD	JD	ED	FD	GD	HD	ED	FD	GD	HD	ED	FD	GD	HD

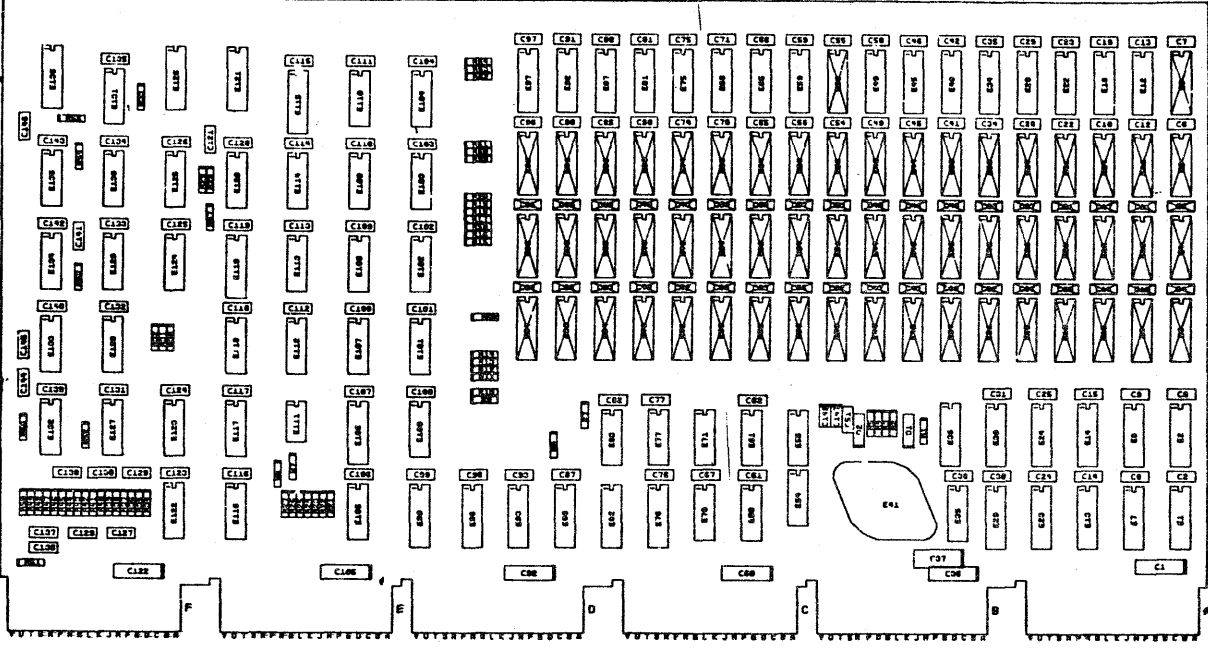
QTY		QTY		QTY		QTY		QTY		REF DESIGNATION	PARTS LIST DESCRIPTION	PART NO.	ITEM NO
1	1	1	1	1	1	1	1	1	1	E111	DIP SWITCH	1211184-01	68
8	8	8	8	8	8	8	8	8	8		SPLIT LUGS	9008735-00	67
1	1	1	1	1	1	1	1	1	1		HANDLE ASSY	1210711-02	66
12	12	12	12	12	12	12	12	12	12		EYELET	9008732-00	69
2	2	2	2	2	2	2	2	2	2		NUT, REP #4-40	9008557-00	70
2	2	2	2	2	2	2	2	2	2		SCR, PHN. #4-40 x .31	9006010-01	71
A/R	A/R	A/R	A/R	A/R	A/R	A/R	A/R	A/R	A/R		THERMAL COMPOUND	9008268-00	72
A/R	A/R	A/R	A/R	A/R	A/R	A/R	A/R	A/R	A/R		WIRE, #22 AWG BUS	9107560-01	73
A/R	A/R	A/R	A/R	A/R	A/R	A/R	A/R	A/R	A/R		WIRE, #30 AWG WIRE WRAP	9105740-55	74
1	1	1	1	1	1	1	1	1	1	C37	CAP 8UF, 25V	1012084-01	75
2	2	2	2	2	2	2	2	2	2	C147, C148	CAP .47UF, 25V, CER	1010273-00	76
1	1	1	1	1	1	1	1	1	1	WB	JUMPER, WIRE INSULATED	9009185-00	77
1	1	1	1	1	1	1	1	1	1	E120	IC 74LS20	1912819-00	78
REF	REF	REF	REF	REF	REF	REF	REF	REF	REF		DRAWING DIRECTORY	B-DD-M7847-0	79

REVISIONS		
CHK	CHANGE NO.	REV.

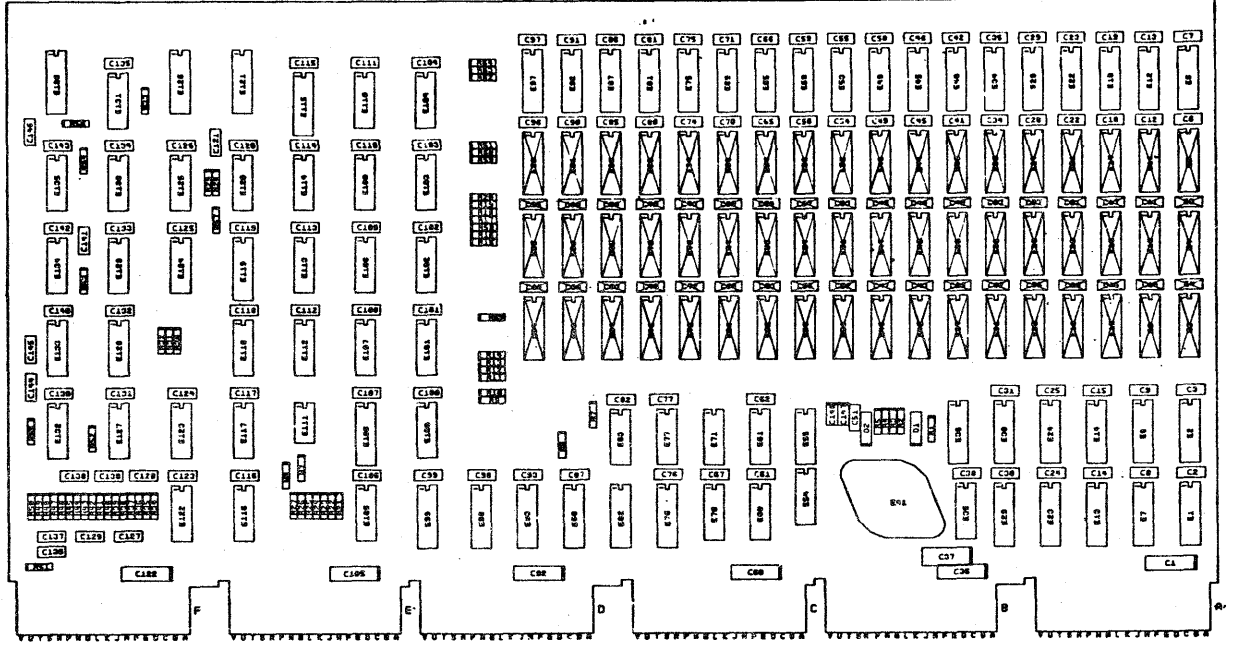
DCS M7847-0-1
 REV. L

"THIS DRAWING AND SPECIFICATIONS, HEREIN, ARE THE PROPERTY OF DIGITAL EQUIPMENT CORPORATION AND SHALL NOT BE REPRODUCED OR COPIED OR USED IN WHOLE OR IN PART AS THE BASIS FOR THE MANUFACTURE OR SALE OF ITEMS WITHOUT WRITTEN PERMISSION. COPYRIGHT © 1978 DIGITAL EQUIPMENT CORPORATION"

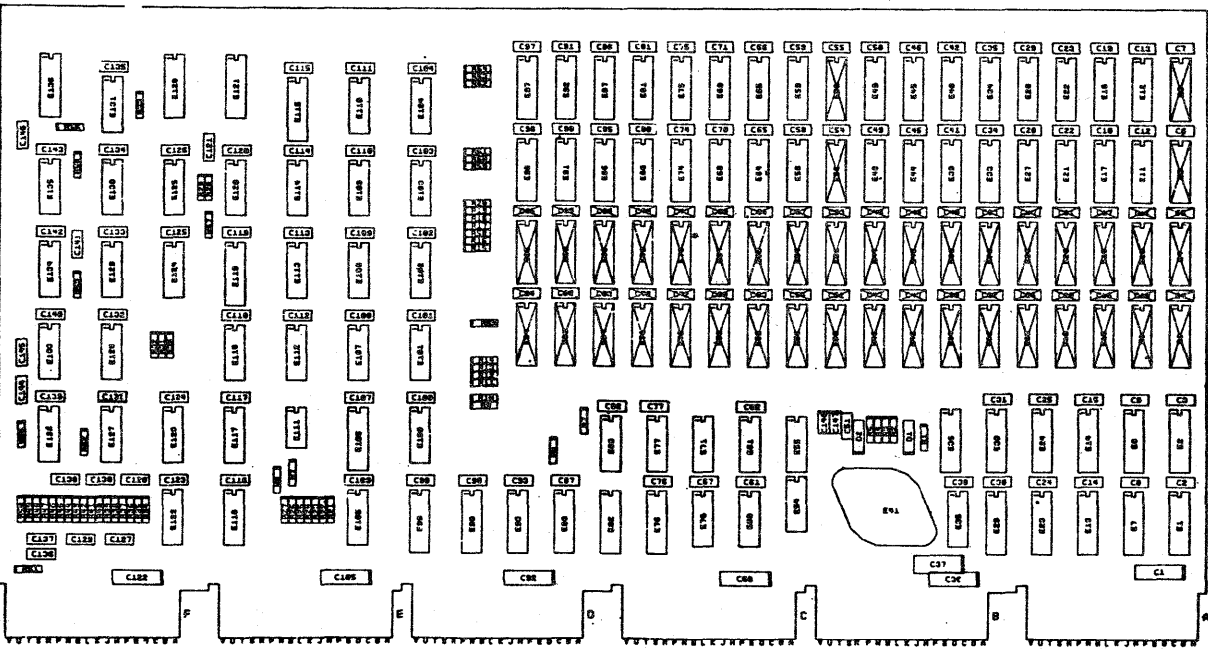
NOTE: THESE OVERLAYS ONLY TO INDICATE POSITIONS FOR 4K MOS MEMORY IC'S & .22 UF CAPS



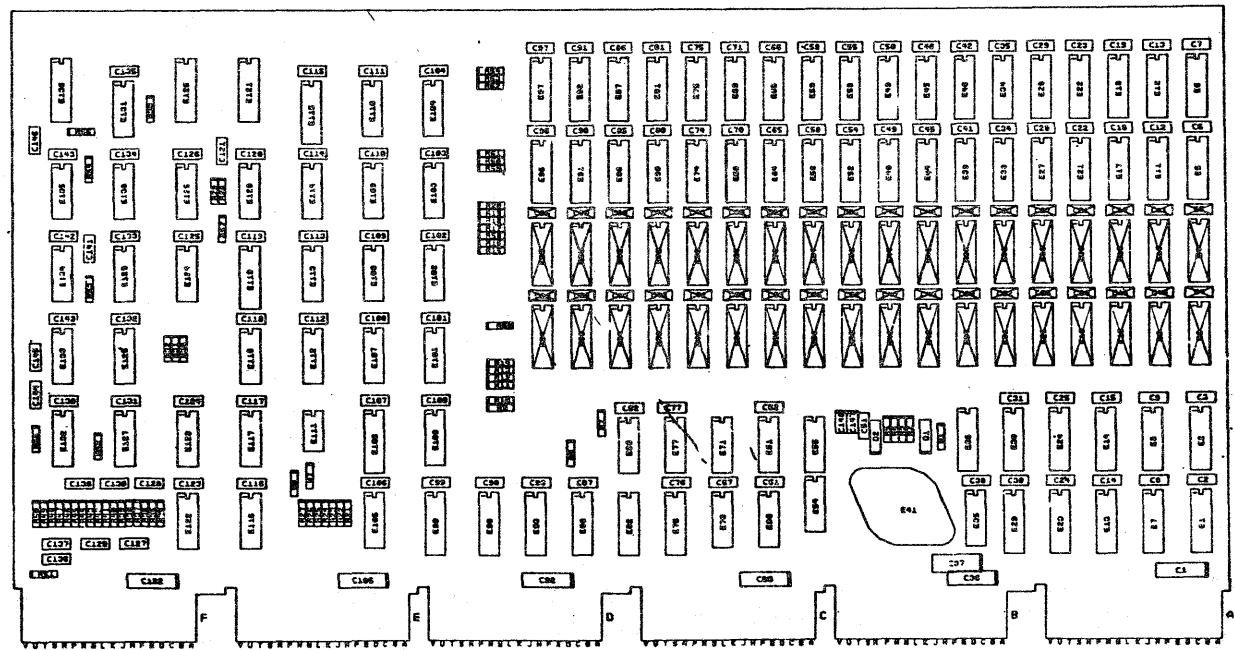
-YA; BA; CA; DA, - EA; FA; HA; JA.



-YB; BB; CB; DB, - EB; FB; JB; HB.



-YC; BC; CC; DC, - EC; FC; HC; JC.



-YD; BD; CD; DD, - ED; FD; HD; JD.

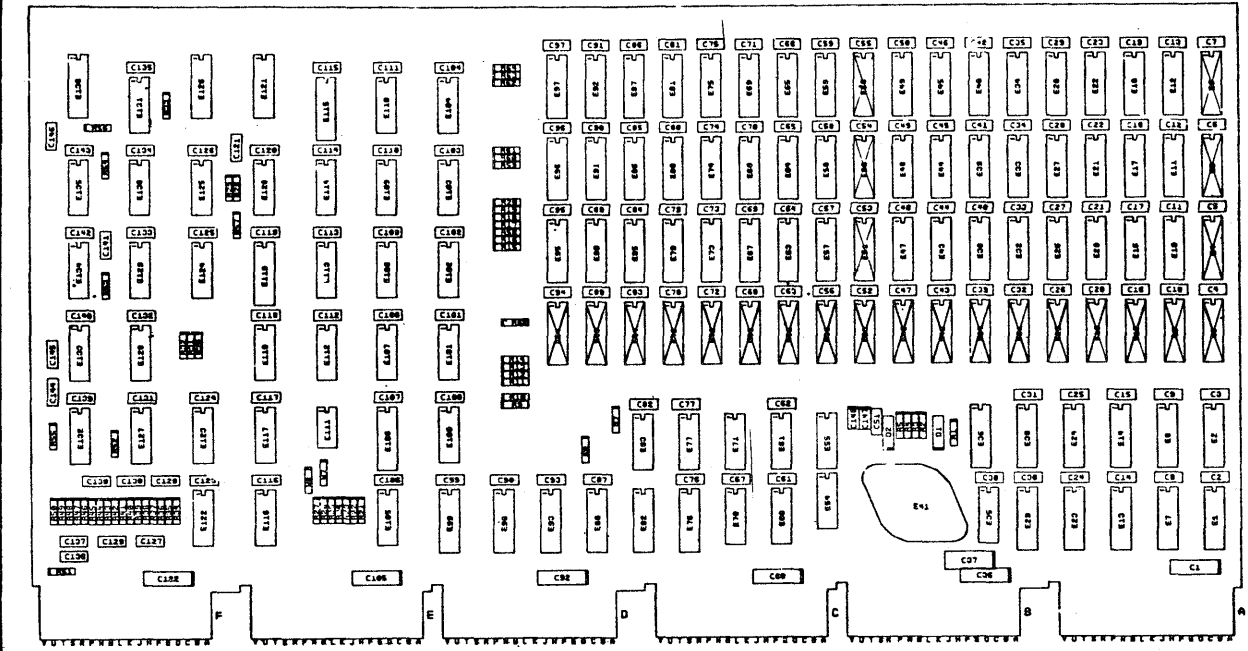
REVISIONS		
CHK	CHANGE NO.	REV.

TITLE	UNIBUS MOS MEMORY	SIZE CODE	DCSM7847-0-1	NUMBER	L	REV.	L
SCALE	4	SHEET	4	OF	14	DIST.	

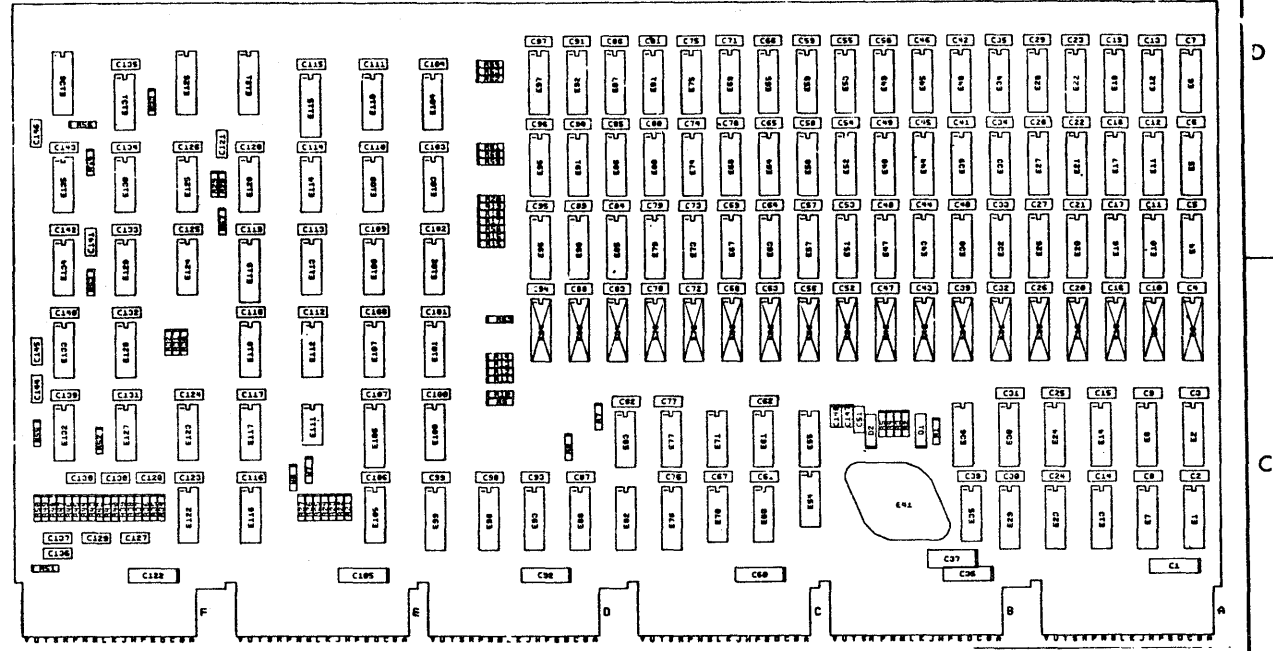
DRAWING NUMBER: DCSM7847-0-1
 SHEET: 4 OF 14

"THIS DRAWING AND SPECIFICATIONS, HEREIN, ARE THE PROPERTY OF DIGITAL EQUIPMENT CORPORATION AND SHALL NOT BE REPRODUCED OR COPIED OR USED IN WHOLE OR IN PART AS THE BASIS FOR THE MANUFACTURE OR SALE OF ITEMS WITHOUT WRITTEN PERMISSION. COPYRIGHT © 1978 DIGITAL EQUIPMENT CORPORATION"

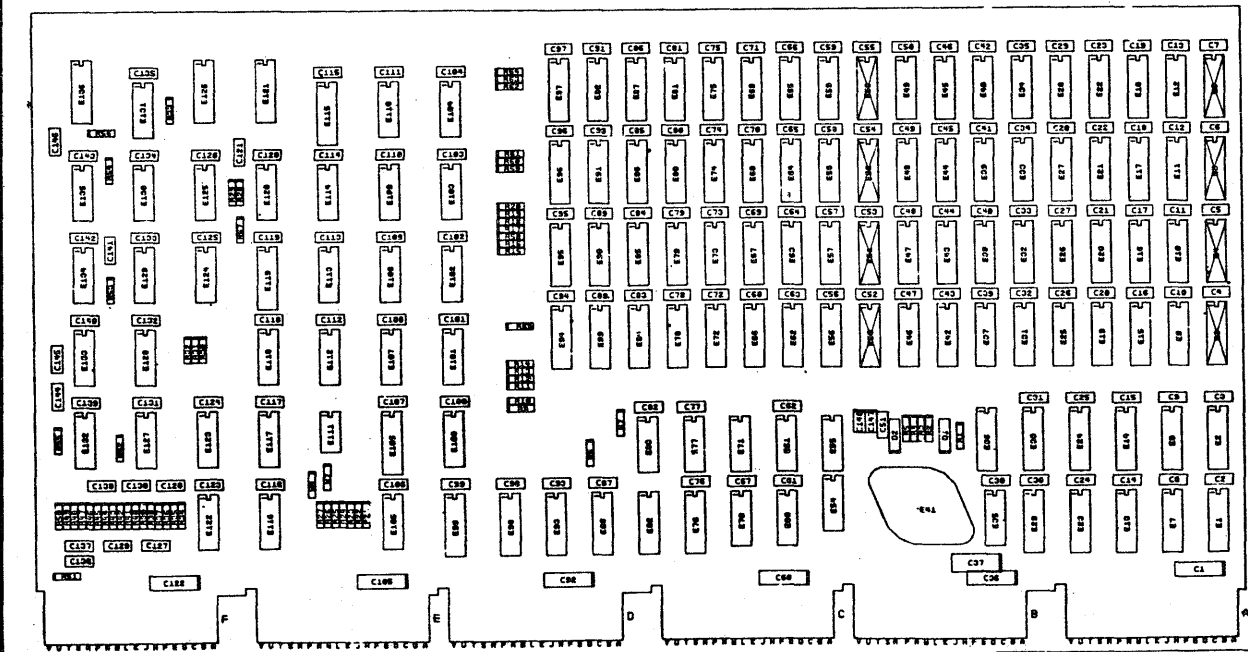
NOTE: THESE OVERLAYS ONLY TO INDICATE POSITIONS FOR 4K MOS MEMORY IC'S AND .22 UF CAPS.



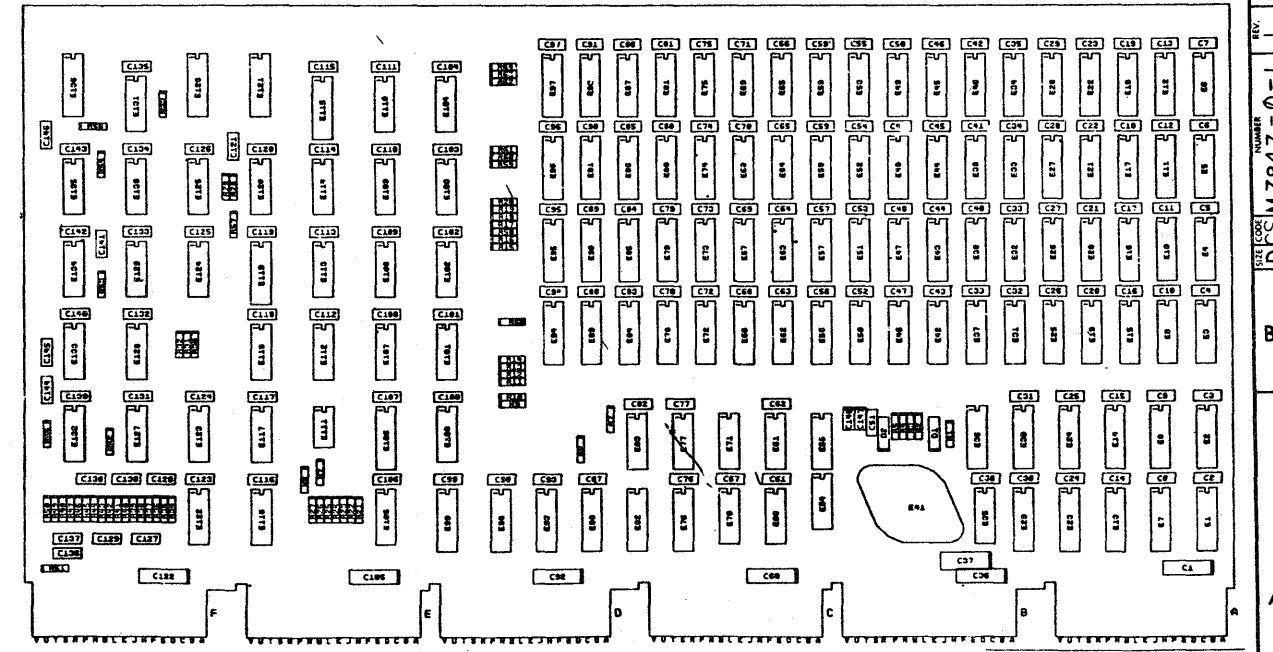
-YE, -BE, -CE, -DE, -EE, -FE, -HE, -JE



-YF, -BF, -CF, -DF, -EF, -FF, -HF, -JF



-YH, -BH, -CH, -DH, -EH, -FH, -HH, -JH



-YJ, -BJ, -CJ, -DJ, -EJ, -FJ, -HJ, -JJ

REVISIONS		
CHK	CHANGE NO.	REV.

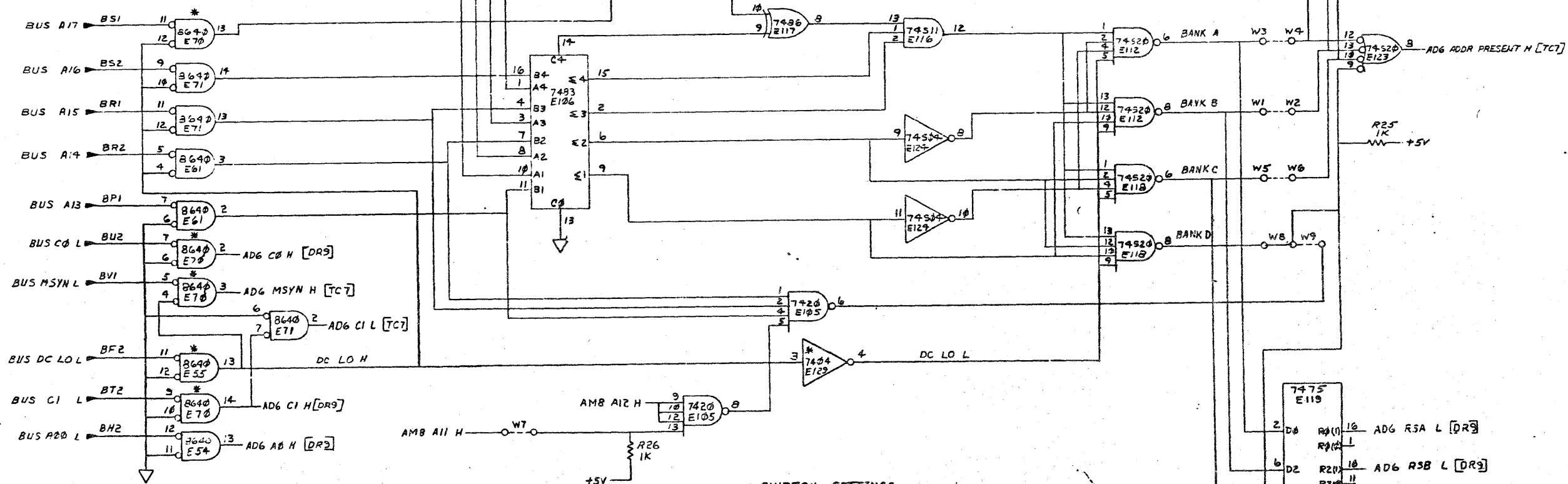
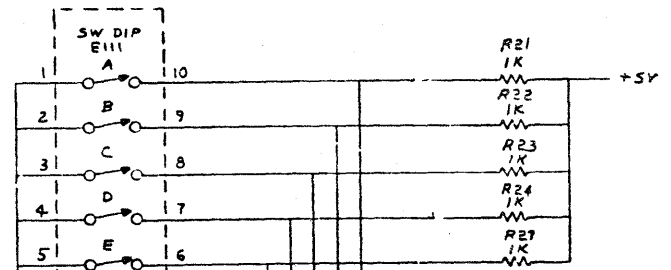
TITLE	UNIBUS MOS MEMORY	SIZE CODE	DCSM7847-0-1	NUMBER	L	REV.	L
SCALE	1/1	SHEET	5	OF	74	DIST.	

REV. NUMBER DCSM7847-0-1

THIS DRAWING AND SPECIFICATIONS, HEREIN, ARE THE PROPERTY OF DIGITAL EQUIPMENT CORPORATION AND SHALL NOT BE REPRODUCED OR COPIED OR USED IN WHOLE OR IN PART AS THE BASIS FOR THE MANUFACTURE OR SALE OF ITEMS WITHOUT WRITTEN PERMISSION. COPYRIGHT © 1975 DIGITAL EQUIPMENT CORPORATION

NOTE:
JUMPERS CONNECTED AS FOLLOWS

BA, CA, DA, EA, BB, CB, DB, EB	W3 - W4
YA, YB, FA, HA, JA, FB, HB, JB	W1 - W2
BC, CC, DC, EC, BD, CD, DD, ED	W3 - W4
YC, YD, FC, HC, JC, FD, HD, JD	W3 - W4
BE, CE, DE, EE, BF, CF, DF, EF	W1 - W2
BH, CH, DH, EH, BJ, CJ, DJ	W3 - W4
EJ, YE, YF, YH, YJ, FE, HE, JE	W5 - W6
FF, HF, JF, FH, HH, JH, FJ, HJ, JJ	W5 - W6



ASSEMBLY VARIATION	WT	WB	W9
FA, HA, JA, FB, HB, JC, FC, HC, CB, CA, DA, EA, BB, CB, DB, EB, BC, CC, DC, EC, BD, YC, YD, FC, HC, JC, FD, HD, JD, BE, CE, DE, EE, BF, CF, DF, EF	OUT	OUT	OUT
F1, H1, J1, F2, H2, J2, B1, C1, D1, E1, B2, C2, D2, E2, B3, C3, D3, E3	OUT	IN	OUT
F1, H1, J1, F2, H2, J2, B1, C1, D1, E1, B2, C2, D2, E2, B3, C3, D3, E3	OUT	OUT	IN
F1, H1, J1, F2, H2, J2, B1, C1, D1, E1, B2, C2, D2, E2, B3, C3, D3, E3	IN	OUT	IN

STARTING ADDRESS	SWITCH					STARTING ADDRESS	SWITCH					STARTING ADDRESS	SWITCH					STARTING ADDRESS	SWITCH				
	A	B	C	D	E		A	B	C	D	E		A	B	C	D	E		A	B	C	D	E
0	1	1	1	0	0	200,000	1	0	1	0	0	400,000	0	1	1	0	0	600,000	0	0	1	0	0
20,000	1	1	0	1	1	220,000	1	0	0	1	1	420,000	0	1	0	1	1	620,000	0	0	0	1	1
40,000	1	1	0	1	0	240,000	1	0	0	1	0	440,000	0	1	0	1	0	640,000	0	0	0	1	0
60,000	1	1	0	0	1	260,000	1	0	0	0	1	460,000	0	1	0	0	1	660,000	0	0	0	0	1
100,000	1	1	0	0	0	300,000	1	0	0	0	0	500,000	0	1	0	0	0	700,000	0	0	0	0	0
120,000	1	0	1	1	1	320,000	0	1	1	1	1	520,000	0	0	1	1	1	720,000	1	1	1	1	1
140,000	1	0	1	1	0	340,000	0	1	1	1	0	540,000	0	0	1	1	0	740,000	1	1	1	1	0
160,000	1	0	1	0	1	360,000	0	1	1	0	1	560,000	0	0	1	0	1						

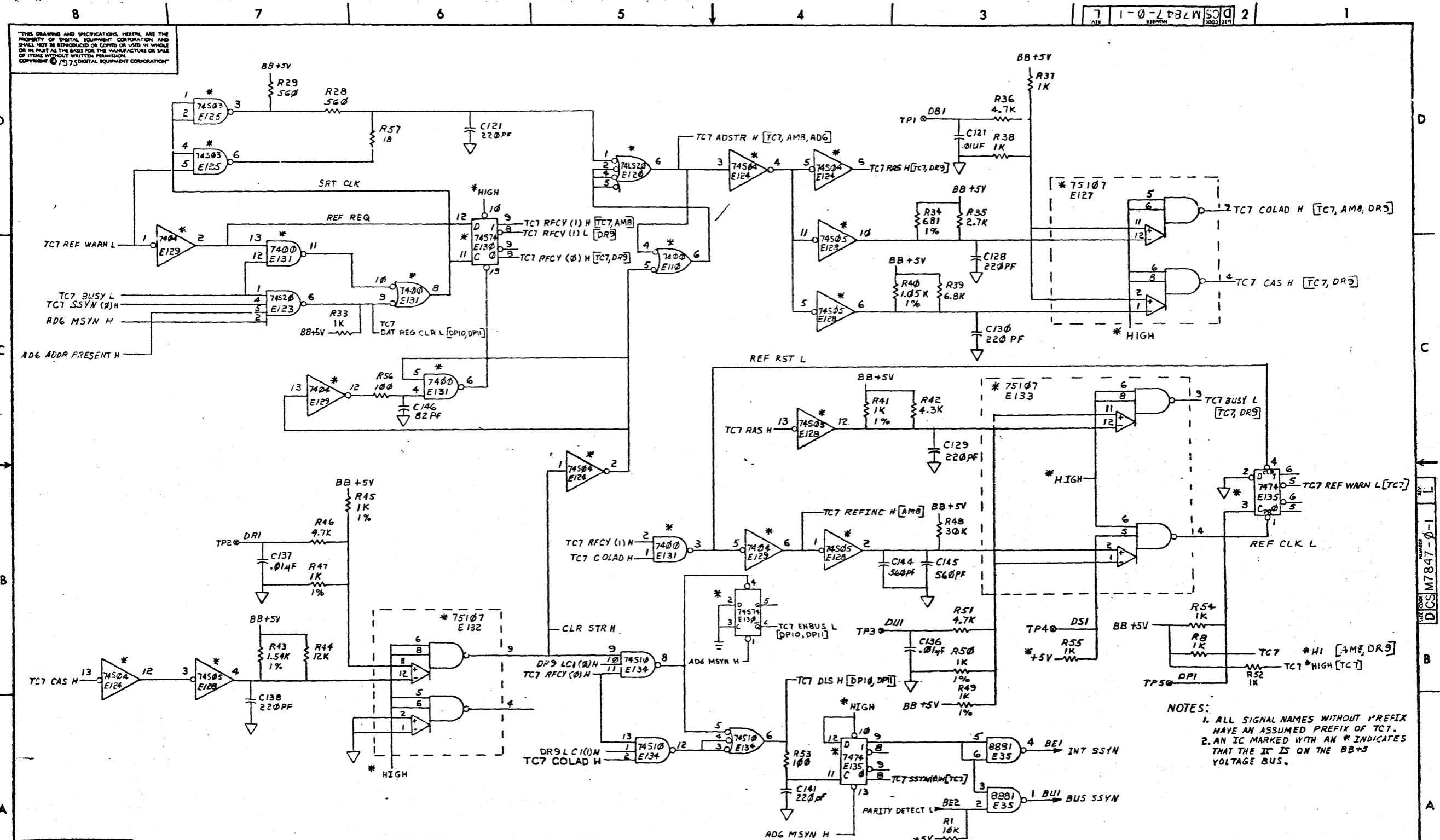
0 = ON
1 = OFF

* A-E MUST BE SET FOR STARTING ADDRESS OF 100,000.

REVISIONS		
CHK	CHANGE NO.	REV.

TITLE		UNIBUS MOS MEMORY (AD6)		SIZE	CODE	NUMBER	REV.
SCALE		SHEET 6 OF 16		DIST.	DCS	M7847-0-1	L

THIS DRAWING AND SPECIFICATIONS, HEREIN, ARE THE PROPERTY OF DIGITAL EQUIPMENT CORPORATION AND SHALL NOT BE REPRODUCED OR COPIED OR USED IN WHOLE OR IN PART AS THE BASIS FOR THE MANUFACTURE OR SALE OF ITEMS WITHOUT WRITTEN PERMISSION. COPYRIGHT © 1975 DIGITAL EQUIPMENT CORPORATION



NOTES:
 1. ALL SIGNAL NAMES WITHOUT PREFIX HAVE AN ASSUMED PREFIX OF TC7.
 2. AN IC MARKED WITH AN * INDICATES THAT THE IC IS ON THE BB+5 VOLTAGE BUS.

(TIMING CHAIN)

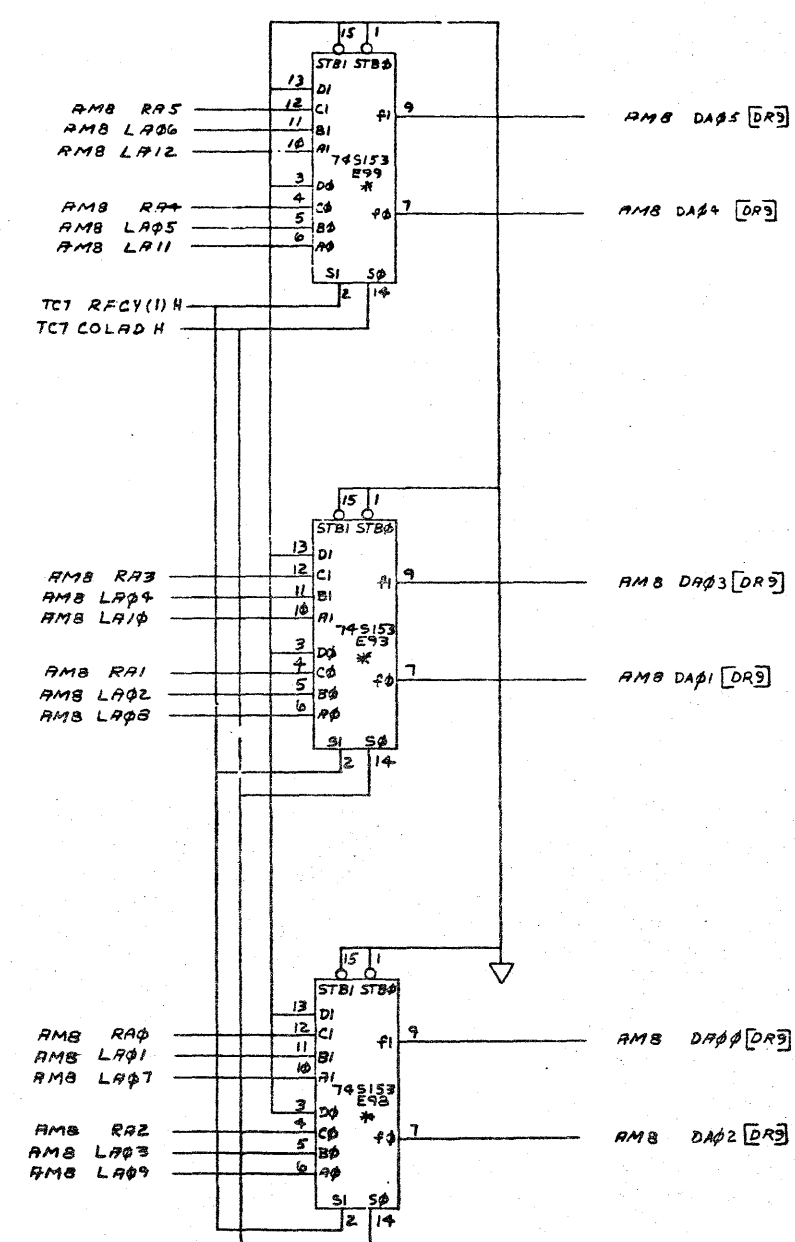
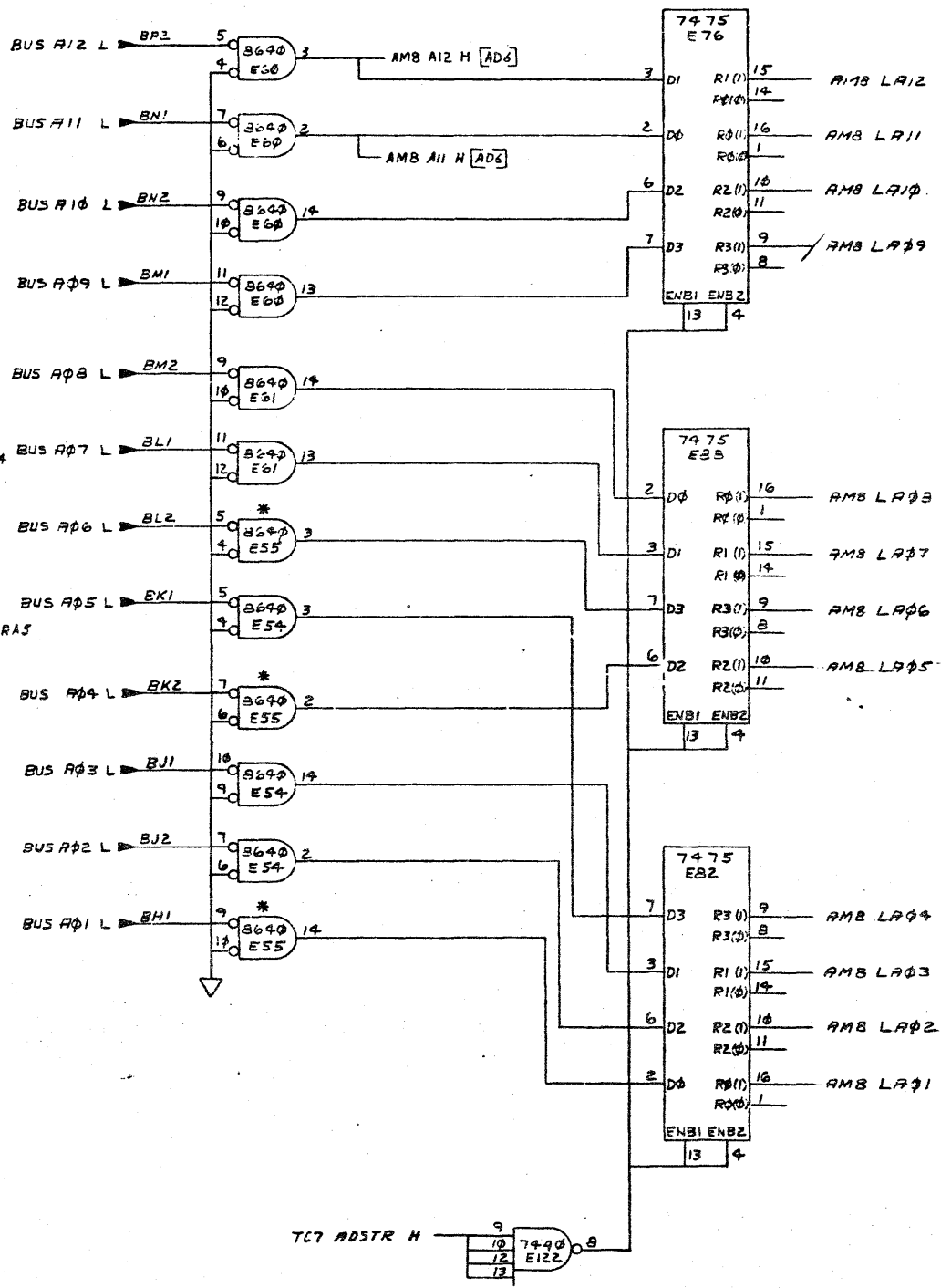
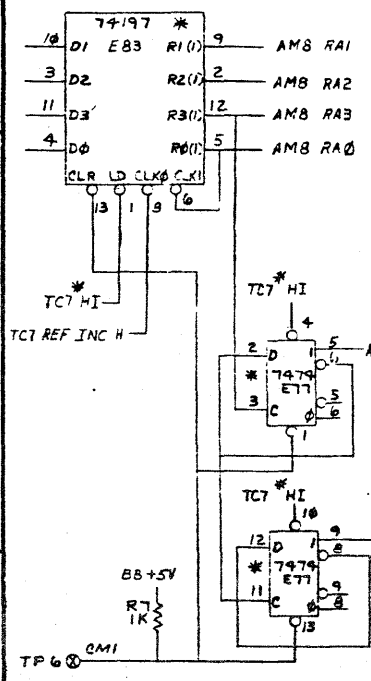
REVISIONS		
CHK	CHANGE NO.	REV.

TITLE	UNIBUS MOS MEMORY (TC7)	SIZE CODE	DCS M7847-0-1	NUMBER		REV.	L
SCALE		SHEET	7	OF	16	DIST.	

"THIS DRAWING AND SPECIFICATIONS, HEREIN, ARE THE PROPERTY OF DIGITAL EQUIPMENT CORPORATION AND SHALL NOT BE REPRODUCED OR COPIED OR USED IN WHOLE OR IN PART AS THE BASIS FOR THE MANUFACTURE OR SALE OF ITEMS WITHOUT WRITTEN PERMISSION. COPYRIGHT © 1975 DIGITAL EQUIPMENT CORPORATION"

D
C
B
A

D
C
B
A



NOTE:
AN IC MARKED WITH AN * INDICATES THAT THE IC IS ON THE BB+5 VOLTAGE BUS.

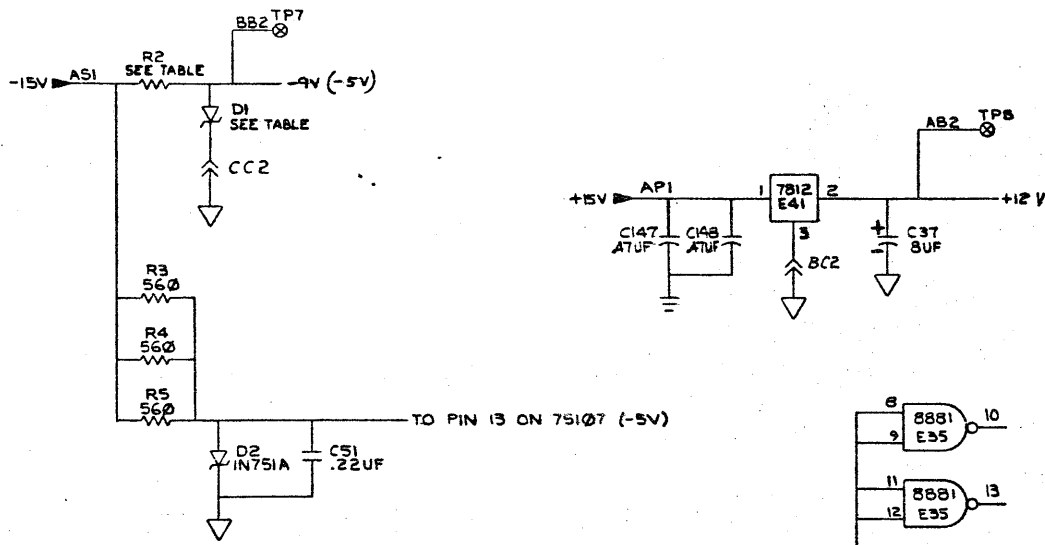
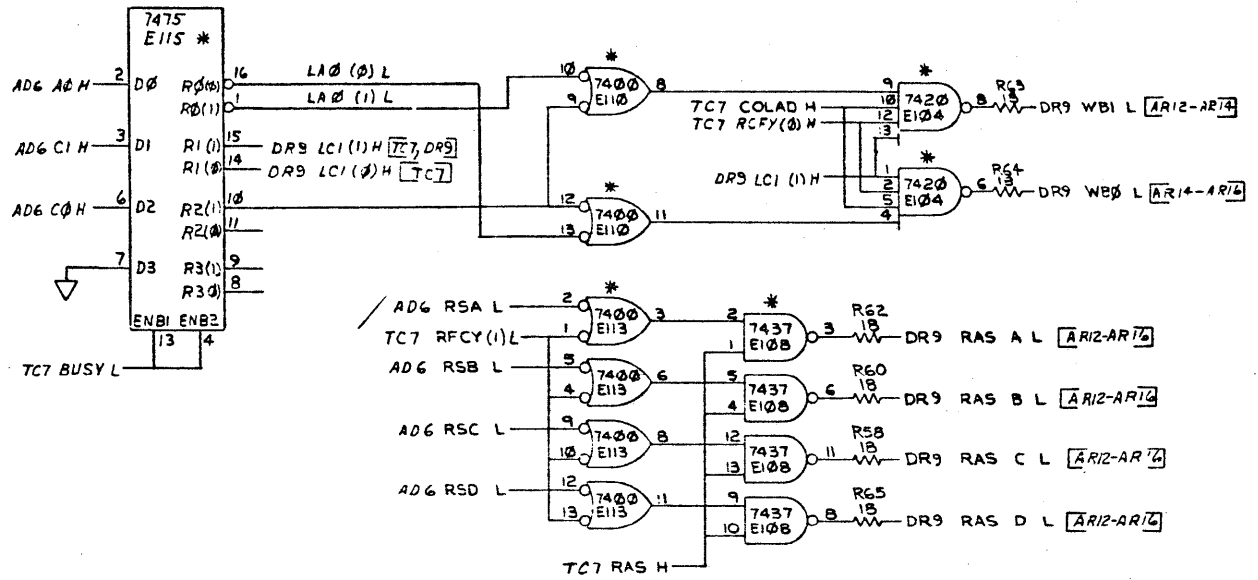
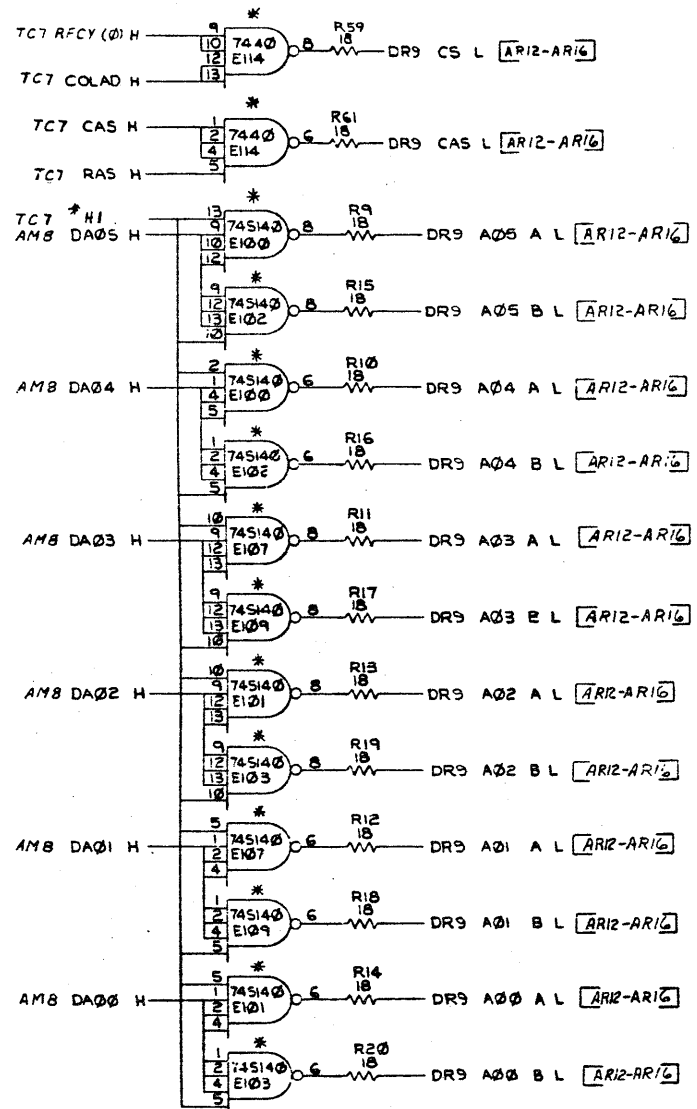
REVISIONS		
CHK	CHANGE NO.	REV.

(ADDRESS MULTIPLEX)

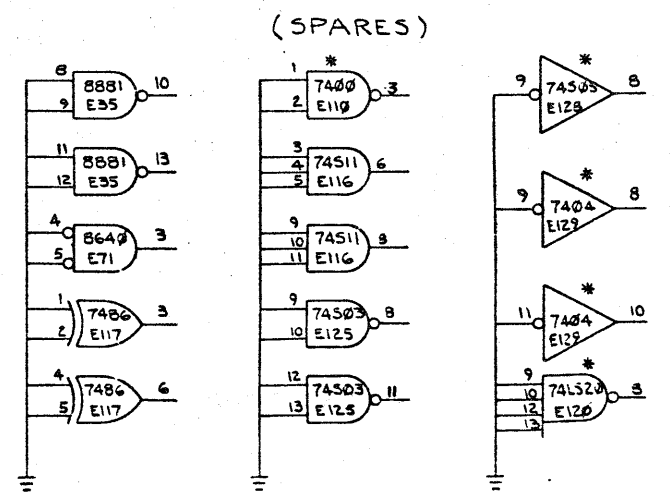
TITLE UNIBUS MCS MEMORY (AMB)	SIZE CODE DCS	NUMBER M7847-0-1	REV. L
SCALE 1/1	SHEET 8	OF 16	DIST.

REV. L
DCS M7847-0-1

THIS DRAWING AND SPECIFICATIONS HEREIN ARE THE PROPERTY OF DIGITAL EQUIPMENT CORPORATION AND SHALL NOT BE REPRODUCED OR COPIED OR USED IN WHOLE OR IN PART AS THE BASIS FOR THE MANUFACTURE OR SALE OF ITEMS WITHOUT WRITTEN PERMISSION. COPYRIGHT © 1975 DIGITAL EQUIPMENT CORPORATION



VARIATION	R2 VALUE	D1 VALUE
YA, YB, YC, YD YE, YF, YH, YJ	270	IN 757A 9V
BA, CA, DA, EA, BB, CB, DB, EB, BC CC, DC, EC, ED, CD, DD, ED, BE, CE DE, EE, BF, CF, DF, EF, BH, CH, DH, BH BJ, CJ, DJ, EJ	560Ω	IN751A -5V



REVISIONS		
CHK	CHANGE NO.	REV.

THIS DRAWING AND SPECIFICATIONS, HEREIN, ARE THE PROPERTY OF DIGITAL EQUIPMENT CORPORATION AND SHALL NOT BE REPRODUCED, COPIED OR USED IN WHOLE OR IN PART AS THE BASIS FOR THE MANUFACTURE OR SALE OF ITEMS WITHOUT WRITTEN PERMISSION. COPYRIGHT © 1975, DIGITAL EQUIPMENT CORPORATION

D

C

B

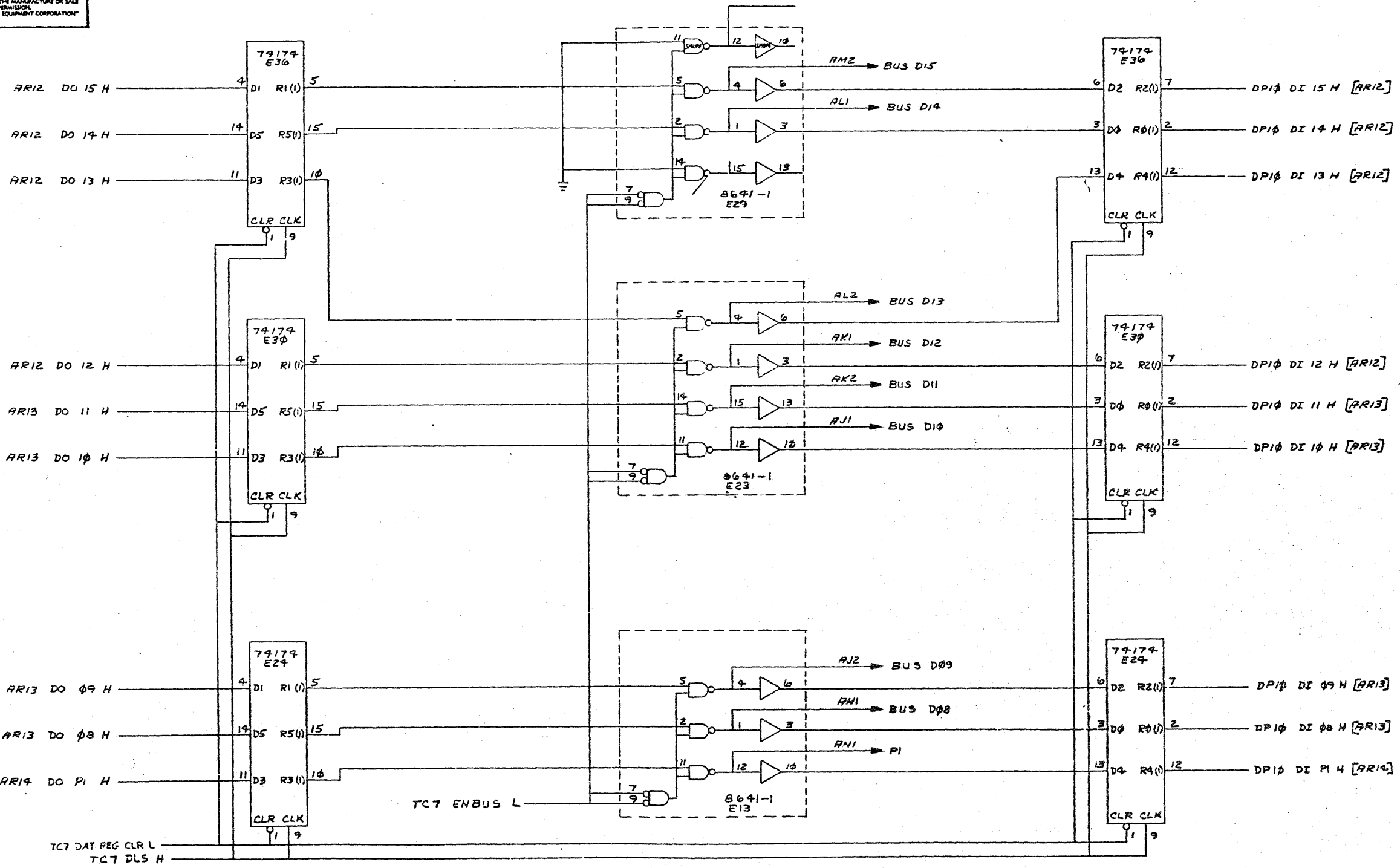
A

D

C

B

A



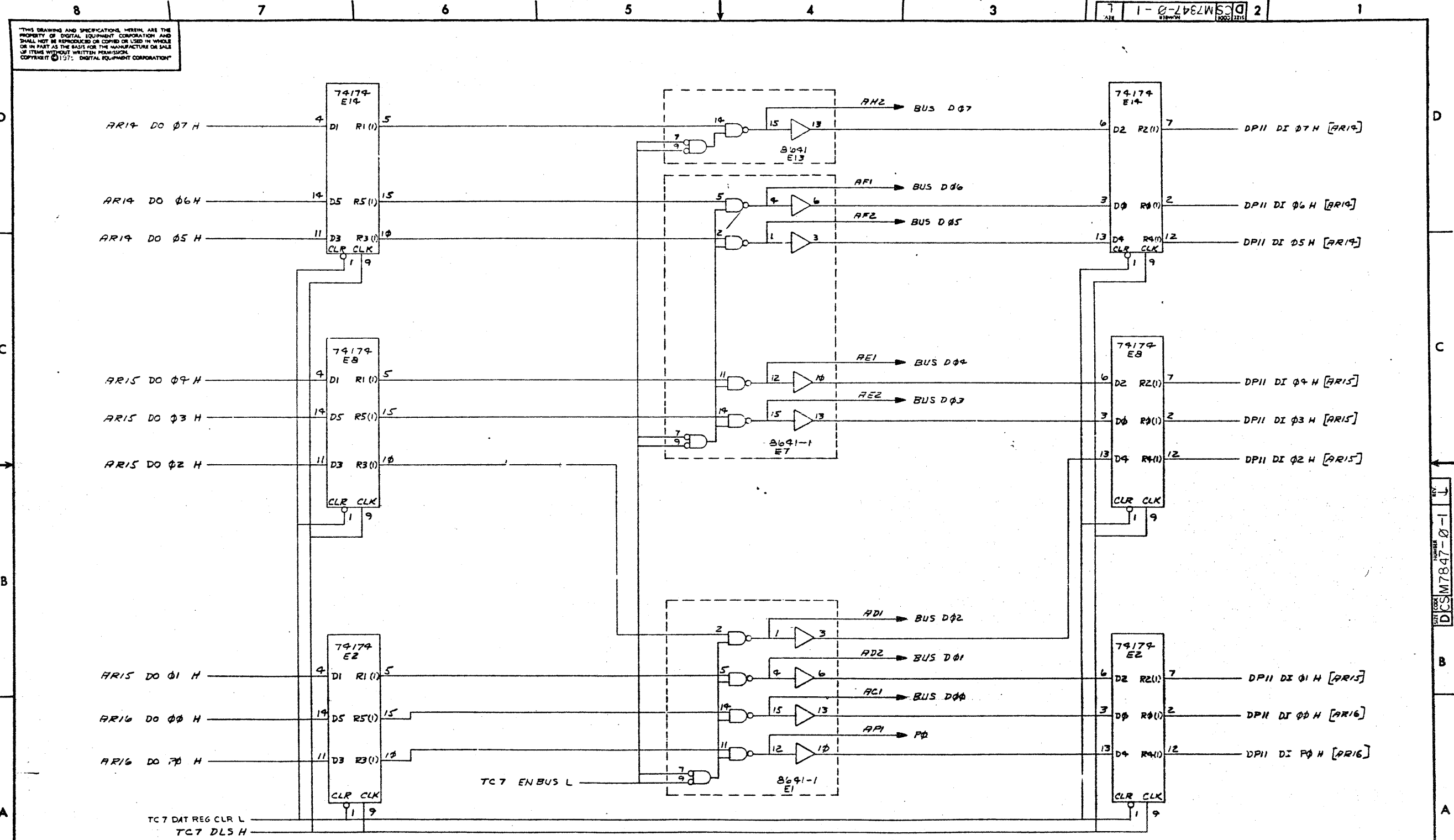
REVISIONS		
CHK	CHANGE NO.	REV.

(DATA PATH)

TITLE	(DP10)	SIZE CODE	NUMBER	REV.
UNIBUS MOS MEMORY		DCS	M7847-0-1	L
SCALE	SHEET	OF	DIST.	
11	10	16		

REV. L
DCS M7847-0-1

THIS DRAWING AND SPECIFICATIONS HEREIN ARE THE PROPERTY OF DIGITAL EQUIPMENT CORPORATION AND SHALL NOT BE REPRODUCED OR COPIED OR USED IN WHOLE OR IN PART AS THE BASIS FOR THE MANUFACTURE OR SALE OF ITEMS WITHOUT WRITTEN PERMISSION. COPYRIGHT © 1977, DIGITAL EQUIPMENT CORPORATION.

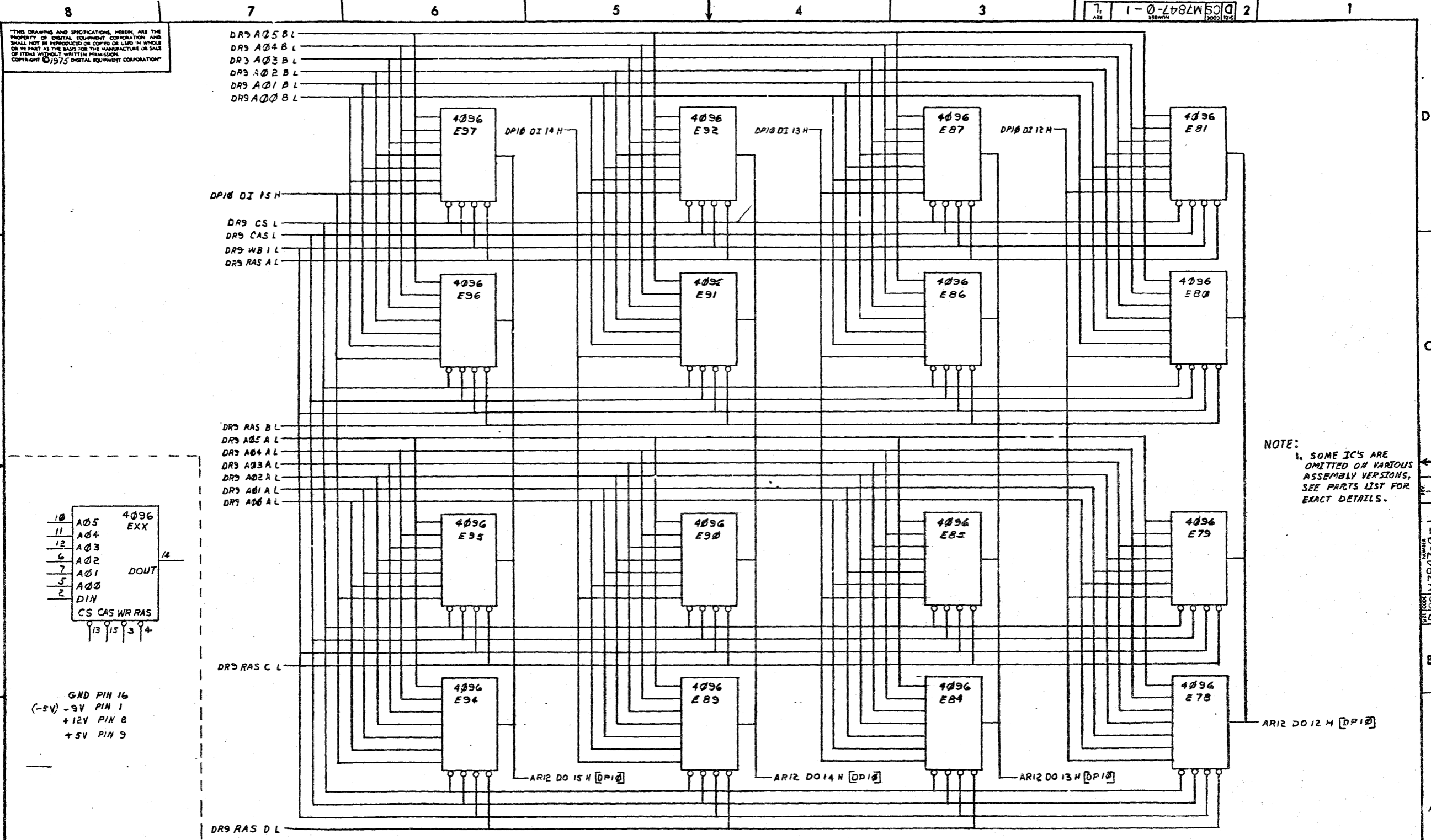


REVISIONS		
CHK	CHANGE NO.	REV.

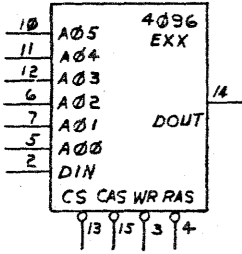
(DATA PATH)

TITLE	UNIBUS MOS MEMORY	(DPII) SIZE CODE	DCS M7847-0-1	NUMBER	L	REV.	L
SCALE	11	SHEET	11 OF 16	DIST.			

THIS DRAWING AND SPECIFICATIONS, HEREIN, ARE THE PROPERTY OF DIGITAL EQUIPMENT CORPORATION AND SHALL NOT BE REPRODUCED OR COPIED IN WHOLE OR IN PART AS THE BASIS FOR THE MANUFACTURE OR SALE OF ITEMS WITHOUT WRITTEN PERMISSION. COPYRIGHT © 1975 DIGITAL EQUIPMENT CORPORATION



NOTE:
 1. SOME IC'S ARE OMITTED ON VARIOUS ASSEMBLY VERSIONS, SEE PARTS LIST FOR EXACT DETAILS.



GND PIN 16
 (-5V) -9V PIN 1
 +12V PIN 8
 +5V PIN 9

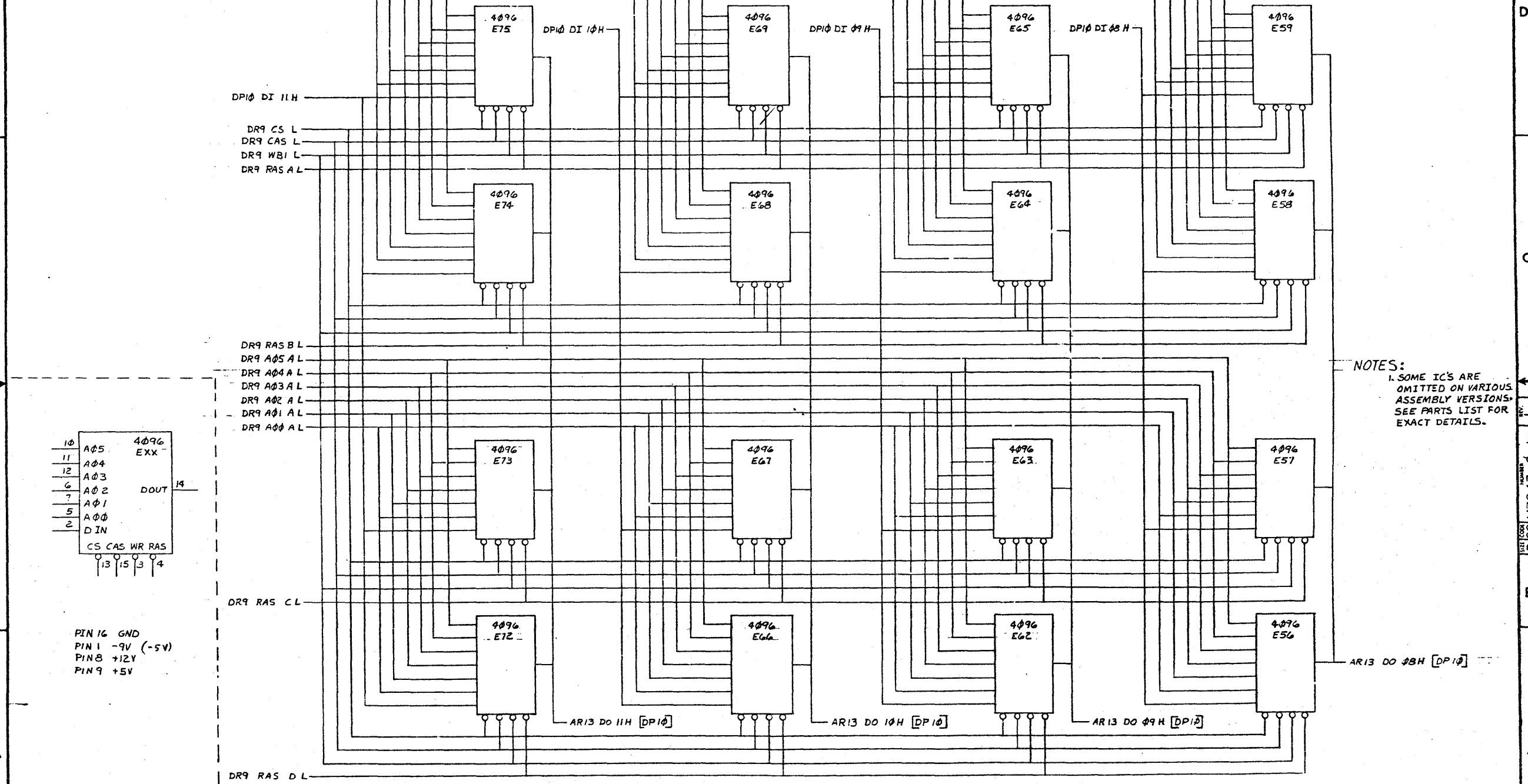
REVISIONS		
CHK	CHANGE NO.	REV

(ARRAY)		TITLE UNIBUS MOS MEMORY (AR12)		SIZE CODE	NUMBER	REV.
SCALE ---		DCS M7847-0-1		DIST.		L
SHEET 12 OF 16						

PART CODE NUMBER
 DCS M7847-0-1

THIS DRAWING AND SPECIFICATIONS HEREIN ARE THE PROPERTY OF DIGITAL EQUIPMENT CORPORATION AND SHALL NOT BE REPRODUCED OR COPIED OR USED IN WHOLE OR IN PART AS THE BASIS FOR THE MANUFACTURE OR SALE OF ITEMS WITHOUT WRITTEN PERMISSION. COPYRIGHT © 1975 DIGITAL EQUIPMENT CORPORATION

7 1-0-1582W SC 2 1

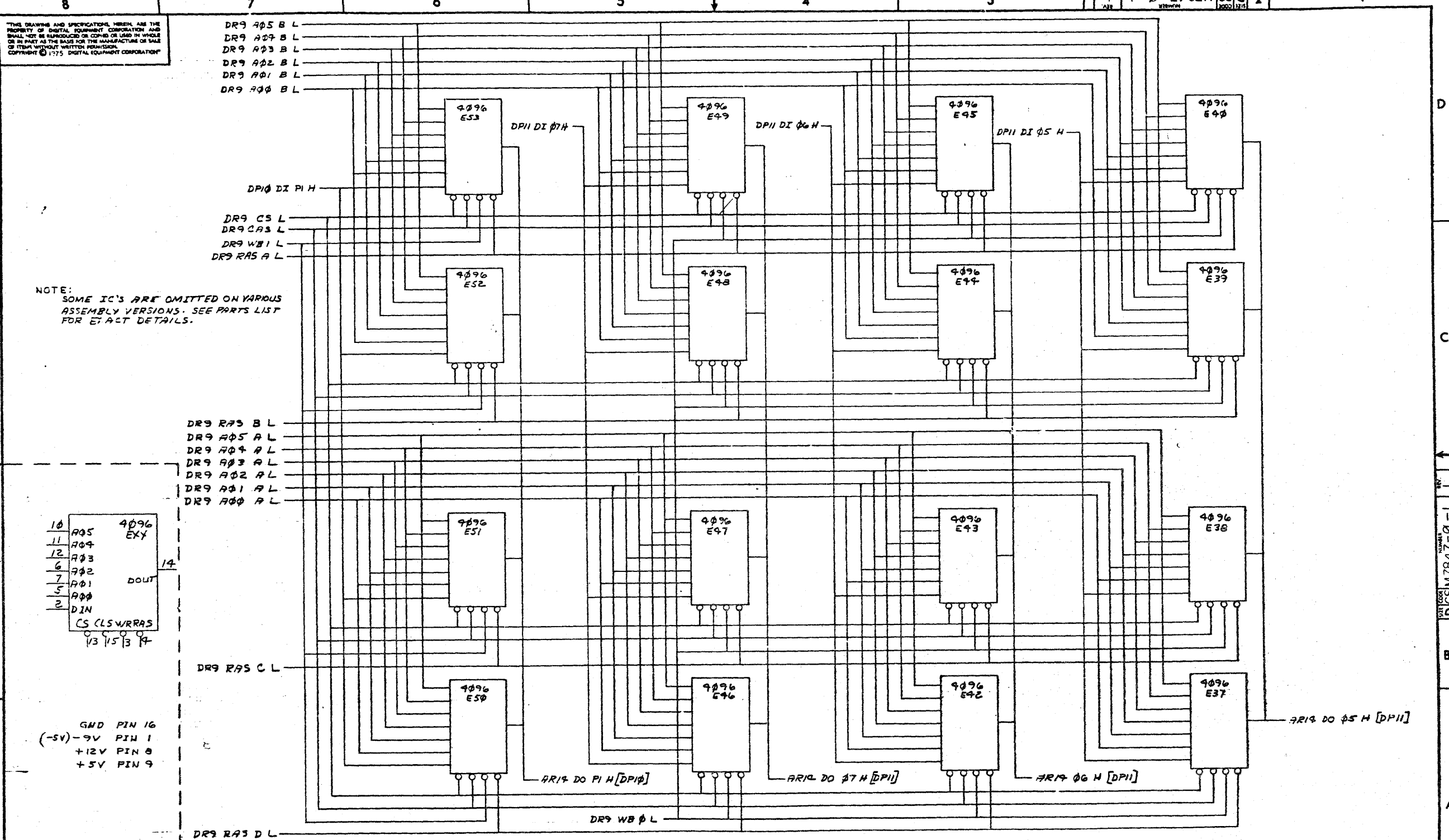


NOTES:
1. SOME IC'S ARE OMITTED ON VARIOUS ASSEMBLY VERSIONS. SEE PARTS LIST FOR EXACT DETAILS.

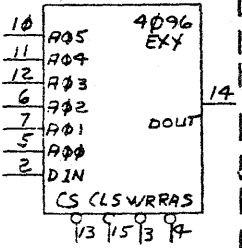
REVISIONS		
CHK	CHANGE NO.	REV.

(ARRAY)		TITLE UNIBUS MOS (AR13) MEMORY	SIZE CODE DCS	NUMBER M7847-0-1	REV. E
SCALE	SHEET 13 OF 16	DIST.			

THIS DRAWING AND SPECIFICATIONS HEREIN ARE THE PROPERTY OF DIGITAL EQUIPMENT CORPORATION AND SHALL NOT BE REPRODUCED OR COPIED OR USED IN WHOLE OR IN PART AS THE BASIS FOR THE MANUFACTURE OR SALE OF ITEMS WITHOUT WRITTEN PERMISSION. COPYRIGHT © 1975 DIGITAL EQUIPMENT CORPORATION



NOTE:
SOME IC'S ARE OMITTED ON VARIOUS ASSEMBLY VERSIONS. SEE PARTS LIST FOR EXACT DETAILS.



GND PIN 16
(-5V) -9V PIN 1
+12V PIN 8
+5V PIN 9

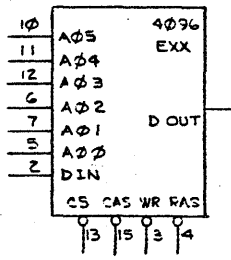
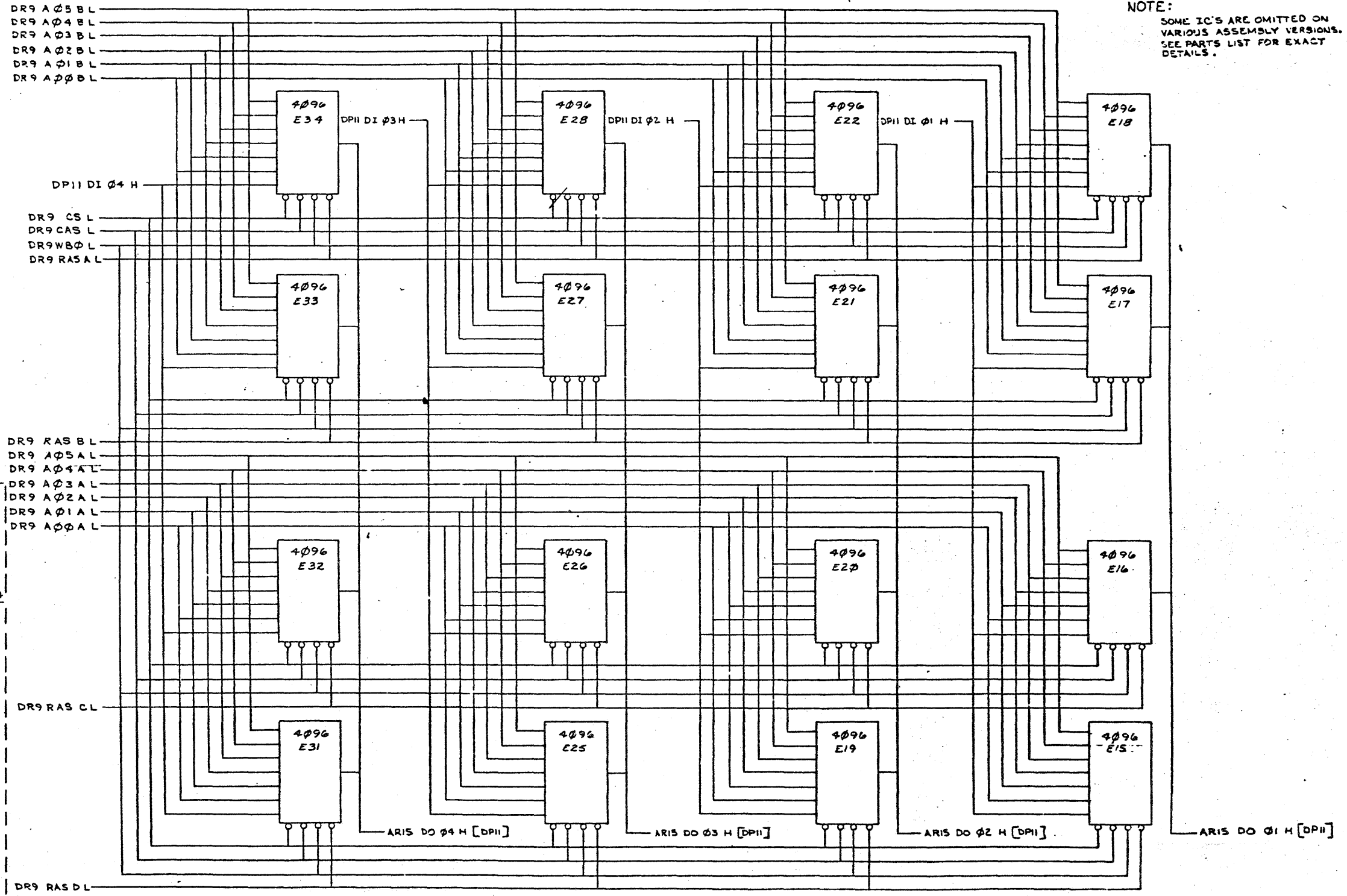
REVISIONS		
CHK	CHANGE NO.	REV.

TITLE		(ARRAY)	SIZE CODE	NUMBER	REV.
UNIBUS MOS MEMORY		(ARI4)	DCS	M7847-0-1	E
SCALE	SHEET 14 OF 16	DIST.			

D E S I G N N U M B E R
DCS M7847-0-1

THIS DRAWING AND SPECIFICATIONS HEREIN ARE THE PROPERTY OF DIGITAL EQUIPMENT CORPORATION AND SHALL NOT BE REPRODUCED OR COPIED OR USED IN WHOLE OR IN PART AS THE BASIS FOR THE MANUFACTURE OR SALE OF ITEMS WITHOUT WRITTEN PERMISSION. COPYRIGHT © 1975 DIGITAL EQUIPMENT CORPORATION.

NOTE:
SOME IC'S ARE OMITTED ON VARIOUS ASSEMBLY VERSIONS. SEE PARTS LIST FOR EXACT DETAILS.

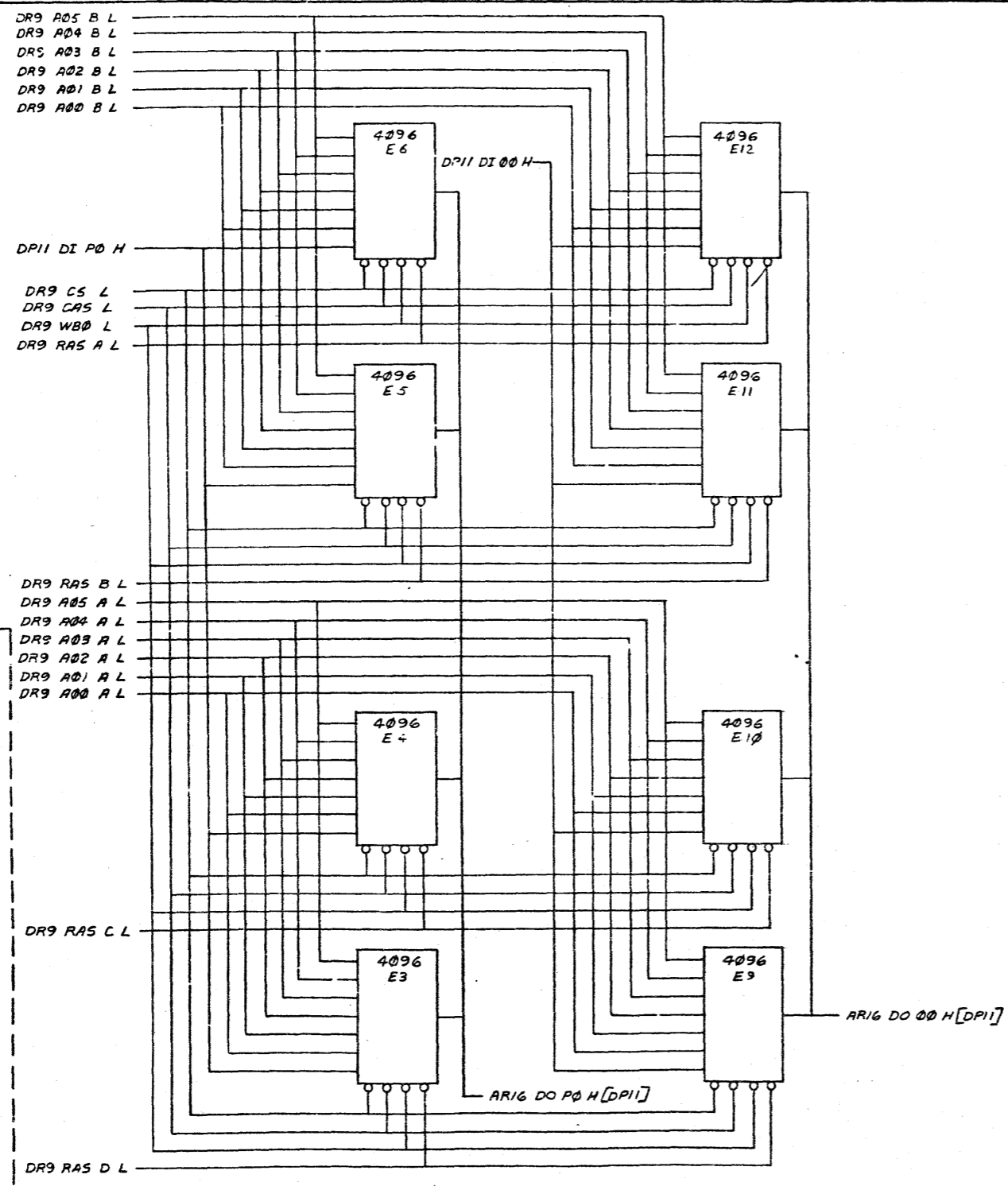


GND PIN 16
(-5V) -9V PIN 1
+12V PIN 8
+5V PIN 9

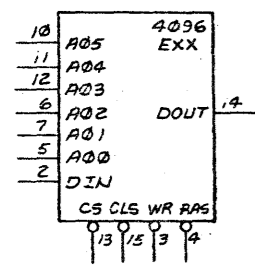
REVISIONS		
CHK	CHANGE NO	REV

(ARRAY)		TITLE	UNIBUS MOS MEMORY (AR15)	SIZE CODE	DCS	NUMBER	M7847-0-1	REV.	L
SCALE	SHEET	5	OF	16	DIST				

THIS DRAWING AND SPECIFICATIONS HEREIN ARE THE PROPERTY OF DIGITAL EQUIPMENT CORPORATION AND SHALL NOT BE REPRODUCED OR COPIED OR USED IN WHOLE OR IN PART AS THE BASIS FOR THE MANUFACTURE OR SALE OF ITEMS WITHOUT WRITTEN PERMISSION. COPYRIGHT © 1975, DIGITAL EQUIPMENT CORPORATION.



NOTE:
SOME IC'S ARE OMITTED ON VARIOUS ASSEMBLY VERSIONS. SEE PARTS LIST FOR EXACT DETAILS.



GND PIN 16
 (-5V) -9V PIN 1
 +12V PIN 3
 +5V PIN 9

REVISIONS		
CHK	CHANGE NO	REV

(ARRAY)		(AR16)		SIZE CODE	NUMBER	REV
UNIBUS MOS MEMORY		D/CS	M7847-0-1	L		
SCALE	SHEET 16	OF 16	DIST.			

CUSTOMER PRINT SET INDEX

THIS IS PRINT SET

SEQUENCE

SEQUENCE

NOTE: FOR FIELD MAINTENANCE PRINT SET SEE:

B-TC-MM11-DP-3

UNIT VARIATIONS		PRINT SET	
VAR	TITLE		
MM11-DP	16K X 18 BIT MEMORY/MODULE		
MM11-D	16K X 16 BIT MEMORY/MODULE		

REVISIONS			USED ON OPTION/MODEL		DRN		DATE		TITLE	NUMBER	REV		
DATE	CHG. NO.	REV			<i>W. Lufkin</i>	<i>2/16/75</i>		MM11-DP MEMORY MODULE				MM11-DP	C
MAY-76	MM11DP-1	A			<i>W. Lufkin</i>	<i>2/16/75</i>							
FEB-77	MM11DP-2	B			<i>D. Amel</i>	<i>10/23/75</i>							
FEB-82	MM11DP-3	C			<i>R.A. Hill</i>	<i>10/29/75</i>							
					<i>G. Evans</i>	<i>11/4/75</i>							
			SHEET 1 OF 2		FIELD SERV		DATE	SIZE	CODE				
							11/4/75	B	DD				

DEC 16-1988-1062-1A-002

CUSTOMER PRINT SET				ELECTRICAL				CUSTOMER PRINT SET				MECHANICAL							
MFG. SET				FIND NO.	DRAWING NO.	REV	NO OF SHT	DESCRIPTION	OPTION NO./FILE DATE	MFG. SET				FIND NO.	DRAWING NO.	REV	NO OF SHT	DESCRIPTION	OPTION NO./FILE DATE
					B-TC-MM11-DP -3	#		MM11-DP FIELD MAINT. PRINT SET						D-UA-MM11-DP-0		1	MM11-DP MEMORY MODULE ASSY		
					MP00032			MM11-DP PRINT SET											
					B-DD-MM11-DP			MM11-DP DRAWING DIRECTORY						D-UA-H222-A-0		1	H222 MEMORY STACK ASSY		
														K-PL-MM11DP-DBP		1			
					D-TD-MM11-DP-2		2	MM11-DP TIMING DIAGRAM											
					D-CS-G652-0-1			16K X 18 BIT CORE MEMORY											

CUSTOMER PRINT SET CODES	X = PRINT OF DOCUMENT INCLUDED IN PRINT SET C = INCLUDES ALL PRINTS INDICATED ON DOCUMENT S = CONFIDENTIAL AUTHORIZED SIGNATURE REQUIRED	TITLE	MM11-DP MEMORY MODULE	SHEET 2 OF 2	SIZE CODE	B DD	NUMBER	MM11-DP	REV	C
--------------------------	--	-------	-----------------------	--------------	-----------	------	--------	---------	-----	---

ML2

NOTES:

- INTERLEAVE CONTROL IS ACHIEVED AS FOLLOWS:
 - (A) NON-INTERLEAVED
WS, WG OUT
 - (B) INTERLEAVED
WS IN
WG OUT } ONE MEMORY
WS OUT
WG IN } THE OTHER MEMORY
 - (C) ADDRESS JUMPERS FOR THE COMBINED INTERLEAVED MEMORY ARE NOT THE SAME AS FOR THE NON-INTERLEAVED CASE (W1 THRU W4 MUST BE CUT THE SAME FOR BOTH INTERLEAVED MEMORIES). SEE BANK SELECTION CHART AT LEFT FOR BOTH INTERLEAVED AND NON-INTERLEAVED CASES.
- UNDER NORMAL CONDITIONS (WB OUT) THE MEMORY WILL NOT RESPOND TO ADDRESSES BETWEEN 124K AND 128K, BECAUSE THESE ADDRESSES ARE RESERVED FOR PERIPHERAL DEVICES ON THE UNIBUS. FOR SPECIAL APPLICATIONS WHERE THE RANGE OF PERIPHERAL ADDRESSES IS MORE RESTRICTED THAN THIS 4K RANGE THE MEMORY CAN BE CONFIGURED TO INCLUDE THE ADDITIONAL UNIBUS ADDRESSES AS FOLLOWS:
 - WB IN } 124K TO 126K
W7 OUT
 - WB IN } 124K TO 127K
W7 IN

NOTE THAT FOR SYSTEMS WITHOUT MEMORY MANAGEMENT THIS MEANS THE USEFUL VIRTUAL ADDRESS SPACE FOR MEMORY CAN BE EXTENDED FROM 28K TO 30K OR 31K, BY SACRIFICING SOME PERIPHERAL SPACE.

CAUTION

SOME DIGITAL SOFTWARE MAY NOT BE COMPATIBLE WITH THE REDUCED PERIPHERAL ADDRESS SPACE. TO ASSURE COMPATIBILITY WB MUST BE OUT.

- SCHEMATIC FOR M222 MEMORY STACK IS SHOWN ON CS 5411554-0-1. NOTES CONTINUED ON SHEET 2

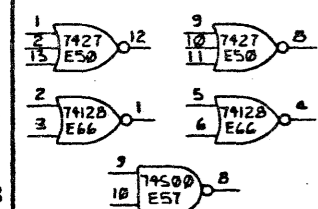
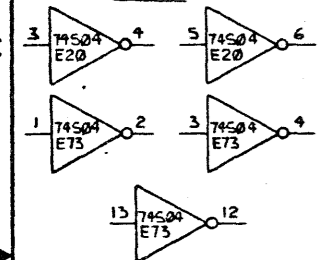
MEM3 BIT 16E17 LOCK OUT

JTB	STACK XY
BB2 J152	STACK XY LO
J180-7 J79	STACK XY HI
J180-5 J80	+2V J153
	+5V J155
	MEM1 X STACK CHG N J149
	MEM2 Y STACK CHG N J150
CE1 J151	STACK V REF
GND J19 J150	GND
GND J26 J77	GND
GND J43 J154	GND

BANK SELECTION

S.A.	EA+1	W1	W2	W3	W4
0	16K	OUT	OUT	OUT	IN
8K	24K	CUT	CUT	IN	OUT
16K	32K	OUT	OUT	IN	IN
24K	40K	CUT	IN	OUT	OUT
32K	48K	OUT	IN	OUT	IN
40K	56K	OUT	IN	IN	OUT
48K	64K	CUT	IN	IN	OUT
56K	72K	IN	OUT	OUT	OUT
64K	80K	IN	OUT	OUT	IN
72K	88K	IN	OUT	OUT	IN
80K	96K	IN	OUT	IN	OUT
88K	104K	IN	IN	OUT	OUT
96K	112K	IN	IN	IN	OUT
104K	120K	IN	IN	IN	OUT
112K	124K	IN	IN	IN	IN

SPARES:

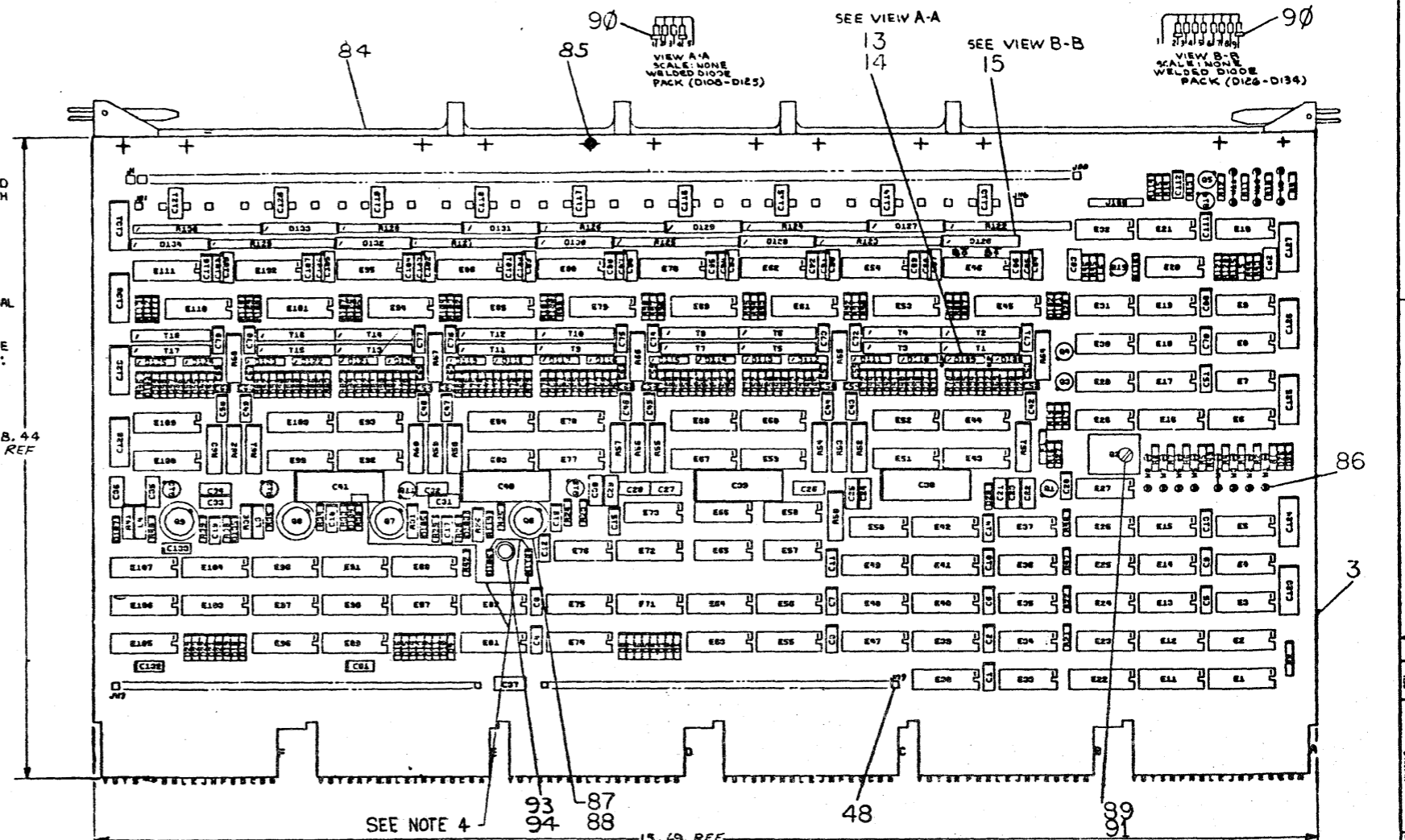


J180-1	+5V
J180-2	STROBE
J180-3	GND
J180-4	VTH
J180-5	STACK XY HI
J180-6	GND
J180-7	STACK XY LO

IC TYPE	GND	+5V	+20VSW
8690	1	8	
8691	8	16	
75325	9	9	16
7520	9	16	
74157	8	16	
74153	9	16	
7403	12	5	
7475	12	5	
7442	8	16	

GND AND 5V ARE USUALLY PIN 7 AND 14 RESPECTIVELY EXCEPTIONS ARE STATED ABOVE

IC PIN LOCATIONS



QTY	REF. DESIGNATION	DESCRIPTION	PART NO.	ITEM NO.
	MM11-D/DP	ETCH BOARD REV. 0		

DATE	6-9-75
DATE	7/1/75
DATE	7/21/75
DATE	7/21/75
DATE	7/21/75

digital

16K X 18 MEMORY ELECTRONICS

SCALE: 1/8" = 1"

SHEET 1 OF 11

SEMICONDUCTOR CONVERSION CHART

THIS DRAWING AND SPECIFICATIONS HEREIN ARE THE PROPERTY OF DIGITAL EQUIPMENT CORPORATION AND SHALL NOT BE REPRODUCED OR COPIED OR USED IN WHOLE OR IN PART AS THE BASIS FOR THE MANUFACTURE OR SALE OF ITEMS WITHOUT THE WRITTEN PERMISSION. COPYRIGHT © 1982 DIGITAL EQUIPMENT CORPORATION

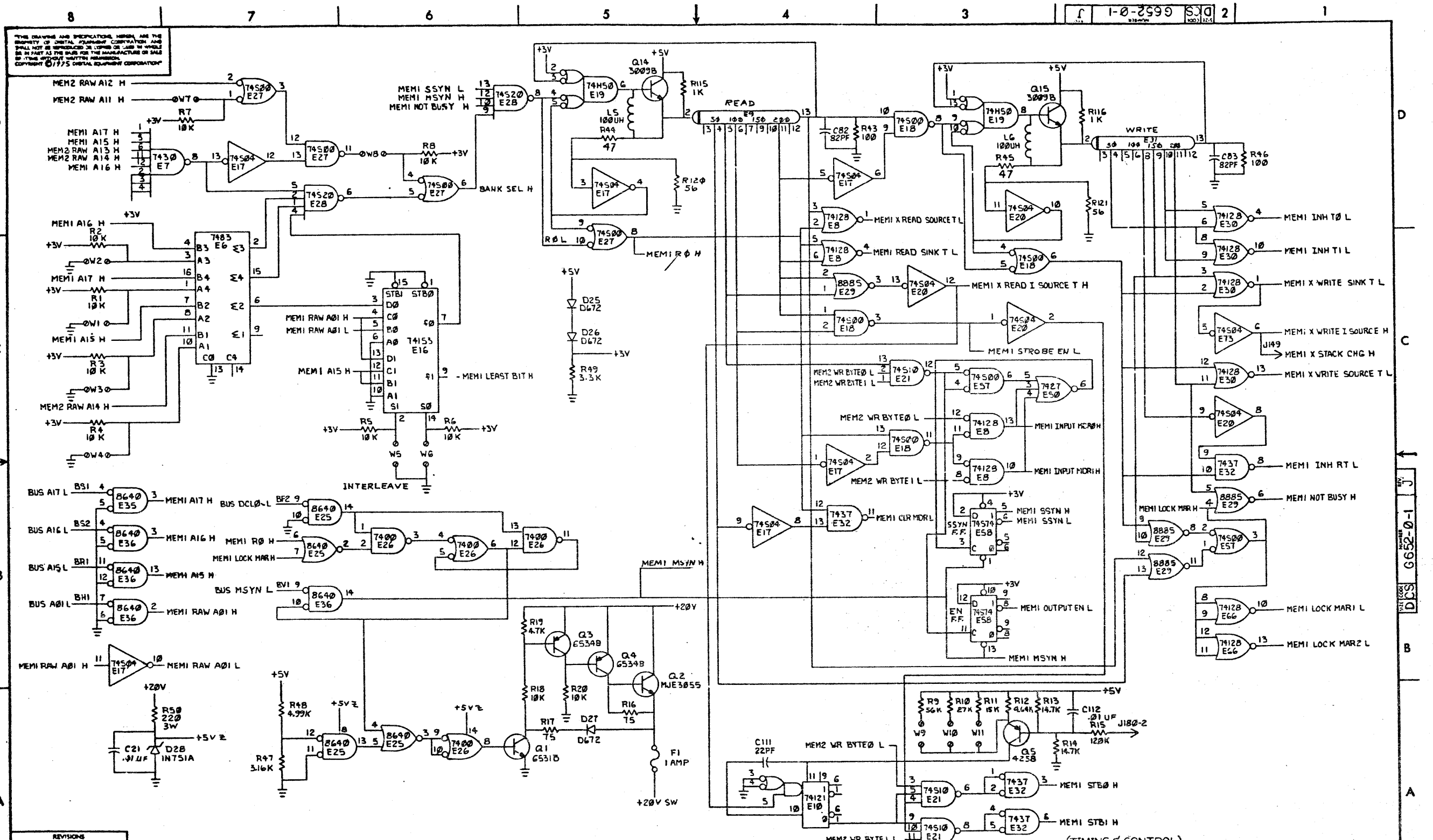
NOTES:

- 4 G652-YA VARIATION :
 - ETCH CUT #1 SIDE 1 BETWEEN BOTTOM OF RI18 AND FEEDTHRU.
 - ETCH CUT #2 SIDE 2 BETWEEN TOP OF RI18 AND E76 PIN 10.
 - ETCH CUT #3 SIDE 2 BETWEEN CATHODE OF DI#4 AND CATHODE OF DI#5.
 - COMPONENT CHANGE, RESISTOR, RI18 CHANGED FROM 750Ω TO 22Ω 1/4W 5%
 - RESISTOR, R41 CHANGED FROM 11Ω TO 12Ω 1W, 1%
 - JUMPER #1 FROM CATHODE OF DI#4 TO BOTTOM OF RI18
 - JUMPER #2 FROM CATHODE OF DI#6 TO TOP OF RI18
 - JUMPER WIRE PART # 30AWG GRN 91#5740-55
- 5 G652-YA WILL NOT OPERATE WITH H222-A'S & B'S.
G652 WILL NOT OPERATE WITH H222-YA'S & YB'S.
- 6. SEE K-PL-G652-0-DBP.

TITLE		16K X 18 MEMORY ELECTRONICS		SIZE/ CODE	D CS G652-0-1		NUMBER	-1		REV.	J
SCALE	#		SHEET 2 OF 11		DIST.						
								ML2			

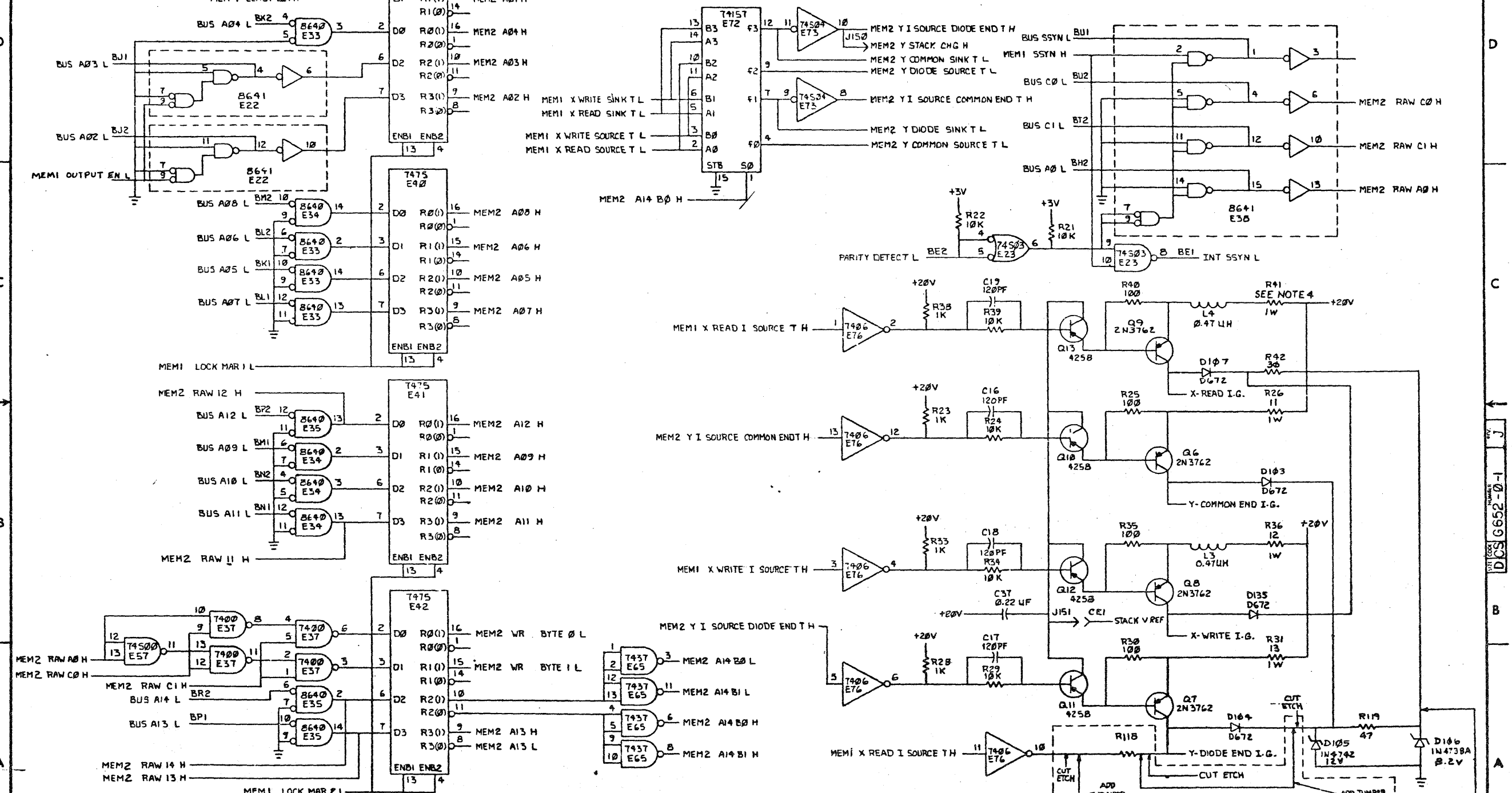
DCS G652-0-1
 REV. J

THIS DRAWING AND SPECIFICATIONS HEREBY ARE THE PROPERTY OF DIGITAL EQUIPMENT CORPORATION AND SHALL NOT BE REPRODUCED OR TRANSMITTED IN ANY FORM OR BY ANY MEANS, ELECTRONIC OR MECHANICAL, INCLUDING PHOTOCOPYING, RECORDING, OR BY ANY INFORMATION STORAGE AND RETRIEVAL SYSTEM, WITHOUT THE WRITTEN PERMISSION OF DIGITAL EQUIPMENT CORPORATION.



CHK	CHANGE NO.	REV.

THIS DRAWING AND SPECIFICATIONS HEREIN ARE THE PROPERTY OF DIGITAL EQUIPMENT CORPORATION AND SHALL NOT BE REPRODUCED OR COPIED IN WHOLE OR IN PART AS THE BASIS FOR THE MANUFACTURE OR SALE OF ITEMS WITHOUT WRITTEN PERMISSION. COPYRIGHT © 1975 DIGITAL EQUIPMENT CORPORATION



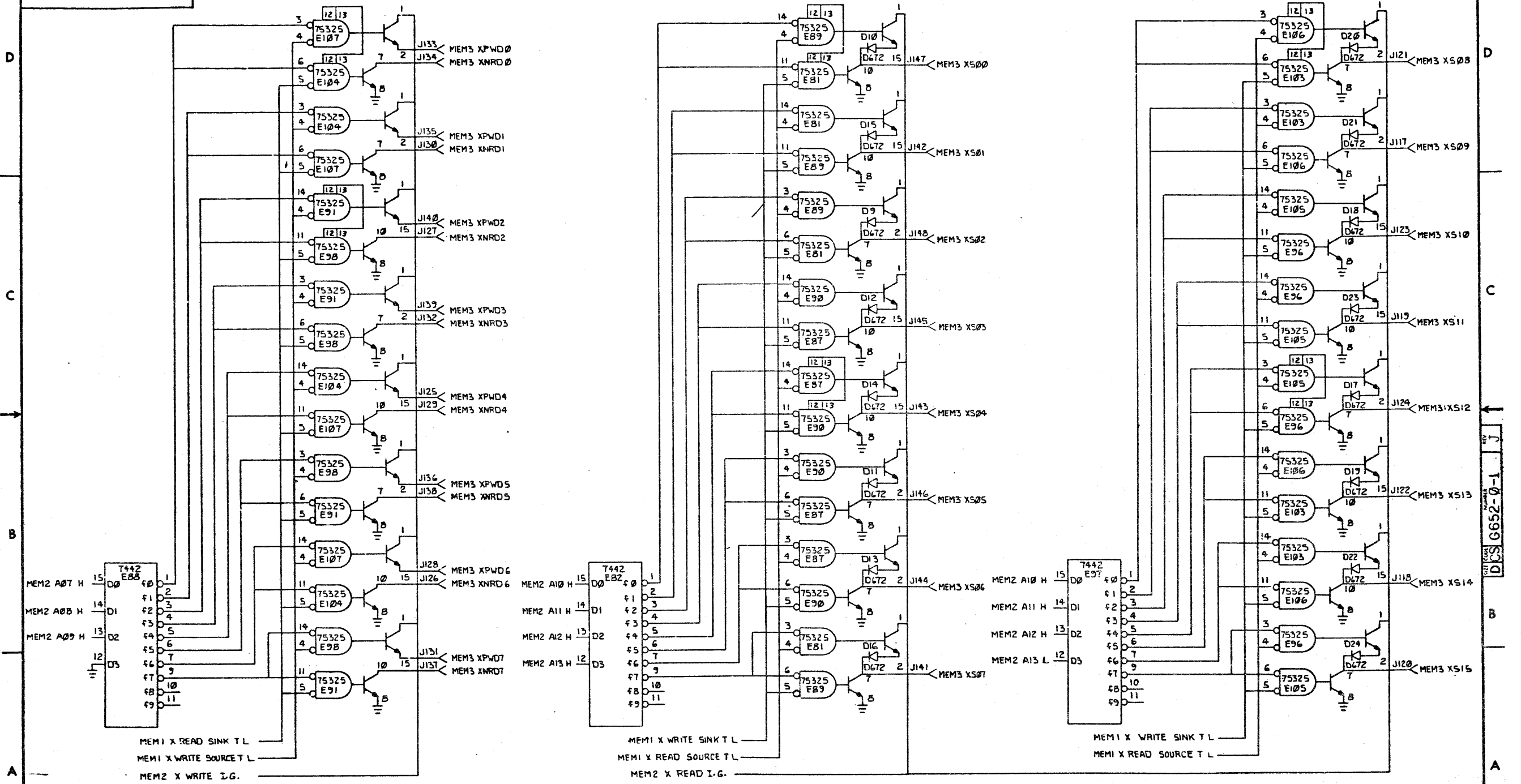
REVISIONS table with columns for CHK, CHANGE NO., and REV.

(MAR CURRENT SOURCES)

Metadata table containing TITLE (16Kx18 MEMORY ELECTRONICS), SIZE CODE (D CS), NUMBER (G652-0-1), SHEET (4 OF 11), and other identifiers.

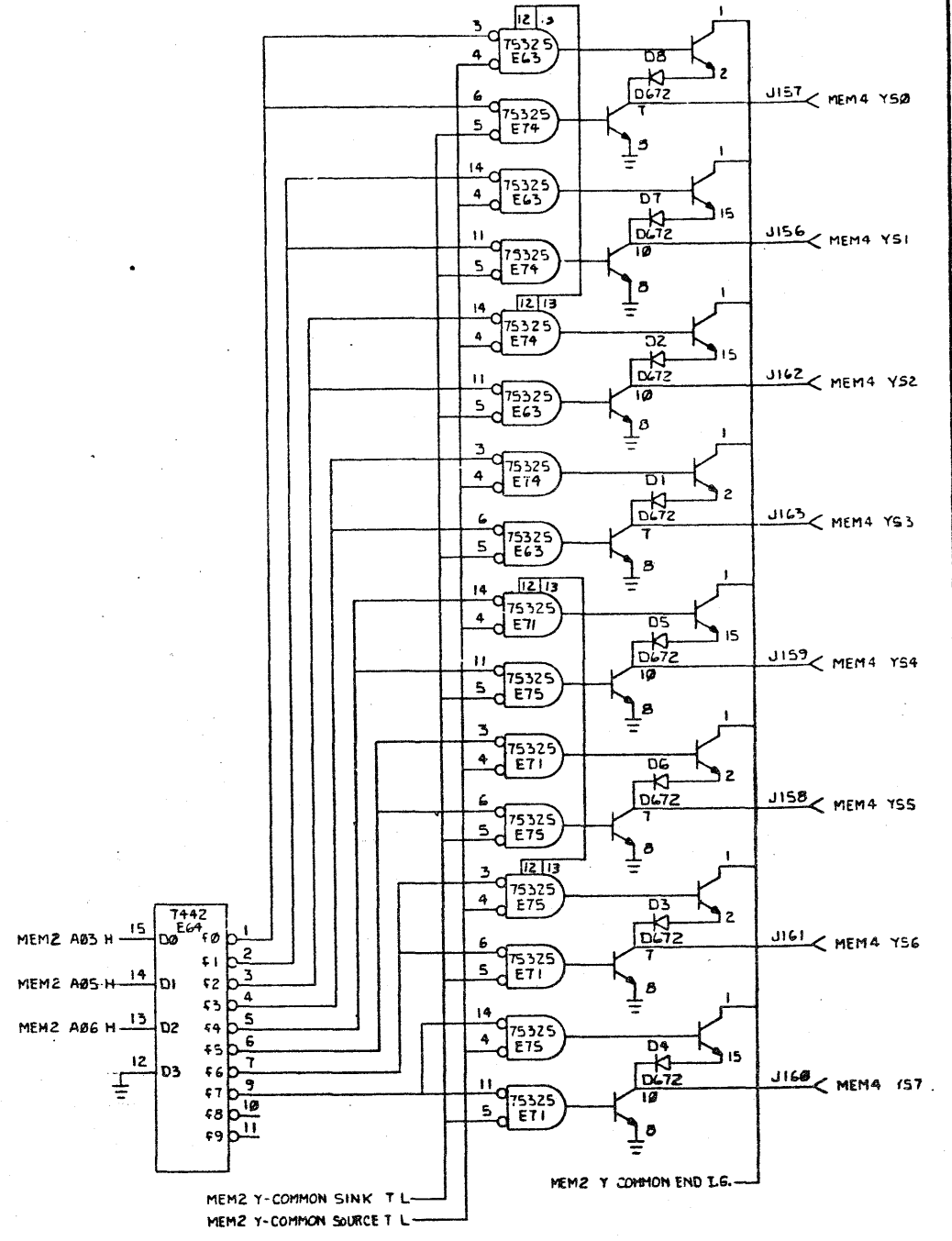
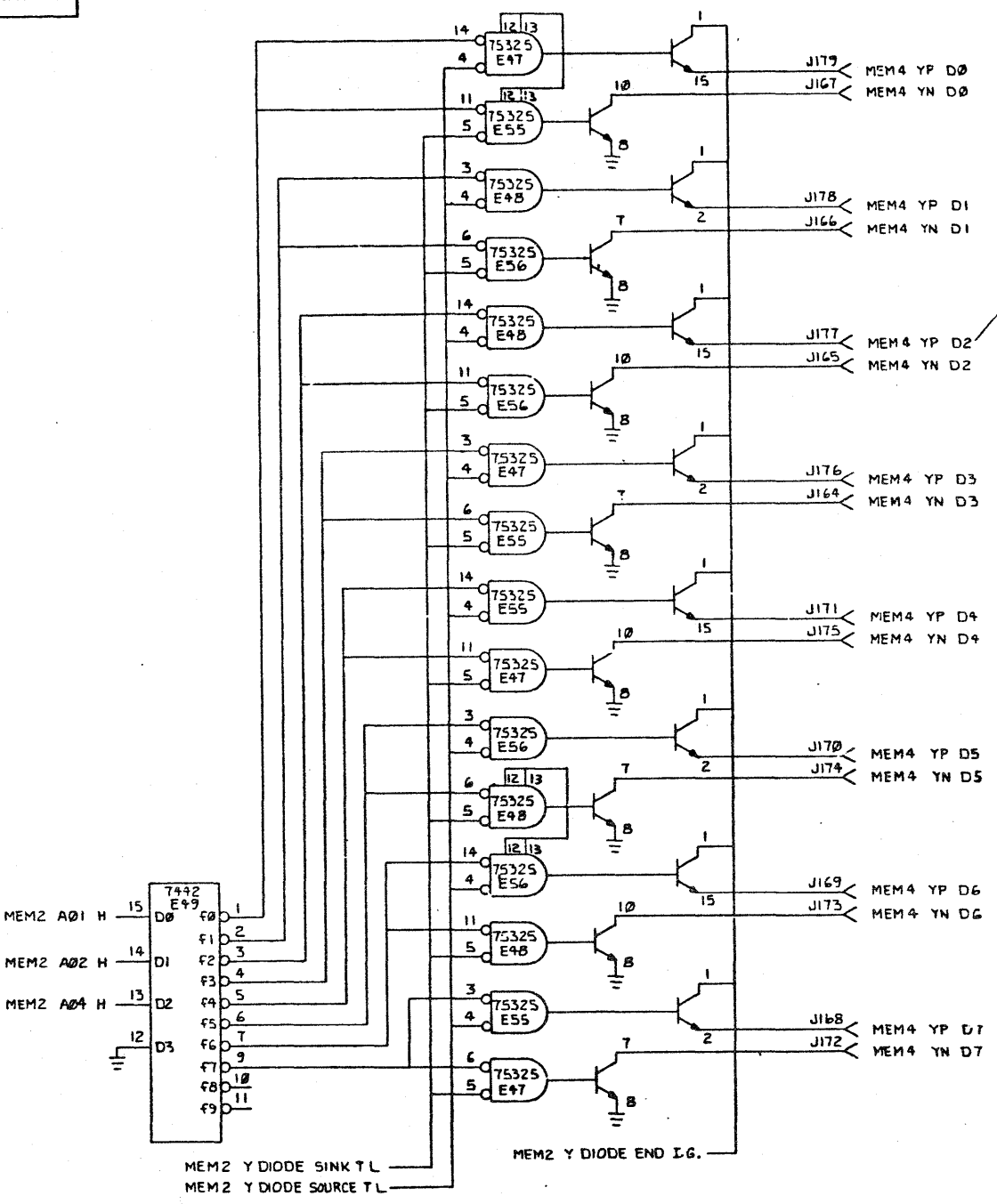
Vertical text on the right margin: DCS G652-0-1

THIS DRAWING AND SPECIFICATIONS HEREIN ARE THE PROPERTY OF DIGITAL EQUIPMENT CORPORATION AND SHALL NOT BE REPRODUCED OR TRANSMITTED IN ANY FORM OR BY ANY MEANS, ELECTRONIC OR MECHANICAL, INCLUDING PHOTOCOPYING, RECORDING, OR BY ANY INFORMATION STORAGE AND RETRIEVAL SYSTEM, WITHOUT WRITTEN PERMISSION. COPYRIGHT © 1973 DIGITAL EQUIPMENT CORPORATION



REVISIONS		
CHK	CHANGE NO.	REV.

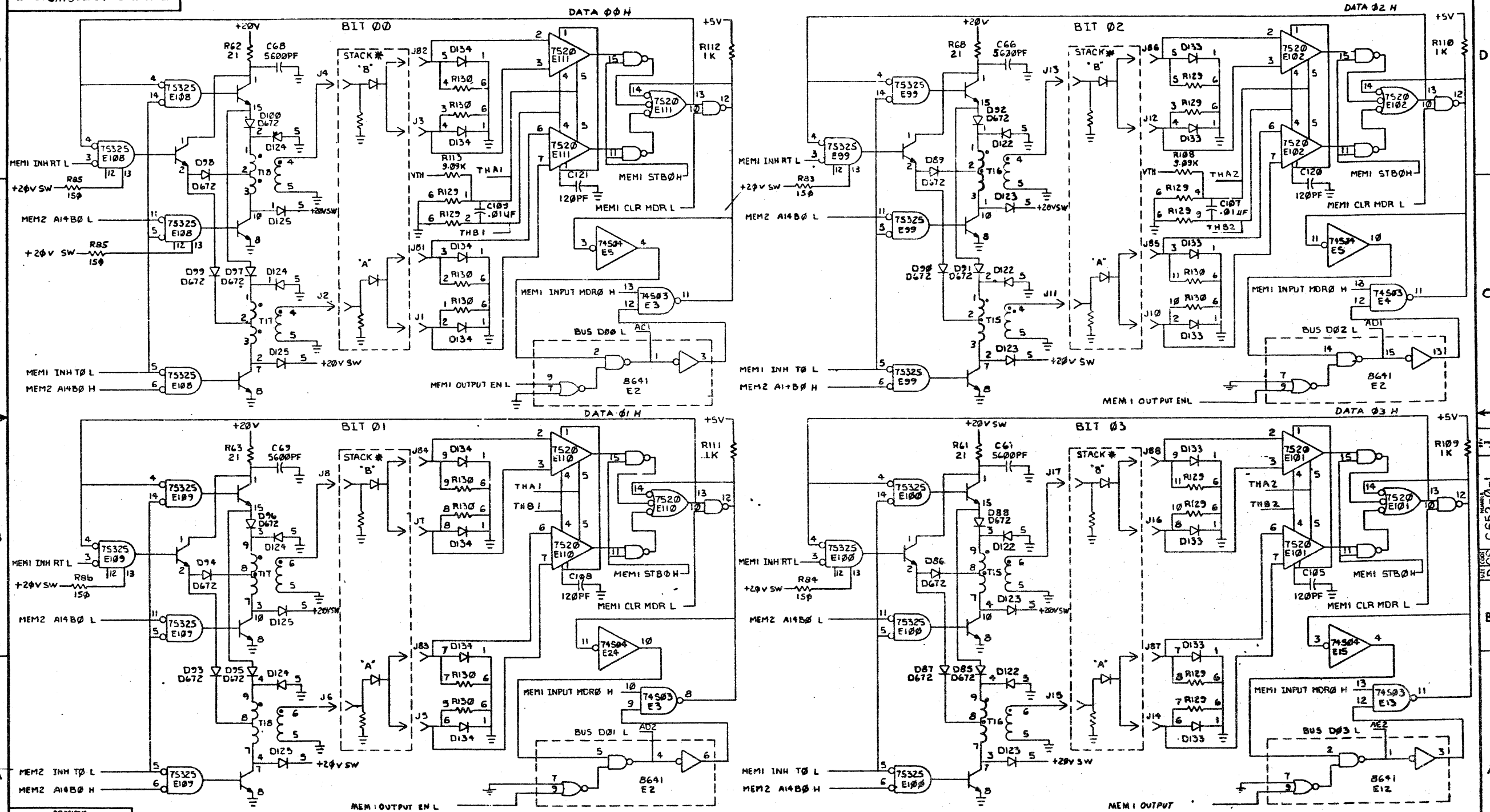
THIS DRAWING AND SPECIFICATIONS HEREIN ARE THE PROPERTY OF DIGITAL EQUIPMENT CORPORATION AND SHALL NOT BE REPRODUCED OR COPIED, IN WHOLE OR IN PART AS THE BASIS FOR THE MANUFACTURE OR SALE OF ITEMS WITHOUT WRITTEN PERMISSION. COPYRIGHT © 1975 DIGITAL EQUIPMENT CORPORATION



REVISIONS		
CHK	CHANGE NO.	REV.

THIS DRAWING AND SPECIFICATIONS HEREIN ARE THE PROPERTY OF DIGITAL EQUIPMENT CORPORATION AND SHALL NOT BE REPRODUCED OR LOANED IN WHOLE OR IN PART AS THE BASIS FOR THE MANUFACTURE OR SALE OF ITEMS WITHOUT WRITTEN PERMISSION. COPYRIGHT © 1975 DIGITAL EQUIPMENT CORPORATION

* MOUNTED ON H222 BD:

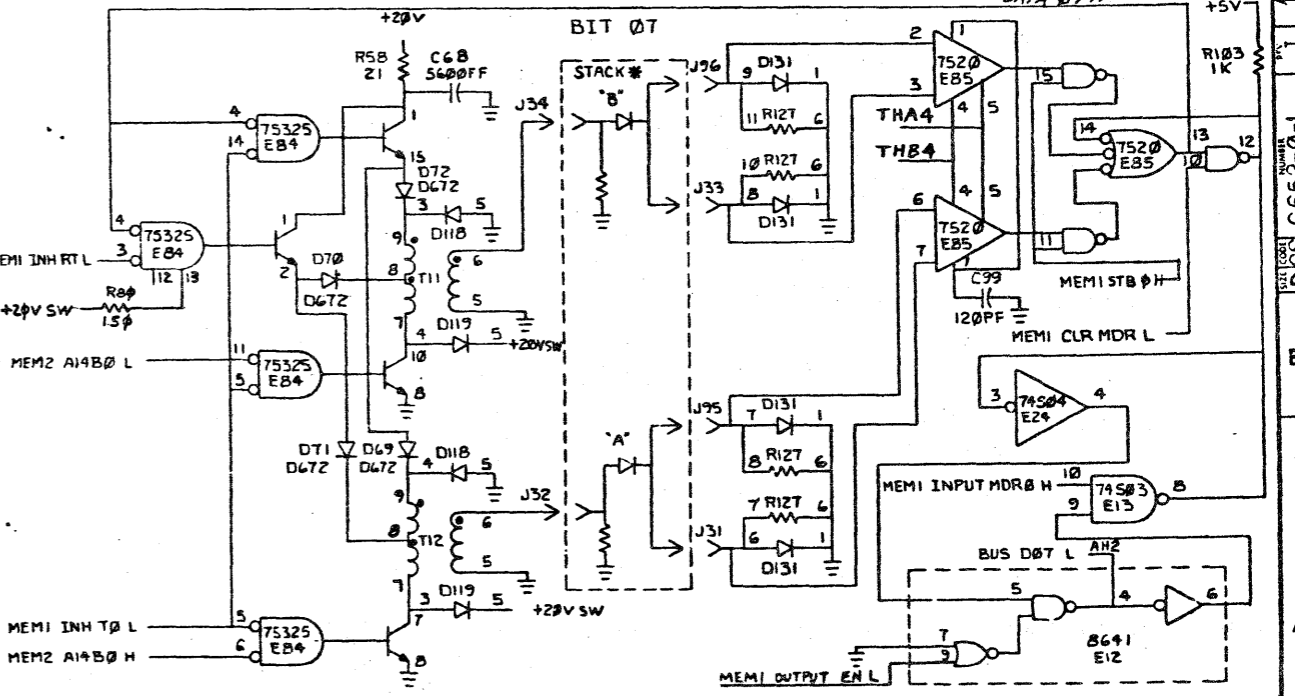
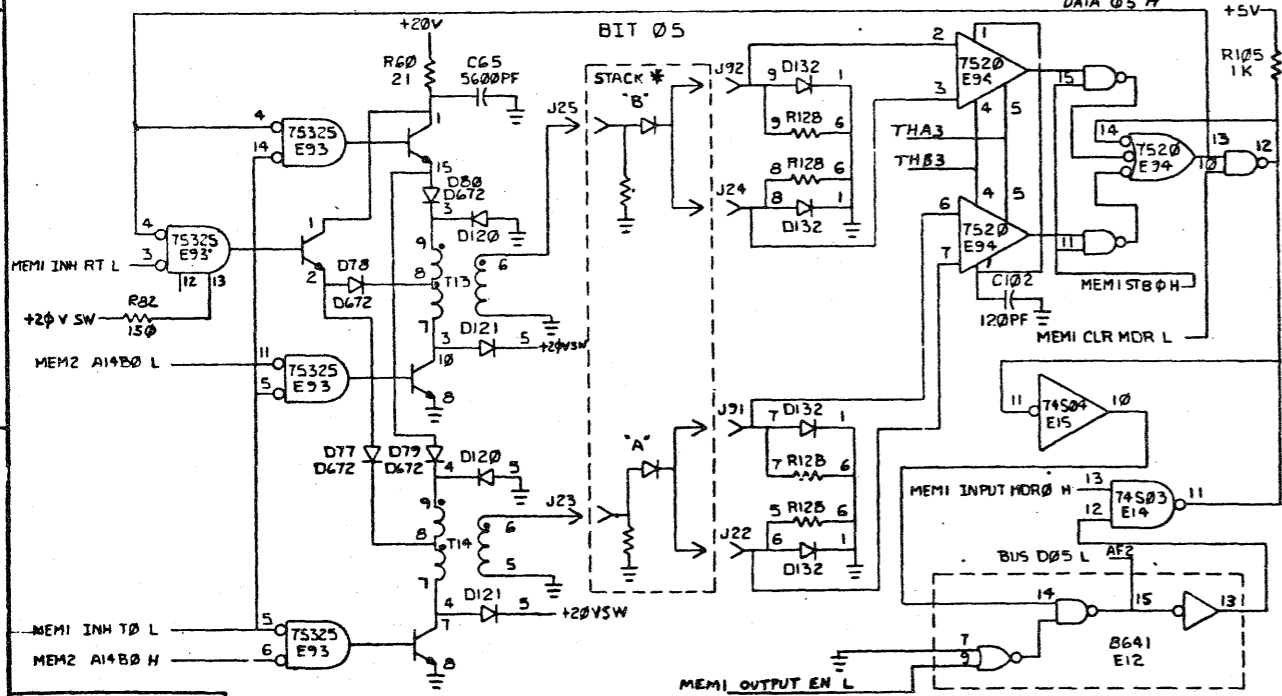
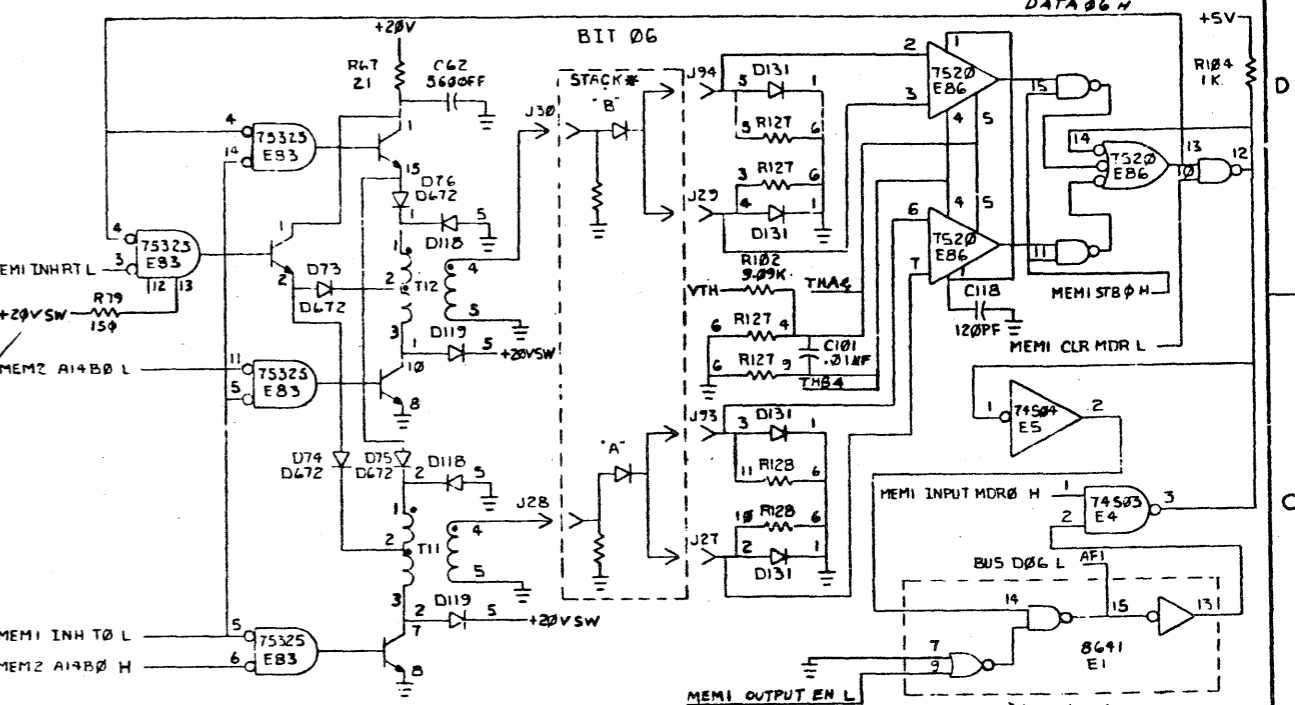
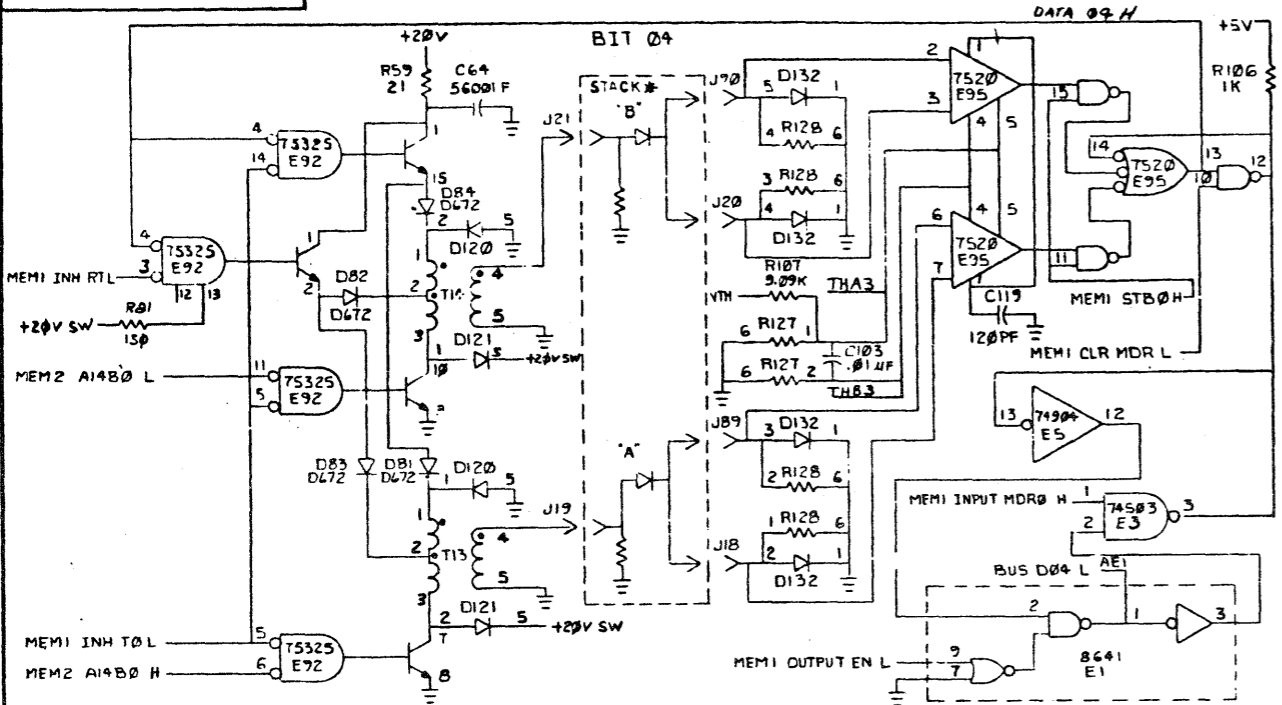


REVISIONS		
CHK	CHANGE NO.	REV.

MEM1 OUTPUT (SENSE & INHIBIT BITS 0-3)		TITLE	SIZE/COOE	NUMBER	REV.
16K x 18 MEMORY ELECTRONICS		(MEM5)	DCS	G652-0-1	J
SCALE	SHEET	OF	DIST.	ML2	
	7	11			

THIS DRAWING AND SPECIFICATIONS HEREAFTER ARE THE PROPERTY OF DIGITAL EQUIPMENT CORPORATION AND SHALL NOT BE REPRODUCED OR COPIED OR USED IN WHOLE OR IN PART AS THE BASIS FOR THE MANUFACTURE OR SALE OF ITEMS WITHOUT WRITTEN PERMISSION. COPYRIGHT © 1975 DIGITAL EQUIPMENT CORPORATION

MOUNTED ON H222 BD



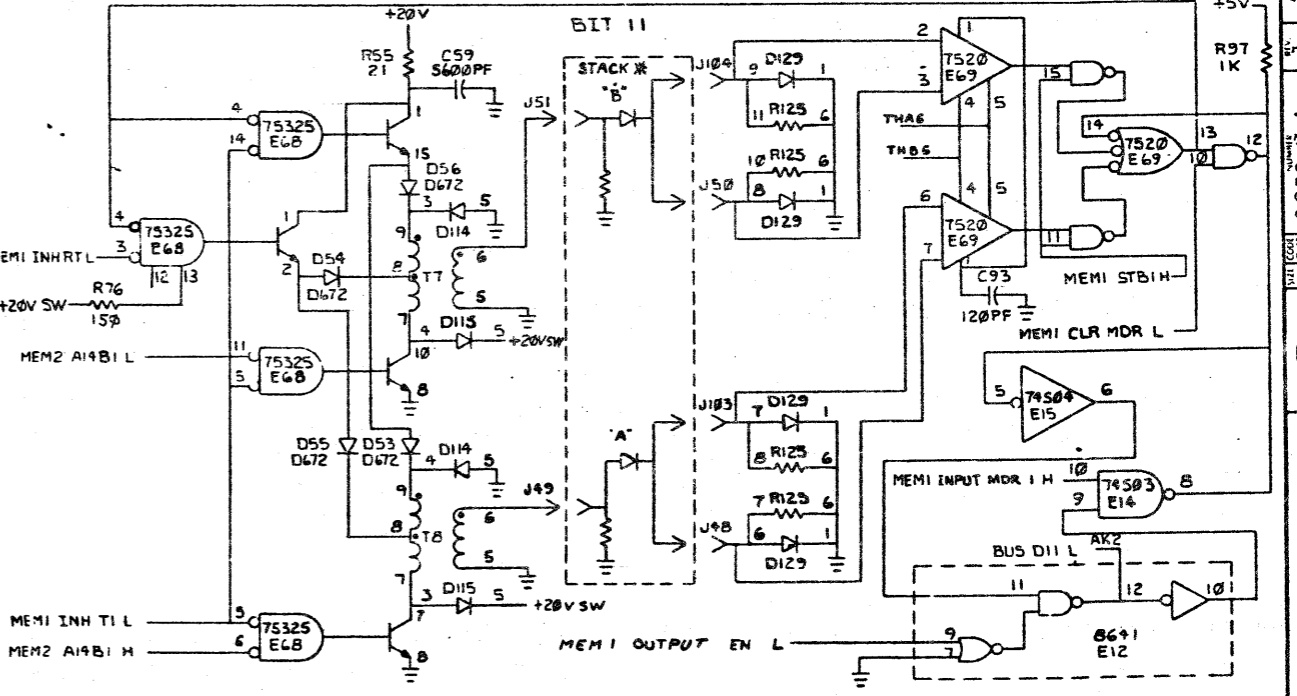
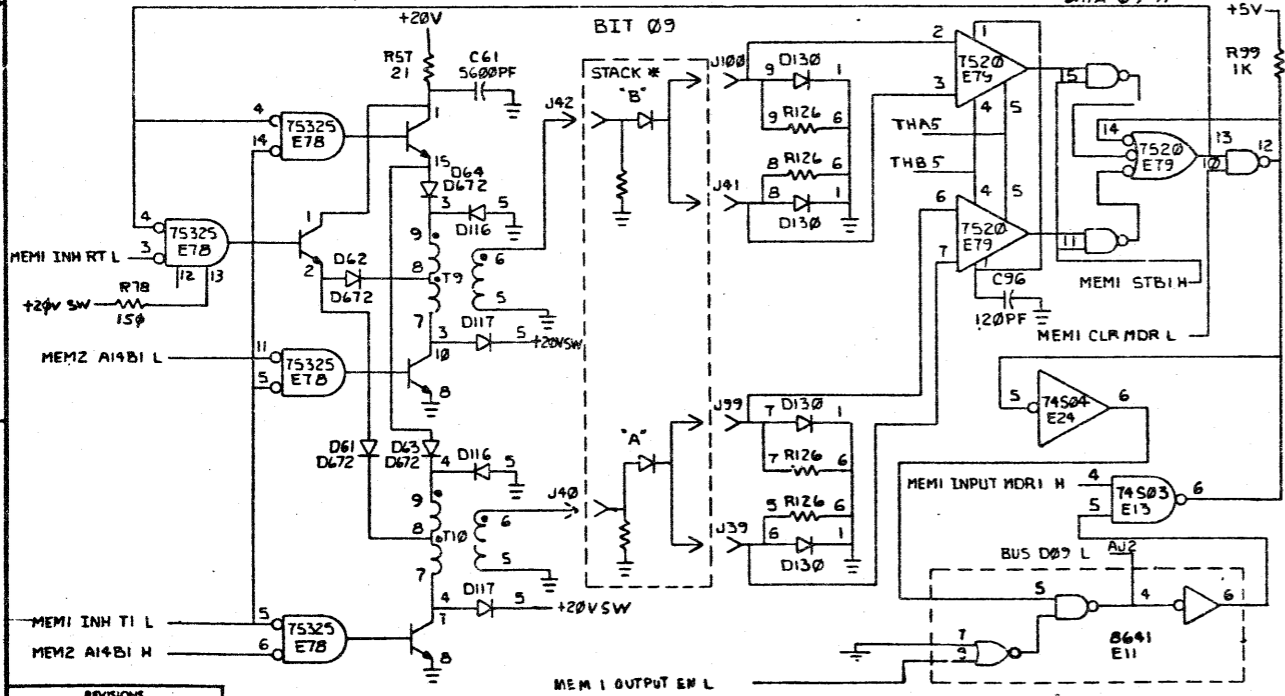
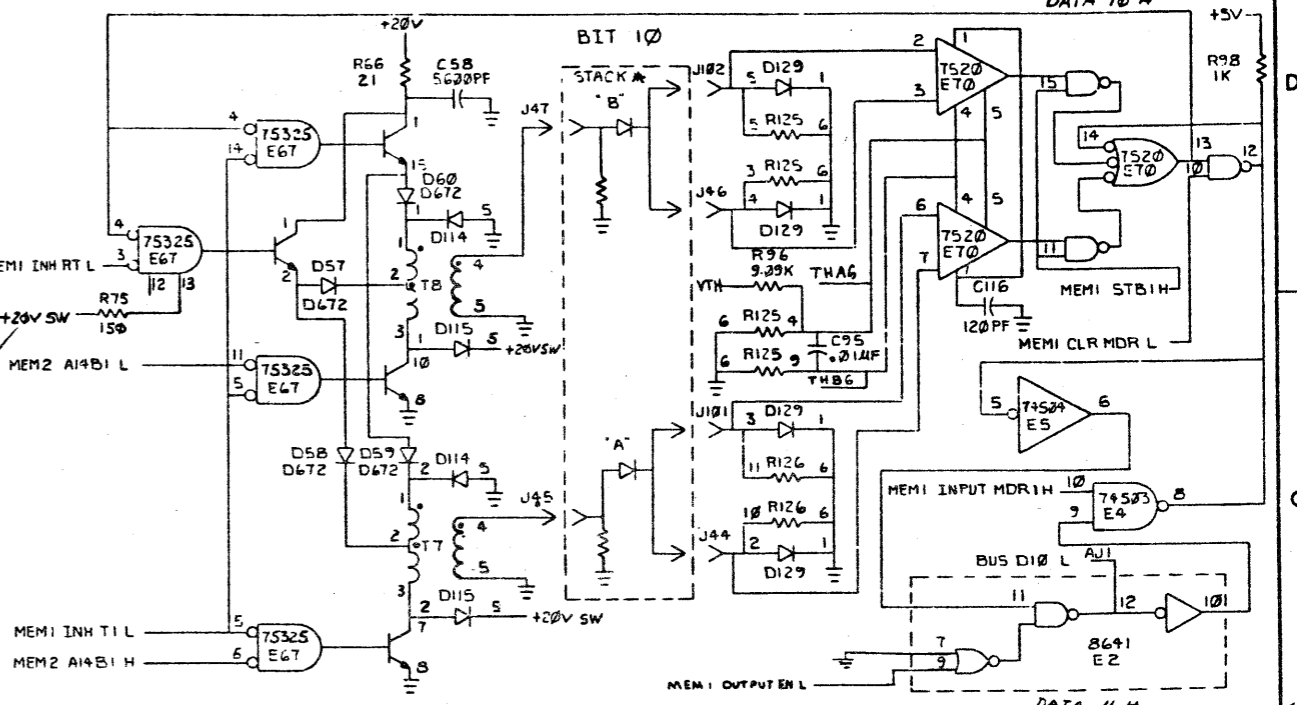
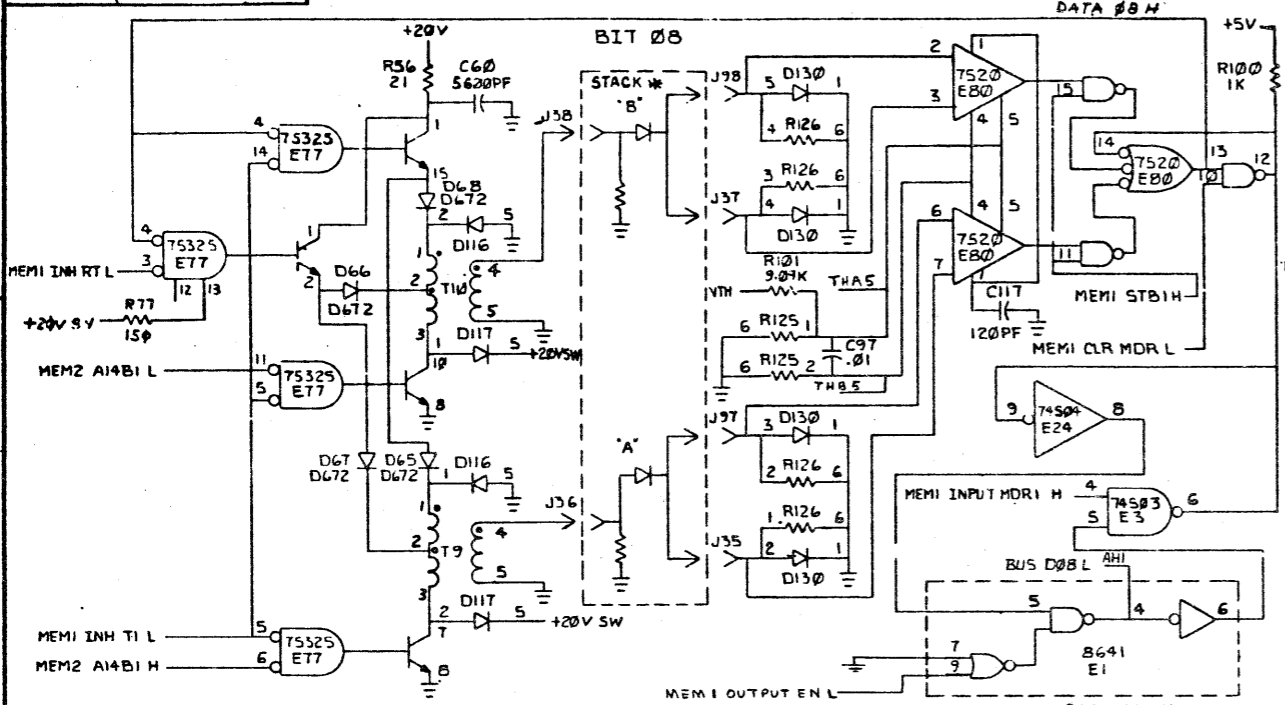
REVISIONS		
CHK	CHANGE NO.	REV.

(SENSE INHIBIT BITS 4-7)

TITLE	16Kx18 MEMORY ELECTRONICS (MEM6)	SIZE CODE	D CS	NUMBER	G652-0-1	REV.	J
SCALE	H	SHEET	8	OF 11	DIST.	ML2	1

THE DRAWING AND SPECIFICATIONS HEREIN ARE THE PROPERTY OF DIGITAL EQUIPMENT CORPORATION AND SHALL NOT BE REPRODUCED OR COPIED OR USED IN WHOLE OR IN PART AS THE BASIS FOR THE MANUFACTURE OR SALE OF ITEMS WITHOUT WRITTEN PERMISSION. COPYRIGHT © 1975 DIGITAL EQUIPMENT CORPORATION

* MOUNTED ON H222 BD :

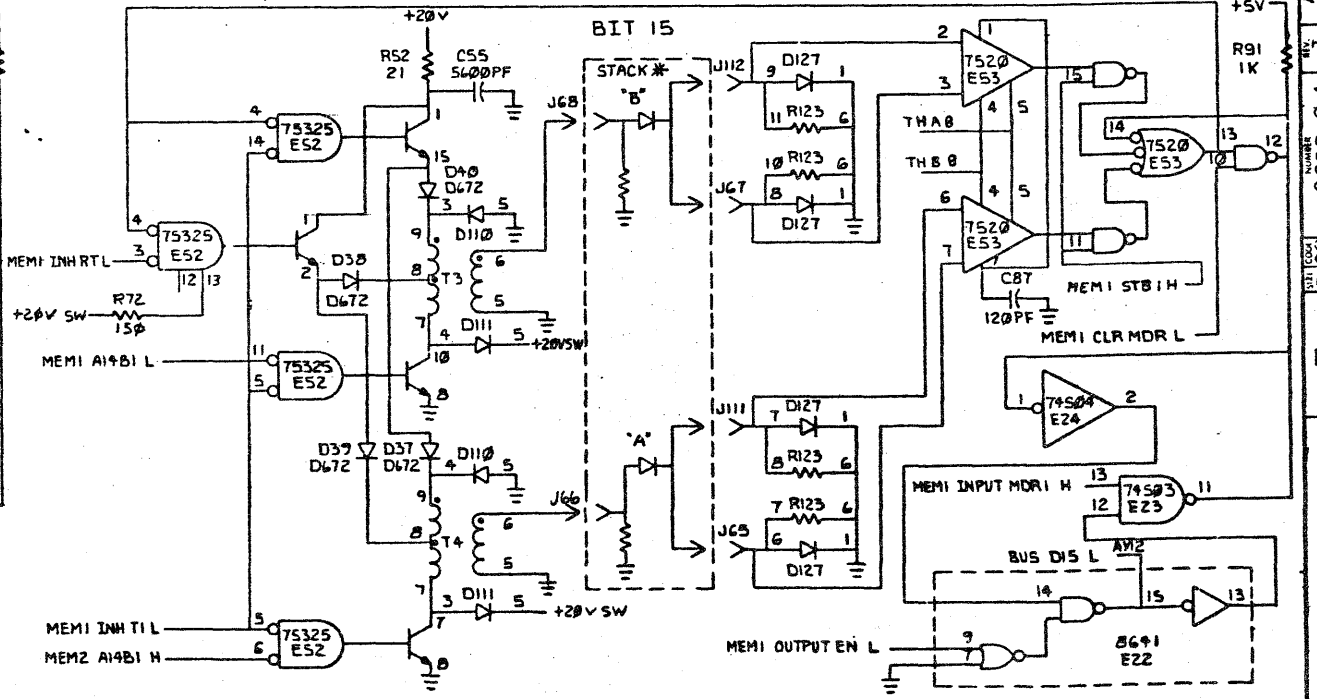
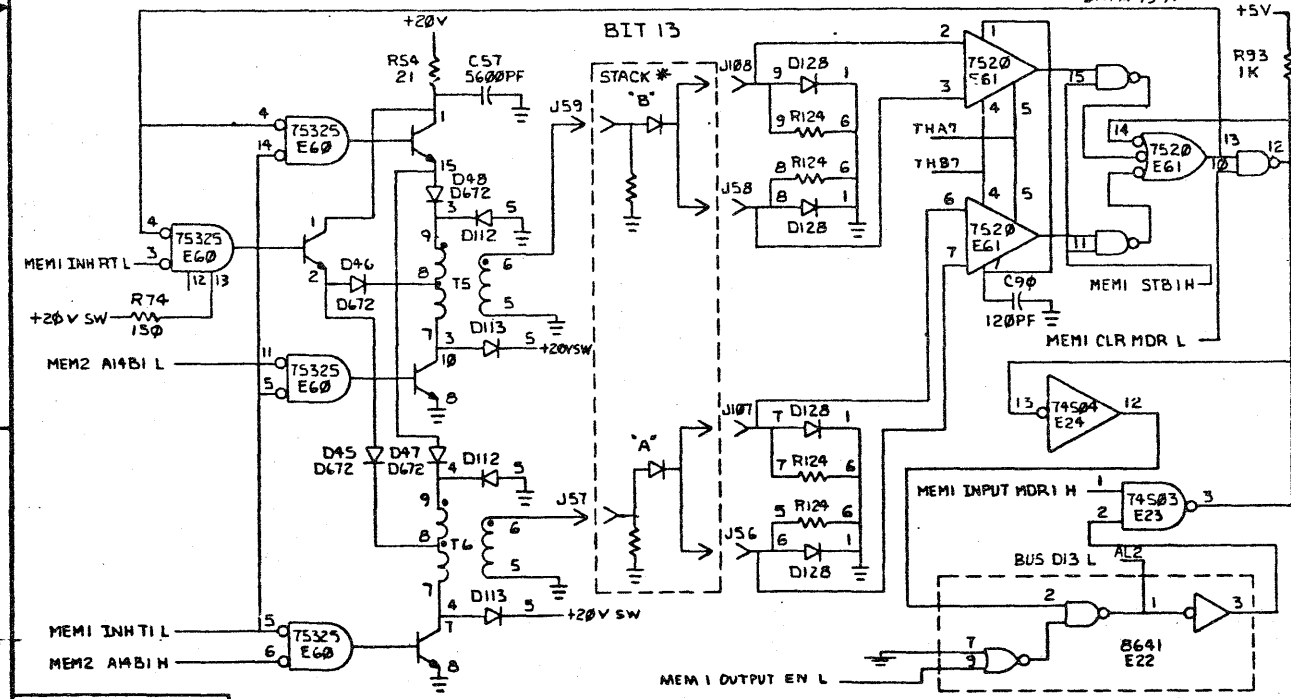
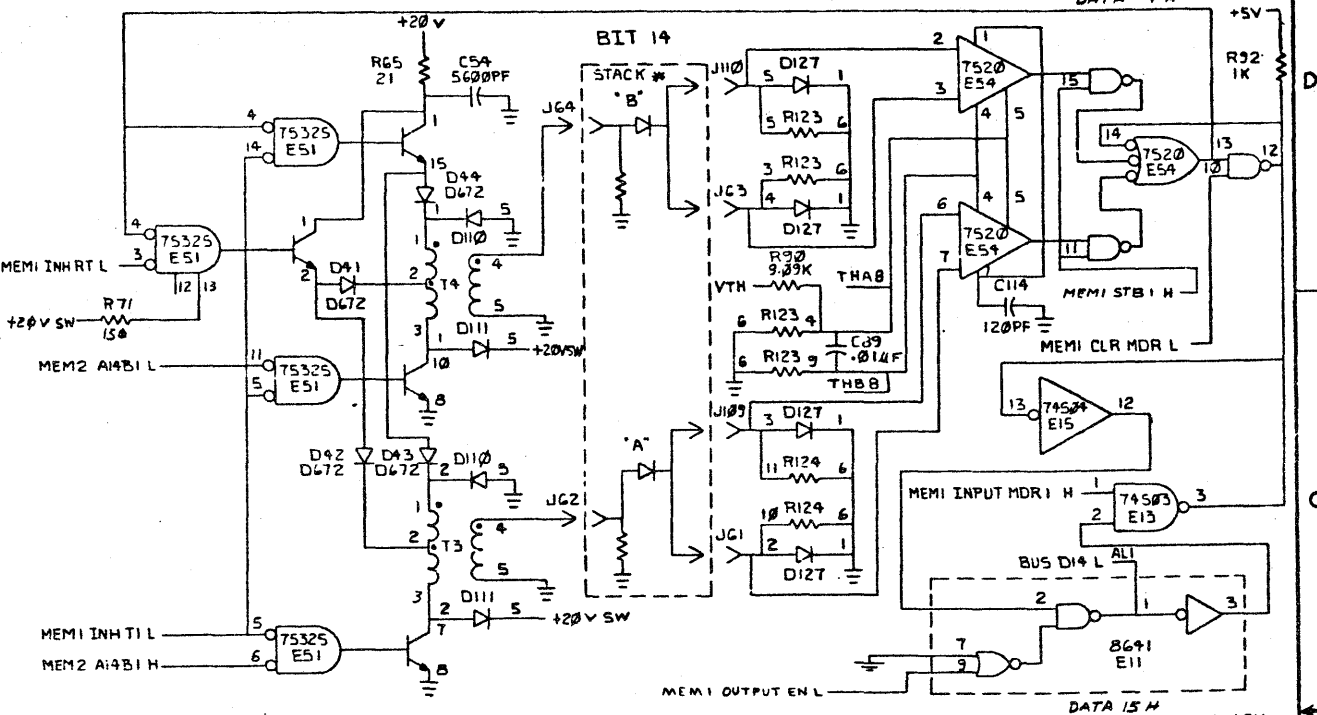
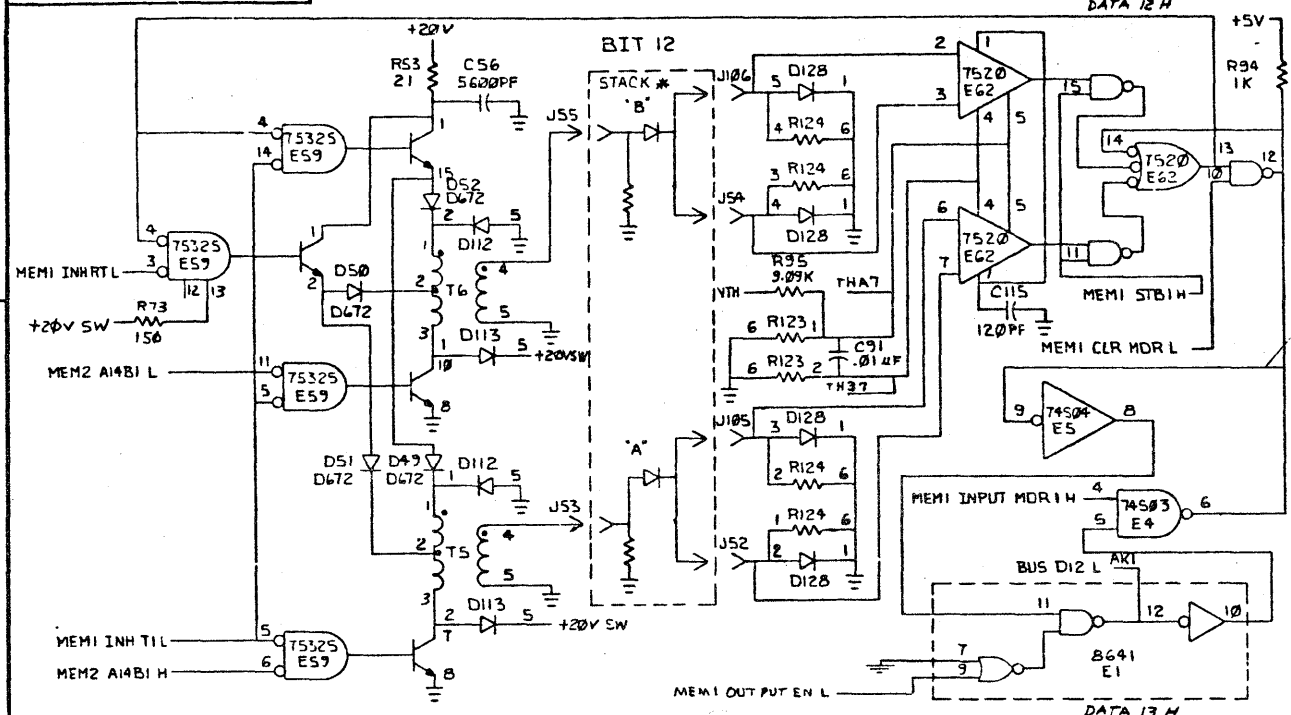


REVISIONS		
CHK	CHANGE NO	REV

(SENSE INHIBIT BITS 8-11)		TITLE	SIZE CODE	NUMBER	REV
6Kx18 MEMORY ELECTRONICS (MEM7)		D CS	G652-0-1	J	
SCALE	SHEET	OF	DIST		
	9	11			

THIS DRAWING AND SPECIFICATIONS HEREIN ARE THE PROPERTY OF DIGITAL EQUIPMENT CORPORATION AND SHALL NOT BE REPRODUCED OR COPIED OR USED IN WHOLE OR IN PART AS THE BASIS FOR THE MANUFACTURE OR SALE OF ITEMS WITHOUT WRITTEN PERMISSION. COPYRIGHT © 1975 DIGITAL EQUIPMENT CORPORATION

* MOUNTED ON H222 3D



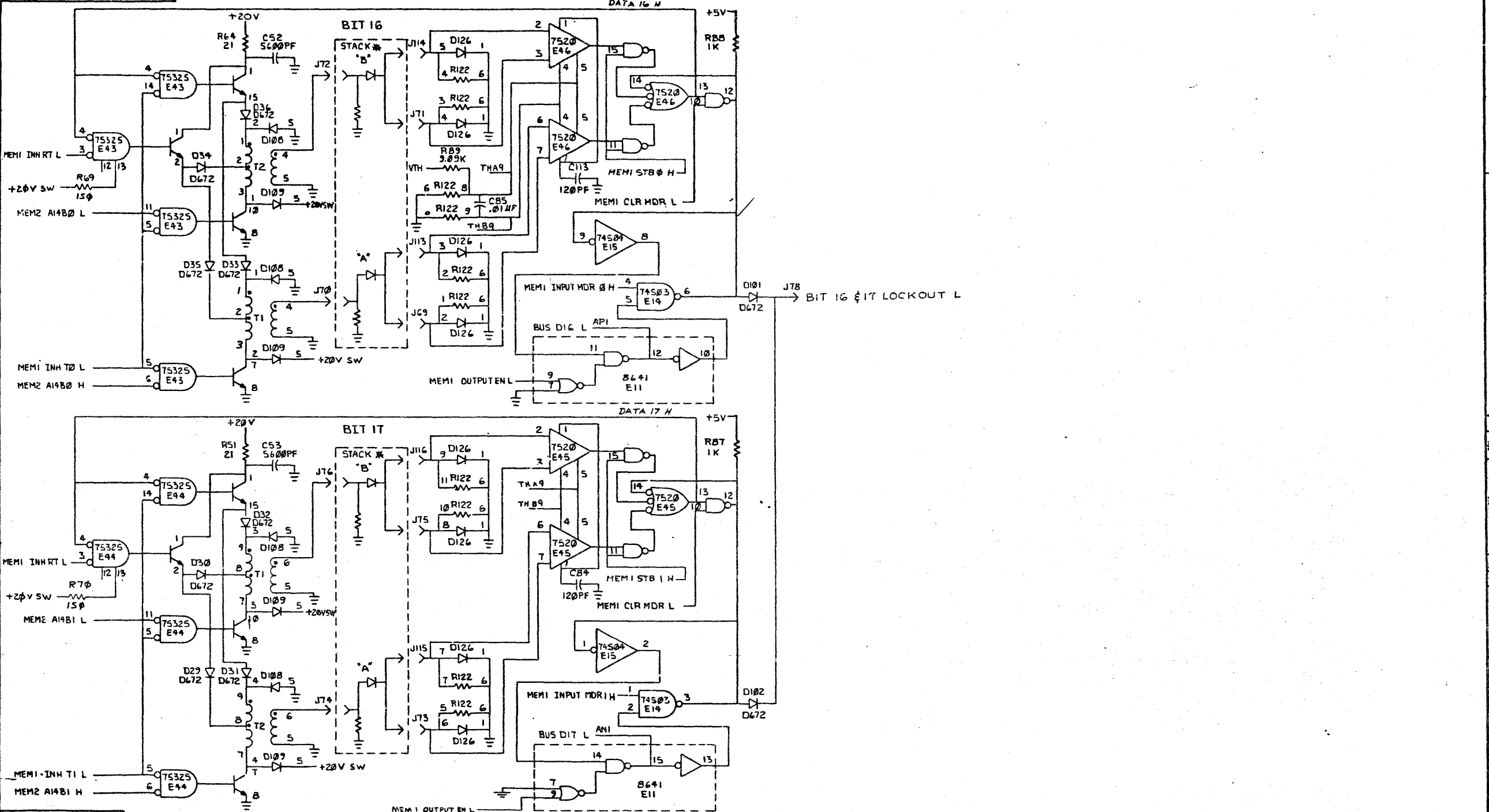
(SENSE & INHIBIT BITS 12-15)

REVISIONS		
CHK	CHANGE NO.	REV.

TITLE	6Kx18 MEMORY ELECTRONICS	SIZE CODE	DCS	NUMBER	G652-0-1	REV.	J
SCALE	1/8"	SHEET	10	OF	11	DATE	ML2

THIS DRAWING AND SPECIFICATIONS HEREIN ARE THE PROPERTY OF DIGITAL EQUIPMENT CORPORATION AND SHALL NOT BE REPRODUCED OR COPIED OR USED IN WHOLE OR IN PART AS THE BASIS FOR THE MANUFACTURE OR SALE OF THIS WITHOUT WRITTEN PERMISSION. COPYRIGHT © 1975 DIGITAL EQUIPMENT CORPORATION

* MOUNTED ON H222 2D.



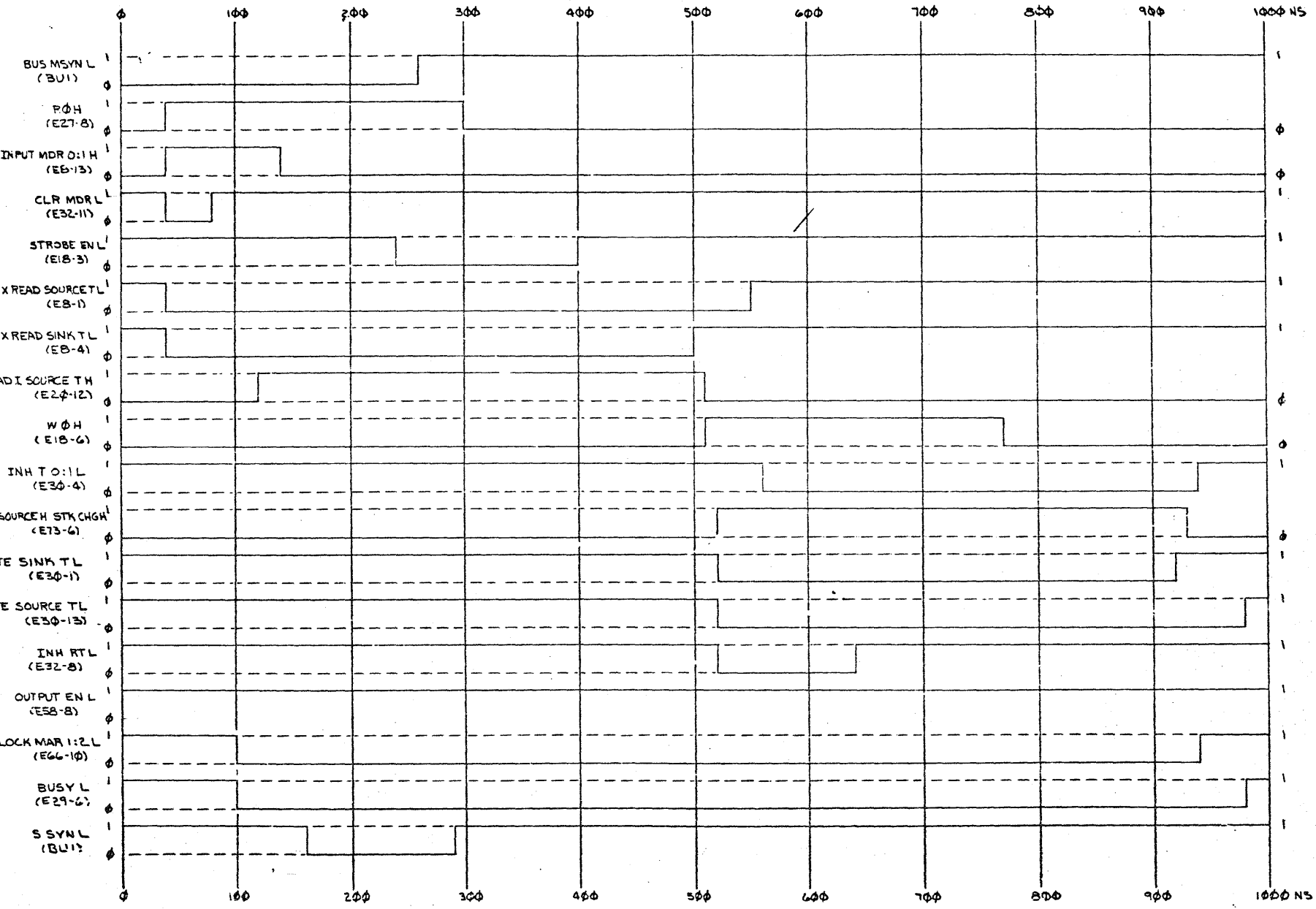
REVISIONS		
CHK	CHANGE NO.	REV.

(SENSE & INHIBIT BITS 16 & 17)		TITLE 16Kx18 MEMORY ELECTRONICS (MEM9)		SIZE CODE DCS	NUMBER G652-0-1	REV. J
SCALE	SHEET 11	OF 11	DIST.	ML2	1	

REV. J
NUMBER G652-0-1
DCS

THIS DRAWING AND SPECIFICATIONS HEREIN ARE THE PROPERTY OF DIGITAL EQUIPMENT CORPORATION AND SHALL NOT BE REPRODUCED, COPIED OR USED IN WHOLE OR IN PART AS THE BASIS FOR THE MANUFACTURE OR SALE OF ITEMS WITHOUT WRITTEN PERMISSION. COPYRIGHT © 1975, DIGITAL EQUIPMENT CORPORATION

DAT0

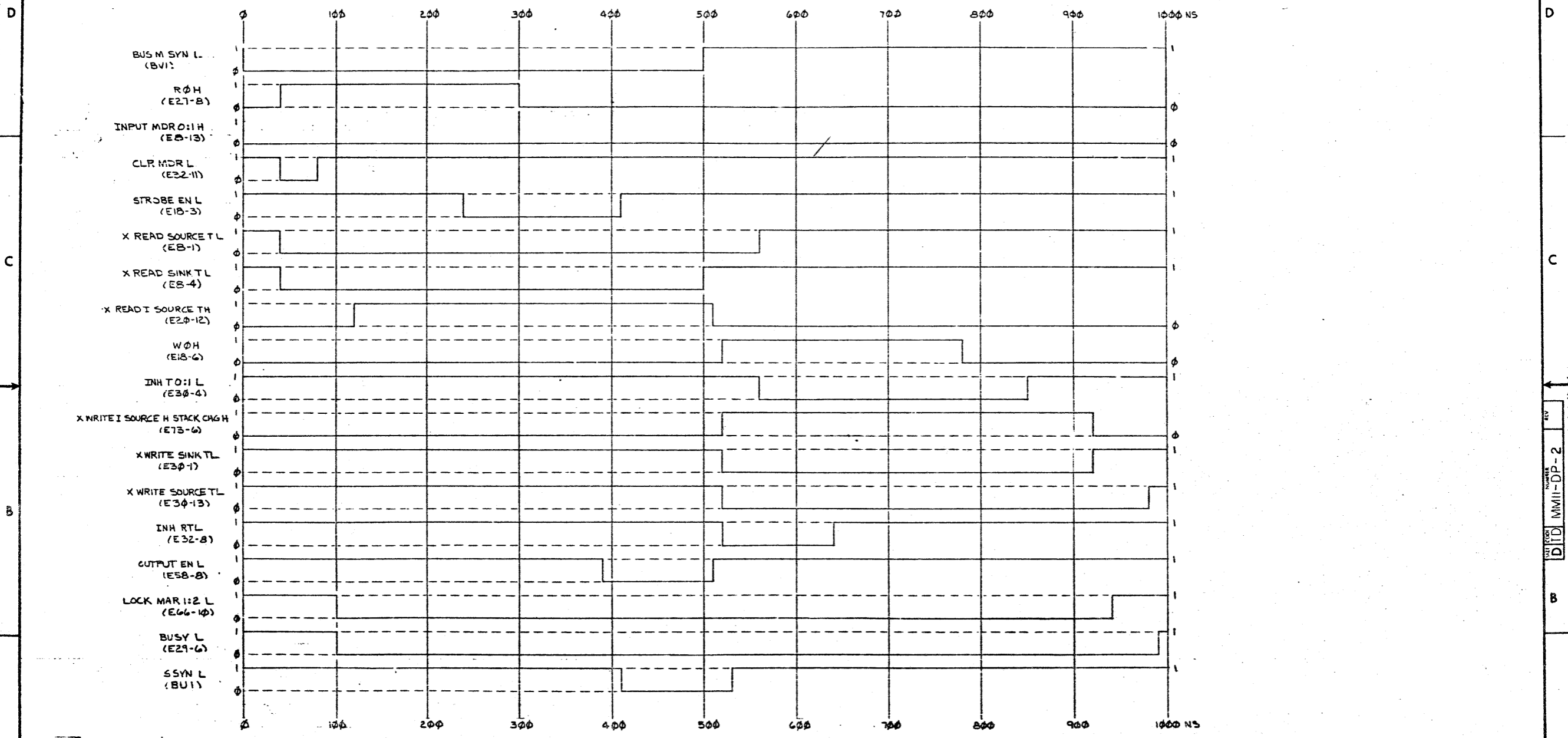


REV.	
CHG	
CHG	
CHG	

DRN. W. LUFKIN	4/26/75	FIRST USED ON	MM11-DP	digital
CHK'D <i>[Signature]</i>	2/20/75	TITLE	MM11-DP	
ENG. <i>[Signature]</i>	2/20/75	TITLE	MM11-DP	
PROJ. ENG. <i>[Signature]</i>	1/20/75	TITLE	MM11-DP	
PROD. Q. <i>[Signature]</i>	2/20/75	TITLE	MM11-DP	
NEXT HIGHER ASSY.		SIZE	CODE	NUMBER
B-DD-MM11-DP		D	TD	MM11-DP-2
SCALE		REV.		
SHEET 1 OF 2		DIST.		

THIS DRAWING AND SPECIFICATIONS HEREIN ARE THE PROPERTY OF DIGITAL EQUIPMENT CORPORATION AND SHALL NOT BE REPRODUCED OR COPIED OR USED IN WHOLE OR IN PART AS THE BASIS FOR THE MANUFACTURE OR SALE OF ITEMS WITHOUT WRITTEN PERMISSION. COPYRIGHT © 1973 DIGITAL EQUIPMENT CORPORATION

DAT I



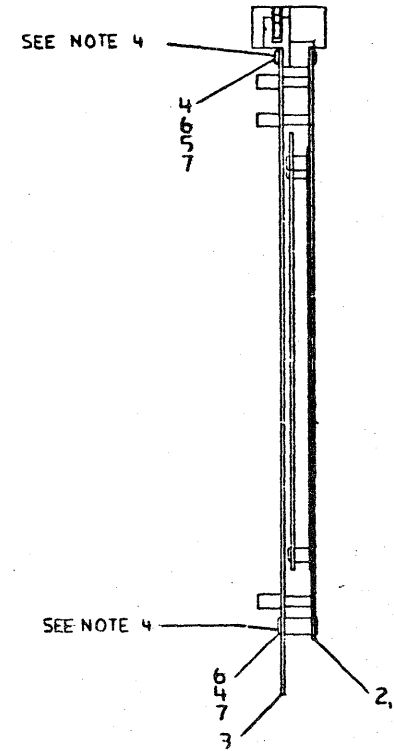
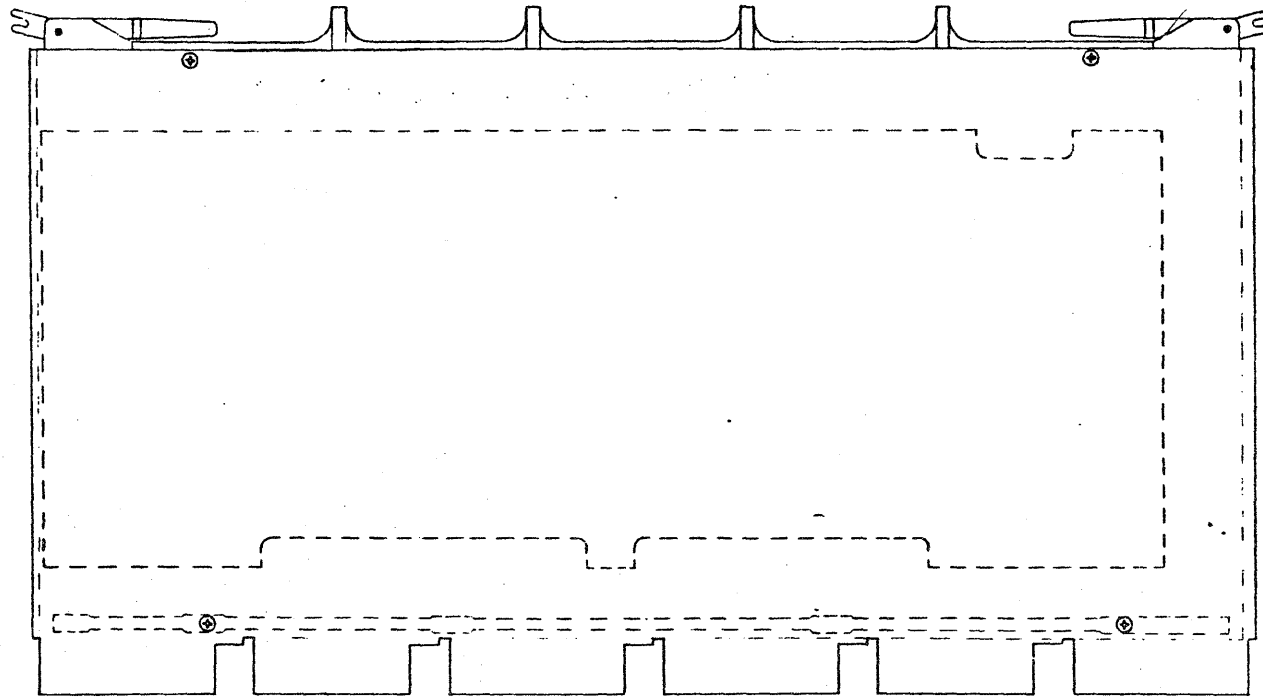
REVISIONS		
CHK	CHANGE NO.	REV

TITLE	SIZE CODE	NUMBER	REV.
MMII-DPTIMING DIAGRAM	D TD	MMII-DP-2	
SCALE	SHEET	DIST.	
	2 OF 2		

THIS DRAWING AND SPECIFICATIONS HEREAFTER ARE THE PROPERTY OF DIGITAL EQUIPMENT CORPORATION AND SHALL NOT BE REPRODUCED OR COPIED IN WHOLE OR IN PART AS THE BASIS FOR THE MANUFACTURE OR SALE OF ITEMS WITHOUT WRITTEN PERMISSION. COPYRIGHT © 1975, DIGITAL EQUIPMENT CORPORATION

LEGEND		
VARIATION	DESCRIPTION	DWG. NUMBER
MM11-D WILL INCLUDE MODULE COMBINATION C OR D	D G652-YA 16K x 18 CORE MEM H222-YB STACK BOARD (16 BIT)	D-CS-G652-0-1 D-UA-H222-B-0
	C G652 16K x 18 CORE MEM. H222-B STACK BOARD (16 BIT)	D-CS-G652-0-1 D-UA-H222-B-0
MM11-DP WILL INCLUDE MODULE COMBINATION A OR B	B G652-YA 16K x 18 CORE MEM. H222-YA STACK BOARD (8 BIT)	D-CS-G652-0-1 D-UA-H222-A-0
	A G652 16K x 18 CORE MEM. H222-A STACK BOARD (18 BIT)	D-CS-G652-0-1 D-UA-H222-A-0

- NOTE :
- MM11-DP MEMORY MODULE ASSEMBLY (16K x 18 BIT) MAY BE SUBSTITUTED FOR MM11-D MODULE ASSEMBLY (16K x 16 BIT).
 - G652-YA'S WILL NOT OPERATE WITH H222'S.
 - H222-YA'S & YB'S WILL NOT OPERATE WITH G652'S.
 - APPLY A SMALL DROP OF (ITEM 7), THREAD SEALANT TO SCREW THREADS PRIOR TO INSERTION



CAUTION:
SEE OFF SHEET PARTS LIST: K-PL-MM11-DP-DBP

REV.	CHANGE NO.	DATE	BY	CHK
A	00003	1/17	D. Smelser	D. Smelser
B	00004	2/28/77	D. Smelser	D. Smelser
C	00005	3/16/77	D. Smelser	D. Smelser
D	00006	4/1/77	D. Smelser	D. Smelser
E	00007	4/1/77	D. Smelser	D. Smelser

DESCRIPTION	DWG. PART NO.	ITEM NO.
UNLESS OTHERWISE SPECIFIED DIMENSIONS ARE IN INCHES		
ANGLE 20° 30'	CLASS OF ACCURACY (CHECK ONE)	NOMINAL DIMENSION RANGE (INCHES)
SURFACE QUALITY IN	MEDIUM	0.005 - 0.010
		0.010 - 0.015
QUANTITY & VARIATION	PREFERRED	1.012 - 1.016
		1.016 - 1.020
THIRD ANGLE PROJECTION	DRN. R. LUPKIN 7/24/75	FIRST USED ON MM11-DP
REMOVE BURRS AND BREAK SHARP CORNERS	CHK'D. J. L. 8/1/75	TITLE MM11-DP MEMORY MODULE ASSEMBLY
DO NOT SCALE DWG	PROL. ENG. J. L. 8/1/75	SIZE D UA
MATERIAL SEE PARTS LIST	NEXT HIGHER ASSY.	NUMBER MM11-DP-0
FINISH	SCALE 1/1	REV. B
	SHEET 1 OF 1	DIST.

11-21

CUSTOMER PRINT SET INDEX

THIS IS PRINT SET

--	--	--	--

SEQUENCE ┘ ┘

SEQUENCE ┘ ┘

UNIT VARIATIONS		PRINT SET			
VAR	TITLE				
H222-A	16K X 18 BIT DEC				
H222-B	16K X 16 BIT DEC				
H222-YA	16K X 18 BIT CONTROL DATA				
H222-YB	16K X 16 BIT CONTROL DATA				

REVISIONS	DATE	CHG. NO.	REV
	5-76	H222-1	A
	2-77	H222-2	B

USED ON OPTION/MODEL	DRN	DATE	TITLE	SIZE	CODE	NUMBER	REV
	<i>R. LUFKIN</i>	<i>28/02/75</i>	H222 MEMORY STACK	B	DD	H222-Ø	B
	CHK'D. <i>R. Lufkin</i>	<i>29/05/75</i>					
	PROC'G. <i>J. Lumber</i>	<i>10/23/75</i>					
	PROO. <i>RA Hill</i>	<i>10/29/75</i>					
	FIELD SERV. <i>G. Hill</i>	<i>11/4/75</i>					
SHEET 1 OF 2							

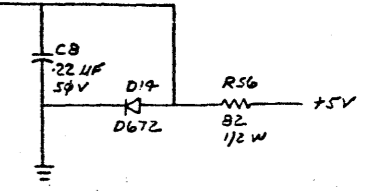
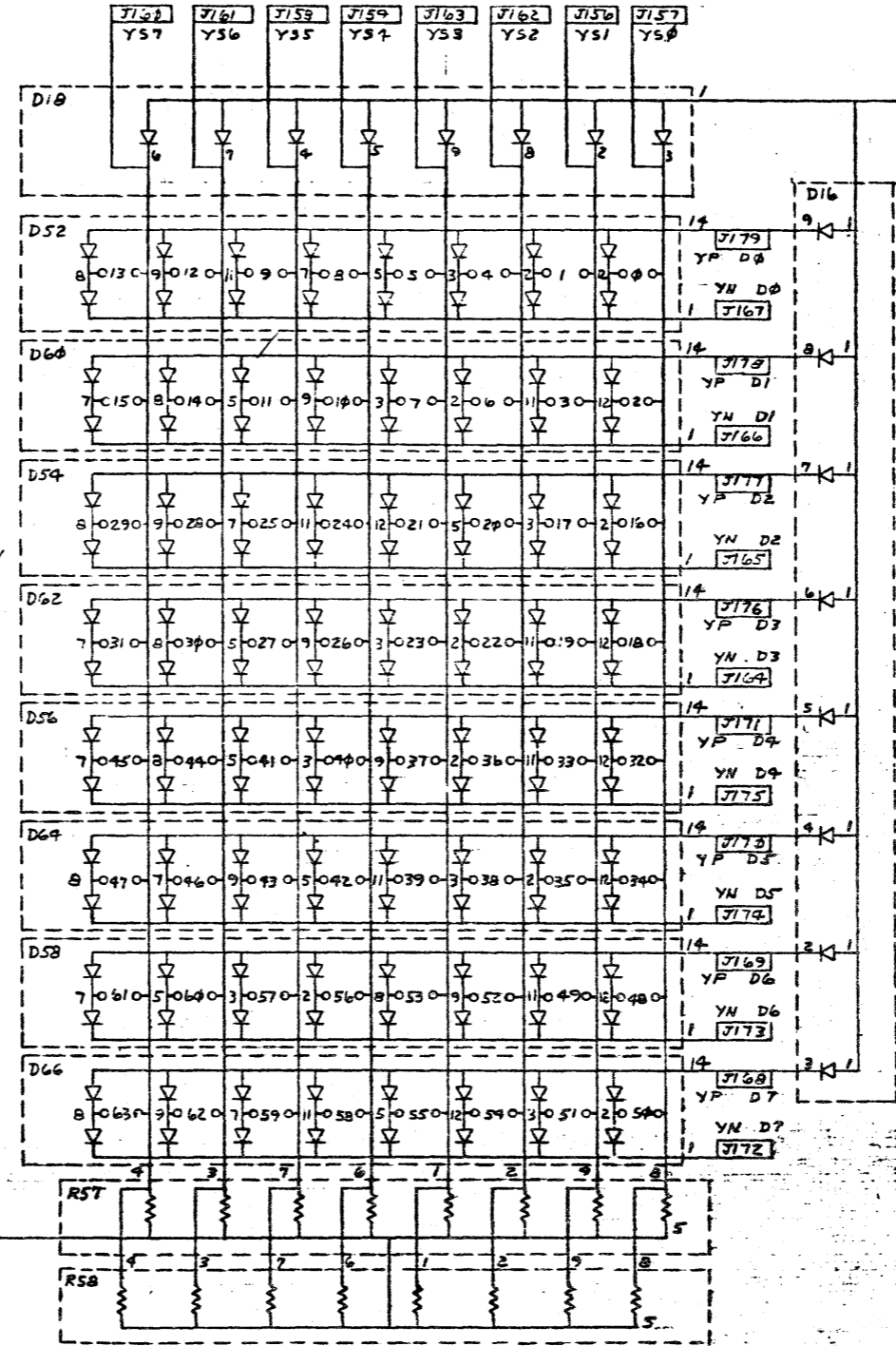
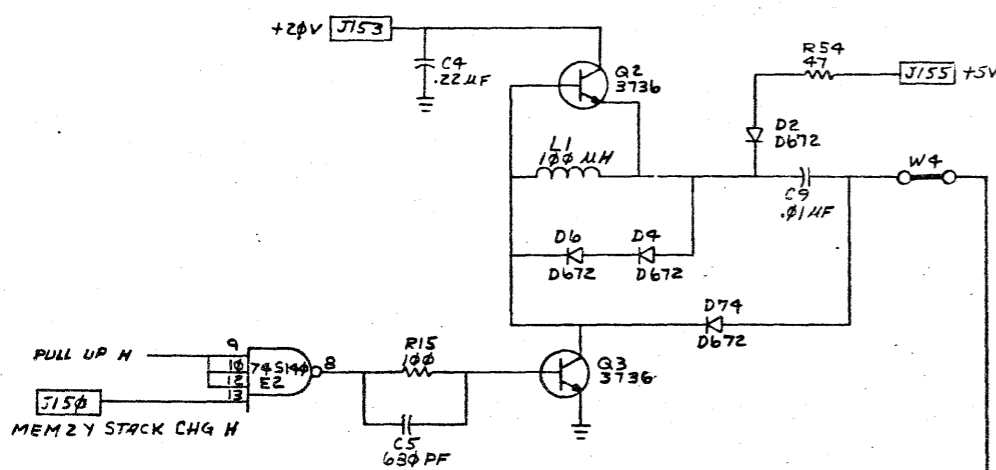
CUSTOMER PRINT SET		ELECTRICAL					CUSTOMER PRINT SET		MECHANICAL						
	MFG. SET	FIND NO.	DRAWING NO.	REV	NO OF SHT	DESCRIPTION	OPTION NO./FILE DATE		MFG. SET	FIND NO.	DRAWING NO.	REV	NO OF SHT	DESCRIPTION	OPTION NO./FILE DATE
			B-DD-H222-Ø		2	DRAWING DIRECTORY					D-UA-H222-A-0		1	H222 CORE MEMORY STACK ASSY	
			D-CS-5411554-0-1			H222 STACK BOARD					D-PA-1211725-0-0		1	STIFFENER, FINGER END	
			E-IA-7011661-0-0		2	CORE PLANE WIRING ASSEMBLY					D-PS-1211726-0-0		1	STIFFENER, HANDLE END	
											D-MD-5511796-0-0		1	CORE SUPPORT (16K x 16/18 BIT)	
											D-MD-5511797-0-0		1	COVER (16K X 16/18 BIT)	
											A-PL-5411554-C-0			PARTS LIST	
											D-AH-5411554-C-5			MEMORY STACK SUB	

CUSTOMER PRINT SET CODES	X = PRINT OF DOCUMENT INCLUDED IN PRINT SET C = INCLUDES ALL PRINTS INDICATED ON DOCUMENT S = CONFIDENTIAL AUTHORIZED SIGNATURE REQUIRED	TITLE	H222 MEMORY STACK	SHEET 2 OF 2	SIZE CODE	B DD	NUMBER	H222-Ø	REV	B
--------------------------	--	-------	-------------------	--------------	-----------	------	--------	--------	-----	---

THIS DRAWING AND SPECIFICATIONS HEREIN ARE THE PROPERTY OF DIGITAL EQUIPMENT CORPORATION AND SHALL NOT BE REPRODUCED OR COPIED OR USED IN WHOLE OR IN PART AS THE BASIS FOR THE MANUFACTURE OR SALE OF ITEMS WITHOUT WRITTEN PERMISSION. COPYRIGHT © 1975, DIGITAL EQUIPMENT CORPORATION

NOTE:
PREFIX FOR J156-J179 IS MEM4.

"Y" DIODE MATRIX



REV.	CHG.	NO.	DATE	BY
1		5411554-0000	1/16/76	D. SMELSER
2		5411554-0002	7/14/76	D. SMELSER
3		5411554-0003	7/14/76	D. SMELSER

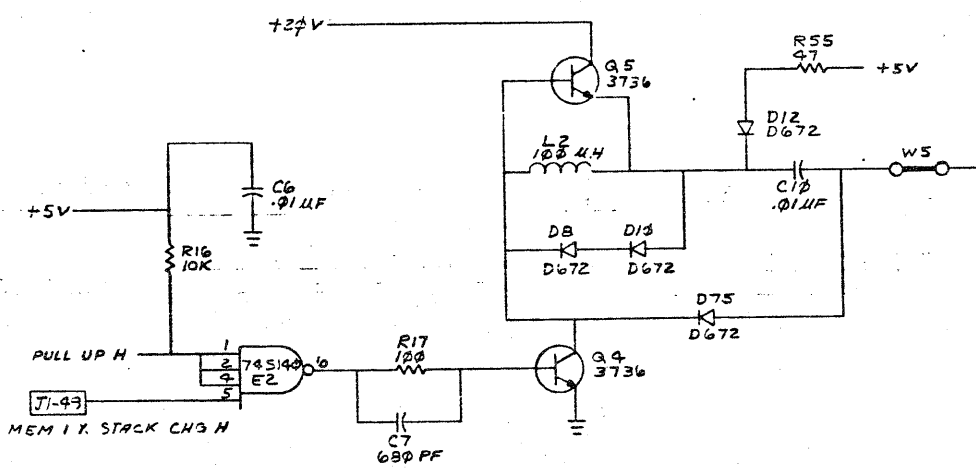
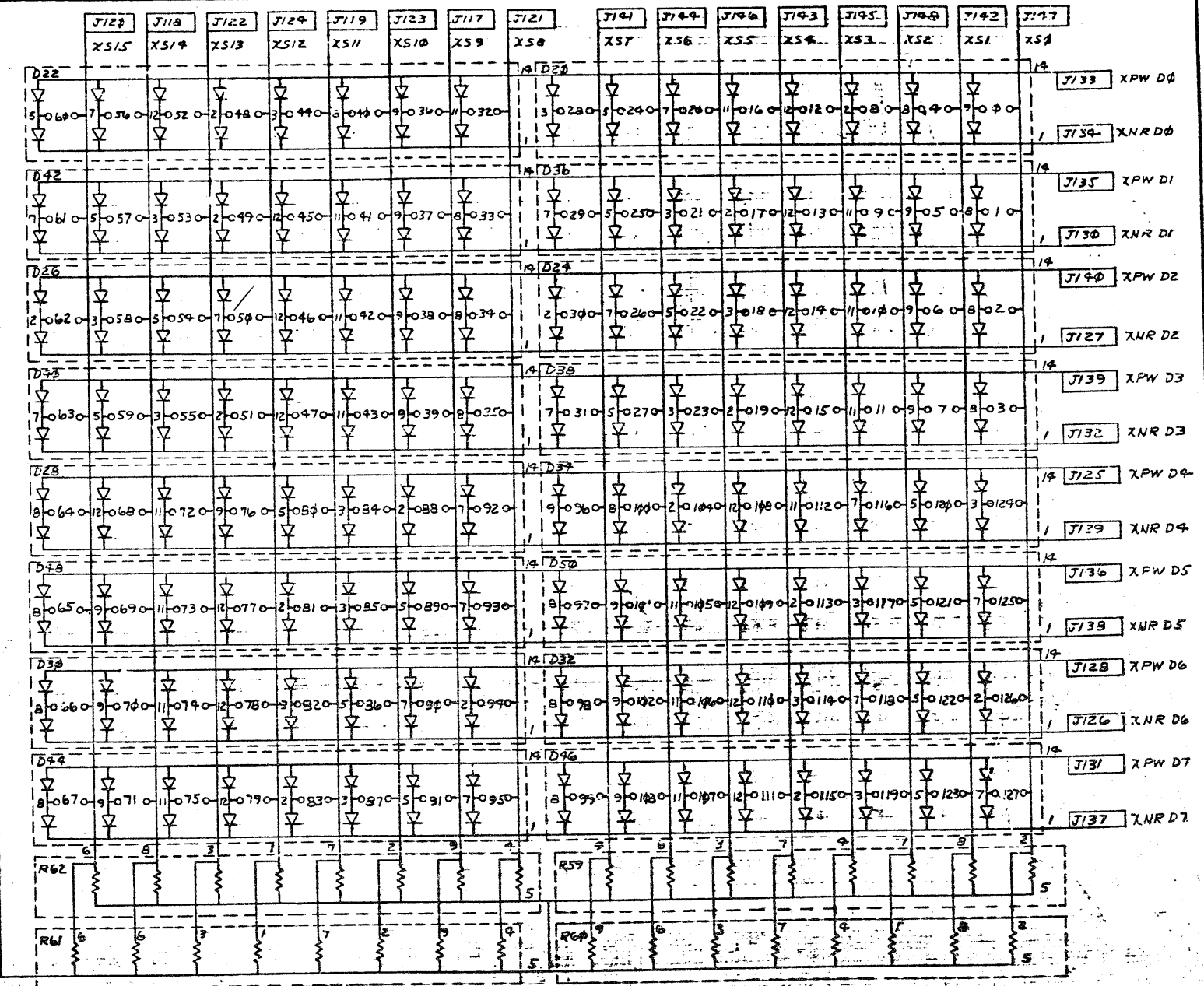
DRN. #	6-20-75	FIRST USED ON	MM10/DP	Digital
CHK'D		TITLE	16K X 16.18 MEMORY STACK	
ENGR.		SCALE	D	CS 5411554-0-1
PROD. ENGR.		SHEET	1	OF 3
PROD. QA		DIST.		

REV. D CS 5411554-0-1

THIS DRAWING AND SPECIFICATIONS HEREIN ARE THE PROPERTY OF DIGITAL EQUIPMENT CORPORATION AND SHALL NOT BE REPRODUCED OR COPIED OR USED IN WHOLE OR IN PART AS THE BASIS FOR THE MANUFACTURE OR SALE OF ITEMS WITHOUT WRITTEN PERMISSION. COPYRIGHT © 1975, DIGITAL EQUIPMENT CORPORATION.

"X" DIODE MATRIX

NOTE:
PREFIX FOR J117-J148 IS MEM 3.



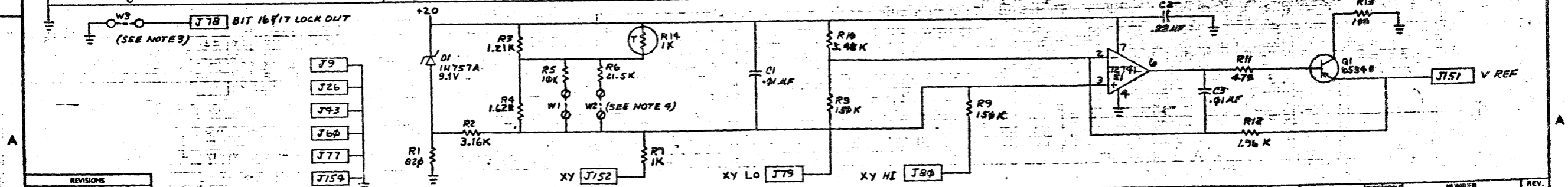
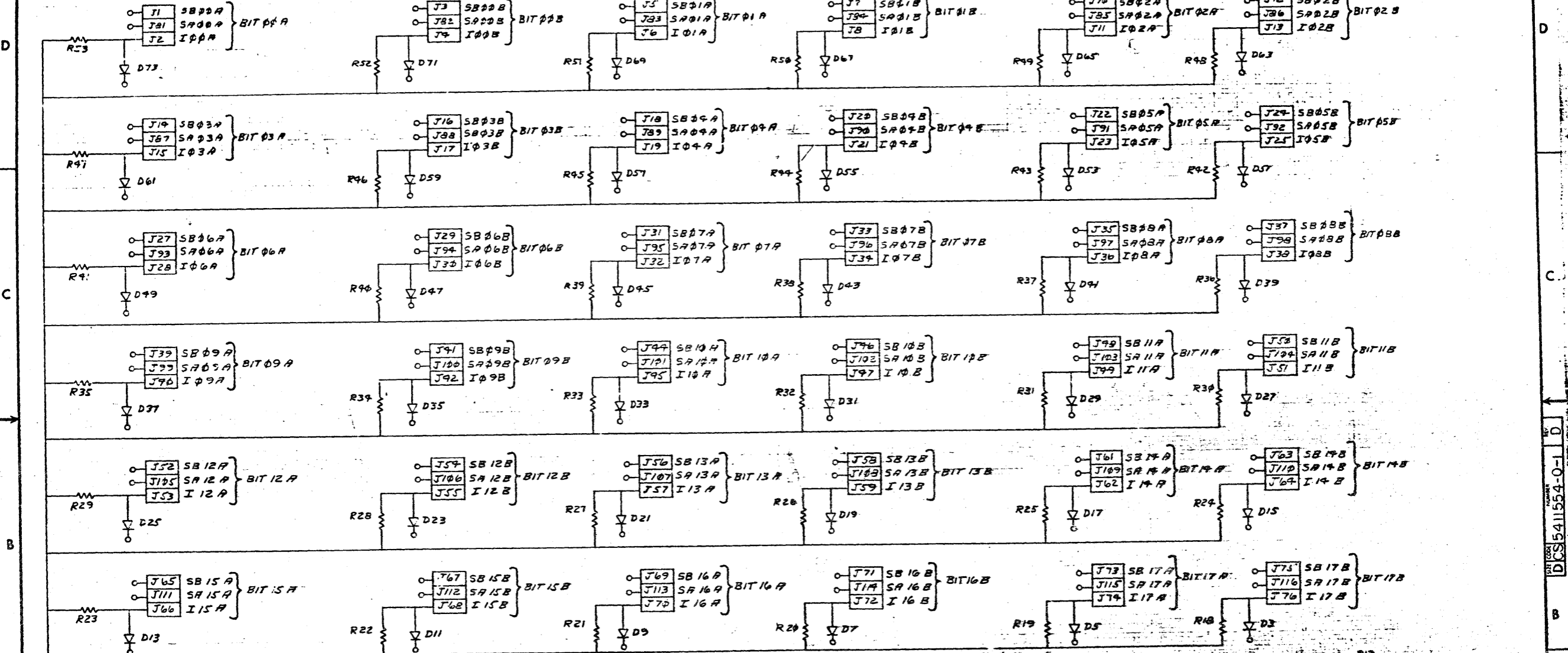
REVISIONS		
CHK	CHANGE NO.	REV.

TITLE	16K X 16.18	SIZE CODE	NUMBER	REV.
MEMORY STACK	DCS 5411554-0-1	SHEET	2 OF 3	D
SCALE		DIST.		

DCS 5411554-0-1 D

THIS DRAWING AND SPECIFICATIONS HEREIN ARE THE PROPERTY OF DIGITAL EQUIPMENT CORPORATION AND SHALL NOT BE REPRODUCED OR COPIED OR USED IN WHOLE OR IN PART AS THE BASIS FOR THE MANUFACTURE OR SALE OF ITEMS WITHOUT WRITTEN PERMISSION OF DIGITAL EQUIPMENT CORPORATION

- NOTES:
1. R18 THRU R53 ARE 1K, 1/4W ±5%.
 2. UNLESS OTHERWISE SPECIFIED: ALL DIODES ARE DG72.
 3. W3 MUST BE INSTALLED FOR A 16 BIT MEMORY -- M122B, OR M222A USED WITHOUT A PARITY CONTROLLER (M7B50).
 4. W1 & W2 ARE USED TO ADJUST VREF.

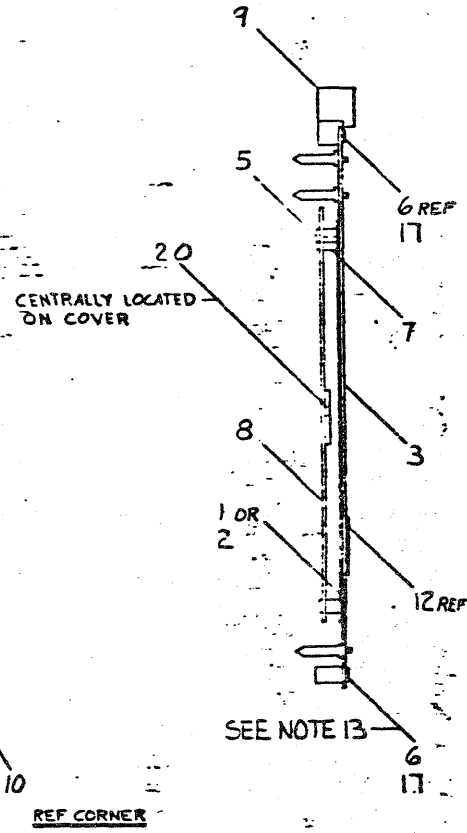
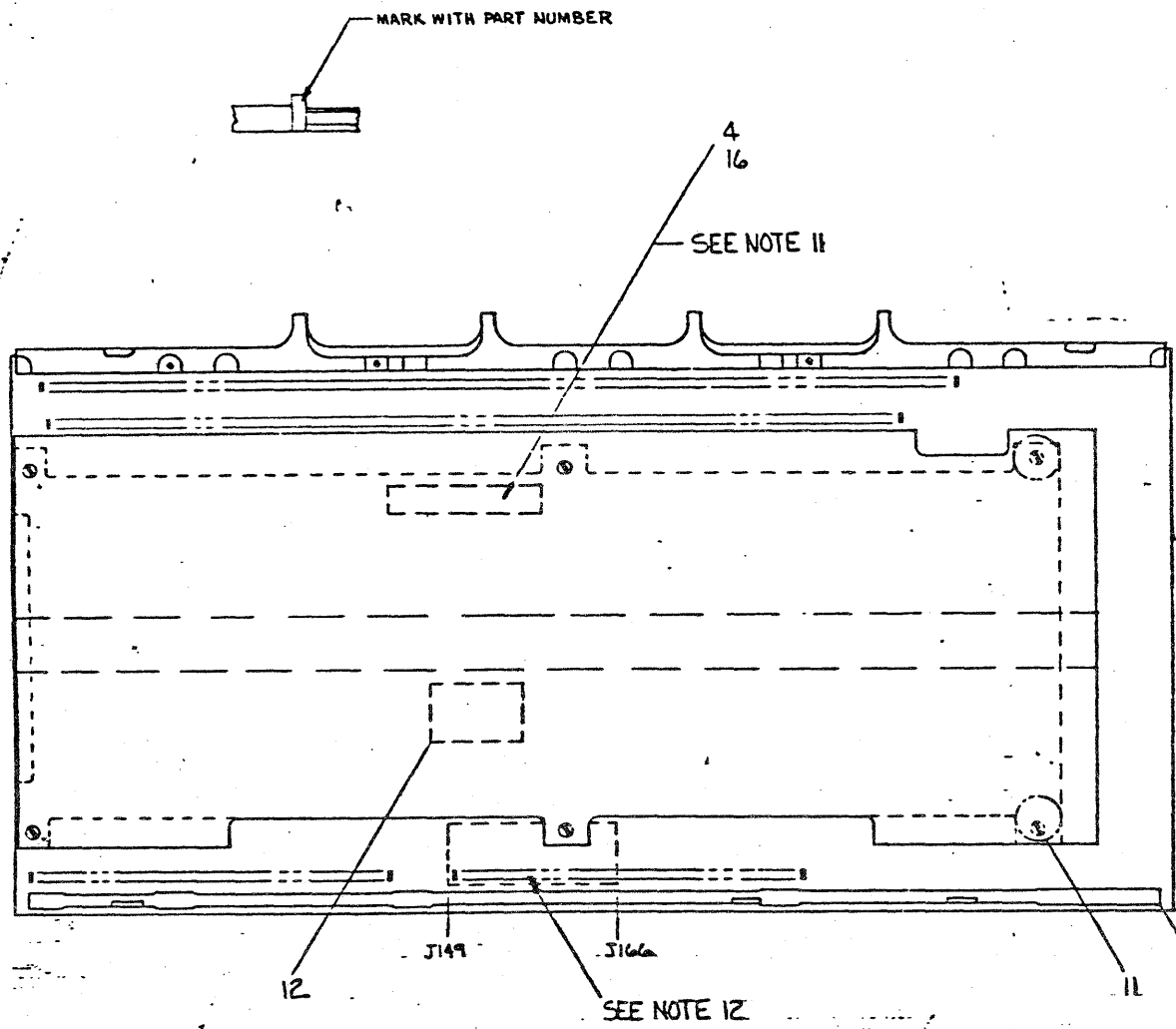


REVISIONS		
CHK	CHANGE NO.	REV.

THIS DRAWING AND SPECIFICATIONS HEREON ARE THE PROPERTY OF DIGITAL EQUIPMENT CORPORATION AND SHALL NOT BE REPRODUCED OR COPIED OR USED IN WHOLE OR IN PART AS THE BASIS FOR THE MANUFACTURE OR SALE OF THIS PRODUCT WITHOUT WRITTEN PERMISSION OF DIGITAL EQUIPMENT CORPORATION. © 1973, DIGITAL EQUIPMENT CORPORATION

NUMBER	NUMBER	VARIATION	USED ON
H222-YA	H222 A	1/4K X 18 BIT	MM11-DP
H222-YB	H222 B	1/4K X 16 BIT	MM11-D

- NOTES:
- BOND ITEM 1 (CORE PLANE) TO ITEM 3 (STACK BOARD) WITH ITEM 4 (ADHESIVE).
 - SWAGE ITEM 1 (CORE PLANE) AND ITEM 3 (STACK BOARD) TOGETHER WITH ITEM 7 (STANDOFF).
 - USE ITEM 5 (PROTECTIVE COATING) TO COAT ALL MAGNETIC WIRE TERMINATIONS AFTER ELECTRICAL TEST. (REF E-IA-7011661-0-0)
 - BOND TWISTED CABLES TO ITEM 1 (CORE PLANE) WITH ITEM 13 (ADHESIVE). SEE E-IA-7011661-0-0.
 - BOND KEY DRIVE LOOPS IN PLACE WITH ITEM 13 (ADHESIVE). SEE E-IA-7011661-0-0 NOTES.
 - REFER TO E-IA-7011661-0-0 WHEN SOLDERING WIRE TERMINATIONS TO ITEM 3 (STACK BOARD).
 - ASSEMBLE ITEMS 9 & 10 (STIFFENERS) TO ITEM 3 (STACK BOARD) USING ITEMS 6 & 17.
 - ATTACH ITEM 8 (COVER) TO ITEM 3 (STACK BOARD) USING ITEMS 5 (NYLON SCREW).
 - APPLY ITEM 11 (WARRANTY SEAL) WHERE SHOWN.
 - APPLY ITEM 12 (NAME PLATE) TO SIDE 2 OF ITEM 3 (STACK BOARD) AS SHOWN.
 - MARK ITEM 3 (STACK BOARD) ON SIDE 2 WITH DEC PART NUMBER, SEQUENTIAL SERIAL NUMBER, AND CIRCUIT SCHEMATIC REVISION USING ITEM 4 (INK) AND ITEM 16 (EPOXY). EXAMPLE: H222-A-001-CS-3.
 - TRIM AMP POSTS AND COMPONENT LEADS TO BE IN THIS AREA OF SIDE 2.
 - INSTALL ITEM 17 (LOCK WASHER) TORQUE HAND TIGHT.



QTY	UNIT	DESCRIPTION	UNL. PART NO.	ITEM NO.
1	1	TAPE FOAM ADHESIVE 1/4X18 BIT	9CC 56-01	20
1	-	CORE PLANE WIRING ASSY	E-IA-7011661-3-0	19
1	1	CORE PLANE WIRING ASSY	E-IA-7011661-2-0	18
8	8	WASHER, LOCK #2 INT TOOTH	4006631-00	17
1	1	EPOXY	491082-00	16
1	1	PROTECTIVE COATING (F145)	491083-00	15
1	1	ADHESIVE (RTV 3145)	491086-00	14
1	1	ADHESIVE (RTV 3140)	491085-00	13
1	1	NAME PLATE	53123	12
2	2	WARRANTY SEAL		11
1	1	STIFFENER, FINGER END	D-PS-121175-0-0	10
1	1	STIFFENER, HANDLE END	D-PS-121176-0-0	9
1	1	COVER	D-MD-551179-0-0	8
4	4	STANDOFF .25 DIA X .17 LG	14009671-00	7
8	8	SCR, PHL PAN HD S5 #2-56 X .19	19006000-01	6
6	6	SCR, SLT BMDR HD NYLN #4-40 X .19	1009233-04	5
1	1	INK, BLACK	491084-00	4
1	1	H222 STACK BOARD	511554	3
1	1	CORE PLANE WIRING ASSY	E-IA-7011661-1-0	2
1	1	CORE PLANE WIRING ASSY	E-IA-7011661-0-0	1

H222-YA	H222-YB	H222-A	H222-B	UNLESS OTHERWISE SPECIFIED DIMENSIONS ARE IN INCHES						
				ANGLES	CLASS OF ACCURACY	FINISH	PLACEMENT	POSITION	RANGE	TOLERANCE
				1.000	1.000	1.000	1.000	1.000	1.000	1.000
				1.000	1.000	1.000	1.000	1.000	1.000	1.000

THIRD ANGLE PROJECTION

REMOVE BURRS AND BREAK SHARP CORNERS

DO NOT SCALE DRG

NEAR FINISH ASSY.

MATERIAL: SEE PARTS LIST

FINISH: SEE PARTS LIST

DRN. H.C. UPRIN 711773

CHK'D: [Signature]

ENG. J. [Signature]

PROG. [Signature]

FIRST USED ON: MM11-DP

TITLE: H222 CORE MEMORY STACK ASSEMBLY

DIST. D-IA H222-DP-0

SIZE CODE: D-IA

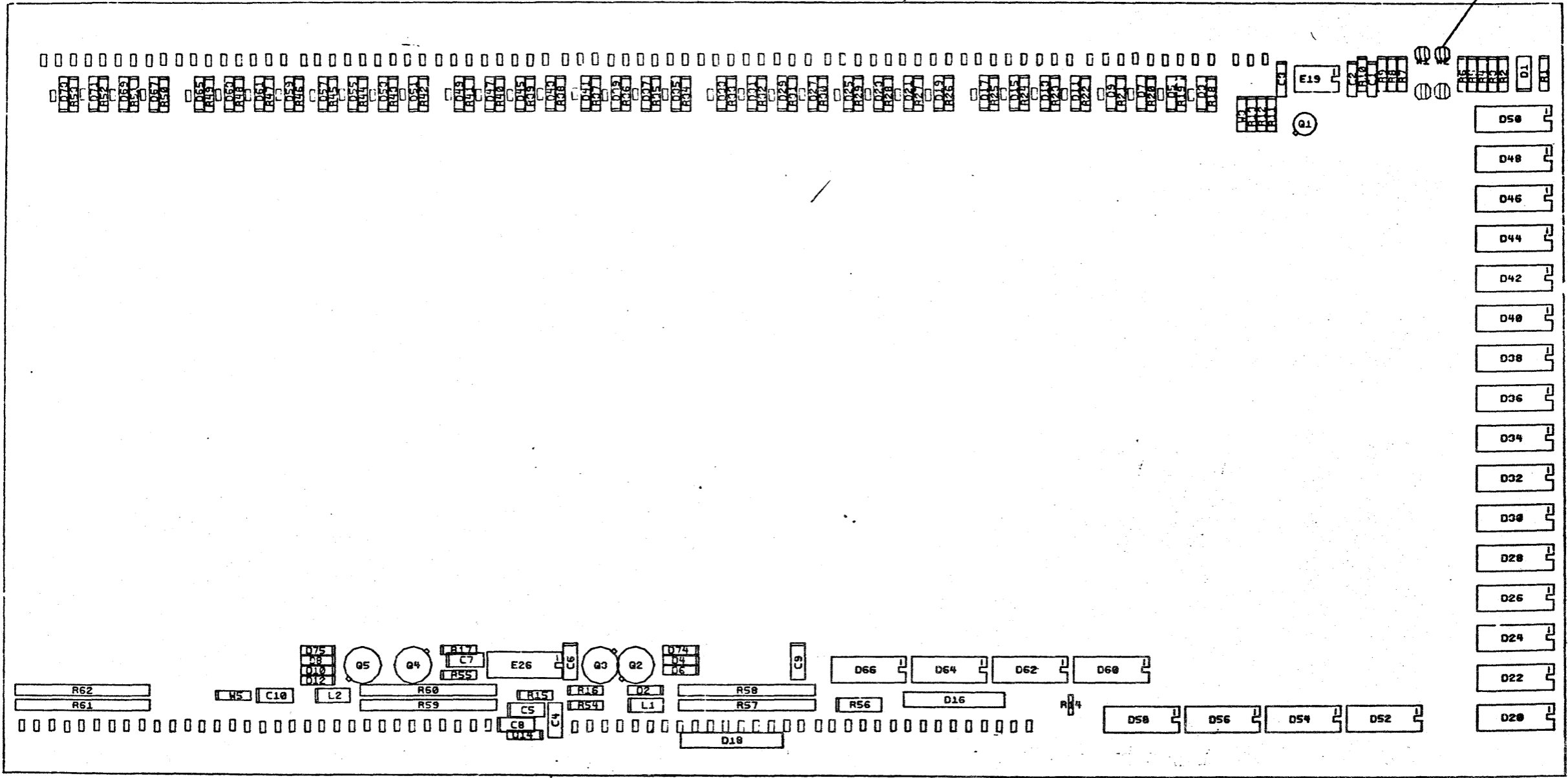
NUMBER: H222-0-0

REV. 3

SHEET 1 OF 1

REV.	CHANGE NO.	DATE	BY	DESCRIPTION
1	1	11-22-70	D. SMELSER	INITIAL DESIGN
2	2	12-14-70	D. SMELSER	REVISED FOR MANUFACTURE
3	3	12-14-70	D. SMELSER	REVISED FOR MANUFACTURE

THIS DRAWING, SPECIFICATIONS, AND THE INFORMATION CONTAINED HEREIN ARE THE PROPERTY OF DIGITAL EQUIPMENT CORPORATION. IT IS TO BE USED FOR THE MANUFACTURE OF THIS ITEM WITHOUT WRITTEN PERMISSION. COPYRIGHT © 1975 DIGITAL EQUIPMENT CORPORATION



NOTES:

CHANGE NO	REV
5411554-0-0-0-0	D
CA	1
D. SWELSER	

SIGNATURES		DATE	digital
DRN. C. [Signature]		7/2/75	
CHK'D [Signature]		7/15/75	TITLE 16K X 16,18 MEMORY STACK
PROJ. ENG. [Signature]		7/14/75	
SCALE 2/1	SIZE CODE	NUMBER	REV
SHT. 1 OF 1	D	UA5411554-0-0-0	D
ETCH REV C FIRST USED ON			

D UA 5411554-0-0 D

DIGITAL EQUIPMENT CORPORATION
MAYNARD, MASSACHUSETTS

PARTS LIST

MADE BY M. Poirier	CHECKED <i>J. Poirier</i>	SECTION
DATE 7/7/75	DATE 7/7/75	
ENG <i>D. Smucker</i>	PROD <i>R. Hill</i>	ISSUED SECT.
DATE 7/14/75	DATE 7/14/75	

QUANTITY/VARIATION

ITEM NO.	DWG NO. / PART NO.	DESCRIPTION	QTY	REFERENCE DESIGNATIONS
1	D-CS-5411554-0-1	CIRCUIT SCHEMATIC	REF	
2	D-AH-5411554-0-5	ASSY/DRILLING HOLE LAYOUT	REF	
3	B-MH-5411554-0-6	MODULE ECO HISTORY	REF	
4	5011493	ETCHED CIRCUIT BOARD	1	
5	1000026-00	CAP 680 PF 100V 5% DM	2	C5, C7
6	1001610-01	CAP .01UF 100V CER	5	C1, C3, C6, C9, C10
7	1010274-00	CAP .22UF 50V CER	3	C4, C8, C2
8	1105275-00	DIODE D672	44	D2-D15, D17, D19, D21, D23, D25, D27, D29, D31, D33, D35, D37, D39, D41, D43, D45, D47, D49, D51, D53, D55, D59, D61, D63, D65, D67, D69, D71, D73, D74, D75
9	1109990-00	DIODE, ZENER 1N757A 9.1V 5%	1	D1
10	7010918-3-0	DIODE NETWORK	2	D16, D18
11	1910010-00	DIODE PACK 2501	24	D20, D22, D24, D26, D28, D30, D32, D34, D36, D38, D40, D42, D44, D46, D48, D50, D52, D54, D56, D58, D60, D62, D64, D66
12	1300229-00	RES 100 1/4W 5%	3	R13, R15, R17
13	1301775-00	RES 820 1/4W 5%	1	R1
14	1304862-00	RES 1.62K 1/8W 1%	1	R4
15	1302871-00	RES 1.21K 1/8W 1%	1	R3
16	1304833-00	RES 1.96K 1/8W 1%	1	R12,

TITLE	ASSY NO.	SIZE	CODE	NUMBER	REV.	ECO NO.
16K x 16, 18 MEMORY STACK	D-UA-5411554-0-0	A	PL	5411554-0-0	D	00002
	SHEET 1 OF 2	DIST.				

DEC FORM DEC 16-(325)-1031-N870
DRA

DIGITAL EQUIPMENT CORPORATION
MAYNARD, MASSACHUSETTS

PARTS LIST

MADE BY M. Poirier	CHECKED <i>J. Poirier</i>	SECTION
DATE 7/7/75	DATE 7/7/75	
ENG <i>D. Smucker</i>	PROD <i>R. Hill</i>	ISSUED SECT.
DATE 7/14/75	DATE 7/14/75	

QUANTITY/VARIATION

ITEM NO.	DWG NO. / PART NO.	DESCRIPTION	QTY	REFERENCE DESIGNATIONS
17	1303045-00	RES 3.16K 1/4W 1%	1	R2
18	1300479-00	RES 10K 1/4W 5%	1	R16
19	1303312-00	RES 10K 1/8W 1%	1	R5
20	1300316-00	RES 470 1/4W 5%	1	R11
21	1303155-00	RES 21.5K 1/8W 1%	1	R6
22	1302396-00	RES 150K 1/4W 5%	2	R8, R9
23	1301781-00	RES 82 1/2W 5%	1	R56
24	1300202-00	RES 47 1/4W 5%	2	R54, R55
25	1300365-00	RES 1K 1/4W 5%	37	R18-R53, R7
26	1310071-00	RES 1K 1% THERMISTER	1	R14
27	1311742-00	RES NETWORK 220 1/4W 1%	6	R57-R62
28	1503366-00	TRANS 2N3736	4	Q2-Q5
29	1503409-01	TRANS 6534B	1	Q1
30	1610662-00	INDUCTOR 100UH	2	L1, L2
31	1910298-00	I.C. 72741	1	E1
32	1910546-00	I.C. 74S140	1	E2
33	1211727-00	CONTACT, MALE	179	J1-J179
34	9009185-00	JUMPER, INSULATED (.4 LONG)	1	W5
35	9107560-01	JUMPER, BUSS WIRE (#22 AWG)	4	W1-W4 (OPTIONAL)
36	9006735-00	EYELET (SPLIT LUG)	4	
37	1305114-00	RES 3.48K 1/8W 1%	1	R10

TITLE	ASSY NO.	SIZE	CODE	NUMBER	REV.	ECO NO.
16K x 16, 18 MEMORY STACK	D-UA-5411554-0-0	A	PL	5411554-0-0	D	
	SHEET 2 OF 2	DIST.				

DEC FORM DEC 16-(325)-1031-N870
DRA

FIELD MAINTENANCE PRINT SET

TABLE OF CONTENTS

B-TC-MM11-YP-1

MM11-DP PRINT SET

TABLE OF CONTENTS

B-DD-MM11-YP
 B-DD-G657-Ø
 D-TD-M11-YP-2
 D-UA-MM11-YP-Ø
 B-DD-H228-B
 D-CS-5412149-Ø-1
 D-UA-H228-B-Ø
 D-CS-M785Ø-Ø-1
 B-PL-5412149-0-0
 B-PL-G657-0-0
 D-UA-G657-0-0
 D-UA-5412149-0-0
 D-CS-G657-0-1


DRAWING DIRECTORY
 32K SPC ELECTRONICS
 TIMING DIAGRAM
 MM11-YP MEMORY MODULE ASSY.
 DRAWING DIRECTORY
 32K SPC MEMORY
 H228 CORE MEMORY STACK ASSY.
 PARITY CONTROLLER
 32K SPC MEMORY
 32K ELECTRONICS
 32K ELECTRONICS (SHTS. 1 #6 ONLY)
 32K SPC MEMORY (SHTS. 1 #4 ONLY)
 32K SPC ELECTRONICS

UNIT VARIATIONS COVERED BY THIS PRINT SET
MM11-yp

MM11-YP
Field Maintenance
Print Set

Digital Equipment
Corporation
 PRINT SET ORDER
 NUMBER MPØØ317

EN-01124-16-N76-1327

REVISIONS <table border="1"> <tr> <th>REV.</th> <th>CHG. NO.</th> <th>DATE</th> <th>DESCRIPTION</th> </tr> <tr> <td>A</td> <td>MM11-YP-1</td> <td>10-77</td> <td></td> </tr> </table>				REV.	CHG. NO.	DATE	DESCRIPTION	A	MM11-YP-1	10-77		USED ON OPTION/MODEL	DRM. <i>E. DeVies</i>	DATE <i>18 May 77</i>	TITLE: MM11-YP MEMORY MODULE 												
				REV.	CHG. NO.	DATE	DESCRIPTION																				
A	MM11-YP-1	10-77																									
	CHK'D <i>R. Rudello</i>	DATE <i>18 MAY 77</i>																									
	PROJ. ENG. <i>n. Coates</i>	DATE <i>20 APR 77</i>																									
		FIELD SERV. <i>J. Holdberg</i>	DATE <i>8 June 77</i>	<table border="1"> <tr> <th>SIZE</th> <th>CODE</th> <th colspan="3">NUMBER</th> <th>REV.</th> </tr> <tr> <td>B</td> <td>TC</td> <td colspan="3">MM11-YP-1</td> <td>A</td> </tr> <tr> <td colspan="6">DIST.</td> </tr> </table>						SIZE	CODE	NUMBER			REV.	B	TC	MM11-YP-1			A	DIST.					
SIZE	CODE	NUMBER								REV.																	
B	TC	MM11-YP-1								A																	
DIST.																											
SHEET 1 OF 1																											

"THE MATERIAL HEREIN IS FOR INFORMATION PURPOSES ONLY AND IS SUBJECT TO CHANGE WITHOUT NOTICE. DIGITAL EQUIPMENT CORPORATION ASSUMES NO RESPONSIBILITY FOR ANY ERRORS WHICH MAY APPEAR HEREIN."

DRAWING DIRECTORY

"THIS DRAWING AND SPECIFICATIONS, HEREIN, ARE THE PROPERTY OF DIGITAL EQUIPMENT CORPORATION AND SHALL NOT BE REPRODUCED OR COPIED OR USED IN WHOLE OR IN PART AS THE BASIS FOR THE MANUFACTURE OR SALE OF ITEMS WITHOUT WRITTEN PERMISSION. COPYRIGHT © DIGITAL EQUIPMENT CORPORATION."

NOTE: FIELD MAINTENANCE PRINT SET SEE: MP00317

UNIT VARIATIONS

VAR	TITLE
MM11-YP	32K X 18 BIT MEMORY/MODULE

REVISIONS	REV.	A	digital	USED ON OPTION/MODEL	DRN.	DATE	TITLE				
	CHANGE NO.	MM11YP-2			E. DeVries	18 MAY 77					MM11-YP MEMORY MODULE
CHK	OR			CHK'D.	DATE						
MM11YP-3	B	MM11YP-3		B	18 MAY 77	SIZE	CODE	NUMBER	REV		
		WEN		PROJ. ENG.	DATE	B	DD	MM11-YP	B		
				PROD.	DATE	DIST.					
					21 MAY 77						
				SHEET 1 OF 2	Ra Hill						

FIND NO.	DRAWING NO.	DESCRIPTION	TYPE	FIND NO.	DRAWING NO.	DESCRIPTION	TYPE
1	MP00317	MM11-YD PRINT SET	REF				
	B-TC-MM11-YP-1	MM11-YP FIELD MAINT. PRINT SET	REF				
	D-UA-MM11-YP-0	MM11-YP MEMORY MODULE ASSY	E/M				
	D-TD-MM11-YP-2	MM11-YP TIMING DIAGRAM	REF				
2	E-UA-H228-B-0	H228-B CORE MEMORY STACK ASSY	E/M				
	B-DD-H228-B	H228 CORE MEMORY STACK	REF				
	D-UA-5412149-0-0	32K SPC MEMORY					
3	D-UA-G657-0-0	32K SPC ELECTRONICS	E/M				
	B-DD-G657-0	32K SPC ELECTRONICS	REF				
4	D-AD-7013560-0-0	CONN JUMPER ASSY	M				
	C-IA-7417954-0-0	CONN ASSY	E/M				
	D-PS-1213577-0-0	COVER HOUSING	M				
5	K-PL-MM11-YP-DBP	DATA BASE PARTS LIST					

TYPE: E ELECTRICAL
M MECHANICAL
E/M ELECTRO/MECHANICAL



TITLE
MM11-YP MEMORY MODULE

SHEET 2 OF 2
SIZE CODE
B DD

NUMBER
MM11-YP

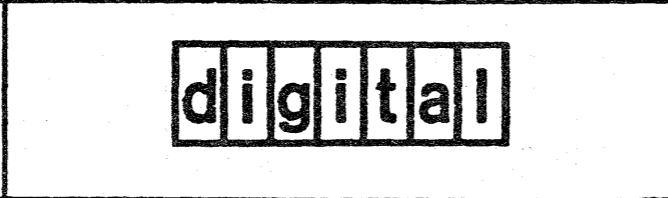
REV
B

DRAWING NO.	NO. OF SHTS.	PART NO.	DESCRIPTION	REVISIONS															
				*	A	B	C												
B-DD-G657-Ø	1		32K SPC ELECTRONICS	*	A	B	C												
D-UA-G657-Ø-Ø	2		32K SPC ELECTRONICS	B	C	C	D												
K-PL-G657-Ø-DBP	4		32K SPC ELECTRONICS	B	C	D	E												
D-CS-G657-Ø-1	18		32K SPC ELECTRONICS	B	C	D	E												
D-MD-5012147-0-0	8		DRILL & ETCH DRAWING	B	B	B	C												
		5012147	ETCHED BOARD	C	C	C	D												
K-PC-G657-Ø-DBG	-		P.C. DESIGN DATA BASE	REF	-	-	D												
D-EC-5012147-0-0	2		ETCH CUT DRAWING	REF	-	-	D												

NOTES:

REVISIONS		*	A	B	C												
DATE	CHG NO.	ORIG															
7-78	00001																
5-80	MLØØ2																
11-80	MLØØ3																

"THIS DRAWING AND SPECIFICATIONS, HEREIN, ARE THE PROPERTY OF DIGITAL EQUIPMENT CORPORATION AND SHALL NOT BE REPRODUCED OR COPIED OR USED IN WHOLE OR IN PART AS THE BASIS FOR THE MANUFACTURE OR SALE OF ITEMS WITHOUT WRITTEN PERMISSION.
 COPYRIGHT© 1977 DIGITAL EQUIPMENT CORPORATION

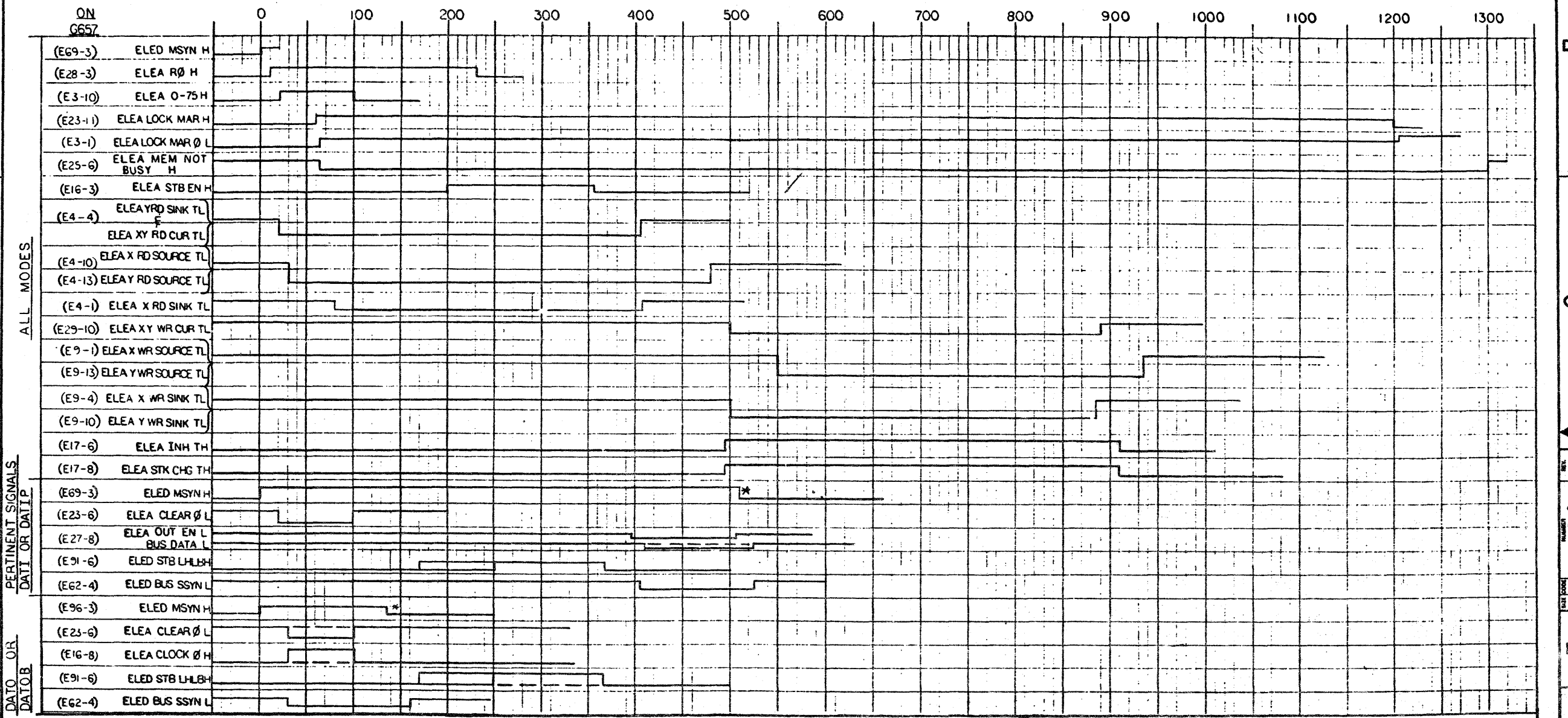


USED ON OPTION/MODEL	DRN. LORA METZGER	4-28-77	TITLE	
MM11-YP	CHK'D R. MANION	4-29-77	32K SPC ELECTRONIC	
	ENG. W. Coates	4-29-77	SIZE	CODE
	PROD. R. A. HILL	4-29-77	B	DD
			NUMBER	
			G657-Ø	
			REV.	C
			SHEET 1 OF 1	

ML2

THIS DRAWING AND SPECIFICATIONS HEREIN ARE THE PROPERTY OF DIGITAL EQUIPMENT CORPORATION AND SHALL NOT BE REPRODUCED OR COPIED OR USED IN WHOLE OR IN PART AS THE BASIS FOR THE MANUFACTURE OR SALE OF ITEMS WITHOUT WRITTEN PERMISSION. COPYRIGHT © 1977, DIGITAL EQUIPMENT CORPORATION.

MMII-YP TIMING
TIME (N.SEC.)



ALL MODES

PERTINENT SIGNALS
DATA OR DATA I/P

DATA OR DATA O/P

NOTES

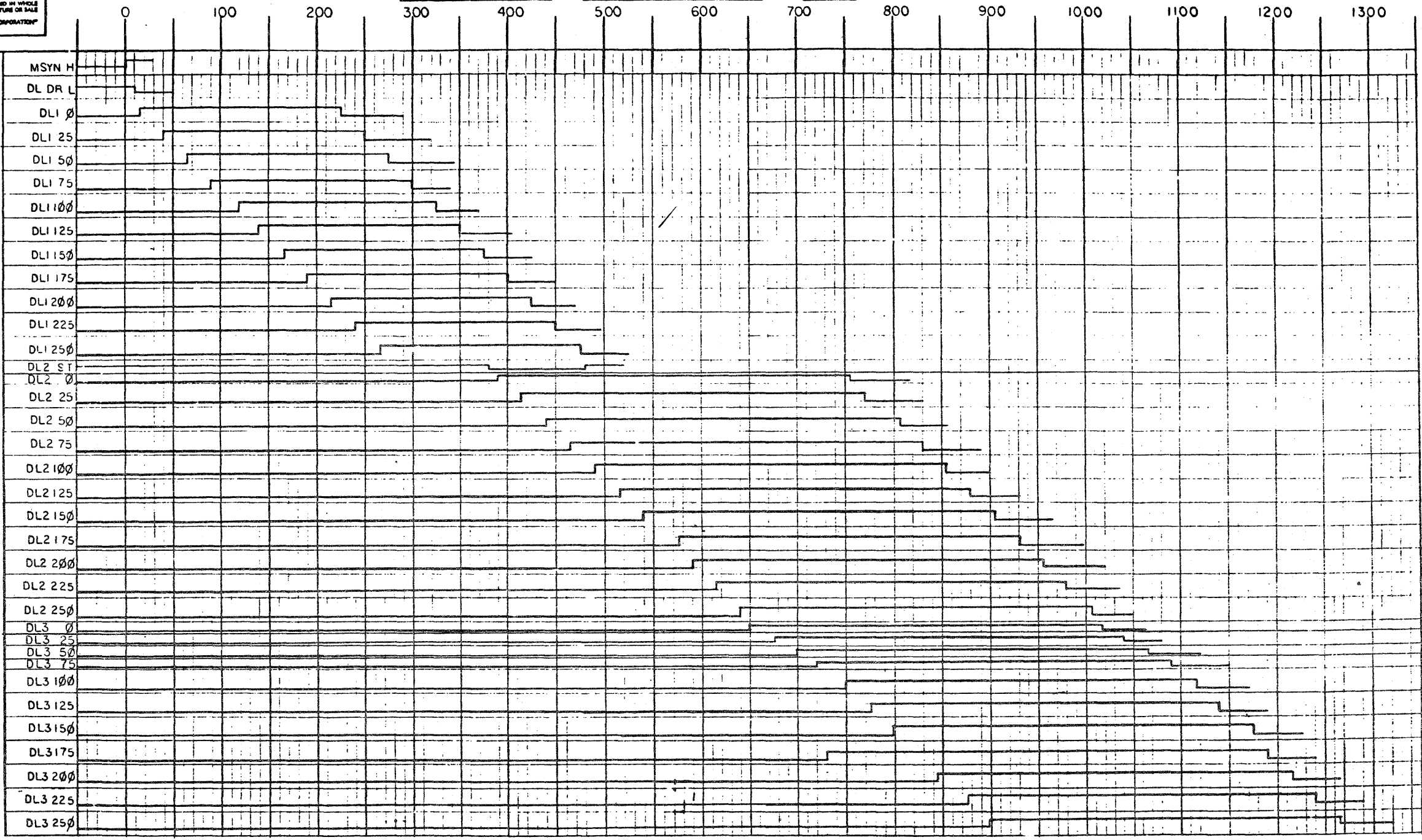
1. TIMES ARE TYPICAL.
2. *BUS MSYNL ↑ ≥ 75 NS AFTER BUS SSYN L ↓.

REV.	DATE	BY	CHK

DRN. E. DeVries	28JUN77	FIRST USED ON	MMII-YP
CHK'D. J. Rosen	29APR77	TITLE	MMII-YP
ENG. W. Gault	29APR77	TIMING DIAGRAM	
PROG. R. G. H. P.	29APR77	SIZE	CODE
NEXT HIGHER ASSY.		NUMBER	
B-DD-MMII-YP		DIST.	MMII-YP-2
SCALE NONE		REV.	
SHEET 1 OF 2			

THIS DRAWING AND SPECIFICATIONS HEREIN ARE THE PROPERTY OF DIGITAL EQUIPMENT CORPORATION AND SHALL NOT BE REPRODUCED OR COPIED OR USED IN WHOLE OR IN PART AS THE BASIS FOR THE MANUFACTURE OR SALE OF ITEMS WITHOUT WRITTEN PERMISSION. COPYRIGHT © 1964 DIGITAL EQUIPMENT CORPORATION

MMII-YP TIMING DELAY LINE TIMING (N. SEC)



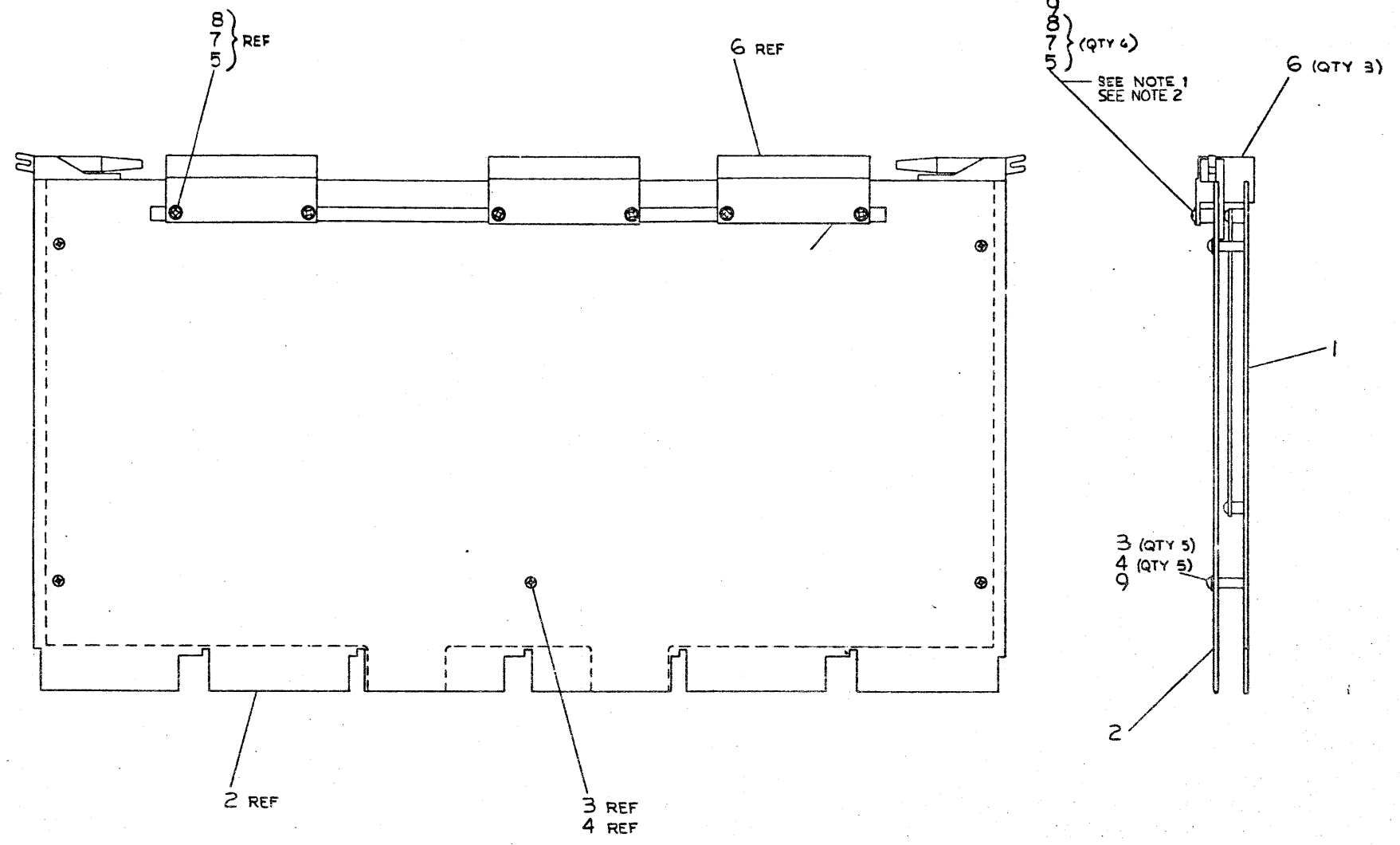
DELAY LINE TAPS

REV.	
CHANGE NO.	
CHK	

DRN.E. deVries	28 Jun 71	FIRST USED ON	MMII-YP digital
CHK'D: [unclear]	29 Apr 72	TITLE	MMII-YP
ENG. G. [unclear]	29 Apr 72	TIMING DIAGRAM	
PROJ. ENG. [unclear]	29 Apr 72		
PROD. R. A. Hill	29 Apr 72		
NEXT HIGHER ASSY.			
B-DD-MMII-YP	SIZE	CODE	NUMBER
SCALE NONE	D	TD	MMII-YP-2
SHEET 2 OF 2	DIST.		

"THIS DRAWING AND SPECIFICATIONS HEREIN ARE THE PROPERTY OF DIGITAL EQUIPMENT CORPORATION AND SHALL NOT BE REPRODUCED OR COPIED OR USED IN WHOLE OR IN PART AS THE BASIS FOR THE MANUFACTURE OR SALE OF ITEMS WITHOUT WRITTEN PERMISSION OF DIGITAL EQUIPMENT CORPORATION. COPYRIGHT © 1977"

NOTES:
 1. FLAT WASHER IS NEXT TO CONN. JUMPER ASSY.
 2. APPLY A SMALL DROP OF SEALANT (ITEM 9), TO SCREW THREADS PRIOR TO INSERTION.



CAUTION:
 SEE OFF SHEET PARTS LIST: K-PL-MMII-YP-DBP

REV.	REV.
1	1
2	2
3	3
4	4
5	5
6	6
7	7
8	8

DESCRIPTION		DWG. PART NO.	ITEM NO.				
UNLESS OTHERWISE SPECIFIED DIMENSIONS ARE IN INCHES							
ANGLES 30°	CLASS OF ACCURACY	TOLERANCE RANGE INCHES					
		OVER 6	OVER 1.5	OVER .25	OVER .125	OVER .062	OVER .031
SURFACE QUALITY	FINISH	0.005	0.002	0.001	0.0005	0.0002	0.0001
		0.001	0.0005	0.0002	0.0001	0.00005	0.00002
QUANTITY & VARIATION	QUANTITY	VARIATION					
THIRD ANGLE PROJECTION	DRN. <i>R. P. M.</i>	15-487	FIRST USED ON				
REMOVE BURRS AND BREAK SHARP CORNERS	CHK'D <i>R. P. M.</i>	17-0077	MMII-YP				
DO NOT SCALE DWG	PRG. <i>R. P. M.</i>	20-0077	TITLE				
SEE PARTS LIST	PROD. <i>R. P. M.</i>	19-0077	MMII-YP MEMORY MODULE ASSEMBLY				
FINISH	NEXT HIGHER ASSY.		NUMBER				
	MATERIAL	B-10-MMII-YP	SCALE				
	SCALE	NONE	CODE				
	SHEET	1 OF 1	DIST.				

D
C
B
A
 MMII-YP-0
 B
A

DRAWING DIRECTORY

"THIS DRAWING AND SPECIFICATIONS, HEREIN, ARE THE PROPERTY OF DIGITAL EQUIPMENT CORPORATION AND SHALL NOT BE REPRODUCED OR COPIED OR USED IN WHOLE OR IN PART AS THE BASIS FOR THE MANUFACTURE OR SALE OF ITEMS WITHOUT WRITTEN PERMISSION. COPYRIGHT © 1977, DIGITAL EQUIPMENT CORPORATION"

CUSTOMER PRINT SET INDEX

SEQUENCE

┘

┘

SEQUENCE

┘

THIS IS PRINT SET

--	--	--	--	--

FOR FIELD MAINTENANCE PRINT SET REFER TO MPØØ 317

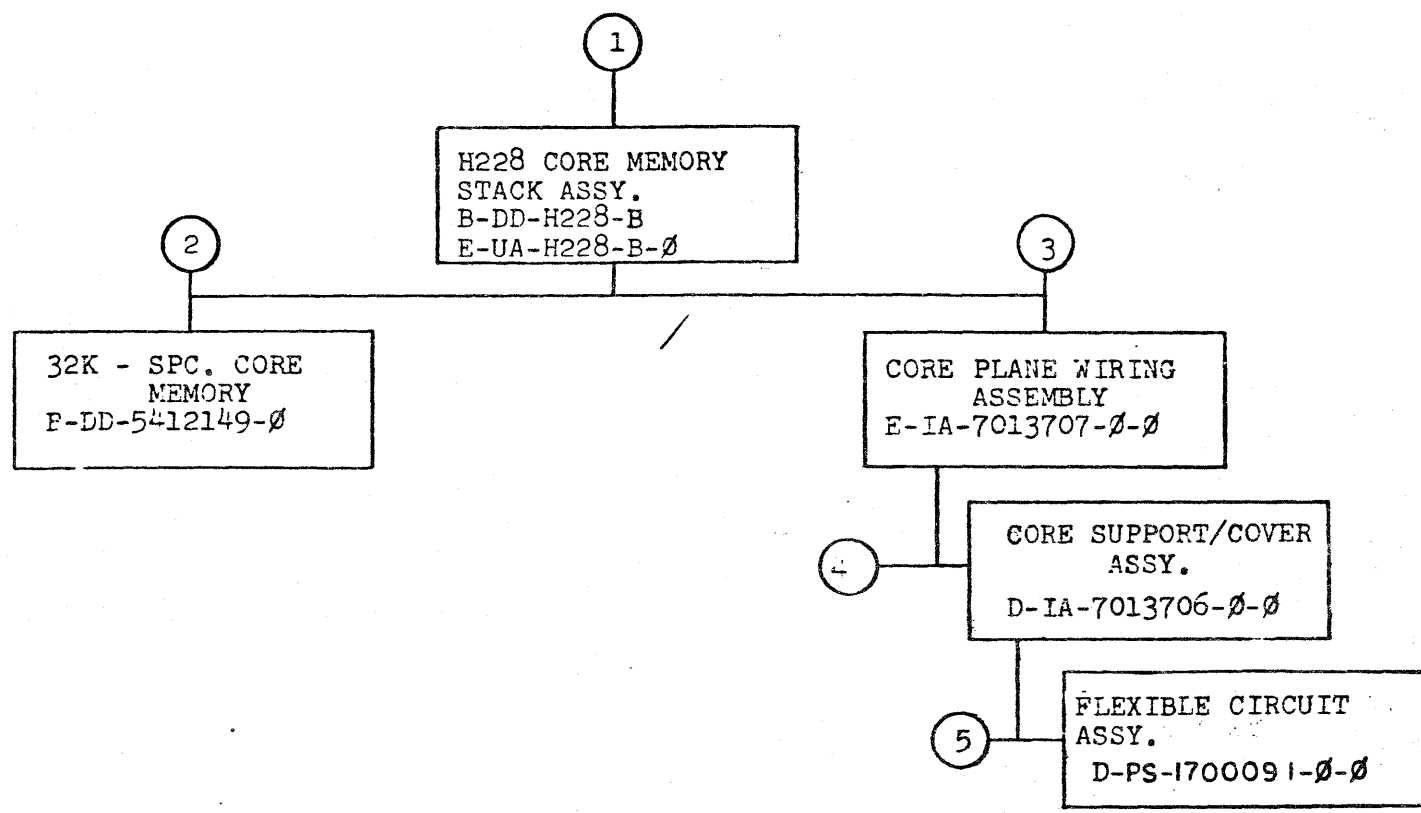
UNIT VARIATIONS		PRINT SET	
VAR	TITLE		

EN-01062-1A-16-A972-1328

REVISIONS	DATE	CHG. NO.	REV

USED ON OPTION/MODEL		DRN <i>E. DeVries</i>	DATE <i>4 Mar 77</i>	TITLE H228 CORE MEMORY STACK				
<i>MM11-YP</i>		CHK'D. <i>W. ...</i>	DATE <i>6/MAR/77</i>					
		PROJ ENG. <i>W. Coates</i>	DATE <i>29 APR 77</i>					
		PROD. <i>Ra Hill</i>	DATE <i>29 MAY 77</i>					
		FIELD SERV.	DATE	SIZE B	CODE DD	NUMBER H228-B		REV
SHEET 1 OF 3				DIST				

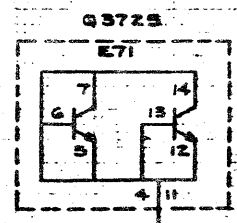
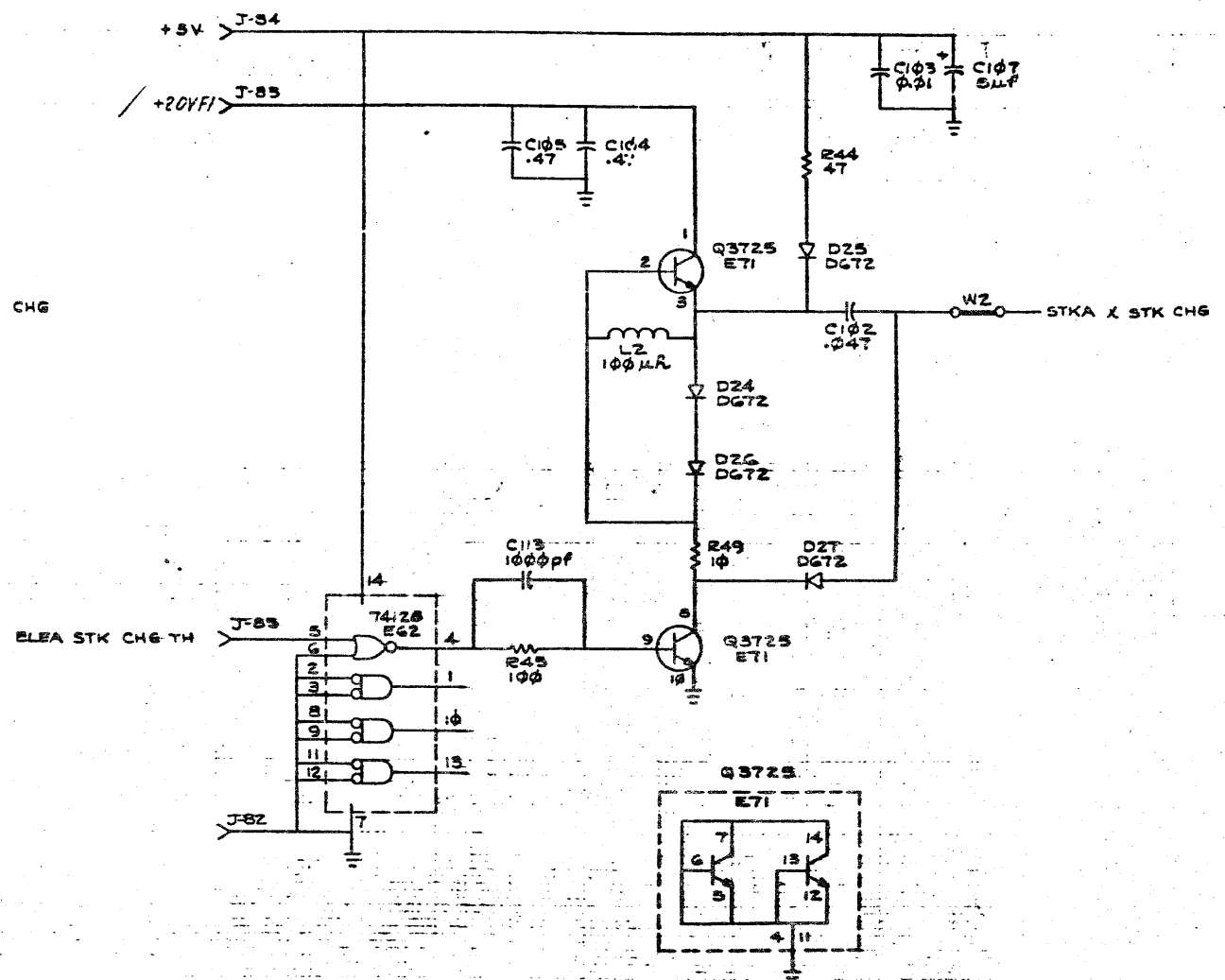
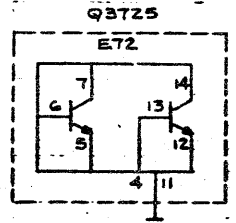
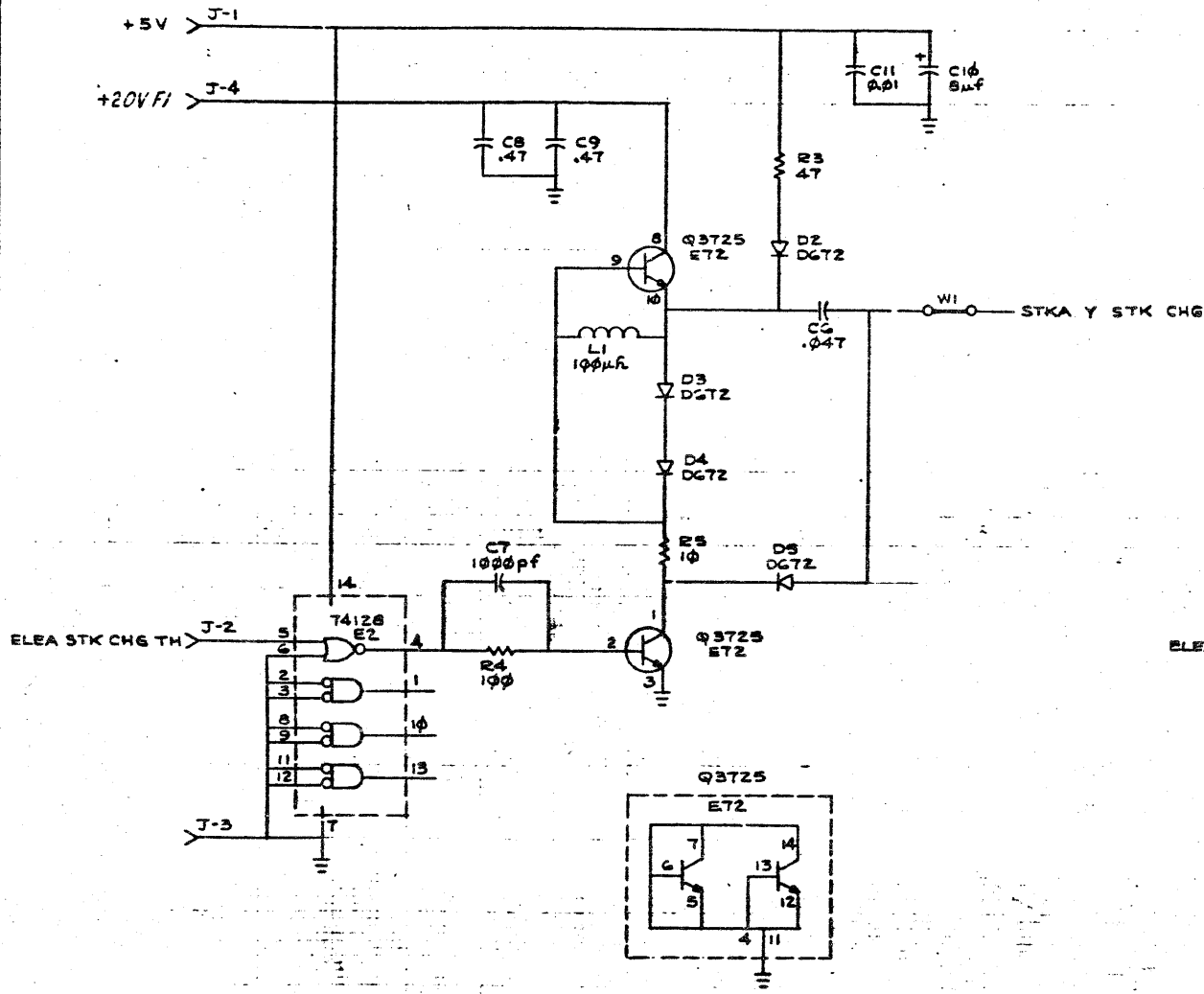
"THIS DRAWING AND SPECIFICATIONS, HEREIN, ARE THE PROPERTY OF DIGITAL EQUIPMENT CORPORATION AND SHALL NOT BE REPRODUCED OR COPIED OR USED IN WHOLE OR IN PART AS THE BASIS FOR THE MANUFACTURE OR SALE OF ITEMS WITHOUT WRITTEN PERMISSION.
 COPYRIGHT © 1977 DIGITAL EQUIPMENT CORPORATION"



TITLE	SHEET 2 OF 3	SIZE CODE	NUMBER	REV
H228 CORE MEMORY STACK		B DD	H228-B	

THIS DRAWING AND SPECIFICATIONS HEREIN ARE THE PROPERTY OF DIGITAL EQUIPMENT CORPORATION AND SHALL NOT BE REPRODUCED OR COPIED OR USED IN WHOLE OR IN PART AS THE BASIS FOR THE MANUFACTURE OR SALE OF ITEMS WITHOUT WRITTEN PERMISSION. COPYRIGHT © DIGITAL EQUIPMENT CORPORATION

NOTE:
 IC7520
 6ND PIN-9
 +5V PIN-16



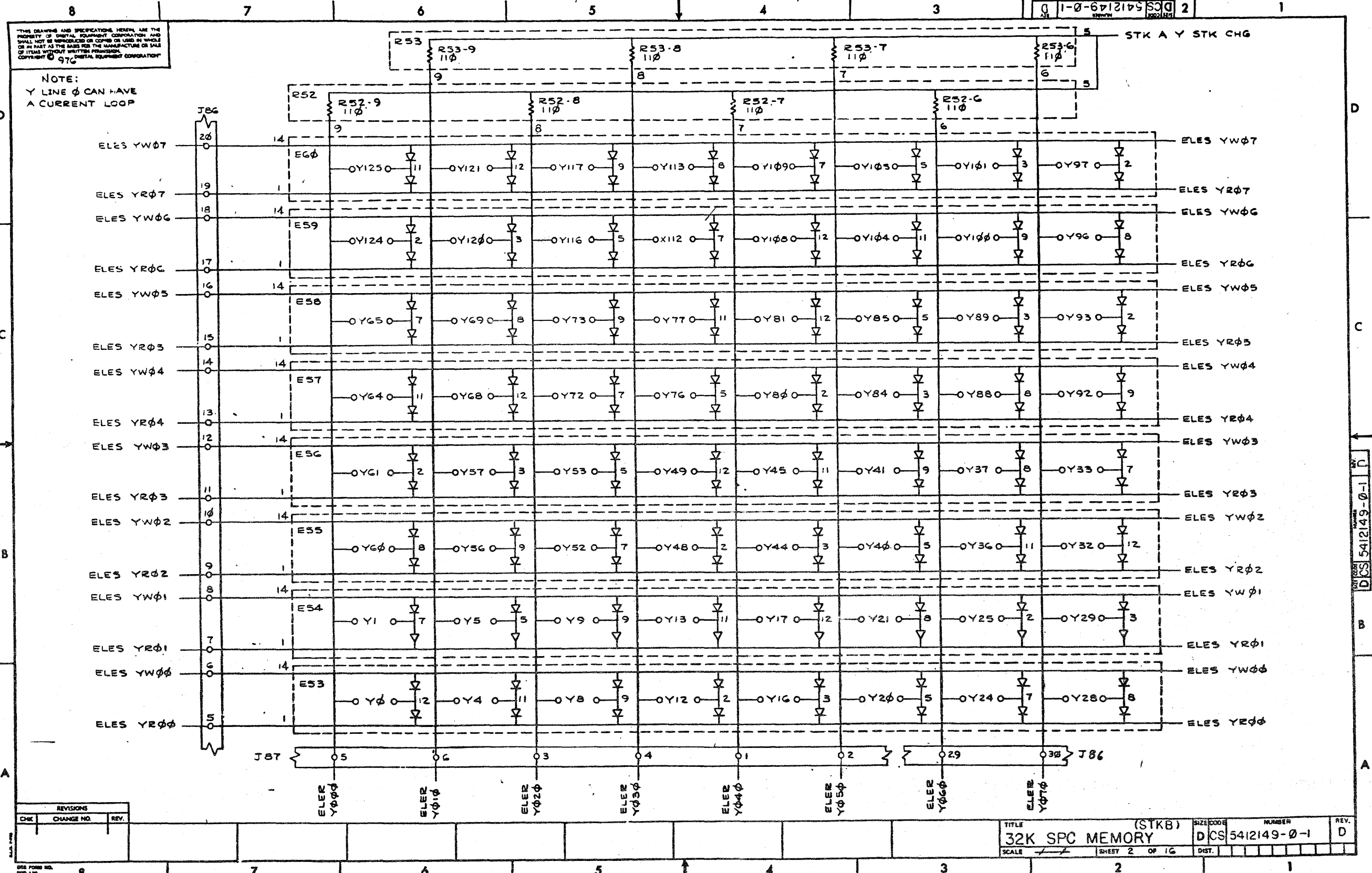
REV.	REV.
1	1
2	2
3	3
4	4
5	5
6	6
7	7
8	8
9	9
10	10
11	11
12	12
13	13
14	14
15	15
16	16
17	17
18	18
19	19
20	20

DESIGNED BY	CHK'D BY	ENG. BY	PROL. ENGR. BY	PROD. BY	FIRST USED ON	H228B
					TITLE	32K SPC MEMORY (STKA)
NEXT HIGHER ASSY.					SIZE	CODE
B-DD-541249-0					SCALE	NUMBER
SHEET 1 OF 10					DIST.	REV. D
					DIST.	1

THIS DRAWING AND SPECIFICATIONS HEREIN ARE THE PROPERTY OF DIGITAL EQUIPMENT CORPORATION AND SHALL NOT BE REPRODUCED OR COPIED OR USED IN WHOLE OR IN PART AS THE BASIS FOR THE MANUFACTURE OR SALE OF ITEMS WITHOUT WRITTEN PERMISSION. COPYRIGHT © 1970 DIGITAL EQUIPMENT CORPORATION

NOTE:
Y LINE ϕ CAN HAVE
A CURRENT LOOP

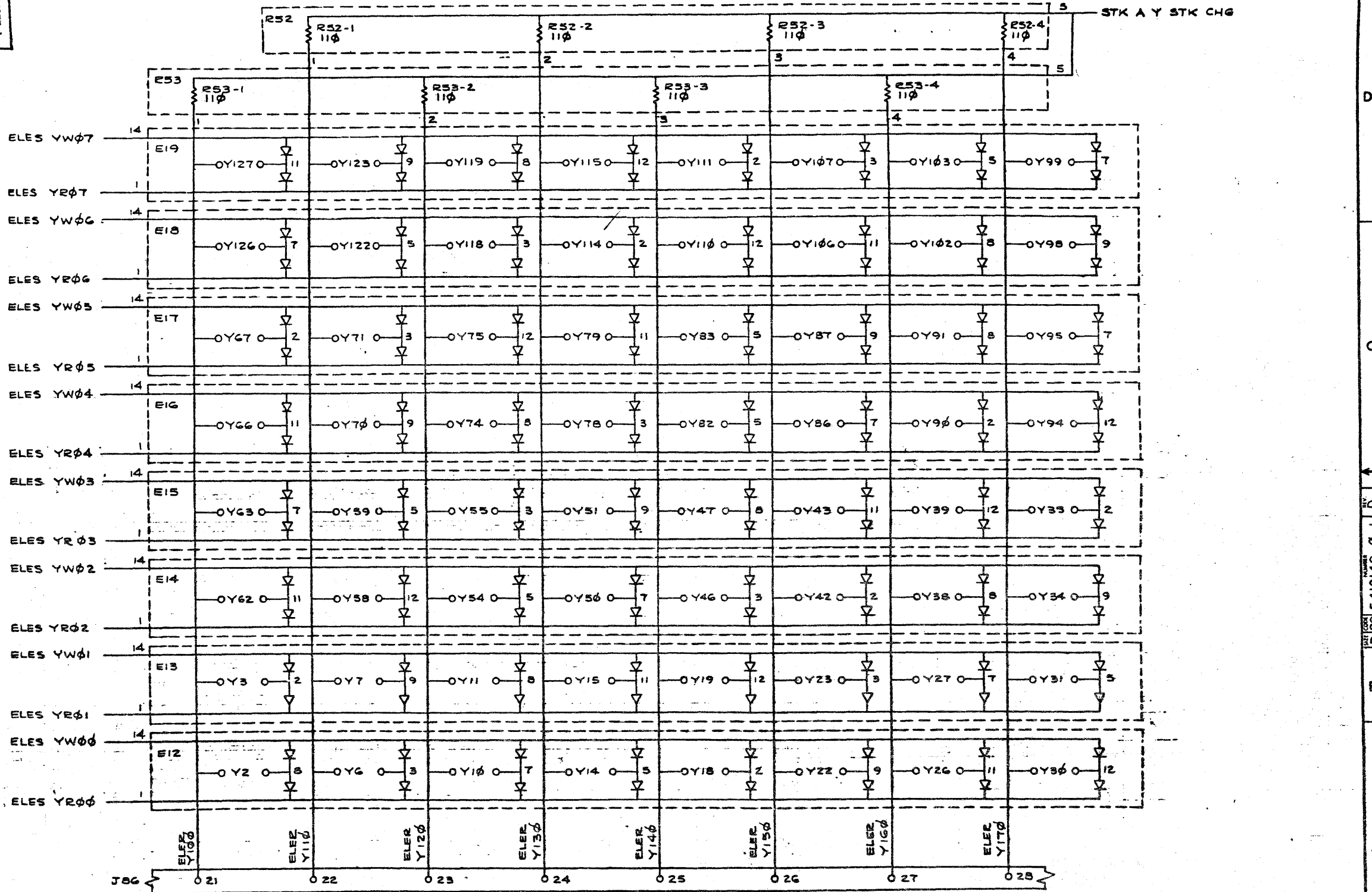
STK A Y STK CHG



REVISIONS		
CHK	CHANGE NO.	REV.

TITLE	32K SPC MEMORY (STKB)	SIZE/DRAWING	D CS 5412149-0-1	NUMBER	2	REV.	D
SCALE	1/2"	SHEET	2	OF	16	DIST.	

THIS DRAWING AND SPECIFICATIONS HEREIN ARE THE PROPERTY OF DIGITAL EQUIPMENT CORPORATION AND SHALL NOT BE REPRODUCED OR COPIED IN WHOLE OR IN PART AS THE BASIS FOR THE MANUFACTURE OR SALE OF ITEMS WITHOUT WRITTEN PERMISSION. COPYRIGHT © 1976 DIGITAL EQUIPMENT CORPORATION



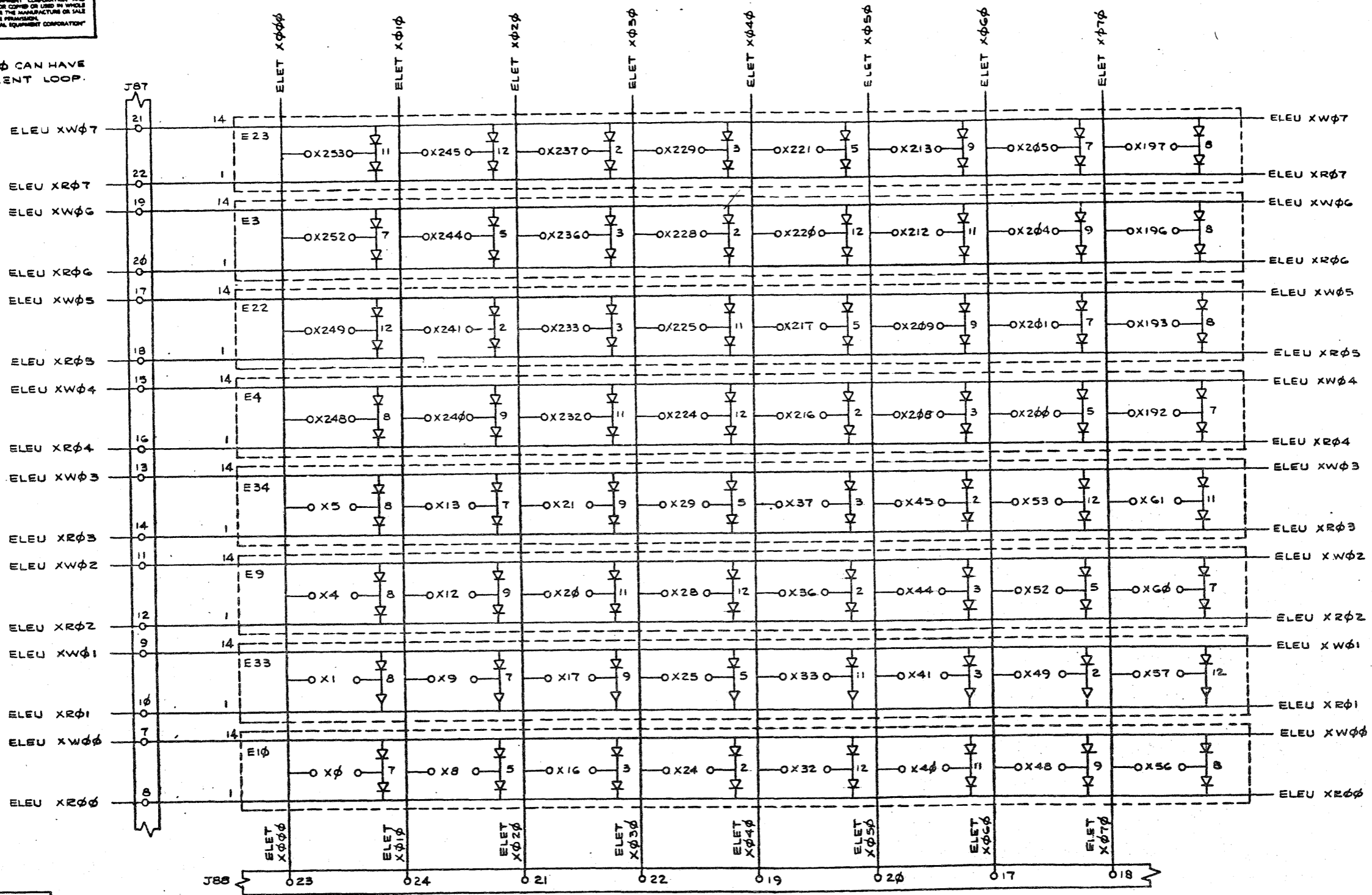
REVISIONS		
CHK	CHANGE NO.	REV.

TITLE	32K SPC MEMORY (STKC)	SIZE	COOR	NUMBER	REV.
SCALE	1/1	SHEET	3 OF 16	DIST.	

DCS 5412149-0-1 D

THIS DRAWING AND SPECIFICATIONS HEREIN ARE THE PROPERTY OF DIGITAL EQUIPMENT CORPORATION AND SHALL NOT BE REPRODUCED OR COPIED OR USED IN WHOLE OR IN PART AS THE BASIS FOR THE MANUFACTURE OR SALE OF ITEMS WITHOUT WRITTEN PERMISSION. COPYRIGHT © 1976 DIGITAL EQUIPMENT CORPORATION

NOTE:
X LINE ϕ CAN HAVE
A CURRENT LOOP.



REVISIONS		
CHK	CHANGE NO.	REV.

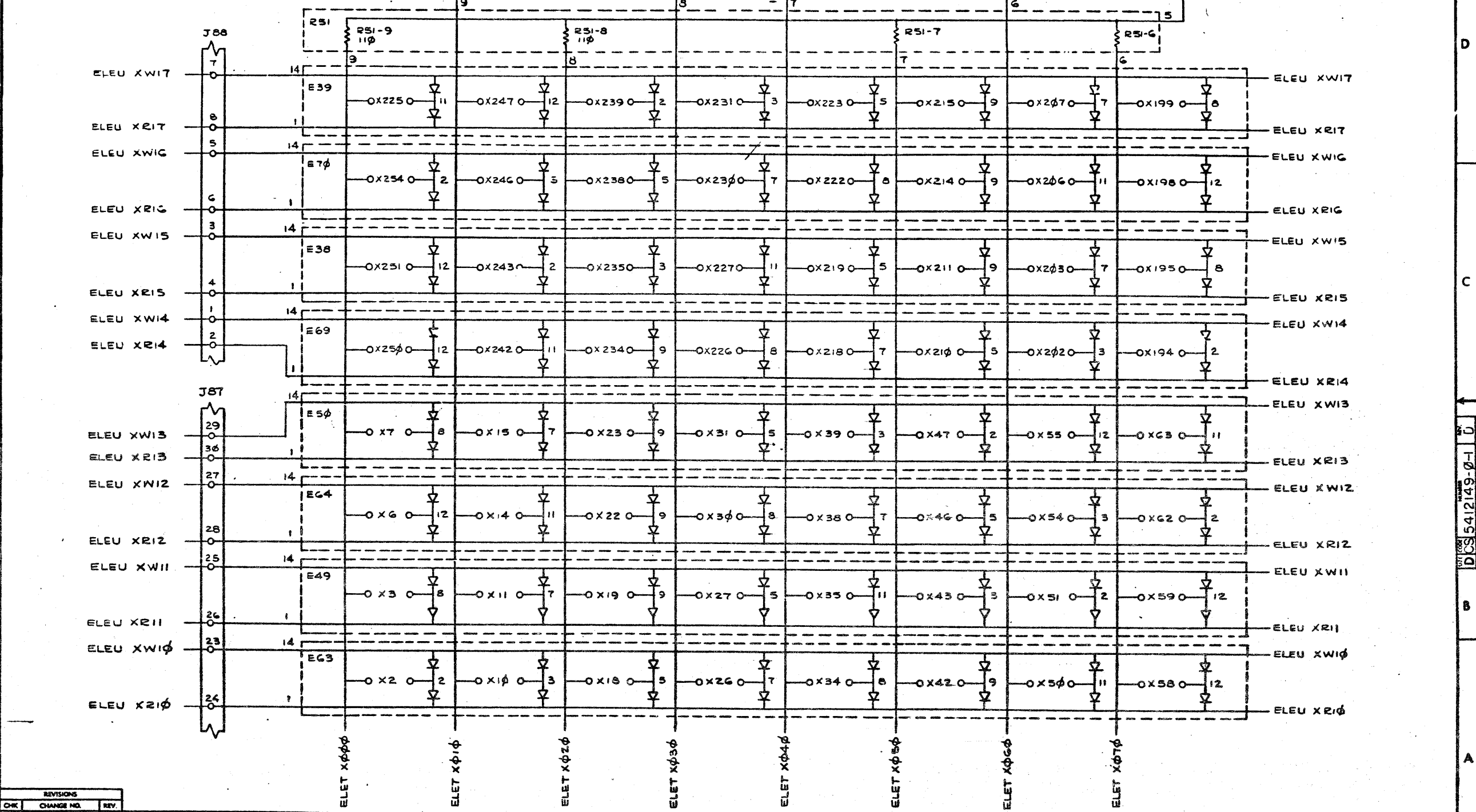
TITLE	32K SPC MEMORY (STKD)	SIZE/CODE	D CS 5412149-0-1	NUMBER	D	REV.	D
SCALE	1/1	SHEET	4	OF	16	DIST.	

D CS 5412149-0-1 D

THIS DRAWING AND SPECIFICATIONS HEREIN ARE THE PROPERTY OF DIGITAL EQUIPMENT CORPORATION AND SHALL NOT BE REPRODUCED OR COPIED OR USED IN WHOLE OR IN PART AS THE BASIS FOR THE MANUFACTURE OR SALE OF ITEMS WITHOUT WRITTEN PERMISSION. COPYRIGHT © 1976 DIGITAL EQUIPMENT CORPORATION

DCS 5412149-0-1 2

STK A XSTK CHG

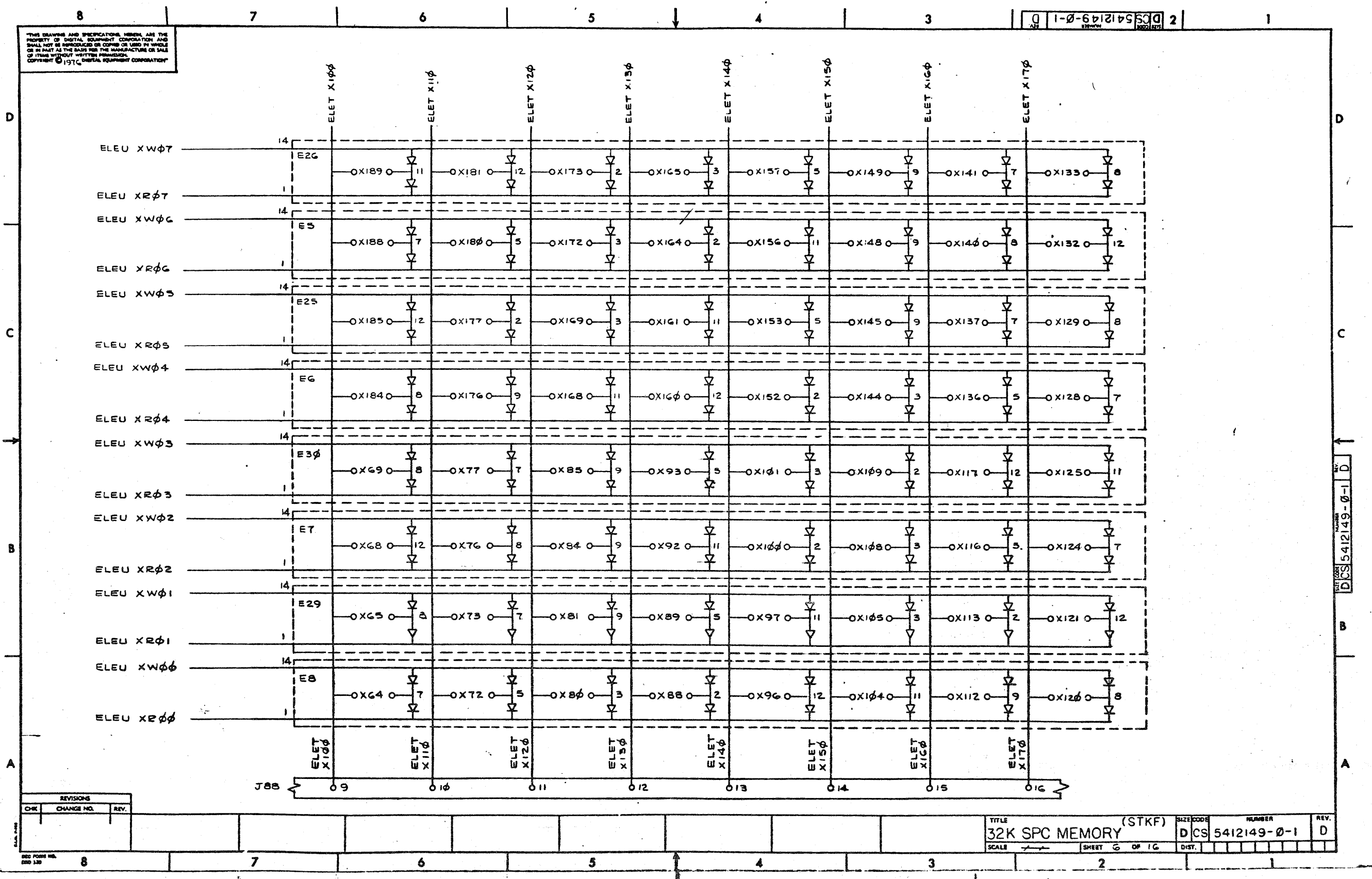


REVISIONS		
CHK	CHANGE NO.	REV.

TITLE 32K SPC MEMORY (STKE) SIZE CODE DCS NUMBER 5412149-0-1 REV. D
 SCALE DIST. SHEET 5 OF 16

DCS 5412149-0-1

THIS DRAWING AND SPECIFICATIONS HEREIN ARE THE PROPERTY OF DIGITAL EQUIPMENT CORPORATION AND SHALL NOT BE REPRODUCED OR COPIED OR USED IN WHOLE OR IN PART AS THE BASIS FOR THE MANUFACTURE OR SALE OF ITEMS WITHOUT WRITTEN PERMISSION. COPYRIGHT © 1976 DIGITAL EQUIPMENT CORPORATION

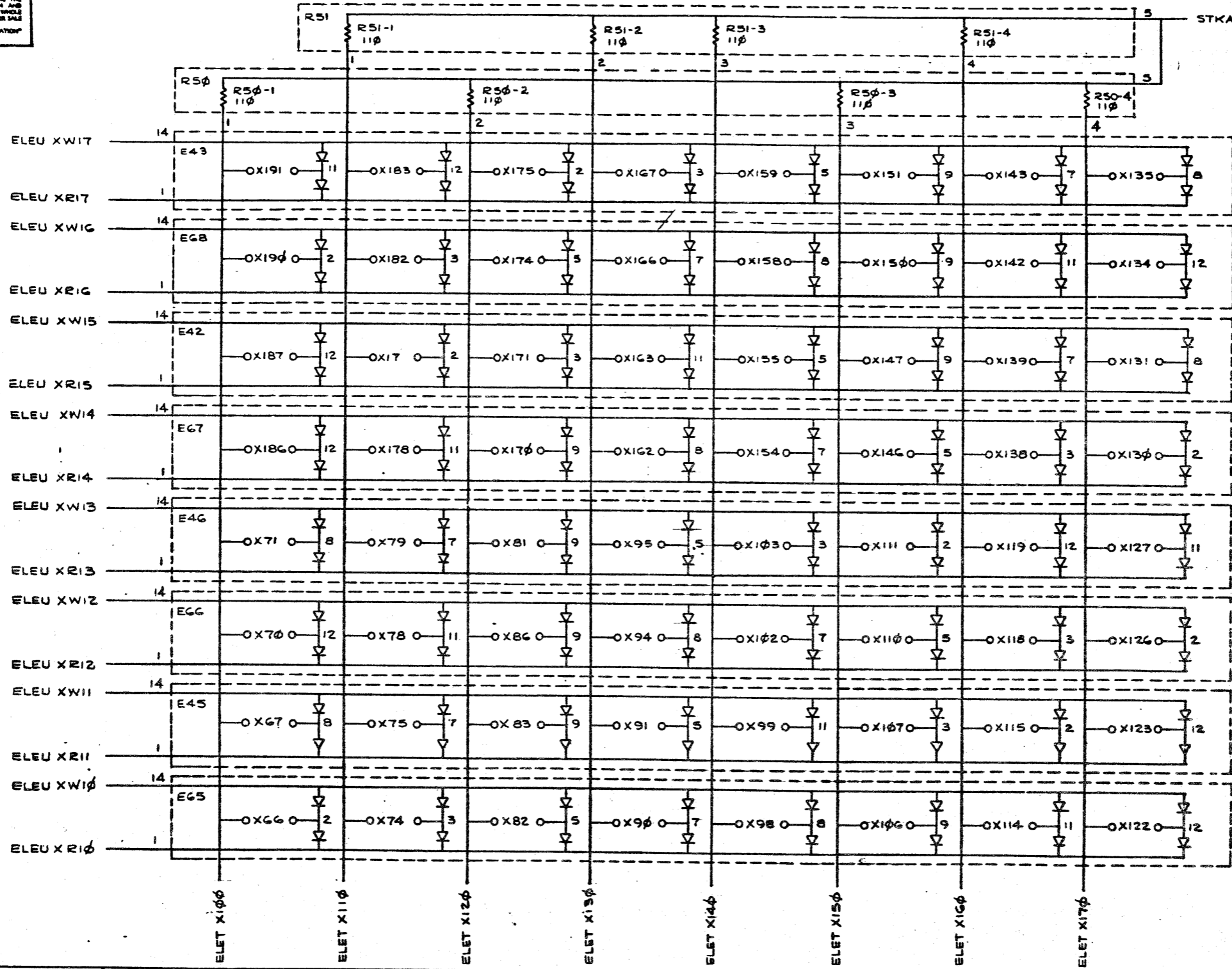


REVISIONS		
CHK	CHANGE NO.	REV.

TITLE	32K SPC MEMORY (STKF)	SIZE CODE	DCS 5412149-0-1	NUMBER	6 OF 16	REV.	D
SCALE		SHEET	6	OF	16	DIST.	

THIS DRAWING AND SPECIFICATIONS HEREIN ARE THE PROPERTY OF DIGITAL EQUIPMENT CORPORATION AND SHALL NOT BE REPRODUCED OR COPIED OR USED IN WHOLE OR IN PART AS THE BASIS FOR THE MANUFACTURE OR SALE OF ITEMS WITHOUT WRITTEN PERMISSION. COPYRIGHT © 1976 DIGITAL EQUIPMENT CORPORATION.

STKA XSTK CH6



REVISIONS		
CHK	CHANGE NO.	REV.

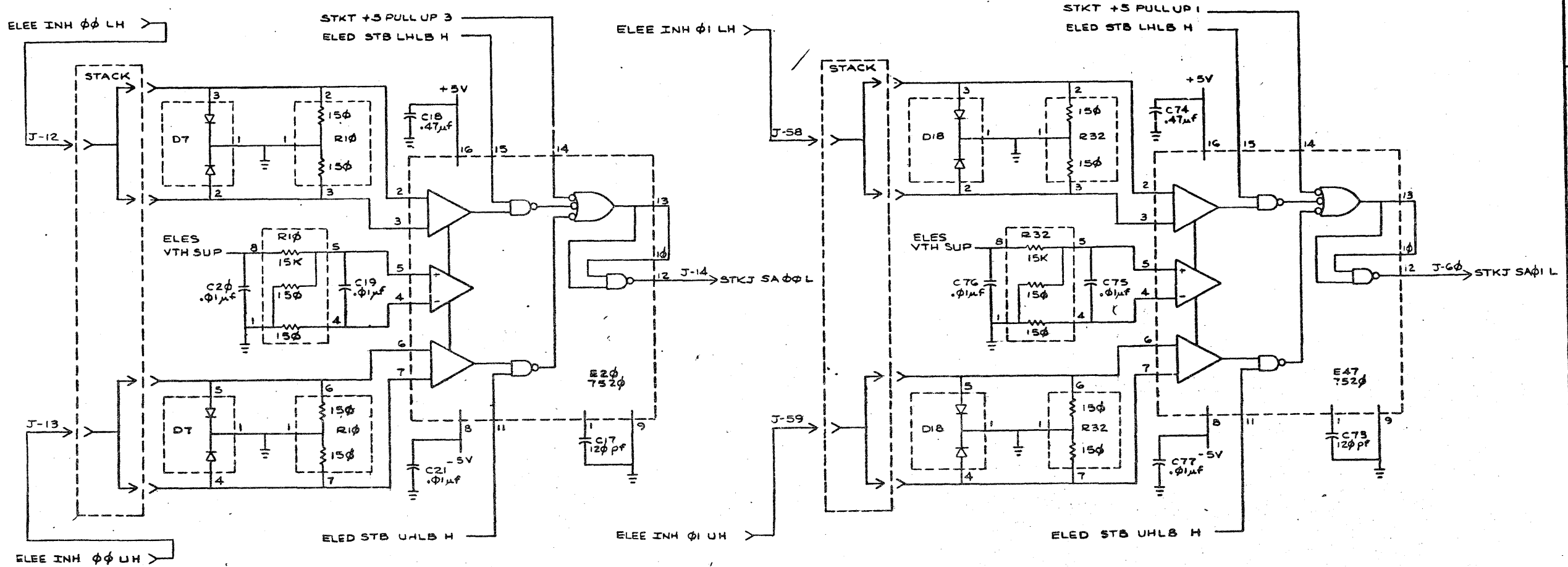
TITLE	32K SPC MEMORY (STKH)	SIZE CODE	D	NUMBER	DCS 5412149-0-1	REV.	D
SCALE		SHEET	7	OF	16	DIST.	

DCS 5412149-0-1 D

THIS DRAWING AND SPECIFICATIONS HEREIN ARE THE PROPERTY OF DIGITAL EQUIPMENT CORPORATION AND SHALL NOT BE REPRODUCED OR COPIED OR USED IN WHOLE OR IN PART AS THE BASIS FOR THE MANUFACTURE OR SALE OF ITEMS WITHOUT WRITTEN PERMISSION. COPYRIGHT © 1971 DIGITAL EQUIPMENT CORPORATION

BIT 0

BIT 1



REVISIONS		
CHK	CHANGE NO.	REV.

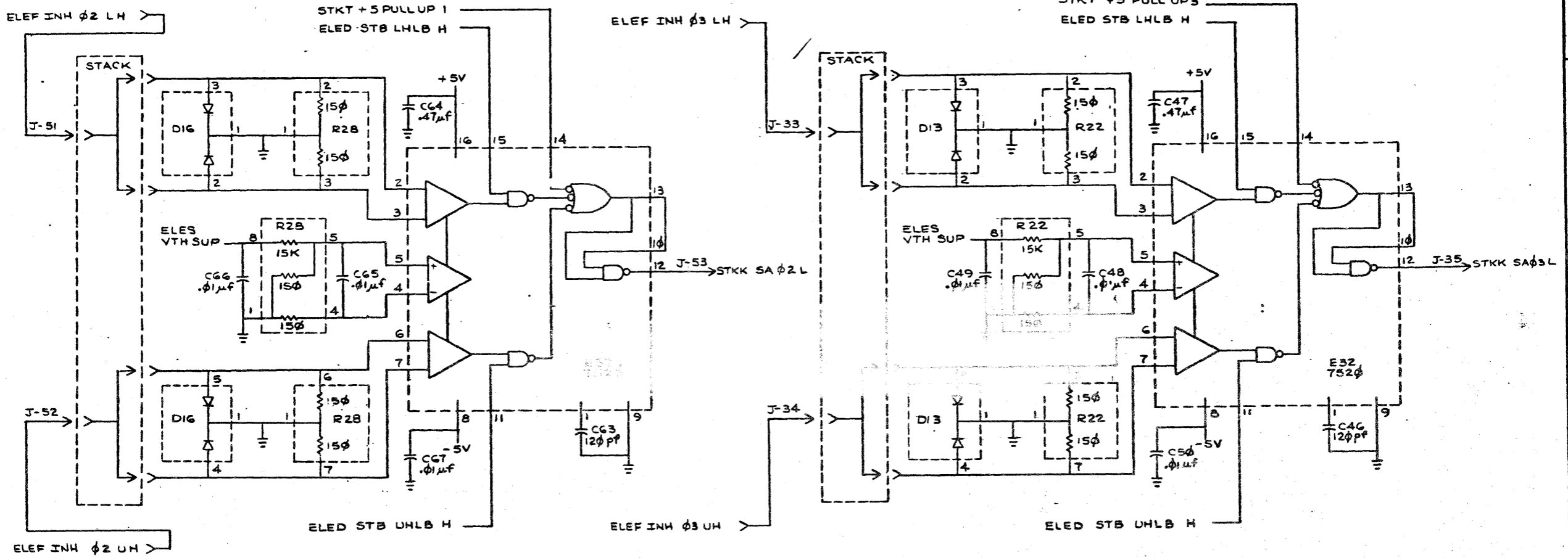
TITLE	32K (STKJ) MEMORY	SIZE CODE	NUMBER	REV.
SCALE	SHEET 8 OF 16	DIST.	DCS 5412149-0-1	D

PART COST
 DCS 5412149-0-1 D

"THIS DRAWING AND SPECIFICATIONS HEREIN ARE THE PROPERTY OF DIGITAL EQUIPMENT CORPORATION AND SHALL NOT BE REPRODUCED OR COPIED OR USED IN WHOLE OR IN PART AS THE BASIS FOR THE MANUFACTURE OR SALE OF ITEMS WITHOUT WRITTEN PERMISSION. COPYRIGHT © 1976 DIGITAL EQUIPMENT CORPORATION"

BIT 2

BIT 3



REVISIONS		
CHEK	CHANGE NO.	REV.

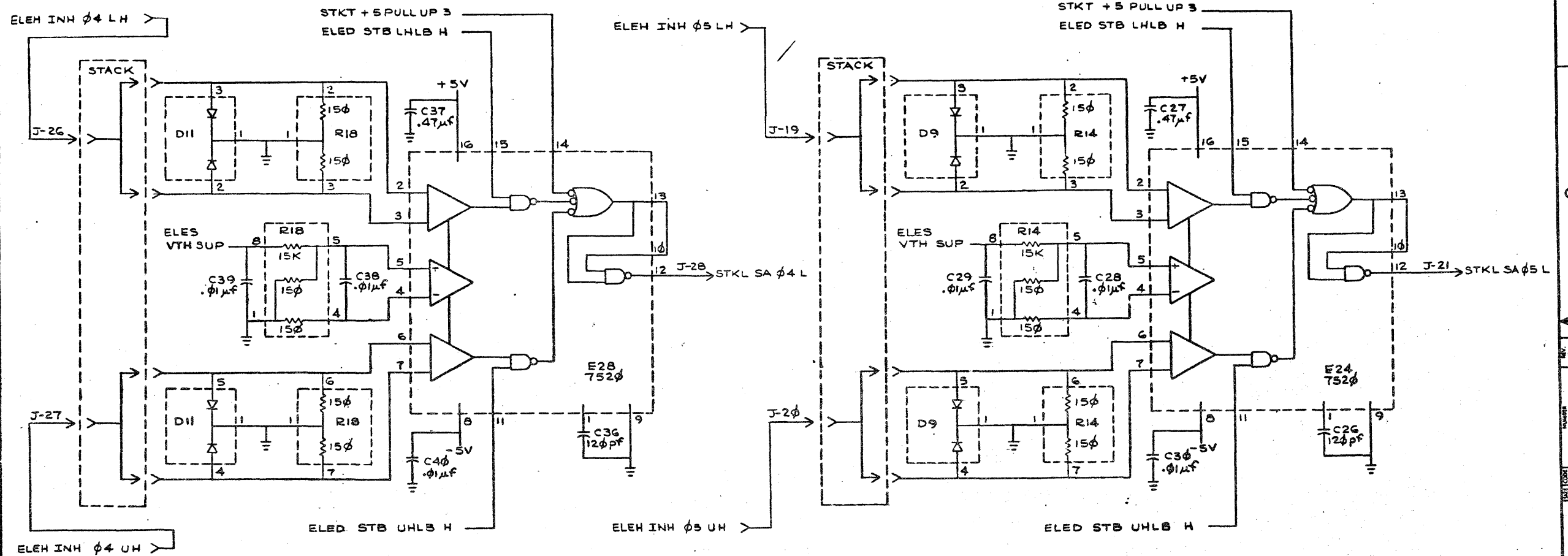
TITLE	32K (STKK)	SIZE	COO	NUMBER	REV.
SPC	MEMORY	DCS	5412149-0-1	D	D
SCALE	SHEET 9 OF 10	DIST.			

DCS 5412149-0-1 D

THIS DRAWING AND SPECIFICATIONS HEREIN, ARE THE PROPERTY OF DIGITAL EQUIPMENT CORPORATION AND SHALL NOT BE REPRODUCED OR COPIED OR LENT IN WHOLE OR IN PART AS THE BASIS FOR THE MANUFACTURE OR SALE OF ITEMS WITHOUT WRITTEN PERMISSION. COPYRIGHT © 1976, DIGITAL EQUIPMENT CORPORATION.

BIT 4

BIT 5



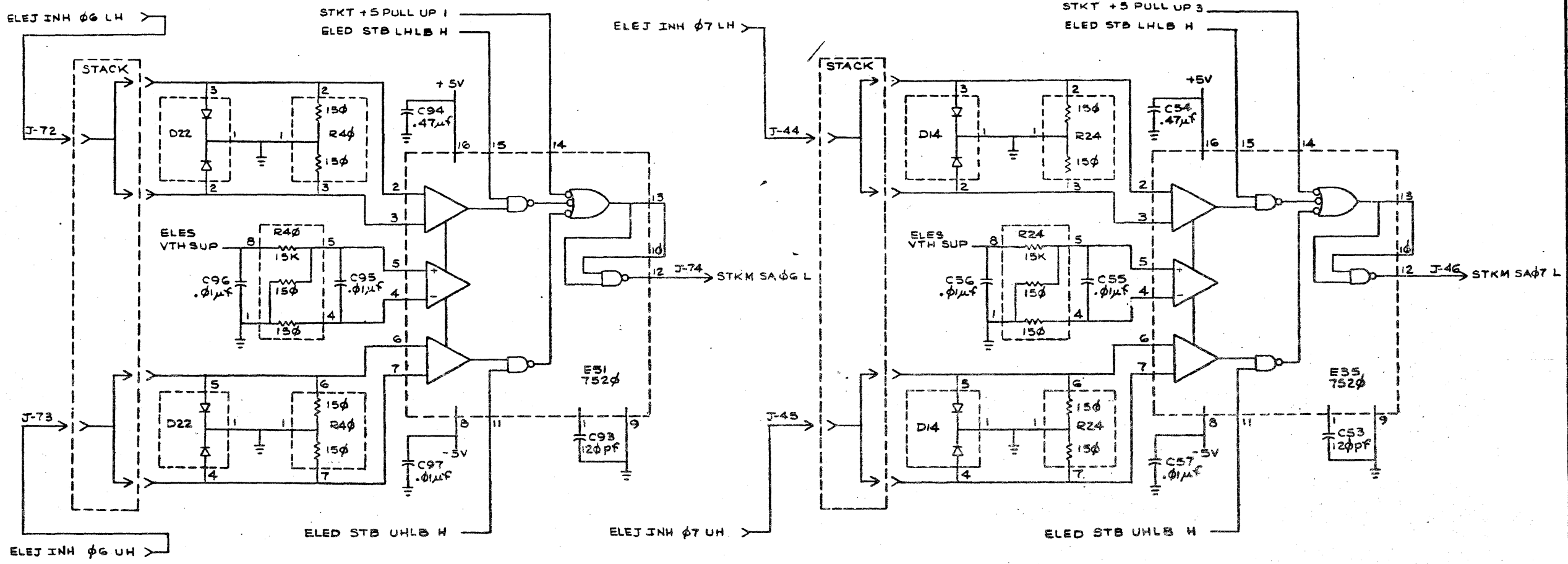
REVISIONS		
CHK	CHANGE NO.	REV.

TITLE	32K (STKL) MEMORY	SIZE CODE	D	NUMBER	5412149-0-1	REV.	D
SCALE		SHEET	10	OF	16	DIST.	

THIS DRAWING AND SPECIFICATIONS HEREAFTER ARE THE PROPERTY OF DIGITAL EQUIPMENT CORPORATION AND SHALL NOT BE REPRODUCED OR COPIED IN WHOLE OR IN PART AS THE BASIS FOR THE MANUFACTURE OR SALE OF ITEMS WITHOUT WRITTEN PERMISSION. COPYRIGHT © 1968 DIGITAL EQUIPMENT CORPORATION.

BIT 6

BIT 7

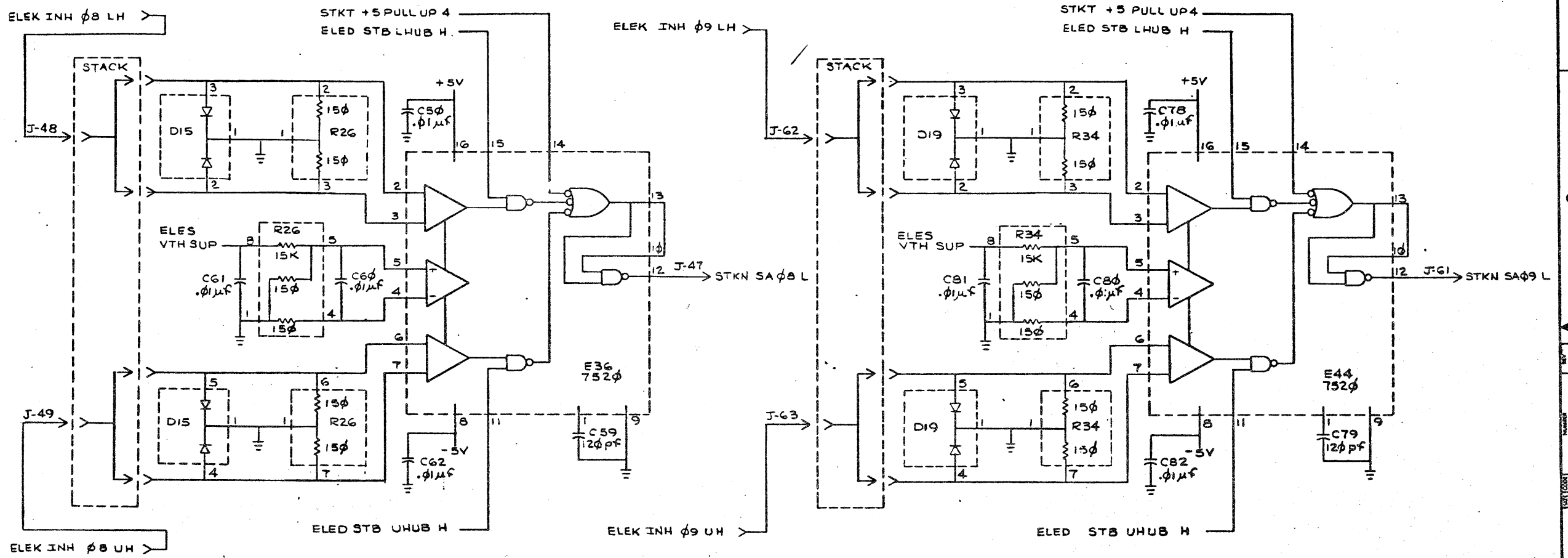


REVISIONS		
CHK	CHANGE NO.	REV.

THIS DRAWING AND SPECIFICATIONS HEREIN ARE THE PROPERTY OF DIGITAL EQUIPMENT CORPORATION AND SHALL NOT BE REPRODUCED OR COPIED OR LOANED IN WHOLE OR IN PART AS THE BASIS FOR THE MANUFACTURE OR SALE OF ITEMS WITHOUT WRITTEN PERMISSION. COPYRIGHT © 1976

BIT 8

BIT 9

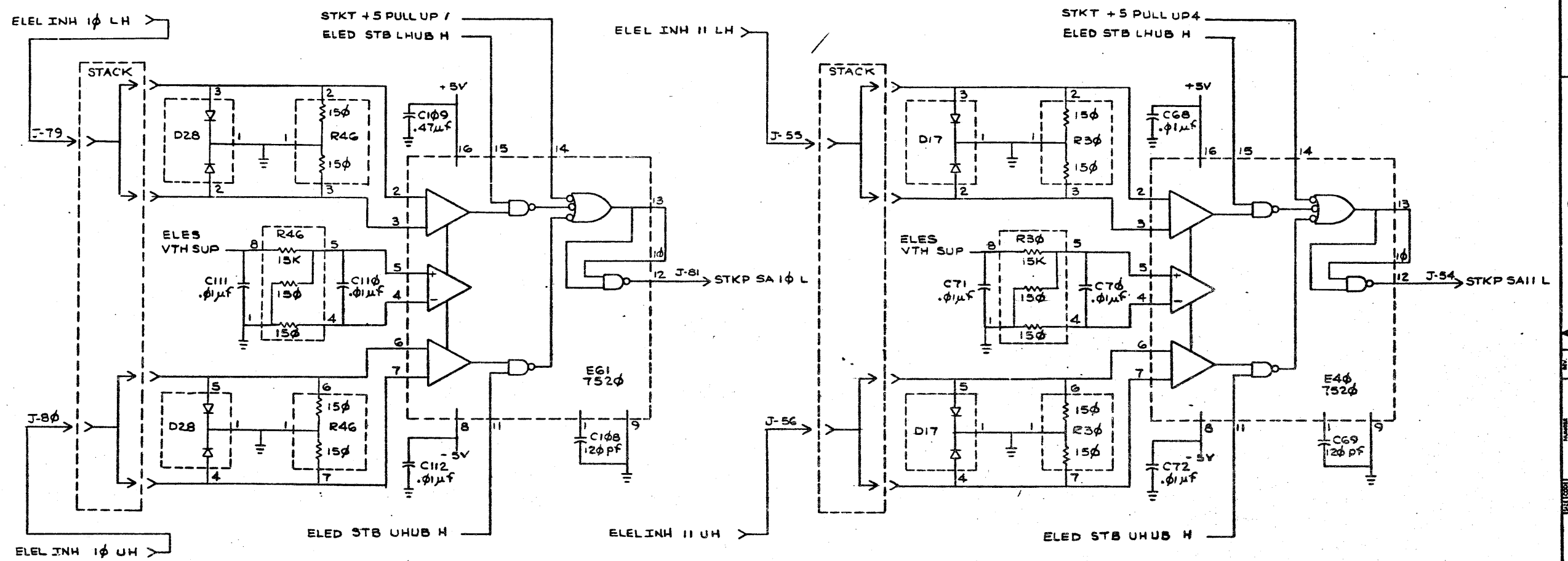


REVISIONS		
CHK	CHANGE NO.	REV

THIS DRAWING AND SPECIFICATIONS HEREBY ARE THE PROPERTY OF DIGITAL EQUIPMENT CORPORATION AND SHALL NOT BE REPRODUCED OR COPIED OR USED IN WHOLE OR IN PART AS THE BASIS FOR THE MANUFACTURE OR SALE OF ITEMS WITHOUT WRITTEN PERMISSION. COPYRIGHT © 1970, DIGITAL EQUIPMENT CORPORATION

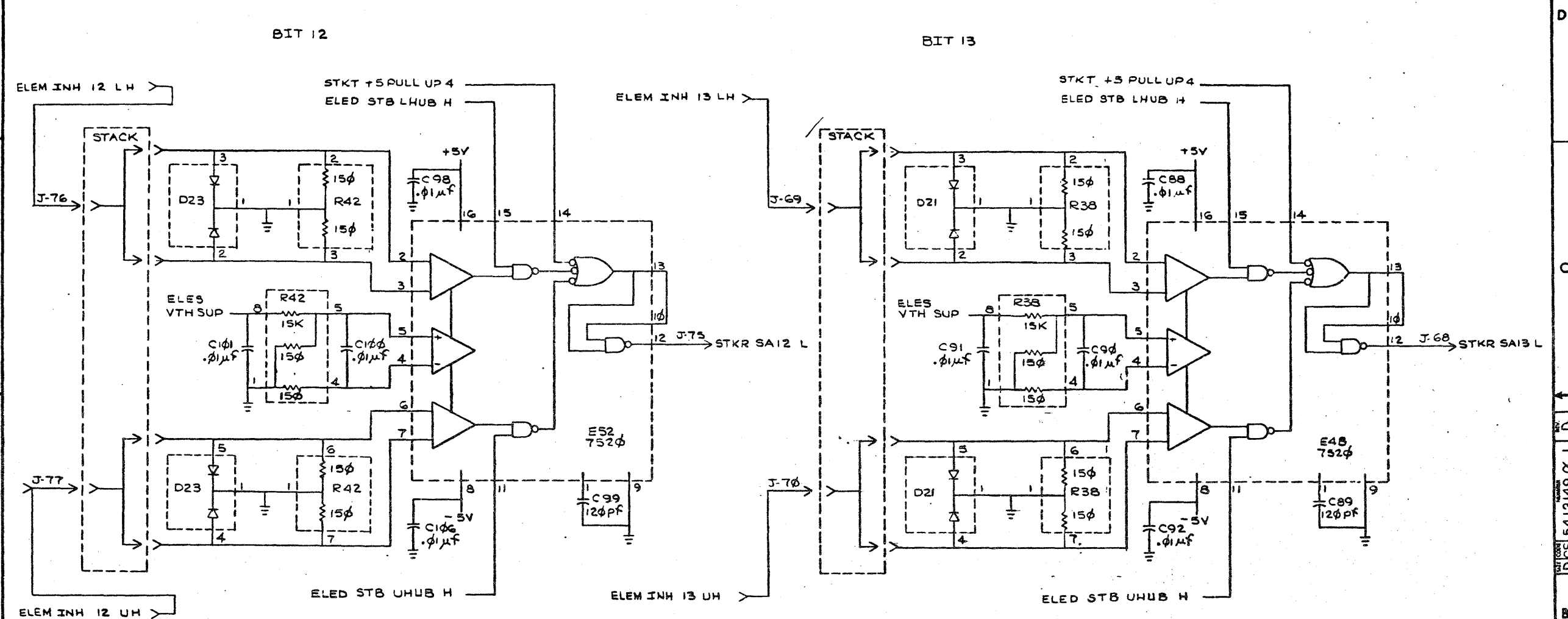
BIT 10

BIT 11



REVISIONS		
CHK	CHANGE NO.	REV.

THIS DRAWING AND SPECIFICATIONS HEREIN ARE THE PROPERTY OF DIGITAL EQUIPMENT CORPORATION AND SHALL NOT BE REPRODUCED OR COPIED IN WHOLE OR IN PART AS THE BASIS FOR THE MANUFACTURE OR SALE OF ITEMS WITHOUT WRITTEN PERMISSION. COPYRIGHT © 1976



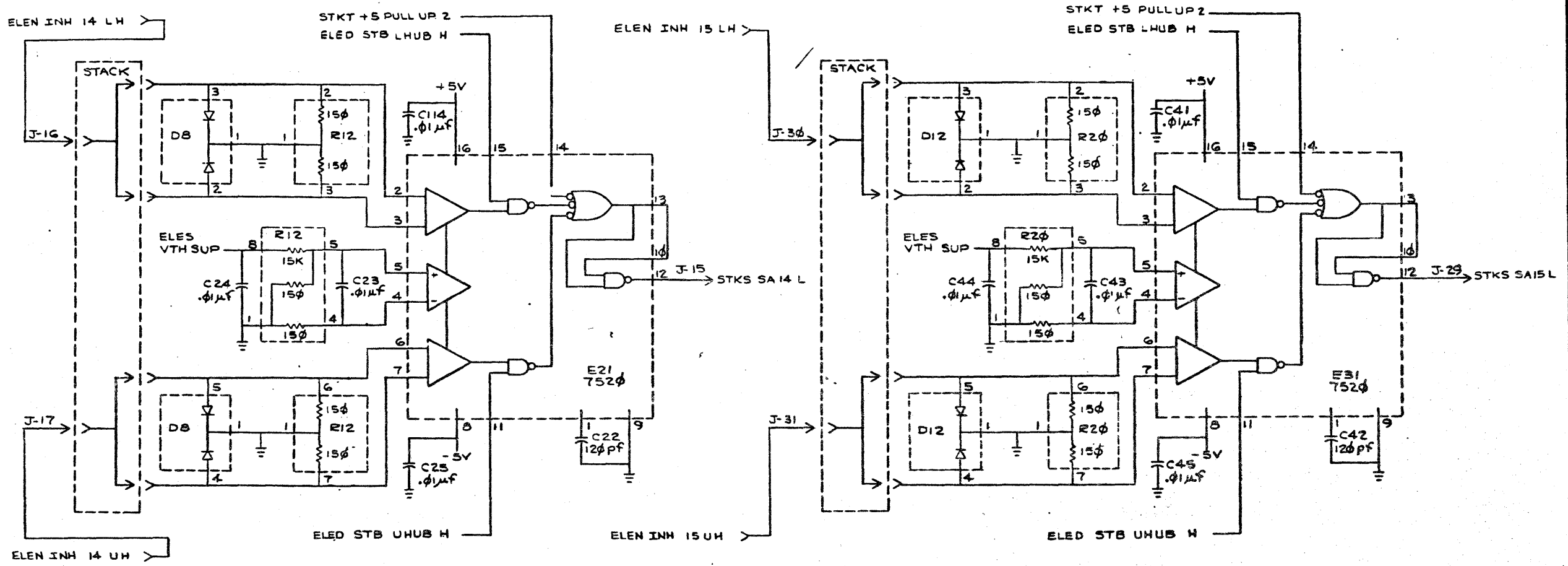
REVISIONS		
CHK	CHANGE NO.	REV.

TITLE	32K (STKR)	SIZE CODE	NUMBER	REV.
SPC	MEMORY	DCS	5412149-0-1	D
SCALE	SHEET 14 OF 16	DIST.		

THIS DRAWING AND SPECIFICATIONS HEREIN ARE THE PROPERTY OF DIGITAL EQUIPMENT CORPORATION AND SHALL NOT BE REPRODUCED OR COPIED OR USED IN WHOLE OR IN PART AS THE BASIS FOR THE MANUFACTURE OR SALE OF ITEMS WITHOUT WRITTEN PERMISSION. COPYRIGHT © 1974, DIGITAL EQUIPMENT CORPORATION.

BIT 14

BIT 15



REVISIONS		
CHK	CHANGE NO.	REV.

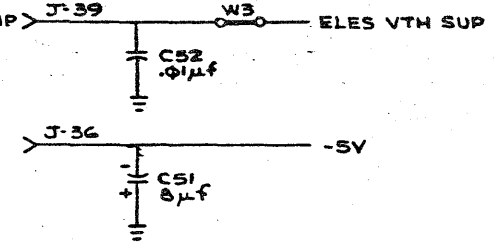
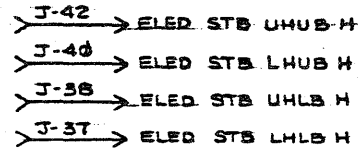
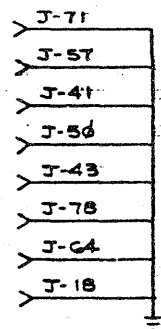
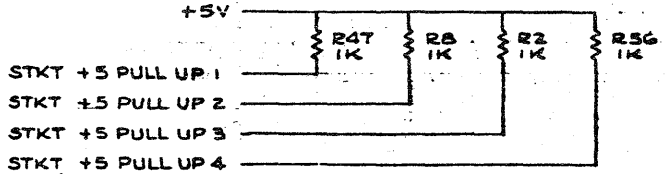
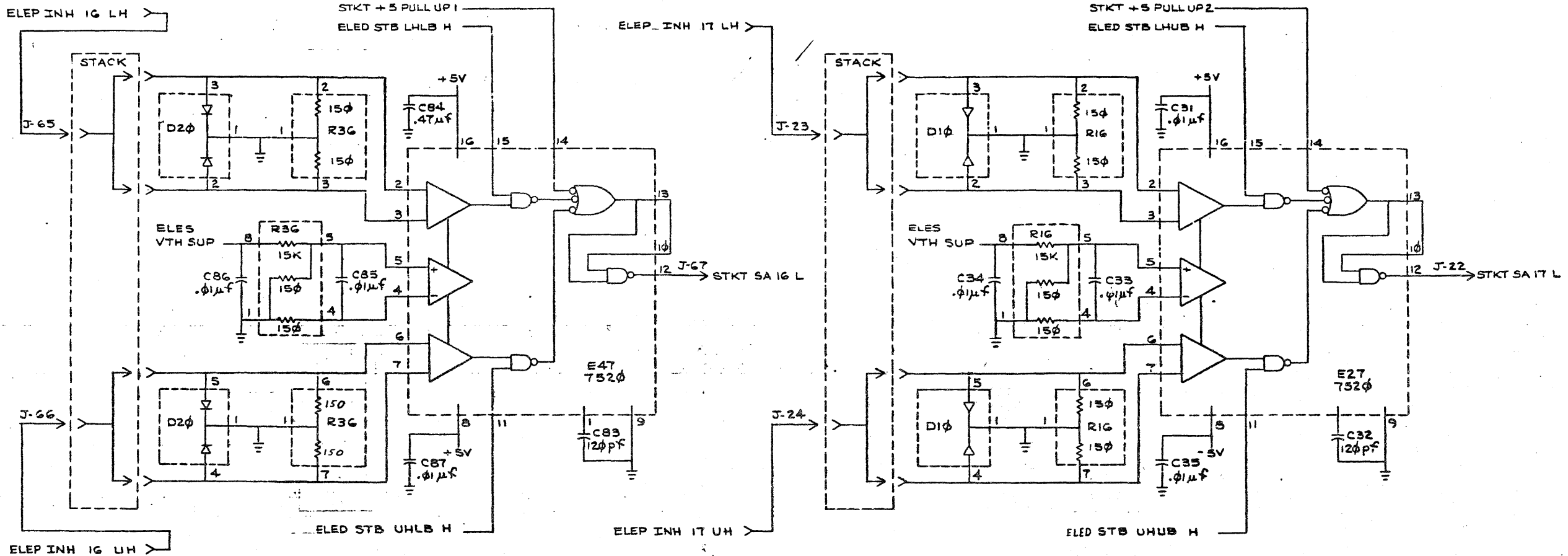
TITLE	32K (STKS) MEMORY	SIZE/LOC	NUMBER	REV.
SCALE	→	SHEET 15 OF 16	DCS 5412149-0-1	0

DCS 5412149-0-1 D

THIS DRAWING AND SPECIFICATIONS HEREIN ARE THE PROPERTY OF DIGITAL EQUIPMENT CORPORATION AND SHALL NOT BE REPRODUCED OR COPIED OR USED IN WHOLE OR IN PART AS THE BASIS FOR THE MANUFACTURE OR SALE OF ITEMS WITHOUT WRITTEN PERMISSION. COPYRIGHT © 1976 DIGITAL EQUIPMENT CORPORATION

BIT 16

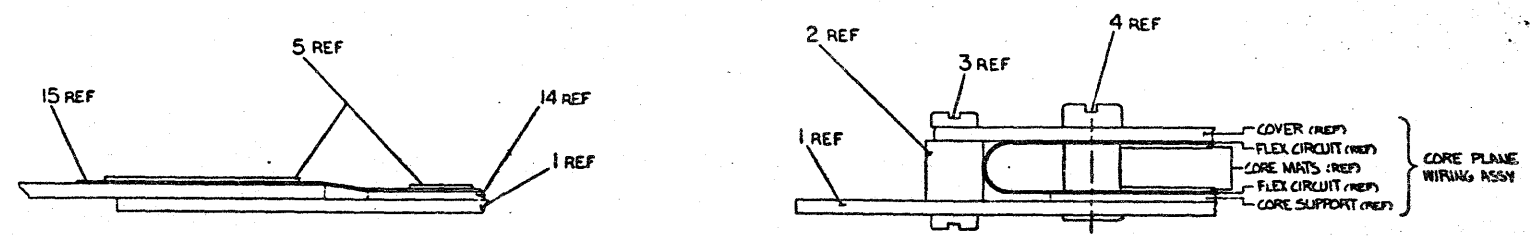
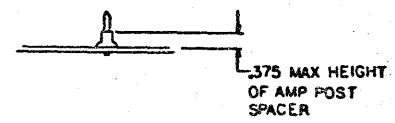
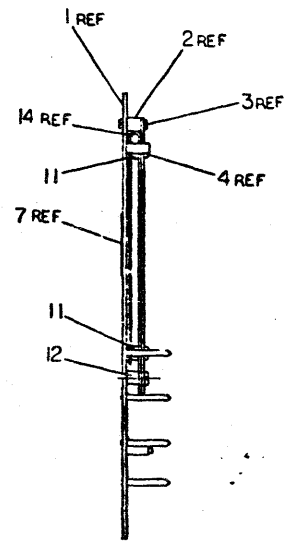
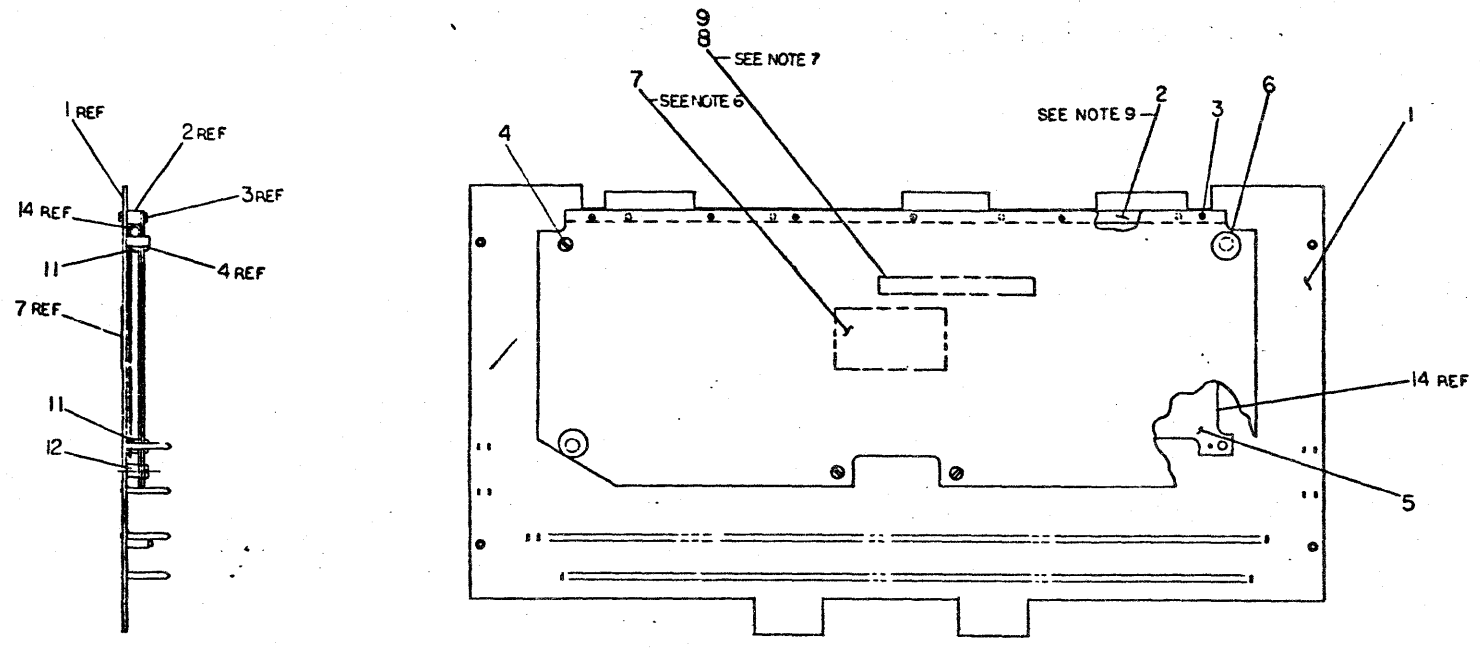
BIT 17



REVISIONS		
CHK	CHANGE NO.	REV.

THIS DRAWING IS THE PROPERTY OF THE GOVERNMENT AND IS LOANED TO YOUR ORGANIZATION. IT AND ITS CONTENTS ARE NOT TO BE DISTRIBUTED OUTSIDE YOUR ORGANIZATION.

- NOTES:**
1. BOND CORE PLANE ASSY (ITEM NO. 5) TO THE STACK BD. (ITEM NO. 1) WITH ADHESIVE (ITEM NO. 10).
 2. INSTALL THREADED CAMBION SPACERS (ITEM NOS. 11 AND 12) THRU STACK BOARD (ITEM NO. 1) AND CLINCH IN PLACE.
 3. USE PROTECTIVE COATING (ITEM NO. 13) TO COAT ALL MAGNETIC WIRE TERMINATIONS AFTER ELECTRICAL TEST. REF DWG. E-1A-7013707-0-0
 4. CLOSE COVER (PARTS OF ITEM NO. 5) AND SECURE STIFFENER SPACER (ITEM NO. 2) TO STACK BOARD (ITEM NO. 1) WITH FOUR #2-56 SCREWS (ITEM NO. 3).
 5. SECURE COVER TO STIFFENER SPACER (ITEM NO. 2) WITH SIX #2-56 SCREWS (ITEM NO. 3) AND TO CAMBION SPACERS (ITEM NO. 11 & 12) WITH 6 #4-40 SCREWS (ITEM NO. 4).
 6. APPLY NAME PLATE (ITEM NO. 7) TO SIDE 2 OF STACK BOARD (ITEM NO. 1) APPROXIMATELY WHERE SHOWN.
 7. LABEL STACK BOARD (ITEM NO. 1) ON SIDE 2 WITH THE DEC PART NUMBER SEQUENTIAL SERIAL NUMBER, C'S REVISION USING INK (ITEM NO. 9) AND EPOXY (ITEM NO. 8) EXAMPLE H229-B-001.
 8. PLACE WARRANTY SEALS (ITEM NO. 6) OVER SCREW HEADS AS SHOWN.
 9. STIFFENER SPACER (ITEM NO. 2) ORIENTATION MARK SHOULD BE PLACED ON THIS END.



NO.	DESCRIPTION	DISPL. QTY	ITEM NO.
15	REF FLEX CIRCUIT ASSY (32K-SPC)	1	D-PS-1700C910-0
REF	SUPPORT CORE (32K-SPC)	1	D-ND-796245-0-0
14	PROTECTIVE COATING, RED (FMS)	1	490107-3
2	STIFFENER, 250DIA X.250 LONG	1	5009677-01
4	STIFFENER, 250DIA X.88 LONG	1	5009677-00
ADH	ADHESIVE (RTV 3145)	1	4901088-00
WR	INK, BLACK	1	4901084-00
WR	EPOXY	1	4901082-00
1	NAME PLATE	1	361AC53-00
2	WARRANTY SEAL	1	361397C-00
5	CORE PLANE WIRING ASSY	1	E-1A-7013707-0-0
6	SCA SLT BRDR NYLON 440	1	5009233-4
10	SCA SLT BRDR NYLON 7-56	1	5009009-01
11	STIFFENER SPACER (32K-SPC)	1	D-PS-17013707-0-0
1	STACK BOARD (32K-SPC)	1	D-1A-5412149-0-0

UNLESS OTHERWISE SPECIFIED DIMENSIONS ARE IN INCHES

QUANTITY	DESCRIPTION	UNIT	QTY	QTY	QTY	QTY	QTY	QTY	QTY
1	11228	1	1	1	1	1	1	1	1

DATE: 11/25/55
 DRAWN BY: J. EG
 CHECKED BY: J. EG
 TITLE: H228-B CORE MEMORY STACK ASSEMBLY
 SHEET: 1/1
 PARTS LIST: SEE PARTS LIST

DIGITAL EQUIPMENT CORPORATION

PARTS LIST

QUANTITY / VARIATION

NOTES:

USED ON: OPTION/MODEL
H228B

NOTE:
1. * = CAP. 10-01610-01 CAN BE USED
IN PLACE OF 10-01610-00

MADE BY David Caruso	CHECKED <i>J. Bauman</i>	SECTION 1
DATE 11/18/76	DATE 21 FEB 77	
ENG <i>W. Coates</i>	PROD <i>R.Q. Hill</i>	ISSUED SECTION 1
DATE 29 APR 77	DATE 29 Apr 77	

ITEM NO.	DRAWING NO.	PART NO.	DESCRIPTION	REF	QUANTITY	VARIATION	REF DESIGNATION
	D-CS-5412149-0-1		CIRCUIT SCHEMATIC	REF			
	B-DD-5412149-0		DWG DIRECTORY	REF			
	D-MD-5012148-0-0		DRILL & ETCH DWG	REF			
	D-UA-5412149-0-0		UNIT ASSEMBLY	REF			
1		10-00042-00	CAP 1000 PF 100V 5% DM		2		C7, C113
2		10-00018-00	CAP 120 PF 100V 5% DM		18		C83, C93, C73, C63, C53, C46, C36, C26, C108, C99, C89, C79, C69, C59, C42, C32, C17, C22
3		5012148	ETCHED CIRCUIT BOARD		1		
4		10-10978-32	CAP .047 UF 50V CER		2		C6, C102
5		* 10-01610-00	CAP 0.01 UF 50V CER		67		C110, C111, C112, C114, C11, C95, C96, C97, C52, C85, C86, C87, C77, C75, C76, C103, C65, C66, C67, C106, C55, C56, C57, C50, C48, C49, C98, C100, C101, C82, C88, C90, C91, C92, C78, C80, C81, C68, C70, C71, C72, C58, C60, C61, C62, C41, C43, C44, C31, C33, C34, C35, C19, C20, C21, C25, C23, C24, C28, C29, C30, C38, C39, C40, C45, C98, C27
10		10-10279-0-0	CAP .47 UF 25V, 20% CER		14		C8, C9, C104, C105, C18, C27, C37, C47, C54, C64, C74, C94, C84, C109
11							
12		10-12084-01	CAP 8 UF 25V AL.EL.		3		C10, C51, C107
13							
14		11-05275-00	DIODE D672		8		D2, D3, D4, D5, D24, D25, D26, D27
15							
16		12-13551-00	CONTACT, PIN, STRAIGHT POST (AMP)		78		J1 thru J4, J12 thru J85
17							
18		13-01317-00	RES. 10 1/4W 5% CC		2		R5, R49

E.C.O. NO. M1001

THIS DRAWING AND SPECIFICATIONS, HEREIN, ARE THE PROPERTY OF DIGITAL EQUIPMENT CORPORATION AND SHALL NOT BE REPRODUCED OR COPIED OR USED IN WHOLE OR IN PART AS THE BASIS FOR THE MANUFACTURE OR SALE OF ITEMS WITHOUT WRITTEN PERMISSION. COPYRIGHT © 1976 DIGITAL EQUIPMENT CORPORATION

TITLE 32K SPC MEMORY

ASSY NO. D-UA-5412149-0-0
SHEET 1 OF 3

SIZE CODE NUMBER REV.
B PL 5412149-0-0 D
INSERTION PARTS LIST DATA BASE REV #

DIGITAL EQUIPMENT CORPORATION

PARTS LIST

QUANTITY / VARIATION

NOTES:

USED ON: OPTION/MODEL
H228B

MADE BY David Caruso	CHECKED <i>P. Borman</i>	SECTION 1
DATE 11/18/76	DATE 21 FEB 77	
ENG W. Coates	PROD RA Hill	ISSUED SECTION 1
DATE 29 APR 77	DATE 29 Apr 77	

ITEM NO.	DRAWING NO.	PART NO.	DESCRIPTION	QUANTITY	VARIATION	REF DESIGNATION
19		13-00202-00	RES. 47 $\frac{1}{4}$ W 5% CC	2		R3, R44
20		13-00365-00	RES 1K $\frac{1}{4}$ W 5% CC	4		R2, R8, R47, R114
21		13-13217-00	RES NETWORK (6-150 Ω 1%, 1-15K 1%)	18		R46, R10, R12, R16, R20, R26, R30, R34, R38, R42, R14, R18, R22, R24, R28, R32, R36, R40
22						
23						
24		13-13837-00	RES. NETWORK (8-110 Ω 5%)	4		R50, R51, R52, R53
25		13-00229-00	RES. 100 $\frac{1}{4}$ W 5% CC	2		R4, R45
26		15-13265-00	TRANSISTOR Q3725 QUAD	2		E71, E72
27						
28		16-10662-00	INDUCTOR, 100 UH, 10%	2		L1, L2
29						
30		19-10010-00	DIODE ARRAY DEC 2501-00	48		E6, E53, E54, E56, E57, E58, E59, E60, E12, E13, E14 thru E19, E9, E10, E33, E34, E22, E3, E23, E49, E64, E50, E69, E38, E70, E39, E8, E29, E7, E30, E25, E26, E65, E45, E66, E46, E67, E42, E68, E5, E43, E4, E63, E55
31						
32						
33						
34						
35		19-11748-00	I.C. DEC 7520	18		E51, E47, E41, E37, E35, E32, E36, E24, E61, E52, E48, E44, E31, E28, E27, E29, E21, E40
36						
37		19-12068-00	I.C. DEC 74128	2		E2, E62

ECO. NO.

THIS DRAWING AND SPECIFICATIONS HEREIN ARE THE PROPERTY OF DIGITAL EQUIPMENT CORPORATION AND SHALL NOT BE REPRODUCED OR COPIED OR USED IN WHOLE OR IN PART AS THE BASIS FOR THE MANUFACTURE OR SALE OF ITEMS WITHOUT WRITTEN PERMISSION. COPYRIGHT © 1976 DIGITAL EQUIPMENT CORPORATION.

TITLE
32K SPC MEMORY
32K SPC 18 W/IN STACK H228B

ASSY NO.
D-4A-5412149-0-0
SHEET 2 OF 3

SIZE	CODE	NUMBER	REV.
B	PL	5412149-0-0	0

INSERTION PARTS LIST DATA BASE REV ✓

DIGITAL EQUIPMENT CORPORATION

PARTS LIST

QUANTITY / VARIATION

NOTES:

USED ON OPTION/MODEL H228 B

MADE BY DATE	Dave Caruso 11/18/76	CHECKED DATE	<i>G. Shuman</i> 21 FEB 77	SECTION 1
ENG DATE	<i>W. Coates</i> 29 APR 77	PROD DATE	<i>R.A. Hill</i> 29 Apr 77	ISSUED SECTION 1

ITEM NO.	DRAWING NO.	PART NO.	DESCRIPTION	QUANTITY	VARIATION	REF DESIGNATION
38	D-AD-70-10918-0-0	70 10918-0-0	DIODE PACK COMMON CATHODE (4-D672)	18		D7 THRU D23, D28
39		90-09185-00	JUMPER, WIRE, INSULATED	3		W1, W2, W3
40		91-07771-00	DIODE ASSEMBLY SPACER	36		
41		91-07784-00	TUBING, SHRINK. (AMP POST SPACER)	11		
42		90-09858-00	STANDOFF, SPECIAL (.426)	3		
43		90-09858-01	STANDOFF, SPECIAL (.376)	2		
44		90-08456-01	TAPE, ADHESIVE FOAM	A/R		

E.S.O. NO.

THIS DRAWING AND SPECIFICATIONS, HEREIN, ARE THE PROPERTY OF DIGITAL EQUIPMENT CORPORATION AND SHALL NOT BE REPRODUCED OR COPIED OR USED IN WHOLE OR IN PART AS THE BASIS FOR THE MANUFACTURE OR SALE OF ITEMS WITHOUT WRITTEN PERMISSION. COPYRIGHT © 1977 DIGITAL EQUIPMENT CORPORATION.		TITLE 32K SPC MEMORY	ASSY NO. D-UA-5412149-0-0	SIZE B	CODE PL	NUMBER 5412149-0-0	REV. D
EN-01140A-16-R276(325) DRB 125		SHEET 3 OF 3		INSERTION PARTS LIST DATA BASE REV			

LINE ITEM	DOCUMENT NUMBER	PART NUMBER	DESCRIPTION	QTY	PER VARIATION	REFERENCE DESIGNATOR
				00		
1	D-CS-G657-0-1		CIRCUIT SCHEMATIC			REF
2	B-DD-G657-0		DWG DIRECTORY			REF
3	D-UA-G657-0-0		UNIT ASSEMBLY			REF
4		5012147-00	G657	1		
5		1005820-00	22.0 MMF 100V 5%200PPM MICA	1		C26
6		1000011-00	47.0 MMF 100V 5%200PPM MICA	1		C8
7		1000015-00	82.0 MMF 100V 5%200PPM MICA	3		C1-C3
8		1000023-00	330.0 MMF 100V 5%200PPM MICA	18		C30,C34,C38,C42,C46,C50,C54,C58, CONT C62,C66,C70,C74,C82,C86,C90,C94, CONT C98,C78
9		1011683-00	.022 MFD 50V 10% CER	4		C5,C12,C17,C22
10		1010274-00	.22 MFD 50V +80-20% Z5U CER	28		C16,C28,C136,C102-C124,C137,C193
11		1010279-00	.47 MFD 25V 20% CER	22		C6,C13,C18,C23,C31,C35,C39,C43, CONT C47,C51,C55,C59,C63,C67,C71,C75, CONT C79,C83,C87,C91,C95,C99
12		1012084-01	8 MFD 25V +75-10% AL EL	4		C11,C19,C20,C133
13		1012219-00	47 MFD 30V +75-10% AL EL	3		C195-C197
14		1000076-00	39 MFD 10V 10% S.TANT	1		C14
15		1105648-00	1N 4744 VZ= 15.0 10% 1W	4		D117,D119,D121,D123
16		1105275-00	D 672 TR= 15NS PIV= 60V SI	112		D1-D53,D55-D57,D59-D114
17		1110994-00	1N 751A VZ= 5.1 5% .40W	2		D124,D125
18		1102421-00	1N 753A VZ= 6.2 5% .40W P	1		D115
19		1100125-00	1N 758A VZ= 10.0 5% .40W PPE	1		D116
20		1212104-00	CONN .100 7POS RT ANGLE	1		J89
21		1211728-00	CONN,PTS 01SKT	78		J1-J4,J12-J85
22		1205747-00	FUSE, SUB-MINI, 5.000A, 125V, A	1		F1
23		1211164-01	SW,DIP 5PCS/1PST 5VDC100MA F	1		S1
24		1210929-03	FUSE, SUB-MINI .750A, 125V, A	19		F2-F20
25		1305114-00	3.48 K .25 W 1.0 % RN55D-F10	1		R63
26		1302091-00	330.0 K .25 W 5.0 % CC	1		R154

REVISION HISTORY			BASIC PART NO: 0G657			DRN: D CARUSO			DATE: 09-MAR-78			DIGITAL		
ENGR	ECO NUMBER	REV	SECTION A OF A	CHK'D:	R MANION	DATE:	09-MAR-78	TITLE	PARTS LIST					
E.R.	0000J1	IC	SECTION.VARIATION INDEX	DES.ENG:	W COATES	DATE:	09-MAR-78	32K SPC ELECTRONICS						
IWC	IG657-ML002	ID	[A] 00	RESP.ENG.:	W COATES	DATE:	09-MAR-78	DOCUMENT NUMBER						
IW.C	IG657-ML003	IE	[B]	IMFG.ENG.:	R HILL	DATE:	09-MAR-78	SIZE CODE NUMBER	REV					
			[C]	ASSEMBLY NUMBER:		TOP DOCUMENT NUMBER:		FILE NAME:	EDIT #					
			[D]	D-UA-G657-0-0		#E-D9-G657-0		Z1471E.PLS	10					
			[E]											
			[F]											
			[G]											
			[H]											
			[I]											
			[J]											
			[K]											
			[L]											
			[M]											
			[N]											

"THIS DRAWING AND SPECIFICATIONS HEREIN, ARE THE PROPERTY OF DIGITAL EQUIPMENT CORPORATION AND SHALL NOT BE REPRODUCED OR COPIED OR USED IN WHOLE OR IN PART AS THE BASIS FOR THE MANUFACTURE OR SALE OF ITEMS WITHOUT WRITTEN PERMISSION. COPYRIGHT (C) 1982. DIGITAL EQUIPMENT CORPORATION"

LINE ITEM	DOCUMENT NUMBER	PART NUMBER	DESCRIPTION	QTY	PER VARIATION	REFERENCE DESIGNATOR
				00		
27	27	1312466-06	75.0 1.0 W 1.0 % WW	1		R155
28	28	1312466-04	.50 1.0 W 1.0 % WW	1		R29
29	29	1301317-00	10.0 .25 W 5.0 % CC	1		R37
30	30	1312466-00	10.0 1.0 W 1.0 % WW	4		R21,R32,R43,R51
31	31	1301425-00	300.0 .25 W 5.0 % CC	18		R74,R78,R82,R86,R90,R94,R98, CONT R102,R106,R110,R114,R118,R122, CONT R126,R130,R134,R139,R144 R13,R30,R40,R48,R73,R75-R77, CONT R79-R81,R83-R85,R87-R89,R91-R93, CONT R95-R97,R99-R101,R103-R105, CONT R107-R109,R111-R113,R115-R117, CONT R119-R121,R123-R125,R127-R129, CONT R131-R133,R135,R136,R138,R140, CONT R141,R143,R145,R153,R44
32	32	1301969-00	22.0 .25 W 5.0 % CC	59		R1,R5,R20 R4,R8,R9,R11 R150 R41,R52 R19 R146,R148 R56,R151 R12,R10 R18 R3,R7,R35,R38,R72,R137,R142,R152 R53,R14 R57 R36 R54 R17,R26 R55,R59,R60,R64-R68 R69,R70 R58 R61 R25,R62 R71 R23 R27,R28 R22 R15 R2,R6 Q8 Q9 Q10 Q4-Q7 E32,E50,E71,E76,E93,E97,E54, CONT E114,E118 Q1-Q3 E39,E103
33	33	1302602-00	56.0 .25 W 5.0 % CC	3		
34	34	1300229-00	100.0 .25 W 5.0 % CC	4		
35	35	1304956-00	4.64 K .25 W 1.0 % RN55D-F10	1		
36	36	1300250-00	150.0 .25 W 5.0 % CC	2		
37	37	1305124-00	287.0 .25 W 1.0 % RN55D-F10	1		
38	38	1300274-00	220.0 .50 W 5.0 % CC	2		
39	39	1312123-00	220.0 3.0 W 1.0 % WW	2		
40	40	1301972-00	270.0 .25 W 5.0 % CC	2		
41	41	1303067-00	422.0 .25 W 1.0 % RN55D-F10	1		
42	42	1300365-00	1.0 K .25 W 5.0 % CC	8		
43	43	1303045-00	3.16 K .25 W 1.0 % RN55D-F10	2		
44	44	1304855-00	9.09 K .25 W 1.0 % RN55D-F10	1		
45	45	1300447-00	4.70 K .25 W 5.0 % CC	1		
46	46	1305324-00	4.99 K .25 W 1.0 % RN55D-F10	1		
47	47	1303312-00	10.0 K .25 W 1.0 % RN55D-F10	2		
48	48	1300479-00	10.0 K .25 W 5.0 % CC	8		
49	49	1302941-00	14.70 K .25 W 1.0 % RN55D-F10	2		
50	50	1309419-00	19.60 K .25 W 1.0 % RN55D-F10	1		
51	51	1303156-00	34.80 K .25 W 1.0 % RN55D-F10	1		
52	52	1305252-00	68.10 K .25 W 1.0 % RN55D-F10	2		
53	53	1303219-00	82.0 K .25 W 5.0 % CC	1		
54	54	1305255-00	121.0 K .25 W 1.0 % RN55D-F10	1		
55	55	1309595-00	1.0 M .25 W 5.0 % CC	2		
56	56	1304843-00	243.0 K .25 W 1.0 % RN55D-F10	1		
57	57	1309785-00	300.0 7.0 % NTC THERM	1		
58	58	1300202-00	47.0 .25 W 5.0 % CC	2		
59	59	1503409-01	DEC6534B PNP 310MW SI 40 90 P	1		
60	60	1509605-00	DEC4920 PNP 30WC SI	1		
61	61	1505321-00	DEC4258 PNP 200MW SI 12 30 M	1		
62	62	1510959-00	2N 3725 NPN 3.5WC SI 50 60 P	4		
63	63	1513265-00	3725 QUAD CORE DRIVER	9		
64	64	1503100-00	DEC3009B NPN 200MW SI 20 25	3		
65	65	1610962-00	XFM, SATURATING(Y,7)	2		

TITLE				SECTION A OF A		SIZE	CODE	DOCUMENT NUMBER	REV
DIGITAL				32K SPC ELECTRONICS		K	PL	G657-0-DBP	E

LINE	ITEM	DOCUMENT NUMBER	PART NUMBER	DESCRIPTION	QTY	PER VARIATION	REFERENCE DESIGNATOR
					00		
66	66		1609996-00	PULSE XFMR PH001-0107 DEC5 22	10		E31,E49,E53,E70,E72,E75,E92,E96, CONT E113,E117
67	67		1611243-00	DELAY=25-250NS,10TAPS RCL#L-183	3		E5,E11,E18
68	68		1610662-00	100.0 UH 10% 165MA #DD1 00	3		L7-L9
69	69		1610963-00	400 UH 900MA,.30HMS	6		L1-L6
70	70		1613820-00	XFMR,SATURATING(INHIBIT)	9		E38,E43,E61,E66,E81,E86,E102, CONT E108,E126
71	71		1910878-00	7427 NOR GATE-TRIPLE 3IN	1		E25
72	72		1905578-00	7430 NAND GATE-SINGLE 8IN	2		E21,E22
73	73		1910541-00	74S40 BUFFER,POS-NAND,DUAL	1		E112
74	74		1910046-00	7442 DECODER-1 OF 10,BCD	7		E6,E44,E55,E87,E98,E109,E127
75	75		1909050-00	7475 LATCH 4BIT	5		E2,E8,E58,E63,E123
76	76		1910230-00	74121 ONE SHOT/	1		E78
77	77		1912068-00	74128 DRIVER,LINE,QUAD,50	13		E3,E4,E9,E37,E42,E60,E65,E80, CONT E82,E85,E101,E107,E125
78	78		1909932-01	7483A ADDER-4BIT W/LOOK AH	1		E15
79	79		1909058-00	74H21 AND GATE-DUAL 4INPUT	2		E84,E91
80	80		1909060-00	DEC 74H50 A-0-I XPNDBLE GATE-D	1		E24
81	81		1910532-00	74S00 NAND GATE-QUAD 2IN	5		E17,E23,E28,E100,E122
82	82		1912389-00	74S08 AND GATE-QUAD 2IN,PO	1		E16
83	83		1910534-00	74S04 INVERTER GATE-HEX 1I	3		E10,E14,E29
84	84		1910544-00	74S74 FF-D DUAL,EDGE TRIGG	10		E27,E30,E41,E52,E67,E74,E89,E95, CONT E106,E116
85	85		1911469-00	DEC 8640 RECEIVER,BUS,QUAD,U	5		E36,E46,E48,E69,E111
86	86		1911579-01	8641-1 TRANSCEIVER,BUS,QUA	7		E1,E7,E13,E20,E34,E57,E62
87	87		1910298-00	741 OP AMP GEN PURP. COM	1		E119
88	88		1910960-00	DEC 75325 DRIVER,CORE MEMORY,	28		E12,E19,E26,E33,E35,E40,E45,E47, CONT E51,E56,E59,E64,E68,E73,E77,E79, CONT E83,E88,E90,E94,E99,E104,E105, CONT E110,E115,E120,E121,E124 D126,D127-D161
89	89		7010918-05	DIODE PKG COMMON CATHODIE	36		
90	90		7415338-00	LEFT HANDLE ASSY	1		
91	91		7415337-00	RIGHT HANDLE ASSY	1		
92	92		1214237-00	BAR,STIFFENER W/10 INSERTS	1		
93	93		1213567-00	HANDLE,MODULE(SEGMENT)	2		
94	94		9006557-00	NUT,KEP 4-40X 1/4 AF	1		
95	95		9006010-01	SCREW,MACH PAN PHIL 4-	1		
96	96		9000008-01	SCREW,NYLN PAN SLOT 2-	9		
97	97		9006735-00	EYELET,FUNNEL 0.0590DX0.187	77		
98	98		9000024-01	EYELET,ROLLED 0.1210DX0.192	10		
99	99		9009185-00	JUMPER, WIRE, INSULATED, BLACK B	17		W1-W17
100	100		9007201-00	TRANSIPADS #10253	4		
101	101		9107771-00	TUBING,TEFLON .040ID	72		
102	102		1305129-00	5.62 K .25 W 1.0 % RN55D-F10	1		R33
103	103		1300249-00	150.0 .50 W 5.0 % CC	2		R147,R149
104	104		1300247-00	120.0 .25 W 5.0 % CC	1		R39
105	105		1303178-00	620.0 .25 W 5.0 % CC	1		R46
106	106		1110836-00	1N 759A VZ= 17.0 5% .40W	1		D120

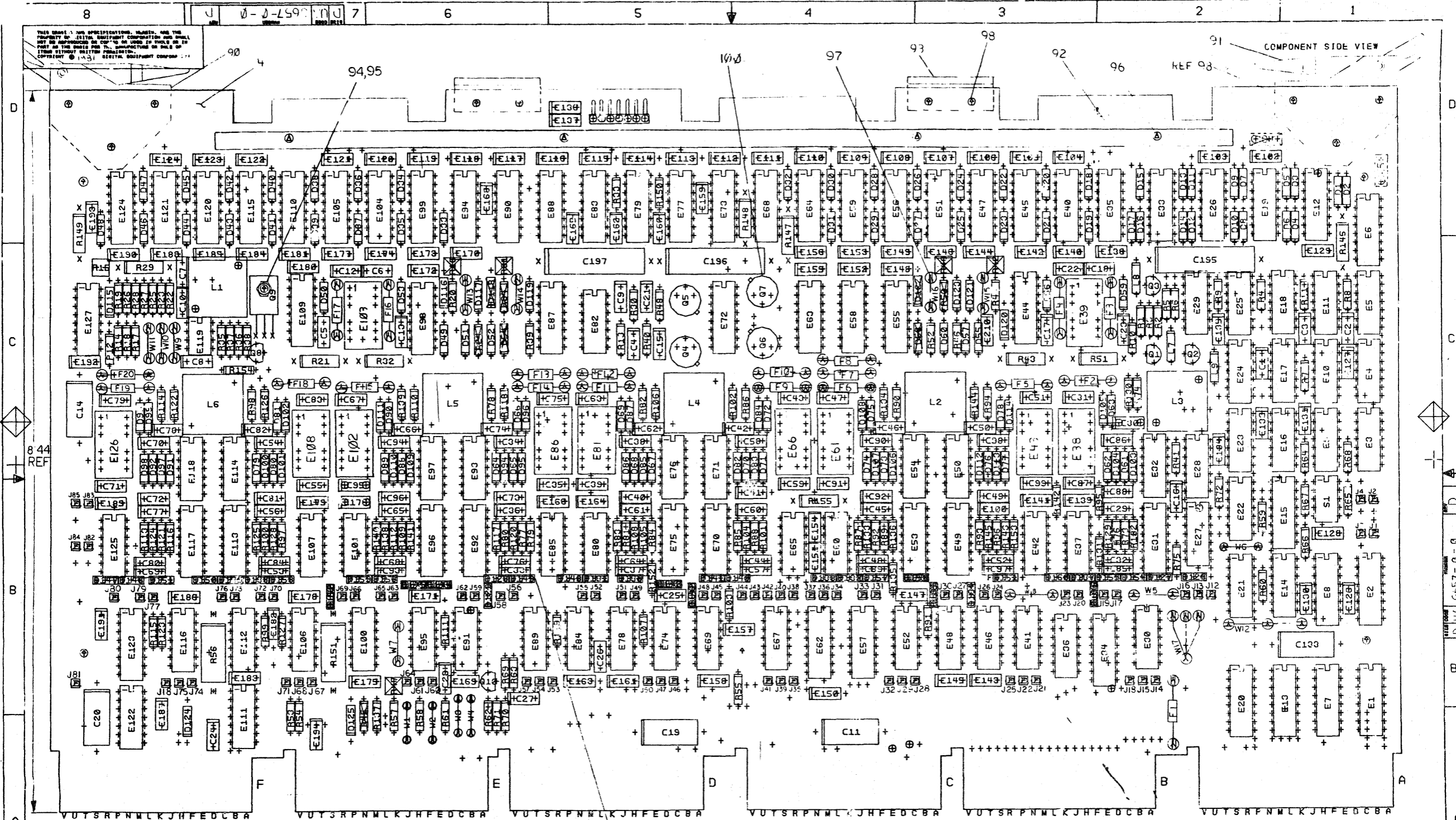
TITLE										
32K SPC ELECTRONICS										
SECTION A OF A										
SIZE	CODE	DOCUMENT NUMBER					REV			
K	PL	G657-0-DBP					E			

LINE ITEM	DOCUMENT NUMBER	PART NUMBER	DESCRIPTION	QTY	PER VARIATION	REFERENCE DESIGNATOR
				00		
107	107	SEE NOTE	1001610-00	.01	MFD 50V +80-20% Z5U CER	110 C4,C7,C9,C10,C15,C21,C24,C25, CONT C27,C29,C32,C33,C36,C37,C40,C41, CONT C44,C45,C48,C49,C56,C57,C60,C61, CONT C64,C65,C68,C69,C72,C73,C76,C77, CONT C80,C81,C84,C85,C88,C89,C92,C93, CONT C96,C97,C100,C52,C53,C126,C128, CONT C130-C132,C134,C135,C138-C166, CONT C168-C192,C194,C210,C127,C129
108	108		9105740-55		*** THIS ITEM IS NOT USED ***	-
109	109	D-MD-5012147-0-0			DRILL & ETCH DRAWING	REF
110	110	D-EC-5012147-0-0			ETCH CUT DRAWING	REF

111 NOTE: 10-01610-01 CAN BE USED IN PLACE OF 10-01610-00

DIGITAL				TITLE	32K SPC ELECTRONICS	SECTION A OF A	SIZE	CODE	DOCUMENT NUMBER	REV
							K	PL	G657-0-DBP	E

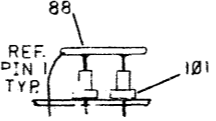
THIS SHEET IS A PRELIMINARY DRAWING AND THE PROPERTY OF THE DESIGNER. IT IS NOT TO BE USED FOR CONSTRUCTION OR REPRODUCTION IN ANY MANNER WITHOUT WRITTEN PERMISSION OF THE DESIGNER.



NOTES: THE FOLLOWING COMPONENTS ARE NOT USED: R45, R47, R10, R31, R24, R34, R42, R49, R50, R54, D118, D58, D122, C101 & C125.

STEP E → Y AXIS STEP → TIMES
REPEAT → X AXIS STEP → TIMES

CHG	NO	REV
REL	W	N
DATE	BY	CHK
01/17/73	ML3	D

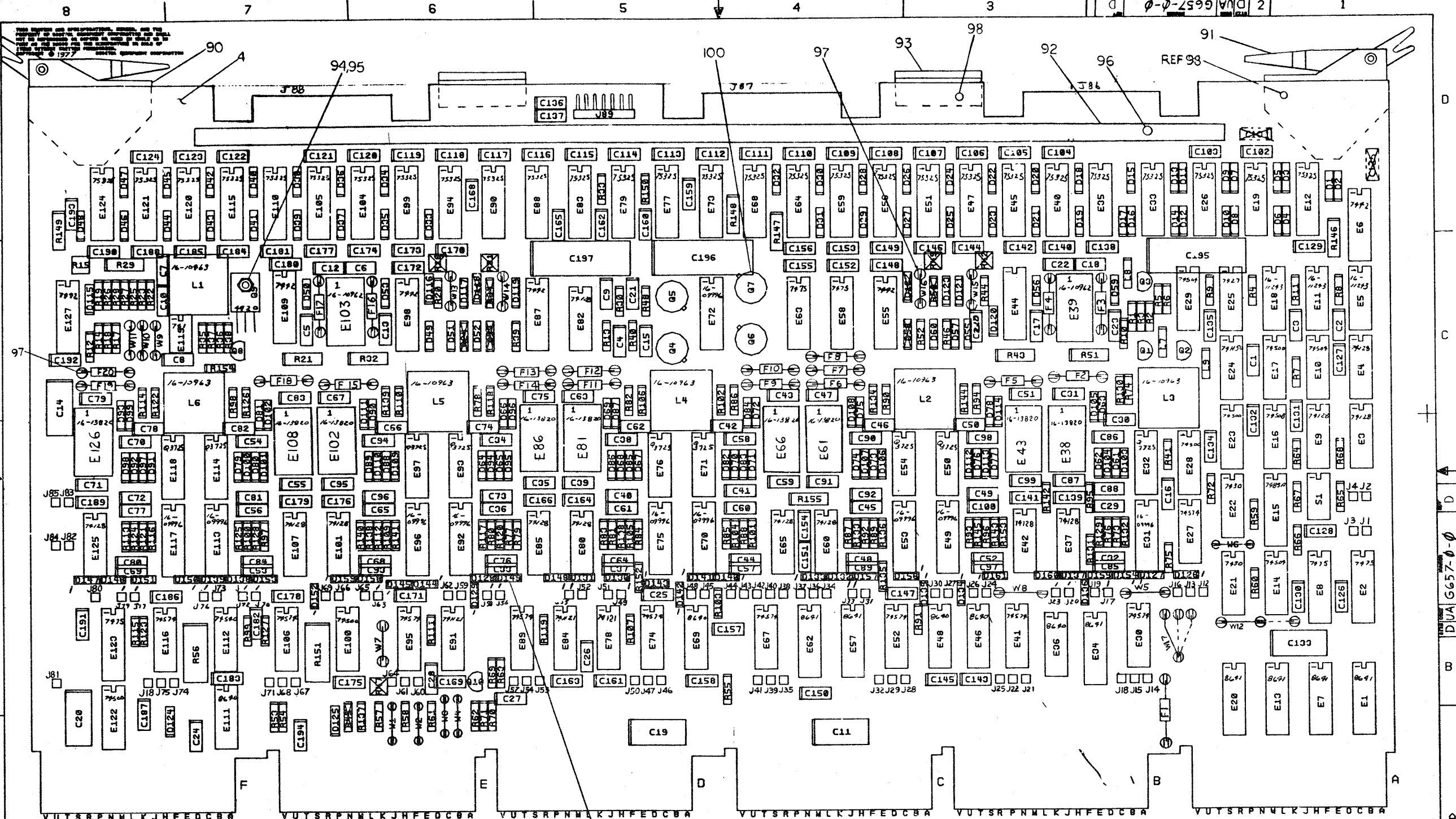


TYPICAL DIODE PACK WITH SPACERS
36 PLACES

ETCH	REV.	1
------	------	---

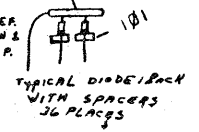
SIGNATURES		DATE	TITLE					
DRN.	<i>[Signature]</i>	11/21/72		2K SFC ELECTRONICS				
CHK'D.	<i>[Signature]</i>	11/21/72						
TECH. ENG.	<i>[Signature]</i>	11/21/72						
PROJ. ENG.	<i>[Signature]</i>	11/21/72						
PROD.	<i>[Signature]</i>	11/21/72						
SCALE	2:1		SIZE CODE	0 U1	NUMBER	G657-0-0	REV	1
SHT.	1	OF						
NEXT HIGHER ASSY.								

WO#



NOTES: THE FOLLOWING COMPONENTS ARE NOT USED: R55, R57, R16, R21, R22, R23, R24, R25, R26, R27, R28, R29, D18, D58, D122, C01, C123

CHANGE NO	REV

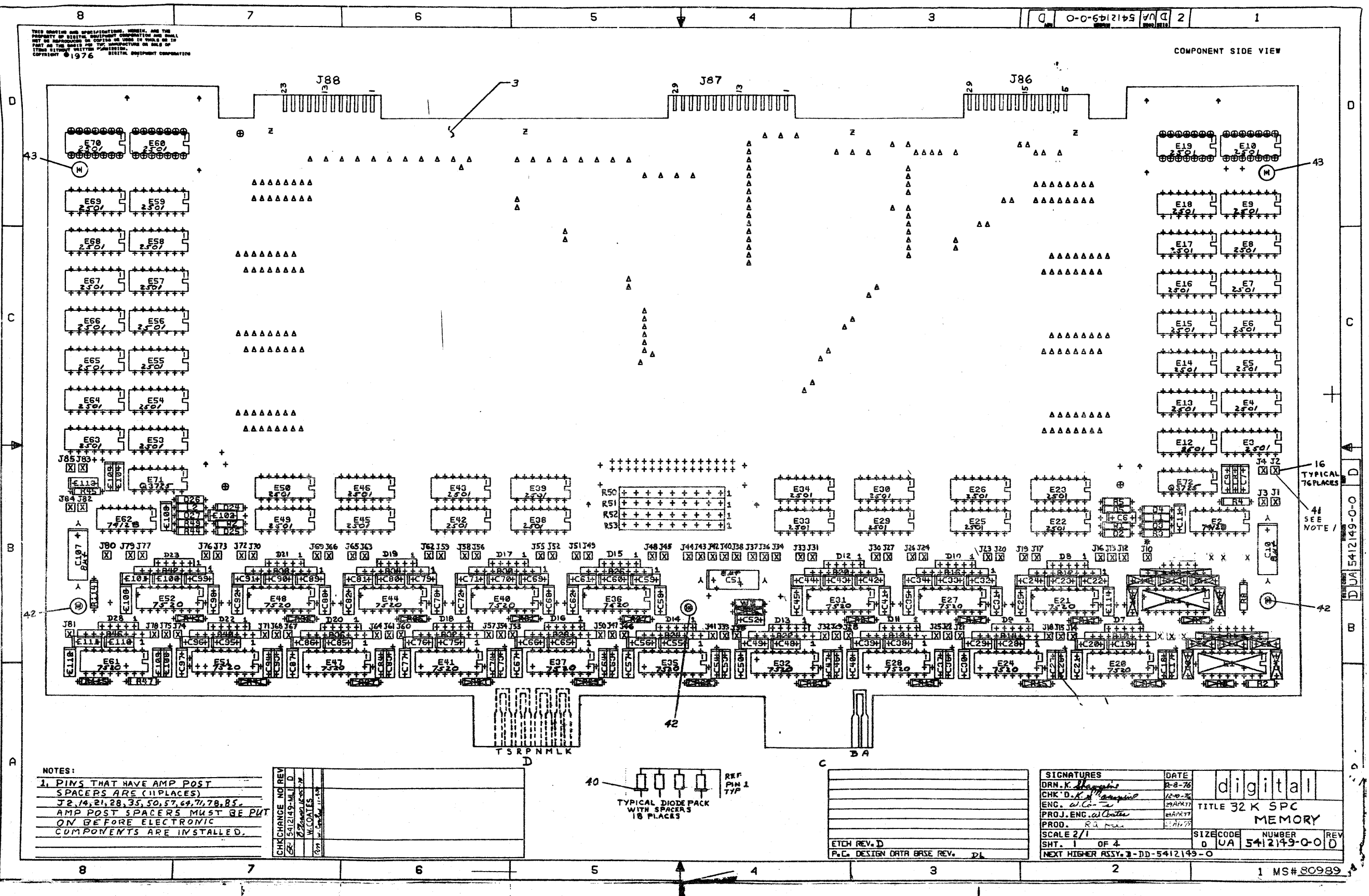


FOR REFERENCE ONLY

SIGNATURES		DATE	digital	TITLE 32K SPC ELECTRONICS	SIZE CODE NUMBER	REV
DRN. R SULLIVAN		2/18/77				
CHK'D. G. G...		2/18/77				
ENG. Z. Coates		29 APR 77				
PROJ. ENG. W. Crater		29 APR 77				
PROD. R. A. Hule		27 APR 77				
SCALE 2:1						
SHT. 2 OF 2						
NEXT HIGHER ASSY. B-DD-6657-0						

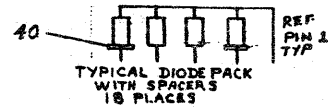
THIS DRAWING AND SPECIFICATIONS, HEREIN, AND THE PROPERTY OF DIGITAL EQUIPMENT CORPORATION AND SHALL NOT BE REPRODUCED OR COPIED OR USED IN WHOLE OR IN PART AS THE BASIS FOR THE MANUFACTURE OR SALE OF OTHER EQUIPMENT WITHOUT THE WRITTEN PERMISSION OF DIGITAL EQUIPMENT CORPORATION. © 1976

COMPONENT SIDE VIEW



NOTES:
 1. PINS THAT HAVE AMP POST SPACERS ARE (11 PLACES)
 J2, 14, 21, 28, 35, 50, 57, 69, 71, 78, 85.
 AMP POST SPACERS MUST BE PUT ON BEFORE ELECTRONIC COMPONENTS ARE INSTALLED.

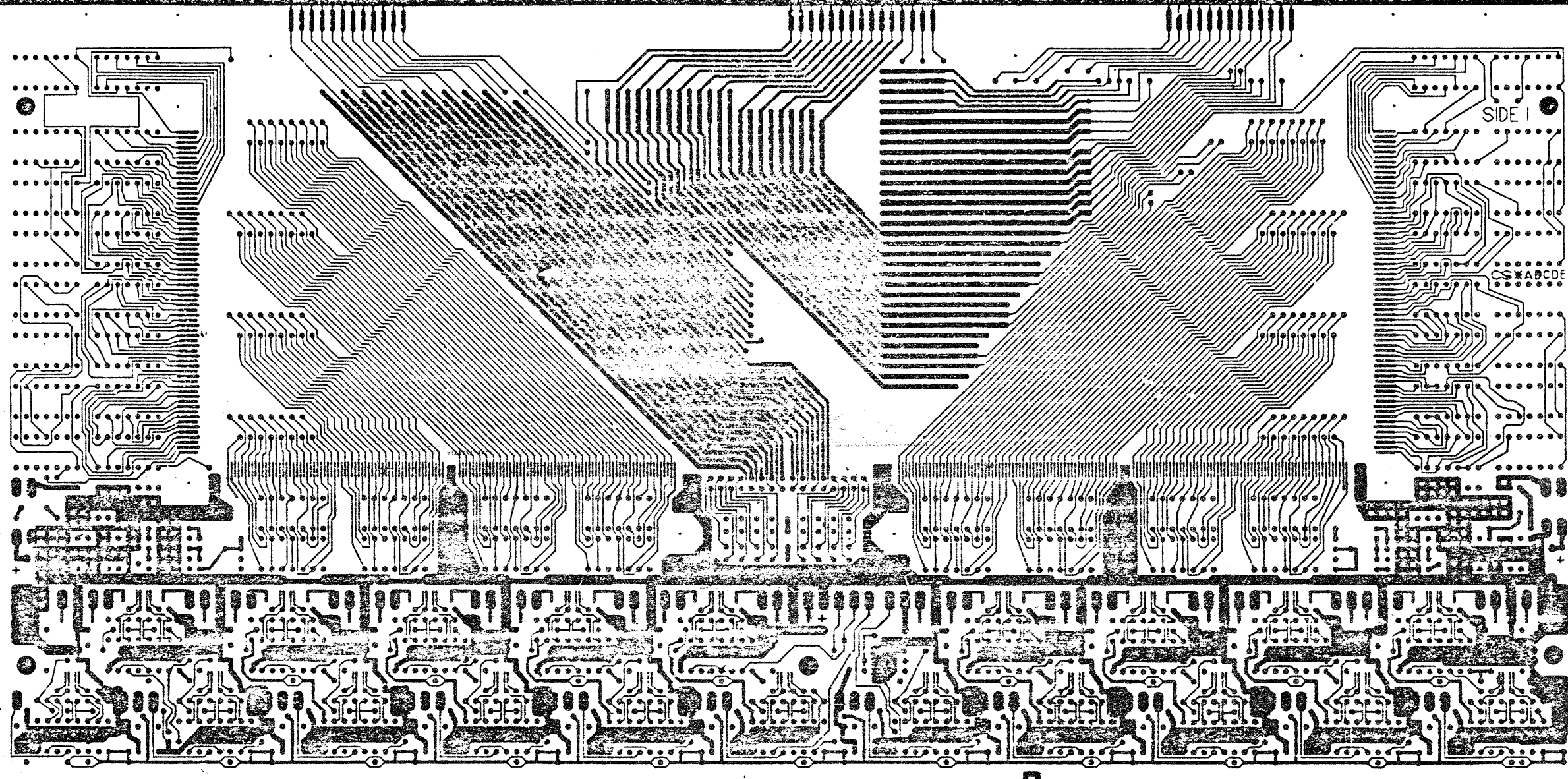
CHG	NO	REV	
GR	5412149-M1	D	
W	COATES		
C			



ETCH REV. D	
P.C. DESIGN DATA BASE REV. PL	

SIGNATURES		DATE	digital
DRN. K. Higgins		2-8-76	
CHK. D. A. Higgins		12-0-76	TITLE 32 K SPC MEMORY
ENG. W. C. Higgins		29 APR 77	
PROJ. ENG. W. C. Higgins		29 APR 77	SCALE 2/1
PROD. R. A. Higgins		2 APR 76	
SHT. 1 OF 4			SIZE CODE
NEXT HIGHER ASSY. 3-DD-5412149-0			NUMBER
			0 UA 5412149-0-0
			REV
			0

5412149 5012148D



SIDE 1

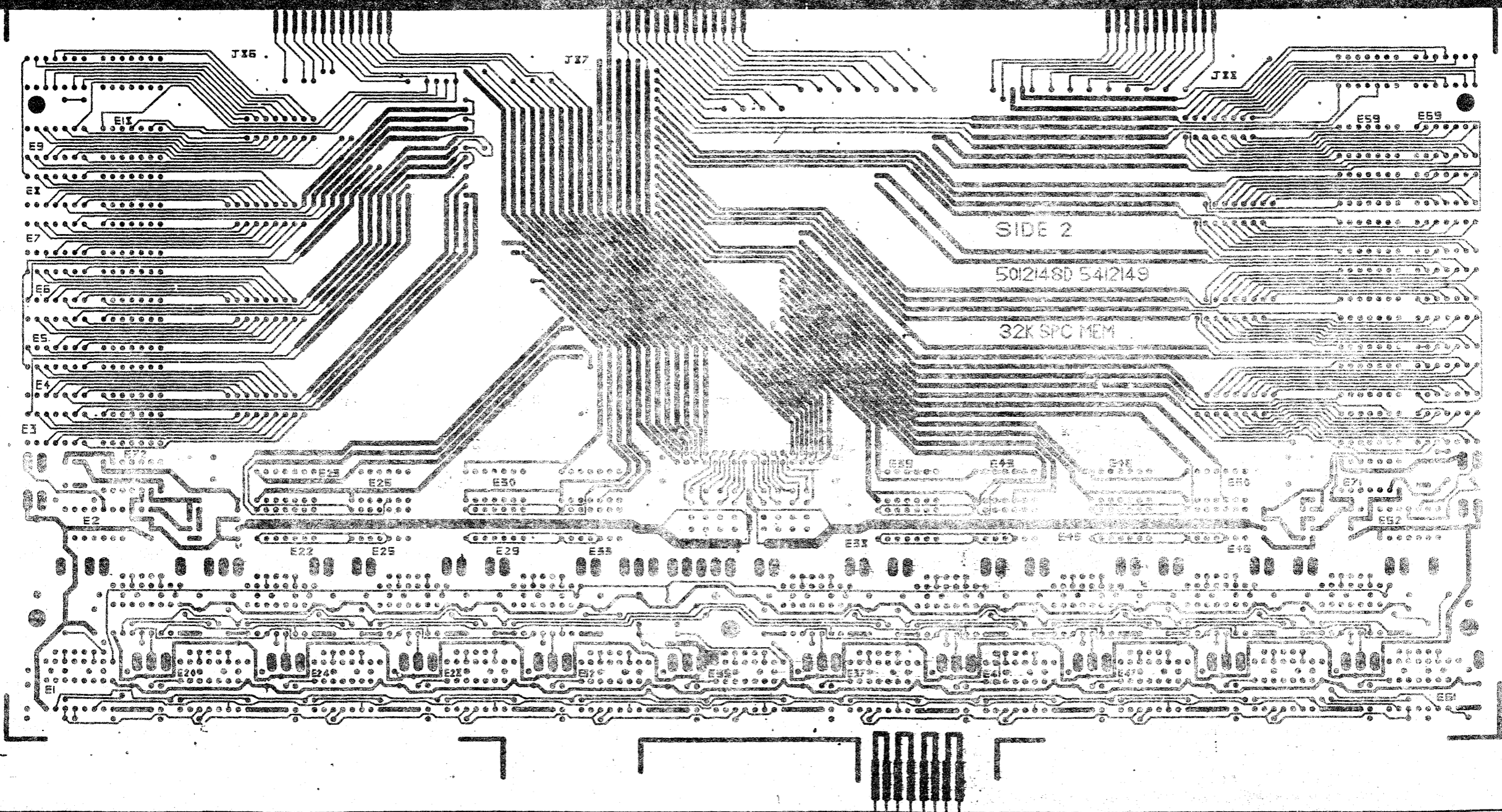
A B C D E

REV	1
DATE	
BY	
CHKD	
APP'D	

TITLE	32K SPC MEMORY	SIZE CODE	D UA	NUMBER	5412149-0-0	REV	D
SCALE	2/1	SHEET	2	OF	4	DIST	

THIS DRAWING AND ALL INFORMATION HEREON ARE THE PROPERTY OF QUAL EQUIPMENT CORPORATION AND SHALL BE KEPT SECRET AND NOT REPRODUCED IN WHOLE OR IN PART BY ANY METHOD WITHOUT THE WRITTEN PERMISSION OF QUAL EQUIPMENT CORPORATION

D 0-0-6012145 D 2

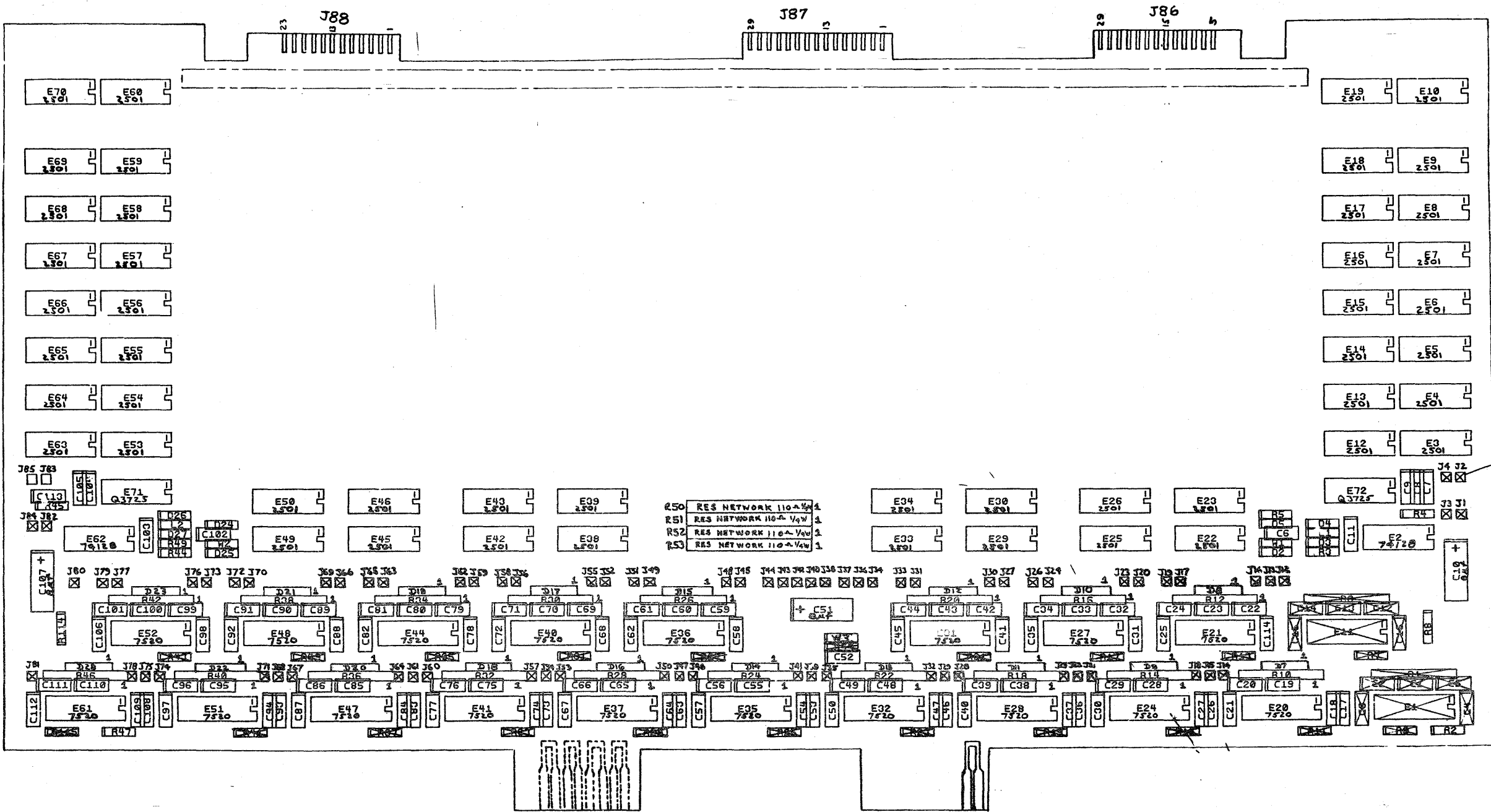


SIDE 2
5012148D 5412149
32K SPC MEM

REV.	DATE	BY

TITLE	32K SPC MEMORY	SIZE/LOD	D UA	NUMBER	5412149-0-0	REV.	D
SCALE	2/1	SHEET	3 OF 4	DIST.			

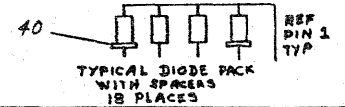
THIS DRAWING AND SPECIFICATIONS, HEREIN, ARE THE PROPERTY OF DIGITAL EQUIPMENT CORPORATION AND SHALL NOT BE REPRODUCED OR COPIED IN WHOLE OR IN PART OR PART OF THE SAME FOR THE MANUFACTURE OR SALE OF ITEMS WITHOUT WRITTEN PERMISSION. COPYRIGHT © 1976 DIGITAL EQUIPMENT CORPORATION



NOTES:
 1 PINS THAT HAVE AMP POST SPACERS ARE (IN PLACES) J2, 14, 21, 28, 35, 50, 57, 64, 71, 78, 85.
 AMP POST SPACERS MUST BE PUT ON BEFORE ELECTRONIC COMPONENTS ARE INSTALLED.

CH	CHANGE NO	REV

THIS DRAWING FOR REFERENCE ONLY



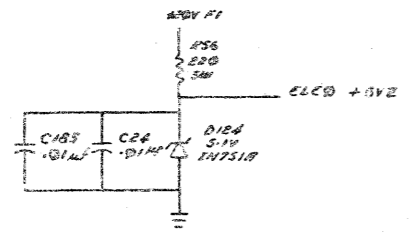
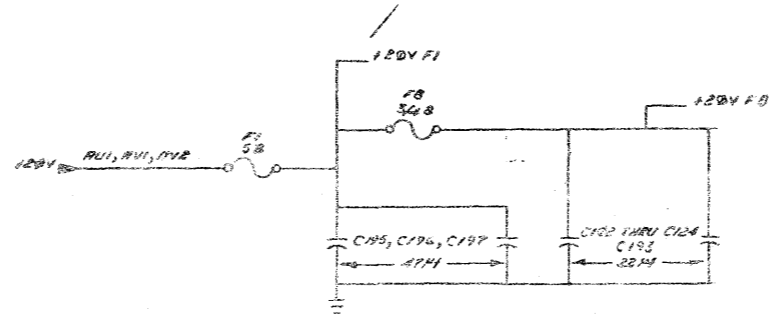
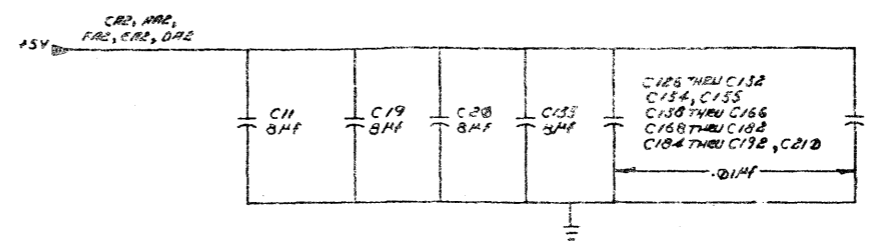
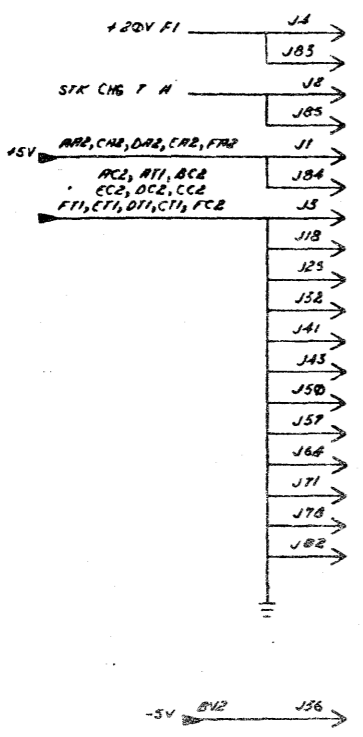
ETCH REV	D
P.C. DESIGN DATA BASE REV.	DL

SIGNATURES	DATE	digital
DRN. <i>K. [Signature]</i>	12-8-76	
CHK. <i>J. [Signature]</i>	12-9-76	TITLE 32 K SPC MEMORY
ENG. <i>A. [Signature]</i>	21APR 77	
PROJ. ENG. <i>A. [Signature]</i>	21APR 77	SCALE 2/1
PROD. <i>R.A. Hill</i>	21APR 77	
SHT. 4 OF 4	SIZE CODE D UA	NUMBER 5412149-0-0
NEXT HIGHER ASSY. 2-DD-5412149-0	REV D	

THIS DRAWING AND SPECIFICATIONS HEREIN ARE THE PROPERTY OF DIGITAL EQUIPMENT CORPORATION AND SHALL NOT BE REPRODUCED OR COPIED OR USED IN WHOLE OR IN PART AS THE BASIS FOR THE MANUFACTURE OR SALE OF ITEMS WITHOUT WRITTEN PERMISSION. COPYRIGHT © 1977 DIGITAL EQUIPMENT CORPORATION

BANK SELECTION

NON INTER LEAVED	INTER LEAVED	A17	A16	A15	A14	A13
SW	ERR1	ERR1	S17	S16	S15	S14
B	32K	64K	ON	ON	ON	ON
4K	36K	68K	ON	ON	ON	ON
8K	40K	72K	ON	ON	ON	ON
12K	44K	76K	ON	ON	ON	ON
16K	48K	80K	ON	ON	OFF	ON
20K	52K	84K	ON	ON	OFF	ON
24K	56K	88K	ON	ON	OFF	ON
28K	60K	92K	ON	ON	OFF	ON
32K	64K	96K	ON	OFF	ON	ON
36K	68K	100K	ON	OFF	ON	ON
40K	72K	104K	ON	OFF	ON	ON
44K	76K	108K	ON	OFF	ON	ON
48K	80K	112K	ON	OFF	ON	ON
52K	84K	116K	ON	OFF	ON	ON
56K	88K	120K	ON	OFF	ON	ON
60K	92K	124K	ON	OFF	ON	ON
64K	96K	128K	OFF	ON	ON	ON
68K	100K	132K	OFF	ON	ON	ON
72K	104K	136K	OFF	ON	ON	ON
76K	108K	140K	OFF	ON	ON	ON
80K	112K	144K	OFF	ON	ON	ON
84K	116K	148K	OFF	ON	ON	ON
88K	120K	152K	OFF	ON	ON	ON
92K	124K	156K	OFF	ON	ON	ON
96K	128K	160K	OFF	ON	ON	ON
100K	132K	164K	OFF	ON	ON	ON
104K	136K	168K	OFF	ON	ON	ON
108K	140K	172K	OFF	ON	ON	ON
112K	144K	176K	OFF	ON	ON	ON
116K	148K	180K	OFF	ON	ON	ON
120K	152K	184K	OFF	ON	ON	ON



NOTES:

- INTERFERENCE CONTROL IS ACHIEVED AS FOLLOWS:
 (A) NON-INTERLEAVED.

 (B) INTERLEAVED

 (C) THE BANK SELECTION SWITCH MUST BE SET THE SAME ON BOTH MEMORIES.
- UNDER NORMAL CONDITIONS (WS, WS', OUT) THE MEMORY WILL NOT RESPOND TO ADDRESS BETWEEN 124K AND 128K, BECAUSE THESE ADDRESSES ARE RESERVED FOR PERIPHERAL DEVICES ON THE UNIBUS. FOR SPECIAL APPLICATIONS WHERE THE RANGE OF PERIPHERAL ADDRESSES IS MORE RESTRICTED THAN THIS 4K RANGE THE MEMORY CAN BE CONFIGURED TO INCLUDE THE ADDITIONAL UNIBUS ADDRESSES AS FOLLOWS:
 WS IN } 124K TO 126K
 WS OUT }
 WS IN } 124K TO 127K
 WS IN }
 NOTE THAT FOR SYSTEMS WITHOUT MEMORY HIERARCHY, THIS PROVIDES THE USABLE UNIBUS ADDRESS SPACE FOR MEMORY CAN BE EXTENDED FROM 28K TO 32K OR 31K BY SPECIFYING SOME PERIPHERAL SPACE.
 CAUTION: SOME DIGITAL SOFTWARE MAY NOT BE COMPATIBLE WITH THE REDUCED PERIPHERAL ADDRESS SPACE. TO ASSURE COMPATIBILITY THIS AND WS MUST BE OUT.
- SCHEMATIC FOR 1620 MEMORY SPACE IS SHOWN ON CS-0-01449-9-1.

MODE	WRITE DATA	CLOCK W. CLOCK IN	CLOCK O. CLOCK IN	STROBE W. IN INHIBIT	STROBE W. INHIBIT	OUT EN L
DATA	BUS CD=H BUS CI=H	H	L	L	L	L
DATA	BUS CD=H BUS CI=L	L	L	H	L	H
DATA	BUS CD=L BUS CI=L	L	L	H	L	L
DATA	BUS CD=L BUS CI=H	H	L	L	L	H

75325	6	9	16
8640	1	8	
8641	8	16	
783H	12	5	
7875	12	5	
7612	8	16	
IC TYPE	UND	+5V	+20

DATE	BY	REVISION	DESCRIPTION
	W. COATES	1	INITIAL DESIGN
	W. COATES	2	REVISED FOR MANUFACTURE

5. WS, WS', WS', WS', WS', WS' MUST BE INSTALLED BEFORE MEMORY TEST.

6. WS, WS' AND CONTROL BITS 16 AND 15 (A) FOR 16 BIT SYSTEM WS AND WS' ONLY. (B) FOR 18 BIT SYSTEM WS AND WS' ON.

DRN. S. 12/27/77	FIRST USED ON	
CHKD. 01/01/78	BY WPT	
ENG. BY J. G. G.	DATE 11/17/77	
PROJ. ENG. W. G. G.	DATE 01/01/78	
PROD. R. A. M.	DATE 11/17/77	
NEXT HIGHER ASSY.		
B-DD-6657-0	SIZE	D CS
SCALE	MCNE	
SHEET 1 OF 18	DIST.	
TITLE: (ELE0) 32K SPEC ELECTRONICS		
NUMBER	6657-0-1	REV. E

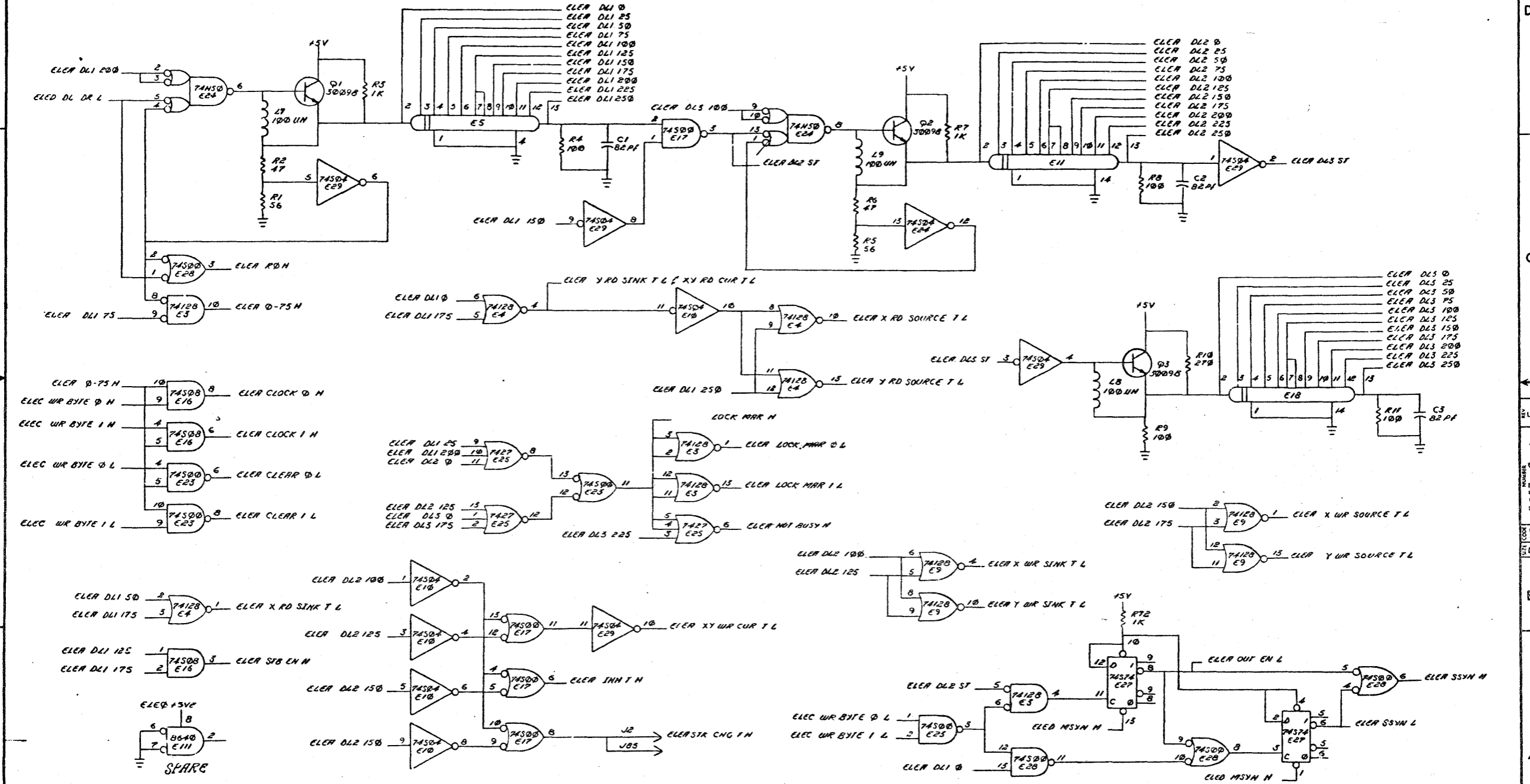
ML2 1

THIS DRAWING AND SPECIFICATIONS HEREIN ARE THE PROPERTY OF DIGITAL EQUIPMENT CORPORATION AND SHALL NOT BE REPRODUCED OR COPIED OR USED IN WHOLE OR IN PART AS THE BASIS FOR THE MANUFACTURE OR SALE OF ITEMS WITHOUT WRITTEN PERMISSION. COPYRIGHT © 1976 DIGITAL EQUIPMENT CORPORATION

NOTE: ALL DIODES DLT2 UNLESS OTHERWISE SPECIFIED

BUS GRANT LINES

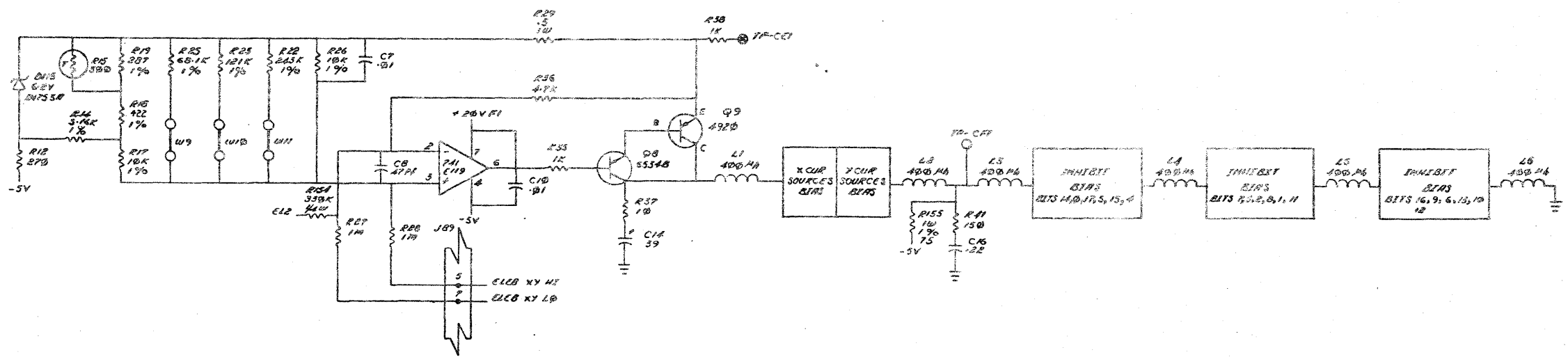
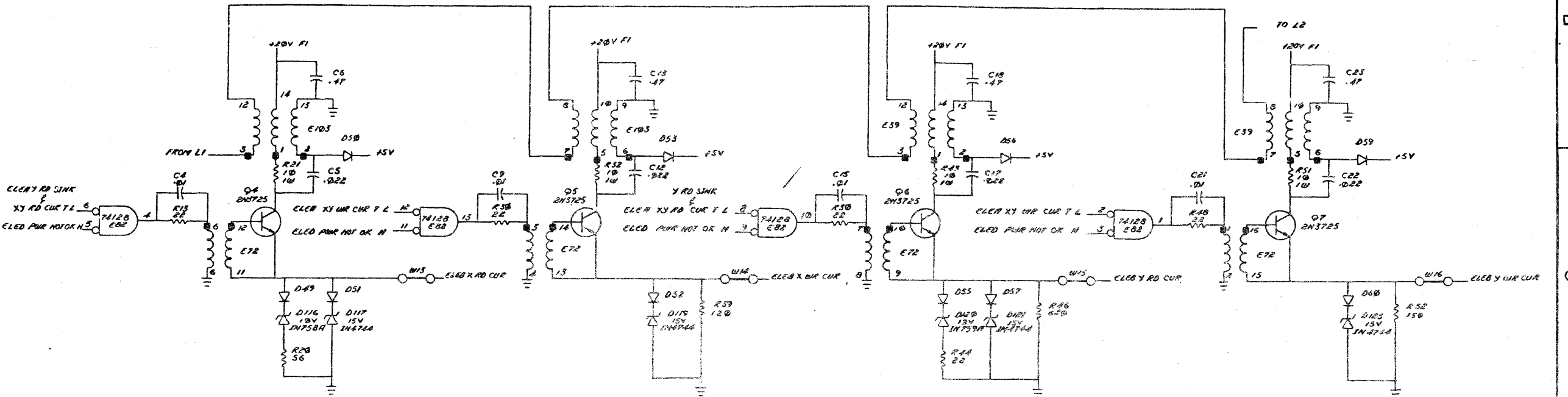
- DR2 - DL2
- DM2 - DN2
- DP2 - DR2
- DS2 - DT2
- CA1 - CB1



CHK	CHANGE NO.	REV.

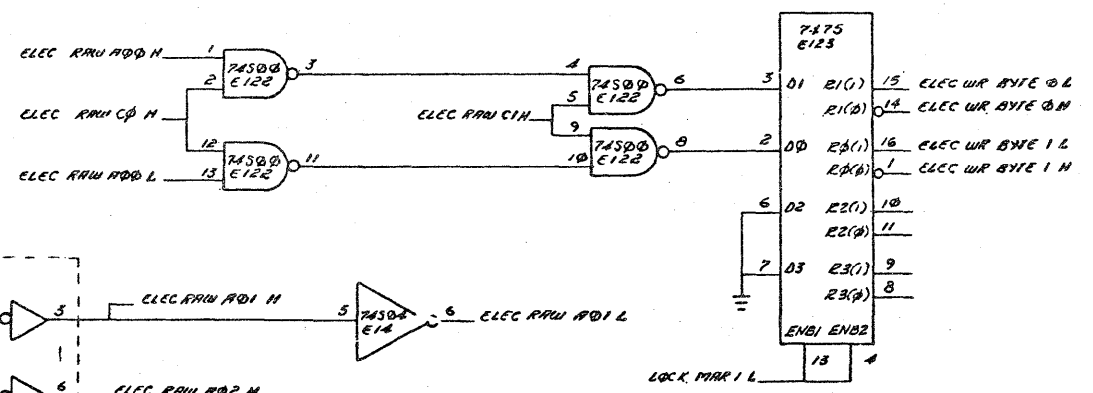
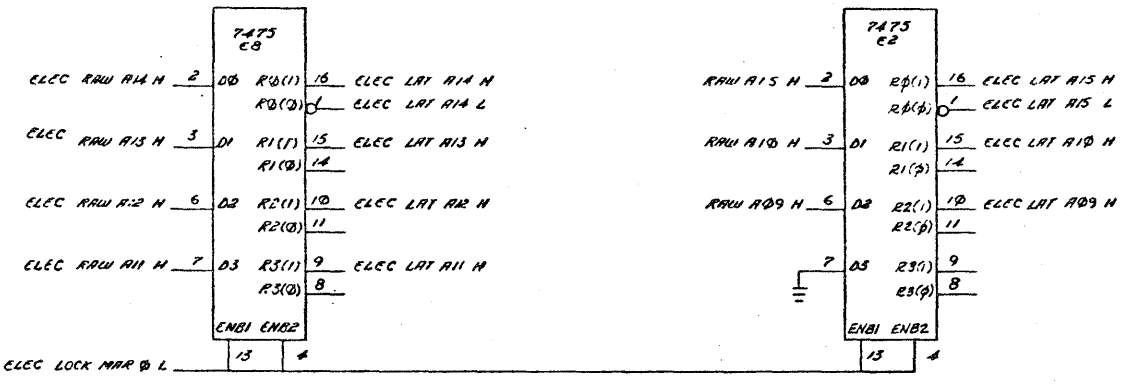
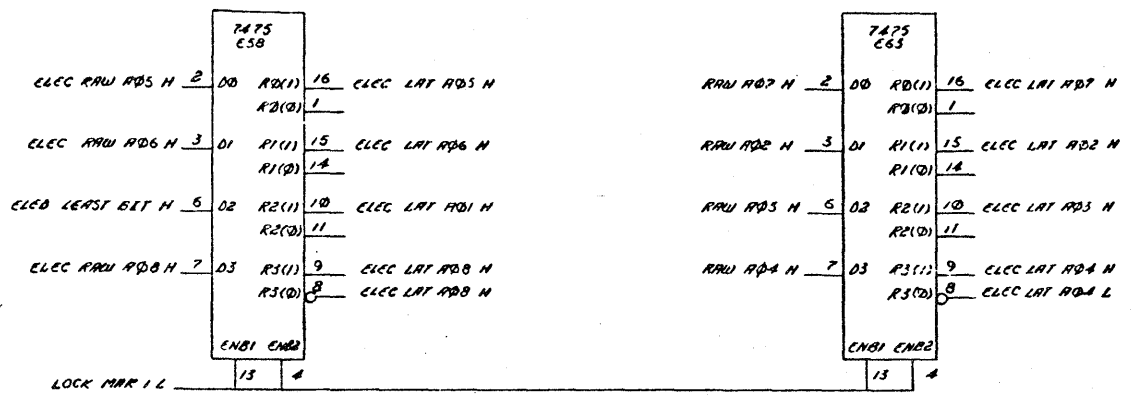
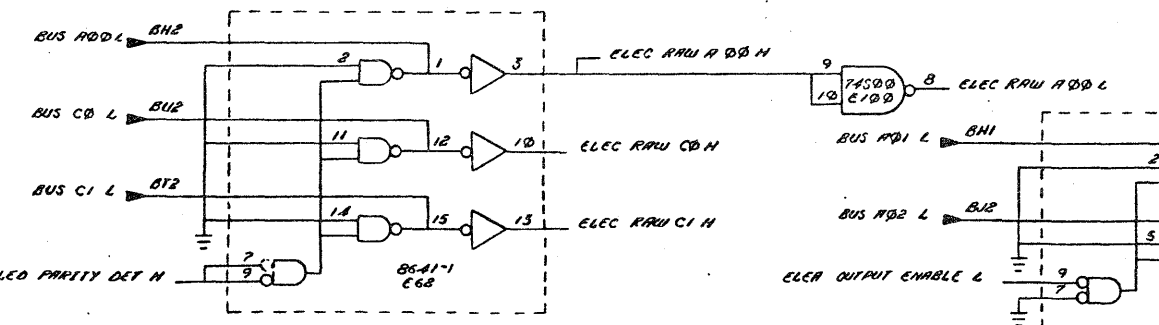
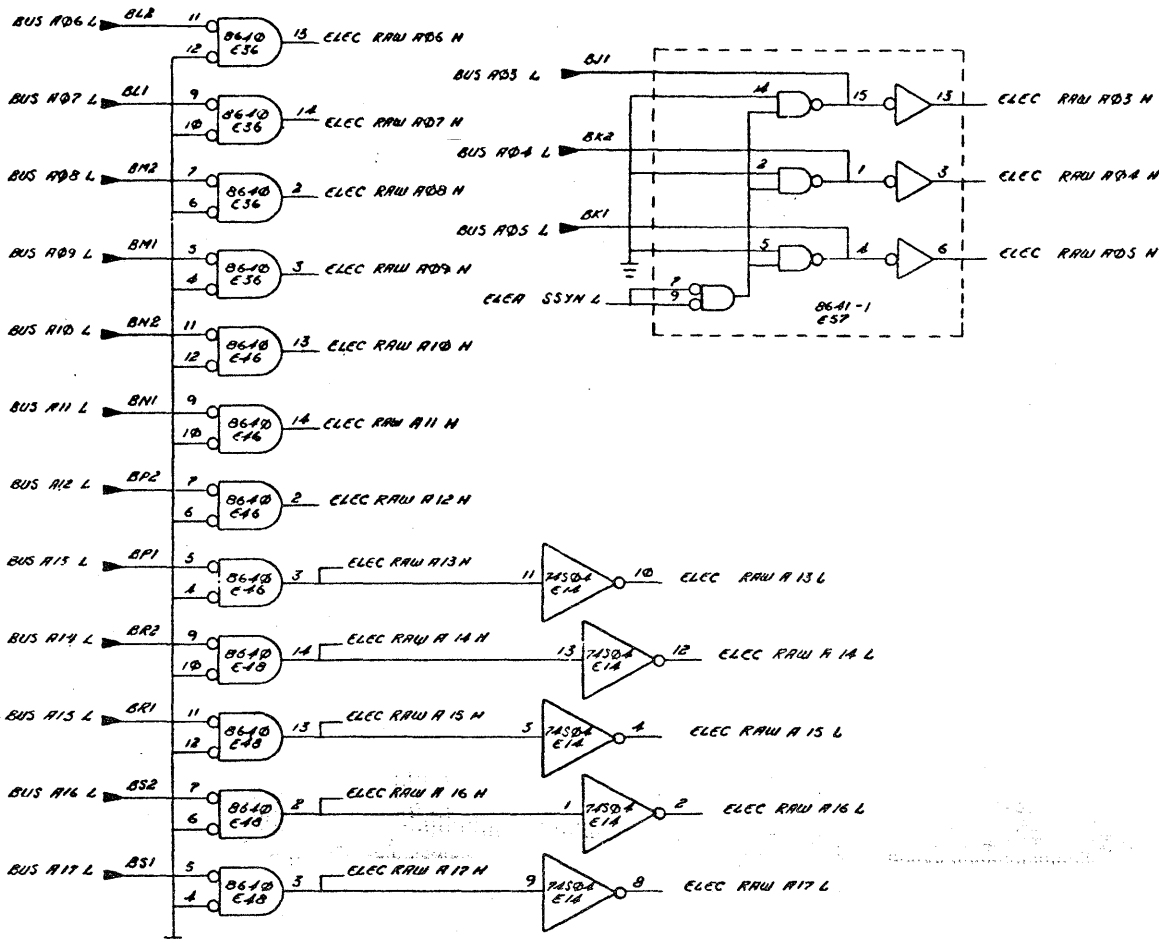
REV. 1
G657-0-1
DCS

THIS DRAWING AND SPECIFICATIONS HEREIN ARE THE PROPERTY OF DIGITAL EQUIPMENT CORPORATION AND SHALL NOT BE REPRODUCED OR COPIED OR LOANED IN WHOLE OR IN PART AS THE BASIS FOR THE MANUFACTURE OR SALE OF ITEMS WITHOUT WRITTEN PERMISSION. COPYRIGHT © 1965 DIGITAL EQUIPMENT CORPORATION



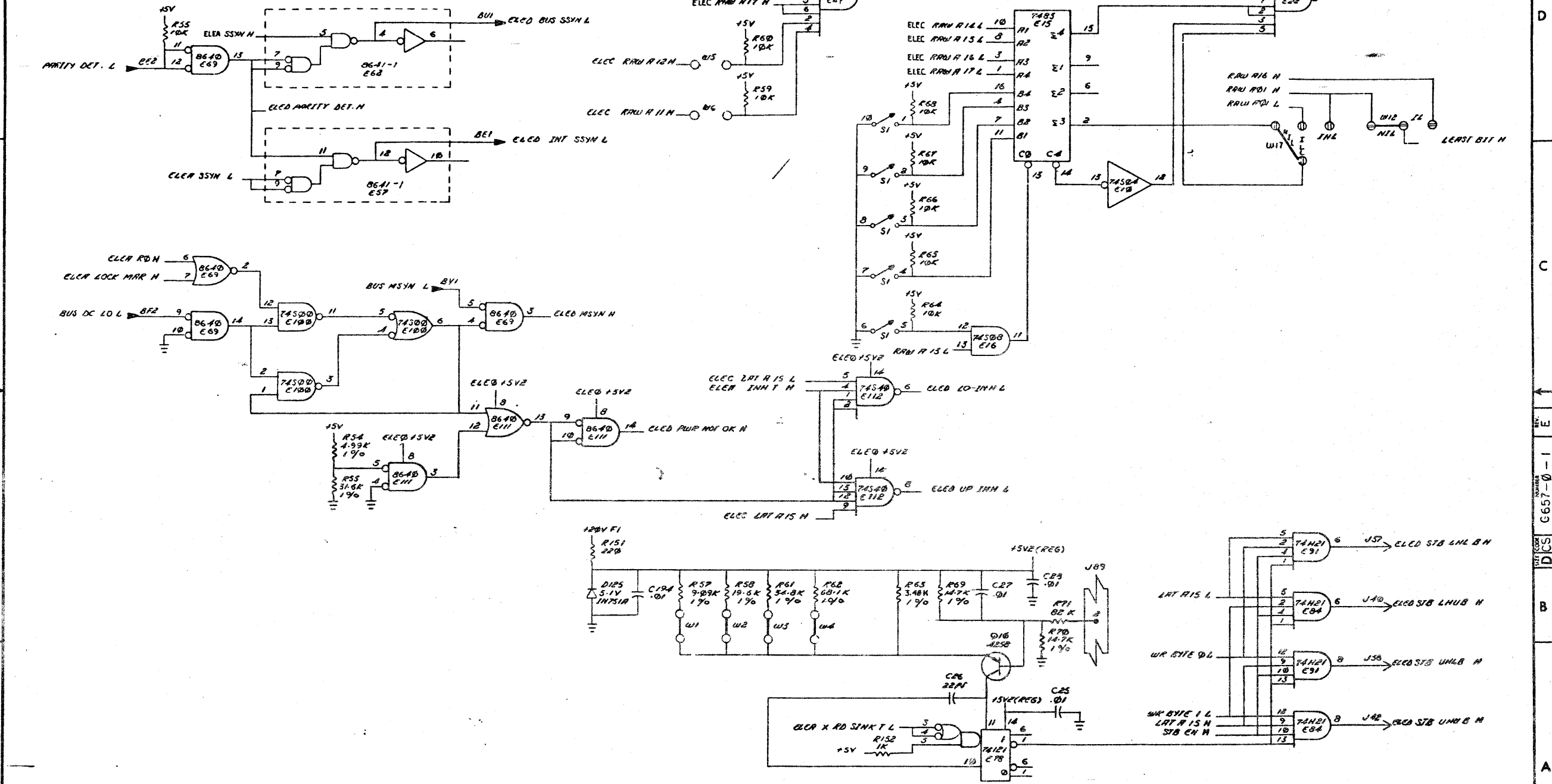
REVISIONS		
CHK	CHANGE NO.	REV.

THIS DRAWING AND SPECIFICATIONS HEREIN ARE THE PROPERTY OF DIGITAL EQUIPMENT CORPORATION AND SHALL NOT BE REPRODUCED OR COPIED OR USED IN WHOLE OR IN PART AS THE BASIS FOR THE MANUFACTURE OR SALE OF ITEMS WITHOUT WRITTEN PERMISSION. COPYRIGHT © 1976 DIGITAL EQUIPMENT CORPORATION



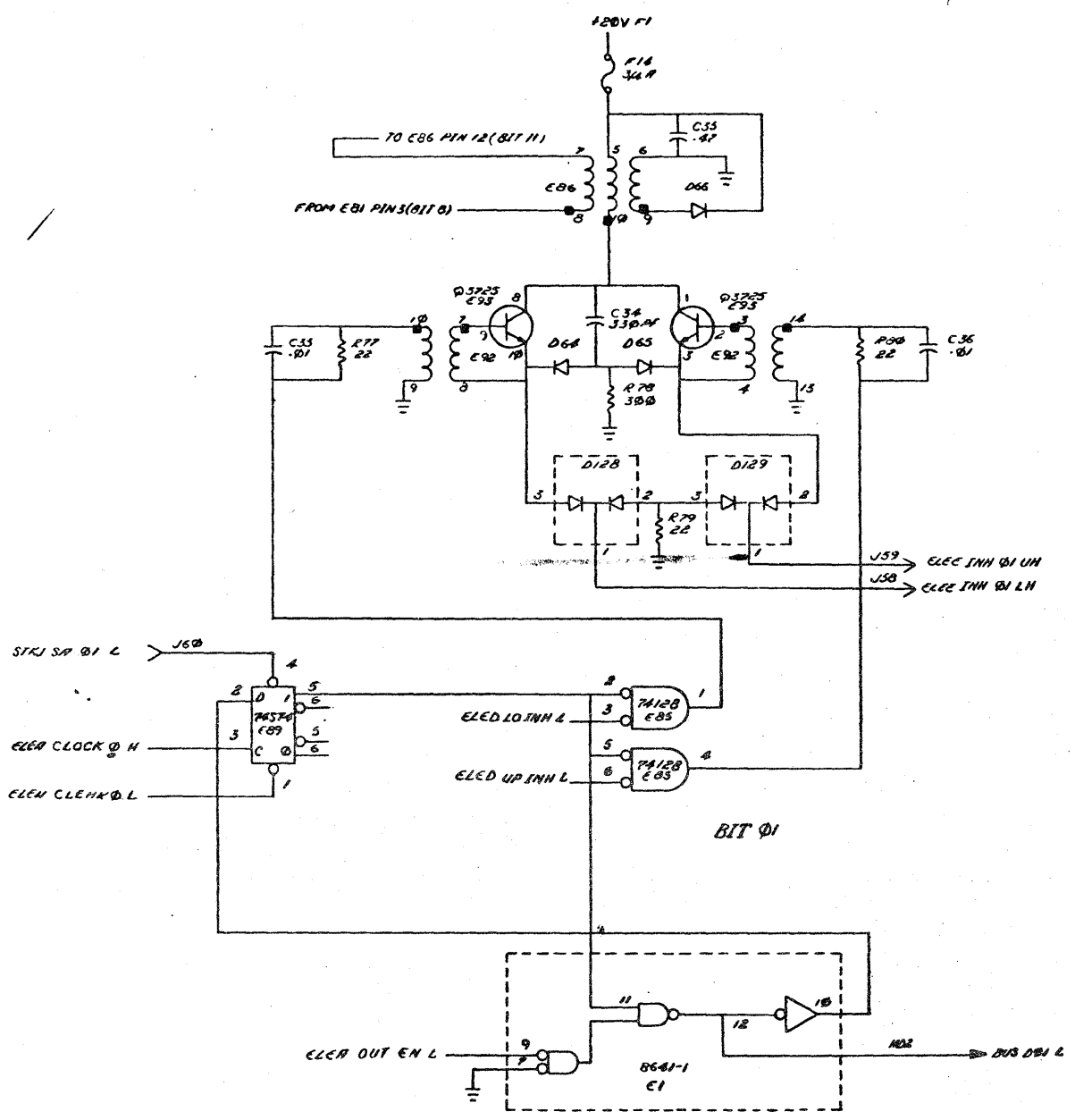
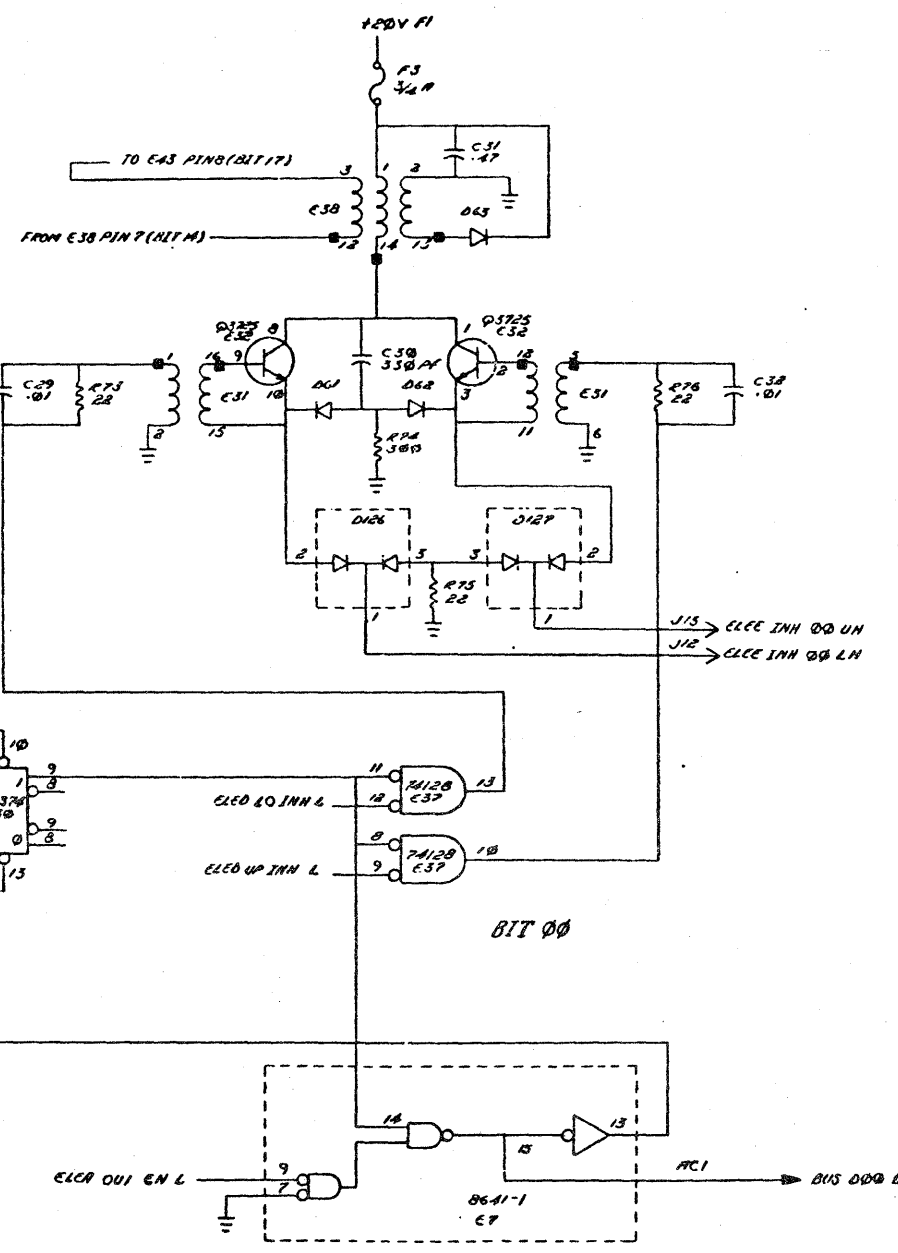
REVISIONS		
CHK	CHANGE NO.	REV.

THIS DRAWING AND SPECIFICATIONS HEREIN ARE THE PROPERTY OF DIGITAL EQUIPMENT CORPORATION AND SHALL NOT BE REPRODUCED OR COPIED OR USED IN WHOLE OR IN PART AS THE BASIS FOR THE MANUFACTURE OR SALE OF ITEMS WITHOUT WRITTEN PERMISSION. COPYRIGHT © 1976 DIGITAL EQUIPMENT CORPORATION



REVISIONS		
CHK	CHANGE NO.	REV.

THIS DRAWING AND SPECIFICATIONS HEREIN ARE THE PROPERTY OF DIGITAL EQUIPMENT CORPORATION AND SHALL NOT BE REPRODUCED OR COPIED OR USED IN WHOLE OR IN PART AS THE BASIS FOR THE MANUFACTURE OR SALE OF ITEMS WITHOUT WRITTEN PERMISSION. COPYRIGHT © 1976 DIGITAL EQUIPMENT CORPORATION

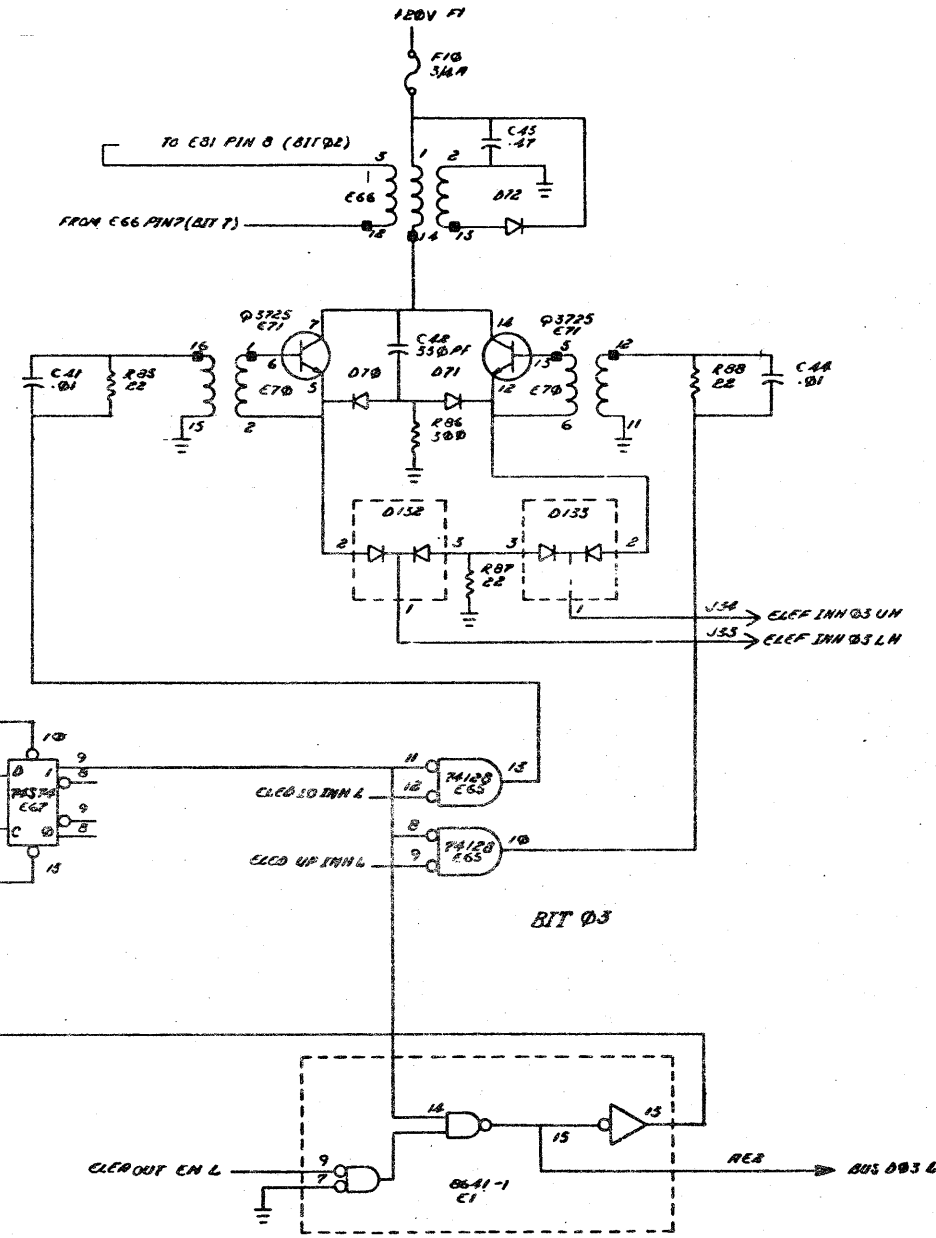
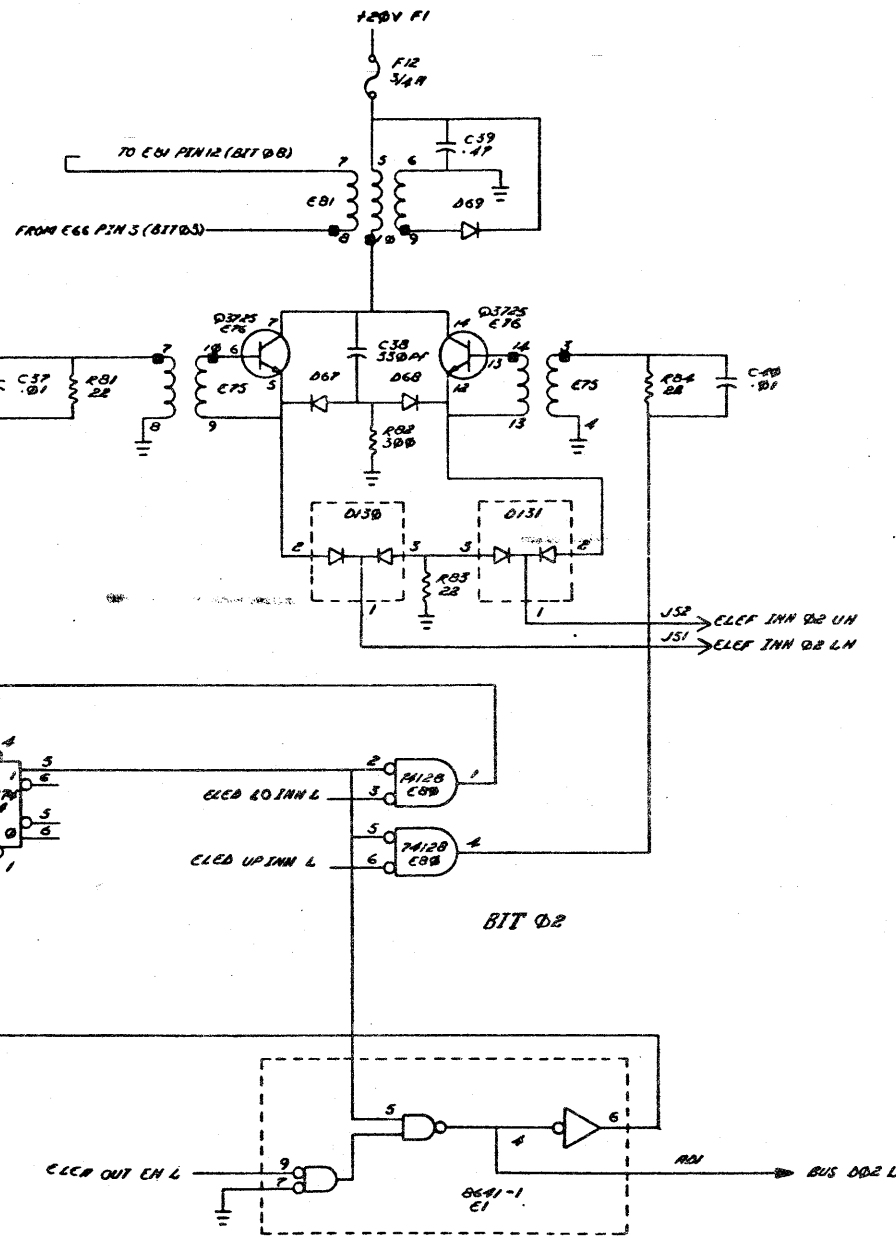


REVISIONS		
CHK	CHANGE NO.	REV.

TITLE	(ELEC) 32K SPC ELECTRONICS	SIZE CODE	DCS	NUMBER	G657-0-1	REV.	E
SCALE	NONE	SHEET	6	OF	18	DIST.	

DCS G657-0-1
 NUMBER
 REV. E

THIS DRAWING AND SPECIFICATIONS HEREIN ARE THE PROPERTY OF DIGITAL EQUIPMENT CORPORATION AND SHALL NOT BE REPRODUCED OR COPIED OR USED IN WHOLE OR IN PART AS THE BASIS FOR THE MANUFACTURE OR SALE OF ITEMS WITHOUT WRITTEN PERMISSION. COPYRIGHT © 1976 DIGITAL EQUIPMENT CORPORATION

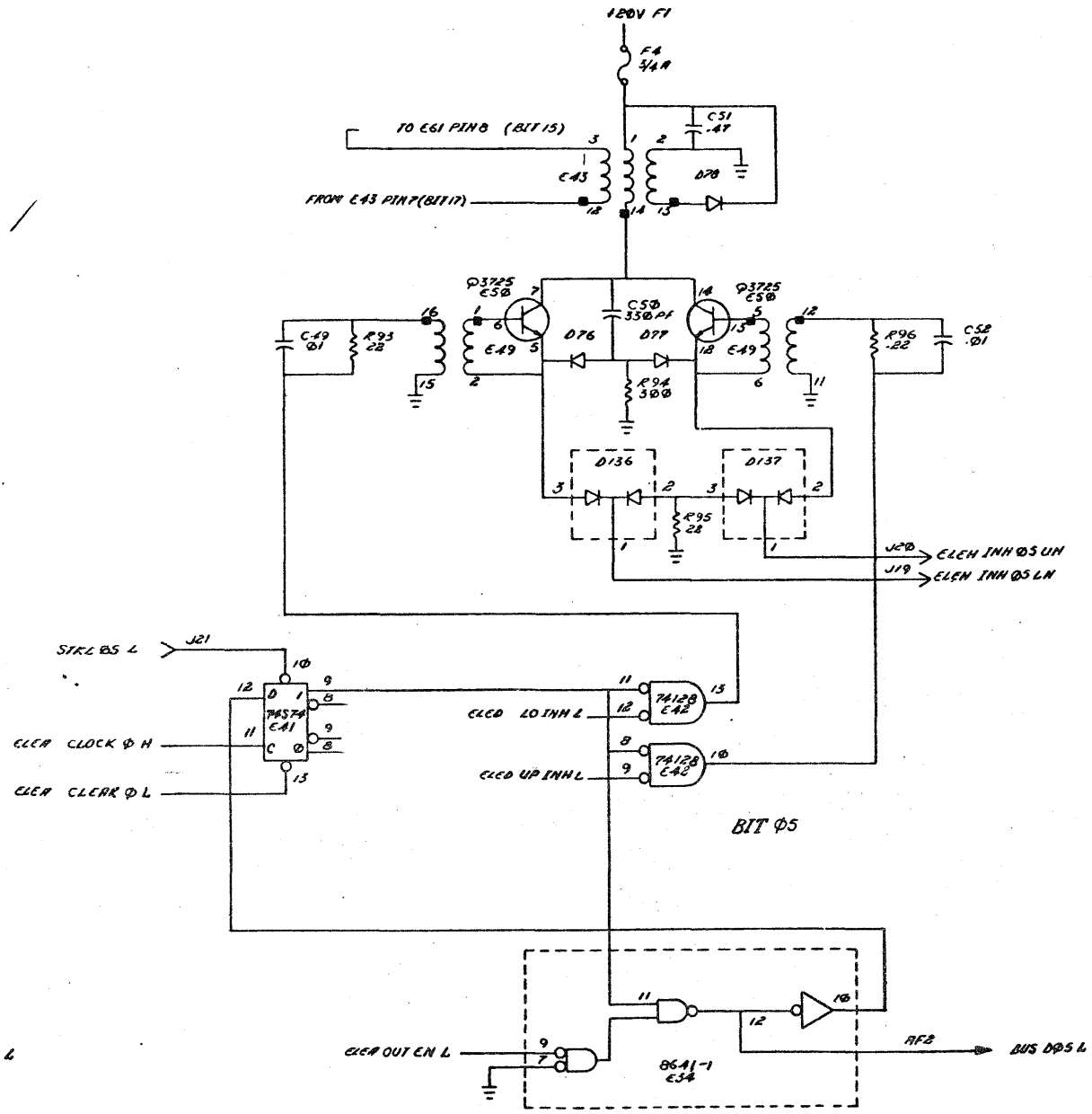
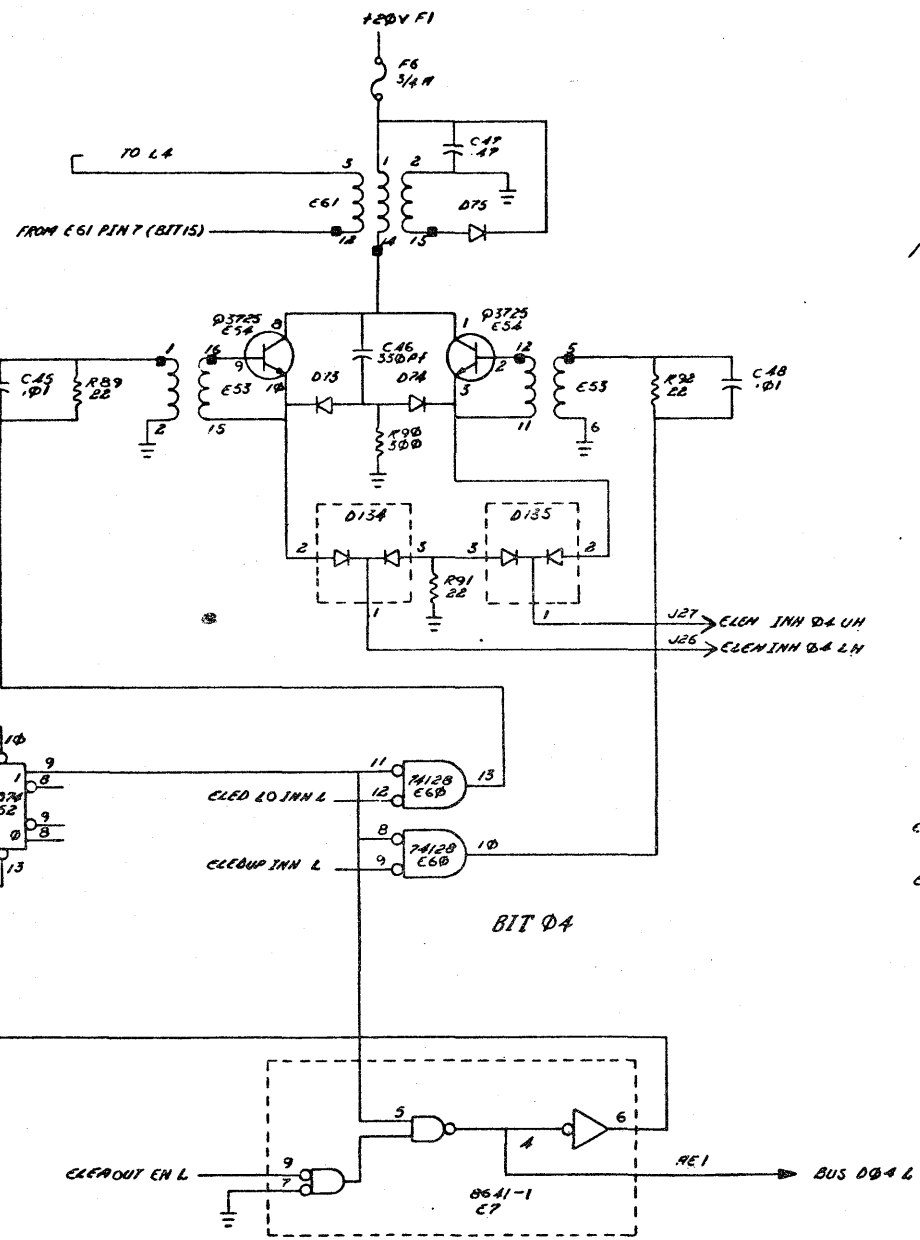


REVISIONS		
CHK	CHANGE NO.	REV.

TITLE	(ELEF) 32K SPC ELECTRONICS	SIZE CODE	NUMBER	REV.
SCALE	NONE	SHEET 7 OF 18	DIST.	E

DCS 6657-0-1
 ELEF

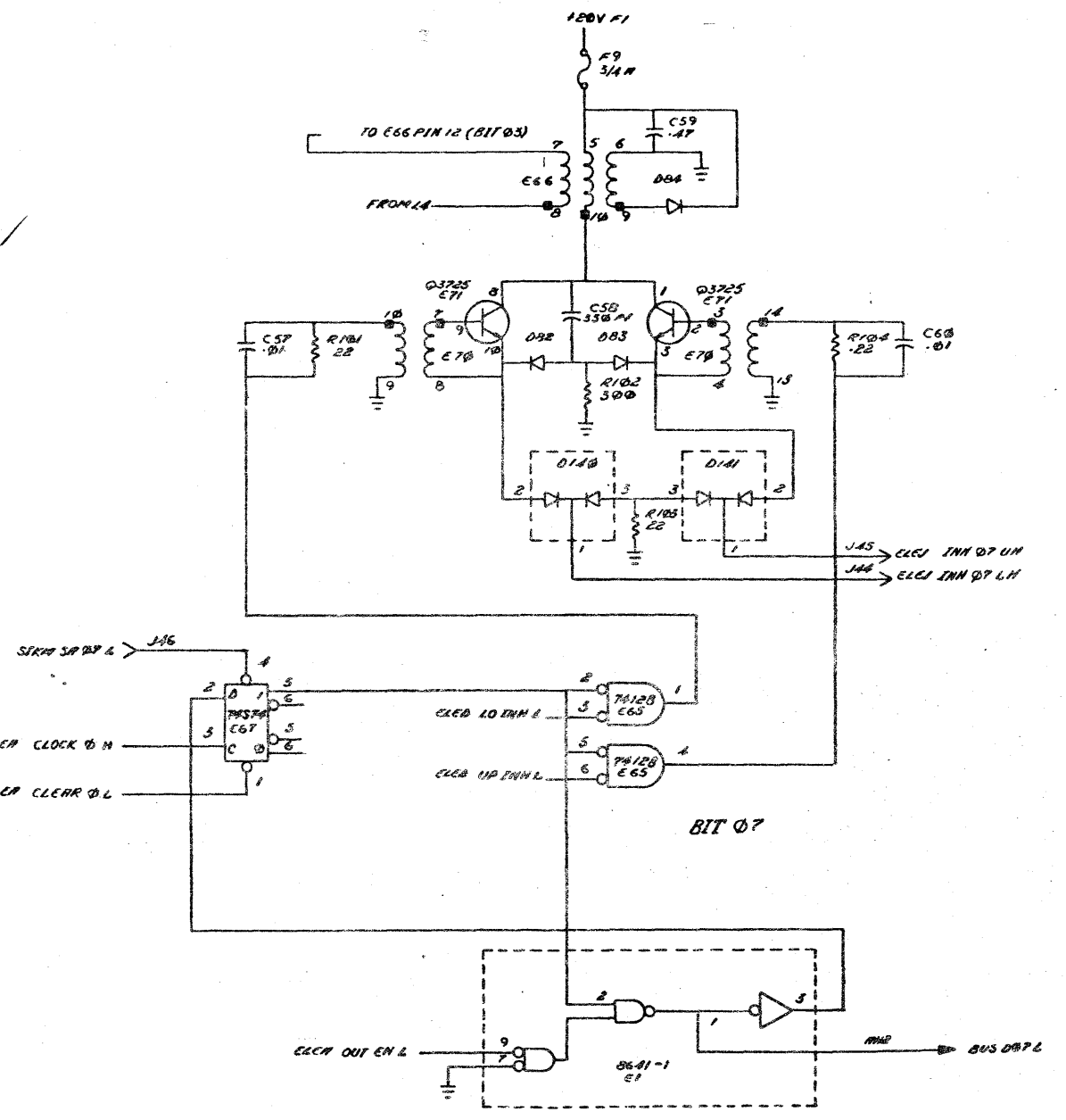
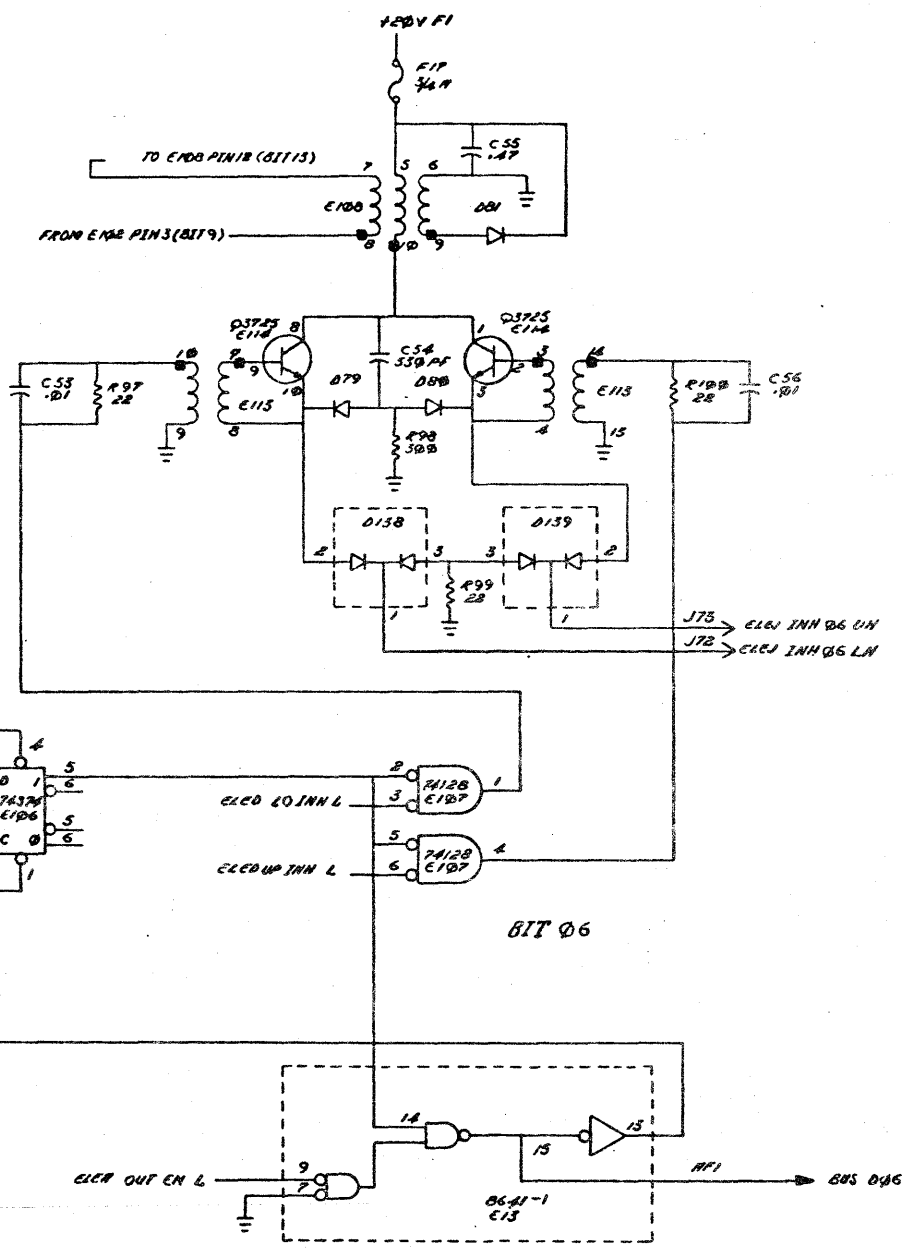
THIS DRAWING AND SPECIFICATIONS HEREIN ARE THE PROPERTY OF DIGITAL EQUIPMENT CORPORATION AND SHALL NOT BE REPRODUCED OR COPIED OR USED IN WHOLE OR IN PART AS THE BASIS FOR THE MANUFACTURE OR SALE OF ITEMS WITHOUT WRITTEN PERMISSION. COPYRIGHT © 1976, DIGITAL EQUIPMENT CORPORATION.



REVISIONS		
CHK	CHANGE NO.	REV.

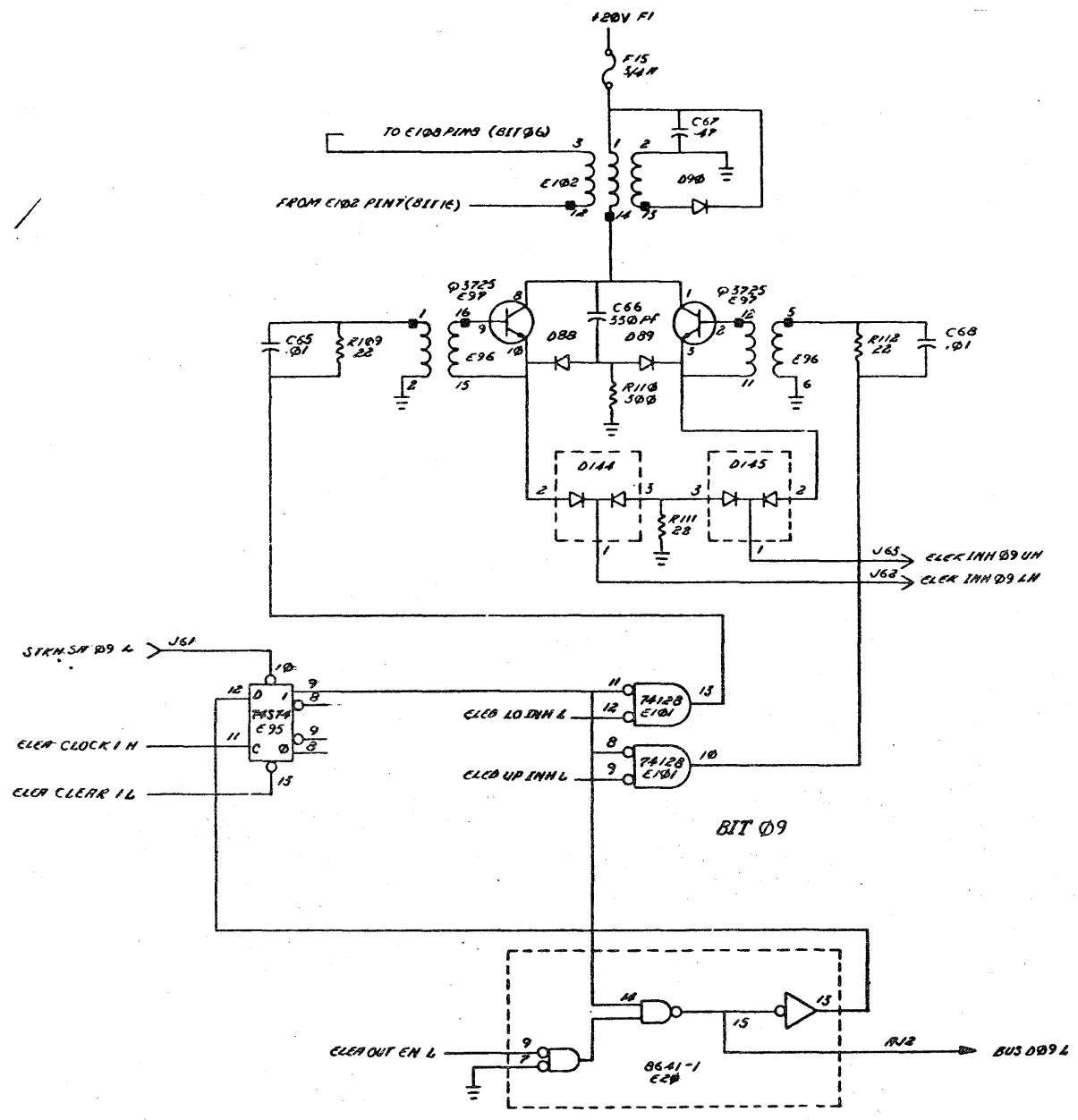
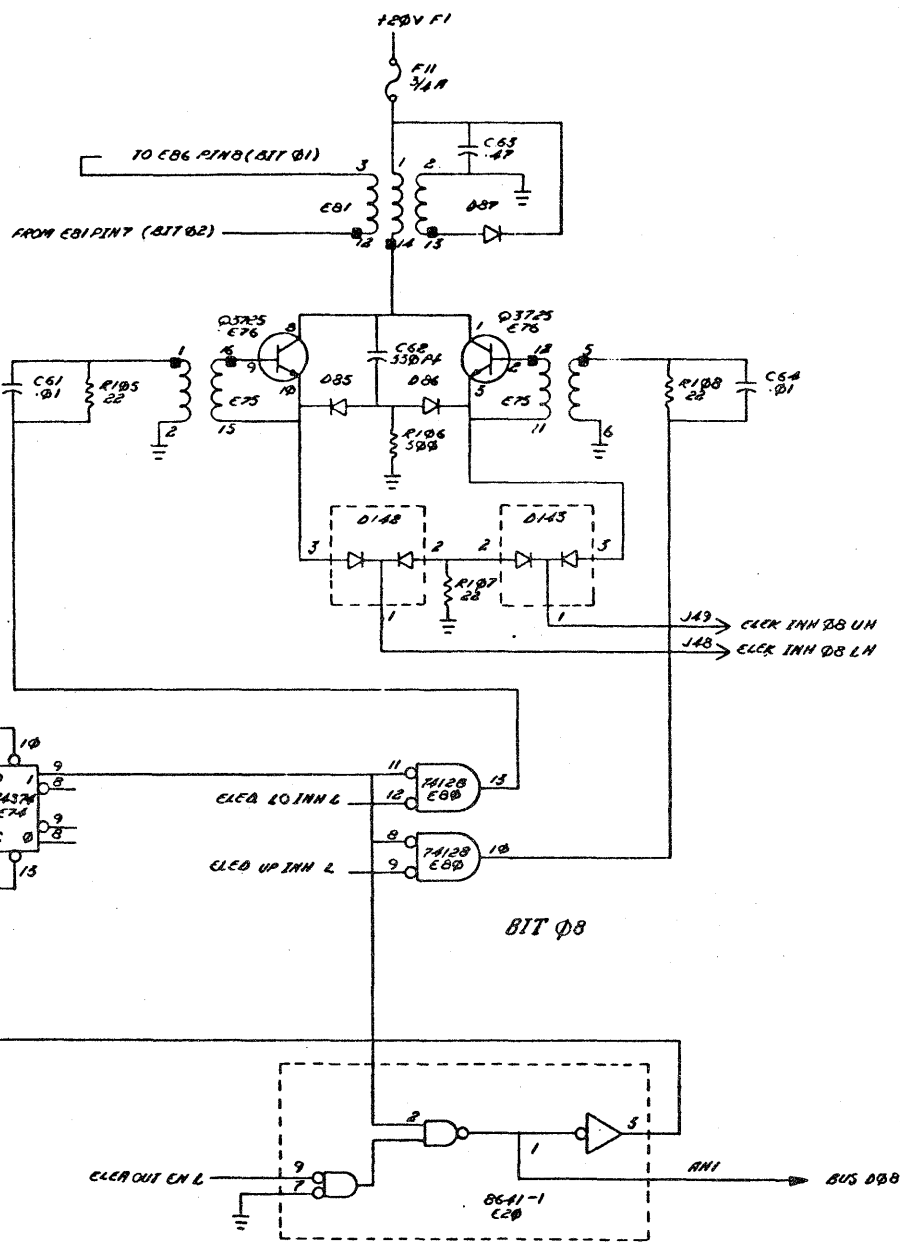
REV. E
DCS 6657-0-1

THIS DRAWING AND SPECIFICATIONS HEREIN ARE THE PROPERTY OF DIGITAL EQUIPMENT CORPORATION AND SHALL NOT BE REPRODUCED OR COPIED IN WHOLE OR IN PART AS THE BASIS FOR THE MANUFACTURE OR SALE OF ITEMS WITHOUT WRITTEN PERMISSION. COPYRIGHT © 1976 DIGITAL EQUIPMENT CORPORATION



CHK	CHANGE NO.	REV.

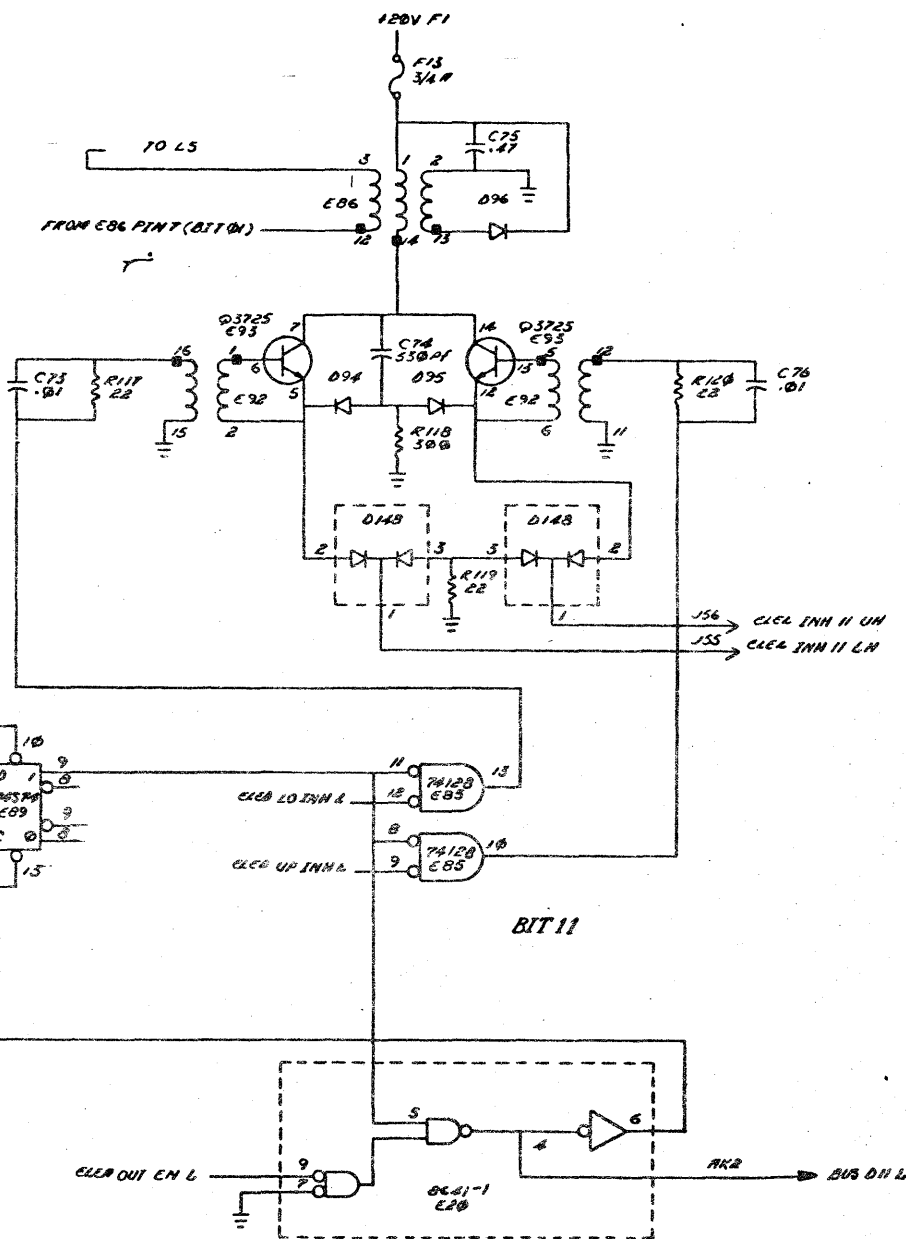
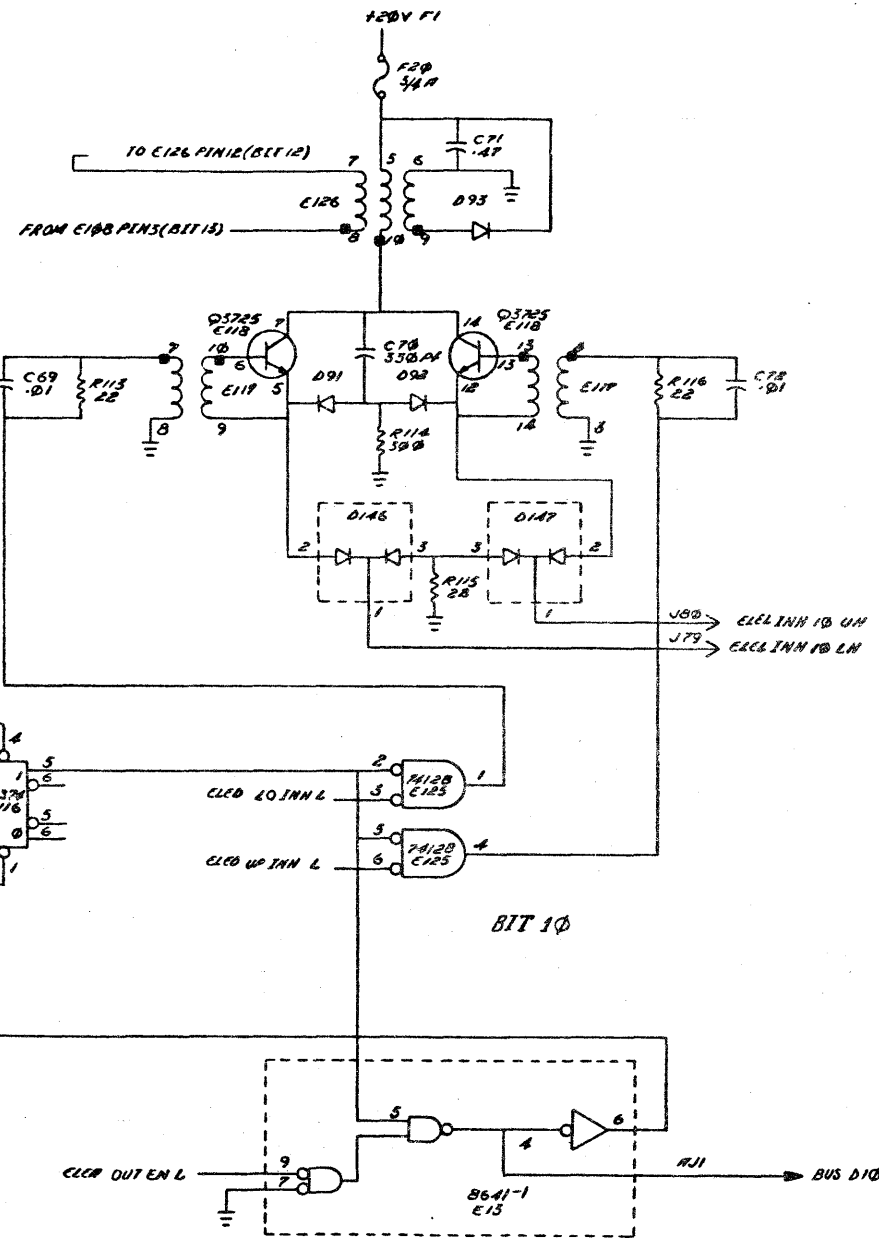
THIS DRAWING AND SPECIFICATIONS HEREIN ARE THE PROPERTY OF DIGITAL EQUIPMENT CORPORATION AND SHALL NOT BE REPRODUCED OR COPIED OR USED IN WHOLE OR IN PART AS THE BASIS FOR THE MANUFACTURE OR SALE OF ITEMS WITHOUT WRITTEN PERMISSION. COPYRIGHT © 1976 DIGITAL EQUIPMENT CORPORATION



REVISIONS		
CHK	CHANGE NO.	REV.

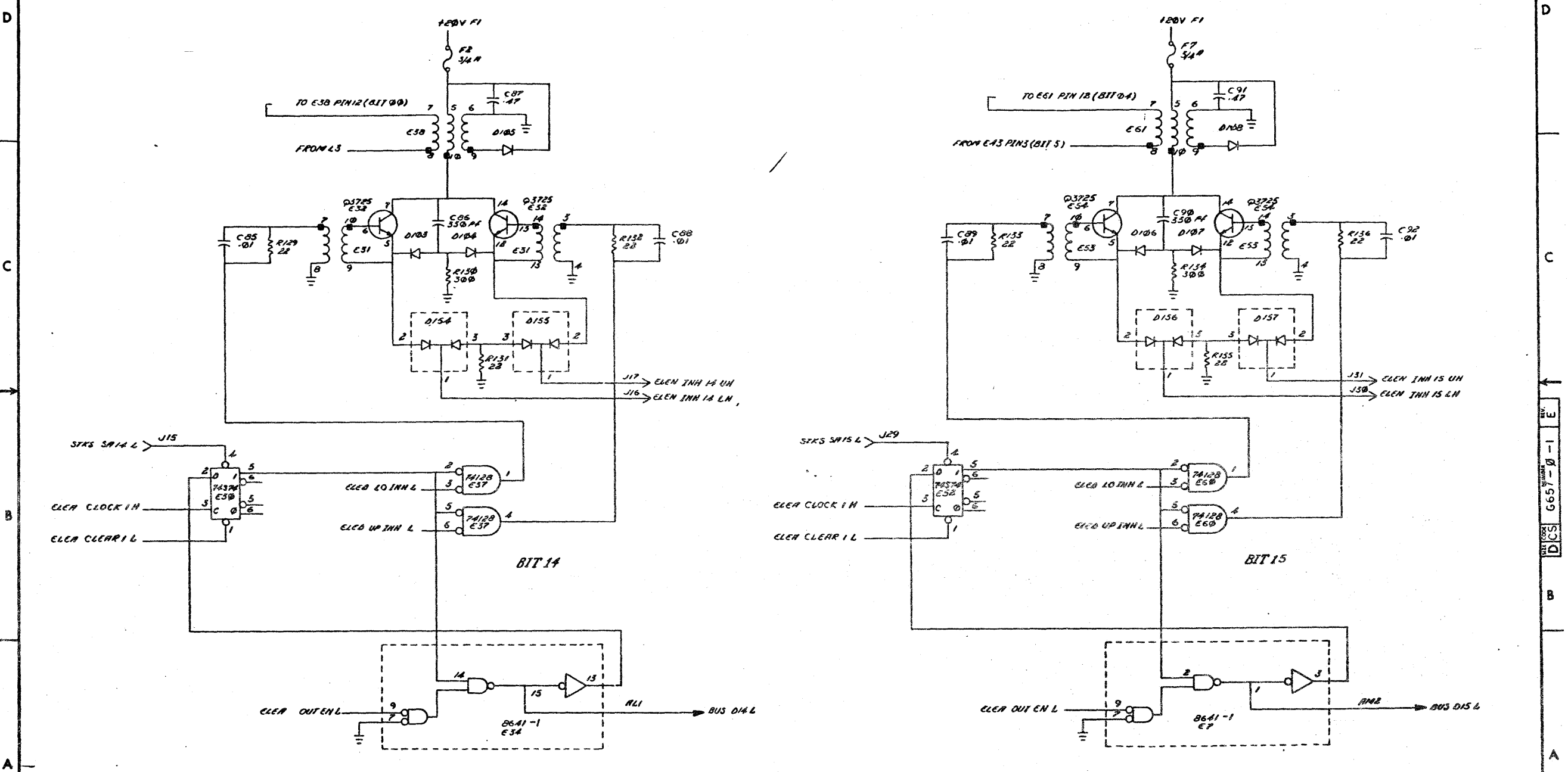
TITLE	(ELEK)	SIZE CODE	NUMBER	REV.
32K SPC ELECTRONICS	DCS	G657-0-1	E	E
SCALE	NONE	SHEET	10 OF 18	DIST.
ML2				

"THIS DRAWING AND SPECIFICATIONS HEREIN ARE THE PROPERTY OF DIGITAL EQUIPMENT CORPORATION AND SHALL NOT BE REPRODUCED OR COPIED OR USED IN WHOLE OR IN PART AS THE BASIS FOR THE MANUFACTURE OR SALE OF ITEMS WITHOUT WRITTEN PERMISSION. COPYRIGHT © 1976 DIGITAL EQUIPMENT CORPORATION"



REVISIONS		
CHK	CHANGE NO.	REV.

"THIS DRAWING AND SPECIFICATIONS HEREIN ARE THE PROPERTY OF DIGITAL EQUIPMENT CORPORATION AND SHALL NOT BE REPRODUCED OR COPIED OR USED IN WHOLE OR IN PART AS THE BASIS FOR THE MANUFACTURE OR SALE OF ITEMS WITHOUT WRITTEN PERMISSION. COPYRIGHT © 1975 DIGITAL EQUIPMENT CORPORATION"

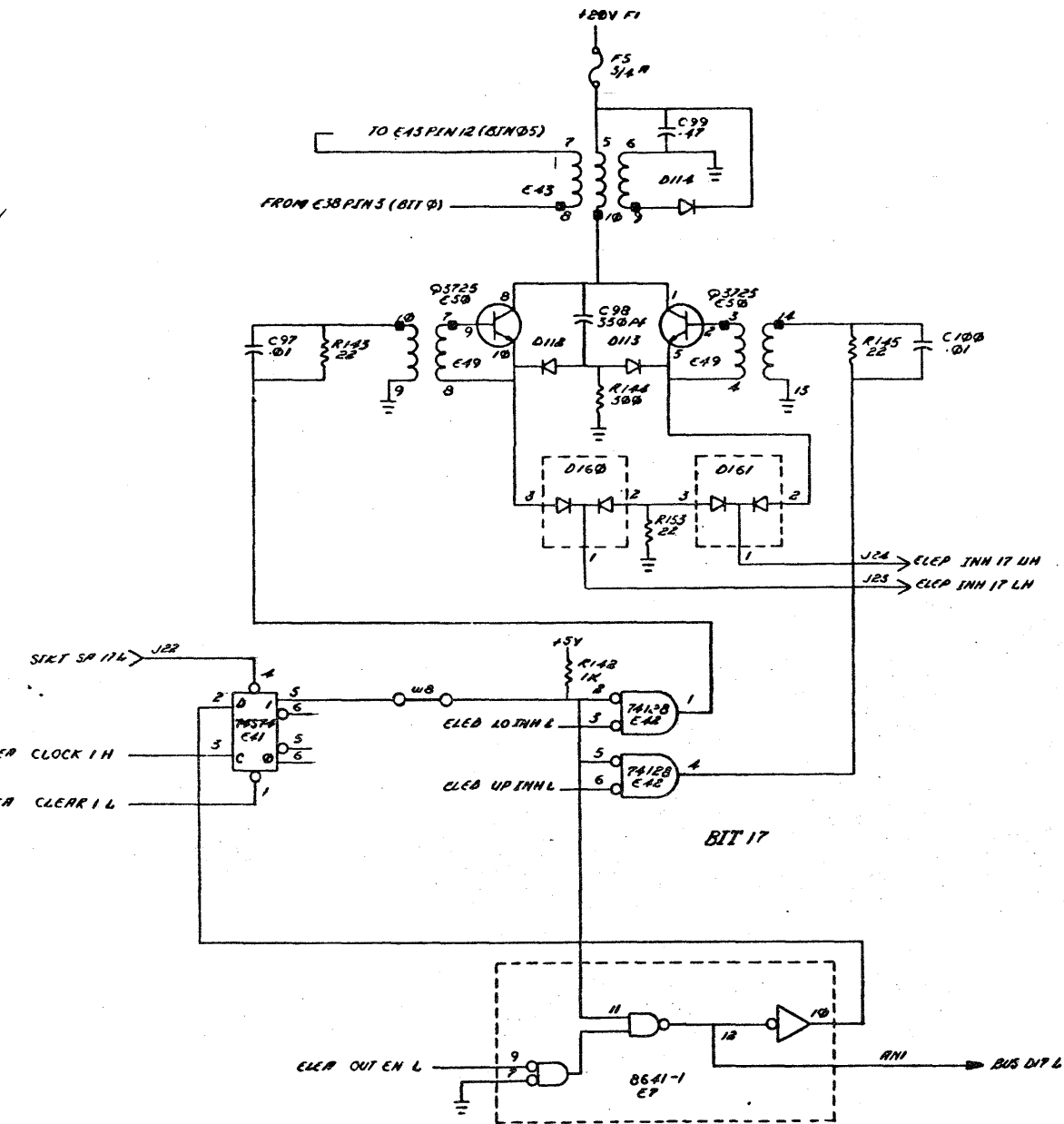
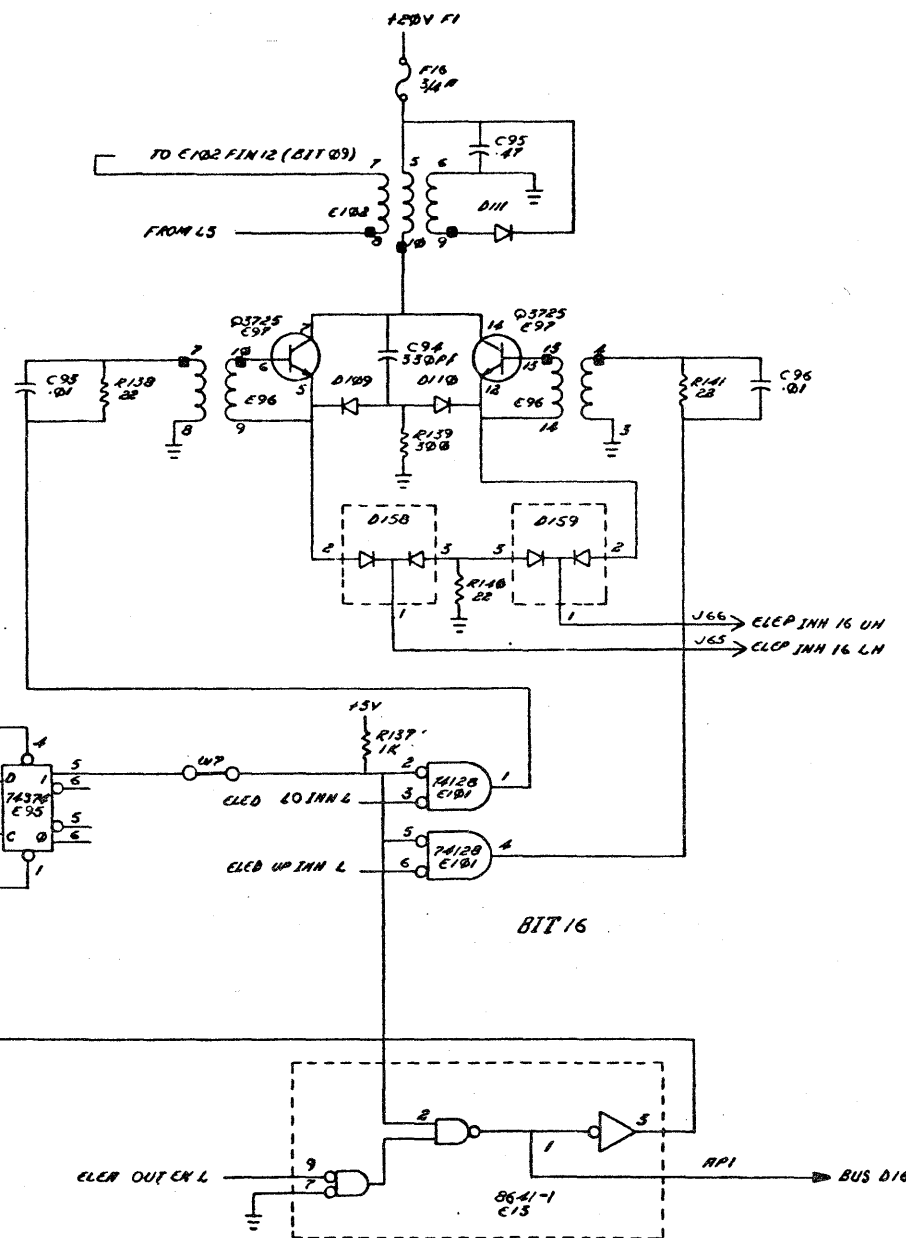


REVISIONS		
CHK	CHANGE NO.	REV.

TITLE	(ELEN)	SIZE CODE	NUMBER	REV.
32K SPC ELECTRONICS	DCS	G657-0-1	E	
SCALE	NONE	SHEET	13 OF 18	
		MIL2		

REV. E
DCS G657-0-1

THIS DRAWING AND SPECIFICATIONS HEREIN ARE THE PROPERTY OF DIGITAL EQUIPMENT CORPORATION AND SHALL NOT BE REPRODUCED OR COPIED IN WHOLE OR IN PART AS THE BASIS FOR THE MANUFACTURE OR SALE OF ITEMS WITHOUT WRITTEN PERMISSION. COPYRIGHT © 1976 DIGITAL EQUIPMENT CORPORATION



REVISIONS		
CHK	CHANGE NO.	REV.

TITLE	(ELEP)	SIZE CODE	NUMBER	REV.
32K SPC ELECTRONICS	DCS	G657-0-1	E	
SCALE	NONE	SHEET 14 OF 18	DIST.	
		ML2		

"THE DRAWING AND SPECIFICATIONS HEREIN ARE THE PROPERTY OF DIGITAL EQUIPMENT CORPORATION AND SHALL NOT BE REPRODUCED OR COPIED IN WHOLE OR IN PART AS THE BASIS FOR THE MANUFACTURE OR SALE OF ITEMS WITHOUT WRITTEN PERMISSION. COPYRIGHT © 1976 DIGITAL EQUIPMENT CORPORATION"

D

C

B

A

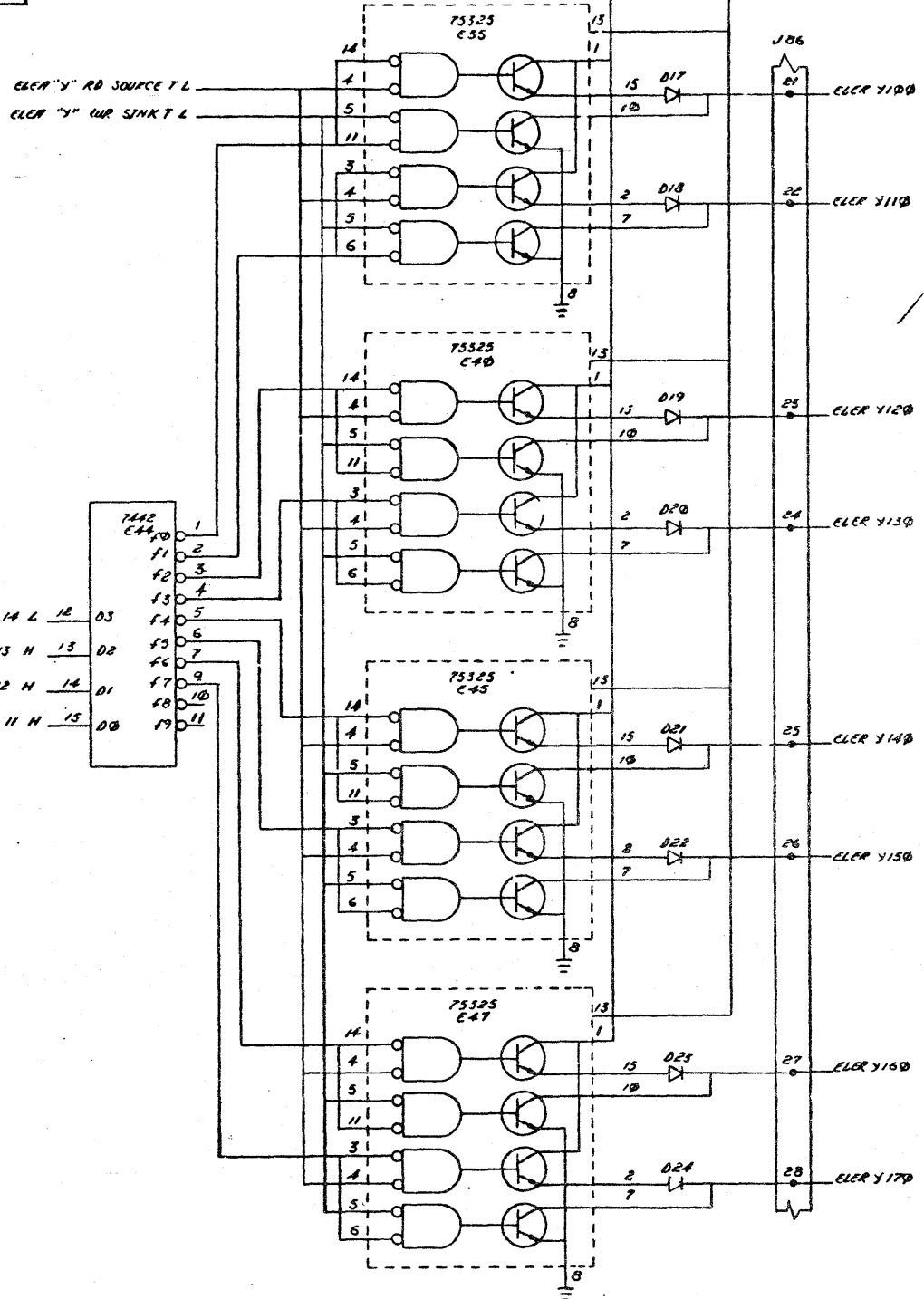
D

C

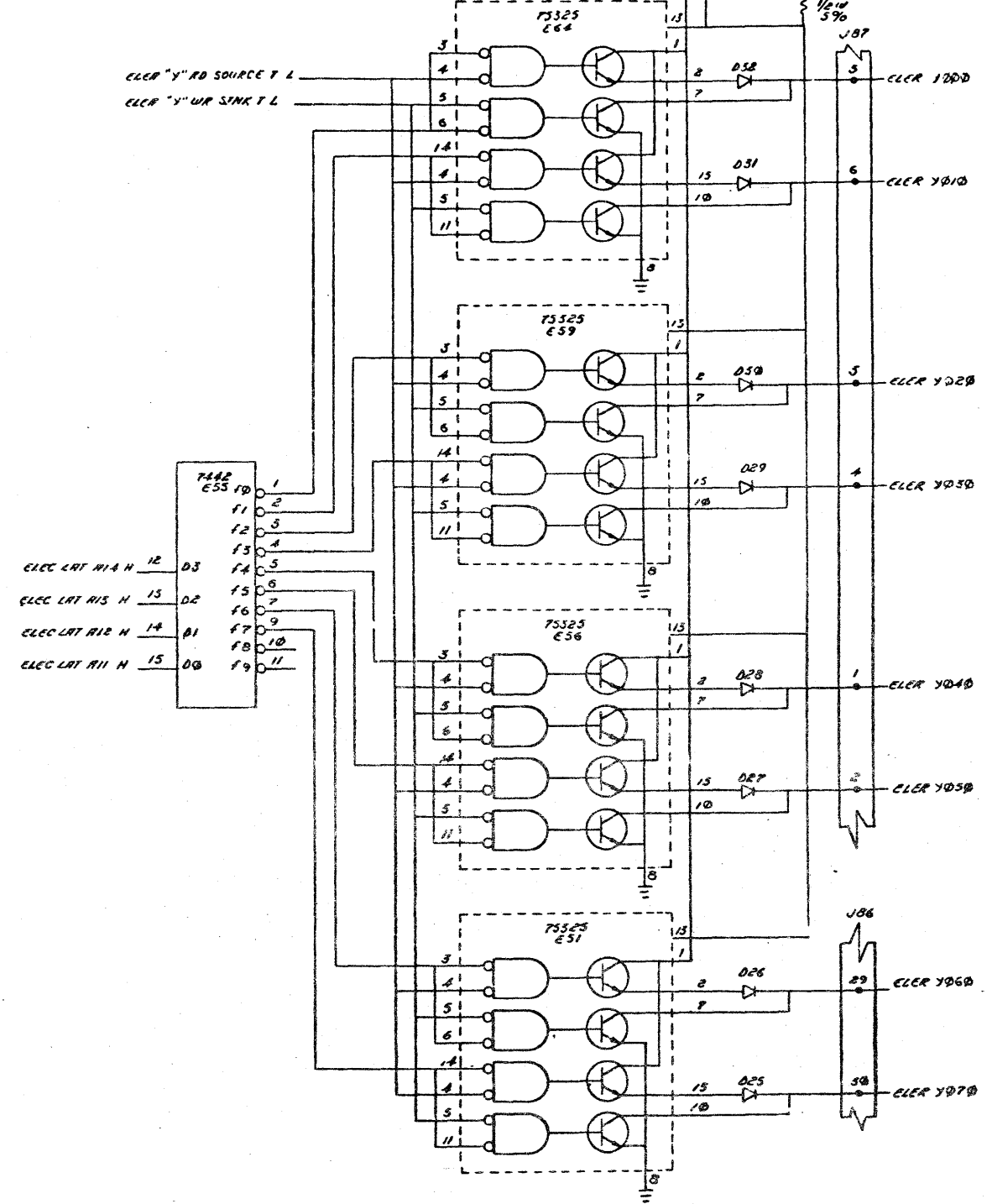
B

A

ELER "Y" READ CUR



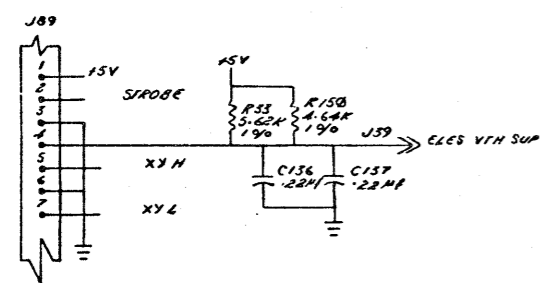
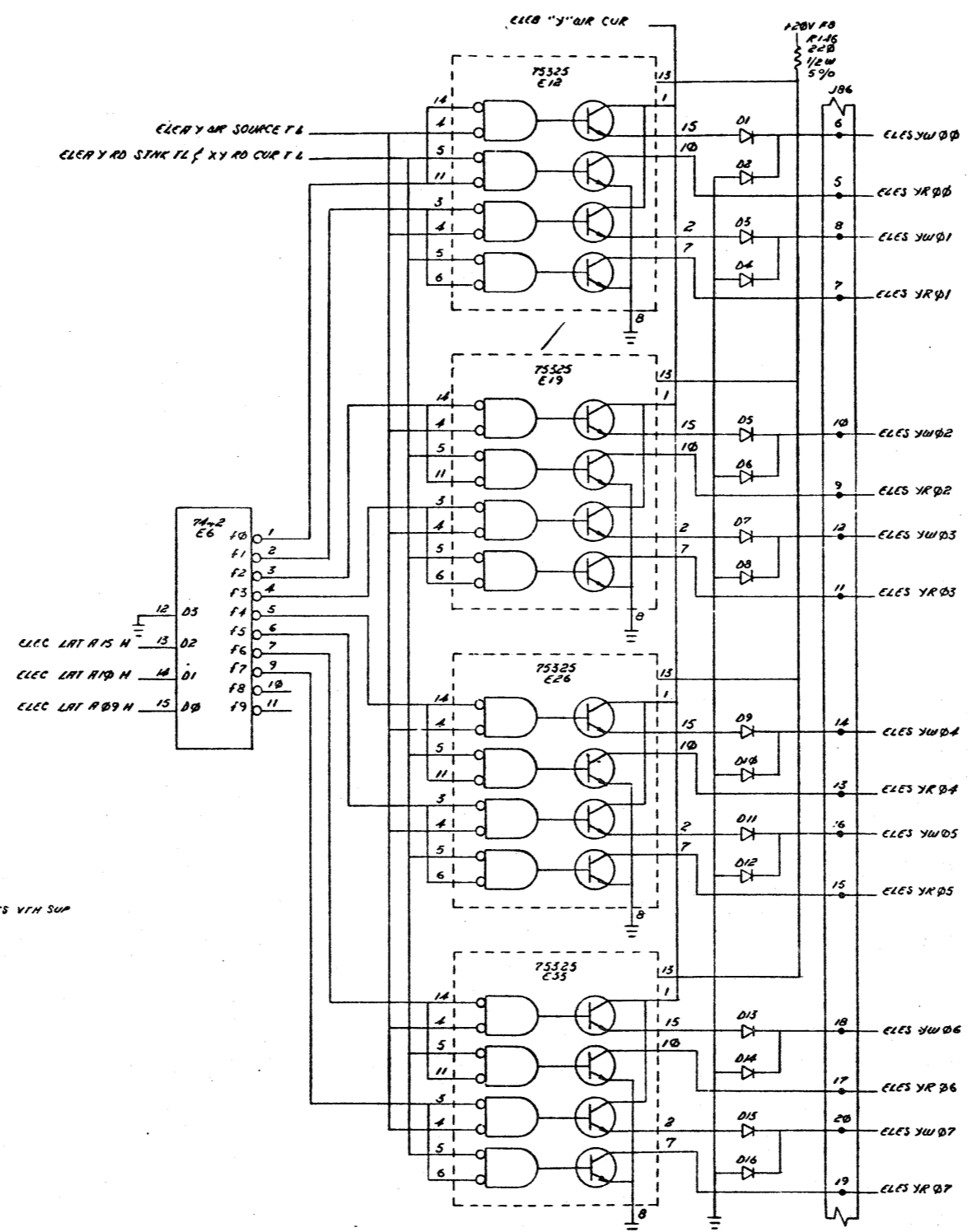
ELER "Y" READ CUR



REVISIONS		
CHK	CHANGE NO.	REV.

REV. E NUMBER G657-0-1 TITLE DCS

THIS DRAWING AND SPECIFICATIONS, HEREIN, ARE THE PROPERTY OF DIGITAL EQUIPMENT CORPORATION AND SHALL NOT BE REPRODUCED OR COPIED OR USED IN WHOLE OR IN PART AS THE BASIS FOR THE MANUFACTURE OR SALE OF ITEMS WITHOUT WRITTEN PERMISSION. COPYRIGHT © 1966 DIGITAL EQUIPMENT CORPORATION

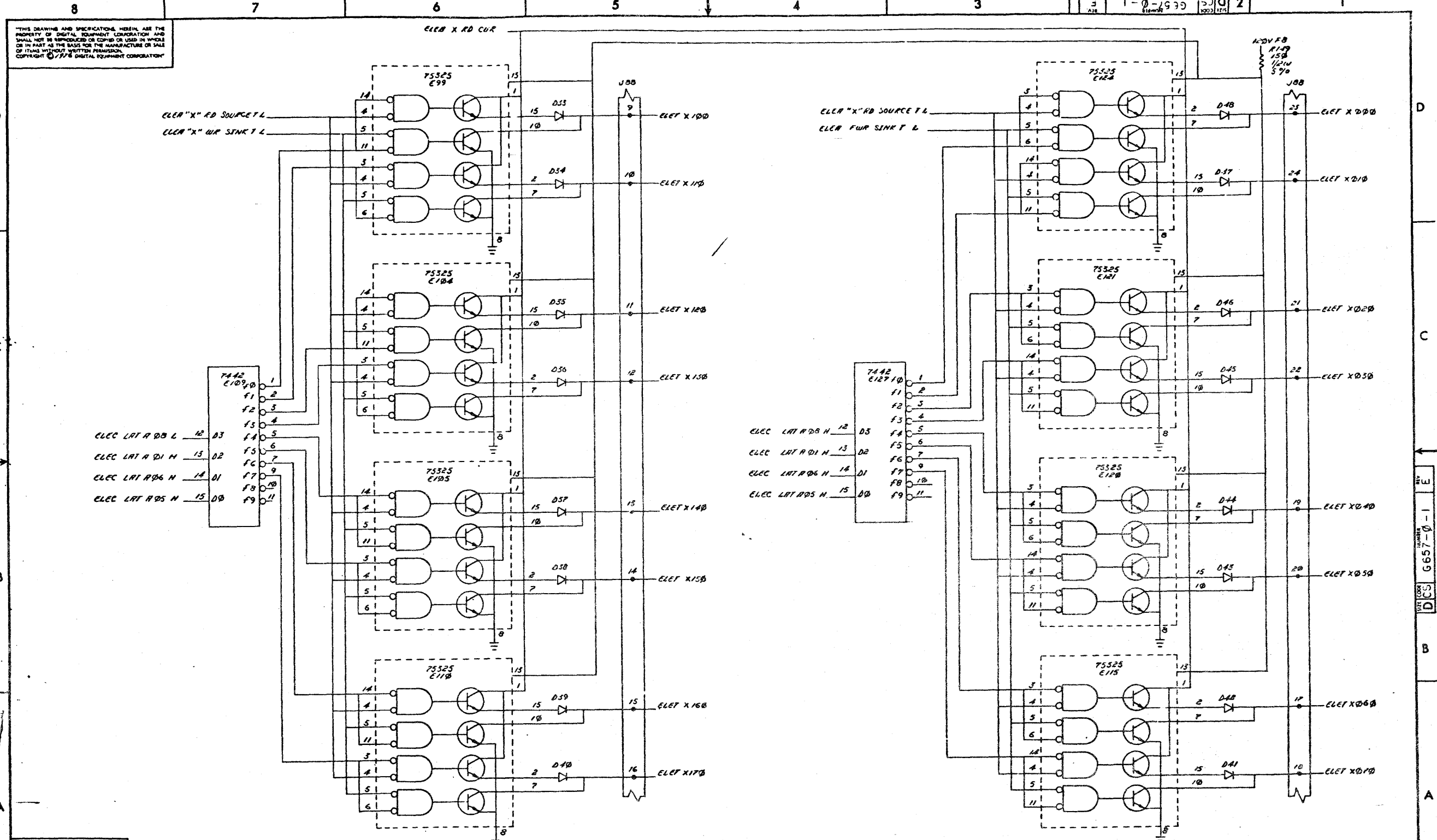


REVISIONS		
CHK	CHANGE NO.	REV

TITLE	(ELES)	SIZE CODE	NUMBER	REV.
32K SPC ELECTRONICS	D/CS	G657-0-1	E	
SCALE	NONE	SHEET 16 OF 18	DIST.	

REV. E
NUMBER G657-0-1
D/CS

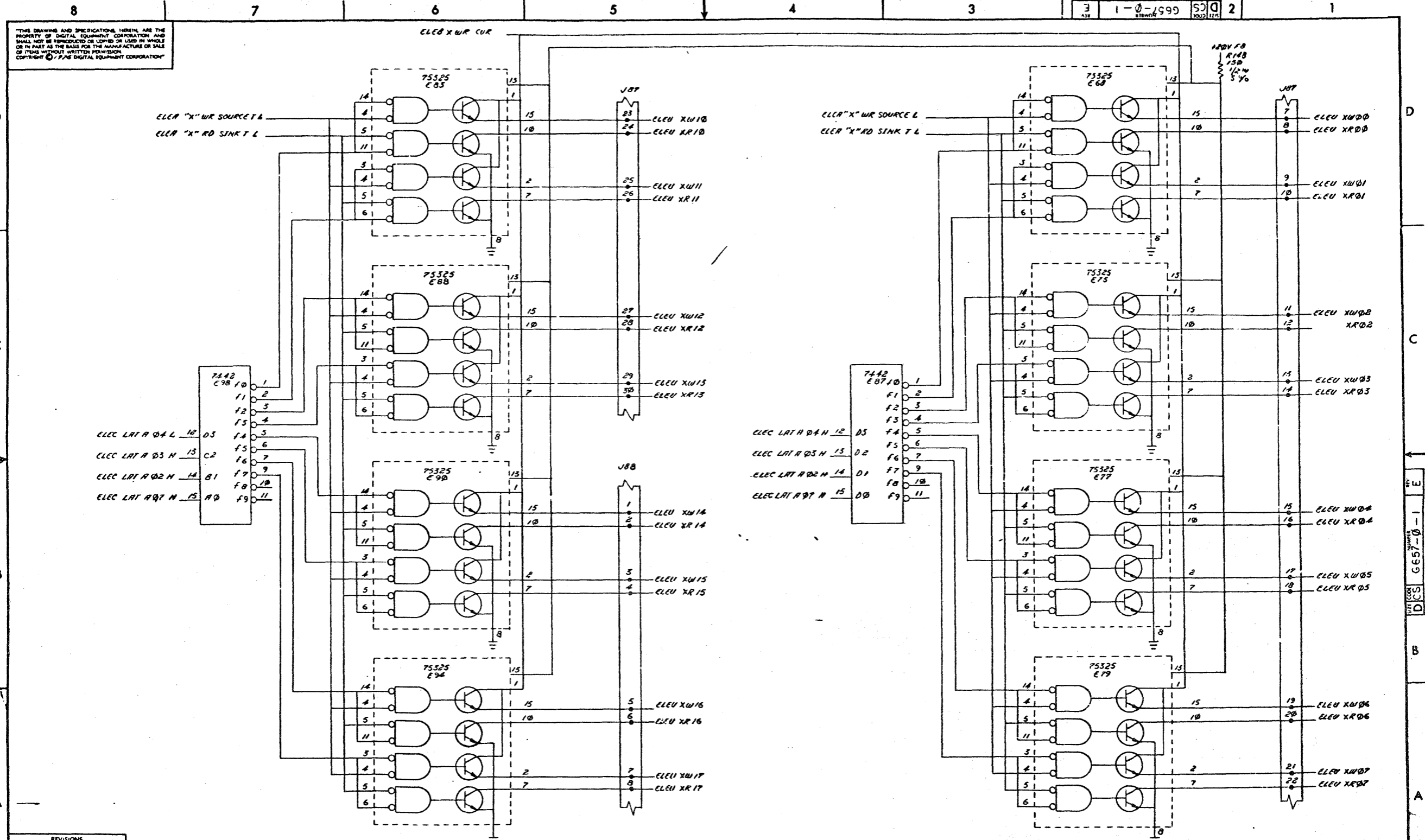
THIS DRAWING AND SPECIFICATIONS HEREIN ARE THE PROPERTY OF DIGITAL EQUIPMENT CORPORATION AND SHALL NOT BE REPRODUCED OR COPIED OR USED IN WHOLE OR IN PART AS THE BASIS FOR THE MANUFACTURE OR SALE OF ITEMS WITHOUT WRITTEN PERMISSION. COPYRIGHT © 1976 DIGITAL EQUIPMENT CORPORATION



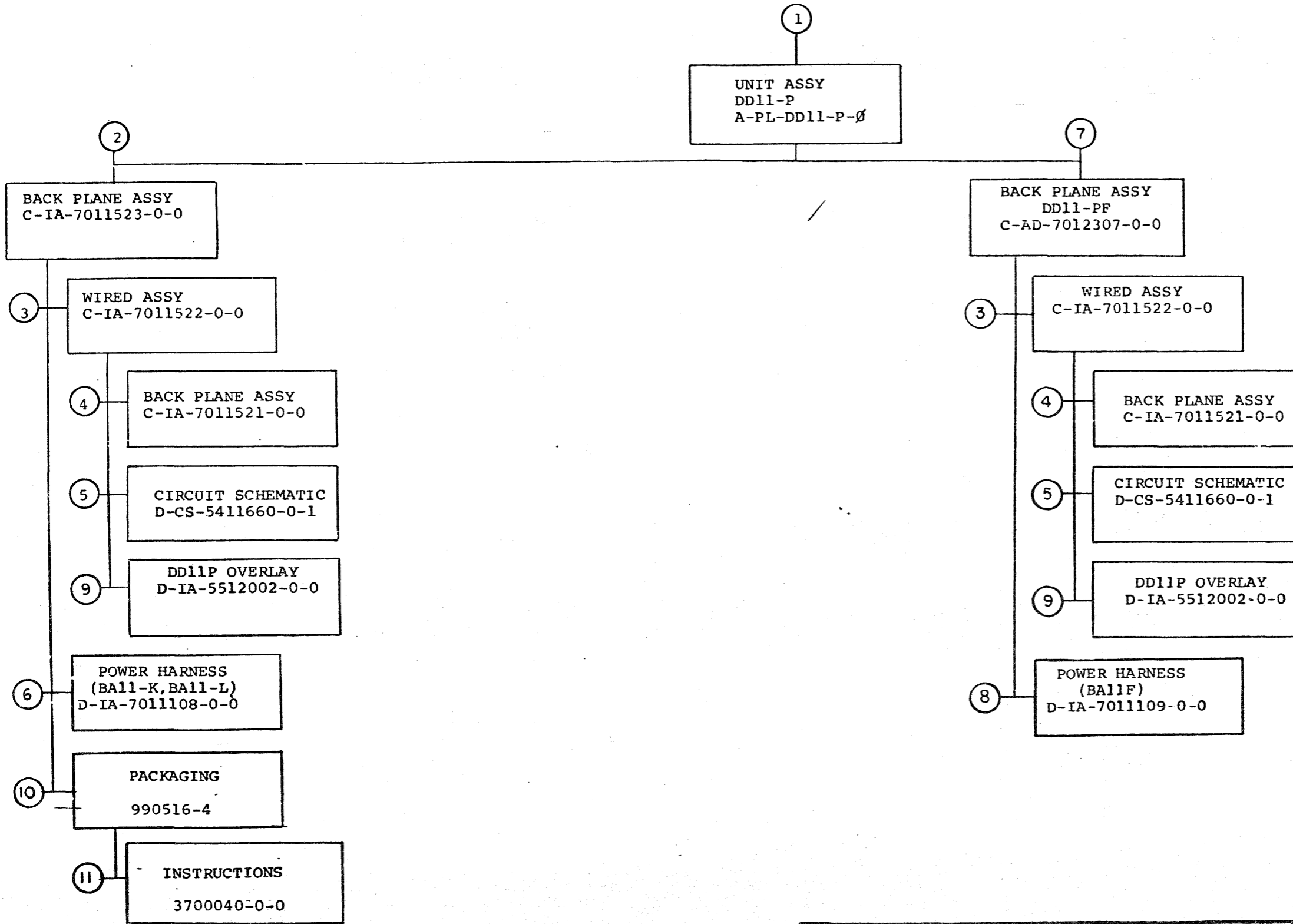
REVISIONS		
CHK	CHANGE NO.	REV.

TITLE	(ELET)	SIZE CODE	NUMBER	REV.
32K SPC ELECTRONICS	DCS	G657-0-1	E	
SCALE	NONE	SHEET 17 OF 18	DIST.	
			ML2	1

THIS DRAWING AND SPECIFICATIONS HEREIN ARE THE PROPERTY OF DIGITAL EQUIPMENT CORPORATION AND SHALL NOT BE REPRODUCED OR COPIED IN WHOLE OR IN PART AS THE BASIS FOR THE MANUFACTURE OR SALE OF ITEMS WITHOUT WRITTEN PERMISSION. COPYRIGHT © 1965 DIGITAL EQUIPMENT CORPORATION



REVISIONS		
CHK	CHANGE NO.	REV



TITLE	SHEET	SIZE	CODE	NUMBER	REV
DRAWING DIRECTORY DD11-P	2 OF 3	B	DD	DD11-P	D

CUSTOMER PRINT SET				ELECTRICAL					CUSTOMER PRINT SET				MECHANICAL							
1			MFG. SET	FIND NO.	DRAWING NO.	REV	NO OF SHT	DESCRIPTION	OPTION NO./FILE DATE	1			MFG. SET	FIND NO.	DRAWING NO.	REV	NO OF SHT	DESCRIPTION	OPTION NO./FILE DATE	
				1	A-PL-DD11-P-Ø		1	UNIT ASSY DD11-P						1	A-PL-DD11-P-Ø		1	UNIT ASSY DD11-P		
X					D-MU-DD11-P-2		1	MODULE UTILIZATION												
														2	C-IA-7011523-0-0		1	BACK PLANE ASSY DD11-PK		
X				2	C-IA-7011523-0-0		1	BACK PLANE ASSY DD11-PK						3	C-IA-7011522-0-0		1	WIRED ASSY		
															B-DC-5308753-0-0		1	DECAL 21 POINT (LTR)		
X				3	C-IA-7011522-0-0		1	WIRED ASSY							A-DC-7411881-0-0		1	LABEL, AWT REV STATUS		
					K-WL-DD11-P-1	C	1	WIRE LIST												
					A-WT-7011522-0		1	AWT REV STATUS												
X				5	D-CS-5411660-0-1		1	CIRCUIT SCHEMATIC						4	D-IA-7011521-0-0		1	BACK PLANE ASSY		
X				6	D-IA-7011108-0-0		1	POWER HARNESS (BALL-K,BALL-L)							5	D-CS-5411660-0-1			CIRCUIT SCHEMATIC	
															D-AH-5411660-0-4			ASSY/DRILLING HOLE LAYOUT		
															K-CO-5411660-0-5			X-Y COORDINATE HOLE LOCATION		
															B-MH-5411660-0-6			MODULE ECO HISTORY		
															5011659			ETCH CIRCUIT BOARD		
X				7	C-AD-7012307-0-0		1	BACK PLANE ASSY DD11-PF							6	D-IA-7011108-0-0		1	POWER HARNESS (BALL-K,BALL-L)	
															7	C-AD-7012307-0-0		1	BACKPLANE ASSY DD11-PF	
X				8	D-IA-7011109-0-0		1	POWER HARNESS(BALL-F,BALL-P)							8	D-IA-7011109-0-0		1	POWER HARNESS (BALL-F,BALL-P)	
															9	D-IA-5512002-0-0		1	OVERLAY, WIRING	
															10	990516			PACKAGING	
															11	3700040-0-0			PACKAGING INSTRUCTIONS	

CUSTOMER PRINT SET CODES
X = PRINT OF DOCUMENT INCLUDED IN PRINT SET
C = INCLUDES ALL PRINTS INDICATED ON DOCUMENT
S = CONFIDENTIAL AUTHORIZED SIGNATURE REQUIRED

TITLE
DRAWING DIRECTORY DD11-P

SHEET 3 OF 3
SIZE CODE
B DD

NUMBER
DD11-P

REV
D

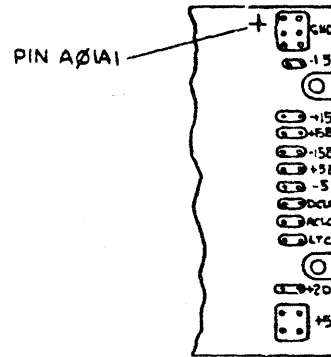
"THIS DRAWING AND SPECIFICATIONS HEREIN ARE THE PROPERTY OF DIGITAL EQUIPMENT CORPORATION AND SHALL NOT BE REPRODUCED OR COPIED OR USED IN WHOLE OR IN PART AS THE BASIS FOR THE MANUFACTURE OR SALE OF ITEMS WITHOUT WRITTEN PERMISSION. COPYRIGHT © 1975 DIGITAL EQUIPMENT CORPORATION"

WIRE TABLE

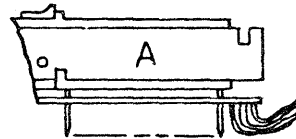
FROM			TO	FROM			TO
COLOR	POINT	CONNECTION	SIGNAL	COLOR	POINT	CONNECTION	SIGNAL
BLUE	P4-13	SOLDER	-15V	BRN	P2-14	SOLDER	-5V
RED	P4-4		+5V	BLK	P2-8		GND
RED	P4-1		+5V	GRAY	P2-2		+15
BLK	P4-8		GND	ORG	P2-3		+20
ORG	P4-3		+20V	BLK	P2-9		GND
BLK	P4-9		GND	RED	P2-12	SOLDER	+5B
WHT	P4-6		+15B	ITEM 5	ITEM 6	SOLDER	GND
GRN	P4-15		-15B				
YEL	P3-4		ACLO				
BLK	P3-1		GND				
BRN	P3-2		LTC				
VIO	P3-3		DCLO				
RED	P2-4		+5V				
RED	P2-1	SOLDER	+5V				

NOTES:

- WHEN THE DD11-PK'S USED WITH A BA11-K EXPANSION BOX WITHOUT BATTERY BACK UP, (I.E., NO 785 OR 7850) INSTALL THE THREE JUMPERS SHOWN:
 A) -15 TO -15B
 B) +15 TO +15B
 C) +5 TO +5B (SEE NOTE 3)
 USE #22 SHIELD BUS WIRE ON SIDE 2. THIS WILL PROVIDE POWER TO THE MOS MEMORY VOLTAGE RAILS.
- INSTALL ITEM #6 UNDER LOGIC FRAME MOUNTING SCREW TO TIE LOGIC GROUND TO CHASSIS GROUND.
- BA11-K'S THAT USE THE 5410864-YA-1 POWER DISTRIBUTION (I.E., 11/34A, 11/34 WITH FP11-AU, AND SOME 11/04'S) AND HAVE MORE THAN ONE DD11-DK (OR AN ADDITIONAL DD11-CK) CAN ONLY HAVE THE +5 TO +5B JUMPER IN ONE OF THE BACK PANELS. IF TWO OF THE BACK PANELS HAVE THE JUMPER IN, THE +5V REGULATORS MAY BE CONNECTED TOGETHER. TYPICALLY THIS JUMPER IS IN THE FIRST BACK PANEL, BUT IT MAY BE PLACED IN ONE OF THE OTHER BACK PANELS IF DEEMED NECESSARY FOR POWER REQUIREMENTS.



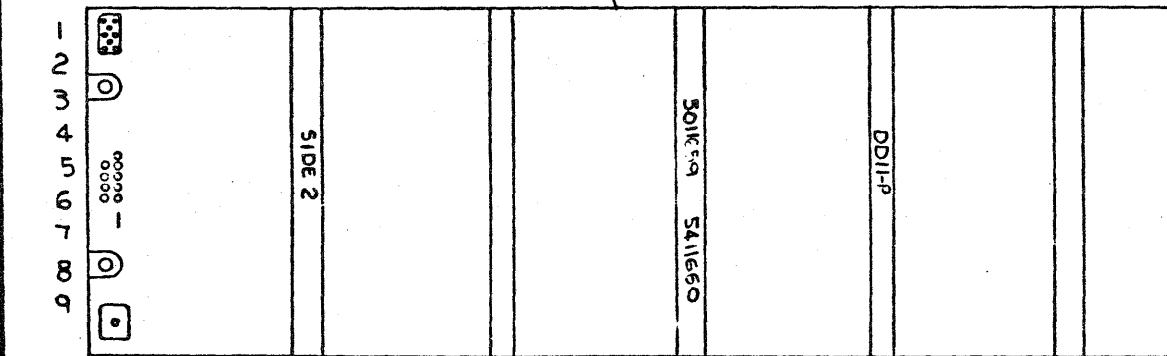
VIEW A



PIN AØIA1

SEE VIEW A

SLOT



A/R	COPRESS-O-CARTON	9905016-4	8
REF.	PACKAGING INSTRUCTIONS	3700040-0-0	7
1	TERMINAL, SOLDER	9008150	6
2	WIRE, BLK, STRD #14	9107370-00	5
6	TUBING #22 (BLUE)	9107256-06	4
6	WIRE BUS #22	9107560-01	3
1	POWER HARNESS (BA11-K, BA11-K)	D-IA-7011103-0-0	2
1	WIRED ASSY DD11-P	C-IA-7011522-0-0	1

FIRST USED ON OPTION/MODEL		QTY.	DESCRIPTION	PART NO.	ITEM NO.
DD11-P					
DIMENSIONAL TOLERANCE					
DIMENSIONS ARE MILLIMETERS INCHES UNLESS OTHERWISE SPECIFIED					
MILLIMETERS	INCHES	ANGLES			
X,XX ±0.10	JOXX ±.008	10° 30'			
XX ±0.5	JX ±.02				
X ±.2	X ±.1				
THIRD ANGLE PROJECTION	REMOVE BURRS AND BREAK SHARP CORNERS SURFACE QUALITY ✓		NEXT HIGHER ASSY.		
MATERIAL SEE PARTS LIST		A-PL-DD11-P-Ø		SIZE CODE	NUMBER
FINISH ++		SCALE ++		C IA	7011523-0-0
		SHEET 1 OF 1		DIST.	

REV.	CHANGE NO.	DATE	BY
A	7011523-00001		R. BARRY
B	DD11-P-00002	15 OCT 75	R. BARRY
C	DD11-P-00005	17 FEB 77	R. BARRY
D	7011523-00002	24 JUNE 77	R. BARRY

SIZE CODE C IA 7011523-0-0
 NUMBER 7011523-0-0
 REV. D

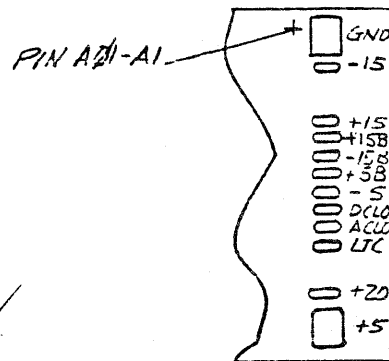
"THIS DRAWING AND SPECIFICATIONS HEREIN ARE THE PROPERTY OF DIGITAL EQUIPMENT CORPORATION AND SHALL NOT BE REPRODUCED OR COPIED OR USED IN WHOLE OR IN PART AS THE BASIS FOR THE MANUFACTURE OR SALE OF ITEMS WITHOUT WRITTEN PERMISSION. COPYRIGHT © 1975 DIGITAL EQUIPMENT CORPORATION"

WIRE TABLE

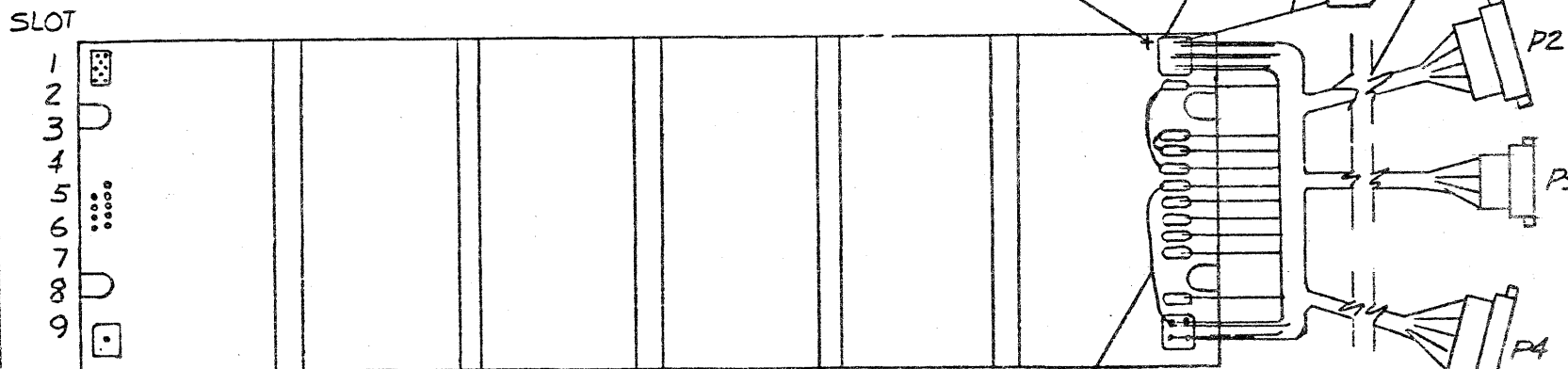
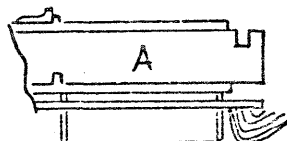
FROM			TO	FROM			TO
COLOR	POINT	CONNECTION	SIGNAL	COLOR	POINT	CONNECTION	SIGNAL
BLU	P4-13	SOLDER	-15V	BRN	P2-14	SOLDER	-5V
RED	P4-4		+5V	BLK	P2-8		GND
RED	P4-1		+5V	GRAY	P2-2		+15
BLK	P4-8		GND	ORN	P2-3		+20
ORN	P4-3		+20V	BLK	P2-9		GND
BLK	P4-9		GND	RED	P2-10	SOLDER	+5B
WHT	P4-6		+15B	ITEM#5	ITEM#6	SOLDER	GND
GRN	P4-15		-15B				
YEL	P3-4		ACLO				
BLK	P3-1		GND				
BRN	P3-2		LTC				
VIO	P3-3		DCLO				
RED	P2-4		+5V				
RED	P2-1	SOLDER	+5V				

NOTES:

- WHEN DDII-PF IS USED WITH A BAI-F EXP BOX WITHOUT BATTERY BACK UP INSTALL THE THREE JUMPERS SHOWN:
 1) -15 TO -15B
 2) +15 TO +15B
 3) +5 TO +5B
 USE #20 INSULATED BUS WIRE ON SIDE 2. THIS WILL PROVIDE POWER TO THE MOS MEM VOLTAGE RAILS.
- INSTALL ITEM #6 UNDER LOGIC FRAME MOUNTING SCREW TO TIE LOGIC GROUND TO CHASSIS GROUND.



VIEW "A"



QTY.	DESCRIPTION	PART NO.	ITEM NO.
1	TERMINAL, SOLDER	9008150	6
A/R	WIRE, BLK STRD #14	9107370-00	5
A/R	TUBING, #20 (CLEAR)	9107267-10	4
A/R	WIRE, BUS #20	9107560-02	3
1	POWER HARNESS BAI-F	D-7A-7011109-0-0	2
1	WIRED ASSY DDII-P	C-7A-7011522-0-0	1

FIRST USED ON OPTION/MODEL			PARTS LIST		
DDII-PF			PARTS LIST		
DIMENSIONAL TOLERANCE			DATE	12/29/75	
DIMENSIONS ARE IN INCHES UNLESS OTHERWISE SPECIFIED			CHK'D	DATE	
UNLESS OTHERWISE SPECIFIED			ENG	DATE	
MILS/METERS	INCHES	ANGLES	PROJ. ENG.	DATE	
XXX = ±0.10	XXX = ±0.005	30° 30'	PROD.	DATE	
X,X = ±0.8	XX = ±0.2				
X = ±.2	X = ±.1				
THIRD ANGLE PROJECTION	REMOVE BURRS AND BREAK SHARP CORNERS SURFACE QUALITY ✓		NEXT HIGHER ASSY.		
MATERIAL SEE PARTS LIST			A-PL-DDII-PF-0		
FINISH			SCALE NONE		
SHEET 1 OF 1			SHEET 1 OF 1		
TITLE			BACK PLANE ASSY (DDII-PF)		
SIZE CODE			C AD		
NUMBER			7012307-0-0		
REV.					

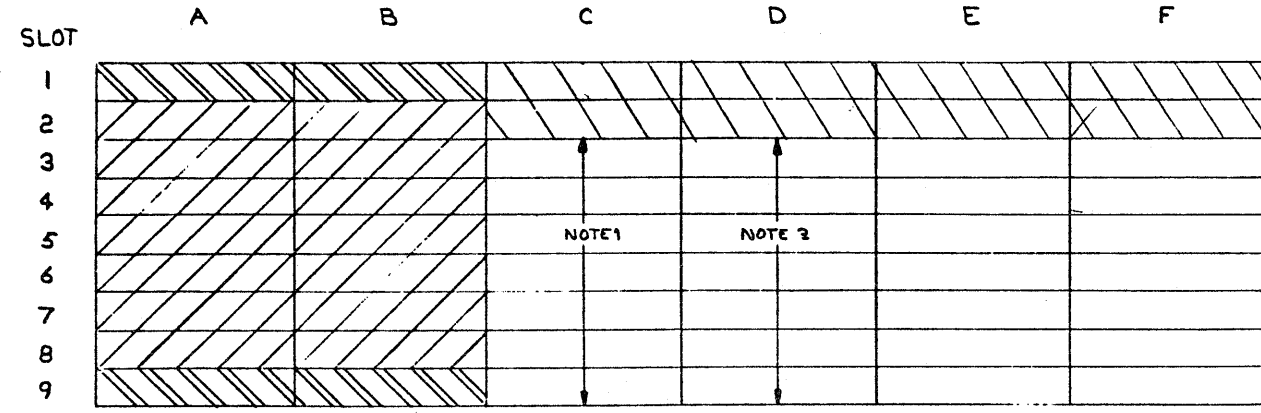
REV.	CHANGE NO.	CHK

REV. NUMBER
C AD 7012307-0-0

"THIS DRAWING AND SPECIFICATIONS HEREIN ARE THE PROPERTY OF DIGITAL EQUIPMENT CORPORATION AND SHALL NOT BE REPRODUCED OR COPIED OR USED IN WHOLE OR IN PART AS THE BASIS FOR THE MANUFACTURE OR SALE OF ITEMS WITHOUT WRITTEN PERMISSION OF DIGITAL EQUIPMENT CORPORATION"

NOTES:

1. REMOVE CA1 TO CBI WIRE WRAP JUMPER TO INSTALL AN NPR OPTION IN ANY SPC SLOT.
2. G727 REQUIRED IN ANY UNUSED SPC SLOT TO PROVIDE BUS GRANT CONTINUITY.
3. GRANT DIRECTION IS SLOT 1 TO SLOT 9.
4. USE M9202 TO INTERCONNECT SYSTEM UNITS INSTEAD OF M920. M9202 IS A 2 FT. UNIBUS JUMPER CABLE USED TO DISTRIBUTE UNIBUS LOADING.
5. M9302 (SACK/TERM) AND M930 (TERM) MUST NEVER BE INSTALLED IN ANY SLOT OTHER THAN SLOT 9 (A & B). POWER SUPPLY VOLTAGES WILL BE SHORTED OUT IF THESE TERMINATORS ARE MOUNTED IN THE MODIFIED UNIBUS SLOTS.
6. MODIFIED UNIBUS SECTION CARRIES CORE AND MOS MEMORY VOLTAGE RAILS AND MEMORY PARITY CONTROL SIGNALS INSTEAD OF BUS GRANT AND SOME GND SIGNALS THAT ARE CONTAINED IN STANDARD UNIBUS SLOTS.
7. REFER TO NEXT PAGE FOR RECOMMENDED UTILIZATION OF THIS SLOT IN STANDARD SYSTEM.
8. THIS SLOT IS RESERVED FOR KKII-A OPTION ON PDP1134A ONLY BAII-K BOX ONLY.
9. SLOT 3 IS TO BE USED FOR EITHER KKII-A OR FPII-A OPTIONS. IF BOTH OPTIONS ARE PRESENT FPII-A MUST GO IN SLOT 3 AND KKII-A IN SLOT 5 THESE CONFIGURATIONS APPLY TO BOTH THE BAII-L (5 1/2') AND BAII-K (10.5') BOXES.
10. EITHER M9312 OR M9301 MAY BE USED BUT NOT BOTH.



CABLE FROM KYII-LA OPERATORS CONSOLE, USED WITH PDP 11/04, PDP 11/34, PDP 11/34A TERMINATES HERE

VIEW FROM MODULE SIDE

UNIBUS OUTPUT

A B
 STANDARD UNIBUS (SLOTS 1 & 9)
 DUAL MODULES WHICH PLUG INTO STANDARD UNIBUS SLOTS ONLY:
 BCIIA UNIBUS CABLE
 M9302 SACK/TERM (M9312)
 M920 (NOTE 4)
 M930 (NOTES 5)
 M9202 (NOTE 4)
 SLOT 9 (A & B) IS EITHER THE TERMINATION OF THE UNIBUS OR THE OUTPUT CABLE (BCIIA)

A B
 MODIFIED UNIBUS (SLOTS 2-8)
 DUAL MODULES WHICH PLUS INTO THE MODIFIED UNIBUS ONLY:
 M9312 BOOT/TERM.
 M9306 TERM.
 M7850 PARITY CONT.

C D E F
 SMALL PERIPHERAL CONTROLLER (SLOTS 3-9)
 ANY S.P.C. OPTION
C D E F
 CPU BUS (SLOTS 1 & 2)
 PROCESSOR INTERCONNECT FOR KDII-E AND KDII-EA

A B C D E F
 HEX MODULE WITH MODIFIED UNIBUS SIGNALS (SLOTS 2-8)
 HEX MODULES THAT PLUG INTO MODIFIED UNIBUS ONLY:
 M7847 MOS MEMORY (M511 EP-JP)
 MMII-BP, CP, DP, OR YP CORE MEMORY

A B C D E F
 HEX MODULE WITH STANDARD UNIBUS SIGNALS SLOT 1 ONLY
 M7263 PDP11/04 CPU MODULE OR M7266 PDP 11/34 CONTROL MODULE
 M7266 KDII-E (PDP 11/34) CONTROL MODULE
 M7266 KDII-RE (PDP 11/34A) CONTROL MODULE

GENERAL
 ANY HEX MODULE THAT MEETS EITHER OF THE FOLLOWING REQUIREMENTS CAN BE MOUNTED IN THESE SLOTS.
 1) THOSE PINNED TO TAKE SIGNALS FROM MODIFIED UNIBUS (A & B) WITH THE BUS GRANTS TAKEN FROM SPC SLOTS 10 ABOVE.
 2) THOSE PINNED TO TAKE SIGNALS FROM STANDARD SPC PINNING WITH THE EXCEPTION OF POWER FROM (A & B). 10: SPECIAL OPTIONS

REV.	DATE	BY	CHK'D
1	11/17/77	J. SOFIO	J. SOFIO
2	12/15/77	J. SOFIO	J. SOFIO
3	1/12/78	J. SOFIO	J. SOFIO
4	2/2/78	J. SOFIO	J. SOFIO
5	2/2/78	J. SOFIO	J. SOFIO
6	2/2/78	J. SOFIO	J. SOFIO
7	2/2/78	J. SOFIO	J. SOFIO
8	2/2/78	J. SOFIO	J. SOFIO

THIRD ANGLE PROJECTION	DRN: <i>[Signature]</i> 11/3/77	FIRST USED ON	digital
REMOVE BURRS AND BREAK SHARP CORNERS	CHK'D: <i>[Signature]</i> 11/17/77	TITLE	MODULE UTILIZATION (DDII-P)
DO NOT SCALE DWG	ENG: <i>[Signature]</i> 11/17/77	PROJ. ENG: <i>[Signature]</i> 11/17/77	SCALE
MATERIAL	B-DD-DDII-P	SIZE CODE	D MU DDII-P-2
FINISH	SCALE	NUMBER	1 OF 2
	SHEET	DIST.	

THIS DRAWING AND SPECIFICATIONS HEREIN ARE THE PROPERTY OF DIGITAL EQUIPMENT CORPORATION AND SHALL NOT BE REPRODUCED OR COPIED OR USED IN WHOLE OR IN PART AS THE BASIS FOR THE MANUFACTURE OR SALE OF ITEMS WITHOUT WRITTEN PERMISSION. COPYRIGHT © DIGITAL EQUIPMENT CORPORATION

RECOMMENDED SLOT UTILIZATION IN STANDARD SYSTEMS

KD11-D w/M9312 & MS11-JP (FP) PDP-11/04

SLOT 1	M7263
2	MS11-JP (FP)
3	M9312
4	
5	
6	
7	
8	
SLOT 9	

KD11-E w/M9312 PDP-11/34

SLOT 1	M7266
2	M7265
3	M9312
4	
5	
6	
7	
8	
SLOT 9	

KD11-D w/M9312 & MM11-DP/OR MM11-YP PDP-11/04

SLOT 1	M7263
2	MM11-DP
3	
4	M9312
5	
6	
7	
8	
SLOT 9	

KD11-EA w/M9312 FP11-A PDP-1134A

SLOT 1	M8266
2	M8265
3	M8267
4	M9312
5	
6	
7	
8	
SLOT 9	

KD11-D w/M9312 & MM11-CP PDP-11/04

SLOT 1	M7263
2	MM11-CP
3	M9312
4	
5	
6	
7	
8	
SLOT 9	

**B411-K 10.5" BOX/B411-L 5.25" BOX
w/M9312 FP11-A KK11-A**

SEE NOTE 9 →

SLOT 1	M8266
2	M8265
3	M8267
4	M9312
5	M8268
6	
7	
8	
SLOT 9	

KD11-EA w/M9312 PDP-1134A

SLOT 1	M8266
2	M8265
3	M9312
4	
5	
6	
7	
8	
SLOT 9	

B411-K 10.5" BOX/B411-L 5.25" BOX

SEE NOTE 9 →

SLOT 1	M8266
2	M8265
3	M8267 OR M8268
4	M9312
5	
6	
7	
8	
SLOT 9	

A B C D E F

A B C D E F

REVISIONS		
CHK	CHANGE NO.	REV.

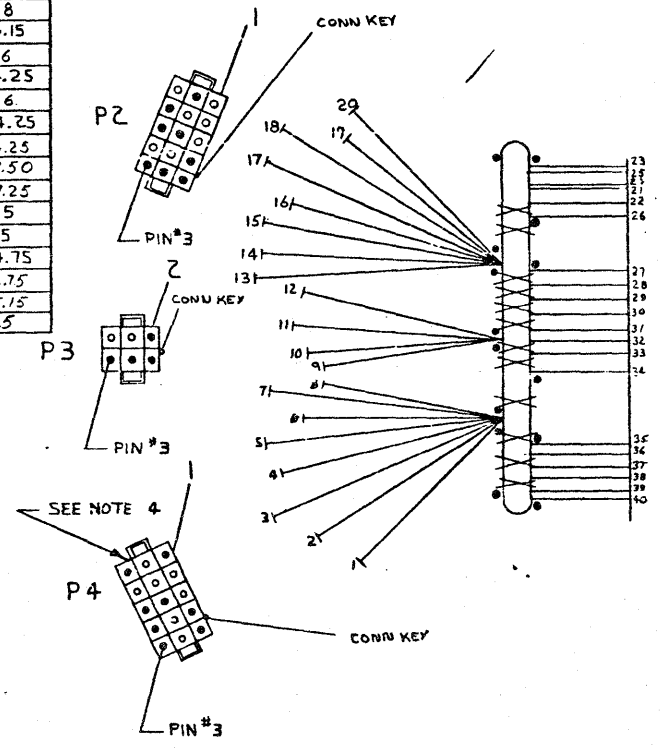
TITLE	MODULE UTILIZATION (DDII-P)	SIZE CODE	D MU	NUMBER	DDII-P-2	REV.	D
SCALE	SHEET 2 OF 2	DIST.					

THIS DRAWING AND SPECIFICATIONS HEREIN ARE THE PROPERTY OF DIGITAL EQUIPMENT CORPORATION AND SHALL NOT BE REPRODUCED OR COPIED OR USED IN WHOLE OR IN PART AS THE BASIS FOR THE MANUFACTURE OR SALE OF ITEMS WITHOUT WRITTEN PERMISSION. COPYRIGHT © 1975, DIGITAL EQUIPMENT CORPORATION

- NOTES:
1. USE TIE WRAPS (X) ITEM#4 AT BREAKOUT POINTS SHOWN
 2. DOT (•) INDICATES NAIL LOCATION FOR ASS'Y USE ONLY. COVER NAILS WITH SHINK TUBING TO PREVENT CUTTING HARNESS.
 3. WIRE LENGTH TOLERANCES WILL BE $\pm 1/8$, -0 INCHES.
 4. ALL CONN. SHOWN FROM WIRING SIDE.

WIRING TABLE

ITEM NO.	DESCRIPTION		FROM			TO		SIGNAL	LENGTH
	AWG	COLOR	POINT	CONNECTION	WITH	POINT	CONNECTION		
9	#18	BLUE	1	P4-13	3	26	SOLDER	-15V	7
5	14	RED	2	P4-4		37		+5V	5
5	14	RED	3	P4-1		38		+5V	5
6	14	BLK	4	P4-8		21		GND	7.75
7	14	ORN	5	P4-3		35		+20V	5
6	14	BLK	6	P4-9		22		GND	8
13	18	WHT	7	P4-6		28		+5B	6.15
14	18	CFN	8	P4-15		29		-15B	6
12	18	YEL	9	P3-4		33		ACLO	4.25
6	14	BLK	10	P3-1		23		GND	6
10	18	BRN	11	P3-2		34		LTC	4.25
11	18	VIO	12	P3-3		32		DCLO	4.25
5	14	RED	13	P2-4		39		+5V	7.50
5	14	RED	14	P2-1		40		+5V	7.25
10	18	BRN	15	P2-14		31		-5V	5
6	14	BLK	16	P2-8		24		GND	5
8	18	GREY	17	P2-2		27		+15	4.75
7	14	ORN	18	P2-3		36		+20	6.75
6	14	BLK	19	P2-9		25		GND	5.15
5	14	RED	20	P2-12	3	30	SOLDER	+5B	5



DO NOT REDUCE SCALE FOR MANUFACTURING PURPOSES ONLY

FOR WIRE LENGTHS SEE WIRING TABLE

ITEM NO.	DESCRIPTION	DWG. PART NO.	ITEM NO.
1	POWER HARNESS DECALS	7409872-2-0	15
A/R	WIRE #18 AWG, BRN	9107360-55	14
A/R	WIRE #18 AWG, WHT	9107360-77	13
A/R	WIRE #18 AWG, YEL	9107360-74	12
A/R	WIRE #18 AWG, VIO	9107360-77	11
A/R	WIRE #18 AWG, BRN	9107360-11	10
A/R	WIRE #18 AWG, BLUE	9107360-66	9
A/R	WIRE #18 AWG, GREY	9107360-88	8
A/R	WIRE #14 AWG, ORN	9107370-33	7
A/R	WIRE #14 AWG, BLK	9107370-00	6
A/R	WIRE #14 AWG, RED	9107370-22	5
12	TIE WRAP	9007031	4
20	PIN NAIL	1209378-01	3
1	CONN. 6 PIN HOUSING	1209351-06	2
2	CONN. 15 PIN HOUSING	1209351-15	1

REV.	CHANGE NO.	DESCRIPTION
1	1	INITIAL DESIGN
2	2	REVISED
3	3	REVISED
4	4	REVISED
5	5	REVISED
6	6	REVISED
7	7	REVISED
8	8	REVISED

THIRD ANGLE PROJECTION

REMOVE BURRS AND BREAK SHARP CORNERS

DO NOT SCALE DWG

MATERIAL SEE PARTS LIST

FINISH

UNLESS OTHERWISE SPECIFIED DIMENSIONS ARE IN INCHES

CLASS OF ACCURACY	CLASS OF ACCURACY	CLASS OF ACCURACY	CLASS OF ACCURACY	CLASS OF ACCURACY
ASSEMBLY	GENERAL	MEDIUM	FINE	PRECISION

QUANTITY & VARIATION

DRN. 8/11/75

CHKD. 8/20/75

ENG. 8/20/75

PROL. ENG. 8/20/75

PROD. 8/20/75

FIRST USED ON DD11-D

TITLE: POWER HARNESS (BAIL-K, BAIL-L)

SCALE 1/1

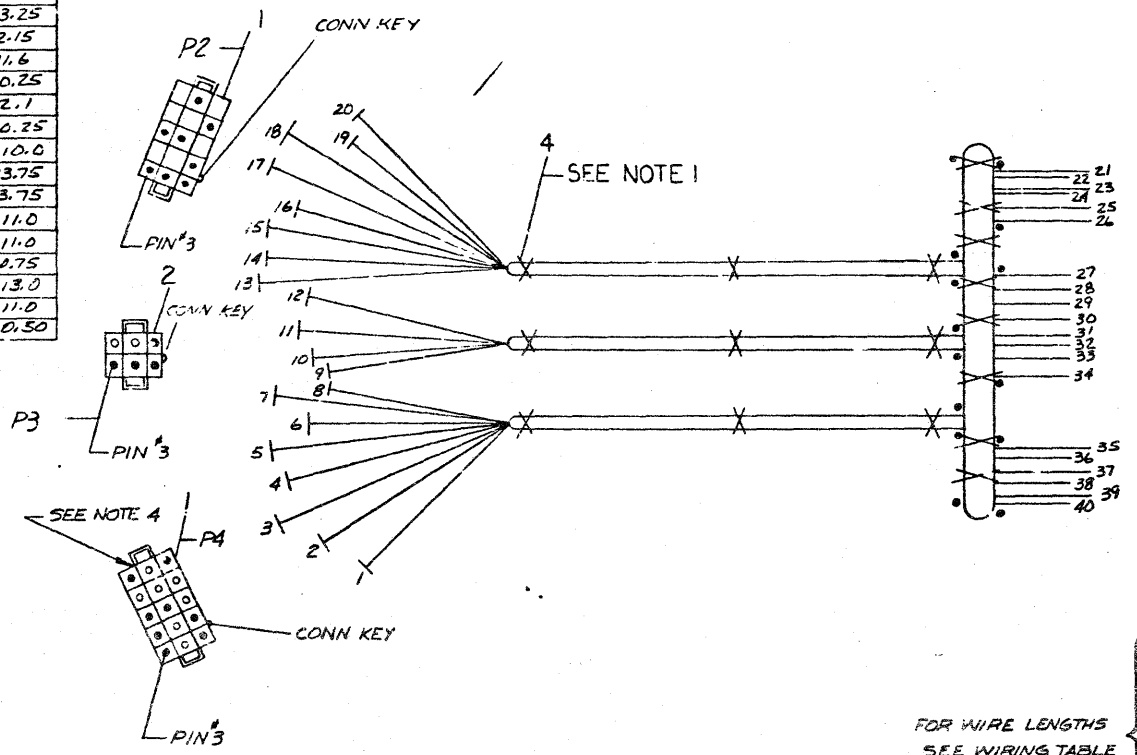
SHEET 1 OF 1

DIST.

THIS DRAWING AND SPECIFICATIONS HEREIN ARE THE PROPERTY OF DIGITAL EQUIPMENT CORPORATION AND SHALL NOT BE REPRODUCED OR COPIED OR USED IN WHOLE OR IN PART AS THE BASIS FOR THE MANUFACTURE OR SALE OF ITEMS WITHOUT WRITTEN PERMISSION. COPYRIGHT © 1975 DIGITAL EQUIPMENT CORPORATION.

WIRING TABLE

ITEM NO	DESCRIPTION			FROM		TO		SIGNL.	LENGTH
	AWG	COLOR	POINT	CONNECTION	WITH	POINT	CONNECTION		
7	18	BLU	1	P4-13	3	26	SOLDER	-15V	12.75
5	14	RED	2	P4-4		37		+5V	11
5	14	RED	3	P4-1		38		+5V	11.25
6	14	BLK	4	P4-8		21		GND	13.75
7	14	ORN	5	P4-3		35		+20V	11.0
6	14	BLK	6	P4-9		22		GND	13.25
13	18	WHT	7	P4-6		28		+15B	12.15
14	18	GRN	8	P4-15		29		-15B	11.6
12	18	YEL	9	P3-4		33		ACLO	10.25
6	14	BLK	10	P3-1		23		GND	12.1
10	18	BRN	11	P3-2		34		LTC	10.25
11	13	VID	12	P3-3		32		DCLO	10.0
5	14	RED	13	P2-4		39		+5V	13.75
5	14	RED	14	P2-1		40		+5V	13.75
15	14	BRN	15	P2-14		31		-5V	11.0
6	14	BLK	16	P2-8		24		GND	11.0
8	18	GRY	17	P2-2		27		+15	12.75
7	14	ORN	18	P2-3		36		+20	13.0
6	14	BLK	19	P2-9		25		GND	11.0
5	14	RED	20	P2-10	3	30	SOLDER	+5B	10.50



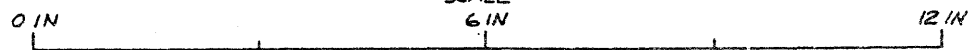
- NOTES:
1. USE TIE WRAPS (X) ITEM #4 AT BREAKOUT POINTS SHOWN.
 2. DOT (•) INDICATES NAIL LOCATION FOR ASSY USE ONLY. COVER NAILS WITH SHRINK TUBING.
 3. WIRE LENGTH TOL WILL BE ± .12 IN
 4. ALL CONN SHOWN FROM WIRING SIDE.
 5. STRIP 1/8" INSULATION FROM POINTS 21 THRU 40 AND FULL TIN POINTS 21 THRU 40.

DESCRIPTION	DWG. PART NO.	ITEM NO.
1 POWER HARNESS DECAL	7409872-2	16
AIR WIRE #14 AWG (BRN)	9107370-11	15
AIR WIRE #18 AWG (GRN)	9107360-55	14
AIR WIRE #18 AWG (WHT)	9107360-99	13
AIR WIRE #18 AWG (YEL)	9107360-44	12
AIR WIRE #18 AWG (VID)	9107360-77	11
AIR WIRE #18 AWG (BRN)	9107360-11	10
AIR WIRE #18 AWG (BLU)	9107360-66	9
AIR WIRE #18 AWG (GRY)	9107360-88	8
AIR WIRE #14 AWG (ORN)	9107370-33	7
AIR WIRE #14 AWG (BLK)	9107370-00	6
AIR WIRE #14 AWG (RED)	9107370-22	5
17 TIE WRAP	9007031	4
20 PIN MALE	1209378-01	3
1 CONN 6 PIN HOUSING	1209351-06	2
2 CONN 15 PIN HOUSING	1209351-15	1

FOR WIRE LENGTHS SEE WIRING TABLE

DO NOT REDUCE

SCALE 6 IN



FOR MANUFACTURING PURPOSES ONLY

REV.	CHANGE NO.	DATE	BY	CHK
1	1	10 FEB 77	D. BARRY	
2	1	10 FEB 77	P. PORRECA	

THIRD ANGLE PROJECTION

REMOVE BURRS AND BREAK SHARP CORNERS

DO NOT SCALE DWG

MATERIAL SEE PARTS LIST

FINISH

UNLESS OTHERWISE SPECIFIED DIMENSIONS ARE IN INCHES

ANGLE	CLASS OF ACCURACY	TOLERANCE	FINISH
30° 30'	ASSEMBLY	±0.004	1.000
30° 30'	CHECK ONE	±0.002	1.000

QUANTITY & VARIATION

PREPARED

DATE

FIRST USED ON

DDII-DF, PF

TITLE

POWER HARNESS (BAII-F)

SIZE CODE

NUMBER

SCALE

1/1

DIA 701109-0-C

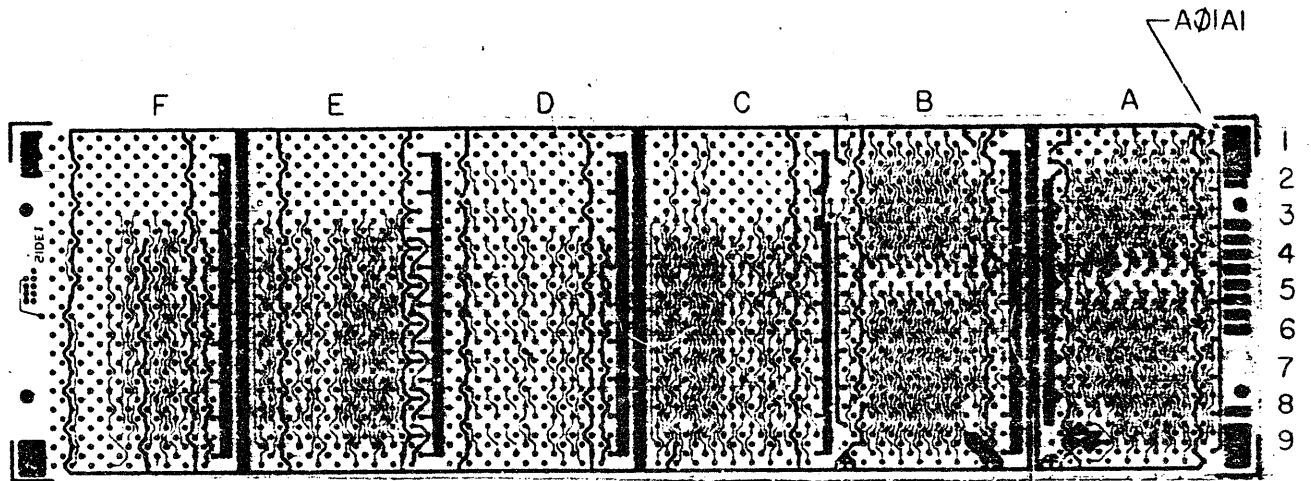
REV. B

SHEET 1 OF 1

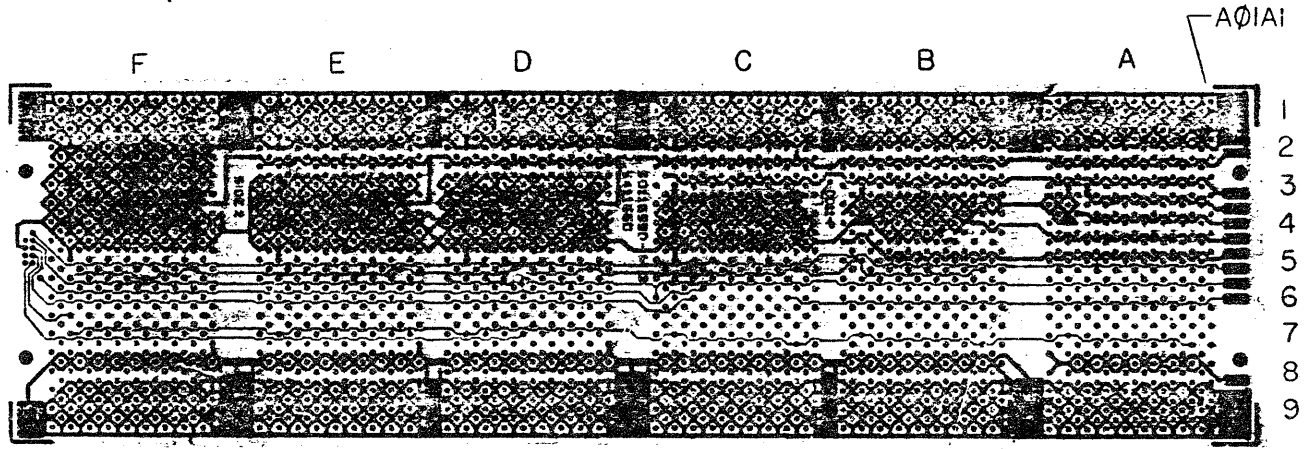
DIST.

THIS DRAWING AND SPECIFICATIONS HEREIN ARE THE PROPERTY OF DIGITAL EQUIPMENT CORPORATION AND SHALL NOT BE REPRODUCED OR COPIED OR USED IN WHOLE OR IN PART AS THE BASIS FOR THE MANUFACTURE OR SALE OF ITEMS WITHOUT WRITTEN PERMISSION.
 COPYRIGHT © 1975 DIGITAL EQUIPMENT CORPORATION

NOTES:



SIDE 1



SIDE 2

IC TYPE	GND	+5V
GND AND 5V ARE USUALLY PIN 7 AND 14 RESPECTIVELY EXCEPTS ARE STATED ABOVE		
IC PIN LOCATIONS		

DATE	BY	REVISIONS
11-19-75	R. BARRY	1
11-19-75	R. BARRY	2
11-19-75	R. BARRY	3
11-19-75	R. BARRY	4
11-19-75	R. BARRY	5
11-19-75	R. BARRY	6
11-19-75	R. BARRY	7
11-19-75	R. BARRY	8
11-19-75	R. BARRY	9

DEC NO.	EIA NO.	DEC NO.	EIA NO.

DRPL	DATE
3/2/75	6-20-75
CHKD.	DATE
S. Hany	7/1/75
ENG.	DATE
R. Barry	7-2-75
PROJ. ENG.	DATE
R. Barry	7-3-75
PROD.	DATE

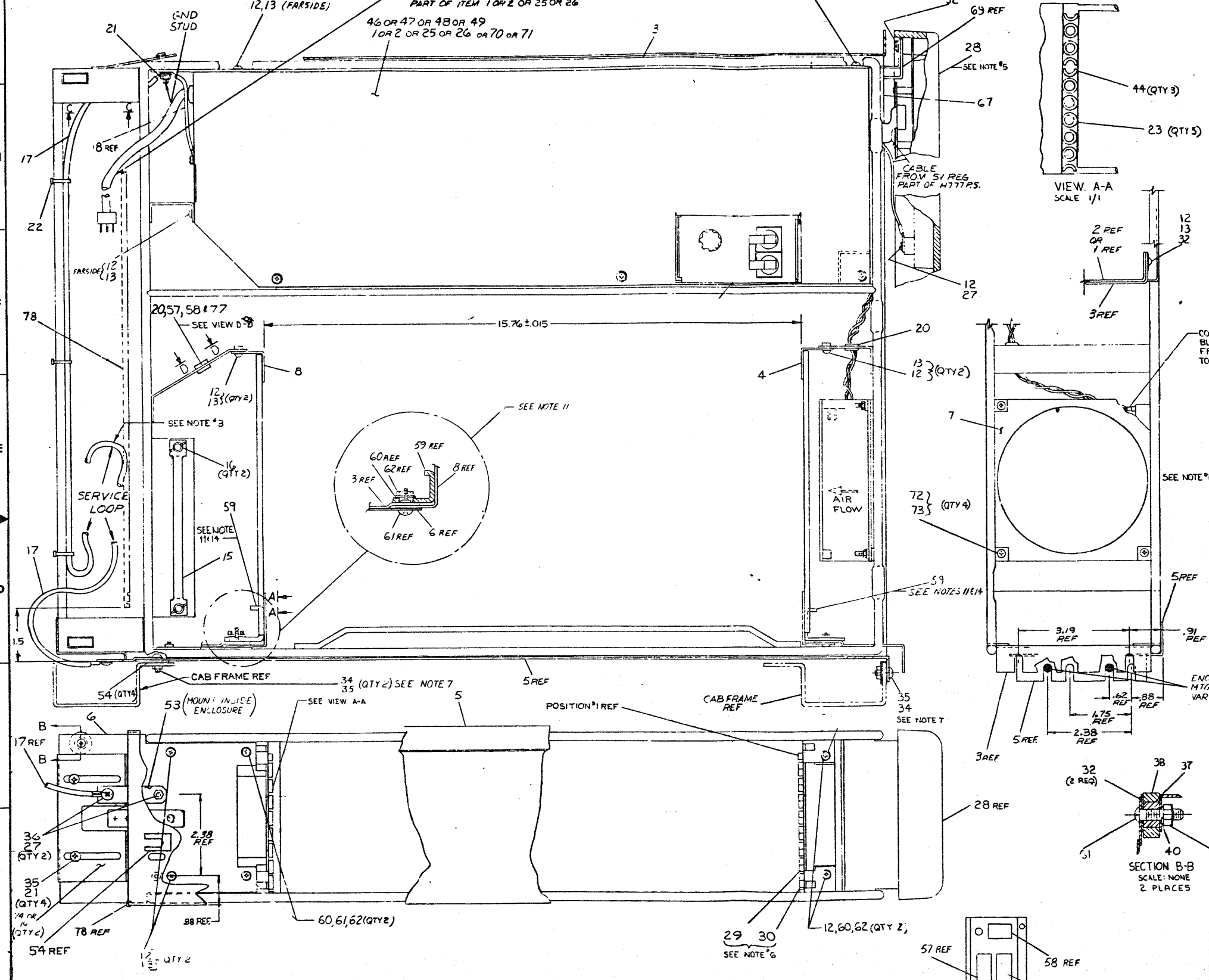
digital	
TITLE CIRCUIT SCHEMATIC	
SIZE CODE	NUMBER
DCS	5411660-0-1
REV.	F

REF	AWT REV STATUS	A-WT-701522-0	5
REF	MODULE ECO HISTORY	B-MH-5411660-0-6	4
REF	ASSY/DRILLING HOLE LAYOUT	D-AH-5411660-0-5	3
REF	X-Y COORDINATE HOLE LOCATION	X-CO-5411660-0-4	2
I	ETCHED CIRCUIT BOARD	5011659	1
QTY	REF. DESIGNATION	DESCRIPTION	PART NO.

FIRST USED ON OPTION MODEL		PARTS LIST	
ETCH BOARD REV.	D		
NEXT HIGHER ASSY		SCALE 1/1	
C-TA-7011521-0-0		SHEET 1 OF 1	

REV. F
 NUMBER 541166-0-1
 TITLE BLOCK DCS

THIS DRAWING IS THE PROPERTY OF THE UNITED STATES GOVERNMENT AND IS LOANED TO YOU BY THE NATIONAL BUREAU OF STANDARDS. IT IS TO BE USED ONLY FOR THE PURPOSES AND IN THE MANNER SPECIFIED BY THE NATIONAL BUREAU OF STANDARDS. IT IS TO BE RETURNED TO THE NATIONAL BUREAU OF STANDARDS AT THE END OF THE LOAN PERIOD. THE NATIONAL BUREAU OF STANDARDS IS NOT RESPONSIBLE FOR ANY DAMAGE TO OR LOSS OF THIS DRAWING OR FOR ANY CONSEQUENCES ARISING FROM THE USE OF THIS DRAWING.

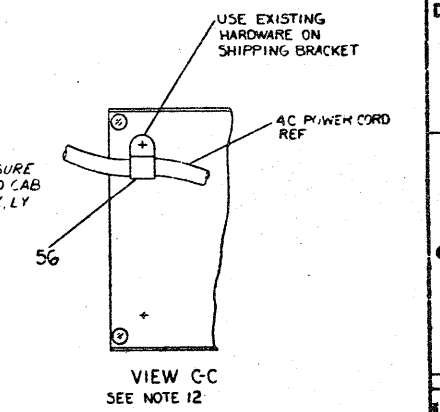


- NOTES:**
- 1. ~~CUT ITEM 23 AS INDICATED BY VIEW A-A (ONE EDGE OF ITEM 23 SHALL MAKE TWO PLACES) TYP. 6 PLACES TWO ITEM 23 REQ.~~
 - 2. ~~USE ITEM 23 AS IS. NO. 12, 13 IS REG. 12, 13 IS REG. 12, 13 IS REG.~~
 - 3. ITEM #17 SERVICE LOOP SHOULD BE 24 INCHES.
 - 4. BAIL-LA, LB, LC, LD, LE, LF, LG, LH, LI, LJ AND LN (MANUFACTURING USE ONLY). BAIL-LE, LF, LH AND LJ (BAIL EXPANSION BOX).
 - 5. ADD CONSOLE FOR EXPANSION BOX ONLY.
 - 6. ALTERNATE COLORS: POSITIONS 1, 3, 5, 7 & 9 TO HAVE MAGENTA. POSITIONS 2, 4, 6, & 8 TO HAVE NATURAL.
 - 7. HARDWARE FOR MOUNTING ITEM 5 (ENCLOSURE ASSEMBLY) TO CABINET
 - 8. ~~ITEM 54 TO BE USED AS TAKE-UP ANY GAP PRESENT BETWEEN ENCLOSURE AND CABINET UPRIGHTS.~~
 - 9. STRAIN RELIEF POWER CORD ON VARIATIONS THAT HAVE REMOVABLE AC CORD, AS SHOWN.
 - 10. EXPANDER BOX VERSIONS BAIL-LE, LF, LH & LJ CANNOT BE CONFIGURED WITH 4 OR 9 SLOT BACKPLANES THAT HAVE POWER HARNESS ROUTED ALONG BOTTOM (SLOT 9). A WIRE STRIPPING HAZARD WOULD EXIST IF THESE COMBINATIONS WERE CONFIGURED AS SUCH. EXAMPLES OF PROBLEMATIC BACKPLANE CONFIGURATIONS ARE: RK11-D, DQ11-AA, DAI1-F, TMB11, DD11-B, DQ11-AB, RH11, DH11, DB11-A, DT11, VT48 & VT11.

NOTES CONT'N ON SHEET 2

LEGEND

PART NO.	VARIATION
BAIL-LA	5.25 BOX+H777-AA 115V CORE+MOS
BAIL-LB	5.25 BOX+H777-AB 230V
BAIL-LC	5.25 BOX+H777-BA 115V MOS ONLY
BAIL-LD	5.25 BOX+H777-BB 230V MOS ONLY
BAIL-LE	5.25 BOX+H777-CA 115V+ CONSOLE (CORE+MOS)
BAIL-LF	5.25 BOX+H777-CB 230V+ CONSOLE (CORE+MOS)
BAIL-LG	5.25 BOX+H777-DA 115V+ CONSOLE (MOS ONLY)
BAIL-LH	5.25 BOX+H777-DB 230V+ CONSOLE (MOS ONLY)
BAIL-LI	5.25 BOX+H777-CA 115V CORE+MOS
BAIL-LJ	5.25 BOX+H777-CB 230V CORE+MOS
BAIL-LK	5.25 BOX+H777-CA 115V CORE+MOS
BAIL-LL	5.25 BOX+H777-CB 230V CORE+MOS
BAIL-LM	5.25 BOX+H777-DA 115V MOS ONLY
BAIL-LN	5.25 BOX+H777-DB 230V MOS ONLY
BAIL-LX	5.25 BOX+H777-UA P.S. (120V)
BAIL-LY	5.25 BOX+H777-UB P.S. (240V)



FOR PARTS LIST SEE K-PL-BAIL-L-DBP

DESCRIPTION	DWG. PART NO.	ITEM NO.
BOX 5.25 BAIL-L (230V/115V) <td>1106</td> <td>1</td>	1106	1
BAIL-L <td>8</td> <td>2</td>	8	2
UA <td>10</td> <td>3</td>	10	3

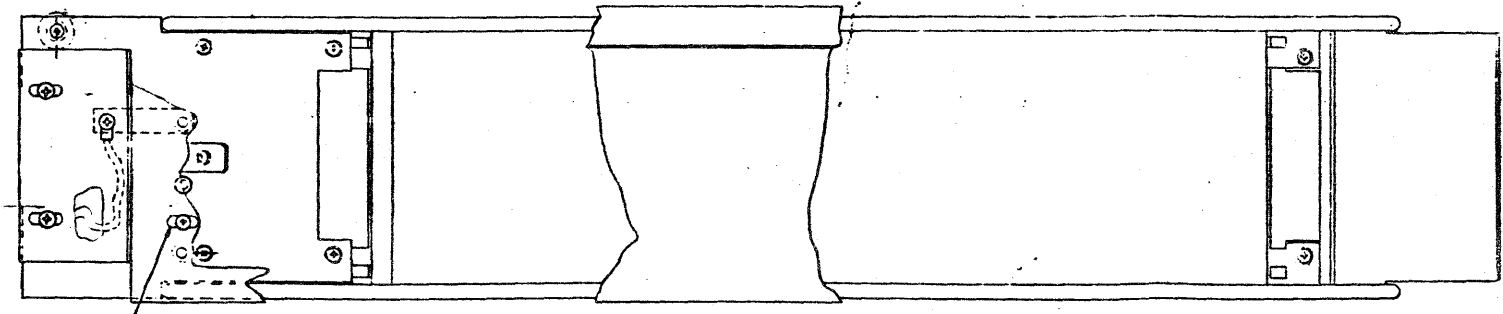
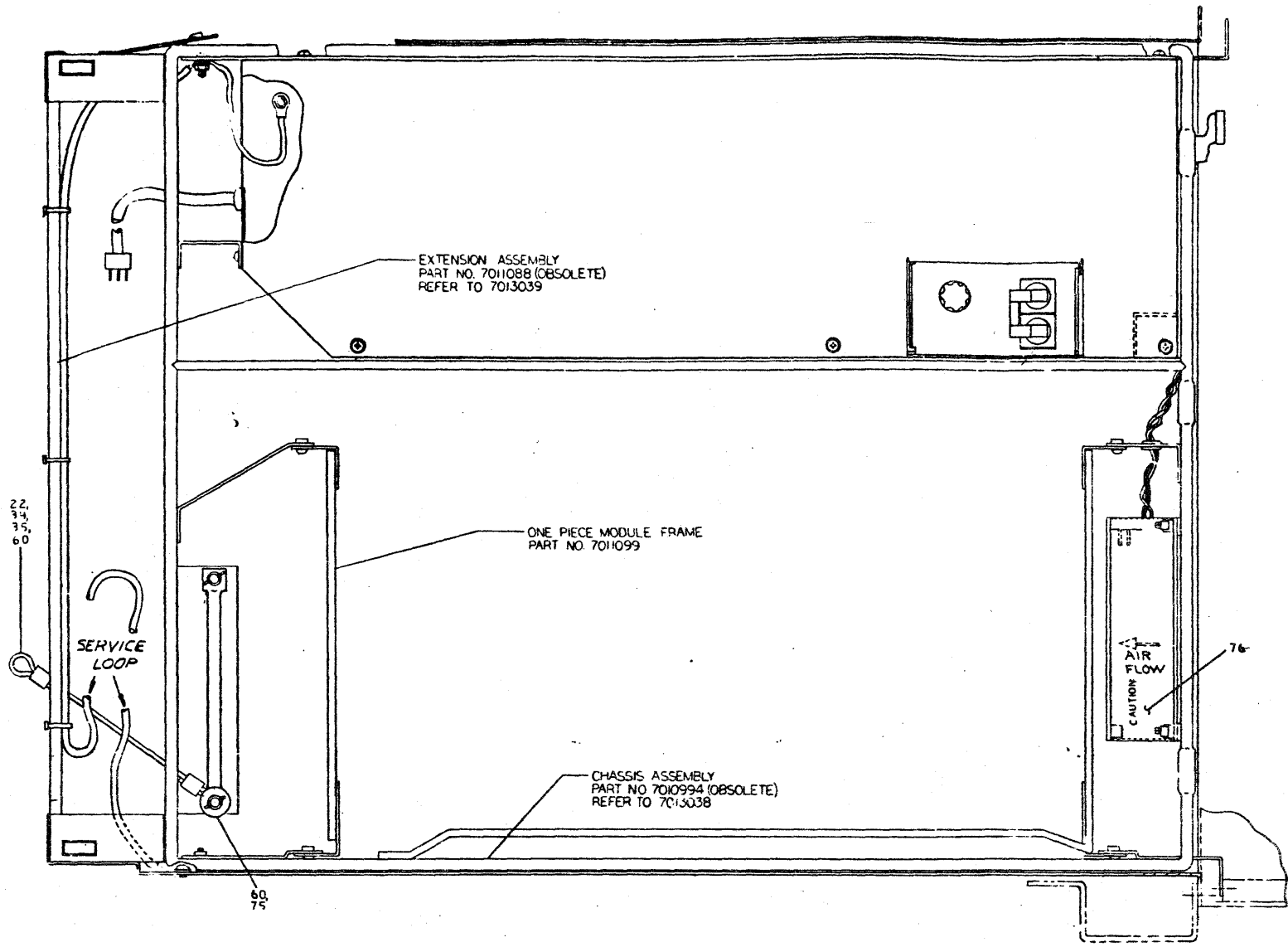
REV.	DATE	BY	CHKD.	DESCRIPTION
1				
2				
3				
4				
5				
6				
7				
8				
9				
10				
11				
12				
13				
14				
15				
16				
17				
18				
19				
20				
21				
22				
23				
24				
25				
26				
27				
28				
29				
30				
31				
32				
33				
34				
35				
36				
37				
38				
39				
40				
41				
42				
43				
44				
45				
46				
47				
48				
49				
50				
51				
52				
53				
54				
55				
56				
57				
58				
59				
60				
61				
62				
63				
64				
65				
66				
67				
68				
69				
70				
71				
72				
73				
74				
75				
76				
77				
78				
79				
80				
81				
82				
83				
84				
85				
86				
87				
88				
89				
90				
91				
92				
93				
94				
95				
96				
97				
98				
99				
100				

VIEW D-D SCALE: 1/2 ROTATED AS SHOWN

SECTION B-B SCALE: NONE 2 PLACES

11. ITEM NUMBER 59 IS A STIFFENING BRACKET AND MAY BE LEFT IN OR REMOVED AT FINAL DESTINATION AT USER'S OPTION. IF LEFT IN IT WILL NOT INHIBIT ANY USER FUNCTIONS. ~~IT IS TO BE PLACED IN THE CORNER OF THE FRAME - 2 PAGES - 2-10-60~~
12. ITEM 56 AND THE AC POWER CORD ARE TO BE SHIPPED LOOSE PIECE, AND INSTALLED AT SITE LOCATION.
13. ITEM 68 NOT SHOWN, IT IS USED IN SHIPPING ONLY.
14. LOCATE STIFFENER BRACKET (ITEM 59) HOLES THREADED INSERTS AND BUT STIFFENER INTO THE CORNER. INSTALL ITEM 60 AND 62 AND TIGHTEN NUT ONLY TO FASTEN. DO NOT AT THIS TIME TRY TO TIGHTEN SCREW THREADED INSERT WILL FAIL. STIFFENER ON RIGHT SIDE MOUNTS THE SAME WAY EXCEPT ITEM 6 IS NOW ITEM 4 AND ITEM 6 DOES NOT EXIST.
15. ITEM 7, P/N 1213013-00 5" DIA. FAN IS BEING REPLACED BY P/N 1217715-02 4 1/2" DIA FAN. OLD P/N CAN BE USED UNTIL STOCK IS DEPLETED.
HARDWARE FOR OLD FAN

QTY	P/N	DESCRIPTION
3	9004026-2	SCR, PHL FLAT HD 6-32 x .75L
3	7006540-0	NUT KEP #6-32
3	7006653	WASHER, FLAT



THIS VIEW IS FOR REF ONLY AND CONTAINS INFORMATION PERTINENT TO ASSEMBLY REVISIONS - THRU E

DESCRIPTION	QTY	PART NO.	ITEM NO.
UNLESS OTHERWISE SPECIFIED DIMENSIONS ARE IN INCHES			
SCALE OF DIMENSIONS			
SURFACE QUALITY			
QUANTITY & VARIATION			
DATE	11/04		11/04
BY	J. HEALY		
PROJ. ENGR.			
PROJ. MGR.			
DO NOT SCALE DIMS			
MATERIAL	3-00-BATT-L		
SCALE	1/1		
TITLE		BOX 5.25 BATT-L (230V/115V)	
MATERIAL		3-00-BATT-L	

LINE ITEM	TOP DOCUMENT	PART NUMBER	MIN REV	DESCRIPTION	QTY PER VARIATION												
					LA	LB	LC	LD	LE	LF	LH	LJ	LK	LL	LM	LN	
1	1	E-UA-H777-DA-0		H777 -DA	H777-BA EXCEPT +5V 32A,120V	0	0	0	0	0	0	1	0	0	0	1	0
2	2	E-UA-H777-DB-0		H777 -DB	H777-BB EXCEPT +5V 32A,240V	0	0	0	0	0	0	0	1	0	0	0	1
3	3	E-IA-7013038-0-0		7013038-00	CHASSIS ASSY	1	1	1	1	1	1	1	1	1	1	1	1
4	4	C-IA-7012653-0-0		7012653-00	RIGHT SIDE MODULE FRAME	1	1	1	1	1	1	1	1	1	1	1	1
5	5	D-AD-7011132-0-0		7011132-00	ENCLOSURE ,ASSY	1	1	1	1	1	1	1	1	1	1	1	1
6	6	D-IA-7013039-0-0		7013039-00	EXTENSION CHASSIS ASSY	1	1	1	1	1	1	1	1	1	1	1	1
7	7	SEE NOTE 15 (ON UA)		1217715-02	FAN,TUBE AXIAL 4.5" 120CFM 120V	1	1	1	1	1	1	1	1	1	1	1	1
8	8	C-IA-7012846-0-0		7012846-00	LEFT SIDE MODULE FRAME	1	1	1	1	1	1	1	1	1	1	1	1
9	9	BLANK				0	0	0	0	0	0	0	0	0	0	0	0
10	10	BLANK				0	0	0	0	0	0	0	0	0	0	0	0
11	11	BLANK				0	0	0	0	0	0	0	0	0	0	0	0
12	12			9006037-03	SCREW,MACH TRUSS PHIL 8-	11	11	11	11	15	15	15	15	11	11	11	11
13	13			9006634-00	WASHER,LOCK INTERNAL STEEL	14	14	14	14	14	14	14	14	14	14	14	14
14	14	BLANK				0	0	0	0	0	0	0	0	0	0	0	0
15	15	B-MD-7413846-0-0		7413846-00	BAR CABLE STRAIN RELIEF	1	1	1	1	1	1	1	1	1	1	1	1
16	16			9009711-00	NUT,WING 6-32X .50 WD ZINC	2	2	2	2	2	2	2	2	2	2	2	2
17	17	C-IA-7011412-0-0		7011412-03	CHASSIS GND CABLE (BA11-L)	1	1	1	1	1	1	1	1	1	1	1	1
18	18	C-IA-7011412-0-0		7011412-0F	CHASSIS GND CABLE (BA11-L)	REF	REF	REF	REF	REF	REF	REF	REF	REF	REF	REF	REF
19	19	C-MD-7414963-0-0		7414963-00	BRKT SHIPPING & CAB MTG	2	2	2	2	2	2	2	2	2	2	2	2
20	20			9007015-00	GROMMET,ROUND RUBBER	2	2	2	2	2	2	2	2	2	2	2	2
21	21			9006565-00	NUT,HEX EXT TOOTH LCKWSHR 10-32	7	7	7	7	7	7	7	7	7	7	7	7
22	22			9007031-00	TIE,CABLE BUNDL.DIA 0- 3/4"=101	A/R	A/R	A/R	A/R	A/R	A/R	A/R	A/R	A/R	A/R	A/R	A/R
23	23			1211630-00	GUIDE,CARD ,POLMIDE,NATURAL	3	3	3	3	3	3	3	3	3	3	3	3
24	24	BLANK				0	0	0	0	0	0	0	0	0	0	0	0
25	25	E-UA-H777-CA-0		H777 -CA	H777-AA EXCEPT +5V 32A,120V	0	0	0	0	0	0	0	0	1	0	0	0
26	26	E-UA-H777-CB-0		H777 -CB	H777-AB EXCEPT +5V 32A,240V	0	0	0	0	0	1	0	0	0	1	0	0
27	27			9008072-00	WASHER,LOCK EXTERNAL STEEL	3	3	3	3	7	7	7	7	3	3	3	3
28	28	D-AD-7012540-0-0		7012540-00	CONSOLE ASSY EXPANDER BOX	0	0	0	0	1	1	1	1	0	0	0	0
29	29			1212405-04	GUIDE,CARD ,NYLON ,NATURAL	4	4	4	4	4	4	4	4	4	4	4	4
30	30			1212405-05	CARD GUIDE,NYLON	5	5	5	5	5	5	5	5	5	5	5	5

REVISION HISTORY			BASIC PART NO: BA11		DRN: G. MARINI	DATE: 3-SEP-75	DIGITAL			
ENG:	ECO NUMBER	REV	SECTION A OF B	CHK'D: D. HEALY	DATE: 30-SEP-75	TITLE PARTS LIST BOX 5.25 BA11-L (230V/115V)				
---	INITIAL	Z	SECTION VARIATION INDEX	DES.ENG: R. BARRY	DATE: 2-OCT-75	DOCUMENT NUMBER				
CG	BA11-L-MLO24	AA	(A)LA, LB, LC, LD, LE, LF,	RESP.ENG.: R.K. PETERSON	DATE: 2-OCT-75	SIZE	CODE	NUMBER	REV	
CG	BA11-L-MLO25	AB	(B)LX, LY	MFG.ENG.: R.K. PETERSON	DATE: 2-OCT-75	K	PL	BA11-L-DBP	AB	
			(C)	ASSEMBLY NUMBER:	TOP DOCUMENT NUMBER:	RELEASE DATE: 06-AUG-84			FILE NAME:	EDIT #
			(D)	E-UA-BA11-L-0					ML25AB.PLS	11
			(E)							
			(F)							

"THIS DRAWING AND THE SPECIFICATIONS CONTAINED HEREIN ARE CONFIDENTIAL AND PROPRIETARY. THEY ARE THE PROPERTY OF DIGITAL EQUIPMENT CORPORATION AND SHALL NOT BE REPRODUCED OR COPIED OR USED IN WHOLE OR IN PART AS THE BASIS FOR THE MANUFACTURE OR SALE OF ITEMS WITHOUT WRITTEN PERMISSION. THIS IS AN UNPUBLISHED WORK PROTECTED UNDER THE FEDERAL COPYRIGHT LAWS."

LINE	ITEM	TOP DOCUMENT	PART NUMBER	MIN REV	DESCRIPTION	VARIATION REVISION LEVEL:	QTY PER VARIATION																	
							LA	LB	LC	LD	LE	LF	LH	LJ	LK	LL	LM	LN						
31	31	BLANK					0	0	0	0	0	0	0	0	0	0	0	0	0	0	0	0	0	0
32	32		9006666-00		WASHER,FLAT	SST	5	5	5	5	9	9	9	9	5	5	5	5	5	5	5	5	5	
33	33	BLANK					0	0	0	0	0	0	0	0	0	0	0	0	0	0	0	0	0	
34	34		9007786-00		RETAINER,U-NUT	10-32X	5	5	5	5	5	5	5	5	5	5	5	5	5	5	5	5	5	
35	35		9006071-03		SCREW,MACH TRUSS PHIL	10-	11	11	11	11	11	11	11	11	11	11	11	11	11	11	11	11	11	
36	36		9006035-03		SCREW,MACH TRUSS PHIL	8-	4	4	4	4	4	4	4	4	4	4	4	4	4	4	4	4	4	
37	37	B-MD-7417606-0-0	7417606-00		SLEEVE ROLLER		2	2	2	2	2	2	2	2	2	2	2	2	2	2	2	2	2	
38	38	B-MD-7417607-0-0	7417607-00		ROLLER		2	2	2	2	2	2	2	2	2	2	2	2	2	2	2	2	2	
39	39	BLANK					0	0	0	0	0	0	0	0	0	0	0	0	0	0	0	0	0	
40	40		9006690-00		WASHER,HELICAL SPLIT	SST	2	2	2	2	2	2	2	2	2	2	2	2	2	2	2	2	2	
41	41		9006561-00		NUT,HEX	8-32X .307AF SS/N	2	2	2	2	2	2	2	2	2	2	2	2	2	2	2	2	2	
42	42		3700061-00		INSTR PKG COMPUTER	11/05/OLD STY	0	0	0	0	1	1	1	1	0	0	0	0	0	0	0	0	0	
43	43		3700133-00		INSTR PKG COMPUTER	INPLANT 1105	0	0	0	0	1	1	1	1	0	0	0	0	0	0	0	0	0	
44	44	C-MD-7418077-0-0	7418077-00		3 POSITION CARD GUIDE		3	3	3	3	3	3	3	3	3	3	3	3	3	3	3	3	3	
45	45	BLANK					0	0	0	0	0	0	0	0	0	0	0	0	0	0	0	0	0	
46	46	E-UA-H777-BA-0	H777 -BA		11/04 POWER SUPPLY,MOS ONLY,NO +		0	0	1	0	0	0	0	0	0	0	0	0	0	0	0	0	0	
47	47	E-UA-H777-BB-0	H777 -BB		11/04 POWER SUPPLY,MOS ONLY,NO +		0	0	0	1	0	0	0	0	0	0	0	0	0	0	0	0	0	
48	48	E-UA-H777-AA-0	H777 -AA		BA11-L POWER SUPPLY,+5V 25A,+20V		1	0	0	0	0	0	0	0	0	0	0	0	0	0	0	0	0	
49	49	E-UA-H777-AB-0	H777 -AB		240V H777-AA		0	1	0	0	0	0	0	0	0	0	0	0	0	0	0	0	0	
50	50	BLANK					0	0	0	0	0	0	0	0	0	0	0	0	0	0	0	0	0	
51	51	BLANK					0	0	0	0	0	0	0	0	0	0	0	0	0	0	0	0	0	
52	52	BLANK					0	0	0	0	0	0	0	0	0	0	0	0	0	0	0	0	0	
53	53	B-IA-7418258-0-0	7418258-00		GROUND STRAP		1	1	1	1	1	1	1	1	1	1	1	1	1	1	1	1	1	
54	54	B-MD-7418259-0-0	7418259-00		SPACER INCLOSURE		A/R	A/R	A/R	A/R	A/R	A/R	A/R	A/R	A/R	A/R	A/R	A/R	A/R	A/R	A/R	A/R	A/R	
55	55		9007035-00		*** THIS ITEM IS NOT USED ***		-	-	-	-	-	-	-	-	-	-	-	-	-	-	-	-	-	
56	56		9007083-00		CLAMP,CABLE,SCREW MTD.	3/8	0	0	0	0	1	1	1	1	1	1	1	1	1	1	1	1	1	
57	57	A-PS-3613211-0-0	3613211-01		DECAL,CLEAR PREPRINTED CSA	1-1/4	1	1	1	1	1	1	1	1	1	1	1	1	1	1	1	1	1	
58	58	A-DC-7416197-0-0	7416197-01		DECAL		1	1	1	1	1	1	1	1	1	1	1	1	1	1	1	1	1	
59	59	C-MD-7419019-0-0	7419019-00		BRACKET, MODULE FRAME STIFFENING		2	2	2	2	2	2	2	2	2	2	2	2	2	2	2	2	2	
60	60		9006668-00		WASHER,FLAT	SST	6	6	6	6	6	6	6	6	6	6	6	6	6	6	6	6	6	
61	61		9006040-03		SCREW,MACH TRUSS PHIL	8-	4	4	4	4	4	4	4	4	4	4	4	4	4	4	4	4	4	
62	62		9006563-00		NUT,HEX EXT TOOTH LCKWSHR	8-32	4	4	4	4	4	4	4	4	4	4	4	4	4	4	4	4	4	
63	63	BLANK					0	0	0	0	0	0	0	0	0	0	0	0	0	0	0	0	0	
64	64	BLANK					0	0	0	0	0	0	0	0	0	0	0	0	0	0	0	0	0	
65	65	BLANK					0	0	0	0	0	0	0	0	0	0	0	0	0	0	0	0	0	
66	66		9009157-00		*** THIS ITEM IS NOT USED ***		-	-	-	-	-	-	-	-	-	-	-	-	-	-	-	-	-	
67	67		1212707-00		FILTER,AIR FOAM EXPAND	030PPI	0	0	0	0	1	1	1	1	0	0	0	0	0	0	0	0	0	
68	68		9007032-00		TIE,CABLE BUNDL,DIA	0-1-3/4"=101	2	2	2	2	2	2	2	2	2	2	2	2	2	2	2	2	2	
69	69	C-MD-7414962-0-0	7414962-00		BRKT FILTER SUPPORT		0	0	0	0	REF	REF	REF	REF	0	0	0	0	0	0	0	0	0	
70	70	E-UA-H777-UA-0	H777 -UA		11/24 PS: +5V 32A,+15V 3A,-15V 3		0	0	0	0	0	0	0	0	0	0	0	0	0	0	0	0	0	
71	71	E-UA-H777-UB-0	H777 -UB		11/24 PS: +5V 32A,+15V 3A,-15V 3		0	0	0	0	0	0	0	0	0	0	0	0	0	0	0	0	0	
72	72		9006025-02		SCREW,MACH FLAT PHIL	6-	4	4	4	4	4	4	4	4	4	4	4	4	4	4	4	4	4	
73	73		9009165-00		CLIP, FAN MOUNTING	(12-05033 FAN	4	4	4	4	4	4	4	4	4	4	4	4	4	4	4	4	4	
74	74	C-MD-7425811-0-0	7425811-00		BRACKET,SHIPPING,11/24		0	0	0	0	0	0	0	0	0	0	0	0	0	0	0	0	0	
75	75		1215700-05		CABLE ASSY,NYLON, 5"LG		1	1	1	1	1	1	1	1	1	1	1	1	1	1	1	1	1	
76	76		3621768-01		LABEL,ROTATING FAN BLADES		1	1	1	1	1	1	1	1	1	1	1	1	1	1	1	1	1	
77	77		9009255-01		*** THIS ITEM IS NOT USED ***		-	-	-	-	-	-	-	-	-	-	-	-	-	-	-	-	-	
78	78		9009718-00		GROMMET,STRIP	STYRENE	2	2	2	2	2	2	2	2	2	2	2	2	2	2	2	2	2	

D	I	G	I	T	A	L	TITLE	BOX 5.25 BA11-L (230V/115V)	SECTION A	OF B	SIZE	CODE	DOCUMENT NUMBER	REV
											K	PL	BA11-L-DBP	AB

LINE	ITEM	TOP DOCUMENT	PART NUMBER	MIN REV	DESCRIPTION	QTY PER VARIATION	
						LX	LY
1	1	E-UA-H777-DA-0	H777 -DA		H777-BA EXCEPT +5V 32A,120V	0	0
2	2	E-UA-H777-DB-0	H777 -DB		H777-BB EXCEPT +5V 32A,240V	0	0
3	3	E-IA-7013038-0-0	7013038-00		CHASSIS ASSY	1	1
4	4	C-IA-7012653-0-0	7012653-00		RIGHT SIDE MODULE FRAME	1	1
5	5	D-AD-7011132-0-C	7011132-00		ENCLOSURE ASSY	1	1
6	6	D-IA-7013039-0-0	7013039-00		EXTENSION CHASSIS ASSY	1	1
7	7	SEE NOTE 15 (ON UA)	1217715-02		FAN,TUBE AXIAL 4.5" 120CFM 120V	1	1
8	8	C-IA-7012846-0-0	7012846-00		LEFT SIDE MODULE FRAME	1	1
9	9	BLANK				0	0
10	10	BLANK				0	0
11	11	BLANK				0	0
12	12		9006037-03		SCREW,MACH TRUSS PHIL / 8-	12	12
13	13		9006634-00		WASHER,LOCK INTERNAL STEEL	12	12
14	14	BLANK				0	0
15	15	B-MD-7413846-0-0	7413846-00		BAR CABLE STRAIN RELIEF	1	1
16	16		9009711-00		NUT,WING 6-32X .50 HD ZINC	2	2
17	17	C-IA-7011412-0-0	7011412-03		CHASSIS GND CABLE (BA11-L)	1	1
18	18	C-IA-7011412-0-0	7011412-0F		CHASSIS GND CABLE (BA11-L)	REF	REF
19	19	C-MD-7414963-0-0	7414963-00		BKKT SHIPPING & CAB MTG	0	0
20	20		9007015-00		GROMMET,ROUND RUBBER	2	2
21	21		9006565-00		NUT,HEX EXT TOOTH LCKWSHR 10-32	5	5
22	22		9007031-00		TIE,CABLE BUNDL.DIA 0- 3/4"=101	A/R	A/R
23	23		1211630-00		GUIDE,CARD ,POLMIDE,NATURAL	5	5
24	24	BLANK				0	0
25	25	E-UA-H777-CA-0	H777 -CA		H777-AA EXCEPT +5V 32A,120V	0	0
26	26	E-UA-H777-CB-0	H777 -CB		H777-AB EXCEPT +5V 32A,240V	0	0
27	27		9008072-00		WASHER,LOCK EXTERNAL STEEL	3	3
28	28	D-AD-7012540-0-0	7012540-00		CONSOLE ASSY EXPANDER BOX	0	0
29	29		1212405-04		GUIDE,CARD ,NYLON ,NATURAL	4	4
30	30		1212405-05		CARD GUIDE,NYLON	5	5

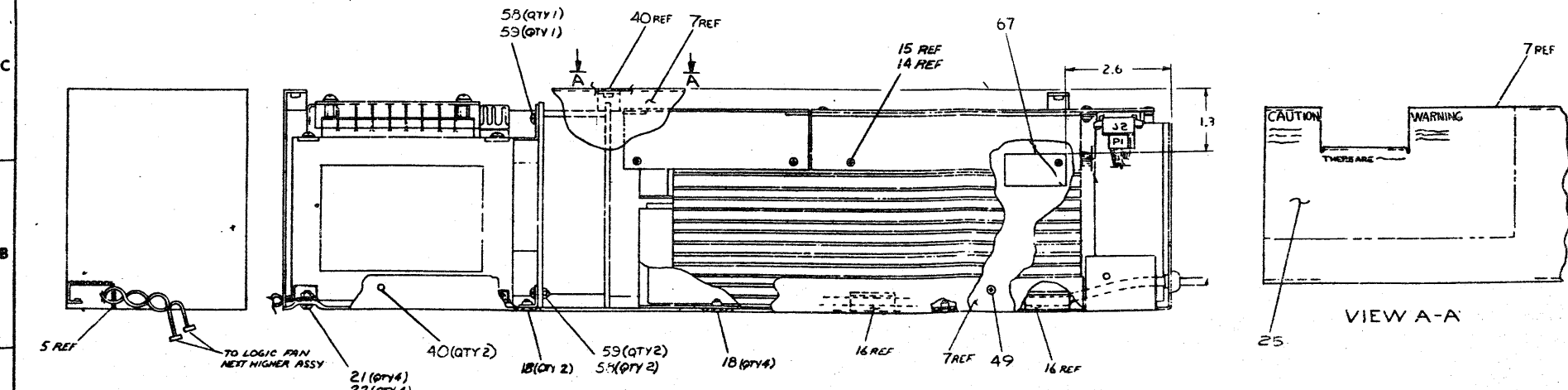
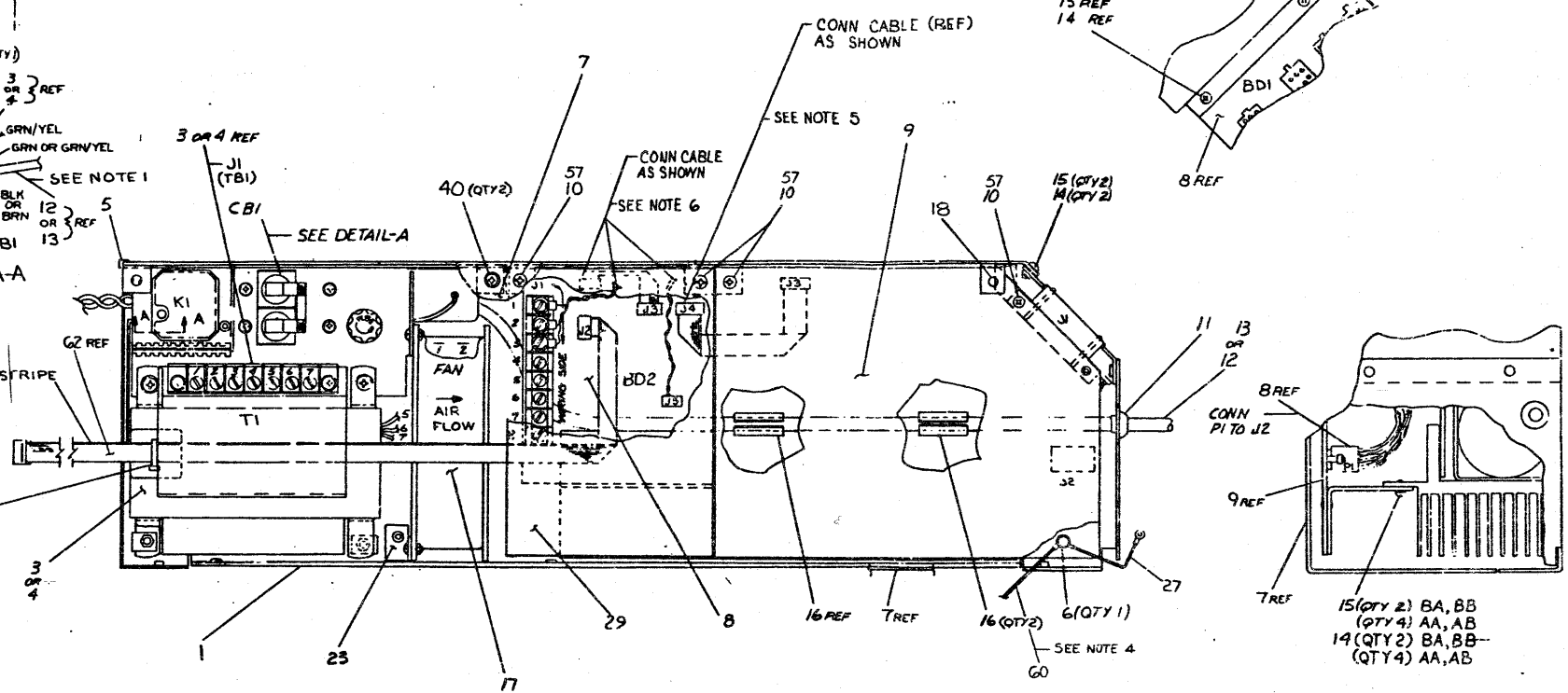
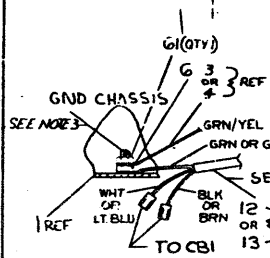
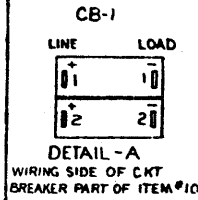
REVISION HISTORY			BASIC PART NO: BA11		DRN: G. MARINI		DATE: 3-SEP-75		DIGITAL			
ENG	ECO NUMBER	REV	SECTION B OF B		CHK'D: D. HEALY		DATE: 30-SEP-75		TITLE PARTS LIST			
---	INITIAL	Z	SECTION VARIATION INDEX		DES.ENG: R. BARRY		DATE: 2-OCT-75		DOCUMENT NUMBER			
CG	BA11-L-MLO24	AA	IA,LA,LB,LC,LD,LE,LF,		RESP.ENG.: R.K. PETERSON		DATE: 2-OCT-75		SIZE CODE NUMBER REV			
CG	BA11-L-MLO25	AB	LH,LJ,LK,LL,LM,LN		MFG.ENG.: R.K. PETERSON		DATE: 2-OCT-75		K PL BA11-L-DBP AB			
			(B) LX,LY		ASSEMBLY NUMBER:		TOP DOCUMENT NUMBER:		FILE NAME: EDIT #			
			(C)		E-UA-BA11-L-0				ML25AB.PLS 11			
			(D)									
			(E)						RELEASE DATE: 06-AUG-84			
			(F)									

"THIS DRAWING AND THE SPECIFICATIONS CONTAINED HEREIN ARE CONFIDENTIAL AND PROPRIETARY. THEY ARE THE PROPERTY OF DIGITAL EQUIPMENT CORPORATION AND SHALL NOT BE REPRODUCED OR COPIED OR USED IN WHOLE OR IN PART AS THE BASIS FOR THE MANUFACTURE OR SALE OF ITEMS WITHOUT WRITTEN PERMISSION. THIS IS AN UNPUBLISHED WORK PROTECTED UNDER THE FEDERAL COPYRIGHT LAWS."

LINE	ITEM	TOP DOCUMENT	PART NUMBER	MIN REV	DESCRIPTION	VARIATION	REVISION LEVEL:	QTY LX	PER LY	VARIATION
31	31	BLANK						0	0	
32	32		9006666-00		WASHER,FLAT		SST	5	5	
33	33	BLANK						0	0	
34	34		9007786-00		RETAINER,U-NUT		10-32X	7	7	
35	35		9006071-03		SCREW,MACH TRUSS PHIL		10-	11	11	
36	36		9006035-03		SCREW,MACH TRUSS PHIL		8-	4	4	
37	37	B-MD-7417606-0-0	7417606-00		SLEEVE ROLLER			2	2	
38	38	B-MD-7417607-0-0	7417607-00		ROLLER			2	2	
39	39	BLANK						0	0	
40	40		9006690-00		WASHER,HELICAL SPLIT		SST	2	2	
41	41		9006561-00		NUT,HEX		8-32X .307AF SS/N	2	2	
42	42		3700061-00		INSTR PKG COMPUTER		11/05 OLD STY	0	0	
43	43		3700133-00		INSTR PKG COMPUTER		INPLANT 1105	0	0	
44	44	C-MD-7418077-0-0	7418077-00		3 POSITION CARD GUIDE			3	3	
45	45	BLANK						0	0	
46	46	E-UA-H777-BA-0	H777 -BA		11/04 POWER SUPPLY,MOS ONLY,NO +			0	0	
47	47	E-UA-H777-BB-0	H777 -BB		11/04 POWER SUPPLY,MOS ONLY,NO +			0	0	
48	48	E-UA-H777-AA-0	H777 -AA		BA11-L POWER SUPPLY,+5V 25A,+20V			0	0	
49	49	E-UA-H777-AB-0	H777 -AB		240V H777-AA			0	0	
50	50	BLANK						0	0	
51	51	BLANK						0	0	
52	52	BLANK						0	0	
53	53	B-IA-7418258-0-0	7418258-00		GROUND STRAP			1	1	
54	54	B-MD-7418259-0-0	7418259-00		SPACER INCLOSURE			4	4	
55	55		9007035-00		*** THIS ITEM IS NOT USED ***			-	-	
56	56		9007083-00		CLAMP,CABLE,SCREW MTD.		3/8 "	1	1	
57	57	A-PS-3613211-0-0	3613211-01		DECAL,CLEAR PREPRINTED CSA		1-1/4	1	1	
58	58	A-DC-7416197-0-0	7416197-01		DECAL			1	1	
59	59	C-MD-7419019-0-0	7419019-00		BRACKET, MODULE FRAME STIFFENING			2	2	
60	60		9006668-00		WASHER,FLAT		SST	6	6	
61	61		9006040-03		SCREW,MACH TRUSS PHIL		8-	4	4	
62	62		9006563-00		NUT,HEX EXT TOOTH LCKWSHR		8-32	4	4	
63	63	BLANK						0	0	
64	64	BLANK						0	0	
65	65	BLANK						0	0	
66	66		9009157-00		*** THIS ITEM IS NOT USED ***			-	-	
67	67		1212707-00		FILTER,AIR FOAM EXPAND		030PPI	0	0	
68	68		9007032-00		TIE,CABLE BUNDL,DIA		0-1-3/4"=101	2	2	
69	69	C-MD-7414962-0-0	7414962-00		BRKT FILTER SUPPORT			0	0	
70	70	E-UA-H777-UA-0	H777 -UA		11/24 PS: +5V 32A,+15V 3A,-15V 3			1	0	
71	71	E-UA-H777-UB-0	H777 -UB		11/24 PS: +5V 32A,+15V 3A,-15V 3			0	1	
72	72		9006025-02		SCREW,MACH FLAT PHIL		6-	4	4	
73	73		9009165-00		CLIP, FAN MOUNTING		(12-05033 FAN	4	4	
74	74	C-MD-7425811-0-0	7425811-00		BRACKET,SHIPPING,11/24			2	2	
75	75		1215700-05		CABLE ASSY,NYLON, 5"LG			1	1	
76	76		3621768-01		LABEL,ROTATING FAN BLADES			1	1	
77	77		9009255-01		LABEL, POWER SUPPLY, 2-7/8" LG X			1	1	
78	78		9009718-00		GROMMET,STRIP		STYRENE	2	2	

D	I	G	I	T	A	L	TITLE	BOX 5.25 BA11-L (230V/115V)	SECTION B	OF B	SIZE	CODE	DOCUMENT NUMBER	REV
											K	PL	BA11-L-DBP	AB

WIRE TABLE										LEGEND	
ITEM NO	AWG.	COLOR	FROM	TO	REMARKS	PART NO	VARIATION				
12	14	BLK		30RN	CB1-1 LINE	H777-BA	P.S. MOS ONLY 115V				
0A	14	WHT		30RN	CB1-2 LINE	H777-BB	P.S. MOS ONLY 230V				
13	14	GRN		1	GND CHASSIS	H777-AA	P.S. CORE/MOS 115V				
4	14	BLU	T1-5	8	J1-7 (BD2)	H777-AB	P.S. CORE/MOS 230V				
0A	18	TRPL	BLU/BLK	T1-4	J1-4 (BD2)						
3	18	TRPL	BLK/BLU	T1-7	J1-8 (BD2)						
0A	18	GRY		8	J1-4 (BD1)						
0A	18	TRPL	BLK		J1-8 (BD1)						
0A	18	WHT		4	FAN-1						
0A	18	TRPL	BLK		FAN-2						
30RA	14	GRN/YEL	EMI-3 (REF)	8	GND CHASSIS						
60	14	GRN/YEL	GND CHASSIS	6				CONSOLE GND			
27	14	GRN/YEL	GND CHASSIS	6				CHASSIS GND			
14	14	BLK	ITEM# 29	8	J1-3 (BD2)			FROM CORE REG			
14	14	ORN	ITEM# 29	8	J1-2 (BD2)			FROM CORE REG			
14	14	BRN	ITEM# 29	8	J1-1 (BD2)			FROM CORE REG			



- NOTES**
1. MAKE 5 INCH SERVICE LOOP AT HOOK UP END.
 2. APPLY SELF STICK INS SHEET (ITEM #2A) TO UNDER SIDE OF POWER SUPPLY COVER IN AREA OF HEAT SINKS (CORE & MOS REGS).
 3. APPLY SELF STICK ITEM 2G BESIDE THIS GND STUD.
 4. ITEM 60 IS A GND CABLE TO GND THE FRONT PANEL CASTINGS FOR MOS AND CORE REGULATORS.
 5. CABLE PART OF ITEM #9.
 6. CABLE # WIRES ARE PART OF ITEM #29

ITEM NO	DESCRIPTION	QTY
1
2
3
4
5
6
7
8
9
10
11
12
13
14
15
16
17
18
19
20
21
22
23
24
25
26
27
28
29
30
31
32
33
34
35
36
37
38
39
40
41
42
43
44
45
46
47
48
49
50

SEE SHEET 2 FOR PARTS LIST

REV	DATE	BY	CHKD
1	01/11/77	J. B. BROWN	J. B. BROWN
2	02/15/77	J. B. BROWN	J. B. BROWN
3	03/20/77	J. B. BROWN	J. B. BROWN
4	04/25/77	J. B. BROWN	J. B. BROWN
5	05/30/77	J. B. BROWN	J. B. BROWN
6	06/30/77	J. B. BROWN	J. B. BROWN
7	07/31/77	J. B. BROWN	J. B. BROWN
8	08/31/77	J. B. BROWN	J. B. BROWN
9	09/30/77	J. B. BROWN	J. B. BROWN
10	10/31/77	J. B. BROWN	J. B. BROWN

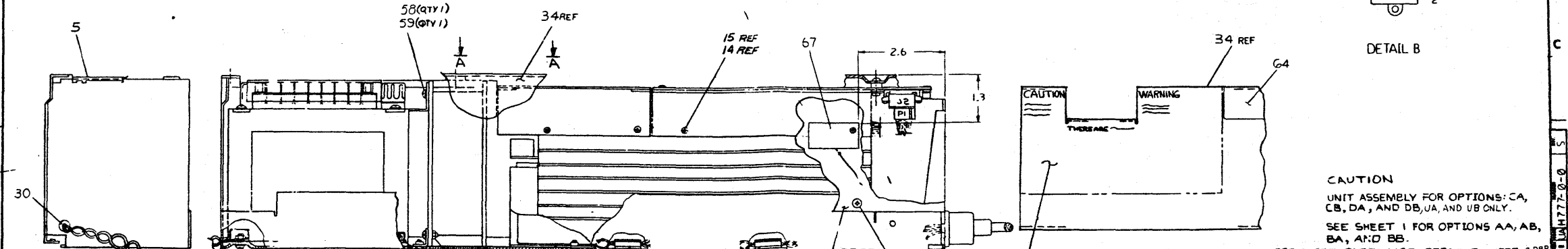
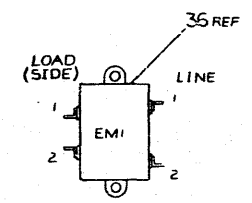
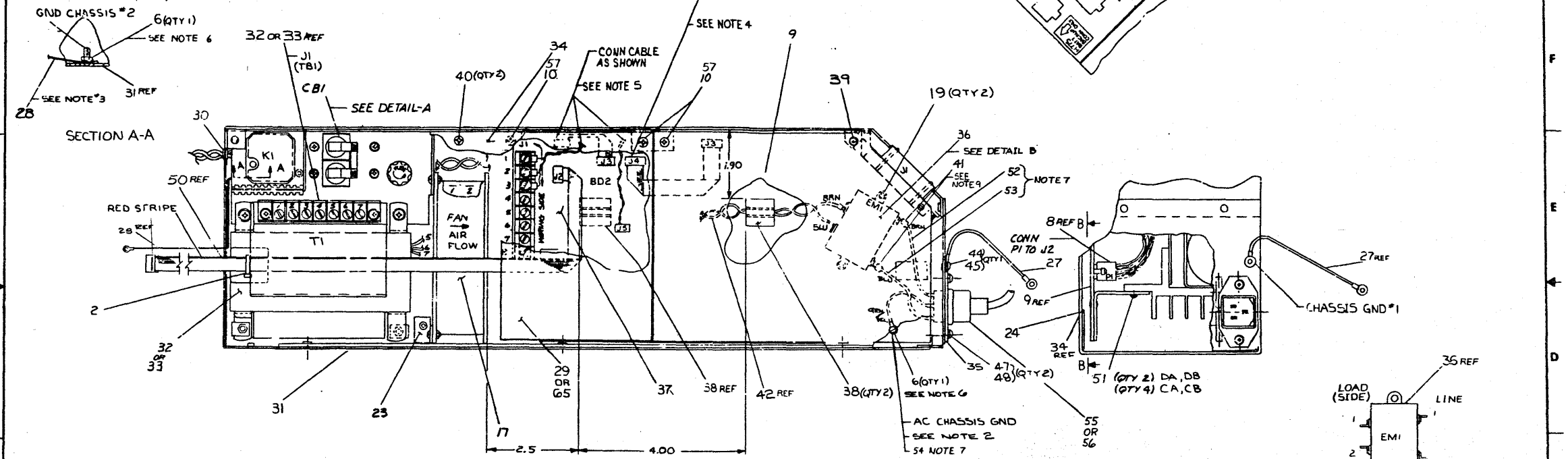
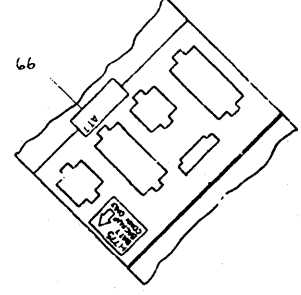
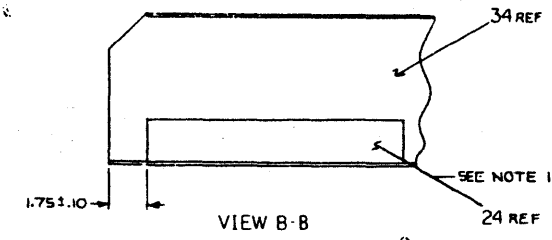
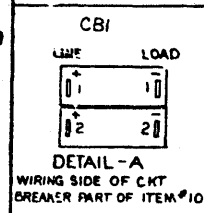
DESCRIPTION: POWER SUPPLY ASSY (H777)

SCALE: NONE

SHEET: 2 OF 2

WIRE TABLE										LEGEND		
ITEM	DESCRIPTION	FROM	TO	REMARKS	WIRING	CONNECTION	WIRING	REMARKS	WIRING	CONNECTION	WIRING	REMARKS
33	14	BLU	ITEM 35	SLOW	36	EMI LINE - 1	---	AC LINE CORD	H777-DB	P.S. MOS ONLY 115V	---	P.S. MOS ONLY 230V
32	14	BRN	ITEM 35	SLOW	36	EMI LINE - 2	---	AC LINE CORD	H777-CA	P.S. CORE/MOS 115V	---	P.S. CORE/MOS 230V
54	14	GRN/YL	ITEM 35	SLOW	31	AC GND CHASSIS	---	AC LINE CORD	H777-CB	P.S. CORE/MOS 230V	---	P.S. ± 15V/MOS 115V
4	14	BLU	TI-5	---	37	J1-7 (BD2)	---	SEC VOLTAGE	H777-UA	P.S. ± 15V/MOS 115V	---	P.S. ± 15V/MOS 230V
4	14	TRPL	---	---	37	J1-6 (BD2)	---	TO RELAY COIL	H777-UB	P.S. ± 15V/MOS 230V	---	
3	14	TRP	---	---	37	J1-8 (BCB)	---					
1	14	TRP	---	---	37	J1-4 (BD1)	---					
1	14	TRP	---	---	37	J1-5 (BD1)	---					
1	14	TRP	---	---	4	FAN-1	---	POWER SUPPLY				
1	14	TRP	---	---	4	FAN-2	---	FAN POWER				
20	14	GRN/YL	GND CHASSIS	G	---	---	---	CONSOLE GND	H777-CA			
27	14	GRN/YL	GND CHASSIS	G	---	---	---	CHASSIS GND	H777-CB			
14	14	BLK	ITEM # 29	---	37	J1-3 (BD2)	---	FROM CORE REG				
14	14	ORN	ITEM # 29	---	37	J1-2 (BD2)	---	FROM CORE REG				
14	14	BRN	ITEM # 29	---	37	J1-1 (BD2)	---	FROM CORE REG				
42	14	BRN	EMI-2 LOAD	41	---	CB(2)LINE	41					
42	14	TWP	EMI-1 LOAD	41	---	CB(1)LINE	41					
					45	J1-3 (BD2)	---	FROM #15	H777-UA			
					45	J1-2 (BD2)	---	FROM #15	H777-UB			
					45	J1-1 (BD2)	---	FROM #15				

- NOTES:
1. APPLY SELF STICK MS SHEET (ITEM #24) TO UNDER SIDE OF POWER SUPPLY COVER IN AREA OF HEAT SINKS (CORE, MOS REGS) ± 15 REGS)
 2. APPLY SELF STICK ITEM #26 BESIDE THIS GND STUD.
 3. ITEM #26 IS A GND CABLE TO GND THE FRONT PANEL CASTINGS FOR MOS AND CORE REGULATORS.
 4. CABLE # PART OF ITEM #9.
 5. CABLE # WIRES ARE PART OF ITEM #29 OR #65.
 6. ITEM #6 (METRIC NUT M4) CAN BE USED AS A REPLACEMENT IN FIELD IF NECESSARY.
 7. INSTALL ITEM #41 OVER SOLDER ENDS PRIOR TO SOLDERING
 8. POSITION ITEM #64 PARALLEL WITH AND THE TOP EDGE ON THE SAME PLANE AS THE TOP EDGE OF ITEM #43.
 9. ADD SHRINK TUBING OVER EXPOSED PART OF FASTON CONNECTOR.



CAUTION
UNIT ASSEMBLY FOR OPTIONS: CA, CB, DA, AND DB, UA, AND UB ONLY.
SEE SHEET 1 FOR OPTIONS AA, AB, BA, AND BB.

OFF SHEET PARTS LIST SEC. K-B H777-3-DBP

ITEM NO.	DESCRIPTION	QUANTITY	UNIT	REVISION
1
2
3
4
5
6
7
8
9
10
11
12
13
14
15
16
17
18
19
20
21
22
23
24
25
26
27
28
29
30
31
32
33
34
35
36
37
38
39
40
41
42
43
44
45
46
47
48
49
50
51
52
53
54
55
56
57
58
59
60
61
62
63
64
65
66

POWER SUPPLY ASSY (H777)

SCALE: 1/2" = 1"

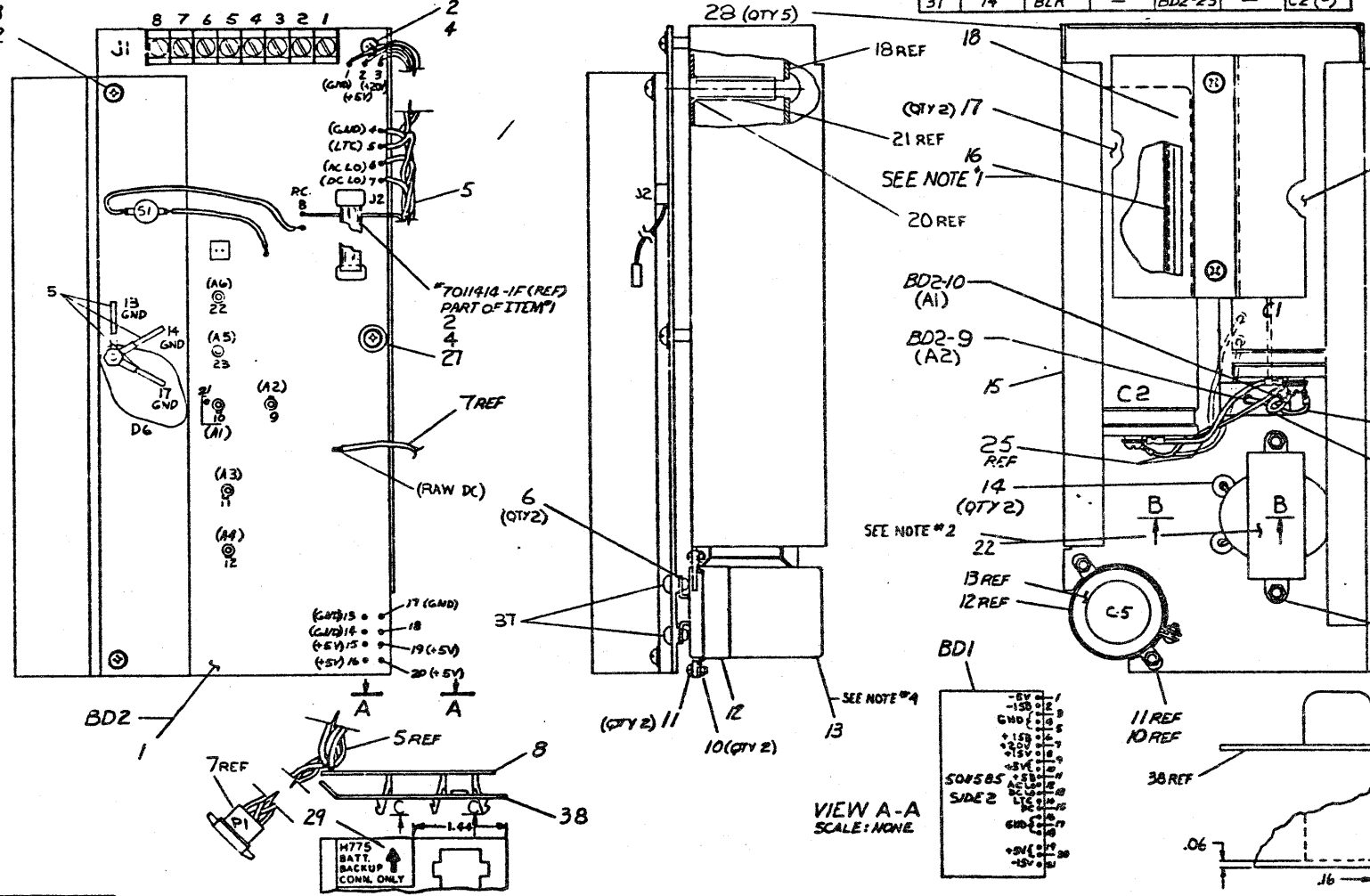
SHEET 2 OF 2

THE DRAWING AND SPECIFICATIONS HEREIN ARE THE PROPERTY OF DIGITAL EQUIPMENT CORPORATION AND SHALL NOT BE REPRODUCED OR COPIED OR USED IN WHOLE OR IN PART AS THE BASIS FOR THE MANUFACTURE OR SALE OF ITEMS WITHOUT WRITTEN PERMISSION. COPYRIGHT © 1975, DIGITAL EQUIPMENT CORPORATION.

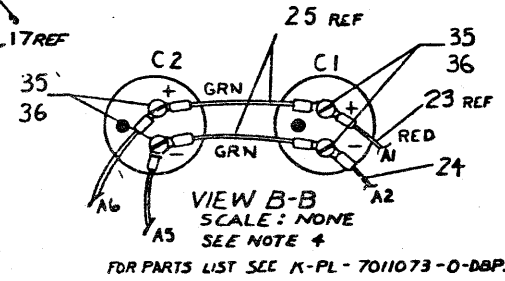
WIRE CHART

ITEM NO	DESCRIPTION	FROM	TO	ITEM NO	DESCRIPTION	FROM	TO	ITEM NO	DESCRIPTION	FROM	TO								
A	WVG	COLOR	POINT NO	CONN	POINT NO	CONN	POINT NO	CONN	A	WVG	COLOR	POINT NO	CONN	POINT NO	CONN				
5	20	WHT	1	BD2-8	18	BD1-15	14	BLK	28	BD2-13	11	BD1-4	18	GRY	4	BD1-8	* 9	-	
	14	BRN	2	2	9	1		RED	29	15	14	9	18	WHT	5	BD1-6	* 10	-	
	14	BLK	3	1	12	5		RED	26	19	15	10	14	RED	6	ED2-21	* 13	-	
	14	DRN	4	3	13	7		BLK	25	14	21	17	18	GRN	7	BD1-2	12	-	
	20	BRN	5	5	19	14		RED	24	16	22	19	25	GRN	-	C1(+)	-	C2(+)	
	20	BLK	6	4	20	16		RED	27	BD2-20	23	BD1-20	25	GRN	-	C1(-)	-	C2(-)	
	20	YEL	7	6	16	12		BLU	1	BD1-21	* 11	-	23	BLK	-	BD2-10	-	C1(+)	
	20	VIO	8	7	17	13		BLK	2	BD1-18	* 8	-	24	BLK	-	BD2-9	-	C1(-)	
	14	BLK	30	BD2-17	10	BD1-3		RED	3	BD1-11	* 14	-	22	-	-	-	-	BD2-11	
													22	-	-	-	-	BD2-12	
													31	14	BLK	-	BD2-23	-	C2(-)

- ### NOTES:
- USE ITEM #16 (GROMMET) TO COVER RAW METAL EDGES UNDER CAPACITORS.
 - LEADS FROM ITEMS #22, 23 & 24 ARE TO BE CUT FLUSH WITH TOP OF CLAMPS ON ITEM #1. A1, A2, A3 & A4
 - * ASTERISK INDICATES THAT THESE CONN. ALREADY HAVE BEEN MADE ON PLUG P1 ON HARNESS D-3A-7011560-0-0 THEY ARE SHOWN FOR REF ONLY.
 - ITEMS #17 & #13 ARE TO HAVE THEIR ELECTRICAL CONNECTIONS TORQUED TO 12 IN.-LBS (-0, +10) IN.-LBS.
 - BRING SCREW TO A NO SLACK POSITION THEN TIGHTEN WITH 1/2 TO 3/4 TURN ONLY.
 - ITEMS #33 AND #34 ARE NOT SHOWN.



21 } QTY2
20 }
19 }



DECAL	A-DC-7416911-0-0	28
1 WASHER NYLON #6	9006707	27
2 NUT KEPS #8-32	9006563	26
2 JUMPER (BRN)	B-2A-7011800-0-0	25
1 JUMPER (BLK)	B-2A-7011802-0-0	24
1 JUMPER (RED)	B-2A-7011801-0-0	23
1 CHOKE	162584	22
2 SPACER HEX #8-32 X 1/8BL	9008258	21
2 WASHER D/T TOOTH LOCK #8	9006634	20
2 SCR PHIL HD PAN #8-32 X .50L	9006037-1	19
1 CLAMP CAPACITOR	CND-74M021-0-0	18
2 CAPACITOR 20 KUK 50V	1010702	17
1 GROMMET CAPSPILLER	9007035	16
1 BRACKET CAPACITOR	E-2A-7413743-0-0	15
2 GROMMET RUBBER	9007071	14
1 CAPACITOR 39004H / 16V/65T	1012740	13
1 CLAMP CAPACITOR	9007052	12
2 SCR PHIL PAN #D7E-32X.25L	9006020-1	11
2 NUT KEPS #6-32	9008185	10
1 BRACKET COIN	D-2A-7413752-0-0	9
1 BOARD, PWR DISTR. H777	D-2A-5415986-0-1	8
1 HARNESS AD NES RBS PWR DST	D-2A-7411560-0-0	7
2 WASH. 375 O.D. X .671 D.X. 036	9006660	6
1 HARNESS H777 15V REG	D-2A-7011415-0-0	5
2 SCR PHIL HD PAN #6-32 X .31L	9006021-1	4
2 SCR PHIL HD PAN #8-32 X .50L	9006014-1	3
1 WASHER TAP TOOTH LOCK #6	9006633	2
1 H777 + 5V REGULATOR	D-2A-541597-0-1	1

VIEW A-A
SCALE: NONE

VIEW C-C

QUANTITY & VARIATION

DESCRIPTION	DWG/PART NO.	ITEMS NO.
UNLESS OTHERWISE SPECIFIED DIMENSIONS ARE IN INCHES		
ANGLES	CLASS OF ACCURACY	FINISH
SURFACE QUALITY	CHECK QTY	PREPARED
MICROINCHES		

THIRD-ANGLE PROJECTION

RELIEVE SHARP CORNERS

DO NOT SCALE DWG

MATERIAL

FINISH

FIRST USED ON H777

TITLE: +5V REG ASSY

DATE: 9-25-75

PROJ. ENG. P-575

PROJ. I. 144-3

NEXT HIGHER ASSY.:

C-2A-H777-0-0

SCALE: 1 OF 1

SHEET 1 OF 1

DATE: 9-25-75

BY: J. DREW

CHKD: J. DREW

APP'D: J. DREW

REV: D

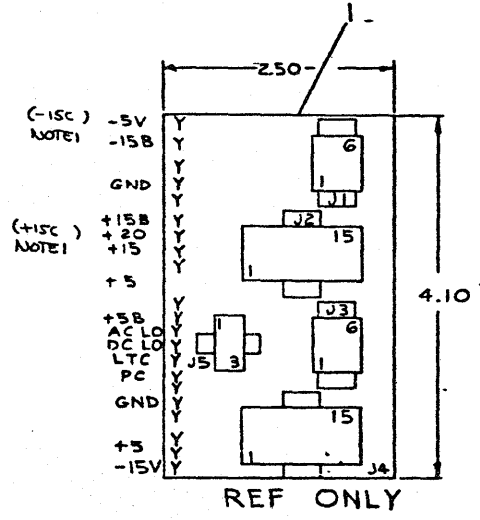
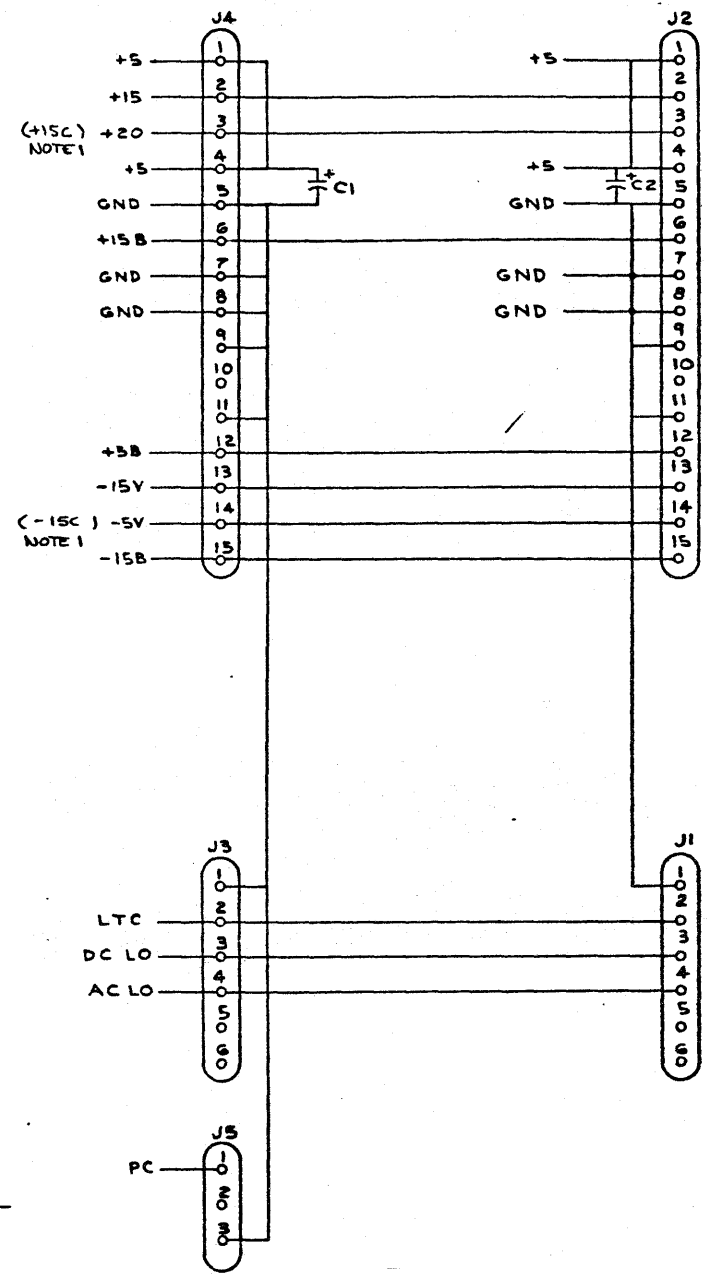
NUMBER: 7011073-0-0

REV: D

REV.	BY	DATE
1	J. DREW	9-25-75
2	J. DREW	9-25-75
3	J. DREW	9-25-75
4	J. DREW	9-25-75
5	J. DREW	9-25-75
6	J. DREW	9-25-75
7	J. DREW	9-25-75
8	J. DREW	9-25-75
9	J. DREW	9-25-75
10	J. DREW	9-25-75
11	J. DREW	9-25-75
12	J. DREW	9-25-75
13	J. DREW	9-25-75
14	J. DREW	9-25-75
15	J. DREW	9-25-75
16	J. DREW	9-25-75
17	J. DREW	9-25-75
18	J. DREW	9-25-75
19	J. DREW	9-25-75
20	J. DREW	9-25-75
21	J. DREW	9-25-75
22	J. DREW	9-25-75
23	J. DREW	9-25-75
24	J. DREW	9-25-75
25	J. DREW	9-25-75
26	J. DREW	9-25-75
27	J. DREW	9-25-75
28	J. DREW	9-25-75
29	J. DREW	9-25-75
30	J. DREW	9-25-75
31	J. DREW	9-25-75
32	J. DREW	9-25-75
33	J. DREW	9-25-75
34	J. DREW	9-25-75
35	J. DREW	9-25-75
36	J. DREW	9-25-75
37	J. DREW	9-25-75
38	J. DREW	9-25-75
39	J. DREW	9-25-75
40	J. DREW	9-25-75

"THIS DRAWING AND SPECIFICATIONS HEREIN ARE THE PROPERTY OF DIGITAL EQUIPMENT CORPORATION AND SHALL NOT BE REPRODUCED OR COPIED OR USED IN WHOLE OR IN PART AS THE BASIS FOR THE MANUFACTURE OR SALE OF ITEMS WITHOUT WRITTEN PERMISSION. COPYRIGHT © 1970 DIGITAL EQUIPMENT CORPORATION"

NOTES:
1: H777 UA, UB VARIATION ONLY DIFF FROM THE 5413764 MODULE.



REV.	CHANGE NO.	BY	DATE
1	1	W. BAUSHA	11/84
2	2	W. BAUSHA	11/84
3	3	W. BAUSHA	11/84
4	4	W. BAUSHA	11/84
5	5	W. BAUSHA	11/84
6	6	W. BAUSHA	11/84
7	7	W. BAUSHA	11/84
8	8	W. BAUSHA	11/84

DRN. <i>F. J. ...</i>	1-228	FIRST USED ON	11/84 PWR SUPP	Digital
CHK'D <i>F. J. ...</i>	1-228	TITLE	BOARD, POWER DISTRIBUTION H777	
ENG. <i>P. J. ...</i>	1-228	SIZE	D	CS 5411586-0-1
PROG. ENG. <i>P. J. ...</i>	1-228	NUMBER	0-1	F
PROD. <i>P. J. ...</i>	1-228	REV.		
NEXT HIGHER ASSY.		SCALE	NONE	
		SHEET	1	OF 1

D CS 5411586-0-1 F

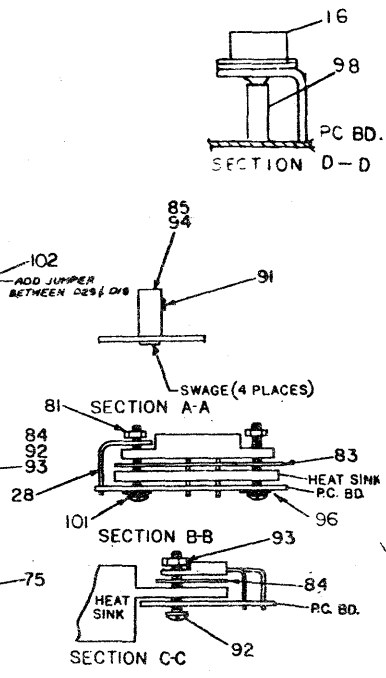
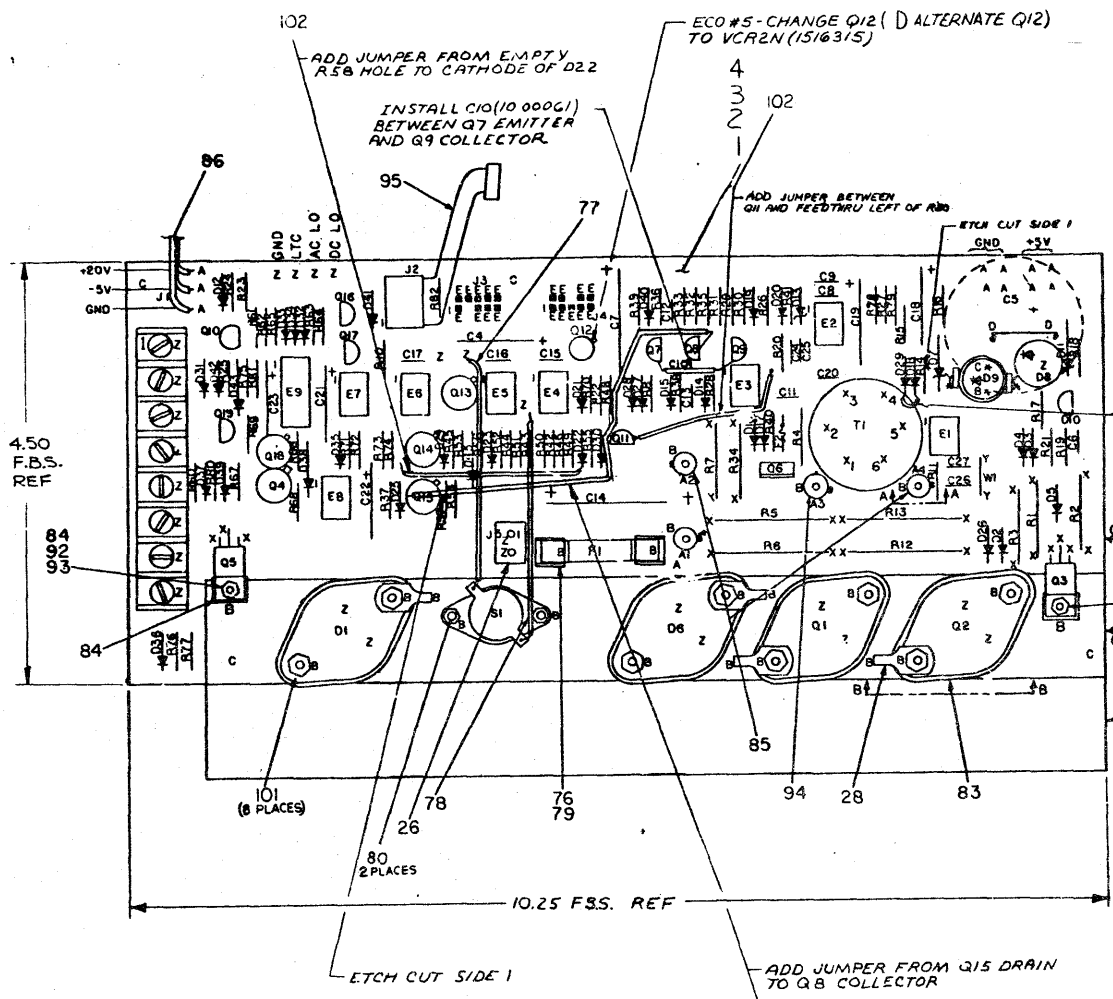
TW

THIS DRAWING AND SPECIFICATIONS HEREIN ARE THE PROPERTY OF DIGITAL EQUIPMENT CORPORATION AND SHALL NOT BE REPRODUCED OR COPIED OR USED IN WHOLE OR IN PART AS THE BASIS FOR THE MANUFACTURE OR SALE OF ITEMS WITHOUT WRITTEN PERMISSION.
 COPYRIGHT © 1975 DIGITAL EQUIPMENT CORPORATION

NOTES:

1. HARDWARE ON D1, Q1, Q2, D6, S1, C5 MUST BE TORQUED TO 12 IN-LBS (-0,1)

QTY	REF DESIGNATION	SUBSTITUTION LIST DESCRIPTION	PART NO.	ITEM NO.	X-Y COORDINATE HOLE LOCATION	K-CO
1	C19	CAPACITOR, 15mf, 50V, POLYCARB	1010031-08	12	REF	X-Y COORDINATE HOLE LOCATION
1	D1	DIODE	1112723-01	23	REF	ASSY/DRILLING HOLE LAYOUT
8	C6, C9, C11, C20, C24 - C27	CAPACITOR, .01mf, 50V	1001610-00	3	REF	MODULE ECO HISTORY
1	D11	DIODE IN752A		15		8-JH-5411597-0-8
1	D8	DIODE MR1033B		16		5011598
23	D3, D4, D12, D14 THRU D20, D22 THRU D25, D27, D30 THRU D37, D40, D42, D5, D39, D28	DIODE D872		17		1000016
3	D21, D41, D29	DIODE IN4004		18		1000024
1	D13	DIODE, ZENER, 5.1V, 2% IZT - 5ma		19		1000080
1	D6	DIODE, T03		20		1001610-01
1	D10	DIODE 2N5082		21		1001776
3	D7, D43, D45	DIODE IN751A		22		1002425
1	D1	DIODE, DUAL, T03		23		
2	D2, D26	DIODE A114B		24		
1	D38	DIODE, ZENER 13V IN964B		25		
1	J5	CONNECTOR 2 PIN MATE-IN-LOC		26		
1	J1	TERMINAL BOARD 8 STATION		27		
4		SOLDER LUG		28		
18		PINS, STAKING		29		
1	F2	FUSE 5A		30		
2	R18, R19	RESISTOR, 100, 1/4W, 5%		31		
1	R10	RESISTOR, 150, 1/4W, 5%		32		
1	R2	RESISTOR, 150, 1W, 5%		33		
1	R34	RESISTOR, 220, 1W, 10%		34		
2	R78, R81	RESISTOR, 390, 1/4W, 5%		35		
2	R29, R16	RESISTOR, 470, 1/4W, 5%		36		
7	R82, R28, R38, R50, R69, R52, R54	RESISTOR, 1K, 1/4W, 5%		37		
2	R8, R86	RESISTOR, 2.7K, 1/4W, 5%		38		
7	R31, R60, R62, R65, R68, R15, R39	RESISTOR, 4.7K, 1/4W, 5%		39		
13	R63, R25, R32, R33, R36, R37, R80, R55 THRU R57, R67, R70, R77	RESISTOR, 10K, 1/4W, 5%		40		
1	R24	RESISTOR, 12, 1/4W, 5%		41		
1	R4	RESISTOR, 47, 1/2W, 5%		42		
5	R23, R48, R40, R64, R75	RESISTOR, 270, 1/4W, 5%		43		
2	R72, R74	RESISTOR, 150K, 1/4W, 5%		44		
2	R26, R61	RESISTOR, 2K, 1/4W, 5%		45		
4	R22, R71, R41, R73	RESISTOR, 30K, 1/4W, 5%		46		
3	R49, R51, R53	RESISTOR, 56K, 1/4W, 5%		47		
1	R27	RESISTOR, 100K, 1/4W, 5%		48		
2	R17, R21	RESISTOR, 30, 1/4W, 5%		49		
2	R43, R44	RESISTOR, 1.21K, 1/4W, 1%		50		
1	R46	RESISTOR, 1K, 1/4W, 1%		51		
1	R33	RESISTOR, 8.2K, 1/4W, 5%		52		
1	R45	RESISTOR, 10K, 1/8W, 1%		53		



IC TYPE	1	8
IC 555		
GND		+5V
GND AND 5V ARE USUALLY PIN 7 AND 14 RESPECTIVELY EXCEPTONS ARE STATED ABOVE		
IC PIN LOCATIONS		

REV.	DATE	BY	CHK	CHANGE NO.
1	12-19-75	R. BARRY		
2	12-19-75	R. BARRY		
3	12-19-75	R. BARRY		
4	12-19-75	R. BARRY		
5	12-19-75	R. BARRY		
6	12-19-75	R. BARRY		
7	12-19-75	R. BARRY		
8	12-19-75	R. BARRY		
9	12-19-75	R. BARRY		
10	12-19-75	R. BARRY		
11	12-19-75	R. BARRY		
12	12-19-75	R. BARRY		
13	12-19-75	R. BARRY		
14	12-19-75	R. BARRY		
15	12-19-75	R. BARRY		
16	12-19-75	R. BARRY		
17	12-19-75	R. BARRY		
18	12-19-75	R. BARRY		
19	12-19-75	R. BARRY		
20	12-19-75	R. BARRY		
21	12-19-75	R. BARRY		
22	12-19-75	R. BARRY		
23	12-19-75	R. BARRY		
24	12-19-75	R. BARRY		
25	12-19-75	R. BARRY		
26	12-19-75	R. BARRY		
27	12-19-75	R. BARRY		
28	12-19-75	R. BARRY		
29	12-19-75	R. BARRY		
30	12-19-75	R. BARRY		
31	12-19-75	R. BARRY		
32	12-19-75	R. BARRY		
33	12-19-75	R. BARRY		
34	12-19-75	R. BARRY		
35	12-19-75	R. BARRY		
36	12-19-75	R. BARRY		
37	12-19-75	R. BARRY		
38	12-19-75	R. BARRY		
39	12-19-75	R. BARRY		
40	12-19-75	R. BARRY		
41	12-19-75	R. BARRY		
42	12-19-75	R. BARRY		
43	12-19-75	R. BARRY		
44	12-19-75	R. BARRY		
45	12-19-75	R. BARRY		
46	12-19-75	R. BARRY		
47	12-19-75	R. BARRY		
48	12-19-75	R. BARRY		
49	12-19-75	R. BARRY		
50	12-19-75	R. BARRY		
51	12-19-75	R. BARRY		
52	12-19-75	R. BARRY		
53	12-19-75	R. BARRY		
54	12-19-75	R. BARRY		
55	12-19-75	R. BARRY		
56	12-19-75	R. BARRY		
57	12-19-75	R. BARRY		
58	12-19-75	R. BARRY		
59	12-19-75	R. BARRY		
60	12-19-75	R. BARRY		
61	12-19-75	R. BARRY		
62	12-19-75	R. BARRY		
63	12-19-75	R. BARRY		
64	12-19-75	R. BARRY		
65	12-19-75	R. BARRY		
66	12-19-75	R. BARRY		
67	12-19-75	R. BARRY		
68	12-19-75	R. BARRY		
69	12-19-75	R. BARRY		
70	12-19-75	R. BARRY		
71	12-19-75	R. BARRY		
72	12-19-75	R. BARRY		
73	12-19-75	R. BARRY		
74	12-19-75	R. BARRY		
75	12-19-75	R. BARRY		
76	12-19-75	R. BARRY		
77	12-19-75	R. BARRY		
78	12-19-75	R. BARRY		
79	12-19-75	R. BARRY		
80	12-19-75	R. BARRY		
81	12-19-75	R. BARRY		
82	12-19-75	R. BARRY		
83	12-19-75	R. BARRY		
84	12-19-75	R. BARRY		
85	12-19-75	R. BARRY		
86	12-19-75	R. BARRY		
87	12-19-75	R. BARRY		
88	12-19-75	R. BARRY		
89	12-19-75	R. BARRY		
90	12-19-75	R. BARRY		
91	12-19-75	R. BARRY		
92	12-19-75	R. BARRY		
93	12-19-75	R. BARRY		
94	12-19-75	R. BARRY		
95	12-19-75	R. BARRY		
96	12-19-75	R. BARRY		
97	12-19-75	R. BARRY		
98	12-19-75	R. BARRY		
99	12-19-75	R. BARRY		
100	12-19-75	R. BARRY		

FIRST USED ON OPTION MODEL

ETCH BOARD REV. E

digital

H777
+ 5V REGULATOR

SIZE CODE D CSI 5411597-0-1

SCALE 1 OF 4

SEMICONDUCTOR CONVERSION CHART

REV. L

THIS DRAWING AND SPECIFICATIONS HEREIN ARE THE PROPERTY OF DIGITAL EQUIPMENT CORPORATION AND SHALL NOT BE REPRODUCED OR COPIED OR USED IN WHOLE OR IN PART AS THE BASIS FOR THE MANUFACTURE OR SALE OF ITEMS WITHOUT WRITTEN PERMISSION. COPYRIGHT © 1975, DIGITAL EQUIPMENT CORPORATION.

DCS 5411597-0-1 2

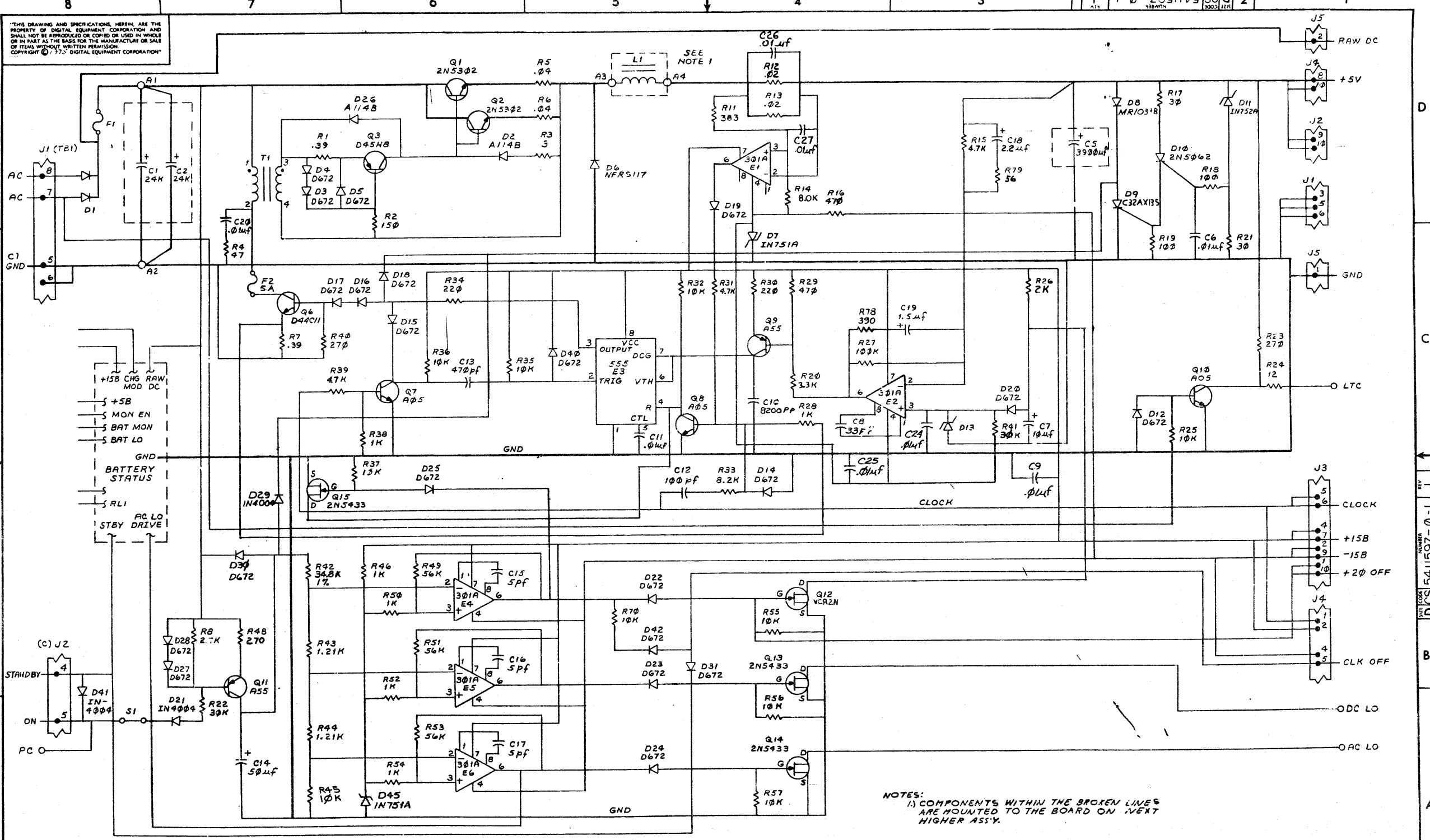
1	R76	RESISTOR, 5.1, 1/4W, 5%	1309422	54
1	R78	RESISTOR, 56, 1/4W, 5%	1302602	55
1	R42	RESISTOR, 34.8K, 1/4W, 1%	1303156	56
2	R1, R7	RESISTOR, .39, 2W, 3%	1310888	57
2	R12, R13	RESISTOR, .02, 5W, 3%	1310878	58
2	R5, R8	RESISTOR, .04, 5W	1311362	59
1	R3	RESISTOR, 3, 3W, 5%	1312682	60
2	Q1, Q2	TRANSISTOR, 2N5302	1510198	61
3	Q7, Q8, Q10	TRANSISTOR, A05	1510705	62
5	Q9, Q11, Q16, Q17, Q18	TRANSISTOR, A55	1510708	63
2	Q3, Q5	TRANSISTOR, 2A5H8	1510708	64
4	Q4, Q13 THRU Q15	TRANSISTOR, 2N5433	1511688	65
1	Q19	TRANSISTOR, 2N8028	1510877	66
1	Q8	TRANSISTOR, D44C11	1512790	67
1	D8	TRANSISTOR, C32AX135	1510928	68
1	T1	TRANSFORMER PULSE	1612592	69
1	E8	I.C. DEC 7410	1805576	70
5	E1, E2, E4, E5, E8	I.C. DEC 301A	1910282	71
3	E3, E7, E9	I.C. DcC LM555	1811944	72
1	F1	FUSE 15A, 32V	9007228	73
1	S1	THERMOSTAT (ELMWOOD)	1212787	74
1		HEAT SINK	7414238	75
2		EYELET	9006732	76
3		WIRE, #22 AWG STRANDED (WHITE)	9107350-99	77
3		WIRE, #22 AWG STRANDED (WHITE)	9107350-88	78
2		FUSECLIP	9007203	79
2		SCREW, #4-40 x 7/16 1g PHILLIPS HD	9008012-1	80
10		NUT, KEP #4-40	9008557	81
A/R		COMPOUND, THERMAL	9008268	82
4		INSULATOR, T03	9008418	83
2		INSULATOR, THERMA-FILM	9009597	84
3	A1, A2, A4	STANDOFF	7414048-8	85
REF		ASSY, HARNESS	7011415-0-0	86
1	W1	WIRE #18 AWG	9009185	87
1	C10	CAPACITOR 8200 PF 100V MYLAR	1000061	88
1	C8	CAPACITOR, 33 PF, 100V, 5% D.M.	1000009	89
				90
4		SET SCREW #6-32 x 1/8 LG.	9006290-10	91
2		SCREW NYLON #4-40 x 1/2 LG.	9006402-4	92
2		NUT NYLON #4-40	9007992	93
1	A3	STANDOFF	7414048-1	94
1	J2	CONTROL CABLE (CONSOLE)	7011414-1F	95
8		WASHER, FLAT	9008172	96
				97
1		SPACER, INSULATOR	9007615	98
1	R30	RES 220, 1/4W, 5%	1300271	99
1	R20	RES 3.3K, 1/4W, 5%	1300439	100
8		SCREW, PHL PAN HD 4-40 x 5/8	9006014-01	101
A/R		JUMPER	9105740-55	102
A/R		WIRE	9107267-09	103
1	Q12	TRANSISTER VCR2N	1516351	104
1	R11	RES 383Ω 1/4W 1%	1305125	105
1	R14	RES 8.0K 1/4W 1%	1305129	106

REVISIONS		
CHK	CHANGE NO	REV

TITLE: H777+5V REGULATOR
 SIZE CODE: DCS 5411597-0-1
 NUMBER: 2 OF 4
 SCALE: 1
 REV: L

8 7 6 5 4 3 2 1

THIS DRAWING AND SPECIFICATIONS, HEREIN, ARE THE PROPERTY OF DIGITAL EQUIPMENT CORPORATION AND SHALL NOT BE REPRODUCED OR COPIED OR USED IN WHOLE OR IN PART AS THE BASIS FOR THE MANUFACTURE OR SALE OF ITEMS WITHOUT WRITTEN PERMISSION. COPYRIGHT © 1975 DIGITAL EQUIPMENT CORPORATION

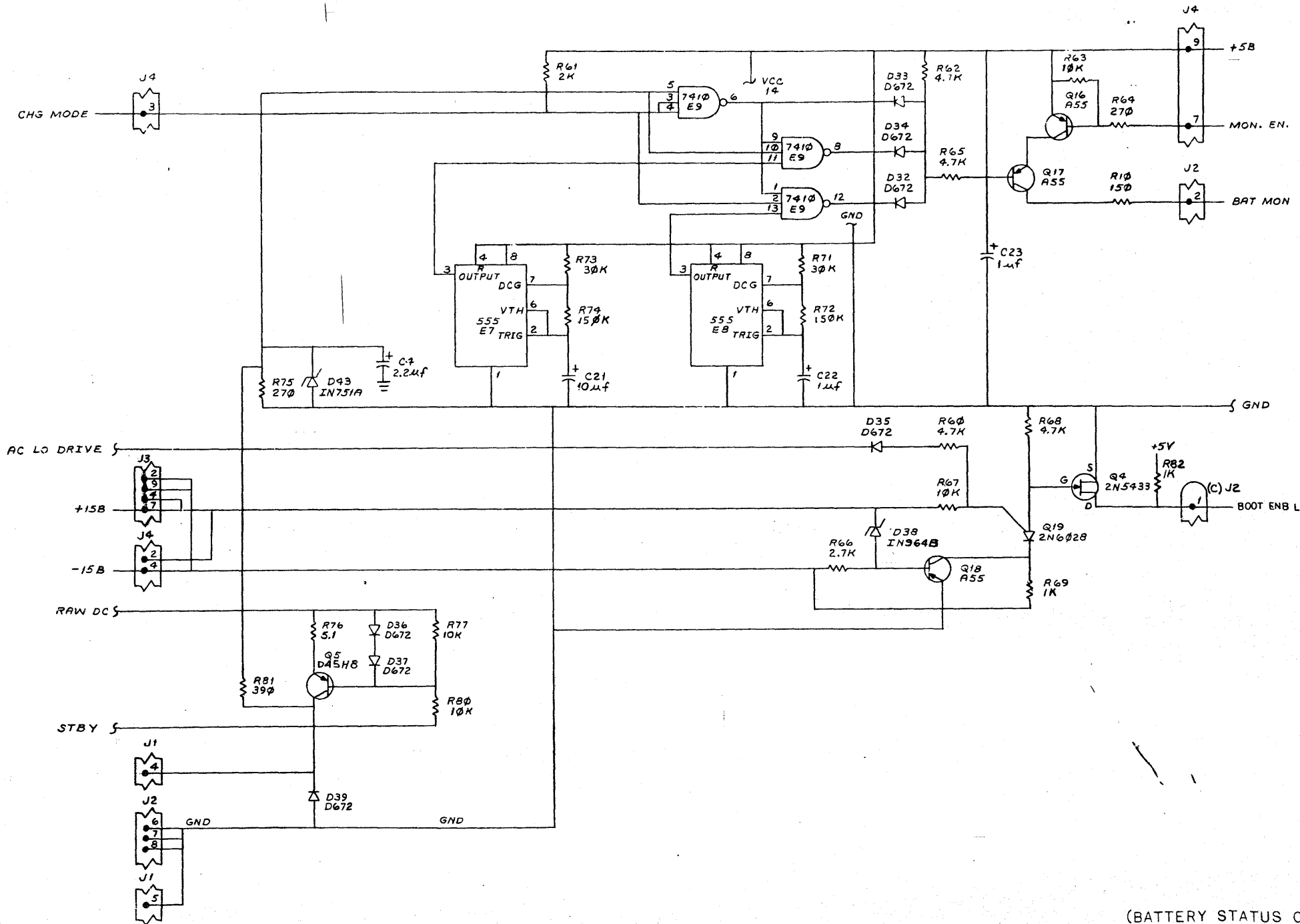


NOTES:
1) COMPONENTS WITHIN THE BROKEN LINES ARE MOUNTED TO THE BOARD ON NEXT HIGHER ASS'Y.

REVISIONS		
CHK	CHANGE NO.	REV.

TITLE	H777 +5V REGULATOR	SIZE CODE	D CS	NUMBER	5411597-0-1	REV.	L
SCALE		SHEET	3 OF 4	DIST.			

THIS DRAWING AND SPECIFICATIONS HEREIN ARE THE PROPERTY OF DIGITAL EQUIPMENT CORPORATION AND SHALL NOT BE REPRODUCED OR COPIED OR USED IN WHOLE OR IN PART AS THE BASIS FOR THE MANUFACTURE OR SALE OF ITEMS WITHOUT WRITTEN PERMISSION. COPYRIGHT © 1975 DIGITAL EQUIPMENT CORPORATION



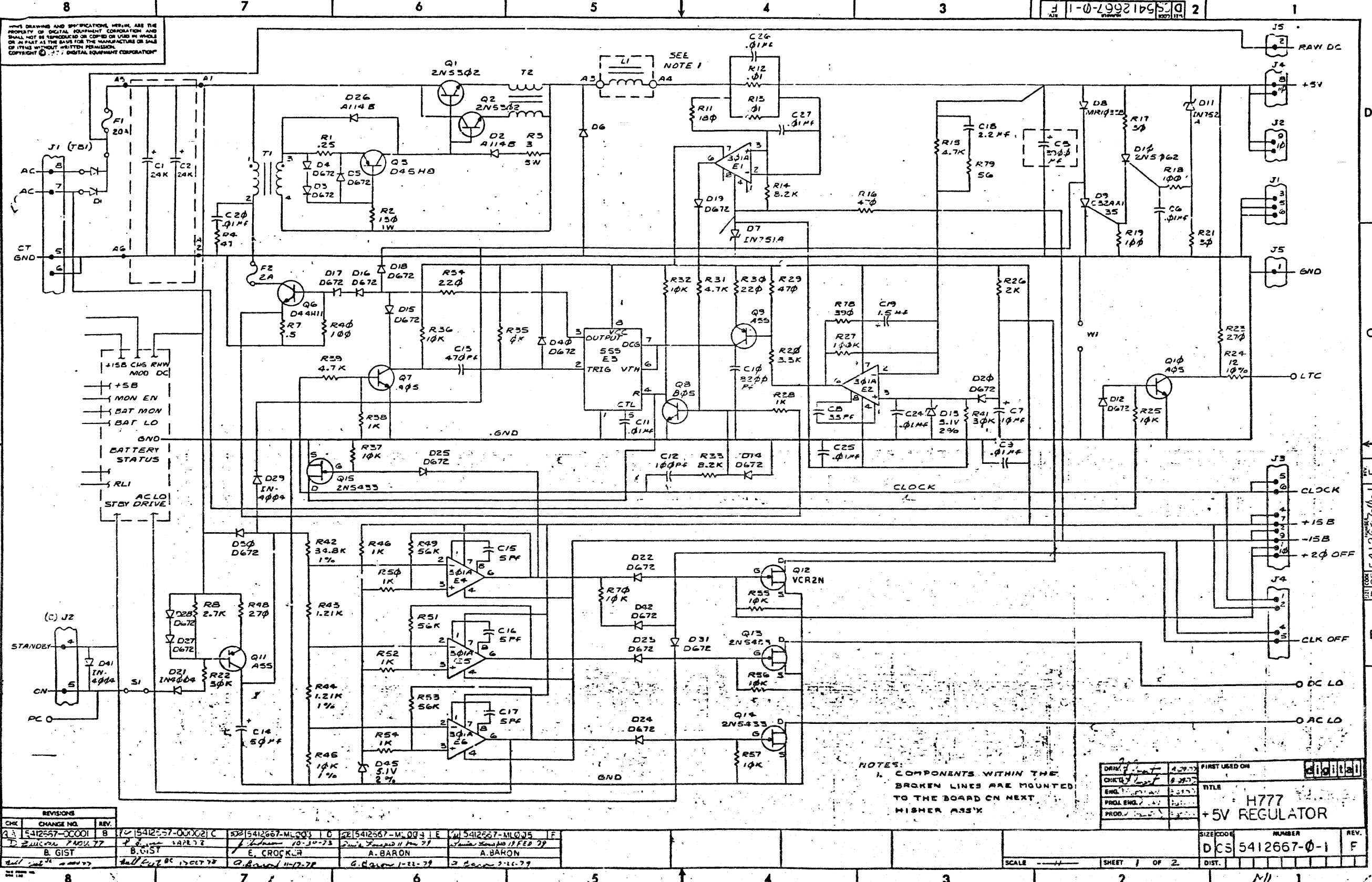
(BATTERY STATUS CRKT'S)

REVISIONS		
CHK	CHANGE NO.	REV.

TITLE	H777 +5V REGULATOR	SIZE CODE	NUMBER	REV.
SCALE	SHEET 4 OF 4	DIST.	DCS 5411597-0-1	L

REV. L
DCS 5411597-0-1

THIS DRAWING AND SPECIFICATIONS HEREIN ARE THE PROPERTY OF DIGITAL EQUIPMENT CORPORATION AND SHALL NOT BE REPRODUCED OR COPIED OR USED IN WHOLE OR IN PART AS THE BASIS FOR THE MANUFACTURE OR SALE OF ITEMS WITHOUT WRITTEN PERMISSION. COPYRIGHT © 1977 DIGITAL EQUIPMENT CORPORATION



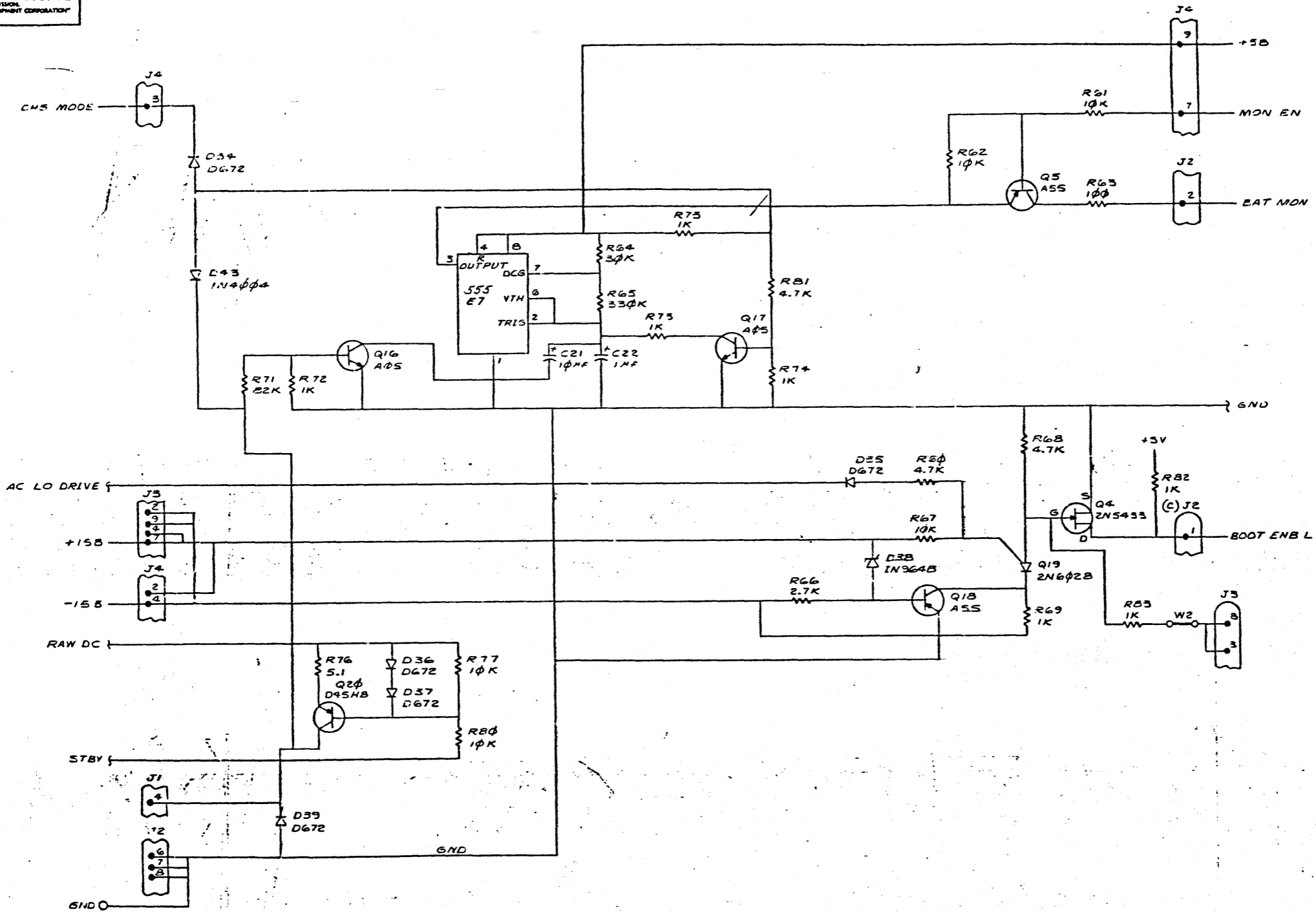
SEE NOTE 1

NOTES:
1. COMPONENTS WITHIN THE BROKEN LINES ARE MOUNTED TO THE BOARD ON NEXT HIGHER ASSY.

DRW. <i>[Signature]</i>	4-29-77	FIRST USED ON	digital
CHKD. <i>[Signature]</i>	5-29-77	TITLE	H777
ENGR. <i>[Signature]</i>	5-29-77		+5V REGULATOR
PROJ. ENGR. <i>[Signature]</i>			
PROD. <i>[Signature]</i>			
SIZE	CODE	NUMBER	REV.
		DCS 5412667-0-1	F

REVISIONS					
CHK	CHANGE NO.	REV.	DATE	BY	REASON
2	5412557-00001	B	12/15/76	B. GIST	...
3	5412557-00002	C	1/10/77	B. GIST	...
4	5412557-ML001	D	10-30-78	E. CROCKER	...
5	5412557-M-001	E	11-21-78	A. BARON	...
6	5412557-ML005	F	2-21-79	A. BARON	...

THIS DRAWING AND SPECIFICATIONS, HEREIN, ARE THE PROPERTY OF DIGITAL EQUIPMENT CORPORATION AND SHALL NOT BE REPRODUCED OR COPIED OR USED IN WHOLE OR IN PART AS THE BASIS FOR THE MANUFACTURE OR SALE OF ITEMS WITHOUT WRITTEN PERMISSION. COPYRIGHT © 1977 DIGITAL EQUIPMENT CORPORATION



(BATTERY STATUS CRKT'S)

REVISIONS		
CHK	CHANGE NO.	REV.

TITLE	H777 +5V REGULATOR	SIZE CODE	NUMBER	REV.
SCALE	1/1	SHEET	2 OF 2	DIST.

DCS 5412667-0-1 F

THIS DRAWING AND SPECIFICATION HERIN ARE THE PROPERTY OF DIGITAL EQUIPMENT CORPORATION AND SHALL NOT BE REPRODUCED OR COPIED OR USED IN WHOLE OR IN PART AS THE BASIS FOR THE MANUFACTURE OR SALE OF ITEMS WITHOUT WRITTEN PERMISSION OF DIGITAL EQUIPMENT CORPORATION. COPYRIGHT © 1975

LEGEND

PART NO	VARIATION
7011075-0	120 V
7011075-1	230 V

WIRE CHART

FROM						TO						REMARKS
ITEM NO	AWG	COLOR	CONN	WITH	CONN	WITH	CONN	WITH	CONN	WITH		
22	18	WHT	KI-4	SOLD, 31	*TB2-4-5	SOLD	5 1/2" L					
23	18	BLK	KI-6		*TB2-15	SOLD	5" L					
24	18	BRN	KI-7		TB2-5H	25, 43	6 1/2" L					
26	18	BLU	KI-9		TB2-6H	25, 43	7 1/2" L					
27	18	GRY	KI-A			25						
	TWP	BLK	KI-B	SOLD, 31		25						
26	18	BLU	G2	SOLD	*TB2-65	SOLD	6" L					
23	18	BLK	FI-1	SOLD, 31	*TB2-15	SOLD	5" L					
15	18	BLU	EMI-2 LOAD		*TB2-45	SOLD	6" L					
	TWP	BRN	EMI-1 LOAD		*TB2-65	SOLD	6" L					
22	18	WHT	EMI-2	SOLD, 31	CBI-2 LOAD	28, 41	5" L					
23	18	BLK	EMI-1	SOLD, 31	CBI-1 LOAD	28, 41	5" L					
45	18	WHT	*TB2-55	SOLD	J2-1	30, 32	6 1/2" L					
	TWP	BLK	*TB2-25	SOLD	J2-2	30, 32	6 1/2" L					
45	18	WHT	*TB2-55	SOLD	J3-1	30, 32	15 1/2" L					
	TWP	BLK	*TB2-25	SOLD	J3-2	30, 32	15 1/2" L					

NOTES:

- 1. SECOND SOURCE FOR ITEM 15 (LINE FILTER) WILL HAVE WHT & BLK LEADS. SUBSTITUTE WHT FOR BLU AND ELK FOR BRN.
- 2. TWISTED PAIR WIRE TO HAVE A MIN OF 4 TWIST PER 1/4" AS PER WIRE CHART.
- 3. ALL CONNECTIONS TO TB2 ARE TO BE MADE FROM SIDE INDICATED BY ARROW.
- 4. USE TIE WRAPS (ITEM 38) AS NEEDED.
- 5. T1 PRIMARY WIRES TO TB2 MUST BE ROUTED BY ITEM 4.
- 6. COVER ITEM 28 WITH ITEM 41 TO COVER EXPOSED PART OF TERMINAL.

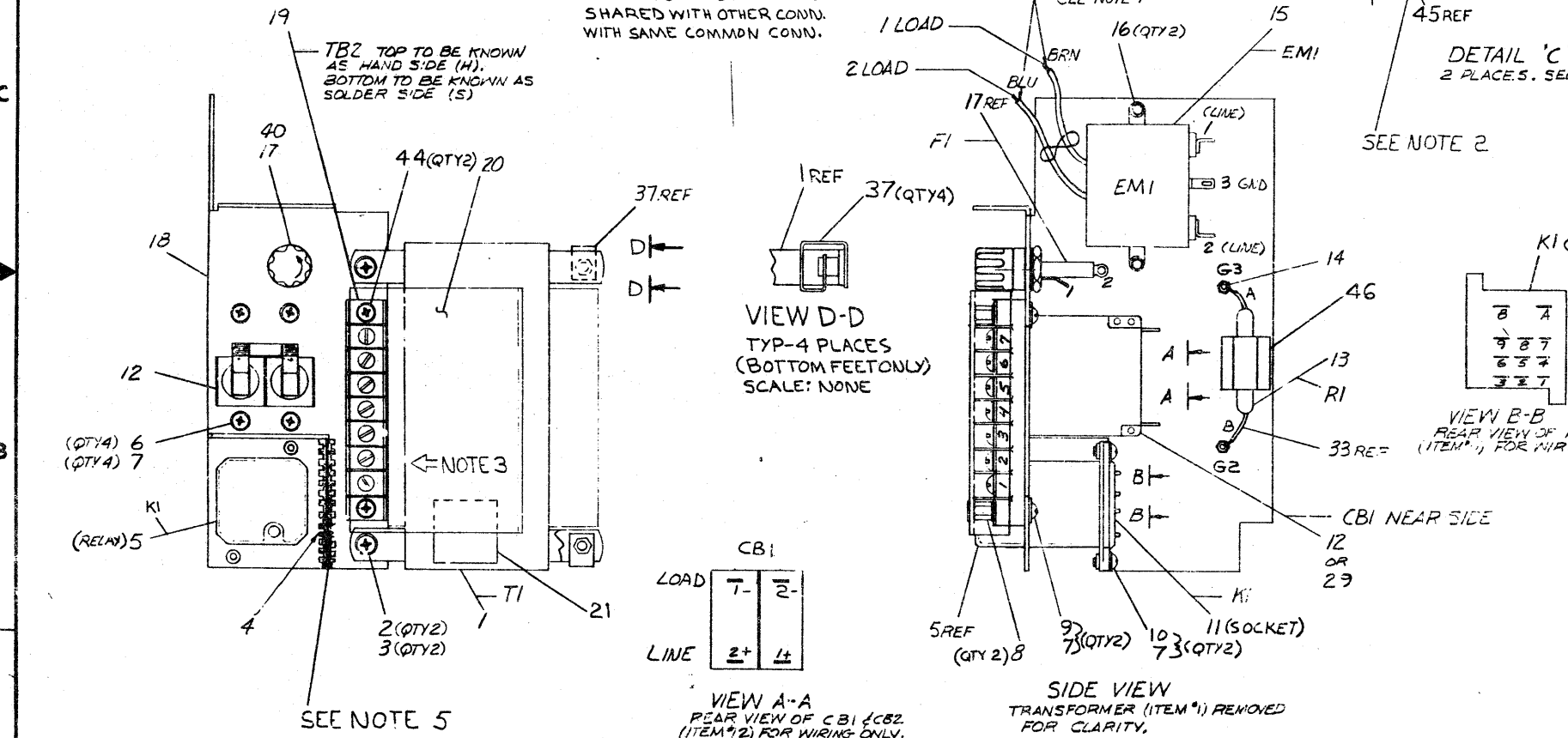
SEE NOTE 2

SEE NOTE 1 & 2

SEE NOTE 2
SEE DETAIL C

* INDICATES SOLDER CONN. SHARED WITH OTHER CONN. WITH SAME COMMON CONN.

TB2 TOP TO BE KNOWN AS HAND SIDE (H), BOTTOM TO BE KNOWN AS SOLDER SIDE (S)



DETAIL 'C'
2 PLACES. SEE CHART

VIEW D-D
TYP-4 PLACES (BOTTOM FEET ONLY)
SCALE: NONE

VIEW B-B
REAR VIEW OF K1 (SOCKET)
(ITEM 41) FOR WIRING ONLY.

VIEW A-A
REAR VIEW OF CBI (ITEM 21)
(ITEM 22) FOR WIRING ONLY.

SIDE VIEW
TRANSFORMER (ITEM 4) REMOVED FOR CLARITY.

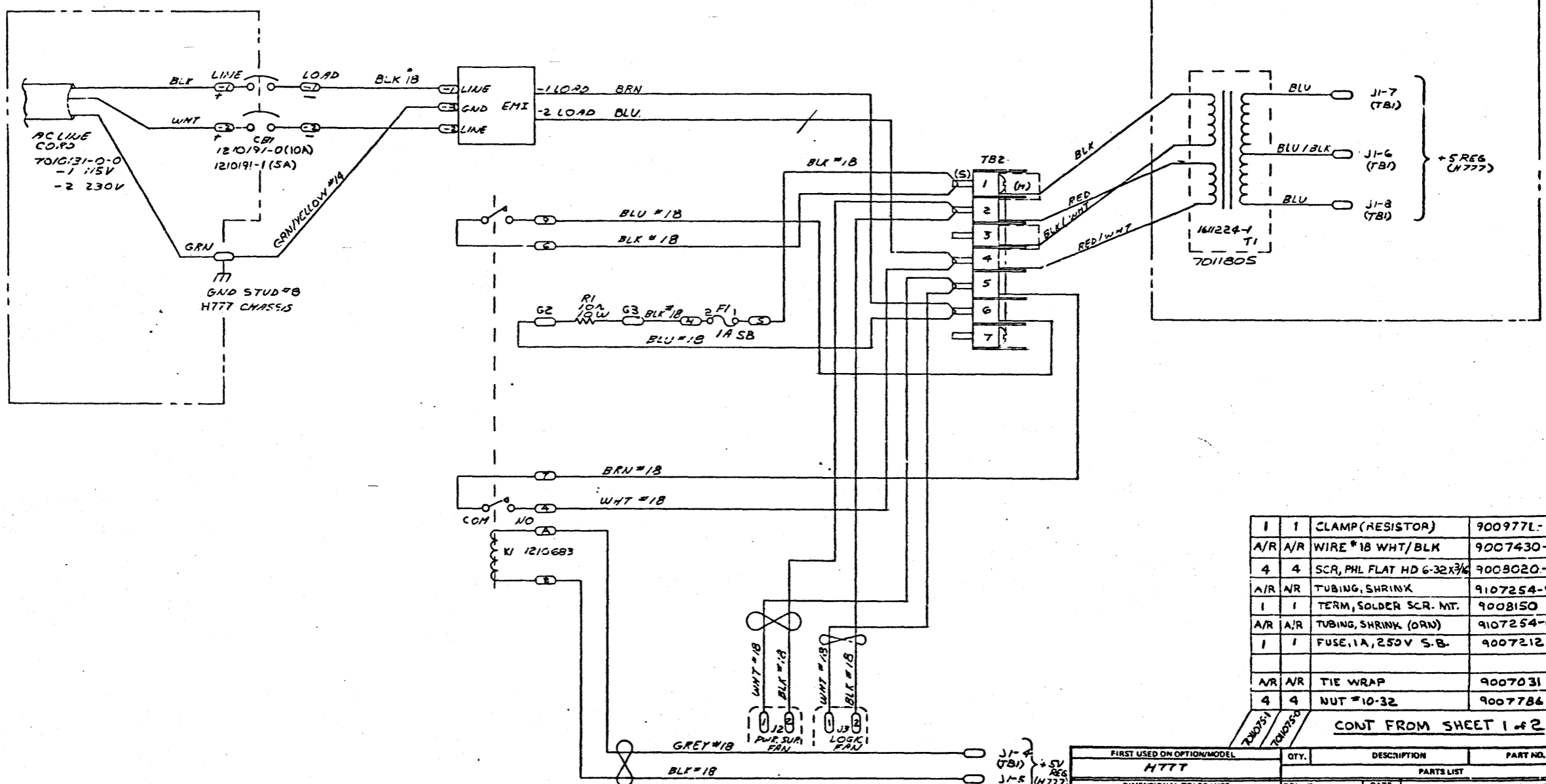
QTY	DESCRIPTION	DWG. PART NO.	ITEM NO.
1	JUMPER ASSY (WHT 2")	B/A 7011798-0-0	36
1	JUMPER ASSY (BLK 2")	B/A 7011797-0-0	35
1	WIRE 18 AWG TRACER (BRN/VEL)	3107777-54	34
4	TUBING INS (RED)	3107278-02	33
4	HOUSING SOCKET FASTAB	1210820-1	32
4	TUBING SHRINK (RED)	3107305-02	31
4	HOUSING TERM. FASTAB	1210820-2	30
1	CIRCUIT BREAKER, 5A	210191-1	29
2	CONN FASTON (RED INS)	9007970	28
4	WIRE 18 AWG INS (GRY/BLK)	9107430-08	27
4	WIRE 18 AWG INS (BLU)	9107360-66	26
2	RING CRIMP (RED INS)	9007929	25
4	WIRE 18 AWG INS (BRN)	9107360-11	24
4	WIRE 18 AWG INS (BLK)	9107360-00	23
4	WIRE 18 AWG INS (WHT)	9107360-99	22
1	MOUNT TIE WRAP	9008264	21
1	SHIELD TERM	C-JA-7414743-0-0	20
1	TERMINAL 7 PCS	1212788	19
1	BRACKET COMPONENT	D-A-7413769-0-0	18
1	HOLDER, FUSE	9007242-0	17
2	NUT KEPS #6-32	9009243	16
1	FILTER LINE (EMI)	1212748	15
2	TERMINAL TURRET .15	9006966	14
1	RESISTOR 100 OHM 10W	1300173	13
1	CIRCUIT BREAKER, 10A	1210191-0	12
1	SOCKET, RELAY	1212789	11
2	SCR PHIL HD PAN #6-32 X.25	9006021-01	10
2	SCR PHIL HD PAN #6-32 X.62	9006026-01	9
2	SPACER HEX #6-32 X.19	9006842	8
8	WASHER INT TOOTH LOCK #6	9006633	7
4	SCR PHIL HD PAN #6-32 X.19	9006020-01	6
1	RELAY 6E 12V 3P 10A	1210683	5
4	GROMMET CATAPILLAR	9007035	4
2	WASHER INT TOOTH LOCK #8	9006634	3
2	SCR PHIL PAN HD #8-32 X.44	9006038-1	2
1	TRANSFORMER ASSY	C-JA-7011805-0-0	1

7011075-0	7011075-1	DESCRIPTION	DWG. PART NO.	ITEM NO.
UNLESS OTHERWISE SPECIFIED DIMENSIONS ARE IN INCHES				
ANGLES	90°	CLASS OF ACCURACY	OVER 1.00 TO 1.25	12.50 TO 25.00
SURFACE QUALITY	IN	MEDIUM	0.005	0.010 0.015 0.025 0.04
THIRD ANGLE PROJECTION				
REMOVE BURRS AND BREAK SHARP CORNERS	FIRST USED ON		H777	
DO NOT SCALE DWG	NEXT HIGHER ASSY.		TITLE	
MATERIAL	JUA-H777-0-0		A/C INPUT ASSY (120V/230V)	
FINISH	SCALE		SHEET	

REV.	BY	DATE	DESCRIPTION
1	R. BARRY	12-9-75	INITIAL DESIGN
2	R. BARRY	1-10-76	REVISED
3	A. BARON	3-10-77	REVISED
4	R. BARRY	11-29-77	REVISED

THIS DRAWING AND SPECIFICATIONS HEREIN ARE THE PROPERTY OF DIGITAL EQUIPMENT CORPORATION AND SHALL NOT BE REPRODUCED OR COPIED OR USED IN WHOLE OR IN PART AS THE BASIS FOR THE MANUFACTURE OR SALE OF ITEMS WITHOUT WRITTEN PERMISSION. COPYRIGHT © 1975 DIGITAL EQUIPMENT CORPORATION

2 | 0-0-51011075-0-0 | 1



1	1	CLAMP (RESISTOR)	900977L-2	46
A/R	A/R	WIRE #18 WHT/BLK	9007430-09	45
4	4	SCR, PHL FLAT HD 6-32x3/16	9008020-02	44
A/R	A/R	TUBING, SHRINK	9107254-9	43
1	1	TERM, SOLDER SCR. MT.	9008150	42
A/R	A/R	TUBING, SHRINK (DRN)	9107254-02	41
1	1	FUSE, 1A, 250V S.B.	9007212	40
A/R	A/R	TIE WRAP	9007031	38
4	4	NUT #10-32	9007784	37

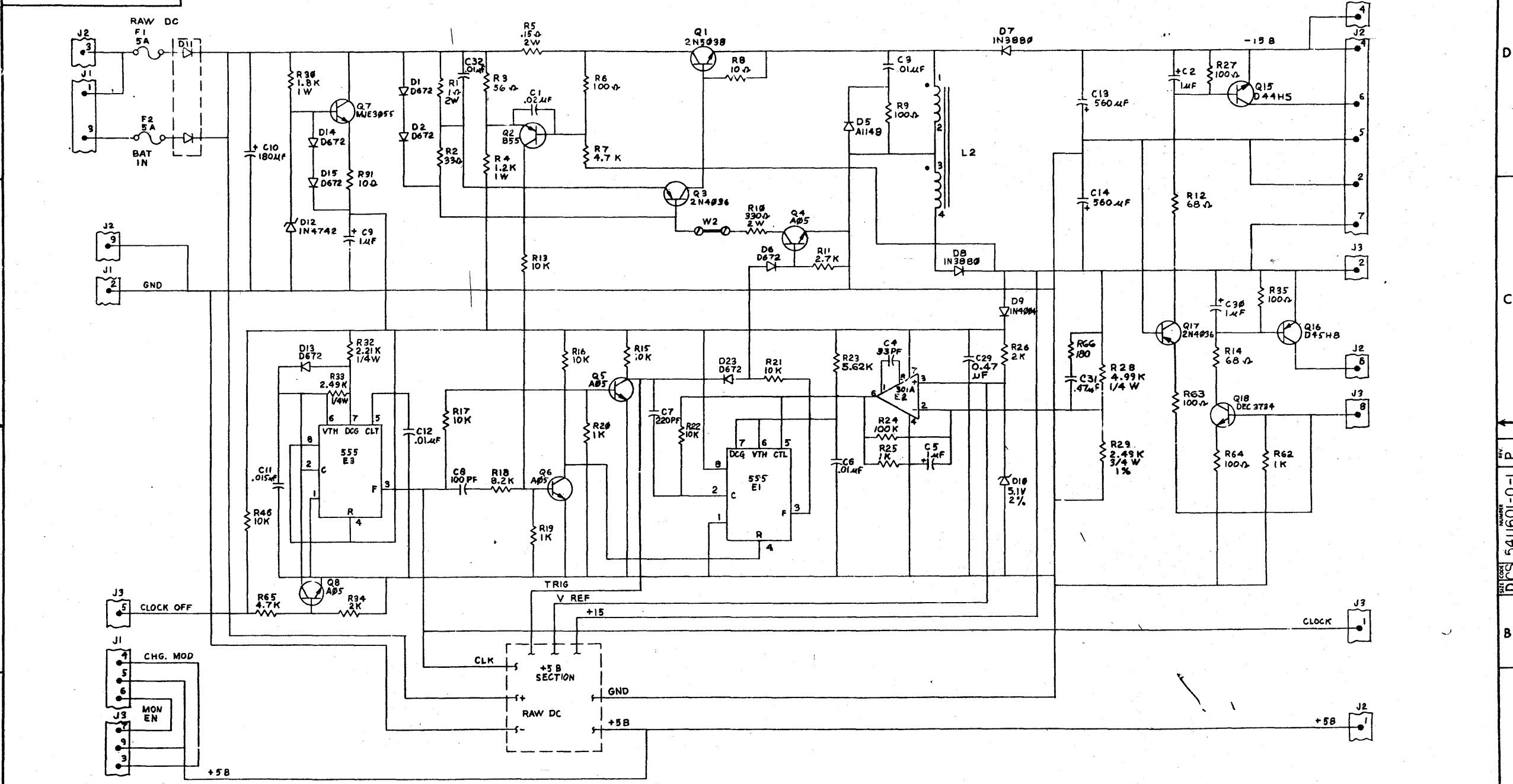
CONT FROM SHEET 1 of 2 ...

FIRST USED ON OPTION/MODEL H777		QTY.	DESCRIPTION	PART NO.	ITEM NO.
PARTS LIST					
DIMENSIONAL TOLERANCE		DRN	DATE	digital	
DIMENSIONS ARE IN INCHES UNLESS OTHERWISE SPECIFIED		CHKD	DATE		
MILLIMETERS		ENG	DATE		
XXX ±0.10	XXX ±0.05	PROJ. ENG.	DATE		
XX ±0.05	XX ±0.02	PROD.	DATE		
XX ±0.02	XX ±0.01	TITLE AC INPUT ASSY (120V/230V)			
THIRD ANGLE PROJECTION	REMOVE BURRS AND BREAK SHARP CORNERS SURFACE QUALITY	NEXT HIGHER ASSY.			
MATERIAL	FINISH	SCALE	SIZE CODE	NUMBER	REV.
		SHEET 2 OF 2	D AD	7011075-0-0	6

REV.	CHG.	CHANGE NO.

PART COORD. DIAG 7011075-0-0 G

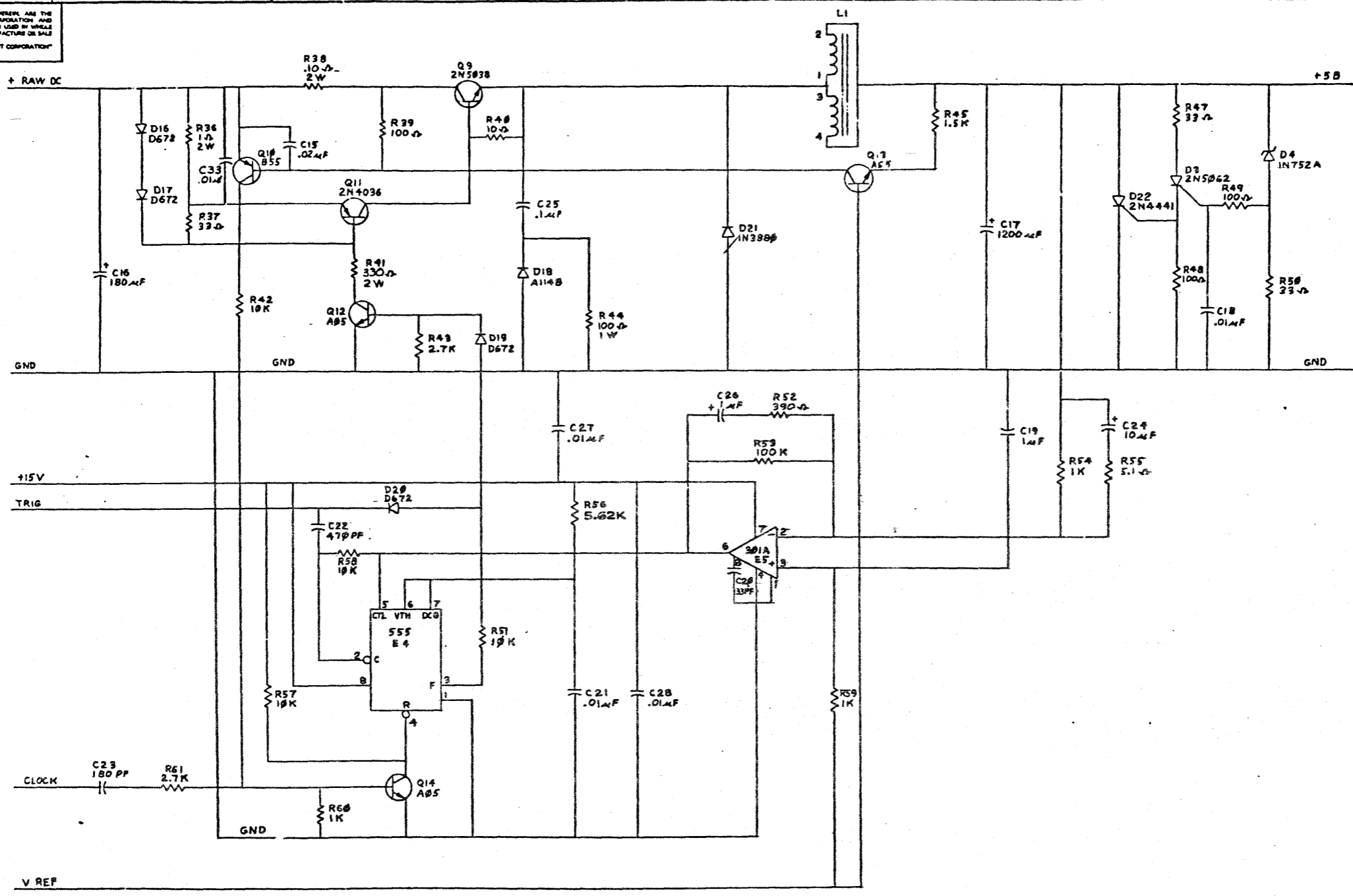
"THIS DRAWING AND SPECIFICATIONS HEREIN ARE THE PROPERTY OF DIGITAL EQUIPMENT CORPORATION AND SHALL NOT BE REPRODUCED OR COPIED OR USED IN WHOLE OR IN PART AS THE BASIS FOR THE MANUFACTURE OR SALE OF IT'S WITHOUT WRITTEN PERMISSION. COPYRIGHT © 1977, DIGITAL EQUIPMENT CORPORATION"



REVISIONS		
CHK	CHANGE NO.	REV.

TITLE	DCS 5411601-0-1	NUMBER	REV.
MOS REGULATOR H777	DCS 5411601-0-1	P	
SCALE	SHEET 2 OF 3	DIST.	

THIS DRAWING AND SPECIFICATIONS HEREIN ARE THE PROPERTY OF DIGITAL EQUIPMENT CORPORATION AND SHALL NOT BE REPRODUCED OR COPIED OR USED IN WHOLE OR IN PART AS THE BASIS FOR THE MANUFACTURE OR SALE OF ITEMS WITHOUT WRITTEN PERMISSION. COPYRIGHT © 1977 DIGITAL EQUIPMENT CORPORATION



REVISIONS		
CHK	CHANGE NO.	REV

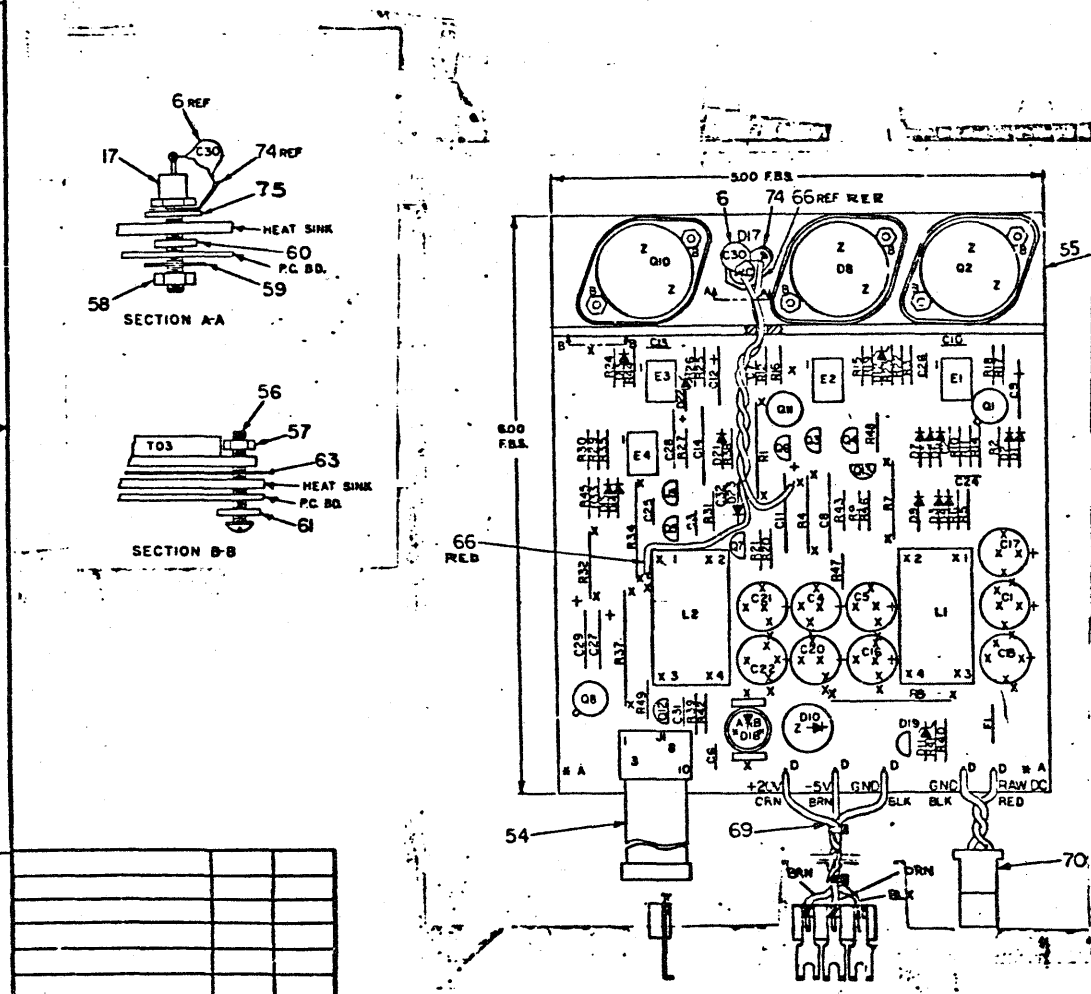
TITLE	SIZE CODE	NUMBER	REV.
MOS REGULATOR H777	D CS	541601-0-1	F
SCALE	SHEET	DIST	
77	3 OF 3		

THIS DRAWING AND SPECIFICATIONS, HEREIN ARE THE PROPERTY OF DIGITAL EQUIPMENT CORPORATION AND SHALL NOT BE REPRODUCED OR COPIED OR USED IN WHOLE OR IN PART AS THE BASIS FOR THE MANUFACTURE OR SALE OF ITEMS WITHOUT WRITTEN PERMISSION FROM DIGITAL EQUIPMENT CORPORATION.

NOTES:
USE TRANSIPAD DEC# 9007201 UNDER Q14Q8

ITEM NO.	DESCRIPTION	QTY	REF	PART NO.
1	HEAT SINK	1	53	7416236-0-0
6	SCREW, #4-48 1/2 IN PH HD	1	56	9006013-1
6	NUT, KEP #4-48	1	57	9006557
1	NUT, HEX #10-32	1	58	9006564
1	WASHER, FLAT	1	59	9006662
1	BUSHING, NYLON	1	60	9006440
1	WASHER, FLAT	1	61	9006172
A/R	COMPCARD, THERMAL	1	62	9006288
3	INSULATOR, TD 3	1	63	1213071-02
2	TRANSIPAD	1	65	9007201
A/R	WIRE #18 AWG, TWISTED PAIR	1	66	9107430-02
1	C29 CAPACITOR 2.2UF 20V	1	67	1002627
1	R47 RESISTOR 200, 1/4W, 5%	1	68	1311522
1	HARNESS (THREE WIRE)	1	69	C7A 7012347-0-0
1	HARNESS (TWO WIRE)	1	70	C7A 7012346-0-0
1	C12 CAPACITOR, 10UF, 20V, 10%, TANT	1	71	1004813
1	DZ3 DIODE, IN753A	1	72	1102421
1	C26 CAPACITOR, .47UF, 25V, 20%, CER	1	73	1010279
1	SOLDER, TERM, SCREW MTG.	1	74	9007619
1	SIL PASTE .300 DIA. I.D.	1	75	1213071-03
1	C32 CAP. 1UF 50V CER.	1	76	1010274-02

ITEM NO.	DESCRIPTION	QTY	REF	PART NO.
1	X-Y COORDINATE HOLE LOCATION	1		K-CO-5411599-0-4
2	ASSY/DRILLING HOLE LAYOUT	1		D-AM-5411599-0-3
3	MODULE PCB HISTORY	1		B-MH-5411599-0-5
4	ETCHED CIRCUIT BOARD	1		5011599
5	CAPACITOR, 100UF, 100V, 5%	1		1300018
6	CAPACITOR, .01UF, 100V DISC	6	C2, C3, C6, C30, C24, C25	1001810-01
7	CAPACITOR, 1UF, 35V, 10% TANT	3	C9, C27, C28	1001778
8	CAPACITOR, 33PF, 100V DB	2	C16, C19	1000009
9	CAPACITOR, 1.5UF, 35V, 10% TANT	1	C11	1005723
10	CAPACITOR, .01UF, 100V, 10% NYLAR	2	C8, C14	1005784
11	CAPACITOR, 220PF, 100V, 5%	1	C31	1000021
12	CAPACITOR, 1200UF, 63V	2	C5, C18	1012807-01
13	CAPACITOR, 100UF, 50V	7	C1, C17, C18, C4, C20, C21, C22	1012807-02
14	DIODE, IN 4742	1	D22	1109502
15	DIODE, MR10338	1	D18	1103341
16	DIODE, 1N4148	10	D1 THRU D7, D14, D19, D21	1105279
17	DIODE, IN3888	1	D17	1109440
18	DIODE, 1N4751, 3.1V Z	2	D12, D13	1110719
19	DIODE	1	D9	1110715
20	DIODE, IN4750	1	D11	1110856
21	DIODE, 2N5882	1	D19	1110968
22	DIODE, A1148	2	D9, D13	1112595-01
23	FUSE, 15A, PICO	1	F1	1210929
24	RESISTOR, 18K, 1/4W, 5%	1	R46	1302465
25	RESISTOR, 100, 1/4W, 5%	6	R9, R39, R40, R41, R43, R45	1300229
26	RESISTOR, 100, 1W, 5%	1	R7	1300232
27	RESISTOR, 390, 1/4W, 5%	3	R11, R12, R33	1300308
28	RESISTOR, 1K, 1/4W, 5%	6	R6, R12, R23, R31, R17, R48	1300365
29	RESISTOR, 2.7K, 1/4W, 5%	3	R18, R14, R38	1300426
30	RESISTOR, 4.7K, 1/4W, 5%	4	R42, R44, R19, R27	1300447
31	RESISTOR, 1W, 1W, 5%	1	R4	1300368
32	RESISTOR, 10K, 1/4W, 5%	3	R16, R13, R29, R38	1300479
33	RESISTOR, 10, 1/4W, 5%	2	R3, R35	1301317
34	RESISTOR, 470, 1/4W, 5%	1	R45	1300316
35	RESISTOR, 27, 1/4W, 5%	1	R9	1301522
36	RESISTOR, 330, 2W, 10%	1	R34	1301981
37	RESISTOR, 2K, 1/4W, 5%	2	R19	1302388
38	RESISTOR, 100K, 1/4W, 5%	2	R18, R28	1302466
39	RESISTOR, 2.7K, 1/4W, 1%	1	R22	1304668
40	RESISTOR, 1, 2W, 5% WW	2	R1, R32	1305428
41	RESISTOR, 1.5K, 1/4W 5%	1	R24, R25	1300391
42	RESISTOR, 8.25K, 1/4W, 1%	1	R21	1304420
43	RESISTOR, .08, 5W, 3% WW	2	R8, R37	1311903
44	RESISTOR, 56, 1/4W, 5%	1	R26	1302602
45	TRANSISTOR, 2N4938	2	Q1, Q8	1509789
46	TRANSISTOR, XA93	7	Q3, Q5, Q8, Q7, Q9, Q12, Q13	1510185
47	TRANSISTOR, XA55	1	Q4	1510188
48	TRANSISTOR, C32AX135	1	Q18	1510928
49	TRANSISTOR, 2N5038	2	Q2, Q18	1510969
50	TRANSISTOR, 2N5433	1	Q11	1511888
51	INDUCTOR, 500UH	2	L1, L2	1612393
52	I.C. DEC 301A	2	E1, E3	1910282
53	I.C. DEC 555	2	E2, E4	1911844
54	CABLE ASSY	1	J1	7011414-OE



IC TYPE	QTY	REF

IC PIN LOCATIONS

GND AND BV ARE USUALLY PIN 7 AND 14 RESPECTIVELY EXCEPTS ARE STATED ABOVE

REVISIONS

REV	DATE	DESCRIPTION
1	8/11/75	ISSUE FOR MFG
2	8/11/75	ISSUE FOR MFG
3	8/11/75	ISSUE FOR MFG
4	8/11/75	ISSUE FOR MFG
5	8/11/75	ISSUE FOR MFG
6	8/11/75	ISSUE FOR MFG
7	8/11/75	ISSUE FOR MFG
8	8/11/75	ISSUE FOR MFG

FIRST USED ON OPTION MODEL

ETCH BOARD REV. **D**

DATE 11/7/75

ISSUED BY *[Signature]*

ENG. *[Signature]*

PROJ. *[Signature]*

REVISED BY *[Signature]*

DATE *[Signature]*

DATE *[Signature]*

DATE *[Signature]*

DATE *[Signature]*

DATE *[Signature]*

digital

TITLE: **+20V REGULATOR/H777**

NUMBER: **D/CS 5411599-0-1**

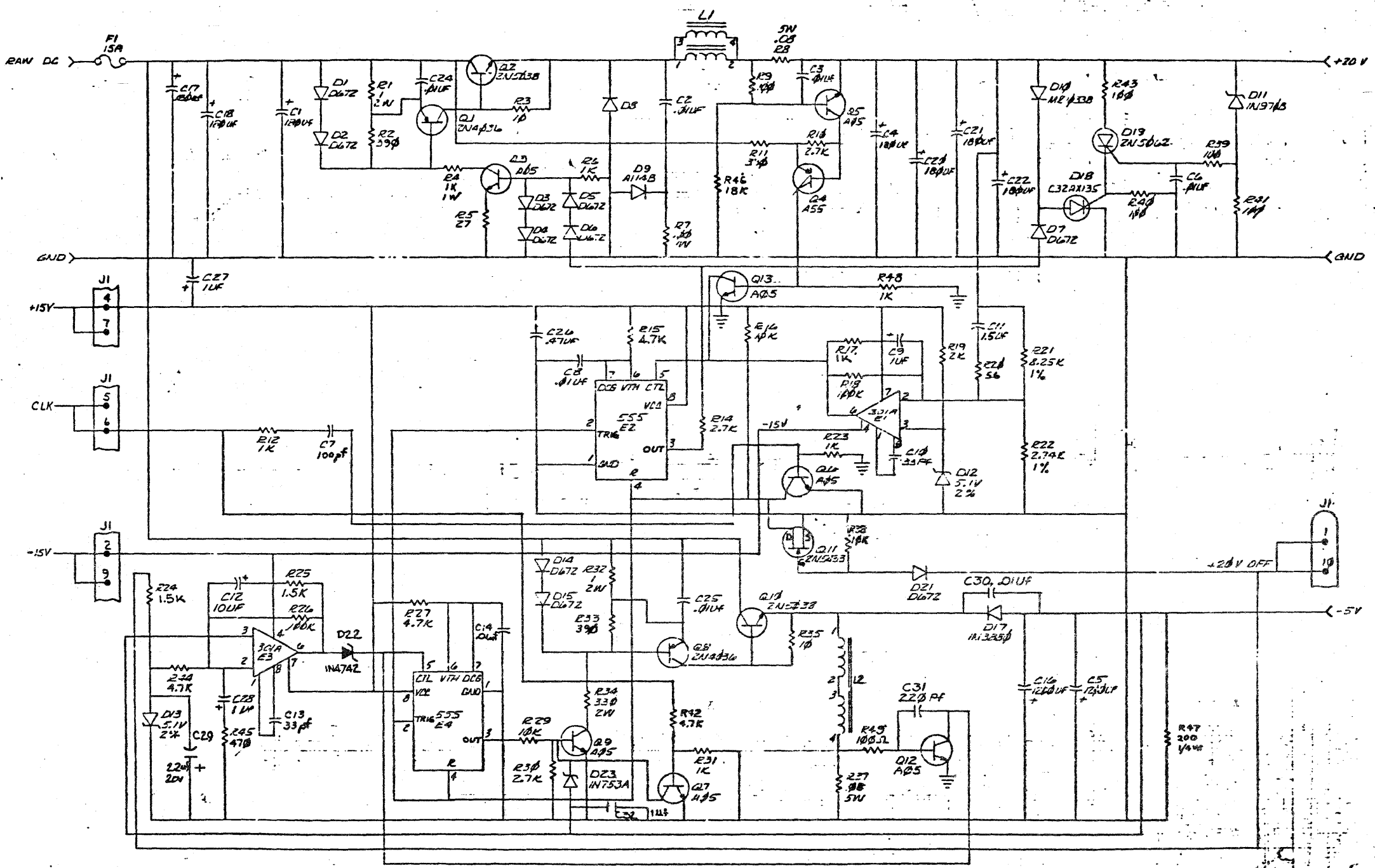
SCALE: **1 OF 2**

SHEET: **1** OF **2**

DEC NO.	EIA NO.	DEC NO.	EIA NO.

SEMICONDUCTOR CONVERSION CHART

THIS DRAWING AND SPECIFICATIONS HEREOF ARE THE PROPERTY OF DIGITAL EQUIPMENT CORPORATION AND SHALL NOT BE REPRODUCED OR COPIED OR USED IN WHOLE OR IN PART AS THE BASIS FOR THE MANUFACTURE OR SALE OF ITEMS WITHOUT WRITTEN PERMISSION. COPYRIGHT © 1974 DIGITAL EQUIPMENT CORPORATION



REV.	CHANGE NO.	DESCRIPTION

LINE ITEM	DOCUMENT NUMBER	PART NUMBER	DESCRIPTION	QUANTITY PER VARIATION											
				AA	AB	BA	BB	CA	CB	DA	DB	UA	UB		
1	D-IA-7011248-0-0	7011248-00	POWER SUPPLY CHASSIS	1	1	1	1	0	0	0	0	0	0		
2		9007031-00	TIE, CABLE BUNDL. DIA 0- 3/4"=101	A/R	A/R	A/R	A/R	A/R	A/R	A/R	A/R	A/R	A/R		
3	D-AD-7011075-0-0	7011075-00	CONTROL ASSY	1	0	1	0	0	0	0	0	0	0		
4	D-AD-7011075-0-0	7011075-01	A/C INPUT ASSY (120V/230V)	1	1	1	1	0	0	0	0	0	0		
5		9007035-00	GROMMET, CATERPILLAR POLYAMIDE	A/R	A/R	A/R	A/R	A/R	A/R	A/R	A/R	A/R	A/R		
6		9006563-00	NUT, KEP 8-32X 11/13AF	2	2	2	2	2	2	2	2	2	2		
7	E-MD-7413825-0-0	7413825-00	POWER SUPPLY COVER	1	1	1	1	0	0	0	0	0	0		
8	D-AD-7011073-0-0	7011073-00	+5V REG ASSY	1	1	1	1	0	0	0	0	0	0		
9	D-CS-5411601-0-1	5411601-01	MOS REGULATOR 15V	1	1	1	1	1	1	1	1	1	1		
10		9006021-01	SCREW, MACH PAN PHIL 6-	4	4	2	2	3	3	1	1	3	3		
11		9008509-00	STRAIN RELIEF, BUSHING, NYLON	1	1	1	1	0	0	0	0	0	0		
12	D-IA-7012320-0-0	7012320-00	POWER CORD 115V (H777-B)	1	0	1	0	0	0	0	0	0	0		
13	D-IA-7012320-0-0	7012320-01	POWER CORD 230V (H777-B)	1	0	1	0	0	0	0	0	0	0		
14		9006022-01	SCREW, MACH PAN PHIL 6-	6	6	4	4	0	0	0	0	0	0		
15		9006133-00	WASHER, LOCK INTERNAL STEEL	10	10	6	6	3	3	1	1	3	3		
16		9009771-02	CLAMP, CABLE, PVC 3/8" ID, SELF ST	2	2	2	2	0	0	0	0	0	0		
17		1217715-02	FAN, TUBE AXIAL 4.5" 120CFM 120V	1	1	1	1	1	1	1	1	1	1		
18		9006020-02	SCREW, MACH FLAT PHIL 6-	7	7	7	7	0	0	0	0	0	0		
19		9009185-00	NUT, KEP 6-32X 1/4 AF	0	0	0	0	2	2	2	2	2	2		
20	BLANK		*** THIS ITEM IS NOT USED ***	1	1	1	1	1	1	1	1	1	1		
21		9006074-03	SCREW, MACH TRUSS PHIL 10-	4	4	4	4	4	4	4	4	4	4		
22		9007651-00	WASHER, LOCK EXTERNAL STEEL	4	4	4	4	4	4	4	4	4	4		
23	C-IA-7413773-0-0	7413773-00	FAN SUPPORT	2	2	2	2	2	2	2	2	2	2		
24		1210984-05	PLASTIC SHEET, ABS, .030X9.00X1.5	A/R	A/R	A/R	A/R	A/R	A/R	A/R	A/R	A/R	A/R		
25	B-DC-7414744-0-0	7414744-00	DECAL H777 PS	1	1	1	1	2	2	2	2	2	2		
26	A-PS-3612690-0-0	3612690-00	DECAL, GROUND SIGN PER 3E6 *	2	2	2	2	2	2	2	2	2	2		
27	C-IA-7011412-0-0	7011412-0F	CHASSIS GND CABLE (BA11-L)	1	1	1	1	1	1	1	1	1	1		
28	C-IA-7011412-0-0	7011412-1H	CHASSIS GND CABLE (BA11-L)	1	1	1	1	1	1	1	1	1	1		
29	D-CS-5411599-0-1	5411599-01	TZOV REG H777 NO FAT TEST	1	1	1	1	1	1	1	1	1	1		
30		9007015-00	GROMMET, ROUND RUBBER	0	0	0	0	1	1	1	1	1	1		

REVISION HISTORY		BASIC PART NO: OH777		DRN: T.ROCHA		DATE: 15-MAR-82		D I G I T A L					
ENG	ECO NUMBER	REV	SECTION A OF A	CHK'D: D.HEALY		DATE: 15-MAR-82		TITLE PARTS LIST					
	INITIAL	S	SECTION, VARIATION INDEX	DES.ENG.: R.BARRY		DATE: 15-MAR-82		POWER SUPPLY ASSY					
			(A) AA, AB, BA, BB, CA, CB, DA, DB, UA, UB	RESP.ENG.: R.BARRY		DATE: 15-MAR-82		DOCUMENT NUMBER					
			(B)	MFG.ENG.: R.KING		DATE: 15-MAR-82		SIZE CODE NUMBER REV					
			(C)	ASSEMBLY NUMBER:		TOP DOCUMENT NUMBER:		FILE NAME: EDIT #					
			(D)	E-UA-H777-0-0		B-DD-H777-0-0		24175S.PLS 8					
			(E)										
			(F)										

"THIS DRAWING AND SPECIFICATIONS HEREIN, ARE THE PROPERTY OF DIGITAL EQUIPMENT CORPORATION AND SHALL NOT BE REPRODUCED OR COPIED OR USED IN WHOLE OR IN PART AS THE BASIS FOR THE MANUFACTURE OR SALE OF ITEMS WITHOUT WRITTEN PERMISSION. COPYRIGHT (C) 1982. DIGITAL EQUIPMENT CORPORATION"

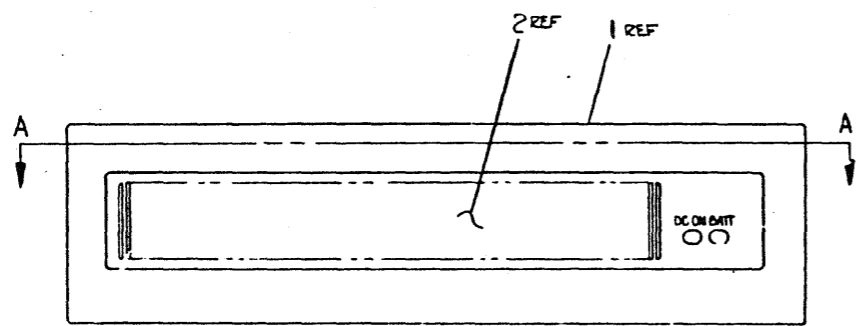
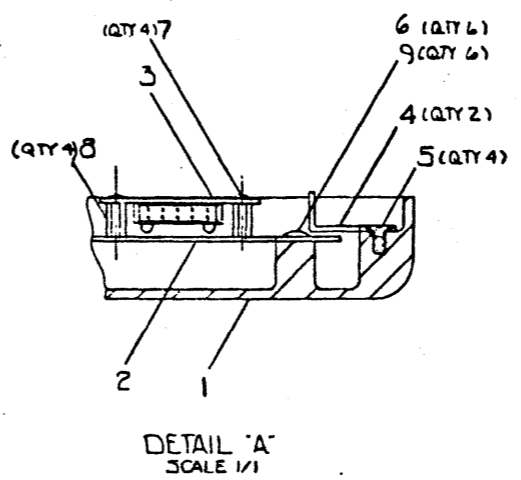
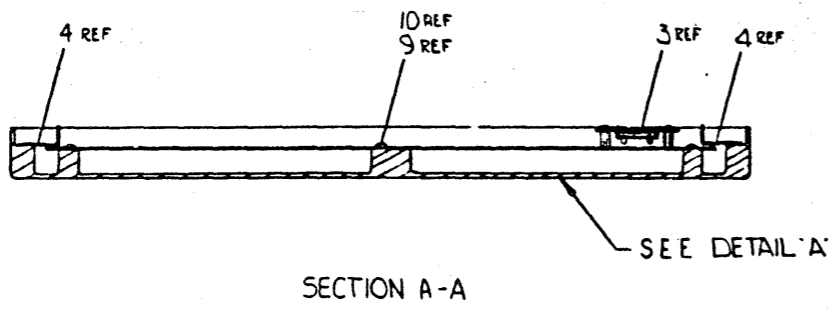
PARTS LIST

LINE	ITEM	DOCUMENT NUMBER	PART NUMBER	DESCRIPTION	QUANTITY		PER VARIATION							
					AA	AB	BA	BB	CA	CB	DA	DB	UA	UB
21	21	D-IA-7417407-0-0	7417407-00	CHASSIS P.S.	0	0	0	0	1	1	1	1	1	1
22	22	D-AD-7012910-0-0	7012910-00	A/C INPUT ASSY 230V	0	0	0	0	1	1	1	1	1	1
23	23	D-AD-7012910-0-0	7012910-01	A/C INPUT ASSY	0	0	0	0	1	1	1	1	1	1
24	24	EF-IA-7417018-0-0	7417018-00	COVER POWER SUPPLY	0	0	0	0	1	1	1	1	1	1
25	25	A-PS-1213773-0-0	1213773-00	CONN. POWER 03P05W RCPT NEMA 06-1	0	0	0	0	1	1	1	1	1	1
26	26	A-PS-1212977-0-0	1212977-00	FILTER LINE, 115/250V, 47-400HZ, FA	0	0	0	0	1	1	1	1	1	1
27	27	D-AD-7012909-0-0	7012909-00	+5V REGULATOR ASSY	0	0	0	0	1	1	1	1	1	1
28	28		9009771-01	CLAMP, CABLE PVC 1/4" ID, SELF S	0	0	0	0	2	2	2	2	2	2
29	29		9006024-01	SCREW, MACH PAN PHIL 6-	0	0	0	0	1	1	1	1	1	1
30	30		9008404-02	SCREW, MACH FLAT PHIL 6-	0	0	0	0	1	1	1	1	1	1
31	31		9107253-02	TUBING, SHRINK .250ID/EXP	0	0	0	0	A/R	A/R	A/R	A/R	A/R	A/R
32	32	C-IA-7417288-0-0	7417288-00	WIRE A.C. CONN. HARNESS	0	0	0	0	REF	REF	REF	REF	REF	REF
33	33	A-PS-3617382-0-0	3617382-00	LABEL, POWER SUPPLY H777	0	0	0	0	1	1	1	1	1	1
34	34		9006037-01	SCREW, MACH PAN PHIL 8-	0	0	0	0	1	1	1	1	1	1
35	35		9006634-00	WASHER, LOCK INTERNAL STEEL	0	0	0	0	1	1	1	1	1	1
36	36	BLANK		*** THIS ITEM IS NOT USED ***	0	0	0	0	1	1	1	1	1	1
37	37		9006011-01	SCREW, MACH PAN PHIL 4-	0	0	0	0	2	2	2	2	2	2
38	38		9006632-00	WASHER, LOCK INTERNAL STEEL	0	0	0	0	2	2	2	2	2	2
39	39		9008020-02	SCREW, MACH FLAT PHIL 6-	0	0	0	0	2	2	2	2	2	2
40	40	D-IA-7011411-0-0	7011411-1L	CONSOLE CABLE (5412572)	0	0	0	0	REF	REF	REF	REF	REF	REF
41	41		9006022-03	SCREW, MACH TRUSS PHIL 6-	0	0	0	0	4	4	4	4	4	4
42	42	C-IA-7013938-1-0	7013938-01	CABLE JUMPER	0	0	0	0	1	1	1	1	1	1
43	43	C-IA-7013938-0-0	7013938-00	CABLE JUMPER ASSY	0	0	0	0	1	1	1	1	1	1
44	44	C-IA-7013939-0-0	7013939-00	UNIT ASSY	0	0	0	0	1	1	1	1	1	1
45	45		1700083-05	PWR CORD, TERM. 108IN, 14-3, 125V 15	0	0	0	0	1	1	1	1	1	1
46	46		1700083-04	PWR CORD, TERM. 108IN, 14-3, 250V 6	0	0	0	0	1	1	1	1	1	1
47	47		9006656-00	WASHER, FLAT STEEL	0	0	0	0	3	3	3	3	3	3
48	48		9006025-01	SCREW, MACH PAN PHIL 6-	0	0	0	0	3	3	3	3	3	3
49	49		9006560-00	NUT, KEP 6-32X 5/16AF	0	0	0	0	3	3	3	3	3	3
50	50	C-IA-7011412-0-0	7011412-3C	CABLE ASSEMBLY	1	1	1	1	0	0	0	0	0	0
51	51		9006561-00	NUT, HEX 8-32 X5/16AF X 7	1	1	1	1	0	0	0	0	0	0
52	52	C-IA-7011414-0-0	7011414-1F	H777 POWER CONTROL CABLE (CONSOL	REF	REF	REF	REF	0	0	0	0	0	0
53	53		9009255-00	LABEL, POWER SUPPLY 2-15/16" L	1	1	1	1	1	1	1	1	1	1
54	54	A-PS-3614833-0-0	3614833-00	DECAL, ADH BACK-CAUTION-CAPACITOR	0	0	0	0	1	1	1	1	1	1
55	55	D-UA-5413764-0-0	5413764-00	PLUS OR MINUS 15V POWER SUP.	0	0	0	0	1	1	1	1	1	1
56	56	A-PS-3617413-0-0	3617413-00	LABEL, ATTENTION FOR 11/24	0	0	0	0	1	1	1	1	1	1
57	57	A-PS-3618858-0-0	3618858-01	LABEL, SCREW LENGTH	1	1	1	1	1	1	1	1	1	1
58	58	A-PS-3700603-0-0	3700603-00	PKG POWER SUPPLY H777	REF	REF	REF	REF	REF	REF	REF	REF	REF	REF

D	I	G	I	T	A	L	TITLE	POWER SUPPLY ASSY	SECTION A OF A	SIZE	CODE	DOCUMENT NUMBER	REV
										K	PL	H777-0-DBP	S

THE DRAWING AND SPECIFICATIONS HEREIN ARE THE PROPERTY OF DIGITAL EQUIPMENT CORPORATION AND SHALL NOT BE REPRODUCED OR TRANSMITTED IN ANY FORM OR BY ANY MEANS, ELECTRONIC OR MECHANICAL, INCLUDING PHOTOCOPYING, RECORDING, OR BY ANY INFORMATION STORAGE AND RETRIEVAL SYSTEM, WITHOUT PERMISSION IN WRITING FROM DIGITAL EQUIPMENT CORPORATION.

NOTES:
 1 TO SELECT STAND BY/MODE, ON MODE OR OFF MODE SEE D-CS-5411501-0-1.



CAUTION: SEE OFF SHEET PARTS LIST
 K-PL-7012540-0-DBP
 (Z3343B.PLS)

REV.	CHG.	DATE	BY	APP.
1	2	7/25/60	00001	A
2	1	8/1/60	00001	A
3	1	8/1/60	00001	A
4	1	8/1/60	00001	A
5	1	8/1/60	00001	A
6	1	8/1/60	00001	A
7	1	8/1/60	00001	A
8	1	8/1/60	00001	A

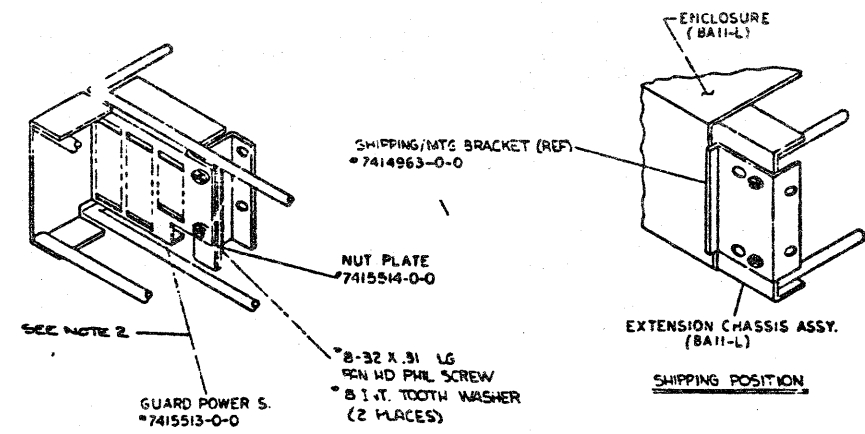
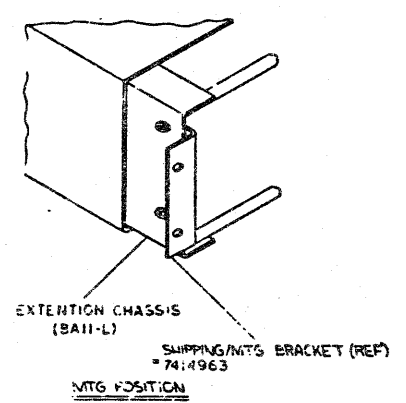
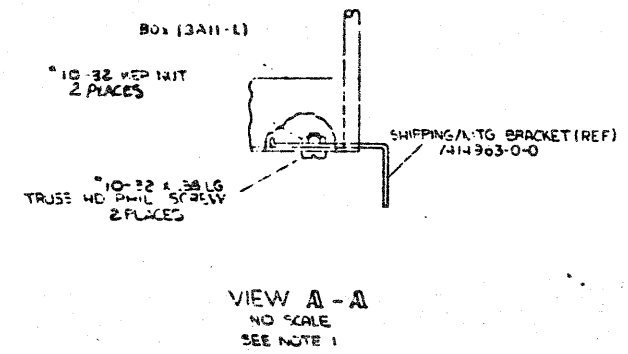
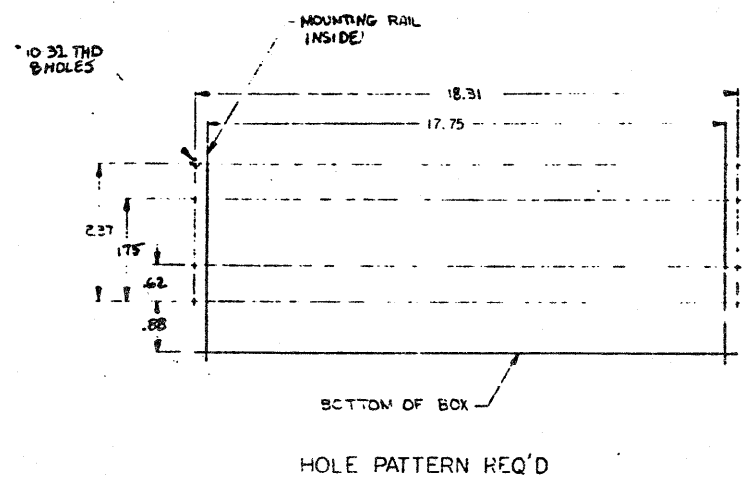
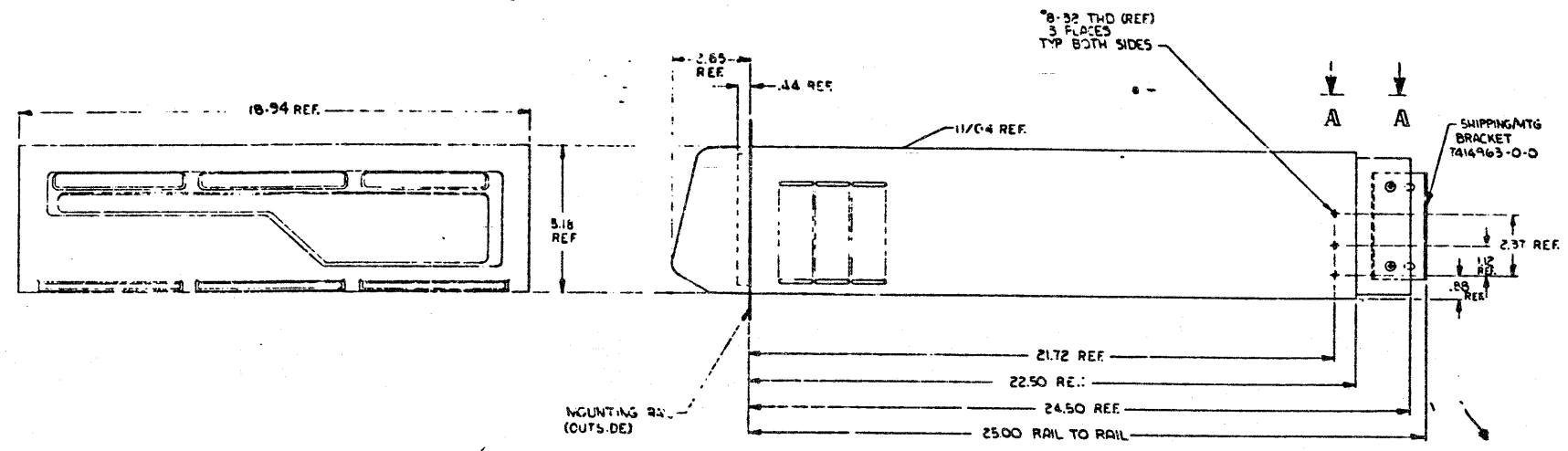
QUANTITY & VARIATION	DESCRIPTION	DWG./PART NO.	ITEM NO.
	UNLESS OTHERWISE SPECIFIED DIMENSIONS ARE IN INCHES		
	ANGLES 45° 90°		
	CLASS OF ACCURACY	NOMINAL DIMENSION RANGE INCHES	
	SURFACE QUALITY IN MICRONS	OVER .01	OVER .01
		OVER .01	OVER .01
	PREFERRED	2.004	2.004
		2.004	2.004
	FIRST USED ON 1104		
	TITLE CONSOLE ASSY EXPANDER BOX		
	MATERIAL E-UR-BAH-L-Q		REV. B
	SCALE 1/2		NUMBER 7012540-0-0
	SHEET 1 OF 1		DIST.

Dwg No. 7012540-0-0

TW 1

THIS DRAWING AND SPECIFICATIONS, HEREIN, ARE THE PROPERTY OF THE UNITED STATES GOVERNMENT AND ARE LOANED TO YOU BY THE UNITED STATES GOVERNMENT. IT IS TO BE USED ONLY FOR THE PURPOSES AUTHORIZED BY THE UNITED STATES GOVERNMENT. IT IS TO BE RETURNED TO THE UNITED STATES GOVERNMENT AT THE END OF THE TERM OF THE LOAN. IT IS TO BE KEPT IN THE ORIGINAL FORM AND NOT REPRODUCED OR TRANSMITTED IN ANY FORM OR BY ANY MEANS, ELECTRONIC OR MECHANICAL, INCLUDING PHOTOCOPYING, RECORDING, OR BY ANY INFORMATION STORAGE AND RETRIEVAL SYSTEM.

NOTES:
 1 SHOWN IN MTS BRACKET POSITION, ALSO SHOWN ISO-METRIC OF BAT IN MTS POSITION & SHIPPING POSITION.
 2 BECAUSE OF UL REQUIREMENTS THE REAR OF THE POWER SUPPLY MUST BE COVERED, THE GUARD SHOWN IS TO BE INSTALLED ON UNITS THAT DON'T HAVE THE NEW PWR SUPPLY WITH CLOSED ENDS, THERE SHOULD BE APPROX. 500 UNITS THAT WILL REQUIRE THIS RETROFIT.



REV	DESCRIPTION	DATE	BY	CHKD	APP'D	TITLE	SCALE	SHEET	TOTAL	DWG NO	REV	ITEM NO	QUANTITY		MATERIAL		FINISH	
													REQD	ISSD	STOCK	ISSD	STOCK	ISSD
						INSTALLATION AD				7012558-0-0								

7012558-0-0 (10)

DRAWING DIRECTORY

"THIS DRAWING AND SPECIFICATIONS, HEREIN, ARE THE PROPERTY OF DIGITAL EQUIPMENT CORPORATION AND SHALL NOT BE REPRODUCED OR COPIED OR USED IN WHOLE OR IN PART AS THE BASIS FOR THE MANUFACTURE OR SALE OF ITEMS WITHOUT WRITTEN PERMISSION. COPYRIGHT © 1975 . DIGITAL EQUIPMENT CORPORATION"

~~CUSTOMER PRINT SET INDEX~~

THIS IS PRINT SET

SEQUENCE

SEQUENCE

NOTE:
FOR FIELD MAINTENANCE
PRINT SET REFER TO
B-TC-BALL-L-1

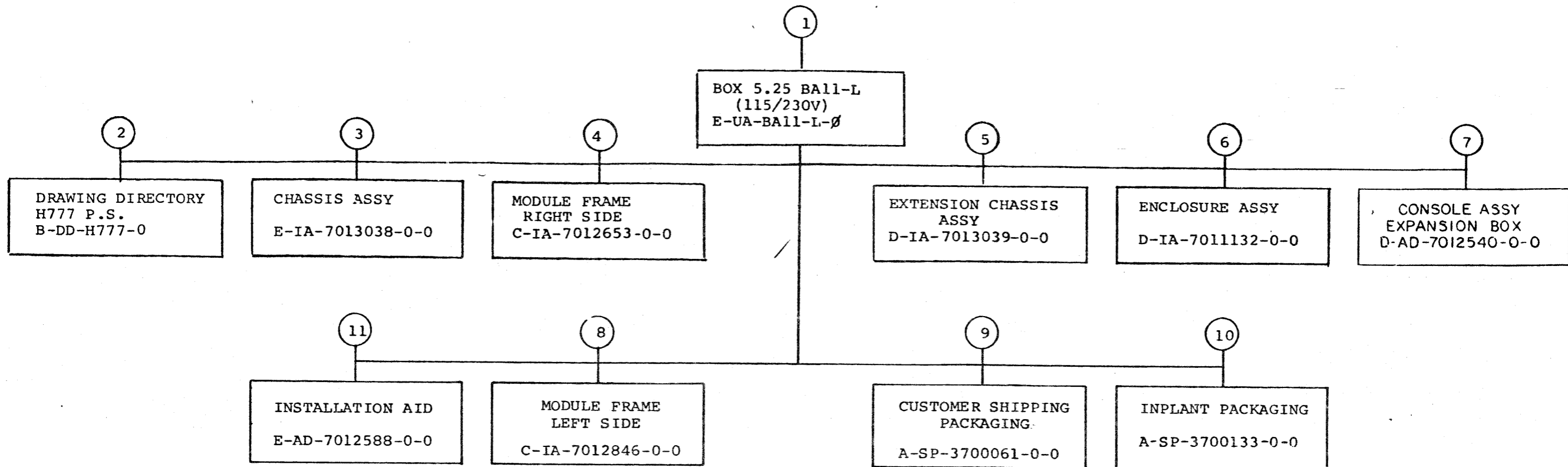
UNIT VARIATIONS		PRINT SET
VAR	TITLE	
BALL-LA	5.25 BOX, H777-AA P.S. 115V	
BALL-LB	5.25 BOX, H777-AB P.S. 230V	
BALL-LC	5.25 BOX, H777-BA P. S. 115V	
BALL-LD	5.25 BOX, H777-BB P. S. 230V	
BALL-LE	5.25 EXPANDER BOX, H777-CA P. S. 115V	
BALL-LF	5.25 EXPANDER BOX, H777-CB P. S. 230V	
BALL-LH	5.25 EXPANDER BOX, H777-DA P. S. 115V	
BALL-LJ	5.25 EXPANDER BOX, H777-DB P. S. 230V	
BALL-LK	5.25 BOX & H777CA 115V CORE & MOS	
BALL-LL	5.25 BOX & H777CB 230V CORE & MOS	
BALL-LM	5.25 BOX & H777DA 115V MOS ONLY	
BALL-LN	5.25 BOX & H777DB 230V MOS ONLY	
BALL-LX	5.25 BOX & H777UA P.S., 120V	
BALL-LY	5.25 BOX & H777UB P.S., 240V	

REVISIONS	DATE	CHG. NO.	REV
	4-76	BALL-L-4	A
	10-76	BAIL-6	B
	1-77	BAIL-7	C
	3-77	BAIL-8	D
	4-77	BAIL-9	E
	5-77	BAIL-L-10	F
	7-77	BAIL-11	H
	10-80	BAIL-L-20	J
	11-80	BAIL-L-21	K
	4-81	BAIL-L-22	L
	10-81	BAIL-L-23	M

USED ON OPTION/MODEL	DRN. G. MARINI	DATE 9/3/75	TITLE			
11/84	CHK'D.	DATE	DRAWING DIRECTORY BALL-L			
11/34	D. HEALY	9/30/75				
11/24	PROJ ENG. <i>R Barry</i>	DATE 10-22-75				
	PROD. <i>RK Peter</i>	DATE 10/21/75	SIZE	CODE	NUMBER	REV
	FIELD SERV.	DATE	B	DD	BALL-L	M
SHEET 1 OF 4			DIST			

EN-01062-1A-16-R972-1325

TW



TITLE	SIZE	CODE	NUMBER	REV
DRAWING DIRECTORY BALL-L	B	DD	BALL-L	M
SHEET 2 OF 4				

TW

CUSTOMER PRINT SET **ELECTRICAL (SECTION 1)** CUSTOMER PRINT SET **MECHANICAL (SECTION 2)**

FIND NO.	DRAWING NO.	REV	NO OF SHT	DESCRIPTION	OPTION NO FILE DATE	FIND NO.	DRAWING NO.	REV	NO OF SHT	DESCRIPTION	OPTION NO FILE DATE
1	E-UA-BALL-L-Ø		1	BOX 5.25 BALL-L 115/230V		1	E-UA-BALL-L-Ø		1	BOX 5.25 BALL-L (115/230V)	
	A-PL-BALL-L-Ø		3	BOX 5.25 BALL-L 115/230V (PL)			B-MD-7413846-0-0		1	BAR, CABLE STRAIN RELIEF	
	E-UA-DCIA 10-0		1	UNIBUS CABLE 10 FT			C-IA-7011412-0-0		1	CABLE, CHASSIS GND	
	B-CS-M919-0-1		1	BUS CONNECTOR M 919			C-MD-7414963-0-0		1	BRKT., SHIPPING AND CAB MOUNT	
	B-CS-M929-0-1		1	BUS CONNECTOR M 929			A-PL-BALL-L-Ø		3	BOX 5.25 BALL-L 115/230V (PL)	
	1217715-02			FAN 4 1/2 DIA 50/60 HZ *			A-DC-5309413-0-0		1	DECAL NFPA	
							A-DC-5309414-0-0		1	DECAL UL	
							B-PL-BALL-L-5		1	INSTALLATION KIT	
							C-MD-7425811-0-0		1	SHIPPING BRKT-11/24	
2	B-DD-H777-B		4	DRAWING DIRECTORY H777		2	B-DD-H777-B		4	DRAWING DIRECTORY H777 P.S.	
						3	E-IA-7013038-0-0		1	CHASSIS ASSY	
							C-MD-7414236-0-0		1	FRAME, CHASSIS	
							C-MD-7413855-0-0		1	BRACKET MTG (LH)	
							C-MD-7413852-0-0		1	BRACKET MTG (RH)	
							C-MD-7413853-0-0		1	BRACKET, FRAME	
							C-IA-7414442-0-0		1	BRACKET LOGIC SUPPORT (BOT)	
							C-IA-7414441-0-0		1	BRACKET LOGIC SUPPORT (BOT)	
							C-MD-7413857-0-0		1	BRACKET MAIN SUPPORT	
							C-MD-7413858-0-0		1	BRACKET, SUPPORT	
							B-MD-7414237-0-0		1	ROD CONNECTING CHASSIS	
							B-MD-7413856-0-0		1	BRACKET, FAN MOUNTING	
							B-MD-7414235-0-0		1	SUPPORT DIAGONAL ROD	
							C-MD-7413854-0-0		1	BRACKET POWER SUPPLY SUPPORT	
							B-IA-7414443-0-0		1	CLAMP PLATE CABLE	
							C-MD-7417221-0-0		1	ROD MODULE RETAINER	
							C-MD-7419019-0-0		1	BRACKET, MODULE FRAME STIF.	
						4	C-IA-7012653-0-0		1	MODULE FRAME RIGHT HAND	
							C-MD-7414084-0-0		1	BRACKET EJECTOR (MODULE FRAME)	
							C-MD-7414082-0-0		1	BRACKET BACKPLANE (MODULE FRAME)	
							C-MD-7416516-0-0			ROD, MODULE FRAME	
							C-MD-7416517-0-0			BRACKET, CARD GUIDE	
	* REPLACES 1213013-00										

CUSTOMER PRINT SET CODES	Y = PRINT OF DOCUMENT INCLUDED IN PRINT SET C = INCLUDES ALL PRINTS INDICATED ON DOCUMENT S = CONFIDENTIAL AUTHORIZED SIGNATURE REQUIRED	TITLE	DRAWING DIRECTORY BALL-L	SHEET 3 OF 4	SIZE CODE	B DD	NUMBER	BALL-L	REV	M
--------------------------	--	-------	-----------------------------	--------------	-----------	------	--------	--------	-----	---

TW

MECHANICAL (SECTION 2)					MECHANICAL (SECTION 2)								
CUSTOMER PRINT SET	FIND NO.	DRAWING NO.	REV	NO OF SHT	DESCRIPTION	OPTION NO. FILE DATE	CUSTOMER PRINT SET	FIND NO.	DRAWING NO.	REV	NO OF SHT	DESCRIPTION	OPTION NO. FILE DATE
	5	D-IA-7013039-0-0		1	EXTENSION CHASSIS ASSY			10	A-SP-3700133-0-0			PACKAGING IN-PLANT	
		B-MD-7414086-0-0		1	ROD EXTENSION FRAME				A-PS-9905271-0-0			LAMINATED BUILDUPS SADDLE	
		C-MD-7417220-0-0			PLATE END RIGHT HAND				A-PS-9905184-0-0			BEZEL PROTECTOR	
		C-MD-7417239-0-0			PLATE END LEFT HAND				A-PS-9905418-0-0			REGULAR SLOTTED CARTON	
									A-PS-9905129-7			POLY BAG	
									A-PS-9905729-0-0			3 IN. WIDE GLASFLEX TAPE	
	6	D-IA-7011132-0-0		1	ENCLOSURE ASSY								
		D-IA-7013868-0-0		1	ENCLOSURE BOTTOM								
		D-MD-7413869-0-0		1	ENCLOSURE TOP			11	E-AD-7012588-0-0			INSTALLATION AID	
	7	D-AD-7412510-0-0		1	CONSOLE ASSY, EXPANSION BOX								
	8	C-IA-7012846-0-0			MODULE FRAME LEFT SIDE								
		C-MD-7414084-0-0			BRKT. EJECTOR L.H.								
		C-MD-7416517-0-0			BRKT. CARD GUIDE								
		C-MD-7414082-0-0			BRKT. BACKPLANE L.H.								
		C-MD-7416516-0-0			ROD								
	9	A-SP-3700061-0-0			PACKAGING INSTRUCTIONS CUST.								
		A-PS-9905647-0-0			FULL-TELESCOPE CAP								
		A-PS-9905648-0-0			FOAM PAD								
		A-PS-9905646-0-0			FOAM WITH CORRUGATED SIDEWALL ASSEMBLY								
		A-PS-9905734-0-0			STRAPPING (STEEL OR PLASTIC)								

CUSTOMER PRINT SET
 X = PRINT OF DOCUMENT INCLUDED IN PRINT SET
 C = INCLUDES ALL PRINTS INDICATED ON DOCUMENT
 S = CONFIDENTIAL AUTHORIZED SIGNATURE REQUIRED

TITLE
 DRAWING DIRECTORY BALL-L
 SHEET 4 OF 4
 SIZE CODE
 B DD
 NUMBER
 BALL-L
 REV
 M

TW

DIGITAL EQUIPMENT CORPORATION
MAYNARD, MASSACHUSETTS

PARTS LIST

QUANTITY / VARIATION

MADE BY <i>R. Barry</i>	CHECKED	SECTION
DATE <i>7/2/77</i>	DATE	
ENG	PROD	ISSUED SECT.
DATE <i>R Barry Sept 6</i>	DATE <i>R Barry Sept 6</i>	

ITEM NO.	DWG NO. / PART NO.	DESCRIPTION
1	EK-BAIL-MM	MAINTANCE MANUL /
2	MPO0018	PRINT SET BAIL-L
3	D-UA-BCIIA-10-0	CABLE UNIBUS 10FT

BAIL-LE	BAIL-LF	BAIL-LH	BAIL-LJ		ALL OTHER	VARIATIONS GET ONLY ITEMS 1+2				
-	-	-	-		-					
-	-	-	-		-					
-	-	-	-							

TITLE SHIPPING LIST	ASSY NO. E-UA-BAIL-L-0	SIZE A	CODE PL	NUMBER BAIL-L-4	REV.	ECO NO.
	SHEET 1 OF 1	DIST.				

TABLE OF CONTENTS

FIELD MAINT. PRINT SET H777-0
POWER SUPPLY H777-0 SH2
POWER SUPPLY H777-0 (PL)
+5V REGULATOR ASSY.
+5V REG. ASSY. (PL)
BOARD, POWER DISTRIBUTION H777
H777 +5V REGULATOR
AC INPUT ASSY
AC INPUT ASSY (PL)
MOS REGULATOR H777
CORE REGULATOR H777
± 15V REGULATOR
± 15V REGULATOR
± 15V REGULATOR

B-TC-H777-0-2
E-UA-H777-0-0
A-PL-H777-0-0
D-AD-7012909-0-0
A-PL-7012909
D-CS-5411586-0-1
D-CS-5412667-0-1
D-AD-7012910-0-0
A-PL-7012910-0-0
D-CS-5411601-0-1
D-CS-5411599-0-1
D-CS-5413764-0-1
K-PL-5413764-0-DBP
D-UA-5413764-0-0

UNIT VARIATIONS COVERED BY THIS PRINT SET	
H777-CA (CORE/MOS)	
H777-CB (CORE/MOS)	
H777-DA (MOS ONLY)	
H777-DB (MOS ONLY)	
H777-UA (± 15/MOS)	
H777-UB (± 15/MOS)	

H777-0 VOL.2

Field Maintenance Print Set

Digital Equipment Corporation

PRINT SET ORDER NO. MP00309

REV. NO.	1
	H777-2
	H777-5
DATE	JAN 77
	3-78
ORIGINATED	H777-TW008
	7-80
E	
	F

USED ON OPTION/MODEL	DRN.	DATE
BALL-LA BALL-LK	<i>W. Fisher</i>	18 JAN 77
BALL-LB BALL-LL	CHK'D	DATE
BALL-LC BALL-LM	KIT	18 JAN 77
BALL-LD BALL-LN	PROJ. ENG.	DATE
BALL-LE BALL-LX	<i>R. Smith</i>	25 JAN 77
BALL-LF BALL-LY	FIELD SERV.	DATE
BALL-LH	<i>E. Perrone</i>	27 JAN 77
BALL-LJ		

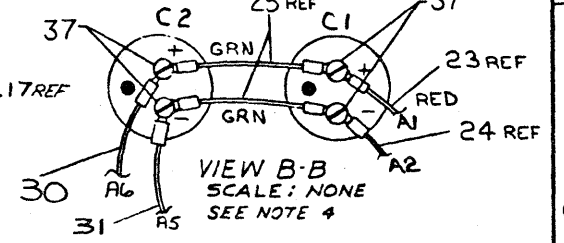
TITLE: digital			
FIELD MAINTENANCE PRINT SET H777-0			
SIZE	CODE	NUMBER	REV.
B	TC	H777-0-2	F
DIST.			

THIS DRAWING AND SPECIFICATIONS HEREIN ARE THE PROPERTY OF DIGITAL EQUIPMENT CORPORATION AND SHALL NOT BE REPRODUCED OR COPIED OR USED IN WHOLE OR IN PART AS THE BASIS FOR THE MANUFACTURE OR SALE OF ITEMS WITHOUT WRITTEN PERMISSION. COPYRIGHT © 1970, DIGITAL EQUIPMENT CORPORATION.

WIRE CHART						WIRE CHART						WIRE CHART								
ITEM NO	AWG	COLOR	FROM POINT NO	CONN	TO POINT NO	CONN	ITEM NO	AWG	COLOR	FROM POINT NO	CONN	TO POINT NO	CONN	ITEM NO	AWG	COLOR	FROM POINT NO	CONN	TO POINT NO	CONN
5	20	WHT	1	BD2-8	18	BD1-15	5	14	BLK	28	BD2-13	11	BD1-4	7	18	GRY	4	BD1-8	*9	-
	14	BRN	2		2	9			RED	29	15	14	9		18	WHT	5	BD1-6	*10	-
	14	BLK	3		1	12			RED	26	19	15	10		14	RED	6	BD2-21	*13	-
	14	ORN	4		3	13			BLK	25	14	21	17		18	GRN	7	BD1-2	12	-
	20	BRN	5		5	19			RED	24	16	22	14	22	14	GRN	-	C1(+)	-	C2(+)
	20	BLK	6		4	20			RED	27	BD2-20	23	BD1-20	25	14	GRN	-	C1(-)	-	C2(-)
	20	VEL	7		6	16			BLU	1	BD1-21	*11	-	23	14	RED	-	BD2-16	-	C1(+)
	20	VIO	8		7	17			BLK	2	BD1-18	*8	-	24	14	BLK	-	BD2-9	-	C1(-)
	14	BLK	30	BD2-17	10	BD1-3	7		RED	3	BD1-11	*14	-	22	-	BARE	-	-	-	BD2-11
							30		RED	-	BD2-22	-	C2(+)	22	-	BARE	-	-	-	BD2-12
														31	14	BLK	-	BD2-23	-	C2(-)

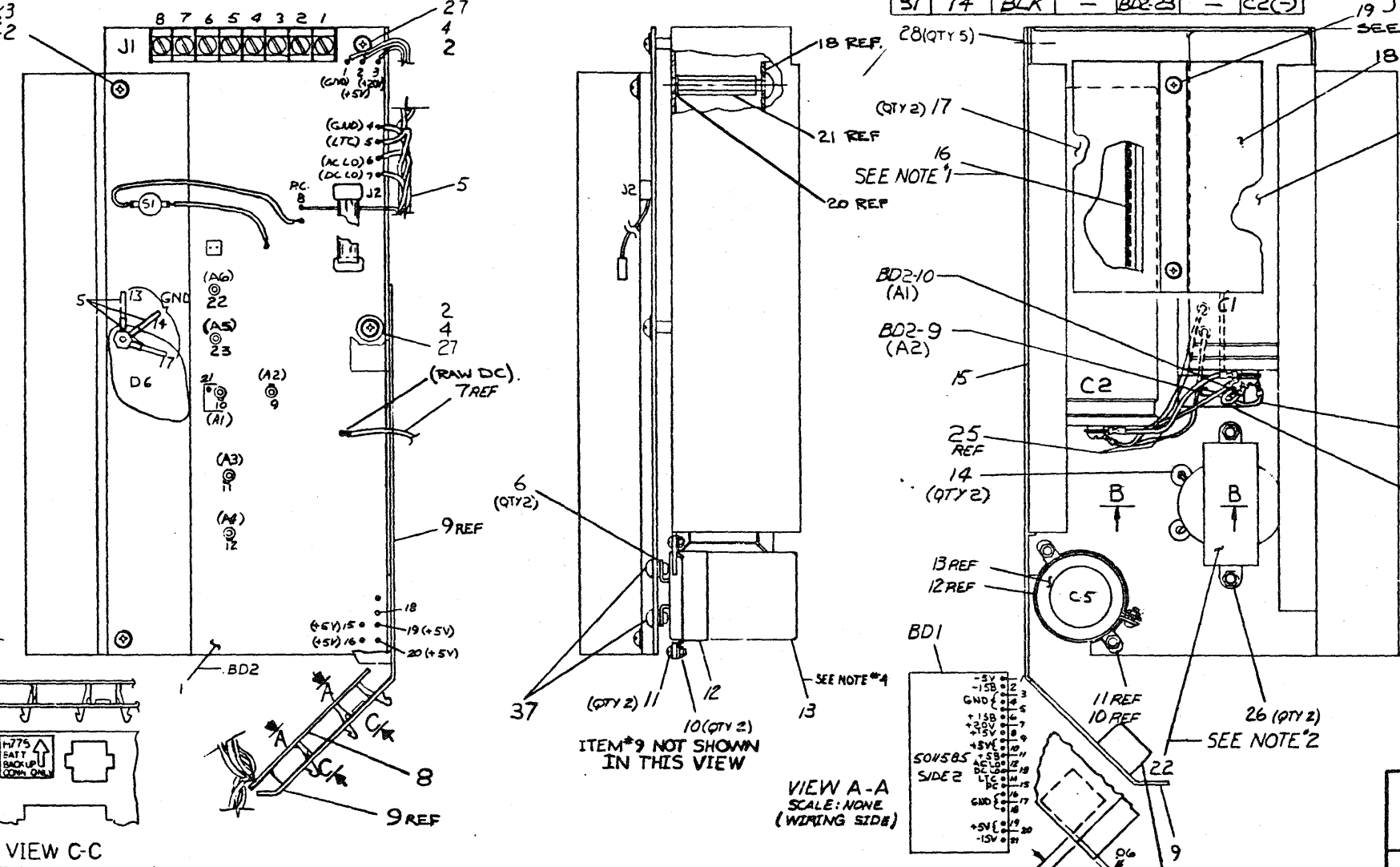
NOTES:

- USE ITEM #16 (GROMMET) TO COVER RAW METAL EDGES UNDER CAPACITORS.
- LEADS FROM ITEMS #22, 23 & 24 ARE TO BE CUT FLUSH WITH TOP OF CLAMPS ON ITEM #1. A1, A2, A3 & A4
- * ASTERISK INDICATES THAT THESE CONN. ALREADY HAVE BEEN MADE ON PLUG P1 ON HARNESS D-1A701560-0-0 THEY ARE SHOWN FOR REF ONLY.
- ITEMS #17 & #13 ARE TO HAVE THEIR ELECTRICAL CONNECTIONS TORQUED TO 12 IN-LBS (-0, +10) IN-LBS.
- BRING SCREW TO A NO SLACK POSITION, THEN TIGHTEN WITH 1/2 TO 3/4 TURN ONLY.
- ITEMS #33 & #34 ARE NOT SHOWN.



OFF SHEET PARTS LIST SEE-K-PL-1012909-0-DBP

DESCRIPTION	QTY	PART NO.	ITEM NO.
BUMPER		9009624	32
JUMPER, BLK		B-1A-7011802-0-0	31
JUMPER, RED		B-1A-7011801-0-0	30
DECAL, ENTI BACKUP		A-DC-7416911-00	29
SCR FLAT HD #6-32 X .25		9006020-2	28
WASHER NYLON #8		9006703	27
NUT KEPS #8-32		9006566	26
JUMPER (GRN)		B-1A-7011800-0-0	25
JUMPER (BLK)		B-1A-7011802-0-0	24
JUMPER (RED)		B-1A-7011801-0-0	23
CHOKE		1613584	22
SPACER HEX #8-32 X 1.25		9009603	21
WASHER INTT TOOTH LOCK #8		9006434	20
SCR PHIL HD TRUSS B-32 X .34L		9009636-1	19
CLAMP CAPACITOR		C-MD-7417406-00	18
CAPACITOR 24 KUF 50V		1010702	17
GROMMET CATERPILLAR		9007035	16
BRACKET CAPACITOR		B-1A-7415743-1-0	15
GROMMET RUBBER		9007017	14
CAPACITOR 3700UF/6.0V (CS)		1012740-00	13
CLAMP CAPACITOR		9009052	12
SCR PHIL HD PAN #6-32 X .50L		9006020-1	11
NUT KEPS #8-32		9009185	10
PLATE, CAPACITOR CONN SIDE		D-1A-7417917-0-0	9
BOARD, PWR DISTR. H777		D-1A-7415584-0-1	8
HARNESS BD NOS PWS PWR DST		D-1A-7011560-0-0	7
WASH 1/375 O.D. X .13" ID X .036		9006660	6
HARNESS H777 +5V REG		D-1A-7011415-0-0	5
SCR PHIL HD PAN #6-32 X .31L		9006021-1	4
SCR PHIL HD PAN #6-32 X .50L		9006021-1	3
WASHER INTT TOOTH LOCK #8		9006633	2
H777 +5V REG (REV & UP)		D-1A-7415584-0-1	1



VIEW C-C

VIEW A-A SCALE: NONE (WIRING SIDE)

REV	DATE	BY	CHKD	DESCRIPTION
1				
2				
3				
4				
5				
6				
7				
8				
9				
10				
11				
12				
13				
14				
15				
16				
17				
18				
19				
20				
21				
22				
23				
24				
25				
26				
27				
28				
29				
30				
31				
32				
33				
34				
35				
36				
37				
38				
39				
40				
41				
42				
43				
44				
45				
46				
47				
48				
49				
50				

THIRD ANGLE PROJECTION

REMOVE BURRS AND BREAK SHARP CORNERS

DO NOT SCALE DWG

MATERIAL

FINISH

QUANTITY & VARIATION

DESCRIPTION: UNLESS OTHERWISE SPECIFIED DIMENSIONS ARE IN INCHES

ANGLE	ACCURACY	TOLERANCE	FINISH
90	0.010	0.005	0.005
120	0.010	0.005	0.005
150	0.010	0.005	0.005
180	0.010	0.005	0.005

DATE: 11/14/76

CHKD BY: [Signature]

ENG: [Signature]

PROJ: [Signature]

FIRST USED ON: H777-LED

TITLE: +5V REG ASSY

SIZE: D AD

NUMBER: 7012909-0-0

REV: F

SHEET: 1 OF 1

LINE	ITEM	DOCUMENT NUMBER	PART NUMBER	DESCRIPTION	QUANTITY PER VARIATION
					00
1	1	D-CS-5412667-0-1	5412667-00	PLUS 5 VOLT REG	1
2	2		9006633-00	WASHER, LOCK INTERNAL STEEL	4
3	3		9006025-01	SCREW, MACH PAN PHIL 6-	2
4	4		9006023-01	SCREW, MACH PAN PHIL 6-	2
5	5	D-IA-7011415-0-0	7011415-00	H777 POWER HARNESS FOR +5 REG	1
6	6		9006660-00	WASHER, FLAT SST	2
7	7	D-IA-7011560-0-0	7011560-00	CABLE HARNESS MOS REG/DIST	2
8	8	D-CS-5411586-0-1	5411586-01	PWR BD DISTR (H777)	1
9	9	D-IA-7417017-0-0	7417017-00	PLATE, CAPACITOR CONNECTOR SIDE	1
10	10		9008185-00	NUT, HEX EXT TOOTH LCKWSHR 6-32	2
11	11		9006020-01	SCREW, MACH PAN PHIL 6-	2
12	12		9009052-00	CLAMP, CAPACITOR, 1-3/8 DIA.	1
13	13		1012740-00	3900 MFD 6V+100-20% AL EL	1
14	14		9007017-00	GROMMET, ROUND RUBBER	2
15	15	E-IA-7423743-1-0	7413743-01	BRKT CAPACITOR	1
16	16		9007035-00	GROMMET, CATERPILLAR POLYAMIDE	A/R
17	17		1010702-00	24,000 MFD 50V +75-10% AL EL	2
18	18	C-MD-7417408-0-0	7417408-00	CLAMP CAPACITOR	1
19	19		9009836-01	SCREW, MACH TRUSS PHIL 8-	2
20	20		9006634-00	WASHER, LOCK INTERNAL STEEL	2
21	21		9008258-00	SPACER, THREADED HEX ALUM 8-3	2
22	22		1612584-00	50 UH 30A	1
23	23	B-IA-7011801-0-0	7011801-00	JUMPER RED	1
24	24	B-IA-7011802-0-0	7011802-00	JUMPER BLK	1
25	25	B-IA-7011800-0-0	7011800-00	JUMPER GRN	2
26	26		9006563-00	NUT, HEX EXT TOOTH LCKWSHR 8-32	2
27	27		9006707-00	WASHER, FLAT NYLON	2
28	28		9000039-07	SCREW, MACH FLAT PHIL 6-	5
29	29	A-DC-7416911-0-0	7416911-00	DECAL, POWER SUPPLY	1
30	30	B-IA-7011801-0-1	7011801-01	JUMPER (RED)	1

REVISION HISTORY		BASIC PART NO: 7012909		DRN: S. ROCHA		DATE: 29-JUL-76		D I G I T A L			
ENG	ECO NUMBER	REV	SECTION A OF A	CHK'D:	D. HEALY	DATE:	2-AUG-76	TITLE PARTS LIST			
RC	7012909-ML004	F	SECTION. VARIATION INDEX					+5V REG ASSY			
			[A] 00					DOCUMENT NUMBER			
			[B]	DES.ENG.:	R. COURTMACHE	DATE:	13-SEP-76	SIZE	CODE	NUMBER	REV
			[C]	RESP.ENG.:	R. COURTMACHE	DATE:	13-SEP-76	K	PL	7012909-0-DBP	F
			[D]	MFG.ENG.:	R. BARRY	DATE:	13-SEP-76	ASSEMBLY NUMBER:		TOP DOCUMENT NUMBER:	
			[E]	D-AD-7012909-0-0		Z6732F.PLS		FILE NAME:		EDIT #	
			[F]							3	

"THIS DRAWING AND SPECIFICATIONS HEREIN, ARE THE PROPERTY OF DIGITAL EQUIPMENT CORPORATION AND SHALL NOT BE REPRODUCED OR COPIED OR USED IN WHOLE OR IN PART AS THE BASIS FOR THE MANUFACTURE OR SALE OF ITEMS WITHOUT WRITTEN PERMISSION. COPYRIGHT (C) 1983. DIGITAL EQUIPMENT CORPORATION "

LINE	ITEM	DOCUMENT NUMBER	PART NUMBER	DESCRIPTION	QUANTITY PER VARIATION
					00
31	31	B-IA-7011802-0-1	7011802-01	JUMPER(BLK)	1
32	32		9009624-00	BUMPER,SQUARE ADH BACK RUBBER	1
33	33		9009255-00	LABEL, POWER SUPPLY, 2-15/16 " L	1
34	34		9007031-00	TIE,CABLE BUNDL.DIA 0- 3/4"=101	2
35	35		9006071-01	*** THIS ITEM IS NOT USED ***	-
36	36		9006636-00	*** THIS ITEM IS NOT USED ***	-
37	37		9009667-00	SCREW,SEMS BINDR SLOT /	10- 6

D	I	G	I	T	A	L	TITLE		SECTION A OF A	SIZE	CODE	DOCUMENT NUMBER	REV
							+5V REG ASSY			K	PL	7012909-0-DBP	F

THIS DRAWING AND SPECIFICATIONS, WHICH ARE THE PROPERTY OF ORNITA EQUIPMENT CORPORATION AND SHALL NOT BE REPRODUCED OR COPIED IN WHOLE OR IN PART AS THE BASIS FOR THE MANUFACTURE OR SALE OF THIS EQUIPMENT WITHOUT WRITTEN PERMISSION. ORNITA EQUIPMENT CORPORATION

LEGEND		WIRE CHART															
PART NO.	VARIATION	ITEM NO.	DESCRIP.	FROM	TO	REMARKS	ITEM NO.	DESCRIP.	FROM	TO	REMARKS						
		NO.	AMPS	COLOR	CONN.	WITH	CONN.	WITH									
7012910-0	120 V	22	18	GR/WH	K1-A	SOLA31	*TB2-33	SOLD	5 1/2' L								
7012910-1	240 V	23	18	BR/WH	K1-6		*TB2-43	SOLD	5' L								
7012910-2	120V (50HZ)	24	18	WH/OR	K1-7		TB2-5H	25	5' L								
		26	18	WH/BR	K1-9		TB2-6H	25	5' L								
		27	18	GR/Y	K1-A				13 1/2' L	47	18	GY/BL	G3	SOLD	F1-2	SOLA31	4' L
		46	18	BLK	K1-B	SOLA31			13 1/2' L								
		47	18	GR/BL	G2	SOLA31	*TB2-63	SOLD	6' L	35	18	BLK	TB2-1H		TB2-2H		120V
		43	18	BRN	CB1(2)LOAD	28.31	*TB2-85	SOLD	7 1/2' L	36	18	WH/Y	TB2-3H		TB2-4H		120V
		45	18	BLU	CB1(1)LOAD	28.31	*TB2-15	SOLD	7 1/2' L	35	18	BLK	TB2-2H		TB2-3H		230V
		14	14	BLU	CB1(1)LINE		NOTE 6		17' L	13	22	BRN	R1-A		G3	SOLA31	
		15	18	WH/Y	*TB2-73	SOLD	J2-2	39.32	10' L	48	18	BL/WH	K1-8	SOLA31	TB2-15	23	4' L
		15	18	BLK	*TB2-55	SOLD	J2-1	39.32	9' L	49	18	WH/BL	K1-5	SOLA31	TB2-7H	25	5 1/2' L
		15	18	WH/Y	*TB2-73	SOLD	J3-2	39.32	16' L								
		15	18	BLK	*TB2-55	SOLD	J3-1	39.32	15 1/2' L								

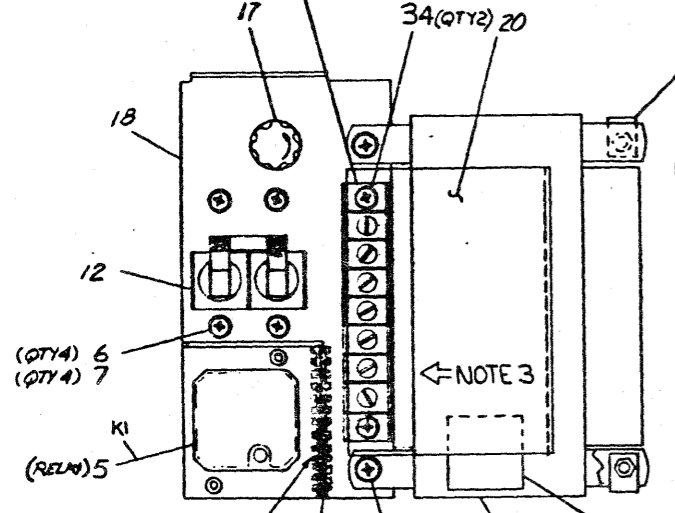
- NOTES:
- COVER ITEM #20 WITH ITEM #31
COVER ENTIRE CONN.
 - TWISTED PAIR WIRE TO HAVE A MIN OF 8 TWIST PER FT. AS PER WIRE CHART.
 - ALL CONNECTIONS TO TB2 ARE TO BE MADE FROM SIDE INDICATED BY ARROW.
 - USE TIE WRAPS (ITEM #30) AS NEEDED.
 - T1 PRIMARY WIRES TO TB2 MUST BE ROUTED BY ITEM 4
 - NO CONNECTION IS MADE AT THIS ASSY. LEVEL. REFER TO PRINT E-UA-H777-0-0.
 - FOR VARIATION -0,-1 USE ITEMS 16 AND 13. FOR VARIATION -2 SEE DETAIL "F".
 - FOR VARIATION -0,-1 USE ITEM 40. FOR VARIATION -2, USE ITEM 50
 - TWIST LEADS AND SOLDER. CUT LEADS AND USE SHRINK TUBING FOR INSULATION.

SEE NOTE 2
SEE DETAIL "E"

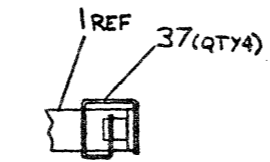
SEE NOTE 2
SEE DETAIL "C"

* INDICATES SOLDER CONN. SHARED WITH OTHER CONN. WITH SAME COMMON CONN.

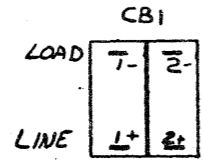
SEE NOTE 8
TB2 TOP TO BE KNOWN AS HAND SIDE (H). BOTTOM TO BE KNOWN AS SOLDER SIDE (S)



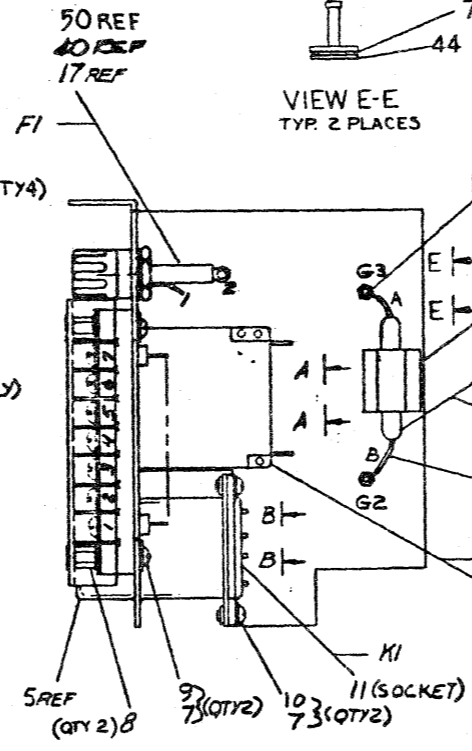
SEE NOTE 5



VIEW D-D
TYP-4 PLACES
(BOTTOM FEET ONLY)
SCALE: NONE

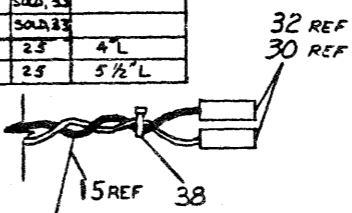


VIEW A-A
REAR VIEW OF CB1
(ITEM #2) FOR WIRING ONLY.

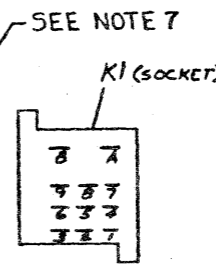


SIDE VIEW
TRANSFORMER (ITEM #1) REMOVED FOR CLARITY.

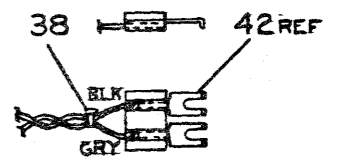
VIEW E-E
TYP. 2 PLACES



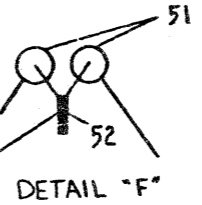
DETAIL "C"
2 PLACES. SEE CHART



VIEW B-B
REAR VIEW OF KI (SOCKET)
(ITEM #1) FOR WIRING ONLY.



DETAIL "E"
SEE CHART



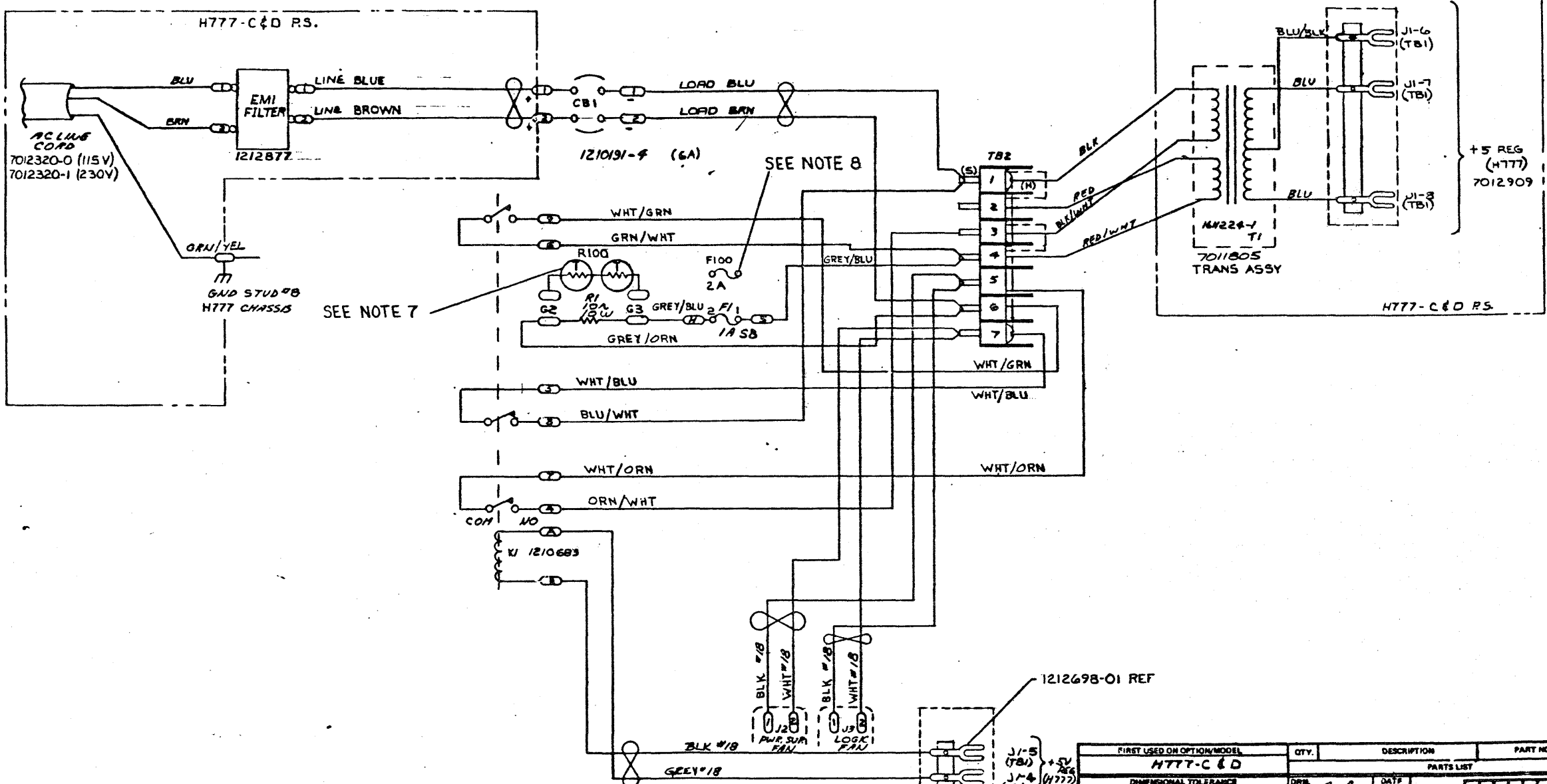
DETAIL "F"

CAUTION: OFF SHEETS PARTS LIST EXISTS.
SEE K-PL-7012910-0-DBP(2468)

REV.	DESCRIPTION	DATE
1	ORIGINAL	11-14-77
2	REVISED	11-14-77
3	REVISED	11-14-77
4	REVISED	11-14-77
5	REVISED	11-14-77
6	REVISED	11-14-77
7	REVISED	11-14-77
8	REVISED	11-14-77
9	REVISED	11-14-77
10	REVISED	11-14-77
11	REVISED	11-14-77
12	REVISED	11-14-77
13	REVISED	11-14-77
14	REVISED	11-14-77
15	REVISED	11-14-77
16	REVISED	11-14-77
17	REVISED	11-14-77
18	REVISED	11-14-77
19	REVISED	11-14-77
20	REVISED	11-14-77
21	REVISED	11-14-77
22	REVISED	11-14-77
23	REVISED	11-14-77
24	REVISED	11-14-77
25	REVISED	11-14-77
26	REVISED	11-14-77
27	REVISED	11-14-77
28	REVISED	11-14-77
29	REVISED	11-14-77
30	REVISED	11-14-77
31	REVISED	11-14-77
32	REVISED	11-14-77
33	REVISED	11-14-77
34	REVISED	11-14-77
35	REVISED	11-14-77
36	REVISED	11-14-77
37	REVISED	11-14-77
38	REVISED	11-14-77
39	REVISED	11-14-77
40	REVISED	11-14-77
41	REVISED	11-14-77
42	REVISED	11-14-77
43	REVISED	11-14-77
44	REVISED	11-14-77
45	REVISED	11-14-77
46	REVISED	11-14-77
47	REVISED	11-14-77
48	REVISED	11-14-77
49	REVISED	11-14-77
50	REVISED	11-14-77
51	REVISED	11-14-77
52	REVISED	11-14-77

DESCRIPTION	QTY	PART NO.	ITEM NO.
AC INPUT ASSY (120V/240V)	1	7012910-0-0	0
RELAY	1	7012910-0-0	5
TRANSFORMER	1	7012910-0-0	1
SOCKET	1	7012910-0-0	11
SOCKET	1	7012910-0-0	12
SOCKET	1	7012910-0-0	13
SOCKET	1	7012910-0-0	14
SOCKET	1	7012910-0-0	15
SOCKET	1	7012910-0-0	16
SOCKET	1	7012910-0-0	17
SOCKET	1	7012910-0-0	18
SOCKET	1	7012910-0-0	19
SOCKET	1	7012910-0-0	20
SOCKET	1	7012910-0-0	21
SOCKET	1	7012910-0-0	22
SOCKET	1	7012910-0-0	23
SOCKET	1	7012910-0-0	24
SOCKET	1	7012910-0-0	25
SOCKET	1	7012910-0-0	26
SOCKET	1	7012910-0-0	27
SOCKET	1	7012910-0-0	28
SOCKET	1	7012910-0-0	29
SOCKET	1	7012910-0-0	30
SOCKET	1	7012910-0-0	31
SOCKET	1	7012910-0-0	32
SOCKET	1	7012910-0-0	33
SOCKET	1	7012910-0-0	34
SOCKET	1	7012910-0-0	35
SOCKET	1	7012910-0-0	36
SOCKET	1	7012910-0-0	37
SOCKET	1	7012910-0-0	38
SOCKET	1	7012910-0-0	39
SOCKET	1	7012910-0-0	40
SOCKET	1	7012910-0-0	41
SOCKET	1	7012910-0-0	42
SOCKET	1	7012910-0-0	43
SOCKET	1	7012910-0-0	44
SOCKET	1	7012910-0-0	45
SOCKET	1	7012910-0-0	46
SOCKET	1	7012910-0-0	47
SOCKET	1	7012910-0-0	48
SOCKET	1	7012910-0-0	49
SOCKET	1	7012910-0-0	50
SOCKET	1	7012910-0-0	51
SOCKET	1	7012910-0-0	52

THIS DRAWING AND SPECIFICATIONS HEREIN ARE THE PROPERTY OF BUSH, EQUIPMENT CORPORATION AND SHALL NOT BE REPRODUCED OR COPIED OR USED IN WHOLE OR IN PART AS THE BASIS FOR THE MANUFACTURE OF BILLS OF MATERIAL WITHOUT WRITTEN PERMISSION OF BUSH, EQUIPMENT CORPORATION.



SEE NOTE 7

SEE NOTE 8

1212698-01 REF

FIRST USED OR OPTION/MODEL		QTY.	DESCRIPTION	PART NO.	ITEM NO.
H777-C & D					
PARTS LIST					
DIMENSIONAL TOLERANCE		DRS	DATE	digital	
DIMENSIONS ARE IN INCHES UNLESS OTHERWISE SPECIFIED		CHK	DATE		
MILLIMETERS	INCHES	ANGLES	DATE		
±.001	±.001	±.001	DATE		
±.002	±.002	±.002	DATE		
±.005	±.005	±.005	DATE		
THIRD ANGLE PROJECTION	REMOVE BURRS AND BREAK SHARP CORNERS SURFACE QUALITY	NEXT HIGHER ASSY.	TITLE		
MATERIAL	FINISH	SCALE	AC INPUT ASSY (120V/240V)		
		SHEET	REV. N		
		2 OF 2	DAD 7012910-0-0		
			DIST.		

REVISIONS
CHANGE NO.
REV.

LINE ITEM	DOCUMENT NUMBER	PART NUMBER	DESCRIPTION	QUANTITY PER VARIATION		
				00	01	02
1	C-IA-7011805-0-0	7011805-00	TRANSFORMER ASSY	1	1	1
2		9006037-01	SCREW,MACH PAN PHIL 8-	2	2	2
3		9006634-00	WASHER,LOCK INTERNAL STEEL	2	2	2
4		9007035-00	GROMMET,CATERPILLAR NYLON	A/R	A/R	A/R
5		1210683-00	RLY,G.P., 12V COIL,3PDT,10A	1	1	1
6		9006020-01	SCREW,MACH PAN PHIL 6-	4	4	4
7		9006633-00	WASHER,LOCK INTERNAL STEEL	10	10	10
8		9006842-00	SPACER,HEX,THD'D,ALUM 6-32X 5	2	2	2
9		9007794-01	SCREW,MACH PAN PHIL 6-	2	2	2
10		9006021-01	SCREW,MACH PAN PHIL 6-	2	2	2
11		1212789-00	SKT,RELAY 11PIN	1	1	1
12		1210191-04	CKT BKR 6.0 A 250V 2P MAGNETIC	1	1	1
13		1300173-00	10.0 10.0 N 5.0 Z WW	1	1	-
14		9006966-00	TERM PCB 2POS INSULATED,TURRE	2	2	2
15		9107430-09	WIRE,TWP 18AWG(19/30)IPVC 150V	A/R	A/R	A/R
16		9009771-02	CLAMP, CABLE,PVC, 3/8"ID,SELF ST	1	1	-
17		1212893-00	FUSE HOLDER, 20A, 300V, PNL MNT	1	1	1
18	D-IA-7417219-0-0	7417219-00	BRACKET COMPONENT	1	1	1
19		1212788-00	TERM BLOCK 7POS .375 SPACING	1	1	1
20	B-IA-7414743-1-0	7414743-01	SHIELD, TERM	1	1	1
21		9008264-00	MOUNT, CABLE TIE, ADHESIVE BACKE	1	1	1
22		9107410-39	WIRE, 18AWG(19/30)IPVC 150V	A/R	A/R	A/R
23		9107410-59	WIRE, 18AWG(19/30)IPVC 150V	A/R	A/R	A/R
24		9107410-93	WIRE, 18AWG(19/30)IPVC 150V	A/R	A/R	A/R
25		9007929-00	TERM,RING #5,6STUD CRIMP 16-2	2	2	2
26		9107410-95	WIRE, 18AWG(19/30)IPVC 150V	A/R	A/R	A/R
27		9107430-08	WIRE,TWP 18AWG(19/30)IPVC 150V	A/R	A/R	A/R
28		9007970-00	TERM,QUICK .300TAB CRIMP 18-2	2	2	2
29	BLANK			0	0	0
30		1210820-02	CONN TERMINAL,REELED	4	4	4

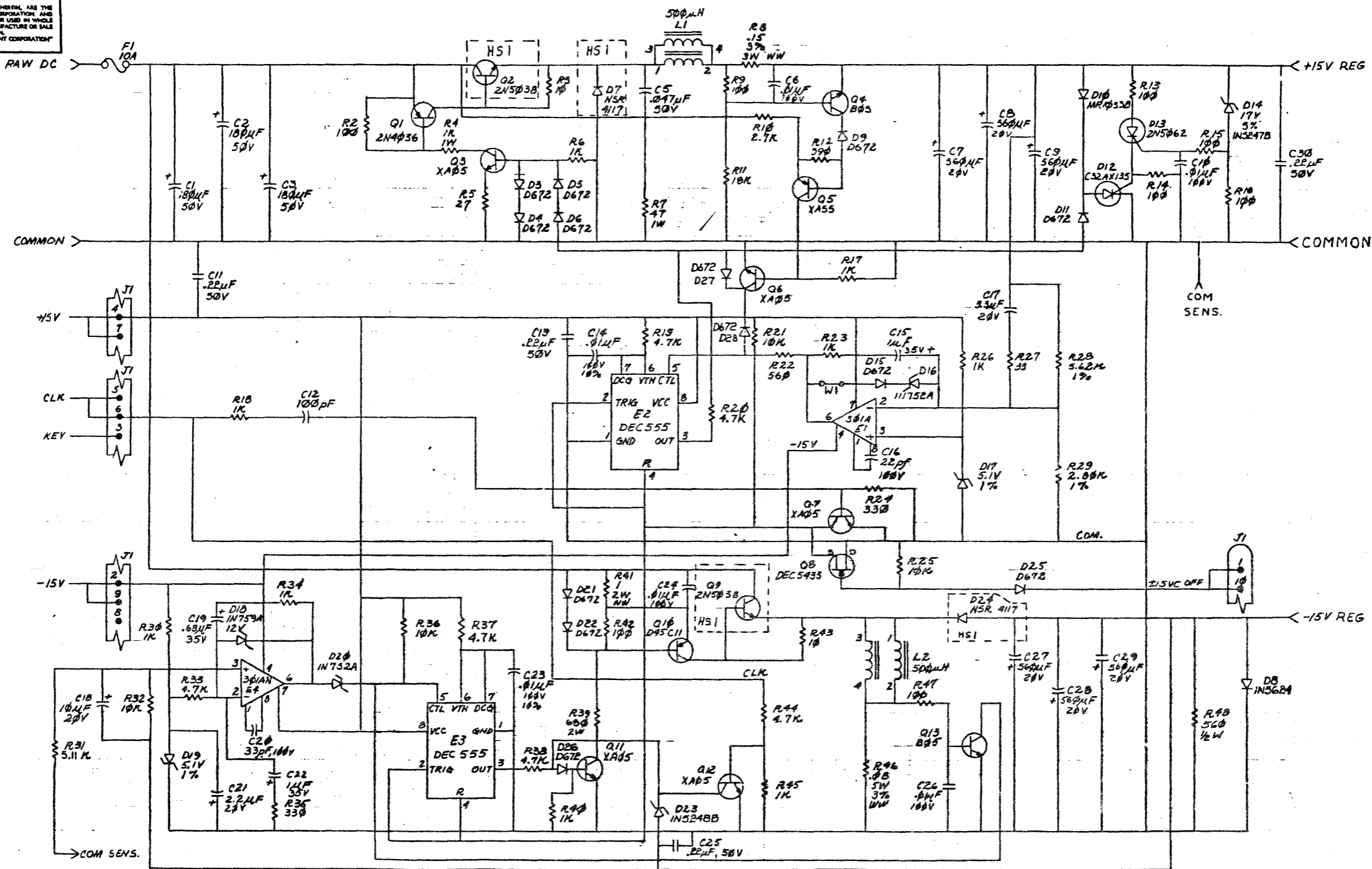
REVISION HISTORY			BASIC PART NO: 7012910			DRN: A. ROCHA			DATE: 19-JUL-76			D I G I T A L		
ENG	ECO NUMBER	REV	SECTION A OF A			CHK'D: D. HEALY			DATE: 27-JUL-76			TITLE PARTS LIST		
W.B	7012910-ML007	N	SECTION. VARIATION INDEX			[A] 00,01,02			[B]			A/C INPUT ASSY (120V/230V)		
			[C]			DES.ENG.: R. BARRY			DATE: 17-SEP-76			DOCUMENT NUMBER		
			[D]			RESP.ENG.: R. BARRY			DATE: 17-SEP-76			SIZE CODE NUMBER REV		
			[E]			MFG.ENG.: R.B.KING			DATE: 21-SEP-76			K PL 7012910-0-DBP N		
			[F]			ASSEMBLY NUMBER:			TOP DOCUMENT NUMBER:			FILE NAME: EDIT #		
						D-AD-7012910-0-0			D-AD-7012910-0-0			Z4684N.PLS 6		

*THIS DRAWING AND SPECIFICATIONS HEREIN, ARE THE PROPERTY OF DIGITAL EQUIPMENT CORPORATION AND SHALL NOT BE REPRODUCED OR COPIED OR USED IN WHOLE OR IN PART AS THE BASIS FOR THE MANUFACTURE OR SALE OF ITEMS WITHOUT WRITTEN PERMISSION. COPYRIGHT (C) 1982. DIGITAL EQUIPMENT CORPORATION *

LINE ITEM	DOCUMENT NUMBER	PART NUMBER	DESCRIPTION	QUANTITY PER VARIATION		
				00	01	02
31		9107305-02	TUBING,SHRINK 3/16DIA.EXP UL	A/R	A/R	A/R
32		1210820-01	SOCKET HOUSING	4	4	4
33		9107278-02	TUBING,THIN WALL,.042ID UL	A/R	A/R	A/R
34		9008020-02	SCREW,MACH FLAT PHIL 6-	2	2	2
35	B-IA-7011797-0-0	7011797-00	JUMPER 2" BLK	1	1	1
36	B-IA-7011798-0-0	7011798-00	JUMPER 2" WHT	1	-	1
37		9007786-00	RETAINER, U-NUT, 10-32	4	4	4
38		9007031-00	TIE,CABLE BUNDL.DIA 0- 3/4"=101	A/R	A/R	A/R
39	BLANK			0	0	0
40		9007212-00	FUSE,SLO BLD 1 A,250V GLASS	1	1	-
41	BLANK			0	0	0
42		1212698-01	TERM STRIP 2POS .375 SPACING	1	1	1
43		9107430-16	WIRE,TWP 18AWG(19/30)IPVC 150V	A/R	A/R	A/R
44		9006656-00	WASHER,FLAT STEEL	2	2	2
45	C-IA-7417286-0-0	7417286-00	BRACKET, STOP	1	1	1
46		9107410-83	WIRE, 18AWG(19/30)IPVC 150V	A/R	A/R	A/R
47		9107410-86	WIRE, 18AWG(19/30)IPVC 150V	A/R	A/R	A/R
48		9107410-69	WIRE, 18AWG(19/30)IPVC 150V	A/R	A/R	A/R
49		9107410-96	WIRE, 18AWG(19/30)IPVC 150V	A/R	A/R	A/R
50		9007216-00	FUSE,SLO BLD 2 A,250V GLASS	-	-	1
51		1317198-00	7.0 10.0 % NTC THERM	-	-	2
52		9107255-09	TUBING,SHRINK 1/8 DIA.EXP UL	-	-	A/R

DIGITAIL	TITLE	SECTION A OF A	SIZE	CODE	DOCUMENT NUMBER	REV
	A/C INPUT ASSY (120V/230V)		K	PL	7012910-0-DBP	N

THIS DRAWING AND SPECIFICATIONS HEREIN ARE THE PROPERTY OF DIGITAL EQUIPMENT CORPORATION AND SHALL NOT BE REPRODUCED OR COPIED OR USED IN WHOLE OR IN PART AS THE BASIS FOR THE MANUFACTURE OR SALE OF ITEMS WITHOUT WRITTEN PERMISSION. COPYRIGHT © 1968 DIGITAL EQUIPMENT CORPORATION



REV.	B
CHANGE NO.	1
DATE	5/13/74
BY	W. BAUSHA
CHKD.	W. BAUSHA
REL.	W. BAUSHA

DRN	W. BAUSHA	5/27/73	FIRST USED ON	H777-UA, UB	Digital
CHK'D	W. BAUSHA	5/28/73	TITLE	±15V REGULATOR	
ENGR.	W. BAUSHA	5/28/73	SCALE	D	CS 5413764-0-1
PROJ. ENGR.	W. BAUSHA	5/28/73	SHEET	1	OF 1
PROD.	W. BAUSHA	5/28/73	NEXT HIGHER ASSY.	B-DD-5413764-0	
SIZE	CODE	NUMBER	REV		
D	CS	5413764-0-1	B		

D5413764-0-1 B

LINE	ITEM	DOCUMENT NUMBER	PART NUMBER	DESCRIPTION	QTY	PER VARIATION	REFERENCE DESIGNATOR
					00		
1	1	D-UA-5413764-0-0		UNIT ASSY			REF
2	2	D-CS-5413764-0-1		CKT SCHEMATIC			REF
3	3		5013763-00	DRILL & ETCH BRD	1		
4	4		1000009-00	33.0 MMF 100V 5%200PPM MICA	1		C20
5	5		1000016-00	100.0 MMF 100V 5%200PPM MICA	1		C12
6	6		1001610-01	.01 MFD50/100V +80-20% DISC	4		C5, C10, C24, C26
7	7		1001776-00	1 MFD 35V 10% S.TANT	2		C15, C22
8	8		1002627-00	2.2MFD 20V 10% S.TANT	1		C21
9	9		1004813-00	10 MFD 20V 10% S.TANT	1		C18
10	10		1005334-00	3.3MFD 20V 10% S.TANT	1		C17
11	11		1005784-00	.01 MFD 100V 200V 10% MYL	2		C14, C23
12	12		1005320-00	22.0 MMF 100V 5%200PPM MICA	1		C16
13	13		1007964-00	.68 MFD 35V 10% S.TANT	1		C19
14	14		1010274-01	.22 MFD 50V +80-20% Z5U CER	4		C25, C30, C11, C13
15	15		1010978-32	.047 MFD 50V 10% CER	1		C5
16	16		1012607-00	560 MFD 20V+100-10% AL EL	5		C7-C9, C27-C29
17	17		1012607-02	180 MFD 50V+100-10% AL EL	3		C1-C3
18	18		1102808-00	1N 752A VZ= 5.6 5% .40W	2		D16, D20
19	19		1103341-00	MR1033B PIV=300 I= 3A Z44 SM	1		D10
20	20		1105275-00	D 672 TR= 15NS PIV= 60V SI	13		D3-D6, D9, D11, D15, D21, D22, D25, D26, D27, D28
21	22		1105871-00	1/4MS.1A21 = 5.1 1% .25W N	2		D17, D19
22	26		1110420-00	1N 5624 PIV=200 I= 5A	1		D8
23	21		1110766-00	1N 5248B VZ= 18.0 5% .50W	1		D23
29	29		1213071-02	INSULATOR, RUBBER SILICONE SM	2		

CONT

F1

REVISION HISTORY		BASIC PART NO: 5413764		DRN: PAUL NORMAN		DATE: 07-JAN-80		DIGITAL			
ENG	ECO NUMBER	REV	SECTION A OF A	CHK'D:	P. BOSSMAN	DATE:	08-JAN-80	TITLE			
---	INITIAL	A	SECTION VARIATION INDEX					PARTS LIST			
WB	5413764-TW001	B	[A] 00					PLUS/MINUS 15V REGULATOR			
			[B]								
			[C]								
			[D]								
			[E]								
			[F]					DOCUMENT NUMBER			
			[H]								
			[J]								
			[K]								
			[L]								
			[M]								
			[N]								
				MFG. ENG.: JOSE OLIVENCIA		DATE: 18-MAR-80		K PL 5413764-0-DSP B			
				ASSEMBLY NUMBER:		TOP DOCUMENT NUMBER:		FILE NAME:		EDIT #	
				D-UA-5413764-0-0		B-DD-5413764-0-0		Z0234B.PLS		35	

"THIS DRAWING AND SPECIFICATIONS HEREIN, ARE THE PROPERTY OF DIGITAL EQUIPMENT CORPORATION AND SHALL NOT BE REPRODUCED OR COPIED OR USED IN WHOLE OR IN PART AS THE BASIS FOR THE MANUFACTURE OR SALE OF ITEMS WITHOUT WRITTEN PERMISSION. COPYRIGHT (C) 1982. DIGITAL EQUIPMENT CORPORATION"

PARTS LIST

LINE	ITEM	DOCUMENT NUMBER	PART NUMBER	DESCRIPTION	QTY	PER VARIATION	REFERENCE DESIGNATOR
30	30		1213071-05	INSULATOR, RUBBER THERMAL	2		R27
31	45		1300197-00	33.0 .25 W 5.0 % CC	1		R2, R9, R13-R16, R42, R47
32	32		1300229-00	100.0 .25 W 5.0 % CC	1		
33	31		1300250-00	*** THIS ITEM IS NOT USED ***	1		
34	34		1300295-00	330.0 .25 W 5.0 % CC	2		R35, R24
35	35		1300309-00	390.0 .25 W 5.0 % CC	1		R12
36	36		1300338-00	560.0 .50 W 5.0 % CC	1		R48
37	37		1300348-00	680.0 2.0 W 5.0 % CC	1		R39
38	38		1300365-00	1.0 K .25 W 5.0 % CC	9		R6, R17, R18, R23, R26, R30, R34, R40, R45
						CONT	
39	39		1300366-00	1.0 K 1.0 W 5.0 % CC	1		R4
40	40		1300426-00	2.70 K .25 W 5.0 % CC	1		R10
41	41		1300447-00	4.70 K .25 W 5.0 % CC	6		R19, R33, R37, R38, R44, R20
42	42		1300479-00	10.0 K .25 W 5.0 % CC	3		R21, R25, R36
43	43		1301317-00	10.0 .25 W 5.0 % CC	2		R3, R43
44	44		1301522-00	27.0 .25 W 5.0 % CC	1		R5
45	81		1301890-00	560.0 .25 W 5.0 % CC	1		R22
46	33		1302199-00	47.0 1.0 W 5.0 % CC	1		R7
47	46		1302465-00	18.0 K .25 W 5.0 % CC	1		R11
48	48		1305128-00	5.62 K .25 W 1.0 % RN55D-F10	1		R28
49	49		1305145-00	2.80 K .25 W 1.0 % RN55D-F10	1		R29
50	50		1305428-00	1.0 2.0 W 5.0 % WW	1		R41
51	51		1311603-00	.08 5.0 W 3.0 % WW	1		R46
52	52		1304854-00	5.11 K .25 W 1.0 % RN55D-F10	1		R31
53	53		1316597-00	.15 3.0 W 3.0 % WW	1		R8
54	54		1509700-00	2N 4036 PNP 7WC SI 80100 M	1		Q1
55	55		1510705-00	XA 05 NPN 500MW SI 60 50 P	5		Q3, Q6, Q7, Q11, Q12
56	56		1510705-01	B 05 NPN 500MW SI 60 50	2		Q4, Q13
57	57		1510706-00	XA 55 PNP 500MW SI 60 50 P	1		Q5
58	58		1510928-00	C32AX135 SCR 100V I=25A	1		Q12
59	59		1510969-00	2N 5038 NPN 140WC SI 90 50 Y	2		Q2, Q9
60	60		1511686-00	DEC5433 FET N 350MW 10 25 1A	1		Q3
61	61		1514431-00	D 45C11 PNP 30W SI 80 40	1		Q10
62	62		1612593-00	500 UH 6A	2		L1, L2
63	63		1910282-00	301AN OP AMP	2		F1, F4
64	64		1911944-00	555CN TIMER, FUNCT. BLOCK	2		F2, F3
65	80	D-MD-5013763-0-0		DRILL & ETCH BRD	REF		
66	64		7011414-0E	3M CABLE H777 CORE	1		J1
67	65	C-IA-7012546-0-0	7012546-00	TWO (2) WIRE CABLE	1		
68	66	C-IA-7012547-0-0	7012547-00	THREE (3) WIRE CABLE	1		
69	67	C-IA-7422935-0-0	7422935-00	HEAT SINK	1		HS1
70	68		9006013-01	SCREW PAN, PHIL 4-40K 1/2 SS	4		
71	69		9006557-00	NUT, KEP 4-40X 1/4 AF	4		
72	72	(FOR Q1)	9007201-00	TRANSIPADS #10253	1		
73	73		9007815-00	TERM. LUG 1/4STUD LOCKING	1		
74	71		9007906-00	WASHER, LOCK, SPLIT .33400 X .200I	2		
75	74		9008172-00	WASHER, FLAT, SS .250 OD X .125 I	4		
76	76		9008440-00	BUSHING, INSUL, NYLON .24800 .125	2		

D	I	G	I	T	A	L	TITLE	PLUS/MINUS 15V REGULATOR	SECTION A	OF A	SIZE	CODE	DOCUMENT NUMBER	REV
											K	PL	5413764-0-DBP	B

PARTS LIST

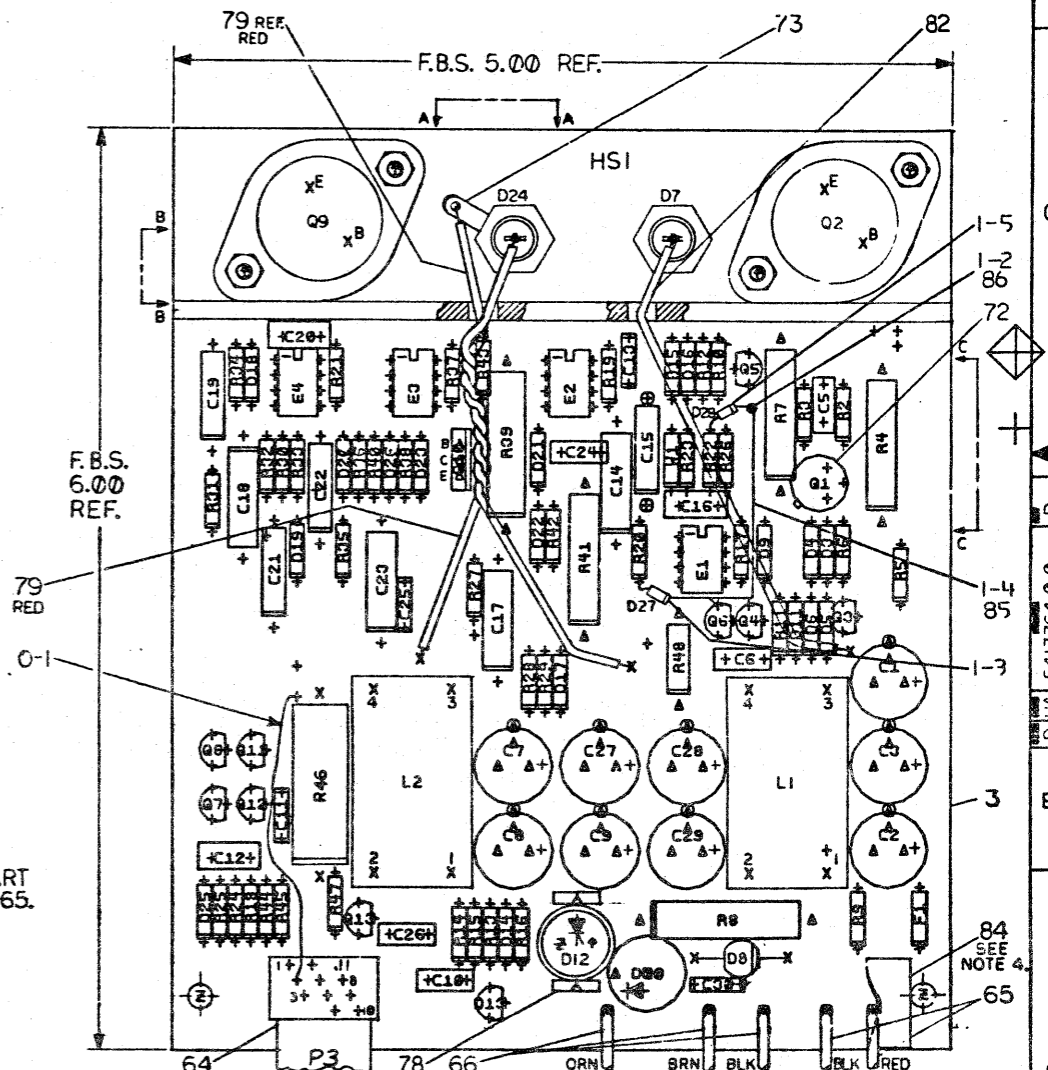
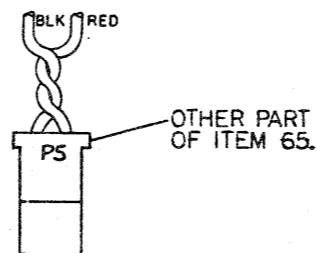
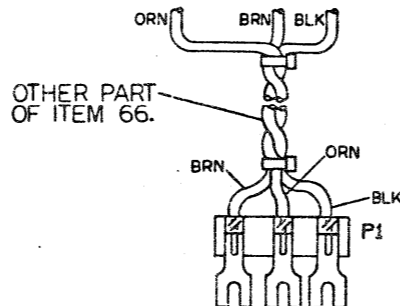
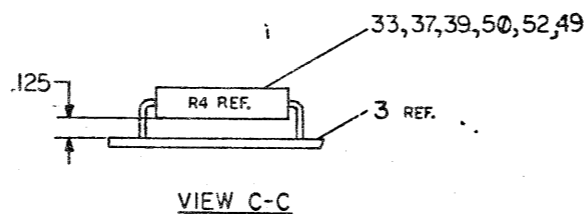
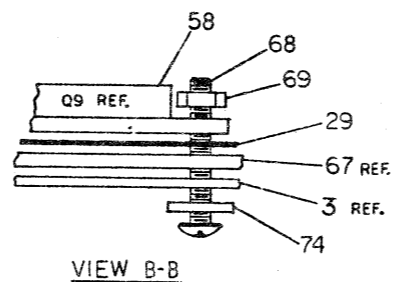
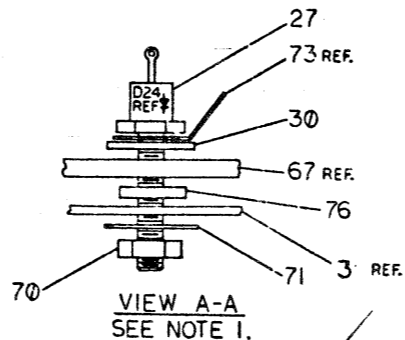
LINE ITEM	DOCUMENT NUMBER	PART NUMBER	DESCRIPTION	QTY PER VARIATION 00	REFERENCE DESIGNATOR
77	70	9009005-00	NUT, HEX 10-32 X 1/4 AF X 3	2	
78	77	9009185-00	JUMPER, WIRE, INSULATED, BLACK B	1	W1
79	78	9009222-00	CLIP, SCR, ADAPTOR	1	
80	82	9107360-22	WIRE, STRND, 18AWG, IPVC UL1429	A/R	
81	79	9107430-02	WIRE, STRND, 18AWG, IPVC (UL1429)	A/R	
82	83	1303312-00	10.0 K .25 W 1.0% RN55D-F10	1	R32
83	84	9008980-00	TAPE, FIBER GLASS 1/2" X 66 FT.	A/R	
84	85	9105740-55	WIRE(WRAP)30AWG UL1423	A/R	
85	86	9006731-00	EYELET, (BRASS NICKEL PLATED) .0	1	

(USED UNDER D12)

D	I	G	I	T	A	L	TITLE	PLUS/MINUS 15V REGULATOR	SECTION A OF A	SIZE	CODE	DOCUMENT NUMBER	REV
										K	PL	5413764-0-DBP	B

THIS DRAWING AND SPECIFICATIONS, HEREIN, ARE THE PROPERTY OF AIRTEL, INCORPORATED. NO PART OF THIS DRAWING OR SPECIFICATIONS IS TO BE REPRODUCED OR TRANSMITTED IN ANY FORM OR BY ANY MEANS, ELECTRONIC OR MECHANICAL, INCLUDING PHOTOCOPYING, RECORDING, OR BY ANY INFORMATION STORAGE AND RETRIEVAL SYSTEM, WITHOUT THE WRITTEN PERMISSION OF AIRTEL, INCORPORATED.

COMPONENT SIDE VIEW



NOTES: 1. USE IDENTICAL HARDWARE FOR DZ, LESS ITEM 73.
2. TORQUE RANGE FOR ITEMS 68 AND 69 IS 5 TO 6 INCH/POUNDS.
3. TORQUE RANGE FOR ITEMS 27 AND 70 IS 14 TO 16 INCH/POUNDS.
4. WIRE INSULATION MUST BE FLUSH WITH THE BOARD.

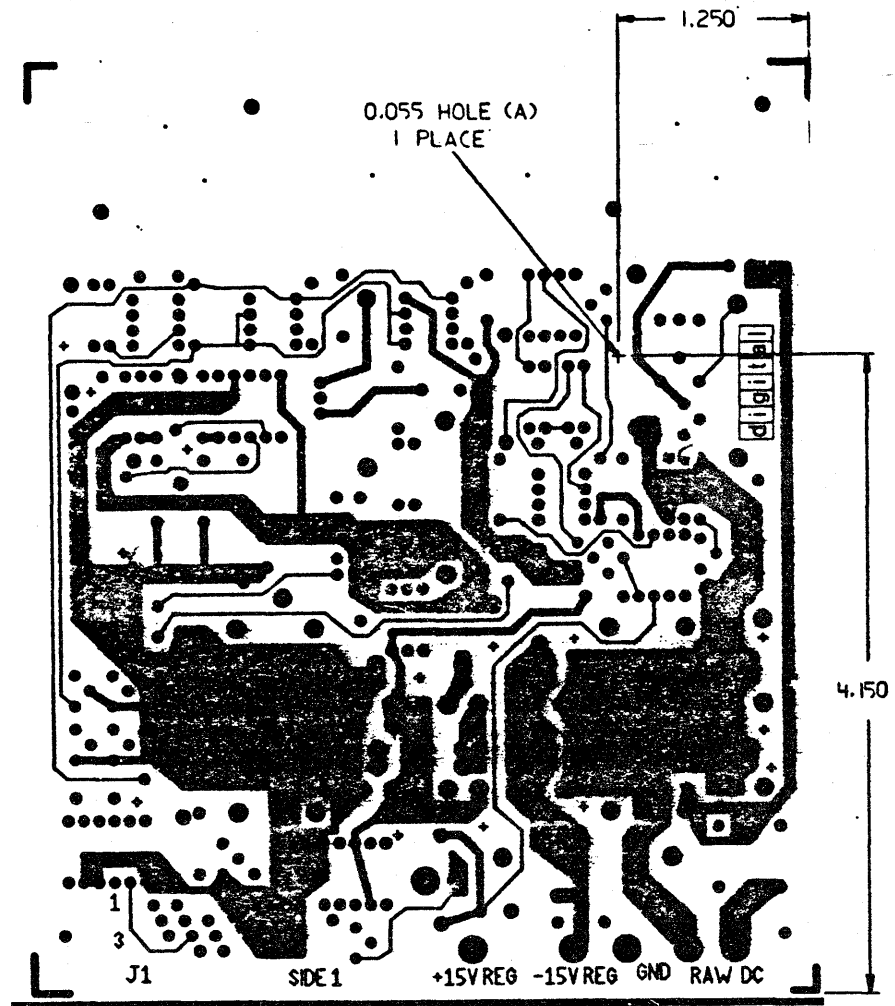
STEP	Y AXIS	STEP	TIMES
REP	X AXIS	STEP	TIMES

CHANGE NO	REV	DATE	BY	CHK'D
27	1	5/1/60	W. BAUSHA	
28	1	5/1/60	W. BAUSHA	

ETCH REV. B

SIGNATURES	DATE	TITLE
ORN. <i>[Signature]</i>	5/1/60	digital
CHK'D. <i>[Signature]</i>	5/1/60	
RECH. ENG. <i>[Signature]</i>	5/1/60	
PROJ. ENG. <i>[Signature]</i>	5/1/60	
PROD. <i>[Signature]</i>	5/1/60	
SCALE 2/1		
SHT. 1 OF 3		
NEXT HIGHER ASSY. 8-DD-5413764-0-0		

THIS DRAWING AND SPECIFICATIONS HEREIN ARE THE PROPERTY OF DIGITAL EQUIPMENT CORPORATION AND SHALL NOT BE REPRODUCED OR COPIED, EITHER WHOLE OR IN PART, FOR THE SALE OF THE DRAWING OR ANY OF ITS PARTS WITHOUT WRITTEN PERMISSION. COPYRIGHT © 1971 DIGITAL EQUIPMENT CORPORATION.



REVISION HISTORY		
DATE	ECO NUMBER	REV

TITLE
±15V REGULATOR

DOCUMENT NUMBER		
SIZE CODE	NUMBER	REV
DUA	5413764-0-0	B
SCALE 2/1	SHEET 2 OF 3	

1971 DUA 5413764-0-0 B

THIS DRAWING AND SPECIFICATIONS HEREIN ARE THE PROPERTY OF DIGITAL EQUIPMENT CORPORATION AND SHALL NOT BE REPRODUCED OR COPIED OR USED IN WHOLE OR IN PART AS THE BASIS FOR THE MANUFACTURE OR SALE OF ITEMS WITHOUT WRITTEN PERMISSION.
COPYRIGHT © 1981 DIGITAL EQUIPMENT CORPORATION

REWORK INSTRUCTIONS

WIRE ADDS

0-1 ADD A WIRE AT J1 PIN 2 TO FEED THRU LEFT OF R46.

ECO #1

1-2 INSTALL AN EYELET (ITEM 86) BY DRILLING A .055" HOLE. POSITION OF HOLE PER SHEET 2 OF UA DRAWING.

1-3 ADD A DIODE (D27) FROM R20 PTH TO THE PTH OF Q6'S COLLECTOR. ANODE TO R20.

1-4 ADD AN ECO WIRE (ITEM 85) FROM PTH OF Q6'S COLLECTOR TO THE EYELET (ITEM 86).

1-5 ADD A DIODE D28 FROM R22'S PTH TO EYELET (ITEM 86). ANODE OF D28 TO D22.

REVISION HISTORY		
DATE	ECO NUMBER	REV.

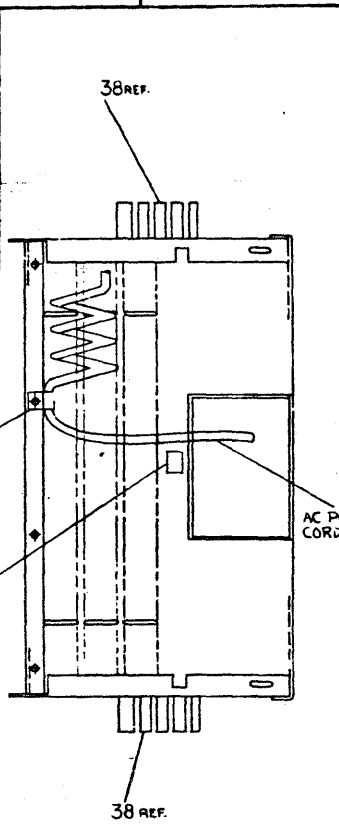
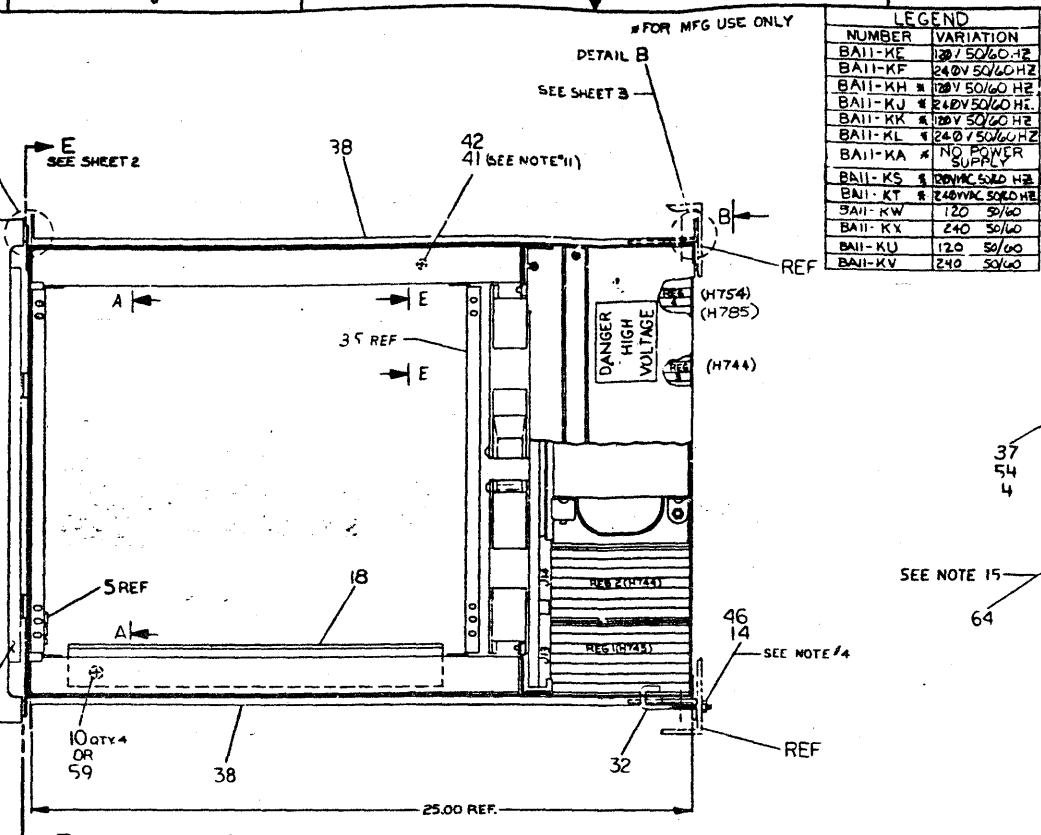
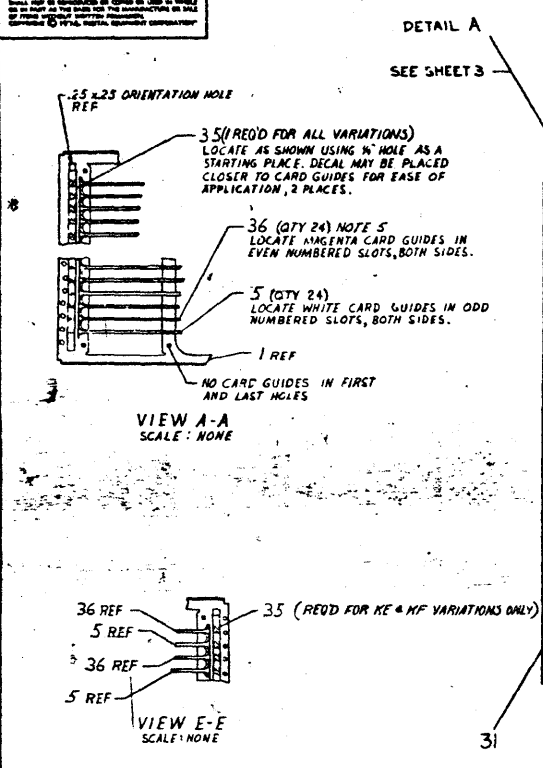
DOCUMENT NUMBER		
SIZE CODE	NUMBER	REV.
D UA	5413764-0-0	B
SCALE NONE		SHEET 3 OF 3

TITLE
±15V REGULATOR

REV B
NUMBER 5413764-0-0
D UA

THIS DRAWING AND SPECIFICATIONS FOR THE UNIT ASSY BAI-K-K-0 ARE THE PROPERTY OF THE UNITED STATES GOVERNMENT. IT IS TO BE REPRODUCED AND TRANSMITTED IN ANY FORM AND BY ANY MEANS, ELECTRONIC OR MECHANICAL, INCLUDING PHOTOCOPYING, RECORDING, OR BY ANY INFORMATION STORAGE AND RETRIEVAL SYSTEM, WITHOUT PERMISSION IN WRITING FROM THE GENERAL INVESTIGATIVE DIVISION, FBI, WASHINGTON, D.C. 20535.

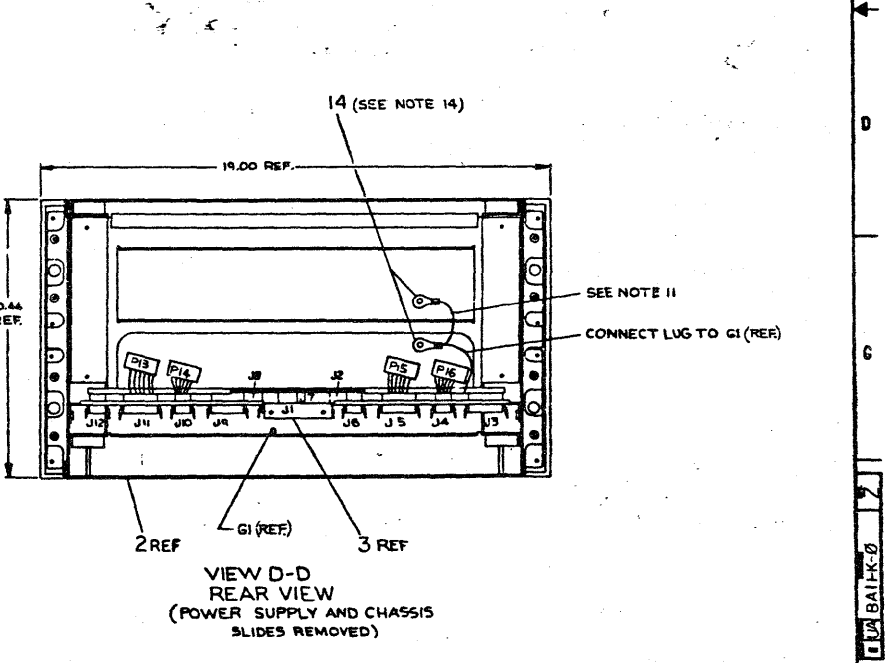
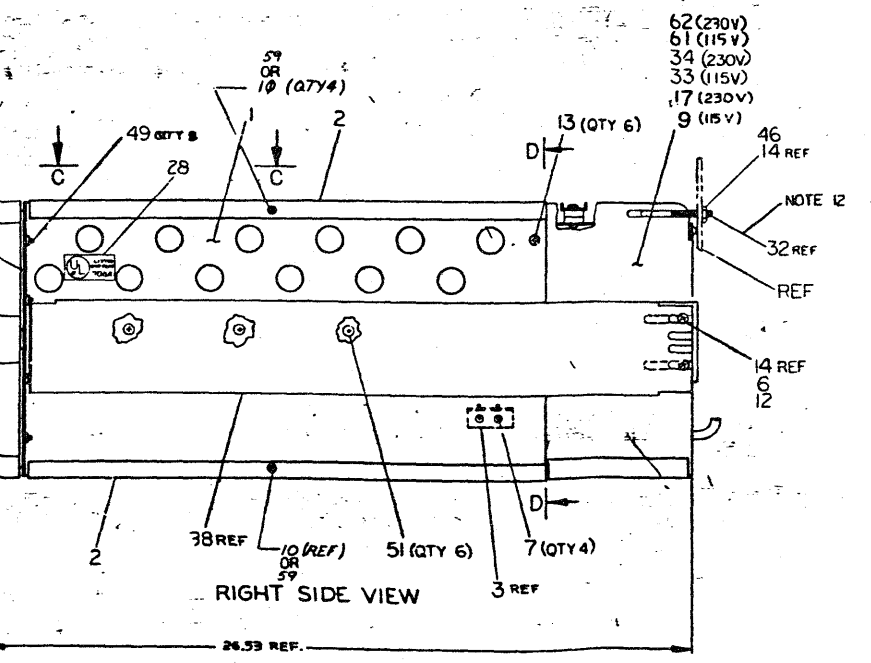
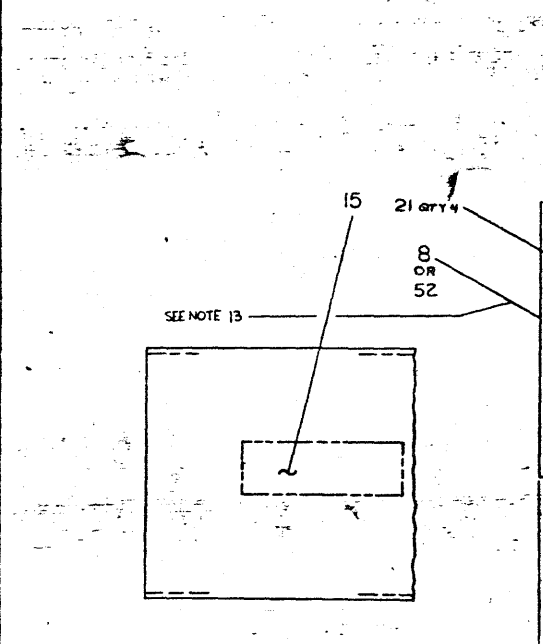
8 7 6 5 4 3 2 1



LEGEND

NUMBER	VARIATION
BAI-K-E	120V 50/60 HZ
BAI-K-F	240V 50/60 HZ
BAI-K-H	120V 50/60 HZ
BAI-K-J	240V 50/60 HZ
BAI-K-K	120V 50/60 HZ
BAI-K-L	240V 50/60 HZ
BAI-K-A	NO POWER SUPPLY
BAI-K-S	120VAC 50/60 HZ
BAI-K-T	240VAC 50/60 HZ
BAI-K-W	120 50/60
BAI-K-X	240 50/60
BAI-K-U	120 50/60
BAI-K-V	240 50/60

- NOTES:**
- CAUTION: OPP SHEET PARTS LISTS EXISTS SEE A-PL-BAI-K-0
 - ~~...~~
 - ~~...~~
 - ATTACH SHIPPING BRACKETS TO POWER SUPPLY AND BOLT THROUGH HOLE IN CABINET RAILS.
 - INSTALL CARD GUIDES, ITEM NOS. 5 & 36 USING TOOL NO. 9412610-2.
 - ~~ASSEMBLE ITEM NO. 37 USING ENGLISH HARDWARE~~
 - REMOVE FOAM STRIPS FROM ITEM #1 AND POSITION ITEM #39 ONTO ITEM #1 PER VIEW E-E.
 - SYMMETRICALLY LOCATE ITEM #40 ONTO ITEM #1.
 - ITEM #3 NOT SHOWN. USE ONLY FOR SHIPPING TO HOLD POWER CORD IN PLACE.
 - ITEM 38 INSTALLED AT FA+T
 - GND THE GRN W/YELLOW TRACE CHASSIS GND TERMINAL WITH TWO WIRE ON THE STANDOFF. GND THE OTHER TERMINAL TO THE STUD ON THE AC INPUT ASSY. GND THE AC INPUT ASSY TO THE STUD ON THE H765 RS.
 - INSTALLED AT FA-T. EXCEPT LOOSE PIECE FOR DOCK MERGE.
 - FOR INSTALLATION OF ITEM 52 SEE DWG E-AD-7012399-D-0.
 - ATTACH PER NOTE 11 USING ITEM NO. 14.
 - 3617880-09 FCC QUALIFIED SUB-ASSY LABEL



REV	DATE	BY	CHKD	DESCRIPTION
1	31 MAR 77	D. ELLISON		...
2
3
4
5
6
7
8
9
10
11
12
13
14
15
16
17
18
19
20
21
22
23
24
25
26
27
28
29
30
31
32
33
34
35
36
37
38
39
40
41
42
43
44
45
46
47
48
49
50
51
52
53
54
55
56
57
58
59
60
61
62
63
64
65
66
67
68
69
70
71
72
73
74
75
76
77
78
79
80
81
82
83
84
85
86
87
88
89
90
91
92
93
94
95
96
97
98
99
100

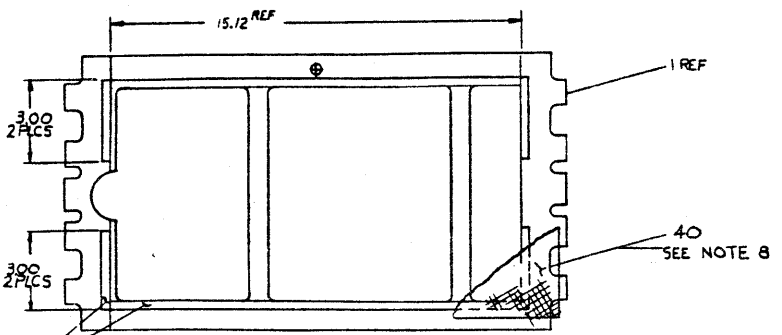
REV	DATE	BY	CHKD	DESCRIPTION
1
2
3
4
5
6
7
8
9
10
11
12
13
14
15
16
17
18
19
20
21
22
23
24
25
26
27
28
29
30
31
32
33
34
35
36
37
38
39
40
41
42
43
44
45
46
47
48
49
50
51
52
53
54
55
56
57
58
59
60
61
62
63
64
65
66
67
68
69
70
71
72
73
74
75
76
77
78
79
80
81
82
83
84
85
86
87
88
89
90
91
92
93
94
95
96
97
98
99
100

UNIT ASSY BAI-K

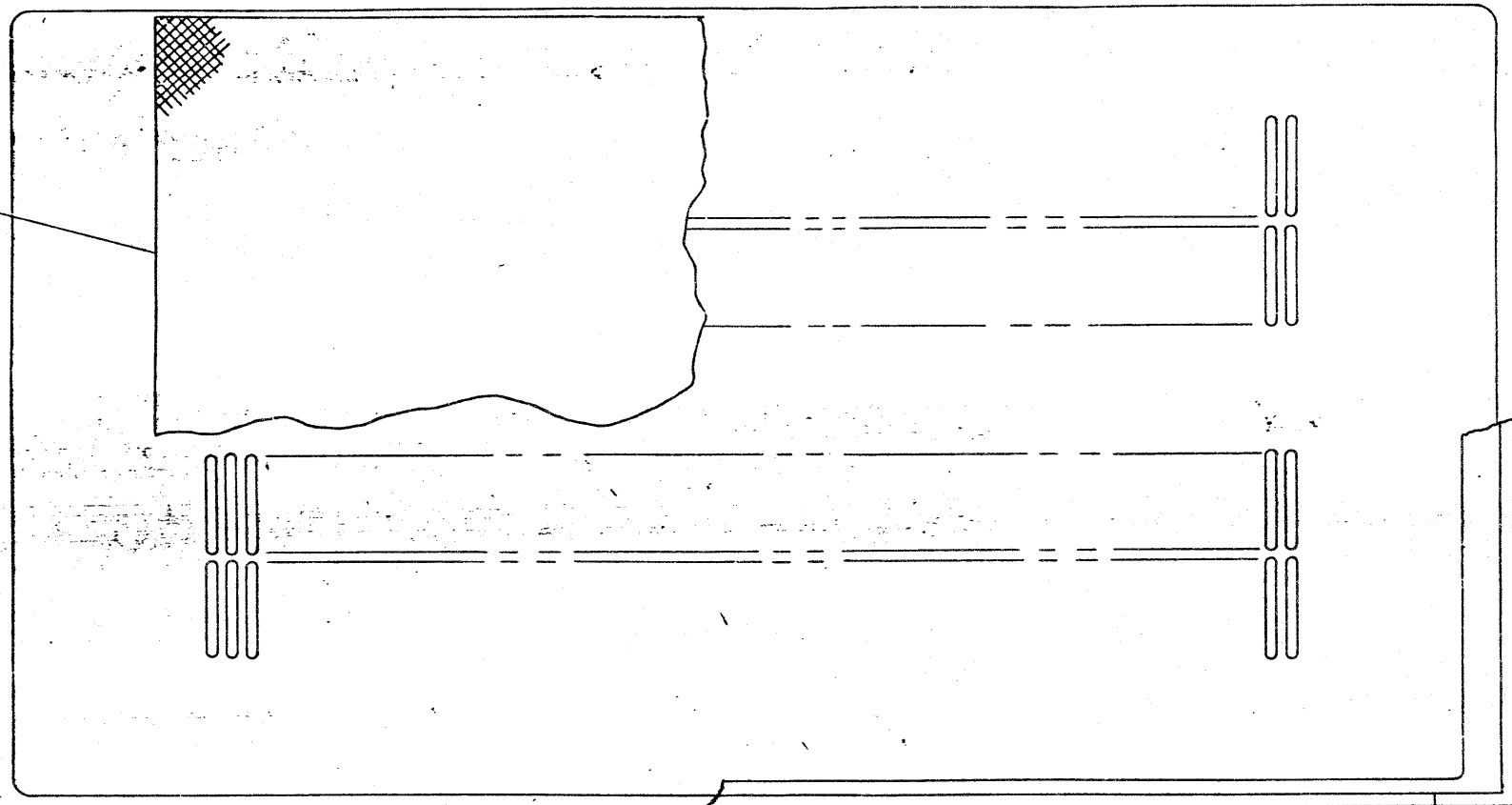
EUA BAI-K-0

8 7 6 5 4 3 2 1

THIS DRAWING AND SPECIFICATIONS HEREBY ARE THE PROPERTY OF THE U.S. GOVERNMENT AND SHALL NOT BE REPRODUCED OR COPIED IN WHOLE OR IN PART IN ANY MANNER FOR THE MANUFACTURE OF ANY ARTICLE OR ARTICLE PART THEREOF WITHOUT EXPRESS PERMISSION OF THE U.S. GOVERNMENT



VIEW E-E
ROTATED 90° CCW
SCALE: 1-2



REAR VIEW

REVISION HISTORY		
DATE	ECO NUMBER	REV

DOCUMENT NUMBER		
REV	DOC#	NUMBER
	EUA	BAL-K-O
	SCALE	SHEET 2 OF 3

8 7 6 5 4 3 2 1

U.S. GOVERNMENT PRINTING OFFICE: 1967 O 311-100

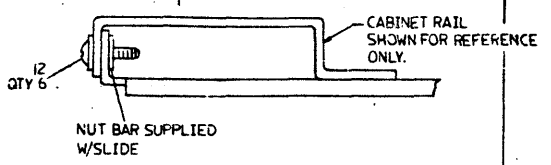
THIS DRAWING AND APPROVED THEREON, BEING THE PROPERTY OF ELA, INCORPORATED, COMPANY AND SHALL NOT BE REPRODUCED OR COPIED IN ANY MANNER OR BY ANY MEANS WITHOUT THE WRITTEN PERMISSION OF ELA, INCORPORATED. COMPANY
 COPYRIGHT © 1980 ELA EQUIPMENT CORPORATION

DETAIL A
 SCALE: NONE

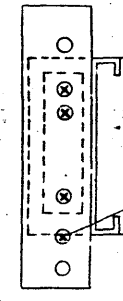
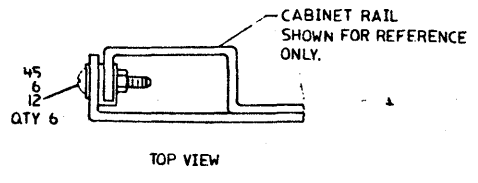
DETAIL B
 SCALE: NONE

NOTES:

CHASSIS TRACK SLIDE

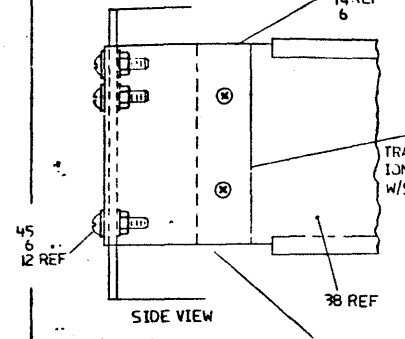


ACCURIDE SLIDE



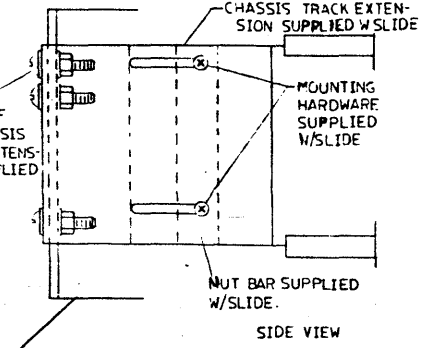
FRONT VIEW

CHASSIS TRACK SLIDE

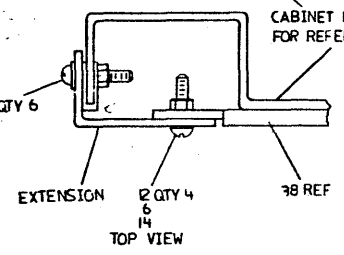


SIDE VIEW

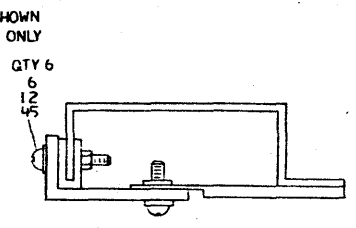
ACCURIDE SLIDE



SIDE VIEW



TOP VIEW



TOP VIEW

DATE	REVISION HISTORY	REV.

TITLE UNIT ASS'Y
 BAI-K

SCALE	DOC. NUMBER	SHEET	OF
	ELA BAI-K-C	Z	3

LINE	ITEM	DOCUMENT NUMBER	PART NUMBER	DESCRIPTION	QUANTITY PER VARIATION											
					KE	KF	KH	KJ	KK	KL	KA	KS	KT	KW	KX	KU
1	1	E-IA-7009769-0-0	7009769-00	CHASSIS 10.5	1	1	1	1	1	1	1	1	1	1	1	1
2	2	D-IA-7009768-0-0	7009768-00	COVER CHASSIS (BA11-K)	2	2	0	0	0	0	0	2	2	2	2	2
3	3	D-CS-5410864-0-1	5410864-00	POWER DIST BRD (BA11K)	REF	REF	REF	REF	REF	REF	0	REF	REF	REF	REF	REF
4	4		9006660-00	WASHER, FLAT SST	1	1	1	1	1	1	-	1	1	1	1	-
5	5	D-PS-1212405-0-0	1212405-00	GUIDE, CARD ,NYLON ,NATURAL	24	24	24	24	24	24	24	24	24	24	24	24
6	6	SEE NOTE 2	9006071-03	SCREW, MACH TRUSS PHIL 10-	16	16	0	0	0	0	0	16	16	10	10	16
7	7		9006020-02	SCREW, MACH FLAT PHIL 6-	4	4	4	4	4	4	0	4	4	4	4	4
8	8	D-IA-7411013-0-0	7411013-00	PANEL LOUVERED ASSY-RS03	1	1	0	0	0	0	0	0	0	0	0	1
9	9	B-DD-H765-A-0	OH765-A	POW SUPPLY BA11-K 115V	1	0	1	0	0	0	0	1	0	1	0	0
10	10		9006020-03	SCREW, MACH TRUSS PHIL 6-	4	4	8	8	8	8	4	4	4	9	0	4
11	11	B-IA-7007006-0-0	7007006-03	JUMPER H724	1	1	1	1	1	1	-	1	1	1	1	-
12	12	SEE NOTE 2	9007651-00	WASHER, LOCK EXTERNAL STEEL	12	12	0	0	0	0	0	12	12	12	12	12
13	13		9009599-00	SCREW, FLAT PHIL 10-	6	6	6	6	6	6	0	6	6	6	6	6
14	14		9006565-00	NUT, HEX EXT TOOTH LCKWSHR 10-32	7	7	0	0	0	0	0	7	7	7	7	7
15	15	BLANK		*** THIS ITEM IS NOT USED ***	-	-	-	-	-	-	-	-	-	-	-	-
16	16	BLANK		*** THIS ITEM IS NOT USED ***	-	-	-	-	-	-	-	-	-	-	-	-
17	17	B-DD-H765-B-0	OH765-B	POW SUPPLY BA11-K 230V	0	1	0	1	0	0	0	0	1	0	1	0
18	18	D-MD-7412184-0-0	7412184-00	CHASSIS CABLE TROUGH (BA11-K)	0	0	1	1	1	1	0	0	0	0	0	0
19	19	BLANK		*** THIS ITEM IS NOT USED ***	-	-	-	-	-	-	-	-	-	-	-	-
20	20	SEE NOTE 1	BC11A-10	CABLE ASSY PDP-11 M919 M929	1	1	0	0	0	0	0	1	1	1	1	0
21	21		1209224-00	LATCH, PLASTIC	4	4	0	0	0	0	0	0	0	0	0	4
22	22	BLANK		*** THIS ITEM IS NOT USED ***	-	-	-	-	-	-	-	-	-	-	-	-
23	23	A-SP-3700167-0-0	3700167-00	INSTR PKG COMPUTER INPLANT BA11K	0	0	0	REF	REF	REF	REF	REF	REF	REF	REF	0
24	24	A-SP-3700165-0-0	3700165-00	INSTR PKG-COMPUTER CONSOLIDATED	0	0	REF	REF	REF	REF	REF	REF	REF	REF	REF	0
25	25	A-SP-3700169-0-0	3700169-00	INSTR PKG COMPUTER CUSHIONED 11/	0	0	REF	REF	REF	REF	REF	REF	REF	REF	REF	0
26	26	A-SP-BA11-K-6		BA11-K BASIC CHECKOUT AND ACCEPT	REF	REF	REF	REF	REF	REF	REF	REF	REF	REF	REF	0
27	27	A-SP-BA11-K-7		BA11-K BASIC ASSEMBLY PROCEDURE	REF	REF	REF	REF	REF	REF	REF	REF	REF	REF	REF	REF
28	28	A-DC-5309414-0-0	5309414-00	DECAL UL INSIGNIA (VT14)	1	1	0	0	0	0	0	1	1	1	1	1
29	29	BLANK		*** THIS ITEM IS NOT USED ***	-	-	-	-	-	-	-	-	-	-	-	-
30	30	BLANK		*** THIS ITEM IS NOT USED ***	-	-	-	-	-	-	-	-	-	-	-	-

REVISION HISTORY			BASIC PART NO: OBA11		DRN: B. BLODGET		DATE: 26-JUN-74		D I G I T A L					
ENG	ECO NUMBER	REV	SECTION A	OF B	CHK'D:	D. HEALY	DATE:	27-JUN-74	TITLE PARTS LIST					
BC	BA11-K-MLO24	W	[A]	SECTION. VARIATION INDEX					UNIT ASSY BA11-K					
RN	BA11K-MLO25	Y	[B]	[A] KE, KF, KH, KJ, KK, KL,										
DE	BA11-K-MLO27	Z	[C]	KA, KS, KT, KW, KX, KU										
			[D]	[B] KV	DES. ENG.:	P. E. JANSON	DATE:	23-AUG-74						
			[E]		RESP. ENG.:	W. LUCAS	DATE:	23-AUG-74	DOCUMENT NUMBER					
			[F]						SIZE	CODE	NUMBER	REV		
					MFG. ENG.:	W. LUCAS	DATE:	23-AUG-74	K	PL	BA11-K-DBP	Z		
					ASSEMBLY NUMBER:	E-UA-BA11-K-0	TOP DOCUMENT NUMBER:	B-TC-BA11-K-3	FILE NAME:		Z3017Z.PLS	EDIT #:	6	

"THIS DRAWING AND SPECIFICATIONS HEREIN, ARE THE PROPERTY OF DIGITAL EQUIPMENT CORPORATION AND SHALL NOT BE REPRODUCED OR COPIED OR USED IN WHOLE OR IN PART AS THE BASIS FOR THE MANUFACTURE OR SALE OF ITEMS WITHOUT WRITTEN PERMISSION. COPYRIGHT (C) 1983. DIGITAL EQUIPMENT CORPORATION "

LINE	ITEM	DOCUMENT NUMBER	PART NUMBER	DESCRIPTION	QUANTITY PER VARIATION													
					KE	KF	KH	KJ	KK	KL	KA	KS	KT	KW	KX	KU		
31	31		1211255-00	FILTER,AIR FOAM	030PPI	1	1	0	0	0	0	0	0	0	0	1	1	1
32	32	C-MD-7413659-0-0	7413659-00	BRACKET SHIPPING		1	1	0	0	0	0	0	0	1	1	1	1	1
33	33	B-DD-H765-C-0	OH765-C	POWER SUPPLY BA11-K MOS 115V		0	0	0	0	1	0	0	0	0	0	0	0	0
34	34	B-DD-H765-D-0	OH765-D	POWER SUPPLY BA11-K MOS 230V		0	0	0	0	0	1	0	0	0	0	0	0	0
35	35	A-PS-3613281-0-0	3613281-00	DECAL FOR BA11K MOD. SLOT		2	2	1	1	1	1	1	2	2	2	2	2	2
36	36	D-PS-1212405-1-0	1212405-01	GUIDE,CARD ,NYLON ,MAGNETA		24	24	24	24	24	24	24	24	24	24	24	24	24
37	37		9007086-00	CLAMP,CABLE,SCREW MTD. 9/16"		1	1	1	1	1	1	0	1	1	1	1	1	1
38	38	SEE NOTE 3, 6	1211825-01	SLIDE,CHASSIS TITLT 3POSITION		1	1	0	0	0	0	0	1	1	1	1	1	1
39	39	A-PS-1212431-0-0	1212431-00	TAPE,FOAM ADH .33 WDX		0	0	0	0	0	0	0	A/R	A/R	0	0	0	0
40	40	A-PS-1212392-0-1	1212392-01	FILTER,AIR FOAM	030PPI	0	0	0	0	0	0	0	1	1	1	1	1	1
41	41		9006635-00	WASHER,LOCK INTERNAL STEEL		1	1	1	1	1	1	1	1	1	1	1	1	1
42	42		9006231-09	SCREW,MACH HEX PLN 10-		1	1	1	1	1	1	1	1	1	1	1	1	1
43	43		9007032-00	TIE,CABLE BUNDL.DIA 0-1-3/4"=101		2	2	2	2	2	2	2	2	2	2	2	2	2
44	44	BLANK		*** THIS ITEM IS NOT USED ***		-	-	-	-	-	-	-	-	-	-	-	-	-
45	45		9007786-00	RETAINER,U-NUT 10-32X		12	12	0	0	0	0	0	12	12	12	12	12	12
46	46		9006664-00	WASHER,FLAT SST		1	1	0	0	0	0	0	1	1	1	1	1	1
47	47		9006073-03	SCREW,MACH TRUSS PHIL 10-		8	8	0	0	0	0	0	8	8	8	8	8	8
48	48	A-SP-3700421-0-0	3700421-00	INSTR PKG COMPUTER BA11-KE		REF	REF	0	0	0	0	0	0	0	0	0	0	REF
49	49		9000J70-02	SCREW,MACH FLAT PHIL 10-		8	8	0	0	0	0	0	0	0	0	0	0	8
50	50	A-PS-3613209-0-0	3613209-00	LABEL,ADH BACK,ELC.DATA		REF	REF	REF	REF	REF	REF	REF	REF	REF	REF	REF	REF	REF
51	51		9009700-00	SCREW,SEMS TRUSS PHIL 10-		18	18	0	0	0	0	0	18	18	18	18	18	18
52	52	E-AD-7012399-0-0	7012399-00	AIR INTAKE BEZEL ASSY (10-24) SC		0	0	0	0	0	0	0	0	0	1	1	0	0
53	53	BLANK		*** THIS ITEM IS NOT USED ***		-	-	-	-	-	-	-	-	-	-	-	-	-
54	54		9000049-11	SCREW,SEMS TRUSS PHIL 6-		1	1	1	1	1	1	1	1	1	1	1	1	-
55	55	SEE NOTE 4	9000049-12	SCREW,SEMS TRUSS PHIL 8-		2	2	0	0	0	0	0	2	2	2	2	2	2
56	56		9000049-13	SCREW,SEMS TRUSS PHIL 6-		2	2	0	0	0	0	0	2	2	2	2	2	2
57	57	A-PS-3618500-0-1	3618500-01	LABEL,BOX EXPAND OPT/MODULE PLAC		1	1	0	0	0	0	0	1	1	1	1	1	1
58	58	SEE NOTE 5	3617880-01	LABEL,FCC,NON-COMLIANT		A/R	A/R	A/R	A/R	A/R	A/R	A/R	A/R	A/R	A/R	A/R	A/R	0
59	59		9000049-30	SCREW,SEMS TRUSS PHIL 6-		4	4	8	8	8	8	4	4	4	9	0	4	4
60	60		3617674-01	LABEL,SERIAL/POWER W UL & CSA		A/R	A/R	A/R	A/R	A/R	A/R	A/R	A/R	A/R	A/R	A/R	A/R	A/R
61	61	E-UA-7013323-0-0	7013323-00	MOSS POWER SUPPLY 115V W/O BATTE		0	0	0	0	0	0	0	0	0	0	0	0	1
62	62	E-UA-7013323-0-0	7013323-03	MOSS POWER SUPPLY 230V,W/O BATTE		0	0	0	0	0	0	0	0	0	0	0	0	0
63	63	D-UA-BC11A-0-0	BC11A-15	CABLE ASSY PDP-11 M919 M929		0	0	0	0	0	0	0	0	0	0	0	0	1
64	64		3617880-09	LABEL,FCC,NON-COMPLIANT		0	0	0	0	0	0	0	0	0	0	0	0	1

- 65 NOTE: 1. FINAL CABLE LENGTH WILL BE DETERMINED BY THE SYSTEM.
- 66 NOTE: 2. ITEM 51 IS AN ALLOWABLE SUBSTITUTE FOR THE COMBINATION OF THESE PARTS WHEN USED ON ITEM 38.
- 67 NOTE: 3. 1211825-02 IS AN ALLOWABLE SUBSTITUTE.
- 68 NOTE: 4. REQUIRED ONLY IF 1211825-02 IS USED.
- 69 NOTE: 5. FCC LABEL WILL NOT BE PUT ON ANY 50 HERTZ MACHINES.
- 70 NOTE: 6. ITEM 38, KE,KF.KS,KT,KW AND KX ARE IN PRS.

D	I	G	I	T	A	L	TITLE	UNIT ASSY BA11-K	SECTION A	OF B	SIZE	CODE	DOCUMENT NUMBER	REV
											K	PL	BA11-K-DBP	Z

LINE ITEM	DOCUMENT NUMBER	PART NUMBER	DESCRIPTION	QUANTITY PER VARIATION	KV
1	E-IA-7009769-0-0	7009769-00	CHASSIS 10.5	1	
2	D-IA-7009768-0-0	7009768-00	COVER CHASSIS (BA11-K)	2	
3	D-CS-5410864-0-1	5410864-00	POWER DIST BRD (BA11K)	REF	
4		9006660-00	*** THIS ITEM IS NOT USED ***	-	
5	D-PS-1212405-0-0	1212405-00	GUIDE,CARD ,NYLON ,NATURAL	24	
6	SEE NOTE 2	9006071-03	SCREW,MACH TRUSS PHIL	10-	16
7		9006020-02	SCREW,MACH FLAT PHIL	6-	4
8	D-IA-7411013-0-0	7411013-00	PANEL LOUVERED ASSY-RS03	1	
9	B-DD-H765-A-0	OH765-A	POW SUPPLY BA11-K 115V	0	
10		9006020-03	SCREW,MACH TRUSS PHIL	6-	4
11	B-IA-7007006-0-0	7007006-03	*** THIS ITEM IS NOT USED ***	-	
12	SEE NOTE 2	9007651-00	WASHER,LOCK EXTERNAL STEEL	12	
13		9009599-00	SCREW, FLAT PHIL	10-	6
14		9006565-00	NUT,HEX EXT TOOTH LCKWSHR	10-32	7
15	BLANK		*** THIS ITEM IS NOT USED ***	-	
16	BLANK		*** THIS ITEM IS NOT USED ***	-	
17	B-DD-H765-B-0	OH765-B	POW SUPPLY BA11-K 230V	0	
18	D-MD-7412184-0-0	7412184-00	CHASSIS CABLE TROUGH (BA11-K)	0	
19	BLANK		*** THIS ITEM IS NOT USED ***	-	
20	SEE NOTE 1	BC11A-10	CABLE ASSY PDP-11 M919 M929	0	
21		1209224-00	LATCH,PLASTIC	4	
22	BLANK		*** THIS ITEM IS NOT USED ***	-	
23	A-SP-3700167-0-0	3700167-00	INSTR PKG COMPUTER INPLANT BA11K	0	
24	A-SP-3700165-0-0	3700165-00	INSTR PKG-COMPUTER CONSOLIDATED	0	
25	A-SP-3700169-0-0	3700169-00	INSTR PKG COMPUTER CUSHIONED 11/	0	
26	A-SP-BA11-K-6		BA11-K BASIC CHECKOUT AND ACCEPT	0	
27	A-SP-BA11-K-7		BA11-K BASIC ASSEMBLY PROCEDURE	REF	
28	A-DC-5309414-0-0	5309414-00	DECAL UL INSIGNIA (VT14)	1	
29	BLANK		*** THIS ITEM IS NOT USED ***	-	
30	BLANK		*** THIS ITEM IS NOT USED ***	-	

REVISION HISTORY			BASIC PART NO: OBA11		DRN: B. BLODGET		DATE: 26-JUN-74		D I G I T A L			
ENG	ECO NUMBER	REV	SECTION B OF B	CHK'D:	D. HEALY	DATE:	27-JUN-74	TITLE PARTS LIST				
	INITIAL	V	SECTION. VARIATION INDEX	DES.ENG.:	P. E. JANSON	DATE:	23-AUG-74	DOCUMENT NUMBER				
BC	BA11-K-ML024	W	[A] KE,KF,KH,KJ,KK,KL,	RESP.ENG.:	W. LUCAS	DATE:	23-AUG-74	SIZE	CODE	NUMBER	REV	
RN	BA11K-ML025	Y	KA,KS,KT,KW,KX,KU	MFG.ENG.:	W. LUCAS	DATE:	23-AUG-74	K	PL	BA11-K-DBP	Z	
DE	BA11-K-ML027	Z	[B] KV	ASSEMBLY NUMBER:	E-UA-BA11-K-0	TOP DOCUMENT NUMBER:	B-TC-BA11-K-3	FILE NAME:		Z3017Z.PLS	EDIT #	
			[C]								6	
			[D]									
			[E]									
			[F]									

"THIS DRAWING AND SPECIFICATIONS HEREIN, ARE THE PROPERTY OF DIGITAL EQUIPMENT CORPORATION AND SHALL NOT BE REPRODUCED OR COPIED OR USED IN WHOLE OR IN PART AS THE BASIS FOR THE MANUFACTURE OR SALE OF ITEMS WITHOUT WRITTEN PERMISSION. COPYRIGHT (C) 1983. DIGITAL EQUIPMENT CORPORATION "

LINE	ITEM	DOCUMENT NUMBER	PART NUMBER	DESCRIPTION	QUANTITY	PER VARIATION	KV
31	31		1211255-00	FILTER,AIR FOAM	030PPI	1	1
32	32	C-MD-7413659-0-0	7413659-00	BRACKET SHIPPING			1
33	33	B-DD-H765-C-0	0H765-C	POWER SUPPLY BA11-K MOS 115V			0
34	34	B-DD-H765-D-0	0H765-D	POWER SUPPLY BA11-K MOS 230V			0
35	35	A-PS-3613281-0-0	3613281-00	DECAL FOR BA11K MOD. SLOT			2
36	36	D-PS-1212405-1-0	1212405-01	GUIDE,CARD ,NYLON ,MAGNETA			24
37	37		9007086-00	CLAMP,CABLE,SCREW MTD. 9/16"			1
38	38	SEE NOTE 3, 6	1211825-01	SLIDE,CHASSIS TITLT 3POSITION			1
39	39	A-PS-1212431-0-0	1212431-00	TAPE,FOAM ADH .33 WDX			0
40	40	A-PS-1212392-0-1	1212392-01	FILTER,AIR FOAM	030PPI		0
41	41		9006635-00	WASHER,LOCK INTERNAL STEEL			1
42	42		9006231-09	SCREW,MACH HEX PLN 10-			1
43	43		9007032-00	TIE,CABLE BUNDL.DIA 0-1-3/4"=101			2
44	44	BLANK		*** THIS ITEM IS NOT USED ***			-
45	45		9007786-00	RETAINER,U-NUT 10-32X			12
46	46		9006664-00	WASHER,FLAT SST			1
47	47		9006073-03	SCREW,MACH TRUSS PHIL 10-			8
48	48	A-SP-3700421-0-0	3700421-00	INSTR PKG COMPUTER BA11-KE			REF
49	49		9006070-02	SCREW,MACH FLAT PHIL 10-			8
50	50	A-PS-3613209-0-0	3613209-00	LABEL,ADH BACK,ELC.DATA			REF
51	51		9009700-00	SCREW,SEMS TRUSS PHIL 10-			18
52	52	E-AD-7012399-0-0	7012399-00	AIR INTAKE BEZEL ASSY (10-24) SC			0
53	53	BLANK		*** THIS ITEM IS NOT USED ***			-
54	54		9000049-11	*** THIS ITEM IS NOT USED ***			-
55	55	SEE NOTE 4	9000049-12	SCREW,SEMS TRUSS PHIL 8-			2
56	56		9000049-13	SCREW,SEMS TRUSS PHIL 6-			2
57	57	A-PS-3618500-0-1	3618500-01	LABEL,BOX EXPAND OPT/MODULE PLAC			1
58	58	SEE NOTE 5	3617880-01	LABEL,FCC,NON-COMLIANT			0
59	59		9000049-30	SCREW,SEMS TRUSS PHIL 6-			4
60	60		3617674-01	LABEL,SERIAL/POWER W UL & CSA			A/R
61	61	E-UA-7013323-0-0	7013323-00	MOSS POWER SUPPLY 115V W/O BATTE			0
62	62	E-UA-7013323-0-0	7013323-03	MOSS POWER SUPPLY 230V W/O BATTE			1
63	63	D-UA-BC11A-0-0	BC11A-15	CABLE ASSY PDP-11 M919 M929			1
64	64		3617880-09	LABEL,FCC,NON-COMPLIANT			1

- 65 NOTE: 1. FINAL CABLE LENGTH WILL BE DETERMINED BY THE SYSTEM.
- 66 NOTE: 2. ITEM 51 IS AN ALLOWABLE SUBSTITUTE FOR THE COMBINATION OF THESE PARTS WHEN USED ON ITEM 38.
- 67 NOTE: 3. 1211825-02 IS AN ALLOWABLE SUBSTITUTE.
- 68 NOTE: 4. REQUIRED ONLY IF 1211825-02 IS USED.
- 69 NOTE: 5. FCC LABEL WILL NOT BE PUT ON ANY 50 HERTZ MACHINES.
- 70 NOTE: 6. ITEM 38, KE,KF.KS,KT,KW AND KX ARE IN PRS.

D	I	G	I	T	A	L	TITLE	UNIT ASSY BA11-K	SECTION B	OF B	SIZE	CODE	DOCUMENT NUMBER	REV
											K	PL	BA11-K-DBP	Z

"THE MATERIAL HEREIN IS FOR INFORMATION PURPOSES ONLY AND IS SUBJECT TO CHANGE WITHOUT NOTICE. DIGITAL EQUIPMENT CORPORATION ASSUMES NO RESPONSIBILITY FOR ANY ERRORS WHICH MAY APPEAR HEREIN."

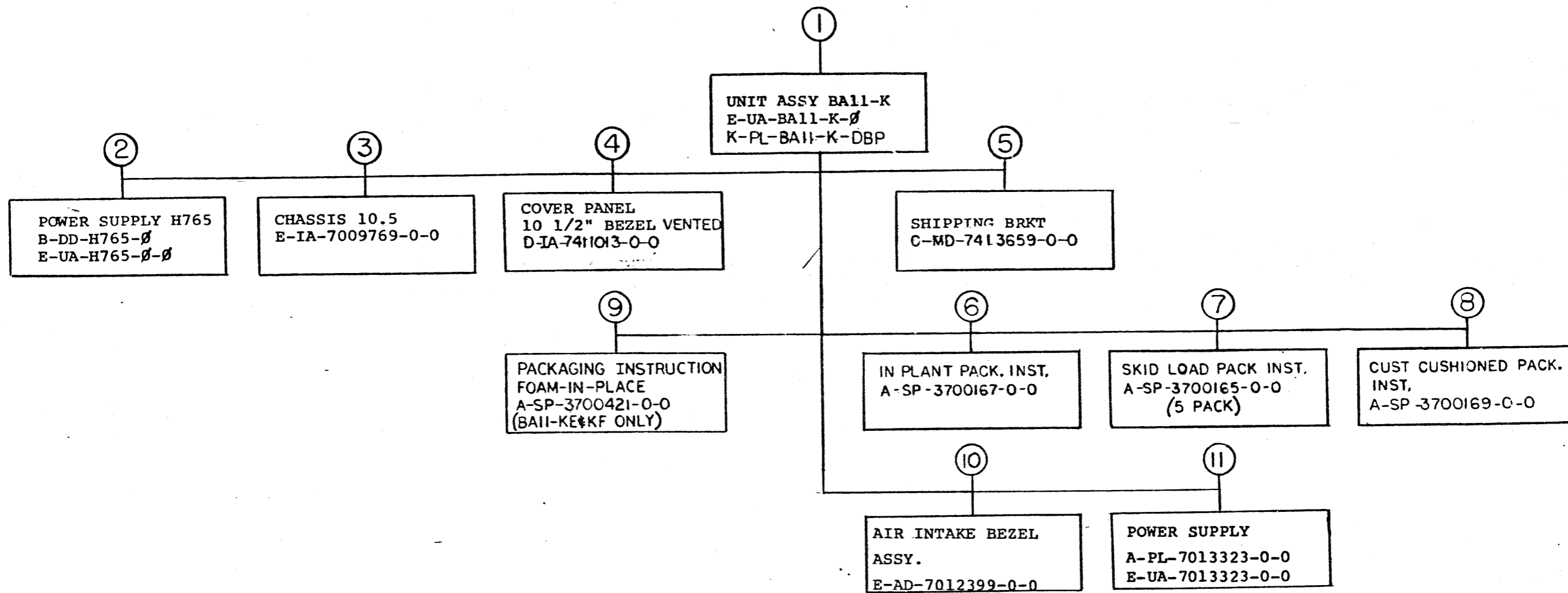
DRAWING DIRECTORY

"THIS DRAWING AND SPECIFICATIONS, HEREIN, ARE THE PROPERTY OF DIGITAL EQUIPMENT CORPORATION AND SHALL NOT BE REPRODUCED OR COPIED OR USED IN WHOLE OR IN PART AS THE BASIS FOR THE MANUFACTURE OR SALE OF ITEMS WITHOUT WRITTEN PERMISSION. COPYRIGHT © DIGITAL EQUIPMENT CORPORATION."

DRAWING DIRECTORY BA11-K	B-DD-BA11-K	MFG. PRINT SET
UNIT ASS'Y BA11-K	E-UA-BA11-K-0	IN PLANT PACK. INST. A-SP-3700167-0-0
		SKID LOAD PACK. INST. A-SP-3700165-0-0
DRAWING DIRECTORY H765	B-DD-H765-0	CUST. CUSHIONED PACK. A-SP-3700169-0-0
UNIT ASS'Y BC11A	D-UA-BC11A-0-0	
BC11A UNIBUS CABLE, M919	B-CS-M919-0-1	
BC11A UNIBUS CABLE, M929	B-CS-M929-0-1	
UNIT ASS'Y BA11-K-PL	K-PL-BA11-K-DBP	
UNIT ASS'Y POWER SUPPLY	E-UA-7013323-0-0	
PART LIST POWER SUPPLY	A-UA-7013323-0-0	

UNIT VARIATIONS	
VAR	TITLE
BA11-KE	120 VAC 50/60 HZ
BA11-KF	240 VAC 50/60 HZ
BA11-KH	120 VAC 50/60 HZ (MANUF. ONLY)
BA11-KJ	240 VAC 50/60 HZ (MANUF. ONLY)
BA11-KK	120 VAC 50/60 HZ (NO H754) (MANUF. ONLY)
BA11-KL	240 VAC 50/60 HZ (NO H754) (MANUF. ONLY)
BA11-KA	NO POWER SUPPLY (MANUF. ONLY)
BA11-KS	120 VAC 50/60 HZ
BA11-KT	240 VAC 50/60 HZ
BA11-KW	120 VAC 50/60 HZ
BA11-KX	240 VAC 50/60 HZ
BA11-KU	120 VAC 50/60HZ (2-H7441, 1-H745)
BA11-KV	240 VAC 50/60HZ (2-H7441, 1-H745)

REVISIONS CHK	CHANGE NO.	REVISED AND REDRAWN 16 APRIL 82	REV.	BA11K - M1025 T	USED ON OPTION/MODEL	DRN.	DATE	TITLE digital DRAWING DIRECTORY BA11-K																											
					11/05-S	J. FERGUSEN	6/22/74																												
					11/35-S	CHK'D. D. HEALY	DATE 7/22/74																												
						PROJ. ENG.	DATE	<table border="1" style="width: 100%; border-collapse: collapse; margin-top: 5px;"> <tr> <td style="width: 5%;">SIZE</td> <td style="width: 5%;">CODE</td> <td colspan="4" style="text-align: center;">NUMBER</td> <td style="width: 5%;">REV</td> </tr> <tr> <td style="text-align: center;">B</td> <td style="text-align: center;">DD</td> <td colspan="4" style="text-align: center;">BA11-K</td> <td style="text-align: center;">T</td> </tr> <tr> <td colspan="2">DIST.</td> <td> </td><td> </td><td> </td><td> </td><td> </td><td> </td> </tr> </table>						SIZE	CODE	NUMBER				REV	B	DD	BA11-K				T	DIST.							
SIZE	CODE	NUMBER				REV																													
B	DD	BA11-K				T																													
DIST.																																			
						E. ANTON	9/4/74																												
						PROD. R. PATERSON	DATE 10/1/74																												



TITLE	SHEET	SIZE	CODE	NUMBER	REV.
DRAWING DIRECTORY BALL-K	2 OF 4	B	DD	BALL-K	T

FIND NO.	DRAWING NO.	DESCRIPTION	TYPE	FIND NO.	DRAWING NO.	DESCRIPTION	TYPE
1	E-UA-B11-K-0	UNIT ASS'Y B11-K					
	A-SP-B11-K-6	B11-K BASIC CHECKOUT AND ACCEPTANCE PROCEDURE					
	A-SP-B11-K-7	B11-K BASIC ASSEMBLY PROCEDURE					
	K-PL-B11-K-DBP	UNIT ASSEMBLY B11-K-PL					
	B-PL-B11-K-1	SHIPPING LIST B11-K					
	B-PL-B11-K-2	INSTALLATION KIT B11-K					
2	B-DD-H765-0	POWER SUPPLY H765					

TYPE: E ELECTRICAL
M MECHANICAL
E/M ELECTRO/MECHANICAL



TITLE DRAWING DIRECTORY B11-K

SHEET 3 OF 4

SIZE B DD

NUMBER B11-K

REV T

FIND NO.	DRAWING NO.	DESCRIPTION	TYPE	FIND NO.	DRAWING NO.	DESCRIPTION	TYPE
1	E-UA-Ball-K-Ø	UNIT ASSY BALL-K	E/M	6	A-SP-3700167-0-0	IN PLANT PACK. INST.	M
	K-PL-Ball-K-DBP	UNIT ASSY BALL-K PL	E/M				
	D-IA-7009768-0-0	COVER, CHASSIS	M				
	D-PS-1211825-0-0	SLIDE, 3 POS TILT	M				
	D-MD-7412184	CABLE, TROUGH CHASSIS	E/M				
	D-UA-BC11A-1Ø-Ø	UNIBUS, CABLE, 10 FT	E/M				
	B-CS-M919-Ø-1	BUS CONNECTOR M919	E				
	B-CS-M929-Ø-1	BUS CONNECTOR M929	E				
	D-PS-1212405-ØØ	CARD GUIDE	M	7	A-SP-3700165-0-0	SKID LOAD PACK. INST. (5 PACK)	M
	A-DC-5302414-Ø	DECAL UL	M				
	A-PS-3613281-Ø-Ø	DECAL	M				
	B-PL-Ball-K-1	SHIPPING LIST BALL-K	E/M				
	B-PL-Ball-K-2	INSTALLATION KIT BALL-K	E/M				
	A-PS-3617880-01	DECAL FCC NON-COMPLIANCE	E/M	8	A-SP-3700169-0-0	CUST. CUSHIONED PACK. INST.	M
2	B-DD-H765-Ø	DWG DIRECTORY H765	E/M				
	E-UA-H765-Ø-Ø	POWER SUPPLY H765	M				
3	E-IA-7009769-Ø-Ø	CHASSIS, 10.5	M				
	E-IA-7411703-Ø-Ø	CHASSIS, FRONT	M				
	E-IA-7411707-Ø-Ø	CHASSIS, SIDE	M				
	D-MD-7411706-Ø-Ø	BRACKET, HAT	M	9	A-SP-3700421-0-0	PACKAGING INSTRUCTIONS (FOAM-IN-PLACE) (BALL-KE & KF VARIATIONS ONLY)	M
	D-MD-7411705-Ø-Ø	BRACKET, CARD GUIDE	M				
	C-MD-7412185-Ø-Ø	PLATE CABLE	M				
4	D-IA-7411913-Ø-Ø	COVER PANEL 10 1/2 BEZEL	M	10	E-AD-7012399-0-0	AIR INTAKE BEZEL ASSY	
					E-MD-7414506-0-0	BEZEL, RX01 (ONE CAST)	
					D-MD-7415744-0-0	BRKT, BEZEL MTG	
					D-IA-7415743-0-0	PANEL, AIR INTAKE	
5	C-MD-7413659-Ø-Ø	SHIPPING BRKT	M	11	E-UA-7013323-0-0	POWER SUPPLY ASSY	E/M
					A-FL-7013323-0-0	POWER SUPPLY ASSY	E/M

TYPE: E ELECTRICAL
M MECHANICAL
E/M ELECTRO/MECHANICAL

digital

TITLE

DRAWING DIRECTORY BALL-K

SHEET 4 OF 4

SIZE CODE
B DD

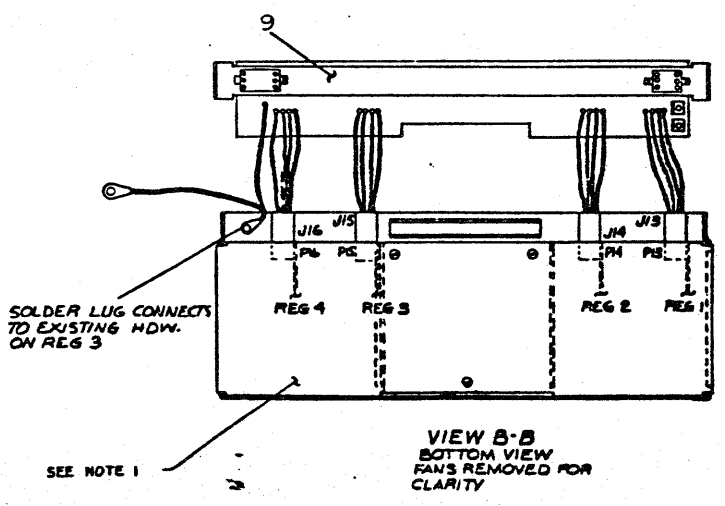
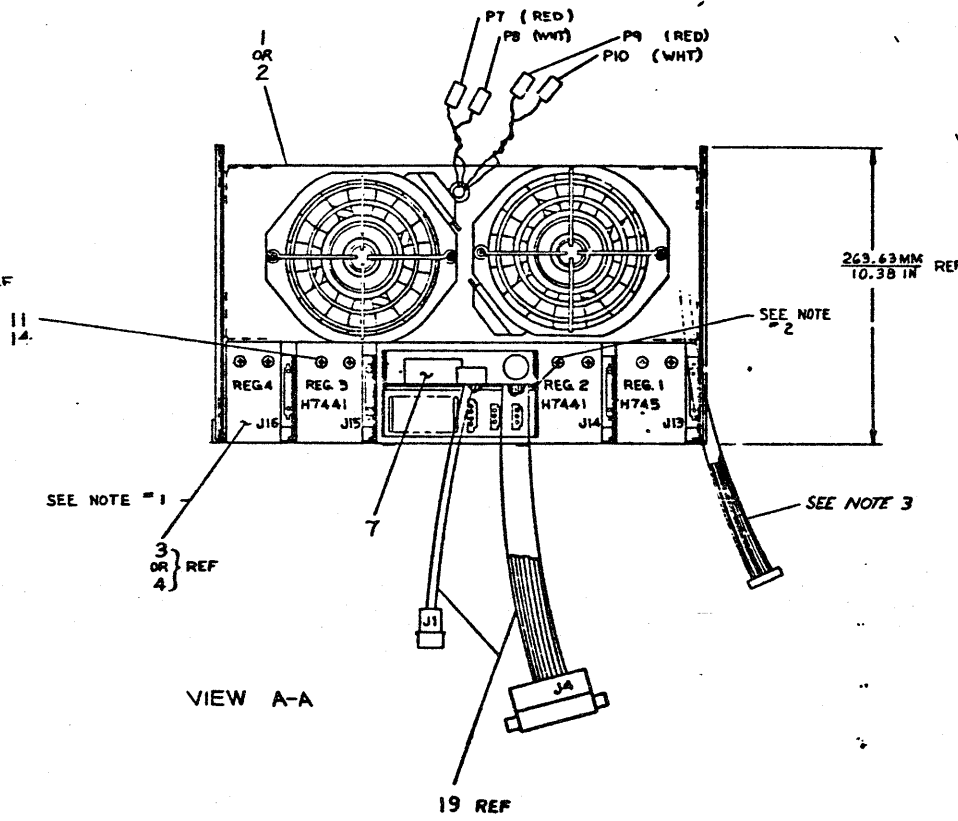
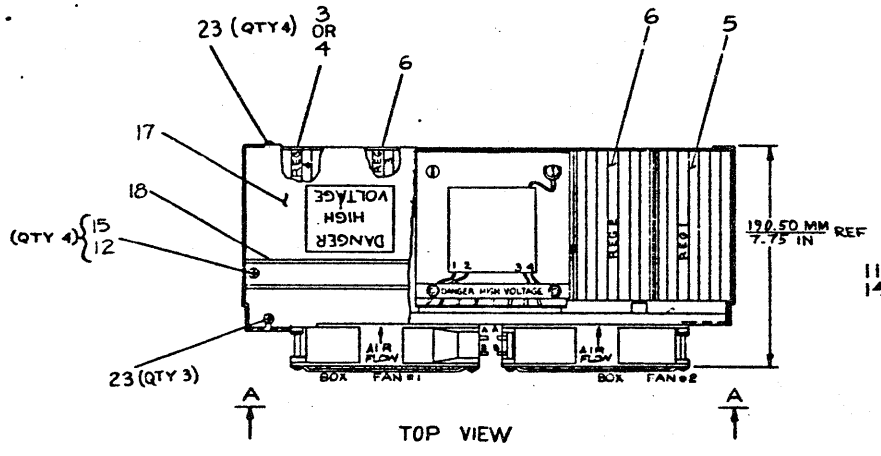
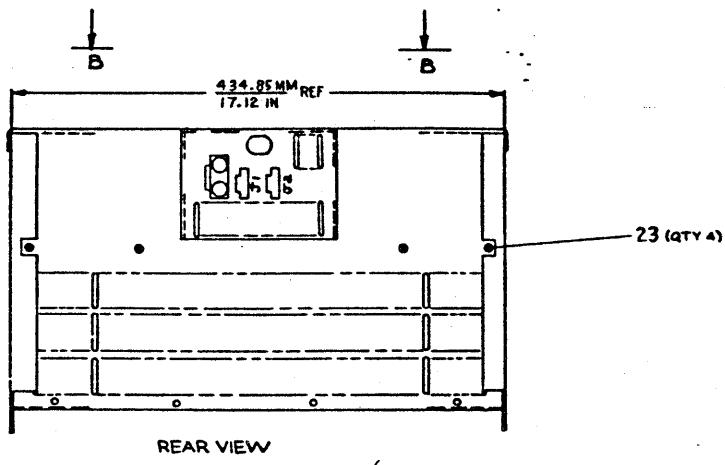
NUMBER
BALL-K

REV
T

THIS DRAWING AND SPECIFICATIONS, MATERIALS AND THE MANUFACTURE THEREOF SHALL BE THE PROPERTY OF DIGITAL CORPORATION AND SHALL BE KEPT IN CONFIDENCE BY THE CONTRACTOR AND SHALL BE RETURNED TO DIGITAL CORPORATION UPON COMPLETION OF THE WORK OR AT THE END OF THE CONTRACT PERIOD.

LEGEND	
NUMBER	VARIATION
7013323-0	120V H765-P, 5411086, 5410864-YA, TWO H7441, H745
7013323-1	120V H765-P, 5411086, 5410864-YA, TWO H7441, H745, H785
7013323-2	120V H765-P, 5411086, 5410864-YA, TWO H7441, H745, H754
7013323-3	240V H765-R, 5411086, 5410864-YA, TWO H7441, H745
7013323-4	240V H765-R, 5411086, 5410864-YA, TWO H7441, H745, H785
7013323-5	240V H765-R, 5411086, 5410864-YA, TWO H7441, H745, H754

- NOTES**
- REGULATOR #4 IS DETERMINED BY THE VARIATION REQUIRED-SEE LEGEND AND PARTS LIST.
 - GREEN/YELLOW GROUND WIRE FROM TRANSFORMERS TO BE FASTENED UNDER REGULATOR #2 MOUNTING SCREW.
 - CONSOLE CABLE 7011411-2J FROM KY11-LR. THIS CABLE IS USED ONLY TO CONNECT THE H785/H786 BATTERY BACK-UP REGULATOR IN REGULATOR SLOT #4.



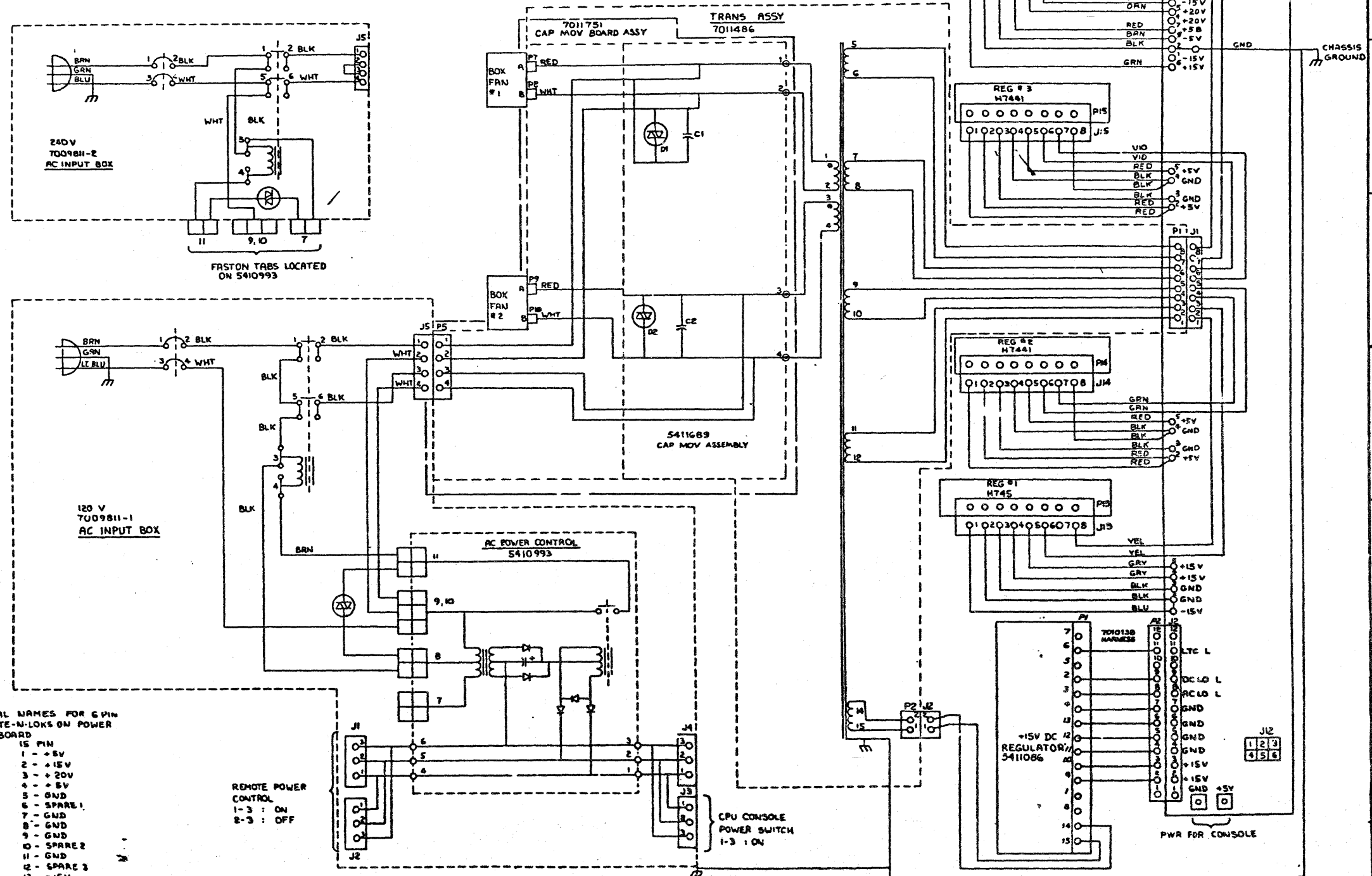
CAUTION: OFF SHEET PARTS LIST EXISTS
SEE K-PL-7013323-0-D8P

REV	DATE	DESCRIPTION	BY	CHKD
1				
2				
3				
4				
5				
6				
7				
8				
9				
10				
11				
12				
13				
14				
15				
16				
17				
18				
19				
20				
21				
22				
23				
24				
25				
26				
27				
28				
29				
30				
31				
32				
33				
34				
35				
36				
37				
38				
39				
40				
41				
42				
43				
44				
45				
46				
47				
48				
49				
50				
51				
52				
53				
54				
55				
56				
57				
58				
59				
60				
61				
62				
63				
64				
65				
66				
67				
68				
69				
70				
71				
72				
73				
74				
75				
76				
77				
78				
79				
80				
81				
82				
83				
84				
85				
86				
87				
88				
89				
90				
91				
92				
93				
94				
95				
96				
97				
98				
99				
100				

DIGITAL 7013323-0-0 B

THIS DRAWING USES THE SYMBOLS AND NOTATION OF THE MILITARY STANDARD SYMBOLS AND NOTATION FOR ELECTRICAL DRAWINGS, WHICH ARE AVAILABLE IN MIL-STD-883C, PART 2, AND MIL-STD-883C, PART 3, WHICH ARE AVAILABLE FROM THE MILITARY STANDARD SYMBOLS AND NOTATION COMMITTEE, WASHINGTON, D. C. 20330.

CONNECTION TABLE			CONNECTION TABLE		
FROM CONNECTION	TO CONNECTION	SIGNALS	FROM CONNECTION	TO CONNECTION	SIGNALS
P2 FROM TRANS. ASSY	J2 FROM +15V REG.	28 VAC	P4 FROM +15V REG.	J2 LOCATED ON PWR DIST. BD	-15V, LTC L, AC LO L, DC LO L, GND
J16 FROM PWR. DIST. BD.	P16 LOCATED ON REG. #4 (H785) OR (H785)	GND, -5V, +20V, 28 VAC +5V, -15V, +5V			
J15 FROM PWR. DIST. BD.	P15 LOCATED ON REG. #3 (H7441)	GND, +5V, 28VAC	P5 FROM TRANS. ASSY	J5 LOCATED ON AC INPUT BOX	120/240 VAC
J14 FROM PWR. DIST. BD.	P14 LOCATED ON REG. #2 (H7441)	GND, +5V, 28VAC	P7 (RED)	FAN #1 - A	120 VAC - HOT
J13 FROM PWR. DIST. BD.	P13 LOCATED ON REG. #1 (H745)	GND, +15V, -15V, -28 VAC	P8 (WHT)	FAN #1 - B	120 VAC - NEUTRAL
GND LUG LOCATED ON PWR. DIST. BD.	REG. #4 MOUNTING SCREW	GROUND CHASSIS	P9 (RED)	FAN #2 - A	12C VAC - HOT
P1 FROM TRANS. ASSY	J1 LOCATED ON PWR. DIST. BD.	28 VAC	P10 (WHT)	FAN #2 - B	12C VAC - NEUTRAL
			+1#14 GRN/YEL WIRE	SEE NOTE 3	CHASSIS GROUND



- COMMON SIGNAL NAMES FOR 6-PIN AND 15-PIN MATE-N-LOKS ON POWER DISTRIBUTION BOARD
- | | |
|-------------|--------------|
| 6-PIN | 15-PIN |
| 1 - GND | 1 - +5V |
| 2 - LTC L | 2 - +15V |
| 3 - DC LO L | 3 - +20V |
| 4 - AC LO L | 4 - +5V |
| 5 - SPARE 4 | 5 - GND |
| 6 - SPARE 5 | 6 - SPARE 1 |
| | 7 - GND |
| | 8 - GND |
| | 9 - GND |
| | 10 - SPARE 2 |
| | 11 - GND |
| | 12 - SPARE 3 |
| | 13 - -15V |
| | 14 - -5V |
| | 15 - SPARE 3 |

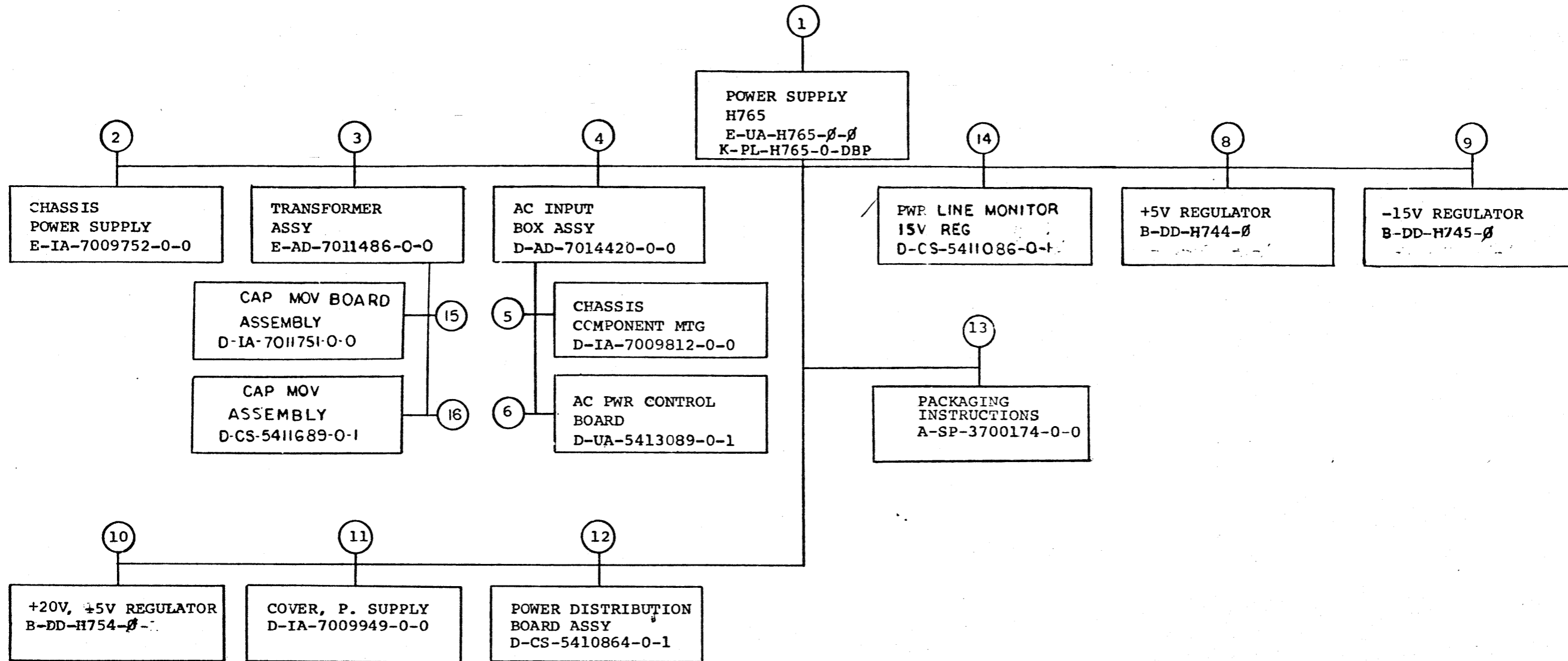
REMOTE POWER CONTROL
1-3 : ON
2-3 : OFF

CPU CONSOLE POWER SWITCH
1-3 : ON

LINE ITEM	TOP DOCUMENT	PART NUMBER	MIN REV	DESCRIPTION	QTY PER VARIATION						
					00 A1	01 A1	02 A1	03 A1	04 A1	05 A1	
1	1	E-UA-H765-P-0		H765 -P	PS CHASSIS 1134A 4 30VAC 12A EA	1	1	1	-	-	-
2	2	E-UA-H765-R-0		H765 -R	PS CHASSIS 1134A 4 30VC 12A EA 2	-	-	-	1	1	1
3	3	D-UA-H785-0-0		H7850-00	BATTERY BACK-UP REG	-	1	-	-	1	-
4	4	D-UA-H754-0-0		H754 -00	+ 20 VOLT REGULATOR	-	-	1	-	-	1
5	5	D-UA-H745-0-0		H745 -00	POWER REGULATOR	1	1	1	1	1	1
6	6	D-UA-H7441-0-0		H7441-00	+5V 32A REGULATOR FOR H7420,H765	2	2	2	2	2	2
7	7	E-IA-5411086-0-0		5411086-00	+15V REGULATOR (BA11-K)	1	1	1	1	1	1
8	8	BLANK				0	0	0	0	0	0
9	9	D-CS-5410864-YA-1		5410864-YA	POWER DISTRIBUTE BRD	1	1	1	1	1	1
10	10	BLANK				0	0	0	0	0	0
11	11			9008007-03	SCREW,MACH TRUSS PHIL	6	8	8	6	8	8
12	12			9006040-03	SCREW,MACH TRUSS PHIL	6	6	6	6	6	6
13	13			9006020-03	*** THIS ITEM IS NOT USED ***	-	-	-	-	-	-
14	14			9006635-00	WASHER,LOCK INTERNAL STEEL	6	8	8	6	8	8
15	15			9006634-00	WASHER,LOCK INTERNAL STEEL	4	4	4	4	4	4
16	16			9006633-00	*** THIS ITEM IS NOT USED ***	-	-	-	-	-	-
17	17	D-IA-7009949-0-0		7009949-00	COVER P.S. (11/05-S)	1	1	1	1	1	1
18	18	D-IA-7009950-0-0		7009950-00	TROUGH WIRE (11/05-S)	1	1	1	1	1	1
19	19	D-IA-7010138-0-0		7010138-00	HARNESS INTERCONN (H765)	1	1	1	1	1	1
20	20			9007880-00	TIE,CABLE BUNDL DIA 0-1.14"=101	4	4	4	4	4	4
21	21	A-CS-H765-TA-1			TESTER CIRCUIT SCHEMATIC	REF	REF	REF	REF	REF	REF
22	22	A-SP-H765-0-1		H765 -00	POWER SUPPLY	REF	REF	REF	REF	REF	REF
23	23			9009984-00	SCREW,SEMS PAN PHIL	6-	10	11	11	10	11

REVISION HISTORY		BASIC PART NO: 7013323		DRN:	R. PELLERIN	DATE:	23-NOV-76	D I G I T A L			
ENG	ECO NUMBER	REV	SECTION A OF A	CHK'D:	D. HEALY	DATE:	15-DEC-76	TITLE PARTS LIST			
HC	7013323-ML001	B	SECTION.VARIATION INDEX					POWER SUPPLY ASSY			
			[A]00,01,02,03,04,05					DOCUMENT NUMBER			
			[B]	DES.ENG:	D. KING	DATE:	16-FEB-77	SIZE	CODE	NUMBER	REV
			[C]					K	PL	7013323-0-DBP	B
			[D]	RESP.ENG.:	R. KING	DATE:	16-FEB-77	RELEASE DATE: 26-JAN-84			
			[E]	MFG.ENG.:	R. KING	DATE:	16-FEB-77				
			[F]	ASSEMBLY NUMBER:		TOP DOCUMENT NUMBER:		FILE NAME:	EDIT #		
				E-UA-7013323-0-0				Z86678.PLS	5		

"THIS DRAWING AND THE SPECIFICATIONS CONTAINED HEREIN ARE CONFIDENTIAL AND PROPRIETARY. THEY ARE THE PROPERTY OF DIGITAL EQUIPMENT CORPORATION AND SHALL NOT BE REPRODUCED OR COPIED OR USED IN WHOLE OR IN PART AS THE BASIS FOR THE MANUFACTURE OR SALE OF ITEMS WITHOUT WRITTEN PERMISSION. THIS IS AN UNPUBLISHED WORK PROTECTED UNDER THE FEDERAL COPYRIGHT LAWS."



TITLE	DRAWING DIRECTORY POWER SUPPLY H765	SIZE CODE	B DD	NUMBER	H765-Ø	REV	S
	SHEET 2 OF 5						

CUSTOMER PRINT SET		ELECTRICAL					CUSTOMER PRINT SET		ELECTRICAL						
1	MFG. SET	FIND NO.	DRAWING NO.	REV	NO OF SHT	DESCRIPTION	OPTION NO./FILE DATE	1	MFG. SET	FIND NO.	DRAWING NO.	REV	NO OF SHT	DESCRIPTION	OPTION NO./FILE DATE
X		1	E-UA-H765-0-0 A-SP-H765-0-9	C	2	POWER SUPPLY H765 H765 POWER SUPPLY ASSEMBLY PROCEDURE		X		12	D-CS-5410864-0-1 D-IA-5410863-0-0 A-SP-5410864-0-8 A-SP-5410864-0-9	#	3 1	POWER DIST. BD. ASSY ETCHED CIRCUIT BOARD TEST PROCEDURE ASSEMBLY PROCEDURE	
			K-PL-H765-0-DBP	V		PARTS LIST (Release at Rev. V)									
X		3	E-AD-7011486-0-0 A-SP-7010014-0-8 A-CS-7010014-TA-1 A-UA-7010014-TA-0 A-PL-7010014-TA-0 A-SP-7011486-0-9	# A A A		TRANSFORMER ASSY TEST PROCEDURE TESTER C.S. TESTER U.A. TESTER P.L. TRANSFORMER ASSY PROCEDURE		X		14	D-CS-5411086-0-1 A-SP-11/45-TA-2 A-SP-5411086-0-3 D-IA-7010138-0-0	#	4	PWR LINE MONITOR/15V REG TEST PROCEDURE ENGINEERING SPECIFICATION HARNESS INTERCONNECTION	
										15	D-IA-7011751-0-0			CAP MOV BOARD ASSY	
X		4	D-AD-7014420-0-0 A-SP-7009811-0-8 A-CS-7009811-TA-1 A-UA-7009811-TA-0 A-PL-7009811-TA-0 A-SP-7009811-0-9	#	2	AC INPUT BOX ASSY TEST PROCEDURE TESTER C.S. TESTER U. A. TESTER P.L. AC INPUT BOX ASSY PROCEDURE				16	D-CS-5411689-0-1			CAP MOV ASSY	
X		6	D-UA-5413089-0-0	#		PILOT CONTROL BOARD									
C		8	B-DD-H744-0	#	2	DRAWING DIRECTORY H744									
C		9	B-DD-H745-0	#	2	DRAWING DIRECTORY H745									
C		10	B-DD-H754-0	#	3	DRAWING DIRECTORY H754									

CUSTOMER PRINT SET CODES	X = PRINT OF DOCUMENT INCLUDED IN PRINT SET C = INCLUDES ALL PRINTS INDICATED ON DOCUMENT S = CONFIDENTIAL AUTHORIZED SIGNATURE REQUIRED	TITLE	DRAWING DIRECTORY POWER SUPPLY H765	SIZE CODE	B DD	NUMBER	H765-0	REV	S
--------------------------	--	-------	--	-----------	------	--------	--------	-----	---

SHEET 3 OF 5

CUSTOMER PRINT SET		MECHANICAL					CUSTOMER PRINT SET		MECHANICAL								
1	MFG. SET	FIND NO.	DRAWING NO.	REV	NO OF SHT	DESCRIPTION	OPTION NO./FILE DATE	1	MFG. SET	FIND NO.	DRAWING NO.	REV	NO OF SHT	DESCRIPTION	OPTION NO./FILE DATE		
		1	E-UA-H765- \emptyset - \emptyset K-PL-H765-0-DBP	S	2	POWER SUPPLY H765 UNIT ASSY (P.L.)				6	D-UA-5413089-0-0			PILOT CONTROL BOARD			
			D-IA-7009950-0-0		1	THROUGH WIRE											
		2	E-IA-7009752-0-0 E-IA-7411682-0-0 D-MD-7411685-0-0 D-MD-7411684-0-0		1 1 1 1	CHASSIS, POWER SUPPLY CHASSIS, POWER SUPPLY SIDE, POWER SUPPLY HOUSING COMP. CHASSIS											
		3	E-AD-7011486-0-0 C-MD-7414301-0-0		2 1	TRANSFORMER ASSY COVER				8	B-DD-H744- \emptyset		2	DRAWING DIRECTORY H744			
		4	D-AD-7014420-0-0 A-DC-7412303-0-1 D-AD-7012500-0-0 A-DC-7412380-0-1		2 1 1 1	AC INPUT BOX ASSY DECAL 115V POWER CORD DECAL 230V				9	B-DD-H745- \emptyset		2	DRAWING DIRECTORY H745			
X										10	B-DD-H754- \emptyset		3	DRAWING DIRECTORY H754			
										11	D-IA-7009949-0-0 C-MD-7412473-0-0		1 1	COVER, POWER SUPPLY STRIP, CLAMP			
		5	D-IA-7009812-0-0 D-IA-7411765-0-0 D-IA-7411766-0-0		1 1 1	CHASSIS COMPONENT MTG. PLATE SWITCH PLATE COMPONENT MTG.											
CUSTOMER PRINT SET CODES	X = PRINT OF DOCUMENT INCLUDED IN PRINT SET C = INCLUDES ALL PRINTS INDICATED ON DOCUMENT S = CONFIDENTIAL AUTHORIZED SIGNATURE REQUIRED						TITLE	DRAWING DIRECTORY POWER SUPPLY H765		SIZE CODE	B DD		NUMBER	H765- \emptyset		REV	S

CUSTOMER PRINT SET		MECHANICAL					CUSTOMER PRINT SET								
		MFG. SET	FIND NO.	REV	NO OF SHT	DESCRIPTION	OPTION NO./FILE DATE			MFG. SET	FIND NO.	REV	NO OF SHT	DESCRIPTION	OPTION NO./FILE DATE
1			12		3	POWER DIST. BD. ASSY									
					1	SHIELD									
					1	BRACKET, CONN. MTG.									
						MATE-N-LOK FIXTURES									
					1	ETCHED CIRCUIT BD.									
						X-Y COORDINATE HOLE LOC.									
					1	ASSY DRILLING HOLE LAYOUT									
					1	MODULE ECO HISTORY									
					REP	ETCH CIRCUIT BOARD									
	X		13		2	PACKAGING INSTRUCTIONS									
					2	REGULAR SLOTTED CARTON									
					2	LAMINATED BUILDUP									
			14		1	ASSY DRILLING HOLE LAYOUT									
					1	MODULE ECO HISTORY									
			15		1	ASSEMBLY DRAWING									
			16		1	ASSY DRILLING HOLE LAYOUT									
					1	MODULE ECO HISTORY									

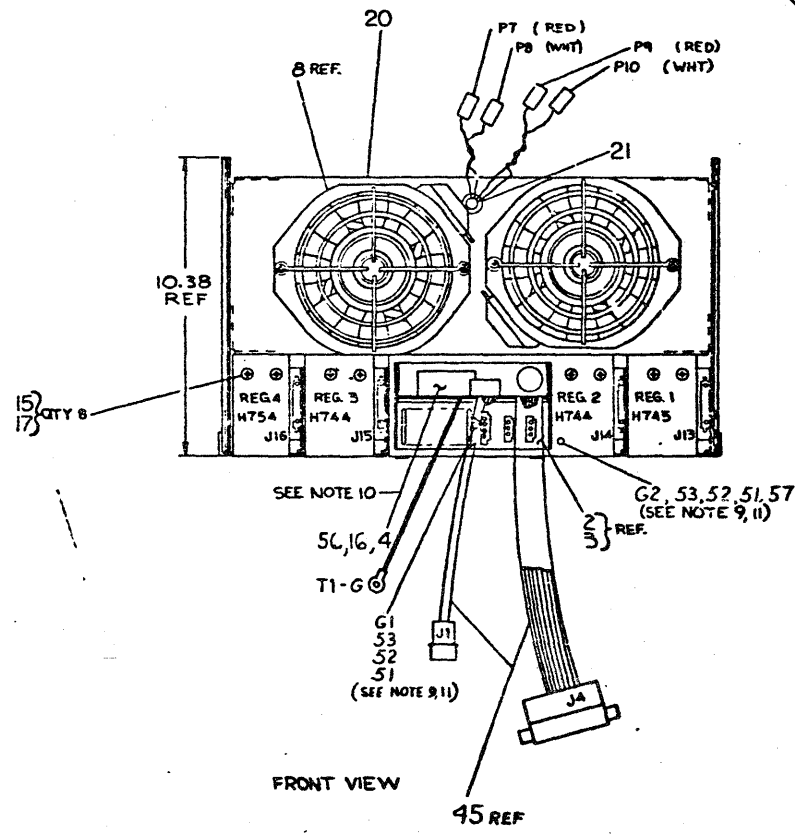
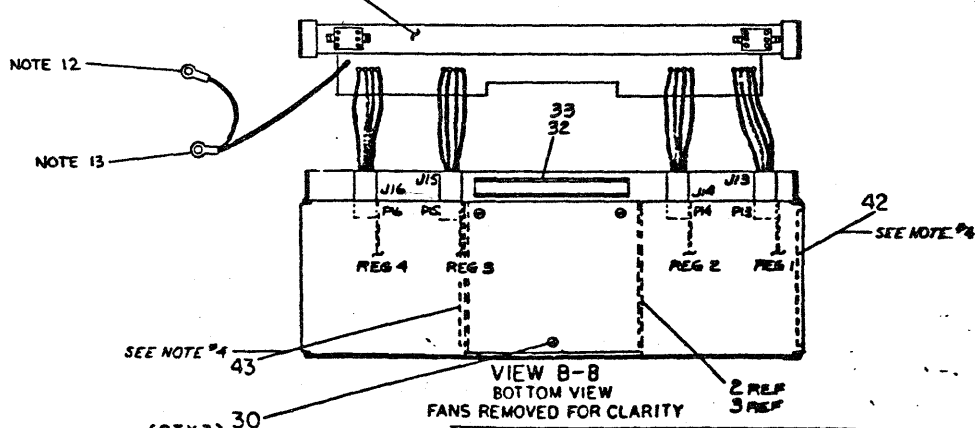
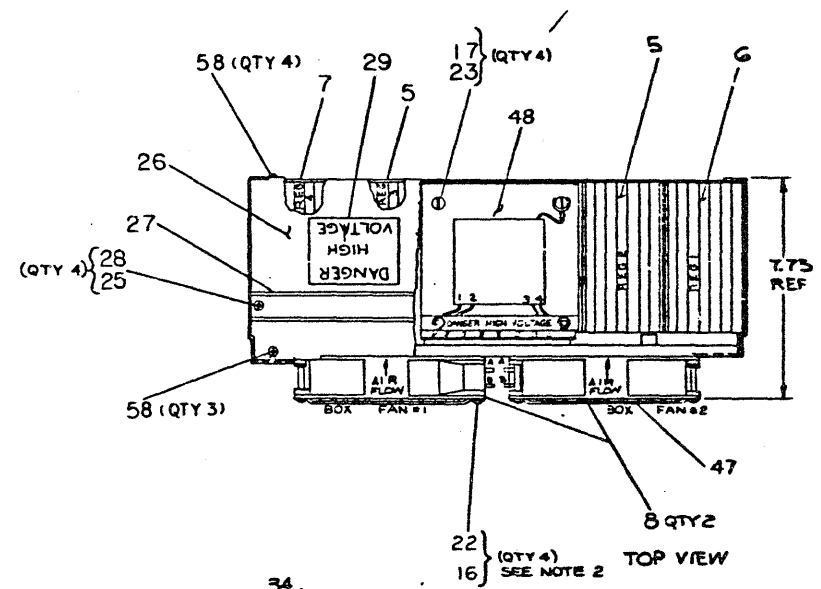
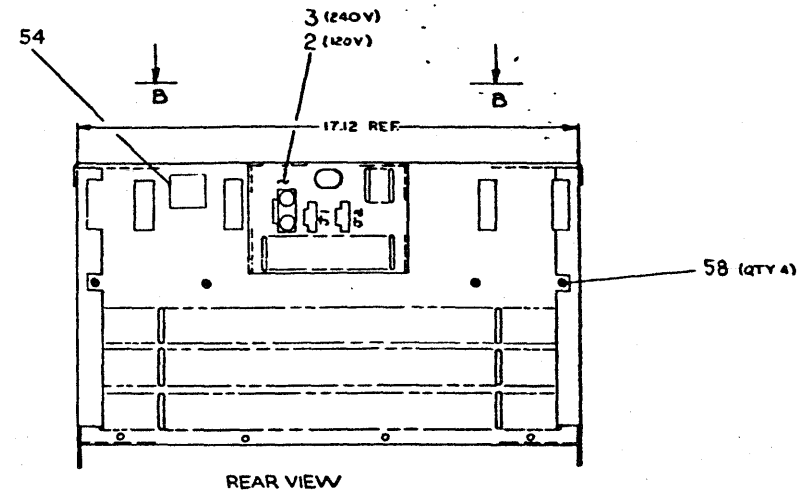
CUSTOMER PRINT SET CODES	X = PRINT OF DOCUMENT INCLUDED IN PRINT SET C = INCLUDES ALL PRINTS INDICATED ON DOCUMENT S = CONFIDENTIAL AUTHORIZED SIGNATURE REQUIRED	TITLE	DRAWING DIRECTORY POWER SUPPLY H765	SHEET 5 OF 5	SIZE CODE	B DD	NUMBER	H765-Ø	REV	S
--------------------------	--	-------	--	--------------	-----------	------	--------	--------	-----	---

THIS DRAWING IS THE PROPERTY OF THE UNITED STATES GOVERNMENT AND IS LOANED TO YOU BY THE AIR FORCE. IT IS TO BE REPRODUCED AS SHOWN AND NOT TO BE REPRODUCED IN ANY MANNER WITHOUT THE WRITTEN PERMISSION OF THE AIR FORCE. IT IS TO BE RETURNED TO THE AIR FORCE AT THE END OF THE LOAN PERIOD.

LEGEND	
NUMBER	VARIATION
H765-A	120V 50/60 HZ
H765-B	240V 50/60 HZ
H765-C	120V 50/60 HZ NO H754
H765-D	240V 50/60 HZ NO H754
H765-P	120V 50/60 HZ NO REG
H765-R	240V 50/60 HZ NO REG

- NOTES**
- 1. SEE TRANSFORMER ASSY AD-TORQUE
 - 2. TIGHTEN FAN SCREWS TO MIN LBS WITH A TORQUE SCREW DRIVER
 - 3. INSTALL A.B.S. VINYL VIEW B-B ITEM #42 AND #43. CENTER 1/4 INCH FROM BOTTOM AND SIDES ON INSIDE WALL.
 - 4. IN EARLIER VERSIONS OF THE TRANSFORMER ASSEMBLY A CABLE CLAMP WAS USED IN PLACE OF THE 5-TIE WIRE TO DRESS THE TRANSFORMER WIRE ALONG THE TRANSFORMER BODY.
 - 5. ITEM 7 - H754 IS NOT USED IN VARIATIONS C & D.
 - 6. ITEM 53 IS TO BE USED TO PREVENT CORROSION OF CHASSIS AT GROUND STUD.

- NOTES CONT.**
- 10. ITEM 16 & 56 (SCREW & WASHER) TO BE USED TO MOUNT S410B (ITEM 4) IN AC INPUT BOX (ITEM 2 OR 3) IN A,B,C,D VERSION. IN P/R VERSIONS INSTALL SCREW & WASHER IN MOUNTING HOLES. THEY WILL BE USED ON A HIGHER ASSEMBLY.
 - 11. ITEM NO. 57 NOT SHOWN CONNECTS G1 TO G2.
 - 12. CONNECTS TO G1 ON AC INPUT ASSY.
 - 13. NO CONNECTION MADE AT THIS ASSY. LEVEL.

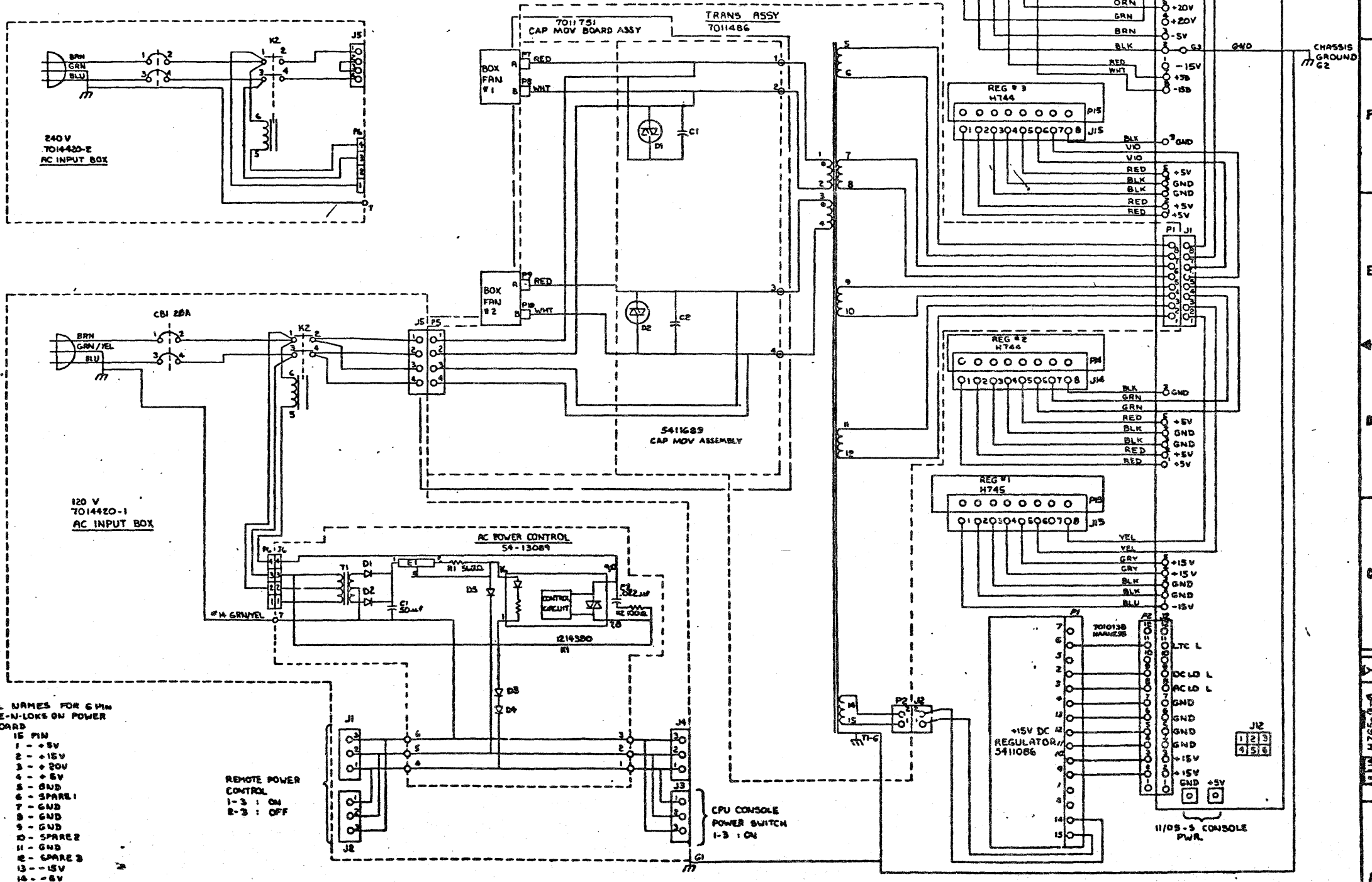


CAUTION: OFF SHEET PARTS EXISTS
SEE K-PL-H765-0-DBP
Z 7590

NO.	DESCRIPTION	QTY	REVISION
1	CHASSIS	1	
2	SCREW	2	
3	SCREW	4	
4	WASHER	4	
5	SCREW	5	
6	SCREW	6	
7	SCREW	7	
8	SCREW	8	
9	SCREW	9	
10	SCREW	10	
11	SCREW	11	
12	SCREW	12	
13	SCREW	13	
14	SCREW	14	
15	SCREW	15	
16	SCREW	16	
17	SCREW	17	
18	SCREW	18	
19	SCREW	19	
20	SCREW	20	
21	SCREW	21	
22	SCREW	22	
23	SCREW	23	
24	SCREW	24	
25	SCREW	25	
26	SCREW	26	
27	SCREW	27	
28	SCREW	28	
29	SCREW	29	
30	SCREW	30	
31	SCREW	31	
32	SCREW	32	
33	SCREW	33	
34	SCREW	34	
35	SCREW	35	
36	SCREW	36	
37	SCREW	37	
38	SCREW	38	
39	SCREW	39	
40	SCREW	40	
41	SCREW	41	
42	SCREW	42	
43	SCREW	43	
44	SCREW	44	
45	SCREW	45	
46	SCREW	46	
47	SCREW	47	
48	SCREW	48	
49	SCREW	49	
50	SCREW	50	
51	SCREW	51	
52	SCREW	52	
53	SCREW	53	
54	SCREW	54	
55	SCREW	55	
56	SCREW	56	
57	SCREW	57	
58	SCREW	58	

PART LIST ON DISCREET		QTY	DESCRIPTION	PART NO.	REV
B-11-K					
POWER SUPPLY, H765					
E JIA H765-0					
E JIA H765-0-0					

CONNECTION TABLE			CONNECTION TABLE		
FROM CONNECTION	TO CONNECTION	SIGNALS	FROM CONNECTION	TO CONNECTION	SIGNALS
P2 FROM TRANS. ASSY	J2 FROM +15V REG.	2B VAC	P4 FROM +15V REG.	J2 LOCATED ON PWR DIST. BD	-15V, LTC L, AC LO L, DC LO L, GND
J16 FROM PWR. DIST. BD	P16 LOCATED ON REG. #4 (H754)	GND, -5V, +20V, 2B VAC			
J15 FROM PWR. DIST. BD	P15 LOCATED ON REG. #3 (H744)	GND, +5V, 2B VAC	P5 FROM TRANS. ASSY	J5 LOCATED ON AC INPUT BOX	120/240 VAC
J14 FROM PWR. DIST. BD	P14 LOCATED ON REG. #2 (H744)	GND, +5V, 2B VAC	P7 (RED)	FAN #1 - A	120 VAC - HOT
J13 FROM PWR. DIST. BD	P13 LOCATED ON REG. #1 (H745)	GND, +15V, -15V, 2B VAC	P8 (WHT)	FAN #1 - B	120 VAC - NEUTRAL
GND LUG LOCATED ON PWR. DIST. BD, G3	G1 YEL LUG	SAFTY GROUND	P9 (RED)	FAN #2 - A	120 VAC - HOT
P1 FROM TRANS. ASSY	J1 LOCATED ON PWR. DIST. BD	2B VAC	P10 (WHT)	FAN #2 - B	120 VAC - NEUTRAL
			T1-G	G1	SAFTY GROUND
				G2	ITEM 55



- COMMON SIGNAL NAMES FOR 6-PIN AND 15-PIN MATE-N-LOCKS ON POWER DISTRIBUTION BOARD
- | | |
|-------------|--------------|
| 6-PIN | 15-PIN |
| 1 - GND | 1 - +5V |
| 2 - LTC L | 2 - +15V |
| 3 - DC LO L | 3 - +20V |
| 4 - AC LO L | 4 - +5V |
| 5 - SPARE 4 | 5 - GND |
| 6 - SPARE 5 | 6 - SPARE 1 |
| | 7 - GND |
| | 8 - GND |
| | 9 - GND |
| | 10 - SPARE 2 |
| | 11 - GND |
| | 12 - SPARE 3 |
| | 13 - -15V |
| | 14 - -5V |
| | 15 - SPARE 3 |

REMOTE POWER CONTROL
1-3 : ON
2-3 : OFF

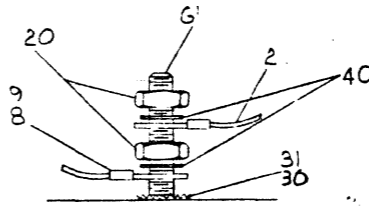
CPU CONSOLE POWER SWITCH
1-3 : ON

THIS DRAWING AND SPECIFICATIONS HEREAFTER ARE THE PROPERTY OF DIGITAL EQUIPMENT CORPORATION AND SHALL NOT BE REPRODUCED OR COPIED OR USED IN WHOLE OR IN PART AS A BASIS FOR THE MANUFACTURE OR SALE OF ITEMS WITHOUT WRITTEN PERMISSION.
COPYRIGHT © 1977, DIGITAL EQUIPMENT CORPORATION

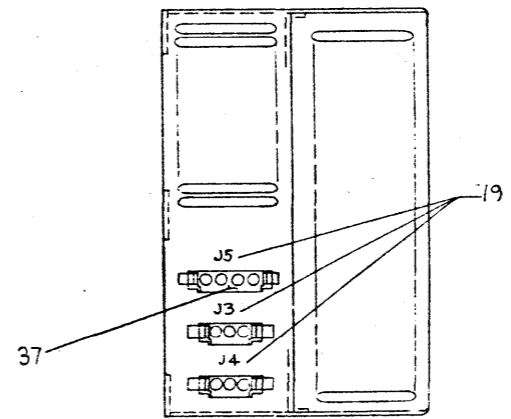
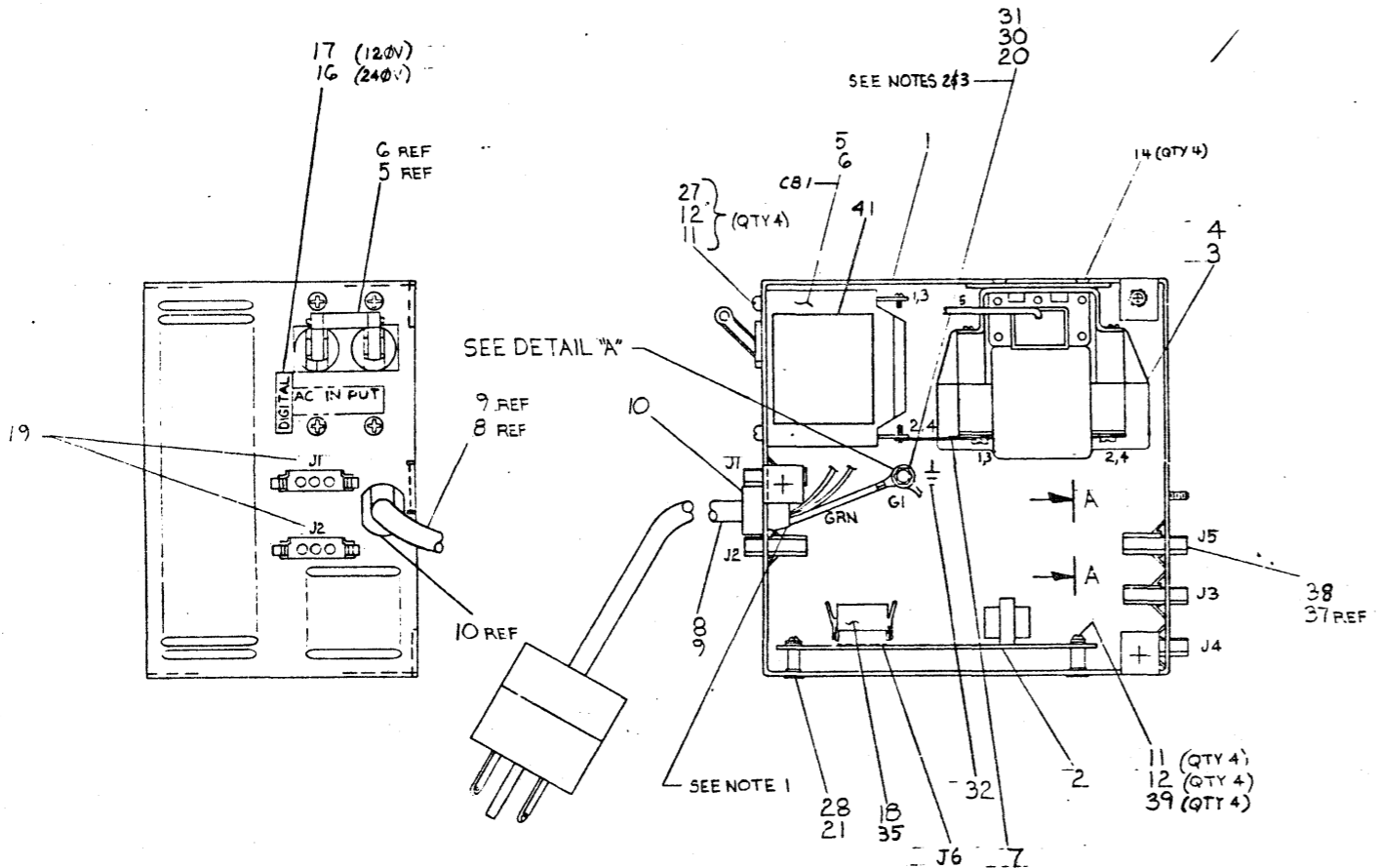
NOTES:

- LEAVE .5IN ±.2IN OF OUTER INSULATION OF LINE CORD INSIDE BOX.
- REMOVE PAINT MASK FROM G1 ONLY AND APPLY CONDUCTIVE GREASE TO AREA AROUND STUD G1 BEFORE INSTALLING ITEMS*31 (LOCKWASHER), LUG ON GRN/YEL WIRE AND *20 (HEXNUT).
- ENSURE THAT LUG CONNECTED TO GRN/YEL WIRE FROM LINE CORD, WASHER ITEM*31, AND HEXNUT ITEM*20 ARE THE FIRST ITEMS INSTALLED ON G1. SEE DETAIL "A". APPLY 22 ±1 IN LBS. OF TORQUE TO BOTH HEX NUTS ON GROUND STUD.
- STRIP LENGTH FOR ITEM *32 AND ITEM *29 SHALL BE .250 ±.015.
- STRIP LENGTH FOR ITEM*37
 - HAND CRIMP .187 ±.015
 - AUTOMATIC STRIP .156 ±.015
- STRIP LENGTH FOR ITEM *35
 - HAND CRIMP .203 ±.015
 - AUTOMATIC STRIP .182 ±.015

LEGEND	
NUMBER	VARIATION
7014420-1	120V 47-63HZ 12A
7014420-2	240V 47-63HZ 2A



DETAIL "A"
SEE NOTES 2 & 3



CAUTION:
OFF SHEET PARTS LIST EXIST
K-PL-7014420-0-DBP

REV.	CHANGE NO.	DATE	BY	CHKD.
A	1	7-19-77	R. KENNEDY	
B	2	7-20-77	W.F. BAUSHA	
C	3	7-20-77	W.F. BAUSHA	
D	4	7-20-77	W.F. BAUSHA	
E	5	7-20-77	W.F. BAUSHA	
F	6	7-20-77	W.F. BAUSHA	
G	7	7-20-77	W.F. BAUSHA	
H	8	7-20-77	W.F. BAUSHA	
I	9	7-20-77	W.F. BAUSHA	
J	10	7-20-77	W.F. BAUSHA	

THIRD ANGLE PROJECTION	DESCRIPTION		DWG./PART NO.		ITEM NO.			
	UNLESS OTHERWISE SPECIFIED DIMENSIONS ARE IN INCHES							
	ANGLES	CLASS OF ACCURACY	NOMINAL DIMENSION RANGE INCHES					
	SURFACE QUALITY	(CHECK ON)	OVER 9 TO 0.1	OVER 0.1 TO 0.2	OVER 0.2 TO 0.5	OVER 0.5 TO 1.0	OVER 1.0 TO 2.0	OVER 2.0 TO 50.0
QUANTITY & VARIATION	MICROINCHES	PREFERRED	±.004	±.002	±.012	±.010	±.024	±.04
REMOVE BURRS AND BREAK SHARP CORNERS	DO NOT SCALE DWG	NEXT HIGHER ASSY.	±.012	±.010	±.020	±.04	±.080	±0.1
MATERIAL	SCALE	FINISH	FIRST USED ON					
SEE: K-PL-7014420-0-DBP	E-LA-H765-C-C		H765		digital			
			TITLE					
			AC INPUT BOX ASSY					
			SIZE	CODE	NUMBER	REV.		
			D	AD	7014420-0-C	E		
			SHEET	OF	DIST.			
			1	2				

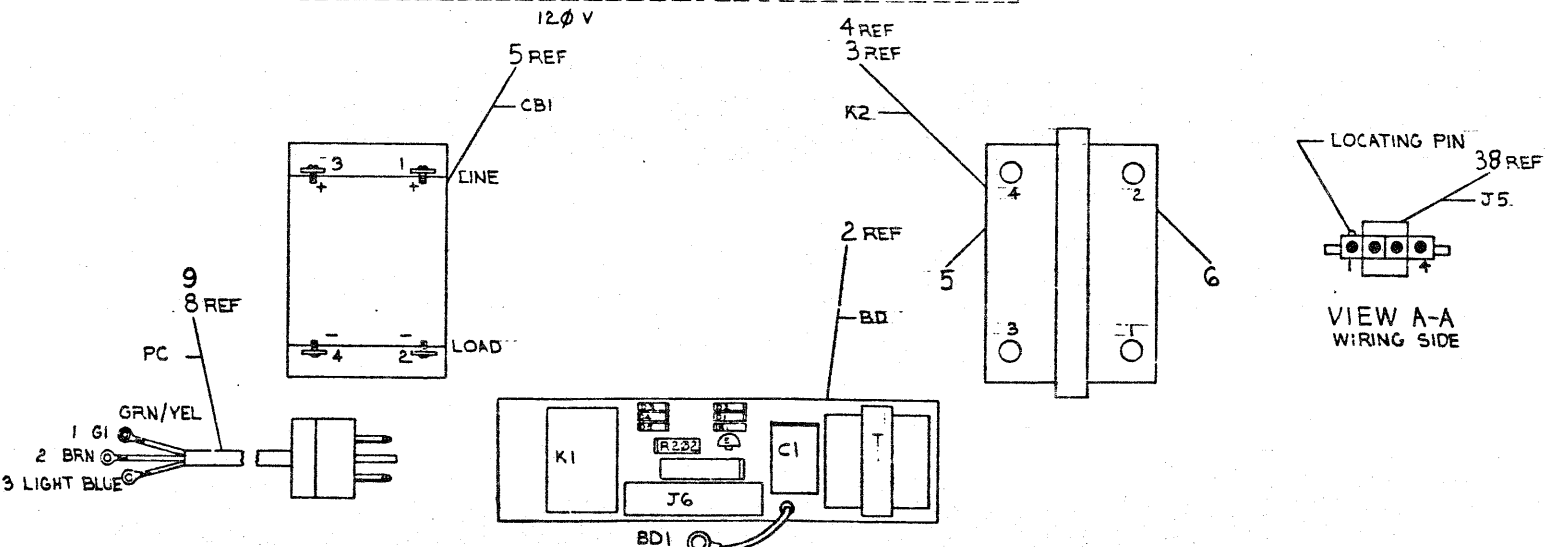
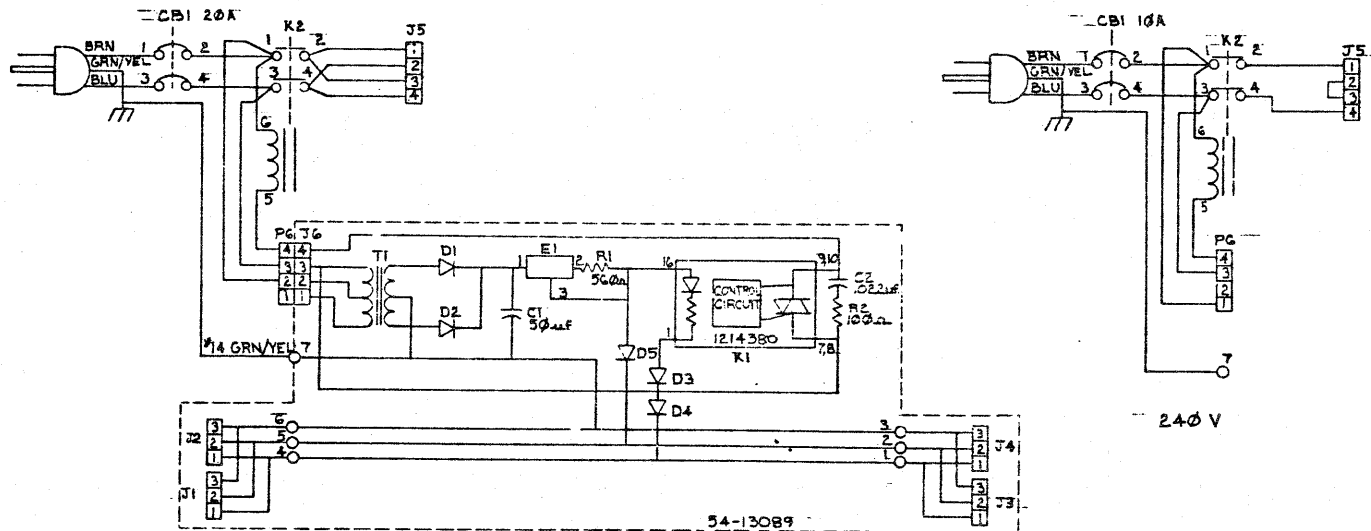
THIS DRAWING AND SPECIFICATIONS HEREIN ARE THE PROPERTY OF DIGITAL EQUIPMENT CORPORATION AND SHALL NOT BE REPRODUCED OR COPIED OR USED IN WHOLE OR IN PART AS THE BASIS FOR THE MANUFACTURE OR SALE OF ITEMS WITHOUT WRITTEN PERMISSION. COPYRIGHT © 1977 DIGITAL EQUIPMENT CORPORATION

WIRE TABLE-1 VAR 120V

ITEM NO	DESCRIPTION	FROM			TO			PRECUT WIRE LENGTH
		AWG	COLOR	STRIP LENGTH	CONN.	WITH	STRIP LENGTH	
8	14	GRN/YEL	SEE NOTE 3		PC-1		G1	
8	14	BRN			PC-2		CBI-1	
8	14	BLU			PC-3		CBI-3	
33	18	BLU	SEE NOTE 4		K2-4	36	SEE NOTE 5	J5-2 37 3.0 ± 0.25
								J5-4 37 3.0 ± 0.25
34	18	BRN	SEE NOTE 4		K2-2	36	SEE NOTE 5	J5-1 37 3.0 ± 0.25
								J5-3 37 3.0 ± 0.25
34	18	BRN	SEE NOTE 4		K2-1	36	SEE NOTE 6	P6-2 35 3.5 ± 0.25
3	18	YEL	SEE NOTE 4		K2-6			3.5 ± 0.25
7					K2-1			CBI-2 STRAP
33	18	BLU	SEE NOTE 4		K2-3	29	SEE NOTE 6	P6-3 35 3.0 ± 0.25
7					K2-3			CBI-4 STRAP
3	18	YEL	SEE NOTE 4		K2-5		SEE NOTE 6	P6-4 35 4.75 ± 0.25
2	18	GRN/YEL	SEE NOTE 6		BD-1			G1

WIRE TABLE-2VAR 240V

ITEM NO	DESCRIPTION	FROM			TO			PRECUT WIRE LENGTH
		AWG	COLOR	STRIP LENGTH	CONN.	WITH	STRIP LENGTH	
9	14	GRN/YEL	SEE NOTE 3		PC-1		G1	
9	14	BRN			PC-2		CBI-1	
9	14	BLU			PC-3		CBI-3	
33	18	BLU	SEE NOTE 4		K2-4	29	SEE NOTE 5	J5-4 37 3.0 ± 0.25
34	18	BRN	SEE NOTE 4		K2-2	29	SEE NOTE 5	J5-1 37 3.0 ± 0.25
34	18	BRN	SEE NOTE 5		J5-2	37	SEE NOTE 5	J5-3 37 2.0 ± 0.25
34	18	BRN	SEE NOTE 4		K2-1	36	SEE NOTE 6	P6-1 35 3.5 ± 0.25
4	18	YEL						3.5 ± 0.25
7					K2-1			CBI-2 STRAP
33	18	BLU	SEE NOTE 4		K2-3	29	SEE NOTE 6	P6-3 35 3.0 ± 0.25
7					K2-3			CBI-4 STRAP
4	18	YEL			K2-5		SEE NOTE 6	P6-4 35 4.75 ± 0.25
2	18	GRN/YEL	SEE NOTE 6		BD-1			G1



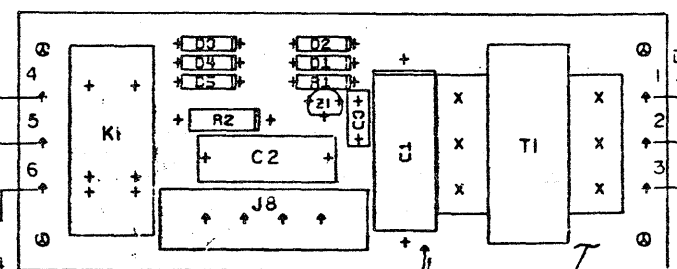
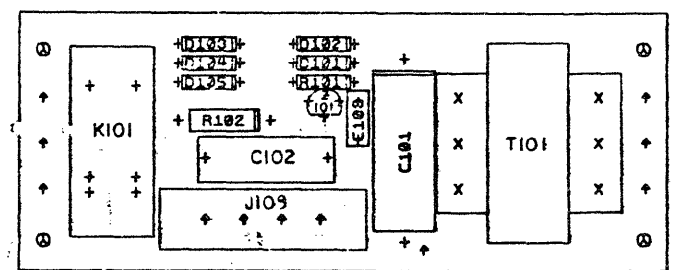
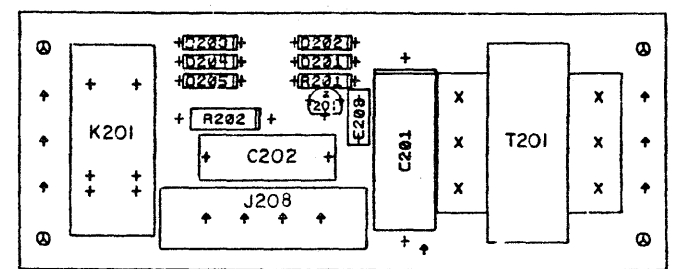
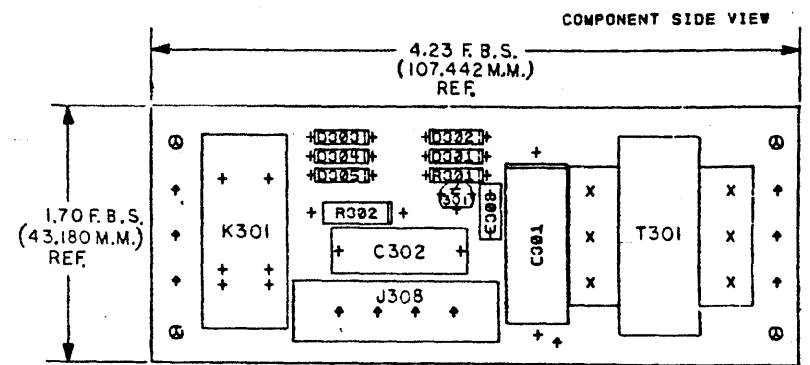
REVISIONS

CHK	CHANGE NO.	REV.

REV. E
NUMBER 701442C-3-0
DATE 10/1/77

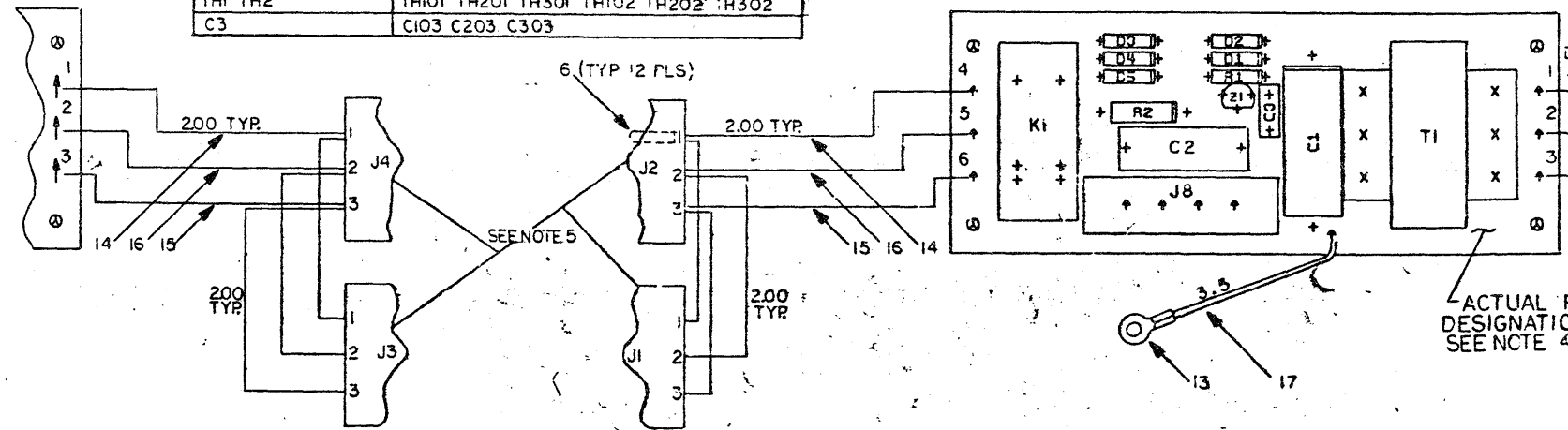
THIS DRAWING AND SPECIFICATIONS, WHETHER AND THE PROPERTY OF DIGITAL EQUIPMENT CORPORATION AND SHALL NOT BE REPRODUCED OR TRANSMITTED IN ANY FORM OR BY ANY MEANS, ELECTRONIC OR MECHANICAL, INCLUDING PHOTOCOPYING, RECORDING, OR BY ANY INFORMATION STORAGE AND RETRIEVAL SYSTEM, WITHOUT PERMISSION IN WRITING FROM DIGITAL EQUIPMENT CORPORATION.
 1978

1 2 3 4 5 6 7 8
 E 0 U A 543089-0-0



REFERENCE	DESIGNATION	CHART
ACTUAL REF DES	SUPERFICIAL	REF DES
C1 C2	C101 C201 C301	C102 C202 C302
D1 D2	D101 D201 D301	D102 D202 D302
D3 D4	D103 D203 D303	D104 D204 D304
D5	D105 D205 D305	
J8	J108 J208 J308	
K1	K101 K201 K301	
R1 R2	R101 R201 R301	R102 R202 R302
T1	T101 T201 T301	
Z1	Z101 Z201 Z301	
TH1 TH2	TH101 TH201 TH301	TH102 TH202 TH302
C3	C103 C203 C303	

DETAIL "A"



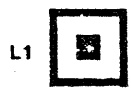
NOTES: 1. THIS BOARD REQUIRES U/L APPROVAL.
 2. DO NOT SLIT BOARD MUST BE SHEARED.
 3. REFER TO PARTS LIST FOR IDENTIFICATION OF NUMBERED ITEMS.
 4. MULTI-REF DESIGNATIONS ARE USED TO ACCOMMODATE PNL INS TECHNIQUES-SEE CHART FOR REF.
 5. J1 J2 J3 J4 ARE NOT USED ON YA VARIATION.

CHECK NO	REV	
ML0004	E	
EVANS	W.BALISHA	

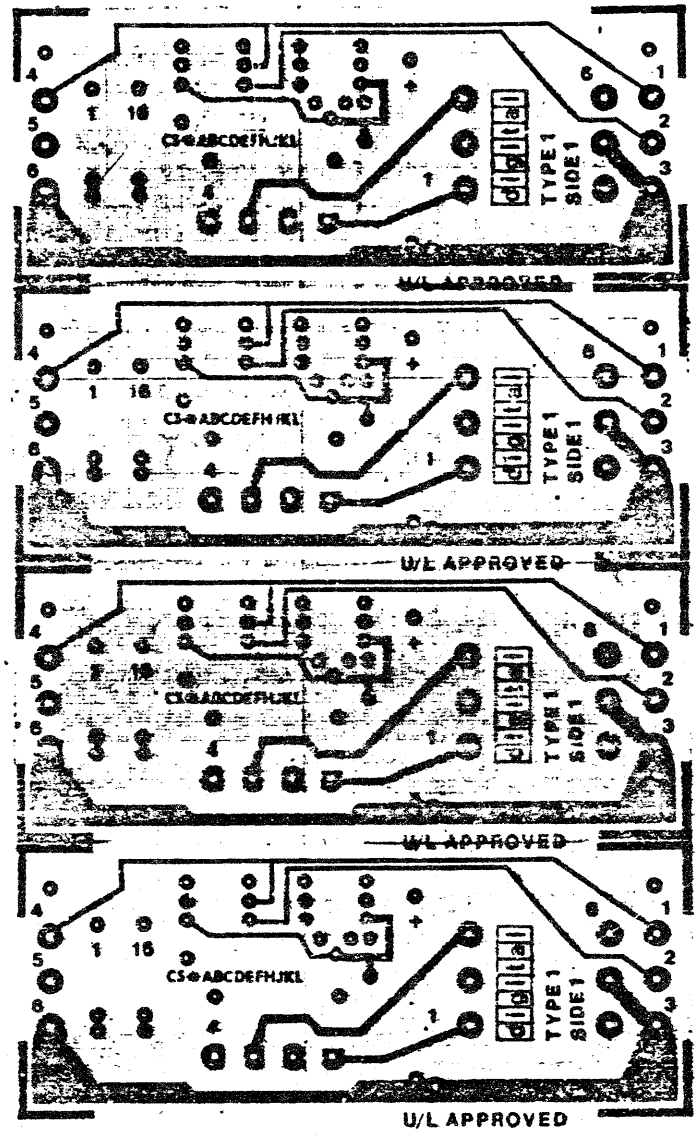
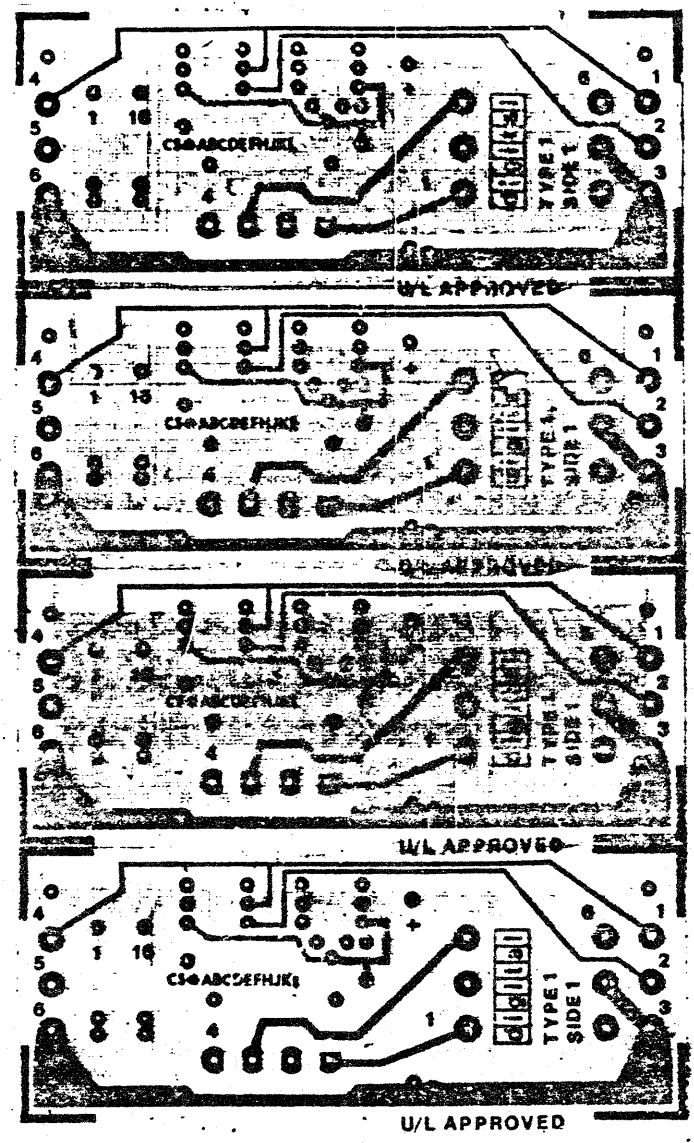
ETCH REV. C-PI
P.C. DESIGN DATA BASE REV. C

SIGNATURES	DATE	digital
DRN. STU EVANS	7-27-78	
CHK'D. <i>[Signature]</i>	1-2-79	
ENG. <i>[Signature]</i>	11/1/79	
PROJ. ENG. <i>[Signature]</i>	11/1/79	
TITLE		A.C. CONTROL BOARD
SCALE 2/1	SHT. 1 OF 3	SIZE CODE NUMBER REV
NEXT HIGHER ASSY. B-DD-5413089-0-0		U A 5413089-0-0 E

1979

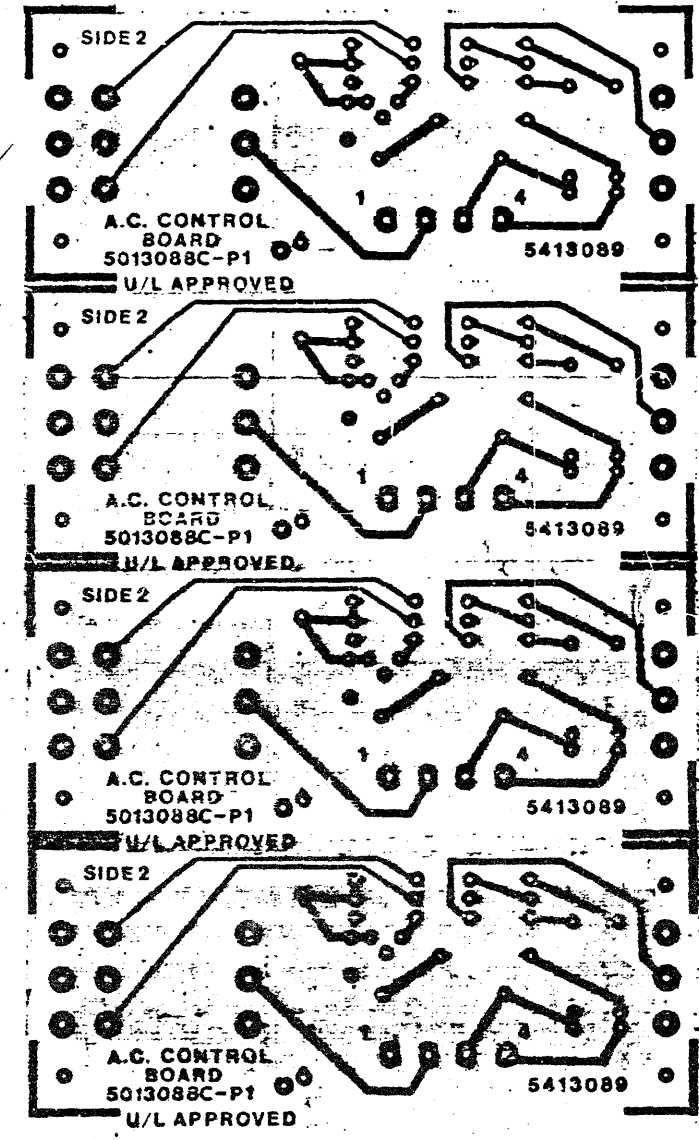
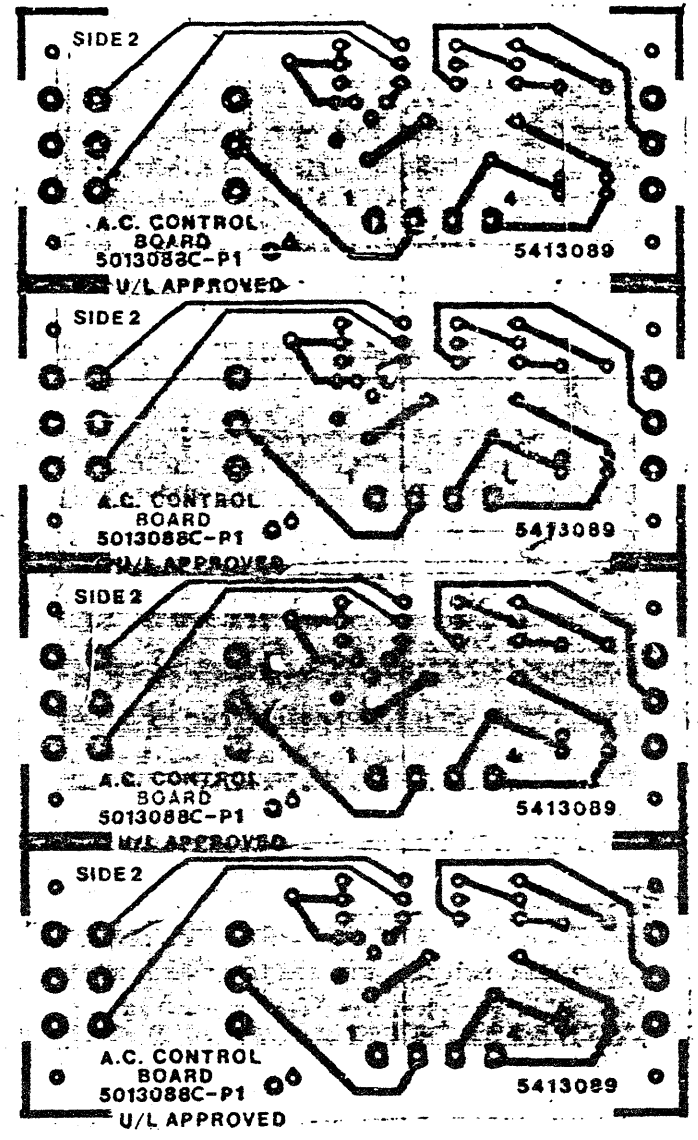


5413089 5013068C-P1



TITLE		AC. CONTROL BOARD		SIZE CODE	NUMBER		REV
SCALE 2:1		SHEET 2 OF 3		DUA	5413089-0-0		E

THIS DRAWING AND ITS CONTENTS ARE THE PROPERTY OF THE GENERAL ELECTRIC COMPANY AND SHALL BE KEPT IN CONFIDENTIALITY AND NOT TO BE REPRODUCED OR DISCLOSED IN ANY MANNER WITHOUT THE WRITTEN PERMISSION OF THE MANUFACTURER OF THIS DRAWING. GENERAL ELECTRIC COMPANY, 1979



REVISION	DATE	BY

TITLE	SIZE/SCALE	NUMBER	REV.
A.C. CONTROL BOARD	D UA	5413089-00	E
SCALE 2:1	SHEET 3 OF 3	DIST	

REV. T

NUMBER H744-0

SIZE CODE BDD

DRAWING NO.	NO. OF SHTS	PART NO.	DESCRIPTION	REVISIONS															
				Y	Y	Y	Z												
D-AH-H744-0-5			ASSY DRILLING/HOLE LAYOUT	Y	Y	Y	Z												
E-UA-H744-0-0	1		UNIT ASSY	Y	Z	AA	AB												
D-CS-H744-0-1	1		CIRCUIT SCHEMATIC	Y	Y	Y	Z												
B-MH-H744-0-6	4		MODULE ECO HISTORY	AD	AE	AE	AF												
		5009725	ETCHED BOARD	H	H	H	H												
A-SP-H744-0-3			TEST PROCEDURE	REF	REF	REF													
A-SP-H744-0-8			MFG SPEC	REF	REF	REF													
D-PS-1210737-0-0	1		HEAT SINK	REF	REF	REF													
D-IA-5309756-0-0	1		REGULATOR BRK'T	REF	REF	REF													
C-MD-5309760-0-0	1		COMPONENT COVER	REF	REF	REF													
C-MD-5309759-0-0	1		CAPACITOR STRAP	REF	REF	REF													
A-PI-3700074-0-0	2		PACKAGING INSTRUCTION	REF	REF	REF													
A-PS-9905211-0-0	2		OUTER CARTON	REF	REF	REF													
A-PS-9905212-0-0	2		INNER PACKAGING	REF	REF	REF													
C-IA-7412388-0-0			2.5 CAP HOLDER	REF	REF	REF													
C-MD-7419952-0-0			COMPONENT COVER	REF		REF													
K-PL-H744-0-DBP	3		PARTS LIST	-	-	-	AB												

NOTES:

REVISIONS	DATE	CHG NO.	REV.	R	S	T																
	2-77	00018																				
	3-78	00019																				
	3-81	00020																				
		H744-01021																				

"THIS DRAWING AND SPECIFICATIONS, HEREIN, ARE THE PROPERTY OF DIGITAL EQUIPMENT CORPORATION AND SHALL NOT BE REPRODUCED OR COPIED OR USED IN WHOLE OR IN PART AS THE BASIS FOR THE MANUFACTURE OR SALE OF ITEMS WITHOUT WRITTEN PERMISSION. COPYRIGHT © 1977, DIGITAL EQUIPMENT CORPORATION"



USED ON OPTION/MODEL	DRN. D. FONTAINE	2-4-72	TITLE	
11/45	CHK'D D. FONTAINE	2-4-72	+5V REGULATOR	
	ENG. G. POTTER	2-24-72	SIZE CODE BDD	NUMBER H744-0
	PROD. A. HIRSCH	2-24-72	SHEET 2 OF 4	REV. T

REV. 1

NUMBER H744-Ø

SIZE CODE BDD

DRAWING NO.	NO. OF SHTS	PART NO.	DESCRIPTION	REVISIONS															
				Y	Y	Z													
D-AH-H744-Ø-5			ASSY DRILLING/HOLE LAYOUT																
E-UA-H744-Ø-Ø	1		UNIT ASSY	W	W	L	A	B											
D-CS-H744-Ø-1	1		CIRCUIT SCHEMATIC	W	W	L	Z												
B-MH-H744-Ø-6	4		MODULE ECO HISTORY	AC	AE	AF													
		5009725	ETCHED BOARD	H	H	H													
A-SP-H744-Ø-3			TEST PROCEDURE	REF	REF														
A-SP-H744-Ø-8			MFG SPEC	REF															
D-PS-1210737-Ø-Ø	1		HEAT SINK	REF															
D-IA-5309756-Ø-Ø	1		REGULATOR BRK'T	REF															
C-MD-5309760-Ø-Ø	1		COMPONENT COVER	REF															
C-MD-5309759-Ø-Ø	1		CAPACITOR STRAP	REF															
A-PI-3700074-Ø-Ø	2		PACKAGING INSTRUCTION	REF															
A-PS-9905211-Ø-Ø	2		OUTER CARTON	REF															
A-PS-9905212-Ø-Ø	2		INNER PACKAGING	REF															
C-IA-7412388-Ø-Ø			2.5 CAP HOLDER	REF															
C-MD-7419952-Ø-Ø			COMPONENT COVER	REF	REF														
K-PL-H744-Ø-DBP	3		PARTS LIST			AB													

NOTES:

REVISIONS		DATE	CHG NO.	REV.												
			00017		R											
		2-77	00019		R											
		3-81	H744 MLO21		T											

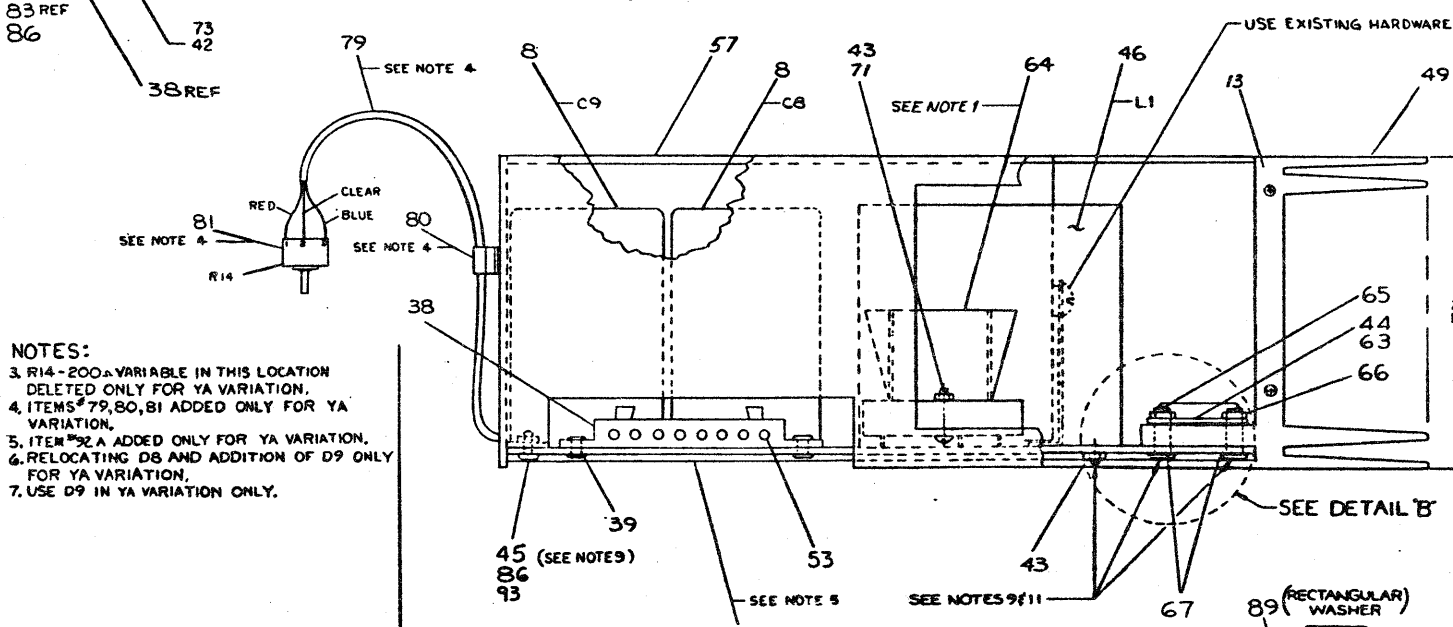
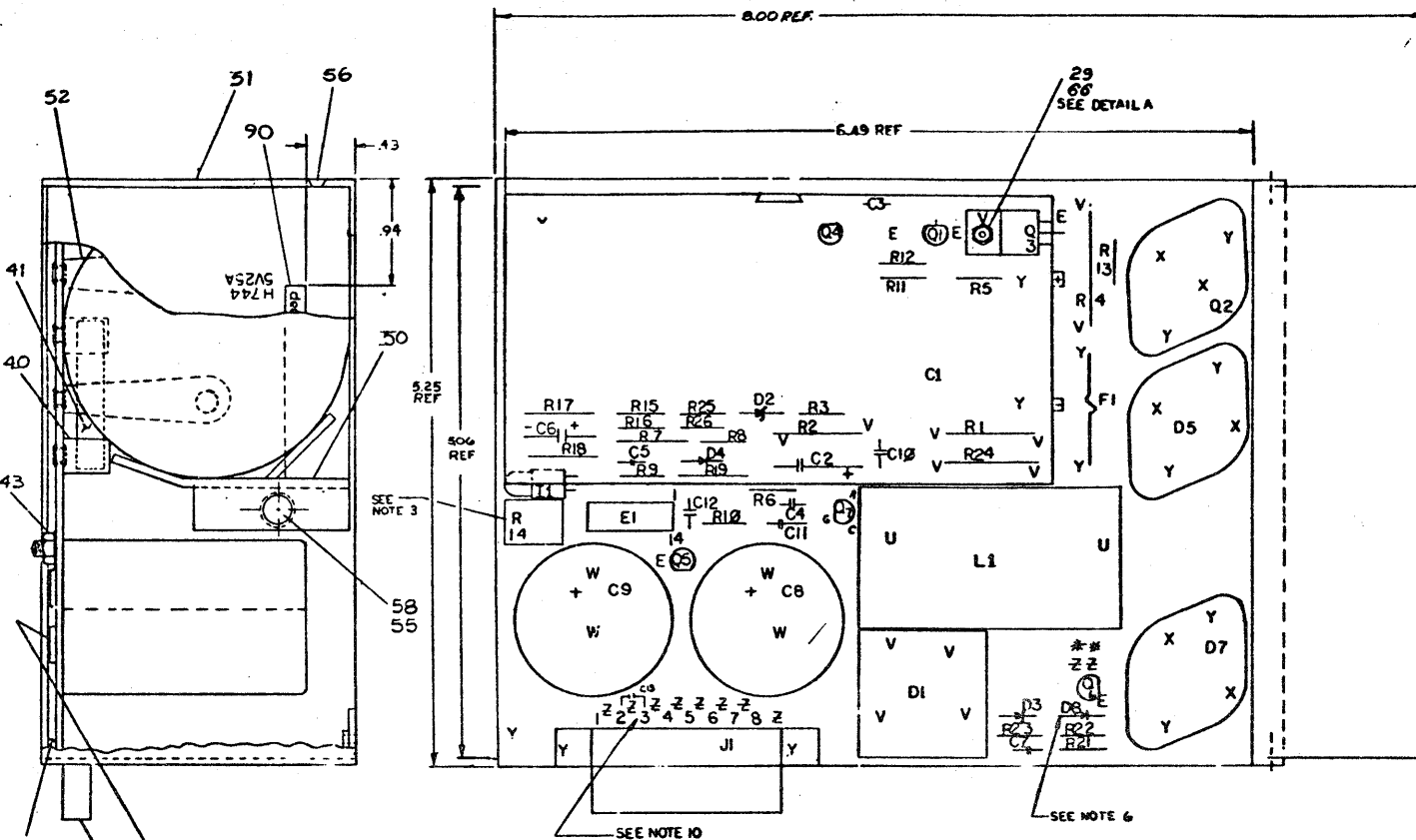
"THIS DRAWING AND SPECIFICATIONS, HEREIN, ARE THE PROPERTY OF DIGITAL EQUIPMENT CORPORATION AND SHALL NOT BE REPRODUCED OR COPIED OR USED IN WHOLE OR IN PART AS THE BASIS FOR THE MANUFACTURE OR SALE OF ITEMS WITHOUT WRITTEN PERMISSION. COPYRIGHT © 1977, DIGITAL EQUIPMENT CORPORATION"



USED ON OPTION/MODEL	DRN.	DATE	TITLE
11/45	D. FONTAINE	2-4-72	+5V REGULATOR
	CHK'D D. FONTAINE	2-4-72	
	ENG. G. POTTER	2-24-72	
	PROD. A. HIRSCH	2-24-72	

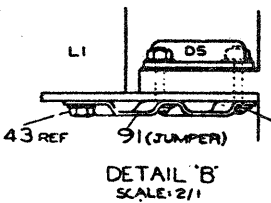
SIZE CODE	NUMBER	REV.
BDD	H744-Ø	T
SHEET 3 OF 4		

NOTES:
 1. APPLY ITEM #63 (COMPOUND) BETWEEN TRANSISTOR (Q2), DIODES (D5, D7) AND ITEM #44 (WASHER) ALSO BETWEEN ITEM #44 (WASHER) AND HEAT SINK (ITEM #45) ALSO APPLY ITEM #63 (COMPOUND) BETWEEN ITEM #9 (DIODE BRIDGE) AND ITEM #64 (HEAT SINK BRIDGE).



NOTES:
 3. R14-200 Ω VARIABLE IN THIS LOCATION DELETED ONLY FOR YA VARIATION.
 4. ITEMS #79,80,81 ADDED ONLY FOR YA VARIATION.
 5. ITEM #32A ADDED ONLY FOR YA VARIATION.
 6. RELOCATING D8 AND ADDITION OF D9 ONLY FOR YA VARIATION.
 7. USE D9 IN YA VARIATION ONLY.

NOTES CONT:
 NOTE 8:
 (1) Q3 SCREW HEAD SHOULD BE ON TOP OF FLAT RECTANGULAR WASHER AS SHOWN. APPLY 6 INCH LBS. OF TORQUE WHEN SECURING Q3 TO CKT. BOARD BEFORE SOLDERING.
 NOTE 9: TORQUE APPLICATION
 (1) APPLY 12 INCH LBS OF TORQUE TO THE SCREWHEAD OF #4 HARDWARE EXCEPT Q3.
 (2) APPLY 12 INCH LBS OF TORQUE TO #6 HARDWARE ON L1.
 (3) APPLY 16 INCH LBS OF TORQUE TO ALL #6 AND #10 HARDWARE EXCEPT ON L1.
 (4) ALL HARDWARE TO BE TORQUED BEFORE SOLDERING.
 NOTE 10:
 INSERT C13 INTO ETCH PAD HOLES CONNECTED TO J1 TERMINALS, 2-3.
 NOTE 11:
 MIN TORQUE REQUIRED FOR CC INSPECTION:
 8 INCH LBS FOR #4 HARDWARE;
 12 INCH LBS FOR #6 AND #10 HARDWARE
 4 SEE NOTE 7



CAUTION:
 OFF SHEET PARTS LIST REF TO K-PL-H744-0-DBP

IC TYPE	QHD	Y2Y	ETCH NO	ASSY	PRICE	PT	TO PT

QTY	PART NO	DESCRIPTION
1	Q3	SCREW
1	Q2	TRANSISTOR
1	D5	DIODE
1	D7	DIODE
1	D8	DIODE
1	D9	DIODE
1	H744	HEAT SINK
1	91	JUMPER
1	92	WASHER
1	93	WASHER
1	94	WASHER
1	95	WASHER
1	96	WASHER
1	97	WASHER
1	98	WASHER
1	99	WASHER
1	100	WASHER
1	101	WASHER
1	102	WASHER
1	103	WASHER
1	104	WASHER
1	105	WASHER
1	106	WASHER
1	107	WASHER
1	108	WASHER
1	109	WASHER
1	110	WASHER
1	111	WASHER
1	112	WASHER
1	113	WASHER
1	114	WASHER
1	115	WASHER
1	116	WASHER
1	117	WASHER
1	118	WASHER
1	119	WASHER
1	120	WASHER
1	121	WASHER
1	122	WASHER
1	123	WASHER
1	124	WASHER
1	125	WASHER
1	126	WASHER
1	127	WASHER
1	128	WASHER
1	129	WASHER
1	130	WASHER
1	131	WASHER
1	132	WASHER
1	133	WASHER
1	134	WASHER
1	135	WASHER
1	136	WASHER
1	137	WASHER
1	138	WASHER
1	139	WASHER
1	140	WASHER
1	141	WASHER
1	142	WASHER
1	143	WASHER
1	144	WASHER
1	145	WASHER
1	146	WASHER
1	147	WASHER
1	148	WASHER
1	149	WASHER
1	150	WASHER
1	151	WASHER
1	152	WASHER
1	153	WASHER
1	154	WASHER
1	155	WASHER
1	156	WASHER
1	157	WASHER
1	158	WASHER
1	159	WASHER
1	160	WASHER
1	161	WASHER
1	162	WASHER
1	163	WASHER
1	164	WASHER
1	165	WASHER
1	166	WASHER
1	167	WASHER
1	168	WASHER
1	169	WASHER
1	170	WASHER
1	171	WASHER
1	172	WASHER
1	173	WASHER
1	174	WASHER
1	175	WASHER
1	176	WASHER
1	177	WASHER
1	178	WASHER
1	179	WASHER
1	180	WASHER
1	181	WASHER
1	182	WASHER
1	183	WASHER
1	184	WASHER
1	185	WASHER
1	186	WASHER
1	187	WASHER
1	188	WASHER
1	189	WASHER
1	190	WASHER
1	191	WASHER
1	192	WASHER
1	193	WASHER
1	194	WASHER
1	195	WASHER
1	196	WASHER
1	197	WASHER
1	198	WASHER
1	199	WASHER
1	200	WASHER

FIRST USED ON OPTION	ETCH BOARD REV	H	DATE	BY	APPROVED
D-UA-H744-0-0					
IN4744	143606				
DEC NO.	EDA NO.	DEC NO.	EDA NO.	DATE	BY
				EQUIPMENT CORPORATION	
				+5V REGULATOR	
				E LA H744-0-0	
				AB	

LINE	ITEM	DOCUMENT NUMBER	PART NUMBER	DESCRIPTION	QTY	PER	REFERENCE DESIGNATOR
					00	VA	
1	1		5009725-00	H744 H	1	1	
2	2		1002627-00	2.2MFD 20V 10% S.TANT	1	1	C6
3	3		1001610-00	.01 MFD 50V +80-20% Z5U CER	2	2	C10,C13
4	4		1001637-00	2700.0 MMF 100V 5%200PPM MICA	1	1	C11
5	5		1000050-00	.033 MFD 100V 80V 10% MYL	1	1	C2
6	6		1001774-00	.05 MFD 25V 10% Y5U DISC	2	2	C4,C3
7	7		1010858-00	31,000 MFD 50V +75-10% AL EL	1	1	C1
8	8		1010704-00	6000 MFD 10V +75-10% AL EL	2	2	C8,C9
9	9		1110714-00	NSS3514 FWR2400 I=20A (TRW)	1	1	D1
10	10		1105648-00	1N 4744 VZ= 15.0 10% 1W	1	1	D2
11	11		1100114-00	D 664 QS\75PCB PIV= 25V SP	2	-	D4,D8
			CONT		-	3	D4,D8,D9
12	12		1110715-00	NSR8117 PIV= 75 I=20A T03 5M	1	1	D5
13	13		9009142-02	SCREW, PHILLIPS FLAT HEAD, SELF	4	4	
14	14		1109465-00	MCR 649P2SCR2 50V I=20A T041	1	1	D7
15	15		1110925-00	ITTZ429 VZ= 5.1 2% .40W M	1	0	D3
16	16		1300250-00	150.0 .25 W 5.0 % CC	2	-	R12,R10
			CONT		-	3	R12,R10,R18
17	17		1301317-00	10.0 .25 W 5.0 % CC	1	1	R5
18	18		1302927-00	3.90 K 1.0 W10.0 % CC	1	1	R1
19	19		1300358-00	820.0 1.0 W10.0 % CC	1	1	R2
20	20		1310876-00	.02 5.0 W 3.0 % WW	1	0	R4
21	21		1300479-00	10.0 K .25 W 5.0 % CC	2	2	R6,R15
22	22		1302465-00	18.0 K .25 W 5.0 % CC	1	1	R25
23	23		1302411-00	511.0 .25 W 1.0 % RN55D-F10	1	0	R18
24	24		1300365-00	1.0 K .25 W 5.0 % CC	2	2	R8,R16
25	25		1309412-00	18.20 K .25 W 1.0 % RN55D-F10	1	1	R7
26	26		1301522-00	27.0 .25 W 5.0 % CC	2	2	R9,R11
27	27		1302955-00	750.0 .25 W 1.0 % RN55D-F10	1	0	R17
28	28		1301420-00	*** THIS ITEM IS NOT USED ***	-	-	

REVISION HISTORY		BASIC PART NO: DH744		DRN: W.G.		DATE: 12-15-71		DIGITAL	
ENG	ECO NUMBER	REV	SECTION A OF A	CHK'D:	D. FONTAINE	DATE:	12-19-71	TITLE	PARTS LIST
G.P.	H744-MLO21	AB	SECTION VARIATION INDEX					SV REGULATOR	
			[A] 00, YA	DES.ENG:	G. POTTER	DATE:	12-28-71		
			[B]	RESP.ENG.:	G. POTTER	DATE:	12-28-71	DOCUMENT NUMBER	
			[C]					SIZE CODE NUMBER	REV
			[D]	MFG.ENG.:	A. HIRSCH	DATE:	01-07-72	K PL H744-0-DBP	AB
			[E]	ASSEMBLY NUMBER:	E-UA-H744-0-0	TOP DOCUMENT NUMBER:	#B-DD-H744-0	FILE NAME:	EDIT #
			[F]					MLO4AB.PLS	13
			[G]						
			[H]						
			[I]						
			[J]						
			[K]						
			[L]						
			[M]						
			[N]						

"THIS DRAWING AND SPECIFICATIONS HEREIN, ARE THE PROPERTY OF DIGITAL EQUIPMENT CORPORATION AND SHALL NOT BE REPRODUCED OR COPIED OR USED IN WHOLE OR IN PART AS THE BASIS FOR THE MANUFACTURE OR SALE OF ITEMS WITHOUT WRITTEN PERMISSION. COPYRIGHT (C) 1981. DIGITAL EQUIPMENT CORPORATION"

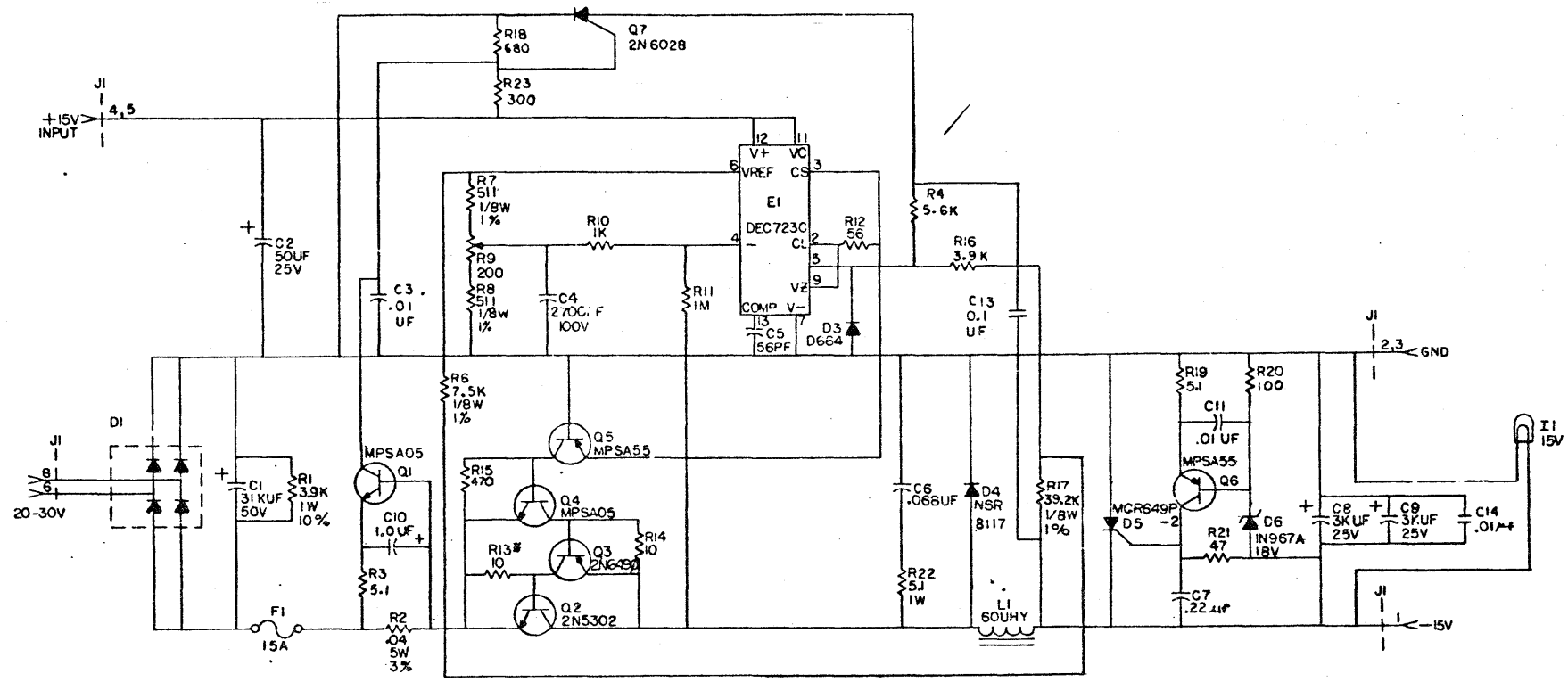
LINE	ITEM	DOCUMENT NUMBER	PART NUMBER	DESCRIPTION	QTY	PER	VARIATION	REFERENCE DESIGNATOR
					00	YA		
29	29		9006011-01	SCREW,PAN,PHIL 4-40X 3/8 SS	1	1		
30	30		1300229-00	100.0 .25 W 5.0 % CC	1	1		R23
31	31		1309422-00	5.10 .25 W 5.0 % CC	1	1		R21
32	32		1310852-00	200.0 .50 W20.0 % POT	1	0		R14
33	33		1510196-00	2N 5302/HSNPN 200WC SI 60 40 M	1	1		Q2
34	34		1510706-00	XA 55 PNP 500MW SI 60 50 P	3	3		Q1,Q6,Q4
35	35		1510708-01	D 45H8CPNP 50WT SI 60 60 Y	1	1		Q3
36	36		1510705-00	XA 05 NPN 500MW SI 60 50 P	1	1		Q5
37	37		1910415-00	723 VOLT REG VAR 2/37V	1	1		E1
38	38		1209340-00	MATE-N-LOK 8PCS COMM HSG,SKT	1	1		J1
39	39		9009000-00	EYELET ROLL FLANGE .1210DX .156	6	6		
40	40		9007203-00	CLIP, FUSE, WITH STOP, SCREW MOU	2	2		
41	41		1213237-01	FUSE, RECTIFIER 15A, 65V	1	1		F1
42	42		9009669-01	SCREW,PAN,SLOT 10-32X 5/16 SS	4	4		
43	43		9008185-00	NUT,KEP 6-32X1/4 AF	3	3		
44	44		9006721-00	WASHER, SPECIAL INSULATING, #294	3	3		
45	45		9008301-01	SCREW,PAN,PHIL 4-40X 1/4 SS	2	2		
46	46		1410850-00	44. UA 25A #MMC4347	1	1		L1
47	47		1300171-00	10.0 1.0 W 5.0 % CC	1	1		R24
48	48		1000012-00	56.0 MMF 100V 5%200PPM MICA	2	2		C5,C12
49	49	D-PS-1210737-0-0		HEAT SINK REGULATOR	1	1		
50	50	C-IA-12388-0-0		HOLDER, CAPACITOR 2.5	1	1		
51	51	D-IA-5309756-0-9		BRACKET, REGULATOR	1	1		
52	52	C-MD-5309759-0-0		STRAP, CAPACITOR	2	2		
53	53		1209456-01	MATE-N-LOK SKT COMM PC MTG LOOSE	8	8		
54	54		9006009-02	*** THIS ITEM IS NOT USED ***	-	-		
55	55		9006633-00	WASHER, LOCK, INT, .2800D X .146ID	1	1		
56	56		9008020-02	SCREW, FLAT, PHIL, 6-32X 3/16	1	1		
57	57	C-MD-5309760-0-0		COVER	0	1		
58	58		9006020-01	SCREW,PAN,PHIL 6-32X 1/4 SS	1	1		
59	59		1510877-00	2N 6028 UJT 300MW R67B	1	1		Q7
60	60		1300428-00	12.0 K .25 W 5.0 % CC	1	1		R3
61	61		1305322-00	7.50 K .25 W 1.0 % RN55D-F10	1	1		R19
62	62		1300391-00	1.50 K .25 W 5.0 % CC	1	1		R26
63	63		9008268-00	COMPOUND, THERMAL JOINT	A/R	A/R		
64	64		1210907-00	HT STNK BRIDGE RECT #695-1-G	1	1		
65	65		9008033-01	SCREW,PAN,PHIL 4-40X 9/16 SS	6	6		
66	66		9006557-00	NUT,KEP 4-40X 1/4 AF	7	7		
67	67		9006632-00	WASHER, LOCK, INT, .2600D X .120ID	8	8		
68	68		1209219-01	LAMP 6V200MA, 11-3/4PINS #2319	1	0		I1
69	69		1301424-00	680.0 .25 W 5.0 % CC	1	1		R22
70	70	A-PI-3700074-0-0		PACKAGING INSTRUCTIONS	1	1		
71	71		9006025-01	SCREW,PAN,PHIL 6-32X 5/8 SS	1	1		
72	72		1209169-00	LAMP, 15V @ .040AMP MAX, .075 CP	0	1		I1
73	73		9006635-00	WASHER, LOCK, INT, .3100D X .200ID	4	4		
74	74		9009157-00	*** THIS ITEM IS NOT USED ***	-	-		
75	75		9107302-11	*** THIS ITEM IS NOT USED ***	-	-		
76	76		9107278-11	*** THIS ITEM IS NOT USED ***	-	-		

D	I	G	I	T	A	L	TITLE	SV REGULATOR	SECTION A OF A	SIZE	CODE	DOCUMENT NUMBER	REV
										K	PL	H744-0-DBF	AB

LINE	ITEM	DOCUMENT NUMBER	PART NUMBER	DESCRIPTION	QTY	PER	VARIATION	REFERENCE DESIGNATOR
					00	YA		
77	77		1505555-00	*** THIS ITEM IS NOT USED ***	-	-		
78	78		9107252-09	*** THIS ITEM IS NOT USED ***	-	-		
79	79	SEE NOTE	1700014-00	CABLE, COAX, 3 COND.	0	1		
80	80		9007079-00	CLAMP, CABLE, SCREW MNT, 1/8"	0	1		
81	81		1309532-04	1.0 K 2.0 W 5.0 % POT	0	1		R14
82	82		1301425-00	300.0 .25 W 5.0 % CC	0	1		R17
83	83		7419952-00	COVER COMPONENT	0	1		
84	84		1310876-02	.06 5.0 W 3.0 % WW	0	1		R4
85	85		1109991-00	1N 754A VZ= 6.8/ 5% .40W	0	1		D3
86	86		9008848-00	WASHER, FIBER, W/ADH. BACK, 1/2	0	2		
87	87		1010274-00	.22 MFD 50V +80-20% Z5U CER	1	1		C7
88	88		1312496-00	10.0 .25 W 5.0 % FUSE	1	1		R13
89	89		9009769-00	WASHER, RECTANGULAR .405X.225X.0	1	1		
90	90	A-DC-7416945-1-0		DECAL (H744)	1	1		
91	91		1214074-00	STRAP, THERMAL	1	1		
92	92	D-CS-H744-0-1		CIRCUIT SCHEMATIC	-	-		REF
93	93	B-MH-H744-0-6		MODULE ECO HISTORY	-	-		REF
94	94	K-CO-H744-0-4		X-Y COORDINATE HOLE LOCATION	-	-		REF
95	95	D-AH-H744-0-5		ASSY/DRILLING HOLE LAYOUT	-	-		REF

96 NOTE: CUT CABLE TO LENGTH OF 12 IN.

This drawing and specifications, herein, are the property of Digital Equipment Corporation and shall not be reproduced or used in whole or in part as the basis for the manufacture or sale of items without written permission. COPYRIGHT © 1976
DIGITAL EQUIP. CORP., MAYNARD, MA.



* FUSIBLE
UNLESS OTHERWISE INDICATED:
RESISTORS = 1/4W, 5%

QTY	REF DESIGNATION	DESCRIPTION	PART NO.	ITEM NO.
PARTS LIST				
	ETCH BOARD REV	E		
	D664	IN 3608	D45H8	
	NSR 8117		2N 6028	
	MCR649P - 2			
	IN 967A	SAME		
	2N 5302			
	MPS A05			
	MPS A55			
	DEC NO.	EIA NO.	DEC NO.	EIA NO.
SEMICONDUCTOR CONVERSION CHART				
DRG. <i>Page 1</i> NAME: <i>PROE</i> ENG: <i>...</i> PROJ. <i>...</i> DATE: <i>11/2/72</i>		DATE: <i>11-4-71</i> DATE: <i>1-9-71</i> DATE: <i>1/12</i> DATE: <i>1/12/72</i> DATE: <i>1/13/72</i>		digital EQUIPMENT CORPORATION MAYNARD, MASSACHUSETTS
TITLE			-15V REG	
NEXT HIGHER ASSY		SIZE CODE	NUMBER	
		DCS	H745-0-1	AA
SCALE		SHEET 1 OF 1		

H745-0-1-AA

CUSTOMER PRINT SET INDEX

THIS IS PRINT SET

SEQUENCE

SEQUENCE

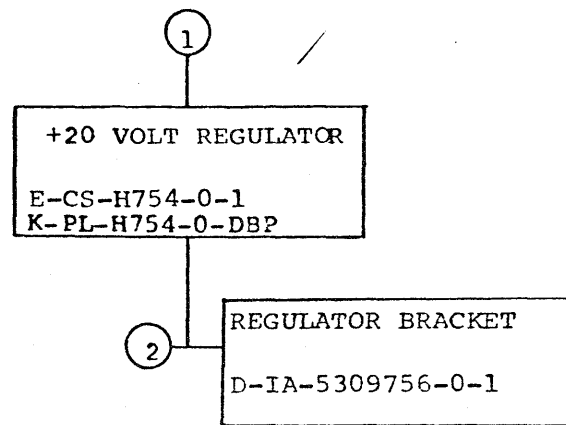
DRAWING DIRECTORY
 +20 VOLT REGULATOR
 +20 VOLT REGULATOR
 +20 VOLT REGULATOR

B-DD-H754-Ø
 E-CS-H754-0-1
 K-PL-H754-0-DBP
 D-UA-H754-0-0

UNIT VARIATIONS		PRINT SET			
VAR	TITLE	1			
H/54-0	+20 VOLT REGULATOR	X			

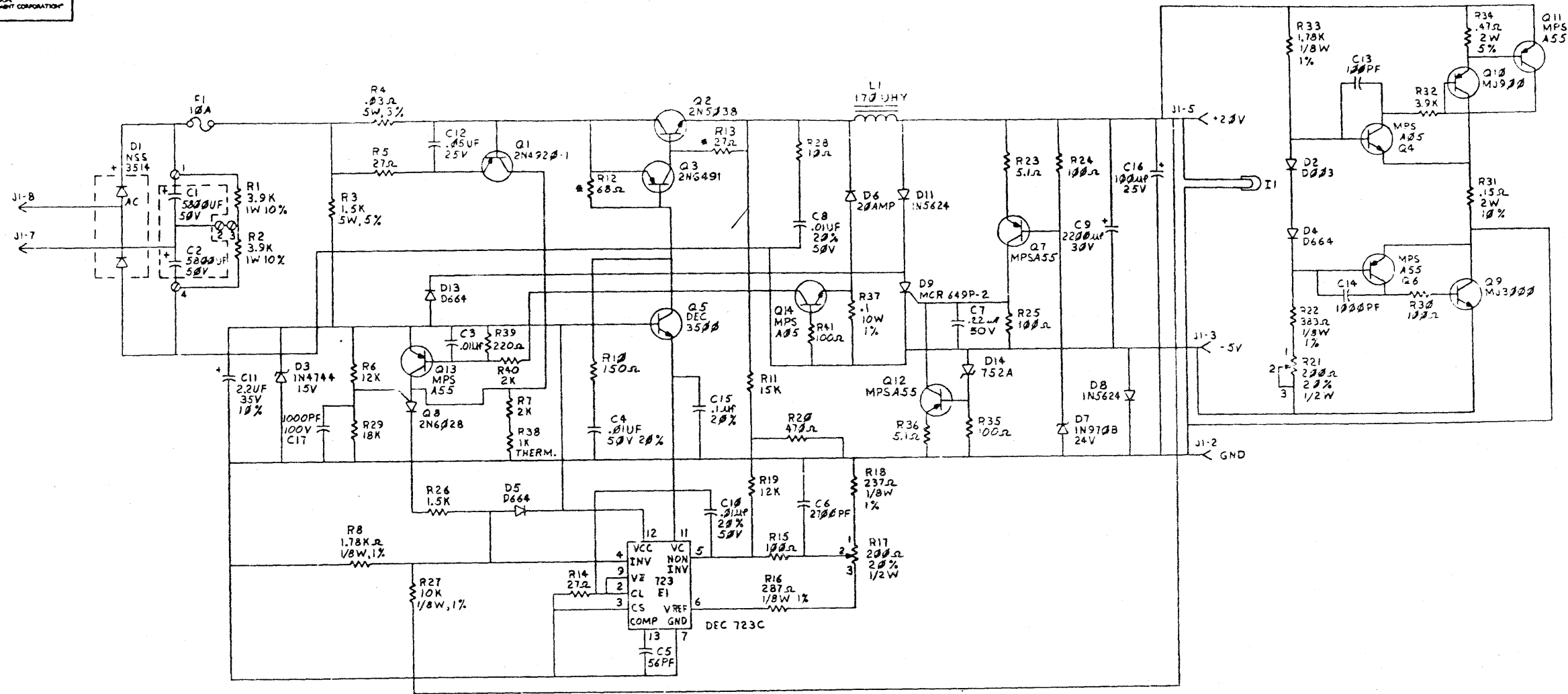
REVISIONS				USED ON OPTION/MODEL	DRN.	DATE	TITLE	SIZE	CODE	NUMBER	REV
DATE	CHG. NO.	REV			J. Fleming	2/21/74	+20 VOLT REGULATOR	B	DD	H754-Ø	C
10-75	H754-9	A			J. Fleming	2/21/74					
11-3	H754-10	B			E. Williams	3-13-74					
7-14-83	H754 MLØ19	C			Pack House	5-14-74					
					FIELD SERV.	7/25/74					
				SHEET 1 OF 3	Walt Aubel						

DEC 16 (1251) 1062-1A-R972



TITLE	SHEET	OF	SIZE	CODE	NUMBER	REV
+20 VOLT REGULATOR	3	3	B	DD	H754-Ø	C

THIS DRAWING AND SPECIFICATIONS HEREON ARE THE PROPERTY OF DIGITAL EQUIPMENT CORPORATION AND SHALL NOT BE REPRODUCED OR COPIED IN WHOLE OR IN PART AS IT IS BASIS FOR THE MANUFACTURE OR SALE OF ITEMS WITHOUT WRITTEN PERMISSION. COPYRIGHT © 1972, DIGITAL EQUIPMENT CORPORATION.



* FUSIBLE RESISTOR

REV.	CHANGE NO.	DATE	BY
1	H754-MLO19	10-17-72	M. COOK
2		11-17-72	
3		12-17-72	

DRN WBS/NETTER	2-7-72	FIRST USED ON	H754	digital
CHK'D R. VOLLES	2-17-72	TITLE	+20 VOLT REGULATOR	
ENG. R. BURTON	5-7-73	PROJ. ENG. R. BURTON	5-7-73	
PROD. R. BAPTISTE	5-2-73	NEXT HIGHER ASSY.		
SHEET 1	OF 1	SIZE	D	CODE
		SCALE		
		NUMBER	H754-0-1	REV. W

LINE	ITEM	DOCUMENT NUMBER	PART NUMBER	DESCRIPTION	QTY	PER VARIATION	REFERENCE DESIGNATOR
					00		
1	1		5010531-00	H754 F	1		
2	2		1011363-00	*** THIS ITEM IS NOT USED ***	-		
3	3		1001774-00	.05 MFD 25V 10% Y5U DISC	1		C12
4	4		1211239-00	LAMP 28V 40MAAT1-3/4 WITH TU PIN	1		I1
5	5		1000012-00	56.0 MMF 100V 5%200PPM MICA	1		C5
6	6		1001637-00	2700.0 MMF 100V 5%200PPM MICA	1		C6
7	7		1001610-01	.01 MFD50/100V +80-20% DISC	4		C3,C8,C4,C10
8	8		1010859-00	2200 MFD +75-10% AL EL	1		C9
9	9		1000030-00	.1 MFD 100V 20% Z5U DISC	1		C15
10	10		1100114-00	PIV= 25 IO=135 MA	3		D5,D13,D4
11	11		1110714-00	RECT. ASSY PIV= 400 IO=20.00A	1		D1
12	12		1105648-00	VZ= 15.0 10% 1 W 1N4744	1		D3
13	13		1110715-00	PIV= 75 IO=20.00A TO-3	1		D6
14	14		1110856-00	VZ= 24.0 5% 400 MW 1N970B	1		D7
15	15		1109465-00	SCR PIV= 50 IO=20.00A MCR649P	1		D9
16	16		1107308-00	VZ= 5.6 5% 400 MW 1N752A	1		D14
17	17	BLANK			0		
18	18		1110420-00	PIV= 200 IO= 5.00A 1N5624	2		D11,D8
19	19		1301317-00	10.0 .25 W 5.0 % CF	1		R28
20	20		1302927-00	3.90 K 1.0 W 10.0 % CC	2		R1,R2
21	21		1300391-00	1.50 K .25 W 5.0 % CF	1		R26
22	22		1305258-00	.47 2.0 W 5.0 % WW	1		R34
23	23		1301897-00	1.50 K 5.0 W 5.0 % WW	1		R3
24	24		1310876-01	.03 5.0 W 3.0 % WW	1		R4
25	25		1002431-00	2.2MFD 35V 10% S.TANT	1		C11
26	26		1302465-00	18.0 K .25 W 5.0 % CF	1		R29
27	27		1305124-00	287.0 .25 W 1.0 % RN55D-F10	1		R16
28	28		1300444-00	3.90 K .25 W 5.0 % CF	1		R32
29	29		1303312-00	10.0 K .25 W 1.0 % RN55D-F10	1		R27
30	30	BLANK			0		

REVISION HISTORY		BASIC PART NO: OH754		DRN: V. BISSONNETTE DATE: 31-AUG-72		D I G I T A L	
ENG	ECO NUMBER	REV	SECTION A OF A	CHK'D:	DATE:	TITLE	PARTS LIST
HC	H754-ML019	W	SECTION VARIATION INDEX	B. MANCHESTER	17-DEC-72	+20 VOLT REGULATOR	
			[A] 00				
			[B]				
			[C]	DES.ENG: R. BURTON	7-MAY-73		
			[D]				
			[E]				
			[F]	RESP.ENG.: R. BURTON	7-MAY-73		DOCUMENT NUMBER
			[H]				
			[J]				
			[K]	MFG.ENG.: L. BAPTISTE	9-MAY-73	K PL H754-0-DBP	REV W
			[L]				
			[M]	ASSEMBLY NUMBER:	TOP DOCUMENT NUMBER:	FILE NAME:	EDIT #
			[N]	E-UA-H754-0-0	B-DD-H754-0-0	Z7488W.PLS	7

"THIS DRAWING AND SPECIFICATIONS HEREIN, ARE THE PROPERTY OF DIGITAL EQUIPMENT CORPORATION AND SHALL NOT BE REPRODUCED OR COPIED OR USED IN WHOLE OR IN PART AS THE BASIS FOR THE MANUFACTURE OR SALE OF ITEMS WITHOUT WRITTEN PERMISSION. COPYRIGHT (C) 1984. DIGITAL EQUIPMENT CORPORATION"

LINE	ITEM	DOCUMENT NUMBER	PART NUMBER	DESCRIPTION	QTY	PER VARIATION	REFERENCE DESIGNATOR
					00		
31	31		1312496-02	68.0 .25 W 5.0 * FUSE	1		R12
32	32		1300229-00	100.0 .25 W 5.0 * CF	6		R15,R25,R30,R24,R35,R41
33	33		1300488-00	12.0 K .25 W 5.0 * CF	2		R6,R19
34	34		1302388-00	2.0 K .25 W 5.0 * CF	2		R7,R40
35	35	D-AH-H754-0-5		ASSY/DRILLING HOLE LAYOUT	REF		
36	36		1300250-00	150.0 .25 W 5.0 * CF	1		R10
37	37		1301522-00	27.0 .25 W 5.0 * CF	2		R14,R5
38	38	BLANK			0		
39	39		1304857-00	237.0 .25 W 1.0 * RN55D-F10	1		R18
40	40		1309422-00	5.10 .25 W 5.0 * CF	2		R23,R36
41	41		1310852-00	200.0 .50 W20.0 * POT	2		R17,R21
42	42		1513704-00	2N 6491 PNP 75MW SI 80 20	1		Q3
43	43		1510969-00	2N 5038 NPN 140WC SI 90 50 Y	1		Q2
44	44		1503209-00	DEC3500 NPN 5WC SI180 20 N	1		Q5
45	45		9009142-02	SCREW,TAP FLAT PHIL 4-	4		
46	46		1510706-00	XA 55 PNP 500MW SI 60 50 P	5		Q7,Q6,Q11,Q12,Q13
47	47		1910415-00	723 VOLT REG VAR 2/37V	1		E1
48	48		1610849-00	170.0 UH 7.5A #MMC4348	1		L1
49	49		1213237-00	FUSE, RECTIFIER 10A, 130V	1		F1
50	50		9007203-00	CLIP, FUSE, WITH STOP, SCREW MOU	2		
51	51		1510877-00	2N 6028 UJT 300MW R67B	1		Q8
52	52		9006735-00	EYELET,FUNNEL 0.0590DX0.187	4		
53	53	D-IA-5309756-4-0		BRACKET REG	1		
54	54	D-PS-1210737-0-0	1210737-00	HEAT SINK,EXTRUSION 5.120X2.62	1		
55	55	C-IA-5309758-0-0	5309758-00	HOLDER, CAP, 1.5	1		
56	56	C-MD-5300760-0-0		*** THIS ITEM IS NOT USED ***	-		
57	57		9007930-00	TERM,RING #10STUD CRIMP 16-2	4		
58	58		9006013-01	*** THIS ITEM IS NOT USED ***	-		
59	59		9006557-00	NUT,HEX EXT TOOTH LCKWSHR 4-40	10		
60	60		9006011-01	SCREW,MACH PAN PHIL 4-	4		
61	61		9006009-02	*** THIS ITEM IS NOT USED ***	-		
62	62		9006021-02	*** THIS ITEM IS NOT USED ***	-		
63	63		9008185-00	NUT,HEX EXT TOOTH LCKWSHR 6-32	5		
64	64		9006024-01	SCREW,MACH PAN PHIL 6-	1		
65	65		1210907-00	HEAT SINKS, 1.330MAX.	1		
66	66		9006732-00	EYELET,ROLLED 0.1210DX0.219	4		
67	67		1209456-00	/REPLACED BY 12-09456-01	8		
68	68		1209340-00	MATE-N-LOK O8SKT(1X08). HSG	1		J1
69	69		9107360-22	WIRE, 18AWG(19/30)IPVC 150V	A/R		
70	70		9107360-00	WIRE, 18AWG(19/30)IPVC 150V	A/R		
71	71		9008268-00	COMPOUND, THERMAL JOINT	A/R		
72	72		9006721-00	WASHER,SPECIAL INSULATG	3		
73	73		1300316-00	470.0 .25 W 5.0 * CF	1		R20
74	74		1300496-00	15.0 K .25 W 5.0 * CF	1		R11
75	75		1302612-00	1.78 K .25 W 1.0 * RN55D-F10	2		R33,R8
76	76		1305125-00	383.0 .25 W 1.0 * RN55D-F10	1		R22
77	77		1000042-00	1000.0 MMF 100V 5%200PPM MICA	2		C14,C17
78	78		1310147-00	.15 2.0 W10.0 * WW	1		R31

D	I	G	I	T	A	L	TITLE	SECTION A OF A	SIZE	CODE	DOCUMENT NUMBER	REV
							+20 VOLT REGULATOR		K	PL	H754-0-DBP	W

LINE ITEM	DOCUMENT NUMBER	PART NUMBER	DESCRIPTION	QTY PER VARIATION 00	REFERENCE DESIGNATOR
79	79	9007200-00	TRANSIPADS #10134	2	XQ5, XR21
80	80	1100100-00	PIV= 25 IO=100 MA -50NS	1	D2
81	81	1510705-00	XA 05 NPN 500MW SI 60 50 P	2	Q4, Q14
82	82	BLANK		0	
83	83	1000016-00	100.0 MMF 100V 5%200PPM MICA	1	C13
84	84	1511349-00	TIP 640 (OR MJ3000) NPN DARLINGT	1	Q9
85	85	1510712-00	MJ 900 PNP 90WC SI 60 1K	1	Q10
86	86	1002781-00	100 MFD 25V +75-10% AL EL	1	C16
87	87	1310071-00	1.0 K 1.0 % NTC THERM	1	R38
88	88	1309108-00	.10 10.0 W 1.0 % WW	1	R37
89	89	1300271-00	220.0 .25 W 5.0 % CF	1	R39
90	90	9107256-11	TUBING, TEFLON .027ID	A/R	
91	91	1312496-01	27.0 .25 W 5.0 % FUSE	1	R13
92	92	1509605-01	DEC4920-1 PNP 30WC SI 80 20	1	Q1
93	93	1010274-00	.22 MFD 50V +80-20% Z5U CER	1	C7
94	94	9009853-00	INSULATOR, MICA, TO-3	1	
95	95	9006632-00	WASHER, LOCK INTERNAL STEEL	12	
96	96	9008033-01	SCREW, MACH PAN PHIL 4-	6	
97	97	9008301-01	SCREW, MACH PAN PHIL 4-	2	
98	98	9008404-02	SCREW, MACH FLAT PHIL 6-	2	
99	99	9009667-00	SCREW, SEMS BINDR SLOT 10-	6	

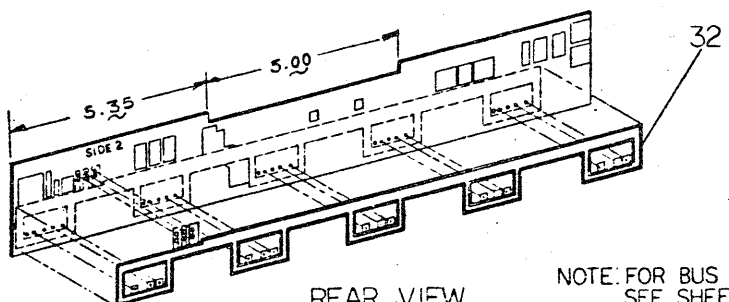
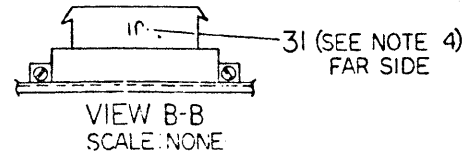
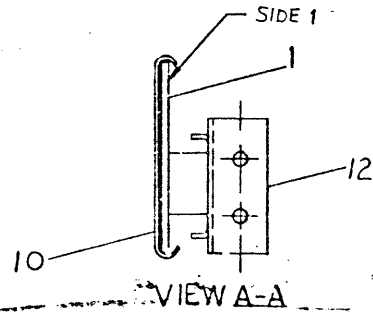
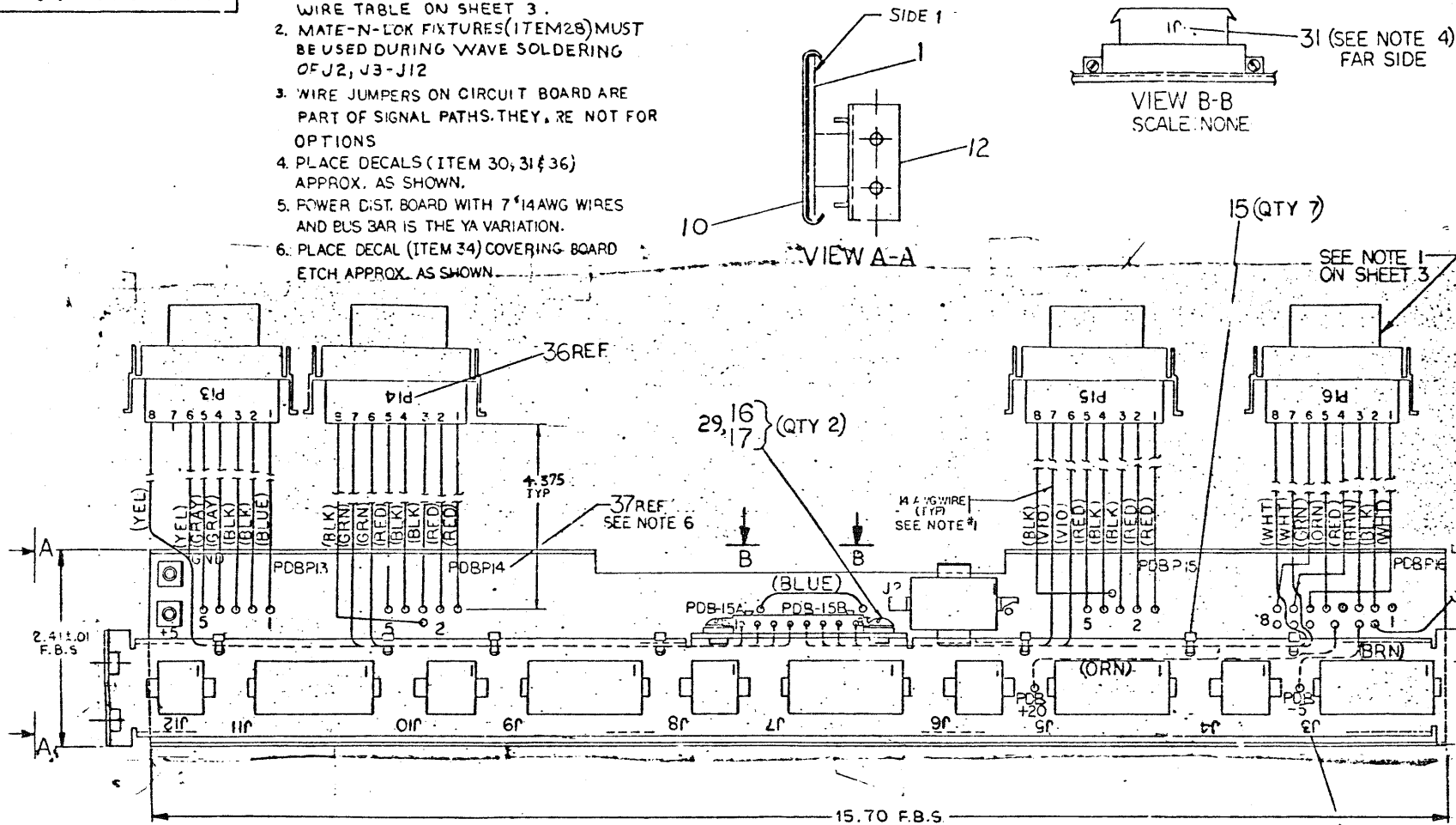
100 NOTE: MODULE ECO HISTORY FOR REF IS B-MH-H754-0-6
 101 NOTE: X-Y COORDINATE HOLE LOCATION FOR REF IS K-CO-H754-0-4

D	I	G	I	T	A	L	TITLE	SECTION A OF A	SIZE	CODE	DOCUMENT NUMBER	REV
							+20 VOLT REGULATOR		K	PL	H754-0-DBP	W

THIS DRAWING AND SPECIFICATIONS HEREAFTER ARE THE PROPERTY OF DIGITAL EQUIPMENT CORPORATION AND SHALL NOT BE REPRODUCED OR TRANSMITTED IN ANY FORM OR BY ANY MEANS, ELECTRONIC OR MECHANICAL, INCLUDING PHOTOCOPYING, RECORDING, OR BY ANY INFORMATION STORAGE AND RETRIEVAL SYSTEM, WITHOUT WRITTEN PERMISSION FROM DIGITAL EQUIPMENT CORPORATION. COPYRIGHT © 1974 DIGITAL EQUIPMENT CORPORATION

NOTES:

1. FOR HAND WIRING INFORMATION SEE WIRE TABLE ON SHEET 3.
2. MATE-N-LOK FIXTURES (ITEM 28) MUST BE USED DURING WAVE SOLDERING OF J2, J3-J12.
3. WIRE JUMPERS ON CIRCUIT BOARD ARE PART OF SIGNAL PATHS. THEY ARE NOT FOR OPTIONS.
4. PLACE DECALS (ITEM 30, 31 & 36) APPROX. AS SHOWN.
5. POWER DIST. BOARD WITH 7 #14 AWG WIRES AND BUS BAR IS THE YA VARIATION.
6. PLACE DECAL (ITEM 34) COVERING BOARD ETCH APPROX. AS SHOWN.



NOTE: FOR BUS BAR CONNECTIONS SEE SHEET 3 OF 3

		ETCHED CIRCUIT BOARD	D-1A-5010963-0-0	1	
1	1	J9, J6, J9, J10, J12	CONN, 6 PIN MATE-N-LOK (FEMALE)	120935C-06	2
1	1	J1	CONN, 8 PIN MATE-N-LOK (FEMALE)	1209340-00	3
5	5	J3, J5, J7, J9, J11	CONN, 15 PIN MATE-N-LOK (FEMALE)	120935G-15	4
1	1	J2	CONN, 12 PIN MATE-N-LOK (FEMALE)	1209350-12	5
4	4	P13 THRU P16	CONN, 8 PIN MATE-N-LOK (MALE)	1209340-01	6
3	24	(P13 THRU P16)	PIN, MATE-N-LOK	1209378-01	7
8	8	(J1)	PIN, MATE-N-LOK	1209379-01	8
117	117		PIN, MATE-N-LOK PC MOUNT	1209456	9
1	1		SHIELD	C-MD-7412192-00	10
2	2				11
1	1		BRACKET, CONN MTG	D-MD-7411704-00	12
2	2		EVELET	9009000	13
2	2		FASTON TAB	9008219-0	14
7	7		CABLE TIE .12 WIDE	9007880	15
2	2		SCREW, PHD TRUSS 6-32 X .3125	9006021-03	16
2	2		WASHER, INT TOOTH #6	9006633	17
A/A/R	A/R		WIRE # 14 AWG STRD (ORN)	9107370-33	18
A/R	A/R		WIRE # 14 AWG STRD (BRN)	9107370-11	19
A/A/R	A/R		WIRE # 14 AWG STRD (RED)	9107370-22	20
A/A/R	A/R		WIRE # 14 AWG STRD (GRY)	9107370-98	21
A/A/R	A/R		WIRE # 14 AWG STRD (BLK)	9107370-00	22
A/A/R	A/R		WIRE # 14 AWG STRD (BLU)	9107370-66	23
A/A/R	A/R		WIRE # 14 AWG STRD (VEL)	9107370-44	24
A/R	A/R		WIRE # 14 AWG STRD (GRN)	9107370-55	25
A/A/R	A/R		WIRE # 14 AWG STRD (VIO)	9107370-77	26
A/R	A/R		WIRE # 14 AWG STRD (WHT)	9107370-99	27
REF	REF		MATE-N-LOK FIXTURES	C-1A-9305937-0-0	28
2	2		FLAT WASHER # 6	9006686	29
A/R	A/R	J3 THRU J12	DECAL, PWR CONN.	A-DC-7403873-01	30
A/R	A/R	J1	DECAL, PWR CONN.	A-DC-7409873-02	31
1	-		BAR, BUS, BATTERY BACKUP	1213497	32
A/A/R	A/R		WIRE # 14 AWG GRN/YEL	9107777-54	33
1	1		TERMINAL, RING BLU	9007928	34
1	1		TERMINAL, RING YEL	9007926-01	35
A/R	A/R	P13 THRU P16	DECAL, PWR CONN.	A-DC-7409872-2	36
A/R	A/R	P13 THRU P16	DECAL, PWR BOARD	A-DC-7417991-00	37

5410864-YA	5410864				
QTY	QTY	REF. DESIGNATION	DESCRIPTION	PART NO.	ITEM NO.
		B111-K	ETCH BOARD REV. D		
PARTS LIST					

IC TYPE	GND	+5V
GND AND 5V ARE USUALLY PIN 7 AND 14 RESPECTIVELY. EXCEPTIONS ARE STATED ABOVE.		
IC PIN LOCATIONS		

SEMICONDUCTOR CONVERSION CHART

DEC. NO.	EIA NO.	DEC. NO.	EIA NO.

DRN: P. Beasley
 DATE: 6/13/74
 ENG: J. Car...
 DATE: 7/15/74
 PROD: ...
 DATE: 7/22/74

TITLE: POWER DISTRIBUTION BOARD

SCALE: NONE

SHEET: 1 OF 3

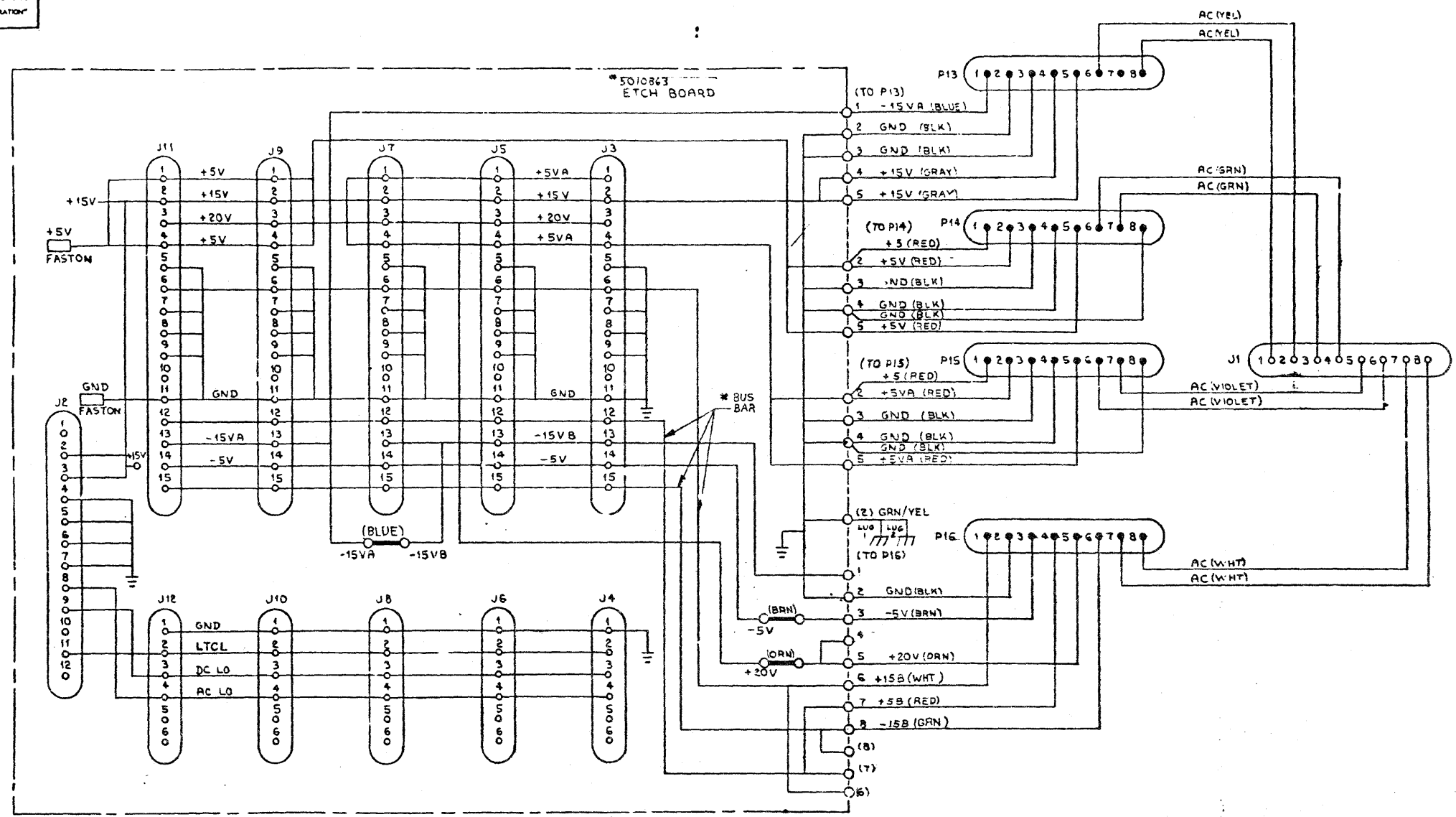
digital

REV. L

NUMBER: 5410864-0-1

DIST.

THIS DRAWING AND SPECIFICATIONS HEREIN ARE THE PROPERTY OF DIGITAL EQUIPMENT CORPORATION AND SHALL NOT BE REPRODUCED OR COPIED OR USED IN WHOLE OR IN PART AS THE BASIS FOR THE MANUFACTURE OR SALE OF ITEMS WITHOUT WRITTEN PERMISSION. COPYRIGHT © 1974 DIGITAL EQUIPMENT CORPORATION



* BUS BAR USED IN THE YA VARIATION ONLY

REVISIONS		
CHK	CHANGE NO.	REV.

TITLE	SIZE CODE	NUMBER	REV.
PWR DIST BOARD	D CS	5410864-0-1	L
SCALE NONE	SHEET 2 OF 3	DIST.	

THIS DRAWING AND SPECIFICATIONS HEREIN ARE THE PROPERTY OF DIGITAL EQUIPMENT CORPORATION AND SHALL NOT BE REPRODUCED OR COPIED OR USED IN WHOLE OR IN PART WITHOUT THE WRITTEN PERMISSION OF DIGITAL EQUIPMENT CORPORATION. COPYRIGHT © 1974, DIGITAL EQUIPMENT CORPORATION.

WIRE TABLE

ITEM NO	AWG	COLOR	FROM		TO		LENGTH	SIGNAL NAME
			CONNECTION	WITH	CONNECTION	WITH		
24	14	YEL	J1-1	8	P13-8	7	12.5"	AC/H745
24		YEL	J1-2		P13-6		12.5"	AC/H745
25		GRN	J1-3		P14-7		11"	AC/H744-1
25		GRN	J1-4		P14-6		11"	AC/H744-1
26		VIO	J1-5		P15-7		8.75"	AC/H744-2
26		VIO	J1-6		P15-6		8.75"	AC/H744-2
27		WHT	J1-7		P16-8		11.25"	AC/H754
27		WHT	J1-8	8	P16-7		11.25"	AC/H754
23		BLU	PDBP13-1	SOLDER	P13-1		5"	-15V
22		BLK	PDBP13-2		P13-2			GND
22		BLK	PDBP13-3		P13-3			GND
21		GRY	PDBP13-4		P13-4			+15V
21		GRY	PDBP13-5		P13-5			+15V
20		RED	PDBP14-2		P14-2			+5V
22		BLK	PDBP14-3		P14-3			GND
22		BLK	PDBP14-4		P14-4			GND
20		RED	PDBP14-5		P14-5			+5V
20		RED	PDBP15-2		P15-2			+5V
22		BLK	PDBP15-3		P15-3			GND
22		BLK	PDBP15-4		P15-4			GND
20		RED	PDBP15-5		P15-5			+5V
22		BLK	PDBP16-2		P16-2			GND
19		BRN	PDBP16-3		P16-3			-5V
18		ORN	PDBP16-5		P16-5	7	5"	+20V
23		BLU	PDP-15A		PDB-15B	SOLDER	1.75	-15V
18		ORN	PDBP16-5		PDB+20V		5"	+20V
19		BRN	PDBP16-3	SOLDER	PDB-5V		2"	-5V
33		GRN/YEL	LUG 1	35	PDBP16-2	SOLDER	11"	SAFETY GND
33					LUG 2	34	15"	SAFETY GND
20		RED	PDBP16-7	SOLDER	P16-4	7	5.5"	+5B
20		RED	PDBP15-1		P15-1		5"	+5V
20		RED	PDBP14-1		P14-1		5"	+5V
22		BLK	PDBP15-4		P15-8		5.5"	GND
22		BLK	PDBP14-4		P14-8			GND
27		WHT	PDBP16-6		P16-1			+15B
25	14	GRN	PDBP16-8	SOLDER	P16-6	7	3.5"	-15B

YA VARIATION ONLY.

SEE NOTE 1

BUS BAR CONNECTIONS FOR YA VARIATION

LEVEL A	PDBP16-6 J11,J9,J7,J5,J3 ALL PIN #6	+15V.B
LEVEL B	PDBP16-7 J11,J9,J7,J5,J3 ALL PIN #12	+5V
LEVEL C	PDBP16-8 J11,J9,J7,J5,J3 ALL PIN #15	-15V.B

NOTES:

1. CS REV. K AND EARLIER PWR DISTRIBUTION BOARDS HAD THE GREEN AND WHITE WIRES REVERSED IN COLOR ONLY. THE POINT-TO-POINT CONNECTIONS REMAIN THE SAME.

REVISIONS		
CHK	CHANGE NO	REV

TITLE	SIZE CODE	NUMBER	REV
PWR DIST BOARD	D CS	5410864-0-1	L
SCALE NONE	SHEET 3 OF 3	DIST	

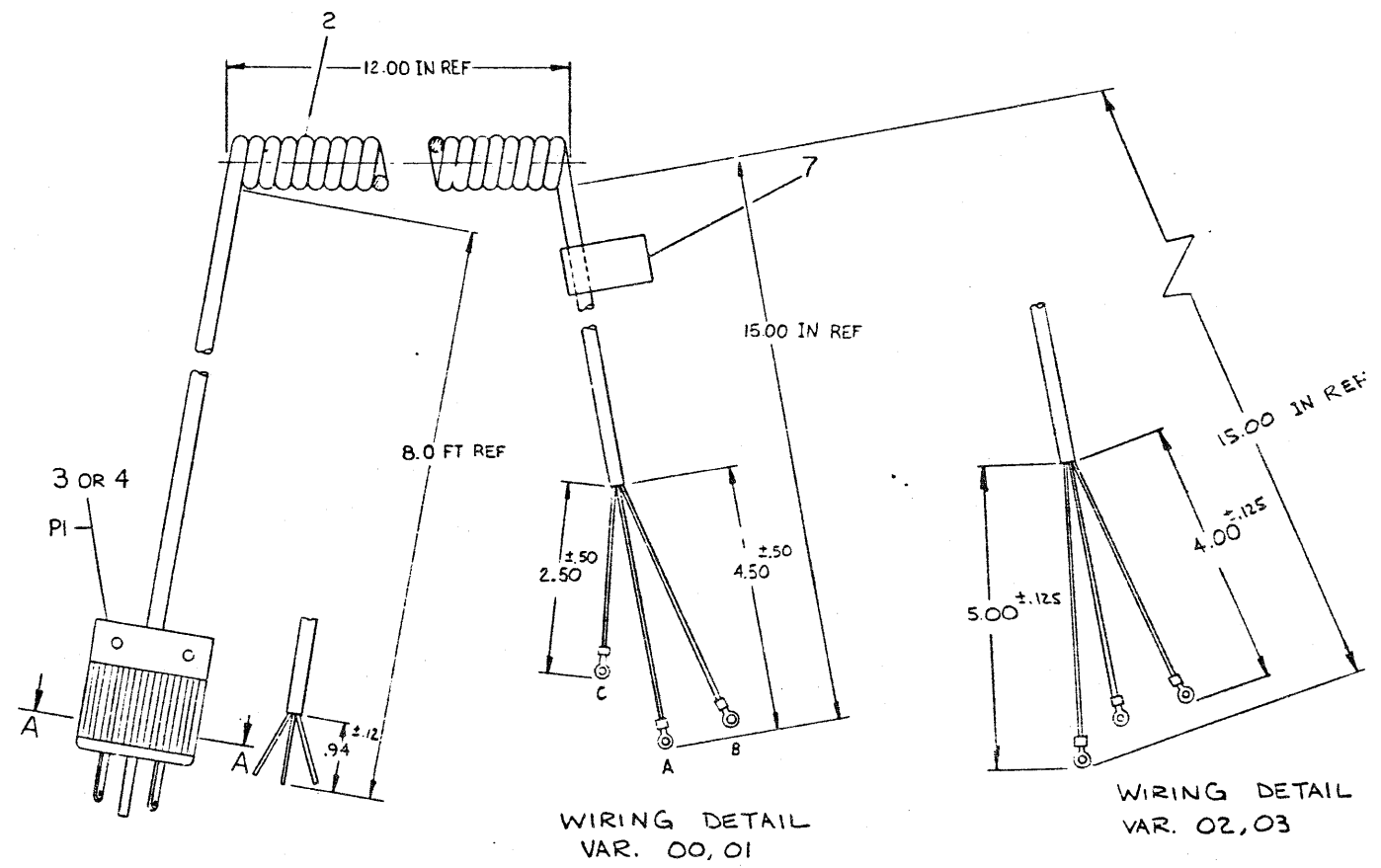
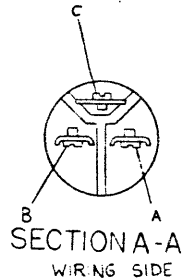
THIS DRAWING AND SPECIFICATIONS HEREIN ARE THE PROPERTY OF DIGITAL EQUIPMENT CORPORATION AND SHALL NOT BE REPRODUCED OR COPIED OR USED IN WHOLE OR IN PART AS THE BASIS FOR THE MANUFACTURE OR SALE OF ITEMS WITHOUT WRITTEN PERMISSION OF DIGITAL EQUIPMENT CORPORATION

WIRE TABLE (7012500)

ITEM NO.	DESCRIPTION		FROM		TO		REMARKS
	AWG	COLOR	CONNECTION	WITH	CONNECTION	WITH	
2	14	BRN	PI-B	---	B	6	AC LINE
2	14	LTBLU	PI-A	---	A	6	AC NEUTRAL
2	14	GRN/YEL	PI-C	---	C	6	AC SAFETY GND

LEGEND

NUMBER	VARIATION
7012500-00	120V
7012500-01	240V
7012500-02	120V
7012500-03	220 - 240V



WIRING DETAIL VAR. 00,01

WIRING DETAIL VAR. 02,03

CAUTION: OFF SHEET PARTS LIST EXIST SEE K-PL-7012500-0-DBP

QTY	DESCRIPTION	PART NO.	ITEM NO.
1	TABLE, I.D.	3616073-00	7
3	TERMINAL RING, TOMBUE	9007923	6
2	TERMINAL RING, CONNECT	9007917-0	5
1	PLUG, 240 V	9008853	4
1	PLUG, 120 V	9008938	3
1	POWER CORD	1700063-0	2
1	POWER CORD	1700063-1	1

7012500-1	7012500-0	DESCRIPTION	DWG./PART NO.	ITEM NO.
UNLESS OTHERWISE SPECIFIED DIMENSIONS ARE IN INCHES				
ANGLES 90° 30°				
CLASS OF ACCURACY				
SURFACE QUALITY IN MICRONS				
MICROINCHES PREFERRED				

THIRD ANGLE PROJECTION

REMOVE BURRS AND BREAK SHARP CORNERS

DO NOT SCALE DWG

MATERIAL SEE PARTS LIST

FINISH

DRN: 2 300 2-7-6

CHK: [Signature]

ENG: [Signature]

PROJ. ENG: [Signature]

PROD. [Signature]

FIRST USED ON 3A-I-K

TITLE POWER CORD 120V 240V

SIZE CODE D IA

NUMBER 7012500-0-0

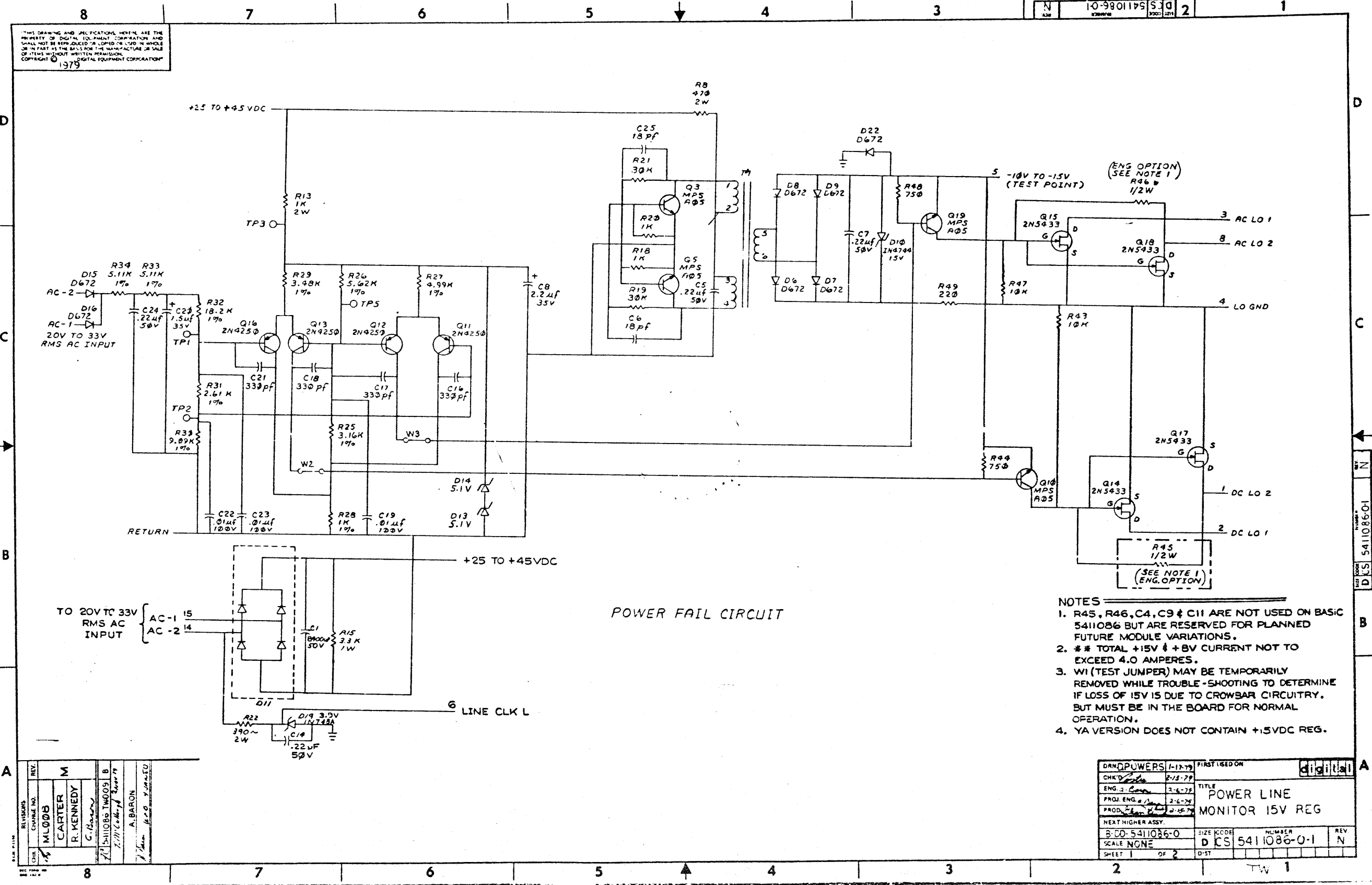
REV. D

SHEET 1 OF 1

DIST

REV.	DESCRIPTION
1	ISSUED FOR MANUFACTURE
2	REVISED TO SHOW CHANGES
3	REVISED TO SHOW CHANGES
4	REVISED TO SHOW CHANGES
5	REVISED TO SHOW CHANGES
6	REVISED TO SHOW CHANGES
7	REVISED TO SHOW CHANGES
8	REVISED TO SHOW CHANGES

THIS DRAWING AND SPECIFICATIONS HEREIN ARE THE PROPERTY OF DIGITAL EQUIPMENT CORPORATION AND SHALL NOT BE REPRODUCED OR COPIED IN WHOLE OR IN PART AS THE BASIS FOR THE MANUFACTURE OR SALE OF ITEMS WITHOUT WRITTEN PERMISSION. COPYRIGHT © 1979 DIGITAL EQUIPMENT CORPORATION



- NOTES**
1. R45, R46, C4, C9 & C11 ARE NOT USED ON BASIC 5411086 BUT ARE RESERVED FOR PLANNED FUTURE MODULE VARIATIONS.
 2. ** TOTAL +15V & +8V CURRENT NOT TO EXCEED 4.0 AMPERES.
 3. W1 (TEST JUMPER) MAY BE TEMPORARILY REMOVED WHILE TROUBLE-SHOOTING TO DETERMINE IF LOSS OF 15V IS DUE TO CROWBAR CIRCUITRY. BUT MUST BE IN THE BOARD FOR NORMAL OPERATION.
 4. YA VERSION DOES NOT CONTAIN +15VDC REG.

REV.	M
CHANGE NO.	
DESIGNER	ML008
CHECKED	CARTER
APPROVED	R. KENNEDY
	C. HARRIS
PROJECT NO.	5411086 TMO05 B
DATE	2/17/79
BY	A. BARON
	W. S. HARRIS

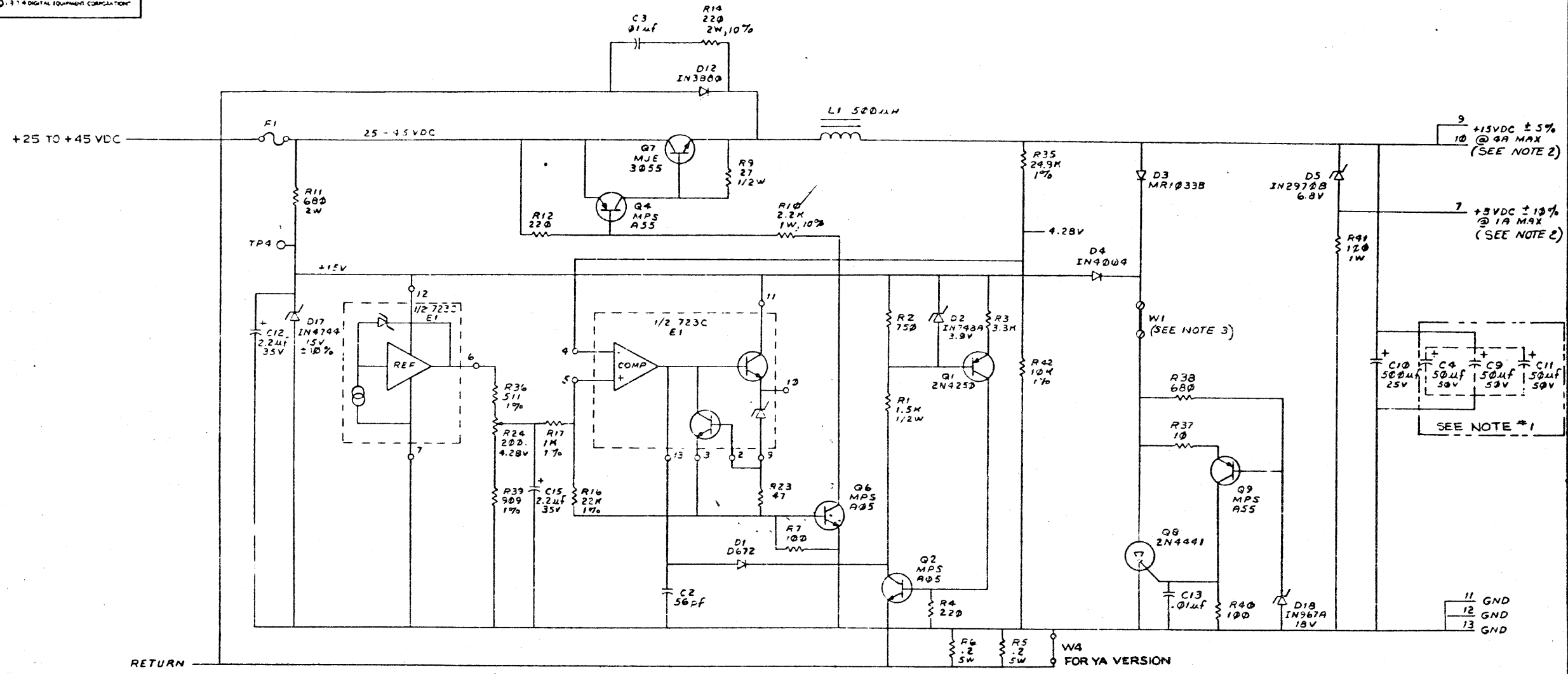
DWG. NO.	5411086-0	FIRST USED ON	digital
CHK'D	2-15-79	TITLE	POWER LINE MONITOR 15V REG
ENG. 3	2-6-79	SCALE	NONE
PROJ. ENG.	2-6-79	SIZE	D
PROD. ENG.	2-15-79	CODE	CS
NEXT HIGHER ASSY.		NUMBER	5411086-0-1
REV.		REV.	N
SHEET	1	OF	2
DIST.			

5411086-01

B

A

THIS DRAWING AND SPECIFICATIONS HEREIN ARE THE PROPERTY OF DIGITAL EQUIPMENT CORPORATION AND SHALL NOT BE REPRODUCED OR COPIED OR USED IN WHOLE OR IN PART AS THE BASIS FOR THE MANUFACTURE OR SALE OF ITEMS WITHOUT WRITTEN PERMISSION. COPYRIGHT © 1971 DIGITAL EQUIPMENT CORPORATION

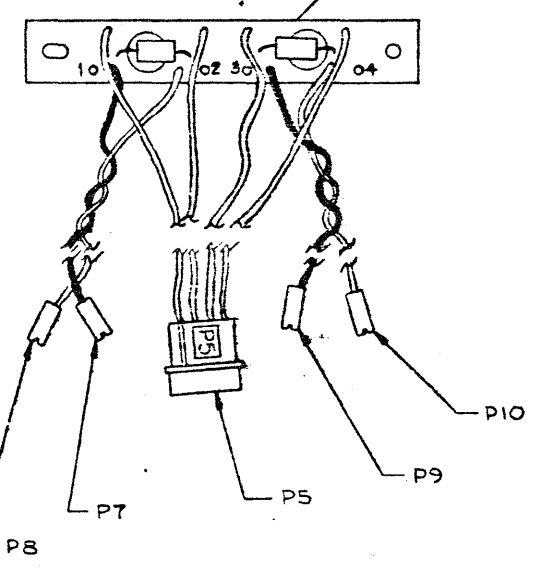
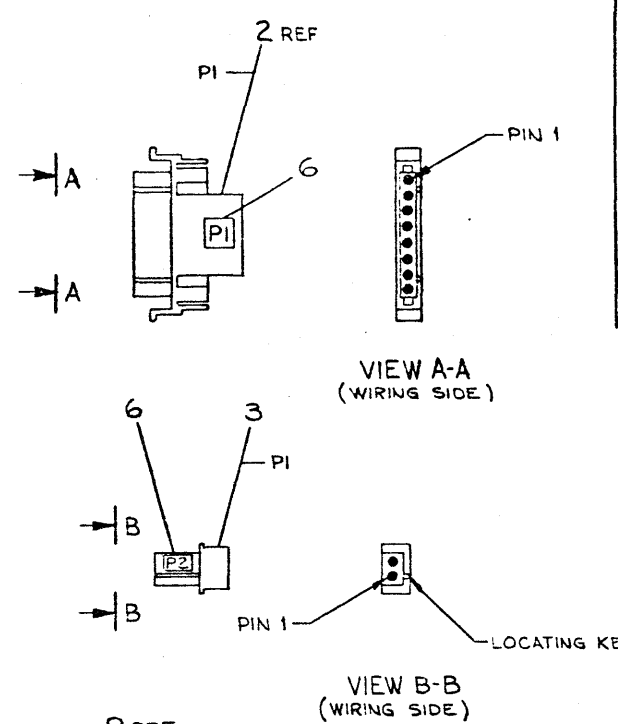
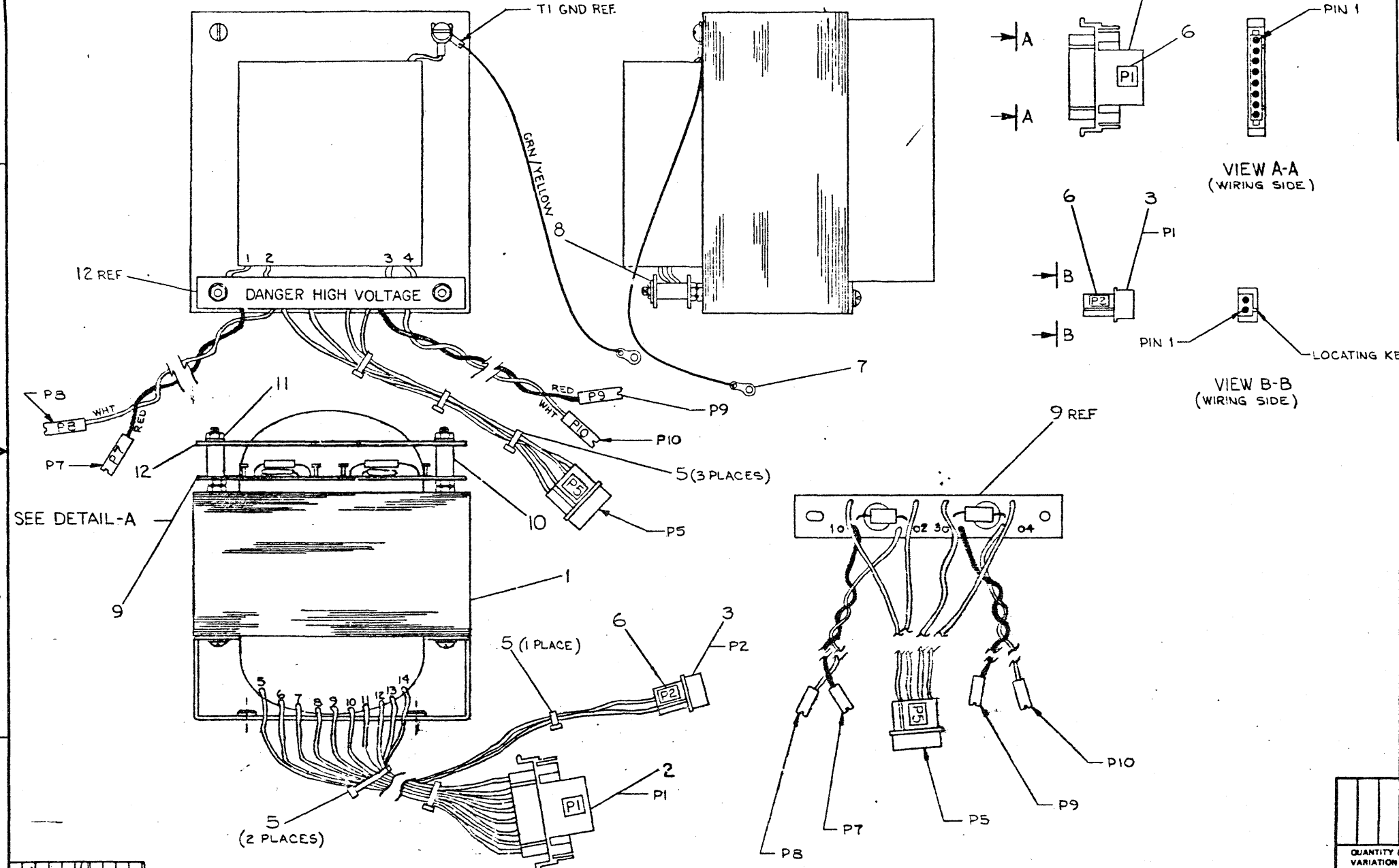


15V REGULATOR
(SEE NOTE #4)

REVISIONS		
CHK	CHANGE NO	REV

DCS5411086-0-1 N

THIS DRAWING AND SPECIFICATIONS HEREIN ARE THE PROPERTY OF DIGITAL EQUIPMENT CORPORATION AND SHALL NOT BE REPRODUCED OR COPIED OR USED IN WHOLE OR IN PART AS THE BASIS FOR THE MANUFACTURE OR SALE OF ITEMS WITHOUT WRITTEN PERMISSION. COPYRIGHT © 1975, DIGITAL EQUIPMENT CORPORATION.



REF	DESCRIPTION	DWG. PART NO.	ITEM NO.
REF	TRANSFORMER ASSY PROCEDURE	A-SP-7011486-0-9	13
1	COVER	C-1A-7414301-0-0	12
2	NUT, KEP*10-32	9006565	11
3	SPACER, 3/8ODX 1/2LG	9007831	10
4	CAP MOV BOARD ASSY	D-1A-7011751-0-0	9
5	WASHER, FLAT #37X.213 ID	9006664	8
6	GROUND LUG	9008150	7
7	DECAL	A-DC-7409872-0-0	6
8	CABLE TIES 5/4LX1/3W	9007880	5
9	PIN, MALE	1209378-1	4
10	CONN., 2 PIN	1210822-2	3
11	CONN., 8 PIN	1209340-01	2
12	TRANSFORMER	1612524	1

UNLESS OTHERWISE SPECIFIED DIMENSIONS ARE IN INCHES		NOMINAL DIMENSION RANGE INCHES					
ANGLE REF 30	CLASS OF ACCURACY	OVER 0	0.2	0.7	1.2	1.7	2.2
SURFACE QUALITY	CHECK ONE	0.15	0.10	0.07	0.05	0.04	0.03
QUANTITY & VARIATION	MEDIUM	1.004	1.008	1.012	1.018	1.024	1.04
	PREFERRED	1.012	1.016	1.020	1.04	1.063	1.01

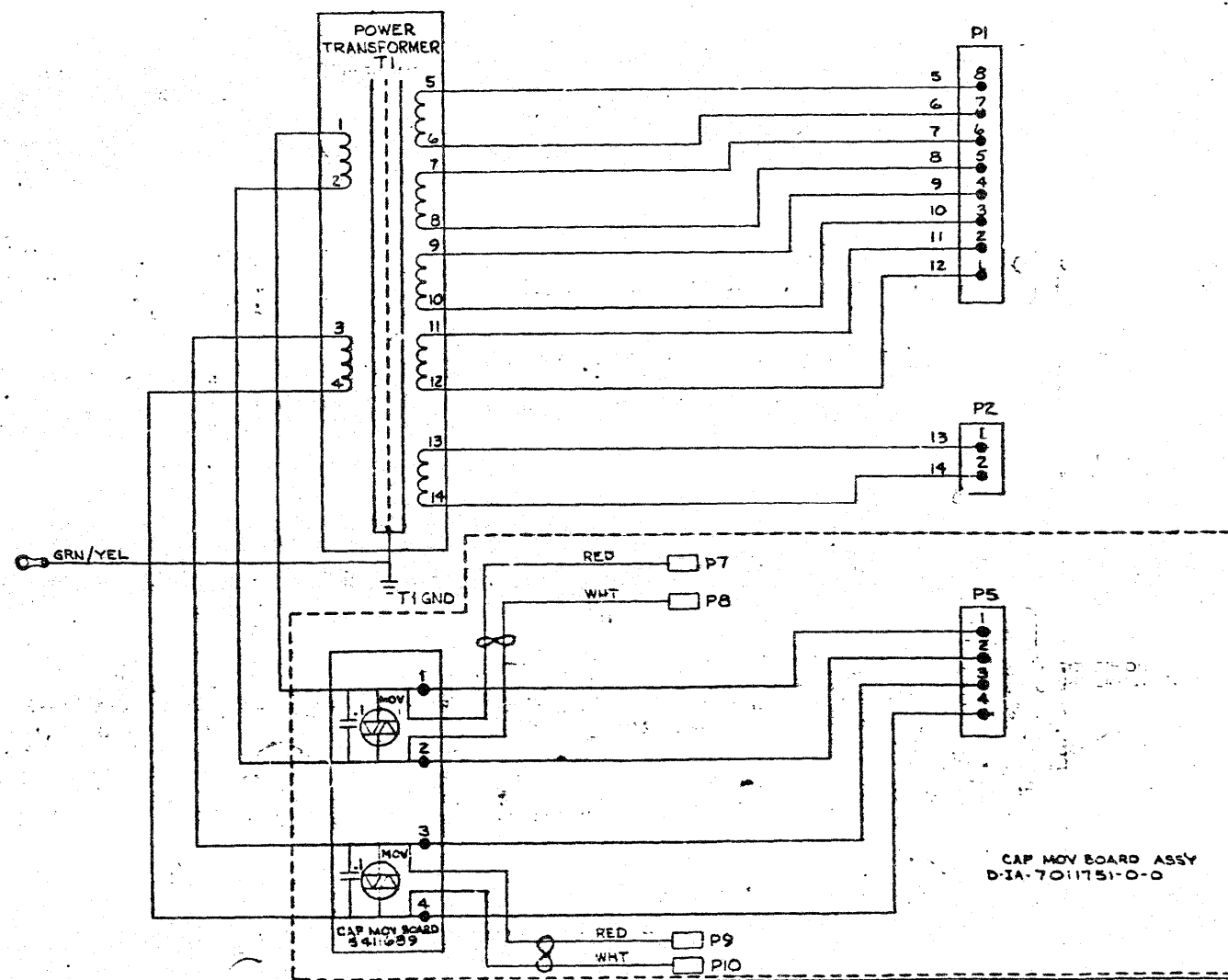
THIRD ANGLE PROJECTION	DRN: [Signature]	FIRST USED ON	HTS2
REMOVE BURRS AND BREAK SHARP CORNERS	CHK'D: [Signature]	TITLE	TRANSFORMER ASSY
DO NOT SCALE DWG	ENG: [Signature]	SCALE	1/1
MATERIAL SEE PARTS LIST	PROL ENG: [Signature]	SIZE CODE	D
FINISH	PROD: [Signature]	NUMBER	AD 7011486-0-0
	NEXT HIGHER ASSY.	REV.	8
		SHEET	1 OF 2

REV.	DATE	BY	CHK'D
1	10/14/75	WOLF	
2	11/13/75	WOLF	
3	11/13/75	WOLF	
4	11/13/75	WOLF	
5	11/13/75	WOLF	
6	11/13/75	WOLF	
7	11/13/75	WOLF	
8	11/13/75	WOLF	

REV. B
 PART NO. AD 7011486-0-0

WIRE TABLE

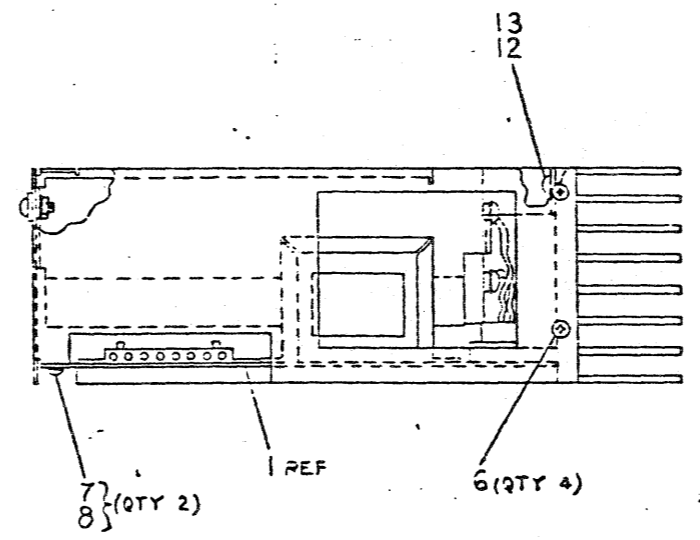
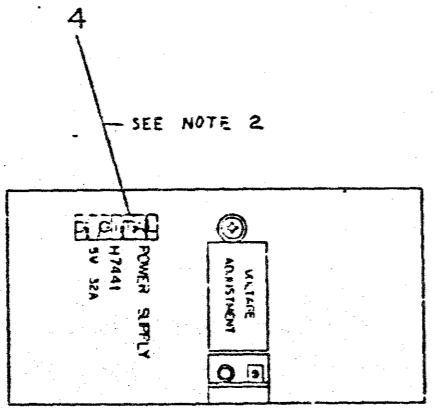
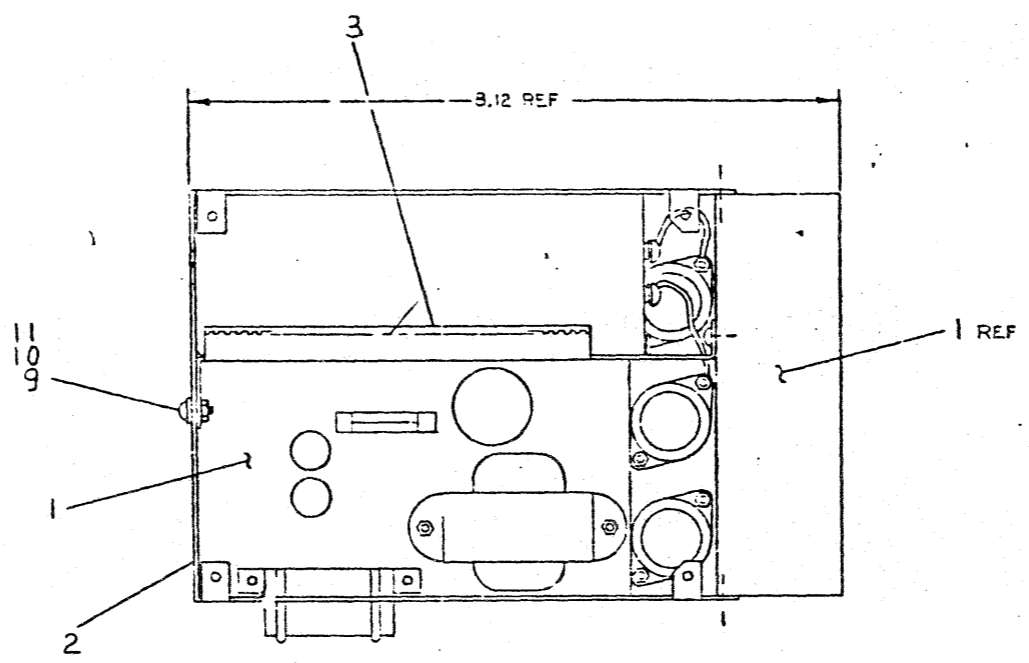
ITEM NO.	DESCRIPTION		FROM		TO		WIRE LENGTH
	AWG	COLOR	CONNECTION	WITH	CONNECTION	WITH	
1	14	BLK	T1-1	---	CAP MOV BD-1	SOLDER	1.5 IN
			T1-2	---	CAP MOV BD-2	SOLDER	2.0 IN
			T1-3	---	CAP MOV BD-3	SOLDER	2.0 IN
			T1-4	---	CAP MOV BD-4	SOLDER	1.5 IN
			T1-5	---	PI-8	ITEM 4	12.0 IN
			T1-6	---	PI-7		
			T1-7	---	PI-6		
			T1-8	---	PI-5		
			T1-9	---	PI-4		
			T1-10	---	PI-3		
			T1-11	---	PI-2		
			T1-12	---	PI-1	ITEM 4	
			T1-13	---	P2-1	ITEM 4	
1	14	BLK	T1-14	---	P2-2	ITEM 4	12.0 IN
1	14	GRN/YEL	T1-GND	---	GND LUG (ITEM 1)	SOLDER	16.0 IN



REVISIONS		
CHK	CHANGE NO	REV

THIS DRAWING AND SPECIFICATIONS HEREIN ARE THE PROPERTY OF DIGITAL EQUIPMENT CORPORATION AND SHALL NOT BE REPRODUCED, COPIED, OR USED IN WHOLE OR IN PART AS THE BASIS FOR THE MANUFACTURE OR SALE OF ITEMS WITHOUT WRITTEN PERMISSION FROM THE COPYRIGHT © 1976, DIGITAL EQUIPMENT CORPORATION

- NOTES:
- ~~ATTACH (RED) WIRE FROM ITEM (5) REF TO POSITIVE (+) TERMINAL OF CAPACITOR ITEM (3); ATTACH REMAINING END OF WIRE TO POSITIVE (+) TERMINAL OF REG. CAP ITEM (2).~~
 - PEEL AND ATTACH ITEM 4 TO ITEM 2 AS SHOWN.
 - FOR FIELD SERVICE SPARES ORDER PACKAGING MATERIAL PER A-SP-3700537-0-0.
 - FOR INTERPLANT PACKAGING ORDER PACKAGING MATERIAL PER A-SP-3700574-0-0.



DESCRIPTION	DWG PART NO.	ITEM NO.
PACKAGING INSTRUCTIONS	A-SP-3700674-0-0	15
PACKAGING INSTRUCTIONS	A-SP-3700537-0-0	14
1 WASHER, LOCK INT. TOOTH #6	9006633	13
1 SCR, PHL PAN HD. #6-32X.38	9006022-01	12
1 NUT, KEPS #6-32X.31	9006560	11
1 WASHER, FLAT #6	9006659	10
1 SCR, PHL PAN HD. #6-32X.31	9006021-01	9
2 WASHER FLAT #4	9008172	3
2 SCR, PHL PAN HD #4-40X.25	9008301-01	7
4 SCR, SELF TAPPING #4-40X.31	9009142-2	6
CAPACITOR, 24K, 50VDC		
1 DECAL	A-DC-741745-0	4
1 BRACKET, CAPACITOR	D-1A-7417543-0-0	3
1 BRACKET, REGULATOR	D-1A-5509756-C9	2
1 REGULATOR, +5V, 32 A	D-1A-541244-C-0	1

THIRD ANGLE PROJECTION	DWG PART NO. 1134A	FIRST USED ON	original
REMOVE BURRS AND BREAK SHARP CORNERS	PROJ. ENG.	TITLE H7441 UNIT ASSY	
DO NOT SCALE DWG	PROD.	NEXT HIGHER ASSY.	
MATERIAL SEE PARTS LIST	SCALE 1:1	SIZE CODE D JA	NUMBER H7441-3-0
FINISH	SHEET 1 OF 1	DIST	REV 3

RELATIONS	BY	DATE
CHUCKLE	H7441-01	11/1/76
H. DAY	H7441-02	11/1/76
W. DAY	H7441-03	11/1/76
W. DAY	H7441-04	11/1/76
W. DAY	H7441-05	11/1/76
W. DAY	H7441-06	11/1/76
W. DAY	H7441-07	11/1/76
W. DAY	H7441-08	11/1/76
W. DAY	H7441-09	11/1/76
W. DAY	H7441-10	11/1/76
W. DAY	H7441-11	11/1/76
W. DAY	H7441-12	11/1/76
W. DAY	H7441-13	11/1/76
W. DAY	H7441-14	11/1/76
W. DAY	H7441-15	11/1/76
W. DAY	H7441-16	11/1/76
W. DAY	H7441-17	11/1/76
W. DAY	H7441-18	11/1/76
W. DAY	H7441-19	11/1/76
W. DAY	H7441-20	11/1/76

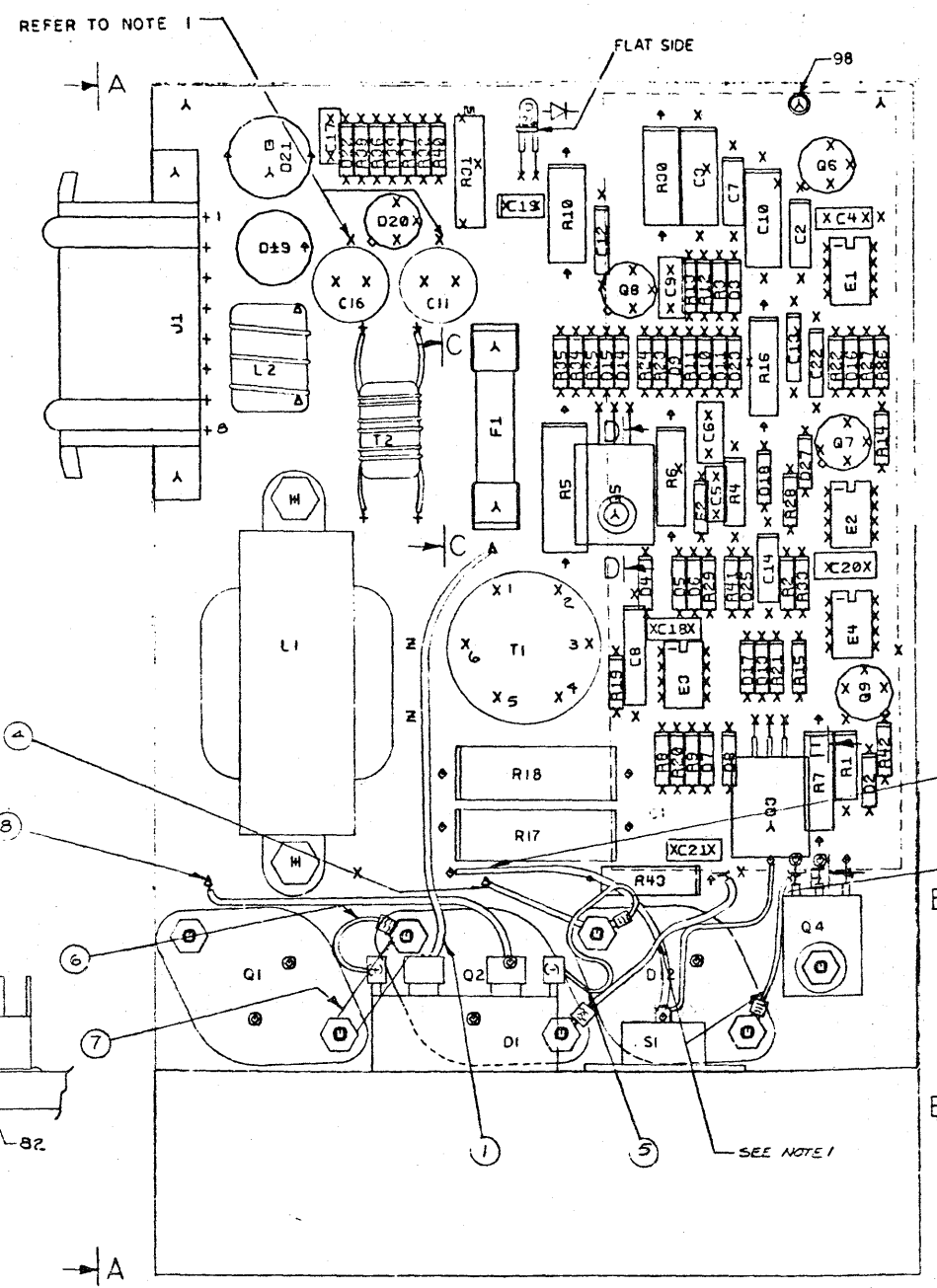
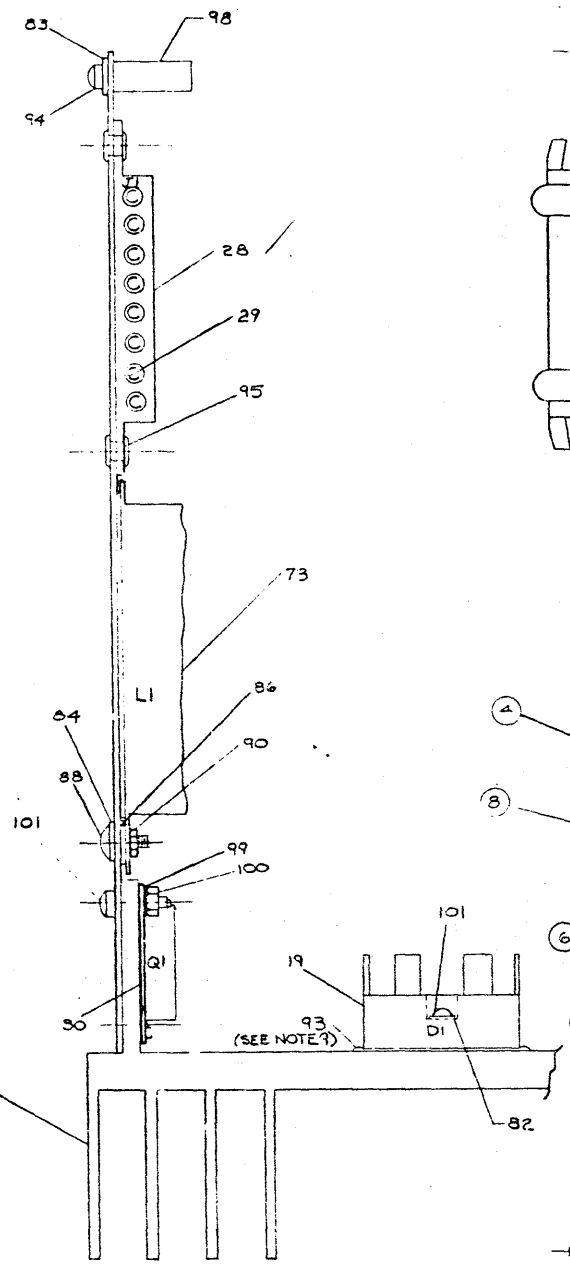
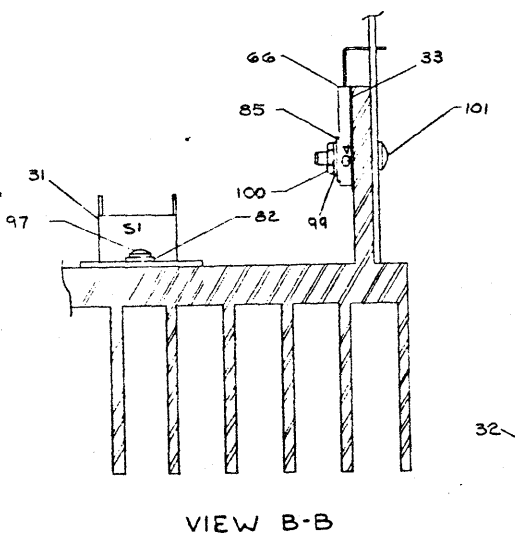
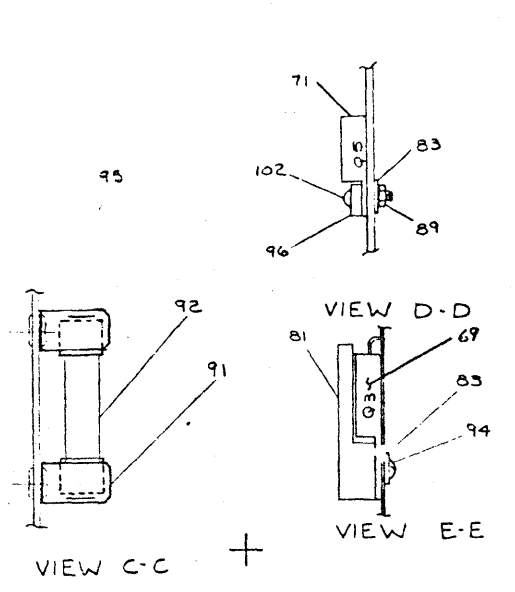
THIS DRAWING AND SPECIFICATIONS, HEREIN, ARE THE PROPERTY OF DIGITAL EQUIPMENT CORPORATION AND SHALL NOT BE REPRODUCED OR TRANSMITTED IN ANY FORM OR BY ANY MEANS, ELECTRONIC OR MECHANICAL, INCLUDING PHOTOCOPYING, RECORDING, OR BY ANY INFORMATION STORAGE AND RETRIEVAL SYSTEM, WITHOUT THE WRITTEN PERMISSION OF DIGITAL EQUIPMENT CORPORATION.

COMPONENT SIDE VIEW

WIRE & BUS STRAP RUNS

NO	FROM	TO	WIRE OR BUS LENGTH
①	FEEDTHRU AT F1	TERMINAL D1	#14 AWG 4" SEE NOTE 3
②	S1	FEEDTHRU SHOWN	#18 AWG 3"
③	S1	FEEDTHRU SHOWN	#18 AWG 2.5"
④	D12	FEEDTHRU SHOWN	DEC PT. #214074-05 SEE NOTE 4
⑤	TERMINAL D1	D12	#14 AWG 3" SEE NOTE 5
⑥	TERMINAL D1	Q2	#14 AWG 2" SEE NOTE 6
⑦	Q2	Q1	DEC PT. #214074-04 SEE NOTE 7
⑧	TERMINAL D1	FEEDTHRU SHOWN	#14 AWG 2.75" SEE NOTE 2

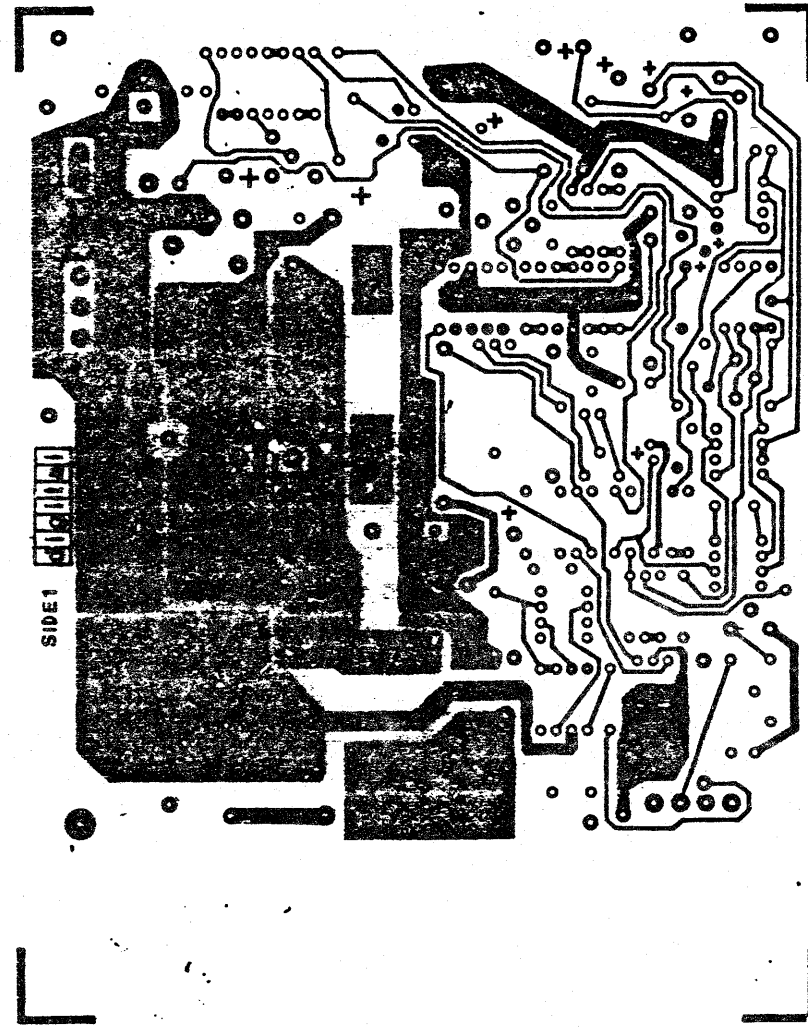
NOTES: 1. MOUNT WIRES PER LA DRAWING NO. IA 7013274. RED WIRE TO CASE Q2 AND POSITIVE TERMINAL C1 & BLACK WIRE TO CASE D12 AND NEGATIVE TERMINAL C1.
 2. WIRE RUN ② IS SOLDERED AT D1.
 3. WIRE RUN ③ IS SOLDERED AT D1.
 4. STRAP ④ (ITEM #23) IS SOLDERED AT FEEDTHROUGH SHOWN AND MOUNTED UNDER RING LUG OF D12.
 5. WIRE RUN ⑤ IS SOLDERED AT D1 AND CRIMPED TO RING LUG ITEM #87 OF D12.
 6. WIRE RUN ⑥ IS SOLDERED AT D1 AND CRIMPED TO RING LUG ITEM #87 OF Q2.
 7. BUS STRAP ⑦ (ITEM #25) IS MOUNTED UNDER RING LUG OF Q2 AND ON CASE OF Q1.
 8. TORQUE HARDWARE ON Q1, Q2, Q4 AND D12 TO 5 INCH-LBS. FROM NUT SIDE ONLY. TORQUE OTHER HARDWARE TO DEC STD VALUES.
 9. APPLY THERMAL COMPOUND TO D1 (ITEM 19) ONLY.



NOTES: 1. INDICATED DRILL POINTS AT C11 AND C16 SHOULD NOT BE USED FOR DRILL ALIGNMENT DURING MANUFACTURE. THESE OVERSIZED PADS WILL NOT CENTER WITH DRILL BORING.

CHG	NO	REV	DATE	BY	CHKD	DATE
1	1	1	11/15/77
2	1	2	11/15/77
3	1	3	11/15/77
4	1	4	11/15/77
5	1	5	11/15/77
6	1	6	11/15/77
7	1	7	11/15/77
8	1	8	11/15/77
9	1	9	11/15/77
10	1	10	11/15/77
11	1	11	11/15/77
12	1	12	11/15/77
13	1	13	11/15/77
14	1	14	11/15/77
15	1	15	11/15/77
16	1	16	11/15/77
17	1	17	11/15/77
18	1	18	11/15/77
19	1	19	11/15/77
20	1	20	11/15/77
21	1	21	11/15/77
22	1	22	11/15/77
23	1	23	11/15/77
24	1	24	11/15/77
25	1	25	11/15/77
26	1	26	11/15/77
27	1	27	11/15/77
28	1	28	11/15/77
29	1	29	11/15/77
30	1	30	11/15/77
31	1	31	11/15/77
32	1	32	11/15/77
33	1	33	11/15/77
34	1	34	11/15/77
35	1	35	11/15/77
36	1	36	11/15/77
37	1	37	11/15/77
38	1	38	11/15/77
39	1	39	11/15/77
40	1	40	11/15/77
41	1	41	11/15/77
42	1	42	11/15/77
43	1	43	11/15/77
44	1	44	11/15/77
45	1	45	11/15/77
46	1	46	11/15/77
47	1	47	11/15/77
48	1	48	11/15/77
49	1	49	11/15/77
50	1	50	11/15/77
51	1	51	11/15/77
52	1	52	11/15/77
53	1	53	11/15/77
54	1	54	11/15/77
55	1	55	11/15/77
56	1	56	11/15/77
57	1	57	11/15/77
58	1	58	11/15/77
59	1	59	11/15/77
60	1	60	11/15/77
61	1	61	11/15/77
62	1	62	11/15/77
63	1	63	11/15/77
64	1	64	11/15/77
65	1	65	11/15/77
66	1	66	11/15/77
67	1	67	11/15/77
68	1	68	11/15/77
69	1	69	11/15/77
70	1	70	11/15/77
71	1	71	11/15/77
72	1	72	11/15/77
73	1	73	11/15/77
74	1	74	11/15/77
75	1	75	11/15/77
76	1	76	11/15/77
77	1	77	11/15/77
78	1	78	11/15/77
79	1	79	11/15/77
80	1	80	11/15/77
81	1	81	11/15/77
82	1	82	11/15/77
83	1	83	11/15/77
84	1	84	11/15/77
85	1	85	11/15/77
86	1	86	11/15/77
87	1	87	11/15/77
88	1	88	11/15/77
89	1	89	11/15/77
90	1	90	11/15/77			

THIS DRAWING AND SPECIFICATION HEREIN ARE THE PROPERTY OF DODGE EQUIPMENT CORPORATION AND SHALL NOT BE REPRODUCED OR USED IN WHOLE OR IN PART WITHOUT THE WRITTEN PERMISSION OF DODGE EQUIPMENT CORPORATION.



REVISIONS		
CHK	CHANGE NO.	REV.

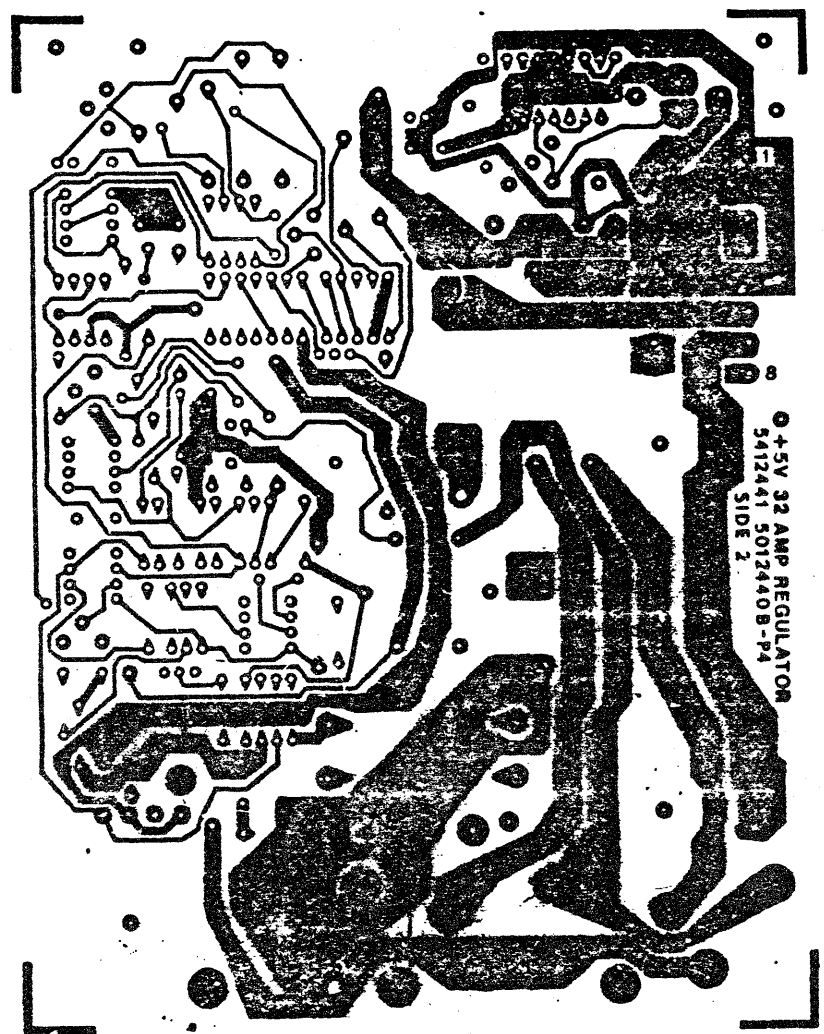
+5V, 32AMP, REGULATOR DUA 5412441-0-0 K

D
C
B
A

DUA 5412441-0-0 K

THIS DRAWING AND SPECIFICATIONS HEREIN ARE THE PROPERTY OF OUR COMPANY. NO PART THEREOF SHALL BE REPRODUCED OR TRANSMITTED IN ANY FORM OR BY ANY MEANS, ELECTRONIC OR MECHANICAL, INCLUDING PHOTOCOPYING, RECORDING, OR BY ANY INFORMATION STORAGE AND RETRIEVAL SYSTEM, WITHOUT PERMISSION IN WRITING FROM THE MANUFACTURER OR SUPPLIER. © 1977

DUA 5412441-0-0 K 2



+5V 32 AMP REGULATOR
5412441 5012440B-P4
SIDE 2

REVISIONS		
CHK	EXCHANGE NO.	REV.

8	7	6	5	4	3	2	1
TITLE +5V, 32AMP REGULATOR						DUA 5412441-0-0 K	
SCALE 2/1						SHEET 3 OF 3	
						SHO	

DUA 5412441-0-0 K

A

LINE	ITEM	DOCUMENT NUMBER	PART NUMBER	DESCRIPTION	QTY	PER VARIATION	REFERENCE DESIGNATOR
					00		
1	1	D-MD-5012440-0-0	5012440-00	5412441	1		
2	2		1000009-00	33.0 MMF 100V 5%200PPM MICA	1		C20
3	3		1000021-00	220.0 MMF 100V 5%200PPM MICA	1		C9
4	4		1001610-01	.01 MFD50/100V +80-20% DISC	4		C4,C5,C18,C21
5	5		1002627-00	2.2MFD 20V 10% S.TANT	2		C2,C7
6	6		1004813-00	10 MFD 20V 10% S.TANT	1		C8
7	7		1010279-00	.47 MFD 25V 20% CER	1		C19
8	8		1010646-00	.015 MFD 50V 2% M.POLYCARB	2		C3,C10
9	9		1010702-00	24,000 MFD 50V +75-10% AL EL	1		C1
10	10		1012607-00	560 MFD 20V+100-10% AL EL	1		C11
11	11		1012607-01	1200 MFD 6.3V+100-10% AL EL	1		C16
12	12		1009964-00	.68 MFD 35V 10% S.TANT	1		C12
13	13		1001776-00	1 MFD 35V 10% S.TANT	3		C13,C14,C22
14	14		1000024-00	470.0 MMF 100V 5%200PPM MICA	1		C6
15	15		1105508-00	VZ= 6.2 5% 400 MW 1N823	1		D18
16	16		1102808-00	*** THIS ITEM IS NOT USED ***	-		
17	17		1103341-00	PIV= 300 IO= 3.00A	1		D19
18	18		1105275-00	PIV= 60 IO=300 MA -15NS	15		D3-D6,D9-D11,D13-D17,D23,D25,D27
19	19		1110051-00	RECT. ASSY PIV= 200 IO=25.00A 16	1		D1
20	20		1110324-00	LED 1MCD@10MA PIV=3	1		D26
21	21		1110836-00	VZ= 12.0 5% 400 MW 1N759A	1		D2
22	22		1110968-00	SCR PIV= 100 IO= .80A 2N5062	1		D20
23	23		1112595-01	PIV= 200 IO= 1.00A AXIAL	2		D7,D8
24	24		1113496-00	RECT,ULTRA FAST PIV= 100 IO=30.0	1		D12
25	25		1214074-04	STRAP,THERMAL 2 HOLE	1		
26	26		1214074-05	STRAP,THERMAL LUG .815	1		
27	27		1209070-00	FUSE, SUB-MINI, 5.000A, 125V, R	1		F2
28	28		1209340-00	MATE-N-LOK 08SKT(1X08) HSG	1		J1
29	29		1209456-01	MATE-N-LOK 01SKT 20-18AWG .0870D	8		
30	30		1213071-02	INSULATOR,RUBBER SILICONE SM	3		

REVISION HISTORY			BASIC PART NO: 5412441			D I G I T A L			
ENG!	ECO NUMBER	REV	SECTION A OF A	DRN:	D.SIREEN	DATE:	10-MAR-78	TITLE	PARTS LIST
SC	00008	J	SECTION VARIATION INDEX	CHK'D:	F.GAROFALO	DATE:	10-MAR-78	+5V 32 AMP REGULATOR	
G.C	5412441-SH009	K	[A] 00	DES.ENG:	R.DAY	DATE:	10-MAR-78	DOCUMENT NUMBER	
			[B]	RESP.ENG.:	R.DAY	DATE:	10-MAR-78	SIZE	CODE
			[C]	MFG.ENG.:	R.B.KING	DATE:	10-MAR-78	K	PL
			[D]	ASSEMBLY NUMBER:		TOP DOCUMENT NUMBER:		FILE NAME:	
			[E]	D-UA-5412441-0-0				Z7929K.PLS	
			[F]					REV	EDIT #
			[G]						8
			[H]						
			[I]						
			[J]						
			[K]						
			[L]						
			[M]						
			[N]						

"THIS DRAWING AND SPECIFICATIONS HEREIN, ARE THE PROPERTY OF DIGITAL EQUIPMENT CORPORATION AND SHALL NOT BE REPRODUCED OR COPIED OR USED IN WHOLE OR IN PART AS THE BASIS FOR THE MANUFACTURE OR SALE OF ITEMS WITHOUT WRITTEN PERMISSION. COPYRIGHT (C) 1983. DIGITAL EQUIPMENT CORPORATION"

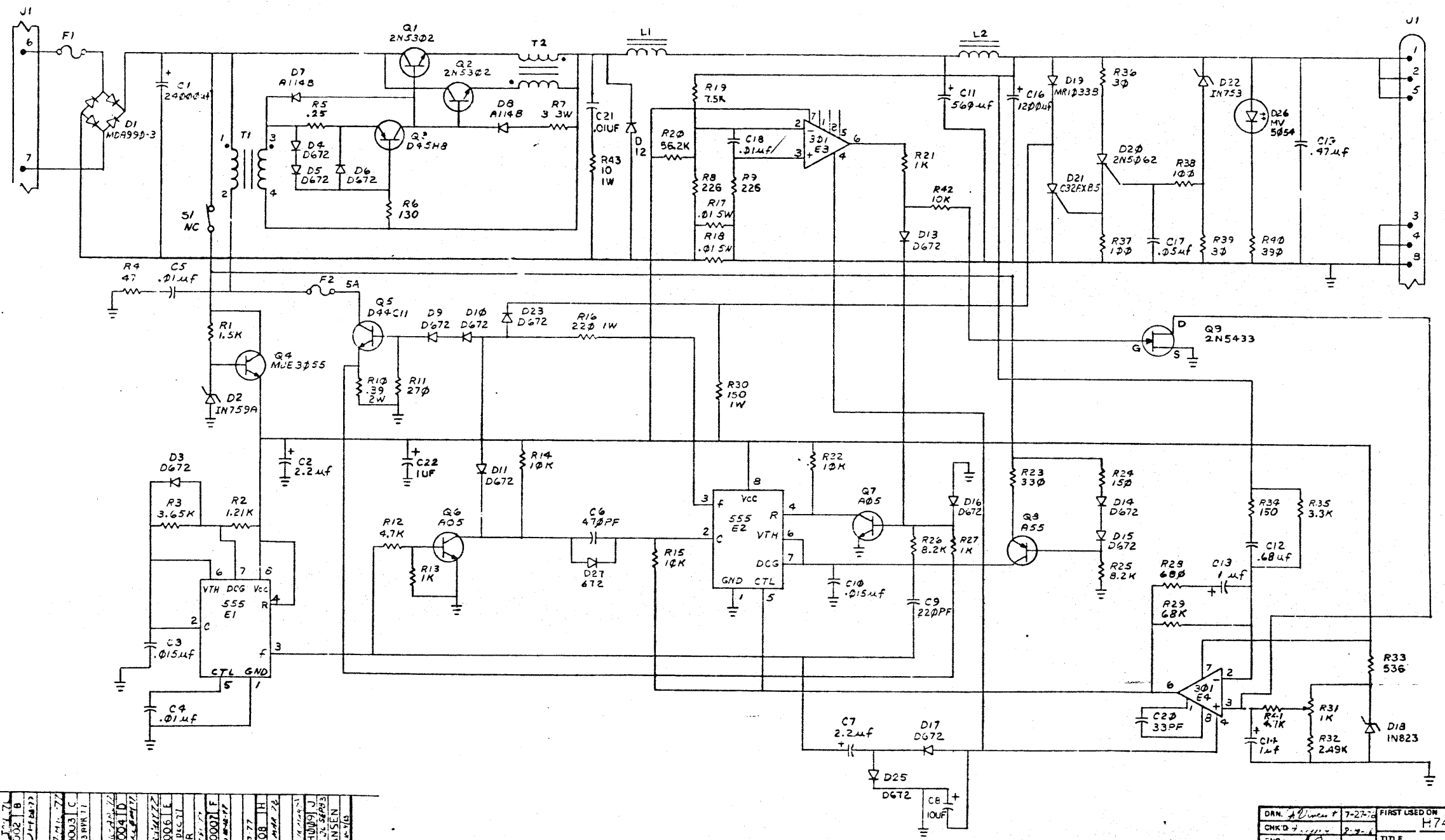
LINE	ITEM	DOCUMENT NUMBER	PART NUMBER	DESCRIPTION	QTY	PER VARIATION	REFERENCE DESIGNATOR
					00		
31	31		1212787-00	THERMOSTAT, 0a212, Ca182, NC	1		S1
32	32		1210737-02	HEAT SINK, EXTRUSION 5.125X2.62	1		
33	33		1213071-06	INSULATOR, RUBBER SILICONE	1		
34	34		1312626-00	2.49 K .25 W 1.0 % RN55D-F10	1		R32
35	35		1300229-00	100.0 .25 W 5.0 % CF	2		R37, R38
36	36		1300250-00	150.0 .25 W 5.0 % CF	2		R24, R34
37	37		1305322-00	7.50 K .25 W 1.0 % RN55D-F10	1		R19
38	38		1300295-00	330.0 .25 W 5.0 % CF	1		R23
39	39		1301424-00	680.0 .25 W 5.0 % CF	1		R28
40	40		1301327-00	68.0 K .25 W 5.0 % CF	1		R29
41	41		1300439-00	3.30 K .25 W 5.0 % CF	1		R35
42	42		1310219-00	.25 4.0 W 1.0 % WW	1		R5
43	43		1300248-00	130.0 1.0 W 5.0 % CC	1		R6
44	44		1302644-00	226.0 .25 W 1.0 % RN55D-F10	2		R8, R9
45	45		1300277-00	220.0 1.0 W 10.0 % CC	1		R16
46	46		1300309-00	390.0 .25 W 5.0 % CF	1		R40
47	47		1312922-00	536.0 .25 W 1.0 % RN55D-F10	1		R33
48	48		1300360-00	1.0 K .25 W 5.0 % CF	3		R13, R21, R27
49	49		1300394-00	1.50 K .50 W 5.0 % CF	1		R1
50	50		1300447-00	4.70 K .25 W 5.0 % CF	2		R12, R41
51	51		1300479-00	10.0 K .25 W 5.0 % CF	4		R14, R15, R22, R42
52	52		1301695-00	47.0 .50 W 5.0 % CF	1		R4
53	53		1301972-00	270.0 .25 W 5.0 % CF	1		R11
54	54		1312747-00	56.20 K .25 W 1.0 % RN55D-F10	1		R20
55	55		1302751-00	30.0 .25 W 5.0 % CF	2		R36, R39
56	56		1302871-00	1.21 K .25 W 1.0 % RN55D-F10	1		R2
57	57		1303179-00	8.20 K .25 W 5.0 % CF	2		R25, R26
58	58		1305337-00	3.65 K .25 W 1.0 % RN55D-F10	1		R3
59	59		1309143-07	1.0 K .75 W 10.0 % POT	1		R31
60	60		1310868-00	.39 2.0 W 5.0 % WW	1		R10
61	61		1313712-00	.01 5.0 W 3.0 % WW	2		R17, R18
62	62		1312682-00	3.0 3.0 W 5.0 % WW	1		R7
63	63		1300256-00	150.0 1.0 W 10.0 % CC	1		R30
64	64		1300171-00	10.0 1.0 W 5.0 % CC	1		R43
65	65		1510196-00	2N 5302/HSNPN 200WC SI 60 40 M	2		Q1, Q2
66	66		1510555-00	MJE3055 NPN 90WC SI 60 20 Y	1		Q4
67	67		1510705-00	XA 05 NPN 500MW SI 60 50 P	2		Q6, Q7
68	68		1510706-00	XA 55 PNP 500MW SI 60 50 P	1		Q8
69	69		1510708-00	D 45H8 PNP 50WT SI 60 60 Y	1		Q3
70	70		1510928-00	SCR PIV= 100 IO=25.00A	1		D21
71	71		1512790-00	D 44C12 NPN 30W SI	1		Q5
72	72		1511686-00	DEC5433 FET N 350MW 10 25 1A	1		Q9
73	73		1612584-00	50 UH 30A	1		L1
74	74		1612592-00	PULSE XFMR, RATIO 4:1	1		T1
75	75		1613713-00	CHOKE, 5 UH 32A	1		L2
76	76		1613714-00	2 UH 20A	1		T2
77	77		1910282-00	301AN OP AMP	2		E3, E4
78	78		1911944-00	555CN TIMER, FUNCT. BLOCK	2		E1, E2

D	I	G	I	T	A	L	TITLE		SECTION A OF A	SIZE	CODE	DOCUMENT NUMBER	REV
							+5V 32 AMP REGULATOR			K	PL	5412441-0-DBP	K

LINE	ITEM	DOCUMENT NUMBER	PART NUMBER	DESCRIPTION	QTY PER VARIATION 00	REFERENCE DESIGNATOR
79	79		7013274-00	JUMPER CAP TRAWS	1	
80	80		7013274-01	JUMPER CAP TRAWS	1	
81	81		7414765-00	HEATSINK	1	
82	82		9006633-00	WASHER, LOCK INTERNAL STEEL	3	
83	83		9008172-00	WASHER, FLAT SST	3	
84	84		9006660-00	WASHER, FLAT SST	2	
85	85		9006653-00	WASHER, FLAT STEEL	1	
86	86		9008082-00	WASHER, FLAT FIBRE	2	
87	87		9007927-00	TERM, RING #5, 6STUD CRIMP 14-1	2	
88	88		9006037-03	SCREW, MACH TRUSS PHIL 8-	2	
89	89		9006557-00	NUT, HEX EXT TOOTH LCKWSHR 4-40	1	
90	90		9006563-00	NUT, HEX EXT TOOTH LCKWSHR 8-32	2	
91	91		9007203-00	CLIP, FUSE, WITH STOP, SCREW MOU	2	
92	92		9007226-00	FUSE, REG BLO 15 A, 32V GLASS	1	F1
93	93		9008268-00	COMPOUND, THERMAL JOINT	A/R	
94	94		9006012-01	SCREW, MACH PAN PHIL 4-	2	
95	95		9009000-00	EYELET, ROLLED 0.1210DX0.156	4	
96	96		9009769-00	WASHER, RECTNGLR STEEL	1	
97	97		9006021-01	SCREW, MACH PAN PHIL 6-	2	
98	98		9007660-00	SPACER, THREADED RND PHEN 4-4	1	
99	99		9007801-00	WASHER, HELICAL SPLIT SST	7	
100	100		9008957-00	NUT, HEX 6-32X .246AF SS/N	7	
101	101		9007793-01	SCREW, MACH PAN PHIL 6-	8	
102	102		9006010-01	SCREW, MACH PAN PHIL 4-	1	
103	103		9107360-99	WIRE, 18AWG(19/30)IPVC 150V	A/R	
104	104		9107370-00	WIRE, 14AWG19/.0147IPVC 150V	A/R	
105	105		1009678-00	.047 MFD 16V +80-20*YST DISC	1	C17
106	106		1102421-01	VZ= 6.2 1* 400 MW 1N753A	1	D22

D	I	G	I	T	A	L	TITLE	SECTION A OF A	SIZE	CODE	DOCUMENT NUMBER	REV
							+5V 32 AMP REGULATOR		K	PL	5412441-0-DBP	K

THIS DRAWING AND SPECIFICATIONS HEREIN ARE THE PROPERTY OF DIGITAL EQUIPMENT CORPORATION AND SHALL NOT BE REPRODUCED OR COPIED OR USED IN WHOLE OR IN PART AS THE BASIS FOR THE MANUFACTURE OR SALE OF ITEMS WITHOUT WRITTEN PERMISSION. COPYRIGHT © 1967 DIGITAL EQUIPMENT CORPORATION

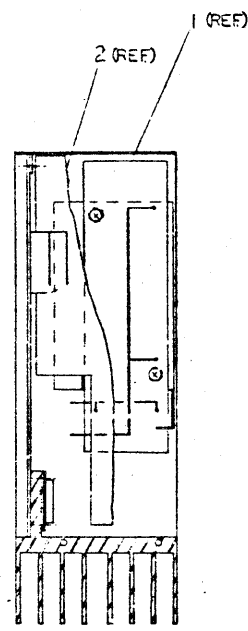


REV.	DATE	BY	CHKD.	DESCRIPTION
1	7-27-66	H. DAY	H. DAY	INITIAL DESIGN
2	8-1-66	H. DAY	H. DAY	REVISED FOR MANUFACTURE
3	8-1-66	H. DAY	H. DAY	REVISED FOR MANUFACTURE
4	8-1-66	H. DAY	H. DAY	REVISED FOR MANUFACTURE
5	8-1-66	H. DAY	H. DAY	REVISED FOR MANUFACTURE
6	8-1-66	H. DAY	H. DAY	REVISED FOR MANUFACTURE
7	8-1-66	H. DAY	H. DAY	REVISED FOR MANUFACTURE
8	8-1-66	H. DAY	H. DAY	REVISED FOR MANUFACTURE
9	8-1-66	H. DAY	H. DAY	REVISED FOR MANUFACTURE
10	8-1-66	H. DAY	H. DAY	REVISED FOR MANUFACTURE
11	8-1-66	H. DAY	H. DAY	REVISED FOR MANUFACTURE
12	8-1-66	H. DAY	H. DAY	REVISED FOR MANUFACTURE
13	8-1-66	H. DAY	H. DAY	REVISED FOR MANUFACTURE
14	8-1-66	H. DAY	H. DAY	REVISED FOR MANUFACTURE
15	8-1-66	H. DAY	H. DAY	REVISED FOR MANUFACTURE
16	8-1-66	H. DAY	H. DAY	REVISED FOR MANUFACTURE
17	8-1-66	H. DAY	H. DAY	REVISED FOR MANUFACTURE
18	8-1-66	H. DAY	H. DAY	REVISED FOR MANUFACTURE
19	8-1-66	H. DAY	H. DAY	REVISED FOR MANUFACTURE
20	8-1-66	H. DAY	H. DAY	REVISED FOR MANUFACTURE
21	8-1-66	H. DAY	H. DAY	REVISED FOR MANUFACTURE
22	8-1-66	H. DAY	H. DAY	REVISED FOR MANUFACTURE
23	8-1-66	H. DAY	H. DAY	REVISED FOR MANUFACTURE
24	8-1-66	H. DAY	H. DAY	REVISED FOR MANUFACTURE
25	8-1-66	H. DAY	H. DAY	REVISED FOR MANUFACTURE
26	8-1-66	H. DAY	H. DAY	REVISED FOR MANUFACTURE
27	8-1-66	H. DAY	H. DAY	REVISED FOR MANUFACTURE
28	8-1-66	H. DAY	H. DAY	REVISED FOR MANUFACTURE
29	8-1-66	H. DAY	H. DAY	REVISED FOR MANUFACTURE
30	8-1-66	H. DAY	H. DAY	REVISED FOR MANUFACTURE
31	8-1-66	H. DAY	H. DAY	REVISED FOR MANUFACTURE
32	8-1-66	H. DAY	H. DAY	REVISED FOR MANUFACTURE
33	8-1-66	H. DAY	H. DAY	REVISED FOR MANUFACTURE
34	8-1-66	H. DAY	H. DAY	REVISED FOR MANUFACTURE
35	8-1-66	H. DAY	H. DAY	REVISED FOR MANUFACTURE
36	8-1-66	H. DAY	H. DAY	REVISED FOR MANUFACTURE
37	8-1-66	H. DAY	H. DAY	REVISED FOR MANUFACTURE
38	8-1-66	H. DAY	H. DAY	REVISED FOR MANUFACTURE
39	8-1-66	H. DAY	H. DAY	REVISED FOR MANUFACTURE
40	8-1-66	H. DAY	H. DAY	REVISED FOR MANUFACTURE

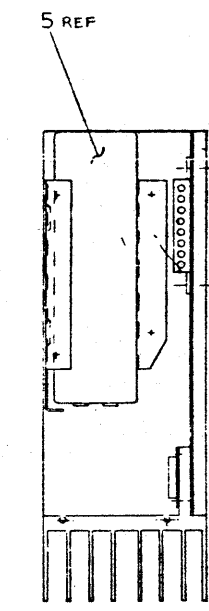
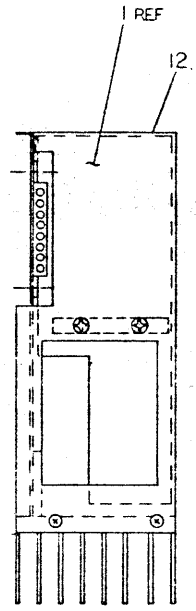
DRN. #	7-27-66	FIRST USED ON	H7441
CHKD. #	H. DAY	TITLE	+5V 32 AMF REGULATOR
ENG. #	H. DAY	SCALE	1 OF 1
PROJ. ENCL.	2	SHEET	1
PROD. #	1000000000	DIST.	
NEXT HIGHER ASSY.			
SIZE CODE	D	NUMER	5412441-0-1
SCALE	1	REV.	J
SHEET	1		

THIS DRAWING AND SPECIFICATIONS HEREBY REFERRED TO BY ANY CONTRACT DOCUMENTS SHALL BE THE PROPERTY OF THE GOVERNMENT AND SHALL BE RETURNED TO THE GOVERNMENT AT THE TIME OF THE COMPLETION OF THE WORK UNDER SUCH CONTRACT.

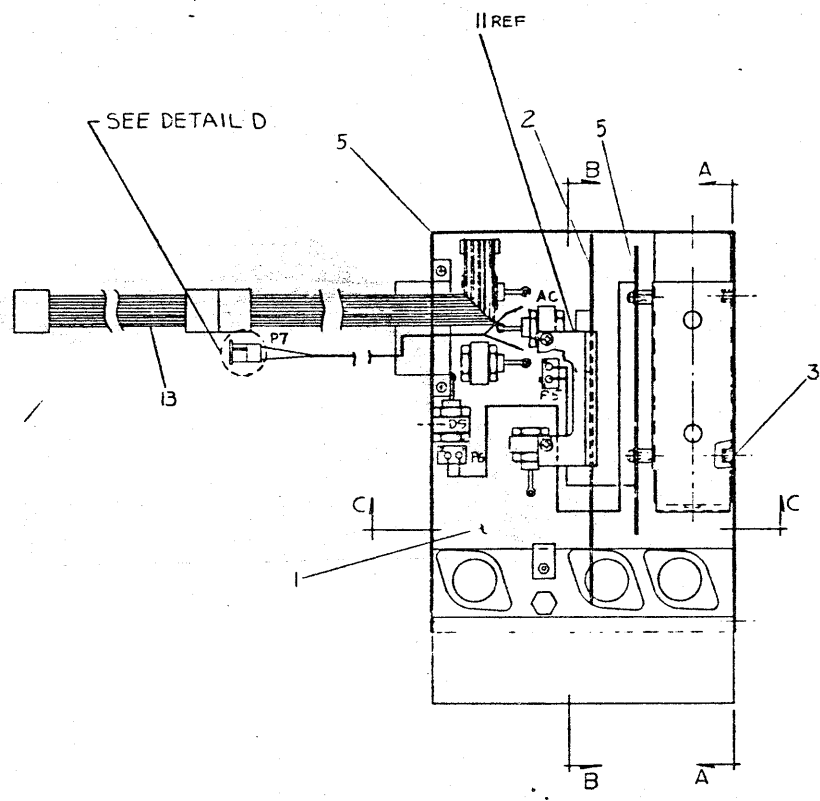
NOTES:
FOR INTERFACE PACKAGING
ORDER PACKAGING
MATERIAL PER A-SP-3700014-0-0



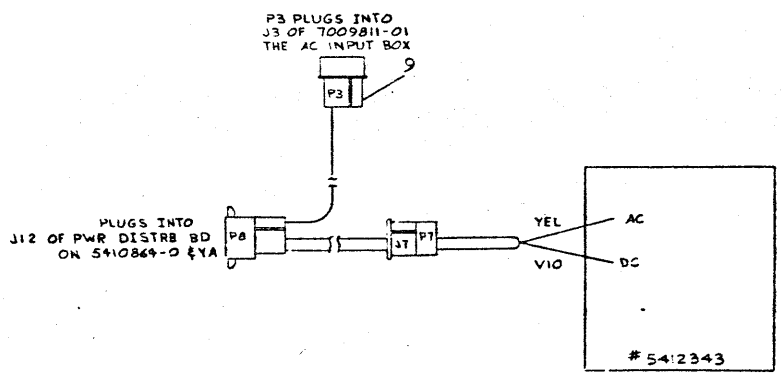
SECTION B-B



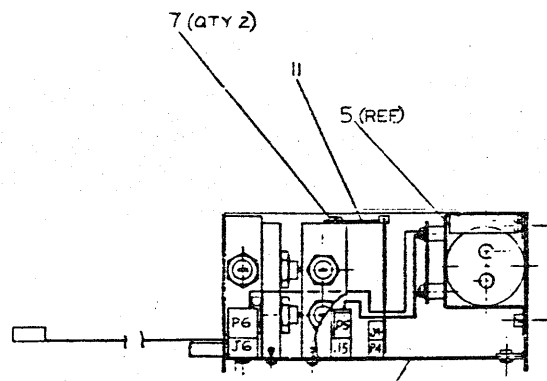
SECTION A-A



SECTION C-C



DETAIL D



SEE NOTE 1

DESCRIPTION	DWG. PART NO.	QTY
1 CABLE, AC, DC/LO	C-1A-7013676-0-0	9
2 SCR. PA, MD PAN 4-40X.25	9008301-01	7
3 CAPACITOR BRKT ASSY	C-AD-7013322-0-0	5
4 SCR. PRT. NO. 6-32 X.19	9008020-2	3
1 N785 CONTROL BOARD	D-VA-5412343-0-0	2
1 N785 BATTERY BACKUP REGULATOR	D-VA-5412343-0-0	1

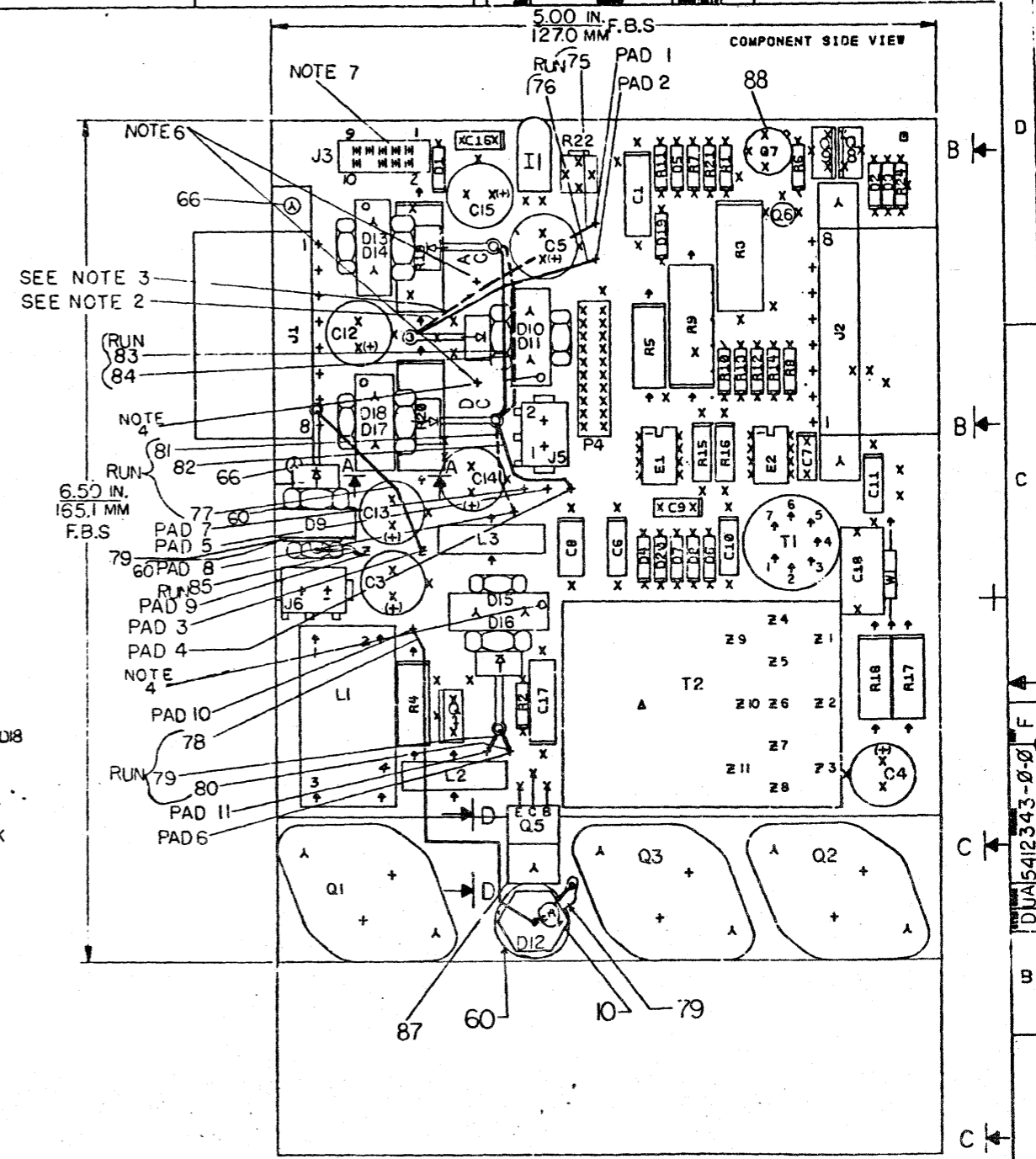
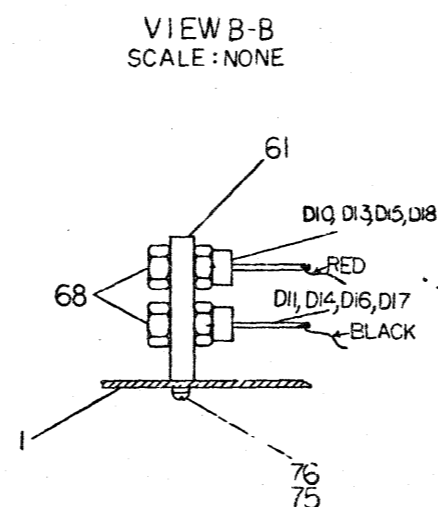
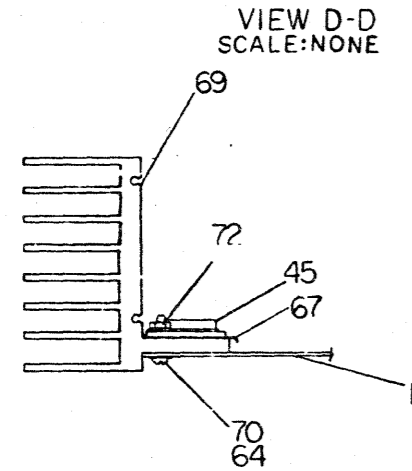
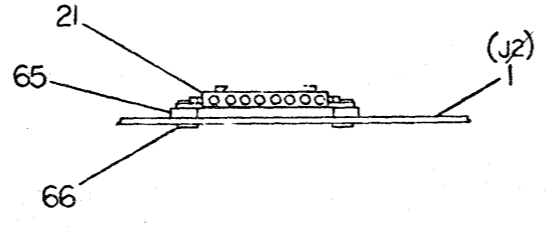
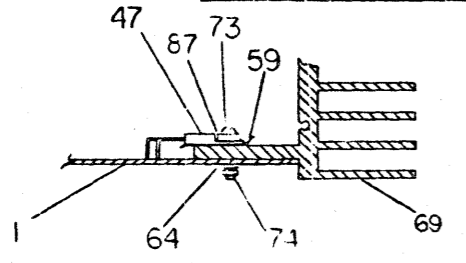
<p>APPROVED BY: [Signature]</p> <p>DATE: [Date]</p> <p>SCALE: [Scale]</p>	<p>DESCRIPTION: REGULATOR BATTERY BACKUP</p> <p>DWG. PART NO.: 1134A</p> <p>REV. NO.: 1</p> <p>DATE: [Date]</p>
---	---

REV.	DATE	BY	CHKD.	DESCRIPTION
1	11/15/55	W. J. [Signature]	[Signature]	INITIAL DESIGN
2	11/15/55	[Signature]	[Signature]	REVISED TO SHOW [Change]
3	11/15/55	[Signature]	[Signature]	REVISED TO SHOW [Change]
4	11/15/55	[Signature]	[Signature]	REVISED TO SHOW [Change]
5	11/15/55	[Signature]	[Signature]	REVISED TO SHOW [Change]
6	11/15/55	[Signature]	[Signature]	REVISED TO SHOW [Change]
7	11/15/55	[Signature]	[Signature]	REVISED TO SHOW [Change]
8	11/15/55	[Signature]	[Signature]	REVISED TO SHOW [Change]

THIS SHEET IS AN INSTRUMENT, MEASURE, AND THE PROPERTY OF THE U.S. GOVERNMENT. IT IS TO BE USED ONLY FOR THE PURPOSES FOR WHICH IT WAS DESIGNED AND IS NOT TO BE REPRODUCED OR TRANSMITTED IN ANY FORM OR BY ANY MEANS, ELECTRONIC OR MECHANICAL, INCLUDING PHOTOCOPYING, RECORDING, OR BY ANY INFORMATION STORAGE AND RETRIEVAL SYSTEM.

WIRE TABLE							
ITEM NO	RUN NO	DESCRIPT	FROM	TO		LENGTH	
		AWG	COLOR	H785	H7850		
77	75	18TWP	BLK	D 11 ANODE	PAD 1	PAD 1	4.50
	76	18TWP	RED	D 10 ANODE	PAD 2	PAD 2	4.50
77	77	18	RED	D 9 CATHODE	PAD 3	PAD 3	3.00
	78	18	RED	D 12 CATHODE	PAD 10	PAD 10	3.75
77	79	18TWP	BLK	D 16 ANODE	PAD 11	PAD 11	1.50
	80	18TWP	RED	D 15 ANODE	PAD 6	PAD 6	2.00
77	81	18TWP	BLK	D 17 CATHODE	PAD 8	PAD 7	2.75
	82	18TWP	RED	D 18 CATHODE	PAD 4	PAD 5	2.75
77	83	18TWP	RED	D 13 ANODE	D 18 CATHODE	D 18 CAT	3.50
	84	18TWP	BLK	D 14 ANODE	D 17 CATHODE	D 17 CAT	3.50
35	18	BLK	D 9 ANODE	PAD 9	PAD 9	3.00	

UNTWIST ITEM NO. 77 AND USE PROPER COLOR.



NOTES:
 1. SEE SHEET 4 OF 4 FOR DIODE WIRING.
 2. SOLID LINE INDICATES WIRE FROM THE TOP DIODE.
 3. DASHED LINE INDICATES WIRE FROM BOTTOM DIODE.
 4. TAPPED HOLE AT TOP OF HEATSINKS MUST FACE PROPER WAY TO ALLOW INSERTION OF CARD GUIDE.
 5. TORQUE SPECIFICATIONS:
 61-65 10 IN-LBS INSPECT TO MIN OF 6 TORQUE FROM SCREW HEAD
 66 8 IN-LBS INSPECT TO MIN OF 5 TORQUE FROM SCREW HEAD
 67-70 14 IN-LBS INSPECT TO MIN OF 12 TORQUE FROM NOT SIDE

NOTES:
 6. SOLDER ITEM NO. 55 AC DC CABLE TO REGULATOR BOARD RED WIRE TO RTM MARKED DC, BLACK WIRE TO PTH MARKED AC
 7. INSERT ON TO J3 ITEM NO. 58

NO.	REV.	DATE	BY	CHK.
1				
2				
3				
4				
5				
6				
7				
8				
9				
10				
11				
12				
13				
14				
15				
16				
17				
18				
19				
20				
21				
22				
23				
24				
25				
26				
27				
28				
29				
30				
31				
32				
33				
34				
35				
36				
37				
38				
39				
40				
41				
42				
43				
44				
45				
46				
47				
48				
49				
50				
51				
52				
53				
54				
55				
56				
57				
58				
59				
60				
61				
62				
63				
64				
65				
66				
67				
68				
69				
70				
71				
72				
73				
74				
75				
76				
77				
78				
79				
80				
81				
82				
83				
84				
85				
86				
87				
88				
89				
90				
91				
92				
93				
94				
95				
96				
97				
98				
99				
100				

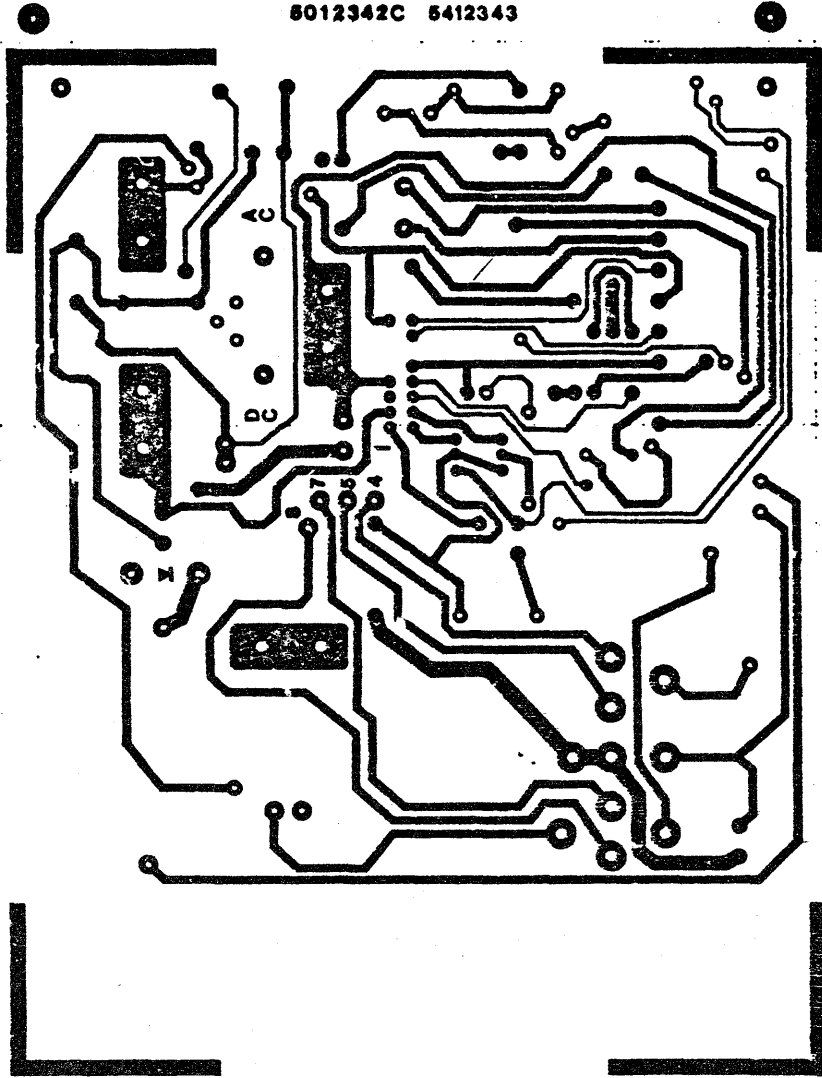
SIGNATURES: [Blank]
 DATE: [Blank]
 ORN: [Blank]
 CHK'D: [Blank]
 ENG: [Blank]
 PROJ. ENG: [Blank]
 PROD: [Blank]
 SCALE: 2-1
 SHT. 1 OF 5
 NEXT HIGHER ASSY. B-DD-5412343-0

TITLE: digital
 H785 BATTERY
 BACKUP REGULATOR
 SIZE CODE: [Blank]
 NUMBER: [Blank]
 REV: [Blank]
 UA 5412343-0-F

THIS DRAWING AND SPECIFICATIONS HEREIN ARE THE PROPERTY OF DIGITAL EQUIPMENT CORPORATION AND SHALL NOT BE REPRODUCED OR COPIED OR USED IN WHOLE OR IN PART AS THE BASIS FOR THE MANUFACTURE OR SALE OF ITEMS WITHOUT WRITTEN PERMISSION. COPYRIGHT © 1977 DIGITAL EQUIPMENT CORPORATION.

DUA 5412343-0-0 2

6012342C 5412343



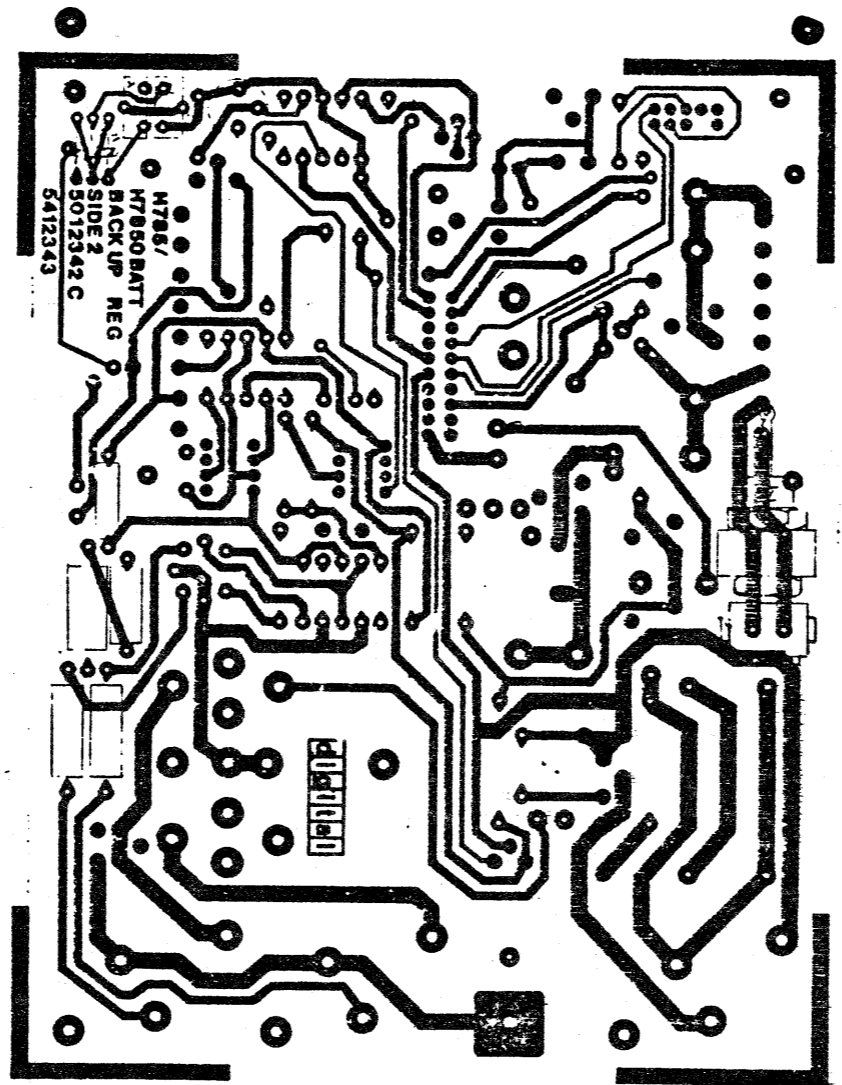
REVISIONS		
CHR	CHANGE NO.	REV

TITLE H785 BATTERY BACKUP REGULATOR		SIZE CODE D/LA	NUMBER 5412343-0-0	REV F
SCALE 2/1	SHEET 2 OF 5	DIST		

DUA 5412343-0-0 F

THIS DRAWING AND SPECIFICATIONS HEREIN ARE THE PROPERTY OF DIGITAL EQUIPMENT CORPORATION AND SHALL NOT BE REPRODUCED OR COPIED OR USED IN WHOLE OR IN PART AS THE BASIS FOR THE MANUFACTURE OR SALE OF ITEMS WITHOUT WRITTEN PERMISSION.
 COPYRIGHT © 1977 DIGITAL EQUIPMENT CORPORATION

D U A 5412343-0-0 2



REVISIONS		
CHK	CHANGE NO	REV

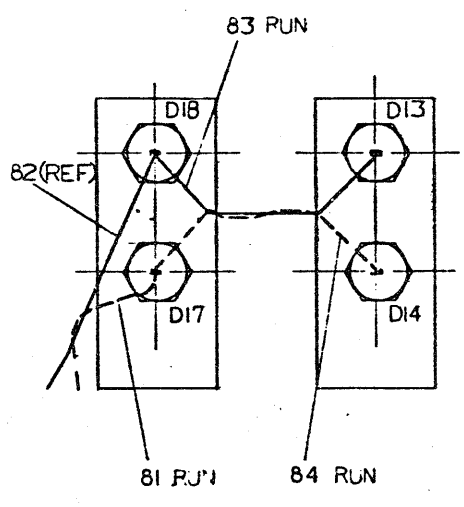
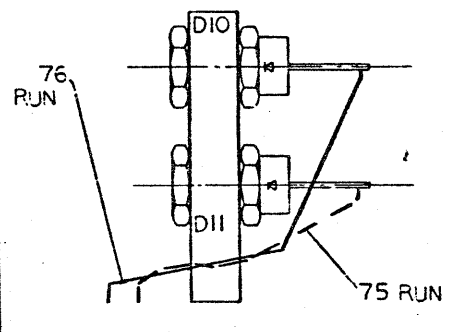
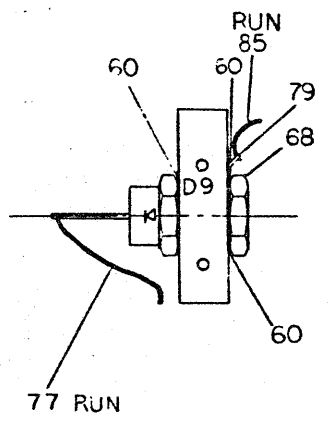
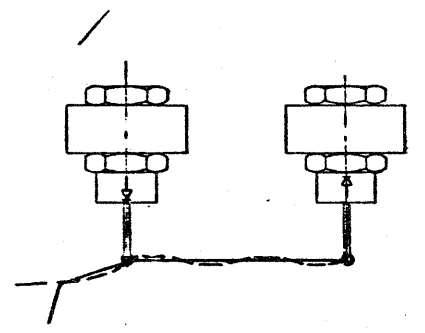
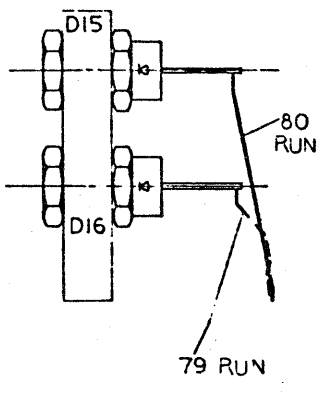
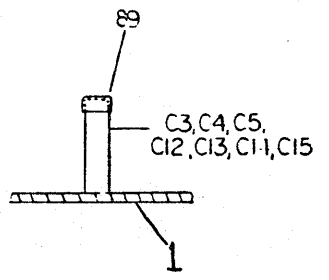
TITLE	H785 BATTERY BACKUP REGULATOR	SIZE CODE	D U A	NUMBER	5412343-0-0	REV.	F
SCALE	2/1	SHEET	3 OF 5	DIST			

D U A 5412343-0-0 F
 D U A 5412343-0-0 F

THIS DRAWING AND SPECIFICATIONS HEREIN ARE THE PROPERTY OF DIGITAL EQUIPMENT CORPORATION AND SHALL NOT BE REPRODUCED OR COPIED OR USED IN WHOLE OR IN PART AS THE BASIS FOR THE MANUFACTURE OR SALE OF ITEMS WITHOUT WRITTEN PERMISSION OF DIGITAL EQUIPMENT CORPORATION

NOTES:
1 WIRING INFORMATION IS ON SHEET 1 OF 4.

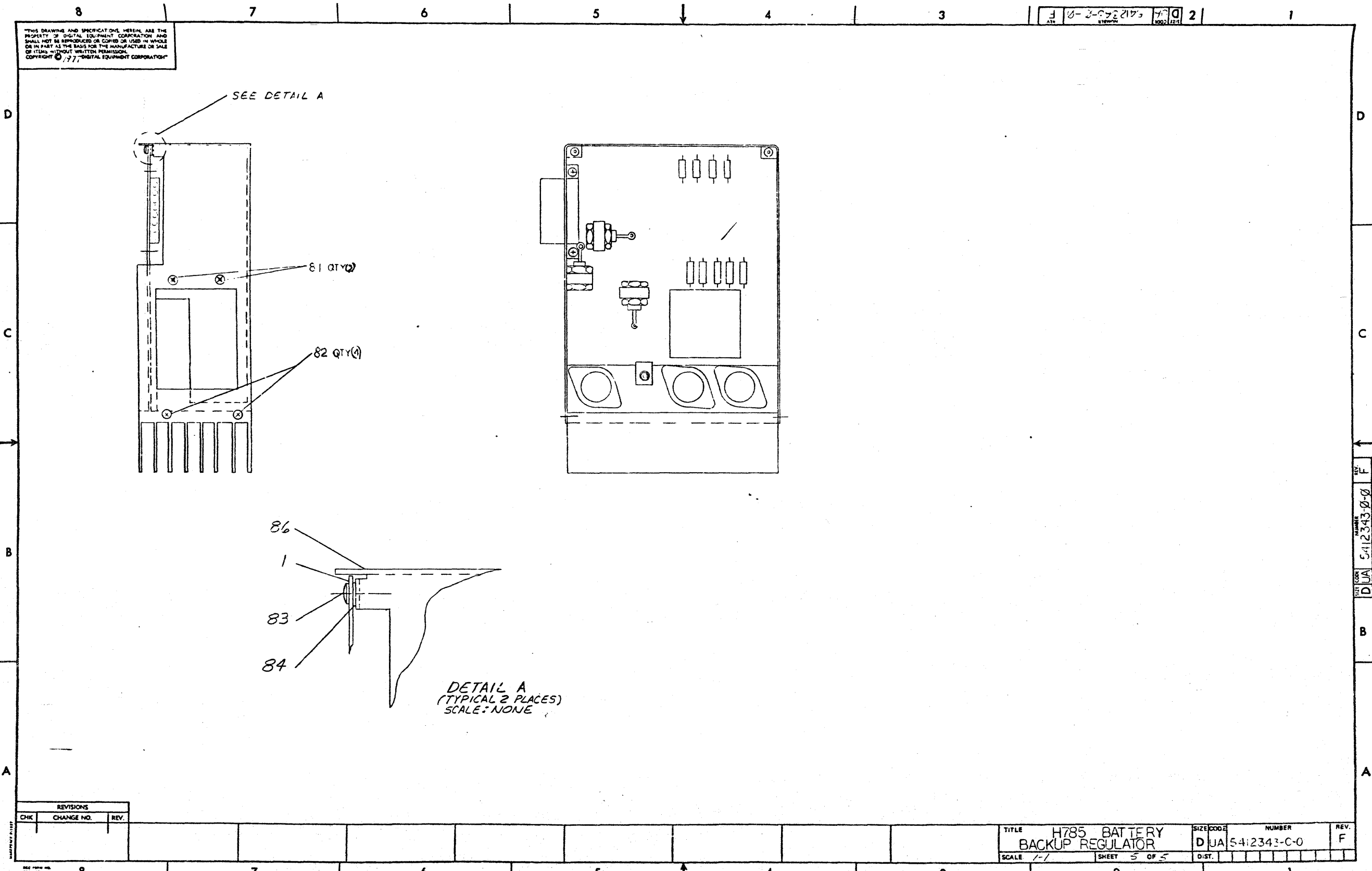
2 DIODES TO BE ASSEMBLED TO HEAT-SINKS AND WIRED AS SHOWN BEFORE INSTALLING TO BOARD.



REVISIONS		
CHK	CHANGE NO.	REV.

REV. F
 NUMBER DUA 5412343-0-0
 DATE

THIS DRAWING AND SPECIFICATIONS HEREIN ARE THE PROPERTY OF DIGITAL EQUIPMENT CORPORATION AND SHALL NOT BE REPRODUCED OR COPIED OR USED IN WHOLE OR IN PART AS THE BASIS FOR THE MANUFACTURE OR SALE OF ITEMS WITHOUT WRITTEN PERMISSION. COPYRIGHT © 1977 DIGITAL EQUIPMENT CORPORATION



SEE DETAIL A

81 QTY(2)

82 QTY(4)

86

1

83

84

DETAIL A
(TYPICAL 2 PLACES)
SCALE: NONE

REVISIONS		
CHK	CHANGE NO.	REV.

TITLE	H785 BATTERY BACKUP REGULATOR	SIZE CODE	D UA	NUMBER	5412343-C-0	REV.	F
SCALE	1-1	SHEET	5 OF 5	DIST.			

DUA 5412343-002 F

LINE	ITEM	DOCUMENT NUMBER	PART NUMBER	DESCRIPTION	QTY	PER VARIATION	REFERENCE DESIGNATOR
1	1	D-MD-5012342-0-0	5012342-00	ETCH BRD 54-12343	1		
2	2		1002431-00	2.2MFD 35V 10% 150S S.TA	1		C10
3	3		1012607-02	180 MFD 50V H% 672D AL EL	3		C3-C5
4	4		1000042-00	1000.0 MMF 100V 5%200PPM DM15S	1		C7
5	5		1010646-00	.015 MFD 50V 2% M.POLYCARB	1		C8
6	6		1000024-00	470.0 MMF 100V 5%200PPM DM15S	1		C9
7	7		1001776-00	1 MFD 35V 10% S.TANT	2		C5, C11
8	8		1012607-00	560 MFD 20V H% 672D AL EL	3		C12-C14
9	9		1012607-01	1200 MFD 6.3V H% 672D AL EL	1		C15
10	10		1010621-00	.1 MFD 50V 20% Z5U DISC	2		C16, C19
11	11		1004813-00	.10 MFD 20V 10% S.TANT	2		C1, C17
12	12		1000030-00	.1 MFD 100V 20% Z5U DISC	1		C18
13	13	BLANK			0		
14	14		1100125-00	1N 758A VZ= 10.0 5% 40W PPE	2		D2, D3
15	15		1105275-00	D 672 TR= 15NS PIV= 50V SI	7		D1, D4-D8, D20
16	16		1109440-00	1N 3880 PIV=100 I= 6A D04 SM	6		D10, D11, D13-D16
17	17		1113366-00	1N 3880R PIV=100 I=6A	4		D17, D18, D9, D12
18	18		1105648-00	1N 4744 VZ= 15.0 10% 1W	1		D19
19	19	BLANK			0		
20	20		1211004-02	SOCKET.100 20POS EDGE MOUNT	1		P4
21	21		1209340-00	MATE-N-LOK 8POS HSG, SKT	2		J1, J2
22	22		1209456-01	MATE-N-LOK SKT 20-18AWG LOOSE PC	16		
23	23		1211342-02	MATE-N-LOK 2PIN HEADER	2		J5, J6
24	24		1209219-01	LAMP 6V@200MA, T1-3/4PINS#2319	1		I1
25	25	BLANK			0		
26	26		1300202-00	47.0 .25 W 5.0 % CC	1		R2
27	27		1309639-00	200.0 5.0 W 5.0 % WW	1		R3
28	28		1312682-00	3.0 3.0 W 5.0 % WW	1		R4
29	29		1302950-00	1.20 K 1.0 W10.0 % CC	1		R5
30	30		1300426-00	2.70 K .25 W 5.0 % CC	2		R6, R7

REVISION HISTORY		BASIC PART NO: 5412343		DRN: D BILODEAU		DATE: 31-JUL-78		D I G I T A L	
ENG:	ECO NUMBER	REV	SECTION A OF A	*****		*****		TITLE PARTS LIST	
B.N:	00004	F	SECTION VARIATION INDEX	CHK'D:	R PUZZO	DATE:	31-JUL-78	H785 BATTERY BACKUP REGULATOR	
WFB:	12343-TW005	H	[A] 00	*****		*****		DOCUMENT NUMBER	
			[B]	DES.ENG:	J MERCURI	DATE:	31-JUL-78	*****	
			[C]	*****		*****		SIZE CODE NUMBER REV	
			[D]	RESP.ENG.:	J MERCURI	DATE:	31-JUL-78	*****	
			[E]	*****		*****		K PL 5412343-0-DBP H	
			[F]	MFG.ENG.:	B KING	DATE:	31-JUL-78	*****	
			[H]	ASSEMBLY NUMBER:	D-UA-5412343-0-0	TOP DOCUMENT NUMBER:		FILE NAME:	Z1301H.PLS
			[J]	*****		*****		EDIT # 10	
			[K]	*****		*****		*****	
			[L]	*****		*****		*****	
			[M]	*****		*****		*****	
			[N]	*****		*****		*****	

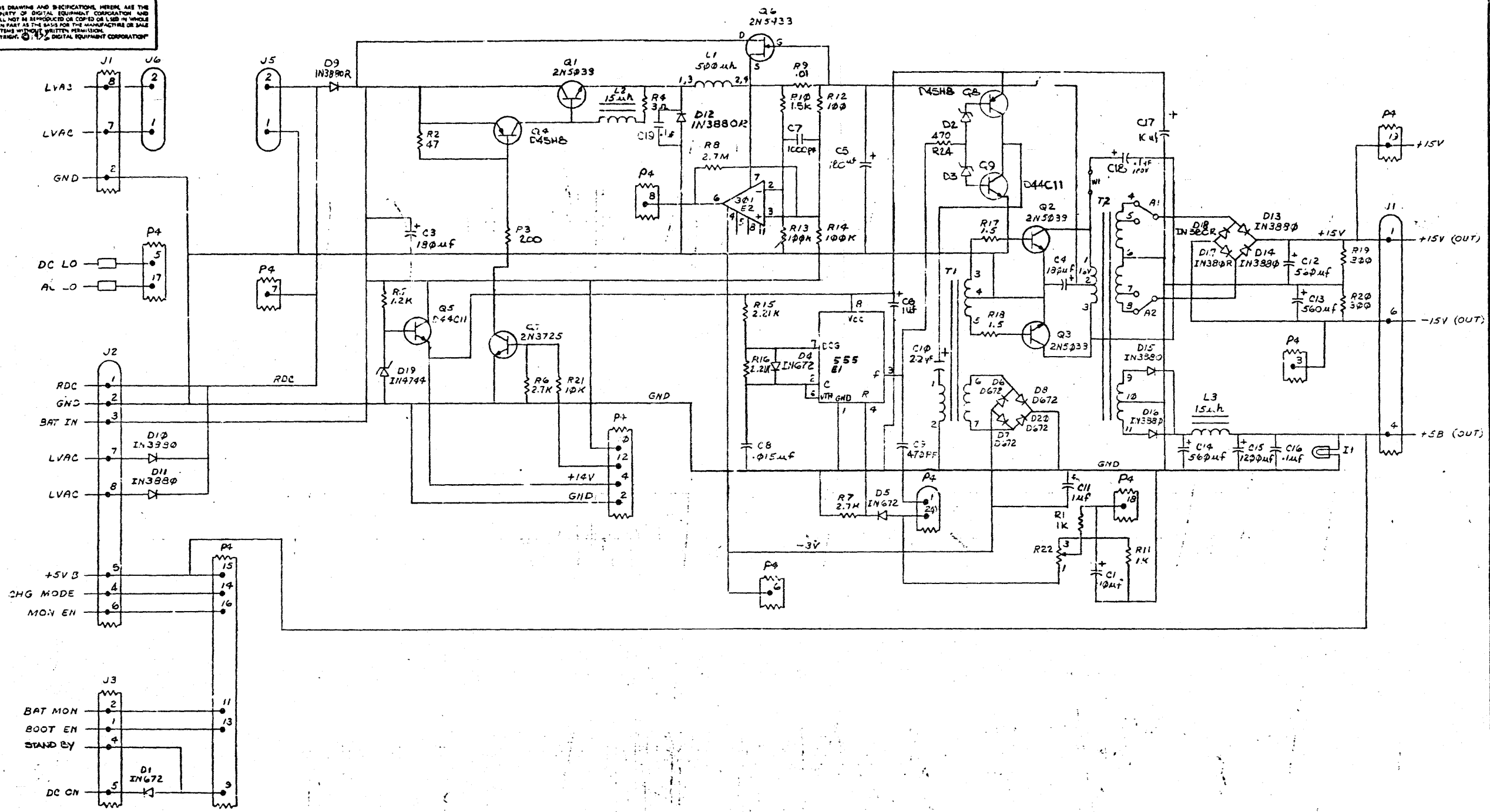
"THIS DRAWING AND SPECIFICATIONS HEREIN, ARE THE PROPERTY OF DIGITAL EQUIPMENT CORPORATION AND SHALL NOT BE REPRODUCED OR COPIED OR USED IN WHOLE OR IN PART AS THE BASIS FOR THE MANUFACTURE OR SALE OF ITEMS WITHOUT WRITTEN PERMISSION. COPYRIGHT (C) 1980. DIGITAL EQUIPMENT CORPORATION"

LINE	ITEM	DOCUMENT NUMBER	PART NUMBER	DESCRIPTION	QTY	PER VARIATION	REFERENCE DESIGNATOR
					00		
31	31		1309680-00	2.70 M .25 W 5.0 % CC	1		R8
32	32		1313712-00	.01 5.0 W 3.0 % WW	1		R9
33	33		1300365-00	1.0 K .25 W 5.0 % CC	2		R1, R11
34	34		1300229-00	100.0 .25 W 5.0 % CC	1		R12
35	35		1302466-00	100.0 K .25 W 5.0 % CC	2		R13, R14
36	36		1312404-00	2.21 K .50 W 1.0 % RN600-F10	2		R15, R16
37	37		1313579-00	1.50 3.0 W 5.0 % WW	2		R17, R18
38	38		1309855-00	300.0 2.0 W 5.0 % CC	2		R19, R20
39	39		1300479-00	10.0 K .25 W 5.0 % CC	1		R21
40	40		1310852-00	200.0 .50 W 20.0 % POT	1		R22
41	41		1300391-00	1.50 K .25 W 5.0 % CC	1		R10
42	42		1300316-00	470.0 .25 W 5.0 % CC	1		R24
43	43	BLANK			0		
44	44	BLANK			0		
45	45		1510969-00	2N 5038 NPN 140WC SI 90 50 Y	3		Q1-Q3
46	46		1510708-00	D 45H8 PNP 50WT SI 60 60 Y	2		Q4, Q8
47	47		1512790-00	D 44C11 NPN 30W SI 80 40	2		Q5, Q9
48	48		1511686-00	DEC5433 FET N 350MW 10 25 1A	1		Q6
49	49		1510959-00	2N 3725 NPN 3.5WC SI 50 60 P	1		Q7
50	50	BLANK			0		
51	51		1612593-00	500 UH 6A	1		L1
52	52		1613874-00	CHOKE, 15UH 4A	2		L2, L3
53	53		1613876-00	XFMR, POWER, RATIO 1:2 7PIN	1		T1
54	54		1613875-00	XFMR, POWER, RATIO 1:2:3 100UH	1		T2
55	55		7013690-00	CABLE 2 PIN AC DC LOW	1		
56	56		1911944-00	555CN TIMER, FUNCT. BLOCK	1		E1
57	57		1910282-00	301AN OP AMP	1		E2
58	58		7013384-1D	DC ON/OFF CABLE	1		
59	59		1213071-06	INSULATOR, RUBBER SILICONE	1		
60	60		1213071-05	INSULATOR, RUBBER THERMAL	3		
61	61		7417414-00	HEAT SINK (DUAL)	4		
62	62		7417413-00	HEAT SINK (SINGLE)	1		
63	63		9006655-00	WASHER, FLAT, .312 O.D. X .125 I	1		
64	64		9008172-00	WASHER, FLAT, SS .250 OD X .125 I	6		
65	65		9006706-00	WASHER, NYLON, FLAT #4 .375 OD	2		
66	66		9006745-00	EYELET, ROLLED FLANGE, .120 OD X	4		
67	67		1213071-02	INSULATOR, RUBBER SILICONE SM	3		
68	68		9006565-00	NUT, KEP 10-32X 3/8 AF	10		
69	69		1210737-04	HEAT SINK, REGULATOR	1		
70	70		9006013-04	SCREW, BIND, SLOT, 4-40X 1/2	6		
71	71		9007649-00	*** THIS ITEM IS NOT USED ***	-		
72	72	BLANK			0		
73	73		9008033-01	SCREW, PAN, PHIL 4-40X 9/16 SS	1		
74	74		9006557-00	NUT, KEP 4-40X 1/4 AF	7		
75	75		9000037-03	WASHER, LOCK, INTERNAL TOOTH	8		
76	76		9006010-04	SCREW, BIND, SLOT, 4-40X 5/16	8		
77	77		9107430-02	WIRE, STRND, 18AWG, IPVC (UL1429)	A/R		
78	78		9009185-00	JUMPER, WIRE, INSULATED, BLACK B	1		W1

D	I	G	I	T	A	L	TITLE	H785 BATTERY BACKUP REGULATOR	SECTION A OF A	SIZE	CODE	DOCUMENT NUMBER	REV
										K	PL	5412343-0-DBP	H

LINE	ITEM	DOCUMENT NUMBER	PART NUMBER	DESCRIPTION	QTY PER VARIATION 00	REFERENCE DESIGNATOR
79	79		9008506-00	TERM LUG 1POS SOLDER, FLAT	2	
80	80		9009149-00	PIN, STAKING, P.C. BOARD, .025 X	9	J3
81	81		9008404-02	SCREW, FLAT, PHIL, 6-32X 5/16 S	2	
82	82		9009142-02	SCREW, PHILLIPS' FLAT HEAD, SELF	4	
83	83		9006010-01	SCREW, PAN, PHIL 4-40X 5/16 SS	2	
84	84		9008079-00	WASHER, FLAT FIBER OD. 1/4	2	
85	85		9905212-00	CARTON, DIE CUT	1	
86	86	D-IA-7417410-0-0	7417410-00	REGULATOR BRACKET	1	
87	87		9009769-00	WASHER, RECTANGULAR .405X.225X.0	1	
88	88		9007201-00	TRANSIPADS #10253	1	
89	89		9009731-03	CAP, OPT. VINYL .500 ID	7	

THIS DRAWING AND SPECIFICATIONS HEREIN ARE THE PROPERTY OF DIGITAL EQUIPMENT CORPORATION AND SHALL NOT BE REPRODUCED OR COPIED IN WHOLE OR IN PART AS THE BASIS FOR THE MANUFACTURE OR SALE OF ITEMS WITHOUT WRITTEN PERMISSION. COPYRIGHT © 1977 DIGITAL EQUIPMENT CORPORATION



REV.	CHANGE NO.	DATE	BY	CHKD.
1	15412343-0001	10-1-77	G. POTTER	
2	15412343-0002	10-1-77	J. MERCURI	
3	15412343-0003	10-1-77	W. E. BAUSHA	

DRN.	CHK'D.	ENG.	PROJ. ENG.	PROD.	NEXT HIGHER ASSY.	SIZE	CODE	NUMBER	REV.
15412343-0001	15412343-0001	15412343-0001	15412343-0001	15412343-0001		D	CS	5412343-0-1	F

FIRST USED ON: digital
 TITLE: H785 BATTERY BACKUP REGULATOR
 SHEET 1 OF 1

REWORK INSTRUCTIONS

ECO #1

- 1-1 CUT ETCH BETWEEN R41 AND D16. (THIS ETCH LINE RUNS OVER TO THE DRAIN OF Q1) SIDE 1.
- 1-2 CUT ETCH ON RIGHT SIDE OF C14. ON THE ETCH LINE THAT HAS PREVIOUSLY BEEN CUT, SIDE 1.
- 1-3 INSERT ECO WIRE FROM THE DRAIN OF Q1 TO THE LEFT SIDE OF C14, TACK SOLDER TO ETCH LINE ON THE LEFT SIDE OF C14, SIDE 1. (THIS IS THE SAME ETCH LINE THAT WAS CUT ON THE RIGHT SIDE OF C14). ECO WIRE IS TO BE ROUTED TO THE TOP OF THE BOARD FROM THE DRAIN OF Q1 THEN RUN ALONG THE BOARD AND COME DOWN TO THE LAND OF ETCH THAT IT HAS TO BE SOLDERED TO THE LEFT SIDE OF C14.
- 1-4 DRILL A .0635 DIA. HOLE (DRILL #52) BENEATH R32 (SIDE 1) MAKING SURE THE ONLY ETCH DRILLED IS THE ONE WITH BOTH ITS ENDS CUT (SEE STEPS 1 AND 2 OF REWORK INSTRUCTIONS). THIS HOLE HAS TO HOLD DEC. 12-12416-02. BE SURE OF SPACING BEFORE DRILLING.
- 1-5 DRILL A .0635 DIA. HOLE (DRILL #52) ABOVE Q1 TO THE LEFT SIDE OF R1, SIDE 1. BE SURE OF SPACING. THIS HOLE MUST HOLD DEC. 12-12416-02. DO NOT PIERCE ETCH ON SIDE 2.
- 1-6 ON SIDE 2, CUT ETCH LEADING AWAY FROM PIN 9 OF J4.
- 1-7 INSERT DEC. 12-12416-02 IN BOTH HOLES PREVIOUSLY DRILLED. DO NOT INSERT FULLY. INSERT SO THAT ENOUGH OF THE LEAD IS THROUGH THE BOARD THAT WILL PERMIT A COUPLE WRAPS OF AN ECO WIRE. THEN GLUE IN PLACE WITH DEC. 9009157. MAKE SURE THAT TABS ON DEC. 12-12416-02 ARE FACING EACH OTHER ON SIDE 1. (S1 AND S2)
- 1-8 ON DEC PART 12-12416-02 THE ONE THAT IS LOCATED CLOSEST TO J4 ON SIDE 1, CONNECT THE LEAD THAT GOES THROUGH THE BOARD, TO PIN J4-9 ON SIDE 2. THIS IS DONE WITH AN ECO WIRE INSTALLED ON SIDE 2.
- 1-9 WITH AN ECO WIRE, CONNECT BOTH CASE TABS OF DEC. 12-12416-02 ON SIDE 1 TOGETHER.
- 1-10 DEC. PART 12-12416-02 THAT HAS BEEN INSTALLED BENEATH R32 ON SIDE 1. CONNECT AN ECO WIRE FROM THIS PARTS PIN ON SIDE 2 WITH THE OTHER END OF THE ECO WIRE GOING TO THE P.T.H.

BETWEEN R41 AND D16. (THIS P.T.H. HAS AN ETCH RUN CONNECTING THE ANODE OF D16 TO IT ON SIDE 2.)

- 1-11 CHANGE R10 FROM 13-13151 3.6K OHM TO 1300391 1.5K OHM.
- 1-12 CHANGE R11 FROM 13-00316 47Ω OHM TO 13-00439 3.3K OHM.
- 1-13 CHANGE R4 FROM 13-00309 39Ω OHM TO 13-01322 18Ω OHM.
- 1-14 REMOVE W2 INSULATED JUMPER 90-09185.
- 1-15 REMOVE D17, IN 758A 11-00125
- 1-16 GLUE ALL ECO WIRES DOWN WITH DEC. 90-09157.

ECO #2

COMPONENT DELETES SIDE 1:

- 2-1. C15 (P/N 1000021)
- 2-2. D16 (P/N 1110068)

COMPONENT ADDS SIDE 1:

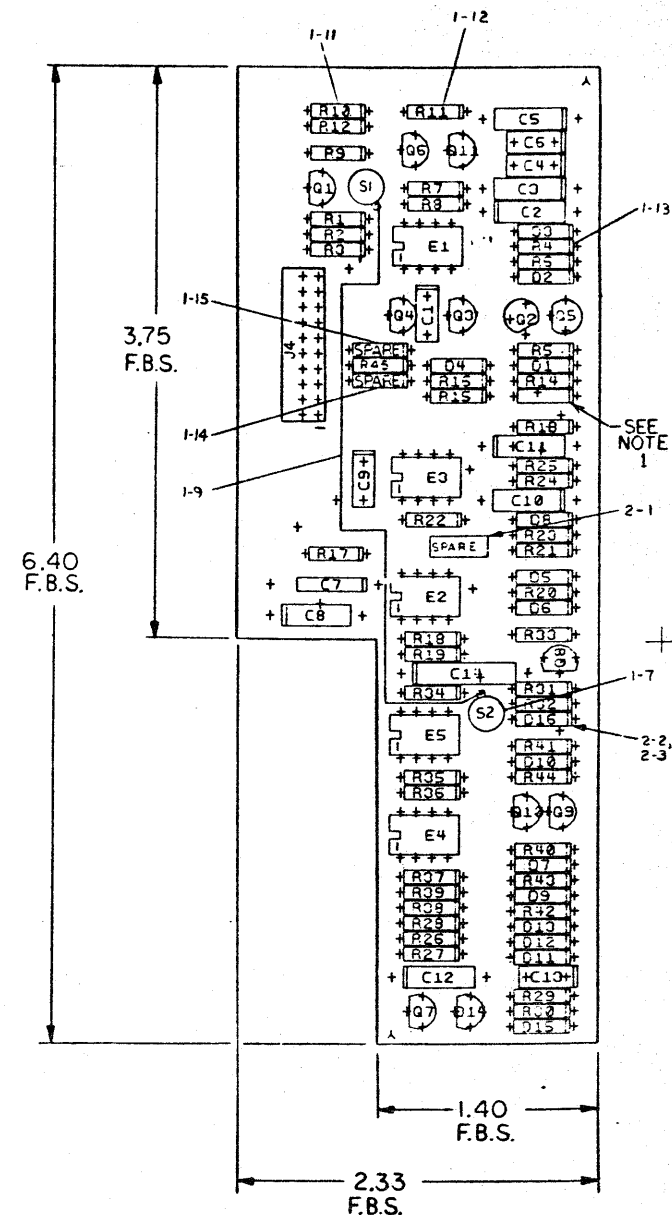
- 2-3. D16 (ZENER BI-DIRECTIONAL P/N 1114913-00)

NOTES:

1. COMPONENT NOT INSERTED

CHANGE NO	REV	DATE	BY	CHK'D	APP'D
5412385-1	C		G. POTTER		
5412385-2	D		J. MERCURI		
5412385-3	E		G. POTTER		
5412385-4	F		B. BAUSHA		

COMPONENT SIDE VIEW



ETCH REV. C	
P.C. DESIGN DATA BASE REV. C	

SIGNATURES	DATE	TITLE
DRN. F. GAROFALO	12-1-76	H785 CONTROL BD.
CHK'D. F. SEIDMAN	2-8-76	
ENC. <i>[Signature]</i>	7-26-76	
PROD. <i>[Signature]</i>	17 DEC 76	
SCALE 2/1		
SHT. 1 OF 3		SIZE CODE NUMBER REV
NEXT HIGHER ASSY. B-DD-5412385-0		D UA 5412385-0-0 F

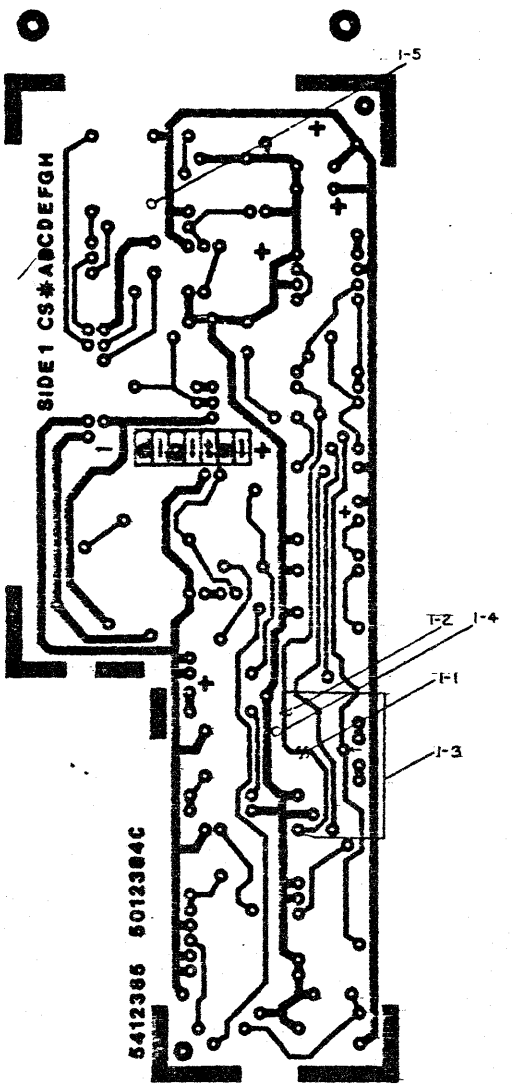
digital

H785 CONTROL BD.

D UA 5412385-0-0 F

THIS DRAWING AND SPECIFICATIONS HEREIN ARE THE PROPERTY OF DIGITAL EQUIPMENT CORPORATION AND SHALL NOT BE REPRODUCED OR COPIED OR USED IN WHOLE OR IN PART AS THE BASIS FOR THE MANUFACTURE OR SALE OF ITEMS WITHOUT WRITTEN PERMISSION. COPYRIGHT © 1977 DIGITAL EQUIPMENT CORPORATION

DUA 5412385-0-0 2

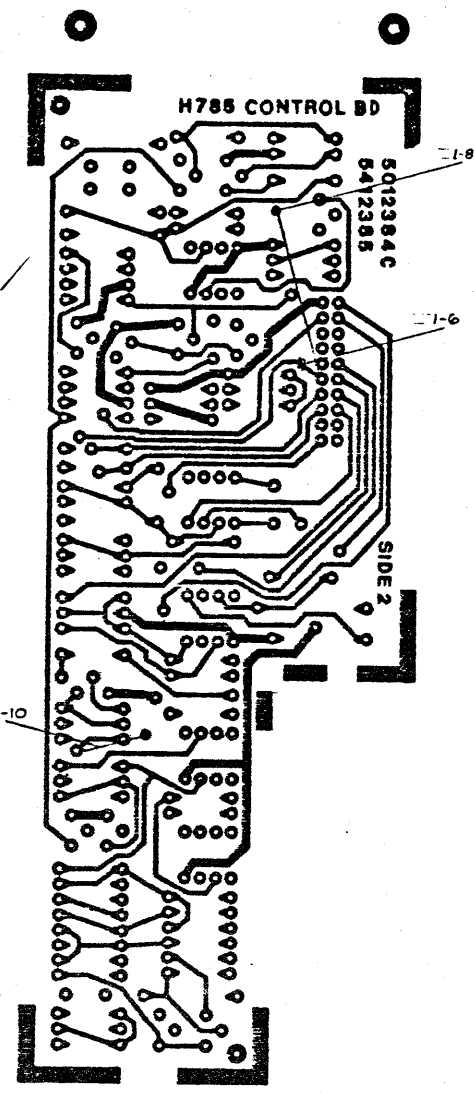


REVISIONS		
CHK	CHANGE NO	REV

TITLE	H785 CONTROL BD	SIZE CODE	DUA	NUMBER	5412385-0-0	REV.	F
SCALE	2/1	SHEET	2 OF 3	DIST			

THIS DRAWING AND SPECIFICATIONS HEREIN ARE THE PROPERTY OF DIGITAL EQUIPMENT CORPORATION AND SHALL NOT BE REPRODUCED OR COPIED OR USED IN WHOLE OR IN PART AS THE BASIS FOR THE MANUFACTURE OR SALE OF ITEMS WITHOUT WRITTEN PERMISSION. COPYRIGHT ©1977 DIGITAL EQUIPMENT CORPORATION

DUA 5412385-0-0 2 1



REVISIONS		
CHK	CHANGE NO	REV

TITLE	H785 CONTROL BD	SIZE CODE	DUA	NUMBER	5412385-0-0	REV.	F
SCALE	2/1	SHEET	3 OF 3	DIST.			

DUA 5412385-0-0 F

8 7 6 5 4 3 2 1

LINE	ITEM	DOCUMENT NUMBER	PART NUMBER	DESCRIPTION	QTY	PER VARIATION	REFERENCE DESIGNATOR
					00		
1	1	D-MD-5012384-0-0	5012384-00	5412385	1		C1, C4, C6, C13
2	2		1001610-01	.01 MFD50/100V +80-20%	4		C2
3	3		1004813-00	10 MFD 20V 10%	1		C3, C5, C11
4	4		1001776-00	1 MFD 35V 10%	3		C7
5	5		1000061-00	.0082 MFD 100V 10%	1		C8, C12, C10
6	6		1005965-00	.47 MFD 35V 10%	3		C9
7	7		1000009-00	33.0 MMF 100V 5%200PPM	1		C14
8	8		1005306-00	6.8MFD 35V 10%	1		D1, D2, D3, D5, D6, D9, D10, D12, D13
9	9		1105275-00	D 672 TR= 15NS PIV= 60V SI	9		D4
10	10		1109988-00	1N 964B VZ= 13.0 5% .40W	1		D11, D15
11	11		1102808-00	1N 752A VZ= 5.6 5% .40W	2		D14
12	12		1110968-00	2N 5062 SCR@100V I=.8A T092	1		D7
13	13		1110713-00	SZ710910 VZ= 5.1 2% M	1		D16
14	14		1114913-00	VZ= 12.0 10% 1W	1		R32, R38
15	15		1300398-00	1.80 K .25 W 5.0 %	1		R1, R13, R18, R19, R20, R21, R28, R31,
16	16		1300479-00	10.0 K .25 W 5.0 %	11		R42-R44
						CONT	R3, R5, R25, R29, R45
17	17		1300229-00	100.0 .25 W 5.0 %	5		R4
18	18		1301322-00	180.0 .25 W 5.0 %	1		R6
19	19		1302177-00	47.0 K .25 W 5.0 %	1		R7
20	20		1302394-00	30.0 K .25 W 5.0 %	1		R8
21	21		1302091-00	330.0 K .25 W 5.0 %	1		R2, R9, R12, R14, R37, R40
22	22		1300365-00	1.0 K .25 W 5.0 %	6		R16
23	23		1300426-00	2.70 K .25 W 5.0 %	1		R15
24	24		1302092-00	220.0 K .25 W 5.0 %	1		R17
25	25		1301423-00	6.80 K .25 W 5.0 %	1		R35
26	26		1302871-00	1.21 K .25 W 1.0 % RN55D-F10	1		R34
27	27		1302955-00	750.0 .25 W 1.0 % RN55D-F10	1		R36
28	28		1303312-00	10.0 K .25 W 1.0 % RN55D-F10	1		R22, R39, R41
29	29		1302466-00	100.0 K .25 W 5.0 %	3		

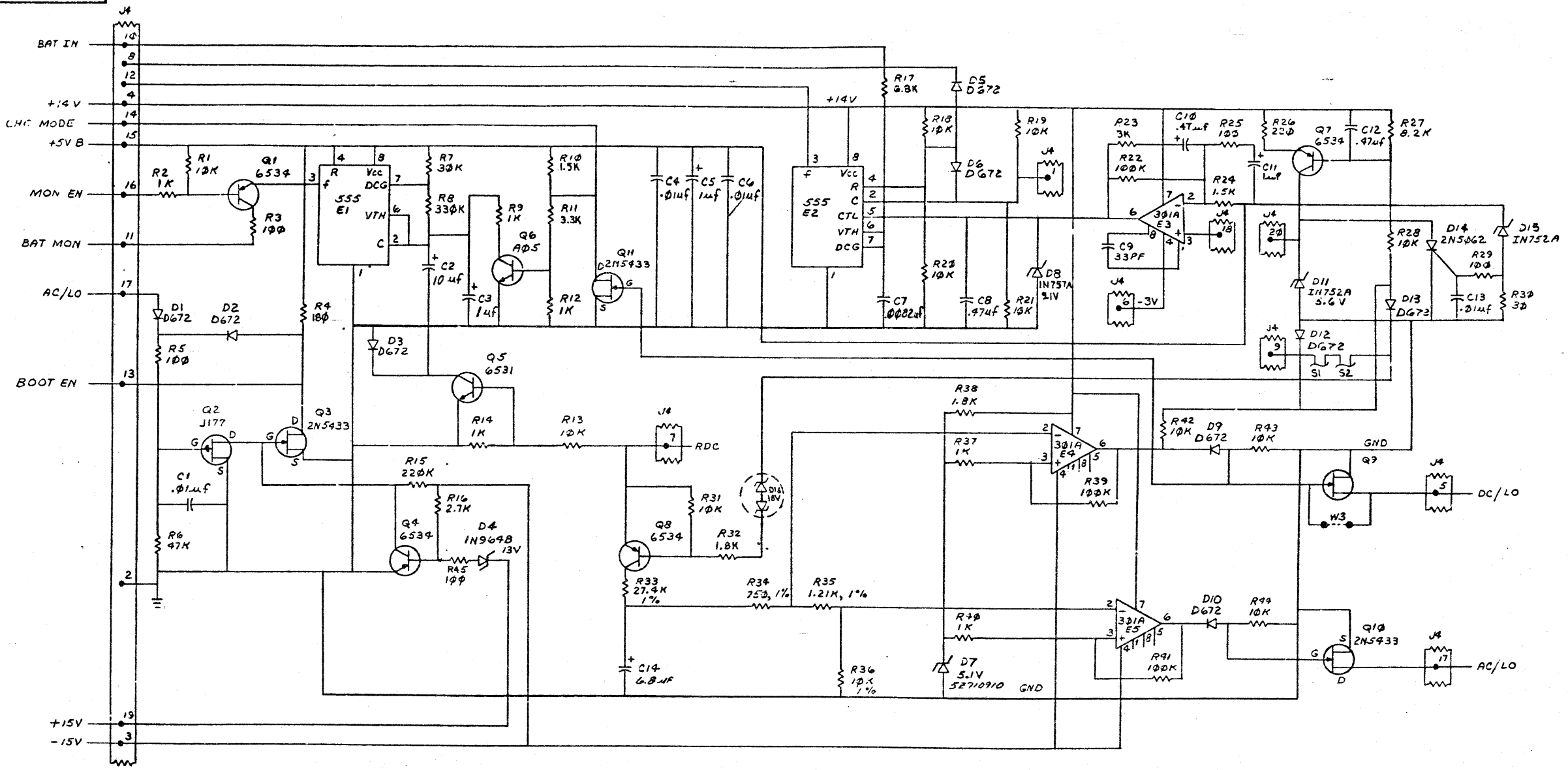
REVISION HISTORY		BASIC PART NO: 5412385		DRN: F. MALANSON	DATE: 21-FEB-78	D I G I T A L	
ENG: ECO NUMBER	REV	SECTION A OF A		TITLE		PARTS LIST	
INITIAL	F	SECTION VARIATION INDEX		CHK'D: F. SIEDMAN	DATE: 21-FEB-78	H785 CONTROL BOARD	
		[A] 00		DES.ENG: J. MERCURI	DATE: 21-FEB-78	DOCUMENT NUMBER	
		[B]		RESP.ENG.: R.B. KING	DATE: 21-FEB-78	SIZE: CODE: NUMBER	REV
		[C]		MFG.ENG.: J. MERCURI	DATE: 21-FEB-78	K PL 5412385-0-DBP	F
		[D]		ASSEMBLY NUMBER:	TOP DOCUMENT NUMBER:	FILE NAME:	EDIT #
		[E]		D-UD-5412385-0-0		23604F.PLS	2
		[F]					
		[H]					
		[J]					
		[K]					
		[L]					
		[M]					
		[N]					

"THIS DRAWING AND SPECIFICATIONS HEREIN, ARE THE PROPERTY OF DIGITAL EQUIPMENT CORPORATION AND SHALL NOT BE REPRODUCED OR COPIED OR USED IN WHOLE OR IN PART AS THE BASIS FOR THE MANUFACTURE OR SALE OF ITEMS WITHOUT WRITTEN PERMISSION. COPYRIGHT (C) 1982. DIGITAL EQUIPMENT CORPORATION"

LINE	ITEM	DOCUMENT NUMBER	PART NUMBER	DESCRIPTION	QTY	PER VARIATION	REFERENCE DESIGNATOR
					00		
30	30		1300271-00	220.0 .25 W 5.0 % CC	1		R26
31	31		1303179-00	8.20 K .25 W 5.0 % CC	1		R27
32	32		1302751-00	30.0 .25 W 5.0 % CC	1		R30
33	33		1309417-00	27.40 K .25 W 1.0 % RN55D-F10	1		R33
34	34		1503409-00	DEC6534D PNP 310MW SI 40 90	4		Q1, Q4, Q7, Q8
35	35		1517832-00	J 177 FET 360MW SI P CHNNL	1		Q2
36	36		1511686-00	DEC5433 FET N 350MW IO 25 1A	4		Q3, Q9, Q10, Q11
37	37		1509338-00	DEC6531B NPN 310MW SI 40 90 P	1		Q5
38	38		1510705-00	XA 05 NPN 500MW SI 60 50 P	1		Q6
39	39		1911944-00	555CN TIMER FUNCT.BLOCK	2		E1, E2
40	40		1910282-00	301AN OP AMP	3		E3, E4, E5
41	41		1300391-00	1.50 K .25 W 5.0 % CC	2		R10, R24
42	42		1213335-00	HEADER 20POS RT ANGLE FOR 12	1		J4
43	43		1300439-00	3.30 K .25 W 5.0 % CC	1		R11
44	44		1212416-02	THERMOSTAT, 0.2160, N/C, SPST, AUTO R	2		S1, S2
45	45		1300432-00	3.0 K .25 W 5.0 % CC	1		R23
46	46		1109990-00	1N 757A VZ= 9.1 5% .40W P	1		D8
47	47	BLANK		*** THIS ITEM IS NOT USED ***	-		
48	48		9009157-00	ADH.LIQ.RM.TEMP CURING COLORLESS	A/R		
49	49		9105740-55	WIRE(WRAP)30AWG UL1423	A/R		

THIS DRAWING AND SPECIFICATIONS HEREIN ARE THE PROPERTY OF DIGITAL EQUIPMENT CORPORATION AND SHALL NOT BE REPRODUCED OR COPIED IN WHOLE OR IN PART AS THE BASIS FOR THE MANUFACTURE OR SALE OF ITEMS WITHOUT WRITTEN PERMISSION. COPYRIGHT © 1976, DIGITAL EQUIPMENT CORPORATION

1-0-5412385-0-1



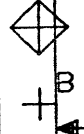
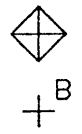
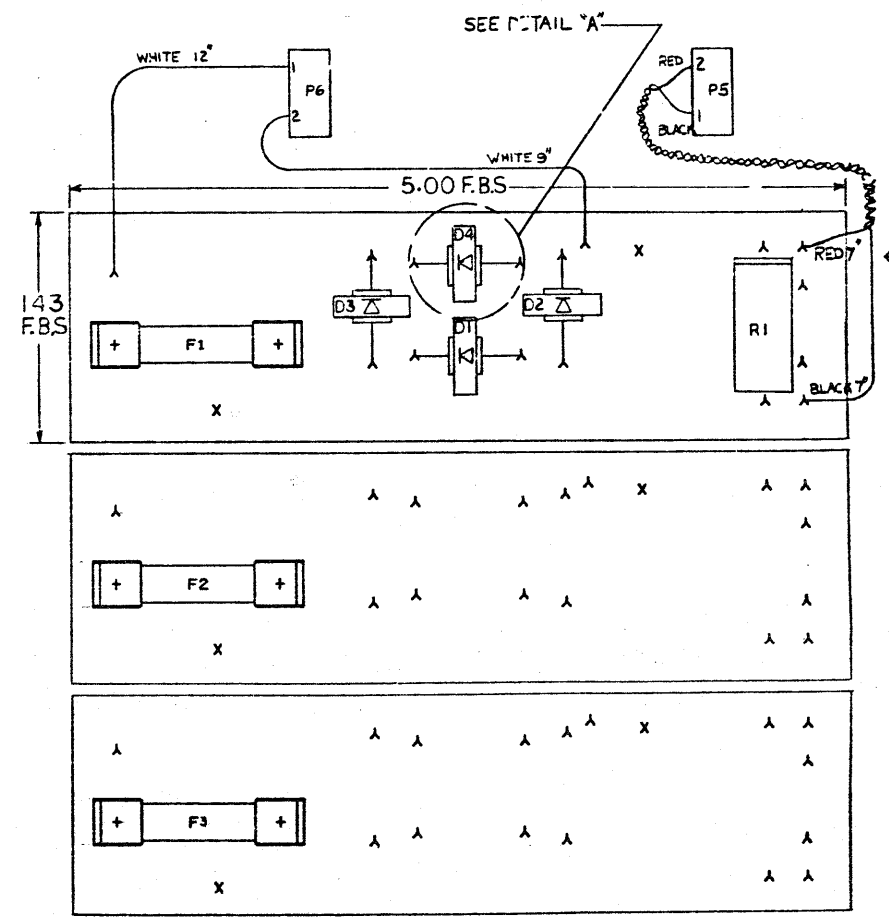
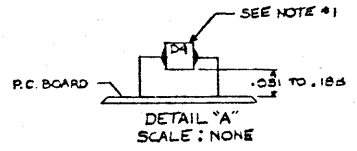
NOTES:
 1- ~~H785, 15V OPERATION REMOVE JUMPER W2.~~
 2- ~~H785, 7.5V OPERATION REMOVE JUMPER W1.~~
 W3 IS AN ENGINEERING OPTION TO BE DETERMINED AT A LATER DATE.

REV	CHG	BY	DATE
1	1	GENE POTTER	11-21-76
2	1	J. MERCURI	12-17-76
3	1	G. POTTER	1-10-77
4	1	W. DAUSHA	1-10-77

DRN. 9-17-76	FIRST USED ON	digital
CHK'D	TITLE	
ENGL. 11-21-76	H785	CONTROL BOARD
PROJ. ENG. 11-21-76	NUMBER	
PROD. 11-21-76	DIST.	REV. F
NEXT HIGHER ASSY.	SCALE	SIZE CODE
	1 OF 1	D CS 5412385-0-1
		TW 1

THIS DRAWING AND SPECIFICATIONS, HEREIN, ARE THE PROPERTY OF DIGITAL EQUIPMENT CORPORATION AND SHALL NOT BE REPRODUCED OR COPIED IN WHOLE OR IN PART OR FOR THE WHOLE OR THE MANUFACTURE OR SALE OF ITEMS WITHOUT WRITTEN PERMISSION.
 COPYRIGHT © 1973 DIGITAL EQUIPMENT CORPORATION

COMPONENT SIDE VIEW



NOTES: DIODES D1 - D4 MUST BE RAISED FROM THE P.C. BOARD .031 TO .188.

CHK CHANGE NO	REV	
MLOO4	F	
CARTER		
W. BAUSHA		

ETCH REV. D - P 2
P.C. DESIGN DATA BASE REV. D

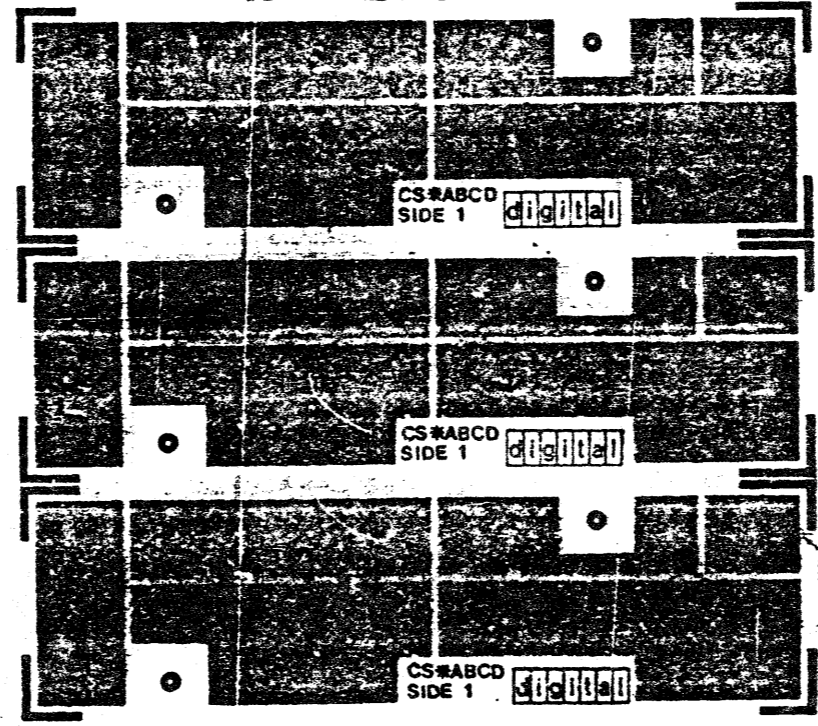
SIGNATURES	DATE
DRN. P. NICHOLLS	11-14-73
CHK'D. <i>[Signature]</i>	11-30-73
ENG. <i>[Signature]</i>	12-27-73
PROJ. ENG. <i>[Signature]</i>	1-1-74
PROD. <i>[Signature]</i>	1-24-74
SCALE 2/1	
SHT. 1 OF 3	
NEXT HIGHER ASSY.	

digital
TITLE INPUT
RECTIFIER BOARD
SIZE CODE NUMBER
DUA 5412411-0-0 F

DUA 5412411-0-0 F

REVISIONS
CHANGE NO. REV.

MS60964 50124100-P2 5412411

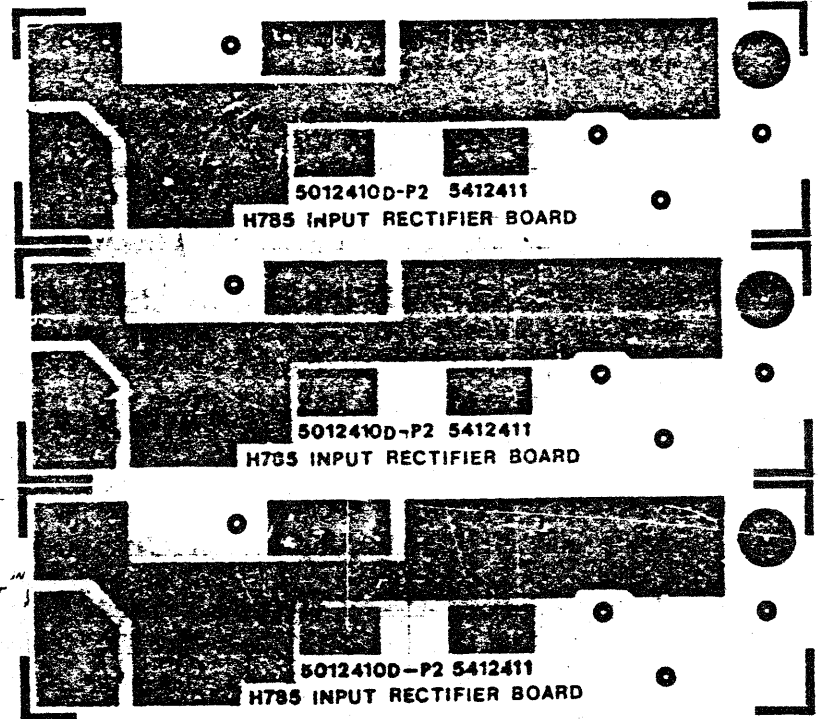


REVISIONS	
CHANGE NO.	REV.

TITLE	INPUT RECTIFIER BOARD	SIZE/LODGE	D UA	NUMBER	5412411-0-0	REV	F
SCALE	2/1	SHEET	2 OF 3	DIST			

DUA 5412411-0-0 F

THIS DRAWING AND THE INFORMATION CONTAINED HEREIN ARE THE PROPERTY OF DIGITAL EQUIPMENT CORPORATION AND SHALL NOT BE REPRODUCED, STORED IN RETRIEVAL SYSTEMS, OR TRANSMITTED IN ANY FORM OR BY ANY MEANS, ELECTRONIC OR MECHANICAL, INCLUDING PHOTOCOPYING, RECORDING, OR BY ANY INFORMATION STORAGE AND RETRIEVAL SYSTEM.



REVISIONS		
CHK	CHANGE NO	REV

8	7	6	5	4	3	2	1	
TITLE INPUT RECTIFIER BOARD						SIZE CODE D UA	NUMBER 5412411-0-0	REV F
SCALE 2/1						SHEET 3 OF 3		DIST

D UA 5412411-0-0 F

LINE	ITEM	DOCUMENT NUMBER	PART NUMBER	DESCRIPTION	QTY PER VARIATION 00	REFERENCE DESIGNATOR
1	1	D-MD-5412410-0-0	5012410-00	5412411	1	
2	2		1110615-00	MR 752 PIV=200 I=22A A264 SM	4	D1-D4
3	3		1210821-02	MATE-N-LOK 2PIN HOUSING,SKT	2	P5,P6
4	4		1209379-01	MATE-N-LOK PIN 20-14AWG LOOSE	4	
5	5		1302609-00	4.7 K 2W 10% CC	1	R1
6	6		9009000-00	EYELET, ROLLED FLANGE, .121 OD X	2	
7	7		9008390-00	FUSE, REG BLOW, 10.000A, 250V, C	1	
8	8		9007203-00	CLIP, FUSE, WITH STOP, SCREW MOU	2	
9	9		9107360-99	WIRE,STRND,18AWG,IPVC / UL1429	A/R	
10	10		9107430-02	WIRE,STRND,18AWG,IPVC (UL1429)	A/R	

REVISION HISTORY		BASIC PART NO: 5412411		DRN:	D.BILODEAU	DATE:	09-MAY-79	DIGITAL			
ENG	ECO NUMBER	REV	SECTION A OF A	CHK'D:	F.GAROFALO	DATE:	09-MAY-79	TITLE	PARTS LIST		
J.M	5412411-ML004	F	SECTION VARIATION INDEX					INPUT RECTIFIER BOARD			
			[A] 00								
			[B]								
			[C]	DES.ENG:	J.MERCURI	DATE:	09-MAY-79				
			[D]								
			[E]						DOCUMENT NUMBER		
			[F]	RESP.ENG.:	J.MERCURI	DATE:	09-MAY-79				
			[G]					SIZE	CODE	NUMBER	REV
			[H]								
			[J]								
			[K]	MFG.ENG.:	R.B.KING	DATE:	09-MAY-79	K	PL	5412411-0-DBP	F
			[L]								
			[M]	ASSEMBLY NUMBER:		TOP DOCUMENT NUMBER:		FILE NAME:		EDIT #	
			[N]	D-UA-5412411-0-0				Z0474F.PLS		3	

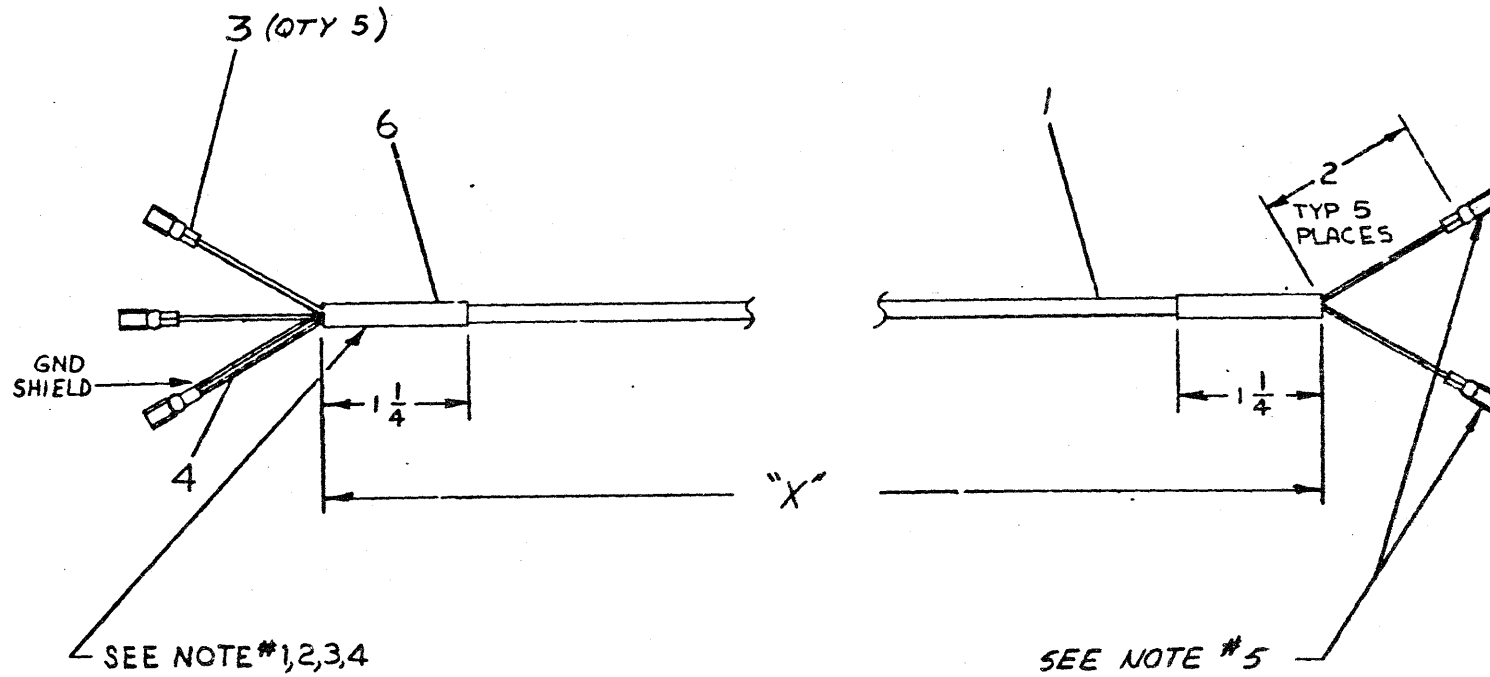
"THIS DRAWING AND SPECIFICATIONS HEREIN, ARE THE PROPERTY OF DIGITAL EQUIPMENT CORPORATION AND SHALL NOT BE REPRODUCED OR COPIED OR USED IN WHOLE OR IN PART AS THE BASIS FOR THE MANUFACTURE OR SALE OF ITEMS WITHOUT WRITTEN PERMISSION. COPYRIGHT (C) 1979, DIGITAL EQUIPMENT CORPORATION"

THIS DRAWING AND SPECIFICATIONS HEREIN ARE THE PROPERTY OF DIGITAL EQUIPMENT CORPORATION AND SHALL NOT BE REPRODUCED OR COPIED OR USED IN WHOLE OR IN PART AS THE BASIS FOR THE MANUFACTURE OR SALE OF ITEMS WITHOUT WRITTEN PERMISSION. COPYRIGHT © 1975 DIGITAL EQUIPMENT CORPORATION

LEGEND		
NUMBER	DIM 'X'	USED ON
7011413-3F	3 FT 6 IN ± 1 IN	B811-L OR K
7011413-7	7 FT ± 2 IN	H9288
7011413-10	10 FT 0 IN ± 1 IN	1104/34-TA

NOTES:

1. AFTER STRIPING OUTSIDE COVERING (1-1/4 IN) FOLD BACK THE GROUND WIRE (BARE ONE) AND REMOVE THE WRAPPER.
2. COVER THE FOLDED BACK BARE WIRE WITH ITEM 6 AND SHRINK (ON BOTH ENDS).
3. ADD ITEM *4 (CLEAR TUBING) OVER ITEM *1 (SHIELD) ON ONE END.
4. STAKE ITEM *3 (5 PLACES) ONTO ITEM *1
5. ADD ITEM *5 TO COVER THE TWO MALE PINS INDICATED FOR VARIATION 3F ONLY.



CAUTION: OFF SHEET PARTS LIST EXIST SEE K-PL-7011413-0-DBP

QTY.	DESCRIPTION	PART NO.	ITEM NO.
5	A/R TUBING, SHRINK BLK 250 ID	9107253-00	5
4	A/R CLEAR TUBING	9107278-11	4
3	5 TERMINAL LUG FIRST ON (RED)	9007978-00	3
2	A/R TUBING, SHRINK WHT 3/32	9107254-09	2
1	A/R WIRE, SHIELDED 22 AWG	9107703	1

REV.	CHANGE NO.	REV.
A	7011413-00001	A
B	7011413-00002	B
C	7011413-00003	C
D	7011413-00004	D
E	7011413-1W005	E
F	7011413-1W006	F
G	7011413-MLO07	G
H	7011413-1W008	H

FIRST USED ON OPTION/MODEL			PARTS LIST		
SEE LEGEND			QTY.	DESCRIPTION	PART NO.
DIMENSIONAL TOLERANCE			TITLE		
DIMENSIONS ARE MILLIMETERS INCHES UNLESS OTHERWISE SPECIFIED			digital		
MILLIMETERS	INCHES	ANGLES	CABLE, EXTERNAL BOOT, M93Ø1		
XX.X = ± 0.10	XXX = ± 0.08	30° 30'	SIZE CODE		
X.X = ± 0.08	X = ± 0.1		NUMBER		
X = ± 0.2	X = ± 0.1		REV.		
THIRD ANGLE PROJECTION	REMOVE BURRS AND BREAK SHARP CORNERS SURFACE QUALITY ✓	NEXT HIGHER ASSY.	C/A 7011413-0-0 H		
⊕	MATERIAL SEE PARTS LIST	SCALE NONE	SHEET 1 OF 1		
⊖	FINISH //		DIST.		

REV. H
7011413-0-0
C/A

THIS DRAWING AND SPECIFICATIONS, HEREIN, ARE THE PROPERTY OF DIGITAL EQUIPMENT CORPORATION AND SHALL NOT BE REPRODUCED OR COPIED IN WHOLE OR IN PART, OR THE BASIS FOR THE MANUFACTURE OR SALE OF ITEMS WITHOUT WRITTEN PERMISSION.
COPYRIGHT © 1975, DIGITAL EQUIPMENT CORPORATION

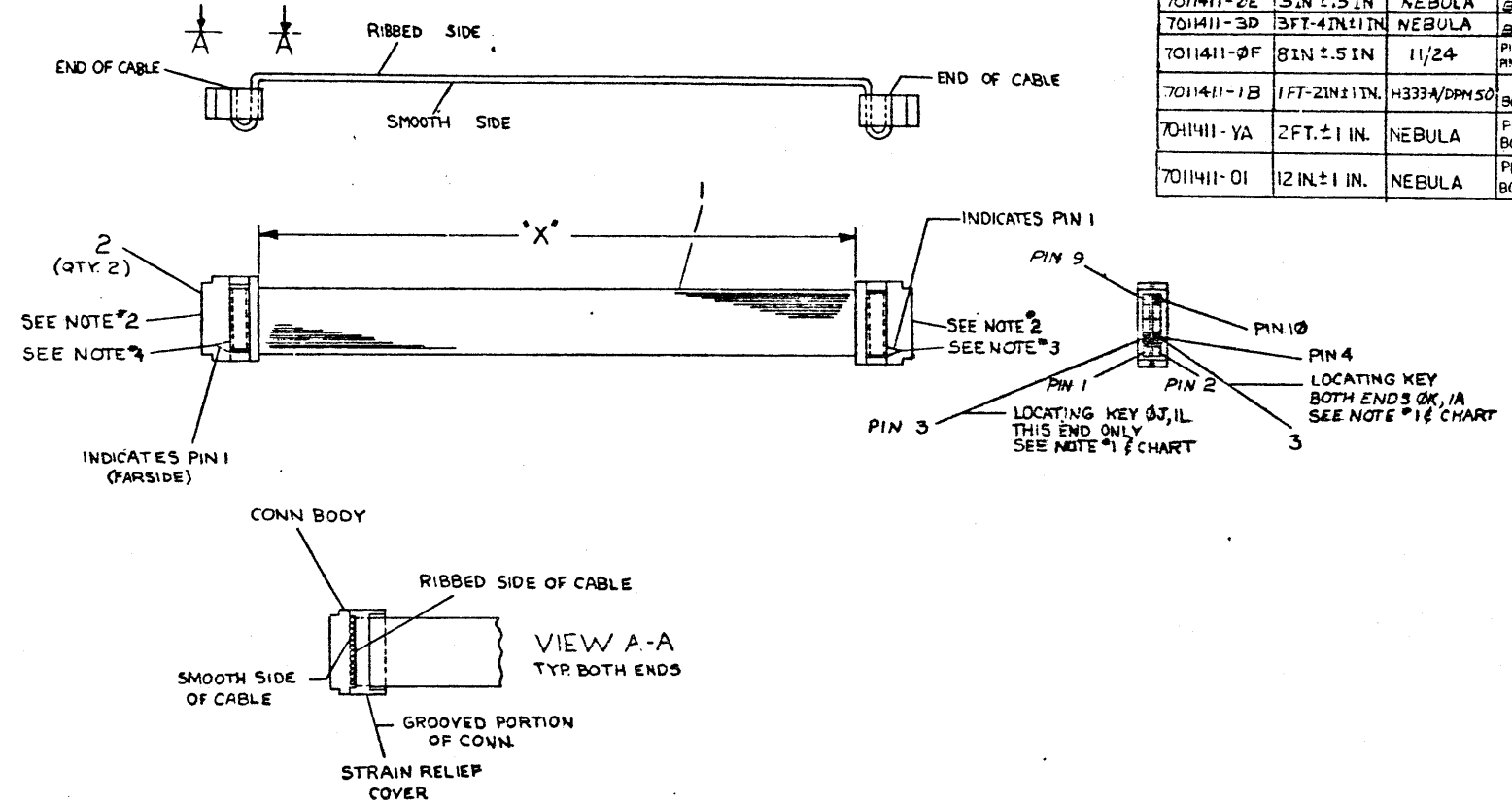
M 0-0-111107 1/1/82

LEGEND

NUMBER	DIM. & VARIATION	USED ON	KEY PIN
7011411-0J	8 IN ±.5 IN	BALL-L OR K	10 ONE END
7011411-3K	9 IN ±.5 IN	LS1-11	4 BOTH ENDS
7011411-1D	1 FT-4 IN ±.1 IN	KY11-LB	
7011411-2D	2 FT-4 IN ±.1 IN	BALL-FDD AFP	70 ONE END
7011411-8H	7 IN ±.5 IN	H79A, 1, 2, 3	
7011411-1W	1 FT-3 IN ±.1 IN	1134/34-TA	
7011411-1L	1 FT 10 IN ±.1 IN	BALL-L, H777	PIN 5 ONE END PIN 6 ONE END
7011411-1A	1 FT-1 IN ±.1 IN	H737	4 BOTH ENDS
7011411-3J	3 FT-8 IN ±.1 IN	BALL-K, H785	
7011411-2J	2 FT-8 IN ±.1 IN	BALL-K, H785	NO KEY
7011411-5F	5 FT-6 IN ±.1 IN	1160	8 ONE END
7011411-12	12 FT ±.3 IN	KAS78	
7011411-7	7 FT ±.2 IN	11780	
7011411-1C	1 FT-3 IN ±.1 IN	VT103	SEE NOTES 3 AND 4
7011411-2	2 FT ±.1 IN	VT103	SEE NOTES 3 AND 4
7011411-2E	5 IN ±.5 IN	NEBULA	3 BOTH ENDS
7011411-3D	3 FT-4 IN ±.1 IN	NEBULA	3 BOTH ENDS
7011411-0F	8 IN ±.5 IN	11/24	PIN 3 ONE END PIN 6 ONE END
7011411-1B	1 FT-2 IN ±.1 IN	H333A/DPM50	4 BOTH ENDS
7011411-YA	2 FT. ±.1 IN	NEBULA	PIN 5 BOTH ENDS
7011411-0I	12 IN ±.1 IN	NEBULA	PIN 10 BOTH ENDS

NOTES:

1. INSERT KEY IN PROPER CONNECTOR PIN AND BREAK OFF TAB.
2. FOR ITEM (2) DRAWING IS SHOWING 3M CONNECTOR.
3. FOR -1C AND -2 VARIATIONS, KEY PIN 6.
4. FOR -1C AND -2 VARIATIONS, KEY PIN 5.



REV.	CHANGE NO.	BY	DATE	DESCRIPTION
1	1	K. DUGGAN	12/11/73	INITIAL DRAWING
2	2	L. ANTON	1/22/74	REVISED
3	3	L. ANTON	2/22/74	REVISED
4	4	L. ANTON	3/22/74	REVISED
5	5	L. ANTON	4/22/74	REVISED
6	6	L. ANTON	5/22/74	REVISED
7	7	L. ANTON	6/22/74	REVISED
8	8	L. ANTON	7/22/74	REVISED
9	9	L. ANTON	8/22/74	REVISED
10	10	L. ANTON	9/22/74	REVISED
11	11	L. ANTON	10/22/74	REVISED
12	12	L. ANTON	11/22/74	REVISED
13	13	L. ANTON	12/22/74	REVISED
14	14	L. ANTON	1/22/75	REVISED
15	15	L. ANTON	2/22/75	REVISED
16	16	L. ANTON	3/22/75	REVISED
17	17	L. ANTON	4/22/75	REVISED
18	18	L. ANTON	5/22/75	REVISED
19	19	L. ANTON	6/22/75	REVISED
20	20	L. ANTON	7/22/75	REVISED
21	21	L. ANTON	8/22/75	REVISED
22	22	L. ANTON	9/22/75	REVISED
23	23	L. ANTON	10/22/75	REVISED
24	24	L. ANTON	11/22/75	REVISED
25	25	L. ANTON	12/22/75	REVISED
26	26	L. ANTON	1/22/76	REVISED
27	27	L. ANTON	2/22/76	REVISED
28	28	L. ANTON	3/22/76	REVISED
29	29	L. ANTON	4/22/76	REVISED
30	30	L. ANTON	5/22/76	REVISED
31	31	L. ANTON	6/22/76	REVISED
32	32	L. ANTON	7/22/76	REVISED
33	33	L. ANTON	8/22/76	REVISED
34	34	L. ANTON	9/22/76	REVISED
35	35	L. ANTON	10/22/76	REVISED
36	36	L. ANTON	11/22/76	REVISED
37	37	L. ANTON	12/22/76	REVISED
38	38	L. ANTON	1/22/77	REVISED
39	39	L. ANTON	2/22/77	REVISED
40	40	L. ANTON	3/22/77	REVISED
41	41	L. ANTON	4/22/77	REVISED
42	42	L. ANTON	5/22/77	REVISED
43	43	L. ANTON	6/22/77	REVISED
44	44	L. ANTON	7/22/77	REVISED
45	45	L. ANTON	8/22/77	REVISED
46	46	L. ANTON	9/22/77	REVISED
47	47	L. ANTON	10/22/77	REVISED
48	48	L. ANTON	11/22/77	REVISED
49	49	L. ANTON	12/22/77	REVISED
50	50	L. ANTON	1/22/78	REVISED
51	51	L. ANTON	2/22/78	REVISED
52	52	L. ANTON	3/22/78	REVISED
53	53	L. ANTON	4/22/78	REVISED
54	54	L. ANTON	5/22/78	REVISED
55	55	L. ANTON	6/22/78	REVISED
56	56	L. ANTON	7/22/78	REVISED
57	57	L. ANTON	8/22/78	REVISED
58	58	L. ANTON	9/22/78	REVISED
59	59	L. ANTON	10/22/78	REVISED
60	60	L. ANTON	11/22/78	REVISED
61	61	L. ANTON	12/22/78	REVISED
62	62	L. ANTON	1/22/79	REVISED
63	63	L. ANTON	2/22/79	REVISED
64	64	L. ANTON	3/22/79	REVISED
65	65	L. ANTON	4/22/79	REVISED
66	66	L. ANTON	5/22/79	REVISED
67	67	L. ANTON	6/22/79	REVISED
68	68	L. ANTON	7/22/79	REVISED
69	69	L. ANTON	8/22/79	REVISED
70	70	L. ANTON	9/22/79	REVISED
71	71	L. ANTON	10/22/79	REVISED
72	72	L. ANTON	11/22/79	REVISED
73	73	L. ANTON	12/22/79	REVISED
74	74	L. ANTON	1/22/80	REVISED
75	75	L. ANTON	2/22/80	REVISED
76	76	L. ANTON	3/22/80	REVISED
77	77	L. ANTON	4/22/80	REVISED
78	78	L. ANTON	5/22/80	REVISED
79	79	L. ANTON	6/22/80	REVISED
80	80	L. ANTON	7/22/80	REVISED
81	81	L. ANTON	8/22/80	REVISED
82	82	L. ANTON	9/22/80	REVISED
83	83	L. ANTON	10/22/80	REVISED
84	84	L. ANTON	11/22/80	REVISED
85	85	L. ANTON	12/22/80	REVISED
86	86	L. ANTON	1/22/81	REVISED
87	87	L. ANTON	2/22/81	REVISED
88	88	L. ANTON	3/22/81	REVISED
89	89	L. ANTON	4/22/81	REVISED
90	90	L. ANTON	5/22/81	REVISED
91	91	L. ANTON	6/22/81	REVISED
92	92	L. ANTON	7/22/81	REVISED
93	93	L. ANTON	8/22/81	REVISED
94	94	L. ANTON	9/22/81	REVISED
95	95	L. ANTON	10/22/81	REVISED
96	96	L. ANTON	11/22/81	REVISED
97	97	L. ANTON	12/22/81	REVISED
98	98	L. ANTON	1/22/82	REVISED
99	99	L. ANTON	2/22/82	REVISED
100	100	L. ANTON	3/22/82	REVISED

QTY	DESCRIPTION	DWG. PART NO.	ITEM NO.
1	TIE, CABLE	9007031	5
1	LABEL, CABLE IDENT.	9009532	4
AVR	KEY	9009707	3
2	CONN CRIMP	1211206-02	2
AVR	CABLE, 10 CONDUCT	9107747-02	1

THIRD ANGLE PROJECTION

REMOVE BURRS AND BREAK SHARP CORNERS

DO NOT SCALE DWG

MATERIAL SEE PARTS LIST

FINISH

UNLESS OTHERWISE SPECIFIED DIMENSIONS ARE IN INCHES

ANGLES	CLAS. OF ACCURACY	NOMINAL DIMENSION RANGE INCHES				
30°-90°	CHECK ONE	0.125-1.25	1.25-2.5	2.5-6.25	6.25-12.5	12.5-25
	<input type="checkbox"/> FINE	±.005	±.007	±.010	±.015	±.020
	<input type="checkbox"/> MEDIUM	±.008	±.012	±.015	±.020	±.025
	<input type="checkbox"/> COARSE	±.012	±.018	±.025	±.035	±.050

DRW: BAPTIST 5-20-75
CHK: O'HEALY 5-13-75
ENGR: BARRY 5-18-75
PROL ENGR: BARRY 5-18-75
PROD: R. PETERS 5-18-75

FIRST USED ON: SEE LEGEND

TITLE: CABLE CONSOLE BACKPLANE

SIZE: CODE D IIA
NUMBER: 7011411-0-0
REV: TW

SHEET 1 OF 1

DIGITAL 7011411-0-0

TW 1

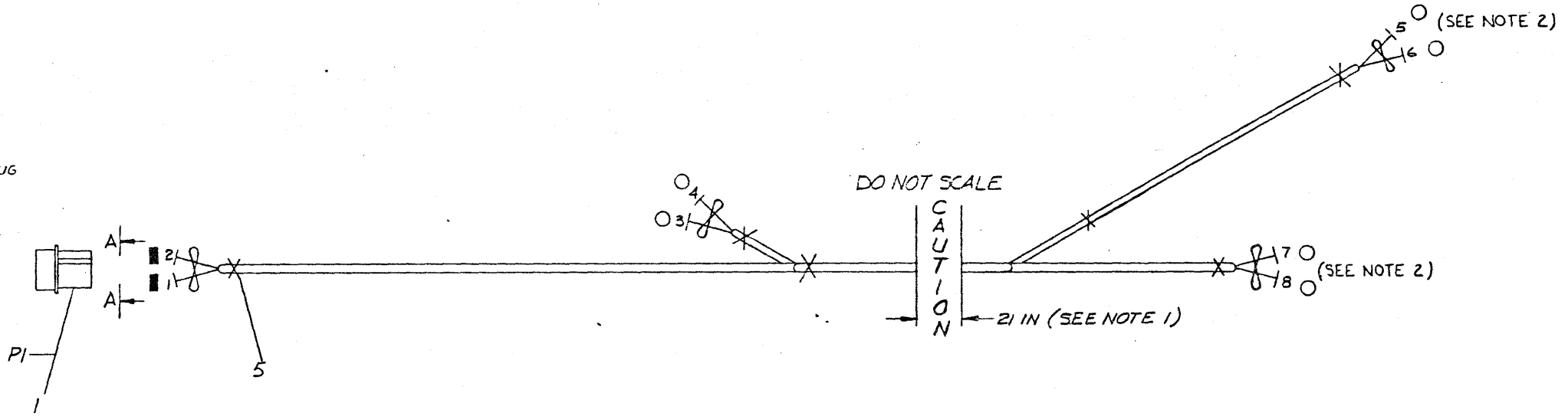
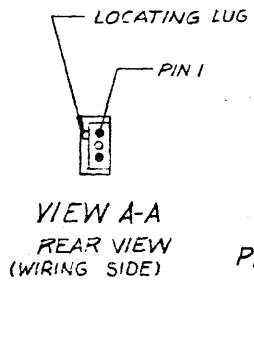
THIS DRAWING AND SPECIFICATIONS HEREIN ARE THE PROPERTY OF DIGITAL EQUIPMENT CORPORATION AND SHALL NOT BE REPRODUCED OR COPIED OR USED IN WHOLE OR IN PART AS THE BASIS FOR THE MANUFACTURE OR SALE OF ITEMS WITHOUT WRITTEN PERMISSION. COPYRIGHT © 1975 DIGITAL EQUIPMENT CORPORATION

WIRE TABLE

ITEM NO	DESCRIPTION			FROM			TO			SIGNAL
	AWG	COLOR	POINT	CONNECTION	WITH	POINT	CONNECTION	WITH		
5	18	BLU	2	PI-1	2	7	—	4		
	TWP	BLK	1	PI-3	2	8	—	4		
6	18	RED	3	—	4	6	—	4	+5	
	TWP	BLK	4	—	4	5	—	4	GND	

NOTES:

1. APPLY TIE WRAP (ITEM 2) EVERY 4 IN.
2. ADD ITEM 7 TO COVER MALE PINS AT POINTS 3 THRU 8.



DO NOT REDUCE SCALE
0 IN 6 IN 12 IN
FOR MANUFACTURING PURPOSES ONLY

SYMBOL	DESCRIPTION	DWG. PART NO.	ITEM NO.
A/R	TUBING SHRINK BLK .250ID	9107253-00	7
A/R	WIRE 18 AWG TWP BLK/RED	9107430-02	6
A/R	WIRE 18 AWG TWP BLK/BLU	9107430-06	5
○	CONN SOLDERLESS (RED)	9007970-00	4
X	TIE WRAP 1M	9007031	3
■	PIN MALE	120937B-01	2
□	HOUSING, 3 PIN	1209351-03	1

SYMBOL	DESCRIPTION	DWG. PART NO.	ITEM NO.
○	ANGLES		
□	CLASS OF ACCURACY		
○	SURFACE QUALITY		
□	QUANTITY & VARIATION		

THIRD ANGLE PROJECTION

REMOVE BURRS AND BREAK SHARP CORNERS

DO NOT SCALE DWG

MATERIAL SEE PARTS LIST

FINISH

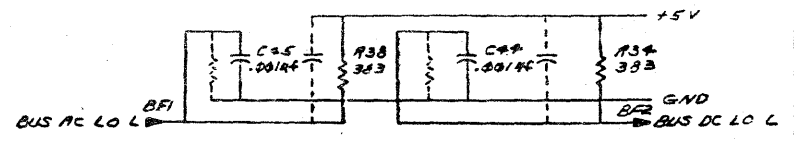
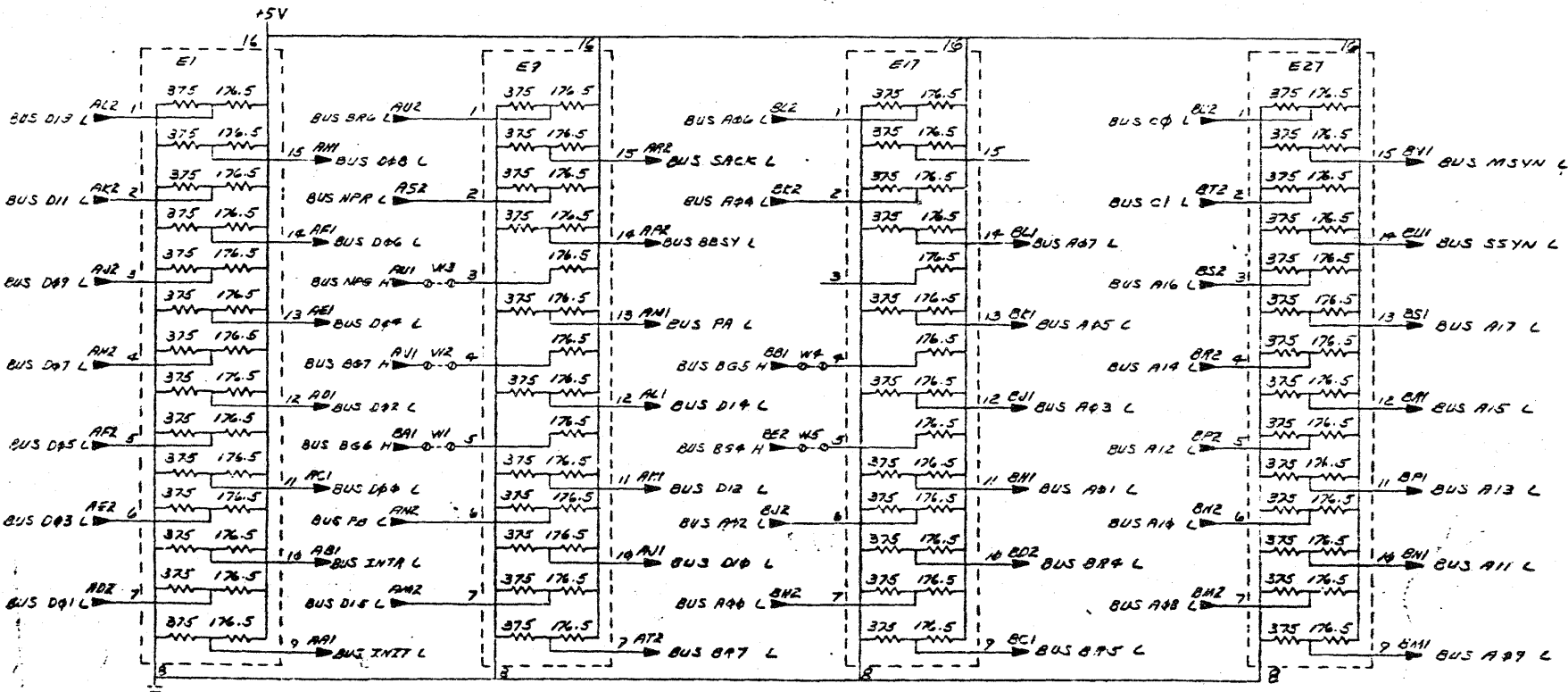
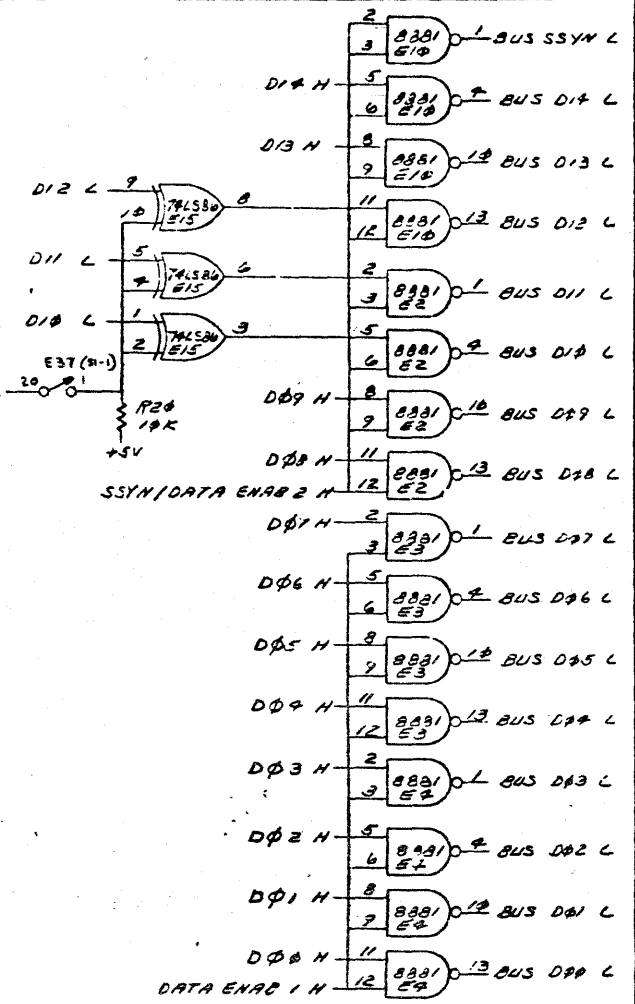
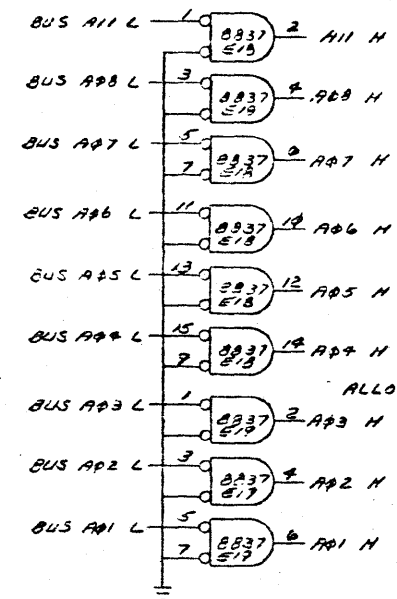
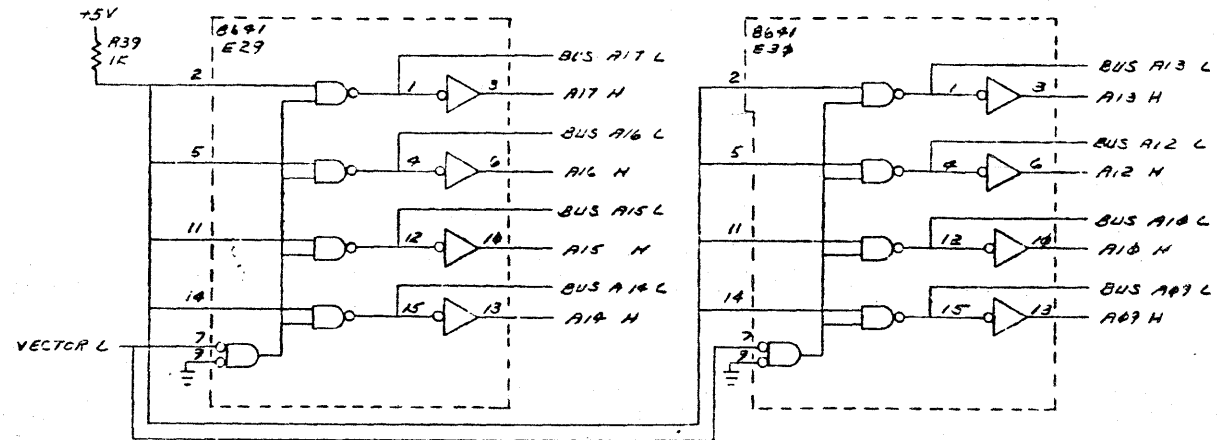
FIRST USED ON 1134

TITLE FDP1104/1134 CONSOLE POWER HARNESS

SIZE CODE NUMBER REV. D IA 7011992-0-0 B

REV.	CHANGE NO.	DATE	BY	CHKD.
A	1	11/14/75	J. SEEBIA	
B	1	12/19/75	BRUCE CRAMM	

THIS DRAWING AND SPECIFICATIONS ARE THE PROPERTY OF... REPRODUCTION OR TRANSMISSION IN ANY FORM OR BY ANY MEANS WITHOUT WRITTEN PERMISSION OF DIGITAL EQUIPMENT CORPORATION



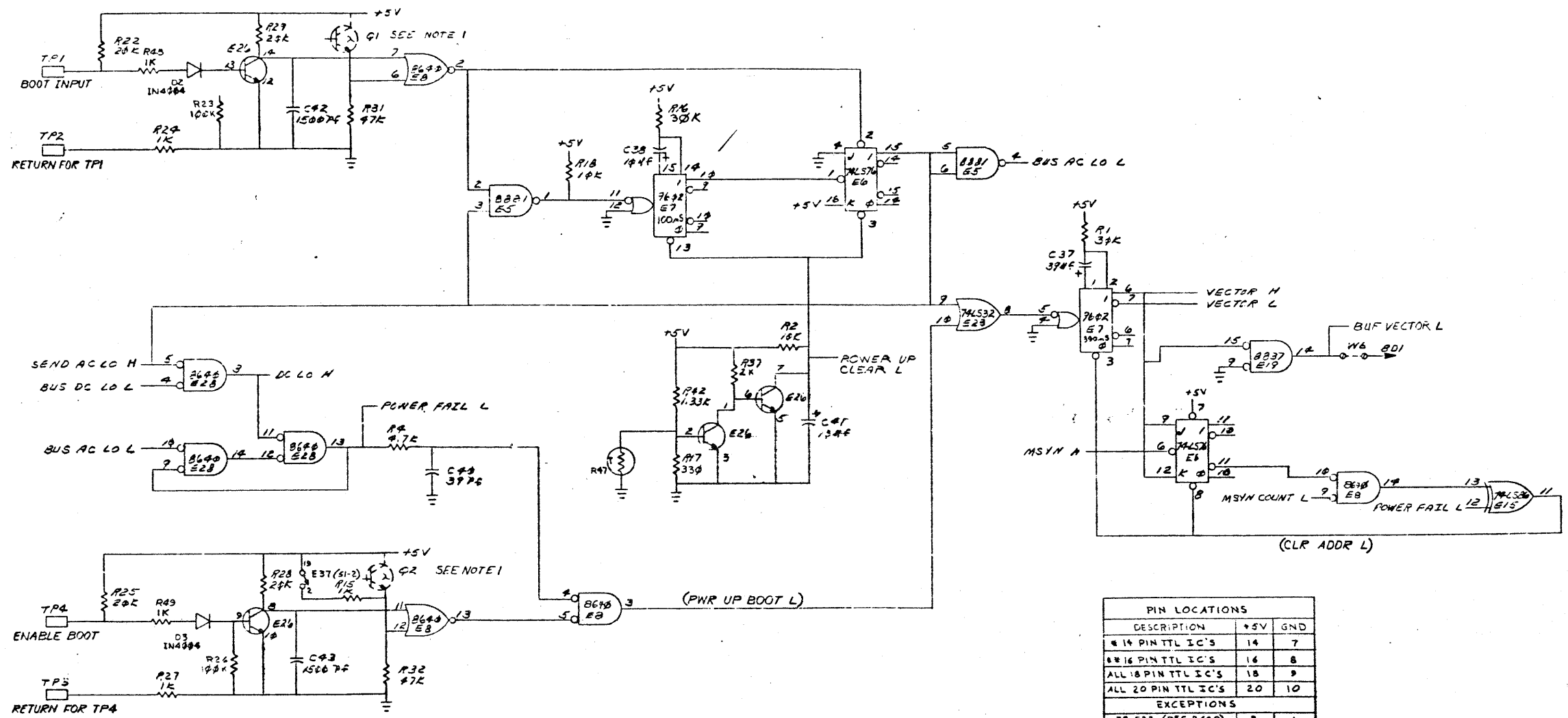
(BUS TERMINATOR, DRIVERS AND RECEIVERS)

AC2, A71, BC2, B71: 37.4F
 C35, C36: .224F
 C45, C46, C47: .224F
 C17, C18, C19, C20, C21, C22, C23, C24, C25, C26, C27, C28, C29, C30, C31, C32, C33, C34: .1uF

REV.	DATE	BY	CHKD
1	12-20-77	B	
2	1-26-78	B	
3	1-26-78	B	
4	1-26-78	B	

DRM	12-5-77	FIRST USED ON	Digital
ENGR	12-20-77	TITLE	BOOTSTRAP TERMINATOR
PROJ. ENG.	1-26-78	SCALE	D CS M9312-0-1
PROD. CTRL.	1-26-78	SHEET	1 OF 4
NEXT HIGHER ASSY.		SIZE	CODE
		NUMBER	REV.
		DIST.	C

THIS DRAWING AND SPECIFICATIONS HEREIN ARE THE PROPERTY OF DIGITAL EQUIPMENT CORPORATION AND SHALL NOT BE REPRODUCED OR COPIED OR LOANED IN WHOLE OR IN PART AS THE BASIS FOR THE MANUFACTURE OR SALE OF ITEMS WITHOUT WRITTEN PERMISSION. COPYRIGHT © 1977 DIGITAL EQUIPMENT CORPORATION



NOTES: 1. PHOTO TRANSISTORS Q1 AND Q2 DO NOT APPEAR ON THE PARTS LIST, THEY ARE INTENDED FOR FUTURE APPLICATIONS.

PIN LOCATIONS		
DESCRIPTION	+5V	GND
* 14 PIN TTL IC'S	14	7
* 16 PIN TTL IC'S	16	8
ALL 18 PIN TTL IC'S	18	9
ALL 20 PIN TTL IC'S	20	10
EXCEPTIONS		
** E8, E28 (DEC 8640)	8	1
** E6 (74LS74)	5	13

REVISIONS		
CHK	CHANGE NO.	REV.

(SWITCH FILTERS AND AC LO GENERATION)		TITLE	SIZE/CODE	NUMBER	REV.
		BOOTSTRAP TERMINATOR	DCS	M9312-0-1	C
SCALE	SHEET	DIST.			
	2 OF 4				

THIS DRAWING AND SPECIFICATIONS HEREIN ARE THE PROPERTY OF DIGITAL EQUIPMENT CORPORATION AND SHALL NOT BE REPRODUCED OR COPIED IN WHOLE OR IN PART AS THE BASIS FOR THE MANUFACTURE OR SALE OF ITEMS WITHOUT WRITTEN PERMISSION. COPYRIGHT © 1977, DIGITAL EQUIPMENT CORPORATION

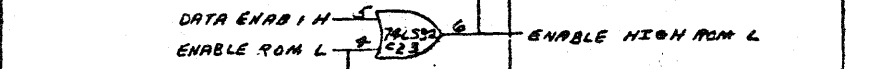
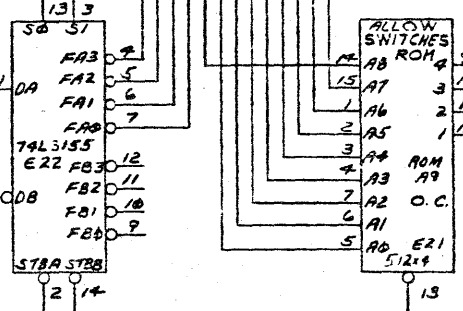
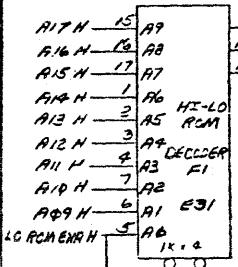
BYTE ADDR H
 BYTE ADDR H
 A01 H
 A02 H
 A03 H
 A04 H
 A05 H
 A06 H
 A07 H
 A08 H

HI-LO ROM DECODER

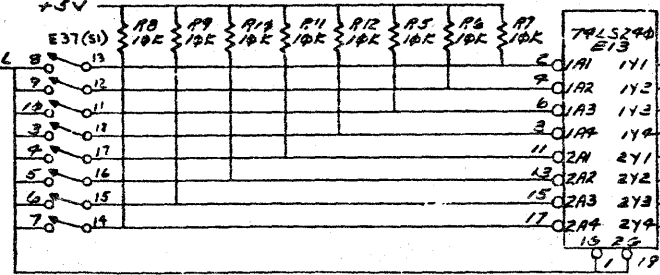
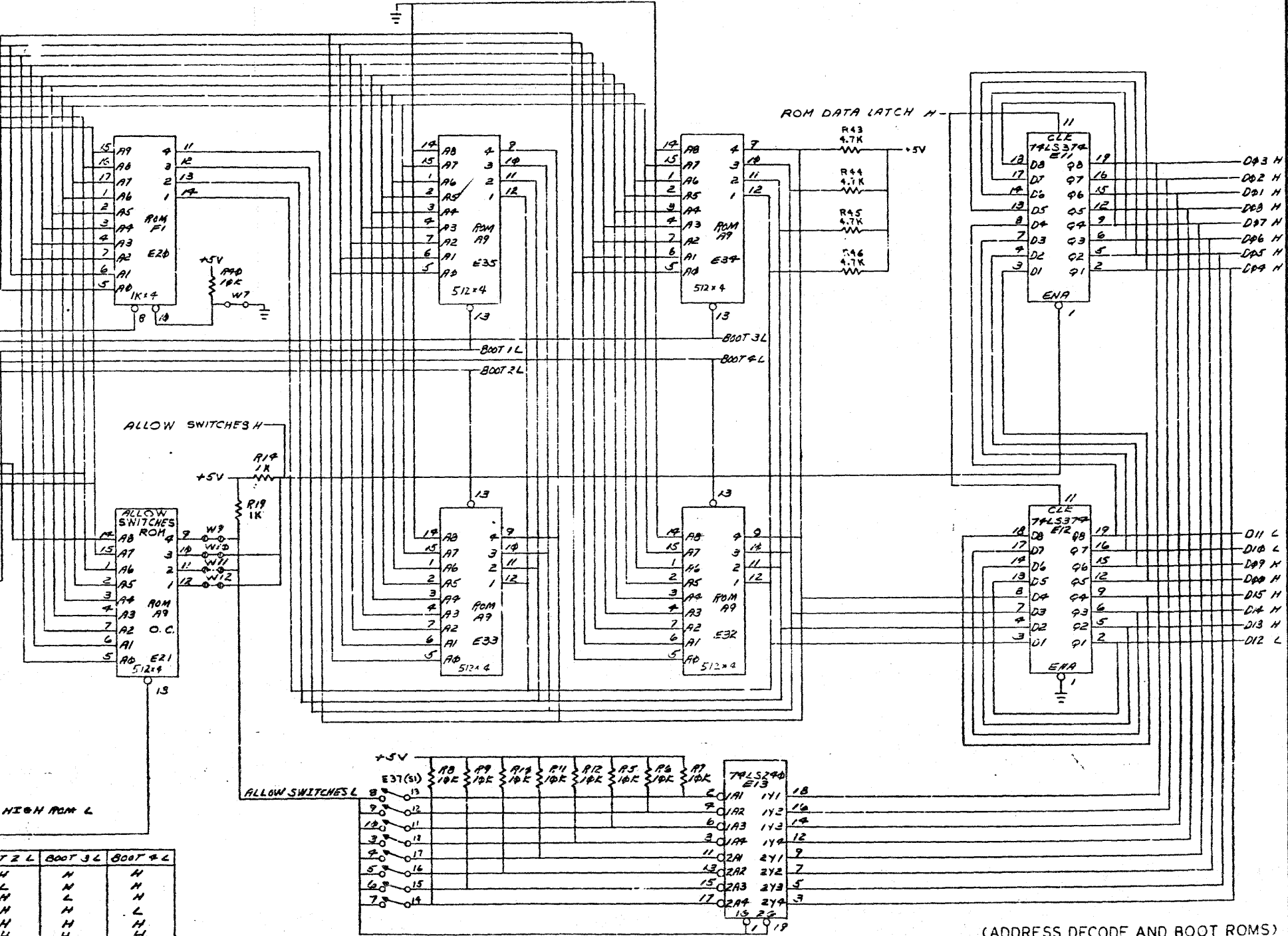
A17-09	LO ROMENAH	BOOT SEL H	LOW ROM L	HIGH ROM H
765 XXX	H	H	L	L
765 XXX	L	L	H	L
773 XXX	X	H	H	H
DEFAULT	X	L	H	L

ALLOW SWITCHES ROM

A08-01 HIGH ROM H	ENABLE ROM L	W3 W2	W1 W0	ALLOW SWITCHES L	ALLOW SWITCHES H
X X X X	H	X	X	H	H
X X X L	L	IN	OUT	H	L
X X X L	L	OUT	IN	H	L
024 H	L	IN	OUT	L	H
DEFAULT X	L	IN	OUT	H	L
224 H	L	OUT	IN	L	H
DEFAULT X	L	OUT	IN	H	L



N/A	A07	ENABLE ROM L	HIGH ROM H	BOOT 1 L	BOOT 2 L	BOOT 3 L	BOOT 4 L
L	L	L	H	L	L	H	H
L	L	L	H	H	L	L	H
H	H	L	H	H	H	L	L
H	H	L	H	H	H	H	L
X	X	X	L	H	H	H	H
X	X	H	X	H	H	H	H

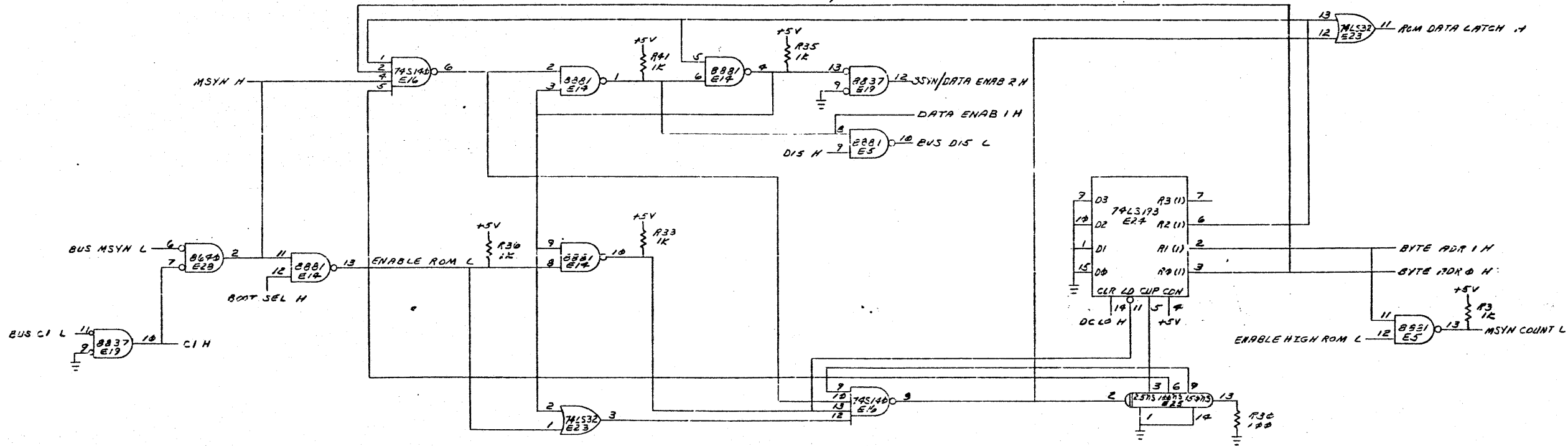


PROVISIONS

CHK	CHANGE NO.	REV.

(ADDRESS DECODE AND BOOT ROMS)

THIS DRAWING AND SPECIFICATIONS HEREIN ARE THE PROPERTY OF DIGITAL EQUIPMENT CORPORATION AND SHALL NOT BE REPRODUCED OR COPIED OR USED IN WHOLE OR IN PART AS THE BASIS FOR THE MANUFACTURE OR SALE OF ITEMS WITHOUT WRITTEN PERMISSION. COPYRIGHT © 1977, DIGITAL EQUIPMENT CORPORATION.

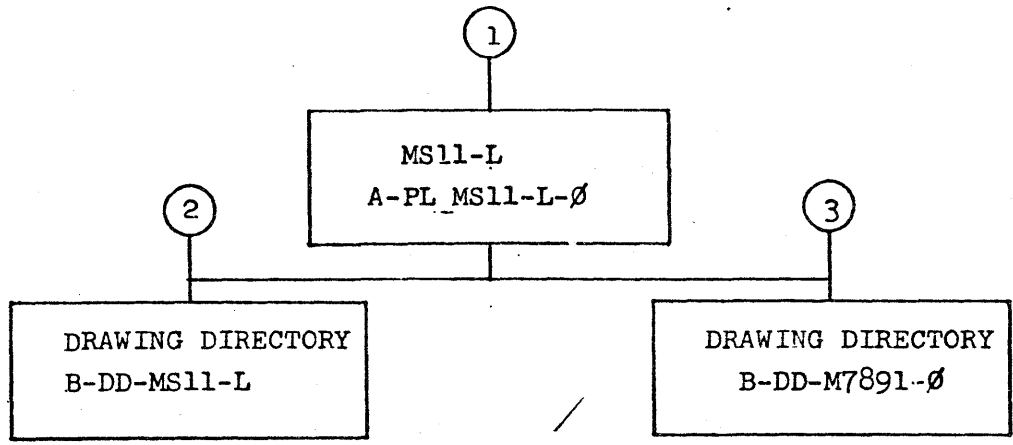


REVISIONS		
CHK	CHANGE NO.	REV.

(TIMING AND CONTROL)

TITLE	SIZE CODE	NUMBER	REV.
BOOTSTRAP TERMINATOR	DCS	M9312-0-1	C
SCALE	SHEET	DIST.	
	40F 4		

"THIS DRAWING AND SPECIFICATIONS, HEREIN, ARE THE PROPERTY OF DIGITAL EQUIPMENT CORPORATION AND SHALL NOT BE REPRODUCED OR COPIED OR USED IN WHOLE OR IN PART AS THE BASIS FOR THE MANUFACTURE OR SALE OF ITEMS WITHOUT WRITTEN PERMISSION.
 1978
 COPYRIGHT © DIGITAL EQUIPMENT CORPORATION"



FIND NO.	DRAWING NO.	DESCRIPTION	TYPE	FIND NO.	DRAWING NO.	DESCRIPTION	TYPE
	MP0072	FIELD MAINTENANCE PRINT SET (MP)	-				
	B-TC-MS11-L-1	FIELD MAINTENANCE PRINT SET (TC)	-				
1	A-PL-MS11-L-0	PARTS LIST (MS11-L)	E/M				
	D-BD-MS11-L-4	MS11-L BLOCK DIAGRAM	E				
	D-FD-MS11-L-5	MS11-L FLOW DIAGRAM	E				
	D-TD-MS11-L-6	MS11-L TIMING DIAGRAM	E				
	A-SP-MS11-L-3	MS11-L SYSTEM SPECIFICATION	E/M				
	A-FL-MS11-L-7	MS11-L SHIPPING LIST	-				
	EK-MS11L-UG-001	MS11-L MOS MEMORY USER'S GUIDE	E/M				
	EK-MS11L-TM-001	MS11-L MOS MEMORY TECHNICAL MANUAL	E/M				
2	P-DD-MS11-L	DRAWING DIRECTORY MS11-L MOS MEMORY SYSTEM	E/M				
3	B-DD-M7891-0	DRAWING DIRECTORY (M7891) MODULE	E/M				

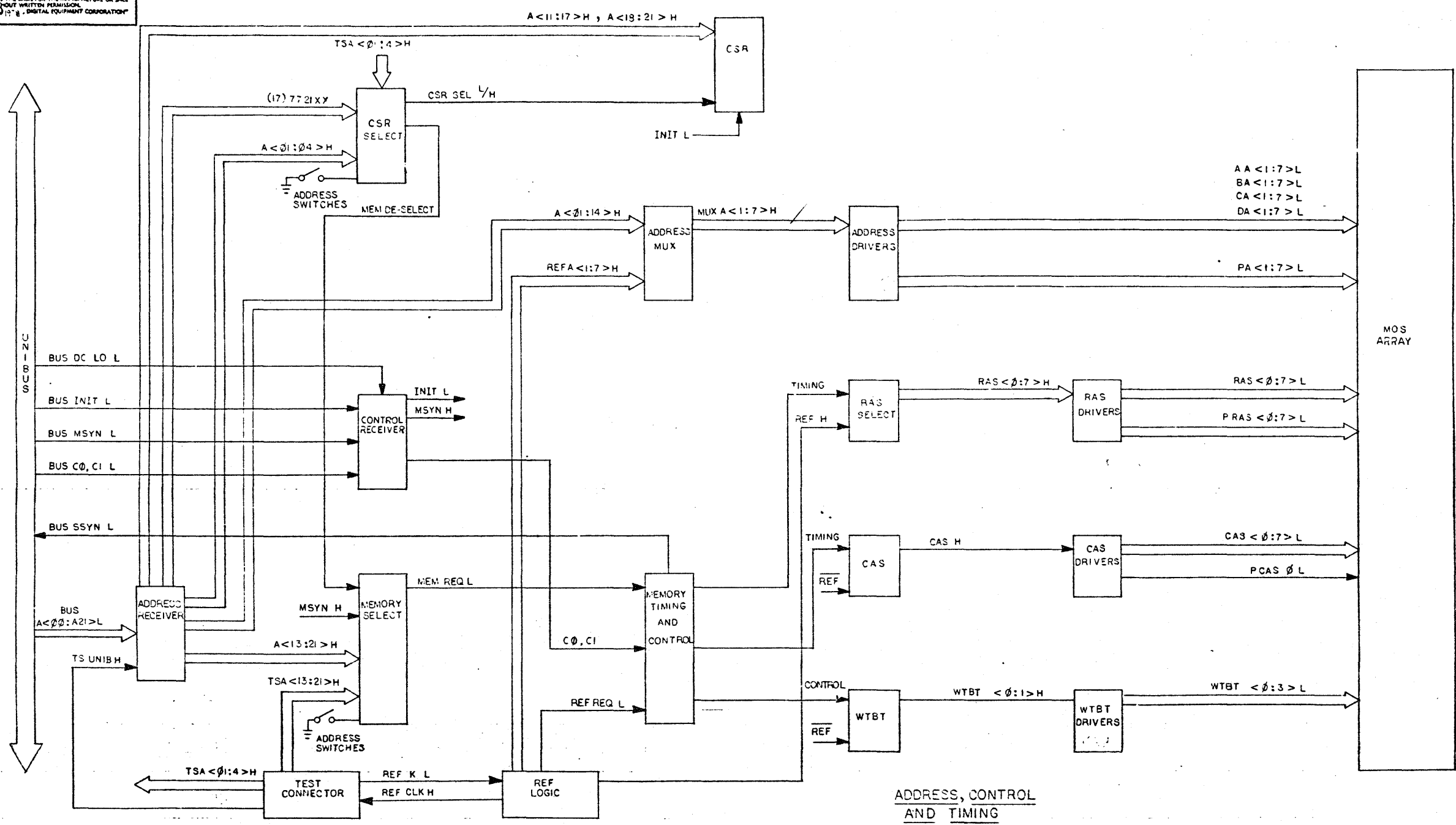
TYPE: E ELECTRICAL
M MECHANICAL
E/M ELCTRO/MECHANICAL



TITLE DRAWING DIRECTORY MS11-L
(128K X 18) MOS MEMORY SYSTEM

SHEET 3 OF 3 SIZE CODE NUMBER REV
B DD MS11-L *

THIS DRAWING AND SPECIFICATIONS HEREIN ARE THE PROPERTY OF DIGITAL EQUIPMENT CORPORATION AND SHALL NOT BE REPRODUCED OR COPIED OR USED IN WHOLE OR IN PART AS THE BASIS FOR THE MANUFACTURE OR SALE OF ITEMS WITHOUT WRITTEN PERMISSION. COPYRIGHT © 1978, DIGITAL EQUIPMENT CORPORATION



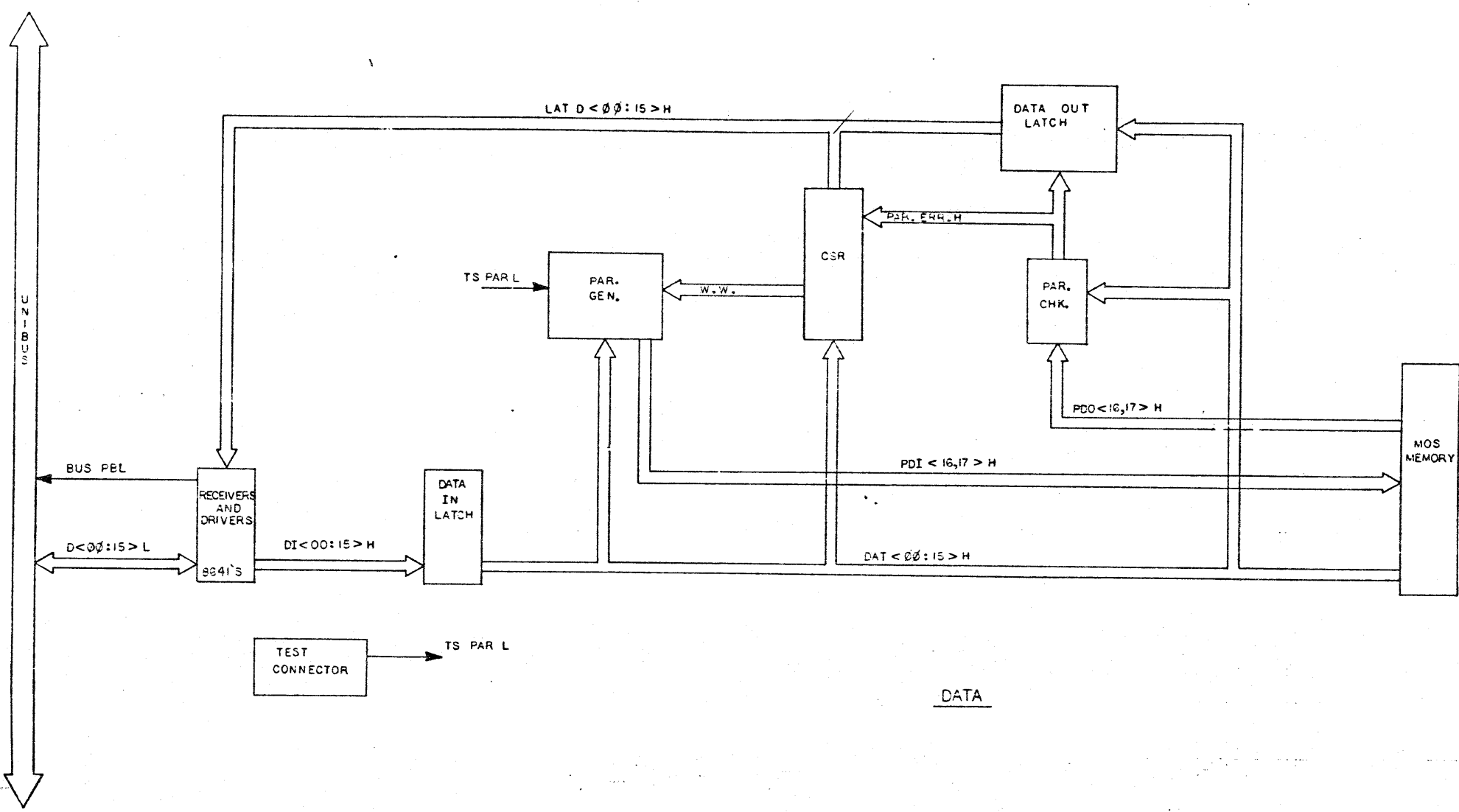
AA <1:7>L
 BA <1:7>L
 CA <1:7>L
 DA <1:7>L

ADDRESS, CONTROL AND TIMING

REV.	
CHANGE NO.	
CHK	

DRN. E. DEYNES	7/20/78	FIRST USED ON	
CHK'D R. DEYNES	7/20/78	TITLE	MS11-L
ENG. R. DEYNES	9-28-78		BLOCK DIAGRAM
PROJ. ENGR. R. DEYNES	9-29-79		
PROD. S. J. JONES	9/29/78		
NEXT HIGHER ASSY.		SIZE	CODE
B 00 MS11-L-0		D	ED
SCALE		NUMBER	MS11-L-4
SHEET	1 OF 2	DIST.	

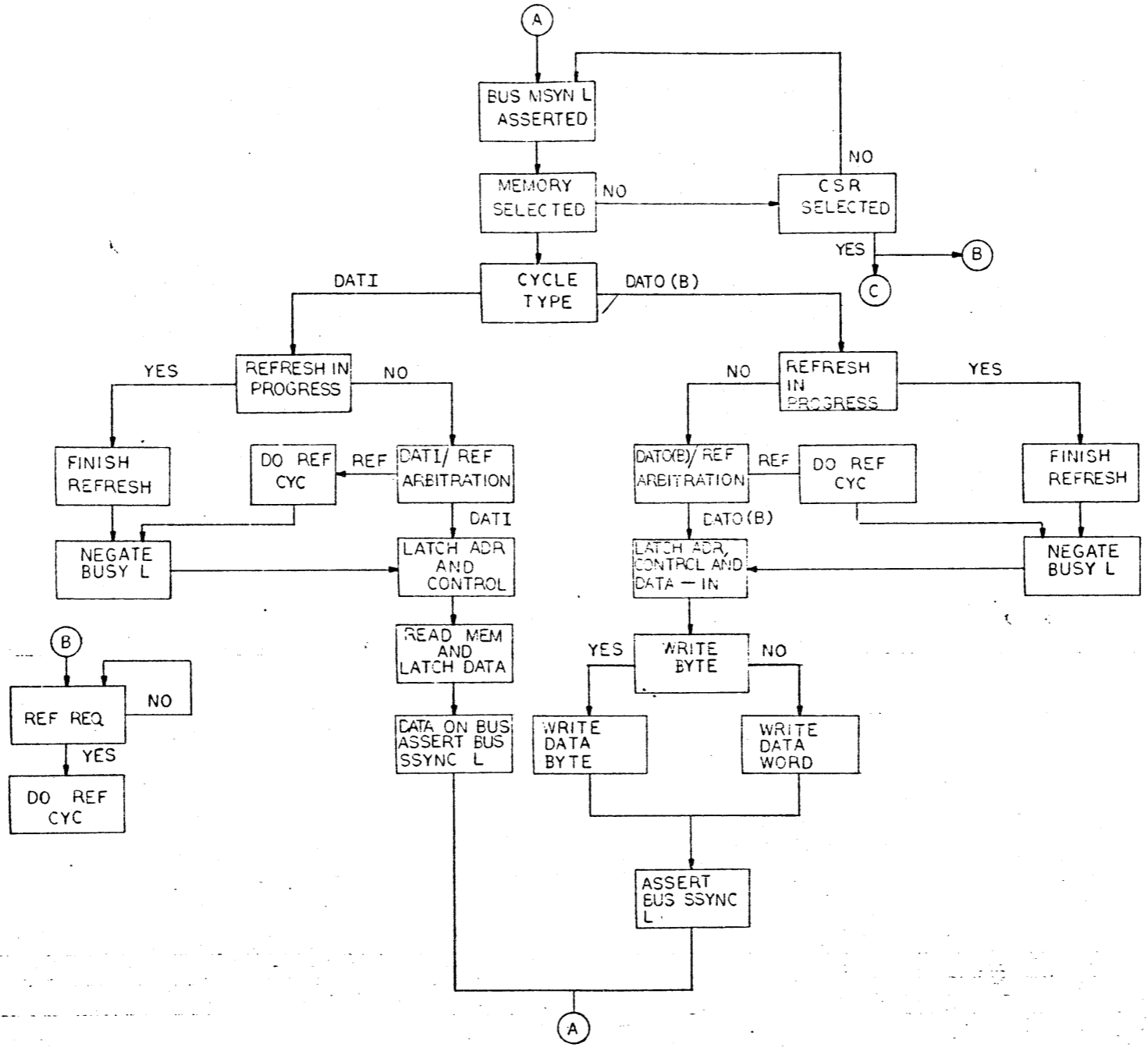
THIS DRAWING AND SPECIFICATIONS HEREIN ARE THE PROPERTY OF DIGITAL EQUIPMENT CORPORATION AND SHALL NOT BE REPRODUCED OR COPIED OR USED IN WHOLE OR IN PART AS THE BASIS FOR THE MANUFACTURE OR SALE OF ITEMS WITHOUT WRITTEN PERMISSION. COPYRIGHT © 1972 DIGITAL EQUIPMENT CORPORATION



DATA

REVISIONS		
CHK	CHANGE NO.	REV.

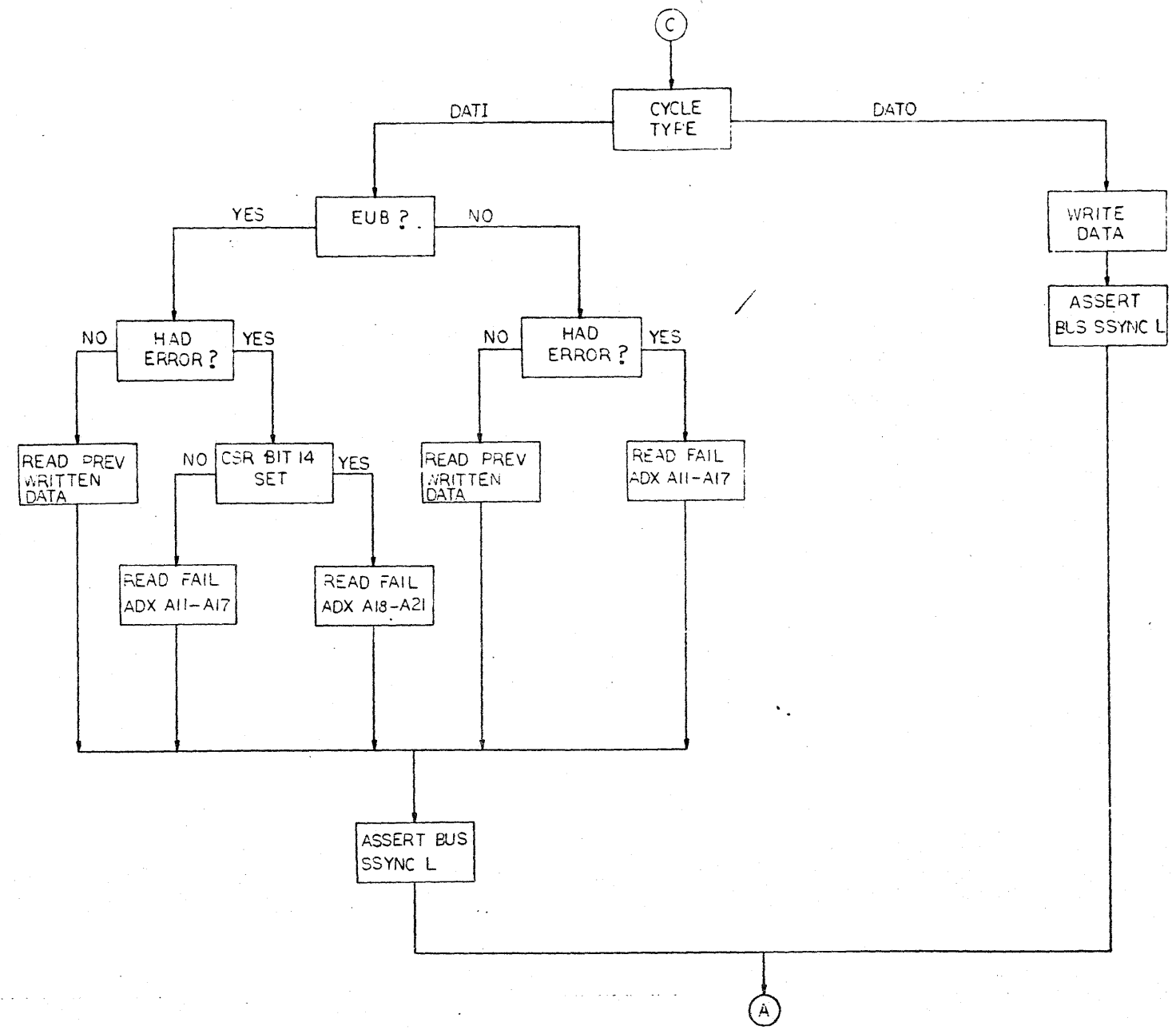
THIS DRAWING AND SPECIFICATIONS HEREAFTER ARE THE PROPERTY OF DIGITAL EQUIPMENT CORPORATION, AND SHALL NOT BE REPRODUCED, COPIED, OR TRANSMITTED IN ANY FORM OR BY ANY MEANS, ELECTRONIC OR MECHANICAL, INCLUDING PHOTOCOPYING, RECORDING, OR BY ANY INFORMATION STORAGE AND RETRIEVAL SYSTEM, WITHOUT WRITTEN PERMISSION FROM DIGITAL EQUIPMENT CORPORATION.



REVISIONS
DATE CHANGE NO. REV.

DRN. E. DEVELD	1-7-73	FIRST USED ON	digital
CHK'D R. DEVELD	7/2/74	TITLE	NS11-L (DATI/DATO)
ENGR. P. DEVELD	9-28-79	NUMBER	FD NS11-L-5
PROJ. ENGR. P. DEVELD	9-28-79	REV.	*
NEXT HIGHER ASSY.		SCALE	D
B-DD-NS11-L		SHEET	1 OF 2

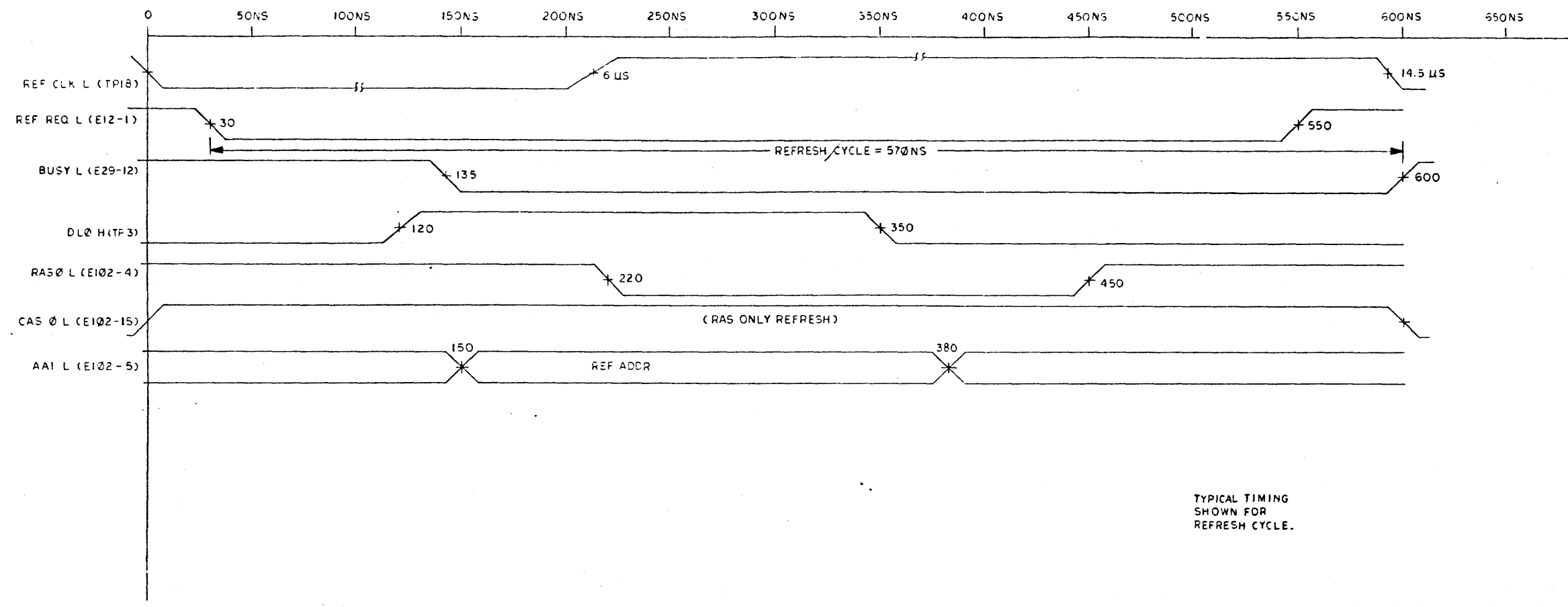
THIS DRAWING AND SPECIFICATIONS HEREIN ARE THE PROPERTY OF DIGITAL EQUIPMENT CORPORATION AND SHALL NOT BE REPRODUCED OR USED IN WHOLE OR IN PART AS THE BASIS FOR THE MANUFACTURE OR SALE OF ITEMS WITHOUT WRITTEN PERMISSION. COPYRIGHT © 1978 DIGITAL EQUIPMENT CORPORATION



REVISIONS		
CHK	CHANGE NO.	REV.

THIS DRAWING AND SPECIFICATIONS HEREIN ARE THE PROPERTY OF DIGITAL EQUIPMENT CORPORATION AND SHALL NOT BE REPRODUCED, COPIED OR LOANED IN WHOLE OR IN PART AS THE BASIS FOR THE MANUFACTURE OR SALE OF ITEMS WITHOUT WRITTEN PERMISSION. COPYRIGHT © 1978 DIGITAL EQUIPMENT CORPORATION

REFRESH CYCLE



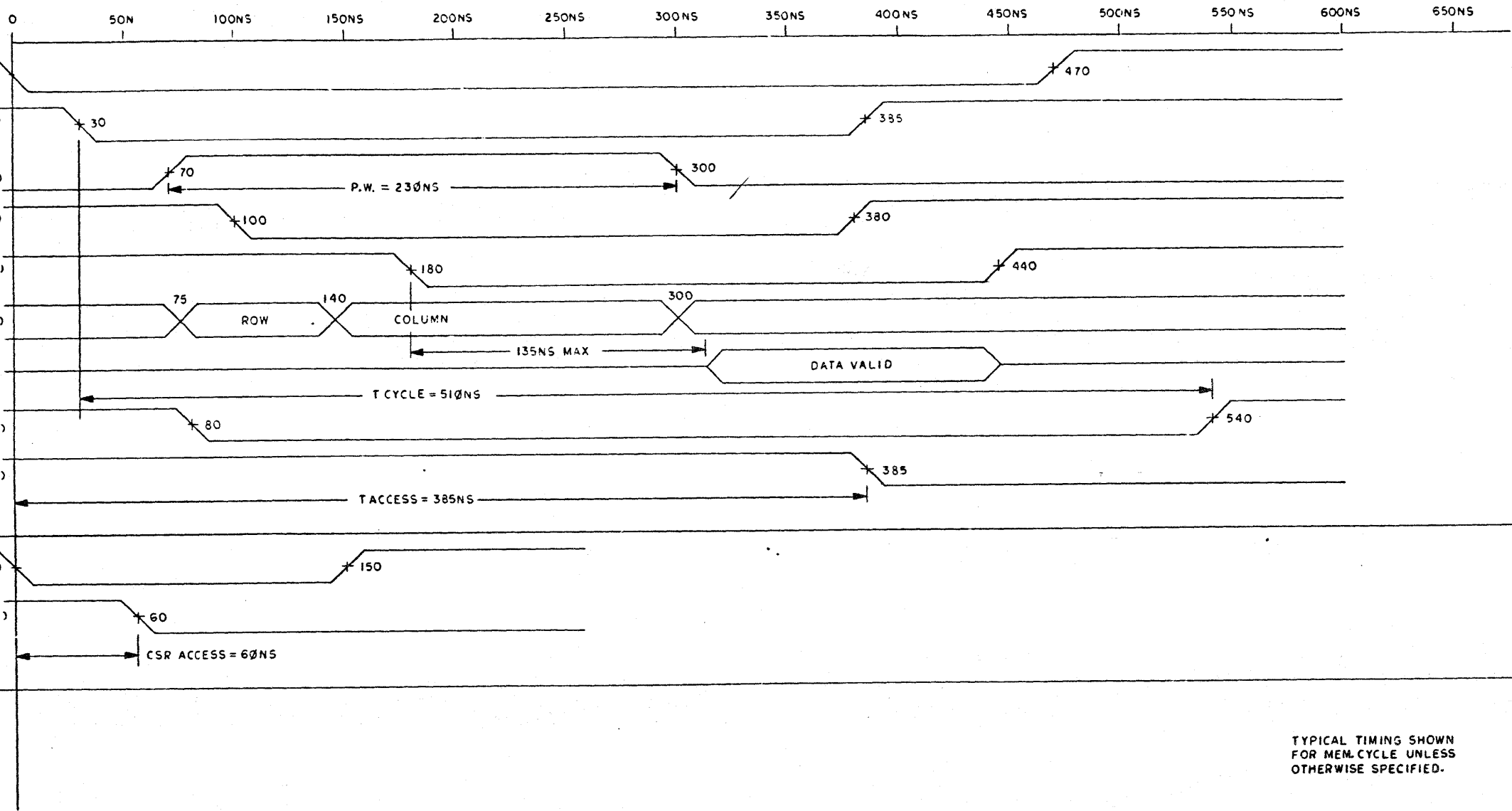
TYPICAL TIMING SHOWN FOR REFRESH CYCLE.

REV.	
CHANGE NO.	
CHK	

DRN. J. Vincent	6-30-78	FIRST USED ON	digital
CHK'D R. Thomas	9-28-78	TITLE	MSII-L
ENGR. R. Thomas	9-28-78		TIMING DIAGRAM
PROJ. ENGR. R. Thomas	9-28-78		
PROD. S. J. [unclear]	9/28/78		
NEXT HIGHER ASSY.		SIZE CODE	NUMBER
6-DD-MSII-L		D ITD	MSII-L-6
SCALE		REV.	K
SHEET 1 OF 3		DIST.	

THIS DRAWING AND SPECIFICATIONS HEREIN ARE THE PROPERTY OF DIGITAL EQUIPMENT CORPORATION AND SHALL NOT BE REPRODUCED OR COPIED OR USED IN WHOLE OR IN PART AS THE BASIS FOR THE MANUFACTURE OR SALE OF ITEMS WITHOUT WRITTEN PERMISSION. COPYRIGHT © 1973 DIGITAL EQUIPMENT CORPORATION

DATI CYCLE



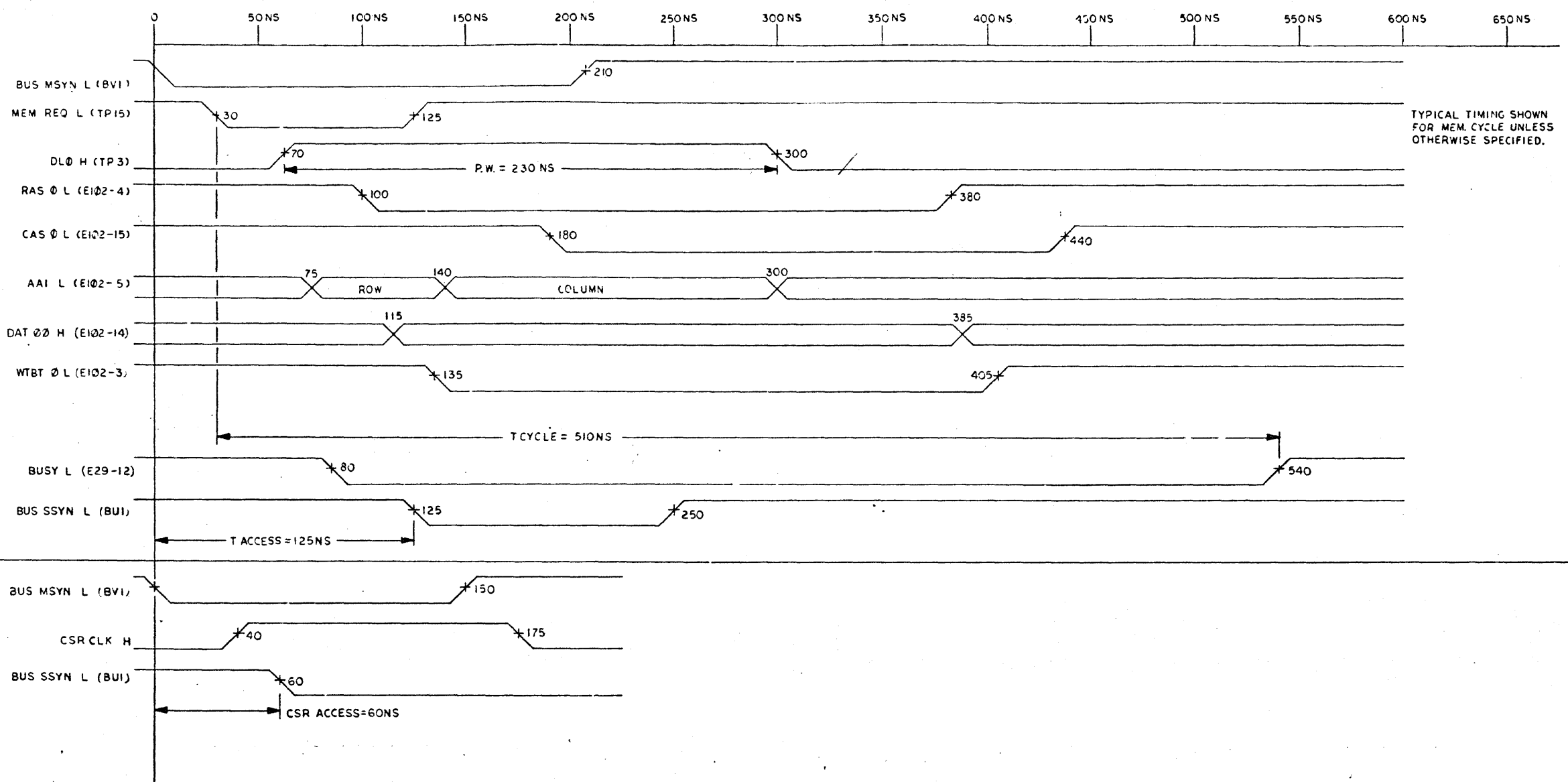
TYPICAL TIMING SHOWN FOR MEM. CYCLE UNLESS OTHERWISE SPECIFIED.

REVISIONS		
CHK	CHANGE NO.	REV.

TITLE	MS11-L TIMING DIAGRAM	SIZE CODE	D TD	NUMBER	MS11-L-6	REV.	*
SCALE		SHEET	2 OF 3	DIST.			

THIS DRAWING AND SPECIFICATIONS HEREIN ARE THE PROPERTY OF DIGITAL EQUIPMENT CORPORATION AND SHALL NOT BE REPRODUCED OR COPIED OR USED IN WHOLE OR IN PART AS THE BASIS FOR THE MANUFACTURE OR SALE OF ITEMS WITHOUT WRITTEN PERMISSION. DIGITAL EQUIPMENT CORPORATION COPYRIGHT © 1978

DATO CYCLE



TYPICAL TIMING SHOWN FOR MEM. CYCLE UNLESS OTHERWISE SPECIFIED.

REVISIONS		
CHK	CHANGE NO.	REV.

TITLE	MS11-L TIMING DIAGRAM	SIZE CODE	D TD	NUMBER	MS11-L-6	REV.	*
SCALE		SHEET	3	OF	3	DIST.	

LINE ITEM	DOCUMENT NUMBER	PART NUMBER	DESCRIPTION	QTY PER VARIATION				REFERENCE DESIGNATOR
				DC	DD	DF	CC	
1	D-CS-M7891-0-1		CIRCUIT SCHEMATIC	REF	REF	REF	REF	
2	D-UA-M7891-0-0		UNIT ASSEMBLY	REF	REF	REF	REF	
3	B-DD-M7891-0-0		DRAWING DIRECTORY	REF	REF	REF	REF	
4	D-MD-5013399-0-0		DRILL AND ETCH DRAWING	REF	REF	REF	REF	
5		5013399-00	128K X 18 MOS, MEM	1	1	1	1	
6		1001610-00	.01 MFD 50V +80-20% 25U CER	49	49	49	49	C1,C2,C141-C182,C264,C266,C268,C270,C272
7		1010279-01	.47 MFD 25V 20% CER	90	90	90	-	C6,C8,C184-C263,C267,C269,C271,C273,C265,C278-C280
		CONT		-	-	-	74	C6,C8,C184-C247,C267,C269,C271,C273,C265,C278-C280
8		1012094-01	8 MFD 25V +75-10% AL EL	4	4	4	4	C10-C12,C276
9		1012121-00	220.0 MMF 100V 1%200PPM MICA	2	2	2	2	C4,C5
10		1012219-00	47 MFD 30V +75-10% AL EL	5	5	5	5	C3,C9,C274,C275,C277
11		1109988-00	*** THIS ITEM IS NOT USED ***	-	-	-	-	
12		1110324-00	LED 1MCD@10MA PIV=3	1	1	1	1	D3
13		1114384-00	LED 105MW 35MA GREEN	1	1	1	1	D2
14		1209941-06	HEADER,100 20POS RT ANGLE	1	1	1	1	J1
15		1216988-02	HANDLE,MODULE,HEX TWO EJECTORS	1	1	1	1	
16		1211751-00	FUSE, SUB-MINI, 2.000A, 125V, A	1	1	1	1	F1
17		1211164-00	SW,DIP 1P 1A 4POS	1	1	1	1	E47
18		1211164-05	SW,DIP 1P 1A 9POS	1	1	1	1	E61
19		1300271-00	220.0 .25 W 5.0 % CC	3	3	3	3	R29,R32,R33
20		1300295-00	330.0 .25 W 5.0 % CC	1	1	1	1	R3
21		1315679-00	R NETWORK 3-29 5.0 % 7PIN	5	5	5	5	R36-R40
22		1300316-00	470.0 .25 W 5.0 % CC	4	4	4	4	R11,R14,R19,R23
23		1300365-00	1.0 K .25 W 5.0 % CC	4	4	4	4	R13,R16-R18
24		1301874-00	5.60 K .25 W 5.0 % CC	4	4	4	4	R12,R15,R28,R30
25		1302377-00	39.0 .25 W 5.0 % CC	2	2	2	2	R8,R35
26		1302411-00	511.0 .25 W 1.0 % RN55D-F10	1	1	1	1	R6

REVISION HISTORY		BASIC PART NO: M7891		DRN:	H. WEINSBRENNER	DATE:	13-SEP-78	DIGITAL			
ENG:	ECO NUMBER	REV	SECTION A OF F	CHK'D:	R.V. MANION	DATE:	13-SEP-78	TITLE	PARTS LIST		
R.G.	M7891-ML005	F	SECTION VARIATION INDEX					128K X 18 MOS MEMORY			
			[A] DC,DD,DF,CC								
			[B] CD,CF,AC,AD								
			[C] AF,BC,BD,BF	DES.ENG:	R.GIVEN	DATE:	13-SEP-78				
			[D] AH,BH,CH,DH								
			[E] AL,AL,CL,DL								
			[F] AB,BB,CB,DB	RESP.ENG.:	R.GIVEN	DATE:	13-SEP-78		DOCUMENT NUMBER		
			[H]					SIZE	CODE	NUMBER	REV
			[J]	MFG.ENG.:	B.SCHAAF	DATE:	13-SEP-78	K	PL	M7891-0-DBP	F
			[K]								
			[L]	ASSEMBLY NUMBER:		TOP DOCUMENT NUMBER:		FILE NAME:	EDIT #		
			[M]	D-UA-M7891-0-0		B-DD-M7891-0		Z181JF.PLS	11		
			[N]								

* THIS DRAWING AND SPECIFICATIONS HEREIN, ARE THE PROPERTY OF DIGITAL EQUIPMENT CORPORATION AND SHALL NOT BE REPRODUCED OR COPIED OR USED IN WHOLE OR IN PART AS THE BASIS FOR THE MANUFACTURE OR SALE OF ITEMS WITHOUT WRITTEN PERMISSION. COPYRIGHT (C) 1981. DIGITAL EQUIPMENT CORPORATION *

LINE ITEM	DOCUMENT NUMBER	PART NUMBER	DESCRIPTION	QTY PER VARIATION				REFERENCE DESIGNATOR
				DC	DD	DF	CC	
27	27	1302874-00	147.0 .25 W 1.0 % RN55D-F10	1	1	1	1	R7
28	28	1302937-00	121.0 .25 W 1.0 % RN55D-F10	1	1	1	1	R2
29	29	1303110-00	19.60 .25 W 1.0 % RN55D-F10	1	1	1	1	R10
30	30	1303156-00	34.80 K .25 W 1.0 % RN55D-F10	1	1	1	1	R5
31	31	1311422-00	178.0 .25 W 1.0 % RN55D-F10	1	1	1	1	R20
32	32	1305322-00	7.50 K .25 W 1.0 % RN55D-F10	1	1	1	1	R4
33	33	1312466-00	10.0 1.0 W 1.0 % WW	1	1	1	1	R1
34	34	1315678-00	R NETWORK 3-18 5.0 % 7PIN	16	16	16	-	R41-R56
		CONT		-	-	-	13	R41-R52,R54
35	35	1315339-00	R NETWORK 4-5K 5.0 % 5PIN	7	7	7	7	R9,R22,R24-R27,R31
36	36	1613120-00	DELAY= 200NS,10TAPS	1	1	1	1	E18
37	37	1910532-00	74S00 NAND GATE-QUAD 2IN	3	3	3	3	E16,E46,E53
38	38	1910533-00	74S03 NAND GATE-QUAD 2IN,0	1	1	1	1	E7
39	39	1910536-00	74S10 NAND GATE-TRIPLE 3IN	3	3	3	3	E28,E39,E36
40	40	1910537-00	74S11 AND GATE-TRIPLE 3INP	2	2	2	2	E29,E44
41	41	1910539-00	74S20 NAND GATE-DUAL 4INPU	1	1	1	1	E39
42	42	1910544-00	74S74 FF-D DUAL,EDGE TRIGG	2	2	2	2	E33,E34
43	43	1910544-01	74S74-60GG-D DUAL,EDGE TRIG	1	1	1	1	E6
44	44	1910549-00	74S158 MUX 1 OF 2 (QUAD)	2	2	2	2	E38,E65
45	45	1911469-00	DEC 8640 RECEIVER,BUS,QUAD,U	6	6	6	6	E48,E62,E25,E31,E37,E41
46	46	1911573-00	74S280 PARITY GEN/CHKR,98BIT	4	4	4	4	E42,E49,E56,E63
47	47	1911579-00	8641 TRANSCEIVER,BUS,QUA	6	6	6	6	E1,E3,E8,E13,E19,E55
48	48	1911675-00	74S138 DECODER/DEMUX 3-8 LIN	1	1	1	1	E31
49	49	1911944-00	555CN TIMER,FUNCT.BLOCK	1	1	1	1	E5
50	50	1912048-02 OR 06	74S133 NAND GATE-POSITIVE 1	1	1	1	1	E45
51	51	MAY BE SUBSTITUTED-	7812 VOLT REG,FIX +12V	1	1	1	1	Q2
52	52	1912388-00	74S02 NOR GATE-QUAD 2IN,PO	1	1	1	1	E30
53	53	1912389-00	74S08 AND GATE-QUAD 2IN,PO	2	2	2	2	E22,E23
54	54	1912541-00	79M05 VOLT REG,FIX -5V	1	1	1	1	Q1
55	55	1912746-00	DEC 74S37 NAND GATE-QUAD 2IN	1	1	1	1	E12
56	56	1912807-00	LS10 NAND GATE-TRIPLE 3IN	2	2	2	2	E11,E40
57	57	1912828-00	LS85 COMPARATOR,4BIT MAGN	1	1	1	1	E34
58	58	1912853-00	LS175 FF-D QUAD	2	2	2	2	E10,E15
59	59	1912867-00	LS298 MUX 1 OF 4,2IN W/S	2	2	2	2	E21,E27
60	60	1913340-00	74S32 OR GATE-QUAD 2IN	1	1	1	1	E35
61	61	1913462-00	74S240 OCTAL BUFFER,INVERTI	1	1	1	1	E52
62	62	1913670-00	74S373 LATCH 8BIT TRASP TR	4	4	4	4	E50,E57,E64,E38
63	63	1913777-00	LS240 DRIVER,LINE,OCTAL,T	9	9	9	-	E24,E68,E69,E86,E119,E136,E169,
		CONT		-	-	-	8	E186,E203
		CONT		-	-	-	8	E24,E69,E69,E86,E119,E136,E169,
		CONT		-	-	-	8	E186
64	64	1914086-00	74S30 NAND GATE-POS 8IN	1	1	1	1	E60
65	65	1914451-00	74LS393 COUNTER,BINARY,4BIT	1	1	1	1	E43
66	66	1915193-00	LS244 DRIVER,LINE,OCTAL,T	1	1	1	1	E17
67	67	1915219-00	LS373 FF-D OCTAL-TRANSPARE	7	7	7	7	E2,E4,E9,E14,E20,E26,E32
68	68	23250F1-00	*** THIS ITEM IS NOT USED ***	-	-	-	-	
69	69	23468A2-00	A2-05	1	1	1	1	E66
70	70	7414765-00	HEATSINK	1	1	1	1	

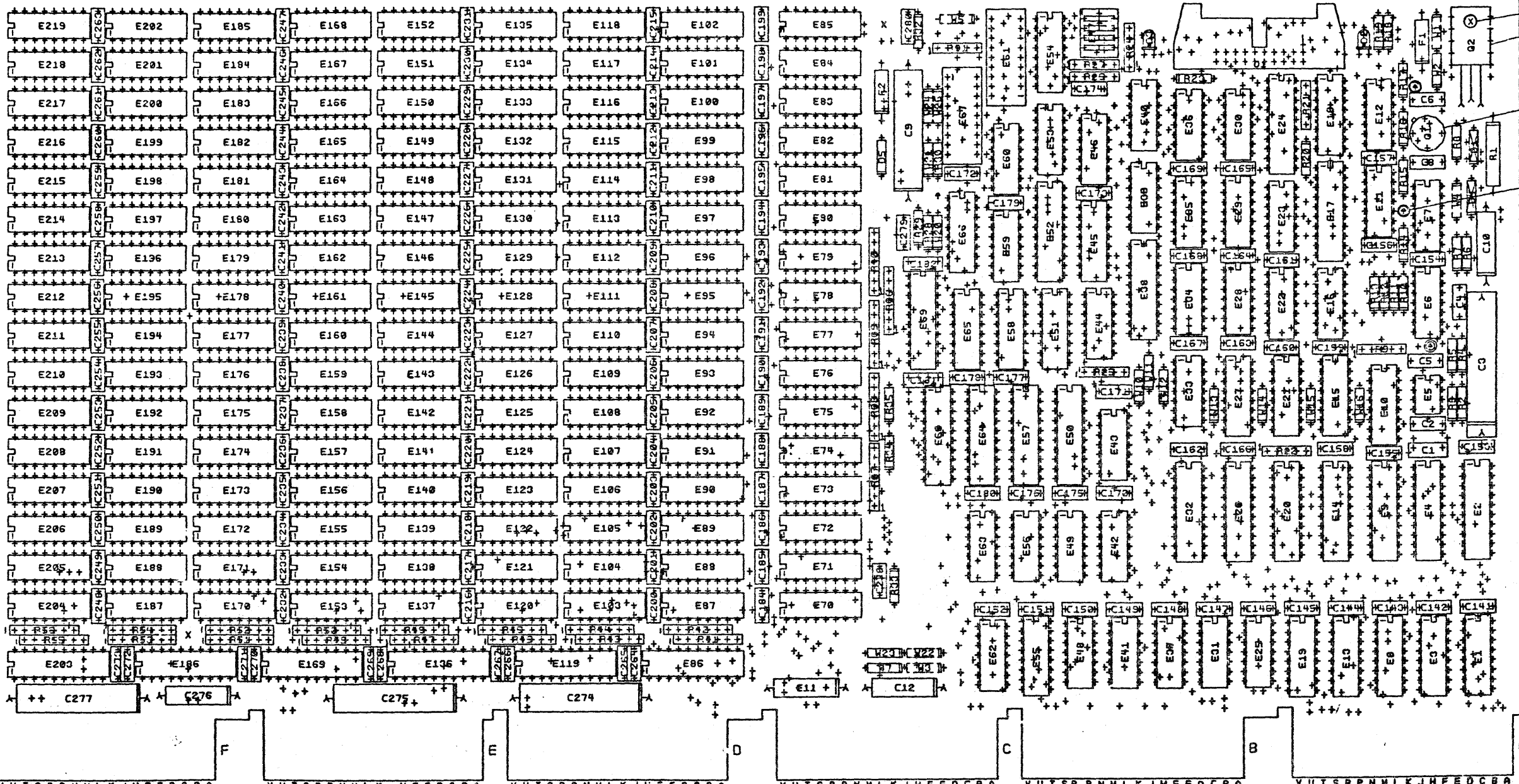
D	I	G	I	T	A	L	TITLE	SECTION A OF F	SIZE	CODE	DOCUMENT NUMBER	REV
							128K X 18 MOS MEMORY					
									K	PL	M7891-0-D8P	F

LINE ITEM	DOCUMENT NUMBER	PART NUMBER	DESCRIPTION	QTY PER VARIATION				REFERENCE DESIGNATOR
				DC	DD	CF	CC	
71	71	9000024-01	EYELET, ROLLED FLANGE, .121 OD X	12	12	12	12	
72	72	9010092-00	SCREW,PAN,PHIL 4-40X 5/16 SS	1	1	1	1	
73	73	9007201-00	TRANSIPADS #10253	1	1	1	1	
74	74	9009149-00	PIN, STAKING, P.C. BOARD, .025 X	5	5	5	5	
75	75	9009185-00	JUMPER, WIRE, INSULATED, BLACK B	12	12	12	12	W2,W7,W10-W16,W20,W21,W23
76	76	1109991-00	1N 754A VZ= 6.8 5% .40W	1	1	1	1	D5
77	77	1105275-00	*** THIS ITEM IS NOT USED ***	-	-	-	-	
78	78	1210929-04	FUSE, SUB-MINI .250A, 125V, A	1	1	1	1	F2
79	79	2114408-01	16K MOS RAM 200NS 1	144	-	-	-	E70-E85,E120-E135,E170-E185, CONT E87-E118,E137-E168,E187-E202, CONT E204-E219
		CONT		-	-	-	-	E72-E77,E80-E85,E87-E110, CONT E120-E135,E137-E168,E170-E185
80	80	1301969-00	22.0 .25 W 5.0 % CC	1	1	1	1	R34
81	81	2114895-01	16K MOS RAM 200NS 1	-	144	-	-	E70-E85,E120-E135,E170-E185, CONT E67-E118,E137-E168,E187-E202, CONT E204-E219
92	82	2114897-01	16K MOS RAM 200NS 1	-	-	144	-	E70-E85,E120-E135,E170-E185, CONT E87-E118,E137-E168,E187-E202, CONT E204-E219
83	83	1302956-00	196.0 .25 W 1.0 % RN55D-F10	1	1	1	1	R21
84	84	2114567-01	*** THIS ITEM IS NOT USED ***	-	-	-	-	
85	85	2117367-01	*** THIS ITEM IS NOT USED ***	-	-	-	-	
86	86	D-EC-5013399-0-0	ETCH CUT DWG	REF	REF	REF	REF	
87	87	23258F1-00	F1-01	-	-	-	1	E67
88	88	23249F1-00	F1-01	1	1	1	-	E67
89	89	23257F1-00	*** THIS ITEM IS NOT USED ***	-	-	-	-	

- 90 NOTE: 1. M7891-AA IS PRIMARY VARIATION OF 32K X 18 BIT SYSTEM (NOT A MODULE TYPE).
 91 NOTE: 2. M7891-BA IS PRIMARY VARIATION OF 64K X 18 BIT SYSTEM (NOT A MODULE TYPE).
 92 NOTE: 3. M7891-CA IS PRIMARY VARIATION OF 96K X 18 BIT SYSTEM (NOT A MODULE TYPE).
 93 NOTE: 4. M7891-DA IS PRIMARY VARIATION OF 128K X 18 BIT SYSTEM (NOT A MODULE TYPE).
 94 NOTE: 5. AC,BC,CC,DC ARE MODULE TYPES USING FUJITSU 16K MOS DEVICES.
 95 NOTE: 6. AD,BD,CD,DD ARE MODULE TYPES USING INTEL 16K MOS DEVICES.
 96 NOTE: 7. AF,BF,CF,DF ARE MODULE TYPES USING HITACHI 16K MOS DEVICES.
 97 NOTE: 8. AB,BB,CB,OB ARE MODULE TYPES USING MOSTEK 16K MOS DEVICES.
 98 NOTE: 9. AH,BH,CH,DH ARE MODULE TYPES USING NEC 16K MOS DEVICES.
 99 NOTE: 10. AL,BL,CL,DL ARE MODULE TYPES USING TOSHIBA 16K MOS DEVICES.

D	I	G	I	T	A	L	TITLE	SECTION A OF F	SIZE	CODE	DOCUMENT NUMBER	REV
							128K X 18 MOS MEMORY		K	PL	M7891-0-DBP	F

MODULE VARIATION DA



NOTES: THE FOLLOWING COMPONENTS ARE NOT INSTALLED IN THE DA VARIATION: D1, D4

CHK CHANGE NO	REV
1	0
2	1
3	2
4	3
5	4
6	5
7	6
8	7
9	8
10	9
11	10
12	11
13	12
14	13
15	14

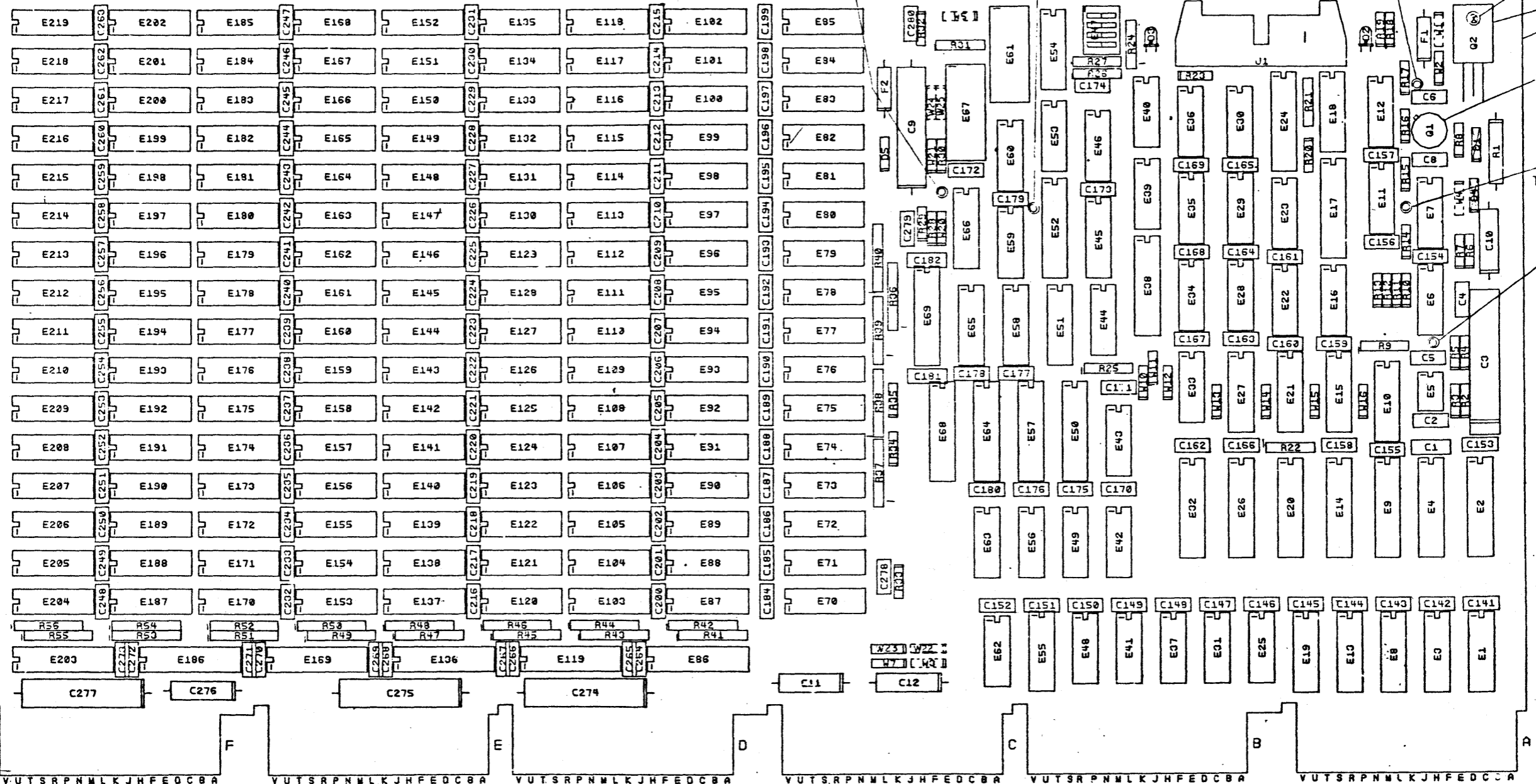
ETCH REV. C
P.C. DESIGN DATA BASE REV. C

SIGNATURES		DATE
DRN. <i>John Peterson</i>		1/13/80
CHK'D. <i>J. Freeman</i>		1/17/80
MECH. ENG. <i>J. Freeman</i>		2/13/80
PROJ. ENG. <i>J. Freeman</i>		2/13/80
PROD. <i>J. Freeman</i>		2/13/80
SCALE 2:1		
SHT. 1 OF 8		
NEXT HIGHER ASSY. B-DD-M7891-0		
TITLE	128K X 18 MOS MEM	
SIZE CODE	NUMBER	REV
D UA	M7891-0-0	0

STEP 2 → Y AXIS STEP 3 TIMES
REPEAT → X AXIS STEP 3 TIMES

THIS DRAWING AND SPECIFICATIONS, HEREIN, AND THE PROPERTY OF THE UNITED STATES GOVERNMENT. IT IS HEREBY AUTHORIZED THAT THIS DRAWING MAY BE REPRODUCED AND TRANSMITTED IN ANY FORM AND BY ANY MEANS, ELECTRONIC OR MECHANICAL, INCLUDING PHOTOCOPYING, RECORDING, OR BY ANY INFORMATION STORAGE AND RETRIEVAL SYSTEM, WITHOUT PERMISSION IN WRITING FROM THE UNITED STATES GOVERNMENT.

MODULE VARIATION DA

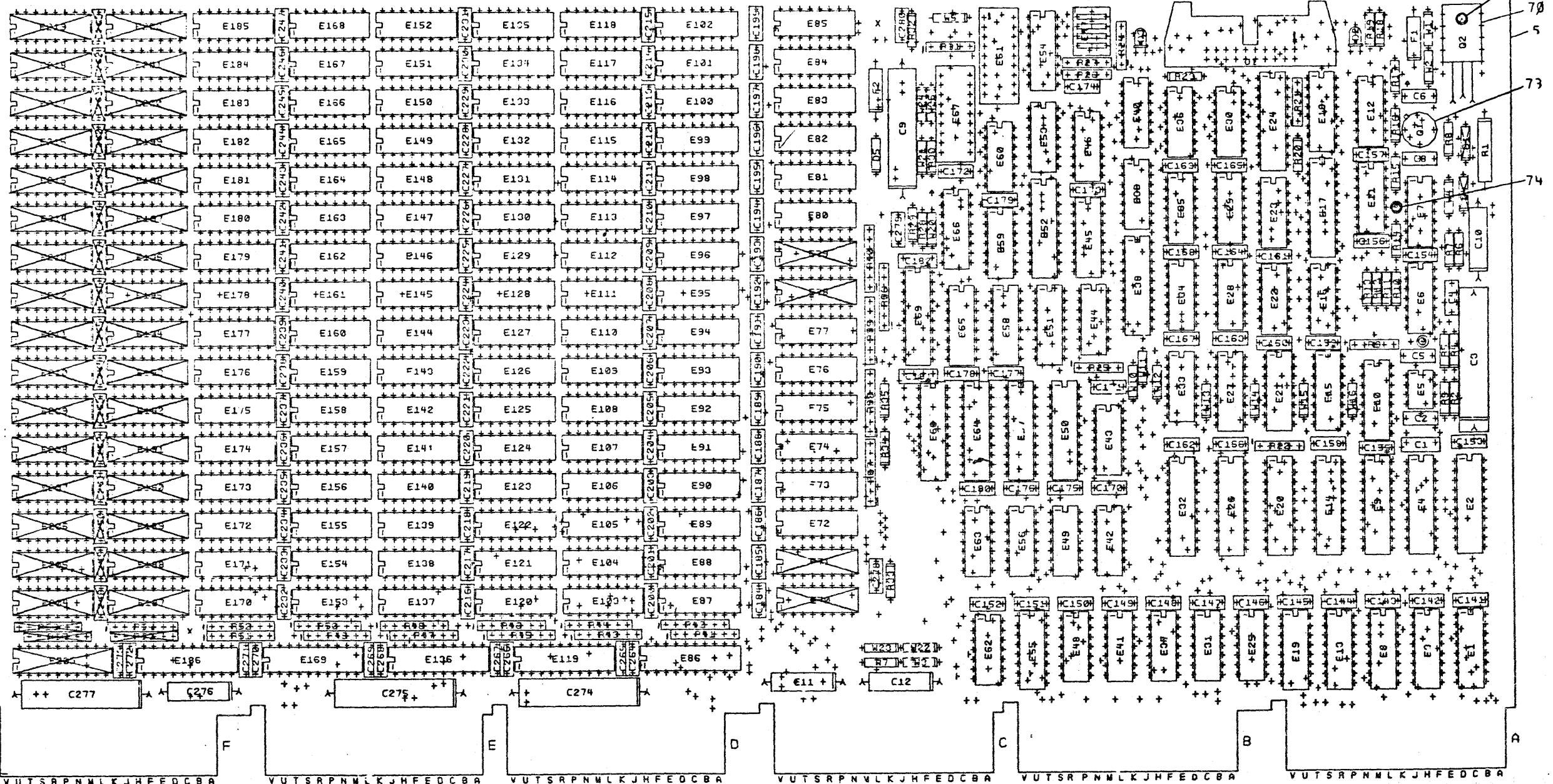


NOTES:

CHG	NO	REV

SIGNATURES		DATE	TITLE
DRN. <i>[Signature]</i>	<i>[Signature]</i>	5-30-78	
CHK'D. <i>[Signature]</i>	<i>[Signature]</i>	8-28-78	
ENG. <i>[Signature]</i>	<i>[Signature]</i>	9-28-78	SCALE 2/1
PROJ. ENG. <i>[Signature]</i>	<i>[Signature]</i>	9-28-78	
SHT. 2 OF 8		SIZE CODE NUMBER	
NEXT HIGHER ASSY. B-DD-M7391-2		D CA 17291-2-0 ID	

MODULE VARIATION CA



NOTES: THE FOLLOWING COMPONENTS ARE NOT INSTALLED IN THE CA VARIATION: E70, E71, E78, E79, E187 THRU E219, R53, R55, R56, C248 THRU C263, D1, D4, M7891-CA MSII-LC 96K X 18 BIT.

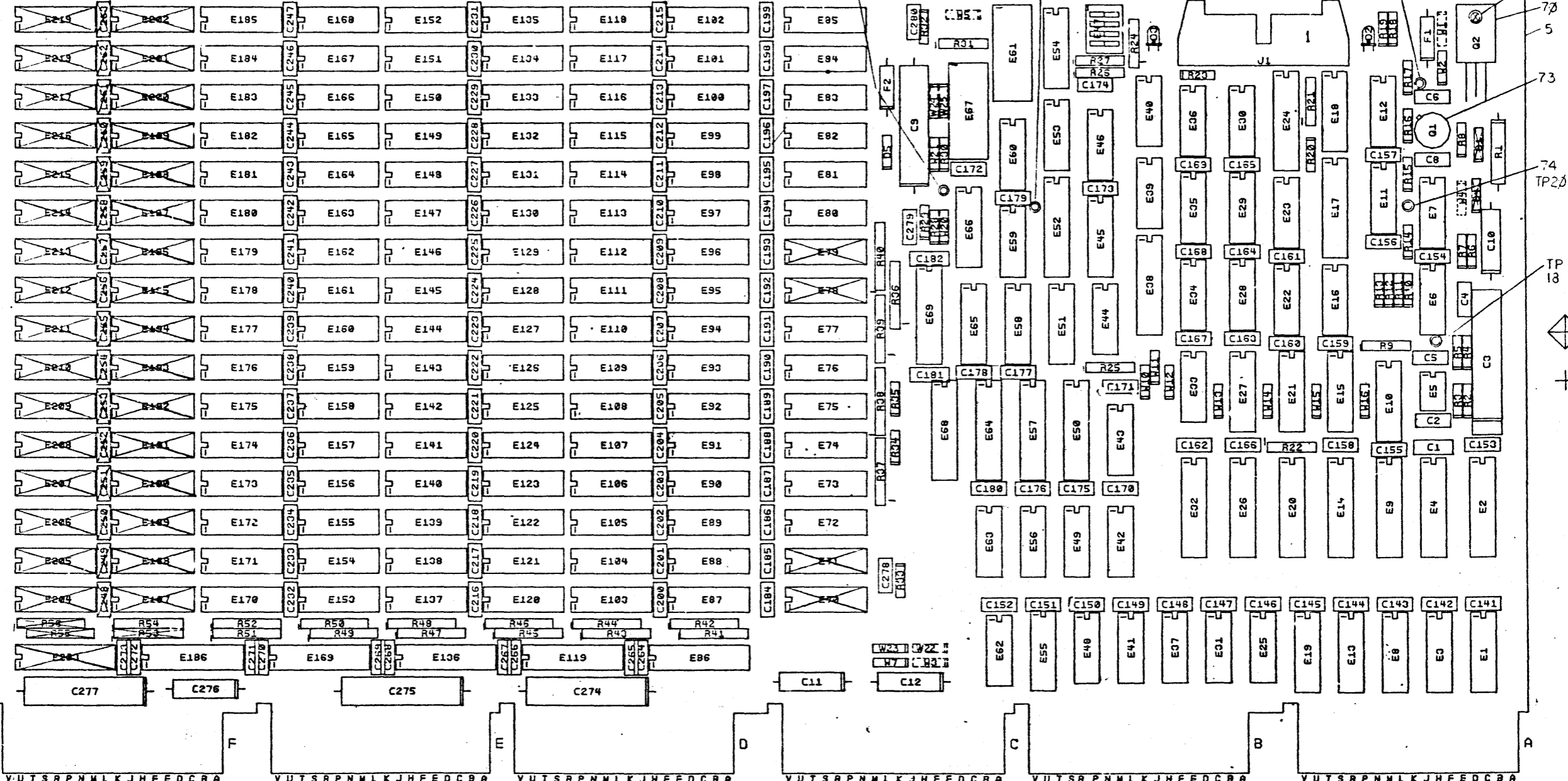
STEP 2	+ Y AXIS	STEP	TIMES
REPEAT	+ X AXIS	STEP	TIMES

CHK CHANGE NO	REV

ETCH REV.	C-F2
-----------	------

SIGNATURES	DATE	digital
DRN. <i>Linda Johnson</i>		
CHK'D. <i>[Signature]</i>	12/78	
MECH. ENG.		TITLE
PROJ. ENG.		128K X 18 MOS MEM
PROD.		SIZE CODE
SCALE 2:1		NUMBER
SHT. 3 OF 8		0 UA M7891-A-0
NEXT HIGHER R55, B-DD-M7891-0		REV
		D

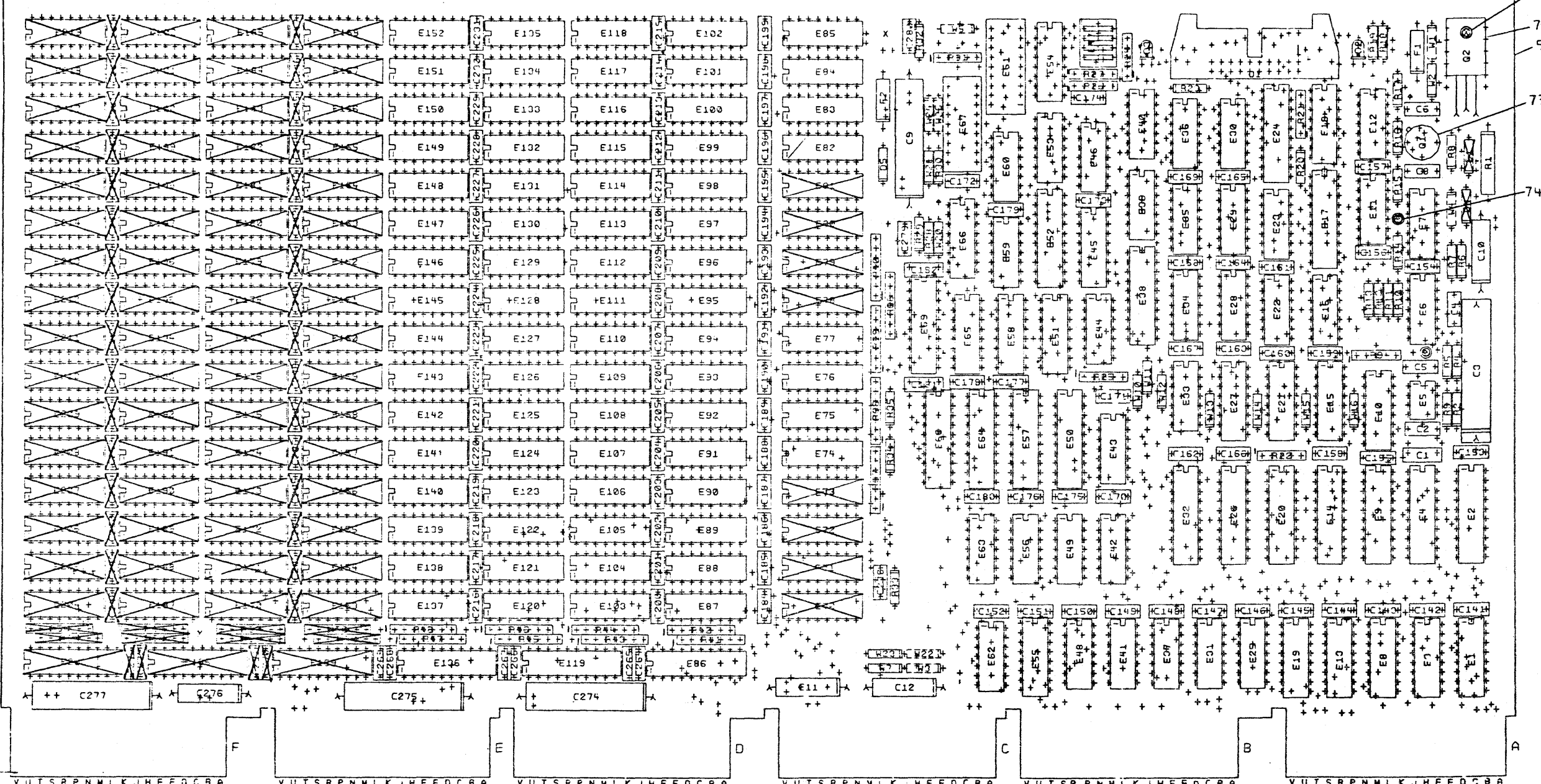
MODULE VARIATION CA



CH	NO	REV

SIGNATURES		DATE	digital
DRN. <i>[Signature]</i>		5-30-78	
CHK'D. <i>[Signature]</i>		7-27-78	TITLE 12SKX18 MOS MEM
ENG. <i>[Signature]</i>		7-27-78	
PROJ. ENG. <i>[Signature]</i>		7-27-78	SIZE CODE NUMBER REV D UA N7891-0-0 D
PROD. <i>[Signature]</i>		7/27/78	
SCALE 2/1			
SMT. 4 OF 8			
NEXT HIGHER ASSY. 8-55-M7891-0			

MODULE VARIATION BA



NOTES: THE FOLLOWING COMPONENTS ARE NOT INSTALLED IN BA VARIATION: E70 THRU E73, E78 THRU E81, E153 THRU E219, R49 THRU R56, C232 THRU C263, C270 THRU C273, D1, D4, M7891-BA MS11-1B 64K X 18 BIT

STEP 2	→ 7 PAGES	STEP	TIMES
REPORT	→ 7 PAGES	STEP	TIMES

REV	NO	DATE	BY

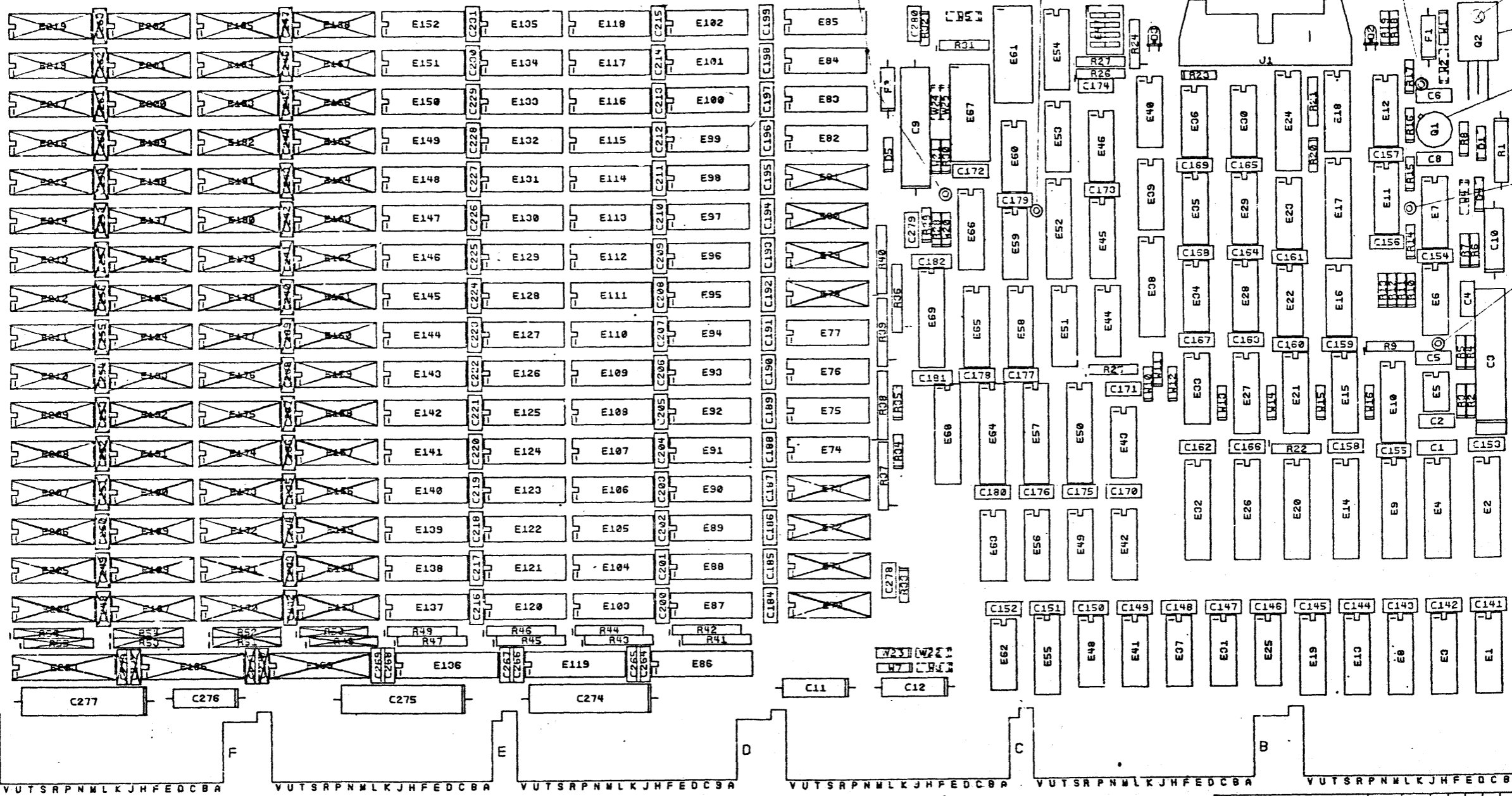
ETCH REV.	C - F

SIGNATURES		DATE	digital
DRN.			
CHK'D.			
MECH. ENG.			
PROJ. ENG.			
PROD.			
SCALE 2:1			
SH. 5 OF 8			
NEXT HIGHER ASSY.			
TITLE	12-K X 18 MDS MEM		
SIZE CODE	0 U2	NUMBER	M7891-2-8
REV			

DUAL M7-91-4-1

1 WO#

MODULE VARIATION BA



NOTES:

CHANGE NO REV

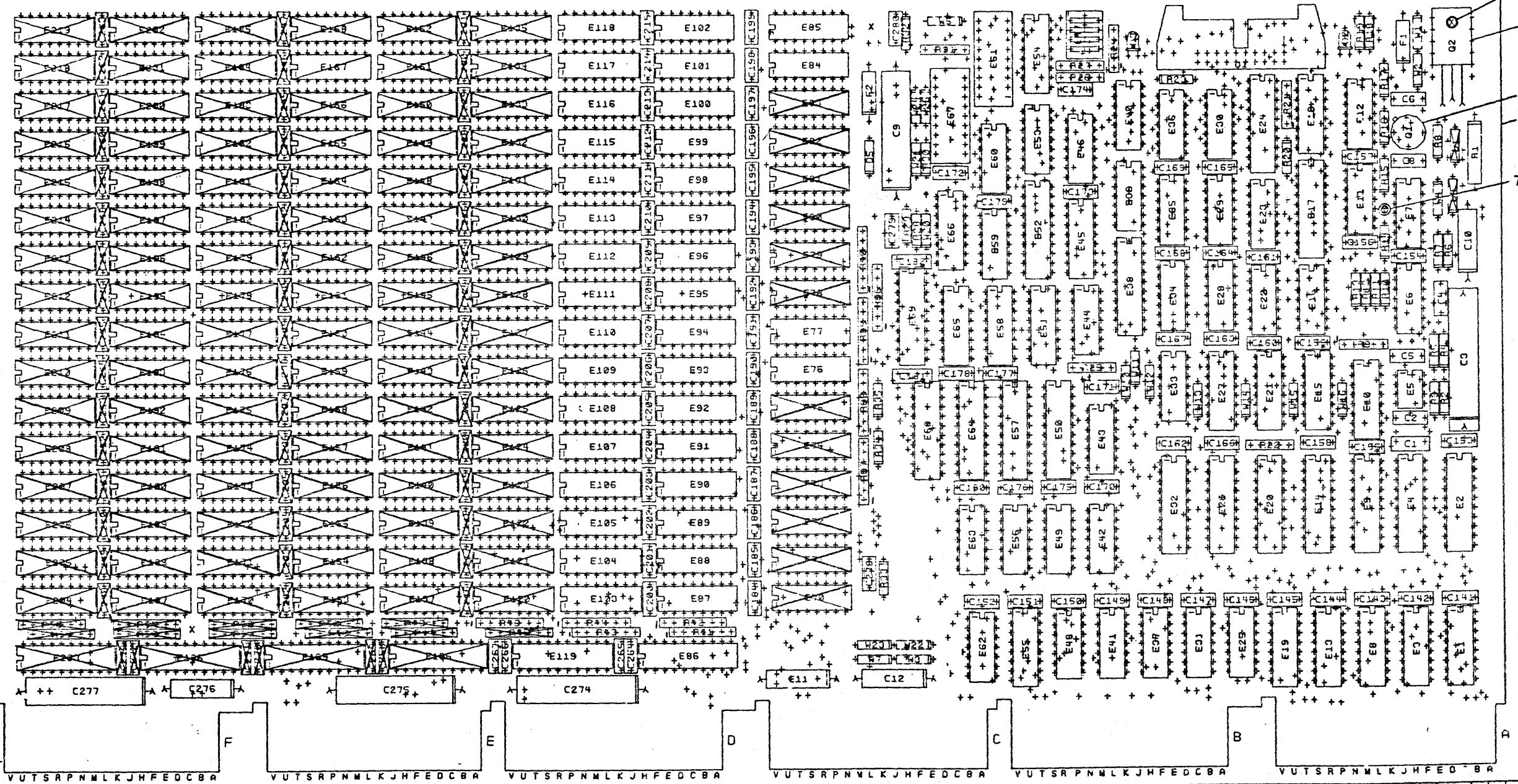
SIGNATURES		DATE
DRN. J. J. M. W.		5-30-78
CHK'D. J. J. M. W.		5-31-78
ENG. J. J. M. W.		6-1-78
PRD. J. J. M. W.		6-2-78
PRD. J. J. M. W.		6-2-78
SCALE 2/1	SIZE CODE	NUMBER
SHT. 6 OF 8	D VA M7891-0-0	0
NEXT HIGHER ASSY. 8-DD-M7451-A		

digital

TITLE 128KV8 MOS MEM

THIS DRAWING AND SPECIFICATIONS, HEREIN AND THE RIGHTS OF ALL RIGHTS RESERVED. NO PART OF THIS DRAWING OR SPECIFICATIONS SHALL BE REPRODUCED OR TRANSMITTED IN ANY FORM OR BY ANY MEANS, ELECTRONIC OR MECHANICAL, INCLUDING PHOTOCOPYING, RECORDING, OR BY ANY INFORMATION STORAGE AND RETRIEVAL SYSTEM.

MODULE VARIATION AA



NOTES: THE FOLLOWING COMPONENTS ARE NOT INSTALLED IN THE AA VARIATION: E70 THRU E75, E78 THRU E83, E120 THRU E219, R45, R47 THRU R56, C210 THRU C263, C268 THRU C273, D1, D4, M7891-AA, MS11-LA, 32K X 18 BITS

STEP 2	→ Y AXIS	STEP	TIMES
REPEAT	→ X AXIS	STEP	TIMES

CHK	CHANGE	NO	REV

ETCH REV.	C-P2

SIGNATURES		DATE	digital
DRN. <i>R. Anderson</i>			
CHK'D. <i>R. Farnham</i>			
RECH. ENG.			TITLE
PROJ. ENG.			128K X 18 MCS MEM
PROD.			SIZE CODE
SCALE 2:1			NUMBER
SHT. 7 OF 8			0 UA M7891-0-0
NEXT HIGHER ASSY. 5-00-M7891-0			REV. D

8 7 6 5 4 3 2 1

D

C

B

A

D

C

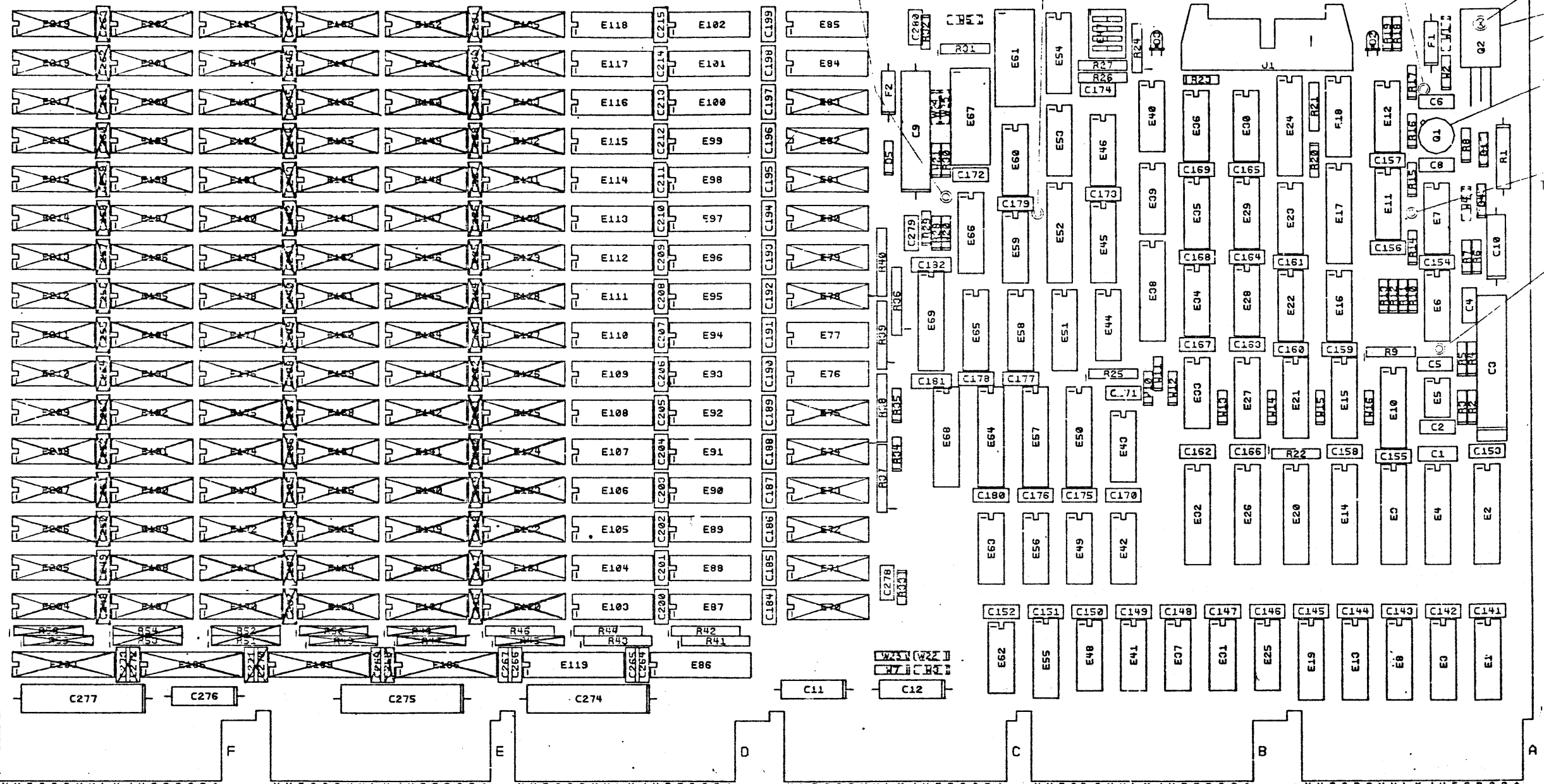
B

A

DRAWING NO. M7-91-1-1

THIS DRAWING AND SPECIFICATIONS, HEREIN, AND THE CONTENTS THEREOF, ARE THE PROPERTY OF THE UNITED STATES GOVERNMENT AND WILL BE FURNISHED TO YOU BY THE GOVERNMENT AS A MATTER OF COURTESY ONLY. IT IS NOT TO BE REPRODUCED OR TRANSMITTED IN ANY FORM OR BY ANY MEANS, ELECTRONIC OR MECHANICAL, INCLUDING PHOTOCOPYING, RECORDING, OR BY ANY INFORMATION STORAGE AND RETRIEVAL SYSTEM, WITHOUT PERMISSION IN WRITING FROM THE UNITED STATES GOVERNMENT.

MODULE VARIATION AA



NOTES:

CHK	CHANGE NO	REV

SIGNATURES		DATE	digital	
DRN. J. J. Marlow		7-20-78		
CHK'D. J. J. Marlow		7-20-78		
ENG. J. J. Marlow		7-20-78		
PROJ. ENG. J. J. Marlow		7-20-78		
PROD. J. J. Marlow		7-20-78		
SCALE	2 1/4"		TITLE	129KX18
SHT.	8 OF 8			NOS MEM
NEXT HIGHER ASSY. 3-00-M7891-0			SIZE CODE	NUMBER
			D	UA M7891-0-0
			REV	D

NOTES:

THIS DRAWING AND SPECIFICATIONS HEREON ARE THE PROPERTY OF DIGITAL EQUIPMENT CORPORATION AND SHALL NOT BE REPRODUCED OR COPIED IN WHOLE OR IN PART OR IN ANY MANNER FOR THE MANUFACTURE OR SALE OF ITEMS WITHOUT WRITTEN PERMISSION. COPYRIGHT © 1978, DIGITAL EQUIPMENT CORPORATION

STARTING ADDRESS		SWITCH SETTING (X = OFF)								
DEC (K)	OCTAL	S2-1	S2-2	S2-3	S2-4	S2-5	S2-6	S2-7	S2-8	S2-9
0	00000000									
4	00020000									X
8	00040000								X	X
12	00060000								X	X
16	00100000							X		
20	00120000						X			X
24	00140000						X	X		
28	00160000						X	X	X	X
32	00200000					X				
36	00220000				X					X
40	00240000				X			X		
44	00260000				X			X	X	
48	00300000				X	X				
52	00320000				X	X			X	
56	00340000				X	X	X			
60	00360000				X	X	X	X		X
64	00400000		X							
68	00420000		X							X
72	00440000		X					X		
76	00460000		X					X	X	
80	00500000		X		X					
84	00520000		X		X				X	
88	00540000		X		X	X				X
92	00560000		X		X	X	X		X	X
96	00600000		X	X						
100	00620000		X	X						X
104	00640000		X	X			X			
108	00660000		X	X	X		X	X		X
112	00700000		X	X	X		X	X		X
116	00720000		X	X	X		X	X		X
120	00740000		X	X	X	X		X		X
124	00760000		X	X	X	X	X		X	X

STARTING ADDRESS RANGE		SWITCH SETTING (X = OFF)								
DEC (K)	OCTAL	S2-1	S2-2	S2-3	S2-4	S2-5	S2-6	S2-7	S2-8	S2-9
128-252	01000000-01760000							X		
256-380	02000000-02760000					X				
384-508	03000000-03760000			X	X					
512-636	04000000-04760000		X							
640-764	05000000-05760000		X		X					
768-892	06000000-06760000		X	X						
896-1020	07000000-07760000		X	X	X					
1024-1148	10000000-10760000	X								
1152-1276	11000000-11760000	X					X			
1280-1404	12000000-12760000	X		X						
1408-1532	13000000-13760000	X		X	X					
1536-1660	14000000-14760000	X	X							
1664-1788	15000000-15760000	X	X	X			X			
1792-1916	16000000-16760000	X	X	X	X					
1920-2044	17000000-17760000	X	X	X	X	X				

TO OBTAIN INCREMENTAL 4K BOUNDARIES WITHIN THE SPECIFIED RANGE, REPEAT SWITCH SETTINGS FROM THE 0-124 K TABLE.

I.E.
S.A. = 260K
S2-3 = X = OFF
S2-9 = X = OFF

REV. 1	DATE 11/18/78	BY R. GIVEN
REV. 2	DATE 11/18/78	BY R. GIVEN
REV. 3	DATE 11/18/78	BY R. GIVEN
REV. 4	DATE 11/18/78	BY R. GIVEN
REV. 5	DATE 11/18/78	BY R. GIVEN
REV. 6	DATE 11/18/78	BY R. GIVEN
REV. 7	DATE 11/18/78	BY R. GIVEN
REV. 8	DATE 11/18/78	BY R. GIVEN
REV. 9	DATE 11/18/78	BY R. GIVEN
REV. 10	DATE 11/18/78	BY R. GIVEN

EUB CSR ADDRESS	MOD. UNIBUS CSR ADDRESS	SWITCH SETTING (X = OFF)			
OCTAL	OCTAL	SI-1	SI-2	SI-3	SI-4
17772100	772100				
17772102	772102				X
17772104	772104				X
17772106	772106			X	X
17772110	772110		X		
17772112	772112		X	X	X
17772114	772114		X	X	X
17772116	772116		X	X	X
17772120	772120	X			
17772122	772122	X			X
17772124	772124	X		X	
17772126	772126	X	X	X	X
17772130	772130	X	X		
17772132	772132	X	X		X
17772134	772134	X	X	X	
17772136	772136	X	X	X	X

OPTION DESIGNATION	PRIMARY VARIATION	SYSTEM DESCRIPTION
MS11-LA	M7891-AA	32K X 18 BITS
MS11-LB	M7891-BA	64K X 18 BITS
MS11-LC	M7891-CA	96K X 18 BITS
MS11-LD	M7891-DA	128K X 18 BITS

BUS VOLTAGE	JUMPER
+12V	WI W2
+15V	WI W2

BUS VOLTAGE	JUMPER
+5V	W3 W4
+5BBU	W3 W4

PERIPHERAL PAGE SIZE	W5	W2
2K	IN	IN
4K	OUT	IN
8K	OUT	OUT

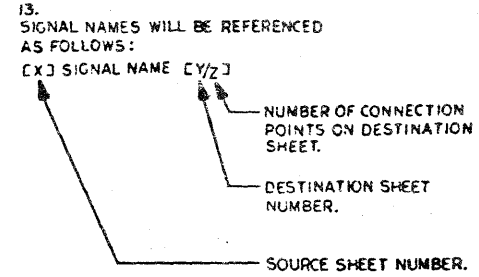
FUNCTION	JUMPER		
	W10	W11	W12
NORMAL	IN	IN	IN
ROW ADDR DISABLE	IN	IN	OUT
COL ADDR DISABLE	IN	OUT	IN
REF ADDR DISABLE	OUT	IN	IN

FUNCTION	JUMPER			
	W13	W14	W15	W16
NORMAL	IN	IN	IN	IN
LAT DATA DISABLE	OUT	IN	IN	IN
CSR DATA DISABLE	IN	OUT	IN	IN
CSR DATA DISABLE	IN	IN	OUT	IN
X-ADDR DISABLE	IN	IN	IN	OUT

TYPE	JUMPER
MOD UNIBUS	W4
EUB	OUT

FUNCTION	JUMPER
NORMAL	W20
SSYN DISABLE	OUT

IC TYPE	+5V	GND	+12V	-5V
MOS	9	16	8	1
74500	14	7		
74510	14	7		
74511	14	7		
74520	14	7		
74503	14	7		
74574	14	7		
74574-01	14	7		
745158	16	8		
74LS175	16	8		
8640	8	1		
8641	16	8		
74S280	14	7		
74138	16	8		
555		1	8	
74S02	14	7		
74S08	14	7		
74S37	14	7		
74LS10	14	7		
74LS85	16	8		
74LS298	16	8		
74S32	14	7		
74S240	20	10		
74LS240	20	10		
74S373	20	10		
74S30	14	7		
74LS393	14	7		
74LS244	20	10		
74LS373	20	10		
74S133	16	8		
1K X 4 PROM	18	9		
256 X 4 PROM	16	8		

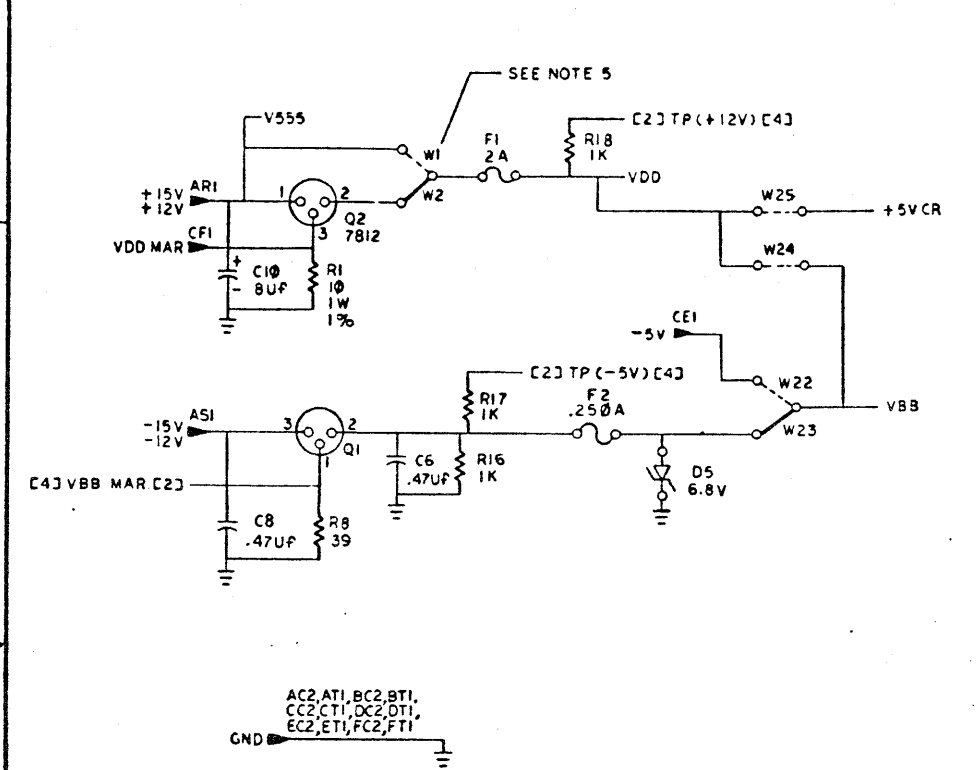


- 14. * INDICATES BATTERY BACK UP (+5V CR)
- INDICATES .125 PAD ON SIDES 1 AND 2.
- ⊙ INDICATES WIRE WRAP PINS AND TEST POINTS.
- 15. RESISTORS ARE 5% UNLESS OTHERWISE SPECIFIED.

- 16. SOME .47UF0 AND .01UF0 ARE NOT USED ON THE AA, BA, CA PRIMARY VARIATIONS.
- 17. FOR -5V TEST OPERATION W22 IS IN AND W23 IS OUT, FOR -15V OR -12V OPERATION W22 IS OUT AND W23 IS IN.
- 18. W24 AND W25 ARE FOR FUTURE USE.

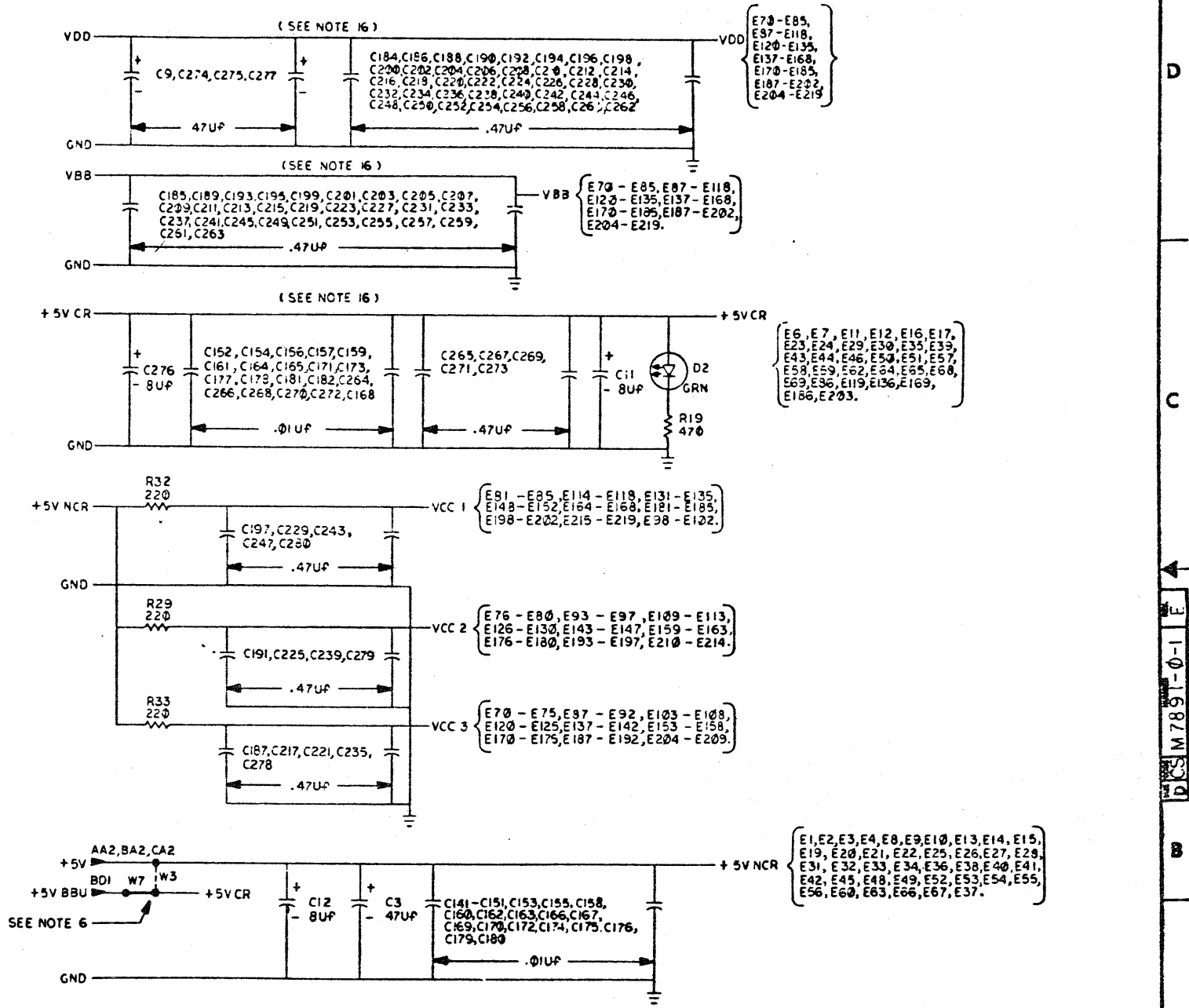
DRN. BY R. GIVEN	6-30-78	FIRST USED ON	11/34	Digital
CHK'D BY R. GIVEN	11/18/78	TITLE	128K X 18 BIT MOS MEM	
ENGR. BY R. GIVEN	11/18/78	SCALE	D C S M 7891-0-1 E	
PROL. ENG. BY R. GIVEN	11/18/78	SHEET	1	OF 14
PROD. BY R. GIVEN	11/18/78	SIZE	COOR	NUMBER
NEXT HIGHER ASSY.		SCALE	1	OF 14
B-00-M7891-0		SHEET	1	OF 14

THESE DRAWINGS AND SPECIFICATIONS HEREBY ARE THE PROPERTY OF METAL COMPONENT CORPORATION AND SHALL NOT BE REPRODUCED OR COPIED IN WHOLE OR IN PART OR BE USED FOR THE MANUFACTURE OR SALE OF ITEMS WITHOUT WRITTEN PERMISSION. COMPANY © 1978 METAL COMPONENT CORPORATION



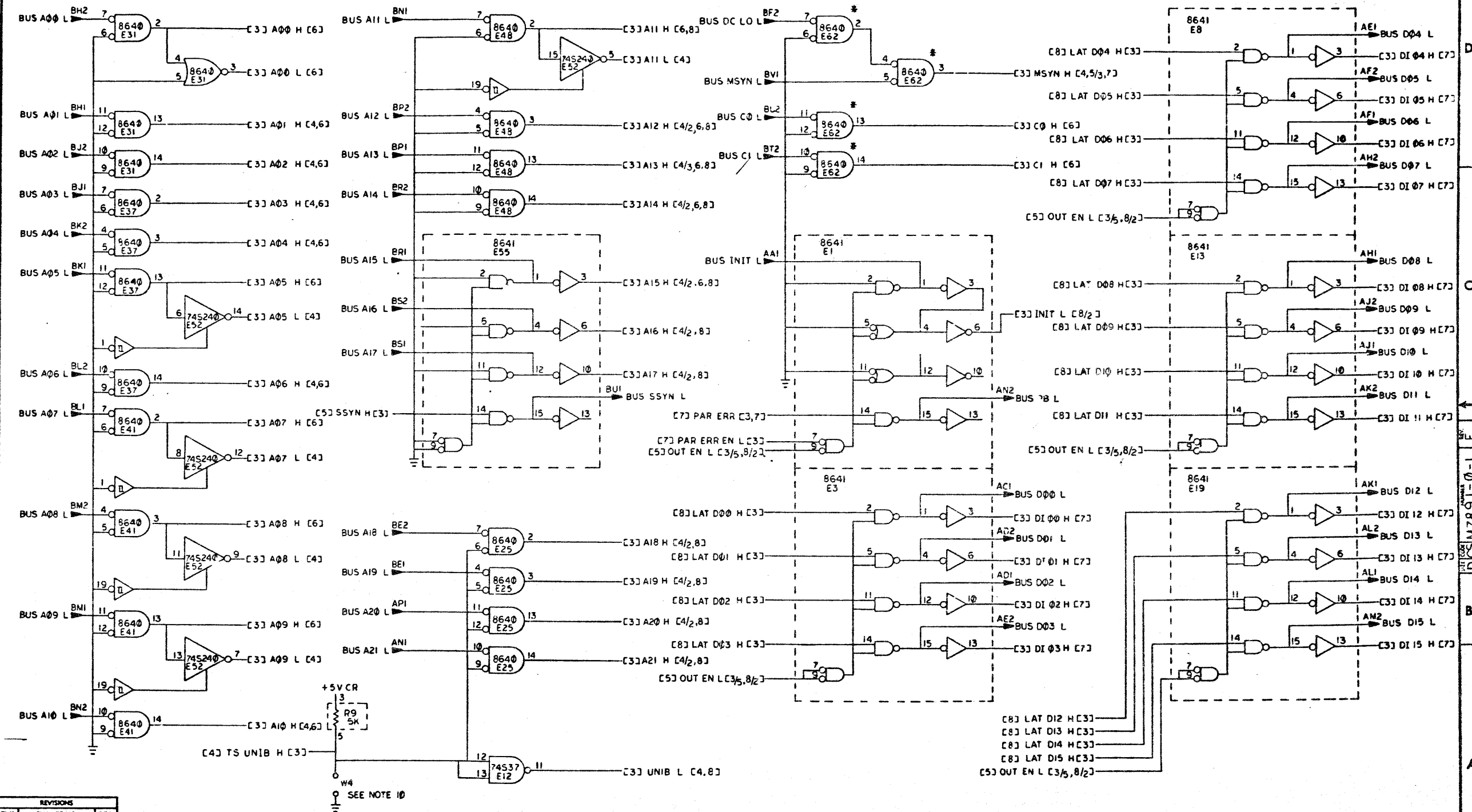
AC2, AT1, BC2, BT1, CC2, CT1, DC2, DT1, EC2, ET1, FC2, FT1

- BUS GRANT LINES**
- DK2 DL2
 - DP2 DR2
 - DM2 DN2
 - DS2 DT2
 - CA1 CB1



REV.	CHG.	NO.

THIS DRAWING AND SPECIFICATIONS HEREAFTER ARE THE PROPERTY OF DIGITAL EQUIPMENT CORPORATION AND SHALL NOT BE REPRODUCED OR COPIED OR USED IN WHOLE OR IN PART AS THE BASIS FOR THE MANUFACTURE OR SALE OF ITEMS WITHOUT WRITTEN PERMISSION. COPYRIGHT © 1978 DIGITAL EQUIPMENT CORPORATION

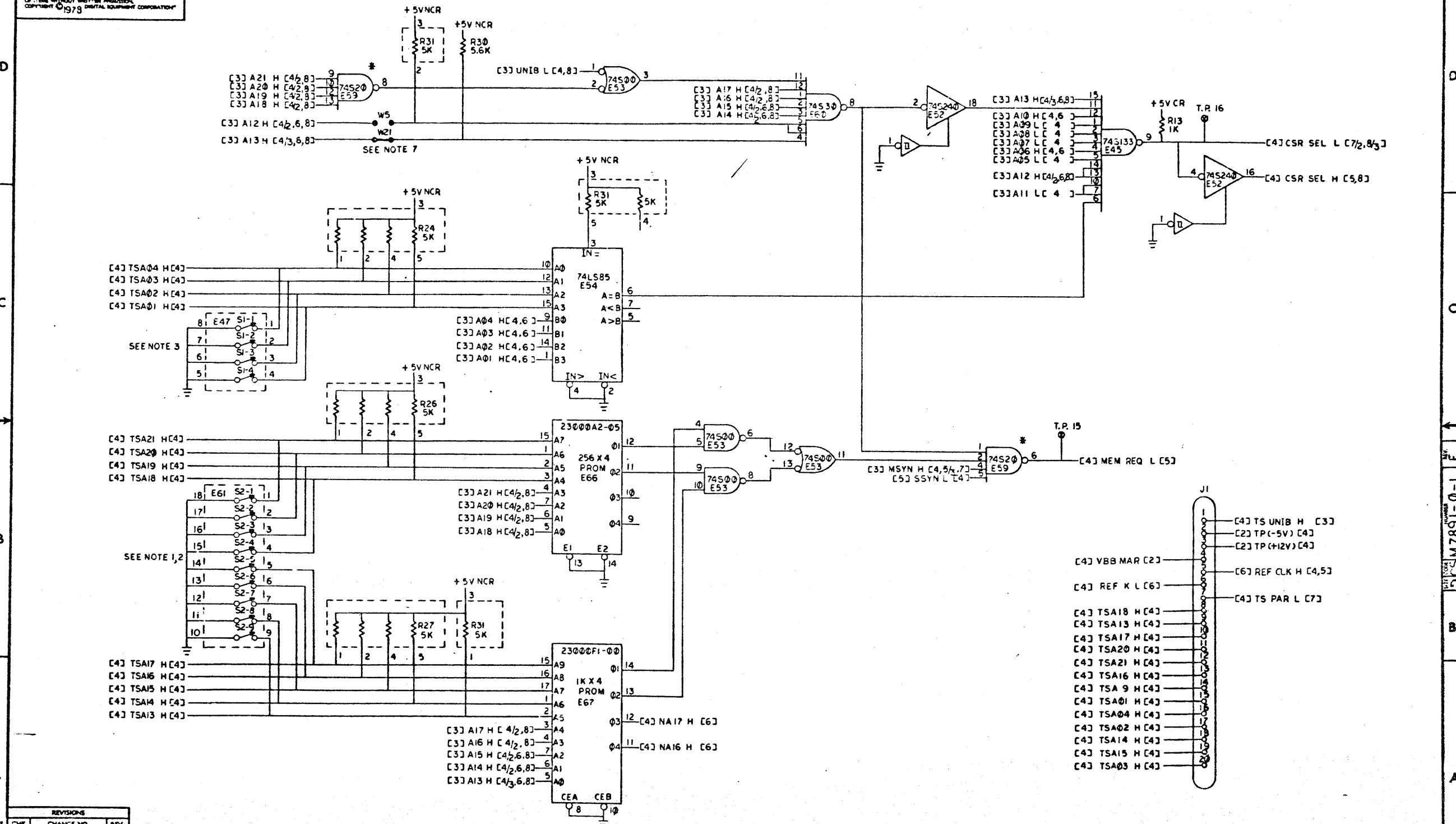


REVISIONS		
CHK	CHANGE NO.	REV.

THIS DRAWING AND SPECIFICATIONS HEREIN ARE THE PROPERTY OF DIGITAL EQUIPMENT CORPORATION AND SHALL NOT BE REPRODUCED OR COMPILED OR USED IN WHOLE OR IN PART AS THE BASIS FOR THE MANUFACTURE OR SALE OF OTHER HYBRID INTEGRATION PRODUCTS. COPYRIGHT © 1978 DIGITAL EQUIPMENT CORPORATION.

D
C
B
A

D
C
B
A



REVISIONS		
CHK	CHANGE NO.	REV

DCS M7891-0-1 E

THIS DRAWING AND SPECIFICATIONS HEREIN ARE THE PROPERTY OF DIGITAL EQUIPMENT CORPORATION AND SHALL NOT BE REPRODUCED, IN COPIES OR IN WHOLE OR IN PART, IN THE ABSENCE OF THE MANUFACTURE OR SALE OF THESE PRODUCTS WITHOUT PERMISSION. COPYRIGHT © 1978

D

C

B

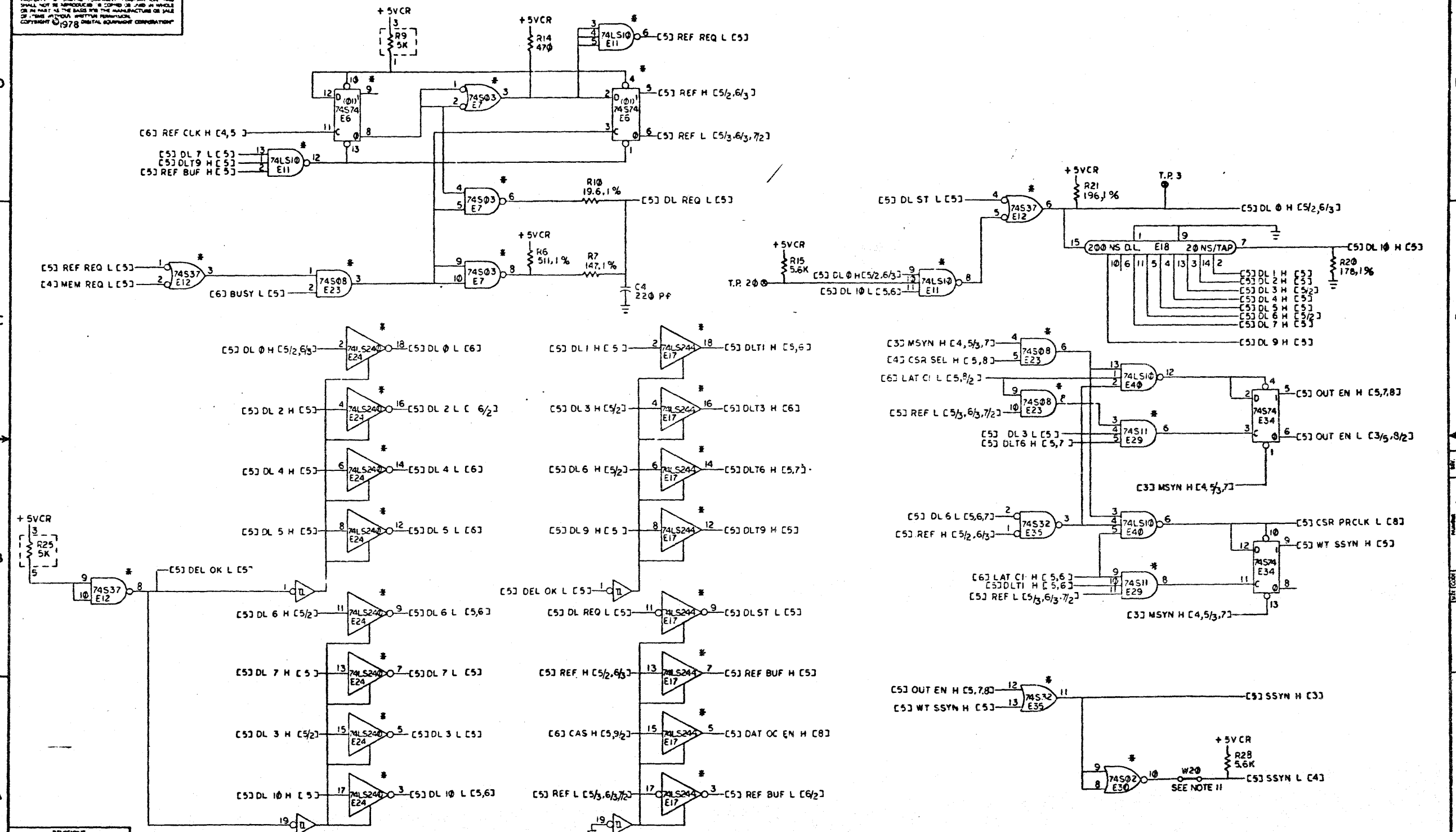
A

D

C

B

A



REVISIONS		
CHK	CHANGE NO.	REV.

DCS M7891-0-1 E

THIS DRAWING AND SPECIFICATIONS HEREIN ARE THE PROPERTY OF DIGITAL EQUIPMENT CORPORATION AND SHALL NOT BE REPRODUCED OR COPIED OR USED IN WHOLE OR IN PART AS THE BASIS FOR THE MANUFACTURE OR SALE OF ITEMS WITHOUT WRITTEN PERMISSION. COPYRIGHT © 1978 DIGITAL EQUIPMENT CORPORATION

D

C

B

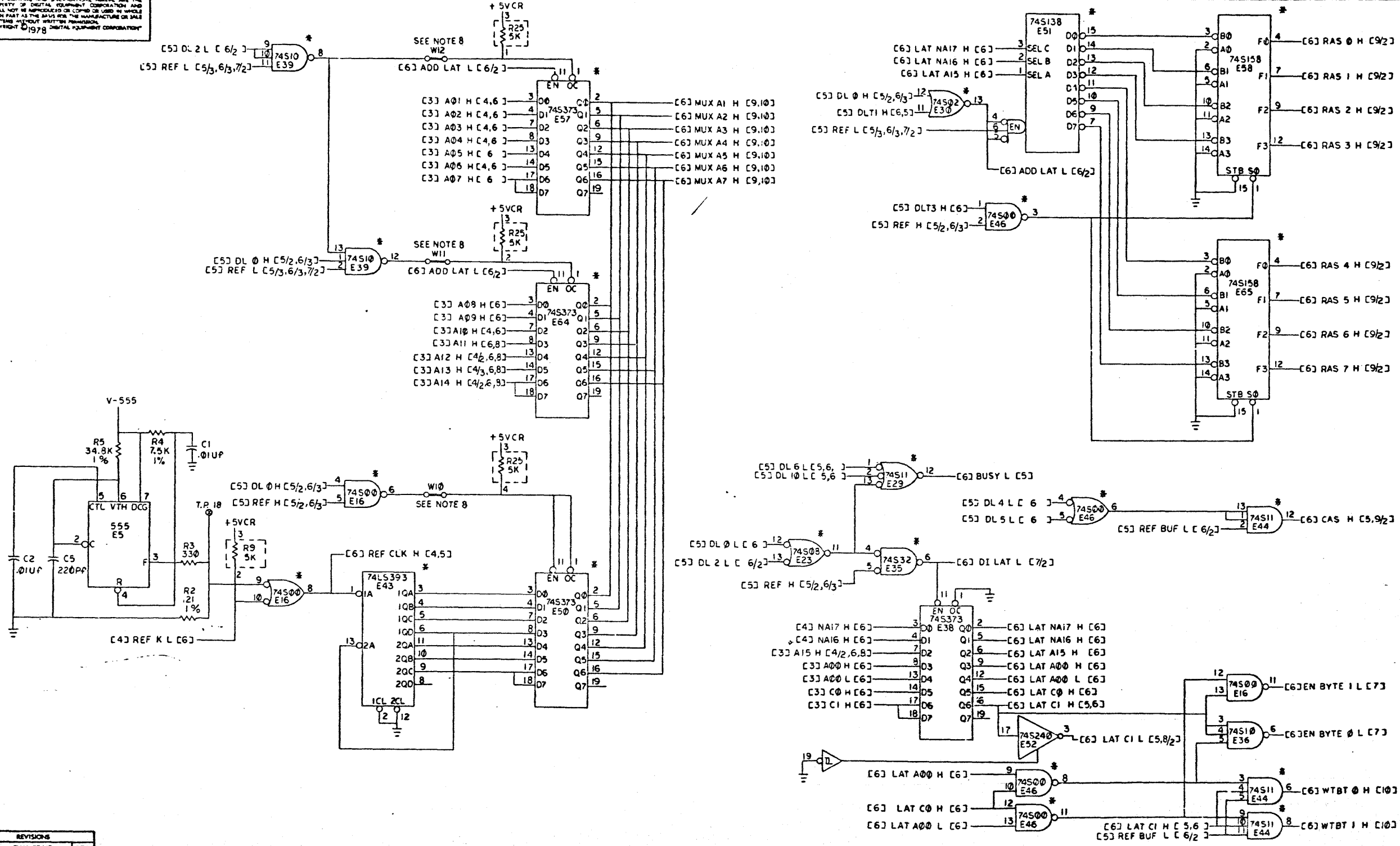
A

D

C

B

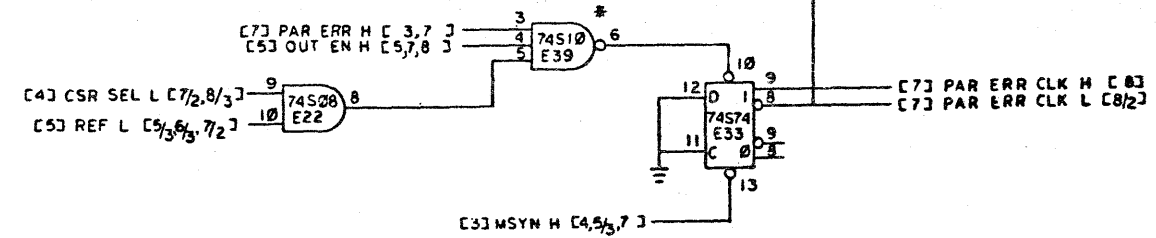
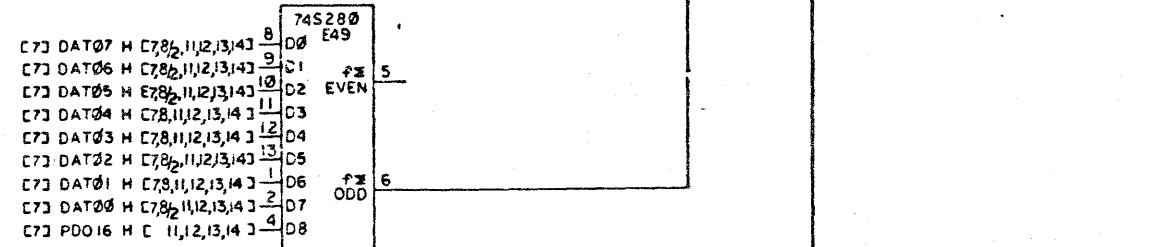
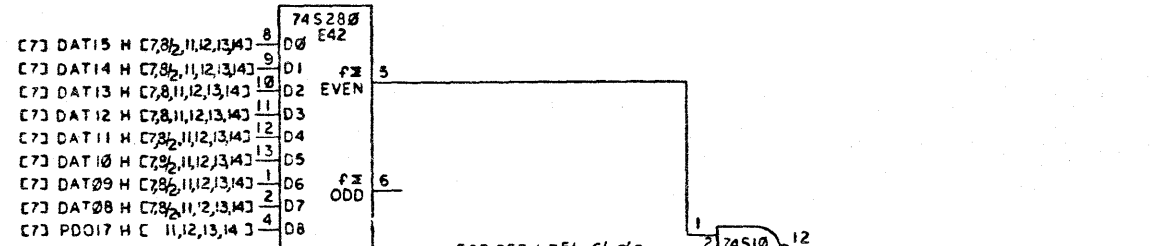
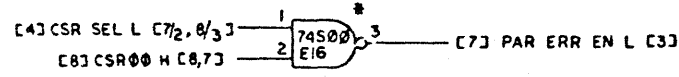
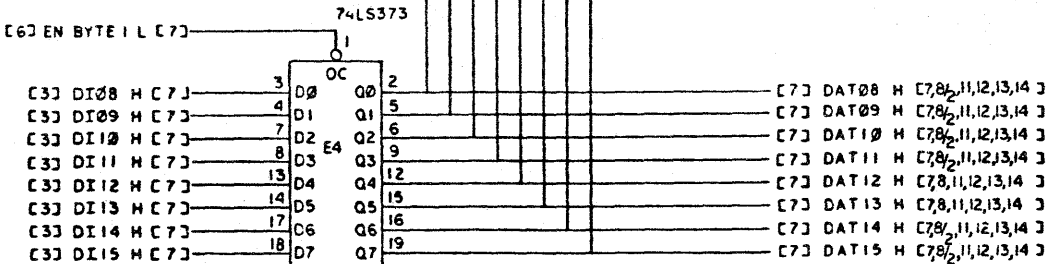
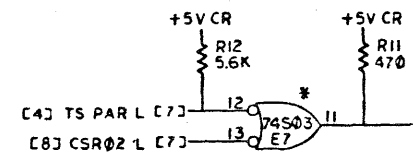
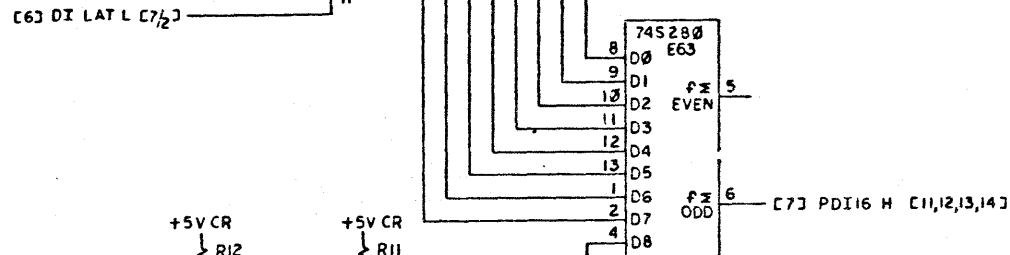
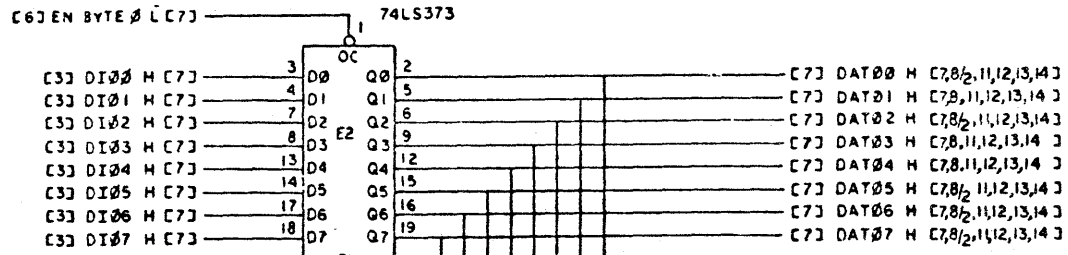
A



REVISIONS		
CHK	CHANGE NO.	REV.

DCS M7891-0-1

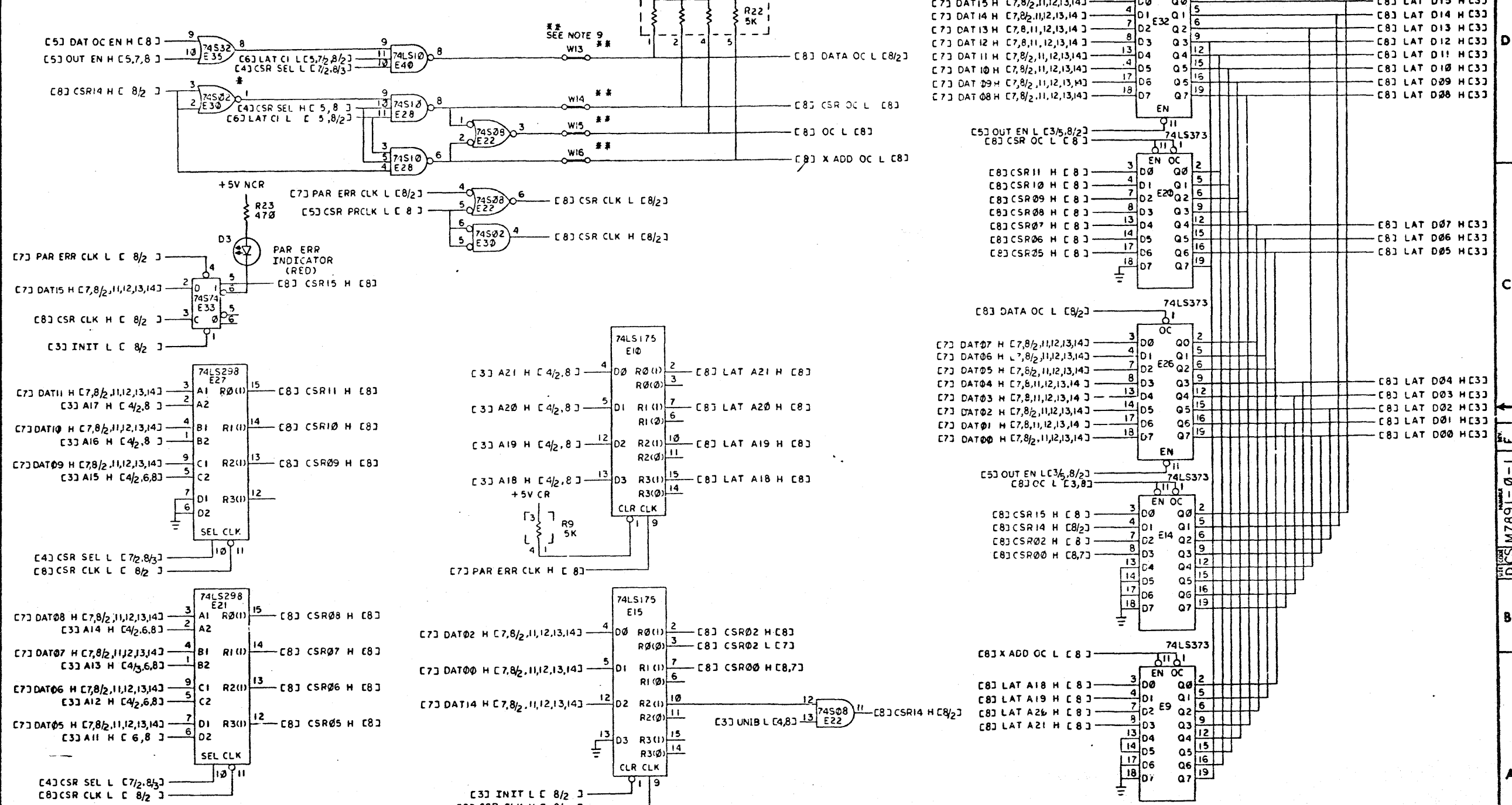
THIS DRAWING AND SPECIFICATIONS HEREIN ARE THE PROPERTY OF DIGITAL EQUIPMENT CORPORATION AND SHALL NOT BE REPRODUCED OR COPIED IN WHOLE OR IN PART AS THE BASIS FOR THE MANUFACTURE OR SALE OF ITEMS WITHOUT WRITTEN PERMISSION. COPYRIGHT © 1978 DIGITAL EQUIPMENT CORPORATION



REVISIONS		
CHK	CHANGE NO.	REV.

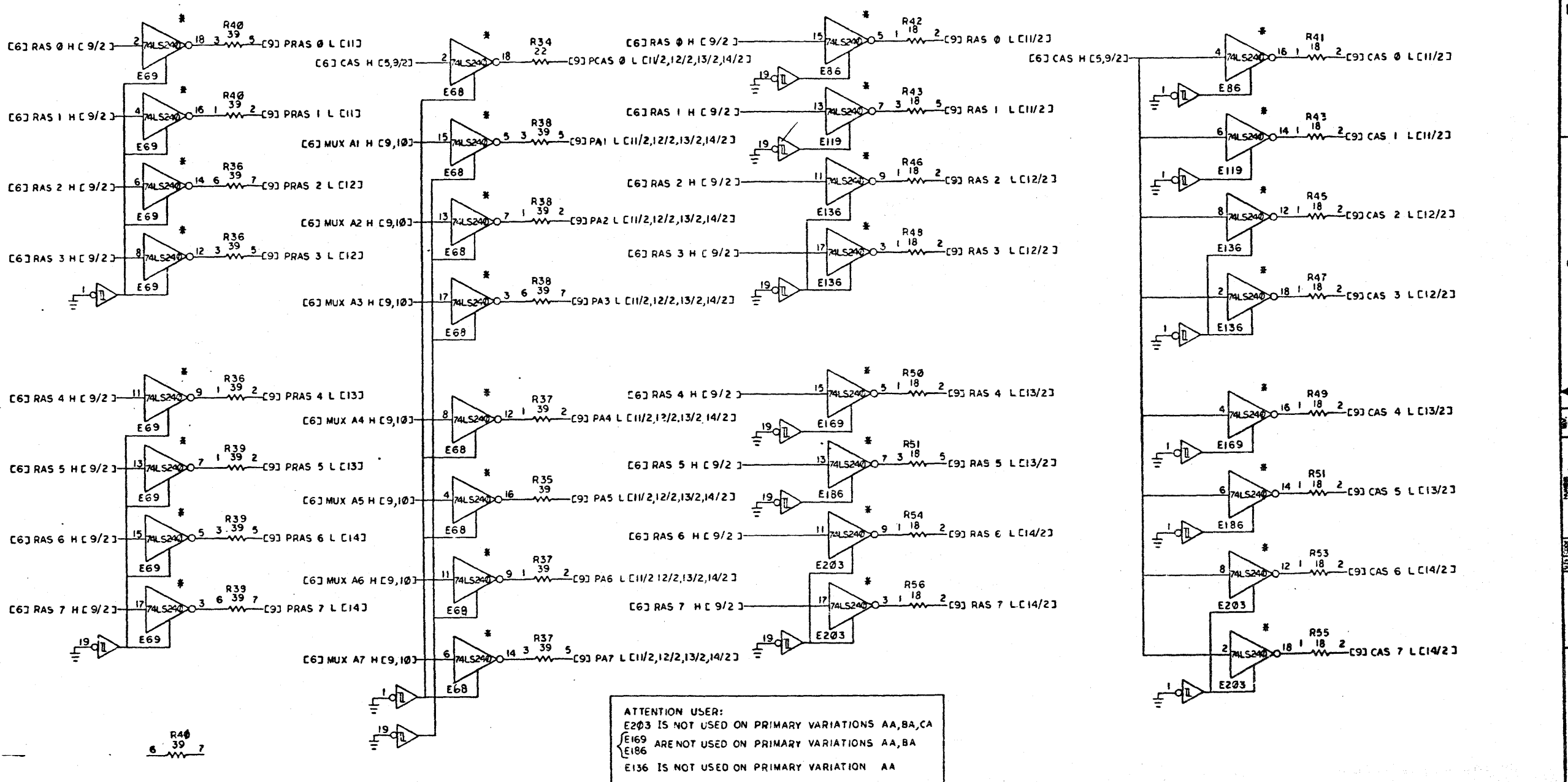
DCS M7891-0-1

THIS DRAWING AND SPECIFICATIONS HEREIN ARE THE PROPERTY OF DIGITAL EQUIPMENT CORPORATION AND SHALL NOT BE REPRODUCED OR COPIED OR USED IN WHOLE OR IN PART AS THE BASIS FOR THE MANUFACTURE OR SALE OF ITEMS WITHOUT WRITTEN PERMISSION. COPYRIGHT © 1978 DIGITAL EQUIPMENT CORPORATION



THIS DRAWING AND SPECIFICATIONS HEREIN ARE THE PROPERTY OF DIGITAL EQUIPMENT CORPORATION AND SHALL NOT BE REPRODUCED OR COPIED OR USED IN WHOLE OR IN PART AS THE BASIS FOR THE MANUFACTURE OR SALE OF ITEMS WITHOUT WRITTEN PERMISSION. COPYRIGHT © 1978 DIGITAL EQUIPMENT CORPORATION

NOTE:
R36 THRU R56 PIN 4 GOES TO +5V

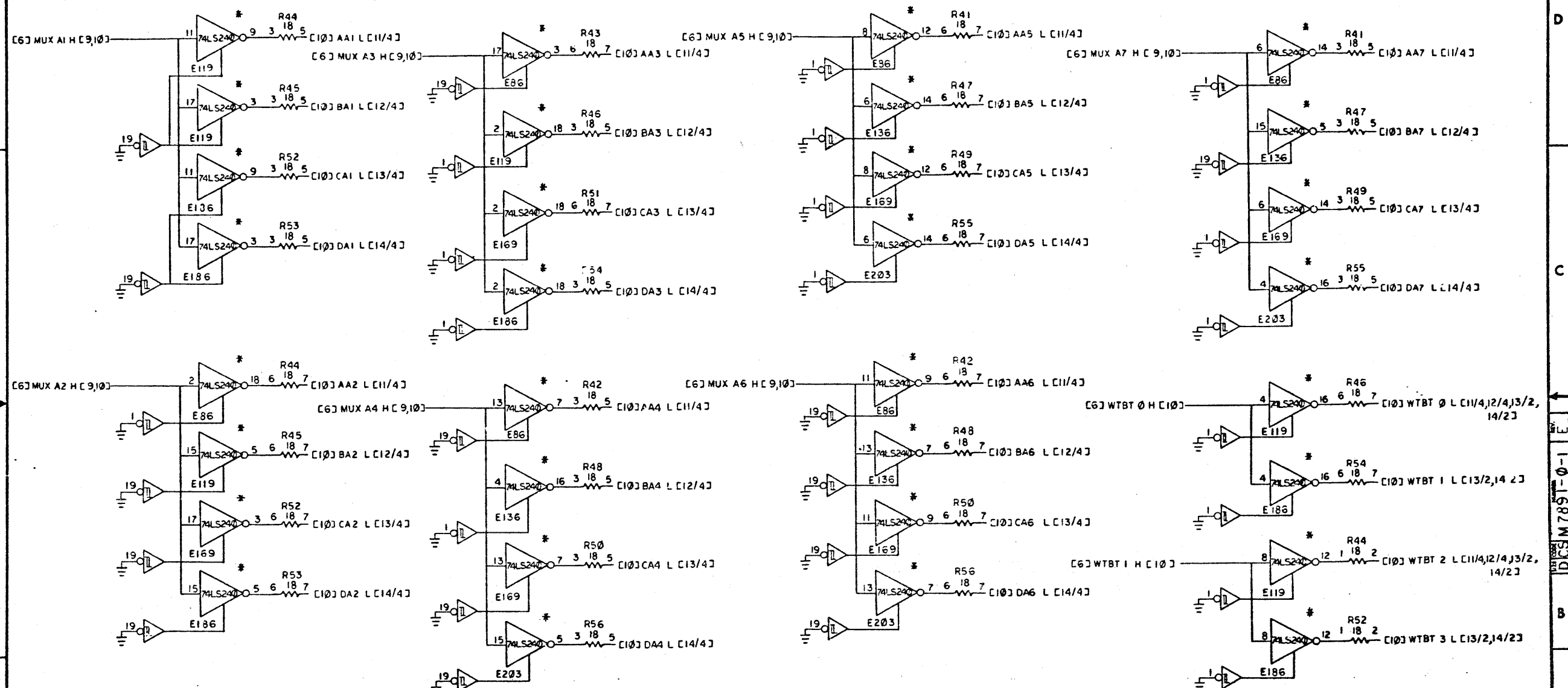


ATTENTION USER:
E203 IS NOT USED ON PRIMARY VARIATIONS AA,BA,CA
E169 ARE NOT USED ON PRIMARY VARIATIONS AA,BA
E186 IS NOT USED ON PRIMARY VARIATION AA

REVISIONS			TITLE		SIZE	NUMBER	REV.	
CHK	CHANGE NO.	REV.	128K X 18 BIT MOS MEM		D	CS	M7891-0-1	E
			SCALE	SHEET	9 OF 14	DIST.		

NUMBER DCS M7891-0-1

THIS DRAWING AND SPECIFICATION HEREIN ARE THE PROPERTY OF DIGITAL EQUIPMENT CORPORATION AND SHALL NOT BE REPRODUCED OR LOANED OR USED IN WHOLE OR IN PART AS THE BASIS FOR THE MANUFACTURE OR SALE OF ANY PRODUCT WITHOUT WRITTEN PERMISSION OF DIGITAL EQUIPMENT CORPORATION. COPYRIGHT © 1978

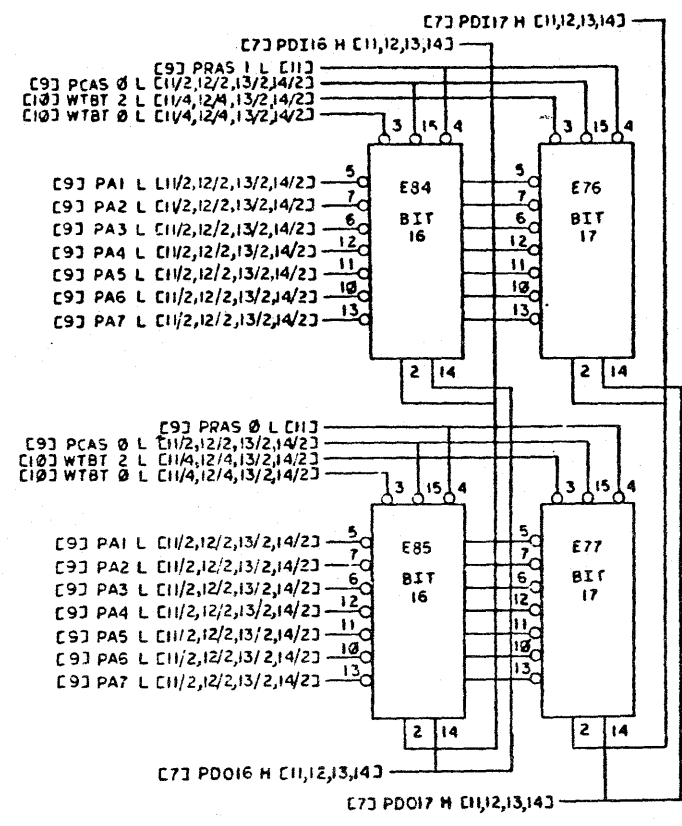
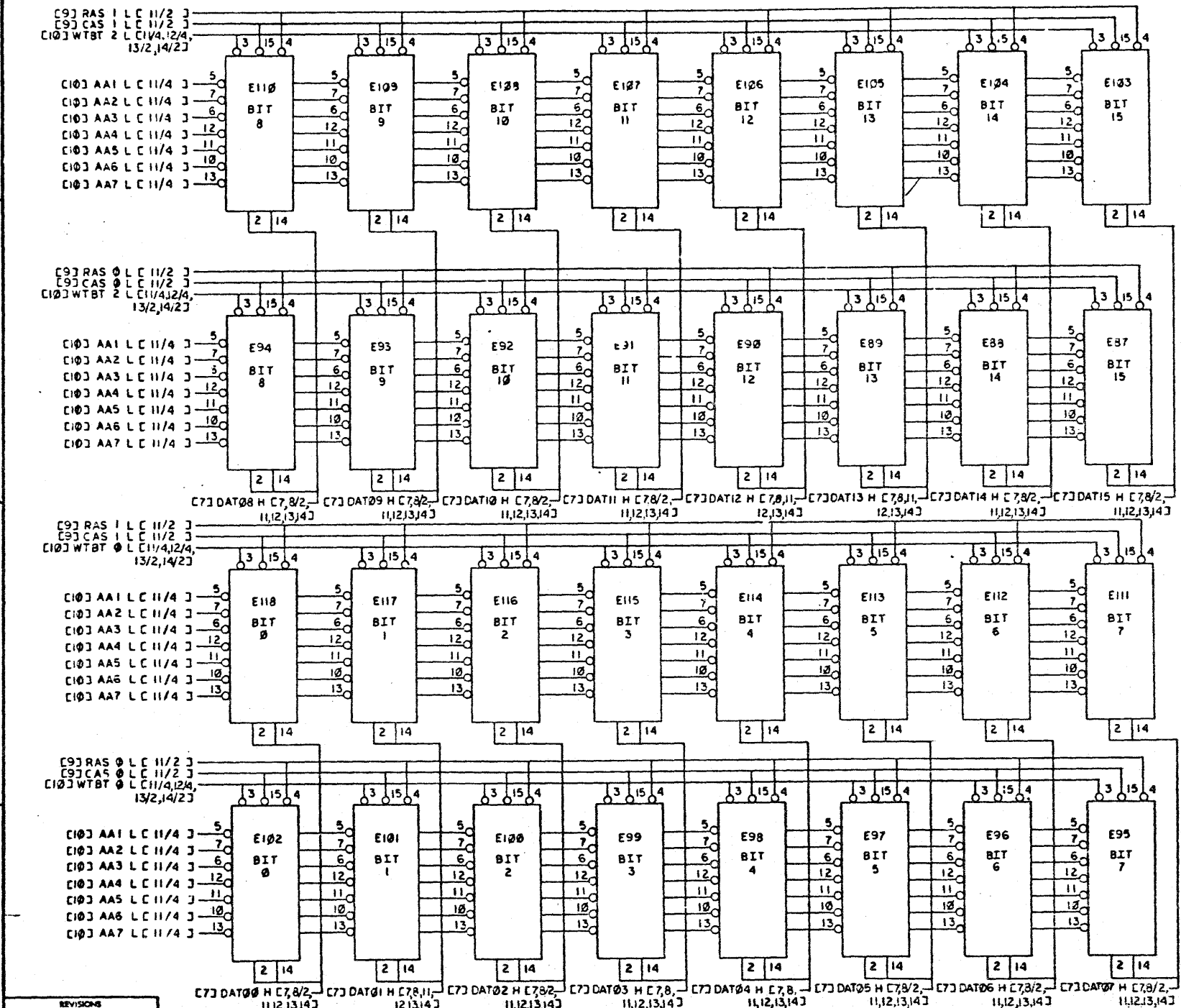


ATTENTION USER:
 E203 IS NOT USED ON PRIMARY VARIATIONS AA,BA,CA
 E169 ARE NOT USED ON PRIMARY VARIATIONS AA,BA
 E186 IS NOT USED ON PRIMARY VARIATION AA

REVISIONS			TITLE		SIZE	CODE	NUMBER		REV.
CHK	CHANGE NO.	REV.	128K X 18 BIT MOS MEM		D	CS	M7891-0-1		E
			SCALE	SHEET 10 OF 14	DIST.				

DCS M7891-0-1 E

THIS DRAWING AND SPECIFICATIONS HEREIN ARE THE PROPERTY OF DIGITAL EQUIPMENT CORPORATION AND SHALL NOT BE REPRODUCED OR COPIED OR LOANED IN WHOLE OR IN PART AS THE BASIS FOR THE MANUFACTURE OR SALE OF THIS WITHOUT WRITTEN PERMISSION OF DIGITAL EQUIPMENT CORPORATION

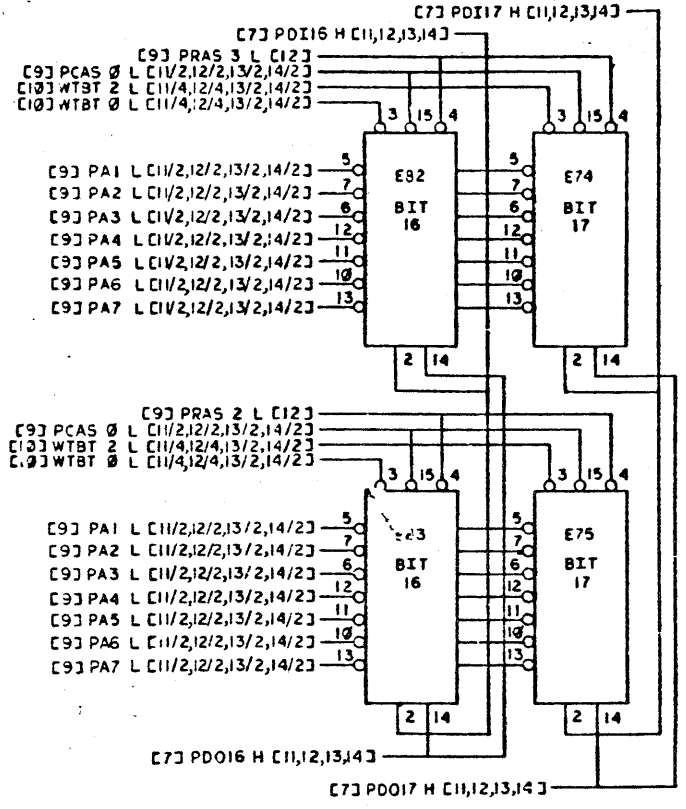
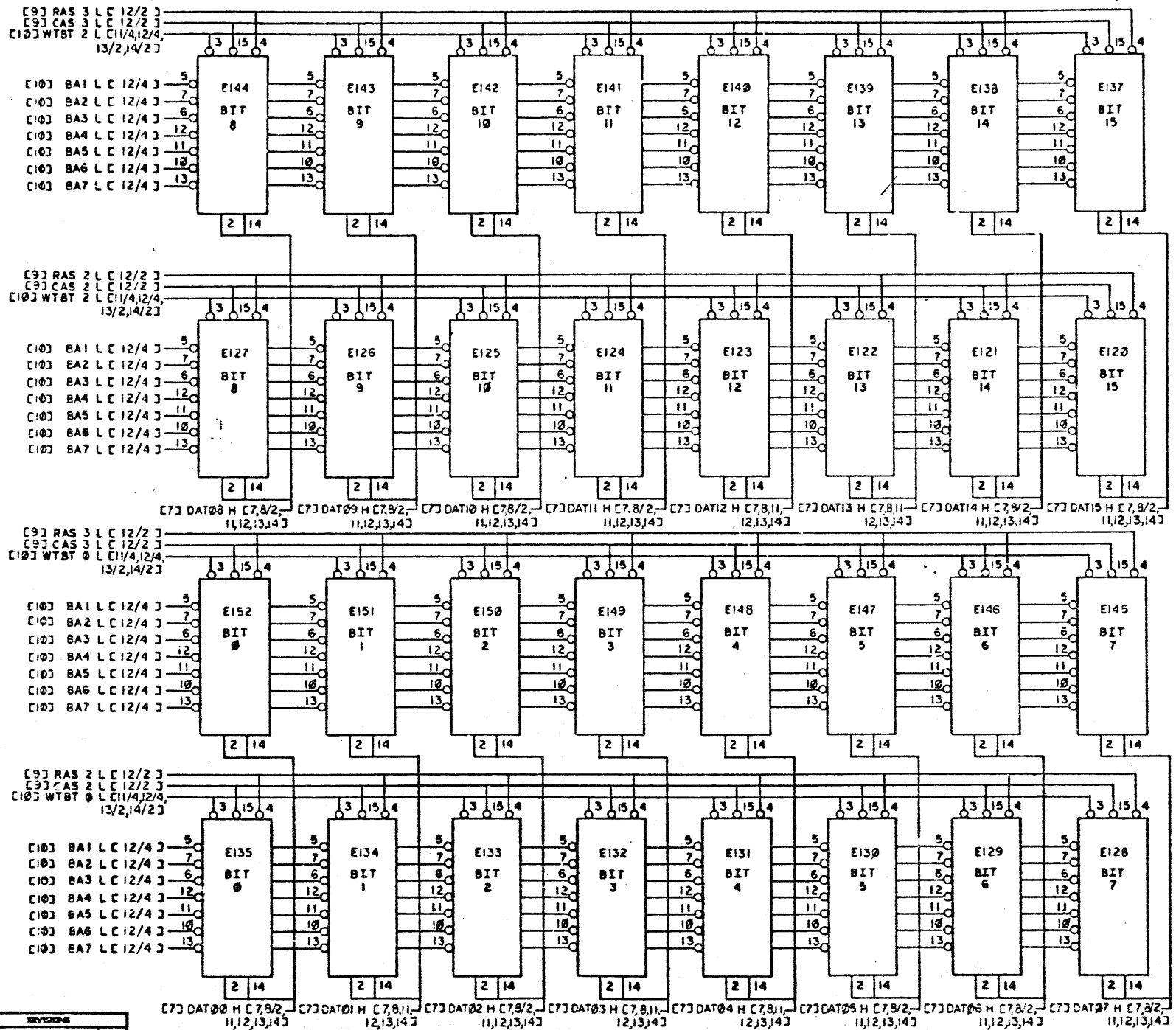


REVISIONS		
CHK	CHANGE NO.	REV.

THIS DRAWING AND SPECIFICATIONS HEREIN ARE THE PROPERTY OF DIGITAL EQUIPMENT CORPORATION AND SHALL NOT BE REPRODUCED OR COPIED IN WHOLE OR IN PART AS THE BASIS FOR THE MANUFACTURE OR SALE OF ITEMS WITHOUT WRITTEN PERMISSION. COPYRIGHT © 1973 DIGITAL EQUIPMENT CORPORATION

D
C
B
A

D
C
B
A



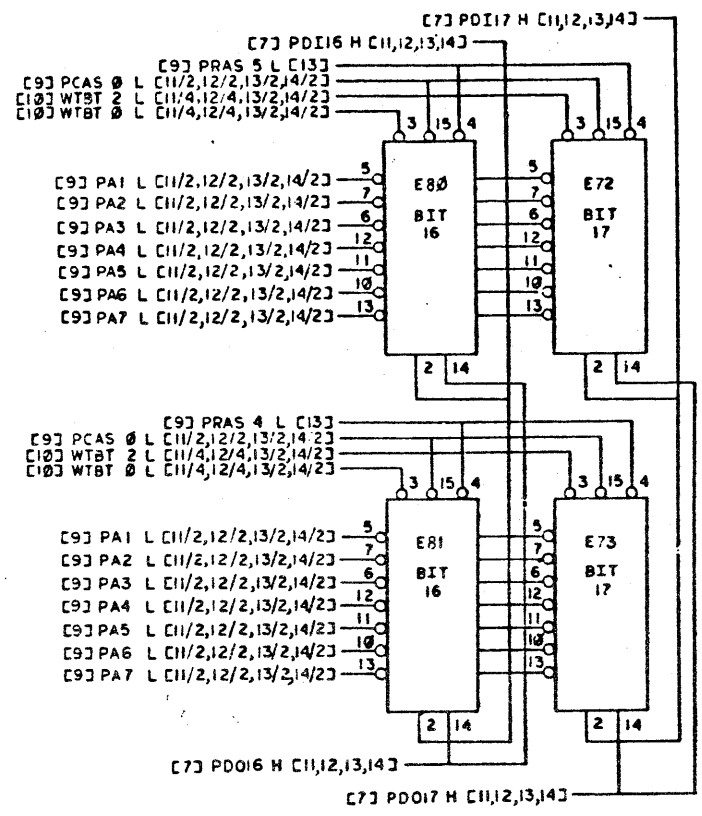
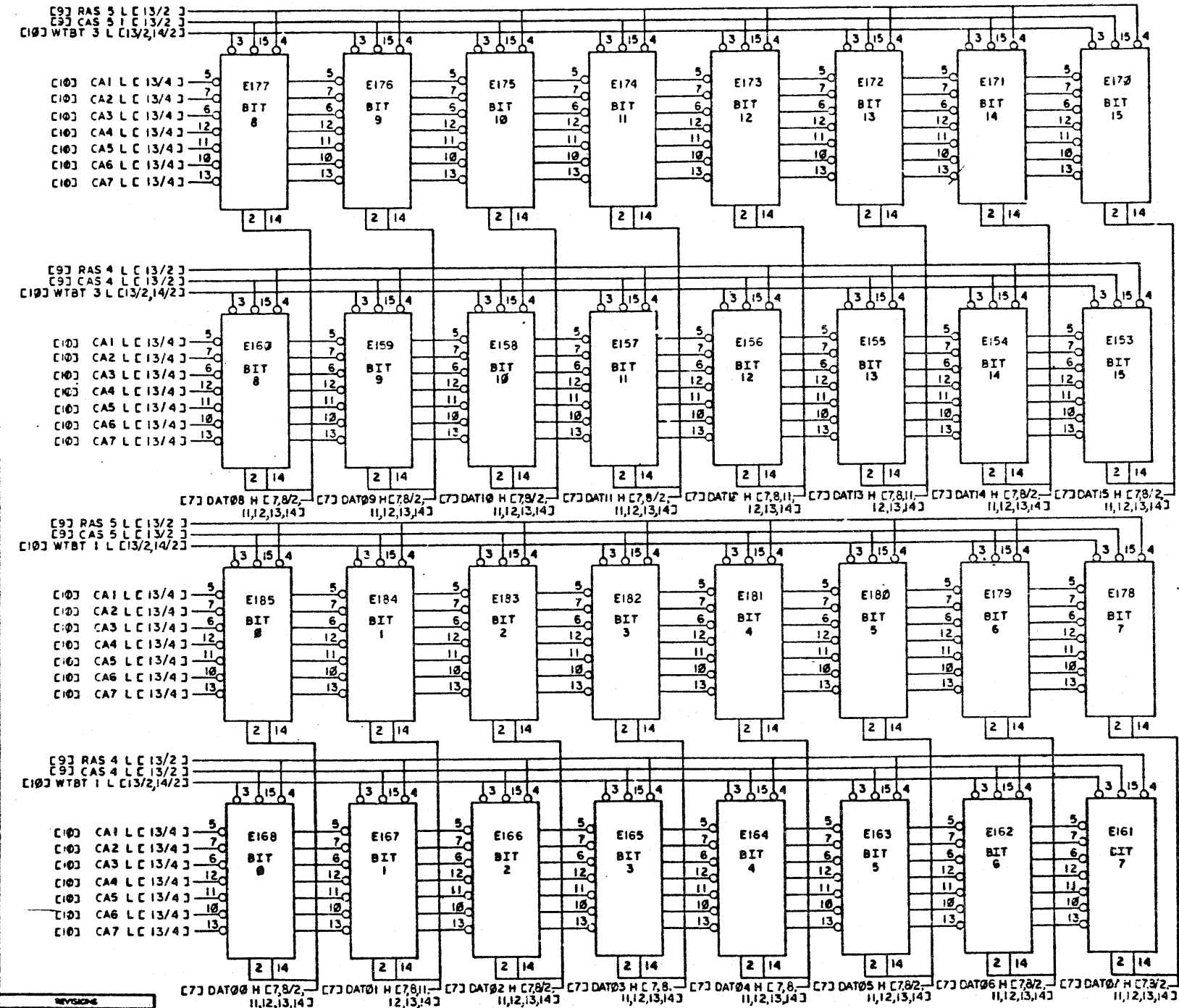
NOTE:
COMPONENTS ON THIS SHEET ARE NOT
USED ON PRIMARY VARIATION AA.

REV.	CHANGE NO.	REV.

TITLE	SIZE CODE	NUMBER	REV.
128K X 18 BIT MOS MEM	DCS	M7891-0-1	E
SCALE	SHEET	DIST.	
	12 OF 14		

DCS M7891-0-1

THIS DRAWING AND SPECIFICATIONS HEREBY ARE THE PROPERTY OF SPITAL EQUIPMENT CORPORATION AND SHALL NOT BE REPRODUCED OR COPIED OR USED IN WHOLE OR IN PART AS THE BASIS FOR THE MANUFACTURE OR SALE OF ITEMS WITHOUT WRITTEN PERMISSION. COPYRIGHT © 1978 SPITAL EQUIPMENT CORPORATION

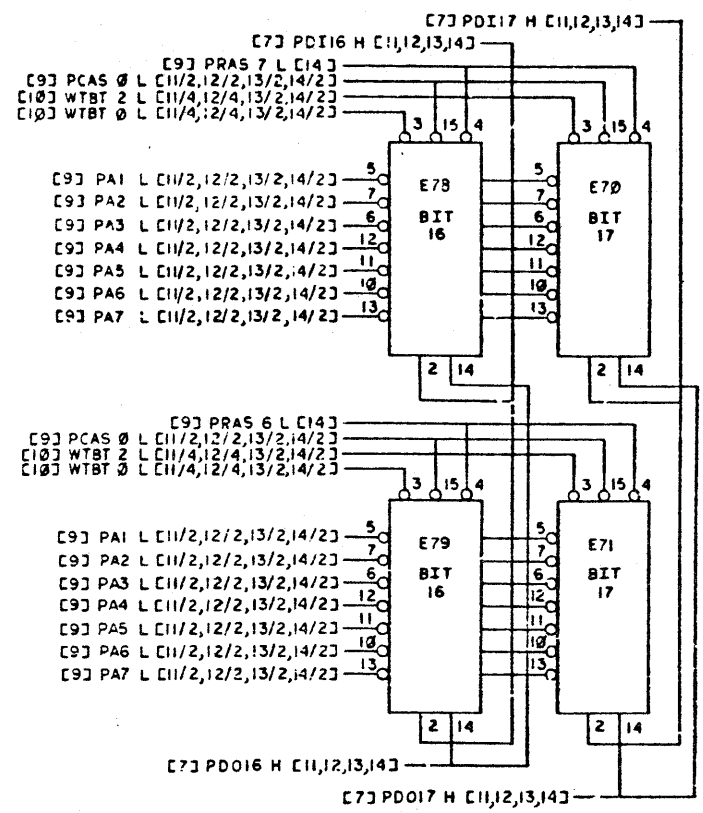
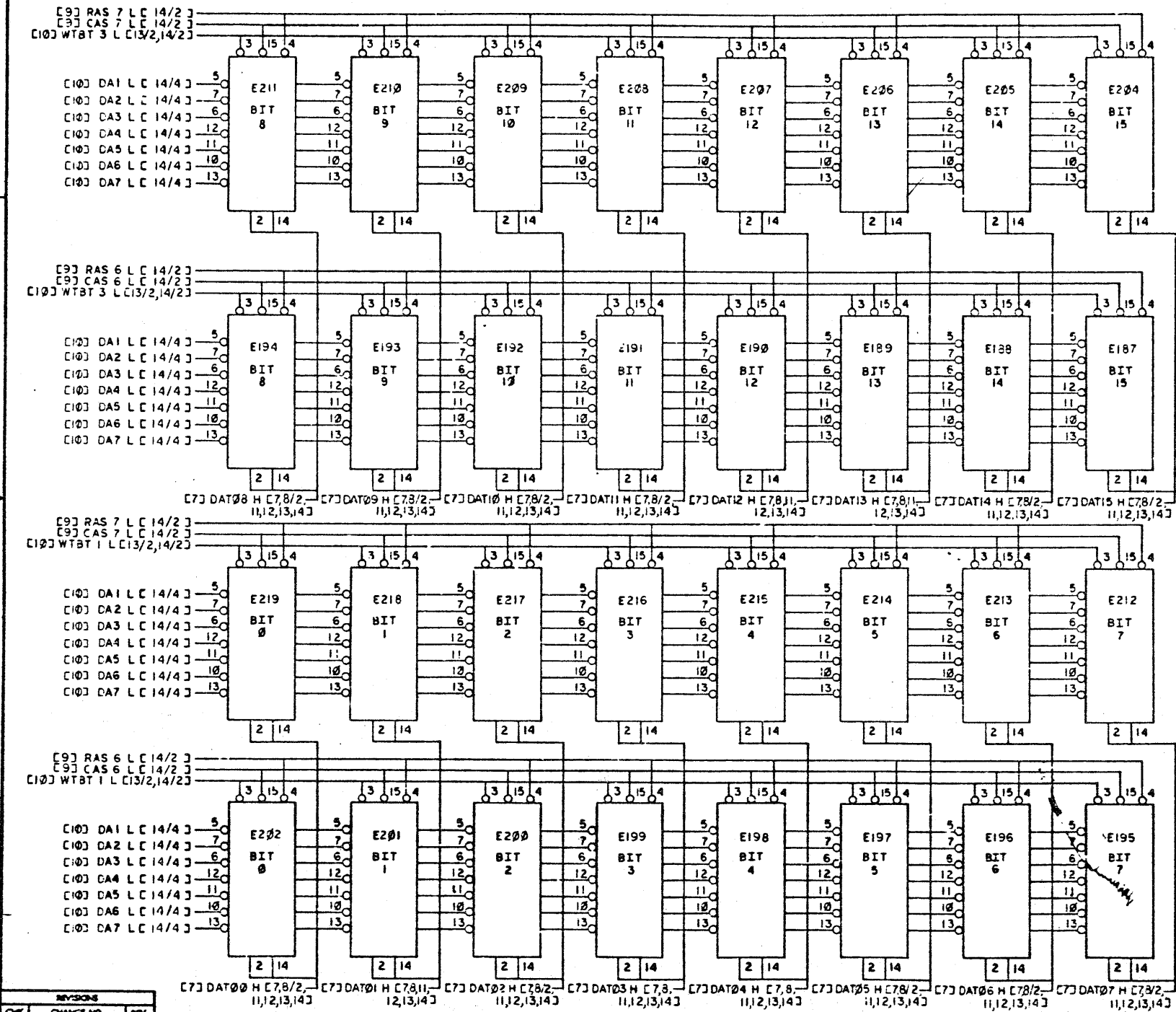


NOTE:
COMPONENTS ON THIS SHEET ARE NOT USED ON PRIMARY VARIATIONS AA,BA.

REVISIONS		
CHK	CHANGE NO.	REV.

TITLE	128K X 18 BIT MOS MEM	SIZE/CODR	D CS M7891-0-1	NUMBER	13 OF 14	REV.	E
SCALE		SHEET		DIST.			

THIS DRAWING AND SPECIFICATIONS HEREBY ARE THE PROPERTY OF DIGITAL EQUIPMENT CORPORATION AND SHALL NOT BE REPRODUCED OR COPIED IN WHOLE OR IN PART AS THE BASIS FOR THE MANUFACTURE OR SALE OF ITEMS WITHOUT WRITTEN PERMISSION. COPYRIGHT © 1978 DIGITAL EQUIPMENT CORPORATION



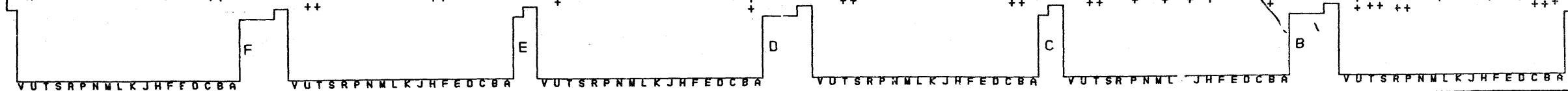
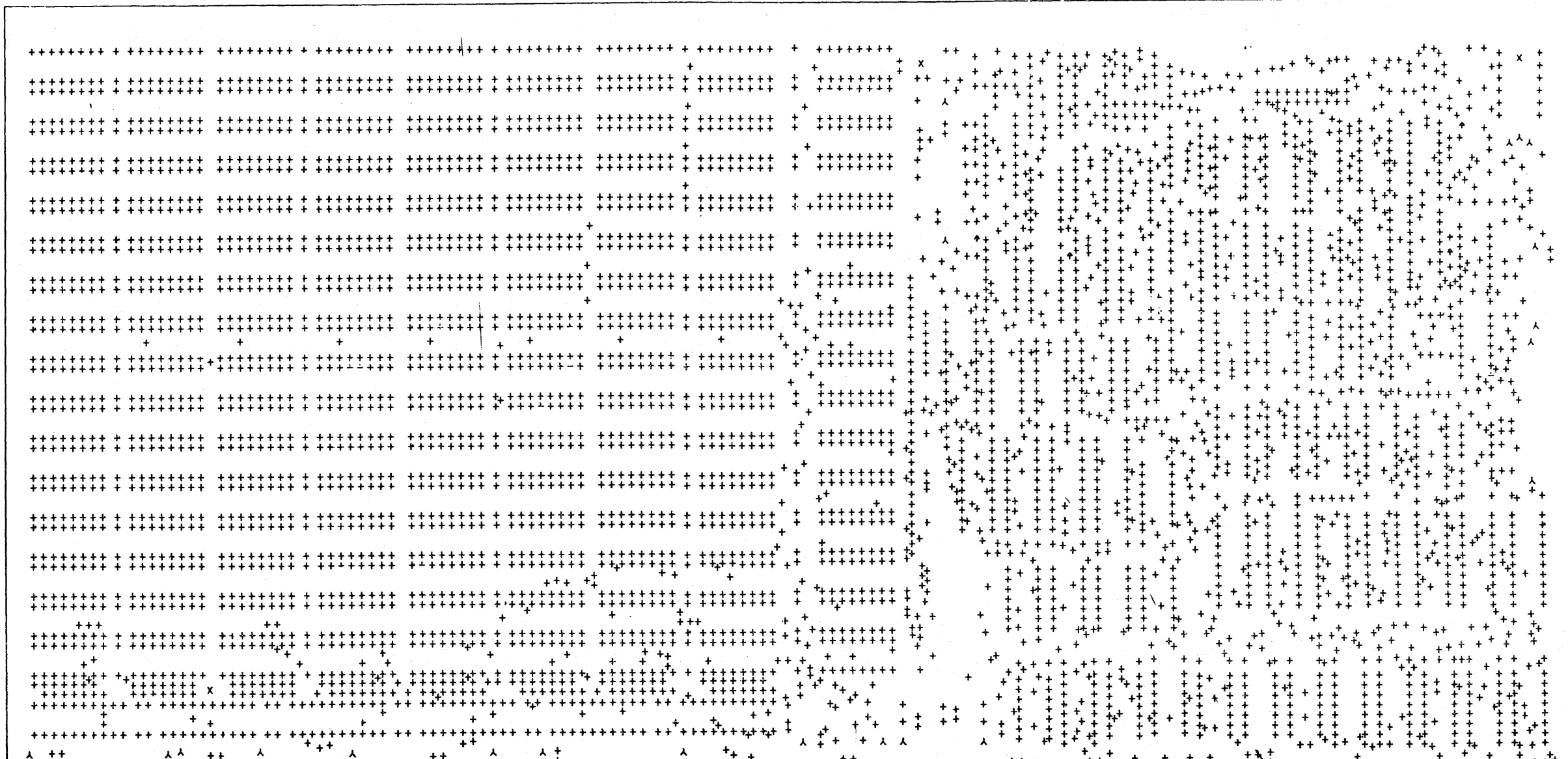
NOTE:
COMPONENTS ON THIS SHEET ARE NOT USED ON PRIMARY VARIATIONS AA, BA, CA.

REV.	CHANGE NO.	REV.

TITLE	128K X 18 BIT MOS MEM	SIZE CODE	D CS	NUMBER	M7891-0-1	REV.	E
SCALE		SHEET	14 OF 14	DIST.			

THIS DRAWING AND SPECIFICATIONS, HEREIN, AND THE PROPERTY OF SEPTON, EQUIPMENT CORPORATION AND SHALL NOT BE REPRODUCED OR COPIED IN WHOLE OR IN PART OR THE BASIS FOR THE MANUFACTURE OR SALE OF IDENTICAL OR SIMILAR EQUIPMENT WITHOUT THE WRITTEN CONSENT OF SEPTON, EQUIPMENT CORPORATION © 1960

COMPONENT SIDE VIEW



NOTES: 1. USE 1/2 OZ. CU. ON LYRS. 1 & 4 AND 2 OZ. CU. ON LYRS. 2 & 3.
2. CROSSHATCHED AREAS ARE SOLDER-MASK REWORKED.
3. REMOVE UNUSED FINGERS EXCEPT: AV1, BA1, CV1, DA1, DV1, EA1, EV1, FA1, FV1, AV2, EV2, CV2, DA2, DV2, EA2, EV2, FA2, AND FV2.
STEP E ↑ Y AXIS STEP — TIMES
REPERT → X AXIS STEP — TIMES

CHANGE NO. REV. B
RE DRAWN M789M15

DIMENSIONAL TOLERANCE INCHES
XXX = ±.005
XX = ±.020
X = ±.040
ANGLE = ±0° 30'

HOLE DATA
SYMBOL + A X + Z H A D *
FIN. HOLE SIZE .038 .042 .128 .032
PLATED X X OPT X
NON PLATED
QTY. 5126 21 3 5
O-OFF GRD HLE
DRILL SIZE
.025 GRID UNLESS INDICATED

BOARD FABRICATION INFORMATION
BOARD SIZE HEX X 8.5
BOARD DATA DWG. #E-MD-7606098-0-0
BOARD MAT'L FL-GR-052-C SEE NOTE 1
DEC PS - 1400000
QTY. OF LAYERS 4
PTH. Y PRINT AND ETCH
SOLDER MASK Y SIDE 2 - BOTH SIDES X
GOLD CONTACTS X BOTTOM X TOP

SIGNATURES
DRN. Yoko Kawanishi 11/23/59
CHK'D. J. Freeman 11/24/59
MECH. ENG. R. Linn 11-24-59
PROJ. ENG. R. Linn 11-24-59
SCALE 2:1
SHT. 1 OF 7
NEXT HIGHER ASSY. D-UA-M7891-0-0

digital
TITLE DRILL AND ETCH DRAWING
SIZE CODE D MD
NUMBER 5013399-0-0
ETCH REV. C-P2

DMD 5013399-0-0

07900

12 / 13 MIL
M7891 5013399C-P2

LAYER 1



L1

CS*ABCDEFGHIJKLMNPRS

E219

E202

E185

E168

E152

E135

E118

E102

E85

E69 E67 E61

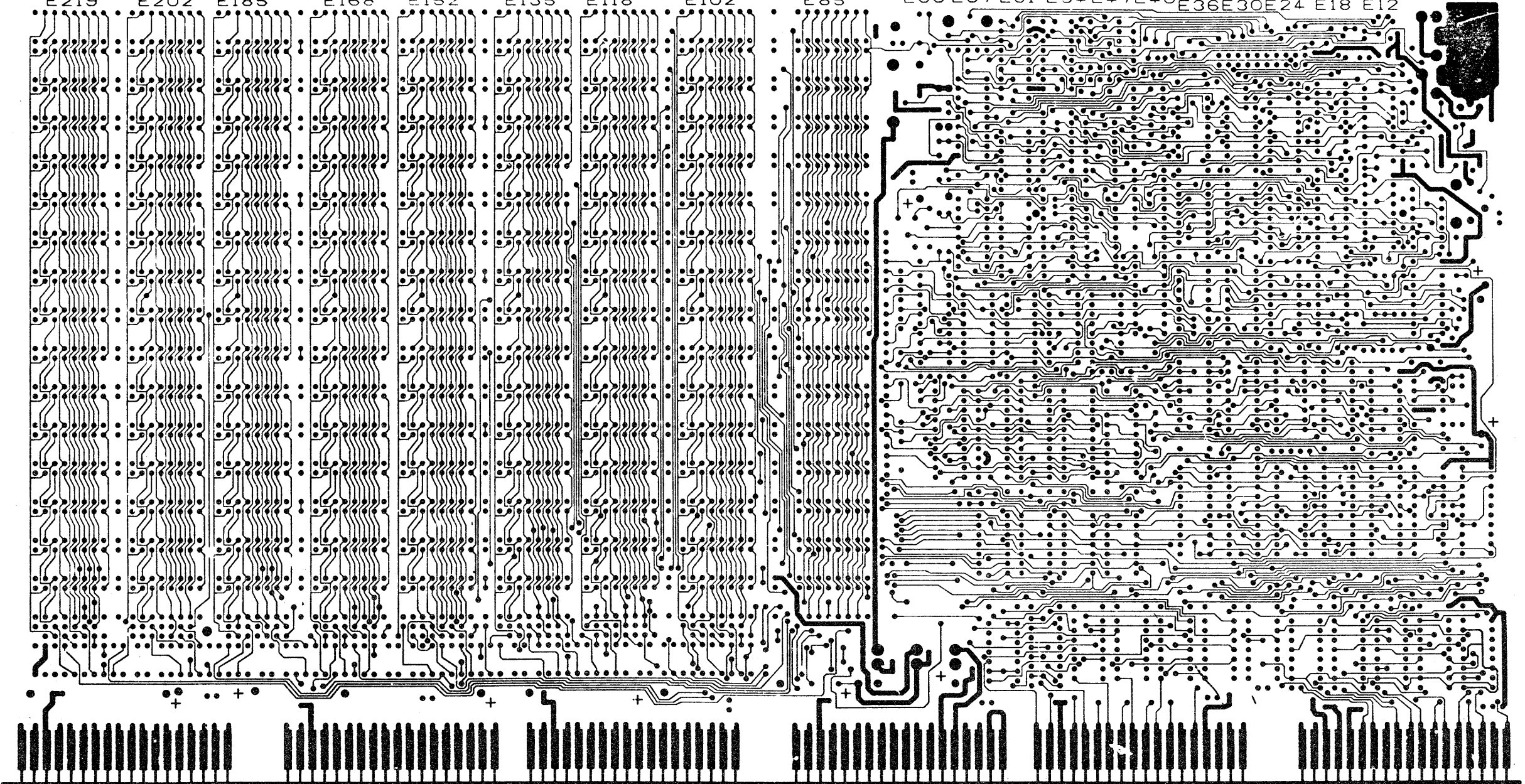
E54 E47 E40

E36 E30 E24

E18 E12

SIDE 1

digital



LWK		CHANGE NO.										TITLE DRILL & ETCH DRAWING		SIZE/SCALE D MD 2/1		NUMBER 5013399-0-0		SHEET 2 OF 7		REV. B	
-----	--	------------	--	--	--	--	--	--	--	--	--	-------------------------------	--	------------------------	--	-----------------------	--	-----------------	--	-----------	--

8

7

6

5

4

3

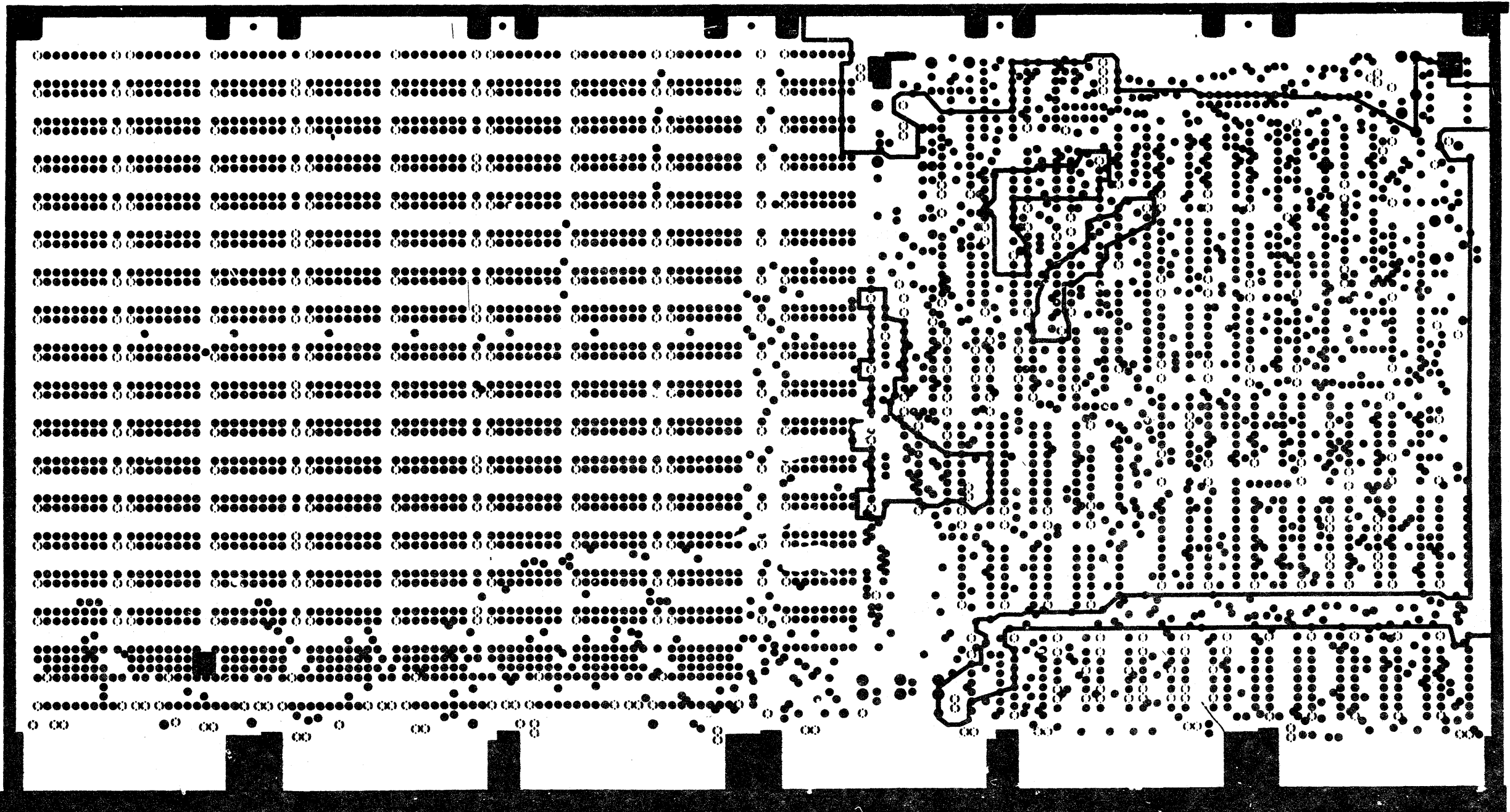
0-0-66E1050W0 2

1

0/900

M7891 5013399C-P2

LAYER 2



REV.	DATE	BY

TITLE	DRILL & ETCH DRAWING	SIZE CODE	DMD5013399-0-0	REV	B
SCALE	2/1	SHEET	3 of 7		

8

7

6

5

4

3

2

1

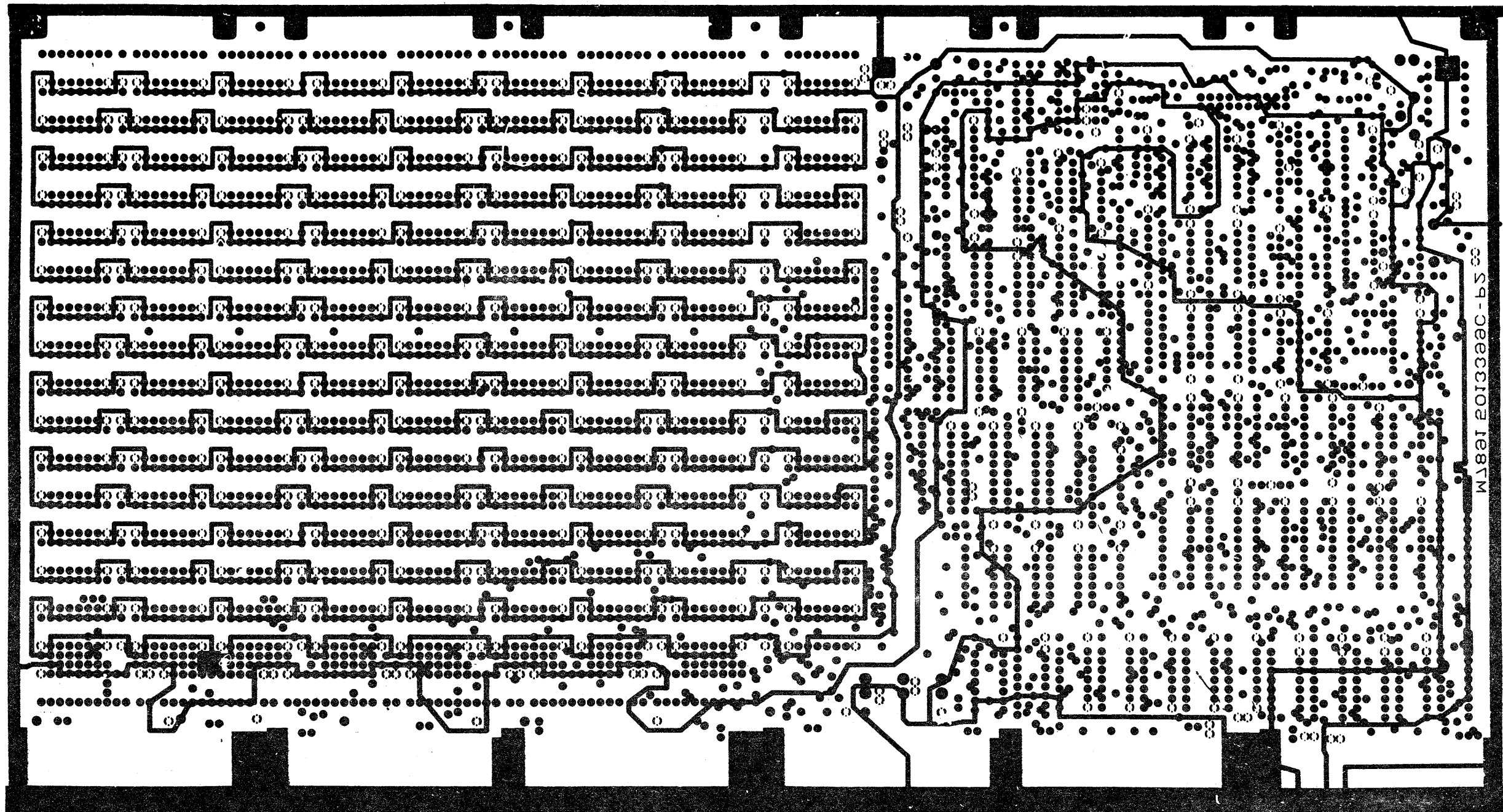
D
C
B
A
 DMD5013399-0-0
 B

LAYER 3

© 1994

8 7-0-55EE105 QW 2

3



W1801 201339C-B3 99

DATE	CHANGE NO.	REV.

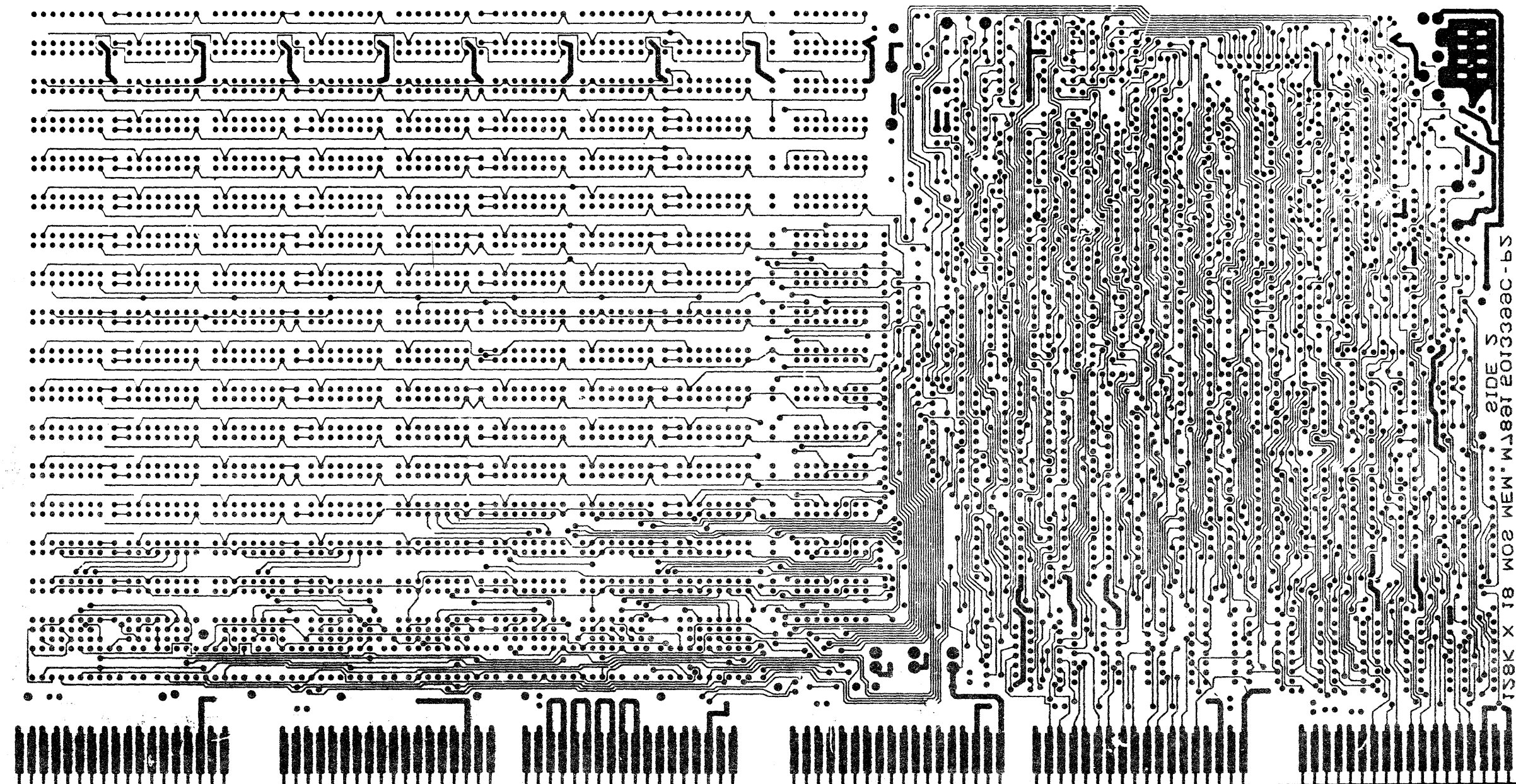
TITLE	DRILL & ETCH DRAWING	DESIGN CODE	D MD 5013399-0-0	NUMBER	2	REV	B
SCALE	2/1	SHEET	4	OF	7	TEST	

8 7 6 5 4 3 2 1

THIS DRAWING AND SPECIFICATIONS, WHEN READ THE
PROPERTY OF DIGITAL EQUIPMENT CORPORATION, AND
SHALL NOT BE REPRODUCED OR TRANSMITTED IN ANY
FORM OR BY ANY MEANS, ELECTRONIC, MECHANICAL,
PHOTOCOPYING, RECORDING, OR BY ANY INFORMATION
SYSTEMS TECHNOLOGY, WITHOUT THE WRITTEN PERMISSION
OF DIGITAL EQUIPMENT CORPORATION.

JIM C I \ S I

LAYER 4



158K X 18 W02 NEW W18012013320C-B5
SIDE 3

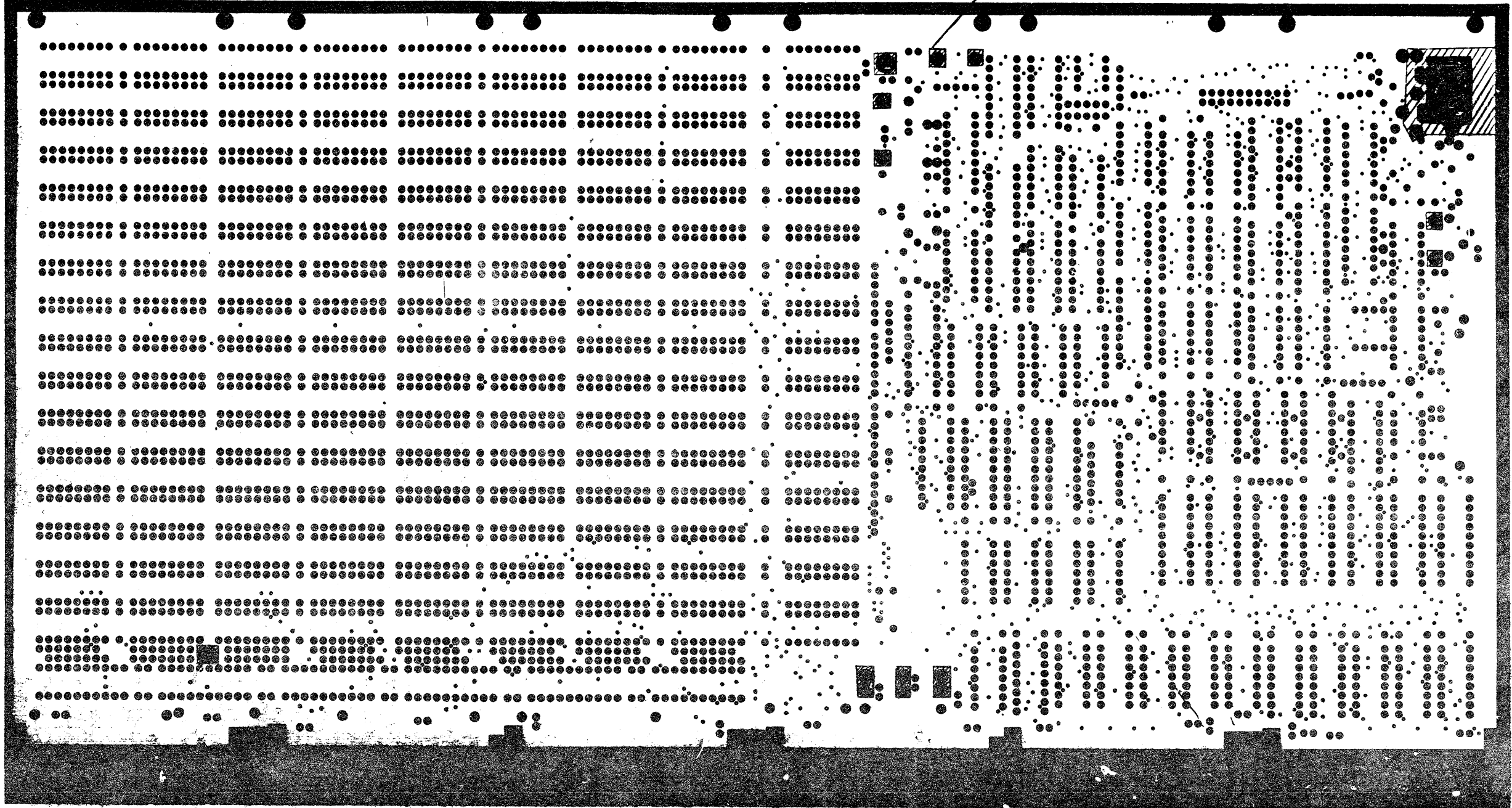
DATE		DRAWN		CHECKED		APPROVED		TITLE		PART NUMBER		REVISION	
									DRILL & ETCH DRAWING	D MD 5013399-0-0	4	B	
SCALE 2/1		SHEET 5 OF 7		DIST									

DMD 5013399-0-0 B

THIS DRAWING AND SPECIFICATION ARE THE PROPERTY OF DRILL EQUIPMENT CORPORATION. THEY SHALL BE KEPT SECRET AND NOT TO BE REPRODUCED OR USED IN ANY MANNER WITHOUT THE WRITTEN PERMISSION OF DRILL EQUIPMENT CORPORATION.

SOLDERMASK - LAYER 1

SEE SHEET 1, NOTE 2
12 PLC'S



REVISIONS		
CHK	CHANGE NO	REV

TITLE	DRILL & ETCH DRAWING	DRAWING CODE	D MD 5013399-0-0	NUMBER	B
SCALE	2/1	SHEET	6 OF 7	DATE	

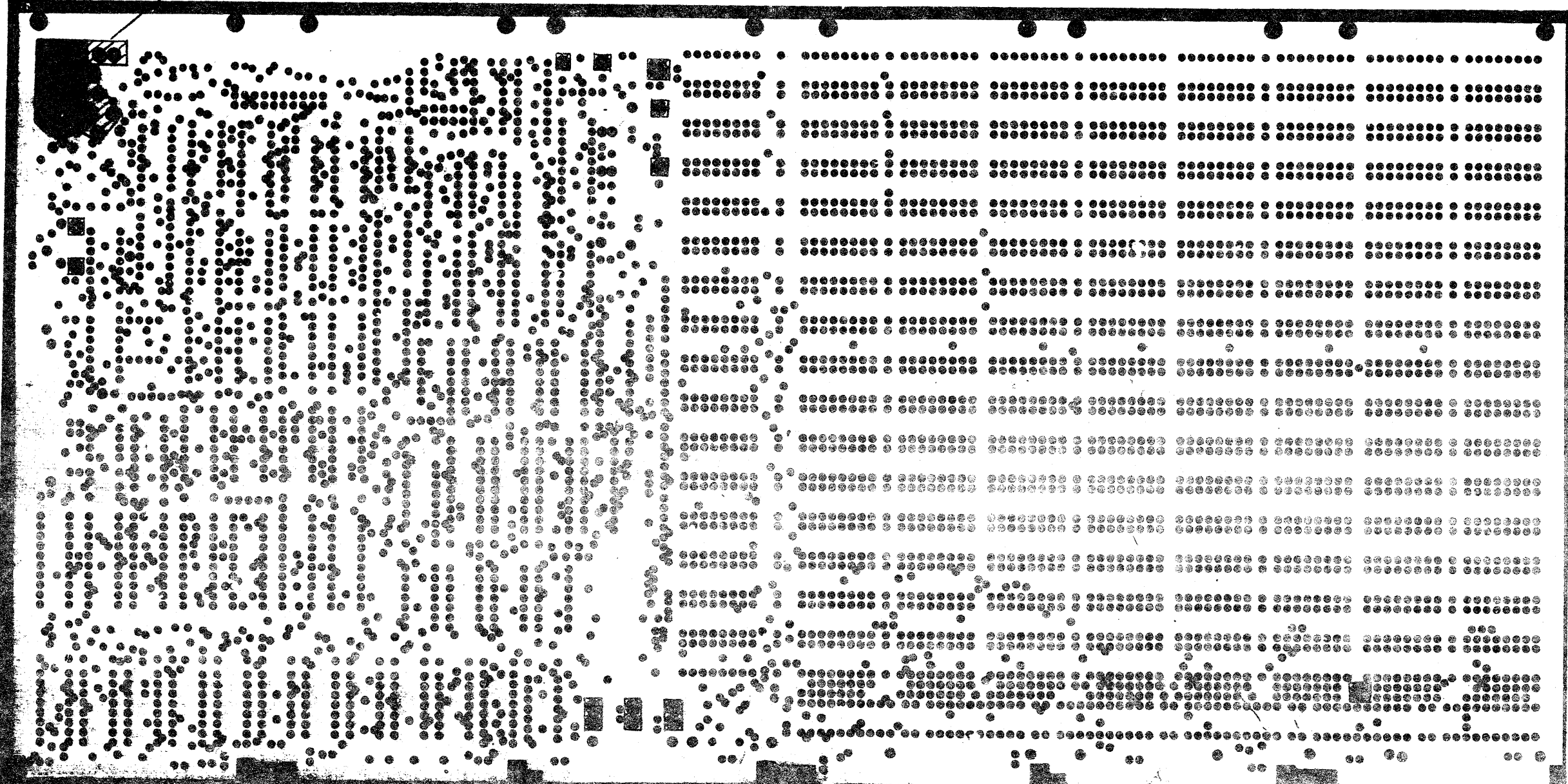
D MD 5013399-0-0 B

THIS DRAWING AND SPECIFICATIONS HEREIN ARE THE PROPERTY OF DIGITAL EQUIPMENT CORPORATION AND SHALL NOT BE REPRODUCED OR COPIED OR LENT IN WHOLE OR IN PART AS THE BASIS FOR THE MANUFACTURE OR SALE OF ITEMS WITHOUT WRITTEN PERMISSION OF DIGITAL EQUIPMENT CORPORATION.

8 0-0-66E1950W 2

SOLDERMASK-LAYER 4

NOTE 2 (REF)



REVISIONS		
CHK	CHANGE NO	REV

TITLE	DRILL & ETCH DRAWING	SIZE CODE	D	NUMBER	MD5013399-0-0	REV.	B
SCALE	2/1	SHEET	7	OF	7	DIST	

DMS13399-0-0

67273 5013871A

67273 5013871A

digital

digital

SIDE 1

SIDE 1

CS*ABCDEFGHIJKL

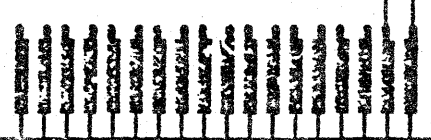
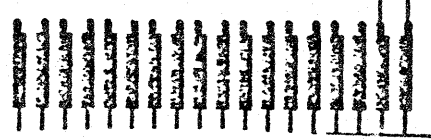
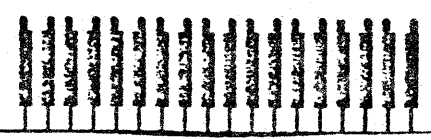
CS*ABCDEFGHIJKL

NPG AND BUS GRANT

NPG AND BUS GRANT

CONTINUITY

CONTINUITY



DOUBLE GRANT

DUA 67273-0-0

2-1 2-2 2-3

THIS DRAWING IS THE PROPERTY OF THE UNITED STATES GOVERNMENT AND IS LOANED TO YOU FOR YOUR INFORMATION AND USE ONLY. IT IS TO BE RETURNED TO THE OFFICE OF ORIGIN UPON REQUEST. THE UNITED STATES GOVERNMENT ACCEPTS NO LIABILITY FOR THE USE OF THIS DRAWING FOR ANY OTHER PURPOSE.

L4



L4



5013871A
67273

SIDE 2

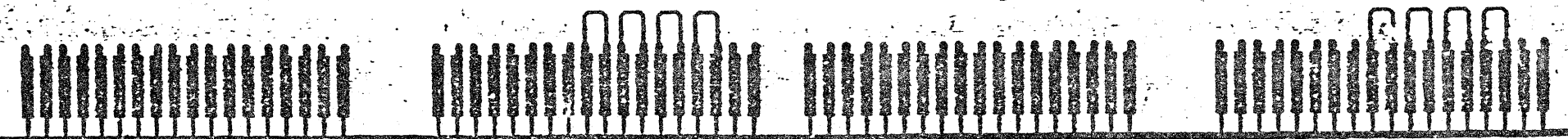
5013871A
67273

SIDE 2



DOUBLE GRANT

DOUBLE GRANT



REVISIONS		
NO.	CHANGE NO.	REV.

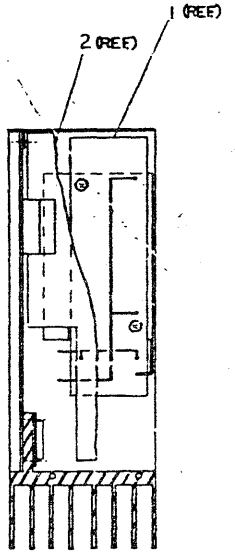
TITLE	DOUBLE GRANT	SIZE CODE	DUA	NUMBER	G7273-0-0	REV.	X
SCALE	2-1	SHEET	3	OF	3	DIST.	

TR

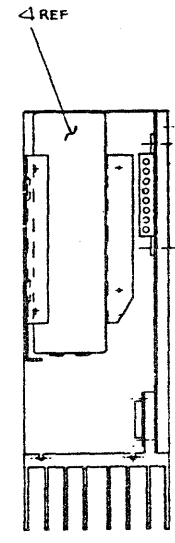
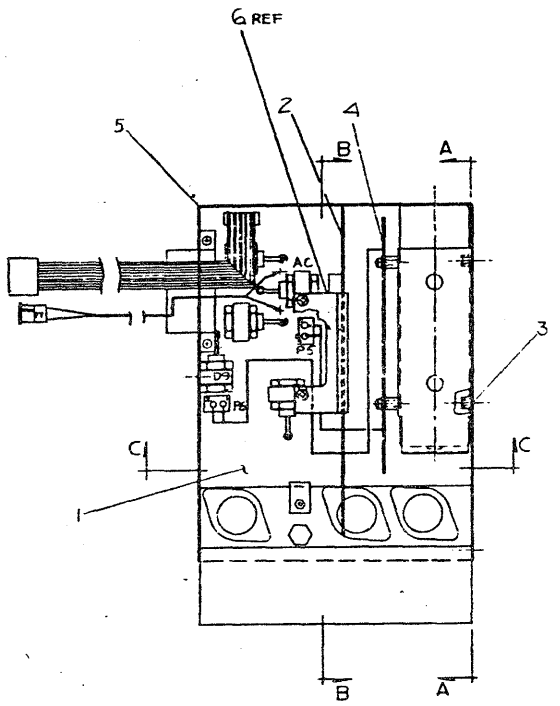
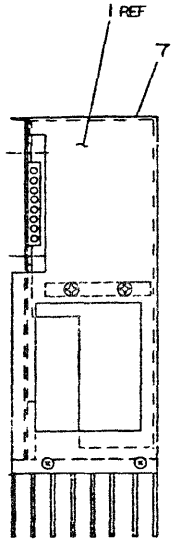
8 7 6 5 4 3 2 1

THIS DRAWING AND SPECIFICATION SHALL BE THE PROPERTY OF THE U.S. GOVERNMENT. IT IS TO BE USED FOR THE PURPOSES AUTHORIZED BY CONTRACT NUMBER DA-36-039-MD-001.

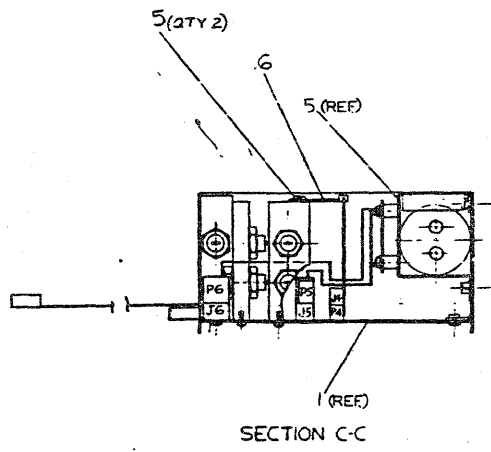
NOTES:
 1. FOR INTERPLANT PACKAGING
 ORDER PACKAGING MATERIAL
 PER A-SP-3700074-0-0.



SECTION B-B



SECTION A-A



SECTION C-C

SEE NOTE 1

QTY	DESCRIPTION	UNIT PART NO.	ITEM NO.
1	DECAL HTB50	716925-13	7
1	RETAILER CARD	8-10-7416124-00	6
2	PCB PHL PAN NO. 4-471-25	2002501-C1	5
1	SMOKE, CAPACITOR ASSY	340-701387-0-0	4
4	PCB, PHL PAN NO. 76-32 #19	8008010-02	3
1	HTB5 CONTROL BOARD	8-11-761335-0-0	2
1	REG. BATTERY BACKUP (HTB50)	8-11-761334-0-0	1

QUANTITY & VARIATION		DESCRIPTION		UNIT PART NO.		ITEM NO.	
QTY	DESCRIPTION	UNIT PART NO.	ITEM NO.	QTY	DESCRIPTION	UNIT PART NO.	ITEM NO.
1	REGULATOR BATTERY BACKUP ASSY (HTB50)						

DATE: 11/80
 TITLE: REGULATOR BATTERY BACKUP ASSY (HTB50)
 DRAWN BY: [Signature]
 CHECKED BY: [Signature]
 ENGINEER: [Signature]
 APPROVED BY: [Signature]

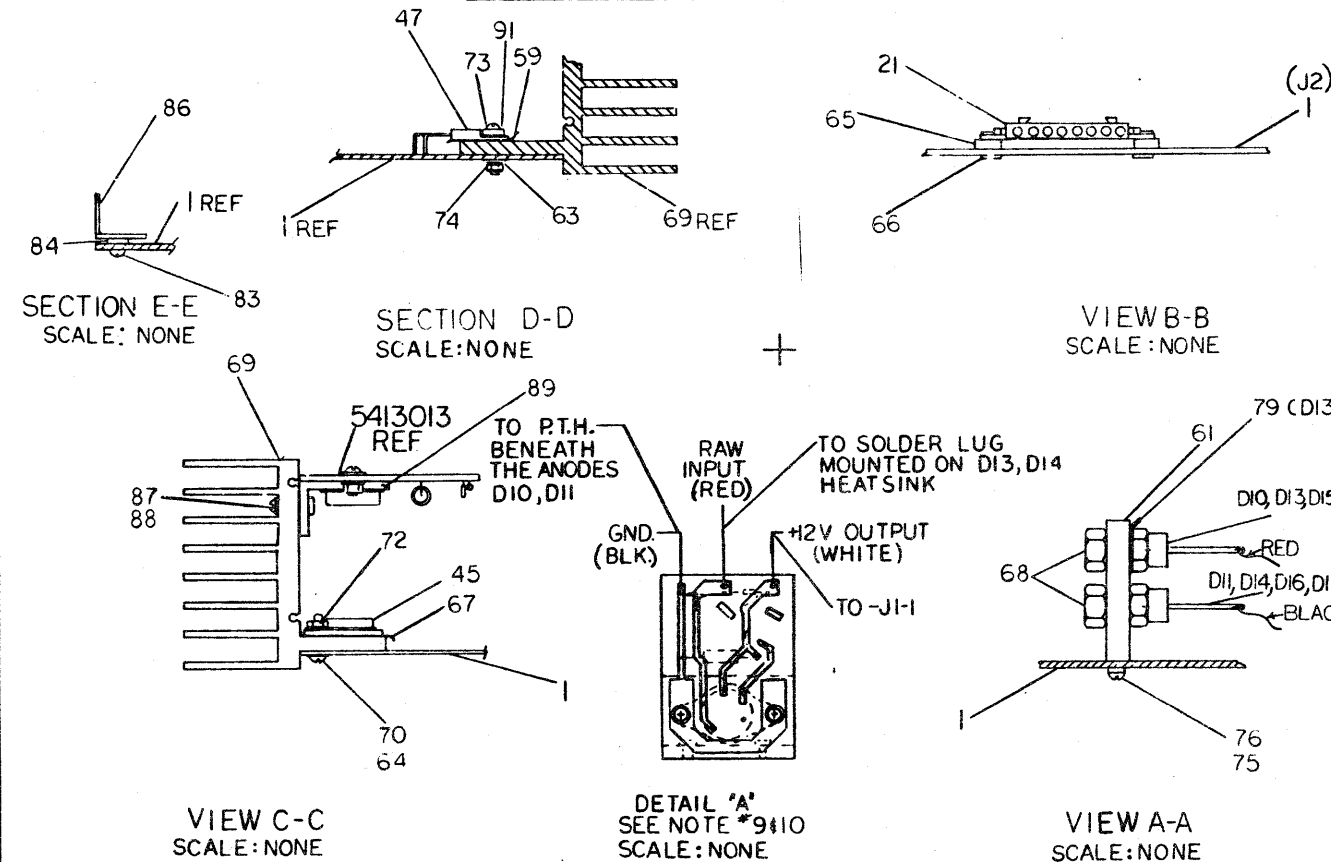
42 11/23/80
 11/23/80
 20 MAY 80
 J. RAUSMA

8 7 6 5 4 3 2 1

8 7 6 5 4 3 2 1

UNTWIST ITEM NO.77 AND USE PROPER COLOR.

WIRE TABLE						
ITEM NO	RUN NO	AWG	COLOR	FROM	TO	LENGTH
77	75	18TWP	BLK	D11 ANODE	H7850 PAD 1	4.50
	76	18TWP	RED	D10 ANODE	PAD 2	4.50
77	77	18	RED	D9 CATHODE	PAD 3	3.00
	78	18	RED	D12 CATHODE	PAD 10	3.75
77	79	18TWP	BLK	D16 ANODE	PAD 11	1.50
	80	18TWP	RED	D15 ANODE	PAD 6	2.00
77	81	18TWP	BLK	D17 CATHODE	PAD 7	2.75
	82	18TWP	RED	D18 CATHODE	PAD 5	2.75
77	83	18TWP	RED	D13 ANODE	PAD 4	5.50
	84	18TWP	BLK	D14 ANODE	PAD 8	5.50
85	18	BLK	D9 ANODE	PAD 9	3.00	



NOTES:

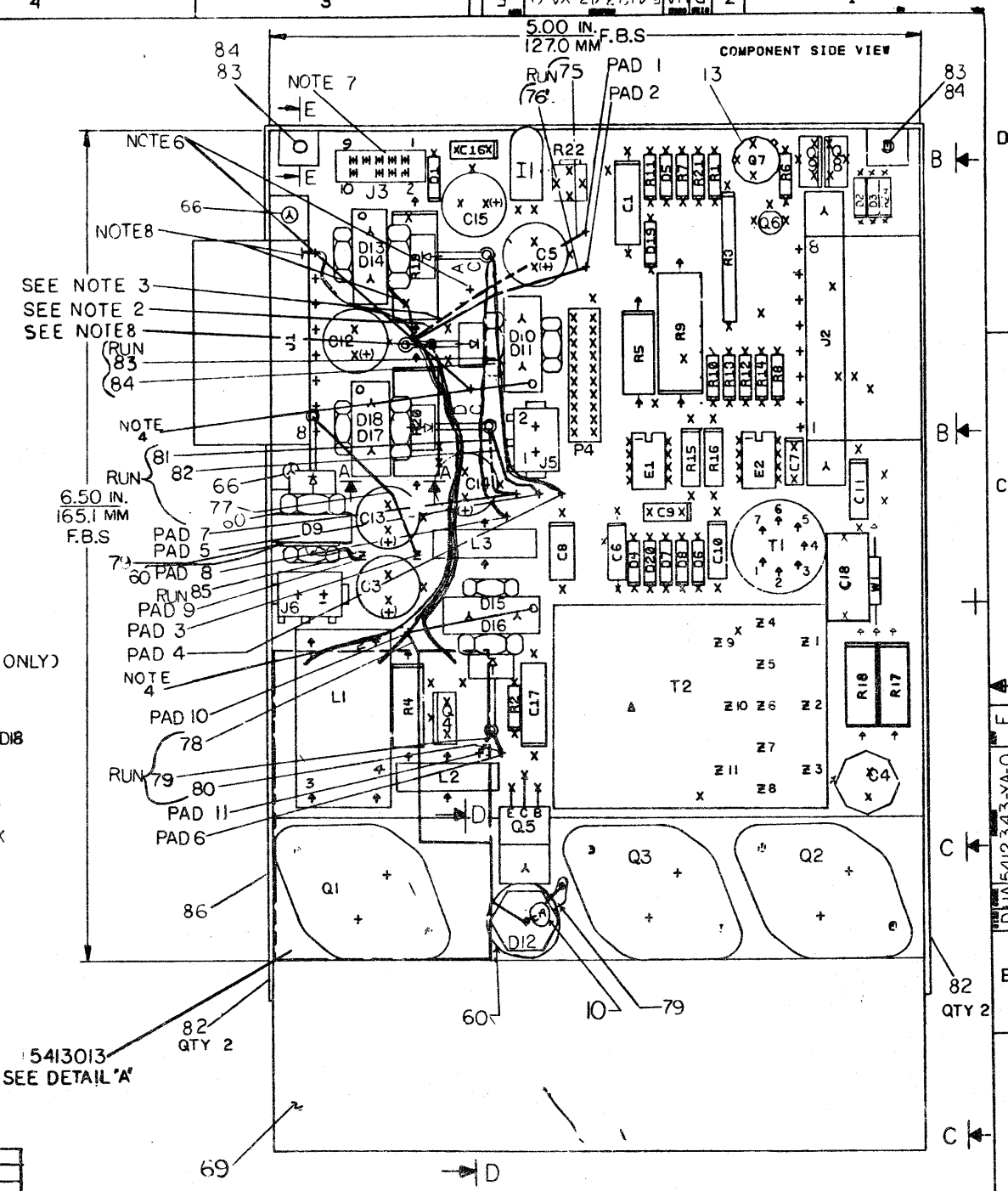
- SEE SHEET 2 OF 2 FOR DIODE WIRING.
- SOLID LINE INDICATES WIRE FROM THE TOP DIODE. (REF SHT 2 OF 2)
- DASHED LINE INDICATES WIRE FROM BOTTOM DIODE. (REF SHT 2 OF 2)
- TAPPED HOLE AT TOP OF HEATSINKS MUST FACE PROPER WAY TO ALLOW INSERTION OF CARD GUIDE.

NOTES: CONT.

- SOLDER ITEM NO. 55 AC/DC CABLE TO REGULATOR BOARD VIA WIRE TO PTH MARKER DC. YEL WIRE TO PTH MARKER AC.
- INSERT ON TO J3 ITEM NO. 58
- INSERT WHITE WIRE FROM CABLE #7014302 WITH FEMALE PIN ATTACHED INTO PIN #1 OF J3
- SOLDER BLACK WIRE FROM LABEL #7014302 IN PTH BENEATH THE ANODES OF D10, D11
- SOLDER RED WIRE FROM FREG CABLE #7014302 TO THE SOLDER LUG MOUNTED ON D13, D14 HEATSINK

NOTES: CONT.

- CONNECT ONE END OF CABLE #7014302 TO #5413013 (SEE DETAIL 'A')
- EARLY H7850 UNITS BUILT WHICH HAVE +2V REGULATOR (5413013) ARE "X" TYPE
- TORQUE SPECIFICATIONS: Q1-Q3 10IN-LBS INSPECT TO MIN OF 6 TORQUE FROM SCREW HEAD; Q5 BIN-LBS INSPECT TO MIN OF 5 TORQUE FROM SCREW HEAD; D9-D18 16IN-LBS INSPECT TO MIN OF 12 TORQUE FROM NUT SIDE



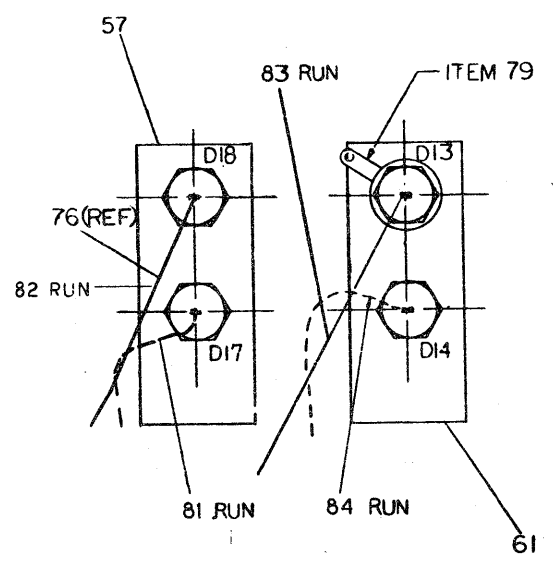
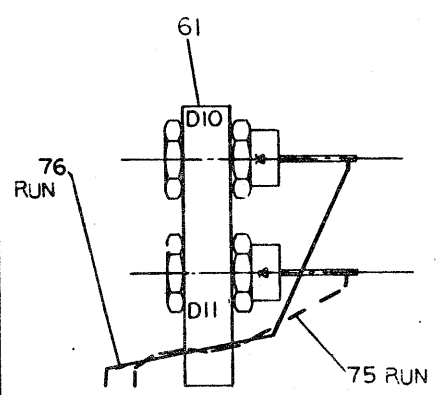
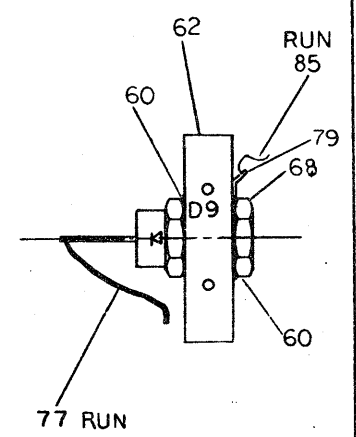
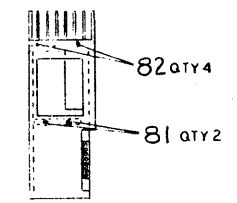
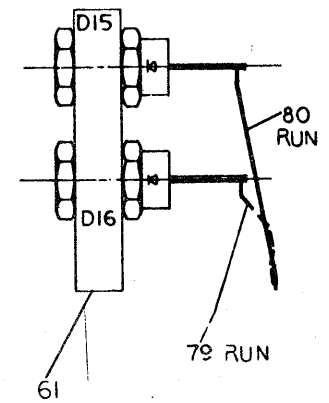
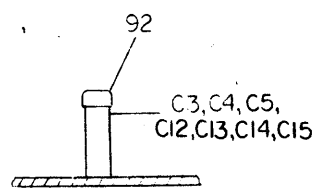
5413013 SEE DETAIL 'A'

ETCH REV.	B
PC DESIGN DATA BRASE REV.	B

SIGNATURES	DATE	TITLE	REGULATOR BATTERY BACKUP H7850
DRN [Signature]	8/27/79		
CHK [Signature]	8/27/79		
ENG [Signature]	8/27/79		
PROJ. ENG [Signature]	8/27/79		
PROD. [Signature]	8/27/79		
SCALE 2-1		SIZE CODE	NUMBER
SHT. 1 OF 2		d UA	5412343-YA-0 E
NEXT HIGH CR. ASSY. B-DD-5412343-0			

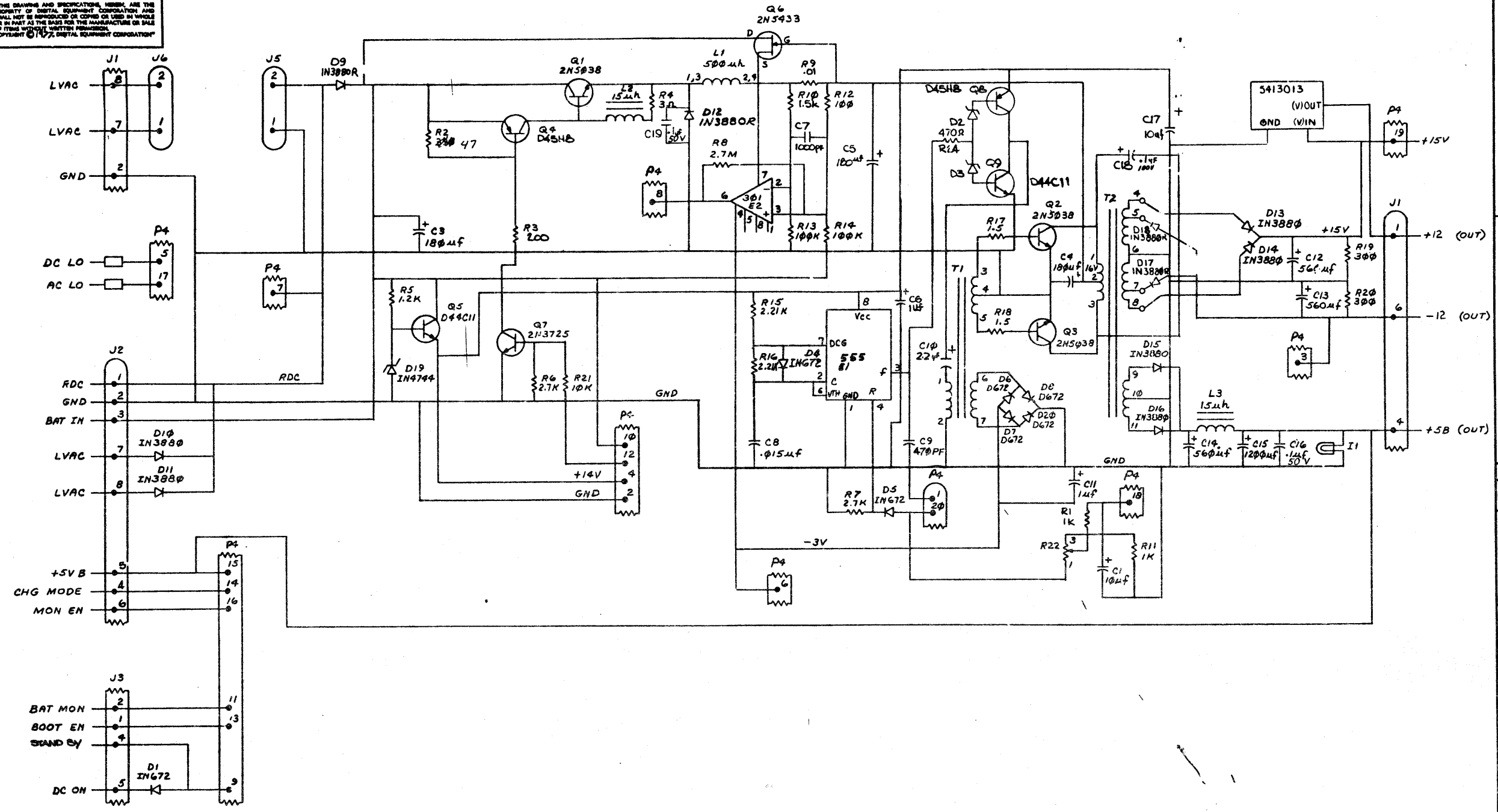
THIS DRAWING AND SPECIFICATIONS HEREIN ARE THE PROPERTY OF DIGITAL EQUIPMENT CORPORATION AND SHALL NOT BE REPRODUCED OR COPIED OR USED IN WHOLE OR IN PART AT ANY TIME FOR THE MANUFACTURE OR SALE OF ITEMS WITHOUT WRITTEN PERMISSION. COPYRIGHT © 1977, DIGITAL EQUIPMENT CORPORATION

NOTES:
 1. WIRING INFORMATION IS ON SHEET 1 OF 2.
 2. DIODES TO BE ASSEMBLED TO HEAT-SINKS AND WIRED AS SHOWN BEFORE INSTALLING TO BOARD.



REVISIONS		
CHK	CHANGE NO.	REV.

THIS DRAWING AND SPECIFICATIONS HEREIN ARE THE PROPERTY OF DIGITAL EQUIPMENT CORPORATION AND SHALL NOT BE REPRODUCED OR COPIED OR USED IN WHOLE OR IN PART AS THE BASIS FOR THE MANUFACTURE OR SALE OF ITEMS WITHOUT WRITTEN PERMISSION. COPYRIGHT © 1977, DIGITAL EQUIPMENT CORPORATION.



REV.	DATE	BY	CHKD
A			

DRN: [Signature]	REV: 72	FIRST USED ON: H7850
CHK'D: [Signature]	DATE: 1/30/78	TITLE: REGULATOR BATTERY BACKUP
ENG: [Signature]	DATE: 1/30/78	NUMBER: H7850
PROJ. ENG: [Signature]	DATE: 1/30/78	SCALE: 1 OF 1
PROD. B: [Signature]	DATE: 1/30/78	DIST.:
NEXT HIGHER ASSY:	SIZE: D	CODE: CS 5412343-YA-1
8-DD-5412343-YA	SCALE: 1 OF 1	REV. A

LINE	ITEM	DOCUMENT NUMBER	PART NUMBER	DESCRIPTION	QTY	PER VARIATION	REFERENCE DESIGNATOR
					YA		
1	1	D-MD-5012342-0-0	5012342-00	ETCH BRD 54-12343	1		
2	2		1002431-00	2.2MFD 35V 10% 150S S.TA	1		C10
3	3		1012607-02	180 MFD 50V H% 672D AL EL	3		C3,C4,C5
4	4		1000042-00	1000.0 MMF 100V 5%200PPM DM15S	1		C7
5	5		1010646-00	.015 MFD 50V 2% M.POLYCARB	1		C8
6	6		1000024-00	470.0 MMF 100V 5%200PPM DM15S	1		C9
7	7		1001776-00	1 MFD 35V 10% S.TANT	2		C6,C11
8	8		1012607-00	560 MFD 20V H% 672D AL EL	3		C12,C13,C14
9	9		1012607-01	1200 MFD 6.3V H% 672D AL EL	1		C15
10	10		1010621-00	.1 MFD 50V 20% Z5U DISC	2		C16,C19
11	11		1004813-00	10 MFD 20V 10% S.TANT	2		C1,C17
12	12		1000030-00	.1 MFD 100V 20% Z5U DISC	1		C18
13	13	FOR Q7	9007201-00	TRANSIFADS #10253	0		
14	14		1100125-00	IN 758A VZ= 10.0 5% .40W PPE	2		D2,D3
15	15		1105275-00	D 672 TR= 15NS PIV= 60V SI	7		D1,D4-D8,D20
16	16		1109440-00	IN 3880 PIV=100 I= 6A 004 SM	6		D10,D11,D13,D14,D15,D16
17	17		1113366-00	IN 3880R PIV=100 I=6A	4		D17,D18,D9,D12
18	18		1105648-00	IN 4744 VZ= 15.0 10% 1W	1		D19
19	19	BLANK			0		
20	20		1211004-02	SOCKET.100 20POS EDGE MOUNT	1		P4
21	21		1209340-00	MATE-N-LOK 8POS HSG,SKT	2		J1,J2
22	22		1209456-01	MATE-N-LOK SKT 20-18AWG LOOSE PC	16		
23	23		1211342-02	MATE-N-LOK 2PIN HEADER	2		J5,J6
24	24		1209219-01	LAMP 6V@200MA,T1-3/4PINS#2319	1		I1
25	25	BLANK			0		
26	26		1300202-00	47.0 .25 W 5.0 % CC	1		R2
27	27		1309639-00	200.0 5.0 W 5.0 % WW	1		R3
28	28		1312682-00	3.0 3.0 W 5.0 % WW	1		R4
29	29		1302950-00	1.20 K 1.0 W10.0 % CC	1		R5
30	30		1300426-00	2.70 K .25 W 5.0 % CC	2		R6,R7

REVISION HISTORY		BASIC PART NO: 5412343		DRN:	C DRAYTON	DATE:	21-AUG-78	D I G I T A L			
ENG!	ECO NUMBER	REV	SECTION A OF A	CHK'D:	W BAUSHA	DATE:	21-AUG-78	TITLE	PARTS LIST		
ER	00001	E	SECTION.VARIATION INDEX					H7850 BATTERY BACKUP REGULATOR			
WFB	5412343YA-TW002	F	[A] YA								
			[B]								
			[C]	DES.ENG:	W BAUSHA	DATE:	21-AUG-78				
			[D]								
			[E]					DOCUMENT NUMBER			
			[F]	RESP.ENG.:	W BAUSHA	DATE:	21-AUG-78	SIZE	CODE	NUMBER	REV
			[H]								
			[J]								
			[K]	MFG.ENG.:	A HAU	DATE:	21-AUG-78	K	PL	5412343-YA-DBP	F
			[L]								
			[M]	ASSEMBLY NUMBER:		TOP DOCUMENT NUMBER:		FILE NAME:		EDIT #	
			[N]	D-UA-5412343-YA-0		H7850		Z1300.PLS		20	

"THIS DRAWING AND SPECIFICATIONS HEREIN, ARE THE PROPERTY OF DIGITAL EQUIPMENT CORPORATION AND SHALL NOT BE REPRODUCED OR COPIED OR USED IN WHOLE OR IN PART AS THE BASIS FOR THE MANUFACTURE OR SALE OF ITEMS WITHOUT WRITTEN PERMISSION. COPYRIGHT (C) 1980. DIGITAL EQUIPMENT CORPORATION"

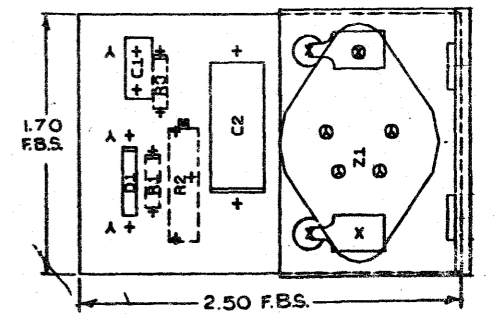
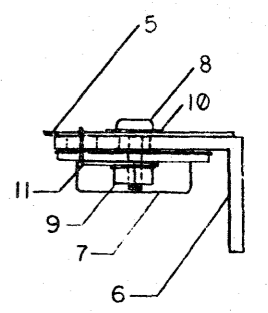
LINE	ITEM	DOCUMENT NUMBER	PART NUMBER	DESCRIPTION	QTY	PER VARIATION	REFERENCE DESIGNATOR
					YA		
31	31		1309680-00	2.70 M .25 W 5.0 % CC	1		R8
32	32		1313712-00	.01 5.0 W 3.0 % WW	1		R9
33	33		1300365-00	1.0 K .25 W 5.0 % CC	2		R1, R11
34	34		1300229-00	100.0 .25 W 5.0 % CC	1		R12
35	35		1302466-00	100.0 K .25 W 5.0 % CC	2		R13, R14
36	36		1312404-00	2.21 K .50 W 1.0 % RN60D-F10	2		R15, R16
37	37		1313579-00	1.50 3.0 W 5.0 % WW	2		R17, R18
38	38		1309855-00	300.0 2.0 W 5.0 % CC	2		R19, R20
39	39		1300479-00	10.0 K .25 W 5.0 % CC	1		R21
40	40		1310852-00	200.0 .50 W 20.0 % POT	1		R22
41	41		1300391-00	1.50 K .25 W 5.0 % CC	1		R10
42	42		1300316-00	470.0 .25 W 5.0 % CC	1		R24
43	43	BLANK			0		
44	44	BLANK			0		
45	45		1510969-00	2N 5038 NPN 140WC SI 90 50 Y	3		Q1-Q3
46	46		1510708-00	D 45H8 PNP 50WT SI 60 60 Y	2		Q4, Q8
47	47		1512790-00	D 44C11 NPN 30W SI 80 40	2		Q5, Q9
48	48		1511686-00	DEC5433 FET N 350MW 10 25 1A	1		Q6
49	49		1510959-00	2N 3725 NPN 3.5WC SI 50 60 P	1		Q7
50	50	BLANK			0		
51	51		1612593-00	500 UH 6A	1		L1
52	52		1613874-00	CHOKER, 15UH 4A	2		L2, L3
53	53		1613876-00	XFMR, POWER, RATIO 1:2 7PIN	1		T1
54	54		1613875-01	XFMR, POWER	1		T2
55	55		7013690-00	CABLE 2 PIN AC DC LOW	1		
56	56		1911944-00	555CN TIMER, FUNCT. BLOCK	1		E1
57	57		1910282-00	301AN OP AMP	1		E2
58	58		7013384-10	10 COND, CABLE EXTENDER 10 FT	1		
59	59		1213071-06	INSULATOR, RUBBER SILICONE	1		
60	60		1213071-05	INSULATOR, RUBBER THERMAL	3		
61	61	B-MD-7417414-0-0	7417414-00	HEAT SINK (DUAL)	4		
62	62	B-IA-7417413-0-0	7417413-00	HEAT SINK (SINGLE)	1		
63	63		9006655-00	WASHER, FLAT, .312 O.D. X .125 I	1		
64	64		9008172-00	WASHER, FLAT, SS .250 OD X .125 I	6		
65	65		9006706-00	WASHER, NYLON, FLAT #4 .375 OD	2		
66	66		9006745-00	EYELET, ROLLED FLANGE, .120 OD X	4		
67	67		1213071-02	INSULATOR, RUBBER SILICONE SM	3		
68	68		9006565-00	NUT, KEP 10-32X 3/8 AF	10		
69	69		1210737-04	HEAT SINK, REGULATOR	1		
70	70		9006013-04	SCREW, BIND, SLOT, 4-40X 1/2	6		
71	71	BLANK			0		
72	72	BLANK			0		
73	73		9008033-01	SCREW, PAN, PHIL 4-40X 9/16 SS	1		
74	74		9006557-00	NUT, KEP 4-40X 1/4 AF	7		
75	75		9000037-03	WASHER, LOCK, INTERNAL TOOTH	8		
76	76		9006010-04	SCREW, BIND, SLOT, 4-40X 5/16	8		
77	77		9107430-02	WIRE, STRND, 18AWG, IPVC (JL1429)	A/R		
78	78		9009185-00	JUMPER, WIRE, INSULATED, BLACK B	1		

D	I	G	I	T	A	L	TITLE	H7850 BATTERY BACKUP REGULATOR	SECTION A OF A	SIZE	CODE	DOCUMENT NUMBER	REV
										K	PL	5412343-YA-DBP	F

LINE ITEM	DOCUMENT NUMBER	PART NUMBER	DESCRIPTION	QTY PER VARIATION YA	REFERENCE DESIGNATOR
79		9009909-00	TERM LUG 1POS SOLDER, FLAT .19	3	
80		9009149-00	PIN, STAKING, P.C. BOARD, .025 X	9	
81		9008404-02	SCREW, FLAT, PHIL, 6-32X 5/16 S	2	
82		9009142-02	SCREW, PHILLIPS FLAT HEAD, SELF	4	
83		9006010-01	SCREW, PAN, PHIL 4-40X 5/16 SS	2	
84		9008079-00	WASHER, FLAT FIBER OD. 1/4	2	
85		9905212-00	CARTON, DIE CUT	1	
86	D-IA-7417410-0-0	7417410-00	REGULATOR BRACKET	1	
87		9006025-01	SCREW, PAN, PHIL 6-32X 5/8 SS	2	
88		9007801-00	WASHER, LOCK, S.S. #5	2	
89		5413013-00	12 VOLT REGULATOR	1	
90	C-IA-7014302-0-0	7014302-00	PLUS 12 VOLT IN/OUTPUT CABLE	1	
91		9009769-00	WASHER, RECTANGULAR .405X.225X.0	1	
92		9009731-03	CAP, PLASTIC	7	

COMPONENT SIDE VIEW

THIS DRAWING AND SPECIFICATIONS, HEREIN, ARE THE PROPERTY OF DIGITAL EQUIPMENT CORPORATION AND SHALL NOT BE REPRODUCED OR TRANSMITTED IN ANY FORM OR BY ANY MEANS, ELECTRONIC OR MECHANICAL, INCLUDING PHOTOCOPYING, RECORDING, OR BY ANY INFORMATION STORAGE AND RETRIEVAL SYSTEM, WITHOUT WRITTEN PERMISSION.
MAY 1977 DIGITAL EQUIPMENT CORPORATION



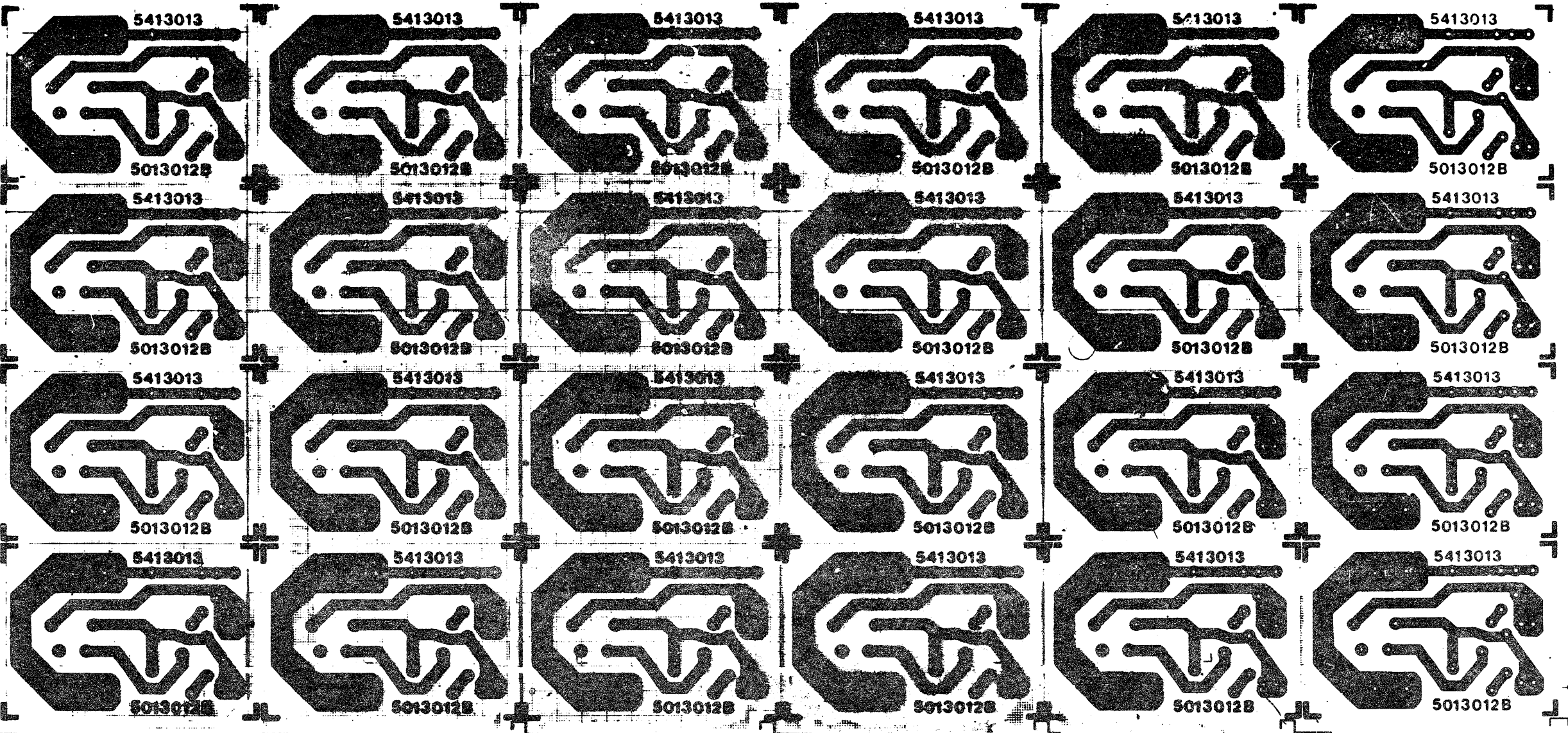
NOTES: 1, R1, R2 & R3 ARE NOT USED ON BASIC 5413013 MODULE BUT ARE RESERVED FOR PLANNED FUTURE MODULE VARIATIONS

CHANGE NO.	REV.

ETCH REV.	B
P.C. DESIGN DATA BASE REV.	BL

SIGNATURES		DATE	digital
DRN. <i>Paul C. ...</i>		5-1977	
CHK'D. <i>Paul C. ...</i>		5-1977	
ENG. <i>R.J. ...</i>		5-27-77	
PROJ. ENG. <i>R.J. ...</i>		2-27-77	
PROD. <i>K. ...</i>		2-1-77	
SCALE	1 OF 2		
SHT.			
NEXT HIGHER ASSY.	B-DD-5413013-0		
SIZE	CODE	NUMBER	REV
0	UA	5413013-0-0	A

THIS DRAWING AND INFORMATION HEREON IS THE PROPERTY OF DIGITAL EQUIPMENT CORPORATION AND SHALL NOT BE REPRODUCED OR COPIED OR USED IN WHOLE OR IN PART AS THE BASIS FOR THE MANUFACTURE OR SALE OF ITEMS WITHOUT WRITTEN PERMISSION. COPYRIGHT © 1977 DIGITAL EQUIPMENT CORPORATION



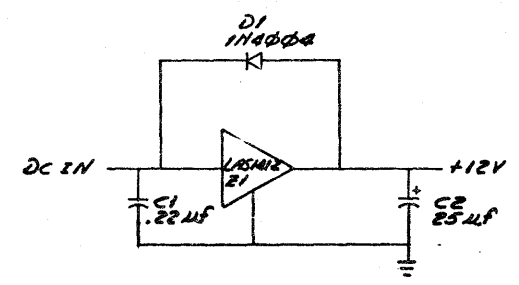
VIEWED FROM SIDE 2

REVISIONS		
CHK	CHANGE NO.	REV.

TITLE	12 VOLT REGULATOR	SIZE CODE	DUA	NUMBER	5413013-0-0	REV.	A
SCALE	2:1	SHEET	2 OF 2	DIST.			

DUA 5413013-0-0 A

THIS DRAWING AND SPECIFICATIONS HEREIN ARE THE PROPERTY OF DIGITAL EQUIPMENT CORPORATION AND SHALL NOT BE REPRODUCED OR COPIED OR USED IN WHOLE OR IN PART AS THE BASIS FOR THE MANUFACTURE OR SALE OF ITEMS WITHOUT WRITTEN PERMISSION. COPYRIGHT © DIGITAL EQUIPMENT CORPORATION

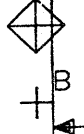
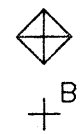
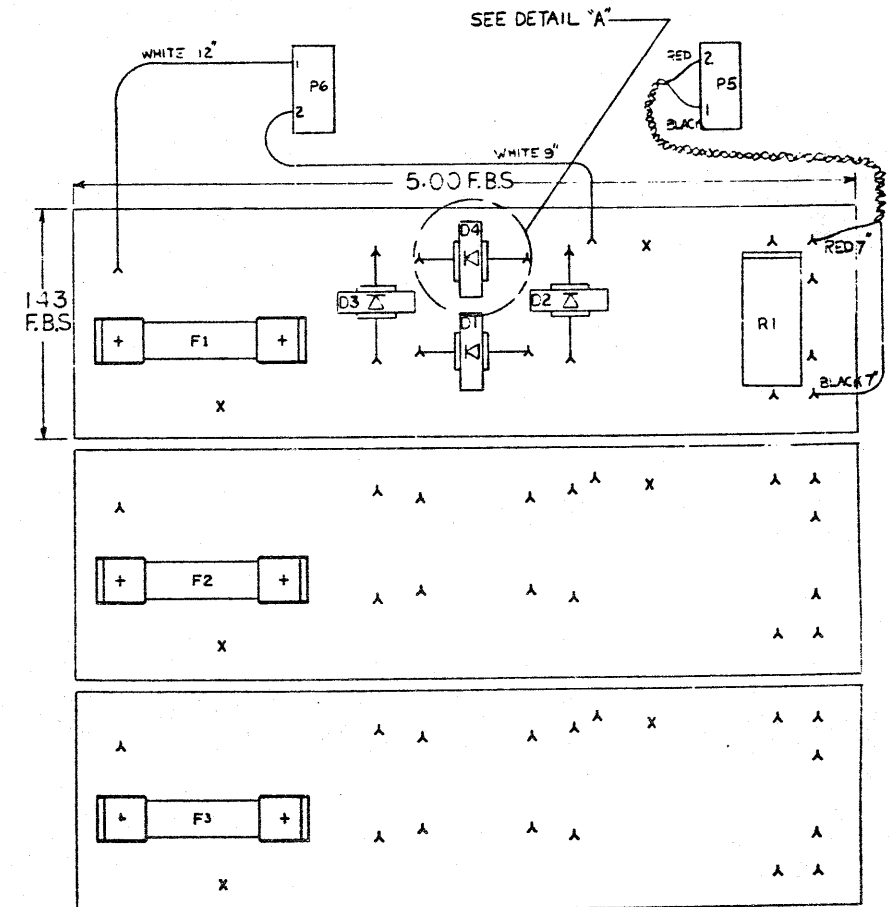
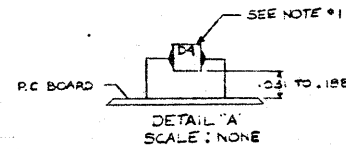


REV.	
CHG.	
CHK.	
DATE	

DRN. <i>[Signature]</i>	21 Jun 77	FIRST USED ON	<i>[Signature]</i>	digital
CHK'D <i>[Signature]</i>	21 Jun 77	H7850		
ENG. <i>[Signature]</i>	21 Jun 77	TITLE	12 VOLT REGULATOR	
PROD. <i>[Signature]</i>	21 Jun 77			
NEXT HIGHER ASSY.		SIZE	CODE	NUMBER
SCALE	/ /	D	CS	5413013-0-1
SHEET	/ OF /	DIST.		REV. A

THIS DRAWING AND SPECIFICATIONS, HEREIN, ARE THE PROPERTY OF DIGITAL EQUIPMENT CORPORATION AND SHALL NOT BE REPRODUCED OR COPIED OR USED IN WHOLE OR IN PART AS THE BASIS FOR THE MANUFACTURE OF THIS OR OTHER EQUIPMENT WITHOUT PERMISSION.
 COPYRIGHT © 1973 DIGITAL EQUIPMENT CORPORATION

COMPONENT SIDE VIEW



NOTES: DIODES D1 - D4 MUST BE RAISED FROM THE P.C. BOARD .031 TO .188.

CHANGE NO	REV
MLOO4	F
CARTER	
W. BAUSHA	

ETCH REV. D - P 2
P.C. DESIGN DATA BASE REV. D

SIGNATURES	DATE	TITLE
DRN. F. NICHOLLS	11-1-73	digital
CHK'D. <i>[Signature]</i>	11-2-73	
ENG. <i>[Signature]</i>	11-2-73	
PROJ. E. <i>[Signature]</i>	11-2-73	
PROD. G. <i>[Signature]</i>	11-2-73	
SCALE 2/1		
SPT. OF 3		
NEXT HIGHER ASSY.		

RECTIFIER BOARD
 NUMBER 5-12411-C-1 F
 REV

DUA 5-12411-0-0

B

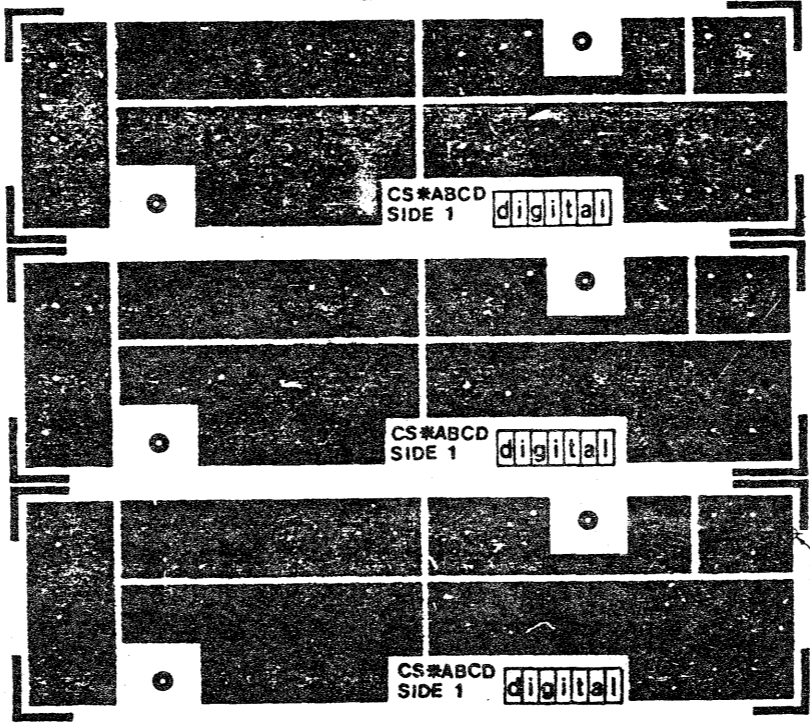
F

A

1 MS#

137

MS0954 50124100-P2 5412411

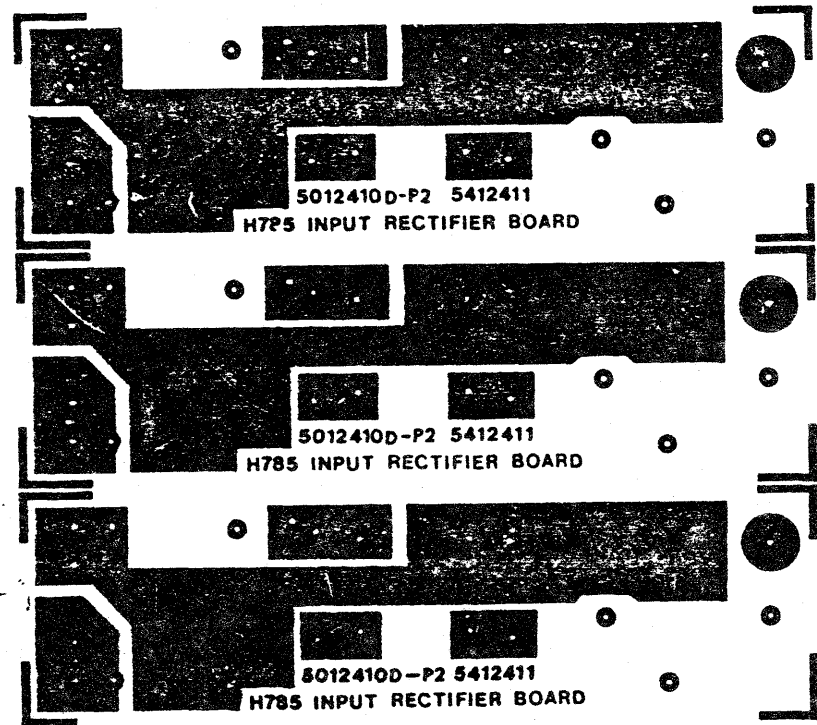


D
C
B
A

DUN 5412411-0-0 F

REVISIONS	
CHANGE NO.	REV.

8	7	6	5	4	3	2	1	TITLE	INPUT RECTIFIER BOARD D UA 5412411-0-0	F
TOTAL							2/1	SHEET 2 OF 3		

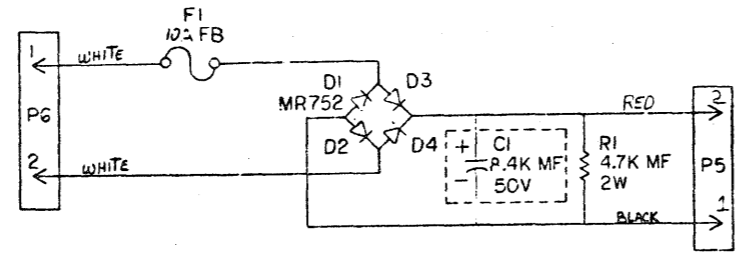


0-01

REVISIONS	
NO.	DESCRIPTION

THIS DRAWING AND EVERYTHING HEREON IS THE PROPERTY OF DIGITAL EQUIPMENT CORPORATION AND SHALL NOT BE REPRODUCED, COPIED OR USED IN WHOLE OR IN PART AS THE BASIS FOR THE MANUFACTURE OR SALE OF ITEMS WITHOUT WRITTEN PERMISSION FROM DIGITAL EQUIPMENT CORPORATION
 COPYRIGHT © 1976

NOTES:
 1. C1 WILL BE CONNECTED TO BOARD AT NEXT HIGHER ASSEMBLY.



IC TYPE	GND	+5V
GND AND 5V ARE USUALLY PIN 7 AND 14 RESPECTIVELY EXCEPTIONS ARE STATED ABOVE		
IC PIN LOCATIONS		

FIRST USED ON OPTION MODEL		QTY	REF. DESIGNATION	DESCRIPTION	PART NO.	ITEM NO.								
ETCH BOARD REV.		PARTS LIST												
D		<table border="1"> <tr> <td>DATE</td> <td>7-15-76</td> </tr> <tr> <td>DATE</td> <td>11-3-76</td> </tr> <tr> <td>DATE</td> <td>11-3-76</td> </tr> <tr> <td>DATE</td> <td>11-3-76</td> </tr> </table>					DATE	7-15-76	DATE	11-3-76	DATE	11-3-76	DATE	11-3-76
DATE	7-15-76													
DATE	11-3-76													
DATE	11-3-76													
DATE	11-3-76													
W.F. BAUSHA 5412411-ML004 D J. MERCURI 5412411-00003 C CHANGE NO. REV. REVISIONS		TITLE INPUT RECTIFIER BOARD		digital		REV. D								
DEC NO.	EIA NO.	DEC NO.	EIA NO.	SCALE	NUMBER	REV.								
				1/1	5412411-0-1	D								
SEMICONDUCTOR CONVERSION CHART						DIST.								

REV. D
 5412411-0-1

LINE	ITEM	DOCUMENT NUMBER	PART NUMBER	DESCRIPTION	QTY PER VARIATION	REFERENCE DESIGNATOR
1	1	D-MD-5412410-0-0	5012410-00	5412411	1	
2	2		1110615-00	MR 752 PIV=200 I=22A A264 SM	4	D1-D4
3	3		1210821-02	MATE-N-LOK 2POS COMM HSG,SKT	2	PS,P6
4	4		1209379-01	MATE-N-LOK SKT COMM 20-14AWG LOO	4	
5	5		1302609-00	4.70 K 2.0 W10.0 % CC	1	R1
6	6		9009000-00	EYELET,ROLL FLANGE .1210DX .156	2	
7	7		9008390-00	FUSE,REG BLO 10 A,250V CER.	1	
8	8		9007203-00	CLIP,FUSE, WITH STOP, SCREW MOU	2	
9	9		9107360-99	WIRE,STRND,18AWG,IPVC ULI429	A/R	
10	10		9107430-02	WIRE,STRND,18AWG,IPVC (UL1429)	A/R	

REVISION HISTORY		BASIC PART NO: 5412411		DRN: D.BILODEAU	DATE: 09-MAY-79	D I G I T A L	
ENG: J.M.	ECO NUMBER: 5412411-MLO04	REV: F	SECTION A OF A	CHK'D: F.GAROFALO	DATE: 09-MAY-79	TITLE: INPUT RECTIFIER BOARD	PARTS LIST
			SECTION VARIATION INDEX	DES.ENG: J.MERCURI	DATE: 09-MAY-79	DOCUMENT NUMBER	
			[A] 00	RESP.ENG.: J.MERCURI	DATE: 09-MAY-79	SIZE: CODE: NUMBER	REV
			[B]	MFG.ENG.: R.B.KING	DATE: 09-MAY-79	K PL 5412411-0-08P	F
			[C]	ASSEMBLY NUMBER: D-UA-5412411-0-0	TOP DOCUMENT NUMBER:	FILE NAME: Z0474F.PLS	EDIT 3
			[D]				
			[E]				
			[F]				
			[H]				
			[J]				
			[K]				
			[L]				
			[M]				
			[N]				

"THIS DRAWING AND SPECIFICATIONS HEREIN, ARE THE PROPERTY OF DIGITAL EQUIPMENT CORPORATION AND SHALL NOT BE REPRODUCED OR COPIED OR USED IN WHOLE OR IN PART AS THE BASIS FOR THE MANUFACTURE OR SALE OF ITEMS WITHOUT WRITTEN PERMISSION. COPYRIGHT (C) 1981. DIGITAL EQUIPMENT CORPORATION"

THIS DRAWING AND SPECIFICATIONS HEREIN ARE THE PROPERTY OF DIGITAL EQUIPMENT CORPORATION AND SHALL NOT BE REPRODUCED OR COPIED OR USED IN WHOLE OR IN PART AS THE BASIS FOR THE MANUFACTURE OR SALE OF ITEMS WITHOUT WRITTEN PERMISSION. COPYRIGHT © 1975 DIGITAL EQUIPMENT CORPORATION

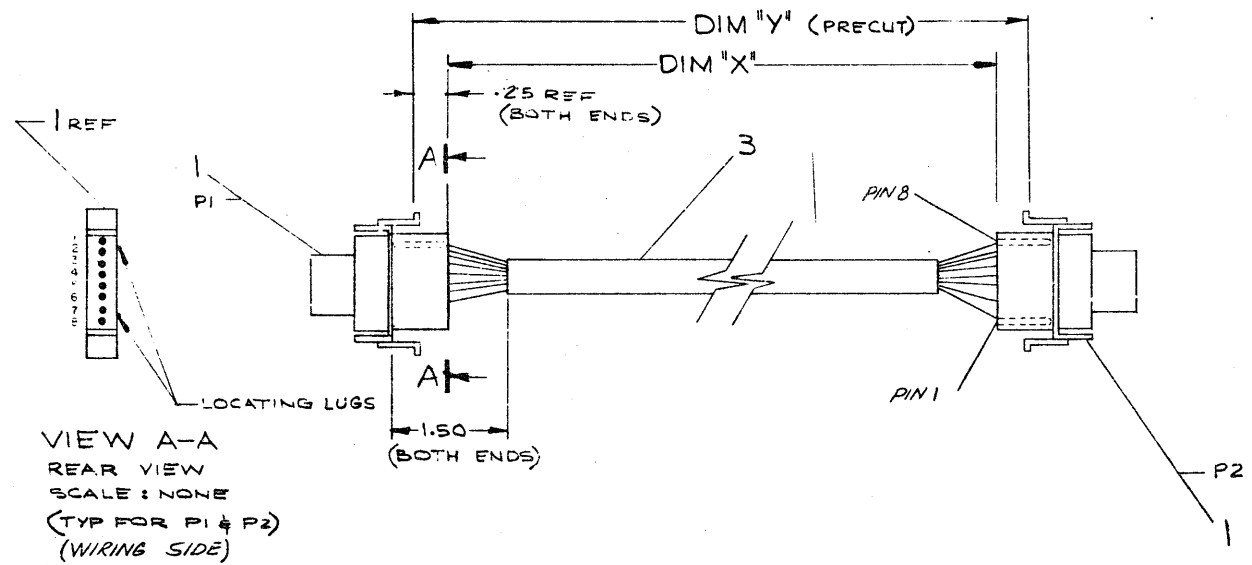
WIRE TABLE

ITEM NO	DESCRIPTION	COLOR	FROM		TO		REMARKS
			CONNECTION	WITH	CONNECTION	WITH	
4	14	ORN	P1-1	2	P2-1	2	
5		BLK	P1-2		P2-2		
6		BLUE	P1-3		P2-3		
7		GRAY	P1-4		P2-4		
8		RED	P1-5		P2-5		
9		WHITE	P1-6		P2-6		
10		YEL	P1-7		P2-7		
11	14	BRN	P1-8	2	P2-8	2	

LEGEND

NUMBER	DIM 'X' VARIATION	DIM 'Y' (PRECLUT) REF
701906-05	± FT. ± 11.50 IN ± 1.0 IN	SFT. CIN ± 1.0 IN

NOTES:



VIEW A-A
REAR VIEW
SCALE: NONE
(TYP FOR P1 & P2)
(WIRING SIDE)

QTY	DESCRIPTION	DWG. PART NO.	ITEM NO.
11	WIRE #14 STRD BRN	9107370-11	11
10	WIRE #14 STRD YEL	9107370-44	10
9	WIRE #14 STRD WHT	9107370-99	9
8	WIRE #14 STRD RED	9107370-22	8
7	WIRE #14 STRD GRY	9107370-88	7
6	WIRE #14 STRD BLU	9107370-66	6
5	WIRE #14 STRD BLK	9107370-90	5
4	WIRE #14 STRD ORG	9107370-33	4
3	TUBING EXTR. BLK .50 ID	9107246	3
2	PIN, MALE	209378-00	2
1	CONN., 8 PIN	1209340-01	1

CLASS OF ACCURACY	NOMINAL DIMENSION RANGE INCHES			
	OVER 0 TO 1.0	OVER 1.0 TO 4.0	OVER 4.0 TO 12.0	OVER 12.0 TO 48.0
CHECK ONE	±.004	±.006	±.012	±.024
MEDIUM	±.004	±.006	±.012	±.024
PREFERRED	±.012	±.018	±.025	±.04

THIRD ANGLE PROJECTION

REMOVE BURRS AND BREAK SHARP CORNERS

DO NOT SCALE DWG

MATERIAL: SEE PARTS LIST

FINISH: //

DR: George Drayton 11/17/75

CHK'D: [Signature] 11/23/75

ENG: [Signature]

PROJ. ENG: [Signature]

PROOF: [Signature]

FIRST USED ON: H775

TITLE: INTERFACE CABLE (1/04)

SIZE: UA-H775-0-0

SCALE: //

SHEET 1 OF 1

DIST.:

NUMBER: 7011906-00

REV. C

REV.	DATE	BY	CHK
1	11/17/75	J. DAVIS	J. DAVIS
2	11/23/75	G. POTTER	G. POTTER
3	11/23/75	J. C. [Signature]	J. C. [Signature]
4	11/23/75	G. POTTER	G. POTTER

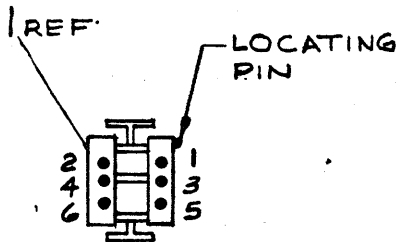
"THIS DRAWING AND SPECIFICATIONS HEREIN ARE THE PROPERTY OF DIGITAL EQUIPMENT CORPORATION AND SHALL NOT BE REPRODUCED OR COPIED OR USED IN WHOLE OR IN PART AS THE BASIS FOR THE MANUFACTURE OR SALE OF ITEMS WITHOUT WRITTEN PERMISSION.
 COPYRIGHT © 1975 DIGITAL EQUIPMENT CORPORATION"

WIRE TABLE

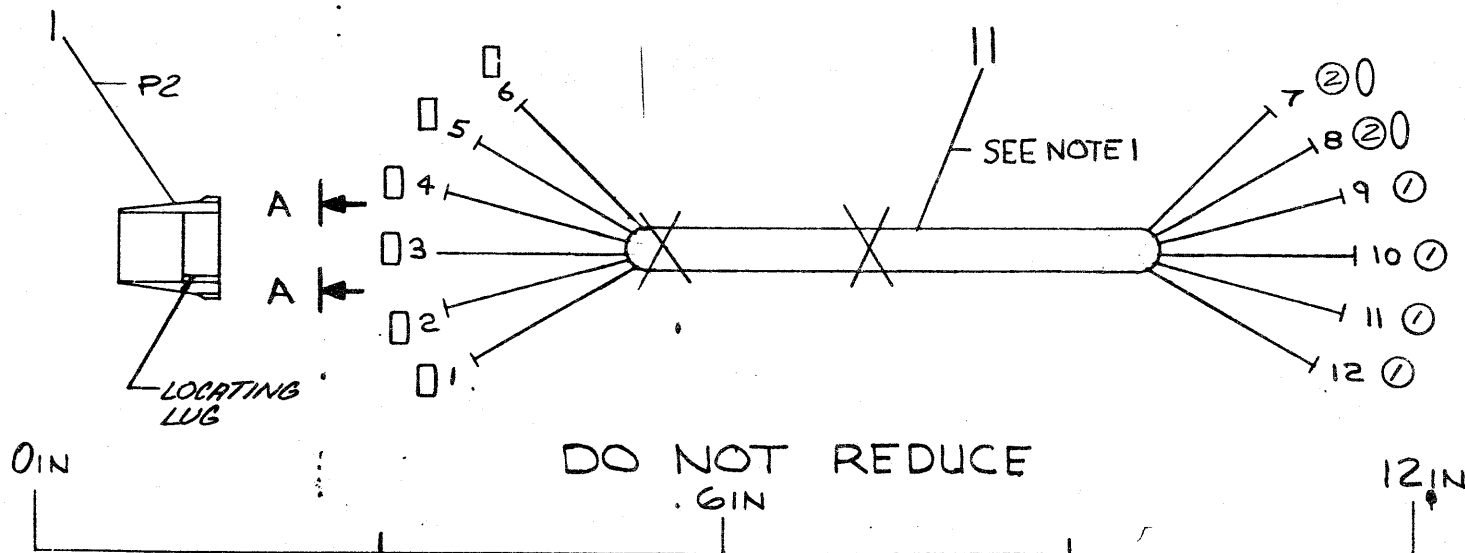
ITEM NO.	AWG	COLOR	FROM			TO		
			POINT.	CONN.	WITH	POINT.	CONN.	WITH
5	14	ORN	1	P2-1	2	12	-	3
6	14	GRN	2	P2-2	1	11	-	3
7	14	BLU	3	P2-3	1	10	-	3
8	14	VIO	4	P2-4	1	9	-	3
9	18	BRN	5	P2-5	1	8	-	4,12
10	18	GRY/BRN	6	P2-6	2	7	-	4,12

NOTES:

- USE CABLE TIES (ITEM #11) APPROX. 2.0 AND 4.0 IN. FROM P2 (ITEM #1).



VIEW A-A
 REAR VIEW
 SCALE: NONE
 (WIRING SIDE)



CAUTION: SEE OFF SHEET PARTS LIST K-PL-7011759-0-DBP (Z3596B, PLS).

QTY.	DESCRIPTION	PART NO.	REV.
1	AIR TUBING, SHRINK 3/16 ID	9107254-00	1
2	TIE, CABLE	9007031	11
1	AIR WIRE *18 AWG (GRY/BRN)	9107410-81	10
1	AIR WIRE *18 AWG (BRN)	9107360-11	9
1	AIR WIRE *14 AWG (VIO)	9107370-77	8
1	AIR WIRE *14 AWG (BLUE)	9107370-66	7
1	AIR WIRE *14 AWG (BRN)	9107370-55	6
1	AIR WIRE *14 AWG (ORN)	9107370-33	5
2	TERMINAL, QUICK DIS CONN	1217000-07	4
4	TERMINAL, QUICK CONNECT	9007969	3
6	PIN (FEMALE)	1209379-00	2
1	CONN, 6 PIN (FEMALE)	1210821-00	1

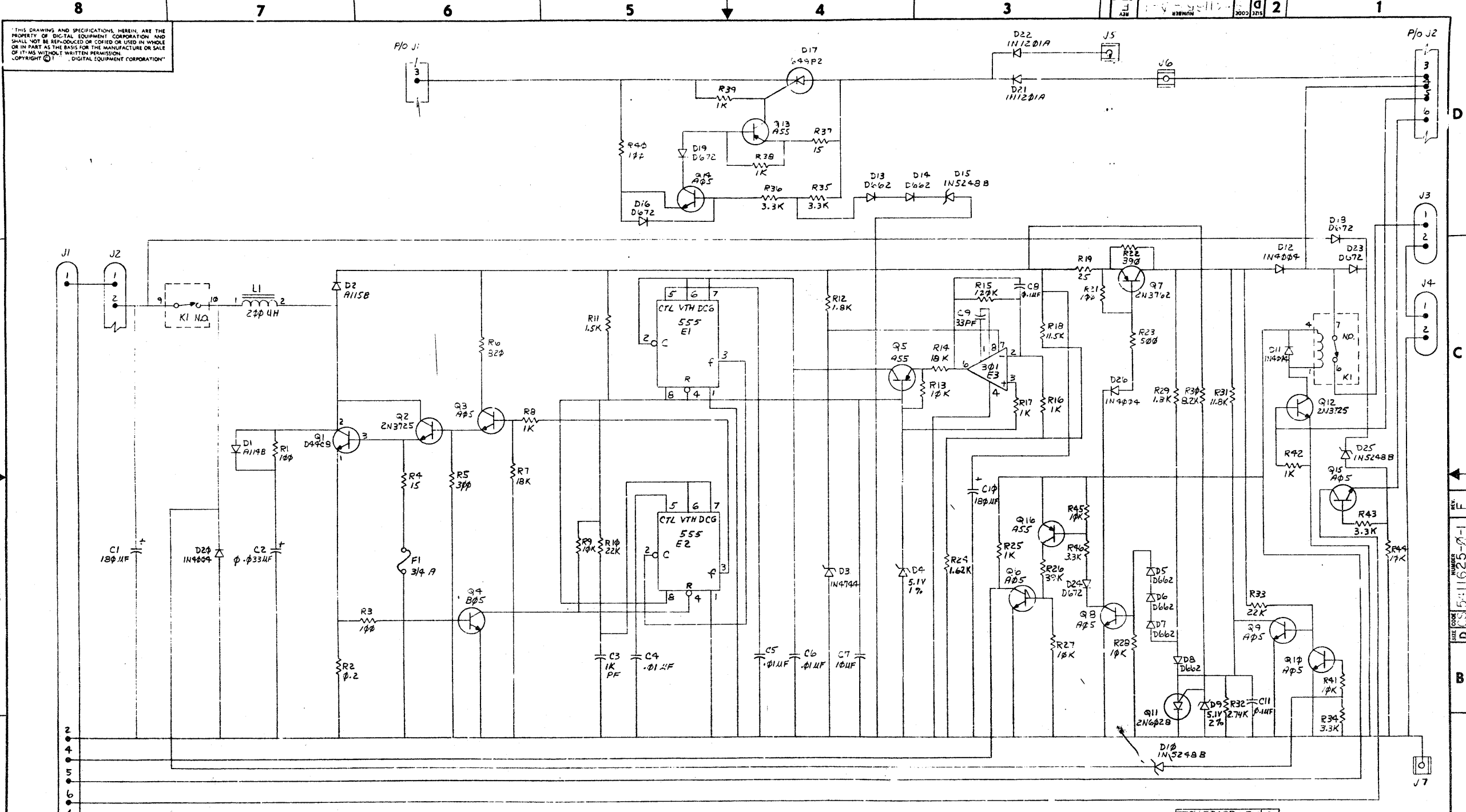
FOR MANUFACTURING PURPOSES ONLY

REVISIONS	CHANGE NO.	REV.
CHK	7011759-00001	A
	J. Chester 1-7-76	
	J.B. DAVIS JR.	
	7011759 TMO02 B	
	A. RUSCZYK 16-D-77-81	
	W. BAUSHA	
	U.S. Card 1/20/82	

FIRST USED ON OPTION/MODEL		SYM.	QTY.	DESCRIPTION	PART NO.	ITEM NO.
H775						
DIMENSIONAL TOLERANCE				PARTS LIST		
DIMENSIONS ARE INCHES UNLESS OTHERWISE SPECIFIED				DRN	DATE	
MILLIMETERS				CHKD	DATE	
X,XX ±0.10	XX ±.006	ANGLES		ENG.	DATE	
XX ±0.5	XX ±.02	30° 30'		PROJ. ENG.	DATE	
X ±.2	X ±.1			PROP.	DATE	
THIRD ANGLE PROJECTION	REMOVE BURRS AND BREAK SHARP CORNERS SURFACE QUALITY ✓			NEXT HIGHER ASSY.		
MATERIAL SEE PARTS LIST				E-UA-H775-00		
FINISH				SCALE 1/1		
				SHEET OF		
				DIST.		
				TITLE HARNESS, PC BOARD/ CKT. BREAKER		
				SIZE CODE NUMBER REV. CIA 7011759-0-0 B		

D
 C
 B
 B
 A

THIS DRAWING AND SPECIFICATIONS, HEREIN, ARE THE PROPERTY OF DIGITAL EQUIPMENT CORPORATION, AND SHALL NOT BE REPRODUCED OR COPIED OR USED IN WHOLE OR IN PART AS THE BASIS FOR THE MANUFACTURE OR SALE OF ANY MS WITHOUT WRITTEN PERMISSION.
 COPYRIGHT © 1971, DIGITAL EQUIPMENT CORPORATION

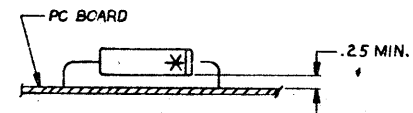


REV.	CHK	CHANGE NO.	DATE
1	C	5411625-00001	1-10-71
2	D	5411625-00002	1-10-71
3	E	5411625-ML003	2-15-71
4	F	5411625-TW004	2-15-71
5	G	5411625-11005	2-15-71

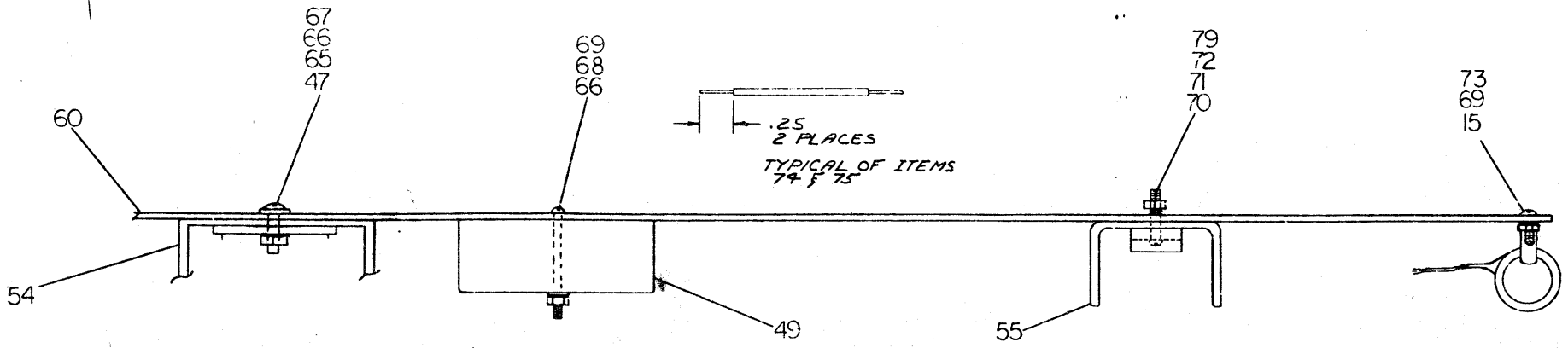
DESIGNED BY: A. BARON
 CHECKED BY: J. DAVIS
 DATE: 1-10-71

ETCH BOARD REV C		FIRST USED ON	
DRN 5411625-00001	2/1/71	H775	
CHK'D BY: J. DAVIS	2/1/71	TITLE	
ENG. BY: J. DAVIS	2/1/71	BATTERY CHARGER	
PROJ. ENG. BY: J. DAVIS	2/1/71	SIZE	CODE
NEXT HIGHER ASSY.		D-0A-5411625-0-1	NUMBER
SCALE		D	REV. F
SHEET 1	OF 1	DIST.	

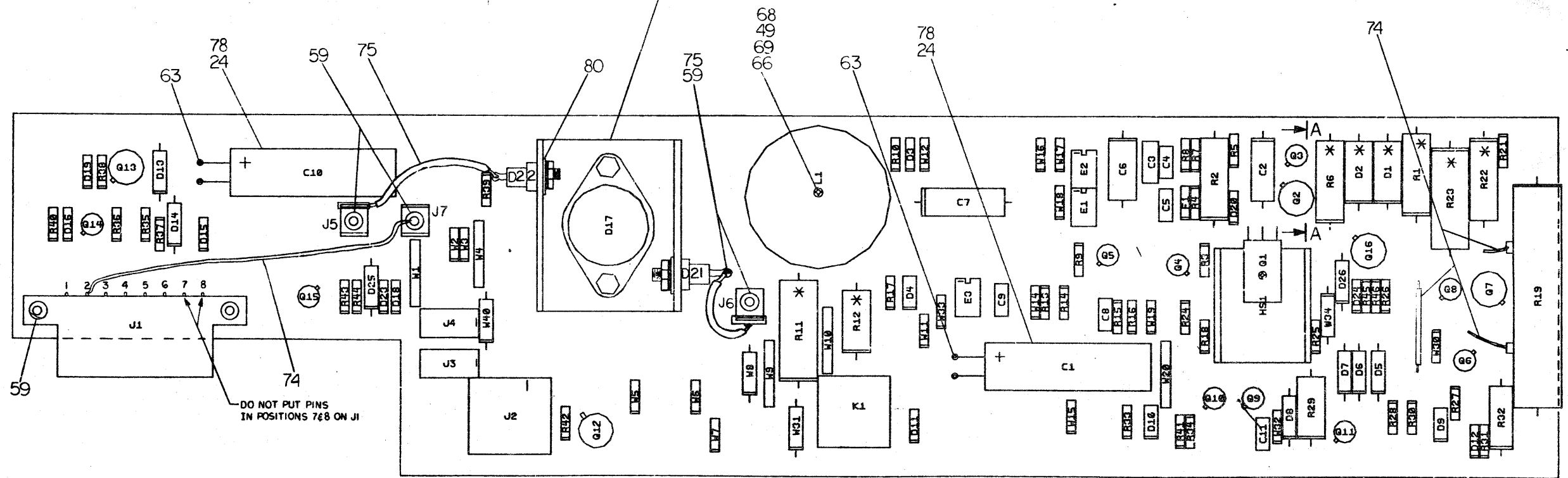
THIS DRAWING AND SPECIFICATIONS, HEREIN, ARE THE PROPERTY OF DIGITAL EQUIPMENT CORPORATION AND SHALL NOT BE REPRODUCED OR TRANSMITTED IN ANY FORM OR BY ANY MEANS, ELECTRONIC OR MECHANICAL, INCLUDING PHOTOCOPYING, RECORDING, OR BY ANY INFORMATION STORAGE AND RETRIEVAL SYSTEM, WITHOUT WRITTEN PERMISSION.
COPYRIGHT © 1975 DIGITAL EQUIPMENT CORPORATION



VIEW A-A
ALL ITEMS WITH * (R1, R6, R11, R12, R20, R22, R23)



SEE NOTE #1



NOTES: 1. NO THERMAL COMPOUND.

CHK	CHANGE	NO	REV	
5411625-000	C			
10/1/75				
G. FORTER				
P.J. SAUGES	D			
10/1/75				
A. DAVIS				
10/1/75				
C. BARON	E			
10/1/75				
A. BARON				
10/1/75				

SIGNATURES		DATE	digital
DRN <i>J. Forter</i>		SEP 15 1975	
CHK'D <i>J. Forter</i>		9/15/75	TITLE BATTERY CHARGER
ENG. <i>J. Forter</i>		9/15/75	
PROJ. ENG. <i>J. Forter</i>		9/15/75	SCALE 2:1 SHT. 1 OF 2
PROD. <i>J. Forter</i>		9/15/75	
ETCH REV C		FIRST USED ON	REV NUMBER DUA 5411625-0-0 F

THIS DRAWING AND SPECIFICATIONS HEREIN ARE THE PROPERTY OF DIGITAL EQUIPMENT CORPORATION AND SHALL NOT BE REPRODUCED OR COPIED OR USED IN WHOLE OR IN PART AS THE BASIS FOR THE MANUFACTURE OR SALE OF ANY ITEMS WITHOUT WRITTEN PERMISSION. COPYRIGHT © 1973 DIGITAL EQUIPMENT CORPORATION.

WIRE ADDS SIDE 2

- 4-1 BETWEEN J3-2 AND J4-1 WRAP WIRE (ITEM 74) AROUND LEADS THAT EXTEND THROUGH THE BOARD BEFORE SOLDERING
- 4-2 BETWEEN J3-1 AND K1-6 WRAP WIRE (ITEM 74) AROUND LEADS THAT EXTEND THROUGH THE BOARD BEFORE SOLDERING
- 4-3 BETWEEN J4-2 AND J7 WRAP WIRE (ITEM 74) AROUND J4-2 LEAD EXTENDING THROUGH THE BOARD BEFORE SOLDERING. LAY THE WIRE ON THE PAD OF J7 AND SOLDER.

D

C

B

A

REV F
NUMBER 5411625-0-0
DUA

REVISION HISTORY		
DATE	ECD NUMBER	REV

DOCUMENT NUMBER		
SIZE CODE	NUMBER	REV
DUA	5411625-0-0	F
SCALE NONE		SHEET 2 OF 2

TITLE
BATTERY CHARGER

LINE	ITEM	DOCUMENT NUMBER	PART NUMBER	DESCRIPTION	QTY	PER VARIATION	REFERENCE DESIGNATOR
1	1		1302380-00	100.0	2.0	W 5.0 %	CC 1 R1
2	2		1311604-00	.20	3.0	W 3.0 %	WW 1 R2
3	3		1300229-00	100.0	.25	W 5.0 %	CC 3 R3,R21,R40
4	4		1301421-00	15.0	.25	W 5.0 %	CC 2 R4,R37
5	5		1301425-00	300.0	.25	W 5.0 %	CC 1 R5
6	6		1301966-00	820.0	2.0	W10.0 %	CC 1 R6
7	7		1302465-00	18.0	K	.25 W 5.0 %	CC 2 R7,R14
8	8		1300365-00	1.0	K	.25 W 5.0 %	CC 7 R8,R16,R17,R25,R38,R39,R42
9	9		1300479-00	10.0	K	.25 W 5.0 %	CC 7 R9,R13,R27,R28,R41,R44,R45
10	10		1301808-00	22.0	K	.25 W 5.0 %	CC 2 R10,R33
11	11		1301897-00	1.50	K	5.0 W 5.0 %	WW 1 R11
12	12		1303122-00	1.80	K	1.0 W 5.0 %	CC 2 R12,R29
13	13		1302466-00	100.0	K	.25 W 5.0 %	CC 1 R15
14	14		1304862-00	1.62	K	.25 W 1.0 %	RN55D-F10 1 R24
15	15		1300190-00	25.0		25.0 W 1.0 %	WW 1 R19
16	16		1313593-00	11.80	K	.25 W 1.0 %	RN55D-F10 1 R31
17	17		1301864-00	390.0	2.0	W 5.0 %	CC 1 R22
18	18		1303169-00	500.0	5.0	W 5.0 %	WW 1 R23
19	19		1303179-00	8.20	K	.25 W 5.0 %	CC 2 R26,R30
20	20		1309415-00	11.50	K	.25 W 1.0 %	RN55D-F10 1 R18
21	21		1304868-00	2.74	K	.25 W 1.0 %	RN55D-F10 1 R32
22	22		1300439-00	3.30	K	.25 W 5.0 %	CC 5 R34,R35,R36,R43,R46
23	23		1005784-00	.01	MFD	100V 200V 10%	MYL 1 C6
24	24		1012607-02	180	MFD	50V+100-10%	AL EL 2 C1,C10
25	25		1000050-00	.033	MFD	100V 80V 10%	MYL 1 C2
26	26		1000042-00	1000.0	MMF	100V 5%200PPM	MICA 1 C3
27	27		1001610-01	.01	MFD	50/100V +80-20%	DISC 2 C4,C5
28	28		1004813-00	10	MFD	20V 10%	S.TANT 1 C7
29	29		1000030-00	.1	MFD	100V 20%	Z5U DISC 2 C8,C11
30	30		1000009-00	33.0	MMF	100V 5%200PPM	MICA 1 C9

REVISION HISTORY		BASIC PART NO: 5411625		DRN:	J. DAVIS	DATE:	03-APR-80	D I G I T A L		
ENG:	ECO NUMBER	REV	SECTION A OF A	CHK'D:	P. BOSSMAN	DATE:	03-APR-80	TITLE	PARTS LIST	
	INITIAL	F	SECTION VARIATION INDEX					BATTERY CHARGER		
BB	5411625-TW04A	F	[A] 00	DES.ENG:	J. DAVIS	DATE:	03-APR-80			
BB	5411625-TW004	F	[B]	RESP.ENG.:	J. DAVIS	DATE:	03-APR-80	DOCUMENT NUMBER		
BB	5411625-TW004	F	[C]					SIZE	CODE	NUMBER
WB	5411625-TW006	H	[D]	MFG.ENG.:	D. DEROME	DATE:	03-APR-80	K	PL	5411625-0-DBP
			[E]	ASSEMBLY NUMBER:		TOP DOCUMENT NUMBER:		FILE NAME:		EDIT #:
			[F]	D-UA-5411625-0-0		B-DD-5411625-0-0		Z1302H.PLS		21
			[H]							
			[J]							
			[K]							
			[L]							
			[M]							
			[N]							

"THIS DRAWING AND SPECIFICATIONS HEREIN, ARE THE PROPERTY OF DIGITAL EQUIPMENT CORPORATION AND SHALL NOT BE REPRODUCED OR COPIED OR USED IN WHOLE OR IN PART AS THE BASIS FOR THE MANUFACTURE OR SALE OF ITEMS WITHOUT WRITTEN PERMISSION. COPYRIGHT (C) 1982. DIGITAL EQUIPMENT CORPORATION "

LINE ITEM	DOCUMENT NUMBER	PART NUMBER	DESCRIPTION	QTY PER VARIATION 00	REFERENCE DESIGNATOR
31	31	1510421-00	D .44C8 NPN 30WT SI 60 20	1	Q1
32	32	1510959-00	2N 3725 NPN 3.5WC SI 50 60 P	2	Q2,Q12
33	33	1510705-00	XA 05 NPN 500MW SI 60 50 P	7	Q3,Q6,Q8,Q9,Q10,Q14,Q15
34	34	1510706-00	XA 55 PNP 500MW SI 60 50 P	3	Q5,Q13,Q16
35	35	1509649-01	3762 PNP 4W SI 40 35	1	Q7
36	36	1510877-00	2N 6028 UJT 300MW R67B	1	Q11
37	37	1112595-01	A114B PIV=200 I= 1A	1	D1
38	38	1112594-01	A115B PIV=200 I= 3A	1	D2
39	39	1105548-00	1N 4744 VZ= 15.0 10% 1W	1	D3
40	40	1105873-00	4M5-1AZ1 VZ= 5.1 1% .400W	1	D4
41	41	1100113-00	D 662 OS 600PCB(STABISTOR)	6	D5,D6,D7,D8,D13,D14
42	42	1110713-00	SZ710910 VZ= 5.1 2% M	1	D9
43	43	1105796-00	1N 4004 PIV=400 I= 1A D041 SP	4	D11,D12,D20,D26
44	44	1110766-00	1N 5248B VZ= 18.0 5% .50W	3	D15,D25,D10
45	45	1105275-00	D 672 TR= 15NS PIV= 60V SI	5	D16,D19,D18,D23,D24
46	46	1110006-00	1N 1201A PIV=150 I=12A D04 SY	2	D21,D22
47	47	1109465-00	MCR 649P2SCR@ 50V I=20A T041	1	D17
48	48	1210929-03	FUSE, SUB-MINI .750A, 125V, A	1	F1
49	49	1612500-00	200 UH 10% 1.4A	1	L1
50	50	1211138-01	RLY,G.P., 6V COIL,DPDT, 5A	1	K1
51	51	1211139-00	SKT,RELAY 10PIN	1	JK1
52	52	1211342-06	MATE-N-LOK 6PIN COMM HEADER	1	J2
53	53	1211342-02	MATE-N-LOK 2PIN COMM HEADER	2	J3,J4
54	54	1212645-00	HEAT SINK,BATT BACKUP,1.5X1.5X1.	1	HS2
55	55	1212487-00	HEAT SINK,1"X1.18X.5",XSISTOR&SC	1	HS1
56	56	1911944-00	555CN TIMER,FUNCT.BLOCK	2	E1,E2
57	57	1910282-00	301AN OP AMP	1	E3
58	58	9008219-00	TERM,TAB .250TAB .130STUD MN	1	J6
59	59	9009000-00	EYELET,ROLL FLANGE .1210DX .156	5	
60	60	5011624-00	54-11625	1	
61	61	1209340-00	MATE-N-LOK 8POS COMM HSG,SKT	1	J1
62	62	1209456-01	MATE-N-LOK SKT COMM PC MTG LOOSE	6	
63	63	9009118-03	TERM PCB 1POS SOLDER	4	
64	64	9007113-00	TERM QUICK .130DIA .250TAB BR/T	2	J5,J7
65	65	9006024-01	SCREW,PAN,PHIL 6-32X 1/2 SS	2	
66	66	9006653-00	WASHER, FLAT, .375 O.D. X .156 I	3	
67	67	9008185-00	NUT,KEP 6-32X 1/4 AF	2	
68	68	9007853-01	SCREW,PAN,PHIL 6-32X1-1/8 SS	1	
69	69	9006560-00	NUT,KEP 6-32X 5/16AF	3	
70	70	9006010-01	SCREW,PAN,PHIL 4-40X 5/16 SS	1	
71	71	9006655-00	WASHER, FLAT, .312 O.D. X .125 I	1	
72	72	9006557-00	NUT,KEP 4-40X 1/4 AF	1	
73	73	9006020-01	SCREW,PAN,PHIL 6-32X 1/4 SS	2	
74	74	9107350-99	WIRE,STRND,22AWG,IPVC UL1429	A/R	
75	75	9107360-22	WIRE,STRND,18AWG,IPVC UL1429	A/R	
76	76	1510705-01	B 05 NPN 500MW SI 60 50	1	Q4
77	77	9007970-00	TERM,QUICK .300TAB CRIMP 18-2	2	
78	78	9007834-00	TAPE, DOUBLE COATED, 1/2" WIDE,	A/R	

D	I	G	I	T	A	L	TITLE	BATTERY CHARGER	SECTION A	OF A	SIZE	CODE	DOCUMENT NUMBER	REV
											K	PL	5411625-0-DBP	H

LINE ITEM	DOCUMENT NUMBER	PART NUMBER	DESCRIPTION	QTY PER VARIATION 00	REFERENCE DESIGNATOR
79	79	9008268-00	COMPOUND, THERMAL JOINT	A/R	
80	80	9006664-00	WASHER, FLAT, .437 OD X .218 ID	2	
81	81	D-CS-5411625-0-1	MODULE H775	REF	
82	82	D-AH-5411625-0-5	ASSY/DRILLING HOLE LAYOUT	REF	
83	83	BLANK		0	
84	84	9009185-00	JUMPER, WIRE, INSULATED, BLACK B	23	W1-W12, W14-W20, W30, W31, W34, W40
85	85	BLANK	*** THIS ITEM IS NOT USED ***	-	

D	I	G	I	T	A	L	TITLE	BATTERY CHARGER	SECTION A OF A	SIZE	CODE	DOCUMENT NUMBER	REV
										K	PL	5411625-0-DBP	H