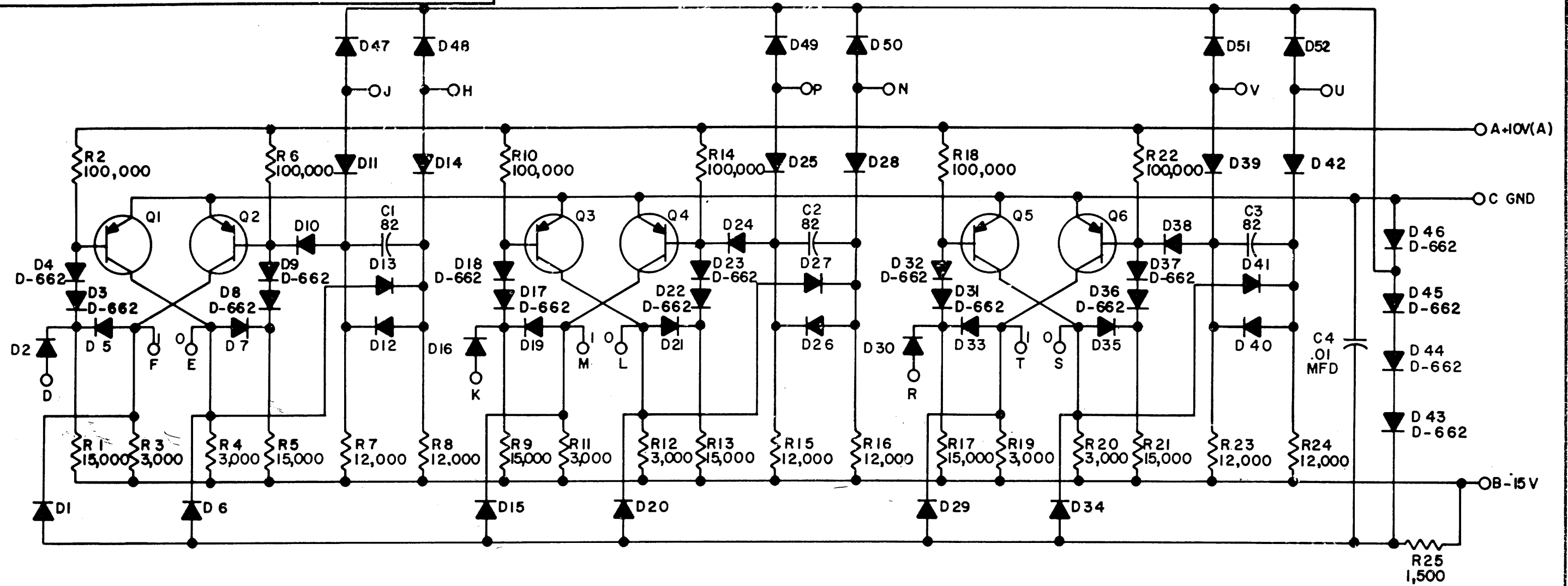


THIS SCHEMATIC IS FURNISHED ONLY FOR TEST AND MAINTENANCE PURPOSES. THE CIRCUITS ARE PROPRIETARY IN NATURE AND SHOULD BE TREATED ACCORDINGLY. COPYRIGHT 1965 BY DIGITAL EQUIPMENT CORPORATION



UNLESS OTHERWISE INDICATED:
 RESISTORS ARE 1/4W; 5%
 CAPACITORS ARE MMFD
 DIODES ARE D-664
 TRANSISTORS ARE DEC 3639C

USE THE ETCH BOARD OF THE R203



REVISIONS	CHK	CHG NO.	REV.	TITLE	TRANSISTOR & DIODE CONVERSION CHART					TRIPLE FLIP-FLOP S203					
	DAW	4990	I		DEC	EIA	DEC	EIA		SIZE	CODE	NUMBER	REV.		
	REV. BY	5468	B		DEC3639C	2N3639				B	CS	S203-0-1	C		
	REV. BY	6494	C		D662	IN645				PRINTED CIRCUIT REV. D					
				ENG.	R. SOGGE	DATE	6-18-65	D664	IN3606			MAYNARD, MASSACHUSETTS			
				PROD.		DATE									