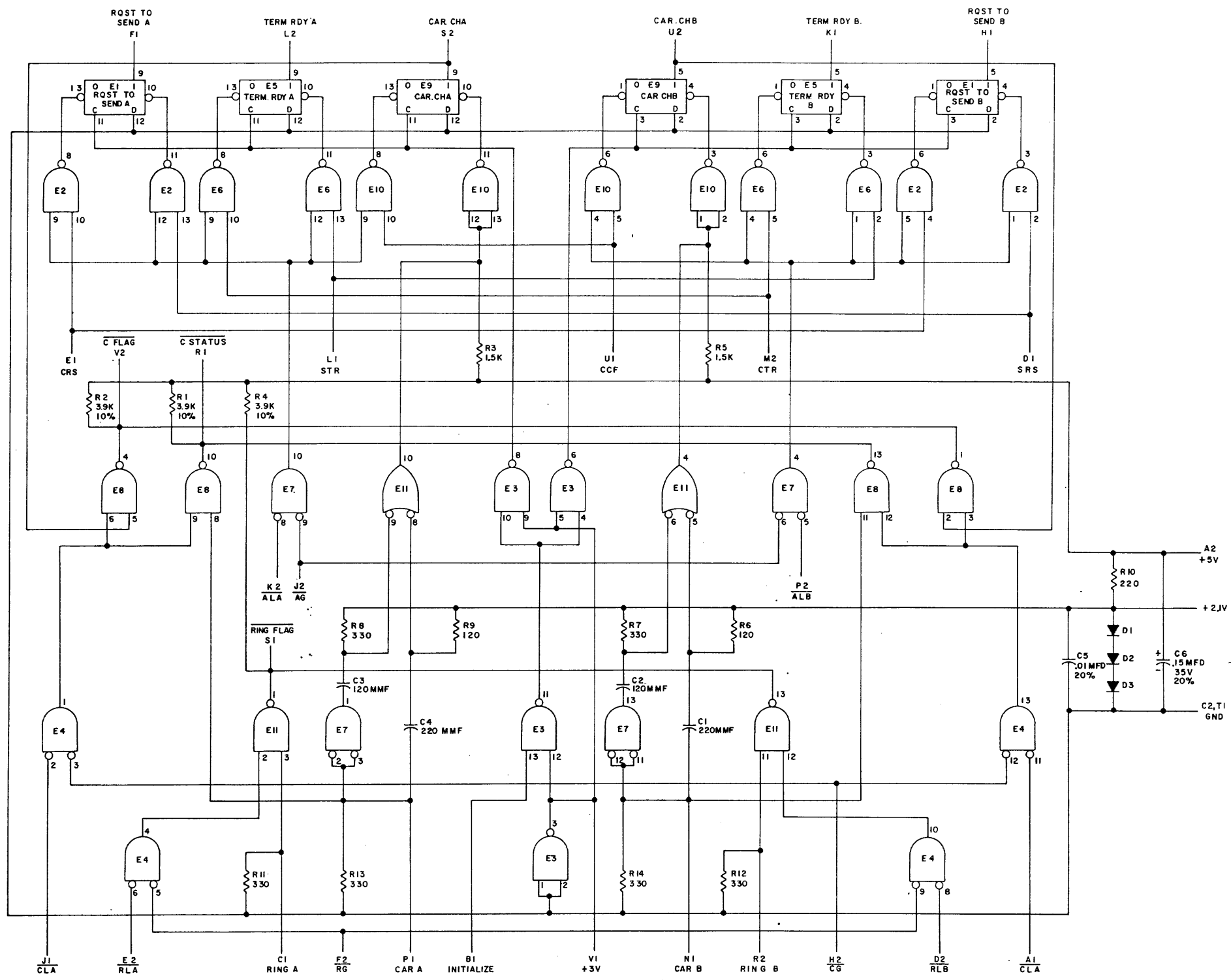


THIS SCHEMATIC IS FURNISHED ONLY FOR TEST AND MAINTENANCE PURPOSES. THE CIRCUITS ARE PROPRIETARY IN NATURE AND SHOULD BE TREATED ACCORDINGLY. COPYRIGHT 1969 BY DIGITAL EQUIPMENT CORPORATION



UNLESS OTHERWISE INDICATED
PIN 7 ON EACH IC = GND
PIN 14 ON EACH IC = +5V
E1, E5, E9 ARE DEC7474N
E4, E7, ARE DEC7402N
E8, E11 ARE DEC7401N
E2, E3, E6, E10 ARE DEC7400N
DIODES ARE D662
RESISTORS ARE 1/4W, 5%
CAPACITORS ARE 100V 5%

REV	NO	DATE	BY
1	0001		C

DRN	DATE	TRANSISTOR & DIODE CONVERSION CHART
		DEC EIA
		DEC EIA

	TITLE		
	ASYNC MODEM LINE CONTROL		
EQUIPMENT CORPORATION BAYSHIRE, MASSACHUSETTS	SIZE	CODE	NUMBER
	D	CS	M753-0-1
	REV.	C	
	PRINTED CIRCUIT REV.	B	

REV. C
M753-0-1