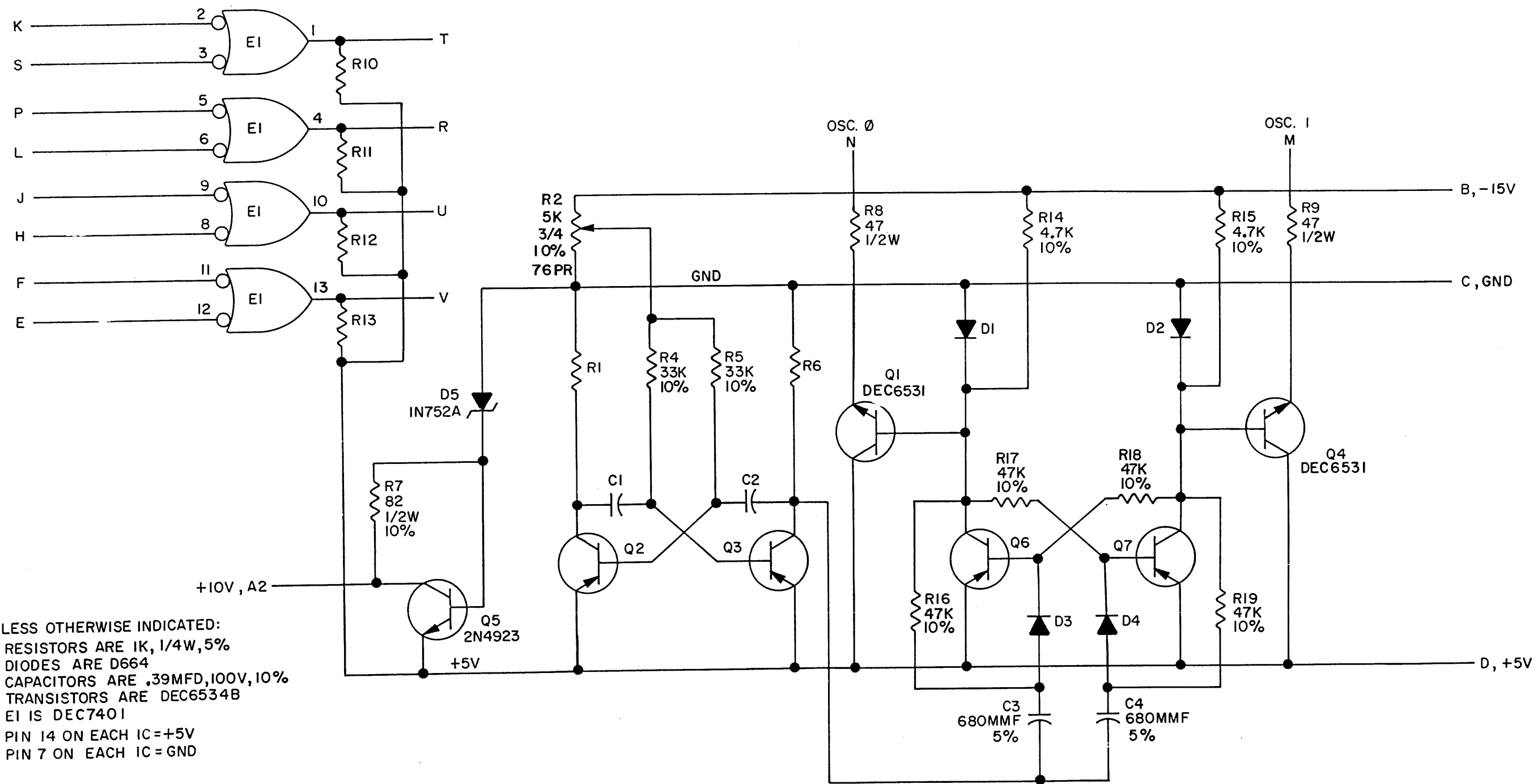


THIS SCHEMATIC IS FURNISHED ONLY FOR TEST AND MAINTENANCE PURPOSES. THE CIRCUITS ARE PROPRIETARY IN NATURE AND SHOULD BE TREATED ACCORDINGLY. COPYRIGHT 1969 BY DIGITAL EQUIPMENT CORPORATION



UNLESS OTHERWISE INDICATED:  
 RESISTORS ARE 1K, 1/4W, 5%  
 DIODES ARE D664  
 CAPACITORS ARE .39MFD, 100V, 10%  
 TRANSISTORS ARE DEC6534B  
 EI IS DEC7401  
 PIN 14 ON EACH IC = +5V  
 PIN 7 ON EACH IC = GND

| REVISIONS | CHK | CHG NO. | REV. |
|-----------|-----|---------|------|
|           |     | 00001   | A    |
|           |     | 00002   | B    |
|           |     | 00003   | C    |

|                 |               |
|-----------------|---------------|
| DRN. BUTLER     | DATE 11-13-69 |
| CHK'D           | DATE 1/17/69  |
| ENG. E. Lutting | DATE 1/24/69  |
| PROD.           | DATE          |

| TRANSISTOR & DIODE CONVERSION CHART |  |          |  |
|-------------------------------------|--|----------|--|
| DEC                                 |  | EIA      |  |
| D664                                |  | IN3606   |  |
| DEC6534B                            |  | MPS6534B |  |
| DEC6531                             |  | MPS6531  |  |
| 2N4923                              |  | SAME     |  |

**digital**  
 EQUIPMENT CORPORATION  
 MAYNARD, MASSACHUSETTS

|                                 |         |                 |        |
|---------------------------------|---------|-----------------|--------|
| TITLE<br>CLOCK & REGULATOR G859 |         |                 |        |
| SIZE B                          | CODE CS | NUMBER G859-0-1 | REV. C |
| PRINTED CIRCUIT REV. A          |         |                 |        |