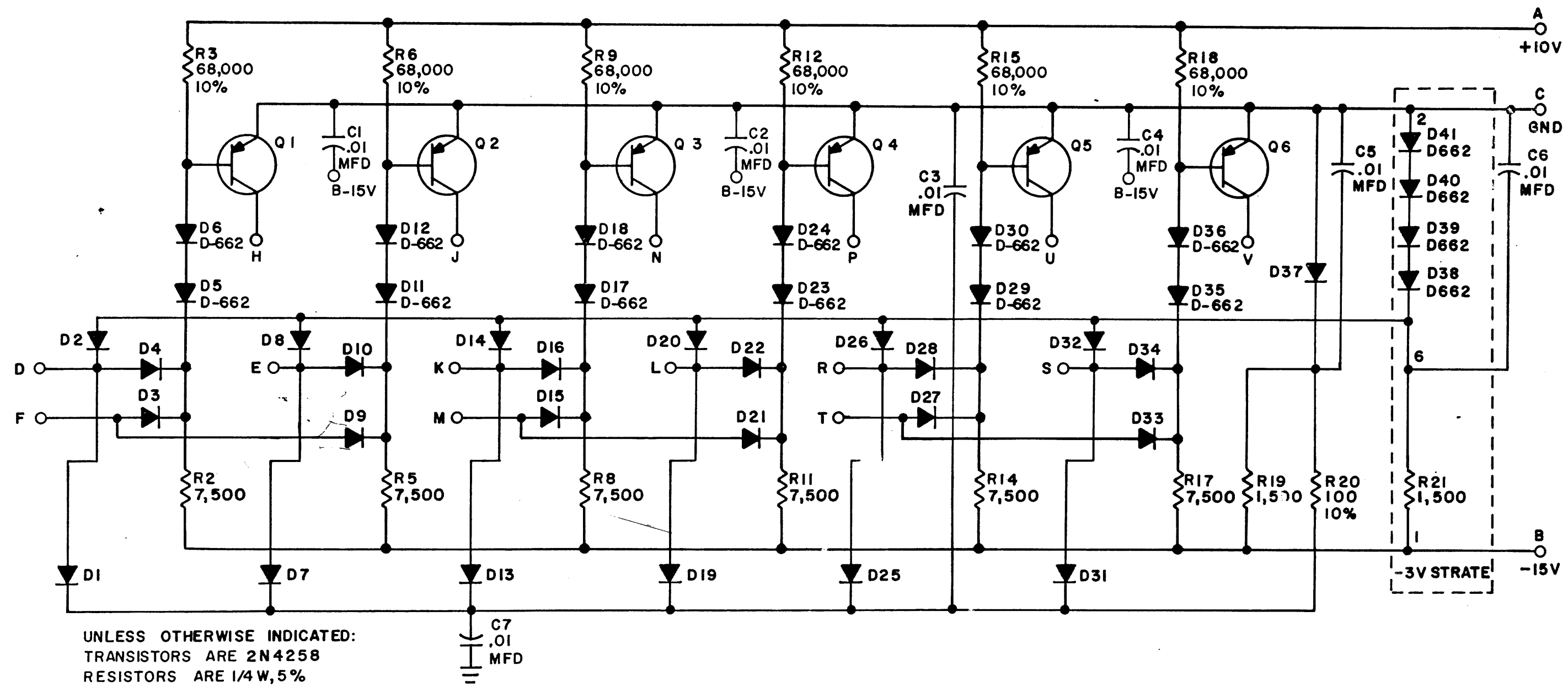


THIS SCHEMATIC IS FURNISHED ONLY FOR TEST AND MAINTENANCE PURPOSES. THE CIRCUITS ARE PROPRIETARY IN NATURE AND SHOULD BE TREATED ACCORDINGLY. COPYRIGHT 1966 BY DIGITAL EQUIPMENT CORPORATION



UNLESS OTHERWISE INDICATED:
 TRANSISTORS ARE 2N4258
 RESISTORS ARE 1/4 W, 5%
 DIODES ARE D-664



REV. NO.	CHG. NO.	REV.
A	5913	
B	5991	
C		
D	6212	

DRN <i>R. Silverman</i>	DATE 9-30-66
CHK'D <i>R. Silverman</i>	DATE 10/3/66
ENG. <i>Allan Kent</i>	DATE 4 Oct 66
PROD.	DATE

TRANSISTOR & DIODE CONVERSION CHART			
DEC		EIA	
2N4258		2N4258	
D662		IN645	
D664		IN3606	

digital
 EQUIPMENT CORPORATION
 MAYNARD, MASSACHUSETTS

TITLE DIODE GATE B163			
SIZE B	CODE CS	NUMBER B163-0-1	REV. D
PRINTED CIRCUIT REV.			D