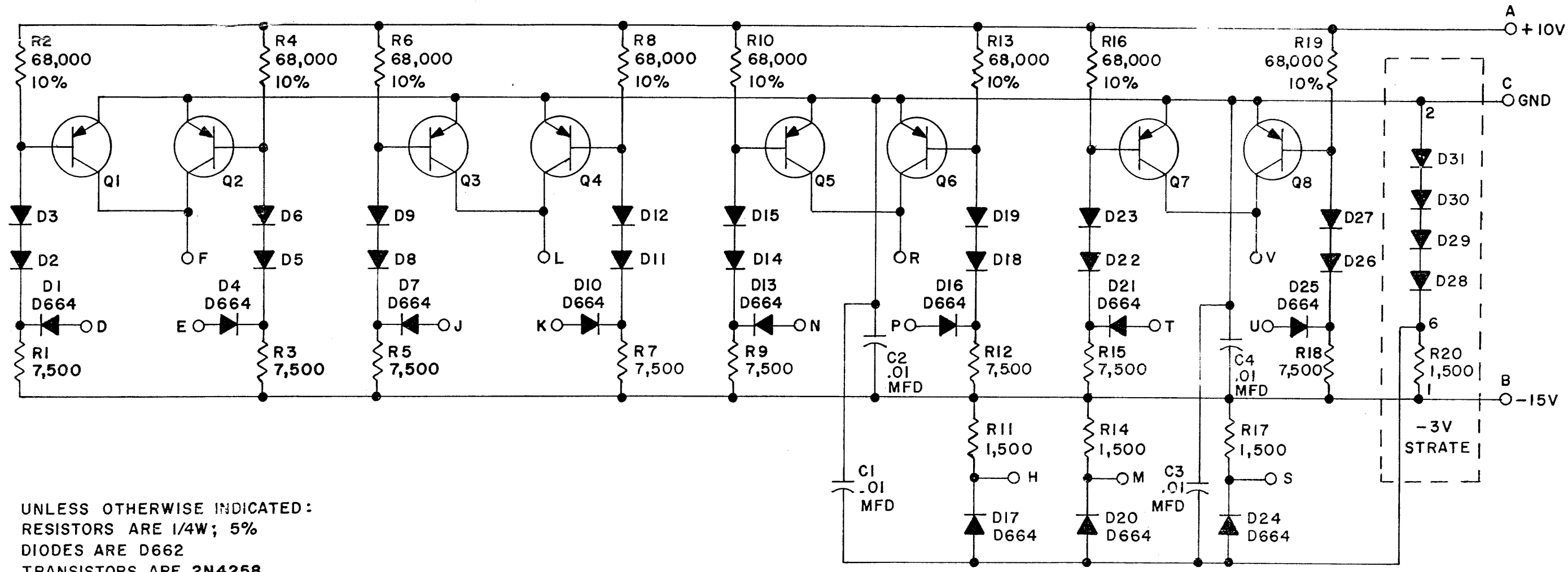


THIS SCHEMATIC IS FURNISHED ONLY FOR TEST AND MAINTENANCE PURPOSES. THE CIRCUITS ARE PROPRIETARY IN NATURE AND SHOULD BE TREATED ACCORDINGLY. COPYRIGHT 1966 BY DIGITAL EQUIPMENT CORPORATION



UNLESS OTHERWISE INDICATED:
 RESISTORS ARE 1/4W; 5%
 DIODES ARE D662
 TRANSISTORS ARE 2N4258

 < >

REVISIONS	CHK CHG NO. REV.	DRN. <i>M. Haller</i>	DATE <i>10-19-66</i>	TRANSISTOR & DIODE CONVERSION CHART				digital	TITLE			REV.
	5916 A			CHK'D <i>R. Salomon</i>	DATE <i>11-1-66</i>	DEC	EIA		DEC	EIA	DIODE GATE B134	
		ENG. <i>Allan Kent</i>	DATE <i>21 Oct 66</i>	D662	2N4258			EQUIPMENT CORPORATION	SIZE	CODE	NUMBER	A
		PROD.	DATE	D664	1N645				B	CS	B134-0-1	
								MAYNARD, MASSACHUSETTS	PRINTED CIRCUIT REV. B			