

" THE MATERIAL HEREIN IS FOR INFORMATION PURPOSES ONLY AND IS SUBJECT TO CHANGE WITHOUT NOTICE. DIGITAL EQUIPMENT CORPORATION ASSUMES NO RESPONSIBILITY FOR ANY ERRORS WHICH MAY APPEAR HEREIN."

# TABLE OF CONTENTS

" THIS DRAWING AND SPECIFICATIONS, HEREIN, ARE THE PROPERTY OF DIGITAL EQUIPMENT CORPORATION AND SHALL NOT BE REPRODUCED OR COPIED OR USED IN WHOLE OR IN PART AS THE BASIS FOR THE MANUFACTURE OR SALE OF ITEMS WITHOUT WRITTEN PERMISSION." COPYRIGHT © 1982 DIGITAL EQUIPMENT CORPORATION.

## FIELD MAINTENANCE PRINT SET

B-TC-RX50-0-1	FIELD MAINTENANCE PRINT SET (RX50)
E-UA-RX50-0-DBU	RX50 DUAL FLOPPY DISK DRIVE
K-PL-RX50-0-DBP	RX50 DUAL FLOPPY DISK DRIVE (PL)
B-DD-RX50-0	DRAWING DIRECTORY (RX50)
D-CS-5415066-0-1	SEEK/INTERFACE BOARD
D-CS-5415111-0-1	READ/WRITE BOARD
D-CS-5415074-0-1	SPINDLE MOTOR SPEED CONTROL BOARD
C-1A-7018834-0-DBU	CABLE ASSY. WRITE/PROTECT
C-1A-7018835-0-DBU	CABLE ASSY., INDEX
C-1A-7018418-0-DBU	CABLE ASSY., R/W
B-1A-7018933-0-DBU	CABLE ASSY., SOLENIOD
B-1A-7018931-0-DBU	CABLE ASSY., TRACK-O-SENSOR
B-1A-7019041-0-DBU	CABLE ASSY., BEZEL LED

UNIT VARIATIONS COVERED BY THIS PRINT SET

RX50-AA

RX50  
FIELD MAINTENANCE  
PRINT SET

DIGITAL EQUIPMENT  
CORPORATION

PRINT SET PART NUMBER MP-01482

REVISIONS	REV.	INITIAL
	CHANGE NO.	
CHK		

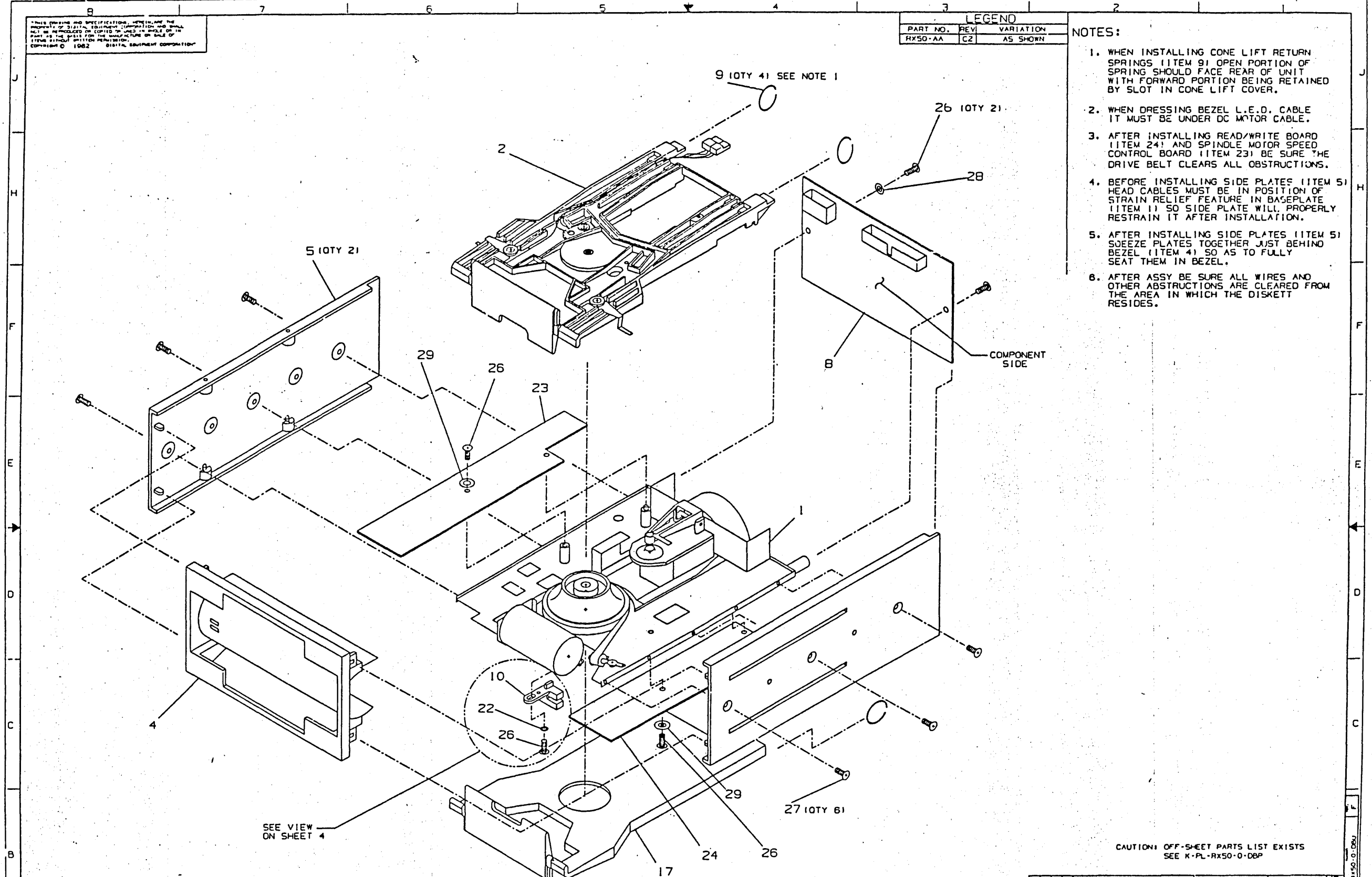
USED ON OPTION/MODEL	DRN.	DATE	TITLE
RX50-AA	G. MACKENZIE	7/13/82	FIELD MAINT. PRINT SET (RX50)
	CHK'D	DATE	
	M. CARMAN	7/13/82	
	PROJ. ENG.	DATE	
	M. CARMAN	7/13/82	
	FIELD SERV.	DATE	
	R. AYRES	7/13/82	
SHEET OF 1	SIZE CODE	NUMBER	REV.
	B TC	RX50-0-DBU	A
	DIST.		

digital

THIS DRAWING AND SPECIFICATIONS HERETO, ARE THE PROPERTY OF DIGITAL EQUIPMENT CORPORATION AND SHALL NOT BE REPRODUCED OR COPIED IN WHOLE OR IN PART AS THE BASIS FOR THE MANUFACTURE OR SALE OF ITEMS WITHOUT WRITTEN PERMISSION.  
COPYRIGHT © 1982 DIGITAL EQUIPMENT CORPORATION

LEGEND		
PART NO.	REV.	VARIATION
RX50-AA	C2	AS SHOWN

- NOTES:
- WHEN INSTALLING CONE LIFT RETURN SPRINGS (ITEM 9) OPEN PORTION OF SPRING SHOULD FACE REAR OF UNIT WITH FORWARD PORTION BEING RETAINED BY SLOT IN CONE LIFT COVER.
  - WHEN DRESSING BEZEL L.E.D. CABLE IT MUST BE UNDER DC MOTOR CABLE.
  - AFTER INSTALLING READ/WRITE BOARD (ITEM 24) AND SPINDLE MOTOR SPEED CONTROL BOARD (ITEM 23) BE SURE THE DRIVE BELT CLEARS ALL OBSTRUCTIONS.
  - BEFORE INSTALLING SIDE PLATES (ITEM 5) HEAD CABLES MUST BE IN POSITION OF STRAIN RELIEF FEATURE IN BASEPLATE (ITEM 1) SO SIDE PLATE WILL PROPERLY RESTRAIN IT AFTER INSTALLATION.
  - AFTER INSTALLING SIDE PLATES (ITEM 5) SQUEEZE PLATES TOGETHER JUST BEHIND BEZEL (ITEM 4) SO AS TO FULLY SEAT THEM IN BEZEL.
  - AFTER ASSY BE SURE ALL WIRES AND OTHER ABSTRUCTIONS ARE CLEARED FROM THE AREA IN WHICH THE DISKETT RESIDES.



CAUTION: OFF-SHEET PARTS LIST EXISTS  
SEE K-PL-RX50-0-DBP

REV.	DATE	BY	CHKD.	DESCRIPTION
1	11/11/81	A		
2	11/50 5/001	B		
3	G. CHANTON 8/21/83			
4	DALE WILLIAMS			
5	RX50 5-002	C		
6	C.R.FIELDS 8/30/84			
7	DALE WILLIAMS			
8	11/50 5/003	D		
9	C.R.FIELDS 10/11/85			
10	DALE WILLIAMS			
11	11/50 9/074	E		
12	J. ANDRIO 4/30/85			
13	JENNIS PALERAZA			
14	11/50 14007	F		
15	C.R.FIELDS 2-24-86			
16	DALE WILLIAMS			

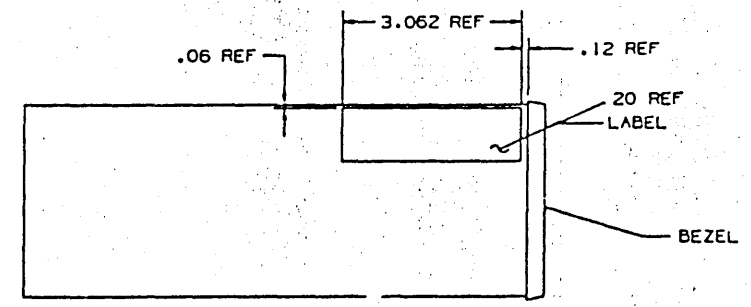
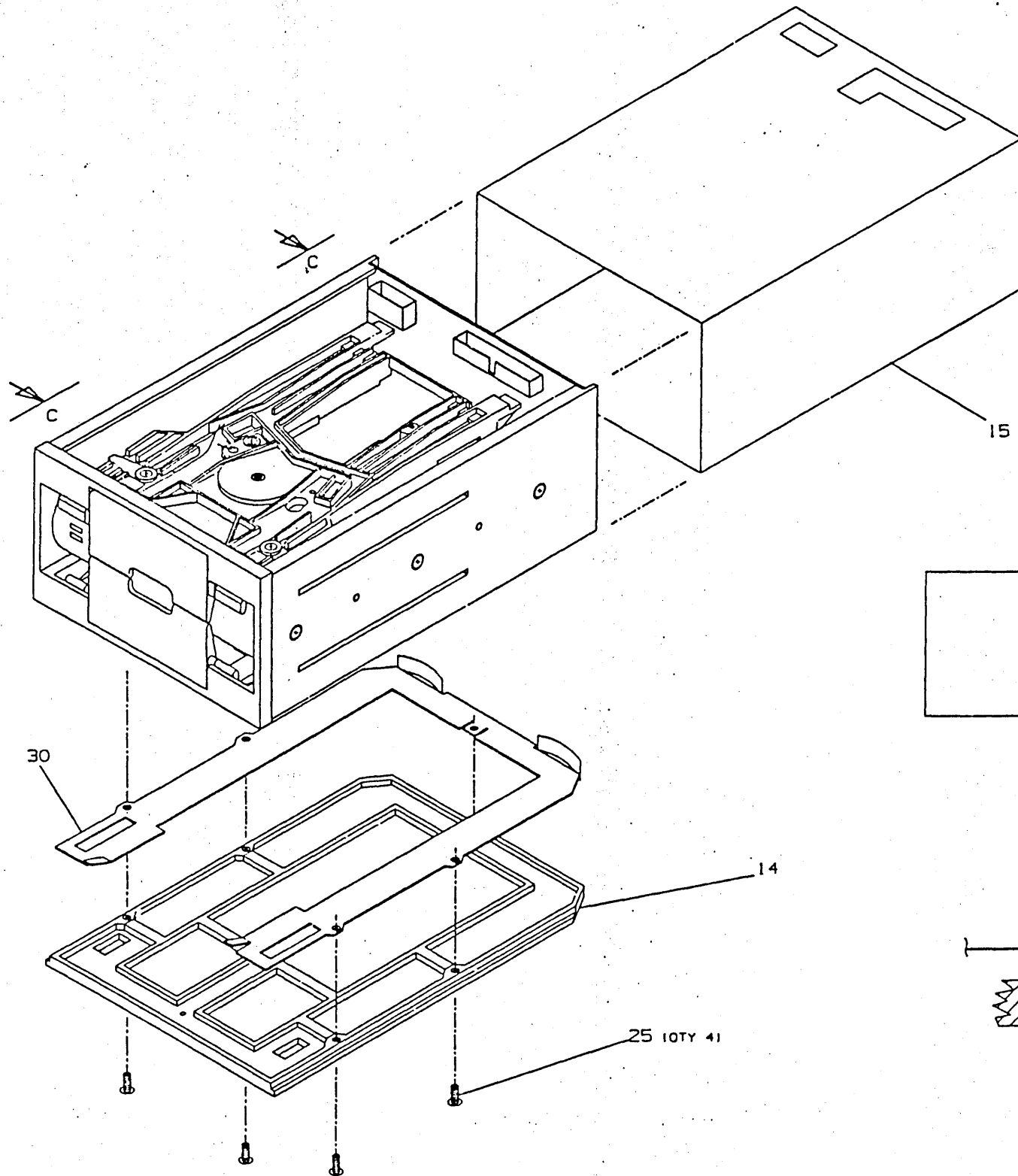
DESCRIPTION		DRAWING NO.	PART NO.	REV.
UNLESS OTHERWISE SPECIFIED DIMENSIONS ARE IN INCHES AND THE FOLLOWING TOLERANCES APPLY (PER DEC STD 1144)				
DIMENSION RANGE IN INCHES				
0.000 - 0.250	±0.004			
0.250 - 0.499	±0.005			
0.500 - 0.999	±0.007			
1.000 - 1.999	±0.010			
2.000 - 4.999	±0.015			
5.000 - 9.999	±0.020			
10.000 - 19.999	±0.030			
20.000 - 49.999	±0.040			
50.000 - 99.999	±0.050			
100.000 - 199.999	±0.060			
200.000 - 499.999	±0.070			
500.000 - 999.999	±0.080			
1000.000 - 1999.999	±0.090			
2000.000 - 4999.999	±0.100			
5000.000 - 9999.999	±0.120			
10000.000 - 19999.999	±0.150			
20000.000 - 49999.999	±0.180			
50000.000 - 99999.999	±0.200			
100000.000 - 199999.999	±0.250			
200000.000 - 499999.999	±0.300			
500000.000 - 999999.999	±0.350			
1000000.000 - 1999999.999	±0.400			
2000000.000 - 4999999.999	±0.450			
5000000.000 - 9999999.999	±0.500			
10000000.000 - 19999999.999	±0.600			
20000000.000 - 49999999.999	±0.700			
50000000.000 - 99999999.999	±0.800			
100000000.000 - 199999999.999	±0.900			
200000000.000 - 499999999.999	±1.000			
500000000.000 - 999999999.999	±1.100			
1000000000.000 - 1999999999.999	±1.200			
2000000000.000 - 4999999999.999	±1.300			
5000000000.000 - 9999999999.999	±1.400			
10000000000.000 - 19999999999.999	±1.500			
20000000000.000 - 49999999999.999	±1.600			
50000000000.000 - 99999999999.999	±1.700			
100000000000.000 - 199999999999.999	±1.800			
200000000000.000 - 499999999999.999	±1.900			
500000000000.000 - 999999999999.999	±2.000			
1000000000000.000 - 1999999999999.999	±2.100			
2000000000000.000 - 4999999999999.999	±2.200			
5000000000000.000 - 9999999999999.999	±2.300			
10000000000000.000 - 19999999999999.999	±2.400			
20000000000000.000 - 49999999999999.999	±2.500			
50000000000000.000 - 99999999999999.999	±2.600			
100000000000000.000 - 199999999999999.999	±2.700			
200000000000000.000 - 499999999999999.999	±2.800			
500000000000000.000 - 999999999999999.999	±2.900			
1000000000000000.000 - 1999999999999999.999	±3.000			
2000000000000000.000 - 4999999999999999.999	±3.100			
5000000000000000.000 - 9999999999999999.999	±3.200			
10000000000000000.000 - 19999999999999999.999	±3.300			
20000000000000000.000 - 49999999999999999.999	±3.400			
50000000000000000.000 - 99999999999999999.999	±3.500			
100000000000000000.000 - 199999999999999999.999	±3.600			
200000000000000000.000 - 499999999999999999.999	±3.700			
500000000000000000.000 - 999999999999999999.999	±3.800			
1000000000000000000.000 - 1999999999999999999.999	±3.900			
2000000000000000000.000 - 4999999999999999999.999	±4.000			
5000000000000000000.000 - 9999999999999999999.999	±4.100			
10000000000000000000.000 - 19999999999999999999.999	±4.200			
20000000000000000000.000 - 49999999999999999999.999	±4.300			
50000000000000000000.000 - 99999999999999999999.999	±4.400			
100000000000000000000.000 - 199999999999999999999.999	±4.500			
200000000000000000000.000 - 499999999999999999999.999	±4.600			
500000000000000000000.000 - 999999999999999999999.999	±4.700			
1000000000000000000000.000 - 1999999999999999999999.999	±4.800			
2000000000000000000000.000 - 4999999999999999999999.999	±4.900			
5000000000000000000000.000 - 9999999999999999999999.999	±5.000			

RX50 UNIT ASSY

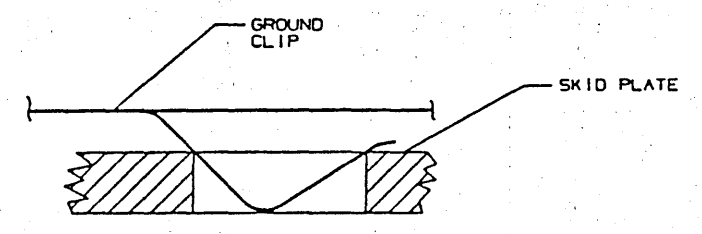
REV.	DATE	BY	CHKD.	DESCRIPTION
1	11/11/81	A		
2	11/50 5/001	B		
3	G. CHANTON 8/21/83			
4	DALE WILLIAMS			
5	RX50 5-002	C		
6	C.R.FIELDS 8/30/84			
7	DALE WILLIAMS			
8	11/50 5/003	D		
9	C.R.FIELDS 10/11/85			
10	DALE WILLIAMS			
11	11/50 9/074	E		
12	J. ANDRIO 4/30/85			
13	JENNIS PALERAZA			
14	11/50 14007	F		
15	C.R.FIELDS 2-24-86			
16	DALE WILLIAMS			

THIS DRAWING AND SPECIFICATIONS, HEREIN, ARE THE PROPERTY OF DIGITAL EQUIPMENT CORPORATION AND SHALL NOT BE REPRODUCED OR COPIED IN WHOLE OR IN PART AS THE BASIS FOR THE MANUFACTURE OF BULK OR TYPE WITHOUT WRITTEN PERMISSION.  
 COPYRIGHT © 1982 DIGITAL EQUIPMENT CORPORATION

RX50-0-DBU (REV 13)



VIEW C-C  
 LABEL PLACEMENT

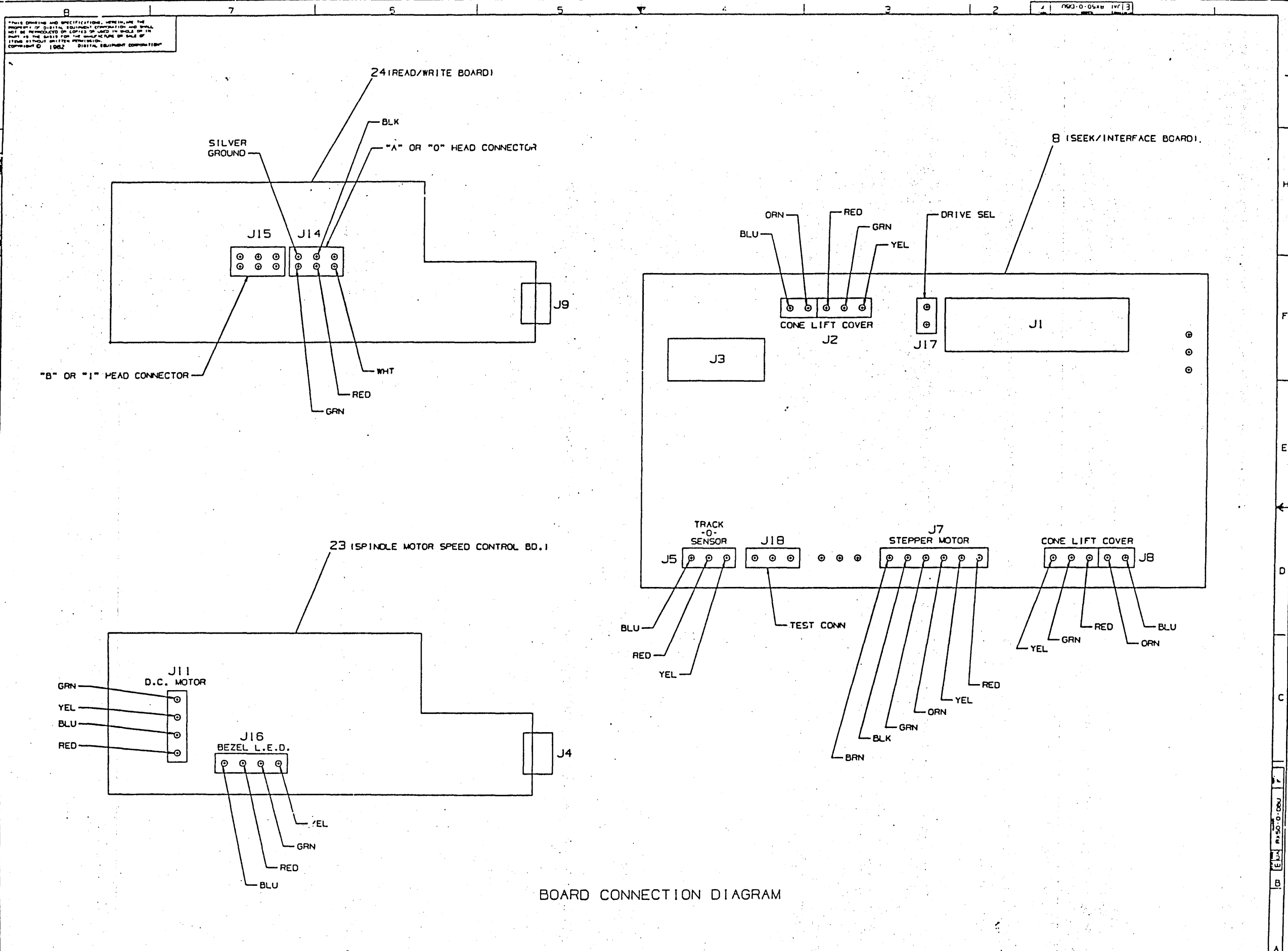


DETAIL OF HOW  
 GROUND CLIP FITS  
 INTO SKID PLATE

REVISION HISTORY		
DATE	ECO HISTORY	BY
SEE SHEET 1		

TITLE		DOCUMENT NUMBER	
DESCRIPTION	NUMBER	REV	REV
RX50 UNIT ASSY	EJUN RX50-0-DBU	F	4

EJUN RX50-0-DBU

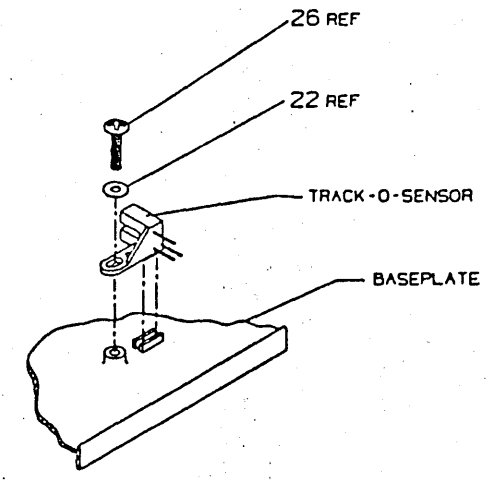


BOARD CONNECTION DIAGRAM

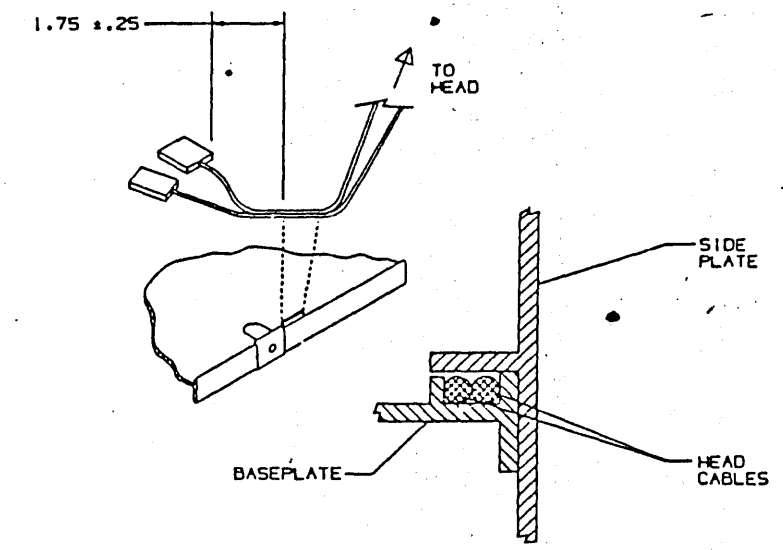
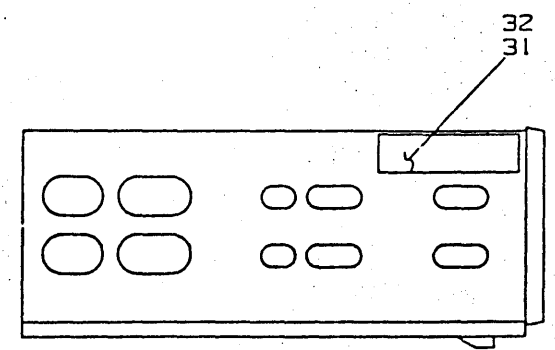
REVISION HISTORY		
DATE	REQ. HISTORY	REV.
SEE SHEET 1		

THIS DRAWING AND SPECIFICATIONS, WHEN USED IN CONNECTION WITH THE  
 PROPERTY OF DIGITAL EQUIPMENT CORPORATION AND SHALL  
 NOT BE REPRODUCED OR COPIED OR USED IN WHOLE OR IN  
 PART AS THE BASIS FOR THE MANUFACTURE OR SALE OF  
 ITEMS WITHOUT WRITTEN PERMISSION.  
 COPYRIGHT © 1982 DIGITAL EQUIPMENT CORPORATION

1100-0-05A8 NR 3



MOUNTING POSITION FOR TRACK-O-SENSOR



HEAD CABLE STRAIN RELIEF

REVISION HISTORY		
DATE	ECO NUMBER	DESCRIPTION
SEE SHEET 1		

TITLE RX50 UNIT ASSY

DOCUMENT NUMBER			
SYMBOL	NUMBER	REV	DATE
EUA	RX50-0-DBU	F	

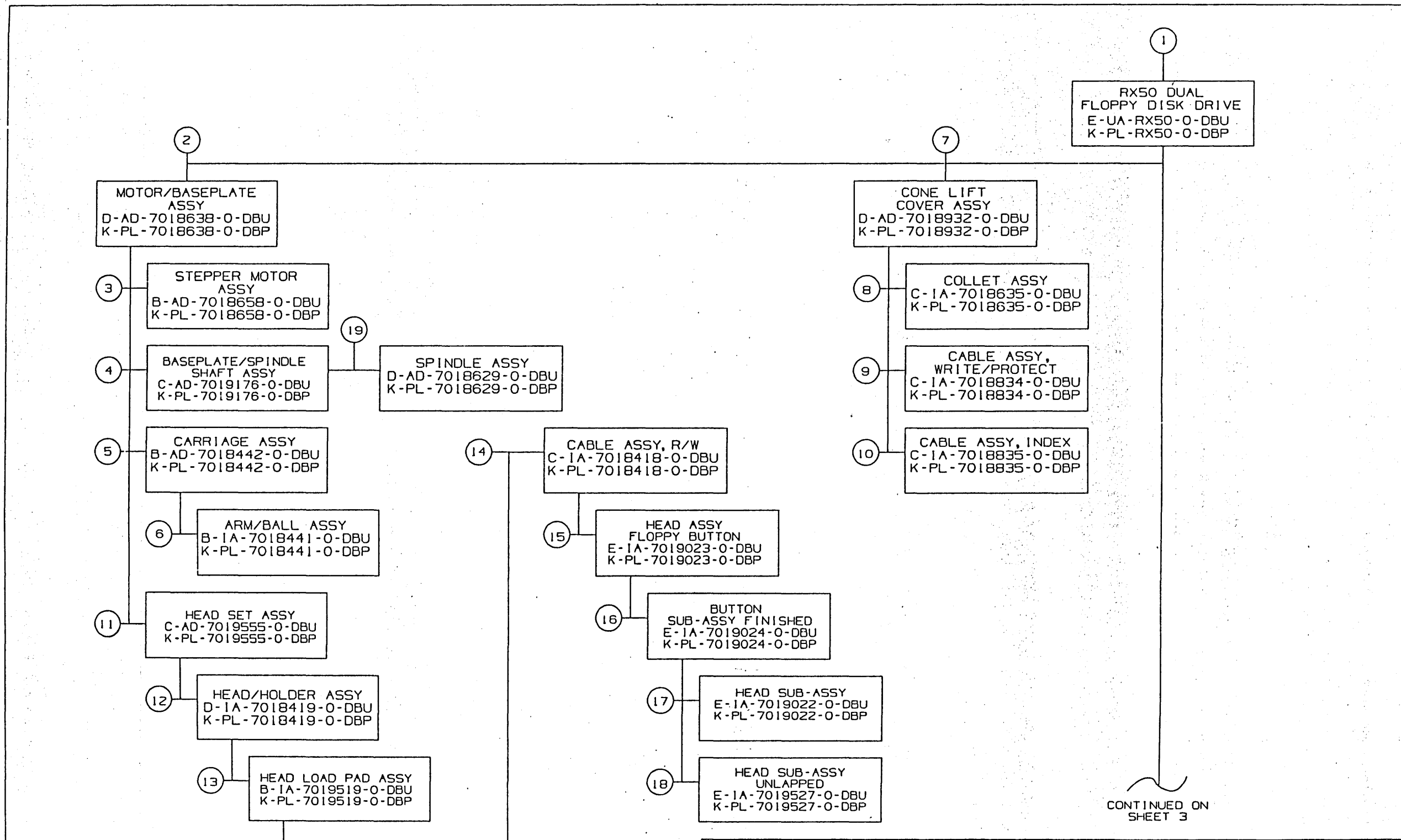
EUA RX50-0-DBU 7

LINE	ITEM	TOP DOCUMENT	PART NUMBER	MIN REV	DESCRIPTION	AA	QUANTITY PER VARIATION/REVISION
1	1	D-AD-7018638-0-DBU	70-18638-00		MOTOR/BASEPLATE ASSY.	1	
2	2	D-AD-7018932-0-DBU	70-18932-04		CONE LIFT COVER ASSY.	1	
3	3		74-26536-01		*** THIS ITEM IS NOT USED ***	-	
4	4	B-IA-7019118-0-DBU	70-19118-00		BEZEL ASSY.	1	
5	5	E-MD-7425241-0-DBU	74-25241-01		SIDE,CARD GUIDE,(MACH.PART)	2	
6	6		54-15074-00		*** THIS ITEM IS NOT USED ***	-	
7	7		54-15111-00		*** THIS ITEM IS NOT USED ***	-	
8	8	D-UA-5415066-0-0	54-15066-00		SEEK INTERFACE BOARD	1	
9	9	C-MD-7425234-0-DBU	74-25234-00		SPRING, RETURN CONE LIFT COVER	4	
10	10	B-IA-7018931-0-DBU	70-18931-00		CABLE ASSY, TRACK-O-SENSOR	1	
11	11		90-06021-01		*** THIS ITEM IS NOT USED ***	-	
12	12		90-08407-01		*** THIS ITEM IS NOT USED ***	-	
13	13		90-06021-02		*** THIS ITEM IS NOT USED ***	-	
14	14	D-MD-7425652-0-DBU	74-25652-02		PLATE,SKID	1	
15	15	E-IA-7019918-0-DBU	70-19918-01		SHIELD ASSY. RX50 DRIVE	1	
16	16		90-06633-00		*** THIS ITEM IS NOT USED ***	-	
17	17	D-AD-7018932-0-DBU	70-18932-05		CONE LIFT COVER ASSY.	1	
18	18	B-AD-7019120-0-DBU	70-19120-00		*** THIS ITEM IS NOT USED ***	-	
19	19		90-06024-02		SCREW,MACH FLAT PHIL 6-32	2	
20	20		36-19833-01		*** THIS ITEM IS NOT USED ***	-	
21	21		90-09507-00		*** THIS ITEM IS NOT USED ***	-	
22	22		90-06656-00		WASHER,FLAT STEEL	1	
23	23		70-19175-00		MOTOR/PCB ASSY.	1	
24	24		70-19177-00		R/W PCB ASSY	1	
25	25		90-06024-01		SCREW,MACH PAN PHIL 6-32	4	
26	26		90-09708-00		SCREW,THD RL,PAN PHIL F/METAL 6	5	
27	27		90-06020-02		SCREW,MACH FLAT PHIL 6-32	6	
28	28		90-09882-00		WASHER,LOCK INTERNAL SST	1	
29	29		90-08992-00		WASHER,FLAT NYLON	2	
30	30		74-28201-02		CLIP,GROUNDING	1	
31	31		36-19833-04		LABEL,BAR CODE S/N RX50-AA	1	
32	32		36-18460-10		LABEL,BAR CODEE BLANK .38 X2.00	1	

REVISION HISTORY			KPL MATRIX FORMAT		SECTION A OF A		DRN: A, PINKARD		DIGITAL			
ENG	ECO NUMBER	REV	SECTION/VARIATION INDEX		DATE: 29-JUN-82		CHK'D: M. CARMAN		TITLE PARTS LIST			
---	INITIAL	A	(A)	AA	DATE: 29-JUN-82		DATE: 29-JUN-82		RX50 UNIT ASSY			
DW	RX50-SH001	B	(B)		DES.ENG: D. WARREN		DATE: 29-JUN-82		DOCUMENT NUMBER			
DW	RX50-SH002	C	(C)		RESP.ENG.: M. CARMAN		DATE: 29-JUN-82		SIZE	CODE	NUMBER	REV
DW	RX50-SH003	D	(D)		DATE: 29-JUN-82		MFG.ENG: P. BARTON		K	PL	RX50-0-DBP	F
DP	RX50-SH004	E	(E)		DATE: 29-JUN-82		DATE: 29-JUN-82		RELEASE DATE: 24-FEB-86			
DW	RX50-SH007	F	(F)		DATE: 29-JUN-82		DATE: 29-JUN-82		RELEASE STATUS: RELEASED			
			(H)		BASIC PART NUMBER: RX50		ASSEMBLY NUMBER: E-UA-RX50-0-DBU		TOP DOCUMENT NUMBER: B-DD-RX50-0		FILE NAME: Z4621F.PLS	
			(J)								EDIT # 2	

"THIS DRAWING AND THE SPECIFICATIONS CONTAINED HEREIN ARE CONFIDENTIAL AND PROPRIETARY. THEY ARE THE PROPERTY OF DIGITAL EQUIPMENT CORPORATION AND SHALL NOT BE REPRODUCED OR COPIED OR USED IN WHOLE OR IN PART AS THE BASIS FOR THE MANUFACTURE OR SALE OF ITEMS WITHOUT WRITTEN PERMISSION. THIS IS AN UNPUBLISHED WORK PROTECTED UNDER THE FEDERAL COPYRIGHT LAWS."





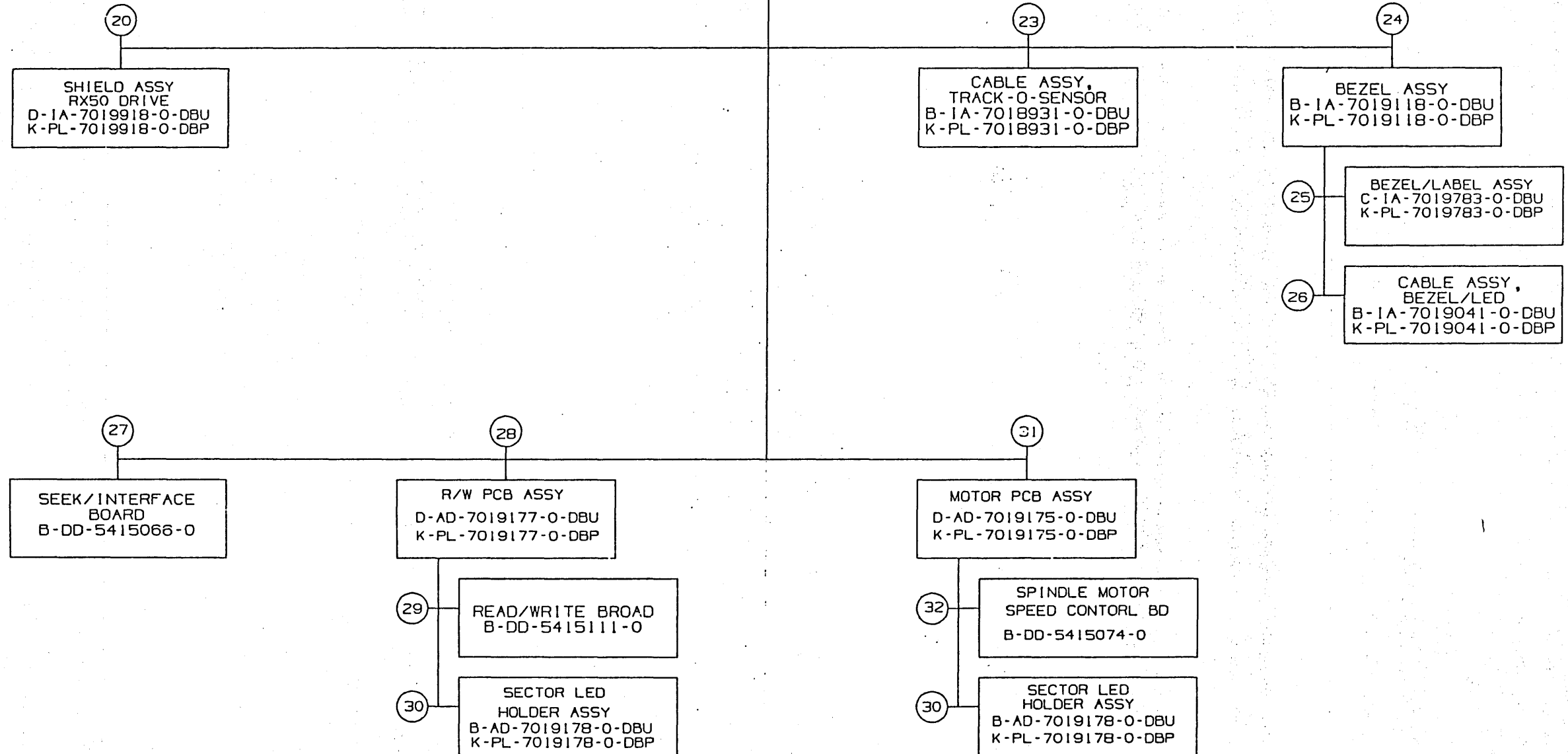
CONTINUED ON SHEET 3

TITLE: RX50 DUAL FLOPPY DISK DRIVE	SHEET 2 OF 6	SIZE CODE BDD	NUMBER RX50-0	REV. C
---------------------------------------	--------------	------------------	------------------	-----------

SHO



CONTINUED FROM  
SHEET 2



TITLE:	SHEET 3 OF 6	SIZE CODE	NUMBER	REV.
RX50 DUAL FLOPPY DISK DRIVE	6	B DD	RX50-0	C

SHO



FIND NO.	DRAWING NO.	DESCRIPTION	TYPE	FIND NO.	DRAWING NO.	DESCRIPTION	TYPE
					C-MD-7426342-0-DBU	SHIELD, RX50 INNER	M
					B-MD-7426343-0-DBU	PIN, TERMINATION	M
					C-MD-7426997-0-DBU	BAR, ERASE BUTT (FLOPPY HEAD)	M
10	C-1A-7018835-0-DBU	CABLE ASSY, INDEX	E				
	K-PL-7018835-0-DBP	CABLE ASSY, INDEX (PL)	E				
	B-MD-7425235-0-DBU	HOLDER, SECTOR SENSOR	M				
11	C-AD-7019555-0-DBU	HEAD SET ASSY, RX50	M	16	E-1A-7019024-0-DBU	BUTTON SUB-ASSY FINISHED	M
	K-PL-7019555-0-DBP	HEAD SET ASSY, RX50 (PL)	M		K-PL-7019024-0-DBP	BUTTON SUB-ASSY FINISHED (PL)	M
	C-MC-7426707-0-CBU	STRAIN RELIEF	M		E-MD-7426349-0-DBU	BUTTON, PLASTIC FLOPPY	M
	1220021-0-0	RAT TAIL	M				
12	D-1A-7018419-0-DBU	HEAD/HOLDER ASSY	E/M	17	E-1A-7019022-0-DBU	HEAD SUB-ASSY	M
	K-PL-7018419-0-DBP	HEAD/HOLDER ASSY (PL)	E/M		K-PL-7019022-0-DBP	HEAD SUB-ASSY (PL)	M
	D-MD-7425219-0-DBU	HOLDER, HEAD	M		E-MD-7426347-0-DBU	CORE ASSY R/W	M
	D-MD-7425220-0-DBU	ARM HEAD LOAD	M		E-MD-7426348-0-DBU	CORE ASSY ERASE	M
	B-MD-7425222-0-DBU	SHAFT, LOAD ARM	M		C-MD-7426346-0-DBU	SLIDER	M
	D-MD-7425381-0-DBU	SPRING, TORSION	M				
	C-MD-7426979-0-DBU	SHIELD, HEAD, RX50	M	18	E-1A-7019527-0-DBU	HEAD SUB-ASSY UNLAPPED	M
13	B-1A-7019519-0-DBU	HEAD LOAD PAD ASSY	M		K-PL-7019527-0-DBP	HEAD SUB-ASSY UNLAPPED (PL)	M
	K-PL-7019519-0-DBP	HEAD LOAD PAD ASSY (PL)	M		E-MD-7426347-0-DBU	CORE ASSY R/W	M
	B-MD-7425245-0-DBU	PAD, HEAD LOAD	M		E-MD-7426348-0-DBU	CORE ASSY ERASE	M
	B-MD-7425221-0-DBU	HOLDER, HEAD LOAD PAD	M		C-MD-7426346-0-DBU	SLIDER	M
14	C-1A-7018418-0-DBU	CABLE ASSY, R/W	E	19	D-AD-7018629-0-DBU	SPINDLE ASSY	M
	K-PL-7018418-0-DBP	CABLE ASSY, R/W (PL)	E		K-PL-7018629-0-DBP	SPINDLE ASSY (PL)	M
					E-MD-7425215-0-DBU	SPINDLE	M
					B-MD-7425249-0-DBU	SPACER, SPINDLE	M
15	E-1A-7019023-0-DBU	HEAD ASSY FLOPPY BUTTON	E/M	20	E-1A-7019918-0-DBU	SHIELD ASSY RX50 DRIVE	M
	K-PL-7019023-0-DBP	HEAD ASSY FLOPPY BUTTON (PL)	E/M		K-PL-7019918-0-DBP	SHIELD ASSY RX50 DRIVE (PL)	M
	C-MD-7426344-0-DBU	SPRING BUTT BAR	M		E-MD-7427207-0-DBU	SHIELD, RX50 DRIVE	M
	C-MD-7426345-0-DBU	BAR R/W BUTT (FLOPPY HEAD)	M				

TYPE: E ELECTRICAL  
M MECHANICAL  
E/M ELECTRO/MECHANICAL

digital

TITLE: RX50 DUAL FLOPPY DISK DRIVE SHEET 50F 6  
 SIZE CODE NUMBER REV.  
 BDD RX50-0 C

DRB 10BA

SHO

FIND NO.	DRAWING NO.	DESCRIPTION	TYPE	FIND NO.	DRAWING NO.	DESCRIPTION	TYPE
				29	B-DD-5415111-0	READ/WRITE BOARD	E/M
				30	B-AD-7019178-0-DBU K-PL-7019178-0-DBP D-MD-7425831-0-DBU	SECTOR LED HOLDER ASSY SECTOR LED HOLDER ASSY (PL) HOLDER, L.E.D.	E/M E/M M
23	B-1A-7018931-0-DBU K-PL-7018931-0-DBP	CABLE ASSY, TRACK-O-SENSOR CABLE ASSY, TRACK-O-SENSOR (PL)	E E	31	D-AD-7019175-0-DBU K-PL-7019175-0-DBU	MOTOR PCB ASSY MOTOR PCB ASSY (PL)	E/M E/M
24	B-1A-7019118-0-DBU K-PL-7019118-0-DBP	BEZEL ASSY BEZEL ASSY (PL)	M M M	32	B-DD-5415074-0	SPINDLE MOTOR SPEED CONTROL BOARD	E/M
25	C-1A-7019783-0-DBU K-PL-7019783-0-DBP D-MD-7425242-0-DBU	BEZEL/LABEL ASSY BEZEL/LABEL ASSY (PL) BEZEL FRONT	M M M				
26	B-1A-7019041-0-DBU K-PL-7019041-0-DBP	CABLE ASSY BEZEL LED CABLE ASSY BEZEL LED (PL)	E E				
27	B-DD-5415066-0	SEEK/INTERFACE BOARD	E/M				
28	D-AD-7019177-0-DBU K-PL-7019177-0-DBP	R/W PCB ASSY R/W PCB ASSY (PL)	E/M E/M				

TYPE: E ELECTRICAL  
M MECHANICAL  
E/M ELECTRO/MECHANICAL

digital

TITLE: RX50 DUAL FLOPPY DISK DRIVE

SHEET 6 OF 6

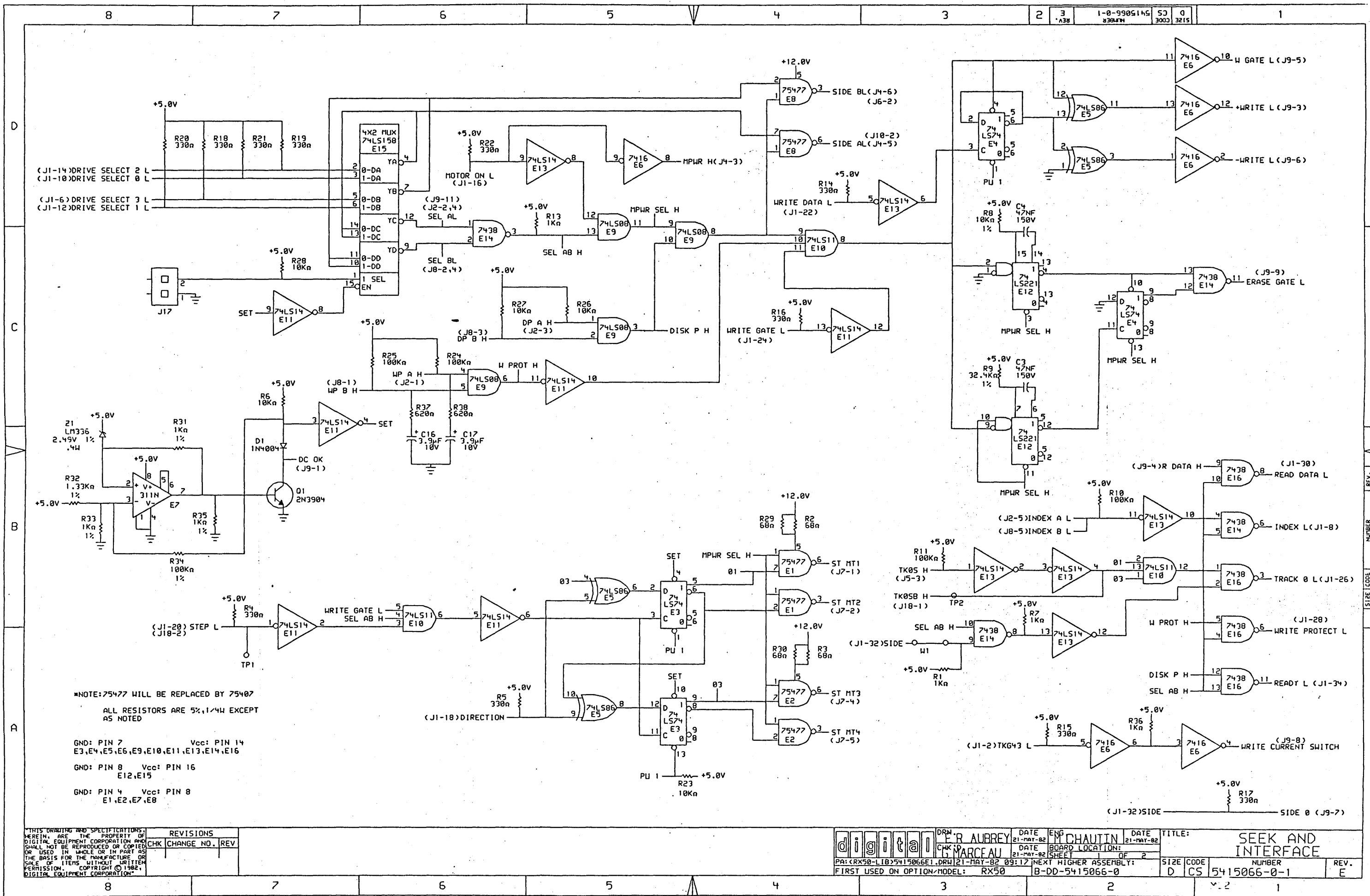
SIZE CODE  
BDD

NUMBER  
RX50-0

REV.  
C

DRB 108A

SHO



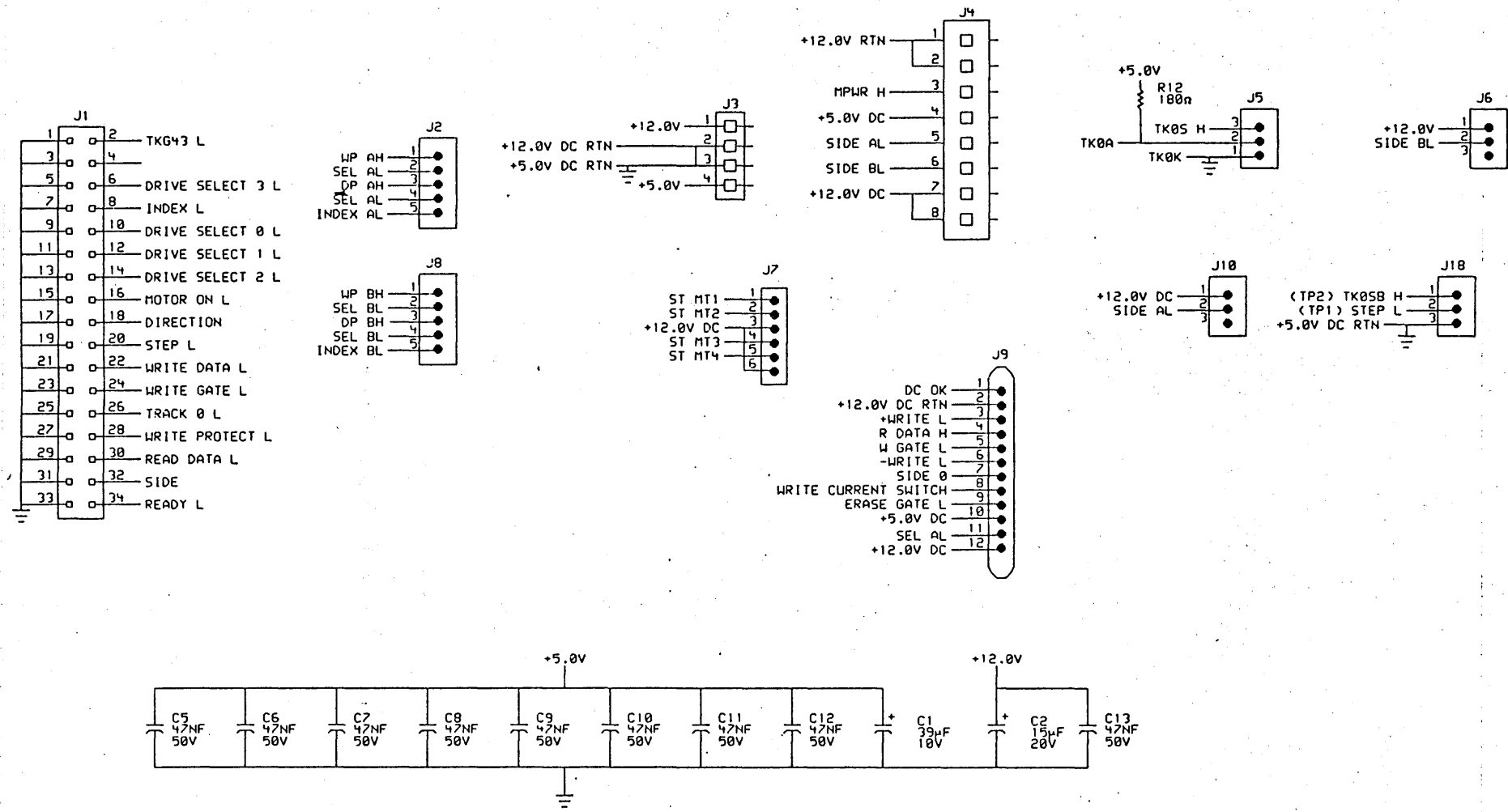
NOTE: 75477 WILL BE REPLACED BY 75407  
 ALL RESISTORS ARE 5%, 1/4W EXCEPT AS NOTED

GND: PIN 7 Vcc: PIN 14  
 E3, E4, E5, E6, E9, E10, E11, E13, E14, E16

GND: PIN 8 Vcc: PIN 16  
 E12, E15

GND: PIN 4 Vcc: PIN 8  
 E1, E2, E7, E8

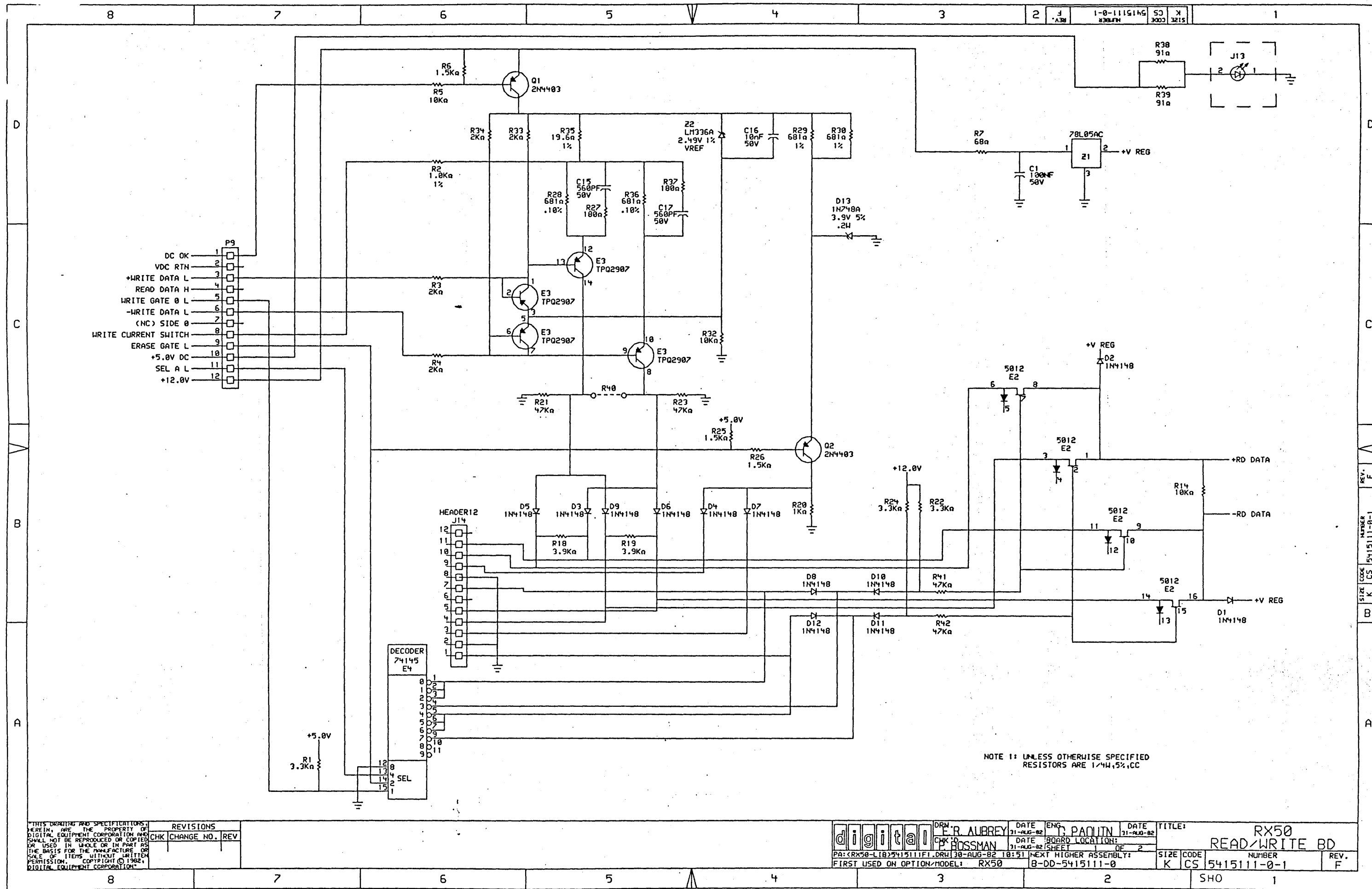
REVISIONS		DATE		TITLE	
CHK	CHANGE NO.	REV			
			21-MAY-82	ENG	M CHAUTIN
			21-MAY-82	CHK	R MARCEAU
			SHEET 2 OF 2		
			PA: (RX50-LIB)5415066E1.DRW 21-MAY-82 09:17 NEXT HIGHER ASSEMBLY:		
			FIRST USED ON OPTION/MODEL: RX50 B-DD-5415066-0		
				SIZE CODE	NUMBER
				D CS	5415066-0-1
				REV.	E



THIS DRAWING AND SPECIFICATIONS, HEREIN, ARE THE PROPERTY OF DIGITAL EQUIPMENT CORPORATION AND SHALL NOT BE REPRODUCED OR COPIED OR USED IN WHOLE OR IN PART AS THE BASIS FOR THE MANUFACTURE OR SALE OF ITEMS WITHOUT WRITTEN PERMISSION. COPYRIGHT © 1982, DIGITAL EQUIPMENT CORPORATION.

REVISIONS		
CHK	CHANGE NO.	REV

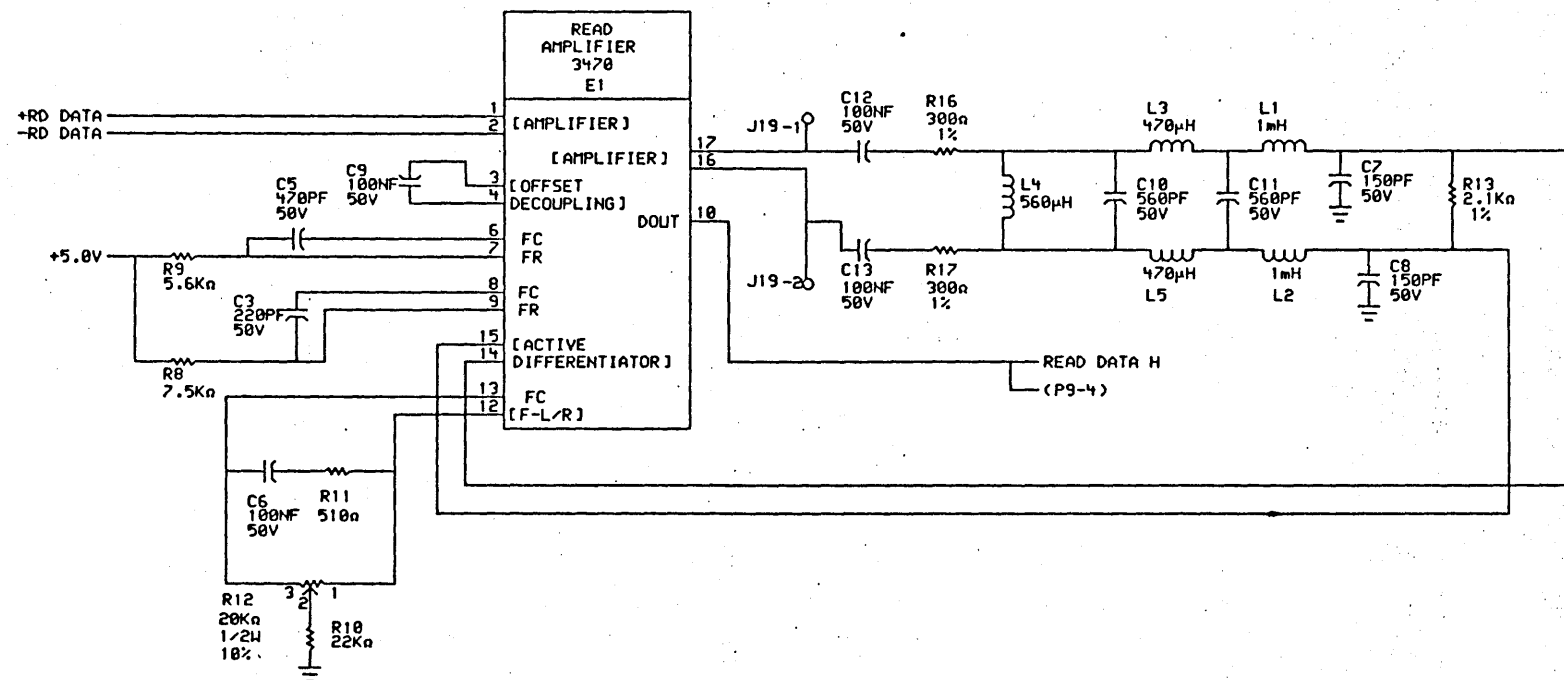
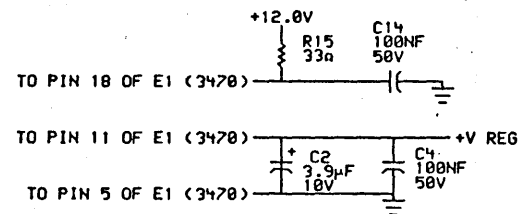
digital	DRW	E R AUBREY	DATE	21-MAY-82	ENG	M CHAUTIN	DATE	21-MAY-82	TITLE:	SEEK AND INTERFACE	
	CHK	G MARCEAU	DATE	21-MAY-82	BOARD LOCATION:	SHEET	2	OF	2		
PA: (RX50-LIB) 5415066E2.DRW		21-MAY-82 09:18		NEXT HIGHER ASSEMBLY:		B-DD-5415066-0		SIZE	CODE	NUMBER	REV.
FIRST USED ON OPTION/MODEL:		RX50						D	CS	5415066-0-1	E



- DC OK 1
- VDC RTN 2
- +WRITE DATA L 3
- READ DATA H 4
- WRITE GATE 0 L 5
- WRITE DATA L 6
- (NC) SIDE 0 7
- WRITE CURRENT SWITCH 8
- ERASE GATE L 9
- +5.0V DC 10
- SEL A L 11
- +12.0V 12

NOTE 1: UNLESS OTHERWISE SPECIFIED  
RESISTORS ARE 1/4W, 5%, CC

<small>THIS DRAWING AND SPECIFICATIONS HEREIN ARE THE PROPERTY OF DIGITAL EQUIPMENT CORPORATION AND SHALL NOT BE REPRODUCED OR COPIED OR USED IN WHOLE OR IN PART AS THE BASIS FOR THE MANUFACTURE OR SALE OF ITEMS WITHOUT WRITTEN PERMISSION. COPYRIGHT © 1982 DIGITAL EQUIPMENT CORPORATION.</small>	REVISIONS	CHK	CHANGE NO.	REV	<b>digital</b> <small>DRW: R. AUBREY          CHK: J. BOSSMAN</small> PA: <RX50-L182415111F1.DRW> 30-AUG-82 10:51 FIRST USED ON OPTION/MODEL: RX50	DATE	ENG.	DATE	TITLE:
	31-AUG-82	J. PAQUIN	31-AUG-82	RX50 READ/WRITE BD					
	31-AUG-82			NUMBER					
				REV.					
8	7	6	5	4	3	2	1	SHO	1



THIS DRAWING AND SPECIFICATIONS HEREIN ARE THE PROPERTY OF DIGITAL EQUIPMENT CORPORATION AND SHALL NOT BE REPRODUCED OR COPIED OR USED IN WHOLE OR IN PART AS THE BASIS FOR THE MANUFACTURE OR SALE OF ITEMS WITHOUT WRITTEN PERMISSION. COPYRIGHT © 1982, DIGITAL EQUIPMENT CORPORATION.

REVISIONS		
CHK	CHANGE NO.	REV.

digital	DRW. E. R. AUBREY	DATE 31-AUG-82	ENG. G. PAQUIN	DATE 31-AUG-82	TITLE: RX50 READ/WRITE BD
	CHK. J. BOSSMAN	DATE 31-AUG-82	BOARD LOCATION: 2 OF 2	SHEET 2 OF 2	
PA: <RX50-L18>5415111F2.DRW 30-AUG-82 10:58		NEXT HIGHER ASSEMBLY: B-DD-5415111-0		SIZE CODE K CS	NUMBER 5415111-0-1
FIRST USED ON OPTION MODEL: RX50					REV. F



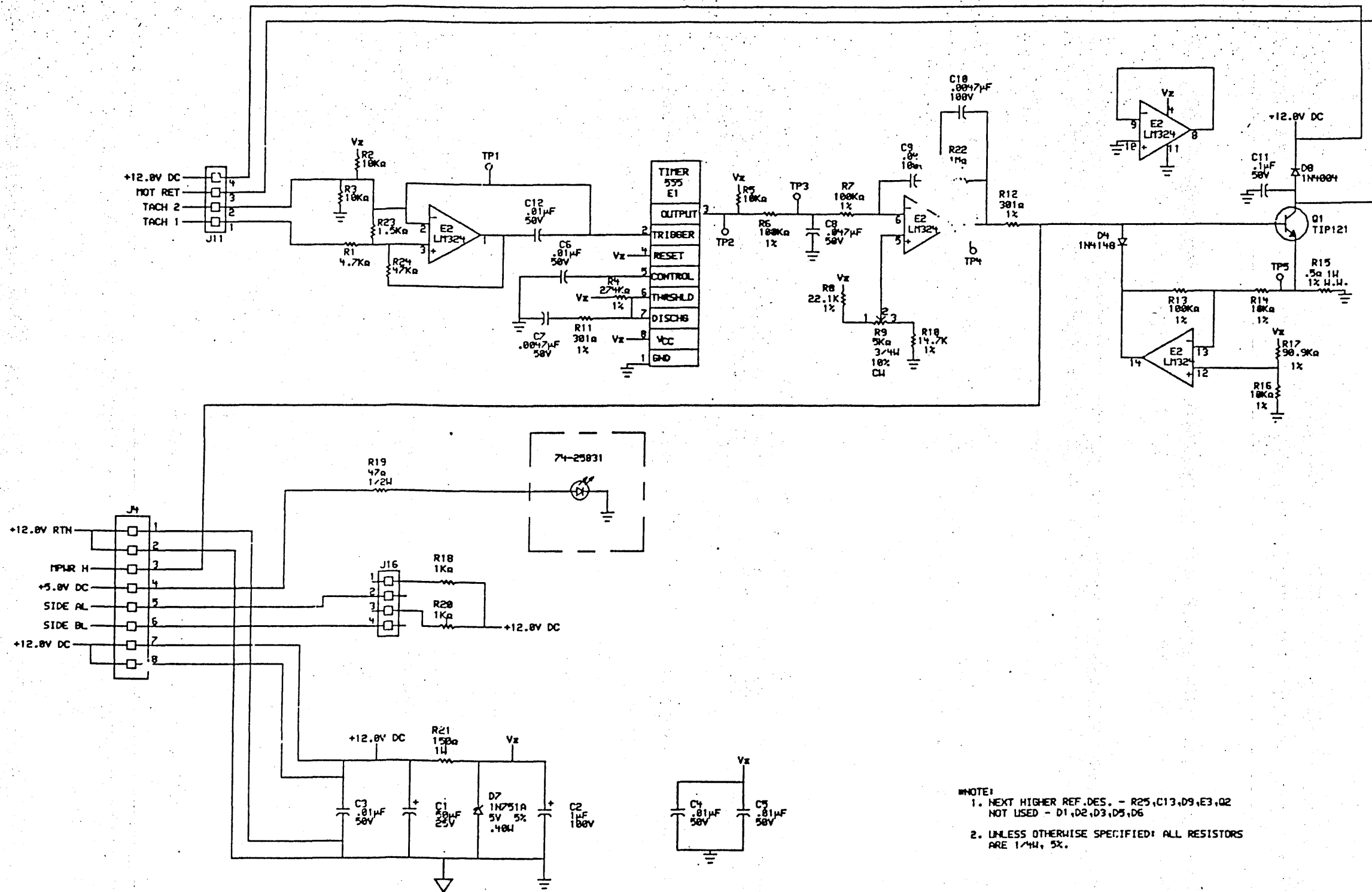
8 7 6 5 4 3 2 1

C

C

B

A



NOTE:  
 1. NEXT HIGHER REF. DES. - R25, C13, D9, E3, Q2  
 NOT USED - D1, D2, D3, D5, D6  
 2. UNLESS OTHERWISE SPECIFIED: ALL RESISTORS  
 ARE 1/4W, 5%.

DRN.	DATE	ENG.	DATE	TITLE	SPINDLE MOTOR SPEED CONTROL
CHK'D.	DATE	BOARD LOCATION			
CSK: RX50, CR4	05-MAR-05	13153	NEXT HIGHER ASSEMBLY:	SIZE	CODE
FIRST USED ON OPTION/MODEL: RX50	B-DD-5415074-0			K	CS
				NUMBER	REV.
				5415074-0-1	D

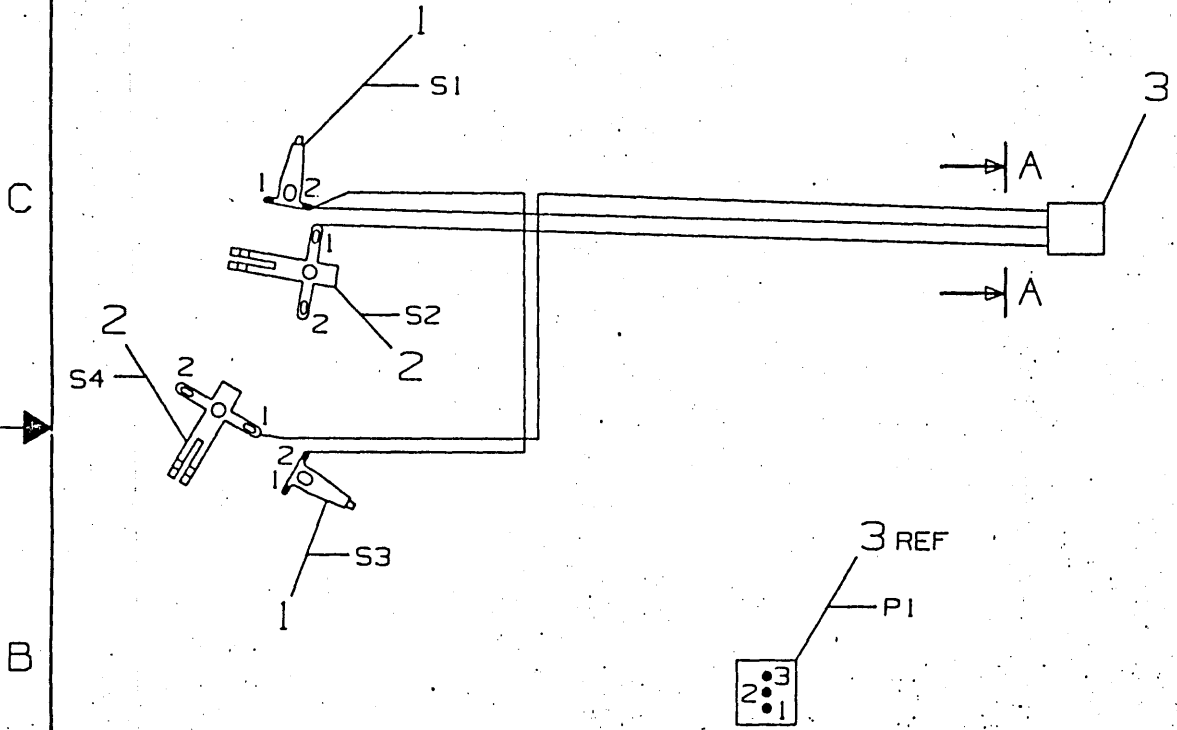
8 7 6 5 4 3 2 1

THIS DRAWING AND SPECIFICATIONS HEREIN ARE THE PROPERTY OF DIGITAL EQUIPMENT CORPORATION AND SHALL NOT BE REPRODUCED OR COPIED OR USED IN WHOLE OR IN PART AS THE BASIS FOR THE MANUFACTURE OR SALE OF ITEMS WITHOUT WRITTEN PERMISSION.  
 COPYRIGHT © 1982 DIGITAL EQUIPMENT CORPORATION

WIRE TABLE

ITEM NO.	DESCRIPTION		FROM		TO		PRECUT LENGTH
	AWG	COLOR	CONN	WITH	CONN	WITH	
6	26	YEL	P1-1	---	S2-1	SLDR	7.38 ±.12
5	26	GRN	P1-2	---	S1-2	SLDR	7.38 ±.12
4	26	RED	P1-3	---	S4-1	SLDR	10.00 ±.12
5	26	GRN	S1-2	SLDR	S3-2	SLDR	7.70 ±.12

NOTES:



LEGEND		
PART NO.	REV	VARIATION
7018834-00	A1	AS SHOWN

LAYER 2 : FORMAT LAYER  
 LAYER 1 : WORK LAYER  
 PLOT AT : 1.00

CAUTION: OFF-SHEET PARTS LIST EXISTS  
 SEE K-PL-7018834-0-DBP

VIEW "A-A"

FIRST HIGHER ASSY  
 D-AD-7018932-0-DBU

DESCRIPTION		DRAWING NO.	PART NO.	ITEM NO.					
UNLESS OTHERWISE SPECIFIED DIMENSIONS ARE IN INCHES AND THE FOLLOWING TOLERANCES APPLY (PER DEC STD 114)									
INCHES TOLERANCES	ANGLES ±0° 30°	APPLICABLE DIMENSION RANGE (CHECK ONE)	DIMENSION RANGE IN INCHES						
			OVER 0 TO 0.2	OVER 0.2 TO 1.2	OVER 1.2 TO 4.0	OVER 4.0 TO 12.0	OVER 12.0 TO 40.0	OVER 40.0 TO 80.0	
.X ± .1 .XX ± .02 .XXX ± .005	SURFACE QUALITY	<input type="checkbox"/> <input type="checkbox"/> <input type="checkbox"/>	±.02	±.03	±.05	±.10			
	MICROINCHES	<input type="checkbox"/>	±.004	±.008	±.012	±.016	±.024	±.04	
THIRD ANGLE PROJECTION	DRW. A. PINKARD	DATE 9 MAR 81	TITLE						
DO NOT SCALE DRAWING	CHK'D M. CARMAN	DATE 12 MAR 82	CABLE ASSY, WRITE/PROTECT						
REMOVE BURRS AND BREAK SHARP CORNERS	DES. ENG. D. WARREN	DATE 12 MAR 82	DOCUMENT NUMBER						
MATERIAL. SEE PARTS LIST	RESP. ENG. M. CARMAN	DATE 12 MAR 82	C 1A 7018834-0-DBU						
FINISH	MFG. ENG. G. AIKEY	DATE 12 MAR 82	SIZE CODE NUMBER	REV.					
	TOP DOC. C-1A-7018834-0-DBU		C 1A 7018834-0-DBU	A					
			SCALE NONE	SHEET 1 OF 1					

REV.	INITIAL
MC	A

REVISIONS

CHANGE NO.

4

3

2

1

ML 1

7018834-0-DBU  
 C 1A 7018834-0-DBU  
 A

"THIS DRAWING AND SPECIFICATIONS HEREIN ARE THE PROPERTY OF DIGITAL EQUIPMENT CORPORATION AND SHALL NOT BE REPRODUCED OR COPIED OR USED IN WHOLE OR IN PART AS THE BASIS FOR THE MANUFACTURE OR SALE OF ITEMS WITHOUT WRITTEN PERMISSION. COPYRIGHT © 1982 DIGITAL EQUIPMENT CORPORATION"

LEGEND

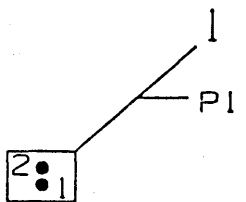
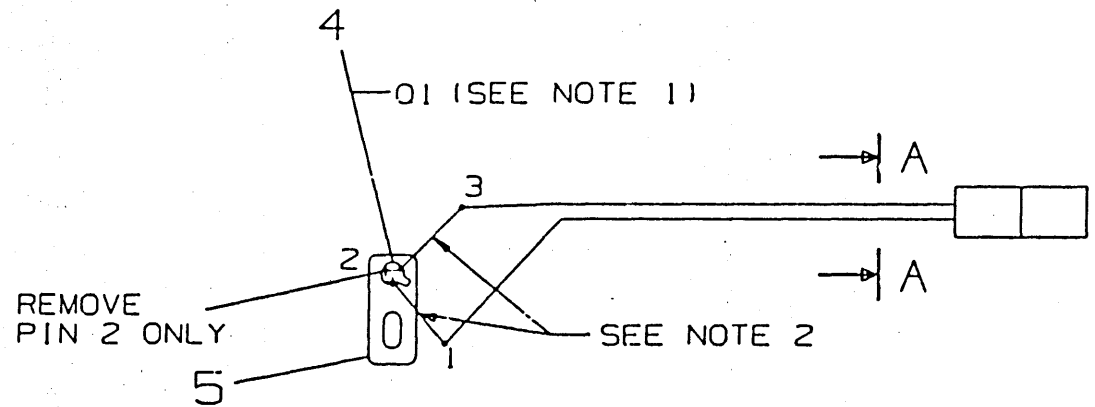
PART NO.	REV	VARIATION
7018835-00	A3	AS SHOWN

NOTES:

- ORIENT 01 AS SHOWN;
- ADD ITEM 7 (SHRINK TUBING), 2 PLACES. (1/2 INCH LONG EACH WIRE) NO BARE WIRE TO BE EXPOSED +.0634 INCHES FROM BASE OF SENSOR.

WIRE TABLE

ITEM NO.	DESCRIPTION		FROM		TO		PRECUT LENGTH
	AWG	COLOR	CONN	WITH	CONN	WITH	
2	26	ORN	P1-1	---	01-1	SLDR	6.00 ±.12
3	26	BLU	P1-2	---	01-3	SLDR	6.00 ±.12



VIEW "A-A"

FIRST HIGHER ASS'Y  
D-AD-7018932-0-DBU

CAUTION: OFF-SHEET PARTS LIST EXISTS  
SEE K-PL-7018835-0-DBP

REVISIONS		REV.
CHK	CHANGE NO.	
	INITIAL	A
	7018835-SH001	B
	G. DRAYTON 6/16/83	
	DALE WILLIAMS	
	7018835-SH002	C
	T. MANN 5/22/85	
	DALE WILLIAMS	

DESCRIPTION	DRAWING NO.	PART NO.	ITEM NO.
UNLESS OTHERWISE SPECIFIED DIMENSIONS ARE IN INCHES AND THE FOLLOWING TOLERANCES APPLY (PER DEC STD 114)			
INCHES TOLERANCES	DIMENSION RANGE IN INCHES		
	OVER 0 TO 0.2	OVER 0.2 TO 1.2	OVER 1.2 TO 4.0
ANGLES ±0° 30'	SURFACE QUALITY		
APPLICABLE DIMENSION RANGE	MICROINCHES		
	OVER 0 TO 0.2	OVER 0.2 TO 1.2	OVER 1.2 TO 4.0
QUANTITY & VARIATION	TITLE		
	THIRD ANGLE PROJECTION	CABLE ASSY, INDEX	
DO NOT SCALE DRAWING	DRN A. PINKARD	DATE 6 MAR 81	DOCUMENT NUMBER
REMOVE BURRS AND BREAK SHARP CORNERS	CHK'D R. PUDELKO	DATE 12 MAR 82	
MATERIAL	DES. ENG. D. WARREN	DATE 12 MAR 82	SCALE NONE
SEE PARTS LIST	RESP. ENG. M. CARMAN	DATE 12 MAR 82	
FINISH	MFG. ENG. G. AIKEY	DATE 12 MAR 82	SHEET 1 OF 1
	TOP DOC. C-1A-7018835-0-DBU		

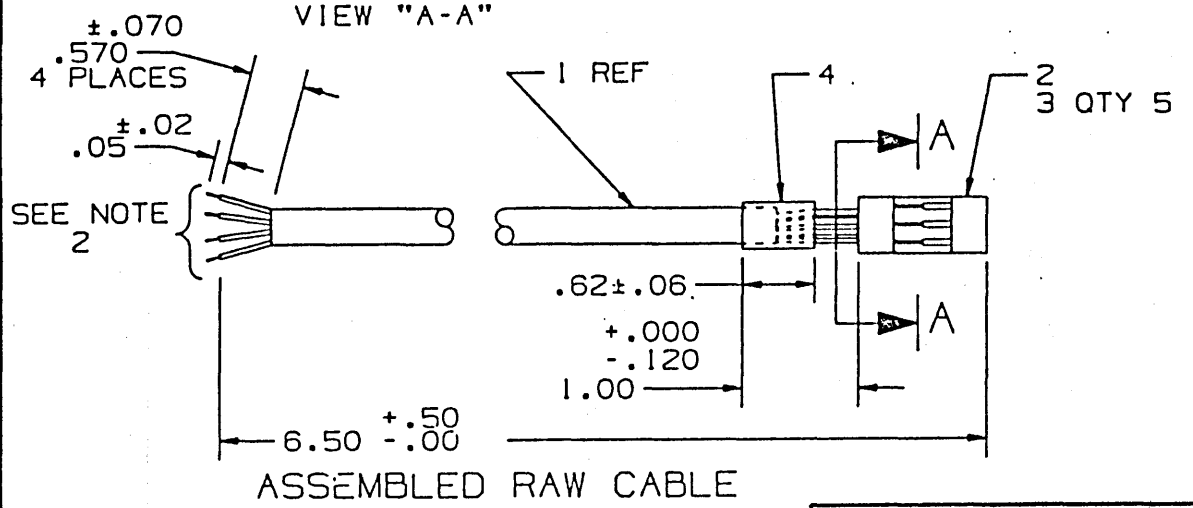
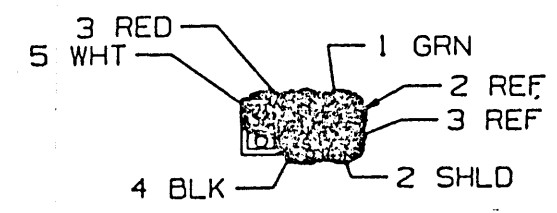
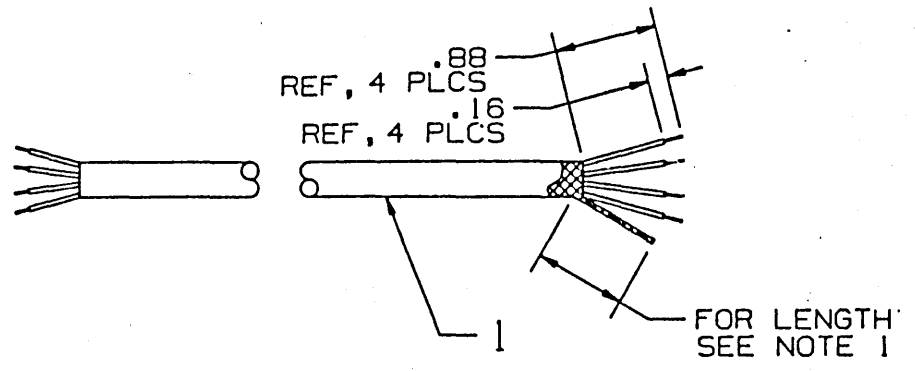
REV. C  
NUMBER  
7018835-0-DBU

A

"THIS DRAWING AND SPECIFICATIONS HEREIN ARE THE PROPERTY OF DIGITAL EQUIPMENT CORPORATION AND SHALL NOT BE REPRODUCED OR COPIED OR USED IN WHOLE OR IN PART AS THE BASIS FOR THE MANUFACTURE OR SALE OF ITEMS WITHOUT WRITTEN PERMISSION. COPYRIGHT © 1982 DIGITAL EQUIPMENT CORPORATION"

LEGEND		
PART NO.	REV	VARIATION
7018418-00	A3	AS SHOWN

- NOTES:
- SHIELD IS USED AS STRAIN RELIEF. WHEN CRIMP SOCKETS (ITEM 3) ARE INSERTED INTO CONNECTOR (ITEM 2), ALL WIRES EXCEPT SHIELD SHALL BE SLACK.
  - CONDUCTORS TO BE TWISTED AND TINNED USING LOW TEMPERATURE NONE RESIN SOLDER FOR A LENGTH OF .03 MIN..03 WILL BE MEASURED FROM END OF CONDUCTOR.



LAYER 2 : FORMAT LAYER  
 LAYER 1 : WORK LAYER  
 PLOT AT : 1.00  
 CAUTION: OFF-SHEET PARTS LIST EXISTS  
 SEE K-PL-7018418-0-DBP

REVISIONS		REV.	DATE
CHK	CHANGE NO.	A	
R.P.	INITIAL	B	
	7019555-MLOO1		
	C.W.FIELDS 2/2/83		
	RALPH BERTHAUME		
	7018418-SH001		
	G. DRAYTON 7/15/83		
	DALE WILLIAMS		

FIRST HIGHER ASS'Y  
 C-1A-7018708-0-DBU

DESCRIPTION	DRAWING NO.	PART NO.	ITEM NO.
UNLESS OTHERWISE SPECIFIED DIMENSIONS ARE IN INCHES AND THE FOLLOWING TOLERANCES APPLY (PER STD 114)			
INCHES TOLERANCES	ANGLES ±0° 30°	APPLICABLE DIMENSION RANGE	
		CHECK ONE	
.X± .1 .XX± .02 .XXX± .005	SURFACE QUALITY	DIMENSION RANGE IN INCHES	
		OVER 0 TO 0.2	OVER 0.2 TO 1.2
		OVER 1.2 TO 12.0	OVER 12.0 TO 40.0
✓	✓	OVER 40.0 TO 60.0	OVER 60.0 TO 100.0
THIRD ANGLE PROJECTION		DATE	TITLE
DO NOT SCALE DRAWING		26 FEB 81	digital
REMOVE BURRS AND BREAK SHARP CORNERS		12 MAR 82	
MATERIAL SEE PARTS LIST		12 MAR 82	
FINISH NONE		12 MAR 82	DOCUMENT NUMBER
		12 MAR 82	C 1A7018418-0-DBU C
		C-1A-7018418-0-DBU	SCALE NONE SHEET 1 OF 1

REV. C  
 NUMBER C1A7018418-0-DBU  
 SHEET 1 OF 1

"THIS DRAWING AND SPECIFICATIONS, HEREIN, ARE THE PROPERTY OF DIGITAL EQUIPMENT CORPORATION AND SHALL NOT BE REPRODUCED OR COPIED OR USED IN WHOLE OR IN PART AS THE BASIS FOR THE MANUFACTURE OR SALE OF ITEMS WITHOUT WRITTEN PERMISSION.  
COPYRIGHT © 1982 DIGITAL EQUIPMENT CORPORATION"

### WIRE TABLE

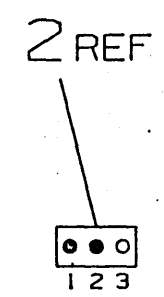
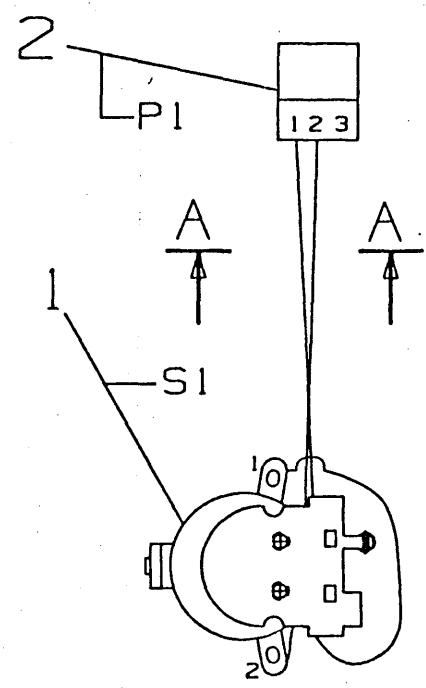
ITEM NO.	DESCRIPTION		FROM		TO		REMARKS (PRECUT LENGTH)
	AWG	COLOR	CONN	WITH	CONN	WITH	
3	26	BLU	PI-2	---	SI-2	SLDR	4.00 ±.12
4	26	YEL	PI-1	---	SI-1	SLDR	5.00 ±.12

### NOTES:

- ROUTE BLUE WIRE BETWEEN FRAME & COIL HSG.
- ROUTE YELLOW WIRE AROUND BACK OF FRAME THEN BETWEEN FRAME & COIL HSG.

B

B



VIEW "A-A"

LEGEND		
PART NO.	REV	VARIATION
7018933-00	A1	AS SHOWN

CAUTION: OFF-SHEET PARTS LIST EXISTS  
SEE K-PL-7018933-0-DBP

A

A

REVISIONS	CHANGE NO.	REV.	INITIAL
		A	
		B	

7018933-SH001 B  
C.W.FIELDS 6/26/84  
DALE WILLIAMS

FIRST HIGHER ASS'Y B-AD-7019120-0-DBU

DESCRIPTION	DRAWING NO.	PART NO.	ITEM NO.
UNLESS OTHERWISE SPECIFIED DIMENSIONS ARE IN INCHES AND THE FOLLOWING TOLERANCES APPLY (PER DEC STD 114)			
INCHES TOLERANCES	ANGLES ±0° 30'	APPLICABLE DIMENSION RANGE	
		DIMENSION RANGE IN INCHES	
.X ±.1 .XX ±.02 .XXX ±.005	SURFACE QUALITY MICROINCHES	OVER 0 TO 0.2	OVER 0.2 TO 1.2
		OVER 1.2 TO 3.0	OVER 3.0 TO 12.0
		OVER 12.0 TO 40.0	OVER 40.0 TO 80.0
		±.02	±.03
		±.004	±.008
		±.012	±.016
		±.024	±.04
THIRD ANGLE PROJECTION	DWN A. PINKARD	DATE 13 NOV 81	TITLE digital
DO NOT SCALE DRAWING	CHK'D R. PUDELKO	DATE 12 MAR 82	CABLE ASSY SOLENOID
REMOVE BURRS AND BREAK SHARP CORNERS	DES. ENG. D. WARREN	DATE 12 MAR 82	
MATERIAL SEE PARTS LIST	RESP. ENG. M. CARMAN	DATE 12 MAR 82	DOCUMENT NUMBER
FINISH NONE	MFG. ENG. G. AIKEY	DATE 12 MAR 82	SIZE CODE NUMBER REV. B IA 7018933-0-DBU B
	TOP DOC. B-1A-7018933-0-DBU	SCALE NONE	SHEET 1 OF 1

4

3

2

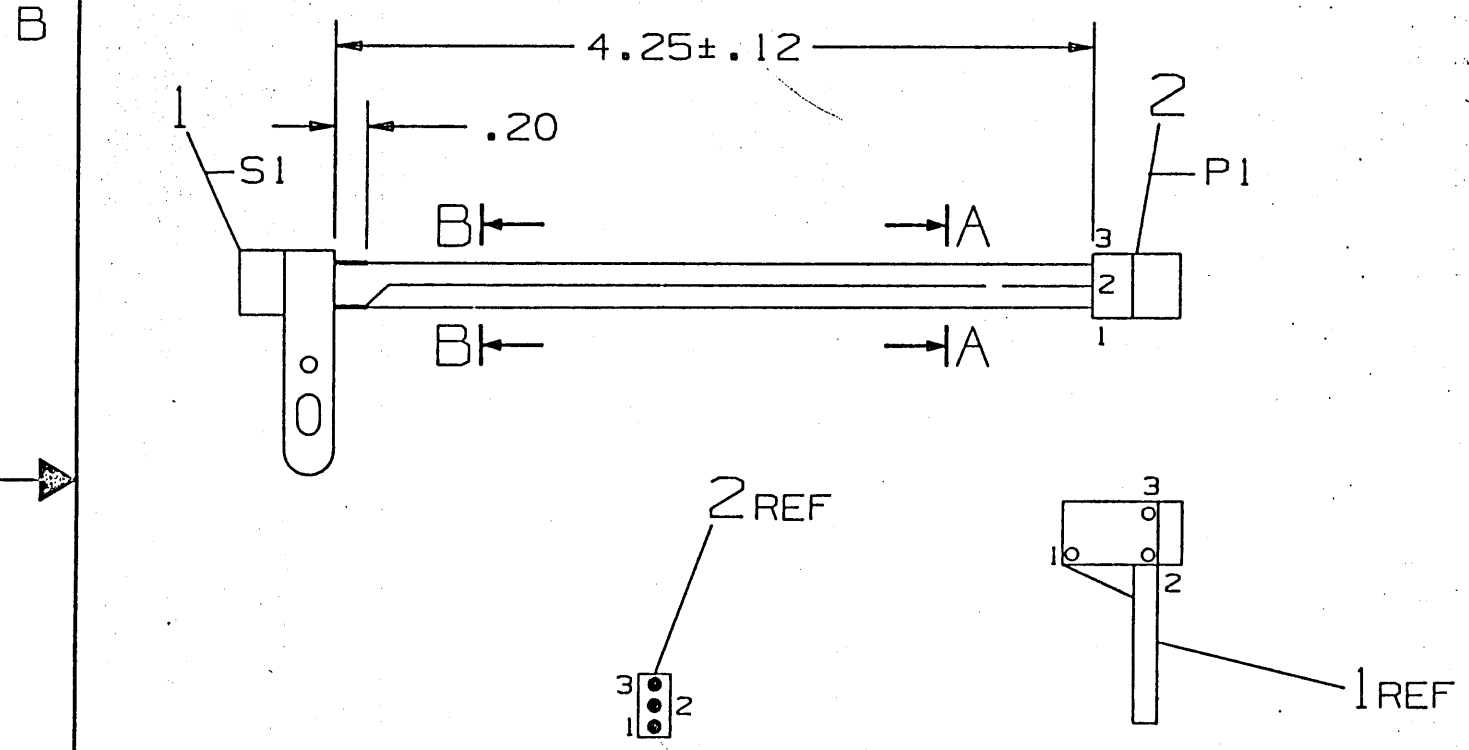
1 SHO

"THIS DRAWING AND SPECIFICATIONS, HEREIN, ARE THE PROPERTY OF DIGITAL EQUIPMENT CORPORATION AND SHALL NOT BE REPRODUCED OR COPIED OR USED IN WHOLE OR IN PART AS THE BASIS FOR THE MANUFACTURE OR SALE OF ITEMS WITHOUT WRITTEN PERMISSION.  
 COPYRIGHT © 1982 DIGITAL EQUIPMENT CORPORATION"

### WIRE TABLE

ITEM NO.	DESCRIPTION		FROM		TO		REMARKS (PRECUT LENGTH)
	AWG	COLOR	CONN	WITH	CONN	WITH	
3	26	YEL	P1-3	---	S1-3	SLDR	4.25 ± .12
4	26	RED	P1-2	---	S1-1	SLDR	4.25 ± .12
5	26	BLU	P1-1	---	S1-2	SLDR	4.25 ± .12

NOTES:



VIEW "A-A"

VIEW "B-B"

### LEGEND

PART NO.	REV	VARIATION
7018931-00	A1	AS SHOWN

LAYER 2: FORMAT LAYER  
 LAYER 1: WORK LAYER  
 PLOT AT : 1.00

CAUTION: OFF-SHEET PARTS LIST EXISTS  
 SEE K-PL-7018931-0-DBP

REVISIONS	REV.
CHANGE NO.	A
INITIAL	B
7018931-SH001	
G.C. MACKENZIE 19 MAY 84	
DALE WILLIAMS	
CHK	
RP	

FIRST HIGHER ASS'Y E-UA-RX50-0-DBU

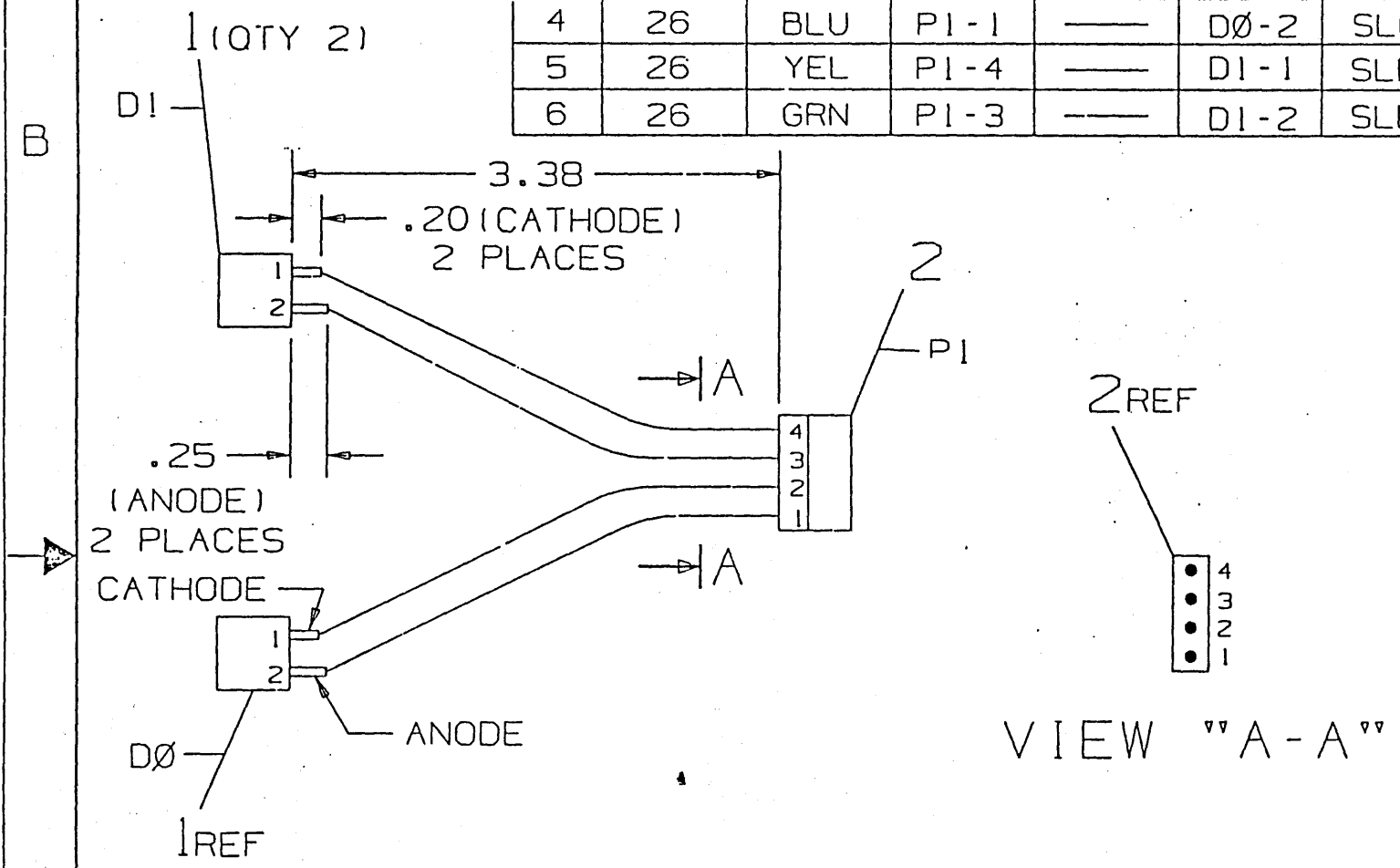
DESCRIPTION	DRAWING NO.	PART NO.	ITEM NO.
UNLESS OTHERWISE SPECIFIED DIMENSIONS ARE IN INCHES AND THE FOLLOWING TOLERANCES APPLY (PER DEC STD 114)			
INCHES TOLERANCES	APPLICABLE DIMENSION RANGE		
	OVER 0.2 TO 1.2	OVER 1.2 TO 2.0	OVER 2.0 TO 40.0
ANGLES ± 30°	SURFACE QUALITY		
✓	MICROINCHES		
QUANTITY & VARIATION	DATE	TITLE	
THIRD ANGLE PROJECTION	A. PINKARD 12 NOV 81	CABLE ASSY, TRACK 0 SENSOR	
DO NOT SCALE DRAWING	R. PUDELKO 12 MAR 82	DOCUMENT NUMBER	
REMOVE BURRS AND BREAK SHARP CORNERS	D. WARREN 12 MAR 82	B 1A 7018931-0-DBU	
MATERIAL	M. CARMAN 12 MAR 82	REV. B	
SEE PARTS LIST	G. AIKEY 12 MAR 82	SCALE NONE SHEET 1 OF 1	
FINISH NONE	TOP DOC. B-1A-7018931-0-DBU	SHO	

"THIS DRAWING AND SPECIFICATIONS, HEREIN, ARE THE PROPERTY OF DIGITAL EQUIPMENT CORPORATION AND SHALL NOT BE REPRODUCED OR COPIED OR USED IN WHOLE OR IN PART AS THE BASIS FOR THE MANUFACTURE OR SALE OF ITEMS WITHOUT WRITTEN PERMISSION.  
 COPYRIGHT © 1982, DIGITAL EQUIPMENT CORPORATION"

### WIRE TABLE

ITEM NO.	DESCRIPTION		FROM		TO		REMARKS (PRECUT LENGTH)
	AWG	COLOR	CONN	WITH	CONN	WITH	
3	26	RED	PI-2	---	DØ-1	SLDR	3.50 ± .12
4	26	BLU	PI-1	---	DØ-2	SLDR	3.50 ± .12
5	26	YEL	PI-4	---	D1-1	SLDR	3.50 ± .12
6	26	GRN	PI-3	---	D1-2	SLDR	3.50 ± .12

NOTES:  
 1. BEFORE SOLDERING, ADD ITEM 7 (SHRINK TUBING) 4 PLACES.



LEGEND		
PART NO.	REV	VARIATION
7019041-00	AZ	AS SHOWN

LAYER 2: FORMAT LAYER  
 LAYER 1: WORK LAYER  
 PLOT AT: 1.00

CAUTION: OFF-SHEET PARTS LIST EXISTS  
 SEE K-PL-7019041-0-DBP

REV.	CHG. NO.	INITIAL	DATE
A			
B			

7019041-SH001  
 G. DRAYTON 6/16/83  
 DALE WILLIAMS

FIRST HIGH-CR ASS'Y B-1A-7019118-0-DBU

DESCRIPTION	DRAWING NO.	PART NO.	ITEM NO.
UNLESS OTHERWISE SPECIFIED DIMENSIONS ARE IN INCHES AND THE FOLLOWING TOLERANCES APPLY (PER DEC STD 114)			
INCHES TOLERANCES	ANGLES 10°-30°	APPLICABLE DIMENSION RANGE	
		CHECK ONE	
SURFACE QUALITY	MICROINCHES	DIMENSION RANGE IN INCHES	
		CHECK ONE	
QUANTITY & VARIATION	THIRD ANGLE PROJECTION	DATE	
		TITLE	
MATERIAL	FINISH	DATE	
		TITLE	
DO NOT SCALE DRAWING		DATE	
REMOVE BURRS AND BREAK SHARP CORNERS		DATE	
SEE PARTS LIST		DATE	
NONE		DATE	

DATE	13 NOV 81	TITLE	digital
CHK'D	R. PUDELKO	DATE	12 MAR 82
DES. ENG.	D. WARREN	DATE	12 MAR 82
RESP. ENG.	M. CARMAN	DATE	12 MAR 82
MFG. ENG.	G. AIKEY	DATE	12 MAR 82
TOP DOC.	B-1A-7019041-0-DBU	SCALE	NONE
SIZE	B 1A	CODE	7019041-0-DBU
NUMBER		REV.	B
SHEET	1	OF	1