

RPR02 660-1  
DISC PACK DRIVE  
LOGIC AND SCHEMATIC MANUAL

This document is reprinted with the permission  
of Memorex Corporation.



REVISED DATE 1-17-75

MACHINE LEVEL CONTROL CHART  
660-1  
35 MS

SERIAL NO \_\_\_\_\_

MLC LEVEL \_\_\_\_\_

DATE \_\_\_\_\_

DESCRIPTION

DESCRIPTION		#101	*
<b>PC BOARDS-ROW A</b>			
	01		
LAMP DRIVERS	02	001916	1158
SERVO SEQUENCER	03	001941	1904/2321(EITHER OF THESE E/C LEVELS ARE ACCEPTABLE)
** SERVO SEQUENCER DECODE	04	001946	417
		002461	812
ADDER SPEED DECODE	05	003306	1833
CYL/PRESS ADDR REG	06	001901	310
HEAD SELECT & REG	07	002001	323
POWER UP SEQ & CONTL	08	001921	640/1005/2553(EITHER OF THESE E/C LEVELS ARE ACCEPTABLE)
** WRITE LOGIC	09	002006	420
		002276	1327
READ AMPLIFIER	10	002011	1128
<b>PC BOARDS-ROW B</b>			
	01		
SERVO PROTECT	02	003486	2007
DELAY TIMER	03	001966	1742
SERVO CONTROL	04	003481	2071
INDEX/SECTOR	05	002111	677
TRANSDUCER AMPLIFIER	06	001976	2571
CONTROL/SAFETY	07	001931	1067
LINE DRIVER	08	001936	1244
LINE DRIVER	09	001936	1244
LINE RECEIVER	10	001951	1031
<b>PC BOARDS/ROW C</b>			
SERVO DRIVER	01	003296	1833
+/- 15 V & 5 V PWR SUPPLY	02	001911	1011
36 V PWR SUP/AC PWR FAIL	03	001956	1266
ACTUATOR DRIVER	04	001971	1705
<b>PC BOARDS-TOP DECK PLATE</b>			
** READ/WRITE AMP (RIGHT)		002021	1975
		002126	1975
		003556	2970
** READ/WRITE AMP (LEFT)		002016	1975
		002131	1975
		003551	2970
** READ PREAMP		002031	861
		002121	644
<b>ASSEMBLIES</b>			
LOGIC ASSEMBLY		201022	2433
INTERIOR CONTL PANEL (60 HZ)		201020	2508
INTERIOR CONTL PANEL (50 HZ)		202175	2508
<b>HARNESSES</b>			
BUS INPUT/SELECT		201061	1364
UNIT INPUT		201062	742
INTERUNIT		201071	452
DECK PLATE CONTL		201059	826
SERVO & ACTUATOR CONTL		201058	1038
SERVO ACTUATOR		201076	826
READ WRITE		201060	1237
<b>POWER SUPPLY</b>			
POWER SUPPLY		202497	2508
POWER SUPPLY		202498	2508
POWER SUPPLY HARNESS		202483	1620
FUSE/RECTIFIER ASM		201106	1343
HEAT SINK NO. 1		201067	846
HEAT SINK NO. 2		201068	846
HEAT SINK NO. 3		201069	1137
HEAT SINK NO. 4		201070	606

FBM

\*\* INDICATES MULTIPLE ACCEPTABLE PART NUMBERS  
\* INDICATES MINIMUM ACCEPTABLE E/C LEVELS

201082

### 660-1 LOGIC MANUAL INDEX

DRAWING NUMBER	DRAWING TITLE
201140	CARD LOCATER, LOGIC ASM & POWER SUPPLY
203072	SYSTEM BLOCK DIAGRAM, 660-1
203073	BLOCK DIAGRAM, SERVO
201162	SERVO SEQUENCER STATE DIAGRAM
203079	BLOCK DIAGRAM, READ/WRITE
203080	BLOCK DIAGRAM, POWER & SEQUENCE CONTROL
201327	LAMP DRIVERS, LOGIC (A02)
203074	SERVO SEQUENCER, LOGIC (A03)
203075	SERVO SEQUENCER DECODE, LOGIC (A04)
203067	ADDER & SPEED DECODE, LOGIC (A05)
201145	CYLINC_R PRESENT ADDRESS, LOGIC (A06)
201146	HEAD SELECTION & REGISTER, LOGIC (A07)
201147	POWER UP SEQUENCING & CONTROL, LOG (A08)
201148	WRITE LOGIC, LOGIC (A09)
201164	READ AMPLIFIER, LOGIC (A10)
201776	SYSTEM PROTECTION, LOGIC (B02)
203076	DELAY TIMERS, LOGIC (B03)
203068	SERVO CONTROL, LOGIC (B04)
203077	INDEX/SECTOR, LOGIC (B05)
203078	TRANSDUCER AMPLIFIER, LOGIC (B06)
201154	CONTROL/SAFETY, LOGIC (B07)
201328	LINE DRIVERS, LOGIC (B08)
201329	LINE DRIVERS, LOGIC (B09)
201330	LINE RECEIVERS, LOGIC (B10)
203070	OVERTEMP & SERVO ±15 VOLT, LOGIC (B04/C01)
203071	TRANSDUCERS, INDEX-CYL.-TACH, LOGIC
203069	SERVO DRIVER, LOGIC (C01)
201155	ACTUATOR DRIVER, LOGIC (C04)
201149	READ/WRITE AMPS LEFT & RIGHT, LOGIC (TDP)

DRAWING NUMBER	DRAWING TITLE
001917	LAMP DRIVERS, SCH (A02)
001916	LAMP DRIVERS, ASM (A02)
001942	SERVO SEQUENCER, SCH (A03)
001941	SERVO SEQUENCER, ASM (A03)
002462	001947 SERVO SEQUENCER DECODE, SCH (A04)
002461	001946 SERVO SEQUENCER DECODE, ASM (A04)
003307	ADDER & SPEED DECODE, SCH (A05)
003306	ADDER & SPEED DECODE, ASM (A05)
001902	CYL/PRES ADDRESS REGISTER, SCH (A06)
001901	CYL/PRES ADDRESS REGISTER, ASM (A06)
002002	HEAD SEL. & REGISTER, SCH (A07)
002001	HEAD SEL. & REGISTER, ASM (A07)
001922	POWER UP SEQUENCING & CONTROL, SCH (A08)
001921	POWER UP SEQUENCING & CONTROL, ASM (A08)
002277	002007 WRITE LOGIC, SCH (A09)
002276	002006 WRITE LOGIC, ASM (A09)
002012	READ AMPLIFIER, SCH (A10)
002011	READ AMPLIFIER, ASM (A10)
003487	SYSTEM PROTECTION, SCH (B02)
003486	SYSTEM PROTECTION, ASM (B02)
001967	DELAY TIMERS, SCH (B03)
001966	DELAY TIMERS, ASM (B03)
003482	SERVO CONTROL, SCH (B04)
003481	SERVO CONTROL, ASM (B04)
002112	INDEX / SECTOR, SCH (B05)
002111	INDEX / SECTOR, ASM (B05)
001977	TRANSDUCER AMPLIFIER, SCH (B06)
001976	TRANSDUCER AMPLIFIER, ASM (B06)
001932	CONTROL/SAFETY, SCH (B07)
001931	CONTROL/SAFETY, ASM (B07)
001937	LINE DRIVERS, SCH (B08/B09)
001936	LINE DRIVERS, ASM (B08/B09)
001952	LINE RECEIVER, SCH (B10)
001951	LINE RECEIVER, ASM (B10)

DRAWING NUMBER	DRAWING TITLE
003297	SERVO DRIVER, SCH (C01)
003296	SERVO DRIVER, ASM (C01)
001912	±15V & 5V POWER SUPPLY, SCH (C02)
001911	±15V & 5V POWER SUPPLY, ASM (C02)
001957	36V POWER SUPPLY, AC PWR FAIL, SCH (C03)
001956	36V POWER SUPPLY, AC PWR FAIL, ASM (C03)
001972	ACTUATOR DRIVERS, SCH (C04)
001971	ACTUATOR DRIVERS, ASM (C04)
002127	002022 READ/WRITE AMP (RIGHT), SCH (TDP)
002126	002021 READ/WRITE AMP (RIGHT), ASM (TDP)
002121	002031 READ PREAMPLIFIER, ASM (TDP)
002132	002017 READ/WRITE AMP (LEFT), SCH (TDP)
002131	002016 READ/WRITE AMP (LEFT), ASM (TDP)
001757	LINE TERMINATOR III, SCH
002052	LINE TERMINATOR IV, SCH
201063	READ/WRITE - DECK PLATE, WIRING DIAGRAM
201064	CONTROL DECK PLATE, SCH
201055	AC POWER DISTRIBUTION - 60HZ, SCH
201945	AC POWER DISTRIBUTION - 50HZ, SCH
201112	INTERUNIT CONTROL, SCH
203081	DC POWER DISTRIBUTION, SCH
201158	HEAT SINK NO. 1, SCH
201159	HEAT SINK NO. 2, SCH
201160	HEAT SINK NO. 3, SCH
201161	HEAT SINK NO. 4, SCH
201156	BUS INPUT, SCH
201157	UNIT INPUT, SCH
203084	WIRE TABULATIONS, 660-1 LOGIC ASM

201082

DATE	CHANGE NO.	DATE	CHANGE NO.	TECHNICAL APPROVAL	MEMOREX EQUIPMENT GROUP
MAY 71	2087				NAME 660-1 LOGIC MANUAL
MAY 71	2140				INDEX
1974	35MS				SCALE NONE
					NO 8-4-71
					CHECK MAY 71
					APPRO MAY 71
					201082

D

C

B

A

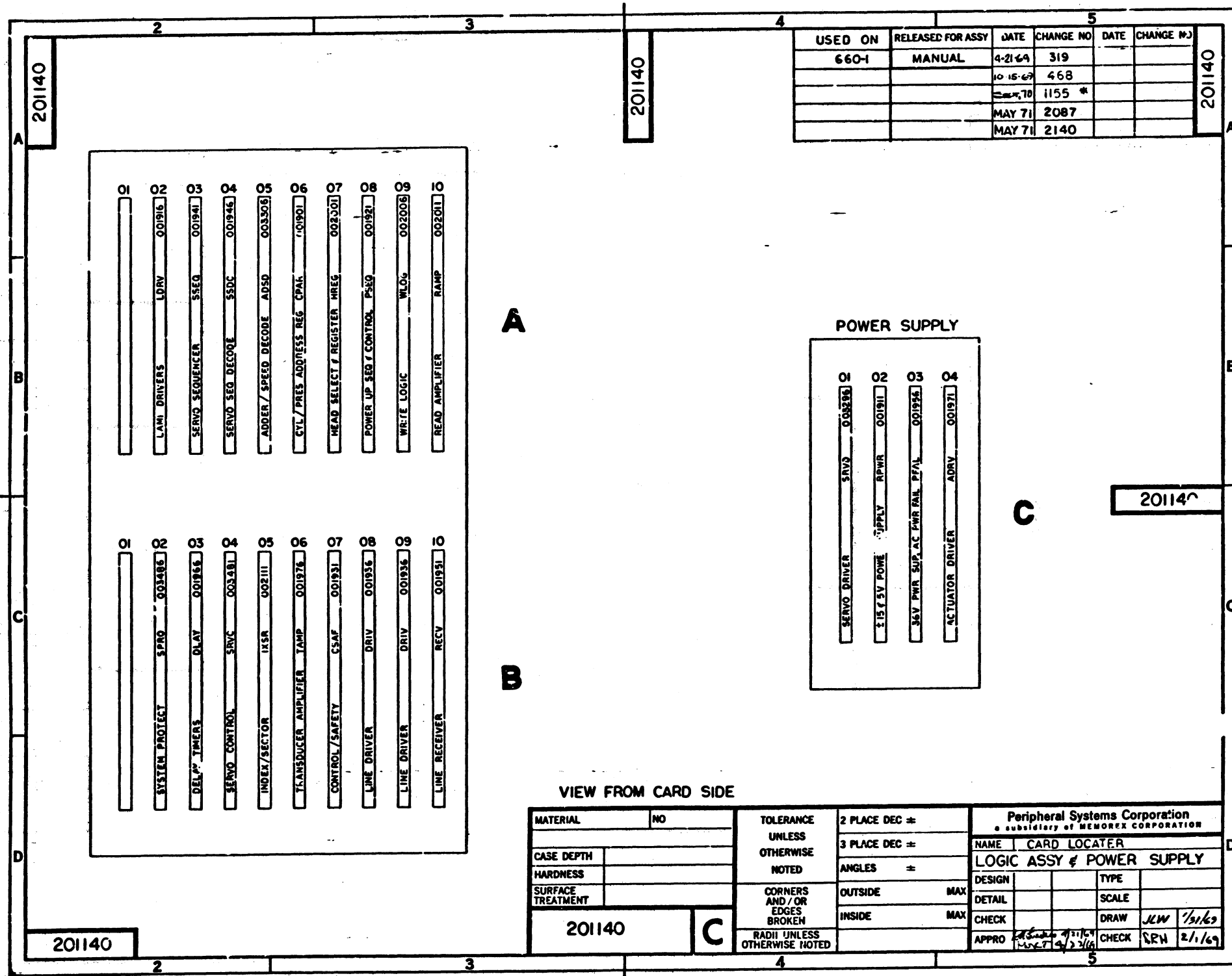
D

C

B

A

D



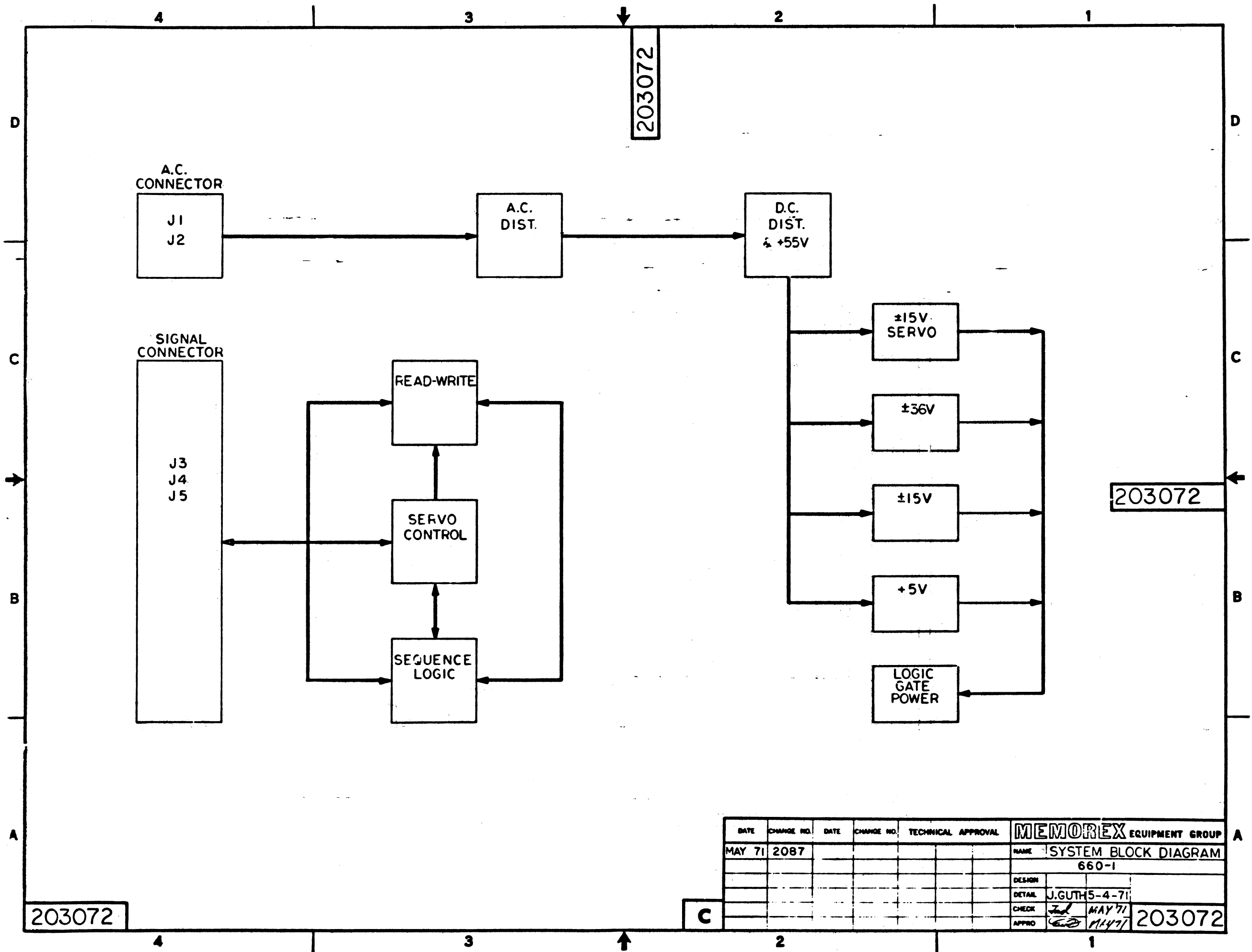
USED ON	RELEASED FOR ASSY	DATE	CHANGE NO	DATE	CHANGE NO
660-1	MANUAL	4-21-64	319		
		10-15-67	468		
		MAY 70	1155 *		
		MAY 71	2087		
		MAY 71	2140		

- |     |                                    |
|-----|------------------------------------|
| Q1  |                                    |
| Q2  | LAMP DRIVERS LDRV 001916           |
| Q3  | SERVO SEQUENCER SSEQ 001941        |
| Q4  | SERVO SEQ DECODE SSDC 001946       |
| Q5  | ADDER / SPEED DECODE ADSD 003508   |
| Q6  | CYL / PRES ADDRESS REG CPAH 001901 |
| Q7  | HEAD SELECT / REGISTER HREG 003501 |
| Q8  | POWER UP SEQ / CONTROL PPSQ 001921 |
| Q9  | WRITE LOGIC WLOG 002008            |
| Q10 | READ AMPLIFIER RAMP 002011         |
| Q11 |                                    |
| Q12 | SYSTEM PROTECT SPRO 003486         |
| Q13 | DELAY TIMERS DLAY 001966           |
| Q14 | SERVO CONTROL SRVC 003481          |
| Q15 | INDEX/SECTOR IXSR 002111           |
| Q16 | TRANSDUCER AMPLIFIER TAMP 001976   |
| Q17 | CONTROL/SAFETY CSAF 001931         |
| Q18 | LINE DRIVER DRIV 001936            |
| Q19 | LINE DRIVER DRIV 001936            |
| Q20 | LINE RECEIVER RECV 001931          |

- POWER SUPPLY
- |    |                                      |
|----|--------------------------------------|
| Q1 | SERVO DRIVER SRV2 003236             |
| Q2 | 115V 5V POWER SUPPLY APWR 001911     |
| Q3 | 36V PWR SUPPL AC PWR FAL PFAL 001936 |
| Q4 | ACTUATOR DRIVER ADIV 001971          |

VIEW FROM CARD SIDE

MATERIAL	NO	TOLERANCE	2 PLACE DEC ±	Peripheral Systems Corporation a subsidiary of MEMOREX CORPORATION	
CASE DEPTH		UNLESS OTHERWISE NOTED	3 PLACE DEC ±	NAME CARD LOCATER	
HARDNESS			ANGLES ±	LOGIC ASSY & POWER SUPPLY	
SURFACE TREATMENT		CORNERS AND/OR EDGES BROKEN	OUTSIDE MAX	DESIGN	TYPE
			INSIDE MAX	DETAIL	SCALE
		RADI UNLESS OTHERWISE NOTED		CHECK	DRAW
				APPRO	CHECK



203072

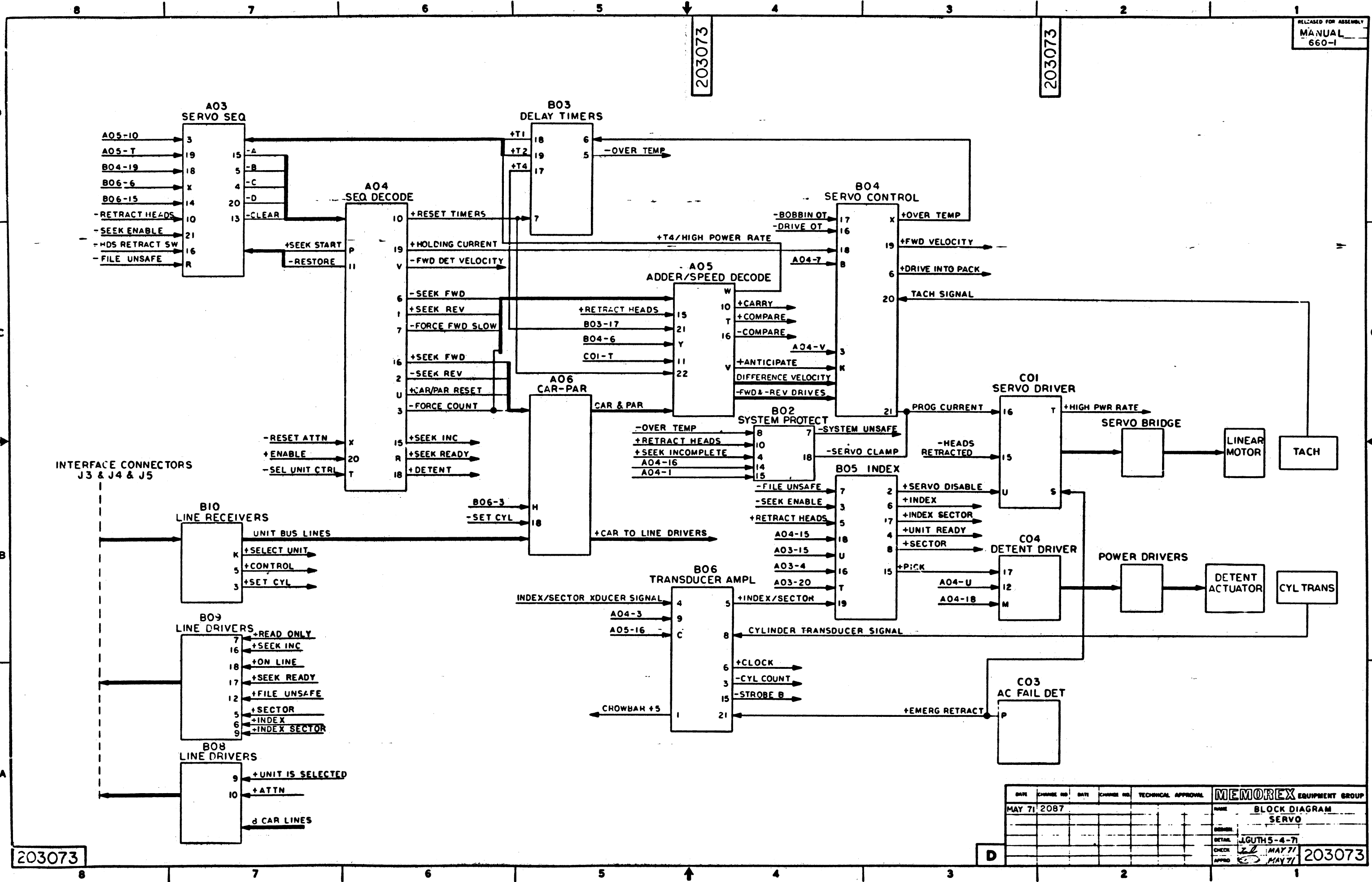
203072

203072

DATE		CHANGE NO.		TECHNICAL APPROVAL		MEMOREX EQUIPMENT GROUP	
MAY 71	2087					NAME	SYSTEM BLOCK DIAGRAM
							660-1
						DESIGN	
						DETAIL	J.GUTH 5-4-71
						CHECK	Jed MAY 71
						APPRO	ED MAY 71

C

203072

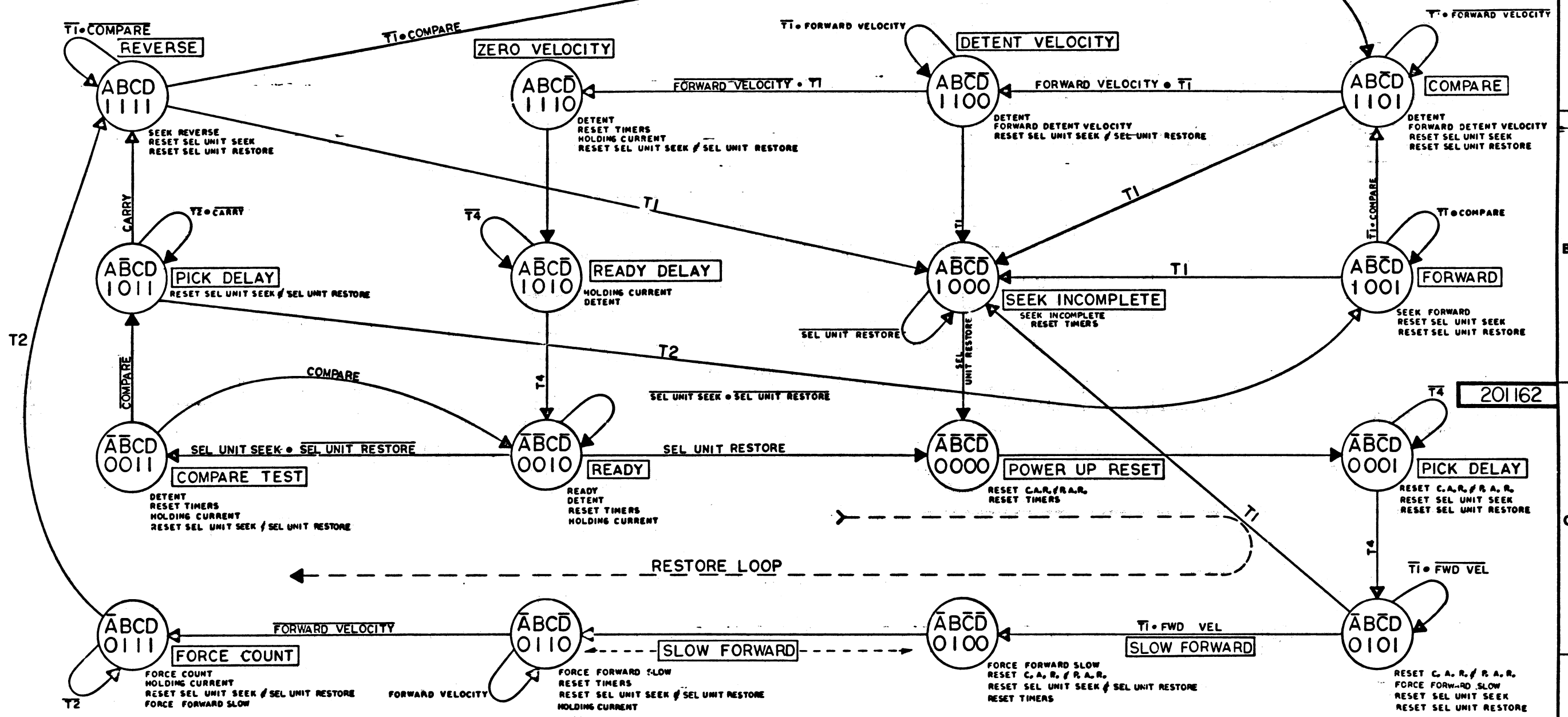


DATE	CHANGE NO.	DATE	CHANGE NO.	TECHNICAL APPROVAL	MEMOREX EQUIPMENT GROUP
MAY 71	2087				NAME BLOCK DIAGRAM
					SERVO
					DETAIL JGUTH5-4-71
					CHECK [Signature] MAY 71
					APPRO [Signature] MAY 71

203073

203073

RELEASED FOR ASSY	DATE	CHANGE NO	DATE	CHANGE NO
MANUAL	4-2-69	319		
	8-2-69	417		
	9/25/69	429		
	11/21/70	846		
	FEB 71	1904		



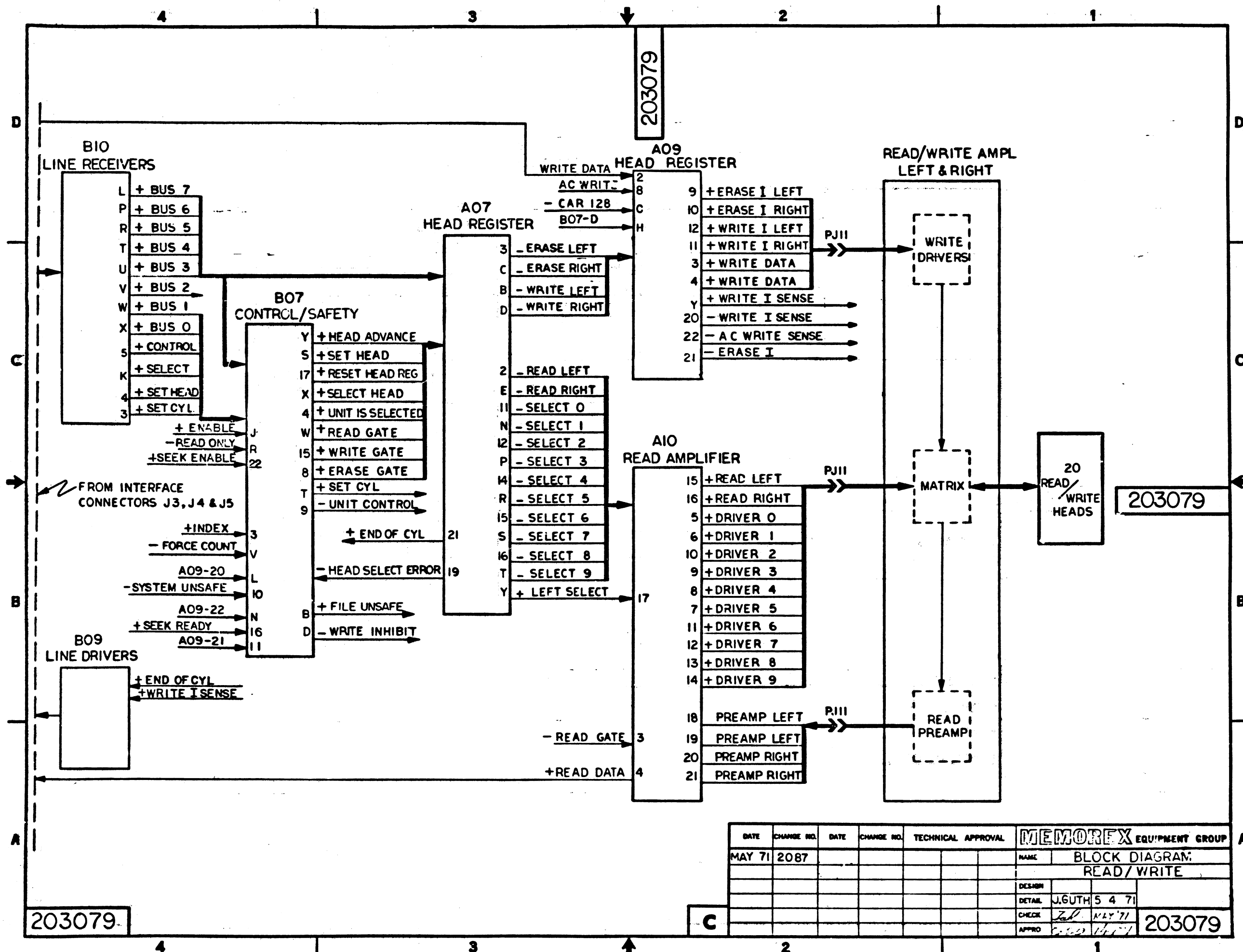
**NOTE:**  
T1- SEEK INCOMPLETE DELAY OR FILE UNSAFE  
T2- FORWARD SEEK DELAY  
T4- READY/RESTORE PICK DELAY

SERVO SEQUENCER BLOCK DIAGRAM  
ON DRAWING NUMBER 201162

MATERIAL	NO.	TOLERANCE UNLESS OTHERWISE NOTED	2 PLACE DEC =	Peripheral Systems Corporation a subsidiary of MEMOREX CORPORATION	
CASE DEPTH			3 PLACE DEC =	NAME	
HARDNESS			ANGLES =	SERVO SEQUENCER STATE DIA.	
SURFACE TREATMENT		CORNERS AND/OR EDGES BROKEN	OUTSIDE MAX	DESIGN	TYPE
		R/DH UNLESS OTHERWISE NOTED	INSIDE MAX	DETAIL	SCALE
	201162			CHECK	DRAW
				APPROV	CHECK

AC110





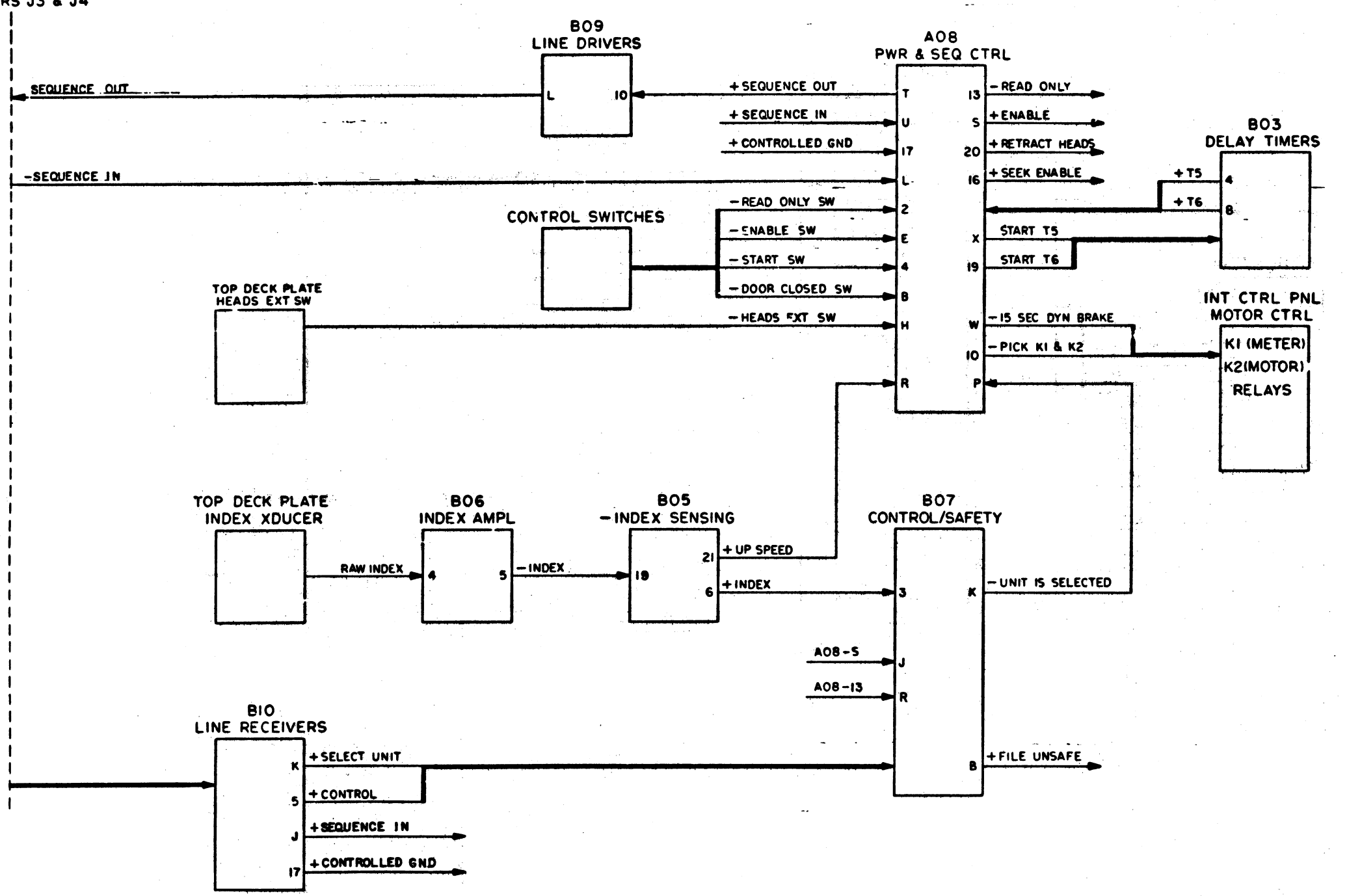
DATE	CHANGE NO.	DATE	CHANGE NO.	TECHNICAL APPROVAL	MEMOREX EQUIPMENT GROUP	
MAY 71	2087				NAME	BLOCK DIAGRAM: READ/WRITE
					DESIGN	
					DETAIL	J.GUTH 5 4 71
					CHECK	J.G. MAY 71
					APPRO	203079

203079

C

203079

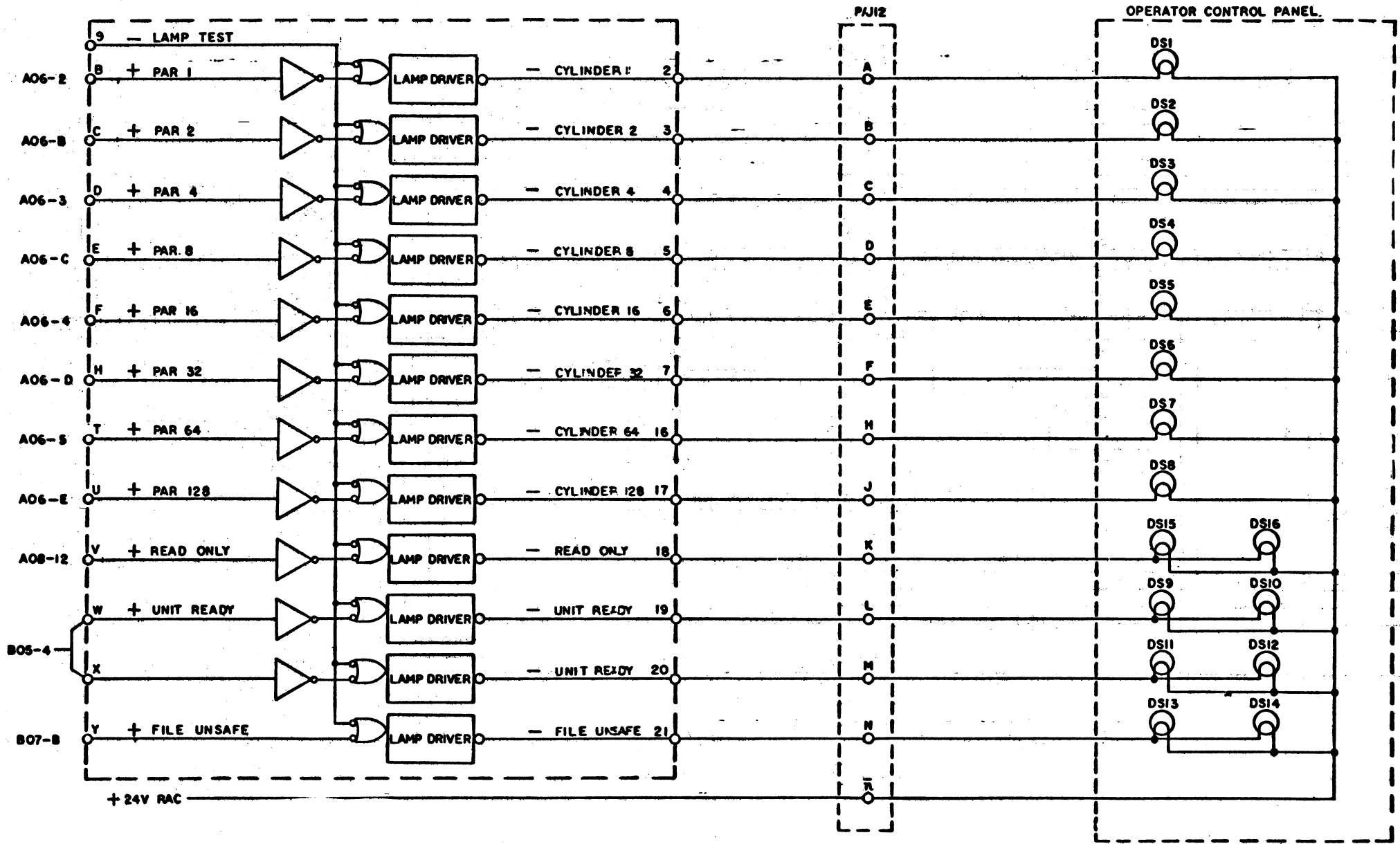
FROM INTERFACE  
CONNECTORS J3 & J4



DATE	CHANGE NO.	DATE	CHANGE NO.	TECHNICAL APPROVAL	MEMOREX EQUIPMENT GROUP
MAY 71	2087				NAME   BLOCK DIAGRAM POWER & SEQUENCE CONTROL
					DESIGN   JG 54-71   SCALE   NONE
					DETAIL   JG 54-71
					CHECK   JG 54-71
					APPRO   JG 54-71
					203080

201327

201327



- NOTES: UNLESS OTHERWISE SPECIFIED
- ON MACHINES WITH TAMP P.C. BOARD OF EC LEVEL 487 OR GREATER, THE MAGNITUDE OF THE LOGIC SUPPLY VOLTAGE (+5V) IS 5.10 VOLTS ± .04 VOLTS.
  - JUMPER PIN 9, -LAMP TEST TO GROUND TO TURN ON ALL LAMPS

A02  
(LDRV)

DATE	CHANGE NO.	DATE	CHANGE NO.	TECHNICAL APPROVAL	MEMOREX EQUIPMENT GROUP
7-29-69	416				NAME: SYSTEM LOGIC DIAGRAM
12-2-69	556				LAMP DRIVERS
APR 9, 70	865				DESIGN
AUG 5, 70	1158				DETAIL: <i>Mch 6/12/70</i>
SEPT 70	1359				CHECK
					APPRO: <i>[Signature]</i>

201327

D

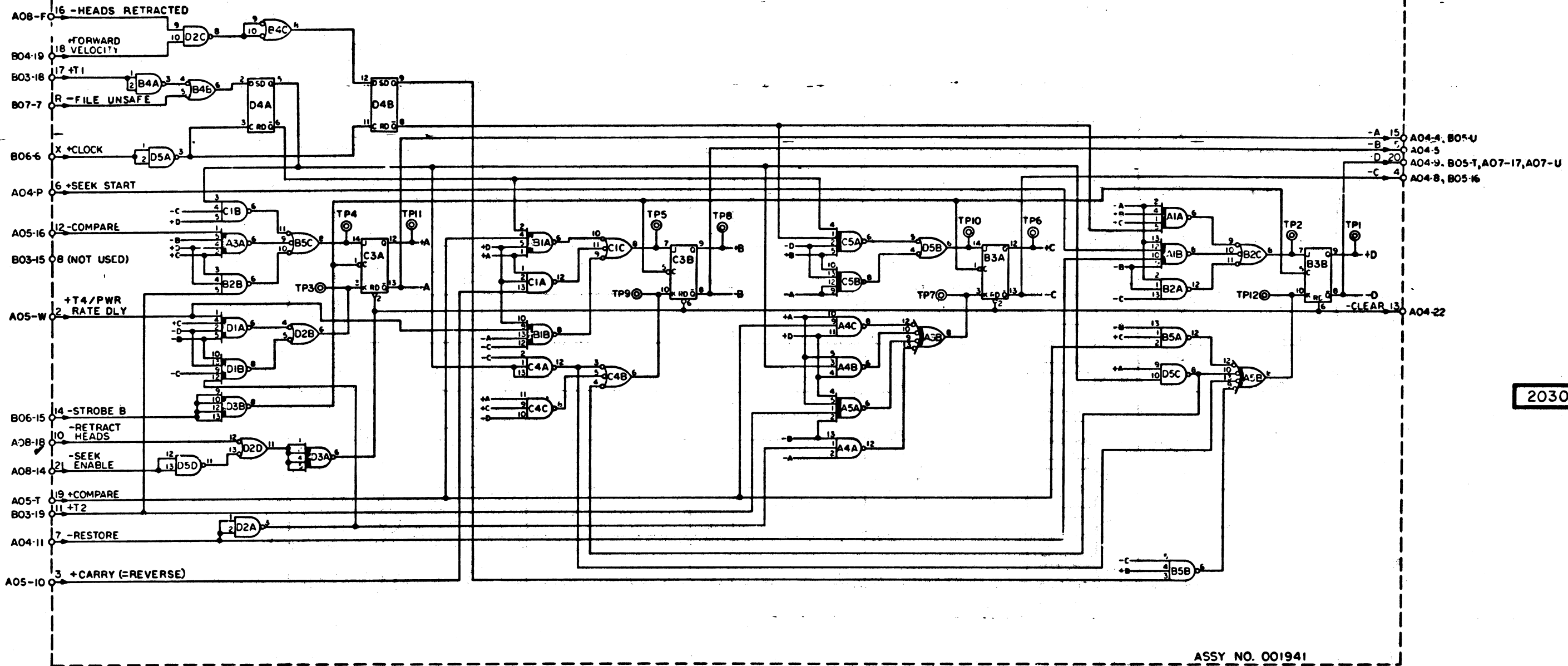
201327

203074

203074

203074

RELEASED FOR ASY	DATE	CHANGE NO	DATE	CHANGE NO
MANUAL	MAY 71	2087		



203074

- NOTES:
- IC'S B3 & C3 ARE SN7473N, DUAL JK FLIP-FLOP.
  - IC D4 IS A SN7474N, DUAL D-TYPE FLIP-FLOP.

A03 (SSEQ)

203074

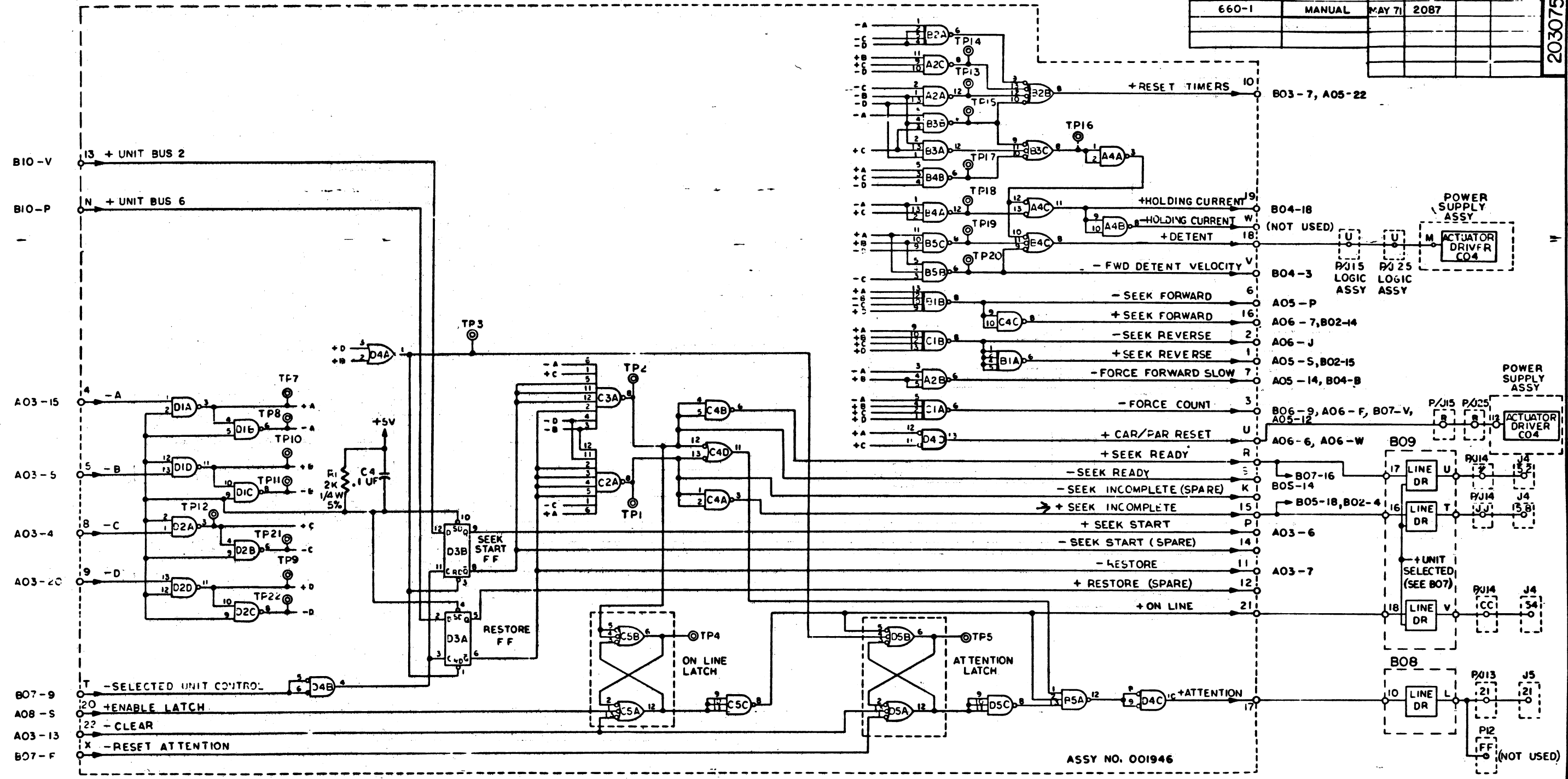
MATERIAL	NO	TOLERANCE UNLESS OTHERWISE NOTED	2 PLACE DEC ±	Peripheral Systems Corporation A SUBSIDIARY OF MEMOREX CORPORATION				
CASE DEPTH			3 PLACE DEC ±	NAME SYSTEM LOGIC DIAGRAM				
HARDNESS			ANGLES	SERVO SEQUENCER				
SURFACE TREATMENT		CORNERS AND/OR EDGES BROKEN	OUTSIDE MAX	DESIGN	J.G	5-671	SCALE	NOTE
		RADI UNLESS OTHERWISE NOTED	INSIDE MAX	CHECK	ZP	MAY 71	DRAW	
				APPRO	ZP	MAY 71	CHECK	

203074 D

203075

203075

USED ON	RELEASED FOR ASSY	DATE	CHANGE NO	DATE	CHANGE NO
660-1	MANUAL	MAY 71	2087		

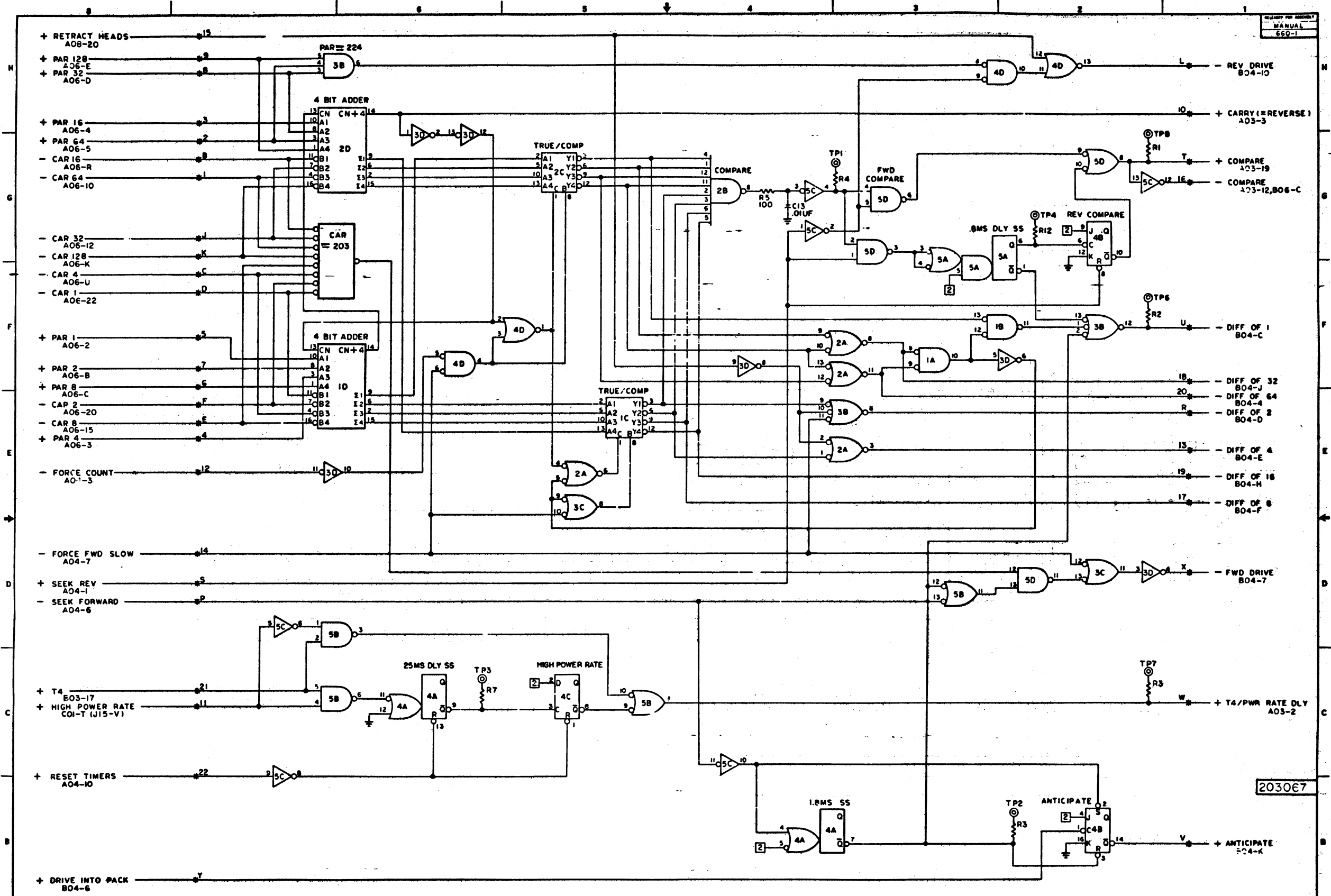


NOTES  
 1. IC D3 IS A SN7474, DUAL D-TYPE FLIP-FLOP.

**A04**  
 (SSDC)

203075

MATERIAL	NO	TOLERANCE UNLESS OTHERWISE NOTED	2 PLACE DEC =	Peripheral Systems Corporation A SUBSIDIARY OF MEMOREX CORPORATION				
CASE DEPTH			3 PLACE DEC =	NAME: SYSTEM LOGIC DIAGRAM 660-1				
HARDNESS			ANGLES =	SERVO SEQUENCER DECODE				
SURFACE TREATMENT		CORNERS AND/OR EDGES BROKEN	OUTSIDE MAX	DESIGN	GUTH	5-4-71	SCALE	NONE
		RADI UNLESS OTHERWISE NOTED	INSIDE MAX	CHECK	ZL	MAY 71	DRAW	
				APPRO	ZL	MAY 71	CHECK	



NOTES, UNLESS OTHERWISE SPECIFIED:  
1. SCHEMATIC REFERENCE 003307  
2. ALL INPUT PINS SHOWN UNCONNECTED ARE TIED HIGH.

203067

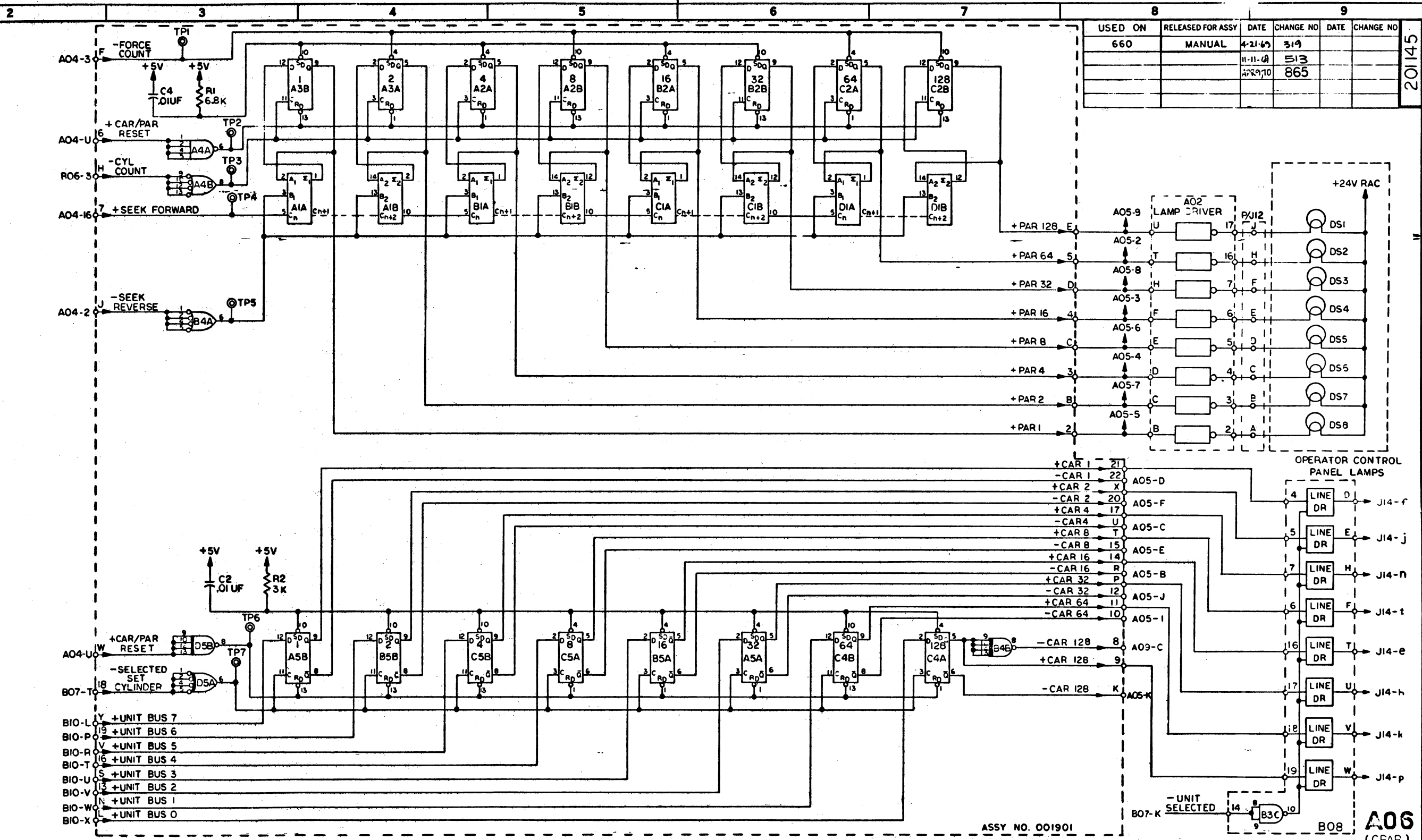
A05  
(ADSD)

REV	CHANGED BY	DATE	CHANGED BY	DATE	TECHNICAL APPROVAL
1					

MEMOREX EQUIPMENT GROUP  
SYSTEM LOGIC DIAGRAM  
ADDER AND SPEED DECODE  
LAYOUT 5-4-71  
203067

203067

201145



USED ON	RELEASED FOR ASSY	DATE	CHANGE NO	DATE	CHANGE NO
660	MANUAL	4-21-69	319		
		11-11-68	513		
		APR 9, 70	865		

- NOTES**
- IC'S A1, B1, C1 & D1 ARE SN7482N, 2 BIT BINARY FULL ADDERS
  - IC'S A2, A3, A5, B2, B5, C2, C4 & C5 ARE SN7474N, DUAL D-TYPE FLIP-FLOPS
  - ON MACHINES WITH TAMP PC BOARD OF EC LEVEL 487 OR GREATER, THE MAGNITUDE OF THE LOGIC SUPPLY VOLTAGE (+5V) IS 5.10 VOLTS ±.04 VOLTS.

MATERIAL	NO	TOLERANCE UNLESS OTHERWISE NOTED	2 PLACE DEC ±	Peripheral Systems Corporation a subsidiary of MEMOREX CORPORATION	
CASE DEPTH			3 PLACE DEC ±	NAME SYSTEM LOGIC DIAGRAM 660-1	
HARDNESS			ANGLES ±	CYLINDER PRESENT ADDRESS REG.	
SURFACE TREATMENT		CORNERS AND/OR EDGES BROKEN	OUTSIDE MAX	DESIGN	TYPE
		RADIUS UNLESS OTHERWISE NOTED	INSIDE MAX	DETAIL	SCALE
201145		D		CHECK	DRAW
				APPRO	CHECK

201145

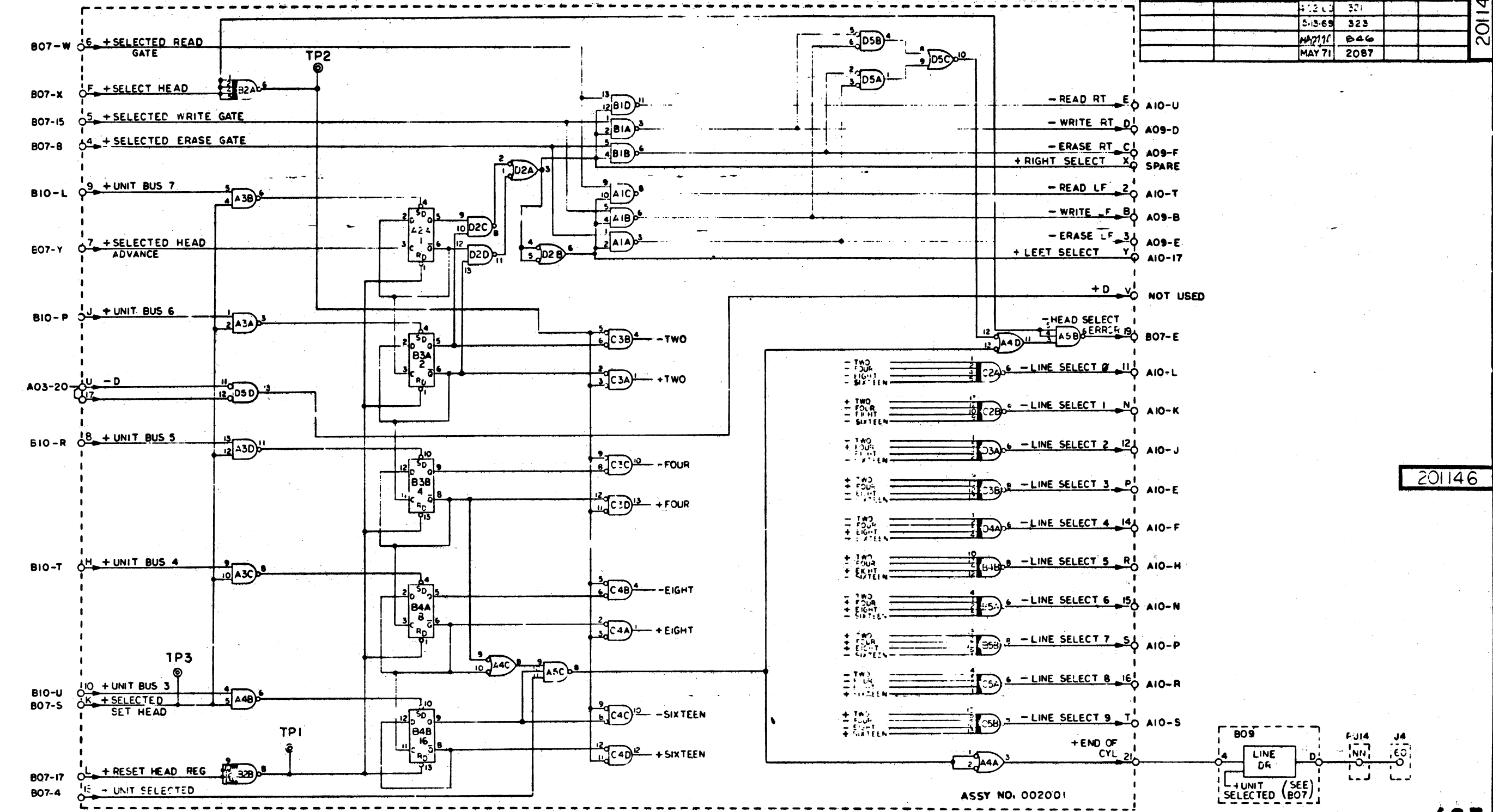
201145

ASSY NO. 001901  
A06 (CPAR)  
B08

201146

USED ON	RELEASED FOR ASSY	DATE	CHANGE NO	DATE	CHANGE NO
660	MANUAL	4-2-69	319		
		3-12-69	321		
		5-13-69	323		
		MAY 71	346		
		MAY 71	2087		

201146



201146

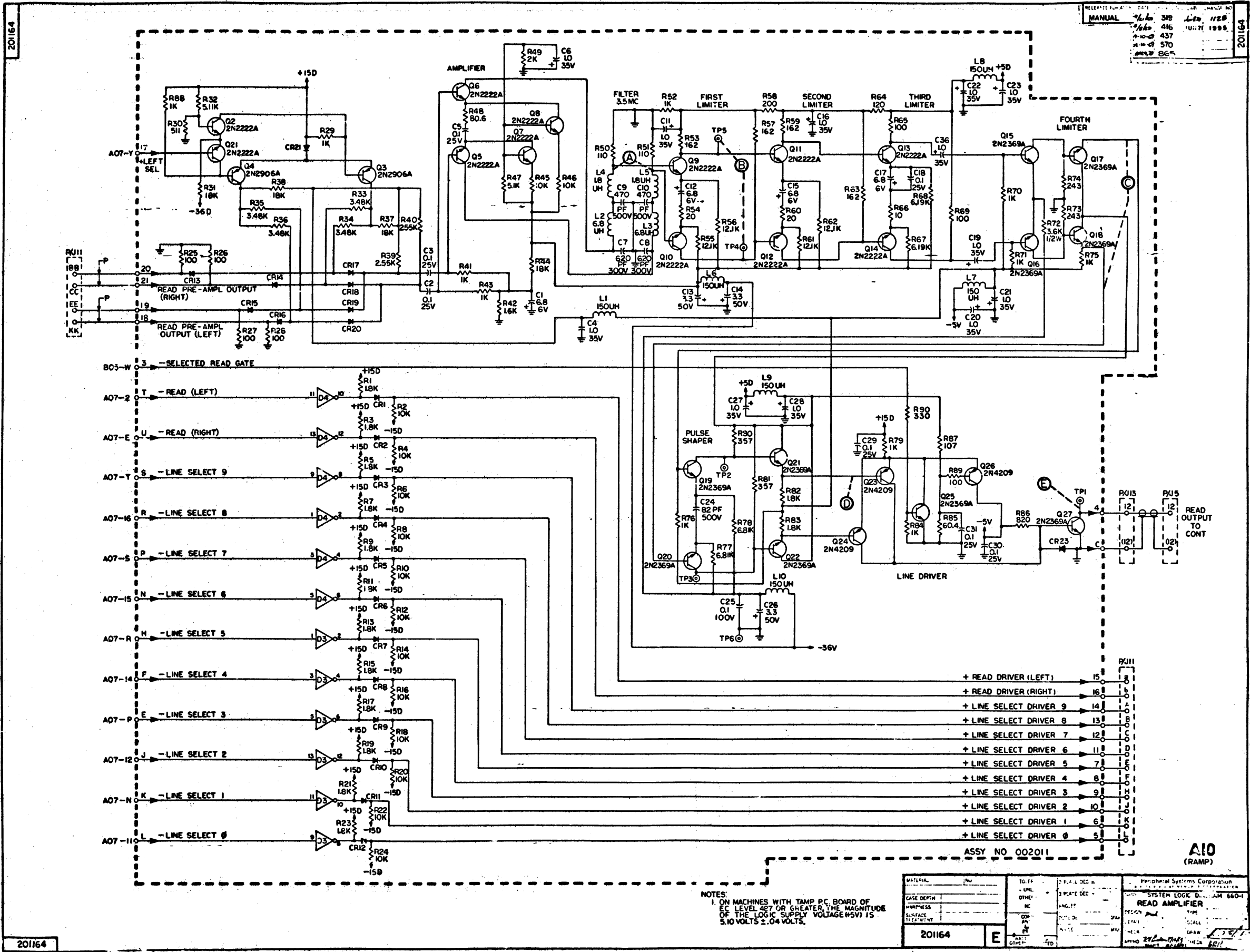
- NOTES:
- IC'S A2, B3 & B4 ARE SN7474N, DUAL D FLIP-FLOP.
  - IC D5 IS A SN7402N QUADRUPLE 2-INPUT NOR GATE.

201146

407 (HREG)

MATERIAL	NO	TOLERANCE UNLESS OTHERWISE NOTED	2 PLACE DEC =	Peripheral Systems Corporation A SUBSIDIARY OF MEMOREX CORPORATION	
CASE DEPTH			3 PLACE DEC	NAME SYSTEM LOGIC DIAGRAM 660	
HARDNESS			ANGLES	HEAD SELECTION AND REGISTER	
SURFACE TREATMENT		CORNERS AND OR EDGES BROKEN	OUTSIDE MAX	DESIGN	TYPE
		RADI UNLESS OTHERWISE NOTED	INSIDE MAX	DETAIL	SCALE NONE
				CHECK	DRAW
				APPRO	CHECK





MANUAL	466	318	Line 1128
	466	416	UNIT 1886
	466	437	
	466	570	
	466	666	

201164

201164

NOTES:  
 1. ON MACHINES WITH TAMP PC BOARD OF EC LEVEL 487 OR GREATER, THE MAGNITUDE OF THE LOGIC SUPPLY VOLTAGE (+5V) IS 5.10 VOLTS ± 0.04 VOLTS.

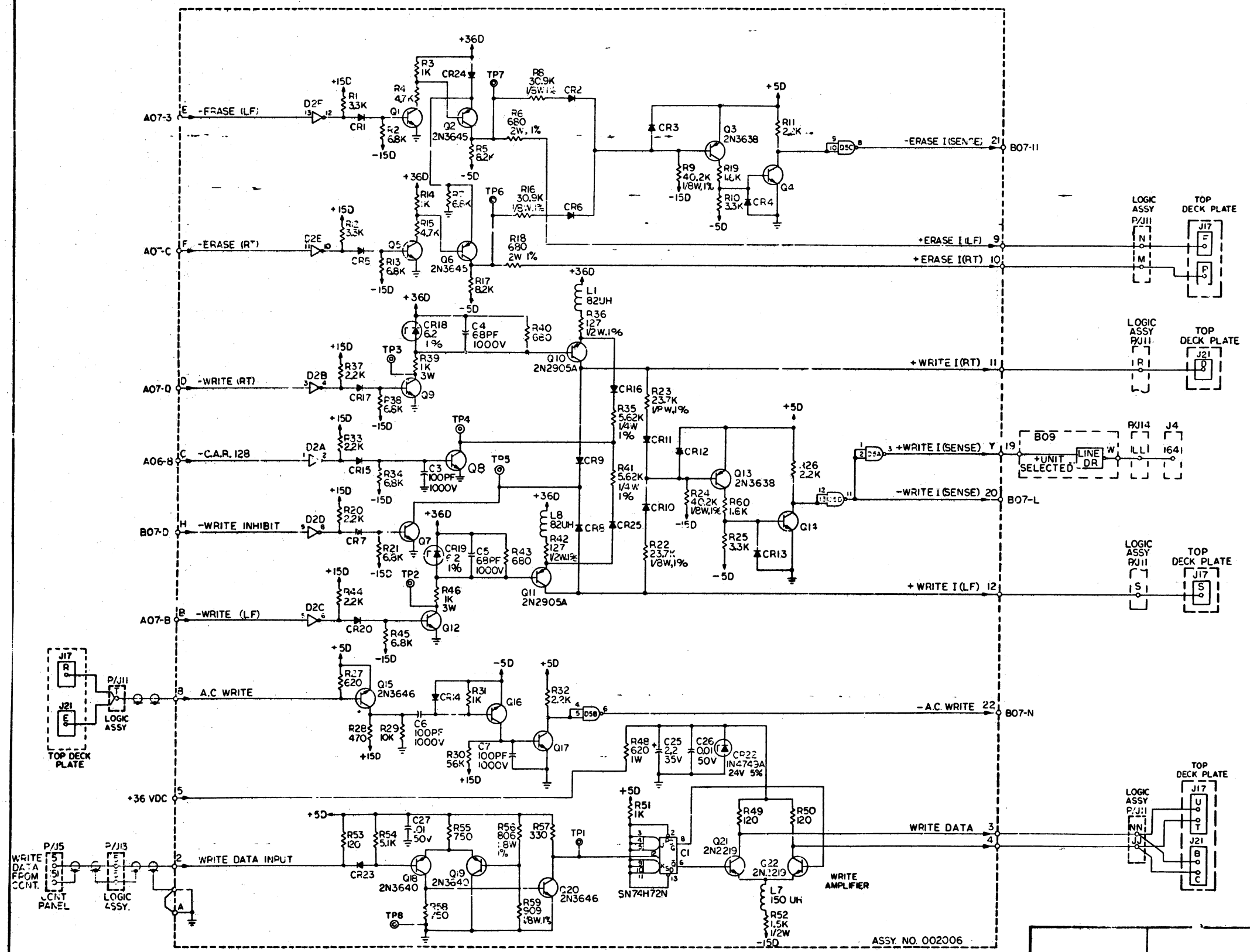
MATERIAL	REV	TO: FF	DATE DEC	Peripheral Systems Corporation
CASE DEPTH		UNL	3	SYSTEM LOGIC D... AM 660-
HARNESS		OTHER	3	READ AMPLIFIER
SUBJECT		NC	ANGLET	DESIGN
DESCRIPTION				TYPE
				SCALE
				DATE
				APP'D
201164	E			

201164

A10  
(RAMP)

ASSY NO 002011

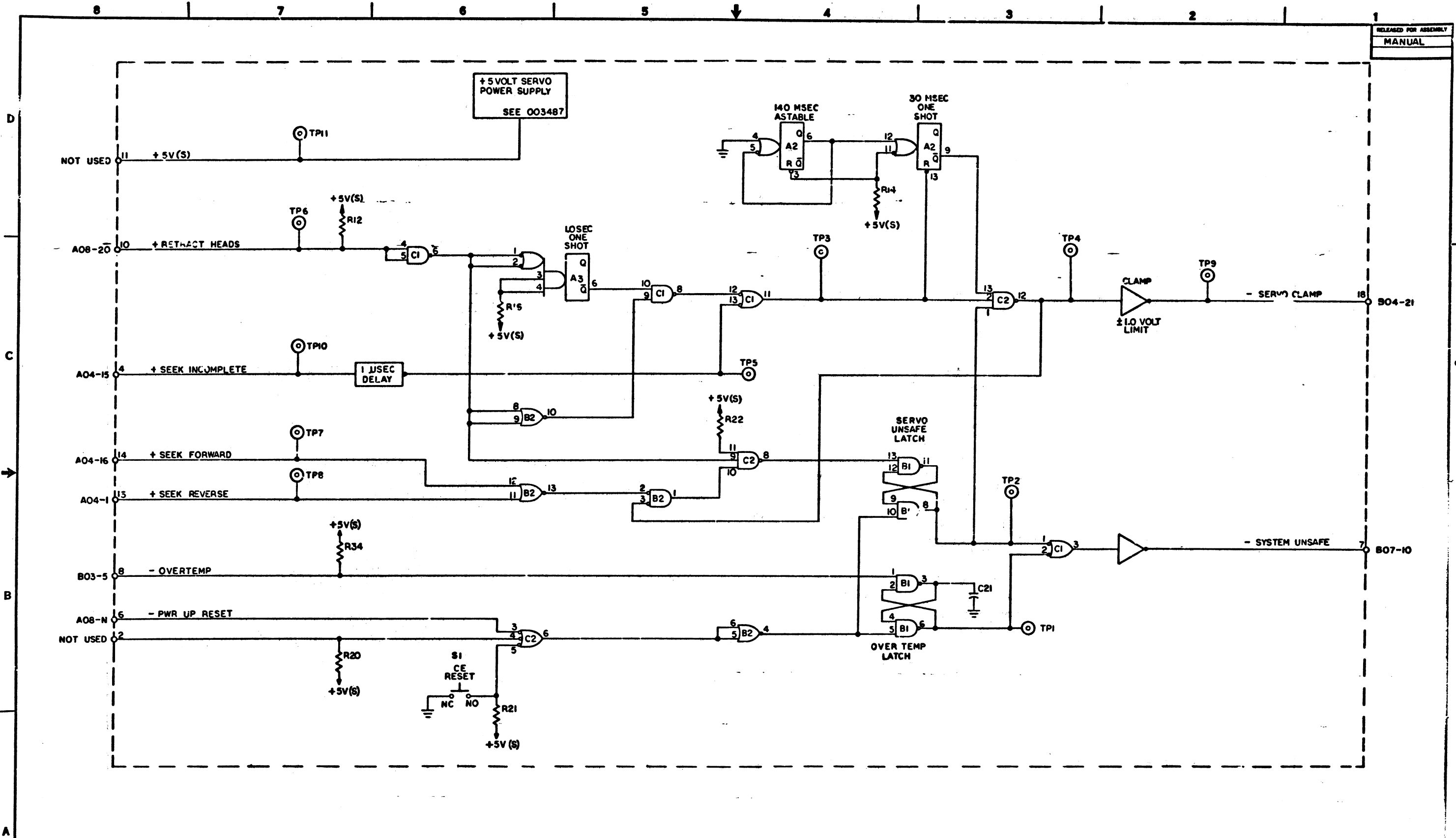




NOTES: UNLESS OTHERWISE SPECIFIED  
 1. IC D2 IS A MC835P HEX INVERTER  
 2. REF. TO WLOG SCHEMATIC 002007 FOR PWR SUPPLY NOTATIONS. (E.G. +5D IS +5VDC AT FILTER OUTPUT)

**A09**  
(WLOG)

SYSTEM LOGIC DIAGRAM 260-1  
 WRITE LOGIC



201776

DATE	CHANGE NO.	DATE	CHANGE NO.	TECHNICAL APPROVAL	MEMOREX EQUIPMENT GROUP
JULY 70	1268				NAME SYSTEM LOGIC DIAGRAM
MAY 71	2007				DESIGNER SYSTEM PROTECTION
					DETAIL DRIVERS JULY 24, 70
					CHECK JNL 21, 70
					APPROV EG JUL 31, 70

D

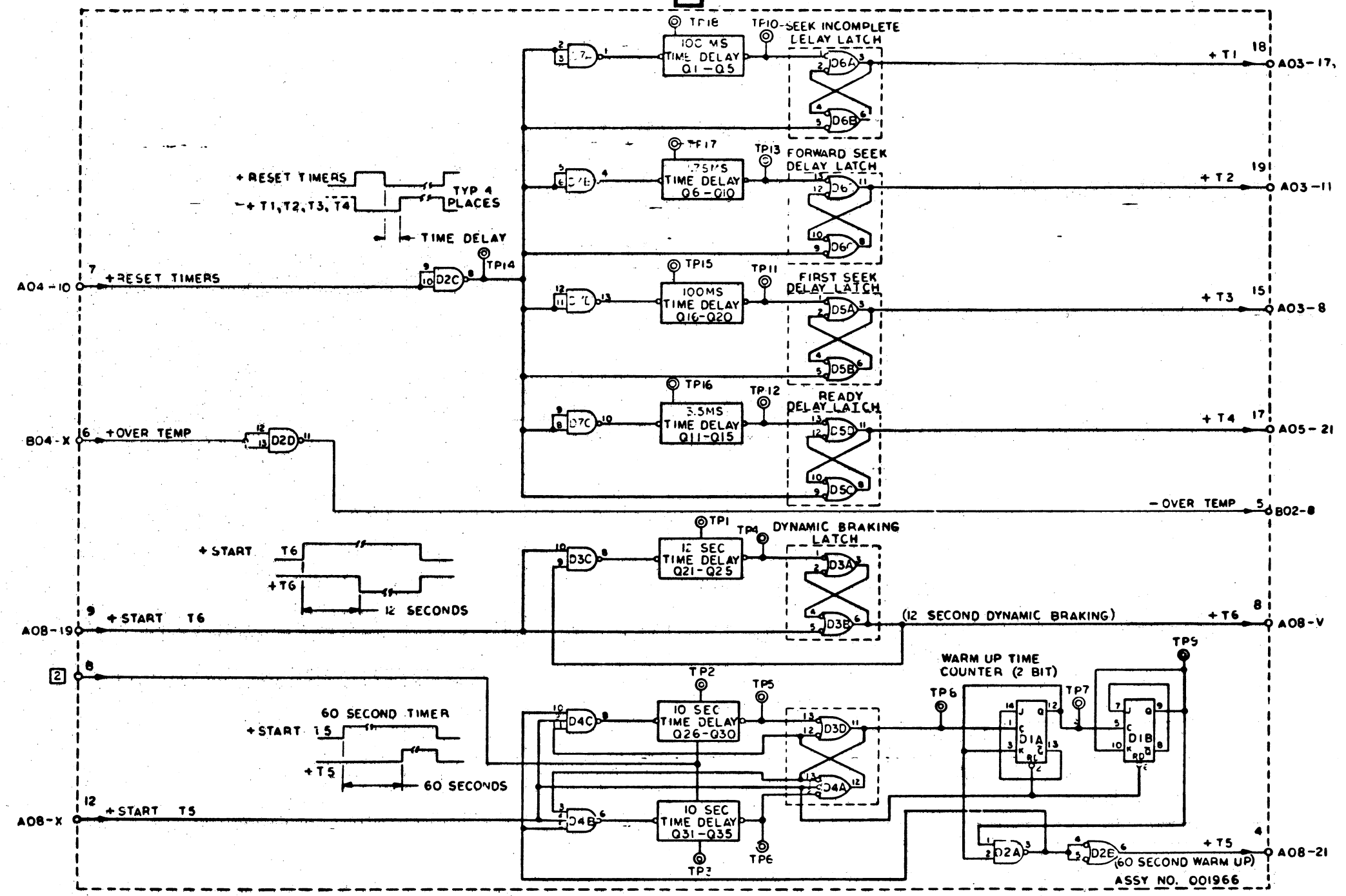
201776

203076

203076

203076

USED ON	RELEASED FOR ASSY	DATE	CHANGE NO	DATE	CHANGE NO
660-1	MANUAL	MAY 71	2087		



203076

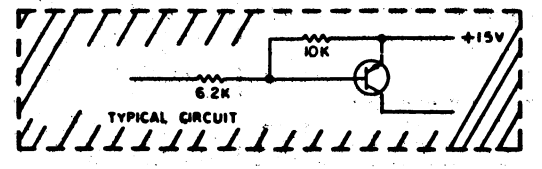
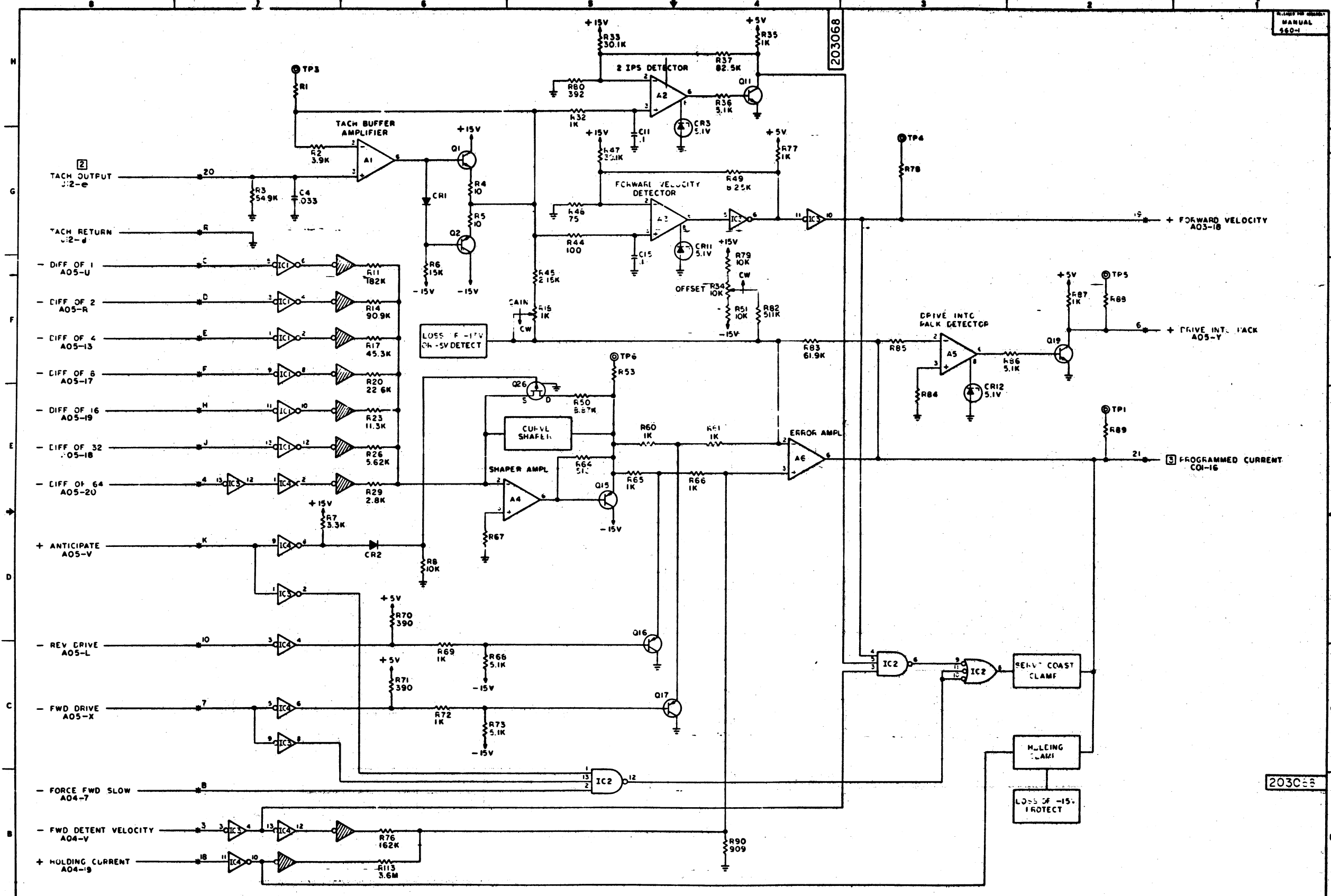
03 (DLAY)

NOTES,

- 1. IC D1 IS A SN7473, DUAL J-K FLIP-FLOP
- 2. FE AID. ON BOARDS OF EC LEVEL 1005 OR HIGHER, A JUMPER BETWEEN PIN 8 AND PIN 2 (+15V) WILL DECREASE FIRST SEEK DELAY TO 15 SEC. THIS JUMPER MUST BE REMOVED WHEN THE DRIVE IS RETURNED TO THE CUSTOMER.

203076

MATERIAL	NO	TOLERANCE UNLESS OTHERWISE NOTED	2 PLACE DEC =	Peripheral Systems Corporation A SUBSIDIARY OF MEMOREX CORPORATION				
CASE DEPTH		NOTED	3 PLACE DEC -	NAME SYSTEM LOGIC DIAGRAM 660-1				
HARDNESS		CORNERS AND OR EDGES BROKEN	ANGLES	OUTSIDE	MAX	INSIDE	MAX	
SURFACE TREATMENT		RADII UNLESS OTHERWISE NOTED						
203076		D	DESIGN		J.G.	F-4-71	TYPE	NONE
			DETAIL				SCALE	
			CHECK			MAY 71	DRAW	
			APPRO			MAY 71	CHECK	



- NOTES:
- 1. SCHEMATIC REFERENCE 003482
  - 2. + VOLTAGE = FORWARD VELOCITY @ AFFRCK 100MV/IN/SEC
  - 3. + VOLTAGE = FORWARD CURRENT @ 1.3 AMPS/VOLT.

1304 (SRVC)

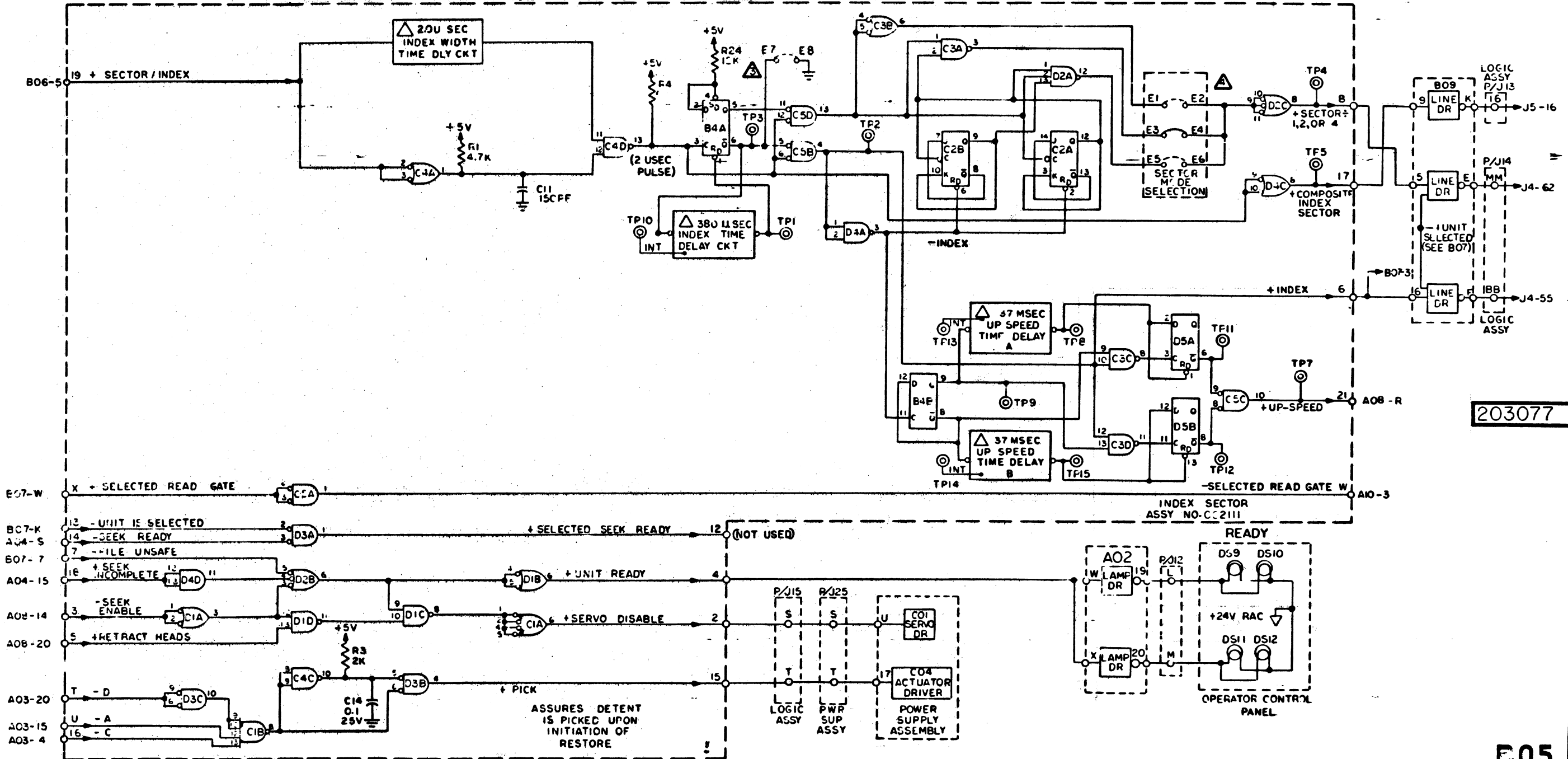
MEMOREX EQUIPMENT GROUP  
 SYSTEM LOGIC DIAGRAM  
 SERVO CONTROL  
 GUTH S-407  
 MAY 1967  
 203068

203077

203077

203077

USED ON	RELEASED FOR ASSY	DATE	CHANGE NO	DATE	CHANGE NO
660-I	MANUAL	MAY 71	2087		



203077

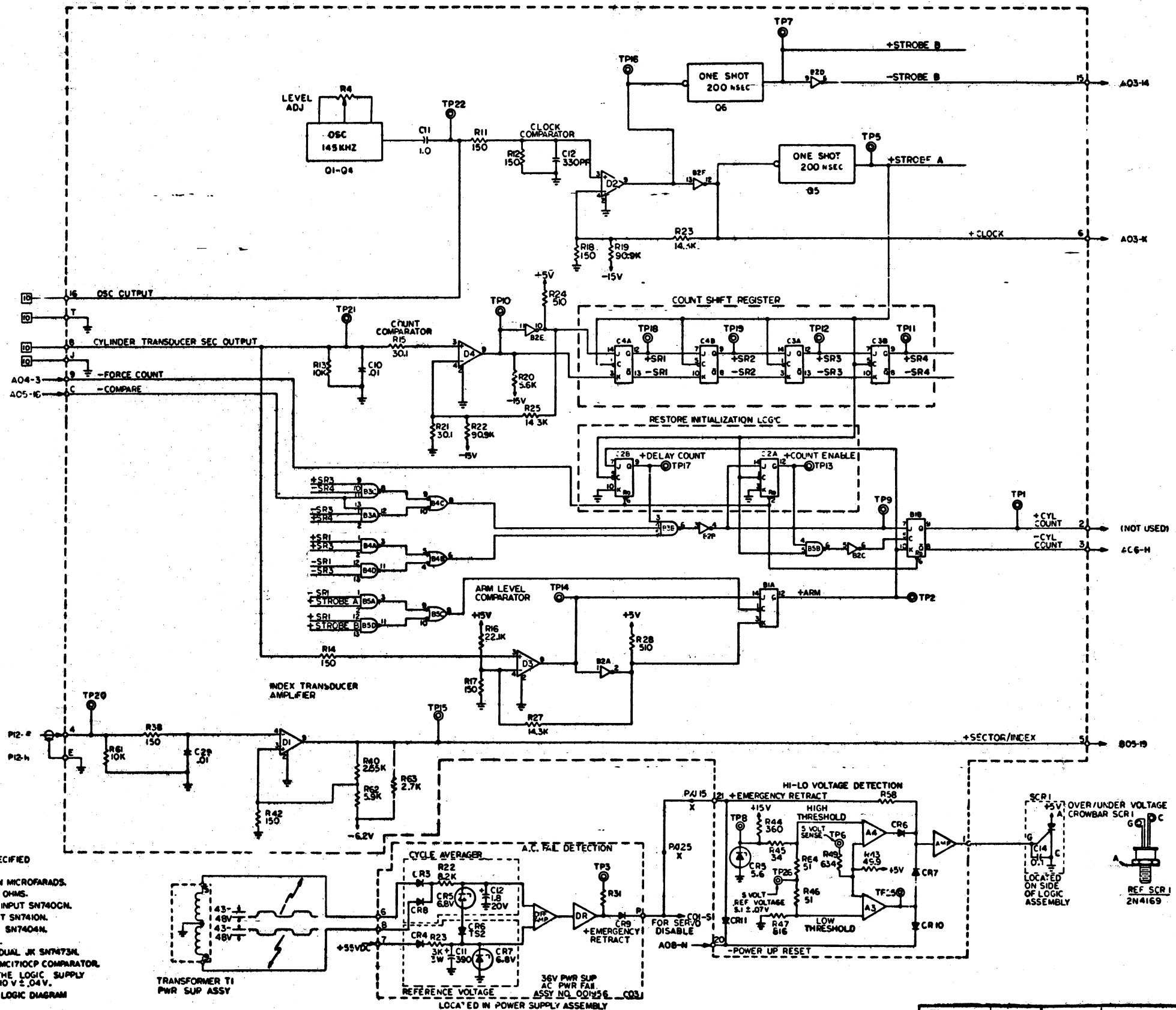
E05  
(IXSR)

- NOTES: UNLESS OTHERWISE SPECIFIED
- IC'S E4/D5 ARE SN7474N, DUAL D FLIP-FLOP
  - IC C2 IS A SN7473N, DUAL J-K FLIP-FLOP
  - FOR STANDARD INDEX ONLY MODE OF OPERATION, INSERT JUMPER TO GRD. FOR INDEX-SECTOR MODE LEAVE OPEN
  - CUSTOMER OPTION:  
 JUMPER E1 TO E2 FOR SECTOR + 1 OPERATION  
 JUMPER E3 TO E4 FOR SECTOR + 2 OPERATION  
 JUMPER E5 TO E6 FOR SECTOR + 4 OPERATION
  - IC C4 IS A SN7401N OPEN COLLECTOR GATE
  - IC'S D3/C5 ARE SN7402N, 2-INPUT NOR GATE

203077

MATERIAL	NO	TOLERANCE UNLESS OTHERWISE NOTED	2 PLACE DEC =	Peripheral Systems Corporation A SUBSIDIARY OF MEMOREX CORPORATION				
CASE DEPTH		NOTED	3 PLACE DEC =	NAME SYSTEM LOGIC DIAGRAM				
HARDNESS			ANGLES =	INDEX / SECTOR				
SURFACE TREATMENT		CORNERS AND/OR EDGES BROKEN	OUTSIDE MAX	DESIGN	JG	5-4-71	SCALE	NONE
		RADI UNLESS OTHERWISE NOTED	INSIDE MAX	CHECK	Jed	MAY 71	DRAW	
203077		D		APPRO	Jed	MAY 71	CHECK	

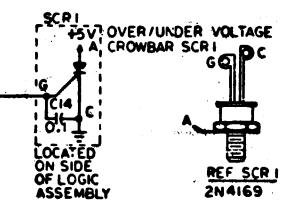
USED ON	RELEASED FOR ASSY	DATE	CHANGE NO	DATE	CHANGE NO
660-1	MANUAL	MAY 71	2087		



- NOTES: UNLESS OTHERWISE SPECIFIED
1. ALL CAPACITORS ARE IN MICROFARADS.
  2. ALL RESISTORS ARE IN OHMS.
  3. IC B4 & B5 ARE QUAD 2 INPUT SN740CN.
  4. IC B3 IS TRIPLE 3 INPUT SN7410N.
  5. IC B2 IS HEX INVERTER SN7404N.
  6. IC'S A3 & A4 ARE LM201.
  7. IC'S B1, C2, C3 & C4 ARE DUAL JK SN7473M.
  8. IC'S D1, D2, D3 & D4 ARE MC1710CP COMPARATOR.
  9. THE MAGNITUDE OF THE LOGIC SUPPLY VOLTAGE (+5V) IS 5.10 V ± 0.4V.
  10. REFER TO TRANSDUCER LOGIC DIAGRAM 203071.

TRANSFORMER T1  
PWR SUP ASSY

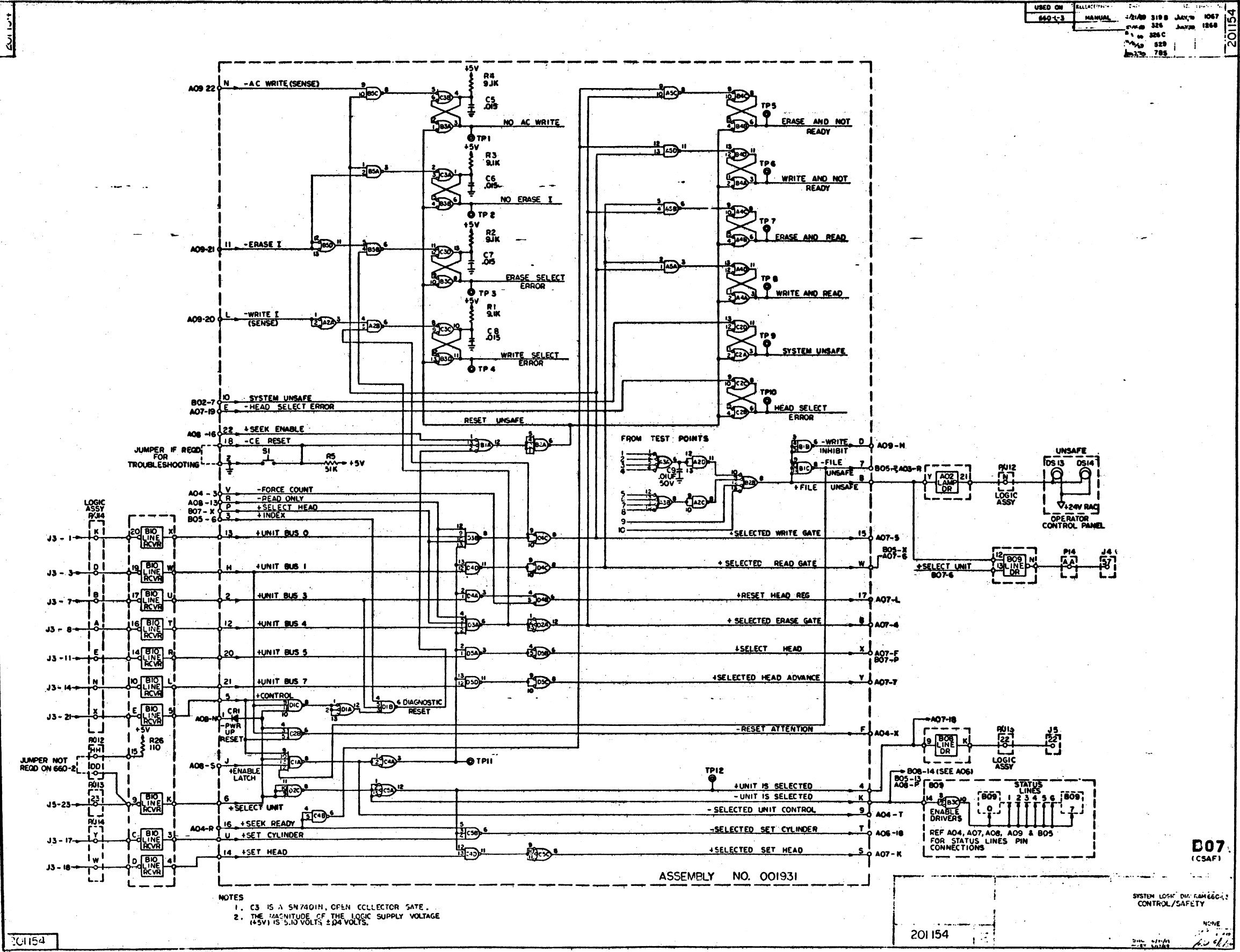
36V PWR SUP  
AC PWR FAS  
ASSY NO. 001456  
LOCATED IN POWER SUPPLY ASSEMBLY



B06  
(TA/AP)

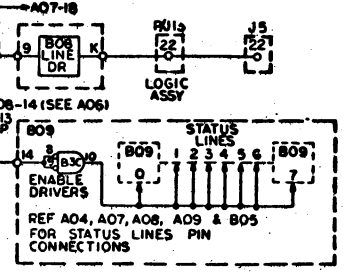
MATERIAL	NO	TOLERANCE UNLESS OTHERWISE NOTED	2 PLACE DEC	Peripheral Systems Corporation a subsidiary of GEORGE CORPORATION
CASE BEFIN			3 PLACE DEC	DATE: 05/12/68 LOGIC EQUATION 203071
HARDNESS			ANGLES	TRANSUCER AMP. LIFIER
SURFACE TREATMENT		CORNERS AND OR LOGS BROKEN	OUTSIDE	DESIGN
			INSIDE	CUTTH
				SCALE
				TYPE
				DATE
				5-4-71
				SCALE
				NONE
				CHECK
				APPRO
				DATE
				MAY 71
				DRAW
				CHECK





NOTES  
 1. C3 IS A 5N7401N, OPEN COLLECTOR STATE.  
 2. THE MAGNITUDE OF THE LOGIC SUPPLY VOLTAGE (+5V) IS 5.10 VOLTS ±0.04 VOLTS.

ASSEMBLY NO. 001931

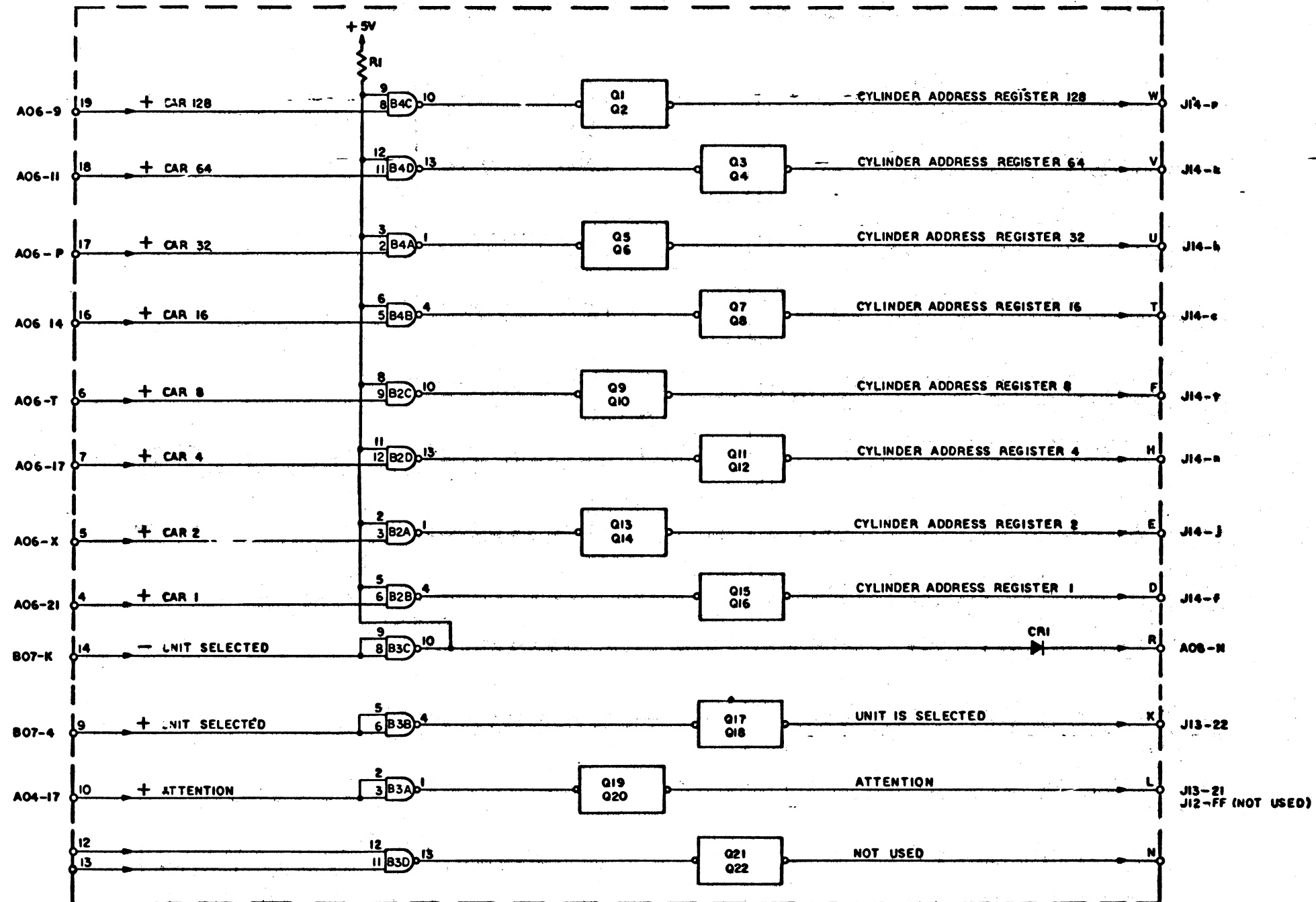


D07 (CSAF)

SYSTEM LOGIC DR. 66660-1 CONTROL/SAFETY

201328

201328



- NOTES: UNLESS OTHERWISE SPECIFIED
- CAR 1 THRU CAR 128 NOT WIRED ON MODEL 660-2.
  - ON MACHINES WITH TAMP P.C. BOARD EC LEVEL 487 OR GREATER, THE MAGNITUDE OF THE LOGIC SUPPLY VOLTAGE (+5V) IS 5.10VOLTS ± .04 VOLTS.

1308  
(DRIV)

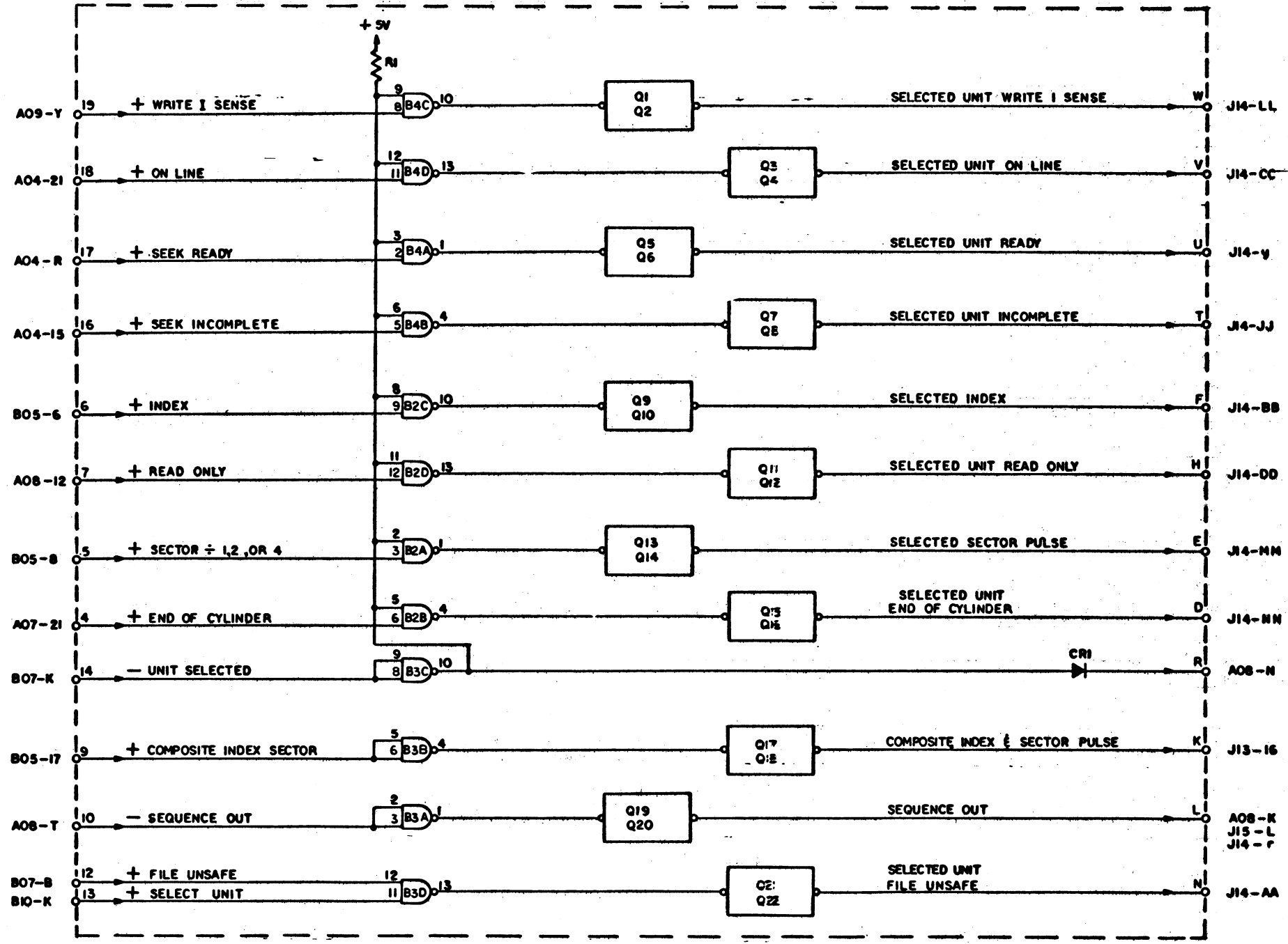
DATE	CHANGE NO.	DATE	CHANGE NO.	TECHNICAL APPROVAL	MEMOREX EQUIPMENT GROUP
7-29-69	416				NAME: SYSTEM LOGIC DIAGRAM
12-2-69	556				LINE DRIVERS
APR 9, 70	865				DESIGN: [Signature]
JULY 70	1067				DETAIL: [Signature]
SEPT. 70	1244				CHECK: [Signature]
					APPRO: [Signature]

201328

201328

201329

201329

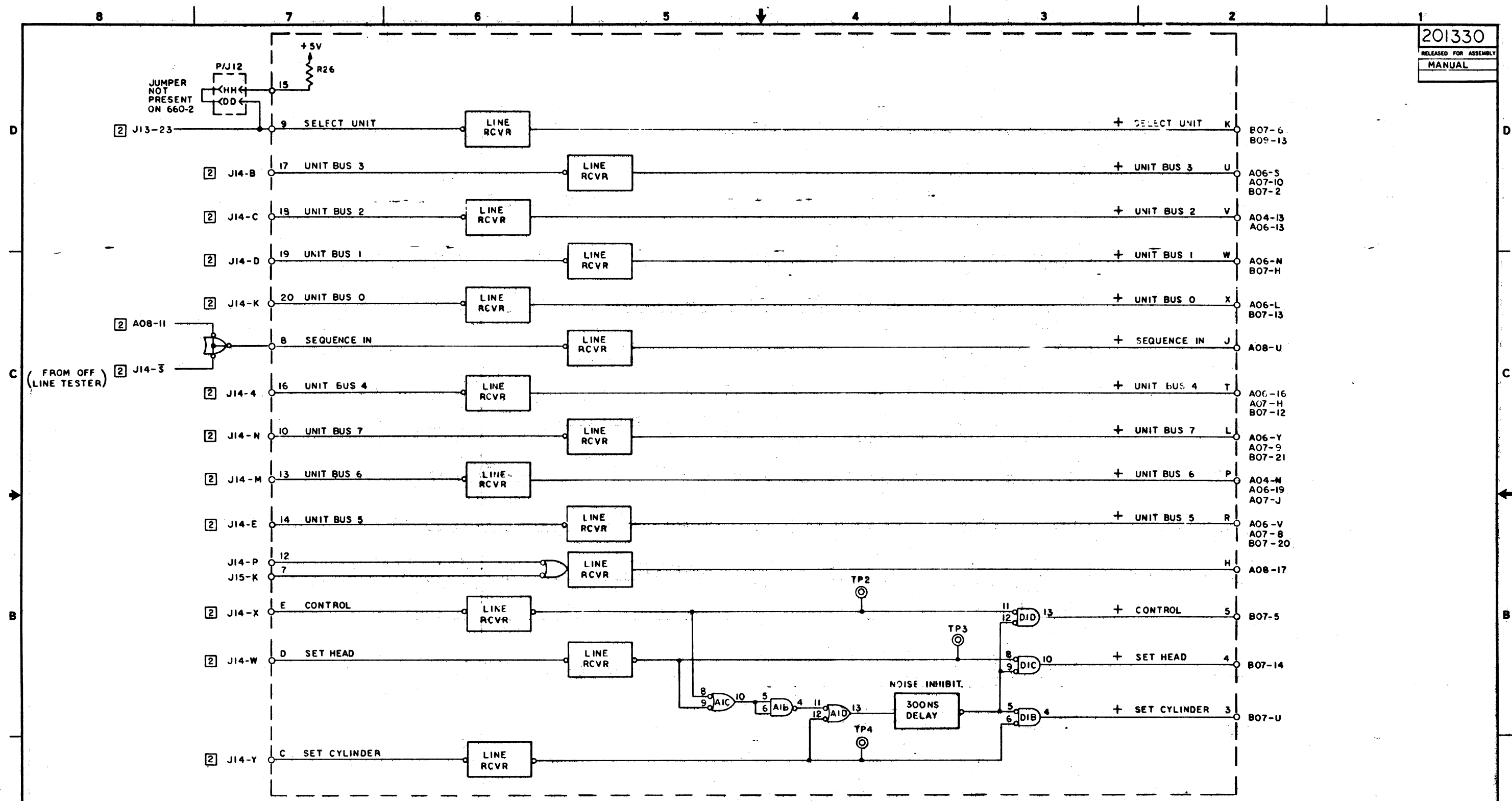


NOTES: UNLESS OTHERWISE SPECIFIED  
1. ON MACHINES WITH TAMP P.C. BOARD EC LEVEL 487 OR GREATER, THE MAGNITUDE OF THE LOGIC SUPPLY VOLTAGE (+5V) IS 5.10VOLTS ± .04VOLTS

DATE	CHANGE NO.	DATE	CHANGE NO.	TECHNICAL APPROVAL	MEMOREX EQUIPMENT GROUP
7-29-69	416				NAME   SYSTEM LOGIC DIAGRAM
12-2-69	556				LINE DRIVERS
APR 30 70	865				DESIGN
MAY 70	1067				CHECK
SEP 70	1244				APPRO

201329

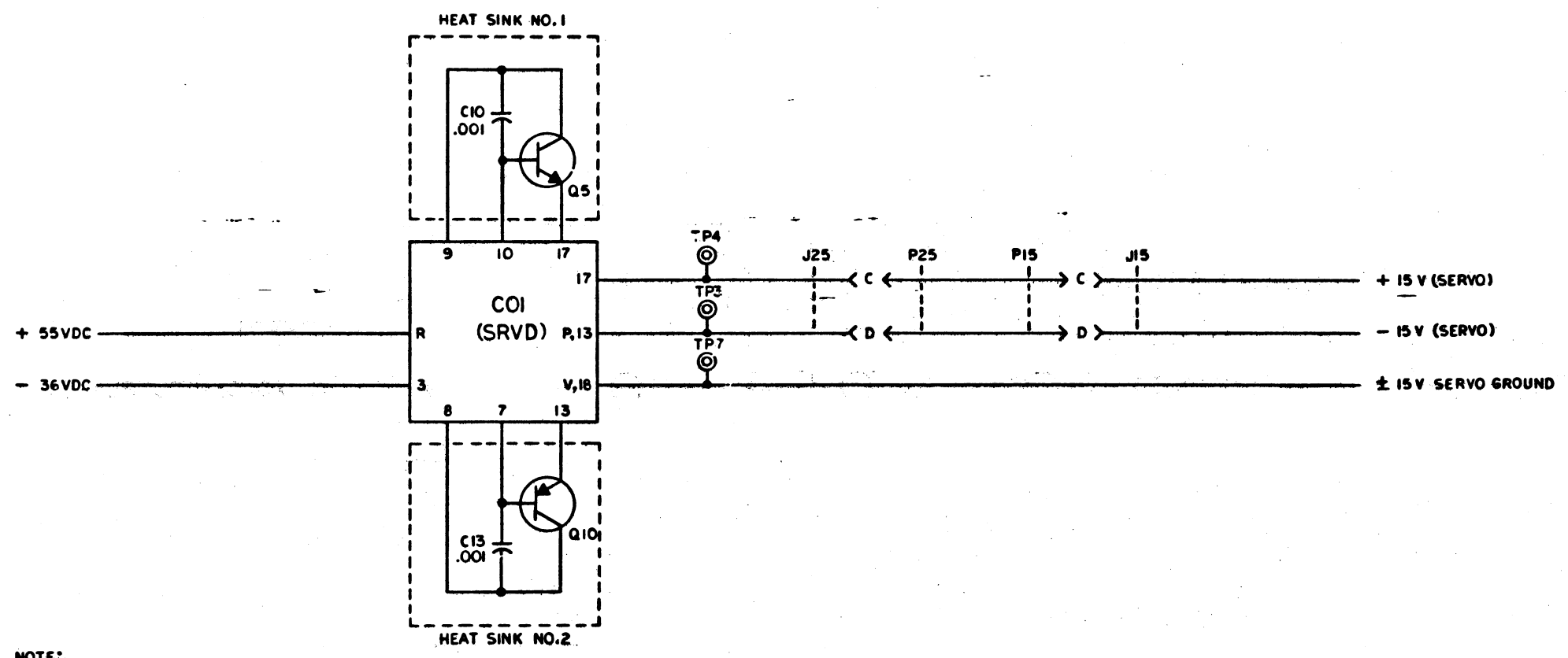
201329



NOTES: UNLESS OTHERWISE SPECIFIED  
 1. SCHEMATIC REFERENCE 001951.  
 2. LESS THAN 1.2 VOLTS WHEN SELECTED, GREATER THAN 3.5 VOLTS WHEN NOT SELECTED.

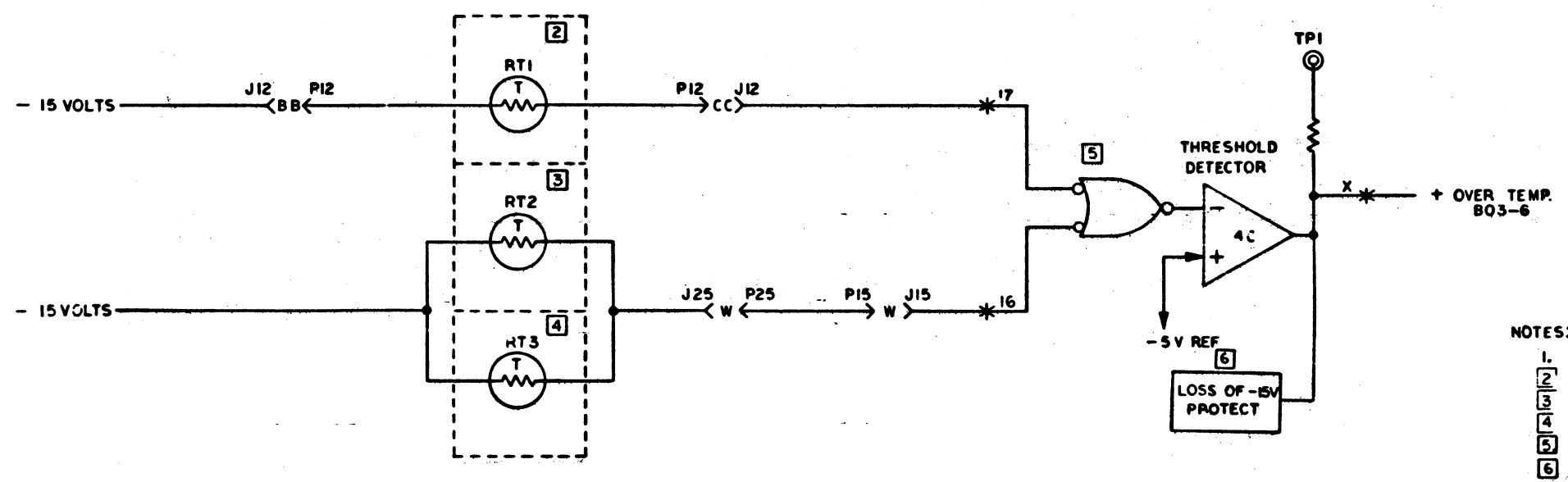
B10  
(RECV)

DATE	CHANGE NO.	DATE	CHANGE NO.	TECHNICAL APPROVAL	MEMOREX EQUIPMENT GROUP
7-29-69	416				NAME SYSTEM LOGIC DIAGRAM
12-2-69	556				LINE RECEIVER
APR 9 70	865				DESIGN
MAY 14 70	1031				CHECK
					APPROV
					SCALE NONE
					201330



NOTE:  
1. SCHEMATIC REFERENCE 003297

**CO1**  
(SRVD)



- NOTES: UNLESS OTHERWISE SPECIFIED
- 1. SCHEMATIC REFERENCE 003492.
  - 2. LOCATED ON LINEAR MOTOR. (BOBBIN OVERTEMP)
  - 3. LOCATED ON HEAT SINK NO.1.(DRIVE OVERTEMP)
  - 4. LOCATED ON HEAT SINK NO.2. (DRIVE OVERTEMP)
  - 5. FUNCTIONS AS A LOWEST VOLTAGE SELECTOR.
  - 6. FOR B04 ASM 003481 ONLY

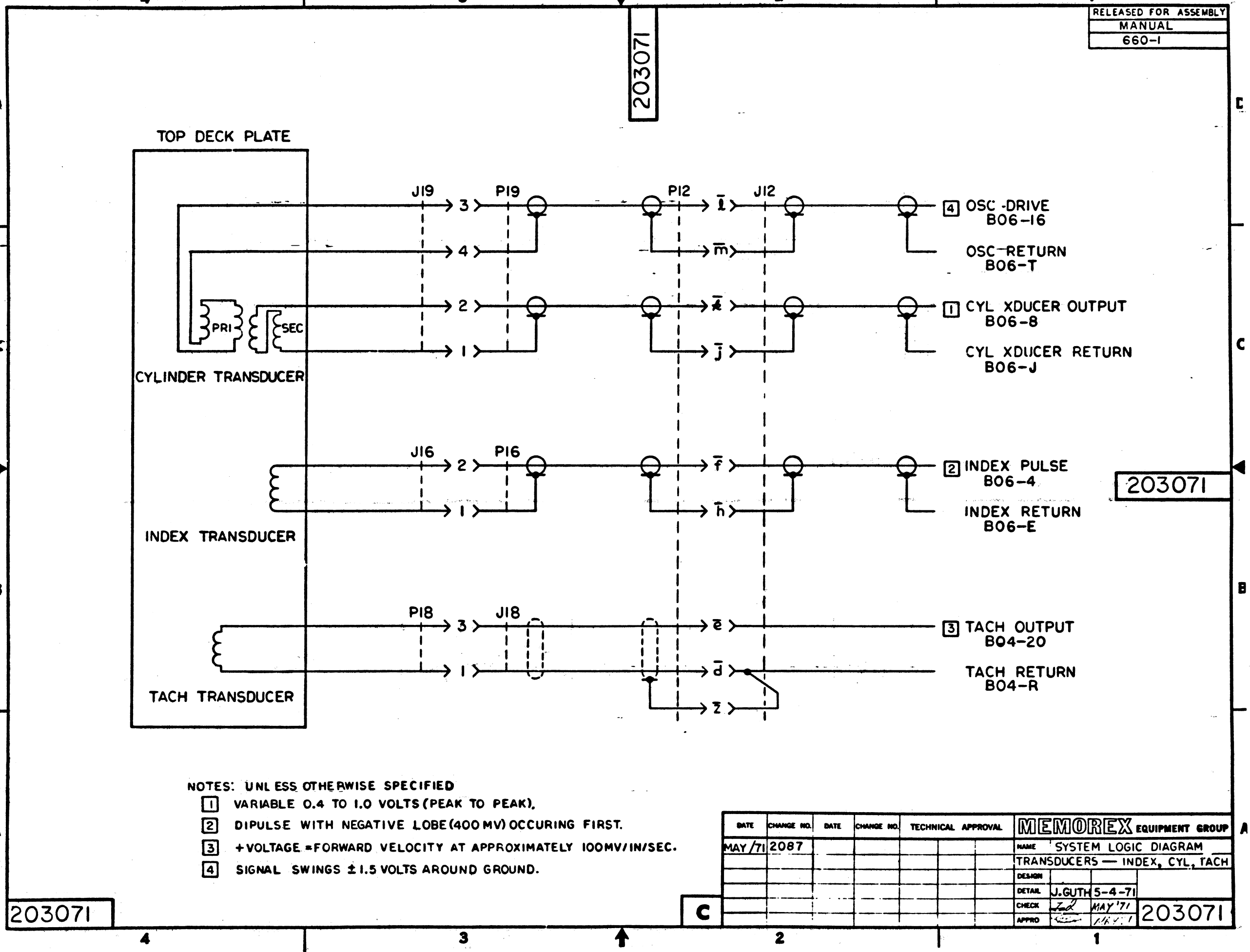
**1304**  
(SRVC)

203070

DATE	CHANGE NO.	DATE	CHANGE NO.	TECHNICAL APPROVAL	MEMOREX EQUIPMENT GROUP
MAY 77	2087				NAME SYSTEMS LOGIC DIAGRAM OVER TEMP AND SERVO ± 15V
					DESIGN SCALE
					DETAIL J.G.T.H. 5-4-71
					CHECK
					APPROV. 203070

203071

203071



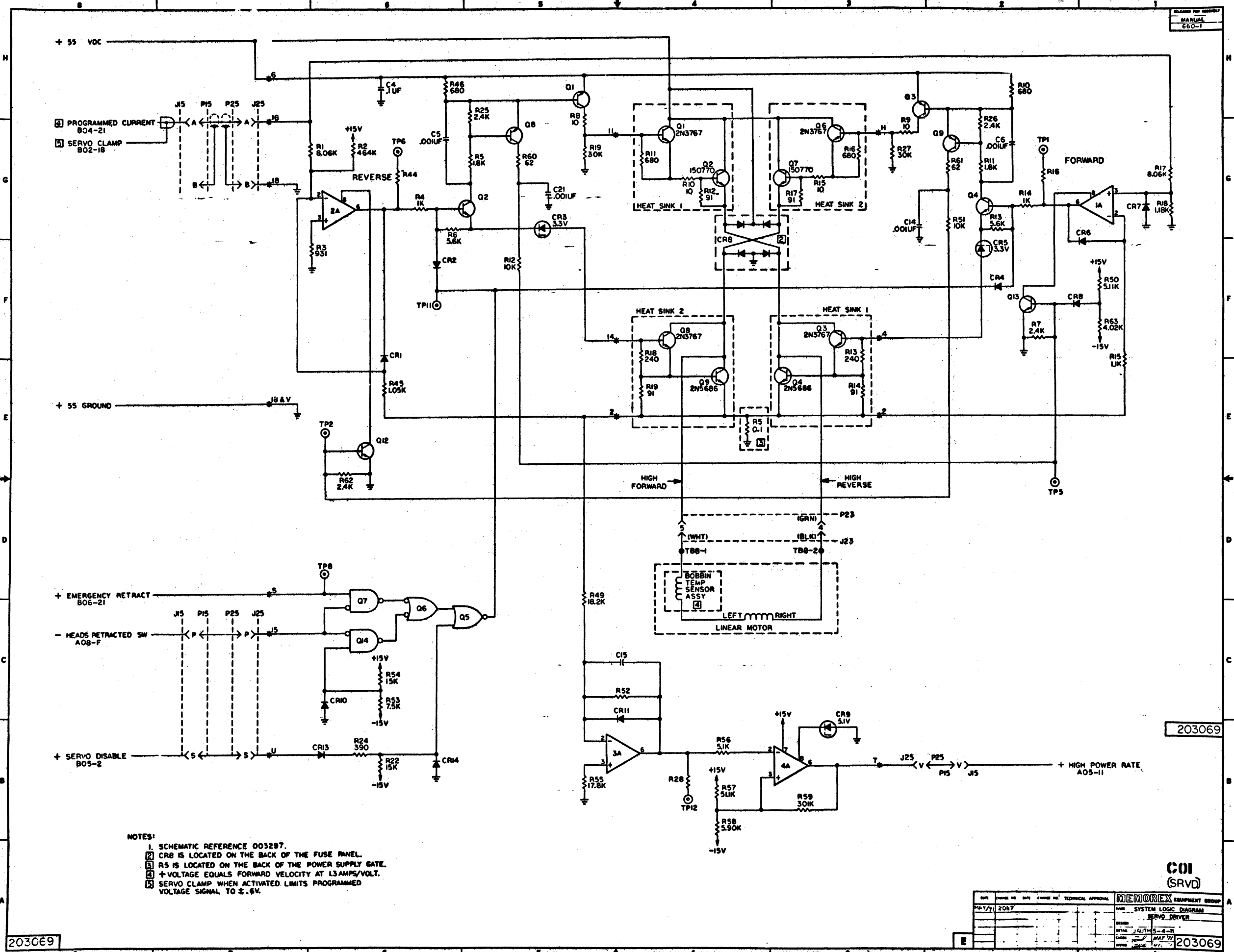
NOTES: UNLESS OTHERWISE SPECIFIED

- 1 VARIABLE 0.4 TO 1.0 VOLTS (PEAK TO PEAK).
- 2 DIPULSE WITH NEGATIVE LOBE (400 MV) OCCURRING FIRST.
- 3 + VOLTAGE = FORWARD VELOCITY AT APPROXIMATELY 100MV/IN/SEC.
- 4 SIGNAL SWINGS ± 1.5 VOLTS AROUND GROUND.

DATE	CHANGE NO.	DATE	CHANGE NO.	TECHNICAL APPROVAL	MEMOREX EQUIPMENT GROUP
MAY/71	2087				NAME SYSTEM LOGIC DIAGRAM TRANSDUCERS — INDEX, CYL, TACH
					DESIGN
					DETAL J.GUTH 5-4-71
					CHECK <i>Jed</i> MAY '71
					APPRO <i>[Signature]</i> MAY '71

203071

203071



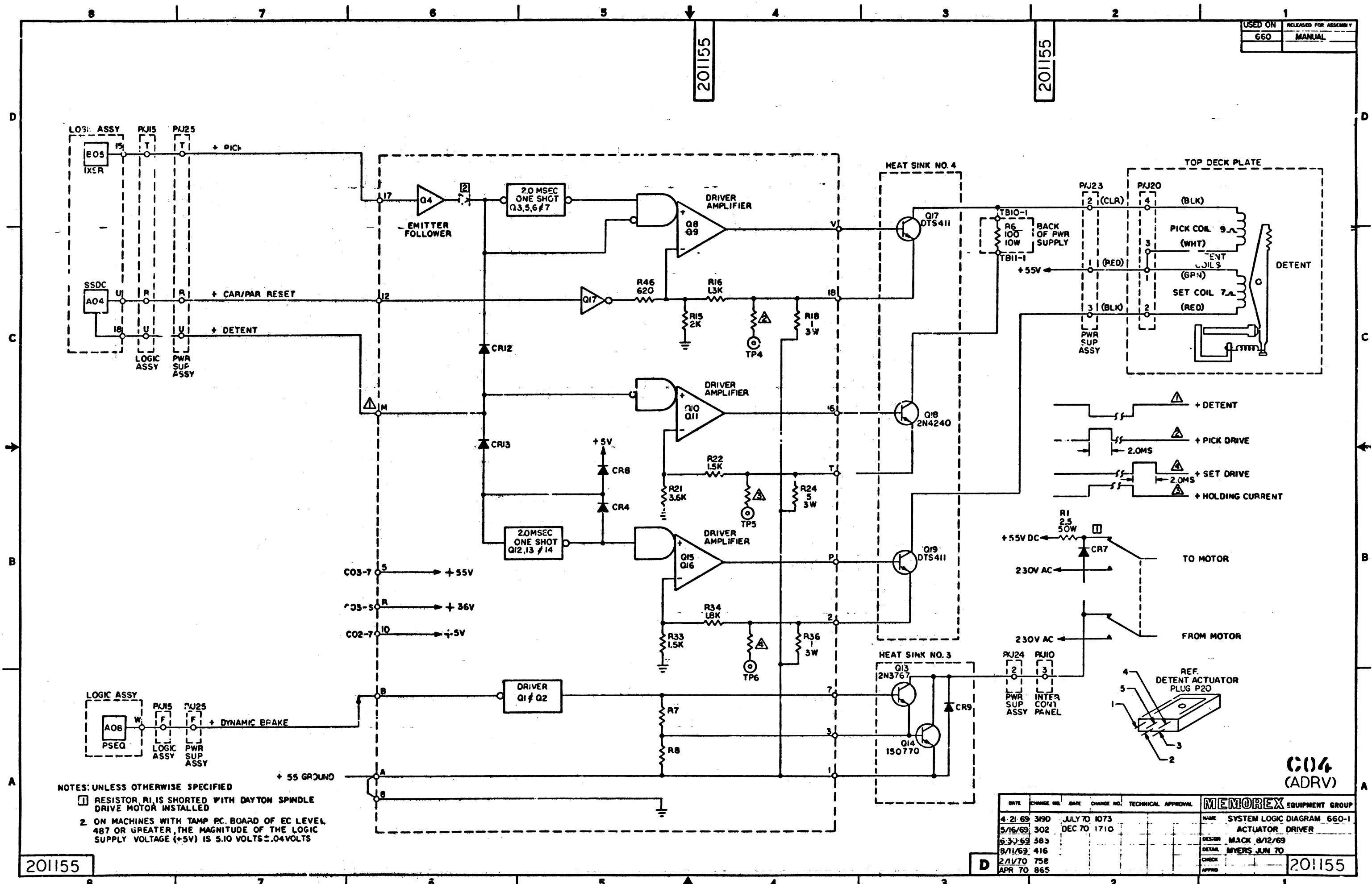
- NOTES:
- 1. SCHEMATIC REFERENCE 003297.
  - 2. CR8 IS LOCATED ON THE BACK OF THE FUSE RING.
  - 3. R5 IS LOCATED ON THE BACK OF THE POWER SUPPLY GATE.
  - 4. + VOLTAGE EQUALS FORWARD VELOCITY AT 1.3AMPS/VOLT.
  - 5. SERVO CLAMP WHEN ACTIVATED LIMITS PROGRAMMED VOLTAGE SIGNAL TO  $\pm 6V$ .

203069

203069

COI (SRVD)

DATE	CHANGE NO.	DATE	CHANGE BY	TECHNICAL APPROVAL	MEMOREX EQUIPMENT GROUP
MAY 71	2067				MEMOREX EQUIPMENT GROUP
					SYSTEM LOGIC DIAGRAM
					SERVO DRIVER
					203069



201155

201155

NOTES: UNLESS OTHERWISE SPECIFIED

1 RESISTOR R1 IS SHORTED WITH DAYTON SPINDLE DRIVE MOTOR INSTALLED

2 ON MACHINES WITH TAMP PC. BOARD OF EC LEVEL 487 OR GREATER, THE MAGNITUDE OF THE LOGIC SUPPLY VOLTAGE (+5V) IS 5.10 VOLTS ± 0.04 VOLTS

604  
(ADRV)

DATE	CHANGE NO.	DATE	CHANGE NO.	TECHNICAL APPROVAL	MEMOREX EQUIPMENT GROUP
4-21-69	390	JULY 70	1073		NAME SYSTEM LOGIC DIAGRAM 660-1
5-16-69	302	DEC 70	1710		ACTUATOR DRIVER
6-30-69	383				DESIGN MACK 8/12/69
8-11-69	416				DETAIL MYERS JUN 70
2-11-70	758				CHECK
APR 70	865				APPRO

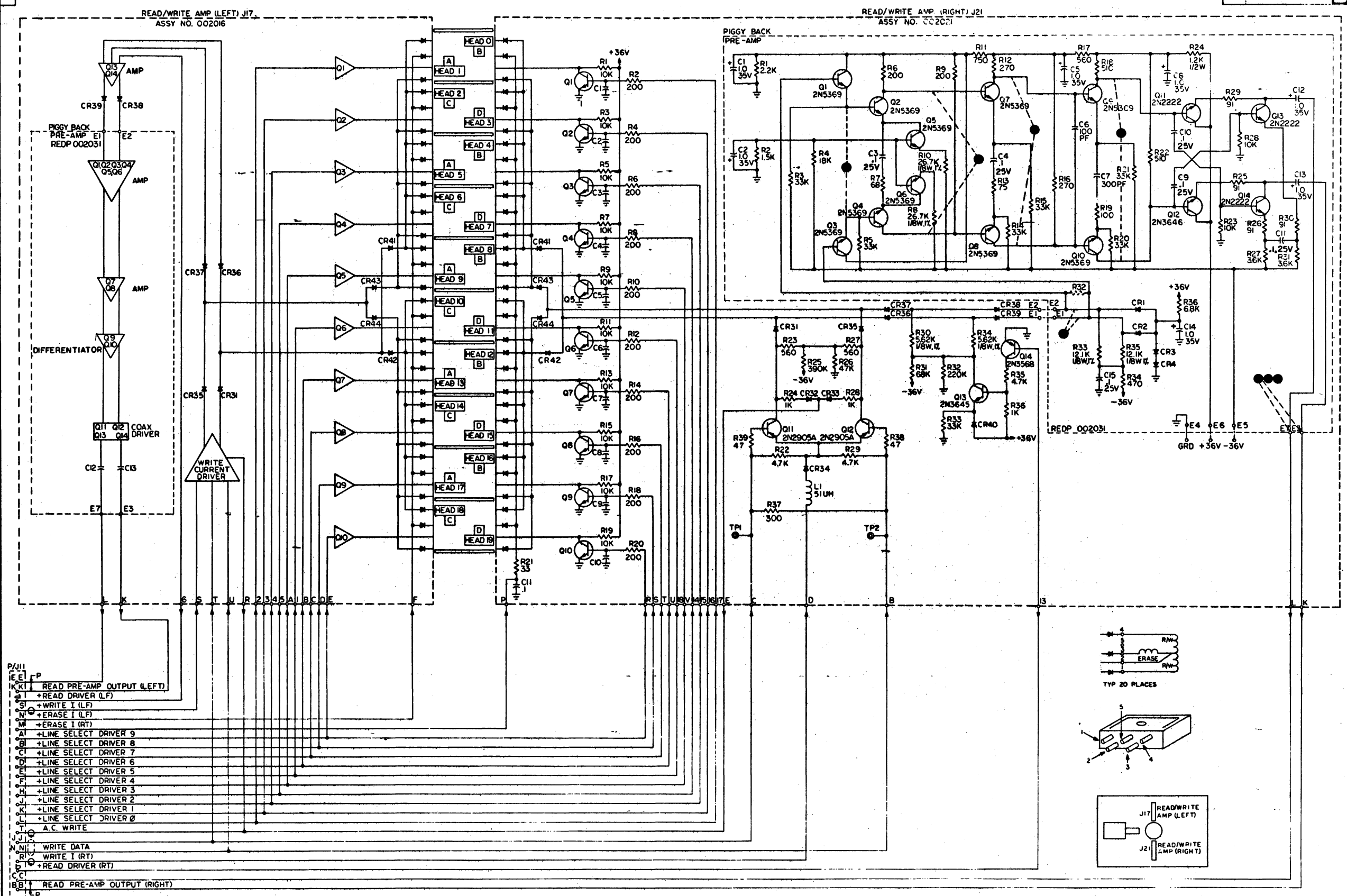
201155

201155



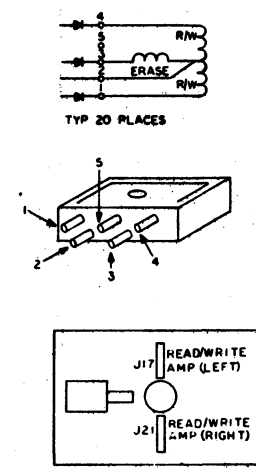
20149

USED ON	RELEASE FOR ASST	DATE	CHANGE NO	DATE	CHANGE NO
660-1	MANUAL	3/66	319		
			416		



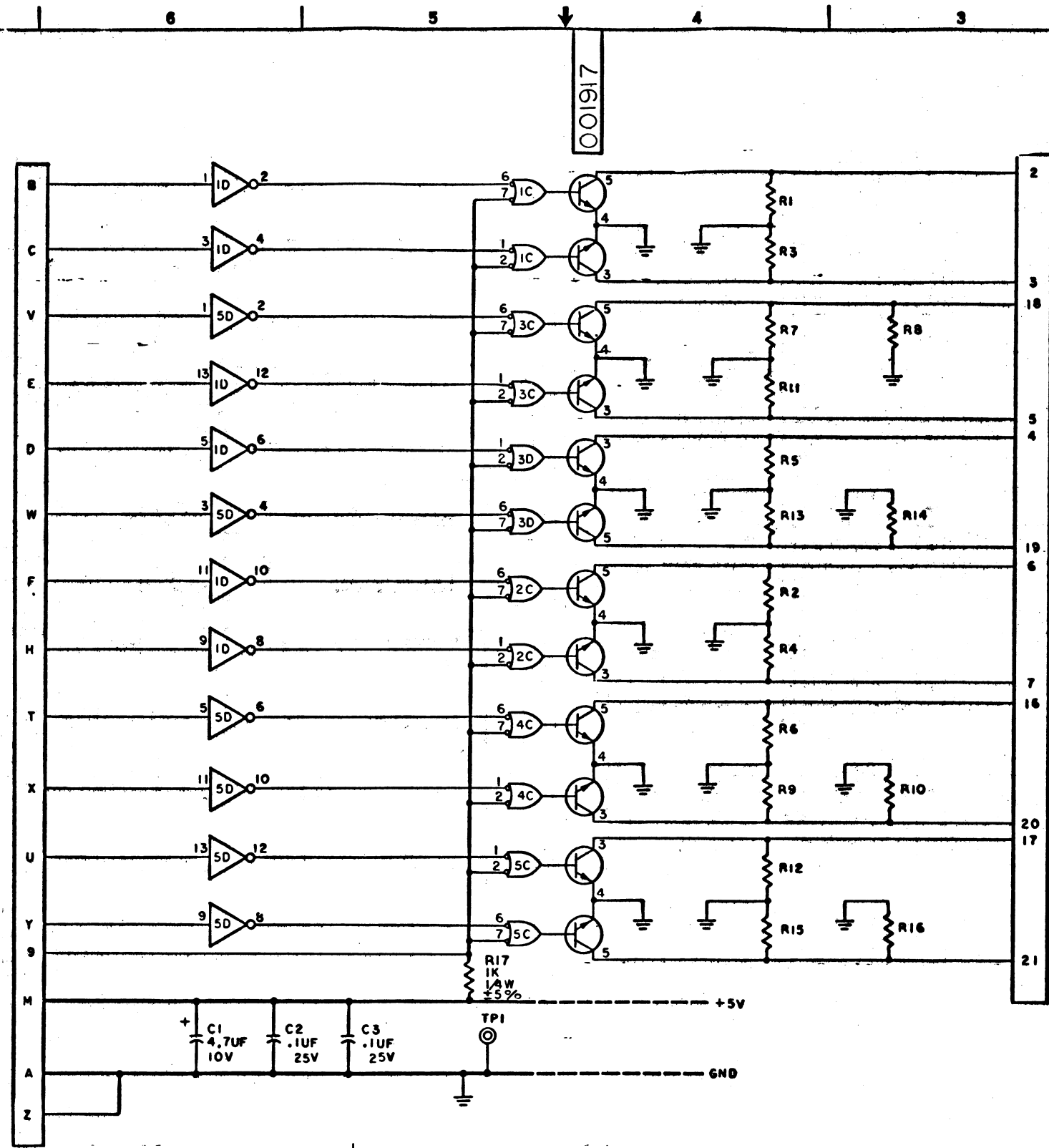
- P/J11
- E/E1
- K/K1 READ PRE-AMP OUTPUT (LEFT)
- S +READ DRIVER (LF)
- N +WRITE I (LF)
- M +ERASE I (LF)
- A +ERASE I (RT)
- B +LINE SELECT DRIVER 9
- C +LINE SELECT DRIVER 8
- D +LINE SELECT DRIVER 7
- F +LINE SELECT DRIVER 6
- G +LINE SELECT DRIVER 5
- H +LINE SELECT DRIVER 4
- J +LINE SELECT DRIVER 3
- K +LINE SELECT DRIVER 2
- L +LINE SELECT DRIVER 1
- M +LINE SELECT DRIVER 0
- N A.C. WRITE
- P WRITE DATA
- R WRITE I (RT)
- S +READ DRIVER (RT)
- C/C1
- B/B1 READ PRE-AMP OUTPUT (RIGHT)

- NOTES: UNLESS OTHERWISE SPECIFIED.
1. TRANSISTORS Q1 THRU Q10 ARE 2N3569
  2. ALL CAPACITORS ARE IN MICROFARADS.
  3. CAPACITORS C1 THRU C10 ARE .001MF, 1600V, ±10%.
  4. LEFT AND RIGHT AMPLIFIERS HAVE IDENTICAL CIRCUITS. LEFT IS SHOWN LOGICALLY, RIGHT IS SHOWN IN FULL SCHEMATIC.



20149

20149	E	Peripheral Systems Corporation a subsidiary of Bunker Research Corporation
SYSTEM LOGIC DIAGRAM 660-1 READ/WRITE AMP LEFT & RIGHT		
DATE	DESIGNED BY	CHECKED BY
3/66	W. J. M.	J. S. M.
APP'D	DATE	BY



001917

001917

- NOTES: UNLESS OTHERWISE SPECIFIED
1. ALL RESISTORS ARE 680 OHM, 1W, ±5%.
  2. CONNECT LC'S ID AND 5D PIN 7 TO GROUND AND PIN 14 TO +5VDC; CONNECT LC'S IC, 2C, 3C, 4C, 5C AND 3D PIN 8 TO +5VDC, PIN 4 TO GND
  3. TRANSISTOR DRIVERS ARE A PART OF THE IC TO WHICH THEY ARE CONNECTED.
  4. LC'S ID AND 5D ARE SN7404N.
  5. LC'S IC, 2C, 3C, 4C, 5C AND 3D ARE SN75451N.

LAST REFERENCE DESIGNATION USED	REFERENCE DESIGNATION NOT USED
C3 R17 TPI	

XAO20

DATE	CHANGE NO.	DATE	CHANGE NO.	TECHNICAL APPROVAL	MEMOREX EQUIPMENT GROUP
4/4/69	296*				NAME SCHEMATIC DIAGRAM
AUG. 70	1158				LAMP DRIVER
SEPT. 70	1359				DESIGN
					DETAIL BC 6/16/69
					CHECK PAULING, 4/16/69
					APPRO [Signature] 4/19/69

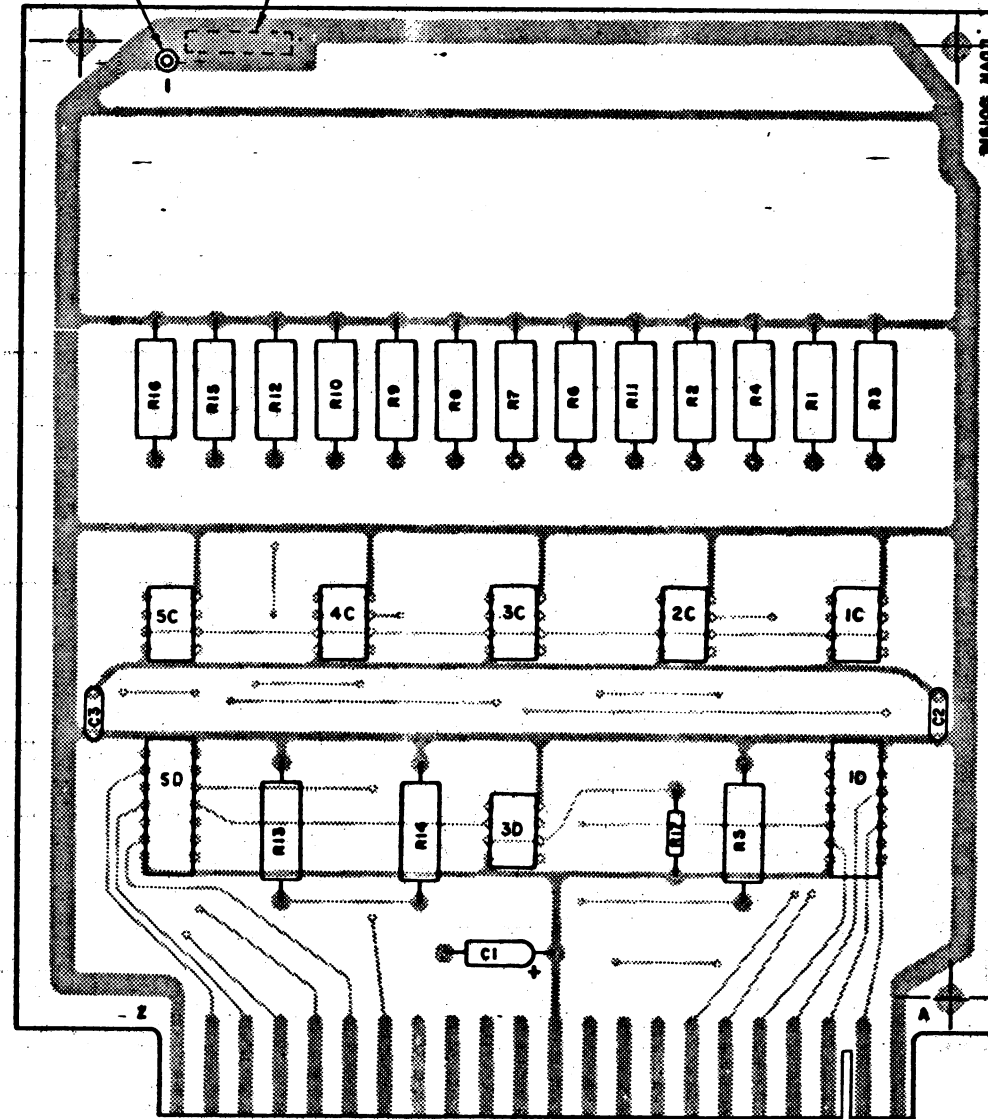
D

001917

DATE CHANGE	DATE	CHANGE NO.	001916
4/2/69	296C	A.G. 70	1158
10-20-69	462	SEPT. 70	1359
11-20-69	462A		201022
MAR 29, 70	798		

REF DESIG	DESCRIPTION	M. E. & PART NO.
	PRINTED CIRCUIT BOARD	001919
C1	CAPACITOR, T, 4.7UF, 10V, ±10%	151124
C2, C3	CAPACITOR, C, .1UF, 25V, ±20%	150990
IC, 5D	INTEGRATED CIRCUIT, SN7404N	150679
IC, 2C, 3C	INTEGRATED CIRCUIT, SN7451P	150578
4C, 5C, 3D		
R17	RESISTOR, COMP, 1000Ω, 1/4W, ±5%	151483
R1-16	RESISTOR, COMP, 680Ω, 1W, ±5%	151767

150374  
(SWAGE FAR SIDE)



REFERENCE DOCUMENTS	E. C. LEVEL
SCH. DIAG.	001917 1359
ARTMASTER	001918 1359
FABRICATION	001919 1359
ENGRG. SPEC	001920 1359

NOTES: UNLESS OTHERWISE SPECIFIED—

1. MARK LATEST ENGINEERING CHANGE NUMBER WITH 1/8" HIGH BLACK CHARACTERS, APPROXIMATELY AS SHOWN.

2. COMPONENT HEIGHT NOT TO EXCEED .400".

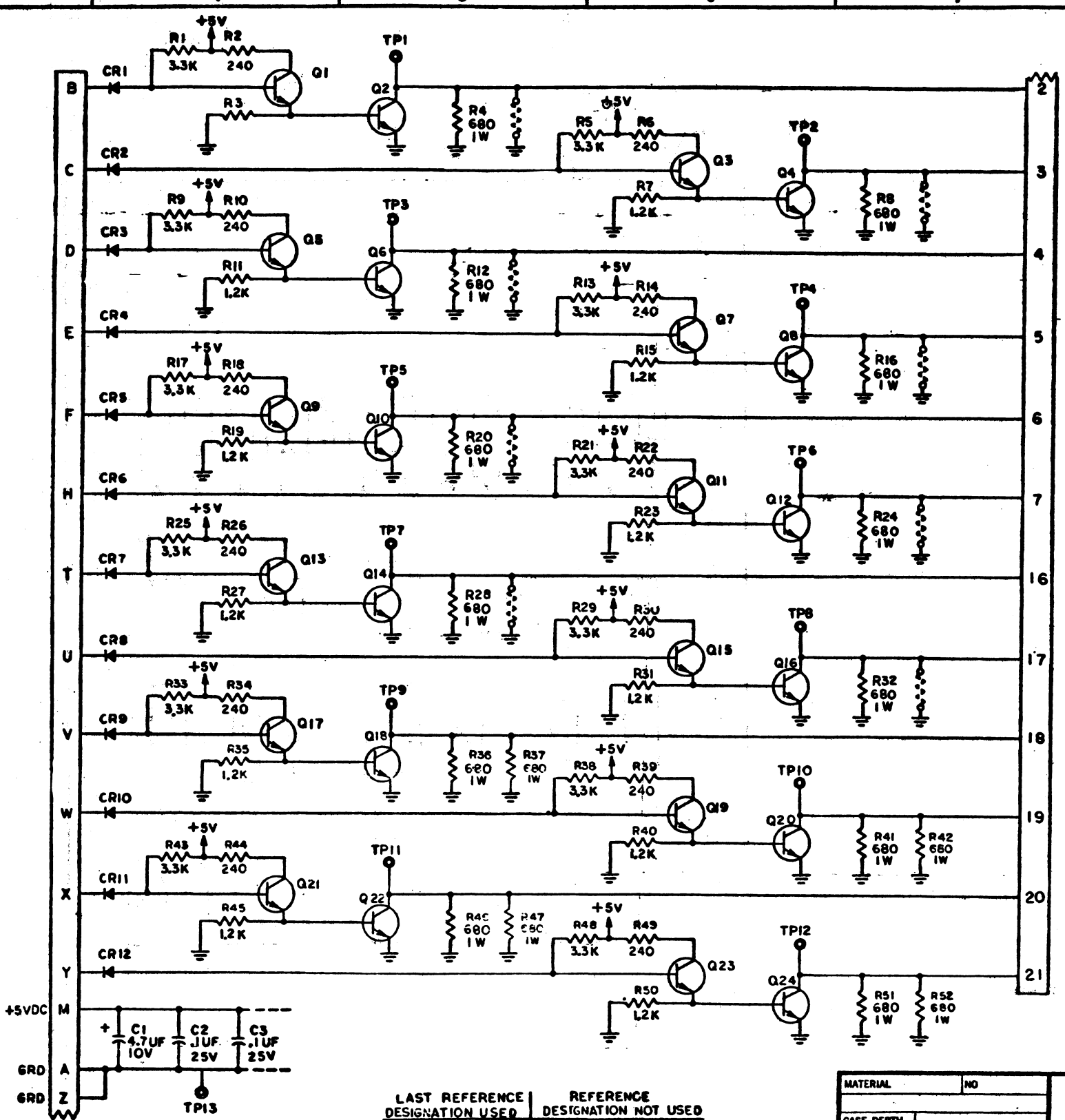
MATERIAL NO. SEE B/M 001916	MUST CONFORM TO ENG. SPEC 88000	TOLERANCE UNLESS OTHERWISE NOTED	MEMOREX EQUIPMENT GROUP
CASE DEPTH	TECHNICAL APPROVAL	LINEAR ±	NAME   P. C. BOARD ASSEMBLY
HARDNESS		ANGULAR ±	LAMP DRIVERS
SURFACE TREATMENT		CORNERS AND OR EDGES BROKEN	DESIGN SCALE   2/1
STD CODE		ON-THE-INSIDE	DETAIL B.C. Part 11/3
			CHECK RUSTING 11/6/69
			APPRO MOST 11/9/69

001916

001917

USED ON	RELEASED FOR ASBY	DATE	CHANGE NO	DATE	CHANGE NO
660-1	001916	7/69	296		
		Aug 70	1158		

001917



- NOTES: UNLESS OTHERWISE SPECIFIED
1. ALL RESISTORS ARE IN OHMS, 1/4W, 5%
  2. ALL DIODES ARE IN4148
  3. ALL TRANSISTORS ARE 2N2222A.

LAST REFERENCE DESIGNATION USED	REFERENCE DESIGNATION NOT USED
C3 CR12 Q24 R52 TP13	

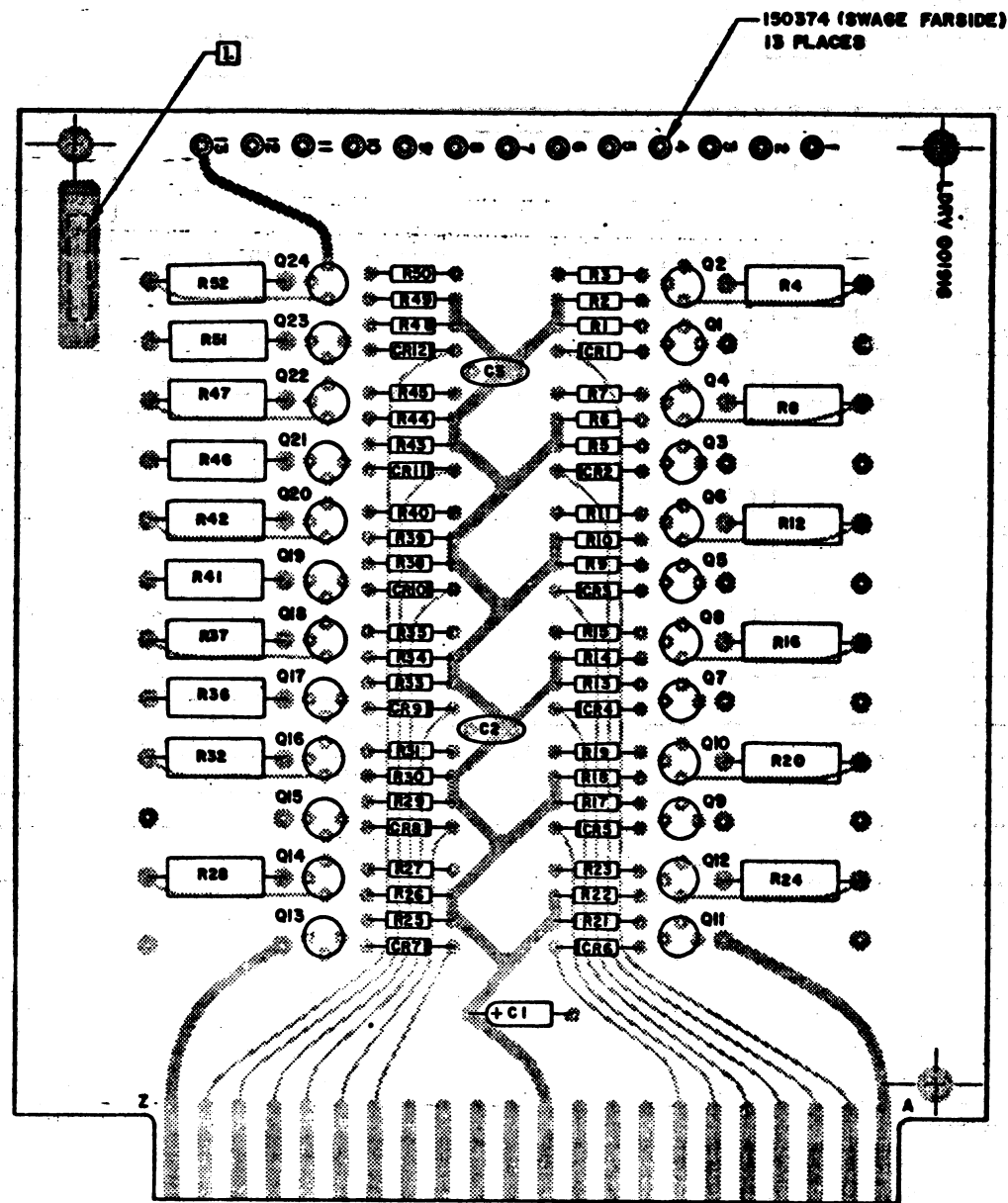
001917

XA020

MATERIAL	NO	TOLERANCE UNLESS OTHERWISE NOTED	2 PLACE DEC =	Peripheral Systems Corporation a subsidiary of MEMOREX CORPORATION	
CASE DEPTH			3 PLACE DEC =	NAME SCHEMATIC DIAGRAM	
HARDNESS			ANGLES =	LAMP DRIVERS	
SURFACE TREATMENT		CORNERS AND EDGES BROKEN	OUTSIDE MAX	DESIGN	TYPE
		RADI UNLESS OTHERWISE NOTED	INSIDE MAX	DETAIL	SCALE NONE
001917		D	CHECK	APPRO	DATE

DATE	CHANGE NO.	DATE	CHANGE NO.	001916
10-20-69	296C	11-5-70	1158	RELEASED FOR ASSEMBLY
11-20-69	462			201022
11-20-69	462A			
11-20-69	798			

REF DESIG	DESCRIPTION	M. E. S. PART NO.
	PRINTED CIRCUIT BOARD	001919
C2, 3	CAPACITOR, C, .1UF, 25V, ±20%	150990
C1	CAPACITOR, T, 4.7UF, 10V, ±10%	151124
CR12	DIODE, 1N4148	150884
R2, 6, 10	RESISTOR, COMP 250R, 1/4W, ±5%	151448
14, 18, 22		
26, 30, 34		
38, 42, 46		
R3, 7, 11	RESISTOR, COMP, 2K, 1/4W, ±5%	51485
15, 19, 23		
27, 31, 35		
40, 45, 50		
R1, 5, 9	RESISTOR, COMP, 2.2K, 1/4W, ±5%	151495
13, 17, 21		
25, 29		
33, 37		
43, 47		
R4, 8, 12	RESISTOR, COMP 680R, 1/4W, ±5%	151767
16, 20, 24		
28, 32, 36		
39, 41, 42		
46, 47		
51, 52		
TP1-13	TERMINAL, TURRET	150874
Q1-24	TRANSISTOR, 2N2222A	50768



REFERENCE DOCUMENTS	E. C. LEVEL
SCH. DIAG.	001917 1158
ARTMASTER	001918 798
FABRICATION	001919 798
ENGRG. SPEC	001920 1158

NOTES: UNLESS OTHERWISE SPECIFIED—

1. MARK LATEST ENGINEERING CHANGE NUMBER WITH 1/8" HIGH BLACK CHARACTERS, APPROXIMATELY AS SHOWN.

2. COMPONENT HEIGHT NOT TO EXCEED .400"

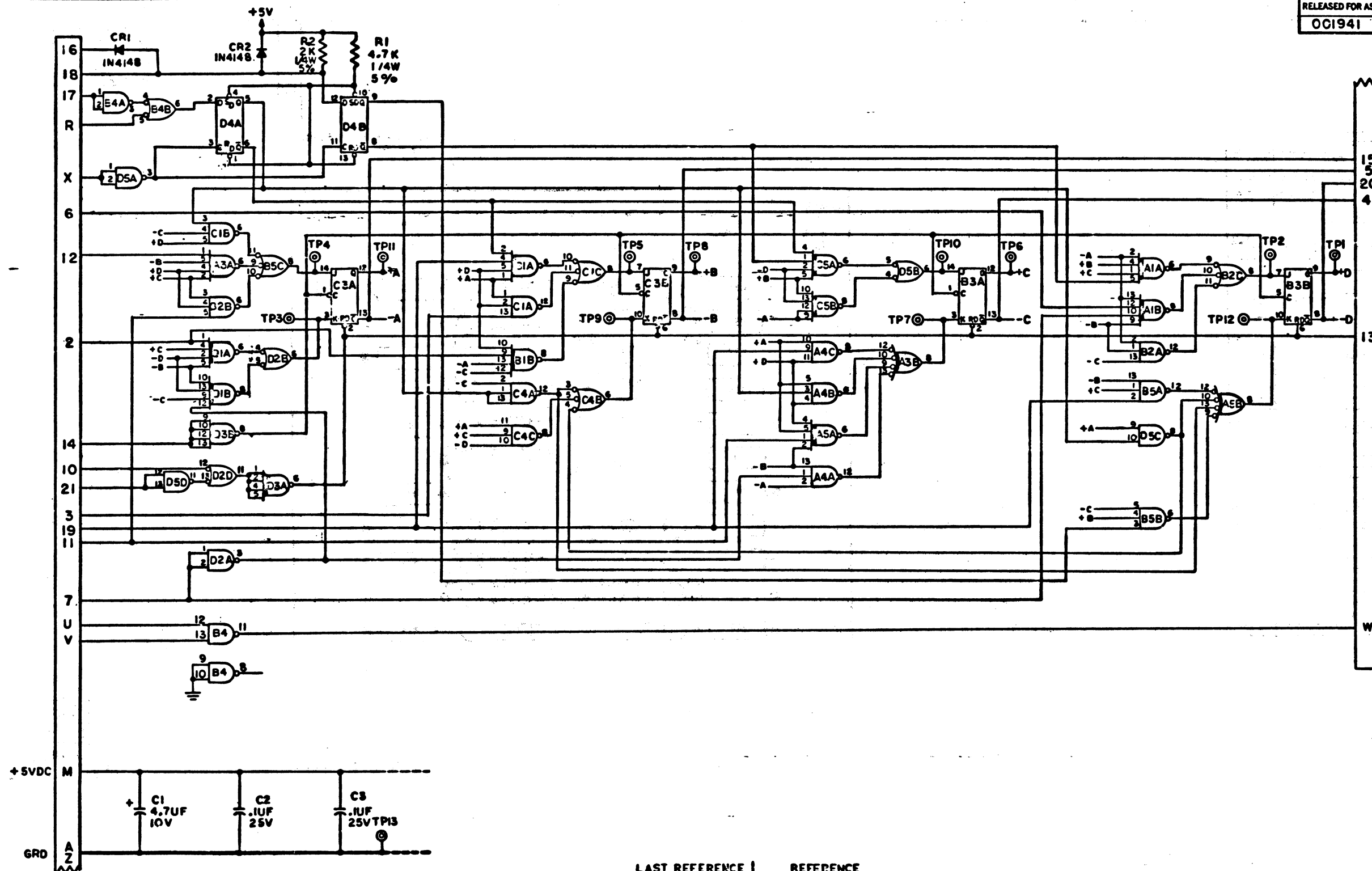
XA021

MATERIAL NO. SEE B/M 001916	MUST CONFORM TO ENG. SPEC 8800B	TOLERANCE UNLESS OTHERWISE NOTED	MEMOREX EQUIPMENT GROUP P. C. BOARD ASSEMBLY LAMP DRIVERS
CASE DEPTH	TECHNICAL APPROVAL	LINEAR ±	
HARDNESS		ANGULAR ±	SCALE 2/1
SURFACE TREATMENT		CORNERS AND OR EDGES BROVEN	
STD. COOL	D	OUTSIDE	001916
		INSIDE	

001942

RELEASED FOR ASSY	DATE	CHANGE NO	DATE	CHANGE NO
001941	7/4/69	296	FEB 71	1904
	8/1/69	417		
	8/7/69	429		
	12/15/69	429C		
	MMR/70	1005		

001942



- NOTES: UNLESS OTHERWISE SPECIFIED
- IC'S A1, A3, A5, B1, C5, D1 & D3 ARE SN7440N
  - IC'S A4, B2, E5, C1 & C4 ARE SN7410N
  - IC'S B3 & C3 ARE SN7473M
  - IC'S B4, D2 & D5 ARE SN7400N
  - IC D4 IS SN7474N
  - CONNECT IC'S A1, A3, A4, A5, B1, C2, B4, B5, C1, C4, C5, D1, D3, D4 & D5, PINS 7 TO CND, PIN 14 TO +5VDC
  - CONNECT IC'S C2 & C3, PIN 11 TO GND, PIN 4 TO +5VDC
  - FOR CHECK LOGIC DIAGRAM SEE ENG NO 201142

LAST REFERENCE DESIGNATION USED	REFERENCE DESIGNATIONS NOT USED
C3	
R2	
TPI3	
CR2	

MATERIAL		NO		TOLERANCE UNLESS OTHERWISE NOTED		2 PLACE DEC =		3 PLACE DEC =		ANGLES =		Peripheral Systems Corporation a subsidiary of MEMOREX CORPORATION	
CASE DEPTH		HARDNESS		CORNERS AND/OR EDGES BROKEN		OUTSIDE MAX		INSIDE MAX		RADIUS UNLESS OTHERWISE NOTED		NAME: SERVO SEQUENCER	
001942		D										DESIGN: TYPE: SCALE: NOTE: CHECK: DRAW: APPROV: CHECK:	

XA030

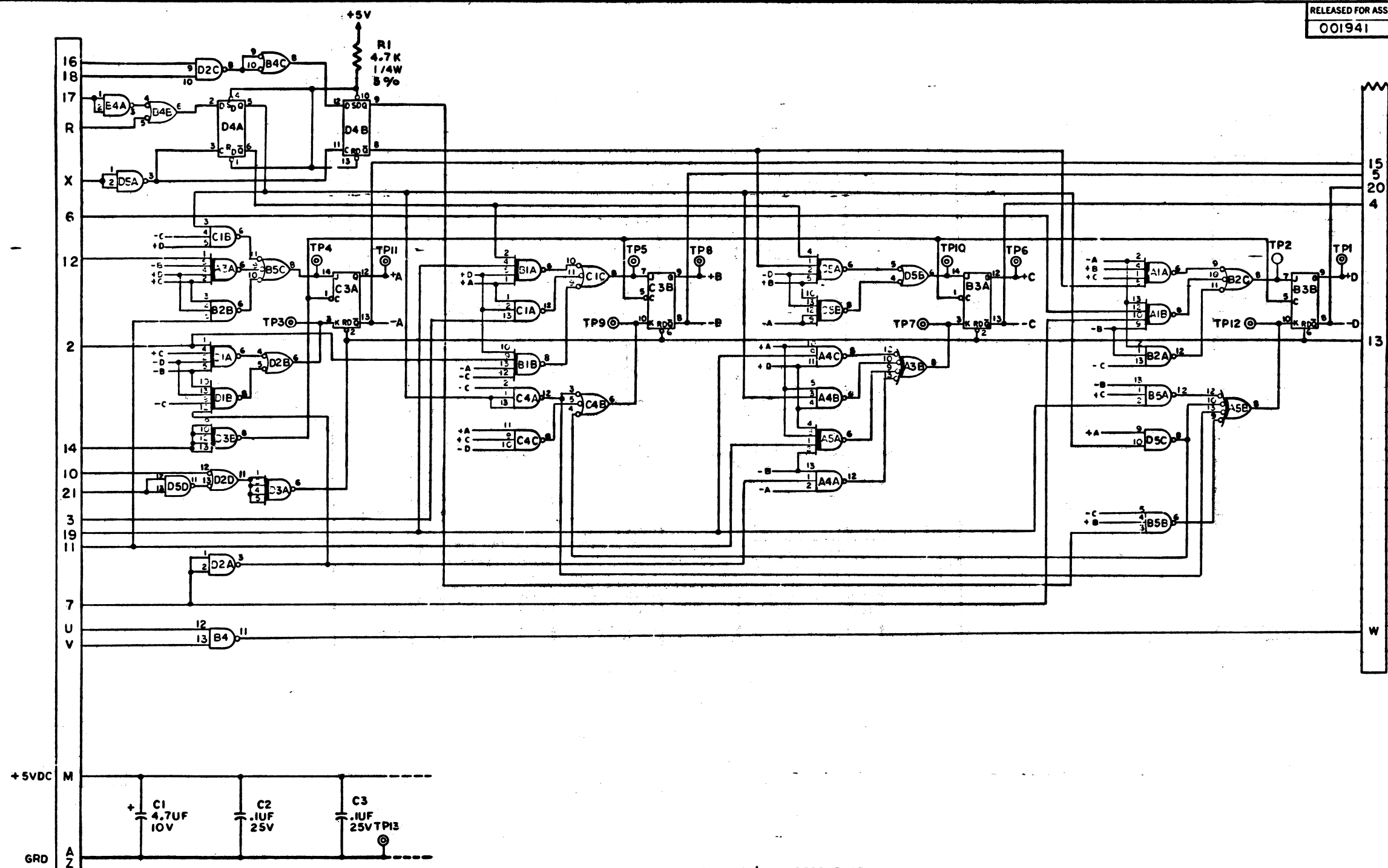
(SSEQ)



001942

RELEASED FOR ASSY	DATE	CHANGE NO	DATE	CHANGE NO
001941	8/1/69	296	FEB 71	1904
	8/1/69	417	APR 71	2004
	8/7/69	429	SEP 71	2321
	12/15/69	429C*		
	HNA,70	1005		

001942



- NOTES: UNLESS OTHERWISE SPECIFIED
- IC'S A1, A3, A5, B1, C5, D1 & D3 ARE SN7440N
  - IC'S A4, B2, B5, C1 & C4 ARE SN7410N
  - IC'S B3 & C3 ARE SN7473N
  - IC'S B4, D2 & D5 ARE SN7400N
  - IC D4 IS SN7474N
  - CONNECT IC'S A1, A3, A4, A5, B1, B2, B4, B5, C1, C4, C5, D1, D2, D3, D4 & D5, PIN 7 TO GRD, PIN 14 TO +5VDC
  - CONNECT IC'S B3 & C3, PIN 11 TO GRD, PIN 4 TO +5VDC
  - FOR SYSTEM LCGIC DIAGRAM SEE DWG NO 201142

LAST REFERENCE DESIGNATION USED	REFERENCE DESIGNATIONS NOT USED
C3 R1 TP13	

XAO30

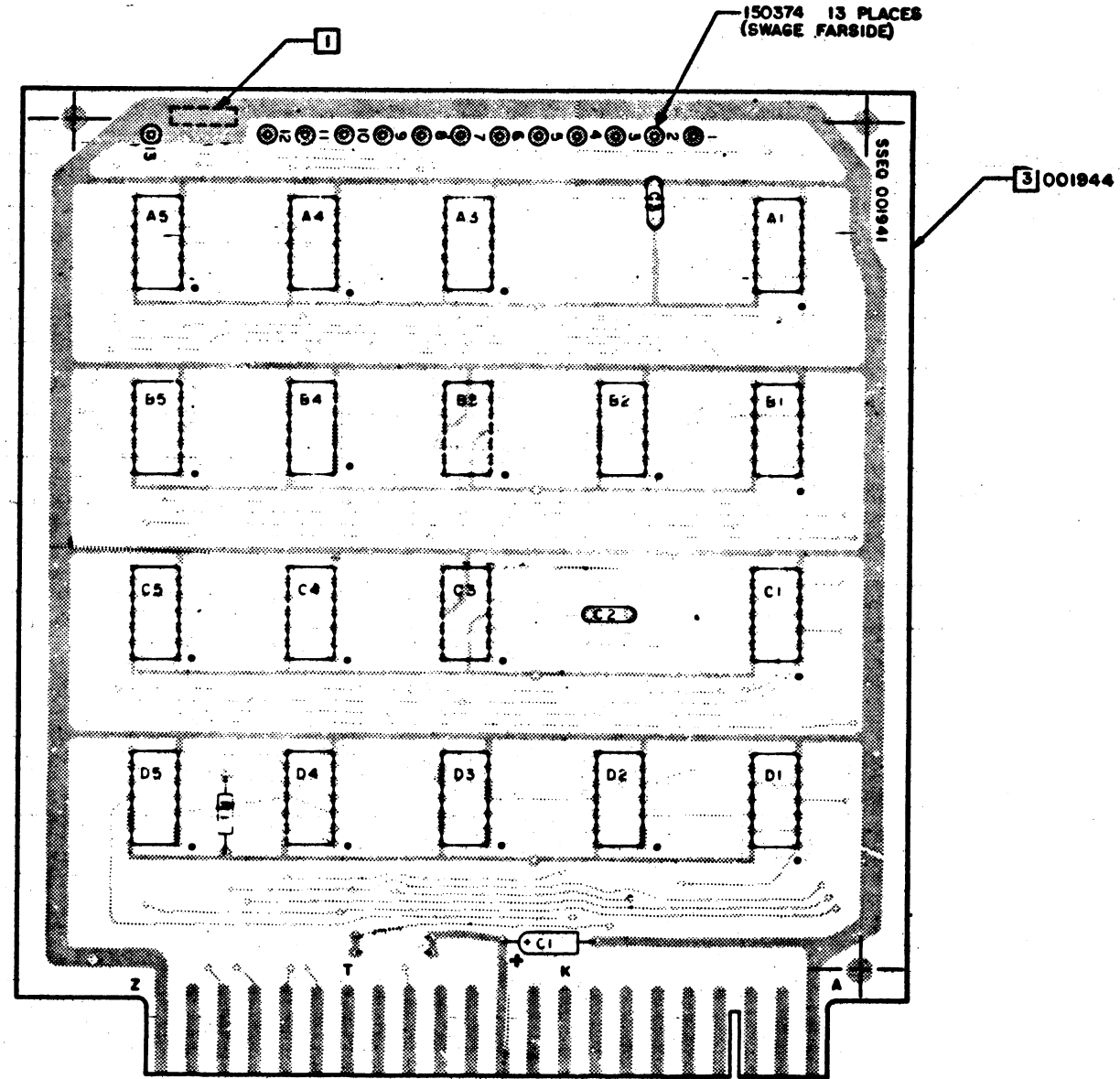
MATERIAL		NO	TOLERANCE UNLESS OTHERWISE NOTED		2 PLACE DEC =		3 PLACE DEC =		ANGLES =		Peripheral Systems Corporation a subsidiary of MEMOREX CORPORATION			
CASE DEPTH			CORNERS AND/OR EDGES BROKEN		OUTSIDE		INSIDE		MAX		MAX		NAME: SCHEMATIC DIAGRAM SERVO SEQUENCER	
HARDNESS			RADIUS UNLESS OTHERWISE NOTED										DESIGN	
SURFACE TREATMENT													TYPE	
													SCALE NONE	
													CHECK	
													APPRO	
													DATE	
													BY	
													NO	

(SSEQ)



DATE	MANUFACTURE DATE	REV. NO.	001941
APR 69 296C	MAY 70	1005	
AUG 69 417	FEB 71	1904	RELEASED FOR ASSEMBLY
SEP 69 428A	MAR 71	2004	MULTI-USE
NOV 69 429B	SEP 71	2321	

REF. DESIG.	DESCRIPTION	M.E.C. PART NO.
C2,3	CAPACITOR, C, 1UF, 50V, ±10%	150990
C1	CAPACITOR, T, 4.7UF, 10V, ±10%	151124
B4, D2, D5	INTEGRATED CIRCUIT, SN7400N	150666
A4, B2, B5	INTEGRATED CIRCUIT, SN7410N	150669
C1, C4	INTEGRATED CIRCUIT, SN7440N	150671
A1, A3, A5, B1, C5, D1, D3	INTEGRATED CIRCUIT, SN7473N	150672
B3, C3	INTEGRATED CIRCUIT, SN7474N	150673
R1	RESISTOR, COMP, 4.7K, 1/4W, ±5%	151499
TPI-13	TERMINAL, TURRET	150374



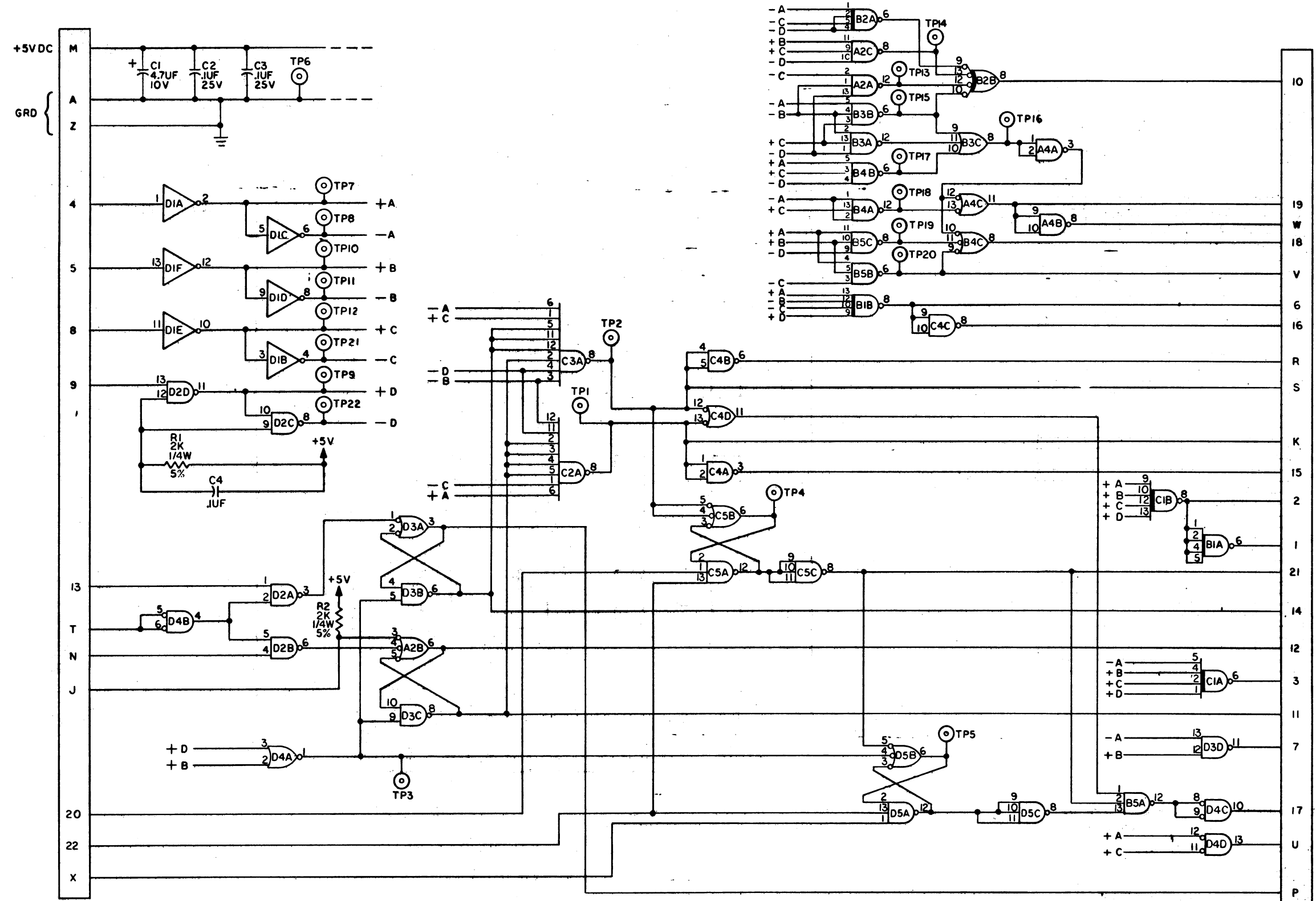
NOTES:

- 1 MARK LATEST ENGINEERING CHANGE NUMBER WITH 1/8" HIGH BLACK CHARACTERS, APPROXIMATELY AS SHOWN.
2. COMPONENT HEIGHT NOT TO EXCEED .400".
- 3 P.C. BOARD 001944 MUST BE AT EC LEVEL 2004.
4. MUST CONFORM TO ENG SPECIFICATION 001945 AT EC LEVEL 1904.

REFERENCE DOCUMENTS		E.C. LEVEL
SCH. DIAG.	001942	2321
ARTMASTER	001943	2004

XAO31

MATERIAL NO.	MUST CONFORM TO ENG SPEC 89000	TOLERANCE UNLESS OTHERWISE NOTED	MEMOREX EQUIPMENT GROUP
CASE DEPTH	TECHNICAL APPROVAL	LINEAR -	
HARDNESS		ANGULAR -	NAME: P.C. BOARD ASSEMBLY
SURFACE TREATMENT		CORNERS AND OR EDGES BROKEN	SERVO SEQUENCER
STN. CODE	D	INSIDE	DESIGN: MB 3-29-71
		APPROX	CHECK: APR 71
			APPROV: 4-15-71
			001941



NOTES: UNLESS OTHERWISE SPECIFIED;  
 1. CONNECT IC'S PIN 7 TO GROUND, PIN 14 TO +5VDC.  
 2. IC'S A4, C4, D2, D3 ARE SN7400N.  
 3. IC D4 IS A SN7402N.  
 4. IC'S A2, B3, B4, B5, C5, D5 ARE SN7410N.  
 5. IC'S C2, C3 ARE SN7430N.  
 6. IC'S B1, B2, C1 ARE SN7440N.  
 7. IC D1 IS A SN7404N.

REF DESIG	REF DESIG
LAST USED	NOT USED
C4	
R2	
TP22	

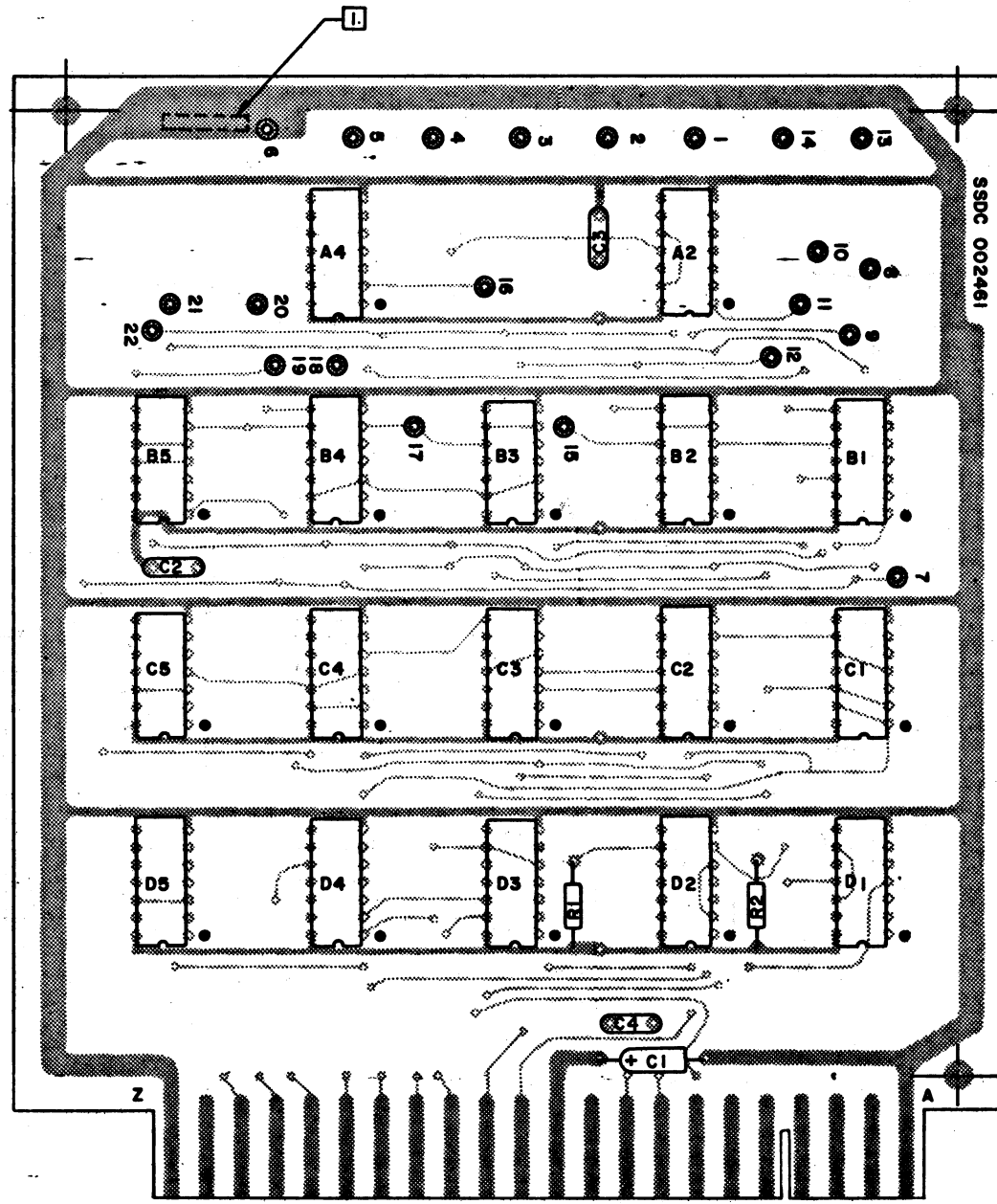
DATE	CHANGE NO.	DATE	CHANGE NO.	TECHNICAL APPROVAL	MEMOREX EQUIPMENT GROUP
		MAR 23/70	812		NAME SCHEMATIC DIAGRAM
					SERVO SEQUENCER DECODE
					DESIGN D.M.YAS 3-2-70 SCALE NONE
					DETAIL
					CHECK
					APPRO

002461

REF DESIG	DESCRIPTION	M. E. G. PART NO.
	PRINTED CIRCUIT BOARD	002464
C2,3,4	CAPACITOR, C, .1UF, 25V, ±20%	150990
C1	CAPACITOR, T, 4.7UF, 10V, ±10%	151124
A4, C4, D2,3	INTEGRATED CIRCUIT, SN7400N	150666
D4	SN7402N	150668
A2, B3-5, C5, D5	SN7410N	150669
C2,3	SN7430N	150670
B1,2, C1	SN7440N	150671
D1	INTEGRATED CIRCUIT, SN7404N	150679
R1,2	RESISTOR, COMP, 2K, 1/4W, ±5%	151490
	TERMINAL, TURRET TP 1-22	150374

USED ON	RELEASED FOR ASSY	DATE	CHANGE NO.	DATE	CHANGE NO.
660-0	201641	MAR 23/70	812		

002461



002461

NOTES: UNLESS OTHERWISE SPECIFIED

I MARK LATEST ENGINEERING CHANGE NUMBER WITH 1/8" HIGH BLACK CHARACTERS, APPROXIMATELY AS SHOWN.

2. COMPONENT HEIGHT NOT TO EXCEED .400"

REFERENCE DOCUMENTS	E.C. LEVEL
SCH. DIAG. 002462	812
ARTMASTER 002463	812
FABRICATION 002464	812
TEST SPEC. 002465	812

XAD 91

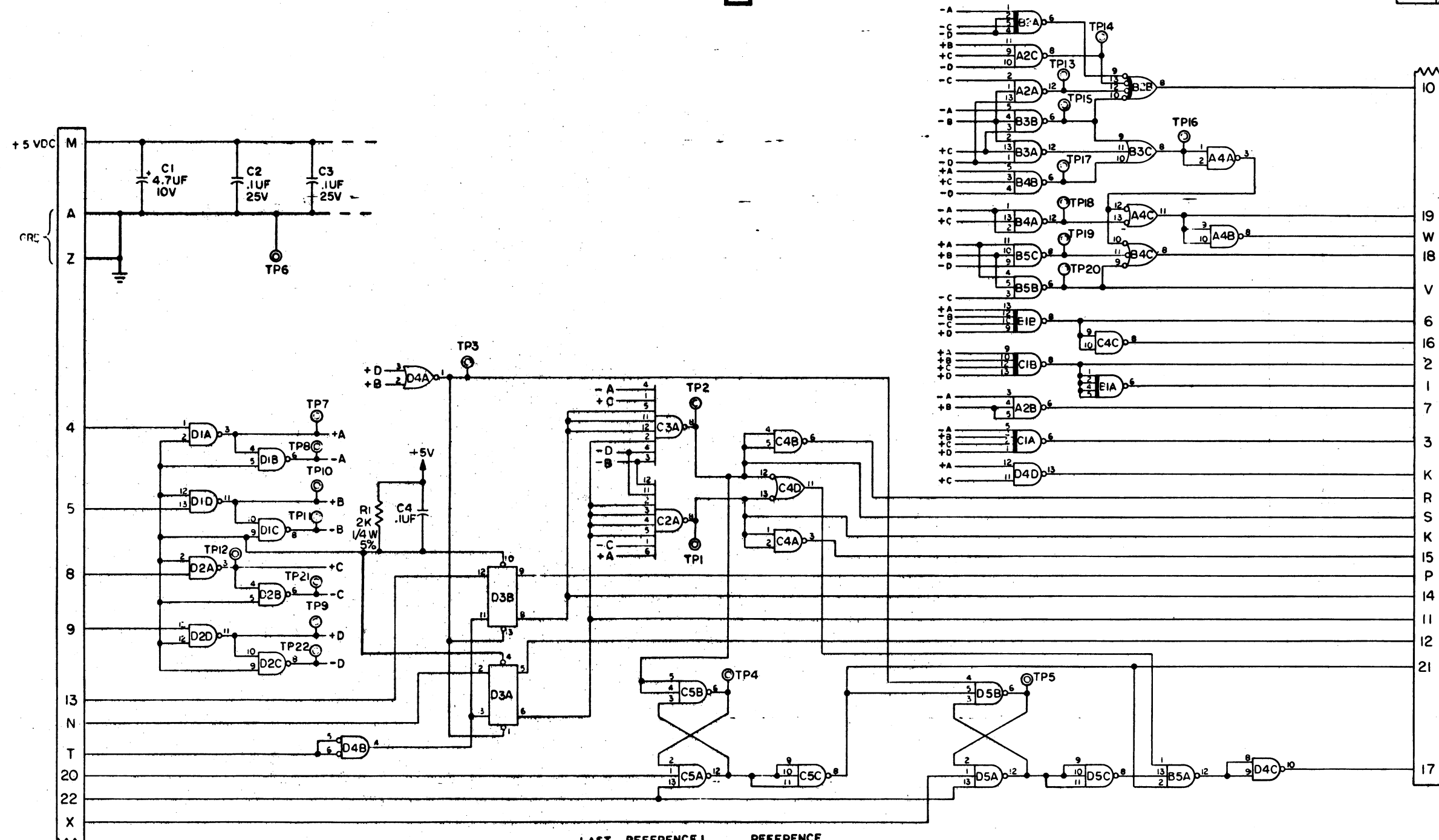
MATERIAL SEE B/M No. 002461	TOLERANCE UNLESS OTHERWISE NOTED	PLACE DEC 1 PLACE DEC 3 ANGLES OUTSIDE INSIDE	Peripheral Systems Corporation a subsidiary of MEMOREX CORPORATION NAME P.C. BOARD ASSEMBLY SERVO SEQUENCER DECODE DESIGN TYPE DETAIL SCALE 2/1 CHECK <i>Ref 3-21-70</i> DRAW <i>RSB 3-4-70</i> APPRO <i>3-21-70</i> CHECK <i>3-23-70</i>
CASE DEPTH	HARDNESS	SURFACE TREATMENT	
002461	D		

D

001947

USED ON	RELEASED FOR ASSY	DATE	CHANGE NO	DATE	CHANGE NO
660-1	001946	4/1/69	296		
		8/2/69	417		

001947



- NOTES: UNLESS OTHERWISE SPECIFIED
- 1 CONNECT IC'S PIN 7 TO GND/PIN 14 TO +5VDC
  - 2 IC'S A4,C4 D14 D2 ARE SN7400N
  - 3 IC D4 IS A SN7402N
  - 4 IC'S A2,B3,B4,B5,C5 4 D5 ARE SN7410N
  - 5 IC'S C2 4 C3 ARE SN7430N
  - 6 IC'S B1,B2 4 C1 ARE SN7440N
  - 7 IC D3 IS A SN7474N
  - 8 FOR SYSTEM LOGIC DIAGRAMS SEE DWG NO. 201143 (REFERENCE ONLY)

LAST REFERENCE DESIGNATION USED	REFERENCE DESIGNATION NOT USED
C4	
R1	
TP22	

001947

(SSDC)

XA040

MATERIAL	NO	TOLERANCE UNLESS OTHERWISE NOTED	2 PLACE DEC =	Peripheral Systems Corporation a subsidiary of MEMOREX CORPORATION			
CASE DEPTH			3 PLACE DEC =	NAME SCHEMATIC DIAGRAM			
HARDNESS			ANGLES =	SERVO SEQUENCER DECODE			
SURFACE TREATMENT			CORNERS AND/OR EDGES BROKEN	OUTSIDE	MAX	DESIGN	TYPE
			RADII UNLESS OTHERWISE NOTED	INSIDE	MAX	DETAIL	SCALE
						CHECK	NONE
						APPRO	DATE
							1-9-69
							3-10-69

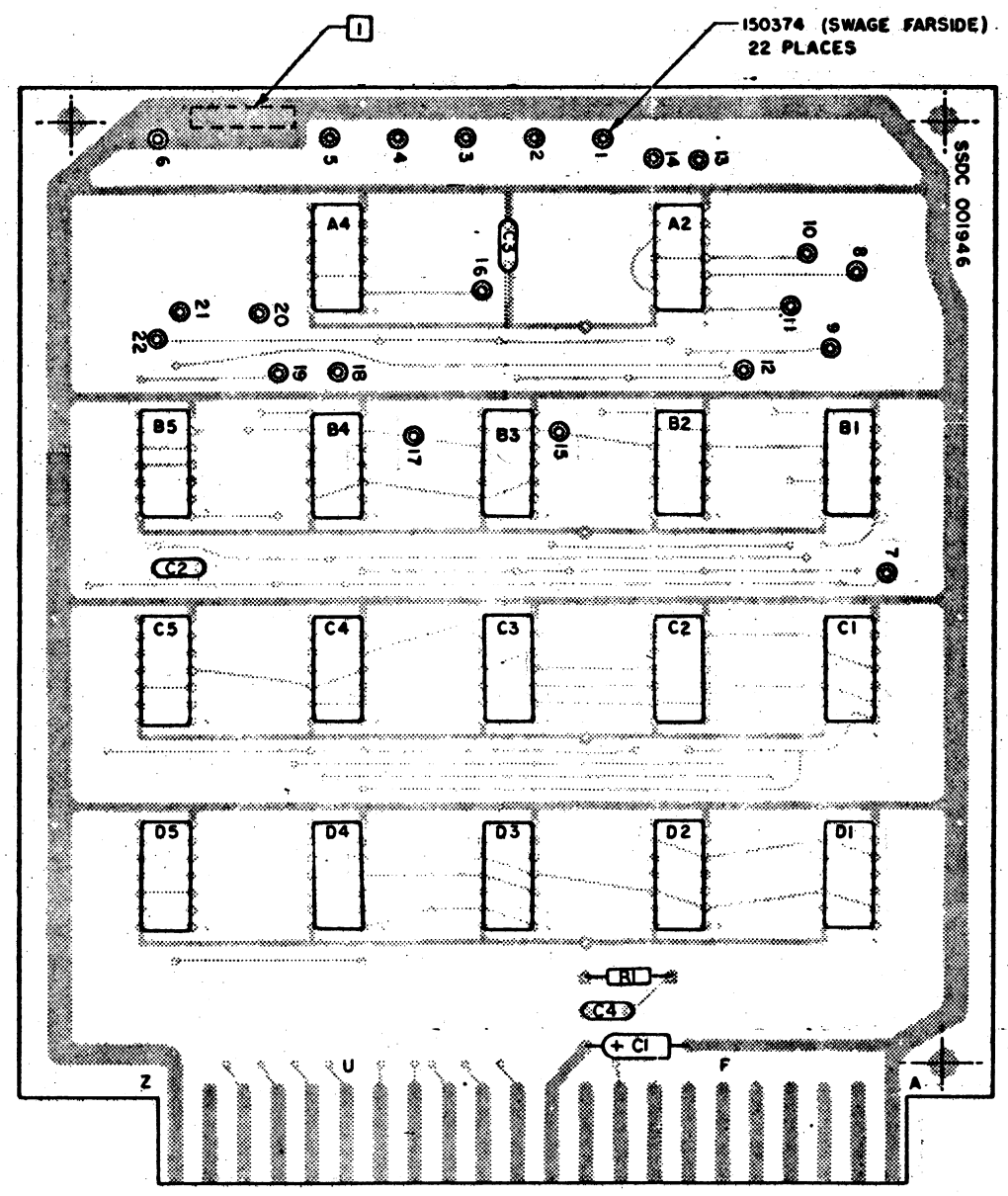
001947 D

001946

001946

USED ON	RELEASED FOR ASSY	DATE	CHANGE NO	DATE	CHANGE NO
	MULTI-USE	9/4/69	296C		
		8/2/69	417		
		11/26/69	417A		
		MAY 1970	1005		

REF DESIG	DESCRIPTION	M. E. S. PART NO.
	PRINTED CIRCUIT BOARD	001946
CR-4	CAPACITOR, .1UF, 25V, ±20%	50990
CI	CAPACITOR, .47UF, 10V, ±10%	151124
A4, C4, D1-2	INTEGRATED CIRCUIT, SN7400N	150660
D4	SN7402N	150668
B2, B3-5, CS, D5	SN7410N	150669
CR-3	SN7430N	150670
B1, C1	SN7440N	150671
D3	INTEGRATED CIRCUIT, SN7474N	150673
R1	RESISTOR, COMP. 2K1, 1/4W, ±5%	151490
	TERMINAL TURRET	150374



NOTES: UNLESS OTHERWISE SPECIFIED

1. MARK LATEST ENGINEERING CHANGE NUMBER WITH 1/8" HIGH BLACK CHARACTERS, APPROXIMATELY AS SHOWN.

2. COMPONENT HEIGHT NOT TO EXCEED .400."

001946

REFERENCE DOCUMENTS	E. S. LEVEL
SCH. DIAG.	001947 417
ARTMASTER	001948 1005
FABRICATION	001949 1005
TEST SPEC	001950 504

XAO41

MATERIAL SEE B/M NO 0019-6	TOLERANCE UNLESS OTHERWISE NOTED	2 PLACE DEC ±	Peripheral Systems Corporation a subsidiary of MEMOREX CORPORATION
CASE DEPTH	CORNERS AND OR EDGES BROKEN	3 PLACE DEC ±	
HARDNESS	OTHERWISE NOTED	ANGLES =	NAME P. C. BOARD ASSEMBLY
SURFACE TREATMENT	UNLESS OTHERWISE NOTED	OUTSIDE MAX	SERVO SEQUENCER DECODE
		INSIDE MAX	DESIGN TYPE
			DETAIL SCALE 2/1
			CHECK DRAW 3/2/69
001946	D		APPRO CHECK 5/1/69

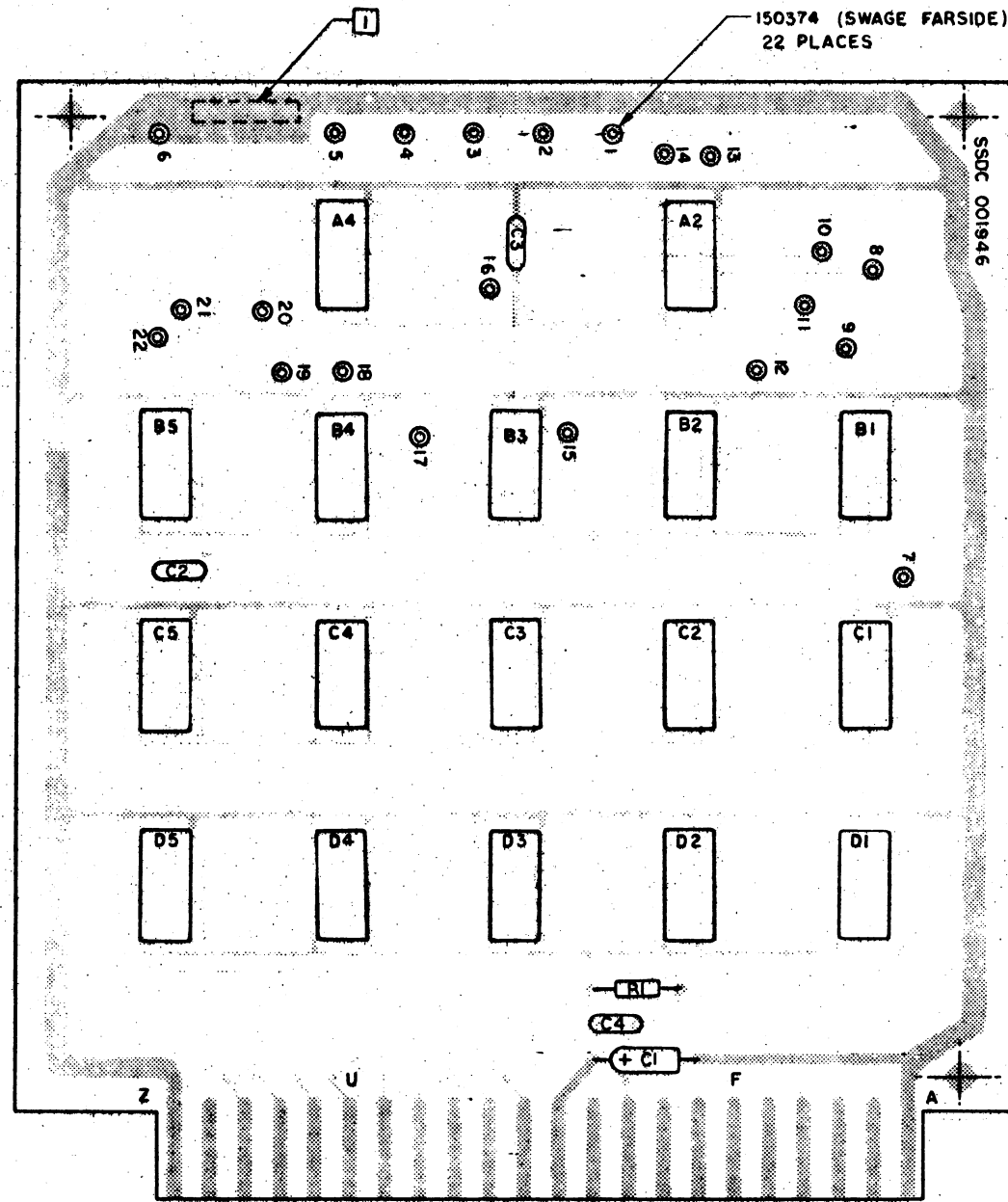
001946

001946

001946

USED ON	RELEASED FOR ASSY	DATE	CHANGE NO	DATE	CHANGE NO
660-1	201022	7/4/69	296C		
		8/2/69	417		
		11-26-69	417A		

REF DESIG	DESCRIPTION	M. E. G. PART NO.
	PRINTED CIRCUIT BOARD	001949
C2-4	CAPACITOR, .1UF, 25V, ±20%	50990
C1	CAPACITOR, .4.7UF, 10V, ±10%	151124
A4, C4, J1-2	INTEGRATED CIRCUIT, SN7400N	150669
D4	SN7402N	150668
A2, B3-5, C3, D5	SN7410N	150669
C2-3	SN7430N	150670
B1, C1	SN7440N	150671
D3	INTEGRATED CIRCUIT, SN7474N	150673
R1	RESISTOR, COMP, 2K, 1/4W, 1.5%	151490
	TERMINAL TURRET	150374



NOTES: UNLESS OTHERWISE SPECIFIED

1. MARK LATEST ENGINEERING CHANGE NUMBER WITH 1/8" HIGH BLACK CHARACTERS, APPROXIMATELY AS SHOWN.

2. COMPONENT HEIGHT NOT TO EXCEED .400"

001946

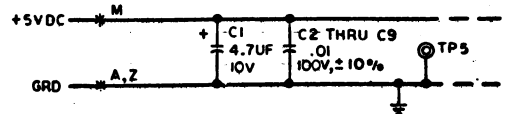
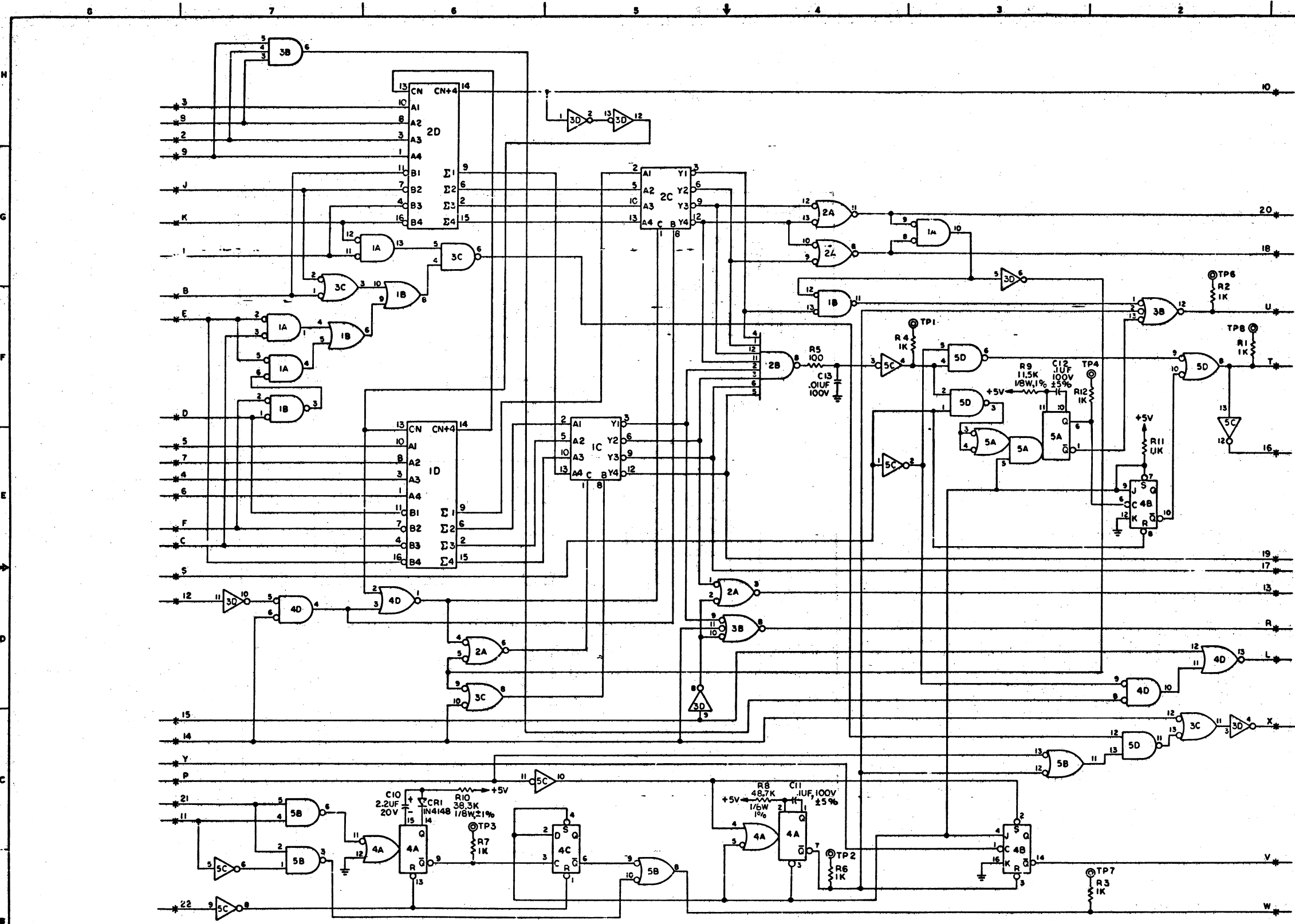
001946

MATERIAL SEE B/M NO 001946	TOLERANCE UNLESS OTHERWISE NOTED	2 PLACE DEC ±
CASE DEPTH		3 PLACE DEC ±
HARDNESS		ANGLES
SURFACE TREATMENT		CORNERS AND OR EDGES BROKEN
		RADI UNLESS OTHERWISE NOTED
001946	D	

OUTSIDE	MAX
INSIDE	MAX

REFERENCE DOCUMENTS	F. C. LEVEL
SCH. DIAG.	001947 417
ARTMASTER	001948 417
FABRICATION	001949 417
TEST SPEC	001950 504

Peripheral Systems Corporation a subsidiary of MEMOREX CORPORATION			
NAME	P.C. BOARD ASSEMBLY		
SERVO SEQUENCER DECODE			
DESIGN	TYPE	SCALE	2/1
DETAIL		DRAW	8/2/69
CHECK		CHECK	8/1/69
APPRO	DHL MDET	4/6/69 4/17/69	



NOTES; UNLESS OTHERWISE SPECIFIED:  
 1. ALL RESISTORS ARE IN OHMS, 1/4W, ±5%  
 2. ALL CAPACITORS ARE IN MICROFARADS

LAST REFERENCE DESIGNATION USED	REFERENCE DESIGNATION NOT USED
C13	
R1	
R12	
TP8	

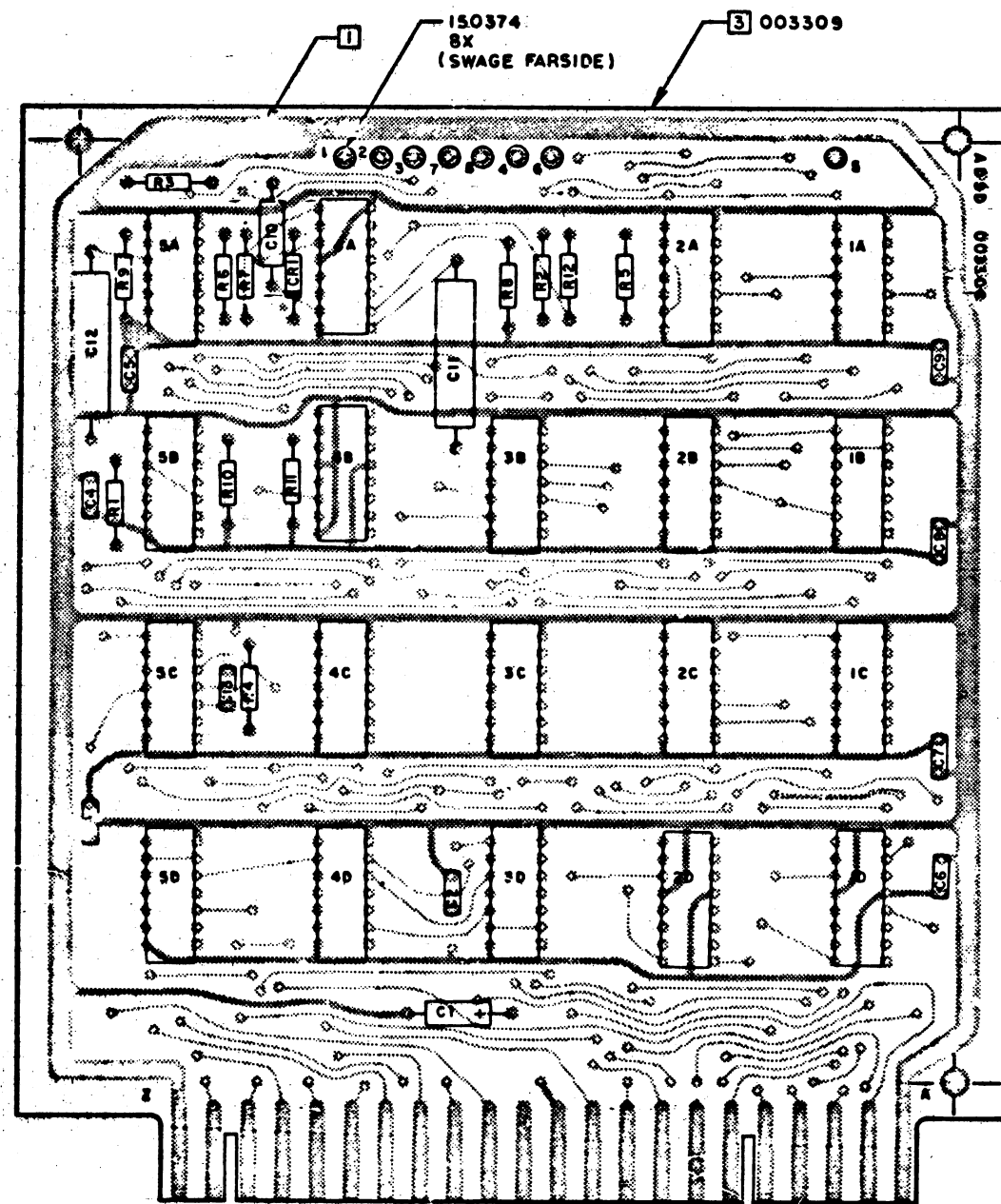
TYPE	POSITION	UNUSED ELEMENTS	IC CROSS REFERENCE
7400	3C, 5B, 5D		M 7
7402	1A, 4D		M 7
7404	3D, 5C		M 7
7411	3B		M 7
7430	2B		M 7
7474	4C		M 7
7476	4B	4C2	M 7
8283	1D, 2D		M 7
74H67	1C, 2C		M 7
74121	5A		M 7
9602	4A		M 7
7408	2A		M 7
7432	1B		M 7

A05

DATE	CHANGE NO.	DATE	CHANGE NO.	TECHNICAL APPROVAL	WILCOREX EQUIPMENT GROUP
DEC 70	1620				SCHEMATIC DIAGRAM
APR 71	1999				ADDER AND SPEED DECODE

DATE	CHANGE NO.	DATE	CHANGE NO.	003306
DEC 70	1620			
JAN 71	1833			RELEASED FOR ASSEMBLY
APR 71	1999			MULTI-USE

REF DESIG	DESCRIPTION	M E G PART NO
C2-9,13	CAPACITOR, C, .01UF, 100V, ± 10%	154196
C1	T, 4.7UF, 10V, ± 10%	151124
C10	T, 2.2UF, 20V, ± 10%	151120
C11,12	CAPACITOR, M, .1 UF, 100V, ± 5%	151328
CRI	DIODE, IN4148	150834
IA, 4D	INTEGRATED CIRCUIT, 7402	150668
5R, 5C, 5D	7400	150666
5C, 3D	7404	150679
2A	7408	150618
2B	7450	150670
1B	7432	150669
4C	7474	150673
4B	7476	150674
1D, 2D	8283	157502
1C, 2C	74H87	150613
3B	7411	150619
5A	74121	150642
4A	INTEGRATED CIRCUIT, 9602	150600
R1-4, 6,	RESISTOR, COMP, 1K, 1/4W, ± 5%	151483
7, 12		
R11	RESISTOR, COMP, 1.1K, 1/4W, ± 5%	151484
R5	RESISTOR, COMP, 100 OHMS, 1/4W, ± 5%	151459
R6	RESISTOR, MP, 48.7K, 1/8W, ± 1%	153269
R7	RESISTOR, MP, 11.5K, 1/8W, ± 1%	153065
R10	RESISTOR, MP, 36.3K, 1/8W, ± 1%	153259



REFERENCE DOCUMENTS		E. C. LEVEL
SCH. DIAG.	003307	1999
ARTMASTER	003308	1833
LOGIC DIAG.		

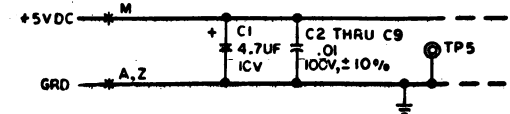
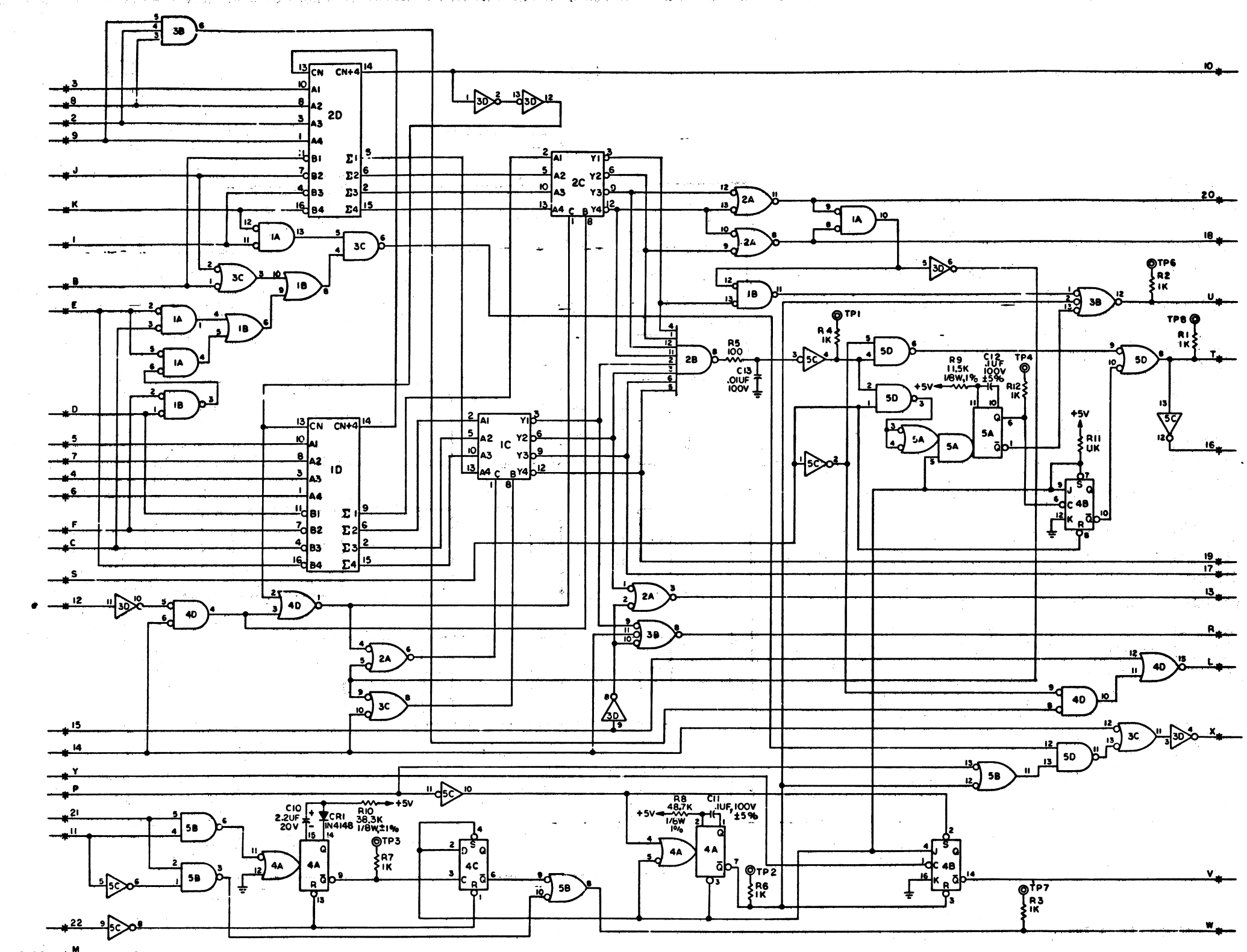
- NOTES:
1. MARK LATEST ENGINEERING CHANGE NUMBER WITH 1/8" HIGH BLACK CHARACTERS, APPROXIMATELY AS SHOWN.
  2. COMPONENT HEIGHT NOT TO EXCEED .400".
  3. P.C. BOARD 003309 MUST BE AT EC LEVEL 1833.
  4. MUST CONFORM TO ENG SPECIFICATION 003310 AT EC LEVEL 1833.

MATERIAL NO	MUST CONFORM TO ENG. SPEC 880700	TOLERANCE UNLESS OTHERWISE NOTED	MEMOREX EQUIPMENT GROUP NAME: P.C. BOARD ASSEMBLY ADDER AND SPEED DECODE SCALE: 2/1
CASE DEPTH	TECHNICAL APPROVAL	LINEAR = ANGULAR =	
HARDNESS		CORNERS AND OR EDGES BROKEN	DESIGN DETAIL: A.D. 12250
SURFACE TREATMENT		OUTSIDE	CHECK: J.F.K. 2370
STD. COCT		INSIDE	APPROX: 1/27 JAN 71

XA051

003306





NOTES; UNLESS OTHERWISE SPECIFIED:  
 1. ALL RESISTORS ARE IN OHMS, 1/4W, ±5%  
 2. ALL CAPACITORS ARE IN MICROFARADS

LAST REFERENCE DESIGNATION USED	REFERENCE DESIGNATION NOT USED
C13	
CR1	
R12	
TP8	

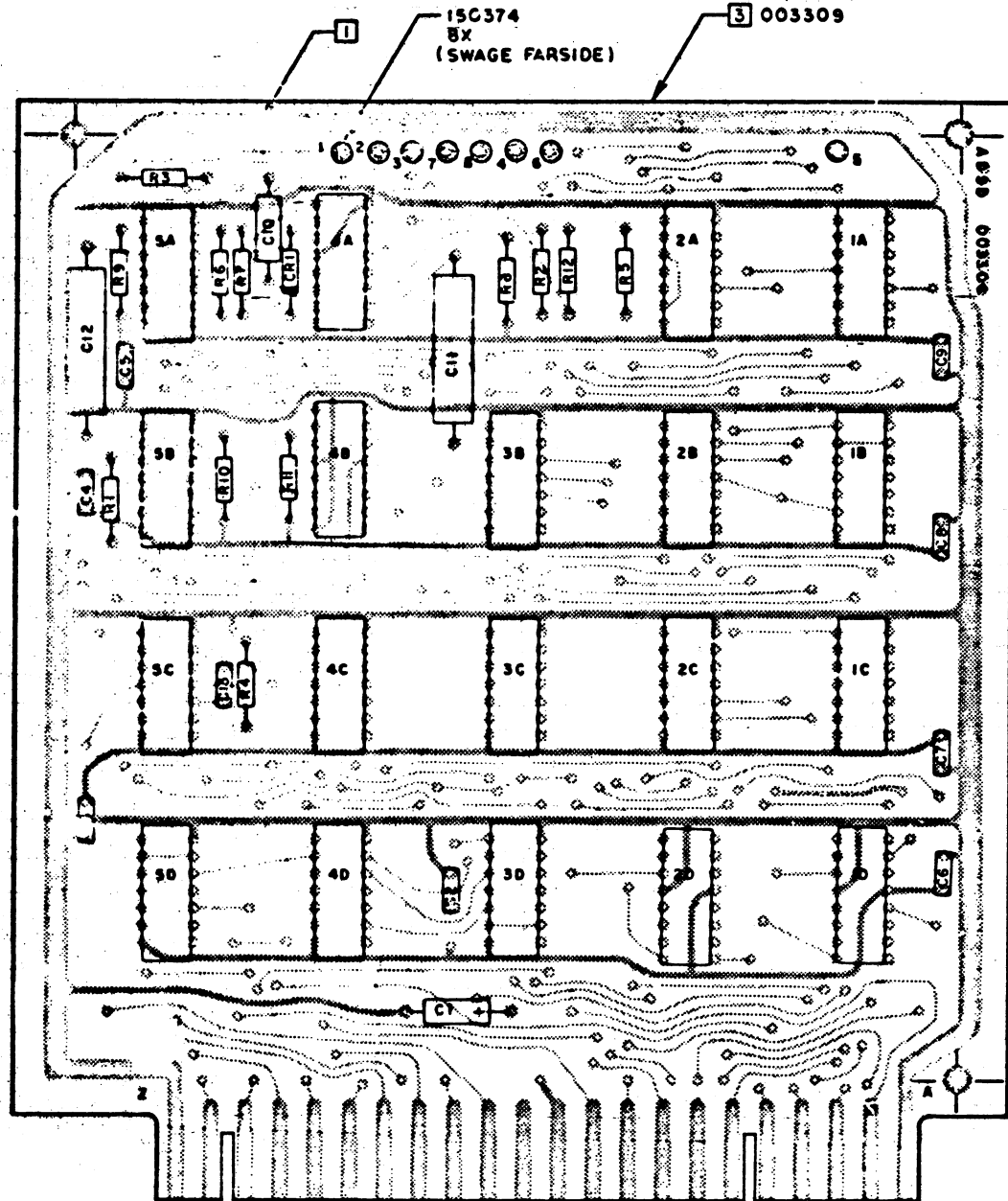
TYPE	POSITION	UNUSED ELEMENTS	VCC GRD (PIN#)
7400	3C, 5B, 5D		M 7
7402	1A, 4C		M 7
7404	3D, 5C		M 7
7411	3B		M 7
7430	2B		M 7
7474	4C	4C2	M 7
7476	4B		5 13
7483	1D, 2D		5 12
74H87	1C, 2C		M 7
74121	5A		M 7
7602	4A		16 9
7408	2A		M 7
7432	1B		M 7

DATE: 12-16-70  
 CHECKED BY: [Signature]  
 DRAWN BY: [Signature]  
 APPROVED BY: [Signature]

MEMOREX EQUIPMENT GROUP  
 SCHEMATIC DIAGRAM  
 ADDER AND SPEED DECODE  
 DEC70 1620

DATE	CHANGE NO	DATE	CHANGE NO	003306
DEC 70	1620			
JAN 71	1833			RELEASED FOR ASSEMBLY
				MULTI-USE

REF	DESCRIPTION	M 2 6
CCS16		PART NO
C2-9,13	CAPACITOR,C,.01UF,100V,±10%	154186
C1	T,4.7UF,10V,±10%	151124
C10	T,2.2UF,20V,±10%	151120
C11,12	CAPACITOR,M,.1UF,100V,±5%	151328
CRI	DIODE,1N4148	150634
IA,4C	INTEGRATED CIRCUIT,7402	150668
EC,2C,2D	7400	150666
EC,2D	7404	150679
2A	7408	150618
2B	7430	150670
1B	7432	150569
4C	7474	150673
4B	7476	150678
ID,2D	8283	1575C2
IC,2C	74H87	150612
33	7411	150619
5A	74121	150642
4A	INTEGRATED CIRCUIT,9602	150600
F1-4,6	RESISTOR,COMP,1K,1/4W,±5%	151483
7,12		
F11	RESISTOR,COMP,1.1K,1/4W,±5%	151484
F5	RESISTOR,COMP,100 OHMS,1/4W,±5%	151489
R8	RESISTOR,MF,48.7K,1/8W,±1%	153269
R9	RESISTOR,MF,11.5K,1/8W,±1%	153065
R10	RESISTOR,MF,30.3K,1/8W,±1%	153259

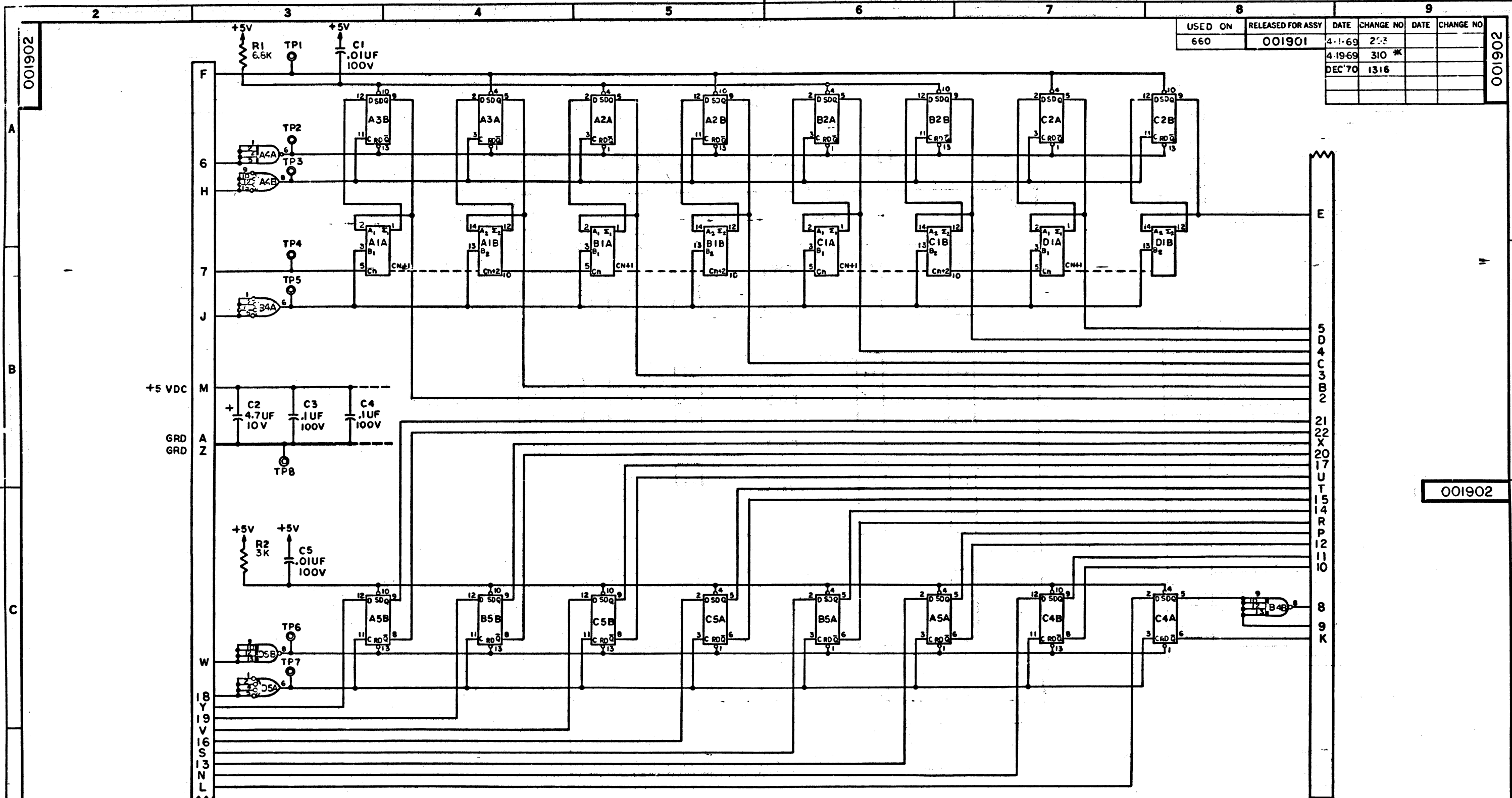


- NOTES:
- 1 MARK S.A.F.L. NUMBER A1833 WITH 1/8" HIGH BLACK CHARACTERS, APPROXIMATELY AS SHOWN.
  2. COMPONENT HEIGHT NOT TO EXCEED .400".
  - 3 P.C. BOARD 003309 MUST BE AT EC LEVEL 1833.
  4. MUST CONFORM TO ENG SPECIFICATION 003310 AT EC LEVEL 1833.

REFERENCE DOCUMENTS	E.C. LEVEL
SCH DIAG. 003307	1620
ARTMASTER 003308	1833
LOGIC DIAG.	

MATERIAL NO	MUST CONFORM TO ENG SPEC REV'D	TOLERANCE UNLESS OTHERWISE NOTED	MEMOREX EQUIPMENT GROUP
CAGE DEPTH	TECHNICAL APPROVAL	LINEAR -	
HARDNESS		CORNERS AND EDGES BROKEN	NAME P.C. BOARD ASSEMBLY
IMPACT TREATMENT			ADDR AND SPEED DECODE
			DATE 12/29/70
			APPRO 1/2/71
			003306

XA051



USED ON	RELEASED FOR ASSY	DATE	CHANGE NO	DATE	CHANGE NO
660	001901	4-1-69	203		
		4-19-69	310 *		
		DEC '70	1316		

- NOTES: UNLESS OTHERWISE SPECIFIED
1. ALL RESISTORS ARE IN OHMS, 1/4W, ± 5%
  2. IC'S A1, B1, C1 & D1 ARE SN7482N
  3. IC'S A4, B4 & D5 ARE SN7440N
  4. IC'S A2, A3, A5, B2, B5, C2, C4 & C5 ARE SN7474N
  5. CONNECT IC'S A1, B1, C1 & D1, PIN 4 TO +5VDC, PIN 11 TO GRD
  6. CONNECT IC'S A2, A3, A4, A5, B2, B4, B5, C2, C4, C5 & D5 PIN 7 TO GRD, PIN 14 TO +5VDC

LAST REFERENCE DESIGNATION USED	REFERENCE DESIGNATIONS NOT USED
C5 R2 TP8	

MATERIAL	NO	TOLERANCE UNLESS OTHERWISE NOTED	2 PLACE DEC ±	Peripheral Systems Corporation a subsidiary of MEMOREX CORPORATION	
CASE DEPTH		CORNERS AND/OR EDGES BROKEN	3 PLACE DEC ±	NAME	SCHEMATIC DIAGRAM
HARDNESS		RADIT UNLESS OTHERWISE NOTED	ANGLES ±	CYLINDER/PRESENT ADDRESS REGISTERS	
SURFACE TREATMENT			OUTSIDE MAX	DESIGN	TYPE
001902			INSIDE MAX	DETAIL	SCALE
				CHECK	DRAW
				APPRO	CHECK

XA060

001902

(CPAR)

001902

A

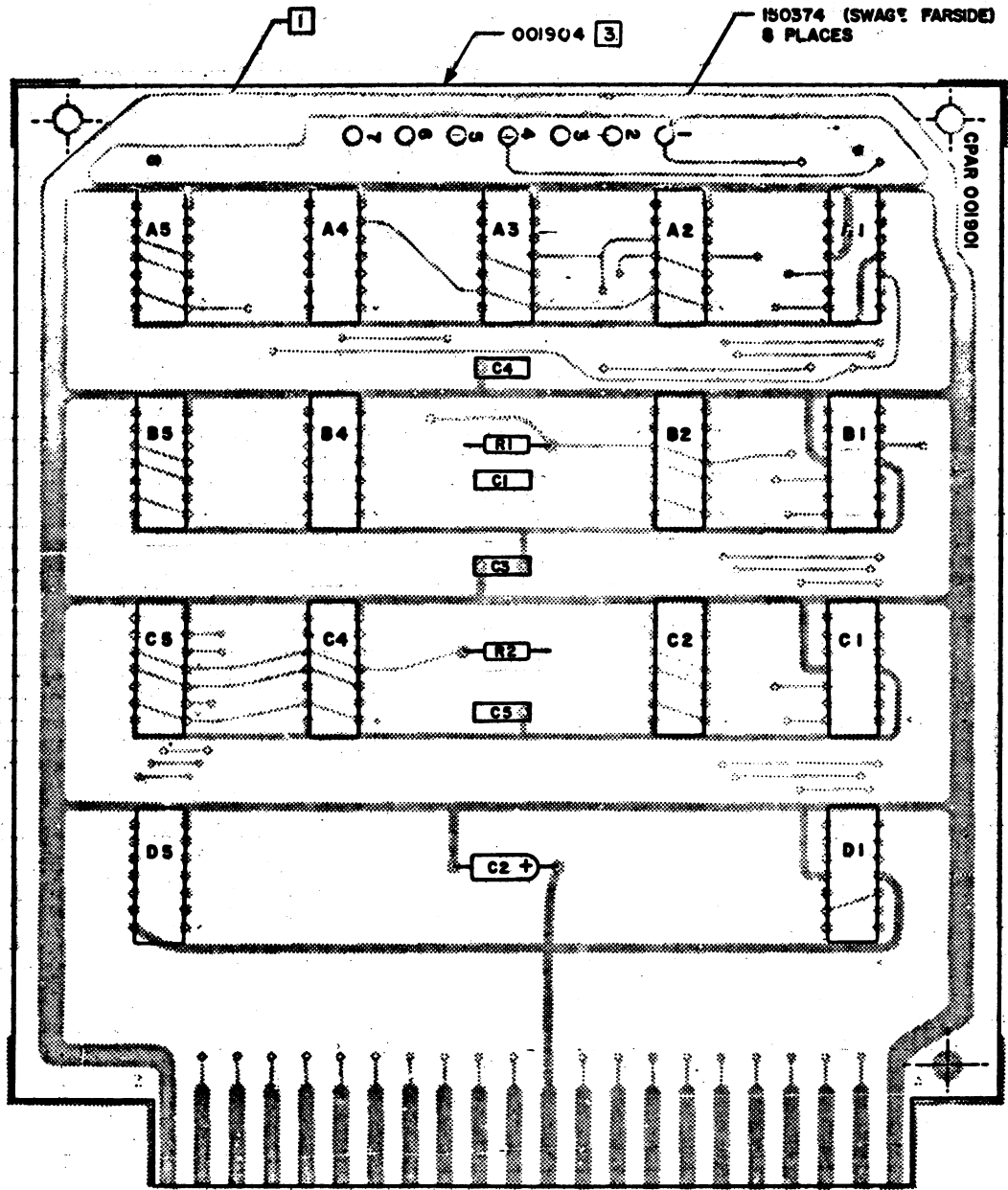
B

C

D

USED ON	RELEASED FOR ASSY	DATE	CHANGE NO	DATE	CHANGE NO
660-1	201022	1-69	257		
	MULTI-USE	1-19-69	317*		
		MAY 1970	1005		
		DEC 70	1316		

REF DESIG	DESCRIPTION	M. E. G. PART NO.
C1,5	CAPACITOR, C, .01UF, 100V, 5% <sup>1</sup>	154196
C3,4	CAPACITOR, C, .1UF, 100V, 5% <sup>1</sup>	154151
C2	CAPACITOR, T, 4.7UF, 10V, 5% <sup>1</sup>	151124
A4, B4, D5	INTEGRATED CIRCUIT, SN7440N	150671
A2, A3, A5	INTEGRATED CIRCUIT, SN7474N	150679
B2, B5, C2		
C4, C5		
A, B, C, D, I	INTEGRATED CIRCUIT, SN7482N	150615
R2	RESISTOR, COMP, 1/4W, 5% <sup>1</sup>	151494
R1	RESISTOR, COMP, 1/4W, 5% <sup>1</sup>	151503
TPI-8	TERMINAL, TURRET	150374



NOTES:

1. MARK LATEST ENGINEERING CHANGE NUMBER WITH 1/8" HIGH BLACK CHARACTERS, APPROXIMATELY AS SHOWN.
2. COMPONENT HEIGHT NOT TO EXCEED .400"
3. PC BOARD 001904 MUST BE AT EC LEVEL 1005
4. MUST CONFORM TO ENGR. SPECIFICATION 001905 AT EC LEVEL 1316

001901

REFERENCE DOCUMENTS		EC LEVEL
SCH. DIAG.	001902	1316
ARTMASTER	001903	1005

MATERIAL SEE B/M NO 001901		TOLERANCE UNLESS OTHERWISE NOTED	2 PLACE DEC =	Peripheral Systems Corporation a subsidiary of MEMOREX CORPORATION	
CASE DEPTH			3 PLACE DEC =	NAME P.C. BOARD ASSEMBLY	
HARDNESS			ANGLES =	CYLINDER/PRESENT ADDRESS REGISTERS	
SURFACE TREATMENT		CORNERS AND/OR EDGES BROKEN	OUTSIDE MAX	DESIGN	TYPE
		RADI UNLESS OTHERWISE NOTED	INSIDE MAX	DETAIL	SCALE 2/1
	001901			CHECK	DRAW
	D			APPRO	CHECK

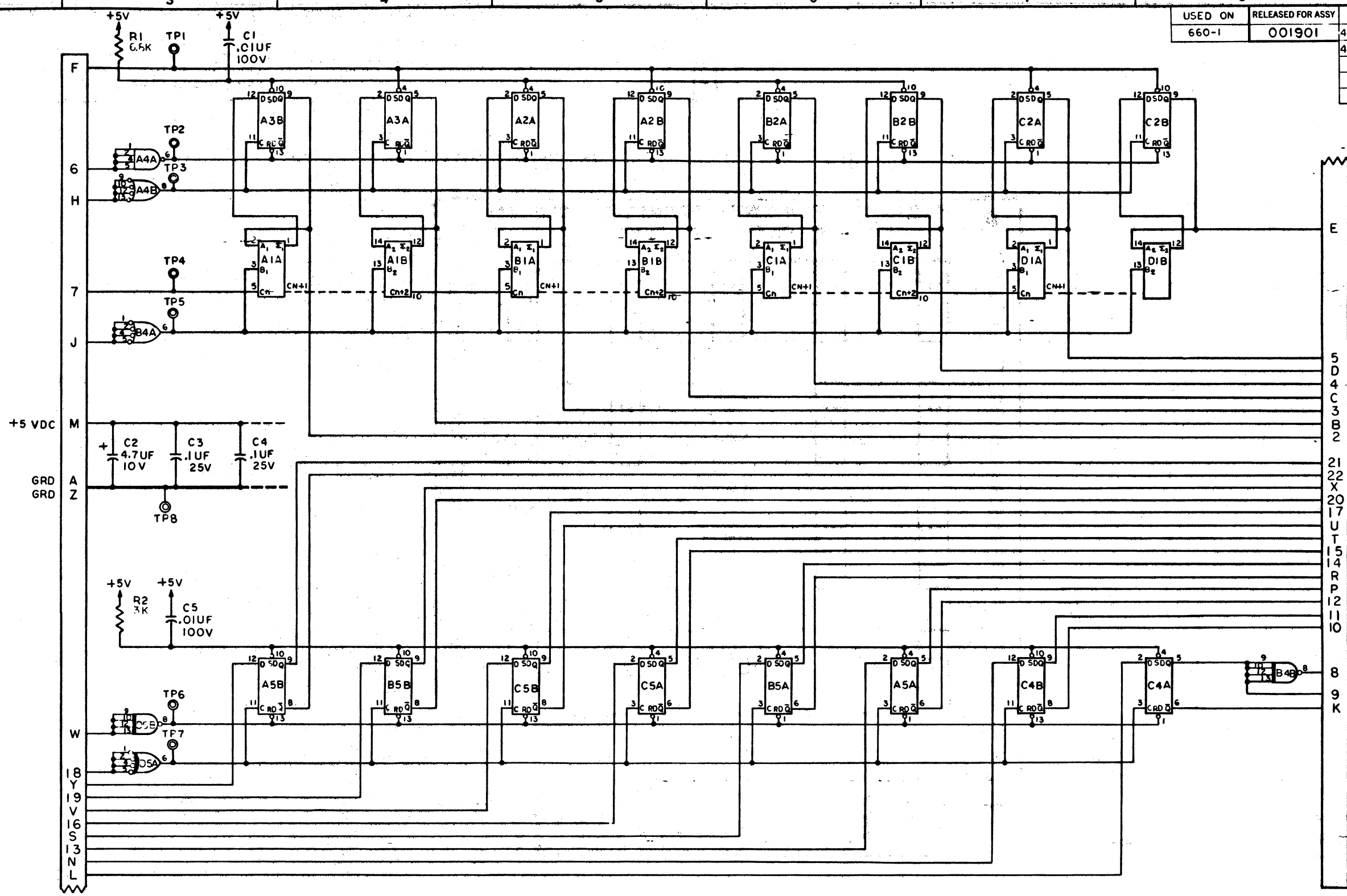
XA061

001902

OUT PRINT

USED ON	RELEASED FOR ASSY	DATE	CHANGE NO	DATE	CHANGE NO
660-1	001901	4-1-69	274		
		4-19-69	310		

001902



- NOTES: UNLESS OTHERWISE SPECIFIED
1. ALL RESISTORS ARE IN OHMS, 1/4W, ± 5%
  2. IC'S A1, B1, C1 & D1 ARE SN7482N
  3. IC'S A4, B4 & D5 ARE SN7440N
  4. IC'S A2, A3, A5, B2, B5, C2, C4 & C5 ARE SN7474N
  5. CONNECT IC'S A1, B1, C1 & D1, PIN 4 TO +5VDC, PIN 14 TO GRD
  6. CONNECT IC'S A2, A3, A4, A5, B2, B4, B5, C2, C4, C5 & D5 PIN 7 TO GRD, PIN 14 TO +5VDC
  7. FOR SYSTEM LOGIC DIAGRAM SEE DWG NO. 201145 (REFERENCE ONLY).

LAST REFERENCE DESIGNATION USED	REFERENCE DESIGNATIONS NOT USED
C5 R2 TP8	

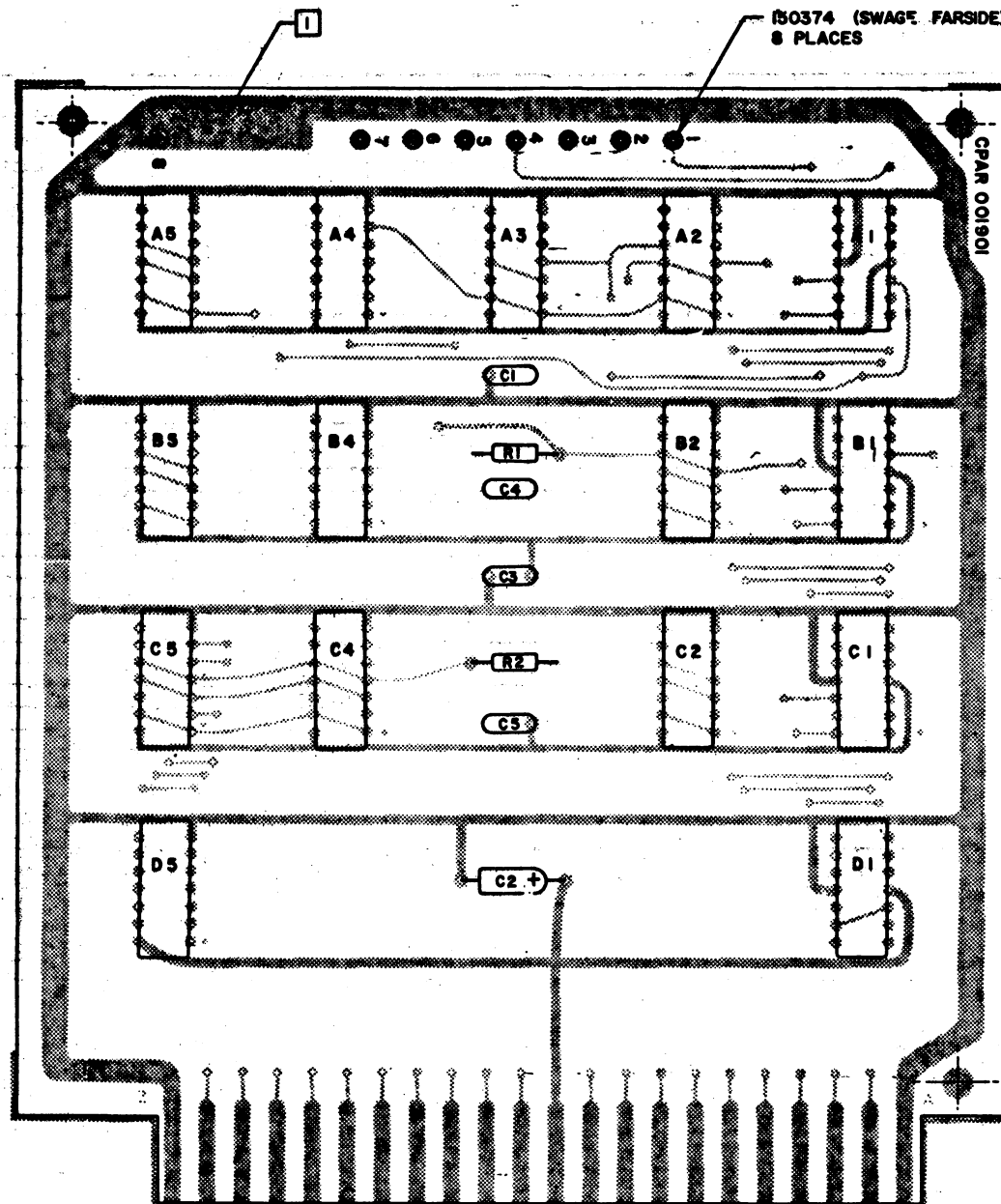
XA060

MATERIAL	NO	TOLERANCE UNLESS OTHERWISE NOTED	2 PLACE DEC ±	Peripheral Systems Corporation a subsidiary of MEMOREX CORPORATION
CASE DEPTH			3 PLACE DEC	
HARDNESS			ANGLES	NAME SCHEMATIC DIAGRAM
SURFACE TREATMENT		CORNERS AND/OR EDGES BROKEN	OUTSIDE MAX	CYLINDER/PRESENT ADDRESS REGISTERS
	001902	RADI UNLESS OTHERWISE NOTED	INSIDE MAX	DESIGN
	D			TYPE
				SCALE
				CHECK
				APPRO

APR 29 1969 (CPAR)

10 JAN 69 3-8-69

USED ON	RELEASED FOR ASSY	DATE	CHANGE NO	DATE	CHANGE NO
660-1	201022	4-1-69	293		
		4-19-69	310		



NOTES: UNLESS OTHERWISE SPECIFIED

1. MARK LATEST ENGINEERING CHANGE NUMBER WITH 1/8" HIGH BLACK CHARACTERS, APPROXIMATELY AS SHOWN.

2. COMPONENT HEIGHT NOT TO EXCEED .400"

001901

REFERENCE DOCUMENTS		EC LEVEL
SCH. DIAG.	001902	310
ARTMASTER	001903	310
FABRICATION	001904	310

XA061

MATERIAL SEE B/M NO 001901	TOLERANCE UNLESS OTHERWISE NOTED	2 PLACE DEC ±	Peripheral Systems Corporation a subsidiary of MEMOREX CORPORATION	
CASE DEPTH		3 PLACE DEC ±	NAME	P.C. BOARD ASSEMBLY
HARDNESS		ANGLES ±	CYLINDER/PRESENT ADDRESS REGISTERS	
SURFACE TREATMENT		CORNERS AND/OR EDGES BROKEN	DESIGN	TYPE
		RADIi UNLESS OTHERWISE NOTED	DETAIL	SCALE 2 / 1
			CHECK	DRAW
			APPRO	CHECK

2 3 4 5 6 7 8 9

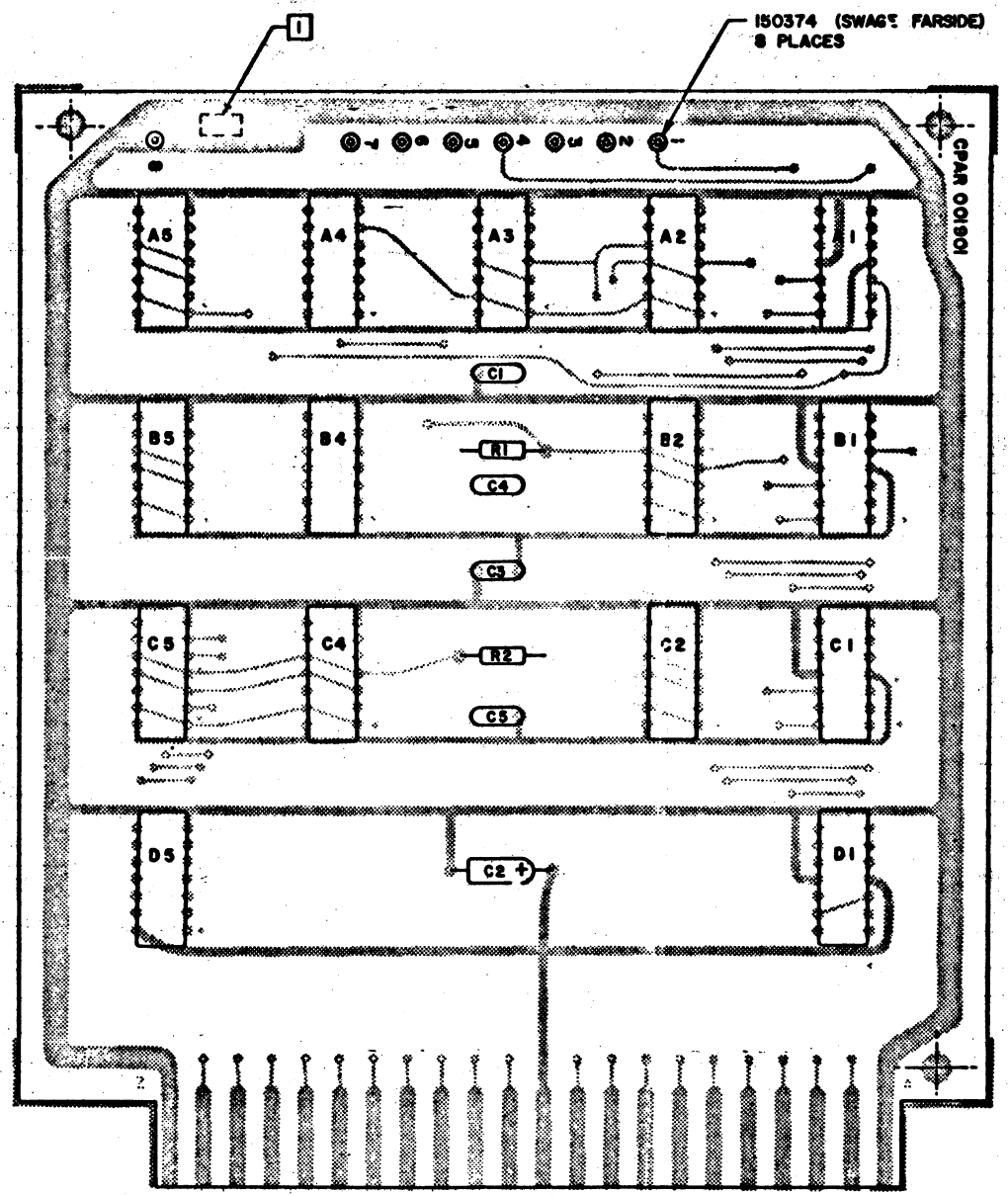
USED ON	RELEASED FOR ASSY	DATE	CHANGE NO	DATE	CHANGE NO
660-1	201022	4-1-69	293		
	MULTI-USE	4-19-69	310 *		
		MAY 19, 70	1005		

001901

001901

001901

REF. DESIG.	DESCRIPTION	M. E. G. PART NO.
	PRINTED CIRCUIT BOARD	00904
C1,5	CAPACITOR, C, .01UF, 50V, ±20%	190971
C3,4	CAPACITOR, C, .1UF, 25V, ±20%	190990
C2	CAPACITOR, T, 4.7UF, 10V, ±10%	191124
A4, B4, D5	INTEGRATED CIRCUIT, SN7440N	190671
A2, A3, A5	INTEGRATED CIRCUIT, SN7414N	190679
B1, B5, C2, C4, C5		
A1, B1, C1, D1	INTEGRATED CIRCUIT, SN7482N	190675
R2	RESISTOR, COM. PK, 1/4W, ±5%	191494
R1	RESISTOR, COM. PK, 1/4W, ±5%	191509
	TERMINAL, TURRET	190374



NOTES: UNLESS OTHERWISE SPECIFIED  
 1. MARK LATEST ENGINEERING CHANGE NUMBER WITH 1/8" HIGH  
 BLOCK CHARACTERS, APPROXIMATELY AS SHOWN.  
 2. COMPONENT HEIGHT NOT TO EXCEED .400"

001901

REFERENCE DOCUMENTS	EC LEVEL
SCH. DIAG.	001902 310
ARTMASTER	001903 1005
FABRICATION	001904 1005

MATERIAL SEE B/M NO 001901	TOLERANCE UNLESS OTHERWISE NOTED	2 PLACE DEC ±	Peripheral Systems Corporation a subsidiary of MEMOREX CORPORATION	
CASE DEPTH		3 PLACE DEC ±	NAME P.C. BOARD ASSEMBLY	
HARDNESS		ANGLES =	CYLINDER/PRESENT ADDRESS REGISTERS	
SURFACE TREATMENT		CORNERS AND/OR EDGES BROKEN	DESIGN	TYPE
		RADI UNLESS OTHERWISE NOTED	DETAIL	SCALE 2/1
			CHECK	DRAW
			APPRO	CHECK

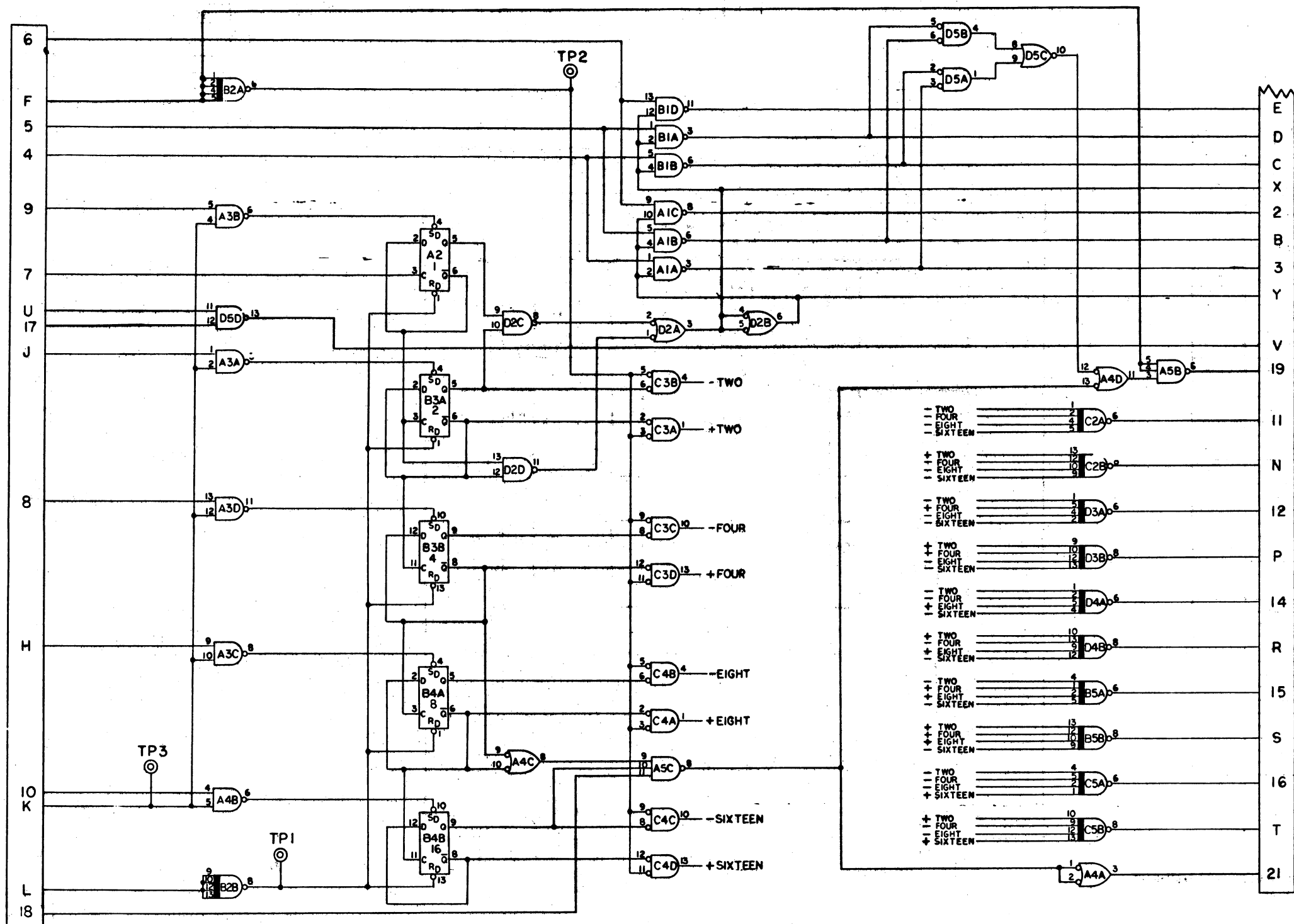
X4061

2 3 4 5 6 7 8 9

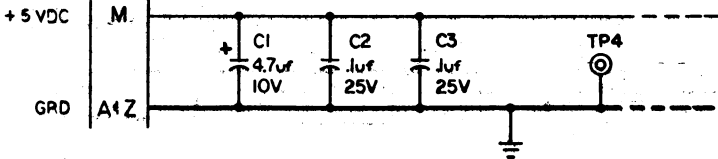
002002

USED ON	RELEASED FOR ASSY	DATE	CHANGE NO	DATE	CHANGE NO
660-1	002001	4-1-69	293		
		4-29-69	321		
		5-12-69	323		

002002



002002



- NOTES: UNLESS OTHERWISE SPECIFIED
- IC'S A1, A3, A4, B1, D2 ARE SN7400N
  - IC'S C3, C4, D5 ARE SN7402N
  - IC A5 IS A SN7410N
  - IC'S B2, B5, C2, C5, D3, D4 ARE SN7440N
  - IC'S A2, B3, B4 ARE SN7474N
  - FOR SYSTEM LOGIC DIAGRAM SEE DWG. NO. 201146 (REFERENCE ONLY)

LAST REFERENCE DESIGNATION USED	REFERENCE DESIGNATION NOT USED
C3 TP4	

MATERIAL NO		TOLERANCE UNLESS OTHERWISE NOTED	2 PLACE DEC ±	Peripheral Systems Corporation a subsidiary of MEMOREX CORPORATION	
CASE DEPTH		OTHERWISE NOTED	3 PLACE DEC ±	NAME SCHEMATIC DIAGRAM	
HARDNESS			ANGLES ±	HEAD SELECTION AND REGISTER	
SURFACE TREATMENT		CORNERS AND/OR EDGES BROKEN	OUTSIDE MAX	DESIGN	TYPE
002002		D	INSIDE MAX	DETAIL	SCALE
			RADIUS UNLESS OTHERWISE NOTED	CHECK	DRAW
				APPRO	CHECK

002002

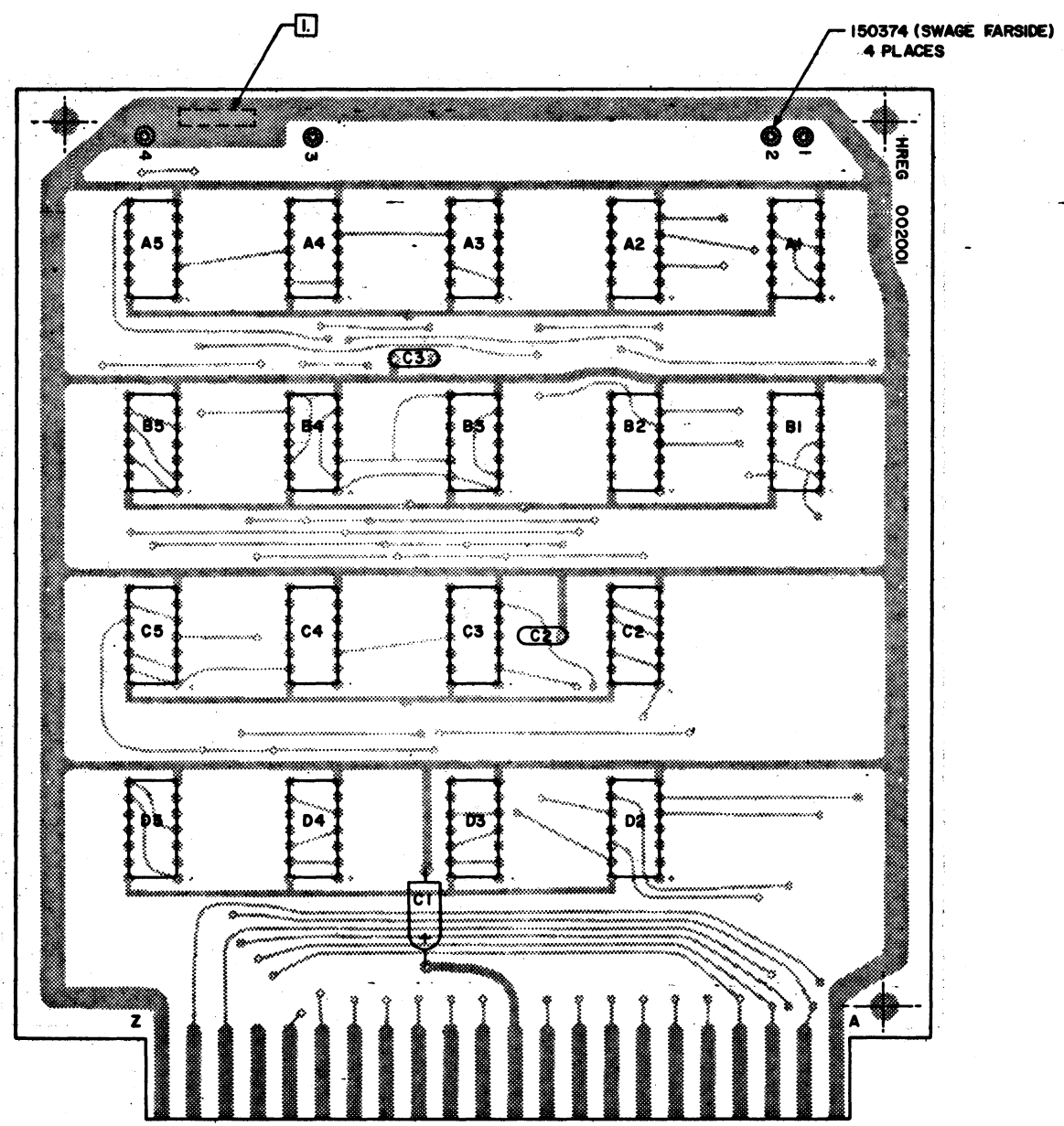
(HREG)

D



REF DESIG	DESCRIPTION	M. E. G. PART NO.
	PRINTED CIRCUIT BOARD	002002
C2, 3	CAPACITOR, C, .1UF, 25V, ±20%	150990
C1	CAPACITOR, T, 4.7UF, 10V, ±10%	151124
A1, A3, A4	INTEGRATED CIRCUIT, SN7400N	150666
B1, D2		
C3, C4, D5	SN7402N	150668
A5	SN7410N	150669
B2, B5, C2, C5, D3, D4	SN7440N	150671
A2, B3, B4	INTEGRATED CIRCUIT, SN7474N	150673
TPI-4	TERMINAL, TURRET	150874

USED ON	RELEASED FOR ASSY	DATE	CHANGE NO.	DATE	CHANGE NO.
	MULTI-USE	3/1/69	293		
		4/23/69	321		
		5/1/69	323		
		MAY 19, 70	1005		



NOTES: UNLESS OTHERWISE SPECIFIED

- 1. MARK LATEST ENGINEERING CHANGE NUMBER WITH 1/8" HIGH BLACK CHARACTERS, APPROXIMATELY AS SHOWN.
- 2. COMPONENT HEIGHT NOT TO EXCEED .400"

REFERENCE DOCUMENTS	EC LEVEL
SCH. DIAG.	002002 323
ARTMASTER	002003 1005
FABRICATION	002004 1005

MATERIAL SEE B/M NO 002001	TOLERANCE UNLESS OTHERWISE NOTED	2 PLACE DEC ±	Peripheral Systems Corporation a subsidiary of MEMOREX CORPORATION	
CASE DEPTH	NOTED	3 PLACE DEC ±	NAME P.C. BOARD ASSEMBLY	
HARDNESS		ANGLES ±	HEAD SELECTION & REGISTER	
SURFACE TREATMENT	CORNERS AND/OR EDGES BROKEN	OUTSIDE MAX	DESIGN	TYPE
	RADI UNLESS OTHERWISE NOTED	INSIDE MAX	DETAIL	SCALE 2/1
002001	D		CHECK	DATE 4-2-69
			APPRO	DATE 4-4-69

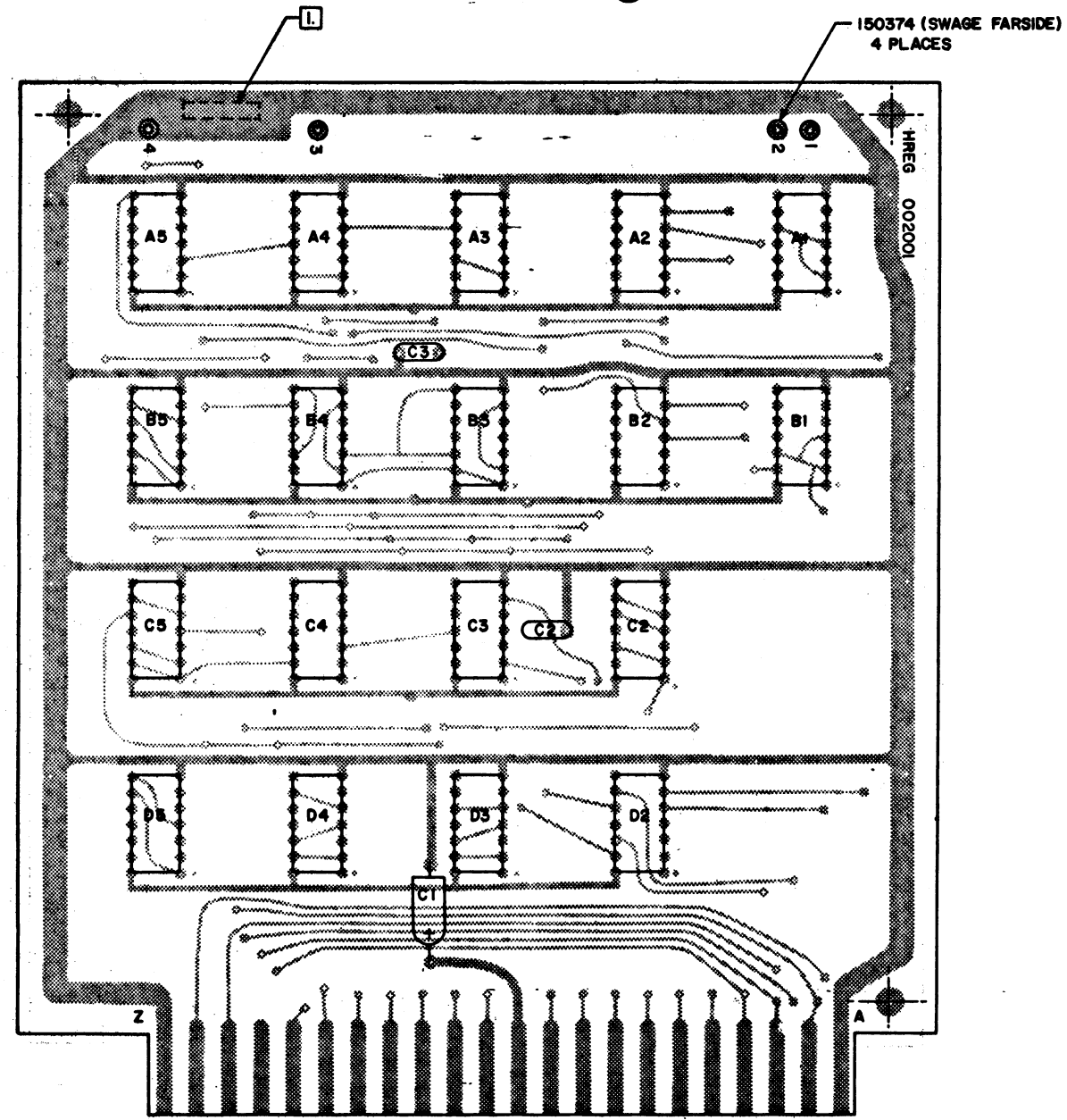
002001

002001

D

USED ON	RELEASED FOR ASSY	DATE	CHANGE NO	DATE	CHANGE NO
660-1	201022	3/1/69	293		
		5/29/69	321		
		5/1/69	323		

OUT PRINT



NOTES: UNLESS OTHERWISE SPECIFIED  
 1. MARK LATEST ENGINEERING CHANGE NUMBER WITH 1/8" HIGH BLACK CHARACTERS, APPROXIMATELY AS SHOWN.  
 2. COMPONENT HEIGHT NOT TO EXCEED .400."

REFERENCE DOCUMENTS	EC LEVEL
SCH. DIAG. 002002	323
ARTMASTER 002003	323
FABRICATION 002004	323

MATERIAL SEE B/M NO 002001	TOLERANCE UNLESS OTHERWISE NOTED	2 PLACE DEC ±	Peripheral Systems Corporation a subsidiary of MEMOREX CORPORATION	
CASE DEPTH	CORNERS AND/OR EDGES BROKEN	3 PLACE DEC ±	NAME P.C. BOARD ASSEMBLY	
HARDNESS		ANGLES ±	HEAD SELECTION & REGISTER	
SURFACE TREATMENT	RADII UNLESS OTHERWISE NOTED	OUTSIDE MAX	DESIGN	TYPE
		INSIDE MAX	DETAIL	SCALE 2/1
002001	D		CHECK DUL 4-2-69	DRAW JLD 5/1/69
			APPRO Wray 4-4-69	CHECK P. Wray 5-12-69

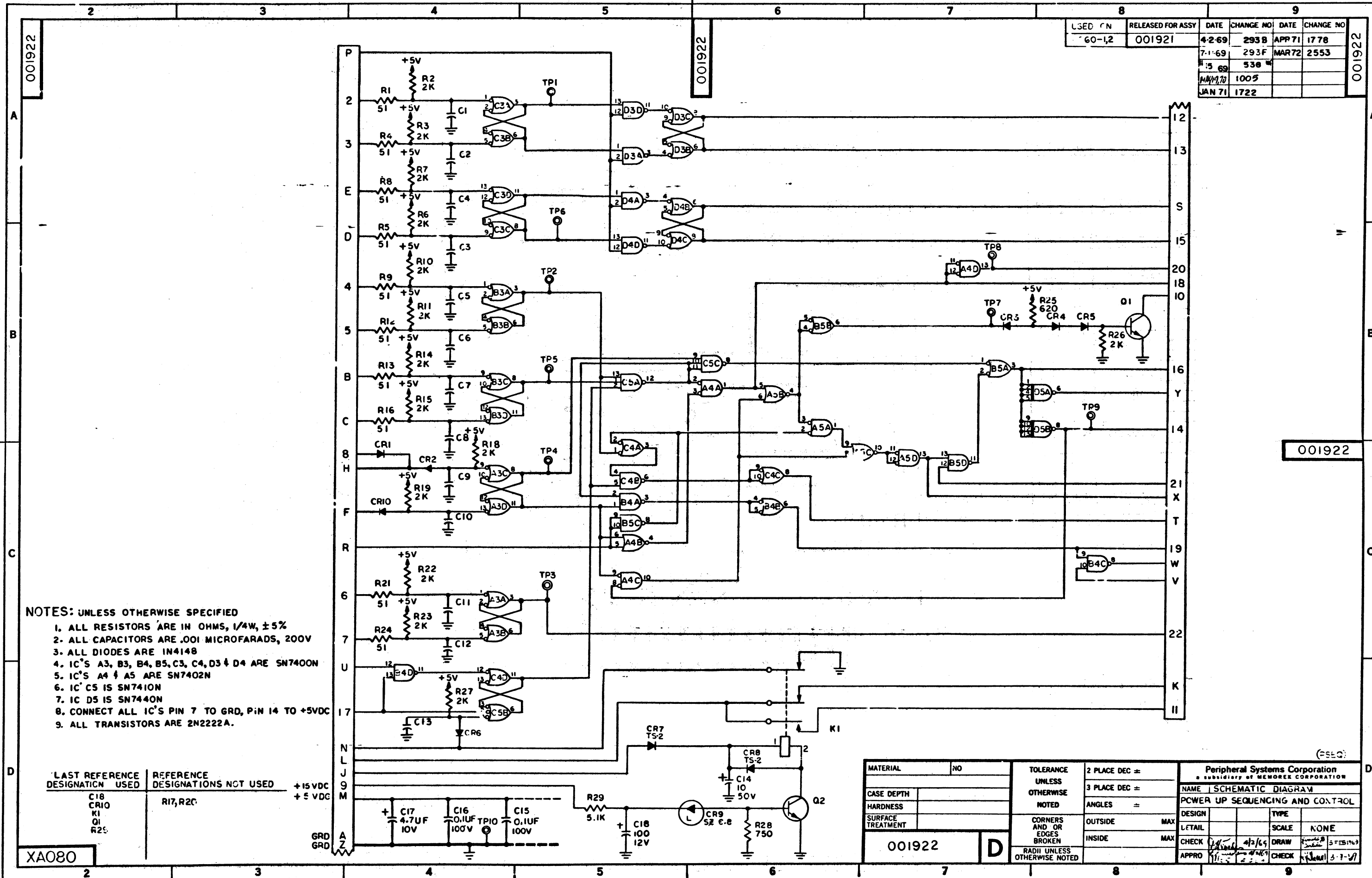
002001

002001

002001

002001

USED IN	RELEASED FOR ASSY	DATE	CHANGE NO	DATE	CHANGE NO
60-12	001921	4-2-69	293 B	APP 71	1778
		7-1-69	293 F	MAR 72	2553
		1-5-69	538		
		MAY 70	1005		
		JAN 71	1722		



- NOTES: UNLESS OTHERWISE SPECIFIED
1. ALL RESISTORS ARE IN OHMS, 1/4W, ±5%
  2. ALL CAPACITORS ARE .001 MICROFARADS, 200V
  3. ALL DIODES ARE IN4148
  4. IC'S A3, B3, B4, B5, C3, C4, D3 & D4 ARE SN7400N
  5. IC'S A4 & A5 ARE SN7402N
  6. IC C5 IS SN7410N
  7. IC D5 IS SN7440N
  8. CONNECT ALL IC'S PIN 7 TO GRD, PIN 14 TO +5VDC
  9. ALL TRANSISTORS ARE 2N2222A.

LAST REFERENCE DESIGNATION USED	REFERENCE DESIGNATIONS NOT USED
C18 CR10 K1 Q1 R25	R17, R20

+15VDC  
+5VDC

MATERIAL	NO	TOLERANCE UNLESS OTHERWISE NOTED	2 PLACE DEC =	Peripheral Systems Corporation a subsidiary of MEMOREX CORPORATION	
CASE DEPTH		NOTED	3 PLACE DEC =	NAME   SCHEMATIC DIAGRAM	
HARDNESS			ANGLES =	POWER UP SEQUENCING AND CONTROL	
SURFACE TREATMENT		CORNERS AND OR EDGES BROKEN	OUTSIDE MAX	DESIGN	TYPE
		RADI UNLESS OTHERWISE NOTED	INSIDE MAX	L TAIL	SCALE NONE
001922	D			CHECK	CHECK

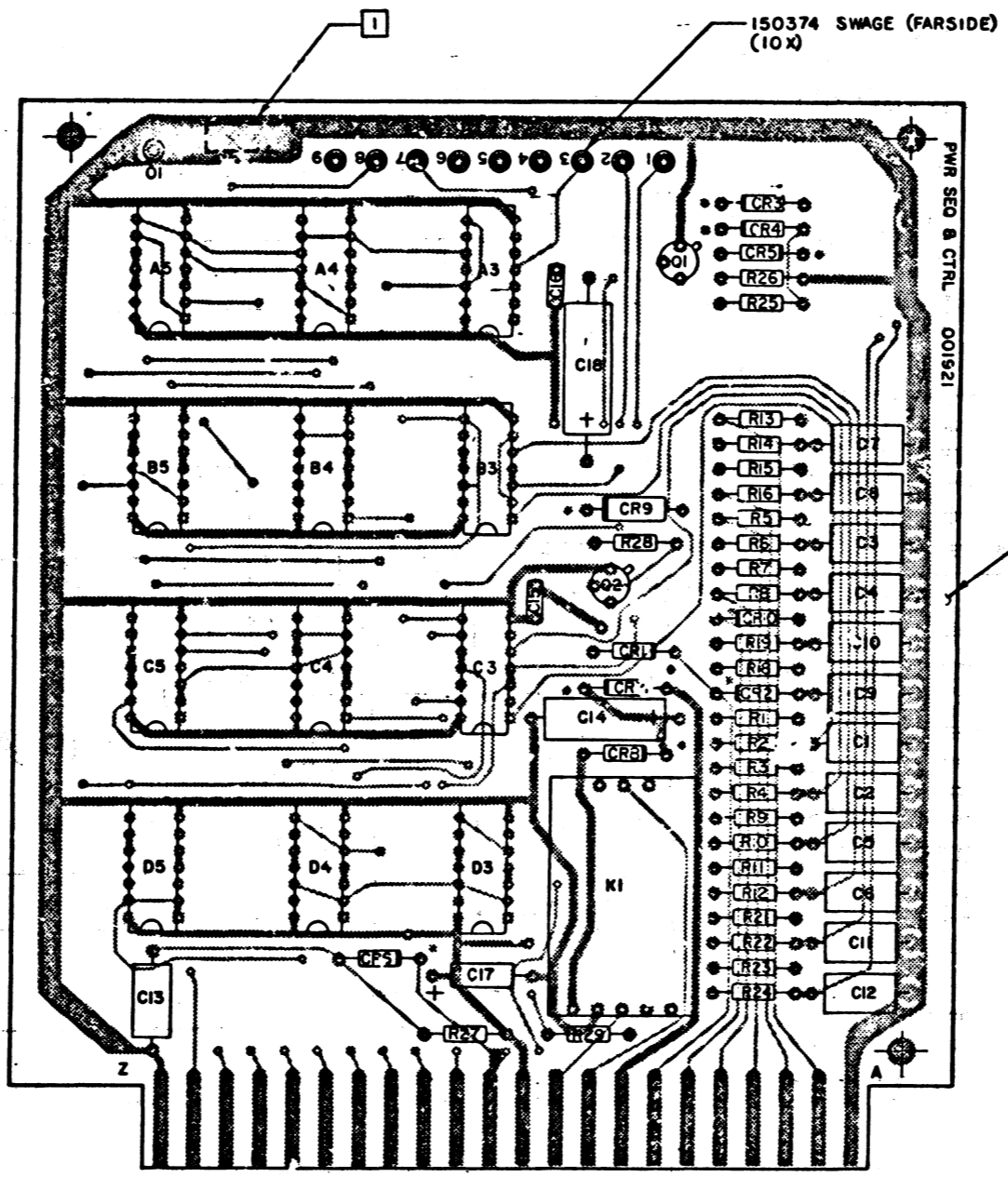
XA080

001922

(F5EQ)

DATE CHANGE NO.	DATE CHANGE NO.	001921
APR 69 293E	MAY 70 1005	RELEASED FOR ASSEMBLY
OCT 69 463	JAN 71 1722	MULTI-USE
NOV 69 539	APR 71 1778	
DEC 69 640	MAR 72 2553	

REF DESIGNATION	DESCRIPTION	MEMOREX PART NO.	QTY
C14	CAPACITOR, E, 10UF, 50V, +75, -10%	150939	1
C15,16	C, 0.1UF, 100V, ± 10%	154151	2
C1-13	M, 0.01UF, 200V, ± 10%	151050	13
C17	T, 4.7UF, 10V, ± 10%	151124	1
C18	CAPACITOR, E, 100UF, 12V, +75, -10%	151301	1
CR7,8	DIODE, TS-2	150826	2
CR1-6,10	DIODE, 1N4148	150834	7
CR9	DIODE, ZENER, 6.8V, ± 1%	150901	1
A3,B3,B4,B5,C3, C4,D3,D4	INTEGRATED CIRCUIT, 7400	150666	8
A4,A5	7402	150668	2
C5	7410	150669	1
D5	INTEGRATED CIRCUIT, 7440	150671	1
R1,4,5,8,9,12,13,16, 21,24	RESISTOR, COMP, 51Ω, 1/4W, ± 5%	151452	10
R25	620Ω, 1/4W, ± 5%	151478	1
R28	750Ω, 1/4W, ± 5%	151480	1
R2,3,6,7,10,11,14,15, 18,19,22,23,26,27	2K, 1/4W, ± 5%	151490	14
R29	RESISTOR, COMP, 5.1K, 1/4W, ± 5%	151500	1
K1	RELAY	201225	1
Q1,2	TRANSISTOR, 2N2222A	150768	2



NOTES: UNLESS OTHERWISE SPECIFIED

- MARK LATEST ENGINEERING CHANGE NUMBER WITH 1/8" HIGH BLACK CHARACTERS, APPROXIMATELY AS SHOWN.
- COMPONENT HEIGHT NOT TO EXCEED .400.
- P.C. BOARD 001924, MUST BE AT E.C. LEVEL 2553.
- MUST CONFORM TO ENGINEERING SPECIFICATION 001925, AT E.C. LEVEL 2553.

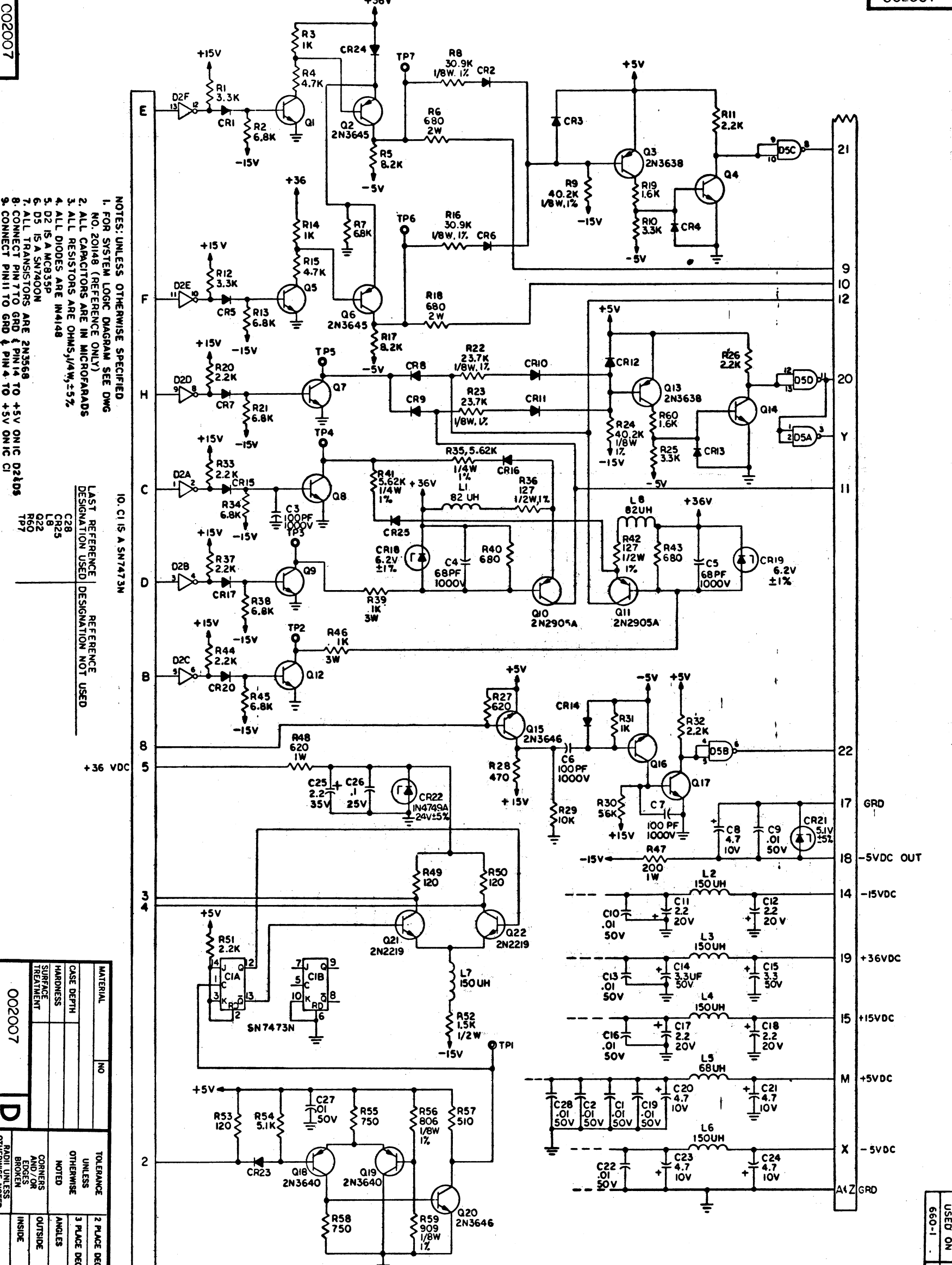
REFERENCE DOCUMENTS	E.C. LEVEL
SCH. DIAGRAM	001922 2553
ARTMASTER	001923 2553
LOGIC DIAGRAM	201147 2553

SIMILAR TO 002096

MATERIAL SEE B/M 001921	MUST CONFORM TO ENG. SPEC 80000	TOLERANCE UNLESS OTHERWISE NOTED	<b>MEMOREX</b> EQUIPMENT GROUP P.C. BOARD ASSEMBLY POWER UP SEQ AND CONTROL 2/1 001921
FACE DIMEN	TECHNICAL APPROVAL	LINEAR	
HARDNESS		ANGULAR	
SURFACE TREATMENT		COPNERS EDGES BROKEN	
STD CODE 7061	D	OUTSIDE	

XA081

002007



- NOTES: UNLESS OTHERWISE SPECIFIED
1. FOR SYSTEM LOGIC DIAGRAM SEE DWG NO. 20148 (REFERENCE ONLY)
  2. ALL CAPACITORS ARE IN MICROFARADS
  3. ALL RESISTORS ARE OHMS,  $\mu$ W,  $\pm 5\%$
  4. ALL DIODES ARE IN4148
  5. D2 IS A MCG33P
  6. D3 IS A SN7400N
  7. ALL TRANSISTORS ARE 2N3566
  8. CONNECT PIN 7 TO GRD & PIN 14 TO +5V ON IC C1
  9. CONNECT PIN 11 TO GRD & PIN 4 TO +5V ON IC C1

IO: C1 IS A SN7473N

LAST REFERENCE DESIGNATION USED	REFERENCE DESIGNATION NOT USED
C28	CR25
Q22	LB
R60	TP7

MATERIAL	NO
CASE DEPTH	
HARDNESS	
SURFACE TREATMENT	

TOLERANCE UNLESS OTHERWISE NOTED	2 PLACE DEC #
ANGLES	3 PLACE DEC #
CORNERS AND/OR EDGES	
INSIDE	OUTSIDE

PERIPHERAL SYSTEMS CORPORATION	NAME	WRITE LOGIC
DESIGN	TYPE	SCALE
CHECK	DATE	DRAWN
APPRO	DATE	CHECK

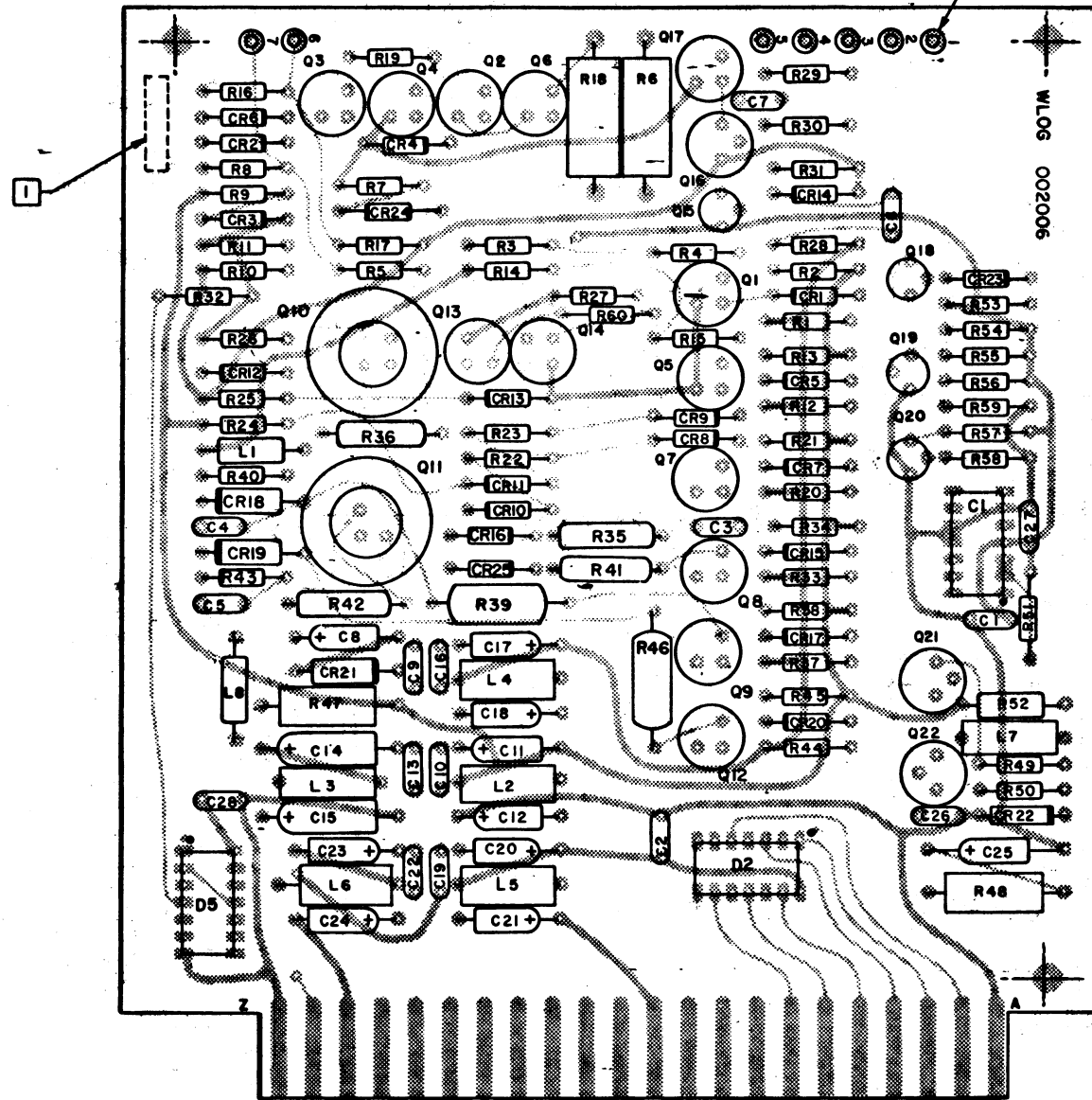
USED ON	RELEASED FOR ASSY	DATE	CHANGE NO	DATE	CHANGE NO
660-1	002006	7/1/69	293	5-28-69	350
		7-9-69	382	8-2-69	420

002007

002007

USED ON	RELEASED FOR ASSY	DATE	CHANGE NO	DATE	CHANGE NO
660-1	201022	4 1 69	293		
		5 28 69	350		
		7 9 69	382		
		7 30 69	420		

150374  
(SWAGE FAR SIDE)  
7 PLACES



NOTES: UNLESS OTHERWISE SPECIFIED

1. MARK LATEST ENGINEERING CHANGE NUMBER WITH 1/8" HIGH BLACK CHARACTERS, APPROXIMATELY AS SHOWN.

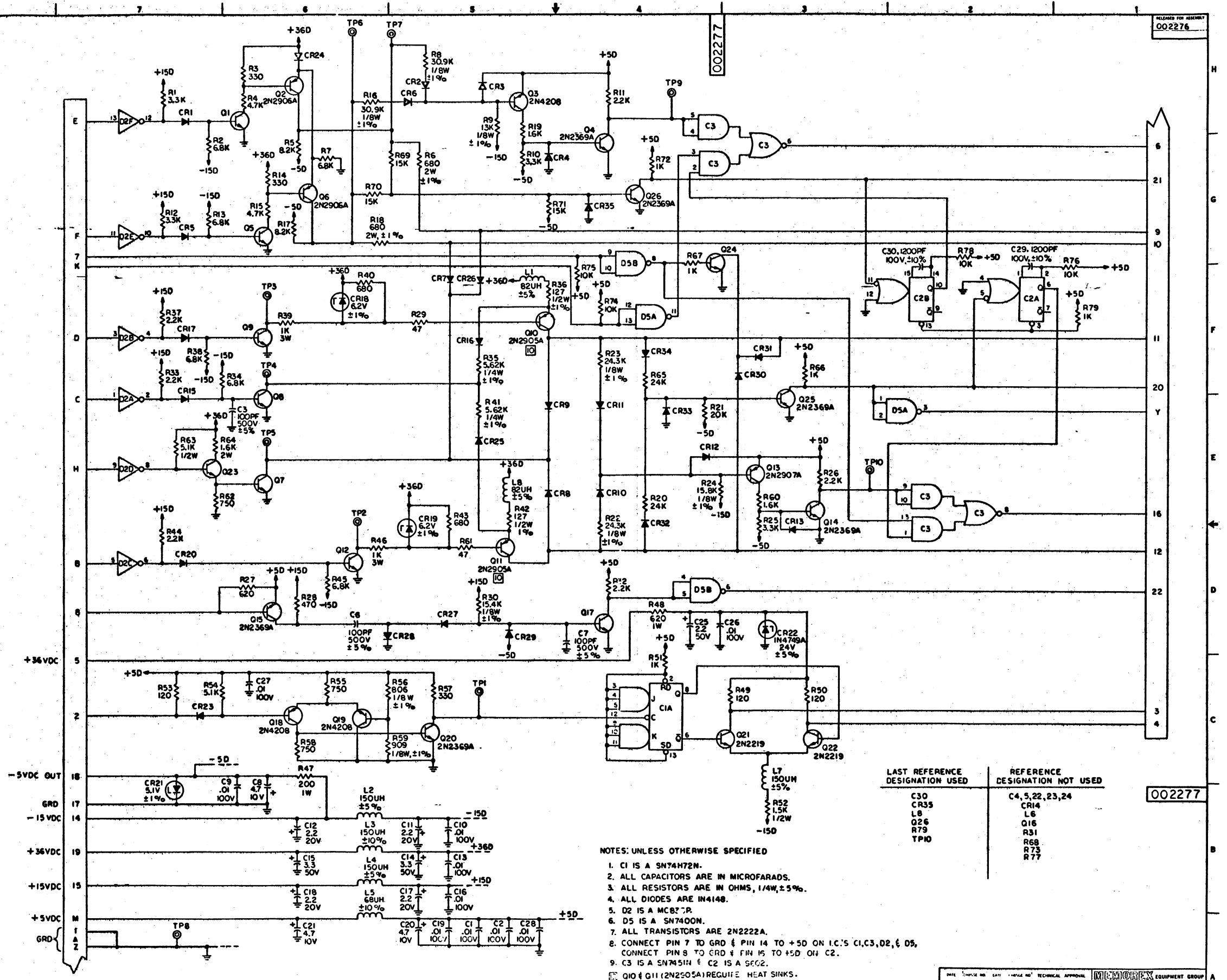
2. COMPONENT HEIGHT NOT TO EXCEED .400."

002006

REFERENCE DOCUMENTS		EC LEVEL
SCH. DIAG.	002007	420
ARTMASTER	002008	420
FABRICATION	002009	420

MATERIAL SEE B/M NO 002006		TOLERANCE UNLESS OTHERWISE NOTED	2 PLACE DEC ±	Peripheral Systems Corporation a subsidiary of MEMOREX CORPORATION	
CASE DEPTH			3 PLACE DEC	NAME P.C. BOARD ASSEMBLY	
HARDNESS			ANGLES	WRITE LOGIC	
SURFACE TREATMENT			CORNERS AND/OR EDGES BROKEN	DESIGN	TYPE
			RADII UNLESS OTHERWISE NOTED	DETAIL	SCALE 2/1
				CHECK	DRAW 7/30/69
				APPRO	CHECK 8/14/69

002006



LAST REFERENCE DESIGNATION USED	REFERENCE DESIGNATION NOT USED
C30	C4, 5, 22, 23, 24
CR35	CR14
Q26	L6
R79	Q16
TP10	R31
	R68
	R73
	R77

- NOTES: UNLESS OTHERWISE SPECIFIED
1. C1 IS A SN74H72M.
  2. ALL CAPACITORS ARE IN MICROFARADS.
  3. ALL RESISTORS ARE IN OHMS, 1/4W, ±5%.
  4. ALL DIODES ARE IN4148.
  5. D2 IS A MC8Z7P.
  6. D5 IS A SN7400N.
  7. ALL TRANSISTORS ARE 2N2222A.
  8. CONNECT PIN 7 TO GRD & PIN 14 TO +5D ON I.C.'S C1, C3, D2, & D5, CONNECT PIN 8 TO GRD & PIN 15 TO +5D ON C2.
  9. C3 IS A SN7451N & C2 IS A 56C2.
  10. Q10 & Q11 (2N2905A) REQUIRE HEAT SINKS.

DATE	REVISED BY	DATE	REASON	TECHNICAL APPROVAL	INTEGRATED EQUIPMENT GROUP
6/14					
6/15					
6/16					
6/17					
6/18					
6/19					
6/20					
6/21					
6/22					
6/23					
6/24					
6/25					
6/26					
6/27					
6/28					
6/29					
6/30					

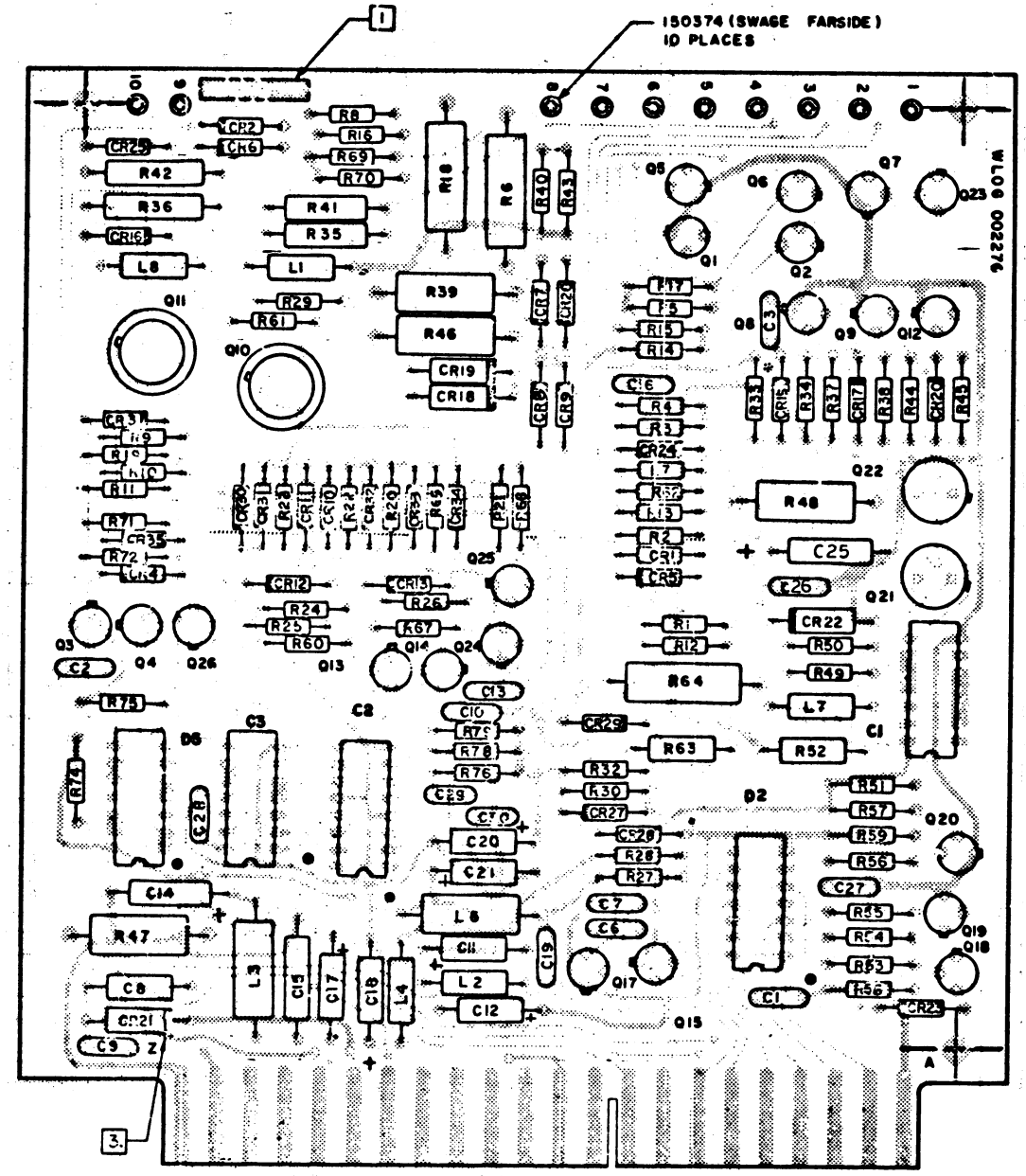
644 1332 002276  
 JUN 70 IC61  
 MAY 70 1241  
 1293  
 MULTI-USAGE

002276

002200

REF DESIG	DESCRIPTION	M E G PART NO
	PRINTED CIRCUIT BOARD	002279
C27,30	CAPACITOR, V. 200PF, 50V, ±5%	154125
C3,6,7	V. 50PF, 50V, ±5%	153718
C11,2,17,18	T. 2.2UF, 20V, ±10%	151120
C8,20,21	1.47UF, 50V, ±10%	151124
C25	T. 2.2UF, 50V, ±10%	151127
C14,15	T. 3.3UF, 50V, ±10%	151140
C1,2,9,10	CAPACITOR, 0.01UF, 100V, ±5%	54196
C3,16,19		
26,27,28		
CR1-13	DIODE, IN4148	150834
5-7,20		
23-35		
CR22	ZENER, IN4749A, 24V, ±5%	150836
CR21	ZENER, 5.1V, ±1%	150898
CR18,19	DIODE, ZENER, 6.2V, ±1%	150100
REF Q11	HEATSINK	53491
L2,4,7	INDUCTOR, 50UH, ±5%	51370
L1,18	INDUCTOR, 82UH, ±5%	51384
-3	INDUCTOR, 150UH, ±10%	151435
L5	INDUCTOR, 68UH, ±10%	151436
C2	INTEGRATED CIRCUIT, 9602	50600
C1	SN74HT2N	150646
D5	SN7400N	150666
C3	SN7451N	50654
D2	INTEGRATED CIRCUIT, MC895P	150678
R29,61	RESISTOR, COMP, 47Ω, 1/4W, ±5%	151451
R49,50,53	120Ω	151461
R3,14,57	330Ω	151471
R28	470Ω	151475
R21	620Ω	151478
R40,43	680Ω	151479
R55,58,62	750Ω	151480
C5,16,67	1K	151483
T2,77		
R19,60	1.6K	151488
R11,26,32	2.2K	151491
R9,37,44		
R1,10	RESISTOR, COMP, 3.3K, 1/4W, ±5%	151495
R2,25		
R4,15	4.7K	151499
R54	5.1K	151500
R2,7,13	RESISTOR, COMP, 6.8K, 1/4W, ±5%	151503
R4,38,45		

REF DESIG	DESCRIPTION	M E G PART NO
R5,17	RESISTOR, COMP, 6.2K, 1/4W, ±5%	151505
R4,16,78	10K	151507
R29-7	15K	151511
R21	20K	151514
R20,65	24K, 1/4W, ±5%	151516
R52	1.5K, 1/2W, ±5%	151531
R63	5.1K, 1/2W, ±5%	151644
R47	200Ω, 1W, ±5%	151754
R48	620Ω, 1W, ±5%	151766
R64	RESISTOR, COMP, 1.6K, 2W, ±5%	151896
R35,41	RESISTOR, MF, 5.62K, 1/4W, ±1%	152282
R36,42	127Ω, 1/2W, ±1%	152412
R9	13K, 1/8W, ±1%	153070
R30	13.4K	153077
R24	15.8K	153078
R22,23	24.3K	153096
R8,16	30.9K	153106
R56	806Ω	153194
R59	RESISTOR, MF, 909.2, 1/8W, ±1%	153199
R39,46	RESISTOR, WW, 1K, 3W, ±5%	153457
R6,18	RESISTOR, WW, 650Ω, 2W, ±1%	153459
Q21,22	TRANSISTOR, 2N2219	150741
Q10,11	2N2905A	150753
Q3,18,19	2N4205	150758
Q4,14,15	2N2369A	150763
Q25,26		
Q1,5	2N2222A	150768
T-9,12		
17,23,24		
Q2,9,6	TRANSISTOR, 2N2906A	150769
Q13	TRANSISTOR, 2N2707A	150771
TP1-10	TERMINAL, TURRET	150374



REFERENCE DOCUMENTS	E. C. LEVEL
SCH DIAG	002277 1332
ARTMASTER	002278 1332
FABRICATION	002279 1332
ENGRG SPEC	002280 1332

NOTES: UNLESS OTHERWISE SPECIFIED—

- MARK LATEST ENGINEERING CHANGE NUMBER WITH 1/8" HIGH BLACK CHARACTERS, APPROXIMATELY AS SHOWN.
- COMPONENT HEIGHT NOT TO EXCEED .400".
- DIODE CR21 MUST BE RAISED 1/32" TO 1/16" FROM THE TOP SURFACE OF THE P.C. BOARD.

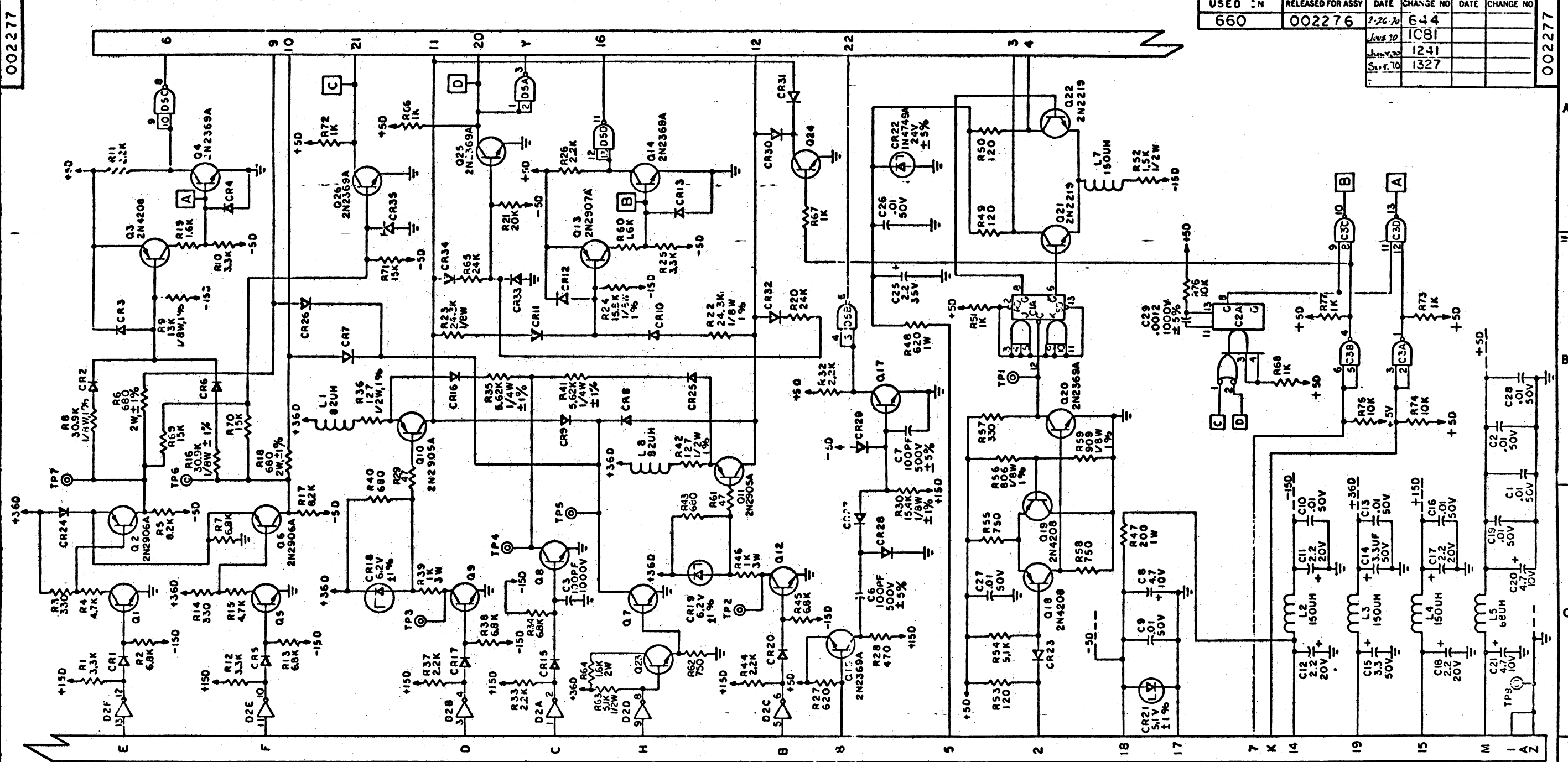
XA091

MATERIAL NO.	MOST CONCERN TO ENG. DEPT.	TELEPHONE UNIT'S	MEMOREX EQUIPMENT GROUP P.C. BOARD ASSEMBLY DATE LOGIC
DATE DESIGNED	TECHNICAL APPROVAL	DATE	
DATE CHECKED			2/1
DATE ASSEMBLED			002276



2 3 4 5 6 7 8 9

USED IN	RELEASED FOR ASSY	DATE	CHANGE NO	DATE	CHANGE NO
660	002276	2-26-70	644		
		June 70	IC81		
		Sept. 70	1241		
		Sept. 70	1327		



6 5 2 18 17 7 K 14 19 15 M 1 A Z

+36 VDC -5VDC OUT GRD -15VDC +36VDC +15VDC +5VDC GRD

(WLOG)

NOTES: UNLESS OTHERWISE SPECIFIED

1. C1 IS A SN74H72M.
2. ALL CAPACITORS ARE IN MICROFARADS.
3. ALL RESISTORS ARE IN OHMS, 1/4W, 15%.
4. ALL DIODES ARE IN4148.
5. D2 IS A MC835P.
6. D5 IS A SN7400N.
7. ALL TRANSISTORS ARE 2N2222A.
8. CONNECT PIN 7 TO GRD & PIN 14 TO +5D ON I.C. C1, C2, C3, D2 & D5.
9. [X] DENOTES PRINTED WIRING CONNECTION E.G. [A] PIN 13 CONNECTS TO Q4 BASE.
10. C3 IS A SN7401N & C2 A IS 960I.

LAST REFERENCE DESIGNATION USED REFERENCE DESIGNATION NOT USED

C29	C4, 5, 22, 23, 24
CR35	CR14
L8	L6
Q26	Q16
TP8	R31

XA090

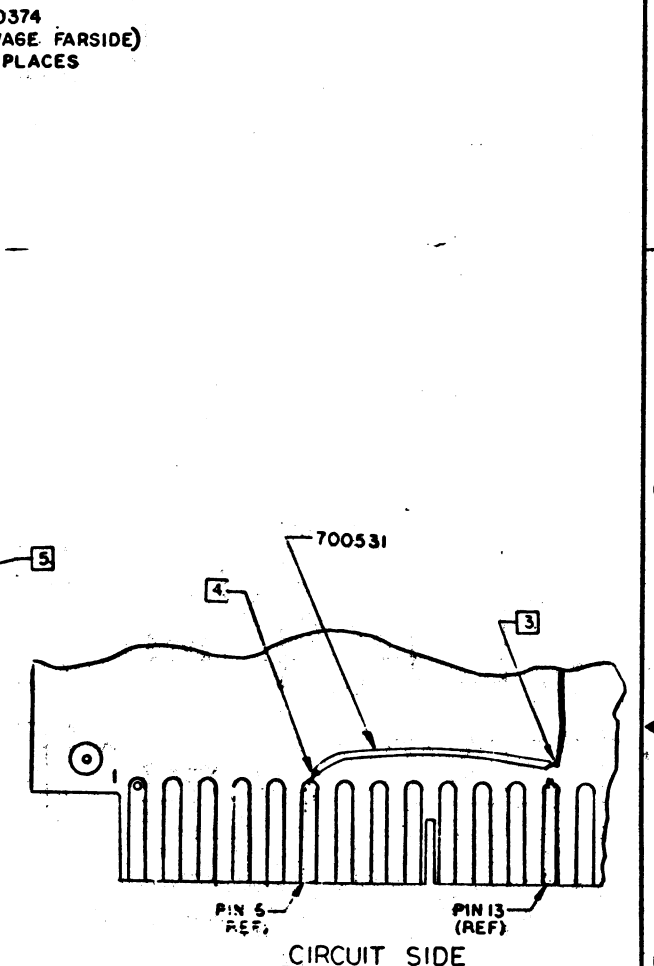
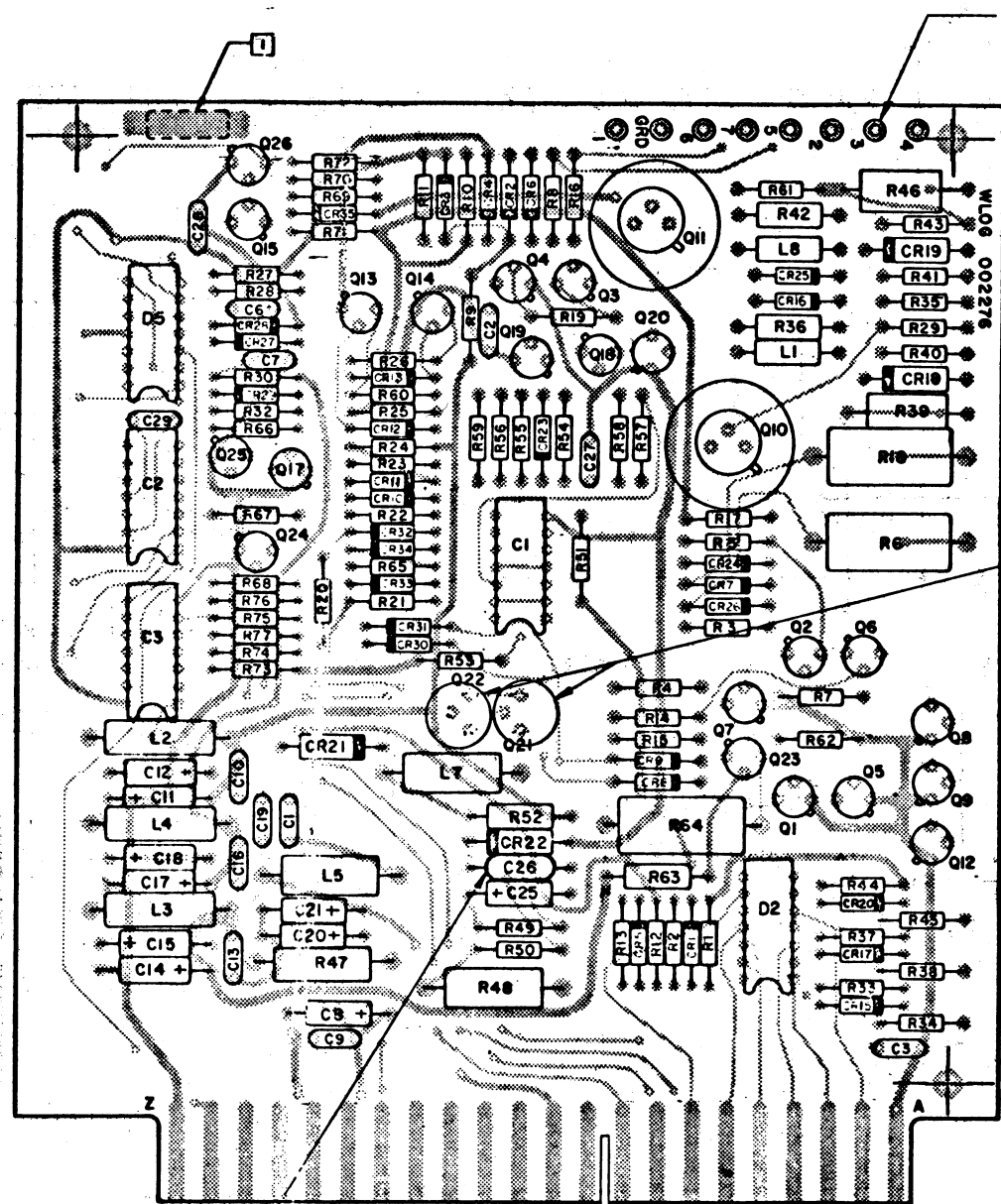
MATERIAL	NO	TOLERANCE UNLESS OTHERWISE NOTED	2 PLACE DEC #	Peripheral Systems Corporation a subsidiary of MEMOREX CORPORATION	
CASE DEPTH			3 PLACE DEC #	NAME SCHEMATIC DIAGRAM	
HARDNESS			ANGLES #	WRITE LOGIC	
SURFACE TREATMENT		CORNERS AND/OR EDGES BROKEN	OUT-SIDE MAX	DESIGN	TYPE
		RADI UNLESS OTHERWISE NOTED	INS-DE MAX	DETAIL	SCALE NONE
				CHECK	DRAW
				APPRO	CHECK

2 3 4 5 6 7 8 9

DATE	CHANGE NO.	002276
10/10/64	1327	
10/31		RELEASED FOR ASSEMBLY
12/41		MULTI-USAGE
12/83		

REF DESIG	DESCRIPTION	M. E. G. PART NO.
	PRINTED CIRCUIT BOARD	002279
C29	CAPACITOR, C, .0012UF, 1KV, ±10%	150966
C3	M, 100PF, 1KV, ±20%	150970
C6, 7	M, 100PF, 500V, ±5%	153718
C11, 12, 17, 18	T, 2.2UF, 20V, ±10%	151120
C8, 20, 21	T, 4.7UF, 10V, ±10%	151124
C25	T, 2.2UF, 35V, ±10%	151127
C14, 15	T, 3.3UF, 50V, ±10%	151140
C1, 2, 9, 10, 13, 16, 19, 26, 27, 28	CAPACITOR, C, .01UF, 100V, ±20%	150991
CR-3	DIODE, IN4148	150834
15-17, 20		
23-25		
CR21	ZENER, IN4749A, 24V, ±5%	150836
CR22	ZENER, 5.1V, ±1%	150898
CR18, 19	DIODE, ZENER, 6.2V, ±1%	150900
REF Q10, 11	HEATSINK	005028
L1-8	INDUCTOR, 82UH, ±5%	151384
L2-4, 7	INDUCTOR, 150UH, ±10%	151435
L5	INDUCTOR, 68UH, ±10%	151436
C2	INTEGRATED CIRCUIT, 9601	150606
C1	SN74H72N	150646
D5	SN7400N	150666
C3	SN7401N	150667
D2	INTEGRATED CIRCUIT, MC835P	150678
R29, 61	RESISTOR, COMP, 47K, 1/4W, ±5%	151451
R43, 53, 55	120Ω	151461
R34, 57	330Ω	151471
R28	470Ω	151475
R27	620Ω	151478
R49, 43	680Ω	151479
R55, 58, 62	750Ω	151480
R31, 56-58	1K	151483
R2, 73, 77		
R19, 60	1.6K	151488
R11, 29, 32	2.2K	151491
R3, 37, 44		
R1, 10	RESISTOR, COMP, 3.3K, 1/4W, ±5%	151495
12, 23		

REF DESIG	DESCRIPTION	M. E. G. PART NO.
R4, 15	RESISTOR, COMP, 4.7K, 1/4W, ±5%	151499
R54	5.1K	151500
R27, 13, 34, 38, 35	6.8K	151503
R5, 17	8.2K	151505
R14-16	10K	151507
R69-71	15K	151511
R21	20K	151514
R20, 65	24K, 1/4W, ±5%	151516
R52	1.5K, 1/2W, ±5%	151631
R63	5.1K, 1/2W, ±5%	151644
R47	200Ω, 1W, ±5%	151754
R48	620Ω, 1W, ±5%	151766
R64	RESISTOR, COMP, 1.6K, 2W, ±5%	151896
R35, 41	RESISTOR, MF, 5.62K, 1/4W, ±1%	152282
R36, 42	127Ω, 1/2W, ±1%	152412
R9	13K, 1/8W, ±1%	153070
R30	15.4K	153077
R24	15.8K	153078
R22, 23	24.3K	153096
R8, 16	30.9K	153106
R56	806Ω	153194
R59	RESISTOR, MF, 309Ω, 1/8W, ±1%	153199
R39, 46	RESISTOR, WW, 1K, 3W, ±5%	153457
R6, 18	RESISTOR, WW, 680Ω, 2W, ±1%	153459
Q13	TRANSISTOR, 2N2907A	150771
Q21, 22	TRANSISTOR, 2N2219	150741
Q10, 11	2N2905A	150753
Q3, 8, 9	2N4208	150758
Q4, 4, 5, 20, 25, 26	2N2369A	150763
Q1, 5	2N2222A	150768
7-9, 12, 17, 23, 24		
G2, 66	TRANSISTOR, 2N2906A	150769
TPI-8	TERMINAL, TURRET	150374
REF Q21, 22	TRANSISTOR MFG PAD	200118



REFERENCE DOCUMENTS	E. G. LEVEL
SCH. DIAG.	002277 1327
ARTMASTER	002278 1241
FABRICATION	002279 1241
ENGRG. SPEC	002280 1283

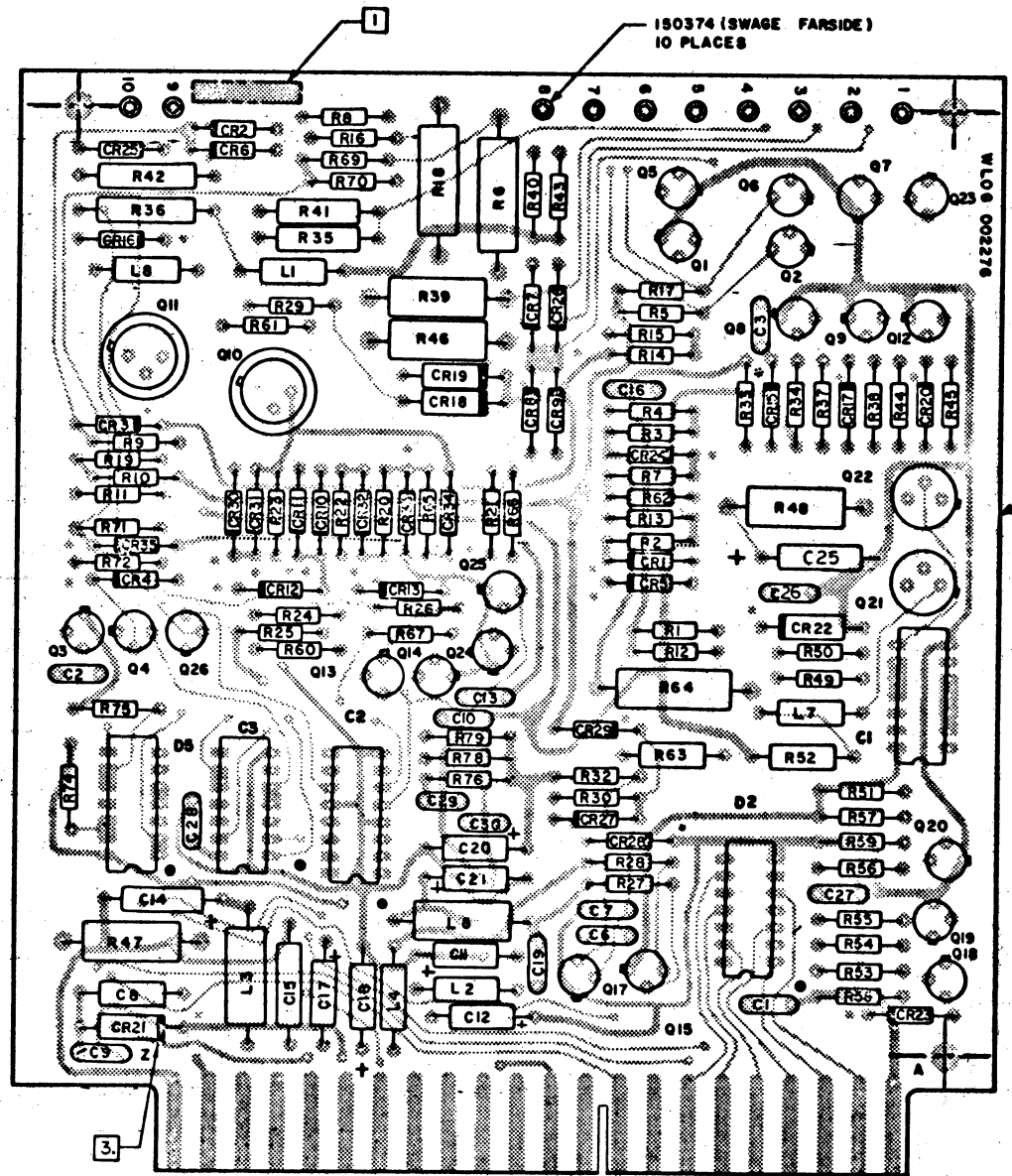
- NOTES: UNLESS OTHERWISE SPECIFIED -
- MARK LATEST ENGINEERING CHANGE NUMBER WITH 1/8" HIGH BLACK CHARACTERS, APPROXIMATELY AS SHOWN.
  - COMPONENT HEIGHT NOT TO EXCEED .400".
  - CUT TRACE AND REMOVE APPROX 0.1" OF COPPER.
  - SOLDER TO TRACE, 2 PLACES.
  - FORM LEADS OF Q21 AND Q22 SO THAT TRANSISTOR CASES ARE SEPARATED FROM ONE ANOTHER BY AT LEAST .063.
  - ADD TUBING 154002 TO LEADS OF C26.

WATERAL NO. 002276	MUST CONFORM TO ENG. SPEC 88000	TOLEANCE LESS OTHER SEE LISTED	MEMOREX EQUIPMENT GROUP
CASE DEPTH	TECHNICAL APPROVAL	LINEAR =	NAME P.C. BOARD ASSEMBLY
HARDNESS		ANGULAR =	WRITE LOGIC
SURFACE TREATMENT		CORNERS AND OR EDGES SPEC'EN	DESIGN S.W. 5-12-70 SCALE 2/1
STD COAT		CATS DE	DETAIL A.W. 7-11-70
		IN DE	CHECK G.W. 3-12-70
			APP'D M.P. 3-14-70

XA091

REF DESIG	DESCRIPTION	M E G PART NO.
C27,30	CAPACITOR, 1/200PF, 50V, ±10%	154185
C3,6,7	1, 00PF500V, ±5%	153718
C11,2,11,16	T, 2.2UF, 20V, ±10%	151120
C8,10,21	T, 4.7UF, 10V, ±10%	151124
C25	T, 2.2UF, 50V, ±10%	151127
C14,15	T, 3.3UF, 50V, ±10%	151140
C12,9,10	CAPACITOR, 0.01UF, 100V, ±10%	15496
C3,16,19		
C6,27,28		
CR13	DIODE, IN4148	150834
S-7,20		
Z3-35		
CR22	ZENER, IN4749A, 24V, ±5%	150836
CR21	ZENER, 5.1V, ±1%	150898
CR8,9	DIODE, ZENER, 6.2V, ±1%	150900
Z5,9,11	HEATSINK	153471
L2,4,7	INDUCTOR, .50UH, ±5%	151390
L1,18	INDUCTOR, .82UH, ±5%	151384
L3	INDUCTOR, 1.5UH, ±10%	151435
L5	INDUCTOR, .68UH, ±10%	151436
IC2	INTEGRATED CIRCUIT, 9602	150600
C1	SN74HT2N	150646
D5	SN7400N	150666
C3	SN7451N	150684
D2	INTEGRATED CIRCUIT, MC895P	150618
R29,61	RESISTOR, COMP, 47K, 1/4W, ±5%	151451
R29,50,53	20K	151461
R3,14,51	330K	151471
R28	470K	151475
R27	620K	151478
R20,43	680K	151479
R55,53,62	750K	151480
R5,24,27	1K	151483
R2,9,60	1.6K	151488
R1,26,32	2.2K	151491
R3,37,44		
R1,10	RESISTOR, COMP, 3.3K, 1/4W, ±5%	151495
R2,25		
R4,15	4.7K	151499
R54	5.1K	151500
R2,7,13	RESISTOR, COMP, 6.2K, 1/4W, ±5%	151503
R4,38,45		

REF DESIG	DESCRIPTION	M E G PART NO.
R5,17	RESISTOR, COMP, 8.2K, 1/4W, ±5%	151505
R2,7,13	10K	151507
R6,9,11	15K	151511
R21	20K	151514
R20,65	24K, 1/4W, ±5%	151516
R52	1.5K, 1/2W, ±5%	151521
R63	5.1K, 1/2W, ±5%	151544
R47	200K, 1W, ±5%	151754
R26	620K, 1W, ±5%	151756
R64	RESISTOR, COMP, 1.6K, 2W, ±5%	151676
R35,41	RESISTOR, MF, 5.62K, 1/4W, ±1%	152282
R36,42	127K, 1/2W, ±1%	152412
R9	13K, 1/8W, ±1%	153070
R30	18.4K	153071
R24	15.8K	153078
R22,23	24.3K	153096
R6,16	30.9K	153106
R56	806K	153194
R59	RESISTOR, MF, 909K, 1/8W, ±1%	153199
R39,46	RESISTOR, WW, 1K, 3W, ±5%	153457
R6,18	RESISTOR, WW, 680K, 2W, ±1%	153459
Q21,22	TRANSISTOR, 2N2219	150741
Q10,11	2N2905A	150753
Q3,18,19	2N4206	150758
Q4,14,15	2N2369A	150763
Q2,25,26		
Q1,5	2N2222A	150768
T,9,12		
T,7,13,24		
Q2,9,6	TRANSISTOR, 2N2906A	150769
Q13	TRANSISTOR, 2N2907A	150771
T,1,10	TERMINAL, TURRET	150974



NOTES:

- MARK LATEST ENGINEERING CHANGE NUMBER WITH 1/8" HIGH BLACK CHARACTERS, APPROXIMATELY AS SHOWN.
- COMPONENT HEIGHT NOT TO EXCEED .400".
- DIODE CR21 MUST BE RAISED 1/32" TO 1/6" FROM THE TOP SURFACE OF THE P.C. BOARD.
- PC BOARD 002279 MUST BE AT EC LEVEL 1332.
- MUST CONFORM TO ENGINEERING SPECIFICATION 002280 AT EC LEVEL 1694.

REFERENCE DOCUMENTS	E.C. LEVEL
SCH. DIAG	002277 1332
ARTMASTER	002278 1332

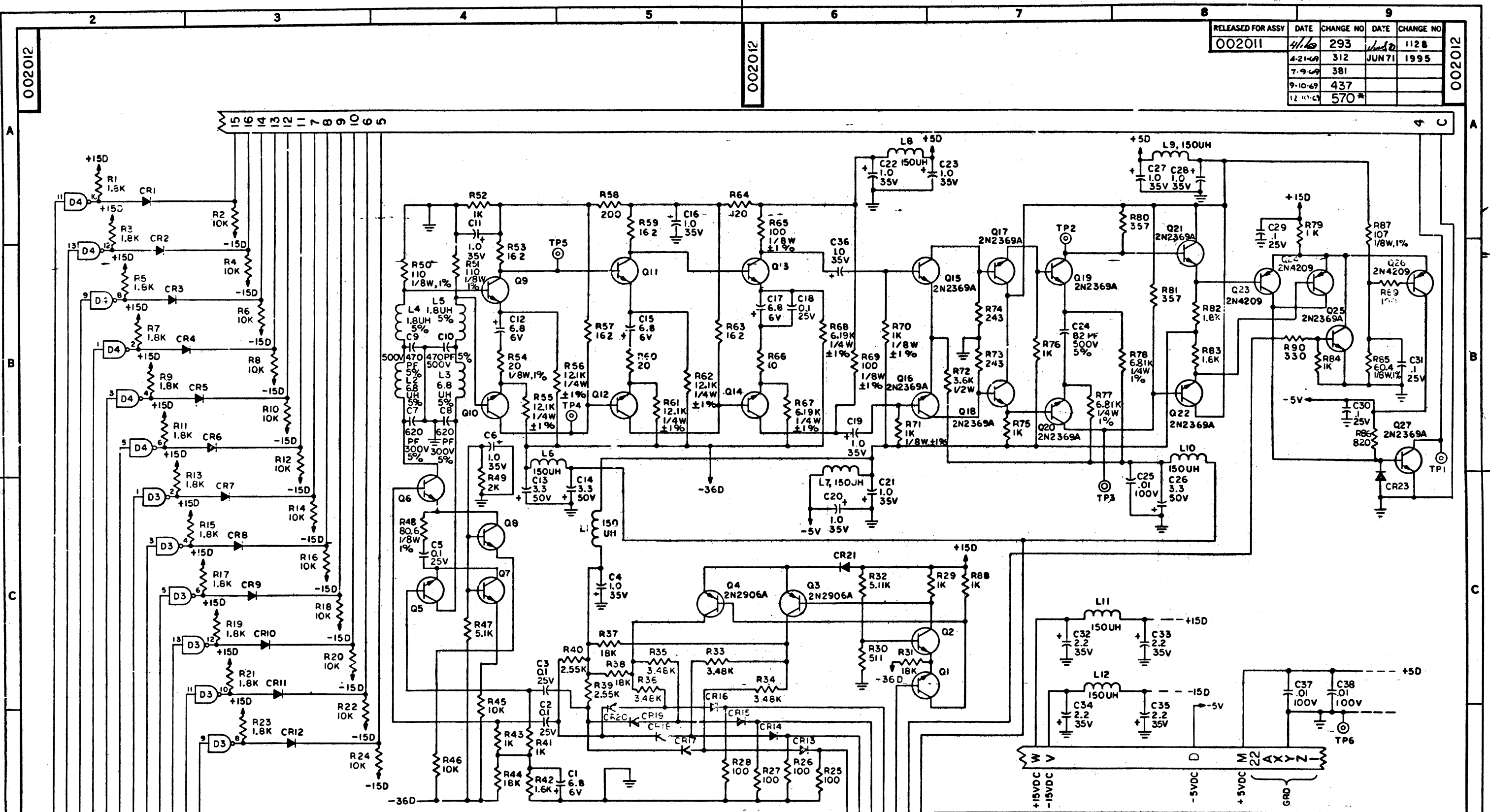
MATERIAL NO.	MUST CONFORM TO ENG. SPEC 81000	TOLERANCE UNLESS OTHERWISE NOTED	MEMOREX EQUIPMENT GROUP NAME: P.C. BOARD ASSEMBLY PART: LCCIC SCALE: 2/1 002276
CASE DEPTH	TECHNICAL APPROVAL	LINEAR =	
HARDNESS		ANGULAR =	
SURFACE TREATMENT		CORNERS AND OR EDGES BROKEN	
STY. CODE	D		

XA091

002012

RELEASED FOR ASSY	DATE	CHANGE NO	DATE	CHANGE NO
002011	4/1/69	293	4/1/69	1128
	4-21-69	312	JUN 71	1995
	7-9-69	381		
	9-10-69	437		
	12-10-69	570*		

002012



- NOTES: UNLESS OTHERWISE SPECIFIED
1. ALL RESISTORS ARE 1/4W, ±5%.
  2. ALL CAPACITORS ARE IN MICROFARADS
  3. ALL DIODES ARE IN4148
  4. ALL TRANSISTOR ARE 2N2222A
  5. ALL IC'S ARE SN7416N
  6. R25-R28, R30, R32-R36, R39, R40, R53, R57, R59, R68, R74, R73, R80, R81 AND R85 ARE 1/8W, ±1%.
  7. CONNECT PIN 7 TO GRD AND PIN 14 TO +5D ON IC'S D3 AND D4
  8. FOR SYSTEM LOGIC DIAGRAM SEE DWG NO. 201164 (REFERENCE ONLY)

LAST REFERENCE DESIGNATION USED: C38, CR23, L12, Q27, R9

REFERENCE DESIGNATION NOT USED: CR22

MATERIAL	NO	TOLERANCE UNLESS OTHERWISE NOTED	2 PLACE DEC =	Peripheral Systems Corporation a subsidiary of MEMOREX CORPORATION	
CASE DEPTH			3 PLACE DEC =	NAME: SCHEMATIC DIAGRAM	
HARDNESS			ANGLES =	READ AMPLIFIER	
SURFACE TREATMENT		CORNERS AND/OR EDGES BROKEN	OUTSIDE MAX	DESIGN	TYPE
		RADIUS UNLESS OTHERWISE NOTED	INSIDE MAX	DETAIL	SCALE NONE
				CHECK	DRAW
				APPRO	CHECK

XA100

002012

D

D

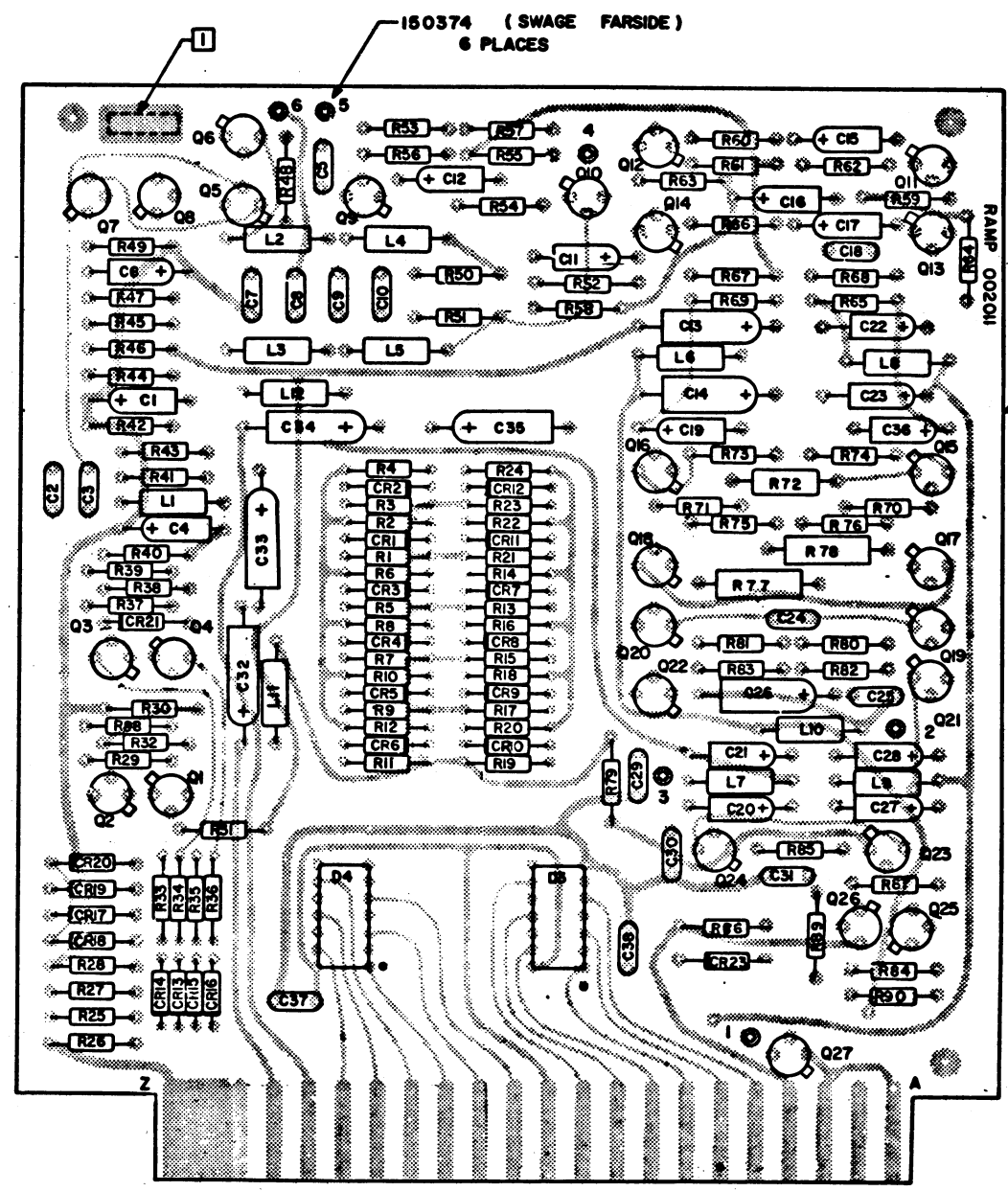
002011

RELEASED FOR ASSY	DATE	CHANGE NO	DATE	CHANGE NO
201022	4-1-69	293	2-8-70	781
	4-21-69	321	Jan 71	1128
	6-25-69	381	JUN 71	1995
	9-11-69	437		
	12-17-69	570		

002011

REF DESIG	DESCRIPTION	M E G PART NO.
C25.37.38	CAPACITOR, C. 01UF, 100V, ±10%	154196
C23.5.18.	C. 1UF, 25V, ±20%	150990
29-31		
C24	M. 82PF, 500V, ±5%	153717
C9.10	M. 470PF, 500V, ±5%	153730
C7.8	M. 620PF, 300V, ±5%	153734
C4.6.11.10.		
17.23.27.	T. 1UF, 35V, ±10%	151116
28.36		
C32-35	T. 2.2UF, 50V, ±10%	151127
C73.14.26	T. 3.3UF, 50V, ±10%	151140
C18.15.17	CAPACITOR, T. 6.8UF, 6V, ±10%	151126
C21-21.23	DIODE, 1N4148	150834
L4.5	INDUCTOR, 1.8UH, ±5%	151284
L2.3	INDUCTOR, 6.8UH, ±5%	151285
L1.6-12	INDUCTOR, 150UH, ±5%	151390
D3.4	INTEGRATED CIRCUIT, SA7416N	150603
R54	RESISTOR, MF, 20Ω, 1/4W, ±1%	152944
R85	MF, 60.4Ω, 1/4W, ±1%	153134
R25-28, 45, 49	MF, 100Ω, 1/4W, ±1%	152963
R87	MF, 107Ω, 1/4W, ±1%	152966
R30	MF, 511Ω, 1/4W, ±1%	153175
R39-40	MF, 255K, 1/4W, ±1%	153050
R33-36	MF, 3.48K, 1/4W, ±1%	153207
R32	MF, 5.1K, 1/4W, ±1%	153223
R77.78	MF, 6.81K, 1/4W, ±1%	152290
R66	COMP, 10Ω, 1/4W, ±5%	151963
R60	COMP, 10Ω, 1/4W, ±5%	151942
R48	MF, 80.6Ω, 1/4W, ±1%	153146
R89	COMP, 100Ω, 1/4W, ±5%	151459
R50.51	MF, 110Ω, 1/4W, ±1%	152967
R64	COMP, 20Ω, 1/4W, ±5%	151461
R33.51.94.95	MF, 162Ω, 1/4W, ±1%	152983
R58	COMP, 200Ω, 1/4W, ±5%	151468
R80.81	MF, 357Ω, 1/4W, ±1%	153160
R73.74	MF, 243Ω, 1/4W, ±1%	153000
R29.41.43.		
57.75	COMP, 1K, 1/4W, ±5%	151483
76.79.81.88		
R42	RESISTOR, COMP, 1.6K, 1/4W, ±5%	151488

REF DESIG	DESCRIPTION	M E G PART NO.
R13.5.7.9.		
11.13.15.17.	RESISTOR, COMP, 1.8K, 1/4W, ±5%	151489
11.21.23.25.27.		
R70.71	MF, 1K, 1/4W, ±1%	153011
R49	COMP, 2K, 1/4W, ±5%	151490
R47	COMP, 5.1K, 1/4W, ±5%	151500
R67.68	MF, 6.19K, 1/4W, ±1%	155945
22.4.6.8.		
10.12.14.16.	COMP, 10K, 1/4W, ±5%	151507
6.20.22.24.		
45.46		
R55.56.61.62	MF, 12.1K, 1/4W, ±1%	155944
R43.44.46	COMP, 18K, 1/4W, ±5%	151513
R72	COMP, 36K, 1/4W, ±5%	151640
R86	RESISTOR, COMP, 520Ω, 1/4W, ±5%	151481
R90	RESISTOR, COMP, 330Ω, 1/4W, ±5%	151471
TP-6	TERMINAL TURRET	150374
Q3.4	TRANSISTOR, 2N2906A	150769
Q23, 24, 26	2N4209	150762
Q15-22,		
25, 27	2N2369A	150763
Q1.2,		
5-14	TRANSISTOR, 2N2222A	150768



002011

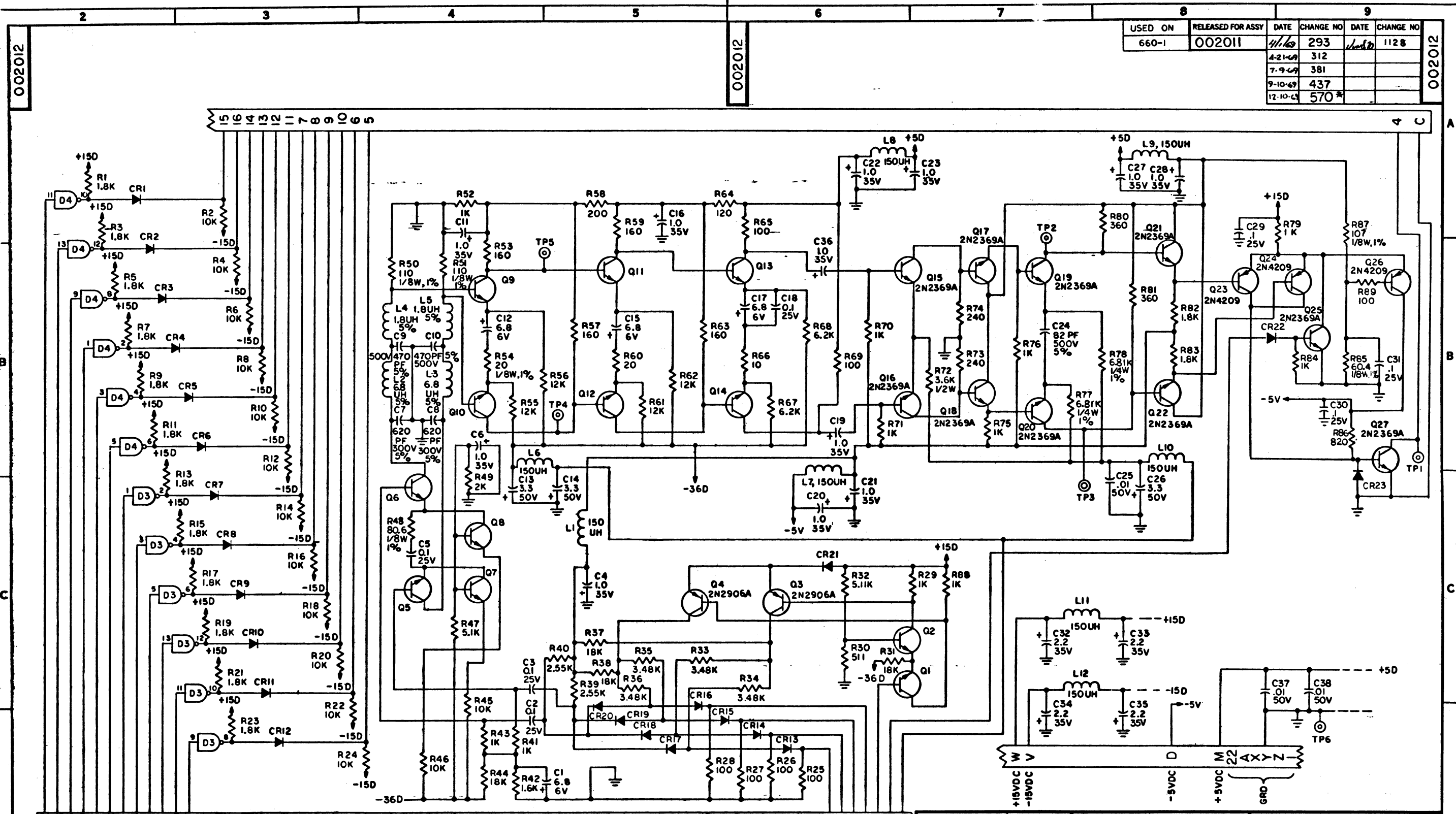
NOTES

- MARK LATEST ENGINEERING CHANGE NUMBER WITH 1/8" HIGH BLACK CHARACTERS, APPROXIMATELY AS SHOWN.
- COMPONENT HEIGHT NOT TO EXCEED .400"
- PC BOARD 002014 MUST BE AT EC LEVEL 570
- MUST CONFORM TO ENGINEERING SPECIFICATION 002015 AT EC LEVEL 1995

REFERENCE DOCUMENTS	LEVEL
SCI DIAG	002012 1995
ARTMASTER	002013 570

MATERIAL SEE B/M NO 002011	TOLERANCE UNLESS OTHERWISE NOTED	2 PLACE DEC - 3 PLACE DEC ANGLES	Peripheral Systems Corporation A SUBSIDIARY OF MEMOREX CORPORATION
CASE DEPTH		OUTSIDE MAX	NAME P.C. BOARD ASSEMBLY
HARDNESS		INSIDE MAX	READ AMPLIFIER
SURFACE TREATMENT	CORNERS AND OR EDGES BROKEN		DESIGN TYPE
	RADI UNLESS OTHERWISE NOTED		DETAIL SCALE 2/1
002011	D		CHECK DRAW
			APPRO DNL 4 2 69
			APPRO 10/11/69

XAIOI



USED ON	RELEASED FOR ASSY	DATE	CHANGE NO	DATE	CHANGE NO
660-1	002011	1/1/69	293	1/21/69	1128
		4-21-69	312		
		7-9-69	381		
		9-10-69	437		
		12-10-69	570*		

NOTES: UNLESS OTHERWISE SPECIFIED  
 1. ALL RESISTORS ARE 1/4W, ±5%.  
 2. ALL CAPACITORS ARE IN MICROFARADS  
 3. ALL DIODES ARE IN4148  
 4. ALL TRANSISTOR ARE 2N2222A  
 5. ALL IC'S ARE SN7416N

6. R25-R28, R30, R32-R36, R39, R40 AND R85 ARE 1/8W ±1%  
 7. CONNECT PIN 7 TO GRD AND PIN 14 TO +5D ON IC'S D3 AND D4  
 8. FOR SYSTEM LOGIC DIAGRAM SEE DWS NO. 201164 (REFERENCE ONLY)

LAST REFERENCE DESIGNATION USED	REFERENCE DESIGNATION NOT USED
C38	
CR23	
L12	
Q27	
R89	

MATERIAL	NO	TOLERANCE UNLESS OTHERWISE NOTED	2 PLACE DEC =	Peripheral Systems Corporation a subsidiary of MEMOREX CORPORATION		
CASE DEPTH			3 PLACE DEC = <td>NAME</td> <td colspan="2">SCHEMATIC DIAGRAM</td>	NAME	SCHEMATIC DIAGRAM	
HARDNESS			ANGLES = <td colspan="3">READ AMPLIFIER</td>	READ AMPLIFIER		
SURFACE TREATMENT			CORNERS AND/OR EDGES BROKEN	DESIGN	TYPE	
			RADIUS UNLESS OTHERWISE NOTED	DETAIL	SCALE	NONE
				CHECK	DRAW	
				APPRO	CHECK	
	002012	D				

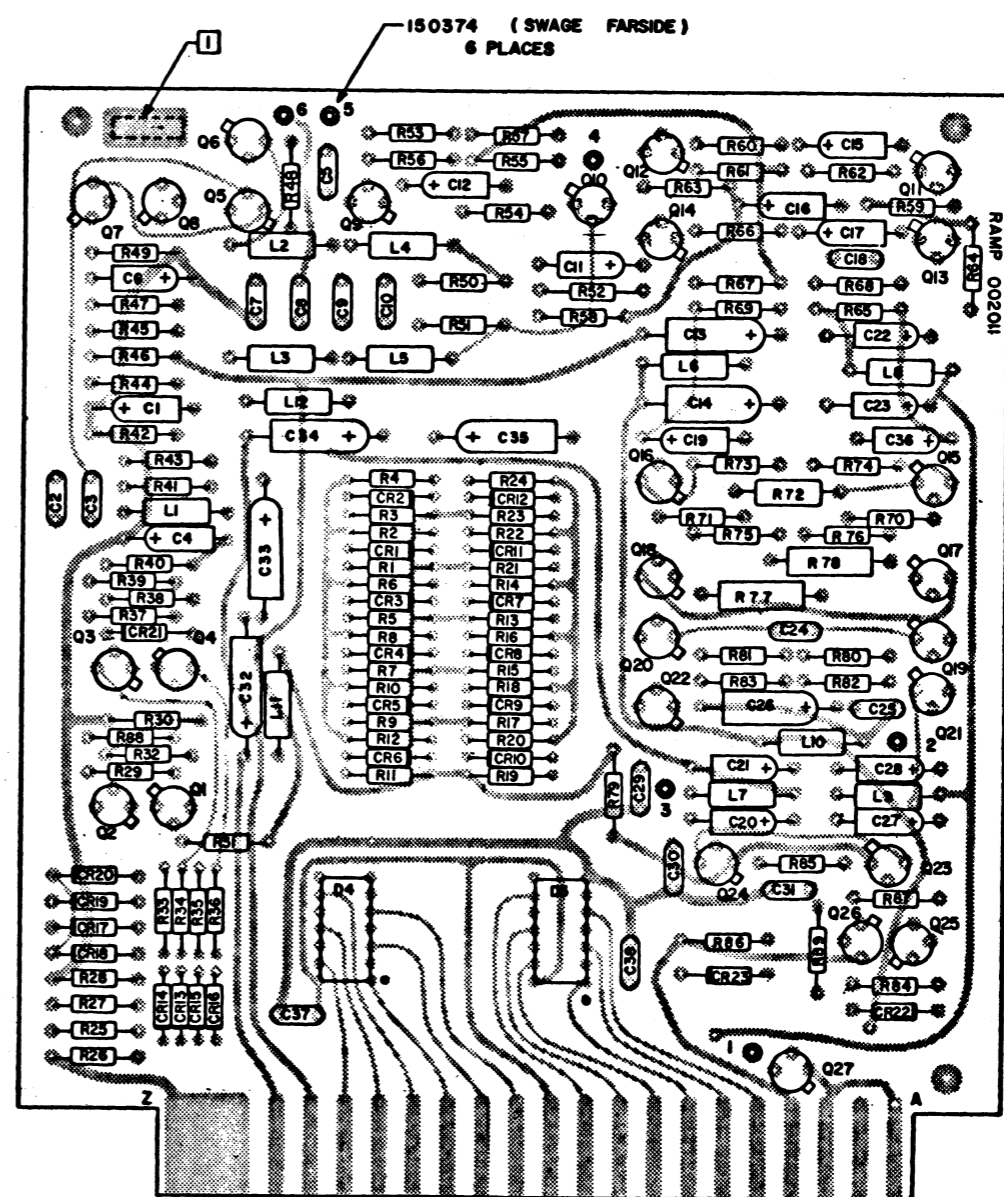
XA100

002011

USED ON	RELEASED FOR ASSY	DATE	CHANGE NO	DATE	CHANGE NO
660-1	201022	4-1-69	293	2-5-70	781 *
		4-21-69	321	June 69	1128
		6-25-69	381		
		9-11-69	437		
		12-17-69	570		

REF DESIG	DESCRIPTION	M E G PART NO
	PRINTED CIRCUIT BOARD	002011
C25,37,38	CAPACITOR, C. 01 UK, 50V, ±20%	150991
C2,3,5,18, 29-31	C. 1UF, 25V, ±20%	150990
C24	M. 82 PF, 500V, ±5%	153717
C9,10	M. 470 PF, 500V, ±5%	153730
C7,8	M. 620 PF, 300V, ±5%	153734
C4,6,11,16, 19-23, 27, 28,36	T. 1UF, 35V, ±10%	151116
C32-35	7.2, 2 UF, 35V, ±10%	151127
C13,14,26	T. 5.3UF, 50V, ±10%	151140
C12,15,17	CAPACITOR, T. 6.8 UF, 6V, ±10%	151126
C21-23	DIODE, 1N4148	150434
L4,5	INDUCTOR, 1.8 UH, ±5%	15284
L2,3	INDUCTOR, 6.8 UH, ±5%	15285
L1,6-18	INDUCTOR, .50 UH, ±5%	151390
D1,4	INTEGRATED CIRCUIT, SA7416M	150603
R54	RESISTOR, MF, 20 Ω, 1/4W, ±1%	152944
R25	MF, 60 Ω, 1/4W, ±1%	153134
R25-28	MF, 100 Ω, 1/4W, ±1%	152963
R27	MF, 107 Ω, 1/4W, ±1%	152966
R30	MF, 511 Ω, 1/4W, ±1%	153175
R39-40	MF, 255K, 1/4W, ±1%	153050
R33-36	MF, 3.48K, 1/4W, ±1%	153207
R32	MF, 3.1K, 1/4W, ±1%	153223
R77,78	MF, 6.81K, 1/4W, ±1%	152290
R66	COMP, 10 Ω, 1/4W, ±5%	151963
R60	COMP, 20 Ω, 1/4W, ±5%	151983
R48	MF, 80 Ω, 1/4W, ±1%	153146
R65,69,89	COMP, 100 Ω, 1/4W, ±5%	151959
R50,51	MF, 110 Ω, 1/4W, ±1%	152967
R64	COMP, 20 Ω, 1/4W, ±5%	151961
R53,57,59,63	160 Ω, 1/4W, ±5%	151964
R55	200 Ω, 1/4W, ±5%	151968
R73,74	240 Ω, 1/4W, ±5%	151962
R80,81	360 Ω, 1/4W, ±5%	151972
R21,41,43, 52,70,76,75, 76,78,84,88	1K, 1/4W, ±5%	151483
R42	RESISTOR, COMP, 1.6K, 1/4W, ±5%	151488

REF DESIG	DESCRIPTION	M E G PART NO
R1,3,5,7,9, 11,13,15,17, 17,21,23,32M	RESISTOR, COMP, 1.8K, 1/4W, ±5%	151489
R49	2K, 1/4W, ±5%	151490
R47	5.1K, 1/4W, ±5%	151500
R67,68	2K, 1/4W, ±5%	151502
22,4,6,8, 10,12,14,16, 15,20,22,24	10K, 1/4W, ±5%	151507
45,46		
R55,56,61,65, 67,37,38,44	12K, 1/4W, ±5%	151509
R72	18K, 1/4W, ±5%	151513
R66	3.6K, 1/4W, ±5%	151640
R66	RESISTOR, COMP, 520 Ω, 1/4W, ±5%	151481
TPI-6	TERMINAL TURRET	50174
23,4	TRANSISTOR, 2N2906A	150769
Q23,24,26	2N4209	150762
Q15-22, 25,27	2N2369A	150763
Q1,2	TRANSISTOR, 2N2222A	150768



NOTES: UNLESS OTHERWISE SPECIFIED

1. MARK LATEST ENGINEERING CHANGE NUMBER WITH 1/8" HIGH BLACK CHARACTERS, APPROXIMATELY AS SHOWN.

2. COMPONENT HEIGHT NOT TO EXCEED .400"

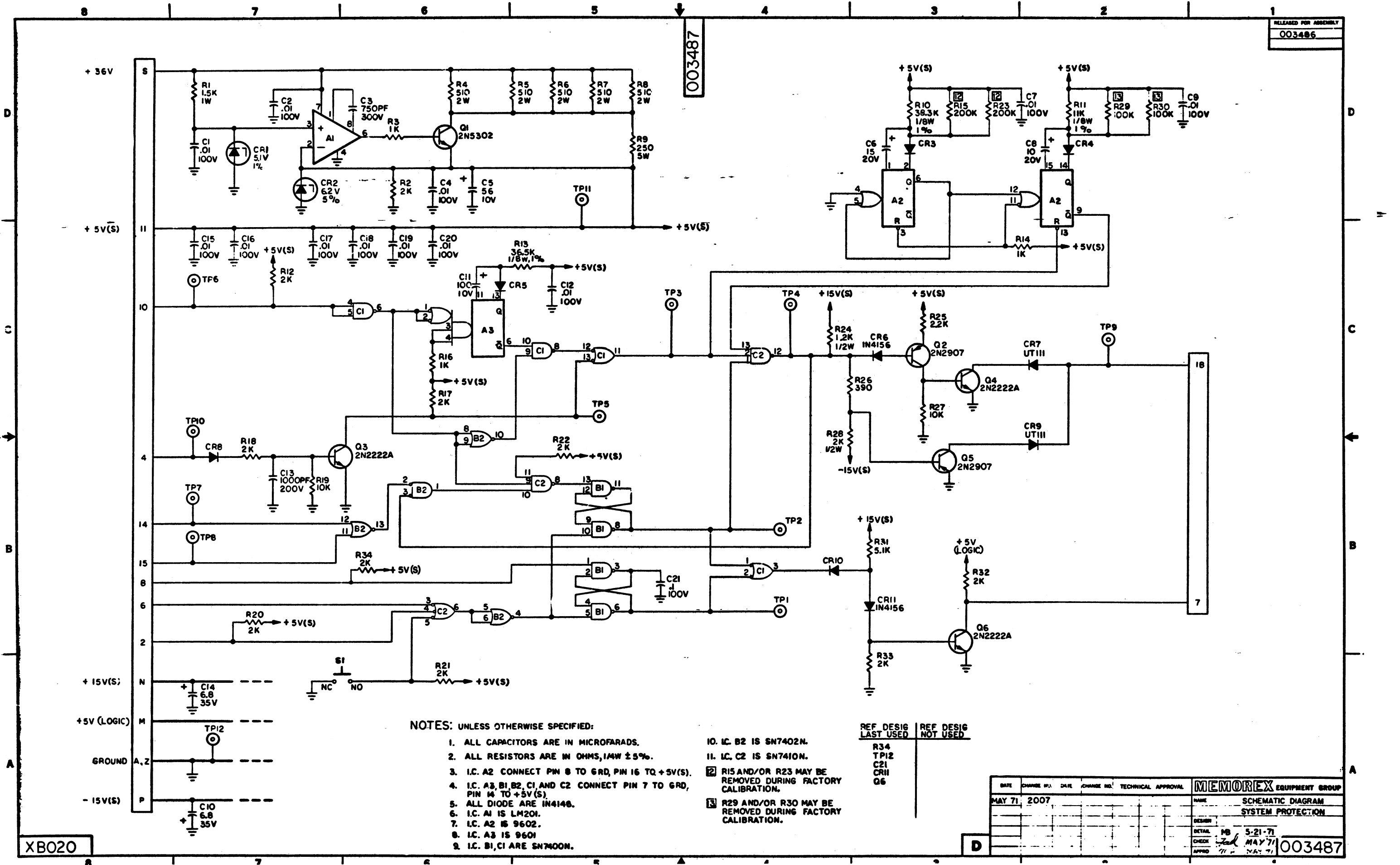
REFERENCE DOCUMENTS	REV
SCH DIAG	002012 1128
ARTMASTER	002013 570
FABRICATION	002014 570
TEST SPEC	002015 644

MATERIAL SEE R/M NO 002011	TOLERANCE UNLESS OTHERWISE NOTED	2 PLACE DEC =	3 PLACE DEC =	ANGLES =	OUTSIDE MAX	INSIDE MAX	Peripheral Systems Corporation MEMOREX CORPORATION
CASE DEPTH							NAME P.C. BOARD ASSEMBLY
HARDNESS							DESIGN TYPE
SURFACE TREATMENT							DETAIL SCALE 2/1
002011	D						CHECK DNL 4 2 69 DRAW 1270
							APPRO 4 2 69 CHECK

XAI01

002011

003487



NOTES: UNLESS OTHERWISE SPECIFIED:

1. ALL CAPACITORS ARE IN MICROFARADS.
2. ALL RESISTORS ARE IN OHMS, 1/4W ±5%.
3. I.C. A2 CONNECT PIN 8 TO GRD, PIN 16 TO +5V(S).
4. I.C. A3, B1, B2, C1 AND C2 CONNECT PIN 7 TO GRD, PIN 14 TO +5V(S).
5. ALL DIODE ARE IN4148.
6. I.C. A1 IS LM201.
7. I.C. A2 IS 9602.
8. I.C. A3 IS 9601.
9. I.C. B1, C1 ARE SN7400N.
10. I.C. B2 IS SN7402N.
11. I.C. C2 IS SN7410N.
12. R15 AND/OR R23 MAY BE REMOVED DURING FACTORY CALIBRATION.
13. R29 AND/OR R30 MAY BE REMOVED DURING FACTORY CALIBRATION.

REF. DESIG LAST USED    REF. DESIG NOT USED

- R34
- TP12
- C21
- CR11
- Q6

DATE	CHANGE NO.	DATE	CHANGE NO.	TECHNICAL APPROVAL	MEMOREX EQUIPMENT GROUP
MAY 71	2007				NAME: SCHEMATIC DIAGRAM SYSTEM PROTECTION
					DESIGNER: MB 5-21-71
					CHECK: [Signature] MAY 71
					APPROV: [Signature] MAY 71

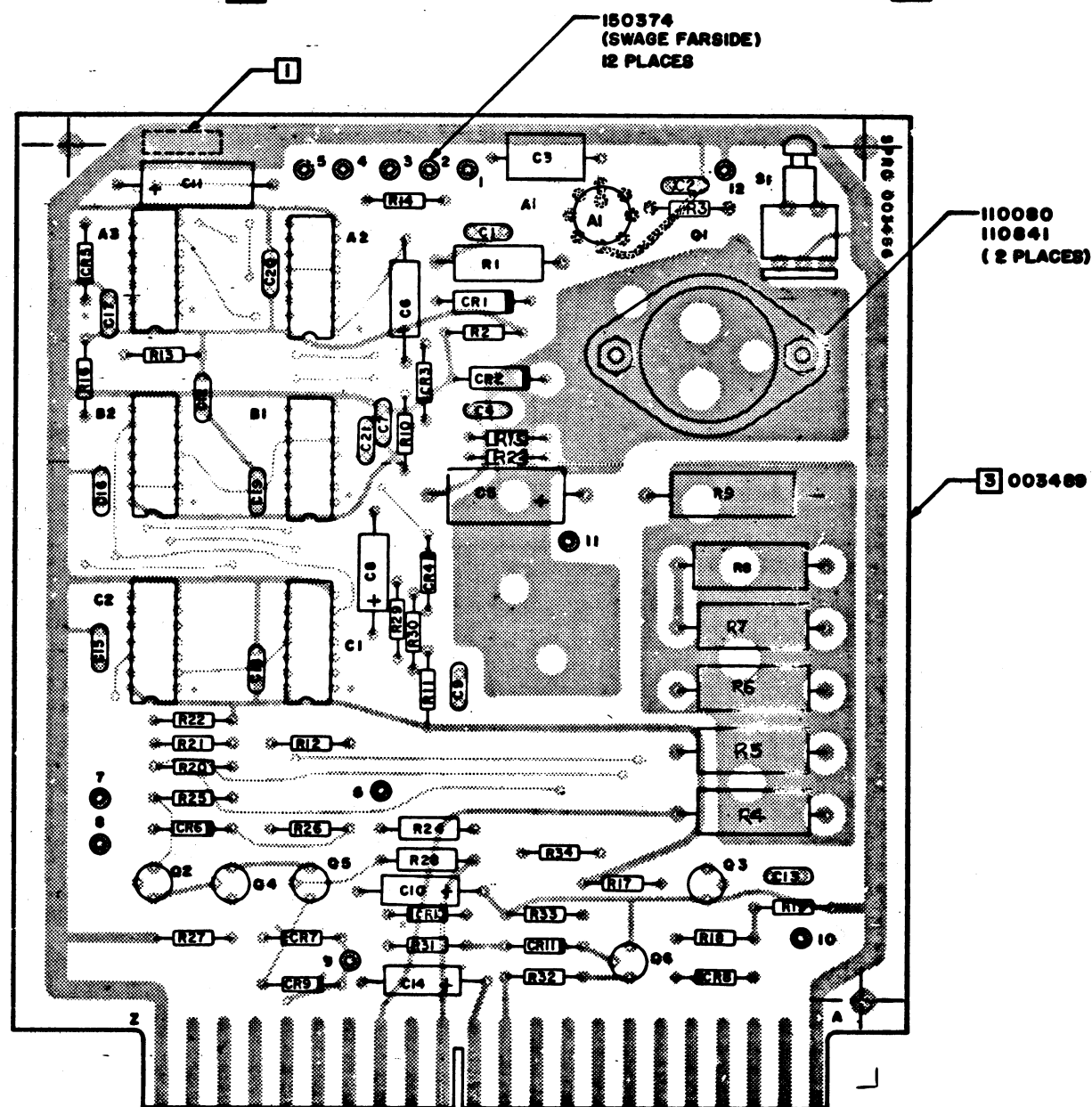
XBO20

003487



DATE	CHANGE NO.	DATE	CHANGE NO.	003486
MAY 71	2007			RELEASED FOR ASSEMBLY
				201641

REF DESIG	DESCRIPTION	M. E. G. PART NO.
C21	CAPACITOR, C, .1UF, 100V, ±10%	154181
C1,2,4,7,9,12,15-20	CAPACITOR, C, .01UF, 100V, ±10%	154186
C5	T, 56UF, 10V, ±10%	151183
C8	T, 10UF, 20V, ±10%	151182
C6	T, 15UF, 20V, ±10%	151134
C10,14	T, 6.8UF, 39V, ±10%	151129
C3	8, 750PF, 300V, ±5%	151243
C13	CAPACITOR, C, 1000PF, 200V, ±10%	154184
C11	CAPACITOR, T, 100UF, 10V, ±10%	153787
CR3,4,5	DIODE, IN4148	150834
8,10		
CR6,11	IN4156	150823
CR7,9	UT111	150823
CR1	Z, 5.1V, ±1%	150898
CR2	DIODE, Z, 6.2V, ±5%	150863
A1	INTEGRATED CIRCUIT, LM201	150678
A2	9602	150600
A3	9601	150606
B1,C1	SN7400N	150666
B2	SN7402N	150668
C2	INTEGRATED CIRCUIT, SN7410N	150669
R2,12,17	RESISTOR, COMR 2K, 1/4W, ±5%	151490
18,20,21		
22,32,33,34		
R3,14,16	1K	151483
R25	2.2K	151491
R31	5.1K	151500
R19,27	10K	151507
R29,30	100K	151531
R15,23	200K	151530
R26	390Ω, 1/4W	151473
R24	1.2K, 1/2W	151629
R28	2K, 1/2W	151634
R1	1.5K, 1W	151775
R4-8	COMP, 510Ω, 2W	151884
R9	WW, 250Ω, 5W, ±5%	005024
R11	MF, 11K, 1/8W, ±1%	153063
R13	MF, 36.5K, 1/8W, ±1%	153287
R10	RESISTOR, MF, 38.3K, 1/8W, ±1%	153259
Q1	TRANSISTOR, 2N5302	150747
Q2,5	TRANSISTOR, 2N2907	150768
Q3,4,6	TRANSISTOR, 2N2222A	150768
S1	SWITCH, SPDT	150331



NOTES:

- MARK LATEST ENGINEERING CHANGE NUMBER WITH 1/8" HIGH BLACK CHARACTERS, APPROXIMATELY AS SHOWN.
- COMPONENT HEIGHT NOT TO EXCEED .400".
- P.C. BOARD 003488 MUST BE AT EC LEVEL 2007.
- MUST CONFORM TO ENG SPECIFICATION 003490 AT EC LEVEL 2007.

REFERENCE DOCUMENTS	E. C. LEVEL
SCH. DIAG. 003487	2007
ARTMASTER 003488	2007

MATERIAL NO.	MUST CONFORM TO ENG. SPEC 88000	TOLERANCE UNLESS OTHERWISE NOTED	MEMOREX EQUIPMENT GROUP
CASE DEPTH	TECHNICAL APPROVAL	LINEAR ±	
HARDNESS		ANGULAR ±	NAME P.C. BOARD ACC. Y
SURFACE TREATMENT		CORNERS AND/OR EDGES BROKEN	DESIGN DETAIL 03
STD CODE		ON/INSIDE	SCALE
		MAX CHECK 22	DATE 6-18-71
		MAX APPRO 22	DATE MAY 71

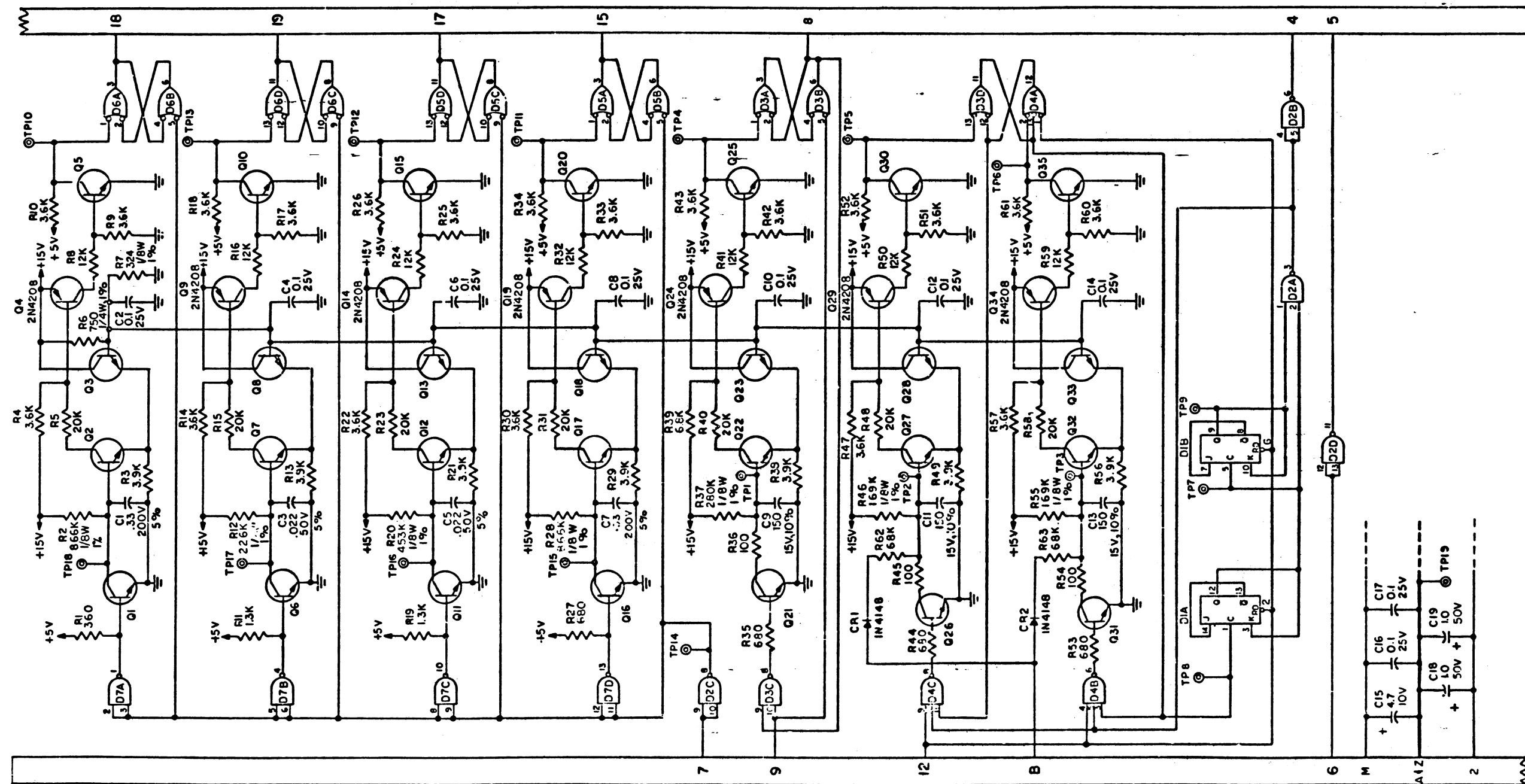
XB021

003486

001967

USED ON	RELEASED FOR ASSY	DATE	CHANGE NO	DATE	CHANGE NO
ε 60-1	001966	4/4/69	296	MAR 71	1005
	MULTI-USE	4-21-69	314	JAN 71	1742
		6-7-69	366		
		11-25-69	481		
		12-29-69	572		

001967



- NOTES: UNLESS OTHERWISE SPECIFIED
- 1 ALL TRANSISTORS ARE 2N2222A
  - 2 ALL RESISTORS ARE IN OHMS, 1/4W, ±5%
  - 3 ALL CAPACITORS ARE IN UF
  - 4 IC D1 IS A SN7473N
  - 5 IC'S D2, D3, D5 & D6 ARE SN7400N
  - 6 IC D4 IS A SN7410N
  - 7 IC D7 IS A SN7401N
  - 8 CONNECT IC D1, PIN 4 TO +5V, PIN 11 TO GRD
  - 9 CONNECT IC'S D2, D3, D4, D5, D6, D7, PIN 14 TO +5V, PIN 7 GRD

LAST REFERENCE DESIGNATION USED	REFERENCE DESIGNATIONS NOT USED
C19	
R63	
TP19	
Q35	
CR2	

XB030

MATERIAL	NO	TOLERANCE UNLESS OTHERWISE NOTED	2 PLACE DEC #	Peripheral Systems Corporation MEMPHIS CORPORATION
CASE DEPTH		CORNERS AND OR EDGES BROKEN	3 PLACE DEC #	
WARRANTY		RAPID TURNERS OTHERWISE NOTED	ANGLES	NAME SCHEMATIC DESIGNER
DESIGNER			OUTSIDE MAY	DESIGN
CHECKER			INSIDE MAY	SCALE
APPROVER				CHECK
				DRAW
				CHECK

(CLAY)

001967

D

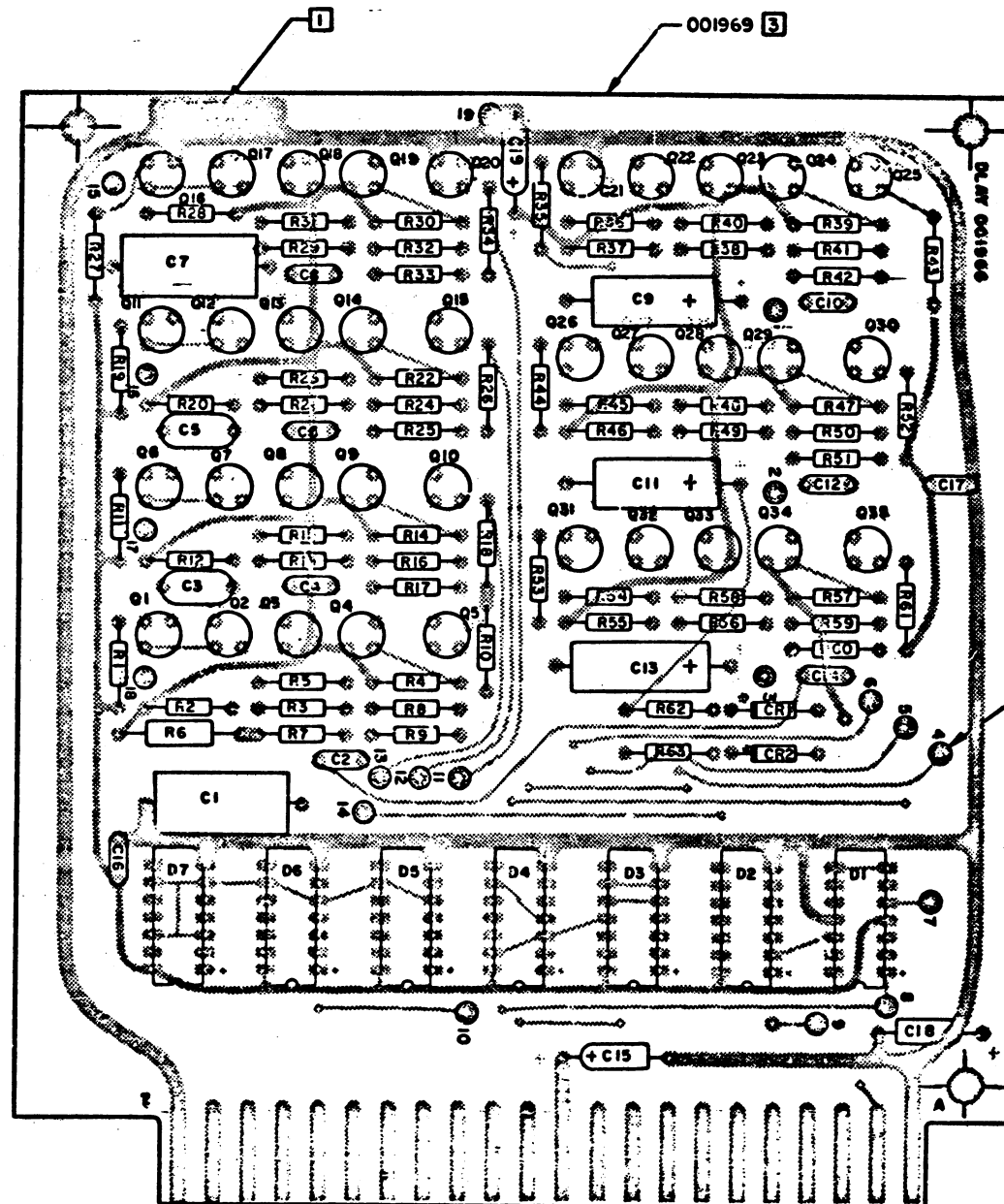
112363

DATE	CHANGE NO.	DATE	CHANGE NO.	001966
4/9/69	296	12-30-69	572	
6-22-69	314	11-19-70	1005	RELEASED FOR ASSEMBLY
6-15-69	366A	JAN 71	1742	MULTI-USE
10-23-69	46			

001966

001966

REF DESIG	DESCRIPTION	M E R PART NO.
C4, 6, 8	CAPACITOR, C, .1UF, 50V, ±10%	150990
C5	P, .022UF, 50V, ±5%	156068
C6	M, .33UF, 200V, ±5%	151280
C8, 9	T, .1UF, 50V, ±10%	151116
C5	T, 4.7UF, 10V, ±10%	151124
C3	CAPACITOR, T, 150UF, 15V, ±10%	151151
D2, 3, 6	INTEGRATED CIRCUIT, SN7400N	150666
D7	SN7401N	150667
D4	SU7410N	150669
D1	INTEGRATED CIRCUIT, SN7479N	150672
R7	RESISTOR, MF, 324Ω, 1/8W, ±1%	153156
R46, 35	169K, 1/8W, ±1%	153321
R12	226K, 1/8W, ±1%	153333
R20	453K, 1/8W, ±1%	153363
R2, 26	866K, 1/8W, ±1%	153390
R37	280K, 1/8W, ±1%	153342
R6	MF, 750Ω, 1/4W, ±1%	152246
R1	COMP, 360Ω, 1/4W, ±5%	151472
R36, 45, 54	100Ω, 1/4W, ±5%	151459
R27, 35,	680Ω, 1/4W, ±5%	151479
R4, 53		
R11, 19	1.2K, 1/4W, ±5%	151486
R24, 9, 10, 14		
R7, 16, 22, 25		
R26, 30, 33,	3.6K, 1/4W, ±5%	151496
R4, 42, 43,		
R7, 51, 52,		
R7, 60, 61		
R3, 13, 21,	3.9K, 1/4W, ±5%	151497
R9, 35, 43,		
R8, 6, 24,	12K, 1/4W, ±5%	151509
R2, 41, 50, 57,		
R5, 15, 25,	20K, 1/4W, ±5%	151514
R40, 48, 50		
R59	RESISTOR, COMP, 6.8K, 1/4W, ±5%	151503
R62, 63	RESISTOR, C, 68K, 1/4W, ±5%	151527
Q1, 2, 3, 5-E		
Q10-13, 15-18	TRANSISTOR, 2N2222A	150768
Q14-22, 24-27,		
Q10-33, 35		
Q4, 9, 14, 18	TRANSISTOR, 2N420B	150758
Q4, 29, 34		
C2, 2	DIODE, 1N4148	150834
TP1-19	TERMINAL, TURRET	150374



150374 (SWAGE FAR SIDE) 19 PLACES

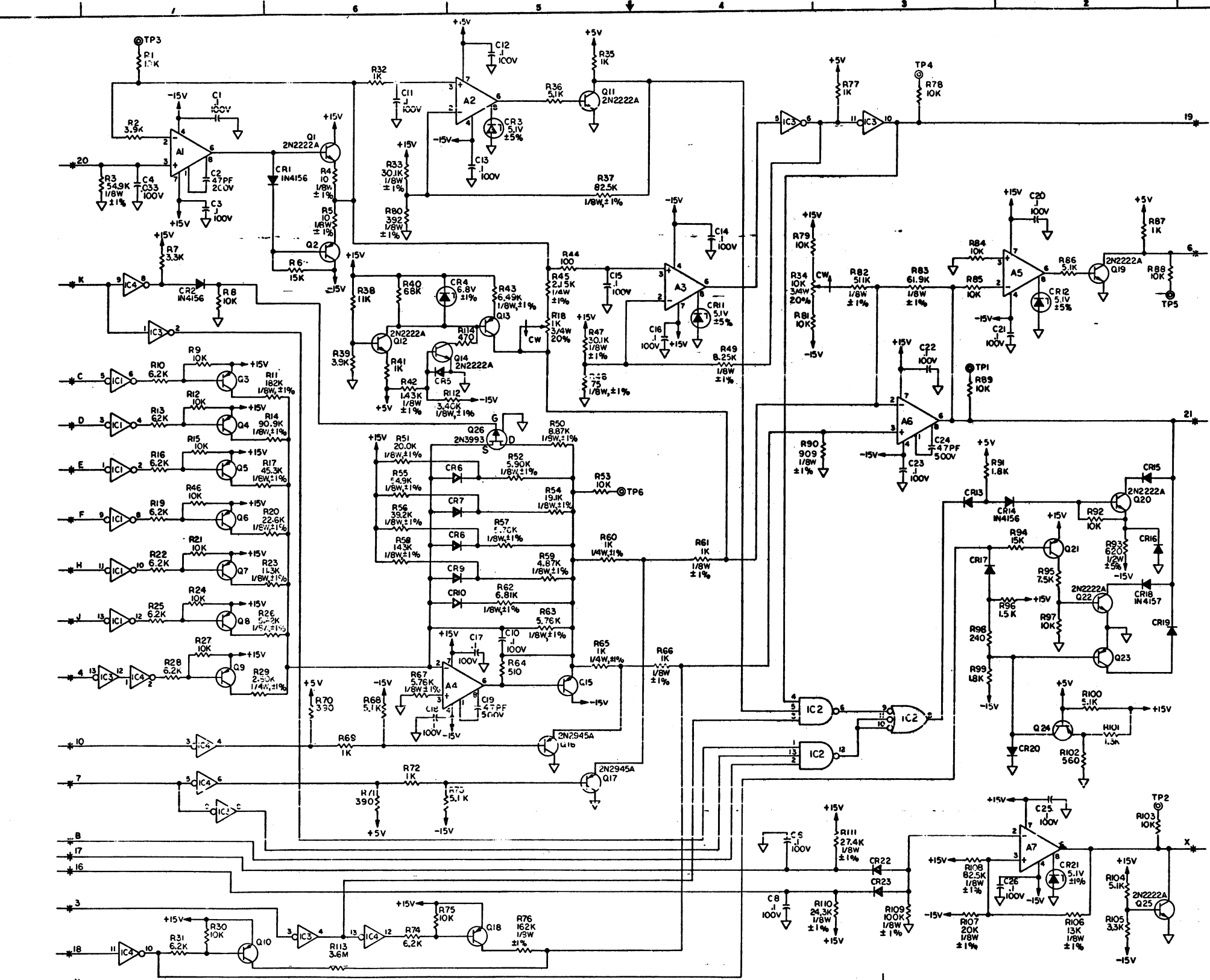
REFERENCE DOCUMENTS	E.C. LEVEL
SCH. DIAG.	001967 1742
ARTMASTER	001968 1005

NOTES:

- MARK B.A.F.L. NUMBER E1742 WITH 1/8" HIGH BLACK CHARACTERS, APPROXIMATELY AS SHOWN.
- COMPONENT HEIGHT NOT TO EXCEED .400"
- PC BOARD 001969 MUST BE AT EC LEVEL 1008.
- MUST CONFORM TO ENG SPECIFICATION 001970 AT EC LEVEL 1742.

XB031

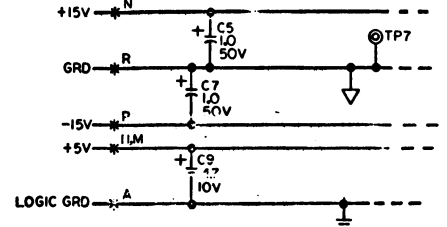
MATERIAL NO.	MUST CONFORM TO ENG. SPEC 00090	TOLERANCE UNLESS OTHERWISE NOTED	MEMOREX EQUIPMENT GROUP
CASE DEPTH	TECHNICAL APPROVAL	LINEAR ±	
HARDNESS		ANGULAR ±	NAME I.P.C. BOARD ASSEMBLY
TREATMENT		CORNERS AND OR EDGES BROKEN	DESIGN SCALE 2/1
		OUTSIDE	DATE 1/1/71
		INSIDE	CHECKED BY [Signature]
			001966



NOTES; UNLESS OTHERWISE SPECIFIED:  
 1. ALL RESISTORS ARE IN OHMS, 1/4W, ±5%  
 2. ALL DIODES ARE IN4148  
 3. ALL CAPACITORS ARE IN MICROFARADS  
 4. ALL TRANSISTORS ARE 2N2907A  
 5. IC A1 THRU A5 & A7 ARE LM201, A6 IS LM201A.

TYPE	POSITION	UNUSED ELEMENTS	LOC (C-7)	LOC (PIN)
7404	IC3		14	7
7408	IC4		14	7
7407	IC1		14	7
SN7410	IC2		14	7

LAST REFERENCE DESIGNATION USED	REFERENCE DESIGNATION NOT USED
C26	
CR23	
IC4	
A7	
R114	
Q26	
TP7	



003482

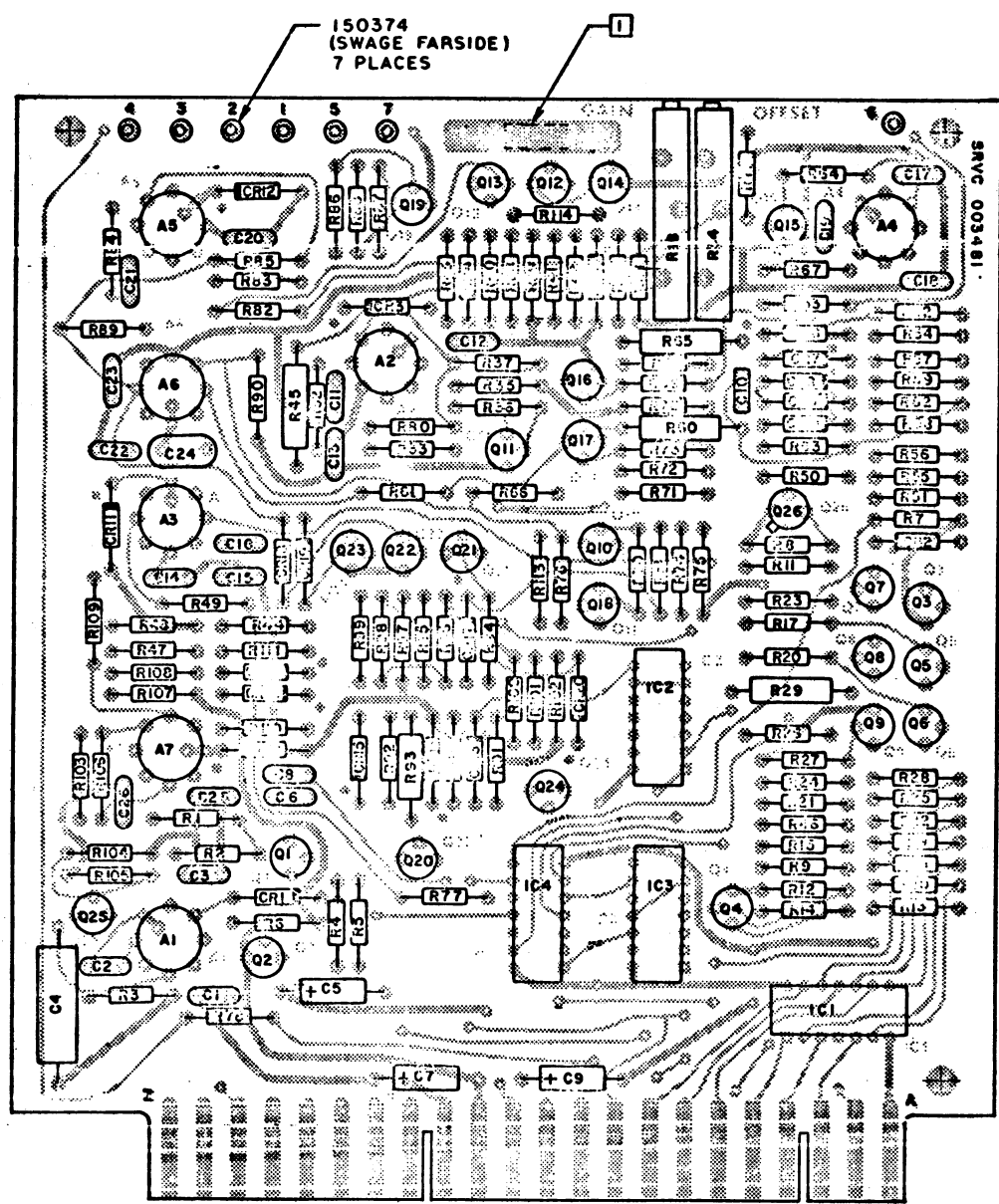
1304

DATE	CHANGE NO.	DATE	CHANGE NO.	TECHNICAL APPROVAL	MEMOREX EQUIPMENT GROUP
					MEMOREX EQUIPMENT GROUP
					SERVO CONTROL
					003482

DATE	CHANGE NO	DATE	CHANGE NO	003481
APR '71	2071			RELEASED FOR ASSEMBLY
				MULTI-USE

REF DESIG	DESCRIPTION	MFG PART NO
C1,3,11-18, 6,8,10,20, 23,25,26, C5, C7, C9	CAPACITOR, C, .1UF, 100V, 10% T, .1UF, 50V, 10% T, 4.7UF, 10V, 10%	151151 151116 151124
C4, C19,24, 2	M, .033UF, 100V, 5% CAPACITOR, SM, 47 PF, 500V, 5%	151321 153713
CR5-10,13, 15-17,19,20, 22-23, CR1,2,14, CR18, CR21, CR3,11,12, CR4	DIODE, IN4148 IN4156 IN4157 Z, 5.1V, ±1% Z, 5.1V, ±5% DIODE, Z, 6.8V, ±1%	150834 150825 150864 150919 150901
IC3, IC4, IC1, IC2, A6, A1-A5, A7	INTEGRATED CIRCUIT, SN7404 SN7406 SN7407 SN7410 LM201A INTEGRATED CIRCUIT, LM201	150679 150571 150572 150669 150677 150676
R18, R34	POTENTIOMETER, 1K, 3/4W, ±20% POTENTIOMETER, 10K, 3/4W, ±20%	153406 153409
R4, 5, R48, R80, R90, R61, 68, R42, R76, R112, R59, R26, R57, 63, 67, R52, R43, R52, R49, R50, R23, R108, R54, R51, 107, R20, R110, R111, R33, 47, R56, R17, R55, 3, R43, R14, R109, R58, R11, R82, R45, R60, 65, R44, R64, R102, R32, 35, 41, R9, 72, 78, 77, R101, R96, R91, 99, R98, R93, 37	RESISTOR, M, 100OHMS, 1/8W, ±1% 75 OHMS, 392 OHMS, 909 OHMS, 1K, 1.43K, 162K, 3.4K, 4.87K, 5.62K, 5.76K, 5.9K, 6.49K, 6.81K, 8.25K, 8.87K, 11.3K, 13K, 19.1K, 20K, 22.6K, 24.3K, 27.4K, 30.1K, 30.2K, 45.3K, 54.9K, 61.0K, 90.9K, 100K, 143K, 182K, RESISTOR, M, 511K, 1/8W, ±1% M, 1K, 1/4W, ±1% C, 100 OHMS, 1/4W, ±1% 510 OHMS, 500 OHMS, 1K, 1.3K, 1.5K, 1.8K, RESISTOR, C, 240 OHMS, 1/4W, ±5% RESISTOR, M, 0.25 K, 1/8W, ±1% RESISTOR, M, 2.8K, 1/4W, ±1%	152915 153143 153164 153199 153011 153026 153319 153206 153221 153227 153228 153229 153233 153235 153243 153246 153064 153070 193088 153088 153093 153036 153101 153109 153200 153200 153274 153278 153295 153299 153314 153324 153368 153395 152065 151476 151477 151483 151486 151487 151489 151460 153291 152109

REF DESIG	DESCRIPTION	MFG PART NO
R70, 71, R7, 105, R2, 39, R36, 86, 100, 104, R68, 73, R10, 13, 16, 19, 22, 25, 28, 31, 74, R95, R1, 6, 9, 12, 15, 21, 24, 27, 30, 45, 53, 75, 78, 79, 81, 84, 85, 88, 89, 92, 97, 103, R38, R6, 94, R40, R114, R113	RESISTOR, C, 390, 1/4W, ±5% 3.3K, 3.9K, 5.1K, 6.2K, 7.8K, 10K, 11K, 15K, 68K, 470 OHMS, 1/4W, ±5% RESISTOR, C, 3.6M, 1/4W, ±5%	151473 151495 151497 151500 151502 151804 151507 151508 151511 151527 151475 151568
R99	RESISTOR, C, 620 OHMS, 1/2W, ±5%	151622
Q2, 3-10, 13, 15, 18, 23, 24, 21, Q1, 11, 12, 14, 19, 20, 22, 25, Q16, 17, Q16, 17	TRANSISTOR, 2N2907A 2N2222A TRANSISTOR, 2N2945A TRANSISTOR, 2N3903	150771 150768 157000 157001



- NOTES:
1. MARK LATEST ENGINEERING CHANGE NUMBER WITH 1/8" HIGH BLACK CHARACTERS, APPROXIMATELY AS SHOWN.
  2. COMPONENT HEIGHT NOT TO EXCEED .350.
  3. P.C. BOARD 003484, MUST BE AT E.C. LEVEL 2071.
  4. MUST CONFORM TO ENGINEERING SPECIFICATION 003485, AT E.C. LEVEL 2071.

REFERENCE DOCUMENTS	E.C. LEVEL
SCH DIAGRAM	003482 2071
ARTMASTER	003483 2071

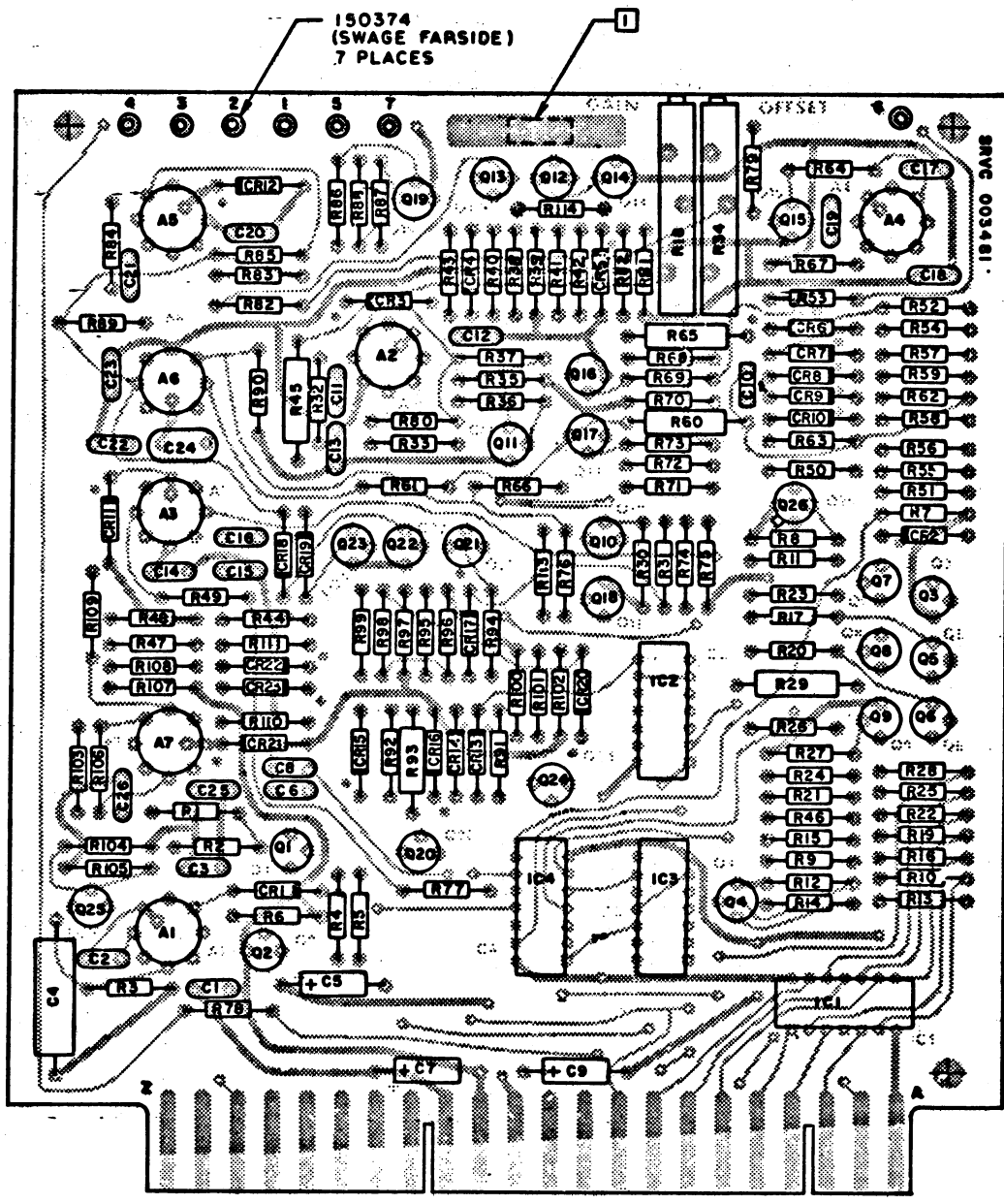
MATERIAL NO SEE B/M 003481	MUST CONFORM TO ENG. SPEC 88000	TOLERANCE UNLESS OTHERWISE NOTED	MEMOREX EQUIPMENT GROUP NAME PC BOARD ASSEMBLY SERVO CONTROL
CASE DEPTH	TECHNICAL APPROVAL	NEAR .XX ± .XX	
HARDNESS		ANGULAR ±	DESIGN R. ORR 4-13-71
SURFACE TREATMENT		CORNERS/EDGES BROKEN	SCALE 2/1
STD CODE		INSIDE	DATE 4-26-71
		INSIDE	APPROV 5-3-71

XB041

003481

REF DESIG	DESCRIPTION	M E C PART NO
CI,3,11-16	CAPACITOR,C,1UF,100V,10%	154151
6,8,10,20	T,1UF,50V,10%	151116
23,25,26	T,4.7UF,10V,10%	151124
CS,C7		
C9		
C4	M,.033UF,100V,5%	151321
CI9,24,2	CAPACITOR,SM,47PF,500V,5%	153713
CR5-10,13	DIODE,1N4148	150834
15-17,19,20		
22-23		
CR1,2,14	IN4156	150825
CR18	IN4157	150864
CR21	Z,5.1V,±1%	150898
CR3,11,12	Z,5.4V,±5%	150919
CR4	DIODE,Z,6.8V,±1%	150901
IC3	INTEGRATED CIRCUIT,SN7404	150679
IC4	SN7406	150571
IC1	SN7407	150572
IC2	SN7410	150669
A6	LM201A	150677
A1-A5,A7	INTEGRATED CIRCUIT,LM201	150676
R18	POTENTIOMETER,1K,3/4W,±20%	153406
R34	POTENTIOMETER,10K,3/4W,±20%	153409
R4,5	RESISTOR,M,10OHMS,1/8W,±1%	152915
R48	75 OHMS	153143
R80	392 OHMS	153164
R90	909 OHMS	153199
R61,66	1K	153011
R42	1.43K	153026
R76	162K	153339
R112	3.4K	153206
R59	4.87K	153221
R26	5.62K	153227
R57,63,67	5.76K	153228
R52	5.9K	153229
R43	6.49K	153233
R62	6.81K	153235
R49	RESISTOR,M,8.25K,1/8W,±1%	153243
R50	8.87K	153246
R23	11.3K	153064
R106	13K	153070
R54	19.1K	153086
R51,107	20K	153088
R20	22.6K	153093
R110	24.3K	153096
R111	27.4K	153101
R33,47	30.1K	153106
R56	39.2K	153260
R17	48.3K	153266
R55,3	54.9K	153274
R83	61.9K	153279
R14	90.9K	153295
R109	100K	153299
R58	143K	153314
R11	182K	153324
R82	RESISTOR,M,511K,1/8W,±1%	153368
R45	M,2.15K,1/4W,±1%	152098
R60,65	M,1K,1/4W,±1%	152066
R44	C,100 OHMS,1/4W,±5%	151459
R64	510 OHMS	151478
R102	560 OHMS	151477
R32,35,41	1K	151483
69,72,77		
R101	1.3K	151486
R96	1.5K	151487
R91,99	1.6K	151489
R98	RESISTOR,C,240 OHMS,1/4W,±5%	151468
RIC5,37	RESISTOR,M,82.5K,1/8W,±1%	153291
R29	RESISTOR,M,2.8K,1/4W,±1%	152109

REF DESIG	DESCRIPTION	M E C PART NO
R70,71	RESISTOR,C,390	151473
R7,105	3.3K	151495
R2,39	3.9K	151497
R36,86	5.1K	151500
100,104		
R68,73		
R10,13,16	6.2K	151502
19,22,25		
28,31,74		
R95	7.5K	151504
R1,8,9,12	10K	151507
15,21,24		
27,30,46		
55,75,78		
79,81,84		
85,88,89		
92,97,103		
R38	11K	151508
R6,94	15K	151511
R40	68K	151527
R14	470 OHMS	151475
R13	RESISTOR,C,3.6M,1/4W,±5%	151568
R93	RESISTOR,C,620 OHMS,1/2W,±5%	151622
Q2,9-10	TRANSISTOR,2N2907A	150771
13,15,18		
23,24,21		
Q1,11,12	2N2222A	150768
14,19,20		
22,25		
Q16,17	TRANSISTOR,2N2945A	157000
Q26	TRANSISTOR,2N3903	157001

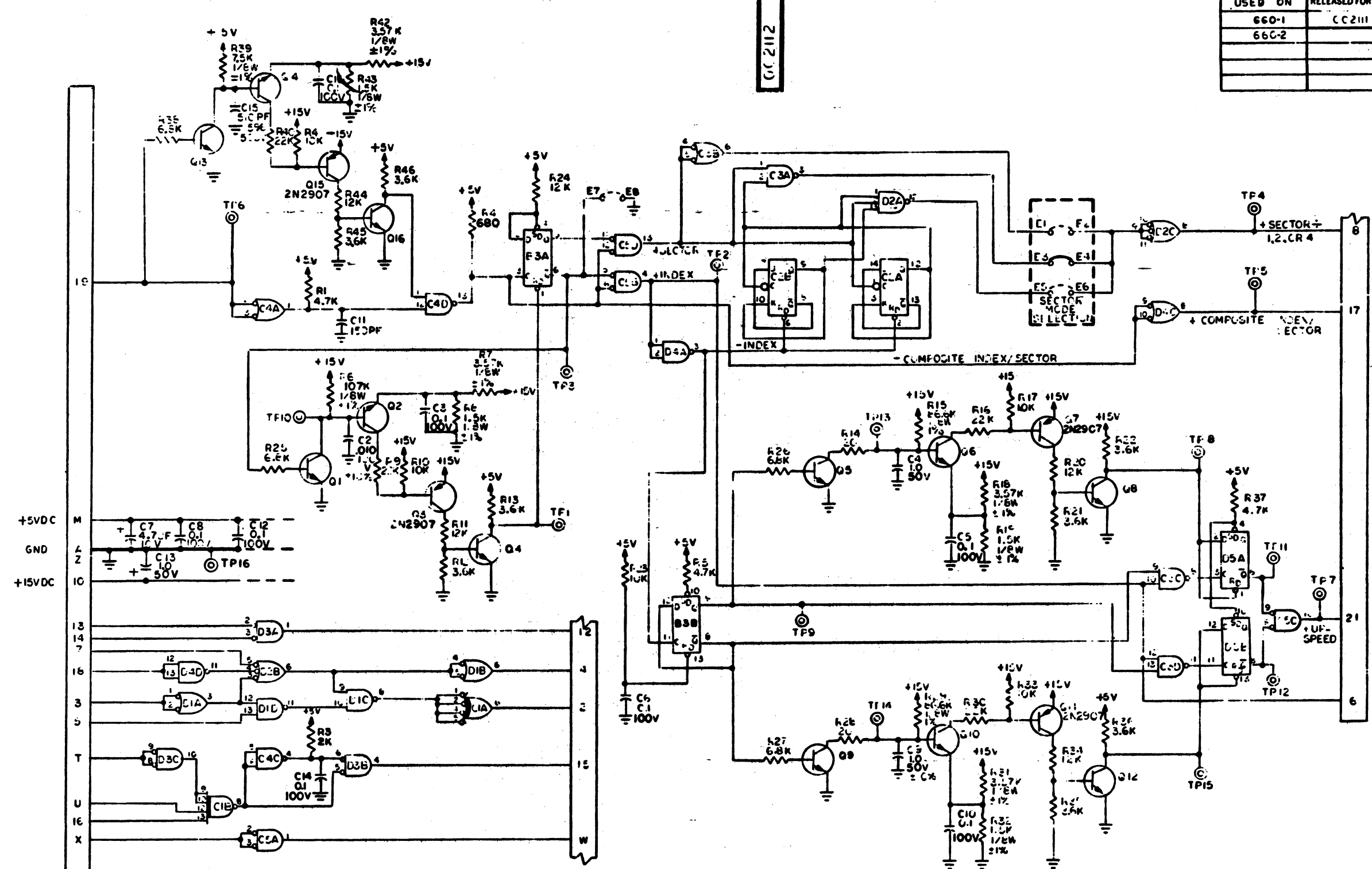


- NOTES:
- MARK LATEST ENGINEERING CHANGE NUMBER WITH 1/8" HIGH BLACK CHARACTERS, APPROXIMATELY AS SHOWN.
  - COMPONENT HEIGHT NOT TO EXCEED .350.
  - PC BOARD 003484, MUST BE AT E.C. LEVEL 2210.
  - MUST CONFORM TO ENGINEERING SPECIFICATION 003485, AT E.C. LEVEL 2071.

REFERENCE DOCUMENTS	E.C. LEVEL
SCH DIAGRAM	003482 2071
ARTMASTER	003483 2210

SEE B/M 003481	MUST CONFORM TO ENG SPEC B-104	TOLERANCE UNLESS OTHERWISE NOTED	EQUIPMENT GROUP PC BOARD ASSEMBLY SERVO CONTROL
TECHNICAL APPROVAL			
DATE		CORNER EDGES BROKEN	2/1
			003481

USED ON	RELEASED FOR ASSY	DATE	CHANGE NO	DATE	CHANGE NO
660-1	CC2111	5-20-70	1-21		
660-2		4-15-70	1-21		
		Oct 70	1527		



- NOTES: UNLESS OTHERWISE SPECIFIED
1. FOR SYSTEM LOGIC DIAGRAM SEE DWG NO. 201152 (REFERENCE ONLY)
  2. ALL RESISTORS ARE IN OHMS, 1/4W ±5%.
  3. ALL CAPACITORS ARE IN MICRO-FARADS.
  4. ALL TRANSISTORS ARE 2N2222A
  5. IC C3 D1 D4 ARE SN7400N.
  6. IC C2 IS SN7473N.
  7. IC C4 IS SN7401N.
  8. IC C1 IS SN7440N.
  9. IC D2 IS SN7410N.
  10. IC D3 & C5 ARE SN7402N.
  11. IC D4 & D5 ARE SN7474.

LAST REFERENCE DESIGNATION USED	REFERENCE DESIGNATION NOT USED
C16	C1
R46	R2
TF1-	

MATERIAL	NO	TOLERANCE UNLESS OTHERWISE NOTED	2 PLACE DEC ±	3 PLACE DEC	Peripheral Systems Corporation A SUBSIDIARY OF MEMOREX CORPORATION	
CASE DEPTH		NOTED	ANGLES	OUTSIDE	MAX	NAME SCHEMATIC DIAGRAM INDEX / SECTOR
HARDNESS		CORNERS AND OR EDGES BROKEN	INSIDE	MAX	MAX	
SURFACE TREATMENT		RADI UNLESS OTHERWISE NOTED				DESIGN
002112		D				DETAIL
						CHECK
						APPRO
						TYPE
						SCALE
						NONE
						DRAW
						CHECK

XB050

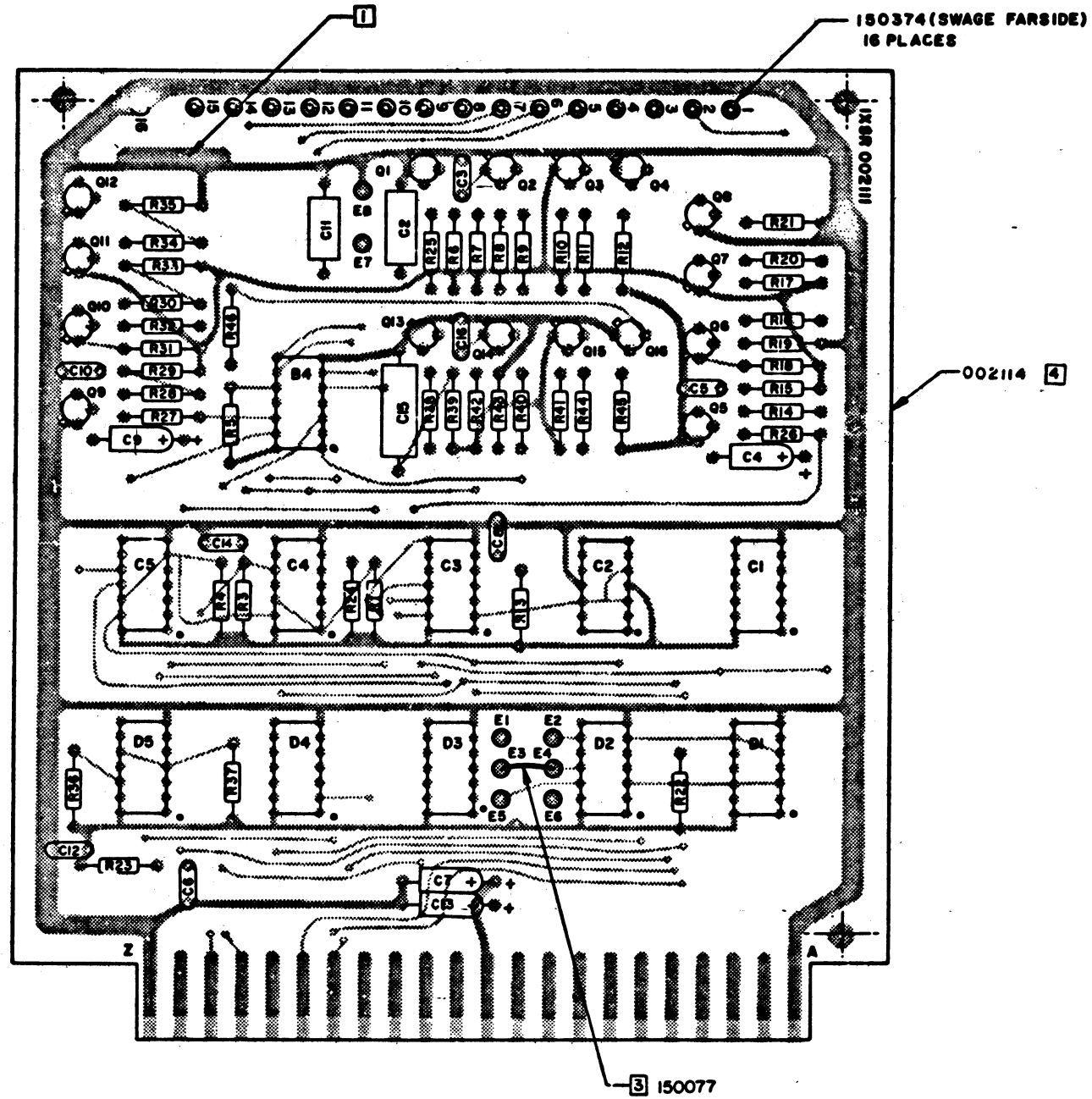
002112

002112

002112

USED ON	RELEASED FOR	DATE	CHANGE NO.	DATE	CHANGE NO.
660-1	201022	10-15-69	468		
660-2		12-1-69	468B		
		1-16-70	677		
		4-16-71	1321		
		2-7-70	1527		

REF DESIG	DESCRIPTION	M. E. O. PART NO.
33.48	CAPACITOR, P. 1.0K, 100V, 5%	51151
33.14		
	P. 50PF, 500V, 5%	151226
	11.0K, 100V, 5%	51103
4.9.13	T. 1.1K, 50V, 5%	51110
27	T. 4.7K, 50V, 5%	151124
315	CAPACITOR, P. 510PF, 500V, 5%	151233
3.01.4	INTEGRATED CIRCUIT, SN7400N	50666
4	SN7401N	150667
25.25	SN7402N	150668
25	SN7410N	50669
21	SN7440N	150671
2	SN7473N	150672
25.24	INTEGRATED CIRCUIT, SN7474N	50673
18.1932.15	RESISTOR MF, 5K, 1/4W, 1%	153028
21.8.342	MF, 57K, 1/4W, 1%	53208
21.8.29	MF, 66.6K, 1/4W, 1%	153293
23.9	MF, 7.5K, 1/4W, 1%	53239
17.28	COMP, 20Ω, 1/4W, 5%	151442
23	COMP, 2K, 1/4W, 5%	51490
20	MF, 107K, 1/4W, 1%	153302
21.2.24		
23.35.29	COMP, 3.6K, 1/4W, 5%	151496
45.46		
21.5.37	4.7K, 1/4W, 5%	151499
225.27.36	6.8K, 1/4W, 5%	51503
20.17.33	10K, 1/4W, 5%	151507
33.41		
21.20.24	12K, 1/4W, 5%	151509
34.44		
21.6.304	22K, 1/4W, 5%	151515
24	RESISTOR, COMP, 680Ω, 1/4W, 5%	51479
21-16	TERMINAL, TURRET	50374
Q1, 2, 4, 5		
2.8.7.10.11	TRANSISTOR, 2N222A	150768
3.7.4.16		
23.7.11.15	TRANSISTOR, 2N2907	150765
	WIRE, SOLDER #22	160077



- NOTES:
- MARK LATEST ENGINEERING CHANGE NUMBER WITH 1/8" HIGH BLACK CHARACTERS, APPROXIMATELY AS SHOWN.
  - COMPONENT HEIGHT NOT TO EXCEED .400"
  - SOLDER JUMPER BETWEEN E3 AND E4 PRIOR TO CARD TEST, DO NOT SOLDER JUMPER BETWEEN E7 AND E8.
  - PC BOARD 002114 MUST BE AT EC LEVEL 1321.
  - MUST CONFORM TO ENG SPECIFICATION 002115 AT EC LEVEL 1527.

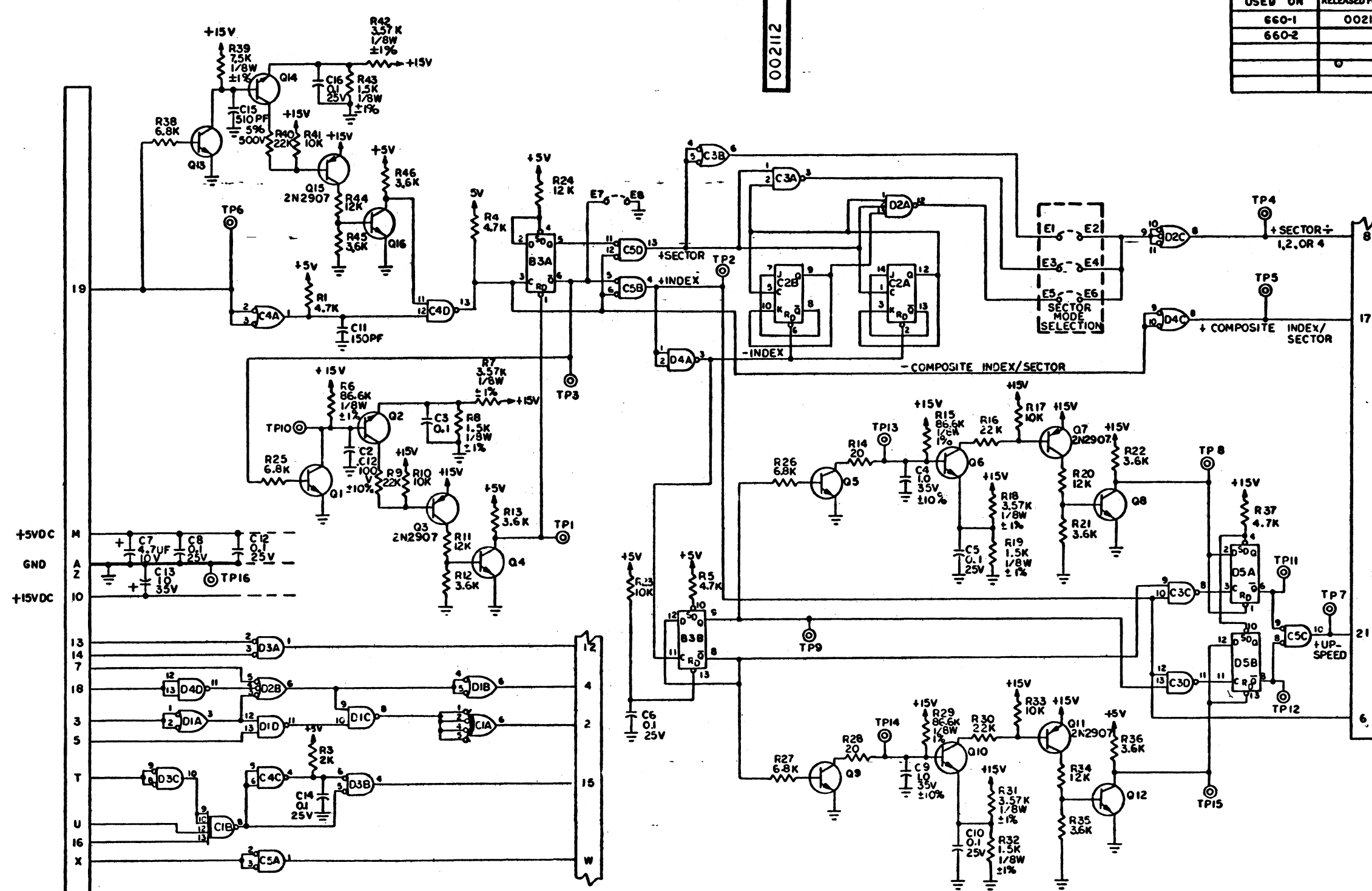
REFERENCE DOCUMENTS	E. C. LEVEL
SCH. DIAG	002112 1527
ARTMASTER	002113 1321

MATERIAL SEE B/M #002111		TOLERANCE UNLESS OTHERWISE NOTED	2 PLACE DEC	Peripheral Systems Corporation	
PLATE DEPTH	HARDNESS	CORNERS AND OR EDGES BROKEN	3 PLACE DEC	P.C. BOARD ASSEMBLY	
SURFACE TREATMENT		RADI UNLESS OTHERWISE NOTED	ANGLES	INDEX SECTOR	
			OUTSIDE	MAX	TYPE
			INSIDE	MAX	SCALE 2/1
002111	D				DATE 1-14-70
					BY KNL
					CHK

XB051



2	3	4	5	6	7	8	9
002112				002112			002112
USED ON		RELEASED FOR ASSY	DATE	CHANGE NO	DATE	CHANGE NO	
660-1		002111	10-18-66	468			
660-2			Aug, 70	1321			



- NOTES: UNLESS OTHERWISE SPECIFIED
1. FOR SYSTEM LOGIC DIAGRAM SEE DWG NO. 201152 (REFERENCE ONLY)
  2. ALL RESISTORS ARE IN OHMS, 1/4W±5%.
  3. ALL DIODES ARE IN4148.
  4. ALL TRANSISTORS ARE 2N2222A
  5. IC S C3 D1 D4 ARE SN7400N.
  6. IC C2 IS SN7473N.
  7. IC C4 IS SN7401N.
  8. IC C1 IS SN7440N.
  9. IC D2 IS SN7410N.
  10. IC D3 & C5 ARE SN7402N.
  11. IC B3 & D5 ARE SN7474.
  12. ALL CAPACITORS ARE IN MICRO-FARADS.

LAST REFERENCE DESIGNATION USED	REFERENCE DESIGNATION NOT USED
C16	C1
Q16	R2
R46	
TP16	

MATERIAL	NO	TOLERANCE UNLESS OTHERWISE NOTED	2 PLACE DEC ±	Peripheral Systems Corporation a subsidiary of MEMOREX CORPORATION	
CASE DEPTH			3 PLACE DEC ±	NAME SCHEMATIC DIAGRAM	
HARDNESS			ANGLES ±	INDEX/SECTOR	
SURFACE TREATMENT		CORNERS AND/OR EDGES BROKEN	OUTSIDE MAX	DESIGN	TYPE
002112	D	RADII UNLESS OTHERWISE NOTED	INSIDE MAX	DETAIL	SCALE NONE
				CHECK	DRAW KNL 10-15-66
				APPRO	CHECK [Signature] 10/11

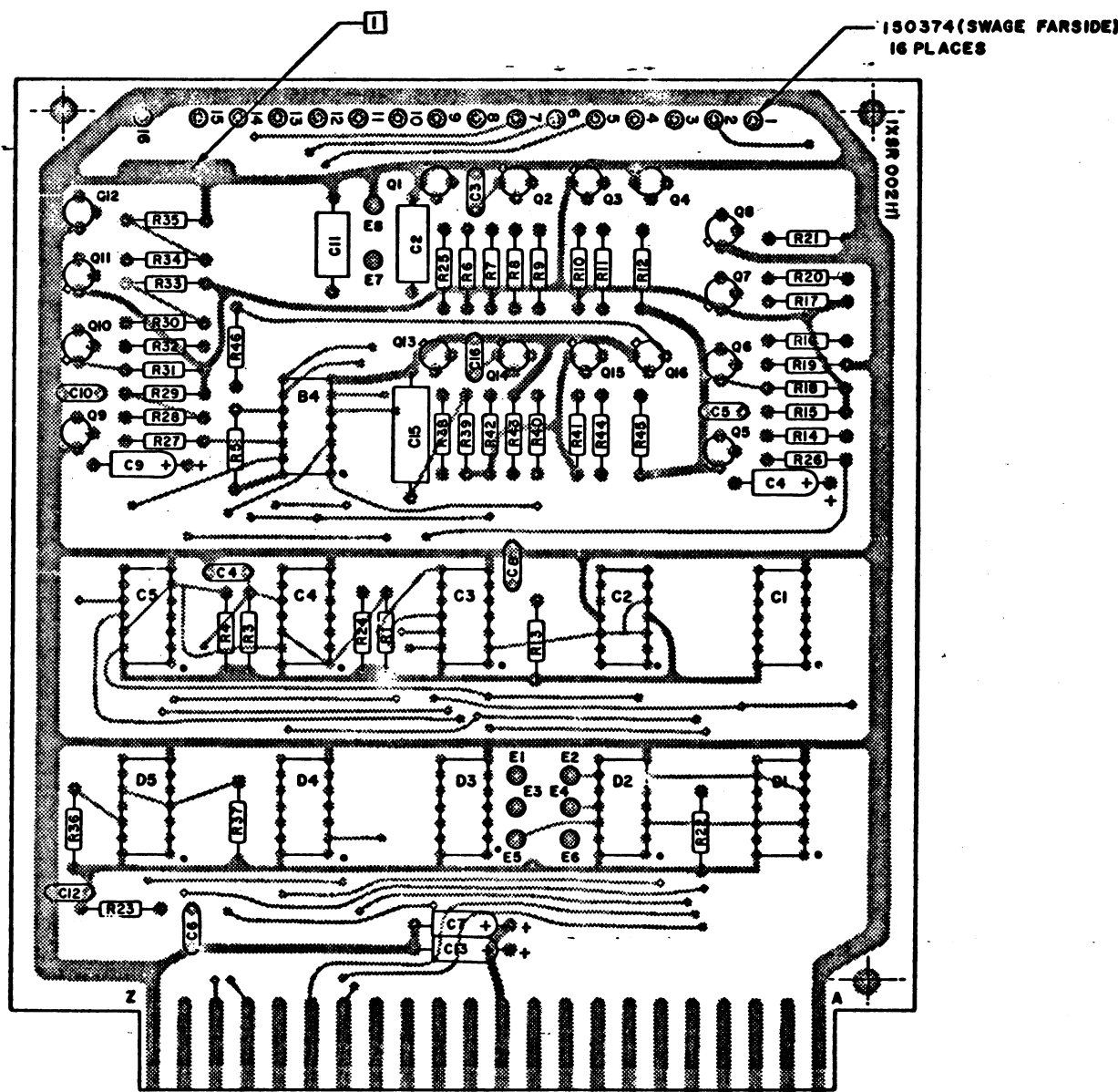
XB050

002111

002111

USED ON	RELEASED FOR ASSY	DATE	CHANGE NO	DATE	CHANGE NO
660-1	201022	10-19-69	468		
660-2		11-1-69	468 B		
		1-18-70	677		
		4/6,70	1321		

REF DESIG	DESCRIPTION	M. E. G. PART NO.
	PRINTED CIRCUIT BOARD	002114
C3.5.6.8	CAPACITOR, .1UF, 25V, ±20%	150990
10.12.14.13		
C11	P, 50PF, 500V, ±5%	151226
C2	M, .012UF, 20V, ±10%	151064
C4.9.13	T, 1UF, 35V, ±10%	151110
C7	T, 4.7UF, 10V, ±10%	151124
C15	CAPACITOR, P, .50 ±5, 500V, ±5%	151239
C3.D1.4	INTEGRATED CIRCUIT, SN7400N	150666
C4	SN7401N	150667
D3.C5	SN7402N	150668
D2	SN7410N	50669
C1	SN7440N	150671
C2	SN7473N	150672
D5.D4	INTEGRATED CIRCUIT, SN7474N	150673
R8.19.32.15	RESISTOR, MF, 1.5K, 1/8W, ±1%	153028
R10.31.42	MF, 57K, 1/8W, ±1%	153208
R6.15.19	MF, 56.6K, 1/8W, ±1%	153293
R39	MF, 7.5K, 1/8W, ±1%	153239
R14.23	COMP, 20Ω, ±1%, ±5%	151442
R3	2K, 1/8W, ±5%	151490
R12.13.21		
R25.35.36	3.6K, 1/8W, ±5%	151496
R5.46		
R1.5.37	4.7K, 1/8W, ±5%	151499
R25.27.38	6.8K, 1/8W, ±5%	151503
R0.17.23	10K, 1/8W, ±5%	151507
R3.41		
R10.20.24	12K, 1/8W, ±5%	151509
R4.44		
R9.6.30.40	22K, 1/8W, ±5%	151515
R4	RESISTOR, COMP, 680Ω, 1/8W, ±5%	151479
T01-16	TERMINAL, TURRET	150374
Q1.2.4.5		
6.8.9.10.11	TRANSISTOR, 2N2222A	150765
13.14.16		
Q3.7.11.15	TRANSISTOR, 2N2907	150765



NOTES: UNLESS OTHERWISE SPECIFIED

1 MARK LATEST ENGINEERING CHANGE NUMBER WITH 1/8" HIGH BLACK CHARACTERS, APPROXIMATELY AS SHOWN.

2. COMPONENT HEIGHT NOT TO EXCEED .400"

002111

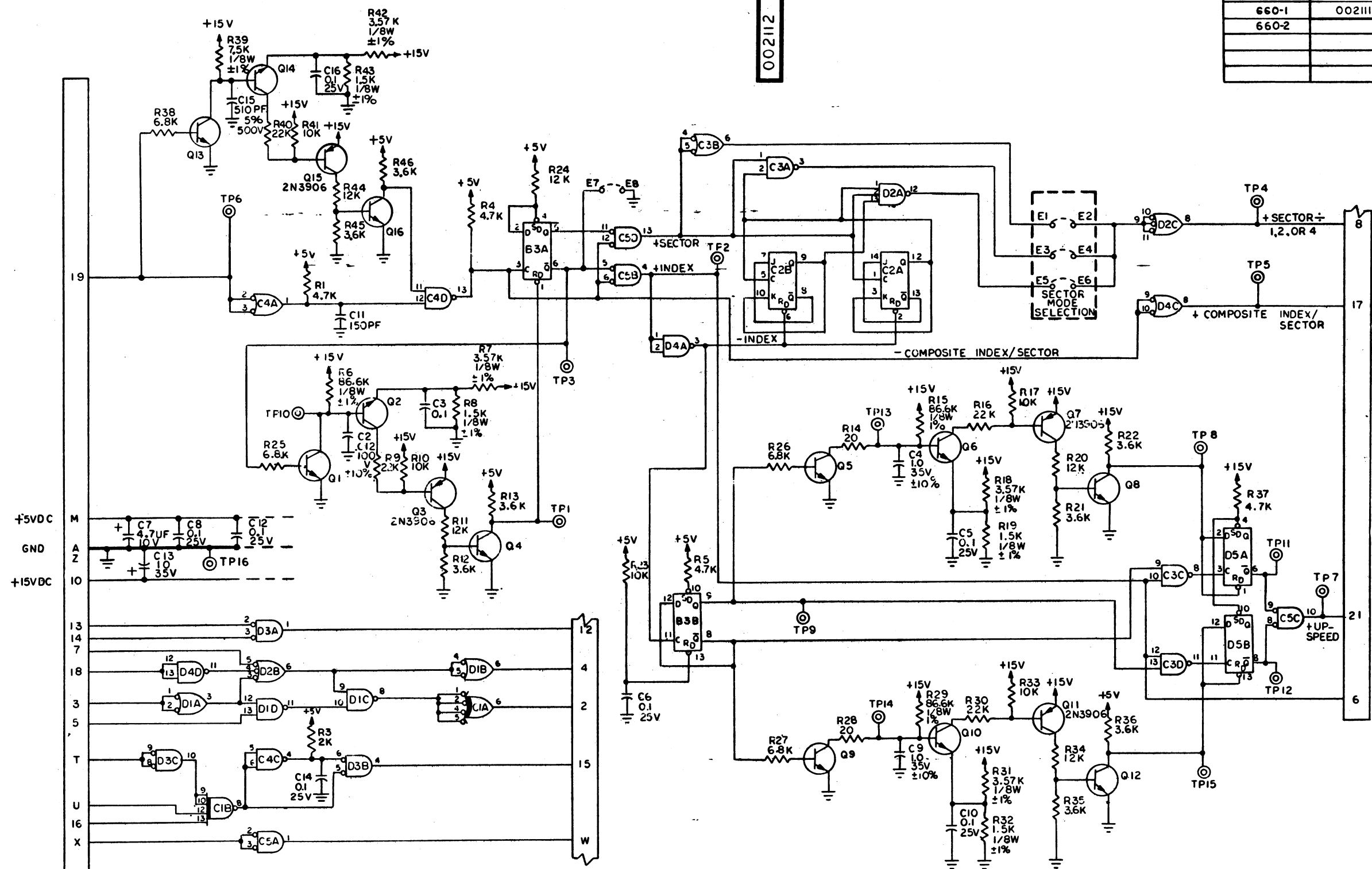
REFERENCE DOCUMENTS	E. G. LEVEL
SCH. DIAG	002112 1321
ARTMASTER	002113 1321
FABRICATION	002114 1321
TEST SPEC.	002115 504

MATERIAL SEE B/M, NO 002111	TOLERANCE UNLESS OTHERWISE NOTED	2 PLACE DEC	Peripheral Systems Corporation A SUBSIDIARY OF MEMOREX CORPORATION	
CASE DEPTH		3 PLACE DEC	NAME P.C. BOARD ASSEMBLY	
HARDNESS		ANGLES	INDEX SECTOR	
SURFACE TREATMENT		CORNERS AND OR EDGES BROKEN	DESIGN	TYPE
		RADI UNLESS OTHERWISE NOTED	DETAIL	SCALE 2/1
002111	D		CHECK	DRAW KNL 10-18-69
			APPRO	CHECK 6/1 7/61

X3051

2 3 4 5 6 7 8 9

USED ON	RELEASED FOR ASSY	DATE	CHANGE NO	DATE	CHANGE NO
660-1	002111	10-15-67	468		
660-2					



- NOTES: UNLESS OTHERWISE SPECIFIED  
 1. FOR SYSTEM LOGIC DIAGRAM SEE DWG NO.201152 (REFERENCE ONLY)  
 2. ALL RESISTORS ARE IN OHMS, 1/4W±5%.  
 3. ALL DIODES ARE IN4148.  
 4. ALL TRANSISTORS ARE 2N3904.  
 5. IC S C3 DI D4 ARE SN7400N.  
 6. IC C2 IS SN7473N.  
 7. IC C4 IS SN7401N.  
 8. IC C1 IS SN7440N.  
 9. IC D2 IS SN7410N.  
 10. IC D3 & C5 ARE SN7402N.  
 11. IC B3 & D5 ARE SN7474.  
 12. ALL CAPACITORS ARE IN MICRO-FARADS.

LAST REFERENCE DESIGNATION USED	REFERENCE DESIGNATION NOT USED
C16	C1
Q16	R2
R46	
TP16	

MATERIAL	NO	TOLERANCE UNLESS OTHERWISE NOTED	2 PLACE DEC ±	Peripheral Systems Corporation a subsidiary of MEMOREX CORPORATION			
CASE DEPTH		NOTED	3 PLACE DEC ±	SCHEMATIC DIAGRAM			
HARDNESS			ANGLES ±	INDEX/SECTOR			
SURFACE TREATMENT		CORNERS AND/OR EDGES BROKEN	OUTSIDE MAX	DESIGN	TYPE	SCALE	NONE
		RADI UNLESS OTHERWISE NOTED	INSIDE MAX	DETAIL		DRAW	KNL
002112				CHECK		DATE	10-15-67
D				APPRO		CHECK	10/11/67

XB050

002112

002112

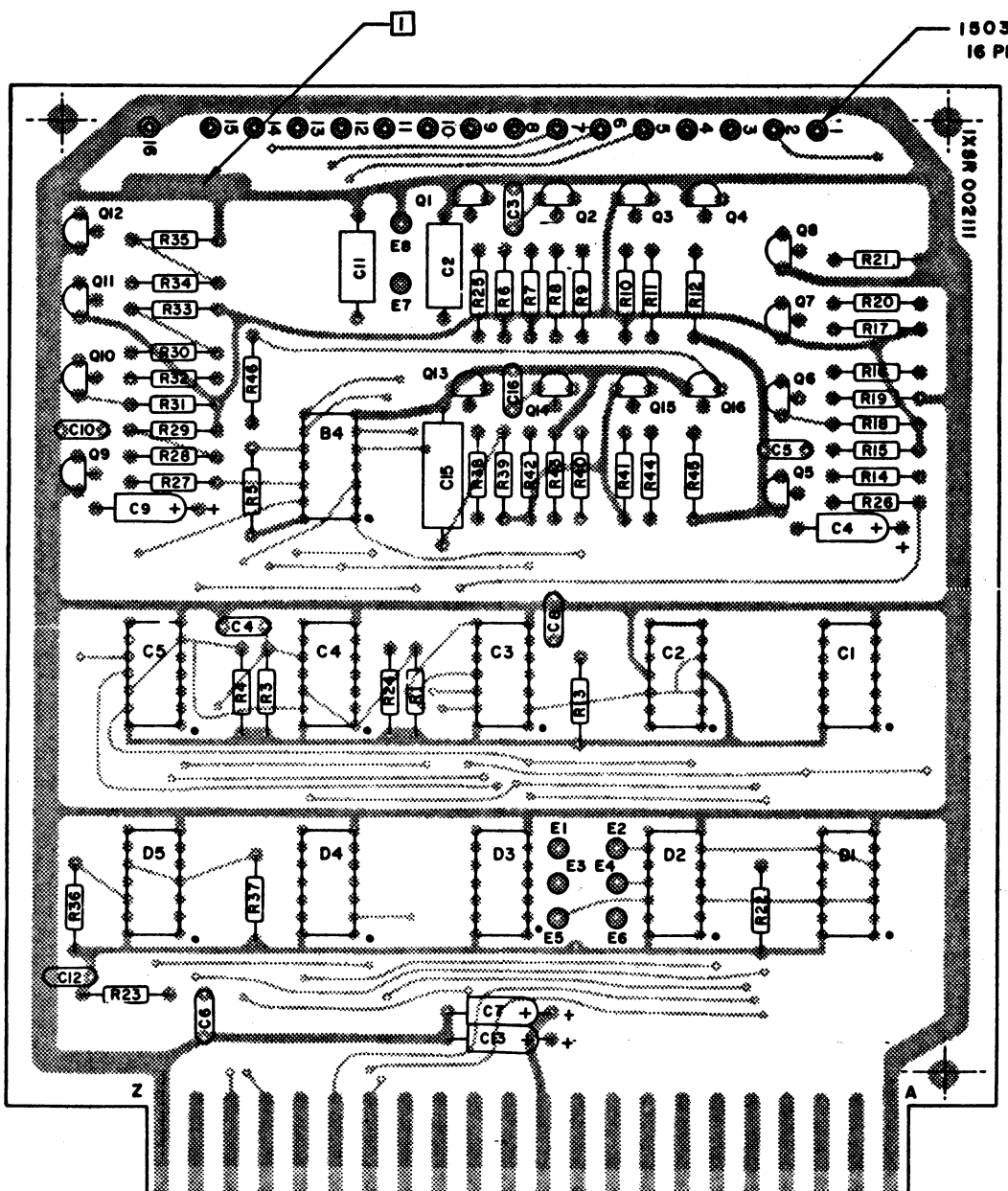
002112

002112

D

USED ON	RELEASED FOR ASSY	DATE	CHANGE NO.	DATE	CHANGE NO.
660-1	201022	10-15-69	468		
660-2		12-1-69	468 B		
		3-18-70	677		

REF DESIG	DESCRIPTION	M. E. G. PART NO.
	PRINTED CIRCUIT BOARD	002114
C3, G, B, 10, 12, 14, 16	CAPACITOR, C, 1UF, 25V, ±20%	150990
C11	P, 150PF, 500V, ±5%	151226
C2	M, .012UF, 100V, ±10%	151064
C4, 9, 13	T, 1UF, 35V, ±10%	151110
C7	T, 4.7UF, 10V, ±10%	151124
C15	CAPACITOR, P, .510PF, 500V, ±5%	151239
C3, D1, 4	INTEGRATED CIRCUIT, SN7400N	150666
CA	SN7401N	150667
D3, C5	SN7402N	150668
D2	SN7410N	150669
C1	SN7480N	150671
C2	SN7473N	150672
D5, B4	INTEGRATED CIRCUIT, SN7474N	150673
R8, 19, 32, 35	RESISTOR, MF, 1.5K, 1/8W, ±1%	153028
R1, 18, 31, 42	MF, 3.57K, 1/8W, ±1%	153208
R6, 15, 29	MF, 86.6K, 1/8W, ±1%	153293
R39	MF, 7.5K, 1/8W, ±1%	153239
R14, 28	COMP, 20Ω, 1/8W, ±5%	151442
R3	2K, 1/8W, ±5%	151490
R12, 13, 21, 22, 35, 36, 45, 46	3.6K, 1/8W, ±5%	151496
R1, 5, 37	4.7K, 1/8W, ±5%	151499
R25, 27, 38	6.8K, 1/8W, ±5%	151503
R10, 17, 23, 33, 41	10K, 1/8W, ±5%	151507
R11, 20, 24, 34, 44	12K, 1/8W, ±5%	151509
R9, 16, 30, 40	22K, 1/8W, ±5%	151515
R4	RESISTOR, COMP, 680Ω, 1/8W, ±5%	151479
T1, 16	TERMINAL, TURRET	150374
Q1, 2, 4, 5, 6, 8, 9, 10, 11, 13, 14, 16	TRANSISTOR, 2N3904	150735
Q3, 7, 11, 15	TRANSISTOR, 2N3906	150736



NOTES: UNLESS OTHERWISE SPECIFIED

- 1. MARK LATEST ENGINEERING CHANGE NUMBER WITH 1/8" HIGH BLACK CHARACTERS, APPROXIMATELY AS SHOWN.
- 2. COMPONENT HEIGHT NOT TO EXCEED .400"

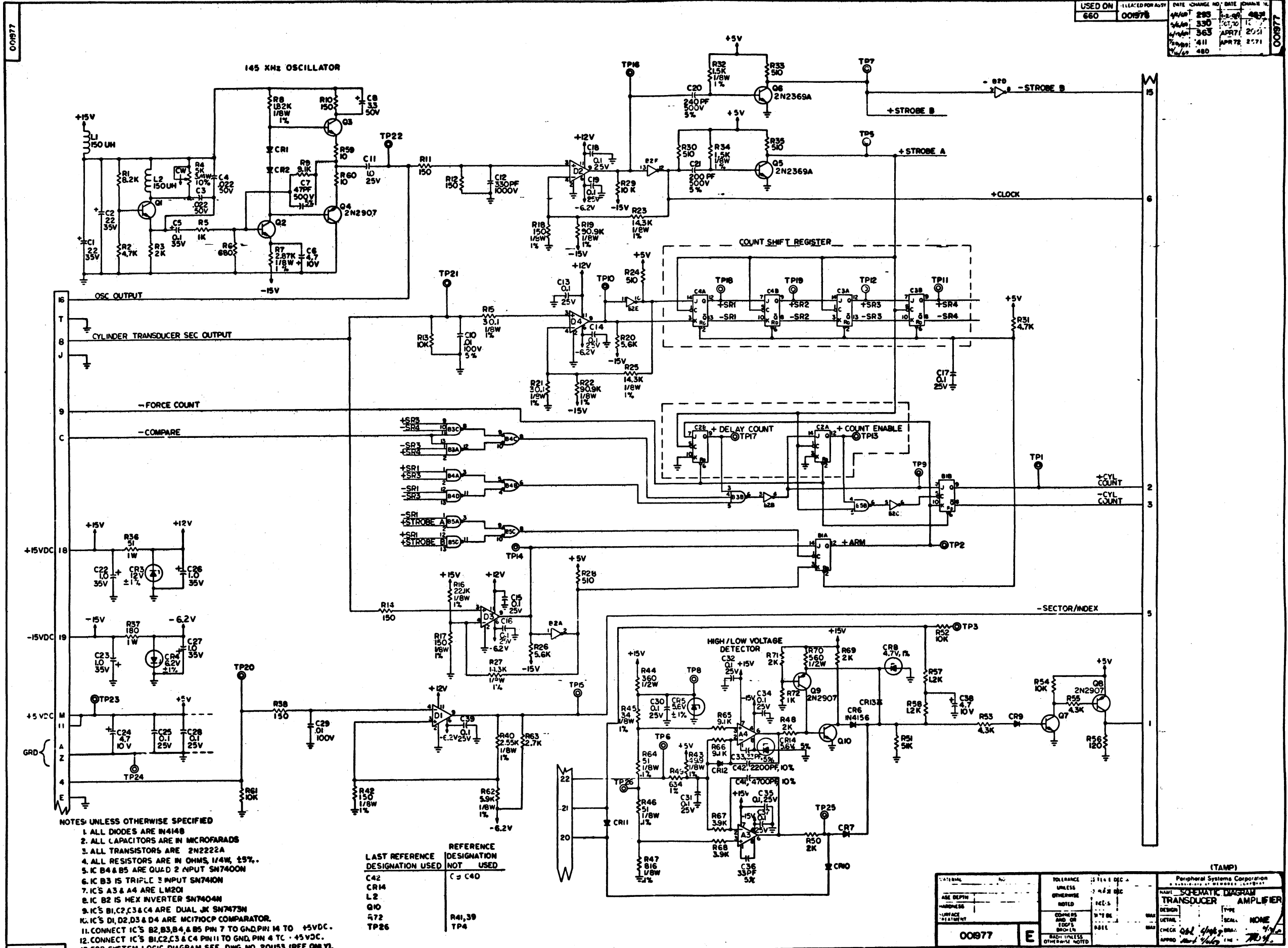
REFERENCE DOCUMENTS	E. C. LEVEL
SCH. DIAG	002112 468
ARTMASTER	002113 677
FABRICATION	002114 677
TEST SPEC.	002115 504

MATERIAL SEE B/M NO 002111		TOLERANCE UNLESS OTHERWISE NOTED	2 PLACE DEC	Peripheral Systems Corporation A SUBSIDIARY OF MEMOREX CORPORATION	
CASE DEPTH		OTHERWISE NOTED	3 PLACE DEC	NAME P.C. BOARD ASSEMBLY	
HARDNESS		NOTED	ANGLES	INDEX SECTOR	
SURFACE TREATMENT		CORNERS AND OR EDGES BROKEN	OUTSIDE	DESIGN	TYPE
		RADI UNLESS OTHERWISE NOTED	INSIDE	DFTAIL	SCALE 2/1
002111	D			CHECK	DRAW KNL 10-15-69
				APPRO	CHECK Dkt 10/15/69

002111

002111

002111



- NOTES: UNLESS OTHERWISE SPECIFIED
1. ALL DIODES ARE IN4148
  2. ALL CAPACITORS ARE IN MICROFARADS
  3. ALL TRANSISTORS ARE 2N2222A
  4. ALL RESISTORS ARE IN OHMS, 1/4W, 1%, UNLESS OTHERWISE SPECIFIED
  5. IC B4 & B5 ARE QUAD 2 INPUT SN7400N
  6. IC B3 IS TRIPLE 3 INPUT SN7410N
  7. IC'S A3 & A4 ARE LM201
  8. IC B2 IS HEX INVERTER SN7404N
  9. IC'S B1, C2, C3 & C4 ARE DUAL JK SN7475N
  10. IC'S D1, D2, D3 & D4 ARE MC170CP COMPARATOR.
  11. CONNECT IC'S B2, B3, B4, & B5 PIN 7 TO GND, PIN 14 TO +5VDC.
  12. CONNECT IC'S B1, C2, C3 & C4 PIN 11 TO GND, PIN 4 TO +5VDC.
  13. FOR SYSTEM LOGIC DIAGRAM SEE DWG NO. 201153 (REF ONLY).

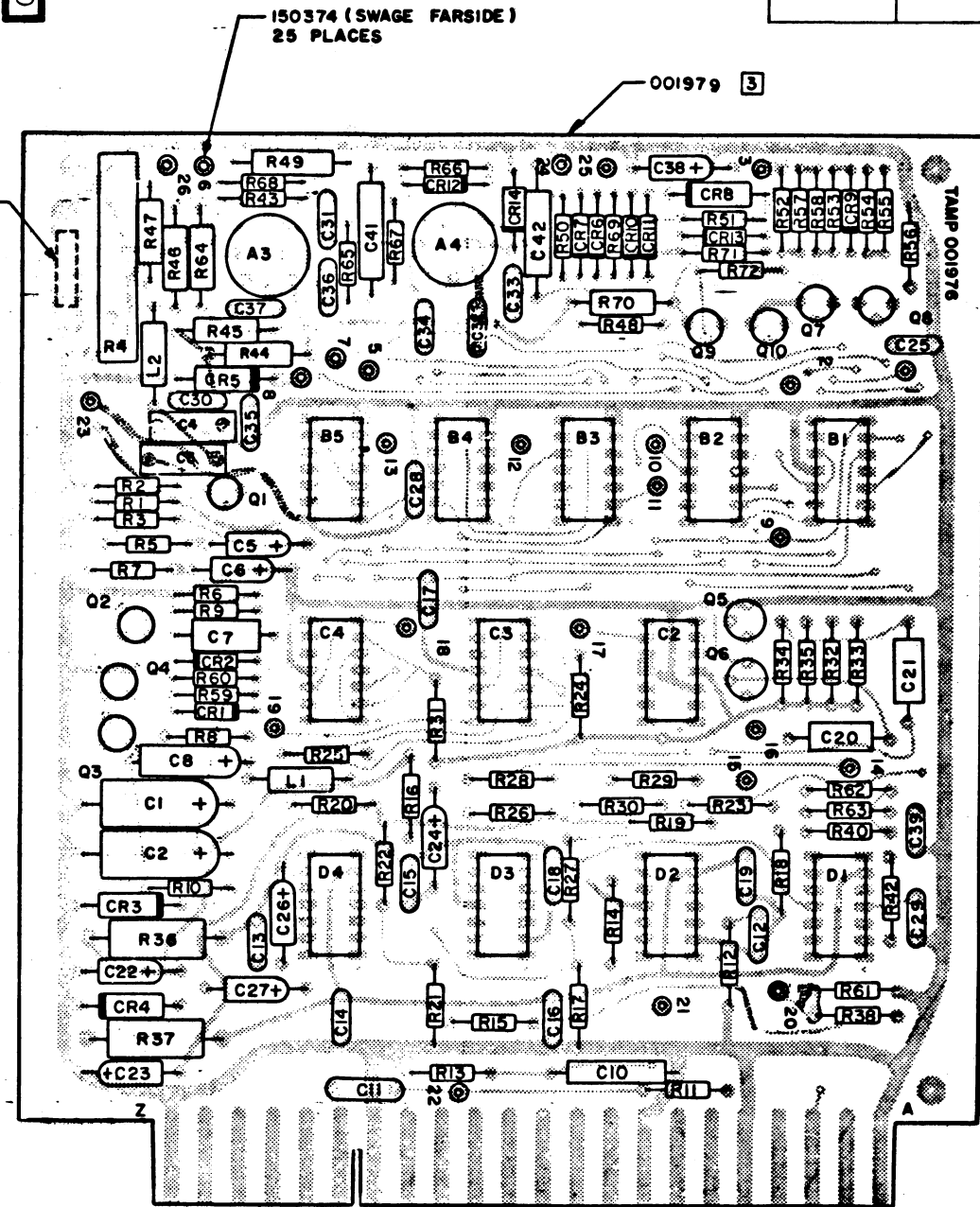
LAST REFERENCE DESIGNATION USED	REFERENCE DESIGNATION NOT USED
C42	C = C40
CR14	
L2	
Q10	
Q72	
TP26	
R41, 39	
TP4	

00977		E	
TOLERANCE: 1% 1/4 DEC A UNLESS OTHERWISE NOTED OTHERWISE: 5% 1/2 DEC B NOTED: 1% 1/2 DEC C 5% 1/2 DEC D 10% 1/2 DEC E 20% 1/2 DEC F 50% 1/2 DEC G 100% 1/2 DEC H 150% 1/2 DEC I 200% 1/2 DEC J 300% 1/2 DEC K 400% 1/2 DEC L 500% 1/2 DEC M 600% 1/2 DEC N 700% 1/2 DEC O 800% 1/2 DEC P 900% 1/2 DEC Q 1000% 1/2 DEC R			
Peripheral Systems Corporation NAME: SCHEMATIC DIAGRAM TRANSDUCER AMPLIFIER DESIGN: NONE CHECK: NONE APPRO: NONE			

USED ON	RELEASED FOR ASSY	DATE	CHANGE NO	DATE	CHANGE NO
660-1	201022	1-2-69	293	2-2-70	467
660-2	201022	E 15-69	330	OCT 70	1289
660-3	201388	6-10-69	363	APR 71	2031
		7-28-69	411	SEP 71	2325
		6-15-69	480	1 APR 72	2571

REF DESIG	DESCRIPTION	M E G PART NO
C41	CAPACITOR, M, 4700PF, 200V, 50%	151099
C33,36	CAPACITOR, MICA, 23PF, 50V, 5%	151711
C21	P, 200PF, 500V, 5%	151299
C20	P, 240PF, 300V, 5%	151231
CR	C, 330PF, 200V, 10%	150968
C31,32,35	C, .1UF, 50V, 20%	150990
C11	C, .01UF, 25V, 10%	150986
C3,4	P, .022UF, 50V, 5%	150668
C7	P, 47PF, 500V, 5%	151215
C10	M, .01UF, 20V, 5%	151315
C42	M, 2200PF, 100V, 10%	151058
C5	T, .1UF, 50V, 10%	151096
C22,32,37	T, .2UF, 50V, 10%	151116
C6	T, 3.3UF, 50V, 10%	151140
C6,24,38	T, 4.7UF, 10V, 10%	151128
C1,2	T, .2UF, 50V, 10%	151147
C29	CAPACITOR, S, .01UF, 100V, 10%	154196
CR1,2,7,9,13	DIODE, IN 4148	150834
CR8	Z, 4.7V, 1%	150897
CR5	Z, 5.6V, 1%	150899
CR4	Z, 6.2V, 1%	150900
CR3	Z, 12V, 1%	150907
CR14	DIODE, Z, 5.6V, 5%	150824
CR6	DIODE, IN 4150	150825
L1,2	INDUCTOR, 150UH, 5%	151390
A3	INTEGRATED CIRCUIT, SN7410N	150669
A3, A4	M301A	150645
D1-A	MC1710CL	50664
B4,5	SN7400N	150666
B1, C2-A	SN7473N	150672
B2	INTEGRATED CIRCUIT, SN7404N	150679
Z4	POTENTIOMETER, S, K, 30K, 10%	153408
R32,34	RESISTOR, MF, 1.5K, 1/4W, 1%	153028
R43	MF, 48.9K, 1/4W, 1%	153126
R17,18,32	MF, 150K, 1/4W, 1%	152980
R15,21	MF, 30.1K, 1/4W, 1%	152961
R49	MF, 634K, 1/4W, 1%	152239
R8	MF, 1.82K, 1/4W, 1%	153036
R40	MF, 2.55K, 1/4W, 1%	153050
R62	MF, 5.9K, 1/4W, 1%	153229
R7	MF, 2.87K, 1/4W, 1%	153055
R23,25,27	MF, 14.3K, 1/4W, 1%	153074
R16	MF, 2.1K, 1/4W, 1%	153092
R19,22	MF, 90.9K, 1/4W, 1%	153295
R44	COMP, 360K, 1/4W, 5%	151616
R45	RESISTOR, MF, 34K, 1/4W, 0.1%	153472

REF DESIG	DESCRIPTION	M E G PART NO
R41,44	RESISTOR, MF, 51K, 1/4W, 0.1%	153473
R47	MF, 81K, 1/4W, 0.1%	153478
R70	COMP, 360K, 1/4W, 5%	151621
R57,58	1.2K, 1/4W, 5%	151485
R20,12,13	50K, 1/4W, 5%	151463
R56	10K, 1/4W, 5%	151461
R67,68	3.9K, 1/4W, 5%	151497
R59,60	10K, 1/4W, 5%	151963
R6	180K, 1/4W, 5%	151479
R5,72	1K, 1/4W, 5%	151483
R3,46,69	2K, 1/4W, 5%	151490
R1,50		
R53,55	4.3K, 1/4W, 5%	151498
R2,31	4.7K, 1/4W, 5%	151499
R20,26	5.6K, 1/4W, 5%	151501
R63	2.7K, 1/4W, 5%	151493
R1	8.2K, 1/4W, 5%	151505
R9,45,66	9.1K, 1/4W, 5%	151506
R3,29,52	10K, 1/4W, 5%	151507
R4,61		
R51	51K, 1/4W, 5%	151524
R24,28	510K, 1/4W, 5%	151476
R0,33,35		
R30	51K, 1/4W, 5%	151740
R37	RESISTOR, COMP, 80K, 1/4W, 5%	151753
G4,8,9	TRANSISTOR, 2N1207	150765
G5,6	TRANSISTOR, 2N2264A	150768
G1,2,3	TRANSISTOR, 2N2222A	150768
G7,10		
T1,3,5-26	TERMINAL TURRET	150374



- NOTES:
- MARK LATEST ENGINEERING CHANGE NUMBER WITH 1/8" HIGH BLACK CHARACTERS, APPROXIMATELY AS SHOWN.
  - COMPONENT HEIGHT NOT TO EXCEED .400"
  - PC BOARD 001979 MUST BE AT EC LEVEL 487.
  - MUST CONFORM TO ENG SPECIFICATION 001960 AT EC LEVEL 2325.

REFERENCE DOCUMENTS	E.C. LEVEL
SCH DIAG	1977 2571
ARTMASTER	001978 487

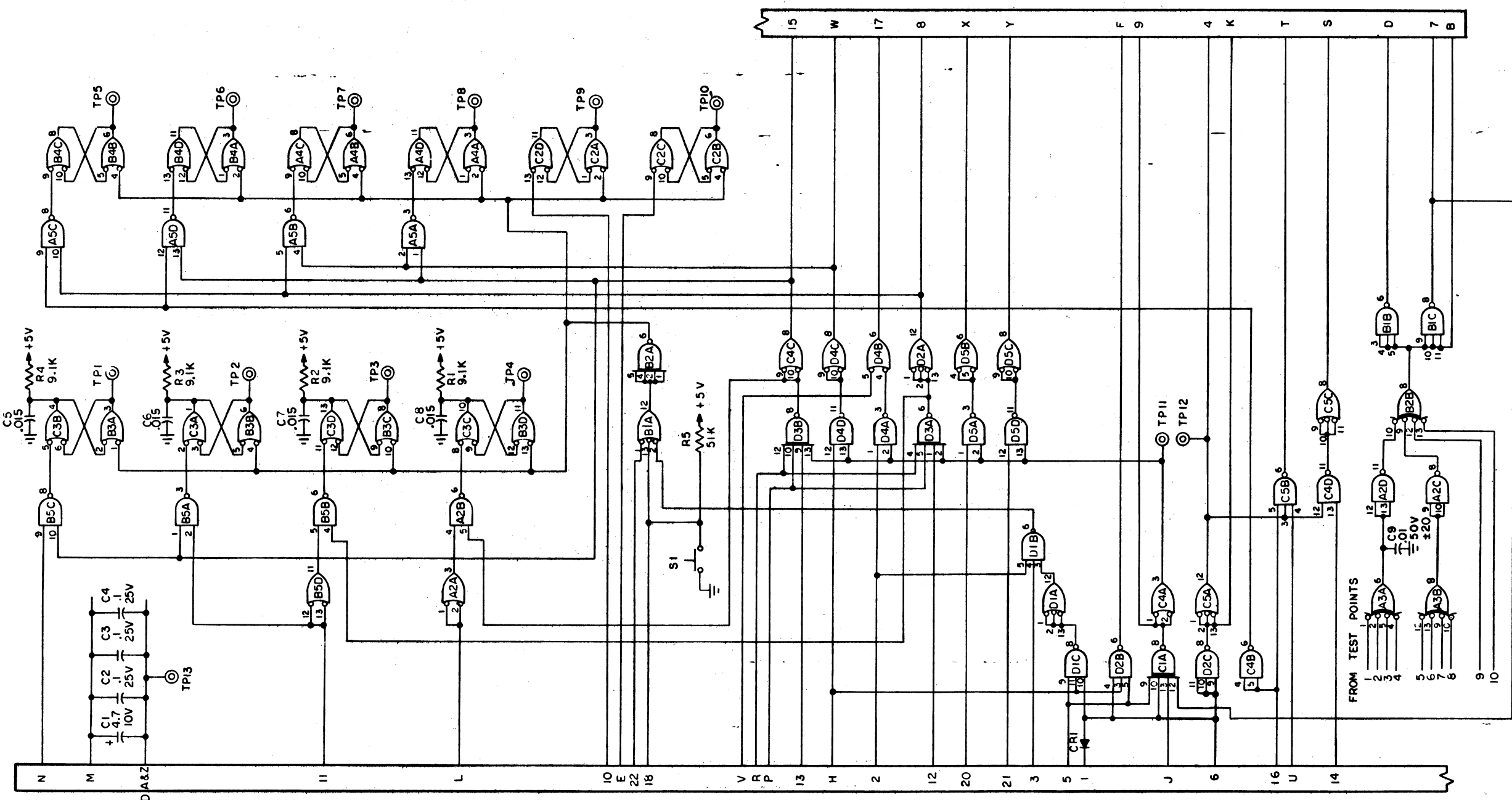
MATERIAL SEE B/M NO 001976	TOLERANCE UNLESS OTHERWISE NOTED	2 PLACE DEC - 3 PLACE DEC	Peripheral Systems Corporation MEMOREX CORPORATION
CASE DEPTH	HARDNESS	ANGLES	DESIGN
SURFACE TREATMENT	CORNERS AND OR EDGES BROKEN	OUTSIDE MAX INSIDE MAX	DETAIL
	RADIUS UNLESS OTHERWISE NOTED		CHECK
001976	D		APPRO
			TYPE SCALE 2/1
			DRAW 2-2-70
			CHECK

XB061

USED ON	RELEASED FOR ASSY	DATE	CHANGE NO	DATE	CHANGE NO
660	001931	4/14/69	296		
		5-20-69	326		
		11/1/69	529		
		Apr 2, 70	785		
		JULY 70	1067		

001932

001932



- NOTES: UNLESS OTHERWISE SPECIFIED
- ALL RESISTORS ARE IN OHMS, 1/4W, 5%
  - ALL CAPACITORS ARE IN MICROFARADS, ±10%
  - IC'S A2, A4, A5, B3, B4, B5, C2, C4, D4 & D5, ARE SN7400N.
  - IC'S B1, C5, D1 & D2, ARE SN7410N.
  - IC'S A3, B2, C1 & D3, ARE SN7440N.
  - IC C3 IS SN7401N.
  - CONNECT PIN 7 OF ALL IC'S TO GROUND, PIN 14 TO +5VDC.
  - CRI IS JT111

LAST REFERENCE DESIGNATION USED	REF DESIGNATION NOT USED
C9 S1 TP13 CRI	

MATERIAL	NO
CASE DEPTH	
HARDNESS	
SURFACE TREATMENT	
001932	

TOLERANCE UNLESS OTHERWISE NOTED	2 PLACE DEC ±
	3 PLACE DEC ±
	ANGLES =
CORNERS AND/OR EDGES BROKEN	OUTSIDE MAX
	INSIDE MAX
RADIUS UNLESS OTHERWISE NOTED	

Peripheral Systems Corporation a subsidiary of MEMOREX CORPORATION			
NAME SCHEMATIC DIAGRAM			
CONTROL/SAFETY			
DESIGN		TYPE	
DETAIL		SCALE	NONE
CHECK		DRAW	<i>[Signature]</i>
APPRO	<i>[Signature]</i>	CHECK	<i>[Signature]</i>
	DATE 4/15/69		DATE 4/13/69

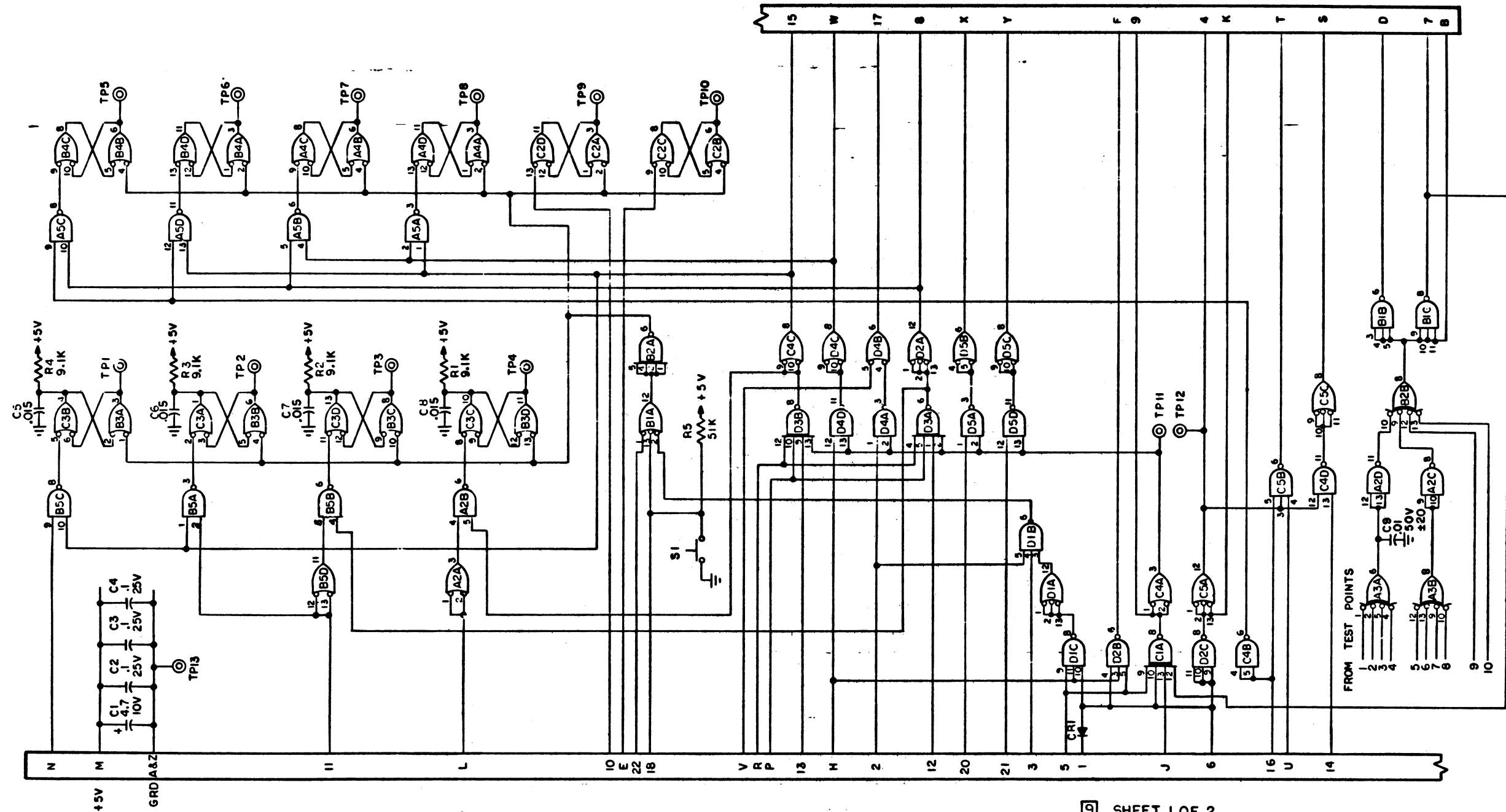
XB070

001932

USED ON	RELEASED FOR ASSY	DATE	CHANGE NO	DATE	CHANGE NO
6E0	001931	4/14/69	296	MAR 75	#24008
		5-20-69	326		
		7/1/69	529		
		Jan. 2, 70	785		
		JULY 70	1067		

001932

001932



- NOTES: UNLESS OTHERWISE SPECIFIED
1. ALL RESISTORS ARE IN OHMS, 1/4W, 5%
  2. ALL CAPACITORS ARE IN MICROFARADS, ±10%
  3. IC'S A2, A4, A5, B3, B4, B5, C2, C4, D4 & D5, ARE SN7400N.
  4. IC'S B1, C5, D1 & D2, ARE SN7410N.
  5. IC'S A3, B2, C1 & D3, ARE SN7400N.
  6. IC C3 IS SN7401N.

7. CONNECT PIN 7 OF ALL IC'S TO GROUND, PIN 14 TO +5VDC.
8. CRI IS UTIII.
9. THIS SHEET REFLECTS CIRCUITS SHOWN ON ASM DWG 001931 SHEET I.

LAST REFERENCE DESIGNATION USED	REF DESIGNATION NOT USED
C9 R5 S1 TP13 CRI	

9 SHEET 1 OF 2

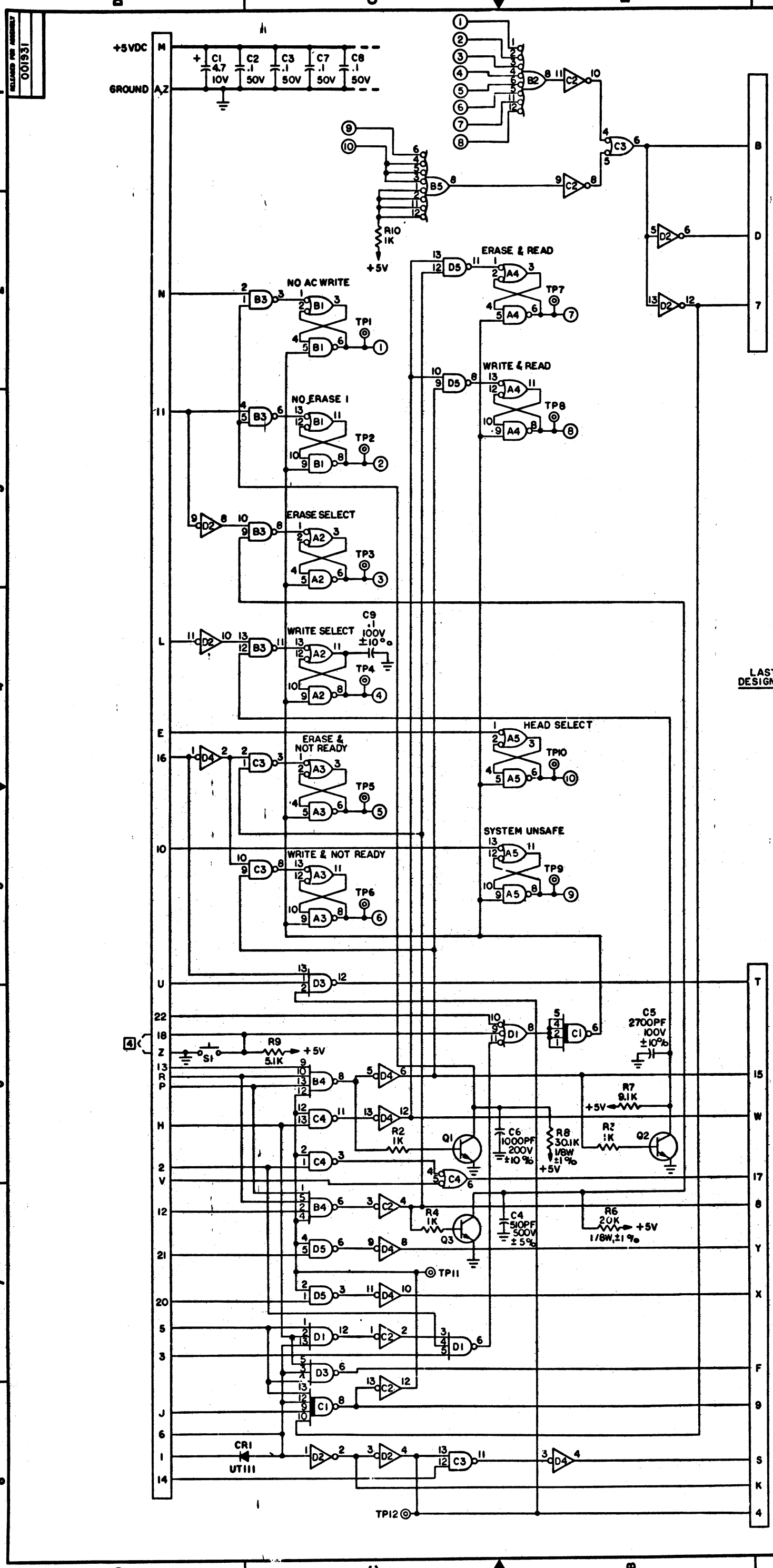
MATERIAL	NO	TOLERANCE UNLESS OTHERWISE NOTED	2 PLACE DEC ±
CASE DEPTH			3 PLACE DEC ±
HARDNESS			ANGLES ±
SURFACE TREATMENT		CORNERS AND/OR EDGES BROKEN	OUTSIDE MAX
		RADI UNLESS OTHERWISE NOTED	INSIDE MAX

Peripheral Systems Corporation a subsidiary of MEMOREX CORPORATION			
NAME SCHEMATIC DIAGRAM			
CONTROL/SAFETY			
DESIGN		TYPE	
DETAIL		SCALE	NONE
CHECK		DRAW	
APPRO	DHL 10/27	4/18/69 4/19/69	CHECK 1/10/69

XB070



RELEASED FOR ASSEMBLY  
001931



MEMOREX EQUIPMENT GROUP  
SCHEMATIC DIAGRAM  
CONTROL/SAFETY

DATE	CHANGE NO.	TECHNICAL APPROVAL	DESIGNER	DATE	APPROVED
MAR 75	24008			7/18/75	

001932

13 SHEET 2 OF 2

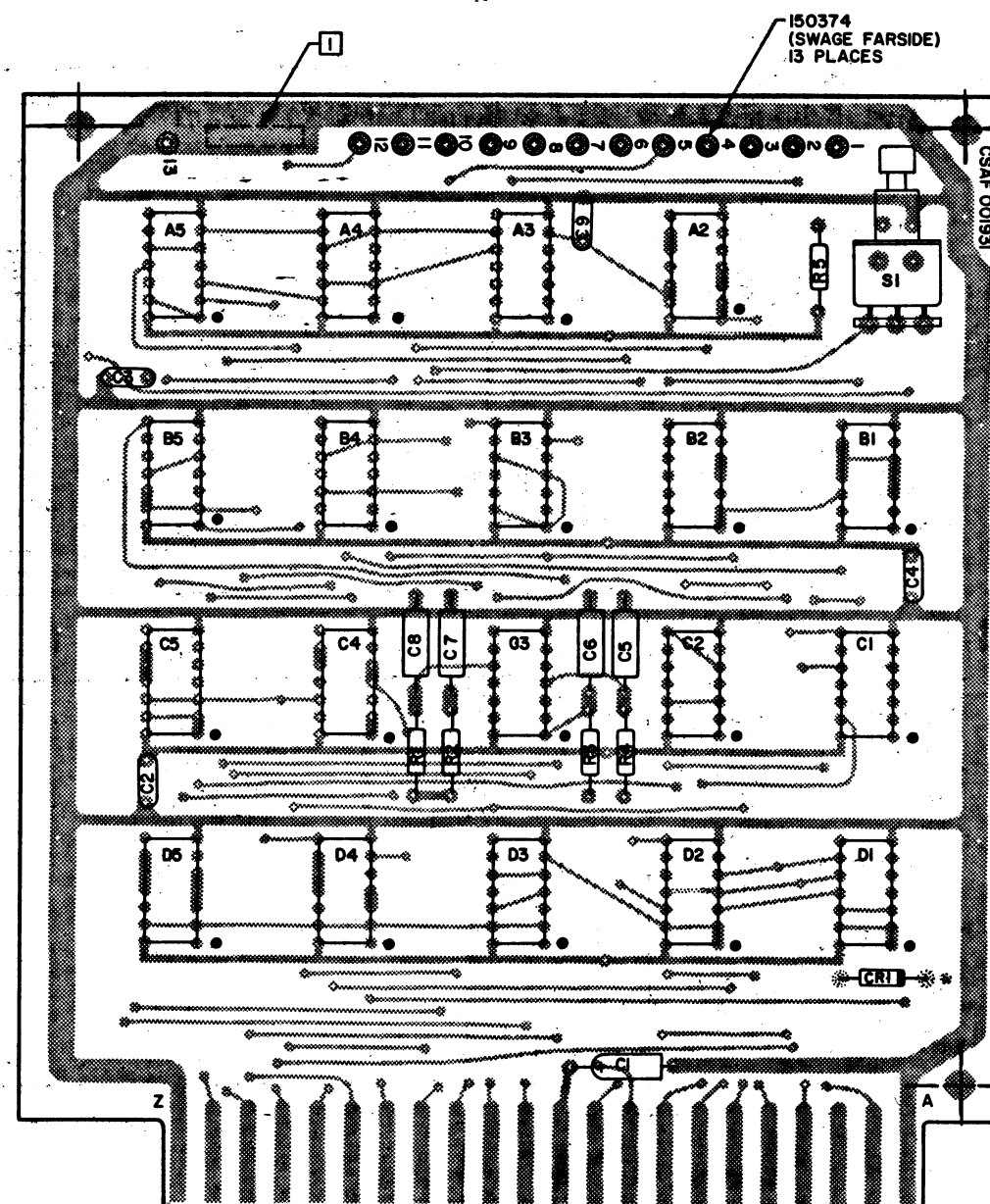
LAST REFERENCE DESIGNATION	REFERENCE DESIGNATION
C8	NOT USED
Q3	NOT USED
R10	NOT USED
S1	NOT USED
TP14	NOT USED

- NOTES:
- UNLESS OTHERWISE SPECIFIED; ALL RESISTORS ARE IN OHMS, 1/4W, 5%.
  - ALL CAPACITORS ARE IN MICROFARADS.
  - ALL TRANSISTORS ARE 2N2369A.
  - JUMPER, IF REQUIRED, FOR TROUBLE SHOOTING (CE RESET).
  - I.C. A2, A3, A4, A5, B1, C3, C4 & D5 ARE SN7400N.
  - I.C. C2, D2 & D4 ARE SN7404N.
  - I.C. D1 IS SN7410.
  - I.C. B2 & B5 ARE SN7430N.
  - I.C. C1 IS A 7440N.
  - CONNECT PIN 7 TO GROUND AND PIN 14 TO +5V<sub>CC</sub> ON ALL I.C.'S.
  - B3 IS SN74LOON.
  - I.C. B4 IS SN7440 & I.C. D3 IS SN7410.
  - THIS SHEET REFLECTS CIRCUITS SHOWN ON ASM DWG 001931 SHEET 2.

XB070

DATE	CHANGE NO.	DATE	CHANGE NO.	001931
Apr 14 69	296	Apr 27 70	785	RELEASED FOR ASSEMBLY MULTI-USE
June 4 69	326B	July 14 70	1067	
Aug 14 69	431			
Nov 6 69	529			

REF DESIG	DESCRIPTION	M. E. G. PART NO.
	PRINTED CIRCUIT BOARD	001931
C2-4	CAPACITOR, C. JUF, 25V, ±20%	150990
C3-8	M. 0.15UF, 100V, ±10%	151169
C1	T. 4.7UF, 10V, ±10%	151124
C9	CAPACITOR, C., 0.1UF, 50V, ±20%	150971
A2, A4, A5, 33, 84, 85, C2, C4, D4, D5	INTEGRATED CIRCUIT, 7400	150666
C3	7401	150667
B1, C5, D1, D2	7410	150669
A3, B2, C1, D3	INTEGRATED CIRCUIT, 7440	150671
R1-4	RESISTOR, COMP, 2.1K, 1/4W, ±5%	151506
R5	RESISTOR, COMP, 51K, 1/4W, ±5%	151524
S1	SWITCH, 7C, PUSH BUTTON	150331
TP1-18	TERMINAL, TURRET	150374
CR1	DIODE, 1N111	150823



REFERENCE DOCUMENTS	E. C. LEVEL
TEST SPEC 001935	1067
SCH. DIAG. 001932	1067
ARTMASTER 001933	1067
FABRICATION 001934	1067
LOGIC DIAG.	

NOTES: UNLESS OTHERWISE SPECIFIED—

1. MARK LATEST ENGINEERING CHANGE NUMBER WITH 1/8" HIGH BLACK CHARACTERS, APPROXIMATELY AS SHOWN.

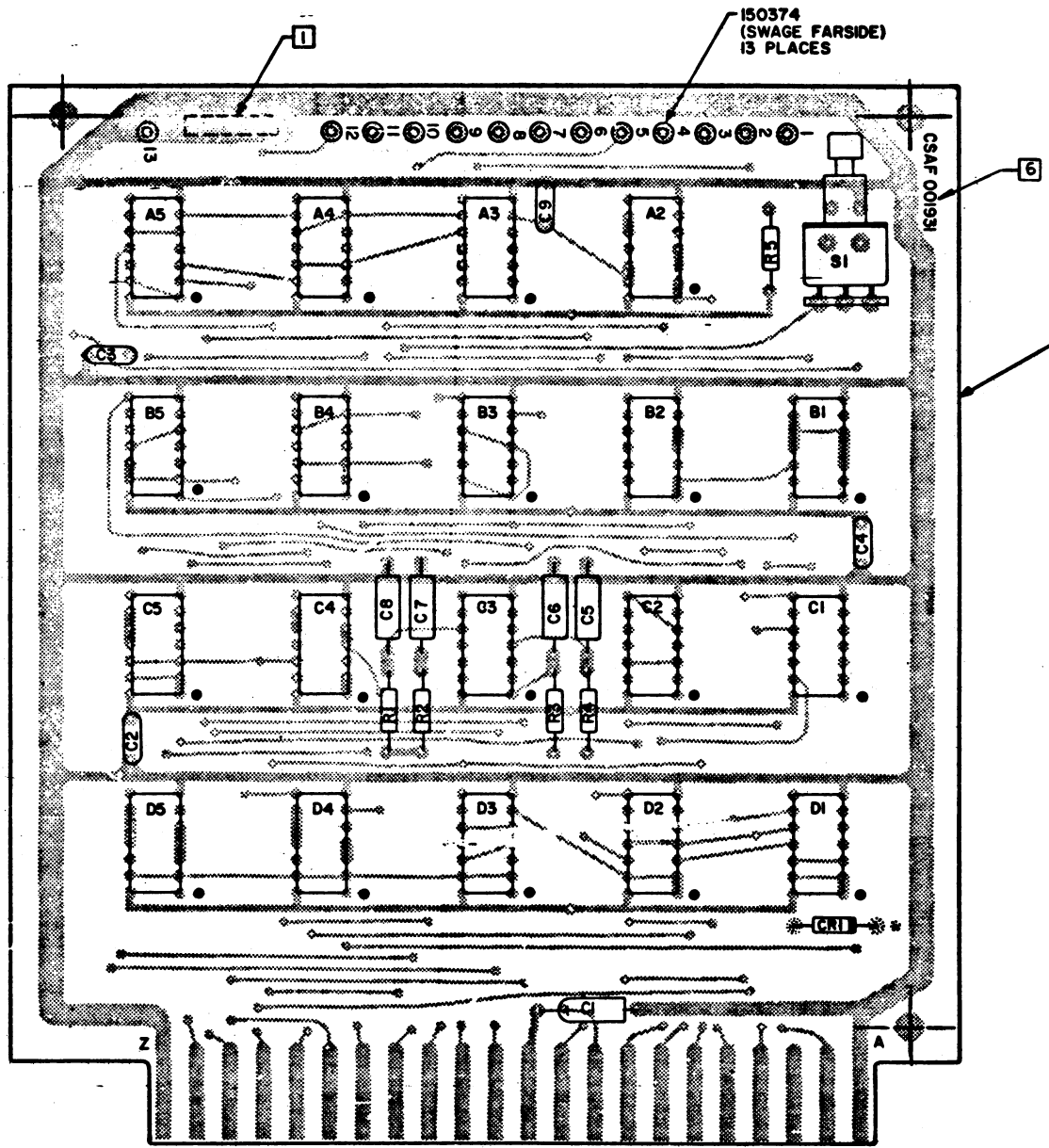
2. COMPONENT HEIGHT NOT TO EXCEED .400"

XB071

MATERIAL	NO.	MUST CONFORM TO ENG. SPEC 88000	TOLERANCE UNLESS OTHERWISE NOTED	MEMOREX EQUIPMENT GROUP
B/M	NO. 001931			
CASE DEPTH		TECHNICAL APPROVAL	LINEAR ±	NAME P. C. BOARD ASSEMBLY
HARDNESS			ANGULAR ±	CONTROL / SAFETY
SURFACE TREATMENT			CORNERS AND OR EDGES BROKEN	DESIGN SCALE 2/1
STD CODE			ONTSIDE MAX	CHECK DATE Apr 27 70
			INSIDE MAX	APPRO
				001931

DATE	CHANGE NO.	DATE	CHANGE NO.	001931
Apr 2, 69	296	Apr 2, 70	785	
Apr 14, 69	326B	Jan 7, 70	1067	RELEASED FOR ASSEMBLY
Nov 6, 69	431	DEC 70	1894	MULTI-USE
	529	MAR 75	24008	

REF DESIG	DESCRIPTION	M. E. Q. PART NO.
C2-A	CAPACITOR, C. 1UF, 25V, ±20%	150990
C5-B	M. 0.05UF, 100V, ±10%	151169
C1	1.47UF, 10V, ±10%	151124
C9	CAPACITOR, C. 0.01UF, 50V, ±20%	150971
A2, A4, A5	INTEGRATED CIRCUIT, 7400	150666
B3, B4, B5		
C2, C4, C4		
D5		
C3	7401	150667
B1, C5, D1, D2	7410	150669
A3, B2, C1, D3	INTEGRATED CIRCUIT, 7440	150671
R1-A	RESISTOR, COMP. 9.1K, 1/4W, ±5%	151506
R5	RESISTOR, COMP. 51K, 1/4W, ±5%	151524
S1	SWITCH, RC, PUSH BUTTON	50331
TP1-13	TERMINAL, TURRET	150374
CR1	DIODE, UT11	150223



REFERENCE DOCUMENTS	EC LEVEL
SCH. DIAG.	001932 *24008
ARTMASTER	001933 1067

- NOTES:
- MARK LATEST ENGINEERING CHANGE NUMBER WITH 1/8" HIGH BLACK CHARACTERS, APPROXIMATELY AS SHOWN.
  - COMPONENT HEIGHT NOT TO EXCEED .400"
  - PC BOARD 001934 MUST BE AT EC LEVEL 1067.
  - MUST CONFORM TO ENGINEERING SPECIFICATION 001935 AT EC LEVEL 1094.
  - ADDITIONAL CONSTRUCTION ALLOWABLE PER TABLE 1.
  - USE SHEET 1 FOR NEW BUILD ASM WITH ETCHED P/N 001931.
  - USE SHEET 2 FOR REWORK ASM WITH STAMPED P/N 001931.

TABLE 1

FAB / EC	SCHEMATIC	RWK INST / EC
003234/1241	001932	EC24008A/NOTICE

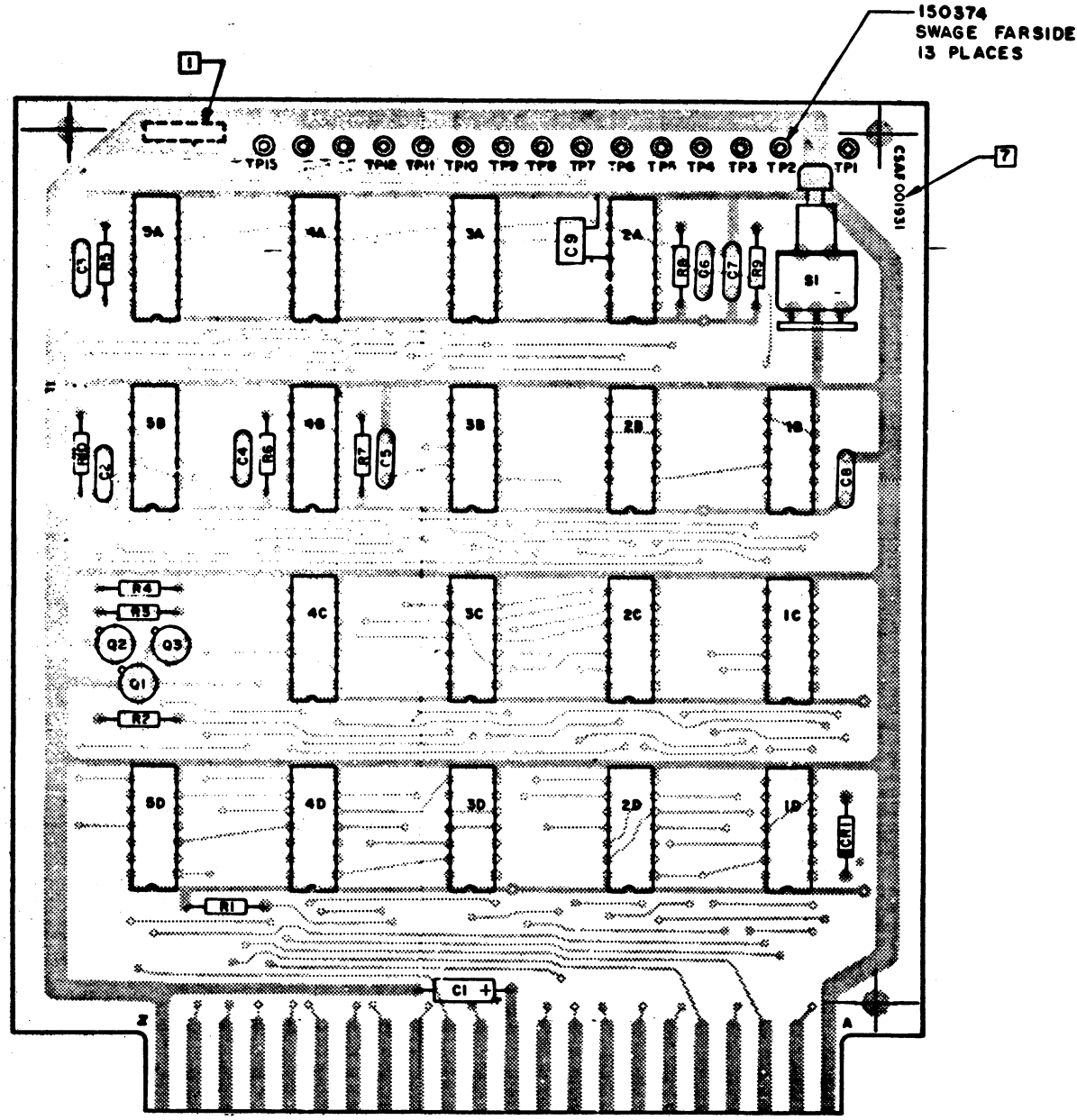
SHEET 1 OF 2

MATERIAL NO. B/M NO. 001931	MUST CONFORM TO ENG. SPEC 880000	TOLERANCE UNLESS OTHERWISE NOTED	MEMOREX EQUIPMENT GROUP
CASE DEPTH	TECHNICAL APPROVAL	LINEAR ±	NAME I.P.C. BOARD ASSEMBLY CONTROL / SAFETY
HARDNESS		ANGULAR ±	DESIGN DETAIL
SURFACE TREATMENT		CORNERS AND OR EDGES BROKEN	SCALE 2/1
STD CODE		OUTSIDE	APR 2 1970
		INSIDE	001931

XB071

DATE	CHANGE NO.	DATE	CHANGE NO.	001931
MAR 75	24008			
				RELEASED FOR ASSEMBLY
				MULTI-USE

REF DESIG	DESCRIPTION	M. E. & PART NO.
C9	CAPACITOR C. .1UF, 100V, ±10%	54151
C5	CAPACITOR C. 2700PF, 100V, ±10%	154189
C2, C3, C8	CAPACITOR C. .1UF, 50V, ±20%	150994
C4	M. .517PF, 50V, ±5%	153732
C6	C. .001UF, 200V, ±10%	154184
C1	CAPACITOR T. 4.7UF, 10V, ±10%	151124
CR1	DIODE, UT111	150823
BE	INTEGRATED CIRCUIT, SN74L0N	150587
2A, 3A, 4A		SN7400N 150666
2C, 2D, 4D		SN7404N 150679
1D, 3D		SN7410N 150669
2B, 5B		SN7430N 150670
1C, 4B	INTEGRATED CIRCUIT, SN7400N	150671
R1, R5	RESISTOR, COMP, 10K, 1/4W, ±5%	151507
R2, R3, R4		1K, 151483
R9		5.1K, 151500
R7	RESISTOR, COMP, 9.1K, 1/4W, ±5%	151506
R8	RESISTOR, ME, 30.1K, 1/8W, ±1%	15B105
R6	RESISTOR, ME, 20K, 1/8W, ±1%	153088
S1	SWITCH, P/C, PUSH BUTTON	150331
TP1-TP13	TERMINAL TURRET	150374
Q1-Q3	TRANSISTOR, 2N2369A	150763



7 SHEET 2 OF 2

MATERIAL	NO.	MUST CONFORM TO ENG. SPEC 88000	TOLERANCE UNLESS OTHERWISE NOTED	MEMOREX EQUIPMENT GROUP
CASE DEPTH		TECHNICAL APPROVAL	LINEAR ±	
HARDNESS			ANGULAR ±	DESIGN DETAIL
SURFACE TREATMENT			CORNERS AND/OR EDGES BROKEN	SCALE 2/1
STD CODE			OUTSIDE	MAX CHECK DATE 7/15/75
			INSIDE	MAX APPRO

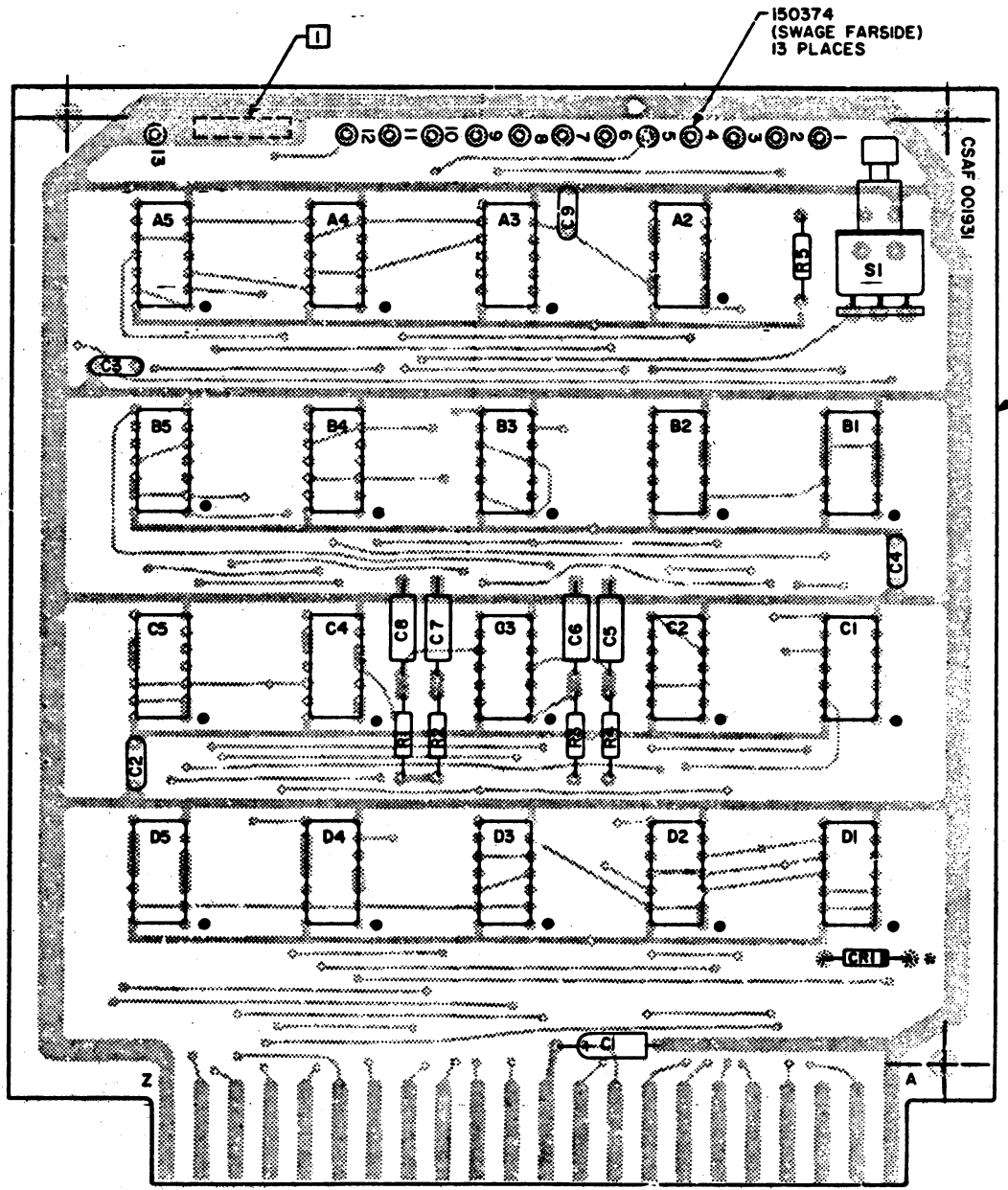
XB07

001931

296 JUN 70 785  
 3268 JUN 70 1067  
 431 DEC 70 1694 MULTI-USE  
 529

001931

REF DESIG	DESCRIPTION	M. E. G. PART NO.
C2-A	CAPACITOR, .1 UF, 25V, ±20%	150990
C3-B	4.7 UF, 10V, ±3%	151124
C9	CAPACITOR, .01 UF, 50V, ±20%	150971
A2, A4, A5	INTEGRATED CIR. UNIT, 7400	50666
B3, B4, B5		
C2, C4, C7		
C3	7401	150667
B1, C5, D4, D5	7410	50669
A3, B2, C1, D3	INTEGRATED CIRCUIT, 7440	150671
R1-A	RESISTOR, COMP. 2.1K, 1/4W, ±5%	151506
R5	RESISTOR, COMP. 51K, 1/4W, ±5%	151524
S1	SWITCH, 30. PUSH BUTTON	150331
API-13	TERMINAL, TURRET	150374
CR1	DIODE, UT11	150623



001934 [3]

REFERENCE DOCUMENTS	E.C. LEVEL
SCH. DIAG. 001932	1067
ARTMASTER 001933	1067

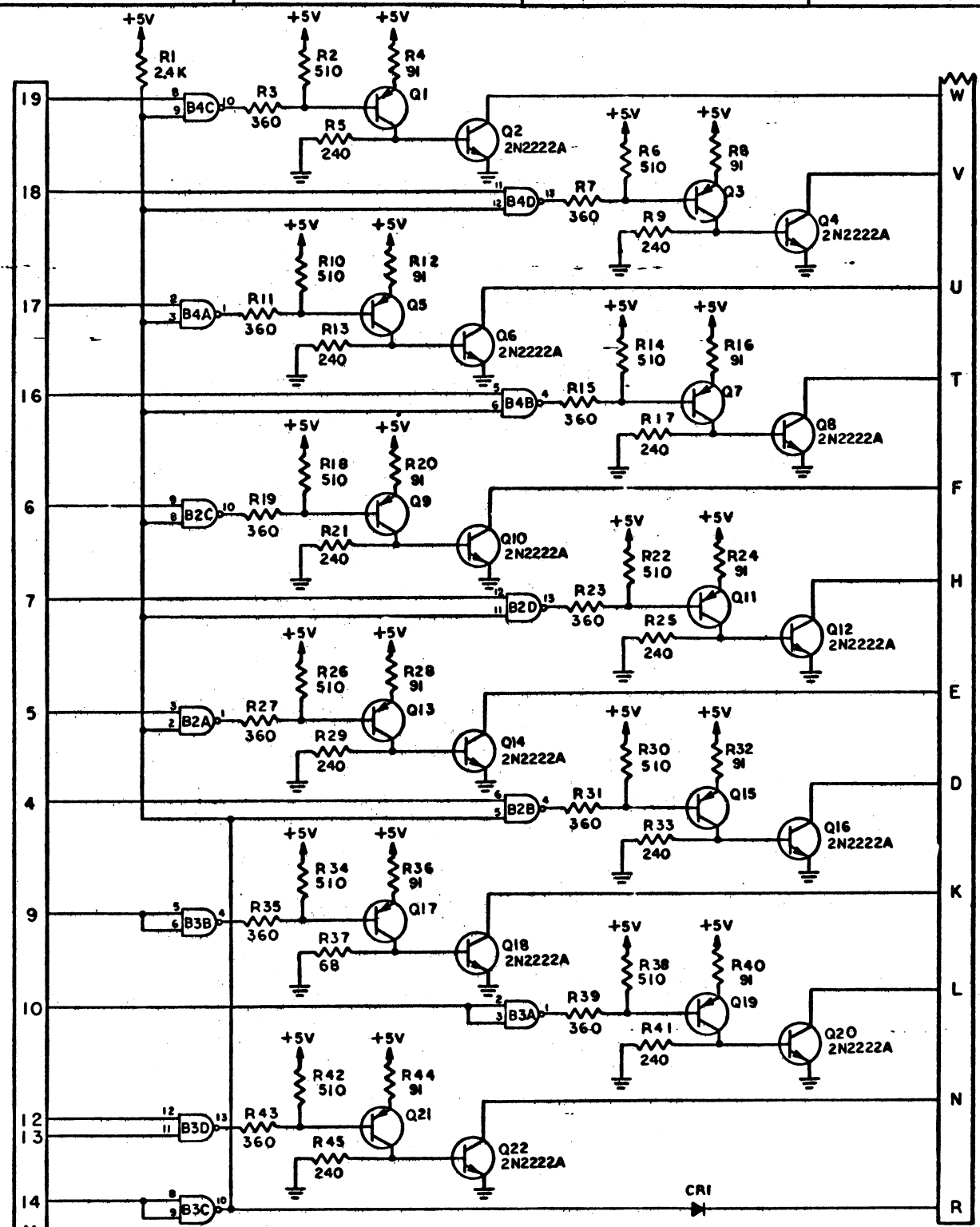
- NOTES:
- MARK LATEST ENGINEERING CHANGE NUMBER WITH 1/8" HIGH BLACK CHARACTERS, APPROXIMATELY AS SHOWN.
  - COMPONENT HEIGHT NOT TO EXCEED .400"
  - PC BOARD 001934 MUST BE AT EC LEVEL 1067.
  - MUST CONFORM TO ENGINEERING SPECIFICATION 001935 AT EC LEVEL 1694.

XB071

B/M NO. 001931 CASE DEPTH HOLE DIA. SURFACE TREATMENT	TECHNICAL APPROVAL	TO BE REVIEWED BY QUALITY CONTROL DATE	<b>MEMOREX EQUIPMENT GROUP</b> P.C. BOARD ASSEMBLY CONTROL / SAFETY 2/1 001931
--	--------------------	--	--

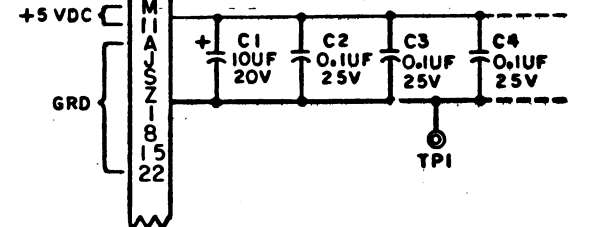
001937

USED ON	RELEASED FOR ASSY	DATE	CHANGE NO	DATE	CHANGE NO
660-1	001936	4-9-69	301		
	MULTI-USE	5-1-69	305		
		MAY 9, 70	1005		
		JULY 7, 70	1007		
		SEPT 7, 70	1244		



- NOTES: UNLESS OTHERWISE SPECIFIED
- 1 ALL RESISTORS ARE IN OHMS 1/4W ±5%
  - 2 ALL IC'S ARE SN740IN
  - 3 CONNECT ALL IC'S PIN 7 TO GRD PIN 14 TO +5VDC
  - 4 ALL TRANSISTORS ARE 2N2907
  - 5 DIODE IS UT111

LAST REFERENCE DESIGNATIONS USED	REFERENCE DESIGNATIONS NOT USED
C4	
Q22	
R45	
TPI	
CR1	



001937

XB080

MATERIAL	NO	TOLERANCE UNLESS OTHERWISE NOTED	2 PLACE DEC ±	Peripheral Systems Corporation a subsidiary of MEMOREX CORPORATION	
CASE DEPTH			3 PLACE DEC ±	NAME   SCHEMATIC DIAGRAM	
HARDNESS			ANGLES ±	LINE DRIVERS	
SURFACE TREATMENT		CORNERS AND/OR EDGES BROKEN	OUTSIDE MAX	DESIGN	TYPE
		RADI UNLESS OTHERWISE NOTED	INSIDE MAX	DETAIL	SCALE NONE
001937		D		CHECK	DRAW
				APPRO	CHECK

(DRIV)

JAN 1969

2 3 4 5 6 7 8 9

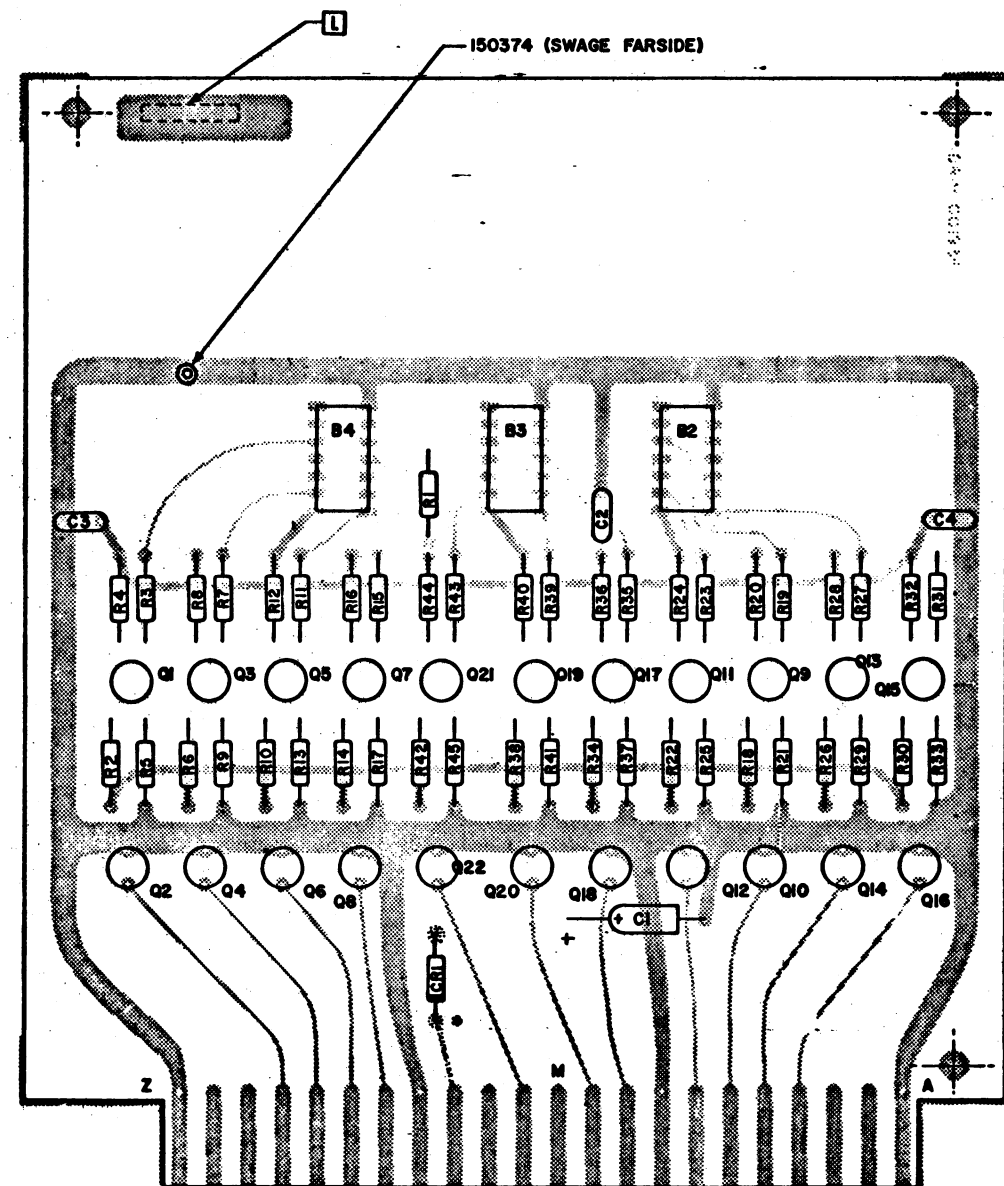
001936

001936

USED ON	RELEASED FOR ASSY	DATE	CHANGE NO	DATE	CHANGE NC
	MULTI- USE	4-9-69	301	SEPT, 70	1244
		5-1-69	305A		
		10-20-69	462		
		MAY 1970	1005		
		JULY 70	1067		

001936

REF DESIG	DESCRIPTION	M. E. G. PART NO.
	PRINTED CIRCUIT BOARD	001936
C2,3,4	CAPACITOR, C, .1UF, 25V, ±20%	50990
C1	CAPACITOR, T, 10UF, 20V, ±10%	151132
IC2,3,4	INTEGRATED CIRCUIT 54740W	150667
R4,8,12, 16,20,24, 28,32,36, 40,44		
R3,7,11, 15,19,23, 27,31,35, 39,43	360Ω, 1/4W, ±5%	151472
R2,6,10, 14,18,22, 26,30,34, 38,42	510Ω, 1/4W, ±5%	151476
R5,9,13, 17,21,25, 29,33, 41,45	240Ω, 1/4W, ±5%	151468
R1	RESISTOR, COMP, 2.4K, 1/4W, ±5%	151492
R37	RESISTOR, COMP, 68Ω, 1/4W, ±5%	151455
Q1,3,5, 7,9,11,13, 15,17,19, 21	TRANSISTOR, 2N2907	150768
Q2,4,6, 8,10,12, 14,16,18, 20,22	TRANSISTOR, 2N2222A	150768
TP1	TERMINAL, TURRET	150374
CR1	DIODE, UT111	150823



NOTES: UNLESS OTHERWISE SPECIFIED

- 1. MARK LATEST ENGINEERING CHANGE NUMBER WITH 1/8" HIGH BLACK CHARACTERS, APPROXIMATELY AS SHOWN.
- 2. COMPONENT HEIGHT NOT TO EXCEED .400"

XB081

2 3 4 5 6 7 8 9

001936

REFERENCE DOCUMENTS	EC LEVEL
SCH. DIAG. 001937	1244
ARTMASTER 001938	1067
FABRICATION 001939	1067
ENGRG. SPEC 001940	1244

MATERIAL SEE B/M NO 001936	TOLERANCE UNLESS OTHERWISE NOTED	2 PLACE DEC ±	Peripheral Systems Corporation a subsidiary of MEMOREX CORPORATION	
CASE DEPTH		3 PLACE DEC ±	NAME P.C. BOARD ASSEMBLY	
HARDNESS		ANGLES =	LINE DRIVERS	
SURFACE TREATMENT	CORNERS AND OR EDGES BROKEN	OUTSIDE MAX	DESIGN	TYPE
	RADI UNLESS OTHERWISE NOTED	INSIDE MAX	DETAIL	SCALE 2/1
001936	D		CHECK	DRAW JLN 3/2/69
			APPRO	CHECK

NOTES: UNLESS OTHERWISE SPECIFIED

- 1. ALL RESISTORS ARE IN OHMS, 1/4W, 5%
- 2. ALL DIODES ARE IN4148
- 3. ALL TRANSISTORS ARE 2N2307
- 4. IC A1 IS SN7401N
- 5. IC D1 IS SN7402N
- 6. CONNECT IC'S PIN 7 TO GRD, PIN 14 TO +5VDC
- 7. CONNECT IC'S A1, D1 PIN 2, 3 TO GRD.

LAST REFERENCE DESIGNATION USED

CR12	CR11
CR8	R43-46
CR6	Q31,32,33
R85	
TP6	

(RECV)

Peripheral Systems Corporation

SCHWARTZ DIAGRAM

LINE RECEIVER

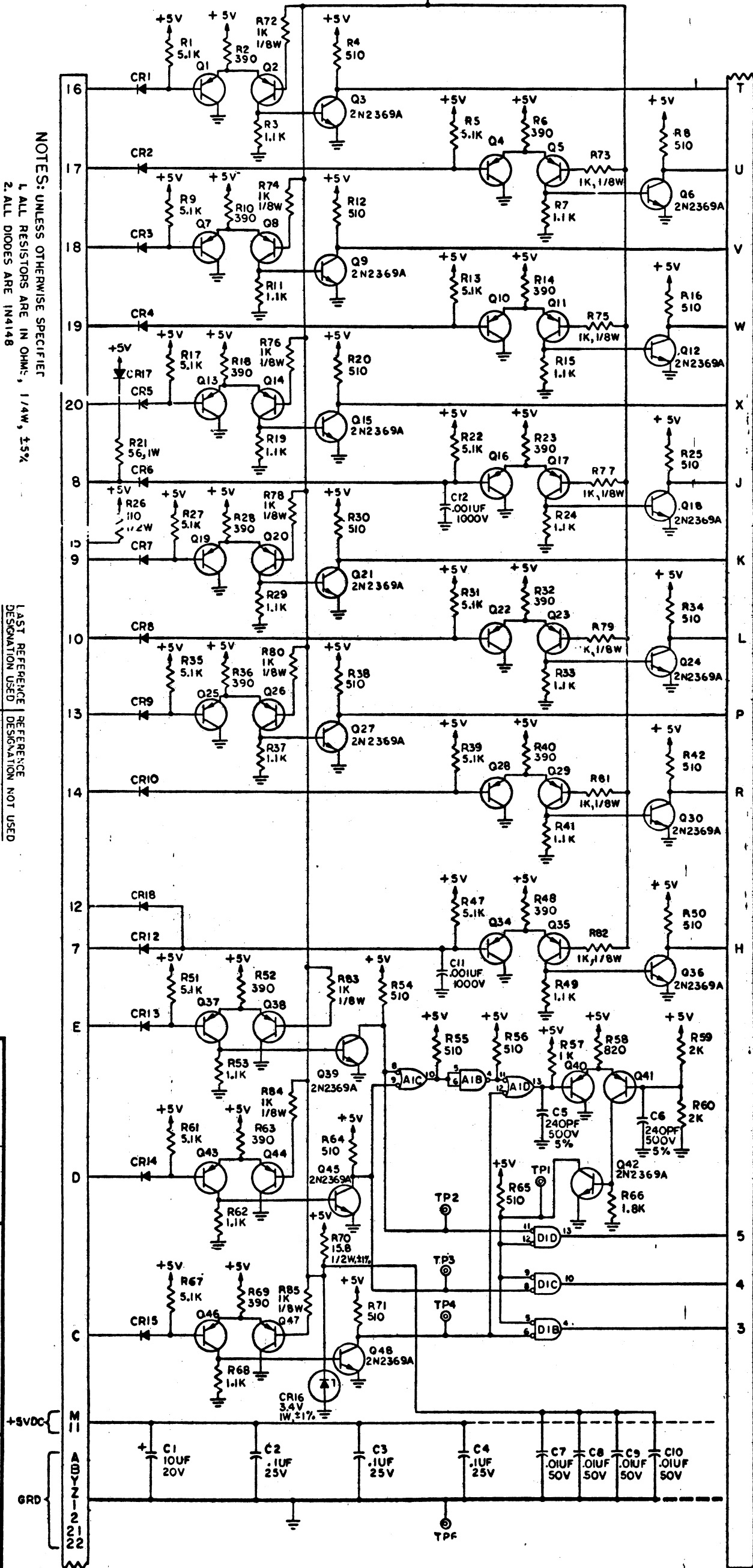
MATERIAL NO	TOLERANCE UNLESS OTHERWISE NOTED	2 PLACE DEC =	NAME
CASE DEPTH	OTHERWISE	3 PLACE DEC =	SCHWARTZ DIAGRAM
HARDNESS	NOTED	ANGLES =	LINE RECEIVER
SURFACE TREATMENT	CORNERS AND/OR EDGES BROKEN	MAX OUTSIDE	TYPE
FINISH	RADIO UNLESS OTHERWISE NOTED	MAX INSIDE	SCALE
			NONE
			DESIGN
			DETAIL
			CHECK
			APPROV

001952

D

8

9



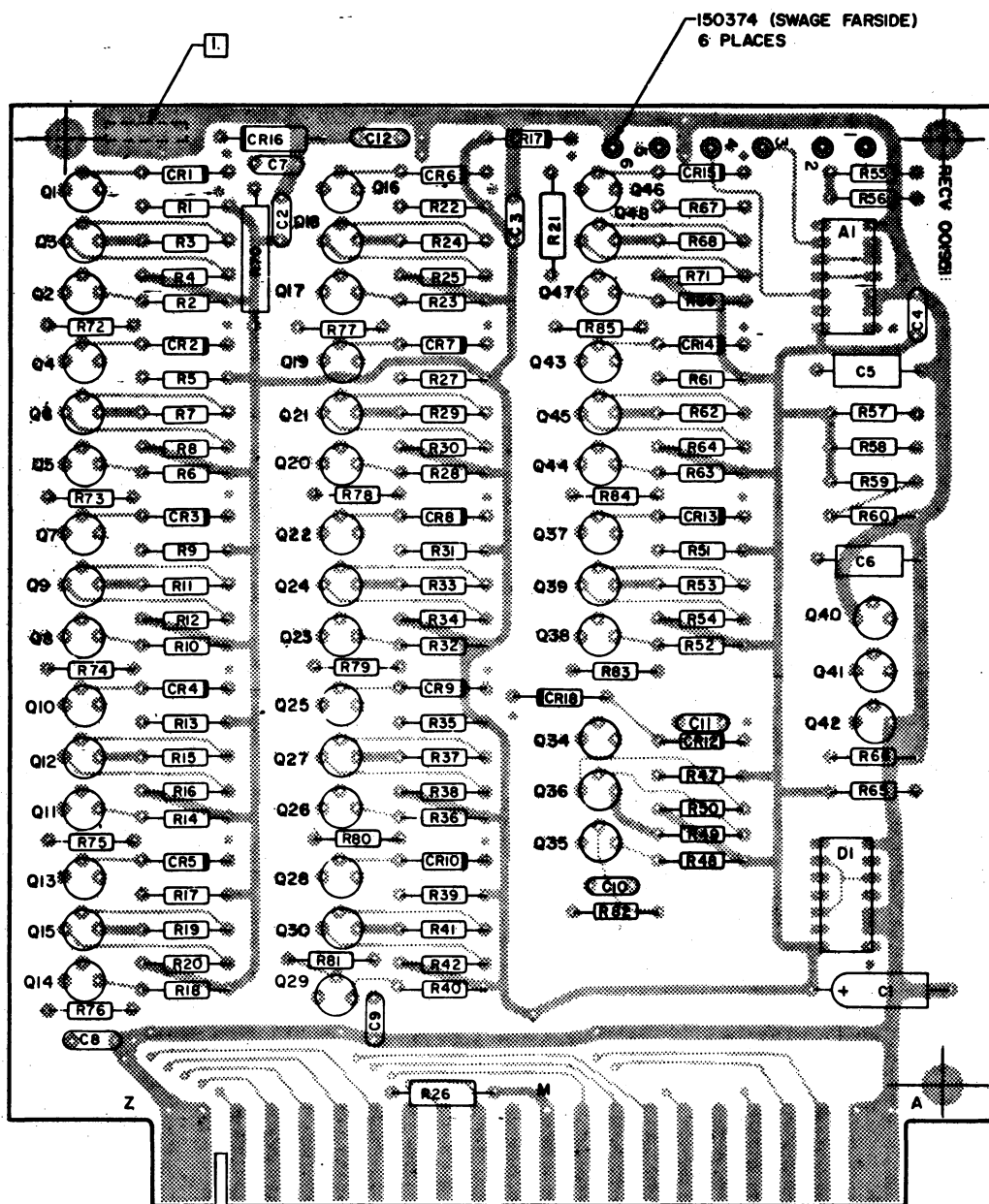
USED ON	RELEASED FOR ASSY	DATE	CHANGE NO	DATE	CHANGE NO
660-1	001951	1/1/69	296		
		1/2/69	305B		
		1/2/69	1051		



DATE	CHANGE NO.	DATE	CHANGE NO.	001951
4/4/69	296			
4/30/69	305			RELEASED FOR ASSEMBLY
10/20/69	162			2 0102 2
MAY 10, 70	1031			

REF DESIG	DESCRIPTION	M. E. Q. PART NO.
	PRINTED CIRCUIT BOARD	001954
C11,12	CAPACITOR, C, .001UF, 100V, ±10%	150965
C7-10	C, .01UF, 50V, ±20%	150991
C2,3,4	C, .1UF, 25V, ±20%	150990
C5,6	P, 240PF, 500V, ±5%	151231
C1	CAPACITOR, T, 10UF, 20V, ±10%	151152
CR1-10	DIODE, 1N4148	150834
12-15, 17, 18		
CR16	DIODE, ZENER, 3.4V, ±1%, 100MA	150889
A1	INTEGRATED CIRCUIT, SN7401N	150667
D1	INTEGRATED CIRCUIT, SN7402N	150668
R70	RESISTOR, MF, 15.8Ω, 1/2W, ±1%	152373
R21	WW, 56Ω, 1/4W, ±5%	153449
R2,6,10,14,18,23,28,32,36,40,48,52,63,69	COMP, 390Ω, 1/4W, ±5%	151473
R4,8,12,16,20,25,30,34,38,42,50,54,55,56,64,65,71	COMP, 510Ω, 1/4W, ±5%	151476
R56	COMP, 820Ω, 1/4W, ±5%	151481
R57	RESISTOR, COMP, 1K, 1/4W, ±5%	151483
R3,7,11,13,19,24,29,33,37,41,49,53,62,68	1.1K, 1/4W, ±5%	151484
R66	1.8K, 1/4W, ±5%	151489
R59,60	2K, 1/4W, ±5%	151490
R1,5,9,13,17,22,27,31,35,39,47,51,61,67	5.1K, 1/4W, ±5%	151500
R26	110Ω, 1/2W, ±5%	151604
RT2-85	RESISTOR, COMP, 1K, 1/8W, ±5%	152973
Q3,6,9,12,15,18,21,24,27,30,36,39,42,45,48	TRANSISTOR, 2N2369A	150763

REF DESIG	DESCRIPTION	M. E. Q. PART NO.
Q1,2,4,5,7,8,10,11,13,14,16,17,19,20,22,23,25,26,28,29,34,35,37,38,40,41,43,44,46,47	TRANSISTOR, 2N2907	150765
TPI-6	TERMINAL, TURRET	150374



REFERENCE DOCUMENTS	E. C. LEVEL
TEST SPEC	001955 1031
SCH. DIAG.	001952 1031
ARTMASTER	001953 1031
FABRICATION	001954 1031
LOGIC DIAG.	

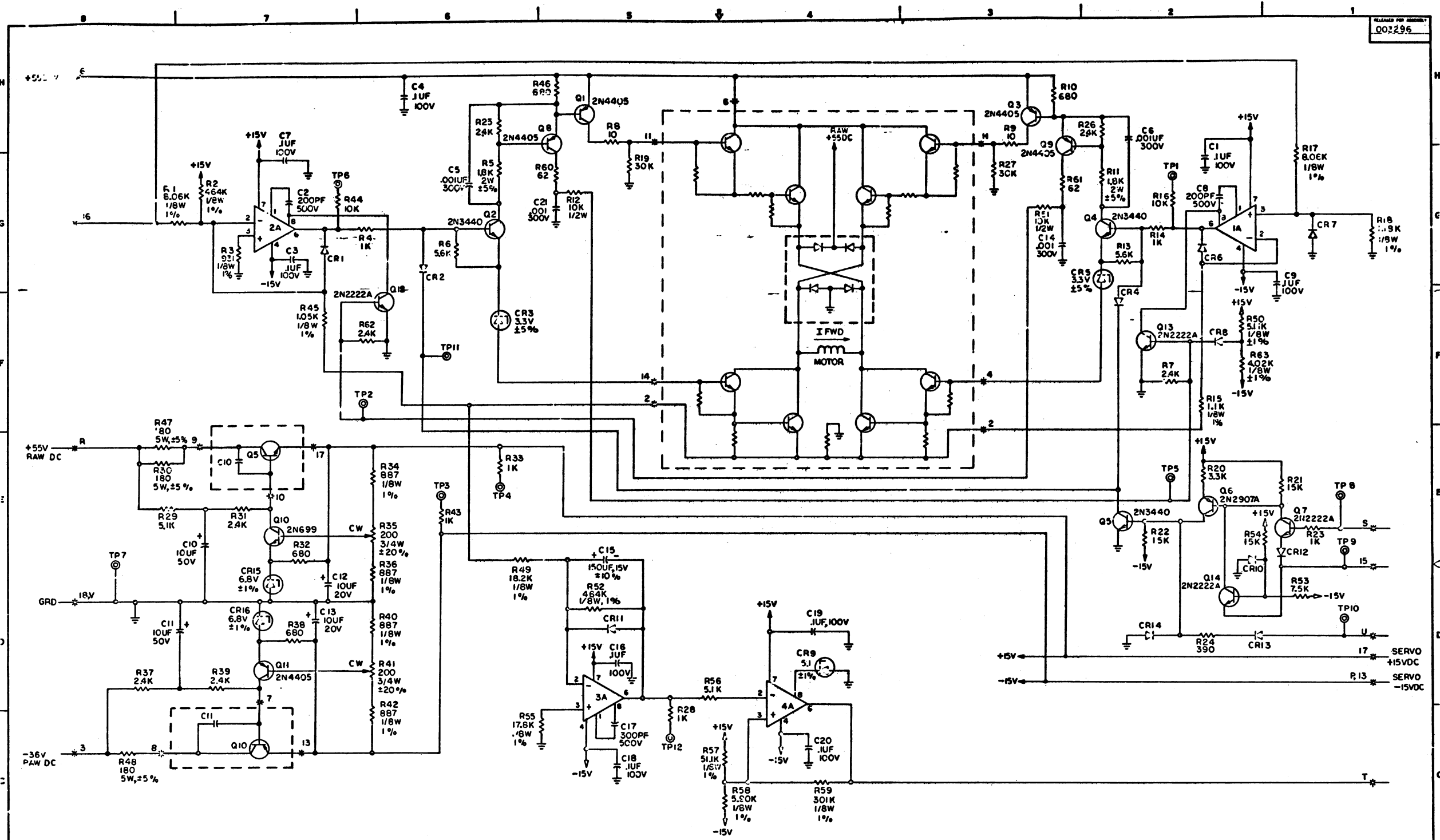
NOTES: UNLESS OTHERWISE SPECIFIED -

1. MARK LATEST ENGINEERING CHANGE NUMBER WITH 1/8" HIGH BLACK CHARACTERS, APPROXIMATELY AS SHOWN.

2. COMPONENT HEIGHT NOT TO EXCEED .400"

XB101

MATERIAL NO. SEE B/M 001951	MUST CONFORM TO ENG. SPEC 88000	TOLERANCE UNLESS OTHERWISE NOTED	MEMOREX EQUIPMENT GROUP
CASE DEPTH	TECHNICAL APPROVAL	LINEAR ±	
HARDNESS		CORNERS AND OR EDGES BROKEN	NAME P.C. BOARD ASSEMBLY
SURFACE TREATMENT		ONTSIDE	DESIGN SCALE 2/1
STD. CONF	D	INSIDE	CHECK
			APPROV. DATE 4/9/69
			001951



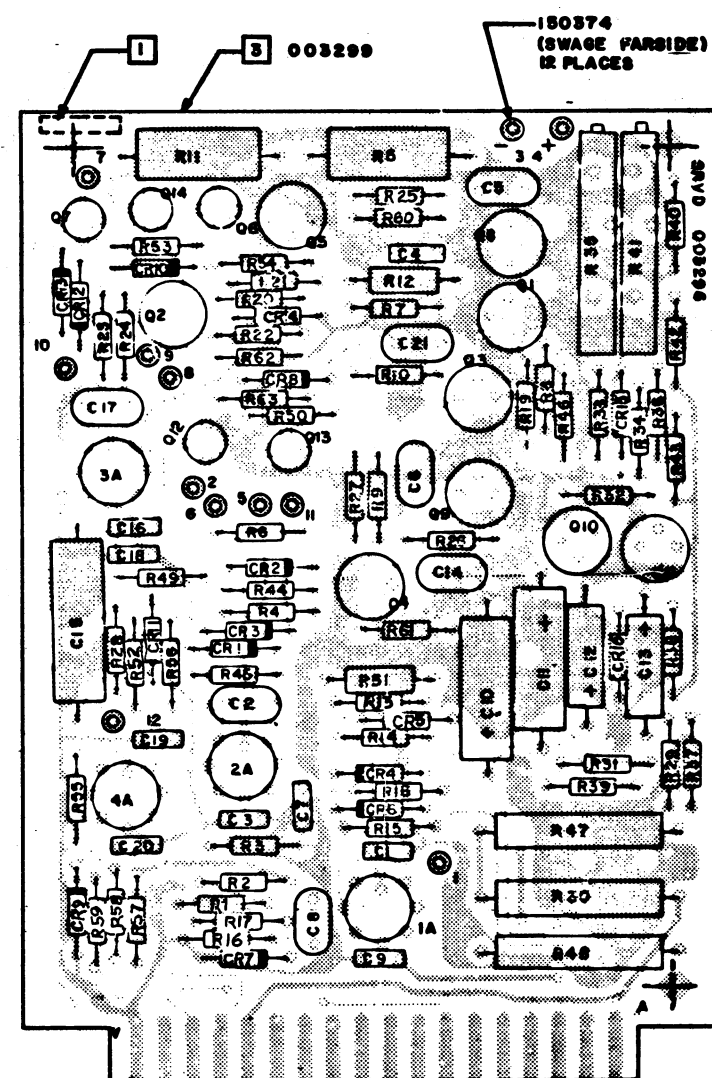
- NOTES; UNLESS OTHERWISE SPECIFIED:
1. ALL DIODE ARE IN4148
  2. ALL RESISTORS ARE IN OHMS, 1/4W, ±5%
  3. INTEGRATED CIRCUITS 1A, 2A, AND 4A ARE LM201 AND 3A IS LM3014
  4. COMPONENTS SHOWN WITHIN DASHED LINES ARE LOCATED IN POWER SUPPLY ASSEMBLY.

LAST REFERENCE DESIGNATION USED	REFERENCE DESIGNATION (NOT USED)
C21	
4A	
Q14	
CR16	
R33	
TP12	

DATE	CHANGE NO.	DATE	CHANGE NO.	003296
DEC 70	1620			
JAN 71	1633			RELEASED FOR ASSEMBLY
JUN 71	2146			MULTI-USE

REF DESIG	DESCRIPTION	M E O PART NO
C10,11	CAPACITOR, T, 10UF, 50V, ± 10%	151190
C12,13	T, 10UF, 20V, ± 10%	151132
C15	T, 150UF, 15V, ± 10%	151151
C1,3,4,7,9	C, .1UF, 100V, ± 10%	154151
16,18,19,20		
C5,6,21,14	SM, .001UF, 300V, ± 5%	153738
C17	M, 300PF, 500V, ± 5%	153726
C2,8	CAPACITOR, M, 200PF, 500V, ± 5%	153722
CR1,2,4,6,7	DIODE, 1N4148	150834
10-14,8		
CR15,16	Z, 6.8V, ± 1%	150901
CR9	Z, 5.1V, ± 1%	150898
CR3,5	DIODE, Z, 3.3V, ± 5%	150914
1A, 2A, 4A	INTEGRATED CIRCUIT, LM201	150676
3A	INTEGRATED CIRCUIT, LM301A	150645
R35, 41	POTENTIOMETER 200 OHMS, 3/4W ± 20%	153404
R34, 36, 40	RESISTOR, MF, 887 OHMS, 1/8W, ± 1%	153198
42		
R45	1 05K	153013
R18	1 18K	153018
R58	5 30K	153229
R1, 17	8 06K	153242
R55	17 8K	153083
R49	18 2K	153084
R57	51 1K	153271
R59	301K	153346
R52, 2	464 K	153364
R3	931 OHMS	153200
R15	1.1K	153015
R63	4.02K	153213
R50	RESISTOR, MF, 5.11K 1/8W, ± 1%	153223
R60, 61	RESISTOR, COMP 62 OHMS 1/4W, ± 5%	151454
R10, 32, 38	680 OHMS	151479
46		
1, 24	390 OHMS	151473
R4, 14, 23	1 K	151483
28, 33, 43		
R25, 26, 31	2.4 K	151492
37, 39, 62		
7		
R20	3.3K	151492
R29, 56	5.1K	151500
R6, 13	RESISTOR, COMP, 5.6K, 1/4W, ± 5%	151501

REF DESIG	DESCRIPTION	M E O PART NO
R16, 44	RESISTOR, COMP, 10K, 1/4W, ± 5%	151507
R19, 27	30 K	151518
R21, 54, 22	15 K	151511
R53	7.5 K	151504
R8, 9	RESISTOR, COMP, 10 OHMS, 1/4W, ± 5%	151963
R12, 51	RESISTOR, COMP, 10 K, 1/2W, ± 5%	151631
R5, 11	RESISTOR, COMP, 1.8 K, 2W, ± 5%	151897
R30, 47, 48	RESISTOR, WW, 180 OHMS, 5W, ± 5%	003055
Q7, 12, 13, 14	TRANSISTOR 2N2222A	150768
Q6	2N2907A	150771
Q2, 4, 5	2N3440	150744
Q1, 3, 8, 9	2N4405	150772
11		
Q10	TRANSISTOR 2N695	150787



NOTES:

- MARK LATEST ENGINEERING CHANGE NUMBER WITH 1/8" HIGH BLACK CHARACTERS, APPROXIMATELY AS SHOWN.
- COMPONENT HEIGHT NOT TO EXCEED .400"
- P.C. BOARD 003299 MUST BE AT EC LEVEL 2146
- MUST CONFORM TO ENG SPECIFICATION 003800 AT EC LEVEL 1633

REFERENCE DOCUMENTS	EC LEVEL
SCH. DIAG. 003297	1620
ARTMASTER 003298	2146

MATERIAL	MUST CONFORM TO ENG. SPEC 80000	TOLERANCE UNLESS OTHERWISE NOTED	MEMOREX EQUIPMENT GROUP	
CASE DEPTH	TECHNICAL APPROVAL	LINEAR ± .001	NAME P.C. BOARD ASSEMBLY	
HARDNESS		ANGULAR ±	SERVO DRIVER	
SURFACE TREATMENT		CORNERS/EDGES BROKEN	DESIGN	SCALE 2/1
STD CODE		OUTSIDE	DETAIL	DATE 6-7-71
		INSIDE	CHECK	DATE JUN 71
			APPRO	DATE JUN 71

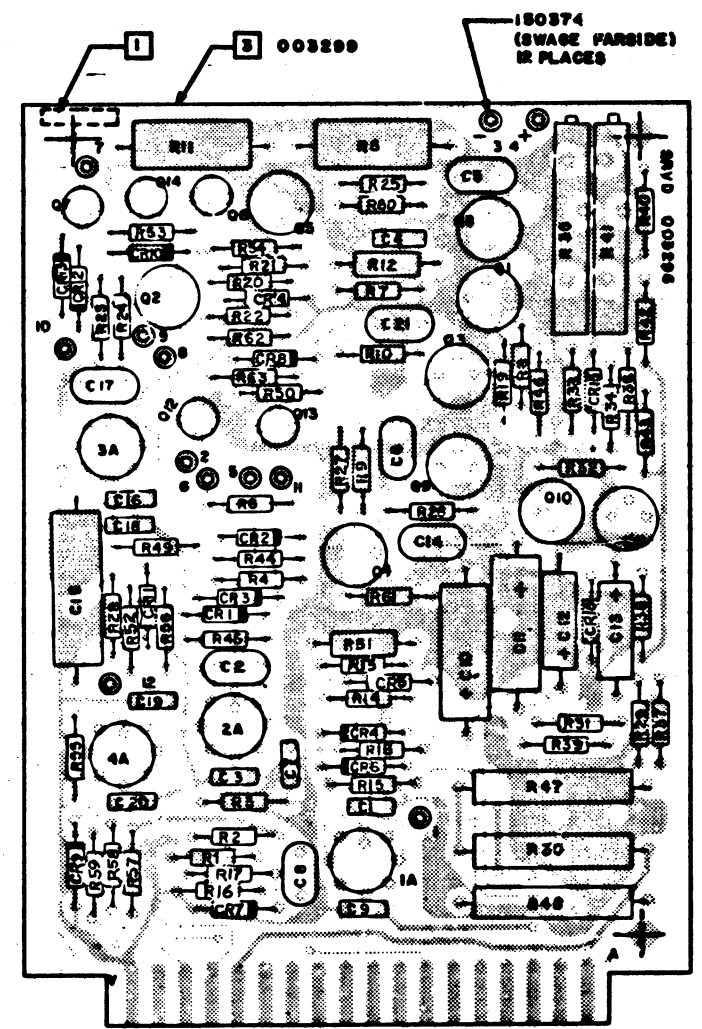
XCO11

003296

003296

REF DESIG	DESCRIPTION	M E O PART NO
C10,11	CAPACITOR, T, 10UF, 50V, ± 10%	151190
C12,13	T, 10UF, 20V, ± 10%	151132
C15	T, 150UF, 15V, ± 10%	151151
C13,4,7,9	C, 1UF, 100V, ± 10%	154151
16,18,19,20		
C5,6,21,14	SM, 500UF, 300V, ± 5%	153738
C17	M, 300PF, 500V, ± 5%	153726
C2,8	CAPACITOR, M, 200PF, 500V, ± 5%	153722
CR12,4,6,7	DIODE, 1N4148	150834
10-14,8		
CR15,16	Z, 6.8V, ± 1%	150901
CR9	Z, 5.1V, ± 1%	150898
CR3,5	DIODE, Z, 3.3V, ± 5%	150914
1A,2A,4A	INTEGRATED CIRCUIT, LM201	150676
3A	INTEGRATED CIRCUIT, LM301A	150645
R35,41	POTENTIOMETER 200 OHMS, 34W ± 20%	153404
R34,36,40	RESISTOR, MF, 887 OHMS, 1/8W, ± 1%	153198
42		
R45	1 05K	153013
R18	1 10K	153018
R58	5 30K	153229
R1,17	8 06K	153242
R55	17 8K	153083
R49	18 2K	153084
R57	51 1K	153271
R59	30 1K	153346
R52,2	464 K	153364
R3	931 OHMS	153200
R15	1 1K	153015
R63	4 02K	153213
R50	RESISTOR, MF, 5 11K 1/8W, ± 1%	153223
R60,61	RESISTOR, COMP, 62 OHMS 1/4W, ± 5%	151454
R10,32,38	680 OHMS	151479
46		
1,24	390 OHMS	151473
R4,14,23	1 K	151483
28,33,43		
R25,26,31	2 4 K	151492
37,39,62		
7		
R20	3 3 K	151492
R29,56	5 1 K	151500
R6,13	RESISTOR, COMP, 5 6 K, 1/4W, ± 5%	151501

REF DESIG	DESCRIPTION	M E O PART NO
R16,44	RESISTOR, COMP, 10K, 1/4W, ± 5%	151507
R19,27	30 K	151518
R21,54,22	15 K	151511
R33	7 5 K	151504
R8,9	RESISTOR, COMP, 10 OHMS, 1/4W, 5%	151963
R12,51	RESISTOR, COMP, 10 K, 1/2W, ± 5%	151651
R5,11	RESISTOR, COMP, 1 8K, 2W, ± 5%	151897
R30,47,48	RESISTOR, WW, 180 OHMS, 5W, ± 5%	005055
Q7,12,13,14	TRANSISTOR, 2N2222A	150768
Q6	2N2907A	150771
Q2,4,5	2N3440	150744
Q1,3,8,9	2N4405	150772
11		
Q10	TRANSISTOR, 2N699	150787



- NOTES:
1. MARK B.A.F.L. NUMBER A1833 WITH 1/8" HIGH BLACK CHARACTERS, APPROXIMATELY AS SHOWN.
  2. COMPONENT HEIGHT NOT TO EXCEED .400"
  3. P.C. BOARD 003299 MUST BE AT EC LEVEL 1833
  4. MUST CONFORM TO ENG SPECIFICATION 003300 AT EC LEVEL 1833

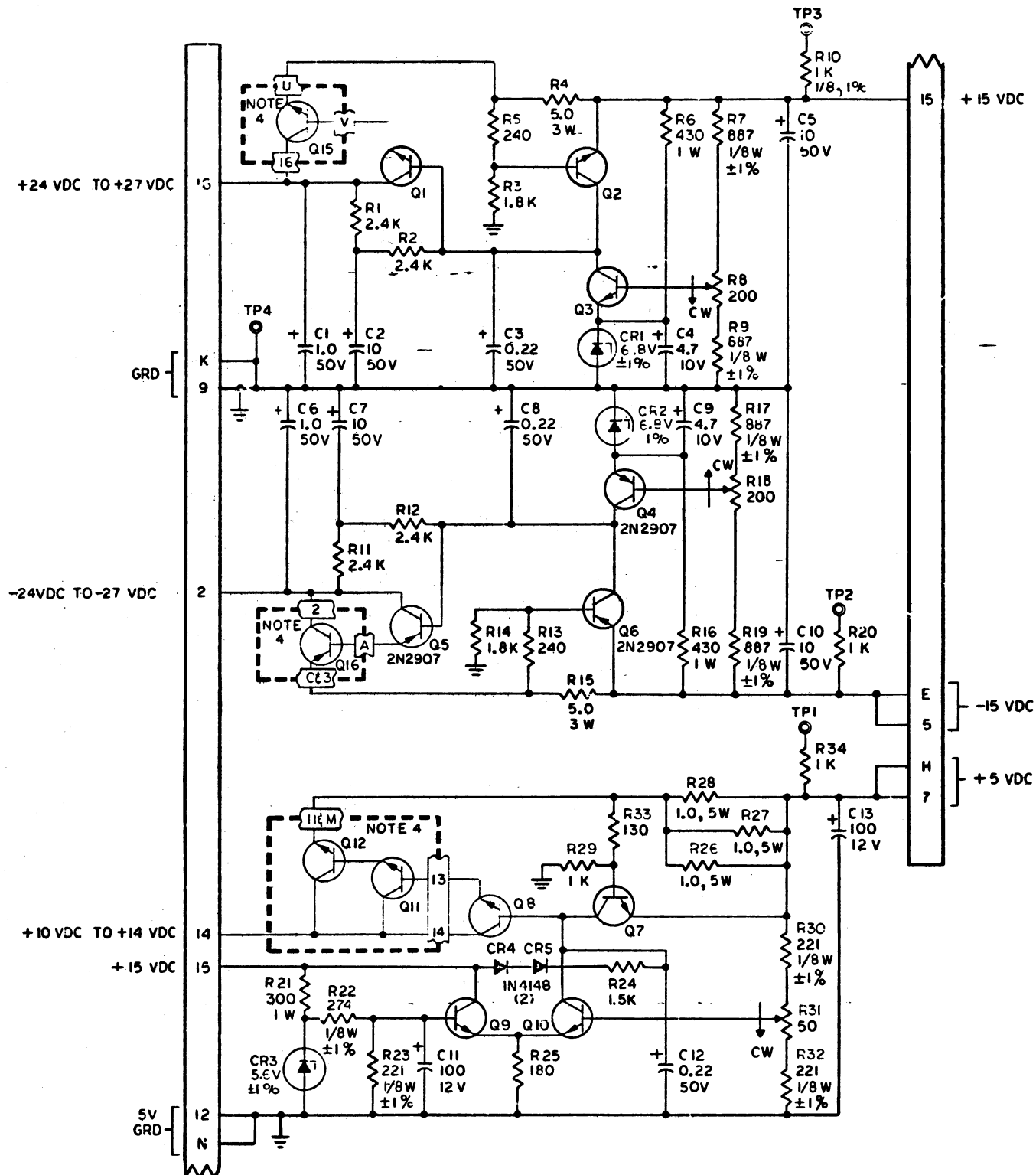
REFERENCE DOCUMENTS	EC LEVEL
SCH. DIAG.	003297 1E20
ARTMASTER	003298 1833
LOGIC DIAG.	

XCO11

MATERIAL	MUST CONFORM TO ENG. SPEC BROD	TOLERANCE UNLESS OTHERWISE NOTED	MEMOREX EQUIPMENT GROUP
FACE DRPTH	TECHNICAL APPROVAL	LINEAR - .001	
HARDNESS		ANGULAR - .001	NAME - P.C. BOARD ASSEMBLY SERVO DRIVER
SURFACE TREATMENT		CORNERS EDGES BROKEN	DESIGN
STD CODE		OUTSIDE	CHECK
		INSIDE	DATE
			APPROV
			DATE
			SCALE
			2/1
			JAN 71
			003296

001912

REV	RELEASED FOR ASSY	DATE	CHANGE NO	DATE	CHANGE NO
1	CC1911	4-9-69	301		
2		JUN 71	2154		



- NOTES-UNLESS OTHERWISE SPECIFIED:
1. ALL RESISTORS ARE IN OHMS, 1/4W, ±5%
  2. ALL CAPACITORS ARE IN UF, ±10%
  3. ALL NPN TRANSISTORS ARE 2N2222A
  4. Q11, Q12, Q15 & Q16 ON HEATSINK NO. 3

LAST REFERENCE DESIGNATION USED	REFERENCE DESIGNATION NOT USED
C13 CR5 Q12 R34 TP4	

MATERIAL	NO	TOLERANCE UNLESS OTHERWISE NOTED	2 PLACE DEC =	Peripheral Systems Corporation A SUBSIDIARY OF MEMOREX CORPORATION	
CASE DEPTH			3 PLACE DEC =	NAME SCHEMATIC DIAGRAM	
HARDNESS			ANGLES	DESIGN	TYPE
SURFACE TREATMENT			CORNERS AND OR EDGES BROKEN	DETAIL	SCALE NONE
			RADIUS UNLESS OTHERWISE NOTED	CHECK	DRAW
				APPRO	CHECK

XCO20

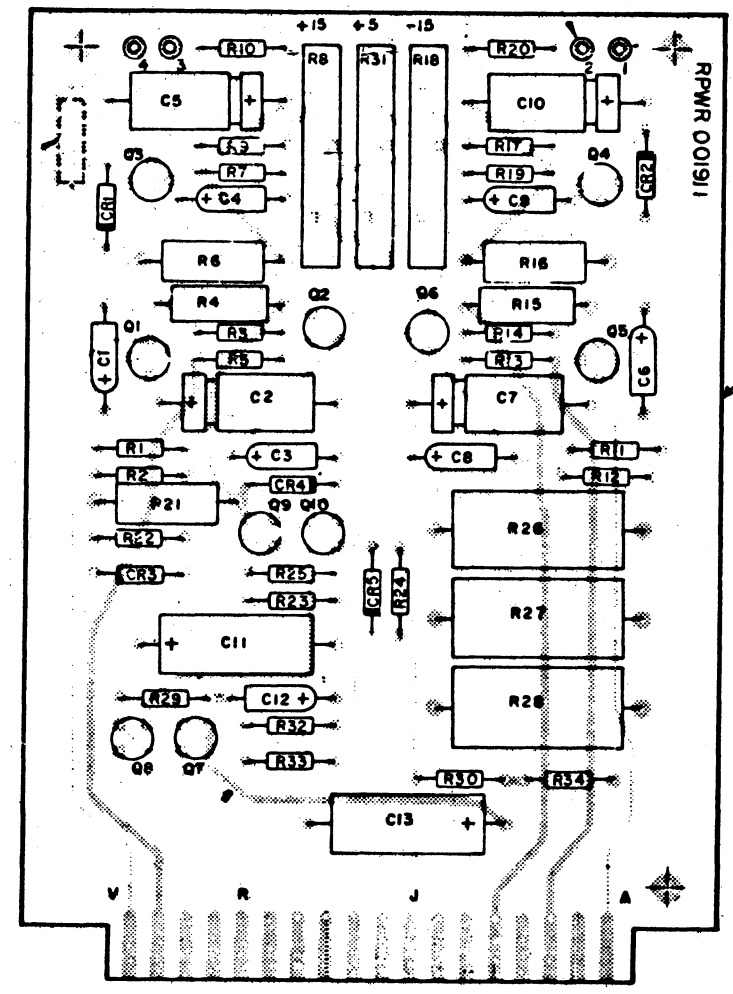
001912

8 7 6 5 4 3 2 1

DATE RANGE NO. DATE RANGE NO. 001911  
 APR 69 310A  
 AUG 69 460\*  
 JUN 70 1011  
 JUN 71 2154  
 RELEASED FOR ASSEMBLY  
 201021

REF DESIG	DESCRIPTION	M. E. O. PART NO.
C2,5,7,10	CAPACITOR, E, 10UF, 50V, ±5%	150939
C11,13	E, 100UF, 12V, ±5%	151301
C1,6	T, 1UF, 50V, ±10%	151116
C3,8,12	T, 22UF, 50V, ±10%	151098
C4,9	CAPACITOR, T, 47UF, 10V, ±10%	151124
CR4,5	DIODE, IN4148	150634
CR3	DIODE, ZENER, 5.6V, ±1%	150899
CR1,2	DIODE, ZENER, 6.8V, ±1%	150901
R23,30,32	RESISTOR, MF, 221Ω, 1/8W, ±1%	152996
R22	MF, 274Ω, 1/8W, ±1%	153005
R7,9,17,19	MF, 887Ω, 1/8W, ±1%	153198
R10	MF, 1K, 1/8W, ±1%	153011
R33	COMP, 130Ω, 1/4W, ±5%	151462
R25	160Ω	151465
R5,13	240Ω	151468
R20,29,34	1K	151483
R24	1.5K	151487
R3,14	1.8K	151489
R12,11,12	2.4K, 1/4W	151492
R21	300Ω, 1W	151758
R6,16	COM-H 430Ω, 1W	151762
R4,15	WW, 5Ω, 3W	153451
R26,27,28	RESISTOR, WW, 1Ω, 5W ±5%	153452
R31	POTENTIOMETER, 50Ω, 3/4W, ±50%	153402
R8,18	POTENTIOMETER, 200Ω, 3/4W, ±20%	153404
Q1-3,7-10	TRANSISTOR, 2N2222A	150768
Q4-6	TRANSISTOR, 2N2907	150765
TPI-4	TERMINAL, TURRET	150374

150374  
 (SWA/E FARSIDE)  
 4 PLACES



- NOTES:
- MARK LATEST ENGINEERING CHANGE NUMBER WITH 1/8" HIGH BLACK CHARACTERS, APPROXIMATELY AS SHOWN.
  - COMPONENT HEIGHT NOT TO EXCEED .400" EXCEPT C2,5,7,10,11,13.
  - P.C. BOARD 001914, MUST BE AT E.C. LEVEL 2154.
  - MUST CONFORM TO ENGINEERING SPECIFICATION 001915, AT E.C. LEVEL 813.

REFERENCE DOCUMENTS	E.C. LEVEL
SCH DIAGRAM 001912	2154
ARTMASTER 001913	2154

XCO21

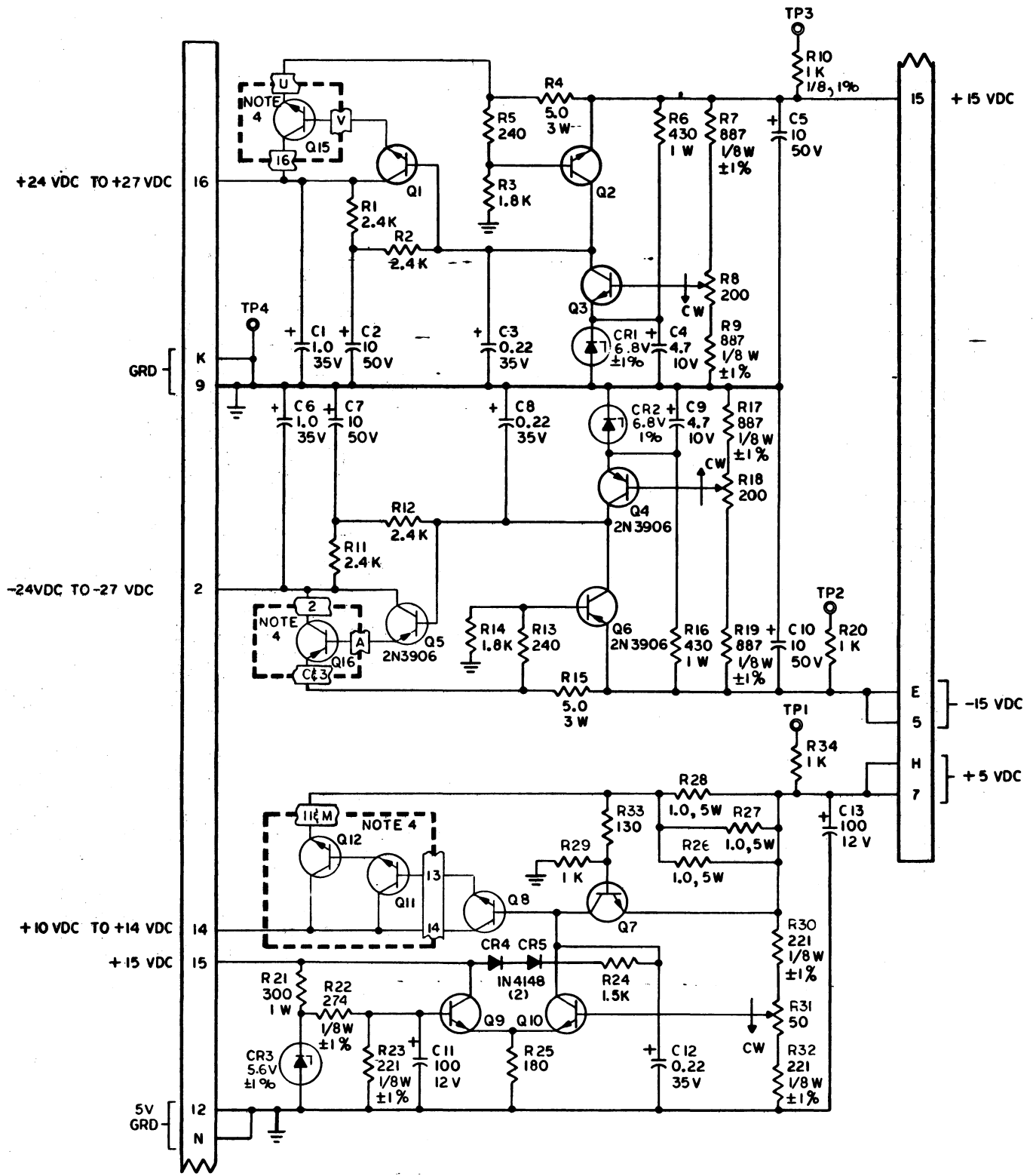
SEE B/M 001911	MUST CONFORM TO ENG. SPEC 890000	TOLERANCE UNLESS OTHERWISE NOTED	METROREX EQUIPMENT GROUP
TECHNICAL APPROVAL	LINEAR	ANGULAR	
DATE	DATE	DATE	NAME: P.C. BOARD ASSEMBLY
SCALE: 2/1	SCALE: 2/1	SCALE: 2/1	±15V & +5V POWER SUPPLY
DATE: 6-3-71	DATE: 6-3-71	DATE: 6-3-71	DETAIL: MG
DATE: 6-10-71	DATE: 6-10-71	DATE: 6-10-71	DATE: 6-10-71
DATE: 6-10-71	DATE: 6-10-71	DATE: 6-10-71	DATE: 6-10-71

8 7 6 5 4 3 2 1

001912

USED ON	RELEASED FOR ASSY	DATE	CHANGE NO	DATE	CHANGE NO
660-1	001911	4-9-69	301		

001912



- NOTES - UNLESS OTHERWISE SPECIFIED:
1. ALL RESISTORS ARE IN OHMS, 1/4W, ±5%
  2. ALL CAPACITORS ARE IN UF, ±10%
  3. ALL TRANSISTORS ARE 2N3904
  4. Q11, Q12, Q15 & Q16 ON HEATSINK NO. 3

LAST REFERENCE DESIGNATION USED	REFERENCE DESIGNATION NOT USED
C13 CR5 Q12 R34 TP4	

MATERIAL	NO	TOLERANCE UNLESS OTHERWISE NOTED	2 PLACE DEC ±	Peripheral Systems Corporation a subsidiary of MEMOREX CORPORATION			
CASE DEPTH		NOTED	3 PLACE DEC ±	NAME SCHEMATIC DIAGRAM			
HARDNESS			ANGLES ±	±15V & 5V POWER SUPPLY			
SURFACE TREATMENT		CORNERS AND/OR EDGES BROKEN	OUTSIDE MAX	DESIGN		TYPE	
		RADI UNLESS OTHERWISE NOTED	INSIDE MAX	DETAIL		SCALE	NONE
001912		D		CHECK		DRAW	30 JUN 69
				APPRO		CHECK	3-13-69

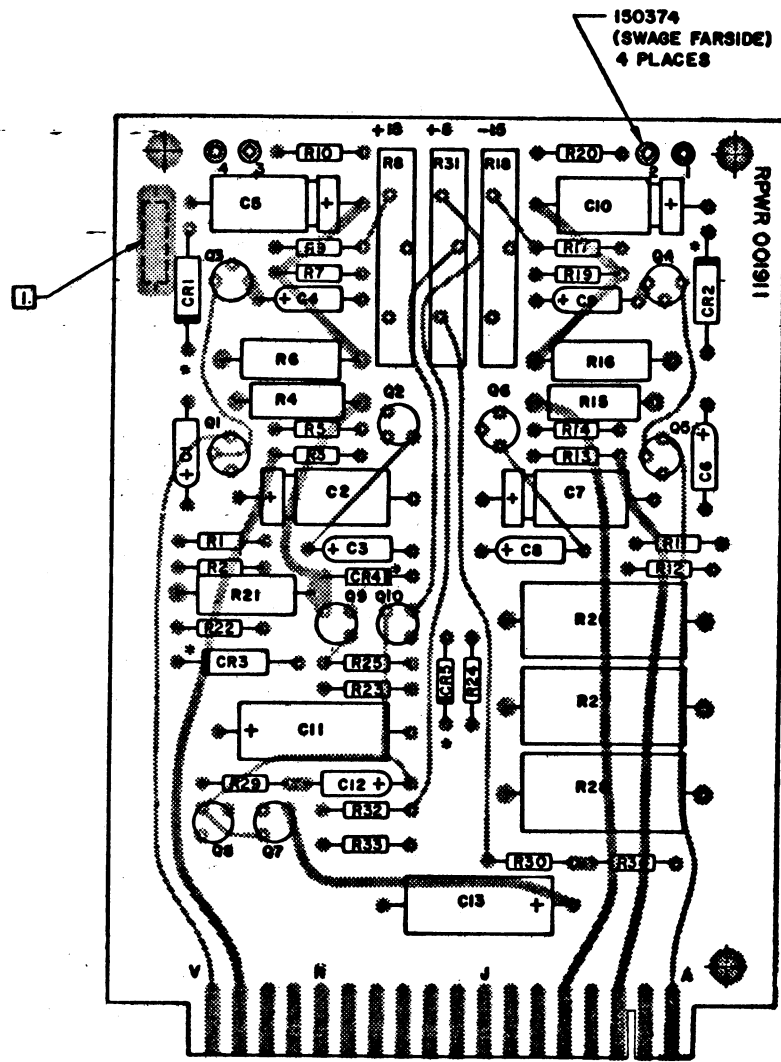
XCO20

001912

(RPWR)

DATE	CHANGE NO.	DATE	CHANGE NO.	001911
1-9-69	301A			
8-21-69	460*			RELEASED FOR ASSEMBLY
1-14-70	1011			201021

REF DESIG	DESCRIPTION	M. E. & PART NO.
	PRINTED CIRCUIT BOARD	001914
C2,5,7,10	CAPACITOR, E, 10UF, 50V, ±5%	150939
C11,13	E, 100UF, 12V, ±5%	151301
C1,6	T, 1UF, 35V, ±10%	151116
C3,8,12	T, 22UF, 35V, ±10%	151098
C4,9	CAPACITOR, T, 4.7UF, 10V, ±10%	151124
CR4,5	DIODE, 1N4148	150834
CR3	DIODE, ZENER, 5.6V, ±1%	150899
CR1,2	DIODE, ZENER, 6.8V, ±1%	150901
R23,30,32	RESISTOR, MF, 22Ω, 1/8W, ±1%	152996
R22	RESISTOR, MF, 274Ω, 1/8W, ±1%	153005
R19,17,19	RESISTOR, MF, 887Ω, 1/8W, ±1%	152198
R10	RESISTOR, MF, 1K, 1/8W, ±1%	153011
R33	RESISTOR, COMP, 130Ω, 1/4W, ±5%	151462
R25	180Ω, 1/4W, ±5%	151465
R3,13	240Ω, 1/4W, ±5%	151468
R20,23,24	1K, 1/4W, ±5%	151483
R24	1.5K, 1/4W, ±5%	151487
R5,14	1.8K, 1/4W, ±5%	151489
R1,2,11,12	RESISTOR, COMP, 2.4K, 1/4W, ±5%	151492
R21	RESISTOR, COMP, 300Ω, 1W, ±5%	151758
R6,16	RESISTOR, COMP, 430Ω, 1W, ±5%	151762
R4,15	RESISTOR, W.W., 5Ω, 3W, ±5%	153451
R26,27,28	RESISTOR, W.W., 1Ω, 5W, ±5%	153452
R31	POTENTIOMETER, 50Ω, 3/4W, ±20%	153402
R8,18	POTENTIOMETER, 200Ω, 3/4W, ±20%	153404
Q1,2,3,7	TRANSISTOR, 2N2222A	150768
Q9,10		
Q4,5,6	TRANSISTOR, 2N2907	150765
TPI-4	TERMINAL, TURRET	150374



REFERENCE DOCUMENTS	E.C. LEVEL
SCH. DIAG.	001912 301
ARTMASTER	001913 1011
FABRICATION	001914 1011
ENGRG SPEC	001915 813

NOTES: UNLESS OTHERWISE SPECIFIED—

1. MARK LATEST ENGINEERING CHANGE NUMBER WITH 1/8" HIGH BLACK CHARACTERS, APPROXIMATELY AS SHOWN.
2. COMPONENT HEIGHT NOT TO EXCEED .400" EXCEPT C2, 5, 7, 10, 11, 13.

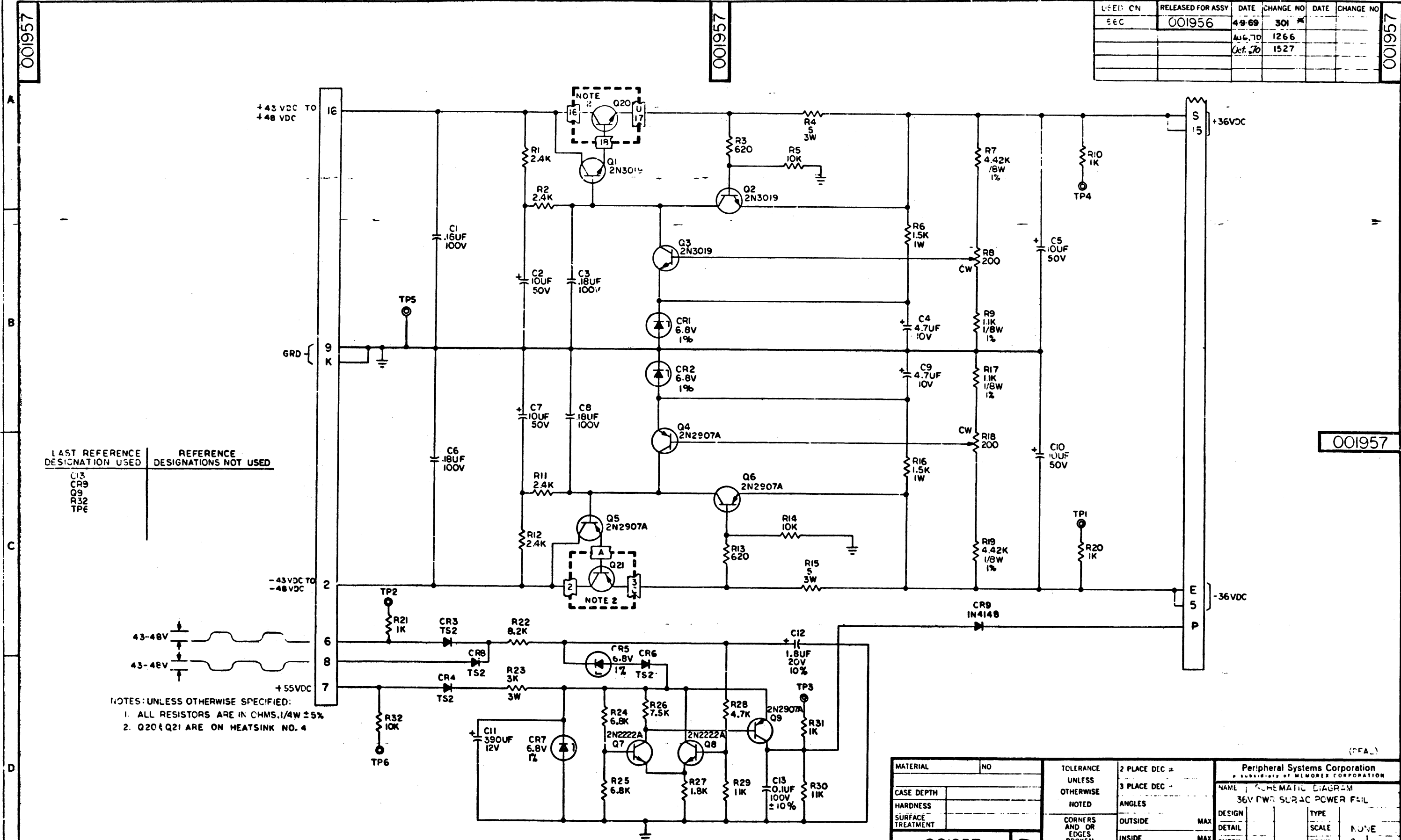
XC021

MATERIAL NO. SEE B/M 001911	MUST CONFORM TO ENG. SPEC 88000	TOLERANCE UNLESS OTHERWISE NOTED	MEMOREX EQUIPMENT GROUP
CASE DEPTH	TECHNICAL APPROVAL	LINEAR ±	NAME P.C. BOARD ASSEMBLY
HARDNESS		ANGULAR ±	±15V AND +5V POWER SUPPLY
SURFACE TREATMENT		CORNERS AND/OR EDGES BROKEN	DETAIL SCALE 2/1
STD CODE		OUTSIDE MAX CHECK	INSIDE MAX APPRO
			001911



2 3 4 5 6 7 8 9

USED: CN	RELEASED FOR ASSY	DATE	CHANGE NO	DATE	CHANGE NO
EEC	001956	4-9-69	301		
		Aug. 70	1266		
		Oct. 70	1527		



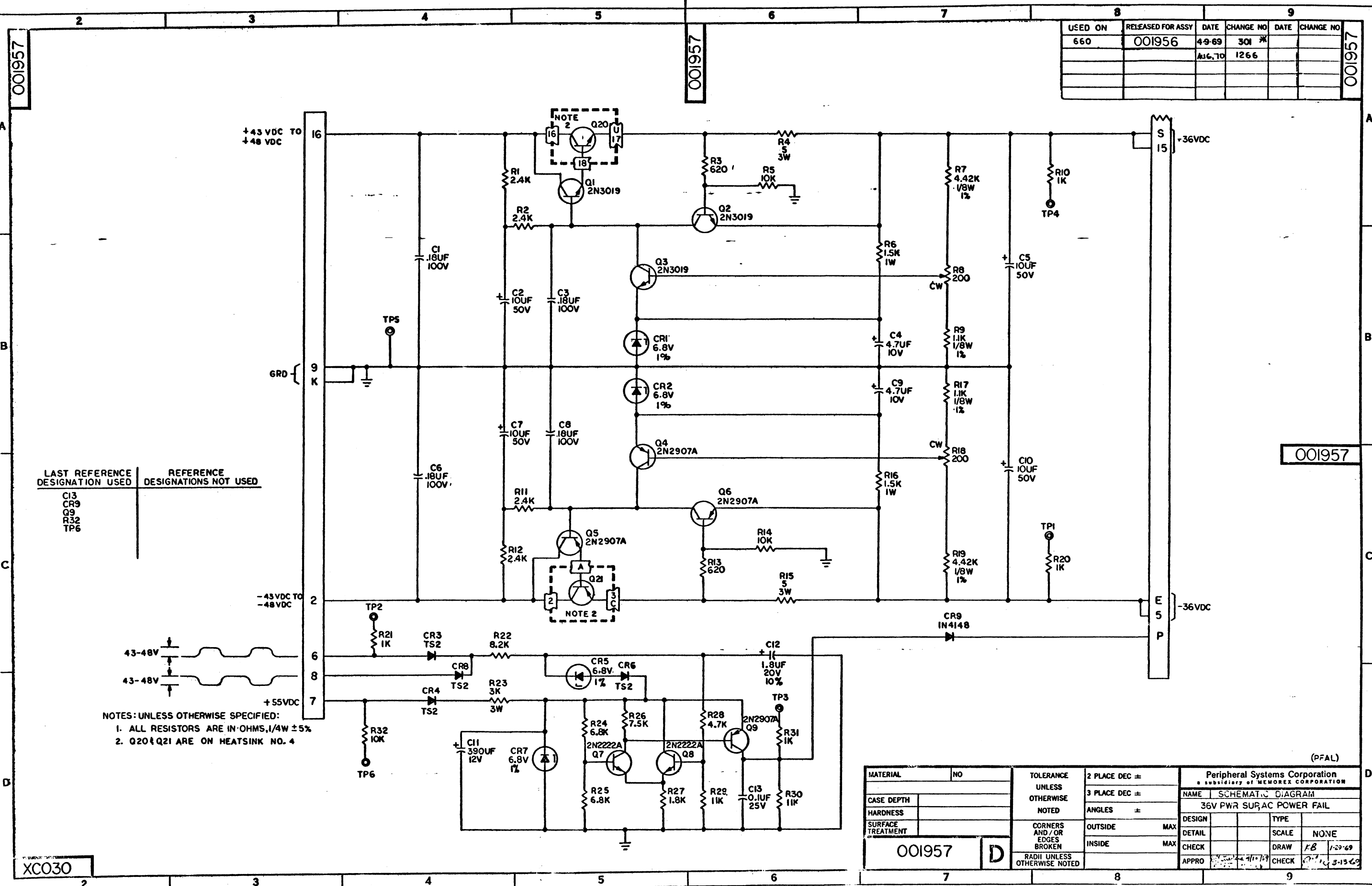
LAST REFERENCE DESIGNATION USED	REFERENCE DESIGNATIONS NOT USED
C13 CR9 R32 TP6	

- NOTES: UNLESS OTHERWISE SPECIFIED:  
 1. ALL RESISTORS ARE IN OHMS. 1/4W ±5%  
 2. Q20 & Q21 ARE ON HEATSINK NO. 4

XC030

MATERIAL	NO	TOLERANCE UNLESS OTHERWISE NOTED	2 PLACE DEC ±	Peripheral Systems Corporation A SUBSIDIARY OF MEMOREX CORPORATION	
CASE DEPTH		NOTED	3 PLACE DEC -	NAME: SCHEMATIC DIAGRAM	
HARDNESS			ANGLES	36V DWR SUPAC POWER FAIL	
SURFACE TREATMENT		CORNERS AND OR EDGES BROKEN	OUTSIDE MAX	DESIGN	TYPE
		RADI UNLESS OTHERWISE NOTED	INSIDE MAX	DETAIL	SCALE
				CHECK	NONE
				APPRO	DATE
					5-13-69

2 3 4 5 6 7 8 9



USED ON	RELEASED FOR ASSY	DATE	CHANGE NO	DATE	CHANGE NO
660	001956	4-9-69	301 *		
		Aug. 70	1266		

LAST REFERENCE DESIGNATION USED	REFERENCE DESIGNATIONS NOT USED
C13 CR9 Q9 R32 TP6	

NOTES: UNLESS OTHERWISE SPECIFIED:  
 1. ALL RESISTORS ARE IN OHMS, 1/4W ±5%  
 2. Q20 & Q21 ARE ON HEATSINK NO. 4

MATERIAL NO		TOLERANCE UNLESS OTHERWISE NOTED	2 PLACE DEC ±	Peripheral Systems Corporation a subsidiary of MEMOREX CORPORATION	
CASE DEPTH		OTHERWISE NOTED	3 PLACE DEC ±	NAME SCHEMATIC DIAGRAM	
HARDNESS		CORNERS AND/OR EDGES BROKEN	ANGLES ±	36V PWR SUP AC POWER FAIL	
SURFACE TREATMENT		RADI UNLESS OTHERWISE NOTED	OUTSIDE MAX	DESIGN	TYPE
001957 D			INSIDE MAX	DETAIL	SCALE NONE
				CHECK	DRAW FB 1-29-69
				APPRO	CHECK 3-13-69

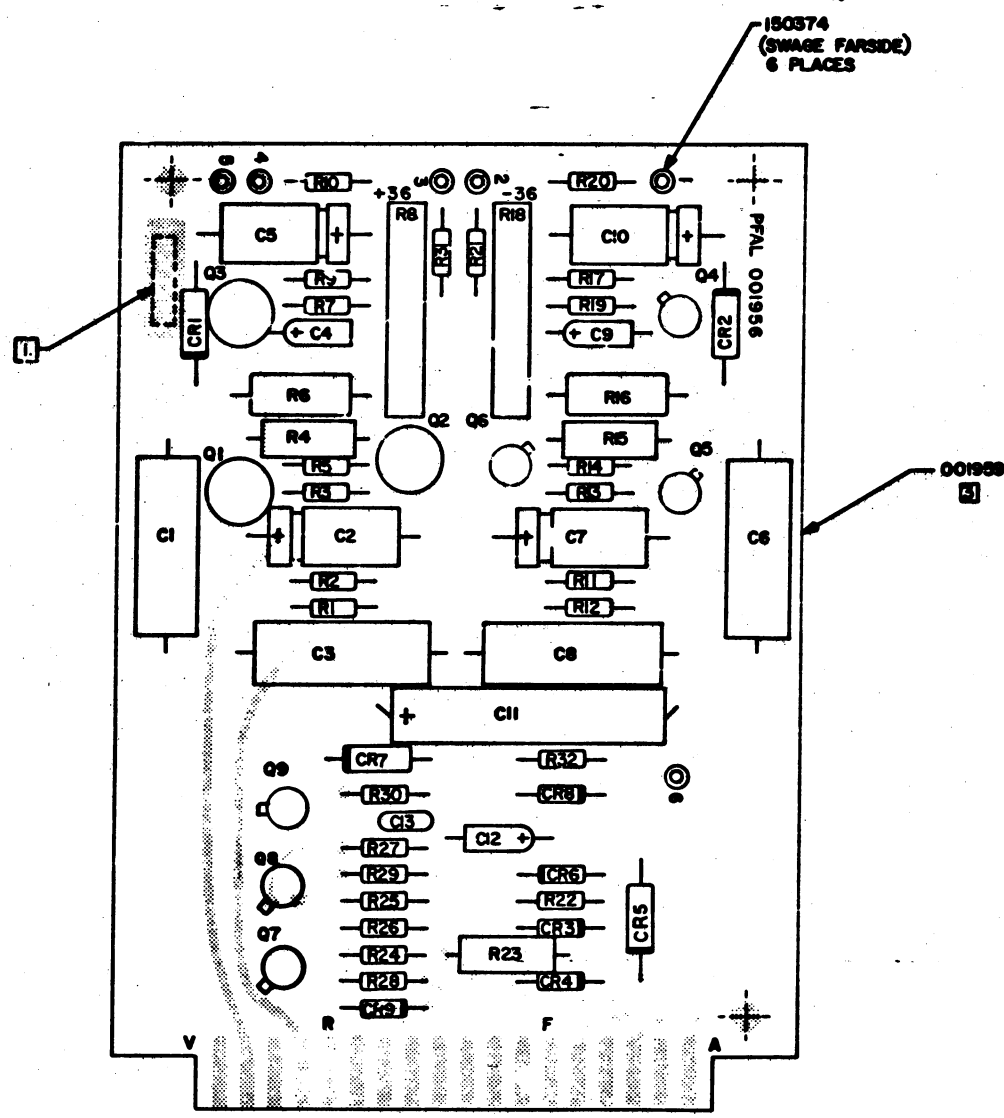
XCO30

001957

(PFAL)

USED ON	RELEASED FOR ASSY	DATE	CHANGE NO	DATE	CHANGE NO
660	201021	4-9-69	301A	A-F 72, 2602	
		8-21-69	460	MAY 72, 2689	
		APR 70	641		
		AUG. 70	1266		
		OCT 70	1527		

REF DESIG	DESCRIPTION	M E G PART NO.
C13	CAPACITOR, C, .1UF, 100V, 5% 15415	
C15, 10	CAPACITOR, E, .10UF, 50V, 5% 150939	
C11	CAPACITOR, E, .390UF, 12V, 5% 151300	
C13, 6B	CAPACITOR, M, .16UF, 100V, 5% 151079	
C12	CAPACITOR, T, .16UF, 25V, 5% 151119	
C19	CAPACITOR, T, .47UF, 10V, 5% 151128	
CR9	DIODE, 1N4148	152538
CR3, 4, 6	DIODE, TS-2	150826
CR12, 57	DIODE, ZENER 6.8V 5% 150901	
R9, 17	RESISTOR, ME, 10K, 1/4W, 5% 153015	
R7, 19	RESISTOR, ME, 4.7K, 1/4W, 5% 153217	
R3, 13	RESISTOR, COMP, 620, 1/4W, 5% 151476	
R10, 20	1K, 1/4W, 5% 151483	
R21, 31		
R27	18K, 1/4W, 5% 151489	
R12, 112	2.4K, 1/4W, 5% 151492	
R28	4.7K, 1/4W, 5% 151493	
R24, 25	6.8K, 1/4W, 5% 151503	
R26	7.5K, 1/4W, 5% 151504	
R22	8.2K, 1/4W, 5% 151505	
R5, 14, 32	10K, 1/4W, 5% 151507	
R29, 30	11K, 1/4W, 5% 151508	
R6, 16	RESISTOR, COMP, 1.5K, 1/4W, 5% 151718	
R8, 15	RESISTOR, W.W., 52, 3W, 5% 153451	
R23	RESISTOR, W.W., 3K, 3W, 5% 153453	
R8, 18	POTENTIOMETER, 200K, 3/4W, 5% 153404	
Q1, 2, 3	TRANSISTOR, 2N3019	150796
Q4, 5, 6, 9	TRANSISTOR, 2N2907A	150771
Q7, 8	TRANSISTOR, 2N2222A	150748
Q12, 3 (REF)	IND. TRANSISTOR (T0-5)	200718
TP-6	TERMINAL, TURRET	150374



- NOTES:
- MARK LATEST ENGINEERING CHANGE NUMBER WITH 1/8" HIGH BLACK CHARACTERS, APPROXIMATELY AS SHOWN.
  - COMPONENT HEIGHT NOT TO EXCEED .400."
  - P.C. BOARD 001959, MUST BE AT E.C. LEVEL 1527.
  - MUST CONFORM TO ENGINEERING SPECIFICATION 001960, AT E.C. LEVEL 2602.

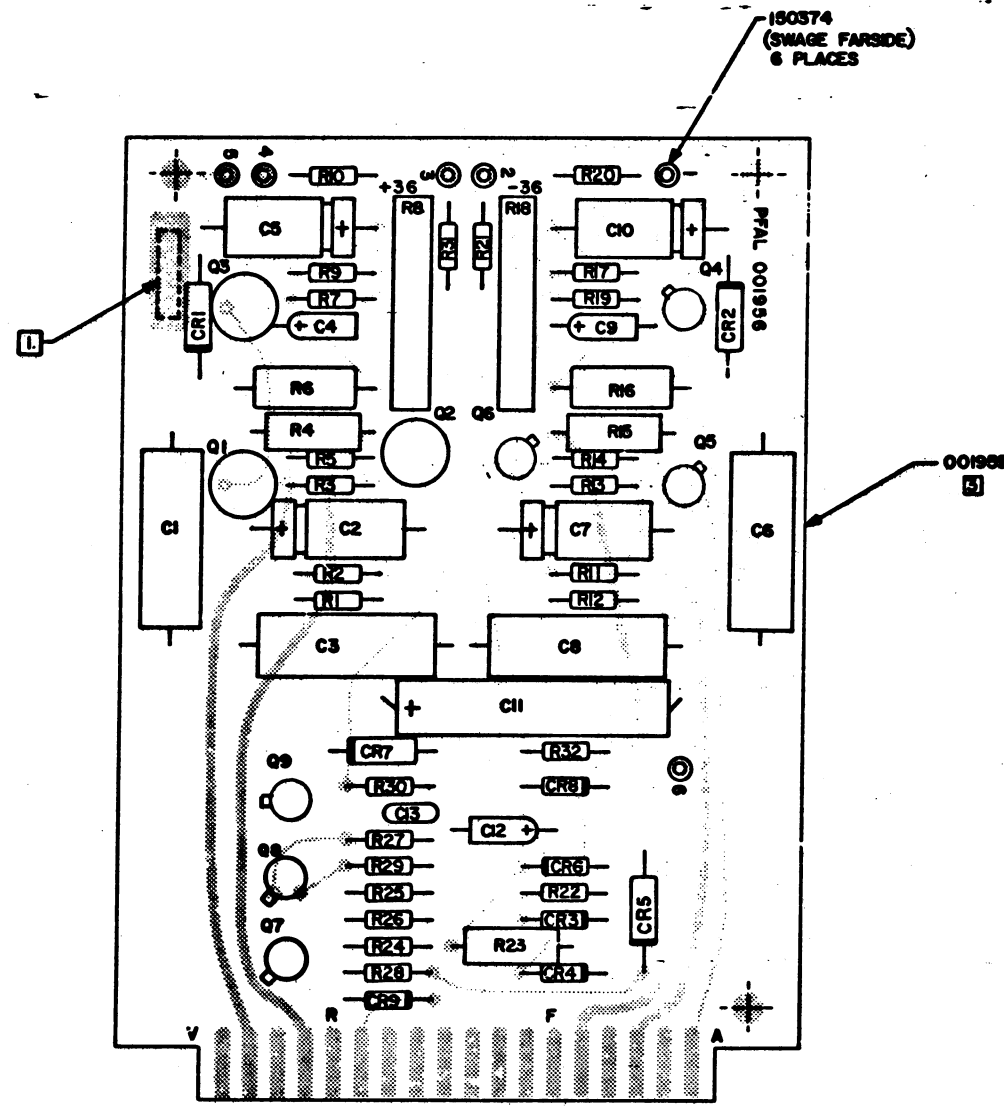
REFERENCE DOCUMENTS	E.C. LEVEL
SCH. DIAG. 001957	1527
ARTMASTER 001958	1527

MATERIAL SEE B/M NO 001956	TOLERANCE UNLESS OTHERWISE NOTED	PLACE DEC 3 PLACE DEC ANGLES	Peripheral Systems Corporation
CASE DEPTH	CORNERS AND CR EDGES BRASS	OUTSIDE MAX INSIDE MAX	NAME P.C. BOARD ASSEMBLY
HARDNESS	RADI UNLESS OTHERWISE NOTED		36V POWER SUPPLY AND AC POWER FAILURE DETECTOR
SURFACE TREATMENT			DESIGN SCALE 2/1
001956	D		CHECK DRAW C. ONO 3-12-69
			APPROV. [Signature] CHECK [Signature]

XCO31

USED ON	RELEASED FOR ASSY	DATE	CHANGE NO	DATE	CHANGE NO
660	201021	4-9-69	301A	A-F 7	2602
		8-21-69	460		
		APR 20	641		
		AUG 70	1266		
		OCT 70	1527		

REF DESIG	DESCRIPTION	M E G PART NO.
C13	CAPACITOR, C, .1UF, 100V, 5% 154151	
C2,5,7,10	CAPACITOR, E, .10UF, 50V, 5% 150939	
C11	CAPACITOR, E, .390UF, 12V, 5% 151300	
C1,3,6,8	CAPACITOR, M, .15UF, 100V, 5% 151079	
C12	CAPACITOR, T, 1.0UF, 20V, 5% 151119	
C8,9	CAPACITOR, T, .47UF, 10V, 5% 151124	
CR9	DIODE, 1N4148	150834
CR3,4,6,8	DIODE, TS-2	150826
CR12,57	DIODE, ZENER, 6.8V 5% 150901	
R9,17	RESISTOR, ME, 1/4W, 1/2%, 159015	
R7,19	RESISTOR, ME, 4.42K, 1/4W, 1% 159217	
R3,13	RESISTOR, COMP, 620, 1/4W, 5% 154478	
R10,20	1K, 1/4W, 5% 154483	
R21,31		
R27	1.8K, 1/4W, 5% 154489	
R1,21,112	2.4K, 1/4W, 5% 154492	
R28	4.7K, 1/4W, 5% 154493	
R24,25	6.8K, 1/4W, 5% 151503	
R26	7.5K, 1/4W, 5% 151504	
R22	8.2K, 1/4W, 5% 151505	
R5,14,32	12K, 1/4W, 5% 151507	
R29,30	11K, 1/4W, 5% 151508	
R6,16	RESISTOR, COMP, 1.5K, 1/4W, 5% 151775	
R8,15	RESISTOR, W.W., 50, 3W, 5% 153451	
R23	RESISTOR, W.W., 3K, 3W, 5% 153453	
R8,18	POTENTIOMETER, 200, 2, 3/4W, 20% 153404	
Q1,2,3	TRANSISTOR, 2N3019	150976
Q4,5,6,9	TRANSISTOR, 2N2907A	150771
Q7,8	TRANSISTOR, 2N2222A	150768
Q1,2,3(BE)	PNP TRANSISTOR (TO-18)	200716
TPF-6	TERMINAL, TURPET	150974



- NOTES:
- MARK LATEST ENGINEERING CHANGE NUMBER WITH 1/8" HIGH BLACK CHARACTERS, APPROXIMATELY AS SHOWN.
  - COMPONENT HEIGHT NOT TO EXCEED .400"
  - P.C. BOARD 001959, MUST BE AT E.C. LEVEL 1527.
  - MUST CONFORM TO ENGINEERING SPECIFICATION 001960, AT E.C. LEVEL 2602.

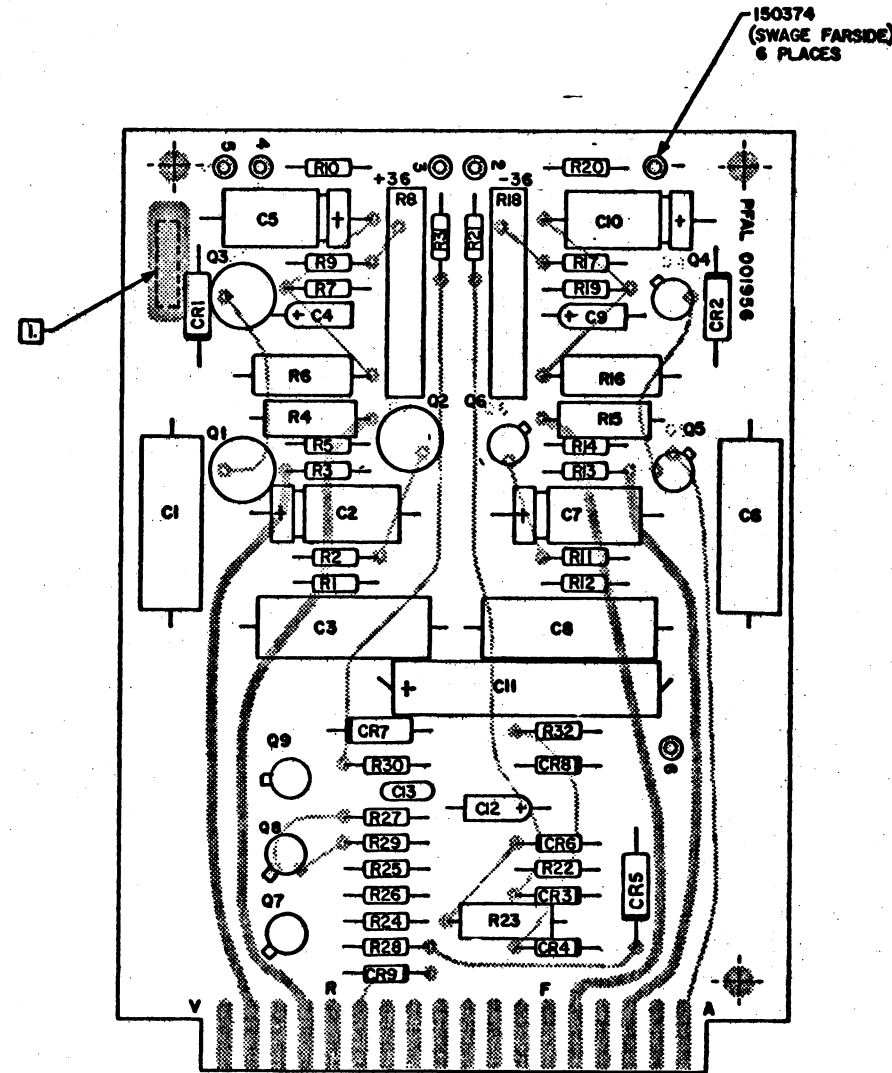
REFERENCE DOCUMENTS	E.C. LEVEL
SCH. DIAG. 001957	1527
ARTMASTER 001958	1527

MATERIAL SEE B/M NO 001956	TOLERANCE UNLESS OTHERWISE NOTED	2 PLACE DEC = 3 PLACE DEC =	Peripheral Systems Corporation A SUBSIDIARY OF MEMOPAC CORPORATION
CASE DEPTH	NOT D	ANGLES	NAME P.C. BOARD ASSEMBLY
HARDNESS	CORNERS AND OR EDGES BROKEN	O: OUTSIDE MAX I: INSIDE MAX	DESIGN 536V POWER SUPPLY AND AC POWER FAILURE DETECTOR
SURFACE TREATMENT	RADI UNLESS OTHERWISE NOTED		SCALE 2/1
001956	D		DRAW C.ONO 3-12-69
			CHECK
			APPRO

XC031

USED ON	RELEASED FOR ASSY	DATE	CHANGE NO	DATE	CHANGE NO
660	201021	4-9-69	301A		
		8-21-69	460		
		APR 27	641		
		AUG 76	1266		
		OCT 70	1527		

REF DESIG	DESCRIPTION	M E G PART NO
	PRINTED CIRCUIT BOARD	001959
C13	CAPACITOR, C, .1UF, 25V, ±20%	150990
C2, 5, 10	CAPACITOR, E, 10UF, 50V, ±25%	150999
C11	CAPACITOR, E, 390UF, 12V, ±25%	151300
C1, 3, 6, 8	CAPACITOR, M, .16UF, 100V, ±10%	151079
C12	CAPACITOR, T, 1.8UF, 20V, ±10%	151119
C4, 9	CAPACITOR, T, 4.7UF, 10V, ±10%	151124
CR9	DIODE, 1N4148	150834
CR3, 4, 6, 8	DIODE, TS-2	150826
CR12, 31	DIODE, ZENER, 6.8V, ±1%	150901
R9, 17	RESISTOR, ME, 110K, 1/8W, ±1%	153015
R7, 19	RESISTOR, ME, 4.42K, 1/8W, ±1%	153217
R3, 13	RESISTOR, COMP, 620Ω, 1/4W, ±5%	151478
R10, 20	1K, 1/4W, ±5%	151483
R21, 31		
R27	18K, 1/4W, ±5%	151489
R1, 3, 11, 12	2.4K, 1/4W, ±5%	151492
R28	4.7K, 1/4W, ±5%	151499
R24, 25	6.8K, 1/4W, ±5%	151503
R26	7.5K, 1/4W, ±5%	151504
R22	8.2K, 1/4W, ±5%	151505
R5, 14, 32	10K, 1/4W, ±5%	151507
R29, 30	11K, 1/4W, ±5%	151508
R6, 16	RESISTOR, COMP, 1.5K, 1W, ±5%	151775
R8, 15	RESISTOR, W.W., 5Ω, 3W, ±5%	153451
R23	RESISTOR, W.W., 3K, 3W, ±5%	153453
R8, 18	POTENTIOMETER, 200Ω, 3/4W, ±20%	153404
Q1, 2, 3	TRANSISTOR, 2N3019	150976
Q4, 5, 6, 9	TRANSISTOR, 2N2907A	150771
Q7, 8	TRANSISTOR, 2N2222A	150768
Q1, 2, 3 (REF)	PNP TRANSISTOR (TC-5)	200718
TP1-5	TERMINAL, TURRET	150374



- NOTES:
- MARK LATEST ENGINEERING CHANGE NUMBER WITH 1/8" HIGH BLACK CHARACTERS, APPROXIMATELY AS SHOWN.
  - COMPONENT HEIGHT NOT TO EXCEED .400"
  - P.C. BOARD 001959, MUST BE AT E.C. LEVEL 1527.
  - MUST CONFORM TO ENGINEERING SPECIFICATION 001960, AT E.C. LEVEL 1266.

REFERENCE DOCUMENTS	EC LEVEL
SCH. DIAG. 001957	1527
ARTMASTER 001958	1527

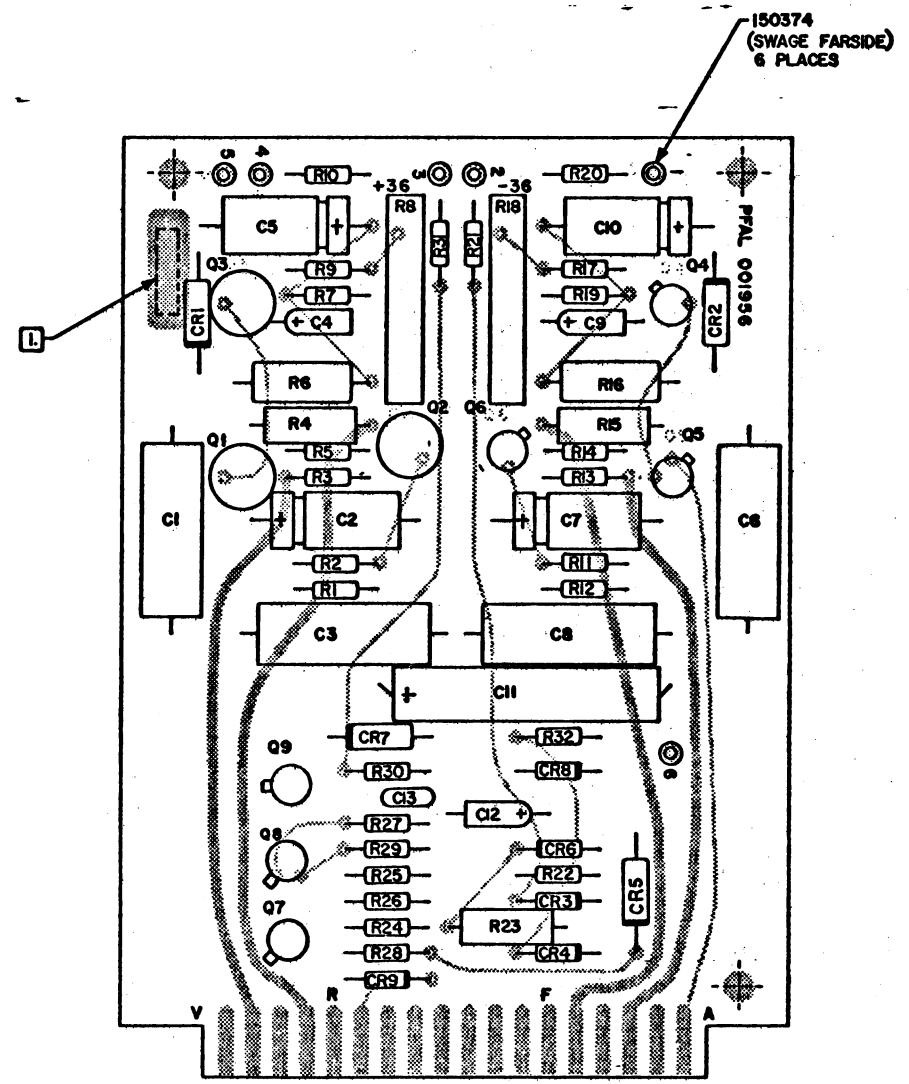
MATERIAL SEE B/M NO 001956	TOLERANCE UNLESS OTHERWISE NOTED	2 PLACE DEC	Peripheral Systems Corporation A SUBSIDIARY OF MEMOPEX CORPORATION
CASE DEPTH	NOTED	3 PLACE DEC	
HARDNESS	CORNERS AND OR EDGES BROKEN	ANGLES	P.C. BOARD ASSEMBLY 36V POWER SUPPLY AND AC POWER FAILURE DETECTOR
SURFACE TREATMENT	RADI UNLESS OTHERWISE NOTED	OUTSIDE MAX	
001956	D	INSIDE MAX	DESIGN TYPE
			SCALE 2/1
			DRAW C. ONO 3-12-69
			CHECK
			APPRO

XCO31

2 3 4 5 6 7 8 9

USED ON	RELEASED FOR ASSY	DATE	CHANGE NO	DATE	CHANGE NO
660	201021	4-9-69	301A		
		8-21-69	460		
		APR 20	641		
		AUG 70	1266		

REF DESIG	DESCRIPTION	M E G PART NO
	PRINTED CIRCUIT BOARD	001959
C13	CAPACITOR, C, .1UF, 25V, ±20%	150990
C5,9,10	CAPACITOR, E, 10UF, 50V, ±5%	150939
C11	CAPACITOR, E, 390UF, 12V, ±5%	151300
C13,6B	CAPACITOR, M, .16UF, 100V, ±10%	151079
C12	CAPACITOR, T, 1.8UF, 20V, ±10%	151119
C4,9	CAPACITOR, T, 4.7UF, 10V, ±10%	151124
CR9	DIODE, 1N4148	150834
CR3,4,6,8	DIODE, TS-2	150826
CR12,57	DIODE, ZENER, 6.8V, ±1%	150701
R9,17	RESISTOR, MF, 10K, 1/4W, ±1%	153015
R7,19	RESISTOR, MF, 4.7K, 1/4W, ±1%	153217
R3,13	RESISTOR, COMP 620Ω, 1/4W, ±5%	151478
R10,20	1K, 1/4W, ±5%	151483
R21,31		
R27	1.8K, 1/4W, ±5%	151489
R12,11,12	2.2K, 1/4W, ±5%	151492
R28	4.7K, 1/4W, ±5%	151499
R24,25	6.8K, 1/4W, ±5%	151503
R26	7.5K, 1/4W, ±5%	151504
R22	8.2K, 1/4W, ±5%	151505
R5,14,32	10K, 1/4W, ±5%	151507
R19,30	11K, 1/4W, ±5%	151508
R6,16	RESISTOR, COMP 1.5K, 1W, ±5%	151775
R4,15	RESISTOR, W.W, 5Ω, 3W, ±5%	153451
R23	RESISTOR, W.W, 3K, 3W, ±5%	153453
R8,18	POTENTIOMETER, 200Ω, 3/4W, ±20%	153404
Q1,2,3	TRANSISTOR, 2N3019	150976
Q4,5,6,9	TRANSISTOR, 2N2907A	150771
Q7,8	TRANSISTOR, 2N2222A	150768
Q12,3(REF)	PND, TRANSISTOR (TC-S)	200718
TPL-5	TERMINAL, TURRET	150874



NOTES: UNLESS OTHERWISE SPECIFIED

- 1. MARK LATEST ENGINEERING CHANGE NUMBER WITH 1/8" HIGH BLACK CHARACTERS, APPROXIMATELY AS SHOWN.
- 2. COMPONENT HEIGHT NOT TO EXCEED .400"

REFERENCE DOCUMENTS	EC LEVEL
SCH. DIAG. 001957	1266
ARTMASTER 001958	1266
FABRICATION 001959	1266
ENRG. SPEC 001960	1266

XCO31

MATERIAL SEE B/M NO 001956	TOLERANCE UNLESS OTHERWISE NOTED	2 PLACE DEC ±	Peripheral Systems Corporation a subsidiary of MEMOREX CORPORATION
CASE DEPTH	OTHERWISE	3 PLACE DEC ±	
HARDNESS	NOTED	ANGLES ±	NAME P.C. BOARD ASSEMBLY
SURFACE TREATMENT	CORNERS AND/OR EDGES BROKEN	OUTSIDE MAX	*36V POWER SUPPLY AND AC POWER FAILURE DETECTOR
001956	RADI UNLESS OTHERWISE NOTED	INSIDE MAX	DESIGN TYPE
D			DETAIL SCALE 2/1
			CHECK DRAW C.ONO 3-12-69
			APPRO CHECK

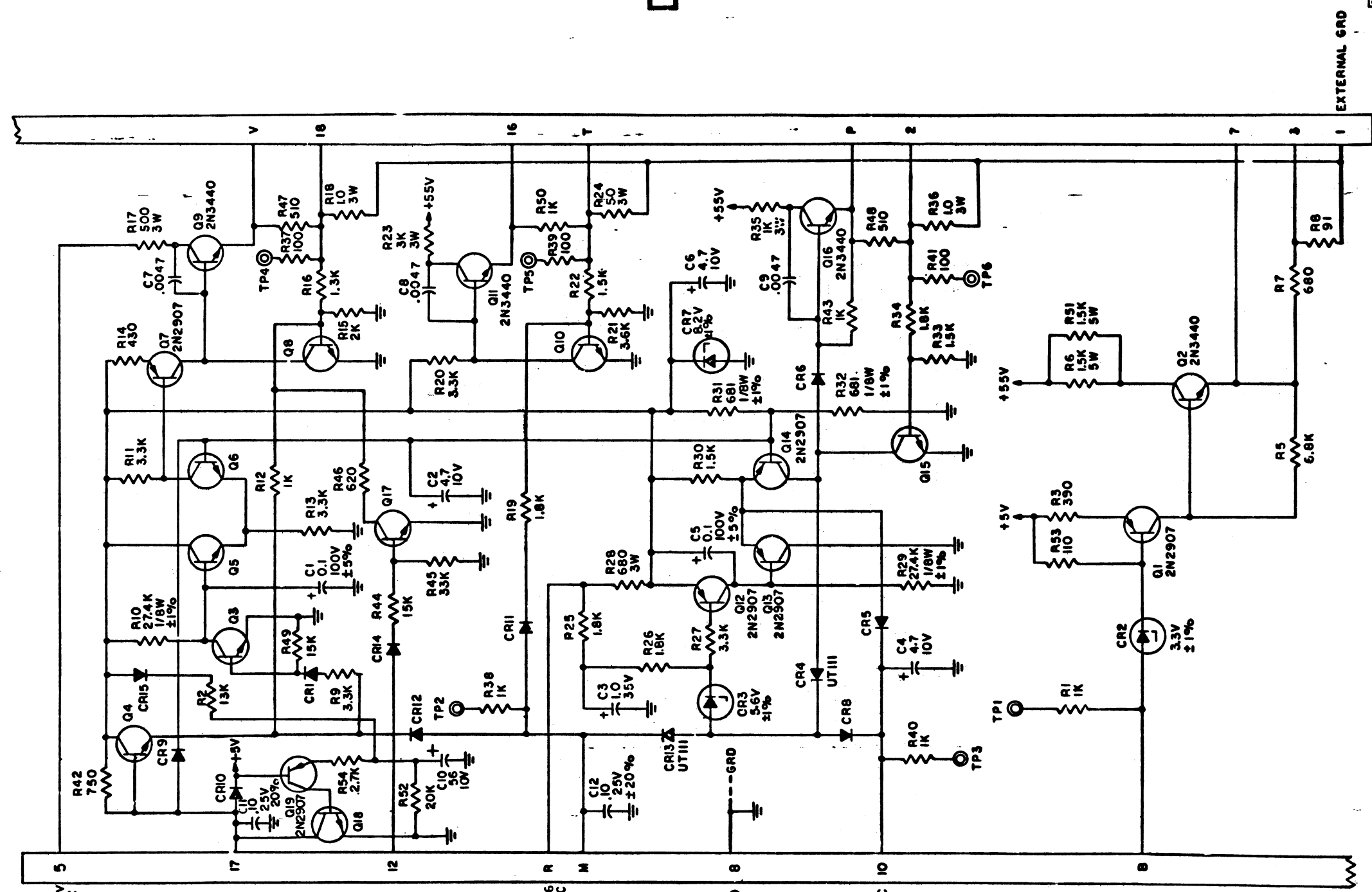
2 3 4 5 6 7 8 9

001972

001972

001972

USED ON	RELEASED FOR ASSY	DATE	CHANGE NO	DATE	CHANGE NO
660	001971	7/1/69	203C	Dec '70	1705
		7/16/69	302		
		2-2-69	556		
		2-11-70	758		
		4/1/70	1073		



- NOTES: UNLESS OTHERWISE SPECIFIED
1. ALL RESISTORS ARE IN OHMS 1/4W, ±5%
  2. ALL CAPACITORS ARE IN MICROFARADS ±10%
  3. ALL TRANSISTORS ARE 2N2222A
  4. ALL DIODES ARE IN4148
  5. FOR SYSTEM LOGIC DIAGRAM, SEE DWG 201155 (REFERENCE ONLY)

LAST REFERENCE DESIGNATIONS USED	REFERENCE DESIGNATIONS NOT USED
C12 CR15 Q19 R54 TP6	R4

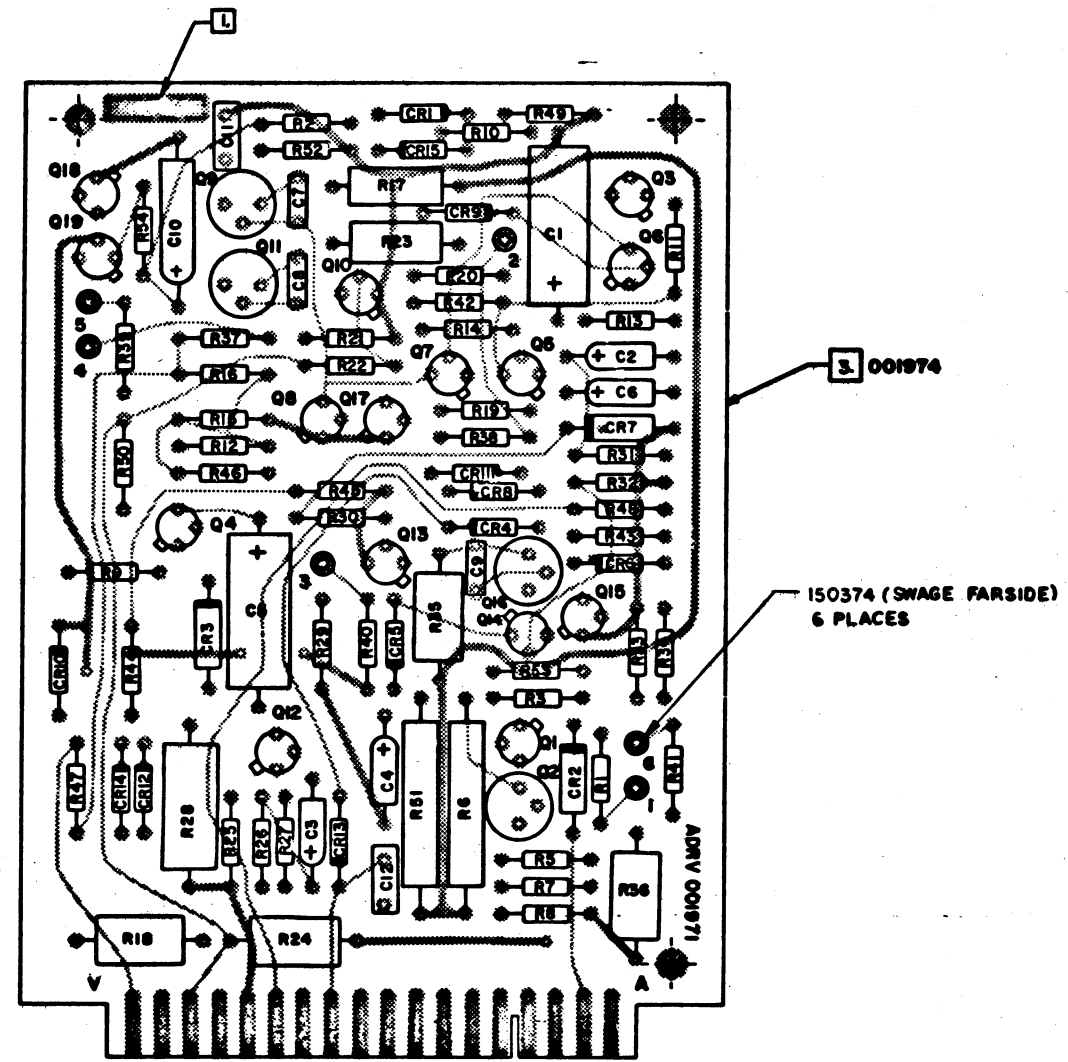
XCO40

MATERIAL	NO	TOLERANCE UNLESS OTHERWISE NOTED	2 PLACE DEC ±	3 PLACE DEC ±	ANGLES ±	Peripheral Systems Corporation a subsidiary of MEMOREX CORPORATION				
						NAME SCHEMATIC DIAGRAM				
CASE DEPTH						ACTUATOR DRIVERS				
HARDNESS						DESIGN		TYPE		
SURFACE TREATMENT						DETAIL		SCALE	NONE	
						CHECK		DRAW	2/17/69	
						APPRO	DHL	CHECK	3/22/69	
							MORT			

001972

DATE	CHANGE NO.	DATE	CHANGE NO.	001971
3/5/69	293	4/17/70	1073	
4/14/69	302	DEC 70	1705	RELEASED FOR ASSEMBLY
8-21-69	460	APR 71	2079	MULTI-USE
2-11-70	758			

REF DESIG	DESCRIPTION	M. E. S. PART NO.
C11,12	CAPACITOR,C, .1UF, 25V, ±20%	150990
C7,8,9	C, 4700PF, 100V, ±10%	154192
C3	T, .1UF, 50V, ±10%	151116
C10	T, 56UF, 10V, ±10%	151153
C2,4,6	T, 4.7UF, 10V, ±10%	151124
C1,5	CAPACITOR,M, .1UF, 100V, ±5%	151328
CR4,13	DIODE, UT111	150823
CR1,5,6	IN4148	150824
B-2,14,15		
CR2	ZENER, 3.3V, ±1%	150893
CR3	ZENER, 5.6V, ±1%	150899
CR7	DIODE, ZENER, 6.2V, ±1%	150903
R8	RESISTOR, COMP, 91Ω, 1/4W, ±5%	151458
R37,39,41	100Ω	151459
R53	110Ω	151460
R3	390Ω	151473
R14	430Ω	151474
R47,48	510Ω	151476
R46	620Ω	151478
R7	680Ω	151479
R42	750Ω	151480
R1,12,38,40,43,50	1K	151483
R16	13K	151486
R23,30,32	15K	151487
R9,25,	1.8K	151489
26,34		
R15	2K	151490
R54	2.7K	151493
R9,11,13	3.3K	151495
20,27		
R21	3.6K	151496
R4	6.8K	151508
R2	13K	151510
R44,49	15K	151511
R52	20K	151514
R45	RESISTOR, COMP, 33K, 1/4W, ±5%	151519
R10,29	RESISTOR, MF, 27.4K, 1/8W, ±1%	153101
R31,32	RESISTOR, MF, 68Ω, 1/8W, ±1%	153187
R28	RESISTOR, WW, 680Ω, 3W, ±5%	153448
R24	WW, 3Ω, 3W, ±5%	153451
R23	3K, 3W, ±5%	153453
R18,36	1Ω, 3W, ±5%	153455
R35	1K, 3W, ±5%	153457
R17	500Ω, 3W, ±5%	153458
R6,51	RESISTOR, WW, 15K, 5W, ±5%	153461
Q1,7,12,	TRANSISTOR, 2N2907	150765
13,14,19		
Q3,6,8,	TRANSISTOR, 2N2222A	150768
10,15,17,18		
Q2,9,16,11	TRANSISTOR, 2N3440	150744
TPI-6	TERMINAL, TURRET	150374
	PAD-TRANSISTOR MT, TO-5	200718



001971

001971

3. 001974

150374 (SWAGE PARSIDE) 6 PLACES

- NOTES:
- MARK LATEST ENGINEERING CHANGE NUMBER WITH 1/8" HIGH BLACK CHARACTERS, APPROXIMATELY AS SHOWN.
  - COMPONENT HEIGHT NOT TO EXCEED .400"
  - PC BOARD 001974, MUST BE AT EC LEVEL 1073.
  - MUST CONFORM TO ENGINEERING SPEC 001972, AT EC LEVEL 2079.

REFERENCE DOCUMENTS		EC LEVEL
SCH. DIAG.	001972	1705
ARTMASTER	001973	1073

XC041

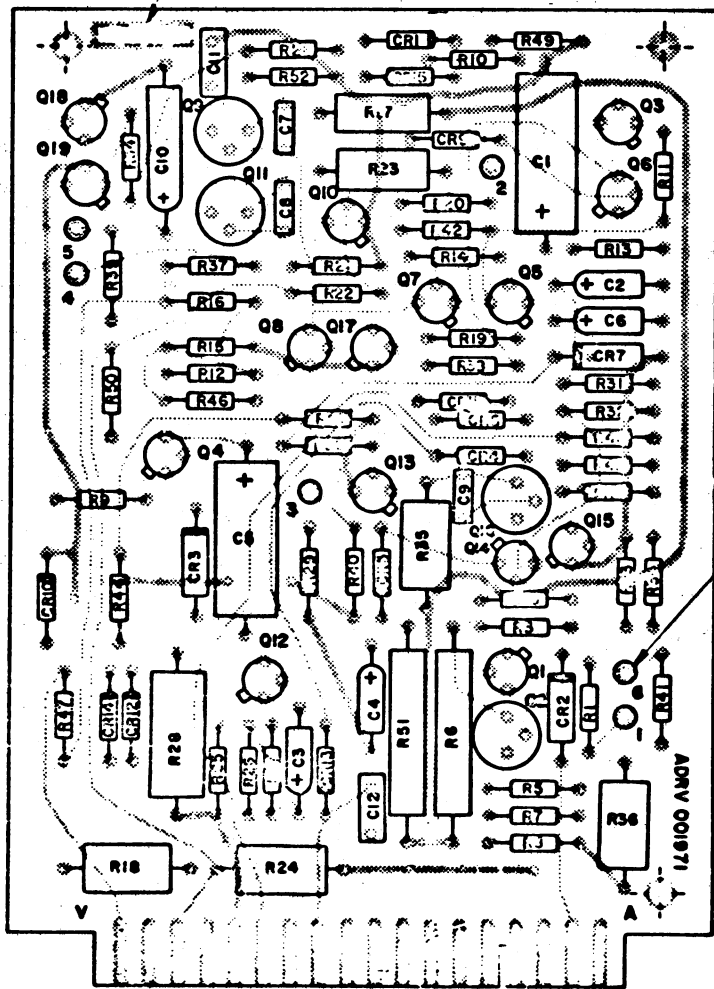
MATERIAL NO. SEE B/M NO. 001971	MUST CONFORM TO ENG. SPEC 80000	TOLERANCE UNLESS OTHERWISE NOTED	MEMOREX EQUIPMENT GROUP
CASE DEPTH	TECHNICAL APPROVAL	LINEAR - ANGULAR -	
HARDNESS		CORNERS AND OR EDGES BROKEN	NAME: P.C. BOARD ASSEMBLY ACTUATOR DRIVER
SURFACE TREATMENT		OUTSIDE	DESIGN: J.L.W. 3/25/69
STD. COC*		INSIDE	CHECK: 3-20-65
			APPRO: 2/3/63
			SCALE: 8/1
			001971



8 7 6 5 4 3 2 1

513.109	233	1073	001971
4/16/69	372	DEC TO 1705	RELEASED FOR ASSEMBLY
6/1/69	460		MULTI-USE
8/1/70	758		

REF DES G	DESCRIPTION	M E G PART NO
	PRINTED CIRCUIT BOARD	001974
C1,2	CAPACITOR, .1UF, 25V, ±20%	50990
C7,8,9	C, 4.00PF, 100V, ±1%	54192
C3	T, .1UF, 50V, ±10%	51116
C10	T, .50UF, 10V, ±20%	51153
C2,4,6	T, 4.7UF, 10V, ±5%	51124
C1,5	CAPACITOR, .1UF, 00V, ±5%	51328
C24,3	DIODE, UT-111	50623
C2,5,6	IL448	50834
2-21,4,5		
C22	ZENER, 3.3V, ±1%	50893
C23	ZENER, 5.6V, ±1%	50899
C27	DIODE, ZENER, 6.2V, ±1%	50903
R6	RESISTOR, COMP, 0.1Ω, 1/4W, ±5%	51458
R37,39,41	100Ω	51459
R53	.10Ω	51460
R3	390Ω	51473
R14	430Ω	51474
R47,48	510Ω	51476
R46	620Ω	51478
R7	660Ω	51479
R22	750Ω	51480
R1,2,38,	1	51483
40,43,50		
R16	1.3K	51486
R22,30,32	1.5K	51487
R9,25,	1.8K	51489
26,34		
R5	2K	51490
R54	2.7K	51493
R9,11,13	3.3K	51495
20,27		
R21	3.6K	51496
R5	6.8K	51503
R2	.3K	51510
R24,29	.5K	51511
R52	20K	51514
R45	RESISTOR, COMP, 22K, 1/4W, ±5%	51519
R10,29	RESISTOR, WF, 27.4K, 1/8W, ±1%	51510
R3,32	RESISTOR, MF, 681Ω, 1/8W, ±1%	51517
R28	RESISTOR, WW, 660Ω, 3W, ±5%	53448
R22	WW, 5Ω, 3W, ±5%	53451
R23	3K, 3W, ±5%	53453
R,8,36	1Ω, 3W, ±5%	53453
R35	1K, 3W, ±5%	53457
R17	500Ω, 3W, ±5%	53458
R6,51	RESISTOR, WW, 1.5K, 5W, ±5%	53461
Q17,12,	TRANSISTOR, 2N2907	50765
13,14,19		
Q3,6,8,	TRANSISTOR, 2N2222A	50768
10,15,17,18		
Q2,9,6,11	TRANSISTOR, 2N3440	50744
TP1-6	TERMINAL TURRET	50374
	PAD-TRANSISTOR MT, TOS	50375



NOTES: UNLESS OTHERWISE SPECIFIED

1. MARK LATEST ENGINEERING CHANGE NUMBER WITH 1/8" HIGH BLACK CHARACTERS, APPROXIMATELY AS SHOWN.

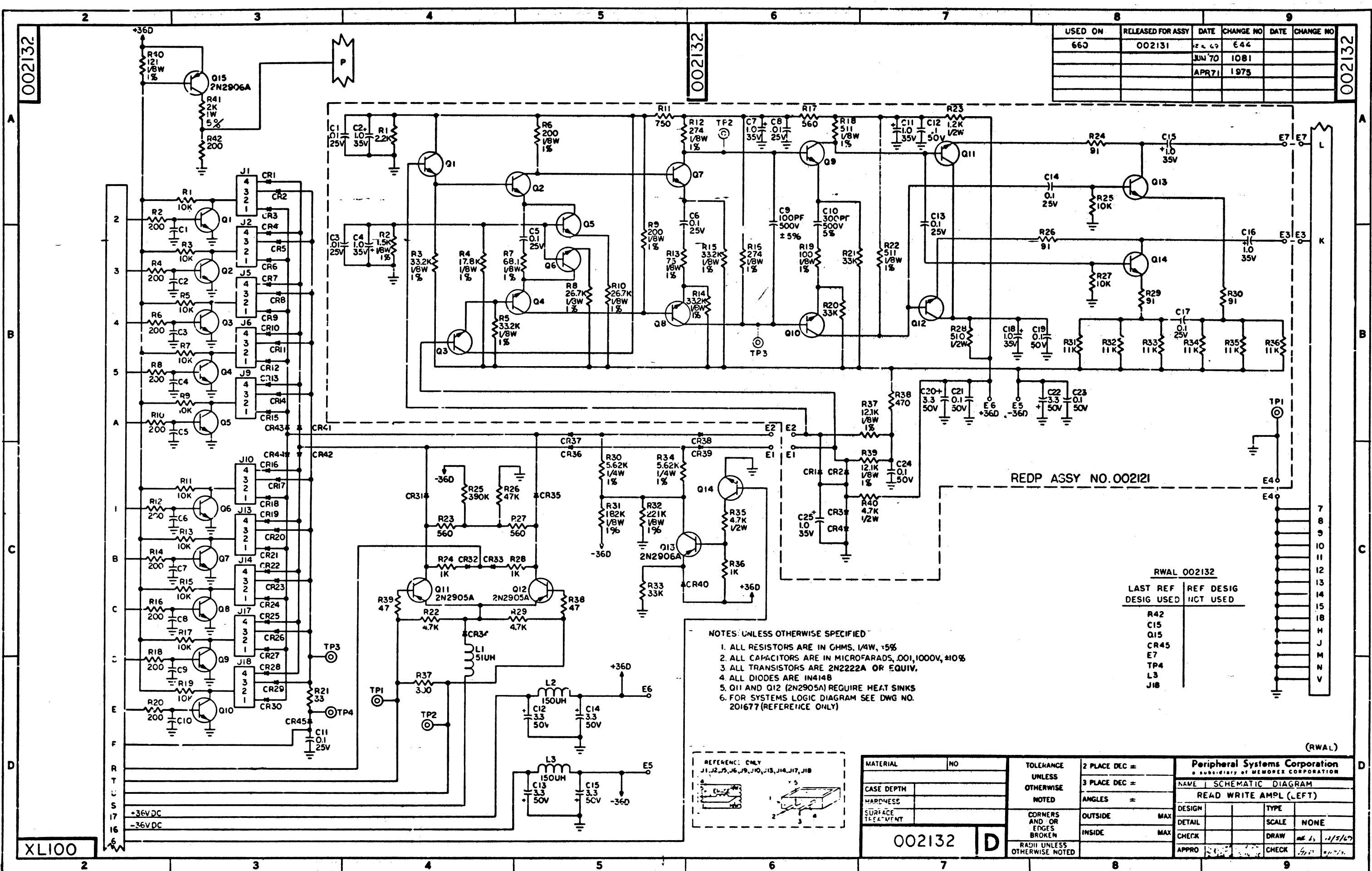
2. COMPONENT HEIGHT NOT TO EXCEED .400"

REFERENCE DOCUMENTS		EC LEVEL
SCH. DIAG.	001972	1705
ARTMASTER	001973	1073
FABRICATION	001974	1073
ENGRG. SPEC	001975	1073

XCO41

MATERIAL NO. SEE B/M NO. 001971	MUST CONFORM TO ENG. SPEC 001971	TOLERANCE UNLESS OTHERWISE NOTED	MEMOREX EQUIPMENT GR
CASE DEPTH	TECHNICAL APPROVAL	LINEAR	NAME
HARDNESS		ANG. LAB.	P.C. BOARD ASSEMBLY
SURFACE TREATMENT		CORNERS AND OR EDGES BROWN	ACTUATOR DRIVER
		OUTSIDE	SCALE 2/1
		INSIDE	DATE
		APPRO.	00197

8 7 6 5 4 3 2 1



USED ON	RELEASED FOR ASSY	DATE	CHANGE NO	DATE	CHANGE NO
660	002131	2 JUN 69	E44		
		JUN 70	10B1		
		APR 71	1975		

- NOTES: UNLESS OTHERWISE SPECIFIED
1. ALL RESISTORS ARE IN OHMS, 1/4W, ±5%
  2. ALL CAPACITORS ARE IN MICROFARADS, .001, 1000V, ±10%
  3. ALL TRANSISTORS ARE 2N2222A OR EQUIV.
  4. ALL DIODES ARE IN4148
  5. Q11 AND Q12 (2N2905A) REQUIRE HEAT SINKS
  6. FOR SYSTEMS LOGIC DIAGRAM SEE DWG NO. 201677 (REFERENCE ONLY)

RWAL 002132

LAST REF DESIG USED	REF DESIG NCT USED
R42	
C15	
Q15	
CR45	
E7	
TP4	
L3	
J18	

MATERIAL	NO	TOLERANCE UNLESS OTHERWISE NOTED	2 PLACE DEC =	3 PLACE DEC =	ANGLES =	Peripheral Systems Corporation a subsidiary of MEMOPAC CORPORATION				
CASE DEPTH						NAME SCHEMATIC DIAGRAM				
HARDNESS						READ WRITE AMPL (LEFT)				
SURFACE TREATMENT						DESIGN		TYPE		
						DETAIL		SCALE	NONE	
						CHECK		DRAW	11/5/69	
						APPRO		CHECK		

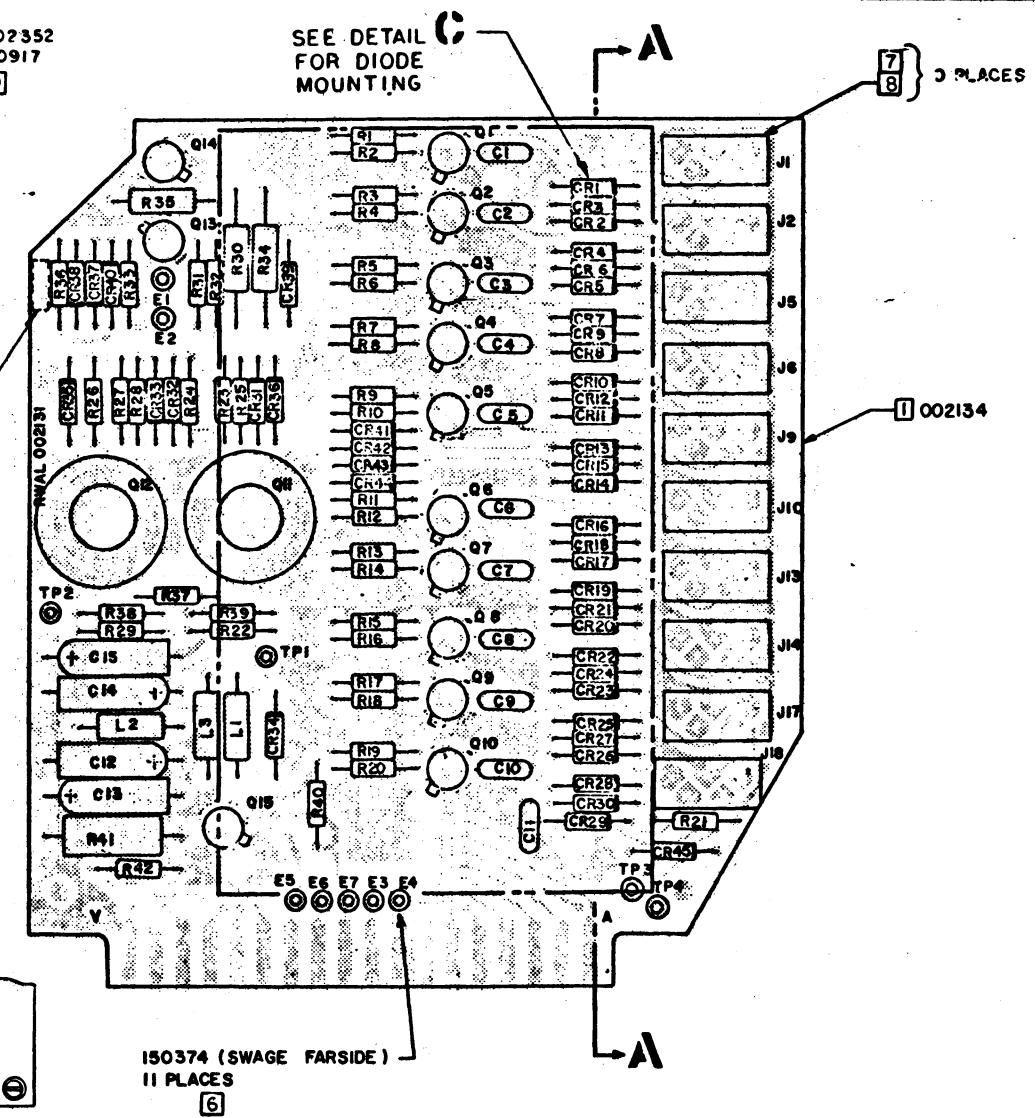
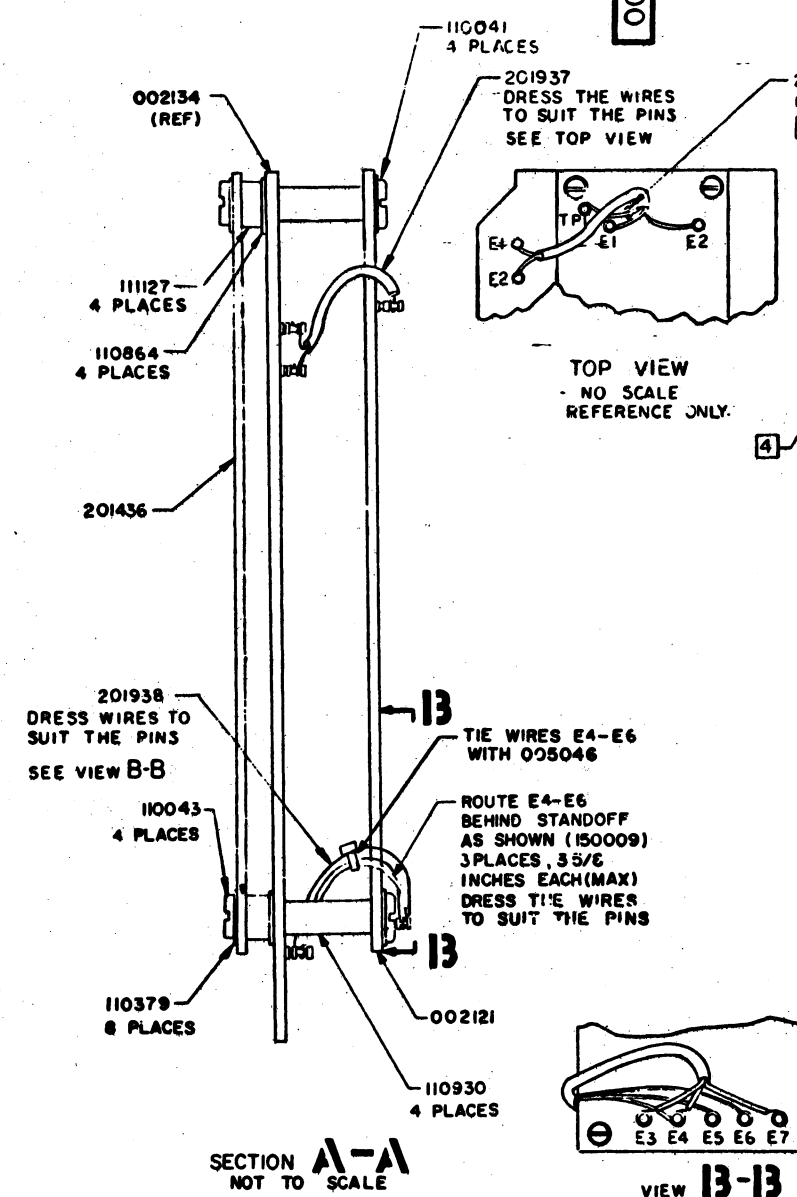
XL100

002132 D

(RWAL)

USED ON	RELEASED FOR ASSY	DATE	CHANGE NO.	DATE	CHANGE NO.
660	MULT-USAGE	14-70	644	DEC 70	1694
		JUN 70	1381	APR 71	1975
		AUG 70	1328		
		SEP 70	1465		
		OCT 70	1564		

REF DESIG	DESCRIPTION	M. E. G. PART NO.
CR-10	CAPACITOR C. .001UF. 1000V. ±10%	150965
CR-11	CAPACITOR C. .01UF. 50V. ±10%	150990
CR-15	CAPACITOR T. 3.3UF. 50V. ±10%	151140
CR-45	DIODE 1N4143	150834
REF: Q1, 2	HEAT SINK TRANSISTOR	005028
L1	INDUCTOR .51UH. ±5%	151372
LR-3	INDUCTOR .150UH. ±5%	151390
R40	RESISTOR MF. 5.2. 1/8W. ±1%	152971
R30, 34	MF. 5.2K. 1/8W. ±1%	152282
R21	COMP. 33K. 1/8W. ±5%	151447
R38, 39	47K. 1/8W. ±5%	151451
R2, 4, 6, 8, 12, 14, 16, 18, 20, 42	200R. 1/4W. ±5%	151466
R37	300R. 1/4W. ±5%	151470
R23, 27	500R. 1/4W. ±5%	151477
R14, 16, 36	1K. 1/4W. ±5%	151483
R22, 29	4.7K. 1/4W. ±5%	151499
R1, 5, 7, 9, 11, 13, 17, 19	10K. 1/4W. ±5%	151507
R33	33K. 1/4W. ±5%	151519
R26	47K. 1/4W. ±5%	151523
R31	MF. 182K. 1/8W. ±1%	153324
R32	MF. 221K. 1/8W. ±1%	153332
R25	COMP 390K. 1/4W. ±5%	151545
R35	COMP 4.7K. 1/4W. ±5%	151543
R41	RESISTOR COMP. 2K. 1/4W. ±5%	151126
Q1, 12	TRANSISTOR 2N2101A	50753
Q1, 10, 14	TRANSISTOR 2N2222A	5076E
Q13, 15	TRANSISTOR 2N2906A	150769
TP1, 9, E1, 7	TERMINAL TURRET	150174
1, 2, 5, 6, 9, 10, 13, 14, 17, 18	RECEPTACLE ASSY	200155



- NOTES
- P.C. BOARD 002134 MUST BE AT E.C. LEVEL 1081.
  - MUST CONFORM TO ENGINEERING SPECIFICATION 002135 AT EC LEVEL, 1694
  - COMPONENT LEADS ON BACK OF P.C. BOARD (002134 REF) MUST NOT EXCEED .062."
  - MARK LATEST ENGINEERING CHANGE NUMBER WITH 1/8" HIGH BLACK CHARACTERS, APPROXIMATELY AS SHOWN.
  - COMPONENT HEIGHT NOT TO EXCEED .400"
  - SOLDER THE TERMINALS ON BOTH SIDES OF THE P.C. BOARD
  - INSERT MALE PLUG NO 200143 (ASSY TOOL) INTO RECEPTACLE NO. 200155 PRIOR TO SOLDERING TO BOARD. PRESS RECEPTACLE PINS INTO THE RECEPTACLE BODY AFTER THE MALE PLUG IS INSERTED.
  - RECEPTACLE NO 200155 MUST BE SPACED FROM THE SURFACE OF THE P.C. BOARD FROM 0.020 IN TO 0.025 IN AND THE AREA UNDER THE RECEPTACLE MUST BE LEFT OPEN FOR INSPECTION
  - CEMENT TOROID 202352 TO WIRE INSULATION WITH ONE DROP OF ADHESIVE 110917. POSITION TOROID AWAY FROM COMPONENTS AND TRACES ON PC BOARD.

WIRE LIST	
FROM 002121	TO 002131
E4	E4
E5	E5
E6	E6
WIRE LIST FOR 201937	
E1	E1
E2	E2
WIRE LIST FOR 201938	
E3	E3
E7	E7
BROWN WIRE TO TP1	
BROWN WIRE TO E4	

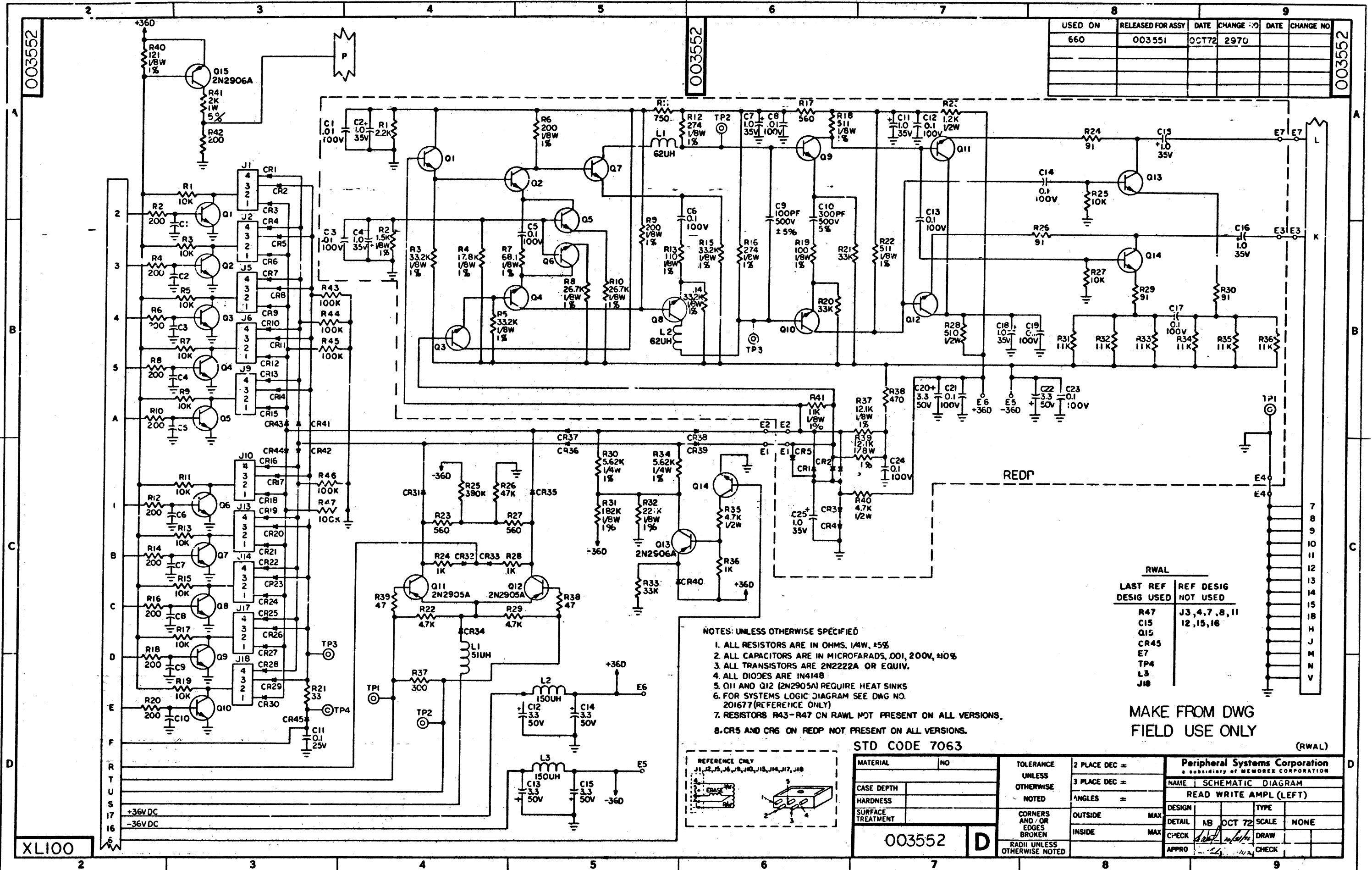
MATERIAL SEE B/M NO. 002131	TOLERANCE UNLESS OTHERWISE NOTED	2 PLACE DEC =	Peripheral Systems Corporation A SUBSIDIARY OF MEMOREX CORPORATION
CASE DEPTH	OTHERWISE NOTED	3 PLACE DEC =	
HARDNESS	CORNERS AND OR EDGES BROKEN	ANGLES	NAME P.C. BOARD ASSEMBLY
SURFACE TREATMENT	RADI UNLESS OTHERWISE NOTED	OUTSIDE MAX	READ-WRITE AMPL (LEFT)
002131	D	INSIDE MAX	DESIGN
			TYPE
			SCALE 2/1
			CHECK
			DRAW 1-11-70
			CHECK 3/1/71

XL101

003552

USED ON	RELEASED FOR ASSY	DATE	CHANGE NO	DATE	CHANGE NO
660	003551	OCT 72	2970		

003552

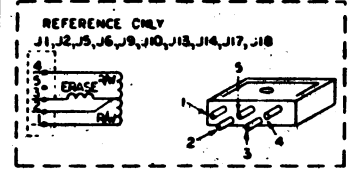


- NOTES: UNLESS OTHERWISE SPECIFIED
1. ALL RESISTORS ARE IN OHMS, 1/4W, ±5%
  2. ALL CAPACITORS ARE IN MICROFARADS, .001, 200V, ±10%
  3. ALL TRANSISTORS ARE 2N2222A OR EQUIV.
  4. ALL DIODES ARE IN4148
  5. Q11 AND Q12 (2N2905A) REQUIRE HEAT SINKS
  6. FOR SYSTEMS LOGIC DIAGRAM SEE DWG NO. 201677 (REFERENCE ONLY)
  7. RESISTORS R43-R47 ON RAWL NOT PRESENT ON ALL VERSIONS.
  8. CR5 AND CR6 ON REDP NOT PRESENT ON ALL VERSIONS.

RWAL	
LAST REF DESIG USED	REF DESIG NOT USED
R47	J3, 4, 7, 8, 11
C15	12, 15, 16
Q15	
CR45	
E7	
TP4	
L3	
J18	

MAKE FROM DWG  
FIELD USE ONLY

STD CODE 7063



MATERIAL	NO	TOLERANCE UNLESS OTHERWISE NOTED	2 PLACE DEC =	3 PLACE DEC =	ANGLES =	Peripheral Systems Corporation a subsidiary of MEMOREX CORPORATION				
CASE DEPTH						NAME   SCHEMATIC DIAGRAM				
HARDNESS						READ WRITE AMPL (LEFT)				
SURFACE TREATMENT						DESIGN		TYPE		
						DETAIL	AB	OCT 72	SCALE	NONE
						CHECK		DRAW		
						APPRO		CHECK		

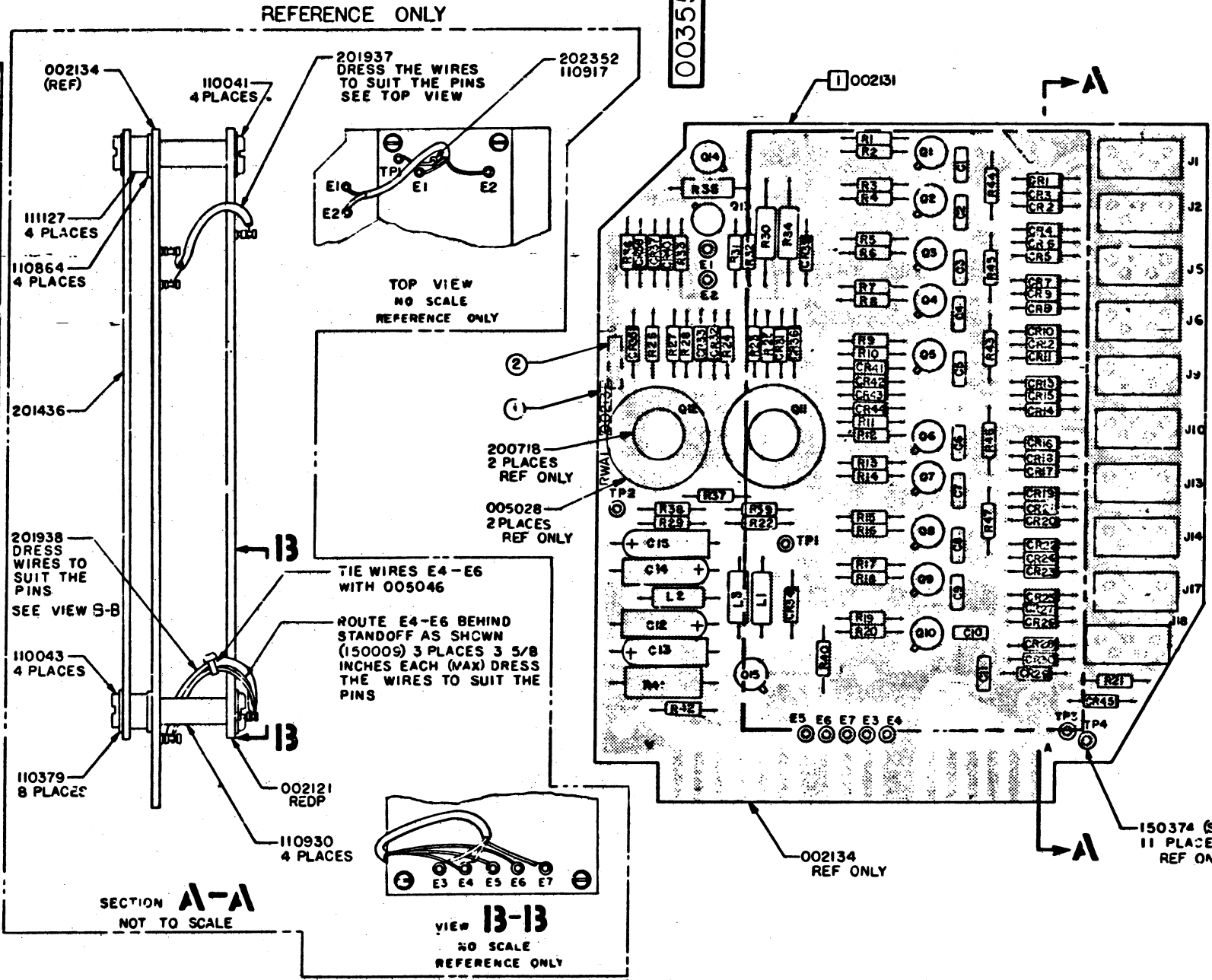
XL100

003552 D

DATE	CHANGE NO.	DATE	CHANGE NO.	003551
OCT 72	2970			RELEASED FOR ASSEMBLY
				301865

REFERENCE ONLY

REF	DESIGNATION	DESCRIPTION	M.E.G. PART NO.
C12-15	CAPACITOR, T, 3.3 UF, 50 V, ±10%		151140
C11	CAPACITOR, C, .1 UF, 100V, ±10%		154151
C1-10	CAPACITOR, C, .001 UF, 200V, ±10%		154184
C <sup>9</sup> -45	DIODE, 1N4148		150834
L1	INDUCTOR, 51 UH, ±5%		151379
L2,3	INDUCTOR, 150 UH, ±5%		151390
R41	RESISTOR, MF, 1210HMS, 1/8W, ±1%		152971
R21	MF, 182 K, 1/8W, ±1%		153324
R32	MF, 221 K, 1/8W, ±1%		153332
R2	COMP, 33 OHMS, 1/4W, ±5%		151447
R38,39	47 OHMS		151451
R2,4,6,8,10,12,14,16,18,20,12	200 OHMS		151466
R37	300 OHMS		151470
R23,27	560 OHMS		151477
R24,28,36	1 K		151483
R22,29	4.7 K		151499
R1,3,5,7,9,11,13,15,17,19	10 K		151507
R33	33 K		151519
R26	47 K		151523
R43-47	100 K		151531
R25	COMP, 390 K, ±5%		151545
R30,34	MF 5.62 K, 1/4W, ±1%		152262
R35	COMP, 4.7 K, 1/2W, ±5%		151643
R41	RESISTOR, COMP, 2 K, 1W, ±5%		151778
Q11,12	TRANSISTOR, 2N2905		150753
Q1-10,14	TRANSISTOR, 2N2222A		150768
Q13,15	TRANSISTOR, 2N2906A		150769
J1,2,5,6,9,10,13,14,17,18	RECEPTACLE ASSY		200155



- MAKE FROM INSTRUCTIONS
- REMOVE ASM NO. 00231 AND STAMP ASM NO. 003551 WITH 1/8" HIGH BLACK CHARACTERS APPROX IN AREA SHOWN.
  - REMOVE EC LEVEL 1975 OR HIGHER AND STAMP EC LEVEL 2970 WITH 1/8" HIGH BLACK CHARACTERS APPROX IN AREA SHOWN.
  - REMOVE R13 P/N 153143 AND REPLACE WITH R13 P/N 152967, 110Ω, 1/8W, ±1%, AS SHOWN ON SHT 2.
  - ADD R41 P/N 153063, 11K, 1/8W, ±1%, AS SHOWN ON SHT 2. INSULATE LEADS WITH TEFLON TUBING AS P/N 503612 AS REQUIRED.
  - ENLARGE HOLE FOR COLLECTOR LEADS OF Q7 AND Q8 TO .052" DIA.
  - ADD L1 AND L2 P/N 151391, 62Ω, USING ENLARGED HOLES TP2 AND TP3 AS SHOWN ON SHT 2. INSULATE LEADS WITH TEFLON TUBING P/N 503612 AS REQUIRED. ATTACH L1 AND L2 TO PCB SURFACE USING RTV RUBBER P/N 111478 AS REQUIRED.
  - CUT ETCHED TRACE CONNECTING Q7 AND Q8 COLLECTORS AS SHOWN ON SHT 2.
  - ADD JUMPER WIRE P/N 700531 BETWEEN Q9 BASE AND R12 AS SHOWN ON SHT 2.
  - ADD JUMPER WIRE P/N 700531 BETWEEN Q10 BASE AND R16 AS SHOWN ON SHT 2.

REFERENCE ONLY

WIRE LIST	
FROM 002121	TO 003551
E4	E4
E5	E5
E6	E6
WIRE LIST FOR 201937	
E1(WHT)	E1(WHT)
E2(BLK)	E2(BLK)
BROWN WIRE TO TP1	
WIRE LIST FOR 201938	
E3(WHT)	E3(WHT)
E7(BLK)	E7(BLK)
BROWN WIRE TO E4	

REFERENCE DOCUMENTS	EC LEVEL
SCH DIAG	003552 2970

- NOTES:
- PCB ASSEMBLY RWAL 002131 MUST BE AT EC LEVEL 1975 OR HIGHER.
  - MUST CONFORM TO ENG SPECIFICATION 002135.
  - R43-R47 ON RWAL 002131 NOT PRESENT ON ALL VERSIONS.
  - CR5 AND CR6 ON REDP 002121 NOT PRESENT ON ALL VERSIONS.
  - COMPONENT HEIGHT FROM SURFACE OF REDP 002121 NOT TO EXCEED .500".

MAKE FROM DWG  
FIELD USE ONLY  
SHEET 1 OF 2

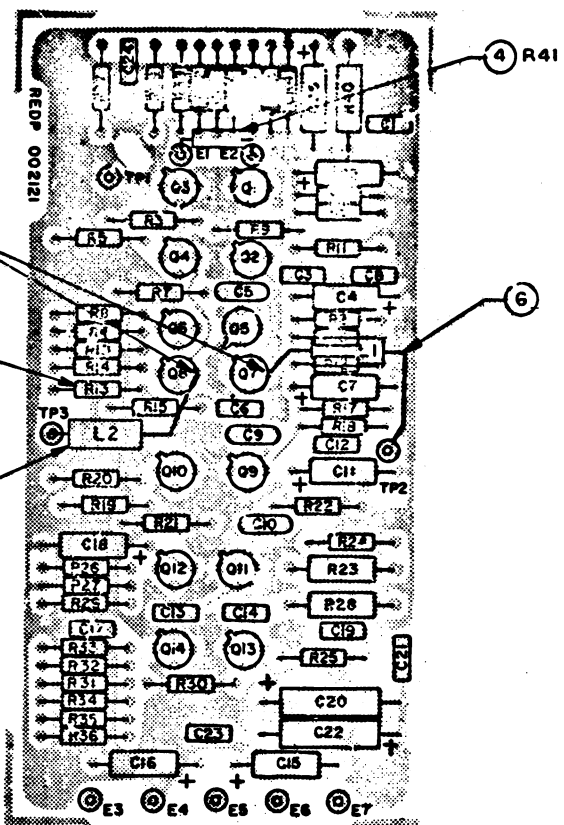
XL101

MATERIAL	MUST CONFORM TO ENG. SPEC 80000	TOLERANCE UNLESS OTHERWISE NOTED	MEMOREX EQUIPMENT GROUP
SFE B/M 003551	TECHNICAL APPROVAL	LINEAR ±.01	NAME PC BOARD ASSEMBLY
CASE DEPTH		ANGULAR ±	READ WRITE AMP LEFT
HARDNESS		CORNERS/EDGES BROKEN	DATE
SURFACE TREATMENT		OUTSIDE	CHECK
STD CODE 7061	D	INSIDE	APPROVED
			SCALE
			NO. 100
			DATE OCT 72
			003551

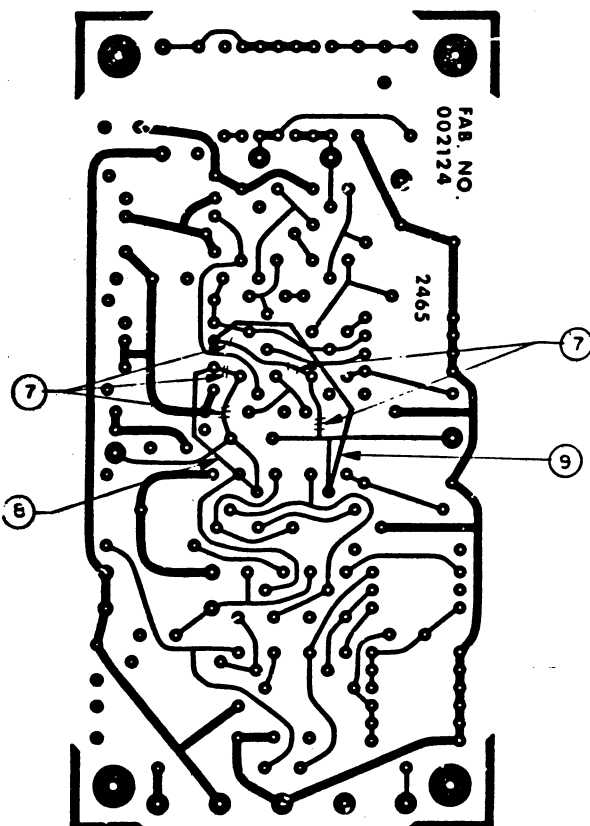
OCT 72 2970

003551

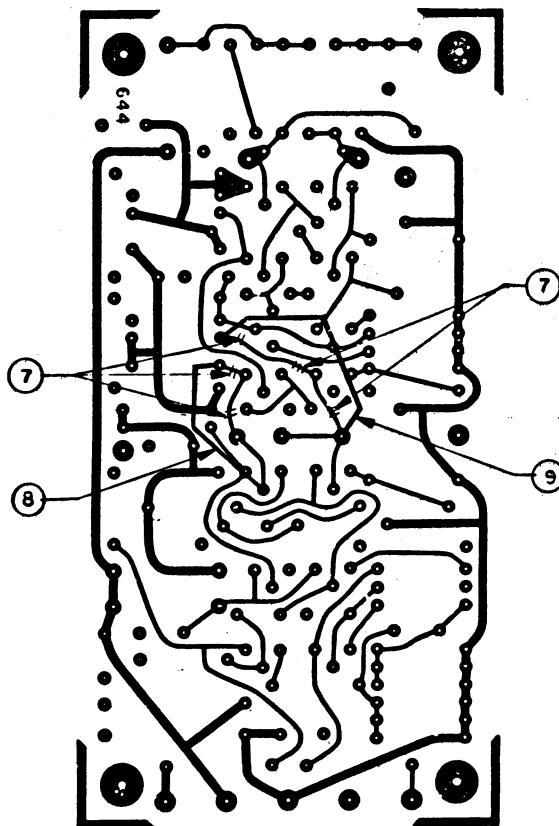
RELEASED FOR ASSEMBLY  
301865



REDP P/N 002121  
EC 1061 OR HIGHER  
(COMPONENT SIDE)



REDP P/N 002121  
EC 2465 OR HIGHER  
(NON-COMPONENT SIDE)



REDP P/N 002121  
EC 1061  
(NON-COMPONENT SIDE)

MAKE FROM DWG  
FIELD USE ONLY

SHEET 2 OF 2

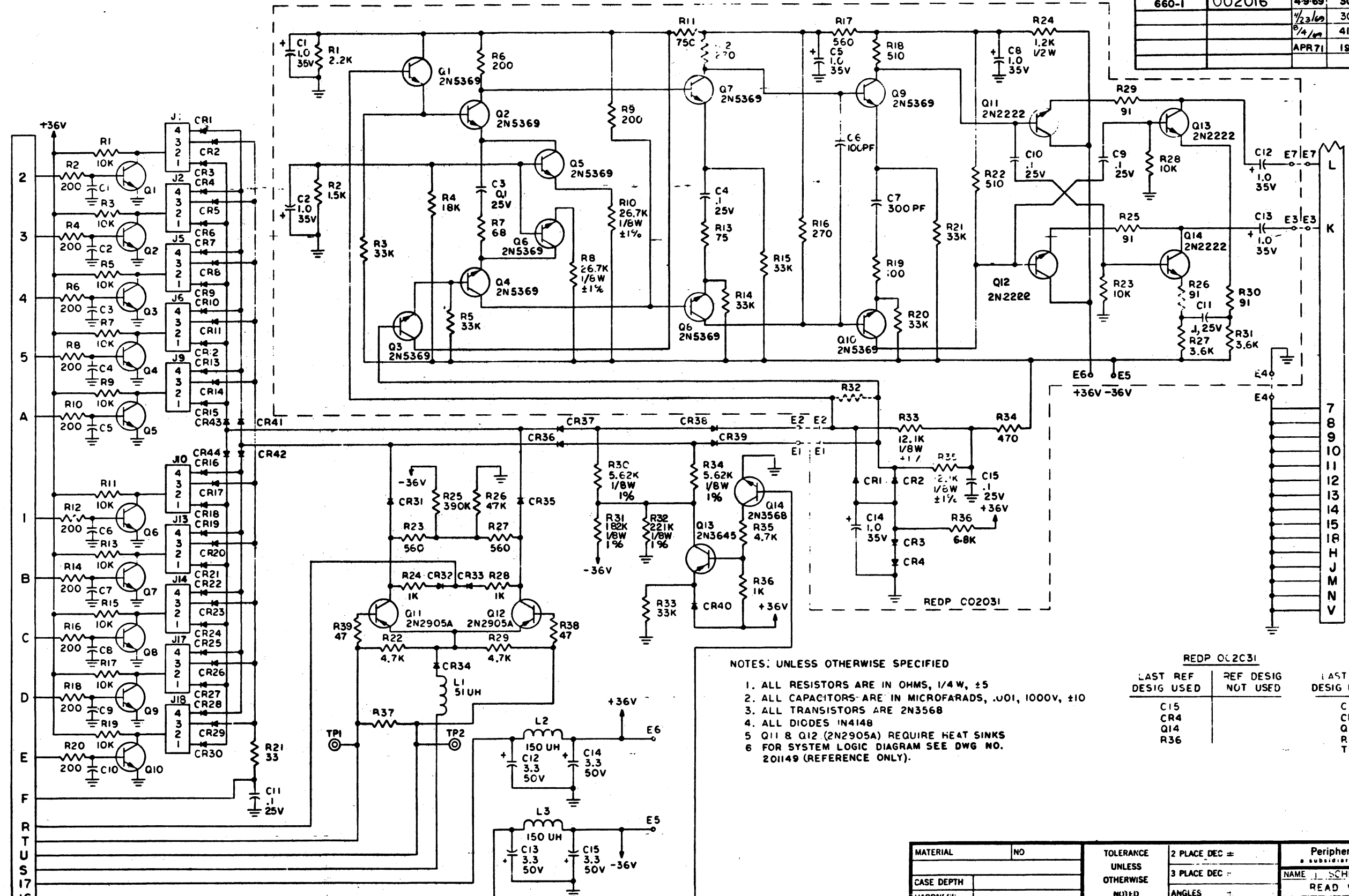
ORIGINAL <b>SEE B/M 003551</b> APPROVED PREPARED CHECKED DATE 7061	MUST FORWARD TO ENG. DESK TECHNICAL APPROVAL DATE 7061	DIMENSIONS UNLESS OTHERWISE NOTED ALL DIMENSIONS IN INCHES CORNERS EDGES BROKEN DATE 7061	<b>MEMOREX</b> EQUIPMENT GROUP <b>P.C. BOARD ASSEMBLY</b> <b>READ WRITE AMP (LEFT)</b> DATE <b>SSK</b> OCT 003551
--	--	---	--

XL 101

002017

USED ON	RELEASED FOR ASSY	DATE	CHANGE NO	DATE	CHANGE NO
660-1	002016	4-9-69	301		
		4/23/69	308		
		5/4/69	419		
		APR 71	1975		

002017



002017

- NOTES: UNLESS OTHERWISE SPECIFIED
1. ALL RESISTORS ARE IN OHMS, 1/4 W, ±5
  2. ALL CAPACITORS ARE IN MICROFARADS, .001, 1000V, ±10
  3. ALL TRANSISTORS ARE 2N3568
  4. ALL DIODES IN4148
  5. Q11 & Q12 (2N2905A) REQUIRE HEAT SINKS
  6. FOR SYSTEM LOGIC DIAGRAM SEE DWG NO. 201149 (REFERENCE ONLY).

REDP 002031		RWAL 002016	
LAST REF DESIG USED	REF DESIG NOT USED	LAST REF DESIG USED	REF DESIG NOT USED
C15		C15	
CR4		CR44	
Q14		Q12	
R36		R39	
		TP2	

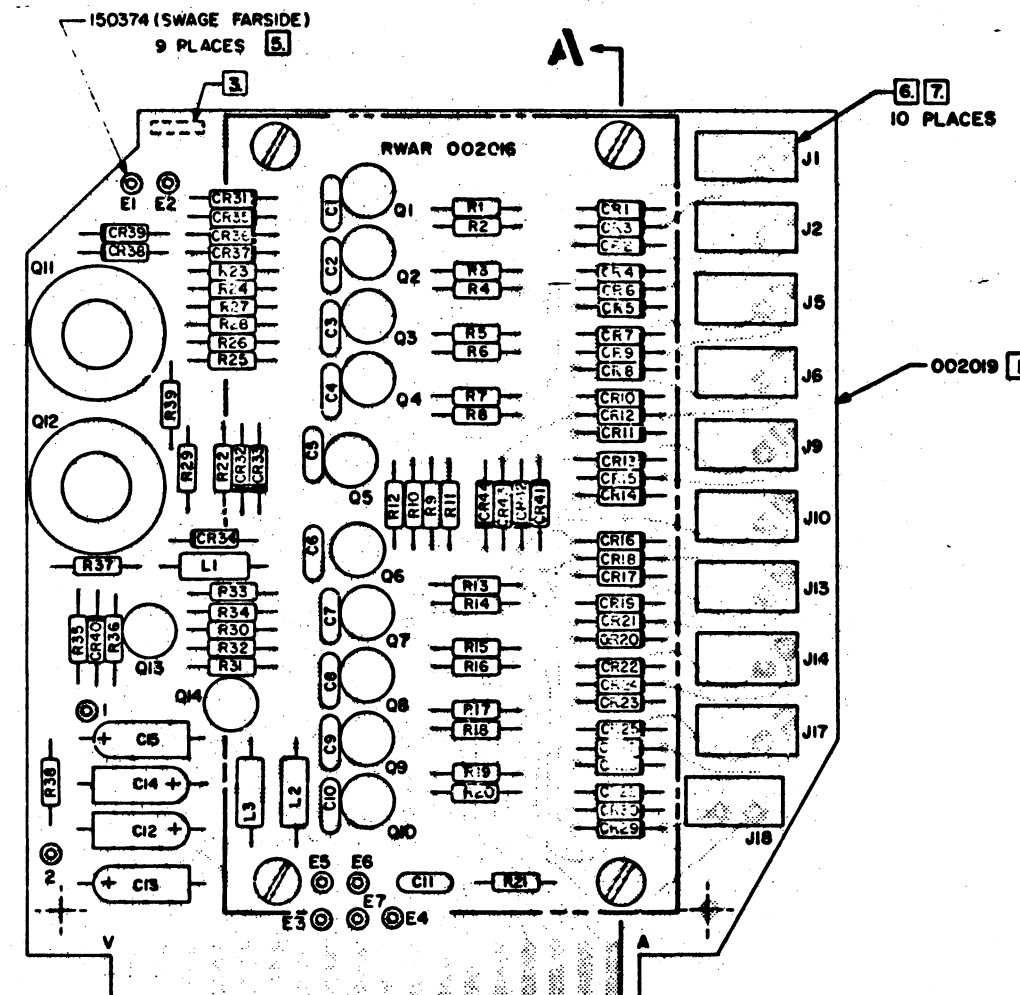
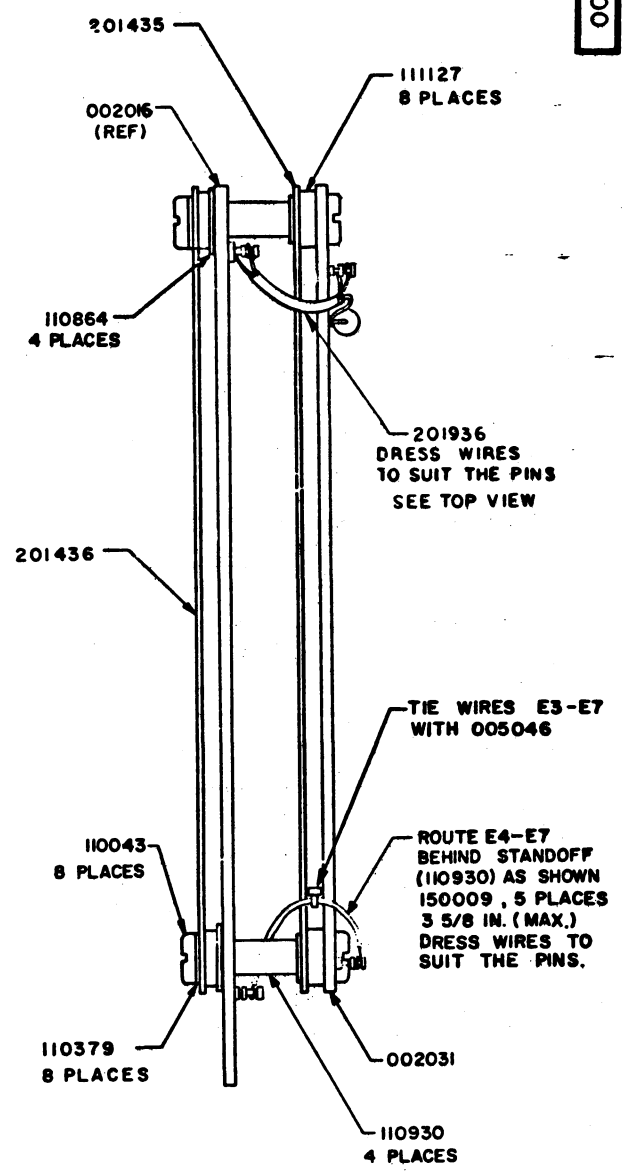
XL100

MATERIAL	NO	TOLERANCE UNLESS OTHERWISE NOTED	2 PLACE DEC =	Peripheral Systems Corporation a subsidiary of MEMOREX CORPORATION			
CASE DEPTH		UNLESS OTHERWISE NOTED	3 PLACE DEC =	NAME SCHEMATIC DIAGRAM			
HARDNESS		UNLESS OTHERWISE NOTED	ANGLES	READ WRITE AMPL (LEFT)			
SURFACE TREATMENT		CORNERS AND/OR EDGES BROKEN	OUTSIDE	MAX	DESIGN	TYPE	
		RADI UNLESS OTHERWISE NOTED	INSIDE	MAX	DETAIL	SCALE	NONE
002017		D		CHECK	DRAW	DATE	
				APPRC	CHECK	DATE	

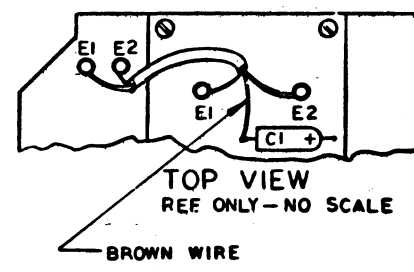
002016

REF DESIG	DESCRIPTION	M.E.B. PART NO.
	PC BOARD ASSY. REW. PRE-AMPL	002031
C1-10	CAPACITOR, .001UF, 100V, ±10%	150965
C11	CAPACITOR, .001UF, 25V, ±20%	150990
C12-15	CAPACITOR, T. 3.3UF, 50V, ±10%	51140
CR-11,12	HEAT SINK, TRANSISTOR	CC8C2B
CR1-40	DIODE 1N4148	50854
L1	INDUCTOR 51UH, ±5%	151379
L2,3	INDUCTOR, 150UH, ±5%	151390
R28,39	RESISTOR, COMP. 50K, 1/4W, ±5%	151451
R30,34	MF, 500K, 1/4W, ±1%	53227
R37	COMP, 300Ω, 1/4W, ±5%	151470
R21	50Ω, 1/4W, ±5%	151447
R2,4,6,8	200Ω, 1/4W, ±5%	51466
10,12,14		
R16,20		
R23,27	560Ω, 1/4W, ±5%	151477
R24,26,28	1K, 1/4W, ±5%	151483
R22,23,25	2.7K, 1/4W, ±5%	151489
R13,5,7,9	CR, 1/4W, ±5%	51507
11,15,17		
R33	33K, 1/4W, ±5%	151519
R26	17K, 1/4W, ±5%	151523
R31	MF 182K, 1/8W, 1%	153324
R32	MF 221K, 1/8W, 1%	153332
R25	RESISTOR, COMP, 390K, 1/4W, ±5%	151545
J1,2,5,6	RECEPTACLE	200155
9,10,13,14		
17,18		
19,21,22	TERMINAL TURRET	50374
Q1,12	TRANSISTOR, 2N2905A	150753
Q1-10,14	TRANSISTOR, 2N354B	150730
Q13	TRANSISTOR, 2N3685	150733

USED CN	RELEASED FOR AS	DATE	CHANGE NO.	DATE	CHANGE NO.
660-1	201000		301	APR 70	947
			308	APR 70	1456
			419	DEC 70	1694
			436	APR 71	1975
			861		



- NOTES:
- PC BOARD 002019 MUST BE AT EC LEVEL 308.
  - MUST CONFORM TO ENGINEERING SPECIFICATION 002020 AT EC LEVEL 1694.
  - MARK LATEST ENGINEERING CHANGE NUMBER WITH 1/8" HIGH BLACK CHARACTERS, APPROXIMATELY AS SHOWN.
  - COMPONENT HEIGHT NOT TO EXCEED .400"
  - SOLDER THE TERMINALS ON BOTH SIDES OF THE P.C. BOARD.
  - INSERT MALE PLUG NO. 200143 (ASSY TOOL) INTO RECEPTACLE NO. 200155 PRIOR TO SOLDERING TO BOARD. PRESS RECEPTACLE PINS BACK UP INTO THE RECEPTACLE BODY AFTER THE MALE PLUG IS INSERTED.
  - RECEPTACLE NO. 200155 MUST BE SPACED FROM THE SURFACE OF THE P.C. BOARD FROM .020" TO .025" AND THE AREA UNDER RECEPTACLE MUST BE LEFT OPEN FOR INSPECTION.



FROM 002031	TO 002016
E3	E3
E4	E4
E5	E5
E6	E6
E7	E7

FROM 002031	TO 002016
E1	E1
E2	E2
BROWN WIRE TO NEGATIVE SIDE OF CAPACITOR C1	

REFERENCE DOCUMENTS	EC LEVEL
SCH. DIAG 002017	975
ARTMASTER 002018	308

MATERIAL SEE B/M	NO 002016	TOLERANCE UNLESS OTHERWISE NOTED	2 PLACE DEC -	Peripheral Systems Corporation A DIVISION OF MEMOPLEX CORPORATION
CASE DEPTH		CORNERS AND OR EDGES BROKEN	3 PLACE DEC -	
HARDNESS		RADI UNLESS OTHERWISE NOTED	ANGLES	
HARDNESS			OUTSIDE	NAME P.C. BOARD ASSEMBLY
SURFACE TREATMENT			INSIDE	READ-WRITE AMPL (LEFT)
	002016		MAX	DESIGN TYPE
	D		MAX	DETAIL SCALE 2/1
				CHECK DRAW J.W. Hobbs
				APPRO D.H.L. 2/10/69 16/11/69 CHECK J.W.H. 2-69

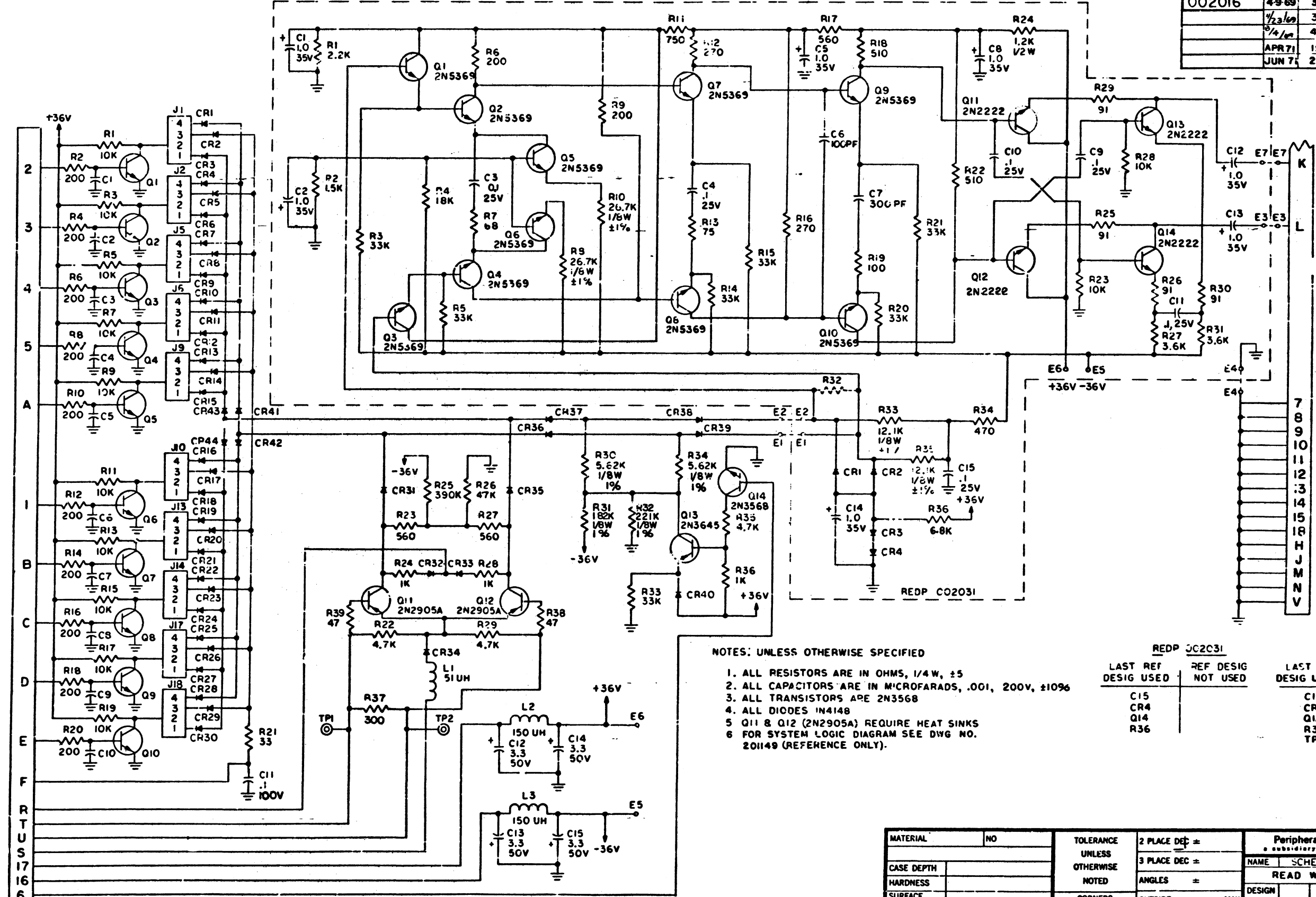
XLIOI



002017

RELEASED FOR ASSY	DATE	CHANGE NO.	DATE	CHANGE NO.
002016	4-9-69	301		
	7/23/69	308		
	9/1/69	419		
	APR 71	1975		
	JUN 71	2153		

002017



002017

- NOTES: UNLESS OTHERWISE SPECIFIED
1. ALL RESISTORS ARE IN OHMS, 1/4 W, ±5
  2. ALL CAPACITORS ARE IN MICROFARADS, .001, 200V, ±10%
  3. ALL TRANSISTORS ARE 2N3568
  4. ALL DIODES IN4148
  5. Q11 & Q12 (2N2905A) REQUIRE HEAT SINKS
  6. FOR SYSTEM LOGIC DIAGRAM SEE DWG NO. 201149 (REFERENCE ONLY).

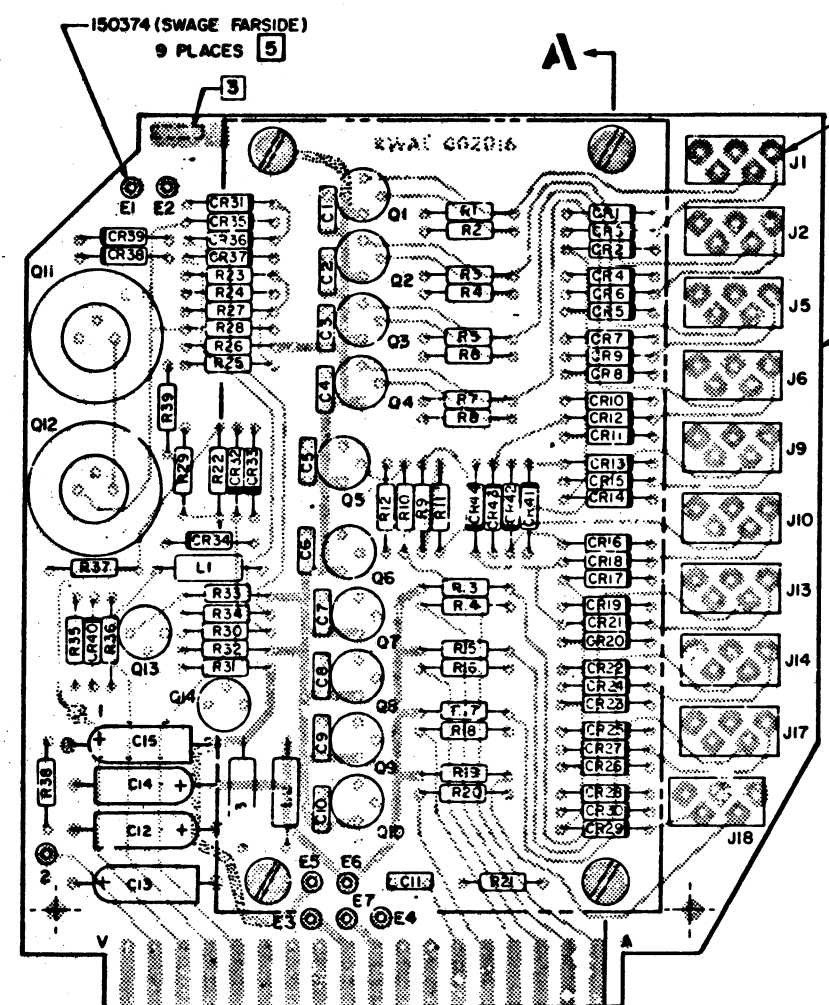
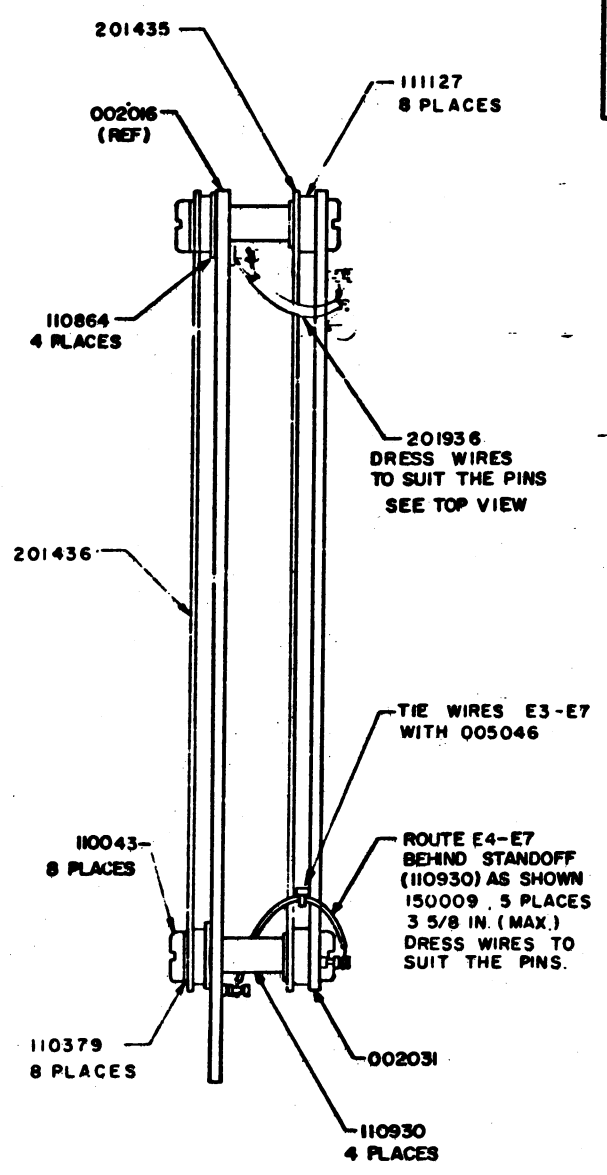
REDP C02031		RWAL 002016	
LAST REF DESIG USED	REF DESIG NOT USED	LAST REF DESIG USED	REF DESIG NOT USED
C15		C15	
CR4		CR44	
Q14		Q12	
R36		R39	
		TP2	

XL100

MATERIAL	NO	TOLERANCE UNLESS OTHERWISE NOTED	2 PLACE DEC ±	Peripheral Systems Corporation a subsidiary of MEMOREX CORPORATION			
CASE DEPTH		NOTED	3 PLACE DEC ±	NAME SCHEMATIC DIAGRAM			
HARDNESS		CORNERS AND/OR EDGES BROKEN	ANGLES ±	READ WRITE AMPL (LEFT)			
SURFACE TREATMENT		RADI UNLESS OTHERWISE NOTED	OUTSIDE MAX	DESIGN	TYPE	SCALE	NONE
			INSIDE MAX	DETAIL			
				CHECK	DRAW	DATE	2/25/69
				APPRO	CHECK	DATE	3-19-69
002017		D					

DATE	CHANGE NO.	DATE	CHANGE NO.	002016
APR 69	301	JUN 70	947	RELEASED FOR ASSEMBLY
APR 69	308	SEP 70	1456	201000
AUG 69	419	DEC 70	1694	
OCT 69	436	APR 71	1975	
APR 70	861	JUN 71	2153	

REF DESIG	DESCRIPTION	M. E. S. PART NO.
C1-C10	CAPACITOR, C, .001 UF, 200V, ±10%	154184
C11	CAPACITOR, C, .1 UF, 100V, ±10%	154191
C12-18	CAPACITOR, T, 3.3 UF, 50V, ±10%	151140
CR1-44	DIODE, IN3148	150834
L1	INDUCTOR, 51 UH, ±5%	151379
L2,3	INDUCTOR, 150 UH, ±5%	151390
R38,39	RESISTOR, COMP, 47 $\Omega$ /1/4W, ±5%	151451
R37	300 $\Omega$	151470
R21	33 $\Omega$	151447
R4,6,3,10, 14,16,18,20	200 $\Omega$	151466
R25	390 K	151545
R23,27	560 $\Omega$	151477
R24,28,36	1 K	151483
R22,29,35	4.7 K	151399
R1,3,5,7,9,11, 13,15,17,19	10 K	151507
R33	33 K	151519
R26	COMP, 47 K, 1/4W, ±5%	151523
R30,34	MF, 5.62K, 1/8W, ±1%	153227
R31	MF, 182K, 1/8W, ±1%	153327
R32	RESISTOR, MF, 221K, 1/8W, ±1%	153332
J1,2,5,6,9, 10,13,14,17,18	RECEPTACLE	200155
Q1-10,14	TRANSISTOR, 2N3568	150730
Q13	TRANSISTOR, 2N3645	150733
Q11,12	TRANSISTOR, 2N2905A	150753
TP1,2, E1-7	TERMINAL, TURRET	150374
REF: Q11,12	HEAT SINK, TRANSISTOR	005028

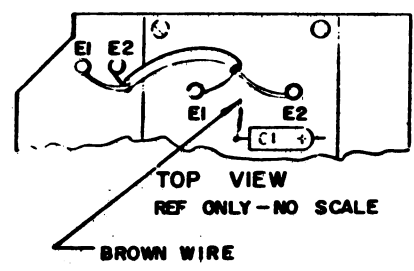


WIRE LIST	
FROM 002031	TO 002016
E3	E3
E4	E4
E5	E5
E6	E6
E7	E7

WIRE LIST FOR 201936	
FROM 002031	TO 002016
F1	E1
E2	E2
BROWN WIRE TO NEGATIVE SIDE OF CAPACITOR C1	

SCH. DIAG	ARTMASTER	002017	002018	2153	2153

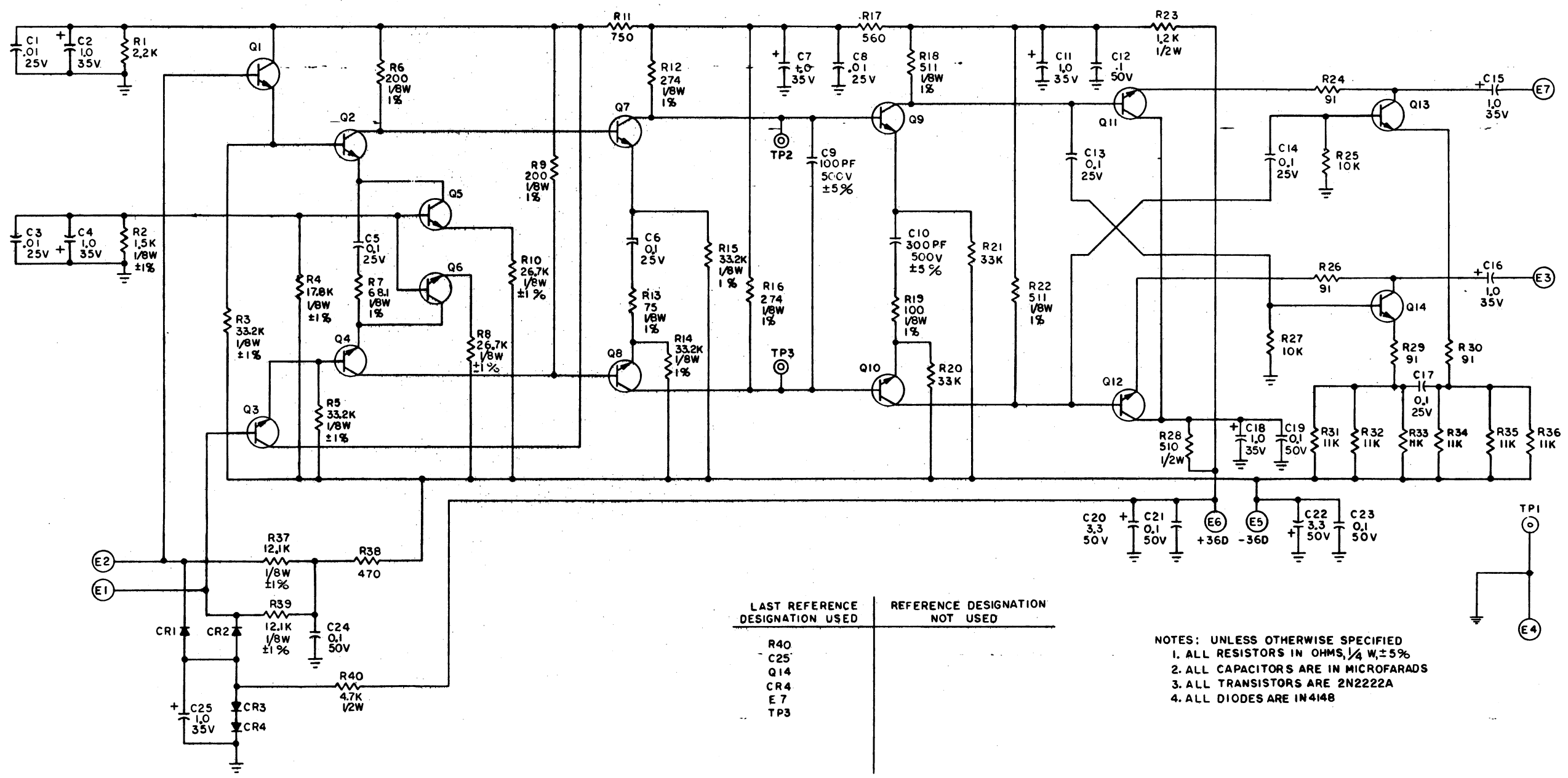
- NOTES:
- PC BOARD 002019 MUST BE AT EC LEVEL 2153.
  - MUST CONFORM TO ENGINEERING SPECIFICATION 002020 AT EC LEVEL 1694.
  - MARK LATEST ENGINEERING CHANGE NUMBER WITH 1/8" HIGH BLACK CHARACTERS, APPROXIMATELY AS SHOWN.
  - COMPONENT HEIGHT NOT TO EXCEED .400"
  - SOLDER THE TERMINALS ON BOTH SIDES OF THE P.C. BOARD.
  - INSERT MALE PLUG NO. 200143 (ASSY TOOL) INTO RECEPTACLE NO. 200155 PRIOR TO SOLDERING TO BOARD. PRESS RECEPTACLE PINS BACK UP INTO THE RECEPTACLE BODY AFTER THE MALE PLUG IS INSERTED.
  - RECEPTACLE NO. 200155 MUST BE SPACED FROM THE SURFACE OF THE P.C. BOARD FROM .020" TO .025" AND THE AREA UNDER RECEPTACLE MUST BE LEFT OPEN FOR INSPECTION



MATERIAL	MUST CONFORM TO ENG. SPEC 88000	TOLERANCE UNLESS OTHERWISE NOTED	MEMOREX EQUIPMENT GROUP
CASE DEPTH	TECHNICAL APPROVAL	LINEAR = .XX ANGULAR = .XXX	NAME PC BOARD ASSEMBLY
HARDNESS		CORNERS-EDGES BROKEN	READ-WRITE AMPL (LEFT)
SURFACE TREATMENT		INSIDE	SCALE 2/1
STD CODE		MAX CHECK	DATE JUN 71
		MAX APPRO	DATE JUN 71
			002016

XL101

USED ON	RELEASED FOR ASSY	DATE	CHANGE NO	DATE	CHANGE NO
660	002121	12-16-69	644		
		3-23-70	1081		



LAST REFERENCE DESIGNATION USED	REFERENCE DESIGNATION NOT USED
R40	
C25	
Q14	
CR4	
E 7	
TP3	

NOTES: UNLESS OTHERWISE SPECIFIED  
 1. ALL RESISTORS IN OHMS, 1/4 W, ±5%  
 2. ALL CAPACITORS ARE IN MICROFARADS  
 3. ALL TRANSISTORS ARE 2N2222A  
 4. ALL DIODES ARE IN 4148

002122

002122

002122

XPI00

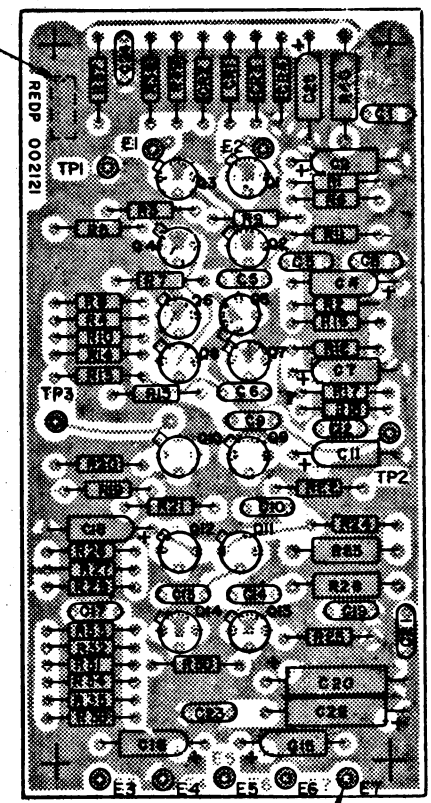
MATERIAL	NO	TOLERANCE UNLESS OTHERWISE NOTED	2 PLACE DEC ±	Peripheral Systems Corporation a subsidiary of MEMOREX CORPORATION			
CASE DEPTH		OTHERWISE NOTED	3 PLACE DEC ±	NAME SCHEMATIC DIAGRAM			
HARDNESS			ANGLES ±	READ PREAMPLIFIER			
SURFACE TREATMENT		CORNERS AND/OR EDGES BROKEN	OUTSIDE MAX	DESIGN		TYPE	
		RADI UNLESS OTHERWISE NOTED	INSIDE MAX	DETAIL		SCALE	NONE
002122			D	CHECK	S. W. 3-12-70	DRAW	KNL 9-16-69
				APPRO	3-14-70	CHECK	3/12/70

002121

USED ON	RELEASED FOR ASSY	DATE	CHANGE NO	DATE	CHANGE NO
660	002131	3-4-70	644		
	002126				

002121

REF DESIG	DESCRIPTION	M. E. & PART NO.
	PRINTED CIRCUIT BOARD	002124
C9	CAPACITOR, M, 100 PF, 500V, ±5%	153718
C10	M, 300 PF, 500V, ±5%	153726
CA3,8	C, .01 UF, 25V, ±20%	150971
C5,6,9,14,17	C, .1 UF, 25V, ±20%	150990
C8,21,23,	C, .1 UF, 50V, ±20%	150994
24,12		
C2,4,7,15,1	T, .1 UF, 35V, ±10%	151116
16,18,25		
C20,22	CAPACITOR, T, 3.3UF, 50V, ±10%	151140
CRI-4	DIODE, IN4148	150834
R37,39	RESISTOR, MF, 12.1K, 1/8W, ±1%	153067
R8,10	26.7K	153100
R7	68.1 OHMS	153139
R13	75 OHMS	153143
R9	100 OHMS	152963
R6,9	200 OHMS	152992
R12,16	274 OHMS	153005
R18,22	911 OHMS	153175
R2	1.5K	153028
R4	17.8K	153083
R3,5,14,15	RESISTOR, MF, 33.2K, 1/8W, ±1%	153253
R24,25,29,3	RESISTOR, COMP, 91 OHMS, 1/4W, ±5%	151458
R38	470 OHMS	151475
R17	560 OHMS	151477
R11	750 OHMS	151480
R1	2.2K	151491
R25,27	10K	151507
R31-36	11K	151508
R20,21	33K, 1/4W	151519
R28	510 OHMS, 1/2W	151620
R23	1.2K, 1/2W	151629
R40	RESISTOR, COMP, 4.7K, 1/2W, ±5%	151643
Q13,14	TRANSISTOR, 2N2222	150754
Q1-12	TRANSISTOR, MPS 6565	150755
	TERMINAL, TURRET TPI-3, EI-7	150374



150374 (SWAGE FARMSIDE)  
10 PLACES  
3

002121

NOTES: UNLESS OTHERWISE SPECIFIED

- 1 MARK LATEST ENGINEERING CHANGE NUMBER WITH 1/8" HIGH BLACK CHARACTERS, APPROXIMATELY AS SHOWN.
- 2. COMPONENT HEIGHT NOT TO EXCEED .400"
- 3 SOLDER THE TERMINALS ON BOTH SIDES OF THE P.C. BOARD.

REFERENCE DOCUMENTS	E.C. LEVEL
SCH. DIAG.	002122 644
ARTMASTER	002123 644
FABRICATION	002124 644
TEST SPEC.	

XPI00

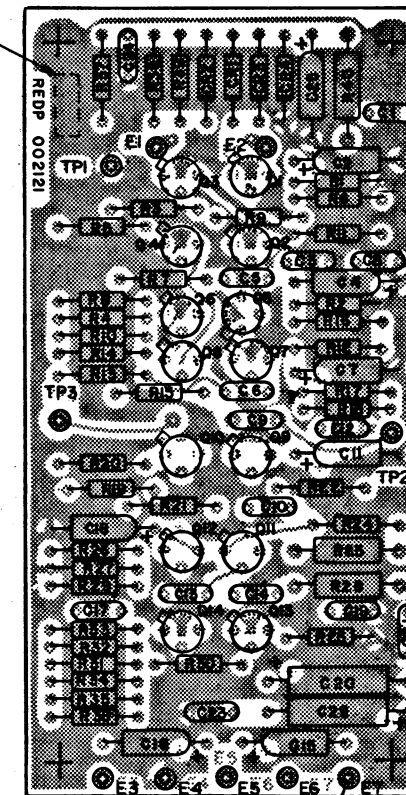
MATERIAL SEE B/W NO 002121	TOLERANCE UNLESS OTHERWISE NOTED	2 PLACE DEC ±	Peripheral Systems Corporation A SUBSIDIARY OF MEMOREX CORPORATION	
PLATE DEPTH		3 PLACE DEC ±	NAME P.C. BOARD ASSEMBLY	
HARDNESS		ANGLES	READ PRI - AMPLIFIER	
SURFACE TREATMENT	CORNERS AND OR EDGES BROKEN	OUTSIDE MAX	DESIGN	TYPE
	RADI UNLESS OTHERWISE NOTED	INSIDE MAX	DETAIL	SCALE 2/1
002121	D		CHECK	DRAW
			APPRO	CHECK

002121

REF DESIG	DESCRIPTION	M. E. G. PART NO.
—	PRINTED CIRCUIT BOARD	002124
C9	CAPACITOR, M, 100 PF, 500V, ±5%	153718
C10	M, 300 PF, 500V, ±5%	153726
C1,3,8	C, .01 UF, 25V, ±20%	150971
C5,6,14,17	C, .1 UF, 25V, ±20%	150990
C8,21,23,24,12	C, .1 UF, 50V, ±20%	150994
C2,4,7,11,15,16,18,25	T, 1 UF, 35V, ±10%	151116
C20,22	CAPACITOR, T, 3.3UF, 50V, ±10%	151140
CRI-4	DIODE, 1N4148	150834
R37,39	RESISTOR, MF, 12.1K, 1/8W, ±1%	153067
R8,10	26.7K	153100
R7	68.1 OHMS	153139
R13	75 OHMS	153143
R19	100 OHMS	152963
R6,9	200 OHMS	152992
R12,16	274 OHMS	153005
R18,22	511 OHMS	153175
R2	1.5K	153028
R4	17.8K	153083
R3,5,14,15	RESISTOR, MF, 33.2K, 1/8W, ±1%	153253
R24,26,29,30	RESISTOR, COMP, 91 OHMS, 1/4W, ±5%	151458
R38	470 OHMS	151475
R17	560 OHMS	151477
R11	750 OHMS	151480
R1	2.2K	151491
R25,27	10K	151507
R31-36	11K	151508
R20,21	33K, 1/4W	151519
R28	510 OHMS, 1/2W	151620
R23	1.2K, 1/2W	151629
R40	RESISTOR, COMP, 4.7K, 1/2W, ±5%	151643
Q1-14	TRANSISTOR, 2N2222A	150768
—	TERMINAL, TURRET TPI-3, EI-7	150374

USED ON	RELEASED FOR ASSY	DATE	CHANGE NO	DATE	CHANGE NO
660	002131	3.4.70	644		
	002126	JUN 70	1081		

002121



150374 (SWAGE FAR SIDE)  
10 PLACES

3

002121

## NOTES: UNLESS OTHERWISE SPECIFIED

1. MARK LATEST ENGINEERING CHANGE NUMBER WITH 1/8" HIGH BLACK CHARACTERS, APPROXIMATELY AS SHOWN.
2. COMPONENT HEIGHT NOT TO EXCEED .400"
3. SOLDER THE TERMINALS ON BOTH SIDES OF THE P.C. BOARD.

REFERENCE DOCUMENTS	E.C. LEVEL
SCH. DIAG.	002122 1081
ARTMASTER	002123 644
FABRICATION	002124 644
TEST SPEC.	

MATERIAL SEE B/M NO 002121		TOLERANCE UNLESS OTHERWISE NOTED	2 PLACE DEC ±	Peripheral Systems Corporation a subsidiary of MEMOREX CORPORATION	
CASE DEPTH		OTHERWISE NOTED	3 PLACE DEC	NAME P.C. BOARD ASSEMBLY	
HARDNESS			ANGLES	DESIGN TYPE	
SURFACE TREATMENT		CORNERS AND OR EDGES BROKEN	OUTSIDE MAX	DETAIL SCALE	2/1
		RADIUS UNLESS OTHERWISE NOTED	INSIDE MAX	CHECK	3-12-70
002121 D				APPRO	3-14-70

XPI01

2

3

4

5

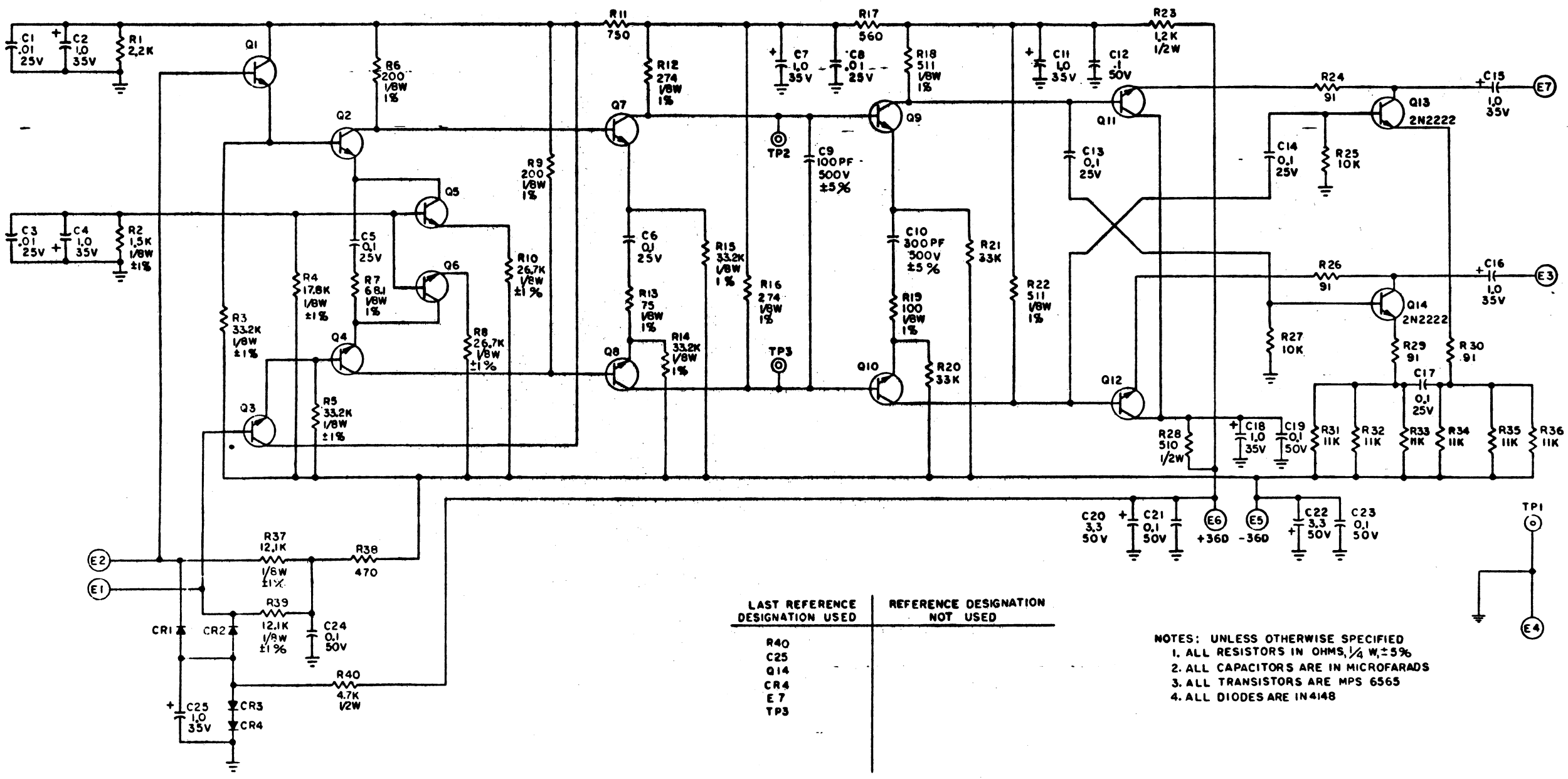
6

7

8

9

USED ON	RELEASED FOR ASSY	DATE	CHANGE NO	DATE	CHANGE NO
660	002121	12-16-69	644		



LAST REFERENCE DESIGNATION USED	REFERENCE DESIGNATION NOT USED
R40	
C25	
Q14	
CR4	
E7	
TP3	

- NOTES: UNLESS OTHERWISE SPECIFIED  
 1. ALL RESISTORS IN OHMS, 1/4 W, ±5%  
 2. ALL CAPACITORS ARE IN MICROFARADS  
 3. ALL TRANSISTORS ARE MPS 6565  
 4. ALL DIODES ARE IN 4148

XPI01

MATERIAL	NO
CASE DEPTH	
HARDNESS	
SURFACE TREATMENT	
002122 D	

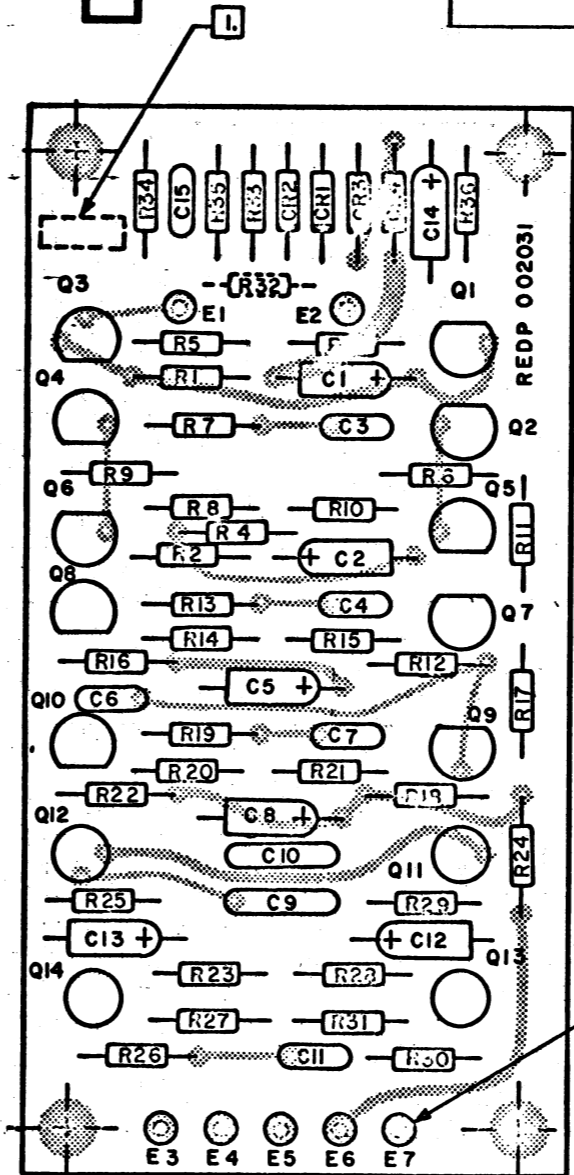
TOLERANCE	2 PLACE DEC ±
UNLESS OTHERWISE NOTED	3 PLACE DEC ±
ANGLES	±
CORNERS AND/OR EDGES BROKEN	OUTSIDE MAX
RADI UNLESS OTHERWISE NOTED	INSIDE MAX

Peripheral Systems Corporation a subsidiary of MEMOREX CORPORATION			
NAME SCHEMATIC DESIGN			
READ PREAMPLIFIER			
DESIGN		TYPE	
DETAIL		SCALE	NONE
CHECK	1/11/70	DRAW	KNL 9-16-69
APPRO	1/14/70	CHECK	1/12/70

002031

REF DESIG	DESCRIPTION	M. E. G. PART NO.
	PRINTED CIRCUIT BOARD	002034
C6	CAPACITOR, M. 100 PF, 500V, ±5%	153718
C7	1.300 PF, 500V, ±5%	153726
C9, 10	C. .1UF, 25V, ±20%	150980
C3, 4, 11, 15	C. .1UF, 25V, ±20%	150990
C1, 2, 5, 8, 12, 13, 14	CAPACITOR, T, 1UF, .35V, ±10%	151116
CR1-4	DIODE, 1N4148	150834
R33, 35	RESISTOR, MF, 12.1K, 1/8W, ±1%	153067
R8, 10	MF, 26.7K, 1/8W, ±1%	153100
R7	COMP, 68Ω, 1/4W, ±5%	151453
R13	75Ω, 1/4W, ±5%	151456
R25, 26, 29, 30	91Ω, 1/4W, ±5%	151458
R19	100Ω, 1/4W, ±5%	151459
R6, 9	200Ω, 1/4W, ±5%	151466
R12, 16	270Ω, 1/4W, ±5%	151469
R34	470Ω, 1/4W, ±5%	151475
R18, 22	510Ω, 1/4W, ±5%	151476
R17	560Ω, 1/4W, ±5%	151477
R11	750Ω, 1/4W, ±5%	151480
R2	1.5K, 1/4W, ±5%	151487
R1	2.2K, 1/4W, ±5%	151491
R27, 31	3.6K, 1/4W, ±5%	151496
R36	6.8K, 1/4W, ±5%	151503
R23, 28	10K, 1/4W, ±5%	151507
R4	18K, 1/4W, ±5%	151513
R3, 5, 11, 15, 20, 21	33K, 1/4W, ±5%	151519
R24	RESISTOR, COMP, 1.2K, 1/2W, ±5%	151629
Q11-14	TRANSISTOR, 2N2222	150754
Q1-10	TRANSISTOR, 2N5369	150752
E1-E7	TERMINAL, TURRET	150374

USED ON	RELEASED FOR ASSY	DATE	CHANGE NO	DATE	CHANGE NO
660-1	201016	4-9-69	301		
	201022	8-4-69	419		
		APR 10, 70	861		



150378  
(SWAGE FAR SIDE)  
7 PLACES  
4.

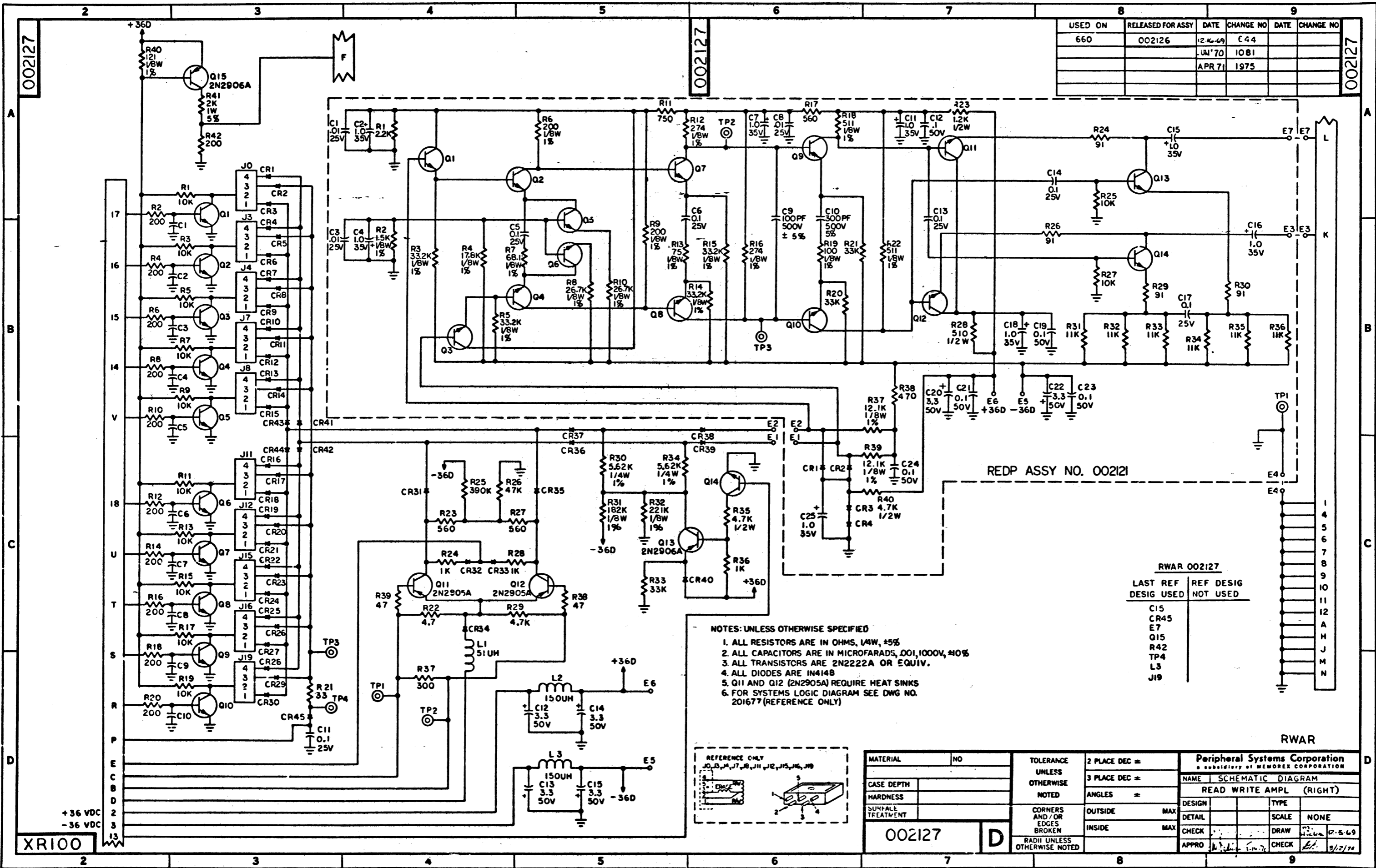
002031

- NOTES: UNLESS OTHERWISE SPECIFIED
- MARK LATEST ENGINEERING CHANGE NUMBER WITH 1/8" HIGH BLACK CHARACTERS, APPROXIMATELY AS SHOWN.
  - COMPONENT HEIGHT NOT TO EXCEED .400".
  - FOR SCH DIAG. SEE 002017 & 002022, REF ONLY.
  - SOLDER THE TERMINALS ON BOTH SIDES OF THE PC BOARD.
  - COMPONENT LEADS ON BACK OF PC BOARD MUST BE TRIMMED TO 1/16 OF AN INCH MAX.

REFERENCE DOCUMENTS	E.C. LEVEL
SCH. DIAG.	NOTE 3
ARTMASTER	002033 301
FABRICATION	002034 301
TEST SPEC.	

XPI01

MATERIAL SEE B/M NO. 002031	TOLERANCE UNLESS OTHERWISE NOTED	2 PLACE DEC : 3 PLACE DEC : ANGLES :	Peripheral Systems Corporation a subsidiary of MEMOREX CORPORATION	
CASE DEPTH			NAME	PC BOARD ASSEMBLY
HARDNESS			READ PREAMPLIFIER	
SURFACE TREATMENT			DESIGN	TYPE
	CORNERS AND OR EDGES BROKEN	OUTSIDE MAX	DETAIL	SCALE 2/1
	RADI UNLESS OTHERWISE NOTED	INSIDE MAX	CHECK	DRAW RJO APR 17 70
002031	C		APPRO	APR 17 70



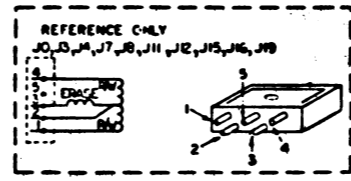
USED ON	RELEASED FOR ASSY	DATE	CHANGE NO	DATE	CHANGE NO
660	002126	12-16-69	C44		
		UN'70	10B1		
		APR 71	1975		

REDP ASSY NO. 002121

RWAR 002127

LAST REF DESIG USED	REF DESIG NOT USED
C15	
CR45	
E7	
Q15	
R42	
TP4	
L3	
J19	

- NOTES: UNLESS OTHERWISE SPECIFIED
1. ALL RESISTORS ARE IN OHMS, 1/4W, ±5%
  2. ALL CAPACITORS ARE IN MICROFARADS, .001, 1000V, ±10%
  3. ALL TRANSISTORS ARE 2N2222A OR EQUIV.
  4. ALL DIODES ARE 1N4148
  5. Q11 AND Q12 (2N2905A) REQUIRE HEAT SINKS
  6. FOR SYSTEMS LOGIC DIAGRAM SEE DWG NO. 201677 (REFERENCE ONLY)



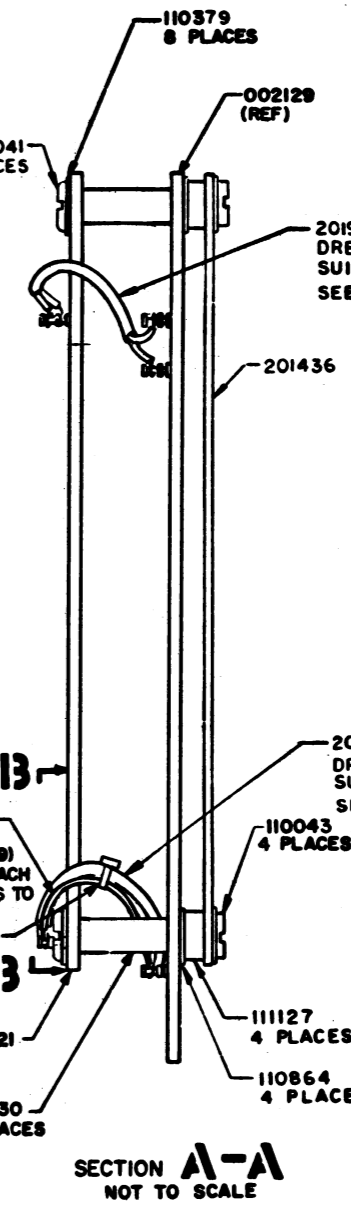
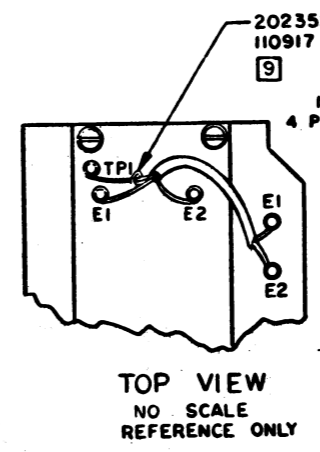
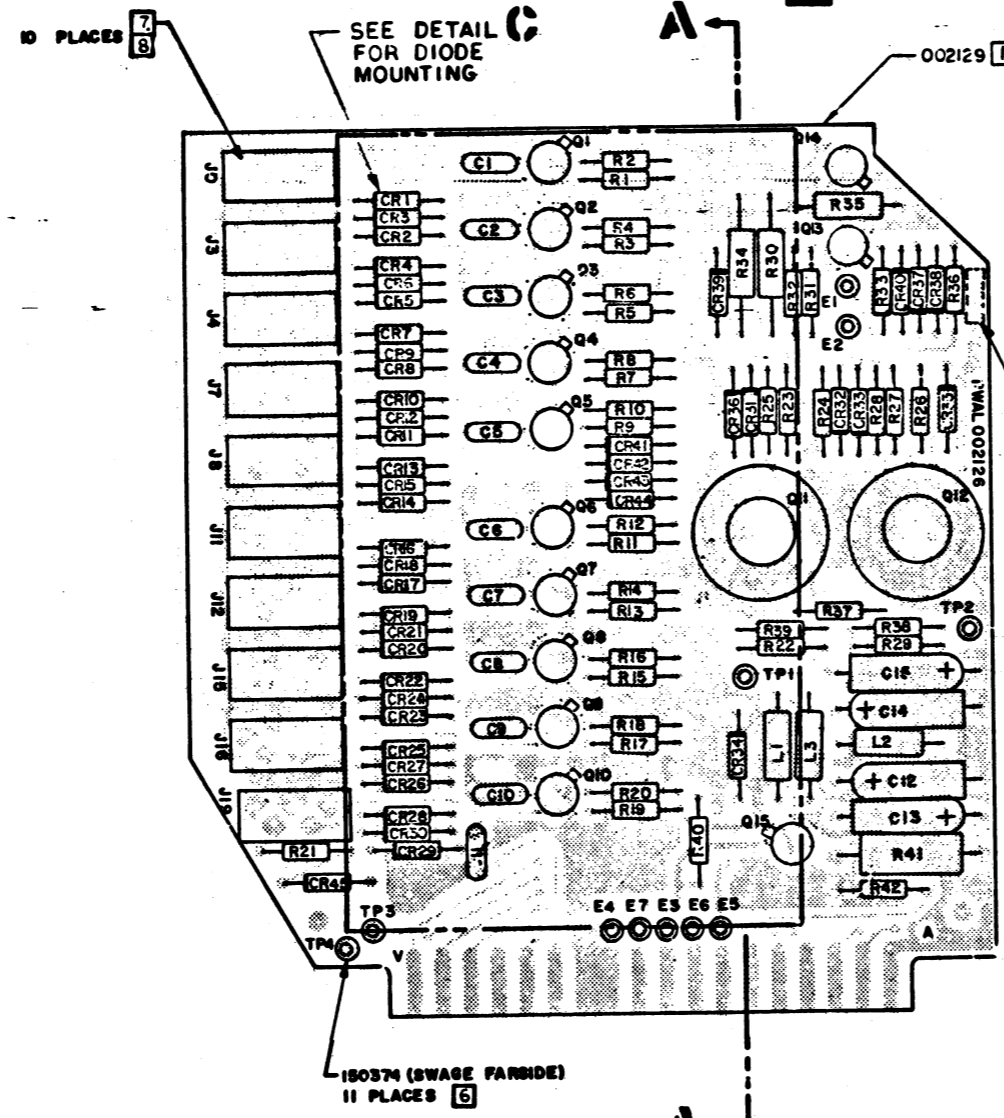
MATERIAL	NO	TOLERANCE	2 PLACE DEC =	Peripheral Systems Corporation a subsidiary of MEMOREX CORPORATION			
CASE DEPTH		UNLESS OTHERWISE NOTED	3 PLACE DEC =	NAME SCHEMATIC DIAGRAM			
HARDNESS		NOTED	ANGLES =	READ WRITE AMPL (RIGHT)			
SURFACE TREATMENT		CORNERS AND/OR EDGES BROKEN	OUTSIDE MAX	DESIGN		TYPE	
		RADIUS UNLESS OTHERWISE NOTED	INSIDE MAX	DETAIL		SCALE	NONE
				CHECK		DRAW	0-5-69
				APPRO		CHECK	5/12/70

XR100

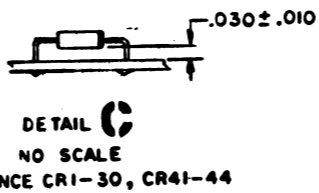
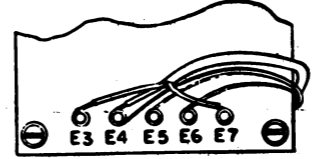


USED ON	RELEASED FOR ASSY	DATE	CHANGE NO	DATE	CHANGE NO
660	MULT-USAGE	114 70	644	DEC 70	1694
		APR 70	1081	APR 71	1975
		APR 70	1328		
		OCT 70	1465		
			1564		

REF DESIG	DESCRIPTION	M. E. Q. PART NO.
C1-10	CAPACITOR, .001UF, 1000V, 10%	150965
C11	CAPACITOR, .1UF, 50V, ±10%	150990
C12-15	CAPACITOR, .3, 3UF, 50V, ±10%	151140
CR1-45	DIODE, 1N4148	150834
L1	INDUCTOR, 51UH, ±5%	151379
L2-3	INDUCTOR, 150UH, ±5%	151390
REF: Q112	HEAT SINK, TRANSISTOR	006028
R30-34	RESISTOR, 1W, 5.62K, 1/4W, ±1%	151252
R40	MF, 120K, 1/8W, ±1%	151371
R21	COMP, 33Ω, 1/4W, ±5%	51447
R3-29	47Ω, 1/4W, ±5%	151451
R2, 4, 6, 8		
10, 12, 14, 18	200Ω, 1/4W, ±5%	151466
5, 7, 9, 12		
R27	300Ω, 1/4W, ±5%	151470
R23, 27	360Ω, 1/4W, ±5%	151477
R24, 26, 36	1K, 1/4W, ±5%	151483
R22, 29	4.7K, 1/4W, ±5%	151489
R13, 5, 2, 9		
11, 13, 15	10K, 1/4W, ±5%	151507
17, 19		
R33	33K, 1/4W, ±5%	151519
R29	47K, 1/4W, ±5%	151523
R31	MF, 182K, 1/8W, ±1%	153304
R32	MF, 221K, 1/8W, ±1%	153332
R25	COMP, 390K, 1/4W, ±5%	151545
R35	4.7K, 1/4W, ±5%	151643
R41	RESISTOR, COMB, 2K, 1W, ±5%	151778
Q1-12	TRANSISTOR, 2N1905A	150753
Q1-10, 14	TRANSISTOR, 2N2222A	150768
Q13, 15	TRANSISTOR, 2N2906A	150769
17, 1, 11, 7	TERMINAL, TURRET	150374
10, 3, 4, 7		
8, 11, 12, 15	RECEPTACLE ASSY	100155
16, 19		



WIRE LIST	
FROM 002121	TO 002126
E4	E4
E5	E5
E6	E6
WIRE LIST FOR 201937	
E1	E1
E2	E2
BROWN WIRE TO TP1	
WIRE LIST FOR 201938	
E3	E3
E7	E7
BROWN WIRE TO E4	



- NOTES
- PC BOARD 002129 MUST BE EC LEVEL 1081.
  - MUST CONFORM TO ENG SPECIFICATION 002130 AT EC LEVEL 1694
  - COMPONENT LEADS ON BACK OF P.C. BOARD (002129 REF) MUST NOT EXCEED .062"
  - MARK LATEST ENGINEERING CHANGE NUMBER WITH 1/8" HIGH BLACK CHARACTERS, APPROXIMATELY AS SHOWN.
  - COMPONENT HEIGHT NOT TO EXCEED .400"
  - SOLDER THE TERMINALS ON BOTH SIDES OF THE P.C. BOARD
  - INSERT MALE PLUG NO. 200143 (ASSY TOOL) INTO RECEPTACLE NO. 200155 PRIOR TO SOLDERING TO BOARD. PRESS RECEPTACLE PINS INTO THE RECEPTACLE BODY AFTER THE MALE PLUG IS INSERTED.
  - RECEPTACLE NO. 200155 MUST BE SPACED FROM THE SURFACE OF THE P.C. BOARD FROM .020 TO .025, THE AREA UNDER THE RECEPTACLE MUST BE LEFT OPEN FOR INSPECTION.

9 CEMENT TCHOID 202352 TO W.RE INSULATION WITH ONE DROP OF ADHESIVE 110917. POSITION TOROID AWAY FROM COMPONENTS AND TRACE ON PC BOARD.

REFERENCE DOCUMENTS	EC LEVEL
SCH DIAG 002127	1975
ARTMASTER 002128	1081

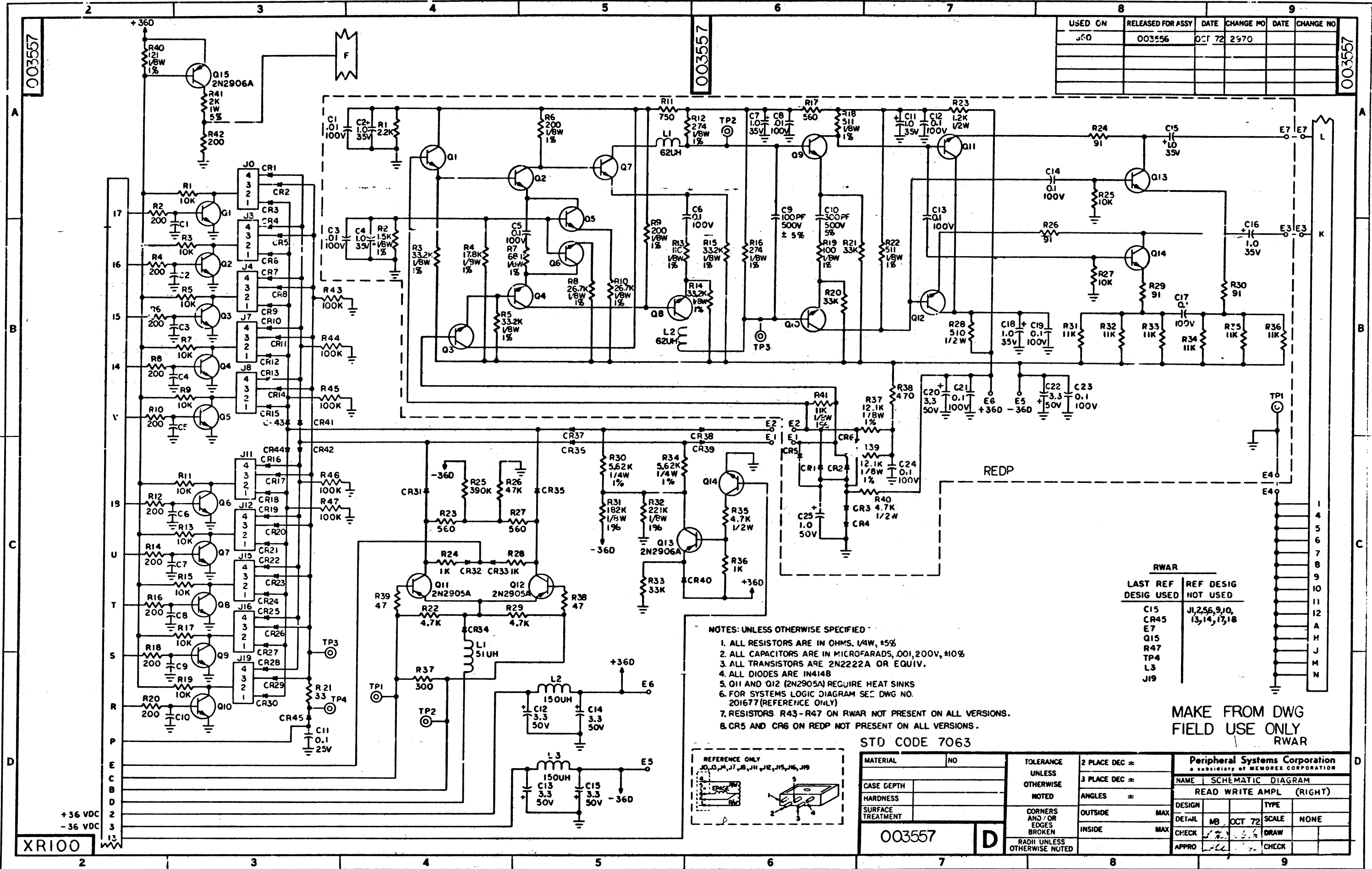
MATERIAL SEE B/M	002126	TOLERANCE UNLESS OTHERWISE NOTED	2 PLACE DEC -	Peripheral Systems Corporation A SUBSIDIARY OF MEMOREX CORPORATION
CASE DEPTH		CORNERS AND OR EDGES BROKEN	3 PLACE DEC	
HARDNESS		RADIUS UNLESS OTHERWISE NOTED	ANGLES	NAME P.C. BOARD ASSEMBLY
SURFACE TREATMENT			OUTSIDE MAX	READ-WRITE AMPL (RIGHT)
			INSIDE MAX	DESIGN
				SCALE 2/1
				DRAW
				CHECK
				APPRO
				CHECK

XRIOI

003557

003557

USED ON	RELEASED FOR ASSY	DATE	CHANGE NO	DATE	CHANGE NO
J-50	003556	OCT 72	2970		

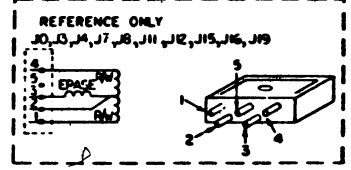


- NOTES: UNLESS OTHERWISE SPECIFIED
1. ALL RESISTORS ARE IN OHMS, 1/4W, ±5%
  2. ALL CAPACITORS ARE IN MICROFARADS, .001, 200V, ±10%
  3. ALL TRANSISTORS ARE 2N2222A OR EQUIV.
  4. ALL DIODES ARE IN4148
  5. Q11 AND Q12 (2N2905A) REQUIRE HEAT SINKS
  6. FOR SYSTEMS LOGIC DIAGRAM SEC DWG NO. 201677 (REFERENCE ONLY)
  7. RESISTORS R43-R47 ON RWAR NOT PRESENT ON ALL VERSIONS.
  8. CR5 AND CR6 ON REDP NOT PRESENT ON ALL VERSIONS.

RWAR	
LAST REF DESIG USED	REF DESIG NOT USED
C15	J1,2,5,9,10
CR45	13,14,17,18
E7	
Q15	
R47	
TP4	
L3	
J19	

MAKE FROM DWG  
FIELD USE ONLY  
RWAR

STD CODE 7063



MATERIAL	NO	TOLERANCE	2 PLACE DEC ±	Peripheral Systems Corporation a subsidiary of MEMOREX CORPORATION			
CASE DEPTH		UNLESS OTHERWISE NOTED	3 PLACE DEC ±	NAME SCHEMATIC DIAGRAM			
HARDNESS			ANGLES ±	READ WRITE AMPL (RIGHT)			
SURFACE TREATMENT		CORNERS AND/OR EDGES BROKEN	OUTSIDE MAX	DESIGN		TYPE	
		RADI UNLESS OTHERWISE NOTED	INSIDE MAX	DETAIL	MB	OCT 72	SCALE NONE
003557				CHECK		DRAW	
				APPRO		CHECK	

XR100

D

DATE	CHANGE NO.	DATE	CHANGE NO.	003556
OCT 72	2970			
				REPLACES FOR ASSEMBLY
				351865

REFERENCE ONLY

REF	DESIGNATION	DESCRIPTION	M.E.G. PART NO.
C12-15	CAPACITOR, T.	3.3 UF, 50 V, ±10%	151140
C11	CAPACITOR, C.	.1 UF, 100V, ±10%	154151
C1-10	CAPACITOR, C.	.001 UF, 200V, ±10%	154184
CR1-45	DIODE, 1N4148		150834
L	INDUCTOR	51 UH, ±5%	151379
L2,3	INDUCTOR	150 UH, ±5%	151390
R40	RESISTOR, MF.	1210HMS, 1/8W, ±1%	152971
R31		MF, 182 K, 1/8W, ±1%	153734
R32		MF, 221 K, 1/8W, ±1%	153332
R21		COMP, 33 OHMS, 1/4W, ±5%	151447
R36		47 OHMS,	151451
R2,4,6,8,10,12,14,16,18,20,42		200 OHMS,	151466
R37		300 OHMS,	151470
R23,27		560 OHMS,	151477
R24,28,36		1 K,	151483
R22,29		4.7 K,	151499
R1,3,5,7,9,11,13,15,17,19		10 K,	151507
R33		33 K,	151510
R26		47 K,	151523
R43-47		100 K,	151531
R25		COMP, 390 K, ±5%	151545
R30,34		MF 5.62 K, 1/4W, ±1%	152282
R35		COMP, 4.7 K, 1/2W, ±5%	151643
R41	RESISTOR, COMP.	2 K, 1W, ±5%	151778
Q11,12	TRANSISTOR, 2N2905A		150753
Q1-10,14	TRANSISTOR, 2N2222A		150768
Q13,15	TRANSISTOR, 2N2906A		150769
J0,3,4,7,8,11,12,15,16,19	RECEPTACLE ASSY		200155

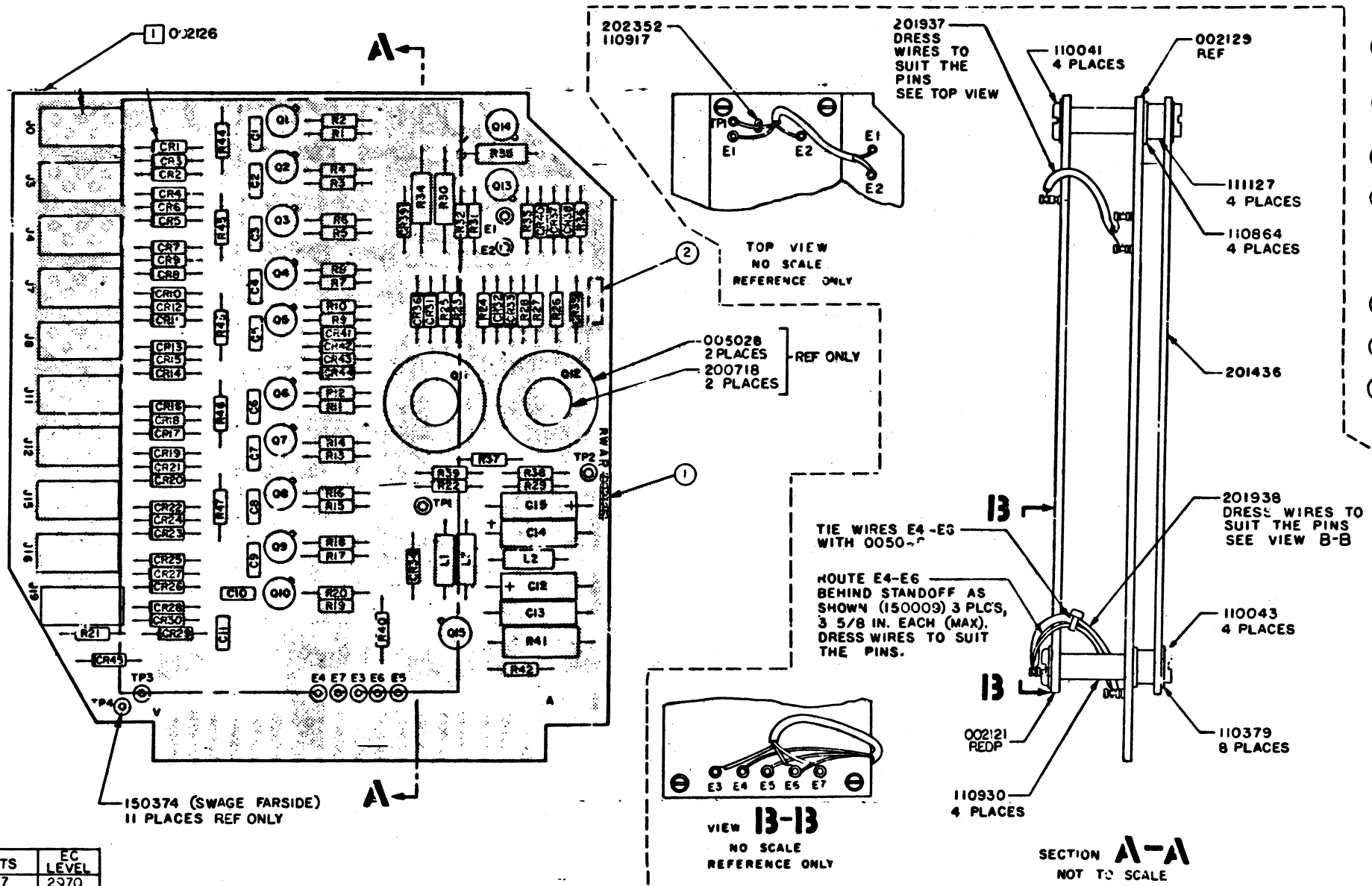
REFERENCE ONLY

WIRE LIST	
FROM 002121	TO 3556
E4	E4
E5	E5
E6	E6
WIRE LIST FOR 201937	
E1(WHT)	E1(WHT)
E2(BLK)	E2(BLK)
BROWN WIRE TO TP1	
WIRE LIST FOR 201938	
E3(WHT)	E3(WHT)
E7(BLK)	E7(BLK)
BROWN WIRE TO E4	

REFERENCE DOCUMENTS	EC LEVEL
SCH DIAG 003557	2970

NOTES

- PCB ASSEMBLY RWAR 002126 MUST BE AT EC LEVEL 1975 OR HIGHER.
- MUST CONFORM TO ENG SPECIFICATION 002130
- R43 THRU R47 ON RWAR 002126 NOT PRESENT ON ALL VERSIONS
- CR5 AND CR6 ON REDP 002121 NOT PRESENT ON ALL VERSIONS
- COMPONENT HEIGHT FROM SURFACE OF REDP 002121 NOT TO EXCEED .500"



MAKE FROM INSTRUCTIONS

- REMOVE ASM NO. 002126 AND STAMP ASM NO 003556 WITH 1/8" HIGH BLACK CHARACTERS APPROX IN AREA S-O-W-N.
- REMOVE EC LEVEL 1975 OR HIGHER AND STAMP EC LEVEL 2970 WITH 1/8" HIGH BLACK CHARACTERS APPROX IN AREA S-O-W-N.
- REMOVE R13 P/N 153443 AND REPLACE WITH R13, P/N 152957, 110K, 1/8W, ±1% AS SHOWN ON SHEET 2.
- ADD R41, P/N 153053, 11K, 1/8W, ±1% AS SHOWN. INSULATE LEADS WITH TEFLON TUBING P/N 503612 AS REQUIRED ON SHT. 2.
- ENLARGE HOLE FOR THE COLLECTOR LEADS OF Q7 AND Q8 TO .052" DIA.
- ADD LI AND L2 P/N 151381, 62UH USING ENLARGED HOLE TEST POINTS TP2 AND TP3 AS SHOWN ON SHEET 2. INSULATE LEADS WITH TEFLON TUBING P/N 503612 AS REQUIRED. ATTACH LI AND L2 TO PCB SURFACE USING RTV RUBBER P/N 111478 AS REQUIRED.
- CUT ETCHED TRACE CONNECTING Q7 AND Q8 COLLECTORS AS SHOWN ON SHT 2
- ADD JUMPER WIRE P/N 700531 BETWEEN Q9 BASE AND R12 AS SHOWN ON SHT 2.
- ADD JUMPER WIRE P/N 700531 BETWEEN Q10 BASE AND R16 AS SHOWN ON SHT 2.

MAKE FROM DWG  
FIELD USE ONLY  
SHT 1 OF 2

MATERIAL SEE B/M 003556	MUST CONFORM TO ENG. SPEC 0020	TOLERANCE UNLESS OTHERWISE NOTED	MEMOREX EQUIPMENT GROUP
CASE DEPTH	TECHNICAL APPROVAL	LINEAR ±.01	NAME PCB BOARD ASSEMBLY
HARDNESS		ANGULAR ±.01	READ WRITE AMPL (RIGHT)
SURFACE TREATMENT		CORNERS/ EDGES BIRKLEH	DETAIL
STD CODE 7061		OUTSIDE	CHECK
		INSIDE	APPRO
			003556

003556

8 7 6 5 4 3 2 1

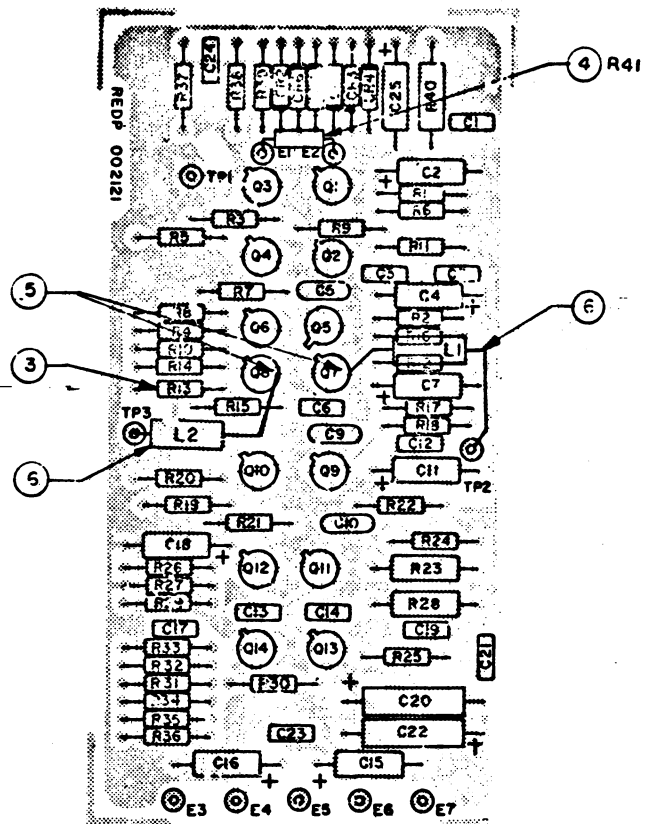
OCT 72 2970

003556

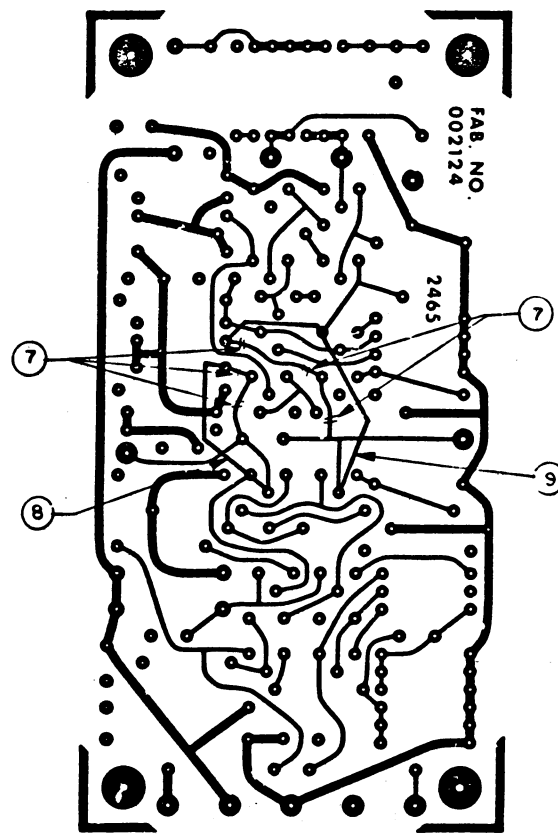
301865

003556

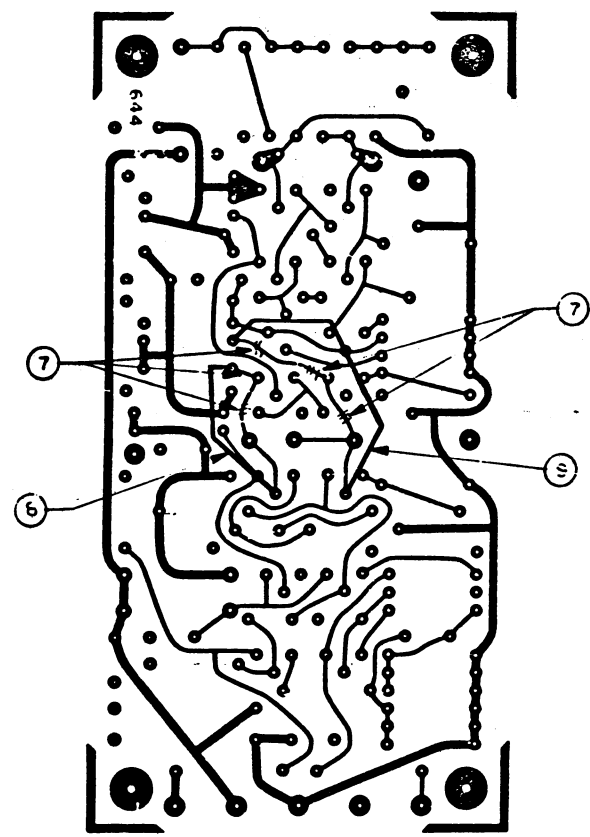
003556



REDP P/N 002121  
EC 1081 OR HIGHER  
(COMPONENT SIDE)



REDP P/N 002121  
EC 2465 OR HIGHER  
(NON-COMPONENT SIDE)



REDP P/N 002121  
EC 1081  
(NON-COMPONENT SIDE)

MAKE FROM DWG  
FIELD USE ONLY

SHEET 2 OF 2

XRIOI

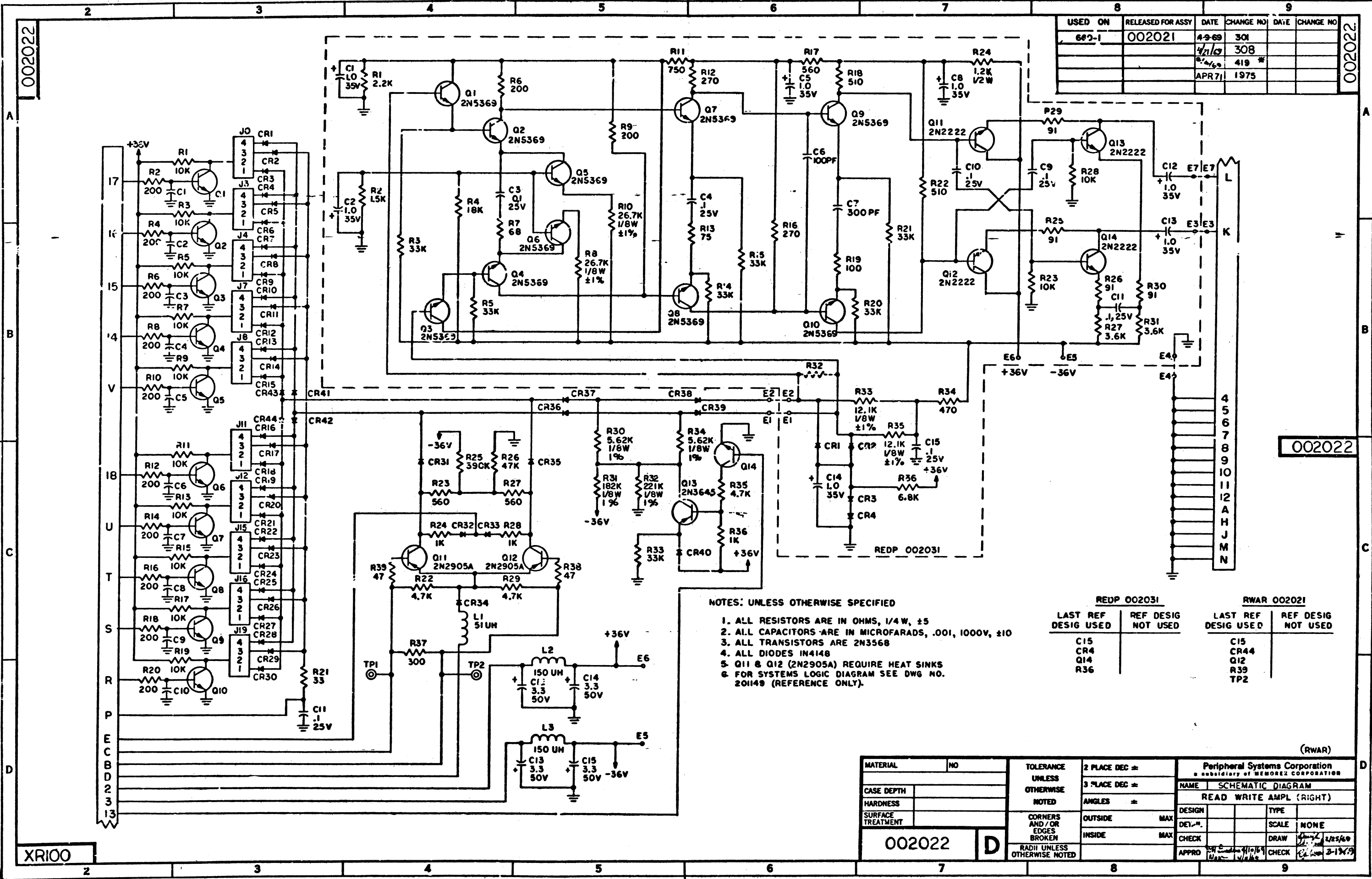
SEE B/M 003556	APPROVED TO	DATE	
	APPROVAL		
7061	D		P.C BOARD ASSEMBLY READ WRITE AMP (RIGHT)
			003556

8 7 6 5 4 3 2 1

002022

USED ON	RELEASED FOR ASSY	DATE	CHANGE NO	DATE	CHANGE NO
667-1	002021	4-9-69	301		
		4/10	308		
		4/16	419		
		APR 71	1975		

002022



002022

- NOTES: UNLESS OTHERWISE SPECIFIED
1. ALL RESISTORS ARE IN OHMS, 1/4 W, ±5
  2. ALL CAPACITORS ARE IN MICROFARADS, .001, 1000V, ±10
  3. ALL TRANSISTORS ARE 2N3568
  4. ALL DIODES IN4148
  5. Q11 & Q12 (2N2905A) REQUIRE HEAT SINKS
  6. FOR SYSTEMS LOGIC DIAGRAM SEE DWG NO. 201149 (REFERENCE ONLY).

REDP 002031		RWAR 002021	
LAST REF DESIG USED	REF DESIG NOT USED	LAST REF DESIG USED	REF DESIG NOT USED
C15		C15	
CR4		CR44	
Q14		Q12	
R36		R39	
		TP2	

XR100

MATERIAL	NO	TOLERANCE UNLESS OTHERWISE NOTED	2 PLACE DEC ±	3 PLACE DEC ±	ANGLES ±	Peripheral Systems Corporation a subsidiary of MEMOREX CORPORATION			
CASE DEPTH						NAME SCHEMATIC DIAGRAM			
HARDNESS						READ WRITE AMPL (RIGHT)			
SURFACE TREATMENT						DESIGN	TYPE	SCALE	NONE
						DET.		DRAW	1/25/69
						CHECK		CHECK	3-13/69
						APPRO			

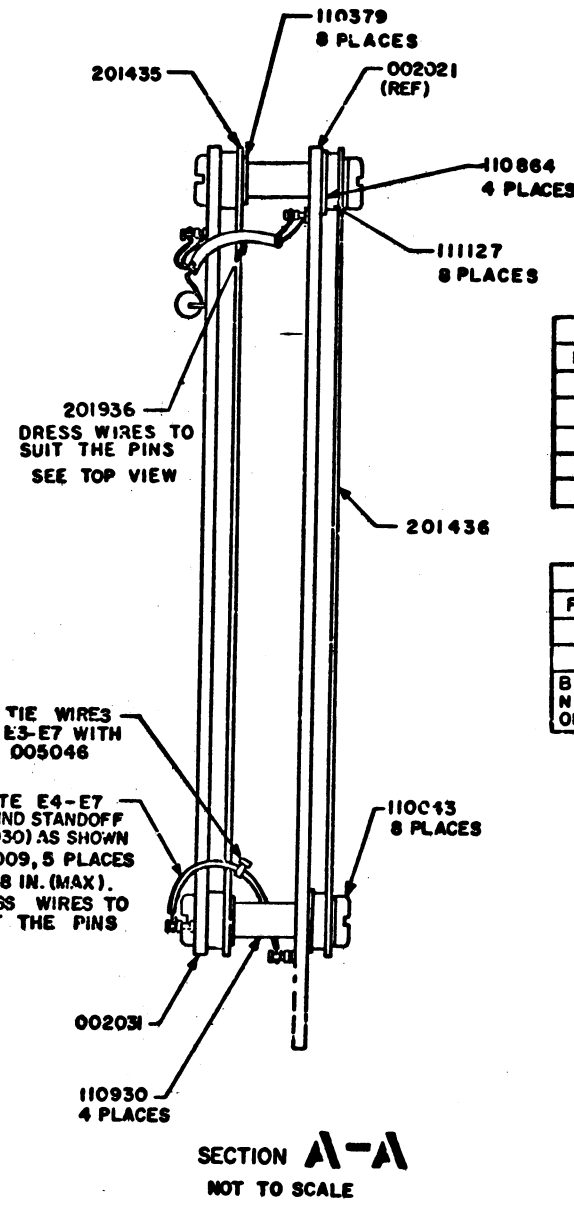
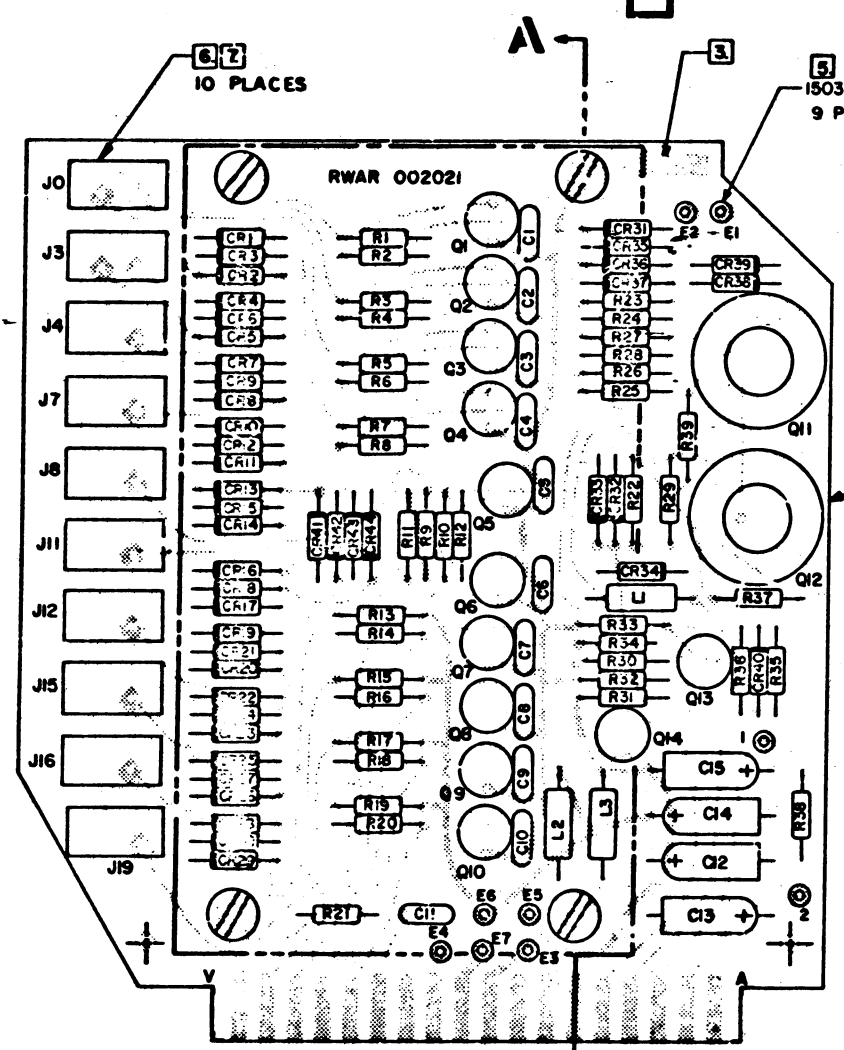
(RWAR)

002022

D

USED ON	RELEASED FOR ASSY	DATE	CHANGE NO.	DATE	CHANGE NO.
660-1	201000	7/1/69	301	1/1/70	947
		7/1/69	308	5/20/70	1456
		10-28-69	419	DEC 70	1694
		Apr 10, 70	861	APR 71	1975

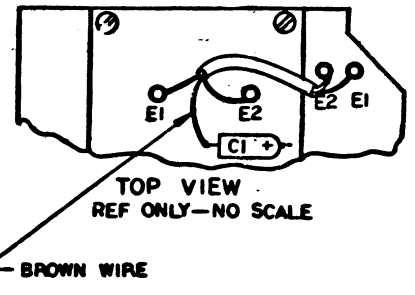
REF DESIG	DESCRIPTION	M.E. & PART NO.
	PC BOARD ASSY READ PRE-AMPL	002031
C1-10	CAPACITOR, C. .001UF, 1000V, ±10%	50965
C11	CAPACITOR, C. .1UF, 25V, ±20%	50990
C12-16	CAPACITOR, T. 3.3UF, 50V, ±10%	151140
REF: Q1, 12	HEAT SINK, TRANSISTOR	005028
CR1-44	DIODE, .4148	150834
L1	INDUCTOR 51UH, ±5%	151379
L2, 3	INDUCTOR, 150UH, ±5%	151370
R20, 34	RESIST. 2 MF, 500K, 1/4W, ±1%	153227
R38, 39	COMP. 47K, 1/4W, ±5%	151451
R21	33Ω, 1/4W, ±5%	151447
R6, 8	200Ω, 1/4W, ±5%	151466
R23, 27	560Ω, 1/4W, ±5%	151477
R24, 28, 29	1K, 1/4W, ±5%	151483
R22, 29, 35	4.7K, 1/4W, ±5%	151499
R13, 5, 7, 9	10K, 1/4W, ±5%	151507
R35	33K, 1/4W, ±5%	151519
R26	47K, 1/4W, ±5%	151523
R31	1M, 182K, 1/8W ±1%	153324
R32	MF, 221K, 1/8W ±1%	153332
R25	COMP 350K, 1/4W, ±5%	151545
R33	RESISTOR, COMP, 300Ω, 1/4W, ±5%	151970
J0, 3, 4, 7, 8, 11, 12, 15, 16, 19	RECEPTACLE	200155
TP12, E1-E7	TERMINAL, TURRET	150374
Q11, 12	TRANSISTOR, 2N1905A	150753
Q1-10, 14	TRANSISTOR, 2N356B	150750
Q13	TRANSISTOR, 2N5645	150733



WIRE LIST	
FROM 002031	TO 002021
E3	E3
E4	E4
E5	E5
E6	E6
E7	E7

WIRE LIST FOR 201936	
FROM 002031	TO 002021
E1	E1
E2	E2

BROWN WIRE TO NEGATIVE SIDE OF CAPACITOR C1

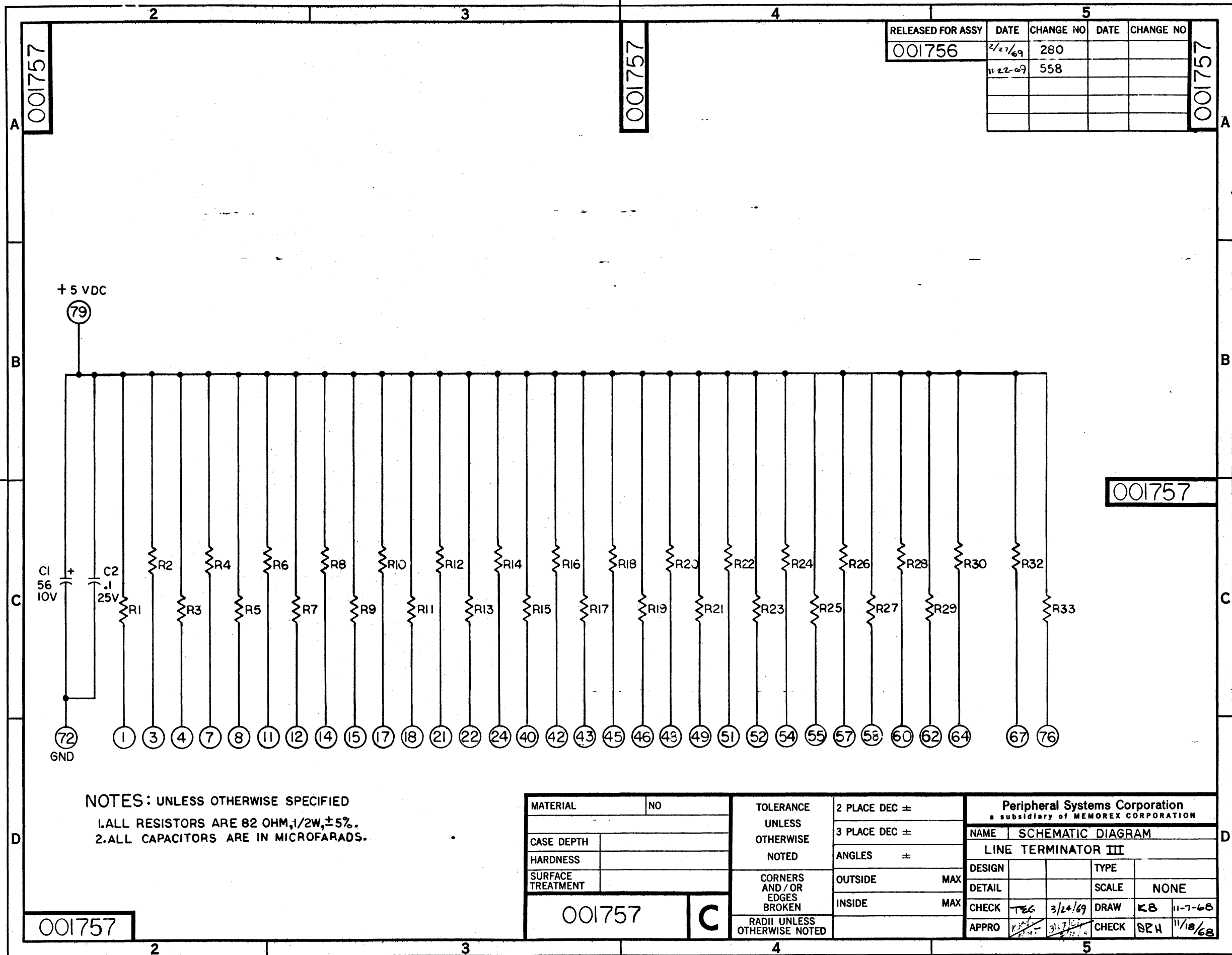


- NOTES:
- PC BOARD 002024 MUST BE AT EC LEVEL 306.
  - MUST CONFORM TO ENGINEERING SPECIFICATION 002025 AT EC LEVEL 1694.
  - MARK LATEST ENGINEERING CHANGE NUMBER WITH 1/8" HIGH BLACK CHARACTERS, APPROXIMATELY AS SHOWN.
  - COMPONENT HEIGHT NOT TO EXCEED .400"
  - SOLDER THE TERMINALS ON BOTH SIDES OF P.C. BOARD.
  - INSERT MALE PLUG NO. 200143 (ASSY TOOL) INTO RECEPTACLE NO. 200155 PRIOR TO SOLDERING TO BOARD. PRESS RECEPTACLE PINS BACK UP INTO THE RECEPTACLE BODY AFTER THE MALE PLUG IS INSERTED.
  - RECEPTACLE NO. 200155 MUST BE SPACED FROM THE SURFACE OF THE P.C. BOARD FROM .020" TO .025" MAX. THE AREA UNDER THE RECEPTACLE MUST BE LEFT OPEN FOR INSPECTION.

REFERENCE DOCUMENTS	E.C. LEVEL
SCH DIAG. 002022	1975
ARTMASTER 002023	308

MATERIAL SEE B/M	NO 002021	TOLERANCE UNLESS OTHERWISE NOTED	2 PLACE DEC ±	3 PLACE DEC ±	ANGLES =	Peripheral Systems Corporation a subsidiary of MEMOREX CORPORATION	
CASE DEPTH		CORNERS AND/OR EDGES BROKEN	OUTSIDE MAX	INSIDE MAX		NAME P. C. BOARD ASSEMBLY	
HARDNESS		RADIUS UNLESS OTHERWISE NOTED				READ-WRITE AMPL (RIGHT)	
SURFACE TREATMENT						DESIGN	TYPE
						DETAIL	SCALE 2/1
						CHECK	DRAW J.L.W. 7/26/69
						APPRO	CHECK P.L.W. 5-2-69

XRI01



RELEASED FOR ASSY	DATE	CHANGE NO	DATE	CHANGE NO
001756	2/27/69	280		
	11-22-69	558		

NOTES: UNLESS OTHERWISE SPECIFIED  
 1. ALL RESISTORS ARE 82 OHM, 1/2W, ±5%.  
 2. ALL CAPACITORS ARE IN MICROFARADS.

MATERIAL	NO
CASE DEPTH	
HARDNESS	
SURFACE TREATMENT	
001757	

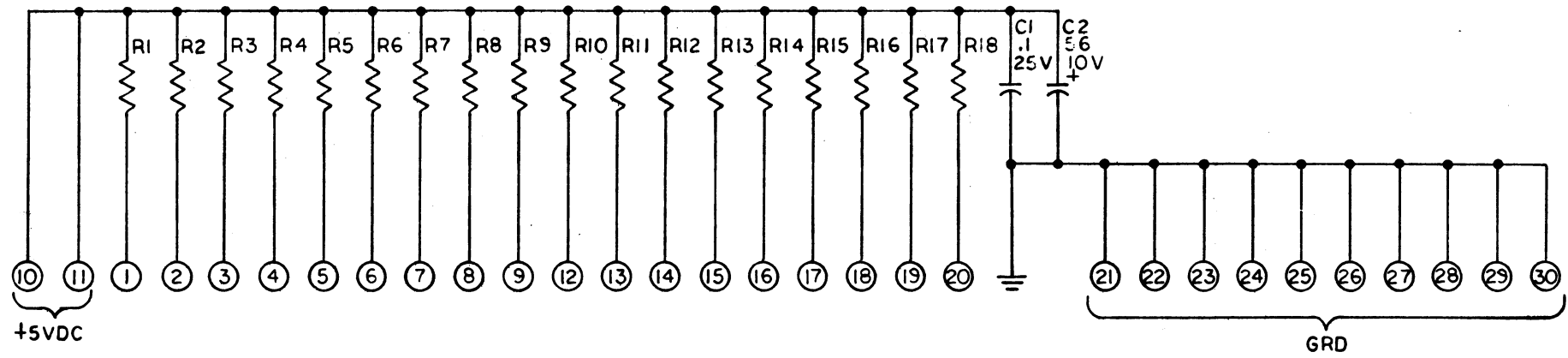
TOLERANCE UNLESS OTHERWISE NOTED	2 PLACE DEC ±
	3 PLACE DEC ±
	ANGLES ±
CORNERS AND/OR EDGES BROKEN	OUTSIDE MAX
	INSIDE MAX
RADII UNLESS OTHERWISE NOTED	

Peripheral Systems Corporation a subsidiary of MEMOREX CORPORATION					
NAME		SCHEMATIC DIAGRAM			
LINE TERMINATOR III					
DESIGN		TYPE			
DETAIL		SCALE	NONE		
CHECK	TEG	3/20/69	DRAW	KB	11-7-68
APPRO	[Signature]	3/27/69	CHECK	SRH	11/18/68

001757

001757

002052	2	3	4	5	A																								
	<table border="1"> <thead> <tr> <th>USED ON</th> <th>RELEASED FOR ASSY</th> <th>DATE</th> <th>CHANGE NO</th> <th>DATE</th> <th>CHANGE NO</th> </tr> </thead> <tbody> <tr> <td>660</td> <td>002051</td> <td>5/1/69</td> <td>305</td> <td></td> <td></td> </tr> <tr> <td>630-1</td> <td></td> <td>11-22-69</td> <td>558</td> <td></td> <td></td> </tr> <tr> <td></td> <td></td> <td></td> <td></td> <td></td> <td></td> </tr> </tbody> </table>				USED ON	RELEASED FOR ASSY	DATE	CHANGE NO	DATE	CHANGE NO	660	002051	5/1/69	305			630-1		11-22-69	558									A
	USED ON	RELEASED FOR ASSY	DATE	CHANGE NO	DATE	CHANGE NO																							
	660	002051	5/1/69	305																									
630-1		11-22-69	558																										
B	B	B	B	B	B																								
C	C	C	C	C	C																								



002052

NOTES: UNLESS OTHERWISE SPECIFIED  
 1. ALL RESISTORS ARE .56 OHMS, 1W, ±5%  
 2. ALL CAPACITORS ARE IN MICROFARADS

002052

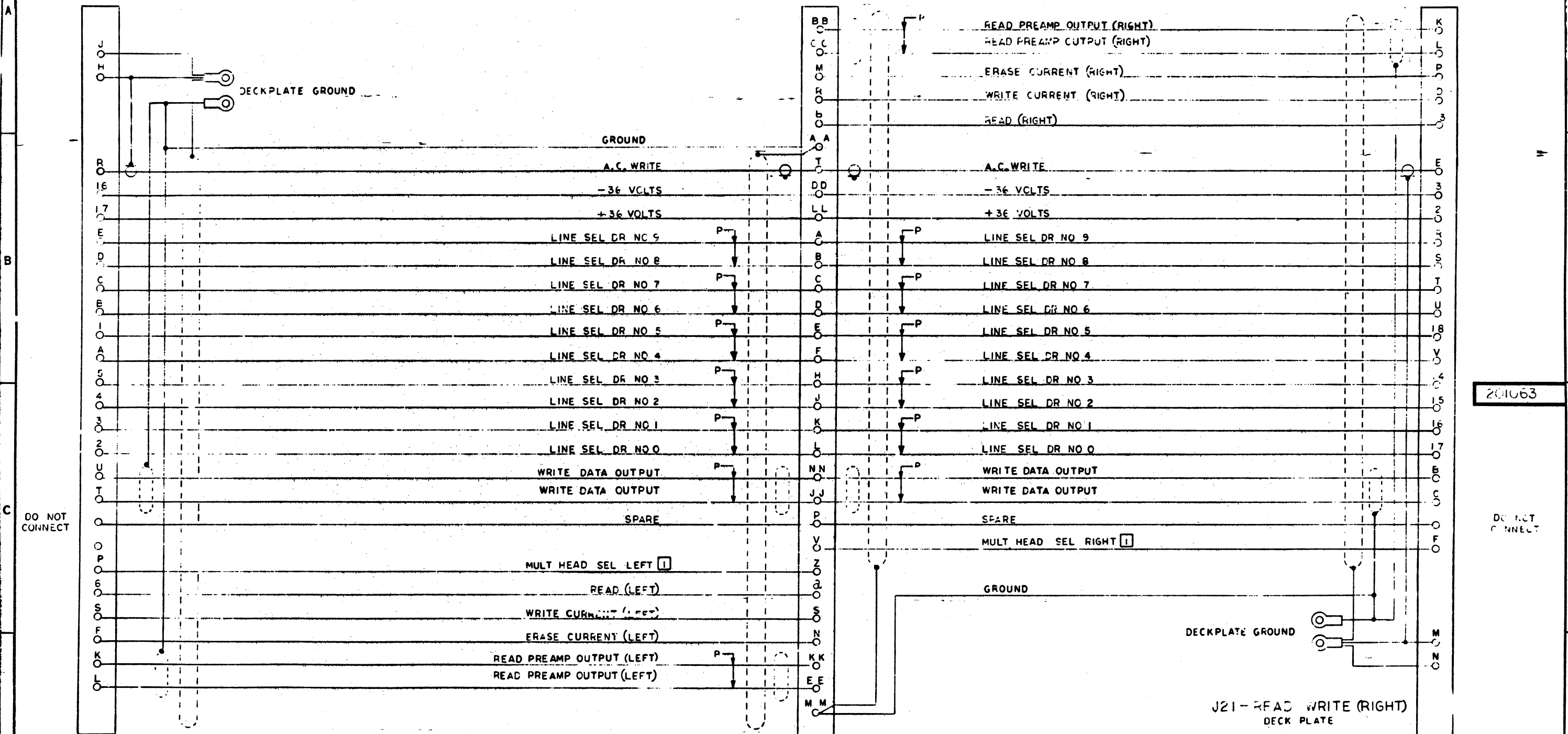
MATERIAL		NO	TOLERANCE UNLESS OTHERWISE NOTED		2 PLACE DEC ±	Peripheral Systems Corporation a subsidiary of MEMOREX CORPORATION			
CASE DEPTH			CORNERS AND/OR EDGES BROKEN		3 PLACE DEC ±				
HARDNESS			RADIUS UNLESS OTHERWISE NOTED		ANGLES ±	LINE TERMINATOR IV			
SURFACE TREATMENT					OUTSIDE MAX	DESIGN		TYPE	
					INSIDE MAX	DETAIL		SCALE	
						CHECK	TZG 5-13-69	DRAW	[Signature] 4-25-69
						APPRO	[Signature] 5/13/69	CHECK	BRH 4-25-69

002052

C

2	3	4	5	D
---	---	---	---	---





J17-READ WRITE (LEFT)  
DECK PLATE

NOTES  
 THESE SIGNALS NOT PRESENT ON MODELS 660-1.

P11  
LOGIC ASS'Y

J21-READ WRITE (RIGHT)  
DECK PLATE

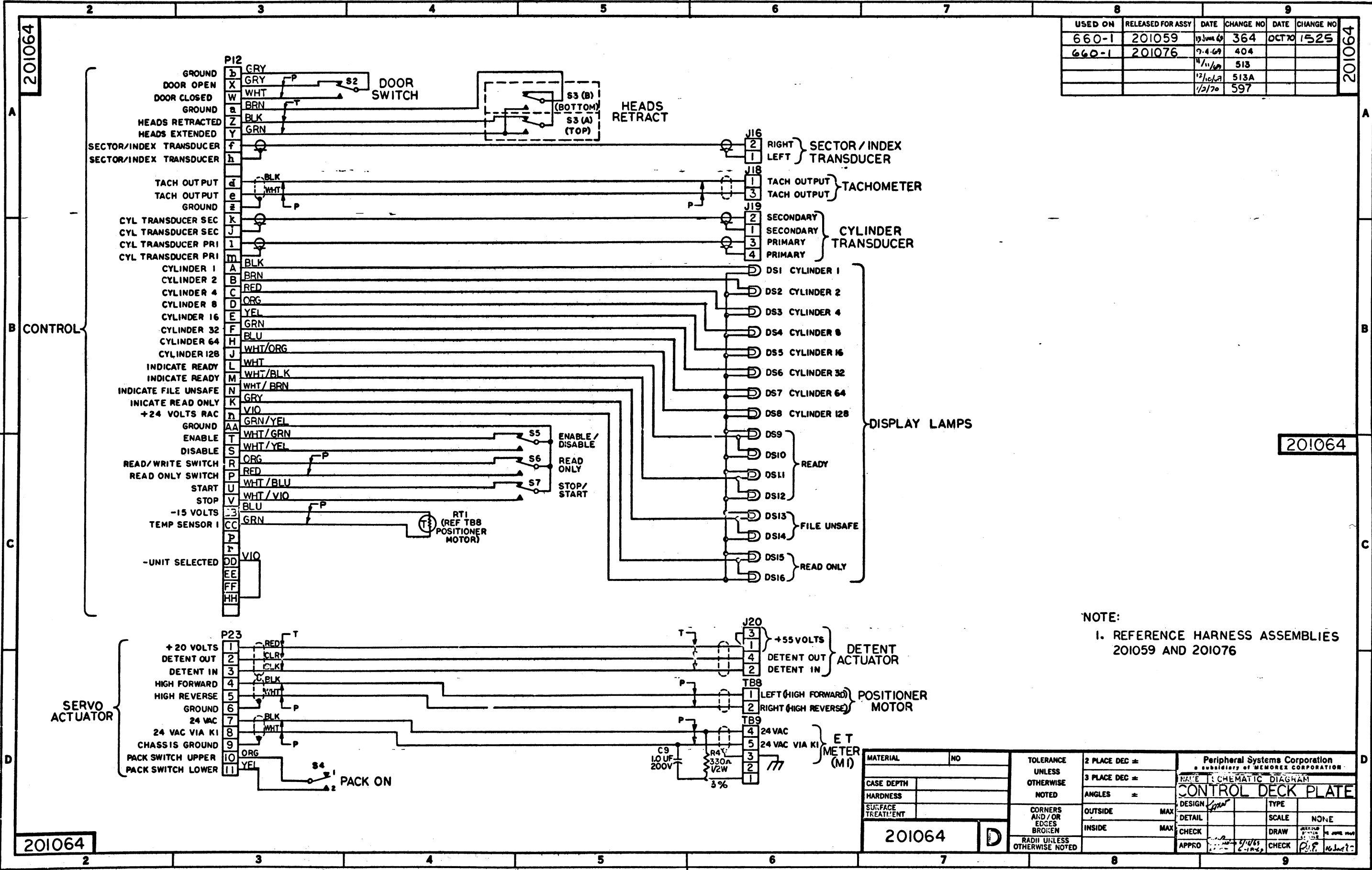
MATERIAL	NO	TOLERANCE UNLESS OTHERWISE NOTED	2 PLACE DEC =	Peripheral Systems Corporation a subsidiary of MEMOREX CORPORATION		
CASE DEPTH		NOTED	3 PLACE DEC =	NAME: JAMES J. PUGH		
HARDNESS		CORNERS AND/OR EDGES BROKEN	ANGLES	READ/WRITE-DECK PLATE		
SURFACE TREATMENT		RADIUS UNLESS OTHERWISE NOTED	OUTSIDE MAX	DESIGN	TYPE	SCALE
			INSIDE MAX	DETAIL		NONC
				CHECK	DRAW	
				APPRO	CHECK	

201063 D

201064

USED ON	RELEASED FOR ASSY	DATE	CHANGE NO	DATE	CHANGE NO
660-1	201059	13 June 69	364	OCT 70	1525
660-1	201076	7-4-69	404		
		11/11/69	513		
		12/16/69	513A		
		1/2/70	597		

201064



201064

NOTE:  
 1. REFERENCE HARNESS ASSEMBLIES  
 201059 AND 201076

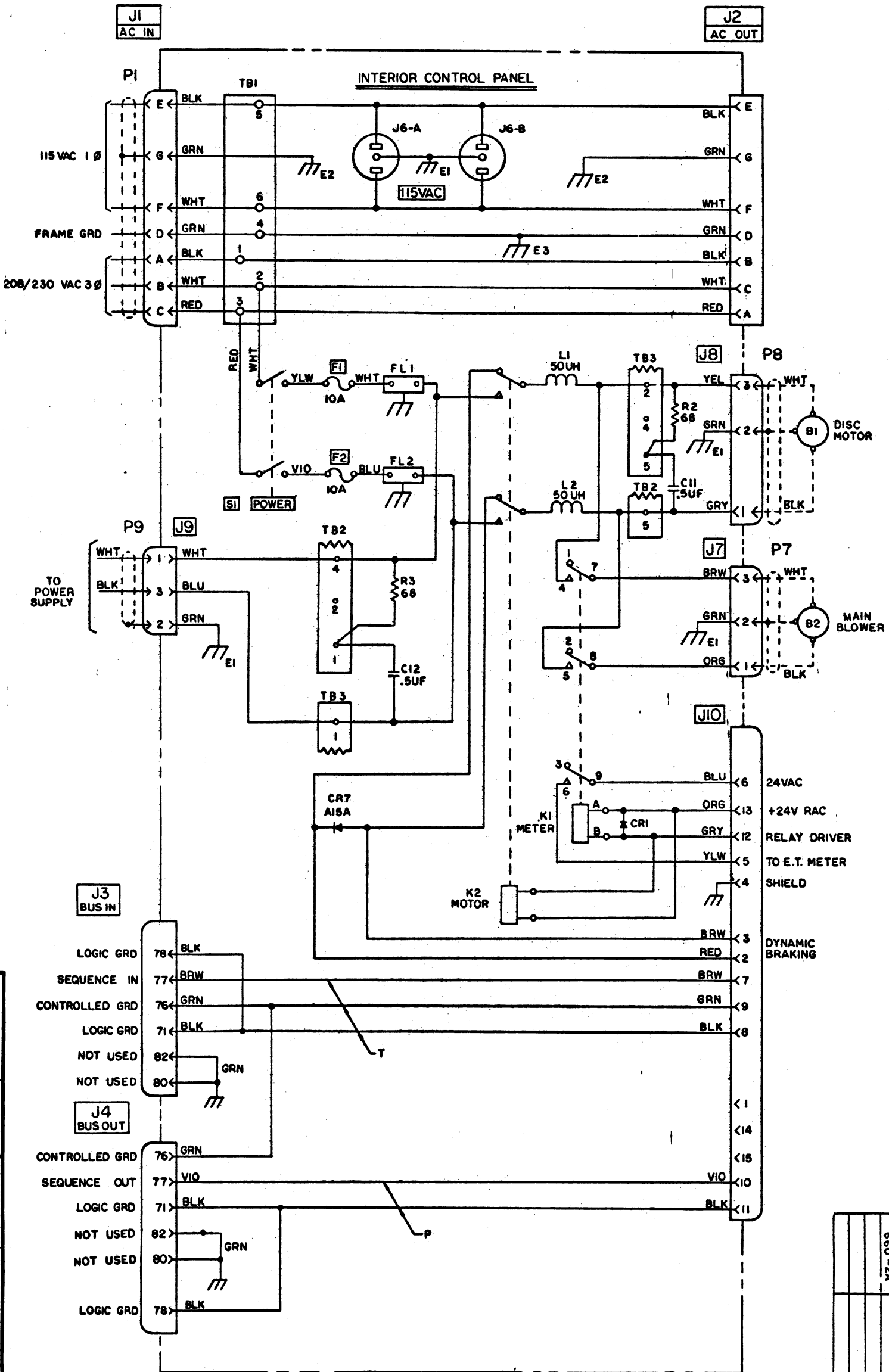
MATERIAL	NO	TOLERANCE UNLESS OTHERWISE NOTED	2 PLACE DEC ±	Peripheral Systems Corporation a subsidiary of MEMOREX CORPORATION	
CASE DEPTH			3 PLACE DEC ±	DATE: 1/2/70	
HARDNESS			ANGLES ±	TYPE: CHROMIUM	
SURFACE TREATMENT			CORNERS AND/OR EDGES BROKEN	SCALE: NONE	
201064			INSIDE MAX	CHECK	DRAW
D			RADI UNLESS OTHERWISE NOTED	APPRO	CHECK

201064

D

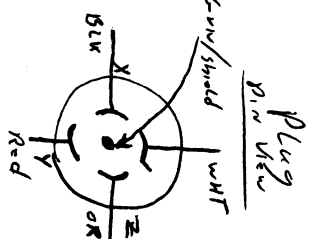
201055

201055



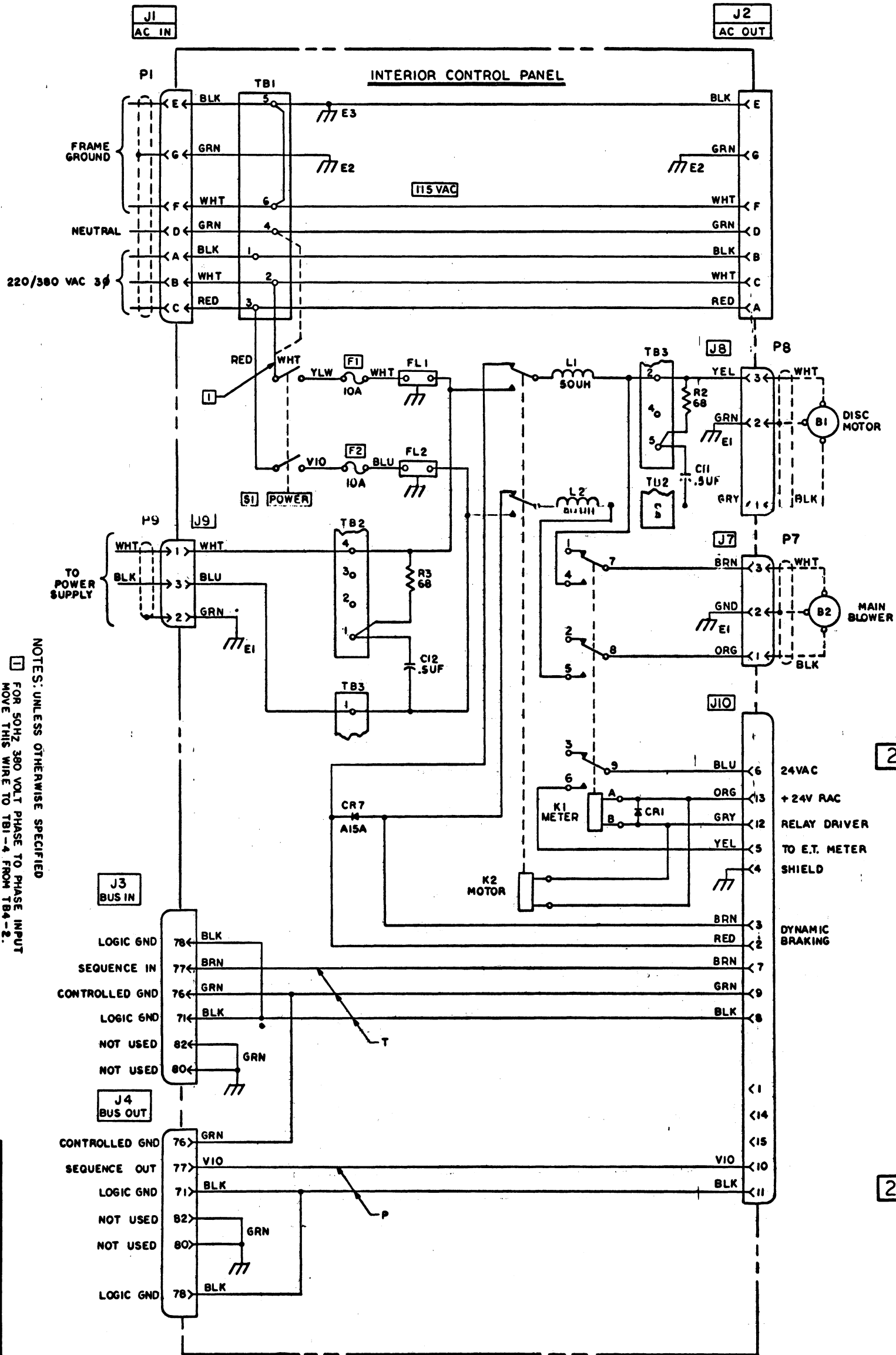
- NOTES**
1. REF SCHEMATIC 201945 FOR 50HZ POWER.
  2. SEE BUS IN/OUT SCHEMATIC 201156 FOR BALANCE OF J3 J4 CONNECTIONS

MATERIAL	NO	TOLERANCE		2 PLACE DEC #	
		UNLESS OTHERWISE NOTED	3 PLACE DEC #	ANGLES	#
CASE DEPTH		OTHERWISE NOTED		MAX	MAX
HARDNESS				MAX	MAX
SURFACE TREATMENT				MAX	MAX
201055		D		Peripheral Systems Corporation AC POWER DISTRIBUTION 60 HZ	
				DESIGN	SCALE
				CHECK	DATE
				APPRO	CHECK



201055

USED ON	RELEASED FOR ASSY	DATE	CHANGE NO	DATE	CHANGE NO
660-1A	201034	6-30-69	352		
660-2A		2-8-70	376		
		10-65			
201055					



- NOTES: UNLESS OTHERWISE SPECIFIED
1. FOR 50HZ 380 VOLT PHASE TO PHASE INPUT MOVE THIS WIRE TO TB1-4 FROM TB4-2.
  2. REF SCHEMATIC 201055 FOR 60HZ POWER.
  3. SEE BUS INPUT SCHEMATIC 20156 FOR BALANCE OF J3 & J4 CONNECTIONS.

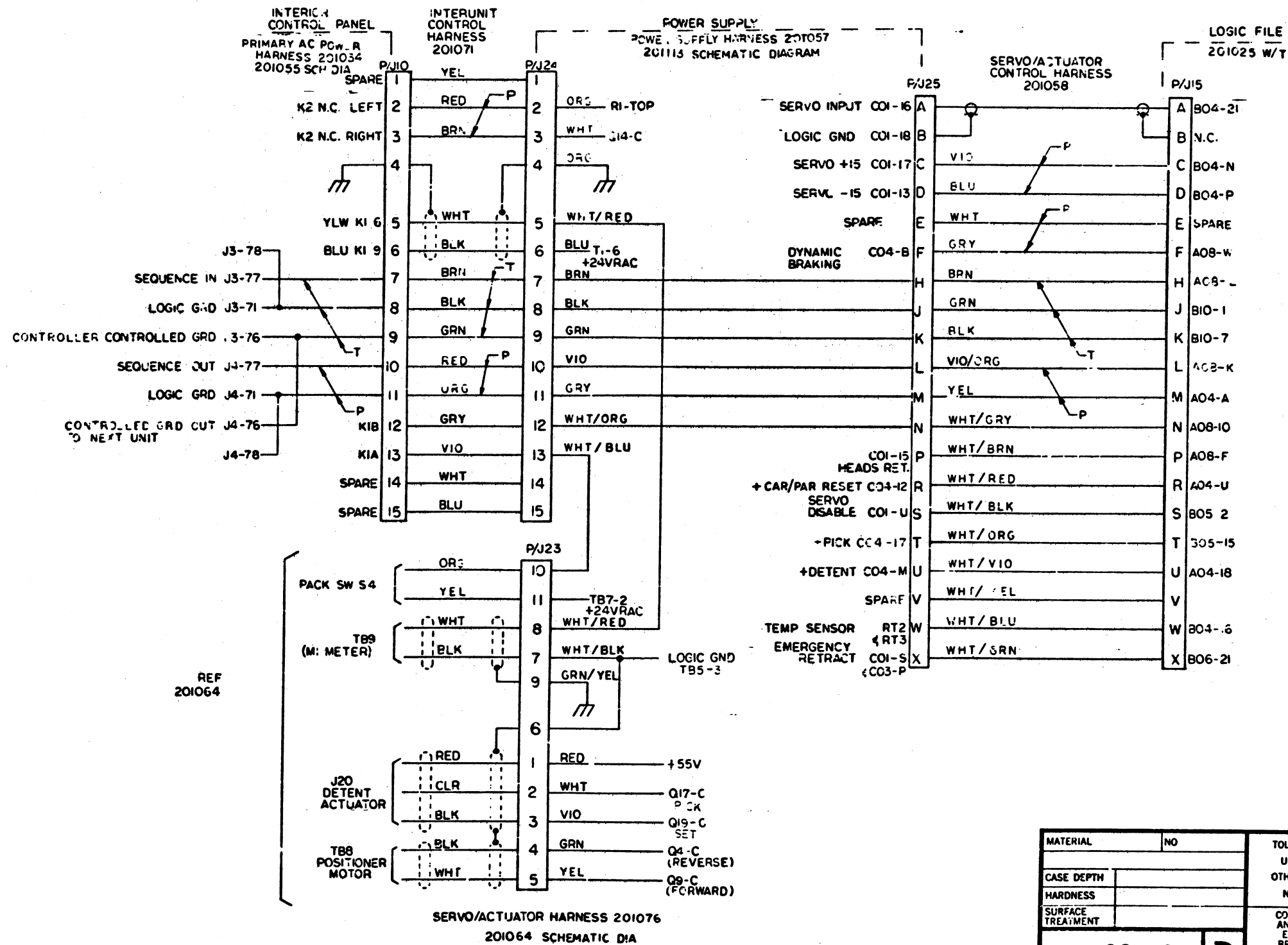
DATE	CHANGE NO.	DATE	CHANGE NO.	TECHNICAL APPROVAL
10/65	1065			

MEMOREX EQUIPMENT GROUP  
 NAME: SCHEMATIC DIAGRAM  
 AC POWER DISTRIBUTION 50HZ  
 DESIGN: [Signature]  
 CHECK: [Signature]  
 APPROV: [Signature]

201945

USED ON	REQUIRED FOR ASSEMBLY
660-18	
660-28	

REV	RELEASED FOR ASSY	DATE	CHANGE NO	DATE	CHANGE NO
360	MANUAL		324		
			325		
		OCT 70	525		
		NOV 70	1341		



20112

MATERIAL	NO	TOLERANCE UNLESS OTHERWISE NOTED	2 PLACE DEC =	Peripheral Systems Corporation A SUBSIDIARY OF MEMOREX CORPORATION	
CASE DEPTH		NOTED	3 PLACE DEC =	NAME: SCHEMATIC DIAGRAM	
HARDNESS			ANGLES =	INTERUNIT CONTROL	
SURFACE TREATMENT		CORNERS AND OR EDGES BROKEN	OUTSIDE MAX	DESIGN	TYPE
		RADI UNLESS OTHERWISE NOTED	INSIDE MAX	DETAIL	SCALE
20112		D		CHECK	NONE
				APPRO	DATE

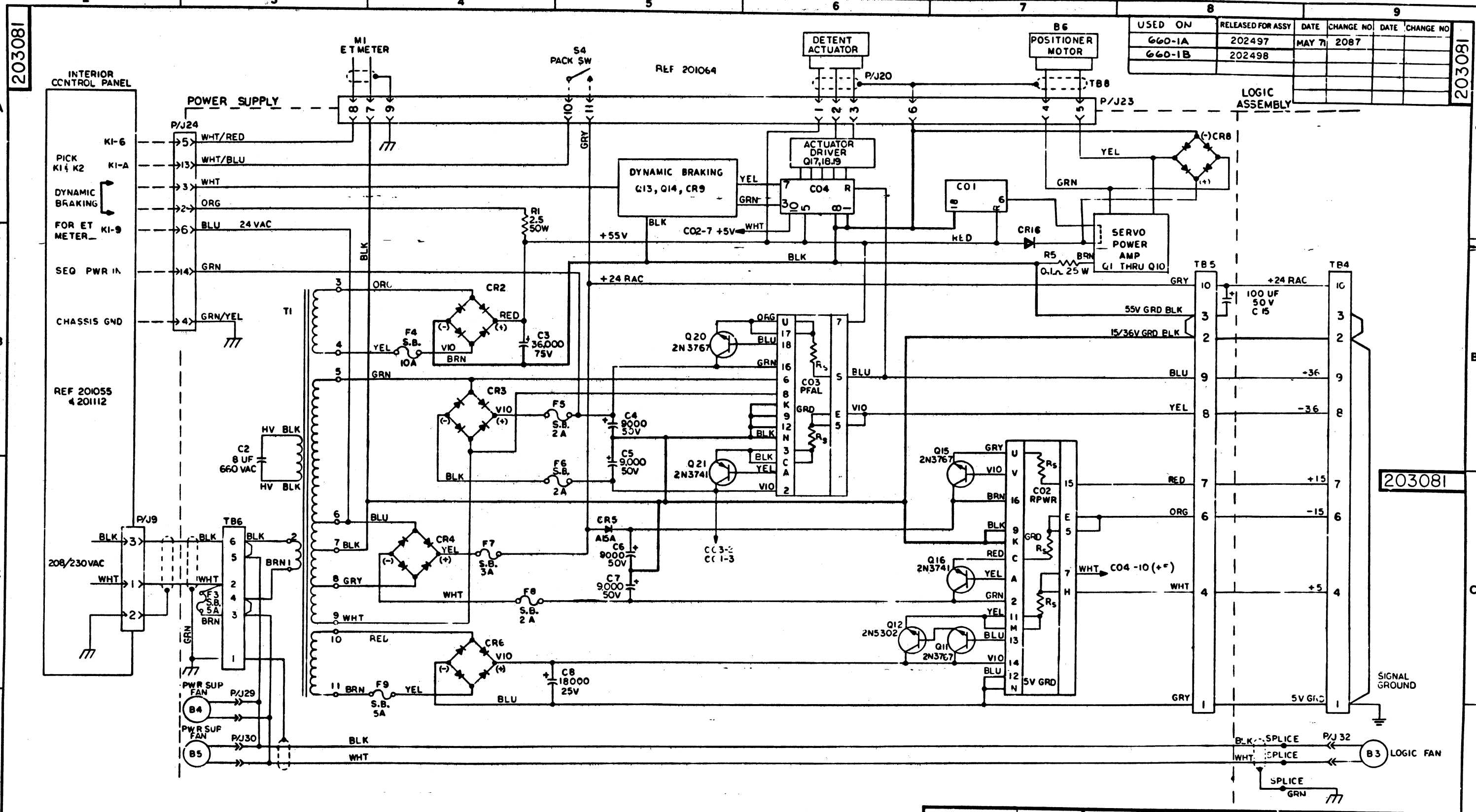
20112

SERVO/ACTUATOR HARNESS 201076  
201064 SCHEMATIC DIA

203081

203081

USED ON	RELEASED FOR ASSY	DATE	CHANGE NO.	DATE	CHANGE NO.
660-1A	202497	MAY 71	2087		
660-1B	202498				

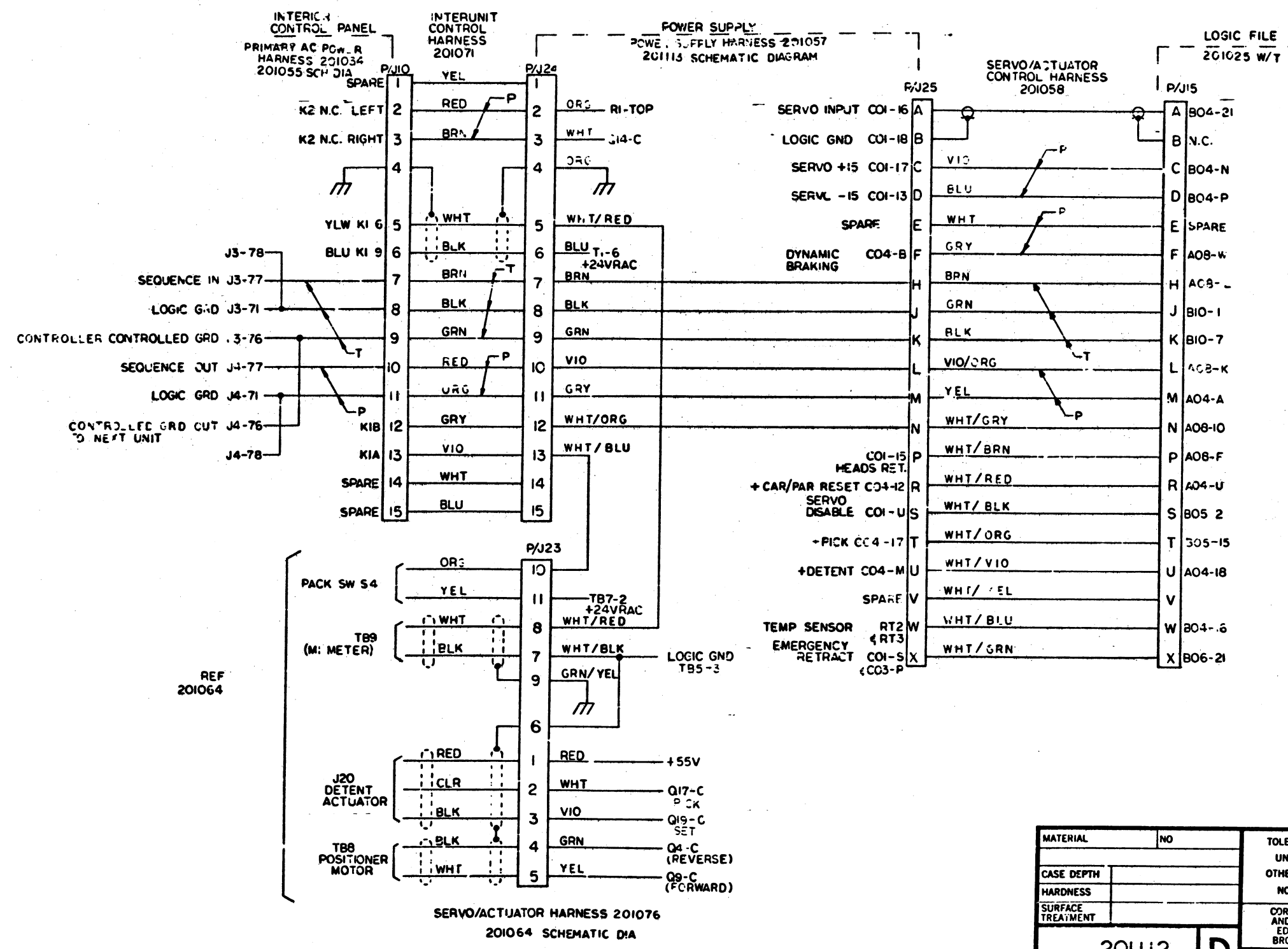


203081

203081

MATERIAL	NO	TOLERANCE UNLESS OTHERWISE NOTED	2 PLACE DEC =	3 PLACE DEC =	ANGLES =	Peripheral Systems Corporation A SUBSIDIARY OF MEMOREX CORPORATION	
CASE DEPTH						NAME	SCHEMATIC DIAGRAM
HARDNESS						DC POWER DISTRIBUTION	
SURFACE TREATMENT						DESIGN	TYPE
203081		D				DETAIL	GUTH 5-4-71
						CHECK	21 MAY 71
						APPRO	4/71
							CHECK

REV. NO.	RELEASED FOR ASSY	DATE	CHANGE NO.	DATE	CHANGE NO.
360	MANUAL		324		
			325		
		OCT 70	525		
		NOV 70	1341		



MATERIAL	NO	TOLERANCE UNLESS OTHERWISE NOTED	2 PLACE DEC =	Peripheral Systems Corporation A SUBSIDIARY OF MEMOREX CORPORATION	
CASE DEPTH			3 PLACE DEC =	NAME   SCHEMATIC DIAGRAM	
HARDNESS			ANGLES =	INTERUNIT CONTROL	
SURFACE TREATMENT		CORNERS AND OR EDGES BROKEN	OUTSIDE MAX	DESIGN	TYPE
		RADI UNLESS OTHERWISE NOTED	INSIDE MAX	DETAIL	SCALE
201112			D	CHECK	DRAW
				APPRO	CHECK

201112

201112

201112

201112

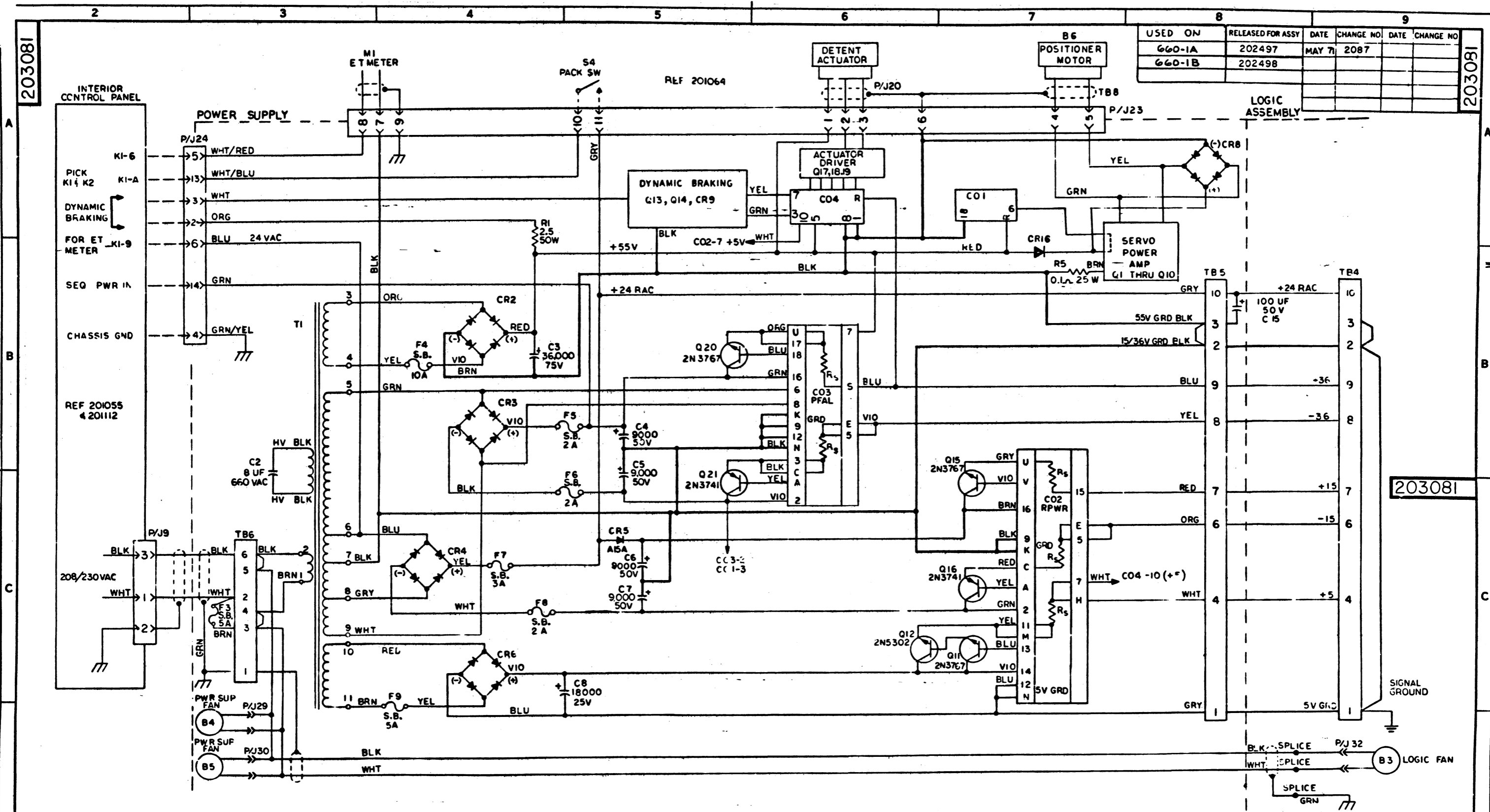
SERVO/ACTUATOR HARNESS 201076  
201064 SCHEMATIC DIA

REF  
201064

203081

203081

USED ON	RELEASED FOR ASSY	DATE	CHANGE NO	DATE	CHANGE NO
660-1A	202497	MAY 71	2087		
660-1B	202498				

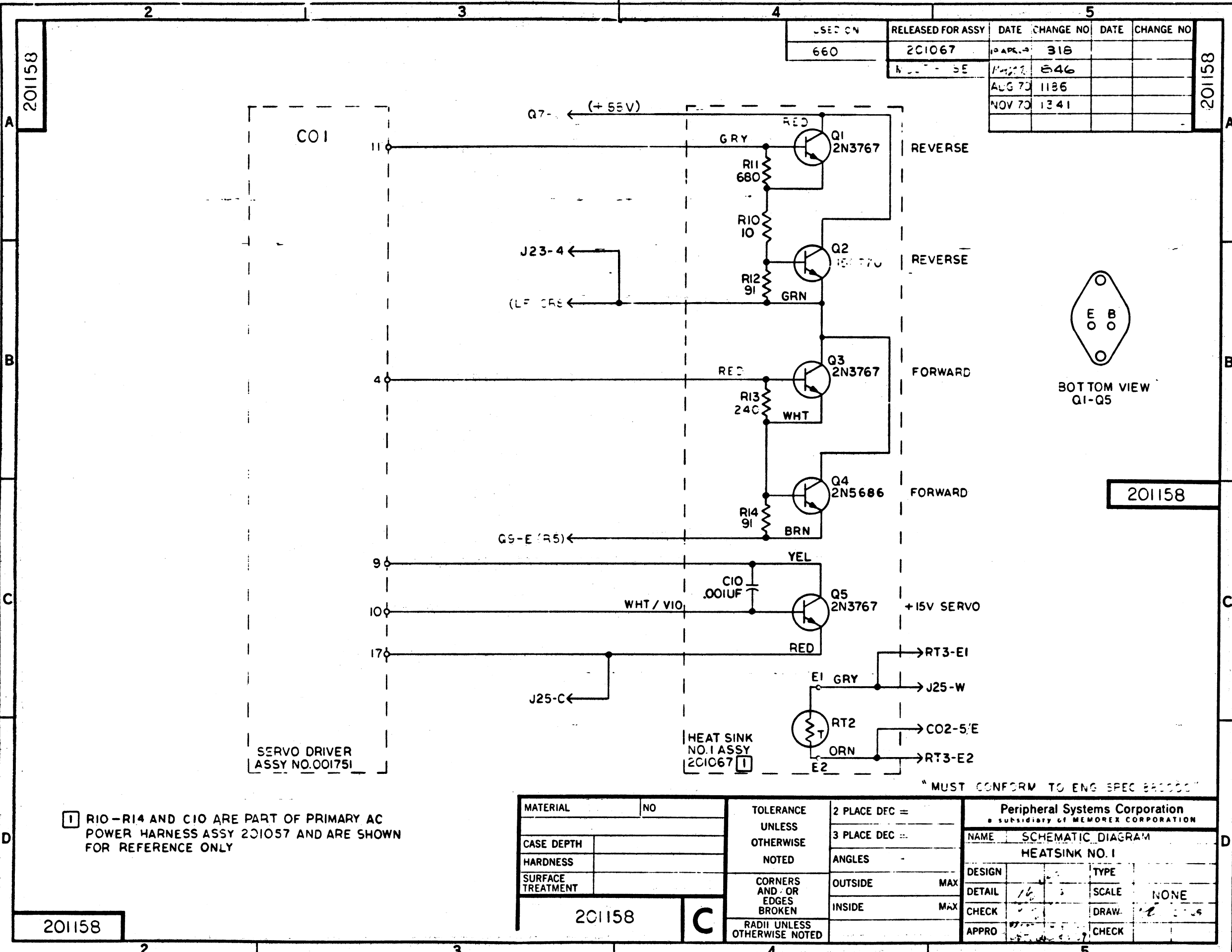


203081

203081

MATERIAL NO	TOLERANCE UNLESS OTHERWISE NOTED	2 PLACE DEC ±	Peripheral Systems Corporation SUBSIDIARY OF MEMOREX CORPORATION	
CASE DEPTH	OTHERWISE NOTED	3 PLACE DEC ±	NAME SCHEMATIC DIAGRAM	
HARDNESS	NOTED	ANGLES =	DC POWER DISTRIBUTION	
SURFACE TREATMENT	CORNERS AND/OR EDGES BROKEN	OUTSIDE MAX	DESIGN	TYPE
	RADII UNLESS OTHERWISE NOTED	INSIDE MAX	DETAIL GUTH 5-4-71	SCALE
			CHECK [Signature]	DRAW
			APPRO [Signature]	CHECK





USED ON	RELEASED FOR ASSY	DATE	CHANGE NO	DATE	CHANGE NO
660	201067	10 APR 69	318		
		MAY 70	546		
		AUG 70	1186		
		NOV 70	1341		

1 R10-R14 AND C10 ARE PART OF PRIMARY AC POWER HARNESS ASSY 201057 AND ARE SHOWN FOR REFERENCE ONLY

"MUST CONFORM TO ENG SPEC 840000"

201158

201158

201158

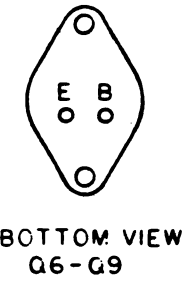
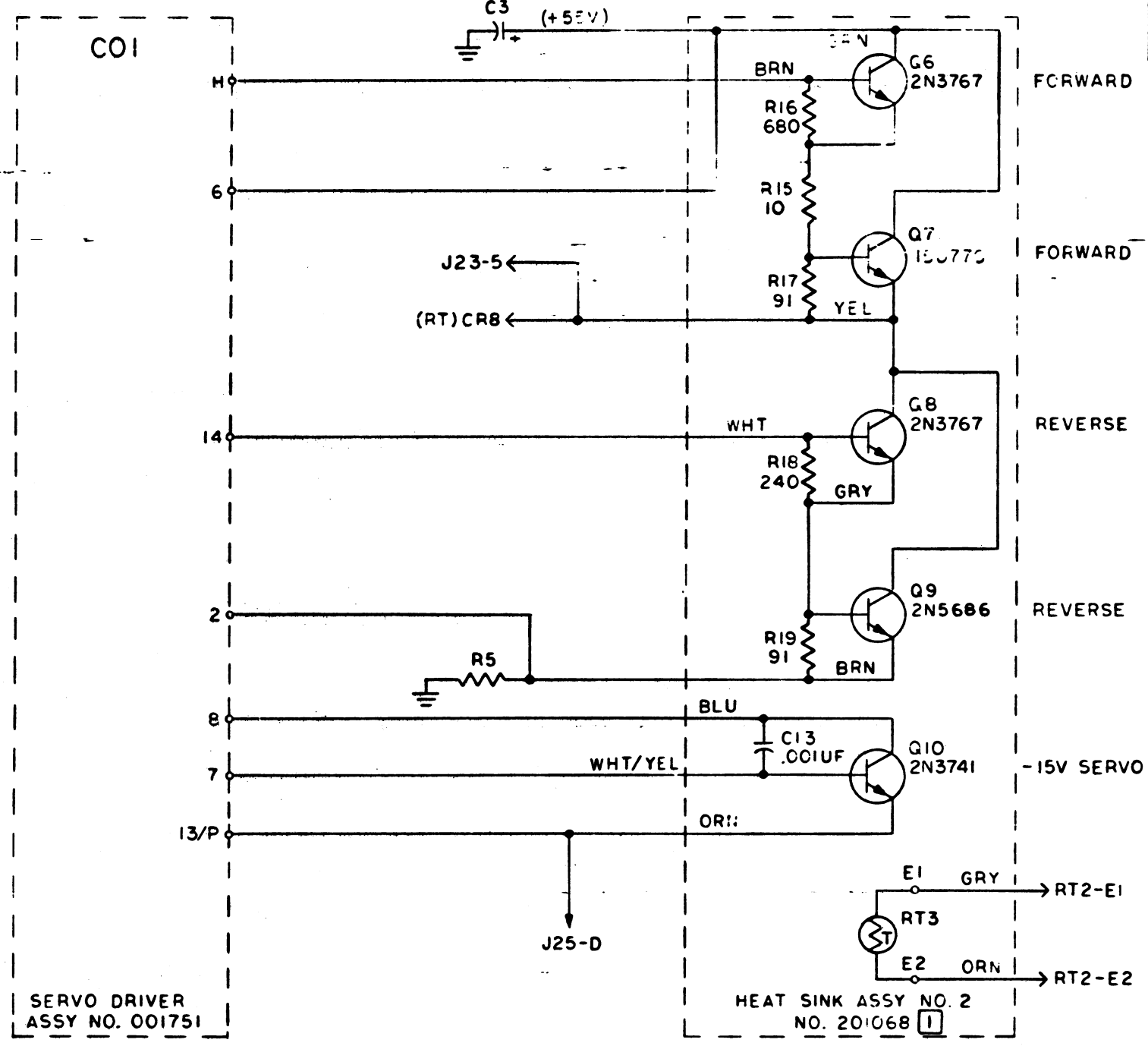
201158

C

201159

201159

US: D ON	RELEASED FOR ASSY	DATE	CHANGE NO	DATE	CHANGE NO
360	201068	10 APR 68	318	10V 70	1341
	SE	30 69	383		
			459		
			846		
		UG 7	1186		



201159

SERVO DRIVER ASSY NO. 001751

HEAT SINK ASSY NO. 2 NO. 201068

NOTES:

1 R15 - R19 AND C11 ARE PART OF PRIMARY AC POWER HARNESS ASSY 201057 AND ARE SHOWN FOR REFERENCE ONLY

\* MUST CONFORM TO ENG SPEC 8-0000"

201159

MATERIAL	NO	TOLERANCE UNLESS OTHERWISE NOTED	2 PLACE DEC =
CASE DEPTH		CORNERS AND OR EDGES BROKEN	3 PLACE DEC =
HARDNESS		RADI UNLESS OTHERWISE NOTED	ANGLES =
SURFACE TREATMENT			OUTSIDE MAX
	201159		INSIDE MAX

Peripheral Systems Corporation	NAME	SCHEMATIC DIAGRAM
a subsidiary of MEMOREX CORPORATION	HEATSINK NO. 2	
DESIGN	TYPE	
DETAIL	SCALE	
CHECK	DRAW	
APPRO	CHECK	

DESIGN	TYPE
DETAIL	SCALE
CHECK	DRAW
APPRO	CHECK

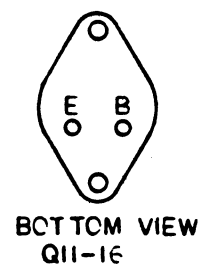
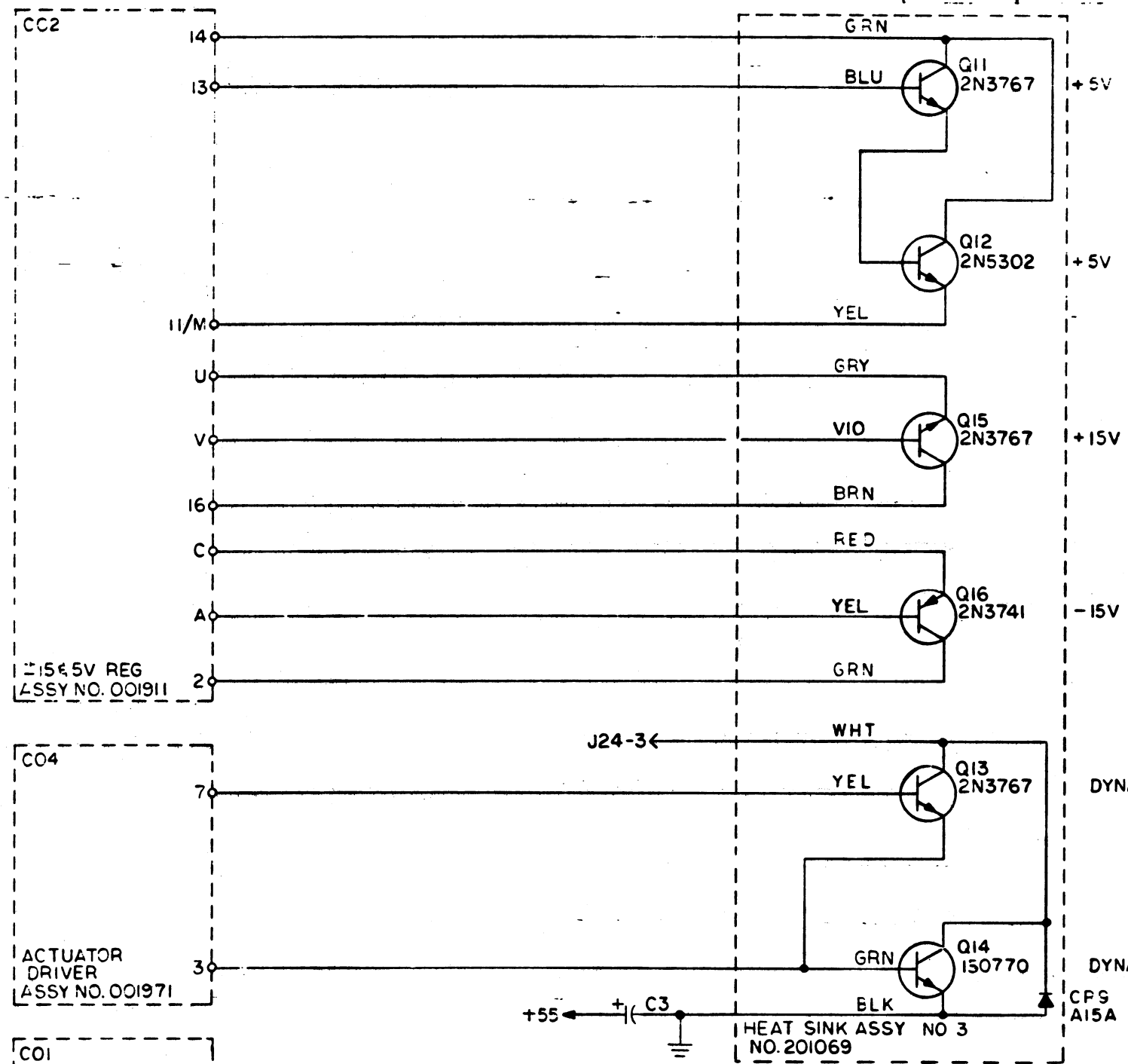
C

D

201160

201160

USED ON	RELEASED FOR ASSY	DATE	CHANGE NO	DATE	CHANGE NO
660-1A	201070	19APL 70	318		
660-1B	201057		57		
		JUL 70	1137		
		NOV 70	1341		



201160

15V REG ASSY NO. 001911

ACTUATOR DRIVER ASSY NO. 001971

SERVO DRIVER ASSY NO. 001751

HEAT SINK ASSY NO. 3 NO. 201069

+55 ← C3

"MUST CONFORM TO ENG. SPEC 880000"

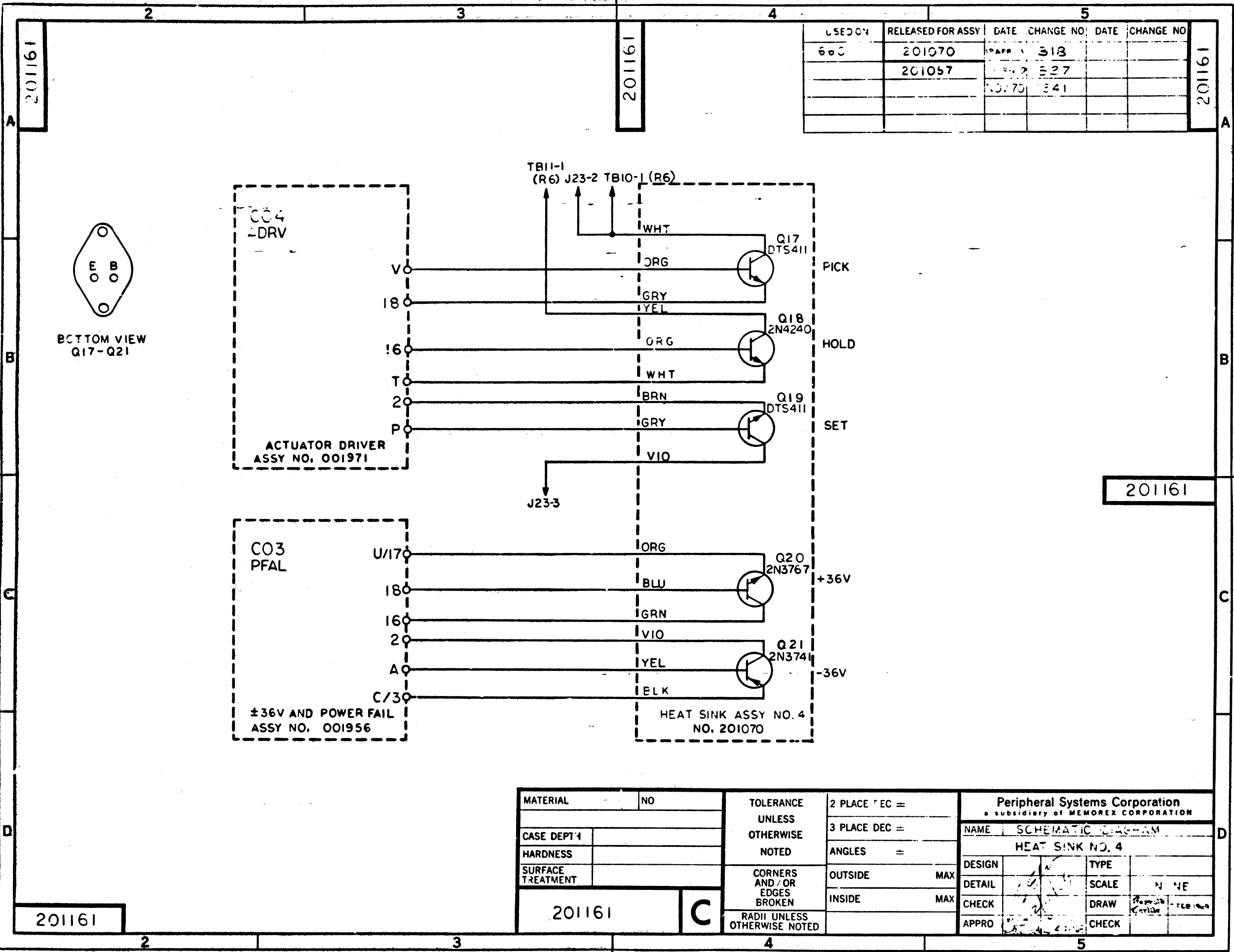
MATERIAL		NO	TOLERANCE UNLESS OTHERWISE NOTED	2 PLACE DEC =	Peripheral Systems Corporation a subsidiary of MEMOREX CORPORATION			
CASE DEPTH				3 PLACE DEC =	NAME   SCHEMATIC DIAGRAM			
HARDNESS				ANGLES =	HEATSINK NO. 3			
SURFACE TREATMENT			CORNERS AND/OR EDGES BROKEN	OUTSIDE MAX	DESIGN		TYPE	
			RADI UNLESS OTHERWISE NOTED	INSIDE MAX	DETAIL		SCALE	
					CHECK		DRAW	
					APPRO		CHECK	

201160

C

D

USED ON	RELEASED FOR ASSY	DATE	CHANGE NO.	DATE	CHANGE NO.
600	201070	10/70	313		
	201057	10/70	327		
		10/70	341		



MATERIAL	NO	TOLERANCE UNLESS OTHERWISE NOTED	2 PLACE DEC =		Peripheral Systems Corporation a subsidiary of MEMOREX CORPORATION			
CASE DEPT 1			3 PLACE DEC =		NAME SCHEMATIC DIAGRAM			
HARDNESS			ANGLES =		HEAT SINK NO. 4			
SURFACE TREATMENT		CORNERS AND/OR EDGES BROKEN	OUTSIDE	MAX	DESIGN		TYPE	
			INSIDE	MAX	DETAIL		SCALE	NONE
		RADIUS UNLESS OTHERWISE NOTED			CHECK		DRAW	DATE
					APPRO		CHECK	

201161

201161

201161

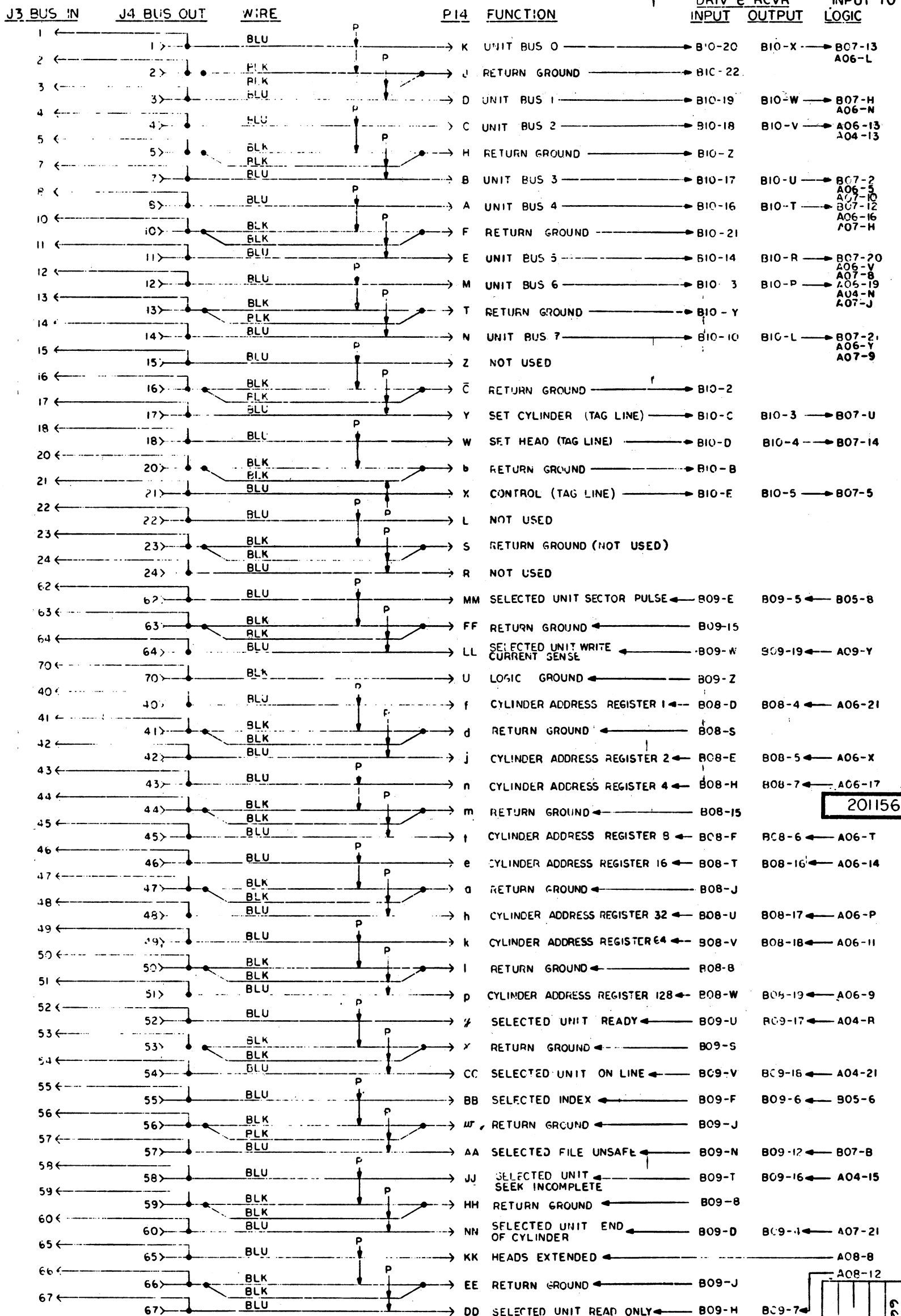
201161

201161

201161

C

LOGIC PRINT REF



NOTES:

- 1. PINS 73, 74, 75 & PINS 25 THRU 39 ARE SPARES.
- 2. FOR CIRCUITRY ASSOCIATED WITH PINS 71, 76, 77 AND 78 SEE DRAWING NO. 201112.
- 3. PINS 6, 3, 15, 61, 68, 69 & 81 ARE NON EXISTENT.
- 4. FOR CIRCUITRY ASSOCIATED WITH PINS 72 & 79 SEE DRAWING NO. 201157.

201156

3

4

5

6

7

8

9

MATERIAL	NO
CASE DEPTH	
HARDNESS	
SURFACE TREATMENT	
TOLERANCE UNLESS OTHERWISE NOTED	2 PLACE DEC.
3 PLACE DEC.	
ANGLES	
CORNERS AND OR EDGES BROKEN	OUTSIDE
MAX DETAIL	INSIDE
MAX CHECK	
APPROV	
DATE	
BY	
CHK	
PERIPHERAL SYSTEMS CORPORATION	
SCHMATIC DIAGRAM	
BUS INPUT	
TYPE	NONE
SCALE	
DRAW	JLW
CHK	BC

201156

U-SET ON	60-1
RELEASED FOR ASSY	201061
DATE	6/6/69
CHANGE NO.	364
DATE	12-6
CHANGE NO.	452
DATE	1/2/70
CHANGE NO.	537
DATE	8/5
CHANGE NO.	545
DATE	SEP 10 1969

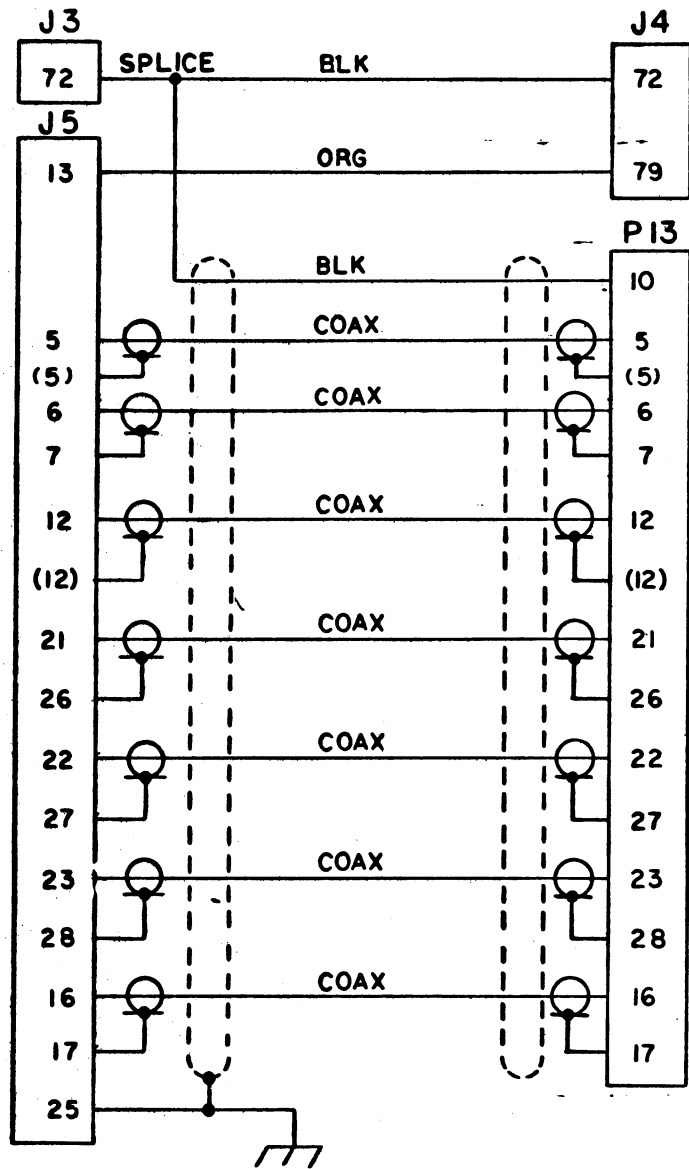
201156

201157

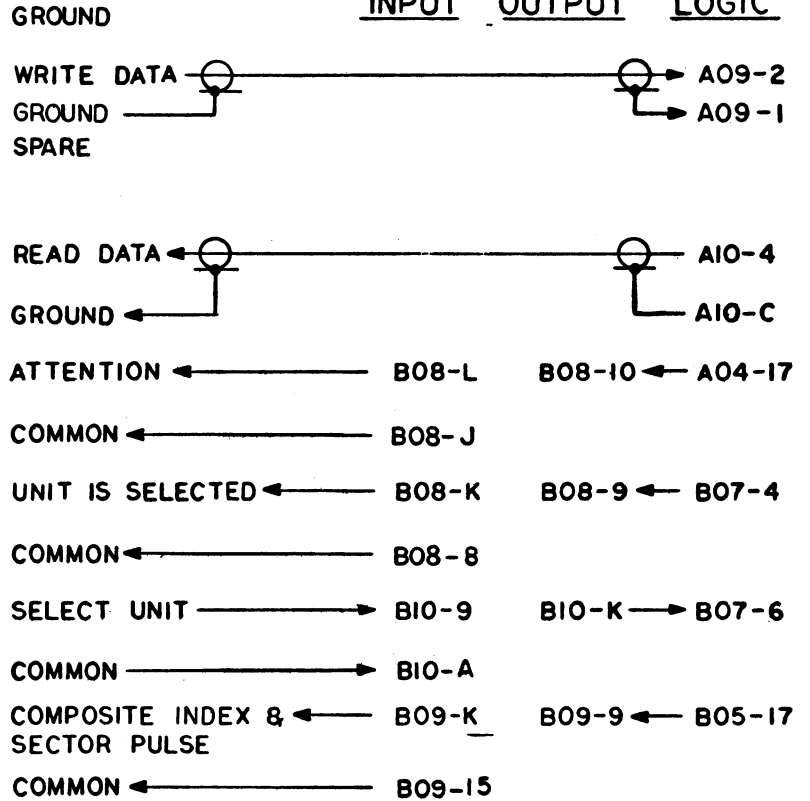
201157

USED Q.N	RELEASED FOR ASSY	DATE	CHANGE NO	DATE	CHANGE NO
660-1	201062	6/6/69	364		
		11-21-69	537		
		APR 9, 70	865		

201157



**LOGIC PRINT REF**  
**DRIV & RCVR INPUT TO LOGIC**



201157

**NOTES:**  
 I. ALL OTHER PINS IN J5 ARE NOT USED INCLUDING PIN G.

201157

MATERIAL		NO	TOLERANCE UNLESS OTHERWISE NOTED	2 PLACE DEC ±	Peripheral Systems Corporation a subsidiary of MEMOREX CORPORATION			
CASE DEPTH				3 PLACE DEC ±	NAME   SCHEMATIC DIAGRAM			
HARDNESS				ANGLES ±	UNIT INPUT			
SURFACE TREATMENT				CORNERS AND/OR EDGES BROKEN	OUTSIDE MAX	DESIGN		TYPE
			RADI UNLESS OTHERWISE NOTED	INSIDE MAX	DETAIL		SCALE	
201157		C			CHECK		DRAW	JLW 2-4-69
					APPRO	6/11/69	CHECK	6/16/69

WIRE TABULATIONS  
MEMOREX EQUIPMENT GROUP

RELEASED FOR ASM  
201022

DWG NO. 203084  
SHEET 0 OF 43

TITLE 660-1 LOGIC ASSEMBLY

SHEET	EC	EC	EC	EC	EC	EC	SHEET	EC	EC	EC	EC	EC	EC
1	2087												
2	2087												
3	2087												
4	2087												
5	2087												
6	2087												
7	2087												
8	2087												
9	2087												
10	2087												
11	2087												
12	2087												
13	2087												
14	2087												
15	2087												
16	2087												
17	2087												
18	2087												
19	2087												
20	2087												
21	2087												
22	2087												
23	2087												
24	2087												
25	2087												
26	2087												
27	2087												
28	2087												
29	2087												
30	2087												
31	2087												
32	2087												
33	2087												
34	2087												
35	2087												
36	2087												
37	2087												
38	2087												
39	2087												
40	2087												
41	2087												
42	2087												
43	2087												

WIRE TABULATIONS  
MEMOREX EQUIPMENT GROUP

RELEASED FOR ASSY  
201022

DWG NO. 203084  
SHEET 1 OF 43

TITLE 660-1 LOGIC ASSEMBLY

SEQUENCE	FROM				WIRE LENGTH	TO				LOC/NAME: A01		
	FILE	ROW	COLUMN	PIN		REFERENCE	FILE	ROW	COLUMN	PIN	SECTION: ALPHA	REMARKS
0000		A	01	A								GROUND
0001				B								
0002				C								
0003				D								
0004				E								
0005				F								
0006				H								
0007				J								
0008				K								
0009				L								
0010				M								+5 VOLTS
0011				N								
0012				P								
0013				R								
0014				S								
0015				T								
0016				U								
0017				V								
0018				W								
0019				X								
0020				Y								
0021				Z								GROUND

ENG. CHANGE NO. \_\_\_\_\_  
DATE \_\_\_\_\_

WIRE TABULATIONS  
MEMOREX EQUIPMENT GROUP

RELEASED FOR ASSY  
201022

DWG NO. 203084  
SHEET 2 OF 43

TITLE 660-1 LOGIC ASSEMBLY

FROM					WIRE LENGTH	TO					LOC/NAME: A01	
SEQUENCE	FILE	ROW	COLUMN	PIN		REFERENCE	FILE	ROW	COLUMN	PIN	LINE LABEL	REMARKS
0022		A	01	1								
0023				2								
0024				3								
0025				4								
0026				5								
0027				6								
0028				7								
0029				8								
0030				9								
0031				10								
0032				11								
0033				12								
0034				13								
0035				14								
0036				15								
0037				16								
0038				17								
0039				18								
0040				19								
0041				20								
0042				21								
0043				22								
ENG. CHANGE NO.												
DATE												

A01

WIRE TABULATIONS  
MEMOREX EQUIPMENT GROUP

RELEASED FOR ASSY  
201022

DWG NO. 203084  
SHEET 3 OF 43

TITLE 660-1 LOGIC ASSEMBLY

FROM					WIRE LENGTH	TO					LOC/NAME: A02 - LAMP DRIVERS	
SEQUENCE	FILE	ROW	COLUMN	PIN		REFERENCE	FILE	ROW	COLUMN	PIN	LINE LABEL	REMARKS
0044		A	02	A								GROUND
0045				B			A	05	5			+PAR 1
0046				C			A	05	7			+ PAR 2
0047				D			A	06	B			
0048				E			A	05	4			+ PAR 4
0049				F			A	06	3			+ PAR 8
0050				H			A	05	6			+ PAR 8
0051				J			A	06	C			
0052				K			A	05	3			+ PAR 16
0053				L			A	06	4			
0054				M			A	05	8			+ PAR 32
0055				N			A	06	D			
0056				P								
0057				R								
0058				S								
0059				T			A	05	2			+PAR 64
0060				U			A	06	5			+PAR 128
0061				V			A	05	9			+PAR 128
0062				W			A	06	E			+READ ONLY
0063				X			B	09	7			+UNIT READY
0064				Y			A	02	X			+UNIT READY
0065				Z		062	B	05	4			+UNIT READY
							B	07	B			+FILE UNSAFE
							B	09	12			
ENG. CHANGE NO.												
DATE												

A02



WIRE TABULATIONS  
MEMOREX EQUIPMENT GROUP

RELEASED FOR ASSY  
201022

DWG NO. 203084  
SHEET 4 OF 43

TITLE 670-1 LOGIC ASSEMBLY

SEQUENCE	FROM				WIRE LENGTH	TO				LOC/NAME: A02 - LAMP DRIVERS	
	FILE	ROW	COLUMN	PIN		REFERENCE	FILE	ROW	COLUMN	PIN	SECTION: NR (1916)
0066		A	02	1							
0067				2			J	12	A		-CYLINDER 1
0068				3			J	12	B		-CYLINDER 2
0069				4			J	12	C		-CYLINDER 4
0070				5			J	12	D		-CYLINDER 8
0071				6			J	12	E		-CYLINDER 16
0072				7			J	12	F		-CYLINDER 32
0073				8							
0074				9							
0075				10							
0076				11							
0077				12							
0078				13							
0079				14							
0080				15							
0081				16			J	12	H		-CYLINDER 64
0082				17			J	12	J		-CYLINDER 128
0083				18			J	12	K		-READ ONLY
0084				19			J	12	L		-READY
0085				20			J	12	M		-READY
0086				21			J	12	N		-FILE UNSAFE
0087				22							
ENG. CHANGE NO.											
DATE											

A02

WIRE TABULATIONS  
MEMOREX EQUIPMENT GROUP

RELEASED FOR ASSY  
201022

DWG NO. 203084  
SHEET 5 OF 43

TITLE 660-1 LOGIC ASSEMBLY

SEQUENCE	FROM				WIRE LENGTH	TO				LOC/NAME: A03 - SFRVQ SEQUENCER	
	FILE	ROW	COLUMN	PIN		REFERENCE	FILE	ROW	COLUMN	PIN	SECTION: ALPHA (1941)
0088		A	03	A			J	15	J		GROUND
0089				B							
0090				C							
0091				D							
0092				E							
0093				F							
0094				H							
0095				J							
0096				K							
0097				L							
0098				M							+5 VOLTS
0099				N							
0100				P							
00101				R			B	05	7		-FILE UNSAFE
							B	07	7		
0102				S							
0103				T							
0104				U							
0105				V							
0106				W							
0107				X			B	06	6		+CLOCK
0108				Y							
0109				Z			J	15			GROUND
ENG. CHANGE NO.											
DATE											

A03

WIRE TABULATIONS  
MEMOREX EQUIPMENT GROUP

RELEASED FOR ASSY  
201022

DWG NO. 203084  
SHEET 6 OF 43

TITLE 660-1 LOGIC ASSEMBLY

FROM					WIRE LENGTH	TO					LOC/NAME: A03 - SERVO SEQUENCER	
SEQUENCE	FILE	ROW	COLUMN	PIN		REFERENCE	FILE	ROW	COLUMN	PIN	LINE LABEL	REMARKS
0110		A	03	1								
0111				2			A	05	W		+T4/PWR RATE DLY	
0112				3			A	05	10		+CARRY (=REVERSE)	
0113				4			A	04	8		-C	
							B	05	16			
0114				5			A	04	5		-B	
0115				6			A	04	P		+SEEK START	
0116				7			A	04	11		-RESTORE	
0117				8			B	03	15		+T3 (NOT USED)	
0118				9								
0119				10			A	08	18		-RETRACT HEADS	
0120				11			B	03	19		+T2	
							B	05	S			
0121				12			A	05	16		-COMPARE	
							B	06	C			
0122				13			A	04	22		-CLEAR	
0123				14			B	06	15		-STROBE B	
0124				15			A	04	4		-A	
							B	05	U			
0125				16			A	08	F		-HEADS RETRACTED	
							J	12	Z			
							J	15	P			
0126				17			B	03	18		+T1	
0127				18			B	04	19		+FWD VELOCITY	
0128				19			A	05	T		+COMPARE	
0129				20			A	04	9		-D	
							A	07	U			
							A	07	17			
							B	05	T			
0130				21			A	08	14		-SEEK ENABLE	
							B	05	3			
0131				22								
ENG. CHANGE NO.												
DATE												

A03

WIRE TABULATIONS  
MEMOREX EQUIPMENT GROUP

RELEASED FOR ASSY  
201022

DWG NO. 203084  
SHEET 7 OF 43

TITLE 660-1 LOGIC ASSEMBLY

FROM					WIRE LENGTH	TO					LOC/NAME: A04 - SERVO SEQ DECODE	
SEQUENCE	FILE	ROW	COLUMN	PIN		REFERENCE	FILE	ROW	COLUMN	PIN	LINE LABEL	REMARKS
0132		A	04	1								
0133				3								
0134				5								
0135				7								
0136				9								
0137				11								
0138				13								
0139				15								
0140				17								-SEEK INCOMPLETE (NOT USED)
0141				19								
0142				21								+5 VOLTS
0143				22			A	06	19		+UNIT BJS #6	
							A	07	J			
							B	10	P			
0144							0115					+SEEK START
0145							B	07	16		+SEEK READY	
							B	09	17			
0146							B	05	14		-SEEK READY	
0147							B	07	9		-SELECTED UNIT CONTROL	
0148							A	06	W		+CAR/PAR RESET	
							A	06	B			
							J	15	R			
0149							B	04	3		-FWD DETENT VELOCITY	
0150												-HOLDING CURRENT (NOT USED)
0151							B	07	F		-RESET ATTENTION	
0152												
0153												GROUND
ENG. CHANGE NO.												
DATE												

A04

WIRE TABULATIONS  
MEMOREX EQUIPMENT GROUP

RELEASED FOR ASSY  
201022

DWG NO. 203084  
SHEET 8 OF 43

TITLE 660-1 LOGIC ASSEMBLY

FROM					WIRE LENGTH	TO					LOC/NAME: A04 - SERVO SEQ DECODE	
SEQUENCE	FILE	ROW	COLUMN	PIN		REFERENCE	FILE	ROW	COLUMN	PIN	LINE LABEL	REMARKS
0154		A	04	1			A	05	S		+SEEK REVERSE	
							B	02	15			
0155				2			A	06	J		-SEEK REVERSE	
0156				3			A	05	12		-FORCE COUNT	
							A	06	F			
							B	06	9			
							B	07	V			
0157				4		0124					-A	
0158				5		0114					-B	
0159				6			A	05	P		-SEEK FORWARD	
0160				7			A	05	14		-FORCE FWD SLOW	
							B	04	B			
0161				8		0113					-C	
0162				9		0129					-D	
0163				10			A	05	22		+RESET TIMERS	
							B	03	7			
0164				11		0116					-RESORE	
0165				12							+RESORE(NOT USED)	
0166				13			A	06	13		+UNIT BUS #2	
							B	10	V			
0167				14							-SEEK START(NOT USED)	
0168				15			B	02	04		+SEEK INCOMPLETE	
							B	05	18			
							B	09	16			
0169				16			A	06	7		+SEEK FORWARD	
							B	02	14			
0170				17			B	08	10		+ATTENTION	
0171				18			J	15	U		+DETENT	
0172				19			B	04	18		+HOLDING CURRENT	
0173				20			A	08	S		+ENABLE LATCH	
							B	07	J			
0174				21			B	09	18		+ON LINE	
0175				22		0122					-CLEAR	
ENG. CHANGE NO.												
DATE												

A04

WIRE TABULATIONS  
MEMOREX EQUIPMENT GROUP

RELEASED FOR ASSY  
201022

DWG NO. 203084  
SHEET 9 OF 43

TITLE 660-1 LOGIC ASSEMBLY

FROM					WIRE LENGTH	TO					LOC/NAME: A05 - ADDER-SPEED DECODE	
SEQUENCE	FILE	ROW	COLUMN	PIN		REFERENCE	FILE	ROW	COLUMN	PIN	LINE LABEL	REMARKS
0176		A	05	A							GROUND	
0177				B			A	06	R		-CAR 16	
0178				C			A	06	U		-CAR 4	
0179				D			A	06	22		-CAR 1	
0180				E			A	06	15		-CAR 8	
0181				F			A	06	20		-CAR 2	
0182				H								
0183				J			A	06	12		-CAR 3	
0184				K			A	06	K		-CAR 18	
0185				L			B	04	10		-REVERSE DRIVE	
0186				M							+5 VOLTS	
0187				N								
0188				P		0159					-SEEK FORWARD	
0189				R			B	04	D		-DIFF OF 2	
0190				S		0154					+SEEK REVERSE	
0191				T		0128					+COMPARE	
0192				U			B	04	C		-DIFF OF 1	
0193				V			B	04	K		+ANTICIPATE	
0194				W		0111					+T4/PWR RATE DLY	
0195				X			B	04	7		-FWD DRIVE	
0196				Y			B	04	6		+DRIVE INTO PACK	
0197				Z							GROUND	
ENG. CHANGE NO.												
DATE												

A05

WIRE TABULATIONS  
MEMOREX EQUIPMENT GROUP

RELEASED FOR ASSY  
201022

DWG NO. 203084  
SHEET 100F 43

TITLE 660-1 LOGIC ASSEMBLY

FROM					WIRE LENGTH	TO					LOC/NAME: A05 - ADDER SPEED DECODE SECTION: NR (3306)	
SEQUENCE	FILE	ROW	COLUMN	PIN		REFERENCE	FILE	ROW	COLUMN	PIN	LINE LABEL	REMARKS
0198		A	05	1			A	06	10		-PAR 54	
0199				2		0059					+PAR 54	
0200				3		0049					+PAR 16	
0202				4		0047					+PAR 4	
0203				5		0045					+PAR 1	
0204				6		0048					+PAR 8	
0205				7		0046					+PAR 2	
0206				8		0050					+PAR 32	
0207				9		0060					+PAR 128	
0208				10		0112					+CARRY (=REVERSE)	
0209				11			J	15	V		+HIGH PWR RATE	
0210				12		0156					-FORCE COUNT	
0211				13			B	04	E		-DIFF OF 4	
0212				14		0160					-FORCE FWD SLOW	
0213				15			A	08	20		+REFRACT HEADS	
							B	02	10			
							B	05	5			
0214				16		0121					-COMPARE	
0215				17			B	04	F		-DIFF CF 8	
0216				18			B	04	J		-DIFF CF 32	
0217				19			B	04	H		-DIFF CF 16	
0218				20			B	04	4		-DIFF CF 64	
0219				21			B	03	17		+T4	
0220				22		0163					+RESIST TIME'S	
ENG. CHANGE NO.												
DATE												

A05

WIRE TABULATIONS  
MEMOREX EQUIPMENT GROUP

RELEASED FOR ASSY  
201022

DWG NO. 203084  
SHEET 11 OF 43

TITLE 660-1 LOGIC ASSEMBLY

FROM					WIRE LENGTH	TO					LOC/NAME: A06 - CYL-PAR REG SECTION: ALPHA (1901)	
SEQUENCE	FILE	ROW	COLUMN	PIN		REFERENCE	FILE	ROW	COLUMN	PIN	LINE LABEL	REMARKS
0221		A	06	A							GROUND	
0222				B		0046					+PAR 2	
0223				C		0048					+PAR 8	
0224				D		0050					+PAR 32	
0225				E		0060					+PAR 128	
0226				F		0156					-FORCE COUNT	
0227				H			B	06	3		-CYLINDER COUNT	
0228				J		0155					-SEEK REVERSE	
0229				K		0184					-CAR 128	
0230				L			B	07	13		+UNIT BUS 0	
							B	10	X			
0231				M							+5 VOLTS	
0232				N			B	07	H		+UNIT BUS 1	
							B	10	W			
0233				P			B	08	17		+CAR 32	
0234				R		0177					-CAR 16	
0235				S			A	07	10		+UNIT BUS 3	
							B	07	2			
							B	10	U			
0236				T			B	08	6		+CAR 8	
0237				U		0178					-CAR 4	
0238				V			A	07	8		+UNIT BUS 5	
							B	07	20			
							B	10	R			
0239				W		0148					+CAF./PAR RESET	
0240				X			B	08	5		+CAR 2	
0241				Y			A	07	9		+UNIT BUS 7	
							B	07	21			
							B	10	L			
0242				Z							GROUND	
ENG. CHANGE NO.												
DATE												

A06

WIRE TABULATIONS  
MEMOREX EQUIPMENT GROUP

RELEASED FOR ASSY  
201022

DWG NO. 203084  
SHEET 12 OF 43

TITLE 660-1 LOGIC ASSEMBLY

FROM					WIRE LENGTH	TO					LOC/NAME: A06 - 1YL-PAR REG	
SEQUENCE	FILE	ROW	COLUMN	PIN		REFERENCE	FILE	ROW	COLUMN	PIN	LINE LABEL	REMARKS
0243		A	06	1								
0244				2	0045						+PAR 1	
0245				3	0047						+PAR 4	
0246				4	0049						+PAR 16	
0247				5	0059						+PAR 54	
0248				6	0148						+CAR/PAR RESET	
0249				7	0169						+SEEK FORWARD	
0250				8		A	09	C			-CAR 123	
0251				9		B	08	19			+CAR 128	
0252				10	0198						-CAR 64	
0253				11		B	08	18			+CAR 64	
0254				12	0183						-CAR 32	
0255				13	0166						+UNIT BUS#2	
0256				14		B	08	16			+CAR 16	
0257				15	0180						-CAR 8	
0258				16		A	07	H			+UNIT BUS#4	
						B	07	12				
						B	10	T				
0259				17		B	08	7			+CAR 4	
0260				18		B	07	T			-SELECTED SET CYLINDER	
0261				19	0143						+UNIT BUS#6	
0262				20	0181						-CAR 2	
0263				21		B	08	4			+CAR 1	
0264				22	0179						-CAR 1	
ENG. CHANGE NO.												
DATE												

A06

WIRE TABULATIONS  
MEMOREX EQUIPMENT GROUP

RELEASED FOR ASSY  
201022

DWG NO. 203084  
SHEET 13 OF 43

TITLE 660-1 LOGIC ASSEMBLY

FROM					WIRE LENGTH	TO					LOC/NAME: A07 - HEAD SELECT REG	
SEQUENCE	FILE	ROW	COLUMN	PIN		REFERENCE	FILE	ROW	COLUMN	PIN	LINE LABEL	REMARKS
0265		A	07	A							GROUND	
0266				B		A	09	B			-WRITE LEFT	
0267				C		A	09	F			-ERASE RIGHT	
0268				D		A	09	D			-WRITE RIGHT	
0269				E		A	10	U			-READ RIGHT	
0270				F		B	07	P			+SELECT HEAD	
0271				H	0258						+UNIT BUS 4	
0272				J	0143						+UNIT BUS 6	
0273				K		B	07	S			+SELECTED SET HEAD	
0274				L		B	07	17			+RESET HEAD REG	
0275				M							+5 VCLTS	
0276				N		A	10	K			-LINE SELECT 1	
0277				P		A	10	E			-LINE SELECT 3	
0278				R		A	10	H			-LINE SELECT 5	
0279				S		A	10	P			-LINE SELECT 7	
0280				T		A	10	S			-LINE SELECT 9	
0281				U	0129						-D	
0282				V							+D (NOT USED)	
0283				W		J	11	V			+MULT HD SEL (RT) (NOT USED)	
0284				X							+RIGHT SELECT (NOT USED)	
0285				Y		A	10	17			+LEFT SELECT	
0286				Z							GROUND	
ENG. CHANGE NO.												
DATE												

A07

WIRE TABULATIONS  
MEMOREX EQUIPMENT GROUP

RELEASED FOR ASSY  
201022

DWG NO. 203084  
SHEET 14 OF 43

TITLE 660-1 LOGIC ASSEMBLY

FROM					WIRE LENGTH	TO					LOC/NAME: A07 - HEAD SELECT REG SECTION: NR (2001)	
SEQUENCE	FILE	ROW	COLUMN	PIN		REFERENCE	FILE	ROW	COLUMN	PIN	LINE LABEL	REMARKS
0287		A	07	1			B	05	6		+INDEX	
							B	07	3			
							B	09	6			
0288				2		A	10	T			-READ LEFT	
0289				3		A	09	E			-ERASE LEFT	
0290				4		B	07	8			+SELECTED ERASE GATE	
0291				5		B	07	15			+SELECTED READ GATE	
0292				6		B	05	X			+SELECTED READ GATE	
						B	07	W				
0293				7		B	07	Y			+SELECTED HEAD ADVANCE	
0294				8	0238						+UNIT BUS 5	
0295				9	0241						+UNIT BUS 7	
0296				10	0235						+UNIT BUS 3	
0297				11		A	10	L			-LINE SELECT 0	
0298				12		A	10	J			-LINE SELECT 2	
0299				13								
0300				14		A	10	F			-LINE SELECT 4	
0301				15		A	10	N			-LINE SELECT 6	
0302				16		A	10	R			-LINE SELECT 8	
0303				17							-D	
0304				18		B	07	4			+UNIT IS SELECTED	
						B	08	9				
0305				19		B	07	E			-HEAD SELECT FRROR	
0306				20		J	11	Z			+MULT HD SEL (LF) (NOT USED)	
0307				21		B	09	4			+END OF CYLINDER	
0308				22								
ENG. CHANGE NO.												
DATE												

A07

WIRE TABULATIONS  
MEMOREX EQUIPMENT GROUP

RELEASED FOR ASSY  
201022

DWG NO. 203084  
SHEET 15 OF 43

TITLE 660-1 LOGIC ASSEMBLY

FROM					WIRE LENGTH	TO					LOC/NAME: A08-PWR-UP SEQUENCE SECTION: ALPHA (1921)	
SEQUENCE	FILE	ROW	COLUMN	PIN		REFERENCE	FILE	ROW	COLUMN	PIN	LINE LABEL	REMARKS
0309		A	08	A							GROUND	
0310				B		J	12	W			-DOOR CLOSED	
0311				C		J	12	X			-DOOR OPEN	
0312				D		J	12	S			-DISABLE	
0313				E		J	12	T			-ENABLE	
0314				F	0125						-HEADS RETRACTED	
0315				H		J	12	Y			-HEADS EXTENDED	
0316				J							+24V RAC	
0317				K		B	09	L			-SEQUENCE OUT	
						J	15	L				
						J	14	F				
0318				L		J	15	H			-SEQUENCE IN	
0319				M							+5 VOLTS	
0320				N		B	02	06			+POWER UP RESET	
						B	05	20				
						B	06	20				
						B	07	1				
						B	08	R				
						B	09	R				
0321				P		B	05	13			-UNIT IS SELECTED	
						B	07	K				
						B	08	14				
						B	09	14				
0322				R		B	05	21			+UP SPEED	
0323				S	0173						+ENABLE LATCH	
0324				T		B	09	10			-SEQUENCE OUT	
0325				U		B	10	J			+SEQUENCE IN	
0326				V		B	03	8			+T6	
0327				W		J	15	F			12 SEC DYNAMIC BRAKING	
0328				X		B	03	12			+START T5	
0329				Y							-SEEK ENABLE (NOT USED)	
0330				Z							GROUND	
ENG. CHANGE NO.												
DATE												

A08

WIRE TABULATIONS  
MEMOREX EQUIPMENT GROUP

RELEASED FOR ASSY  
201022

DWG NO. 203084  
SHEET 16 OF 43

TITLE 660-1 LOGIC ASSEMBLY

FROM					WIRE LENGTH	TO					LOC/NAME: A08-PWR UP SEQUENCE	
SEQUENCE	FILE	ROW	COLUMN	PIN		REFERENCE	FILE	ROW	COLUMN	PIN	LINE LABEL	REMARKS
0331		A	08	1								
0332				2		J	12		P		-READ ONLY	
0333				3		J	12		R		-READ/WRITE	
0334				4		J	12		U		-START	
0335				5		J	12		V		-STOP	
0336				6								
0337				7								
0338				8		J	14		KK		HEADS EXT. TO CONT.	
0339				9							+15 VOLTS	
0340				10		J	15		N		-K1 & K2 PICK	
0341				11		B	10		8		SEQ IN FOR OFF LINE TESTER	
0342				12		J	14		S			
0343				13		0061					+READ ONLY	
0344				14		B	07		R		-READ ONLY	
0345				15		0130					-SEEK ENABLE	
0346				16							-ENABLE (NOT USED)	
0347				17		B	07		22		+SEEK ENABLE	
0348				18		B	10		H		+CONTROLLED GROUND	
0349				19		0119					-RETRACT HEADS	
0350				20		B	03		9		+START T6	
0351				21		0213					+RETRACT HEADS	
0352				22		B	03		4		+T5	
0342				22								
ENG. CHANGE NO.												
DATE												

A08

WIRE TABULATIONS  
MEMOREX EQUIPMENT GROUP

RELEASED FOR ASSY  
201022

DWG NO. 203084  
SHEET 17 OF 43

TITLE 660-1 LOGIC ASSEMBLY

FROM					WIRE LENGTH	TO					LOC/NAME: A09 - WRITE LOGIC	
SEQUENCE	FILE	ROW	COLUMN	PIN		REFERENCE	FILE	ROW	COLUMN	PIN	LINE LABEL	REMARKS
0353		A	09	A							GROUND	
0354				B		0266					-WRITE (LEFT)	
0355				C		0250					-CAR 128	
0356				D		0268					-WRITE (RIGHT)	
0357				E		0289					-ERASE (LEFT)	
0358				F		0267					-ERASE (RIGHT)	
0359				H			B	07	D		-WRITE INHIBIT	
0360				J								
0361				K								
0362				L								
0363				M							+5 VOLTS	
0364				N								
0365				P								
0366				R								
0367				S								
0368				T								
0369				U								
0370				V								
0371				W								
0372				X			A	09	18		-5 VOLTS	
							A	10	D			
0373				Y			B	09	19		+WRITE I SENSE	
0374				Z			A	09	17		GROUND	
ENG. CHANGE NO.												
DATE												

A09

WIRE TABULATIONS  
MEMOREX EQUIPMENT GROUP

RELEASED FOR ASSY  
201022

DWG NO. 203084  
SHEET 18 OF 43

TITLE 660-1 LOGIC ASSEMBLY

FROM					WIRE LENGTH	TO					LOC/NAME: A09-WRITE LOGIC	
SEQUENCE	FILE	ROW	COLUMN	PIN		REFERENCE	FILE	ROW	COLUMN	PIN	LINE LABEL	REMARKS
0375		A	09	1						SHIELD	GROUND, WRITE DATA SHIELD 202434 (REF)	
0376				2		J	13	5		COAX	WRITE DATA INPUT	
0377				3		J	11	NN		SHIELD TO A09-1	202434(REF)	
0378				4		J	11	JJ		TWIST	WRITE DATA OUTPUT 202434(REF)	
0379				5		A	09	19			+36 VOLTS	
0380				6								
0381				7								
0382				8		J	11	T			AC WRITE	
0383				9		J	11	N			+ERASE I (LEFT)	
0384				10		J	11	M			+ERASE I (RIGHT)	
0385				11		J	11	R			+WRITE I (RIGHT)	
0386				12		J	11	S			+WRITE I (LEFT)	
0387				13								
0388				14							-15 VOLTS	
0389				15							+15 VOLTS	
0390				16								
0391				17		0374						
0392				18		0372					-5 VOLTS	
0393				19		0379					+36 VOLTS	
0394				20		B	07	L			-WRITE I (SENSE)	
0395				21		B	07	11			-ERASE I (SENSE)	
0396				22		B	07	N			-AC WRITE	
ENG. CHANGE NO.												
DATE												

WIRE TABULATIONS  
MEMOREX EQUIPMENT GROUP

RELEASED FOR ASSY  
201022

DWG NO. 203084  
SHEET 19 OF 43

TITLE 660-1 LOGIC ASSEMBLY

FROM					WIRE LENGTH	TO					LOC/NAME: A10 - READ AMP	
SEQUENCE	FILE	ROW	COLUMN	PIN		REFERENCE	FILE	ROW	COLUMN	PIN	LINE LABEL	REMARKS
0397		A	10	A			A	10	1		GROUND	
0398				B								
0399				C						COAX SHIELD FROM A10-4	GROUND-READ DATA SHIELD 202434(REF)	
0400				D		0372					-5 VOLTS	
0401				E		0277					-LINE SELECT 3	
0402				F		0300					-LINE SELECT 4	
0403				H		0278					-LINE SELECT 5	
0404				J		0298					-LINE SELECT 2	
0405				K		0276					-LINE SELECT 1	
0406				L		0297					-LINE SELECT 0	
0407				M							+5 VOLTS	
0408				N		0301					-LINE SELECT 6	
0409				P		0279					-LINE SELECT 7	
0410				R		0302					-LINE SELECT 8	
0411				S		0280					-LINE SELECT 9	
0412				T		0288					-READ (LEFT)	
0413				U		0269					-READ(RIGHT)	
0414				V							-15 VOLTS	
0415				W							+15 VOLTS	
0416				X			A	10	Y		GROUND	
							A	10	Z			
							A	10	22			
0417				Y		0416					GROUND	
0418				Z		0416					GROUND	
ENG. CHANGE NO.												
DATE												



WIRE TABULATIONS  
MEMOREX EQUIPMENT GROUP

RELEASED FOR ASSY  
201022

DWG NO. 203084  
SHEET 20 OF 43

TITLE 660-1 LOGIC ASSEMBLY

FROM					WIRE LENGTH	TO					LOC/NAME: A10 - READ AMP	
SEQUENCE	FILE	ROW	COLUMN	PIN		REFERENCE	FILE	ROW	COLUMN	PIN	LINE LABEL	REMARKS
0419		A	10	1		0397					GROUND	
0420				2							-36 VOLTS	
0421				3			B	05	W		-SELECTED READ GATE	
0422				4			J	13	12	COAX	READ DATA OUTPUT	
0423				5			J	11	L	COAX SHIELD TO A10-C	202434(REF)	
0424				6			J	11	K		+LINE SELECT DR 0	
0425				7			J	11	E		+LINE SELECT DR 1	
0426				8			J	11	F		+LINE SELECT DR 5	
0427				9			J	11	H		+LINE SELECT DR 4	
0428				10			J	11	J		+LINE SELECT DR 3	
0429				11			J	11	D		+LINE SELECT DR 2	
0430				12			J	11	C		+LINE SELECT DR 6	
0431				13			J	11	B		+LINE SELECT DR 7	
0432				14			J	11	A		+LINE SELECT DR 8	
0433				15			J	11	a		+READ DR LEFT	
0434				16			J	11	b		+READ DR RIGHT	
0435				17		0285					+LEFT SELECT	
0436				18			J	11	KK		READ PRE-AMP OUT (LEFT)	
0437				19			J	11	EE		USE WIRING ASM 201940 SHIELD(BRN) TO A10-22	
0438				20			J	11	BB		READ PRE-AMP OUT (RIGHT)	
0439				21			J	11	CC		USE WIRING ASM 201940 SHIELD(BRN) TO A10-22	
0440				22		0416					GROUND	
ENG. CHANGE NO.												
DATE												

A10

WIRE TABULATIONS  
MEMOREX EQUIPMENT GROUP

RELEASED FOR ASSY  
201022

DWG NO. 203084  
SHEET 21 OF 43

TITLE 660-1 LOGIC ASSEMBLY

FROM					WIRE LENGTH	TO					LOC/NAME: B01	
SEQUENCE	FILE	ROW	COLUMN	PIN		REFERENCE	FILE	ROW	COLUMN	PIN	LINE LABEL	REMARKS
0441		B	01	A							GROUND	
0442				B								
0443				C								
0444				D								
0445				E								
0446				F								
0447				H								
0448				J								
0449				K								
0450				L								
0451				M							+5 VOLTS	
0452				N								
0453				P								
0454				R								
0455				S								
0456				T								
0457				U								
0458				V								
0459				W								
0460				X								
0461				Y								
0462				Z							GROUND	
ENG. CHANGE NO.												
DATE												

MFR 9-70

B01

WIRE TABULATIONS  
MEMOREX EQUIPMENT GROUP

RELEASED FOR ASSY  
201022

DWG NO. 203084  
SHEET 22 OF 43

TITLE 660-1 LOGIC ASSEMBLY

FROM					WIRE LENGTH	TO					LOC/NAME: B01	
SEQUENCE	FILE	ROW	COLUMN	PIN		REFERENCE	FILE	ROW	COLUMN	PIN	LINE LABEL	REMARKS
0463		B	01	1								
0464				2								
0465				3								
0466				4								
0467				5								
0468				6								
0469				7								
0470				8								
0471				9								
0472				10								
0473				11								
0474				12								
0475				13								
0476				14								
0477				15								
0478				16								
0479				17								
0480				18								
0481				19								
0482				20								
0483				21								
0484				22								

ENG. CHANGE NO.

DATE

MEG 9-70

B01

WIRE TABULATIONS  
MEMOREX EQUIPMENT GROUP

RELEASED FOR ASSY  
201022

DWG NO. 203084  
SHEET 23 OF 43

TITLE 660-1 LOGIC ASSEMBLY

FROM					WIRE LENGTH	TO					LOC/NAME: B02 SERVO PROJECT	
SEQUENCE	FILE	ROW	COLUMN	PIN		REFERENCE	FILE	ROW	COLUMN	PIN	LINE LABEL	REMARKS
0485		B	02	A							GROUND	
0486				B								
0487				C								
0488				D								
0489				E								
0490				F								
0491				H								
0492				J								
0493				K								
0494				L								
0495				M							+5 VOLTS	
0496				N		B	04	N			+15 VOLTS (SERVO)	
0497				P		J	15	C				
0498				I		B	04	P			-15 VOLTS (SERVO)	
0499				S		J	15	D				
0500				T								
0501				U								
0502				V								
0503				W								
0504				X								
0505				Y								
0506				Z							GROUND	

ENG. CHANGE NO.

DATE

MEG 9-70

B02

WIRE TABULATIONS  
MEMOREX EQUIPMENT GROUP

RELEASED FOR ASSY  
201022

DWG NO. 203084  
SHEET 24 OF 43

TITLE 650-1 LOGIC ASSEMBLY

FROM					WIRE LENGTH	TO					LOC/NAME: B02 SERVO PROJECT	
SEQUENCE	FILE	ROW	COLUMN	PIN		REFERENCE	FILE	ROW	COLUMN	PIN	LINE LABEL	REMARKS
0507		B	02	1								
0508				2							(NOT USED)	
0509				3								
0510				4	0168						+SEEK INCOMPLETE	
0511				5								
0512				6	0320						-POWER UP RESET	
0513				7		B	07		10		-SYSTEM UNSAFE	
0514				8		B	03		05		-OVERTEMP	
0515				9								
0516				10	0213						+RETRACT HEADS	
0517				11							+5V SERVO(NOT USED)	
0518				12								
0519				13								
0520				14	0169						+SEEK FORWARD	
0521				15	0154						+SEEK REVERSE	
0522				16								
0523				17								
0524				18		B	04		21		-SERVO CLAMP	
0525				19		J	15		A			
0526				20								
0527				21								
0528				22								
ENG. CHANGE NO.												
DATE												

B02

WIRE TABULATIONS  
MEMOREX EQUIPMENT GROUP

RELEASED FOR ASSY  
201022

DWG NO. 203084  
SHEET 25 OF 43

TITLE 660-1 LOGIC ASSEMBLY

FROM					WIRE LENGTH	TO					LOC/NAME: B03 - DELAY TIMERS	
SEQUENCE	FILE	ROW	COLUMN	PIN		REFERENCE	FILE	ROW	COLUMN	PIN	LINE LABEL	REMARKS
0529		B	03	A							GROUND	
0530				B								
0531				C								
0532				D								
0533				E								
0534				F								
0535				H								
0536				J								
0537				K								
0538				L								
0539				M							+5 VOLTS	
0540				N								
0541				P								
0542				R								
0543				S								
0544				T								
0545				U								
0546				V								
0547				W								
0548				X								
0549				Y								
0550				Z							GROUND	
ENG. CHANGE NO.												
DATE												

B03





WIRE TABULATIONS  
MEMOREX EQUIPMENT GROUP

RELEASED FOR ASSY  
201022

DWG NO. 203084  
SHEET 32 OF 43

TITLE 660-1 LOGIC ASSEMBLY

SEQUENCE	FROM				WIRE LENGTH	TO				LOC/NAME: B05 - INDEX/SECTOR	
	FILE	ROW	COLUMN	PIN		REFERENCE	FILE	ROW	COLUMN	PIN	SECTION:
0639	B	05	1								
0640			2			J	15	S			+SERVO DISABLE
0641			3		0130						-SFKK ENABLE
0642			4		0062						+UNIT READY
0643			5		0213						+RETRACT HEADS
0644			5		0287						+INDEX
0645			7		0101						-FILE UNSAFE
0646			8			B	09	5			+SECTOR +1,2 OR 4
0647			9								
0648			10								+15 VOLTS
0649			11								
0650			12								
0651			13		0321						-UNIT IS SELECTED
0652			14		0146						-SEEK READY
0653			15			J	15	T			+PICK
0654			16		0113						-C
0655			17			B	09	9			+COMPOSIT INDEX/SECT.
0656			18		0168						+SEEK INCOMPLETE
0657			19			B	06	5			+SECTOR/INDEX
0658			20		0320						-POWER UP RESET
0659			21		0322						+UPSPEED
0660			22								

ENG. CHANGE NO.

DATE

B05

WIRE TABULATIONS  
MEMOREX EQUIPMENT GROUP

RELEASED FOR ASSY  
201022

DWG NO. 203084  
SHEET 31 OF 43

TITLE 660-1 LOGIC ASSEMBLY

SEQUENCE	FROM				WIRE LENGTH	TO				LOC/NAME: B06 - TRANSDUCER AMP	
	FILE	ROW	COLUMN	PIN		REFERENCE	FILE	ROW	COLUMN	PIN	SECTION:
0661	B	06	A							SCRJ-C	GROUND (LONG)
0662			B								
0663			C		0121						-COMPARE
0664			D								
0665			E			P	12	h			COAX SHIELD FOR B06-4 202424(REF)
0666			F								
0667			H								
0668			J			J	12	j			COAX SHIELD FOR B06-8 202424(REF)
0669			K								
0670			L								
0671			M							SCR1-A	+5 VOLTS (LUG)
0672			N								
0673			P								
0674			R								
0675			S								
0676			T			J	12	m			COAX SHIELD FOR B06-16 202426(REF)
0677			U								
0678			V								
0679			W								
0680			X								
0681			Y								
0682			Z								GROUND

ENG. CHANGE NO.

DATE

B06

WIRE TABULATIONS  
MEMOREX EQUIPMENT GROUP

RELEASED FOR ASSY  
201022

DWG NO. 203084  
SHEET 32 OF 43

TITLE 660-1 LOGIC ASSEMBLY

FROM					WIRE LENGTH	TO					LOC/NAME: B06 - TRANSDUCER AMP	
SEQUENCE	FILE	ROW	COLUMN	PIN		REFERENCE	FILE	ROW	COLUMN	PIN	LINE LABEL	REMARKS
0683		B	06	1								S R1-5 (SHORT) LOCATED ON SIDE OF LOGIC ASSEMBLY
0684				2								+CYL. COUNT (NOT USED)
0685				3	0227							-CYL. COUNT
0686				4		J	12	f				COAX FOR INDEX TRANSDUCER OUTPUT 202424 (REF)
0687				5	0657							+INDEX/SECTOR
0688				6	0107							
0689				7								
0690				8		J	12	k				COAX FOR CYL TRANSDUCER SEC OUTPUT 202424 (REF)
0691				9	0156							-FORCE COUNT
0692				10								
0693				11								+5 VOLTS
0694				12								
0695				13								
0696				14								
0697				15	0123							-STROBE B
0698				16		J	12	l				OSC OUTPUT 202426 (REF)
0699				17								
0700				18								+15 VOLTS
0701				19								-15 VOLTS
0702				20	0320							-PWR UP RESET
0703				21		J	15	x				+EMERGENCY RETRACT
0704				22								
ENG. CHANGE NO.												
DATE												

WIRE TABULATIONS  
MEMOREX EQUIPMENT GROUP

RELEASED FOR ASSY  
201022

DWG NO. 203084  
SHEET 33 OF 43

TITLE 660-1 LOGIC ASSEMBLY

FROM					WIRE LENGTH	TO					LOC/NAME: B07 - CONTROL SAFETY	
SEQUENCE	FILE	ROW	COLUMN	PIN		REFERENCE	FILE	ROW	COLUMN	PIN	LINE LABEL	REMARKS
0705		B	07	A								GROUND
0706				B	0064							+FILE UNSAFE
0707				C								
0708				D	0359							-WRITE INHIBIT
0709				E	0305							-HEAD SELECT ERROR
0710				F	0151							-RESET ATTENTION
0711				H	0232							+UNIT BUS 1
0712				J	0173							+ENABLE LATCH
0713				K	0321							-UNIT IS SELECTED
0714				L	0394							-WRITE I (SENSE)
0715				M								+5 VOLTS
0716				N	0396							-AC WRITE
0717				P	0270							+SELECTED HEAD
0718				R	0343							-READ ONLY
0719				S	0273							+SELECTED SET HEAD
0720				T	0260							-SELECTED SET CYL.
0721				U			B	10	3			+SET CYLINDER
0722				V	0156							-FORCE COUNT
0723				W	0292							+SELECTED READ GATE
0724				X	0270							+SELECTED HEAD
0725				Y	0293							+SELECTED HEAD ADVANCE
0726				Z								GROUND
ENG. CHANGE NO.												
DATE												

WIRE TABULATIONS  
MEMOREX EQUIPMENT GROUP

RELEASED FOR ASSY  
201022

DWG NO. 203084  
SHEET 34 OF 43

TITLE 660-1 LOGIC ASSEMBLY

FROM					WIRE LENGTH	TO					LOC/NAME: B07 - CONTROL SAFETY	
SEQUENCE	FILE	ROW	COLUMN	PIN		REFERENCE	FILE	ROW	COLUMN	PIN	LINE LABEL	REMARKS
0727		B	07	1		0320					-PWR UP RESET	
0728				2		0235					+UNIT BUS 3	
0729				3		0287					+INDE:	
0730				4		0304					+UNIT IS SELECTED	
0731				5			B	10	5		+CONTROL	
0732				6			B	09	13		+SELECT UNIT	
0733				7			B	10	K		-FILE UNSAFE	
0734				8		0290					+SELECTED ERASE GATE	
0735				9		0147					-SELECTED UNIT CONTROL	
0736				10		0513					-SYSTEM UNSAFE	
0737				11		0395					-ERASE (SENSE)	
0738				12		0258					+UNIT BUS 4	
0739				13		0230					+UNIT BUS 0	
0740				14			B	10	4		+SET HEAD	
0741				15		0291					+SELECTED WRITE GATE	
0742				16		0145					+SEEK READY	
0743				17		0274					+RESET HEAD REG.	
0744				18								
0745				19								
0746				20		0238					+UNIT BUS 5	
0747				21		0241					+UNIT BUS 7	
0748				22		0346					+SEEK ENABLE	
ENG. CHANGE NO.												
DATE												

B07

WIRE TABULATIONS  
MEMOREX EQUIPMENT GROUP

RELEASED FOR ASSY  
201022

DWG NO. 203084  
SHEET 35 OF 43

TITLE 660-1 LOGIC ASSEMBLY

FROM					WIRE LENGTH	TO					LOC/NAME: B08 - LINE DRIVER	
SEQUENCE	FILE	ROW	COLUMN	PIN		REFERENCE	FILE	ROW	COLUMN	PIN	LINE LABEL	REMARKS
0749		B	08	A							GROUND	
0750				B								
0751				C								
0752				D			J	14	f		CAR 1	
0753				E			J	14	j		CAR 2	
0754							J	14	t		CAR 8	
0755				H			J	14	n		CAR 4	
0756				J			J	14	a		GROUND FOR B08-T & U	
0757				K			* J	13	26			
0758				L			* J	13	21		ATTENTION.	
0759				M			J	12	FF		(NOT USED)	
0760				N							+5 VOLTS	
0761				P								
0762				R		0320					-POWER UP RESET	
0763				S			J	14	d		GROUND FOR B08-D & E	
0764				T			J	14	e		CAR 16	
0765				U			J	14	h		CAR 32	
0766				V			J	14	k		CAR 64	
0767				W			J	14	p		CAR 128	
0768				X								
0769				Y								
0770				Z							GROUND	
*USE #24 AWG STRANDED WHEN MAKING CONNECTION TO J13												
ENG. CHANGE NO.												
DATE												

B08



WIRE TABULATIONS  
MEMOREX EQUIPMENT GROUP

RELEASED FOR ASSY  
201022

DWG NO. 203084  
SHEET 36 OF 43

TITLE 660-1 LOGIC ASSEMBLY

FROM					WIRE LENGTH	TO					LOC/NAME: B08 - LINE DRIVER	
SEQUENCE	FILE	ROW	COLUMN	PIN		REFERENCE	FILE	ROW	COLUMN	PIN	LINE LABEL	REMARKS
0771		B	08	1							GROUND	
0772				2								
0773				3								
0774				4	0263						+CAR 1	
0775				5	0240						+CAR 2	
0776				6	0236						+CAR 8	
0777				7	0259						+CAR 4	
0778				8			J	14	1		GROUND FOR E08- V & W	
0779				9	0304		* J	13	27		+UNIT IS SELECTED	
0780				10	0170						+ATTENTION	
0781				11								
0782				12								
0783				13								
0784				14	0321						-UNIT IS SELECTED	
0785				15			J	14	m		GROUND FOR E07- F&H	
0786				16	0256						+CAR 16	
0787				17	0233						+CAR 32	
0788				18	0253						+CAR 64	
0789				19	0251						+CAR 128	
0790				20								
0791				21								
0792				22							GROUND	
ENG. CHANGE NO.												
DATE												

B08

WIRE TABULATIONS  
MEMOREX EQUIPMENT GROUP

RELEASED FOR ASSY  
201022

DWG NO. 203084  
SHEET 37 OF 43

TITLE 660-1 LOGIC ASSEMBLY

FROM					WIRE LENGTH	TO					LOC/NAME: B09 - LINE DRIVER	
SEQUENCE	FILE	ROW	COLUMN	PIN		REFERENCE	FILE	ROW	COLUMN	PIN	LINE LABEL	REMARKS
0793		B	09	A							GROUND	
0794				B								
0795				C								
0796				D			J	14	NN		END OF CYLINDER	
0797				E			J	14	MM		SELECTED SECTOR PULSE	
0798				F			J	14	BB		SELECTED INDEX	
0799				H			J	14	DD		READ ONLY	
0800				J			J	14	w		GROUND FOR 309-F & N	
							J	14	EE		GROUND FOR 309-H & A08-B	
0801				K			* J	13	16		COMPOSIT INDEX/SEC. PULSE	
0802				L	0317						SEQUENCE OUT	
0803				M							+5 VOLTS	
0804				N			J	14	AA		FILE UNSAFE	
0805				P								
0806				R	0320						-POWER UP RESET	
0807				S			J	14	x		GROUND FOR B09-V & U	
0808				T			J	14	JJ		SEEK INCOMPLETE	
0809				U			J	14	y		UNIT READY	
0810				V			J	14	CC		UNIT ON LINE	
0811				W			J	14	LL		WRITE I SENSE	
0812				X								
0813				Y								
0814				Z			J	14	U		GROUND	
ENG. CHANGE NO.												
DATE												

B09

WIRE TABULATIONS  
MEMOREX EQUIPMENT GROUP

RELEASED FOR ASSY  
201022

DWG NO. 203084  
SHEET 38 OF 43

TITLE 660-1 LOGIC ASSEMBLY

FROM					WIRE LENGTH	TO					LOC/NAME: B09 - LINE DRIVER	
SEQUENCE	FILE	ROW	COLUMN	PIN		REFERENCE	FILE	ROW	COLUMN	PIN	LINE LABEL	REMARKS
0815		B	09	1							GROUND	
0816				2								
0817				3								
0818				4	0307						+END OF CYL.	
0819				5	0646						+SECTOR +1, 2, OR 4	
0820				6	0287						+INDEX	
0821				7	0061						+READ ONLY	
0822				8		J	14		HH		GROUND FOR B09-D & T	
0823				9	0655						+COMPOSIT INDEX/SECTOR	
0824				10	0324						-SEQUENCE OUT	
0825				11							+5 VOLTS	
0826				12	0064						+FILE UNSAFE	
0827				13	0732						+SELECTED UNIT	
0828				14	0321						-UNIT IS SELECTED	
0829				15		J	14		FF		GROUND FOR B09-E & W	
0830				16	0168	* J	13		17		+SEEK INCOMPLETE	
0831				17	0145						+SEEK READY	
0832				18	0174						+ON LINE	
0833				19	0373						-WRITE I(SENSE)	
0834				20								
0835				21								
0836				22							GROUND	
ENG. CHANGE NO.												
DATE												

MEG 9-70 \*USE #24 STRANDED WHEN MAKING CONNECTION TO J13.

B09

WIRE TABULATIONS  
MEMOREX EQUIPMENT GROUP

RELEASED FOR ASSY  
201022

DWG NO. 203084  
SHEET 39 OF 43

TITLE 660-1 LOGIC ASSEMBLY

FROM					WIRE LENGTH	TO					LOC/NAME: B10 - LINE RECEIVER	
SEQUENCE	FILE	ROW	COLUMN	PIN		REFERENCE	FILE	ROW	COLUMN	PIN	LINE LABEL	REMARKS
0837		B	10	A		*	J	13	28		GROUND	
0838				B			J	14	b		GROUND FOR B10-D & E	
0839				C			J	14	Y		SET CYLINDER	
0840				D			J	14	W		SET HEAD	
0841				E			J	14	X		CONTROL	
0842				F								
0843				H	0347						+CONTROLLED GROUND	
0844				J	0325						+SEQUENCE IN	
0845				K	0732						+SELECTED UNIT	
0846				L	0241						+UNIT BUS 7	
0847				M							+5 VOLTS	
0848				N								
0849				P	0143						+UNIT BUS 6	
0850				Q								
0851				R	0238						+UNIT BUS 5	
0852				S								
0853				T	0258						+UNIT BUS 4	
0854				U	0235						+UNIT BUS 3	
0855				V	0166						+UNIT BUS 2	
0856				W	0232						+UNIT BUS 1	
0857				X	0230						+UNIT BUS 0	
0858				Y			J	14	T		GROUND FOR B10-10 & 13	
0859				Z			J	14	H		GROUND FOR B10-17 & 18	
ENG. CHANGE NO.												
DATE												

MEG 9-70 \*USE #24 AWG STRANDED WHEN MAKING CONNECTION TO J13.

B10

WIRE TABULATIONS  
MEMOREX EQUIPMENT GROUP

RELEASED FOR ASSY  
201022

DWG NO. 203084  
SHEET 40 OF 43

TITLE 660-1 LOGIC ASSEMBLY

FROM					WIRE LENGTH	TO					LOC/NAME: B10 - LINE RECEIVER
SEQUENCE	FILE	ROW	COLUMN	PIN		REFERENCE	FILE	ROW	COLUMN	PIN	SECTION: NR (1951)
0860		B	10	1			J	15	J		GROUND
							J	12	EE		GROUND FOR B10-9
0861				2			J	14	c		GROUND FOR B10-C
0862				3		0721					+SET CYLINDER
0863				4		0740					+SET HEAD
0864				5		0731					+CONTROL
0865				6							
0866				7			J	15	K		CONTROLLED GROUND
0867				8		0341					SEQUENCE IN
0868				9			* J	13	23		SELECT UNIT
							J	12	DD		
0869				10			J	14	N		UNIT BUS 7
0870				11							+5 VOLTS
0871				12			J	14	P		CONTROLLED GROUND
0872				13			J	14	M		UNIT BUS 6
0873				14			J	14	E		UNIT BUS 5
0874				15			J	12	HH		SELECT UNIT(660-1 ONLY)
0875				16			J	14	A		UNIT BUS 4
0876				17			J	14	B		UNIT BUS 3
0877				18			J	14	C		UNIT BUS 2
0878				19			J	14	D		UNIT BUS 1
0879				20			J	14	K		UNIT BUS 0
0880				21			J	14	F		GROUND FOR B10-14 & 16
0881				22			J	14	J		GROUND FOR B10-19&20
ENG. CHANGE NO.											
DATE											

MEG 9-70 \*USE #24 AWG STRANDED WHEN MAKING CONNECTION TO J13.

B10

WIRE TABULATIONS  
MEMOREX EQUIPMENT GROUP

RELEASED FOR ASSY  
201022

DWG NO. 203084  
SHEET 41 OF 43

TITLE 660-1 LOGIC ASSEMBLY

FROM					WIRE LENGTH	TO					LOC/NAME: BACK PANEL
SEQUENCE	FILE	ROW	COLUMN	PIN		REFERENCE	FILE	ROW	COLUMN	PIN	SECTION: VOLTAGE WIRING
		A	01	A	THRU		A	10	A		SOLID GROUND BUS
		A	01	M	THRU		A	10	M		SOLID +5V BUS
		A	01	Z	THRU		A	10	Z		SOLID GROUND BUS
		B	01	A	THRU		B	10	A		SOLID GROUND BUS
		B	01	M	THRU		B	10	M		SOLID +5V BUS
		B	01	Z	THRU		B	10	Z		SOLID GROUND BUS
		TB	4	1			J	12	p	(ADD 3 EA)	24 SOLID AWG TO TAB OF TB4-1
		TB	4	2			B	01	Z		SOLID GROUND BUS
		TB	4	2			B	01	Z		BUS TAB NO. 12 AWG (BLK)
							B	01	A		BUS TAB NO. 12 AWG (BLK)
							A	01	Z		BUS TAB NO. 12 AWG (BLK)
							A	01	A		BUS TAB NO. 12 AWG (BLK)
		TB	4	3			J	12	r	(ADD 3EA #24)	SOLID AWG TO TAB OF TB4-3
		TB	4	4			B	01	M		BUS TAB NO. 12 AWG (GRN)
							A	01	M		BUS TAB NO. 12 AWG (GRN)
		TB	4	5			A	09	14	-15V	NO. 24 SOLID AWG
*		TB	4	6			A	10	V	-15V	NO. 24 SOLID AWG
		TB	4	6			B	06	19	-15V	NO. 24 SOLID AWG
		TB	4	6			P	12	BB	-15V	NO. 24 SOLID AWG
		TB	4	7			A	08	9	+15V	NO. 24 SOLID AWG
		TB	4	7			A	09	15	+15V	NO. 24 SOLID AWG
		TB	4	7			A	10	W	+15V	NO. 24 SOLID AWG
*		TB	4	7			B	03	2	+15V	NO. 24 SOLID AWG
		TB	4	7			B	05	10	+15V	NO. 24 SOLID AWG
		TB	4	7			B	06	18	+15V	NO. 24 SOLID AWG
		TB	4	8			A	10	2	-36V	NO. 24 SOLID AWG
*		TB	4	8			J	11	DD	-36V	NO. 24 SOLID AWG
		TB	4	9			A	09	19	+36V	NO. 24 SOLID AWG
*		TB	4	9			J	11	LL	+36V	NO. 24 SOLID AWG
		TB	4	9			B	02	S	+36V	NO. 24 SOLID AWG
		TB	4	10			A	08	J	+24 RAC	NO. 24 SOLID AWG
*		TB	4	10			J	12	n	+24 RAC	NO. 24 SOLID AWG
		A	09	M			A	09	13		NO. 24 SOLID AWG
		B	03	R			B	03	Z		NO. 24 SOLID AWG
		B	04	M			B	04	11		NO. 24 SOLID AWG
		A	09	A			A	09	1		NO. 24 SOLID AWG
ENG. CHANGE NO.											
DATE											

MEG 9-70 \*SOLDER THESE POINTS IN ONE OPERATION.

WIRE TABULATIONS  
MEMOREX EQUIPMENT GROUP

RELEASED FOR ASSY  
201022

DWG NO. 203084  
SHEET 42 OF 43

TITLE 660-1 LOGIC ASSEMBLY

FROM					WIRE LENGTH	TO					LOC/NAME: BACK PANEL	
SEQUENCE	FILE	ROW	COLUMN	PIN		REFERENCE	FILE	ROW	COLUMN	PIN	LINE LABEL	REMARKS
		A	08	A			J	11	AA		NO. 24 SOLID AWG	
		A	07	1			J	11	MM		NO. 24 SOLID AWG	
		A	08	Z			J	12	AA		NO. 24 SOLID AWG	
		A	07	Z			J	12	a		NO. 24 SOLID AWG	
		A	06	A			J	12	b		NO. 24 SOLID AWG	
		B	06	M			B	06	11			
		A	01	A			A	01	Z		NO. 24 SOLID AWG	
							B	01	A		NO. 24 SOLID AWG	
							B	01	Z		NO. 24 SOLID AWG	
		A	02	A			A	02	Z		NO. 24 SOLID AWG	
							B	02	A		NO. 24 SOLID AWG	
							B	02	Z		NO. 24 SOLID AWG	
		A	03	A			A	03	Z		NO. 24 SOLID AWG	
							B	03	A		NO. 24 SOLID AWG	
							B	03	Z		NO. 24 SOLID AWG	
		A	04	A			A	04	Z		NO. 24 SOLID AWG	
							B	04	A		NO. 24 SOLID AWG	
							B	04	Z		NO. 24 SOLID AWG	
		A	05	A			A	05	Z		NO. 24 SOLID AWG	
							B	05	A		NO. 24 SOLID AWG	
							B	05	Z		NO. 24 SOLID AWG	
		A	06	A			A	06	Z		NO. 24 SOLID AWG	
							B	06	A		NO. 24 SOLID AWG	
							B	06	Z		NO. 24 SOLID AWG	
		A	07	A			A	07	Z		NO. 24 SOLID AWG	
							B	07	A		NO. 24 SOLID AWG	
							B	07	Z		NO. 24 SOLID AWG	
		A	08	A			A	08	Z		NO. 24 SOLID AWG	
							B	08	A		NO. 24 SOLID AWG	
							B	08	Z		NO. 24 SOLID AWG	
ENG. CHANGE NO.												
DATE												

WIRE TABULATIONS  
MEMOREX EQUIPMENT GROUP

RELEASED FOR ASSY  
201022

DWG NO. 203084  
SHEET 43 OF 43

TITLE 660-1 LOGIC ASSEMBLY

FROM					WIRE LENGTH	TO					LOC/NAME: BACK PANEL	
SEQUENCE	FILE	ROW	COLUMN	PIN		REFERENCE	FILE	ROW	COLUMN	PIN	LINE LABEL	REMARKS
		A	09	A			A	09	Z		NO. 24 SOLID AWG	
							B	09	A		NO. 24 SOLID AWG	
							B	09	Z		NO. 24 SOLID AWG	
		A	10	A			A	10	Z		NO. 24 SOLID AWG	
							B	10	A		NO. 24 SOLID AWG	
ENG. CHANGE NO.												
DATE												