

This drawing and specifications, herein, are the property of Digital Equipment Corporation and shall not be reproduced or copied or used in whole or in part as the basis for the manufacture or sale of items without written permission.

MASTER DRAWING LIST

DWG. NO.	REV. LET.	NO. OF SHEETS	TITLE
D-UA-RK03-0-0		6	RK03 MAXIMUM CONFIGURATION
A-PL-RK03-0-0		2	RK03 MAXIMUM CONFIGURATION
D-DI-RK03-0-1		2	DRAWING INDEX LIST
A-ML-RK11-C		1	DISK CONTROL (RK11-C)
H734-A		1	POWER SUPPLY (H734-A)
H734-B		1	POWER SUPPLY (H734-B)

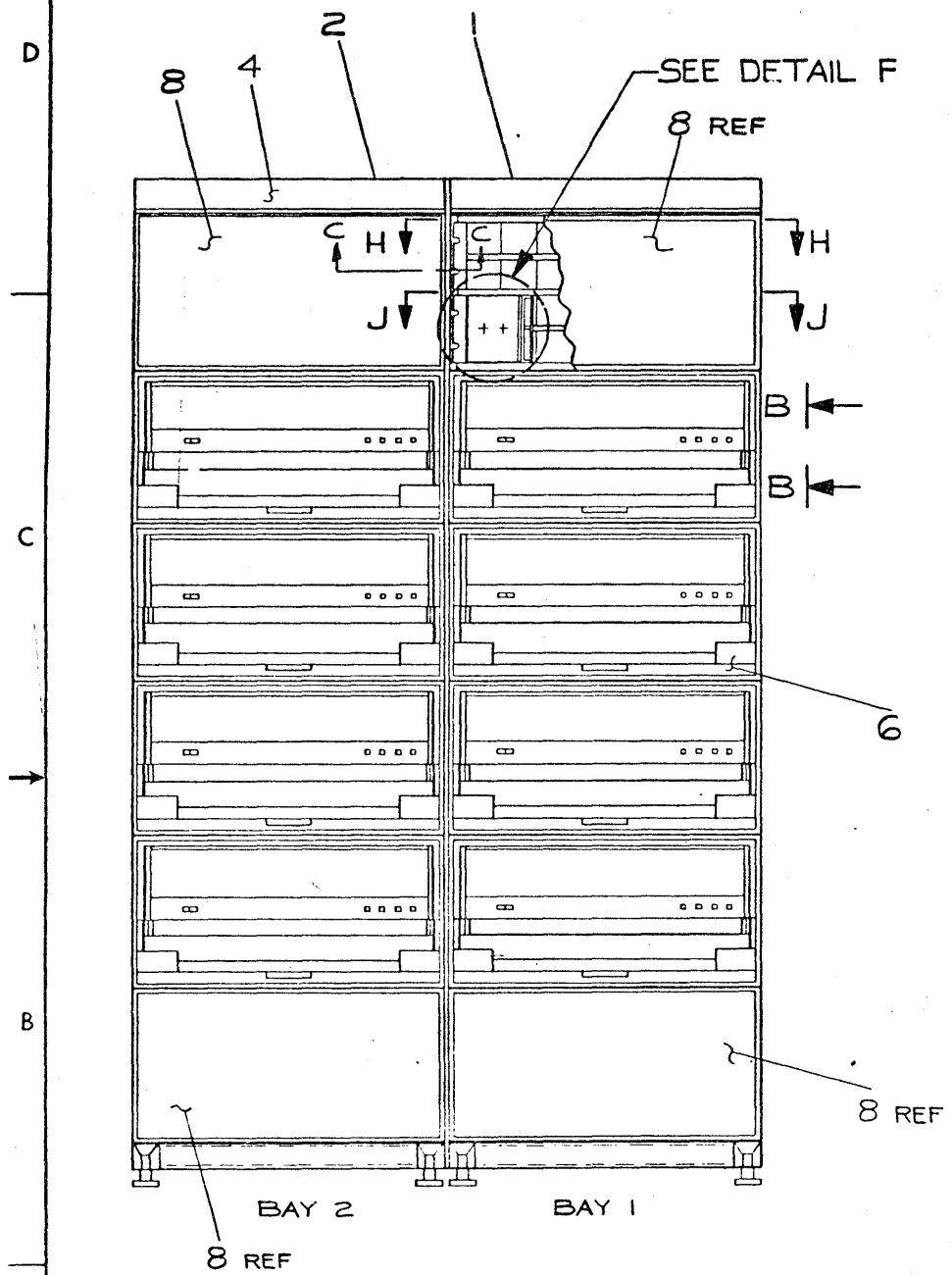
REVISIONS				DRN. McCARTHY	DATE 4/15/71	digital EQUIPMENT CORPORATION <small>MAYNARD, MASSACHUSETTS</small>	TITLE HIGH DENSITY DIABLO DISK									
REV.	DATE	CHG. NO.	APP'D.	CHK'D. FLEMMING	DATE 4/15/71											
				ENG. <i>[Signature]</i>	DATE 4-21-71											
				PROJ. ENG. <i>[Signature]</i>	DATE 4/21/71											
				PROD. <i>[Signature]</i>	DATE 4/22/71											
FIRST USED ON				SIZE		CODE		NUMBER		REV.						
SCALE				A		ML		RK03-0								
SHEET				OF		DIST.										

This drawing and specifications, herein, are the property of Digital Equipment Corporation and shall not be reproduced or copied or used in whole or in part as the basis for the manufacture or sale of items without written permission.

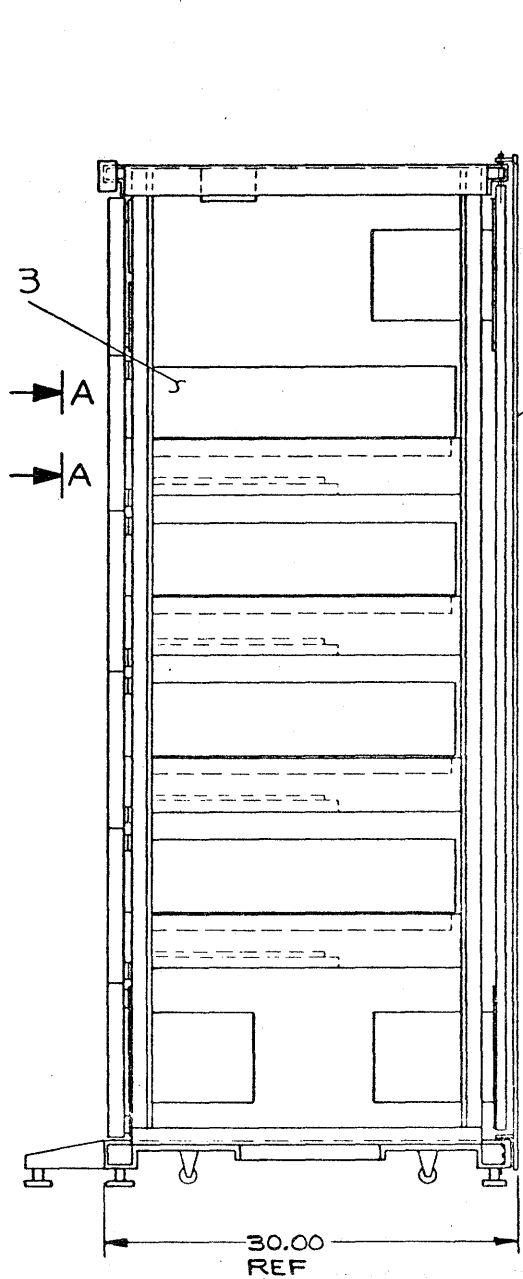
LEGEND	
NUMBER	VARIATION
RKØ3-X A	115V, 5Ø/6Ø HZ
RKØ3-X B	23ØV, 5Ø/6Ø HZ

NOTES:

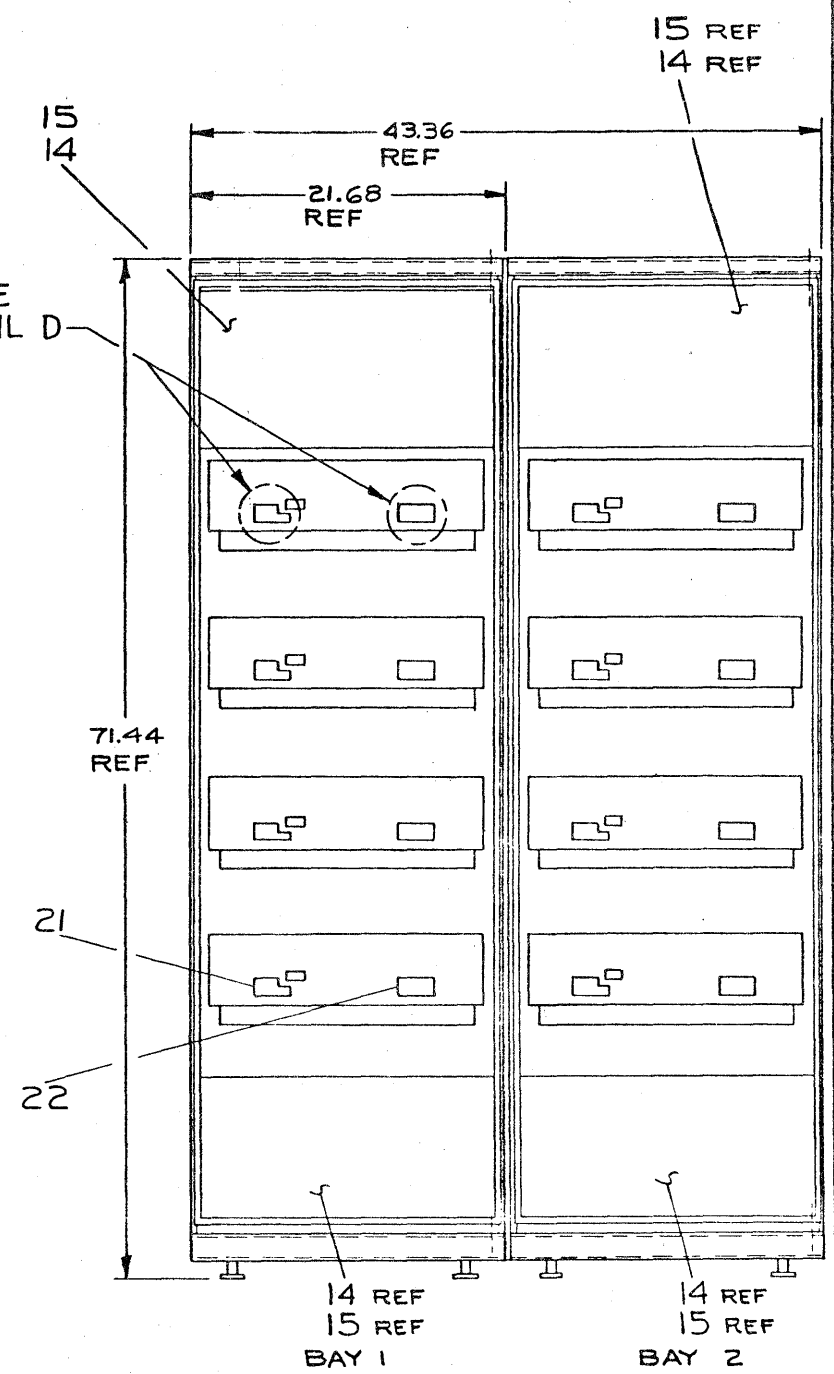
- FOR DRAWING INDEX LIST REFER TO: D-DI-RKØ3-Ø-1.
- TO INSTALL THE FIRST (TOP) DISK DRIVE (ITEM *3) ALIGN THE 4 MOUNTING HOLES ON THE SLIDE MOUNTING BRACKET (ITEM *7) (SEE VIEW B-B) WITH HOLES *75 & 77 (BAY 1) (COUNT FROM BOTTOM TO TOP). FOR SECOND DISK DRIVE USE HOLES *57 & 59 (BAY 1). FOR THIRD DISK DRIVE USE HOLES *39 & 41 (BAY 1). FOR FOURTH DISK DRIVE USE HOLES *21 & 23 (BAY 1). FOR FIFTH DISK DRIVE USE HOLES *75 & 77 (BAY 2). FOR SIXTH DISK DRIVE USE HOLES *57 & 59 (BAY 2). FOR SEVENTH DISK DRIVE USE HOLES *39 & 41 (BAY 2). FOR EIGHTH DISK DRIVE USE HOLES *21 & 23 (BAY 2).
- THE DISK DRIVE (ITEM *3) WILL INCLUDE 1 PAIR OF "ACCURIDE" SLIDES *C301-561C, AND THE NECESSARY HARDWARE (*8 SCREWS, NUTS, WASHERS, & LOCKWASHERS) TO MOUNT THE SLIDE ON THE SLIDE MOUNTING BRACKET (ITEM *7).
- THE RKII-CA OR RKII-CB CABINET (ITEM *1) (BAY 1) MAY BE SUPPLIED WITH AN 854 (115 V) OR 854-B (23Ø V) POWER CONTROL MOUNTED ON THE REAR DOOR IN THE SLOT WHERE THE FOURTH DISK DRIVE RESIDES (SEE DWG. *D-UA-RKII-C-Ø). USE OF THIS POWER CONTROL LIMITS THE SYSTEM TO THREE DISK DRIVES. WHEN A POWER CONTROL IS USED USE "WIRING DIAGRAM B". WHEN A POWER CONTROL IS NOT USED, USE "WIRING DIAGRAM A".
- BEFORE SERVICING OR MOVING DISK DRIVE, READ "CAUTION" DECAL ON SHEET 3. DECAL SHOULD BE PLACED ON INSIDE OF HØ5Ø-F MOUNTING PANEL DOOR SKIN (ITEM *16).



FRONT VIEW



SIDE VIEW



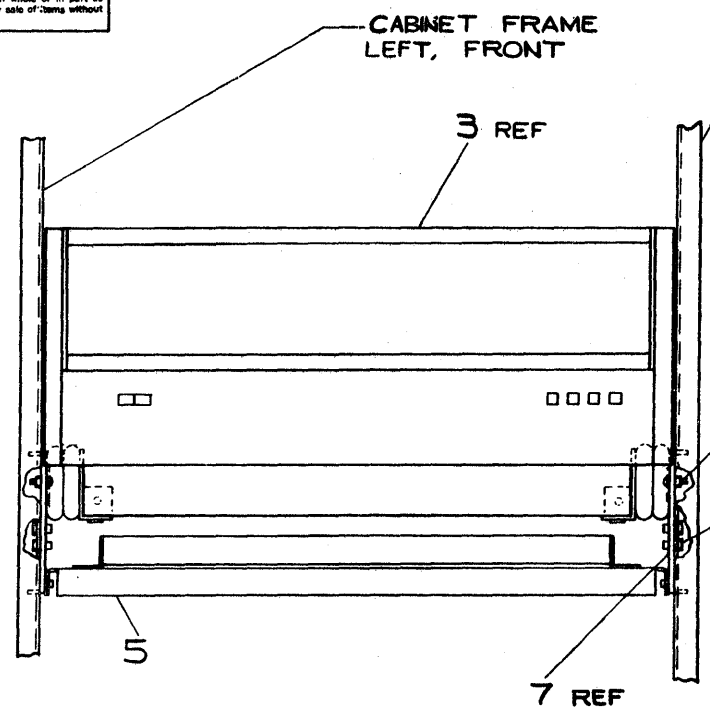
REAR VIEW
[MTG. PNL. DOOR SKIN (ITEM *16) REMOVED]

REV	CHANGE NO

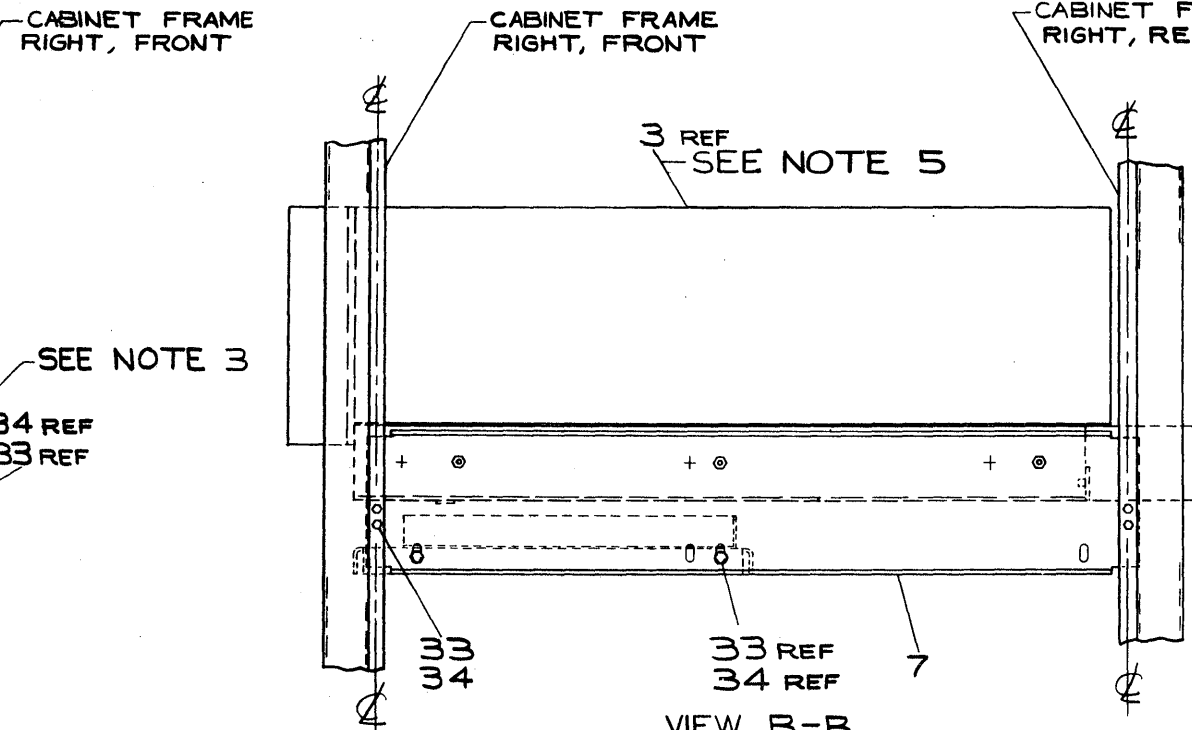
FIRST USED ON	OPTION	MODEL	QTY	DESCRIPTION	PART NO	ITEM NO.												
RKØ3																		
UNLESS OTHERWISE SPECIFIED																		
DIMENSIONS IN INCHES																		
TOLERANCES																		
DECIMALS	FRACTIONS	ANGLES																
± .005	± 1/64	± 0°30'																
REMOVE BURRS AND BREAK SHARP CORNERS																		
MATERIAL																		
SEE PARTS LIST																		
FINISH																		
NEXT HIGHER ASSY																		
SCALE NONE																		
SHEET 1 OF 6																		
<table border="1"> <tr> <td colspan="2">PARTS LIST</td> <td colspan="2">EQUIPMENT CORPORATION</td> </tr> <tr> <td colspan="2">RKØ3</td> <td colspan="2">MAXIMUM CONFIGURATION</td> </tr> <tr> <td colspan="2">D-UA-RKØ3-Ø-Ø</td> <td colspan="2"></td> </tr> </table>							PARTS LIST		EQUIPMENT CORPORATION		RKØ3		MAXIMUM CONFIGURATION		D-UA-RKØ3-Ø-Ø			
PARTS LIST		EQUIPMENT CORPORATION																
RKØ3		MAXIMUM CONFIGURATION																
D-UA-RKØ3-Ø-Ø																		

This drawing and specifications, herein, are the property of Digital Equipment Corporation and shall not be reproduced or copied or used in whole or in part as the basis for the manufacture or sale of items without written permission.

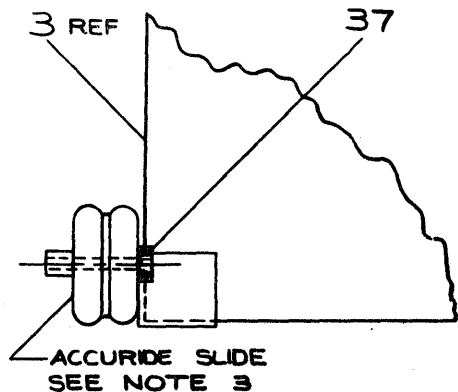
0-0-003-0-0 2



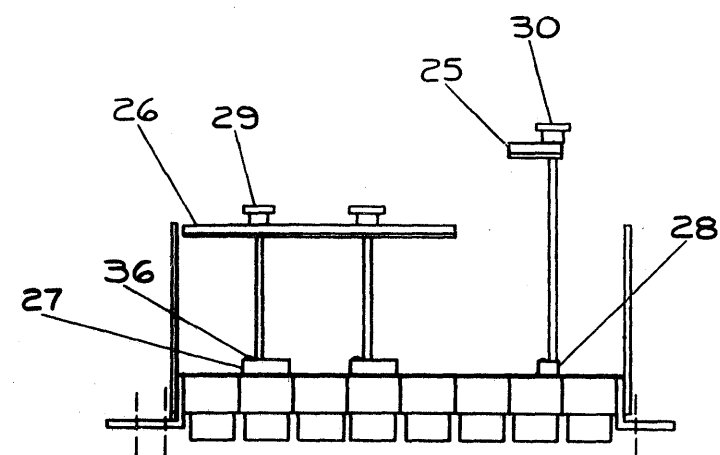
VIEW A-A
DIABLO BEZEL ASS'Y (ITEM #6) REMOVED



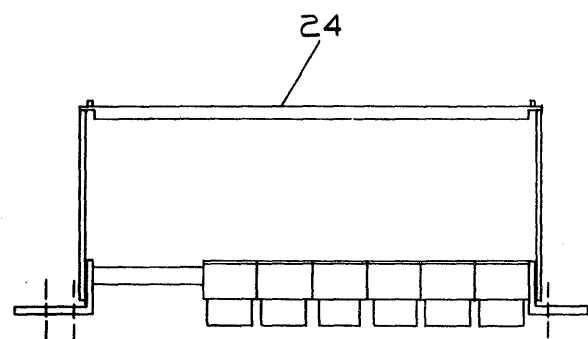
VIEW B-B
END PANEL REMOVED



VIEW E-E
SCALE: 1/1



SECTION H-H



SECTION J-J

LOCATION OF TINNEMAN NUTS
ITEM #31

LOCATE ALL NUTS BY COUNTING HOLES UP FROM BOTTOM OF CABINET FRAME

FRONT HOLE NUMBERS	REAR HOLE NUMBERS
RIGHT SIDE: 38, 78, 128, 168, 21, 25, 30, 34, 39, 43, 48, 52, 57, 61, 66, 70, 75, 79, 84, 88, 93B, 97B, 102B, 103B, 106B, 108B	RIGHT SIDE: 87C
LEFT SIDE: 38, 78, 128, 168, 21, 25, 30, 34, 39, 43, 48, 52, 57, 61, 66, 70, 75, 79, 84, 88, 93B, 97B, 102B, 106B	LEFT SIDE:

LEFT SIDE HOLE NUMBERS	RIGHT SIDE HOLE NUMBERS
FRONT:	FRONT:
REAR:	REAR:

MOUNTING PANEL DOOR HOLE LOCATIONS
BOTH SIDES: 3, 7, 12, 16, 93, 97, 102, 106, 87C

ALL TINNEMAN NUTS TO FACE INSIDE OF CAB UNLESS OTHERWISE DESIGNATED (SCREW INSERTED FROM OUTSIDE).

- (A) - BAY 1 ONLY
- (B) - BAY 2 ONLY
- (C) - REMOVE PAINT TO INSURE GND.

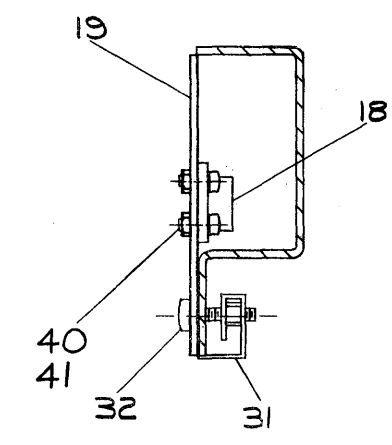
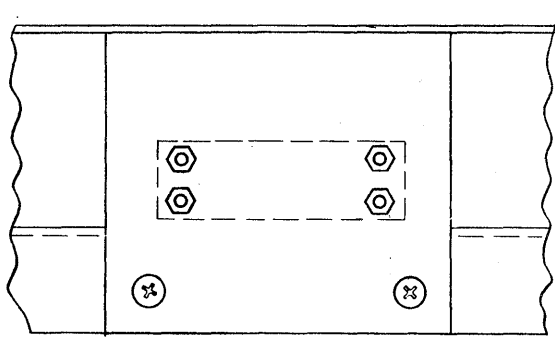
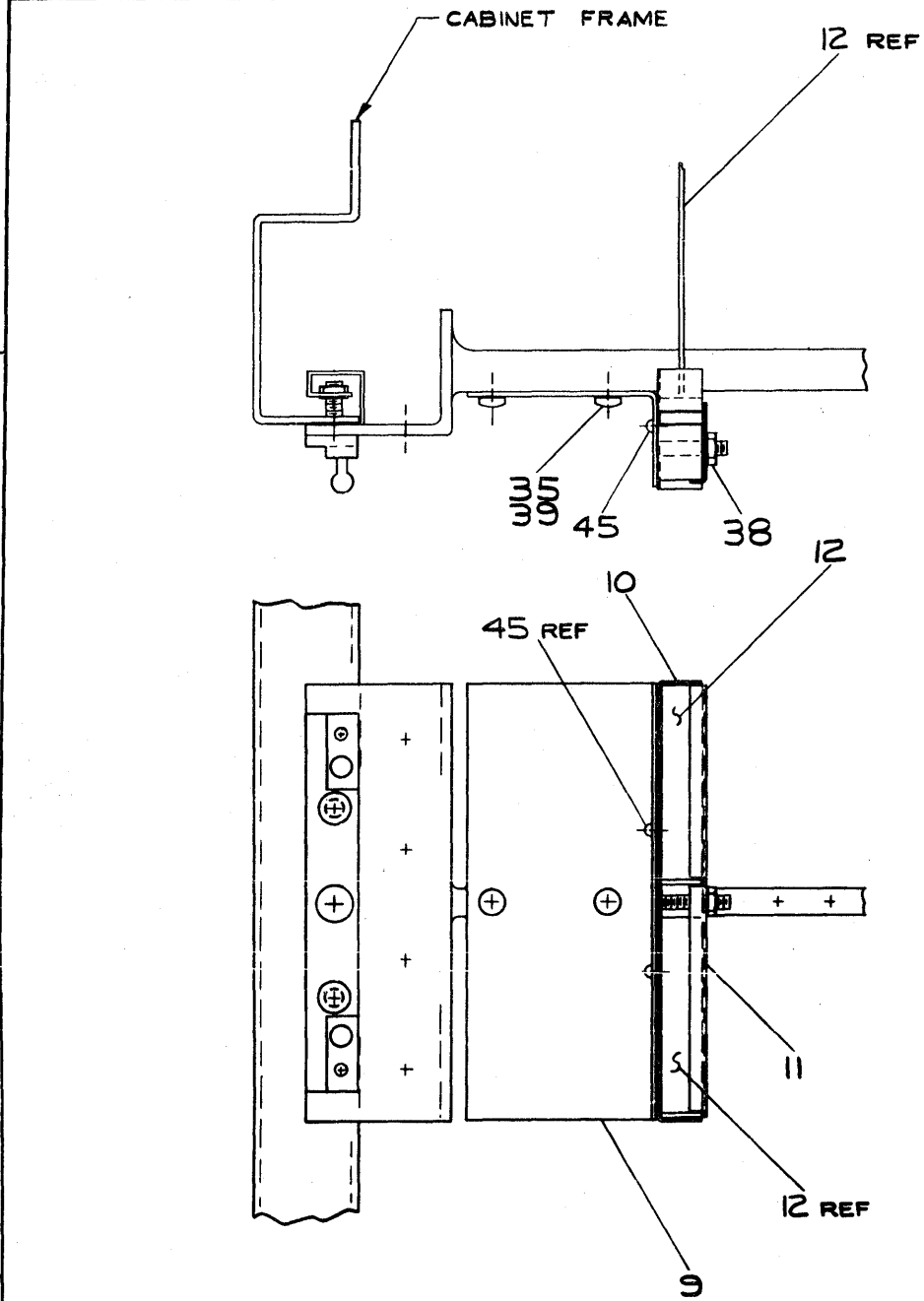
REV	
CHANGE NO	
CHE	

UNLESS OTHERWISE SPECIFIED	UNLESS OTHERWISE SPECIFIED
DECIMALS ± .005	FRACTIONS ± 1/64
ANGLES ± 0°30'	FINAL SURFACE QUALITY REMOVE BURRS AND BREAK SHARP CORNERS
MATERIAL	FINISH

QTY.	DESCRIPTION	PART NO.	ITEM NO.
PARTS LIST			
DRAWN: <i>W.F. McGee</i> DATE: 10/16/70		EQUIPMENT CORPORATION	
CHECKED: <i>[Signature]</i> DATE: 10/21/70		MAYNARD, MASSACHUSETTS	
DATE: 10/21/70		TITLE: RK03 MAXIMUM CONFIGURATION	
DATE: 10/21/70		NUMBER: DUA RK03-0-0	
DATE: 10/21/70		REV.	
SCALE: NONE		SIZE CODE: DUA RK03-0-0	
SHEET 3 OF 6		DIST. <i>[Signature]</i>	

This drawing and specifications, herein, are the property of Digital Equipment Corporation and shall not be reproduced or copied or used in whole or in part as the basis for the manufacture or sale of items without written permission.

8 7 6 5 4 3 2 1



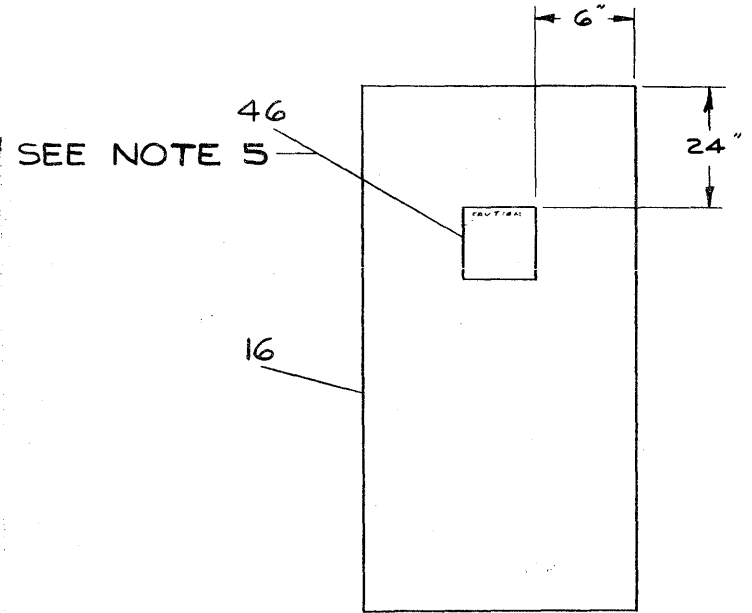
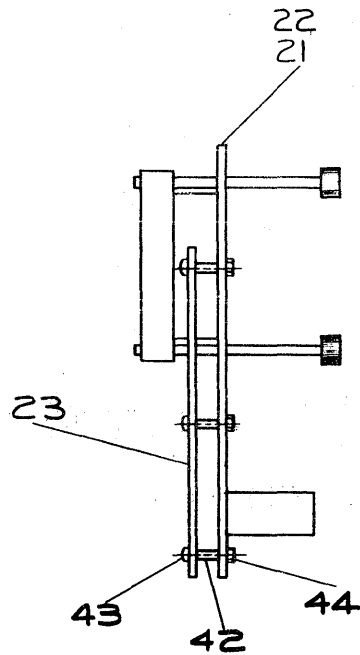
CAUTION

A. BEFORE SERVICING DISK DRIVE:
1. REMOVE SLIDE LOCKING BOLT.
IMPORTANT
REPLACE SLIDE LOCKING BOLT AFTER SERVICE.

B. BEFORE MOVING SYSTEM OR REMOVING DISK DRIVE FROM CABINET:
1. REMOVE TOP COVER OF DISK DRIVE.
2. INSTALL SHIPPING RESTRAINT BRACKET BY ATTACHING TO MACHINE WITH TWO (2) SCREWS. THIS BRACKET IS A SHIPPING CLAMP TO RESTRICT MOVEMENT OF THE HEAD CARRIAGE.
3. INSTALL HEAD SEPARATOR TO PREVENT DAMAGE FROM VIBRATION OR SHOCK.

ITEM #46

DETAIL F
SCALE: 1/1
[COVER (ITEM # 8) REMOVED]



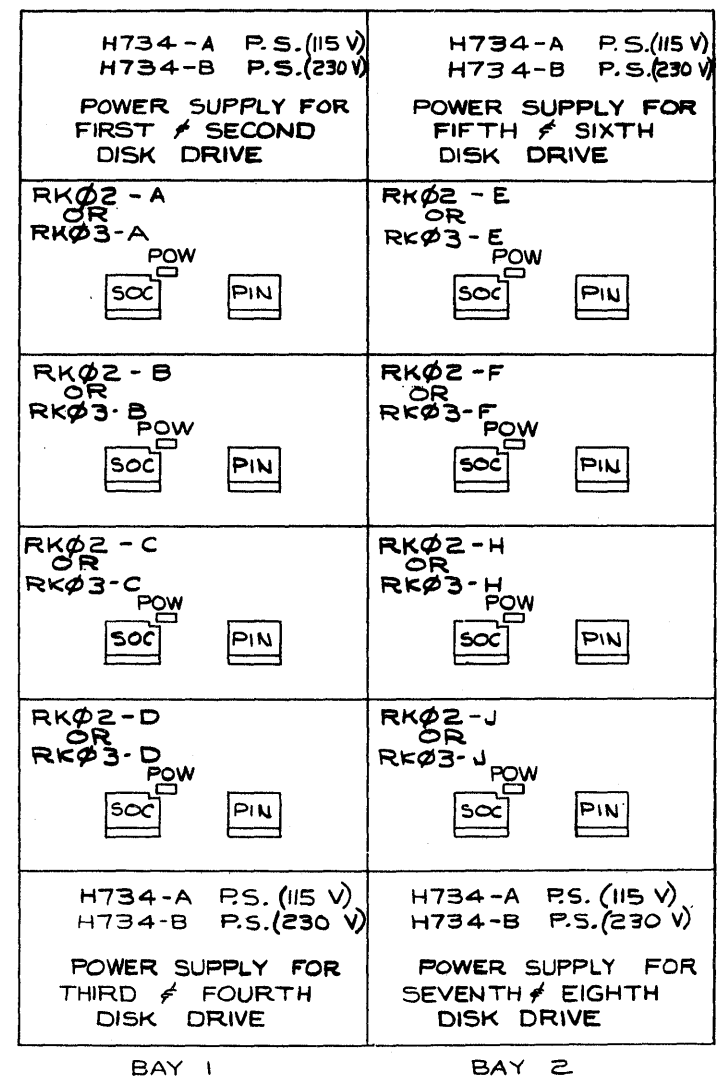
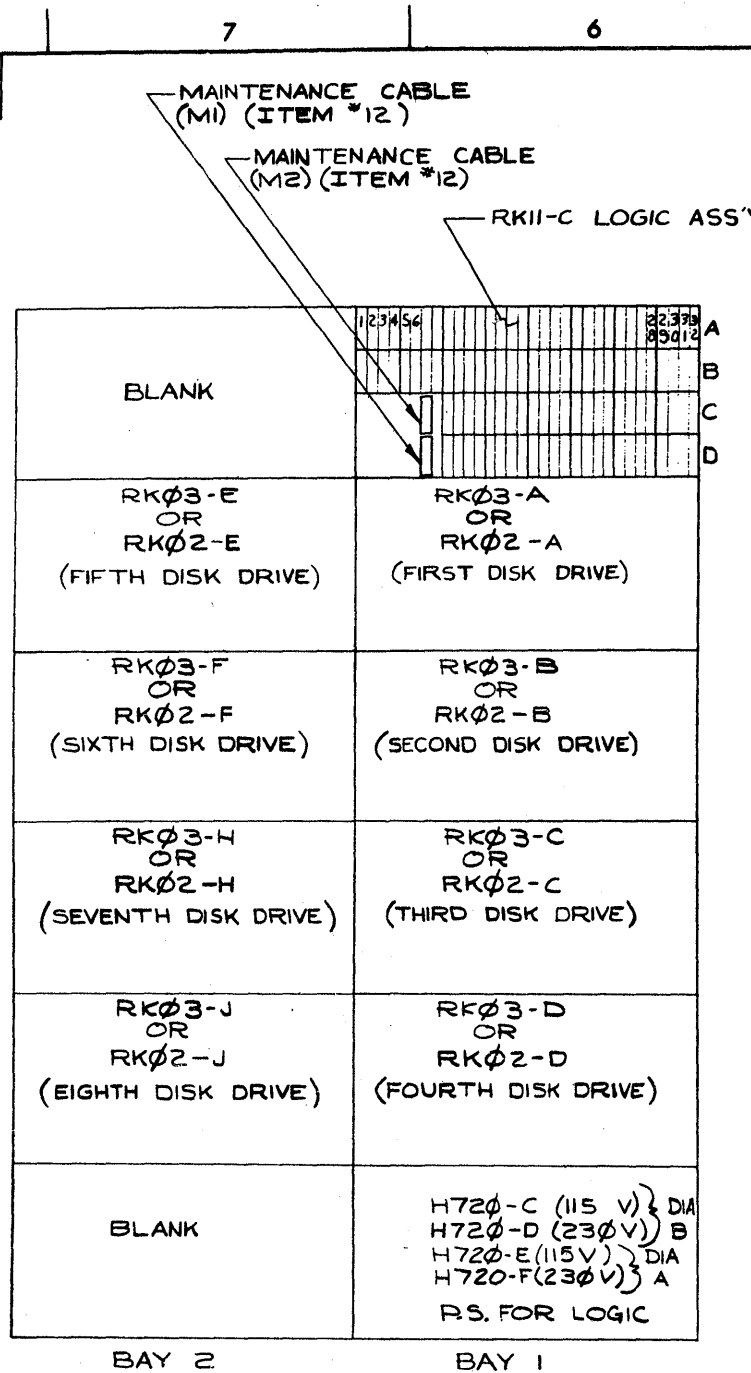
REV	
CHANGE NO.	
CHK	

DEC FORM NO. DRD 102A

QTY.	DESCRIPTION	PART NO.	ITEM NO.
PARTS LIST			
UNLESS OTHERWISE SPECIFIED		DATE	
UNLESS OTHERWISE SPECIFIED		DATE	
DIMENSION IN INCHES		DATE	
TOLERANCES		DATE	
DECIMALS	FRACTIONS	ANGLES	
± .005	± 1/64	± 0°30'	
FINAL SURFACE QUALITY			
REMOVE BURRS AND BREAK SHARP CORNERS			
MATERIAL		FIRST USED ON	
FINISH		SCALE	
		SHEET 3 OF 6	
TITLE		NUMBER	
RK03		DUARK03-0-0	
MAXIMUM CONFIGURATION		REV.	
DIST. C			

8 7 6 5 4 3 2 1

This drawing and specifications, herein, are the property of Digital Equipment Corporation and shall not be reproduced or copied or used in whole or in part as the basis for the manufacture or sale of items without written permission.



CABLE CONNECTION LOCATION							
ITEM NO	FROM DEVICE	COLOR	LOCATION	TO DEVICE	LOCATION	CABLE	REMARKS
17	RKII-C	---	AB12	RK03-A	SOC	BCIIA-3	
17	RK03-A	---	SOC	RK03-B	PIN	BCIIA-3	
17	RK03-B	---	PIN	RK03-C	SOC	BCIIA-3	
17	RK03-C	---	SOC	RK03-D	PIN	BCIIA-3	
56	RKII-C	---	AB10	RK03-E	PIN	BCIIA-4	
17	RK03-E	---	SOC	RK03-F	SOC	BCIIA-3	
17	RK03-F	---	PIN	RK03-H	PIN	BCIIA-3	
17	RK03-H	---	SOC	RK03-J	SOC	BCIIA-3	
12	MAINTENANCE CABLE	---	M1	RKII-C	A30	7007222	
12	MAINTENANCE CABLE	---	M2	RKII-C	B30	7007222	
REF	PDP-11 UNIBUS(IN)	---	---	RKII-C	ABI	BCIIA-3	UNIBUS IN
REF	RKII-C	---	AB2	PDP-11 UNIBUS(OUT)	---	BCIIA-3	UNIBUS OUT
13	H734-A (115 V) H734-B (230 V) BAY 1 TOP	ORN BLK BLU	+15 GND -15	RK03-A	POW	7007225-4L	
13	H734-A (115 V) H734-B (230 V) BAY 1 TOP	ORN BLK BLU	+15 GND -15	RK03-B	POW	7007225-4L	
13	H734-A (115 V) H734-B (230 V) BAY 1 BOTTOM	ORN BLK BLU	+15 GND -15	RK03-C	POW	7007225-4L	
13	H734-A (115 V) H734-B (230 V) BAY 1 BOTTOM	ORN BLK BLU	+15 GND -15	RK03-D	POW	7007225-4L	
13	H734-A (115 V) H734-B (230 V) BAY 2 TOP	ORN BLK BLU	+15 GND -15	RK03-E	POW	7007225-4L	
13	H734-A (115 V) H734-B (230 V) BAY 2 TOP	ORN BLK BLU	+15 GND -15	RK03-F	POW	7007225-4L	
13	H734-A (115 V) H734-B (230 V) BAY 2 BOTTOM	ORN BLK BLU	+15 GND -15	RK03-H	POW	7007225-4L	
13	H734-A (115 V) H734-B (230 V) BAY 2 BOTTOM	ORN BLK BLU	+15 GND -15	RK03-J	POW	7007225-4L	

NOTES FOR CABLING:

1. AN M930 (ITEM *20) SHOULD BE PLACED IN THE LAST OPEN SLOT ON DISK DRIVE (MARKED EITHER "PIN" OR "SOC") IN BOTH BAYS. IF ONLY 1 BAY IS USED, M930 SHOULD BE PLACED IN SLOT AB10 IN RKII-C LOGIC ASS'Y.

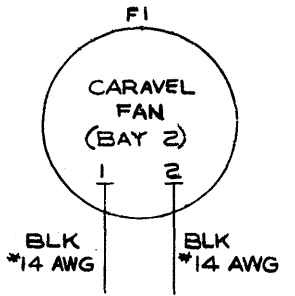
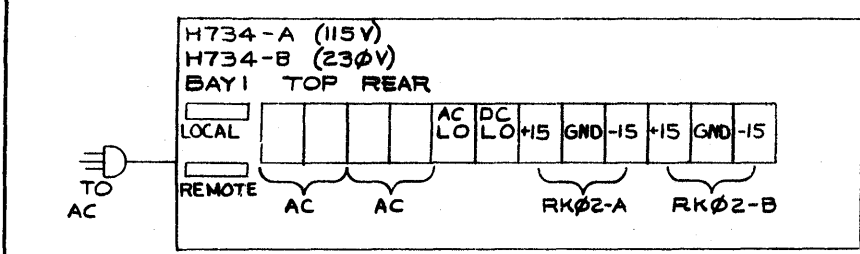
FRONT REAR
(MOUNTING PANEL DOOR SKIN [ITEM *16] REMOVED)

EQUIPMENT LAYOUT OF MAXIMUM CONFIGURATION

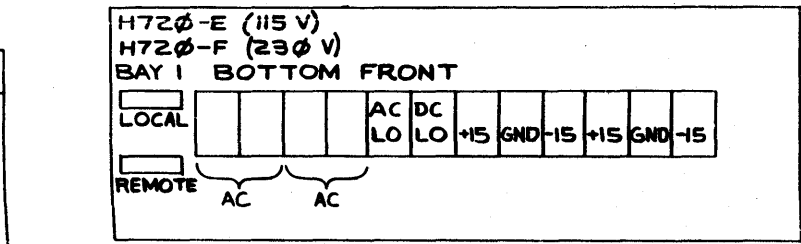
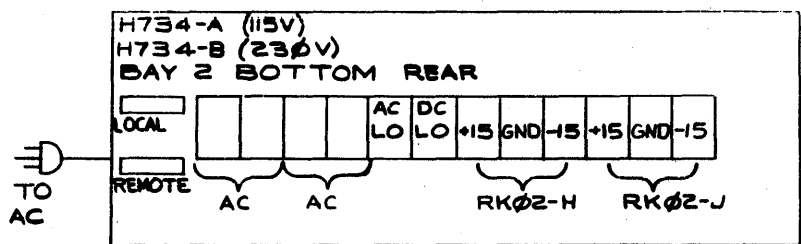
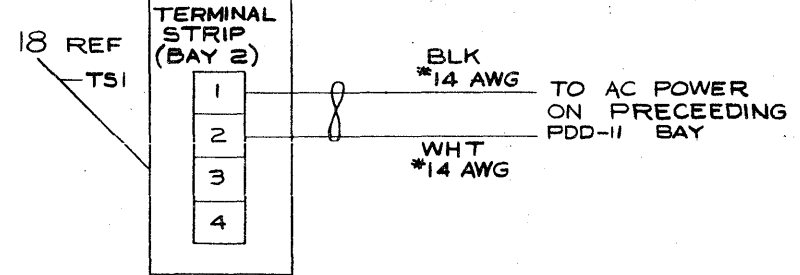
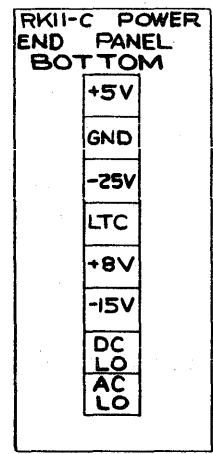
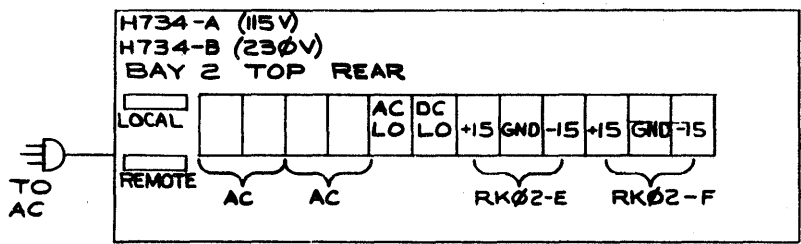
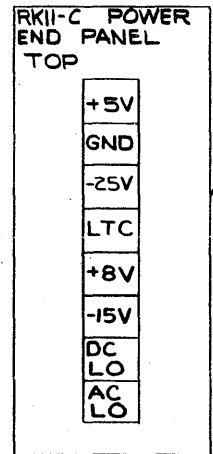
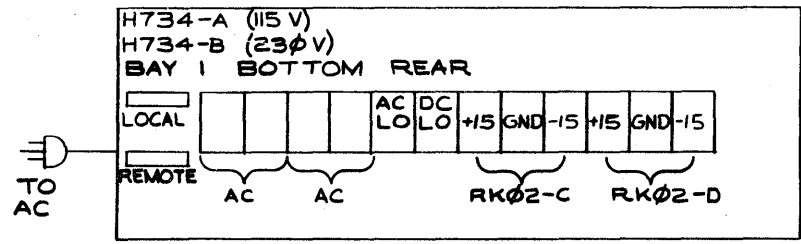
REV	NO	DATE
CHK		

QTY.	DESCRIPTION	PART NO.	ITEM NO.
PARTS LIST			
UNLESS OTHERWISE SPECIFIED DIMENSION IN INCHES TOLERANCES DECIMALS FRACTIONS ANGLES ± .005 ± 1/64 ± 0°30'		DATE 12-14-70 DATE 4-11-71 DATE 4-21-71 DATE 2/21/72 DATE 4/21/72	
UNLESS OTHERWISE SPECIFIED FINAL SURFACE QUALITY REMOVE BURRS AND BREAK SHARP CORNERS		TITLE RK03 MAXIMUM CONFIGURATION	
MATERIAL	FIRST USED ON	SCALE	SIZE CODE NUMBER REV
FINISH		SHEET 4 OF 6	DUA RK03-0-0

This drawing and specifications, hereinafter, are the property of Digital Equipment Corporation and shall not be reproduced or copied or used in whole or in part as the basis for the manufacture or sale of items without written permission.



ITEM NO	DESCRIPTION	FROM		TO		REMARKS		
		AWG	COLOR	DESCRIPTION	TERM		DESCRIPTION	TERM
50		22	VIO	TS2 - DC LO	48	TS4 - DC LO	48	
49			YEL	TS2 - AC LO		TS4 - AC LO		
50			VIO	TS4 - DC LO		TS5 - DC LO		
49			YEL	TS4 - AC LO		TS5 - AC LO		
50			VIO	TS2 - DC LO		TS6 - DC LO		
49			YEL	TS2 - AC LO		TS6 - AC LO		
50			VIO	TS6 - DC LO		TS7 - DC LO		
49		22	YEL	TS6 - AC LO	48	TS7 - AC LO	48	
2 REF		14	BLK	FI - 1		TS7 - 1	47	
2 REF		14	BLK	FI - 2		TS7 - 2	47	
59				TS8 - REMOTE		TS4 - LOCAL		
57				TS4 - REMOTE		TS5 - LOCAL		
57				TS5 - REMOTE		TS6 - LOCAL		
57				TS6 - REMOTE		TS7 - LOCAL		
58				TS8 - REMOTE				
58				TS7 - LOCAL				



WIRING DIAGRAM B
(USED WITHOUT 854 OR 854-B POWER CONTROL)

REV	CHANGE NO	REVISIONS

QTY.	DESCRIPTION	PART NO.	ITEM NO.

UNLESS OTHERWISE SPECIFIED
 DIMENSION IN INCHES
 TOLERANCES
 DECIMALS FRACTIONS ANGLES
 = .005 ± 1/64 ± 0°30'
 REMOVE BURRS AND BREAK SHARP CORNERS

DATE: 12-13-71
 DATE: 12-21-71
 DATE: 1/12/71

digital EQUIPMENT CORPORATION
 NATHAN MASSACHUSETTS

TITLE: RK03 MAXIMUM CONFIGURATION

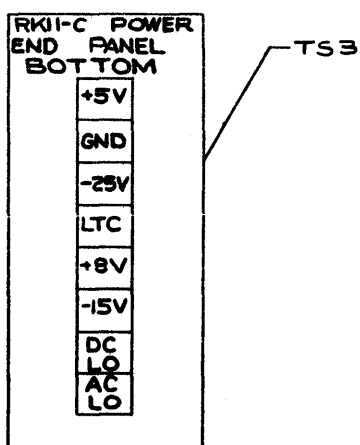
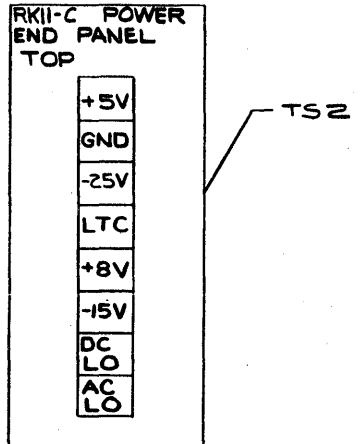
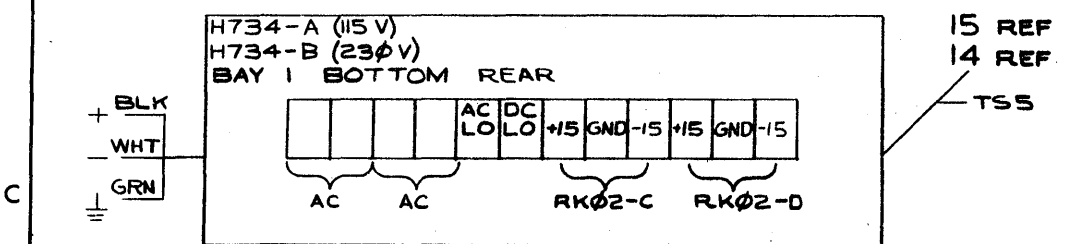
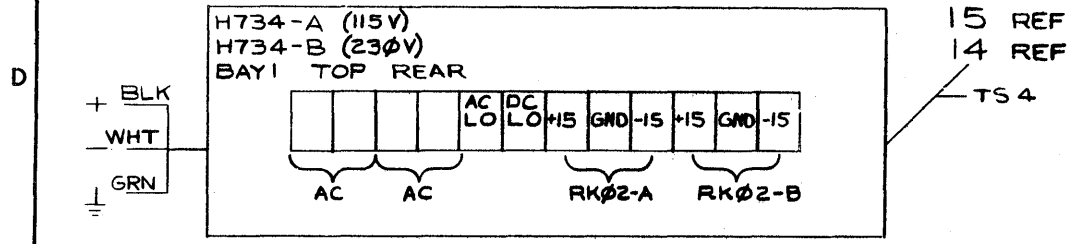
SCALE: 5 OF 6
 SHEET: 5 OF 6

SIZE CODE: DUARK03-0-0
 NUMBER:

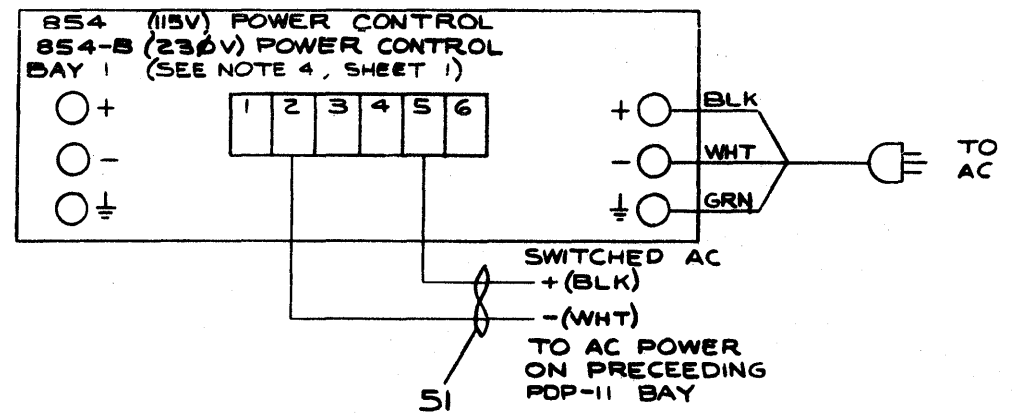
All drawings and specifications herein are the property of Digital Equipment Corporation and shall not be reproduced or copied or used in whole or in part as the basis for the manufacture or sale of items without written permission.

0-0-000000 2

WIRE TABLE							
ITEM NO	DESCRIPTION	FROM	TO	REMARKS			
NO	AWG	COLOR	DESCRIPTION	TERM	DESCRIPTION	TERM	
50	22	VIO	TS2 - DC LO	48	TS4 - DC LO	48	
49	22	YEL	TS2 - AC LO	48	TS4 - AC LO	48	
50	22	VIO	TS4 - DC LO	48	TS5 - DC LO	48	
49	22	YEL	TS4 - AC LO	48	TS5 - AC LO	48	



WIRING DIAGRAM A
(USED WITH 854 OR 854-B POWER CONTROL)



REV.	CHANGE NO.

QTY.	DESCRIPTION	PART NO.	ITEM NO.
PARTS LIST			
UNLESS OTHERWISE SPECIFIED		EQUIPMENT CORPORATION	
UNLESS OTHERWISE SPECIFIED		DIGITAL	
DIMENSION IN INCHES		TITLE	
TOLERANCES		RK03	
DECIMALS FRACTIONS ANGLES		MAXIMUM	
= .005 = 1/64 = 0°30'		CONFIGURATION	
FINAL SURFACE QUALITY / REMOVE BURRS AND BREAK SHARP CORNERS		SIZE CODE NUMBER REV	
MATERIAL		DUARK03-0-0	
FINISH		DIST. 1	
FIRST USED ON		SHEET 6 OF 6	
SCALE		SHEET 6 OF 6	

REV. NUMBER DUARK03-0-0

This drawing and specifications, herein, are the property of Digital Equipment Corporation and shall not be reproduced or copied or used in whole or in part as the basis for the manufacture or sale of items without written permission.

			1	2	3	4	5	6	7	8								
			1	2	3	4	5	6	7	8	1	2	3	4	5	6	7	8
1	D-UA-RK11-C-β	DISK CONTROL (RK11-C)	1	-	-	-	-	-	-	-	1	-	-	-	-	-	-	-
2	C-PL-7006501-23-0	BASIC CABINET ASSY 19"	-	-	-	1	-	-	-	-	-	-	-	1	-	-	-	-
3	301025G	DIABCO DISK DRIVE HIGH DENSITY	1	1	1	1	1	1	1	1	1	1	1	1	1	1	1	1
4	D-IA-7407836-1-0	PDP 11 PANEL LOGO (BLANK)	-	-	-	1	-	-	-	-	-	-	-	1	-	-	-	-
5	D-IA-7408554-0-0	DISK STORAGE TRPY	1	1	1	1	1	1	1	1	1	1	1	1	1	1	1	1
6	D-AD-7007201-0-0	DIABLO BEZEL ASSY	1	1	1	1	1	1	1	1	1	1	1	1	1	1	1	1
7	D-IA-7408532-0-0	SLIDE MOUNTING BRACKET	2	2	2	2	2	2	2	2	2	2	2	2	2	2	2	2
8	D-UA-H95β-QA-β	H95β-Q COVER PANEL (10.5")	5	-	-	5	-	-	-	5	-	-	-	5	-	-	-	-
9	C-MD-7408531-0-0	BRACKET SUPPROT	1	-	-	-	-	-	-	1	-	-	-	-	-	-	-	-
10	C-IA-7407666-0-0	BRKT REGULATOR CARD #1	1	-	-	-	-	-	-	1	-	-	-	-	-	-	-	-
11	C-MD-7407667-0-0	BRKT, REGULATOR CARD #2	1	-	-	-	-	-	-	1	-	-	-	-	-	-	-	-
12	D-IA-7007222-0-0	MAINTENANCE CABLE EXTENDER ASSY	2	-	-	-	-	-	-	2	-	-	-	-	-	-	-	-
13	D-IA-7007225-0-0	RK02-RK03 POWER CABLE ASSY	1	1	1	1	1	1	1	1	1	1	1	1	1	1	1	1
14	D-UA-H734-A-β	H734-A P.S. (115 V)	1	-	1	-	1	-	1	-	1	-	1	-	1	-	1	-
15	D-UA-H734-B-β	H734-B P.S. (230 V)	-	-	-	-	-	-	-	1	-	1	-	1	-	1	-	1
16	D-UA-H95β-F-β	H95β-F MTG PHL DOOR SKIN	1	-	-	1	-	-	1	-	-	1	-	-	1	-	-	1
17	D-UA-BC11A-3-β	CABLE ASSY (BC11A)	1	1	1	1	-	1	1	1	1	1	1	1	1	-	1	1
18	9006902	BARRIER TERMINAL STRIP #4-541	-	-	-	1	-	-	-	-	-	-	-	1	-	-	-	-
19	C-MD-7407607-0-0	PLATE, JONES STRIP	-	-	-	1	-	-	-	-	-	-	-	1	-	-	-	-
20	M93β	BUS TERMINATOR, M93β	2	-	-	-	-	-	-	2	-	-	-	-	-	-	-	-
21	E-IA-5409341-0-0	RK02 CONNECTOR	1	1	1	1	1	1	1	1	1	1	1	1	1	1	1	1
22	E-IA-5409384-0-0	RK02 CONNECTOR #2	1	1	1	1	1	1	1	1	1	1	1	1	1	1	1	1
23	C-MD-7408872-0-0	CONNECTOR SUPPORT	2	2	2	2	2	2	2	2	2	2	2	2	2	2	2	2
24	D-MAD-1945-0-1	1945 HOLD DOWN BAR	1	-	-	-	-	-	-	1	-	-	-	-	-	-	-	-
25	C-IA-7408339-9	HOLD-DOWN BAR	1	-	-	-	-	-	-	1	-	-	-	-	-	-	-	-
26	C-IA-7408339-10	HOLD-DOWN BAR	1	-	-	-	-	-	-	1	-	-	-	-	-	-	-	-
27	D-SC-1209850-0-0	BLOCK, RETAINER UNIVERSAL	2	-	-	-	-	-	-	2	-	-	-	-	-	-	-	-
28	C-MD-7408446-2-0	BLOCK RETAINER UNIVERSAL (REWORK)	1	-	-	-	-	-	-	1	-	-	-	-	-	-	-	-
29	C-IA-7405642-0-0	SCR, MODULE RETAINER	2	-	-	-	-	-	-	2	-	-	-	-	-	-	-	-
30	C-IA-7405642-1-0	SCR, MODULE RETAINER (LONG)	1	-	-	-	-	-	-	1	-	-	-	-	-	-	-	-
31	9007786	NUT, TINNEMAN #10-32	4	4	4	4	6	4	4	4	6	4	4	4	6	4	4	4
32	9006074-3	SCR, PHL TRUSS HD. #10-32 x .62 LG	2	-	-	2	-	-	-	2	-	-	-	2	-	-	-	-
33	9006230	SCR, HEX HD CAP #10-32 x .31 LG	12	12	12	12	12	12	12	12	12	12	12	12	12	12	12	12
34	9007906	LOCK WASHER, SPLIT LOCK #10	12	12	12	12	12	12	12	12	12	12	12	12	12	12	12	12
35	9006040-1	SCR, PHL PAN HD #8-32 x .62 LG	2	-	-	-	-	-	-	2	-	-	-	-	-	-	-	-
36	9007799-6	SCR, PHL FIL HD #8-32 x 1.5 LG S.S.	3	-	-	-	-	-	-	3	-	-	-	-	-	-	-	-
37	9008430	SCR, CAPTIVE #8-32 x 1" LG SOUTHCO	1	1	1	1	1	1	1	1	1	1	1	1	1	1	1	1
38	9006563	NUT, KEP #8-32	1	-	-	-	-	-	-	1	-	-	-	-	-	-	-	-
39	9006634-1	WASHER INT TOOTH LOCK #8	2	-	-	-	-	-	-	2	-	-	-	-	-	-	-	-
40	9007794-1	SCR, PHL PAN HD #6-32 X .68 LG	-	-	-	4	-	-	-	-	-	-	-	4	-	-	-	-
41	9006560	KEP NUT #6-32	-	-	-	4	-	-	-	-	-	-	-	4	-	-	-	-
42	9006970-1	SPACER, FIBER .25 DIA X .25 LG X #4	10	10	10	10	10	10	10	10	10	10	10	10	10	10	10	10
43	9006013-1	SCR, PHL PAN HD #4-40 x .5 LG	10	10	10	10	10	10	10	10	10	10	10	10	10	10	10	10

REV.	
CHG	
NO.	

FIRST USED ON OPTION/MODEL
PDP-11

UNLESS OTHERWISE SPECIFIED
DIMENSION IN INCHES
TOLERANCES
DECIMALS FRACTIONS ANGLES
± .005 ± 1/64 ± 0°30'
FINAL SURFACE QUALITY
REMOVE BURRS AND BREAK SHARP CORNERS
MATERIAL
FINISH

DRN. *W.F.M. Carthy*
CHK'D *J. J. Carthy*
ENG. *W. J. Carthy*
PROJ. ENG. *W. J. Carthy*
PROD. *W. J. Carthy*
DATE 3/8/71
DATE 4/15/71
DATE 4/21/71
DATE 4/22/71
NEXT HIGHER ASSY.
SCALE 1 OF 2
SHEET 1 OF 2

digital EQUIPMENT CORPORATION
MAYNARD, MASSACHUSETTS

TITLE
**RK03
MAXIMUM
CONFIGURATION**

SIZE CODE NUMBER REV.
CPLRK03-0-0

DIST. 5

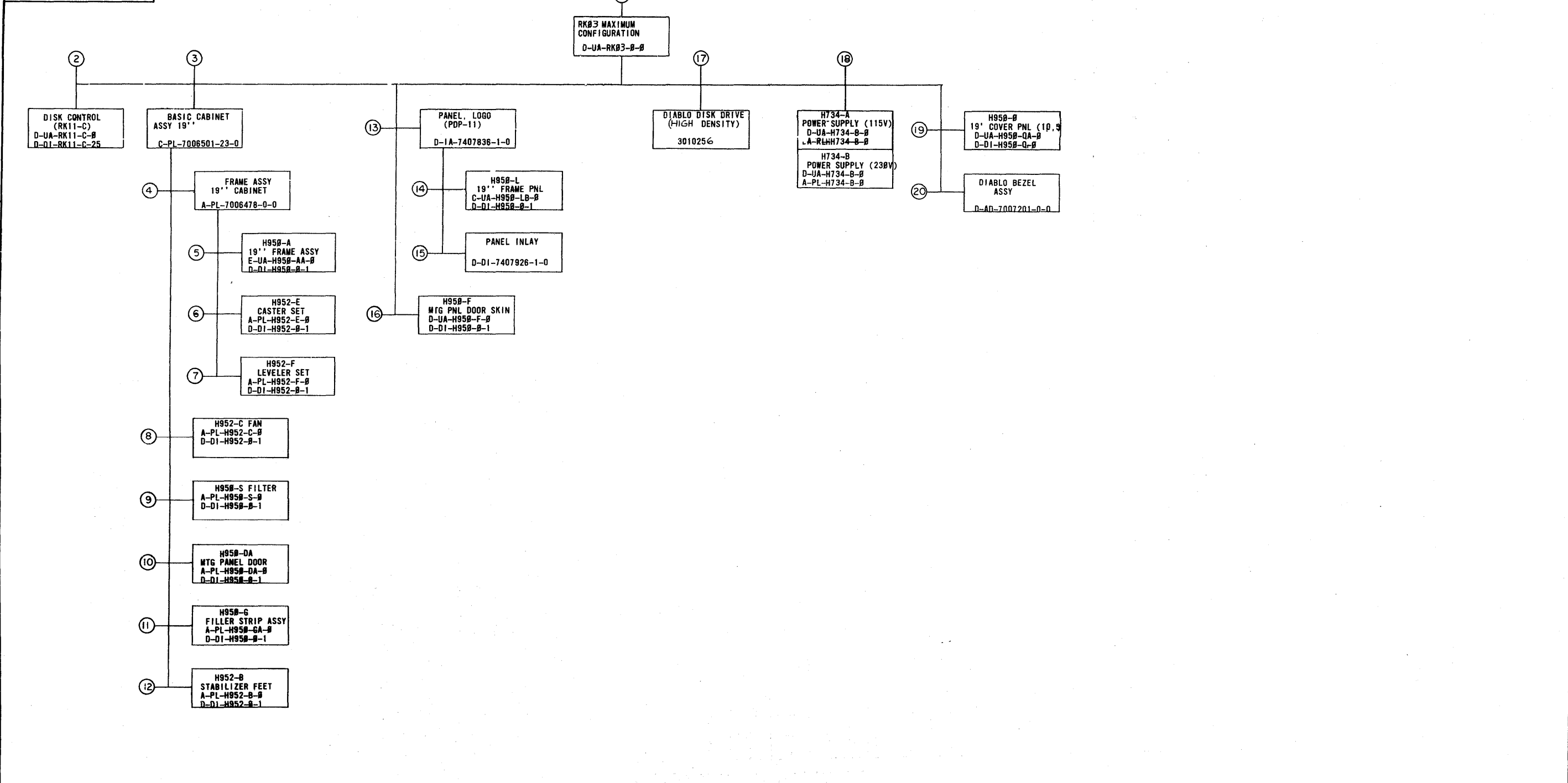
REV. NUMBER
CPLRK03-0-0

This drawing and specifications, herein, are the property of Digital Equipment Corporation and shall not be reproduced or copied or used in whole or in part as the basis for the manufacture or sale of items without written permission.

			1	2	3	4	5	6	7	8														
44	9006557	NUT, KEP #4-40	10	10	10	10	10	10	10	10	10	10	10	10	10	10								
45	9008218	RIVET, POP PLAT HD. 12 X .1918	2	-	-	-	-	-	-	2	-	-	-	-	-	-								
46	A-DC-7408954-0-0	DECAL	1	-	-	1	-	-	-	1	-	-	-	1	-	-								
47	9007928	SOLDERLESS CONN. SRKLESS #503634	-	-	-	-	-	-	-	-	-	-	2	-	-	-								
48	9007917	SOLDERLESS CONN. SRKLESS #50902	4	-	4	-	4	-	4	-	4	-	4	-	4	-								
49	9107350-44	WIRE #22 STRD TEF. INS. YEL	A/R	-	A/R	-	A/R	-	A/R	-	A/R	-	A/R	-	A/R	-								
50	9107350-77	WIRE #22 STRD. TEF. INS. VIO	A/R	-	A/R	-	A/R	-	A/R	-	A/R	-	A/R	-	A/R	-								
51	9107440-09	WIRE #14 AWG TWP. BLK/WHT	-	-	-	A/R	-	-	-	-	-	-	A/R	-	-	-								
52	9007032	TTE WRAP PANOUT #SST-2B	A/R	-	A/R	-	A/R	-	A/R	-	A/R	-	A/R	-	A/R	-								
53	9008264	CABLE TTE MOUNT, PANOUT	A/R	-	A/R	-	A/R	-	A/R	-	A/R	-	A/R	-	A/R	-								
54	9008887	GROUND, JANCO 10"	1	-	-	1	-	-	-	1	-	-	-	1	-	-								
55	9006990	GROUND, JANCO 5"	1	-	-	1	-	-	-	1	-	-	-	1	-	-								
56	D-UA-BC11A-4-0	CABLE ASSY	-	-	-	1	-	-	-	-	-	-	1	-	-	-								
57	C-IA-7008288-390	CABLE, REMOVE - LOCAL	-	-	1	-	1	-	1	-	1	-	1	-	1	-								
58	B-IA-7007006-1-0	CABLE JUMPER	2	-	-	-	-	-	-	-	-	-	-	-	-	-								
59	C-IA-7008288-10-0	CABLE REMOTE - LOCAL	1	-	-	-	-	-	-	-	-	-	-	-	-	-								
REF D-MU-RK11-C-#			MODULE UTILIZATION																					

REVISIONS CHANGE NO. REV.	FIRST USED ON OPTION/MODEL PDP-11		UNLESS OTHERWISE SPECIFIED DIMENSION IN INCHES TOLERANCES DECIMALS ± .005 FRACTIONS ± 1/64 ANGLES ± 0°30' FINAL SURFACE QUALITY REMOVE BURRS AND BREAK SHARP CORNERS		DRN <i>W.F. McG...</i> DATE 3/8/71 CHK'D <i>J.F. Ben...</i> DATE 4/15/71 ENG <i>W. Mano</i> DATE 4-21-71 PROJ. ENG <i>...</i> DATE 4/21/71 PROD. <i>W. Call</i> DATE 4/22/71	digital EQUIPMENT CORPORATION MAYNARD, MASSACHUSETTS
			MATERIAL +-----+		NEXT HIGHER ASSY. +-----+	TITLE RK03 MAXIMUM CONFIGURATION
			FINISH +-----+		SCALE +-----+ SHEET 2 OF 2	
	CHK					

This drawing and specifications, herein, are the property of Digital Equipment Corporation and shall not be reproduced or copied in whole or in part as the basis for the manufacture or sale of items without written permission.



REV.	
CHK	
CHG	
REV.	
CHG	
REV.	
CHG	

FIRST USED ON OPTION / MODEL
RK03

DO NOT SCALE DRAWING
UNLESS OTHERWISE SPECIFIED
DIMENSION IN INCHES
TOLERANCES
DECIMALS FRACTIONS ANGLES
± .005 ± 1/64 ± 0°30'
FINAL SURFACE QUALITY
REMOVE BURRS AND BREAK SHARP CORNERS

DATE 3/17/74
DATE 8-13-71
DATE 8/2/72
DATE 12/21/72
DATE 3/23/73

QTY.	DESCRIPTION	PART NO.	ITEM NO.
PARTS LIST			
DWN: W.F.M. Carls		EQUIPMENT CORPORATION MAYNARD, MASSACHUSETTS	
DRAWING INDEX LIST RK03			
D-UA-RK03-0-0		NUMBER	REV.
SCALE 1 OF 2		D-DI-RK03-0-1	
SHEET 1 OF 2		DST.	

MASTER DRAWING LIST

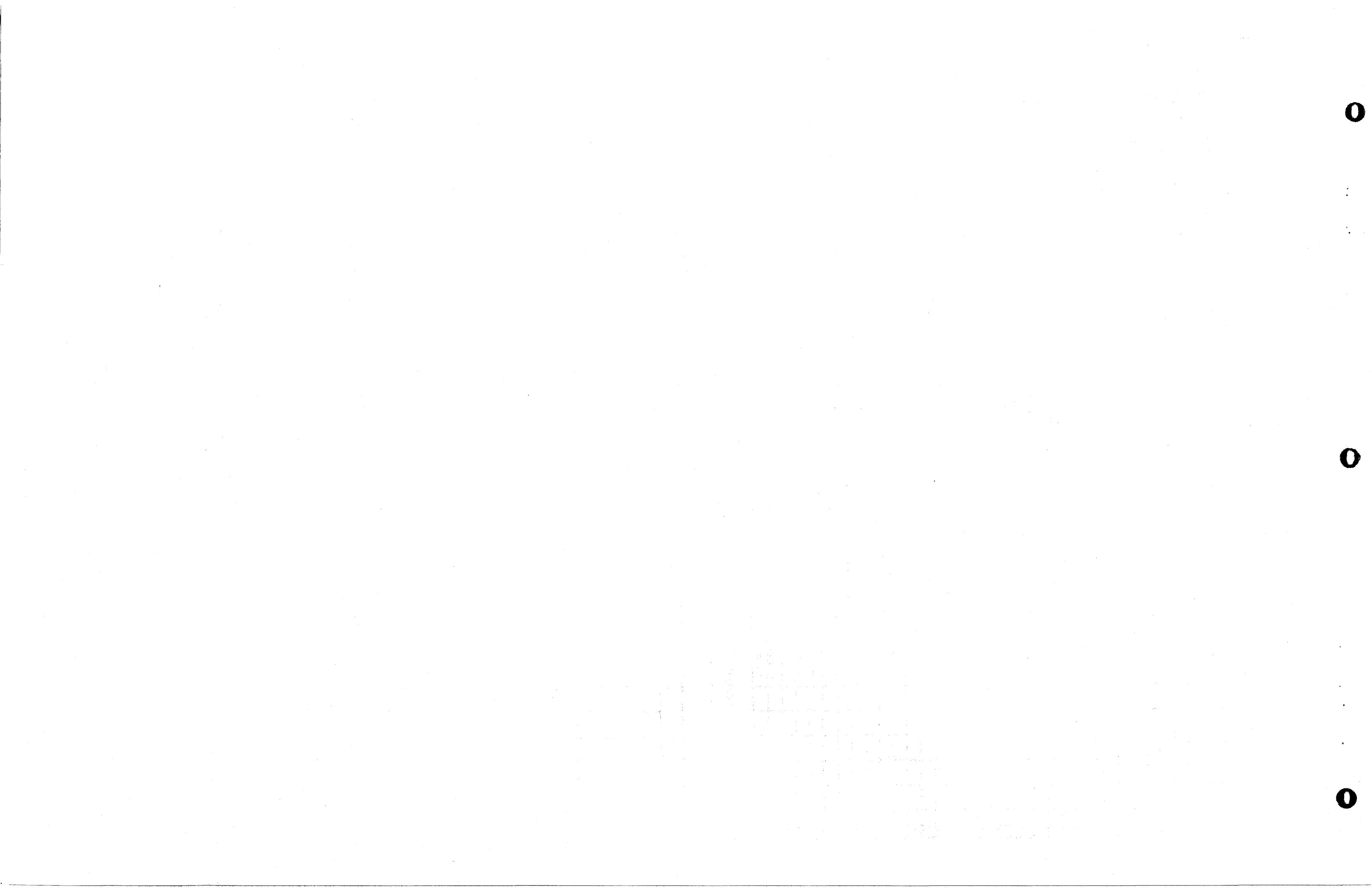
MAINTENANCE MANUALS		UNIT VARIATIONS															
		RK11-CA	RK11-CB														
NO.	TITLE																
RK11-C	DISK CONTROL	X	X														

USED ON OPTIONS						
PDP11						

REVISIONS	APP'D.	T.O. <i>and</i> A.V. <i>7.8. 7.8. 7.8. 7.8.</i>		DRN.	DATE 1-	EQUIPMENT CORPORATION <small>MAYNARD, MASSACHUSETTS</small>					
	CHG. NO.	5/71	8/71	CHK'D.	DATE 2-						
	DATE	9/71	2/72	3/72	MacKENZIE	DATE 3-	TITLE DISK CONTROL (RK11-C)				
	REV.	C	D	E	T. ORR	DATE 17-71					
		F	H	J	PROJ. ENG.	DATE 3-17-71					
		K			T. ORR	DATE 3-17-71	SIZE	CODE	NUMBER	REV.	
				PRD. D. CALL	DATE 3-18-71	A	ML	RK11-C	K		
				FIRST USED ON		DIST.					

PRINT SET					DWG. NO.	REV. LET.	NO. OF SHEETS	TITLE	OPTION NO.	
RK11-C										
X					D-DI-RK11-C-25	B	2	DRAWING INDEX LIST (RK11-C)		
X					D-BS-RK11-C-02	A	1	BASIC TIMING		
X					D-BS-RK11-C-03	A	1	RKCS AND CONTROL		
X					D-BS-RK11-C-04		1	MAJOR STATES		
X					D-BS-RK11-C-05	A	1	MSR CONTROL		
X					D-BS-RK11-C-06		1	DSB AND DISK SELECTION		
X					D-BS-RK11-C-07		1	DRIVE RD WR AND SEEK CONTROL		
X					D-BS-RK11-C-08	A	1	RK DA AND CONTROL		
X					D-BS-RK11-C-09		1	BIT COUNTER AND INTEPNAL WC		
X					D-BS-RK11-C-10		1	RK DB AND CONTROL		
X					D-BS-RK11-C-11	C	2	REG SEL. NPR & INT CONTROL		
X					D-BS-RK11-C-12	A	2	HARDWARE POLE		
X					D-BS-RK11-C-13		1	ADDER CONTROL		
X					D-BS-RK11-C-14		1	ADDERS		
X					D-BS-RK11-C-15	A	1	RKBA RKWC RKMR		
X					D-BS-RK11-C-16	A	1	ERRORS		
X					D-BS-RK11-C-17		1	CABLE DRIVERS AND RECEIVERS		
X					D-BS-RK11-C-18	A	1	DISK CABLE AND TERMINATION		
X					D-BS-RK11-C-19		1	BUD "D" RCVRS AND DRIVERS		
X					D-BS-RK11-C-20	A	2	INTERNAL BUS 00→07 08→15		
X					D-BS-RK11-C-21		1	RKDB DATA PATHS		
X					D-MU-RK11-C-01	B	2	MODULE UTILIZATION		
X					A-PL-RK11-C-01	B	2	MODULE UTILIZATION (PL)		
X					D-IC-RK11-C-22		1	UNIBUS CONNECTORS		
X					D-IC-RK11-C-23	A	1	RK11-C INDICATORS CONNECTORS		
X					D-UA-RK11-C-0	B	3	DISK CONTROL		
X					A-PL-RK11-C-0	B	2	DISK CONTROL		
X					D-AD-7008305-0-0		1	WIRED ASSY		
X					A-PL-7008305-0-0		1	WIRED ASSY (PL)		
TITLE					DISK CONTROL (RK11-C)		SIZE	CODE	NUMBER	REV.
							A	ML	RK11-C	K
					SHEET 2 OF 3					

PRINT SET					DWG. NO.	REV. LET.	NO. OF SHEETS	TITLE	OPTION NO.	
RK11-C										
C					K-WL-RK11-C-24	E	1	WIRE LIST (COMPLETE)		
C					A-ML-H734-0	#	2	POWER SUPPLY (H734)		
X					D-CS-M795-0-1	#	1	W.C. AND CMA MODULE		
X					D-CS-M796-0-1	#	1	UNIBUS MASTER CONTROL		
X					B-CS-M236-0-1	#	1	12 BIT BINARY UP/DOWN COUNTER		
X					D-CS-M239-0-1	#	1	THREE 4 BIT COUNTER REGISTER		
X					B-CS-854-0-1	#	1	POWER CONTROL		
X					A-SS-5509081-0-3	#	1	SPECIAL MAINTENANCE BOARD OVERLAY		
X					A-SS-5509081-0-4	#	1	SPECIAL MAINTENANCE BOARD OVERLAY		
X					D-FD-RK11-C-29		3	FLOW DIAGRAM		
X					D-TD-RK11-C-30		2	TIMING DIAGRAM		
X					A-AL-RK11-C-33		1	ACCESSORY LIST		
X					A-SL-RK11-C-34	A	1	SOFTWARE LIST		
X					B-CS-5409341-0-1	#	1	RK02 CONNECTOR		
X					B-CS-5409384-0-1	#	1	RK02 CONNECTOR #2		
X					D-OC-RK11-C-35		1	RK11-C OPTION CONFIGURATION		
X					D-OC-RK05-0-15	#	2	RK05 OPTION CONFIGURATION		
X					D-CS-5409308-0-1	#	1	H734 REGULATOR BOARD 5409308		
TITLE					DISK CONTROL		SIZE	CODE	NUMBER	REV.
							A	ML	RK11-C	K
					SHEET 3 OF 3					

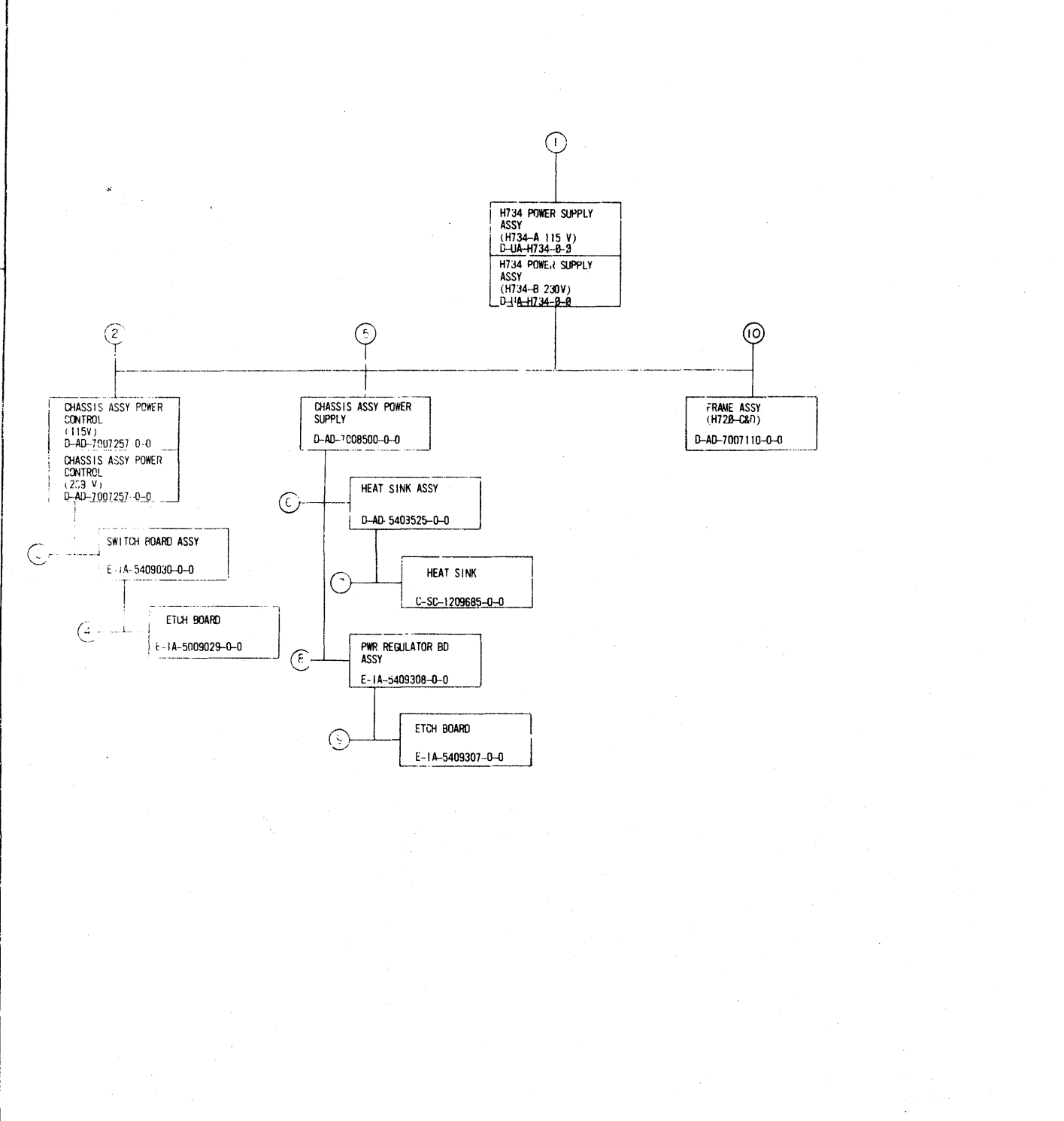


This drawing and specifications herein are the property of Digital Equipment Corporation and shall not be reproduced or copied or used in whole or in part as the basis for the manufacture or sale of items without written permission.

3-C-1241 ID 2

D
C
B
A

D
C
B
A



MECHANICAL			DEPT USAGE			ELECTRICAL			DEPT USAGE		
FIND NO.	DESCRIPTION	PART NO.	PROD	CUST	F/C	FIND NO.	DESCRIPTION	PART NO.	PROD	CUST	F/C
1	H734 POWER SUPPLY ASSY H734 POWER SUPPLY ASSY (PL) WIRE HARNESS H734 A&B COVER, TERMINAL STRIP (141 & 541)	D-UA-H734-0-0 A-PL-H734-B-0 D-1A-7007246-0-0 C-MD-7408463-0-0				1	MASTER LIST H734 CIRCUIT SCHEMATIC	A-ML-H734-0 D-CS-H734-B-1			
2	CHASSIS ASSY POWER CONTROL CHASSIS ASSY POWER CONTROL (PL) CHASSIS POWER CONTROL BRACKET, RELAY BRACKET, SUPPORT JUMPER	D-AD-7007257-0-0 A-PL-7007257-0-0 D-1A-5309362-0-0 B-1A-5309368-0-0 C-MD-5309521-0-0 B-1A-7007006-0-0				3	CIRCUIT SCHEMATIC	B-CS-5409030-0-1			
3	SWITCH BOARD ASSY X-Y COORDINATE HOLE LOC MODULE ECO HISTORY	E-1A-5409030-0-0 K-CO-5409030-0-0 B-MH-5409030-0-6				4	P.C. LAYOUT	PC-5009029-0-1			
4	ETCH BOARD P.C. LAYOUT	E-1A-5009029-0-0 PC-5009029-0-1				8	CIRCUIT SCHEMATIC	D-CS-5409308-0-1			
5	CHASSIS ASSY POWER SUPPLY CHASSIS ASSY POWER SUPPLY (PL) CHASSIS POWER SUPPLY BRACKET CAPACITOR BLOCK, MODULE SUPPORT BRACKET SUPPORT COVER, CHASSIS	D-AD-7008500-0-0 A-PL-7008500-0-0 E-1A-5309363-0-0 D-1A-5309366-0-0 B-MD-5309369-0-0 C-MD-5309521-0-0 C-1A-5309065-0-0				9	P.C. LAYOUT	PC-5009307-0-1			
6	HEAT SINK ASSY HEAT SINK ASSY (PL) COIL TRANSFORMER	D-AD-5408525-0-0 A-PL-5408525-0-0 C-SC-1609762-0-0									
7	HEAT SINK BUSHING	C-SC-1209685-0-0 A-SC-1209475-0-0									
8	PWR REGULATOR BD ASSY X-Y COORDINATE HOLE LOC MODULE ECO HISTORY	E-1A-5409308-0-0 K-CO-5409308-0-4 B-MH-5409308-0-6									
9	ETCH BOARD P.C. LAYOUT	E-1A-5409307-0-0 PC-5009307-1									
10	FRAME ASSY (H72B C&D) FRAME ASSY (H72B C&D) CHASSIS POWER SUPPLY SCREEN FAN	D-AD-7007110-0-0 A-PL-7007110-0-0 D-1A-7408392-0-0 C-MD-7404881-0-0									

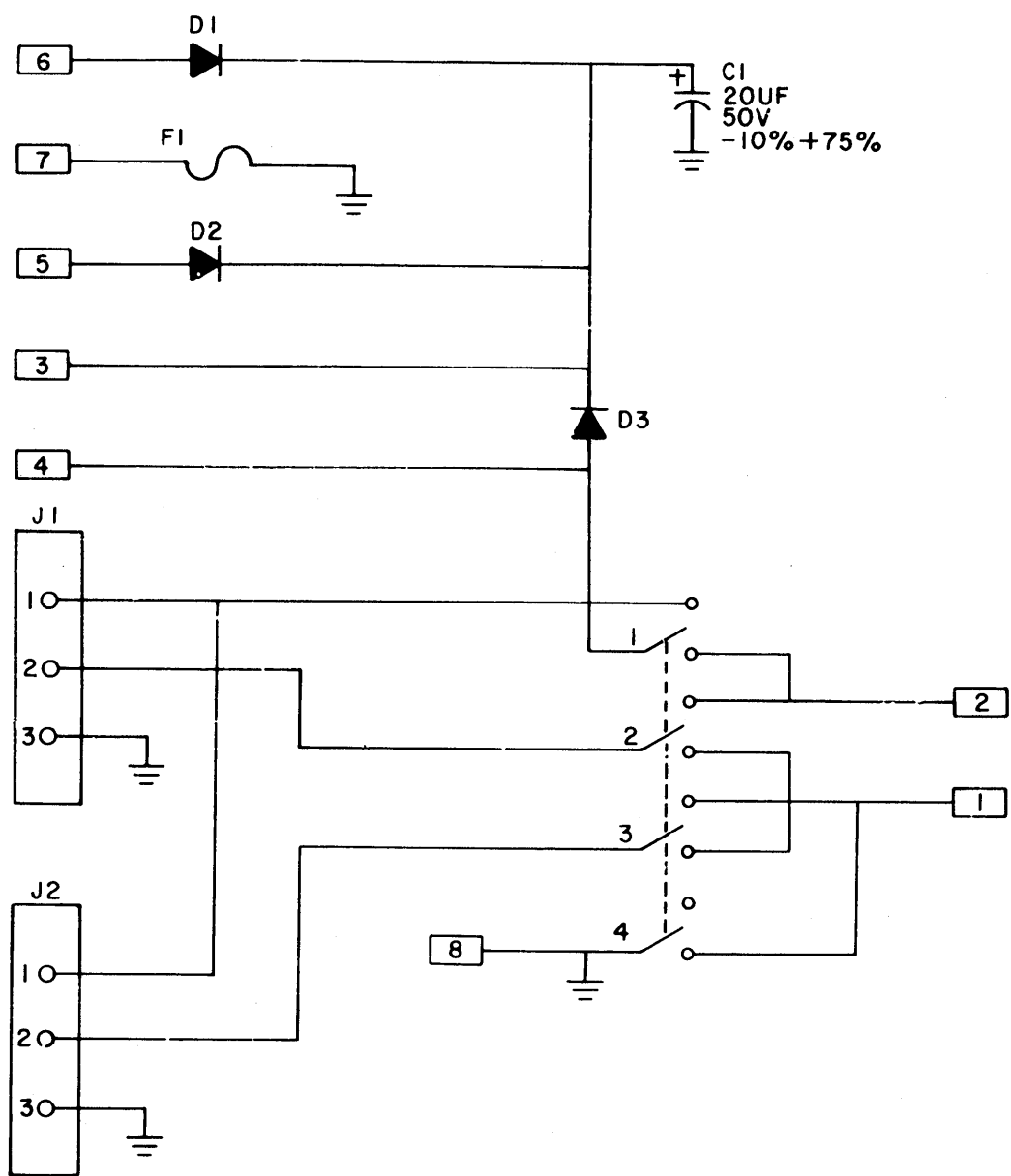
FIRST USED ON OPTION/MODEL FDR 1	DRN. CHK'D. ENG. PROJ/ENG. PROD. NEXT HIGHER ASSY SCALE SHEET OF	DATE DATE DATE DATE DATE DATE DATE	
TITLE DRAWING INDEX LIST			SIZE CODE D DI NUMBER 3 REV

REV. NO.
CHANG. NO.
CHK.

REV. NO.
CHANG. NO.
CHK.

REV A
 NUMBER 5409030-0-1
 SIZE B
 CODE CS

THIS SCHEMATIC IS FURNISHED ONLY FOR TEST AND MAINTENANCE PURPOSES. THE CIRCUITS ARE PROPRIETARY IN NATURE AND SHOULD BE TREATED ACCORDINGLY. COPYRIGHT 1971 BY DIGITAL EQUIPMENT CORPORATION



UNLESS OTHERWISE INDICATED:
 DIODES ARE IN4001
 F1 = 0.2 AMP (3AG) FUSE
 CONNECTORS ARE 12-09379-01
 □ = FASTON TABS

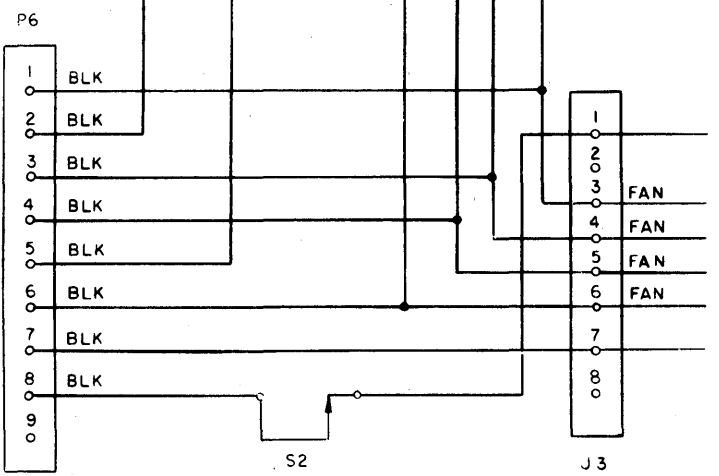
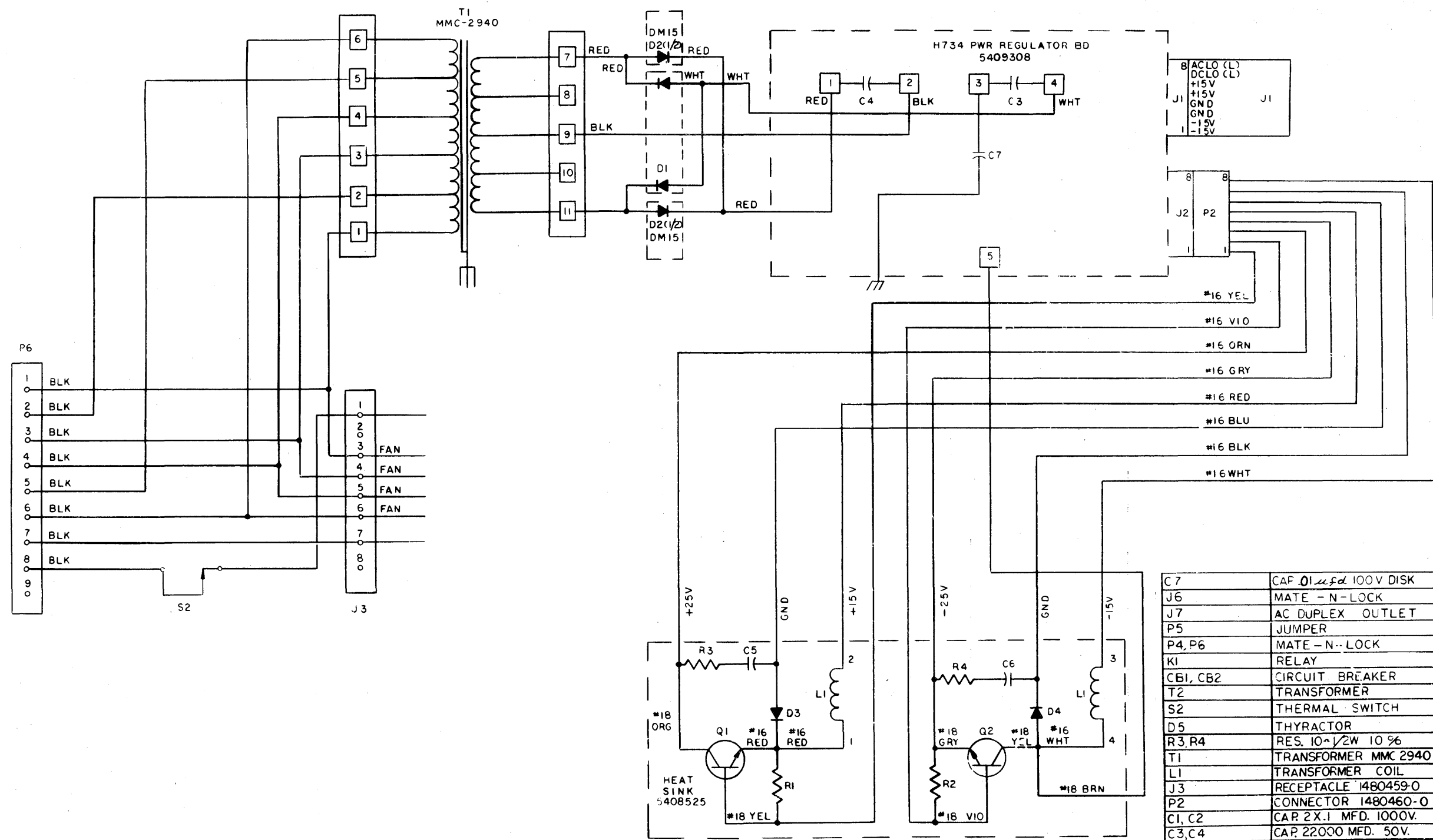
REVISIONS CHK CHG NO REV	DRN <i>S. Cooper</i>	DATE <i>3/10/71</i>	TRANSISTOR & DIODE CONVERSION CHART				 EQUIPMENT CORPORATION MAYNARD, MASSACHUSETTS	TITLE POWER INTERLOCK			
	CHK'D <i>R. Walden</i>	DATE <i>3/5/71</i>	DEC	EIA	DEC	EIA		SIZE B	CODE CS	NUMBER 5409030-0-1	REV A
	ENG <i>C. Blue</i>	DATE <i>5/15/71</i>	IN4001	MR-2064				PRINTED CIRCUIT REV			
	PROC.	DATE						B			

FORM NO. 12-09379-01

THIS SCHEMATIC IS FURNISHED ONLY FOR TEST AND MAINTENANCE PURPOSES. THE CIRCUITS ARE PROPRIETARY IN NATURE AND SHOULD BE TREATED ACCORDINGLY. COPYRIGHT 1969 BY DIGITAL EQUIPMENT CORPORATION.

REV 1
D CS H734-0-1
1000

FOR CIRCUIT SCHEMATIC
SEE DWG. NO. D-CS-5409308-0-1



C7	CAP. 0.1 μ F 100V DISK	1001610
J6	MATE - N-LOCK	1209350-9
J7	AC DUPLEX OUTLET	1205351-9
P5	JUMPER	7007006-1
P4, P6	MATE - N-LOCK	1209351-9
K1	RELAY	1210277
CB1, CB2	CIRCUIT BREAKER	1210191-0
T2	TRANSFORMER	160150-0
S2	THERMAL SWITCH	1210199
D5	THYRATOR	
R3, R4	RES. 10 $\frac{1}{2}$ W 10%	130016R
T1	TRANSFORMER MMC 2940	1610284
L1	TRANSFORMER COIL	1609762
J3	RECEPTACLE 1480459-0	1209340-0
P2	CONNECTOR 1480460-0	1209340-0
C1, C2	CAP. 2X.1 MFD. 1000V.	1002153
C3, C4	CAP. 22000 MFD. 50V.	1009189
C5, C6	CAP. 1 MFD. 150V.	1000063
R1, R2	RES. 27 $\frac{1}{4}$ W 5% CC	1302558
Q1, Q2	TRANSISTOR 2N5301	1509737
D1, D2	DIODE BRIDGE DM15	1105799
D3, D4	DIODE 1N3899	1109781
HEAT SINK	HEAT SINK	5408525
H734PWR.REG.BD.	H734 PWR. REG. BD.	5409308
REF DESIGNATION	DESCRIPTION	PART NO.

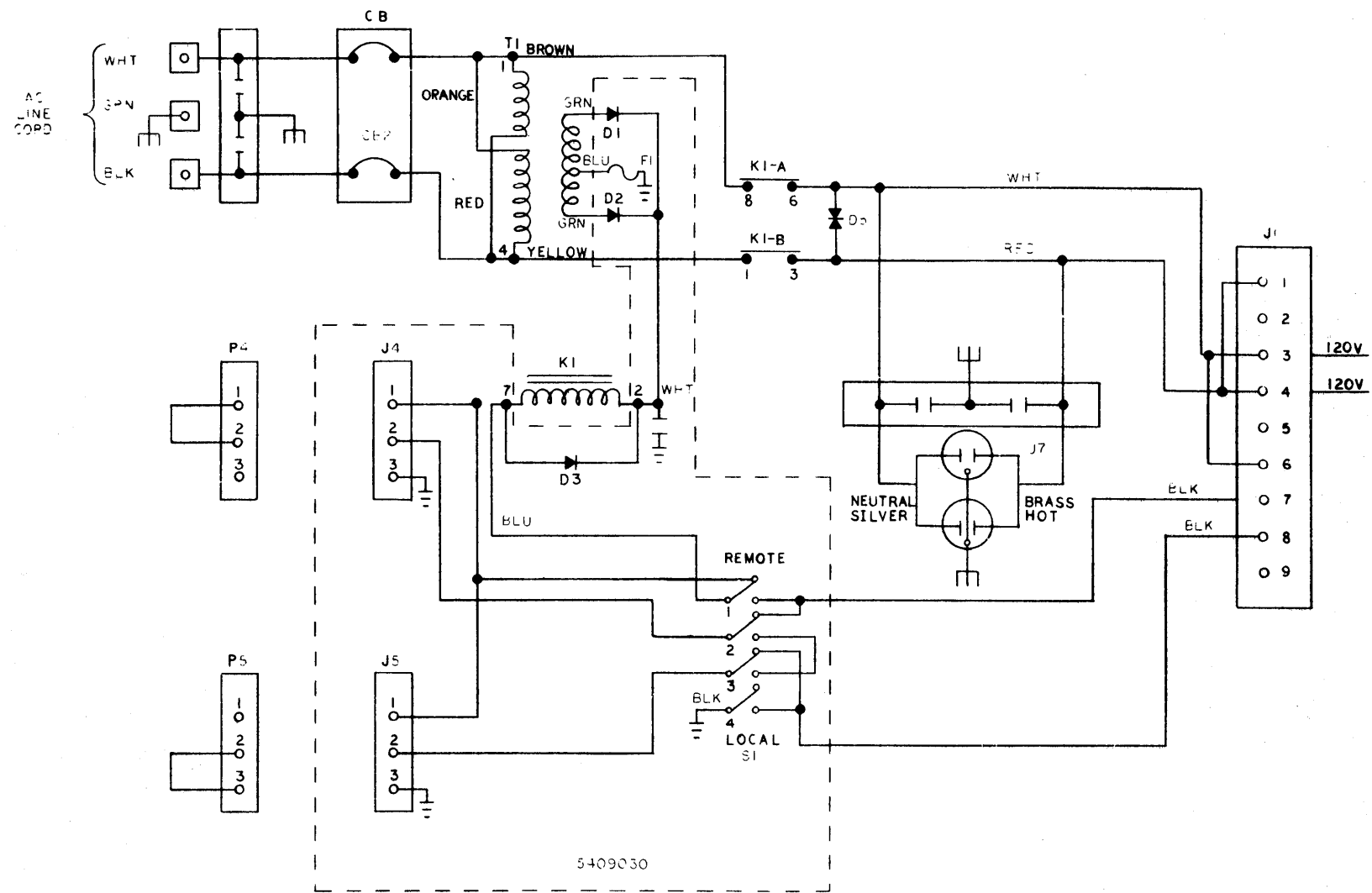
UNLESS OTHERWISE SPECIFIED
WIRE IS #14 GAUGE (STRANDED)

SHEET 1 OF 3

REV. NO.	DATE	TRANSISTOR & DIODE CONVERSION CHART		TITLE
		DATE	DESCRIPTION	
1	3-29-71	2N5301	SAME	PWR SUPPLY H734
2	7-8-71	1N3899	SAME	
EQUIPMENT CORPORATION		MAYNARD, MASSACHUSETTS		REV
PRINTED CIRCUIT REV				D CS H734-0-1

THIS SCHEMATIC IS FURNISHED ONLY FOR TEST AND MAINTENANCE PURPOSES. THE CIRCUITS ARE PROPRIETARY IN NATURE AND SHOULD BE TREATED ACCORDINGLY. COPYRIGHT 1969 BY DIGITAL EQUIPMENT CORPORATION

REV 0
MOD 0



5409030

FOR CIRCUIT SCHEMATIC
SEE DWG B-GS-5409030-0-1

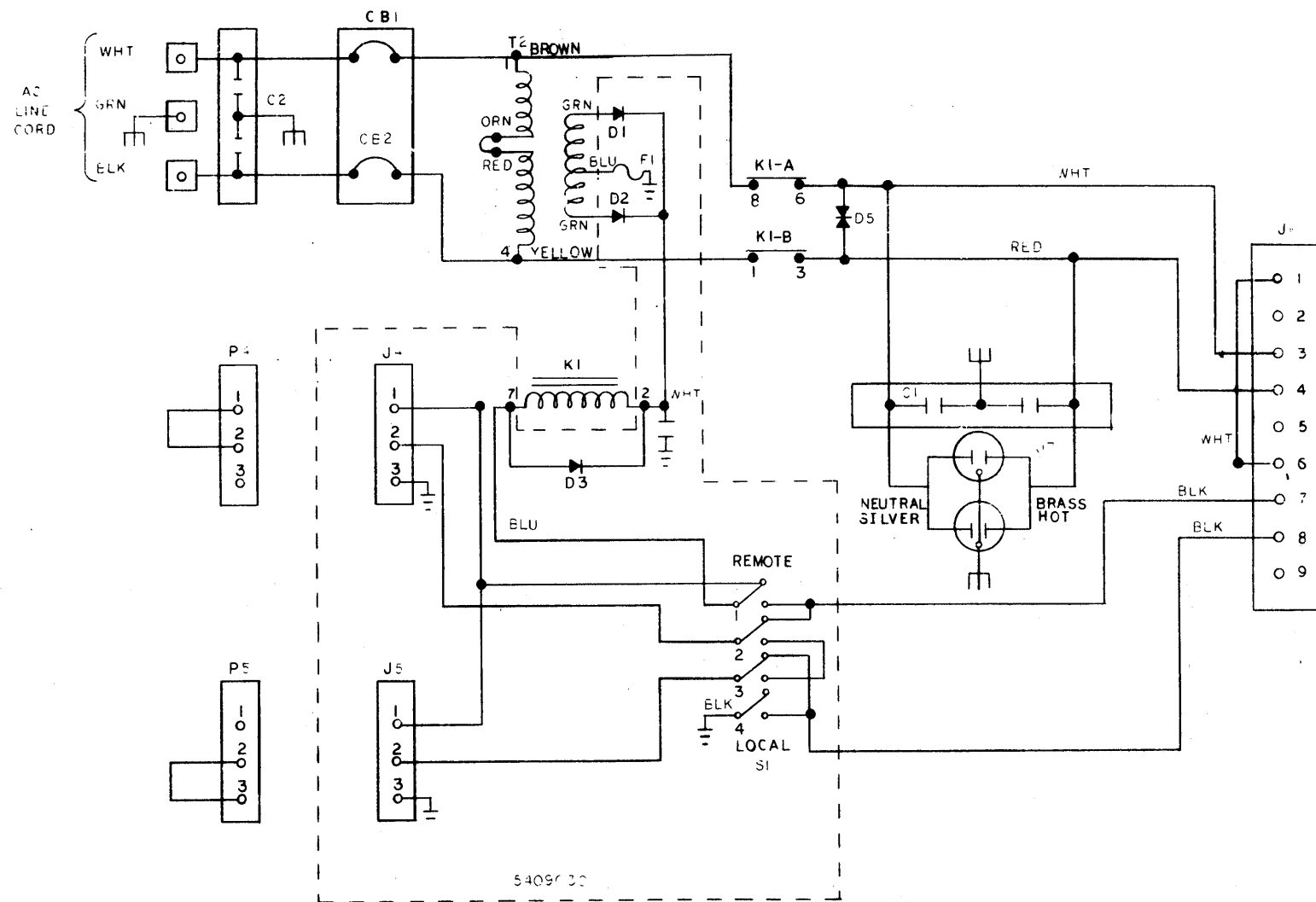
SHEET 2 OF 3

REVISIONS CHG NO REV	DESIGNED: <i>[Signature]</i> DATE: 12/27/71	TRANSISTOR & DIODE CONVERSION CHART				TITLE: AC CONT POWER SUPPLY (120V) NUMBER: H734-0-1 PRINTED CIRCUIT REV:
	CHECKED: <i>[Signature]</i> DATE: 1/17/72	DEC	EIA	DEC	EIA	
	DRAWN: <i>[Signature]</i> DATE: 1/17/72	2N1301	SAME	2N1301	SAME	
	PROD: <i>[Signature]</i> DATE: 1/17/72	IN3899	SAME	IN3899	SAME	
EQUIPMENT CORPORATION MAYARD MASSACHUSETTS		SIZE: D	CODE: CS	NUMBER: H734-0-1	REV:	

REV 0
MOD 0

THIS SCHEMATIC IS FURNISHED ONLY FOR TEST AND MAINTENANCE PURPOSES. THE CIRCUITS ARE PROPRIETARY IN NATURE AND SHOULD BE TREATED ACCORDINGLY. COPYRIGHT 1968 BY DIGITAL EQUIPMENT CORPORATION

1-0-75-H 50 d



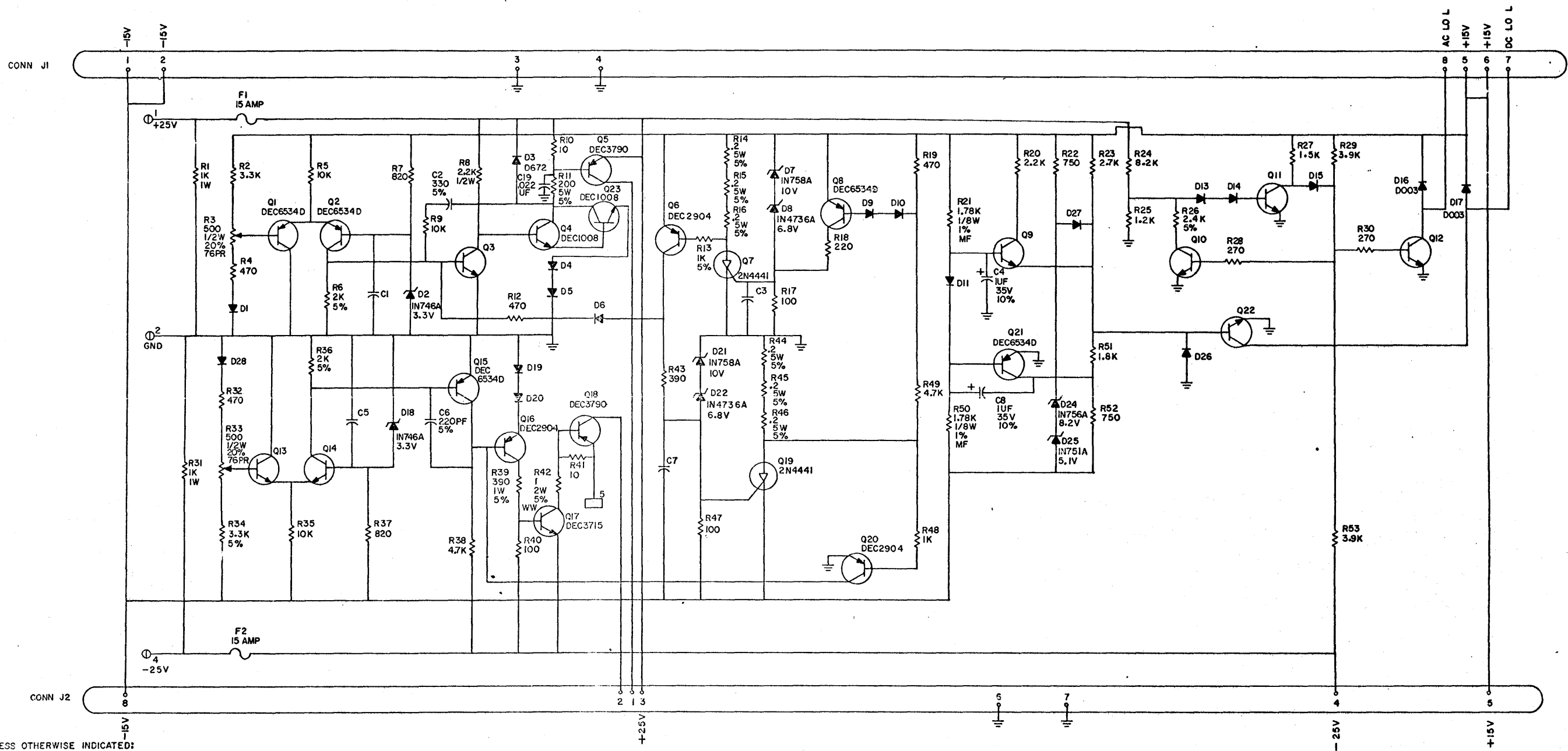
FOR CIRCUIT SCHEMATIC
SEE DWG B-CS-5409030-0-1

NOTE: J6 SHOWN WIRED FOR 240V INPUT. FOR 235V $\pm 10\%$ INPUT TAKE JUMPER FROM J6-6 AND INSERT IT INTO J6-5. FOR 225V $\pm 10\%$ INPUT, TAKE JUMPER FROM J6-6 AND INSERT IT INTO J6-5 AND TAKE JUMPER J6-1 AND INSERT IT INTO J6-2. FOR 218 $\pm 10\%$ TAKE JUMPER FROM J6-1 AND INSERT INTO J6-2 THEN TAKE JUMPER FROM J6-6 AND INSERT INTO J6-5

SHEET 3 OF 3

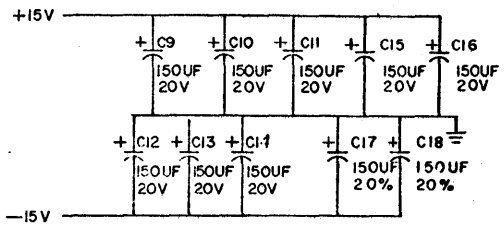
REVISIONS CHG NO. REV	DESIGNED	DATE	TRANSISTOR & DIODE CONVERSION CHART				DIGITAL EQUIPMENT CORPORATION	TITLE		
	CHK'D	DATE	DEC	EIA	DEC	EIA		AC CONT POWER SUPPLY (240V)		
	ENGR	DATE	2N5301	SAME				SIZE	CODE	NUMBER
	PROD	DATE	IN3899	SAME				D	CS	1754

THIS Schematic is provided for test and maintenance purposes. THE CIRCUITS ARE PROPRIETARY IN NATURE AND SHOULD BE TREATED ACCORDINGLY. COPYRIGHT © 71 BY DIGITAL EQUIPMENT CORPORATION.



UNLESS OTHERWISE INDICATED:
 RESISTORS ARE 1/4W, 10%
 CAPACITORS ARE .1UF, 100V, 20%
 DIODES ARE D664
 TRANSISTORS ARE DEC3009B

□ = FASTON TAB
 ⊙ = SCREW TERMINAL



DEC	EIA	DEC	EIA
2N2904	IN758A	D023	IN934
2N4441	2N4441	D024	IN935
2N4441	2N4441	IN758A	2N4441
2N4441	2N4441	IN758A	2N4441
2N4441	2N4441	IN758A	2N4441
2N4441	2N4441	IN758A	2N4441
2N4441	2N4441	IN758A	2N4441
2N4441	2N4441	IN758A	2N4441
2N4441	2N4441	IN758A	2N4441
2N4441	2N4441	IN758A	2N4441

TITLE: H734 REGULATOR BOARD 5409308
 NUMBER: 5409308-0-1
 REV: D
 PRINTED CIRCUIT REV: []

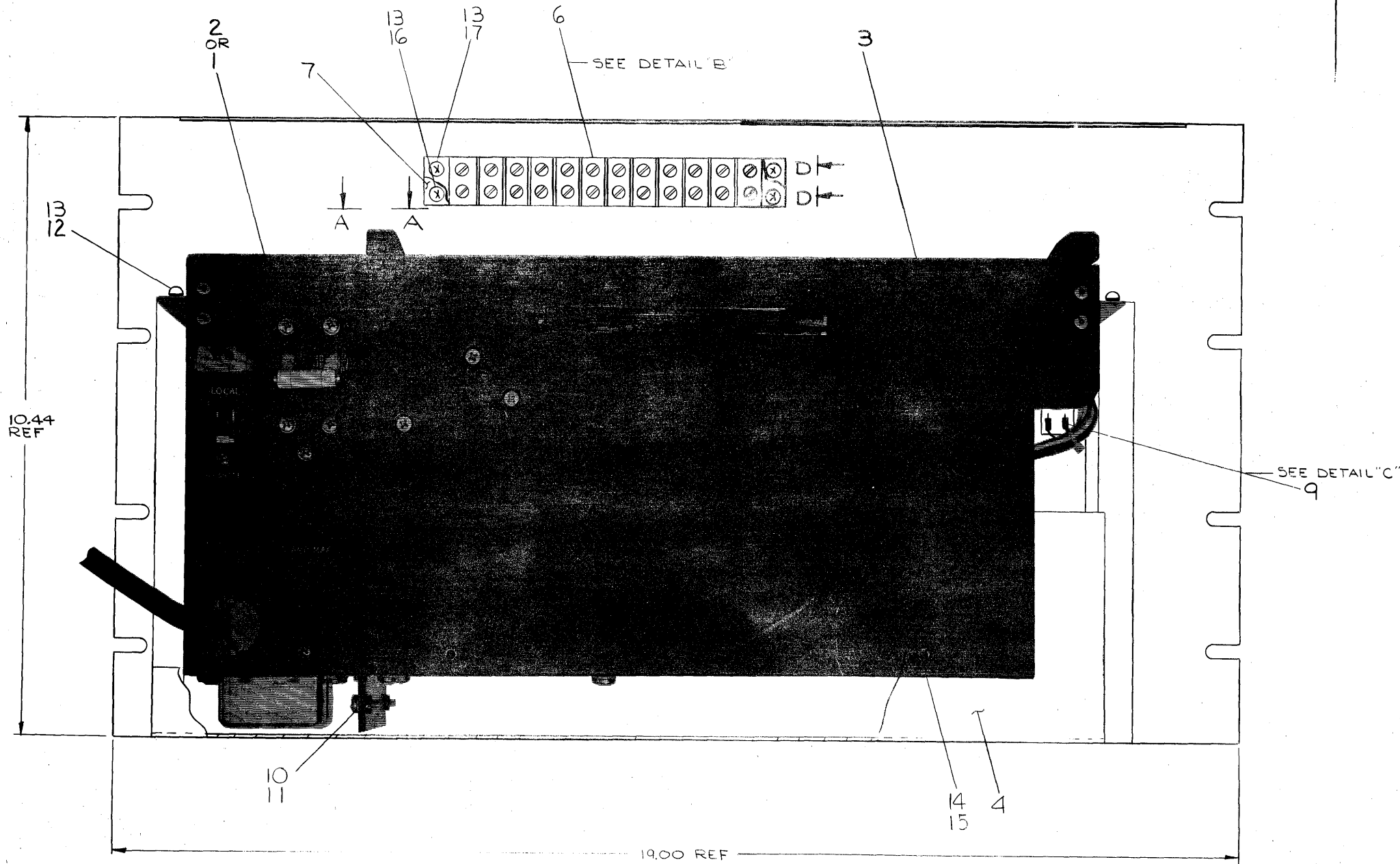
5409308-0-1 REV D

This drawing and specifications, herein, are the property of Digital Equipment Corporation and shall not be reproduced or copied or used in whole or in part as the basis for the manufacture or sale of items without written permission.

LEGEND	
NUMBER	VARIATION
H734-A	115 V
H734-B	230 V

NOTES:

- CONNECTORS MARKED J4 & P4 ARE TO BE CONNECTED BEFORE ASSEMBLING ITEM #1 TO ITEM #2.
- FOR DWG INDEX LIST REFER TO DWG D-DI-H734-0-2.



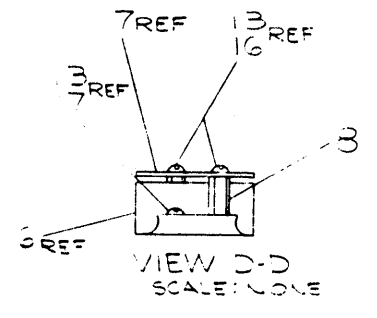
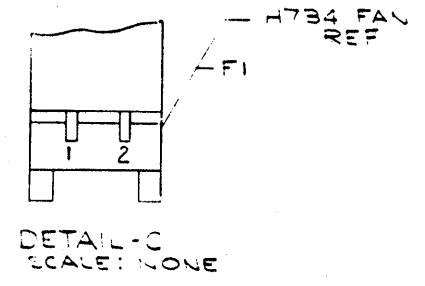
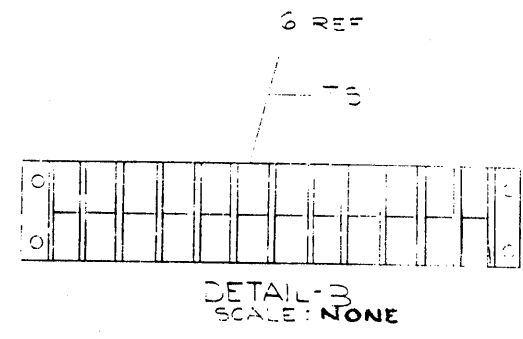
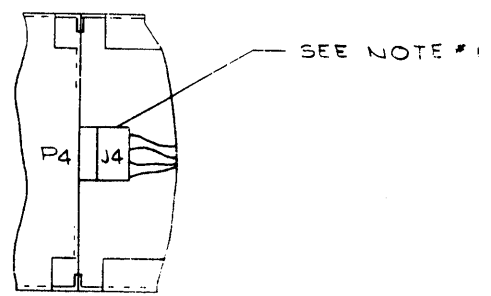
REV.	CHANGE NO.	CHK

FIRST USED ON OPTION/MODEL
PDP 11

DO NOT SCALE DRAWING
UNLESS OTHERWISE SPECIFIED
DIMENSION IN INCHES
TOLERANCES
DECIMALS - FRACTIONS ANGLES
± .005 ± .0015 ± 0°30'
FINAL SURFACE QUALITY
REMOVE BURRS AND BREAK SHARP CORNERS

QTY.	DESCRIPTION	PART NO.	ITEM NO.
PARTS LIST			
DRN.	DATE	digital EQUIPMENT CORPORATION MAYNARD, MASSACHUSETTS	
CHKD.	DATE	TITLE H734 POWER SUPPLY ASSY	
ENGR.	DATE	SIZE/CODE	NUMBER
PROJ. ENG.	DATE	DUA	H734-0-0
PROD.	DATE	DIST.	REV.
NEXT HIGHER ASSY A-ML-H734-0		SCALE	
MATERIAL	SHEET 1 OF 2		
FINISH	DIST. G		

HARNESS WIRE TABLE						
ITEM NO.	DESCRIPTION		FROM HARNESS	TO POWER	REMARKS	
	AWG	COLOR	NUMBER	SUPPLY LOCATION		
5	14	WHT	1	TSI-1	DETAIL B	
		RED	2	2		
	14	WHT	3	3		
		RED	4	4		
	14	WHT	5	1		
		RED	6	2		
	22	YEL	7	5		
	22	VIO	8	6		
	14	ORN	9	7		
		BLK	10	8		
		BLU	11	9		
		ORN	12	10		
		BLK	13	11		
		BLU	14	SI-12		
	14	RED	15	FI-1		DETAIL C
		WHT	16	FI-2		
	BLU			J1 IS LOCATED ON PWR REG BD		
	BLK					
	BLK	P1	J1			
	ORN					
	ORN					
	VIO					
	YEL			J3 IS LOCATED ON BACK OF H734 P.S.		
	RED					
	WHT	P3	J3			
	RED					
5		WHT				



FIRST USED ON OPTION MODEL	QTY	DESCRIPTION	PART NO	ITEM NO
PARTS LIST				
UNLESS OTHERWISE SPECIFIED DIMENSION IN INCHES TOLERANCES	DRN <i>[Signature]</i>	DATE 7/23/72	digital EQUIPMENT CORPORATION NORTON, MASSACHUSETTS TITLE H734 POWER SUPPLY ASSY NUMBER DCA-H734-0-0	
DECIMALS	CHK'D <i>[Signature]</i>	DATE 7/27/72		
ANGLES	EMP <i>[Signature]</i>	DATE 7/27/72		
REMOVE BURRS AND BREAK SHARP CORNERS. SURFACE QUALITY	PROJ ENGR <i>[Signature]</i>	DATE 7/27/72		
MATERIAL	PROD <i>[Signature]</i>	DATE 7/27/72	NEXT HIGHER ASSY	
FINISH	SCALE	SHEET	OF	

DIGITAL EQUIPMENT CORPORATION
MAYNARD, MASSACHUSETTS
PARTS LIST

MADE BY G. FLANDERS	CHECKED <i>R. Cook</i>	SECTION
DATE 6-22-71	DATE 7-1-71	1
ENG <i>B.D. Welch</i>	PROD <i>D. Hall</i>	ISSUED SECT.
DATE 7-8-71	DATE 7/8/71	1

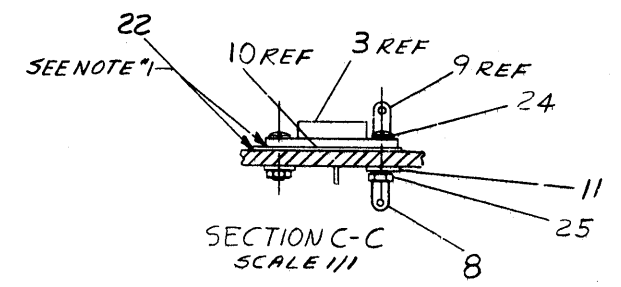
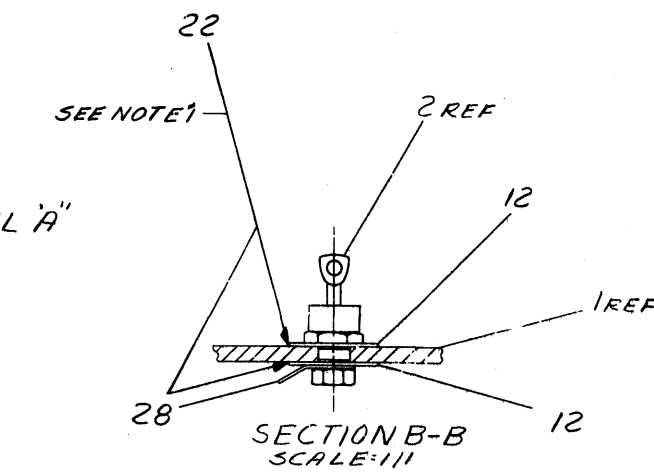
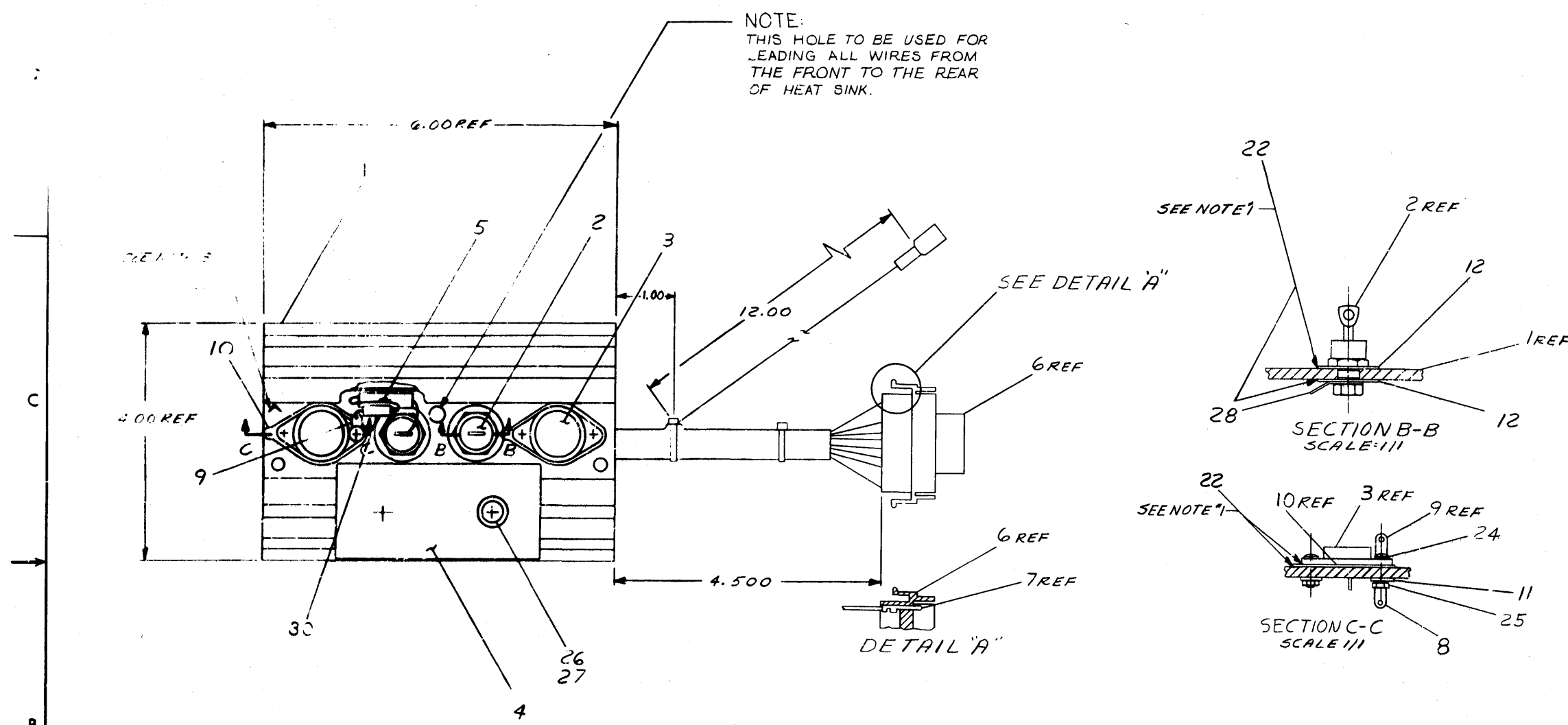
QUANTITY / VARIATION

ITEM NO.	DWG NO. / PART NO.	DESCRIPTION	QUANTITY / VARIATION														
			H734-A (115 V)	H734-B (230 V)													
1	D-AD-7007257-3-0	CHASSIS ASS'Y POWER CONTROL	1														
2	D-AD-7007257-4-0	CHASSIS ASSY, POWER CONTROL		1													
3	D-AD-7008500-0-0	CHASSIS ASSY, POWER SUPPLY	1	1													
4	D-AD-7007110-0-0	FRAME ASSY (H720- C & D)	1	1													
5	D-IA-7007246-0-0	WIRE HARNESS H734 A & B	1	1													
6	9006917	TERM STRIP #12-541	1	1													
7	C-MD-7408463-12-0	COVER TERMINAL STRIP (141 & 541)	1	1													
8	9006807	SPACER 1/4 A.F. X 3/4 LG #6	2	2													
9	9107305	TUBING SHRINKABLE 3/16 O.D.	2	2													
10	9006036-1	SCR PHL HD PAN #8-32 X 5/16 SST	4	4													
11	9006634	WASHER INT TOOTH #8	4	4													
12	9006022-1	SCR PHL HD PAN #6-32 X 3/8 SST	2	2													
13	9007649	WASHER EXT TOOTH #6	6	6													
14	9006071-3	SCR PHL HD TRUSS #10-32 X 3/8 SST	2	2													
15	9006635	WASHER INT TOOTH #10	2	2													
16	9007853-1	SCR PHL HD PAN #6-32 X 1-1/8 SST	2	2													
17	9006026-1	SCR PHL HD PAN #6-32 X 3/4 SST	2	2													

TITLE	ASSY NO.	SIZE	CODE	NUMBER	REV.	ECO NO.
H734 POWER SUPPLY ASS'Y	D-UA-H734-0-0	A	PL	H734-0-0		
	SHEET 1 OF 1	DIST.	G			

- NOTES:
1. APPLY ITEM #22 (SILICONE COMPOUND) BETWEEN WASHER (ITEM #2), HEAT SINK & DIODE, FOR DIODES (ITEM #2) FOR TRANSISTORS (ITEM #3), APPLY BETWEEN TRANSISTOR & WASHER (ITEM #10), ALSO BETWEEN WASHER & HEAT SINK.
 2. RUN RED LEAD FROM TRANSFORMER COIL TO PT. DI-B, CUT LEAD & SOLDER. WITH REMAINING LEAD, WIRE FROM PT. DI-B TO PT. Q1-E.
 3. ORIENTATION MARK (A) TO BE LOCATED AS SHOWN WHEN ASSEMBLING UNIT

NOTE:
THIS HOLE TO BE USED FOR LEADING ALL WIRES FROM THE FRONT TO THE REAR OF HEAT SINK.



REV	DATE	DESCRIPTION
A	12-3-61	INITIAL DESIGN
B	12-16-61	REVISED TO INCLUDE...
C	12-23-61	REVISED TO INCLUDE...
D	12-23-61	REVISED TO INCLUDE...

FIRST USED ON OPTION/MODEL
PDPII

DO NOT SCALE DRAWING	UNLESS OTHERWISE SPECIFIED
TOLERANCES	DECIMALS FRACTIONS ANGLES
± .008 ± 1/64 ± 0°30'	FINAL SURFACE QUALITY REMOVE BURRS AND BREAK SHARP CORNERS
MATERIAL	FINISH

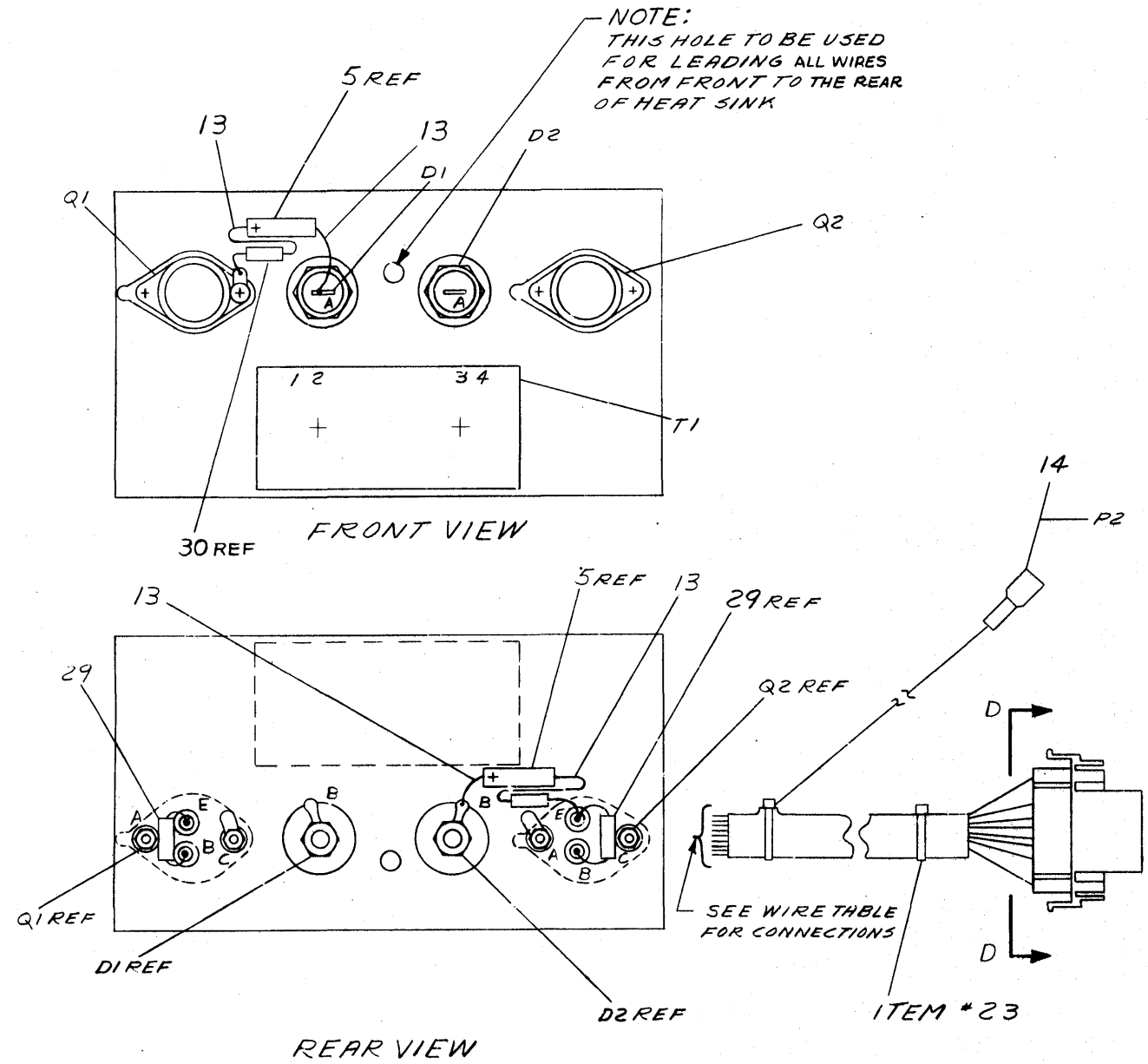
QTY.	DESCRIPTION	PART NO.	ITEM NO.
	PARTS LIST		
	digital EQUIPMENT CORPORATION MAYNARD, MASSACHUSETTS		
	TITLE HEAT SINK ASSY		
	NEXT HIGHER ASSY D-UA-H720-0-0		
	SCALE 1/1	NUMBER DAD 5408525-0-0	REV. C
	SHEET 1 OF 2	DIST.	

This drawing and specifications, herein, are the property of Digital Equipment Corporation and shall not be reprinted or copied or used in whole or in part as the basis for the manufacture or sale of items without written permission.

D 5408525-0-0 2

WIRE TABLE							
ITEM NO	DESCRIPTION	FROM		TO			
		AWG	COLOR	CONNECTION	WITH	CONNECTION	WITH
4	16 RED			T1-1	-	D1-B	SOLDER
	16 RED			D1-B	SOLDER	Q1-E	SOLDER
4	16 RED			T1-2	-	P1-5	ITEM#7
4	16 WHT			T1-3	-	P1-8	ITEM#7
4	16 WHT			T1-4	-	Q2-A	
20	18 VIO			Q2-B	SOLDER	P1-2	
19	18 ORN			Q1-C		P1-3	
18	18 GRV			Q2-E		P1-4	
17	18 BLU			D1-A		P1-6	
16	18 BLK			D2-B		P1-7	
21	18 YEL			Q1-B		P1-1	ITEM#7
21	18 YEL			D2-A		Q2-A	SOLDER
15	18 BRN			D2-A	SOLDER	P2	ITEM#14

SEE NOTE #2



REVISIONS	REV
CHANGE NO	
CHK	

FIRST USED ON OPTION/MODEL
+ +

DO NOT SCALE DRAWING
UNLESS OTHERWISE SPECIFIED
DIMENSION IN INCHES
TOLERANCES
DECIMALS FRACTIONS ANGLES
± .005 ± 1/64 ± 0°30'
FINAL SURFACE QUALITY
REMOVE BURRS AND BREAK SHARP CORNERS

QTY.	DESCRIPTION	PART NO.	ITEM NO.
PARTS LIST			
		EQUIPMENT CORPORATION MAYNARD, MASSACHUSETTS	
TITLE HEAT SINK ASSY			
MATERIAL		NEXT HIGHER ASSY	
FINISH		SCALE 1/1	
SHEET 2 OF 2		D 5408525-0-0	

D 5408525-0-0

DIGITAL EQUIPMENT CORPORATION
MAYNARD, MASSACHUSETTS
PARTS LIST

MADE BY P. MARCOTTE	CHECKED K. RUSS	SECTION
DATE 12/1/69	DATE 12/8/69	1
ENG <i>P. Marcotte</i>	PROD <i>T. Mac Donald</i>	ISSUED SECT.
DATE 12/23/69	DATE 12/23/69	1

ITEM NO.	DWG NO. / PART NO. CL BASIC VAR.	DESCRIPTION	QTY	UNIT COST	UNIT QUANTITY	QUANTITY ISSUED
1	C-SC-1209685-0-0	HEAT SINK	1			
2	1109781	DIODE IN3899	2			
3	1509737	TRANSISTOR 2N5301	2			
4	C-SC-1609762-0-0	COIL, TRANSFORMER	1			
5	1000063	CAPACITOR IMFD 150 VDC	2			
6	1209340-01	CONNECTOR #1-480460-0 MATE-N-LOCK	1			
7	1209378-01	PIN #60620-4 AMP	8			
8	9006761	TERMINAL #2104-06-00 SHAKEPROOF	2			
9	9006762	TERMINAL #2103-06-00 SHAKEPROOF	1			
10	9006721	INSULATED WASHER #294457	2			
11	9007951	NYLON SHOULDER WASHER	4			
12	9006723	WAFER INS.	4			
13	9107256-00	#22 TEFLON TUBING	A/R			
14	9007917	SOLDERLESS CONN #50902 ARKLESS	1			
15	9107360-11	#18 STRD TEF INS WIRE BRN	A/R			
16	9107360-00	#18 STRD TEF INS WIRE BLK	A/R			
17	9107360-66	#18 STRD TEF INS. WIRE BLU	A/R			
18	9107360-88	#18 STRD TEF INS. WIRE GRY	A/R			
19	9107360-33	#18 STRD TEF INS WIRE ORN	A/R			
20	9107360-77	#18 STRD TEF INS WIRE VIO	A/R			
21	9107360-44	#18 STRD TEF INS WIRE YEL	A/R			
22		DOW #340 SILICON COMPOUND	A/R			

TITLE	HEAT SINK ASSY	ASSY NO.	D-AD-5408525-0-0	SIZE	A	CODE	PL	NUMBER	5408525-0-0	REV.	D	ECONO.	H720-000011
		SHEET 1 OF 2		DIST.									

DIGITAL EQUIPMENT CORPORATION
MAYNARD, MASSACHUSETTS
PARTS LIST

MADE BY P. MARCOTTE	CHECKED K. RUSS	SECTION
DATE 12/1/69	DATE 12/8/69	1
ENG <i>P. Marcotte</i>	PROD <i>T. Mac Donald</i>	ISSUED SECT.
DATE 12/23/69	DATE 12/23/69	1

ITEM NO.	DWG NO. / PART NO. CL BASIC VAR.	DESCRIPTION	QTY	UNIT COST	UNIT QUANTITY	QUANTITY ISSUED
23	9007031	TIE WRAP #SST-1-B FANDUIT	2			
24	9007793	SCR PHL PAN HD 6-32 X 9/16 LG SST	4			
25	9006560	KEPS NUT #6-32 SST	4			
26	9006080-3	SCR PHL PAN HD #10-32 X 1-3/4" LG SST	2			
27	9007651	LOCK WASHER #10 EXT TOOTH	2			
28	9006764	TERMINAL #2101-14-00 SHAKEPROOF	2			
29	1302558	RESISTOR 27Ω 1W ± 5%	2			
30	1300168	RESISTOR 10Ω 1/2 W ± 5%	2			

TITLE	HEAT SINK ASSY	ASSY NO.	D-AD-5408525-0-0	SIZE	A	CODE	PL	NUMBER	5408525-0-0	REV.	D	ECONO.	
		SHEET 2 OF 2		DIST.									

DEC FORM NO. 16-1027
URA 123

