

"THE MATERIAL HEREIN IS FOR INFORMATION PURPOSES ONLY AND IS SUBJECT TO CHANGE WITHOUT NOTICE. DIGITAL EQUIPMENT CORPORATION ASSUMES NO RESPONSIBILITY FOR ANY ERRORS WHICH MAY APPEAR HEREIN."

FIELD MAINTENANCE PRINT SET

"THIS DRAWING AND SPECIFICATIONS, HEREIN, ARE THE PROPERTY OF DIGITAL EQUIPMENT CORPORATION AND SHALL NOT BE REPRODUCED OR COPIED OR USED IN WHOLE OR IN PART AS THE BASIS FOR THE MANUFACTURE OR SALE OF ITEMS WITHOUT WRITTEN PERMISSION. COPYRIGHT • 1982, DIGITAL EQUIPMENT CORPORATION."

TABLE OF CONTENTS

DWG. NUMBER	DESCRIPTION
D-UA-RA81-0-0	RA81 SHIP CONFIGURATION
K-PL-RA81-0-DBP	RA81 SHIP CONFIGURATION
D-AD-7019062-0-0	DISK DRIVE ASSEMBLY
K-PL-7019062-0-DBP	DISK DRIVE ASSEMBLY
D-AD-7018446-0-0	BASIC DISK DRIVE ASSEMBLY
K-PL-7018446-0-DBP	BASIC DISK DRIVE ASSEMBLY
C-AD-7019044-0-0	HDA R/W MODULE ASSEMBLY
K-PL-7019044-0-DBP	HDA R/W MODULE ASSEMBLY
D-UA-H7660-0-0	UNIT ASSEMBLY H7660
K-PL-H7660-0-DBP	UNIT ASSEMBLY H7660
E-IC-H7660-0-2	R81 POWER SUPPLY WIRING DIAGRAM
E-UA-5414668-0-0	CONNECTOR BOARD
K-PL-5414668-0-DBP	CONNECTOR BOARD
D-CS-5414668-0-1	CONNECTOR BOARD
D-UA-5415096-0-0	REGULATOR BD H7660
K-PL-5415096-0-DBP	REGULATOR BD H7660
D-CS-5415096-0-2	REGULATOR BD H7660
E-UA-5415094-0-0	H7660 CAPACITOR BOARD
K-PL-5415094-0-DBP	H7660 CAPACITOR BOARD
D-CS-5415094-0-1	H7660 CAPACITOR BOARD
D-AD-7016773-0-0	LOGIC CHASSIS ASSEMBLY
K-PL-7016773-0-DBP	LOGIC CHASSIS ASSEMBLY
D-AD-7016741-0-0	LOWER CHASSIS ASSEMBLY
K-PL-7016741-0-DBP	LOWER CHASSIS ASSEMBLY
E-UA-5415247-0-0	R81 MICROPROCESSOR
K-PL-5415247-0-DBP	R81 MICROPROCESSOR
D-CS-5415247-0-1	MICROPROCESSOR
D-AD-7018324-0-0	OPERATOR CONTROL PANEL ASSEMBLY
K-PL-7018324-0-DBP	OPERATOR CONTROL PANEL ASSEMBLY
D-UA-5414927-0-0	RA80 OPERATOR CONTROL PANEL
K-PL-5414927-0-DBP	OPERATOR CONTROL PANEL

UNIT VARIATIONS COVERED BY THIS PRINT SET	
RA81	-AA
RA81	-AD
RA81	-AE
RA81	-AJ
RA81	-CA
RA81	-CD
RA81	-CE
RA81	-CJ
RA81	-DA
RA81	-DD
RA81	-DE
RA81	-DJ
RA81	-EA
RA81	-ED
RA81	-EE
RA81	-EJ

RA81 Field Maintenance Print Set

Digital Equipment Corporation

Print Set Part Number **MP-01359**

REVISION HISTORY	REV.	A	TITLE digital RA81 SHIP CONFIGURATION	DRN.	<i>A. Davis, Jr.</i>	DATE	20 OCT 82	
	ECO NUMBER	RELEASED TO ECO CONTROL AT REV. A		CHK'D.	<i>A. Davis, Jr.</i>	DATE	27 OCT 82	
	DATE			DES. ENG.	<i>J. Hordley</i>	DATE	26 OCT 82	
				RESP. ENG.	<i>J. Hordley</i>	DATE	26 OCT 82	
				FIELD SERVICE	<i>D. Watt</i>	DATE	26 OCT 82	
		NEXT HIGHER DOC.					DOCUMENT NUMBER	
			SIZE	CODE	NUMBER	REV.		
			B	TC	RA81-0-1	A		
					SHEET	1	OF	2

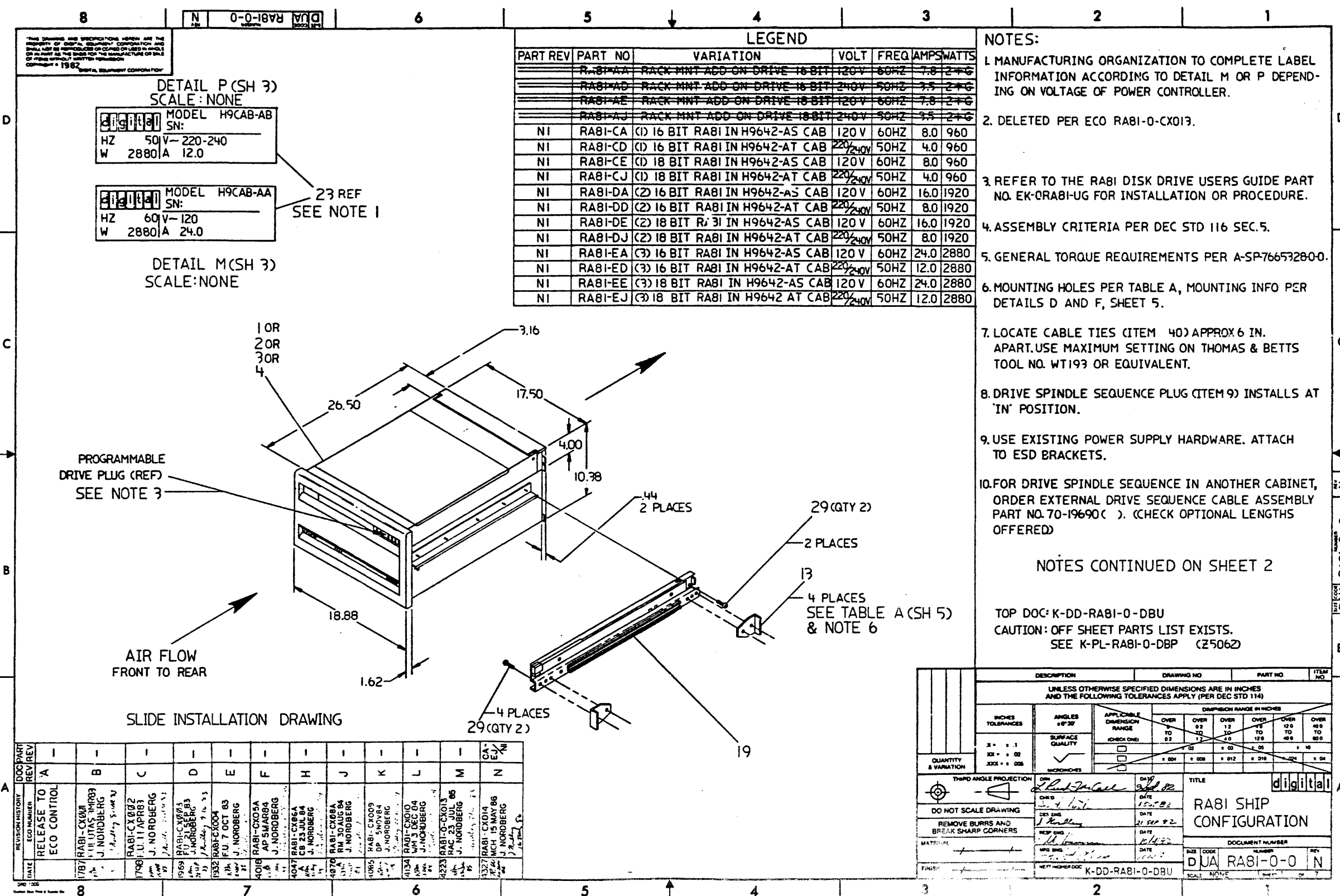
REV. A
SIZE B
CODE TC
NUMBER RA81-0-1

REV. A	NUMBER RA81-Ø-1	SIZE CODE B TC
--------	-----------------	----------------

"THIS DRAWING AND SPECIFICATIONS, HEREIN, ARE THE PROPERTY OF DIGITAL EQUIPMENT CORPORATION AND SHALL NOT BE REPRODUCED OR COPIED OR USED IN WHOLE OR IN PART AS THE BASIS FOR THE MANUFACTURE OR SALE OF ITEMS WITHOUT WRITTEN PERMISSION. 1982. COPYRIGHT © DIGITAL EQUIPMENT CORPORATION"

DWG. NUMBER	DESCRIPTION
D-CS-5414927-0-1	RA80 OPERATOR CONTROL PANEL
D-CS-5414927-0-2	RA80 OPERATOR CONTROL PANEL
D-AD-7019045-0-0	SERVO BOARD AND STIFFENER ASSEMBLY
K-PL-7019045-0-DBP	SERVO BOARD AND STIFFENER ASSEMBLY
E-UA-5415251-0-0	SERVO CONTROL
K-PL-5415251-0-DBP	SERVO CONTROL
D-CS-5415251-0-1	SERVO CONTROL
E-UA-5415253-0-0	READ/WRITE
K-PL-5415253-0-DBP	READ/WRITE
D-CS-5415253-0-1	READ/WRITE
D-BD-5415253-0-2	READ/WRITE
D-UA-5415288-0-0	HDA PCB 4
K-PL-5415288-0-DBP	HDA PCB 4
D-CS-5415288-0-1	HDA PCB 4
D-AD-7019046-0-0	PERSONALITY BOARD AND STIFFENER ASSEMBLY
K-PL-7019046-0-DBP	PERSONALITY BOARD AND STIFFENER ASSEMBLY
D-UA-5415249-0-0	RA81 PERSONALITY BOARD
K-PL-5415249-0-DBP	RA81 PERSONALITY BOARD
D-CS-5415249-0-1	PERSONALITY BOARD
D-IA-7020022-0-0	HHT CABLE
K-PL-7020022-0-DBP	HHT CABLE

TITLE RA81 SHIP CONFIGURATION	SHEET 2 OF 2	SIZE CODE B TC	NUMBER RA81-Ø-1	REV A
-------------------------------	--------------	----------------	-----------------	-------



This drawing and specifications herein are the property of Digital Equipment Corporation and shall not be reproduced or copied in any way without the prior written permission of Digital Equipment Corporation © 1982

DETAIL P (SH 3)
SCALE: NONE

MODEL H9CAB-AB
SN:
HZ 50V-220-240
W 2880A 12.0

MODEL H9CAB-AA
SN:
HZ 60V-120
W 2880A 24.0

23 REF
SEE NOTE 1

DETAIL M (SH 3)
SCALE: NONE

LEGEND						
PART REV	PART NO	VARIATION	VOLT	FREQ	AMPS	WATTS
	RAB1-AA	RACK MNT ADD ON DRIVE 18 BIT	120V	60HZ	7.8	246
	RAB1-AD	RACK MNT ADD ON DRIVE 18 BIT	240V	50HZ	9.5	246
	RAB1-AE	RACK MNT ADD ON DRIVE 18 BIT	120V	60HZ	7.8	246
	RAB1-AJ	RACK MNT ADD ON DRIVE 18 BIT	240V	50HZ	9.5	246
NI	RAB1-CA	(1) 16 BIT RAB1 IN H9642-AS CAB	120V	60HZ	8.0	960
NI	RAB1-CD	(1) 16 BIT RAB1 IN H9642-AT CAB	240V	50HZ	4.0	960
NI	RAB1-CE	(1) 18 BIT RAB1 IN H9642-AS CAB	120V	60HZ	8.0	960
NI	RAB1-CJ	(1) 18 BIT RAB1 IN H9642-AT CAB	240V	50HZ	4.0	960
NI	RAB1-DA	(2) 16 BIT RAB1 IN H9642-AS CAB	120V	60HZ	16.0	1920
NI	RAB1-DD	(2) 16 BIT RAB1 IN H9642-AT CAB	240V	50HZ	8.0	1920
NI	RAB1-DE	(2) 18 BIT RAB1 IN H9642-AS CAB	120V	60HZ	16.0	1920
NI	RAB1-DJ	(2) 18 BIT RAB1 IN H9642-AT CAB	240V	50HZ	8.0	1920
NI	RAB1-EA	(3) 16 BIT RAB1 IN H9642-AS CAB	120V	60HZ	24.0	2880
NI	RAB1-ED	(3) 16 BIT RAB1 IN H9642-AT CAB	240V	50HZ	12.0	2880
NI	RAB1-EE	(3) 18 BIT RAB1 IN H9642-AS CAB	120V	60HZ	24.0	2880
NI	RAB1-EJ	(3) 18 BIT RAB1 IN H9642 AT CAB	240V	50HZ	12.0	2880

- NOTES:
1. MANUFACTURING ORGANIZATION TO COMPLETE LABEL INFORMATION ACCORDING TO DETAIL M OR P DEPENDING ON VOLTAGE OF POWER CONTROLLER.
 2. DELETED PER ECO RAB1-0-CX013.
 3. REFER TO THE RAB1 DISK DRIVE USERS GUIDE PART NO. EK-ORAB1-UG FOR INSTALLATION OR PROCEDURE.
 4. ASSEMBLY CRITERIA PER DEC STD 116 SEC. 5.
 5. GENERAL TORQUE REQUIREMENTS PER A-SP-76653280-0.
 6. MOUNTING HOLES PER TABLE A, MOUNTING INFO PER DETAILS D AND F, SHEET 5.
 7. LOCATE CABLE TIES (ITEM 40) APPROX 6 IN. APART. USE MAXIMUM SETTING ON THOMAS & BETTS TOOL NO. WT193 OR EQUIVALENT.
 8. DRIVE SPINDLE SEQUENCE PLUG (ITEM 9) INSTALLS AT 'IN' POSITION.
 9. USE EXISTING POWER SUPPLY HARDWARE. ATTACH TO ESD BRACKETS.
 10. FOR DRIVE SPINDLE SEQUENCE IN ANOTHER CABINET, ORDER EXTERNAL DRIVE SEQUENCE CABLE ASSEMBLY PART NO. 70-19690C. (CHECK OPTIONAL LENGTHS OFFERED)
- NOTES CONTINUED ON SHEET 2
- TOP DOC: K-DD-RAB1-0-DBU
CAUTION: OFF SHEET PARTS LIST EXISTS.
SEE K-PL-RAB1-0-DBP (Z5062)

SLIDE INSTALLATION DRAWING

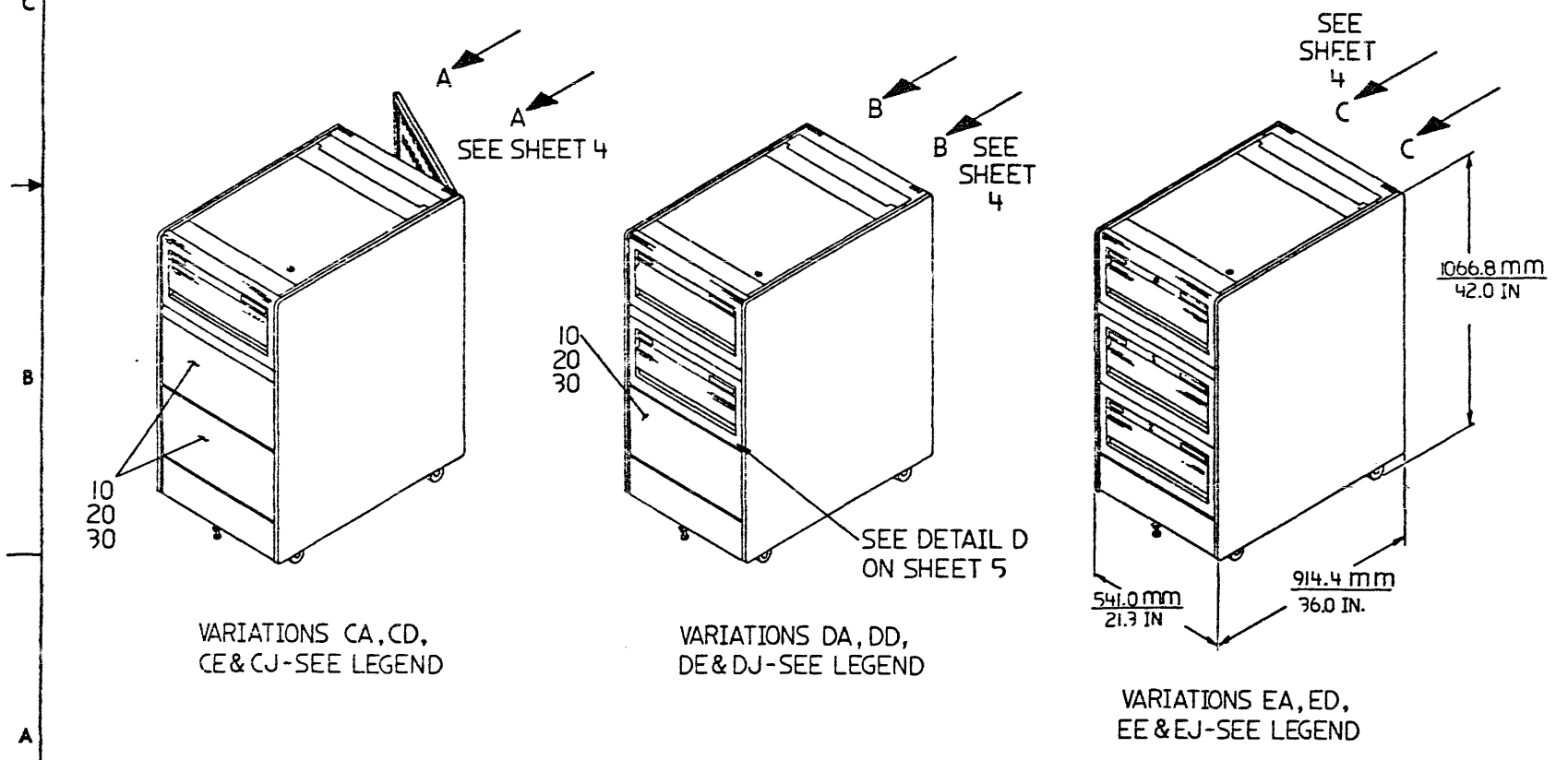
DOC/PART REV	ECO NUMBER	DATE	DESCRIPTION
A			RELEASE TO ECO CONTROL
B			RAB1-CX001 L. NORDBERG
C			RAB1-CX002 J. NORDBERG
D			RAB1-CX003 J. NORDBERG
E			RAB1-CX004 J. NORDBERG
F			RAB1-CX005 J. NORDBERG
G			RAB1-CX006 J. NORDBERG
H			RAB1-CX007 J. NORDBERG
I			RAB1-CX008 J. NORDBERG
J			RAB1-CX009 J. NORDBERG
K			RAB1-CX010 J. NORDBERG
L			RAB1-CX011 J. NORDBERG
M			RAB1-CX012 J. NORDBERG
N			RAB1-CX013 J. NORDBERG
O			RAB1-CX014 J. NORDBERG
P			RAB1-CX015 J. NORDBERG

QUANTITY & VARIATION	DESCRIPTION	DRAWING NO	PART NO	ITEM NO
	UNLESS OTHERWISE SPECIFIED DIMENSIONS ARE IN INCHES AND THE FOLLOWING TOLERANCES APPLY (PER DEC STD 114)			
	INCHES	APPLICABLE DIMENSION RANGE		
	± .1	0.125 TO 1.250	OVER .02	OVER .12
	± .02	1.250 TO 1.999	OVER .03	OVER .15
	± .015	2.000 TO 4.999	OVER .04	OVER .20
	± .010	5.000 TO 9.999	OVER .05	OVER .25
	± .008	10.000 TO 49.999	OVER .06	OVER .30
	± .007	50.000 TO 99.999	OVER .07	OVER .35
	± .006	100.000 TO 499.999	OVER .08	OVER .40
	± .005	500.000 TO 999.999	OVER .09	OVER .45
	± .004	1000.000 TO 4999.999	OVER .10	OVER .50
	± .003	5000.000 TO 9999.999	OVER .11	OVER .55
	± .002	10000.000 TO 49999.999	OVER .12	OVER .60
	± .001	50000.000 TO 99999.999	OVER .13	OVER .65
	± .001	100000.000 TO 499999.999	OVER .14	OVER .70
	± .001	500000.000 TO 999999.999	OVER .15	OVER .75
	± .001	1000000.000 TO 9999999.999	OVER .16	OVER .80
	± .001	10000000.000 TO 99999999.999	OVER .17	OVER .85
	± .001	100000000.000 TO 999999999.999	OVER .18	OVER .90
	± .001	1000000000.000 TO 9999999999.999	OVER .19	OVER .95
	± .001	10000000000.000 TO 99999999999.999	OVER .20	OVER .99
	± .001	100000000000.000 TO 999999999999.999	OVER .21	OVER .99
	± .001	1000000000000.000 TO 9999999999999.999	OVER .22	OVER .99
	± .001	10000000000000.000 TO 99999999999999.999	OVER .23	OVER .99
	± .001	100000000000000.000 TO 999999999999999.999	OVER .24	OVER .99
	± .001	1000000000000000.000 TO 9999999999999999.999	OVER .25	OVER .99
	± .001	10000000000000000.000 TO 99999999999999999.999	OVER .26	OVER .99
	± .001	100000000000000000.000 TO 999999999999999999.999	OVER .27	OVER .99
	± .001	1000000000000000000.000 TO 9999999999999999999.999	OVER .28	OVER .99
	± .001	10000000000000000000.000 TO 99999999999999999999.999	OVER .29	OVER .99
	± .001	100000000000000000000.000 TO 999999999999999999999.999	OVER .30	OVER .99

D-VA-RAB1-0-0
1 of 7

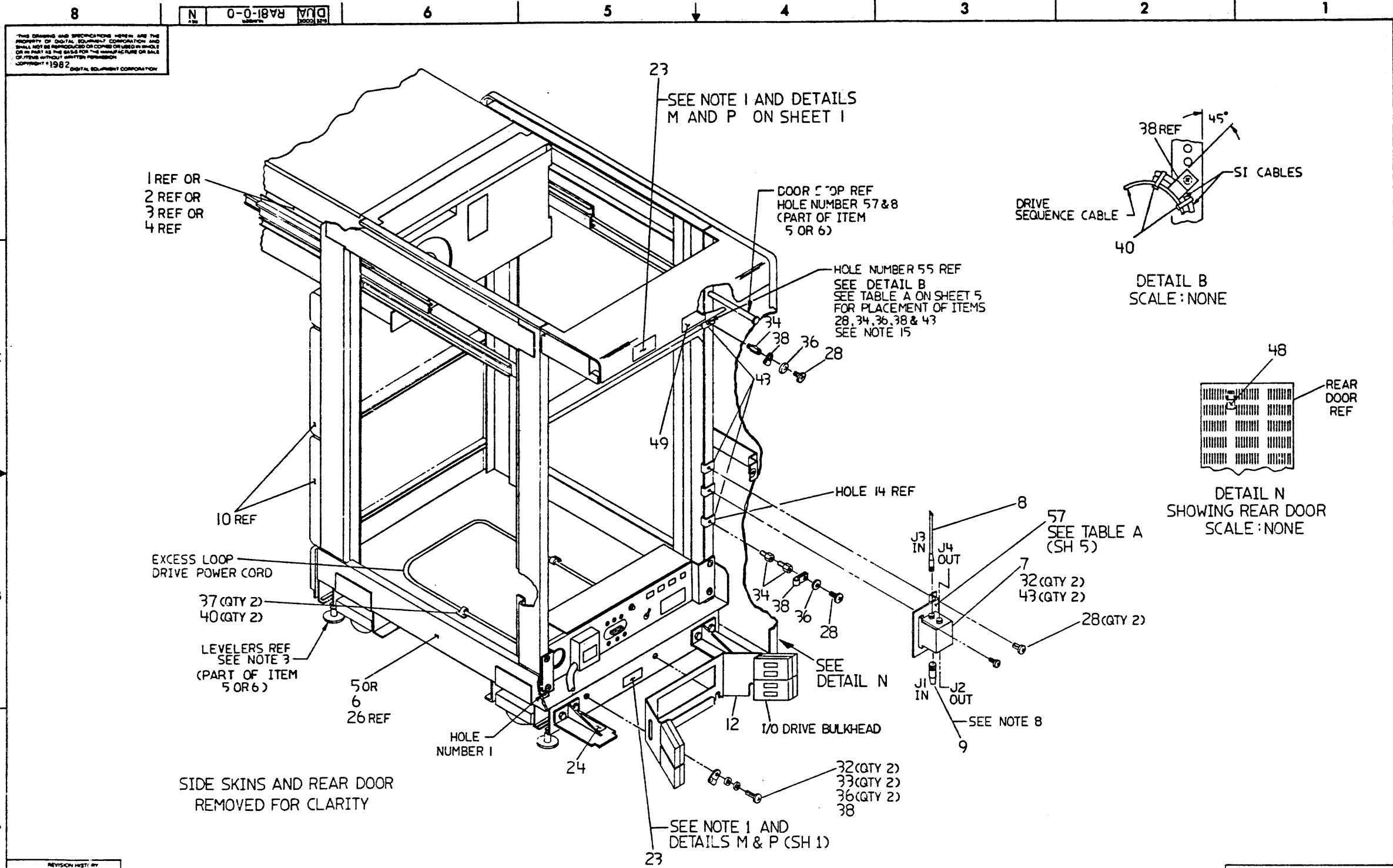
CABLE CHART FIRST RAB1, ADD ON, MIDDLE BAY				CABLE CHART SECOND RAB1, ADD ON, BOTTOM BAY					
ITEM NO	DESCRIPTION	FROM	TO	REMARKS	ITEM NO	DESCRIPTION	FROM	TO	REMARKS
	SI CABLE	A- DRIVE 0	A- I/O BLKHD	PART OF DRIVE 0		SI CABLE	A- DRIVE 0	A- I/O BLKHD	PART OF DRIVE 0
	SI CABLE	B- DRIVE 0	B- I/O BLKHD	PART OF DRIVE 0		SI CABLE	B- DRIVE 0	B- I/O BLKHD	PART OF DRIVE 0
	SI CABLE	A- DRIVE 1	A- I/O BLKHD	PART OF DRIVE 1		SI CABLE	A- DRIVE 1	A- I/O BLKHD	PART OF DRIVE 1
	SI CABLE	B- DRIVE 1	A- I/O BLKHD	PART OF DRIVE 1		SI CABLE	B- DRIVE 1	B- I/O BLKHD	PART OF DRIVE 1
9	PLUG SEQUENCE	PLUG-BLKHD		PART OF CABINET		SI CABLE	A- DRIVE 2	A- I/O BLKHD	PART OF DRIVE 2
	DRIVE SEQUENCE	IN- BLKHD	IN- DRIVE 0	PART OF DRIVE 0		SI CABLE	B- DRIVE 2	B- I/O BLKHD	PART OF DRIVE 2
8	DRIVE SEQUENCE	OUT- DRIVE 0	IN- DRIVE 1		9	PLUG SEQUENCE	PLUG-BLKHD		PART OF CABINET
	DRIVE SEQUENCE	OUT- DRIVE 1	OUT- I/O BLKHD	PART OF DRIVE 0		DRIVE SEQUENCE	IN- BULKHD	IN- DRIVE 0	PART OF DRIVE 0
	DRIVE PWR CORD	H766 PWR SUP	B74 PWR CNT	J5 SEE NOTE 13		DRIVE SEQUENCE	OUT- DRIVE 0	IN- DRIVE 1	PART OF DRIVE 1
					8	DRIVE SEQUENCE	OUT- DRIVE 1	IN- DRIVE 2	
						DRIVE SEQUENCE	OUT- DRIVE 2	OUT- I/O BLKHD	PART OF DRIVE 1
						DRIVE PWR CORD	H766 PWR SUP	B74 PWR CNT	J6 SEE NOTE 13

- NOTES CONT
- AT LEAST ONE BRACKET TO REMAIN CONNECTED TO REAR OF DRIVE WHEN DRIVE IS OPERATIONAL. (FUNCTIONAL ELECTROSTATIC DISCHARGE PATH).
 - WITH DRIVE FULLY EXTENDED, FASTEN CABLE CLAMPS (ITEM 38) WITH MINIMUM AMOUNT OF EXCESS CABLE.
 - DRESS CABLES AND/OR EXCESS TO VERTICAL UP-RIGHTS AS CLOSE AS POSSIBLE TO AVOID SNAGGING OR INTERFERENCE WITH SLIDE MOUNTED DISK DRIVES.
 - THESE PARTS USED ONLY ON MULTI-DRIVE CONFIGURATIONS.
 - FOR COMPLETE PARTS LISTS, INSTRUCTIONS, AND HARDWARE TO MOUNT THESE PARTS, SEE THEIR ASSOCIATED ASSEMBLY DRAWINGS.
 - ~~ITEM NUMBER 50 (GROUND CABLE) TO BE SHIPPED LOOSE ALONG WITH RELATED HARDWARE (ONE EACH OF ITEMS NUMBER 30, 33 AND 40)~~
 - ITEM NO. 56 (70-19690-12) AND ITEM NO. 53 (BC26V-12) TO BE SHIPPED AS LOOSE PIECE.



D-UA-RAB1-0-0 2 of 7

THIS DRAWING AND SPECIFICATIONS HEREIN ARE THE PROPERTY OF DIGITAL EQUIPMENT CORPORATION AND SHALL NOT BE REPRODUCED OR COPIED OR USED IN WHOLE OR IN PART AS THE BASIS FOR THE MANUFACTURE OR SALE OF ITEMS WITHOUT WRITTEN PERMISSION
 COPYRIGHT © 1987 DIGITAL EQUIPMENT CORPORATION



DATE	ECO NUMBER	REV

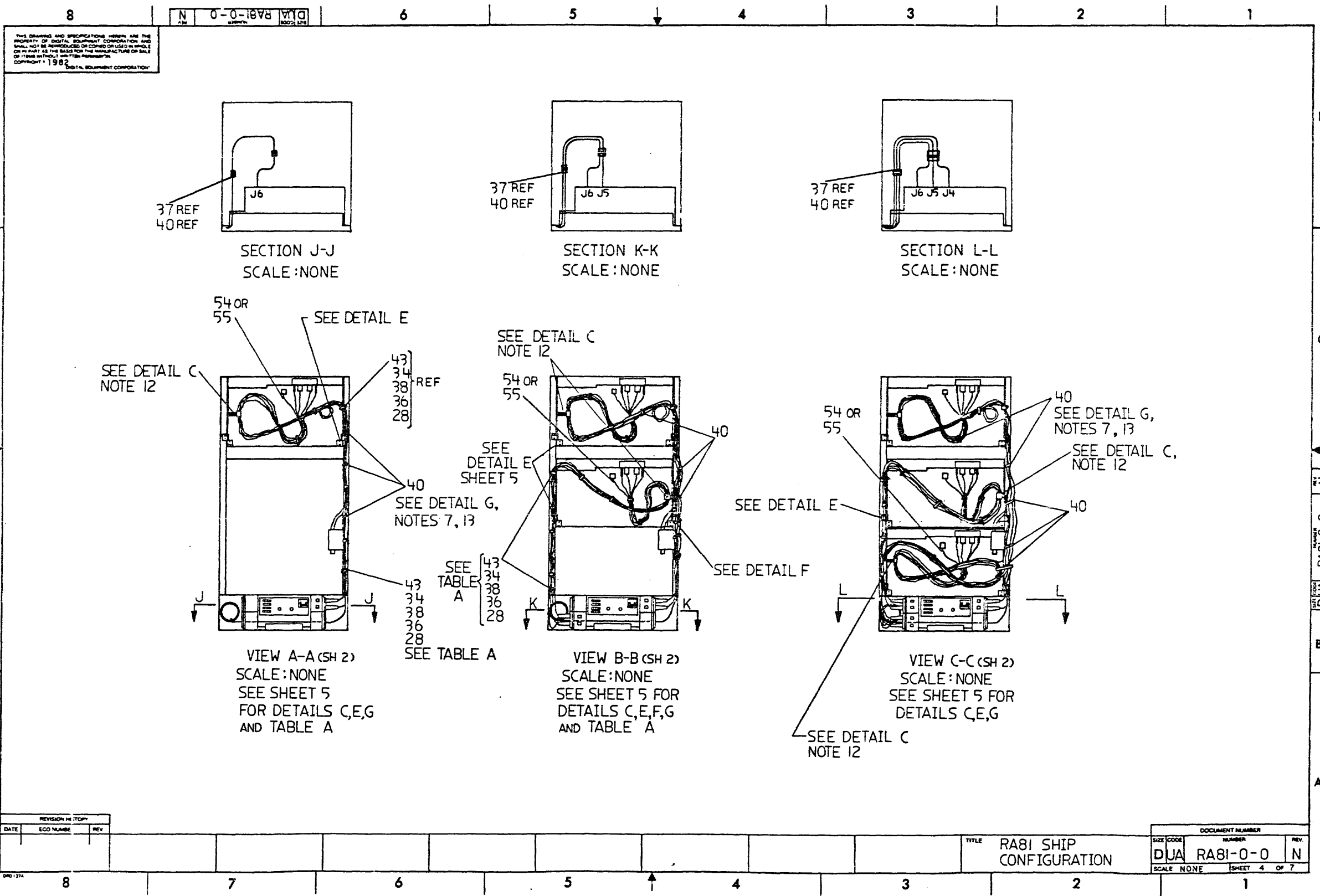
TITLE RAB1 SHIP CONFIGURATION

SIZE	CODE	DOCUMENT NUMBER	NUMBER	REV
DJA	RAB1-0-0	N		

SCALE: NONE SHEET 3 OF 7

DUA-RAB1-0-0

3 of 7



THIS DRAWING AND SPECIFICATIONS HEREIN ARE THE PROPERTY OF DIGITAL EQUIPMENT CORPORATION AND SHALL NOT BE REPRODUCED OR COPIED OR USED IN WHOLE OR IN PART AS THE BASIS FOR THE MANUFACTURE OR SALE OF ITEMS WITHOUT THE WRITTEN PERMISSION OF DIGITAL EQUIPMENT CORPORATION. COPYRIGHT © 1982

REVISION HISTORY		
DATE	ECO NUMBER	REV

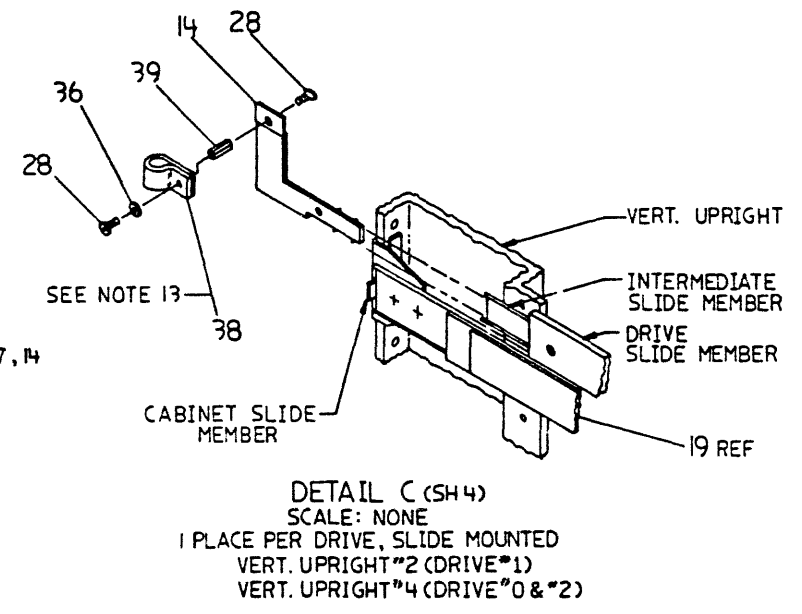
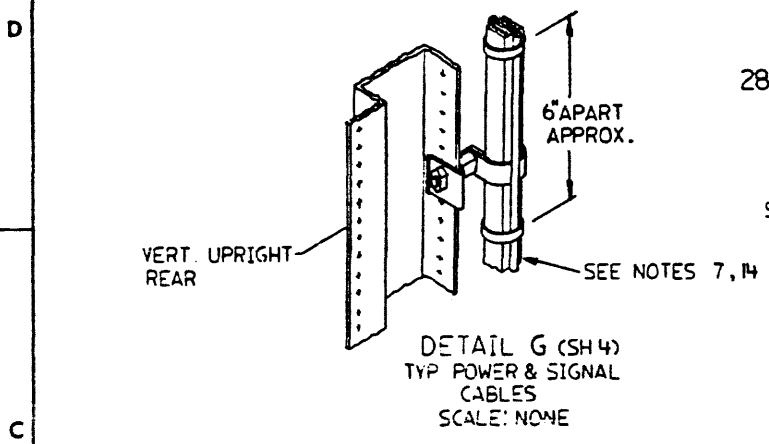
TITLE RAB1 SHIP CONFIGURATION

DOCUMENT NUMBER		
SIZE CODE	NUMBER	REV
DUA	RAB1-0-0	N
SCALE NONE	SHEET 4 OF 7	

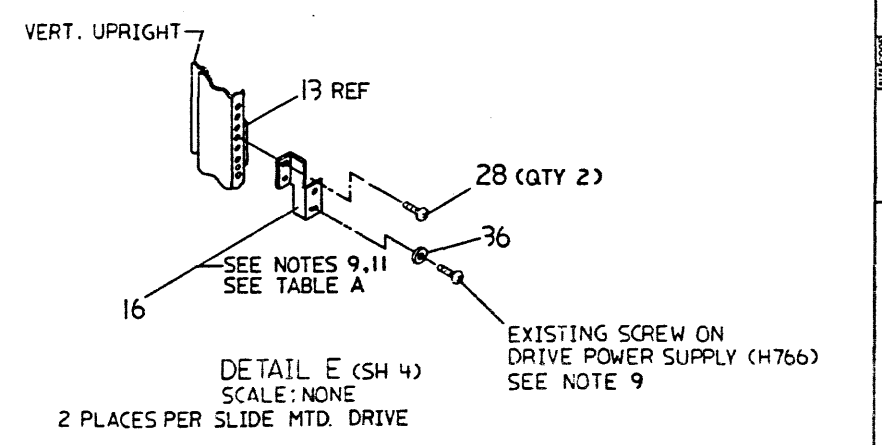
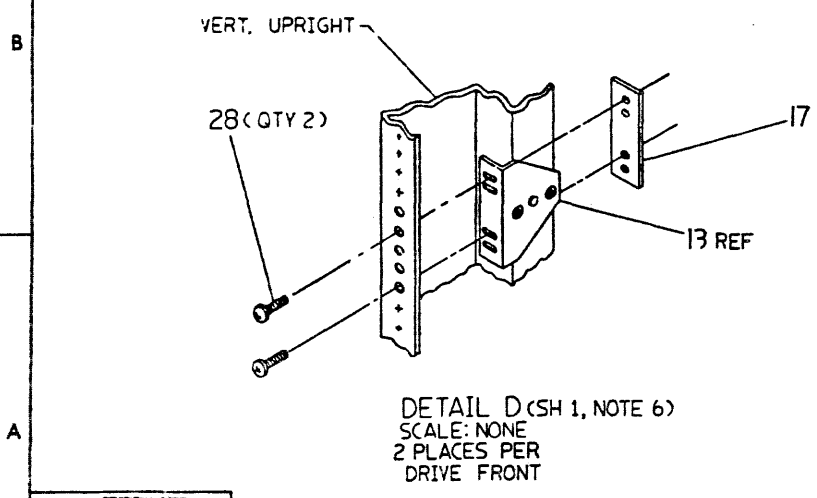
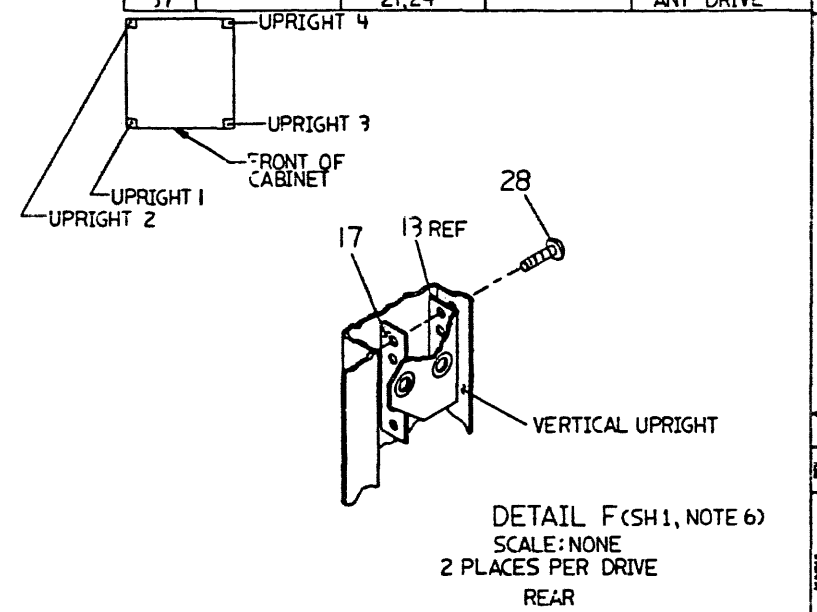
D-UA-RAB1-0-0

4 of 7

THIS DRAWING AND SPECIFICATIONS HEREBY ARE THE PROPERTY OF DIGITAL EQUIPMENT CORPORATION AND SHALL NOT BE REPRODUCED OR COPIED OR USED IN WHOLE OR IN PART AS THE BASIS FOR THE MANUFACTURE OR SALE OF ITEMS WITHOUT WRITTEN PERMISSION.
 COPYRIGHT © 1982 DIGITAL EQUIPMENT CORPORATION



ITEM NO	MOUNTING HOLE			CONFIGURATION
	VERTICAL UPRIGHT #4 (RIGHT REAR)	VERTICAL UPRIGHT #2 (LEFT REAR)	ALL VERTICAL UPRIGHTS	
34	7,42	14,55		ANY DRIVE
13			49,52	DRIVE 0
13			28,31	DRIVE 1
13			10,13	DRIVE 2
16	28,30	28,30		DRIVE 2
16	10,12	10,12		DRIVE 2
16	49,51	49,51		DRIVE 0
57		21,24		ANY DRIVE

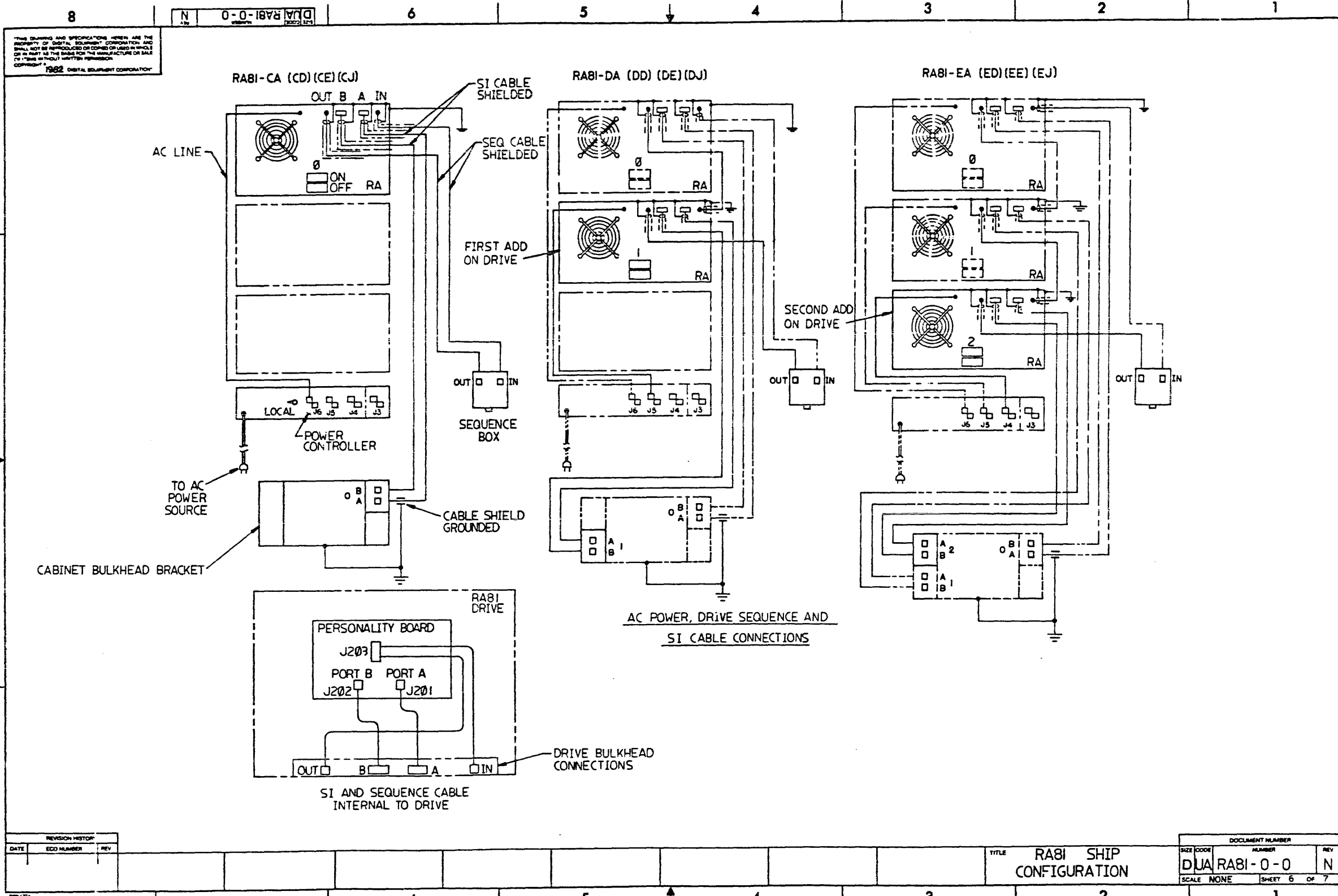


REVISION HISTORY		
DATE	EQJ NUMBER	REV

TITLE		DOCUMENT NUMBER	
SIZE	CODE	NUMBER	REV
DUA	RAB1-0-0	N	
SCALE: NONE	SHEET 5 OF 7		

D-UA-RAB1-0-0

5 of 7



THIS DRAWING AND SPECIFICATIONS HEREIN ARE THE PROPERTY OF DIGITAL EQUIPMENT CORPORATION AND SHALL NOT BE REPRODUCED OR COPIED OR USED IN WHOLE OR IN PART AS THE BASIS FOR THE MANUFACTURE OR SALE OF ANYTHING WITHOUT WRITTEN PERMISSION. COPYRIGHT © 1962 DIGITAL EQUIPMENT CORPORATION.

REVISION HISTORY		
DATE	ECO NUMBER	REV

TITLE RABI SHIP CONFIGURATION

DOCUMENT NUMBER		
SIZE	CODE	NUMBER
DJA	RABI-0-0	N
SCALE	NONE	SHEET 6 OF 7

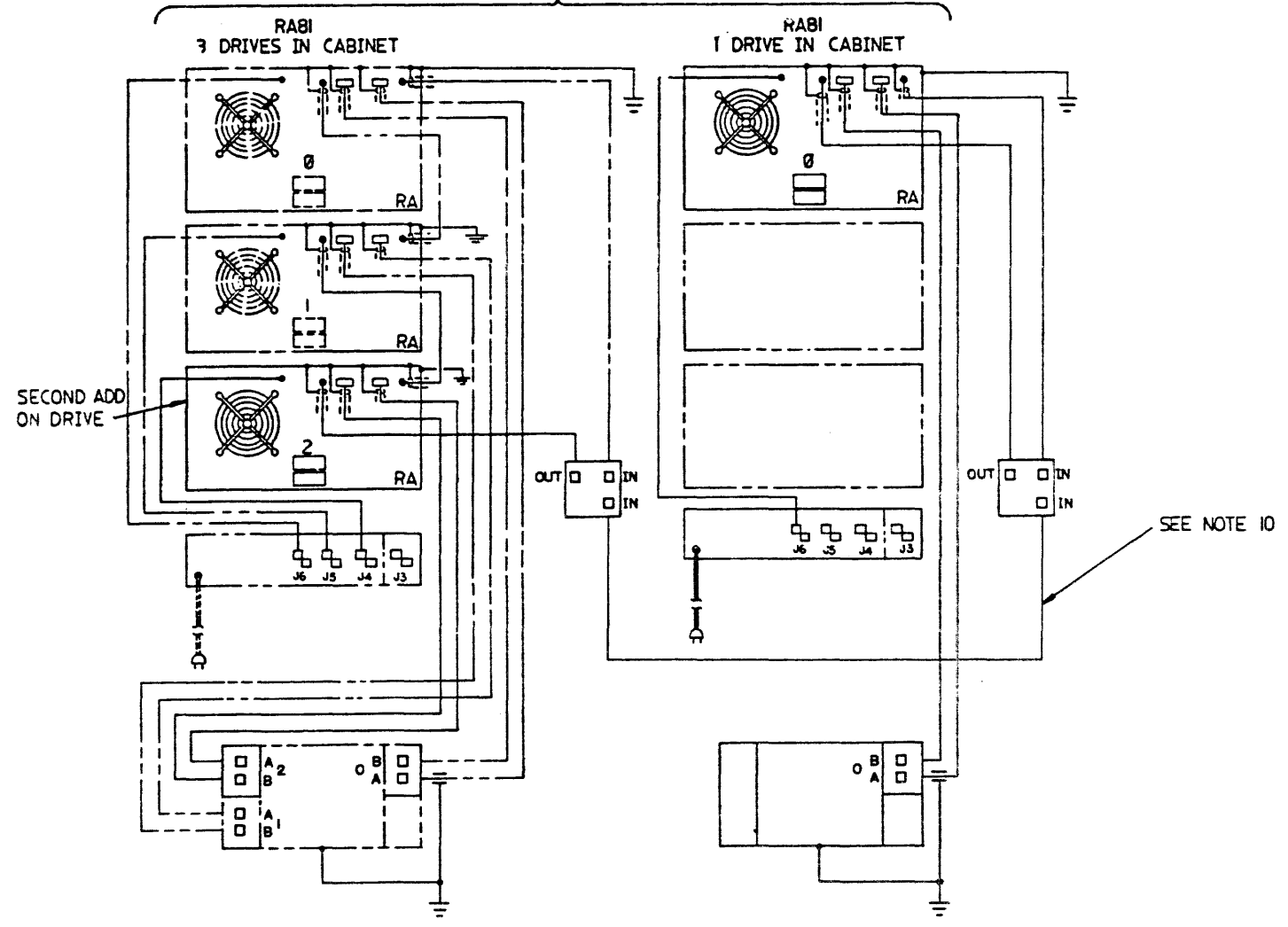
D-UA-RABI-0-0

6 of 7

THIS DRAWING AND SPECIFICATIONS HEREBY ARE THE PROPERTY OF DUA. EQUIPMENT CONFIGURATION AND SERIAL NUMBERS MAY BE REPRODUCED OR COPIED OR USED IN WHOLE OR IN PART AS THE BASIS FOR THE MANUFACTURE OF SALES OR SERVICE WITHOUT WRITTEN PERMISSION.
COPYRIGHT © 1982 DUA EQUIPMENT CORPORATION

DUA RAB1-0-0 N

MAXIMUM CONFIGURED SYSTEM PER UDA50



DUA RAB1-0-0 N

D-VA-RAB1-0-0

1 of 7

REVISION HIST BY		
DATE	ECO NUMBER	REV

TITLE RAB1 SHIP CONFIGURATION

DOCUMENT NUMBER		
SIZE CODE	NUMBER	REV
DUA	RAB1-0-0	N
SCALE NONE	SHEET 7	OF 7

LINE	ITEM	TOP DOCUMENT	PART NUMBER	MIN REV	DESCRIPTION	QUANTITY PER VARIATION/REVISION									
						CA N1	CD N1	CE N1	CJ N1	DA N1	DD N1	DE N1	DJ N1	EA N1	ED N1
1	1	D-AD-7019062-0-0	70-19062-01		DISK DRIVE ASSEMBLY(60HZ, 120V)	1	-	-	-	2	-	-	-	3	-
2	2	D-AD-7019062-0-0	70-19062-02		DISK DRIVE ASSEMBLY (50HZ, 240V)	-	1	-	-	-	2	-	-	-	3
3	3	D-AD-7019062-0-0	70-19062-03		DISK DRIVE ASSY (60HZ, 120V)	-	-	1	-	-	-	2	-	-	-
4	4	D-AD-7019062-0-0	70-19062-04		DISK DRIVE ASSY (50HZ, 240V)	-	-	-	1	-	-	-	2	-	-
5	5	D-UA-H9642-A-0	H9642-AS		RA81 STANDALONE CAB,120V 24A (874-	1	-	1	-	1	-	1	-	1	-
6	6	D-UA-H9642-A-0	H9642-AT		RA81 STANDALONE CAB,240V 24A (874-	-	1	-	1	-	1	-	1	-	1
7	7	D-AD-7019713-0-0	70-19713-01		SEQUENCE BOX ASSEMBLY	1	1	1	1	1	1	1	1	1	1
8	8	D-IA-7019690-0-0	70-19690-08		CABLE, DRIVE SEQ SHIELDED (8'-0")	2	2	2	2	3	3	3	3	4	4
9	9	C-IA-7019692-0-0	70-19692-01		PLUG	1	1	1	1	1	1	1	1	1	1
10	10	E-MD-7415314-0-0	74-15314-00		CASTING 101/2 SNAP-ON BEZEL	2	2	2	2	1	1	1	1	-	-
11	11	D-MD-7425325-0-0	74-25325-00		*** THIS ITEM IS NOT USED ***	-	-	-	-	-	-	-	-	-	-
12	12	D-IA-7432005-0-0	74-32005-01	A	BRACKET,SDI INTERFACE	1	1	1	1	1	1	1	1	1	1
13	13	D-MD-7419261-0-0	74-19261-00		BRACKET CHASSIS SLIDE	4	4	4	4	8	8	8	8	12	12
14	14	D-MD-7425326-0-0	74-25326-01	A	SPRING RETAINER CABLE	1	1	1	1	2	2	2	2	3	3
15	15	B-MD-7425167-0-0	74-25167-01		*** THIS ITEM IS NOT USED ***	-	-	-	-	-	-	-	-	-	-
16	16	C-MD-7428330-0-0	74-28330-01	A	BRACKET,ESD	2	2	2	2	4	4	4	4	6	6
17	17	B-MD-7425168-0-0	74-25168-01		BAR, NUT	4	4	4	4	8	8	8	8	12	12
18	18	A-DC-7416197-0-0	74-16197-02		*** THIS ITEM IS NOT USED ***	-	-	-	-	-	-	-	-	-	-
19	19		12-13686-00	J	CHASSIS SLIDE SET INCLUDED 1 L.H.	1	1	1	1	2	2	2	2	3	3
20	20	B-MD-7415711-0-0	74-15711-02		PIN PILOT	8	8	3	8	4	4	4	4	-	-
21	21		90-08059-00		*** THIS ITEM IS NOT USED ***	-	-	-	-	-	-	-	-	-	-
22	22		37-00588-02		*** THIS ITEM IS NOT USED ***	-	-	-	-	-	-	-	-	-	-
23	23		36-17674-01	E	LABEL,SERIAL/POWER W UL & CSA LO	2	2	2	2	2	2	2	2	2	2
24	24		36-20554-01	A	LABEL,CAUTION STABILITY RA81	1	1	1	1	1	1	1	1	1	1
25	25		36-13211-00	A	*** THIS ITEM IS NOT USED ***	-	-	-	-	-	-	-	-	-	-
26	26		37-00678-04		PKG DISK DRIVE RA60	1	1	1	1	1	1	1	1	1	1
27	27		90-06659-00		*** THIS ITEM IS NOT USED ***	-	-	-	-	-	-	-	-	-	-
28	28		90-09700-00	A	SCREW,SEMS TRUSS PHIL 10-32	16	16	16	16	30	30	30	30	42	42
29	29		90-10174-01	C	SCREW,SEMS PAN PHIL 8-32	12	12	12	12	24	24	24	24	36	36
30	30		90-06565-00	C	NUT,HEX EXT TOOTH LCKWSHR 10-32X	8	8	8	8	4	4	4	4	-	-
31	31		90-09228-10	A	*** THIS ITEM IS NOT USED ***	-	-	-	-	-	-	-	-	-	-
32	32		90-06074-01		SCREW,MACH PAN PHIL 10-32	2	2	2	2	2	2	2	2	2	2

REVISION HISTORY		KPL MATRIX FORMAT		SECTION A OF B		DRN: LRM		DIGITAL							
ENG	ECO NUMBER	REV	SECTION/VARIATION INDEX	CHK'D:	D. MILLER	DATE:	13-JUL-82								
JN	INITIAL REL	A	[A] CA,CD,CE,CJ,DA,DD,DE,DJ,EA,ED	DATE:	13-JUL-82	TITLE PARTS LIST									
JN	RA81-CX001	B	[B] EE,EJ	DATE:	13-JUL-82	RA81 SHIP CONFIGURATION									
JN	RA81-CX002	C	[C]	DES.ENG:	J. NORDBERG										
JN	RA81-CX003	D	[D]	DATE:	13-JUL-82	DOCUMENT NUMBER									
JN	RA81-CX004	E	[E]	SIZE:	CODE:	NUMBER:	REV:								
JN	RA81-CX05A	F	[F]	RESP.ENG.:	M. HAMMER										
JN	RA81-CX06A	H	[H]	DATE:	13-JUL-82	K	PL	RA81-0-DBP	N						
JN	RA81-CX08A	J	[J]												
JN	RA81-CX009	K	[K]	MFG.ENG:	L. GARCIA	RELEASE DATE: 10-JUN-86									
JN	RA81-CX010	L	[L]	DATE:	13-JUL-82	RELEASE STATUS: RELEASED									
JN	RA81-CX013	M	[M]												
JN	RA81-CX014	N	[N]	BASIC PART NUMBER:	ASSEMBLY NUMBER:	TOP DOCUMENT NUMBER:	FILE NAME:	EDIT #							
				RA81	D-UA-RA81-0-0	K-DD-RA81-0-DBU	Z5062N.PLS	5							

20 10-20-86
97 16 JUN 86

"THIS DRAWING AND THE SPECIFICATIONS CONTAINED HEREIN ARE CONFIDENTIAL AND PROPRIETARY. THEY ARE THE PROPERTY OF DIGITAL EQUIPMENT CORPORATION AND SHALL NOT BE REPRODUCED OR COPIED OR USED IN WHOLE OR IN PART AS THE BASIS FOR THE MANUFACTURE OR SALE OF ITEMS WITHOUT WRITTEN PERMISSION. THIS IS AN UNPUBLISHED WORK PROTECTED UNDER THE FEDERAL COPYRIGHT LAWS."

LINE	ITEM	TOP DOCUMENT	PART NUMBER	MIN REV	DESCRIPTION	EE N1	EJ N1	QUANTITY PER VARIATION/REVISION
1	1	D-AD-7019062-0-0	70-19062-01		DISK DRIVE ASSEMBLY(60HZ, 120V)	-	-	
2	2	D-AD-7019062-0-0	70-19062-02		DISK DRIVE ASSEMBLY (50HZ, 240V)	-	-	
3	3	D-AD-7019062-0-0	70-19062-03		DISK DRIVE ASSY (60HZ, 120V)	3	-	
4	4	D-AD-7019062-0-0	70-19062-04		DISK DRIVE ASSY (50HZ, 240V)	-	3	
5	5	D-UA-H9642-A-0	H9642-AS		RA81 STANDALONE CAB,120V 24A (874-	1	-	
6	6	D-UA-H9642-A-0	H9642-AT		RA81 STANDALONE CAB,240V 24A (874-	-	1	
7	7	D-AD-7019713-0-0	70-19713-01		SEQUENCE BOX ASSEMBLY	1	1	
8	8	D-IA-7019690-0-0	70-19690-08		CABLE, DRIVE SEQ SHIELDED (8'-0")	4	4	
9	9	C-IA-7019692-0-0	70-19692-01		PLUG	1	1	
10	10	E-MD-7415314-0-0	74-15314-00		CASTING 101/2 SNAP-ON BEZEL	-	-	
11	11	D-MD-7425325-0-0	74-25325-00		*** THIS ITEM IS NOT USED ***	-	-	
12	12	D-IA-7432005-0-0	74-32005-01 A		BRACKET,SDI INTERFACE	1	1	
13	13	D-MD-7419261-0-0	74-19261-00		BRACKET CHASSIS SLIDE	12	12	
14	14	D-MD-7425326-0-0	74-25326-01 A		SPRING RETAINER CABLE	3	3	
15	15	B-MD-7425167-0-0	74-25167-01		*** THIS ITEM IS NOT USED ***	-	-	
16	16	C-MD-7428330-0-0	74-28330-01 A		BRACKET,ESD	6	6	
17	17	B-MD-7425168-0-0	74-25168-01		BAR, NUT	12	12	
18	18	A-DC-7416197-0-0	74-16197-02		*** THIS ITEM IS NOT USED ***	-	-	
19	19		12-13686-00 J		CHASSIS SLIDE SET INCLUDED 1 L.H.	3	3	
20	20	B-MD-7415711-0-0	74-15711-02		PIN PILOT	-	-	
21	21		90-08059-00		*** THIS ITEM IS NOT USED ***	-	-	
22	22		37-00588-02		*** THIS ITEM IS NOT USED ***	-	-	
23	23		36-17674-01 E		LABEL,SERIAL/POWER W UL & CSA LO	2	2	
24	24		36-20554-01 A		LABEL,CAUTION STABILITY RA81	1	1	
25	25		36-13211-00 A		*** THIS ITEM IS NOT USED ***	-	-	
26	26		37-00678-04		PKG DISK DRIVE RA60	1	1	
27	27		90-06659-00		*** THIS ITEM IS NOT USED ***	-	-	
28	28		90-09700-00 A		SCREW,SEMS TRUSS PHIL 10-32	42	42	
29	29		90-10174-01 C		SCREW,SEMS PAN PHIL 8-32	36	36	
30	30		90-06565-00 C		NUT,HEX EXT TOOTH LCKWSHR 10-32X	-	-	
31	31		90-09228-10 A		*** THIS ITEM IS NOT USED ***	-	-	
32	32		90-06074-01		SCREW,MACH PAN PHIL 10-32	2	2	

REVISION HISTORY			KPL MATRIX FORMAT SECTION B OF B			DRN: LRM			DIGITAL			
ENG	ECO NUMBER	REV	SECTION/VARIATION INDEX			DATE:	D. MILLER			PARTS LIST		
JN	INITIAL REL	A	[A]	CA,CD,CE,CJ,DA,DD,DE,DJ,EA,ED	DATE:	13-JUL-82			RA81 SHIP CONFIGURATION			
JN	RA81-CX001	B	[B]	EE,EJ	DES.ENG:	J. NORDBERG			DOCUMENT NUMBER			
JN	RA81-CX002	C	[C]		DATE:	13-JUL-82			SIZE	CODE	NUMBER	REV
JN	RA81-CX003	D	[D]		RESP.ENG.:	M. HAMMER			K	PL	RA81-0-DBP	N
JN	RA81-CX004	E	[E]		DATE:	13-JUL-82			RELEASE DATE: 10-JUN-86			
JN	RA81-CX05A	F	[F]		DATE:	13-JUL-82			RELEASE STATUS: RELEASED			
JN	RA81-CX06A	H	[H]									
JN	RA81-CX08A	J	[J]									
JN	RA81-CX009	K										
JN	RA81-CX010	L										
JN	RA81-CX013	M										
JN	RA81-CX014	N										
			BASIC PART NUMBER:	ASSEMBLY NUMBER:	TOP DOCUMENT NUMBER:	FILE NAME:	EDIT #					
			RA81	D-UA-RA81-0-0	K-DD-RA81-0-DBU	Z5062N.PLS	5					

"THIS DRAWING AND THE SPECIFICATIONS CONTAINED HEREIN ARE CONFIDENTIAL AND PROPRIETARY. THEY ARE THE PROPERTY OF DIGITAL EQUIPMENT CORPORATION AND SHALL NOT BE REPRODUCED OR COPIED OR USED IN WHOLE OR IN PART AS THE BASIS FOR THE MANUFACTURE OR SALE OF ITEMS WITHOUT WRITTEN PERMISSION. THIS IS AN UNPUBLISHED WORK PROTECTED UNDER THE FEDERAL COPYRIGHT LAWS."

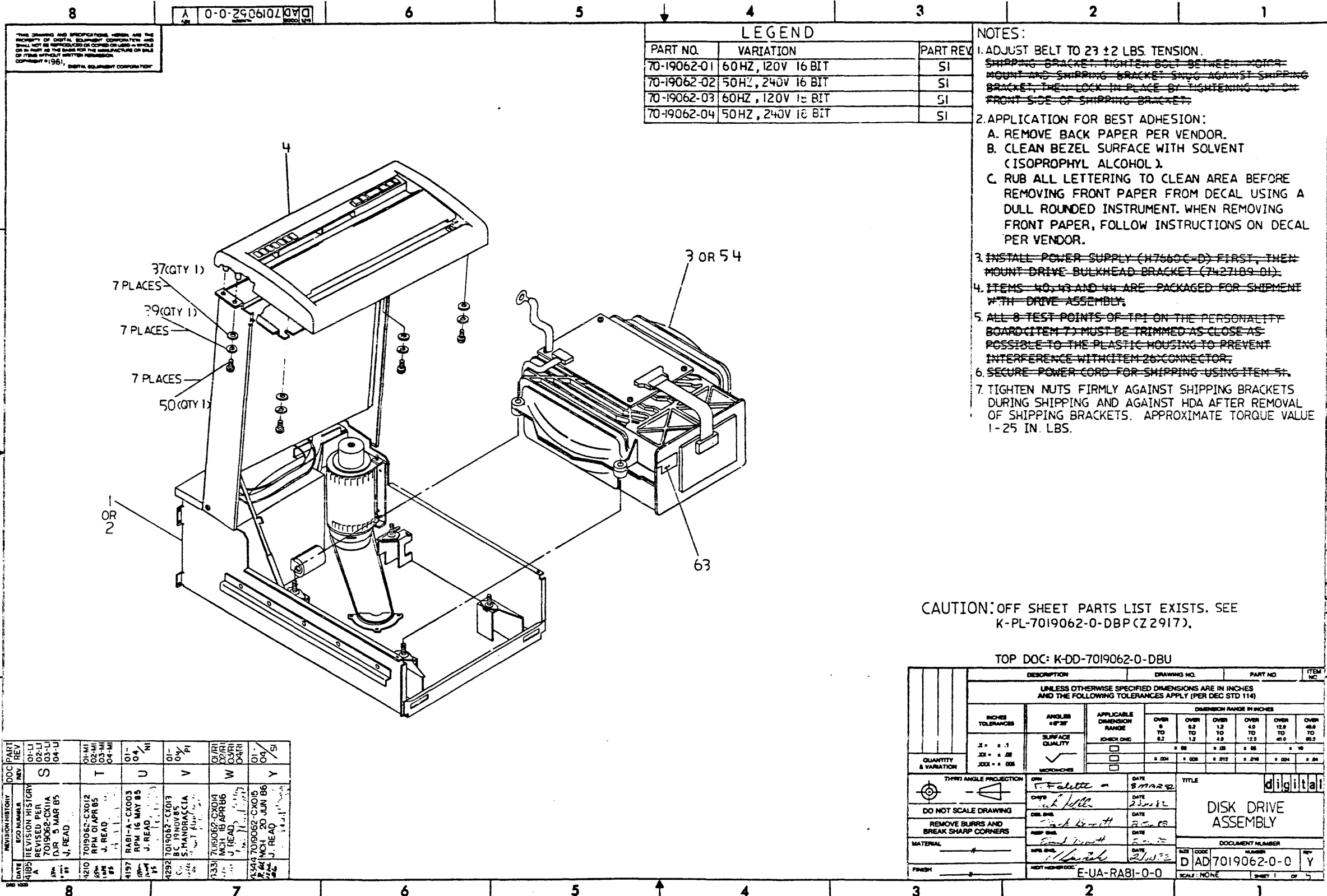
LINE	ITEM	TOP DOCUMENT	PART NUMBER	MIN REV	DESCRIPTION	EE N1	EJ N1	QUANTITY PER VARIATION/REVISION
33	33		90-07651-00	B	WASHER, LOCK EXTERNAL STEEL	2	2	
34	34		90-00001-22	A	STANDOFF, MALE/FEMALE HEX 10-32 X	4	4	
35	35		90-07083-00		*** THIS ITEM IS NOT USED ***	-	-	
36	36		90-06664-00		WASHER, FLAT SST	15	15	
37	37		90-08264-00	A	MOUNT, CABLE TIE, ADHESIVE BACKED,	2	2	
38	38		90-07088-00		CLAMP, CABLE, SCREW MTD. 11/16"	5	5	
39	39		90-07662-00	A	SPACER, THREADED HEX ALUM 10-32X	3	3	
40	40		90-07032-00	D	TIE, CABLE BUNDL. DIA 0-1-3/4"=101	44	44	
41	41		90-09984-00	B	SCREW, SEMS PAN PHIL 8-32	2	2	
42	42		90-06636-00		*** THIS ITEM IS NOT USED ***	-	-	
43	43		90-07786-00	F	RETAINER, U-NUT 10-32X	6	6	
44	44		90-09988-00		*** THIS ITEM IS NOT USED ***	-	-	
45	45		90-06073-02		*** THIS ITEM IS NOT USED ***	-	-	
46	46		50-09350-01		*** THIS ITEM IS NOT USED ***	-	-	
47	47		90-07867-00	A	*** THIS ITEM IS NOT USED ***	-	-	
48	48		36-18307-05		ASSY, 04, 01	1	1	
49	49		36-17880-03	E	LABEL, FCC, CLASS A, PERIPHERAL	1	1	
50	50	K-PL-7020194-0-DBP	70-20194-02		RA80 HARDWARE MTG KIT SLIDES	REF	REF	
51	51	K-PL-7020194-0-DBP	70-20194-01		RA80 HARDWARE MOUNTING KIT	REF	REF	
52	52	D-AD-7018340-0-0	70-18340-02		*** THIS ITEM IS NOT USED ***	-	-	
53	53	SEE NOTE 53	BC26V-12		SI CABLE, 12FT, 4 COAX SHIELDED	3	3	
54	54		17-00083-23	L	PWR CORD, TERM. 108IN, 14-3, 125V 15A	1	-	
55	55		17-00083-24	L	PWR CORD, TERM. 108IN, 14-3, 250V 6A	-	1	
56	56	D-IA-7019690-0-0	70-19690-12		CABLE, DRIVE SEQ SHIELDED (12'-0")	1	1	
57	57	K-IA-7432046-0-DBU	74-32046-01	A	BRACKET, SEQUENCE MTG.	1	1	

53 NOTE: ITEM 53 (BC26V-12), TO BE SHIPPED LOOSE PIECE.

1 GEN: LEGEND

2 GEN:	PART NO	VARIATION
3 GEN:	RA81-CA (1)16 BIT	RA81 IN H9642-AS CAB 120V 60Z
4 GEN:	RA81-CD (1)16 BIT	RA81 IN H9642-AT CAB 240V 50HZ
5 GEN:	RA81-CE (1)18 BIT	RA81 IN H9642-AS CAB 120V 60HZ
6 GEN:	RA81-CJ (1)18 BIT	RA81 IN H9642-AT CAB 240V 50HZ
7 GEN:	RA81-DA (2)16 BIT	RA81 IN H9642-AS CAB 120V 60HZ
8 GEN:	RA81-DD (2)16 BIT	RA81 IN H9642-AT CAB 240V 50HZ
9 GEN:	RA81-DE (2)18 BIT	RA81 IN H9642-AS CAB 120V 60HZ
10 GEN:	RA81-DJ (2)18 BIT	RA81 IN H9642-AT CAB 240V 50HZ
11 GEN:	RA81-EA (3)16 BIT	RA81 IN H9642-AS CAB 120V 60HZ
12 GEN:	RA81-ED (3)16 BIT	RA81 IN H9642-AT CAB 240V 50HZ
13 GEN:	RA81-EE (3)18 BIT	RA81 IN H9642-AS CAB 120V 60HZ
14 GEN:	RA81-EJ (3)18 BIT	RA81 IN H9642-AT CAB 240V 50HZ

D	I	G	I	T	A	L	TITLE	SECTION B OF B	ISIZETCODE	DOCUMENT NUMBER	REV
							RA81 SHIP CONFIGURATION			RA81-0-DBP	N



DA07019062-0-0 Y

LEGEND		
PART NO.	VARIATION	PART REV
70-19062-01	60HZ, 120V 16 BIT	SI
70-19062-02	50HZ, 240V 16 BIT	SI
70-19062-03	60HZ, 120V 16 BIT	SI
70-19062-04	50HZ, 240V 16 BIT	SI

- NOTES:
- ADJUST BELT TO 23 ± 2 LBS. TENSION. ~~SHIPPING BRACKET. TIGHTEN BOLT BETWEEN TOP OF MOUNT AND SHIPPING BRACKET SNUG AGAINST SHIPPING BRACKET. THEN LOCK IN PLACE BY TIGHTENING NUT ON FRONT SIDE OF SHIPPING BRACKET.~~
 - APPLICATION FOR BEST ADHESION:
 - REMOVE BACK PAPER PER VENDOR.
 - CLEAN BEZEL SURFACE WITH SOLVENT (ISOPROPYL ALCOHOL).
 - RUB ALL LETTERING TO CLEAN AREA BEFORE REMOVING FRONT PAPER FROM DECAL USING A DULL ROUNDED INSTRUMENT. WHEN REMOVING FRONT PAPER, FOLLOW INSTRUCTIONS ON DECAL PER VENDOR.
 - ~~INSTALL POWER SUPPLY (H7560C-D) FIRST, THEN MOUNT DRIVE BULKHEAD BRACKET (7427189-01).~~
 - ~~ITEMS 40, 43 AND 44 ARE PACKAGED FOR SHIPMENT WITH DRIVE ASSEMBLY.~~
 - ~~ALL 8 TEST POINTS OF TPI ON THE PERSONALITY BOARD (ITEM 7) MUST BE TRIMMED AS CLOSE AS POSSIBLE TO THE PLASTIC HOUSING TO PREVENT INTERFERENCE WITH ITEM 26 CONNECTOR.~~
 - ~~SECURE POWER CORD FOR SHIPPING USING ITEM 51.~~
 - TIGHTEN NUTS FIRMLY AGAINST SHIPPING BRACKETS DURING SHIPPING AND AGAINST HDA AFTER REMOVAL OF SHIPPING BRACKETS. APPROXIMATE TORQUE VALUE 1-25 IN. LBS.

THIS DRAWING AND SPECIFICATIONS HEREBY ARE THE PROPERTY OF DIGITAL EQUIPMENT CORPORATION AND SHALL NOT BE REPRODUCED OR COPIED OR USED IN WHOLE OR IN PART AS THE BASIS FOR THE MANUFACTURE OF SUCH OR THIS WITHOUT WRITTEN PERMISSION. COPYRIGHT © 1981, DIGITAL EQUIPMENT CORPORATION.

DATE	BY	REV	DESCRIPTION
11/18/81	SM	1	REVISED PER 7019062-CX11A (JUN 85 MARK B5) J. READ
12/10/81	SM	2	7019062-CX012 RPM OF APR 85 J. READ
01/17/82	SM	3	RAB1-A-CX003 RPM 16 MAY 85 J. READ
02/22/82	SM	4	7019062-CX013 BC 19 NOV 85 S. MANDRACIA
03/31/82	SM	5	7019062-CX014 MCH 18 APR 86 J. READ
04/24/82	SM	6	7019062-CX015 JUN 86 J. READ

CAUTION: OFF SHEET PARTS LIST EXISTS. SEE K-PL-7019062-0-DBP (Z2917).

TOP DOC: K-DD-7019062-0-DBU

DESCRIPTION	DRAWING NO.	PART NO.	ITEM NO.
UNLESS OTHERWISE SPECIFIED DIMENSIONS ARE IN INCHES AND THE FOLLOWING TOLERANCES APPLY (PER DEC STD 114)			
INCHES TOLERANCES	ANGLES ± 0°30'	APPLICABLE DIMENSION RANGE	
		OVER 0 TO 0.2	OVER 0.2 TO 0.5
SURFACE QUALITY	CHECK QMS	OVER 0.5 TO 1.2	OVER 1.2 TO 4.0
		OVER 1.2 TO 4.0	OVER 4.0 TO 80.0
QUANTITY & VARIATION	✓	± 0.04	± 0.08
THIRD ANGLE PROJECTION	DATE 8 MAR 82	TITLE digital	
DO NOT SCALE DRAWING	DATE 23 MAR 82	DISK DRIVE ASSEMBLY	
REMOVE BURRS AND BREAK SHARP CORNERS	DATE 25 MAR 82	DOCUMENT NUMBER	
MATERIAL	DATE 25 MAR 82	D AD 7019062-0-0 Y	
FINISH	DATE 25 MAR 82	SCALE: NONE	
	DATE 25 MAR 82	E-UA-RAB1-0-0	

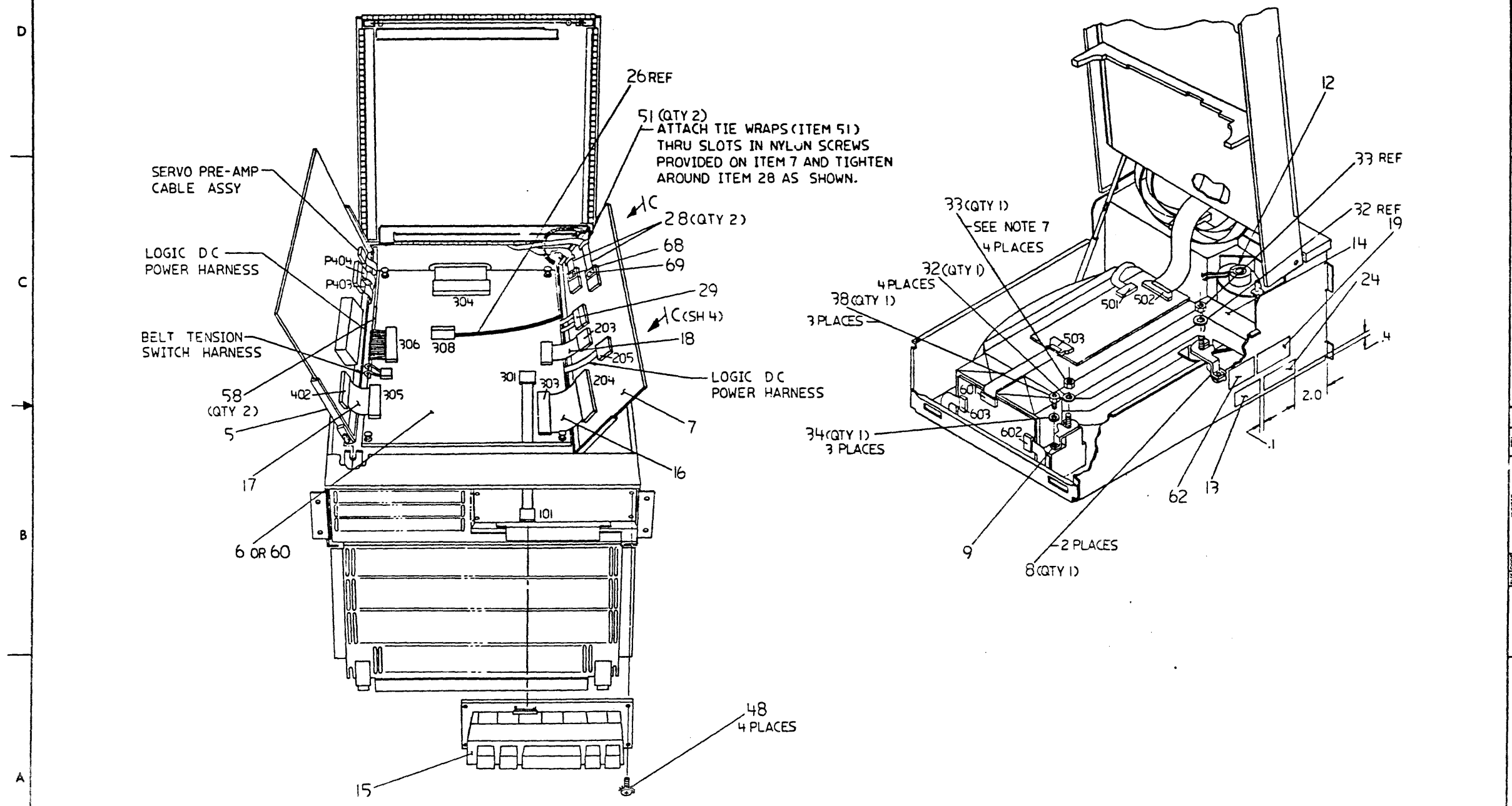
DA07019062-0-0 Y

LAD 7019062-0-0

inf 5

8 7 6 5 4 3 2 1

THIS DRAWING AND SPECIFICATIONS HEREIN ARE THE PROPERTY OF ORBITAL SCIENCE CORPORATION AND SHALL NOT BE REPRODUCED OR COPIED OR USED IN WHOLE OR IN PART AS THE BASIS FOR THE MANUFACTURE OR SALE OF ITEMS WITHOUT WRITTEN PERMISSION. ORBITAL SCIENCE CORPORATION © 1951



REVISION HISTORY		
DATE	EC NUMBER	REV

DISK DRIVE ASSEMBLY DAD 7019062-0-0 Y

DAD 7019062-0-0

DAD 7019062-0-0

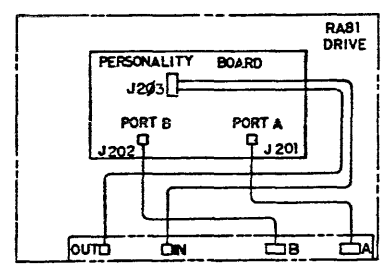
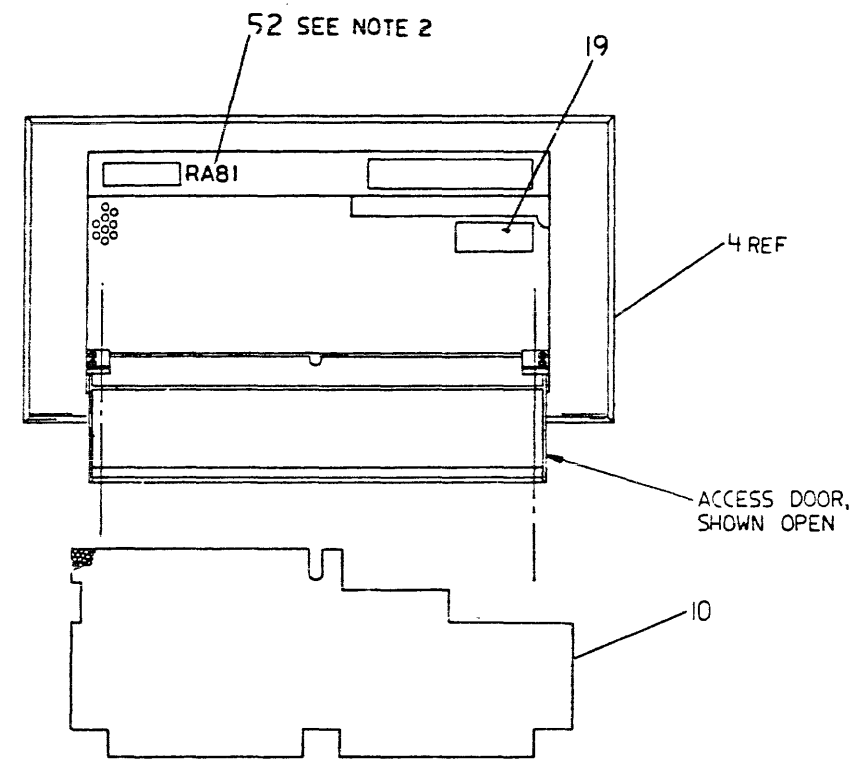
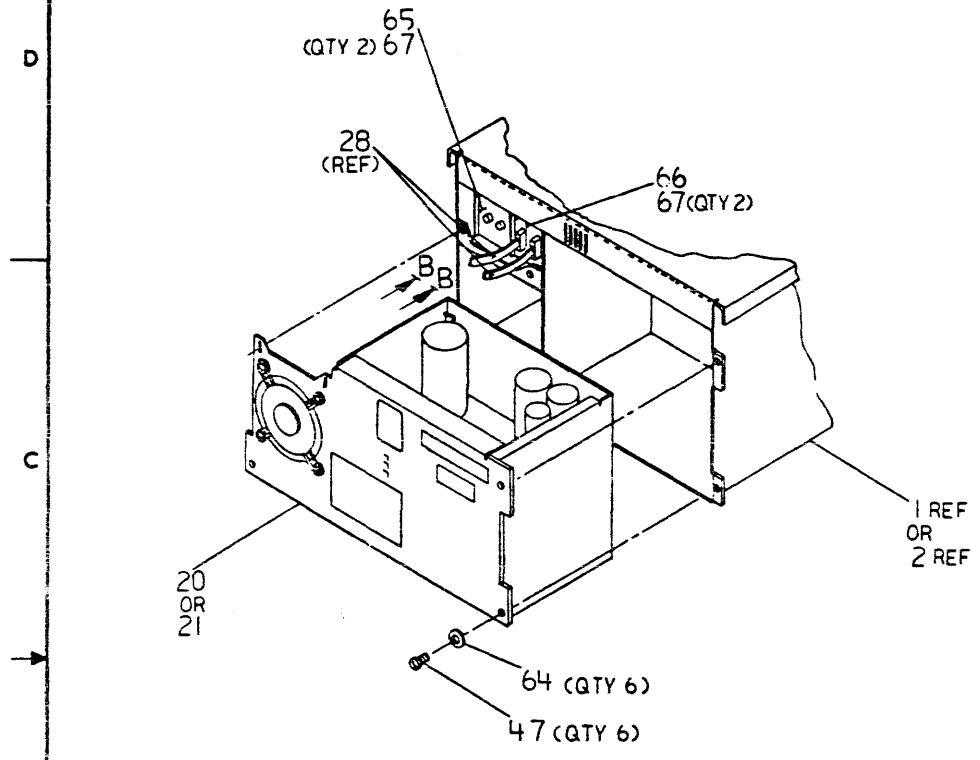
2 OF 5

7 6 5 4 3 2 1

8 7 6 5 4 3 2 1

THIS DRAWING AND SPECIFICATIONS HEREIN ARE THE PROPERTY OF DEPTA. EQUIPMENT COMPANY AND SHALL NOT BE REPRODUCED OR COPIED OR USED IN WHOLE OR IN PART AS THE BASIS FOR THE MANUFACTURE OR SALE OF ITEMS WITHOUT WRITTEN PERMISSION COMPANY #12345 DEPTA. EQUIPMENT COMPANY

REV. 0-0-290610Z JAN 70



DRIVE BULKHEAD CONNECTIONS
SI AND SEQUENCE CABLE
INTERNAL TO DRIVE

VIEW B-B

REVISION HISTORY		
DATE	REV. NUMBER	REV.

8 7 6 5 4 3 2 1

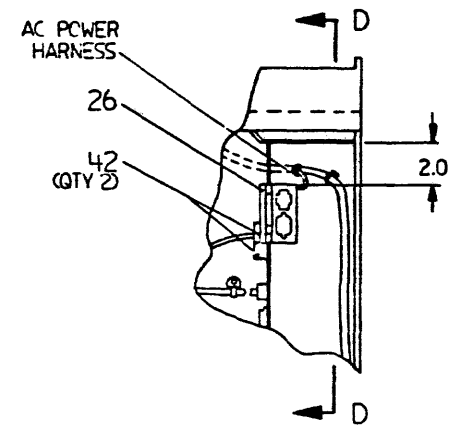
TITLE		DISK DRIVE ASSEMBLY	
SIZE	CODE	DOCUMENT NUMBER	REV.
		DAD7019062-0-0	Y
SCALE: NONE		SHEET 3 OF 5	

DAD 7019062-0-0

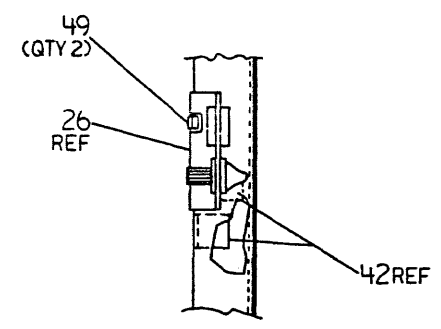
30F 5

8 | 7 | 6 | 5 | 4 | 3 | 2 | 1

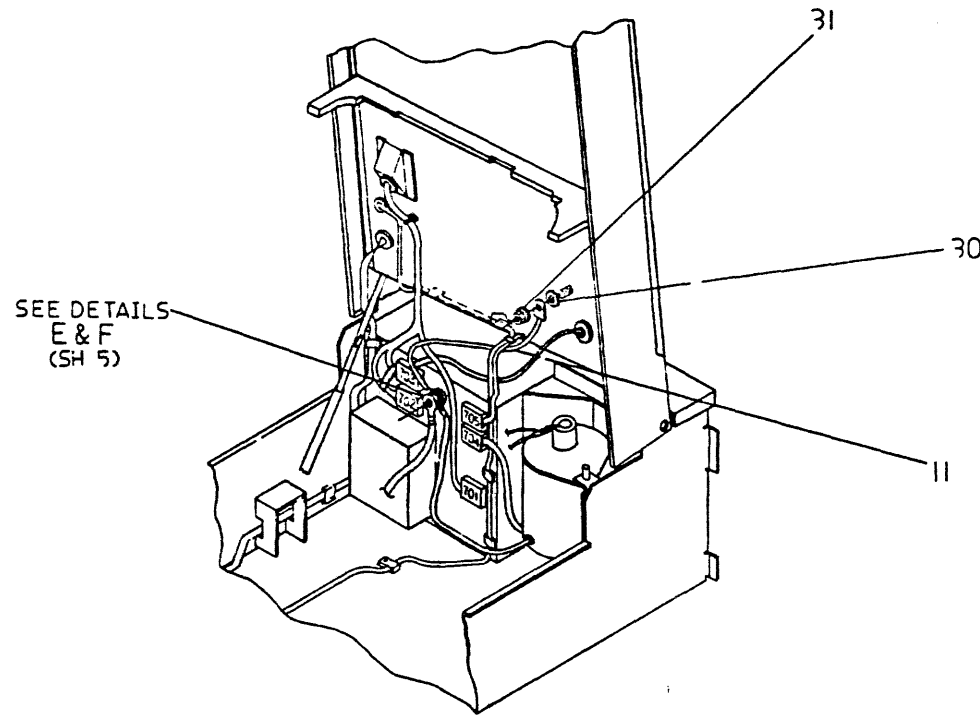
THIS DRAWING AND SPECIFICATIONS HEREBY ARE THE PROPERTY OF DIGITAL EQUIPMENT CORPORATION AND SHALL NOT BE REPRODUCED OR COPIED OR USED IN WHOLE OR IN PART AS THE BASIS FOR THE MANUFACTURE OR SALE OF ITEMS WITHOUT THE WRITTEN PERMISSION OF DIGITAL EQUIPMENT CORPORATION.



VIEW C-C (SH 2)
SCALE: NONE



SECTION D-D
SCALE: NONE



REVISION HISTORY		
DATE	ISSUE NUMBER	REV

DISK DRIVE ASSEMBLY

SIZE	CODE	DOCUMENT NUMBER	REV
D	AD	7019062-0-0	Y
SCALE	NONE	SHEET 4	OF 5

DAD 7019062-0-0

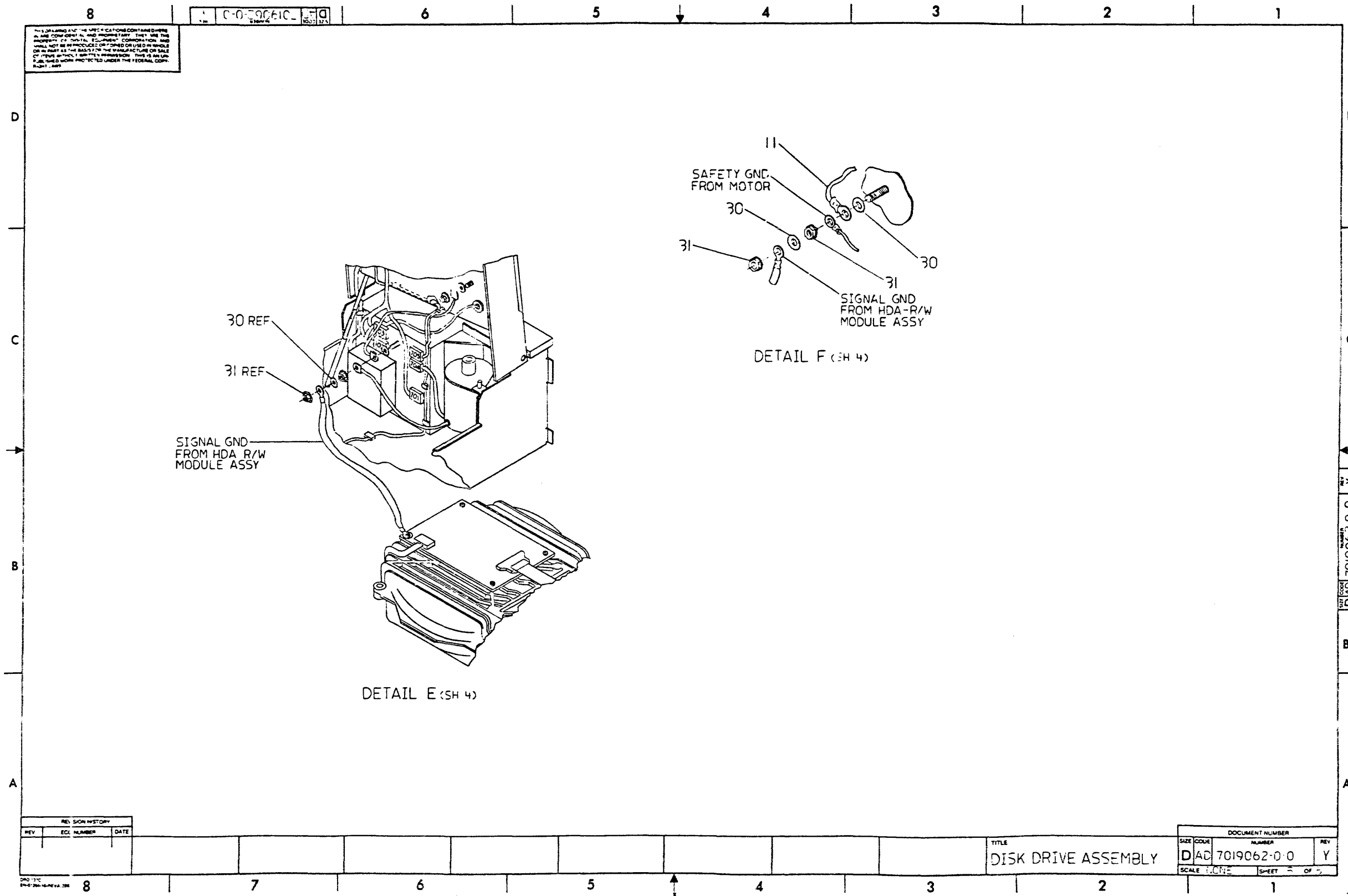
DAD 7019062-0-0

4 of 5

8 | 7 | 6 | 5 | 4 | 3 | 2 | 1

ALL DIMENSIONS AND SPECIFICATIONS CONTAINED HEREIN ARE CONFIDENTIAL AND PROPRIETARY. THEY ARE THE PROPERTY OF THE COMPANY AND SHALL NOT BE REPRODUCED OR TRANSMITTED IN ANY FORM OR BY ANY MEANS, ELECTRONIC OR MECHANICAL, INCLUDING PHOTOCOPYING, RECORDING, OR BY ANY INFORMATION STORAGE AND RETRIEVAL SYSTEM, WITHOUT THE WRITTEN PERMISSION OF THE COMPANY. THIS IS AN UNCLASSIFIED WORK PRODUCT PROTECTED UNDER THE FEDERAL COPYRIGHT ACT.

C-0-90610-10



DAD 7019062-0-0
 0-0-2906101
 DAD 7019062-0-0

5 OF 5

REV. SIGN HISTORY		
REV	ECN NUMBER	DATE

TITLE		DOCUMENT NUMBER	
DISK DRIVE ASSEMBLY		DAD 7019062-0-0	Y
SCALE	T.O.P.E.	SHEET	OF 5

LINE ITEM	TOP DOCUMENT	PART NUMBER	MIN REV	DESCRIPTION	QUANTITY PER VARIATION/REVISION			
					01 S1	02 S1	03 S1	04 S1
1	D-AD-7018446-0-0	70-18446-04		DISK DRIVE,BASIC,120V,60HZ,RA81	1	-	1	-
2	D-AD-7018446-0-0	70-18446-05		DISK DRIVE, BASIC, 240V, 50HZ, RA8	-	1	-	1
3	C-AD-7019044-0-0	70-19044-01		HDA R/W MODULE ASSEMBLY	1	1	-	-
4	K-IA-7021593-0-DBU	70-21593-01		BEZEL ASSEMBLY	1	1	1	1
5	D-AD-7019045-0-0	70-19045-01		SERVO BD AND STIFF ASSEMBLY	1	1	1	1
6		54-15247-00		R81 MICRO PROCESSOR MODULE	1	1	1	1
7	D-AD-7019046-0-0	70-19046-01		PERSONALITY BD AND STIFF ASSY	1	1	1	1
8	K-MD-7429716-0-DBU	74-29716-01 A		BRACKET, SHIPPING, L. I.	2	2	2	2
9	K-MD-7429716-0-DBU	74-29716-02		BRACKET,SHIPPING,R.H.	1	1	1	1
10	K-MD-7429721-0-DBU	74-29721-01 A		FILTER,FOAM	1	1	1	1
11		12-13756-09		GROUND STRAP,9"LG	1	1	1	1
12	K-MD-7429713-0-DBU	74-29713-01 A		BLOCK,MOTOR SHIPPING	1	1	1	1
13		36-17880-03		LABEL,FCC,CLASS A,PERIPHERAL	1	-	1	-
14	K-MD-7431354-0-DBU	74-31354-02 A		BLOCK,DAMPER,MOTOR	1	1	1	1
15	B-DD-5414927-0-0	54-15927-01		VS31 UNIBUS CONTROL MODULE	1	1	1	1
16	C-IA-7016737-0-0	70-16737-00		DATA 40 CABLE ASSY.	1	1	1	1
17	C-IA-7016737-0-0	70-16737-01		R80 DATA 40 CABLE ASSY	1	1	1	1
18	C-IA-7016738-0-0	70-16738-00		DATA 20 CABLE ASSY (DCL)	1	1	1	1
19		36-21711-05 A		LABEL,BAR CODE 2.20X .90	3	3	3	3
20	D-UA-H7660-0-0	H7660-C		H7660-A IMPROVED FOR ALL RA- DISK	1	-	1	-
21	D-UA-H7660-0-0	H7660-D		H7660-B IMPROVED FOR ALL RA- DISK	-	1	-	1
22				*** THIS ITEM IS NOT USED ***	-	-	-	-
23				*** THIS ITEM IS NOT USED ***	-	-	-	-
24		36-17674-01 E		LABEL,SERIAL/POWER W UL & CSA LO	1	1	1	1
25				*** THIS ITEM IS NOT USED ***	-	-	-	-
26	D-AD-7020018-0-0	70-20018-01		HHT CABLE AND BRACKET ASSEMBLY	1	1	1	1
27		37-00588-00		PKG DISK DRIVE R80	REF	REF	REF	REF
28		17-00465-03 A		CABLE,COAX,ASSY,SI SHIELDED RIBBON	2	2	2	2
29	D-IA-7019691-0-0	70-19691-1J		DRIVE SEQ CABLE ASSY 20"-(1'-8")	1	1	1	1
30		90-07651-00		WASHER,LOCK EXTERNAL STEEL	3	3	3	3
31		90-06565-00		NUT,HEX EXT TOOTH LCKWSHR 10-32X	3	3	3	3
32		90-07983-00		WASHER,FLAT SST	4	4	4	4

REVISION HISTORY			KPL MATRIX FORMAT SECTION A OF A		DRN: K. DAVIS	DIGITAL			
ENG	ECO NUMBER	REV	SECTION/VARIATION INDEX		DATE: 01-APR-85				
JR	7019062-CX005	J	[A]	01,02,03,04	CHK'D: D. MILLER	TITLE PARTS LIST			
JR	7019062-CX006	K	[B]		DATE: 01-APR-85	DISK DRIVE ASSEMBLY			
JR	7019062-CX007	L	[C]		DES.ENG: F. BERNETT				
JR	7019062-CX008	M	[D]		DATE: 01-APR-85	DOCUMENT NUMBER			
JR	7019062-CX009	N	[E]			SIZE	CODE	NUMBER	REV
JN	RA81-CX009	P	[F]		RESP.ENG.: M. HAMMER				
MM	7019062-CX010	R	[H]		DATE: 01-APR-85	K	PL	7019062-0-DBP	Y
MM	7019062-CX11A	S	[J]						
JR	7019062-CX012	T			MFG.ENG: D. SAJDAK	RELEASE DATE: 24-JUN-86			
JR	RA81-A-CX003	U			DATE: 01-APR-85	RELEASE STATUS: RELEASED			
SM	7019062-CX013	V							
JR	7019062-CX014	W							
JR	7019062-CX015	Y							
					BASIC PART NUMBER:	ASSEMBLY NUMBER:	TOP DOCUMENT NUMBER:	FILE NAME:	EDIT #
					7019062	D-AD-7019062-0-0	K-DD-7019062-0-DBU	Z2917Y.PLS	4

R.W.
1 JUL
86

"THIS DRAWING AND THE SPECIFICATIONS CONTAINED HEREIN ARE CONFIDENTIAL AND PROPRIETARY. THEY ARE THE PROPERTY OF DIGITAL EQUIPMENT CORPORATION AND SHALL NOT BE REPRODUCED OR COPIED OR USED IN WHOLE OR IN PART AS THE BASIS FOR THE MANUFACTURE OR SALE OF ITEMS WITHOUT WRITTEN PERMISSION. THIS IS AN UNPUBLISHED WORK PROTECTED UNDER THE FEDERAL COPYRIGHT LAWS."

LINE	ITEM	TOP DOCUMENT	PART NUMBER	MIN REV	DESCRIPTION	QUANTITY PER VARIATION/REVISION			
						01 S1	02 S1	03 S1	04 S1
33	33		90-08203-00		NUT,HEX EXT TOOTH LCKWSHR 1/4-20X	4	4	4	4
34	34		90-07906-00		WASHER,HELICAL SPLIT STEEL	3	3	3	3
35	35		90-06664-00		*** THIS ITEM IS NOT USED ***	-	-	-	-
36	36		90-09966-00		*** THIS ITEM IS NOT USED ***	-	-	-	-
37	37		90-06660-00		WASHER,FLAT SST	7	7	7	7
38	38		90-06346-08	A	SCREW,CAP SOC HEX 10-24	3	3	3	3
39	39		90-06690-00	CR	WASHER,HELICAL SPLIT SST	7	7	7	7
40	40	#SEE NOTE 4 ON DWG	36-18940-01		LABEL,SW. MARKER	1	1	1	1
41	41		90-06352-08		*** THIS ITEM IS NOT USED ***	-	-	-	-
42	42		90-09636-00		CLAMP,CABLE ADH MNT	2	2	2	2
43	43	D-AD-7018340-0-0	70-18340-02		I/O BULKHEAD DRIVE RA81/RA60	1	1	1	1
44	44				*** THIS ITEM IS NOT USED ***	-	-	-	-
45	45		90-06632-00		*** THIS ITEM IS NOT USED ***	-	-	-	-
46	46		90-06011-01		*** THIS ITEM IS NOT USED ***	-	-	-	-
47	47		90-09682-01	CR	SCREW,MACH HEXNW SLOT 8-32	6	6	6	6
48	48		90-10532-01		SCREW,SEMS PAN PHIL 6-32	4	4	4	4
49	49		90-09748-00		CLIP,"U", .50 LG X .34 HIGH X .132	2	2	2	2
50	50		90-06037-01	CR	SCREW,MACH PAN PHIL 8-32	7	7	7	7
51	51		90-10266-00		TIE,CABLE 7.312L	2	2	2	2
52	52		36-17314-01		LABEL,RUB-ON RA81	1	1	1	1
53	53		90-08264-00		*** THIS ITEM IS NOT USED ***	-	-	-	-
54	54	C-AD-7019044-0-0	70-19044-02		HDA-R/W MODULE ASSEMBLY (18 BIT)	-	-	1	1
55	55		90-09963-00		*** THIS ITEM IS NOT USED ***	-	-	-	-
56	56		12-20320-01		*** THIS ITEM IS NOT USED ***	-	-	-	-
57	57	D-IA-7427189-0-0	74-27189-01		*** THIS ITEM IS NOT USED ***	-	-	-	-
58	58		90-09718-04	E	GROMMET,STRIP STYRENE	2	2	2	2
59	59		90-07031-00	B	*** THIS ITEM IS NOT USED ***	-	-	-	-
60	60	SEE NOTE # 60	54-15247-01		MICROPROCESSOR/DAUGHTER BOARD	REF	REF	REF	REF
61	61		90-06655-00		*** THIS ITEM IS NOT USED ***	-	-	-	-
62	62		36-15710-00		LABEL,PAPER FORM FEED	1	1	1	1
63	63		36-18565-01	B	LABEL,ATTENTION	1	1	1	1
64	64		90-06661-00		WASHER,FLAT SST	6	6	6	6
65	65	D-IA-7021590-0-0	70-21590-01		SEQUENCE CABLE/PANEL ASSEMBLY	1	1	1	1
66	66	K-IA-7429005-0-DBU	74-29005-01	A	PLATE,I/O COMMON	1	1	1	1
67	67	SEE NOTE # 67	12-19534-01	B	SCREW, CAPTV SLOT 4-40	4	4	4	4
68	68		36-16923-40	A	LABEL,PORT IDENT "A"	1	1	1	1
69	69		36-16923-41	A	LABEL,PORT IDENT "B"	1	1	1	1

60 NOTE: ITEM 60, 54-15247-00 AND 54-15247-01 CAN BE USED INTERCHANGEABLY.

67 NOTE: ITEM 67, 12-19534-02 IS AN ACCEPTABLE SUBSTITUTE FOR 12-19534-01.

1 GEN:	PART NUMBER	VARIATION
2 GEN:	70-19062-01	120V, 60HZ, 16 BIT
3 GEN:	70-19062-02	240V, 50HZ, 16 BIT
4 GEN:	70-19062-03	120V, 60HZ, 18 BIT
5 GEN:	70-19062-04	240V, 50HZ, 18 BIT

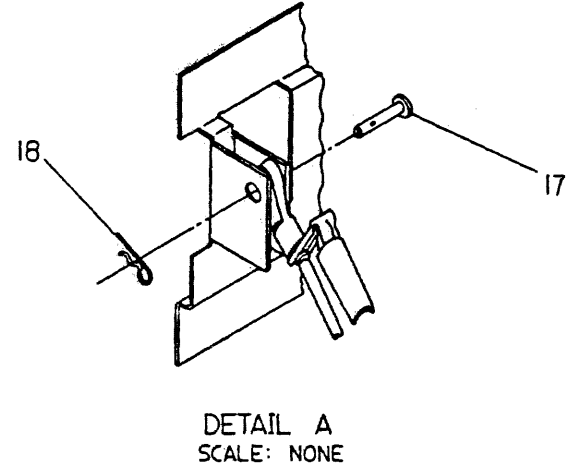
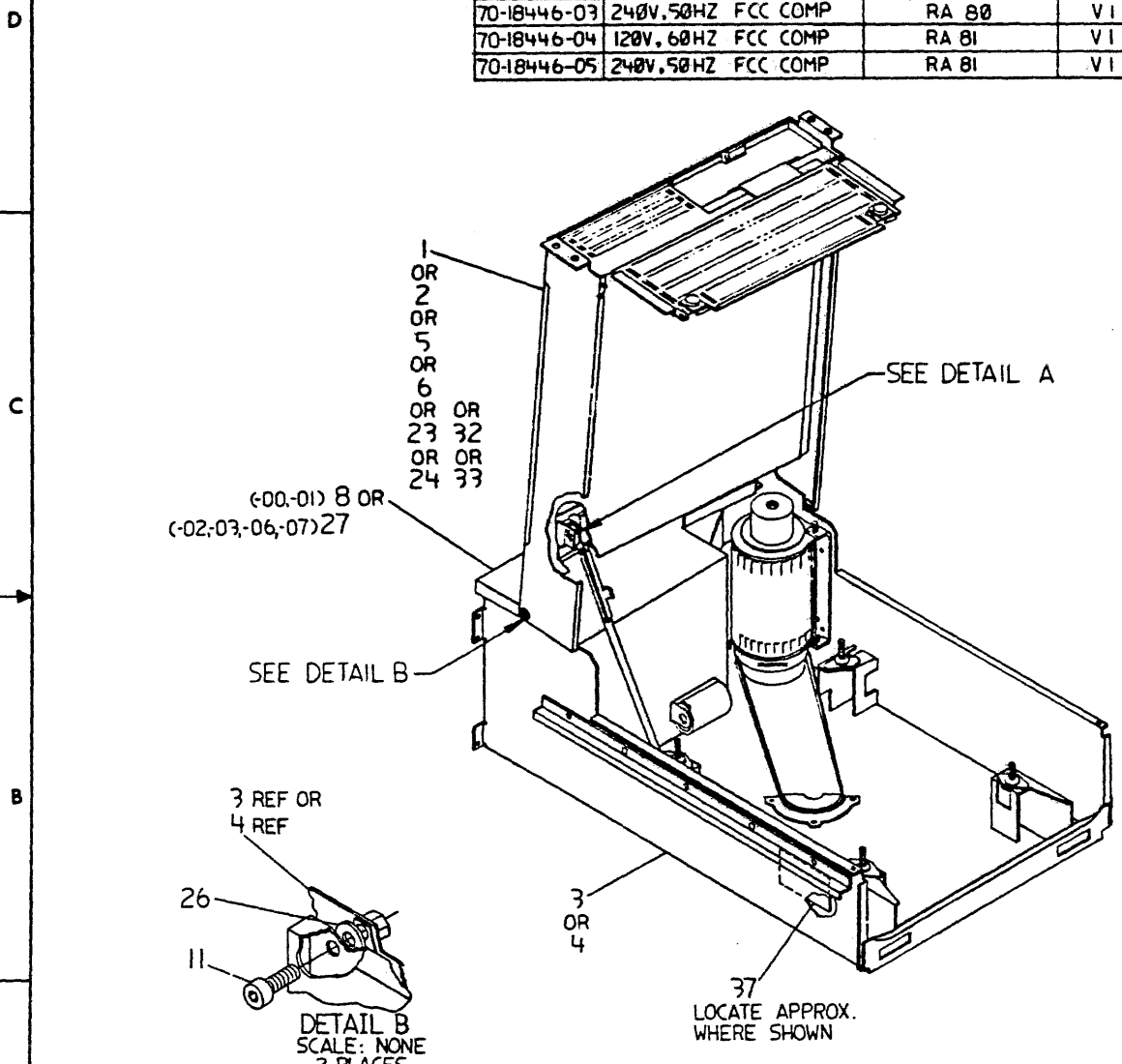
D	I	G	I	T	A	L	TITLE	SECTION	OF	SIZE	CODE	DOCUMENT NUMBER	REV
							DISK DRIVE ASSEMBLY	A	A			7019062-0-DBP	Y
										K	PL		

DAD 7018446-0-0

THIS DRAWING AND SPECIFICATIONS HEREBY AND THE PROPERTY OF DATA EQUIPMENT CORPORATION AND SHALL NOT BE REPRODUCED OR COPIED IN WHOLE OR IN PART AS THE BASIS FOR THE MANUFACTURE OR SALE OF ANY EQUIPMENT WITHOUT THE WRITTEN PERMISSION OF DATA EQUIPMENT CORPORATION.

LEGEND			
PART NO.	VARIATION	WHERE USED	PART REV
70-18446-00	120V, 60HZ NON FCC	RM 80	S2
70-18446-01	240V, 50HZ NON FCC	RM 80	S2
70-18446-02	120V, 60HZ FCC COMP	RA 80	V1
70-18446-03	240V, 50HZ FCC COMP	RA 80	V1
70-18446-04	120V, 60HZ FCC COMP	RA 81	V1
70-18446-05	240V, 50HZ FCC COMP	RA 81	V1

LEGEND CONT.			
PART NO.	VARIATION	WHERE USED	PART REV
70-18446-06	120V, 60HZ FCC COMP	R80 AE/AJ	W1
70-18446-07	240V, 50HZ FCC COMP	R80 AE/AJ	W1



DATE	DESCRIPTION	BY	CHKD	APP'D
8/18/80	R80-CR23A RAC 4 APH B5	J. READ		
12/04/85	R80-CR21A RPA JUL85	J. READ		
4/6/86	R80-CR25A J. READ	J. READ		
4/27/86	R80-CR26A J. READ	J. READ		
4/27/86	R80-CR27A J. READ	J. READ		
4/27/86	R80-CR28A J. READ	J. READ		
4/27/86	R80-CR29A J. READ	J. READ		
4/27/86	R80-CR30A J. READ	J. READ		
4/27/86	R80-CR31A J. READ	J. READ		
4/27/86	R80-CR32A J. READ	J. READ		
4/27/86	R80-CR33A J. READ	J. READ		
4/27/86	R80-CR34A J. READ	J. READ		
4/27/86	R80-CR35A J. READ	J. READ		
4/27/86	R80-CR36A J. READ	J. READ		
4/27/86	R80-CR37A J. READ	J. READ		
4/27/86	R80-CR38A J. READ	J. READ		
4/27/86	R80-CR39A J. READ	J. READ		
4/27/86	R80-CR40A J. READ	J. READ		
4/27/86	R80-CR41A J. READ	J. READ		
4/27/86	R80-CR42A J. READ	J. READ		
4/27/86	R80-CR43A J. READ	J. READ		
4/27/86	R80-CR44A J. READ	J. READ		
4/27/86	R80-CR45A J. READ	J. READ		
4/27/86	R80-CR46A J. READ	J. READ		
4/27/86	R80-CR47A J. READ	J. READ		
4/27/86	R80-CR48A J. READ	J. READ		
4/27/86	R80-CR49A J. READ	J. READ		
4/27/86	R80-CR50A J. READ	J. READ		
4/27/86	R80-CR51A J. READ	J. READ		
4/27/86	R80-CR52A J. READ	J. READ		
4/27/86	R80-CR53A J. READ	J. READ		
4/27/86	R80-CR54A J. READ	J. READ		
4/27/86	R80-CR55A J. READ	J. READ		
4/27/86	R80-CR56A J. READ	J. READ		
4/27/86	R80-CR57A J. READ	J. READ		
4/27/86	R80-CR58A J. READ	J. READ		
4/27/86	R80-CR59A J. READ	J. READ		
4/27/86	R80-CR60A J. READ	J. READ		
4/27/86	R80-CR61A J. READ	J. READ		
4/27/86	R80-CR62A J. READ	J. READ		
4/27/86	R80-CR63A J. READ	J. READ		
4/27/86	R80-CR64A J. READ	J. READ		
4/27/86	R80-CR65A J. READ	J. READ		
4/27/86	R80-CR66A J. READ	J. READ		
4/27/86	R80-CR67A J. READ	J. READ		
4/27/86	R80-CR68A J. READ	J. READ		
4/27/86	R80-CR69A J. READ	J. READ		
4/27/86	R80-CR70A J. READ	J. READ		
4/27/86	R80-CR71A J. READ	J. READ		
4/27/86	R80-CR72A J. READ	J. READ		
4/27/86	R80-CR73A J. READ	J. READ		
4/27/86	R80-CR74A J. READ	J. READ		
4/27/86	R80-CR75A J. READ	J. READ		
4/27/86	R80-CR76A J. READ	J. READ		
4/27/86	R80-CR77A J. READ	J. READ		
4/27/86	R80-CR78A J. READ	J. READ		
4/27/86	R80-CR79A J. READ	J. READ		
4/27/86	R80-CR80A J. READ	J. READ		
4/27/86	R80-CR81A J. READ	J. READ		
4/27/86	R80-CR82A J. READ	J. READ		
4/27/86	R80-CR83A J. READ	J. READ		
4/27/86	R80-CR84A J. READ	J. READ		
4/27/86	R80-CR85A J. READ	J. READ		
4/27/86	R80-CR86A J. READ	J. READ		
4/27/86	R80-CR87A J. READ	J. READ		
4/27/86	R80-CR88A J. READ	J. READ		
4/27/86	R80-CR89A J. READ	J. READ		
4/27/86	R80-CR90A J. READ	J. READ		
4/27/86	R80-CR91A J. READ	J. READ		
4/27/86	R80-CR92A J. READ	J. READ		
4/27/86	R80-CR93A J. READ	J. READ		
4/27/86	R80-CR94A J. READ	J. READ		
4/27/86	R80-CR95A J. READ	J. READ		
4/27/86	R80-CR96A J. READ	J. READ		
4/27/86	R80-CR97A J. READ	J. READ		
4/27/86	R80-CR98A J. READ	J. READ		
4/27/86	R80-CR99A J. READ	J. READ		
4/27/86	R80-CR100A J. READ	J. READ		

CAUTION: OFF-SHEET PARTS LIST EXISTS. SEE K-PL-7018446-0-DBP(2177).

TOP DOC: K-DD-7018446-0-DBU

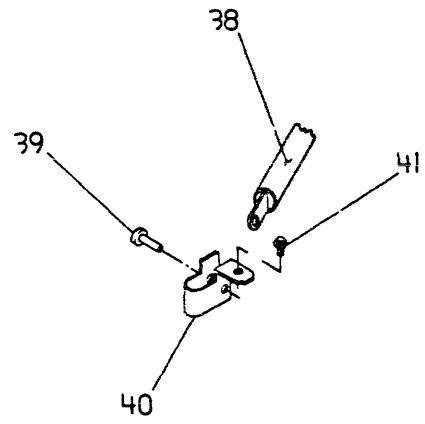
DESCRIPTION	DRAWING NO.	PART NO.	ITEM NO.
UNLESS OTHERWISE SPECIFIED DIMENSIONS ARE IN INCHES AND THE FOLLOWING TOLERANCES APPLY (PER DEC STD 114)			
DIMENSION RANGES IN INCHES			
INCHES TOLERANCES	ANGLES DIMENSIONS RANGE	DIMENSION RANGES IN INCHES	
X = ±.1	CHECK ONE <input type="checkbox"/> SURFACE QUALITY <input type="checkbox"/> MICROFINISH	OVER 0 TO 1.3	OVER 1.3 TO 4.8
XX = ±.05		OVER 4.8 TO 12.0	OVER 12.0 TO 48.0
XXX = ±.02		OVER 12.0 TO 48.0	OVER 48.0 TO 80.0
QUANTITY & VARIATION	THIRD ANGLE PROJECTION	DATE 10 OCT 80	TITLE BASIC DISK DRIVE ASSEMBLY
DO NOT SCALE DRAWING	DATE 8 APR 81	DATE 8 APR 81	DATE 8 APR 81
REMOVE SLIPPS AND BREAK SHARP CORNERS	DATE 8 APR 81	DATE 8 APR 81	DATE 8 APR 81
KEEP PARTS LIST	DATE 8 APR 81	DATE 8 APR 81	DATE 8 APR 81
DOCUMENT NUMBER		DAD 7018446-0-0 AB	

DAD 7018446-0-0

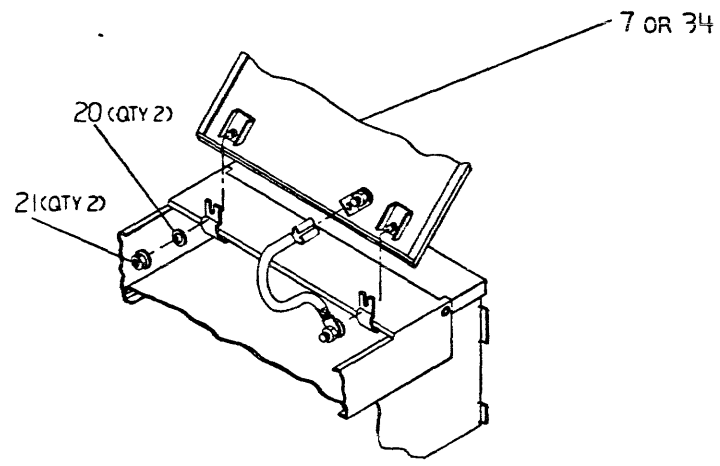
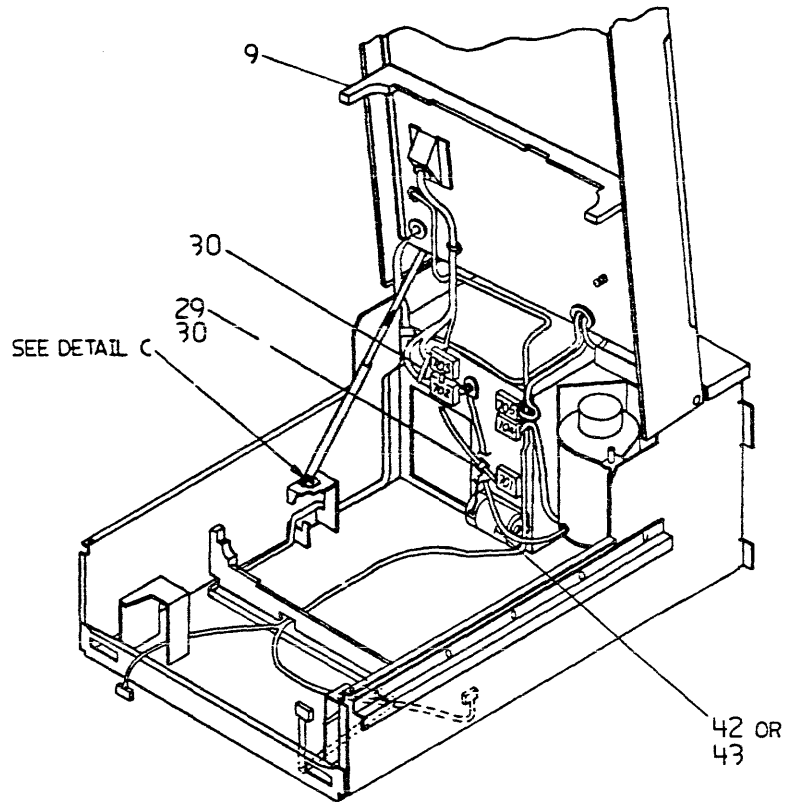
1 OF 2

8 7 6 5 4 3 2 1

THIS DRAWING AND SPECIFICATION ARE THE PROPERTY OF DIGITAL EQUIPMENT CORPORATION AND SHALL NOT BE REPRODUCED OR COPIED OR USED IN WHOLE OR IN PART AS THE BASIS FOR THE MANUFACTURE OR SALE OF ITEMS WITHOUT WRITTEN PERMISSION.
COPYRIGHT © 1973 DIGITAL EQUIPMENT CORPORATION



DETAIL C
SCALE: NONE



VIEW SHOWING ASSEMBLY OF
LOGIC ACCESS COVER ASSEMBLY
(ITEM 7 OR 34)

REVISION HISTORY		
DATE	CO NUMBER	REV

8 7 6 5 4 3 2 1

TITLE BASIC DISK DRIVE ASSEMBLY

SIZE CODE	DOCUMENT NUMBER	REV
DAD	7018446-0-0	AB
SCALE:	SHEET 2 OF 2	

DAD 7018446-0-0

2 of 2

LINE ITEM	TOP DOCUMENT	PART NUMBER	MIN REV	DESCRIPTION	QUANTITY PER VARIATION/REVISION							
					00 S2	01 S2	02 V1	03 V1	04 V1	05 V1	06 W1	07 W1
1	D-AD-7016773-0-0	70-16773-00		LOGIC CHASSIS ASSY (120V)	1	-	-	-	-	-	-	-
2	D-AD-7016773-0-0	70-16773-01		LOGIC CHASSIS ASSY (240V)	-	1	-	-	-	-	-	-
3	D-AD-7016741-0-0	70-16741-00		LOWER CHASSIS ASSY (60HZ, 120V)	1	-	1	-	1	-	1	-
4	D-AD-7016741-0-0	70-16741-01		LOWER CHASSIS ASSY (50HZ, 240V)	-	1	-	1	-	1	-	1
5	D-AD-7016773-0-0	70-16773-04		60HZ, RA81	-	-	-	-	1	-	-	-
6	D-AD-7016773-0-0	70-16773-05		50HZ, RA81	-	-	-	-	-	1	-	-
7	D-AD-7016990-0-0	70-16990-00		LOGIC ACCESS COVER ASSEMBLY	1	1	-	-	-	-	-	-
8	D-AD-7016782-0-0	70-16782-00		REAR COVER ASSEMBLY	1	1	-	-	-	-	-	-
9	K-IA-7021572-0-DBU	70-21572-01		HDA TOP BAFFLE ASSEMBLY	1	1	1	1	1	1	1	1
10	D-IA-7017615-0-0	70-17615-00		*** THIS ITEM IS NOT USED ***	-	-	-	-	-	-	-	-
11		90-00042-17 A		SCREW,HEX SOC HEX 5/16-18	2	2	2	2	2	2	2	2
12	B-IA-7016735-0-0	70-16735-00		*** THIS ITEM IS NOT USED ***	-	-	-	-	-	-	-	-
13		12-13756-09		*** THIS ITEM IS NOT USED ***	-	-	-	-	-	-	-	-
14		12-13756-03		*** THIS ITEM IS NOT USED ***	-	-	-	-	-	-	-	-
15		90-09636-00		*** THIS ITEM IS NOT USED ***	-	-	-	-	-	-	-	-
16		90-06565-00		*** THIS ITEM IS NOT USED ***	-	-	-	-	-	-	-	-
17		90-10210-01 A		PIN,CLEVIS 0.0430DX0.470LG	2	2	1	1	1	1	1	1
18		90-10211-00 A		CLIP,HITCH PIN .59 SPRW/ZINC	2	2	1	1	1	1	1	1
19		90-06036-01		*** THIS ITEM IS NOT USED ***	-	-	-	-	-	-	-	-
20		90-06659-00		WASHER,FLAT S/PAS	2	2	2	2	2	2	2	2
21		90-06560-00		NUT,HEX EXT TOOTH LCKWSHR 6-32X	2	2	2	2	2	2	2	2
22		12-21368-05 A		*** THIS ITEM IS NOT USED ***	-	-	-	-	-	-	-	-
23	D-AD-7016773-0-0	70-16773-02		LOGIC CHASSIS ASSY (60HZ,120V)	-	-	1	-	-	-	-	-
24	D-AD-7016773-0-0	70-16773-03		LOGIC CHASSIS ASSY (50HZ,240V)	-	-	-	1	-	-	-	-
25	D-AD-7019695-0-0	70-19695-01		*** THIS ITEM IS NOT USED ***	-	-	-	-	-	-	-	-
26		90-10204-00		WASHER,SPRING BELLEVLE SST	2	2	2	2	2	2	2	2
27	K-AD-7023205-0-DBU	70-23205-01		REAR COVER ASSEMBLY	-	-	1	1	-	-	1	1
28	D-AD-7019695-0-0	70-19695-02		*** THIS ITEM IS NOT USED ***	-	-	-	-	-	-	-	-
29		90-08264-00 A		MOUNT, CABLE TIE, ADHESIVE BACKED,	1	1	1	1	1	1	1	1
30		90-07032-00 D		TIE,CABLE BUNDL.DIA 0-1-3/4"=101	2	2	2	2	2	2	2	2
31		12-20952-01 A		SHIELD,EMI/RFI STRIPS COPPER	2	2	-	-	-	-	-	-
32	D-AD-7016773-0-0	70-16773-06		LOGIC CHASSIS ASSEMBLY 60HZ R80	-	-	-	-	-	-	1	-

REVISION HISTORY			KPL MATRIX FORMAT SECTION A OF A		DRN: R. NICOLAISEN	DIGITAL						
ENG	ECO NUMBER	REV	SECTION/VARIATION INDEX		DATE: 17-JUL-84							
JR	17018446-CX006	M	[A]	00,01,02,03,04,05,06,07	CHK'D: D. MILLER	TITLE PARTS LIST						
JR	RM80-CX009	N	[B]		DATE: 17-JUL-84	BASIC DISK DRIVE ASSEMBLY						
JR	17019062-CX004	P	[C]		DES.ENG: G. NORDBERG							
JR	17018446-CX007	R	[D]		DATE: 17-JUL-84	DOCUMENT NUMBER						
JR	R80-CX17A	S	[E]			SIZE	CODE	NUMBER				REV
JR	17018446-CX008	T	[F]		RESP.ENG.: G. NORDBERG							
JR	17019062-CX009	U	[H]		DATE: 17-JUL-84	K	PL	7018446-0-DBP				AB
JR	R80-CX23A	V	[J]									
JR	R80-CX24A	W			MFG.ENG: W. BASSETT	RELEASE DATE: 01-JUL-86						
JR	R80-CX25A	Y			DATE: 17-JUL-84	RELEASE STATUS: RELEASED						
JR	17018446-CX09A	Z										
JR	17018446-CX10A	AA										
JR	17019062-CX015	AB										
			BASIC PART NUMBER:	ASSEMBLY NUMBER:	TOP DOCUMENT NUMBER:	FILE NAME:		EDIT #				
			17018446	D-AD-7018446-0-0	K-DD-7018446-0-DBU	Z2177AB.PLS		6				

R.W.
1 Jul
86

"THIS DRAWING AND THE SPECIFICATIONS CONTAINED HEREIN ARE CONFIDENTIAL AND PROPRIETARY. THEY ARE THE PROPERTY OF DIGITAL EQUIPMENT CORPORATION AND SHALL NOT BE REPRODUCED OR COPIED OR USED IN WHOLE OR IN PART AS THE BASIS FOR THE MANUFACTURE OR SALE OF ITEMS WITHOUT WRITTEN PERMISSION. THIS IS AN UNPUBLISHED WORK PROTECTED UNDER THE FEDERAL COPYRIGHT LAWS."

LINE ITEM	TOP DOCUMENT	PART NUMBER	MIN REV	DESCRIPTION	QUANTITY PER VARIATION/REVISION							
					00 S2	01 S2	02 V1	03 V1	04 V1	05 V1	06 W1	07 W1
33	33 D-AD-7016773-0-0	70-16773-07		LOGIC CHASSIS ASSEMBLY 50HZ R80	-	-	-	-	-	-	-	1
34	34 D-AD-7019695-0-0	70-19695-03		LOGIC COVER ASSEMBLY (R80)	-	-	1	1	1	1	1	1
35	35	90-06710-00	A	*** THIS ITEM IS NOT USED ***	-	-	-	-	-	-	-	-
36	36			*** THIS ITEM IS NOT USED ***	-	-	-	-	-	-	-	-
37	37	36-18804-01	A	LABEL, LOCK INFORMATION	-	-	1	1	1	1	1	1
38	38	12-24693-02	A	SPING, DAMPER	-	-	1	1	1	1	1	1
39	39	90-10210-00	A	PIN, CLEVIS 0.2250DX0.700LG MAX	-	-	1	1	1	1	1	1
40	40 B-MD-7422795-0-0	74-22795-01		GAS SPRING, PIVOT	-	-	1	1	1	1	1	1
41	41	90-10075-00	B	SCREW, THD RL, HEX PHIL F/METAL 8	-	-	1	1	1	1	1	1
42	42	10-16924-01		297 TO 324MFD 165V AL EL	-	-	1	-	1	-	1	-
43	43	10-19003-02		53 TO 64 MFD 330V AL EL	-	-	-	1	-	1	-	1

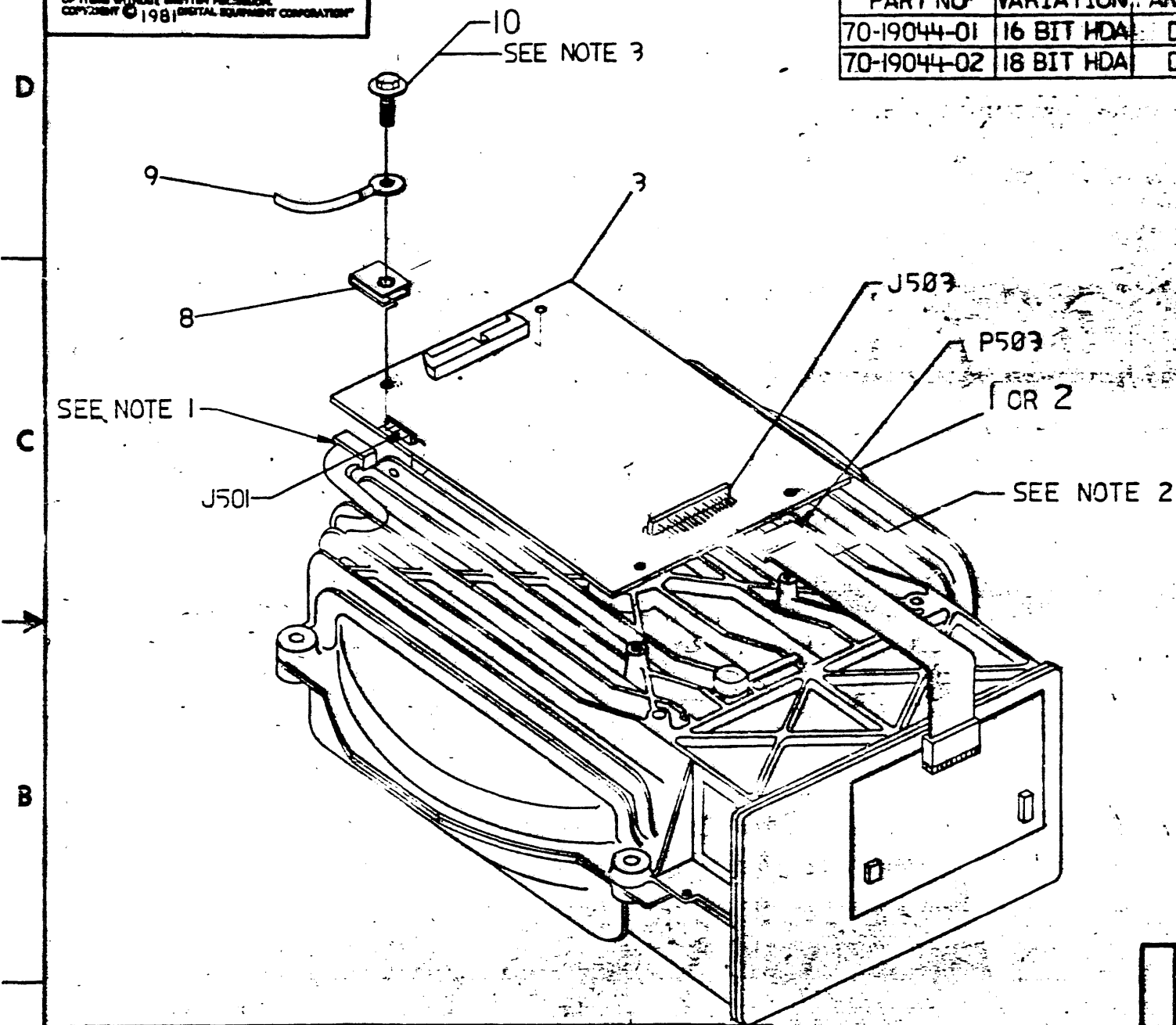
- 1 GEN: LEGEND
- 2 GEN: PART NUMBER VARIATION
- 3 GEN: 70-18446-00 DISK DRIVE, BASIC, 120V, 60HZ, NOT FCC COMPLIANT
- 4 GEN: 70-18446-01 DISK DRIVE, BASIC, 240V, 50HZ, NOT FCC COMPLIANT
- 5 GEN: 70-18446-02 DISK DRIVE, BASIC, 120V, 60HZ, FCC COMPLIANT R80
- 6 GEN: 70-18446-03 DISK DRIVE, BASIC, 240V, 50HZ, FCC COMPLIANT R80
- 7 GEN: 70-18446-04 DISK DRIVE, BASIC, 120V, 60HZ, R81 FCC COMPLIANT
- 8 GEN: 70-18446-05 DISK DRIVE, BASIC, 240V, 50HZ, R81 FCC COMPLIANT
- 9 GEN: 70-18446-06 DISK DRIVE, BASIC, 120V, 60HZ, R80-AE-AJ FCC COMPLIANT
- 10 GEN: 70-18446-07 DISK DRIVE, BASIC, 240V, 50HZ, R80-AE-AJ FCC COMPLIANT
- 11 GEN: VARIATIONS -00 AND -01 ARE NO LONGER IN PRODUCTION.

! D ! I ! G ! I ! T ! A ! L !	TITLE	BASIC DISK DRIVE ASSEMBLY	SECTION A OF A	! SIZE ! CODE !	DOCUMENT NUMBER	7018446-0-DBP	! REV !	AB
-------------------------------	-------	---------------------------	----------------	-----------------	-----------------	---------------	---------	----

THIS DRAWING AND SPECIFICATIONS HEREIN ARE THE PROPERTY OF DIGITAL EQUIPMENT CORPORATION AND SHALL NOT BE REPRODUCED OR COPIED OR USED IN WHOLE OR IN PART AS THE BASIS FOR THE MANUFACTURE OR SALE OF ITEMS WITHOUT WRITTEN PERMISSION. COPYRIGHT © 1981 DIGITAL EQUIPMENT CORPORATION

LEGEND		
PART NO	VARIATION	PART REV
70-19044-01	16 BIT HDA	D2
70-19044-02	18 BIT HDA	D2

- NOTES:
- CABLE FROM TRANSDUCER ASSEMBLY (PART OF ITEMS 1 OR 2 ON BOTTOM SIDE OF ITEMS 1 OR 2) TO BE ROUTED BETWEEN RIBS SHOWN ON BOTH SIDES OF HEAD/DISK ASSY (ITEMS 1 OR 2) AND PLUGGED INTO CONN J501 ON READ/WRITE MODULE (ITEM 3).
 - ATTACH DATA CABLE (PART OF ITEM 1) TO J503 ON READ/WRITE MODULE (ITEM 3) ENSURING CABLE DOES NOT TWIST. LABEL TO BE READ FROM CONNECTOR (P503) END.
 - TORQUE SCREWS (ITEM 5 & 10) TO 20 ± 3 IN LBS.



CAUTION: OFF SHEET PARTS EXISTS. SEE K-PL-7019044-0-DBP (Z2914).
TOP DOC: C-AD-7019044-0-0

REV	PART	REVISIONS												
		A	B	C	D	E	F	H	J					
1592	7019062-CX001	1946	7019044-CX001	4132	7019062-CX010	4173	7019044-CX004	4254	7019044-CX005	4343	7019044-CX006			
1591	7019062-CX000	1945	7019044-CX000	4131	7019062-CX009	4172	7019044-CX003	4253	7019044-CX004	4342	7019044-CX005			
1590	7019062-CX000	1944	7019044-CX000	4130	7019062-CX008	4171	7019044-CX002	4252	7019044-CX003	4341	7019044-CX004			
1589	7019062-CX000	1943	7019044-CX000	4129	7019062-CX007	4170	7019044-CX001	4251	7019044-CX002	4340	7019044-CX003			
1588	7019062-CX000	1942	7019044-CX000	4128	7019062-CX006	4169	7019044-CX000	4250	7019044-CX001	4339	7019044-CX002			
1587	7019062-CX000	1941	7019044-CX000	4127	7019062-CX005	4168	7019044-CX000	4249	7019044-CX001	4338	7019044-CX002			
1586	7019062-CX000	1940	7019044-CX000	4126	7019062-CX004	4167	7019044-CX000	4248	7019044-CX001	4337	7019044-CX002			
1585	7019062-CX000	1939	7019044-CX000	4125	7019062-CX003	4166	7019044-CX000	4247	7019044-CX001	4336	7019044-CX002			
1584	7019062-CX000	1938	7019044-CX000	4124	7019062-CX002	4165	7019044-CX000	4246	7019044-CX001	4335	7019044-CX002			
1583	7019062-CX000	1937	7019044-CX000	4123	7019062-CX001	4164	7019044-CX000	4245	7019044-CX001	4334	7019044-CX002			
1582	7019062-CX000	1936	7019044-CX000	4122	7019062-CX000	4163	7019044-CX000	4244	7019044-CX001	4333	7019044-CX002			

QUANTITY & VARIATION	DESCRIPTION	ENGR. PART NO.	ITEM NO.
	UNLESS OTHERWISE SPECIFIED DIMENSIONS ARE IN INCHES		
	ANGLE 30° 30'	CLASS OF ACCURACY (CHECK ONE)	
	SURFACE QUALITY IN MICRONS	PREFERRED	
		2.000	2.012
		2.018	2.030
		2.046	2.064
		2.082	2.1
THIRD ANGLE PROJECTION	DRN. <i>[Signature]</i>	FIRST USED ON RA81	
REMOVE BURRS AND BREAK SHARP CORNERS	CHK'D <i>[Signature]</i>	TITLE HDA-R/W MODULE ASSEMBLY	
DO NOT SCALE DWG	PROJ. ENG. <i>[Signature]</i>	SIZE CODE C	
MATERIAL SEE PARTS LIST	PROD. <i>[Signature]</i>	NUMBER AD7019044-0-0	
FINISH		REV. J	

DRAWING NUMBER
C-AD-7019044-0-0

DRAWING NUMBER
1 OF 1



LINE ITEM	TOP DOCUMENT	PART NUMBER	MIN REV	DESCRIPTION	QUANTITY PER VARIATION/REVISION	
					01 D2	02 D2
1	E-AD-7018491-0-0	70-18491-01		HEAD/DISK ASSEMBLY (16 BIT)	1	-
2	E-AD-7018491-0-0	70-18491-02		HEAD/DISK ASSEMBLY (18 BIT)	-	1
3		54-15253-00		R81 READ/WRITE MODULE	1	1
4	C-IA-7019060-0-0	70-19060-01		*** THIS ITEM IS NOT USED ***	-	-
5		90-10075-00 B		SCREW,THD RL,HEX PHIL F/METAL	8	3
6		36-15710-00		*** THIS ITEM IS NOT USED ***	-	-
7		36-18565-01		*** THIS ITEM IS NOT USED ***	-	-
8		12-26091-01 A		CLIP,GROUNDING	1	1
9		12-25629-01 A		WIRE HARN ASSY 12AWG RING	1	1
10		90-10075-01 B		SCREW,THD RL HEX F/METAL	8	1

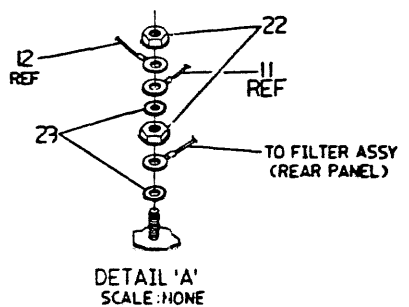
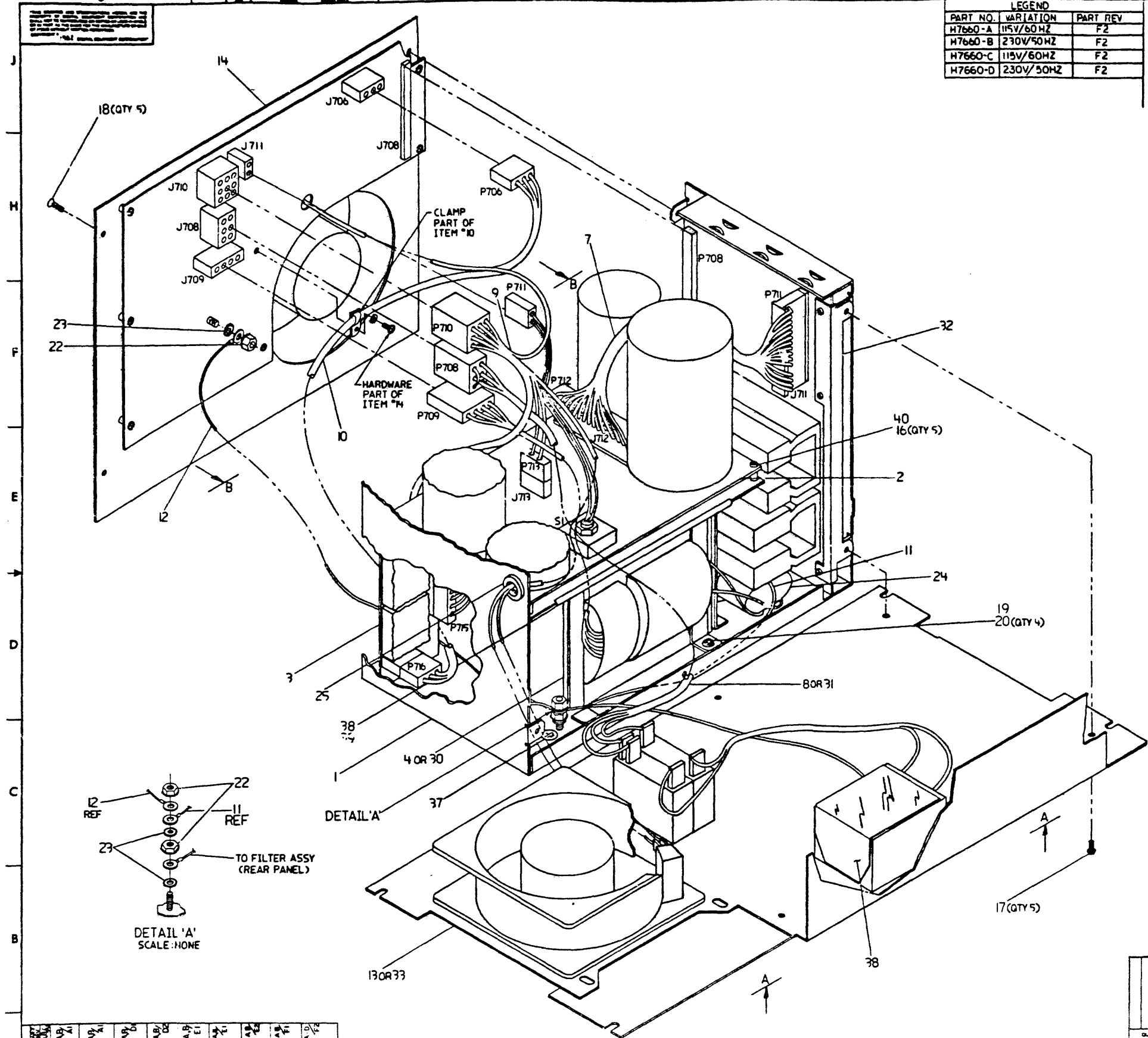
REVISION HISTORY			KPL MATRIX FORMAT		SECTION A OF A		DRN: T. FALETTE		DIGITAL	
ENG	ECO NUMBER	REV	SECTION/VARIATION INDEX		DATE:	26-NOV-84				
FB	RA81-109	A	[A]	01,02	CHK'D:	K. DAVIS		TITLE PARTS LIST		
FB	7019062-CX001	B	[B]		DATE:	26-NOV-84		HDA-R/W MODULE ASSEMBLY		
JR	7019044-CX001	C	[C]		DES.ENG:	F. BERNETT				
JR	7019044-CX002	D	[D]		DATE:	26-NOV-84		DOCUMENT NUMBER		
MM	7019062-CX010	E	[E]		RESP.ENG.:	F. BERNETT		SIZE	CODE	
JR	7019044-CX004	F	[F]		DATE:	26-NOV-84		NUMBER	REV	
SM	7019044-CX005	H	[H]		MFG.ENG.:	M. SPARLING		K	PL	
SM	7019044-CX006	J	[J]		DATE:	26-NOV-84		7019044-0-DBP	J	
					RELEASE DATE:	27-MAY-86				
					RELEASE STATUS:	RELEASED				
					BASIC PART NUMBER:	ASSEMBLY NUMBER:	TOP DOCUMENT NUMBER:	FILE NAME:	EDIT #	
					7019044	C-AD-7019044-0-0	C-AD-7019044-0-0	Z2914J.PLS	1	

"THIS DRAWING AND THE SPECIFICATIONS CONTAINED HEREIN ARE CONFIDENTIAL AND PROPRIETARY. THEY ARE THE PROPERTY OF DIGITAL EQUIPMENT CORPORATION AND SHALL NOT BE REPRODUCED OR COPIED OR USED IN WHOLE OR IN PART AS THE BASIS FOR THE MANUFACTURE OR SALE OF ITEMS WITHOUT WRITTEN PERMISSION. THIS IS AN UNPUBLISHED WORK PROTECTED UNDER THE FEDERAL COPYRIGHT LAWS."

Handwritten notes:
 27 May 86
 10 Jun 84

LEGEND		
PART NO.	VARIATION	PART REV
H7660-A	115V/60HZ	F2
H7660-B	230V/50HZ	F2
H7660-C	115V/60HZ	F2
H7660-D	230V/50HZ	F2

NOTES:
 1. USE APPROPRIATE LABEL FOR THE COUNTRY OF ORIGIN.



TOP DOC: K-DD-H7660-0-DBU

CAUTION: OFF SHEET PARTS LISTS EXISTS.
 SEE K-PL-H7660-0-DBP(Z3105).

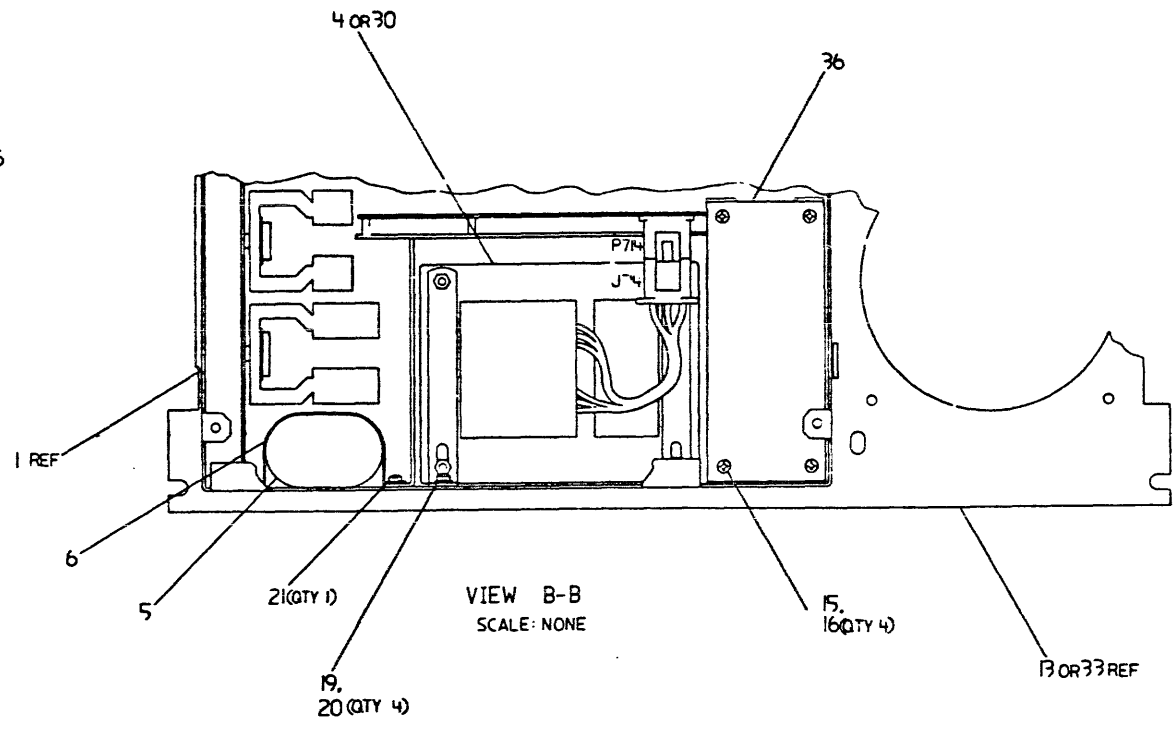
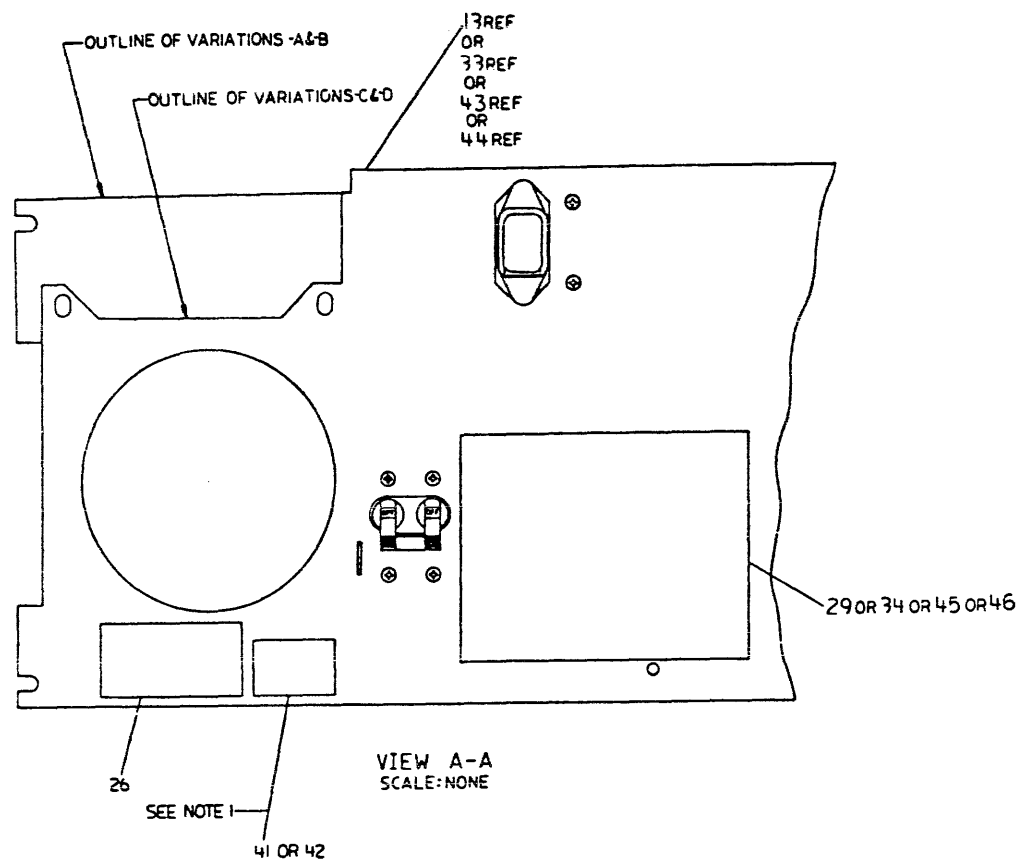
REV	DATE	DESCRIPTION
1	11/11/61	INITIAL DESIGN
2	11/11/61	REVISED TO INCLUDE...
3	11/11/61	REVISED TO INCLUDE...
4	11/11/61	REVISED TO INCLUDE...
5	11/11/61	REVISED TO INCLUDE...
6	11/11/61	REVISED TO INCLUDE...
7	11/11/61	REVISED TO INCLUDE...
8	11/11/61	REVISED TO INCLUDE...
9	11/11/61	REVISED TO INCLUDE...
10	11/11/61	REVISED TO INCLUDE...
11	11/11/61	REVISED TO INCLUDE...
12	11/11/61	REVISED TO INCLUDE...
13	11/11/61	REVISED TO INCLUDE...
14	11/11/61	REVISED TO INCLUDE...
15	11/11/61	REVISED TO INCLUDE...
16	11/11/61	REVISED TO INCLUDE...
17	11/11/61	REVISED TO INCLUDE...
18	11/11/61	REVISED TO INCLUDE...
19	11/11/61	REVISED TO INCLUDE...
20	11/11/61	REVISED TO INCLUDE...
21	11/11/61	REVISED TO INCLUDE...
22	11/11/61	REVISED TO INCLUDE...
23	11/11/61	REVISED TO INCLUDE...
24	11/11/61	REVISED TO INCLUDE...
25	11/11/61	REVISED TO INCLUDE...
26	11/11/61	REVISED TO INCLUDE...
27	11/11/61	REVISED TO INCLUDE...
28	11/11/61	REVISED TO INCLUDE...
29	11/11/61	REVISED TO INCLUDE...
30	11/11/61	REVISED TO INCLUDE...
31	11/11/61	REVISED TO INCLUDE...
32	11/11/61	REVISED TO INCLUDE...
33	11/11/61	REVISED TO INCLUDE...
34	11/11/61	REVISED TO INCLUDE...
35	11/11/61	REVISED TO INCLUDE...
36	11/11/61	REVISED TO INCLUDE...
37	11/11/61	REVISED TO INCLUDE...
38	11/11/61	REVISED TO INCLUDE...
39	11/11/61	REVISED TO INCLUDE...
40	11/11/61	REVISED TO INCLUDE...

DESCRIPTION	DRAWING NO.	PART NO.	REV.
UNLESS OTHERWISE SPECIFIED DIMENSIONS ARE IN INCHES AND THE FOLLOWING TOLERANCES APPLY (PER DEC STD 114)			
INCHES	FRACTIONS	DECIMALS	ANGLES
±.005	±.0005	±.0005	±.005
±.010	±.0010	±.0010	±.010
±.015	±.0015	±.0015	±.015
±.020	±.0020	±.0020	±.020
±.030	±.0030	±.0030	±.030
±.040	±.0040	±.0040	±.040
±.050	±.0050	±.0050	±.050
±.060	±.0060	±.0060	±.060
±.070	±.0070	±.0070	±.070
±.080	±.0080	±.0080	±.080
±.090	±.0090	±.0090	±.090
±.100	±.0100	±.0100	±.100
±.125	±.0125	±.0125	±.125
±.150	±.0150	±.0150	±.150
±.175	±.0175	±.0175	±.175
±.200	±.0200	±.0200	±.200
±.250	±.0250	±.0250	±.250
±.300	±.0300	±.0300	±.300
±.375	±.0375	±.0375	±.375
±.450	±.0450	±.0450	±.450
±.500	±.0500	±.0500	±.500
±.625	±.0625	±.0625	±.625
±.750	±.0750	±.0750	±.750
±.875	±.0875	±.0875	±.875
±1.000	±.0000	±.0000	±1.000
±1.250	±.0000	±.0000	±1.250
±1.500	±.0000	±.0000	±1.500
±1.750	±.0000	±.0000	±1.750
±2.000	±.0000	±.0000	±2.000
±2.500	±.0000	±.0000	±2.500
±3.000	±.0000	±.0000	±3.000
±3.750	±.0000	±.0000	±3.750
±4.500	±.0000	±.0000	±4.500
±5.000	±.0000	±.0000	±5.000
±6.000	±.0000	±.0000	±6.000
±7.000	±.0000	±.0000	±7.000
±8.000	±.0000	±.0000	±8.000
±9.000	±.0000	±.0000	±9.000
±10.000	±.0000	±.0000	±10.000
±12.500	±.0000	±.0000	±12.500
±15.000	±.0000	±.0000	±15.000
±17.500	±.0000	±.0000	±17.500
±20.000	±.0000	±.0000	±20.000
±25.000	±.0000	±.0000	±25.000
±30.000	±.0000	±.0000	±30.000
±37.500	±.0000	±.0000	±37.500
±45.000	±.0000	±.0000	±45.000
±50.000	±.0000	±.0000	±50.000
±60.000	±.0000	±.0000	±60.000
±70.000	±.0000	±.0000	±70.000
±80.000	±.0000	±.0000	±80.000
±90.000	±.0000	±.0000	±90.000
±100.000	±.0000	±.0000	±100.000
±125.000	±.0000	±.0000	±125.000
±150.000	±.0000	±.0000	±150.000
±175.000	±.0000	±.0000	±175.000
±200.000	±.0000	±.0000	±200.000
±250.000	±.0000	±.0000	±250.000
±300.000	±.0000	±.0000	±300.000
±375.000	±.0000	±.0000	±375.000
±450.000	±.0000	±.0000	±450.000
±500.000	±.0000	±.0000	±500.000
±600.000	±.0000	±.0000	±600.000
±700.000	±.0000	±.0000	±700.000
±800.000	±.0000	±.0000	±800.000
±900.000	±.0000	±.0000	±900.000
±1000.000	±.0000	±.0000	±1000.000

UNIT ASSEMBLY
 H7660

EQUAL H7660-0-0 L

THIS DRAWING IS THE PROPERTY OF THE U.S. GOVERNMENT AND IS TO BE REPRODUCED IN WHOLE OR IN PART BY ANY PERSON OR ORGANIZATION WITHOUT PERMISSION OF THE U.S. GOVERNMENT. PHOTOGRAPHIC REPRODUCTION IS PROHIBITED.



REVISION HISTORY		
DATE	ED NUMBER	BY

DOCUMENT NUMBER			
FIG	FORM	TITLE	REV
E	UA	H 7660-0-0	L
SCALE: NONE		SHEET 2 OF 2	

TITLE
UNIT ASSEMBLY
H7660

EUA H 7660-0-0 L

LINE ITEM	TOP DOCUMENT	PART NUMBER	MIN REV	DESCRIPTION	QUANTITY PER VARIATION/REVISION			
					A F2	B F2	C F2	D F2
1	1 E-IA-7018918-0-0	70-18918-00		CHASSIS ASSY	1	1	1	1
2	2 D-UA-5415094-0-0	54-15094-00		CAPACITOR BOARD H7660	1	1	1	1
3	3 D-UA-5415092-0-0	54-15092-00		RELAY BOARD H7660	1	1	1	1
4	4 D-IA-7018913-0-0	70-18913-00		TRANSFORMER ASSY 60HZ	1	-	1	-
5	5	10-18158-01		5.0 MFD 600VAC +/- 5% PAPE	1	1	1	1
6	6 B-MD-7426110-0-0	74-26110-00		CLAMP, CAP	1	1	1	1
7	7 D-IA-7018920-0-0	70-18920-00		HARNESS, D.C. INPUT	1	1	1	1
8	8 D-IA-7018921-0-0	70-18921-00		HARNESS A.C. INPUT 115V	1	-	1	-
9	9 D-IA-7018922-0-0	70-18922-00		HARNESS A.C. DISTRIBUTION	1	1	1	1
10	10 D-IA-7018923-0-0	70-18923-00		HARNESS RELAY D.C.	1	1	1	1
11	11 C-IA-7018924-0-0	70-18924-00		GROUND WIRE 1	1	1	1	1
12	12 C-IA-7018925-0-0	70-18925-00		GROUND WIRE 2	1	1	1	1
13	13 E-AD-7018914-0-0	70-18914-00		REAR PANEL ASSY RA81	-	-	1	-
14	14 E-AD-7018919-0-0	70-18919-00		FRONT PANEL ASSY	1	1	1	1
15	15	90-00049-01 B		SCREW,SEMS PAN PHIL 6-32	4	4	4	4
16	16	90-06659-00		WASHER,FLAT S/PAS .	9	9	9	9
17	17	90-00049-23		SCREW,SEMS PAN PHIL 6-32	5	5	5	5
18	18	90-08404-02		SCREW,MACH FLAT PHIL 6-32	4	4	4	4
19	19	90-00049-16 B		SCREW,SEMS PAN PHIL 8-32	4	4	4	4
20	20	90-06660-00		WASHER,FLAT SST .	4	4	4	4
21	21	90-00049-25		SCREW,SEMS PAN PHIL 8-32	1	1	1	1
22	22	90-06565-00		NUT,HEX EXT TOOTH LCKWSHR 10-32X	3	3	3	3
23	23	90-07651-00 B		WASHER,LOCK EXTERNAL STEEL .	3	3	3	3
24	24	12-13683-01		BOOT,CAPACITOR,RUBBER,HOLES IN SID	1	1	1	1
25	25	90-07016-00		GROMMET,ROUND RUBBER	1	1	1	1
26	26	90-09255-01 B		LABEL, POWER SUPPLY, 2-7/8" LG X 1	1	1	1	1
27	27	17-00083-23 L		*** THIS ITEM IS NOT USED ***	-	-	-	-
28	28	17-00083-24 L		*** THIS ITEM IS NOT USED ***	-	-	-	-
29	29	36-19223-01 A		LABEL,P.S. H7660A	1	-	-	-
30	30 D-IA-7018913-0-0	70-18913-01		TRANSFORMER ASSY 50HZ	-	1	-	1
31	31 D-IA-7019103-0-0	70-19103-00		HARNESS AC INPUT 230V	-	1	-	1
32	32 D-UA-5415096-0-0	54-15096-00		REGULATOR BD H7660	1	1	1	1

REVISION HISTORY			KPL MATRIX FORMAT		SECTION A OF A		DRN: L. PRICE		DIGITAL			
ENG	ECO NUMBER	REV	SECTION/VARIATION INDEX		DATE: 04-DEC-84		CHK'D: F. HALLIDAY		TITLE PARTS LIST			
---	INITIAL	A	[A]	A , B , C , D	DATE: 04-DEC-84		DES.ENG: J. KALAGHER		UNIT ASSEMBLY H7660			
JN	H7660-CX001	B	[B]				DATE: 04-DEC-84		DOCUMENT NUMBER			
TK	H7660-CX03A	C	[C]				RESP.ENG.: J. CROSS		SIZE	CODE	NUMBER	REV
TK	H7660-CX005	D	[D]				DATE: 04-DEC-84		K	PL	H7660-0-DBP	L
TK	H7660-CX06A	E	[E]				MFG.ENG: W. EHRMANN		RELEASE DATE: 30-APR-86			
RG	H7660-CX007	F	[F]				DATE: 04-DEC-84		RELEASE STATUS: RELEASED			
RG	H7660-CX008	H	[H]									
JR	H7660-CX009	J	[J]									
JR	H7660-CX10A	K										
JR	H7660-CX011	L										
BASIC PART NUMBER:			ASSEMBLY NUMBER:		TOP DOCUMENT NUMBER:		FILE NAME:		EDIT #			
H7660			E-UA-H7660-0-0		K-DD-H7660-0-DBU		Z3105L.PLS		6			

John Deed 5 May 86

"THIS DRAWING AND THE SPECIFICATIONS CONTAINED HEREIN ARE CONFIDENTIAL AND PROPRIETARY. THEY ARE THE PROPERTY OF DIGITAL EQUIPMENT CORPORATION AND SHALL NOT BE REPRODUCED OR COPIED OR USED IN WHOLE OR IN PART AS THE BASIS FOR THE MANUFACTURE OR SALE OF ITEMS WITHOUT WRITTEN PERMISSION. THIS IS AN UNPUBLISHED WORK PROTECTED UNDER THE FEDERAL COPYRIGHT LAWS."

AUTOMATED BY VAXKPL (V1.1)

PARTS LIST

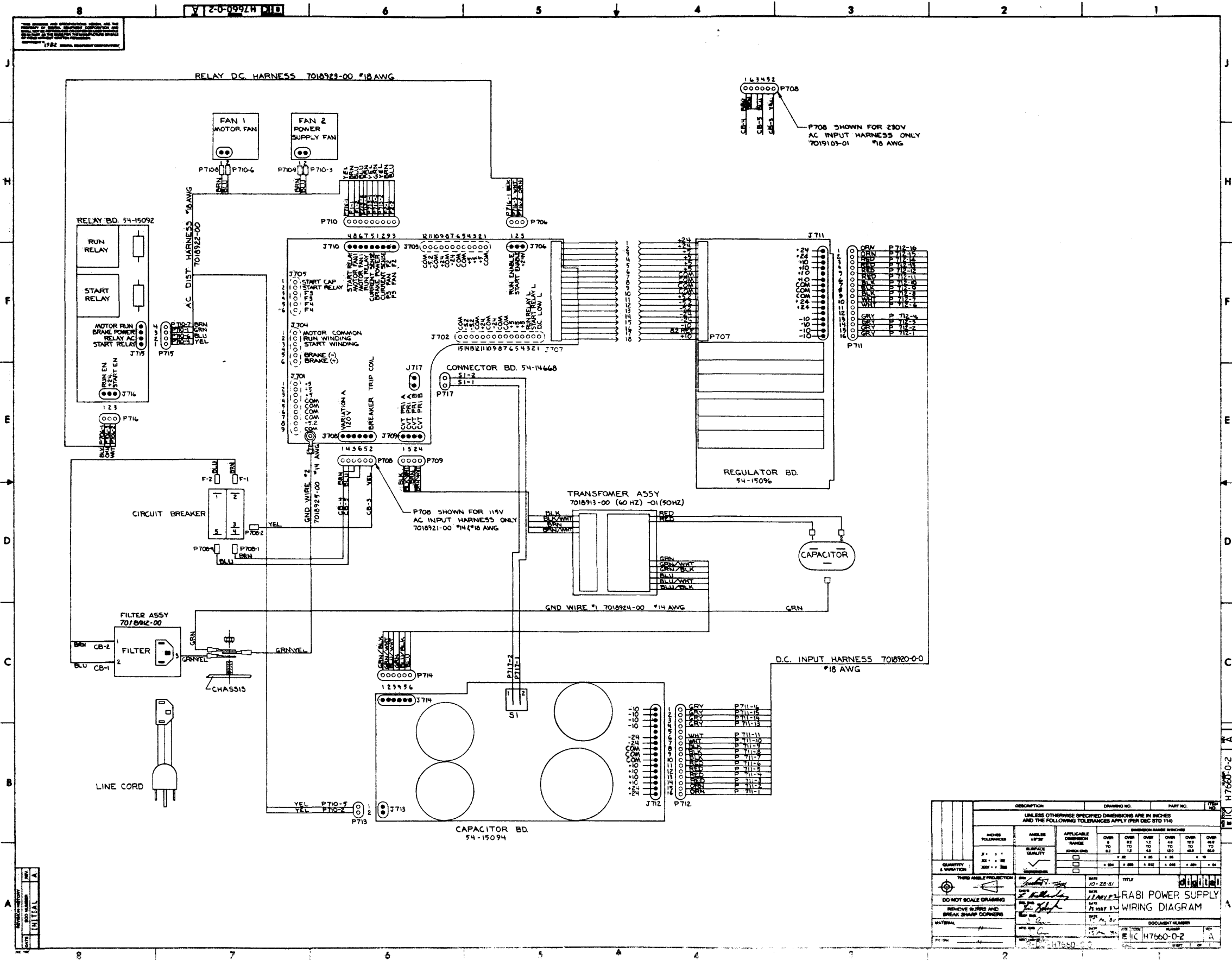
SHEET A2 OF A2

LINE	ITEM	TOP DOCUMENT	PART NUMBER	MIN REV	DESCRIPTION	QUANTITY PER VARIATION/REVISION			
						A F2	B F2	C F2	D F2
33	33	E-AD-7018914-0-0	70-18914-01		REAR PANEL ASSY H7660 B	-	-	-	1
34	34		36-19223-02		LABEL,P.S. H7660B	-	1	-	-
35	35		37-00587-01		PKG POWER SUPPLY RM80	1	1	1	1
36	36		17-00021-07	L	SHIELD,ELECTROMAG,4.70"X2.00"	1	1	1	1
37	37		36-12680-01	E	LABEL,GROUND SYMBOL WHITE	1	1	1	1
38	38	K-MD-7429346-0-DBU	74-29346-01	A	COVER,SHARP EDGE	1	1	1	1
39	39		90-09157-01	B	*** THIS ITEM IS NOT USED ***	-	-	-	-
40	40		90-00049-32	A	SCREW,SEMS PAN PHIL 6-32	5	5	5	5
41	41		36-21739-01		LABEL,COUNTRY OF ORIGIN HONG KONG	A/R	A/R	A/R	A/R
42	42		36-21739-03	A	LABEL,COUNTRY OF ORIGIN SINGAPORE	A/R	A/R	A/R	A/R
43	43	E-AD-7018914-0-0	70-18914-02	A	REAR PANEL ASSY	1	-	-	-
44	44	E-AD-7018914-0-0	70-18914-03	A	REAR PANEL ASSY	-	1	-	-
45	45		36-19223-03	A	LABEL,POWER SUPPLY H7660C	-	-	1	-
46	46		36-19223-04	A	LABEL,POWER SUPPLY H76600	-	-	-	1

1 GEN: - LEGEND

2 GEN:	PART NUMBER	VARIATION
3 GEN:	H7660-A	115V/60HZ
4 GEN:	H7660-B	230V/50HZ
5 GEN:	H7660-C	115V/60HZ
6 GEN:	H7660-D	230V/50HZ

D	I	G	I	T	A	L	TITLE	SECTION A	OF	A	SIZE	CODE	DOCUMENT NUMBER	REV
							UNIT ASSEMBLY H7660				K	PL	H7660-0-DBP	L



DESCRIPTION		DRAWING NO.	PART NO.	REV. NO.							
UNLESS OTHERWISE SPECIFIED DIMENSIONS ARE IN INCHES AND THE FOLLOWING TOLERANCES APPLY (PER DEC STD 114)											
INCH TOLERANCES	ANGLES	DIMENSION RANGE INCHES									
	APPLICABLE DIMENSION RANGE	0	0.01	0.02	0.03	0.04	0.05	0.06	0.07	0.08	0.09
2: ± .1	BLANK	0	0.01	0.02	0.03	0.04	0.05	0.06	0.07	0.08	0.09
3: ± .02	QUALITY	0	0.01	0.02	0.03	0.04	0.05	0.06	0.07	0.08	0.09
300: ± .005	TOLERANCES	0	0.01	0.02	0.03	0.04	0.05	0.06	0.07	0.08	0.09
THIRD ANGLE PROJECTION		DATE	TITLE								
DO NOT SCALE DRAWING		20-28-51	RAB1 POWER SUPPLY WIRING DIAGRAM								
REMOVE BURRS AND BREAK SHARP CORNERS		BY	DRAWN								
MATERIAL		CHK	DOCUMENT NUMBER								
PT. NO.		7018922-00	H7660-0-2								

DESIGNED BY: []
 DRAWN BY: []
 CHECKED BY: []
 INITIAL: []

H7660-0-2

ECO 5414668-CX001

COMPONENT DELETES:

- 1-1. DELETE C13. (1001610-00).
- 1-2. DELETE Q8. (1510877-00).

COMPONENT ADDS:

- 1-3. ADD C13. (1010274-02).
- 1-4. ADD Q8. (1503409-01).
- 1-5. AFTER COMPLETING THE ABOVE REWORK,
MARK THE MODULE CS REV "B".

ECO 5414668-CX002

COMPONENT DELETES: SIDE 1

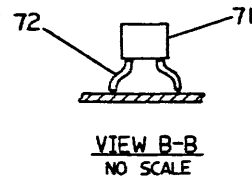
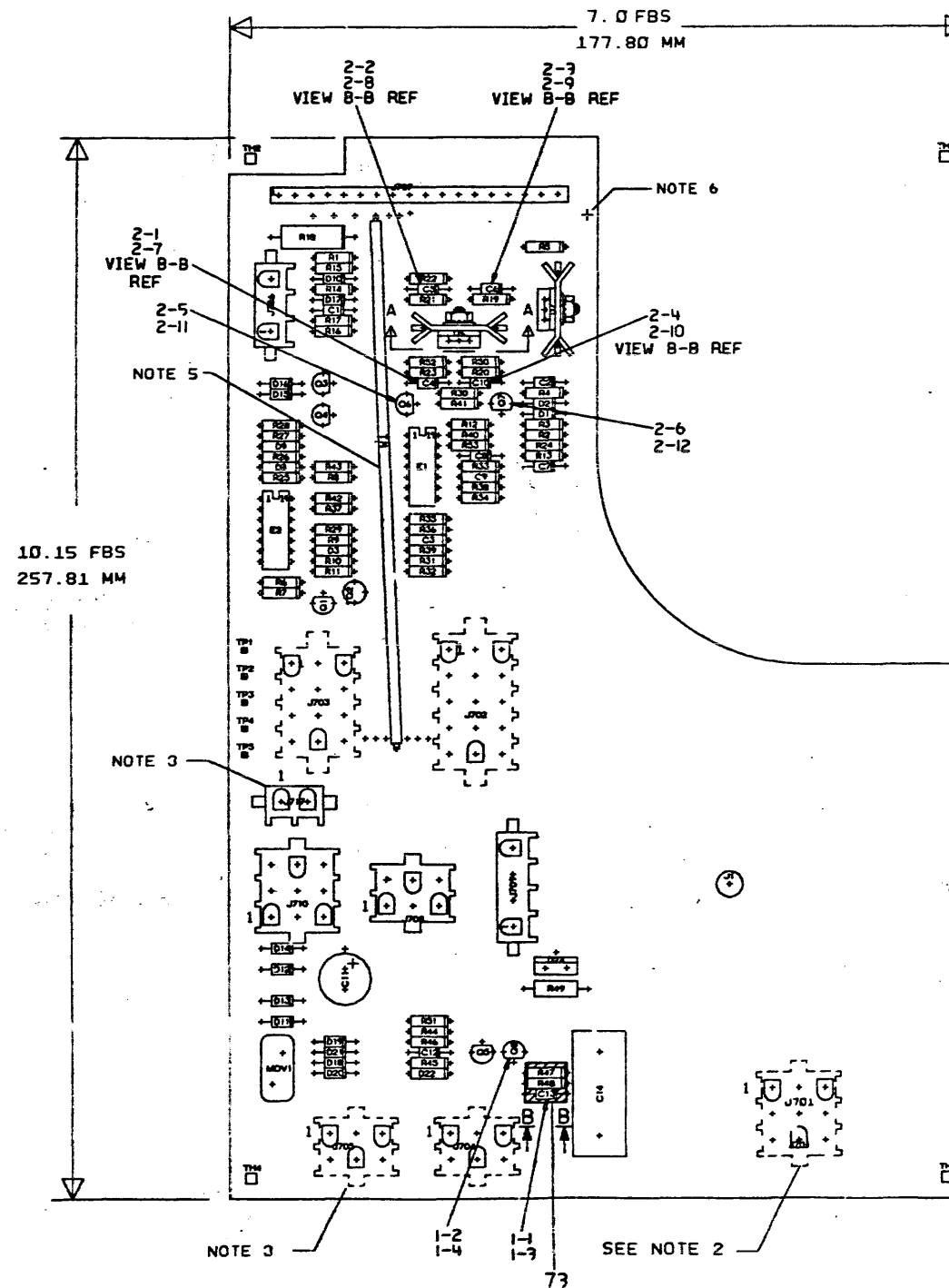
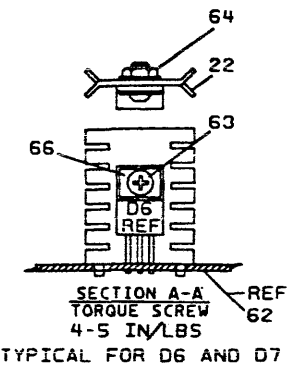
- 2-1. DELETE C4. (1001610-00).
- 2-2. C5. (1001610-00).
- 2-3. C6. (1001610-00).
- 2-4. C10. (1001610-00).
- 2-5. Q6. (1510877-00).
- 2-6. DELETE Q7. (1510877-00).

COMPONENT ADDS: SIDE 1

- 2-7. ADD C4. (1010274-02).
- 2-8. C5. (1010274-02).
- 2-9. C6. (1010274-02).
- 2-10. C10. (1010274-02).
- 2-11. Q6. (1503409-01).
- 2-12. ADD Q7. (1503409-01).

MARK MODULE:

- 2-13. WHEN THE ABOVE REWORK IS COMPLETE,
MARK THE MODULE CS REV "C".



DATE	BY	CHK'D	APP'D
10/1/68	JIM MCCORMACK		
SIGNATURES			
DRN.	JIM MCCORMACK	DATE	10/1/68
CHK'D		BY	
REC'D		DATE	
PROJ. ENG.		BY	
PROD. ENG.		DATE	
SCALE	1:1	OF	1
SHEET NO. 1 OF 1			
NEXT HIGHER REV. B-00-5414668-0			

5. LENGTH OF ITEM SH TO BE S.N. 1.1
6. STRIP ENDS 0.2 I.D.
7. FEED THRU HOLE MUST BE FILLED WITH SOLDER
ETCH REV. D

NOTES:	STEP	THICK
1. REWORK BOARD JUST REEVALUATE	1	1.0
2. REWORK BOARD JUST REEVALUATE	2	1.0
3. SIDE AND HAND SOLDER AFTER	3	1.0
4. HAVE SOLDERING	4	1.0
5. CONTACTS AND J17 HAVE FEMALE	5	1.0
6. CONTACTS AND J17 THRU TPS	6	1.0
7. PROTRUDE OUT FROM SIDE	7	1.0
8. STEP 1 - X AXIS	8	1.0
9. STEP 2 - Y AXIS	9	1.0
10. STEP 3 - Z AXIS	10	1.0

APPROVED FOR RELEASE BY NSA ON 05-08-2013 pursuant to E.O. 13526, ALL INFORMATION CONTAINED HEREIN IS UNCLASSIFIED EXCEPT WHERE SHOWN OTHERWISE

LINE	ITEM	TOP DOCUMENT	PART NUMBER	MIN REV	DESCRIPTION	QTY	PER VARIATION	REFERENCE DESIGNATOR
						00		
*	1	D-CS-5414668-0-1					REF	
*	2	E-UA-5414668-0-0					REF	
*	3	D-MD-5014667-0-0					REF	
*	4	D-EC-5014667-0-0					REF	
	5		1001610-00		.01 MFD 50V +80-20% Z5U CER	5		C1,C2,C7,C8,C12
	6		1013393-00		330 MFD 20V+100-10% AL EL	1		C11
	7		1013466-09		1000.0 MMF 50V 10% X7R CER	2		C3,C9
	8		1014430-00		.022 MFD 270V 10% K.POLYPROP	1		C14
	9		1100114-00		PIV= 25 IO=135 MA	3		D3,D8,D9
	10		1105796-00		PIV= 400 IO= 1.00A 1N4004 DO-41	6		D15,D16,D18-D21
	11		1110925-00		VZ= 5.1 2% 400 MW 1N751	1		D22
	12		1113290-00		TRIAC PIV= 600 IO= 8.00A 2N6344	1		D24
	13		1114117-00		PIV= 40 IO= 75 A - 4NS	4		D1,D2,D10,D17
	14		1116474-00		PIV=1000 IO= 1.00A 1N4007 DO-41	4		D11-D14
	15		1117061-00		THYRISTOR, VDRM= 25 MC	2		D6,D7
	16		1212297-01		MATE-N-LOK 04PIN(1X04).250CC HDR	1		J709
	17		1212297-02		MATE-N-LOK 09PIN(2X05).250CC HDR	2		J701,J710
	18		1212297-03		MATE-N-LOK 03PIN(1X03).250CC HDR	1		J706
	19		1212297-04		MATE-N-LOK 15PIN(2X08).250CC HDR	1		J702
	20		1212297-05		MATE-N-LOK 06PIN(2X03).250CC HDR	2		J704,J708
	21		1212297-06		MATE-N-LOK 12PIN(2X06).250CC HDR	1		J703
	22		1215228-00		HEAT SINKS,TD-220 01.25X0.87	2		HS1,HS2
	23		1217465-03		MATE-N-LOK 06SKT(2X03).250CC ASS	1		J705
	24		1218994-01		PCB HEADER 18PIN(1X18).156CC STR	1		J707
	25		1300168-00		10.0 .50 W 5.0 % CF	1		R49
	26		1300202-00		47.0 .25 W 5.0 % CF	2		R20,R22
	27		1300229-00		100.0 .25 W 5.0 % CF	1		R47
	28		1300271-00		220.0 .25 W 5.0 % CF	2		R23,R50
	29		1300316-00		470.0 .25 W 5.0 % CF	2		R27,R28
	30		1300365-00		1.0 K .25 W 5.0 % CF	12		R6,R7,R11,R19,R21,R25,R26,R29,

REVISION HISTORY		BASIC PART NO: 5414668		DRN:	MARY BAIROS	DATE:	11-FEB-82	D I G I T A L	
ENG!	ECD NUMBER	REV	SECTION A OF A	CHK'D:	DICK BARRIERE	DATE:	17-FEB-82	TITLE PARTS LIST	
JC	INITIAL	X05	SECTION VARIATION INDEX					CONNECTOR BOARD H7660	
JC	PCA-MD-029	CX00	[A] 00						
JC	PCA-MD-077	DX00	[B]						
JC	PCA-MD-118	A	[C]	DES.ENG:	J. CROSS	DATE:	07-MAY-82	DOCUMENT NUMBER	
RG	5414668-CX001	B	[D]					SIZE!	CODE! NUMBER
RG	5414668-CX002	C	[E]						REV
RG	5414668-CX003	D	[F]	RESP.ENG.:	J. CROSS	DATE:	07-MAY-82	K !	PL ! 5414668-0-DBP ! D
			[H]						
			[J]						
			[K]	MFG.ENG.:	W. EHRMAN	DATE:	07-MAY-82	RELEASE DATE:	
			[L]						
			[M]	ASSEMBLY NUMBER:		TOP DOCUMENT NUMBER:		FILE NAME:	EDIT #!
			[N]	E-UA-5414668-0-0		#B-DD-5414668-0		Z1645D.PLS	33

17-15-82
R6
12-15-85

"THIS DRAWING AND THE SPECIFICATIONS CONTAINED HEREIN ARE CONFIDENTIAL AND PROPRIETARY. THEY ARE THE PROPERTY OF DIGITAL EQUIPMENT CORPORATION AND SHALL NOT BE REPRODUCED OR COPIED OR USED IN WHOLE OR IN PART AS THE BASIS FOR THE MANUFACTURE OR SALE OF ITEMS WITHOUT WRITTEN PERMISSION. THIS IS AN UNPUBLISHED WORK PROTECTED UNDER THE FEDERAL COPYRIGHT LAWS."

LINE	ITEM	TOP DOCUMENT	PART NUMBER	MIN REV	DESCRIPTION	QTY	PER VARIATION	REFERENCE DESIGNATOR
						00		
							CONT	R46,R48,R52,R53
31	31		1300447-00		4.70 K .25 W 5.0 % CF	1		R10
32	32		1300479-00		10.0 K .25 W 5.0 % CF	6		R17,R42,R32,R37,R38,R16
33	33		1300496-00		15.0 K .25 W 5.0 % CF	1		R39
34	34		1301423-00		6.80 K .25 W 5.0 % CF	2		R9,R45
35	35		1302172-00		3.01 K .75 W 1.0 % RN65C-F 5	1		R18
36	36		1302177-00		47.0 K .25 W 5.0 % CF	1		R8
37	37		1316836-00		402.0 .25 W 1.0 % RN55D-F10	2		R51,R44
38	38		1302612-00		1.78 K .25 W 1.0 % RN55D-F10	1		R3
39	39		1302663-00		10.0 M .25 W 5.0 % CF	4		R31,R40,R41,R30
40	40		1304863-00		*** THIS ITEM IS NOT USED ***	-		
41	41		1305108-00		1.47 K .25 W 1.0 % RN55D-F10	1		R5
42	42		1305114-00		3.48 K .25 W 1.0 % RN55D-F10	1		R35
43	43		1305143-00		825.0 .25 W 1.0 % RN55D-F10	2		R14,R15
44	44		1305325-00		8.25 K .25 W 1.0 % RN55D-F10	1		R43
45	45		1309414-00		9.76 K .25 W 1.0 % RN55D-F10	1		R24
46	46		1311996-00		VARISTOR 150VAC VOLT TRANS SUP	1		MOV1
47	47		1314989-00		11.30 K .25 W 1.0 % RN55D-F10	1		R36
48	48		1312546-00		16.50 K .25 W 1.0 % RN55D-F10	1		R13
49	49		1312618-00		16.90 K .25 W 1.0 % RN55D-F10	1		R33
50	50		1313591-00		1.65 K .25 W 1.0 % RN55D-F10	1		R4
51	51		1313840-00		4.53 K .25 W 1.0 % RN55D-F10	1		R2
52	52		1316837-00		412.0 .25 W 1.0 % RN55D-F10	1		R1
53	53		1316842-00		6.34 K .25 W 1.0 % RN55D-F10	1		R12
54	54		1312565-00		13.30 K .25 W 1.0 % RN55D-F10	1		R34
55	55		1510705-00		XA 05 NPN 500MW SI 60 50 P	2		Q3,Q4
56	56		1510706-00		XA 55 PNP 500MW SI 60 50 P	1		Q1
57	57		1510877-00		*** THIS ITEM IS NOT USED ***	-		
58	58		1511686-00		DEC5433 FET N 350MW 10 25 1A	1		Q2
59	59		1512212-00		DEC8098 NPN 350MW SI 60 50	1		Q5
60	60		1911637-00		74132 NAND GATE-QUAD 2 IN	1		E2
61	61		1912108-00		339 VOLT CMPRTR,QUAD	1		E1
62	62		5014667-00		DRILL AND ETCH BD.	1		
63	63		9006011-01		SCREW,MACH PAN PHIL 4-	2		
64	64		9006557-00		NUT,HEX EXT TOOTH LCKWSHR 4-40	2		
65	65		9009217-00		POST,WIRE WRAP	5		TP1,TP2,TP3,TP4,TP5
66	66		9009769-00		WASHER,RECTNGLR STEEL	2		
67	67		9009807-02		STUD,PC MOUNTING 10-32X0.375	1		J1
68	68	SEE NOTE	9107702-09		WIRE,SOLID 14AWG IPVC 300V15	A/R		W1
69	69		1217485-00		MATE-N-LOK 02SKT(1X02).250CC ASS	1		J717
70	70		1503409-01		DEC6534B PNP 310MW SI 40 90 P	3		Q6-Q8
71	71		1010274-02	K	1 MFD 50V +80-20% CER	5		C4-C6,C10,C13
72	72		9107267-00		CR TUBING,TEFLON .034ID	A/R		
73	73		4901090-00		CR TAPE,TEFLON ADH .75 WDX3.5M	A/R		

D	I	G	I	T	A	L	TITLE	CONNECTOR BOARD H7660	SECTION A OF A	SIZE	CODE	DOCUMENT NUMBER	REV
										K	PL	5414668-0-DBP	D

AUTOMATED BY PRTLST.3P(44)

P A R T S L I S T

SHEET A3 OF A3

LINE ITEM TOP DOCUMENT

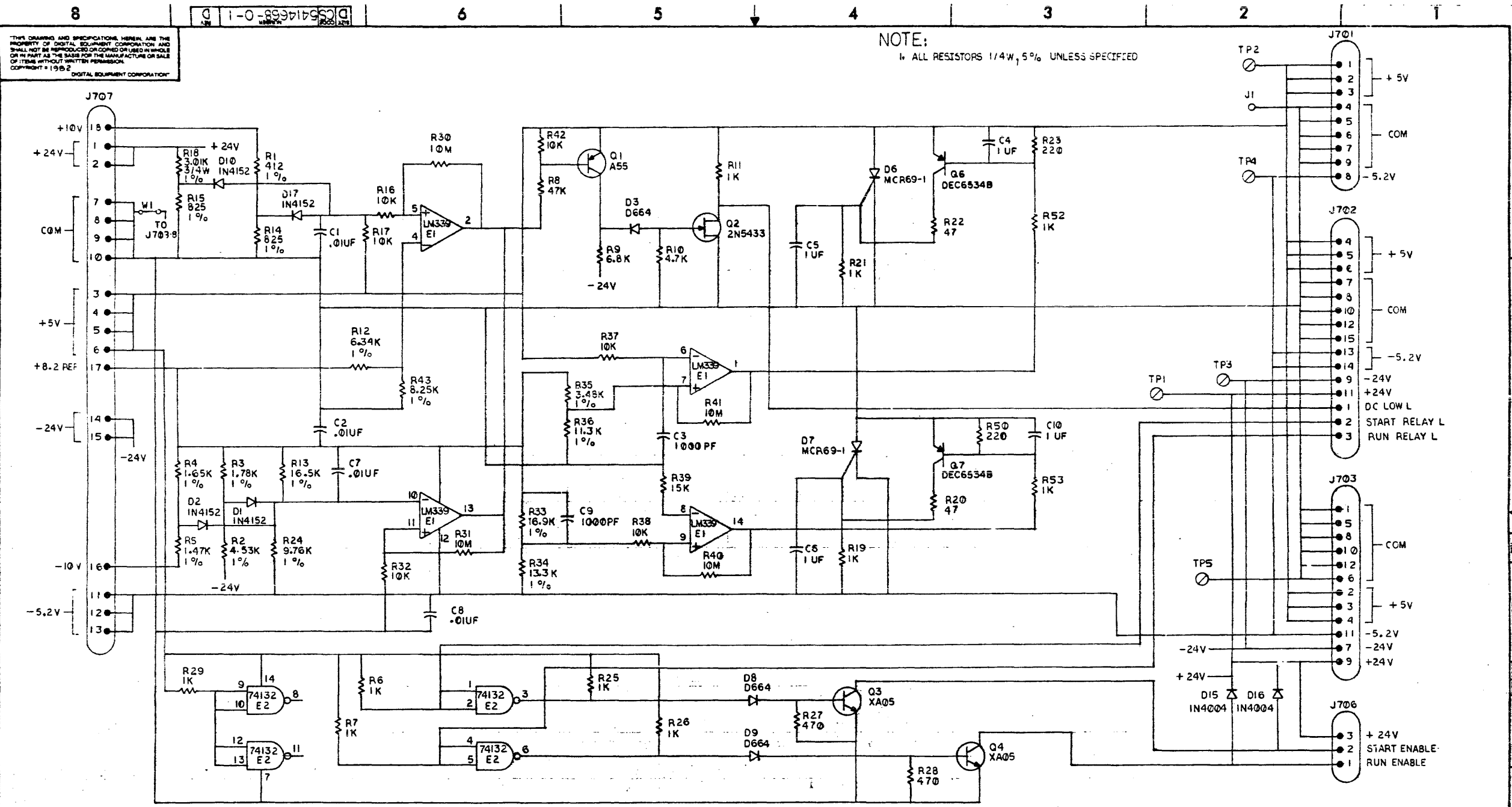
PART NUMBER ^{MIN} REV DESCRIPTION

QTY PER VARIATION
00

REFERENCE DESIGNATOR

74 NOTE: LENGTH OF W1 IS 5.4 +/- .1".

D	I	G	I	T	A	L	TITLE	CONNECTOR BOARD H7660	SECTION A OF A	SIZE	CODE	DOCUMENT NUMBER	REV
										X	PL	5414668-0-DBP	D



NOTE:
ALL RESISTORS 1/4W, 5% UNLESS SPECIFIED

THIS DRAWING AND SPECIFICATIONS HEREIN ARE THE PROPERTY OF DIGITAL EQUIPMENT CORPORATION AND SHALL NOT BE REPRODUCED OR COPIED OR USED IN WHOLE OR IN PART AS THE BASIS FOR THE MANUFACTURE OR SALE OF ITEMS WITHOUT WRITTEN PERMISSION. COPYRIGHT © 1982 DIGITAL EQUIPMENT CORPORATION

DATE	REVISION HISTORY	ECO NUMBER	REV
1981	5414668-CX001	W.S. GUENTHER	B
1985	5414668-CX002	W.S. GUENTHER	C
1985	5414668-CX003	J.R. GUENTHER	D

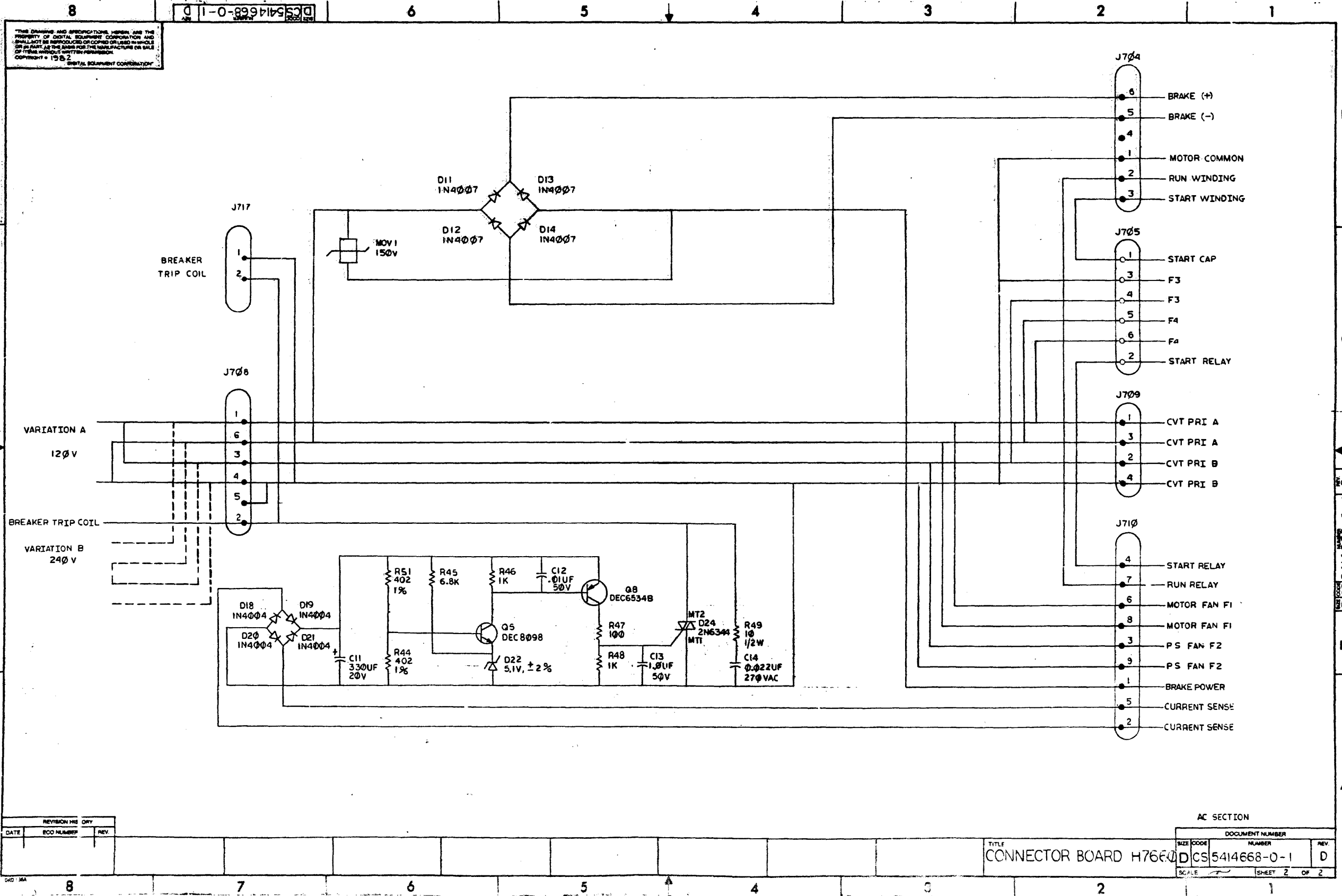
DRW: <i>S.D. Ogali</i>	DATE: <i>OCT 5 81</i>	TITLE: digital
CHKD: <i>John C. ...</i>	DATE: <i>10/10/81</i>	CONNECTOR BOARD
APP'D: <i>John C. ...</i>	DATE: <i>10/10/81</i>	H7660
REVISED BY: <i>John C. ...</i>	DATE: <i>10/10/81</i>	DOCUMENT NUMBER
SCALE: <i>100%</i>	DATE: <i>10/10/81</i>	D CS5414668-0-1 D

DRAWING NUMBER: DCS 5414668-0-1

DRAWING NUMBER: DCS 5414668-0-1

DRAWING NUMBER: DCS 5414668-0-1

DRAWING NUMBER: DCS 5414668-0-1



THIS DRAWING AND SPECIFICATIONS HEREBY ARE THE PROPERTY OF DIGITAL EQUIPMENT CORPORATION AND SHALL NOT BE REPRODUCED OR COPIED OR LOANED IN WHOLE OR IN PART, AS THE BASIS FOR THE MANUFACTURE OR SALE OF ITEMS WITHOUT WRITTEN PERMISSION. COMPANY # 10 0 2 DIGITAL EQUIPMENT CORPORATION

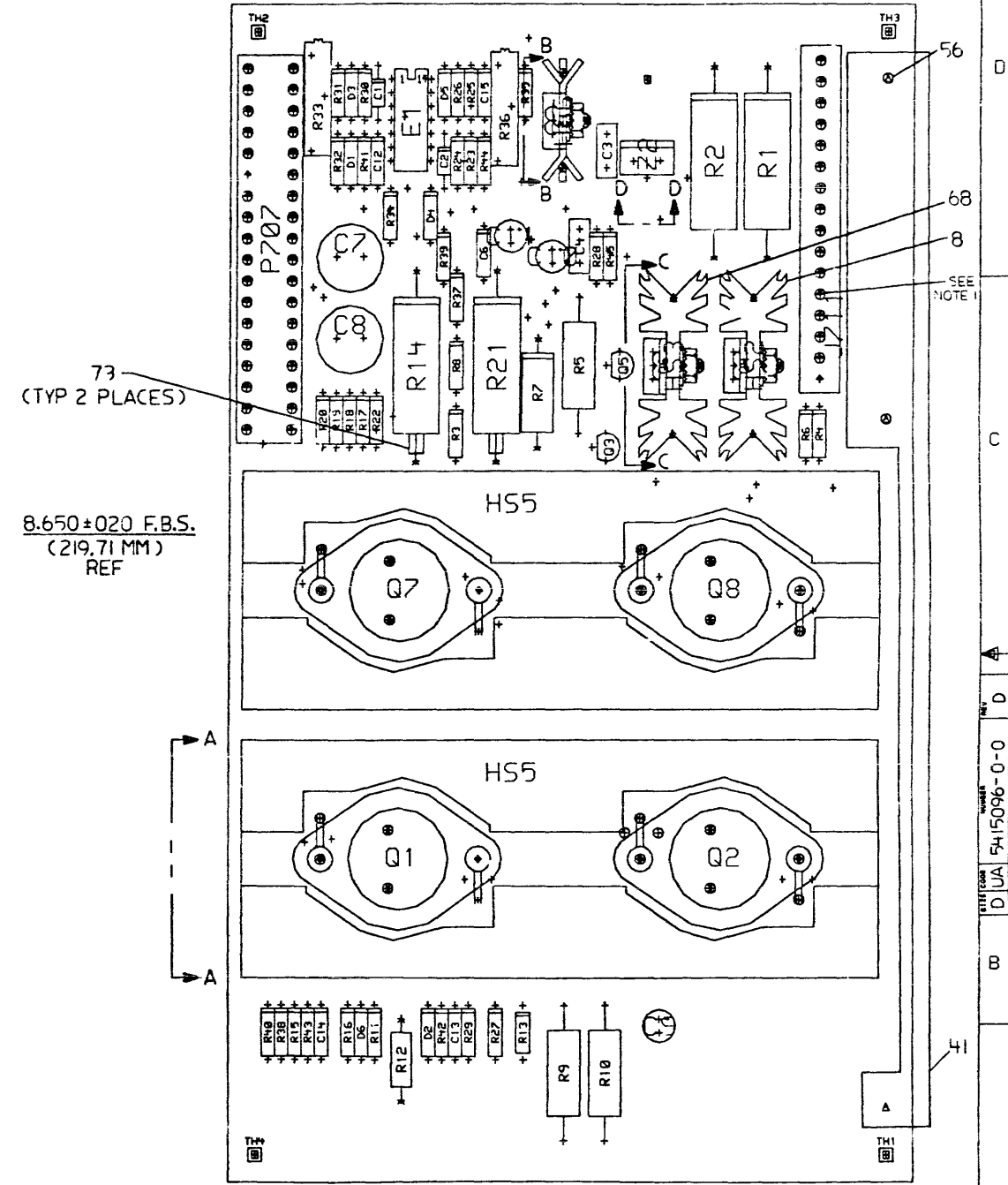
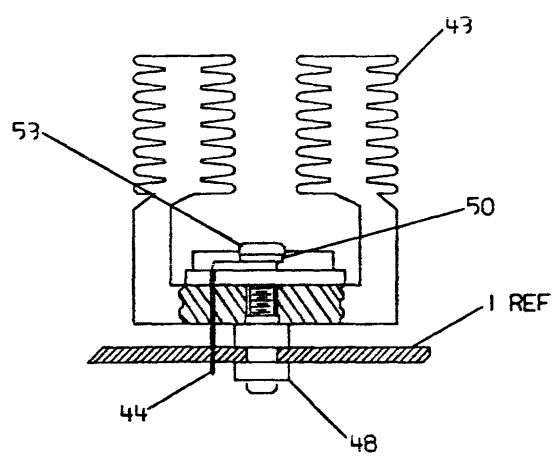
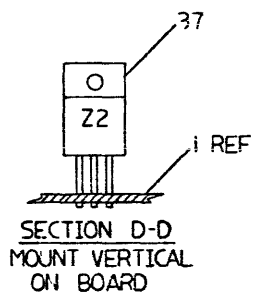
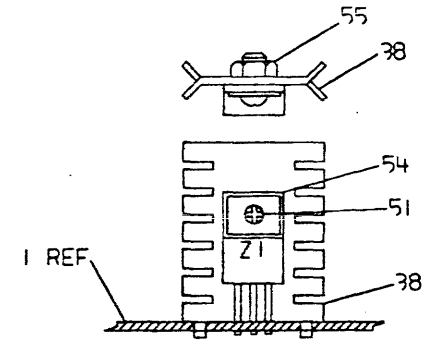
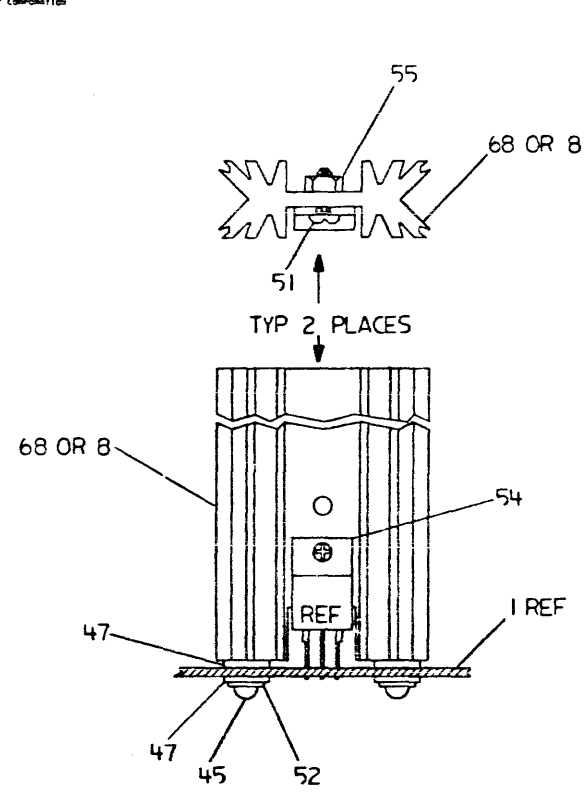
DATE	ECO NUMBER	REV.	REVISION	BY	CHK

TITLE: CONNECTOR BOARD H7660
 DOCUMENT NUMBER: DCS 5414668-0-1
 SHEET 2 OF 2

DRAWING NUMBER: DCS 5414668-0-1
 DRAWING NUMBER: DCS 5414668-0-1
 DRAWING NUMBER: DCS 5414668-0-1
 SHEET 2 OF 2

THIS DRAWING AND SPECIFICATIONS, HEREIN ARE THE PROPERTY OF DIGITAL EQUIPMENT CORPORATION AND SHALL NOT BE REPRODUCED OR COPIED IN WHOLE OR IN PART OR BE USED FOR THE MANUFACTURE OR SALE OF ITEMS WITHOUT WRITTEN PERMISSION. DIGITAL EQUIPMENT CORPORATION © 1984

5.10 ± 0.20 F.B.S.
(129.54 MM)
REF
COMPONENT SIDE VIEW



NOTES: 1. CUT PIN 12 OF J711 FOR KEY WAY.
2. THIS BOARD MEETS REQUIREMENTS FOR U L TYPE I.

STEP	E	Y AXIS	STEP	TIMES
REPEAT		X AXIS	STEP	TIMES

CHK	CHANGE	NO	REV
1	1	1	D
2	1	1	W/MILLER

ETCH REV. C1-P2

SIGNATURES	DATE	TITLE
DRN. <i>[Signature]</i>		REGULATOR BOARD H7660
CHK'D <i>[Signature]</i>	12/1/84	
MECH. ENG. <i>[Signature]</i>	12/1/84	
PROJ. ENG. <i>[Signature]</i>	12/1/84	
PROD. <i>[Signature]</i>	12/1/84	
SCALE 2/1		
SHT. 1 OF 1		
NEXT HIGHER ASSY. K-00-5415096-0-0		

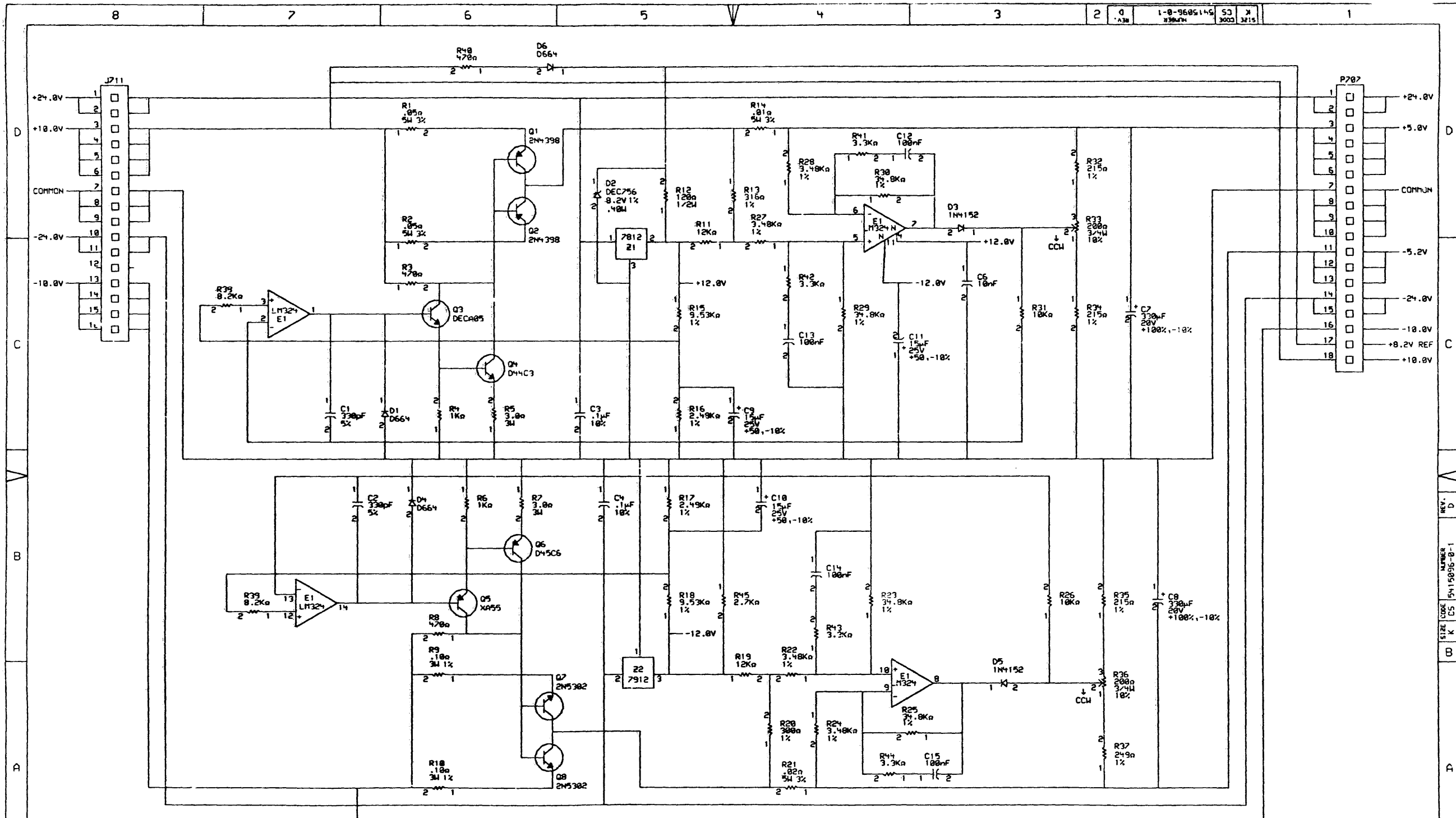
LINE	ITEM	TOP DOCUMENT	PART NUMBER	MIN REV	DESCRIPTION	VARIATION REVISION LEVEL:	QTY	PER VARIATION	REFERENCE DESIGNATOR
							00	D1	
1	1	K-DD-5015095-0-0	5015095-00	C	DRILL AND ETCH BD		1		
2	2		1001610-00		.01 MFD 50V +80-20% Z5U CER		1		C6
3	3		1010978-36		.1 MFD 50V 10% CER		2		C3,C4
4	4		1013393-00		330 MFD 20V+100-10% AL EL		2		C7,C8
5	5		1013466-18		330.0 MMF 50V 5% CER		2		C1,C2
6	6		1013466-22		.1 MFD 50V +80-20% Z5U CER		4		C12,C13,C14,C15
7	7		1018000-01		15 MFD 25V +50-10% AL EL		3		C9,C10,C11
8	8		1100114-00		FIV= 25 IO=135 MA		3		D1,D4,D6
9	9		1103441-01		VZ= 8.2 1% 400 MW 1N756A		1		D2
10	10		1114117-00		FIV= 40 IO= 75 A - 4NS		2		D3,D5
11	11		1211987-06	H	HEAT SINK,TO-3 4.750X01.7		1		
12	12		1213921-00	K	HEAT SINK,EXTRUSION 1.380X1.00		1		
13	13		1213921-01	K	HEAT SINK,EXTRUSION 1.380X1.50		1		
14	14		1214255-09		HEAT SINK,TO-3 04.75X01.7		1		
15	15		1214789-00	CR	INSERT,THREAD		8		
16	16		1215228-00	D	HEAT SINKS,TO-220 01.25X0.87		1		
17	17		1216652-09		PCB,HEADER 16PIN(1X16).156CC STR		1		J711
18	18		1217990-07		CONN,P+S 18SKT(1X18).156CC		1		F707
19	19		1300243-00		120.0 .50 W 5.0 % CF		1		R12
20	20		1300316-00		470.0 .25 W 5.0 % CF		3		R3,R8,R40
21	21		1300365-00		1.0 K .25 W 5.0 % CF		2		R4,R6
22	22		1300426-00		2.70 K .25 W 5.0 % CF		1		R45
23	23		1300439-00		3.30 K .25 W 5.0 % CF		4		R41,R42,R43,R44
24	24		1300479-00		10.0 K .25 W 5.0 % CF		2		R26,R31
25	25		1300488-00		12.0 K .25 W 5.0 % CF		2		R11,R19
26	26		1303156-00		34.80 K .25 W 1.0 % RN55D-F10		4		R23,R25,R29,R30
27	27		1303179-00		8.20 K .25 W 5.0 % CF		2		R38,R39
28	28		1304725-00		300.0 .25 W 1.0 % RN55D-F10		1		R20
29	29		1304863-00		312.0 .25 W 1.0 % RN55D-F10		1		R13
30	30		1305114-00		3.48 K .25 W 1.0 % RN55D-F10		4		R22,R24,R27,R28

REVISION HISTORY			BASIC PART NO: 5415096		DRN:	SHERI LEHMAN		DATE:	17-MAR-83		DIGITAL	
ENG	ECD NUMBER	REV	SECTION A OF A		CHK'D:	<i>Sue Bourbeau</i>		DATE:	17-MAR-83		TITLE	PARTS LIST
RG	5415096-CX002	B	SECTION VARIATION INDEX			<i>Sue Bourbeau</i>		DATE:	17-MAR-83		REGULATOR BOARD	H7660
RG	5415096-CX003	C	[A] 00			<i>Bob Guenther</i>		DATE:	12-9-85			
RG	5415096-CX004	D	[B]			<i>Bob Guenther</i>		DATE:	17-MAR-83			
WM	5415096-CX005	E	[C]			<i>Sid Friedman</i>		DATE:	17-MAR-83		RELEASE DATE:	26-AUG-85
			[D]									
			[E]									
			[F]									
			[G]									
			[H]									
			[I]									
			[J]									
			[K]									
			[L]									
			[M]									
			[N]									
			ASSEMBLY NUMBER:		TOP DOCUMENT NUMBER:		FILE NAME:		EDIT #:			
			D-UA-5415096-0-0		K-DD-5415096-0-0		Z2530E.PLS		18			

"THIS DRAWING AND THE SPECIFICATIONS CONTAINED HEREIN ARE CONFIDENTIAL AND PROPRIETARY. THEY ARE THE PROPERTY OF DIGITAL EQUIPMENT CORPORATION AND SHALL NOT BE REPRODUCED OR COPIED OR USED IN WHOLE OR IN PART AS THE BASIS FOR THE MANUFACTURE OR SALE OF ITEMS WITHOUT WRITTEN PERMISSION. THIS IS AN UNPUBLISHED WORK PROTECTED UNDER THE FEDERAL COPYRIGHT LAWS."

LINE	ITEM	TOP DOCUMENT	PART NUMBER	MIN REV	DESCRIPTION	QTY PER VARIATION	REFERENCE DESIGNATOR
					VARIATION REVISION LEVEL:	D1	
31	31		1305123-00	215.0	.25 W 1.0 % RN55D-F10	3	R32,R34,R35
32	32		1309143-05	200.0	.75 W10.0 % POT	2	R33,R36
33	33		1310876-00	.02	5.0 W 3.0 % WW	1	R21
34	34		1310876-03	.05	5.0 W 3.0 % WW	2	R1,R2
35	35		1312626-00	2.49 K	.25 W 1.0 % RN55D-F10	1	R16
36	36		1312682-00	3.0	3.0 W 5.0 % WW	2	R5,R7
37	37		1313712-00	.01	5.0 W 3.0 % WW	1	R14
38	38		1314397-00	9.53 K	.25 W 1.0 % RN55D-F10	1	R15
39	39		1315240-00	.10	3.0 W 1.0 % WW	2	R9,R10
40	40		1317404-00	249.0	.25 W 1.0 % RN55D-F10	1	R37
41	41		1505870-00	2N 4398	PNP 200WC SI 40 40 Y	2	Q1,Q2
42	42		1510171-00	D 44C3	NPN 30WT SI 30 20 Y	1	Q4
43	43		1510196-00	2N 5302/HSNPN	200WC SI 60 40 M	2	Q7,Q8
44	44		1510414-00	D 45C6	PNP 30WT SI 45 20 Y	1	Q6
45	45		1510705-00	XA 05	NPN 500MW SI 60 50 P	1	Q3
46	46		1510706-00	XA 55	PNP 500MW SI 60 50 P	1	Q5
47	47		1912048-05	7812	VOLT REG, FIX +12V	1	Z1
48	48		1912107-80	LN 324	BURNED-IN OP AMP, QUA	1	E1
49	49		1914517-01	7912	VOLT REG, FIX -12V	1	Z2
50	50		7426111-00		CR HANDLE, REGULATOR BOARD	1	
51	51		9000024-01		CR EYELET, ROLLED 0.1210DX0.192	3	
52	52		9006011-01		CR SCREW, MACH PAN PHIL 4-	3	
53	53		9006557-00		CR NUT, HEX EXT TOOTH LCKWSHR 4-40	3	
54	54		9006632-00		CR WASHER, LOCK INTERNAL STEEL	4	
55	55		9006706-00		CR WASHER, FLAT NYLON	8	
56	56		9007794-01		CR SCREW, MACH PAN PHIL 6-	8	
57	57		9007801-00		CR WASHER, HELICAL SPLIT SST	8	
58	58		9009876-00	A	SCREW, TAP PAN PHIL THD CT 4-	4	
59	59		9009676-00		CR TERM, SOLDER BARRIER STR	8	
60	60		9009769-00		CR WASHER, RECTNGLR STEEL	3	
61	61		9107295-11		TUBING, TEFLON .066ID	A/R	
62	62		1304867-00	7.0 K	.25 W 1.0 % RN55D-F10	1	R17
63	63		1318546-11	26.70 K	.25 W 1.0 % RN55D-F10	1	R18

D	I	G	I	T	A	L	TITLE	REGULATOR BOARD	SECTION A	OF A	SIZE	CODE	DOCUMENT NUMBER	REV
							H7660				K	PL	5415096-0-DBP	E



REVISIONS	
CHK	CHANGE NO. REV
5415096	1
C2005	D

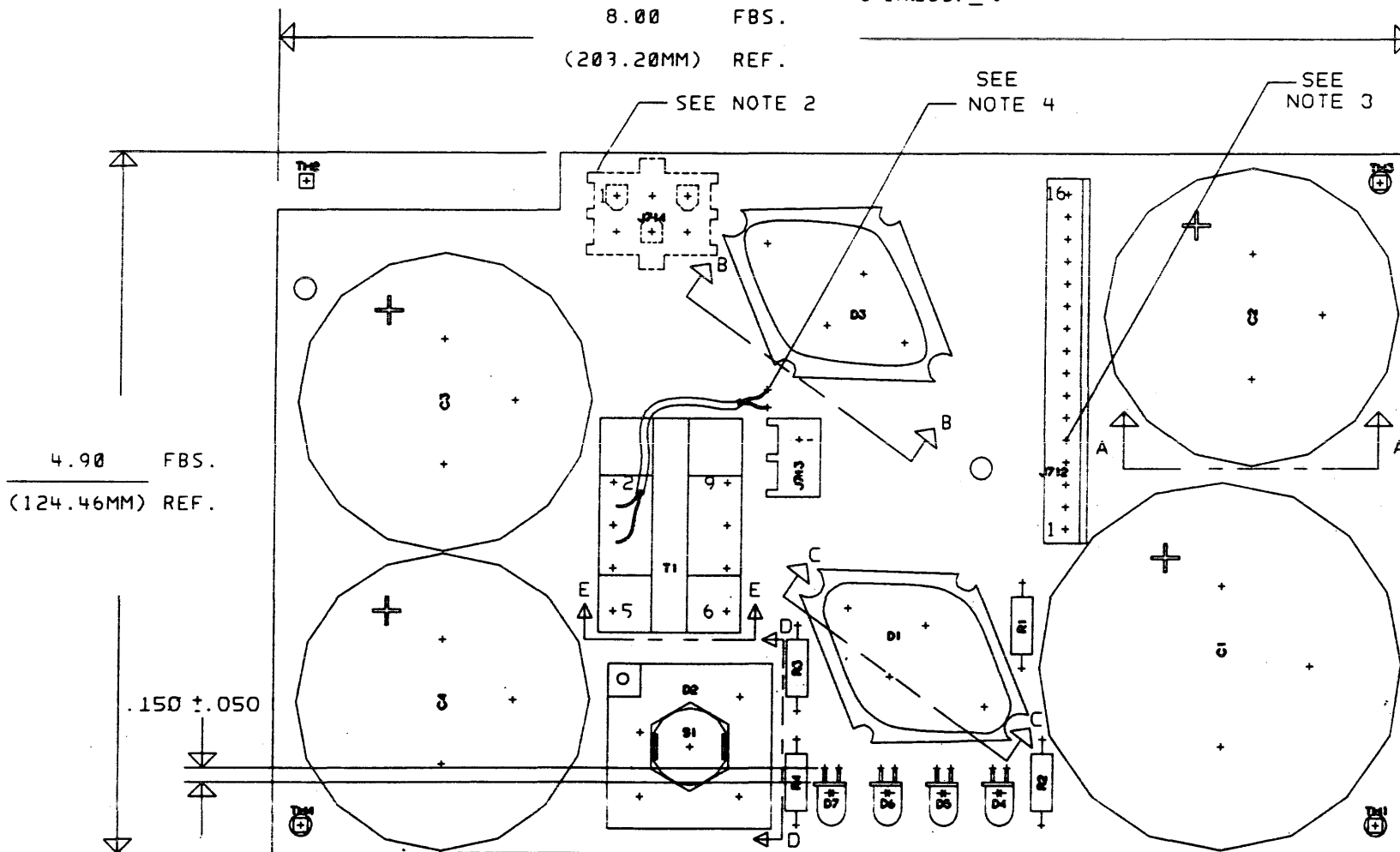
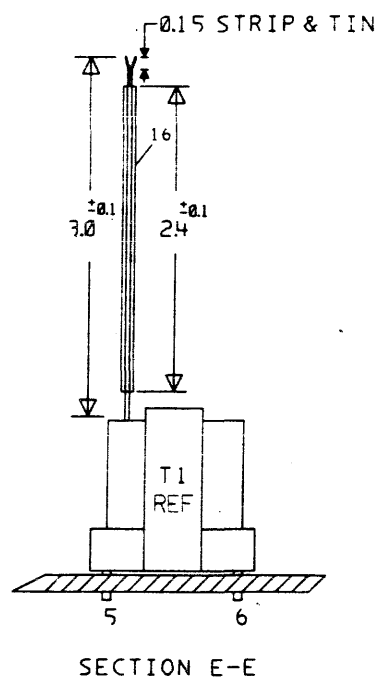
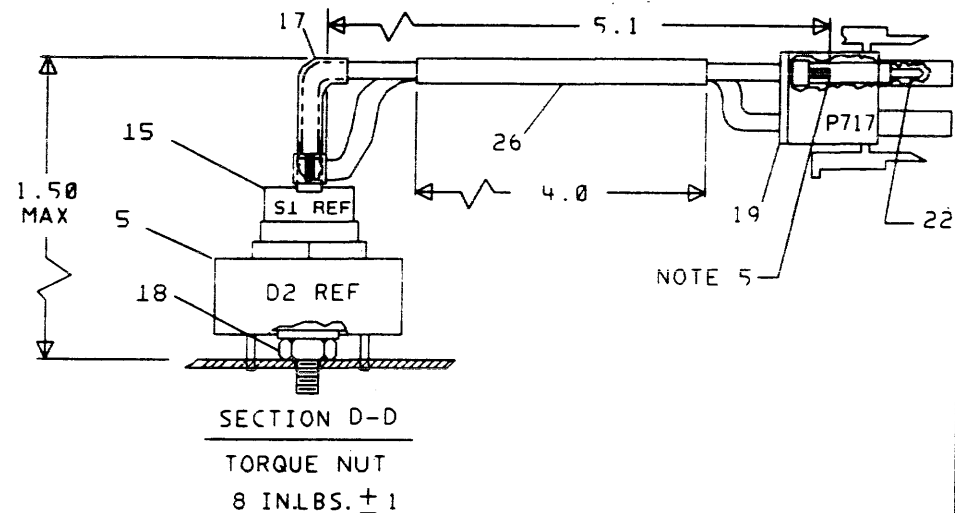
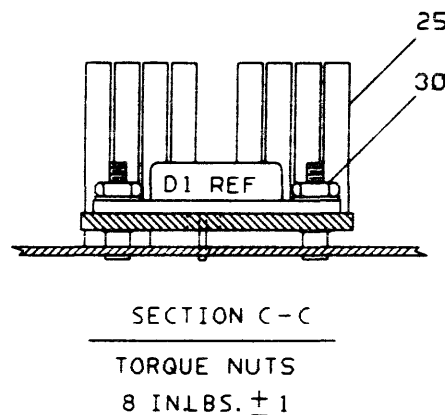
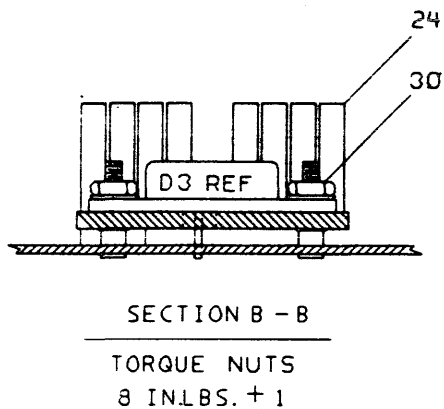
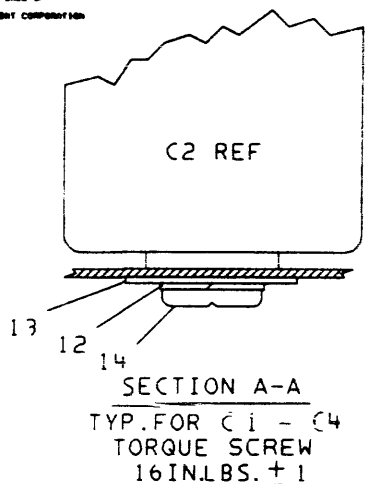
DATE	ENG.	DATE	TITLE:
89-SEP-95	[Signature]	7-9-95	REGULATOR BOARD H7660
89-SEP-87	[Signature]		

DATE	ENG.	DATE	TITLE:
89-SEP-95	[Signature]	7-9-95	REGULATOR BOARD H7660
89-SEP-87	[Signature]		

SIZE	CODE	NUMBER	REV.
K	CS	5415096-0-1	D

THIS DRAWING AND SPECIFICATIONS HEREBY ARE THE PROPERTY OF DIGITAL EQUIPMENT CORPORATION AND SHALL NOT BE REPRODUCED OR COPIED OR USED IN WHOLE OR IN PART AS THE BASIS FOR THE MANUFACTURE OR SALE OF ITEMS WITHOUT WRITTEN PERMISSION.
 DIGITAL EQUIPMENT CORPORATION
 © 1962

0-0-h6051h5v00 2



- NOTES:
1. THIS BOARD MUST MEET U.L. REQUIREMENTS FOR U.L. TYPE 1.
 2. MOUNT J7.4 ON SIDE 2 AND HAND SOLDER AFTER WAVE SOLDERING.
 3. CUT OR REMOVE PIN 5 OF J7.4 FOR KEYWAY.
 4. CROSS LEADS OVER T1 AND SOLDER 2 PLACES AS SHOWN (POLARITY NOT CRITICAL).
 5. STRIP WIRE BACK 1/8 IN. BEFORE CRIMP OF ITEM 22.

STEP E	↑ Y AXIS	STEP	TIMES
REPEAT	→ X AXIS	STEP	TIMES

CHANGE NO.	REV.

ETCH REV.	B
-----------	---

SIGNATURES		DATE	digital
DRN. <i>Max Baines</i>		2/28/62	
CHK. <i>D. J. ...</i>		4-20-62	TITLE H7660
MECH. ENG. <i>...</i>		5-11-62	
PROJ. ENG. <i>...</i>		5-11-62	CAPACITOR BOARD
PROD. <i>...</i>		5-11-62	
SCALE 2/1			SIZE CODE
SHT. 1 OF 1			NUMBER
NEXT HIGHER ASSY.			REV
			0 UA 5415094-0-A
			8-00-5415094-0

AUTOMATED BY PRTLST.3P(44)

PARTS LIST

SHEET A1 OF A1

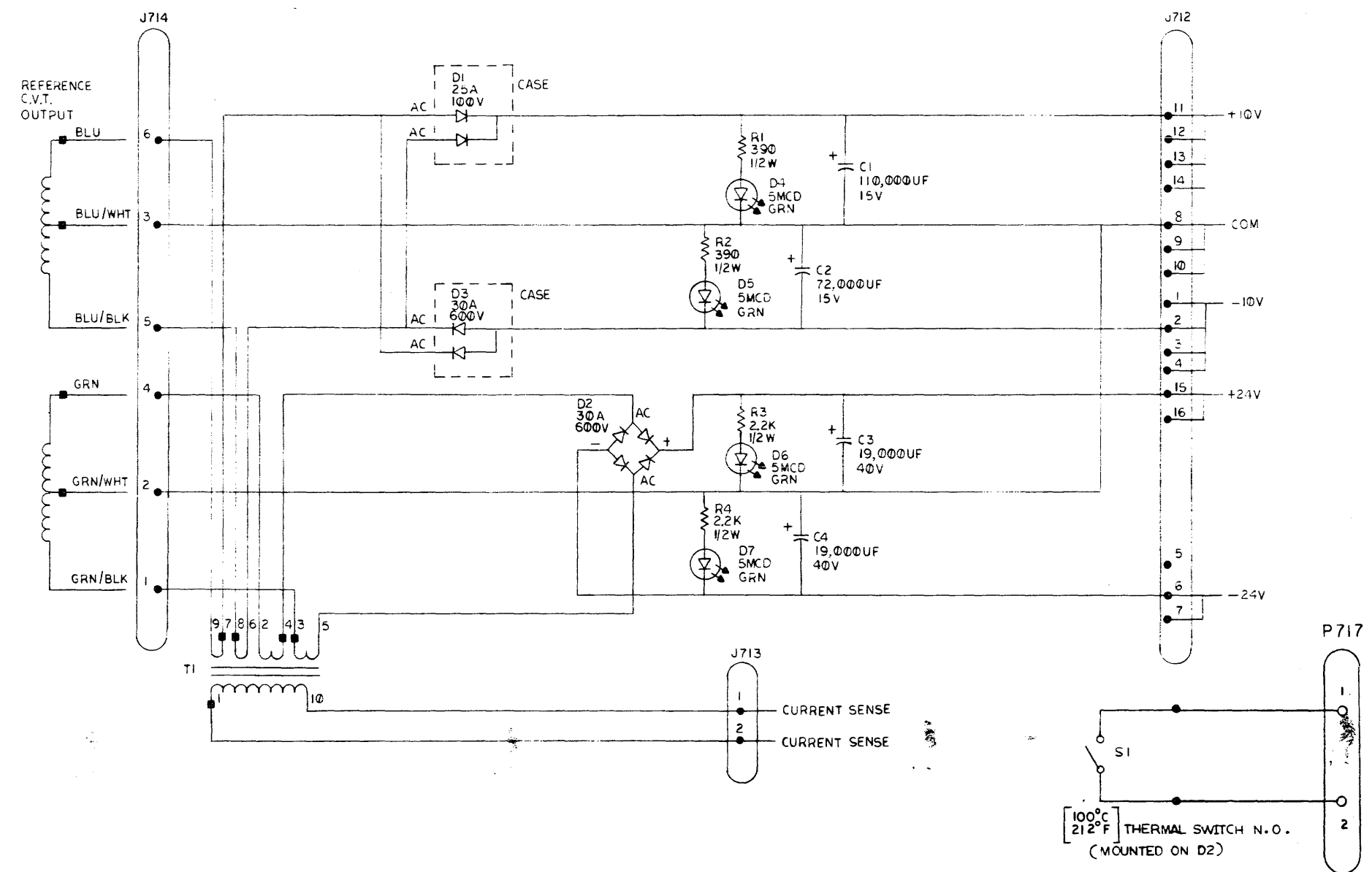
LINE	ITEM	TOP DOCUMENT	PART NUMBER	MIN REV	DESCRIPTION	QTY	PER VARIATION	REFERENCE DESIGNATOR
					VARIATION REVISION LEVEL:	00		
						A1		
1	1	H-MD-5015093-0-0	5015093-00		DRILL AND ETCH BD	1		
2	2		1018010-01		72,000 MFD 15V +75-10% AL EL	1		C2
3	3		1016239-00		19,000 MFD 40V +75-10% AL EL	2		C3,C4
4	4		1112723-00		RECT. ASSY PIV= 100 IO=25.00A	1		D1
5	5		1114245-00		RECT. ASSY PIV= 600 IO=30.00A	1		D2
6	6		1619286-01		XFMR,CURRENT RATIO 1:1:2:2:2000	1		T1
7	7		1216652-09		PCB,HEADER 16PIN(1X16).156CC STR	1		J712
8	8		1212297-00		MATE-N-LOK 02PIN(1X02).250CC HDR	1		J713
9	9		1212197-05		MATE-N-LOK 06PIN(2X03).250CC HDR	1		J714
10	10		1300308-00		390.0 .50 W 5.0 % CF	2		R1,R2
11	11		1300415-00		2.20 K .50 W 5.0 % CF	2		R3,R4
12	12		9007906-00		WASHER,HELICAL SPLIT STEEL	8		
13	13		9009950-01		WASHER,FLAT BRASS	8		
14	14		9000038-13		SCREW,MACH FAN PHIL 10-	8		
15	15	A-PS-1219953-0-0	1219953-01		THERMSTAT,0@177,C@212,NO W/.675	1		S1
16	16		9107303-11		TUBING,TEFLON .133ID	A/R		
17	17		9107255-01		TUBING,SHRINK .125ID EXP	2		
18	18		9010154-00		NUT,HEX EXT TOOTH LCKWSHR 8-32	1		
19	19	A-PS-1212167-0-0	1212167-02		MATE-N-LOK 02SKT(1X02).250CC HSG	1		
20	22	A-PS-1212169-0-0	1212169-00		MATE-N-LOK 01PIN 20-14AWG .0850D	2		
21	23		1114193-01		RECT. ASSY PIV= 600 IO=30.00A	1		D3
22	24		1219050-02		HEAT SINKS,TO-3 1.880X1.40	1		HSD3
23	25		1219050-00		HEAT SINKS,TO-3 1.880X1.40	1		HSD1
24	26		9107254-00		TUBING,SHRINK .187ID EXP	A/R		
25	28		1118196-01		LED 5MCD@20MA 2.1V GREEN	4		D4,D5,D6,D7
26	29		1016238-01		110,000 MFD 15V +75-10% AL EL	1		C1
27	30		9008185-00		NUT,HEX EXT TOOTH LCKWSHR 6-32	4		

REVISION HISTORY		BASIC PART NO: 5415094		DRN:	MIKE MC DONOUGH	DATE:	13-JUL-81	D I G I T A L			
ENG	ECO NUMBER	REV	SECTION A OF A	CHK'D:	D. BARRIERE	DATE:	17-JUL-81	TITLE PARTS LIST			
				DES.ENG:	J. CROSS	DATE:	17-JUL-81	DOCUMENT NUMBER			
				RESP.ENG.:	J. CROSS	DATE:	17-JUL-81	SIZE	CODE	NUMBER	REV
				MFG.ENG.:	W. EHRMAN	DATE:	17-JUL-81	K	PL	5415094-0-DBP	B
				ASSEMBLY NUMBER:		TOP DOCUMENT NUMBER:		FILE NAME:	EDIT #		
				D-UA-5415094-0-0		B-DD-5415094-0-0		Z2529B.PLS	33		
J.C	PCA MD-026	AX04	SECTION VARIATION INDEX								
J.C	PCA MD-034	BX00	[A] 00								
J.C	PCA MD-072	BX01	[B]								
J.C	PCA MD-078	BX02	[C]								
J.C	PCA MD-113	BX03	[D]								
J.C	PCA MD-122	A	[E]								
RG	5415094-CX001	B	[F]								
			[H]								
			[J]								
			[K]								
			[L]								
			[M]								
			[N]								

JCS
2-7-85
R. Donough
2-7-85

THIS DRAWING AND THE SPECIFICATIONS CONTAINED HEREIN ARE CONFIDENTIAL AND PROPRIETARY. THEY ARE THE PROPERTY OF DIGITAL EQUIPMENT CORPORATION AND SHALL NOT BE REPRODUCED OR COPIED OR USED IN WHOLE OR IN PART AS THE BASIS FOR THE MANUFACTURE OR SALE OF ITEMS WITHOUT WRITTEN PERMISSION. THIS IS AN UNPUBLISHED WORK PROTECTED UNDER THE FEDERAL COPYRIGHT LAWS.

THIS DRAWING AND SPECIFICATIONS HEREIN ARE THE PROPERTY OF DIGITAL EQUIPMENT CORPORATION AND SHALL NOT BE REPRODUCED OR COPIED OR USED IN WHOLE OR IN PART AS THE BASIS FOR THE MANUFACTURE OR SALE OF ITEMS WITHOUT WRITTEN PERMISSION.
 COPYRIGHT © 1962 DIGITAL EQUIPMENT CORPORATION



REV.	ECO NUMBER	DATE

DATE	DATE	DATE	DATE	DATE	DATE	DATE	DATE	DATE

TITLE: H7660 CAPACITOR BOARD

DOCUMENT NUMBER: DCS 5415094-0-1 A

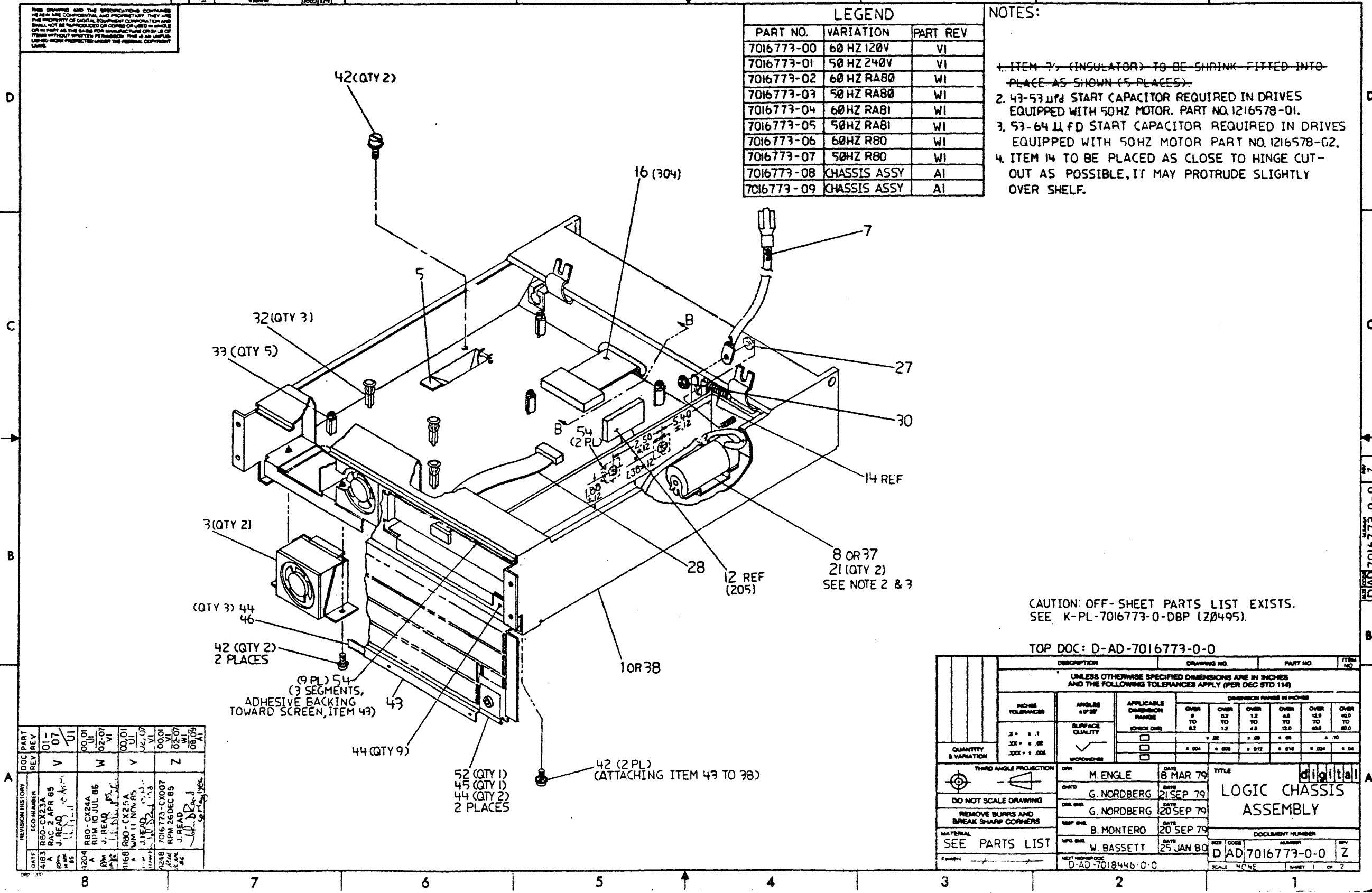
B-DD-5415094-0

Z 0-0-779101

THIS DRAWING AND THE SPECIFICATIONS CONTAINED HEREIN ARE CONFIDENTIAL AND PROPERTY OF THE PROPERTY OF DIGITAL EQUIPMENT CORPORATION AND SHALL NOT BE REPRODUCED OR COPIED OR USED IN WHOLE OR IN PART AS THE BASIS FOR MANUFACTURE OR SALE OF ITEMS WITHOUT WRITTEN PERMISSION. THIS IS AN UNCLASSIFIED WORK PROTECTED UNDER THE PATENT COPYRIGHT LAWS.

LEGEND		
PART NO.	VARIATION	PART REV
7016773-00	60 HZ 120V	VI
7016773-01	50 HZ 240V	VI
7016773-02	60 HZ RA80	WI
7016773-03	50 HZ RA80	WI
7016773-04	60 HZ RA81	WI
7016773-05	50 HZ RA81	WI
7016773-06	60 HZ R80	WI
7016773-07	50 HZ R80	WI
7016773-08	CHASSIS ASSY	AI
7016773-09	CHASSIS ASSY	AI

- NOTES:
- ITEM 7, (INSULATOR) TO BE SHRINK FITTED INTO PLACE AS SHOWN (5 PLACES).
 - 43-53 μ F START CAPACITOR REQUIRED IN DRIVES EQUIPPED WITH 50HZ MOTOR. PART NO. I216578-01.
 - 53-64 μ F START CAPACITOR REQUIRED IN DRIVES EQUIPPED WITH 50HZ MOTOR PART NO. I216578-02.
 - ITEM 14 TO BE PLACED AS CLOSE TO HINGE CUT-OUT AS POSSIBLE, IT MAY PROTRUDE SLIGHTLY OVER SHELF.



CAUTION: OFF-SHEET PARTS LIST EXISTS. SEE K-PL-7016773-0-DBP (Z0495).

TOP DOC: D-AD-7016773-0-0

DESCRIPTION	DRAWING NO.	PART NO.	ITEM NO.
UNLESS OTHERWISE SPECIFIED DIMENSIONS ARE IN INCHES AND THE FOLLOWING TOLERANCES APPLY (PER DEC STD 114)			
INCHES TOLERANCES	ANGLES ± 1° 30'	APPLICABLE DIMENSION RANGE	
		APPLICABLE DIMENSION RANGE	DIMENSION RANGE IN INCHES
± .1	SURFACE QUALITY ✓	0 TO 0.2	0.2 TO 0.5
± .05		0.5 TO 1.0	1.0 TO 2.0
± .005	✓	2.0 TO 4.0	4.0 TO 10.0
		10.0 TO 25.0	25.0 TO 100.0
THIRD ANGLE PROJECTION	DATE	TITLE	
DO NOT SCALE DRAWING	8 MAR 79	digital	
REMOVE BURRS AND BREAK SHARP CORNERS	DATE	LOGIC CHASSIS ASSEMBLY	
MATERIAL	20 SEP 79	DOCUMENT NUMBER	
SEE PARTS LIST	DATE	DAD 7016773-0-0	
	25 JAN 80	SCALE NONE SHEET 1 OF 2	

DATE	ECO NUMBER	DOC PART REV	REV	REV
4/18/85	R80-CX23A	01-07	UI	
4/18/85	R80-CX24A	00/01	VI	
4/18/85	R80-CX25A	00/01	VI	
4/18/85	R80-CX26A	00/01	VI	
4/18/85	R80-CX27A	00/01	VI	
4/18/85	R80-CX28A	00/01	VI	
4/18/85	R80-CX29A	00/01	VI	
4/18/85	R80-CX30A	00/01	VI	
4/18/85	R80-CX31A	00/01	VI	
4/18/85	R80-CX32A	00/01	VI	
4/18/85	R80-CX33A	00/01	VI	
4/18/85	R80-CX34A	00/01	VI	
4/18/85	R80-CX35A	00/01	VI	
4/18/85	R80-CX36A	00/01	VI	
4/18/85	R80-CX37A	00/01	VI	
4/18/85	R80-CX38A	00/01	VI	
4/18/85	R80-CX39A	00/01	VI	
4/18/85	R80-CX40A	00/01	VI	
4/18/85	R80-CX41A	00/01	VI	
4/18/85	R80-CX42A	00/01	VI	
4/18/85	R80-CX43A	00/01	VI	
4/18/85	R80-CX44A	00/01	VI	
4/18/85	R80-CX45A	00/01	VI	
4/18/85	R80-CX46A	00/01	VI	
4/18/85	R80-CX47A	00/01	VI	
4/18/85	R80-CX48A	00/01	VI	
4/18/85	R80-CX49A	00/01	VI	
4/18/85	R80-CX50A	00/01	VI	

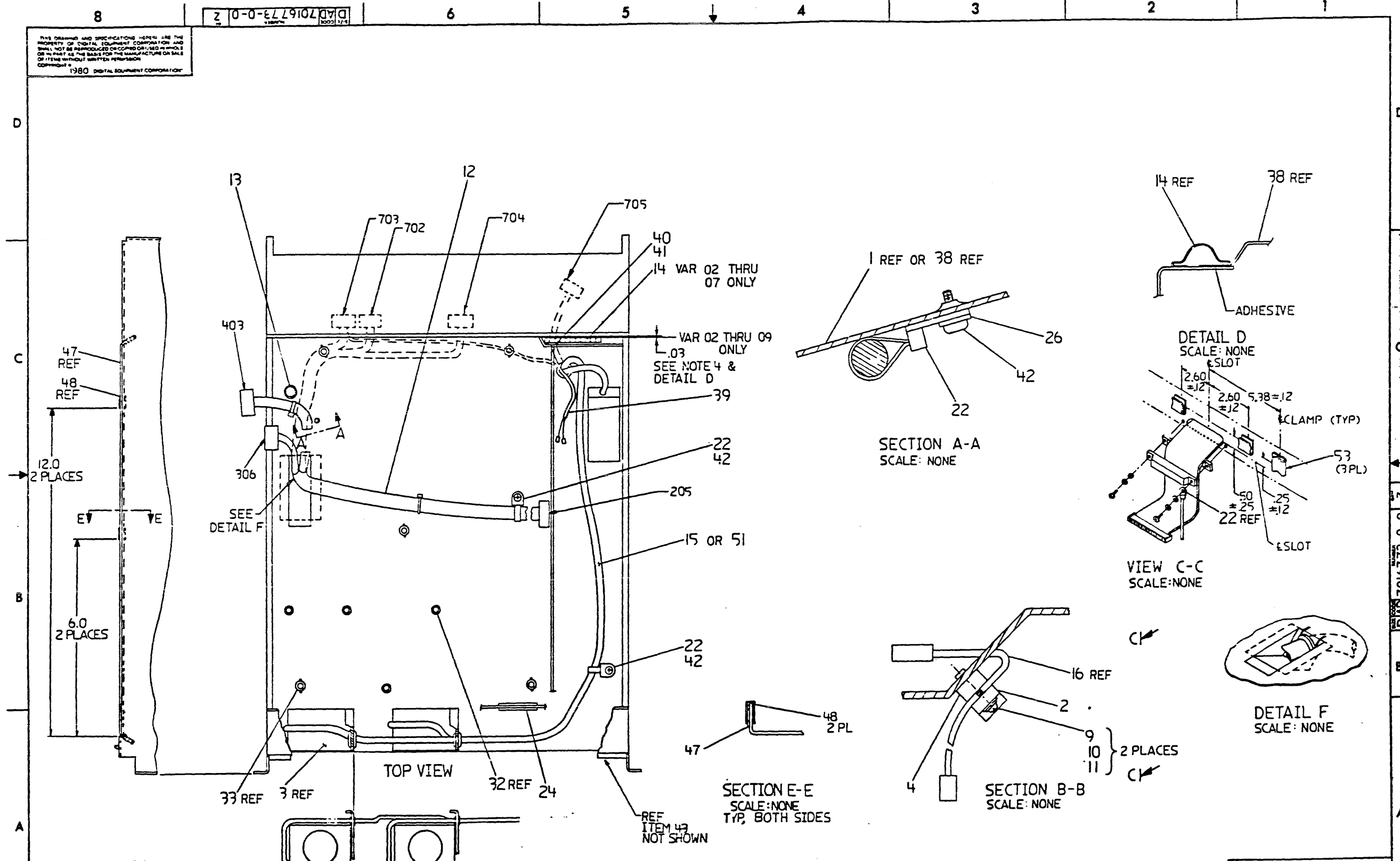
DAD 7016773-0-0

1 of 2

THIS DRAWING AND SPECIFICATIONS HEREIN ARE THE PROPERTY OF DIGITAL EQUIPMENT CORPORATION AND SHALL NOT BE REPRODUCED OR TRANSMITTED IN ANY FORM OR BY ANY MEANS, ELECTRONIC OR MECHANICAL, INCLUDING PHOTOCOPYING, RECORDING, OR BY ANY INFORMATION STORAGE AND RETRIEVAL SYSTEM, WITHOUT THE WRITTEN PERMISSION OF DIGITAL EQUIPMENT CORPORATION.

1980 DIGITAL EQUIPMENT CORPORATION

DAD7016773-0-0 Z



REVISION HISTORY		
DATE	BY	REV

TITLE		DOCUMENT NUMBER	
LOGIC CHASSIS ASSEMBLY		DAD7016773-0-0 Z	
SCALE: NONE		SHEET 2 OF 2	

8 7 6 5 4 3 2 1

AUTOMATED BY VAXKPL (V1.1)

PARTS LIST

SHEET A1 OF A2

LINE	ITEM	TOP DOCUMENT	PART NUMBER	MIN REV	DESCRIPTION	QUANTITY PER VARIATION/REVISION										
						00 V1	01 V1	02 W1	03 W1	04 W1	05 W1	06 W1	07 W1	08 A1	09 A1	
1	1	D-IA-7016778-0-0	70-16778-00		LOGIC WELDMENT	1	1	-	-	-	-	-	-	-	-	-
2	2	C-MD-7421465-0-0	74-21465-00		STRAIN RELIEF (TOP)	1	1	1	1	1	1	1	1	1	1	1
3	3	C-AD-7016745-0-0	70-16745-00		FAN AND BRACKET ASSY.	2	2	2	2	2	2	2	2	2	2	2
4	4	C-MD-7422445-0-0	74-22445-00		STRAIN RELIEF (BOTTOM)	1	1	1	1	1	1	1	1	1	1	1
5	5	C-MD-7422702-0-0	74-22702-00		RETAINER, LOGIC CABLE	1	1	1	1	1	1	1	1	1	1	1
6	6		12-16878-00		*** THIS ITEM IS NOT USED ***	-	-	-	-	-	-	-	-	-	-	-
7	7	D-IA-7017610-0-0	70-17610-0E		STRAP, GROUNDING (5")	1	1	1	1	1	1	1	1	1	1	1
8	8		10-16924-01	A	297 TO 324MFD 165V AL EL	1	-	1	-	1	-	1	-	1	-	1
9	9		90-06015-01		SCREW, MACH PAN PHIL 4-40	2	2	2	2	2	2	2	2	2	2	2
10	10		90-06655-00		WASHER, FLAT SST	2	2	2	2	2	2	2	2	2	2	2
11	11		90-06698-00		WASHER, HELICAL SPLIT SST	2	2	2	2	2	2	2	2	2	2	2
12	12	E-IA-7018331-0-0	70-18331-00		LOGIC DC POWER HARNESS (WOVEN)	1	1	1	1	-	-	1	1	-	-	-
13	13		90-07018-00		GROMMET, ROUND RUBBER	1	1	1	1	1	1	1	1	1	1	1
14	14		12-22063-02		SHIELD, EMI/RFI FINGERS	-	-	1	1	1	1	1	1	1	1	1
15	15	D-IA-7016733-0-0	70-16733-00		LOGIC AC HARNESS	1	1	-	-	-	-	-	-	-	-	1
16	16	C-IA-7016739-0-0	70-16739-00		READ/WRITE CABLE ASSY.	1	1	1	1	1	1	1	1	1	1	1
17	17	C-IA-7016737-0-0	70-16737-00		*** THIS ITEM IS NOT USED ***	-	-	-	-	-	-	-	-	-	-	-
18	18	C-IA-7016738-0-0	70-16738-00		*** THIS ITEM IS NOT USED ***	-	-	-	-	-	-	-	-	-	-	-
19	19	B-IA-7016735-0-0	70-16735-00		*** THIS ITEM IS NOT USED ***	-	-	-	-	-	-	-	-	-	-	-
20	20	D-IA-7016980-0-0	70-16980-00		*** THIS ITEM IS NOT USED ***	-	-	-	-	-	-	-	-	-	-	-
21	21		90-00052-26	A	RIVET, REPETITION CLINCH .156DIA	-	-	-	-	-	-	-	-	-	-	2
22	22		90-07033-00		TIE, CABLE BUNDL. DIA 0-1-3/4"=101	4	4	4	4	4	4	4	4	4	4	4
23	23		90-06560-00		*** THIS ITEM IS NOT USED ***	-	-	-	-	-	-	-	-	-	-	-
24	24		90-07035-00		GROMMET, CATERPILLAR POLYAMIDE 1	A/R	A/R	A/R	A/R	A/R	A/R	A/R	A/R	A/R	A/R	A/R
25	25		90-09708-00		*** THIS ITEM IS NOT USED ***	-	-	-	-	-	-	-	-	-	-	-
26	26		90-06659-00		*** THIS ITEM IS NOT USED ***	-	-	-	-	-	-	-	-	-	-	-
27	27		90-07651-00		WASHER, LOCK EXTERNAL STEEL	1	1	1	1	1	1	1	1	1	1	1
28	28	C-IA-7016740-0-0	70-16740-00		CONTROL PANEL CABLE ASSY	-	-	-	-	-	-	-	-	-	-	1
29	29	C-IA-7016737-0-0	70-16737-01		*** THIS ITEM IS NOT USED ***	-	-	-	-	-	-	-	-	-	-	-
30	30		90-06565-00		NUT, HEX EXT TOOTH LCKWSHR 10-32X	1	1	1	1	1	1	1	1	1	1	1
31	31		90-06024-01		SCREW, MACH PAN PHIL 6-32	1	1	-	-	-	-	-	-	-	-	-
32	32		12-23075-02		STANDOFF PC BOARD NYLON	3	3	3	3	3	3	3	3	3	3	3

REVISION HISTORY			KPL MATRIX FORMAT SECTION A OF A:DRN: M. ENGLE			D I G I T A L		
ENG	ECO NUMBER	REV	SECTION/VARIATION INDEX	DATE: 30-JUL-84	CHK'D: B. MAJOR	TITLE	PARTS LIST	
JN	17016773-CX005	K	[A] 00,01,02,03,04,05,06,07,08,09	DATE: 30-JUL-84		LOGIC CHASSIS ASSEMBLY		
JN	R80-CX010	L	[B]					
JN	17018446-CX002	M	[C]		DES.ENG: A. CLARK			
GN	17019062-CX002	N	[D]	DATE: 30-JUL-84		DOCUMENT NUMBER		
JR	R80-CX14A	P	[E]			SIZE CODE NUMBER REV		
JR	17019062-CX004	R	[F]		RESP.ENG.: B. MONTERO			
JR	R80-CX17A	S	[H]	DATE: 30-JUL-84		K PL 7016773-0-DBP	Z	
JR	17019062-CX009	T	[J]					
JR	17016773-CX006	U			MFG.ENG: W. EHRMANN	RELEASE DATE: 17-APR-86		
JR	R80-CX23A	V		DATE: 30-JUL-84		RELEASE STATUS: RELEASED		
JR	R80-CX24A	W						
JR	R80-CX25A	Y						
JR	17016773-CX007	Z						
			BASIC PART NUMBER: 17016773	ASSEMBLY NUMBER: D-AD-7016773-0-0	TOP DOCUMENT NUMBER: D-AD-7016773-0-0	FILE NAME: Z0495Z.PLS	EDIT #: 7	

29 APR 86

"THIS DRAWING AND THE SPECIFICATIONS CONTAINED HEREIN ARE CONFIDENTIAL AND PROPRIETARY. THEY ARE THE PROPERTY OF DIGITAL EQUIPMENT CORPORATION AND SHALL NOT BE REPRODUCED OR COPIED OR USED IN WHOLE OR IN PART AS THE BASIS FOR THE MANUFACTURE OR SALE OF ITEMS WITHOUT WRITTEN PERMISSION. THIS IS AN UNPUBLISHED WORK PROTECTED UNDER THE FEDERAL COPYRIGHT LAWS."

AUTOMATED BY VAXKPL (V1.1)

PARTS LIST

SHEET A2 OF A2

LINE	ITEM	TOP DOCUMENT	PART NUMBER	MIN REV	DESCRIPTION	QUANTITY PER VARIATION/REVISION									
						00 V1	01 V1	02 W1	03 W1	04 W1	05 W1	06 W1	07 W1	08 A1	09 A1
33	33		90-10477-02	A	STANDOFF, 1/4 TURN NYLATCH	5	5	5	5	5	5	5	5	-	-
34	34		10-17217-00		*** THIS ITEM IS NOT USED ***	-	-	-	-	-	-	-	-	-	-
35	35		90-07253-02		*** THIS ITEM IS NOT USED ***	-	-	-	-	-	-	-	-	-	-
36	36	B-MD-7425331-0-0	74-25331-00		*** THIS ITEM IS NOT USED ***	-	-	-	-	-	-	-	-	-	-
37	37		10-19003-02	A	53 TO 64 MFD 330V AL EL	-	1	-	1	-	1	-	1	-	-
38	38	D-IA-7016778-0-0	70-16778-01		LOGIC WELDMENT (FCC COMPLIANT)	-	-	-	-	-	-	-	-	1	1
39	39	E-IA-7018331-0-0	70-18331-01		RA81, HHT LEADS	-	-	-	-	1	1	-	-	-	-
40	40		90-08264-00	A	*** THIS ITEM IS NOT USED ***	-	-	-	-	-	-	-	-	-	-
41	41		90-07032-00	D	*** THIS ITEM IS NOT USED ***	-	-	-	-	-	-	-	-	-	-
42	42		90-10532-01		SCREW, SEMS PAN PHIL 6-32	10	10	11	11	11	11	11	11	-	-
43	43	K-MD-7432538-0-DBU	74-32538-01	A	SCREEN, FRONT EMI	-	-	-	-	-	-	-	-	1	1
44	44		90-00052-01	A	RIVET, REPETITION CLINCH .125DIA	-	-	-	-	-	-	-	-	16	16
45	45		12-22784-01	A	LATCH, CAM ACTUATED	-	-	-	-	-	-	-	-	2	2
46	46		12-22929-04	A	SHIELD, EMI/RFI STRIP 12.71"	-	-	-	-	-	-	-	-	1	1
47	47	K-MD-7429936-0-DBU	74-29936-03	A	GASKET, EMI SEALING, 17.3"	-	-	2	2	2	2	2	2	-	-
48	48		90-09748-00		CLIP, "U", .50 LG X .34 HIGH X .132	-	-	4	4	4	4	4	4	-	-
49	49		10-16924-02	A	297 TO 324MFD 165V AL EL	-	-	-	-	-	-	-	-	1	-
50	50		70-16773-08		LOGIC ASSEMBLY	-	-	1	1	1	1	1	1	-	-
51	51	K-IA-7016733-0-DBU	70-16733-01		LOGIC AC HARNESS	-	-	-	-	-	-	-	-	-	1
52	52		12-22929-03	A	SHIELD, EMI/RFI STRIP	-	-	-	-	-	-	-	-	2	2
53	53		90-09636-00		CLAMP, CABLE ADH MNT	-	-	-	-	-	-	-	-	5	5
54	54		12-19638-09	A	CONTACT STRIP, FINGER CONTACT, RFI	-	-	-	-	-	-	-	-	9	9

- 1 GEN: -
2 GEN: PART NUMBER VARIATION
3 GEN: 7016773-00 120V/60HZ NOT FCC COMPLIANT
4 GEN: 7016773-01 240V/50HZ NOT FCC COMPLIANT
5 GEN: 7016773-02 120V/60HZ FCC COMPLIANT RA80
6 GEN: 7016773-03 240V/50HZ FCC COMPLIANT RA80
7 GEN: 7016773-04 120V/60HZ RA81 FCC COMPLIANT
8 GEN: 7016773-05 240V/50HZ RA81 FCC COMPLIANT
9 GEN: 7016773-06 120V/60HZ R80 FCC COMPLIANT
10 GEN: 7016773-07 240V/50HZ R80 FCC COMPLIANT
11 GEN: THE ITEMS FOR VARIATIONS -08 AND -09 MAY BE ORDERED SEPARATELY.
12 GEN: -09 VARIATION CREATED FOR FUTURE REQUIREMENTS.

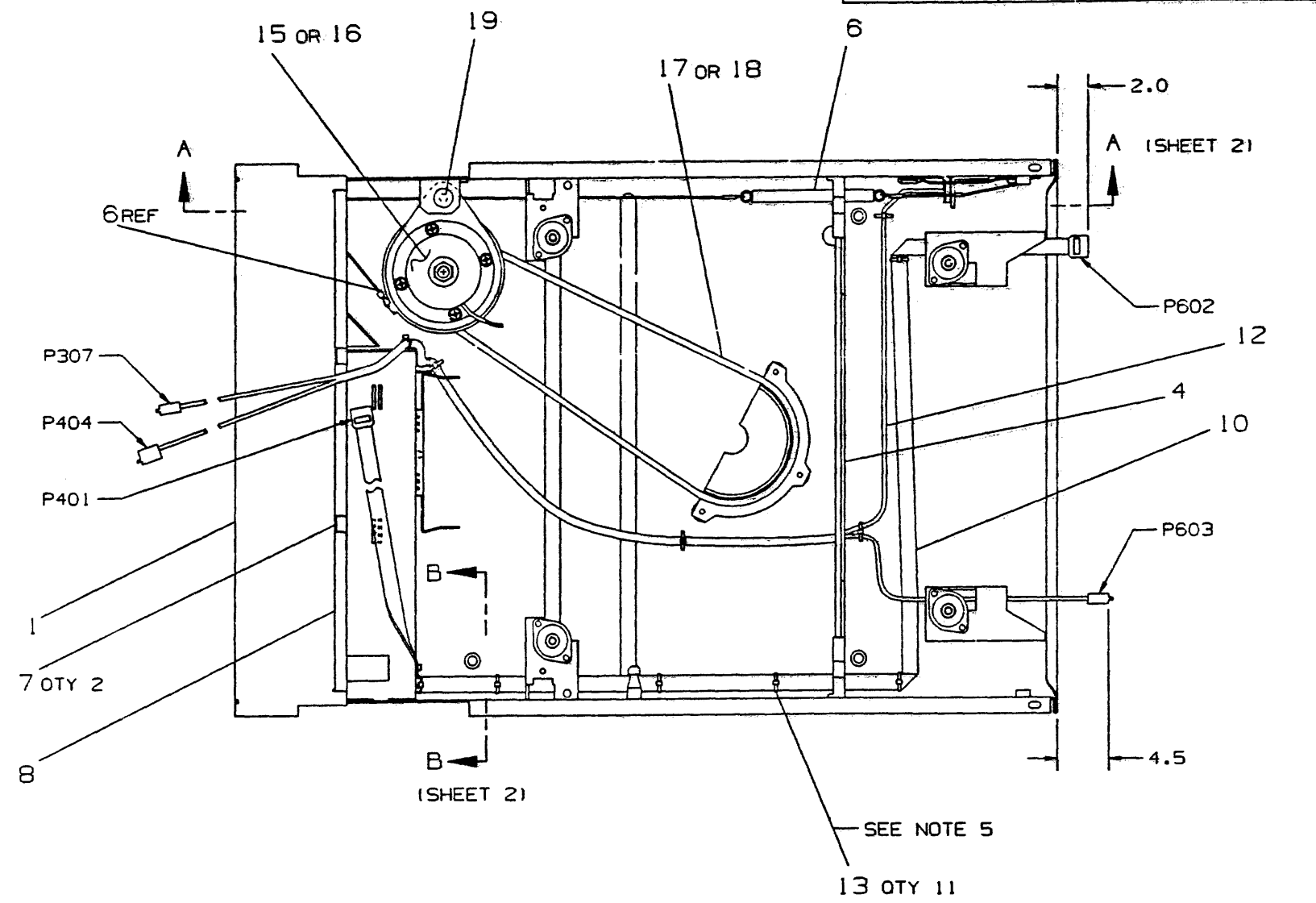
D	I	G	I	T	A	L	TITLE	LOGIC CHASSIS ASSEMBLY	SECTION A	OF A	SIZE	CODE	DOCUMENT NUMBER	7016773-0-DBP	REV	Z
---	---	---	---	---	---	---	-------	------------------------	-----------	------	------	------	-----------------	---------------	-----	---

THIS DRAWING AND THE SPECIFICATIONS CONTAINED HEREIN ARE CONFIDENTIAL AND PROPRIETARY. THEY ARE THE PROPERTY OF DIGITAL EQUIPMENT CORPORATION AND SHALL NOT BE REPRODUCED OR COPIED OR USED IN WHOLE OR IN PART AS THE BASIS FOR THE MANUFACTURE OR SALE OF ITEMS WITHOUT WRITTEN PERMISSION. THIS IS AN UNPUBLISHED WORK PROTECTED UNDER THE FEDERAL COPYRIGHT LAWS.

LEGEND		
PART NO.	VARIATION	PART REV
70-16741-00	LOWER CHASSIS ASSEMBLY (120, 50HZ)	VI
70-16741-01	LOWER CHASSIS ASSEMBLY (240V, 50HZ)	VI

NOTES:

1. WORKMANSHIP TO COMPLY WITH DEC STD 116.
2. PART TO BE PACKAGED TO PREVENT DAMAGE IN HANDLING AND SHIPPING PER VENDOR SPEC.
3. TORQUE SCREWS (ITEM 2) TO 3.0 ±0.5 LBS.
4. BLUE WIRE AND WHITE WIRE MAY BE REVERSED.
5. APPLY ITEM 13 WITH MINIMUM SETTING ON TIE-WRAP GUN.



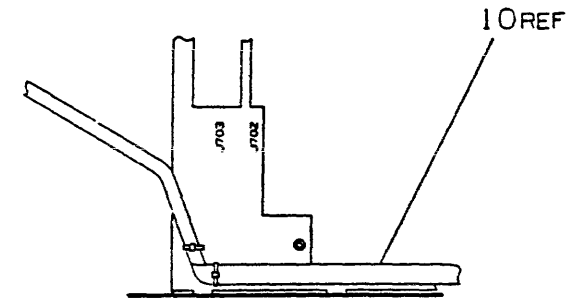
REVISION HISTORY	
ECO NUMBER	PART REV
701062 CV015	00/VI
701062 CV015	01/VI

TOLERANCES	
INCHES	ANGLES
.XX ±.1	
.XX ±.02	±0° 30'
.XX ±.005	

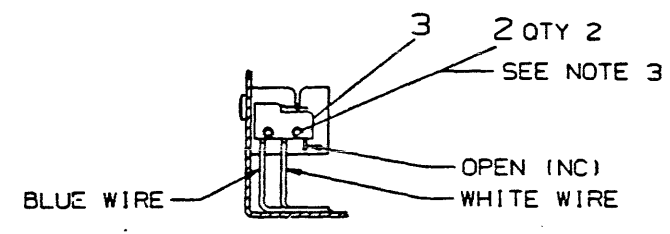
CAUTION: OFF-SHEET PARTS LIST EXISTS. SEE K-PL-7016741-0-DBP (20486).
 TOR DOC: K-AD-7016741-0-DBU
 MAG MEDIA FILE NAME: 7016741-0-DBU
 DATA BASE 1/1, PLOT AT .50

THIRD ANGLE PROJECTION		DRW	DATE	TITLE
		M. TUSLER	22AUG79	digital
DO NOT SCALE DRAWING		CHKD	DATE	LOWER CHASSIS ASSEMBLY
REMOVE BURRS AND BREAK SHARP CORNERS		W. MAJOR	4SEP79	
MATERIAL SEE PARTS LIST		DES EDR	DATE	DOCUMENT NUMBER
		J. NORDBERG	21SEP79	
		REP EDR	DATE	K AD 7016741-0-DBU V
		B. MONTEPO	20SEP79	
		W'S EDR	DATE	SCALE NONE SHEET 1 OF 2
		B. BASSETT	20SEP79	
		HEAT TREAT ASST		
		D-AD-7016446-0-0		

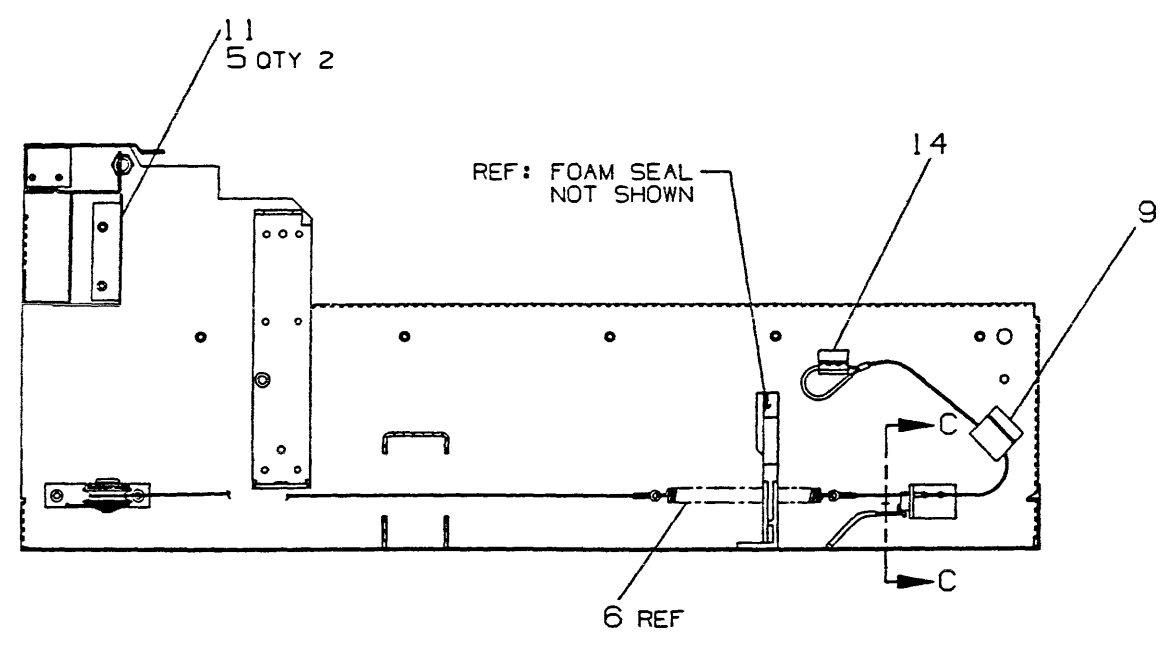
THIS DRAWING AND THE SPECIFICATIONS CONTAINED HEREIN ARE CONFIDENTIAL AND PROPRIETARY. THEY ARE THE PROPERTY OF DIGITAL EQUIPMENT CORPORATION AND SHALL NOT BE REPRODUCED OR COPIED OR USED IN WHOLE OR IN PART AS THE BASIS FOR THE MANUFACTURE OR SALE OF ITEMS WITHOUT WRITTEN PERMISSION. THIS IS AN UNPUBLISHED WORK PROTECTED UNDER THE FEDERAL COPYRIGHT LAWS.



SECTION B-B
FROM SHEET 1



SECTION C-C
SEE NOTE 4



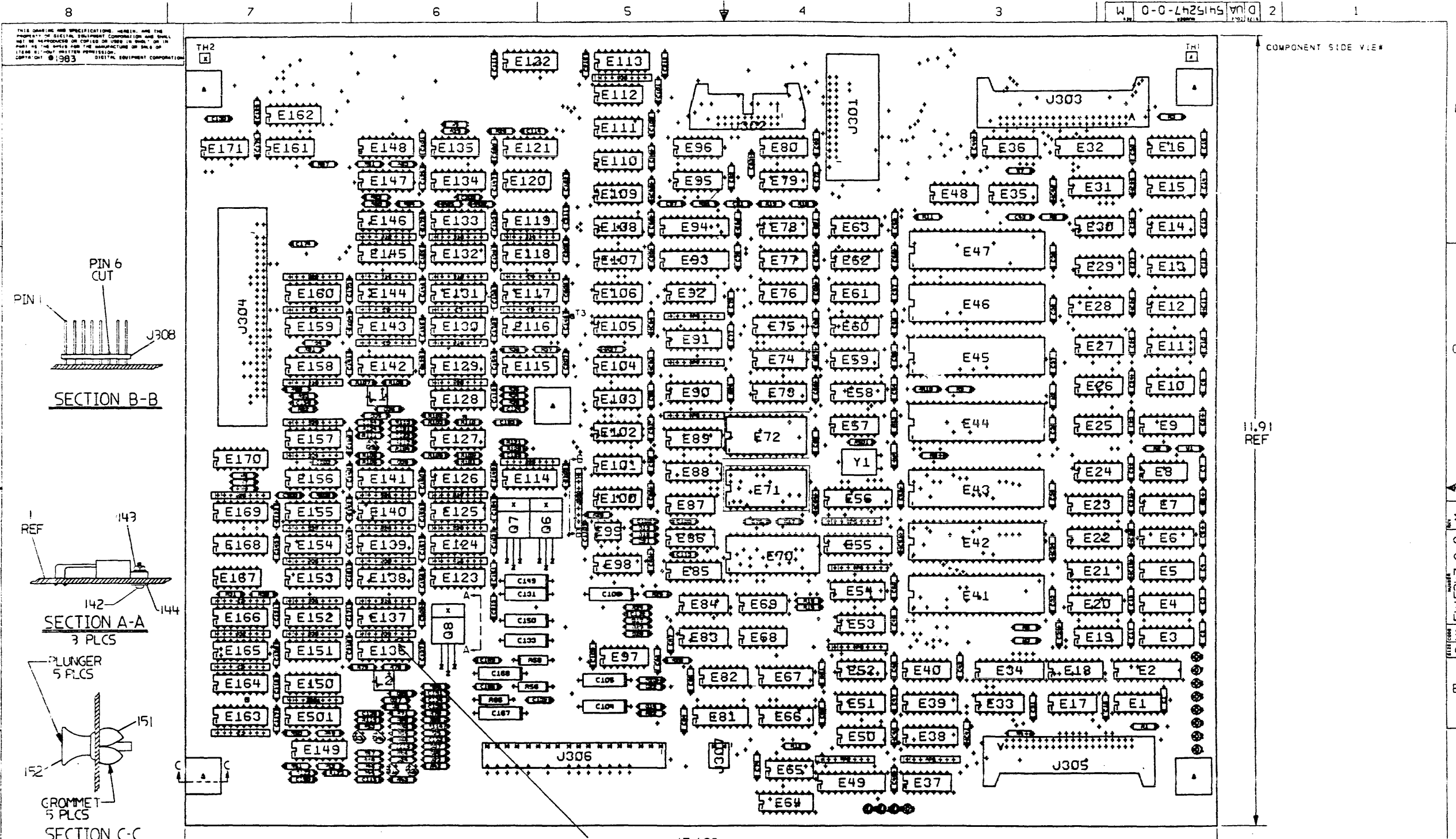
SECTION A-A
FROM SHEET 1

TITLE LOWER CHASSIS ASSEMBLY				PLOT AT .50	
SIZE CODE	NUMBER	REV			
K AD	7016741-0-DBU	V			
MAG MEDIA FILE NAME: 7016741-0-DBU		SCALE: NONE	SHEET 2 OF 2		

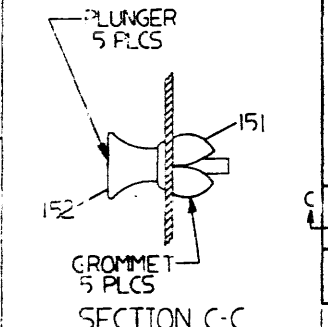
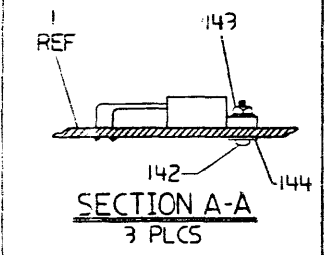
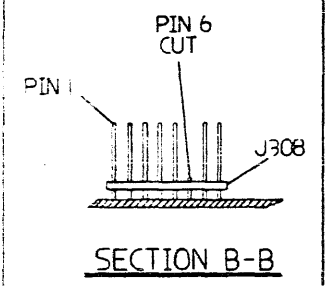
LINE ITEM	TOP DOCUMENT	PART NUMBER	MIN REV	DESCRIPTION	00 V1	01 V1
1	1	K-IA-7021171-0-DBU		70-21171-01 CHASSIS SUB ASSEMBLY	1	1
2	2			90-00042-15 A SCREW,CAP ALLEN 2-56	2	2
3	3			12-22845-01 A SW,SUBMINI,SPDT,LEVER ACTUATOR 0.1	1	1
4	4	K-IA-7021571-0-DBU		70-21571-01 HDA BOTTOM BAFFLE ASSEMBLY	1	1
5	5			90-09984-00 B SCREW,SEMS PAN FHIL 5-32	2	2
6	6	K-IA-7021592-0-DBU		70-21592-01 CABLE SPRING ASSEMBLY	1	1
7	7			90-09748-00 CLIP,"U", .50 LG X .34 HIGH X .132	2	2
8	8	D-IA-7429936-0-0		74-29936-02 A GASKET,EMI SEALING,14.8"	1	1
9	9			90-09636-00 CLAMP,CABLE ADH MNT	1	1
10	10	K-IA-7021469-0-DBU		70-21469-01 SERVO PRE-AMP CABLE ASSEMBLY	1	1
11	11	K-IA-7021169-0-DBU		70-21169-01 MOTOR BAFFLE ASSEMBLY	1	1
12	12	D-IA-7021452-0-0		70-21452-01 BELT TENSION SWITCH HARNESS	1	1
13	13			90-07031-00 B TIE,CABLE BUNDL.DIA 0- 3/4"=101	12	12
14	14			90-09771-04 A CLAMP,CABLE,U CLIP,ADH.BACK 5/16	1	1
15	15	D-AD-7021173-0-0		70-21173-01 MOTOR/BRAKE ASSEMBLY (60HZ)	1	-
16	16	D-AD-7021173-0-0		70-21173-02 MOTOR/BRAKE ASSEMBLY (50HZ)	-	1
17	17			12-12635-06 A BELT,WOVEN,ENDLESS,.500WX34.96LG	1	-
18	18			12-12635-07 A BELT,WOVEN,ENDLESS,.500WX36.07LG	-	1
19	19	K-MD-7429709-0-DBU		74-29709-01 A ROD,MOTOR PIVOT	1	1

REVISION HISTORY			KPL MATRIX FORMAT SECTION A OF A			DRN: R. TUSLER			DIGITAL				
ENG	ECO NUMBER	REV	SECTION/VARIATION INDEX			DATE:	14-AUG-79			TITLE PARTS LIST			
R.W. JR	7019062-CX015	V	[A]	00,01		DATE:	14-AUG-79			LOWER CHASSIS ASSEMBLY			
1 Jul 86	<i>John Reed 18 July 86</i>		[B]			CHK'D:	R. THELLEN						
			[C]			DATE:	14-AUG-79						
			[D]			DES.ENG:	A. CLARK						
			[E]			DATE:	14-AUG-79			DOCUMENT NUMBER			
			[F]			RESP.ENG.:	W. MONTERO			SIZE	CODE	NUMBER	REV
			[G]			DATE:	14-AUG-79			K	PL	7016741-0-DBP	V
			[H]			MFG.ENG:	W. EHRMANN			RELEASE DATE: 24-JUN-86			
			[J]			DATE:	16-JAN-80			RELEASE STATUS: RELEASED			
BASIC PART NUMBER:			ASSEMBLY NUMBER:			TOP DOCUMENT NUMBER:			FILE NAME:			EDIT #	
7016741			K-AD-7016741-0-DBU			K-AD-7016741-0-DBU			Z0486V.PLS			3	

"THIS DRAWING AND THE SPECIFICATIONS CONTAINED HEREIN ARE CONFIDENTIAL AND PROPRIETARY. THEY ARE THE PROPERTY OF DIGITAL EQUIPMENT CORPORATION AND SHALL NOT BE REPRODUCED OR COPIED OR USED IN WHOLE OR IN PART AS THE BASIS FOR THE MANUFACTURE OR SALE OF ITEMS WITHOUT WRITTEN PERMISSION. THIS IS AN UNPUBLISHED WORK PROTECTED UNDER THE FEDERAL COPYRIGHT LAWS."



THIS DRAWING AND SPECIFICATIONS HEREBY ARE THE PROPERTY OF DIGITAL EQUIPMENT CORPORATION AND SHALL NOT BE REPRODUCED OR COPIED IN WHOLE OR IN PART WITHOUT THE WRITTEN PERMISSION OF DIGITAL EQUIPMENT CORPORATION. © 1983



NOTES: 1. UNUSED ARE: Z14, T3.
2. SPARES ARE: E24, E52, E60, E61, E148, C1, R2

STEP	REP	IT	Y AXIS	X AXIS	STEP	TIMES

CHANGE NO	REV	H	J	K	L	M
5415247-1	1	J. J. HARRIS	J. J. HARRIS	J. J. HARRIS	J. J. HARRIS	J. J. HARRIS
5415247-2	2	J. J. HARRIS	J. J. HARRIS	J. J. HARRIS	J. J. HARRIS	J. J. HARRIS
5415247-3	3	J. J. HARRIS	J. J. HARRIS	J. J. HARRIS	J. J. HARRIS	J. J. HARRIS
5415247-4	4	J. J. HARRIS	J. J. HARRIS	J. J. HARRIS	J. J. HARRIS	J. J. HARRIS
5415247-5	5	J. J. HARRIS	J. J. HARRIS	J. J. HARRIS	J. J. HARRIS	J. J. HARRIS
5415247-6	6	J. J. HARRIS	J. J. HARRIS	J. J. HARRIS	J. J. HARRIS	J. J. HARRIS
5415247-7	7	J. J. HARRIS	J. J. HARRIS	J. J. HARRIS	J. J. HARRIS	J. J. HARRIS
5415247-8	8	J. J. HARRIS	J. J. HARRIS	J. J. HARRIS	J. J. HARRIS	J. J. HARRIS
5415247-9	9	J. J. HARRIS	J. J. HARRIS	J. J. HARRIS	J. J. HARRIS	J. J. HARRIS
5415247-10	10	J. J. HARRIS	J. J. HARRIS	J. J. HARRIS	J. J. HARRIS	J. J. HARRIS

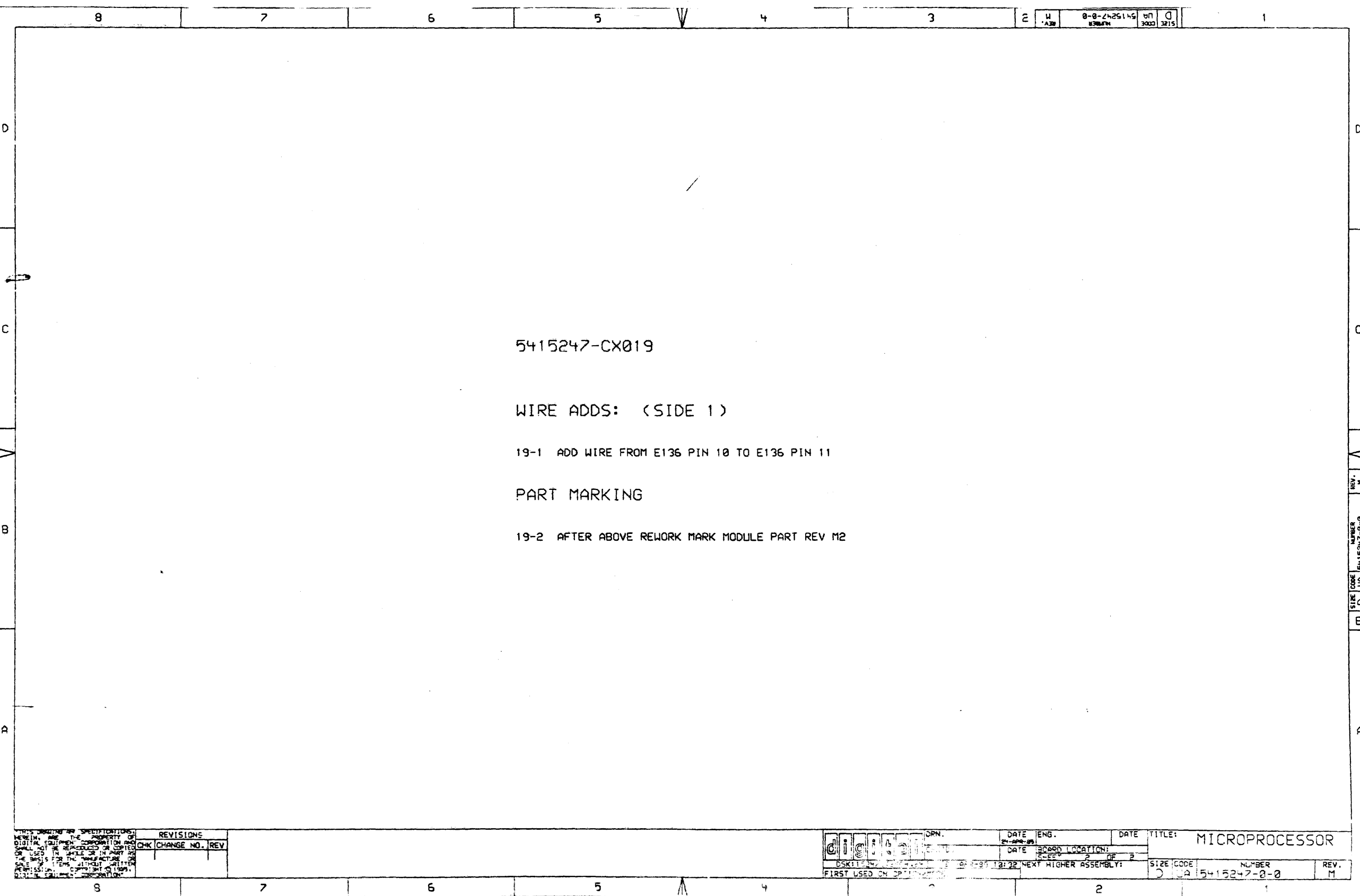
15.688 REF	19-1	ETCH REV. C1-02
------------	------	-----------------

SIGNATURES		DATE
DRN. J. J. HARRIS	CHK. D. J. HARRIS	SEP 83
MECH. ENG. J. J. HARRIS	PROJ. ENG. J. J. HARRIS	
SCALE 1.5/1		SHT. 1 OF 2
NEXT HIGHER ASSY. B-00-5415247-0-0		

TITLE: digital MICROPROCESSOR

SIZE CODE: 0 UA 5415247-0-01M

NUMBER: 1 MS#290072C



5415247-CX019

WIRE ADDS: (SIDE 1)

19-1 ADD WIRE FROM E136 PIN 10 TO E136 PIN 11

PART MARKING

19-2 AFTER ABOVE REWORK MARK MODULE PART REV M2

THIS DRAWING OR SPECIFICATIONS HEREIN ARE THE PROPERTY OF DIGITAL EQUIPMENT CORPORATION AND SHALL NOT BE REPRODUCED OR USED IN WHOLE OR IN PART AS THE BASIS FOR THE MANUFACTURE OR SALE OF ITEMS WITHOUT WRITTEN PERMISSION OF COMPANY AND TRUST. (11-26-69) SPEC. CORPORATION

REVISIONS		DATE		DATE		DATE		TITLE	
CHK	CHANGE NO.	REV		ENG.	DATE	BOARD LOCATION			
									MICROPROCESSOR

SKETCHED BY: [initials]	DATE: 10-30-70	TIME: 10:32	NEXT HIGHER ASSEMBLY:	SIZE: CODE	NUMBER	REV.
FIRST USED ON [initials]				LA	5415247-0-0	M

LINE	ITEM	TOP DOCUMENT	PART NUMBER	MIN REV	DESCRIPTION	QTY	PER	VARIATION	REFERENCE DESIGNATOR
					VARIATION REVISION LEVEL:	M3	L3		
1	1	B-DD-5015246-0	5015246-00		DRILL AND ETCH CUT BRD.	1	1		
2	2		1000076-00	39	MFD 10V 10% S.TANT	1	1		C106
3	3		1001610-00	.01	MFD 50V 180-20% Z5U CER	169	169		C2-C42,C44-C61,C64-C74,C76-C80, C82-C96,C98-C103,C109-C113, C115-C126,C129,C130,C132,C134, C137-C148,C151,C152,C154-C166, C169-C173,C175,C180,C183,C189, C190,C200-C213,C215
4	4		1004813-00	10	MFD 20V 10% S.TANT	2	2		C104,C105
5	5		1010978-40	.22	MFD 50V 10% CER	1	1		C182
6	6		1012784-00	.047	MFD 50V 180-20% CER	1	1		C191
7	7		1013466-09	1000.0	MMF 50V 10% X7R CER	4	4		C174,C81,C97,C43
8	8		1013466-18	330.0	MMF 50V 5% CER	1	1		C139
9	9		1013466-19	470.0	MMF 50V 5% CER	1	1		C75
10	10		1013466-23	22.0	MMF 50V 5% CER	1	1		C500
11	11		1013466-27	820.0	MMF 50V 5% CER	1	1		C114
12	12		1013466-28	1000.0	MMF 50V 5% CER	2	2		C181,C134
13	13		1013466-29	1500.0	MMF 50V 5% CER	1	1		C136
14	14		1016555-00	22	MFD 50V 150-10% AL BR	3	3		C130,C133,C167
15	15		1017472-00	10	MFD 35V 175-10% AL FL	3	3		C131,C149,C168
16	16		1100114-00		PIV= 25 IO=135 MA	2	2		D15,D22
17	17		1105871-00		VZ= 5.15 1X 250 MW	1	1		D25
18	18		1112689-00		LED .8MCD@16MA VF=5V	10	10		D1-D12
19	19		1113003-00		PIV= 55 IO=200 MA - 4NS 1N5282	11	11		D16-D21,D23,D24,D37,D38,D39
20	20		1116824-01		VARACTOR PIV= 30 IO=400.MW	4	4		D26,D27,D35,D46
21	21		1212204-12		PCB HEADER 02PIN(1X02).156CC 900	1	1		J307
22	22		1212204-14		PCB HEADER 18PIN(1X18).156CC 900	1	1		J306
23	23		1212518-03		PCB,HEADER 03PDS(1X03).100CC STR	9	9		J303,TP1-TP8
24	24		1214413-00		RLY,REED, 5V COIL,SPST	1	1		E6H
25	25		1215006-02		*** THIS ITEM IS NOT USED ***	-	-		

REVISION HISTORY		BASIC PART NO: 5415247		DRN:	T JORSTAD	DATE:	9-MAR-82	D I G I T A L	
ENG	ECO NUMBER	REV	SECTION A OF A	CHK'D:	NORM LANDRY	DATE:	9-MAR-82	TITLE	PARTS LIST
EW	5415247-CX005	E	SECTION VARIATION INDEX						
JF	5415247-CX009	F	[A] 00.01						
JR	5415247-CX010	H	[B]						
JH	5415247-CX011	J	[C]	DES.ENG:	JIM COFFEE	DATE:	9-MAR-82		DOCUMENT NUMBER
JH	5415247-CX012	K	[D]					SIZE	CODE NUMBER REV
JL	5415247-CX013	L	[E]						
JL	5415247-CX014	M	[F]	RESP.ENG.:	JIM COFFEE	DATE:	9-MAR-82	K	FL 5415247-0-BBP T
JH	5415247-CX015	N	[H]						
JH	5415247-CX016	P	[J]						
JR	5415247-CX017	R	[K]	MFG.ENG.:	BRUCE BARTON	DATE:	9-MAR-82		RELEASE DATE: 09-AUG-85
JH	5415247-CX019	S	[L]						
JH	5415247-CX020	T	[M]	ASSEMBLY NUMBER:		TOP DOCUMENT NUMBER:		FILE NAME:	EDIT
			[N]	E-UA-5415247-0-0		B-DD-5415247-0-0		Z1760T.PLS	11

THIS DRAWING AND THE SPECIFICATIONS CONTAINED HEREIN ARE CONFIDENTIAL AND PROPRIETARY. THEY ARE THE PROPERTY OF DIGITAL EQUIPMENT CORPORATION AND SHALL NOT BE REPRODUCED OR COPIED OR USED IN WHOLE OR IN PART AS THE BASIS FOR THE MANUFACTURE OR SALE OF ITEMS WITHOUT WRITTEN PERMISSION. THIS IS AN UNPUBLISHED WORK PROTECTED UNDER THE FEDERAL COPYRIGHT LAWS.

LINE	ITEM	TOP DOCUMENT	PART NUMBER	MIN REV	DESCRIPTION	QTY PER		VARIATION	REFERENCE DESIGNATOR
						M3	L3		
26	26		1215006-04		*** THIS ITEM IS NOT USED ***	-	-		
27	27		1215006-06		SKT,IC 24PIN DIP TIN SOLD	2	2		XE71,XE72
28	28		1215006-07		*** THIS ITEM IS NOT USED ***	-	-		
29	29		1215006-08		SKT,IC 40PIN DIP TIN SOLD	-	5		XE44,XE41,XE42,XE43,XE47
30	30		1216832-00		PCB,HEADER 20POS(2X10).100CC 90D	1	1		J302
31	31		1216832-01		PCB,HEADER 26POS(2X13).100CC 90D	1	1		J301
32	32		1216832-02		PCB,HEADER 40POS(2X20).100CC 90D	2	2		J303,J305
33	33		1216832-03		PCB,HEADER 50POS(2X25).100CC 90D	1	1		J304
34	34		1300505-03		R NETWORK 13-10K 5.0% 14PIN	1	1		E50
35	35		1300202-00		47.0 .25 W 5.0% CF	5	5		R49-R53
36	36		1300229-00		100.0 .25 W 5.0% CF	8	8		R29,R42,R100-R104,R501
37	37		1300249-00		150.0 .50 W 5.0% CF	2	2		R56,R66
38	38		1300250-00		150.0 .25 W 5.0% CF	2	2		R33,R82
39	39		1300271-00		220.0 .25 W 5.0% CF	4	4		R22,R26,R62,R63
40	40		1300295-00		330.0 .25 W 5.0% CF	6	6		R3,R8,R20,R61,R64,R70
41	41		1300316-00		470.0 .25 W 5.0% CF	4	4		R10,R16,R17,R43
42	42		1300365-00		1.0 K .25 W 5.0% CF	17	17		R1,R4,R7,R9,R11,R12,R15,R18,R25, CONT R87,R50,R65,R81,R84,R85,R36,R37
43	43		1300417-00		2.20 K .25 W 5.0% CF	2	2		R120,R122
44	44		1300432-00		3.0 K .25 W 5.0% CF	2	2		R121,R123
45	45		1300444-00		3.90 K .25 W 5.0% CF	1	1		R44
46	46		1300447-00		4.70 K .25 W 5.0% CF	1	1		R32
47	47		1300479-00		10.0 K .25 W 5.0% CF	2	2		R5,R27
48	48		1300496-00		15.0 K .25 W 5.0% CF	3	3		R23,R24,R28
49	49		1301222-00		7.50 K .25 W 5.0% CF	3	3		R6,R19,R21
50	50		1301477-00		82.0 .25 W 5.0% CF	4	4		R34,R35,R80,R83
51	51		1302177-00		47.0 K .25 W 5.0% CF	1	1		R71
52	52		1302411-00		511.0 .25 W 1.0% RN55D-F10	6	-		R105-R108,R78,R79
			CONT			-	4		R105-R108
53	53		1302645-00		1.10 K .25 W 1.0% RN55D-F10	1	1		R500
54	54		1302871-00		1.21 K .25 W 1.0% RN55D-F10	2	2		R47,R48
55	55		1302872-00		681.0 .25 W 1.0% RN55D-F1	1	1		R66
56	56		1302956-00		196.0 .25 W 1.0% RN55D-F10	4	4		R54,R55,R30,R31
57	57		1303045-00		3.16 K .25 W 1.0% RN55D-F10	2	2		R109-R110
58	58		1303226-00		68.10 .25 W 1.0% RN55D-F10	1	1		R115
59	59		1304863-00		316.0 .25 W 1.0% RN55D-F10	1	1		R114
60	60		1305122-00		51.10 .25 W 1.0% RN55D-F10	1	1		R124
61	61		1305126-00		619.0 .25 W 1.0% RN55D-F10	0	2		R78,R79
62	62		1320440-01		47.0 1.0 W 5.0% WW	1	1		R68
63	63		1311653-00		2.15 K .25 W 1.0% RN55D-F10	2	2		R45,R46
64	64		1312480-00		1.54 K .25 W 1.0% RN55D-F10	1	1		R113
65	65		1313476-00		51.10 K .25 W 1.0% RN55D-F10	1	1		R112
66	66		1313584-00		158.0 .25 W 1.0% RN55D-F10	1	1		R69
67	67		1313844-00		221.0 K .25 W 1.0% RN55D-F10	1	1		R111
68	68		1314042-00		102.0 .25 W 1.0% RN55D-F10	1	1		R59
69	69		1316254-00		R NETWORK 7-470 2.0% 8PIN	36	36		Z1-Z13,Z15-Z36,Z501
70	70		1509524-00		2N 3904 NPN 310MW SI 40 40 M	1	1		Q1
71	71		1509525-00		2N 3906 PNP 310MW SI 40100 Y	1	1		Q2

D	I	G	I	T	A	L	TITLE	SECTION A	OF A	SIZE	CODE	DOCUMENT NUMBER	REV
							MICROPROCESSOR			K	PL	5415247-0-DBP	T

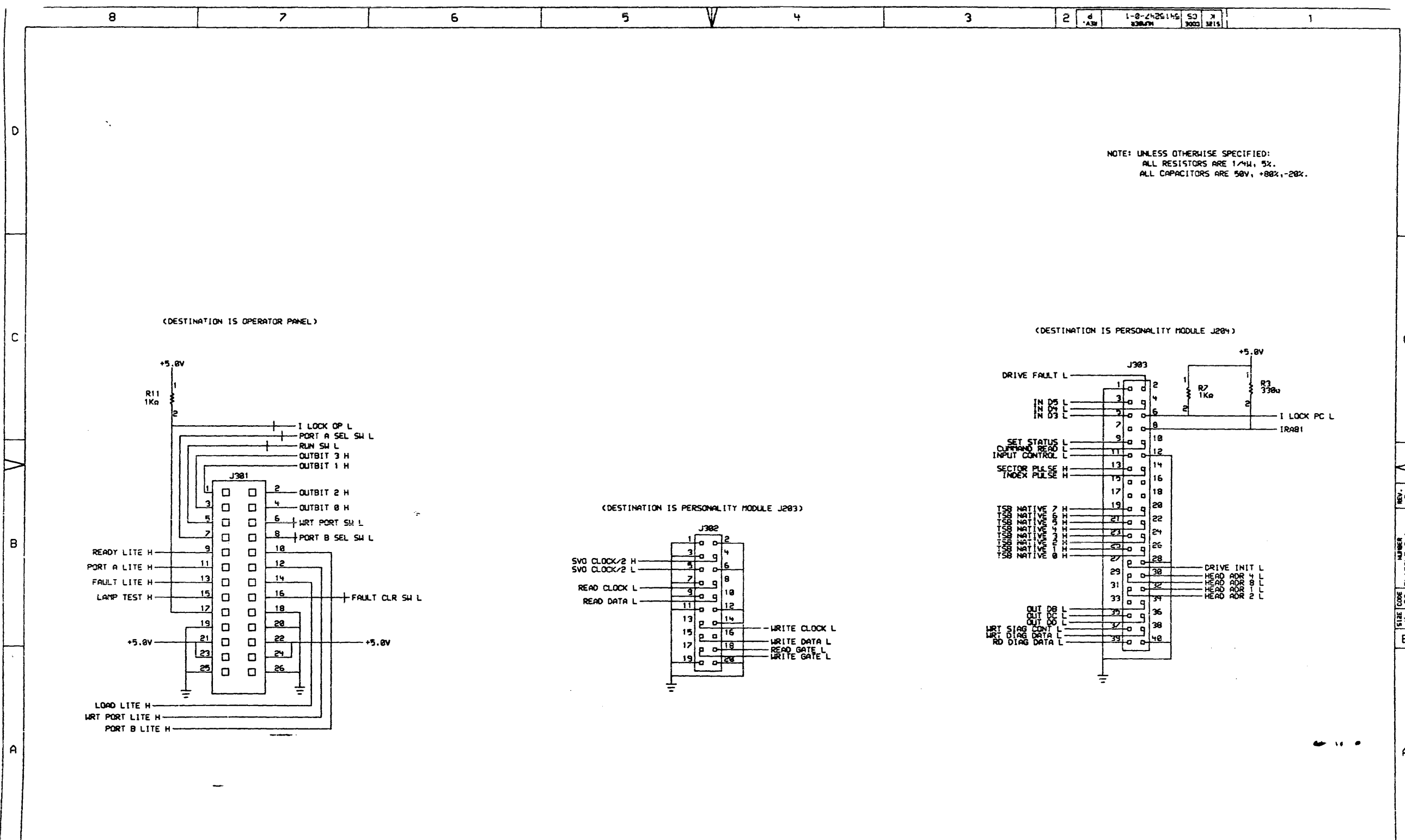
LINE	ITEM	TOP DOCUMENT	PART NUMBER	MIN REV	DESCRIPTION	QTY PER VARIATION		REFERENCE DESIGNATOR
						00	01	
						M3	L3	
72	72		1519472-01		2N 4209 PNP 300MW 15V@50MA	3	3	Q3,Q4,Q9
73	73		1517992-00		3127 NPN 425MW ARRAY 16PIN	2	2	E127,E149
74	74		1619014-01		DELAY= 20NS,10TAPS	1	1	E167
75	75		1619636-01		.16UH VARIABLE 6-1/2TURNS	2	2	L1,L2
76	76		1812396-01		XTAL 5.0688 MHZ	1	1	Y1
77	77		1910230-00		74121 ONE SHOT	1	1	E98
76	78		1910322-00		DEC 1488L DRIVER,LINE,QUAD,EI	1	1	E36
79	79		1910323-00		DEC 1489L RECEIVER,LINE,QUAD,	1	1	E87
80	80		1910406-00		75451 DRIVER,PERIPH,DUAL,	1	1	E99
81	81		1910535-00		74505 INVERTER GATE-HEX 1	2	2	E25,E95
82	82		1910544-B0		74574 BURNED-IN FF-D DUAL	5	5	E22,E65,E77,E82,E120
83	83		1911195-00		7497 MULTIPLIER,8BIT PINA	1	1	E91
84	84		1911399-00		10102 NOR GATE,QUAD 2IN	1	1	E159
85	85		1911401-00		10104 AND GATE,QUAD 2IN	2	2	E125,E131
86	86		1911402-00		10105 OR/NOR GATE,2-3-2	5	5	E129,E145,E164,E165,E170
87	87		1911403-00		10106 NOR GATE,4-3-3	1	1	E124
88	88		1911404-00		10107 XOR/NOR GATE,3-2IN	1	1	E155
89	89		1911406-00		10110 OR GATE,DUAL 3IN	1	1	E137
90	90		1911414-00		10124 TTL TO ECL TRNSLTR	3	3	E133,E134,E147
91	91		1911415-00		10125 ECL TO TTL TRNSLTR	2	2	E113,E119
92	92		1911416-00		10131 FF, DUAL D MSTR/GLAV	15	15	E114,E118,E126,E128,E130,E141, CONT E152-E154,E156,E159,E163,E166, CONT E150,E501
93	93		1911419-00		10164 8 LINE MUX	2	2	E146,E168
94	94		1911420-00		10174 DUAL 4 TO 1 MUX	2	2	E132,E138
95	95		1911501-00		10141 SHIFT REG,4BIT,UNIVS	4	4	E117,E123,E139,E144
96	96		1911507-00		10176 FF-D HEX	1	1	<u>E157</u>
97	97		1912388-00		74502 NOR GATE-QUAD 2IN,PO	1	1	E110
98	98		1912389-00		74508 AND GATE-QUAD 2IN,PO	4	4	E96,E104,E109,E161
99	99		1912696-00		LS194A SHIFT REG.,4BIT BI-D	1	1	E162
100	100		1912792-00	DEC	7915 VOLT REG,FIX -15V	1	1	Q7
101	101		1912799-B0		LS00 BURNED-IN NAND GATE-	10	10	E14,E17,E33,E63,E76,E83,E101, CONT E103,E112,E135
102	102		1912803-00		LS04 INVERTER GATE,HEX	2	2	E53,E57
103	103		1912805-00		LS08 AND GATE-QUAD 2IN,PO	4	4	E8,E11,E40,E69
104	104		1912808-00		LS11 AND GATE-TRIPLE 3IN	2	2	E78,E84
105	105		1912815-B0		LS30 BURNED-IN NAND-GATE-	2	2	E107,E108
106	106		1912816-00		LS32 OR GATE-QUAD 2IN,POS	6	6	E35,E37,E85,E102,E105,E106
107	107		1912824-00		LS74 FF-D DUAL,EDGE TRIGG	7	7	E12,E13,E27,E62,E80,E92,E100
108	108		1912837-00		LS123 ONE SHOT-DUAL,RETRIG	1	1	E121
109	109		1912842-00		LS138 DECODER-THREE INPUT,	8	8	E28,E31,E54,E67,E75,E89-E91
110	110		1912847-00		LS157 MUX 1 OF 2(QUAD)	2	2	E7,E36
111	111		1912849-00		LS161 COUNTER,SYNCHR,4BIT	7	7	E3-E5,E20-E23
112	112		1912853-00		LS175 FF-D QUAD	2	2	E9,E64
113	113		1912864-00		LS279 LATCH,QUAD-S-R	1	1	E66
114	114		1913220-00		10216 RECEIVER, TRIPLE LIN	2	2	E136,E142
115	115		1913414-B0		LS14 BURNED-IN INVERTER G	12	12	E1,E15,E16,E19,E48,E51,E59,E97, CONT E111,E30,E79,E171

D	I	G	I	T	A	L	TITLE	MICROPROCESSOR	SECTION A	OF A	SIZE	CODE	DOCUMENT NUMBER	REV
											K	PL	5415247-0-DBP	T

LINE	ITEM	TOP DOCUMENT	PART NUMBER	MIN REV	DESCRIPTION	QTY PER VARIATION		REFERENCE DESIGNATOR	
						00	01		
						M3	L3		
116	116		1914451-00		LS393 COUNTER,BINARY,4BIT	2	2	E10,E26	
117	117		1914473-02		7815A VOLT REG,FIX 415V	1	1	Q6	
118	118		1915193-00		LS244 DRIVER,LINE,OCTAL,TR	2	2	E49,E55	
119	119		1915218-00		LS245 TRANSCEIVER,BUS,OCTA	2	2	E32,E34	
120	120		1915219-00		LS373 FF-D OCTAL-TRANSPARE	4	4	E2,E56,E93,E94	
121	121		1916551-00		7905.2VOLT REG,FIX -5.2V	1	1	Q8	
122	122		1916574-00		10114 RECEIVER,LINE,TRIPL	2	2	E115,E158	
123	123		1918535-00		10135 FF, DUAL MSTR/SLAVE	5	5	E116,E140,E143,E151,E160	
124	124		2113107-01	P	8251A PUSART COMM. INTERFA	1	1	E70	
125	125		2114963-00		UP,8-BIT NMOS	1	1	E44	
126	126		2114964-00		RAM 2048 MOSJ-STATIC	2	2	E45,E46	
127	127		23040E3-00	A	E3-03	1	1	E71	
128	128		23041E3-00	A	E3-03	1	1	E72	
129	129	SEE NOTE 1	23082B9-00	A	B9-01,B9-02	ROM	1	-	E41
130	130	SEE NOTE 1	23083B9-00	A	B9-01,B9-02	ROM	1	-	E42
131	131	SEE NOTE 1	23088B9-00		B9-01,B9-02	ROM	1	-	E43
132	132	SEE NOTE 1	23087B9-00		B9-01,B9-02	ROM	1	-	E47
133	133		23330A1-00		A1-08	1	1	E18	
134	134		23331A1-00		A1-08	1	1	E38	
135	135		23332A1-00		A1-08	1	1	E39	
136	136		23333A1-00		A1-08	1	1	E58	
137	137		23334A1-00		A1-08	1	1	E74	
138	138		23335A1-00		A1-08	1	1	E73	
139	139		23336A1-00		A1-08	1	1	E88	
140	140		23337A1-00		A1-08	1	1	E122	
141	141		23624A2-00		A2-05	1	1	E6	
142	142		9006010-01		SCRFW,MACH PAN PHIL 4-	3	3		
143	143		9006557-00		NUT,HEX EXT TOOTH LCKWSHR 4-40	3	3		
144	144		9008172-00		WASHER,FLAT SST	3	3		
145	145		9009185-00		JUMPER, WIRE, INSULATED, BLACK B	9	9	W1-W6,W7-W9	
146	146		9009217-00		*** THIS ITEM IS NOT USED ***	-	-		
147	147		9105740-55		WIRE(WRAP) 30AWG KYNAR UL14	A/R	-		
148	148		9107267-11		*** THIS ITEM IS NOT USED ***	-	-		
149	149		1922105-01	A	*** THIS ITEM IS NOT USED ***	-	-		
150	150		5417489-01		MICROPROCESSOR DAUGHTER BOARD	-	1		
151	151		9009966-00		GROMMET,SNAP-IN POLYCARBONAT	5	5		
152	152		9009963-00		PLUNGER, 1/4 DIA	5	5		

153 NOTE: 1. USE B9-01 OR B9-02, WHICHEVER IS EASIER TO OBTAIN

D	I	G	I	T	A	L	TITLE	SECTION A OF A	SIZE	CODE	DOCUMENT NUMBER	REV
							MICROPROCESSOR				5415247-0-DBP	T



NOTE: UNLESS OTHERWISE SPECIFIED:
 ALL RESISTORS ARE 1/4W, 5%.
 ALL CAPACITORS ARE 50V, +80%, -20%.

THIS DRAWING AND SPECIFICATIONS ARE THE PROPERTY OF DIGITAL EQUIPMENT CORPORATION AND SHALL NOT BE REPRODUCED OR COPIED OR USED IN WHOLE OR IN PART AS THE BASIS FOR THE MANUFACTURE OR SALE OF ITEMS WITHOUT WRITTEN PERMISSION. COPYRIGHT © 1984, DIGITAL EQUIPMENT CORPORATION.

CHK	CHANGE NO.	REV
	5415247	P
	2019	

REVISIONS

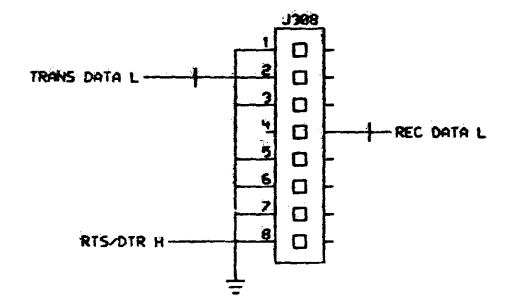
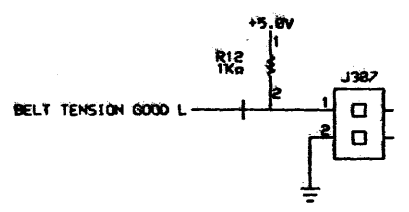
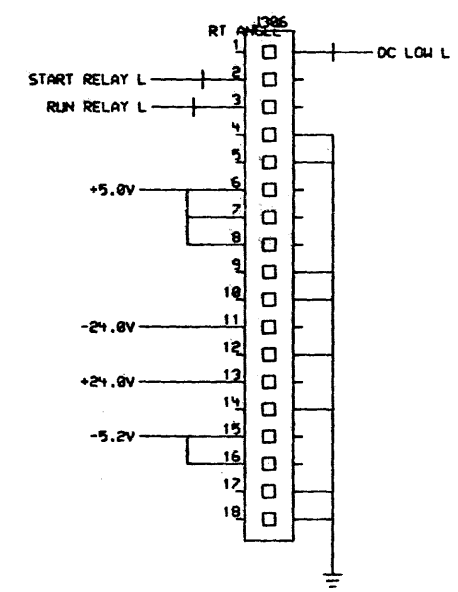
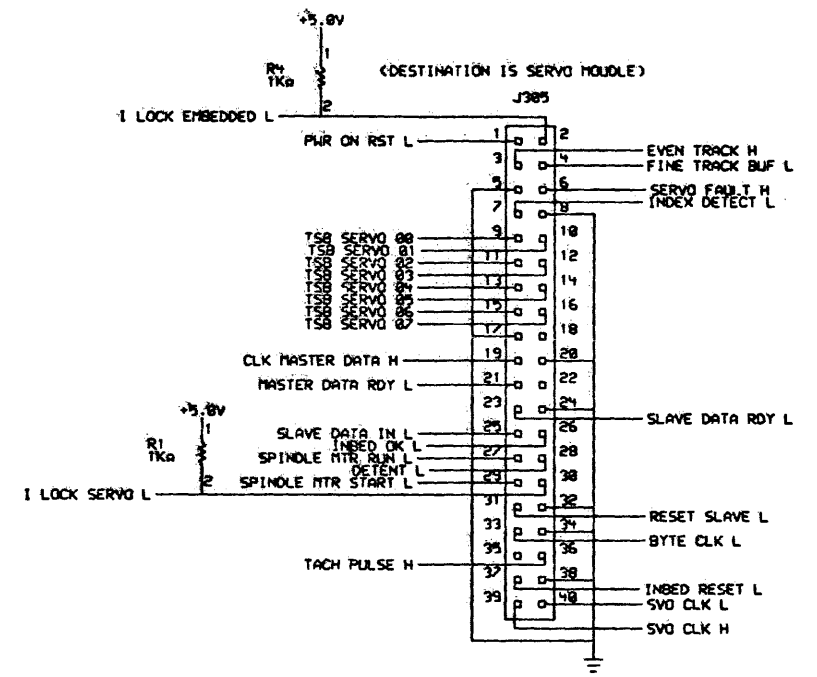
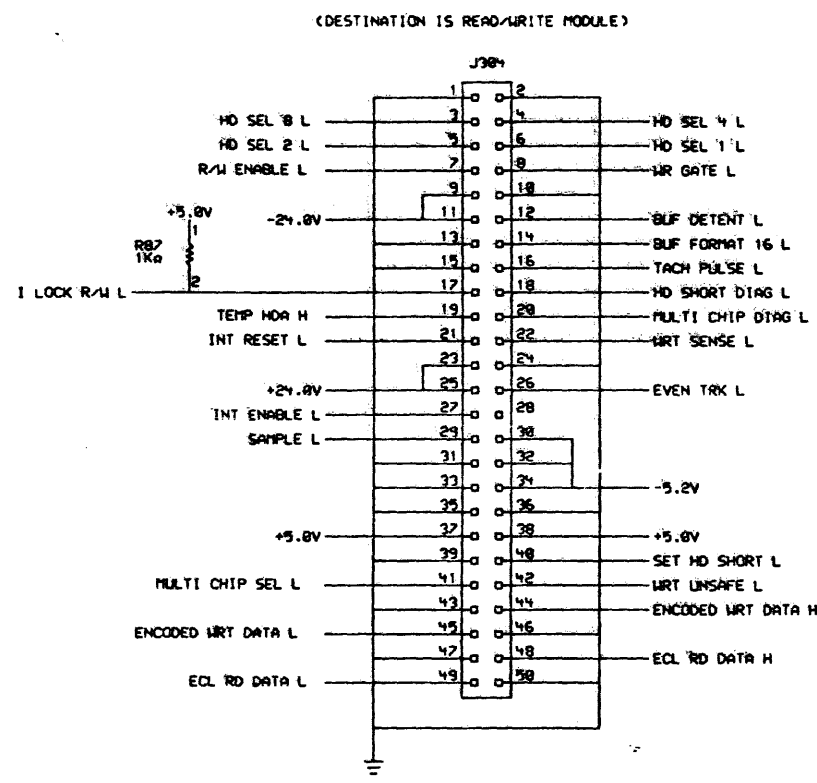
digital *John Schindler* DATE: 25-APR-85 ENG: *Lee M...* DATE: 11-MAY-85 TITLE: MICROPROCESSOR

DATE: 25-APR-85 SHEET: 17 OF 26 BOARD LOCATION: *...*

SIZE CODE: K CS NUMBER: 5415247-0-1 REV. P

FIRST USED ON OPTION/MODEL: RAB1 B-DD-5415247-0-0

REV. P
 NAME: 5415247-0-1
 SIZE CODE: K CS

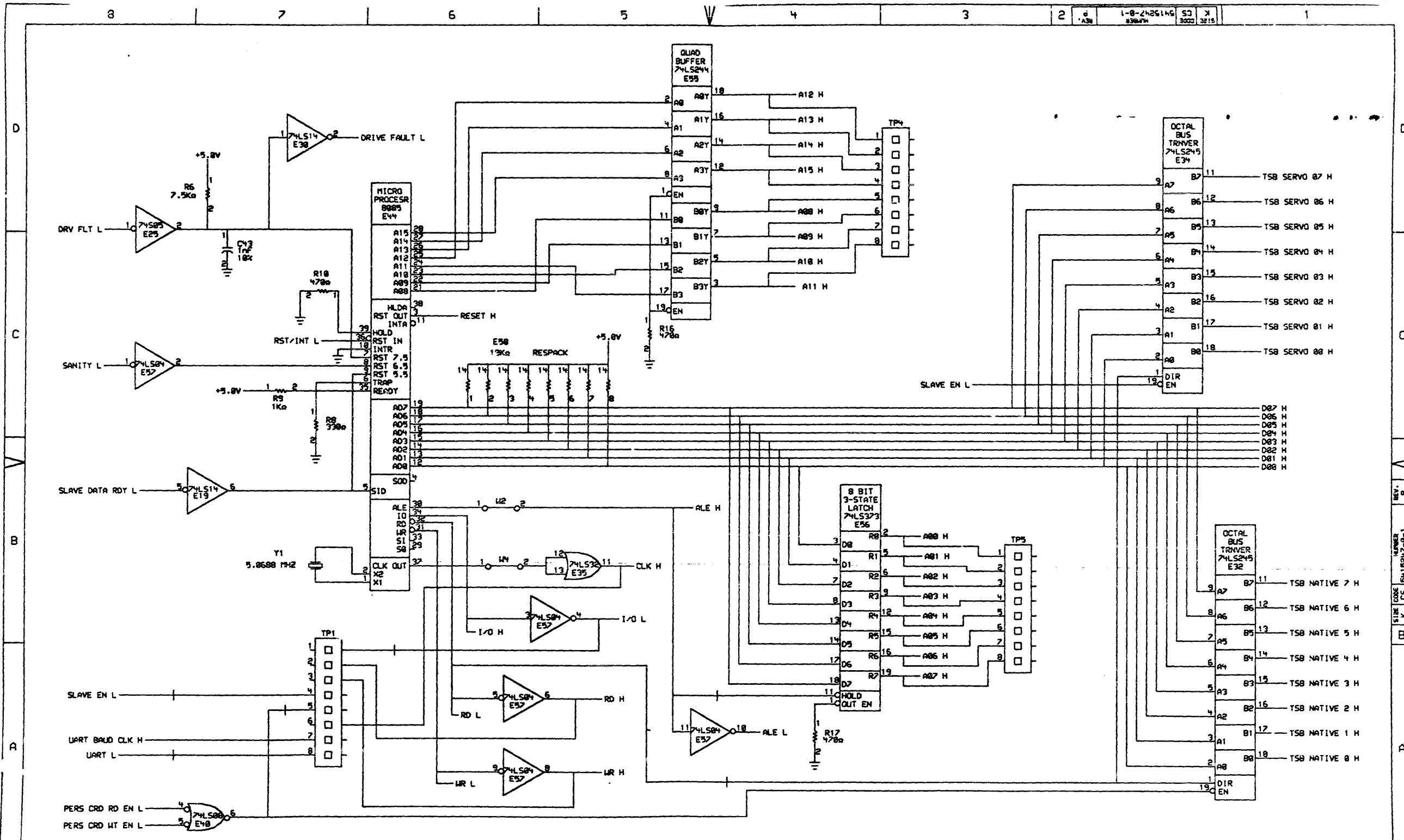


THIS DRAWING AND SPECIFICATIONS ARE THE PROPERTY OF DIGITAL EQUIPMENT CORPORATION AND SHALL NOT BE REPRODUCED OR COPIED OR USED IN WHOLE OR IN PART AS THE BASIS FOR THE MANUFACTURE OR SALE OF ITEMS WITHOUT WRITTEN PERMISSION. COPYRIGHT © 1984 DIGITAL EQUIPMENT CORPORATION.

REV.	CHG.	CHANGE NO.	REV.

DRN.	DATE	ENG.	DATE	TITLE:
CHK'D.	DATE	BOARD LOCATION:		MICROPROCESSOR
COPY: CS-346	PERM: 1082	DATE: APR-85	09:45	NEXT HIGHER ASSEMBLY:
FIRST USED ON OPTION: RAB1		B-DD-5415247-0-0		SIZE CODE NUMBER REV.
		K CS	5415247-0-1	P

REV. P
 NUMBER 5415247-0-1
 CS K

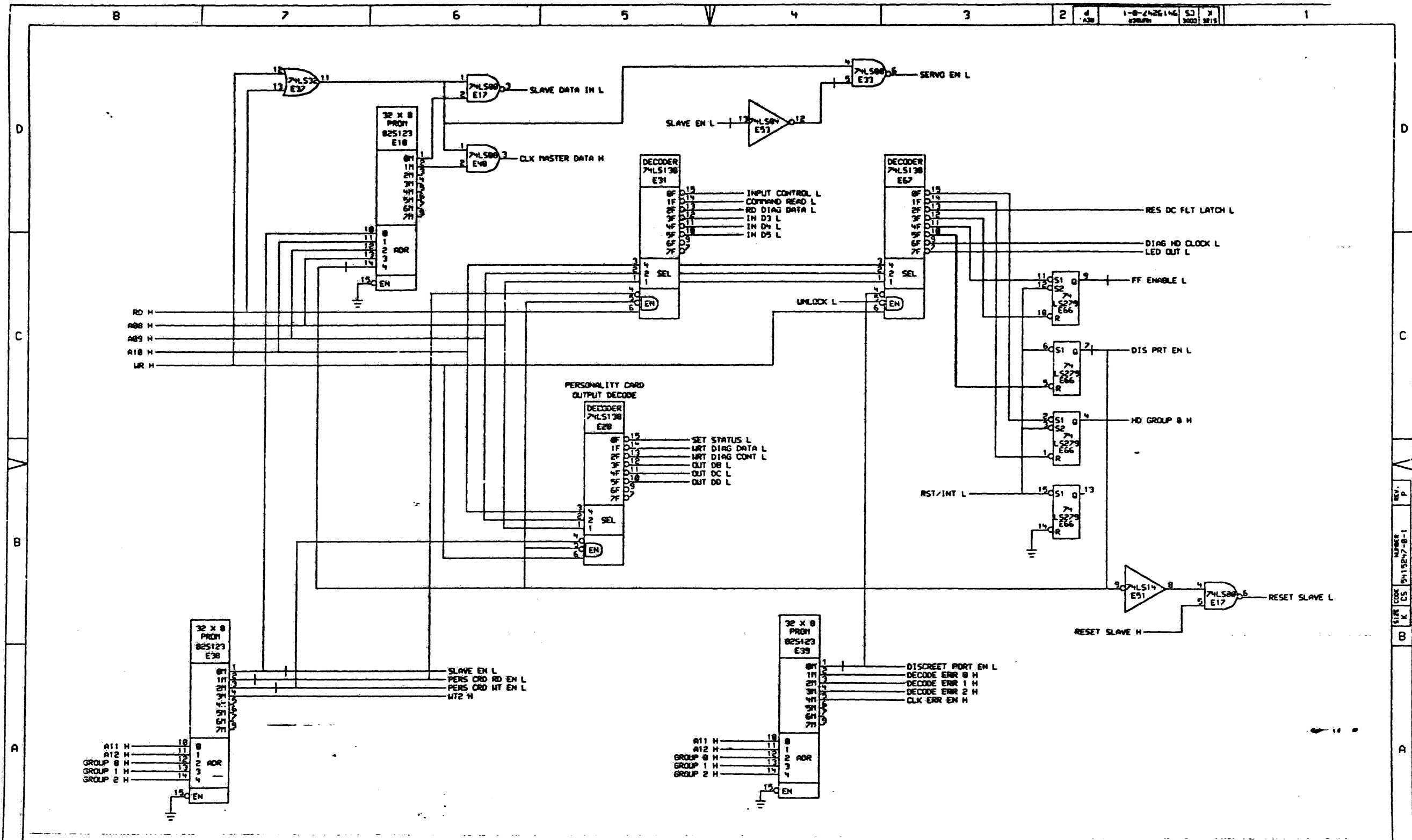


REVISIONS	
CHK	CHANGE NO. REV

THIS DRAWING AND SPECIFICATIONS HEREIN ARE THE PROPERTY OF DIGITAL EQUIPMENT CORPORATION AND SHALL NOT BE REPRODUCED OR COPIED IN WHOLE OR IN PART FOR ANY BASIS FOR THE MANUFACTURE OR SALE OF ITEMS WITHOUT WRITTEN PERMISSION. COPYRIGHT © 1984, DIGITAL EQUIPMENT CORPORATION.

	DRN.	DATE	ENG.	DATE	TITLE:
	CHK'D.	DATE	BOARD LOCATION:	SHEET	OF
SCOPYK(SO)M(D)RM(C)B3.DRW(25-APR-85 09:14)		NEXT HIGHER ASSEMBLY:		SIZE CODE	NUMBER
FIRST USED ON OPTION MODEL: RAB1		B-DD-5415247-0-2		K CS	5415247-0-1
MICROPROCESSOR					REV. P

REV. P
NUMBER 5415247-0-1
SHEET 3 OF 26
K CS

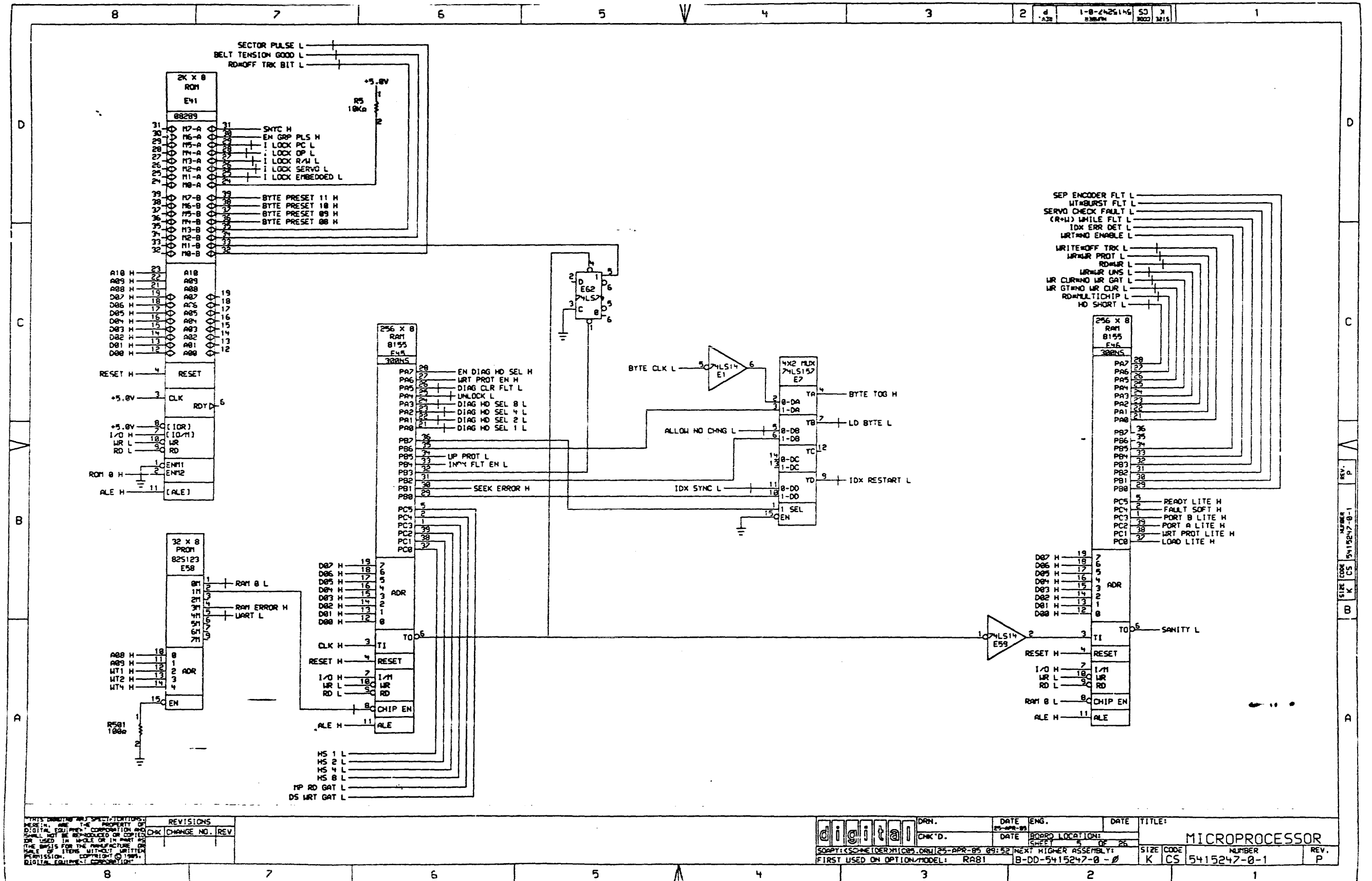


THIS DRAWING AND SPECIFICATIONS HEREIN ARE THE PROPERTY OF DIGITAL EQUIPMENT CORPORATION AND SHALL NOT BE REPRODUCED BY COPIES OR USED IN WHOLE OR IN PART AS THE BASIS FOR THE MANUFACTURE OR SALE OF ITEMS WITHOUT WRITTEN PERMISSION. COPYRIGHT © 1985, DIGITAL EQUIPMENT CORPORATION.

REV.	CHG.	CHANGE NO.	REV.

DRN.	DATE	ENG.	DATE	TITLE:
CHK'D.	DATE	BOARD LOCATION:	SHEET	MICROPROCESSOR
COPY: CS0610XDRM1CAY.DR 15-APR-85 09:48		NEXT HIGHER ASSEMBLY:		SIZE CODE
FIRST USED ON OPTION NO. L: RAB1		B-DD-5415247-0-2		NUMBER
				REV.
				P

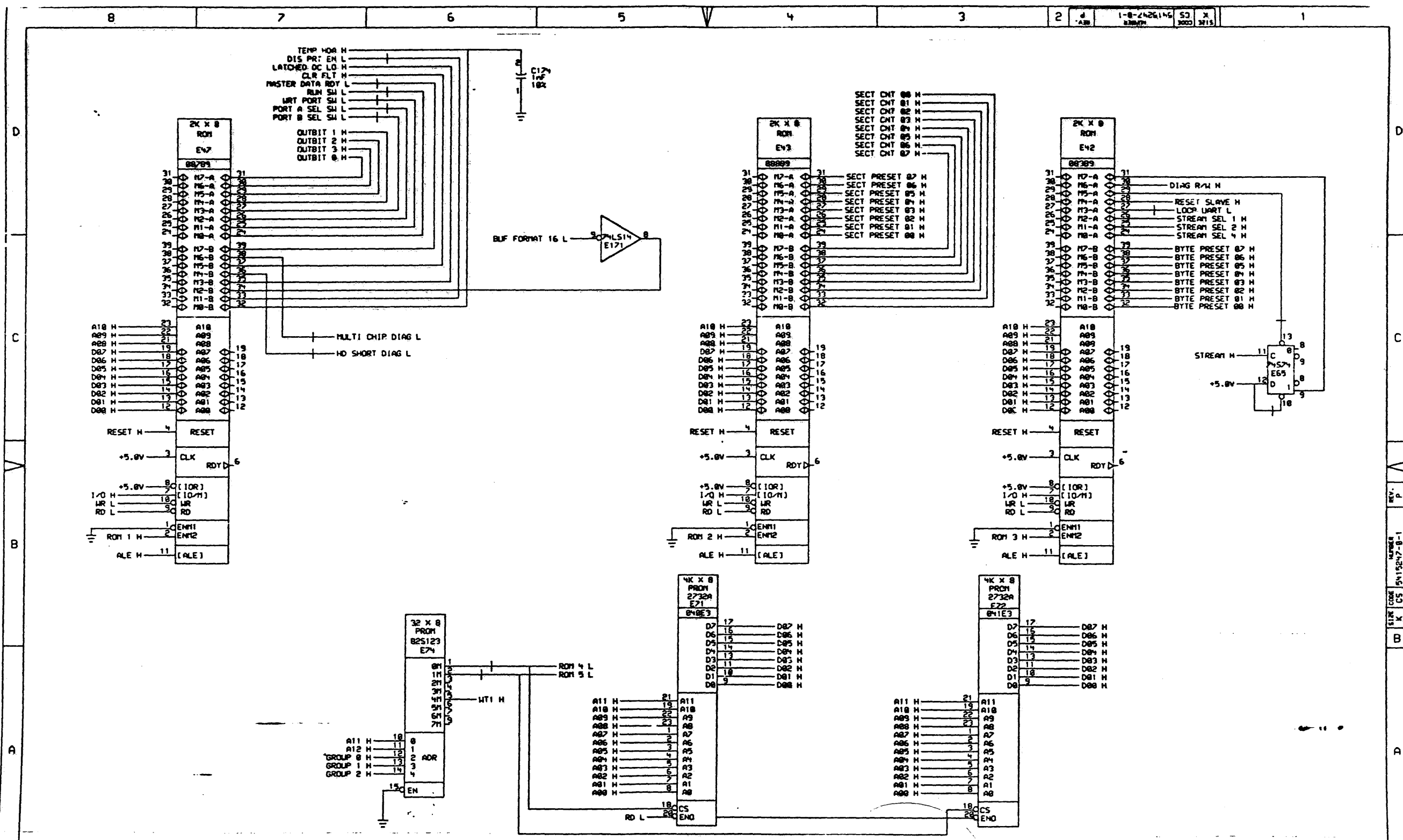
REV. P
NAME: PH15B7-0-1
CS
K



THIS DRAWING AND SPECIFICATIONS HEREIN ARE THE PROPERTY OF DIGITAL EQUIPMENT CORPORATION AND SHALL NOT BE REPRODUCED OR COPIED OR USED IN WHOLE OR IN PART AS THE BASIS FOR THE MANUFACTURE OR SALE OF ITEMS WITHOUT WRITTEN PERMISSION. COPYRIGHT © 1981, DIGITAL EQUIPMENT CORPORATION.

REV.	NO.	DATE	BY	CHK	CHANGE NO.	REV.

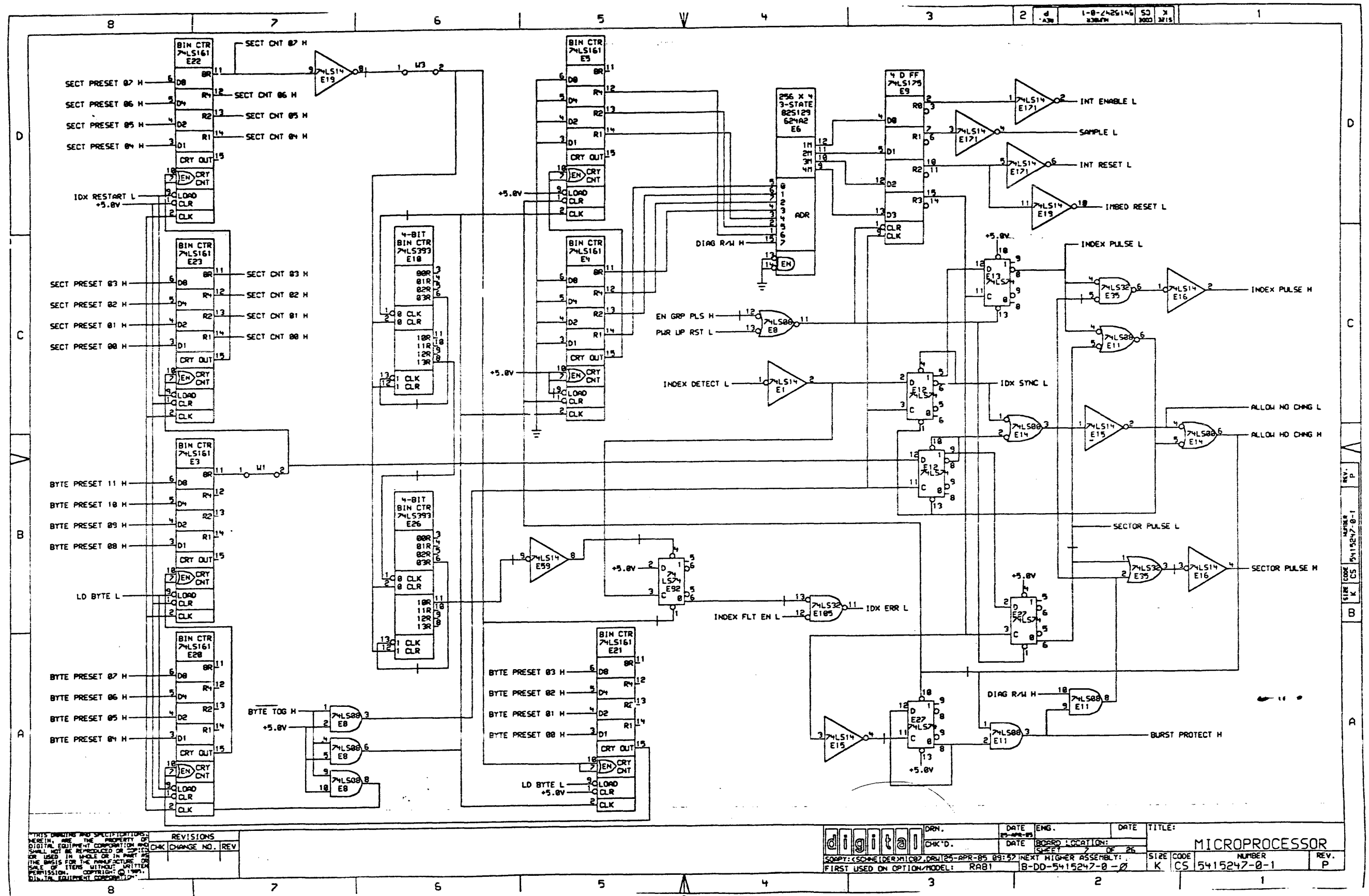
DRN.	DATE	ENG.	DATE	TITLE:
CHK'D.	DATE	BOARD LOCATION:	SHEET	OF 26
COPY: (SCHEIDER) MICR, DAN/25-APR-85 09:52		NEXT HIGHER ASSEMBLY:		SIZE CODE
FIRST USED ON OPTION/MODEL: RAB1		B-DD-5415247-0-0		K
NUMBER			REV.	
5415247-0-1			P	



THIS DRAWING AND SPECIFICATIONS ARE THE PROPERTY OF DIGITAL EQUIPMENT CORPORATION AND SHALL NOT BE REPRODUCED OR COPIED IN WHOLE OR IN PART AS THE BASIS FOR THE MANUFACTURE OR SALE OF ITEMS WITHOUT WRITTEN PERMISSION. CONTROL NO. 1881

REV.	CHANGE NO.	REV.

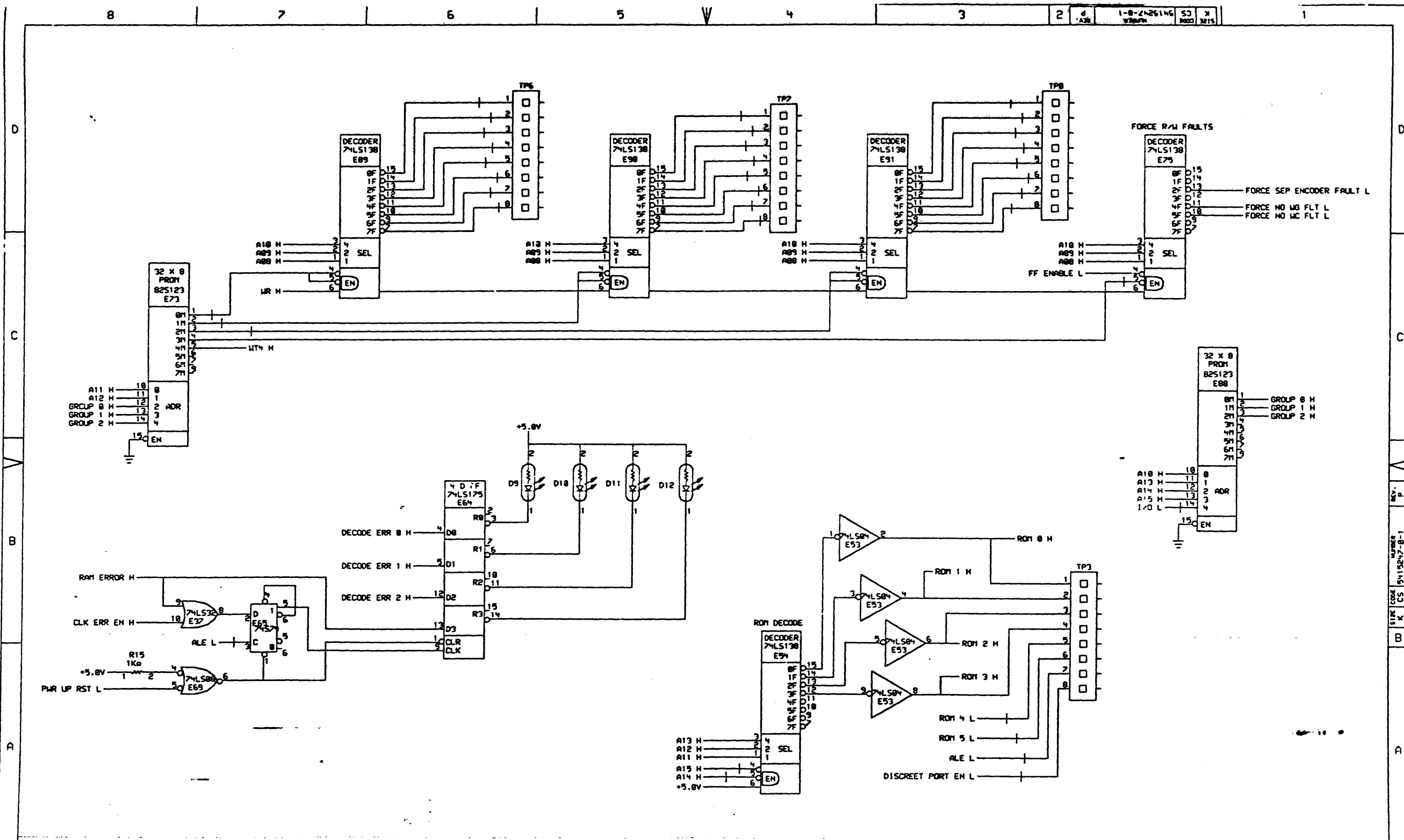
DRW. DATE ENG. DATE				
CHK'D.				
BOARD LOCATION: SHEET 6 OF 26		TITLE: MICROPROCESSOR		
SIZE CODE: K CS	NUMBER: 5415247-0-1	REV.:		



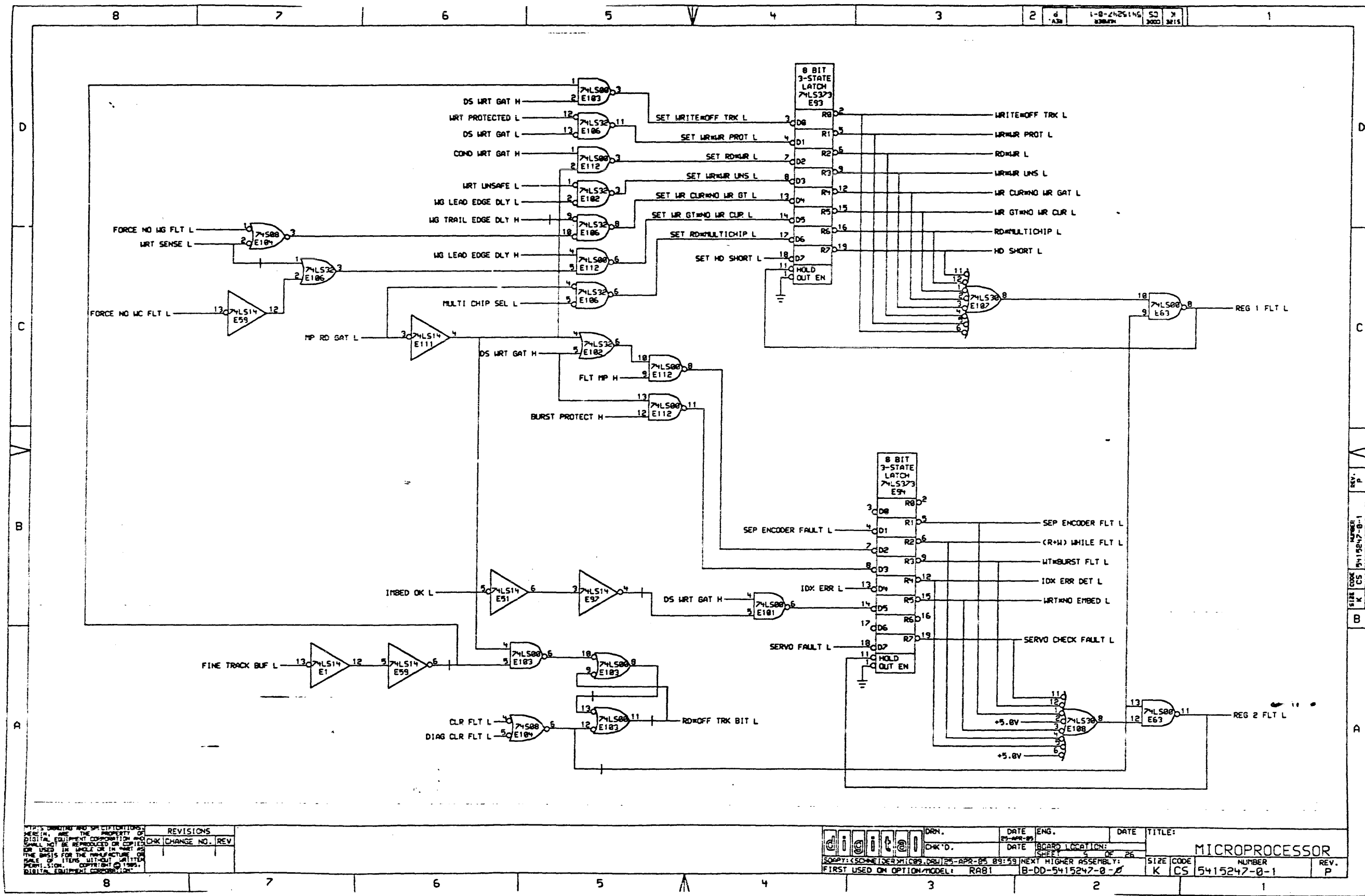
THIS DRAWING AND SPECIFICATIONS ARE THE PROPERTY OF DIGITAL EQUIPMENT CORPORATION AND SHALL NOT BE REPRODUCED OR COPIED IN WHOLE OR IN PART AS THE BASIS FOR THE MANUFACTURE OR SALE OF ITEMS WITHOUT WRITTEN PERMISSION. COPYRIGHT © 1974, DIGITAL EQUIPMENT CORPORATION.

REV.	CHG	CHANGE NO.	REV

digital	DRN.	DATE	ENG.	DATE	TITLE:
	CHK'D.	DATE	BOARD LOCATION:	DATE	MICROPROCESSOR
COPY: (SOME) DERIVED FROM 25-APR-85 09:57 NEXT HIGHER ASSEMBLY:					SIZE CODE NUMBER
FIRST USED ON OPTION/MODEL: RAB1 B-DD-5415247-0-0					K CS 5415247-0-1



THIS DRAWING AND SPECIFICATIONS ARE THE PROPERTY OF DIGITAL EQUIPMENT CORPORATION AND SHALL NOT BE REPRODUCED OR COPIED OR USED IN WHOLE OR IN PART AS THE BASIS FOR THE MANUFACTURE OR SALE OF ITEMS WITHOUT WRITTEN PERMISSION. © 1984 DIGITAL EQUIPMENT CORPORATION.		REVISIONS CHK CHANGE NO. REV.		DWN. DATE ENG. DATE TITLE: CHK'D. DATE BOARD LOCATION: SHEET 8 OF 26 MICROPROCESSOR	
FIRST USE: ROM DECODER 25-APR-84 85:59 NEXT HIGHER ASSEMBLY:		SIZE CODE NUMBER REV. K CS 5415247-0-1 F		FIRST USE: OPTION MODEL: RAB1 B-DD-5415247-0-2	



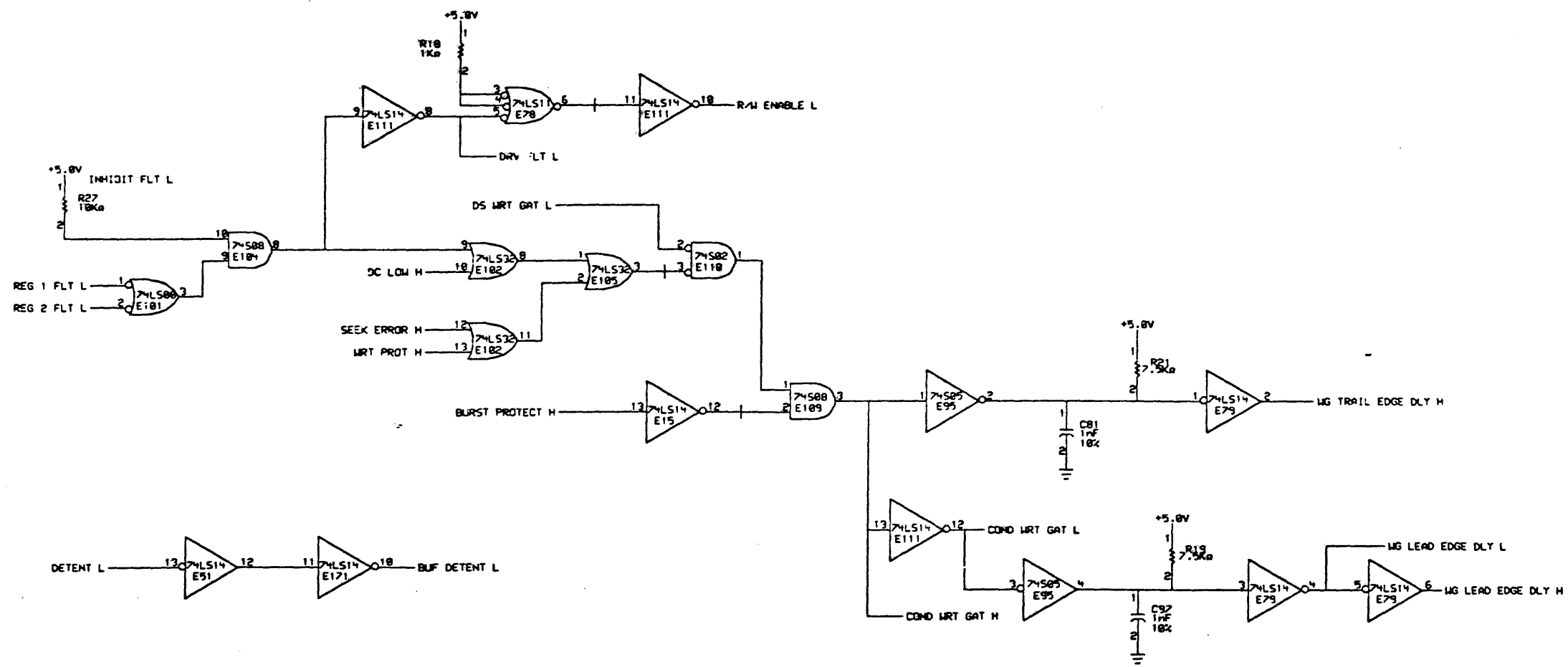
THIS DRAWING AND SPECIFICATIONS HEREIN ARE THE PROPERTY OF DIGITAL EQUIPMENT CORPORATION AND SHALL NOT BE REPRODUCED OR COPIED IN ANY MANNER OR USED IN WHOLE OR IN PART OR FOR THE BASIS FOR THE MANUFACTURE OR SALE OF ITEMS WITHOUT WRITTEN PERMISSION. COPYRIGHT © 1989, DIGITAL EQUIPMENT CORPORATION.

REVISIONS	
CHK	CHANGE NO. REV

--	--	--	--	--	--	--	--	--	--

	DRN.	DATE	ENG.	DATE	TITLE:
	CHK'D.	DATE	BOARD LOCATION:	SHEET	OF 26
COPY: (SOME) MICROS.DWG/25-APR-89:59/NEXT HIGHER ASSEMBLY:		SIZE CODE: K CS		NUMBER: 5415247-0-1	
FIRST USED ON OPTION/MODEL: RAB1		B-DD-5415247-0-1		REV. P	

REV. P
 5415247-0-1
 SIZE CODE K CS

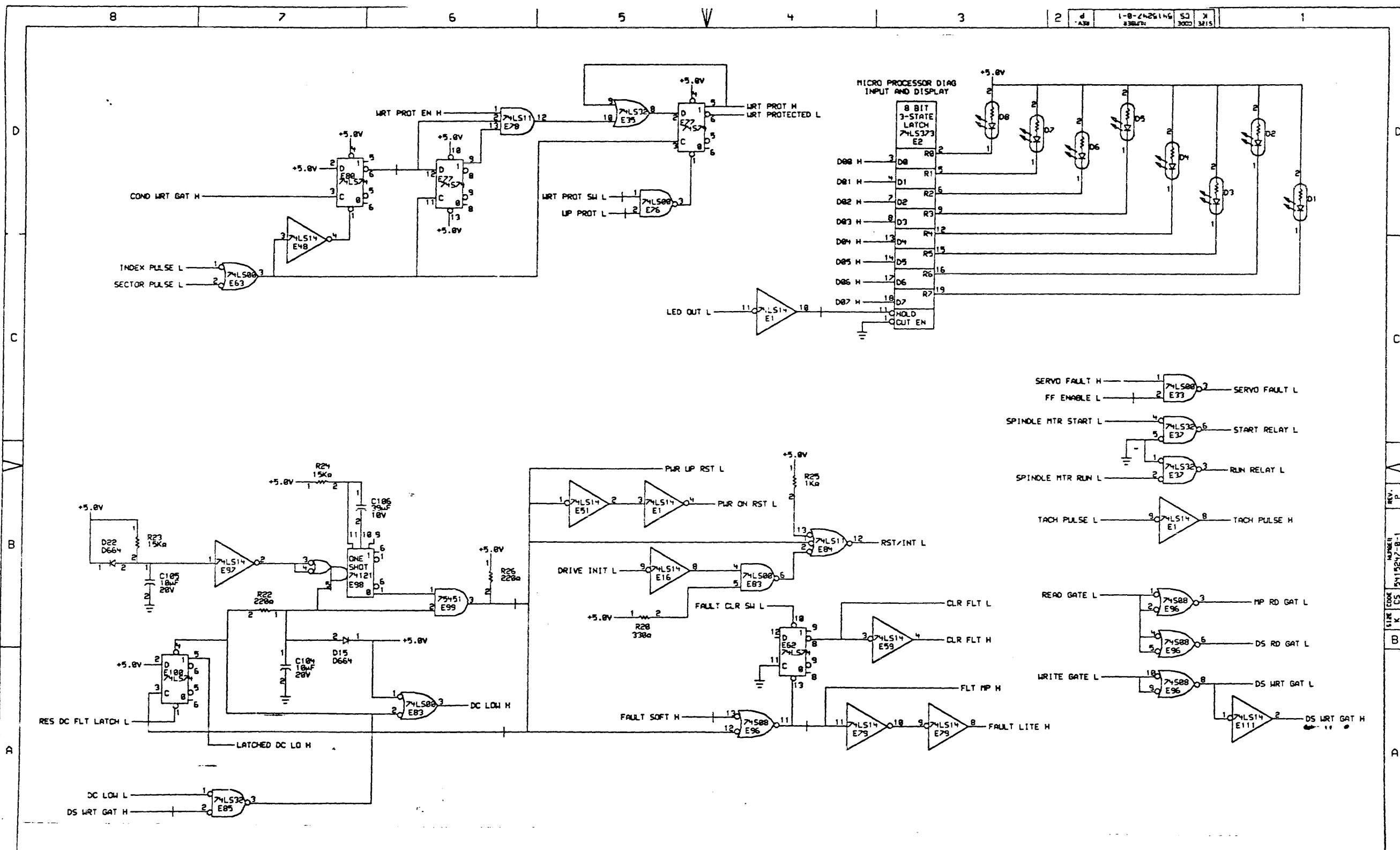


THIS DRAWING AND SPECIFICATIONS
HEREIN ARE THE PROPERTY OF
DIGITAL EQUIPMENT CORPORATION AND
SHALL NOT BE REPRODUCED OR COPIED
OR USED IN WHOLE OR IN PART AS
THE BASIS FOR THE MANUFACTURE OR
SALE OF ITEMS WITHOUT WRITTEN
PERMISSION. COPYRIGHT © 1985,
DIGITAL EQUIPMENT CORPORATION.

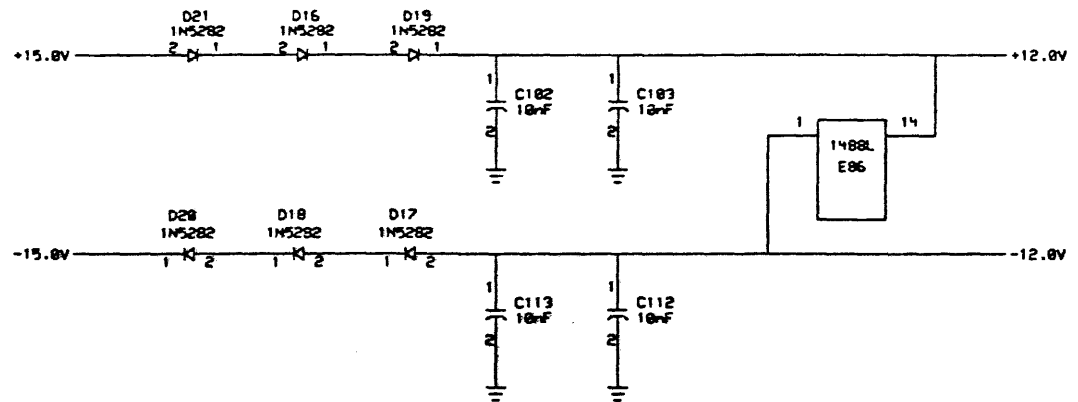
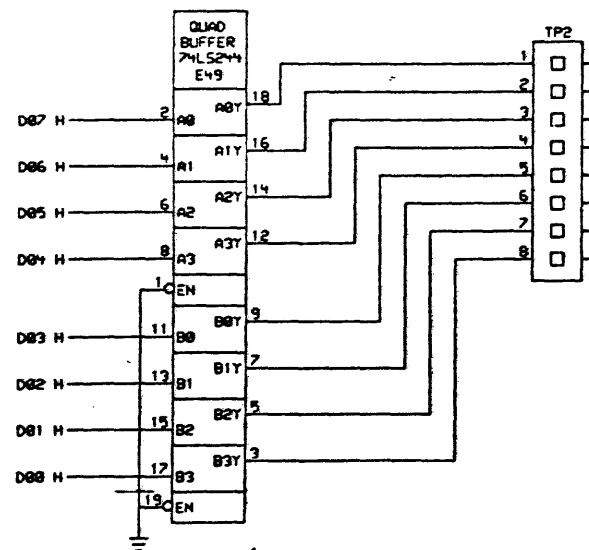
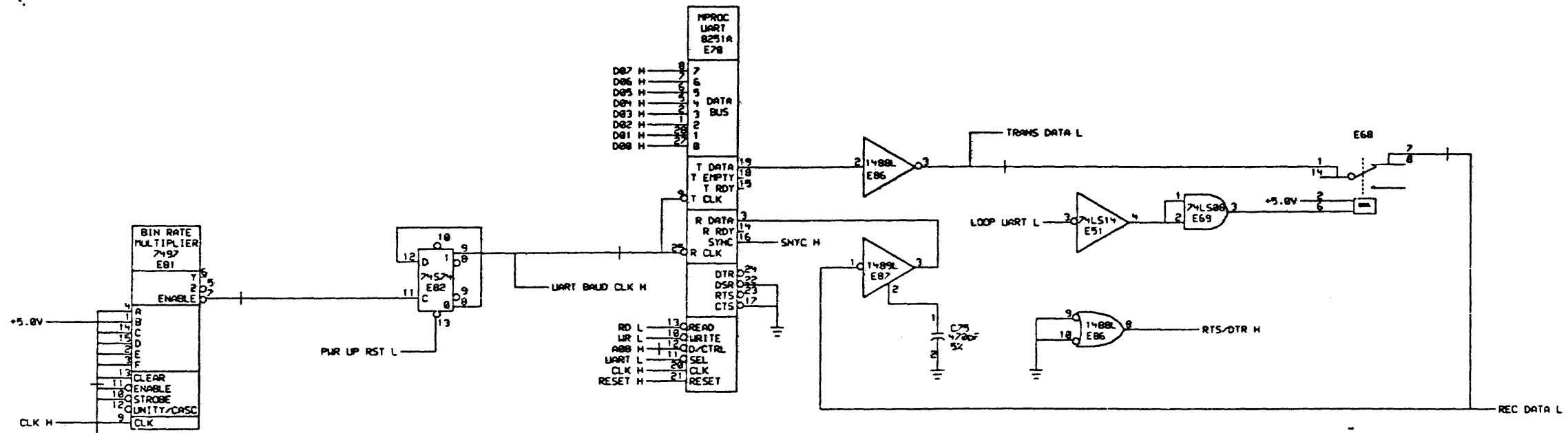
REVISIONS	
CHK	CHANGE NO. REV

	DRN.	DATE	ENG.	DATE	TITLE:
	CHK'D	DATE	BOARD LOCATION:	SHEET	OF
SCOPY: CS-CR-102 MICR DRG FIRST USED ON: OPTION BOARD	SPR-B5 18:01 RAB	NEXT HIGHER ASSEMBLY: B-DD-5415247-0-0	SIZE CODE K CS	NUMBER 5415247-0-1	REV. P

REV. P
 NUMBER 5415247-0-1
 SIZE CODE K CS



THIS DRAWING AND SPECIFICATIONS ARE THE PROPERTY OF DIGITAL EQUIPMENT CORPORATION AND SHALL NOT BE REPRODUCED OR COPIED IN ANY MANNER OR USED IN ANY MANNER WITHOUT THE WRITTEN PERMISSION OF DIGITAL EQUIPMENT CORPORATION.		REVISIONS CHK CHANGE NO. REV	DRN. DATE ENG. DATE CHK'D. DATE BOARD LOCATION: SHEET 11 OF 26 COPY: (SOME) DERMIC11.DRW [25-APR-85 10:03] NEXT HIGHER ASSEMBLY: RAB1 B-DD-5415247-0-0 FIRST USED ON OPTION/MODEL:	TITLE: MICROPROCESSOR SIZE CODE NUMBER REV. K CS 5415247-0-1 P
--	--	---------------------------------	---	--

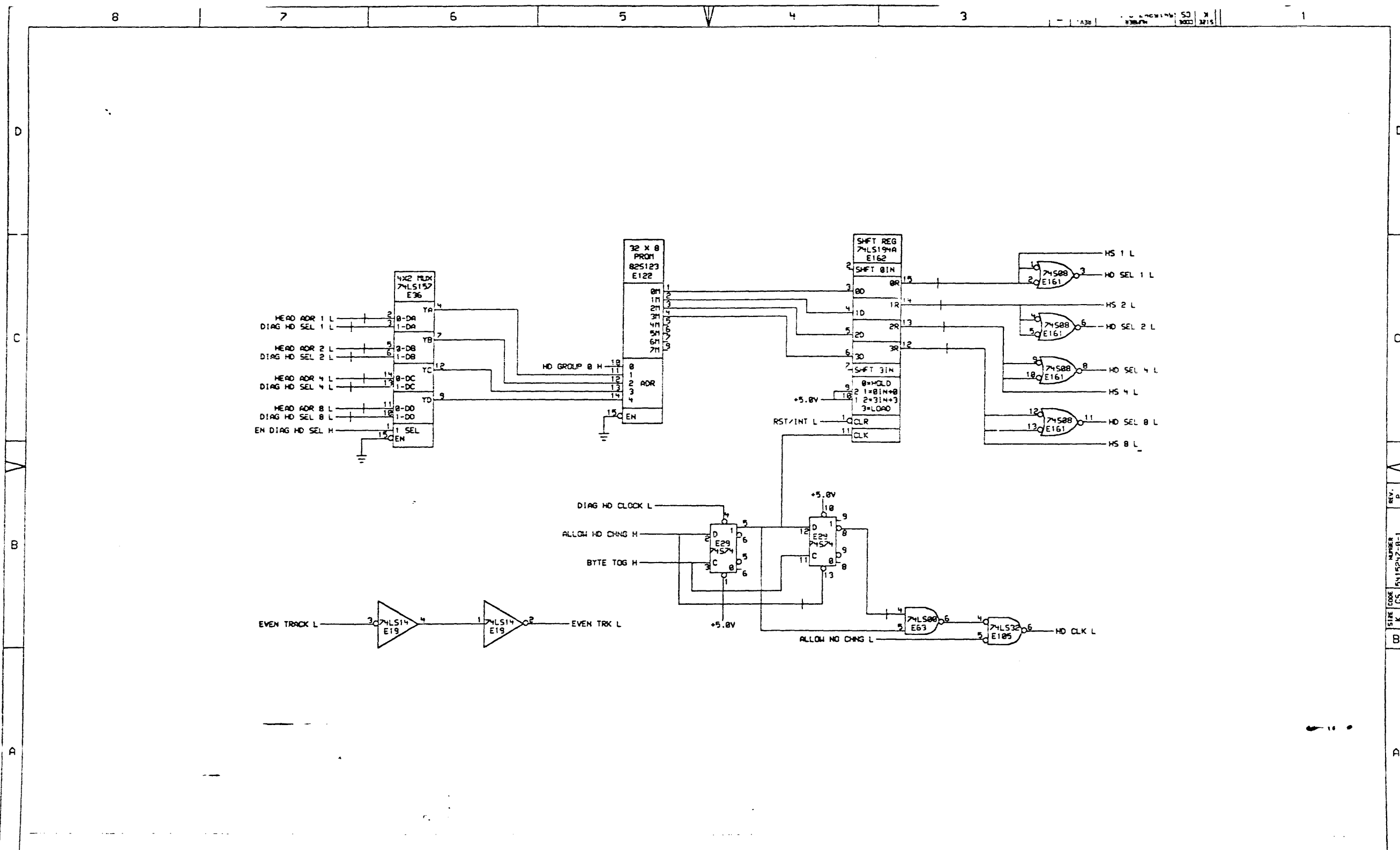


THIS DRAWING AND SPECIFICATIONS ARE THE PROPERTY OF DIGITAL EQUIPMENT CORPORATION AND SHALL NOT BE REPRODUCED OR COPIED OR USED IN WHOLE OR IN PART AS THE BASIS FOR THE MANUFACTURE OR SALE OF ITEMS WITHOUT WRITTEN PERMISSION. COPYRIGHT © 1985, DIGITAL EQUIPMENT CORPORATION.

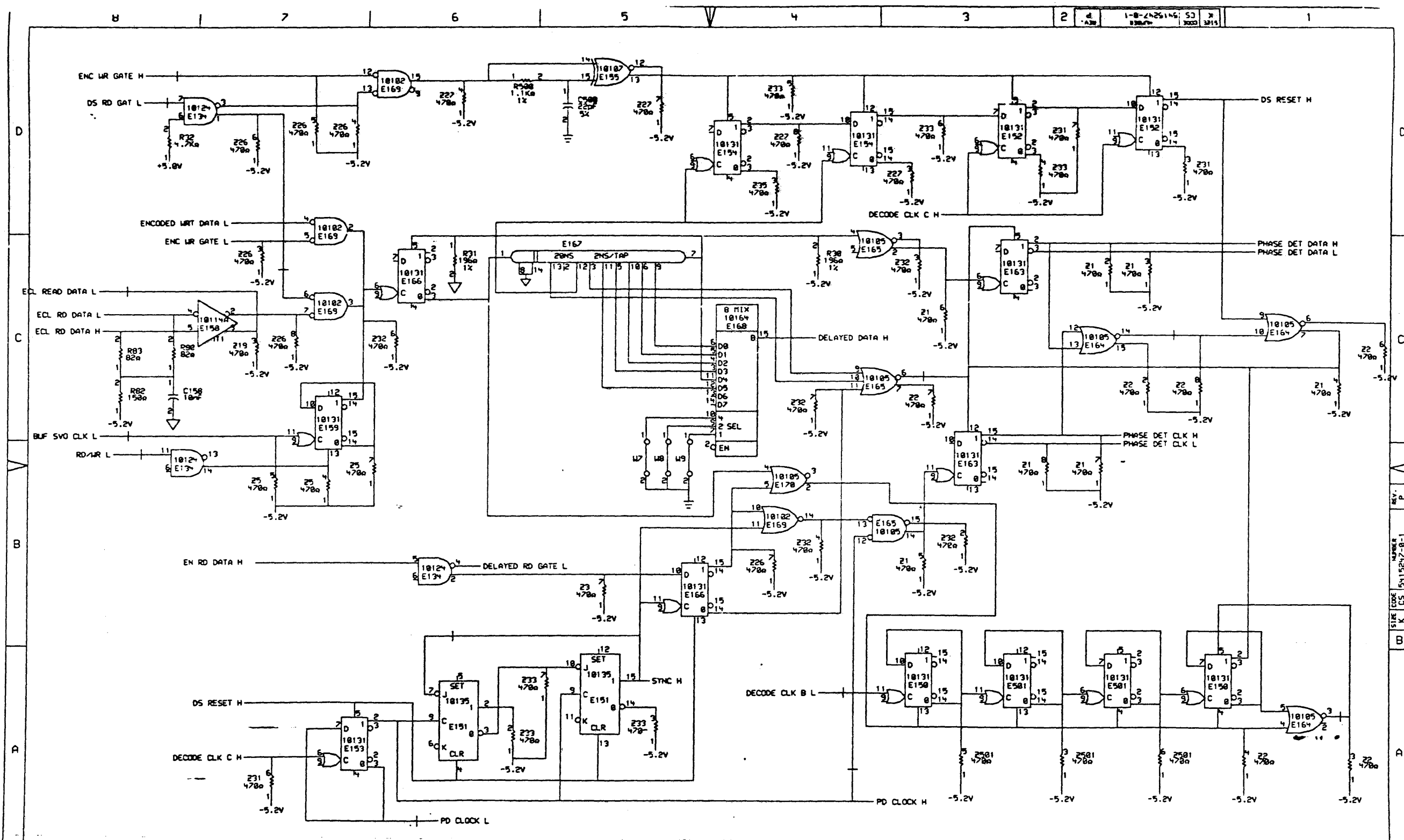
REVISIONS		
CHK	CHANGE NO.	REV

DATE	ENG.	DATE	TITLE:
23-APR-85			MICROPROCESSOR
DATE	SCHEM. LOCATION:		
18:06	12 OF 26		
NEXT HIGHER ASSEMBLY:		SIZE CODE	NUMBER
B-DD-5415247-0-0		K CS	5415247-0-1
FIRST USED ON OPTION/MODEL:			REV.
RAB1			P

REV. P
 NUMBER 5415247-0-1
 SIZE CODE K CS
 D



THIS DRAWING AND SPECIFICATIONS HEREIN ARE THE PROPERTY OF DIGITAL EQUIPMENT CORPORATION AND SHALL NOT BE REPRODUCED OR USED IN WHOLE OR IN PART AS THE BASIS FOR THE MANUFACTURE OR SALE OF ITEMS WITHOUT WRITTEN PERMISSION. COPYRIGHT © 1981, DIGITAL EQUIPMENT CORPORATION.		REVISIONS CHK CHANGE NO. REV	digital DRN. DATE 05-04-85 CHK'D. DATE 05-04-85	ENG. DATE 05-04-85 BOARD LOCATION: 1 OF 2K NEXT HIGHER ASSEMBLY: B-DD-5415247-0-0	TITLE: MICROPROCESSOR SIZE CODE NUMBER REV. K CS 5415247-0-1 P
---	--	--	---	--	--



THIS DRAWING AND SPECIFICATIONS ARE THE PROPERTY OF DIGITAL EQUIPMENT CORPORATION AND SHALL NOT BE REPRODUCED OR COPIED OR USED IN WHOLE OR IN PART AS THE BASIS FOR THE MANUFACTURE OR SALE OF ITEMS WITHOUT WRITTEN PERMISSION. COPYRIGHT © 1981, DIGITAL EQUIPMENT CORPORATION.

REV.	CHG.	NO.	REV.

DATE	ENG.	DATE	TITLE:

DATE	ENG.	DATE	TITLE:

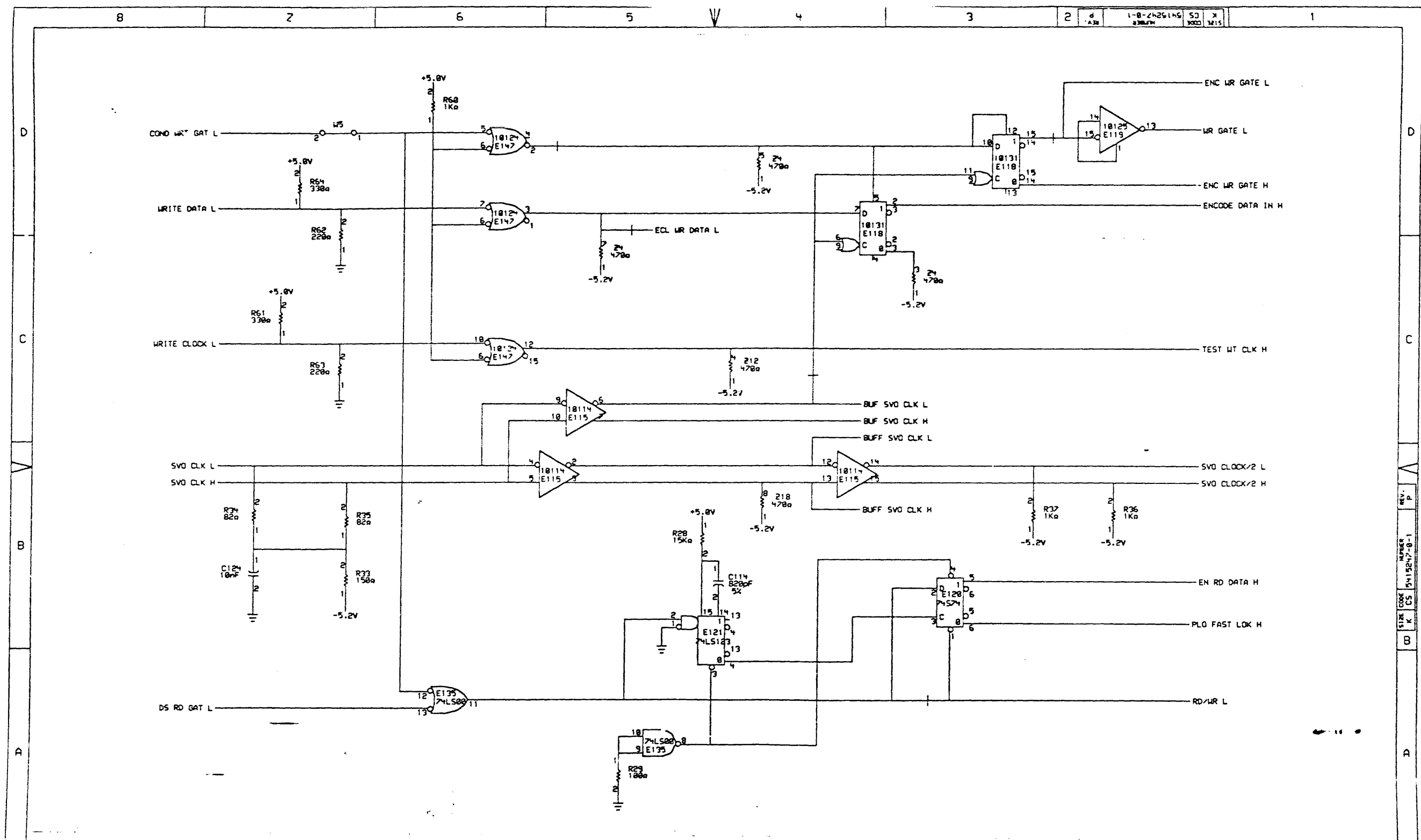
1-8-425146; S3
3000 3815

REV. P
NUMBER 5415247-0-1
SIZE CODE K CS

Digital
COPY (S) HERE. MICROM. DRAW. 25-APR-85 18:09 NEXT HIGHER ASSEMBLY:
FIRST USED ON OPTION/MODEL: RAB1

DRN. CHK'D. DATE BOARD LOCATION: SHEET 14 OF 26
B-DD-5415247-0-2

MICROPROCESSOR
SIZE CODE NUMBER REV.
K CS 5415247-0-1 P

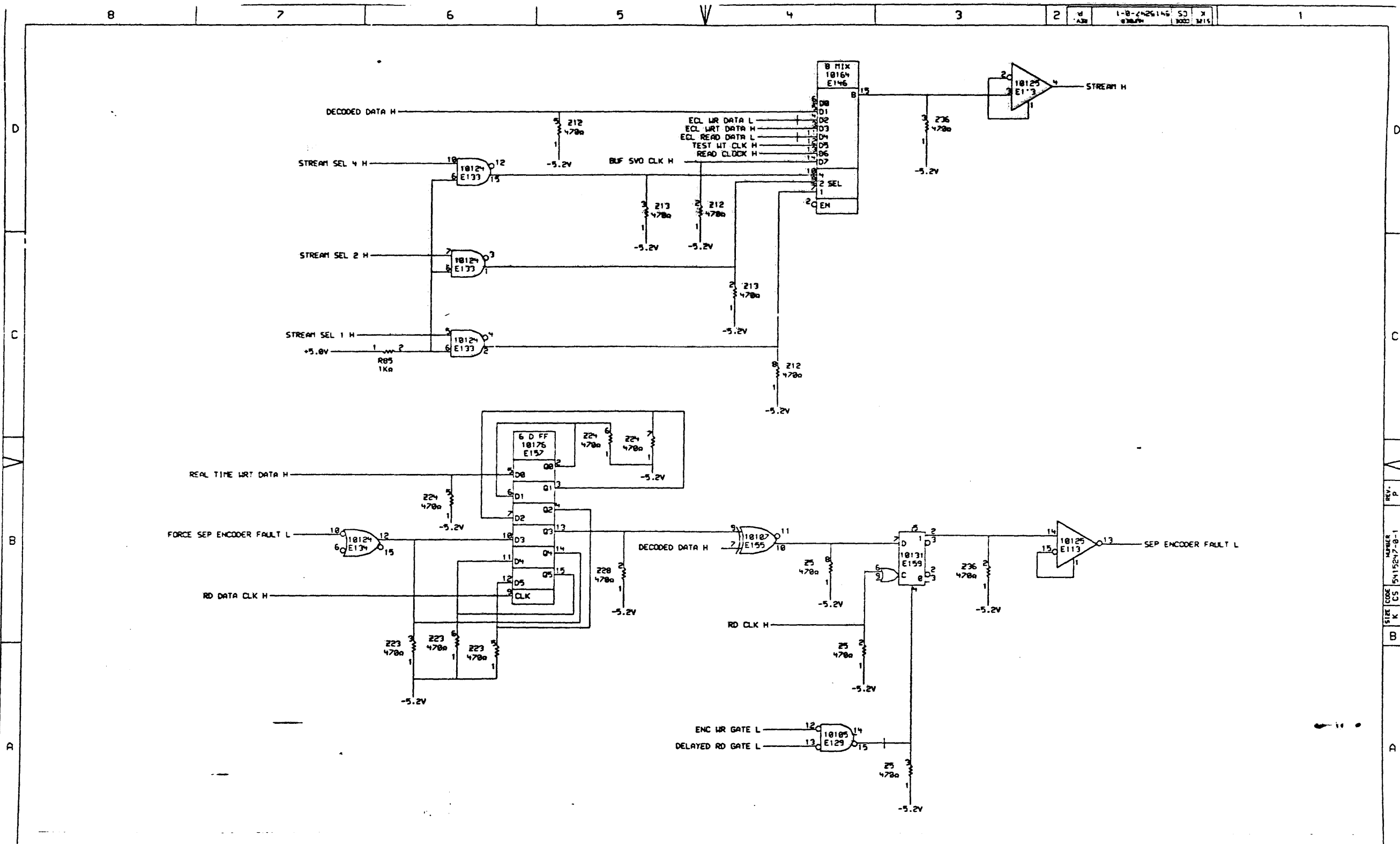


THIS DRAWING AND SPECIFICATIONS HEREIN ARE THE PROPERTY OF DIGITAL EQUIPMENT CORPORATION AND WILL BE REPRODUCED OR COPIED OR USED IN WHOLE OR IN PART AS THE BASIS FOR THE MANUFACTURE OR SALE OF ITEMS WITHOUT WRITTEN PERMISSION, COPYRIGHT © 1985, DIGITAL EQUIPMENT CORPORATION.

REV. SIONS	
CHK	CHANGE NO. REV.

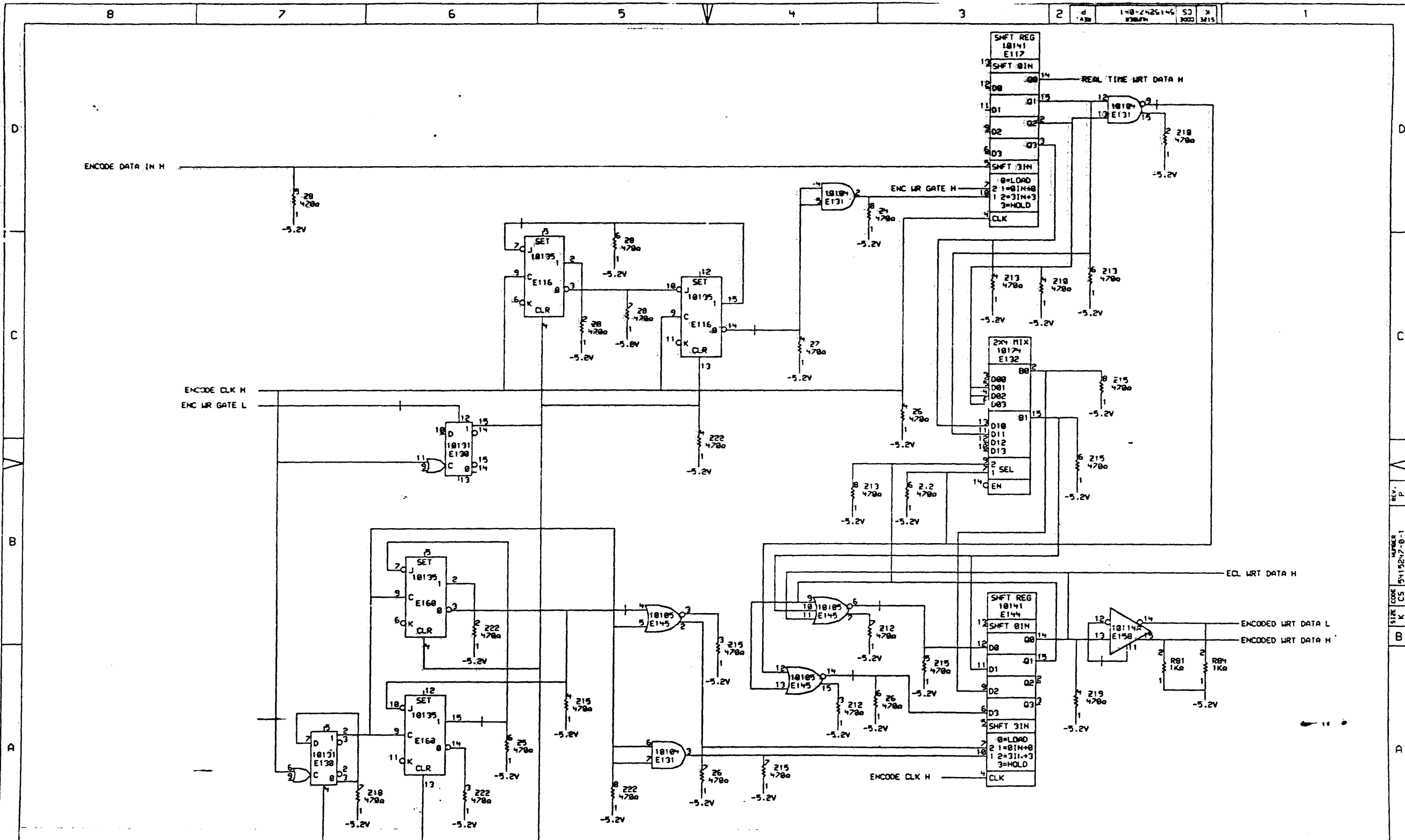
	DRN.	DATE	ENG.	DATE	TITLE:
	CHK'D.	DATE	BOARD LOCATION:	SHEET	OF
COPY: (SOME) DERIVED FROM 25-APR-85 18:11 NEXT HIGHER ASSEMBLY:		SIZE CODE NUMBER		REV.	
FIRST USED ON OPTION/MODEL: RAB1		B-00-5415247-0-0		K CS 5415247-0-1 P	

REV. P
 NUMBER 5415247-0-1
 SIZE CODE CS
 K CS



THIS DRAWING AND SPECIFICATIONS ARE THE PROPERTY OF DIGITAL EQUIPMENT CORPORATION AND SHALL NOT BE REPRODUCED OR COPIED IN WHOLE OR IN PART OR USED IN THE MANUFACTURE OR SALE OF ITEMS WITHOUT WRITTEN PERMISSION. COPYRIGHT © 1989, DIGITAL EQUIPMENT CORPORATION.		REV. SIGNS CHK CHANGE NO. I REV	DATE 27-10-89	ENG. RAB1	DATE 18-12-89	TITLE: MICROPROCESSOR
BOARD LOCATION: SHEET 16 OF 25	SIZE CODE: K CS	NUMBER: 5415247-0-1	REV.: P	FIRST USED ON OPTION/MODEL: RAB1	DATE: 18-12-89	DATE: 18-12-89

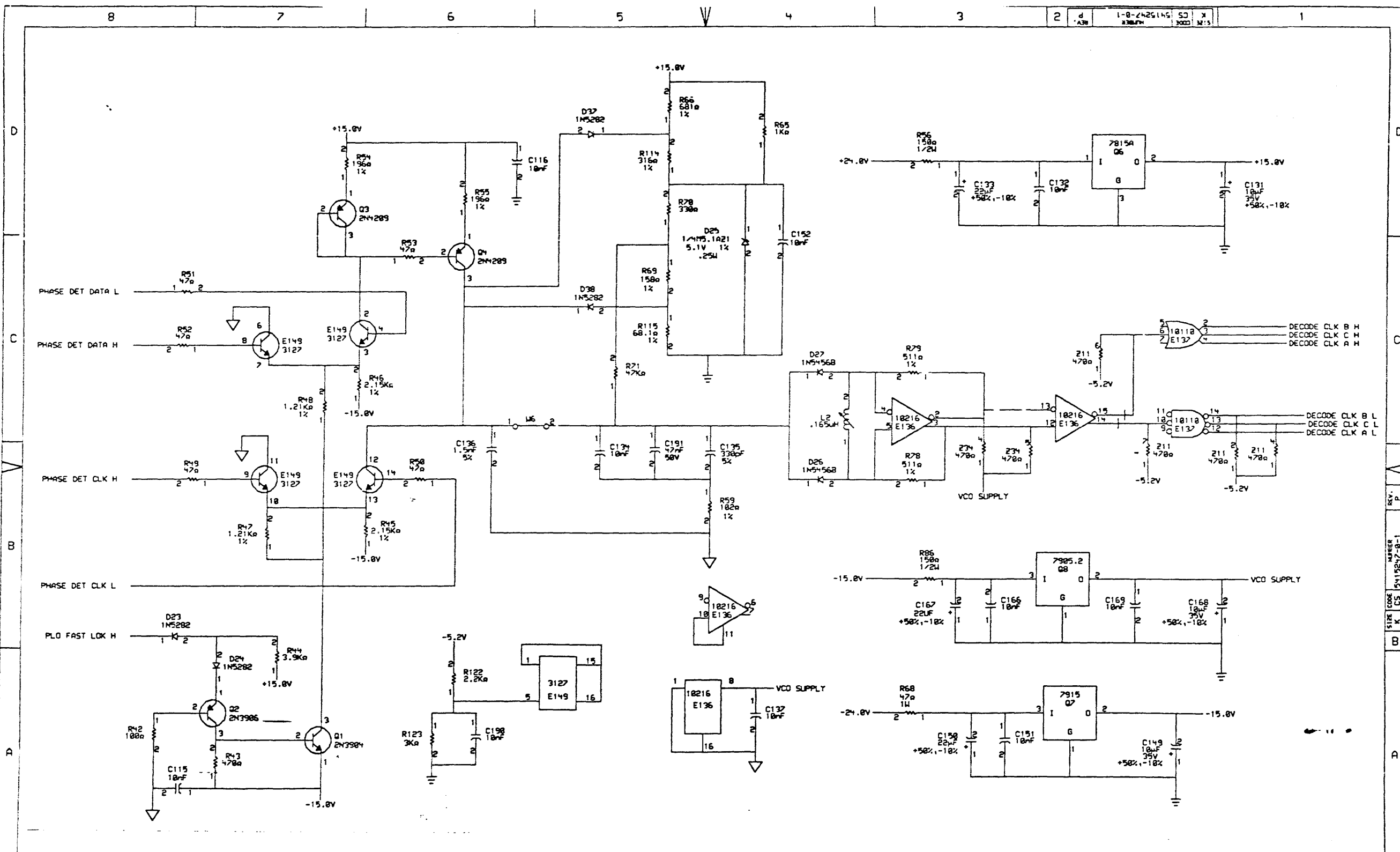
REV. P
 NUMBER 5415247-0-1
 SIZE CODE CS
 K CS



REV. NO.	CHANGE NO.	REV.

DRN.	DATE	ENG.	DATE	TITLE:
				MICROPROCESSOR

REV. P
 NUMBER 5415247-B-1
 SIZE CODE K CS

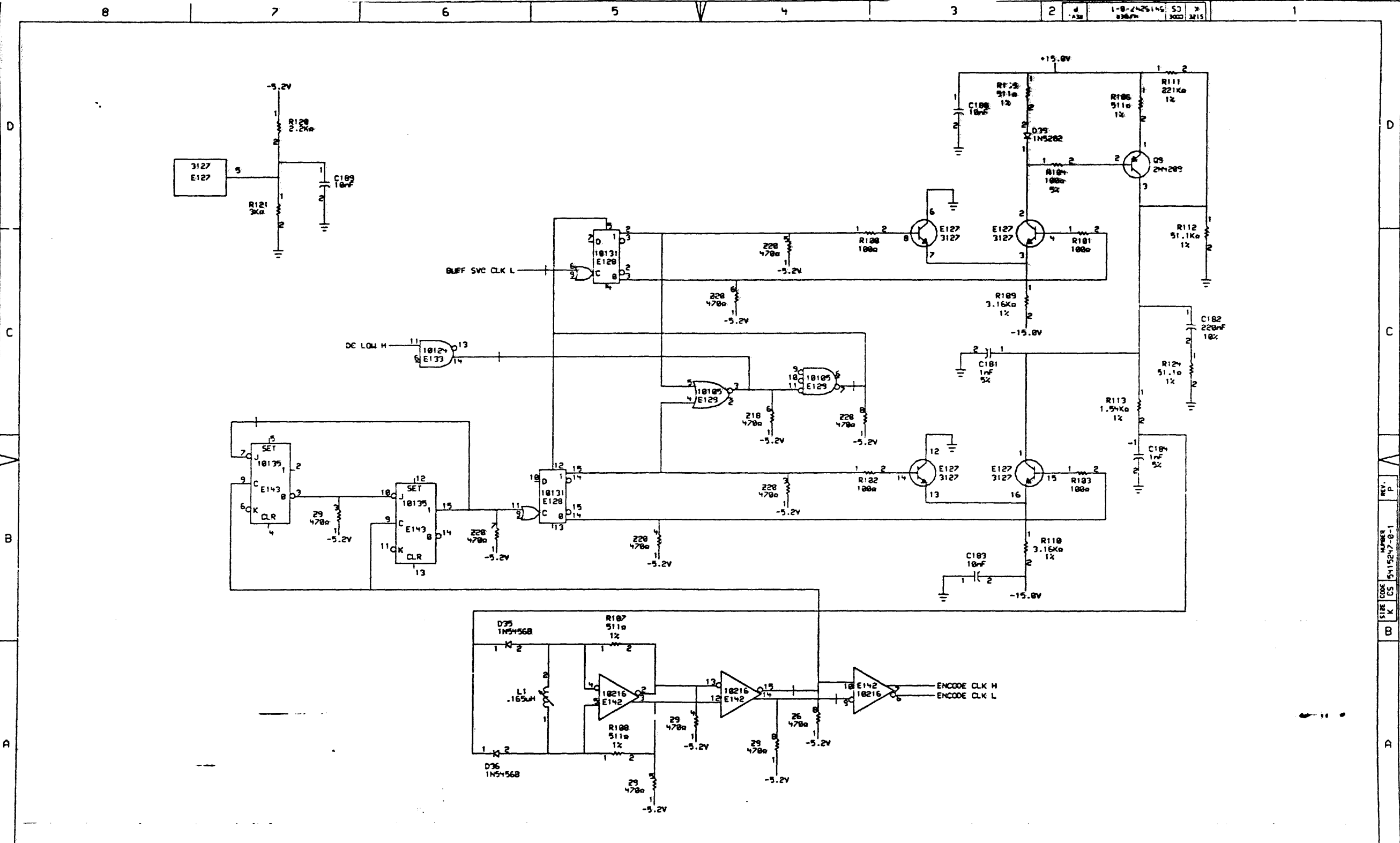


THIS DRAWING AND SPECIFICATIONS ARE THE PROPERTY OF DIGITAL EQUIPMENT CORPORATION AND ARE NOT TO BE REPRODUCED OR COPIED IN WHOLE OR IN PART FOR ANY PURPOSE WITHOUT THE WRITTEN PERMISSION OF DIGITAL EQUIPMENT CORPORATION.

REVISIONS		
CHK	CHANGE NO.	REV

DATE	ENG.	DATE	TITLE:
25-APR-85			MICROPROCESSOR

DATE	ENG.	DATE	TITLE:
25-APR-85			MICROPROCESSOR

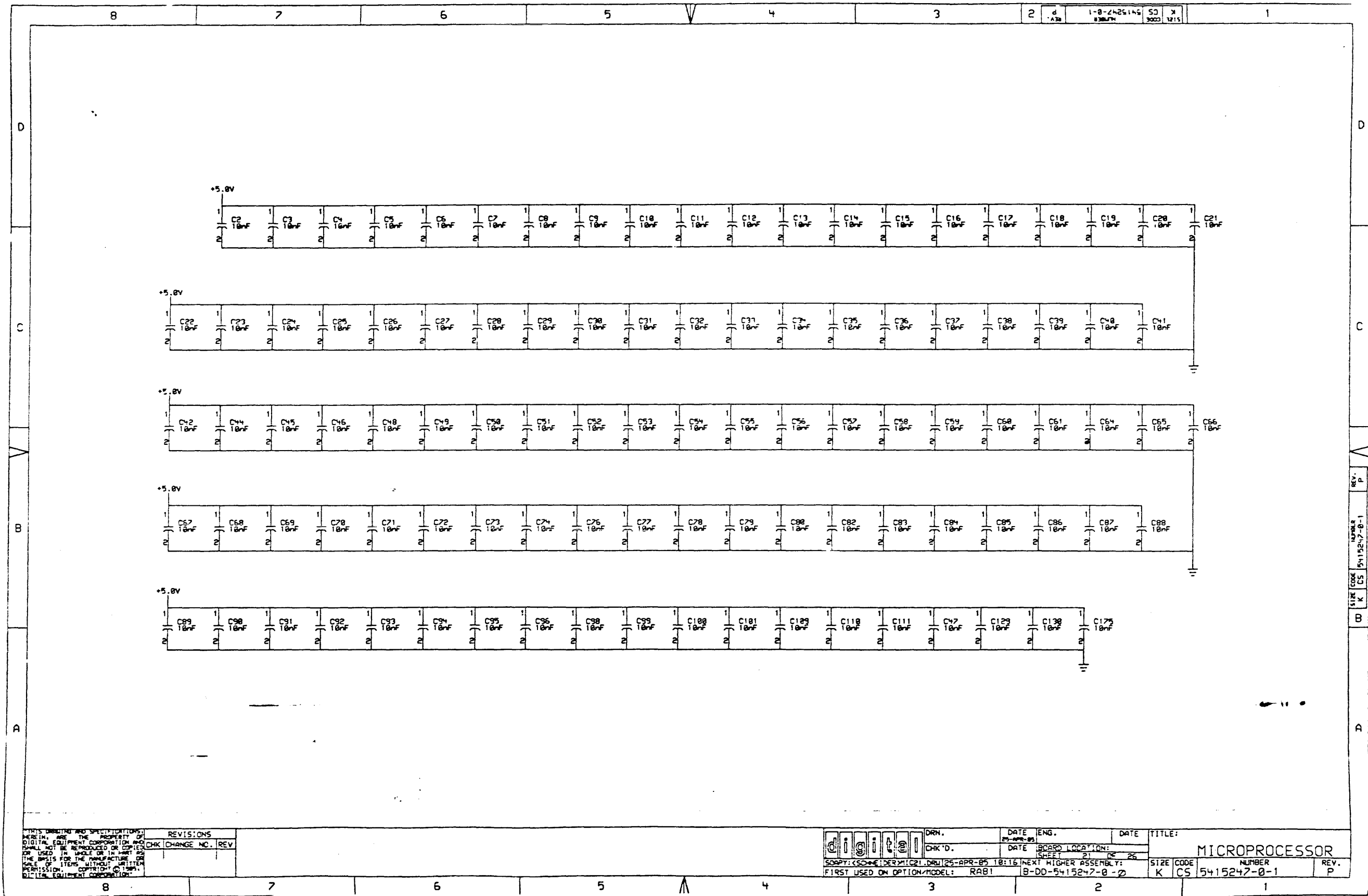


REV. P
 NUMBER 5415247-0-1
 SIZE CODE CS
 D

REVISIONS	CHK	CHANGE NO.	REV.

DATE	ENG.	DATE	TITLE
29-APR-85			MICROPROCESSOR

DATE	BOARD LOCATION	SHEET	NO.	NO.	NO.	NO.	NO.	NO.	NO.
		22							

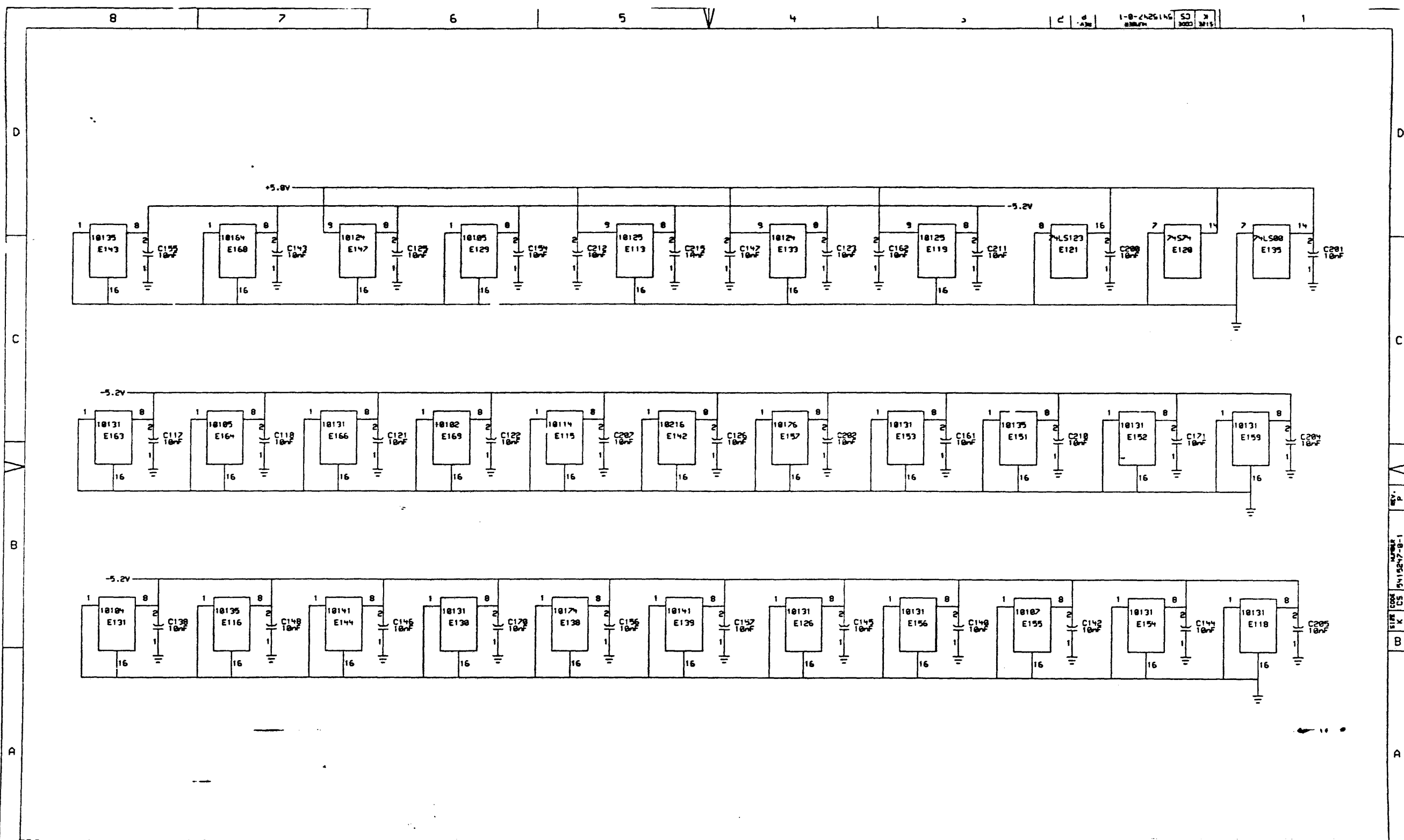


THIS DRAWING AND SPECIFICATIONS HEREIN ARE THE PROPERTY OF DIGITAL EQUIPMENT CORPORATION AND SHALL NOT BE REPRODUCED OR COPIED FOR USE IN WHOLE OR IN PART FOR THE BASIS FOR THE MANUFACTURE OR SALE OF ITEMS WITHOUT WRITTEN PERMISSION. COPYRIGHT © 1984, DIGITAL EQUIPMENT CORPORATION.

REVISIONS		
CHK	CHANGE NO.	REV

digital	DRN.	DATE	ENG.	DATE	TITLE:
	CHK'D.	DATE	SCARD LOCATION:		MICROPROCESSOR
COPY: (SOURCE: DCR) C21.DRW (25-APR-85 18:15)		NEXT HIGHER ASSEMBLY:		SIZE	CODE
FIRST USED ON OPTION/MODEL: RAB1		B-DD-5415247-0-2		K	CS
				NUMBER	REV.
				5415247-0-1	P

REV. P
 NUMBER 5415247-0-1
 SIZE CODE K CS

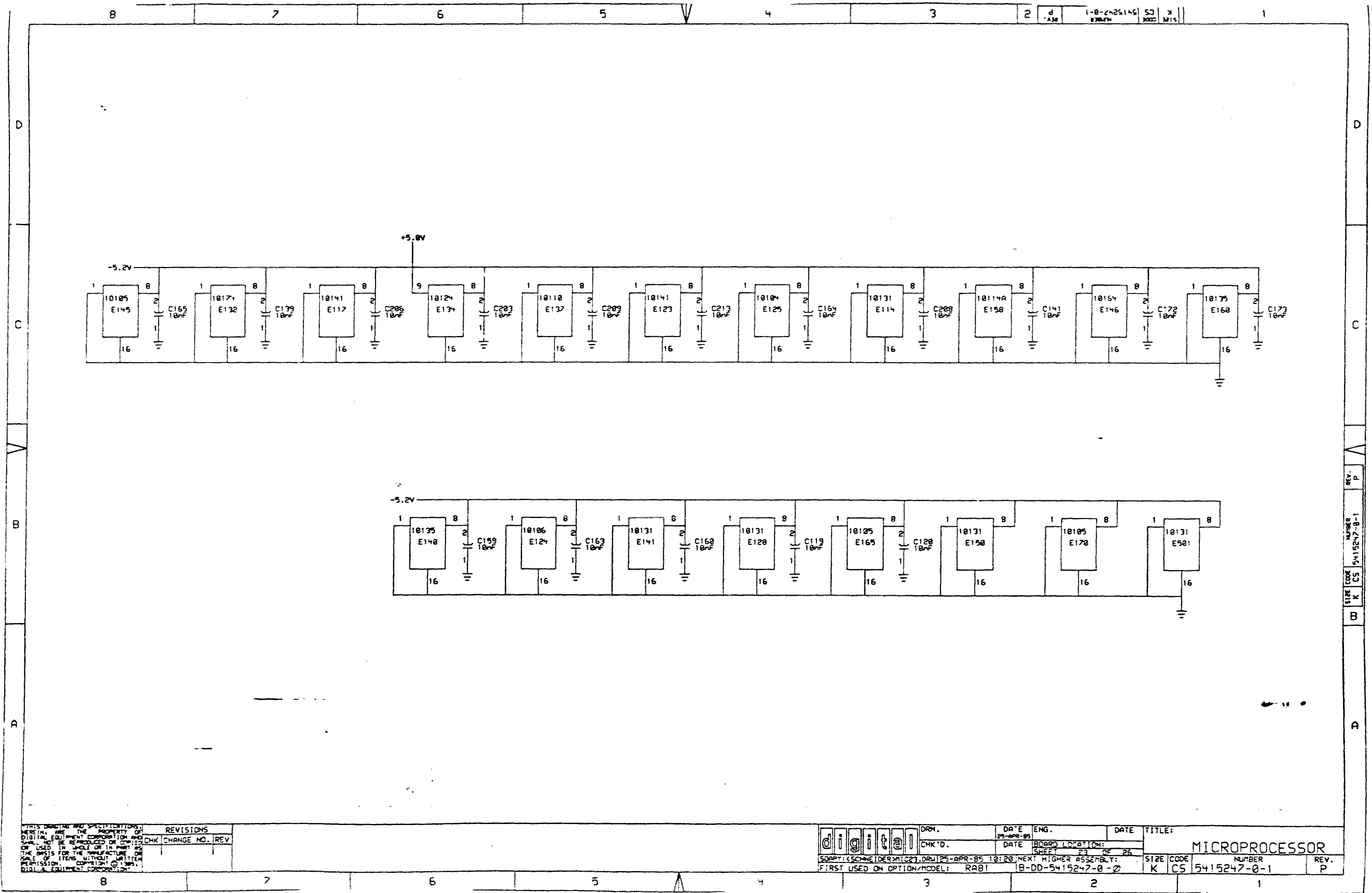


THIS DRAWING AND SPECIFICATIONS ARE THE PROPERTY OF DIGITAL EQUIPMENT CORPORATION AND ARE NOT TO BE REPRODUCED OR COPIED IN ANY MANNER OR USED IN WHOLE OR IN PART AS THE BASIS FOR THE MANUFACTURE OR SALE OF ITEMS WITHOUT WRITTEN PERMISSION. COPYRIGHT © 1981, DIGITAL EQUIPMENT CORPORATION.

REVISIONS	
CHK	CHANGE NO. REV

	DRN.	DATE	ENG.	DATE	TITLE:
	CHK'D.	DATE	ISSUED	DATE	MICROPROCESSOR
SCOPY: (S) COPY C22 OF 25-APR-85 10:18 NEXT HIGHER ASSEMBLY:		SIZE CODE K CS		NUMBER 5415247-0-1	
FIRST USED ON OPT. DRN. RAB1		B-DD-5415247-0-2		REV. P	

PART CODE CS 5415247-0-1
 REV. P



THIS DRAWING AND SPECIFICATIONS ARE THE PROPERTY OF DIGITAL EQUIPMENT CORPORATION AND SHALL NOT BE REPRODUCED OR COPIED OR USED IN WHOLE OR IN PART AS THE BASIS FOR THE MANUFACTURE OR SALE OF ITEMS WITHOUT WRITTEN PERMISSION. COPYRIGHT © 1985, DIGITAL EQUIPMENT CORPORATION.

REVISIONS		
CHK	CHANGE NO.	REV

digital	DRN.	DATE	ENG.	DATE	TITLE:
	CHK'D.	DATE	BOARD LOCATION:	SHEET	OF
SOA: (SCHNEIDER) 1023.DR125-APR-85 10:20		NEXT HIGHER ASSEMBLY:		SIZE	CODE
FIRST USED ON OPTION/MODEL: RAB1		B-DD-5415247-0-2		K	CS
				NUMBER	REV.
				5415247-0-1	P

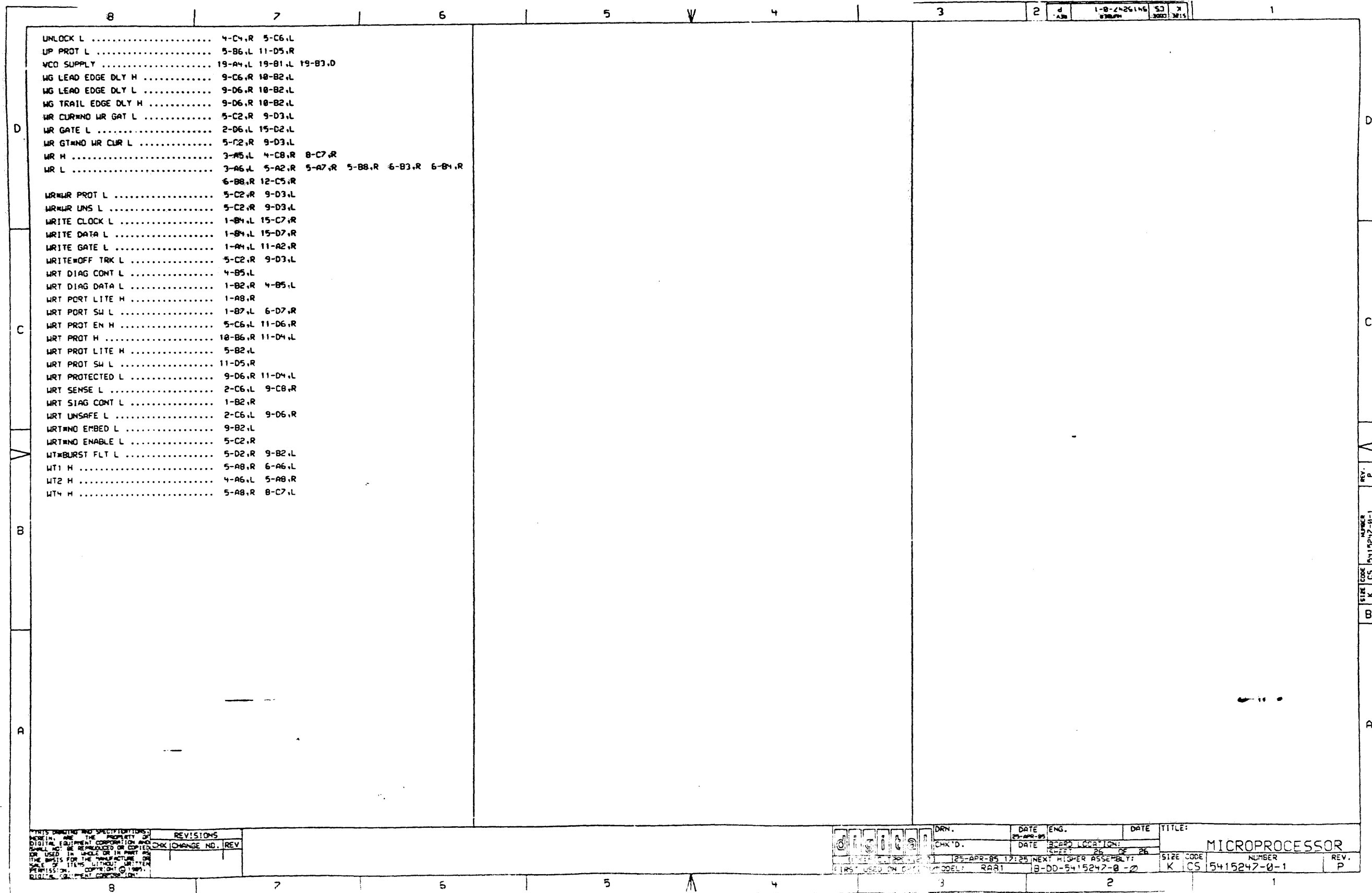
REV. P
 NUMBER 5415247-0-1
 CS
 K
 B

	8	7	6	5	4	3	2	1	
KEY:	Vertical location (A-D)			Direction of line (Left, Right, Up, Down) or electrical (Input, Output, Both) or backplane pin (Pin)					
	Schematic Sheet			Horizontal location (1-8)					
D	(R+U) WHILE FLT L	5-D2,R	9-B2,L						
	+12.0V	12-B1,L							
	+15.0V	12-B4,R	19-A7,D	19-D1,L	19-D5,D	19-D7,D	20-D2,D		
	+24.3V	2-B2,R	2-C7,R	19-D4,R					
	+5.0V	1-B7,L	1-B8,R	1-C1,D	1-C8,D	2-B5,D	2-C2,R		
		2-C5,D	2-C6,L	2-C7,R	2-D4,D	2-D8,D	3-C5,D	3-C7,R	
		5-B8,R	5-C8,R	5-D6,D	6-B3,R	6-B3,R	6-B4,R	6-B8,R	
		6-B8,R	6-C1,R	7-A3,D	7-A5,R	7-A7,R	7-B2,D	7-B5,R	
		7-C6,R	7-D5,R	7-D8,R	8-A4,R	8-AB,R	8-C6,D	9-A2,R	
		10-B3,D	10-C3,D	10-C8,D	10-D6,D	11-AB,R	11-B4,D	11-B5,R	
		11-B6,L	11-B7,R	11-B8,D	11-D3,D	11-D5,D	11-D6,D	11-D7,D	
		11-D7,R	12-C2,R	12-C8,R	13-B4,D	13-B4,D	13-C4,R	14-D8,D	
		15-C7,D	15-D6,D	15-D7,D	16-C7,R	21-B8,D	21-B8,D	21-C8,D	
	-12.0V	12-B1,L							
	-15.0V	12-B4,R	19-A2,L	19-A7,D	19-B4,R	19-B6,D	19-C7,D		
		20-B3,D	20-C3,D						
	-24.0V	2-C2,R	2-D7,R	19-A3,R					
	-5.2V	2-B2,R	2-C6,L	14-A1,D	14-A1,D	14-A2,D	14-A2,D		
		14-A3,D	14-A5,D	14-A6,D	14-A7,D	14-B2,D	14-B3,D	14-B4,D	
		14-B4,D	14-B5,D	14-B7,D	14-C1,D	14-C1,D	14-C2,D	14-C3,D	
		14-C3,D	14-C3,D	14-C4,D	14-C4,D	14-C6,D	14-C7,D	14-C7,D	
		14-C8,D	14-D2,D	14-D3,D	14-D3,D	14-D4,D	14-D4,D	14-D4,D	
		14-D5,D	14-D6,D	14-D7,D	14-D7,D	15-B2,D	15-B3,D	15-B4,D	
		15-C3,D	15-C4,D	15-C5,D	15-D4,D	16-A3,D	16-A4,D	16-B3,D	
		16-B4,D	16-B5,D	16-B5,D	16-B6,D	16-C4,D	16-C4,D	16-C5,D	
		16-D3,D	16-D5,D	17-A2,D	17-A2,D	17-A2,D	17-A3,D	17-A3,D	
		17-A3,D	17-A4,D	17-A5,D	17-A6,D	17-A6,D	17-A7,D	17-A8,D	
		17-B4,D	17-B5,D	17-B5,D	17-B6,D	17-B6,D	17-B7,D	17-C3,D	
		17-C3,D	17-C4,D	17-C5,D	17-C6,D	17-C7,D	17-C7,D	17-D2,D	
		17-D3,D	17-D3,D	17-D4,D	17-D4,D	17-D5,D	17-D5,D	17-D5,D	
		17-D6,D	17-D6,D	17-D6,D	17-D7,D	18-A2,D	18-A2,D	18-A3,D	
		18-A4,D	18-A4,D	18-A4,D	18-A4,D	18-A5,D	18-A5,D	18-A5,D	
		18-A6,D	18-A6,D	18-A6,D	18-A7,D	18-B2,D	18-B3,D	18-B4,D	
		18-B5,D	18-C2,D	18-C2,D	18-C3,D	18-C3,D	18-C4,D	18-C5,D	
		18-C5,D	18-C5,D	18-D2,D	18-D7,D	19-B1,D	19-B2,D	19-C2,D	
		20-A4,D	20-A4,D	20-A5,D	20-A5,D	20-B4,D	20-B4,D	20-B6,D	
		20-B7,D	20-C4,D	20-C4,D	20-D7,D	22-B8,R	22-C6,R	22-D3,L	
			23-B6,R	23-C8,R					
	AB8 H	3-B3,L	6-A3,R	6-A5,R					
	AB1 H	3-B3,L	6-A3,R	6-A5,R					
	AB2 H	3-B3,L	6-A3,R	6-A5,R					
	AB3 H	3-B3,L	6-A3,R	6-A5,R					
	AB4 H	3-B3,L	6-A3,R	6-A5,R					
	AB5 H	3-B3,L	6-A3,R	6-A5,R					
	AB6 H	3-A3,L	6-A3,R	6-A5,R					
	AB7 H	3-A3,L	6-A3,R	6-A5,R					
	AB8 H	3-D4,L	4-C8,R	5-AB,R	5-C8,R	6-A3,R	6-A5,R		
		6-C3,R	6-C4,R	6-C8,R	8-C2,R	8-C4,R	8-C5,R	8-C7,R	
	AB9 H	3-C4,L	4-C8,R	5-AB,R	5-C8,R	6-A3,R	6-A5,R		
		6-C3,R	6-C4,R	6-C8,R	8-C2,R	8-C4,R	8-C5,R	8-C7,R	
	A10 H	3-C4,L	4-C8,R	5-C8,R	6-A3,R	6-A5,R	6-C3,R		
		6-C4,R	6-C8,R	8-B2,R	8-C2,R	8-C4,R	8-C5,R	8-C7,R	
	A11 H	4-A4,R	4-AB,R	6-A3,R	6-A5,R	6-A6,R	8-A4,R		
			8-C8,R						
	A12 H			3-D4,L	4-A4,R	4-AB,R	6-A6,R	8-A4,R	
	A13 H			3-D4,L	8-A4,R	8-B2,R			
	A14 H			3-D4,L	8-A4,R	8-B2,R			
	A15 H			3-D4,L	8-A4,R	8-B2,R			
	A16 H			3-B5,L	5-A2,R	5-A7,R	5-B8,R	6-B3,R	
				6-B8,R			6-B4,R		
	ALE L			3-A4,L	8-A3,R	8-B7,R			
	ALLOW MO CHNG H			7-B1,L	13-B5,R				
	ALLOW MO CHNG L			5-B4,R	7-C1,L	13-B3,R			
	BELT TENSION GOOD L			2-A6,R	5-D7,R				
	BUF DETENT L			2-D6,L	10-B6,L				
	BUF FORMAT 16 L			2-D6,L	6-C5,R				
	BUF SVO CLK H			15-C4,L	16-D5,R	17-C5,R			
	BUF SVO CLK L			14-C8,R	15-C4,L				
	BUFF SVO CLK H			15-B4,L					
	BUFF SVO CLK L			15-C4,L	17-C8,R	20-C6,R			
	BURST PROTECT H			7-A2,L	9-C5,R	10-B6,R			
	BYTE CLK L			2-B3,L	5-C5,R				
	BYTE PRESET 00 H			6-C2,L	7-A5,R				
	BYTE PRESET 01 H			6-C2,L	7-A5,R				
	BYTE PRESET 02 H			6-C2,L	7-A5,R				
	BYTE PRESET 03 H			6-C2,L	7-A5,R				
	BYTE PRESET 04 H			6-C2,L	7-AB,R				
	BYTE PRESET 05 H			6-C2,L	7-AB,R				
	BYTE PRESET 06 H			6-C2,L	7-AB,R				
	BYTE PRESET 07 H			6-C2,L	7-AB,R				
	BYTE PRESET 08 H			5-D7,L	7-B8,R				
	BYTE PRESET 09 H			5-D7,L	7-B8,R				
	BYTE PRESET 10 H			5-D7,L	7-B8,R				
	BYTE PRESET 11 H			5-D7,L	7-B8,R				
	BYTE TOG H			5-C3,L	7-A7,R	13-B5,R			
	CLK ERR EN H			4-A3,L	8-B8,R				
	CLK H			3-B5,L	5-A7,R	12-B8,R	12-C5,R		
	CLK MASTER DATA H			2-C4,R	4-D6,L				
	CLR FLT H			6-D7,R	11-B3,L				
	CLR FLT L			11-B3,L					
	COMMAND READ L			1-B2,R	4-D4,L				
	COND WRT GAT H			9-D6,R	10-A4,L	11-D7,R			
	COND WRT GAT L			10-B4,L	15-D7,R				
	D00 H			3-B1,L	5-A7,R	5-B2,R	5-C8,R	6-A2,L	
				6-C3,R	6-C4,R	6-C8,R	11-D4,R	12-A7,R	
				3-B1,L	5-B2,R	5-B7,R	5-C8,R	6-A2,L	
	D01 H			6-C3,R	6-C4,R	6-C8,R	11-D4,R	12-A7,R	
				6-C3,R	6-C4,R	6-C8,R	11-D4,R	12-A7,R	
	D02 H			3-B1,L	5-B2,R	5-B7,R	5-C8,R	6-A2,L	
				6-C3,R	6-C4,R	6-C8,R	11-D4,R	12-A7,R	
	D03 H			3-B1,L	5-B2,R	5-B7,R	5-C8,R	6-A2,L	
				6-C3,R	6-C4,R	6-C8,R	11-D4,R	12-A7,R	
	D04 H			3-C1,L	5-B2,R	5-B7,R	5-C8,R	6-A2,L	
				6-C3,R	6-C4,R	6-C8,R	11-D4,R	12-A7,R	
	D05 H			3-C1,L	5-B2,R	5-B7,R	5-C8,R	6-B2,L	
				6-C3,R	6-C4,R	6-C8,R	11-D4,R	12-A7,R	
	D06 H			3-C1,L	5-B2,R	5-B7,R	5-C8,R	6-B2,L	
				6-C3,R	6-C4,R	6-C8,R	11-D4,R	12-A7,R	
	D07 H			3-C1,L	5-B2,R	5-B7,R	5-C8,R	6-B2,L	
				6-C3,R	6-C4,R	6-C8,R	11-D4,R	12-A7,R	
	DC LOW H			10-C6,L	11-A6,L	20-C6,R			
	DC LOW L			2-C1,L	11-AB,R				
	DECODE CLK A H			17-C7,R	19-C1,L				
	DECODE CLK A L			17-B6,R	19-C1,L				
	DECODE CLK B H			17-A7,R	19-C1,L				
	DECODE CLK B L			14-A4,R	19-C1,L				
	DECODE CLK C H					14-A7,R	14-D3,R	19-C1,L	
	DECODE CLK C L					19-C1,L			
	DECODE ERR 0 H					4-A3,L	8-B6,R		
	DECODE ERR 1 H					4-A3,L	8-B6,R		
	DECODE ERR 2 H					4-A3,L	8-B6,R		
	DECODED DATA H					16-B4,R	16-D6,R	17-A2,L	
	DELAYED DATA H					14-C4,L	17-D7,R		
	DELAYED RD GATE L					14-B6,L	16-A4,R	17-A7,R	
	DETENT L					2-C4,R	10-B8,R		
	DIAG CLR FLT L					5-C6,L			
	DIAG HD CLOCK L					4-C2,L	13-B5,R		
	DIAG HD SEL 1 L					5-B6,L	13-C7,R		
	DIAG HD SEL 2 L					5-C6,L	13-C7,R		
	DIAG HD SEL 4 L					5-C6,L	13-C7,R		
	DIAG HD SEL 8 L					5-C6,L	13-C7,R		
	DIAG RAJ H					6-D2,L	7-A2,R	7-C4,R	
	DIS PRI EN L					4-C2,L	6-D7,R		
	DISCRET PORT EN L					4-A3,L	8-A3,R		
	DRIVE FAULT L					1-C2,R	3-D7,L		
	DRIVE INIT L					1-B2,L	11-B5,R		
	DRV FLT L					3-D8,R	10-C6,L		
	DS RD GAT L					11-B1,L	14-C1,R	15-A7,R	
	DS RESET H					14-A7,R	14-D1,L	17-B5,R	
	DS WRT GAT H					9-B4,R	9-C5,R	9-D6,R	
	DS WRT GAT L					5-A7,R	9-D6,R	10-C6,R	
	ECL RD DATA H					2-B6,L	14-C8,R		
	ECL RD DATA L					2-B7,R	14-C8,R		
	ECL WR DATA L					14-C8,R	16-D4,R		
	ECL WRT DATA H					15-D5,L	16-D4,R		
	EN DIAG HD SEL H					5-C6,L	13-C7,R		
	EN GRP PLS H					5-D7,L	7-C4,R		
	EN RD DATA H					14-B7,R	15-B2,L		
	ENC WR GATE H					14-D8,R	15-D2,L	17-A2,L	
	ENC WR GATE L					14-C7,R	15-D2,L	16-A4,R	
	ENCODE CLK H					18-A3,R	18-C7,R	20-A3,L	
	ENCODE CLK L					20-A3,L			
	ENCODE DATA IN H					15-D2,L	18-D8,R		
	ENCODED WRT DATA H					2-C6,L	18-B1,L		
	ENCODED WRT DATA L					2-B7,R	14-D7,R	18-B1,L	
	EVEN TRACK H					2-C3,L			
	EVEN TRACK L					13-B7,R			
	EVEN TRK L					2-C6,L	13-B5,L	</	

D	HD SHORT DIAG L 2-C6,L 6-C7,L	PHASE DET DATA H 14-C1,L	SECT PRESET 05 H 6-D4,L 7-D8,R
	HD SHORT L 5-C2,R 9-C3,L	PHASE DET DATA L 14-C1,L	SECT PRESET 05 H 6-D4,L 7-D8,R
	HEAD ADR 1 L 1-B2,L 13-C7,R	PLO FAST LCK H 15-B2,L	SECT PRESET 07 H 6-D4,L 7-D8,R
C	HEAD ADR 2 L 1-B2,L 13-C7,R	PORT A LITE H 1-B8,R 5-B2,L	SECTOR PULSE H 1-B2,R 7-B1,L
	HEAD ADR 4 L 1-B2,L 13-C7,R	PORT A SEL SW L 1-C7,L 6-D7,R	SECTOR PULSE L 5-D7,R 7-B2,L 11-C8,R
	HEAD ADR 8 L 1-B2,L 13-C7,R	PORT B LITE H 1-A8,R 5-B2,L	SEEK ERROR H 5-B6,L 10-C6,R
	HS 1 L 5-A7,R 13-C2,L	PORT B SEL SW L 1-B7,L 6-D7,R	SEP ENCODER FAULT L 9-B4,R 16-B2,L
	HS 2 L 5-A7,R 13-C2,L	PWR ON RST L 2-C4,R 11-B4,L	SEP ENCODER FLT L 5-D2,R 9-B2,L
	HS 4 L 5-A7,R 13-C2,L	PWR UP RST L 7-C4,R 8-A8,R 11-B5,L 12-C6,R	SERVO CHECK FAULT L 5-D2,R 9-A2,L
	HS 8 L 5-A7,R 13-B2,L	R/W ENABLE L 2-D7,R 10-C5,L	SERVO EN L 4-D3,L
	I LOCK EMBEDDED L 2-D4,R 5-D7,L	RAM 0 L 5-A2,R 5-B7,L	SERVO FAULT H 2-C3,L 11-C2,R
	I LOCK OP L 1-C7,L 5-D7,L	RAM ERROR H 5-B7,L 8-B8,R	SERVO FAULT L 9-A4,R 11-C1,L
	B	I LOCK PC L 1-C1,L 5-D7,L	RD CLK H 16-B4,R 17-B7,L
I LOCK R/W L 2-C8,R 5-D7,L		RD DATA CLK H 16-B7,R 17-A5,L	SET STATUS L 1-C2,R 4-C5,L
I LOCK SERVO L 2-C5,R 5-D7,L		RD DIAG DATA L 1-B2,R 4-D4,L	SLAVE DATA IN L 2-C4,R 4-D6,L
1/0 H 3-B6,L 5-A2,R 5-A7,R 5-B8,R 6-B3,R 6-B4,R		RD H 3-A5,L 4-C8,R	SLAVE DATA RDY L 2-C3,L 3-B8,R
		RD L 3-A6,L 5-A2,R 5-A7,R 5-B8,R 6-A5,R 6-B3,R	SLAVE EN L 3-A8,R 3-C3,R 4-A6,L 4-D4,R
		RD#MULTICHIP L 5-C2,R 9-C3,L	SNYC H 5-D7,L 12-C5,L
		RD#OFF TRK BIT L 5-D7,R 9-A5,L	SPINDLE MTR RUN L 2-C4,R 11-B2,R
		RD#R L 5-C2,R 9-D3,L	SPINDLE MTR START L 2-C4,R 11-C2,R
		RD#R L 14-B8,R 15-A2,L	START RELAY L 2-C2,R 11-C1,L
		READ CLOCK H 16-D4,R 17-C2,L	STREAM H 6-C1,R 16-D2,L
		READ CLOCK L 1-B5,R 17-B1,L	STREAM SEL 1 H 6-D2,L 16-C7,R
		READ DATA L 1-B5,R 17-A1,L	STREAM SEL 2 H 6-D2,L 16-C6,R
		READ GATE L 1-A4,L 11-B2,R	STREAM SEL 4 H 6-D2,L 16-D6,R
		READY LITE H 1-B8,R 5-B2,L	SVO CLK H 2-B3,L 15-B7,R
		REAL TIME WRT DATA H 16-B7,R 18-D2,L	SVO CLK L 2-B3,L 15-B7,R
A	REC DATA L 2-A2,L 12-C1,L	REG 1 FLT L 9-C1,L 10-C8,R	SVO CLOCK/2 H 1-B5,R 15-B2,L
	REG 2 FLT L 9-A1,L 10-C8,R	REG 2 FLT L 9-A1,L 10-C8,R	SVO CLOCK/2 L 1-B5,R 15-B2,L
	RES DC FLT LATCH L 4-D2,L 11-A8,R	RESET H 3-C6,L 5-A2,R 5-A7,R 5-C8,R 6-C3,R 6-C4,R	SYNC H 14-A5,L 17-B8,R
	RESET SLAVE H 4-B2,R 6-D2,L		TACH PULSE H 2-B4,R 11-B1,L
	RESET SLAVE L 2-B3,L 4-B1,L		TACH PULSE L 2-C6,L 11-B2,R
	ROM 0 H 5-B8,R 8-B3,L		TEMP HDA H 2-C7,R 6-D7,R
	ROM 1 H 6-B8,R 8-B3,L		TEST Wt CLK H 15-C2,L 16-D4,R
	ROM 2 H 6-B4,R 8-B3,L		TRANS DATA L 2-A3,R 12-D4,L
	ROM 3 H 6-B3,R 8-A3,L		TSB NATIVE 0 H 1-B2,R 3-A1,L
	ROM 4 L 6-A5,L 8-A3,R		TSB NATIVE 1 H 1-B2,R 3-A1,L
	ROM 5 L 6-A5,L 8-A3,R		TSB NATIVE 2 H 1-B2,R 3-A1,L
	RST/INT L 3-C7,R 4-B3,R 11-B3,L 13-C4,R		TSB NATIVE 3 H 1-B2,R 3-A1,L
	RTS/DTR H 2-A3,R 12-C3,L		TSB NATIVE 4 H 1-B2,R 3-A1,L
	RUN RELAY L 2-C2,R 11-B1,L		TSB NATIVE 5 H 1-B2,R 3-B1,L
	RUN SW L 1-B7,L 6-D7,R		TSB NATIVE 6 H 1-B2,R 3-B1,L
SAMPLE L 2-C7,R 7-D2,L		TSB NATIVE 7 H 1-B2,R 3-B1,L	
SANITY L 3-C8,R 5-A2,L		TSB SERV0 00 2-C4,R	
SECT CNT 00 H 6-D3,R 7-C7,L		TSB SERV0 00 H 3-C1,L	
SECT CNT 01 H 6-D3,R 7-C7,L		TSB SERV0 01 2-C4,R	
SECT CNT 02 H 6-D3,R 7-C7,L		TSB SERV0 01 H 3-C1,L	
SECT CNT 03 H 6-D3,R 7-C7,L		TSB SERV0 02 2-C4,R	
SECT CNT 04 H 6-D3,R 7-D7,L		TSB SERV0 02 H 3-C1,L	
SECT CNT 05 H 6-D3,R 7-D7,L		TSB SERV0 03 2-C4,R	
SECT CNT 06 H 6-D3,R 7-D7,L		TSB SERV0 03 H 3-C1,L	
SECT CNT 07 H 6-D3,R 7-D7,L		TSB SERV0 04 2-C4,R	
SECT PRESET 00 H 6-D4,L 7-C8,R		TSB SERV0 04 H 3-C1,L	
SECT PRESET 01 H 6-D4,L 7-C8,R		TSB SERV0 05 2-C4,R	
SECT PRESET 02 H 6-D4,L 7-C8,R		TSB SERV0 05 H 3-D1,L	
SECT PRESET 03 H 6-D4,L 7-C8,R		TSB SERV0 06 2-C4,R	
SECT PRESET 04 H 6-D4,L 7-D8,R		TSB SERV0 06 H 3-D1,L	
		TSB SERV0 07 2-C4,R	
		TSB SERV0 07 H 3-D1,L	
		UART BAUD CLK H 3-A8,R 12-C6,L	
		UART L 3-A8,R 5-B7,L 12-C5,R	

D C B A

<p style="font-size: 8px;">THIS DRAWING AND SPECIFICATIONS ARE THE PROPERTY OF DIGITAL EQUIPMENT CORPORATION AND SHALL NOT BE REPRODUCED OR COPIED IN WHOLE OR IN PART FOR USES IN CONNECTION WITH THE BASIS FOR THE MANUFACTURE OF ITEMS WITHOUT WRITTEN PERMISSION FROM DIGITAL EQUIPMENT CORPORATION.</p>	<table border="1" style="width: 100%; border-collapse: collapse; font-size: 8px;"> <tr> <th>REV.</th> <th>NO.</th> <th>DATE</th> <th>DESCRIPTION</th> </tr> <tr> <td> </td> <td> </td> <td> </td> <td> </td> </tr> </table>	REV.	NO.	DATE	DESCRIPTION					<p style="font-size: 24px; margin: 0;">digital</p> <p style="font-size: 12px; margin: 0;">125-APR-85 17:25 NEXT HIGHER ASSEMBLY: B-DD-5415247-0-01</p> <p style="font-size: 12px; margin: 0;">FIRST USED ON OPTION/MODEL: RAB1</p>	<table border="0" style="width: 100%; border-collapse: collapse; font-size: 8px;"> <tr> <td>DATE</td> <td>ENG.</td> <td>DATE</td> <td>TITLE:</td> </tr> <tr> <td> </td> <td> </td> <td> </td> <td>MICROPROCESSOR</td> </tr> <tr> <td> </td> <td> </td> <td> </td> <td> </td> </tr> </table> <p style="font-size: 8px;">SIZE CODE NUMBER REV. K CS 5415247-0-1 P</p>	DATE	ENG.	DATE	TITLE:				MICROPROCESSOR				
REV.	NO.	DATE	DESCRIPTION																				
DATE	ENG.	DATE	TITLE:																				
			MICROPROCESSOR																				

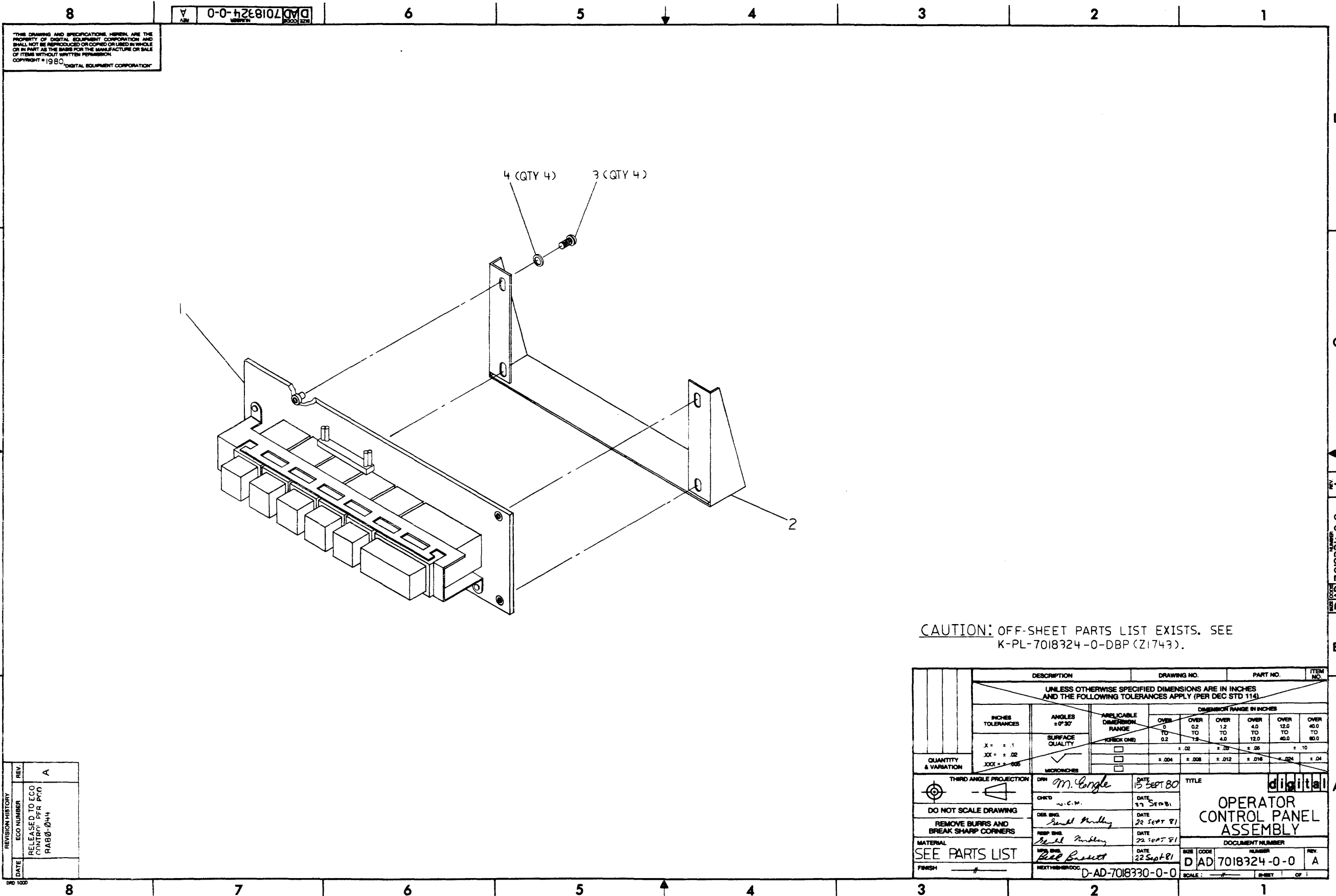


UNLOCK L 4-C4,R 5-C6,L
 UP PROT L 5-B6,L 11-D5,R
 VCO SUPPLY 19-A4,L 19-B1,L 19-B3,D
 WG LEAD EDGE DLY H 9-C6,R 10-B2,L
 WG LEAD EDGE DLY L 9-D6,R 10-B2,L
 WG TRAIL EDGE DLY H 9-D6,R 10-B2,L
 WR CUR#NO WR GAT L 5-C2,R 9-D3,L
 WR GATE L 2-D6,L 15-D2,L
 WR GT#NO WR CUR L 5-C2,R 9-D3,L
 WR H 3-A5,L 4-C8,R 8-C7,R
 WR L 3-A6,L 5-A2,R 5-A7,R 5-B8,R 6-B3,R 6-B4,R
 6-B8,R 12-C5,R
 WR#WR PROT L 5-C2,R 9-D3,L
 WR#WR UNS L 5-C2,R 9-D3,L
 WRITE CLOCK L 1-B4,L 15-C7,R
 WRITE DATA L 1-B4,L 15-D7,R
 WRITE GATE L 1-A4,L 11-A2,R
 WRITE#OFF TRK L 5-C2,R 9-D3,L
 WRT DIAG CONT L 4-B5,L
 WRT DIAG DATA L 1-B2,R 4-B5,L
 WRT PORT LITE H 1-A8,R
 WRT PORT SH L 1-B7,L 6-D7,R
 WRT PROT EN H 5-C6,L 11-D6,R
 WRT PROT H 10-B6,R 11-D4,L
 WRT PROT LITE H 5-B2,L
 WRT PROT SH L 11-D5,R
 WRT PROTECTED L 9-D6,R 11-D4,L
 WRT SENSE L 2-C6,L 9-C8,R
 WRT SIAG CONT L 1-B2,R
 WRT UNSAFE L 2-C6,L 9-D6,R
 WRT#NO EMBED L 9-B2,L
 WRT#NO ENABLE L 5-C2,R
 WT#BURST FLT L 5-D2,R 9-B2,L
 WT1 H 5-A8,R 6-A6,L
 WT2 H 4-A6,L 5-A8,R
 WT4 H 5-A8,R 8-C7,L

REVISIONS	
CHK	CHANGE NO. REV

THIS DRAWING AND SPECIFICATIONS
 HEREIN ARE THE PROPERTY OF
 DIGITAL EQUIPMENT CORPORATION AND
 SHALL NOT BE REPRODUCED OR COPIED
 OR USED IN WHOLE OR IN PART AS
 THE BASIS FOR THE MANUFACTURE OR
 SALE OF ITEMS WITHOUT WRITTEN
 PERMISSION OF DIGITAL EQUIPMENT
 CORPORATION.

DRN.	DATE	ENG.	DATE	TITLE:
CHK'D.	DATE	ISSUED	DATE	MICROPROCESSOR
25-APR-85 17:25	15-FEB-85	26	26	
MODEL: RAA1	NEXT HIGHER ASSEMBLY:		SIZE CODE	NUMBER
B-DD-5415247-0-22			K CS	5415247-0-1
				REV. P



THIS DRAWING AND SPECIFICATIONS HEREIN ARE THE PROPERTY OF DIGITAL EQUIPMENT CORPORATION AND SHALL NOT BE REPRODUCED OR COPIED OR USED IN WHOLE OR IN PART AS THE BASIS FOR THE MANUFACTURE OR SALE OF ITEMS WITHOUT WRITTEN PERMISSION. COPYRIGHT © 1980, DIGITAL EQUIPMENT CORPORATION.

D AD 7018324-0-0

CAUTION: OFF-SHEET PARTS LIST EXISTS. SEE K-PL-7018324-0-DBP (Z1743).

REV.	A
ECO NUMBER	RELEASED TO ECO CONTROL PFR PCD PAB0-044
DATE	

DESCRIPTION		DRAWING NO.		PART NO.		ITEM NO.	
UNLESS OTHERWISE SPECIFIED DIMENSIONS ARE IN INCHES AND THE FOLLOWING TOLERANCES APPLY (PER DEC STD 114)							
INCHES TOLERANCES	ANGLES ± 0°30'	APPLICABLE DIMENSION RANGE	DIMENSION RANGE IN INCHES				
			OVER 0 TO 0.2	OVER 0.2 TO 1.2	OVER 1.2 TO 4.0	OVER 4.0 TO 12.0	OVER 12.0 TO 40.0
X = ± .1	SURFACE QUALITY	MICROINCHES	± .02	± .03	± .05	± .10	
XX = ± .02			± .004	± .008	± .012	± .016	± .024
XXX = ± .005							
THIRD ANGLE PROJECTION	DWN	<i>m. Congle</i>	DATE	15 SEPT 80	TITLE		
DO NOT SCALE DRAWING	CHKD	<i>J. C. M.</i>	DATE	27 SEPT 81	OPERATOR CONTROL PANEL ASSEMBLY		
REMOVE BLURRS AND BREAK SHARP CORNERS	DES. ENG.	<i>Paul Mulley</i>	DATE	28 SEPT 81	DOCUMENT NUMBER		
MATERIAL	REP. ENG.	<i>Paul Mulley</i>	DATE	22 SEPT 81	D AD 7018324-0-0		
SEE PARTS LIST	INS. ENG.	<i>Bill Bisset</i>	DATE	22 SEPT 81	SCALE: 1:1		
FINISH	NEXT SHEET DOC.	D-AD-7018330-0-0			SHEET 1 OF 1		

LINE ITEM	DOCUMENT NUMBER	PART NUMBER	DESCRIPTION	QUANTITY PER VARIATION
1	1	5414927-00	OPERATOR CONTROL PANEL	1
2	2 C-MD-7422814-0-0	7422814-00	BRKT, CONTROL PANEL	1
3	3	9009546-00	SCREW, PAN, PHIL, SEMS 4-40X .375L	4
4	4	9006655-00	WASHER, FLAT, .312 O.D. X .125 I	4

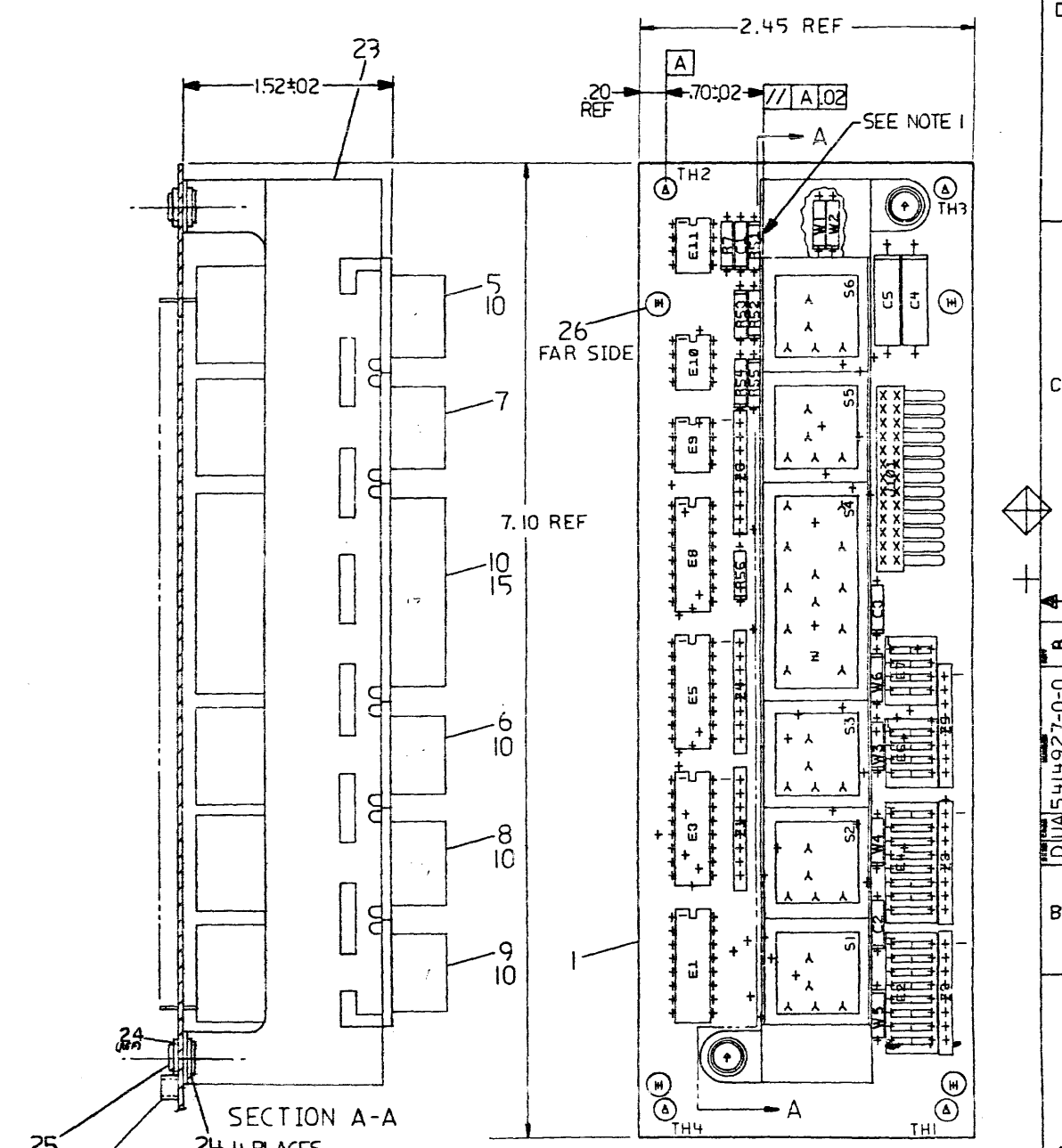
REVISION HISTORY			BASIC PART NO: 7018324		DRN: <i>D. Coffey</i>		DATE: 14 OCT 80		D I G I T A L	
ENG	ECO NUMBER	REV	SECTION A OF A	CHK'D:	DATE:	TITLE	PARTS LIST			
	INITIAL	A	SECTION, VARIATION INDEX	W. MAJOR	22 SEP 81	OPERATOR CONTROL PANEL ASSY				
			[A] 00	<i>G. Nordberg</i>	22 SEP 81					
			[B]	<i>G. Nordberg</i>	22 SEP 81					
			[C]	<i>B. Bassett</i>	22 SEP 81	DOCUMENT NUMBER				
			[D]			SIZE	CODE	NUMBER	REV	
			[E]	B. BASSETT	22 SEP 81	K	PL	7018324-0-DBP	A	
			[F]							
				ASSEMBLY NUMBER:	TOP DOCUMENT NUMBER:	FILE NAME:	EDIT #			
				D-AD-7018324-0-0		Z1743A.PLS	6			

"THIS DRAWING AND SPECIFICATIONS HEREIN, ARE THE PROPERTY OF DIGITAL EQUIPMENT CORPORATION AND SHALL NOT BE REPRODUCED OR COPIED OR USED IN WHOLE OR IN PART AS THE BASIS FOR THE MANUFACTURE OR SALE OF ITEMS WITHOUT WRITTEN PERMISSION. COPYRIGHT (C) 1981. DIGITAL EQUIPMENT CORPORATION"

8 7 6 5 4 3 2 1

NOTE: REVIEW AND APPROVE THIS DRAWING. VERIFY THE POSITION OF ALL SWITCHES, COMPONENTS AND WIRING. THE POSITION OF ALL SWITCHES, COMPONENTS AND WIRING SHALL NOT BE APPROVED OR CHANGED IN ANY MANNER OR PART OF THE DRAWING FOR THE COMPONENTS OR WIRING OF THIS SYSTEM WITHOUT THE APPROVAL OF THE DESIGN AUTHORITY. DATE: 1981

COMPONENT SIDE VIEW



SECTION A-A
24 4 PLACES

NOTES: 24197
1. DIMENSION LEADER SHOWN TO EDGE OF SWITCH BEZEL

STEP	Y AXIS	STEP	TIMES
REPEAT	X AXIS	STEP	TIMES

CHG NO	REV	DATE	BY	APP
A				
B				

5/31/81 5414927-0
CXC003
4/23/81 SEP80
PINTERIC
PINTERIC

ETCH REV. C

SIGNATURES	DATE	digital
DRN. R. Richard	17 FEB 81	
CHK'D. R. Richard	17 FEB 81	TITLE RA80 OPER CNTRL PANEL
MECH. ENG. R. Richard	17 FEB 81	
PROJ. ENG. R. Richard	17 FEB 81	
PROD. D. SWIFT	17 FEB 81	
SCALE 2/1	SIZE CODE	NUMBER
SHT. 1 OF 1	D	UA 5414927-0-0 B
NEXT HIGHER ASSY. H-DD-5414927-0-0		

D-UH-5414927-0-0

8 7 6 5 4 3 2 1 W0#290044C

AUTOMATED BY PRTLST.3P(44)

PARTS LIST

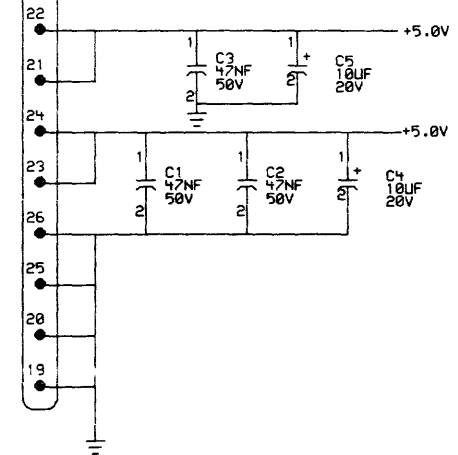
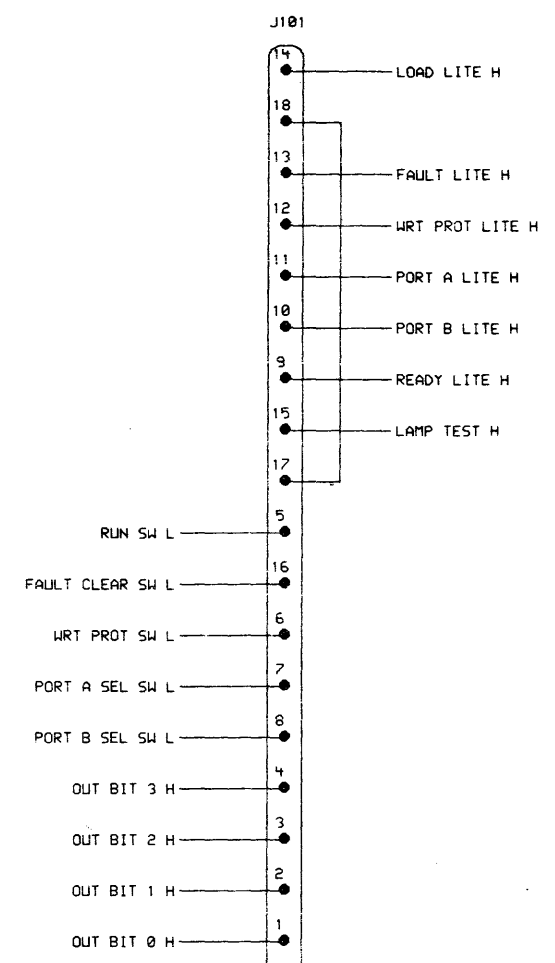
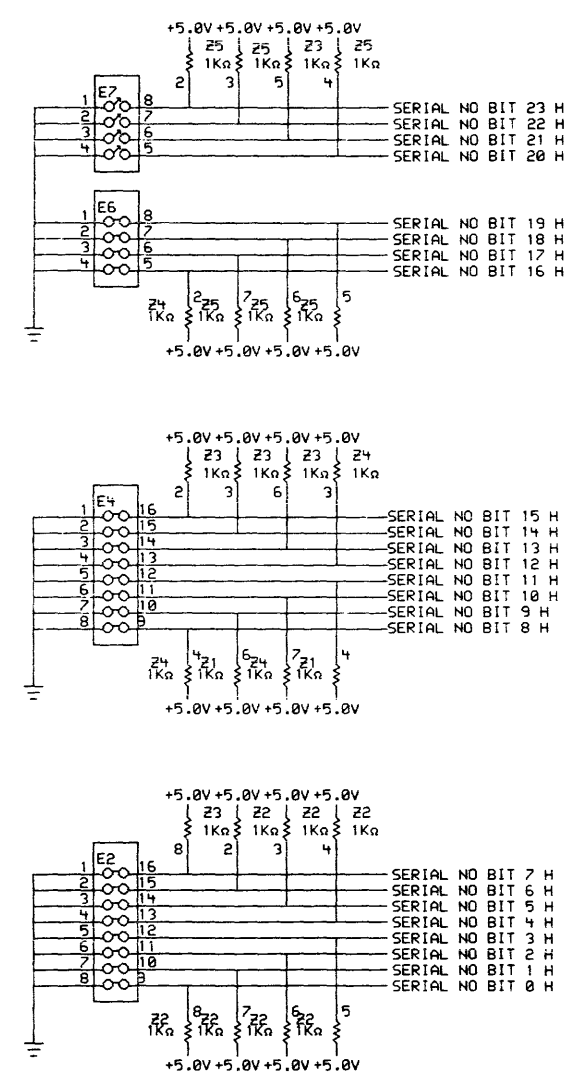
SHEET A1 OF A1

LINE ITEM	TOP DOCUMENT	PART NUMBER	MIN REV	DESCRIPTION	QTY PER VARIATION	REFERENCE DESIGNATOR
1	D-MD-5014926-0-0	5014926-00		DRILL & ETCH BOARD	1	
2		1004813-00		10 MFD 20V 10% S.TANT	2	C4,C5
3		1012784-00		.047 MFD 50V +80-20Z CER	3	C1,C2,C3
4		1211164-00		SW,DIP 4PDS/1PST 5VDC100MA F	1	E7
5		1212714-00		CAP,PB SW YELLOW/BLK *RUN ST	1	X6
6		1212714-01		CAP,PB SW YELLOW/BLK *WRITE	1	X3
7		1212714-02		CAP,PB SW RED/BLK *FAULT*	1	X5
8		1212714-03		CAP,PB SW WHITE/BLK *A*	1	X2
9		1212714-04		CAP,PB SW WHITE/BLK *B*	1	X1
10		1212716-00		LAMP,WEDGE,6.3V,.2A,.4MSCP,T1-3/	5	I1,I2,I3,I4,I6
11		1212717-01		SW,PB 1PDT ALT 2A	4	S1,S2,S3,S6
12		1212717-12		SW,PB,LT 1PDT MOM	1	S5
13		1212965-03		PCB,HEADER 26PIN(2X13).100CC 90D	1	J101
14		1218198-00		SW,ENCODER 256 CODES 10M	1	S4
15		1218199-01		/REPLACED BY 12-18199-00	1	X4
16		1218231-07		SHUNT,DIP 8PDS	2	E2,E4
17		1218231-03		SHUNT,DIP 4PDS	1	E6
18		1300229-00		100.0 .25 W 5.0 % CF	1	R7
19		1300365-00		1.0 K .25 W 5.0 % CF	6	R51,R52,R53,R54,R55,R56
20		1316254-02		R NETWORK 7-1.0K 2.0 % 8PIN	6	Z1,Z2,Z3,Z4,Z5,Z6
21		1912844-00		LS151 MUX 1 OF 8 & DATA	4	E1,E3,E5,E8
22		1914432-00		75454 DRIVER,PERIPH,DUAL,	3	E9,E10,E11
23	D-MD-7425953-0-0	7425953-01		BRACKET,SWITCH RETAINER	1	
24		9006655-00		WASHER,FLAT SST	4	
25		9006732-00		EYELET,ROLLED 0.1210DX0.219	2	
26		9009113-01		STANDOFF,PC BOARD MOUNTED 4-40	4	
27		9009185-00		JUMPER, WIRE, INSULATED, BLACK B	6	W1,W2,W3,W4,W5,W6

REVISION HISTORY			BASIC PART NO: 5414927											
ENG	ECD NUMBER	REV	SECTION A OF A	DRN:	S. BOURBEAU	DATE:	19-JAN-81	D	I	G	I	T	A	L
	INITIAL	A	SECTION.VARIATION INDEX	CHK'D:	R. MICHAUD	DATE:	19-JAN-81	TITLE PARTS LIST OPERATOR CONTROL PANEL						
	GF 5414927-CX001	B	[A] 00					DOCUMENT NUMBER						
	FP 5414927-CX003	C	[B]	DES.ENG:	W. SERGEANT	DATE:	19-JAN-81	SIZE	CODE	NUMBER	REV			
			[C]					K	PL	5414927-0-DBP	C			
			[D]	RESP.ENG.:	M. RICHESSON	DATE:	19-JAN-81	RELEASE DATE: 24-SEP-85						
			[E]					ASSEMBLY NUMBER: TOP DOCUMENT NUMBER: FILE NAME: EDIT #						
			[F]					D-UA-5414927-0-0 IK-DD-5414927-0-0 Z1541C.PLS 12						
			[G]											
			[H]											
			[I]											
			[J]											
			[K]											
			[L]											
			[M]											
			[N]											

"THIS DRAWING AND THE SPECIFICATIONS CONTAINED HEREIN ARE CONFIDENTIAL AND PROPRIETARY. THEY ARE THE PROPERTY OF DIGITAL EQUIPMENT CORPORATION AND SHALL NOT BE REPRODUCED OR COPIED OR USED IN WHOLE OR IN PART AS THE BASIS FOR THE MANUFACTURE OR SALE OF ITEMS WITHOUT WRITTEN PERMISSION. THIS IS AN UNPUBLISHED WORK PROTECTED UNDER THE FEDERAL COPYRIGHT LAWS."

D
C
B
A



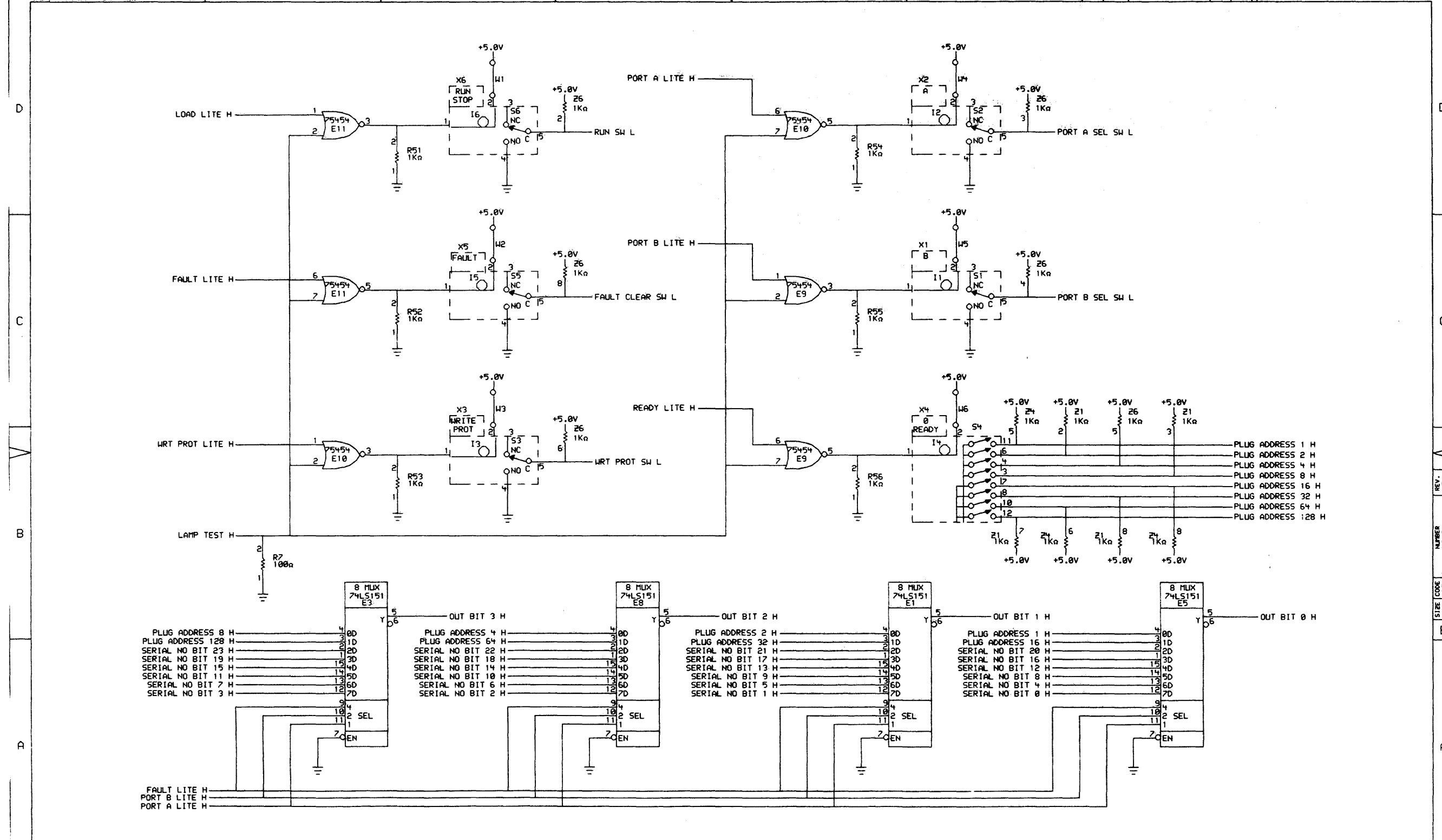
THIS DRAWING AND SPECIFICATIONS ARE THE PROPERTY OF DIGITAL EQUIPMENT CORPORATION AND SHALL NOT BE REPRODUCED OR COPIED OR USED IN WHOLE OR IN PART AS THE BASIS FOR THE MANUFACTURE OR SALE OF ITEMS WITHOUT WRITTEN PERMISSION. COPYRIGHT © 1983, DIGITAL EQUIPMENT CORPORATION.

REVISIONS		
CHK	CHANGE NO.	REV
2	5-192	B
	JL CVOJZ	
	JL 14,03	

digital DRN: *[Signature]* DATE: 01-24-83
 DATE: 01-24-83 BOARD LOCATION: *[Blank]*
 SHEET 1 OF 2
 PS: DOUGHERTY/OCP01 DRN 104-JAN-83 14:03 NEXT HIGHER ASSEMBLY: B-DD-5414927-0
 FIRST USED ON OPTION/MODEL:

TITLE: RAB0 OPERATOR CONTROL PANEL
 SIZE CODE NUMBER REV.
 K CS 5414927-0-1 B

REV. B NUMBER 5414927-0-1 SIZE CODE K CS 3215



THIS DRAWING AND SPECIFICATIONS ARE THE PROPERTY OF DIGITAL EQUIPMENT CORPORATION AND SHALL NOT BE REPRODUCED OR COPIED OR USED IN WHOLE OR IN PART AS THE BASIS FOR THE MANUFACTURE OR SALE OF ITEMS WITHOUT WRITTEN PERMISSION. COPYRIGHT © 1983, DIGITAL EQUIPMENT CORPORATION.

REVISIONS		
CHK	CHANGE NO.	REV.

DRN.	DATE	ENG.	DATE	TITLE:
				R80 OPERATOR CONTROL PANEL
CHK'D.	DATE	BOARD LOCATION:	SHEET	OF
		NEXT HIGHER ASSEMBLY:	SIZE CODE	NUMBER
			CS	5414927-0-1
				REV. B

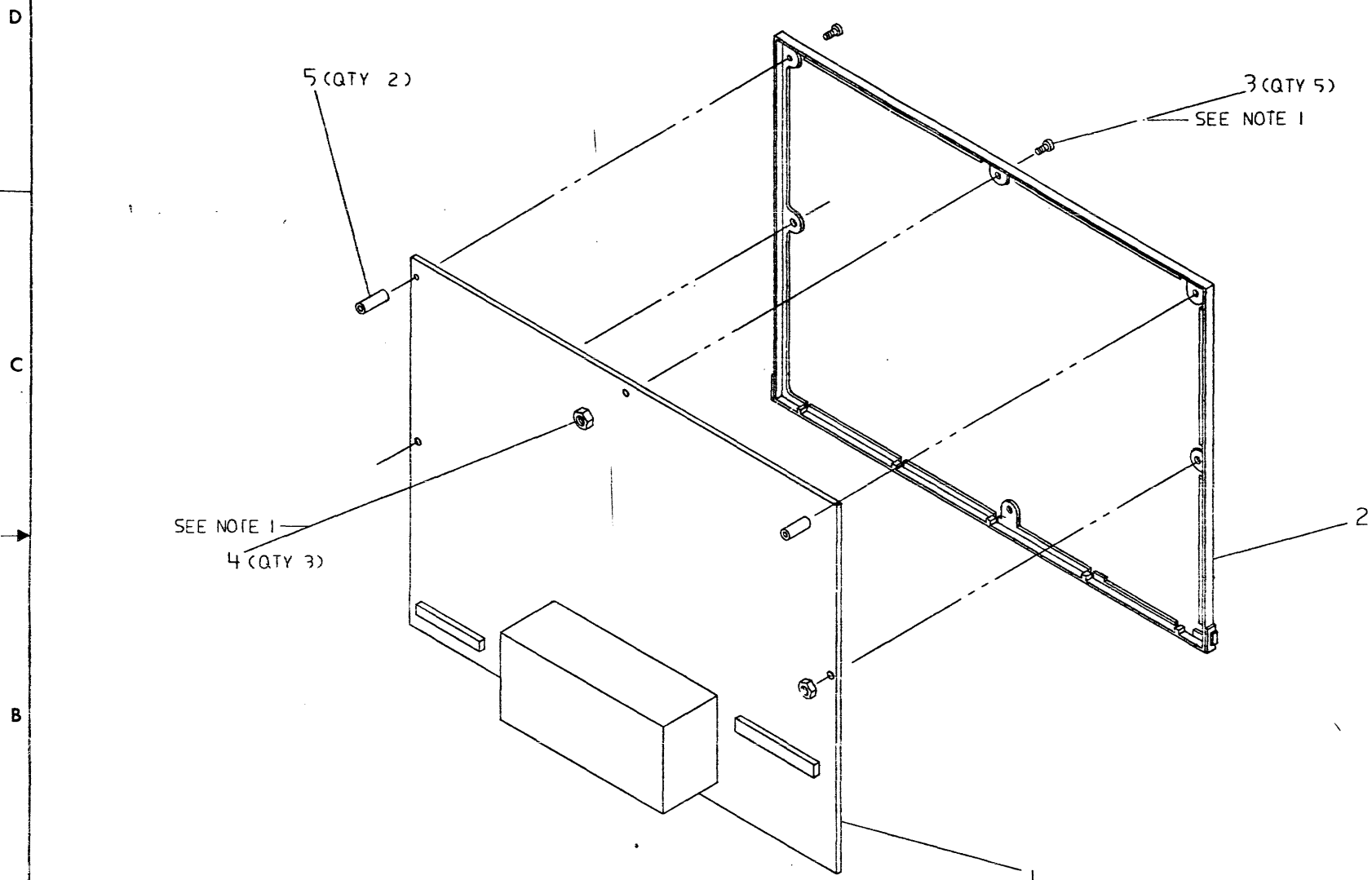
8 7 6 5 4 3 2 1

THIS DRAWING AND SPECIFICATIONS HEREIN ARE THE PROPERTY OF DIGITAL EQUIPMENT CORPORATION AND SHALL NOT BE REPRODUCED OR COPIED OR USED IN WHOLE OR IN PART AS THE BASIS FOR THE MANUFACTURE OR SALE OF ITEMS WITHOUT WRITTEN PERMISSION.
 COPYRIGHT © 1981 DIGITAL EQUIPMENT CORPORATION

DAD7019045-0-0

LEGEND	
PART NO.	VARIATION
7019045-01	SERVO BOARD AND STIFFENER ASSEMBLY

NOTES:
 1. APPLY (ITEM 6) TO ITEMS 3 & 4 AFTER ASSEMBLY.



CAUTION: OFF SHEET PARTS LIST EXISTS. SEE K-PL-7019045-0-DBP (Z2915).
 TOP DOC: C-AD-7019044-0-0

DATE	REV	DESCRIPTION
1937	A	REDRAM AND RELEASED TO ECO CONTROL PER PCA RAB1-109
1937	B	7019045-CX001 AP29JUL83 J. READ
1938	C	7019062-CX010 NOV 7 NOV 84

DESCRIPTION	DRAWING NO.	PART NO.	ITEM NO.
UNLESS OTHERWISE SPECIFIED DIMENSIONS ARE IN INCHES AND THE FOLLOWING TOLERANCES APPLY (PER DEC STD 114)			
INCHES TOLERANCES	ANGLES ± 0°30'	APPLICABLE DIMENSION RANGE	
XX ± .02	✓	OVER 0.2 TO 0.2	OVER 0.2 TO 1.2
XXX ± .005	✓	OVER 1.2 TO 4.0	OVER 4.0 TO 120
		OVER 120 TO 400	OVER 400 TO 800
		± .02	± .03
		± .004	± .008
		± .012	± .016
		± .024	± .04
THIRD ANGLE PROJECTION	DWG. <i>Falitta</i>	DATE 30 MAR 82	TITLE digital
DO NOT SCALE DRAWING	CHKD <i>K. J. J.</i>	DATE 7 APR 82	SERVO BD AND STIFFENER ASSEMBLY
REMOVE BURRS AND BREAK SHARP CORNERS	DES'GND <i>P. Bennett</i>	DATE 4/2/82	DOCUMENT NUMBER
MATERIAL	RESP. ENG. <i>P. Bennett</i>	DATE 4/9/82	DAD 7019045-0-0
SEE PARTS LIST	MFG. ENG. <i>Blanton</i>	DATE 8 APR 82	SIZE CODE NUMBER REV
FINISH	NEXT HIGHER DOC	D-AD-7019062-0-0	DAD 7019045-0-0 C
		SCALE 1/2	SHEET 1 OF 1

DRAWING NUMBER: D-AD-7019045-0-0
 DRAWING NUMBER: D-AD-7019045-0-0
 DRAWING NUMBER: D-AD-7019045-0-0
 DRAWING NUMBER: D-AD-7019045-0-0

LINE	ITEM	TOP DOCUMENT	PART NUMBER	MIN REV	DESCRIPTION	QTY PER VARIATION
1	1	D-UA-5415251-0-0	5415251-00		R81 SERVO MODULE	1
2	2	E-MD-7421976-0-0	7421976-01	A	TRAY, EXTENDED HEX SUPPORT	1
3	3		9008212-00		SCREW, NYLN PAN SLOT 6-	5
4	4		9007883-00		NUT, HEX 6-32X .307AF NYLO	3
5	5		9000035-04		SPACER, THREADED RND PHEN 6-3	2
6	6		9009536-00	-	GLYPTOL, RED	A/R

REVISION HISTORY			BASIC PART NO: 7019045							
ENG	ECO NUMBER	REV	SECTION A OF A	DRN:	T. FALETTE	DATE: 30-MAR-82	D I G I T A L			
FB	R81-109	A	SECTION VARIATION INDEX	CHK'D:	K. DAVIS	DATE: 8-APR-82	TITLE PARTS LIST			
JN	7019045-CX001	B	[A]01				SERVO BD AND STIFFENER ASSEMBLY			
MM	7019062-CX010	C	[B]	DES. ENG.:	F. BERNETT	DATE: 8-APR-82	DOCUMENT NUMBER			
			[C]				SIZE	CODE	NUMBER	REV
			[D]	RESP. ENG.:	F. BERNETT	DATE: 8-APR-82	K	PL	7019045-0-DBP	C
			[E]	MFG. ENG.:	B. BARTON	DATE: 8-APR-82	RELEASE DATE: 26-NOV-84			
			[F]	ASSEMBLY NUMBER:		TOP DOCUMENT NUMBER:	FILE NAME:	EDIT #		
				D-AD-7019045-0-0		C-AD-7019044-0-0	Z2915C.PLS	24		

"THIS DRAWING AND THE SPECIFICATIONS CONTAINED HEREIN ARE CONFIDENTIAL AND PROPRIETARY. THEY ARE THE PROPERTY OF DIGITAL EQUIPMENT CORPORATION AND SHALL NOT BE REPRODUCED OR COPIED OR USED IN WHOLE OR IN PART AS THE BASIS FOR THE MANUFACTURE OR SALE OF ITEMS WITHOUT WRITTEN PERMISSION. THIS IS AN UNPUBLISHED WORK PROTECTED UNDER THE FEDERAL COPYRIGHT LAWS."

THIS DRAWING AND SPECIFICATIONS HEREIN ARE THE PROPERTY OF DIGITAL EQUIPMENT CORPORATION AND SHALL NOT BE REPRODUCED OR COPIED OR USED IN WHOLE OR IN PART AS THE BASIS FOR THE MANUFACTURE OR SALE OF ITEMS WITHOUT WRITTEN PERMISSION. COPYRIGHT © DIGITAL EQUIPMENT CORPORATION

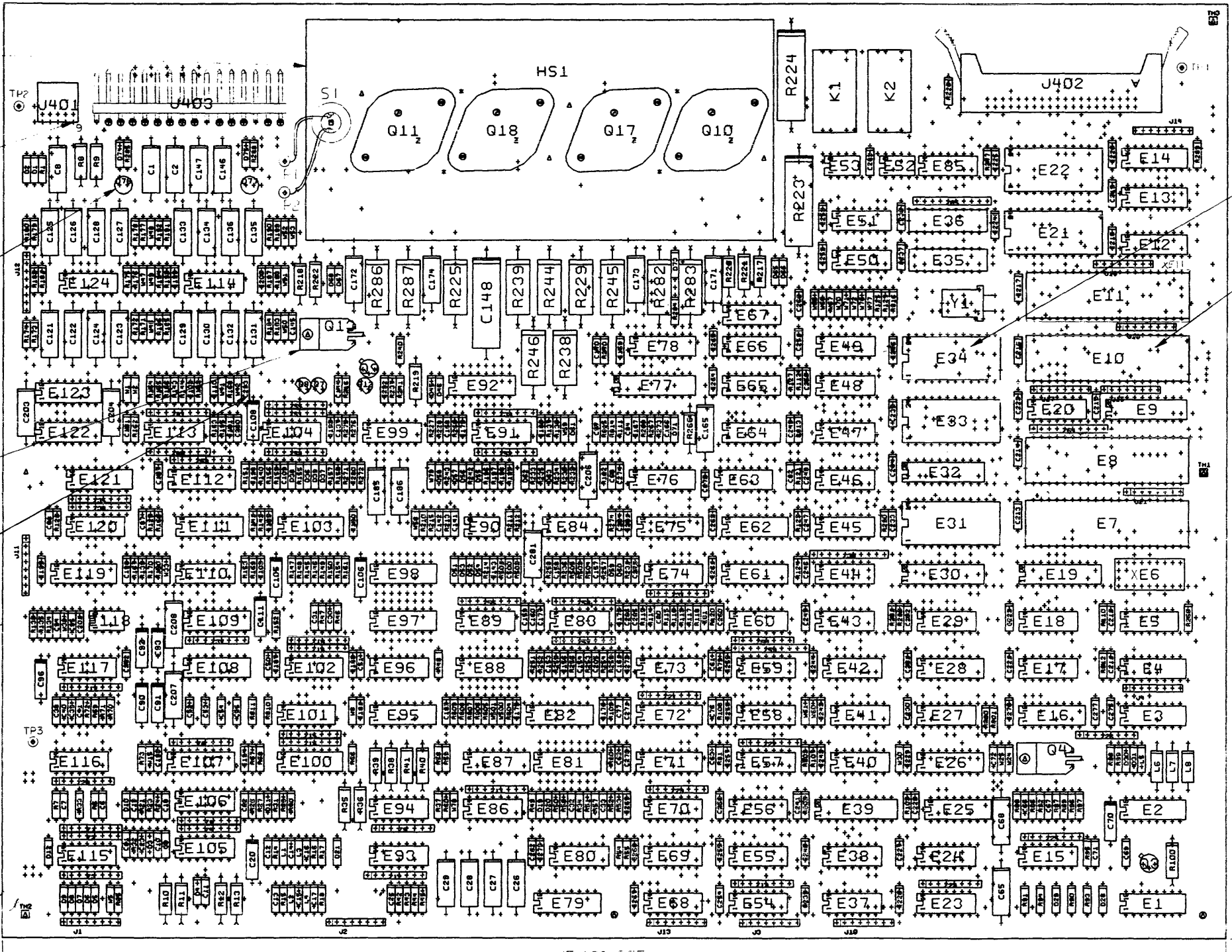
SEE DETAIL "A" SHEET 2

SEE DETAIL "C" SHEET 2

SEE DETAIL "D" 2 PLACES SHEET 2

SEE DETAIL "B" 2 PLACES SHEET 2

COMPONENT SIDE VIEW



EXP. M. LEGEND	
IR-N#	LOCATION / PART NUMBER
0	F10 23-09189-00
1	F9 23-06989-00
2	F34 23-060E3-00
3	E33 23-036E3-00

NOTES: 1. THE FOLLOWING ARE SPARES: E1, E2, E63, E73, E61, E83, E32, E95, E97, E98, E123, L5-L9, Q4, C22, C50, C51, C87, C89, C94, C97, C101, C103, C110, C123, C144, C151, C153, C159, C167, C212, C215, C217, C221, C222, C224, C234, C235, C238, C239, C241, C244, C245, C247, C243, C251, C253, C258, C264, C278, C285, C286, C290, R52, R148, R168, R203, R204-R211, W55, W45, W46, W50, W52, W61, W67, W70-W72, W76, W500, W501.

2. THE FOLLOWING ARE WIRED SPARES: E19, E30, R29, R30, R31.

3. J1-J4, J10-J18, J21 NOT INSTALLED

4. XE6 NOT INSTALLED

STEP E	↑ Y AXIS	STEP	TIMES
REPEAT	→ X AXIS	STEP	TIMES

CHK	CHANGE NO	REV	H	J	K	L	M	N
1921	ECO 5415251							
1921	ECO 5415251							
1921	ECO 5415251							
1921	ECO 5415251							
1921	ECO 5415251							

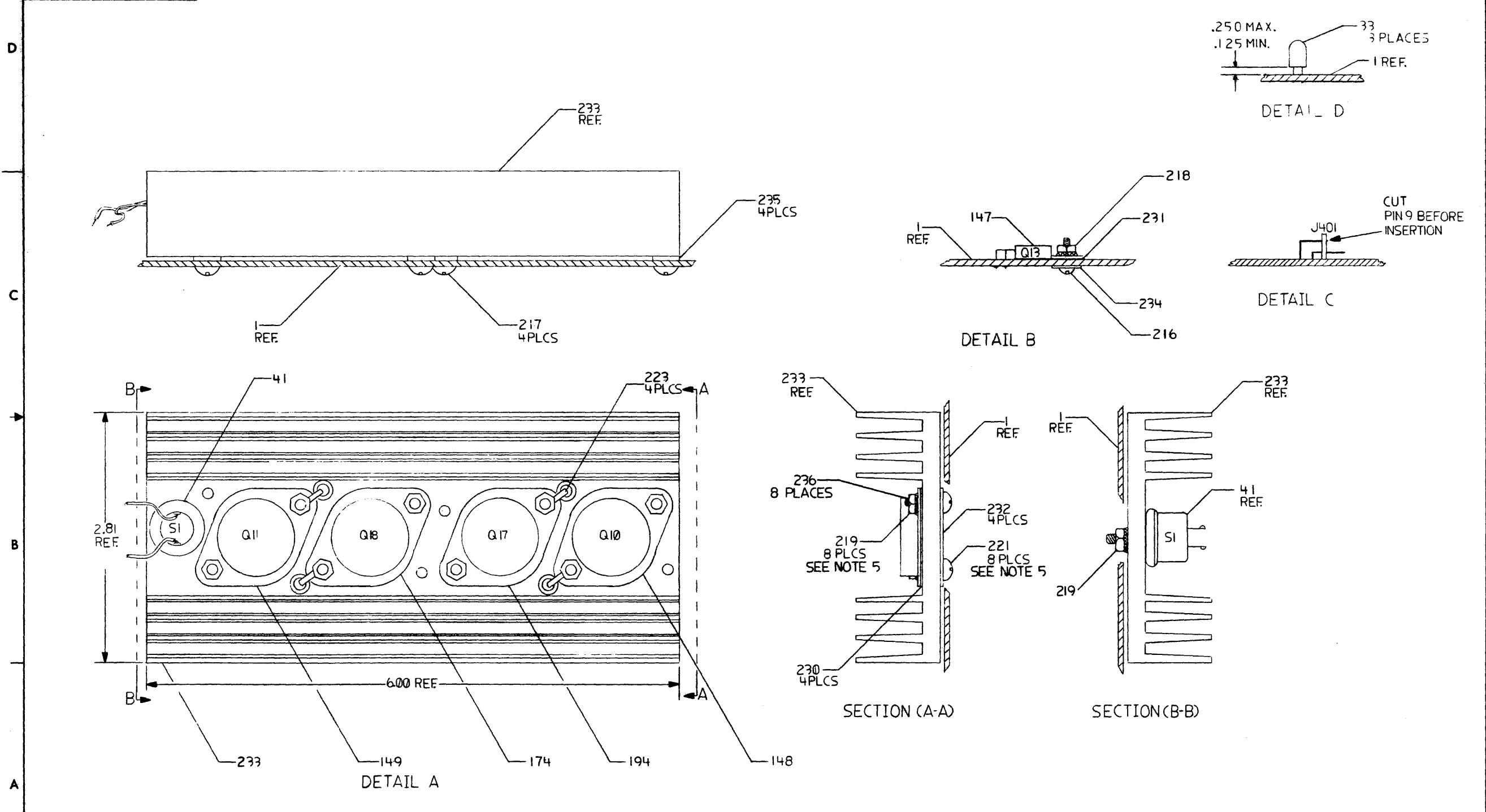
5. TORQUE TO 2.7 +1/-4 IN. LBS.

ETCH REV. C-P2

SIGNATURES		DATE	digital
DRN.	CHK'D	25 MAR 65	
MECH. ENG.		TITLE	
PROJ. ENG.		SERVO CONTROL	
PROD.		SIZE CODE	NUMBER
SCALE 1.5/1		0	5415251-00
SHT. 1 OF 3		REV	N
NEXT HIGHER ASSY. B-30-5415251-3-0			

8 7 6 5 4 3 2 1

THIS DRAWING AND SPECIFICATIONS HEREIN ARE THE PROPERTY OF DIGITAL EQUIPMENT CORPORATION AND SHALL NOT BE REPRODUCED OR COPIED IN WHOLE OR IN PART AS THE BASIS FOR THE MANUFACTURE OR SALE OF ITEMS WITHOUT WRITTEN PERMISSION.
 COPYRIGHT © 1993 DIGITAL EQUIPMENT CORPORATION



REVISION HISTORY		
DATE	ECO NUMBER	REV.

TITLE
 SERVO CONTROL

DOCUMENT NUMBER		
SIZE	NUMBER	REV.
DUA	5415251-0-0	N
SCALE 2/1	SHEET 2 OF 3	

8 7 6 5 4 3 2 1

"THIS DRAWING AND SPECIFICATIONS HEREIN ARE THE PROPERTY OF DIGITAL EQUIPMENT CORPORATION AND SHALL NOT BE REPRODUCED OR COPIED OR USED IN WHOLE OR IN PART AS THE BASIS FOR THE MANUFACTURE OR SALE OF ITEMS WITHOUT WRITTEN PERMISSION. COPYRIGHT © 1984 DIGITAL EQUIPMENT CORPORATION"

ECO 5415251-CX010

COMPONENT DELETES:SIDE 1

- 10-1.DELETE E34 E3-03 (23035E3-00).
- 10-2.DELETE E10 B9-02 (23086B9-00).

COMPONENT ADDS:SIDE 1

- 10-3.ADD E34 E3-03 (23060E3-00).
- 10-4.ADD E10 B9-02 (23091B9-00).

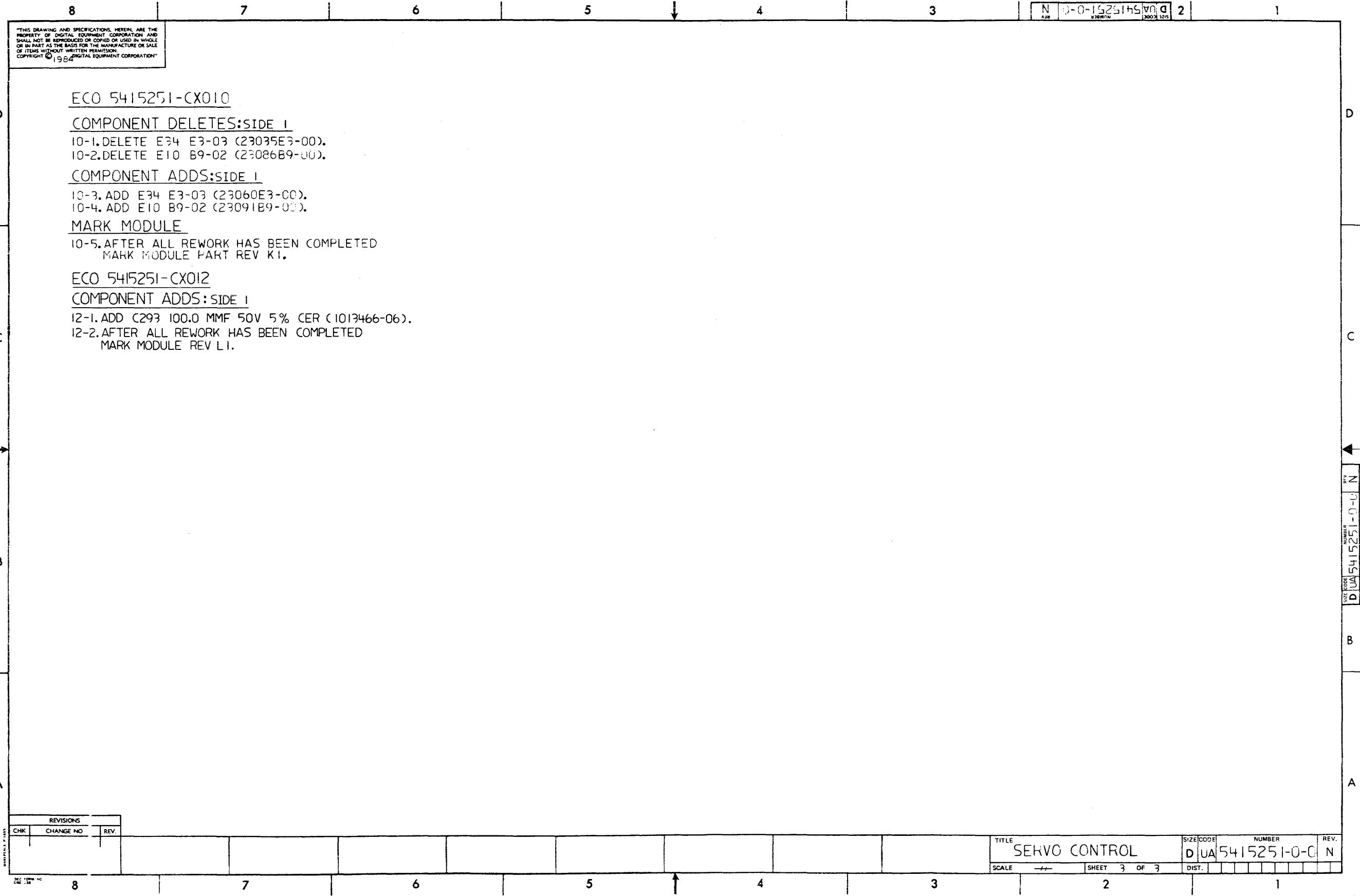
MARK MODULE

- 10-5.AFTER ALL REWORK HAS BEEN COMPLETED MARK MODULE PART REV K1.

ECO 5415251-CX012

COMPONENT ADDS:SIDE 1

- 12-1.ADD C293 100.0 MMF 50V 5% CER (1013466-06).
- 12-2.AFTER ALL REWORK HAS BEEN COMPLETED MARK MODULE REV L1.



REVISIONS		
CHK	CHANGE NO	REV.

TITLE	SERVO CONTROL	SIZE CODE	DUA	NUMBER	5415251-0-0	REV.	N
SCALE	---	SHEET	3	OF	3	DIST.	

DEC 1984 NO 138

LINE ITEM	TOP DOCUMENT	PART NUMBER	MIN REV	DESCRIPTION	QTY PER VAR/REV	REFERENCE DESIGNATORS
1	1 K-DD-5015250-0-0	50-15250-00	C	DRILL & ETCH CUT BRD.	1	
2	2	10-00037-00	.22	MFD 100V 10% MYLR	1	C148
3	3	10-01610-00	.01	MFD 50V +80-20% Z5U CER	51	C18,C66,C67,C166,C169, CONT C177-C180,C187,C188,C201,C202, CONT C213,C214,C216,C217,C220,C222, CONT C226-C232,C240,C243,C246,C248, CONT C250,C252,C254-C257,C259,C261, CONT C262,C266-C268,C270-C274,C276, CONT C279,C282,C291
4	4	10-05965-00	.47	MFD 35V 10% S.TANT	2	C20,C70
5	5	10-09312-00	.0047	MFD 100V 1% MYLR	16	C121-C136
6	6	10-12784-00	.047	MFD 50V +80-20% CER	36	C10,C11,C23,C72,C77,C153,C156, CONT C175,C176,C181,C182,C189-C200, CONT C211,C218,C225,C233,C236,C237, CONT C242,C260,C265,C269,C275,C277, CONT C283
7	7	10-13466-01	10.0	MMF 50V 5% CER	8	C80-C82,C154,C157,C158,C205, CONT C500
8	8	10-13466-06	100.0	MMF 50V 5% CER	5	C16,C17,C62,C63,C293
9	9	10-13466-07	220.0	MMF 50V 5% CER	2	C30,C31
10	10	10-13466-08	680.0	MMF 50V 10% X7R CER	1	C71
11	11	10-13466-12	2200.0	MMF 50V 10% X7R CER	2	C76,C142
12	12	10-13466-14	82.0	MMF 50V 5% CER	2	C14,C15
13	13	10-13466-16	.010	MFD 50V 10% X7R CER	4	C9,C21,C25,C69
14	14	10-13466-17	150.0	MMF 50V 5% CER	1	C95
15	15	10-13466-23	22.0	MMF 50V 5% CER	2	C33,C141
16	16	10-13466-24	47.0	MMF 50V 5% CER	5	C38-C41,C109
17	17	10-13466-26	120.0	MMF 50V 5% CER	2	C170,C294
18	18	10-13466-28	1000.0	MMF 50V 5% CER	4	C6,C7,C61,C83
19	19	10-13466-29	1500.0	MMF 50V 5% CER	4	C12,C13,C280,C292
20	20	10-13466-42	4700.0	MMF 50V 2% NPO CER	7	C90-C93,C96,C105,C111
21	21	10-13466-45	220.0	MMF 1 50V 1% NPO CER	4	C52-C55

REVISION HISTORY		KPL MODULE FORMAT		SECTION A OF A		DRN: S LEHMAN		DIGITAL	
ENG	ECO NUMBER	REV	SECTION/VARIATION INDEX	CHK'D:	SUE BOURBEAU	TITLE	PARTS LIST	DATE:	16-FEB-83
JL	5415251-CX007	J	[A] 00 [M]	DATE:	16-FEB-83	SERVO CONTROL			
JL	5415251-CX009	K	[B] [N]	DES.ENG:	MARY DUNN	DOCUMENT NUMBER			
JL	5415251-CX010	L	[C] [P]	DATE:	16-FEB-83	SIZE	CODE	NUMBER	REV
JL	5415251-CX011	M	[D] [Q]	RESP.ENG.:	GARY HART	K	PL	5415251-0-DBP	T
JL	5415251-CX012	N	[E] [R]	DATE:	16-FEB-83	RELEASE DATE:	12-MAR-86		
ML	5415251-CX013	P	[F] [S]	DATE:	16-FEB-83	RELEASE STATUS:	RELEASED		
JL	5415251-CX014	R	[H] [T]	MFG.ENG.:	BRUCE BARTON				
GM	5415251-CX015	S	[J] [V]	DATE:	16-FEB-83				
PR	5415251-CX017	T	[K] [W]						
			[L] [Y]						
BASIC PART NUMBER:		ASSEMBLY NUMBER:		TOP DOCUMENT NUMBER:		FILE NAME:		EDIT #	
5415251		D-UA-5415251-0-0		K-DD-5415251-0-0		Z1762T.PLS		4	
<p>*THIS DRAWING AND THE SPECIFICATIONS CONTAINED HEREIN ARE CONFIDENTIAL AND PROPRIETARY. THEY ARE THE PROPERTY OF DIGITAL EQUIPMENT CORPORATION AND SHALL NOT BE REPRODUCED OR COPIED OR USED IN WHOLE OR IN PART AS THE BASIS FOR THE MANUFACTURE OR SALE OF ITEMS WITHOUT WRITTEN PERMISSION. THIS IS AN UNPUBLISHED WORK PROTECTED UNDER THE FEDERAL COPYRIGHT LAWS.*</p>									

3-12-83

LINE	ITEM	TOP DOCUMENT	PART NUMBER	MIN REV	DESCRIPTION	QTY	PER VAR/REV	REFERENCE DESIGNATORS
22	22		10-13466-48	.12	MFD 50V 5% X7R CER	2		C106,C108
23	23		10-15573-00	.027	MFD 50V 5% CER	3		C19,C84,C161
24	24		10-15573-01	5600.0	MMF 50V 5% CER	4		C32,C102,C143,C168
25	25		10-17472-00	10	MFD 35V +75-10% AL EL	24		C1,C2,C8,C26-C29,C65,C68,C146, CONT C147,C165,C171-C174,C185,C186, CONT C203,C204,C206-C208,C281
26	26		11-00122-00	VZ= 3.9	5% 400 MW 1N748A	2		D1,D28
27	27		11-00125-00	VZ= 10.0	5% 400 MW 1N758A	6		D37,D39,D52,D54,D56,D58
28	28		11-05275-00	PIV= 60	I0=300 MA -15NS	26		D11,D12,D19-D21,D29,D36,D38, CONT D45,D46,D51,D53,D55,D57, CONT D59-D63,D65-D68,D73-D75
29	29		11-05871-00	VZ= 5.15	1% 250 MW	2		D4,D71
30	30		11-09977-00	VZ= 4.3	5% 1N749A	1		D2
31	31		11-09991-01	VZ= 6.8	1% 400 MW D	1		D3
32	32		11-13003-00	PIV= 55	I0=200 MA - 4NS 1N5282	6		D5-D10
33	33		11-14384-00		LED 105MW 35MA GREEN	2		D76,D77
34	34		11-16824-00		VARICAPS, PIV= 3 400MW 1N5	2		D30,D31
35	35		11-18548-00		SS ARRAY WIV= 50 IF= 350MA 8DI	2		E87,E100
36	36		12-12204-13		PCB HEADER 16PIN(1X16).156CC 90D	1		J403
37	37		12-12518-03		*** THIS ITEM IS NOT USED ***	-		
38	38		12-12965-01		PCB,HEADER 10PIN(2X05).100CC 90D	1		J401
39	39		12-15006-03		*** THIS ITEM IS NOT USED ***	-		
40	40		12-16832-02		PCB,HEADER 40POS(2X20).100CC 90D	1		J402
41	41		12-16869-00		THERMOSTAT,74 C	1		S1
42	42		12-18911-00		RLY,REED, 5V COIL,1PST	2		K1,K2
43	43		13-00219-00	68.0	.25 W 5.0 % CF	1		R27
44	44		13-00291-00	300.0	.50 W 5.0 % CF	2		R217,R218
45	45		13-00296-00	330.0	.50 W 5.0 % CF	2		R10,R11
46	46		13-00308-00	390.0	.50 W 5.0 % CF	3		R40,R41,R266
47	47		13-00316-00	470.0	.25 W 5.0 % CF	3		R54-R56
48	48		13-00365-00	1.0	K .25 W 5.0 % CF	8		R53,R107,R226,R280,R281,R285, CONT R288,R801
49	49		13-00432-00	3.0	K .25 W 5.0 % CF	2		R98,R99
50	50		13-00444-00	3.90	K .25 W 5.0 % CF	3		R115,R119,R503
51	51		13-00447-00	4.70	K .25 W 5.0 % CF	19		R110,R112,R125-R127,R157,R158, CONT R216,R242,R243,R260,R800,R802, CONT R803,R812-R816
52	52		13-00479-00	10.0	K .25 W 5.0 % CF	6		R230,R233,R234,R240,R501,R504
53	53		13-00496-00	15.0	K .25 W 5.0 % CF	2		R88,R89
54	54		13-00554-00	470.0	K .50 W 10.0 % CF	1		R220
55	55		13-01317-00	10.0	.25 W 5.0 % CF	2		R45,R284
56	56		13-01422-00	7.50	K .25 W 5.0 % CF	1		R46
57	57		13-01837-00	1.21	K .50 W 1.0 % RN60C-F 5	2		R35,R36
58	58		13-02308-00	68.0	2.0 W 5.0 % CC	6		R229,R238,R239,R244-R246
59	59		13-02321-00	510.0	.50 W 5.0 % CF	3		R12,R13,R100
60	60		13-02381-00	200.0	.50 W 5.0 % CF	4		R8,R9,R38,R39
61	61		13-02388-00	2.0	K .25 W 5.0 % CF	2		R86,R87
62	62		13-02411-00	511.0	.25 W 1.0 % RN55D-F10	3		R143,R147,R268
63	63		13-02466-00	100.0	K .25 W 5.0 % CF	2		R231,R236
64	64		13-02858-00	100.0	.25 W 1.0 % RN55D-F10	5		R6,R7,R195,R271,R275

D	I	G	I	T	A	L	TITLE	SECTION A OF A	SIZE	CODE	DOCUMENT NUMBER	REV
							SERVO CONTROL		K	PL	5415251-0-DBP	T

LINE	ITEM	TOP DOCUMENT	PART NUMBER	MIN REV	DESCRIPTION	QTY PER VAR/REV	REFERENCE DESIGNATORS	
						00 L6		
65	65		13-02872-00	681.0	.25 W 1.0 Z RN55D-F10	1	R50	
66	66		13-03114-00	1.0 K	.25 W 1.0 Z RN55D-F10	8	R90,R93,R175,R211,R213,R227, CONT R256,R277	
67	67		13-03177-00	2.40 K	.25 W 5.0 Z CF	1	R241	
68	68		13-03179-00	8.20 K	.25 W 5.0 Z CF	1	R237	
69	69		13-03312-00	10.0 K	.25 W 1.0 Z RN.5D-F10	13	R97,R113,R117,R136,R138,R176, CONT R182,R188,R194,R196,R199,R214, CONT R215	
70	70		13-04693-00	562.0	.25 W 1.0 Z RN55D-F10	1	R32	
71	71		13-04843-00	243.0 K	.25 W 1.0 Z RN55D-F10	1	R160	
72	72		13-04854-00	5.11 K	.25 W 1.0 Z RN55D-F10	1	R26	
73	73		13-04855-00	9.09 K	.25 W 1.0 Z RN55D-F10	1	R228	
74	74		13-04857-00	237.0	.25 W 1.0 Z RN55D-F10	1	R68	
75	75		13-04863-00	316.0	.25 W 1.0 Z RN55D-F10	2	R43,R44	
76	76		13-05114-00	3.48 K	.25 W 1.0 Z RN55D-F10	2	R91,R94	
77	77		13-05124-00	287.0	.25 W 1.0 Z RN55D-F10	4	R14,R15,R34,R51	
78	78		13-05125-00	383.0	.25 W 1.0 Z RN55D-F10	1	R96	
79	79		13-05131-00	274.0 K	.25 W 1.0 Z RN55D-F10	6	R69-R72,R267,R273	
80	80		13-05143-00	825.0	.25 W 1.0 Z RN55D-F10	1	R49	
81	81		13-05253-00	7.15 K	.25 W 1.0 Z RN55D-F10	4	R189-R192	
82	82		13-05322-00	*** THIS ITEM IS NOT USED ***			-	
83	83		13-05323-00	511.0 K	.25 W 1.0 Z RN55D-F10	1	R144	
84	84		13-05324-00	4.99 K	.25 W 1.0 Z RN55D-F10	5	R161,R197,R198,R272,R276	
85	85		13-05336-00	200.0 K	.25 W 1.0 Z RN55D-F10	1	R150	
86	86		13-05405-00	24.90 K	.25 W 1.0 Z RN55D-F10	1	R108	
87	87		13-05422-00	137.0 K	.25 W 1.0 Z RN55D-F10	1	R73	
88	88		13-09296-00	113.0 K	.25 W 0.1 Z RN55E-B 2	1	R159	
89	89		13-09416-00	31.60 K	.25 W 1.0 Z RN55D-F10	2	R109,R145	
90	90		13-09417-00	27.40 K	.25 W 1.0 Z RN55D-F10	4	R171-R174	
91	91		13-09420-00	8.25 K	.25 W 1.0 Z RN55D-F10	1	R156	
92	92		13-09595-00	1.0 H	.25 W 5.0 Z CF	11	R114,R118,R128-R130,R133,R253, CONT R254,R257,R258,R502	
93	93		13-10630-00	1.33 K	.25 W 1.0 Z RN55D-F10	1	R67	
94	94		13-10634-00	2.67 K	.25 W 1.0 Z RN55D-F10	3	R81,R193,R252	
95	95		13-11522-00	200.0	.25 W 5.0 Z CF	1	R152	
96	96		13-12546-00	16.50 K	.25 W 1.0 Z RN55D-F10	4	R177-R180	
97	97		13-12626-00	2.49 K	.25 W 1.0 Z RN55D-F10	2	R270,R274	
98	98		13-12699-00	150.0	.50 W 1.0 Z RN60D-F10	1	R219	
99	99		13-12924-00	10.70 K	.25 W 1.0 Z RN55D-F10	3	R162,R163,R251	
100	100		13-12928-00	51.0	.25 W 5.0 Z CF	6	R103,R121,R123,R124,R289,R290	
101	101		13-12930-00	5.10 K	.25 W 5.0 Z CF	7	R1,R57,R116,R120,R232,R235,R505	
102	102		13-12985-00	332.0 K	.25 W 1.0 Z RN55D-F10	1	R92	
103	103		13-12988-00	49.90 K	.25 W 1.0 Z RN55D-F10	1	R122	
104	104		13-12990-00	12.70 K	.25 W 1.0 Z RN55D-F10	1	R80	
105	105		13-13344-00	75.0 K	.25 W 1.0 Z RN55D-F10	3	R47,R111,R134	
106	106		13-13358-00	.20	5.0 W 3.0 Z WW	2	R223,R224	
107	107		13-13588-00	768.0	.25 W 1.0 Z RN55D-F10	1	R187	
108	108		13-13589-00	1.40 K	.25 W 1.0 Z RN55D-F10	2	R58,R59	
109	109		13-13593-00	11.80 K	.25 W 1.0 Z RN55D-F10	1	R79	
110	110		13-13594-00	14.0 K	.25 W 1.0 Z RN55D-F10	1	R255	

D I G I T A L				TITLE	SECTION A OF A	SIZE	CODE	DOCUMENT NUMBER	REV
				SERVO CONTROL				5415251-0-DBP	T

LINE	ITEM	TOP DOCUMENT	PART NUMBER	MIN REV	DESCRIPTION	QTY PER VAR/REV	REFERENCE DESIGNATORS
						00 L6	
111	111		13-13596-00	20.0 K	.25 W 1.0 % RN55D-F10	7	R139,R146,R164-R166,R210,R212
112	112		13-13753-00	37.40 K	.25 W 1.0 % RN55D-F10	1	R135
113	113		13-13775-00	80.60 K	.25 W 1.0 % RN55D-F10	1	R95
114	114		13-13842-00	48.70 K	.25 W 1.0 % RN55D-F10	5	R151,R153,R167,R169,R170
115	115		13-13846-00	2.26 K	.25 W 1.0 % RN55D-F10	4	R16,R37,R60,R154
116	116		13-14041-00	3.01 K	.25 W 1.0 % RN55D-F10	1	R66
117	117		13-14187-00	6.19 K	.25 W 1.0 % RN55D-F10	1	R137
118	118		13-14251-00	61.90 K	.25 W 1.0 % RN55D-F10	2	R23,R259
119	119		13-14387-00	3.90 M	.25 W 5.0 % CF	1	R149
120	120		13-14491-00	1.02 K	.25 W 1.0 % RN55D-F10	2	R17,R181
121	121		13-14492-00	40.20 K	.25 W 1.0 % RN55D-F10	1	R24
122	122		13-14763-00	4.12 K	.25 W 1.0 % RN55D-F10	2	R140,R155
123	123		13-14989-00	11.30 K	.25 W 1.0 % RN55D-F10	4	R183-R186
124	124		13-15240-00	.10	3.0 W 1.0 % WW	1	R225
125	125		13-16254-00	R NETWORK	7-470 2.0 % 8PIN	3	Z23,Z26,Z29
126	126		13-16254-01	R NETWORK	7-4.7K 2.0 % 8PIN	3	Z13,Z21,Z22
127	127		13-16254-02	R NETWORK	7-1.0K 2.0 % 8PIN	1	Z15
128	128		13-16334-02	R NETWORK	9-10K 2.0 % 10PIN	1	Z59
129	129		13-16395-00	R NETWORK	9-4.7K 2.0 % 10PIN	3	Z30,Z64,Z65
130	130		13-16444-00	150.0 K	.25 W 1.0 % RN55D-F10	2	R141,R142
131	131		13-16575-00	10.0	2.0 W 5.0 % CC	4	R282,R283,R286,R287
132	132		13-16839-00	715.0	.25 W 1.0 % RN55D-F10	2	R18,R48
133	133		13-16844-00	301.0	.50 W 1.0 % RN60D-F10	2	R221,R222
134	134		13-17183-03	115.0 K	.25 W 1.0 % RN55D-F10	2	R21,R33
135	135		13-17398-00	4.22 K	.25 W 1.0 % RN55D-F10	1	R25
136	136		13-17404-00	249.0	.25 W 1.0 % RN55D-F10	1	R42
137	137		13-18532-00	R NETWORK	4-100 2.0 % 8PIN	7	Z2,Z5,Z9,Z11,Z12,Z20,Z25
138	138		13-18532-01	R NETWORK	4-1K 2.0 % 8PIN	2	Z1,Z37
139	139		13-18532-03	R NETWORK	4-3K 2.0 % 8PIN	1	Z16
140	140		13-18532-04	R NETWORK	4-5.1K 2.0 % 8PIN	1	Z4
141	141		13-18532-05	R NETWORK	4-10K 2.0 % 8PIN	8	Z6,Z38,Z52,Z56-Z58,Z60,Z63
142	142		13-18532-06	R NETWORK	4-51K 2.0 % 8PIN	3	Z51,Z54,Z55
143	143		13-18532-07	R NETWORK	4-100K 2.0 % 8PIN	1	Z17
144	144		13-18533-00	R NETWORK	4-20K 2.0 % 8PIN	5	Z31,Z34,Z35,Z40,Z41
145	145		13-18534-00	R NETWORK	4-14.7K .20% PIN	3	Z3,Z18,Z19
146	146		15-09900-00	2N 4859	FET 360MW SIN CHNNL	1	Q9
147	147		15-10421-00	D 44CB	NPN 30WT SI 60 20	1	Q13
148	148		15-11282-00	MJ2500	PNP 150WC SI 60 5 1K 5A	1	Q10
149	149		15-11349-00	TIP 640	(OR MJ3000) NPN DARLINGT	1	Q11
150	150		15-13489-00	2N 4401	NPN 350MW SI 40 20	2	Q7,Q12
151	151		15-13490-00	2N 4403	PNP 350MW SI-40 30	1	Q8
152	152		15-17999-00	3906	PNP 900MW ARRAY 14PIN	3	E94,E96,E101
153	153		15-19472-01	2N 4209	PNP 300MW 15V@50MA	1	Q3
154	154		16-09756-00	2.2 UH	10% 760MA #DD2.20	2	L1,L2
155	155		16-12946-00	10.0 UH	10% Q MIN=55@7.9MHZ	2	L3,L4
156	156		16-12946-08	1.36 UH	1% Q MIN=20@7.9MHZ	1	L5
157	157		16-19072-01	DELAY=	275NS, 5TAPS	2	E68,E69
158	158		18-12396-05	XTAL	6.144 MHZ	1	Y1
159	159		19-10268-00	DEC	75107B RECEIVER,LINE,DUAL,2	1	E80
160	160		19-10406-00	75451	DRIVER,PERIPH,DUAL,A	2	E52,E53

D I G I T A L		TITLE	SECTION A OF A	SIZE	CODE	DOCUMENT NUMBER	REV
		SERVO CONTROL		K	PL	5415251-0-DBP	T

LINE ITEM	TOP DOCUMENT	PART NUMBER	MIN REV	DESCRIPTION	QTY PER VAR/REV	REFERENCE DESIGNATORS
					00 L6	
161	161	19-10532-00		74S00 NAND GATE-QUAD 2IN	1	E55
162	162	19-10533-00		74S03 NAND GATE-QUAD 2IN,0	1	E24
163	163	19-10534-B0		74S04 BURNED-IN INVERTER 6	3	E29,E41,E85
164	164	19-10536-00		74S10 NAND GATE-TRIPLE 3IN	1	E38
165	165	19-10537-00		74S11 AND GATE-TRIPLE 3INP	1	E56
166	166	19-10540-00		74S22 NAND GATE-DUAL 4INPU	1	E23
167	167	19-10544-B0		74S74 BURNED-IN FF-D DUAL,	3	E27,E54,E57
168	168	19-10544-01		74S74-60GG-D DUAL,EDGE TRIG	1	E44
169	169	19-10644-00		733 DIFFERENTIAL AMP,WID	1	E105
170	170	19-10741-00		7406 INVERTER GATE-HEX 1I	1	E70
171	171	19-11415-00		10125 ECL TO TTL TRNSLTR	1	E16
172	172	19-11629-00		1408L8 DAC, 8BIT	2	E75,E78
173	173	19-12108-B0		339 BURNED-IN VOLT CMPRT	4	E74,E83,E84,E91
174	174	19-12792-01		7915CKVOLT REG, FIX -15V	1	Q18
175	175	19-12799-B0		LS00 BURNED-IN NAND GATE-	4	E42,E43,E47,E66
176	176	19-12803-00		LS04 INVERTER GATE,HEX	3	E20,E46,E49
177	177	19-12805-00		LS08 AND GATE-QUAD 2IN,PO	1	E50
178	178	19-12807-00		LS10 NAND GATE-TRIPLE 3IN	1	E67
179	179	19-12808-00		LS11 AND GATE-TRIPLE 3IN	1	E64
180	180	19-12810-00		LS20 NAND GATE-DUAL 4IN	1	E60
181	181	19-12816-00		LS32 OR GATE-QUAD 2IN,POS	2	E51,E59
182	182	19-12824-00		LS74 FF-D DUAL,EDGE TRIG6	7	E5,E37,E40,E45,E48,E58,E65
183	183	19-12834-00		LS112 FF-JK,DUAL,EDGE TRIG	1	E4
184	184	19-12837-00		LS123 ONE SHOT-DUAL,RETRIG	3	E72,E73,E76
185	185	19-12842-00		LS138 DECODER-THREE INPUT,	2	E12,E13
186	186	19-12849-00		LS161 COUNTER,SYNCHR,4BIT	1	E26
187	187	19-12850-00		LS164 SHIFT REG. 8BIT SERI	1	E17
188	188	19-12858-00		LS221 ONE SHOT-DUAL,SCHMIT	1	E71
189	189	19-12863-00		LS273 FF-D OCTAL w/CLEAR	1	E39
190	190	19-13017-00		3046 XSISTOR ARRAY,3 ISOL	5	E15,E86,E93,E115,E116
191	191	19-13035-02	LM	308ANOP AMP GEN PURP. COM	2	E90,E118
192	192	19-13667-00	DP	8212N BUFFER 8 BIT TRISTAT	2	E21,E22
193	193	19-14086-00		74S30 NAND GATE-POS 8IN	1	E18
194	194	19-14473-00	DEC	7815 VOLT REG, FIX +15V	1	Q17
195	195	19-14485-02	TL	084B OP AMP,QUAD, JFET	11	E89,E99,E102,E104,E106,E110, CONT E113,E114,E117,E120,E124
196	196	19-15218-00		LS245 TRANSCEIVER,BUS,OCTA	1	E9
197	197	19-15219-00		LS373 FF-D OCTAL-TRANSPARE	1	E32
198	198	19-16079-00		8253-TIMER,PROGRAMMABLE I	1	E31
199	199	19-16574-00		10114 RECEIVER,LINE,TRIPLE	1	E3
200	200	21-14212-00	P	2114-2 RAM,1024X4,STATIC	2	E35,E36
201	201	21-14963-00	UP,8-BIT NMOS		1	E11
202	202	21-14964-00		RAM 2048 MOSJ-STATIC	1	E7
203	203	21-19304-01		0804 ADC,8-BIT DIFFERENTI	1	E77
204	204	21-19305-01		201 SWITCH,ANALOG,QUAD	10	E82,E103,E107-E109,E111,E112, CONT E119,E121,E122
205	205	23-95E3 -00	E3-03		1	E34
206	206	23-36E3 -00 A	E3-03		1	E33
207	207	23-69B9 -00 A	B9-01,B9-02	ROM	1	E8
208	208	23-91B9 -00	B9-01,B9-02	ROM	1	E10

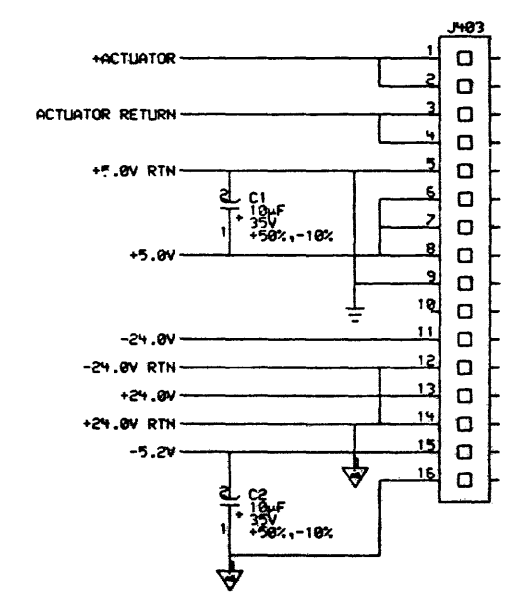
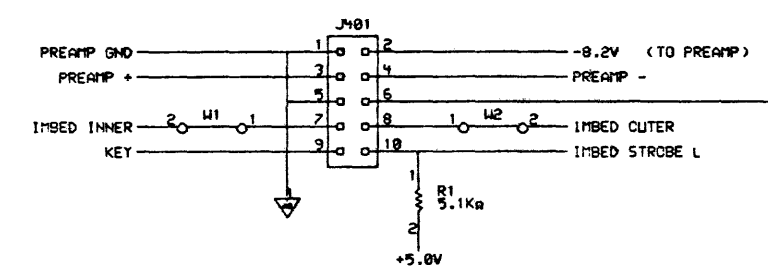
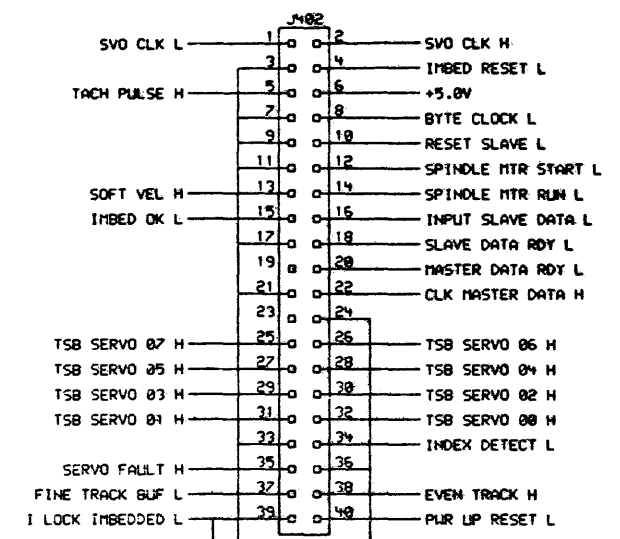
! D ! I ! G ! I ! T ! A ! L !	! TITLE	! SECTION A OF A	! SIZE ! CODE !	! DOCUMENT NUMBER	! REV
! ! ! ! ! ! ! !	SERVO CONTROL	! ! ! ! ! ! ! !	! K ! PL !	5415251-0-DBP	! T !

LINE	ITEM	TOP DOCUMENT	PART NUMBER	MIN REV	DESCRIPTION	QTY PER VAR/REV	REFERENCE DESIGNATORS
209	209		23-321A1-00	A1-07		1	E25
210	210		23-322A1-00	A1-07		1	E28
211	211		23-323A1-00	A1-07		1	E62
212	212		23-324A1-00	A1-07		1	E61
213	213		23-325A1-00	A1-07		1	E14
214	214		48-50018-01		MYLAR , ,.003'	A/R	
215	215		49-01259-00		ADHESIVE,ETHYL CYANOACRYLATE,KIT	A/R	
216	216		90-06010-01		SCREW,MACH PAN PHIL 4-	1	
217	217		90-06022-01		SCREW,MACH PAN PHIL 6-	4	
218	218		90-06557-00		NUT,HEX EXT TOOTH LCKWSHR 4-40	1	
219	219		90-06560-00		NUT,HEX EXT TOOTH LCKWSHR 6-32	9	
220	220		90-07791-00		TERM PCB 2POS SOLDER,TURRET	5	P1,P2,TP1-TP3
221	221		90-07793-01		SCREW,MACH PAN PHIL 6-	8	
222	222		90-09185-00		JUMPER, WIRE, INSULATED, BLACK B	23	W1,W2,W5,W8,W15,W24,W30,W33, CONT W38,W41,W42,W47,W49,W51,W53, CONT W58-W60,W65,W66,W77-W79
223	223		90-09676-00		TERM,SOLDER BARRIER STR	4	
224	224		12-15006-02		*** THIS ITEM IS NOT USED ***	-	
225	225		12-15006-04		*** THIS ITEM IS NOT USED ***	-	
226	226		12-15006-06		*** THIS ITEM IS NOT USED ***	-	
227	227		12-15006-08		SKT,IC 40PIN DIP TIN SOLD	1	XE11
228	228		19-14214-00 C		*** THIS ITEM IS NOT USED ***	-	
229	229		19-15193-00 E		*** THIS ITEM IS NOT USED ***	-	
230	230		12-13071-02		INSULATOR,RUBBER SILICONE SM	4	
231	231		12-13071-06		INSULATOR,RUBBER SILICONE	1	
232	232		12-15580-00 CR		INSULATOR,MOLDED	4	
233	233		12-16833-00 A		HEAT SINK,EXTRUSION 06.00X02.8	1	
234	234		90-06655-00 CR		WASHER,FLAT SST	1	
235	235		90-06656-00 CR		WASHER,FLAT STEEL	4	
236	236		90-09321-00		LOCK TITE, SCREW LOCK, 10CC PER	A/R	

1 GEN: #1. USE B9-01 OR B9-02, WHICHEVER IS EASIER TO OBTAIN

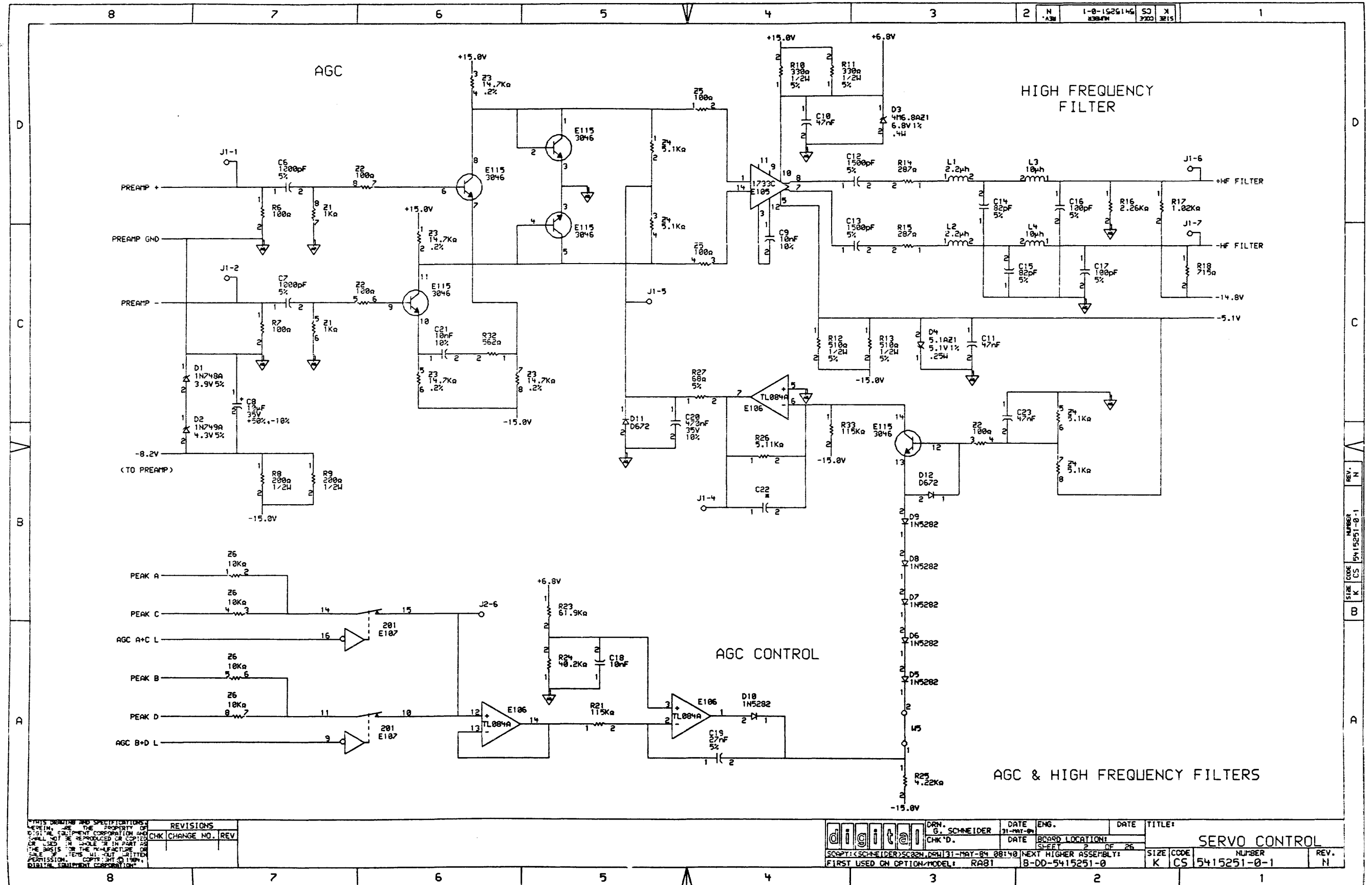
D I G I T A L		TITLE	SECTION A OF A	SIZE	CODE	DOCUMENT NUMBER	REV
		SERVO CONTROL				5415251-0-DBP	T
				K	PL		

NOTE: 1) UNLESS OTHERWISE SPECIFIED,
 ALL RESISTORS ARE 1/4W, 1%.
 RESISTOR PKCS ARE .2W, 2%.
 CAPACITORS ARE 50V, +80%,-20%.
 2) ASTERISK * DENOTES COMPONENTS
 NOT INSERTED (OPTIONAL).



I/O

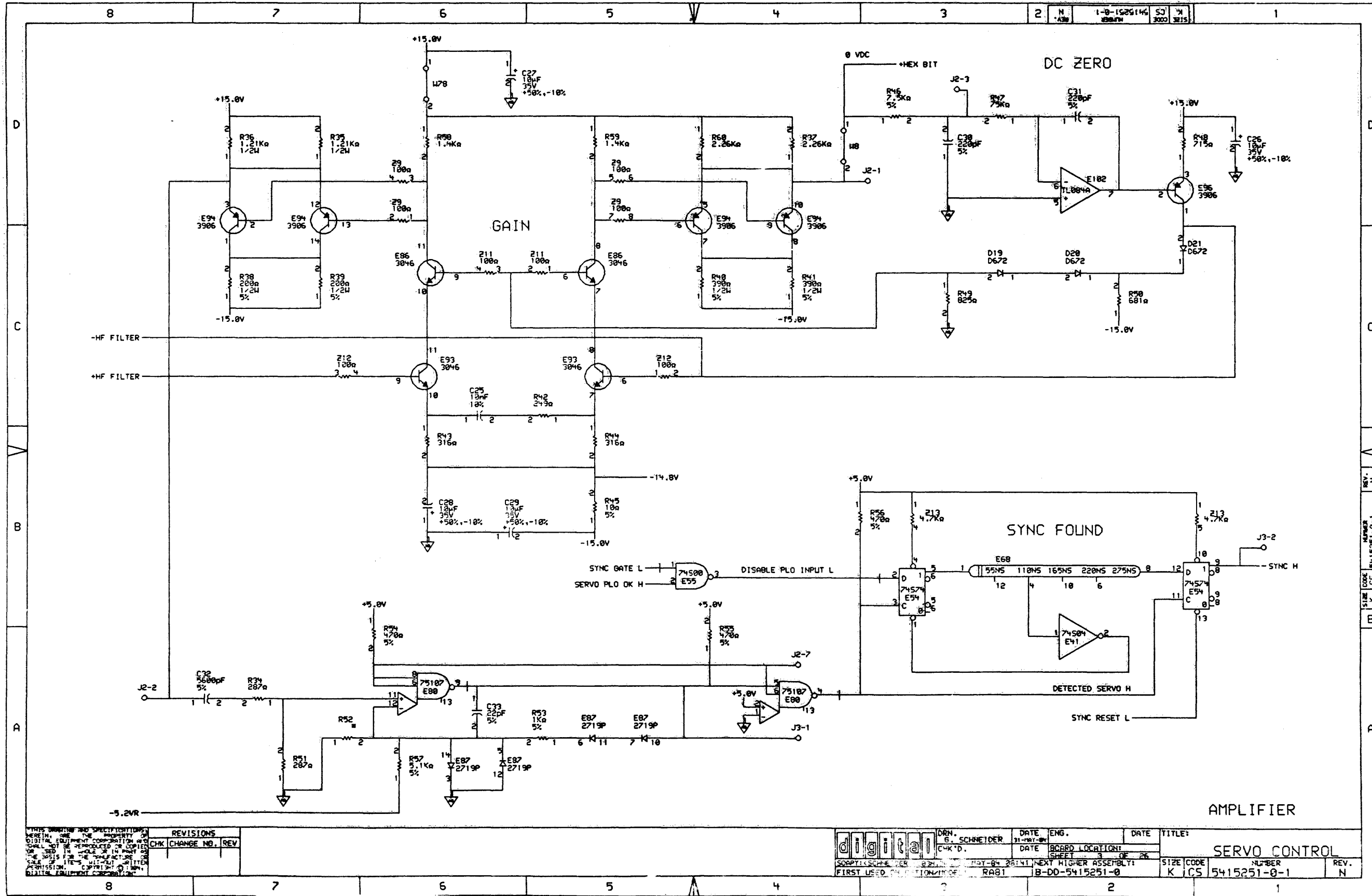
REVISIONS		DRN. G. SCHNEIDER		DATE 31-MAY-84	ENG. G. SCHNEIDER	DATE 31-MAY-84	TITLE: SERVO CONTROL
CHK	CHANGE NO.	REV	DATE	DATE	BOARD LOCATION	OF	25
	5415251-	N					
	02012						
SIZE	CODE	NUMBER	REV.				
K	CS	5415251-0-1	N				



THIS DRAWING AND SPECIFICATIONS ARE THE PROPERTY OF DIGITAL EQUIPMENT CORPORATION AND SHALL NOT BE REPRODUCED OR COPIED IN ANY MANNER WITHOUT THE WRITTEN PERMISSION OF DIGITAL EQUIPMENT CORPORATION.

REVISIONS	
CHK	CHANGE NO. REV

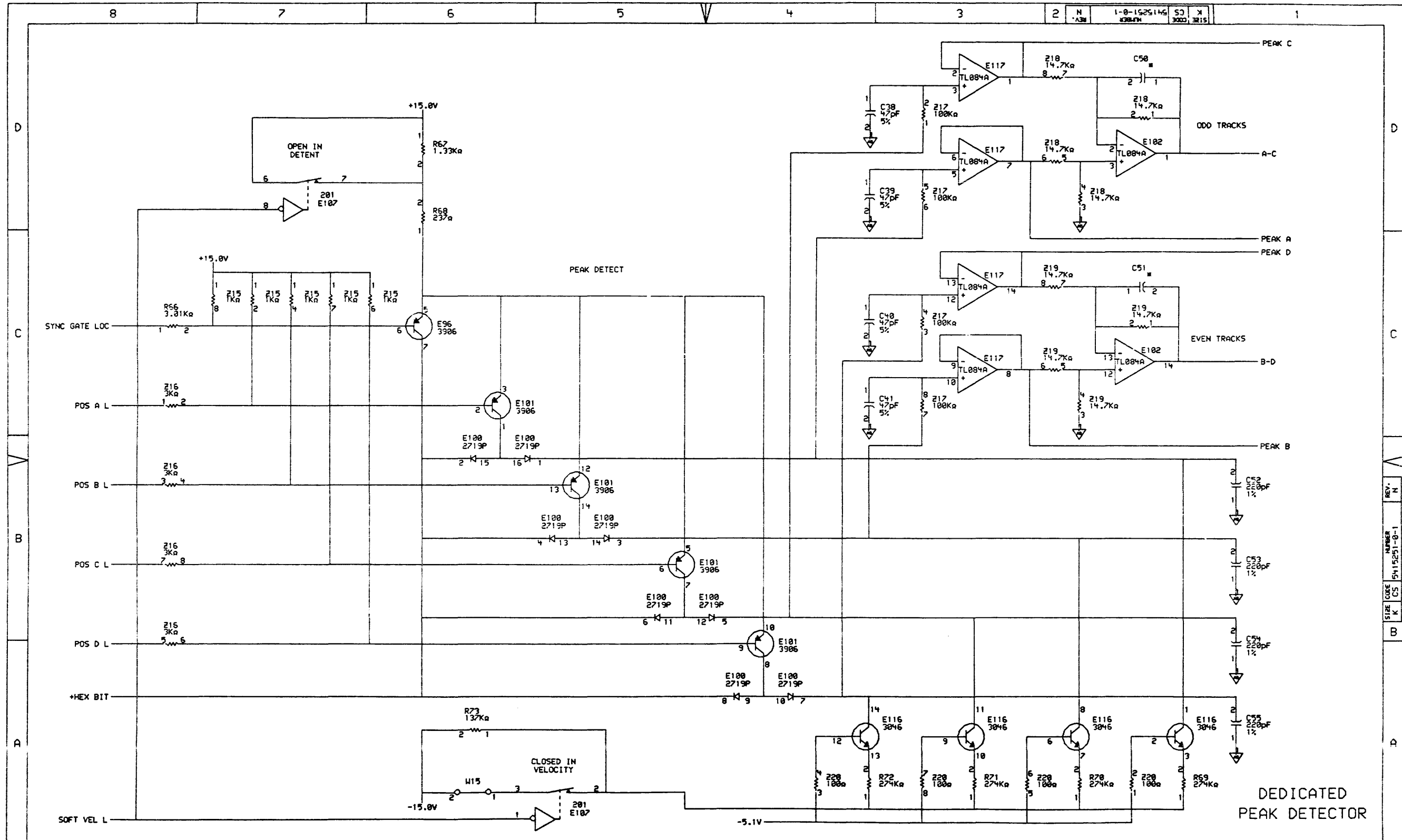
	DRN. G. SCHNEIDER	DATE 31-MAY-84	ENG.	DATE	TITLE: SERVO CONTROL
	CHK'D.	DATE	BOARD LOCATION: SLEET 2 OF 26	SIZE CODE K CS	NUMBER 5415251-0-1
SCHEMATIC: (SCHNEIDER) SC22N.DW131-MAY-84 08:40 NEXT HIGHER ASSEMBLY: FIRST USED ON OPTION MODEL: RAB1 B-DD-5415251-0					REV. N



THIS DRAWING AND SPECIFICATIONS ARE THE PROPERTY OF DIGITAL EQUIPMENT CORPORATION AND SHALL NOT BE REPRODUCED OR COPIED OR USED IN WHOLE OR IN PART OR FOR BASIS FOR THE MANUFACTURE OF ANY EQUIPMENT WITHOUT WRITTEN PERMISSION. COPYRIGHT © 1964, DIGITAL EQUIPMENT CORPORATION.

REVISIONS	
CHK	CHANGE NO. REV

digital	DRN. E. SCHNEIDER	DATE 31-MAY-64	ENG.	DATE	TITLE
	CHK'D.	DATE	BOARD LOCATION:	SHEET 3 OF 26	SERVO CONTROL
SOAPT: SCHEM: SER: 821100: 1047-84: 28141: NEXT HIGHER ASSEMBLY:	FIRST USED IN LOCATION/INSTR: RA81	B-DD-5415251-0	SIZE CODE K CS	NUMBER 5415251-0-1	REV. N



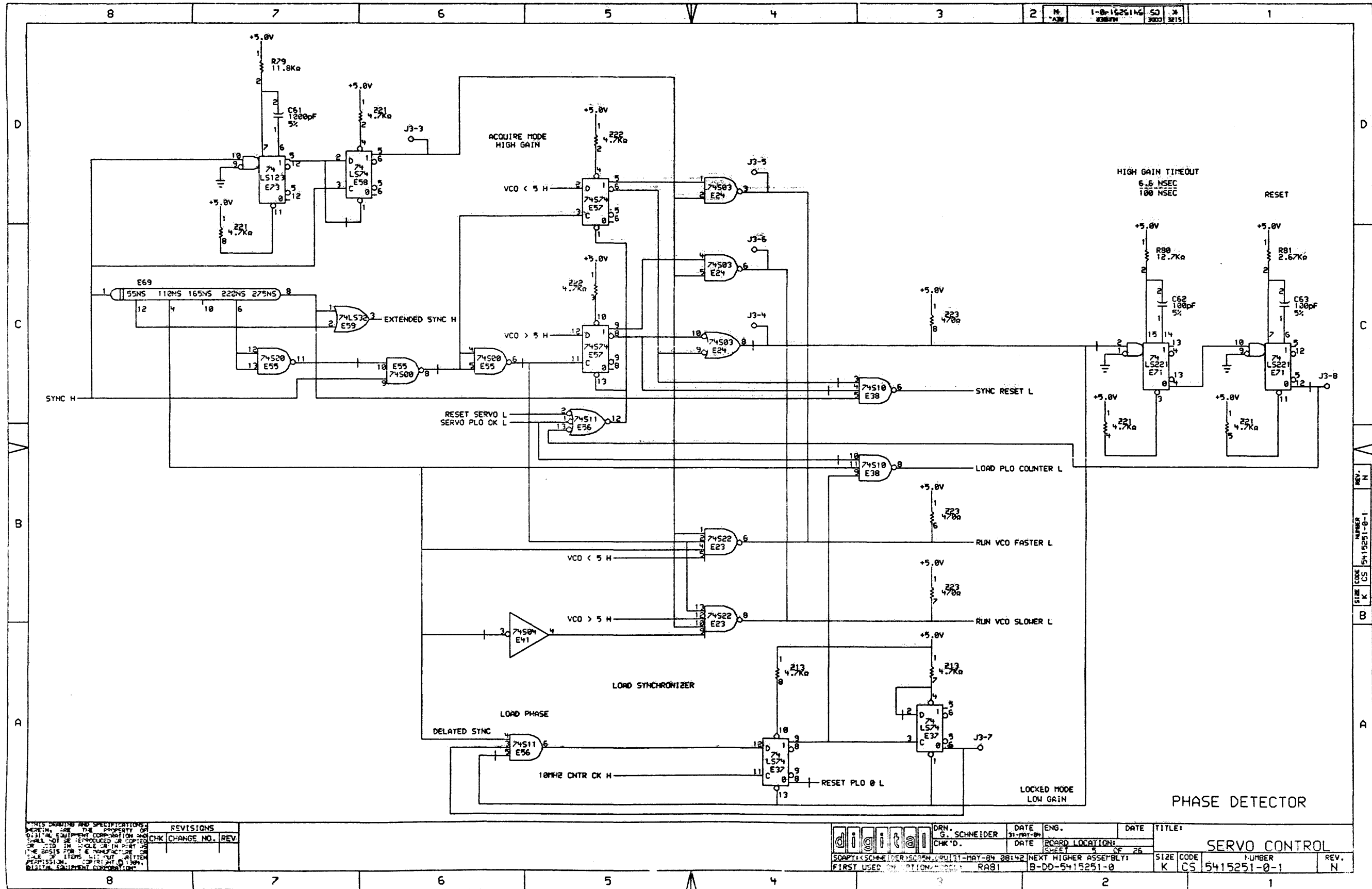
THIS DRAWING AND SPECIFICATIONS
HEREIN ARE THE PROPERTY OF
DIGITAL EQUIPMENT CORPORATION AND
SHALL NOT BE REPRODUCED OR COPIED
OR USED IN ANY MANNER IN PART OR
IN WHOLE FOR THE MANUFACTURE OF
ANY OTHER DEVICES WITHOUT WRITTEN
PERMISSION. COPYRIGHT © 1984
DIGITAL EQUIPMENT CORPORATION

REVISIONS		
CHK	CHANGE NO.	REV

DRW. G. SCHNEIDER	DATE 31-MAY-84	ENG.	DATE	TITLE: SERVO CONTROL
CHK'D.	DATE	SCRD LOCATION: SHEET 4 OF 26		
SCRIPT: <SCHNEIDER>SCHN,CRU 31-MAY-84 081111 NEXT HIGHER ASSEMBLY: B-DD-5415251-0				SIZE CODE K CS
FIRST USED ON OPTION/MODEL: RAB1				NUMBER 5415251-0-1

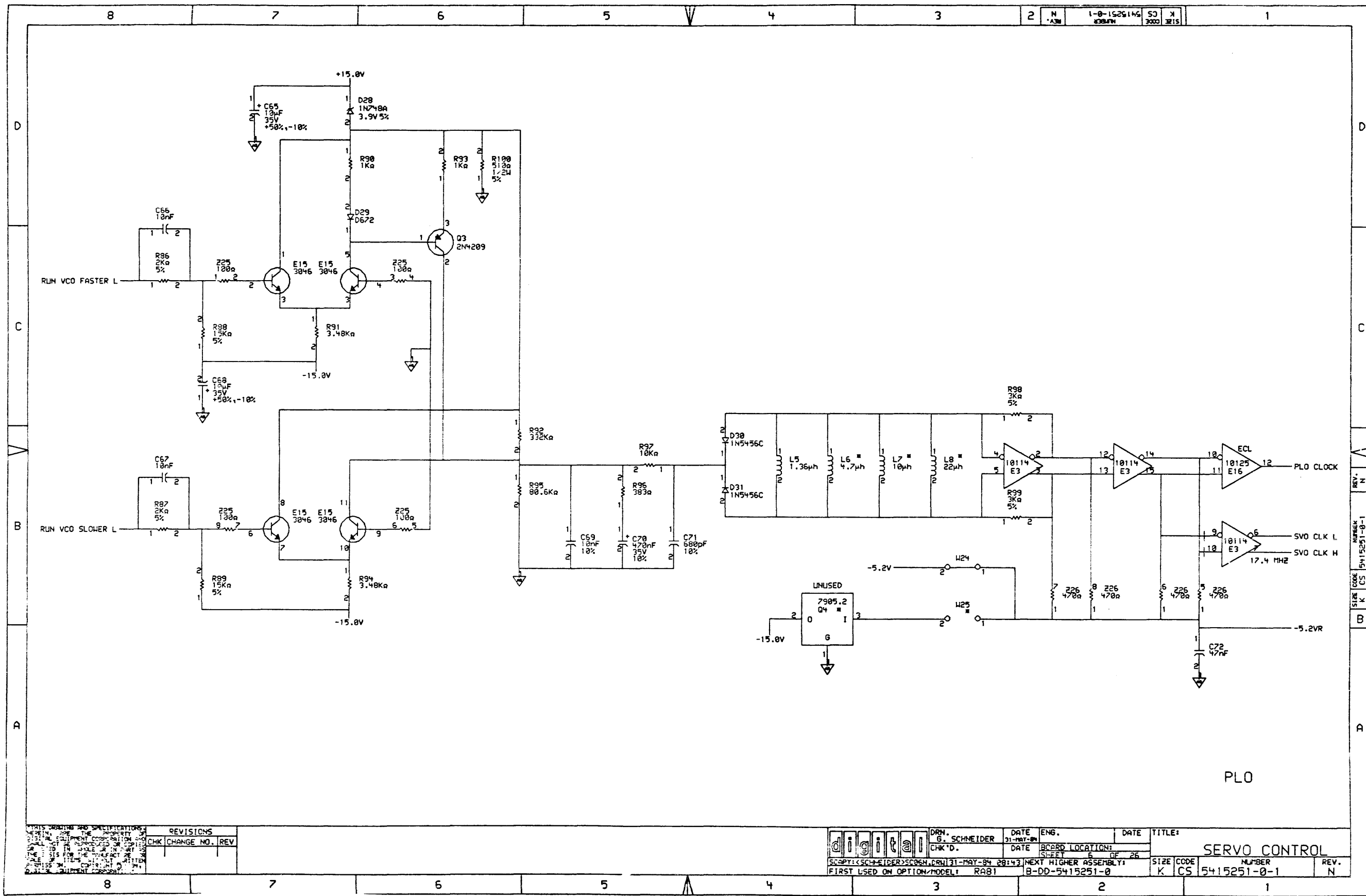
SIZE	CODE	NUMBER	REV.
K	CS	5415251-0-1	N

REV. N
NUMBER 5415251-0-1
SIZE CODE K CS



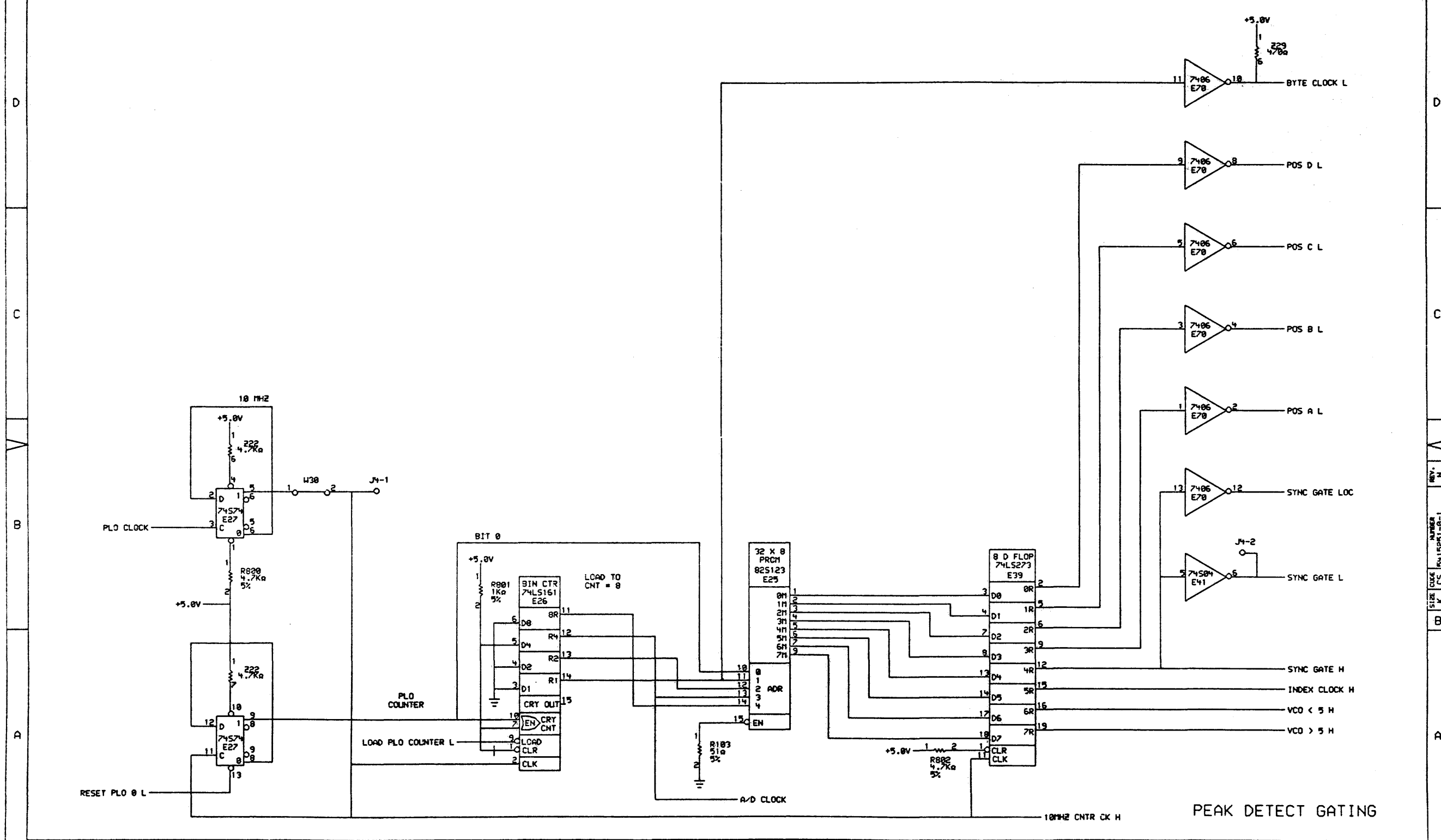
REVISIONS	CHK	CHANGE NO.	REV.

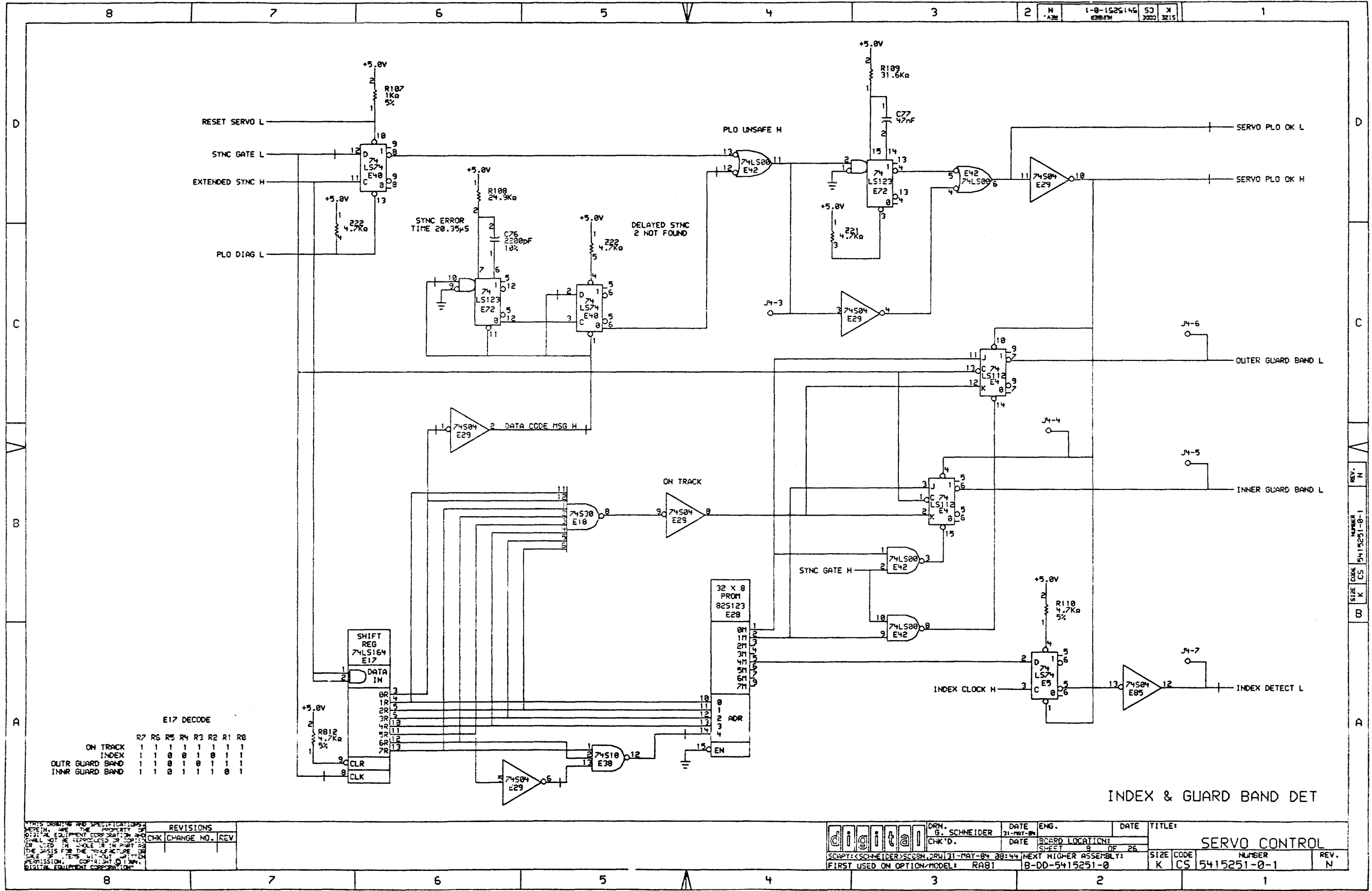
	DRN. G. SCHNEIDER	DATE 31-MAY-84	ENG.	DATE	TITLE: SERVO CONTROL
	CHK'D.	DATE	BOARD LOCATION: SHEET 26 OF 26	SIZE CODE K CS	NUMBER 5415251-0-1
SOAPTK SCHEMATIC FOR 5000A, REV 31-MAY-84 08142	NEXT HIGHER ASSEMBLY: B-DD-5415251-0	RAG1	REV. N		



REVISIONS	
CHK	CHANGE NO. REV.

	DRN.	DATE	ENG.	DATE	TITLE:
	G. SCHNEIDER	31-MAY-84			SERVO CONTROL
CHK'D.		DATE	BOARD LOCATION:	SHEET 6 OF 26	
SCOPY: (SCHNEIDER)SCHN.DRN 31-MAY-84 28:43 NEXT HIGHER ASSEMBLY:		FIRST USED ON OPTION/MODEL: RAB1		B-DD-5415251-0	SIZE CODE K CS
				NUMBER	REV.
				5415251-0-1	N

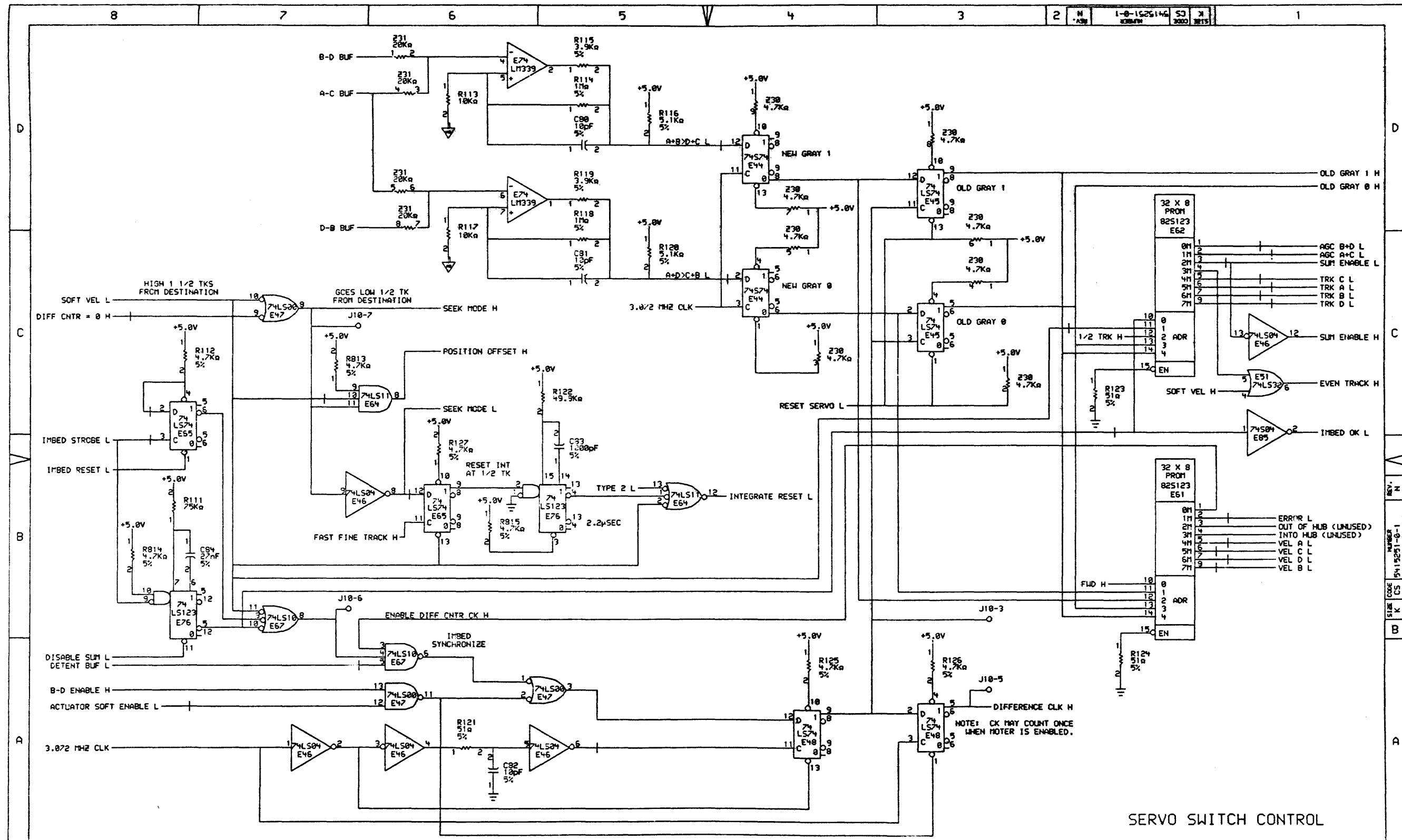




E17 DECODE

	R7	R6	R5	R4	R3	R2	R1	R0
ON TRACK	1	1	1	1	1	1	1	1
INDEX	1	1	0	0	1	0	1	1
OUTR GUARD BAND	1	1	0	1	0	1	1	1
INNER GUARD BAND	1	1	0	1	1	1	0	1

<small>THIS DRAWING AND SPECIFICATIONS ARE THE PROPERTY OF DIGITAL EQUIPMENT CORPORATION AND SHALL NOT BE REPRODUCED OR COPIED IN WHOLE OR IN PART OR FOR ANY PURPOSE WITHOUT THE WRITTEN PERMISSION OF DIGITAL EQUIPMENT CORPORATION.</small>	REVISIONS CHK CHANGE NO. REV	digital DRN. G. SCHNEIDER CHK'D. DATE	DATE 31-MAY-89 BOARD LOCATION: SHEET 9 OF 26	DATE TITLE:
	SCRIPT: (SCHNEIDER)SC23N.DRW/31-MAY-89 28:44 NEXT HIGHER ASSEMBLY: B-DD-5415251-0			SIZE CODE NUMBER K CS 5415251-0-1
	FIRST USED ON OPTION MODEL: RAB1			REV. N



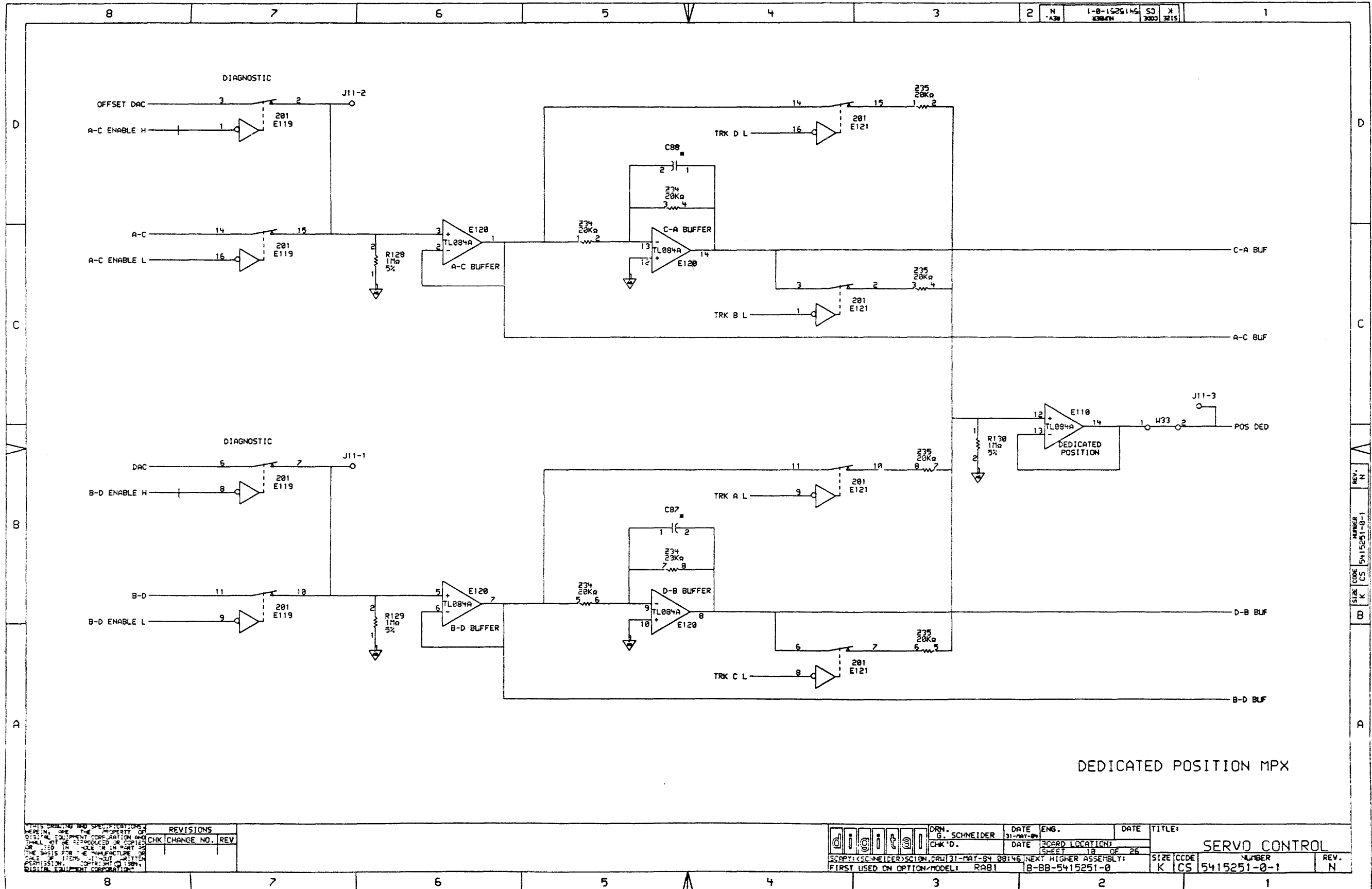
SERVO SWITCH CONTROL

THIS DRAWING AND SPECIFICATIONS ARE THE PROPERTY OF THE COMPANY AND ARE NOT TO BE REPRODUCED OR USED IN ANY MANNER WITHOUT THE WRITTEN PERMISSION OF THE COMPANY.

REVISIONS		
CHK	CHANGE NO.	REV.

DRN	G. SCHNEIDER	DATE	ENG.	DATE	TITLE
CHK					
DATE					

REV. N

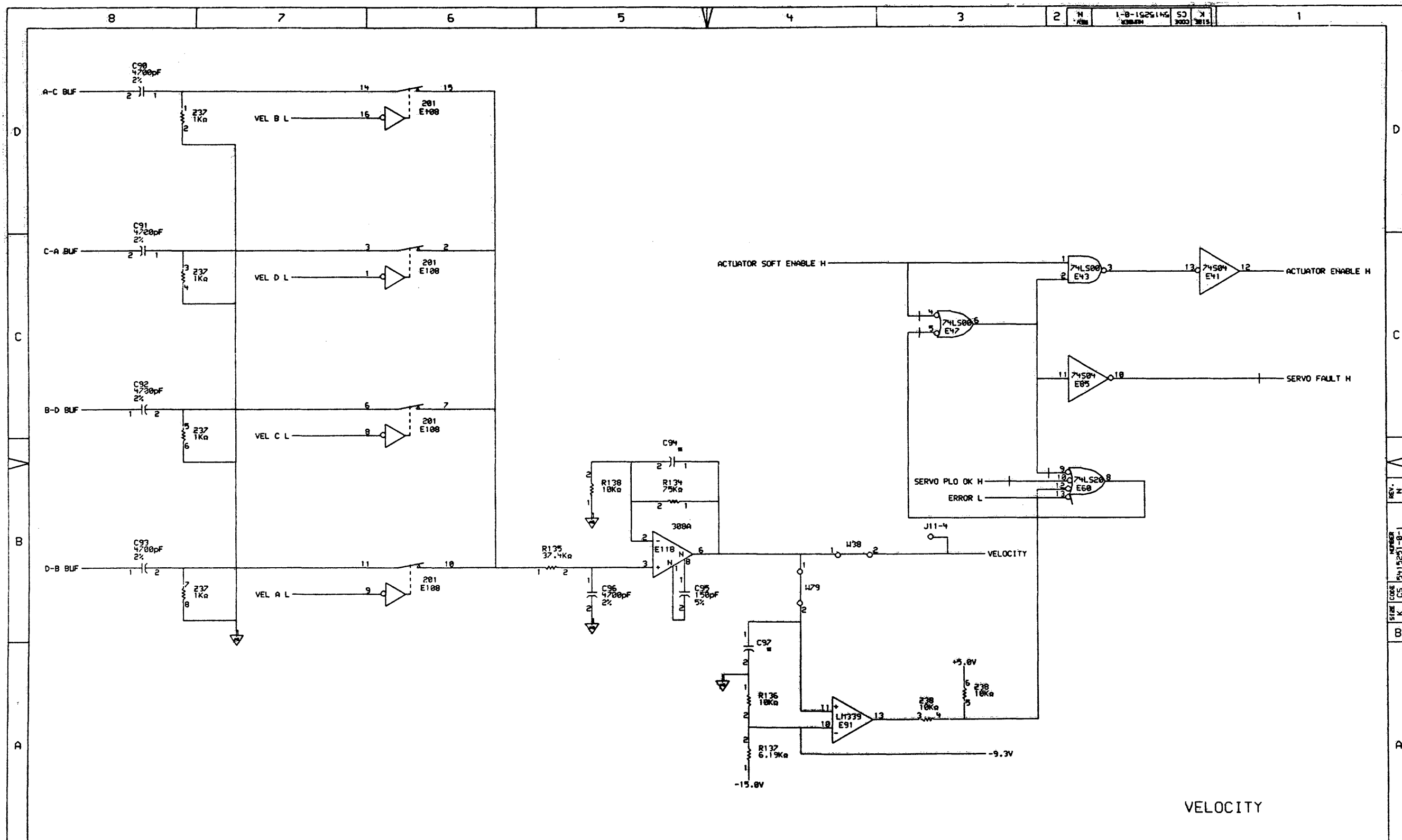


DEDICATED POSITION MPX

THIS DRAWING AND SPECIFICATIONS ARE THE PROPERTY OF DIGITAL EQUIPMENT CORPORATION AND SHALL NOT BE REPRODUCED OR COPIED IN ANY MANNER WITHOUT THE WRITTEN PERMISSION OF DIGITAL EQUIPMENT CORPORATION.

REVISIONS	
CHK	CHANGE NO. REV

	DRN. G. SCHNEIDER	DATE 31-MAY-81	ENG.	DATE	TITLE: SERVO CONTROL
	CHK'D.	DATE	BOARD LOCATION: SHEET 18 OF 25	SIZE CODE: K CS	NUMBER: 5415251-0-1
SCRIPT: (SCHNEIDER) SCON.DRW 31-MAY-81 08146 NEXT HIGHER ASSEMBLY: B-BB-5415251-0		FIRST USED ON OPTION/MODEL: RAB1		REV. N	

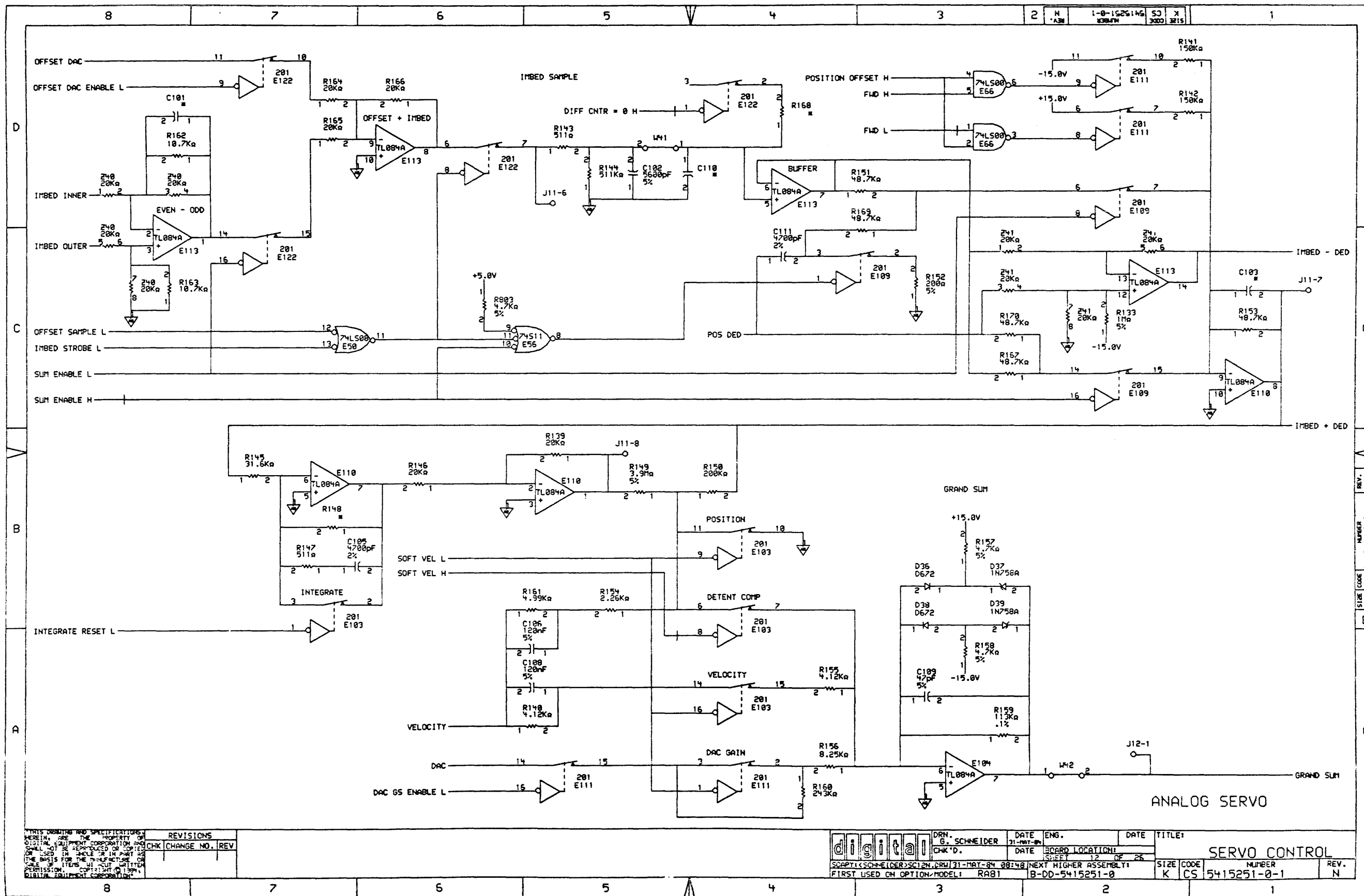


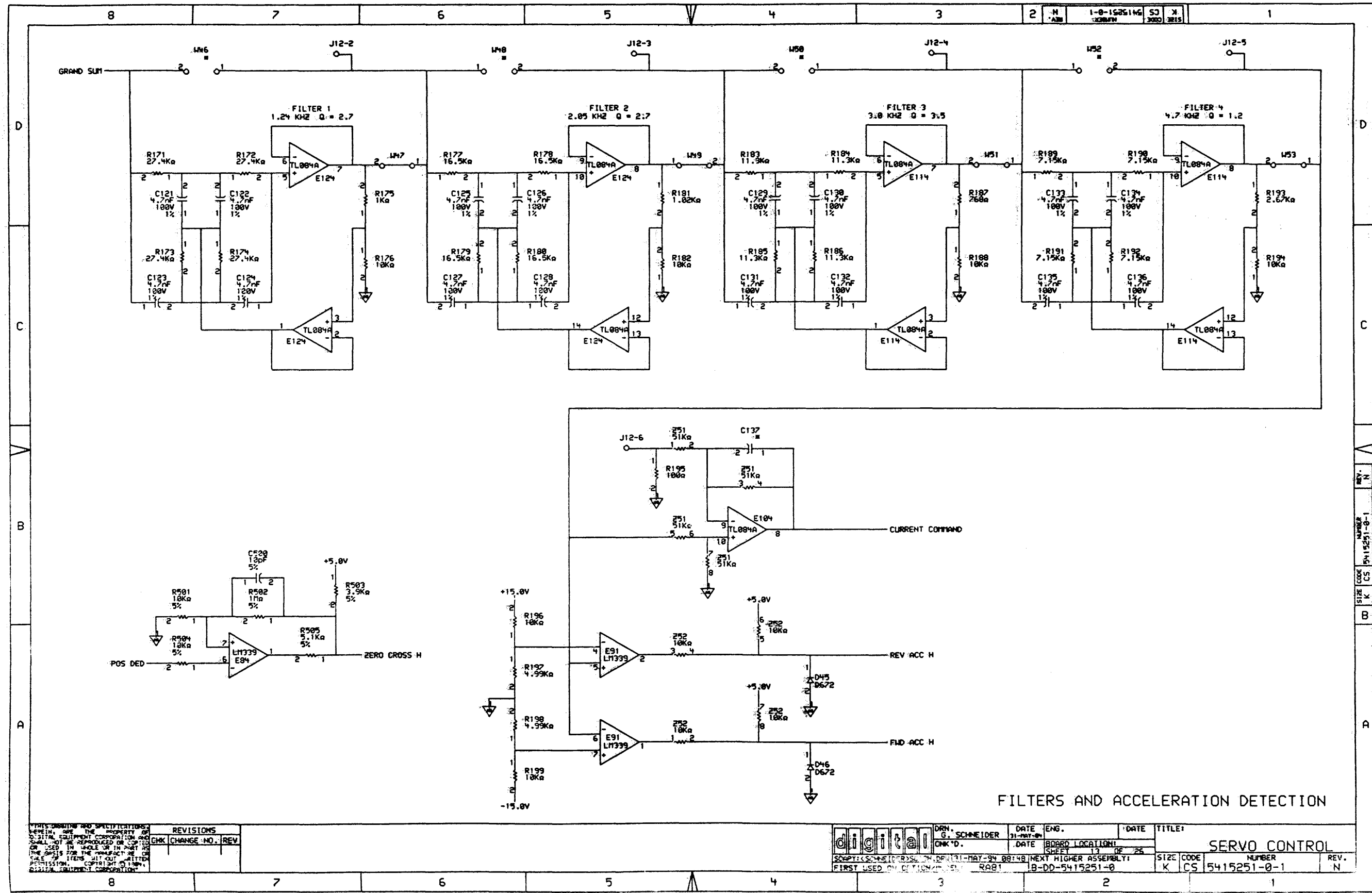
VELOCITY

STRICTLY CONFIDENTIAL AND SPECIFICATIONS HEREIN ARE THE PROPERTY OF DIGITAL EQUIPMENT CORPORATION AND SHALL NOT BE REPRODUCED OR COPIED OR USED IN WHOLE OR IN PART AS THE BASIS FOR THE MANUFACTURE OR SALE OF ITEMS WITHOUT WRITTEN PERMISSION. COPYRIGHT © 1974 DIGITAL EQUIPMENT CORPORATION

REVISIONS	
CHK	CHANGE NO. REV

	DRN. G. SCHNEIDER	DATE 31-MAY-80	ENG.	DATE	TITLE: SERVO CONTROL
	BOARD LOCATION: SHEET 11 OF 26 NEXT HIGHER ASSEMBLY: B-DD-5415251-0 FIRST USED ON OPT. PART NO. RAB1	DATE 31-MAY-80	DATE	DATE	DATE
SIZE CODE K CS	NUMBER 5415251-0-1	REV. N			





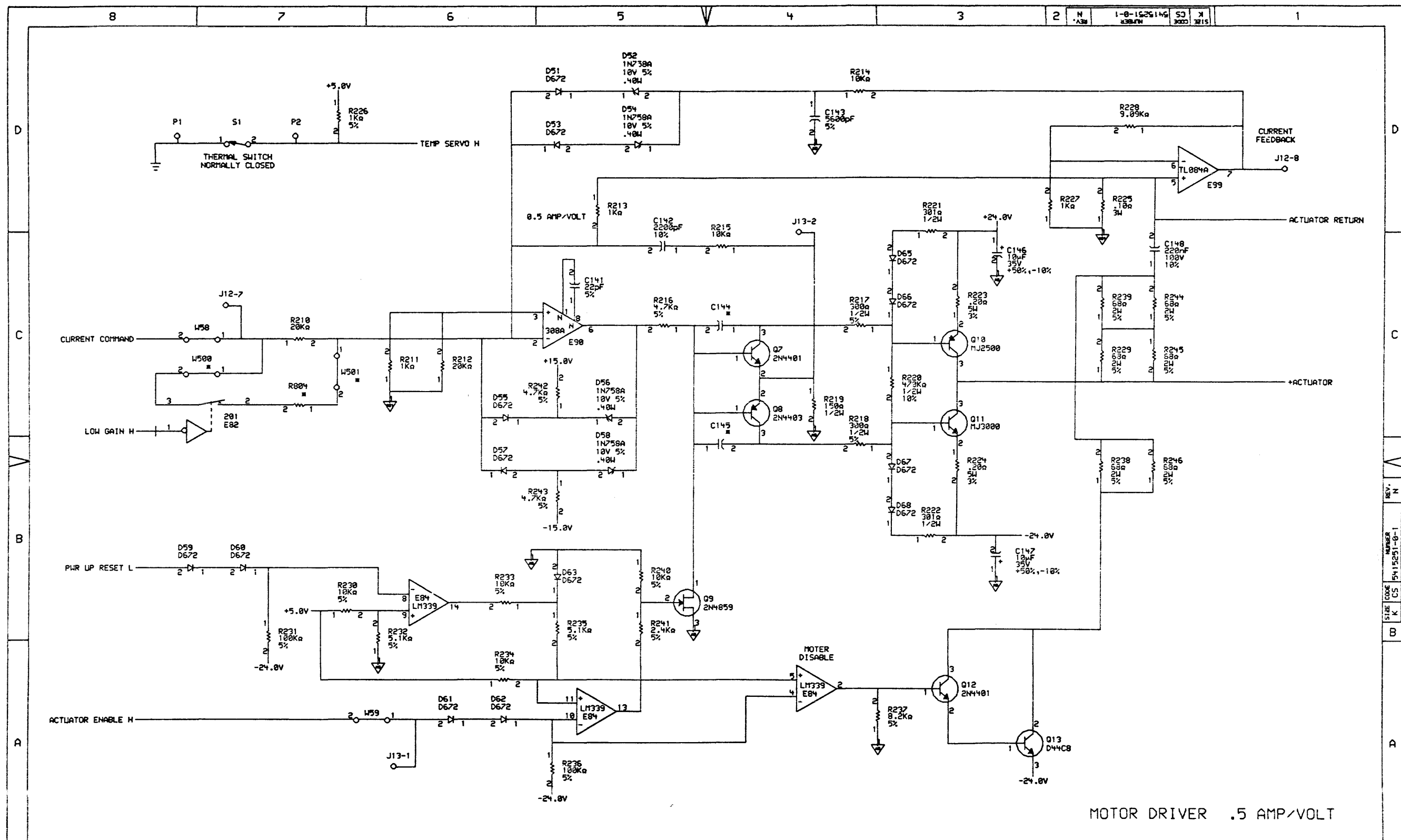
FILTERS AND ACCELERATION DETECTION

DESIGN AND SPECIFICATIONS
 HEREIN ARE THE PROPERTY OF
 DIGITAL EQUIPMENT CORPORATION AND
 SHALL NOT BE REPRODUCED OR COPIED
 OR USED IN WHOLE OR IN PART AS
 THE BASIS FOR THE MANUFACTURE OR
 SALE OF ITEMS WITHOUT WRITTEN
 PERMISSION. COPYRIGHT © 1984
 DIGITAL EQUIPMENT CORPORATION

REV.	CHG.	CHANGE NO.	REV.

	DRN. G. SCHNEIDER	DATE 31-MAY-84	ENG.	DATE	TITLE
	CHK'D.	DATE	BOARD LOCATION	SHEET 13 OF 25	SERVO CONTROL
SCHEMATIC PERSONNEL: DEW11-MAY-84 08:48 FIRST USED ON: 18-MAY-84 RAB1		NEXT HIGHER ASSEMBLY: 1B-DD-5415251-0		SIZE K	CODE CS
NUMBER 5415251-0-1				REV. N	

REV. N
 SIZE K
 CODE CS
 5415251-0-1



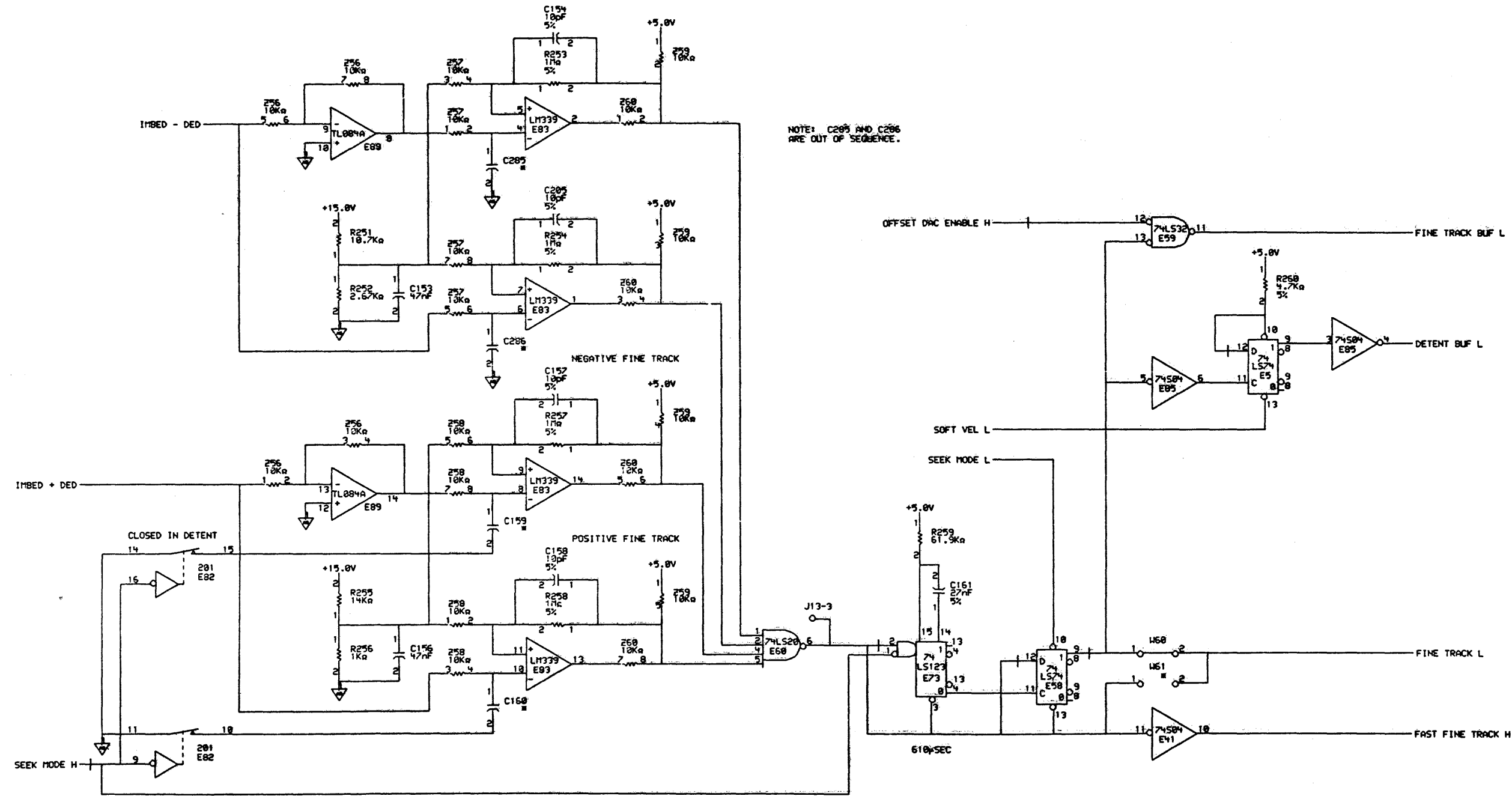
MOTOR DRIVER .5 AMP/VOLT

THIS DRAWING AND SPECIFICATIONS HEREBY ARE THE PROPERTY OF DIGITAL EQUIPMENT CORPORATION AND SHALL NOT BE REPRODUCED OR COPIED OR USED IN WHOLE OR IN PART AS THE BASIS FOR THE MANUFACTURE OR SALE OF ITEMS WITHOUT WRITTEN PERMISSION. COPYRIGHT © 1984, DIGITAL EQUIPMENT CORPORATION.

REVISIONS	
CHK	CHANGE NO. REV

	DRN. G. SCHNEIDER	DATE 31-MAY-84	ENG.	DATE	TITLE: SERVO CONTROL
	CHK'D.	DATE	BOARD LOCATION: SHEET 14 OF 26	SIZE CODE K	NUMBER 5415251-0-1
FIRST USED ON OPTION/MODEL: RA81				DATE: B-DD-5415251-0	REV. N

SIZE CODE K CS 5415251-0-1
 REV. N

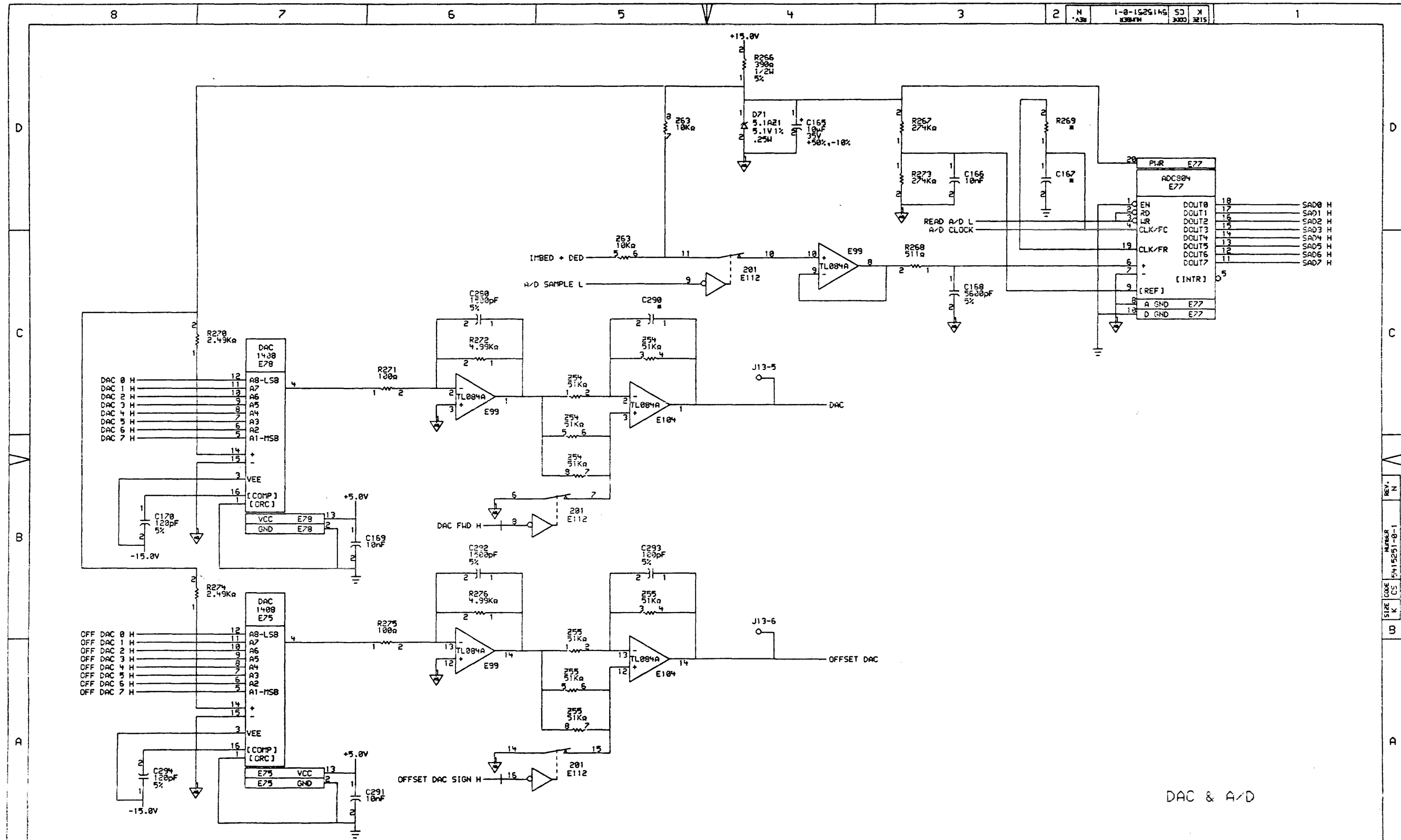


FINE TRACK

THIS DRAWING AND SPECIFICATIONS HEREIN ARE THE PROPERTY OF DIGITAL EQUIPMENT CORPORATION AND SHALL NOT BE REPRODUCED OR COPIED IN WHOLE OR IN PART WITHOUT THE WRITTEN PERMISSION OF THE MANUFACTURER.

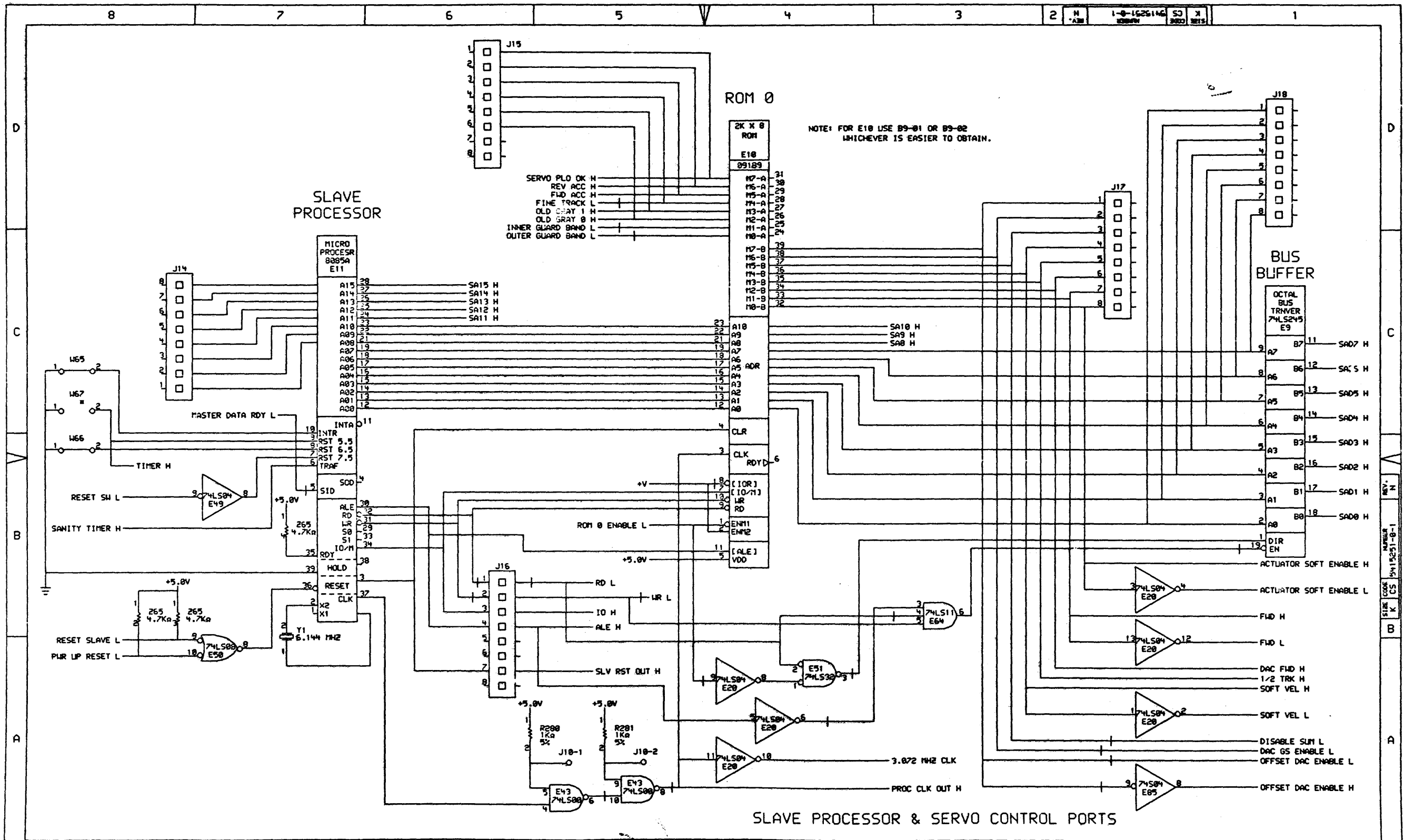
REVISIONS	
CHK	CHANGE NO. REV.

DIGITAL	DRN. G. SCHNEIDER	DATE 01-1971-01	ENG.	DATE	TITLE
	CHK'D.	DATE	BOARD LOCATION	SHEET 15 OF 26	SERVO CONTROL
FIRST USED OR OPTION MODEL RAB1		NEXT HIGHER ASSEMBLY: 8-DD-5415251-0		SIZE CODE K CS	NUMBER 5415251-0-1
					REV. N



DAC & A/D

REVISIONS CHK CHANGE NO. REV		DRN. G. SCHNEIDER G. SCHNEIDER DATE 31-MAY-84 DATE 31-MAY-84 ENG. DATE 31-MAY-84 DATE 31-MAY-84 CHECK'D. DATE 31-MAY-84		TITLE: SERVO CONTROL NUMBER 15 OF 25 SIZE CODE K CS 5415251-0-1 FIRST USED ON OPTION/MODEL: RAB1 B-DD-5415251-0	
---------------------------------	--	---	--	--	--



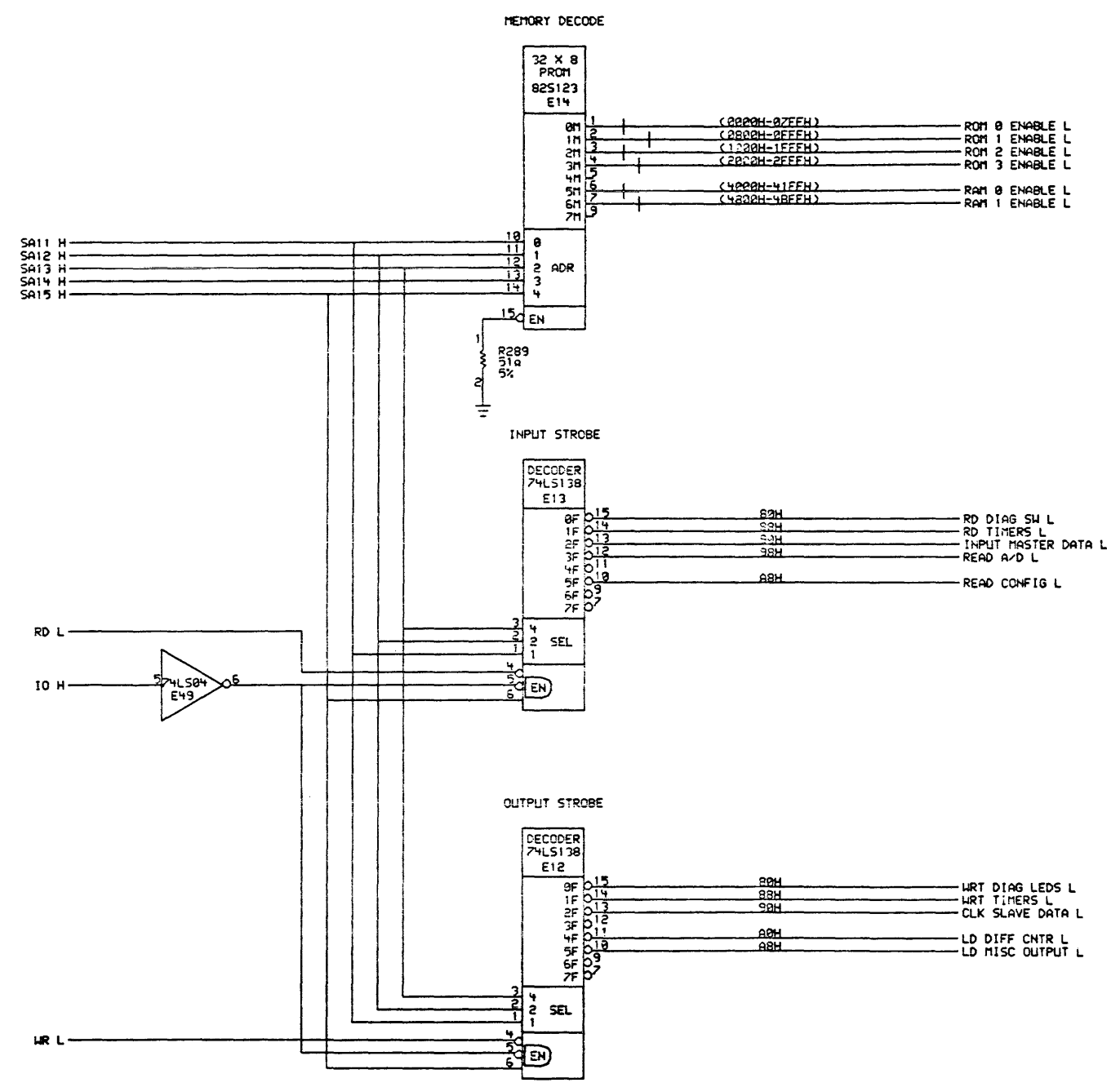
THIS DRAWING AND SPECIFICATIONS
HEREIN ARE THE PROPERTY OF
DIGITAL EQUIPMENT CORPORATION AND
ALL RIGHTS ARE RESERVED. NO PART
OF THIS DRAWING OR SPECIFICATIONS
MAY BE REPRODUCED OR TRANSMITTED
IN ANY FORM OR BY ANY MEANS
ELECTRONIC, MECHANICAL, PHOTOCOPYING,
RECORDING, OR BY ANY INFORMATION
STORAGE AND RETRIEVAL SYSTEM
WITHOUT PERMISSION IN WRITING
FROM DIGITAL EQUIPMENT CORPORATION.

CHK	CHANGE NO.	REV.

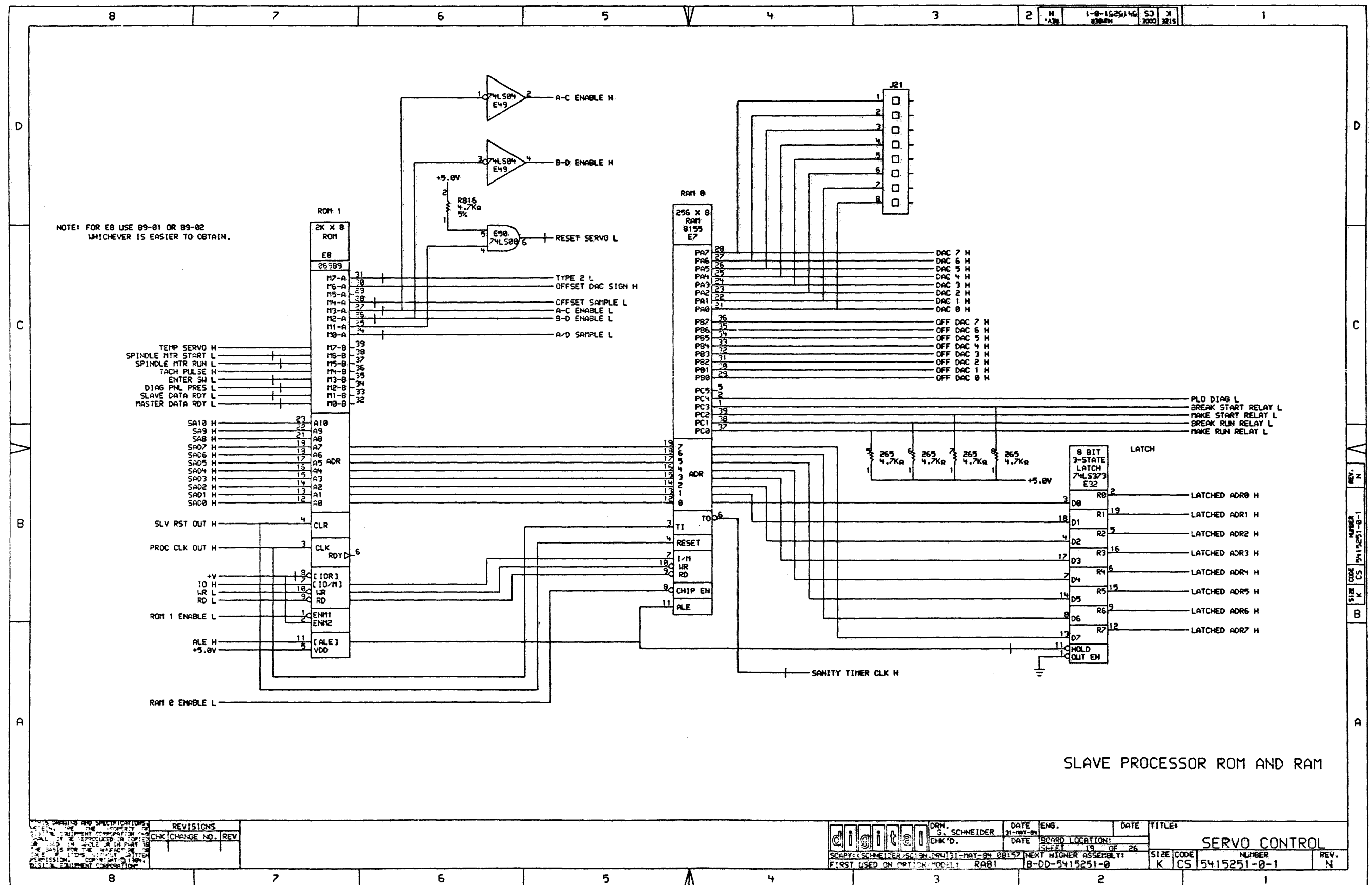
digit
G. SCHNEIDER
DATE 31-MAY-84
DATE
BOARD LOCATION: SHEET 17 OF 26
NEXT HIGHER ASSEMBLY: RAB1
FIRST USED ON OPTION/MODEL: B-DD-5415251-0

DATE
ENG.
DATE
TITLE: SERVO CONTROL

SIZE CODE NUMBER REV.
K CS 5415251-0-1 N

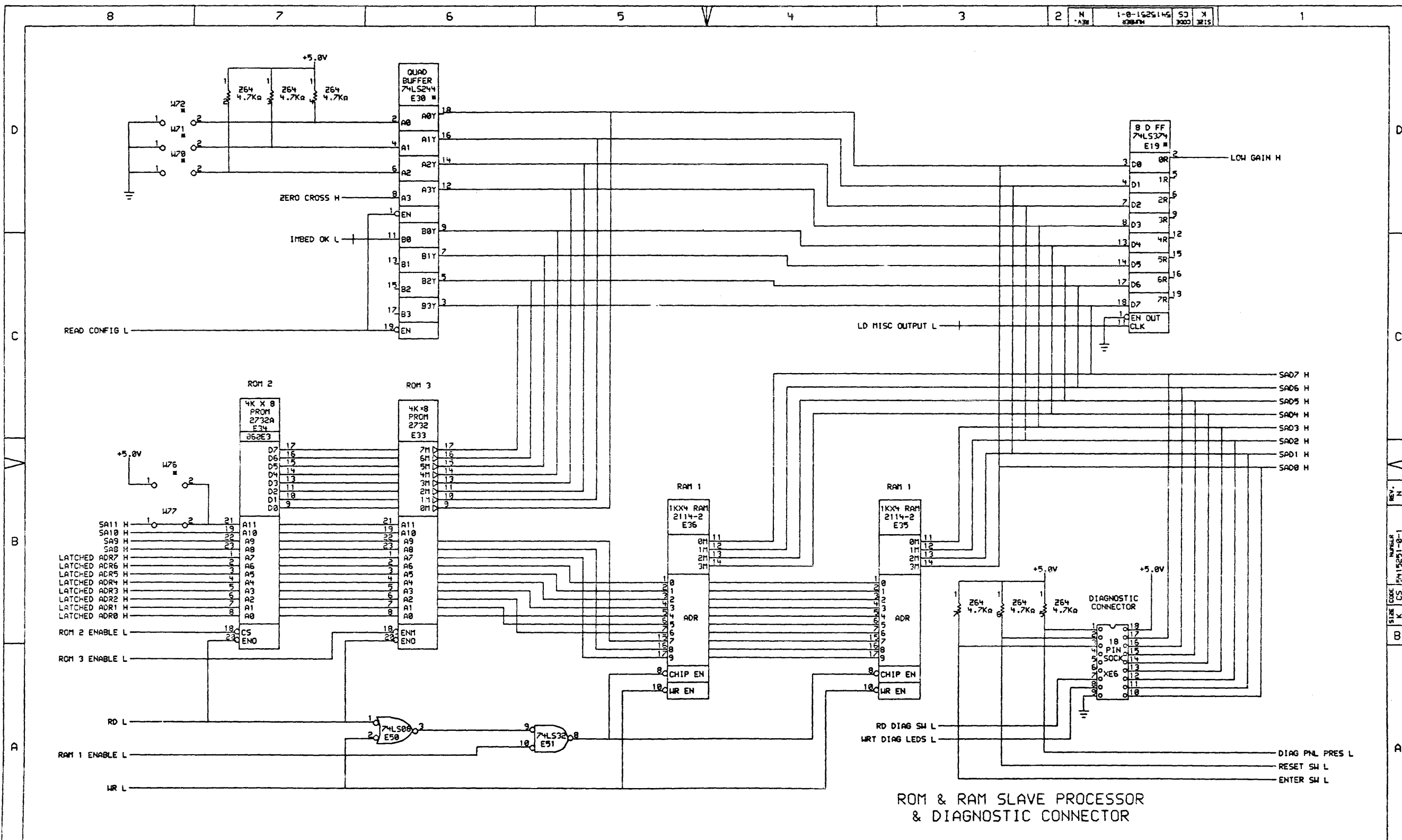


SLAVE DEVICE DECODE



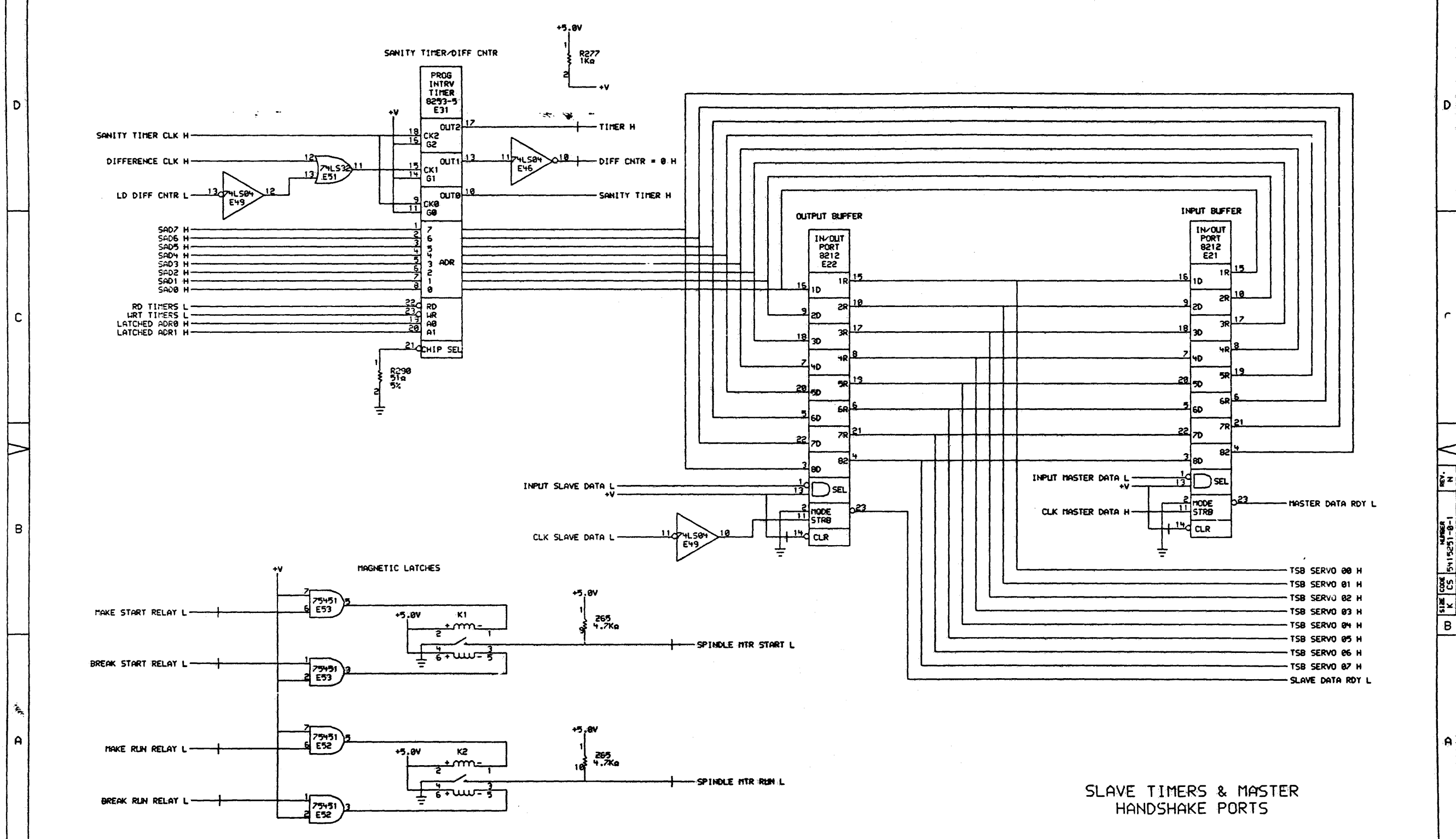
REVISIONS
CHK CHANGE NO. REV

digit	DRN.	DATE	ENG.	DATE	TITLE
	G. SCHNEIDER	31-MAY-84			SERVO CONTROL
	CHK'D.	DATE	BOARD LOCATION:	SHEET 19 OF 26	
COPY: (SCHNEIDER/SECTION) 31-MAY-84 08:57		NEXT HIGHER ASSEMBLY:		SIZE	CODE
FIRST USED ON OPTION MODEL: RAB1		B-DD-5415251-0		K	CS
				NUMBER	REV.
				5415251-0-1	N

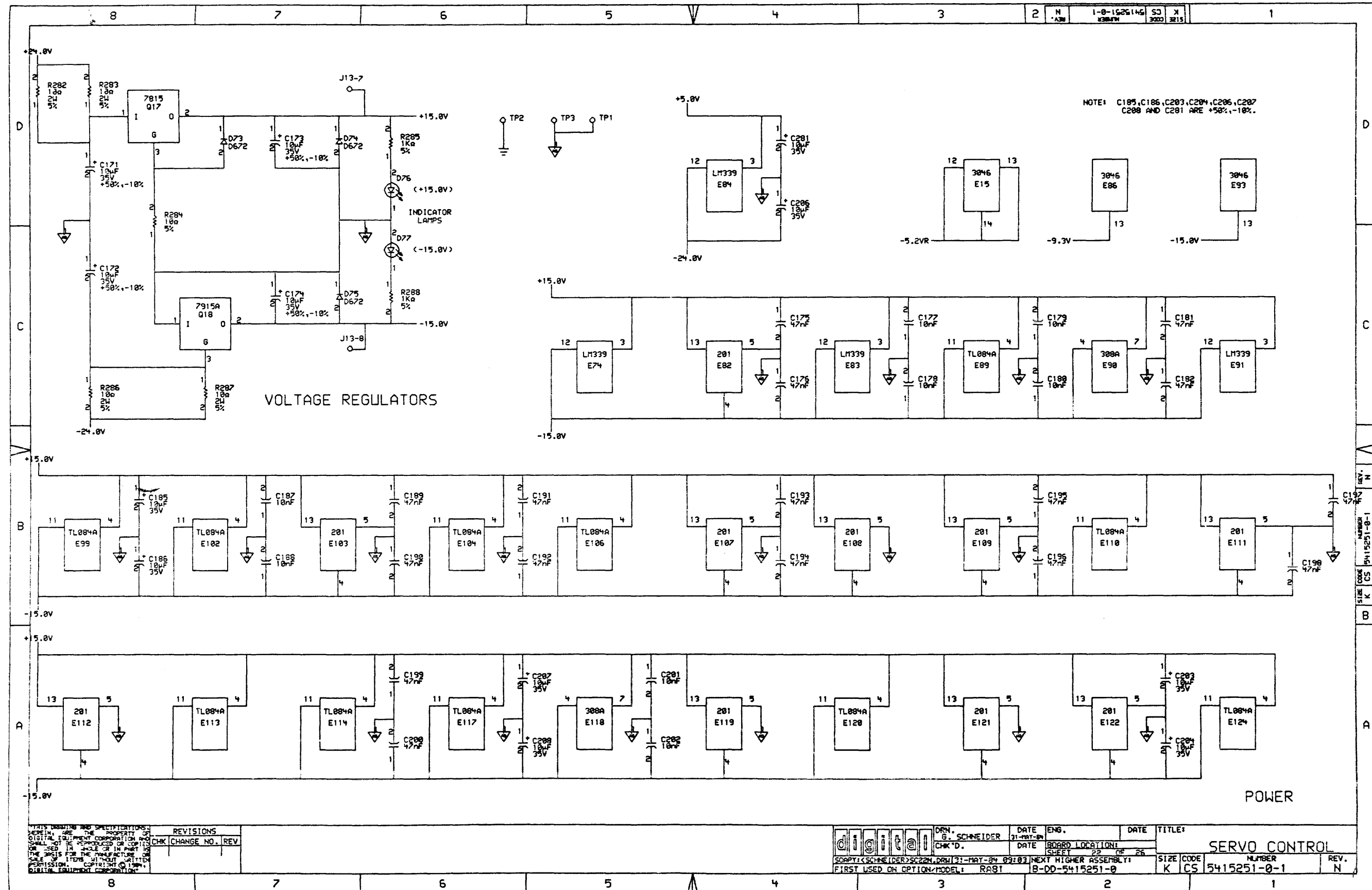


ROM & RAM SLAVE PROCESSOR
& DIAGNOSTIC CONNECTOR

REVISIONS CHK CHANGE NO. REV		DRN. G. SCHNEIDER DATE 31-MAY-84 DATE 31-MAY-84		ENG. DATE 31-MAY-84		TITLE SERVO CONTROL	
74LS244 74LS374 2732A 2732 2114-2 2114-2		74LS244 74LS374 2732A 2732 2114-2 2114-2		74LS244 74LS374 2732A 2732 2114-2 2114-2		74LS244 74LS374 2732A 2732 2114-2 2114-2	
SIZE CODE K CS 5415251-0-1		SIZE CODE K CS 5415251-0-1		SIZE CODE K CS 5415251-0-1		SIZE CODE K CS 5415251-0-1	
FIRST USED ON OPTION/MODEL: RAB1		NEXT HIGHER ASSEMBLY: B-DD-5415251-0		NEXT HIGHER ASSEMBLY: B-DD-5415251-0		NEXT HIGHER ASSEMBLY: B-DD-5415251-0	

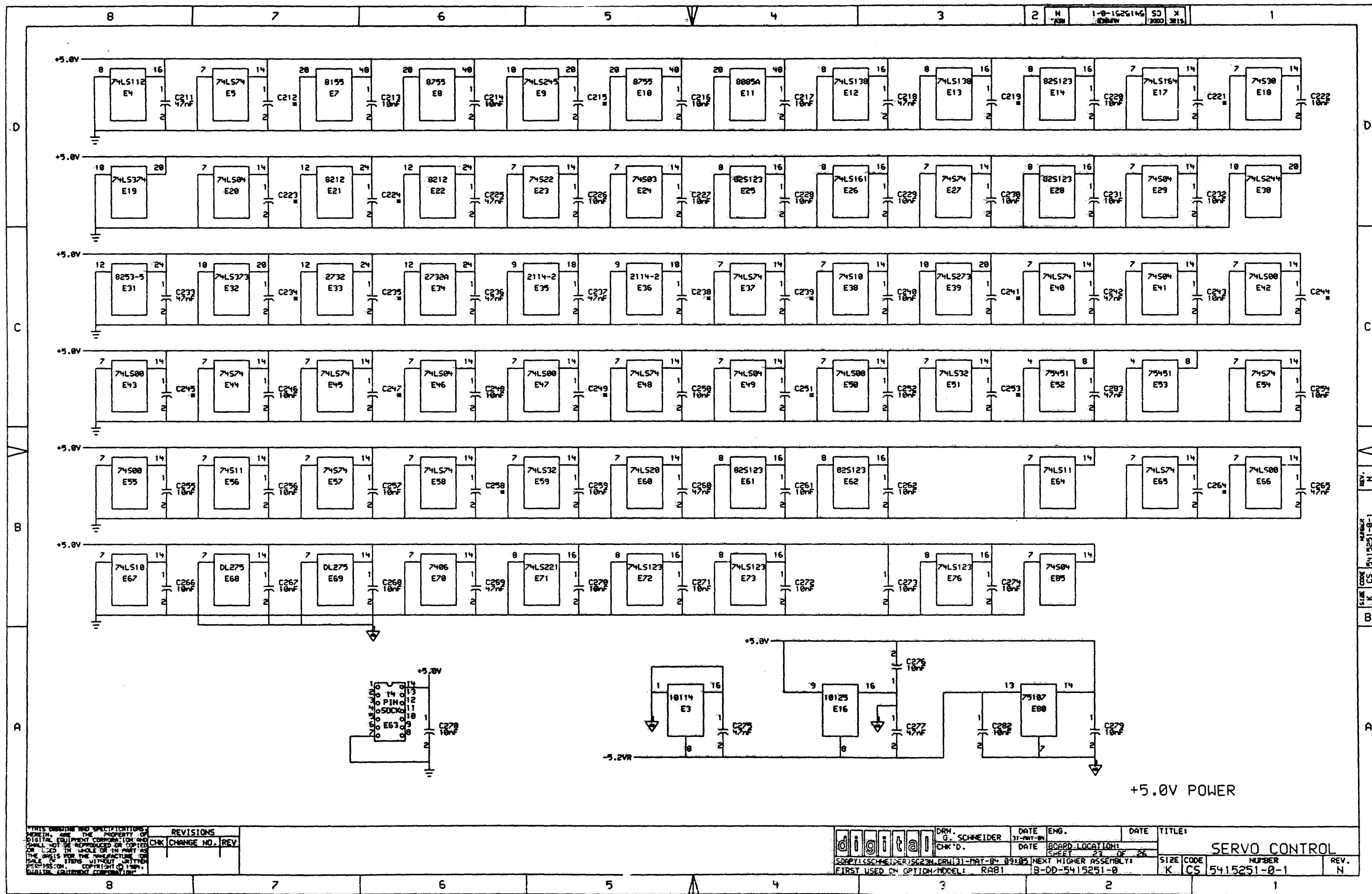


SLAVE TIMERS & MASTER HANDSHAKE PORTS



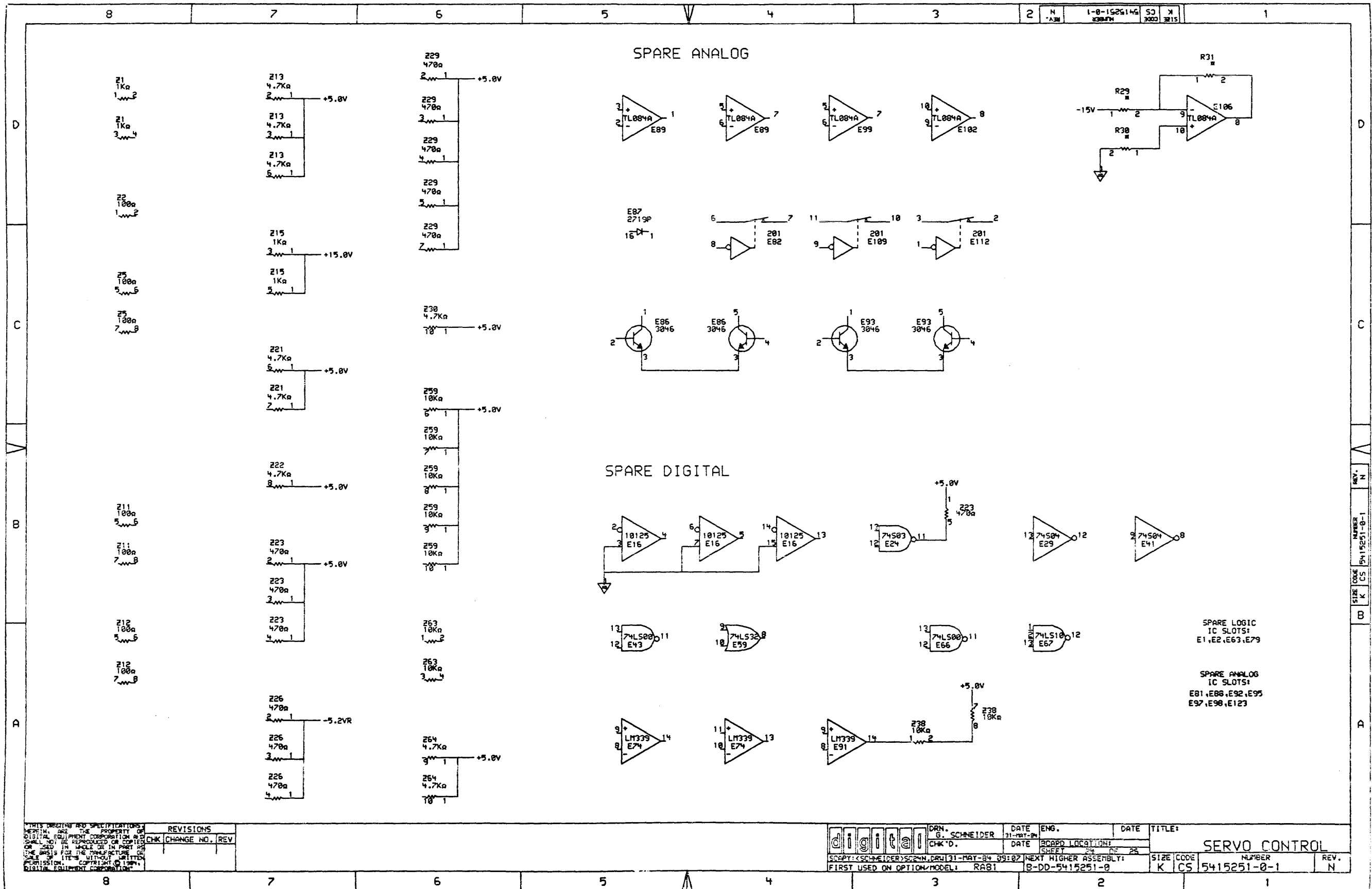
REVISIONS	
CHK	CHANGE NO. REV

	DRN. SCHNEIDER	DATE 31-MAY-84	ENG.	DATE	TITLE
	CHK'D.	DATE	BOARD LOCATION	SHEET 22 OF 26	SERVO CONTROL
FIRST USED ON OPTION MODEL: RAS1		NEXT HIGHER ASSEMBLY: B-DD-5415251-0		SIZE	NUMBER
K CS		5415251-0-1		REV.	N



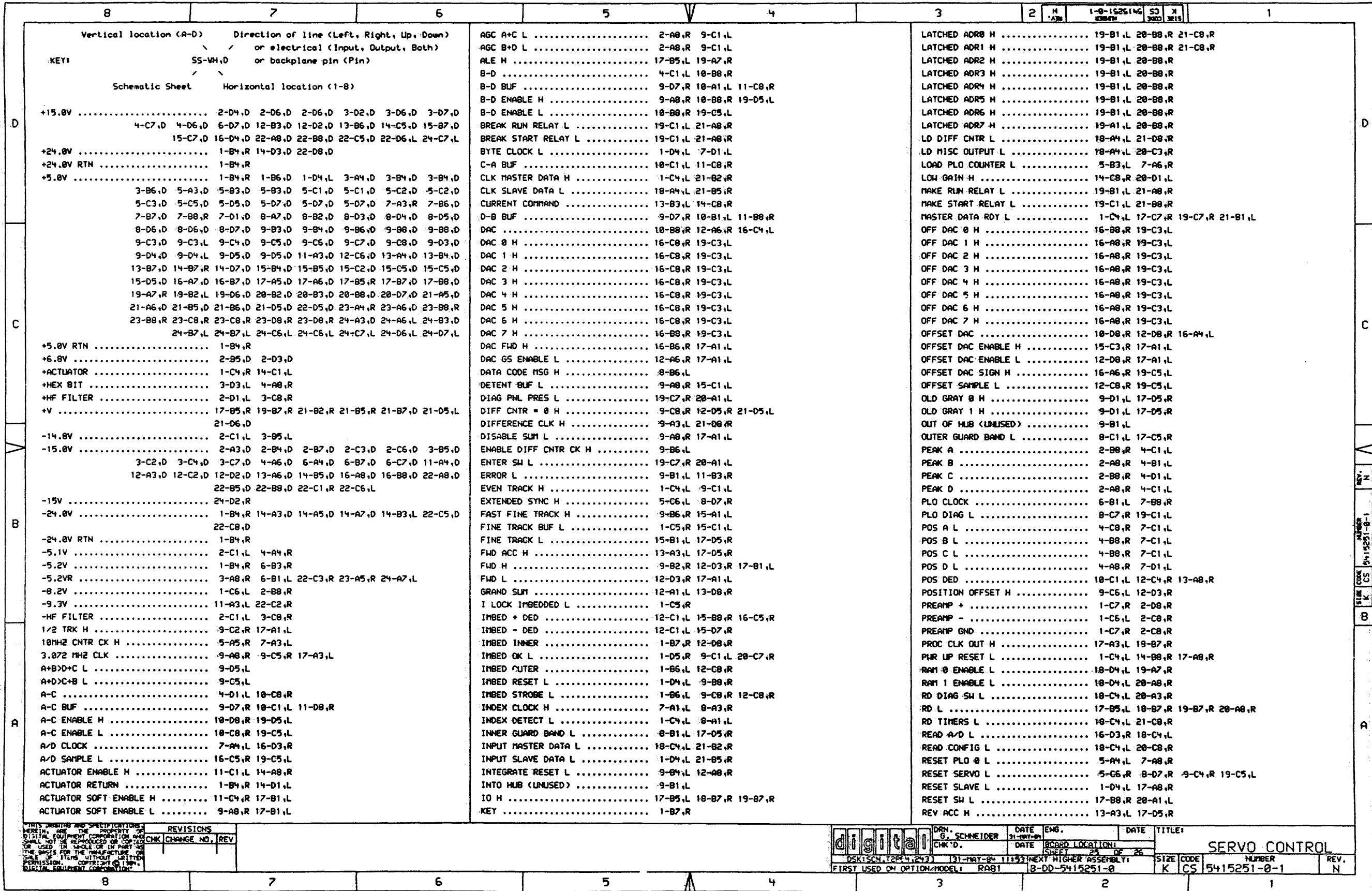
REVISIONS	
CHK	CHANGE NO. REV.

	DRN. G. SCHNEIDER	DATE 31-MAY-88	ENG.	DATE	TITLE: SERVO CONTROL
	CHK'D.	DATE	BOARD LOCATION: SHEET 23 OF 26	SIZE CODE K CS	NUMBER 5415251-0-1
FIRST USED ON OPTION/MODEL: RA81		NEXT HIGHER ASSEMBLY: B-DD-5415251-0		REV. N	



REVISIONS	
CHK	CHANGE NO. REV

digital	DRN. G. SCHNEIDER	DATE 31-MAY-84	ENG.	DATE	TITLE: SERVO CONTROL
	CHK'D.	DATE	BOARD LOCATION: SHEET 24 OF 25	SIZE CODE K CS	NUMBER 5415251-0-1
COPY: (SCHNEIDER) SC24N.DRW [31-MAY-84 09:07] NEXT HIGHER ASSEMBLY: B-DD-5415251-0					REV. N
FIRST USED ON OPTION/MODEL: RAB1					



THIS DRAWING AND SPECIFICATIONS HEREIN ARE THE PROPERTY OF DIGITAL EQUIPMENT CORPORATION AND SHALL NOT BE REPRODUCED OR COPIED OR USED IN WHOLE OR IN PART AS THE BASIS FOR THE MANUFACTURE OR SALE OF ITEMS WITHOUT WRITTEN PERMISSION OF DIGITAL EQUIPMENT CORPORATION.

REVISIONS	CHK	CHANGE NO.	REV

digital DRN. G. SCHNEIDER DATE 31-MAY-84 ENG. DATE TITLE: SERVO CONTROL

CHK'D. DATE BOARD LOCATION: SHEET 24 OF 26

DSK15CN.1224.243 31-MAY-84 11:53 NEXT HIGHER ASSEMBLY: B-DD-5415251-0 SIZE CODE NUMBER REV. K CS 5415251-0-1 N

FIRST USED ON OPTION/MODEL: RA01

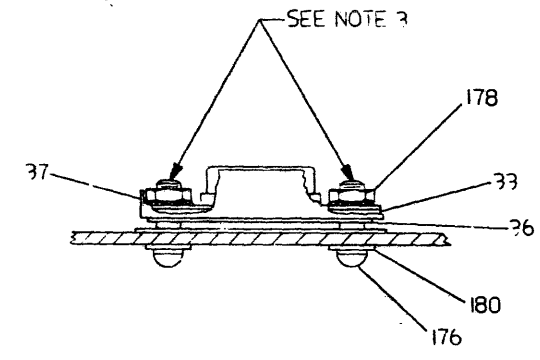
REV. N
K CS 5415251-0-1

8		7		6		5		4		3		2		1																																																																																																																																																																																																																																																																																																																																																																																																																																																																																																																																																																																																																																																																																																																																																																																																																																																																																																																																																																																																																	
<p>THIS DRAWING AND SPECIFICATIONS HEREIN ARE THE PROPERTY OF DIGITAL EQUIPMENT CORPORATION AND SHALL NOT BE REPRODUCED OR COPIED OR USED IN WHOLE OR IN PART AS THE BASIS FOR THE MANUFACTURE OR SALE OF ITEMS WITHOUT WRITTEN PERMISSION. COPYRIGHT © 1984, DIGITAL EQUIPMENT CORPORATION.</p>																																																																																																																																																																																																																																																																																																																																																																																																																																																																																																																																																																																																																																																																																																																																																																																																																																																																																																																																																																																																																															
		REVISIONS																																																																																																																																																																																																																																																																																																																																																																																																																																																																																																																																																																																																																																																																																																																																																																																																																																																																																																																																																																																																																													
		CHK	CHANGE NO.	REV																																																																																																																																																																																																																																																																																																																																																																																																																																																																																																																																																																																																																																																																																																																																																																																																																																																																																																																																																																																																																											
<table border="1"> <tr> <td colspan="2">digital</td> <td>DRN.</td> <td>G. SCHNEIDER</td> <td>DATE</td> <td>31-MAY-84</td> <td>ENG.</td> <td></td> <td>DATE</td> <td></td> <td colspan="2">TITLE:</td> <td colspan="4">SERVO CONTROL</td> </tr> <tr> <td colspan="2"></td> <td>CHK'D.</td> <td></td> <td>DATE</td> <td>31-MAY-84 11:53</td> <td colspan="2">BOARD LOCATION:</td> <td colspan="2"></td> <td colspan="2">SHEET 26 OF 26</td> <td>SIZE</td> <td>CODE</td> <td>NUMBER</td> <td>REV.</td> </tr> <tr> <td colspan="2"></td> <td colspan="2">DSK: SCH, T2P14, 2431</td> <td colspan="2">FIRST USED ON OPTION/MODEL:</td> <td colspan="2">RH81</td> <td colspan="2">NEXT HIGHER ASSEMBLY:</td> <td colspan="2">B-DD-5415251-0</td> <td>K</td> <td>CS</td> <td>5415251-0-1</td> <td>N</td> </tr> </table>																digital		DRN.	G. SCHNEIDER	DATE	31-MAY-84	ENG.		DATE		TITLE:		SERVO CONTROL						CHK'D.		DATE	31-MAY-84 11:53	BOARD LOCATION:				SHEET 26 OF 26		SIZE	CODE	NUMBER	REV.			DSK: SCH, T2P14, 2431		FIRST USED ON OPTION/MODEL:		RH81		NEXT HIGHER ASSEMBLY:		B-DD-5415251-0		K	CS	5415251-0-1	N																																																																																																																																																																																																																																																																																																																																																																																																																																																																																																																																																																																																																																																																																																																																																																																																																																																																																																																																																																
digital		DRN.	G. SCHNEIDER	DATE	31-MAY-84	ENG.		DATE		TITLE:		SERVO CONTROL																																																																																																																																																																																																																																																																																																																																																																																																																																																																																																																																																																																																																																																																																																																																																																																																																																																																																																																																																																																																																			
		CHK'D.		DATE	31-MAY-84 11:53	BOARD LOCATION:				SHEET 26 OF 26		SIZE	CODE	NUMBER	REV.																																																																																																																																																																																																																																																																																																																																																																																																																																																																																																																																																																																																																																																																																																																																																																																																																																																																																																																																																																																																																
		DSK: SCH, T2P14, 2431		FIRST USED ON OPTION/MODEL:		RH81		NEXT HIGHER ASSEMBLY:		B-DD-5415251-0		K	CS	5415251-0-1	N																																																																																																																																																																																																																																																																																																																																																																																																																																																																																																																																																																																																																																																																																																																																																																																																																																																																																																																																																																																																																
<table border="1"> <tr> <td colspan="2">ROM 0 ENABLE L</td> <td colspan="2">17-B5,R 18-D4,L</td> <td colspan="2">VCO > 5 H</td> <td colspan="2">5-B5,R 5-C5,R 7-A1,L</td> <td colspan="2"></td> <td colspan="2"></td> <td colspan="2"></td> <td colspan="2"></td> </tr> <tr> <td colspan="2">ROM 1 ENABLE L</td> <td colspan="2">18-D4,L 19-B7,R</td> <td colspan="2">VEL A L</td> <td colspan="2">9-B1,L 11-B7,R</td> <td colspan="2"></td> <td colspan="2"></td> <td colspan="2"></td> <td colspan="2"></td> </tr> <tr> <td colspan="2">ROM 2 ENABLE L</td> <td colspan="2">18-D4,L 20-B8,R</td> <td colspan="2">VEL B L</td> <td colspan="2">9-B1,L 11-D7,R</td> <td colspan="2"></td> <td colspan="2"></td> <td colspan="2"></td> <td colspan="2"></td> </tr> <tr> <td colspan="2">ROM 3 ENABLE L</td> <td colspan="2">18-D4,L 20-A8,R</td> <td colspan="2">VEL C L</td> <td colspan="2">9-B1,L 11-C7,R</td> <td colspan="2"></td> <td colspan="2"></td> <td colspan="2"></td> <td colspan="2"></td> </tr> <tr> <td colspan="2">RUN VCO FASTER L</td> <td colspan="2">5-B3,L 6-C8,R</td> <td colspan="2">VEL D L</td> <td colspan="2">9-B1,L 11-C7,R</td> <td colspan="2"></td> <td colspan="2"></td> <td colspan="2"></td> <td colspan="2"></td> </tr> <tr> <td colspan="2">RUN VCO SLOWER L</td> <td colspan="2">5-B3,L 6-B8,R</td> <td colspan="2">VELOCITY</td> <td colspan="2">11-B3,L 12-A6,R</td> <td colspan="2"></td> <td colspan="2"></td> <td colspan="2"></td> <td colspan="2"></td> </tr> <tr> <td colspan="2">SA10 H</td> <td colspan="2">17-C3,L 19-C7,R 20-B8,R</td> <td colspan="2">WR L</td> <td colspan="2">17-B5,L 18-A7,R 19-B7,R 20-A8,R</td> <td colspan="2"></td> <td colspan="2"></td> <td colspan="2"></td> <td colspan="2"></td> </tr> <tr> <td colspan="2">SA11 H</td> <td colspan="2">17-C6,L 18-D7,R 20-B8,R</td> <td colspan="2">WRT DIAG LEDS L</td> <td colspan="2">18-B4,L 20-A3,R</td> <td colspan="2"></td> <td colspan="2"></td> <td colspan="2"></td> <td colspan="2"></td> </tr> <tr> <td colspan="2">SA12 H</td> <td colspan="2">17-C6,L 18-D7,R</td> <td colspan="2">WRT TIMERS L</td> <td colspan="2">18-B4,L 21-C8,R</td> <td colspan="2"></td> <td colspan="2"></td> <td colspan="2"></td> <td colspan="2"></td> </tr> <tr> <td colspan="2">SA13 H</td> <td colspan="2">17-C6,L 18-D7,R</td> <td colspan="2">ZERO CROSS H</td> <td colspan="2">13-A7,L 20-D7,R</td> <td colspan="2"></td> <td colspan="2"></td> <td colspan="2"></td> <td colspan="2"></td> </tr> <tr> <td colspan="2">SA14 H</td> <td colspan="2">17-C6,L 18-C7,R</td> <td colspan="2">\IAG</td> <td colspan="2">1-A3,D 1-A4,D 1-B7,D 2-A5,D 2-B5,D 2-C2,D</td> <td colspan="2">2-C2,D 2-C2,D 2-C3,D 2-C4,D 2-C7,D 2-C7,D 2-C7,D 2-C7,D</td> <td colspan="2"></td> <td colspan="2"></td> <td colspan="2"></td> </tr> <tr> <td colspan="2">SA15 H</td> <td colspan="2">17-C6,L 18-C7,R</td> <td colspan="2"></td> <td colspan="2">2-D4,D 2-D5,D 3-A4,D 3-A6,D 3-A7,D 3-B6,D 3-C3,D 3-D1,D</td> <td colspan="2"></td> <td colspan="2"></td> <td colspan="2"></td> <td colspan="2"></td> </tr> <tr> <td colspan="2">SAB H</td> <td colspan="2">17-C3,L 19-B7,R 20-B8,R</td> <td colspan="2"></td> <td colspan="2">3-D3,D 3-D6,D 4-A1,D 4-A1,D 4-B1,D 4-B1,D 4-C2,D 4-C4,D</td> <td colspan="2"></td> <td colspan="2"></td> <td colspan="2"></td> <td colspan="2"></td> </tr> <tr> <td colspan="2">SAB H</td> <td colspan="2">17-C3,L 19-B7,R 20-B8,R</td> <td colspan="2"></td> <td colspan="2">4-C4,D 4-D2,D 4-D4,D 4-D4,D 6-A1,D 6-A4,D 6-B6,D 6-C6,D</td> <td colspan="2"></td> <td colspan="2"></td> <td colspan="2"></td> <td colspan="2"></td> </tr> <tr> <td colspan="2">SAD0 H</td> <td colspan="2">16-D1,L 17-B1,L 19-B7,R 20-B1,L 21-C8,R</td> <td colspan="2"></td> <td colspan="2">6-C7,D 6-D6,D 6-D7,D 9-C6,D 9-D6,D 10-A5,D 10-A6,D 10-B3,D</td> <td colspan="2"></td> <td colspan="2"></td> <td colspan="2"></td> <td colspan="2"></td> </tr> <tr> <td colspan="2">SAD1 H</td> <td colspan="2">16-D1,L 17-B1,L 19-B7,R 20-B1,L 21-C8,R</td> <td colspan="2"></td> <td colspan="2">10-C5,D 10-C6,D 11-A4,D 11-B5,D 11-B5,D 11-B7,D 12-A3,D 12-B4,D</td> <td colspan="2"></td> <td colspan="2"></td> <td colspan="2"></td> <td colspan="2"></td> </tr> <tr> <td colspan="2">SAD2 H</td> <td colspan="2">16-D1,L 17-B1,L 19-B7,R 20-C1,L 21-C8,R</td> <td colspan="2"></td> <td colspan="2">12-B6,D 12-B7,D 12-C1,D 12-C2,D 12-C3,D 12-C8,D 12-D5,D 12-D7,D</td> <td colspan="2"></td> <td colspan="2"></td> <td colspan="2"></td> <td colspan="2"></td> </tr> <tr> <td colspan="2">SAD3 H</td> <td colspan="2">16-D1,L 17-B1,L 19-B7,R 20-C1,L 21-C8,R</td> <td colspan="2"></td> <td colspan="2">13-A4,D 13-A4,D 13-A6,D 13-A8,D 13-B4,D 13-B5,D 13-C1,D 13-C3,D</td> <td colspan="2"></td> <td colspan="2"></td> <td colspan="2"></td> <td colspan="2"></td> </tr> <tr> <td colspan="2">SAD4 H</td> <td colspan="2">16-C1,L 17-C1,L 19-B7,R 20-C1,L 21-C8,R</td> <td colspan="2"></td> <td colspan="2">13-C5,D 13-C6,D 14-A3,D 14-A6,D 14-B3,D 14-B5,D 14-B6,D 14-C3,D</td> <td colspan="2"></td> <td colspan="2"></td> <td colspan="2"></td> <td colspan="2"></td> </tr> <tr> <td colspan="2">SAD5 H</td> <td colspan="2">16-C1,L 17-C1,L 19-B7,R 20-C1,L 21-C8,R</td> <td colspan="2"></td> <td colspan="2">14-C4,D 14-D4,D 15-A7,D 15-A8,D 15-B7,D 15-C6,D 15-C7,D 15-D6,D</td> <td colspan="2"></td> <td colspan="2"></td> <td colspan="2"></td> <td colspan="2"></td> </tr> <tr> <td colspan="2">SAD6 H</td> <td colspan="2">16-C1,L 17-C1,L 19-B7,R 20-C1,L 21-C8,R</td> <td colspan="2"></td> <td colspan="2">15-D7,D 16-A6,D 16-A6,D 16-A8,D 16-B6,D 16-B8,D 16-C2,D 16-C3,D</td> <td colspan="2"></td> <td colspan="2"></td> <td colspan="2"></td> <td colspan="2"></td> </tr> <tr> <td colspan="2">SAD7 H</td> <td colspan="2">16-C1,L 17-C1,L 19-B7,R 20-C1,L 21-C8,R</td> <td colspan="2"></td> <td colspan="2">16-C6,D 16-D3,D 16-D4,D 22-A2,D 22-A3,D 22-A4,D 22-A5,D 22-A6,D</td> <td colspan="2"></td> <td colspan="2"></td> <td colspan="2"></td> <td colspan="2"></td> </tr> <tr> <td colspan="2">SANITY TIMER CLK H</td> <td colspan="2">19-A4,L 21-D8,R</td> <td colspan="2"></td> <td colspan="2">22-A6,D 22-A8,D 22-B1,D 22-B3,D 22-B3,D 22-B4,D 22-B6,D 22-B6,D</td> <td colspan="2"></td> <td colspan="2"></td> <td colspan="2"></td> <td colspan="2"></td> </tr> <tr> <td colspan="2">SANITY TIMER H</td> <td colspan="2">17-B8,R 21-D5,L</td> <td colspan="2"></td> <td colspan="2">22-B7,D 22-B8,D 22-C2,D 22-C3,D 22-C3,D 22-C4,D 22-C6,D 22-C8,D</td> <td colspan="2"></td> <td colspan="2"></td> <td colspan="2"></td> <td colspan="2"></td> </tr> <tr> <td colspan="2">SEEK MODE H</td> <td colspan="2">9-C6,L 15-A8,R</td> <td colspan="2"></td> <td colspan="2">22-D4,D 22-D5,D 23-A2,D 23-A3,D 23-A5,D 23-A6,D 24-B5,D 24-D2,D</td> <td colspan="2"></td> <td colspan="2"></td> <td colspan="2"></td> <td colspan="2"></td> </tr> <tr> <td colspan="2">SEEK MODE L</td> <td colspan="2">9-C6,L 15-B3,R</td> <td colspan="2"></td> <td colspan="2">\IAG1</td> <td colspan="2">14-C6,D 14-D2,D</td> <td colspan="2"></td> <td colspan="2"></td> <td colspan="2"></td> </tr> <tr> <td colspan="2">SERVO FAULT H</td> <td colspan="2">1-C5,R 11-C1,L</td> <td colspan="2"></td> <td colspan="2"></td> <td colspan="2"></td> <td colspan="2"></td> <td colspan="2"></td> <td colspan="2"></td> </tr> <tr> <td colspan="2">SERVO PLO OK H</td> <td colspan="2">3-B5,R 8-D1,L 11-B3,R 17-D5,R</td> <td colspan="2"></td> <td colspan="2"></td> <td colspan="2"></td> <td colspan="2"></td> <td colspan="2"></td> <td colspan="2"></td> </tr> <tr> <td colspan="2">SERVO PLO OK L</td> <td colspan="2">5-C6,R 8-D1,L</td> <td colspan="2"></td> <td colspan="2"></td> <td colspan="2"></td> <td colspan="2"></td> <td colspan="2"></td> <td colspan="2"></td> </tr> <tr> <td colspan="2">SLAVE DATA RDY L</td> <td colspan="2">1-D4,L 19-C7,R 21-A1,L</td> <td colspan="2"></td> <td colspan="2"></td> <td colspan="2"></td> <td colspan="2"></td> <td colspan="2"></td> <td colspan="2"></td> </tr> <tr> <td colspan="2">SLV RST OUT H</td> <td colspan="2">17-A5,L 19-B7,R</td> <td colspan="2"></td> <td colspan="2"></td> <td colspan="2"></td> <td colspan="2"></td> <td colspan="2"></td> <td colspan="2"></td> </tr> <tr> <td colspan="2">SOFT VEL H</td> <td colspan="2">1-D5,R 9-C1,R 12-B6,R 17-A1,L</td> <td colspan="2"></td> <td colspan="2"></td> <td colspan="2"></td> <td colspan="2"></td> <td colspan="2"></td> <td colspan="2"></td> </tr> <tr> <td colspan="2">SOFT VEL L</td> <td colspan="2">4-A8,R 9-C8,R 12-B6,R 15-C3,R 17-A1,L</td> <td colspan="2"></td> <td colspan="2"></td> <td colspan="2"></td> <td colspan="2"></td> <td colspan="2"></td> <td colspan="2"></td> </tr> <tr> <td colspan="2">SPINDLE MTR RUN L</td> <td colspan="2">1-D4,L 19-C7,R 21-A5,L</td> <td colspan="2"></td> <td colspan="2"></td> <td colspan="2"></td> <td colspan="2"></td> <td colspan="2"></td> <td colspan="2"></td> </tr> <tr> <td colspan="2">SPINDLE MTR START L</td> <td colspan="2">1-D4,L 19-C7,R 21-A5,L</td> <td colspan="2"></td> <td colspan="2"></td> <td colspan="2"></td> <td colspan="2"></td> <td colspan="2"></td> <td colspan="2"></td> </tr> <tr> <td colspan="2">SUM ENABLE H</td> <td colspan="2">9-C1,L 12-C8,R</td> <td colspan="2"></td> <td colspan="2"></td> <td colspan="2"></td> <td colspan="2"></td> <td colspan="2"></td> <td colspan="2"></td> </tr> <tr> <td colspan="2">SUM ENABLE L</td> <td colspan="2">9-C1,L 12-C8,R</td> <td colspan="2"></td> <td colspan="2"></td> <td colspan="2"></td> <td colspan="2"></td> <td colspan="2"></td> <td colspan="2"></td> </tr> <tr> <td colspan="2">SVO CLK H</td> <td colspan="2">1-D4,L 6-B1,L</td> <td colspan="2"></td> <td colspan="2"></td> <td colspan="2"></td> <td colspan="2"></td> <td colspan="2"></td> <td colspan="2"></td> </tr> <tr> <td colspan="2">SVO CLK L</td> <td colspan="2">1-D5,R 6-B1,L</td> <td colspan="2"></td> <td colspan="2"></td> <td colspan="2"></td> <td colspan="2"></td> <td colspan="2"></td> <td colspan="2"></td> </tr> <tr> <td colspan="2">SYNC GATE H</td> <td colspan="2">7-A1,L 8-B4,R</td> <td colspan="2"></td> <td colspan="2"></td> <td colspan="2"></td> <td colspan="2"></td> <td colspan="2"></td> <td colspan="2"></td> </tr> <tr> <td colspan="2">SYNC GATE L</td> <td colspan="2">3-B5,R 7-B1,L 8-D7,R</td> <td colspan="2"></td> <td colspan="2"></td> <td colspan="2"></td> <td colspan="2"></td> <td colspan="2"></td> <td colspan="2"></td> </tr> <tr> <td colspan="2">SYNC GATE LOC</td> <td colspan="2">4-C8,R 7-B1,L</td> <td colspan="2"></td> <td colspan="2"></td> <td colspan="2"></td> <td colspan="2"></td> <td colspan="2"></td> <td colspan="2"></td> </tr> <tr> <td colspan="2">SYNC H</td> <td colspan="2">3-B1,L 5-C8,R</td> <td colspan="2"></td> <td colspan="2"></td> <td colspan="2"></td> <td colspan="2"></td> <td colspan="2"></td> <td colspan="2"></td> </tr> <tr> <td colspan="2">SYNC RESET L</td> <td colspan="2">3-A2,R 5-C3,L</td> <td colspan="2"></td> <td colspan="2"></td> <td colspan="2"></td> <td colspan="2"></td> <td colspan="2"></td> <td colspan="2"></td> </tr> <tr> <td colspan="2">TACH PULSE H</td> <td colspan="2">1-D5,R 19-C7,R</td> <td colspan="2"></td> <td colspan="2"></td> <td colspan="2"></td> <td colspan="2"></td> <td colspan="2"></td> <td colspan="2"></td> </tr> <tr> <td colspan="2">TEMP SERVO H</td> <td colspan="2">14-D6,L 19-C7,R</td> <td colspan="2"></td> <td colspan="2"></td> <td colspan="2"></td> <td colspan="2"></td> <td colspan="2"></td> <td colspan="2"></td> </tr> <tr> <td colspan="2">TIMER H</td> <td colspan="2">17-B8,L 21-D5,L</td> <td colspan="2"></td> <td colspan="2"></td> <td colspan="2"></td> <td colspan="2"></td> <td colspan="2"></td> <td colspan="2"></td> </tr> <tr> <td colspan="2">TRK A L</td> <td colspan="2">9-C1,L 10-B4,R</td> <td colspan="2"></td> <td colspan="2"></td> <td colspan="2"></td> <td colspan="2"></td> <td colspan="2"></td> <td colspan="2"></td> </tr> <tr> <td colspan="2">TRK B L</td> <td colspan="2">9-C1,L 10-C4,R</td> <td colspan="2"></td> <td colspan="2"></td> <td colspan="2"></td> <td colspan="2"></td> <td colspan="2"></td> <td colspan="2"></td> </tr> <tr> <td colspan="2">TRK C L</td> <td colspan="2">9-C1,L 10-A4,R</td> <td colspan="2"></td> <td colspan="2"></td> <td colspan="2"></td> <td colspan="2"></td> <td colspan="2"></td> <td colspan="2"></td> </tr> <tr> <td colspan="2">TRK D L</td> <td colspan="2">9-C1,L 10-D4,R</td> <td colspan="2"></td> <td colspan="2"></td> <td colspan="2"></td> <td colspan="2"></td> <td colspan="2"></td> <td colspan="2"></td> </tr> <tr> <td colspan="2">TSB SERVO 00 H</td> <td colspan="2">1-C4,L 21-B1,L</td> <td colspan="2"></td> <td colspan="2"></td> <td colspan="2"></td> <td colspan="2"></td> <td colspan="2"></td> <td colspan="2"></td> </tr> <tr> <td colspan="2">TSB SERVO 01 H</td> <td colspan="2">1-C5,R 21-B1,L</td> <td colspan="2"></td> <td colspan="2"></td> <td colspan="2"></td> <td colspan="2"></td> <td colspan="2"></td> <td colspan="2"></td> </tr> <tr> <td colspan="2">TSB SERVO 02 H</td> <td colspan="2">1-C4,L 21-B1,L</td> <td colspan="2"></td> <td colspan="2"></td> <td colspan="2"></td> <td colspan="2"></td> <td colspan="2"></td> <td colspan="2"></td> </tr> <tr> <td colspan="2">TSB SERVO 03 H</td> <td colspan="2">1-C5,R 21-B1,L</td> <td colspan="2"></td> <td colspan="2"></td> <td colspan="2"></td> <td colspan="2"></td> <td colspan="2"></td> <td colspan="2"></td> </tr> <tr> <td colspan="2">TSB SERVO 04 H</td> <td colspan="2">1-C4,L 21-B1,L</td> <td colspan="2"></td> <td colspan="2"></td> <td colspan="2"></td> <td colspan="2"></td> <td colspan="2"></td> <td colspan="2"></td> </tr> <tr> <td colspan="2">TSB SERVO 05 H</td> <td colspan="2">1-C5,R 21-A1,L</td> <td colspan="2"></td> <td colspan="2"></td> <td colspan="2"></td> <td colspan="2"></td> <td colspan="2"></td> <td colspan="2"></td> </tr> <tr> <td colspan="2">TSB SERVO 06 H</td> <td colspan="2">1-C4,L 21-A1,L</td> <td colspan="2"></td> <td colspan="2"></td> <td colspan="2"></td> <td colspan="2"></td> <td colspan="2"></td> <td colspan="2"></td> </tr> <tr> <td colspan="2">TSB SERVO 07 H</td> <td colspan="2">1-C5,R 21-A1,L</td> <td colspan="2"></td> <td colspan="2"></td> <td colspan="2"></td> <td colspan="2"></td> <td colspan="2"></td> <td colspan="2"></td> </tr> <tr> <td colspan="2">TYPE 2 L</td> <td colspan="2">9-B5,R 19-C5,L</td> <td colspan="2"></td> <td colspan="2"></td> <td colspan="2"></td> <td colspan="2"></td> <td colspan="2"></td> <td colspan="2"></td> </tr> <tr> <td colspan="2">VCO < 5 H</td> <td colspan="2">5-B5,R 5-D5,R 7-A1,L</td> <td colspan="2"></td> <td colspan="2"></td> <td colspan="2"></td> <td colspan="2"></td> <td colspan="2"></td> <td colspan="2"></td> </tr> </table>																ROM 0 ENABLE L		17-B5,R 18-D4,L		VCO > 5 H		5-B5,R 5-C5,R 7-A1,L										ROM 1 ENABLE L		18-D4,L 19-B7,R		VEL A L		9-B1,L 11-B7,R										ROM 2 ENABLE L		18-D4,L 20-B8,R		VEL B L		9-B1,L 11-D7,R										ROM 3 ENABLE L		18-D4,L 20-A8,R		VEL C L		9-B1,L 11-C7,R										RUN VCO FASTER L		5-B3,L 6-C8,R		VEL D L		9-B1,L 11-C7,R										RUN VCO SLOWER L		5-B3,L 6-B8,R		VELOCITY		11-B3,L 12-A6,R										SA10 H		17-C3,L 19-C7,R 20-B8,R		WR L		17-B5,L 18-A7,R 19-B7,R 20-A8,R										SA11 H		17-C6,L 18-D7,R 20-B8,R		WRT DIAG LEDS L		18-B4,L 20-A3,R										SA12 H		17-C6,L 18-D7,R		WRT TIMERS L		18-B4,L 21-C8,R										SA13 H		17-C6,L 18-D7,R		ZERO CROSS H		13-A7,L 20-D7,R										SA14 H		17-C6,L 18-C7,R		\IAG		1-A3,D 1-A4,D 1-B7,D 2-A5,D 2-B5,D 2-C2,D		2-C2,D 2-C2,D 2-C3,D 2-C4,D 2-C7,D 2-C7,D 2-C7,D 2-C7,D								SA15 H		17-C6,L 18-C7,R				2-D4,D 2-D5,D 3-A4,D 3-A6,D 3-A7,D 3-B6,D 3-C3,D 3-D1,D										SAB H		17-C3,L 19-B7,R 20-B8,R				3-D3,D 3-D6,D 4-A1,D 4-A1,D 4-B1,D 4-B1,D 4-C2,D 4-C4,D										SAB H		17-C3,L 19-B7,R 20-B8,R				4-C4,D 4-D2,D 4-D4,D 4-D4,D 6-A1,D 6-A4,D 6-B6,D 6-C6,D										SAD0 H		16-D1,L 17-B1,L 19-B7,R 20-B1,L 21-C8,R				6-C7,D 6-D6,D 6-D7,D 9-C6,D 9-D6,D 10-A5,D 10-A6,D 10-B3,D										SAD1 H		16-D1,L 17-B1,L 19-B7,R 20-B1,L 21-C8,R				10-C5,D 10-C6,D 11-A4,D 11-B5,D 11-B5,D 11-B7,D 12-A3,D 12-B4,D										SAD2 H		16-D1,L 17-B1,L 19-B7,R 20-C1,L 21-C8,R				12-B6,D 12-B7,D 12-C1,D 12-C2,D 12-C3,D 12-C8,D 12-D5,D 12-D7,D										SAD3 H		16-D1,L 17-B1,L 19-B7,R 20-C1,L 21-C8,R				13-A4,D 13-A4,D 13-A6,D 13-A8,D 13-B4,D 13-B5,D 13-C1,D 13-C3,D										SAD4 H		16-C1,L 17-C1,L 19-B7,R 20-C1,L 21-C8,R				13-C5,D 13-C6,D 14-A3,D 14-A6,D 14-B3,D 14-B5,D 14-B6,D 14-C3,D										SAD5 H		16-C1,L 17-C1,L 19-B7,R 20-C1,L 21-C8,R				14-C4,D 14-D4,D 15-A7,D 15-A8,D 15-B7,D 15-C6,D 15-C7,D 15-D6,D										SAD6 H		16-C1,L 17-C1,L 19-B7,R 20-C1,L 21-C8,R				15-D7,D 16-A6,D 16-A6,D 16-A8,D 16-B6,D 16-B8,D 16-C2,D 16-C3,D										SAD7 H		16-C1,L 17-C1,L 19-B7,R 20-C1,L 21-C8,R				16-C6,D 16-D3,D 16-D4,D 22-A2,D 22-A3,D 22-A4,D 22-A5,D 22-A6,D										SANITY TIMER CLK H		19-A4,L 21-D8,R				22-A6,D 22-A8,D 22-B1,D 22-B3,D 22-B3,D 22-B4,D 22-B6,D 22-B6,D										SANITY TIMER H		17-B8,R 21-D5,L				22-B7,D 22-B8,D 22-C2,D 22-C3,D 22-C3,D 22-C4,D 22-C6,D 22-C8,D										SEEK MODE H		9-C6,L 15-A8,R				22-D4,D 22-D5,D 23-A2,D 23-A3,D 23-A5,D 23-A6,D 24-B5,D 24-D2,D										SEEK MODE L		9-C6,L 15-B3,R				\IAG1		14-C6,D 14-D2,D								SERVO FAULT H		1-C5,R 11-C1,L														SERVO PLO OK H		3-B5,R 8-D1,L 11-B3,R 17-D5,R														SERVO PLO OK L		5-C6,R 8-D1,L														SLAVE DATA RDY L		1-D4,L 19-C7,R 21-A1,L														SLV RST OUT H		17-A5,L 19-B7,R														SOFT VEL H		1-D5,R 9-C1,R 12-B6,R 17-A1,L														SOFT VEL L		4-A8,R 9-C8,R 12-B6,R 15-C3,R 17-A1,L														SPINDLE MTR RUN L		1-D4,L 19-C7,R 21-A5,L														SPINDLE MTR START L		1-D4,L 19-C7,R 21-A5,L														SUM ENABLE H		9-C1,L 12-C8,R														SUM ENABLE L		9-C1,L 12-C8,R														SVO CLK H		1-D4,L 6-B1,L														SVO CLK L		1-D5,R 6-B1,L														SYNC GATE H		7-A1,L 8-B4,R														SYNC GATE L		3-B5,R 7-B1,L 8-D7,R														SYNC GATE LOC		4-C8,R 7-B1,L														SYNC H		3-B1,L 5-C8,R														SYNC RESET L		3-A2,R 5-C3,L														TACH PULSE H		1-D5,R 19-C7,R														TEMP SERVO H		14-D6,L 19-C7,R														TIMER H		17-B8,L 21-D5,L														TRK A L		9-C1,L 10-B4,R														TRK B L		9-C1,L 10-C4,R														TRK C L		9-C1,L 10-A4,R														TRK D L		9-C1,L 10-D4,R														TSB SERVO 00 H		1-C4,L 21-B1,L														TSB SERVO 01 H		1-C5,R 21-B1,L														TSB SERVO 02 H		1-C4,L 21-B1,L														TSB SERVO 03 H		1-C5,R 21-B1,L														TSB SERVO 04 H		1-C4,L 21-B1,L														TSB SERVO 05 H		1-C5,R 21-A1,L														TSB SERVO 06 H		1-C4,L 21-A1,L														TSB SERVO 07 H		1-C5,R 21-A1,L														TYPE 2 L		9-B5,R 19-C5,L														VCO < 5 H		5-B5,R 5-D5,R 7-A1,L													
ROM 0 ENABLE L		17-B5,R 18-D4,L		VCO > 5 H		5-B5,R 5-C5,R 7-A1,L																																																																																																																																																																																																																																																																																																																																																																																																																																																																																																																																																																																																																																																																																																																																																																																																																																																																																																																																																																																																																									
ROM 1 ENABLE L		18-D4,L 19-B7,R		VEL A L		9-B1,L 11-B7,R																																																																																																																																																																																																																																																																																																																																																																																																																																																																																																																																																																																																																																																																																																																																																																																																																																																																																																																																																																																																																									
ROM 2 ENABLE L		18-D4,L 20-B8,R		VEL B L		9-B1,L 11-D7,R																																																																																																																																																																																																																																																																																																																																																																																																																																																																																																																																																																																																																																																																																																																																																																																																																																																																																																																																																																																																																									
ROM 3 ENABLE L		18-D4,L 20-A8,R		VEL C L		9-B1,L 11-C7,R																																																																																																																																																																																																																																																																																																																																																																																																																																																																																																																																																																																																																																																																																																																																																																																																																																																																																																																																																																																																																									
RUN VCO FASTER L		5-B3,L 6-C8,R		VEL D L		9-B1,L 11-C7,R																																																																																																																																																																																																																																																																																																																																																																																																																																																																																																																																																																																																																																																																																																																																																																																																																																																																																																																																																																																																																									
RUN VCO SLOWER L		5-B3,L 6-B8,R		VELOCITY		11-B3,L 12-A6,R																																																																																																																																																																																																																																																																																																																																																																																																																																																																																																																																																																																																																																																																																																																																																																																																																																																																																																																																																																																																																									
SA10 H		17-C3,L 19-C7,R 20-B8,R		WR L		17-B5,L 18-A7,R 19-B7,R 20-A8,R																																																																																																																																																																																																																																																																																																																																																																																																																																																																																																																																																																																																																																																																																																																																																																																																																																																																																																																																																																																																																									
SA11 H		17-C6,L 18-D7,R 20-B8,R		WRT DIAG LEDS L		18-B4,L 20-A3,R																																																																																																																																																																																																																																																																																																																																																																																																																																																																																																																																																																																																																																																																																																																																																																																																																																																																																																																																																																																																																									
SA12 H		17-C6,L 18-D7,R		WRT TIMERS L		18-B4,L 21-C8,R																																																																																																																																																																																																																																																																																																																																																																																																																																																																																																																																																																																																																																																																																																																																																																																																																																																																																																																																																																																																																									
SA13 H		17-C6,L 18-D7,R		ZERO CROSS H		13-A7,L 20-D7,R																																																																																																																																																																																																																																																																																																																																																																																																																																																																																																																																																																																																																																																																																																																																																																																																																																																																																																																																																																																																																									
SA14 H		17-C6,L 18-C7,R		\IAG		1-A3,D 1-A4,D 1-B7,D 2-A5,D 2-B5,D 2-C2,D		2-C2,D 2-C2,D 2-C3,D 2-C4,D 2-C7,D 2-C7,D 2-C7,D 2-C7,D																																																																																																																																																																																																																																																																																																																																																																																																																																																																																																																																																																																																																																																																																																																																																																																																																																																																																																																																																																																																																							
SA15 H		17-C6,L 18-C7,R				2-D4,D 2-D5,D 3-A4,D 3-A6,D 3-A7,D 3-B6,D 3-C3,D 3-D1,D																																																																																																																																																																																																																																																																																																																																																																																																																																																																																																																																																																																																																																																																																																																																																																																																																																																																																																																																																																																																																									
SAB H		17-C3,L 19-B7,R 20-B8,R				3-D3,D 3-D6,D 4-A1,D 4-A1,D 4-B1,D 4-B1,D 4-C2,D 4-C4,D																																																																																																																																																																																																																																																																																																																																																																																																																																																																																																																																																																																																																																																																																																																																																																																																																																																																																																																																																																																																																									
SAB H		17-C3,L 19-B7,R 20-B8,R				4-C4,D 4-D2,D 4-D4,D 4-D4,D 6-A1,D 6-A4,D 6-B6,D 6-C6,D																																																																																																																																																																																																																																																																																																																																																																																																																																																																																																																																																																																																																																																																																																																																																																																																																																																																																																																																																																																																																									
SAD0 H		16-D1,L 17-B1,L 19-B7,R 20-B1,L 21-C8,R				6-C7,D 6-D6,D 6-D7,D 9-C6,D 9-D6,D 10-A5,D 10-A6,D 10-B3,D																																																																																																																																																																																																																																																																																																																																																																																																																																																																																																																																																																																																																																																																																																																																																																																																																																																																																																																																																																																																																									
SAD1 H		16-D1,L 17-B1,L 19-B7,R 20-B1,L 21-C8,R				10-C5,D 10-C6,D 11-A4,D 11-B5,D 11-B5,D 11-B7,D 12-A3,D 12-B4,D																																																																																																																																																																																																																																																																																																																																																																																																																																																																																																																																																																																																																																																																																																																																																																																																																																																																																																																																																																																																																									
SAD2 H		16-D1,L 17-B1,L 19-B7,R 20-C1,L 21-C8,R				12-B6,D 12-B7,D 12-C1,D 12-C2,D 12-C3,D 12-C8,D 12-D5,D 12-D7,D																																																																																																																																																																																																																																																																																																																																																																																																																																																																																																																																																																																																																																																																																																																																																																																																																																																																																																																																																																																																																									
SAD3 H		16-D1,L 17-B1,L 19-B7,R 20-C1,L 21-C8,R				13-A4,D 13-A4,D 13-A6,D 13-A8,D 13-B4,D 13-B5,D 13-C1,D 13-C3,D																																																																																																																																																																																																																																																																																																																																																																																																																																																																																																																																																																																																																																																																																																																																																																																																																																																																																																																																																																																																																									
SAD4 H		16-C1,L 17-C1,L 19-B7,R 20-C1,L 21-C8,R				13-C5,D 13-C6,D 14-A3,D 14-A6,D 14-B3,D 14-B5,D 14-B6,D 14-C3,D																																																																																																																																																																																																																																																																																																																																																																																																																																																																																																																																																																																																																																																																																																																																																																																																																																																																																																																																																																																																																									
SAD5 H		16-C1,L 17-C1,L 19-B7,R 20-C1,L 21-C8,R				14-C4,D 14-D4,D 15-A7,D 15-A8,D 15-B7,D 15-C6,D 15-C7,D 15-D6,D																																																																																																																																																																																																																																																																																																																																																																																																																																																																																																																																																																																																																																																																																																																																																																																																																																																																																																																																																																																																																									
SAD6 H		16-C1,L 17-C1,L 19-B7,R 20-C1,L 21-C8,R				15-D7,D 16-A6,D 16-A6,D 16-A8,D 16-B6,D 16-B8,D 16-C2,D 16-C3,D																																																																																																																																																																																																																																																																																																																																																																																																																																																																																																																																																																																																																																																																																																																																																																																																																																																																																																																																																																																																																									
SAD7 H		16-C1,L 17-C1,L 19-B7,R 20-C1,L 21-C8,R				16-C6,D 16-D3,D 16-D4,D 22-A2,D 22-A3,D 22-A4,D 22-A5,D 22-A6,D																																																																																																																																																																																																																																																																																																																																																																																																																																																																																																																																																																																																																																																																																																																																																																																																																																																																																																																																																																																																																									
SANITY TIMER CLK H		19-A4,L 21-D8,R				22-A6,D 22-A8,D 22-B1,D 22-B3,D 22-B3,D 22-B4,D 22-B6,D 22-B6,D																																																																																																																																																																																																																																																																																																																																																																																																																																																																																																																																																																																																																																																																																																																																																																																																																																																																																																																																																																																																																									
SANITY TIMER H		17-B8,R 21-D5,L				22-B7,D 22-B8,D 22-C2,D 22-C3,D 22-C3,D 22-C4,D 22-C6,D 22-C8,D																																																																																																																																																																																																																																																																																																																																																																																																																																																																																																																																																																																																																																																																																																																																																																																																																																																																																																																																																																																																																									
SEEK MODE H		9-C6,L 15-A8,R				22-D4,D 22-D5,D 23-A2,D 23-A3,D 23-A5,D 23-A6,D 24-B5,D 24-D2,D																																																																																																																																																																																																																																																																																																																																																																																																																																																																																																																																																																																																																																																																																																																																																																																																																																																																																																																																																																																																																									
SEEK MODE L		9-C6,L 15-B3,R				\IAG1		14-C6,D 14-D2,D																																																																																																																																																																																																																																																																																																																																																																																																																																																																																																																																																																																																																																																																																																																																																																																																																																																																																																																																																																																																																							
SERVO FAULT H		1-C5,R 11-C1,L																																																																																																																																																																																																																																																																																																																																																																																																																																																																																																																																																																																																																																																																																																																																																																																																																																																																																																																																																																																																																													
SERVO PLO OK H		3-B5,R 8-D1,L 11-B3,R 17-D5,R																																																																																																																																																																																																																																																																																																																																																																																																																																																																																																																																																																																																																																																																																																																																																																																																																																																																																																																																																																																																																													
SERVO PLO OK L		5-C6,R 8-D1,L																																																																																																																																																																																																																																																																																																																																																																																																																																																																																																																																																																																																																																																																																																																																																																																																																																																																																																																																																																																																																													
SLAVE DATA RDY L		1-D4,L 19-C7,R 21-A1,L																																																																																																																																																																																																																																																																																																																																																																																																																																																																																																																																																																																																																																																																																																																																																																																																																																																																																																																																																																																																																													
SLV RST OUT H		17-A5,L 19-B7,R																																																																																																																																																																																																																																																																																																																																																																																																																																																																																																																																																																																																																																																																																																																																																																																																																																																																																																																																																																																																																													
SOFT VEL H		1-D5,R 9-C1,R 12-B6,R 17-A1,L																																																																																																																																																																																																																																																																																																																																																																																																																																																																																																																																																																																																																																																																																																																																																																																																																																																																																																																																																																																																																													
SOFT VEL L		4-A8,R 9-C8,R 12-B6,R 15-C3,R 17-A1,L																																																																																																																																																																																																																																																																																																																																																																																																																																																																																																																																																																																																																																																																																																																																																																																																																																																																																																																																																																																																																													
SPINDLE MTR RUN L		1-D4,L 19-C7,R 21-A5,L																																																																																																																																																																																																																																																																																																																																																																																																																																																																																																																																																																																																																																																																																																																																																																																																																																																																																																																																																																																																																													
SPINDLE MTR START L		1-D4,L 19-C7,R 21-A5,L																																																																																																																																																																																																																																																																																																																																																																																																																																																																																																																																																																																																																																																																																																																																																																																																																																																																																																																																																																																																																													
SUM ENABLE H		9-C1,L 12-C8,R																																																																																																																																																																																																																																																																																																																																																																																																																																																																																																																																																																																																																																																																																																																																																																																																																																																																																																																																																																																																																													
SUM ENABLE L		9-C1,L 12-C8,R																																																																																																																																																																																																																																																																																																																																																																																																																																																																																																																																																																																																																																																																																																																																																																																																																																																																																																																																																																																																																													
SVO CLK H		1-D4,L 6-B1,L																																																																																																																																																																																																																																																																																																																																																																																																																																																																																																																																																																																																																																																																																																																																																																																																																																																																																																																																																																																																																													
SVO CLK L		1-D5,R 6-B1,L																																																																																																																																																																																																																																																																																																																																																																																																																																																																																																																																																																																																																																																																																																																																																																																																																																																																																																																																																																																																																													
SYNC GATE H		7-A1,L 8-B4,R																																																																																																																																																																																																																																																																																																																																																																																																																																																																																																																																																																																																																																																																																																																																																																																																																																																																																																																																																																																																																													
SYNC GATE L		3-B5,R 7-B1,L 8-D7,R																																																																																																																																																																																																																																																																																																																																																																																																																																																																																																																																																																																																																																																																																																																																																																																																																																																																																																																																																																																																																													
SYNC GATE LOC		4-C8,R 7-B1,L																																																																																																																																																																																																																																																																																																																																																																																																																																																																																																																																																																																																																																																																																																																																																																																																																																																																																																																																																																																																																													
SYNC H		3-B1,L 5-C8,R																																																																																																																																																																																																																																																																																																																																																																																																																																																																																																																																																																																																																																																																																																																																																																																																																																																																																																																																																																																																																													
SYNC RESET L		3-A2,R 5-C3,L																																																																																																																																																																																																																																																																																																																																																																																																																																																																																																																																																																																																																																																																																																																																																																																																																																																																																																																																																																																																																													
TACH PULSE H		1-D5,R 19-C7,R																																																																																																																																																																																																																																																																																																																																																																																																																																																																																																																																																																																																																																																																																																																																																																																																																																																																																																																																																																																																																													
TEMP SERVO H		14-D6,L 19-C7,R																																																																																																																																																																																																																																																																																																																																																																																																																																																																																																																																																																																																																																																																																																																																																																																																																																																																																																																																																																																																																													
TIMER H		17-B8,L 21-D5,L																																																																																																																																																																																																																																																																																																																																																																																																																																																																																																																																																																																																																																																																																																																																																																																																																																																																																																																																																																																																																													
TRK A L		9-C1,L 10-B4,R																																																																																																																																																																																																																																																																																																																																																																																																																																																																																																																																																																																																																																																																																																																																																																																																																																																																																																																																																																																																																													
TRK B L		9-C1,L 10-C4,R																																																																																																																																																																																																																																																																																																																																																																																																																																																																																																																																																																																																																																																																																																																																																																																																																																																																																																																																																																																																																													
TRK C L		9-C1,L 10-A4,R																																																																																																																																																																																																																																																																																																																																																																																																																																																																																																																																																																																																																																																																																																																																																																																																																																																																																																																																																																																																																													
TRK D L		9-C1,L 10-D4,R																																																																																																																																																																																																																																																																																																																																																																																																																																																																																																																																																																																																																																																																																																																																																																																																																																																																																																																																																																																																																													
TSB SERVO 00 H		1-C4,L 21-B1,L																																																																																																																																																																																																																																																																																																																																																																																																																																																																																																																																																																																																																																																																																																																																																																																																																																																																																																																																																																																																																													
TSB SERVO 01 H		1-C5,R 21-B1,L																																																																																																																																																																																																																																																																																																																																																																																																																																																																																																																																																																																																																																																																																																																																																																																																																																																																																																																																																																																																																													
TSB SERVO 02 H		1-C4,L 21-B1,L																																																																																																																																																																																																																																																																																																																																																																																																																																																																																																																																																																																																																																																																																																																																																																																																																																																																																																																																																																																																																													
TSB SERVO 03 H		1-C5,R 21-B1,L																																																																																																																																																																																																																																																																																																																																																																																																																																																																																																																																																																																																																																																																																																																																																																																																																																																																																																																																																																																																																													
TSB SERVO 04 H		1-C4,L 21-B1,L																																																																																																																																																																																																																																																																																																																																																																																																																																																																																																																																																																																																																																																																																																																																																																																																																																																																																																																																																																																																																													
TSB SERVO 05 H		1-C5,R 21-A1,L																																																																																																																																																																																																																																																																																																																																																																																																																																																																																																																																																																																																																																																																																																																																																																																																																																																																																																																																																																																																																													
TSB SERVO 06 H		1-C4,L 21-A1,L																																																																																																																																																																																																																																																																																																																																																																																																																																																																																																																																																																																																																																																																																																																																																																																																																																																																																																																																																																																																																													
TSB SERVO 07 H		1-C5,R 21-A1,L																																																																																																																																																																																																																																																																																																																																																																																																																																																																																																																																																																																																																																																																																																																																																																																																																																																																																																																																																																																																																													
TYPE 2 L		9-B5,R 19-C5,L																																																																																																																																																																																																																																																																																																																																																																																																																																																																																																																																																																																																																																																																																																																																																																																																																																																																																																																																																																																																																													
VCO < 5 H		5-B5,R 5-D5,R 7-A1,L																																																																																																																																																																																																																																																																																																																																																																																																																																																																																																																																																																																																																																																																																																																																																																																																																																																																																																																																																																																																																													

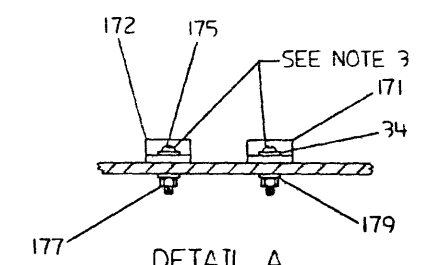
REV. N
 NUMBER 5415251-0-1
 SIZE CODE K CS
 B

THIS DRAWING AND SPECIFICATIONS, DESIGN, AND THE
 PROPERTY OF DIGITAL EQUIPMENT CORPORATION AND SHALL
 NOT BE REPRODUCED OR COPIED OR USED IN WHOLE OR
 PART WITHOUT THE WRITTEN PERMISSION OF SAID CORP.
 © 1965 DIGITAL EQUIPMENT CORPORATION

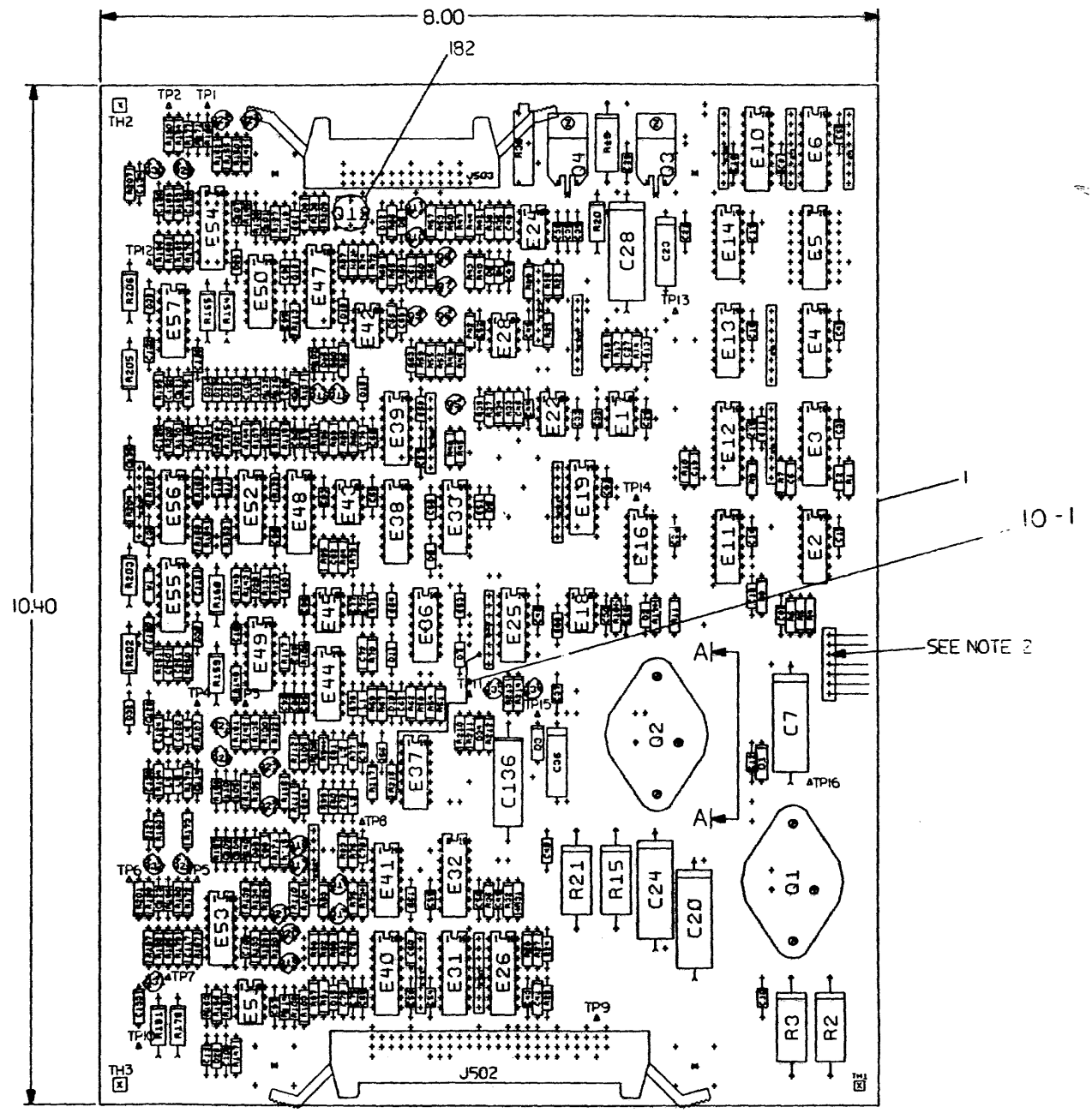
COMPONENT SIDE VIEW



SECTION A-A
 2 FLC5 (Q1 & Q2)



DETAIL A
 SCALE: NONE



- NOTES: 1. E5, E27 ARE SPARES.
 2. CUT PIN 5 AS SHOWN.
 3. TORQUE HARDWARE TO 3.5±.5 IN. LBS.

STEP	NO.	DESCRIPTION	DATE	BY	CHKD.
1	1	ISSUED FOR FAB			

CHANGE NO.	REV.	DESCRIPTION	DATE	BY	CHKD.
1	1	ISSUED FOR FAB			

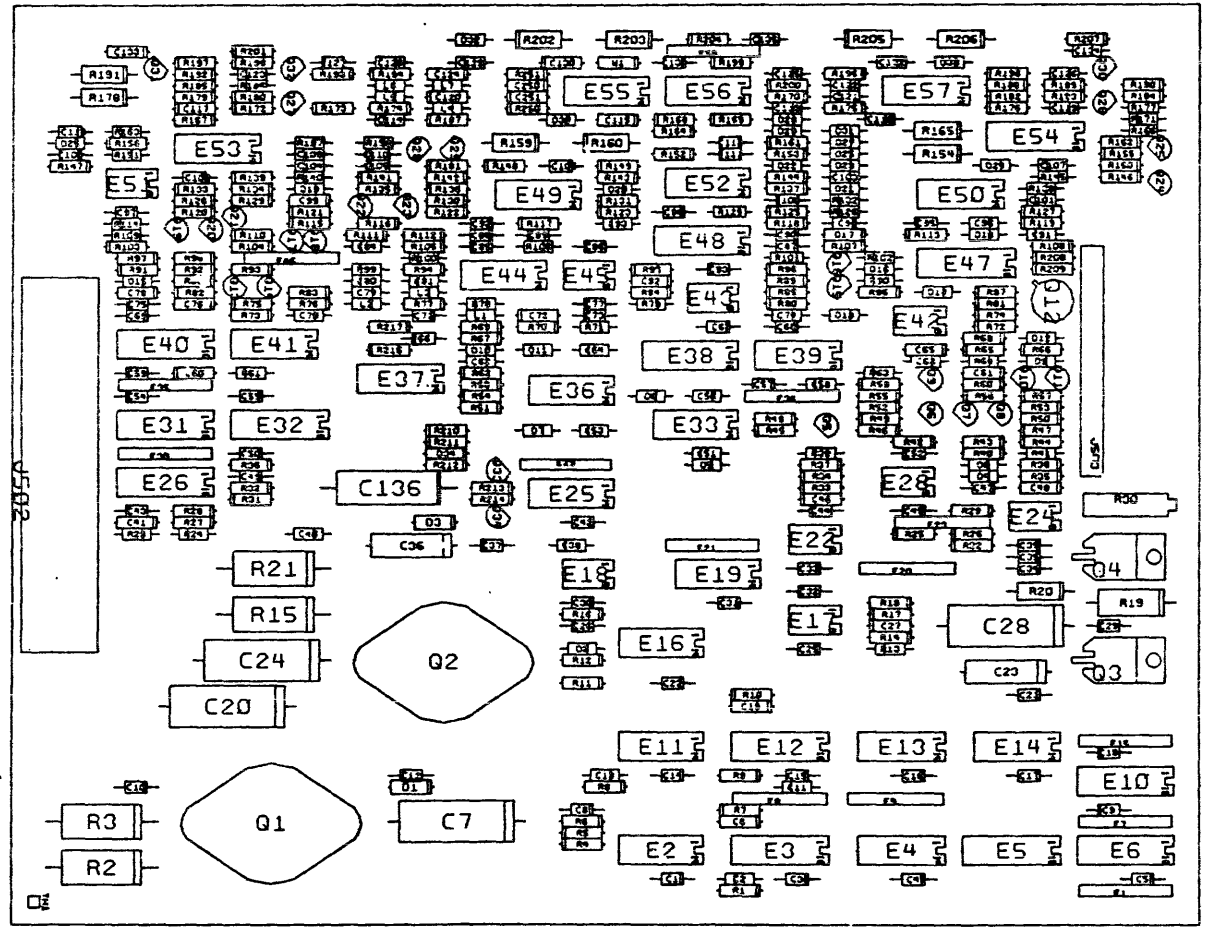
ETCH REV	1
----------	---

SIGNATURES	DATE	digital
DRN. <i>[Signature]</i>	DATE	
CHK. D. <i>[Signature]</i>	DATE	TITLE
MECH. ENG. <i>[Signature]</i>	DATE	
PROJ. ENG. <i>[Signature]</i>	DATE	READ/WRITE
SCALE 1.5/1	SIZE CODE	NUMBER
SHT. 1 OF 3	0 UA 5415253-0-C-1	REV
NEXT HIGHER ASSY. X-00-545253-0-C		

MS# 290082C

THIS DRAWING AND SPECIFICATIONS HEREIN ARE THE PROPERTY OF DIGITAL EQUIPMENT CORPORATION AND SHALL NOT BE REPRODUCED OR COPIED OR USED IN WHOLE OR IN PART AS THE BASIS FOR THE MANUFACTURE OR SALE OF ITEMS WITHOUT WRITTEN PERMISSION.
 COPYRIGHT © 1965 DIGITAL EQUIPMENT CORPORATION

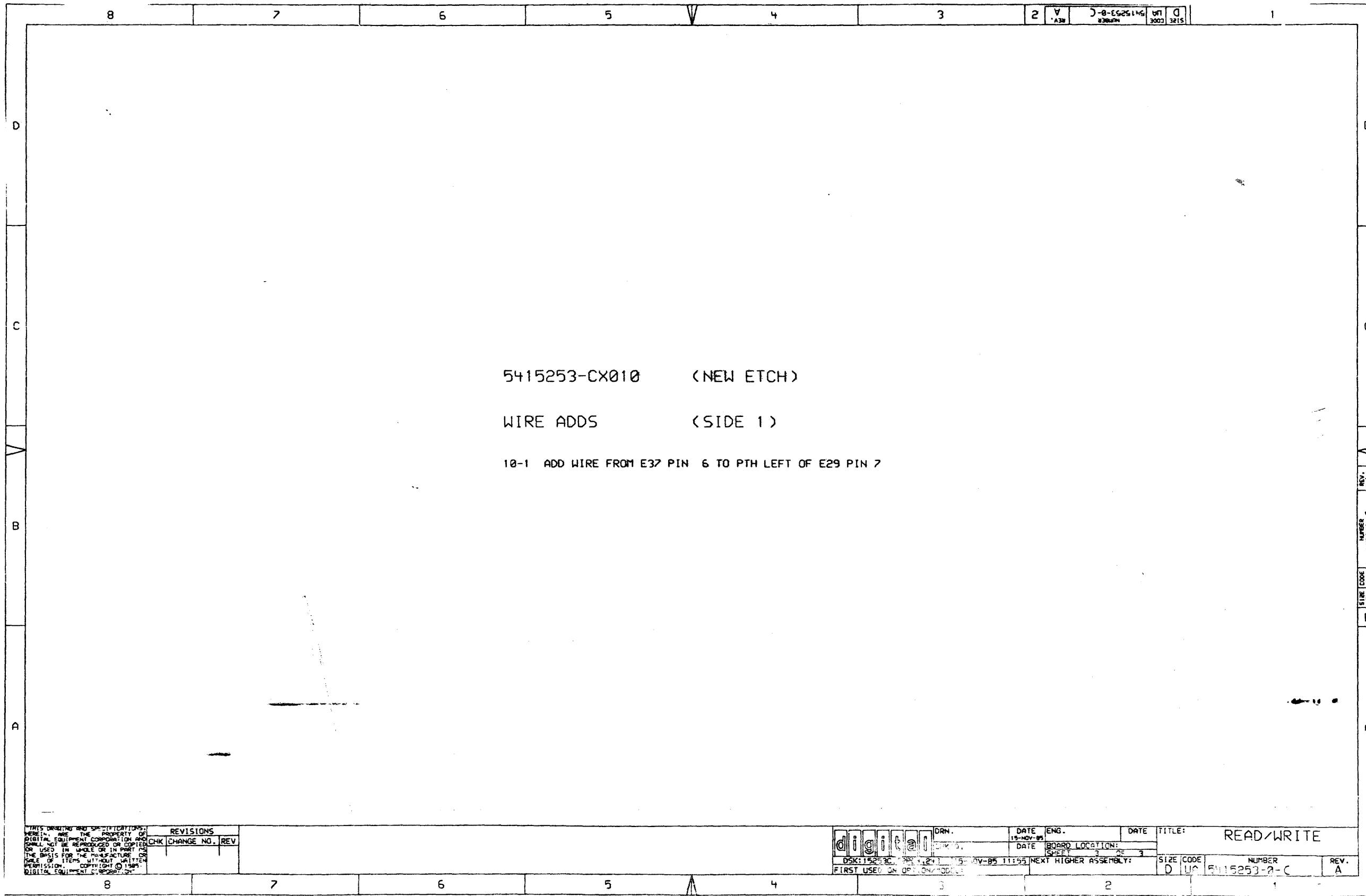
D UA 5415253-0-C 2



REVISIONS		
CHK	CHANGE NO	REV

TITLE	SIZE CODE	NUMBER	REV
READ/WRITE	D UA	5415253-0-C	A
SCALE 15/1	SHEET 2 OF 3	DIST	

D UA 5415253-0-C A



5415253-CX010 (NEW ETCH)

WIRE ADDS (SIDE 1)

10-1 ADD WIRE FROM E37 PIN 6 TO PTH LEFT OF E29 PIN 7

THIS DRAWING AND SPECIFICATIONS
HEREIN ARE THE PROPERTY OF
DIGITAL EQUIPMENT CORPORATION AND
SHALL NOT BE REPRODUCED OR COPIED
OR USED IN WHOLE OR IN PART AS
THE BASIS FOR THE MANUFACTURE OR
SALE OF ITEMS WITHOUT WRITTEN
PERMISSION. COPYRIGHT © 1987
DIGITAL EQUIPMENT CORPORATION

REVISIONS		
CHK	CHANGE NO.	REV

digital	DRN.	DATE	ENG.	DATE	TITLE:
					READ/WRITE
DSK:15253C		DATE	BOARD LOCATION:		
FIRST USED ON OPTION MODULE					
SIZE	CODE	NUMBER	REV.		
D	UC	5415253-2-C	A		

LINE	ITEM	TOP DOCUMENT	PART NUMBER	MIN REV	DESCRIPTION	QTY PER VAR/REV	REFERENCE DESIGNATORS
1	1	K-DD-5015252-0-C	50-15252-00	C	DRILL & ETCH CUT BRD.	1	
2	2		10-01610-00	.01	MFD 50V +80-20% Z5U CER	90	C1,C3-C5,C8-C10,C12,C14-C18, CONT C21,C22,C25,C26,C29-C35,C37, CONT C39,C40,C42-C45,C47,C49-C57, CONT C59,C60,C62-C64,C66-C69,C71, CONT C75-C78,C83,C85-C92,C94-C101, CONT C105-C108,C110-C113,C115,C116, CONT C127,C129-C135
3	3		10-12783-00	.022	MFD 50V +80-20% CER	3	C13,C118,C125
4	4		10-13466-01	10.0	MMF 50V 5% CER	2	C41,C73
5	5		10-13466-04	33.0	MMF 50V 5% CER	3	C65,C102,C123
6	6		10-13466-05	56.0	MMF 50V 5% CER	2	C120,C124
7	7		10-13466-07	220.0	MMF 50V 5% CER	3	C27,C46,C48
8	8		10-13466-09	1000.0	MMF 50V 10% X7R CER	4	C80,C84,C104,C109
9	9		10-13466-12	2200.0	MMF 50V 10% X7R CER	1	C2
10	10		10-13466-17	150.0	MMF 50V 5% CER	1	C19
11	11		10-13466-18	330.0	MMF 50V 5% CER	1	C38
12	12		10-13466-22	.1	MFD 50V +80-20% Z5U CER	3	C61,C70,C117
13	13		10-13466-23	22.0	MMF 50V 5% CER	2	C121,C122
14	14		10-13466-26	120.0	MMF 50V 5% CER	1	C72
15	15		10-13466-32	12.0	MMF 50V 5% CER	2	C114,C128
16	16		10-13466-34	4700.0	MMF 50V 5% X7R CER	1	C93
17	17		10-13466-36	1000.0	MMF 50V 2% NPO CER	5	C6,C11,C53,C74,C82
18	18		10-13466-39	150.0	MMF 50V 2% NPO CER	2	C79,C81
19	19		10-13466-44	8200.0	MMF 50V 5% X7R CER	1	C103
20	20		10-15573-00	.027	MFD 50V 5% CER	2	C119,C126
21	21		10-16555-00	22	MFD 50V +50-10% AL EL	4	C7,C20,C24,C28
22	22		10-17472-00	10	MFD 35V +75-10% AL EL	3	C23,C36,C136
23	23		11-02808-00	VZ= 5.6	5% 400 MW 1N752A	2	D31,D33
24	24		11-03441-00	VZ= 8.2	5% 400 MW 1N756A	1	D19
25	25		11-05508-00	VZ= 6.2	5% 400 MW 1N823	1	D15
26	26		11-05796-00	PIV= 400	I0= 1.00A 1N4004 DO-41	2	D1,D3

Handwritten initials and date:
SMB
3/26/86

REVISION HISTORY		KPL MODULE FORMAT		SECTION A OF A1DRN:		SUE BOURBEAU		D I G I T A L	
ENG	ECO NUMBER	REV	SECTION/VARIATION INDEX	CHK'D:	DATE:	TITLE	PARTS LIST	SIZE	CODE
CH	5415253-CX011	B	[A] 00 [M]	SUE BOURBEAU	14-DEC-85	READ/WRITE			
			[B] [N]	FRANK PINTERIC	14-DEC-85				
			[C] [P]						
			[D] [Q]						
			[E] [R]						
			[F] [S]						
			[H] [T]						
			[J] [V]						
			[K] [W]						
			[L] [Y]						
		BASIC PART NUMBER:		ASSEMBLY NUMBER:		TOP DOCUMENT NUMBER:		FILE NAME:	
		5415253		D-UA-5415253-0-C		K-DD-5415253-0-C		CX321B.PLS	
								EDIT #	
								5	

"THIS DRAWING AND THE SPECIFICATIONS CONTAINED HEREIN ARE CONFIDENTIAL AND PROPRIETARY. THEY ARE THE PROPERTY OF DIGITAL EQUIPMENT CORPORATION AND SHALL NOT BE REPRODUCED OR COPIED OR USED IN WHOLE OR IN PART AS THE BASIS FOR THE MANUFACTURE OR SALE OF ITEMS WITHOUT WRITTEN PERMISSION. THIS IS AN UNPUBLISHED WORK PROTECTED UNDER THE FEDERAL COPYRIGHT LAWS."

*** DOCUMENT CONVERTED TO VAX ***

LINE	ITEM	TOP DOCUMENT	PART NUMBER	MIN REV	DESCRIPTION	QTY PER VAR/REV	REFERENCE DESIGNATORS
						00 H1	
27	27		11-05871-00		VZ= 5.15 1% 250 MW	4	D10, D14, D17, D26
28	28		11-09991-00		VZ= 6.8 5% 400 MW 1N754A	1	D30
29	29		11-10994-00		VZ= 5.1 5% 400 MW 1N751A	7	D5, D7, D8, D11, D18, D24, D32
30	30		11-13003-00		PIV= 55 IO=200 MA - 4NS 1N5282	16	D2, D4, D6, D9, D12, D13, D16, CONT D20-D23, D25, D27-D29, D34
31	31		12-12518-11		*** THIS ITEM IS NOT USED ***	-	
32	32		12-12965-03		PCB, HEADER 26PIN(2X13), 100CC 90D	1	J503
33	33		12-13071-02		INSULATOR, RUBBER SILICONE SM	2	
34	34		12-13071-06		INSULATOR, RUBBER SILICONE	2	
35	35		12-14434-00		PCB, HEADER 07PIN(1X06), 100CC 90D	1	J501
36	36		12-15580-00		INSULATOR, MOLDED	2	
37	37		12-16471-01		HEAT SINKS, TO-3/TO-66 1.531X1.25	2	
38	38		12-16832-03		PCB, HEADER 50POS(2X25), 100CC 90D	1	J502
39	39		13-00197-00		33.0 .25 W 5.0 % CF	2	R146, R155
40	40		13-00202-00		47.0 .25 W 5.0 % CF	2	R89, R96
41	41		13-00229-00		100.0 .25 W 5.0 % CF	19	R42, R94, R105, R122, R130, R135, CONT R141, R169, R173, R176, R181, R184, CONT R187, R190, R193, R196, R197, R199, CONT R212
42	42		13-00250-00		150.0 .25 W 5.0 % CF	1	R36
43	43		13-00295-00		330.0 .25 W 5.0 % CF	1	R46
44	44		13-00296-00		330.0 .50 W 5.0 % CF	2	R159, R160
45	45		13-00308-00		390.0 .50 W 5.0 % CF	4	R154, R165, R205, R206
46	46		13-00316-00		470.0 .25 W 5.0 % CF	6	R4, R5, R48, R49, R68, R113
47	47		13-00365-00		1.0 K .25 W 5.0 % CF	2	R23, R24
48	48		13-00391-00		1.50 K .25 W 5.0 % CF	1	R11
49	49		13-00426-00		2.70 K .25 W 5.0 % CF	1	R52
50	50		13-00432-00		3.0 K .25 W 5.0 % CF	2	R8, R214
51	51		13-00439-00		3.30 K .25 W 5.0 % CF	1	R55
52	52		13-00539-00		120.0 K .25 W 5.0 % CF	1	R149
53	53		13-01317-00		10.0 .25 W 5.0 % CF	1	R12
54	54		13-01320-00		1.20 K .25 W 5.0 % CF	1	R45
55	55		13-01423-00		6.80 K .25 W 5.0 % CF	1	R85
56	56		13-01477-00		82.0 .25 W 5.0 % CF	4	R6, R31, R32, R207
57	57		13-01969-00		22.0 .25 W 5.0 % CF	1	R65
58	58		13-19470-06		5.10 1.0 W 5.0 % M.OXIDE	1	R19
59	59		13-02377-00		39.0 .25 W 5.0 % CF	2	R79, R84
60	60		13-02381-00		200.0 .50 W 5.0 % CF	2	R178, R191
61	61		13-02411-00		511.0 .25 W 1.0 % RN55D-F10	6	R75, R91, R115, R121, R136, R142
62	62		13-02612-00		1.78 K .25 W 1.0 % RN55D-F10	1	R26
63	63		13-02644-00		226.0 .25 W 1.0 % RN55D-F10	1	R22
64	64		13-02685-00		909.0 .25 W 1.0 % RN55D-F10	1	R87
65	65		13-02858-00		100.0 .25 W 1.0 % RN55D-F10	11	R56, R59, R72, R80, R82, R93, R104, CONT R110, R120, R128, R129
66	66		13-02873-00		261.0 .25 W 1.0 % RN55D-F10	1	R73
67	67		13-02874-00		147.0 .25 W 1.0 % RN55D-F10	1	R92
68	68		13-02931-00		49.90 .25 W 1.0 % RN55D-F10	2	R150, R162
69	69		13-04805-00		750.0 .25 W 1.0 % RN55C-F 5	2	R99, R100
70	70		13-02956-00		196.0 .25 W 1.0 % RN55D-F10	3	R61, R175, R195
71	71		13-03037-00		90.90 .25 W 1.0 % RN55D-F10	1	R37

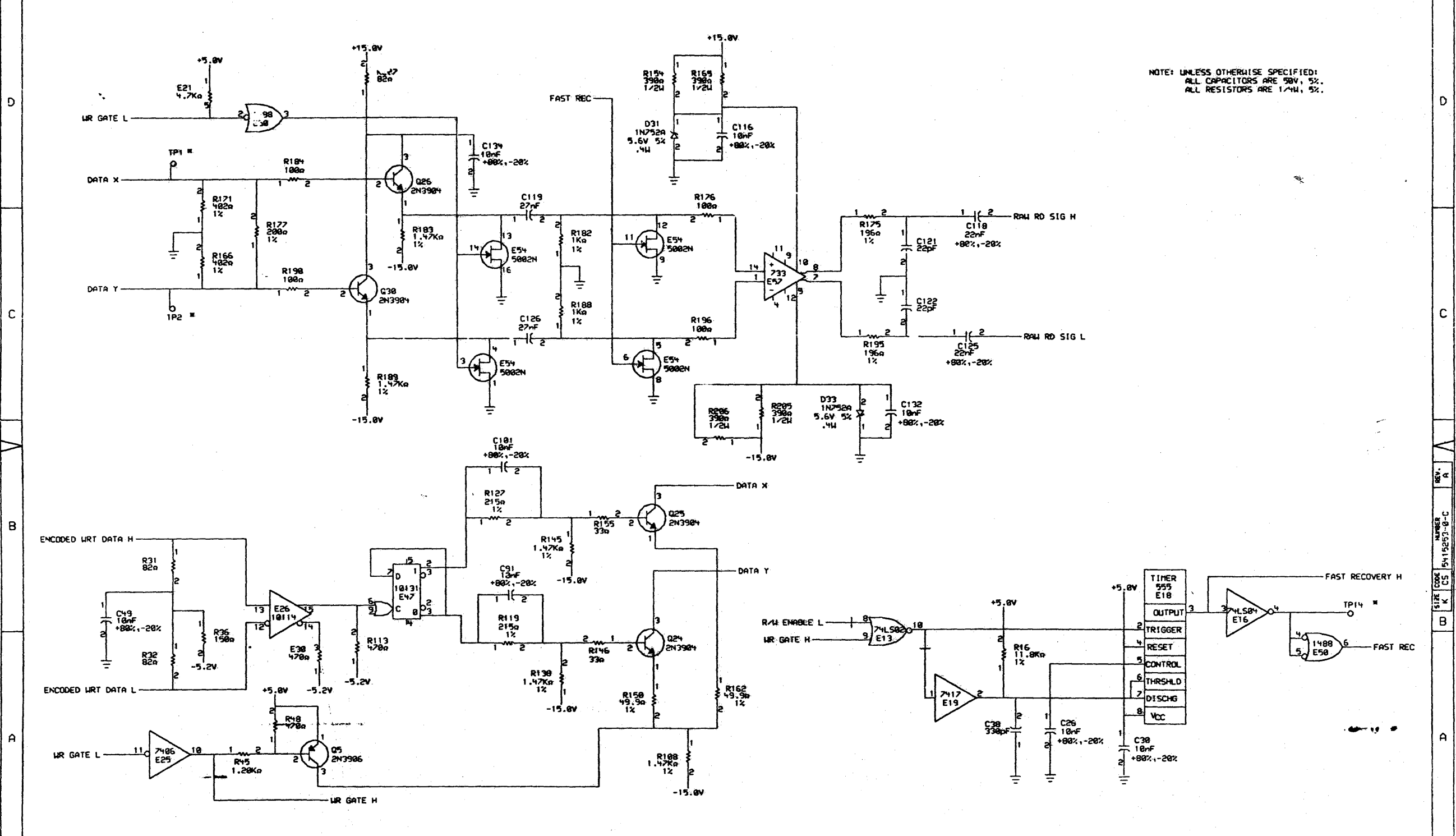
DI	IG	IT	AL	TITLE	SECTION A OF A	SIZE	CODE	DOCUMENT NUMBER	REV
				READ/WRITE				5415253-0-DBPC	B

LINE ITEM	TOP DOCUMENT	PART NUMBER	MIN REV	DESCRIPTION	QTY PER VAR/REV	REFERENCE DESIGNATORS
					00 H1	
72	72	13-03045-00	3.16 K	.25 W 1.0 % RN55D-F10	3	R126,R157,R158
73	73	13-03047-00	464.0	.25 W 1.0 % RN55D-F10	1	R25
74	74	13-03064-00	75.0	.25 W 1.0 % RN55D-F10	2	R62,R74
75	75	13-03067-00	422.0	.25 W 1.0 % RN55D-F10	2	R134,R139
76	76	13-03114-00	1.0 K	.25 W 1.0 % RN55D-F10	7	R50,R53,R66,R81,R86,R182,R188
77	77	13-03312-00	10.0 K	.25 W 1.0 % RN55D-F10	4	R35,R38,R70,R131
78	78	13-03378-00	10.0	.25 W 1.0 % RN55C-F 5	1	R60
79	79	13-17303-00	301.0	.25 W 1.0 % RN55D-F10	2	R88,R98
80	80	13-04833-00	1.96 K	.25 W 1.0 % RN55D-F10	3	R40,R43,R213
81	81	13-04854-00	5.11 K	.25 W 1.0 % RN55D-F10	5	R106,R143,R152,R144,R168
82	82	13-04856-00	4.64 K	.25 W 1.0 % RN55D-F10	1	R77
83	83	13-04858-00	348.0	.25 W 1.0 % RN55D-F10	3	R29,R174,R194
84	84	13-04863-00	316.0	.25 W 1.0 % RN55D-F10	3	R27,R28,R140
85	85	13-04870-00	6.81 K	.25 W 1.0 % RN55D-F10	2	R117,R148
86	86	13-05109-00	1.47 K	.25 W 1.0 % RN55D-F10	8	R95,R108,R138,R145,R170,R183, CONT R189,R200
87	87	13-05122-00	51.10	.25 W 1.0 % RN55D-F10	1	R18
88	88	13-05123-00	215.0	.25 W 1.0 % RN55D-F10	3	R119,R127,R216
89	89	13-05124-00	287.0	.25 W 1.0 % RN55D-F10	3	R41,R250,R251
90	90	13-05125-00	383.0	.25 W 1.0 % RN55D-F10	2	R57,R186
91	91	13-18150-10	4.02 K	.25 W 1.0 % RN55D-F10	2	R54,R58
92	92	13-05128-00	5.62 K	.25 W 1.0 % RN55D-F10	3	R17,R33,R34
93	93	13-18150-12	8.06 K	.25 W 1.0 % RN55D-F10	1	R153
94	94	13-05143-00	825.0	.25 W 1.0 % RN55D-F10	1	R163
95	95	13-05145-00	2.80 K	.25 W 1.0 % RN55D-F10	4	R172,R180,R198,R201
96	96	13-05146-00	8.87 K	.25 W 1.0 % RN55D-F10	1	R137
97	97	13-05252-00	68.10 K	.25 W 1.0 % RN55D-F10	1	R14
98	98	13-05253-00	7.15 K	.25 W 1.0 % RN55D-F10	2	R90,R102
99	99	13-05324-00	4.99 K	.25 W 1.0 % RN55D-F10	1	R118
100	100	13-05374-00	910.0	.25 W 5.0 % CF	1	R107
101	101	13-05405-00	24.90 K	.25 W 1.0 % RN55D-F10	1	R10
102	102	13-05431-00	10.0 K	.25 W 0.1 % RN55E-B 2	2	R151,R156
103	103	13-09143-05	200.0	.75 W 10.0 % POT	1	R30
104	104	13-09417-00	27.40 K	.25 W 1.0 % RN55D-F10	1	R1
105	105	13-10630-00	1.33 K	.25 W 1.0 % RN55D-F10	2	R111,R112
106	106	13-10634-00	2.67 K	.25 W 1.0 % RN55D-F10	1	R123
107	107	13-11594-00	30.10 K	.25 W 1.0 % RN55D-F10	1	R71
108	108	13-11653-00	2.15 K	.25 W 1.0 % RN55D-F10	5	R125,R179,R185,R192,R204
109	109	13-11845-00	487.0	.25 W 1.0 % RN55D-F10	3	R51,R208,R209
110	110	13-12480-00	1.54 K	.25 W 1.0 % RN55D-F10	1	R63
111	111	13-12546-00	16.50 K	.25 W 1.0 % RN55D-F10	1	R9
112	112	13-12930-00	5.10 K	.25 W 5.0 % CF	1	R147
113	113	13-13153-00	28.0 K	.25 W 1.0 % RN55D-F10	1	R7
114	114	13-13341-00	5.36 K	.25 W 1.0 % RN55D-F10	2	R101,R124
115	115	13-13590-00	1.50 K	.25 W 1.0 % RN55D-F10	2	R67,R69
116	116	13-13591-00	1.65 K	.25 W 1.0 % RN55D-F10	2	R161,R217
117	117	13-13592-00	4.87 K	.25 W 1.0 % RN55D-F10	2	R103,R114
118	118	13-13593-00	11.80 K	.25 W 1.0 % RN55D-F10	1	R16
119	119	13-13596-00	20.0 K	.25 W 1.0 % RN55D-F10	2	R44,R47
120	120	13-13840-00	4.53 K	.25 W 1.0 % RN55D-F10	1	R144

D I G I T A L		TITLE	SECTION A OF A	SIZE	CODE	DOCUMENT NUMBER	REV
		READ/WRITE		K	PL	5415253-0-DBPC	B

LINE	ITEM	TOP DOCUMENT	PART NUMBER	MIN REV	DESCRIPTION	QTY PER VAR/REV	REFERENCE DESIGNATORS
						00 H1	
121	121		13-14041-00	3.01 K	.25 W 1.0 % RN55D-F10	2	R76,R83
122	122		13-14042-00	102.0	.25 W 1.0 % RN55D-F10	2	R133,R167
123	123		13-14954-00	430.0	.50 W 5.0 % CF	2	R202,R203
124	124		13-15096-00	1.87 K	.25 W 1.0 % RN55D-F10	1	R78
125	125		13-16254-00	R NETWORK	7-470 2.0 % 8PIN	3	E15,E30,E35
126	126		13-16254-01	R NETWORK	7-4.7K 2.0 % 8PIN	7	E1,E7-E9,E20,E21,E29
127	127		13-19471-01	10.0	2.0 W 5.0 % M.OXIDE	2	R2,R15
128	128		13-16836-00	402.0	.25 W 1.0 % RN55D-F10	2	R166,R171
129	129		13-16837-00	412.0	.25 W 1.0 % RN55D-F10	1	R39
130	130		13-16842-00	6.34 K	.25 W 1.0 % RN55D-F10	1	R13
131	131		13-16845-00	3.30	.50 W 5.0 % CF	1	R20
132	132		13-19471-02	15.0	2.0 W 5.0 % M.OXIDE	2	R3,R21
133	133		13-17398-00	4.22 K	.25 W 1.0 % RN55D-F10	1	R132
134	134		13-18150-02	475.0	.25 W 1.0 % RN55D-F10	1	R116
135	135		13-18532-03	R NETWORK	4-3K 2.0 % 8PIN	1	E46
136	136		13-18532-05	R NETWORK	4-10K 2.0 % 8PIN	2	E23,E34
137	137		13-18532-08	R NETWORK	4-15K 2.0 % 8PIN	1	E58
138	138		13-19169-01	200.0	.25 W 1.0 % RN55D-F10	1	R177
139	139		15-01881-00	DEC2219	NPN 3WC SI 30100	2	Q8,Q12
140	140		15-09524-00	2N 3904	NPN 310MW SI 40 40 M	22	Q7,Q10,Q13,Q14,Q16-Q33
141	141		15-09525-00	2N 3906	PNP 310MW SI 40100 Y	6	Q5,Q6,Q9,Q11,Q15,Q34
142	142		16-02472-00	4.7 UH	#1025-36	2	L5,L6
143	143		16-12946-04	6.8	UH 10% Q MIN=52@7.9MHZ	2	L4,L7
144	144		16-12946-06	8.2	UH 2% Q MIN=55@7.9MHZ	2	L2,L3
145	145		16-12946-07	220	UH 10% Q MIN=26@.79MHZ	1	L1
146	146		16-18545-03	DELAY=	80NS,10TAPS 14PIN DIP	1	E53
147	147		16-19049-01	DELAY=	40NS,10TAPS	1	E41
148	148		19-09929-00	7417	BUFFER GATE-HEX 1INP	1	E19
149	149		19-19580-01	LS145	DECODER,BCD/DECIMAL	1	E6
150	150		19-10322-00	DEC 1488L	DRIVER,LINE,QUAD,EIA	3	E33,E36,E50
151	151		19-10436-00	DEC 74123	ONE SHOT-DUAL,RETRIG	2	E3,E12
152	152		19-10644-00	733	DIFFERENTIAL AMP,WID	2	E55,E57
153	153		19-10735-02	318	OP AMP	2	E43,E45
154	154		19-10741-00	7406	INVERTER GATE-HEX 1I	1	E25
155	155		19-11143-00	DEC 201A	OP AMP	2	E42,E51
156	156		19-11414-00	10124	TTL TO ECL TRNSLTR	1	E10
157	157		19-11416-00	10131	FF, DUAL D MSTR/SLAV	2	E31,E47
158	158		19-11944-00	555CN	TIMER,FUNCT.BLOCK	1	E18
159	159		19-12108-B0	339	BURNED-IN VOLT CMPRT	1	E37
160	160		19-12792-01	7915CKVOLT	REG,FIX -15V	1	Q1
161	161		19-12799-B0	LS00	BURNED-IN NAND GATE-	2	E11,E14
162	162		19-12801-00	LS02	NOR-GATE-QUAD 2IN	1	E13
163	163		19-12803-00	LS04	INVERTER GATE,HEX	1	E16
164	164		19-12824-00	LS74	FF-D DUAL,EDGE TRIGG	1	E4
165	165		19-12829-00	LS86	X-OR GATE-QUAD 2IN	1	E2
166	166		19-13017-00	3046	XSISTOR ARRAY,3 ISOL	3	E44,E49,E56
167	167		19-14140-00	LM 311N	VOLT CMPRTR	4	E17,E22,E24,E28
168	168		19-14473-00	DEC 7815	VOLT REG,FIX +15V	1	Q2
169	169		19-14485-01	TL 084ACNOP	AMP,QUAD JFET	2	E39,E52
170	170		19-15186-00	AM 687DL	VOLT.COMPARATOR,DUA	2	E32,E40

! D ! I ! G ! I ! T ! A ! L !	! TITLE	! SECTION A OF A	! SIZE ! CODE !	! DOCUMENT NUMBER	! REV !
! ! ! ! ! ! ! !	! READ/WRITE	! ! ! ! ! ! ! !	! K ! PL !	! 5415253-0-DBPC	! B !

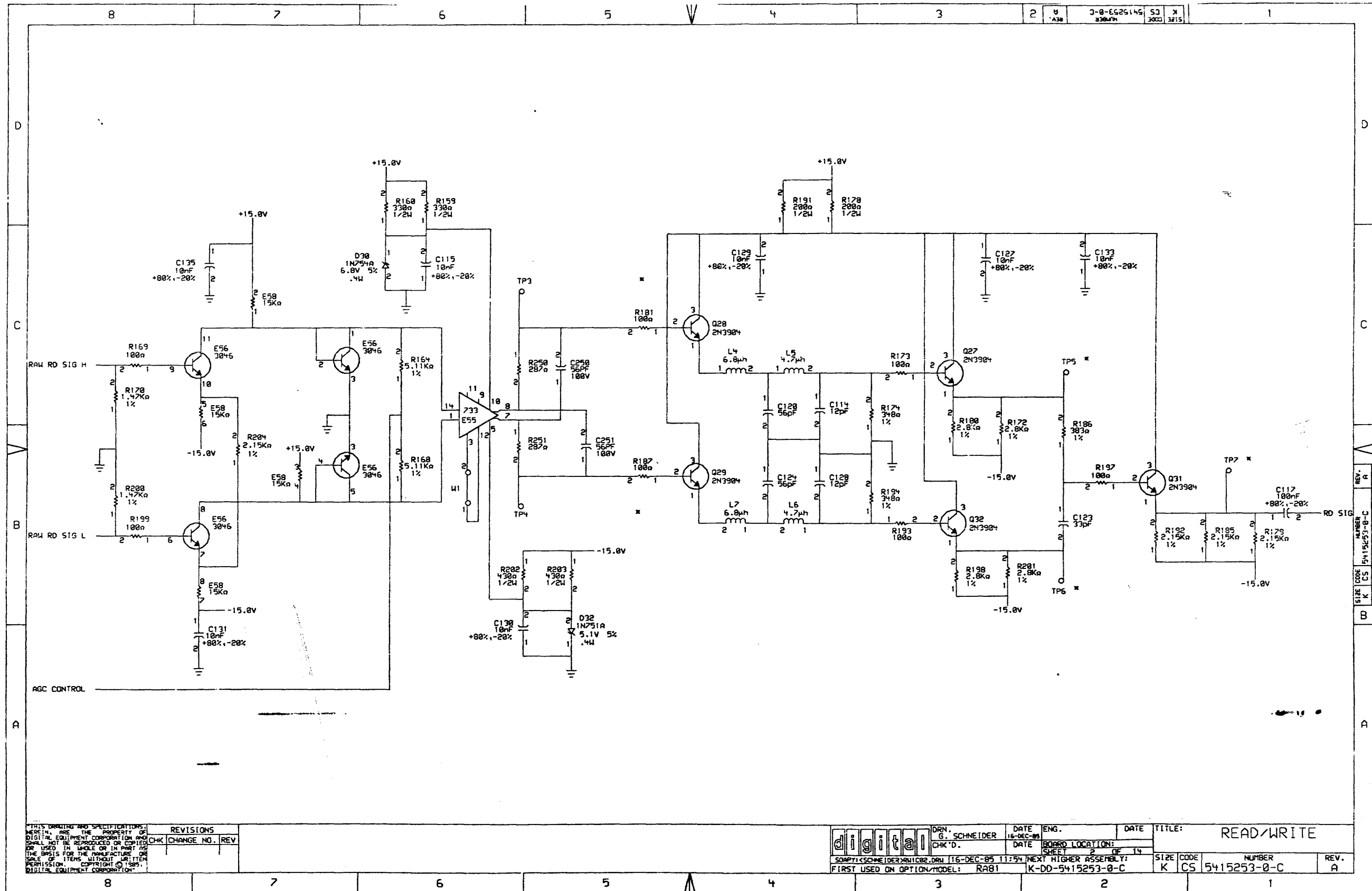


NOTE: UNLESS OTHERWISE SPECIFIED:
 ALL CAPACITORS ARE 50V, 5%.
 ALL RESISTORS ARE 1/4W, 5%.

CHK	CHANGE NO.	REV
	1	A

DATE	BY	DATE	BY	TITLE
18-DEC-85	Schneider	11-53	Next Higher Assembly	READ/WRITE

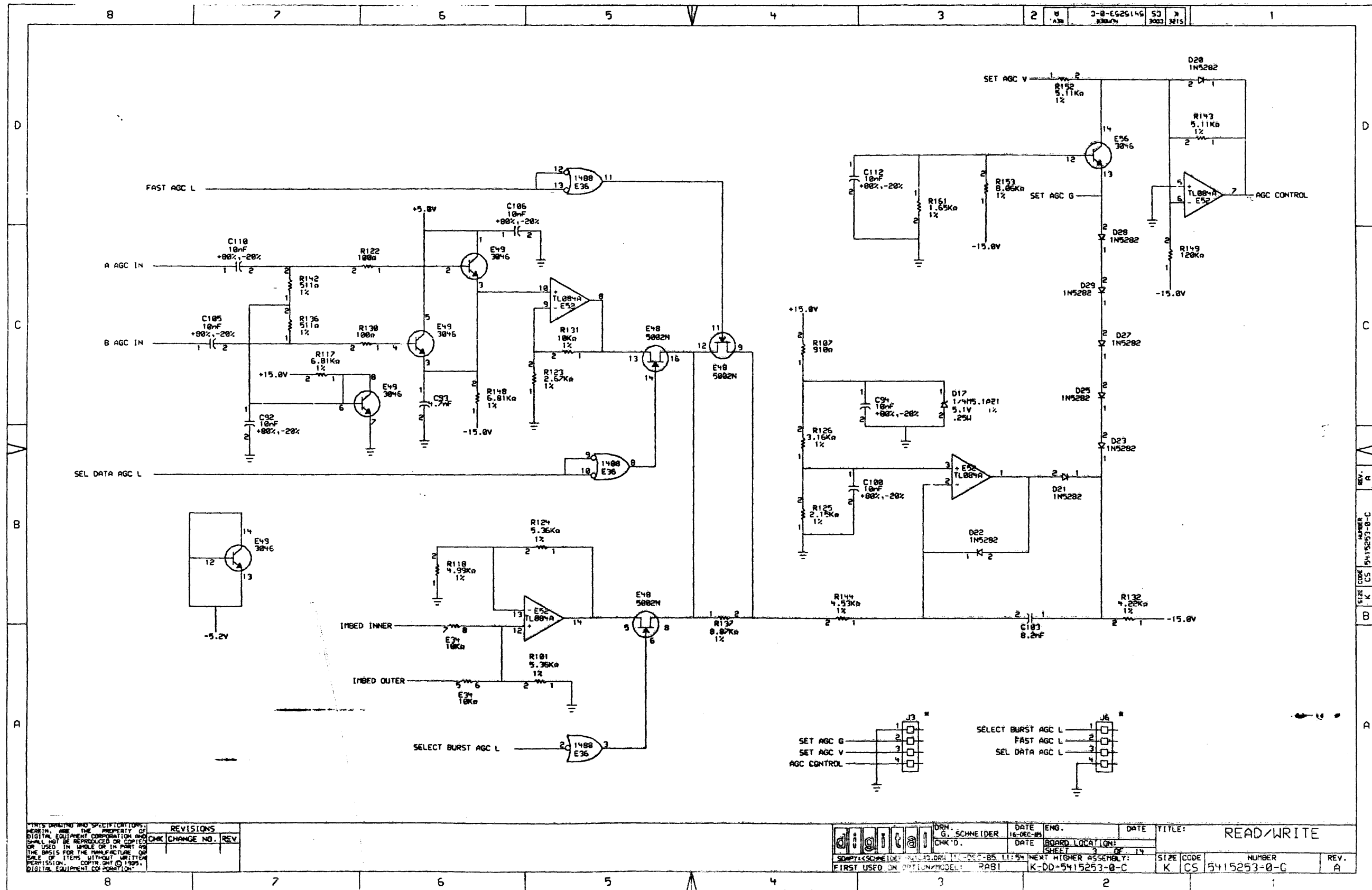
SIZE	CODE	NUMBER	REV.
K	CS	5415253-0-C	A



THIS DRAWING AND SPECIFICATIONS ARE THE PROPERTY OF DIGITAL EQUIPMENT CORPORATION AND SHALL NOT BE REPRODUCED OR COPIED OR USED IN WHOLE OR IN PART AS THE BASIS FOR THE MANUFACTURE OR SALE OF ITEMS WITHOUT WRITTEN PERMISSION. COPYRIGHT © 1985, DIGITAL EQUIPMENT CORPORATION.

REVISIONS	
CHK	CHANGE NO. REV

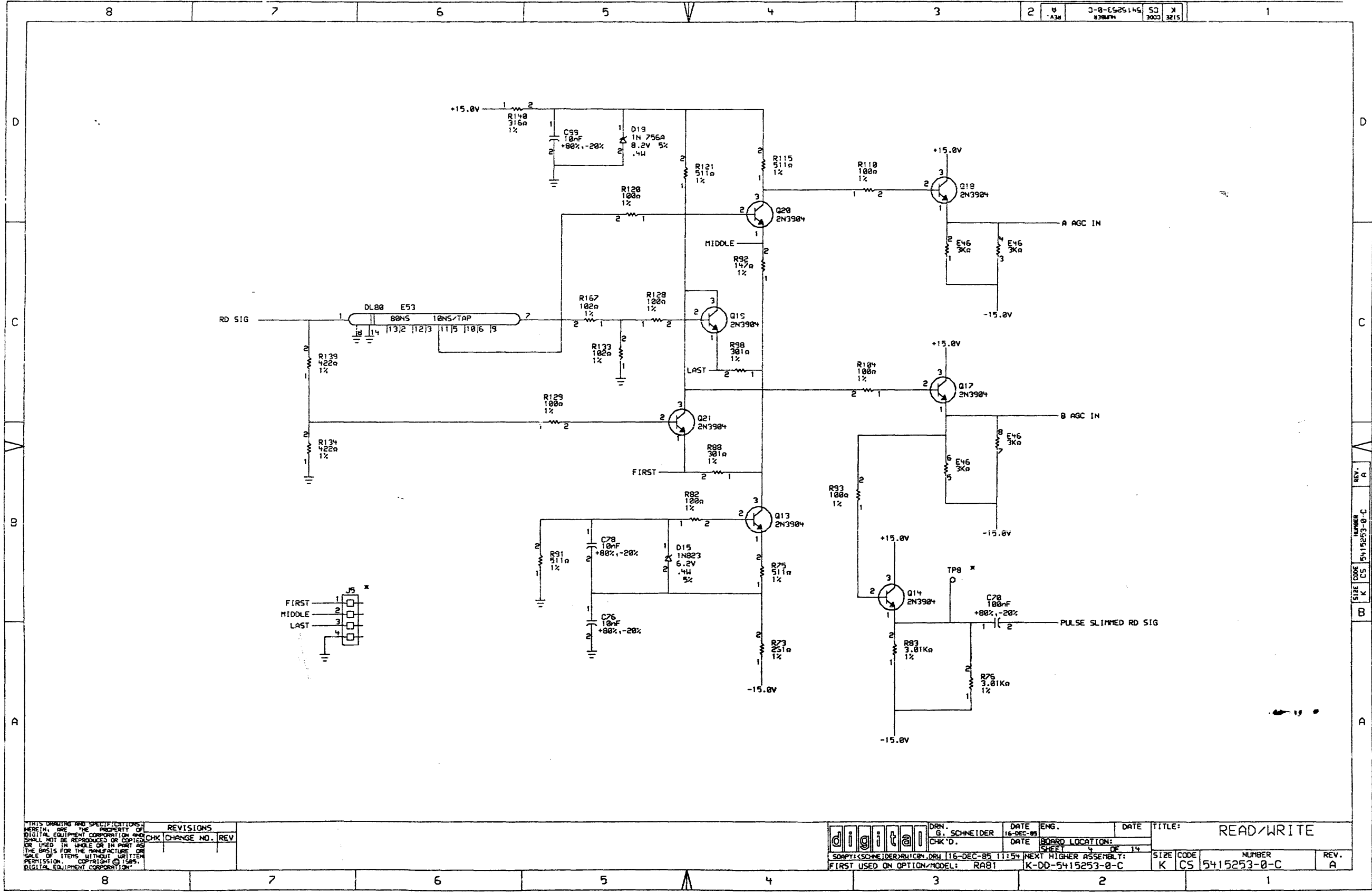
	DRN. G. SCHNEIDER	DATE 16-DEC-85	ENG.	DATE	TITLE: READ/WRITE
	CHK'D.	DATE	BOARD LOCATION:	SHEET 2 OF 14	
SOA: KCSCHNEIDERXRL082.DRL 16-DEC-85 11:54 NEXT HIGHER ASSEMBLY:		FIRST USED ON OPTION/MODEL: RAB1		SIZE CODE K CS	NUMBER 5415253-0-C
				REV. A	



REVISIONS	
CHK	CHANGE NO. REV.

DRN. SCHNEIDER	DATE 16-DEC-85	ENG.	DATE	TITLE: READ/WRITE
CHK'D.	DATE	BOARD LOCATION:	SHEET 3 OF 14	SIZE CODE NUMBER REV. K CS 5415253-0-C A
FIRST USED ON OPTION/MODEL PAB1				K-DD-5415253-0-C

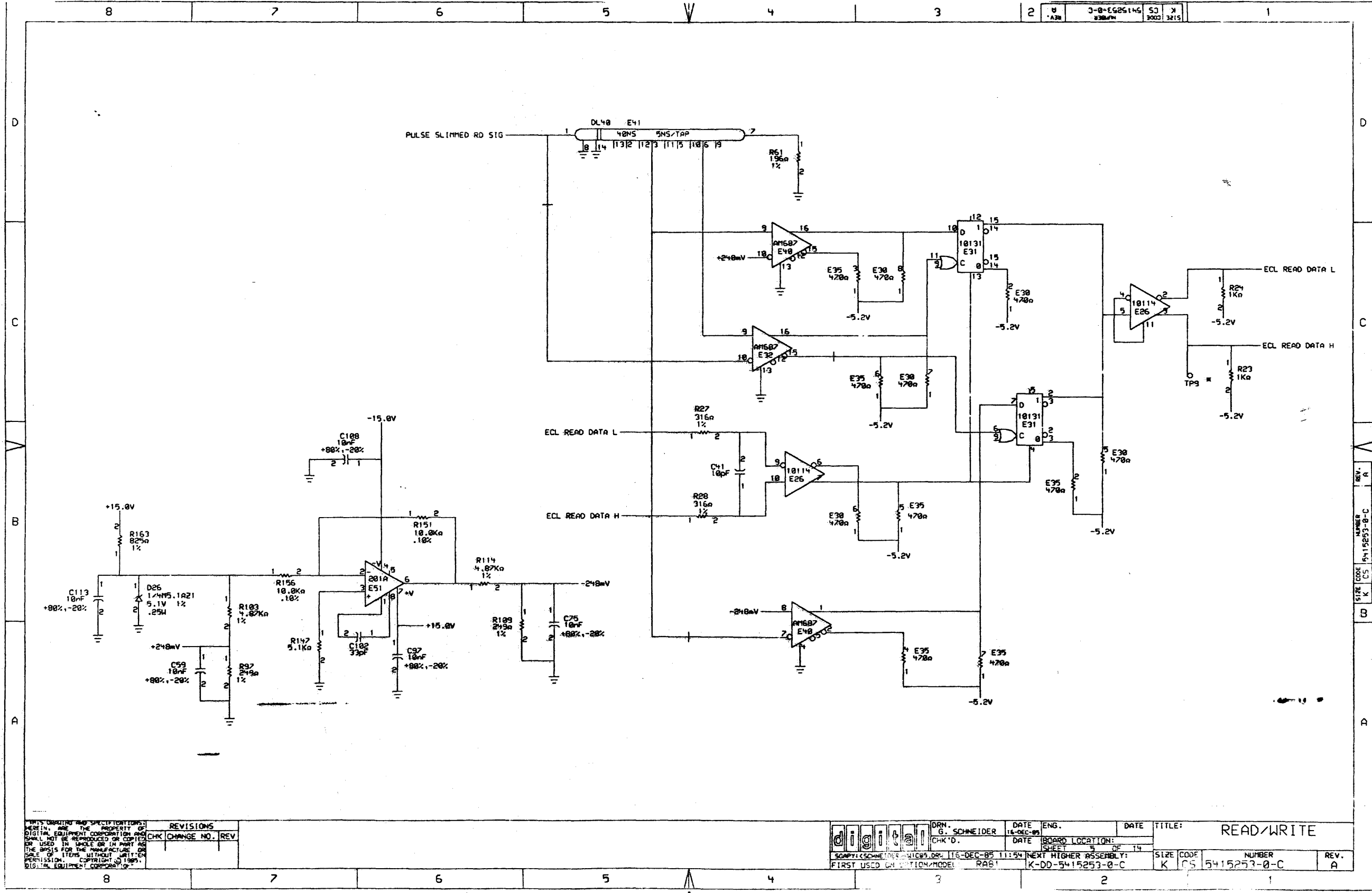
REV. A
 NUMBER 5415253-0-C
 SIZE CODE K CS



THIS DRAWING AND SPECIFICATIONS HEREBY ARE THE PROPERTY OF DIGITAL EQUIPMENT CORPORATION AND SHALL NOT BE REPRODUCED OR COPIED OR USED IN WHOLE OR IN PART AS THE BASIS FOR THE MANUFACTURE OR SALE OF ITEMS WITHOUT WRITTEN PERMISSION. COPYRIGHT © 1984, DIGITAL EQUIPMENT CORPORATION.

REVISIONS	
CHK	CHANGE NO. REV

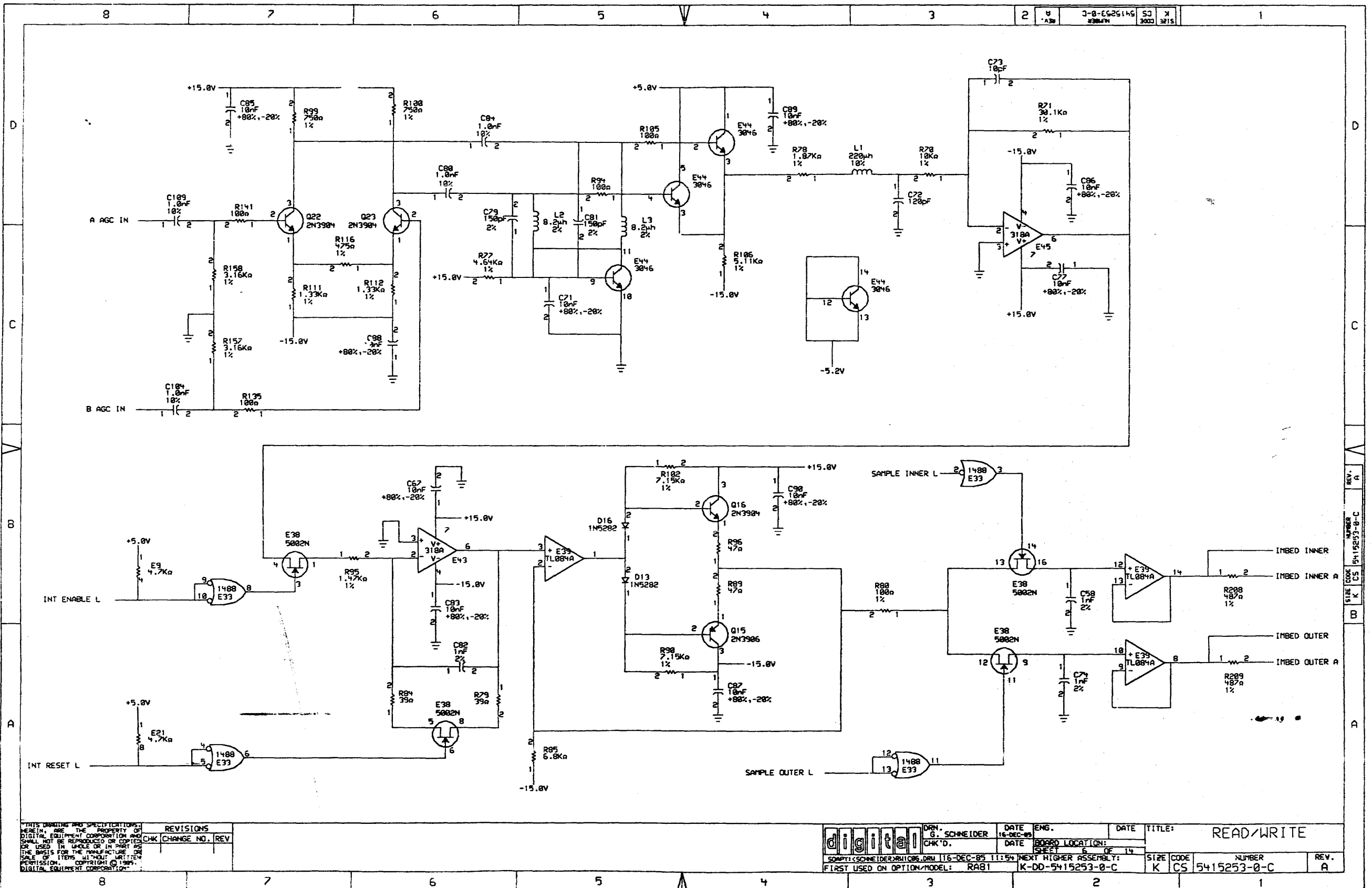
digital	DRN. G. SCHNEIDER	DATE 16-DEC-85	ENG.	DATE	TITLE: READ/WRITE
	CHK'D.	DATE	BOARD LOCATION: SHEET 4 OF 14		
FIRST USED ON OPTION/MODEL: RAB1					SIZE CODE K CS
NEXT HIGHER ASSEMBLY: K-DD-5415253-0-C					NUMBER 5415253-0-C
					REV. A



THIS DRAWING AND SPECIFICATIONS ARE THE PROPERTY OF DIGITAL EQUIPMENT CORPORATION AND SHALL NOT BE REPRODUCED OR COPIED OR USED IN WHOLE OR IN PART AS THE BASIS FOR THE MANUFACTURE OR SALE OF ITEMS WITHOUT WRITTEN PERMISSION. COPYRIGHT © 1980, DIGITAL EQUIPMENT CORPORATION.

REVISIONS	
CHK	CHANGE NO. REV

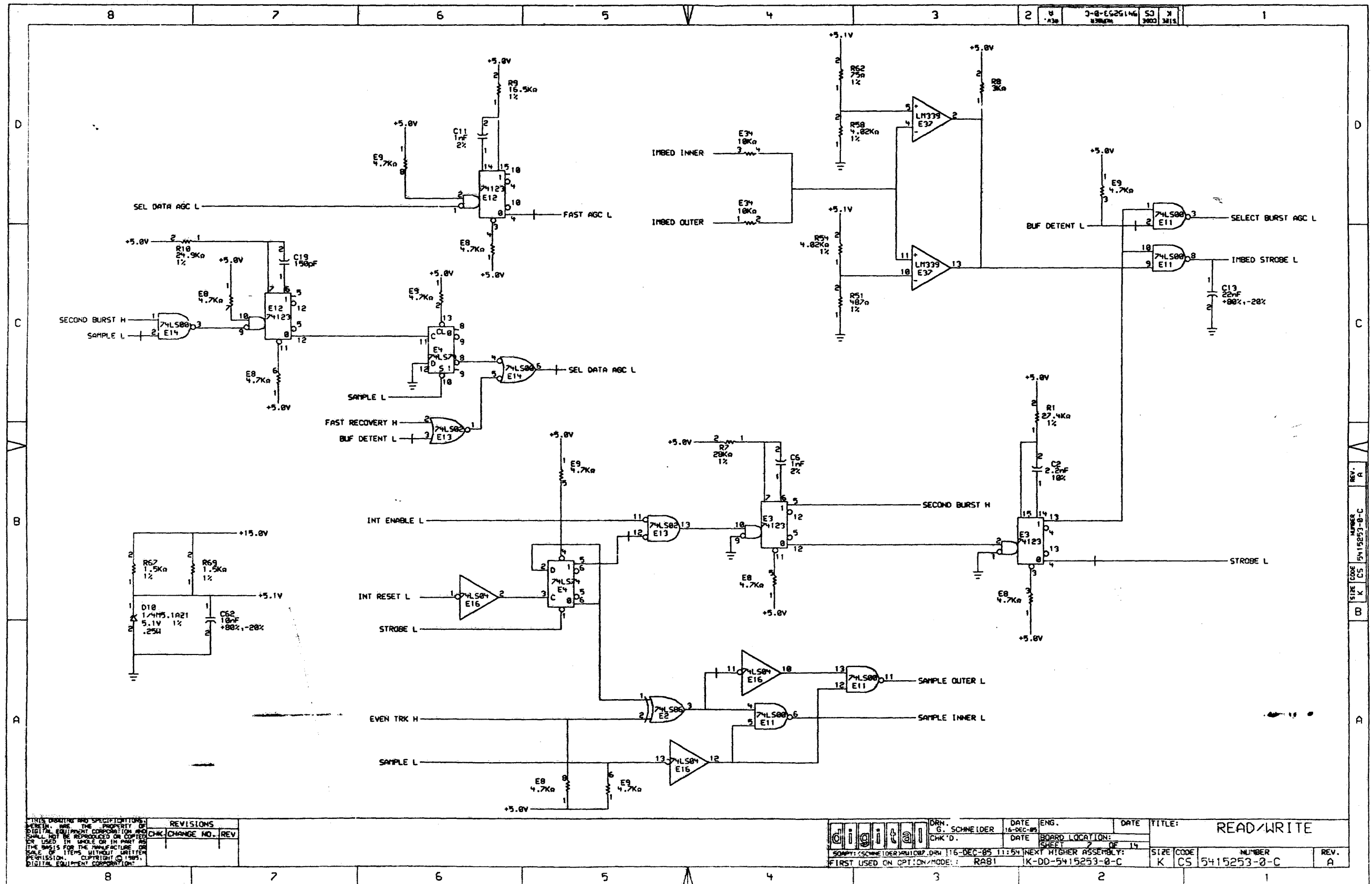
	DRN. G. SCHNEIDER	DATE 16-DEC-85	ENG.	DATE	TITLE: READ/WRITE
	CHK'D.	DATE	BOARD LOCATION:	SHEET 5 OF 14	
COPY: (SCHNEIDER) 116-DEC-85 11:54		NEXT HIGHER ASSEMBLY:		SIZE CODE K 05	NUMBER 5415253-0-C
FIRST USED ON: (SCHNEIDER) RAB1		K-DD-5415253-0-C		REV. A	



THIS DRAWING AND SPECIFICATIONS ARE THE PROPERTY OF DIGITAL EQUIPMENT CORPORATION AND SHALL NOT BE REPRODUCED OR COPIED OR USED IN WHOLE OR IN PART AS THE BASIS FOR THE MANUFACTURE OR SALE OF ITEMS WITHOUT WRITTEN PERMISSION. COPYRIGHT © 1984, DIGITAL EQUIPMENT CORPORATION.

REVISIONS	
CHK	CHANGE NO. REV

digital	DRN. G. SCHNEIDER	DATE 16-DEC-85	ENG.	DATE	TITLE: READ/WRITE
	CHK'D.	DATE	BOARD LOCATION: SHEET 6 OF 14		
FIRST USED ON OPTION/MODEL: RAB1					SIZE CODE K CS
NEXT HIGHER ASSEMBLY: K-DD-5415253-0-C					NUMBER 5415253-0-C
					REV. A

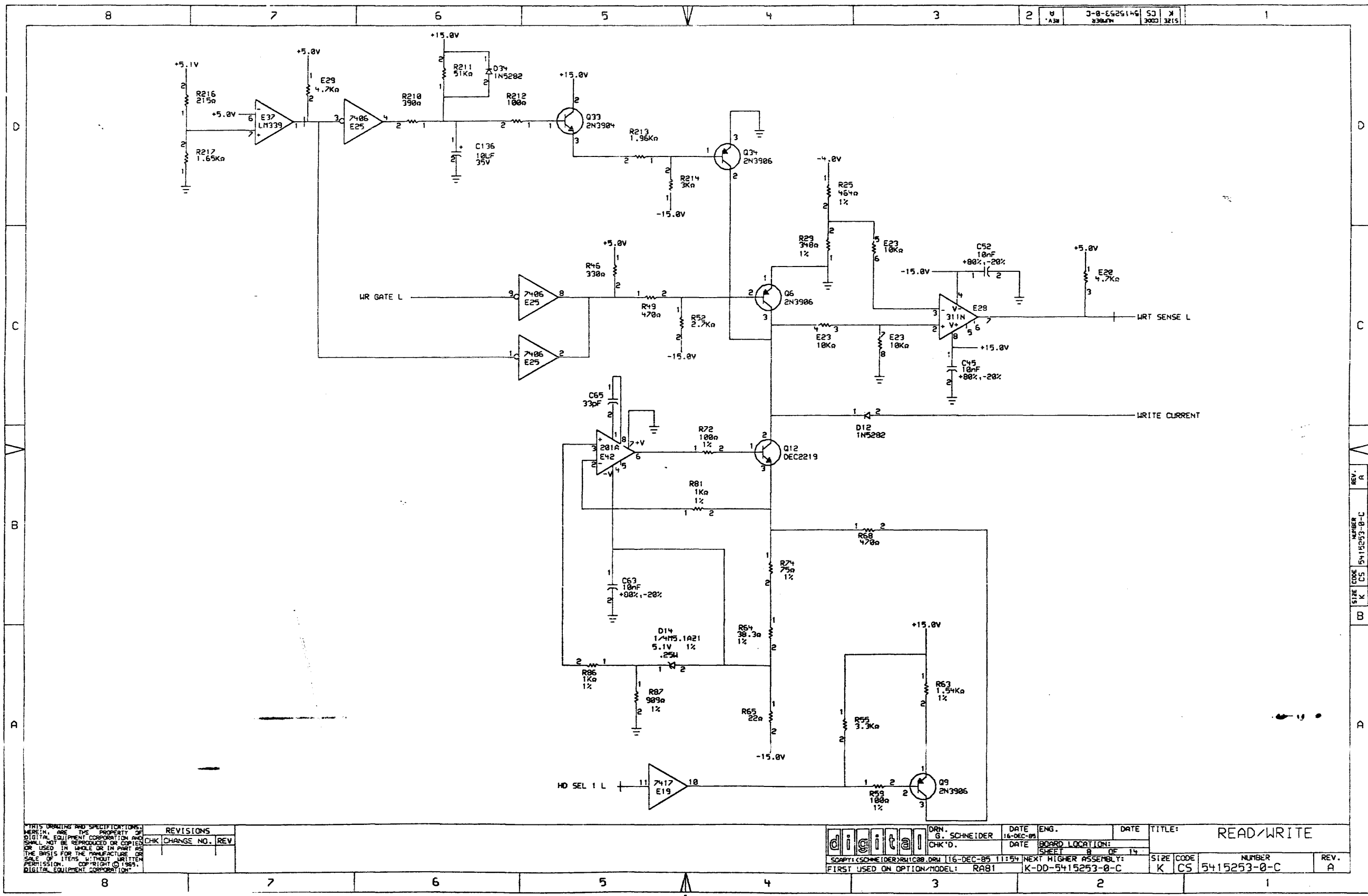


THIS DRAWING AND SPECIFICATIONS ARE THE PROPERTY OF DIGITAL EQUIPMENT CORPORATION AND SHALL NOT BE REPRODUCED OR COPIED OR USED IN WHOLE OR IN PART AS THE BASIS FOR THE MANUFACTURE OR SALE OF ITEMS WITHOUT WRITTEN PERMISSION. COPYRIGHT © 1985, DIGITAL EQUIPMENT CORPORATION.

REVISIONS		
CHK	CHANGE NO.	REV

	DRN.	DATE	ENG.	DATE	TITLE:
	G. SCHNEIDER	16-DEC-85			READ/WRITE
	CHK'D.	DATE	BOARD LOCATION:	SHEET	OF
				7	14
SCHEMATIC IDENTIFICATION: 16-DEC-85 11:54 NEXT HIGHER ASSEMBLY:					
FIRST USED ON OPTION/MODEL: RAB1 1K-DD-5415253-0-C					
SIZE	CODE	NUMBER	REV.		
K	CS	5415253-0-C	A		

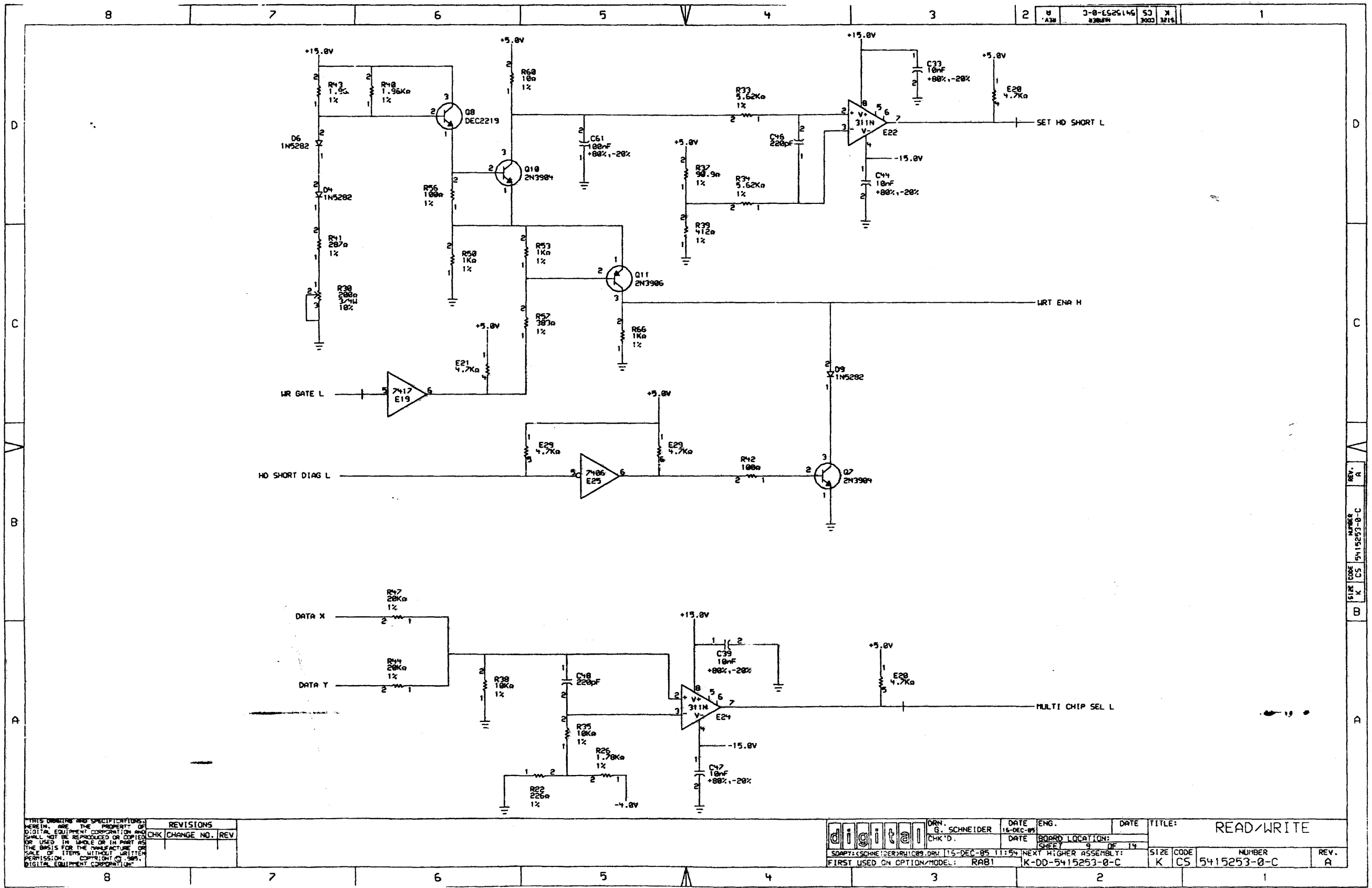
REV. A
NUMBER 5415253-0-C
SIZE CODE CS



THIS DRAWING AND SPECIFICATIONS
HEREIN ARE THE PROPERTY OF
DIGITAL EQUIPMENT CORPORATION AND
SHALL NOT BE REPRODUCED OR COPIED
OR USED IN WHOLE OR IN PART
AS THE BASIS FOR THE MANUFACTURE OR
SALE OF ITEMS WITHOUT WRITTEN
PERMISSION. COPYRIGHT © 1984,
DIGITAL EQUIPMENT CORPORATION

REVISIONS	
CHK	CHANGE NO. REV

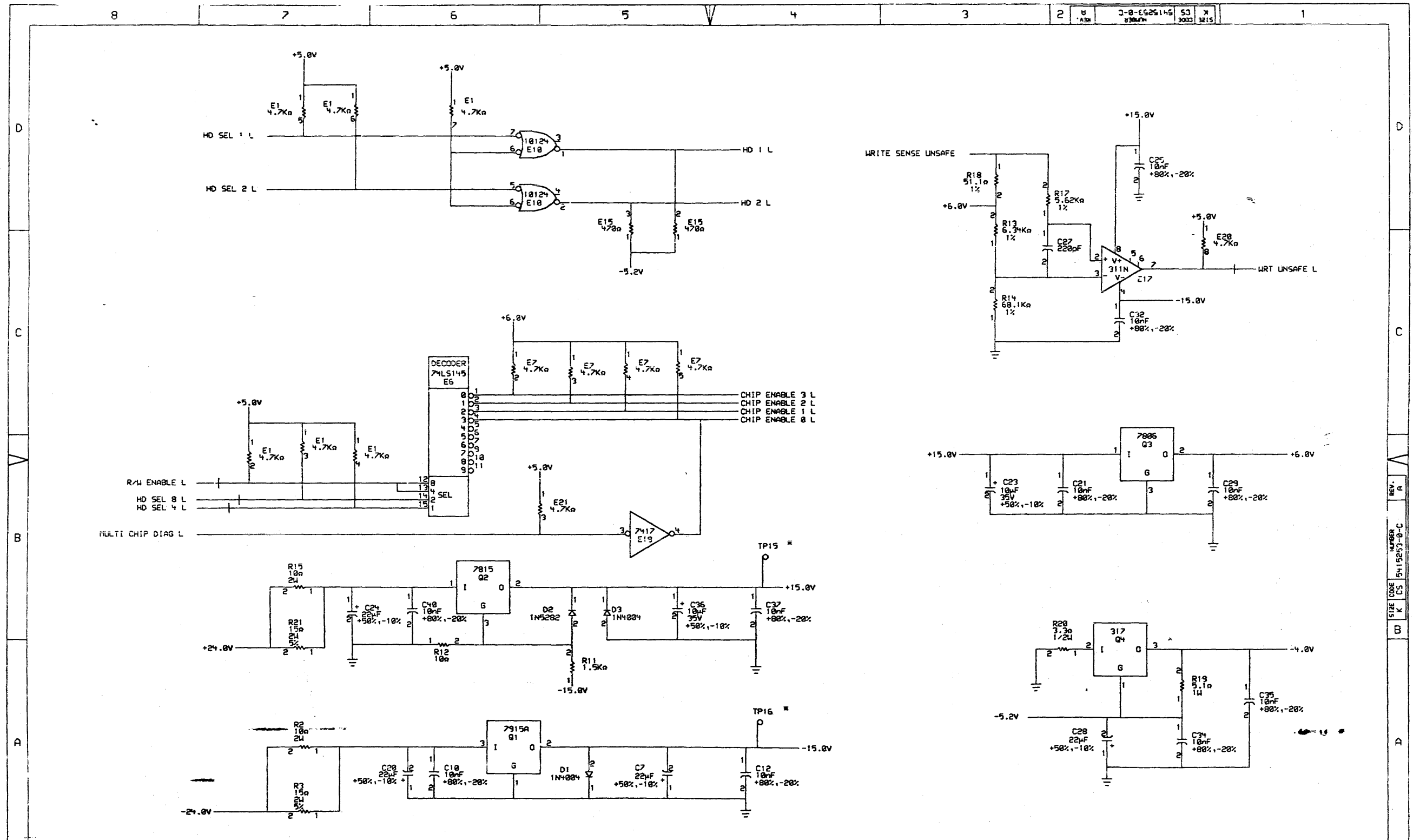
	DRN. G. SCHNEIDER	DATE 16-DEC-85	ENG.	DATE	TITLE: READ/WRITE
	CHK'D.	DATE	BOARD LOCATION:	SHEET 9 OF 14	
SOA: P1 CS/MS/DR/11/CS DRN 116-DEC-85 11:54 FIRST USED ON OPTION MODEL: RAB1		NEXT HIGHER ASSEMBLY: K-DD-5415253-0-C		SIZE CODE K CS NUMBER 5415253-0-C	REV. A



THIS DRAWING AND SPECIFICATIONS ARE THE PROPERTY OF DIGITAL EQUIPMENT CORPORATION AND SHALL NOT BE REPRODUCED OR COPIED OR USED IN WHOLE OR IN PART AS THE BASIS FOR THE MANUFACTURE OR SALE OF ITEMS WITHOUT WRITTEN PERMISSION. COPYRIGHT © 1985, DIGITAL EQUIPMENT CORPORATION.

REVISIONS	
CHK	CHANGE NO. REV

digital	DRN. G. SCHNEIDER	DATE 15-DEC-85	ENG.	DATE	TITLE: READ/WRITE
	CHK'D.	DATE	BOARD LOCATION:	SHEET 9 OF 14	SIZE CODE NUMBER REV. K CS 5415253-0-C A
FIRST USED ON OPTION/MODEL: RAB1		NEXT HIGHER ASSEMBLY: K-DD-5415253-0-C			



THIS DRAWING AND SPECIFICATIONS ARE THE PROPERTY OF DIGITAL EQUIPMENT CORPORATION AND SHALL NOT BE REPRODUCED OR COPIED OR USED IN WHOLE OR IN PART AS THE BASIS FOR THE MANUFACTURE OR SALE OF ITEMS WITHOUT WRITTEN PERMISSION. COPYRIGHT © 1985, DIGITAL EQUIPMENT CORPORATION

REVISIONS	
CHK	CHANGE NO. / REV

	DRAWN: G. SCHNEIDER	DATE: 15-DEC-85	ENG.	DATE	TITLE: READ/WRITE
	CHK'D:	DATE	BOARD LOCATION:	SHEET 18 OF 14	SIZE CODE
FIRST USED ON OPTION/MODEL: RAB1			NEXT HIGHER ASSEMBLY: K-DD-5415253-0-C		NUMBER
				K CS	5415253-0-C
					REV. A

REV. A
SIZE CS 5415253-0-C